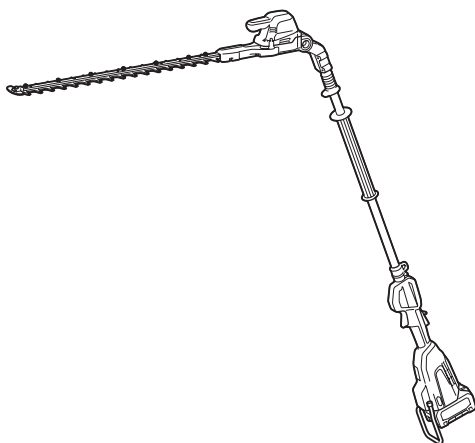




EN	Cordless Pole Hedge Trimmer	INSTRUCTION MANUAL	10
FR	Taille Haie Sur Perche Sans-Fil	MANUEL D'INSTRUCTIONS	22
DE	Akku-Heckenschneider	BETRIEBSANLEITUNG	36
IT	Tagliasiepi telescopico a batteria	ISTRUZIONI PER L'USO	51
NL	Accustokheggenschaar	GEBRUIKSAANWIJZING	66
ES	Cortasetos de Extensión Inalámbrico	MANUAL DE INSTRUCCIONES	80
PT	Aparador de Cerca Viva a Bateria	MANUAL DE INSTRUÇÕES	94
EL	Φορητό κονταροψάλιδο μπορντούρας	ΕΓΧΕΙΡΙΔΙΟ ΟΔΗΓΙΩΝ	108
TR	Akülü Yüksek Çit Budama	KULLANMA KILAVUZU	123

UN001G



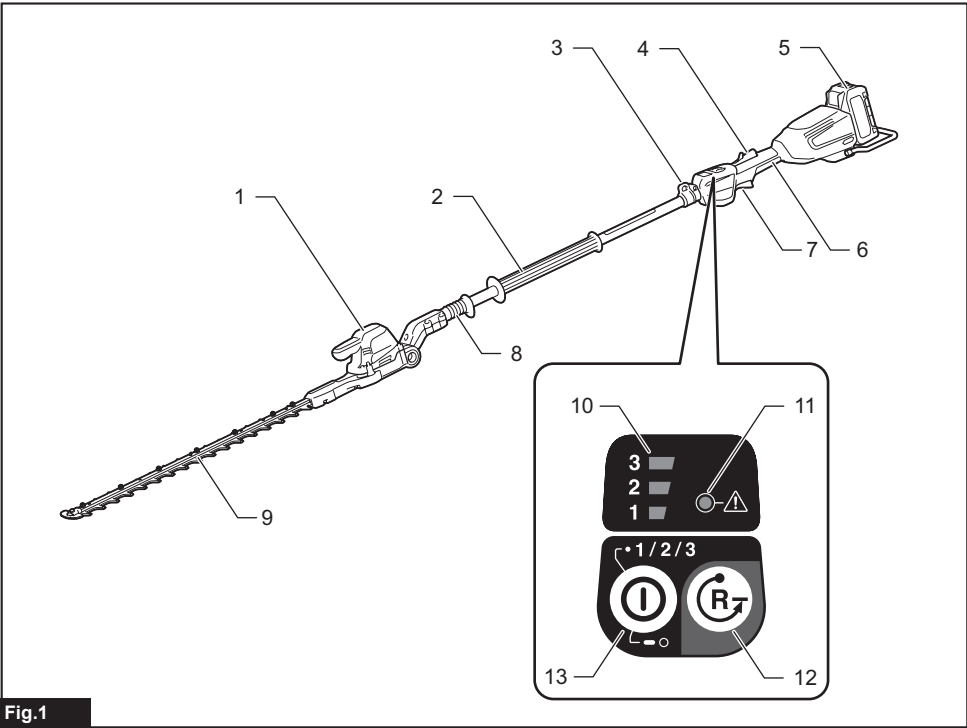


Fig.1

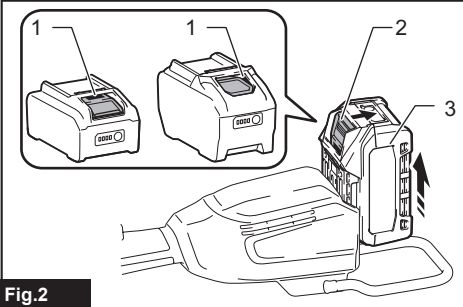


Fig.2

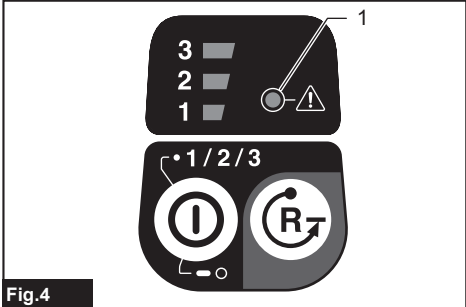


Fig.4

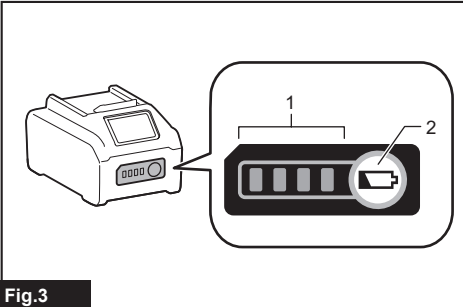


Fig.3

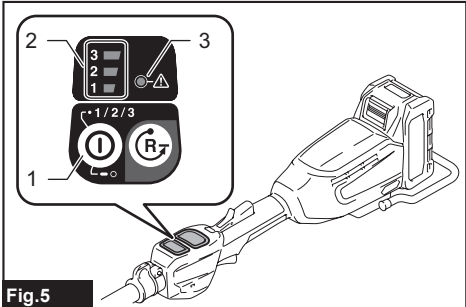


Fig.5

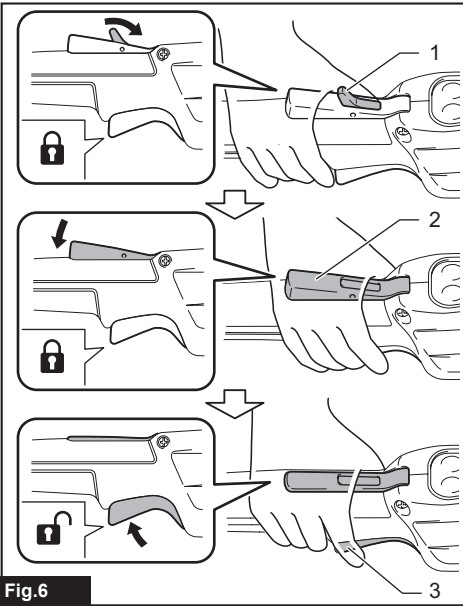


Fig.6

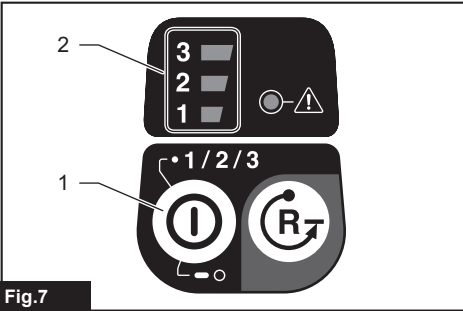


Fig.7

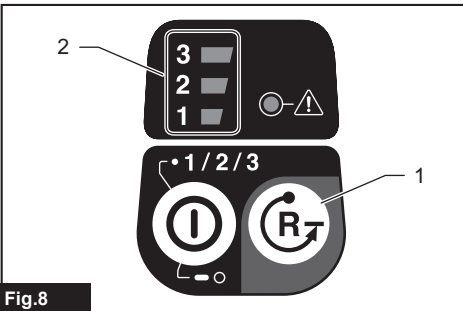


Fig.8

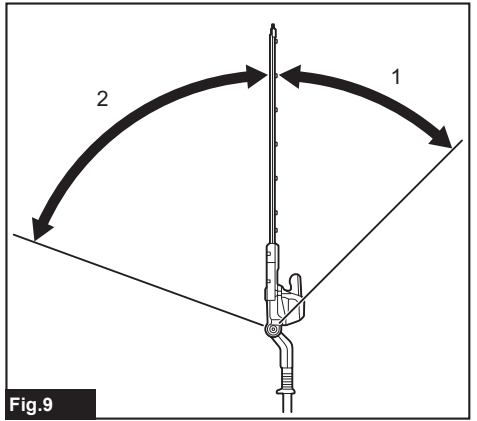


Fig.9

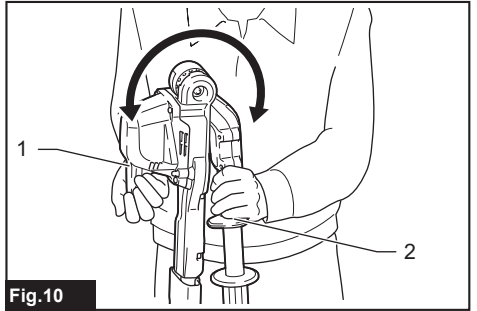


Fig.10

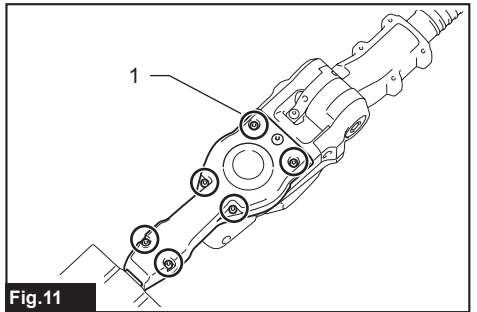
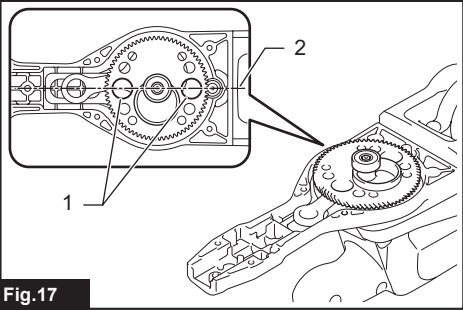
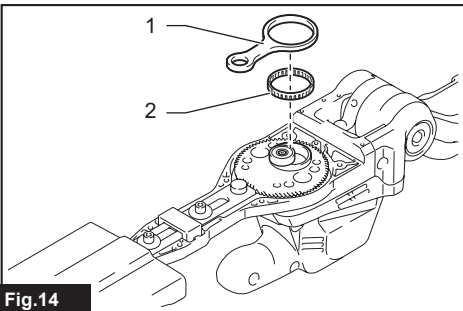
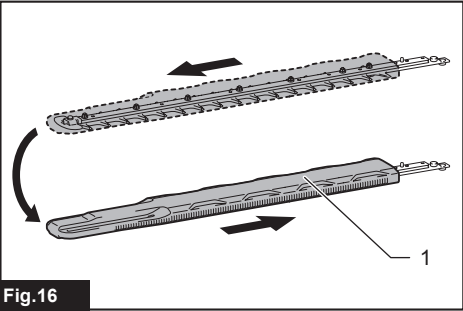
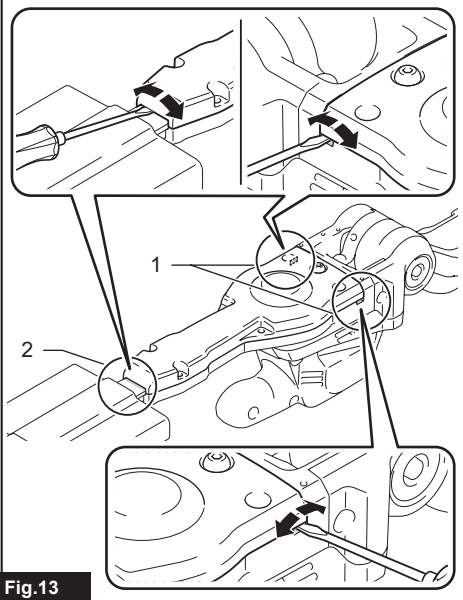
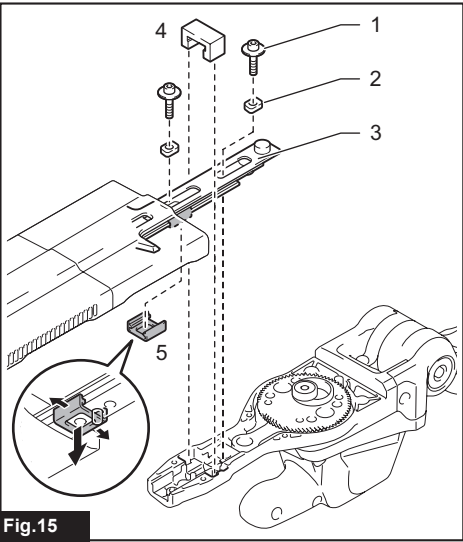
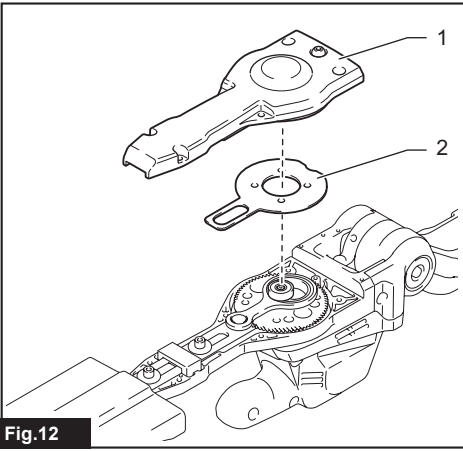


Fig.11



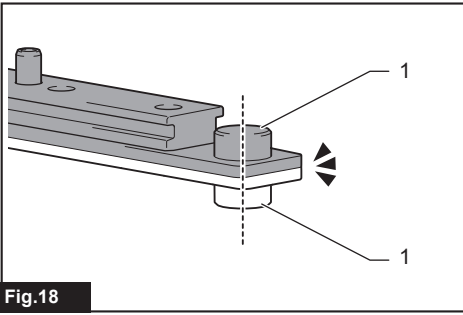


Fig.18

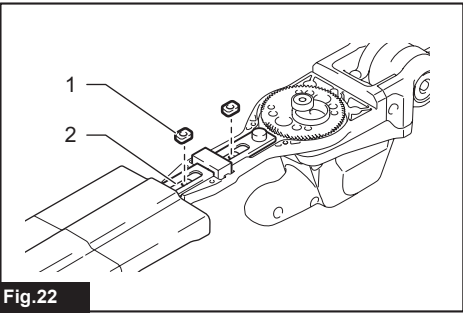


Fig.22

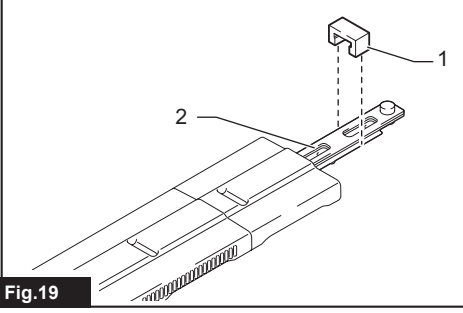


Fig.19

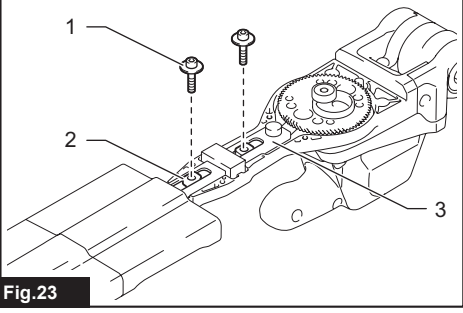


Fig.23

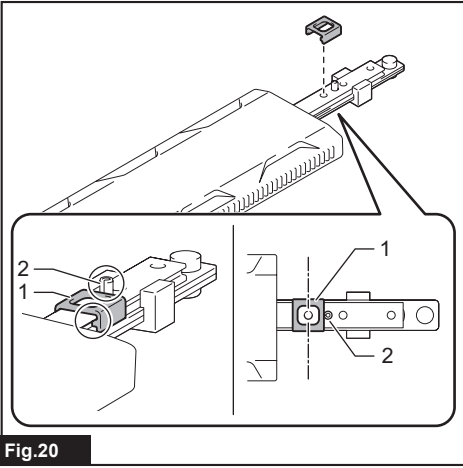


Fig.20

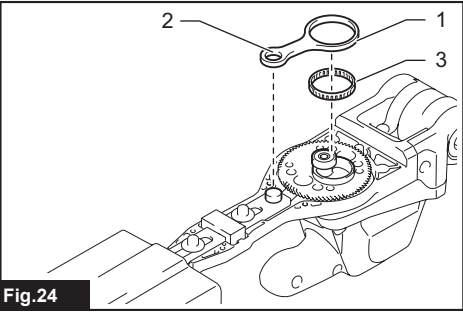


Fig.24

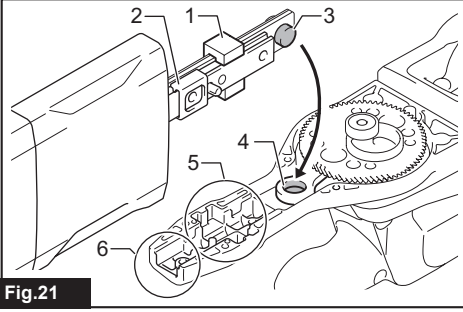


Fig.21

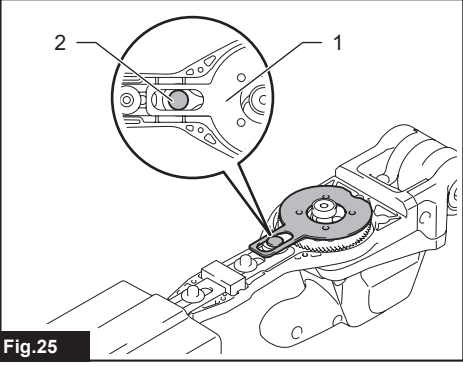


Fig.25

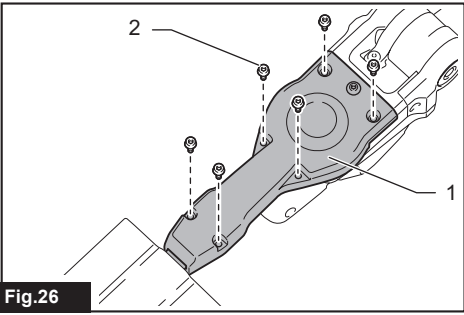


Fig.26

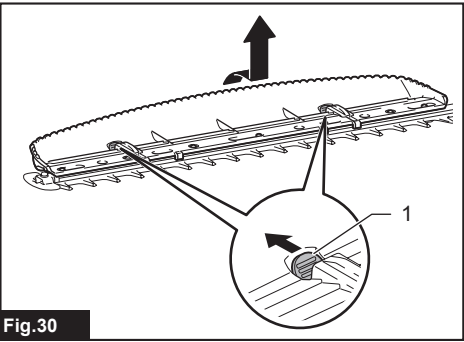


Fig.30

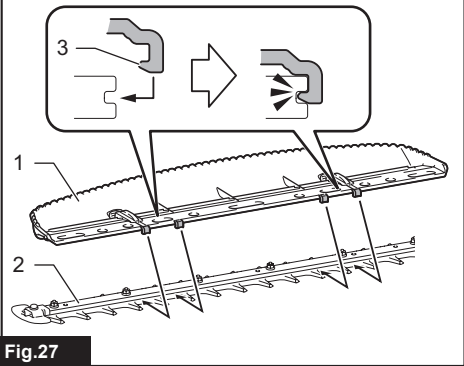


Fig.27

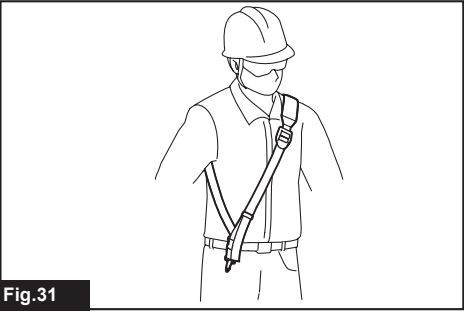


Fig.31

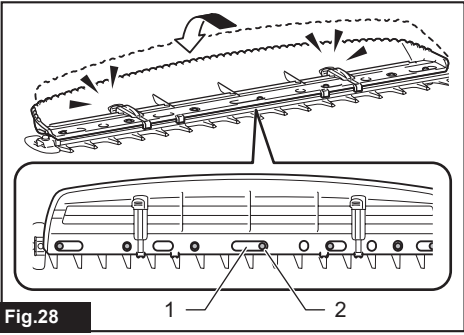


Fig.28

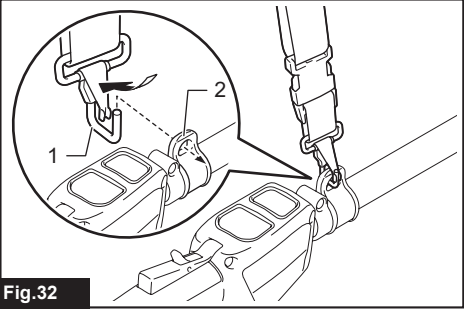


Fig.32

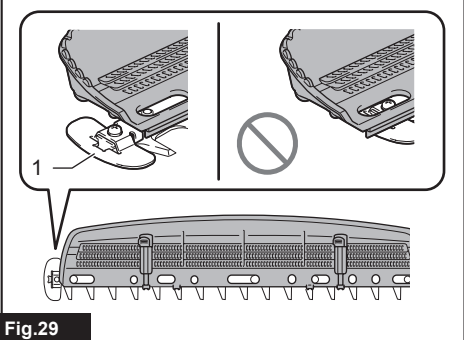


Fig.29

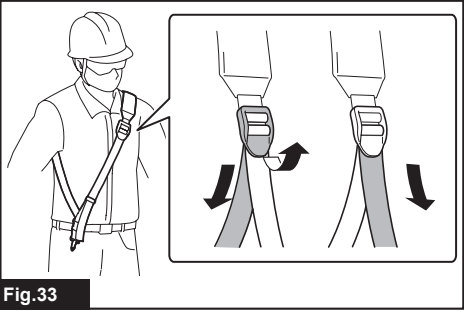


Fig.33

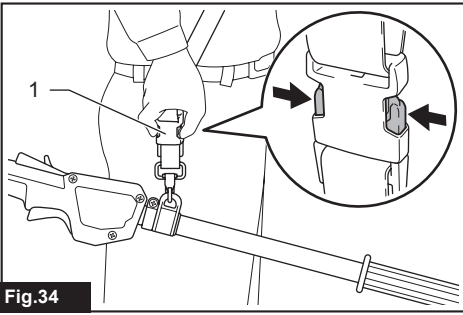


Fig.34

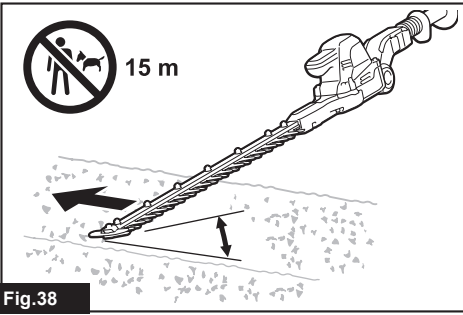


Fig.38

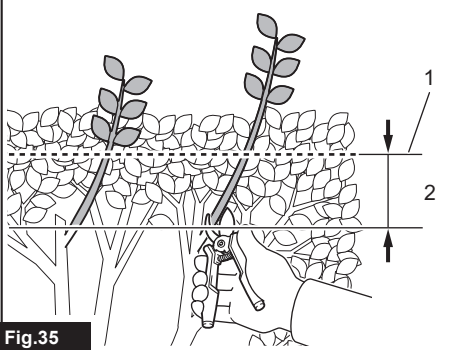


Fig.35

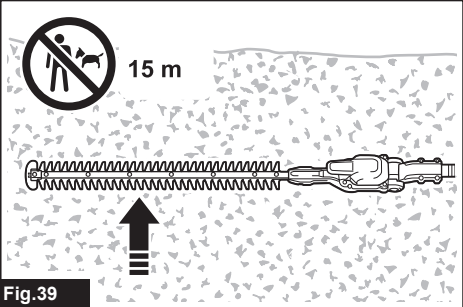


Fig.39

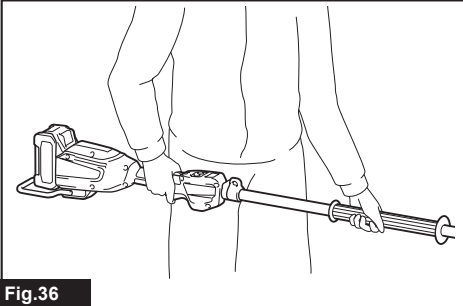


Fig.36

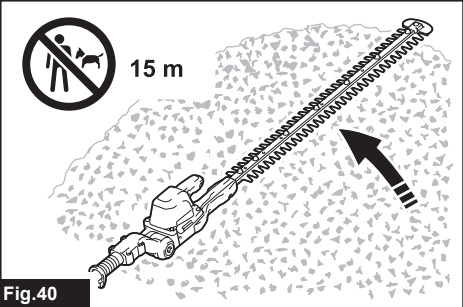


Fig.40

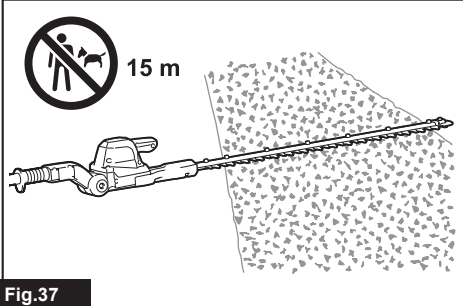


Fig.37

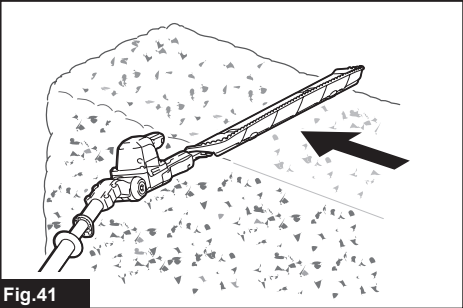
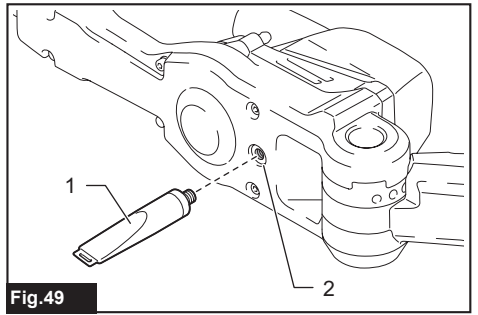
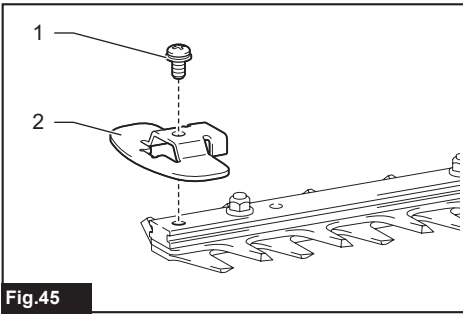
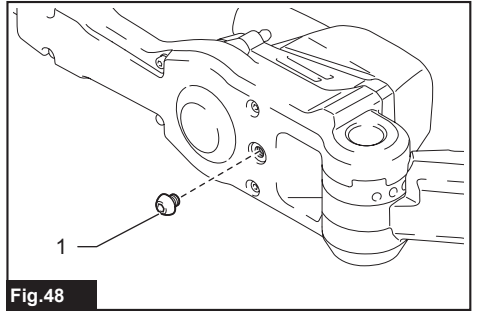
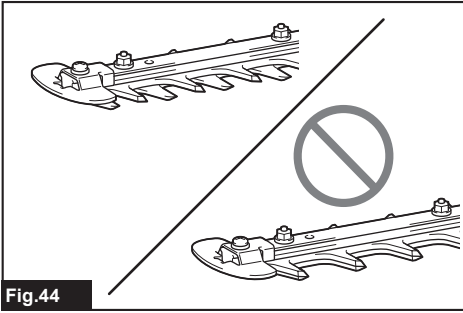
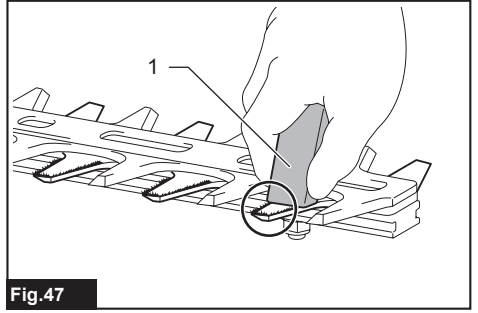
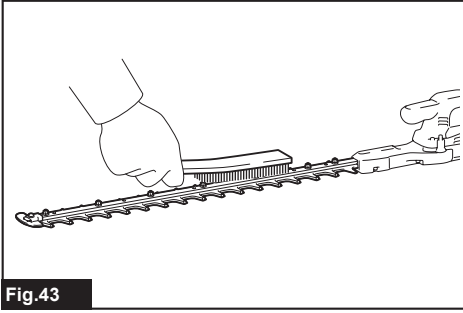
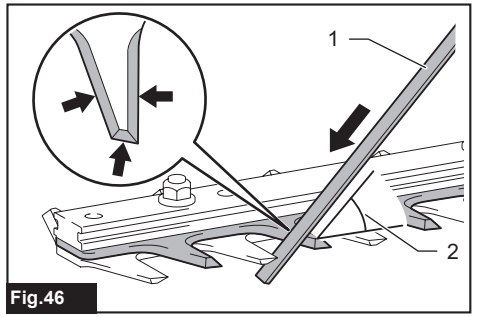
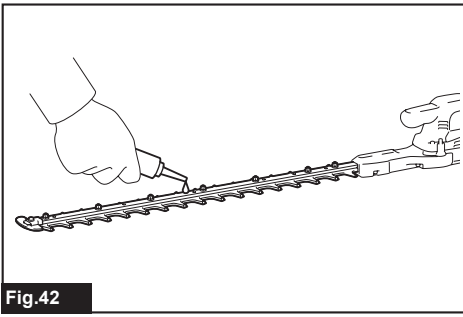


Fig.41



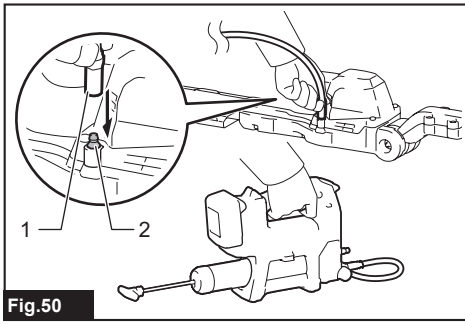


Fig.50

SPECIFICATIONS

Model:		UN001G
Blade length		600 mm
Strokes per minute		2,000 / 3,000 / 4,000 min ⁻¹
Cutting blade angle		115° (up 45°, down 70°)
Overall length		2,268 mm
Rated voltage		D.C. 36 V - 40 V max
Net weight	*1	4.0 kg
	*2	4.7 - 5.9 kg
Protection degree		IPX4

- Due to our continuing program of research and development, the specifications herein are subject to change without notice.
 - Specifications may differ from country to country.
- *1: Weight without any accessories or battery cartridge(s)
 *2: The weight may differ depending on the attachment(s), including the battery cartridge. The lightest and heaviest combinations, according to EPTA-Procedure 01/2014, are shown in the table.

Applicable battery cartridge and charger

Battery cartridge	BL4020 / BL4025 / BL4040 / BL4040F / BL4050F / BL4080F
Charger	DC40RA / DC40RB / DC40RC / DC40WA

- Some of the battery cartridges and chargers listed above may not be available depending on your region of residence.

⚠WARNING: Only use the battery cartridges and chargers listed above. Use of any other battery cartridges and chargers may cause injury and/or fire.






Recommended cord connected power source

Portable power pack	PDC01 / PDC1200 / PDC1500
---------------------	---------------------------

- The cord connected power source(s) listed above may not be available depending on your region of residence.
- Before using the cord connected power source, read instruction and cautionary markings on them.

Symbols

The followings show the symbols which may be used for the equipment. Be sure that you understand their meaning before use.

	Read instruction manual.
	Wear a helmet, goggles and ear protection.
	DANGER - Keep hands away from blade.
	Beware of electrical lines, risk of electrical shock.
	Keep distance at least 15 m.



Only for EU countries
 Due to the presence of hazardous components in the equipment, waste electrical and electronic equipment, accumulators and batteries may have a negative impact on the environment and human health. Do not dispose of electrical and electronic appliances or batteries with household waste!

In accordance with the European Directive on waste electrical and electronic equipment and on accumulators and batteries and waste accumulators and batteries, as well as their adaptation to national law, waste electrical equipment, batteries and accumulators should be stored separately and delivered to a separate collection point for municipal waste, operating in accordance with the regulations on environmental protection. This is indicated by the symbol of the crossed-out wheeled bin placed on the equipment.



Guaranteed sound power level according to EU Outdoor Noise Directive.



Sound power level according to Australia
NSW Noise Control Regulation.

Intended use

The tool is intended for trimming hedges.

Noise

The typical A-weighted noise level determined according to EN62841-4-2:

Model	Sound pressure level		Guaranteed sound power level	Measured sound power level	
	L _{pA} (dB(A))	Uncertainty K (dB(A))	L _{wA} (dB(A))	L _{wA} (dB(A))	Uncertainty K (dB(A))
UN001G	82	3	94	93	1.5

NOTE: The declared noise emission value(s) has been measured in accordance with a standard test method and may be used for comparing one tool with another.

NOTE: The declared noise emission value(s) may also be used in a preliminary assessment of exposure.

⚠ WARNING: Wear ear protection.

⚠ WARNING: The noise emission during actual use of the power tool can differ from the declared value(s) depending on the ways in which the tool is used especially what kind of workpiece is processed.

⚠ WARNING: Be sure to identify safety measures to protect the operator that are based on an estimation of exposure in the actual conditions of use (taking account of all parts of the operating cycle such as the times when the tool is switched off and when it is running idle in addition to the trigger time).

Vibration

The vibration total value (tri-axial vector sum) determined according to EN62841-4-2:

Model	Left hand (Front grip / Handle)		Right hand (Rear grip)	
	ah (m/s ²)	Uncertainty K (m/s ²)	ah (m/s ²)	Uncertainty K (m/s ²)
UN001G	4.9	1.5	3.5	1.5

NOTE: The declared vibration total value(s) has been measured in accordance with a standard test method and may be used for comparing one tool with another.

NOTE: The declared vibration total value(s) may also be used in a preliminary assessment of exposure.

⚠ WARNING: The vibration emission during actual use of the power tool can differ from the declared value(s) depending on the ways in which the tool is used especially what kind of workpiece is processed.

⚠ WARNING: Be sure to identify safety measures to protect the operator that are based on an estimation of exposure in the actual conditions of use (taking account of all parts of the operating cycle such as the times when the tool is switched off and when it is running idle in addition to the trigger time).

Declarations of Conformity

For European countries only

The Declarations of conformity are included in Annex A to this instruction manual.

Save all warnings and instructions for future reference.

The term "power tool" in the warnings refers to your mains-operated (corded) power tool or battery-operated (cordless) power tool.

Cordless pole hedge trimmer safety warnings

Cordless hedge trimmer safety warnings:

1. **Do not use the hedge trimmer in bad weather conditions, especially when there is a risk of lightning.** This decreases the risk of being struck by lightning.
2. **Keep all power cords and cables away from cutting area.** Power cords or cables may be

SAFETY WARNINGS

General power tool safety warnings

⚠ WARNING Read all safety warnings, instructions, illustrations and specifications provided with this power tool. Failure to follow all instructions listed below may result in electric shock, fire and/or serious injury.

- hidden in hedges or bushes and can be accidentally cut by the blade.
3. **Wear ear protection.** Adequate protective equipment will reduce the risk of hearing loss.
 4. **Hold the hedge trimmer by insulated gripping surfaces only, because the blade may contact hidden wiring.** Blades contacting a "live" wire may make exposed metal parts of the hedge trimmer "live" and could give the operator an electric shock.
 5. **Keep all parts of the body away from the blade. Do not remove cut material or hold material to be cut when blades are moving.** Blades continue to move after the switch is turned off. A moment of inattention while operating the hedge trimmer may result in serious personal injury.
 6. **When clearing jammed material or servicing the hedge trimmer, make sure all power switches are off and the battery pack is removed or disconnected.** Unexpected actuation of the hedge trimmer while clearing jammed material or servicing may result in serious personal injury.
 7. **Carry the hedge trimmer by the handle with the blade stopped and taking care not to operate any power switch.** Proper carrying of the hedge trimmer will decrease the risk of inadvertent starting and resultant personal injury from the blades.
 8. **When transporting or storing the hedge trimmer, always use the blade cover.** Proper handling of the hedge trimmer will decrease the risk of personal injury from the blades.

Cordless pole hedge trimmer safety warnings:

1. **Always use head protection when operating the pole hedge trimmer overhead.** Falling debris can result in serious personal injury.
2. **Always use two hands when operating the pole hedge trimmer.** Hold the pole hedge trimmer with both hands to avoid loss of control.
3. **To reduce the risk of electrocution, never use the pole hedge trimmer near any electrical power lines.** Contact with or use near power lines may cause serious injury or electric shock resulting in death.

Additional Safety Warnings

Preparation

1. **THIS HEDGE TRIMMER CAN CAUSE SERIOUS INJURIES.** Read the instructions carefully for the correct handling, preparation, maintenance, starting and stopping of the tool. Become familiar with all controls and the proper use of the tool.
2. **Check the hedges and bushes for foreign objects, such as wire fences or hidden wiring before operating the tool.**
3. **The tool must not be used by children or young persons under 18 years of age.** Young persons over 16 years of age may be exempted from this restriction if they are undergoing training under the supervision of an expert.
4. **In the event of an emergency, switch off the tool and remove the battery cartridge immediately.**

5. **DANGER - Keep hands away from blade.** Contact with blade will result in serious personal injury.
6. **Only use with handle and guard properly assembled to the tool.** The use of the tool without the proper guard or handle provided may result in serious personal injury.
7. **First-time users should have an experienced user show them how to use the tool.**
8. **Before operation, examine the work area for wire fences, stones, or other solid objects. They can damage the blades.**
9. **Use the tool only if you are in good physical condition.** If you are tired, your attention will be reduced. Be especially careful at the end of a working day. Perform all work calmly and carefully. The user is responsible for all damages to third parties.
10. **Before starting work, check to make sure that the tool is in good and safe working order. Ensure guards are fitted properly. The tool must not be used unless fully assembled.**
11. **Avoid dangerous environment. Do not use the tool in damp or wet locations or expose it to rain. Water entering the tool will increase the risk of electric shock.**

Personal protective equipment

1. **Work gloves of stout leather are part of the basic equipment of the tool and must always be worn when working with it. Also wear sturdy shoes with anti-skid soles.**
2. **Wear ear protection such as ear muffs to prevent hearing loss.**
3. **Wear protective goggles, safety helmet and protective gloves to protect yourself from flying debris or falling objects.**
4. **When touching blades or adjusting the blade angle, wear protective gloves.** Blades can cut bare hands severely.

Operation

1. **Always use two hands to operate the tool fitted with two handles.** Using one hand could cause loss of control and result in serious personal injury.
2. **While operating the tool, always ensure that the operating position is safe and secure. Overreaching with the tool, particularly from a ladder, is extremely dangerous. Do not work from anything wobbly or infirm.**
3. **Do not simultaneously wear multiple belt harnesses and/or shoulder harnesses when operating the tool.**
4. **During operation, keep bystanders or animals at least 15 m away from the tool. Stop the tool as soon as someone approaches.**
5. **If cutting tool strikes any object or the tool starts making unusual noise or vibration, switch off the tool and remove the battery cartridge immediately and allow the tool to stop. And then take the following steps:**
 - inspect for damage
 - check for, and tighten, any loose parts
 - have any damaged parts replaced or repaired with genuine spare parts.

6. **Only use the tool for its intended purpose. Do not use the tool for any other purpose.**
7. **Switch off the tool and remove the battery cartridge before:**
 - cleaning or when clearing a blockage,
 - checking, carrying out maintenance or working on the tool,
 - adjusting the working position of the shear blades,
 - leaving the tool unattended.
8. **Ensure that the tool is correctly located in a designated working position before starting the tool.**
9. **Do not operate the tool with a damaged or excessively worn shear blades.**
10. **Always ensure that all handles and guards are fitted when using the tool. Never attempt to use an incomplete tool or one fitted with an unauthorized modification.**
11. **Always be aware of your surroundings and stay alert for possible hazards of which you may not be aware due to the noise of the tool.**
12. **Be careful not to accidentally contact a metal fence or other hard objects during operation. The blade will break and may cause serious injury.**
13. **Avoid unintentional starting. Do not carry the tool when the battery cartridge is installed and with finger on the switch. Make sure that the switch is off when installing the battery cartridge.**
14. **Do not grasp the exposed cutting blades or cutting edges when picking up or holding the tool.**
15. **Do not force the tool.** It will do the job better and with less likelihood of a risk of injury at the rate for which it was designed.
16. **Do not use the tool in the rain or in wet or very damp conditions.** The electric motor is not waterproof.
17. **Hold the tool firmly when using the tool.**
18. **Do not operate the tool at no-load unnecessarily.**
19. **Before checking the shear blades, taking care of faults, or removing foreign objects caught in the shear blades, always switch off the tool and remove the battery cartridge.**
20. **Never point the shear blades to yourself or others.**
21. **If the blades stop moving due to the stuck of foreign objects between the blades during operation, switch off the tool and remove the battery cartridge, and then remove the foreign objects using tools such as pliers. Removing the foreign objects by hand may cause an injury for the reason that the blades may move in reaction to removing the foreign objects.**
22. **Make sure there are no electrical cables, water pipes, gas pipes etc. that could cause a hazard if damaged by use of the tool.**
23. **Do not touch the metal parts or hot surfaces of the tool during use or immediately after operation; they may be extremely hot and could burn your skin. Let the tool cool down before carrying out any work on the tool.**
24. **Do not use the tool on soft/unstable/slippery ground or steep inclines. Avoid working on ladders or at heights.** Doing otherwise may cause a risk of falling, resulting in personal injury.
25. **Do not use the tool in bad weather or at night where visibility is limited.** Failure to do so may cause fall or incorrect operation due to low visibility.
26. **Avoid working in poor environment where increased user fatigue is expected.**
27. **Do not submerge the tool into a puddle.**
28. **Do not leave the tool unattended outdoors in the rain.**
29. **When wet leaves or dirt adhere to the suction mouth (ventilation window) due to rain, remove them.**
30. **Do not use the tool in the snow.**

Electrical and battery safety

1. **Do not dispose of the battery(ies) in a fire. The cell may explode. Check with local codes for possible special disposal instructions.**
2. **Do not open or mutilate the battery(ies). Released electrolyte is corrosive and may cause damage to the eyes or skin. It may be toxic if swallowed.**
3. **Do not charge battery in rain, or in wet locations.**
4. **Do not charge the battery outdoors.**
5. **Do not handle charger, including charger plug, and charger terminals with wet hands.**
6. **Do not replace the battery with wet hands.**
7. **Do not replace the battery in the rain.**
8. **Do not wet the terminal of battery with liquid such as water, or submerge the battery. Do not leave the battery in the rain, nor charge, use, or store the battery in a damp or wet place. If the terminal gets wet or liquid enters inside of battery, the battery may be short circuited and there is a risk of overheat, fire, or explosion.**
9. **After removing the battery from the tool or charger, be sure to attach the battery cover to the battery and store it in a dry place.**
10. **If the battery cartridge gets wet, drain the water inside and then wipe it with a dry cloth. Dry the battery cartridge completely in a dry place before use.**

Maintenance and storage

1. **When the tool is stopped for servicing, inspection or storage, switch off the tool and remove the battery cartridge, and make sure all moving parts have come to a stop. Allow the tool to cool before making any inspections, adjustment, etc.**
2. **Always allow the tool to cool down before storing.**
3. **When not in use, attach the blade cover to the tool and store the tool indoors in dry, and high locked-up place, out of reach of children.**
4. **Maintain the tool with care. Keep cutting edge sharp and clean for best performance and to reduce the risk of injury. Follow instructions for lubricating and changing accessories. Keep handles dry, clean, and free from oil and grease.**

5. Check damaged parts. Before further use of the tool, any part which is damaged should be carefully checked to determine that it will operate properly and perform its intended function. Check for alignment of moving parts, binding of moving parts, breakage of parts, mounting and any other condition that may affect its operation. A guard or other part that is damaged should be properly repaired or replaced by your authorized service center.
6. Use genuine spare parts only.
7. When moving the tool to another location, including during work, always remove the battery cartridge and put the blade cover on the shear blades. Never carry or transport the tool with the blades running. Never grasp the blades with your hands.
8. Clean the tool and especially the shear blades after use, and before putting the tool into storage for extended periods. Lightly oil the shear blades and put on the blade cover.
9. Do not wash the tool with high pressure water.
10. When washing the tool, do not let water enter the electrical mechanism such as battery, motor, and terminals.
11. Perform inspection or maintenance in a place where rain can be avoided.
12. After using the tool, remove the adhered dirt and dry the tool completely before storing. Depending on the season or the area, there is a risk of malfunction due to freezing.
13. When storing the tool, avoid direct sunlight and rain, and store it in a place where it does not get hot or humid.
5. Do not short the battery cartridge:
 - (1) Do not touch the terminals with any conductive material.
 - (2) Avoid storing battery cartridge in a container with other metal objects such as nails, coins, etc.
 - (3) Do not expose battery cartridge to water or rain.

A battery short can cause a large current flow, overheating, possible burns and even a breakdown.
6. Do not store and use the tool and battery cartridge in locations where the temperature may reach or exceed 50 °C (122 °F).
7. Do not incinerate the battery cartridge even if it is severely damaged or is completely worn out. The battery cartridge can explode in a fire.
8. Do not nail, cut, crush, throw, drop the battery cartridge, or hit against a hard object to the battery cartridge. Such conduct may result in a fire, excessive heat, or explosion.
9. Do not use a damaged battery.
10. The contained lithium-ion batteries are subject to the Dangerous Goods Legislation requirements.

For commercial transports e.g. by third parties, forwarding agents, special requirement on packaging and labeling must be observed. For preparation of the item being shipped, consulting an expert for hazardous material is required. Please also observe possibly more detailed national regulations.

Tape or mask off open contacts and pack up the battery in such a manner that it cannot move around in the packaging.

SAVE THESE INSTRUCTIONS.

⚠ WARNING: DO NOT let comfort or familiarity with product (gained from repeated use) replace strict adherence to safety rules for the subject product. MISUSE or failure to follow the safety rules stated in this instruction manual may cause serious personal injury.

Important safety instructions for battery cartridge

1. Before using battery cartridge, read all instructions and cautionary markings on (1) battery charger, (2) battery, and (3) product using battery.
2. Do not disassemble or tamper with the battery cartridge. It may result in a fire, excessive heat, or explosion.
3. If operating time has become excessively shorter, stop operating immediately. It may result in a risk of overheating, possible burns and even an explosion.
4. If electrolyte gets into your eyes, rinse them out with clear water and seek medical attention right away. It may result in loss of your eyesight.
11. When disposing of the battery cartridge, remove it from the tool and dispose of it in a safe place. Follow your local regulations relating to disposal of battery.
12. Use the batteries only with the products specified by Makita. Installing the batteries to non-compliant products may result in a fire, excessive heat, explosion, or leak of electrolyte.
13. If the tool is not used for a long period of time, the battery must be removed from the tool.
14. During and after use, the battery cartridge may take on heat which can cause burns or low temperature burns. Pay attention to the handling of hot battery cartridges.
15. Do not touch the terminal of the tool immediately after use as it may get hot enough to cause burns.
16. Do not allow chips, dust, or soil stuck into the terminals, holes, and grooves of the battery cartridge. It may cause heating, catching fire, burst and malfunction of the tool or battery cartridge, resulting in burns or personal injury.
17. Unless the tool supports the use near high-voltage electrical power lines, do not use the battery cartridge near high-voltage electrical power lines. It may result in a malfunction or breakdown of the tool or battery cartridge.
18. Keep the battery away from children.

SAVE THESE INSTRUCTIONS.

⚠ CAUTION: Only use genuine Makita batteries. Use of non-genuine Makita batteries, or batteries that have been altered, may result in the battery bursting causing fires, personal injury and damage. It will also void the Makita warranty for the Makita tool and charger.

Tips for maintaining maximum battery life

1. Charge the battery cartridge before completely discharged. Always stop tool operation and

charge the battery cartridge when you notice less tool power.

2. Never recharge a fully charged battery cartridge. Overcharging shortens the battery service life.
3. Charge the battery cartridge with room temperature at 10 °C - 40 °C (50 °F - 104 °F). Let a hot battery cartridge cool down before charging it.
4. When not using the battery cartridge, remove it from the tool or the charger.
5. Charge the battery cartridge if you do not use it for a long period (more than six months).

PARTS DESCRIPTION

► Fig.1

1	Head	2	Front grip	3	Hanger	4	Lock-off lever
5	Battery cartridge	6	Rear grip	7	Switch lever	8	Slide sleeve
9	Shear blades	10	Speed indicator	11	Caution lamp	12	Reverse button
13	Main power button	-	-	-	-	-	-

FUNCTIONAL DESCRIPTION

⚠ CAUTION: Always be sure that the tool is switched off and the battery cartridge is removed before adjusting or checking function on the tool.

Installing or removing battery cartridge

⚠ CAUTION: Always switch off the tool before installing or removing of the battery cartridge.

⚠ CAUTION: Hold the tool and the battery cartridge firmly when installing or removing battery cartridge. Failure to hold the tool and the battery cartridge firmly may cause them to slip off your hands and result in damage to the tool and battery cartridge and a personal injury.

To install the battery cartridge, align the tongue on the battery cartridge with the groove in the housing and slip it into place. Insert it all the way until it locks in place with a little click. If you can see the red indicator as shown in the figure, it is not locked completely.

To remove the battery cartridge, slide it from the tool while sliding the button on the front of the cartridge.

► Fig.2: 1. Red indicator 2. Button 3. Battery cartridge











⚠ CAUTION: Always install the battery cartridge fully until the red indicator cannot be seen. If not, it may accidentally fall out of the tool, causing injury to you or someone around you.

⚠ CAUTION: Do not install the battery cartridge forcibly. If the cartridge does not slide in easily, it is not being inserted correctly.

Indicating the remaining battery capacity

Press the check button on the battery cartridge to indicate the remaining battery capacity. The indicator lamps light up for a few seconds.

► Fig.3: 1. Indicator lamps 2. Check button

Indicator lamps			Remaining capacity
 Lighted	 Off	 Blinking	
			75% to 100%
			50% to 75%
			25% to 50%
			0% to 25%
			Charge the battery.
			The battery may have malfunctioned.
			




NOTE: Depending on the conditions of use and the ambient temperature, the indication may differ slightly from the actual capacity.

NOTE: The first (far left) indicator lamp will blink when the battery protection system works.

Tool / battery protection system

The tool is equipped with tool/battery protection system. This system automatically cuts off power to the motor to extend tool and battery life. The tool will automatically stop during operation if the tool or battery is placed under one of the following conditions:

► **Fig.4:** 1. Caution lamp

Caution lamp		Status
Color	● On ● Blinking	
Green		Overload
Red	● (tool) /  (battery)	Overheat
Red		Over discharge

NOTICE: Depending on the usage conditions, the tool automatically stops without any indication if the branches or debris are entangled in the tool. In this case, switch off the tool and remove the battery cartridge, and then remove entangled branches or debris using tools such as pliers. After removing the branches or debris, install the battery cartridge and turn on the tool again.

Overload protection

If the tool or battery is overloaded by entangled branches or other debris, the tool automatically stops and the caution lamp starts blinking in green. In this situation, turn the tool off and stop the application that caused the tool to become overloaded. Then turn the tool on to restart.

Overheat protection for tool or battery

If the tool or battery cartridge is overheated, the tool stops automatically. When the tool is overheated, the caution lamp lights up in red. When the battery cartridge is overheated, the caution lamp blinks in red. Let the tool and/or battery cool down before turning the tool on again.

Overdischarge protection

When the battery capacity becomes low, the tool stops automatically and the caution lamp starts blinking in red. If the tool does not operate even when the switches are operated, remove the battery cartridge from the tool and charge it.

Protections against other causes

Protection system is also designed for other causes that could damage the tool and allows the tool to stop automatically. Take all the following steps to clear the causes, when the tool has been brought to a temporary halt or stop in operation.

1. Turn the tool off, and then turn it on again to restart.
2. Charge the battery(ies) or replace it/them with recharged battery(ies).
3. Let the machine and battery(ies) cool down.

If no improvement can be found by restoring protection system, then contact your local Makita Service Center.

Power switch action

⚠WARNING: For your safety, this tool is equipped with lock-off switch which prevents the tool from unintended starting. **NEVER** use the tool if it runs when you simply pull the switch lever without pressing the lock-off lever. Return the tool to our authorized service center for proper repairs **BEFORE** further usage.

⚠WARNING: NEVER tape down or defeat purpose and function of lock-off lever.

⚠CAUTION: Before installing the battery cartridge in the tool, always check to see that the switch lever actuates properly and returns to the "OFF" position when released. Operating a tool with a switch that does not actuate properly can lead to loss of control and serious personal injury.

⚠CAUTION: Never put your finger on the switch when carrying. The tool may start unintentionally and cause injury.

NOTICE: Do not pull the switch lever hard without pressing the lock-off lever. This can cause switch breakage.

Press the main power button to turn on the tool. To turn off the tool, press and hold the main power button until the speed indicator goes off.

► **Fig.5:** 1. Main power button 2. Speed indicator 3. Caution lamp

NOTE: The caution lamp blinks in green if the switch lever is pulled under unoperable conditions as follows:

- Turning on the main power switch while holding down the lock-off lever and the switch lever.
- Pulling the switch lever with the lock-off lever being held down while folding the tool head.

NOTE: This tool employs the auto power-off function. The main power switch will automatically shut down if the tool is not operated for approximately 5 minute(s).

NOTE: The auto power-off function can be served when the tool stops due to protection system operation. The main power switch will automatically shut down approximately 5 minute(s) after the motor automatically stops and no corrective action is taken against tool protection.




To prevent the switch lever from being accidentally pulled, a double lock-off switch is provided for safety. To start the tool, push the lock lever down forward past its normal position using the web of your hand (i.e., the part between thumb and index finger) and squeeze the lock-off lever with your palm. Then pull the switch lever with the lock-off lever being held. Release the switch lever to stop.

► **Fig.6:** 1. Lock lever 2. Lock-off lever 3. Switch lever

Speed adjusting

You can adjust the tool speed by pressing the main power button. Each time you press the main power button, the level of speed changes.

► Fig.7: 1. Main power button 2. Speed indicator

Indicator	Mode	Stroke speed
	High	4,000 min ⁻¹
	Medium	3,000 min ⁻¹
	Low	2,000 min ⁻¹

NOTE: The tool starts in the same mode as the last operation. If you remove the battery while the motor is running after the shutdown, the tool may not start in the same mode as the last operation.

Reverse button for debris removal

⚠ WARNING: If the entangled branches or debris cannot be removed by the reverse function, switch off the tool and remove the battery cartridge, and then remove the entangled branches or debris using tools such as pliers. Failure to switch off the tool and remove the battery cartridge may result in serious personal injury from accidental start-up. Removing the entangled branches or debris by hand may cause an injury, since the shear blades may move in reaction to removing them.

This tool has a reverse button to change the direction of shear blades movement. It is only for removing branches and debris entangled in the tool.

To reverse the shear blades movement, press the reverse button when the shear blades have stopped, and then pull the switch lever while pressing the lock-off lever. The speed indicator starts blinking, and the shear blades move in reverse direction.

When entangled branches and debris are removed, the tool returns to the regular movement and the speed indicator stops blinking and lights up.

► Fig.8: 1. Reverse button 2. Speed indicator

NOTE: If the entangled branches or debris cannot be removed, release the switch lever, then press the reverse button, and then pull the switch lever until they are removed.

NOTE: If you press the reverse button while the shear blades are still moving, the tool comes to stop and to be ready for reverse movement.

Adjusting the cutting angle

⚠ CAUTION: Always be sure that the tool is switched off before folding or unfolding the head.

⚠ CAUTION: When folding the head for carrying the tool or after using the tool, be sure to attach the blade cover before folding the head.

⚠ CAUTION: When folding the head, be careful not to pinch your fingers between the head and the slide sleeve.

The angle of the head can be adjusted in 6 steps at between 45° upward and 70° downward. To change the angle of the head, follow the steps below.

► Fig.9: 1. Upward head angles 2. Downward head angles

1. Hold the head and the slide sleeve as shown in the figure.

► Fig.10: 1. Head 2. Slide sleeve

2. Move the head while holding down the slide sleeve, and then release the slide sleeve.

3. Move the head slightly until it is locked with a click.

NOTE: Make sure that the head is securely locked before operating the tool.

Electronic function

The tool is equipped with the electronic functions for easy operation.

- Constant speed control
The speed control function provides the constant rotation speed regardless of load conditions.
- Electric brake
This tool is equipped with an electric brake. If the tool consistently fails to stop the shear blades quickly after the switch lever is released, have the tool serviced at Makita Authorized Service Center.
- Accidental re-start preventive function
When you turn on the tool while pulling the switch lever, the tool does not start and the caution lamp blinks in green. To start the tool, first release the switch lever and then turn on the tool.

ASSEMBLY

⚠ CAUTION: Always be sure that the tool is switched off and the battery cartridge is removed before carrying out any work on the tool.

⚠ CAUTION: When replacing the shear blades, always wear gloves so that your hands do not directly contact the blades.

Installing or removing the shear blades

⚠ CAUTION: Attach the blade cover before removing or installing the shear blades.

NOTICE: When replacing the shear blades, do not wipe off grease from the gear and crank.

NOTE: Before installing or removing the shear blades, unfold the head of the tool so that the head is straight to the tool body.

1. Place the tool upside down, and then remove the 6 bolts.

► **Fig.11:** 1. Bolt

2. Remove the cover and the plate.

► **Fig.12:** 1. Cover 2. Plate

Use a slotted screwdriver to pry the cover open if you find it hard to open the cover.

Insert the slotted screwdriver into one or more of the opening and cutouts on the tool housing, and then lift the cover out of the housing.

► **Fig.13:** 1. Cutouts (on both sides of housing)
2. Opening (between cover and shear blades)

NOTE: The plate may remain inside the cover.

3. Remove the connecting rod and the bearing.

► **Fig.14:** 1. Connecting rod 2. Bearing

NOTE: The connecting rod and the bearing may remain inside the cover.

4. Remove the 2 bolts and the 2 sleeves from the shear blades. Disassemble the shear blades from the tool body. Then detach the felt pad and the rubber dust seal from the shear blades.

► **Fig.15:** 1. Bolt 2. Sleeve 3. Shear blades 4. Felt pad
5. Dust seal

NOTICE: Be careful not to lose pieces of component parts as they will be reused for reassembly.

5. Remove the blade cover, and then attach it to the new shear blades.

► **Fig.16:** 1. Blade cover

6. Adjust the crank so that 2 holes are lined up on the alignment line.

► **Fig.17:** 1. Holes 2. Alignment line

7. Align the protruding parts on both sides of the shear blades.

► **Fig.18:** 1. Protruding parts

8. Hold the shear blades with their sleeve holes facing upwards. Attach the felt pad to the shear blades as its arms wrap around the shear blades.

► **Fig.19:** 1. Felt pad 2. Sleeve hole

9. Turn the shear blades upside down. Attach the rubber dust seal to the shear blades. Adjust its position so the one end of the dust seal touches with the protruding part of the shear blades.

► **Fig.20:** 1. Dust seal 2. Protruding part

10. Turn the shear blades with the felt pad facing upwards. Align the protruding part of the shear blades with the small end hole in the connecting rod. Assemble the shear blades back in place.

► **Fig.21:** 1. Felt pad 2. Dust seal 3. Protruding part
4. Small end hole 5. Cutouts for felt pad
6. Cutouts for dust seal

NOTICE: Make sure to fit the felt pad and the rubber dust seal well into the cutouts on the blade housing.

NOTICE: Apply a small amount of grease to the inner periphery of the small end hole in the connecting rod.

11. Place new sleeves into the sleeve holes in the shear blades.

► **Fig.22:** 1. Sleeve 2. Sleeve hole

NOTICE: Be careful not to lose the sleeves.

12. Align the holes in the sleeves, those in the shear blades and those in the blade housing together along a line. Then tighten the 2 bolts to secure the shear blades.

► **Fig.23:** 1. Bolt 2. Sleeve 3. Shear blades

13. Attach the bearing and the connecting rod.

► **Fig.24:** 1. Connecting rod 2. Small end hole
3. Bearing

NOTICE: Apply a small amount of grease to the inner periphery of the small end hole in the connecting rod.

NOTICE: Make sure to fit the protruding part of the shear blades well into the small end hole in the connecting rod.

14. Assemble the plate back in place.

► **Fig.25:** 1. Plate 2. Protruding part

NOTICE: Make sure to fit the protruding part of the shear blades well into the hole in the plate.

15. Attach the cover, and then tighten the 6 bolts.

► **Fig.26:** 1. Cover 2. Bolt

NOTICE: If the shear blades do not move smoothly, the shear blades are not engaged with the connecting rods properly. Install the shear blades again.

NOTICE: If the parts other than the shear blades such as the connecting rods are worn out, ask Makita Authorized Service Centers for parts replacement or repairs.

Installing or removing the chip receiver

Optional accessory

CAUTION: When installing or removing the chip receiver, always wear gloves so that your hands do not directly contact the shear blades.

NOTICE: The blade cover cannot be installed if the chip receiver is installed on the tool. Before carrying or storing the tool, uninstall the chip receiver, and then install the blade cover to avoid blade exposure.

NOTICE: Be sure to remove the blade cover before installing the chip receiver.

The chip receiver gathers discarded leaves and makes clean-up afterward much easier. It can be installed on either side of the tool.

1. Hook the claws of the chip receiver to the shear blades.

► Fig.27: 1. Chip receiver 2. Shear blades 3. Claw

2. Align the holes on the chip receiver with the screws on the shear blades, and then attach the chip receiver to the shear blades securely.

► Fig.28: 1. Hole 2. Screw

NOTICE: Make sure that the chip receiver does not overlap the branch catcher.

► Fig.29: 1. Branch catcher

To remove the chip receiver, press the levers to release the claws.

► Fig.30: 1. Lever

NOTICE: Never try to remove the chip receiver by an excessive force with its hooks locked in the grooves of the shear blades.

OPERATION

Attaching the shoulder harness

CAUTION: Before operation, make sure that the shoulder harness is properly attached to the hanger on the tool.

CAUTION: When you use the tool in combination of the backpack-type power supply such as portable power pack, do not use the shoulder harness included in the tool package, but use the hanging band recommended by Makita.

If you put on the shoulder harness included in the tool package and the shoulder harness of the backpack-type power supply at the same time, removing the tool or backpack-type power supply is difficult in case of an emergency, and it may cause an accident or injury. For the recommended hanging band, ask Makita Authorized Service Centers.

NOTE: Use the shoulder harness attached to the tool. Before operation, adjust the shoulder harness according to the user size to prevent fatigue.

1. Wear the shoulder harness on your shoulder.

► Fig.31

2. Clasp the hook on the shoulder harness to the tool's hanger.

► Fig.32: 1. Hook 2. Hanger

3. Adjust the shoulder harness to a comfortable working position.

► Fig.33

The shoulder harness features a means of quick release.

Simply squeeze the sides of the buckle to release the tool from the shoulder harness.

► Fig.34: 1. Buckle

Operating the tool

WARNING: Do not use the tool near any electrical power lines. Contacting with power lines or using the tool near power lines may cause serious injury or electric shock resulting in death.

WARNING: Keep hands away from shear blades.

WARNING: Be extremely careful to maintain control of the tool at all times. Do not allow the tool to be deflected toward you or anyone in the work vicinity. Failure to keep control of the tool could result in serious injury to the bystander and the operator.

CAUTION: Avoid operating the tool in very hot weather as much as practicable. When operating the tool, be careful of your physical condition.

CAUTION: Be careful not to accidentally contact a metal fence or other hard objects while trimming. The shear blades may break and cause an injury.

CAUTION: Be careful not to allow the shear blades to contact the ground. The tool may recoil and cause an injury.

CAUTION: Overreaching with a hedge trimmer, particularly from a ladder, is extremely dangerous. Do not work while standing on anything wobbly or infirm.

NOTICE: Do not attempt to cut branches thicker than 10 mm in diameter with the tool. Cut branches to 10 cm lower than the cutting height using branch cutters before using the tool.

► Fig.35: 1. Cutting height 2. 10 cm

NOTICE: Do not cut down dead trees or similar hard objects. Doing so may damage the tool.

NOTICE: Do not trim the grass or weeds while using the shear blades. The shear blades may become tangled in the grass or weeds.

Hold the tool with both hands.

► Fig.36

Pull the switch lever while pressing and holding the lock-off lever, and then prepare the tool for trimming.

► Fig.37

For basic operation, tilt the shear blades toward the trimming direction and move it calmly and slowly at the speed rate of 3 to 4 seconds per meter.

► Fig.38

To cut a hedge side evenly, cut from the bottom to top.

► Fig.39

When trimming to make a round shape (trimming boxwood or rhododendron, etc.), trim from the root to the top for a beautiful finish.

► Fig.40

If the chip receiver is attached to the shear blades, it gathers discarded leaves and makes clean-up afterward much easier.

► Fig.41

MAINTENANCE

⚠ CAUTION: Always be sure that the tool is switched off and the battery cartridge is removed before attempting to perform inspection or maintenance.

⚠ CAUTION: When inspecting or maintaining the tool, always put the tool down. Assembling or adjusting the tool in an upright position may result in serious injury.

To maintain product SAFETY and RELIABILITY, repairs, any other maintenance or adjustment should be performed by Makita Authorized or Factory Service Centers, always using Makita replacement parts.

Cleaning the tool

Clean the tool by wiping off dust with a dry cloth or one dipped in soapy water and wrung out.

NOTICE: Never use gasoline, benzine, thinner, alcohol or the like. Discoloration, deformation or cracks may result.

Shear blades maintenance

Before the operation or once per hour during operation, apply low-viscosity oil (machine oil, or spray-type lubricating oil) to the shear blades.

► Fig.42

After operation, remove dust from both sides of the shear blades with a wire brush, wipe it off with a cloth and then apply low-viscosity oil (machine oil, or spray-type lubricating oil) to the shear blades.

► Fig.43

NOTICE: Do not wash the shear blades in water. Doing so may cause rust or damage to the tool.

NOTICE: Dirt and corrosion cause excessive blade friction and shorten the operating time per battery charge.

Storage

Attach the blade cover to the shear blades so that the blades are not exposed. Store the tool out of the reach of children. Store the tool in a place not exposed to moisture or rain.

Grinding the shear blades

NOTICE: If the shear blades have considerably deformed by grinding, replace the shear blades with new ones.

1. Install the battery cartridge to the tool.
2. Turn on and start the tool so that the upper blade and lower blade are positioned shifted to each other.
► Fig.44
3. Turn off the tool and remove the battery cartridge from the tool.

4. Remove the screw, and then remove the branch catcher.

► Fig.45: 1. Screw 2. Branch catcher

5. Set the angle of a file to 50°, and grind the upper blade with the file in exactly the three edge directions.

► Fig.46: 1. File 2. 50°

⚠ CAUTION: Before grinding the shear blades, make sure that the tool is switched off and the battery cartridge is removed from the tool.

6. Place the tool upside down, and then remove the burrs from the shear blade with the dressing stone.
► Fig.47: 1. Dressing stone
7. Set the angle of the file to 50°, and grind the lower blade with the file in exactly the three edge directions.
8. Return the tool to normal position, and then remove the burrs from the shear blade with the dressing stone.
9. Attach the branch catcher by tightening the screw.

Grease lubrication

Interval of lubrication: Every 50 operating hours

Using oil hole for lubrication

1. Remove the bolt from the hole for lubrication.
► Fig.48: 1. Bolt
2. Remove the cap from the grease vessel. Align the outlet of the grease vessel with the hole on the cover, and then press the outlet of the grease vessel onto the hole.
► Fig.49: 1. Grease vessel 2. Hole
3. Apply the grease to the tool (Approximately 5 g as a guide).
4. Tighten the bolt.

Using grease nipple

The nipple connector helps to connect a grease gun with a positive fit.

1. Prepare a grease gun for use.
 2. Connect the adapter of the grease gun to the grease nipple on the tool.
► Fig.50: 1. Grease gun adapter 2. Grease nipple
 3. Apply the grease to the tool (Approximately 5 g as a guide).
 4. Tilt the adapter slightly to release internal pressure, and then remove the adapter from the grease nipple.
- Wipe off the grease from the adapter and the grease nipple.

TROUBLESHOOTING

Before asking for repairs, conduct your own inspection first. If you find a problem that is not explained in the manual, do not attempt to dismantle the tool. Instead, ask Makita Authorized Service Centers, always using Makita replacement parts for repairs.

State of abnormality	Probable cause (malfunction)	Remedy
Motor does not run.	Battery cartridge is not installed.	Install the battery cartridge.
	Battery problem (under voltage)	Recharge the battery. If recharging is not effective, replace battery.
	The drive system does not work correctly.	Ask your local authorized service center for repair.
Motor stops running after a little use.	Battery's charge level is low.	Recharge the battery. If recharging is not effective, replace battery.
	Overheating.	Stop using of tool to allow it to cool down.
Tool does not reach maximum RPM.	Battery is installed improperly.	Install the battery cartridge as described in this manual.
	Battery power is dropping.	Recharge the battery. If recharging is not effective, replace battery.
	The drive system does not work correctly.	Ask your local authorized service center for repair.
Shear blades do not move: ⇒ stop the machine immediately!	Inappropriate angle of shear blades.	Make sure that the head is properly fixed in the operational angle.
	Foreign objects are caught between the shear blades.	1. Use the reverse button. 2. Switch off the tool and remove the battery cartridge, and then remove the foreign objects using tools such as pliers.
	The drive system does not work correctly.	Ask your local authorized service center for repair.
Abnormal vibration: ⇒ stop the machine immediately!	Shear blades are broken, bent or worn.	Replace the shear blades.
	The drive system does not work correctly.	Ask your local authorized service center for repair.
Shear blades and motor cannot stop: ⇒ Remove the battery immediately!	Electric malfunction.	Remove the battery and ask your local authorized service center for repair.

OPTIONAL ACCESSORIES

⚠ CAUTION: These accessories or attachments are recommended for use with your Makita tool specified in this manual. The use of any other accessories or attachments might present a risk of injury to persons. Only use accessory or attachment for its stated purpose.

If you need any assistance for more details regarding these accessories, ask your local Makita Service Center.

- Shear blades assembly
- Chip receiver
- Grease vessel
- Makita genuine battery and charger

NOTE: Some items in the list may be included in the tool package as standard accessories. They may differ from country to country.

SPÉCIFICATIONS

Modèle :		UN001G
Longueur de la lame		600 mm
Nombre de courses par minute		2 000/3 000/4 000 min ⁻¹
Angle de la lame de coupe		115° (45° vers le haut, 70° vers le bas)
Longueur totale		2 268 mm
Tension nominale		36 V - 40 V c.c. max.
Poids net	*1	4,0 kg
	*2	4,7 - 5,9 kg
Degré de protection		IPX4

- Étant donné l'évolution constante de notre programme de recherche et de développement, les spécifications contenues dans ce manuel sont sujettes à modification sans préavis.
- Les spécifications peuvent varier suivant les pays.

*1 : Poids sans accessoires ou batterie(s)

*2 : Le poids peut être différent selon les pièces complémentaires, notamment la batterie. Les associations les plus légères et les plus lourdes, conformément à la procédure EPTA 01/2014, sont indiquées dans le tableau.

Batterie et chargeur applicables

Batterie	BL4020 / BL4025 / BL4040 / BL4040F / BL4050F / BL4080F
Chargeur	DC40RA / DC40RB / DC40RC / DC40WA

- Certains chargeurs et batteries répertoriés ci-dessus peuvent ne pas être disponibles selon la région où vous résidez.

⚠ AVERTISSEMENT : N'utilisez que les batteries et les chargeurs répertoriés ci-dessus. L'utilisation d'autres batteries et chargeurs peut provoquer des blessures et/ou un incendie.

Source d'alimentation connectée par cordon recommandée

Support d'alimentation portable	PDC01 / PDC1200 / PDC1500
---------------------------------	---------------------------

- La ou les sources d'alimentation connectées par cordon répertoriées ci-dessus peuvent ne pas être disponibles selon la région où vous résidez.
- Avant d'utiliser la source d'alimentation connectée par cordon, lisez les instructions et les avertissements inscrits dessus.

Symboles

Vous trouverez ci-dessous les symboles susceptibles d'être utilisés pour l'appareil. Veuillez à comprendre leur signification avant toute utilisation.



Lire le mode d'emploi.



Portez un casque, des lunettes à coques et un serre-tête antibruit.



DANGER - Gardez vos mains à l'écart de la lame.



Attention aux lignes électriques, risque d'électrocution.



Maintenez une distance d'au moins 15 m.



Pour les pays de l'Union européenne uniquement
 En raison de la présence de composants dangereux dans l'équipement, les déchets d'équipements électriques et électroniques, les accumulateurs et les batteries peuvent avoir un impact négatif sur l'environnement et la santé humaine.
 Ne jetez pas les appareils électriques et électroniques ou les batteries avec les ordures ménagères !
 Conformément à la directive européenne relative aux déchets d'équipements électriques et électroniques et aux déchets d'accumulateurs et de batteries, ainsi qu'à son adaptation à la législation nationale, les déchets d'équipements électriques, les batteries et les accumulateurs doivent être collectés séparément et déposés dans un point de collecte distinct pour déchets urbains, conformément aux réglementations en matière de protection de l'environnement.
 Cela est indiqué par le symbole de la poubelle à roulettes barrée sur l'équipement.



Niveau de puissance sonore garanti selon la directive européenne sur le bruit dans l'environnement.



Niveau de puissance sonore selon la réglementation australienne NSW sur le contrôle du bruit

Utilisations

L'outil est conçu pour tailler les haies.

Bruit

Niveau de bruit pondéré A typique, déterminé selon EN62841-4-2 :

Modèle	Niveau de pression acoustique		Niveau de puissance sonore garanti	Niveau de puissance sonore mesuré	
	L _{pA} (dB(A))	Incertitude K (dB(A))	L _{WA} (dB(A))	L _{WA} (dB(A))	Incertitude K (dB(A))
UN001G	82	3	94	93	1,5

NOTE : La ou les valeurs d'émission de bruit déclarées ont été mesurées conformément à la méthode de test standard et peuvent être utilisées pour comparer les outils entre eux.

NOTE : La ou les valeurs d'émission de bruit déclarées peuvent aussi être utilisées pour l'évaluation préliminaire de l'exposition.

⚠ AVERTISSEMENT : Portez un serre-tête antibruit.

⚠ AVERTISSEMENT : L'émission de bruit lors de l'usage réel de l'outil électrique peut être différente de la ou des valeurs déclarées, suivant la façon dont l'outil est utilisé, particulièrement selon le type de pièce usinée.

⚠ AVERTISSEMENT : Les mesures de sécurité à prendre pour protéger l'utilisateur doivent être basées sur une estimation de l'exposition dans des conditions réelles d'utilisation (en tenant compte de toutes les composantes du cycle d'utilisation, comme par exemple le moment de sa mise hors tension, lorsqu'il tourne à vide et le moment de son déclenchement).

Vibrations

Valeur totale de vibrations (somme de vecteur triaxial) déterminée selon EN62841-4-2 :

Modèle	Main gauche (manche avant/poignée)		Main droite (manche arrière)	
	ah (m/s ²)	Incertitude K (m/s ²)	ah (m/s ²)	Incertitude K (m/s ²)
UN001G	4,9	1,5	3,5	1,5

NOTE : La ou les valeurs de vibration totales déclarées ont été mesurées conformément à la méthode de test standard et peuvent être utilisées pour comparer les outils entre eux.

NOTE : La ou les valeurs de vibration totales déclarées peuvent aussi être utilisées pour l'évaluation préliminaire de l'exposition.

⚠️ AVERTISSEMENT : L'émission de vibrations lors de l'usage réel de l'outil électrique peut être différente de la ou des valeurs déclarées, suivant la façon dont l'outil est utilisé, particulièrement selon le type de pièce usinée.

⚠️ AVERTISSEMENT : Les mesures de sécurité à prendre pour protéger l'utilisateur doivent être basées sur une estimation de l'exposition dans des conditions réelles d'utilisation (en tenant compte de toutes les composantes du cycle d'utilisation, comme par exemple le moment de sa mise hors tension, lorsqu'il tourne à vide et le moment de son déclenchement).

Déclarations de conformité

Pour les pays européens uniquement

Les déclarations de conformité sont fournies en Annexe A à ce mode d'emploi.

CONSIGNES DE SÉCURITÉ

Consignes de sécurité générales pour outils électriques

⚠️ AVERTISSEMENT Veuillez lire toutes les consignes de sécurité, instructions, illustrations et spécifications qui accompagnent cet outil électrique. Le non-respect de toutes les instructions indiquées ci-dessous peut entraîner une électrocution, un incendie et/ou de graves blessures.

Conservez toutes les mises en garde et instructions pour référence ultérieure.

Le terme « outil électrique » dans les avertissements fait référence à l'outil électrique alimenté par le secteur (avec cordon d'alimentation) ou à l'outil électrique fonctionnant sur batterie (sans cordon d'alimentation).

Consignes de sécurité pour taille-haie sur perche sans fil

Consignes de sécurité pour taille-haie sans fil :

1. **N'utilisez pas le taille-haie par mauvais temps, particulièrement en cas d'orage.** Vous éviterez ainsi d'être frappé par la foudre.
2. **Éloignez les cordons d'alimentation et les câbles de la zone de coupe.** Les cordons d'alimentation ou les câbles peuvent être cachés derrière les haies ou les buissons et peuvent être coupés accidentellement par la lame.
3. **Portez un serre-tête antibruit.** Un équipement de protection adéquat réduira le risque de perte auditive.
4. **Tenez le taille-haie uniquement par ses surfaces de prise isolées, car la lame pourrait entrer en contact avec le câblage caché.** Le contact des lames avec un fil sous tension peut transmettre du courant dans les pièces métalliques exposées du taille-haie et électrocuter l'opérateur.
5. **Prenez soin de n'approcher aucune partie du corps de la lame. Ne retirez pas le matériau**

coupé, ni ne tenez le matériau à couper lorsque les lames sont en mouvement. Les lames continuent de bouger même après que l'interrupteur est en position d'arrêt. Un moment d'inattention en cours d'utilisation du taille-haie peut entraîner des blessures graves.

6. **Lorsque vous dégagez un matériau bloqué ou dépannez le taille-haie, assurez-vous que tous les interrupteurs d'alimentation sont en position d'arrêt et que la batterie est retirée ou débranchée.** Le déclenchement inopiné du taille-haie pendant que vous dégagez un matériau bloqué ou le dépannez peut provoquer de graves blessures corporelles.
7. **Transportez le taille-haie par la poignée avec la lame arrêtée et en prenant soin de ne pas actionner l'interrupteur d'alimentation.** En transportant correctement le taille-haie, vous diminuez le risque d'un démarrage intempestif et le risque de blessure présenté par les lames.
8. **Lors du transport ou du rangement du taille-haie, utilisez toujours le couvre-lame.** Une manipulation correcte du taille-haie réduira le risque de blessure présenté par les lames.

Consignes de sécurité pour taille haie sur perche sans-fil :

1. **Portez toujours un casque de sécurité lorsque vous utilisez le taille-haie sur perche au-dessus de votre tête.** La chute de débris peut provoquer de graves blessures corporelles.
2. **Servez-vous toujours de vos deux mains lorsque vous utilisez le taille-haie sur perche.** Tenez le taille-haie sur perche des deux mains pour éviter toute perte de contrôle.
3. **Pour réduire le risque d'électrocution, n'utilisez jamais le taille-haie sur perche près d'une ligne électrique.** Le contact avec des lignes électriques ou l'utilisation près de lignes électriques présente un danger mortel de graves blessures ou d'électrocution.

Consignes de sécurité supplémentaires

Préparatifs

1. **CE TAILLE-HAIE PEUT PROVOQUER DE GRAVES BLESSURES.** Lisez attentivement les instructions pour connaître les procédures correctes de manipulation, préparation, maintenance, démarrage et arrêt de l'outil. Familiarisez-vous avec toutes les commandes et la bonne utilisation de l'outil.
2. **Vérifiez l'absence de corps étrangers comme du fil barbelé ou un câblage caché dans les haies et les buissons avant d'utiliser l'outil.**

3. **Le taille-haie ne doit pas être utilisé par des enfants ou des adolescents de moins de 18 ans.** Cette restriction peut ne pas s'appliquer aux mineurs de plus de 16 ans s'ils sont en cours de formation sous la surveillance d'un expert.
4. **En cas d'urgence, éteignez l'outil et retirez la batterie sur le champ.**
5. **DANGER - Gardez vos mains à l'écart de la lame.** Le contact avec la lame présente un risque de graves blessures corporelles.
6. **À utiliser uniquement avec la poignée et le carter de protection correctement montés sur l'outil.** L'utilisation de l'outil sans le carter de protection adéquat ou la poignée fournie peut provoquer de graves blessures corporelles.
7. **Les utilisateurs novices doivent être formés par un utilisateur expérimenté pour leur montrer comment utiliser l'outil.**
8. **Avant toute utilisation, examinez l'aire de travail pour vous assurer qu'elle ne présente pas de fils barbelés, de pierres ou d'autres objets durs.** Ils peuvent endommager les lames.
9. **N'utilisez le taille-haie que si vous êtes en bonne condition physique.** Si vous êtes fatigué, votre attention sera réduite. Redoublez de précaution à la fin d'une journée de travail. Travaillez toujours en faisant preuve de calme et de prudence. L'utilisateur est responsable de tous les dommages causés à des tiers.
10. **Avant de commencer la tâche, assurez-vous que le taille-haie est dans un bon état de marche sécuritaire.** Assurez-vous que les carters de protection sont correctement installés. Le taille-haie ne doit pas être utilisé tant qu'il n'est pas complètement assemblé.
11. **Évitez les environnements dangereux.** N'utilisez pas l'outil dans un endroit humide, ni ne l'exposez à la pluie. Le risque d'électrocution augmente si de l'eau pénètre dans l'outil.

Équipement de protection individuelle

1. **Les gants de travail en cuir robuste font partie de l'équipement de base du taille-haie et leur port est obligatoire pendant que vous l'utilisez.** Portez également des chaussures solides à semelles antidérapantes.
2. **Portez des protections auditives comme des coquilles anti-bruit afin d'éviter une perte d'audition.**
3. **Portez des lunettes de protection, un casque de sécurité et des gants de protection pour vous protéger des projections de débris ou des chutes d'objets.**
4. **Lorsque vous touchez les lames ou ajustez l'angle des lames, portez des gants de protection.** Les lames peuvent gravement couper les mains nues.

Fonctionnement

1. **Servez-vous toujours de vos deux mains pour utiliser un outil pourvu de deux poignées.** Si vous ne vous servez que d'une seule main, vous risquez de perdre le contrôle et de gravement vous blesser.
2. **Pendant que vous utilisez l'outil, assurez-vous toujours que la position de fonctionnement est sûre.** Il est très dangereux de se pencher trop loin avec l'outil, particulièrement depuis une échelle. **Ne travaillez pas depuis une surface bancale ou molle.**
3. **Ne portez pas simultanément de ceintures-baudriers et/ou de bandoulières lorsque vous utilisez l'outil.**
4. **Pendant le fonctionnement, éloignez les badauds ou les animaux d'au moins 15 m de l'outil.** Arrêtez l'outil aussitôt que quelqu'un s'approche.
5. **Si l'outil de coupe heurte un objet ou si l'outil démarre avec un bruit ou des vibrations inhabituels, éteignez l'outil et retirez la batterie sur le champ, puis laissez l'outil s'arrêter.** Prenez ensuite les étapes suivantes :
 - inspectez les dommages
 - vérifiez et resserrez les pièces mal serrées
 - faites remplacer ou réparer les pièces endommagées par des pièces de rechange d'origine.
6. **N'utilisez l'outil qu'aux fins prévues.** N'utilisez pas l'outil à d'autres fins.
7. **Mettez l'outil hors tension et retirez la batterie avant de :**
 - nettoyer ou débloquer l'outil,
 - effectuer la vérification, la maintenance ou l'entretien de l'outil,
 - ajuster la position de travail des lames de cisaille,
 - laisser l'outil sans surveillance.
8. **Assurez-vous que l'outil est correctement placé dans une position de travail désignée avant de le démarrer.**
9. **N'utilisez pas l'outil si les lames de cisaille sont endommagées ou très usées.**
10. **Assurez-vous toujours que tous les carters de protection et les poignées sont en place lorsque vous utilisez l'outil.** N'essayez jamais d'utiliser un outil incomplet ou un outil ayant fait l'objet d'une modification non autorisée.
11. **Soyez toujours vigilant à ce qui vous entoure et restez attentif aux dangers potentiels dont vous n'avez peut-être pas conscience en raison du bruit de l'outil.**
12. **Prenez soin de ne pas toucher accidentellement une clôture en métal ou d'autres objets durs pendant le fonctionnement.** La lame cassera et pourrait provoquer de graves blessures.
13. **Évitez les démarrages intempestifs.** Ne transportez pas l'outil avec la batterie insérée et avec le doigt sur l'interrupteur. Assurez-vous que l'interrupteur est en position d'arrêt lorsque vous insérez la batterie.
14. **Ne saisissez pas les lames de coupe exposées ou les bords tranchants pour soulever ou tenir l'outil.**
15. **Ne forcez pas l'outil.** Si vous respectez le régime pour lequel il a été conçu, il réalisera un travail de meilleure qualité et avec moins de risque de blessures.
16. **N'utilisez pas l'outil sous la pluie ou dans des conditions mouillées ou très humides.** Le

moteur électrique n'est pas étanche.

17. **Tenez l'outil fermement lorsque vous l'utilisez.**
18. **Ne faites pas tourner l'outil à vide inutilement.**
19. **Avant de vérifier les lames de cisaille, de les dépanner ou de retirer des corps étrangers pris dedans, éteignez toujours l'outil et retirez la batterie.**
20. **Ne dirigez jamais les lames de cisaille vers vous-même ou quelqu'un d'autre.**
21. **Si les lames cessent de bouger, car des corps étrangers sont collés entre elles pendant le fonctionnement, éteignez l'outil et retirez la batterie, puis ôtez les corps étrangers en utilisant un outil comme une pince. Ôter les corps étrangers à la main présente un risque de blessure, du fait que les lames peuvent bouger en réaction au retrait des corps étrangers.**
22. **Assurez-vous qu'il n'y a pas de câbles électriques, de conduites d'eau, de conduites de gaz, etc., présentant un risque s'ils sont endommagés suite à l'utilisation de l'outil.**
23. **Ne touchez pas les pièces métalliques ou les surfaces chaudes de l'outil pendant l'utilisation ou immédiatement après utilisation ; elles peuvent être extrêmement chaudes et vous brûler la peau. Laissez l'outil refroidir avant tout travail dessus.**
24. **N'utilisez pas l'outil sur un sol mou/instable/glissant ou dans une pente abrupte. Évitez de travailler sur une échelle ou en hauteur. Dans le cas contraire, cela présente un risque de chute, susceptible de provoquer des blessures.**
25. **N'utilisez pas l'outil par mauvais temps ou la nuit avec une visibilité réduite. Le non-respect de cette précaution pourrait entraîner votre chute ou un fonctionnement incorrect en raison de la faible visibilité.**
26. **Évitez de travailler dans un piètre environnement susceptible d'accroître la fatigue de l'utilisateur.**
27. **Ne plongez pas l'outil dans une flaque.**
28. **Ne laissez pas l'outil sans surveillance à l'extérieur sous la pluie.**
29. **Si des feuilles mouillées ou des saletés se collent sur la bouche d'aspiration (ouverture d'aération) en raison de la pluie, retirez-les.**
30. **N'utilisez pas l'outil dans la neige.**

Sécurité électrique et sécurité des batteries

1. **Ne jetez pas la ou les batteries au feu. L'élément de la pile pourrait exploser. Consultez les codes locaux pour de possibles instructions de mise au rebut spéciales.**
2. **N'ouvrez ni ne manipulez la ou les batteries. L'électrolyte qui s'échappe de la batterie est corrosif et peut irriter la peau ou les yeux. Il peut être toxique en cas d'ingestion.**
3. **Ne chargez pas la batterie sous la pluie ou dans un endroit mouillé.**
4. **Ne pas charger la batterie à l'extérieur.**
5. **Ne manipulez pas le chargeur, y compris la fiche du chargeur et les bornes du chargeur avec les mains mouillées.**

6. **Ne remplacez pas la batterie avec les mains mouillées.**
7. **Ne remplacez pas la batterie sous la pluie.**
8. **Ne mouillez pas la borne de la batterie avec un liquide comme de l'eau, ni ne plongez la batterie dans un liquide. Ne laissez pas la batterie sous la pluie et évitez de charger, utiliser ou ranger la batterie dans un endroit humide ou mouillé. Si la borne est mouillée ou si un liquide pénètre à l'intérieur de la batterie, un court-circuit est possible et risque de provoquer une surchauffe, un incendie ou une explosion.**
9. **Après avoir retiré la batterie de l'outil ou du chargeur, veillez à fixer le couvercle de batterie sur la batterie et à la ranger dans un endroit sec.**
10. **Si la batterie est mouillée, videz l'eau à l'intérieur, puis essuyez-la avec un chiffon sec. Séchez complètement la batterie dans un endroit sec avant utilisation.**

Entretien et rangement

1. **Lorsque l'outil est arrêté pour effectuer un dépannage ou une inspection, ou le ranger, éteignez-le, retirez la batterie et assurez-vous que toutes les pièces mobiles sont arrêtées. Laissez l'outil refroidir avant d'effectuer une inspection, un réglage, etc.**
2. **Laissez toujours l'outil refroidir avant de le ranger.**
3. **Quand l'outil n'est pas utilisé, le couvre-lame doit être en place et l'outil doit être rangé à l'intérieur dans un endroit sec, surélevé, fermé à clef et hors de portée des enfants.**
4. **Entretenez soigneusement l'outil. Conservez le tranchant net et propre pour des performances optimales et pour réduire le risque de blessures. Suivez les instructions pour la lubrification et le remplacement des accessoires. Les poignées doivent être sèches, propres et ne doivent pas présenter de traces d'huile ou de graisse.**
5. **Vérifiez les pièces endommagées. Avant toute nouvelle utilisation de l'outil, vérifiez soigneusement toute pièce endommagée pour déterminer qu'elle fonctionne bien et remplisse sa fonction prévue. Assurez-vous que les pièces en mouvement ne sont pas désalignées ou coincées, qu'aucune pièce ou fixation n'est cassée ou la présence de toute autre condition pouvant affecter le bon fonctionnement. Si le carter de protection ou toute autre pièce sont endommagés, ils doivent être réparés ou remplacés de manière adéquate par votre centre de service après-vente agréé.**
6. **Utilisez uniquement des pièces de rechange d'origine.**
7. **Lorsque vous déplacez l'outil dans un autre endroit, y compris pendant le travail, retirez toujours la batterie et placez le couvre-lame sur les lames de cisaille. Ne transportez jamais l'outil avec les lames fonctionnant. Ne saisissez jamais les lames avec les mains.**
8. **Nettoyez l'outil et particulièrement les lames de cisaille après utilisation et avant de le ranger pendant une période prolongée. Huilez**

légèrement les lames de cisaille et mettez le couvre-lame en place.

9. Ne lavez pas l'outil avec de l'eau sous pression.
10. Lorsque vous lavez l'outil, ne laissez pas l'eau pénétrer dans le mécanisme électrique comme la batterie, le moteur et les bornes.
11. Procédez à l'inspection ou à l'entretien dans un endroit non affecté par la pluie.
12. Après avoir utilisé l'outil, retirez la saleté collée et séchez-le complètement avant de le ranger. Selon la saison ou la région, le gel peut présenter un risque de dysfonctionnement.
13. Lorsque vous rangez l'outil, évitez les endroits exposés aux rayons directs du soleil ou à la pluie, et rangez-le dans un endroit tempéré et sec.

CONSERVEZ CES INSTRUCTIONS.

⚠ AVERTISSEMENT : NE vous laissez PAS tromper (au fil d'une utilisation répétée) par un sentiment d'aisance et de familiarité avec le produit, en négligeant le respect rigoureux des consignes de sécurité qui accompagnent le produit en question. La MAUVAISE UTILISATION de l'outil ou l'ignorance des consignes de sécurité indiquées dans ce mode d'emploi peut entraîner de graves blessures.

Consignes de sécurité importantes pour la batterie

1. Avant d'utiliser la batterie, lisez toutes les instructions et précautions relatives (1) au chargeur de batterie, (2) à la batterie, et (3) au produit utilisant la batterie.
2. Ne désassemblez pas et ne modifiez pas la batterie. Cela pourrait entraîner un incendie, une chaleur excessive ou une explosion.
3. Cessez immédiatement l'utilisation si le temps de fonctionnement devient excessivement court. Il y a risque de surchauffe, de brûlures, voire d'explosion.
4. Si l'électrolyte pénètre dans vos yeux, rincez-les à l'eau claire et consultez immédiatement un médecin. Il y a risque de perte de la vue.
5. Ne court-circuitez pas la batterie :
 - (1) Ne touchez les bornes avec aucun matériau conducteur.
 - (2) Évitez de ranger la batterie dans un conteneur avec d'autres objets métalliques, par exemple des clous, des pièces de monnaie, etc.
 - (3) N'exposez pas la batterie à l'eau ou à la pluie.Un court-circuit de la batterie peut provoquer une intensité de courant élevée, une surchauffe, parfois des brûlures et même une panne.
6. Ne rangez ni n'utilisez l'outil et la batterie dans un endroit où la température risque d'atteindre

ou de dépasser 50 °C.

7. Ne jetez pas la batterie au feu même si elle est sérieusement endommagée ou complètement épuisée. La batterie peut exploser au contact du feu.
8. Abstenez-vous de clouer, couper, écraser, jeter, laisser tomber la batterie, ou de la heurter contre un objet dur. Cela pourrait entraîner un incendie, une chaleur excessive ou une explosion.
9. N'utilisez pas la batterie si elle est endommagée.
10. Les batteries au lithium-ion contenues sont soumises aux exigences de la législation sur les marchandises dangereuses.

Lors du transport commercial par des tierces parties ou des transitaires par exemple, des exigences spécifiques en matière d'étiquetage et d'emballage doivent être respectées.

Pour la préparation de l'article expédié, il est nécessaire de consulter un expert en matériau dangereux. Veuillez également respecter les réglementations nationales susceptibles d'être plus détaillées.Recouvrez les contacts exposés avec du ruban adhésif ou du ruban de masquage et emballez la batterie de telle sorte qu'elle ne puisse pas bouger dans l'emballage.
11. Lors de la mise au rebut de la batterie, retirez-la de l'outil et jetez-la en lieu sûr. Suivez les réglementations locales en matière de mise au rebut des batteries.
12. Utilisez les batteries uniquement avec les produits spécifiés par Makita. L'insertion de batteries dans des produits non conformes peut provoquer un incendie, une chaleur excessive, une explosion ou une fuite de l'électrolyte.
13. Lorsque vous n'utilisez pas l'outil pendant une période prolongée, la batterie doit être retirée de l'outil.
14. Pendant et après l'utilisation, la batterie peut chauffer, ce qui peut entraîner des brûlures, y compris en cas de température relativement basse. Manipulez les batteries chaudes avec précaution.
15. Ne touchez pas la borne de l'outil immédiatement après utilisation car elle peut être assez chaude pour provoquer des brûlures.
16. Évitez que des copeaux, de la poussière ou du sol adhèrent aux bornes, aux trous et aux rainures de la batterie. Cela peut provoquer un échauffement, un incendie, une explosion ou un dysfonctionnement de l'outil ou de la batterie, ce qui peut entraîner des brûlures ou des blessures.
17. À moins que l'outil prenne en charge un tel usage, n'utilisez pas la batterie à proximité de lignes électriques haute tension. Cela pourrait entraîner un dysfonctionnement ou casser l'outil ou la batterie.
18. Conservez la batterie hors de portée des enfants.

CONSERVEZ CES INSTRUCTIONS.

⚠ ATTENTION : N'utilisez que des batteries Makita d'origine. L'utilisation de batteries de marque autre que Makita ou de batteries modifiées peut provoquer l'explosion des batteries, ce qui présente un risque d'incendie, de dommages matériels et corporels. Cela annulera également la garantie Makita pour l'outil et le chargeur Makita.

Conseils pour assurer la durée de vie optimale de la batterie

1. Chargez la batterie avant qu'elle ne soit complètement déchargée. Arrêtez toujours l'outil

et rechargez la batterie quand vous remarquez que la puissance de l'outil diminue.

2. Ne rechargez jamais une batterie complètement chargée. La surcharge réduit la durée de service de la batterie.
3. Chargez la batterie à une température ambiante comprise entre 10 °C et 40 °C. Avant de charger une batterie chaude, laissez-la refroidir.
4. Lorsque vous n'utilisez pas la batterie, retirez-la de l'outil ou du chargeur.
5. Rechargez la batterie si elle est restée inutilisée pendant une période prolongée (plus de six mois).

DESCRIPTION DES PIÈCES

► Fig.1

1	Tête	2	Manche avant	3	Dispositif de suspension	4	Levier de sécurité
5	Batterie	6	Manche arrière	7	Levier interrupteur	8	Manchon coulissant
9	Lames de cisaille	10	Indicateur de vitesse	11	Témoin d'avertissement	12	Bouton de marche arrière
13	Bouton d'alimentation principale	-	-	-	-	-	-

DESCRIPTION DU FONCTIONNEMENT

⚠ ATTENTION : Assurez-vous toujours que l'outil est hors tension et que sa batterie est retirée avant de l'ajuster ou de vérifier son fonctionnement.

Insertion ou retrait de la batterie

⚠ ATTENTION : Éteignez toujours l'outil avant de mettre en place ou de retirer la batterie.

⚠ ATTENTION : Tenez fermement l'outil et la batterie lors de la mise en place ou du retrait de la batterie. Si vous ne tenez pas fermement l'outil et la batterie, ils peuvent vous glisser des mains, et s'abîmer ou vous blesser.

Pour mettre la batterie en place, alignez la languette de la batterie avec la rainure du compartiment puis insérez la batterie. Insérez-la entièrement jusqu'à entendre un léger déclic indiquant qu'elle est bien en place. Si vous pouvez voir l'indicateur rouge comme illustré sur la figure, c'est qu'elle n'est pas bien verrouillée.

Pour retirer la batterie, faites-la glisser hors de l'outil tout en faisant glisser le bouton à l'avant de la batterie.

► Fig.2: 1. Indicateur rouge 2. Bouton 3. Batterie

⚠ ATTENTION : Insérez toujours complètement la batterie jusqu'à ce que l'indicateur rouge ne soit plus visible. Sinon, elle pourrait tomber accidentellement de l'outil, au risque de vous blesser ou de blesser quelqu'un se trouvant près de vous.




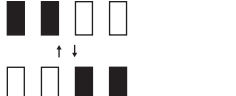
⚠ ATTENTION : N'insérez pas la batterie de force. Si elle ne glisse pas facilement, c'est que vous ne l'insérez pas correctement.

Indication de la charge restante de la batterie

Appuyez sur le bouton de vérification sur la batterie pour indiquer la charge restante de la batterie. Les témoins s'allument pendant quelques secondes.

► Fig.3: 1. Témoins 2. Bouton de vérification

Témoins			Charge restante
Allumé	Éteint	Clignotant	
■ ■ ■ ■	□ □ □ □	▬	75 % à 100 %
■ ■ ■ □	□ □ □ □	▬	50 % à 75 %
■ ■ □ □	□ □ □ □	▬	25 % à 50 %
■ □ □ □	□ □ □ □	▬	0 % à 25 %
▬ □ □ □	□ □ □ □	▬	Chargez la batterie.

Témoins			Charge restante
 Allumé	 Éteint	 Clignotant	
			Anomalie possible de la batterie.




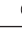


NOTE : Selon les conditions d'utilisation et la température ambiante, l'indication peut être légèrement différente de la capacité réelle.

NOTE : Le premier témoin (complètement à gauche) clignotera pendant le fonctionnement du système de protection de la batterie.

Système de protection de l'outil/la batterie

L'outil est équipé d'un système de protection de l'outil/la batterie. Ce système coupe automatiquement l'alimentation vers le moteur pour prolonger la durée de vie de l'outil et de la batterie. Si l'outil ou la batterie se trouve dans l'une des situations suivantes, l'outil cessera automatiquement de fonctionner :

► **Fig.4: 1.** Témoin d'avertissement

Témoin d'avertissement			État
Couleur	 Allumé	 Clignotant	
Vert			Surcharge
Rouge	 (outil) /  (batterie)		Surchauffe
Rouge			Décharge excessive

REMARQUE : Selon les conditions d'utilisation, l'outil s'éteint automatiquement sans indication en présence d'un enchevêtrement de branches ou de débris. Dans ce cas, éteignez l'outil et retirez la batterie, puis ôtez l'enchevêtrement de branches ou de débris en utilisant un outil comme une pince. Après avoir ôté les branches ou débris, remettez la batterie en place et rallumez l'outil.

Protection contre la surcharge

Si l'outil ou la batterie sont surchargés par un enchevêtrement de branches ou d'autres débris, l'outil s'arrête automatiquement et le témoin d'avertissement se met à clignoter en vert.

Dans ce cas, éteignez l'outil et arrêtez la tâche ayant provoqué la surcharge de l'outil. Puis rallumez l'outil pour reprendre la tâche.

Protection contre la surchauffe de l'outil ou de la batterie

En cas de surchauffe de l'outil ou de la batterie, l'outil s'arrête automatiquement. Si l'outil surchauffe, le témoin d'avertissement s'allume en rouge. Si la batterie surchauffe, le témoin d'avertissement clignote en rouge. Laissez l'outil et/ou la batterie refroidir avant de rallumer l'outil.

Protection contre la décharge totale de la batterie

Lorsque la charge de la batterie devient faible, l'outil s'arrête automatiquement et le témoin d'avertissement se met à clignoter en rouge.

Si l'outil ne fonctionne pas même en actionnant les interrupteurs, retirez la batterie de l'outil et chargez-la.

Protections contre d'autres causes

Le système de protection est également conçu pour d'autres causes qui pourraient endommager l'outil et lui permet de s'arrêter automatiquement. Suivez toutes les étapes ci-dessous pour éliminer les causes, lorsque l'outil a été arrêté provisoirement ou a cessé de fonctionner.

1. Éteignez l'outil, puis rallumez-le pour le redémarrer.
2. Chargez la ou les batteries ou remplacez-les par des batteries rechargées.
3. Laissez la machine et la ou les batteries refroidir.

En l'absence d'amélioration après avoir rétabli le système de protection, contactez votre centre de service Makita local.

Fonctionnement de l'interrupteur d'alimentation

⚠ AVERTISSEMENT : Pour assurer votre sécurité, cet outil est équipé d'un interrupteur de sécurité qui empêche son démarrage intempestif. N'utilisez JAMAIS l'outil s'il se met en marche lorsque vous tirez simplement sur le levier interrupteur sans avoir appuyé sur le levier de sécurité. Confiez l'outil à notre centre de service après-vente agréé pour le faire réparer AVANT de poursuivre l'utilisation.

⚠ AVERTISSEMENT : Ne scotchez JAMAIS le levier de sécurité, ni n'ignorez son objectif et sa fonction.

⚠ ATTENTION : Avant d'insérer la batterie dans l'outil, vérifiez toujours que le levier interrupteur fonctionne correctement et revient en position d'arrêt une fois relâché. L'utilisation d'un outil dont l'interrupteur est défectueux comporte un risque de perte de contrôle et de graves blessures.

⚠ ATTENTION : Ne placez jamais votre doigt sur l'interrupteur lors du transport. L'outil risquerait de démarrer brusquement et de provoquer des blessures.

REMARQUE : Évitez de tirer avec force sur le levier interrupteur sans appuyer sur le levier de sécurité. Vous risquez de casser l'interrupteur.

Appuyez sur le bouton d'alimentation principale pour mettre l'outil sous tension. Pour mettre l'outil hors tension, maintenez enfoncé le bouton d'alimentation principale jusqu'à ce que l'indicateur de vitesse s'éteigne.

- **Fig.5:**
1. Bouton d'alimentation principale
 2. Indicateur de vitesse
 3. Témoin d'avertissement

NOTE : Le témoin d'avertissement clignote en vert si vous tirez sur le levier interrupteur dans des conditions ne permettant pas d'utiliser l'outil comme suit :

- Vous mettez l'interrupteur principal en position de marche tout en maintenant le levier de sécurité et le levier interrupteur enfoncés.
- Vous tirez sur le levier interrupteur avec le levier de sécurité enfoncé tout en repliant la tête de l'outil.

NOTE : Cet outil dispose d'une fonction de mise hors tension automatique. L'interrupteur principal s'éteindra automatiquement si l'outil n'est pas utilisé pendant environ 5 minute(s).

NOTE : La fonction de mise hors tension automatique peut s'enclencher lorsque l'outil s'arrête en raison du fonctionnement du système de protection. L'interrupteur principal s'éteindra automatiquement environ 5 minute(s) après que le moteur s'arrête automatiquement et qu'aucune mesure corrective n'est prise contre la protection de l'outil.

Pour éviter tout enclenchement accidentel du levier interrupteur, l'outil est muni d'un double interrupteur de sécurité par mesure de sécurité.

Pour débloquer l'outil, enfoncez le levier de verrouillage vers le bas au-delà de sa position normale au moyen de la paume de votre main (à savoir, la partie entre le pouce et l'index) et serrez le levier de sécurité dans votre paume. Tirez ensuite sur le levier interrupteur alors que le levier de sécurité est enfoncé.




Pour arrêter l'outil, relâchez le levier interrupteur.

- **Fig.6:** 1. Levier de verrouillage 2. Levier de sécurité 3. Levier interrupteur

Réglage de la vitesse

Vous pouvez régler la vitesse de l'outil en appuyant sur le bouton d'alimentation principale. Chaque fois que vous appuyez sur le bouton d'alimentation principale, le niveau de vitesse change.

- **Fig.7:** 1. Bouton d'alimentation principale 2. Indicateur de vitesse

Indicateur	Mode	Vitesse de déplacement
	Élevé	4 000 min ⁻¹
	Moyen	3 000 min ⁻¹
	Faible	2 000 min ⁻¹

NOTE : L'outil démarre dans le même mode que celui de son dernier fonctionnement. Si vous retirez la batterie alors que le moteur tourne après l'arrêt, l'outil pourrait ne pas redémarrer dans le même mode que celui de son dernier fonctionnement.

Bouton de marche arrière pour le retrait des débris

AVERTISSEMENT : Si l'enchevêtrement de branches ou de débris ne peut être ôté par la fonction de marche arrière, éteignez l'outil et retirez la batterie, puis ôtez l'enchevêtrement de branches ou de débris en utilisant un outil comme une pince. Si vous ne mettez pas l'outil hors tension et ne retirez pas la batterie, cela présente un risque de graves blessures en cas de démarrage involontaire. Ôter l'enchevêtrement de branches ou de débris à la main présente un risque de blessure, car les lames de cisaille peuvent bouger en réaction au retrait des branches ou débris.

Cet outil est équipé d'un bouton de marche arrière permettant de modifier le sens de déplacement des lames de cisaille. Il sert uniquement à ôter les enchevêtrements de branches et de débris dans l'outil.

Pour inverser le mouvement des lames de cisaille, appuyez sur le bouton de marche arrière lorsque les lames de cisaille sont arrêtées, puis tirez sur le levier interrupteur tout en appuyant sur le levier de sécurité. L'indicateur de vitesse se met à clignoter, et les lames de cisaille se déplacent dans le sens inverse. Une fois l'enchevêtrement de branches et de débris ôté, l'outil revient à un mouvement régulier et l'indicateur de vitesse cesse de clignoter et s'allume.

- **Fig.8:** 1. Bouton de marche arrière 2. Indicateur de vitesse

NOTE : S'il s'avère impossible d'ôter l'enchevêtrement de branches ou de débris, relâchez le levier interrupteur, puis appuyez sur le bouton de marche arrière, ensuite tirez sur le levier interrupteur jusqu'à ce qu'il soit retiré.

NOTE : Si vous appuyez sur le bouton de marche arrière alors que les lames de cisaille bougent encore, l'outil s'arrêtera et se préparera au mouvement inverse.

Réglage de l'angle de coupe

ATTENTION : Assurez-vous toujours que l'outil est hors tension avant de rabattre ou déployer la tête.

ATTENTION : Lorsque vous rabattez la tête pour transporter l'outil ou après avoir utilisé l'outil, veillez à fixer le couvre-lame avant de rabattre la tête.

ATTENTION : Lorsque vous rabattez la tête, prenez soin de ne pas vous pincer les doigts entre la tête et le manchon coulissant.

L'angle de la tête peut être réglé en 6 paliers allant de 45° vers le haut à 70° vers le bas. Pour modifier l'angle de la tête, suivez les étapes ci-dessous.

- **Fig.9:** 1. Angles de la tête vers le haut 2. Angles de la tête vers le bas

1. Tenez la tête et le manchon coulissant comme illustré sur la figure.

- **Fig.10:** 1. Tête 2. Manchon coulissant

- Déplacez la tête tout en maintenant abaissée le manchon coulissant, puis relâchez-le.
- Déplacez légèrement la tête jusqu'à ce qu'elle se verrouille en place avec un déclic.

NOTE : Assurez-vous que la tête est solidement verrouillée avant d'utiliser l'outil.

Fonction électronique

L'outil est doté de fonctions électroniques pour en faciliter le fonctionnement.

- Contrôle de vitesse constante
La fonction de contrôle de la vitesse offre une vitesse de rotation constante quelles que soient les conditions de charge.
- Frein électrique
Cet outil est équipé d'un frein électrique. Si systématiquement l'outil n'arrive pas à arrêter les lames de cisaille rapidement après le relâchement du levier interrupteur, faites réparer l'outil dans un centre de service après-vente Makita agréé.
- Fonction de prévention de redémarrage accidentel
Lorsque vous allumez l'outil tout en tirant sur le levier interrupteur, l'outil ne démarre pas et le témoin d'avertissement clignote en vert. Pour le démarrer, relâchez d'abord le levier interrupteur, puis allumez l'outil.

ASSEMBLAGE

ATTENTION : Assurez-vous toujours que l'outil est hors tension et que sa batterie est retirée avant d'effectuer toute tâche dessus.

ATTENTION : Lorsque vous remplacez les lames de cisaille, portez toujours des gants de sorte que vos mains ne touchent pas directement les lames.

Pose ou dépose des lames de cisaille

ATTENTION : Fixez le couvre-lame avant de déposer ou poser les lames de cisaille.

REMARQUE : Lorsque vous remplacez les lames de cisaille, ne retirez pas la graisse de l'engrenage et de la manivelle.

NOTE : Avant d'installer ou de retirer les lames de cisaille, déployez la tête de l'outil pour que la tête se retrouve directement sur le corps de l'outil.

- Placez l'outil à l'envers, puis retirez les 6 boulons.
► Fig.11: 1. Boulon
- Déposez le couvercle et la plaque.
► Fig.12: 1. Couvercle 2. Plaque

Utilisez un tournevis plat comme levier pour ouvrir le couvercle si vous avez du mal à l'ouvrir.

Insérez le tournevis plat dans l'ouverture et la ou les découpes sur le logement de l'outil, puis soulevez le couvercle du logement.

- Fig.13: 1. Découpes (des deux côtés du logement)
2. Ouverture (entre le couvercle et les lames de cisaille)

NOTE : La plaque pourrait rester à l'intérieur du couvercle.

- Retirez la bielle et le roulement.
► Fig.14: 1. Bielle 2. Roulement

NOTE : La bielle et le roulement pourraient rester à l'intérieur du couvercle.

- Retirez les 2 boulons et les 2 manchons des lames de cisaille. Démontez les lames de cisaille du corps de l'outil. Ensuite, décollez le plateau en feutre et le joint anti-poussière en caoutchouc des lames de cisaille.
► Fig.15: 1. Boulon 2. Manchon 3. Lames de cisaille 4. Plateau en feutre 5. Joint anti-poussière

REMARQUE : Prenez garde de ne pas perdre des pièces des composants, car vous les réutiliserez lors du remontage.

- Retirez le couvre-lame, puis fixez-le aux lames de cisaille neuves.
► Fig.16: 1. Couvre-lame

- Ajustez la manivelle de sorte que les deux trous soient alignés sur la ligne d'alignement.
► Fig.17: 1. Trous 2. Ligne d'alignement

- Alignez les parties saillantes des deux côtés des lames de cisaille.
► Fig.18: 1. Parties saillantes

- Tenez les lames de cisaille avec leurs trous de manchon orientés vers le haut. Fixez le plateau en feutre sur les lames de cisaille avec ses bras entourant les lames de cisaille.
► Fig.19: 1. Plateau en feutre 2. Trou de manchon

- Retournez les lames de cisaille. Fixez le joint anti-poussière en caoutchouc sur les lames de cisaille. Ajustez sa position de sorte que l'une des extrémités du joint anti-poussière touche la partie saillante des lames de cisaille.
► Fig.20: 1. Joint anti-poussière 2. Partie saillante

- Tournez les lames de cisaille avec le plateau en feutre orienté vers le haut. Alignez la partie saillante des lames de cisaille sur le trou de pied de bielle dans la bielle. Remettez les lames de cisaille en place.
► Fig.21: 1. Plateau en feutre 2. Joint anti-poussière 3. Partie saillante 4. Trou de pied de bielle 5. Découpes pour plateau en feutre 6. Découpes pour joint anti-poussière

REMARQUE : Veillez à bien insérer le plateau en feutre et le joint anti-poussière en caoutchouc dans les découpes sur le logement des lames.

REMARQUE : Appliquez une petite quantité de graisse sur la périphérie interne du trou de pied de bielle dans la bielle.

11. Placez les manchons neufs dans les trous de manchon dans les lames de cisaille.

► Fig.22: 1. Manchon 2. Trou de manchon

REMARQUE : Prenez garde de ne pas perdre les manchons.

12. Alignez les trous dans les manchons, ceux dans les lames de cisaille et ceux dans le logement des lames ensemble le long d'une ligne. Serrez ensuite les 2 boulons pour fixer en place les lames de cisaille.

► Fig.23: 1. Boulon 2. Manchon 3. Lames de cisaille

13. Fixez le roulement et la bielle.

► Fig.24: 1. Bielle 2. Trou de pied de bielle
3. Roulement

REMARQUE : Appliquez une petite quantité de graisse sur la périphérie interne du trou de pied de bielle dans la bielle.

REMARQUE : Veillez à bien insérer la partie saillante des lames de cisaille dans le trou de pied de bielle sur la bielle.

14. Remettez la plaque en place.

► Fig.25: 1. Plaque 2. Partie saillante

REMARQUE : Veillez à bien insérer la partie saillante des lames de cisaille dans le trou sur la plaque.

15. Fixez le couvercle, puis serrez les 6 boulons.

► Fig.26: 1. Couvercle 2. Boulon

REMARQUE : Si les lames de cisaille ne bougent pas de façon fluide, elles ne sont pas engagées correctement dans les bielles. Installez à nouveau les lames de cisaille.

REMARQUE : Si d'autres pièces que les lames de cisaille comme les bielles sont usées, demandez leur remplacement ou réparation aux centres de service après-vente Makita agréés.

Installation ou retrait du collecteur de copeaux

Accessoire en option

ATTENTION : Lorsque vous installez ou retirez le collecteur de copeaux, portez toujours des gants de sorte que vos mains n'entrent pas en contact direct avec les lames de cisaille.

REMARQUE : Le couvre-lame ne peut pas être mis en place si le collecteur de copeaux est installé sur l'outil. Avant de transporter ou ranger l'outil, désinstallez le collecteur de copeaux, puis installez le couvre-lame pour éviter d'exposer les lames.

REMARQUE : Veillez à retirer le couvre-lame avant d'installer le collecteur de copeaux.

Le collecteur de copeaux rassemble les feuilles élaguées et facilite le nettoyage ultérieur. Il s'installe d'un côté comme de l'autre de l'outil.

1. Accrochez les griffes du collecteur de copeaux aux lames de cisaille.

► Fig.27: 1. Collecteur de copeaux 2. Lames de cisaille 3. Griffes

2. Alignez les trous sur le collecteur de copeaux avec les vis sur les lames de cisaille, puis fixez solidement le collecteur de copeaux aux lames de cisaille.

► Fig.28: 1. Trou 2. Vis

REMARQUE : Assurez-vous que le collecteur de copeaux ne dépasse pas de l'attrape-branches.

► Fig.29: 1. Attrape-branches

Pour retirer le collecteur de copeaux, appuyez sur les leviers pour relâcher les griffes.

► Fig.30: 1. Levier

REMARQUE : N'essayez jamais de retirer le collecteur de copeaux en exerçant une force excessive avec ses crochets verrouillés dans les rainures des lames de cisaille.

UTILISATION

Fixation de la bandoulière

ATTENTION : Avant utilisation, assurez-vous que la bandoulière est correctement attachée au dispositif de suspension sur l'outil.

ATTENTION : Lorsque vous utilisez l'outil en combinaison avec une alimentation de type dorsal, comme un support d'alimentation portable, n'utilisez pas la sangle d'épaule incluse dans l'emballage de l'outil, mais utilisez la lanière de suspension recommandée par Makita.

Si vous placez en même temps la sangle d'épaule incluse dans l'emballage de l'outil et la bandoulière de l'alimentation de type dorsal, il est difficile de retirer l'outil ou l'alimentation de type dorsal en cas d'urgence, ce qui peut provoquer un accident ou des blessures. Pour connaître la lanière de suspension recommandée, adressez-vous aux centres de service après-vente Makita agréés.

NOTE : Utilisez la bandoulière fixée sur l'outil. Avant utilisation, la bandoulière doit être ajustée selon la taille de l'utilisateur pour éviter la fatigue.

1. Portez la bandoulière sur votre épaule.

► Fig.31

2. Refermez le crochet sur la bandoulière sur le dispositif de suspension de l'outil.

► Fig.32: 1. Crochet 2. Dispositif de suspension

3. Ajustez la bandoulière sur une position confortable pour travailler.

► Fig.33

La bandoulière est pourvue d'un système de desserrage rapide.

Il suffit d'appuyer sur les côtés de la boucle pour que l'outil se décroche de la bandoulière.

► Fig.34: 1. Boucle

Fonctionnement de l'outil

⚠ AVERTISSEMENT : N'utilisez pas l'outil près de lignes électriques. Le contact avec des lignes électriques ou l'utilisation de l'outil près de lignes électriques présente un danger mortel de graves blessures ou d'électrocution.

⚠ AVERTISSEMENT : Éloignez les mains des lames de cisaille.

⚠ AVERTISSEMENT : Redoublez de prudence pour garder constamment la maîtrise de l'outil. Ne laissez pas l'outil dévier vers vous ou en direction de quiconque à proximité de la zone de travail. Si vous ne maîtrisez pas l'outil, vous risqueriez de vous blesser et de blesser d'autres personnes.

⚠ ATTENTION : Évitez autant que possible de faire fonctionner l'outil par temps très chaud. Lorsque vous utilisez l'outil, faites attention à votre condition physique.

⚠ ATTENTION : Prenez soin de ne pas toucher accidentellement une clôture en métal ou d'autres objets durs pendant la coupe. Les lames de cisaille peuvent se briser et vous blesser.

⚠ ATTENTION : Prenez soin de ne pas laisser les lames de cisaille entrer en contact avec le sol. L'outil pourrait avoir un mouvement de recul et provoquer des blessures.

⚠ ATTENTION : Il est très dangereux de se pencher trop loin avec un taille-haie, particulièrement depuis une échelle. Ne travaillez pas en vous tenant debout sur une surface bancale ou molle.

REMARQUE : N'essayez pas de couper avec l'outil des branches dont l'épaisseur dépasse 10 mm de diamètre. Coupez les branches à 10 cm plus bas que la hauteur de coupe au moyen d'un coupe-branches avant d'utiliser l'outil.

► Fig.35: 1. Hauteur de coupe 2. 10 cm

REMARQUE : Ne coupez pas d'arbres morts ou d'objets durs semblables. Vous risqueriez d'endommager l'outil.

REMARQUE : Ne coupez pas l'herbe ou les mauvaises herbes pendant que vous utilisez les lames de cisaille. Les lames de cisaille peuvent s'entortiller dans l'herbe ou les mauvaises herbes.

Tenez l'outil avec les deux mains.

► Fig.36

Tirez sur le levier interrupteur tout en maintenant enfoncé le levier de sécurité, puis préparez l'outil pour la coupe.

► Fig.37

Pour une utilisation élémentaire, inclinez les lames de cisaille dans le sens de coupe et déplacez-le calmement et lentement à une vitesse de 3 à 4 secondes par mètre.

► Fig.38

Pour couper uniformément le côté d'une haie, coupez de bas en haut.

► Fig.39

Pour tailler une forme ronde (taille de buis ou rhododendron, etc.), coupez depuis la racine jusqu'en haut pour obtenir un rendu magnifique.

► Fig.40

Si le collecteur de copeaux est fixé aux lames de cisaille, il rassemble les feuilles élaguées et facilite le nettoyage ultérieur.

► Fig.41

ENTRETIEN

⚠ ATTENTION : Assurez-vous toujours que l'outil est hors tension et que la batterie est retirée avant d'y effectuer tout travail d'inspection ou d'entretien.

⚠ ATTENTION : Lors de l'inspection ou de l'entretien de l'outil, posez toujours l'outil par terre. Si vous assemblez ou réglez l'outil en le tenant debout, vous risqueriez de vous blesser grièvement.

Pour assurer la SÉCURITÉ et la FIABILITÉ du produit, toute réparation, tout travail d'entretien ou de réglage doivent être effectués par un centre d'entretien Makita agréé, avec des pièces de rechange Makita.

Nettoyage de l'outil

Nettoyez l'outil en essuyant la poussière avec un chiffon sec ou un chiffon imbibé d'eau savonneuse bien essoré.

REMARQUE : N'utilisez jamais d'essence, benzine, diluant, alcool ou autre produit similaire. Cela risquerait de provoquer la décoloration, la déformation ou la fissuration de l'outil.

Entretien des lames de cisaille

Avant utilisation ou une fois toutes les heures pendant l'utilisation, appliquez de l'huile à faible viscosité (huile machine ou huile lubrifiante en vaporisateur) sur les lames de cisaille.

► Fig.42

Après utilisation, retirez la poussière des deux côtés des lames de cisaille avec une brosse métallique, essuyez-la avec un chiffon, puis appliquez de l'huile à faible viscosité (huile machine ou huile lubrifiante en vaporisateur) sur les lames de cisaille.

► Fig.43

REMARQUE : Ne lavez pas les lames de cisaille dans l'eau. Cela peut les corroder ou endommager l'outil.

REMARQUE : La saleté et la corrosion provoquent une friction excessive de la lame et réduisent la durée de fonctionnement par charge de batterie.

Rangement

Fixez le couvre-lame aux lames de cisaille de sorte que les lames ne soient pas exposées. Rangez l'outil hors de portée des enfants. Rangez l'outil dans un endroit non exposé à l'humidité ou à la pluie.

Aiguisage des lames de cisaille

REMARQUE : Si les lames de cisaille sont considérablement déformées par l'aiguisage, remplacez-les par des neuves.

1. Installez la batterie dans l'outil.
2. Mettez l'outil sous tension et démarrez-le de sorte que la lame supérieure et la lame inférieure soient placées en décalé l'une par rapport à l'autre.

► Fig.44

3. Mettez l'outil hors tension et retirez la batterie de l'outil.

4. Retirez la vis, puis déposez l'attrape-branches.

► Fig.45: 1. Vis 2. Attrape-branches

5. Réglez l'angle d'une lime à 50° et aiguissez la lame supérieure avec la lime exactement dans les trois directions des tranchants.

► Fig.46: 1. Lime 2. 50°

ATTENTION : Avant d'aiguiser les lames de cisaille, assurez-vous que l'outil est éteint et que la batterie est retirée de l'outil.

6. Placez l'outil à l'envers, puis retirez les bavures de la lame de cisaille avec la pierre d'affûtage.

► Fig.47: 1. Pierre d'affûtage

7. Réglez l'angle de la lime à 50° et aiguissez la lame inférieure avec la lime exactement dans les trois directions des tranchants.

8. Placez l'outil sur la position normale, puis retirez les bavures de la lame de cisaille avec la pierre d'affûtage.

9. Fixez l'attrape-branches en serrant la vis.

Lubrification à la graisse

Intervalle de lubrification : Toutes les 50 heures de fonctionnement

Utilisation du trou d'huile pour la lubrification

1. Retirez le boulon du trou pour la lubrification.

► Fig.48: 1. Boulon

2. Retirez le bouchon du tube de graisse. Alignez la sortie du tube de graisse avec le trou sur le couvercle, puis appuyez la sortie du tube de graisse sur le trou.

► Fig.49: 1. Tube de graisse 2. Trou

3. Graissez l'outil (environ 5 g, à titre indicatif).

4. Serrez le boulon.

Utilisation d'un embout de graissage

Le raccord mamelon aide à connecter un pistolet de graissage avec complémentarité de forme.

1. Préparez un pistolet de graissage à utiliser.
2. Raccordez l'adaptateur du pistolet de graissage à l'embout de graissage sur l'outil.

► Fig.50: 1. Adaptateur du pistolet de graissage
2. Embout de graissage

3. Graissez l'outil (environ 5 g, à titre indicatif).
4. Inclinez légèrement l'adaptateur pour relâcher la pression interne, puis retirez l'adaptateur de l'embout de graissage.

Essuyez la graisse sur l'adaptateur et l'embout de graissage.

GUIDE DE DÉPANNAGE

Avant de faire une demande de réparation, effectuez d'abord vous-même une inspection. Si vous rencontrez un problème non documenté dans le mode d'emploi, n'essayez pas de démonter l'outil. Demandez plutôt à un centre de service après-vente Makita agréé d'effectuer la réparation au moyen de pièces de rechange Makita.

État d'anomalie	Cause probable (dysfonctionnement)	Solution
Le moteur ne tourne pas.	La batterie n'est pas installée.	Installez la batterie.
	Problème de batterie (sous tension)	Rechargez la batterie. Si vous n'arrivez pas à recharger la batterie, remplacez-la.
	Le mécanisme d'entraînement ne fonctionne pas correctement.	Demandez à votre centre de service après-vente local agréé d'effectuer la réparation.
Le moteur s'arrête au bout d'un court moment.	La charge de la batterie est faible.	Rechargez la batterie. Si vous n'arrivez pas à recharger la batterie, remplacez-la.
	Surchauffe.	Arrêtez d'utiliser l'outil pour le laisser refroidir.
L'outil ne tourne pas à plein régime.	La batterie n'est pas bien installée.	Installez la batterie comme décrit dans ce mode d'emploi.
	La batterie faiblit.	Rechargez la batterie. Si vous n'arrivez pas à recharger la batterie, remplacez-la.
	Le mécanisme d'entraînement ne fonctionne pas correctement.	Demandez à votre centre de service après-vente local agréé d'effectuer la réparation.
Les lames de cisaille ne bougent pas : ⇒ arrêtez immédiatement la machine !	Angle inapproprié des lames de cisaille.	Assurez-vous que la tête est correctement fixée dans l'angle opérationnel.
	Des corps étrangers sont coincés entre les lames de cisaille.	1. Utilisez le bouton de marche arrière. 2. Éteignez l'outil et retirez la batterie, puis enlevez les corps étrangers en utilisant un outil comme une pince.
	Le mécanisme d'entraînement ne fonctionne pas correctement.	Demandez à votre centre de service après-vente local agréé d'effectuer la réparation.
Vibration anormale : ⇒ arrêtez immédiatement la machine !	Les lames de cisaille sont cassées, pliées ou usées.	Remplacez les lames de cisaille.
	Le mécanisme d'entraînement ne fonctionne pas correctement.	Demandez à votre centre de service après-vente local agréé d'effectuer la réparation.
Les lames de cisaille et le moteur ne s'arrêtent pas : ⇒ retirez immédiatement la batterie !	Dysfonctionnement électrique.	Retirez la batterie et demandez à votre centre de service après-vente local agréé d'effectuer la réparation.

ACCESSOIRES EN OPTION

⚠ ATTENTION : Ces accessoires ou pièces complémentaires sont recommandés pour l'utilisation avec l'outil Makita spécifié dans ce mode d'emploi. L'utilisation de tout autre accessoire ou pièce complémentaire peut comporter un risque de blessure. N'utilisez les accessoires ou pièces complémentaires qu'aux fins auxquelles ils ont été conçus.

Pour obtenir plus de détails sur ces accessoires, contactez votre centre d'entretien local Makita.

- Ensemble de lames de cisaille
- Collecteur de copeaux
- Tube de graisse
- Batterie et chargeur de marque Makita

NOTE : Il se peut que certains éléments de la liste soient compris dans l'emballage de l'outil en tant qu'accessoires standard. Ils peuvent varier d'un pays à l'autre.

TECHNISCHE DATEN

Modell:		UN001G
Messerlänge		600 mm
Hubzahl pro Minute		2.000 / 3.000 / 4.000 min ⁻¹
Schneidblattwinkel		115° (aufwärts 45°, abwärts 70°)
Gesamtlänge		2.268 mm
Nennspannung		36 V - 40 V Gleichstrom
Nettogewicht	*1	4,0 kg
	*2	4,7 - 5,9 kg
Schutzgrad		IPX4

• Wir behalten uns vor, Änderungen der technischen Daten im Zuge der Entwicklung und des technischen Fortschritts ohne vorherige Ankündigung vorzunehmen.

• Die technischen Daten können von Land zu Land unterschiedlich sein.

*1: Gewicht ohne Zubehör oder Akku(s)

*2: Das Gewicht kann abhängig von dem Aufsatz (den Aufsätzen), einschließlich des Akkus, unterschiedlich sein. Die leichtesten und schwersten Kombinationen gemäß dem EPTA-Verfahren 01/2014 sind in der Tabelle angegeben.

Zutreffende Akkus und Ladegeräte

Akku	BL4020 / BL4025 / BL4040 / BL4040F / BL4050F / BL4080F
Ladegerät	DC40RA / DC40RB / DC40RC / DC40WA

• Einige der oben aufgelisteten Akkus und Ladegeräte sind je nach Ihrem Wohngebiet eventuell nicht erhältlich.

⚠️ WARNUNG: Verwenden Sie nur die oben aufgeführten Akkus und Ladegeräte. Bei Verwendung irgendwelcher anderer Akkus und Ladegeräte besteht Verletzungs- und/oder Brandgefahr.

Empfohlene kabelgebundene Stromquelle

Rückentragbare Akku-Bank	PDC01 / PDC1200 / PDC1500
--------------------------	---------------------------

• Die oben aufgelisteten kabelgebundenen Stromquellen sind je nach Ihrem Wohngebiet eventuell nicht erhältlich.

• Lesen Sie vor Gebrauch der kabelgebundenen Stromquelle die daran angebrachten Anweisungen und Warnmarkierungen durch.

Symbole

Nachfolgend werden Symbole beschrieben, die für das Gerät verwendet werden können. Machen Sie sich unbedingt vor der Benutzung mit ihrer Bedeutung vertraut.



Mindestens 15 m Abstand halten.



Betriebsanleitung lesen.



Helm, Schutzbrille und Gehörschutz tragen.



GEFAHR- Halten Sie Ihre Hände vom Messer fern.



Vorsicht vor elektrischen Leitungen-Stromschlaggefahr.



Nur für EU-Länder
Aufgrund des Vorhandenseins gefährlicher Komponenten in der Ausrüstung können Elektro- und Elektronik-Altgeräte, Akkumulatoren und Batterien sich negativ auf die Umwelt und die menschliche Gesundheit auswirken.
Entsorgen Sie Elektro- und Elektronikgeräte oder Batterien nicht mit dem Hausmüll!
In Übereinstimmung mit der Europäischen Richtlinie über Elektro- und Elektronik-Altgeräte, Akkumulatoren und Batterien, verbrauchte Akkumulatoren und Batterien sowie ihrer Anpassung an nationales Recht sollten Elektro-Altgeräte, Batterien und Akkumulatoren gemäß den Umweltschutzbestimmungen getrennt gelagert und zu einer getrennten Sammelstelle für Siedlungsabfälle geliefert werden.
Dies wird durch das am Gerät angebrachte Symbol der durchgestrichenen Abfalltonne auf Rädern angezeigt.



Garantierter Schallleistungspegel gemäß der EU-Richtlinie über Außenlärm.



Schallleistungspegel gemäß der australischen NSW-Lärmschutzverordnung

Vorgesehene Verwendung

Das Werkzeug ist zum Trimmen von Hecken vorgesehen.

Geräusch

Typischer A-bewerteter Geräuschpegel ermittelt gemäß EN62841-4-2:

Modell	Schalldruckpegel		Garantierter Schallleistungspegel	Gemessener Schallleistungspegel	
	L _{PA} (dB (A))	Messunsicherheit K (dB (A))	L _{WA} (dB (A))	L _{WA} (dB (A))	Messunsicherheit K (dB (A))
UN001G	82	3	94	93	1,5

HINWEIS: Der (Die) angegebene(n) Schallemissionswert(e) wurde(n) im Einklang mit der Standardprüfmethode gemessen und kann (können) für den Vergleich zwischen Werkzeugen herangezogen werden.

HINWEIS: Der (Die) angegebene(n) Schallemissionswert(e) kann (können) auch für eine Vorbewertung des Gefährdungsgrads verwendet werden.

⚠️ WARNUNG: Einen Gehörschutz tragen.

⚠️ WARNUNG: Die Schallemission während der tatsächlichen Benutzung des Elektrowerkzeugs kann je nach der Benutzungsweise des Werkzeugs, und speziell je nach der Art des bearbeiteten Werkstücks, von dem (den) angegebenen Wert(en) abweichen.

⚠️ WARNUNG: Identifizieren Sie Sicherheitsmaßnahmen zum Schutz des Benutzers anhand einer Schätzung des Gefährdungsgrads unter den tatsächlichen Benutzungsbedingungen (unter Berücksichtigung aller Phasen des Arbeitszyklus, wie z. B. Ausschalt- und Leerlaufzeiten des Werkzeugs zusätzlich zur Betriebszeit).

Schwingungen

Schwingungsgesamtwert (Drei-Achsen-Vektorsumme) ermittelt gemäß EN62841-4-2:

Modell	Linke Hand (vorderer Handgriff/Bügelgriff)		Rechte Hand (hinterer Handgriff)	
	ah (m/s ²)	Messunsicherheit K (m/s ²)	ah (m/s ²)	Messunsicherheit K (m/s ²)
UN001G	4,9	1,5	3,5	1,5

HINWEIS: Der (Die) angegebene(n) Vibrationsgesamtwert(e) wurde(n) im Einklang mit der Standardprüfmethode gemessen und kann (können) für den Vergleich zwischen Werkzeugen herangezogen werden.

HINWEIS: Der (Die) angegebene(n) Vibrationsgesamtwert(e) kann (können) auch für eine Vorbewertung des Gefährdungsgrads verwendet werden.

⚠️ WARNUNG: Die Vibrationsemission während der tatsächlichen Benutzung des Elektrowerkzeugs kann je nach der Benutzungsweise des Werkzeugs, und speziell je nach der Art des bearbeiteten Werkstücks, von dem (den) angegebenen Emissionswert(en) abweichen.

⚠️ WARNUNG: Identifizieren Sie Sicherheitsmaßnahmen zum Schutz des Benutzers anhand einer Schätzung des Gefährdungsgrads unter den tatsächlichen Benutzungsbedingungen (unter Berücksichtigung aller Phasen des Arbeitszyklus, wie z. B. Ausschalt- und Leerlaufzeiten des Werkzeugs zusätzlich zur Betriebszeit).

Konformitätserklärungen

Nur für europäische Länder

Die Konformitätserklärungen sind in Anhang A dieser Betriebsanleitung enthalten.

SICHERHEITSWARNUNGEN

Allgemeine Sicherheitswarnungen für Elektrowerkzeuge

⚠️ WARNUNG Lesen Sie alle Sicherheitshinweise, Anweisungen, Abbildungen und Spezifikationen, die diesem Elektrowerkzeug beiliegen. Eine Missachtung der unten aufgeführten Anweisungen kann zu einem elektrischen Schlag, Brand und/oder schweren Verletzungen führen.

Bewahren Sie alle Warnungen und Anweisungen für spätere Bezugnahme auf.

Der Ausdruck „Elektrowerkzeug“ in den Warnhinweisen bezieht sich auf Ihr mit Netzstrom (mit Kabel) oder Akku (ohne Kabel) betriebenes Elektrowerkzeug.

Sicherheitswarnungen für Akku-Heckenschneider

Sicherheitswarnungen für Akku-Heckenschere:

1. **Benutzen Sie die Heckenschere nicht bei schlechten Witterungsverhältnissen, besonders bei Blitzschlaggefahr.** Dadurch wird die Blitzschlaggefahr verringert.
2. **Halten Sie alle Netzkabel und Kabel vom Schneidbereich fern.** Netzkabel oder Kabel können in Hecken oder Büschen verborgen sein und versehentlich durch das Messer abgeschnitten werden.
3. **Gehörschutz tragen.** Eine angemessene Schutzausrüstung verringert das Risiko von Gehörverlust.
4. **Halten Sie die Heckenschere nur an den isolierten Griffflächen, weil die Gefahr besteht, dass das Messer verborgene Kabel kontaktiert.** Bei Kontakt der Messer mit einem Strom führenden Kabel können die freiliegenden Metallteile der Heckenschere ebenfalls Strom führend werden, so dass der Benutzer einen elektrischen Schlag erleiden kann.

5. **Halten Sie alle Körperteile vom Messer fern. Versuchen Sie nicht, abgeschnittenes Material zu entfernen oder zu schneidendes Material zu halten, während die Messer sich bewegen.** Die Messer bewegen sich nach dem Ausschalten des Schalters noch weiter. Ein Augenblick der Unachtsamkeit während der Benutzung der Heckenschere kann zu schweren Personenschäden führen.
6. **Vergewissern Sie sich vor dem Beseitigen von eingeklemmtem Material oder dem Warten des Heckenschneiders, dass alle Ein-Aus-Schalter ausgeschaltet sind und der Akku abgenommen oder abgetrennt ist.** Unerwartete Betätigung des Heckenschneiders beim Beseitigen von eingeklemmtem Material oder Warten kann zu schweren Personenschäden führen.
7. **Tragen Sie die Heckenschere bei still stehendem Messer am Handgriff, und achten Sie darauf, keinen Ein-Aus-Schalter zu betätigen.** Sachgemäßes Tragen der Heckenschere verringert die Gefahr von versehentlichem Starten und daraus resultierenden Personenschäden durch die Messer.
8. **Bringen Sie beim Transportieren oder Lagern des Heckenschneiders immer die Messerabdeckung an.** Sachgemäße Handhabung des Heckenschneiders verringert die Gefahr von Personenschäden durch die Messer.

Sicherheitswarnungen für Akku-Heckenschneider:

1. **Tragen Sie stets einen Kopfschutz, wenn Sie die Stabheckenschere über Kopf betreiben.** Herunterfallende Fremdkörper können zu schweren Personenschäden führen.
2. **Halten Sie die Stabheckenschere während des Betriebs immer mit zwei Händen.** Halten Sie die Stabheckenschere mit beiden Händen, um Verlust der Kontrolle zu vermeiden.
3. **Um die Stromschlaggefahr zu verringern, benutzen Sie die Stabheckenschere niemals in der Nähe von Starkstromleitungen.** Bei Kontakt mit oder Benutzung in der Nähe von Starkstromleitungen besteht die Gefahr einer schweren Verletzung oder eines elektrischen Schlags, die zum Tod führen können.

Zusätzliche Sicherheitswarnungen

Vorbereitung

1. **DIESE HECKENSCHERE KANN SCHWERE VERLETZUNGEN VERURSACHEN. Lesen Sie die Anweisungen sorgfältig durch, um mehr über korrekte Handhabung, Vorbereitung, Wartung, Starten und Stoppen des Werkzeugs zu erfahren. Machen Sie sich mit allen Bedienelementen und dem korrekten Gebrauch des Werkzeugs vertraut.**

2. **Überprüfen Sie die Hecken und Büsche auf Fremdkörper, wie z. B. Drahtzäune oder verborgene Kabel, bevor Sie das Werkzeug betreiben.**
3. **Die Heckenschere darf nicht von Kindern oder Jugendlichen unter 18 Jahren benutzt werden.** Jugendliche über 16 Jahre können von dieser Einschränkung ausgenommen werden, wenn sie eine Schulung unter der Aufsicht eines Fachmanns durchmachen.
4. **Schalten Sie das Werkzeug in einem Notfall sofort aus, und entfernen Sie den Akku.**
5. **GEFAHR - Halten Sie Ihre Hände vom Messer fern.** Kontakt mit dem Messer führt zu ernsthaften Personenschäden.
6. **Benutzen Sie das Werkzeug nur, nachdem Sie Handgriff und Schutzhaube ordnungsgemäß am Werkzeug montiert haben.** Der Gebrauch des Werkzeugs ohne die mitgelieferte Schutzhaube oder den Handgriff kann zu schweren Personenschäden führen.
7. **Anfänger sollten sich von einem erfahrenen Benutzer im Gebrauch des Werkzeugs unterweisen lassen.**
8. **Untersuchen Sie den Arbeitsbereich vor Arbeitsbeginn auf Drahtzäune, Steine oder andere feste Objekte.** Diese können eine Beschädigung der Messer verursachen.
9. **Benutzen Sie die Heckenschere nur, wenn Sie sich in guter körperlicher Verfassung befinden.** Ermüdung führt zu verminderter Aufmerksamkeit. Besonders hohe Aufmerksamkeit ist am Ende eines Arbeitstages erforderlich. Führen Sie alle Arbeiten ruhig und sorgfältig durch. Der Benutzer ist für alle Schäden an Dritten verantwortlich.
10. **Bevor Sie mit der Arbeit beginnen, vergewissern Sie sich, dass die Schere in gutem und sicherem Arbeitszustand ist.** Vergewissern Sie sich, dass Schutzhauben ordnungsgemäß angebracht sind. Die Heckenschere darf nur in vollständig montiertem Zustand benutzt werden.
11. **Vermeiden Sie gefährliche Umgebungen.** Benutzen Sie das Werkzeug nicht an feuchten oder nassen Orten, und setzen Sie es auch keinem Regen aus. Wasser, das in das Werkzeug eindringt, erhöht die Stromschlaggefahr.

Persönliche Schutzausrüstung

1. **Arbeitshandschuhe aus robustem Leder sind Teil der Grundrüstung der Heckenschere und müssen bei der Arbeit immer getragen werden.** Tragen Sie auch robuste Schuhe mit rutschfesten Sohlen.
2. **Tragen Sie einen Gehörschutz, wie z. B. Ohrenschützer, um eine Gehörschädigung zu verhindern.**
3. **Tragen Sie eine Schutzbrille, einen Schutzhelm und Schutzhandschuhe, um sich vor zersplitterndem Unrat oder fallenden Gegenständen zu schützen.**
4. **Tragen Sie Schutzhandschuhe, wenn Sie die Messer berühren oder den Messerwinkel einstellen müssen.** Die Messer können schwere Verletzungen an bloßen Händen verursachen.

Betrieb

1. **Benutzen Sie stets beide Hände, um das mit zwei Handgriffen ausgestattete Werkzeug zu betätigen.** Betrieb mit nur einer Hand könnte einen Verlust der Kontrolle verursachen und zu schweren Personenschäden führen.
2. **Vergewissern Sie sich während des Betriebs des Werkzeugs stets, dass die Betriebsposition sicher ist.** Strecken Sie sich mit dem Werkzeug, besonders auf einer Leiter, nicht zu weit vor, da dies äußerst gefährlich ist. Arbeiten Sie nicht auf einer wackligen oder instabilen Unterlage.
3. **Tragen Sie beim Arbeiten mit dem Werkzeug nicht mehrere Tragegurte und/oder Schultergurte gleichzeitig.**
4. **Halten Sie Umstehende oder Tiere während der Arbeit mindestens 15 m vom Werkzeug entfernt.** Halten Sie das Werkzeug an, sobald jemand sich nähert.
5. **Falls das Schneidwerkzeug auf ein Objekt trifft oder das Werkzeug ungewöhnliche Geräusche oder Vibrationen erzeugt, schalten Sie das Werkzeug sofort aus, nehmen Sie den Akku ab, und lassen Sie das Werkzeug zum Stillstand kommen.** Gehen Sie dann folgendermaßen vor:
 - auf Beschädigung überprüfen
 - prüfen, ob lose Teile vorhanden sind, und diese festziehen
 - beschädigte Teile durch Original-Ersatzteile ersetzen oder reparieren lassen.
6. **Benutzen Sie das Werkzeug nur für seinen vorgesehenen Zweck.** Benutzen Sie das Werkzeug nicht für andere Zwecke.
7. **Schalten Sie das Werkzeug aus, und nehmen Sie den Akku ab, bevor Sie:**
 - das Werkzeug reinigen oder eine Blockierung beseitigen,
 - Überprüfungen, Wartungsarbeiten oder sonstige Arbeiten am Werkzeug ausführen,
 - die Arbeitsposition der Schermesser einstellen,
 - das Werkzeug unbeaufsichtigt lassen.
8. **Stellen Sie vor dem Starten des Werkzeugs sicher, dass sich das Werkzeug korrekt in einer bestimmten Arbeitsposition befindet.**
9. **Betreiben Sie das Werkzeug nicht mit beschädigten oder übermäßig abgenutzten Schermessern.**
10. **Vergewissern Sie sich vor der Benutzung des Werkzeugs stets, dass alle Handgriffe und Schutzhauben montiert sind.** Versuchen Sie niemals, ein unvollständiges oder mit nicht autorisierten Änderungen modifiziertes Werkzeug zu benutzen.
11. **Beachten Sie stets Ihre Umgebung, und bleiben Sie wachsam für mögliche Gefahren, deren Sie sich aufgrund des Geräuschs des Werkzeugs möglicherweise nicht bewusst sind.**

12. **Lassen Sie während des Betriebs Vorsicht walten, damit die Messer nicht versehentlich einen Metallzaun oder andere harte Gegenstände berühren.** Anderenfalls können die Messer brechen und schwere Verletzungen verursachen.
13. **Vermeiden Sie unbeabsichtigtes Einschalten. Tragen Sie das Werkzeug nicht bei angebrachtem Akku und mit dem Finger am Schalter. Vergewissern Sie sich beim Anbringen des Akkus, dass der Schalter ausgeschaltet ist.**
14. **Fassen Sie nicht die freiliegenden Schneidmesser oder die Schneidkanten an, wenn Sie das Werkzeug aufheben oder halten.**
15. **Üben Sie keinen übermäßigen Druck auf das Werkzeug aus.** Bei der Belastung, für die es ausgelegt wurde, verrichtet das Werkzeug die Arbeit besser und mit geringerer Wahrscheinlichkeit von Verletzungsgefahr.
16. **Benutzen Sie das Werkzeug nicht bei Regen oder unter nassen oder sehr feuchten Bedingungen.** Der Elektromotor ist nicht wasserdicht.
17. **Halten Sie das Werkzeug während der Benutzung mit festem Griff.**
18. **Lassen Sie das Werkzeug nicht unnötig im Leerlauf laufen.**
19. **Schalten Sie stets das Werkzeug aus, und nehmen Sie den Akku ab, bevor Sie die Schermesser überprüfen, Fehler beheben oder zwischen den Schermessern eingeklemmte Fremdkörper entfernen.**
20. **Richten Sie die Schermesser niemals auf sich selbst oder andere Personen.**
21. **Falls die Messer stehen bleiben, weil sich Fremdkörper während des Betriebs zwischen den Messern verfangen haben, schalten Sie das Werkzeug aus, nehmen Sie den Akku ab, und beseitigen Sie dann die Fremdkörper mithilfe von Werkzeugen, wie z. B. einer Zange.** Beseitigen der Fremdkörper von Hand kann zu einer Verletzung führen, da sich die Messer als Reaktion auf die Beseitigung der Fremdkörper bewegen können.
22. **Vergewissern Sie sich, dass keine Stromkabel, Wasserrohre, Gasrohre usw. vorhanden sind, die bei Beschädigung durch den Einsatz des Werkzeugs eine Gefahr darstellen können.**
23. **Berühren Sie während der Benutzung oder sofort nach dem Betrieb nicht die Metallteile oder heißen Oberflächen des Werkzeugs; sie können extrem heiß sein und Ihre Haut verbrennen.** Lassen Sie das Werkzeug abkühlen, bevor Sie irgendwelche Arbeiten am Werkzeug ausführen.
24. **Benutzen Sie dieses Werkzeug nicht auf weichem/instablem/glitschigem Untergrund oder an steilen Hängen. Vermeiden Sie Arbeiten auf Leitern oder in großer Höhe.** Anderenfalls kann eine Sturzgefahr verursacht werden, die zu Personenschäden führen kann.
25. **Benutzen Sie dieses Werkzeug nicht bei schlechtem Wetter oder in der Nacht, wenn die Sicht eingeschränkt ist.** Anderenfalls kann es zu einem Sturz oder falschem Betrieb wegen schlechter Sichtverhältnisse kommen.
26. **Vermeiden Sie Arbeiten in ungünstiger Umgebung, wo mit erhöhter Benutzerermüdung zu rechnen ist.**
27. **Tauchen Sie das Werkzeug nicht in einen Tümpel ein.**
28. **Lassen Sie das Werkzeug bei Regen nicht unbeaufsichtigt im Freien stehen.**
29. **Wenn nasse Blätter oder Schmutz aufgrund von Regen an der Saugöffnung (Belüftungsfenster) haften, entfernen Sie diese.**
30. **Benutzen Sie das Werkzeug nicht im Schnee.**

Sicherheit der Elektrik und des Akkus

1. **Werfen Sie den (die) Akku(s) nicht ins Feuer.** Die Zelle könnte explodieren. Prüfen Sie die örtlichen Vorschriften für mögliche spezielle Entsorgungsanweisungen.
2. **Versuchen Sie nicht, den (die) Akku(s) zu öffnen oder zu verstümmeln.** Freigesetzter Elektrolyt ist korrosiv und kann Schäden an Augen oder Haut verursachen. Falls er verschluckt wird, kann er giftig sein.
3. **Laden Sie den Akku nicht im Regen oder an nassen Orten.**
4. **Laden Sie den Akku nicht im Freien.**
5. **Fassen Sie das Ladegerät, einschließlich des Ladegerätesteckers und der Ladegeräteanschlüsse, nicht mit nassen Händen an.**
6. **Tauschen Sie den Akku nicht mit nassen Händen aus.**
7. **Tauschen Sie den Akku nicht im Regen aus.**
8. **Vermeiden Sie Benetzen der Akkukontakte mit einer Flüssigkeit, wie z. B. Wasser, oder Untertauchen des Akkus.** Lassen Sie den Akku nicht im Regen stehen, und unterlassen Sie Laden, Benutzen oder Lagern des Akkus an einem feuchten oder nassen Ort. Falls die Kontakte nass werden, oder eine Flüssigkeit in den Akku eindringt, kann der Akku kurzgeschlossen werden, und es besteht Überhitzungs-, Brand- oder Explosionsgefahr.
9. **Nachdem Sie den Akku vom Werkzeug oder Ladegerät entfernt haben, bringen Sie unbedingt die Akkuabdeckung am Akku an, und lagern Sie ihn an einem trockenen Ort.**
10. **Falls der Akku nass wird, lassen Sie das eingedrungene Wasser ab, und wischen Sie ihn dann mit einem trockenen Tuch ab.** Lassen Sie den Akku an einem trockenen Ort vollkommen trocknen, bevor Sie ihn benutzen.

Wartung und Lagerung

1. **Wenn das Werkzeug für Wartung, Inspektion oder Lagerung gestoppt ist, schalten Sie das Werkzeug aus, nehmen Sie den Akku ab, und vergewissern Sie sich, dass alle beweglichen Teile zum Stillstand gekommen sind.** Lassen Sie das Werkzeug abkühlen, bevor Sie Überprüfungen, Einstellungen usw. vornehmen.
2. **Lassen Sie das Werkzeug vor der Lagerung stets abkühlen.**

3. Wenn das Werkzeug nicht in Gebrauch ist, bringen Sie die Messerabdeckung am Werkzeug an, und lagern Sie das Werkzeug in einem Innenraum an einem trockenen und hohen verriegelten Ort außerhalb der Reichweite von Kindern.
4. Halten Sie das Werkzeug sorgfältig instand. Halten Sie die Schneidkanten scharf und sauber für optimale Leistung, und um die Verletzungsgefahr zu verringern. Befolgen Sie die Anweisungen für die Schmierung und den Austausch von Zubehör. Halten Sie die Handgriffe trocken, sauber und frei von Öl und Fett.
5. Auf beschädigte Teile überprüfen. Bevor Sie das Werkzeug weiter benutzen, sollten Sie beschädigte Teile sorgfältig auf ihre Betriebsfähigkeit und Funktionstüchtigkeit hin überprüfen. Überprüfen Sie das Werkzeug auf Ausrichtung und Klemmen beweglicher Teile, Bruchstellen, Befestigungszustand und sonstige Mängel von Teilen, die seinen Betrieb beeinträchtigen können. Beschädigte Schutzvorrichtungen oder Teile sollten von einem autorisierten Service-Center ordnungsgemäß repariert oder ausgewechselt werden.
6. Verwenden Sie nur Original-Ersatzteile.
7. Wenn Sie das Werkzeug zu einem anderen Ort transportieren, auch während der Arbeit, nehmen Sie immer den Akku ab, und setzen Sie die Messerabdeckung auf die Schermesser. Tragen oder transportieren Sie das Werkzeug niemals mit laufenden Messern. Ergreifen Sie die Messer niemals mit Ihren Händen.
8. Reinigen Sie das Werkzeug und insbesondere die Schermesser nach jedem Gebrauch und vor längerer Lagerung des Werkzeugs. Ölen Sie die Schermesser leicht ein, und bringen Sie die Messerabdeckung an.
9. Waschen Sie das Werkzeug nicht mit Hochdruck-Wasserstrahl.
10. Achten Sie beim Waschen des Werkzeugs darauf, dass kein Wasser in den elektrischen Mechanismus, wie z. B. Akku, Motor und Anschlüsse, eindringt.
11. Führen Sie Inspektions- oder Wartungsarbeiten an einem Ort durch, wo Regen vermieden werden kann.
12. Nachdem Sie das Werkzeug benutzt haben, entfernen Sie den anhaftenden Schmutz, und lassen Sie das Werkzeug vor der Lagerung vollständig trocknen. Je nach Jahreszeit oder Gebiet besteht die Gefahr einer Funktionsstörung durch Gefrieren.
13. Lagern Sie das Werkzeug nicht an einem Ort, der direktem Sonnenlicht und Regen ausgesetzt ist, sondern an einem Ort, an dem es nicht heiß oder feucht wird.

DIESE ANWEISUNGEN AUFBEWAHREN.

⚠️ WARNUNG: Lassen Sie sich NICHT durch Bequemlichkeit oder Vertrautheit mit dem Produkt (durch wiederholten Gebrauch erworben) von der strikten Einhaltung der Sicherheitsregeln für das vorliegende Produkt abhalten. MISSBRAUCH oder Missachtung der Sicherheitsvorschriften in dieser Anleitung können schwere Verletzungen verursachen.

Wichtige Sicherheitsanweisungen für Akku

1. Lesen Sie vor der Benutzung des Akkus alle Anweisungen und Warnhinweise, die an (1) Ladegerät, (2) Akku und (3) Akkuwerkzeug angebracht sind.
2. Unterlassen Sie Zerlegen oder Manipulieren des Akkus. Es kann sonst zu einem Brand, übermäßiger Hitzeentwicklung oder einer Explosion kommen.
3. Falls die Betriebszeit beträchtlich kürzer geworden ist, stellen Sie den Betrieb sofort ein. Anderenfalls besteht die Gefahr von Überhitzung, möglichen Verbrennungen und sogar einer Explosion.
4. Falls Elektrolyt in Ihre Augen gelangt, waschen Sie sie mit sauberem Wasser aus, und begeben Sie sich unverzüglich in ärztliche Behandlung. Anderenfalls können Sie Ihre Sehkraft verlieren.
5. Der Akku darf nicht kurzgeschlossen werden:
 - (1) Die Kontakte dürfen nicht mit leitfähigem Material berührt werden.
 - (2) Lagern Sie den Akku nicht in einem Behälter zusammen mit anderen Metallgegenständen, wie z. B. Nägel, Münzen usw.
 - (3) Setzen Sie den Akku weder Wasser noch Regen aus.

Ein Kurzschluss des Akkus verursacht starken Stromfluss, der Überhitzung, mögliche Verbrennungen und einen Defekt zur Folge haben kann.
6. Lagern und benutzen Sie das Werkzeug und den Akku nicht an Orten, an denen die Temperatur 50 °C erreichen oder überschreiten kann.
7. Versuchen Sie niemals, den Akku zu verbrennen, selbst wenn er stark beschädigt oder vollkommen verbraucht ist. Der Akku kann im Feuer explodieren.
8. Unterlassen Sie Nageln, Schneiden, Zerquetschen, Werfen, Fallenlassen des Akkus oder Schlagen des Akkus mit einem harten Gegenstand. Eine solche Handlung kann zu einem Brand, übermäßiger Hitzeentwicklung oder einer Explosion führen.
9. Benutzen Sie keine beschädigten Akkus.
10. Die enthaltenen Lithium-Ionen-Akkus unterliegen den Anforderungen der Gefahrengut-Gesetzgebung.

Für kommerzielle Transporte, z. B. durch Dritte oder Spediteure, müssen besondere Anforderungen zu Verpackung und Etikettierung

beachtet werden.

Zur Vorbereitung des zu transportierenden Artikels ist eine Beratung durch einen Experten für Gefahrgut erforderlich. Bitte beachten Sie möglicherweise ausführlichere nationale Vorschriften. Überkleben oder verdecken Sie offene Kontakte, und verpacken Sie den Akku so, dass er sich in der Verpackung nicht umher bewegen kann.

11. **Entfernen Sie den Akku zum Entsorgen vom Werkzeug, und entsorgen Sie ihn an einem sicheren Ort. Befolgen Sie die örtlichen Vorschriften bezüglich der Entsorgung von Akkus.**
12. **Verwenden Sie die Akkus nur mit den von Makita angegebenen Produkten.** Das Einsetzen der Akkus in nicht konforme Produkte kann zu einem Brand, übermäßiger Hitzebildung, einer Explosion oder Auslaufen von Elektrolyt führen.
13. **Soll das Werkzeug längere Zeit nicht benutzt werden, muss der Akku vom Werkzeug entfernt werden.**
14. **Bei und nach dem Gebrauch kann der Akku heiß werden, was Verbrennungen oder Niedertemperaturverbrennungen verursachen kann. Beachten Sie die Handhabung von heißen Akkus.**
15. **Berühren Sie nicht den Anschlusskontakt des Werkzeugs unmittelbar nach dem Gebrauch, da er heiß genug werden kann, um Verbrennungen zu verursachen.**
16. **Achten Sie darauf, dass sich keine Späne, Staub oder Schmutz in den Anschlusskontakten, Löchern und Nuten des Akkus absetzen.** Es könnte sonst zu Erhitzung, Brandauslösung, Bersten und Funktionsstörungen des Werkzeugs oder des Akkus kommen, was zu Verbrennungen oder Personenschäden führen kann.

17. **Wenn das Werkzeug den Einsatz in der Nähe einer Hochspannungs-Stromleitung nicht unterstützt, benutzen Sie den Akku nicht in der Nähe einer Hochspannungs-Stromleitung.** Dies kann zu einer Funktionsstörung oder Betriebsstörung des Werkzeugs oder des Akkus führen.
18. **Halten Sie die Batterie von Kindern fern.**

DIESE ANWEISUNGEN AUFBEWAHREN.

⚠ VORSICHT: Verwenden Sie nur Original-Makita-Akkus. Die Verwendung von Nicht-Original-Makita-Akkus oder von Akkus, die abgeändert worden sind, kann zum Bersten des Akkus und daraus resultierenden Bränden, Personenschäden und Beschädigung führen. Außerdem wird dadurch die Makita-Garantie für das Makita-Werkzeug und -Ladegerät ungültig.

Hinweise zur Aufrechterhaltung der maximalen Akku-Nutzungsdauer

1. **Laden Sie den Akku, bevor er vollkommen erschöpft ist. Schalten Sie das Werkzeug stets aus, und laden Sie den Akku, wenn Sie ein Nachlassen der Werkzeugleistung feststellen.**
2. **Unterlassen Sie erneutes Laden eines voll aufgeladenen Akkus. Überladen führt zu einer Verkürzung der Nutzungsdauer des Akkus.**
3. **Laden Sie den Akku bei Raumtemperatur zwischen 10 – 40 °C. Lassen Sie einen heißen Akku abkühlen, bevor Sie ihn laden.**
4. **Wenn Sie den Akku nicht benutzen, nehmen Sie ihn vom Werkzeug oder Ladegerät ab.**
5. **Der Akku muss geladen werden, wenn er lange Zeit (länger als sechs Monate) nicht benutzt wird.**

BEZEICHNUNG DER TEILE

► Abb.1

1	Kopf	2	Vorderer Handgriff	3	Aufhänger	4	Einschaltsperrhebel
5	Akku	6	Hinterer Handgriff	7	Schalthebel	8	Schiebehülse
9	Schermesser	10	Drehzahlanzeige	11	Warnlampe	12	Drehrichtungs-Umkehrtaste
13	Hauptbetriebstaste	-	-	-	-	-	-

FUNKTIONSBE- SCHREIBUNG

⚠ VORSICHT: Vergewissern Sie sich vor der Durchführung von Einstellungen oder Funktionsprüfungen des Werkzeugs stets, dass das Werkzeug ausgeschaltet und der Akku abgenommen ist.

Anbringen und Abnehmen des Akkus

⚠ VORSICHT: Schalten Sie das Werkzeug stets aus, bevor Sie den Akku anbringen oder abnehmen.

⚠ VORSICHT: Halten Sie das Werkzeug und den Akku beim Anbringen oder Abnehmen des Akkus sicher fest. Wenn Sie das Werkzeug und den Akku nicht sicher festhalten, können sie Ihnen aus der Hand rutschen, was zu einer Beschädigung des Werkzeugs und des Akkus und zu Körperverletzungen führen kann.

Richten Sie zum Anbringen des Akkus dessen Führungsfeder auf die Nut im Gehäuse aus, und schieben Sie den Akku hinein. Schieben Sie ihn vollständig ein, bis er mit einem leisen Klicken einrastet. Wenn Sie die rote Anzeige sehen können, wie in der Abbildung gezeigt, ist der Akku nicht vollständig verriegelt.

Ziehen Sie den Akku zum Abnehmen vom Werkzeug ab, während Sie den Knopf an der Vorderseite des Akkus verschieben.

► **Abb.2:** 1. Rote Anzeige 2. Knopf 3. Akku

⚠ VORSICHT: Schieben Sie den Akku stets bis zum Anschlag ein, bis die rote Anzeige nicht mehr sichtbar ist. Andernfalls kann er aus dem Werkzeug herausfallen und Sie oder umstehende Personen verletzen.

⚠ VORSICHT: Unterlassen Sie Gewaltanwendung beim Anbringen des Akkus. Falls der Akku nicht reibungslos hineingleitet, ist er nicht richtig ausgerichtet.

Anzeigen der Akku-Restkapazität

Drücken Sie die Prüftaste am Akku, um die Akku-Restkapazität anzuzeigen. Die Anzeigelampen leuchten wenige Sekunden lang auf.

► **Abb.3:** 1. Anzeigelampen 2. Prüftaste

Anzeigelampen			Restkapazität
Erleuchtet	Aus	Blinkend	
■	□	◐	75% bis 100%
■ ■ ■ ■	□ □ □ □	◐ ◐ ◐ ◐	
■ ■ ■ ■	□ □ □ □	◐ ◐ ◐ ◐	50% bis 75%

Anzeigelampen			Restkapazität
Erleuchtet	Aus	Blinkend	
■ ■	□ □	◐ ◐	25% bis 50%
■	□ □ □ □	◐ ◐ ◐ ◐	0% bis 25%
◐	□ □ □ □	◐ ◐ ◐ ◐	Den Akku aufladen.
■ ■	□ □	◐ ◐	Möglicherweise liegt eine Funktionsstörung im Akku vor.
□ □	■ ■	◐ ◐	

HINWEIS: Abhängig von den Benutzungsbedingungen und der Umgebungstemperatur kann die Anzeige geringfügig von der tatsächlichen Kapazität abweichen.

HINWEIS: Die erste (äußerste linke) Anzeigelampe blinkt, wenn das Akku-Schutzsystem aktiv ist.

Werkzeug/Akku-Schutzsystem

Das Werkzeug ist mit einem Werkzeug/Akku-Schutzsystem ausgestattet. Dieses System schaltet die Stromversorgung des Motors automatisch ab, um die Lebensdauer von Werkzeug und Akku zu verlängern. Das Werkzeug bleibt während des Betriebs automatisch stehen, wenn das Werkzeug oder der Akku einer der folgenden Bedingungen unterliegt:

► **Abb.4:** 1. Warnlampe

Warnlampe		Status
Farbe	Ein / Blinkend	
Grün	● Ein	Überlastung
Rot	● (Werkzeug) / ● (Akku)	Überhitzung
Rot	●	Tiefentladung

ANMERKUNG: Abhängig von den Benutzungsbedingungen bleibt das Werkzeug ohne jegliche Anzeige automatisch stehen, falls Zweige oder Fremdkörper sich in dem Werkzeug verheddern. Schalten Sie in diesem Fall das Werkzeug aus, nehmen Sie den Akku ab, und beseitigen Sie dann verhedderte Zweige oder Fremdkörper mithilfe von Werkzeugen, wie z. B. einer Zange. Nachdem Sie die Zweige oder Fremdkörper beseitigt haben, installieren Sie den Akku, und schalten Sie das Werkzeug wieder ein.

Überlastschutz

Falls das Werkzeug oder der Akku durch verhedderte Zweige oder sonstige Fremdkörper überlastet wird, bleibt das Werkzeug automatisch stehen, und die Warnlampe beginnt in Grün zu blinken.

Schalten Sie in dieser Situation das Werkzeug aus, und brechen Sie die Arbeit ab, die eine Überlastung des Werkzeugs verursacht hat. Schalten Sie dann das Werkzeug wieder ein, um es neu zu starten.

Überhitzungsschutz für Werkzeug oder Akku

Wenn das Werkzeug oder der Akku überhitzt wird, bleibt das Werkzeug automatisch stehen. Wenn das Werkzeug überhitzt wird, leuchtet die Warnlampe in Rot auf. Wenn der Akku überhitzt wird, blinkt die Warnlampe in Rot. Lassen Sie das Werkzeug und/oder den Akku abkühlen, bevor Sie das Werkzeug wieder einschalten.

Überentladungsschutz

Wenn die Akkukapazität niedrig wird, bleibt das Werkzeug automatisch stehen, und die Warnlampe beginnt in Rot zu blinken.

Falls das Werkzeug trotz Betätigung der Schalter nicht funktioniert, nehmen Sie den Akku vom Werkzeug ab, und laden Sie ihn auf.

Schutz gegen andere Ursachen

Das Schutzsystem ist auch für andere Ursachen ausgelegt, die eine Beschädigung des Werkzeugs bewirken könnten, und ermöglicht automatisches Anhalten des Werkzeugs. Führen Sie alle folgenden Schritte aus, um die Ursachen zu beseitigen, wenn das Werkzeug zu einem vorübergehenden Stillstand oder Betriebsstopp gekommen ist.

1. Schalten Sie das Werkzeug aus und wieder ein, um es neu zu starten.
2. Laden Sie den/die Akku(s) auf, oder tauschen Sie ihn/sie gegen einen aufgeladenen Akku/aufgeladene Akkus aus.
3. Lassen Sie die Maschine und den/die Akku(s) abkühlen.

Falls die Wiederherstellung des Schutzsystems keine Besserung bringt, wenden Sie sich an Ihre lokale Makita-Kundendienststelle.

Funktion der Hauptbetriebstaste

⚠️ WARNUNG: Aus Sicherheitsgründen ist dieses Werkzeug mit einem Einschaltsperrschalter ausgestattet, der unbeabsichtigtes Starten des Werkzeugs verhütet. Benutzen Sie das Werkzeug NIEMALS, wenn es durch einfache Betätigung des Schalthebels eingeschaltet werden kann, ohne den Einschaltsperrhebel zu drücken. Lassen Sie das Werkzeug von einem unserer autorisierten Service-Center ordnungsgemäß reparieren, BEVOR Sie es weiter benutzen.

⚠️ WARNUNG: Der Einschaltsperrhebel darf NIEMALS festgeklebt oder funktionsunfähig gemacht werden.

⚠️ VORSICHT: Vergewissern Sie sich vor dem Einsetzen des Akkus in das Werkzeug stets, dass der Schalthebel ordnungsgemäß funktioniert und beim Loslassen in die AUS-Stellung zurückkehrt. Der Betrieb eines Werkzeugs mit fehlerhaftem Schalter kann zum Verlust der Kontrolle und zu schweren Personenschäden führen.

⚠️ VORSICHT: Legen Sie beim Tragen niemals Ihren Finger auf den Schalter. Anderenfalls kann das Werkzeug unbeabsichtigt anlaufen und Verletzungen verursachen.

ANMERKUNG: Betätigen Sie den Schalthebel nicht gewaltsam, ohne den Einschaltsperrhebel zu drücken. Dies kann zu einer Beschädigung des Schalters führen.

Drücken Sie die Hauptbetriebstaste, um das Werkzeug einzuschalten. Um das Werkzeug auszuschalten, halten Sie die Hauptbetriebstaste gedrückt, bis die Drehzahlanzeige erlischt.

- **Abb.5:** 1. Hauptbetriebstaste 2. Drehzahlanzeige 3. Warnlampe

HINWEIS: Die Warnlampe blinkt in Grün, falls der Schalthebel unter nicht betriebsfähigen Bedingungen wie folgt betätigt wird:

- Einschalten des Hauptbetriebsschalters, während Sie den Einschaltsperrhebel und den Schalthebel gedrückt halten.
- Betätigen des Schalthebels bei gedrückt gehaltenem Einschaltsperrhebel, während der Werkzeugkopf eingeklappt wird.

HINWEIS: Dieses Werkzeug verwendet die Abschaltautomatik. Der Hauptbetriebsschalter schaltet sich automatisch ab, falls das Werkzeug etwa 5 Minuten lang nicht betrieben wird.

HINWEIS: Die automatische Abschaltfunktion kann genutzt werden, wenn das Werkzeug aufgrund des Betriebs des Schutzsystems anhält. Der Hauptbetriebsschalter schaltet sich automatisch ab, nachdem der Motor ca. 5 Minuten angehalten hat und keine Korrekturmaßnahmen zum Schutz des Werkzeugs ergriffen wurden.

Um ein versehentliches Betätigen des Schalthebels zu verhindern, ist zur Sicherheit ein doppelter Einschaltsperrschalter vorhanden.

Um das Werkzeug zu starten, schieben Sie den Verriegelungshebel mit dem Handballen (zwischen Daumen und Zeigefinger) über seine normale Position hinaus nach vorne und drücken Sie den Einschaltsperrhebel mit der Handfläche. Betätigen Sie dann den Schalthebel, während Sie den Einschaltsperrhebel gedrückt halten.

Zum Stoppen lassen Sie den Schalthebel los.

- **Abb.6:** 1. Verriegelungshebel 2. Einschaltsperrhebel 3. Schalthebel

Drehzahleinstellung

Sie können die Werkzeugdrehzahl durch Drücken der Hauptbetriebstaste einstellen. Mit jedem Drücken der Hauptbetriebstaste ändert sich die Drehzahlstufe.

► **Abb.7:** 1. Hauptbetriebstaste 2. Drehzahlanzeige

Anzeige	Betriebsart	Hubzahl
	Hoch	4.000 min ⁻¹
	Mittel	3.000 min ⁻¹
	Niedrig	2.000 min ⁻¹

HINWEIS: Das Werkzeug startet im gleichen Modus wie beim letzten Betrieb. Falls Sie den Akku entfernen, während der Motor nach dem Abschalten noch läuft, startet das Werkzeug möglicherweise nicht im gleichen Modus wie beim letzten Betrieb.

Drehrichtungs-Umkehrtaste für Fremdkörperbeseitigung

⚠️ WARNUNG: Falls die verhedderten Zweige oder Fremdkörper nicht durch die Umkehrfunktion beseitigt werden können, schalten Sie das Werkzeug aus, nehmen Sie den Akku ab, und beseitigen Sie dann verhedderte Zweige oder Fremdkörper mithilfe von Werkzeugen, wie z. B. einer Zange. Werden Ausschalten des Werkzeugs und Abnehmen des Akkus unterlassen, kann es zu schweren Personenschäden durch versehentliches Anlaufen kommen. Beseitigen der verhedderten Zweige oder Fremdkörper von Hand kann zu einer Verletzung führen, da sich die Schermesser als Reaktion auf die Beseitigung bewegen können.

Dieses Werkzeug besitzt eine Umkehrtaste, mit der die Bewegungsrichtung der Schermesser gewechselt werden kann. Sie ist nur dazu vorgesehen, im Werkzeug verfängene Zweige und Fremdkörper zu beseitigen. Um die Bewegung der Schermesser umzukehren, drücken Sie die Umkehrtaste, wenn die Schermesser angehalten haben, und betätigen Sie dann den Schalthebel, während Sie den Einschaltsperrhebel drücken. Die Drehzahlanzeige beginnt zu blinken, und die Schermesser bewegen sich in umgekehrter Richtung. Wenn verhedderte Äste und Fremdkörper entfernt sind, kehrt das Werkzeug zur normalen Bewegung zurück und die Drehzahlanzeige hört auf zu blinken und leuchtet auf.

► **Abb.8:** 1. Drehrichtungs-Umkehrtaste
2. Drehzahlanzeige

HINWEIS: Falls die verhedderten Äste oder Fremdkörper nicht entfernt werden können, lassen Sie den Schalthebel los, drücken Sie dann die Umkehrtaste und betätigen Sie anschließend den Schalthebel, bis sie entfernt sind.

HINWEIS: Falls Sie die Umkehrtaste drücken, während die Schermesser noch in Bewegung sind, hält das Werkzeug an und ist bereit für die Rückwärtsbewegung.

Einstellen des Schnittwinkels

⚠️ VORSICHT: Vergewissern Sie sich vor dem Ein- oder Ausklappen des Kopfes stets, dass das Werkzeug ausgeschaltet ist.

⚠️ VORSICHT: Wenn Sie den Kopf zum Tragen oder nach dem Gebrauch des Werkzeugs einklappen, bringen Sie vorher unbedingt die Messerabdeckung an.

⚠️ VORSICHT: Achten Sie beim Einklappen des Kopfes darauf, dass Sie Ihre Finger nicht zwischen Kopf und Schiebehülse einklemmen.

Der Winkel des Kopfes kann in 6 Stufen zwischen 45° nach oben und 70° nach unten verstellt werden. Um den Winkel des Kopfes zu ändern, befolgen Sie die nachstehenden Schritte.

► **Abb.9:** 1. Aufwärts gerichtete Kopfwinkel 2. Abwärts gerichtete Kopfwinkel

- Halten Sie den Kopf und die Schiebehülse, wie in der Abbildung gezeigt.
- Bewegen Sie den Kopf, während Sie die Schiebehülse niederhalten, und lassen Sie dann die Schiebehülse los.
- Bewegen Sie den Kopf geringfügig, bis er mit einem Klicken einrastet.

HINWEIS: Vergewissern Sie sich, dass der Kopf sicher eingerastet ist, bevor Sie das Werkzeug betreiben.

Elektronikfunktion

Das Werkzeug ist für komfortablen Betrieb mit Elektronikfunktionen ausgestattet.

- Konstantdrehzahlregelung**
Die Drehzahlregelungsfunktion liefert eine konstante Drehzahl ungeachtet der Lastbedingungen.
- Elektrische Bremse**
Dieses Werkzeug ist mit einer elektrischen Bremse ausgestattet. Falls das Werkzeug ständig versagt, die Schermesser nach dem Loslassen des Schalthebels schnell anzuhalten, lassen Sie das Werkzeug von einem autorisierten Makita-Service-Center warten.
- Funktion zur Verhütung eines versehentlichen Wiederanlaufs**
Wenn Sie das Werkzeug einschalten, während Sie den Schalthebel betätigen, startet das Werkzeug nicht und die Warnlampe blinkt in Grün. Um das Werkzeug zu starten, lassen Sie zunächst den Schalthebel los und schalten Sie dann das Werkzeug ein.

MONTAGE

⚠ VORSICHT: Vergewissern Sie sich vor der Ausführung von Arbeiten am Werkzeug stets, dass das Werkzeug ausgeschaltet und der Akku abgenommen ist.

⚠ VORSICHT: Tragen Sie beim Austauschen der Schermesser immer Handschuhe, damit Ihre Hände nicht in direkten Kontakt mit den Messern kommen.

Montieren oder Demontieren der Schermesser

⚠ VORSICHT: Bringen Sie die Messerabdeckung an, bevor Sie die Schermesser demontieren oder montieren.

ANMERKUNG: Wischen Sie beim Auswechseln der Schermesser kein Schmierfett von Zahnrad und Kurbel ab.

HINWEIS: Bevor Sie die Schermesser montieren oder demontieren, klappen Sie den Kopf des Werkzeugs aus, so dass der Kopf gerade zum Werkzeuggehäuse ist.

1. Stellen Sie das Werkzeug auf den Kopf, und entfernen Sie die 6 Schrauben.
▶ **Abb.11:** 1. Schraube

2. Entfernen Sie die Abdeckung und die Platte.
▶ **Abb.12:** 1. Abdeckung 2. Platte

Benutzen Sie einen Schlitzschraubendreher, um die Abdeckung aufzuhebeln, falls sie sich nur schwer öffnen lässt.

Führen Sie den Schlitzschraubendreher in eine oder mehrere der Öffnungen und Aussparungen des Werkzeuggehäuses ein und heben Sie dann die Abdeckung aus dem Gehäuse.

▶ **Abb.13:** 1. Aussparungen (auf beiden Seiten des Gehäuses) 2. Öffnung (zwischen Abdeckung und Schermessern)

HINWEIS: Die Platte kann unter der Abdeckung verbleiben.

3. Entfernen Sie die Pleuelstange und das Lager.
▶ **Abb.14:** 1. Pleuelstange 2. Lager

HINWEIS: Die Pleuelstange und das Lager können unter der Abdeckung verbleiben.

4. Entfernen Sie die 2 Schrauben und die 2 Hülsen von den Schermessern. Demontieren Sie die Schermesser aus dem Werkzeugkörper. Lösen Sie dann das Filzkissen und die Gummi-Staubdichtung von den Schermessern.

▶ **Abb.15:** 1. Schraube 2. Hülse 3. Schermesser 4. Filzkissen 5. Staubdichtung

ANMERKUNG: Achten Sie darauf, keine Teile der Komponenten zu verlieren, da sie für den Wiederausammenbau wiederverwendet werden.

5. Entfernen Sie die Messerabdeckung, und befestigen Sie sie dann an den neuen Schermessern.

▶ **Abb.16:** 1. Messerabdeckung

6. Stellen Sie die Kurbel so ein, dass 2 Löcher auf der Ausrichtlinie fluchten.

▶ **Abb.17:** 1. Löcher 2. Ausrichtlinie

7. Richten Sie die vorstehenden Teile auf beiden Seiten der Schermesser aus.

▶ **Abb.18:** 1. Vorstehende Teile

8. Halten Sie die Schermesser mit den Hülsenbohrungen nach oben. Befestigen Sie das Filzkissen an den Schermessern, da seine Arme die Schermesser umschlingen.

▶ **Abb.19:** 1. Filzkissen 2. Hülsenbohrung

9. Drehen Sie die Schermesser um. Befestigen Sie die Gummi-Staubdichtung an den Schermessern. Stellen Sie die Position so ein, dass das eine Ende der Staubdichtung den vorstehenden Teil der Schermesser berührt.

▶ **Abb.20:** 1. Staubdichtung 2. Vorstehender Teil

10. Drehen Sie die Schermesser so, dass das Filzkissen nach oben zeigt. Richten Sie den vorstehenden Teil der Schermesser auf das kleine Endloch in der Pleuelstange aus. Montieren Sie die Schermesser wieder an ihrem Platz.

▶ **Abb.21:** 1. Filzkissen 2. Staubdichtung 3. Vorstehender Teil 4. Pleuelauge 5. Ausschnitte für Filzkissen 6. Ausschnitte für Staubdichtung

ANMERKUNG: Vergewissern Sie sich, dass das Filzkissen und die Gummi-Staubdichtung gut in die Aussparungen am Messergehäuse passen.

ANMERKUNG: Tragen Sie eine kleine Menge Schmierfett auf den inneren Umfang des Pleuelauges der Pleuelstange auf.

11. Setzen Sie neue Hülsen in die Hülsenbohrungen der Schermesser ein.

▶ **Abb.22:** 1. Hülse 2. Hülsenbohrung

ANMERKUNG: Achten Sie darauf, dass die Hülsen nicht verloren gehen.

12. Richten Sie die Löcher in den Hülsen, den Schermessern und dem Messergehäuse entlang einer Linie aus. Ziehen Sie dann die 2 Schrauben an, um die Schermesser zu sichern.

▶ **Abb.23:** 1. Schraube 2. Hülse 3. Schermesser

13. Bringen Sie das Lager und die Pleuelstange an.
▶ **Abb.24:** 1. Pleuelstange 2. Pleuelauge 3. Lager

ANMERKUNG: Tragen Sie eine kleine Menge Schmierfett auf den inneren Umfang des Pleuelauges der Pleuelstange auf.

ANMERKUNG: Vergewissern Sie sich, dass der überstehende Teil der Schermesser gut in das Pleuelauge der Pleuelstange passt.

14. Montieren Sie die Platte wieder an ihrem Platz.

▶ **Abb.25:** 1. Platte 2. Vorstehender Teil

ANMERKUNG: Vergewissern Sie sich, dass der vorstehende Teil der Schermesser gut in das Loch der Platte passt.

15. Bringen Sie die Abdeckung an, und ziehen Sie dann die 6 Schrauben an.

► **Abb.26:** 1. Abdeckung 2. Schraube

ANMERKUNG: Falls sich die Schermesser nicht reibungslos bewegen, stehen die Schermesser nicht ordnungsgemäß mit den Pleuelstangen in Eingriff. Montieren Sie die Schermesser erneut.

ANMERKUNG: Falls andere Teile außer den Schermessern, wie z. B. die Pleuelstangen, verschlissen sind, wenden Sie sich für einen Teileaustausch oder Reparaturen an ein autorisiertes Makita-Service-Center.

Montieren und Demontieren des Spänefängers

Sonderzubehör

⚠ VORSICHT: Tragen Sie beim Montieren oder Demontieren des Spänefängers immer Handschuhe, damit Ihre Hände nicht in direkten Kontakt mit den Schermessern kommen.

ANMERKUNG: Die Messerabdeckung kann nicht montiert werden, wenn der Spänefänger am Werkzeug montiert ist. Demontieren Sie den Spänefänger vor dem Tragen oder Lagern des Werkzeugs, und montieren Sie dann die Messerabdeckung, um Ausgesetztsein der Messer zu vermeiden.

ANMERKUNG: Entfernen Sie unbedingt die Messerabdeckung, bevor Sie den Spänefänger montieren.

Der Spänefänger sammelt ausgeworfene Blätter auf und erleichtert die Reinigung nach der Arbeit erheblich. Er kann auf beiden Seiten des Werkzeugs angebracht werden.

1. Haken Sie die Klauen des Spänefängers in die Schermesser ein.

► **Abb.27:** 1. Spänefänger 2. Schermesser 3. Klaue

2. Richten Sie die Löcher am Spänefänger auf die Schrauben an den Schermessern aus, und befestigen Sie dann den Spänefänger sicher an den Schermessern.

► **Abb.28:** 1. Loch 2. Schraube

ANMERKUNG: Vergewissern Sie sich, dass der Spänefänger nicht den Astfänger überlappt.

► **Abb.29:** 1. Astfänger

Zum Demontieren des Spänefängers drücken Sie die Hebel, um die Klauen zu lösen.

► **Abb.30:** 1. Hebel

ANMERKUNG: Versuchen Sie niemals, den Spänefänger gewaltsam zu entfernen, solange die Haken in den Nuten der Schermesser eingearbeitet sind.

BETRIEB

Anbringen des Schultergurts

⚠ VORSICHT: Vergewissern Sie sich vor dem Betrieb, dass der Schultergurt einwandfrei am Aufhänger des Werkzeugs angebracht ist.

⚠ VORSICHT: Wenn Sie das Werkzeug in Kombination mit einer rucksackartigen Stromquelle, wie z. B. der rückentragbaren Akkubank, betreiben, verwenden Sie nicht den im Werkzeugpaket enthaltenen Schultergurt, sondern das von Makita empfohlene Aufhängeband.

Falls Sie den im Werkzeugpaket enthaltenen Schultergurt und den Schultergurt der rucksackartigen Stromquelle gleichzeitig anlegen, ist das Ablegen des Werkzeugs oder der rucksackartigen Stromquelle in einem Notfall schwierig, und es kann zu einem Unfall oder zu Verletzungen kommen. Wenden Sie sich für das empfohlene Aufhängeband an ein autorisiertes Makita-Servicecenter.

HINWEIS: Benutzen Sie den am Werkzeug angebrachten Schultergurt. Stellen Sie den Schultergurt vor der Arbeit auf die Benutzergröße ein, um Ermüdung zu verhüten.

1. Tragen Sie den Schultergurt auf Ihrer Schulter.
► **Abb.31**

2. Hängen Sie den Haken am Schultergurt in den Aufhänger des Werkzeugs ein.

► **Abb.32:** 1. Haken 2. Aufhänger

3. Stellen Sie den Schultergurt auf eine bequeme Arbeitsposition ein.

► **Abb.33**

Der Schultergurt besitzt eine Schnellentriegelung. Drücken Sie einfach die Seiten der Schnalle zusammen, um das Werkzeug vom Schultergurt zu lösen.

► **Abb.34:** 1. Schnalle

Betreiben des Werkzeugs

⚠ WARNUNG: Benutzen Sie das Werkzeug nicht in der Nähe von Starkstromleitungen. Bei Kontakt mit oder Benutzung in der Nähe von Starkstromleitungen besteht die Gefahr einer schweren Verletzung oder eines elektrischen Schlags, die zum Tod führen können.

⚠ WARNUNG: Halten Sie Ihre Hände von den Schermessern fern.

⚠ WARNUNG: Lassen Sie äußerste Sorgfalt walten, um immer die Kontrolle über das Werkzeug zu behalten. Achten Sie darauf, dass das Werkzeug nicht zu Ihnen oder einer anderen Person im Arbeitsbereich abgelenkt wird. Verlust der Kontrolle über das Werkzeug kann zu schweren Verletzungen von Umstehenden und Bediener führen.

⚠ VORSICHT: Vermeiden Sie den Betrieb des Werkzeugs bei sehr heißem Wetter so weit wie praktikabel. Nehmen Sie beim Betreiben des Werkzeugs Rücksicht auf Ihre körperliche Verfassung.

⚠ VORSICHT: Lassen Sie beim Trimmen Vorsicht walten, damit die Messer nicht versehentlich einen Metallzaun oder andere harte Gegenstände berühren. Anderenfalls können die Schermesser brechen und eine Verletzung verursachen.

⚠ VORSICHT: Achten Sie darauf, dass die Schermesser nicht den Boden berühren. Anderenfalls kann das Werkzeug zurückschnellen und eine Verletzung verursachen.

⚠ VORSICHT: Strecken Sie sich beim Schneiden mit einer Heckenschere, besonders auf einer Leiter, nicht zu weit nach vorn, da dies äußerst gefährlich ist. Schneiden Sie nicht, während Sie auf einer wackligen oder instabilen Unterlage stehen.

ANMERKUNG: Versuchen Sie nicht, Äste von mehr als 10 mm Durchmesser mit dem Werkzeug zu schneiden. Schneiden Sie Äste vor Gebrauch dieses Werkzeugs mit Astschneidern auf 10 cm unter der Schnitthöhe.

► **Abb.35:** 1. Schnitthöhe 2. 10 cm

ANMERKUNG: Schneiden Sie keine toten Bäume oder ähnliche harte Objekte um. Dadurch kann das Werkzeug beschädigt werden.

ANMERKUNG: Schneiden Sie kein Gras oder Unkraut, während Sie die Schermesser benutzen. Gras oder Unkraut können sich in den Schermessern verheddern.

Halten Sie das Werkzeug mit beiden Händen fest.

► **Abb.36**

Betätigen Sie den Schalthebel, während Sie den Einschaltsperrhebel gedrückt halten, und bereiten Sie dann das Werkzeug zum Schneiden vor.

► **Abb.37**

Bei grundlegendem Betrieb neigen Sie die Schermesser in die Schneidrichtung, und bewegen Sie das Werkzeug ruhig und langsam mit einer Vorschubrate von 3 bis 4 Sekunden pro Meter vor.

► **Abb.38**

Um eine gerade Seitenkante einer Hecke zu erhalten, schneiden Sie von unten nach oben.

► **Abb.39**

Wenn Sie eine runde Form schneiden wollen (Trimmen von Buchsbaum oder Rhododendron usw.), trimmen Sie von der Wurzel nach oben, um eine schöne Ausführung zu erhalten.

► **Abb.40**

Durch Anbringen des Spänefängers an den Schermessern werden ausgeworfene Blätter aufgesammelt, und die Reinigung nach der Arbeit wird erheblich erleichtert.

► **Abb.41**

WARTUNG

⚠ VORSICHT: Vergewissern Sie sich vor der Durchführung von Inspektions- oder Wartungsarbeiten stets, dass das Werkzeug ausgeschaltet und der Akku abgenommen ist.

⚠ VORSICHT: Legen Sie das Werkzeug immer ab, um es zu überprüfen oder zu warten. Wird das Werkzeug in aufrechter Stellung zusammengebaut oder eingestellt, kann es zu schweren Verletzungen kommen.

Um die SICHERHEIT und ZUVERLÄSSIGKEIT dieses Produkts zu gewährleisten, sollten Reparaturen und andere Wartungs- oder Einstellarbeiten nur von Makita-Vertragswerkstätten oder Makita-Kundendienstzentren unter ausschließlicher Verwendung von Makita-Originalersatzteilen ausgeführt werden.

Reinigen des Werkzeugs

Reinigen Sie das Werkzeug, indem Sie es mit einem trockenen oder einem in Seifenwasser getauchten und ausgewringenen Tuch abwischen.

ANMERKUNG: Verwenden Sie auf keinen Fall Benzin, Waschbenzin, Verdüner, Alkohol oder dergleichen. Solche Mittel können Verfärbung, Verformung oder Rissbildung verursachen.

Wartung der Schermesser

Tragen Sie vor dem Betrieb oder einmal pro Stunde während der Arbeit Öl von niedriger Viskosität (Maschinenöl oder Sprühschmieröl) auf die Schermesser auf.

► **Abb.42**

Entfernen Sie nach dem Betrieb Staub von beiden Seiten der Schermesser mit einer Drahtbürste, wischen Sie die Schermesser mit einem Tuch ab, und tragen Sie dann Öl von niedriger Viskosität (Maschinenöl oder Sprühschmieröl) auf die Schermesser auf.

► **Abb.43**

ANMERKUNG: Waschen Sie die Schermesser nicht in Wasser. Dadurch kann Rostbildung gefördert oder eine Beschädigung des Werkzeugs verursacht werden.

ANMERKUNG: Schmutz und Korrosion verursachen übermäßige Messerreibung und verkürzen die Betriebszeit pro Akkuladung.

Lagerung

Bringen Sie die Messerabdeckung an den Schermessern an, damit die Messer nicht ungeschützt sind. Lagern Sie das Werkzeug außer Reichweite von Kindern. Lagern Sie das Werkzeug an einem Ort, der weder Feuchtigkeit noch Regen ausgesetzt ist.

Schleifen der Schermesser

ANMERKUNG: Falls die Schermesser durch Schleifen beträchtlich verformt sind, ersetzen Sie die Schermesser durch neue.

1. Bringen Sie den Akku am Werkzeug an.
2. Schalten Sie das Werkzeug ein und starten Sie es so, dass das obere Messer und das untere Messer zueinander versetzt positioniert sind.
► **Abb.44**
3. Schalten Sie das Werkzeug aus, und nehmen Sie den Akku vom Werkzeug ab.
4. Entfernen Sie die Schraube, und nehmen Sie dann den Astfänger ab.
► **Abb.45:** 1. Schraube 2. Astfänger
5. Setzen Sie eine Feile in einem Winkel von 50° an und schleifen Sie das obere Messer mit der Feile genau in die drei Richtungen der Kanten.
► **Abb.46:** 1. Feile 2. 50°

⚠ VORSICHT: Bevor Sie die Schermesser schleifen, vergewissern Sie sich, dass das Werkzeug ausgeschaltet und der Akku vom Werkzeug abgenommen ist.

6. Legen Sie das Werkzeug umgedreht ab, und entfernen Sie dann die Grate mit dem Abziehstein von dem Schermesser.
► **Abb.47:** 1. Abziehstein
7. Setzen Sie die Feile in einem Winkel von 50° an und schleifen Sie das untere Messer mit der Feile genau in die drei Richtungen der Kanten.
8. Bringen Sie das Werkzeug wieder in die Normalposition, und entfernen Sie dann die Grate mit dem Abziehstein von dem Schermesser.
9. Befestigen Sie den Astfänger durch Anziehen der Schraube.

Fettschmierung

Schmierintervall: Alle 50 Betriebsstunden

Verwenden der Ölbohrung zur Schmierung

1. Entfernen Sie die Schraube zum Schmieren aus der Bohrung.
► **Abb.48:** 1. Schraube
2. Entfernen Sie die Kappe von der Fetttube. Richten Sie den Auslass der Fetttube auf das Loch in der Abdeckung aus, und drücken Sie dann den Auslass der Fetttube auf das Loch.
► **Abb.49:** 1. Fetttube 2. Loch
3. Füllen Sie das Fett in das Werkzeug ein (ca. 5 g als Richtlinie).
4. Ziehen Sie die Schraube an.

Verwenden des Schmiernippels

Der Stecknippel hilft, eine Fettpresse formschlüssig anzuschließen.

1. Bereiten Sie eine Fettpresse zur Benutzung vor.
 2. Schließen Sie den Adapter der Fettpresse an den Schmiernippel des Werkzeugs an.
► **Abb.50:** 1. Fettpressenadapter 2. Schmiernippel
 3. Füllen Sie das Fett in das Werkzeug ein (ca. 5 g als Richtlinie).
 4. Neigen Sie den Adapter leicht, um den Innendruck abzulassen, und entfernen Sie dann den Adapter vom Schmiernippel.
- Wischen Sie das Schmierfett von Adapter und Schmiernippel ab.

FEHLERSUCHE

Bevor Sie den Reparatordienst anrufen, führen Sie zunächst Ihre eigene Inspektion durch. Falls Sie ein Problem finden, das nicht in der Anleitung erläutert wird, versuchen Sie nicht, das Werkzeug zu zerlegen. Wenden Sie sich stattdessen an autorisierte Makita-Kundendienstzentren, und achten Sie darauf, dass stets Makita-Ersatzteile für Reparaturen verwendet werden.

Zustand der Unregelmäßigkeit	Wahrscheinliche Ursache (Funktionsstörung)	Abhilfemaßnahme
Der Motor läuft nicht.	Der Akku ist nicht eingesetzt.	Den Akku einsetzen.
	Akkustörung (Unterspannung)	Den Akku aufladen. Falls Laden nichts nützt, den Akku austauschen.
	Das Antriebssystem funktioniert nicht korrekt.	Wenden Sie sich bezüglich einer Reparatur an Ihr autorisiertes Kundendienstzentrum.
Der Motor bleibt nach kurzer Zeit stehen.	Der Ladestand des Akkus ist niedrig.	Den Akku aufladen. Falls Laden nichts nützt, den Akku austauschen.
	Überhitzung.	Brechen Sie die Benutzung des Werkzeugs ab, um es abkühlen zu lassen.
Das Werkzeug erreicht die Maximaldrehzahl nicht.	Der Akku ist falsch eingesetzt.	Setzen Sie den Akku gemäß der Beschreibung in dieser Anleitung ein.
	Die Akkuleistung lässt nach.	Den Akku aufladen. Falls Laden nichts nützt, den Akku austauschen.
	Das Antriebssystem funktioniert nicht korrekt.	Wenden Sie sich bezüglich einer Reparatur an Ihr autorisiertes Kundendienstzentrum.
Die Schermesser bewegen sich nicht: ⇒ Die Maschine unverzüglich stoppen!	Ungeeigneter Winkel der Schermesser.	Vergewissern Sie sich, dass der Kopf ordnungsgemäß in dem betriebsfähigen Winkel fixiert ist.
	Fremdkörper sind zwischen den Schermessern eingeklemmt.	1. Benutzen Sie die Umkehrtaste. 2. Schalten Sie das Werkzeug aus, nehmen Sie den Akku ab, und beseitigen Sie dann die Fremdkörper mithilfe von Werkzeugen, wie z. B. einer Zange.
	Das Antriebssystem funktioniert nicht korrekt.	Wenden Sie sich bezüglich einer Reparatur an Ihr autorisiertes Kundendienstzentrum.
Ungewöhnliche Vibration: ⇒ Die Maschine unverzüglich stoppen!	Die Schermesser sind beschädigt, verbogen oder abgenutzt.	Tauschen Sie die Schermesser aus.
	Das Antriebssystem funktioniert nicht korrekt.	Wenden Sie sich bezüglich einer Reparatur an Ihr autorisiertes Kundendienstzentrum.
Schermesser und Motor bleiben nicht stehen: ⇒ Den Akku unverzüglich entfernen!	Elektrische Funktionsstörung.	Entfernen Sie den Akku, und wenden Sie sich bezüglich einer Reparatur an Ihr autorisiertes Kundendienstzentrum.

SONDERZUBEHÖR

⚠ VORSICHT: Die folgenden Zubehörteile oder Vorrichtungen werden für den Einsatz mit dem in dieser Anleitung beschriebenen Makita-Werkzeug empfohlen. Die Verwendung anderer Zubehörteile oder Vorrichtungen kann eine Verletzungsgefahr darstellen. Verwenden Sie Zubehörteile oder Vorrichtungen nur für ihren vorgesehenen Zweck.

Wenn Sie weitere Einzelheiten bezüglich dieser Zubehörteile benötigen, wenden Sie sich bitte an Ihre Makita-Kundendienststelle.

- Schermessereinheit
- Spänefänger
- Fetttube
- Original-Makita-Akku und -Ladegerät

HINWEIS: Manche Teile in der Liste können als Standardzubehör im Werkzeugsatz enthalten sein. Sie können von Land zu Land unterschiedlich sein.

DATI TECNICI

Modello:		UN001G
Lunghezza della lama		600 mm
Colpi al minuto		2.000/3.000/4.000 min ⁻¹
Angolo della lama da taglio		115° (45° verso l'alto, 70° verso il basso)
Lunghezza complessiva		2.268 mm
Tensione nominale		36 V - 40 V CC max
Peso netto	*1	4,0 kg
	*2	Da 4,7 a 5,9 kg
Grado di protezione		IPX4

- A causa del nostro programma continuativo di ricerca e sviluppo, i dati tecnici sono soggetti a modifiche senza preavviso.
- I dati tecnici possono variare da nazione a nazione.

*1: Peso senza accessori, cartuccia o cartucce delle batterie

*2: il peso può variare a seconda dell'accessorio o degli accessori, inclusa la cartuccia della batteria. La combinazione più leggera e quella più pesante, in base alla Procedura EPTA 01/2014, sono indicate nella tabella.

Cartuccia della batteria e caricabatterie applicabili

Cartuccia della batteria	BL4020 / BL4025 / BL4040 / BL4040F / BL4050F / BL4080F
Caricabatterie	DC40RA / DC40RB / DC40RC / DC40WA

- Alcune cartucce delle batterie e alcuni caricabatterie elencati sopra potrebbero non essere disponibili a seconda della propria area geografica di residenza.

⚠AVVERTIMENTO: Utilizzare solo le cartucce delle batterie e i caricabatterie elencati sopra. L'utilizzo di altre cartucce delle batterie e di altri caricabatterie potrebbe causare lesioni personali e/o un incendio.

Fonte di alimentazione collegata via cavo consigliata

Gruppo di alimentazione portatile	PDC01 / PDC1200 / PDC1500
-----------------------------------	---------------------------

- La fonte o le fonti di alimentazione collegate via cavo elencate sopra potrebbero non essere disponibili, a seconda della propria area geografica di residenza.
- Prima di utilizzare la fonte di alimentazione collegata via cavo, leggere le istruzioni e le indicazioni delle avvertenze riportate su quest'ultima.

Simboli

Le figure seguenti mostrano i simboli utilizzati per l'apparecchio. Accertarsi di comprenderne il significato prima dell'uso.



Leggere il manuale d'uso.



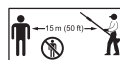
Indossare un elmetto, occhiali protettivi e protezioni acustiche.



PERICOLO: tenere le mani lontane dalla lama.



Fare attenzione alle linee elettriche, rischio di scosse elettriche.



Mantenere una distanza di almeno 15 m.



Solo per le nazioni dell'EU
A causa della presenza di componenti pericolosi nelle apparecchiature, i rifiuti di apparecchiature elettriche ed elettroniche, accumulatori e batterie potrebbero produrre un impatto negativo sull'ambiente e sulla salute umana.
Non smaltire elettrodomestici elettrici ed elettronici o batterie insieme ai rifiuti domestici!

In conformità alla direttiva europea sui rifiuti di apparecchiature elettriche ed elettroniche (RAEE), sugli accumulatori e le batterie, nonché sui rifiuti di accumulatori e batterie, e al suo adattamento alle normative nazionali, i rifiuti di apparecchiature elettriche ed elettroniche, batterie e accumulatori vanno conservati separatamente e conferiti a un punto di raccolta separato per i rifiuti comunali, operando in conformità alle normative per la protezione dell'ambiente.

Tale requisito viene indicato mediante il simbolo del bidone della spazzatura con ruote barrato apposto sull'apparecchio.



Livello di potenza sonora garantita in base alla Direttiva rumore macchine all'aperto UE.



Livello di potenza sonora in base alla normativa sul controllo del rumore NSW australiana

Utilizzo previsto

L'utensile è destinato alla rifilatura delle siepi.

Rumore

Livello tipico di rumore pesato A determinato in base allo standard EN62841-4-2:

Modello	Livello di pressione sonora		Livello di potenza sonora garantito	Livello di potenza sonora misurato	
	L _{PA} (dB(A))	Incertezza K (dB(A))	L _{WA} (dB(A))	L _{WA} (dB(A))	Incertezza K (dB(A))
UN001G	82	3	94	93	1,5

NOTA: Il valore o i valori dichiarati delle emissioni di rumori sono stati misurati in conformità a un metodo standard di verifica, e possono essere utilizzati per confrontare un utensile con un altro.

NOTA: Il valore o i valori dichiarati delle emissioni di rumori possono venire utilizzati anche per una valutazione preliminare dell'esposizione.

AVVERTIMENTO: Indossare protezioni per le orecchie.

AVVERTIMENTO: L'emissione di rumori durante l'utilizzo effettivo dell'utensile elettrico può variare rispetto al valore o ai valori dichiarati, a seconda dei modi in cui viene utilizzato l'utensile e specialmente a seconda di che tipo di pezzo venga lavorato.

AVVERTIMENTO: Accertarsi di identificare misure di sicurezza per la protezione dell'operatore che siano basate su una stima dell'esposizione nelle condizioni effettive di utilizzo (tenendo conto di tutte le parti del ciclo operativo, ad esempio del numero di spegnimenti dell'utensile e di quando giri a vuoto, oltre al tempo di attivazione).

Vibrazioni

Valore totale delle vibrazioni (somma vettoriale triassiale) determinato in base allo standard EN62841-4-2:

Modello	Mano sinistra (impugnatura anteriore/maniglia)		Mano destra (impugnatura posteriore)	
	ah (m/s ²)	Incertezza K (m/s ²)	ah (m/s ²)	Incertezza K (m/s ²)
UN001G	4,9	1,5	3,5	1,5

NOTA: Il valore o i valori complessivi delle vibrazioni dichiarati sono stati misurati in conformità a un metodo standard di verifica, e possono essere utilizzati per confrontare un utensile con un altro.

NOTA: Il valore o i valori complessivi delle vibrazioni dichiarati possono venire utilizzati anche per una valutazione preliminare dell'esposizione.

⚠AVVERTIMENTO: L'emissione delle vibrazioni durante l'utilizzo effettivo dell'utensile elettrico può variare rispetto al valore o ai valori dichiarati, a seconda dei modi in cui viene utilizzato l'utensile, specialmente a seconda di che tipo di pezzo venga lavorato.

⚠AVVERTIMENTO: Accertarsi di identificare misure di sicurezza per la protezione dell'operatore che siano basate su una stima dell'esposizione nelle condizioni effettive di utilizzo (tenendo conto di tutte le parti del ciclo operativo, ad esempio del numero di spegnimenti dell'utensile e di quando giri a vuoto, oltre al tempo di attivazione).

Dichiarazioni di conformità

Solo per i paesi europei

Le Dichiarazioni di conformità sono incluse nell'Allegato A al presente manuale d'uso.

AVVERTENZE DI SICUREZZA

Avvertenze generali relative alla sicurezza dell'utensile elettrico

⚠AVVERTIMENTO Leggere tutte le avvertenze di sicurezza, le istruzioni, le illustrazioni e i dati tecnici forniti insieme a questo utensile elettrico. La mancata osservanza di tutte le istruzioni seguenti potrebbe risultare in scosse elettriche, incendi e/o gravi lesioni personali.

Conservare tutte le avvertenze e le istruzioni come riferimento futuro.

Il termine "utensile elettrico" nelle avvertenze si riferisce sia all'utensile elettrico (cablato) nel funzionamento alimentato da rete elettrica che all'utensile elettrico (a batteria) nel funzionamento alimentato a batteria.

Avvertenze di sicurezza relative al taglia siepi telescopico a batteria

Avvertenze di sicurezza relative al taglia siepi a batteria:

1. **Evitare di utilizzare il taglia siepi in condizioni meteorologiche avverse, specialmente quando sussiste il rischio di fulmini.** In tal modo si riduce il rischio di venire colpiti da un fulmine.
2. **Tenere tutti i cavi elettrici e di altro genere lontani dall'area di taglio.** Nelle siepi o nei cespugli potrebbero essere nascosti cavi elettrici o di altro genere, che potrebbero venire tagliati accidentalmente dalla lama.
3. **Indossare protezioni per le orecchie.** Un'attrezzatura di protezione adeguata riduce il rischio di perdite dell'udito.
4. **Mantenere il taglia siepi solo mediante le superfici di impugnatura isolate, poiché la lama potrebbe entrare in contatto con cabling nascosti.** Qualora le lame entrino in contatto con un filo elettrico sotto tensione, potrebbero mettere sotto tensione le parti metalliche esposte del taglia siepi e dare una scossa elettrica

all'operatore.

5. **Tenere tutte le parti del corpo lontane dalla lama. Non rimuovere il materiale tagliato né tenere in mano il materiale da tagliare quando le lame sono in movimento.** Le lame continuano a muoversi dopo la disattivazione dell'interruttore. Un momento di disattenzione durante il funzionamento del taglia siepi potrebbe risultare in gravi lesioni personali.
6. **Quando si intende rimuovere materiale inceppato o sottoporre a interventi di assistenza il taglia siepi, accertarsi che tutti gli interruttori di accensione siano disattivati e che la cartuccia della batteria sia stata rimossa o scollegata.** L'azionamento imprevisto del taglia siepi durante la rimozione di materiale inceppato o l'esecuzione di interventi di assistenza potrebbe risultare in gravi lesioni personali.
7. **Trasportare il taglia siepi tenendolo per il manico con la lama arrestata e facendo attenzione a non azionare alcun interruttore di accensione.** Se si trasporta correttamente il taglia siepi, si riduce la possibilità di avvii accidentali e delle conseguenti lesioni personali dovute alle lame.
8. **Quando si intende trasportare o riporre il taglia siepi, utilizzare sempre il coprilama.** Se si maneggia correttamente il taglia siepi, si riduce la possibilità di lesioni personali dovute alle lame.

Avvertenze di sicurezza relative al taglia siepi telescopico a batteria:

1. **Utilizzare sempre una protezione per la testa, quando si intende utilizzare il taglia siepi telescopico al di sopra della propria testa.** I detriti che cadono potrebbero causare gravi lesioni personali.
2. **Utilizzare sempre due mani quando si fa funzionare il taglia siepi telescopico.** Mantenere il taglia siepi telescopico con entrambe le mani, per evitare la perdita di controllo.
3. **Per ridurre il rischio di folgorazione, non utilizzare mai il taglia siepi telescopico in prossimità di linee elettriche di qualsiasi tipo.** Il contatto con linee elettriche o l'utilizzo in prossimità di queste ultime potrebbe causare gravi lesioni personali o scosse elettriche che potrebbero portare alla morte.

Avvertenze di sicurezza aggiuntive

Preparazione

1. **QUESTO TAGLIESIEPI PUÒ CAUSARE GRAVI LESIONI PERSONALI.** Leggere con attenzione le istruzioni per maneggiare, preparare, sottoporre a manutenzione, avviare e arrestare correttamente l'utensile. Familiarizzare con tutti i controlli e con l'utilizzo corretto dell'utensile.

2. **Prima di utilizzare l'utensile, verificare l'eventuale presenza di corpi estranei nelle siepi e nei cespugli, ad esempio recinzioni in fil di ferro o cablaggi nascosti.**
3. **Il taglia siepi non deve essere utilizzato da bambini o giovani al di sotto dei 18 anni di età.** I giovani di età superiore ai 16 anni possono venire esentati da questa restrizione se stanno seguendo un addestramento sotto la supervisione di un esperto.
4. **In caso di emergenza, spegnere l'utensile e rimuovere la cartuccia della batteria immediatamente.**
5. **PERICOLO - Tenere le mani lontane dalla lama.** Il contatto con la lama causa gravi lesioni personali.
6. **Utilizzare esclusivamente con la maniglia e la protezione montate correttamente sull'utensile.** L'utilizzo dell'utensile senza la protezione o la maniglia appropriate fornite in dotazione potrebbe risultare in gravi lesioni personali.
7. **Chi utilizza il prodotto per la prima volta dovrebbe farsi mostrare da un utente esperto come utilizzare l'utensile.**
8. **Prima dell'uso, esaminare l'eventuale presenza nell'area di lavoro di recinzioni metalliche, pietre o altri oggetti solidi.** Tali oggetti possono danneggiare le lame.
9. **Utilizzare il taglia siepi solo se si è in buone condizioni fisiche.** In condizioni di stanchezza, il livello di attenzione si riduce. Fare particolarmente attenzione alla fine di una giornata di lavoro. Effettuare tutti i lavori con calma e con attenzione. L'utente è responsabile per qualsiasi danno arrecato a terzi.
10. **Prima di iniziare il lavoro, accertarsi che il taglia siepi sia in condizioni operative ottimali e sicure.** Accertarsi che le protezioni siano applicate correttamente. Il taglia siepi non va utilizzato se non è stato montato completamente.
11. **Evitare gli ambienti pericolosi. Non utilizzare l'utensile in luoghi umidi o bagnati né esporlo alla pioggia.** La penetrazione di acqua nell'utensile incrementa il rischio di scosse elettriche.

Attrezzatura di protezione personale

1. **I guanti da lavoro in pelle robusta fanno parte dell'equipaggiamento di base del taglia siepi, e devono essere sempre indossati quando si lavora con quest'ultimo.** Indossare anche scarpe robuste con soles antiscivolo.
2. **Indossare protezioni per l'udito, ad esempio cuffie antirumore, per evitare perdite dell'udito.**
3. **Indossare occhiali protettivi, un casco di sicurezza e guanti protettivi per proteggersi da detriti volanti oppure oggetti che cadano.**
4. **Quando si intende toccare le lame o regolarne l'angolazione, indossare guanti protettivi.** Le lame possono tagliare gravemente le mani nude.

Funzionamento

1. **Utilizzare sempre due mani per far funzionare l'utensile su cui siano installate due maniglie.** L'utilizzo di una sola mano potrebbe causare la perdita di controllo e risultare in gravi lesioni

personali.

2. **Prima di utilizzare l'utensile, accertarsi sempre che la posizione di utilizzo sia sicura e salda.** È estremamente pericoloso sporgersi con l'utensile, specialmente da una scala a pioli. **Non lavorare da alcuna superficie traballante o malferma.**
3. **Non indossare contemporaneamente più imbracature e/o tracolle quando si utilizza l'utensile.**
4. **Durante l'uso, tenere astanti o animali a una distanza di almeno 15 m dall'utensile.** Arrestare l'utensile non appena si avvicina qualcuno.
5. **Qualora l'utensile da taglio colpisca un qualsiasi oggetto oppure l'utensile inizi a produrre rumori o vibrazioni insoliti, spegnere l'utensile e rimuovere la cartuccia della batteria immediatamente, e lasciar arrestare l'utensile.** Quindi, attenersi alla procedura seguente:
 - ispezionarlo alla ricerca di eventuali danni
 - controllare e serrare eventuali parti allentate
 - far sostituire o riparare eventuali parti danneggiate con pezzi di ricambio originali.
6. **Utilizzare l'utensile esclusivamente allo scopo a cui è destinato.** Non utilizzare l'utensile per altri scopi di alcun genere.
7. **Spegnere l'utensile e rimuovere la cartuccia della batteria prima di:**
 - eseguire la pulizia o rimuovere un'ostruzione,
 - controllare l'utensile, eseguirne la manutenzione o lavorare sull'utensile,
 - regolare la posizione di lavoro delle lame a cesoie,
 - lasciare l'utensile incustodito.
8. **Prima di avviare l'utensile, accertarsi che quest'ultimo sia situato correttamente in una posizione di lavoro designata.**
9. **Non utilizzare l'utensile con lame a cesoie danneggiate o eccessivamente usurate.**
10. **Quando si intende utilizzare l'utensile, accertarsi sempre che tutte le maniglie e le protezioni siano applicate.** Non tentare mai di utilizzare un utensile incompleto o su cui sia stata applicata una modifica non autorizzata.
11. **Fare sempre attenzione all'ambiente circostante, e restare vigili per eventuali pericoli di cui si potrebbe non essere consapevoli, a causa del rumore prodotto dall'utensile.**
12. **Fare attenzione a non entrare in contatto accidentalmente con una recinzione in metallo o con altri oggetti duri durante l'uso.** In caso contrario, le lame si romperebbero e potrebbero causare gravi lesioni personali.
13. **Evitare l'avvio accidentale. Non trasportare l'utensile quando la cartuccia della batteria è installata e con il dito appoggiato sull'interruttore.** Quando si intende installare la cartuccia della batteria, accertarsi che l'interruttore sia disattivato.

14. **Non afferrare le lame da taglio né i taglienti esposti, quando si intende sollevare o mantenere l'utensile.**
15. **Non forzare l'utensile.** L'utensile consente di svolgere il lavoro in modo migliore e con una minore probabilità del rischio di lesioni personali, se si mantiene la velocità per la quale è stato progettato.
16. **Non utilizzare l'utensile sotto la pioggia o in condizioni di bagnato o di estrema umidità.** Il motore elettrico non è impermeabile.
17. **Mantenere saldamente l'utensile quando lo si utilizza.**
18. **Non far funzionare l'utensile a vuoto inutilmente.**
19. **Prima di controllare le lame a cesoie, occuparsi di guasti o rimuovere corpi estranei incastrati nelle lame a cesoie, spegnere sempre l'utensile e rimuovere la cartuccia della batteria.**
20. **Non puntare mai le lame a cesoie verso se stessi o altri.**
21. **Qualora le lame smettano di muoversi a causa di corpi estranei incastrati tra le lame durante l'uso, spegnere l'utensile e rimuovere la cartuccia della batteria, quindi rimuovere i corpi estranei utilizzando degli utensili, ad esempio delle pinze.** La rimozione dei corpi estranei con le mani potrebbe causare lesioni personali, in quanto le lame potrebbero muoversi in risposta alla rimozione dei corpi estranei.
22. **Accertarsi che non siano presenti cavi elettrici, tubi dell'acqua, tubi del gas, e così via, che potrebbero costituire un pericolo qualora venissero danneggiati dall'utilizzo dell'utensile.**
23. **Non toccare le parti in metallo o le superfici estremamente calde dell'utensile durante l'uso o subito dopo; potrebbero essere estremamente calde e causare ustioni.** Lasciar raffreddare l'utensile prima di eseguire qualsiasi operazione sull'utensile.
24. **Non utilizzare l'utensile su terreno morbido/instabile/scivoloso o su pendii ripidi. Evitare di lavorare su scale a pioli o in altezza.** In caso contrario si potrebbe causare il rischio di cadute, con conseguenti lesioni personali.
25. **Non utilizzare l'utensile in condizioni di tempo avverso o di notte, quando la visibilità è limitata.** La mancata osservanza di questa indicazione potrebbe causare cadute o funzionamento errato a causa della scarsa visibilità.
26. **Evitare di lavorare in un ambiente inadeguato in cui si preveda un maggiore affaticamento per l'utente.**
27. **Non immergere l'utensile in una pozzanghera.**
28. **Non lasciare l'utensile incustodito all'aperto sotto la pioggia.**
29. **Quando foglie bagnate o sporco aderiscono alla bocca di aspirazione (finestrella di ventilazione) a causa della pioggia, rimuoverle.**
30. **Non utilizzare l'utensile nella neve.**

Sicurezza elettrica e della batteria

1. **Non smaltire le batterie nel fuoco.** La cella potrebbe esplodere. Controllare le normative locali per eventuali istruzioni speciali relative allo smaltimento.
2. **Non aprire né fare a pezzi le batterie.** L'elettrolita rilasciato è corrosivo, e potrebbe causare danni agli occhi o alla pelle. Inoltre, potrebbe essere tossico, se inghiottito.
3. **Non caricare la batteria sotto la pioggia o in condizioni di bagnato.**
4. **Non caricare la batteria all'aperto.**
5. **Non maneggiare con le mani bagnate il carica-batterie, inclusa la spina del caricabatterie e i terminali di quest'ultimo.**
6. **Non sostituire la batteria con le mani bagnate.**
7. **Non sostituire la batteria sotto la pioggia.**
8. **Non far bagnare i terminali della batteria con liquidi, ad esempio con acqua, né sommergere la batteria.** Non lasciare la batteria sotto la pioggia e non caricarla, utilizzarla o riporla in un'ubicazione umida o bagnata. Qualora i terminali si bagnino o del liquido penetri all'interno della batteria, quest'ultima potrebbe venire cortocircuitata, e sussiste il rischio di surriscaldamento, incendio o esplosione.
9. **Dopo aver rimosso la batteria dall'utensile o dal carica-batterie, accertarsi di applicare il cappuccio della batteria su quest'ultima e di riporre la batteria in un'ubicazione asciutta.**
10. **Qualora la cartuccia della batteria si bagni, far fuoriuscire tutta l'acqua dall'interno, quindi pulirla con un panno asciutto.** Far asciugare completamente la cartuccia della batteria in un luogo asciutto, prima dell'uso.

Manutenzione e conservazione

1. **Quando l'utensile viene arrestato per sottoporlo a manutenzione, ispezione o per conservarlo, spegnere l'utensile e rimuovere la cartuccia della batteria, quindi accertarsi che tutte le parti mobili si siano arrestate.** Lasciar sempre raffreddare l'utensile prima di effettuare qualsiasi ispezione, regolazione, e così via.
2. **Lasciare sempre raffreddare l'utensile prima di riporlo.**
3. **Quando l'utensile non è in uso, applicare il coprilama sull'utensile e conservarlo al chiuso in un luogo asciutto ed elevato che sia chiuso a chiave, fuori dalla portata dei bambini.**
4. **Sottoporre a manutenzione l'utensile con cura.** Mantenere i taglienti affilati e puliti per prestazioni ottimali e per ridurre il rischio di lesioni personali. Per lubrificare e sostituire gli accessori, attenersi alle istruzioni. Mantenere le maniglie pulite, asciutte e prive di olio e grasso.
5. **Controllare l'eventuale presenza di parti danneggiate.** Prima di utilizzare ulteriormente l'utensile, controllare con cura qualsiasi parte che sia danneggiata, per accertarsi che funzioni correttamente e che svolga la funzione a cui è destinata. Controllare l'allineamento delle parti mobili e l'eventuale inceppamento

di queste ultime, l'eventuale rottura di parti, attacchi di montaggio e qualsiasi altra condizione che potrebbe influenzare il funzionamento dell'utensile. Una protezione o un altro componente danneggiato vanno riparati in modo adeguato o sostituiti dal proprio centro di assistenza autorizzato.

6. Utilizzare sempre esclusivamente pezzi di ricambio originali.
7. Quando si intende spostare l'utensile in un'altra ubicazione, anche durante il lavoro, rimuovere sempre la cartuccia della batteria e applicare il coprilama sulle lame a cesoie. Non portare né trasportare mai l'utensile con le lame in funzione. Non afferrare mai le lame con le mani.
8. Pulire l'utensile e particolarmente le lame a cesoie dopo l'uso, e prima di riporre l'utensile per periodi di tempo prolungati. Oliare leggermente le lame a cesoie e applicare il coprilama.
9. Non lavare l'utensile con acqua ad alta pressione.
10. Quando si intende lavare l'utensile, non lasciar penetrare acqua nell'impianto elettrico, ad esempio nella batteria, nel motore e nei terminali.
11. Effettuare l'ispezione e la manutenzione in un'ubicazione in cui si possa evitare la pioggia.
12. Dopo aver utilizzato l'utensile, rimuovere lo sporco che si è depositato e far asciugare completamente l'utensile prima di riporlo. A seconda della stagione o della zona, sussiste il rischio di malfunzionamento dovuto a congelamento.
13. Quando si intende riporre l'utensile, evitare la luce solare diretta e la pioggia, e riporlo in un'ubicazione in cui non sia soggetto a temperature estremamente elevate o umidità.

CONSERVARE LE PRESENTI ISTRUZIONI.

⚠AVVERTIMENTO: NON lasciare che la comodità o la familiarità d'uso con il prodotto (acquisita con l'uso ripetuto) sostituiscano la stretta osservanza delle norme di sicurezza. L'USO IMPROPRIO o la mancata osservanza delle norme di sicurezza riportate nel presente manuale manuale di istruzioni potrebbero causare lesioni personali gravi.

Istruzioni di sicurezza importanti per la cartuccia della batteria

1. Prima di utilizzare la cartuccia della batteria, leggere tutte le istruzioni e le avvertenze riportate (1) sul caricabatteria, (2) sulla batteria e (3) sul prodotto che utilizza la batteria.
2. Non smantellare né manomettere la cartuccia della batteria. In caso contrario, si potrebbe causare un incendio, calore eccessivo o un'esplosione.
3. Qualora il tempo di utilizzo si riduca eccessivamente, interrompere immediatamente

l'utilizzo dell'utensile. In caso contrario, si può incorrere nel rischio di surriscaldamento, possibili ustioni e persino un'esplosione.

4. Qualora l'elettrolita entri in contatto con gli occhi, sciacquarli con acqua pulita e richiedere immediatamente assistenza medica. Questa eventualità può risultare nella perdita della vista.
5. Non cortocircuitare la cartuccia della batteria:
 - (1) Non toccare i terminali con alcun materiale conduttivo.
 - (2) Evitare di conservare la cartuccia della batteria in un contenitore insieme ad altri oggetti metallici quali chiodi, monete, e così via.
 - (3) Non esporre la cartuccia della batteria all'acqua o alla pioggia.Un cortocircuito della batteria può causare un grande flusso di corrente, un surriscaldamento, possibili ustioni e persino un guasto.
6. Non conservare e utilizzare l'utensile e la cartuccia della batteria in ubicazioni in cui la temperatura possa raggiungere o superare i 50 °C.
7. Non incenerire la cartuccia della batteria anche qualora sia gravemente danneggiata o completamente esaurita. La cartuccia della batteria può esplodere se a contatto con il fuoco.
8. Non inchiodare, tagliare, schiacciare, lanciare o far cadere la cartuccia della batteria, né farla urtare con forza contro un oggetto duro. Questi comportamenti potrebbero risultare in un incendio, calore eccessivo o un'esplosione.
9. Non utilizzare una batteria danneggiata.
10. Le batterie a ioni di litio contenute sono soggette ai requisiti del regolamento sul trasporto di merci pericolose (Dangerous Goods Legislation).

Per trasporti commerciali, ad esempio da parte di terzi o spedizionieri, è necessario osservare dei requisiti speciali sull'imballaggio e sull'etichetta. Per la preparazione dell'articolo da spedire, è richiesta la consulenza di un esperto in materiali pericolosi. Attenersi anche alle normative nazionali, che potrebbero essere più dettagliate. Nasturare o coprire i contatti aperti e imballare la batteria in modo tale che non si possa muovere liberamente all'interno dell'imballaggio.

11. Quando si intende smaltire la cartuccia della batteria, rimuoverla dall'utensile e smaltirla in un luogo sicuro. Attenersi alle normative locali relative allo smaltimento della batteria.
12. Utilizzare le batterie esclusivamente con i prodotti specificati da Makita. L'installazione delle batterie in prodotti non compatibili potrebbe risultare in incendi, calore eccessivo, esplosioni o perdite di liquido elettrolitico.
13. Se l'utensile non viene utilizzato per un periodo di tempo prolungato, la batteria deve essere rimossa dall'utensile.
14. Durante e dopo l'uso, la cartuccia della batteria potrebbe assorbire calore, che può causare ustioni o ustioni a bassa temperatura. Fare attenzione a come si maneggiano le cartucce delle batterie estremamente calde.

15. **Non toccare i terminali dell'utensile subito dopo l'uso, in quanto potrebbero diventare estremamente caldi al punto da causare ustioni.**
16. **Evitare di far incastrare schegge, polveri o terreno nei terminali, nei fori e nelle scanalature della cartuccia della batteria.** In caso contrario, l'utensile o la cartuccia della batteria potrebbero riscaldarsi, prendere fuoco, scoppiare o guastarsi, causando ustioni o lesioni personali.
17. **A meno che l'utensile supporti l'uso in prossimità di linee elettriche ad alta tensione, non utilizzare la cartuccia della batteria in prossimità di linee elettriche ad alta tensione.** In caso contrario, si potrebbe causare un malfunzionamento o la rottura dell'utensile o della cartuccia della batteria.
18. **Tenere la batteria lontana dai bambini.**

CONSERVARE LE PRESENTI ISTRUZIONI.

⚠ATTENZIONE: Utilizzare solo batterie originali Makita. L'utilizzo di batterie Makita non originali, o di batterie che siano state alterate, potrebbe risultare nello scoppio della batteria, causando incendi, lesioni personali e danni. Inoltre, ciò potrebbe invalidare la garanzia Makita per l'utensile e il caricabatterie Makita.

Suggerimenti per preservare la durata massima della batteria

1. **Caricare la cartuccia della batteria prima che si scarichi completamente.** Smettere sempre di utilizzare l'utensile e caricare la cartuccia della batteria quando si nota che la potenza dell'utensile è diminuita.
2. **Non ricaricare mai una cartuccia della batteria completamente carica.** La sovraccarica riduce la vita utile della batteria.
3. **Caricare la cartuccia della batteria a una temperatura ambiente compresa tra 10 °C e 40 °C.** Lasciar raffreddare una cartuccia della batteria prima di caricarla.
4. **Quando non si utilizza la cartuccia della batteria, rimuoverla dall'utensile o dal caricabatterie.**
5. **Caricare la cartuccia della batteria se non la si è utilizzata per un periodo di tempo prolungato (più di sei mesi).**

DESCRIZIONE DELLE PARTI

► Fig.1

1	Testina	2	Impugnatura anteriore	3	Anello di aggancio	4	Leva di sblocco
5	Cartuccia della batteria	6	Impugnatura posteriore	7	Leva dell'interruttore	8	Manicotto scorrevole
9	Lame a cesoie	10	Indicatore di velocità	11	Indicatore luminoso di avvertimento	12	Pulsante di inversione
13	Pulsante di accensione principale	-	-	-	-	-	-

DESCRIZIONE DELLE FUNZIONI

⚠ATTENZIONE: Accertarsi sempre che l'utensile sia spento e che la cartuccia della batteria sia stata rimossa prima di regolare o di controllare il funzionamento dell'utensile.

Installazione o rimozione della cartuccia della batteria

⚠ATTENZIONE: Spegnerne sempre l'utensile prima di installare o rimuovere la cartuccia della batteria.

⚠ATTENZIONE: Mantenere saldamente lo strumento e la batteria quando si intende installare o rimuovere la cartuccia della batteria. Qualora non si mantengano saldamente lo strumento e la cartuccia della batteria, questi ultimi potrebbero scivolare dalle mani, con la possibilità di causare un danneggiamento dello strumento e della cartuccia della batteria, nonché una lesione personale.

Per installare la cartuccia della batteria, allineare la linguetta sulla cartuccia della batteria con la scanalatura nell'alloggiamento e farla scivolare in sede. Inserirla completamente fino al suo blocco in sede con un leggero scatto. Se è possibile vedere l'indicatore rosso, come indicato nella figura, non è bloccata completamente.

Per rimuovere la cartuccia della batteria, farla scorrere via dall'utensile mentre si fa scorrere allo stesso tempo il pulsante sulla parte anteriore della cartuccia.

► **Fig.2:** 1. Indicatore rosso 2. Pulsante 3. Cartuccia della batteria

⚠ATTENZIONE: Installare sempre fino in fondo la cartuccia della batteria, fino a quando l'indicatore rosso non è più visibile. In caso contrario, la batteria potrebbe cadere accidentalmente dall'utensile, causando lesioni personali all'operatore o a chi gli è vicino.

⚠ATTENZIONE: Non installare forzatamente la cartuccia della batteria. Qualora la batteria non si inserisca scorrendo agevolmente, vuol dire che non viene inserita correttamente.

Indicazione della carica residua della batteria

Premere il pulsante di controllo sulla cartuccia della batteria per indicare la carica residua della batteria. Gli indicatori luminosi si illuminano per alcuni secondi.

► **Fig.3:** 1. Indicatori luminosi 2. Pulsante di controllo

Indicatori luminosi			Carica residua
■ Illuminato	□ Spento	◐ Lampeggiante	
■ ■ ■ ■			Dal 75% al 100%
■ ■ ■ □			Dal 50% al 75%
■ ■ □ □			Dal 25% al 50%
■ □ □ □			Dallo 0% al 25%
◐ □ □ □			Caricare la batteria.
■ ■ □ □			La batteria potrebbe essersi guastata.
□ □ ■ ■			

NOTA: A seconda delle condizioni d'uso e della temperatura ambiente, l'indicazione potrebbe variare leggermente rispetto alla carica effettiva.

NOTA: Il primo indicatore luminoso (all'estremità sinistra) lampeggia quando il sistema di protezione della batteria è in funzione.

Sistema di protezione strumento/batteria

L'utensile è dotato di un sistema di protezione dell'utensile e della batteria. Questo sistema interrompe automaticamente l'alimentazione al motore per prolungare la vita utile dell'utensile e della batteria. L'utensile si arresta automaticamente durante il funzionamento, qualora l'utensile o la batteria vengano a trovarsi in una delle condizioni seguenti:

► **Fig.4:** 1. Indicatore luminoso di avvertimento

Indicatore luminoso di avvertimento			Stato
Colore	● Acceso	◐ Lampeggiante	
Verde		◐	Sovraccarico
Rosso	● (utensile) / ● (batteria)		Surriscaldamento
Rosso		◐	Sovrascarica

AVVISO: A seconda delle condizioni di utilizzo, l'utensile si arresta automaticamente senza alcuna indicazione, qualora rami o detriti restino incagliati nell'utensile. In questo caso, spegnere l'utensile e rimuovere la cartuccia della batteria, quindi rimuovere i rami o i detriti incagliati utilizzando degli utensili, ad esempio delle pinze. Dopo aver rimosso i rami o i detriti, installare la cartuccia della batteria e riaccendere l'utensile.

Protezione dal sovraccarico

Qualora l'utensile o la batteria siano sovraccaricati da rami impigliati o altri detriti, l'utensile si arresta automaticamente, e l'indicatore luminoso di avvertimento inizia a lampeggiare in verde.

In questa situazione, spegnere l'utensile e interrompere l'applicazione che ha causato il sovraccarico dell'utensile. Quindi, accendere l'utensile per riavviarlo.

Protezione dal surriscaldamento per l'utensile o la batteria

Qualora l'utensile o la cartuccia della batteria siano surriscaldati, l'utensile si arresta automaticamente. Quando l'utensile è surriscaldato, l'indicatore luminoso di avvertimento si illumina in rosso. Quando la cartuccia della batteria è surriscaldata, l'indicatore luminoso di avvertimento lampeggia in rosso. Lasciar raffreddare l'utensile e/o la batteria, prima di riaccendere l'utensile.

Protezione dalla sovrascarica

Quando la carica della batteria diventa bassa, l'utensile si arresta automaticamente, e l'indicatore luminoso di avvertimento inizia a lampeggiare in rosso. Qualora l'utensile non funzioni anche quando si attivano gli interruttori, rimuovere la cartuccia della batteria dall'utensile e caricarla.

Protezione da altre cause

Il sistema di protezione è progettato anche per altre cause che potrebbero danneggiare l'utensile, e consente all'utensile di arrestarsi automaticamente. Adottare tutte le misure seguenti per rimuovere le cause, quando l'utensile è stato portato a un'interruzione temporanea o a un arresto del funzionamento.

1. Spegnerne l'utensile, quindi riaccenderlo per ricominciare.
2. Caricare la batteria o le batterie, o sostituirla/sostituirle con una batteria o delle batterie ricaricate.
3. Lasciar raffreddare la macchina e la batteria o le batterie.

Qualora non si riscontrino alcun miglioramento ripristinando il sistema di protezione, contattare il proprio centro di assistenza locale Makita.

Funzionamento dell'interruttore di accensione

AVVERTIMENTO: Per la sicurezza dell'operatore, questo utensile è dotato di un interruttore di sblocco che ne impedisce l'avvio accidentale. Non utilizzare MAI l'utensile qualora si avvii semplicemente premendo la leva dell'interruttore senza premere la leva di sblocco. Portare l'utensile a un nostro centro di assistenza autorizzato per le riparazioni appropriate PRIMA di un'ulteriore utilizzo.

AVVERTIMENTO: Non bloccare MAI con del nastro adesivo né rendere inefficace lo scopo e il funzionamento della leva di sblocco.

ATTENZIONE: Prima di installare la cartuccia della batteria nell'utensile, verificare sempre che la leva dell'interruttore funzioni correttamente e torni sulla posizione "OFF" quando la si rilascia. L'utilizzo di un utensile con un interruttore che non funzioni correttamente può portare alla perdita di controllo e a gravi lesioni personali.

ATTENZIONE: Non appoggiare mai il dito sull'interruttore durante il trasporto. In caso contrario, l'utensile si potrebbe avviare accidentalmente e causare lesioni personali.

AVVISO: Non premere con forza la leva dell'interruttore senza premere la leva di sblocco. In caso contrario, si potrebbe causare la rottura dell'interruttore.

Per accendere l'utensile, premere il pulsante di accensione principale. Per spegnere l'utensile, tenere premuto il pulsante di accensione principale fino a quando l'indicatore di velocità si spegne.

► **Fig.5:** 1. Pulsante di accensione principale
2. Indicatore di velocità 3. Indicatore luminoso di avvertimento

NOTA: L'indicatore luminoso di avvertimento lampeggia in verde, qualora si prema la leva dell'interruttore nelle condizioni seguenti che impediscono l'utilizzo:

- Attivazione dell'interruttore di accensione principale mentre si tengono premuti la leva di sblocco e la leva dell'interruttore.
- Pressione della leva dell'interruttore con la leva di sblocco tenuta premuta, mentre si ripiega la testina dell'utensile.

NOTA: Questo utensile utilizza una funzione di spegnimento automatico. L'interruttore di accensione principale si disattiva automaticamente, qualora l'utensile non venga utilizzato per circa 5 minuti.

NOTA: La funzione di spegnimento automatico può venire applicata quando l'utensile si arresta a causa dell'entrata in funzione del sistema di protezione. L'interruttore di accensione principale si disattiva automaticamente circa 5 minuti dopo che il motore si è arrestato automaticamente e non è stata applicata alcuna misura correttiva in relazione alla protezione dell'utensile.

Per evitare che la leva dell'interruttore venga premuta accidentalmente, viene fornito un doppio interruttore di sblocco per la sicurezza.

Per avviare l'utensile, premere la leva di sblocco verso il basso e in avanti oltre la sua normale posizione, utilizzando la membrana interdigitale della propria mano (vale a dire la parte tra il pollice e l'indice), e schiacciare la leva di sblocco con il palmo. Quindi, premere la leva dell'interruttore mentre la leva di sblocco viene mantenuta premuta.




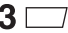





Per arrestare l'utensile, rilasciare la leva dell'interruttore.

► **Fig.6:** 1. Leva di sblocco 2. Leva di sblocco 3. Leva dell'interruttore

Regolazione della velocità

È possibile regolare la velocità dell'utensile premendo il pulsante di accensione principale. Ad ogni pressione del pulsante di accensione principale, il livello di velocità cambia.

► **Fig.7:** 1. Pulsante di accensione principale
2. Indicatore di velocità

Indicatore	Modalità	Velocità dei colpi
 3  2  1	Alta	4.000 min ⁻¹
 3  2  1	Media	3.000 min ⁻¹
 3  2  1	Bassa	2.000 min ⁻¹

NOTA: L'utensile si avvia nella stessa modalità dell'ultimo utilizzo. Se si rimuove la batteria mentre il motore sta girando dopo lo spegnimento, l'utensile potrebbe non avviarsi nella stessa modalità dell'ultimo utilizzo.

Pulsante di inversione per la rimozione dei detriti

AVVERTIMENTO: Qualora non si riesca a rimuovere i rami o i detriti incagliati mediante la funzione di inversione, spegnere l'utensile e rimuovere la cartuccia della batteria, quindi rimuovere i rami o i detriti incagliati utilizzando degli utensili, ad esempio delle pinze. Il mancato spegnimento dell'utensile e la mancata rimozione della cartuccia della batteria potrebbero risultare in gravi lesioni personali dovute ad avvio accidentale. La rimozione a mano dei rami o dei detriti incagliati potrebbe causare lesioni personali, poiché le lame a cesoie potrebbero muoversi in risposta a tale rimozione.

Questo utensile dispone di un pulsante di inversione per cambiare la direzione del movimento delle lame a cesoie. Il pulsante è destinato solo alla rimozione di rami e detriti incagliati nell'utensile. Per invertire il movimento delle lame a cesoie, premere il pulsante di inversione quando le lame a cesoie si sono arrestate, quindi premere la leva dell'interruttore mentre si tiene premuta la leva di sblocco. L'indicatore di velocità inizia a lampeggiare, e le lame a cesoie si muovono in direzione invertita. Quando rami e detriti incagliati sono stati rimossi, l'utensile torna al movimento regolare, e l'indicatore di velocità smette di lampeggiare e resta acceso.

► **Fig.8:** 1. Pulsante di inversione 2. Indicatore di velocità

NOTA: Qualora non sia possibile rimuovere i rami o i detriti incagliati, rilasciare la leva dell'interruttore, premere il pulsante di inversione, quindi premere la leva dell'interruttore fino a quando vengono rimossi.

NOTA: Se si preme il pulsante di inversione mentre le lame a cesoie si stanno ancora muovendo, l'utensile si arresta per predisporre al movimento invertito.

Regolazione dell'angolo di taglio

ATTENZIONE: Accertarsi sempre che l'utensile sia spento, prima di ripiegare o distendere la testina.

ATTENZIONE: Quando si intende ripiegare la testina per il trasporto dell'utensile, oppure dopo l'utilizzo di quest'ultimo, accertarsi di applicare il coprilama, prima di ripiegare la testina.

ATTENZIONE: Quando si intende ripiegare la testina, fare attenzione a non far restare incastrate le dita tra la testina e il manicotto scorrevole.

È possibile regolare l'angolazione della testina su 6 livelli, tra 45° verso l'alto e 70° verso il basso. Per modificare l'angolazione della testina, attenersi alla procedura seguente.

- **Fig.9:** 1. Angolazioni della testina verso l'alto
2. Angolazioni della testina verso il basso

1. Afferrare la testina e il manicotto scorrevole come indicato nella figura.

► **Fig.10:** 1. Testina 2. Manicotto scorrevole

2. Spostare la testina mentre si tiene premuto verso il basso il manicotto scorrevole, quindi rilasciare quest'ultimo.

3. Spostare leggermente la testina fino a quando si blocca con uno scatto.

NOTA: Prima di utilizzare l'utensile, accertarsi che la testina sia bloccata saldamente.

Funzione elettronica

L'utensile è dotato di funzioni elettroniche, per un facile utilizzo.

- **Controllo costante della velocità**
La funzione di controllo della velocità fornisce una velocità di rotazione costante, indipendentemente dalle condizioni di carico.
- **Freno elettrico**
Questo utensile è dotato di un freno elettrico. Qualora l'utensile non riesca ripetutamente ad arrestare rapidamente le lame a cesoie dopo il rilascio della leva dell'interruttore, far sottoporre a riparazione l'utensile presso un centro di assistenza autorizzato Makita.
- **Funzione di prevenzione del riavvio accidentale**
Quando si accende l'utensile mentre si tiene premuta la leva dell'interruttore, l'utensile non si avvia, e l'indicatore luminoso di avvertimento lampeggia in verde. Per avviare l'utensile, rilasciare innanzitutto la leva dell'interruttore, quindi accendere l'utensile.

MONTAGGIO

ATTENZIONE: Accertarsi sempre che l'utensile sia spento e che la cartuccia della batteria sia stata rimossa, prima di effettuare qualsiasi intervento sull'utensile.

ATTENZIONE: Quando si intende sostituire le lame a cesoie, indossare sempre i guanti, affinché le mani non entrino in contatto direttamente con le lame.

Installazione o rimozione delle lame a cesoie

ATTENZIONE: Applicare il coprilama prima di rimuovere o installare le lame a cesoie.

AVVISO: Quando si sostituiscono le lame a cesoie, non rimuovere il grasso dall'ingranaggio e dalla manovella.

NOTA: Prima di installare o rimuovere le lame a cesoie, distendere la testina dell'utensile, in modo che quest'ultima sia diritta rispetto al corpo dell'utensile.

1. Appoggiare l'utensile capovolto, quindi rimuovere i 6 bulloni.

► **Fig.11:** 1. Bullone

2. Rimuovere il coperchio e la piastra.

► **Fig.12:** 1. Coperchio 2. Piastra

Qualora risulti difficoltoso aprire il coperchio, utilizzare un cacciavite a punta piatta per aprire il coperchio facendolo leva.

Inserire il cacciavite a punta piatta in una o più aperture e in uno o più fori sagomati presenti sulla carcassa dell'utensile, quindi sollevare il coperchio per estrarlo dalla carcassa.

► **Fig.13:** 1. Fori sagomati (su entrambi i lati della carcassa) 2. Apertura (tra il coperchio e le lame a cesoie)

NOTA: La piastra potrebbe restare all'interno del coperchio.

3. Rimuovere la biella e il cuscinetto.

► **Fig.14:** 1. Biella 2. Cuscinetto

NOTA: La biella e il cuscinetto potrebbero restare all'interno del coperchio.

4. Rimuovere i 2 bulloni e le 2 bussole dalle lame a cesoie. Smontare le lame a cesoie dal corpo dell'utensile. Quindi, staccare il feltrino e la guarnizione antipolveri dalle lame a cesoie.

► **Fig.15:** 1. Bullone 2. Bussole 3. Lame a cesoie 4. Feltrino 5. Guarnizione antipolveri

AVVISO: Fare attenzione a non perdere pezzi dei componenti, in quanto vanno utilizzati per il rimontaggio.

5. Rimuovere il coprilama, quindi applicarlo sulle nuove lame a cesoie.

► **Fig.16:** 1. Coprilama

6. Regolare la manovella in modo che 2 fori siano allineati sulla linea di allineamento.

► **Fig.17:** 1. Fori 2. Linea di allineamento

7. Allineare le parti sporgenti da entrambi i lati delle lame a cesoie.

► **Fig.18:** 1. Parti sporgenti

8. Mantenere le lame a cesoie con i loro fori per le bussole rivolti verso l'alto. Montare il feltrino sulle lame a cesoie in modo che i suoi bracci si avvolgano intorno alle lame a cesoie.

► **Fig.19:** 1. Feltrino 2. Foro per la bussola

9. Capovolgere le lame a cesoie. Montare la guarnizione antipolveri sulle lame a cesoie. Regolarne la posizione in modo che un'estremità della guarnizione antipolveri tocchi la parte sporgente delle lame a cesoie.

► **Fig.20:** 1. Guarnizione antipolveri 2. Parte sporgente

10. Capovolgere le lame a cesoie con il feltrino rivolto verso l'alto. Allineare la parte sporgente delle lame a cesoie con il foro nell'estremità piccola della biella. Rimontare le lame a cesoie in sede.

► **Fig.21:** 1. Feltrino 2. Guarnizione antipolveri 3. Parte sporgente 4. Foro nell'estremità piccola 5. Intagli per il feltrino 6. Intagli per la guarnizione antipolveri

AVVISO: Accertarsi di inserire bene il feltrino e la guarnizione antipolveri negli intagli presenti nell'alloggiamento della lama.

AVVISO: Applicare una piccola quantità di grasso sulla parte periferica interna del foro nell'estremità piccola della biella.

11. Inserire nuove bussole nei fori per le bussole presenti nelle lame a cesoie.

► **Fig.22:** 1. Bussola 2. Foro per la bussola

AVVISO: Fare attenzione a non perdere le bussole.

12. Allineare assieme i fori nelle bussole, quelli nelle lame a cesoie e quelli nell'alloggiamento della lama lungo una linea. Quindi, serrare i 2 bulloni per fissare le lame a cesoie.

► **Fig.23:** 1. Bullone 2. Bussola 3. Lame a cesoie

13. Montare il cuscinetto e la biella.

► **Fig.24:** 1. Biella 2. Foro nell'estremità piccola 3. Cuscinetto

AVVISO: Applicare una piccola quantità di grasso sulla parte periferica interna del foro nell'estremità piccola della biella.

AVVISO: Accertarsi di inserire bene la parte sporgente delle lame a cesoie nel foro sull'estremità piccola della biella.

14. Rimontare la piastra in sede.

► **Fig.25:** 1. Piastra 2. Parte sporgente

AVVISO: Accertarsi di inserire bene la parte sporgente delle lame a cesoie nel foro nella piastra.

15. Montare il coperchio, quindi serrare i 6 bulloni.

► **Fig.26:** 1. Coperchio 2. Bullone

AVVISO: Qualora le lame a cesoie non si muovano in modo fluido, le lame a cesoie non sono innestate correttamente nelle bielle. Installare di nuovo le lame a cesoie.

AVVISO: Qualora parti diverse dalle lame a cesoie, ad esempio le bielle, siano usurate, rivolgersi a un centro di assistenza autorizzato Makita per la sostituzione dei componenti o le riparazioni.

Installazione o rimozione del raccoglitore di residui

Accessorio opzionale

⚠ATTENZIONE: Quando si intende installare o rimuovere il raccoglitore di residui, indossare sempre i guanti, affinché le mani non entrino in contatto direttamente con le lame a cesoie.

AVVISO: Non è possibile installare il coprilama se il raccoglitore di residui è installato sull'utensile. Prima di trasportare o riporre l'utensile, disinstallare il raccoglitore di residui, quindi installare il coprilama per evitare che le lame restino esposte.

AVVISO: Accertarsi di rimuovere il coprilama prima di installare il raccoglitore di residui.

Il raccoglitore di residui raccoglie le foglie scartate e facilita notevolmente la pulizia in seguito. Può venire installato su entrambi i lati dell'utensile.

1. Agganciare i ganci del raccoglitore di residui sulle lame a cesoie.

► **Fig.27:** 1. Raccoglitore di residui 2. Lame a cesoie
3. Gancio

2. Allineare i fori sul raccoglitore di residui con le viti sulle lame a cesoie, quindi fissare saldamente il raccoglitore di residui sulle lame a cesoie.

► **Fig.28:** 1. Foro 2. Vite

AVVISO: Accertarsi che il raccoglitore di residui non si sovrapponga al fermarami.

► **Fig.29:** 1. Fermarami

Per rimuovere il raccoglitore di residui, premere le leve per sbloccare i ganci.

► **Fig.30:** 1. Leva

AVVISO: Non tentare mai di rimuovere il raccoglitore di residui applicando forza eccessiva con i suoi ganci bloccati nelle scanalature delle lame a cesoie.

FUNZIONAMENTO

Fissaggio della tracolla

⚠ATTENZIONE: Prima dell'uso, accertarsi che la tracolla sia fissata correttamente all'anello di aggancio presente sull'utensile.

⚠ATTENZIONE: Quando si utilizza l'utensile in combinazione con un alimentatore di tipo a zaino, quale il gruppo di alimentazione portatile, non utilizzare l'imbracatura inclusa nella confezione dell'utensile, ma utilizzare la fascia di sospensione consigliata da Makita.

Qualora si indossino contemporaneamente l'imbracatura inclusa nella confezione dell'utensile e l'imbracatura dell'alimentatore di tipo a zaino, la rimozione dell'utensile o dell'alimentatore di tipo a zaino risulta difficoltosa in caso di emergenza, e potrebbe causare un incidente o lesioni personali. Per informazioni sulla fascia di sospensione consigliata, rivolgersi ai centri di assistenza autorizzati Makita.

NOTA: Utilizzare la tracolla montata sull'utensile. Prima dell'uso, regolare la tracolla in base alla taglia dell'utente, per evitare l'affaticamento.

1. Indossare la tracolla sulla spalla.

► **Fig.31**

2. Fissare il gancio presente sulla tracolla all'anello di aggancio dell'utensile.

► **Fig.32:** 1. Gancio 2. Anello di aggancio

3. Regolare la tracolla su una posizione di lavoro comoda.

► **Fig.33**

La tracolla è dotata di un sistema di sgancio rapido. È sufficiente premere i lati della fibbia per liberare l'utensile dalla tracolla.

► **Fig.34:** 1. Fibbia

Utilizzo dell'utensile

⚠AVVERTIMENTO: Non utilizzare l'utensile in prossimità di linee elettriche di alcun tipo. Il contatto con linee elettriche o l'utilizzo dell'utensile in prossimità di queste ultime potrebbe causare gravi lesioni personali o scosse elettriche che potrebbero portare alla morte.

⚠AVVERTIMENTO: Tenere le mani lontane dalle lame a cesoie.

⚠AVVERTIMENTO: Mantenere il controllo dell'utensile in qualsiasi momento con la massima attenzione. Non consentire la deviazione dell'utensile verso se stessi o chiunque altro in prossimità dell'area di lavoro. La mancata capacità di mantenere il controllo dell'utensile potrebbe risultare in gravi lesioni personali agli astanti e all'operatore.

⚠ATTENZIONE: Evitare l'utilizzo dell'utensile in condizioni atmosferiche estremamente calde, per quanto possibile. Quando si utilizza l'utensile, fare attenzione alle proprie condizioni fisiche.

⚠ATTENZIONE: Fare attenzione a non entrare in contatto accidentalmente con una recinzione in metallo o con altri oggetti duri durante la rifilatura. In caso contrario, le lame a cesoie potrebbero rompersi e causare lesioni personali.

⚠ATTENZIONE: Fare attenzione a evitare che le lame a cesoie entrino in contatto con il terreno. In caso contrario, l'utensile potrebbe subire un contraccolpo e causare lesioni personali.

⚠ATTENZIONE: Sporgersi con un tagliasiepi, specialmente da una scala a pioli, è estremamente pericoloso. Non lavorare in piedi su alcuna superficie traballante o malferma.

AVVISO: Non tentare di tagliare rami di spessore superiore ai 10 mm di diametro con l'utensile. Tagliare i rami a un'altezza che sia inferiore di 10 cm rispetto a quella di taglio utilizzando dei troncaremi, prima di utilizzare l'utensile.

► Fig.35: 1. Altezza di taglio 2. 10 cm

AVVISO: Non tagliare alberi morti oppure oggetti duri simili. In caso contrario, si potrebbe danneggiare l'utensile.

AVVISO: Non rifilare l'erba o le erbacce mentre si utilizzano le lame a cesoie. Le lame a cesoie potrebbero restare incagliate nell'erba o nelle erbacce.

Mantenere l'utensile con entrambe le mani.

► Fig.36

Premere la leva dell'interruttore mentre si tiene premuta la leva di sblocco, quindi preparare l'utensile per il taglio.

► Fig.37

Per il funzionamento di base, inclinare le lame a cesoie verso la direzione di rifilatura e spostarle con calma e lentamente a una velocità compresa tra 3 e 4 secondi per metro.

► Fig.38

Per tagliare il lato di una siepe in modo omogeneo, eseguire il taglio dal basso verso l'alto.

► Fig.39

Quando si rifila per creare una forma tondeggiante (rifilatura di bosso e rododendro, e così via), rifilare partendo dalle radici verso l'alto per ottenere una bellissima finitura.

► Fig.40

Se si monta il raccogliore di residui sulle lame a cesoie, l'accessorio raccoglie le foglie scartate e facilita notevolmente la pulizia in seguito.

► Fig.41

MANUTENZIONE

⚠ATTENZIONE: Accertarsi sempre che l'utensile sia spento e che la cartuccia della batteria sia stata rimossa prima di tentare di eseguire interventi di ispezione o manutenzione.

⚠ATTENZIONE: Quando si intende ispezionare o sottoporre a manutenzione l'utensile, appoggiarlo sempre a terra. L'assemblaggio o la regolazione dell'utensile in posizione verticale potrebbero risultare in gravi lesioni personali.

Per preservare la SICUREZZA e l'AFFIDABILITÀ del prodotto, le riparazioni e qualsiasi altro intervento di manutenzione e di regolazione devono essere eseguiti da un centro di assistenza autorizzato Makita, utilizzando sempre ricambi Makita.

Pulizia dell'utensile

Pulire l'utensile rimuovendo le polveri con un panno asciutto o con uno bagnato in acqua saponata e strizzato.

AVVISO: Non utilizzare mai benzina, benzene, solventi, alcol o altre sostanze simili. In caso contrario, si potrebbero causare scolorimenti, deformazioni o crepe.

Manutenzione delle lame a cesoie

Prima del funzionamento, oppure una volta per ogni ora di utilizzo, applicare olio a bassa viscosità (olio per macchine, oppure olio lubrificante di tipo spray) sulle lame a cesoie.

► Fig.42

Dopo l'uso, asportare la polvere da entrambi i lati delle lame a cesoie con una spazzola metallica, pulire la polvere passando un panno, quindi applicare olio a bassa viscosità (olio per macchine, oppure olio lubrificante di tipo spray) sulle lame a cesoie.

► Fig.43

AVVISO: Non lavare le lame a cesoie in acqua. In caso contrario, si potrebbe causare la formazione di ruggine o danneggiare l'utensile.

AVVISO: Lo sporco e la corrosione causano un'eccessiva frizione delle lame e riducono la durata di esercizio per ciascuna carica della batteria.

Conservazione

Applicare il coprilama sulle lame a cesoie in modo che le lame non siano esposte. Conservare l'utensile fuori dalla portata dei bambini. Riporre l'utensile in un'ubicazione non esposta all'umidità o alla pioggia.

Affilatura delle lame a cesoie

AVVISO: Qualora le lame a cesoie si siano deformate notevolmente a causa dell'affilatura, sostituire le lame a cesoie con lame nuove.

1. Installare la cartuccia della batteria nell'utensile.
2. Accendere e avviare l'utensile in modo che la lama superiore e la lama inferiore siano posizionate con uno scostamento tra di loro.
► **Fig.44**
3. Spegnerne l'utensile e rimuovere la cartuccia della batteria dall'utensile.
4. Rimuovere la vite, quindi rimuovere il fermarami.
► **Fig.45:** 1. Vite 2. Fermarami
5. Disporre l'angolazione di una lima su 50°, quindi affilare la lama superiore con la lima esattamente nelle tre direzioni dei bordi.
► **Fig.46:** 1. Lima 2. 50°

ATTENZIONE: Prima di affilare le lame a cesoie, accertarsi che l'utensile sia spento e che la cartuccia della batteria sia stata rimossa dall'utensile.

6. Appoggiare l'utensile capovolto, quindi rimuovere le sbavature dalla lama a cesoie con la pietra rattivamole.
► **Fig.47:** 1. Pietra rattivamole
7. Disporre l'angolazione della lima su 50°, quindi affilare la lama inferiore con la lima esattamente nelle tre direzioni dei bordi.
8. Rimettere l'utensile nella posizione normale, quindi rimuovere le sbavature dalla lama a cesoie con la pietra rattivamole.
9. Montare il fermarami serrando la vite.

Lubrificazione con grasso

Intervallo di lubrificazione: Ogni 50 ore di funzionamento

Utilizzo del foro per l'olio per la lubrificazione

1. Rimuovere il bullone dal foro per la lubrificazione.
► **Fig.48:** 1. Bullone
2. Rimuovere il cappuccio dal contenitore del grasso. Allineare l'apertura del contenitore del grasso con il foro sul coperchio, quindi premere l'apertura del contenitore del grasso nel foro.
► **Fig.49:** 1. Contenitore del grasso 2. Foro
3. Applicare il grasso sull'utensile (circa 5 g, come indicazione di massima).
4. Serrare il bullone.

Utilizzo di un ingrassatore

Il raccordo per nipplo facilita il collegamento di una pistola per ingrassaggio con un accoppiamento positivo.

1. Preparare una pistola per ingrassaggio per l'uso.
 2. Collegare l'adattatore della pistola per ingrassaggio all'ingrassatore sull'utensile.
► **Fig.50:** 1. Adattatore della pistola per ingrassaggio 2. Ingrassatore
 3. Applicare il grasso sull'utensile (circa 5 g, come indicazione di massima).
 4. Inclinare leggermente l'adattatore per scaricare la pressione interna, quindi rimuovere l'adattatore dall'ingrassatore.
- Pulire il grasso dall'adattatore e dall'ingrassatore.

RISOLUZIONE DEI PROBLEMI

Prima di richiedere riparazioni, eseguire un'ispezione personalmente. Qualora si rilevi un problema che non è illustrato nel manuale, non tentare di smontare l'utensile. Rivolgersi, invece, a un centro di assistenza autorizzato Makita, utilizzando sempre pezzi di ricambio Makita per le riparazioni.

Stato di anomalia	Causa probabile (guasto)	Azione correttiva
Il motore non funziona.	La cartuccia della batteria non è installata.	Installare la cartuccia della batteria.
	Problema della batteria (sotto tensione)	Ricaricare la batteria. Qualora la ricarica non sia efficace, sostituire la batteria.
	Il sistema di trasmissione non funziona correttamente.	Richiedere la riparazione a un centro di assistenza autorizzato locale.
Il motore si arresta dopo un breve utilizzo.	Il livello di carica della batteria è basso.	Ricaricare la batteria. Qualora la ricarica non sia efficace, sostituire la batteria.
	Surriscaldamento.	Interrompere l'utilizzo dell'utensile per consentirgli di raffreddarsi.
L'utensile non raggiunge il numero massimo di giri al minuto.	La batteria non è installata correttamente.	Installare la cartuccia della batteria come descritto nel presente manuale.
	La carica della batteria si sta esaurendo.	Ricaricare la batteria. Qualora la ricarica non abbia effetto, sostituire la batteria.
	Il sistema di trasmissione non funziona correttamente.	Richiedere la riparazione a un centro di assistenza autorizzato locale.
Le lame a cesoie non si muovono: ⇒ arrestare immediatamente la macchina!	Angolazione inappropriata delle lame a cesoie.	Accertarsi che la testina sia fissata saldamente sull'angolazione operativa.
	Dei corpi estranei sono inceppati tra le lame a cesoie.	1. Utilizzare il pulsante di inversione. 2. Spegner l'utensile e rimuovere la cartuccia della batteria, quindi rimuovere i corpi estranei utilizzando degli utensili, ad esempio delle pinze.
	Il sistema di trasmissione non funziona correttamente.	Richiedere la riparazione a un centro di assistenza autorizzato locale.
Vibrazione anomala: ⇒ arrestare immediatamente la macchina!	Le lame a cesoie sono rotte, piegate o usurate.	Sostituire le lame a cesoie.
	Il sistema di trasmissione non funziona correttamente.	Richiedere la riparazione a un centro di assistenza autorizzato locale.
Non si riesce ad arrestare le lame a cesoie e il motore: ⇒ rimuovere immediatamente la batteria!	Malfunzionamento elettrico.	Rimuovere la batteria e richiedere la riparazione a un centro di assistenza autorizzato locale.

ACCESSORI OPZIONALI

⚠ATTENZIONE: Questi accessori o componenti aggiuntivi sono consigliati per l'uso con l'utensile Makita specificato nel presente manuale.

L'impiego di altri accessori o componenti aggiuntivi può costituire un rischio di lesioni alle persone. Utilizzare gli accessori o i componenti aggiuntivi solo per il loro scopo prefissato.

Per ottenere ulteriori dettagli relativamente a questi accessori, rivolgersi a un centro di assistenza Makita.

- Lama completa
- Raccogliitore di residui
- Contenitore del grasso
- Batteria e caricabatterie originali Makita

NOTA: Alcuni articoli nell'elenco potrebbero essere inclusi nell'imballaggio dell'utensile come accessori standard. Tali articoli potrebbero variare da nazione a nazione.

TECHNISCHE GEGEVENS

Model:		UN001G
Lengte messenblad		600 mm
Bewegingen per minuut		2.000/3.000/4.000 min ⁻¹
Hoek van messenblad		115° (omhoog 45°, omlaag 70°)
Totale lengte		2.268 mm
Nominale spanning		Max. 36 V - 40 V gelijkspanning
Nettogewicht	*1	4,0 kg
	*2	4,7 - 5,9 kg
Beschermingsklasse		IPX4

- In verband met ononderbroken research en ontwikkeling, behouden wij ons het recht voor de bovenstaande technische gegevens zonder voorafgaande kennisgeving te wijzigen.
 - De technische gegevens kunnen van land tot land verschillen.
- *1: Gewicht zonder enige accessoires of accu('s)
 *2: Het gewicht kan verschillen afhankelijk van het/de hulpstuk(ken), waaronder de accu. De lichtste en zwaarste combinaties, volgens EPTA-procedure 01/2014, worden vermeld in de tabel.

Toepasselijke accu's en laders

Accu	BL4020 / BL4025 / BL4040 / BL4040F / BL4050F / BL4080F
Lader	DC40RA / DC40RB / DC40RC / DC40WA

- Sommige van de hierboven vermelde accu's en laders zijn mogelijk niet leverbaar afhankelijk van waar u woont.

⚠️ WAARSCHUWING: Gebruik uitsluitend de accu's en laders die hierboven worden genoemd. Gebruik van enige andere accu of lader kan leiden tot letsel en/of brand.

Aanbevolen bekabelde voedingsbron

Draagbare voedingsseenheid	PDC01 / PDC1200 / PDC1500
----------------------------	---------------------------

- De hierboven vermelde bekabelde voedingsbron(nen) is/zijn mogelijk niet leverbaar afhankelijk van waar u woont.
- Alvorens de bekabelde voedingsbron te gebruiken, leest u de instructies en waarschuwingsopchriften erop.

Symbolen

Hieronder staan de symbolen die voor het gereedschap kunnen worden gebruikt. Zorg ervoor dat u de betekenis ervan kent voordat u het gereedschap gaat gebruiken.

	Lees de gebruiksaanwijzing.
	Draag een veiligheidshelm, veiligheidsbril en gehoorbescherming.
	GEVAAR - Houd handen uit de buurt van het snijgereedschap.
	Let goed op elektriciteitskabels: gevaar van elektrische schok.
	Houd minstens 15 meter afstand.



Alleen voor EU-landen
 Als gevolg van de aanwezigheid van schadelijke componenten in het apparaat, kunnen oude elektrische en elektronische apparaten, accu's en batterijen negatieve gevolgen hebben voor het milieu en de gezondheid van mensen.
 Gooi elektrische en elektronische apparaten en accu's niet met het huisvuil weg!
 In overeenstemming met de Europese richtlijn inzake oude elektrische en elektronische apparaten en inzake accu's en batterijen en oude accu's en batterijen, alsmede de toepassing daarvan binnen de nationale wetgeving, dienen oude elektrische apparaten, accu's en batterijen gescheiden te worden opgeslagen en te worden ingeleverd bij een apart inzamelingspunt voor huishoudelijk afval dat de milieubeschermingsvoorschriften in acht neemt.
 Dit wordt op het apparaat aangegeven door het symbool van een doorgekruiste afvalcontainer.



Gegarandeerd geluidsvermogeniveau conform EU-richtlijn inzake geluidsemisatie buitenhuis.



Geluidsvermogeniveau conform de Regelgeving Geluidsregeling van NSW, Australië

Gebruiksdoeleinden

Het gereedschap is bedoeld om heggen te snoeien.

Geluidsniveau

De typische, A-gewogen geluidsniveaus zijn gemeten volgens EN62841-4-2:

Model	Geluidsdrumniveau		Gegarandeerd geluidsvermogeniveau	Gemeten geluidsvermogeniveau	
	L _{pA} (dB (A))	Onzekerheid K (dB (A))	L _{wa} (dB (A))	L _{wa} (dB (A))	Onzekerheid K (dB (A))
UN001G	82	3	94	93	1,5

OPMERKING: De opgegeven geluidsemisiewaarde(n) is/zijn gemeten volgens een standaardtestmethode en kan/kunnen worden gebruikt om dit gereedschap te vergelijken met andere gereedschappen.

OPMERKING: De opgegeven geluidsemisiewaarde(n) kan/kunnen ook worden gebruikt voor een beoordeling vooraf van de blootstelling.

⚠ WAARSCHUWING: Draag gehoorbescherming.

⚠ WAARSCHUWING: De geluidsemisatie tijdens het gebruik van het elektrisch gereedschap in de praktijk kan verschillen van de opgegeven waarde(n) afhankelijk van de manier waarop het gereedschap wordt gebruikt, met name van het soort werkstuk waarmee wordt gewerkt.

⚠ WAARSCHUWING: Zorg ervoor dat veiligheidsmaatregelen worden getroffen ter bescherming van de gebruiker die zijn gebaseerd op een schatting van de blootstelling onder praktijkomstandigheden (rekening houdend met alle fasen van de bedrijfscyclus, zoals de tijdsduur gedurende welke het gereedschap is uitgeschakeld en stationair draait, naast de ingeschakelde tijdsduur).

Trilling

De totale trillingswaarde (triaxiale vectorsom) zoals vastgesteld volgens EN62841-4-2:

Model	Linkerhand (voorhandgreep/handgreep)		Rechterhand (achterhandgreep)	
	ah (m/s ²)	Onzekerheid K (m/s ²)	ah (m/s ²)	Onzekerheid K (m/s ²)
UN001G	4,9	1,5	3,5	1,5

OPMERKING: De totale trillingswaarde(n) is/zijn gemeten volgens een standaardtestmethode en kan/kunnen worden gebruikt om dit gereedschap te vergelijken met andere gereedschappen.

OPMERKING: De opgegeven totale trillingswaarde(n) kan/kunnen ook worden gebruikt voor een beoordeling vooraf van de blootstelling.

⚠ WAARSCHUWING: De trillingsemisatie tijdens het gebruik van het elektrisch gereedschap in de praktijk kan verschillen van de opgegeven waarde(n) afhankelijk van de manier waarop het gereedschap wordt gebruikt, met name van het soort werkstuk waarmee wordt gewerkt.

⚠ WAARSCHUWING: Zorg ervoor dat veiligheidsmaatregelen worden getroffen ter bescherming van de gebruiker die zijn gebaseerd op een schatting van de blootstelling onder praktijkomstandigheden (rekening houdend met alle fasen van de bedrijfscyclus, zoals de tijdsduur gedurende welke het gereedschap is uitgeschakeld en stationair draait, naast de ingeschakelde tijdsduur).

Verklaringen van conformiteit

Alleen voor Europese landen

De verklaringen van conformiteit zijn bijgevoegd in Bijlage A bij deze gebruiksaanwijzing.

VEILIGHEIDSWAAR- SCHUWINGEN

Algemene veiligheids waarschuwingen voor elektrisch gereedschap

⚠️WAARSCHUWING Lees alle veiligheidswaar-
schuwingen, instructies, afbeeldingen en techni-
sche gegevens die bij dit elektrisch gereedschap
worden geleverd. Als niet alle onderstaande instructies
worden opgevolgd, kan dat leiden tot een elektrische
schok, brand en/of ernstig letsel.

Bewaar alle waarschuwingen en instructies om in de toekomst te kunnen raadplegen.

De term "elektrisch gereedschap" in de veiligheidsvoor-
schriften duidt op gereedschappen die op stroom van het
lichtnet werken (met snoer) of gereedschappen met
een accu (snoerloos).

Veiligheids waarschuwingen voor een accustokheggenschaar

Veiligheids waarschuwingen voor een
accu heggenschaar:

1. **Gebruik de heggenschaar niet onder slechte weersomstandigheden, met name wanneer de kans op bliksem bestaat.** Dit verkleint de kans om door de bliksem getroffen te worden.
2. **Houd alle netsnoeren en kabels uit de buurt van het snoeigebied.** Netsnoeren en kabels kunnen verborgen liggen in heggen of struiken en kunnen per ongeluk worden doorgesneden door de messenbladen.
3. **Draag gehoorbescherming.** Afdoende beschermingsmiddelen verkleinen het risico van gehoorschade.
4. **Houd de heggenschaar alleen vast bij de geïsoleerde oppervlakken omdat de messenbladen met verborgen bedrading in aanraking kunnen komen.** Wanneer de messenbladen in aanraking komen met onder spanning staande draden, zullen de niet-geïsoleerde metalen delen van de heggenschaar onder spanning komen te staan zodat de gebruiker een elektrische schok kan krijgen.
5. **Houd alle lichaamsdelen uit de buurt van de messenbladen. Verwijder geen snoeiafval en houd geen materiaal om te snoeien vast terwijl de messenbladen bewegen.** De messenbladen blijven bewegen nadat de schakelaar is uitgezet. Een ogenblik van onoplettendheid kan tijdens het gebruik van de heggenschaar leiden tot ernstig persoonlijk letsel.
6. **Bij het verwijderen van vastgelopen materiaal of het onderhouden van de heggenschaar, verzeker u zich ervan dat alle aan-uitschakelaars uit staan en de accu is verwijderd of losgekoppeld.** Onverwachte inschakeling van de

heggenschaar tijdens het verwijderen van vastgelopen materiaal of uitvoeren van onderhoud, kan leiden tot ernstig persoonlijk letsel.

7. **Draag de heggenschaar aan de handgreep met stilstaande messenbladen en let erop dat u geen enkele aan-uitschakelaar bedient.** Door op de juiste manier de heggenschaar te dragen, verkleint u de kans op per ongeluk starten met als gevolg persoonlijk letsel door de messenbladen.
8. **Bij het transporteren of opbergen van de heggenschaar moet altijd de schede worden gebruikt over de messenbladen.** Door op de juiste manier met de heggenschaar om te gaan, verkleint u de kans op persoonlijk letsel door de messenbladen.

Veiligheids waarschuwingen voor een
accustokheggenschaar:

1. **Gebruik altijd hoofdbescherming wanneer u de stokheggenschaar boven uw hoofd bedient.** Vallend afval kan ernstig persoonlijk letsel veroorzaken.
2. **Gebruik altijd twee handen om de stokheggenschaar te bedienen.** Houd de stokheggenschaar met beide handen vast om te voorkomen dat u de controle erover verliest.
3. **Om de kans op elektrocutie te verkleinen, gebruikt u de stokheggenschaar nooit in de buurt van elektriciteitsdraden.** Aanraking van of gebruik in de buurt van elektriciteitsdraden kan leiden tot ernstig letsel of een elektrische schok die leidt tot de dood.

Aanvullende veiligheids waarschuwingen

Vorbereidingen

1. **DEZE HEGGENSCHAAR KAN ERNSTIG LETSEL VEROORZAKEN. Lees de instructies zorgvuldig voor een juiste hantering, voorbereiding, onderhoud, starten en stoppen van het gereedschap. Zorg dat u vertrouwd raakt met alle bedieningsorganen en het correcte gebruik van het gereedschap.**
2. **Controleer de heggen en struiken op vreemde voorwerpen, zoals draadafstering of verborgen draden, voordat u het gereedschap gebruikt.**
3. **De heggenschaar mag niet worden gebruikt door kinderen of jeugd jonger dan 18 jaar.** Jongeren ouder dan 16 jaar kunnen uitgezonderd worden van deze regel mits zij les krijgen onder toezicht van een expert.
4. **In geval van nood zet u onmiddellijk het gereedschap uit en verwijdert u de accu.**
5. **GEVAAR - Houd uw handen uit de buurt van de messenbladen.** Aanraking van de messenbladen kan leiden tot ernstig persoonlijk letsel.
6. **Gebruik uitsluitend wanneer de handgreep en beschermkap correct op het gereedschap zijn gemonteerd.** Het gebruik van het gereedschap zonder de juiste beschermkap of handgreep kan leiden tot ernstig persoonlijk letsel.
7. **Beginnende gebruikers dienen door een ervaren gebruiker te worden voorgedaan hoe het gereedschap moet worden gebruikt.**

8. **Onderzoek het werkgebied op draadafrasteringen, stenen en andere massieve voorwerpen voordat u met de werkzaamheden begint. Zij kunnen de bladen beschadigen.**
9. **Gebruik de heggenschaar alleen als u in goede lichamelijke conditie bent. Als u vermoeid bent, kunt u zich minder goed concentreren. Wees met name voorzichtig aan het einde van de werkdag. Werk altijd rustig en voorzichtig. De gebruiker is aansprakelijk voor alle schade toegebracht aan derden.**
10. **Alvorens met de werkzaamheden te beginnen, moet u controleren of de heggenschaar in goede en veilige staat verkeert. Controleer dat de beschermkappen stevig gemonteerd zijn. De heggenschaar mag niet worden gebruikt voordat deze geheel compleet en afgemonteerd is.**
11. **Vermijd gevaarlijke omgevingen. Gebruik het gereedschap niet op vochtige of natte plaatsen en stel het niet bloot aan regen. Als water binnendringt in het gereedschap, wordt de kans op een elektrische schok groter.**

Persoonlijke-veiligheidsmiddelen

1. **Werkhandschoenen van stevig leer maken deel uit van de standaard werkuitrusting van de heggenschaar en moeten tijdens het werken ermee altijd worden gedragen. Draag tevens stevige schoenen met antislip zolen.**
2. **Draag gehoorbescherming, zoals oorkappen, om gehoorschade te voorkomen.**
3. **Draag een veiligheidsbril, veiligheidshelm en veiligheidshandschoenen om uzelf te beschermen tegen rondvliegend afval en vallende voorwerpen.**
4. **Wanneer u de bladen aanraakt of de hoek van de bladen verandert, moet u veiligheidshandschoenen dragen. De bladen kunnen flinke snijwonden veroorzaken in blote handen.**

Bediening

1. **Gebruik altijd twee handen om een gereedschap te bedienen dat is uitgerust met twee handgrepen. Als u één hand gebruikt, kunt u de controle over het gereedschap verliezen waardoor ernstig persoonlijk letsel kan worden veroorzaakt.**
2. **Verzekert u bij bediening van het gereedschap er altijd van dat de bedieningspositie veilig en stabiel is. Het is bijzonder gevaarlijk met het gereedschap te ver te reiken, met name op een ladder. Werk niet vanaf een wankel of instabiel iets.**
3. **Draag niet meerdere gereedschapsriemen en/of schouderdraagstellen tegelijkertijd terwijl u het gereedschap bedient.**
4. **Houd tijdens gebruik omstanders en dieren ten minste 15 meter uit de buurt van het gereedschap. Zet het gereedschap uit zodra iemand dichterbij komt.**
5. **Als het snijgarnituur tegen een voorwerp stoot, of het gereedschap een ongebruikelijk geluid begint te maken, schakelt u het gereedschap onmiddellijk uit, verwijdert u de accu en laat u het gereedschap tot stilstand komen. Voer daarna de volgende stappen uit:**

- **Inspecteer op beschadigingen.**
 - **Controleer op loszittende onderdelen en zet die goed vast.**
 - **Laat alle beschadigde onderdelen repareren of vervangen door originele vervangingsonderdelen.**
6. **Gebruik het gereedschap uitsluitend voor het beoogde doel. Gebruik het gereedschap niet voor enig ander doel.**
 7. **Schakel het gereedschap uit en verwijder de accu alvorens:**
 - **te reinigen of een verstopping op te heffen,**
 - **te controleren, onderhoud uit te voeren of te werken aan het gereedschap,**
 - **de werkstand van de messenbladen af te stellen,**
 - **het gereedschap onbeheerd achter te laten.**
 8. **Verzekert u ervan dat het gereedschap correct is vastgezet in een daarvoor bedoelde werkstand voordat u het gereedschap start.**
 9. **Bedien het gereedschap niet wanneer de messenbladen beschadigd of sterk gesleten zijn.**
 10. **Verzekert u er altijd van dat alle handgrepen en beschermkappen zijn aangebracht voordat u het gereedschap gebruikt. Probeer nooit een onvolledig gereedschap te gebruiken of een gereedschap waaraan niet-goedgekeurde wijzigingen zijn aangebracht.**
 11. **Let altijd goed op uw omgeving en wees bedacht op mogelijke gevaren waarvan u zich mogelijk niet bewust bent vanwege het geluid van het gereedschap.**
 12. **Wees voorzichtig niet per ongeluk een metaal afrastering of andere harde voorwerpen te raken tijdens het gebruik. De bladen zullen breken en kunnen ernstig letsel veroorzaken.**
 13. **Voorkom onbedoeld starten. Draag het gereedschap niet terwijl de accu is aangebracht met uw vinger op de schakelaar. Verzekert u ervan dat de schakelaar uit staat voordat u de accu aanbrengt.**
 14. **Pak de blote messenbladen of snijranden niet vast wanneer u het gereedschap oppakt of vasthoudt.**
 15. **Forceer het gereedschap niet. Het gereedschap werkt beter en met een kleinere kans op letsel op de manier waarvoor het is ontworpen.**
 16. **Gebruik het gereedschap niet in de regen of onder natte of zeer vochtige omstandigheden. De elektromotor is niet waterdicht.**
 17. **Houd tijdens het gebruik het gereedschap stevig vast.**
 18. **Laat het gereedschap niet onnodig onbelast draaien.**
 19. **Alvorens de messenbladen te controleren, storingen te verhelpen of vastgelopen vreemde voorwerpen uit de messenbladen te verwijderen, schakelt u het gereedschap altijd uit en verwijdert u de accu.**
 20. **Richt de messenbladen nooit op uzelf of anderen.**

21. **Als de messenbladen tijdens gebruik stoppen met bewegen doordat vreemde voorwerpen vaststrikt geraakt zijn tussen de messenbladen, schakelt u het gereedschap uit en verwijdert u de accu, en verwijdert u vervolgens de vreemde voorwerpen met behulp van gereedschappen, zoals een tang.** Als u de vreemde voorwerpen met de hand verwijdert, kan dat leiden tot letsel omdat de messenbladen kunnen gaan bewegen als reactie op het verwijderen van de vreemde voorwerpen.
22. **Verzekert u ervan dat er geen elektriciteitskabels, waterleidingen, gasleidingen, enz. zijn die een gevaarlijke situatie zouden kunnen veroorzaken als ze worden beschadigd door het gebruik van dit gereedschap.**
23. **Raak de metalen onderdelen of hete oppervlakken van het gereedschap tijdens gebruik of onmiddellijk na gebruik niet aan.** Zij kunnen bijzonder heet zijn en brandwonden op uw huid veroorzaken. Laat het gereedschap eerst afkoelen voordat u enige werkzaamheden aan het gereedschap uitvoert.
24. **Gebruik het gereedschap niet op een zachte, instabiele of gladde ondergrond of op een steile helling. Vermijd het gebruik op een ladder of op grote hoogte.** Als u dit toch doet, bestaat het risico van vallen, waardoor persoonlijk letsel kan worden veroorzaakt.
25. **Gebruik het gereedschap niet bij slecht weer of 's nachts wanneer het zicht beperkt is.** Als u zich hier niet aan houdt, kan dat een val of verkeerde bediening veroorzaken als gevolg van het slechte zicht.
26. **Vermijd werken in een ongunstige omgeving waarin een verhoogde vermoedelijkheid van de gebruiker kan worden verwacht.**
27. **Dompel het gereedschap niet onder in een waterplas.**
28. **Laat het gereedschap niet onbeheerd buiten in de regen staan.**
29. **Wanneer natte bladeren of vuil blijft kleven aan de aanzuigmond (ventilatieopening) als gevolg van de regen, verwijdert u deze.**
30. **Gebruik het gereedschap niet in de sneeuw.**

Elektrische veiligheid en accu

1. **Werp de accu('s) niet in een vuur.** De accu kan exploderen. Raadpleeg de lokale regelgeving voor mogelijke speciale verwerkingsvereisten.
2. **Open of vervorm de accu('s) niet.** Het elektrolyt is agressief en kan letsel toebrengen aan de ogen en huid. Het kan giftig zijn bij inslikken.
3. **Laad de accu niet op in de regen of op een natte plaats.**
4. **Laad de accu niet buitenshuis op.**
5. **Raak de lader, inclusief de stekker en de contacten van de lader, niet met natte handen aan.**
6. **Vervang de accu niet met natte handen.**
7. **Vervang de accu niet in de regen.**
8. **Laat de aansluitpunten van de accu niet nat worden met een vloeistof, zoals water, en dompel de accu niet onder.** Laat de accu niet in de regen liggen en laad of berg de accu niet op een vochtige of natte plaats op. Als de

aansluitpunten nat worden of vloeistof binnendringt in de accu, kan kortsluiting ontstaan in de accu en bestaat de kans op oververhitting, brand of explosie.

9. **Nadat de accu vanaf het gereedschap of de acculader is verwijderd, vergeet u niet het accudeksel op de accu te bevestigen en deze op een droge plaats op te bergen.**
10. **Als de accu nat wordt, laat u het water eruit lopen en veegt u hem af met een droge doek.** Laat de accu volledig drogen op een droge plaats voordat u hem gebruikt.

Onderhoud en opbergen

1. **Wanneer het gereedschap wordt stilgezet voor onderhoud, inspectie of opslag, schakelt u het gereedschap uit, verwijdert u de accu en verzekert u zich ervan dat alle bewegende delen tot stilstand zijn gekomen.** Laat het gereedschap afkoelen alvorens enige inspectie, enz. uit te voeren.
2. **Laat het gereedschap altijd eerst afkoelen voordat u hem opbergt.**
3. **Als het gereedschap niet wordt gebruikt, bevestigt u de schede op het gereedschap en bergt u het gereedschap binnen op op een droge, hoge of afgesloten plaats, buiten het bereik van kinderen.**
4. **Onderhoud het gereedschap goed.** Houd de snijranden scherp en schoon voor de beste prestaties en om de kans op letsel te verkleinen. Volg de instructies voor het smeren en het vervangen van accessoires. Houd de handgrepen droog, schoon en vrij van olie en vet.
5. **Controleer beschadigde onderdelen.** Zonder het gereedschap verder te gebruiken, moet elk onderdeel dat beschadigd is eerst goed worden onderzocht om te beoordelen of het goed zal werken en zijn beoogde functie kan uitvoeren. Controleer of bewegende delen goed uitgelijnd zijn en niet vastgelopen zijn, of onderdelen niet kapot zijn en stevig gemonteerd zijn, en enige andere situatie die van invloed kan zijn op de werking van het gereedschap. Een beschermkap of ander onderdeel dat is beschadigd, dient deugdelijk te worden gerepareerd of te worden vervangen door uw erkende servicecentrum.
6. **Gebruik uitsluitend originele vervangingsonderdelen.**
7. **Wanneer u het gereedschap naar een andere plaats overbrengt, ook tijdens het werk, verwijdert u altijd de accu en brengt u de schede aan over de messenbladen.** Draag of vervoer het gereedschap nooit terwijl de bladen bewegen. Pak de bladen nooit met uw handen beet.
8. **Reinig het gereedschap, en met name de messenbladen, na ieder gebruik en voordat het gereedschap langdurig wordt opgeborgen.** Smeer de messenbladen met een beetje olie en breng de schede aan.
9. **Was het gereedschap niet met water onder hoge druk.**
10. **Wanneer u het gereedschap wast, zorgt u ervoor dat geen water kan binnendringen in de elektrische delen, zoals de accu, motor en**

aansluitingen.

11. Voer inspectie en onderhoud uit op een plaats waar regen kan worden vermeden.
12. Nadat u het gereedschap hebt gebruikt, verwijdert u het aanklevende vuil en laat u het gereedschap volledig drogen voordat u hem opbergt. Afhankelijk van het seizoen of gebied, bestaat de kans op een storing als gevolg van bevroering.
13. Wanneer u het gereedschap opbergt, vermijdt u direct zonlicht en regen, en bergt u het op een plaats op die niet heet of vochtig wordt.

BEWAAR DEZE VOORSCHRIFTEN.

⚠ WAARSCHUWING: Laat u NIET misleiden door een vals gevoel van comfort en bekendheid met het gereedschap (na veelvuldig gebruik) en neem alle veiligheidsvoorschriften van het betreffende gereedschap altijd strikt in acht. VERKEERD GEBRUIK of het niet naleven van de veiligheidsvoorschriften in deze gebruiksaanwijzing kan leiden tot ernstig letsel.

Belangrijke veiligheidsinstructies voor een accu

1. Lees alle voorschriften en waarschuwingen op (1) de acculader, (2) de accu, en (3) het product waarvoor de accu wordt gebruikt, alvorens de accu in gebruik te nemen.
2. Haal de accu niet uit elkaar en saboteer hem niet. Dit kan leiden tot brand, buitensporige hitte of een explosie.
3. Als de gebruikstijd van een opgeladen accu aanzienlijk korter is geworden, moet u het gebruik ervan onmiddellijk stopzetten. Voortgezet gebruik kan oververhitting, brandwonden en zelfs een ontploffing veroorzaken.
4. Als elektrolyt in uw ogen is terechtgekomen, spoelt u uw ogen met schoon water en roept u onmiddellijk de hulp van een dokter in. Elektrolyt in de ogen kan blindheid veroorzaken.
5. Voorkom kortsluiting van de accu:
 - (1) Raak de accuklemmen nooit aan met een geleidend materiaal.
 - (2) Bewaar de accu niet in een bak waarin andere metalen voorwerpen zoals spijkers, munten e.d. worden bewaard.
 - (3) Stel de accu niet bloot aan water of regen. Kortsluiting van de accu kan oorzaak zijn van een grote stroomafgifte, oververhitting, brandwonden, en zelfs defecten.
6. Bewaar en gebruik het gereedschap en de accu niet op plaatsen waar de temperatuur kan oplopen tot 50 °C of hoger.
7. Werp de accu nooit in het vuur, ook niet wanneer hij zwaar beschadigd of volledig versleten is. De accu kan ontploffen in het vuur.
8. Laat de accu niet vallen, sla er geen spijker in, snijd er niet in, gooi er niet mee en stoot hem niet tegen een hard voorwerp. Dergelijke

handelingen kunnen leiden tot brand, buitensporige hitte of een explosie.

9. **Gebruik nooit een beschadigde accu.**
10. **De bijgeleverde lithium-ionbatterijen zijn onderhevig aan de vereisten in de wetgeving omtrent gevaarlijke stoffen.**

Voor commercieel transport en dergelijke door derden en transporteurs moeten speciale vereisten ten aanzien van verpakking en etikettering worden nageleefd.

Als voorbereiding van het artikel dat wordt getransporteerd is het noodzakelijk een expert op het gebied van gevaarlijke stoffen te raadplegen. Houd u tevens aan mogelijk strengere nationale regelgeving.

Blootliggende contactpunten moeten worden afgedekt met tape en de accu moet zodanig worden verpakt dat deze niet kan bewegen in de verpakking.
11. **Wanneer u de accu wilt weggooien, verwijdert u de accu vanaf het gereedschap en gooit u hem op een veilige manier weg. Volg bij het weggooien van de accu de plaatselijke voorschriften.**
12. **Gebruik de accu's uitsluitend met de gereedschappen die door Makita zijn aanbevolen.** Als de accu's worden aangebracht in niet-compatibele gereedschappen, kan dat leiden tot brand, buitensporige warmteontwikkeling, een explosie of lekkage van elektrolyt.
13. **Als u het gereedschap gedurende een lange tijd niet denkt te gaan gebruiken, moet de accu vanaf het gereedschap worden verwijderd.**
14. **Tijdens en na gebruik, kan de accu heet worden waardoor brandwonden of koude brandwonden kunnen worden veroorzaakt. Wees voorzichtig bij het hanteren van een hete accu.**
15. **Raak de aansluitpunten van het gereedschap niet onmiddellijk na gebruik aan omdat deze heet genoeg kunnen zijn om brandwonden te veroorzaken.**
16. **Zorg ervoor dat geen steenslag, stof of grond vast komt te zitten op/in de aansluitpunten, openingen en groeven van de accu.** Hierdoor kan oververhitting, brand, een barst en een storing in het gereedschap of de accu ontstaan waardoor brandwonden of persoonlijk letsel kunnen ontstaan.
17. **Behalve indien gebruik van het gereedschap is toegestaan in de buurt van hoogspanningsleidingen, mag u de accu niet gebruiken in de buurt van een hoogspanningsleiding.** Dit kan leiden tot een storing of een defect van het gereedschap of de accu.
18. **Houd de accu uit de buurt van kinderen.**

BEWAAR DEZE INSTRUCTIES.

⚠ LET OP: Gebruik uitsluitend originele Makita accu's. Het gebruik van niet-originele accu's, of accu's die zijn gewijzigd, kan ertoe leiden dat de accu ontploft en brand, persoonlijk letsel en schade veroorzaakt. Ook vervalt daarmee de garantie van Makita op het gereedschap en de lader van Makita.

Tips voor een maximale levensduur van de accu

1. Laad de accu op voordat hij volledig ontladen is. Stop het gebruik van het gereedschap en laad de accu op telkens wanneer u vaststelt dat het vermogen van het gereedschap is afgenomen.
2. Laad een volledig opgeladen accu nooit opnieuw op. Te lang opladen verkort de

levensduur van de accu.

3. Laad de accu op bij een omgevingstemperatuur tussen 10 °C en 40 °C. Laat een warme accu afkoelen alvorens hem op te laden.
4. Als de accu niet wordt gebruikt, verwijdert u hem vanaf het gereedschap of de lader.
5. Laad de accu op als u deze gedurende een lange tijd (meer dan zes maanden) niet gaat gebruiken.

BESCHRIJVING VAN DE ONDERDELEN

► Fig.1

1	Kop	2	Voorhandgreep	3	Bevestigingssoog	4	Uit-vergrendelhendel
5	Accu	6	Achterhandgreep	7	Hendelschakelaar	8	Schuifmof
9	Messenbladen	10	Toerentallampjes	11	Waarschuwinglampje	12	Omkeerknop
13	Aan-uitknop	-	-	-	-	-	-

BESCHRIJVING VAN DE FUNCTIES

⚠ LET OP: Zorg altijd dat het gereedschap is uitgeschakeld en de accu ervan is verwijderd alvorens de functies op het gereedschap af te stellen of te controleren.

De accu aanbrengen en verwijderen

⚠ LET OP: Schakel het gereedschap altijd uit voordat u de accu aanbrengt of verwijdert.

⚠ LET OP: Houd het gereedschap en de accu stevig vast tijdens het aanbrengen of verwijderen van de accu. Als u het gereedschap en de accu niet stevig vasthoudt, kunnen deze uit uw handen glijpen en het gereedschap of de accu beschadigen, of kan persoonlijk letsel worden veroorzaakt.

Om de accu aan te brengen lijnt u de lip op de accu uit met de groef in de behuizing en duwt u de accu op zijn plaats. Steek de accu zo ver mogelijk in het gereedschap tot u een klikgeluid hoort. Wanneer het rode deel zichtbaar is, zoals aangegeven in de afbeelding, is de accu niet geheel vergrendeld.

Om de accu te verwijderen verschuift u de knop aan de voorkant van de accu en schuift u tegelijkertijd de accu uit het gereedschap.

► Fig.2: 1. Rood deel 2. Knop 3. Accu

⚠ LET OP: Breng de accu altijd helemaal aan totdat het rode deel niet meer zichtbaar is. Als u dit niet doet, kan de accu per ongeluk uit het gereedschap vallen en u of anderen in uw omgeving verwonden.

⚠ LET OP: Breng de accu niet met kracht aan. Als de accu niet gemakkelijk in het gereedschap kan worden geschoven, wordt deze niet goed aangebracht.

De resterende acculading controleren

Druk op de testknop op de accu om de resterende acculading te zien. De indicatorlampjes branden gedurende enkele seconden.

► Fig.3: 1. Indicatorlampjes 2. Testknop

Indicatorlampjes			Resterende acculading
Brandt	Uit	Knippert	
■ ■ ■ ■			75% tot 100%
■ ■ ■ □			50% tot 75%
■ ■ □ □			25% tot 50%
■ □ □ □			0% tot 25%
▬ □ □ □			Laad de accu op.
■ ■ □ □			Er kan een storing zijn opgetreden in de accu.
□ □ ■ ■			




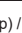

OPMERKING: Afhankelijk van de gebruiksomstandigheden en de omgevingstemperatuur, is het mogelijk dat de aangegeven acculading verschilt van de werkelijke acculading.

OPMERKING: Het eerste (meest linker) indicatorlampje knippert wanneer het accubeveiligingssysteem in werking is getreden.

Gereedschap-/accubeveiligingssysteem

Het gereedschap is voorzien van een gereedschap-/accubeveiligingssysteem. Dit systeem schakelt automatisch de voeding naar de motor uit om de levensduur van het gereedschap en de accu te verlengen. Het gereedschap kan tijdens het gebruik automatisch stoppen als het gereedschap of de accu aan één van de volgende omstandigheden wordt blootgesteld:

► **Fig. 4:** 1. Waarschuwinglampje

Waarschuwinglampje			Status
Kleur	Aan	Knippert	
Groen			Overbelast
Rood	 (gereedschap) /  (accu)		Oververhit
Rood			Te ver ontladen

KENNISGEVING: Afhankelijk van de gebruiksomstandigheden, stopt het gereedschap automatisch zonder enige aanduiding wanneer takken of afval verstrikt zijn/is geraakt in het gereedschap. Schakel in dat geval eerst het gereedschap uit, verwijder vervolgens de accu en verwijder daarna verstrikt geraakte takken of afval met behulp van een tang of ander gereedschap. Nadat de takken of afval zijn/is verwijderd, brengt u de accu weer aan en schakelt u het gereedschap in.

Overbelastingsbeveiliging

Wanneer het gereedschap of de accu overbelast wordt door verstrikt geraakte takjes of ander vuil, stopt het gereedschap automatisch en knippert het waarschuwinglampje groen.

Schakel in die situatie het gereedschap uit en stop het gebruik dat ertoe leidde dat het gereedschap overbelast raakte. Schakel daarna het gereedschap in om het weer te starten.

Oververhittingsbeveiliging voor het gereedschap of de accu

Als het gereedschap of de accu oververhit is, stopt het gereedschap automatisch. Wanneer het gereedschap oververhit is, brandt het waarschuwinglampje rood. Wanneer de accu oververhit is, knippert het waarschuwinglampje rood. Laat het gereedschap en/of de accu afkoelen alvorens het gereedschap weer in te schakelen.

Beveiliging tegen te ver ontladen

Als de acculading laag wordt, stopt het gereedschap automatisch en gaat het waarschuwinglampje rood knipperen.

Als het gereedschap niet werkt, ook niet wanneer de schakelaars worden bediend, verwijdert u de accu vanaf het gereedschap en laadt u hem op.

Beveiliging tegen andere oorzaken

Het beveiligingssysteem is ook ontworpen voor andere oorzaken die het gereedschap kunnen beschadigen, en zorgt ervoor dat het gereedschap automatisch stopt. Voer alle volgende stappen uit om de oorzaken op te heffen, wanneer het gereedschap tijdelijk is onderbroken of tijdens het gebruik is gestopt.

1. Schakel het gereedschap uit en schakel het daarna weer in om het opnieuw te starten.
2. Laad de accu('s) op of vervang hem/ze door (een) opgeladen accu('s).
3. Laat het gereedschap en accu('s) afkoelen.

Als geen verbetering optreedt nadat het beveiligingssysteem is gereset, neemt u contact op met uw lokale Makita-servicecentrum.

In- en uitschakelen

⚠WAARSCHUWING: Omwille van uw veiligheid is dit gereedschap uitgerust met een uit-vergrendelschakelaar die voorkomt dat het gereedschap onbedoeld wordt ingeschakeld. Gebruik het gereedschap NOOIT wanneer dit kan worden ingeschakeld door gewoon de hendelschakelaar in te knippen zonder de uit-vergrendelhendel te bedienen. Stuur het gereedschap naar ons erkende servicecentrum voor deugdelijke reparatie ALVORENS het verder te gebruiken.

⚠WAARSCHUWING: U mag NOOIT het doel of de werking van de uit-vergrendelknop teniet doen of deze vastplakken.

⚠LET OP: Alvorens de accu in het gereedschap aan te brengen, moet u altijd controleren of de hendelschakelaar goed werkt en bij het loslaten terugkeert naar de stand "OFF". Het gebruik van gereedschap met een schakelaar die niet goed werkt, kan leiden tot verlies van controle en ernstige verwondingen.

⚠LET OP: Leg uw vinger nooit op de schakelaar terwijl u het gereedschap draagt. Het gereedschap kan onbedoeld starten en letsel veroorzaken.

KENNISGEVING: Knijp de hendelschakelaar niet hard in zonder de uit-vergrendelhendel in te drukken. Hierdoor kan de schakelaar kapot gaan.

Druk op de aan-uitknop om het gereedschap in te schakelen. Om het gereedschap uit te schakelen, houdt u de aan-uitknop ingedrukt totdat het toerentalampje uit gaat.

- **Fig. 5:** 1. Aan-uitknop 2. Toerentalampje
3. Waarschuwinglampje

OPMERKING: Het waarschuingslampje knippert groen als de hendelschakelaar wordt ingeknepen bij omstandigheden waaronder bediening onmogelijk is, zoals:

- de hoofdschakelaar inschakelen terwijl u de uit-vergrendelhendel ingedrukt houdt en de hendelschakelaar ingeknepen houdt;
- de hendelschakelaar inknippen terwijl de uit-vergrendelhendel ingedrukt wordt gehouden en de gereedschapskop wordt omgeklapt.

OPMERKING: Dit gereedschap maakt gebruik van de automatische uitschakelfunctie. De hoofdschakelaar wordt automatisch uitgeschakeld nadat het gereedschap gedurende ongeveer 5 minuten niet is bediend.

OPMERKING: De automatische uitschakelfunctie kan in werking treden nadat het gereedschap is gestopt doordat een beveiligingsfunctie is geactiveerd. De hoofdschakelaar zal automatisch worden uitgeschakeld ongeveer 5 minuten nadat de motor automatisch is gestopt en geen corrigerende handeling is uitgevoerd naar aanleiding van de beveiliging van het gereedschap.

Om te voorkomen dat de hendelschakelaar per ongeluk wordt ingeknepen, is uit veiligheidsoverwegingen een dubbele uit-vergrendelschakelaar aangebracht.




Om het gereedschap te starten, duwt u de vergrendelknop omlaag naar voren tot voorbij zijn normale stand met het deel van uw hand tussen duim en wijsvinger, en drukt u de uit-vergrendelhendel omlaag met de palm van uw hand. Terwijl u de uit-vergrendelhendel ingedrukt houdt, knijpt u daarna de hendelschakelaar in. Laat de hendelschakelaar los om het gereedschap te stoppen.

► **Fig.6:** 1. Vergrendelknop 2. Uit-vergrendelknop 3. Hendelschakelaar

Toerentalregeling

U kunt het toerental van het gereedschap instellen door op de aan-uitknop te drukken. Bij elke druk op de aan-uitknop, verandert het toerental.

► **Fig.7:** 1. Aan-uitknop 2. Toerental lampjes

Lampje	Functie	Aantal slagen
	Hoog	4.000 min ⁻¹
	Gemiddeld	3.000 min ⁻¹
	Laag	2.000 min ⁻¹

OPMERKING: Het gereedschap start in dezelfde functie als bij de laatste bediening. Als u de accu verwijdert terwijl de motor draait na het uitschakelen, start het gereedschap mogelijk niet in dezelfde functie als bij de laatste bediening.

Omkeerknop voor verwijderen van vuil

⚠WAARSCHUWING: Als verstrikt geraakte takken of afval niet kunnen worden verwijderd door middel van de omkeerfunctie, schakelt u eerst het gereedschap uit, verwijdert u vervolgens de accu en verwijdert u daarna verstrikt geraakte takken of afval met behulp van een tang of ander gereedschap. Als het gereedschap niet wordt uitgeschakeld en de accu niet wordt verwijderd, kan dat na per ongeluk inschakelen leiden tot ernstig persoonlijk letsel. Als verstrikt geraakte takken en afval met de hand wordt verwijderd, kan dat leiden tot letsel omdat de messenbladen kunnen bewegen als reactie op het verwijderen.

Dit gereedschap heeft een omkeerknop om de bewegingsrichting van de messenbladen te veranderen. Dit is alleen voor het verwijderen van takken en afval dat verstrikt is geraakt in het gereedschap.

Om de bewegingsrichting van de messenbladen om te keren, wacht u tot de messenbladen tot stilstand zijn gekomen en drukt u op de omkeerknop. Houd vervolgens de uit-vergrendelhendel ingedrukt en knijp de hendelschakelaar in. Het toerental lampje begint te knipperen en de messenbladen bewegen in de omgekeerde richting.

Nadat verstrikt geraakte takken en afval zijn verwijderd, keert het gereedschap terug naar de normale bewegingsrichting en stopt het toerental lampje met knipperen en gaat het branden.

► **Fig.8:** 1. Omkeerknop 2. Toerental lampje

OPMERKING: Als de verstrikt geraakte takken en afval niet kunnen worden verwijderd, laat u de hendelschakelaar los, drukt u op de omkeerknop en knijpt u de hendelschakelaar weer in totdat ze zijn verwijderd.

OPMERKING: Als u op de omkeerknop drukt terwijl de messenbladen nog bewegen, komt het gereedschap tot stilstand en staat klaar voor bewegen in de omgekeerde richting.

De snoeihoek instellen

⚠LET OP: Controleer altijd of het gereedschap is uitgeschakeld voordat u de kop omklapt of weer terug klapt.

⚠LET OP: Wanneer u de kop omklapt om het gereedschap te vervoeren of na gebruik van het gereedschap, moet u altijd de schede aanbrengen voordat u de kop omklapt.

⚠LET OP: Wanneer u de kop omklapt, bent u voorzichtig dat uw vingers niet bekneld raken tussen de kop en de schuifmof.

De hoek van de kop kan worden afgesteld in 6 stappen tussen 45° omhoog en 70° omlaag. Om de hoek van de kop te veranderen, volgt u de onderstaande stappen.

► **Fig.9:** 1. Hoek van de kop omhoog 2. Hoek van de kop omlaag

1. Houd de kop vast en verschuif de schuifmof zoals aangegeven in de afbeelding.

► **Fig.10:** 1. Kop 2. Schuifmof

2. Beweeg de kop terwijl u de schuifmof omlaag houdt en laat daarna de schuifmof los.

3. Beweeg de kop iets tot deze met een klik wordt vergrendeld.

OPMERKING: Verzeker u ervan dat de kop stevig vergrendeld is voordat u het gereedschap gebruikt.

Elektronische functie

Het gereedschap is uitgerust met elektronische aansturing voor een gemakkelijke bediening.

- Constant-toerentalregeling
De toerentalregelfunctie zorgt voor een constant toerental ongeacht de belastingsomstandigheden.
- Elektrische rem
Dit gereedschap is voorzien van een elektrische rem. Als het gereedschap constant niet in staat is de messenbladen snel stil te zetten nadat de hendelschakelaar is losgelaten, laat u het gereedschap onderhouden door een erkend Makita-servicecentrum.
- Beveiliging tegen onopzettelijk herstarten
Als u het gereedschap inschakelt terwijl u de hendelschakelaar ingedrukt houdt, start het gereedschap niet en knippert het waarschuwingslampje groen. Om het gereedschap te starten, laat u eerst de hendelschakelaar los en schakelt u daarna het gereedschap in.

MONTAGE

⚠ LET OP: Zorg altijd dat het gereedschap is uitgeschakeld en de accu ervan is verwijderd alvorens enig werk aan het gereedschap uit te voeren.

⚠ LET OP: Draag bij het vervangen van de messenbladen altijd handschoenen zodat uw handen niet rechtstreeks in aanraking komen met de messenbladen.

De messenbladen aanbrengen en verwijderen

⚠ LET OP: Breng de schede aan voordat u de messenbladen aanbrengt of verwijdert.

KENNISGEVING: Bij het aanbrengen of verwijderen van de messenbladen veegt u het vet op het tandwiel en de kruk er niet af.

OPMERKING: Voordat u de messenbladen aanbrengt of verwijdert, klapt u de kop van het gereedschap om zodat de kop recht op het gereedschapshuis staat.

1. Leg het gereedschap ondersteboven en verwijder daarna de 6 bouten.

► **Fig.11:** 1. Bout

2. Verwijder de afdekking en de plaat.

► **Fig.12:** 1. Afdekking 2. Plaat

Als het moeilijk is om de afdekking eraf te halen, gebruikt u een platkopschroevendraaier om de afdekking eraf te wrikken.

Steek de platkopschroevendraaier in een of meer gaten en uitsparingen in het gereedschapshuis en wrik de afdekking van de behuizing af.

► **Fig.13:** 1. Uitsparingen (aan beide zijanten van de behuizing) 2. Opening (tussen de afdekking en de messenbladen)

OPMERKING: De plaat kan vast blijven zitten binnenin de afdekking.

3. Verwijder de drijfstang en het lager.

► **Fig.14:** 1. Drijfstang 2. Lager

OPMERKING: De drijfstang en het lager kunnen vast blijven zitten binnenin de afdekking.

4. Verwijder de 2 bouten en de 2 bussen vanaf de messenbladen. Maak de messenbladen los uit de behuizing van het gereedschap. Maak daarna het viltblok en de rubber stofafdichting los van de messenbladen.

► **Fig.15:** 1. Bout 2. Bus 3. Messenbladen 4. Viltblok 5. Stofafdichting

KENNISGEVING: Wees voorzichtig geen losse onderdelen kwijt te raken, want deze zijn weer nodig bij het in elkaar zetten van het gereedschap.

5. Verwijder de schede en breng hem aan op de nieuwe messenbladen.

► **Fig.16:** 1. Schede

6. Stel de kruk zodanig af dat de 2 gaten uitgelijnd staan op de uitlijnlijn.

► **Fig.17:** 1. Gaten 2. Uitlijnlijn

7. Lijn de uitstekende delen aan beide zijanten van de messenbladen met elkaar uit.

► **Fig.18:** 1. Uitstekende delen

8. Houd de messenbladen vast met de gaten voor de bussen omhoog gericht. Bevestig het viltblok op de messenbladen zodanig dat de zijanten ervan rondom de messenbladen grijpen.

► **Fig.19:** 1. Viltblok 2. Gat voor bus

9. Draai de messenbladen ondersteboven. Bevestig de rubber stofafdichting op de messenbladen. Stel de positie ervan af zodat één uiteinde van de stofafdichting tegen het uitstekende deel van de messenbladen ligt.

► **Fig.20:** 1. Stofafdichting 2. Uitstekende deel

10. Draai de messenbladen om zodat het viltblok omhoog gericht is. Lijn de uitstekende delen van de messenbladen uit met de kop van de drijfstang. Breng de messenbladen weer op hun plaats aan.

► **Fig.21:** 1. Viltblok 2. Stofafdichting 3. Uitstekende deel 4. Kop van de drijfstang 5. Uitsparing voor viltblok 6. Uitsparing voor de stofafdichting

KENNISGEVING: Verzeker u ervan dat het viiltblok en de rubber stofafdichting goed passen in hun uitsparingen in de behuizing.

KENNISGEVING: Breng een kleine hoeveelheid smeervet aan op de binnenomtrek van de kop van de drijfstang.

11. Breng nieuwe bussen aan in de gaten voor de bussen in de messenbladen.

► Fig.22: 1. Bus 2. Gat voor bus

KENNISGEVING: Let erop dat u de bussen niet verliest.

12. Lijn de gaten van de bussen uit met die in de messenbladen en die in de behuizing zodat ze recht boven elkaar liggen. Monteer vervolgens de 2 bouten om de messenbladen te bevestigen.

► Fig.23: 1. Bout 2. Bus 3. Messenbladen

13. Breng de drijfstang en het lager aan.

► Fig.24: 1. Drijfstang 2. Kop van de drijfstang
3. Lager

KENNISGEVING: Breng een kleine hoeveelheid smeervet aan op de binnenomtrek van de kop van de drijfstang.

KENNISGEVING: Verzeker u ervan dat het uitstekende deel van de messenbladen goed past in de kop van de drijfstang.

14. Breng de plaat weer op zijn plaats aan.

► Fig.25: 1. Plaat 2. Uitstekende deel

KENNISGEVING: Verzeker u ervan dat het uitstekende deel van de messenbladen goed past in het gat van de plaat.

15. Breng de afdekking aan en draai daarna de 6 bouten vast.

► Fig.26: 1. Afdekking 2. Bout

KENNISGEVING: Als de messenbladen niet soepel bewegen, grijpen de messenbladen niet goed aan op de drijfstangen. Breng de messenbladen opnieuw aan.

KENNISGEVING: Als andere onderdelen dan de messenbladen, zoals de drijfstangen, versleten zijn, vraagt u een erkend Makita-servicecentrum om vervanging of reparatie.

De snoeiafvalvanger aanbrengen en verwijderen

Optioneel accessoire

⚠ LET OP: Draag bij het aanbrengen of verwijderen van de snoeiafvalvanger altijd handschoenen zodat uw handen niet rechtstreeks in aanraking komen met de messenbladen.

KENNISGEVING: De schede kan niet worden aangebracht als de snoeiafvalvanger is aangebracht op het gereedschap. Alvorens het gereedschap mee te nemen of op te bergen, verwijdert u de snoeiafvalvanger en brengt u de schede aan om de messenbladen om blootstelling van de messenbladen te voorkomen.

KENNISGEVING: Verwijder de schede voordat u de snoeiafvalvanger aanbrengt.

De snoeiafvalvanger verzamelt afgesneden bladeren waardoor het opruimen later veel gemakkelijker is. Hij kan aan beide kanten van het gereedschap worden bevestigd.

1. Haak de klauwen van de snoeiafvalvanger aan de messenbladen.

► Fig.27: 1. Snoeiafvalvanger 2. Messenbladen
3. Klauw

2. Lijn de gaten in de snoeiafvalvanger uit met de bouten van de messenbladen, en bevestig daarna de snoeiafvalvanger stevig aan de messenbladen.

► Fig.28: 1. Gat 2. Schroef

KENNISGEVING: Zorg ervoor dat de snoeiafvalvanger de takkenvanger niet overlapt.

► Fig.29: 1. Takkenvanger

Om de snoeiafvalvanger te verwijderen, drukt u de hendels in om de vergrendelhaken te ontgrendelen.

► Fig.30: 1. Hendel

KENNISGEVING: Probeer de snoeiafvalvanger nooit met grote kracht te verwijderen terwijl de haken aangrijpen in de groeven van de messenbladen.

BEDIENING

Het schouderdraagstel bevestigen

⚠ LET OP: Verzeker u er voor gebruik van dat het schouderdraagstel goed is bevestigd aan het bevestigingssoog van het gereedschap.

⚠ LET OP: Wanneer u het gereedschap gebruikt in combinatie met de ruggedragen voeding, zoals de draagbare voedingseenheid, mag u het schouderdraagstel dat in de doos van het gereedschap zit niet gebruiken, maar gebruikt u in plaats daarvan de draagriem die wordt aanbevolen door Makita.

Als u het schouderdraagstel dat in de doos van het gereedschap zit omdoet en tegelijkertijd het schouderdraagstel van de ruggedragen voeding draagt, is het moeilijk om het gereedschap of de ruggedragen voeding in een noodgeval af te doen, waardoor een ongeval of letsel kan ontstaan. Voor de aanbevolen draagriem neemt u contact op met een erkend Makita-servicecentrum.

OPMERKING: Gebruik het schouderdraagstel bevestigd aan het gereedschap. Stel voor gebruik het schouderdraagstel af op de lichaamsgrootte van de gebruiker om vermoeidheid te voorkomen.

1. Draag het schouderdraagstel over uw schouder.
► **Fig.31**
2. Maak de haak van het schouderdraagstel vast aan het bevestigingssoog van het gereedschap.
► **Fig.32:** 1. Haak 2. Bevestigingssoog
3. Stel het schouderdraagstel af op een comfortabele werkhouding.
► **Fig.33**

Het schouderdraagstel is voorzien van een snelontgrendelingsmethode. Knijp eenvoudigweg de zijkant van de gesp in om het gereedschap los te maken van het schouderdraagstel.
► **Fig.34:** 1. Gesp

Het gereedschap bedienen

⚠WAARSCHUWING: Gebruik het gereedschap niet in de buurt van elektriciteitsdraden. Aanraking van elektriciteitsdraden of gebruik van het gereedschap in de buurt van elektriciteitsdraden kan leiden tot ernstig letsel of een elektrische schok die leidt tot de dood.

⚠WAARSCHUWING: Houd uw handen uit de buurt van de messenbladen.

⚠WAARSCHUWING: Let er goed op dat u te allen tijde de controle over het gereedschap behoudt. Zorg ervoor dat het gereedschap zich niet in uw richting of in de richting van iemand die in de buurt staat beweegt. Als u de controle over het gereedschap verliest, kan dat leiden tot ernstig letsel van de gebruiker en omstanders.

⚠LET OP: Vermijd, voor zover dat praktisch is, het gebruik van het gereedschap bij zeer warm weer. Let tijdens gebruik van het gereedschap op uw fysieke toestand.

⚠LET OP: Wees voorzichtig niet per ongeluk een metalen afrastrering of andere harde voorwerpen te raken tijdens het snoeien. De messenbladen kunnen breken en letsel veroorzaken.

⚠LET OP: Wees voorzichtig dat de messenbladen tijdens gebruik niet de grond raken. Het gereedschap kan hierdoor terugslaan en letsel veroorzaken.

⚠LET OP: Het is bijzonder gevaarlijk met de heggenschaar te ver te reiken, met name op een ladder. Werk niet vanuit een wankele of instabiele stand.

KENNISGEVING: Probeer geen takken met een diameter van meer dan 10 mm te snoeien met het gereedschap. Snoei deze takken met behulp van een snoeischaar 10 cm lager af dan de snoeihoogte voordat u het gereedschap gebruikt.

- **Fig.35:** 1. Snoeihoogte 2. 10 cm

KENNISGEVING: Snoei niet in dode bomen of andere harde voorwerpen. Als u dit toch doet, kan het gereedschap worden beschadigd.

KENNISGEVING: Snijd geen gras of onkruiden met de messenbladen. Het gras of de onkruiden kunnen verstrikt raken in de messenbladen.

Houd het gereedschap met beide handen vast.
► **Fig.36**

Houd de uit-vergrendelhendel ingedrukt, knijp de hendelschakelaar in en bereid het gereedschap voor op het snoeien.
► **Fig.37**

Als standaardmethode houdt u de messenbladen gekanteld in de snoeirichting en beweegt u ze rustig en langzaam met een snelheid van 3 of 4 seconden per meter.
► **Fig.38**

Om de zijkant van een heg gelijkmatig te snoeien, snoeit u van onder naar boven.
► **Fig.39**

Als u een ronde vorm wilt snoeien (snoeien van buxus, rododendron, enz.), snoeit u van onder naar boven voor een mooie afwerking.
► **Fig.40**

Als de snoeiafvalvanger is bevestigd aan de messenbladen, verzamelt deze de gesnoeide bladeren en maakt het opruimen naderhand veel gemakkelijker.
► **Fig.41**

ONDERHOUD

⚠LET OP: Zorg altijd dat het gereedschap is uitgeschakeld en de accu ervan is verwijderd alvorens te beginnen met onderhoud of inspectie.

⚠LET OP: Leg het gereedschap altijd op de grond wanneer u het inspecteert of onderhoudt. Als u het gereedschap monteert of afstelt terwijl het rechtop staat, kan ernstig letsel worden veroorzaakt.

Om de VEILIGHEID en BETROUWBAARHEID van het gereedschap te handhaven, dienen alle reparaties, onderhoud of afstellingen te worden uitgevoerd bij een erkend Makita-servicecentrum of de Makita-fabriek, en altijd met gebruik van Makita-ervangingsonderdelen.

Het gereedschap reinigen

Reinig het gereedschap door het stof eraf te vegen met een droge doek of een doek gedoopt in zeepwater en uitgewrongen.

KENNISGEVING: Gebruik nooit benzine, wasbenzine, thinner, alcohol en dergelijke. Hierdoor kunnen verkleuring, vervormingen en barsten worden veroorzaakt.

De messenbladen onderhouden

Voorafgaand aan gebruik, en één keer per uur tijdens gebruik, brengt u olie met een lage viscositeit (machineolie of smeerolie uit een spuitbus) aan op de messenbladen.

► Fig.42

Verwijder na de werkzaamheden het vuil vanaf beide zijden van de messenbladen met behulp van een staalborstel, veeg de messenbladen schoon met een doek, en breng daarna olie met een lage viscositeit (machineolie of smeerolie uit een spuitbus) aan op de messenbladen.

► Fig.43

KENNISGEVING: Was de messenbladen niet met water. Als u dit toch doet, kan het gereedschap gaan roesten of worden beschadigd.

KENNISGEVING: Vuil en roest zorgen voor een buitensporige weerstand tussen de messenbladen en verkorten de gebruiksduur van een acculading.

Opslag

Schuif de schede over de messenbladen zodat deze niet bloot liggen. Bewaar het gereedschap buiten bereik van kinderen. Bewaar het gereedschap op een plaats die niet is blootgesteld aan vocht of regen.

De messenbladen slijpen

KENNISGEVING: Als de messenbladen aanzienlijk vervormd zijn door het slijpen, vervangt u de messenbladen door nieuwe.

1. Breng de accu aan op het gereedschap.
2. Schakel het gereedschap in en start het zodat het bovenste messenblad en onderste messenblad versprongen ten opzichte van elkaar staan.

► Fig.44

3. Schakel het gereedschap uit en verwijder de accu vanaf het gereedschap.

4. Verwijder de schroef en verwijder daarna de takkenvanger.

► Fig.45: 1. Schroef 2. Takkenvanger

5. Stel de hoek van een vijl in op 50° en slijp het bovenste messenblad met de vijl in exact de richting van de drie snijranden.

► Fig.46: 1. Vijl 2. 50°

⚠ LET OP: Alvorens de messenbladen te slijpen, verzekert u zich ervan dat het gereedschap is uitgeschakeld en de accu vanaf het gereedschap is verwijderd.

6. Leg het gereedschap ondersteboven en verwijder daarna de bramen vanaf het messenblad met behulp van een wetsteen.

► Fig.47: 1. Wetsteen

7. Stel de hoek van de vijl in op 50° en slijp het onderste messenblad met de vijl in exact de richting van de drie snijranden.

8. Leg het gereedschap terug in zijn normale stand en verwijder daarna de bramen vanaf het messenblad met behulp van een wetsteen.

9. Breng de takkenvanger weer aan door de schroef vast te draaien.

Smeren met vet

Smeerinterval: Elke 50 bedrijfsuren

Het smeergat gebruiken

1. Verwijder de bout uit het gat om te smeren.

► Fig.48: 1. Bout

2. Verwijder de dop vanaf de smeervethouder. Lijn de opening van de smeervethouder uit met het gat in de afdekking en druk daarna de opening van de smeervethouder op het gat.

► Fig.49: 1. Smeervethouder 2. Gat

3. Breng het smeervet aan in het gereedschap (ongeveer 5 g als richtlijn).

4. Draai de bout vast.

De smeernippel gebruiken

De smeernippel zorgt voor een lekvrije verbinding met een vetspuit.

1. Bereid een vetspuit voor op gebruik.

2. Sluit de adapter van de vetspuit aan op de smeernippel van het gereedschap.

► Fig.50: 1. Adapter van de vetspuit 2. Smeernippel

3. Breng het smeervet aan in het gereedschap (ongeveer 5 g als richtlijn).

4. Kantel de adapter iets om de inwendige druk af te laten en verwijder vervolgens de adapter vanaf de smeernippel.

Veeg het vet vanaf de adapter en de smeernippel.

PROBLEMEN OPLOSSEN

Alvorens u verzoekt om reparatie, kunt u zelf als volgt het probleem opsporen en oplossen. Als u met een probleem kampt dat in deze handleiding niet wordt beschreven, probeer dan niet het gereedschap te demonteren. Laat reparaties over aan een erkend Makita-servicecentrum, uitsluitend met gebruik van originele Makita-ervangingsonderdelen.

Probleemomschrijving	Waarschijnlijke oorzaak (storing)	Oplossing
Motor loopt niet.	De accu is niet aangebracht.	Breng de accu aan.
	Probleem met de accu (lage spanning).	Laad de accu op. Als het opladen niet helpt, vervangt u de accu.
	De aandrijving werkt niet goed.	Vraag uw plaatselijke, erkende servicecentrum het gereedschap te repareren.
De motor stopt na kort te hebben gedraaid.	De accu is bijna leeg.	Laad de accu op. Als het opladen niet helpt, vervangt u de accu.
	Oververhitting.	Stop het gebruik van het gereedschap en laat het afkoelen.
Het gereedschap bereikt niet het maximumtoerental.	De accu is niet goed aangebracht.	Breng de accu aan zoals beschreven in deze gebruiksaanwijzing.
	Het accuvermogen neemt af.	Laad de accu op. Als het opladen niet helpt, vervangt u de accu.
	De aandrijving werkt niet goed.	Vraag uw plaatselijke, erkende servicecentrum het gereedschap te repareren.
De messenbladen bewegen niet: ⇒ stop het gereedschap onmiddellijk!	Ongeschikte hoek van de messenbladen.	Verzekert u ervan dat de kop goed is vastgezet in de correcte hoek voor gebruik.
	Vreemde voorwerpen zijn vastgelopen tussen de messenbladen.	1. Druk op de omkeerknop. 2. Schakel het gereedschap uit en verwijder de accu, en verwijder daarna de vreemde voorwerpen met behulp van een tang of ander gereedschap.
	De aandrijving werkt niet goed.	Vraag uw plaatselijke, erkende servicecentrum het gereedschap te repareren.
Abnormale trillingen: ⇒ stop het gereedschap onmiddellijk!	De messenbladen zijn gebroken, verbogen of versleten.	Vervang de messenbladen.
	De aandrijving werkt niet goed.	Vraag uw plaatselijke, erkende servicecentrum het gereedschap te repareren.
De messenbladen en de motor kunnen niet stoppen: ⇒ verwijder de accu onmiddellijk!	Elektrische storing.	Verwijder de accu en vraag uw plaatselijk erkende servicecentrum het gereedschap te repareren.

OPTIONELE ACCESSOIRES

⚠ LET OP: Deze accessoires of hulpstukken worden aanbevolen voor gebruik met het Makita gereedschap dat in deze gebruiksaanwijzing is beschreven. Bij gebruik van andere accessoires of hulpstukken bestaat het gevaar van persoonlijke letsel. Gebruik de accessoires of hulpstukken uitsluitend voor hun bestemde doel.

Wenst u meer bijzonderheden over deze accessoires, neem dan contact op met het plaatselijke Makita-servicecentrum.

- Messenbladen compleet
- Snoeiafvalvanger
- Smeervethouder
- Originele Makita-accu en -acculader

OPMERKING: Sommige items op de lijst kunnen zijn inbegrepen in de doos van het gereedschap als standaard toebehoren. Deze kunnen van land tot land verschillen.

ESPECIFICACIONES

Modelo:		UN001G
Longitud de la cuchilla		600 mm
Carreras por minuto		2.000 / 3.000 / 4.000 min ⁻¹
Ángulo de la cuchilla de corte		115° (arriba 45°, abajo 70°)
Longitud total		2.268 mm
Tensión nominal		CC 36 V - 40 V máx.
Peso neto	*1	4,0 kg
	*2	4,7 - 5,9 kg
Grado de protección		IPX4

- Debido a nuestro continuado programa de investigación y desarrollo, las especificaciones aquí dadas están sujetas a cambios sin previo aviso.
- Las especificaciones pueden ser diferentes de país a país.

*1: Peso sin ningún accesorio ni cartucho(s) de batería

*2: El peso puede variar dependiendo del accesorio o los accesorios, incluyendo el cartucho de batería. La combinación menos pesada y la más pesada, de acuerdo con el procedimiento EPTA 01/2014, se muestran en la tabla.

Cartucho de batería y cargador aplicables

Cartucho de batería	BL4020 / BL4025 / BL4040 / BL4040F / BL4050F / BL4080F
Cargador	DC40RA / DC40RB / DC40RC / DC40WA

- Algunos de los cartuchos de batería y cargadores indicados arriba puede que no estén disponibles dependiendo de su región de residencia.

⚠ ADVERTENCIA: Utilice solamente los cartuchos de batería y cargadores indicados arriba. La utilización de cualquier otro cartucho de batería y cargador puede ocasionar heridas y/o un incendio.

Fuente de alimentación conectada por cable recomendada

Unidad portátil de alimentación eléctrica	PDC01 / PDC1200 / PDC1500
---	---------------------------

- La fuente o fuentes de alimentación conectadas por cable indicadas arriba puede que no estén disponibles dependiendo de su región de residencia.
- Antes de utilizar la fuente de alimentación conectada por cable, lea las instrucciones e indicaciones de precaución sobre ella.

Símbolos

A continuación se muestran los símbolos que pueden ser utilizados para el equipo. Asegúrese de que entiende su significado antes de utilizar.



Lea el manual de instrucciones.



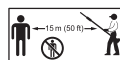
Póngase un casco, gafas de seguridad y protección para los oídos.



PELIGRO - Mantenga las manos alejadas de la cuchilla.



Tenga cuidado con las líneas eléctricas, riesgo de descarga eléctrica.



Mantenga una distancia de 15 m por lo menos.



Sólo para países de la Unión Europea
Debido a la presencia de componentes peligrosos en el equipo, el equipo eléctrico y electrónico, los acumuladores y las baterías desechados pueden tener un impacto negativo para el medioambiente y la salud humana.

¡No tire los aparatos eléctricos y electrónicos ni las baterías junto con los residuos domésticos!

De conformidad con las Directivas Europeas sobre residuos de aparatos eléctricos y electrónicos y sobre acumuladores y baterías y residuos de acumuladores y baterías, así como la adaptación de las mismas a la ley nacional, el equipo eléctrico, las baterías y los acumuladores desechados deberán ser almacenados por separado y trasladados a un punto distinto de recogida de desechos municipales, que cumpla con los reglamentos sobre protección medioambiental.

Esto se indica mediante el símbolo de cubo de basura tachado colocado en el equipo.



Nivel de potencia del sonido garantizado de acuerdo con la Directiva UE sobre ruido ambiental.



Nivel de potencia del sonido de acuerdo con el reglamento para el control de ruido en NSW, Australia

Uso previsto

La herramienta ha sido prevista para recortar setos.

Ruido

El nivel de ruido A-ponderado típico determinado de acuerdo con la norma EN62841-4-2:

Modelo	Nivel de presión del sonido		Nivel de potencia de sonido garantizado	Nivel de potencia de sonido medido	
	L _{pA} (dB(A))	Incertidumbre K (dB(A))	L _{WA} (dB(A))	L _{WA} (dB(A))	Incertidumbre K (dB(A))
UN001G	82	3	94	93	1,5

NOTA: El valor (o los valores) de emisión de ruido declarado ha sido medido de acuerdo con un método de prueba estándar y se puede utilizar para comparar una herramienta con otra.

NOTA: El valor (o valores) de emisión de ruido declarado también se puede utilizar en una valoración preliminar de exposición.

⚠ ADVERTENCIA: Póngase protectores para oídos.

⚠ ADVERTENCIA: La emisión de ruido durante la utilización real de la herramienta eléctrica puede variar del valor (o los valores) de emisión declarado dependiendo de las formas en las que la herramienta sea utilizada, especialmente qué tipo de pieza de trabajo se procesa.

⚠ ADVERTENCIA: Asegúrese de identificar medidas de seguridad para proteger al operario que estén basadas en una estimación de la exposición en las condiciones reales de utilización (teniendo en cuenta todas las partes del ciclo operativo como las veces cuando la herramienta está apagada y cuando está funcionando en vacío además del tiempo de gatillo).

Vibración

El valor total de la vibración (suma de vectores triaxiales) determinado de acuerdo con la norma EN62841-4-2:

Modelo	Mano izquierda (Empuñadura delantera / mango)		Mano derecha (Empuñadura trasera)	
	ah (m/s ²)	Incertidumbre K (m/s ²)	ah (m/s ²)	Incertidumbre K (m/s ²)
UN001G	4,9	1,5	3,5	1,5

NOTA: El valor (o los valores) total de emisión de vibración declarado ha sido medido de acuerdo con un método de prueba estándar y se puede utilizar para comparar una herramienta con otra.

NOTA: El valor (o los valores) total de emisión de vibración declarado también se puede utilizar en una valoración preliminar de exposición.

⚠️ ADVERTENCIA: La emisión de vibración durante la utilización real de la herramienta eléctrica puede variar del valor (o los valores) de emisión declarado dependiendo de las formas en las que la herramienta sea utilizada, especialmente qué tipo de pieza de trabajo se procesa.

⚠️ ADVERTENCIA: Asegúrese de identificar medidas de seguridad para proteger al operario que estén basadas en una estimación de la exposición en las condiciones reales de utilización (teniendo en cuenta todas las partes del ciclo operativo como las veces cuando la herramienta está apagada y cuando está funcionando en vacío además del tiempo de gatillo).

Declaraciones de conformidad

Para países europeos solamente

Las declaraciones de conformidad están incluidas como Anexo A de este manual de instrucciones.

ADVERTENCIAS DE SEGURIDAD

Advertencias de seguridad para herramientas eléctricas en general

⚠️ ADVERTENCIA Lea todas las advertencias de seguridad, instrucciones, ilustraciones y especificaciones provistas con esta herramienta eléctrica. Si no sigue todas las instrucciones indicadas abajo, podrá resultar en una descarga eléctrica, un incendio y/o heridas graves.

Guarde todas las advertencias e instrucciones para futuras referencias.

El término "herramienta eléctrica" en las advertencias se refiere a su herramienta eléctrica de funcionamiento con conexión a la red eléctrica (con cable) o herramienta eléctrica de funcionamiento a batería (sin cable).

Advertencias de seguridad para el cortasetos de extensión inalámbrico

Advertencias de seguridad para el cortasetos inalámbrico:

1. **No utilice el cortasetos en malas condiciones meteorológicas, especialmente cuando haya riesgo de relámpagos.** Esto disminuirá el riesgo de sufrir el impacto de un rayo.
2. **Mantenga todos los cables de alimentación y otros cables alejados del área de corte.** Puede haber cables de alimentación u otros cables ocultos en los setos o arbustos y la cuchilla puede cortarlos accidentalmente.
3. **Póngase protectores para oídos.** Un equipo de protección adecuado reducirá el riesgo de pérdida auditiva.
4. **Sujete el cortasetos por las superficies de aislamiento aisladas solamente, porque la cuchilla puede entrar en contacto con cableado oculto.** El contacto de las cuchillas con un cable con corriente hará que la corriente circule por las partes metálicas expuestas del cortasetos y podrá

soltar una descarga eléctrica al operario.

5. **Mantenga todas las partes del cuerpo alejadas de la cuchilla. No retire el material cortado o sujete el material que va a cortar cuando las cuchillas estén moviéndose.** Las cuchillas siguen moviéndose después de desactivar el interruptor. Un momento de inatención mientras está operando el cortasetos puede resultar en heridas personales graves.
6. **Cuando retire material atascado o haga el servicio al cortasetos, asegúrese de que todos los interruptores de alimentación están desactivados y que la batería ha sido retirada o desconectada.** Una puesta en marcha inesperada del cortasetos mientras retira material atascado o hace el servicio podrá resultar en heridas personales graves.
7. **Transporte el cortasetos agarrándolo por el mango con la cuchilla parada y teniendo cuidado de no activar ningún interruptor de alimentación.** Un transporte correcto del cortasetos disminuirá el riesgo de una puesta en marcha involuntaria que podría resultar en heridas personales con las cuchillas.
8. **Cuando transporte o almacene el cortasetos, utilice siempre la cubierta de las cuchillas.** Un manejo correcto del cortasetos disminuirá el riesgo de heridas personales con las cuchillas.

Advertencias de seguridad para el cortasetos de extensión inalámbrico:

1. **Utilice siempre protección para la cabeza cuando opere el cortasetos de extensión en lo alto.** La caída de restos puede resultar en heridas personales graves.
2. **Utilice siempre las dos manos cuando opere el cortasetos de extensión.** Sujete el cortasetos de extensión con ambas manos para evitar la pérdida del control.
3. **Para reducir el riesgo de electrocución, no utilice nunca el cortasetos de extensión cerca de cualquier línea eléctrica.** El contacto con líneas eléctricas o el uso cerca de ellas puede ocasionar heridas graves o una descarga eléctrica resultando en la muerte.

Advertencias de seguridad adicionales

Preparación

1. **ESTE CORTASETOS PUEDE OCASIONAR HERIDAS GRAVES.** Lea las instrucciones atentamente para manejar, preparar, mantener, poner en marcha y detener la herramienta correctamente. Familiarícese con todos los controles y el uso apropiado de la herramienta.

2. **Compruebe los setos y arbustos por si tienen objetos extraños, tal como cercas alambradas o cables ocultos antes de utilizar la herramienta.**
3. **El cortasetos no debe ser utilizado por niños o personas jóvenes de menos de 18 años de edad.** Las personas jóvenes de más de 16 años de edad pueden excluirse de esta restricción si están recibiendo preparación bajo la supervisión de un experto.
4. **En el caso de una emergencia, apague la herramienta y retire el cartucho de batería inmediatamente.**
5. **PELIGRO - Mantenga las manos alejadas de la cuchilla.** El contacto con la cuchilla provocará heridas personales graves.
6. **Utilice solamente con el mango y el protector montados debidamente en la herramienta.** La utilización de la herramienta sin el protector o el mango apropiado provisto podrá resultar en heridas personales graves.
7. **A los primerizos, un usuario con experiencia deberá enseñarles cómo utilizar la herramienta.**
8. **Antes de la operación, examine el área de trabajo por si hay cercas alambradas, piedras u otros objetos sólidos.** Pueden dañar las cuchillas.
9. **Utilice el cortasetos solamente si usted se encuentra en buena condición física.** Si está cansado, su atención se reducirá. Tenga cuidado especial al final de la jornada laboral. Realice todo el trabajo con calma y con cuidado. El usuario es responsable de todos los daños causados a terceros.
10. **Antes de comenzar el trabajo, compruebe para asegurarse de que el cortasetos está en buen estado de funcionamiento y que se puede usar con seguridad.** Asegúrese de que los protectores están colocados firmemente. El cortasetos no debe ser utilizado a menos que esté totalmente ensamblado.
11. **Evite los entornos peligrosos. No utilice la herramienta en lugares húmedos o mojados ni la esponja a la lluvia.** La entrada de agua en la herramienta aumentará el riesgo de que se produzca una descarga eléctrica.

Equipo de protección personal

1. **Los guantes de trabajo de cuero resistente son parte del equipo básico del cortasetos y se deben llevar puestos siempre que se trabaje con él.** Póngase también zapatos robustos con suelas antideslizantes.
2. **Póngase protección para los oídos como orejeras para evitar pérdida auditiva.**
3. **Póngase gafas de protección, casco de seguridad y guantes de protección para protegerse de los restos que salen volando u objetos que caigan.**
4. **Cuando toque las cuchillas o ajuste el ángulo de las cuchillas, póngase guantes de protección.** Las cuchillas pueden cortar las manos desnudas gravemente.

Operación

1. **Utilice siempre las dos manos para operar la herramienta equipada con dos mangos.** La utilización de solo una mano puede ocasionar la pérdida del control y resultar en heridas personales graves.
2. **Mientras opera la herramienta, asegúrese siempre de que la postura de operación es segura y firme.** Trabajar con la herramienta donde no se alcanza, particularmente desde una escalera de mano, es sumamente peligroso. No trabaje desde cualquier cosa que se tambalee o no esté bien firme.
3. **No se ponga simultáneamente varios arneses de cintura y/o arneses de hombro cuando opere la herramienta.**
4. **Durante la operación, mantenga a los transeúntes o animales alejados al menos 15 m de la herramienta.** Pare la herramienta en cuanto alguien se acerque.
5. **Si el implemento de corte golpea cualquier objeto o si la herramienta comienza a hacer un ruido o vibración anormal, apague la herramienta y retire el cartucho de batería inmediatamente y deje que la herramienta se detenga.** Y después realice los pasos siguientes:
 - inspeccione por si hay daños
 - compruebe por si hay partes flojas, y apriete cualquier parte aflojada
 - pida que reemplacen o reparen cualquier pieza dañada con piezas de repuesto genuinas.
6. **Utilice la herramienta solamente para el propósito que ha sido prevista.** No utilice la herramienta para ningún otro propósito.
7. **Apague la herramienta y retire el cartucho de batería antes de:**
 - limpiarla o cuando despeje un atasco,
 - comprobar, realizar mantenimiento o trabajar en la herramienta,
 - ajustar la posición de trabajo de las cuchillas de tijeras,
 - dejar la herramienta sin atender.
8. **Asegúrese de que la herramienta está situada correctamente en una posición de trabajo designada antes de poner en marcha la herramienta.**
9. **No opere la herramienta con cuchillas de tijeras dañadas o excesivamente gastadas.**
10. **Asegúrese siempre de que todos los mangos y protectores están colocados cuando utilice la herramienta.** No intente nunca utilizar una herramienta incompleta o una a la que se haya hecho una modificación no autorizada.
11. **Esté siempre al tanto de su entorno y alerta por posibles riesgos de los que puede que no esté al tanto debido al ruido de la herramienta.**
12. **Tenga cuidado de no tocar accidentalmente una valla metálica u otros objetos duros durante la operación.** La cuchilla se romperá y podrá ocasionar heridas graves.
13. **Evite una puesta en marcha involuntaria.** No transporte la herramienta con el cartucho de batería instalado y el dedo en el interruptor.

Asegúrese de que el interruptor está desactivado cuando instale el cartucho de batería.

14. **No agarre las cuchillas de corte o bordes de corte expuestos cuando recoja o sujete la herramienta.**
15. **No fuerce la herramienta.** Esta hará el trabajo mejor y con menos posibilidad de riesgo de heridas a la potencia para la que ha sido diseñada.
16. **No utilice la herramienta en la lluvia ni en condiciones mojadas o muy húmedas.** El motor eléctrico no es a prueba de agua.
17. **Sujete la herramienta firmemente cuando la esté utilizando.**
18. **No utilice la herramienta sin carga innecesariamente.**
19. **Antes de comprobar las cuchillas de tijeras, ocuparse de los fallos, o de retirar objetos extraños enganchados en las cuchillas de tijeras, apague siempre la herramienta y retire el cartucho de batería.**
20. **No dirija nunca las cuchillas de tijeras hacia usted u otros.**
21. **Si las cuchillas dejan de moverse debido al atasco de objetos extraños entre las cuchillas durante la operación, apague la herramienta y retire el cartucho de batería, y después retire los objetos extraños utilizando implementos como unos alicates.** Retirar los objetos extraños con la mano puede ocasionar heridas por el hecho de que las cuchillas pueden moverse como reacción al retirar los objetos extraños.
22. **Asegúrese de que no hay cables eléctricos, tuberías de agua, tuberías de gas, etc., que puedan ocasionar un riesgo si se dañan al utilizar la herramienta.**
23. **No toque las partes metálicas ni las superficies calientes de la herramienta durante la utilización o inmediatamente después de la operación; podrán estar muy calientes y quemarle la piel.** Deje enfriar la herramienta antes de llevar a cabo cualquier trabajo en la herramienta.
24. **No utilice la herramienta en un terreno blando/inestable/resbaladizo ni en pendientes pronunciadas. Evite trabajar en escaleras de mano o en alturas.** Actuar de otro modo podrá ocasionar un riesgo de caerse, resultando en heridas personales.
25. **No utilice la herramienta con mal tiempo ni de noche donde la visibilidad sea limitada.** En caso contrario, podrá ocasionar una caída u operación incorrecta debido a la mala visibilidad.
26. **Evite trabajar en un entorno poco adecuado donde se espere que la fatiga del usuario aumente.**
27. **No sumerja la herramienta en un charco.**
28. **No deje la herramienta sin atender en exteriores en la lluvia.**
29. **Cuando se adhieran hojas mojadas o suciedad a la boca de succión (ventanilla de ventilación) debido a la lluvia, retirelas.**
30. **No utilice la herramienta en la nieve.**

Seguridad eléctrica y de la batería

1. **No deseche la batería(s) arrojándola al fuego.** La célula puede explotar. Compruebe los códigos locales por si hay instrucciones para el posible desecho especial.
2. **No abra o mute la batería(s).** El electrolito liberado es corrosivo y puede ocasionar daño a los ojos o la piel. Puede ser tóxico si se traga.
3. **No cargue la batería bajo la lluvia, o en lugares mojados.**
4. **No cargue la batería en exteriores.**
5. **No maneje el cargador, incluya la clavija del cargador, y los terminales del cargador con las manos mojadas.**
6. **No reemplace la batería con las manos mojadas.**
7. **No reemplace la batería en la lluvia.**
8. **No moje el terminal de la batería con líquido como agua, ni sumerja la batería.** No deje la batería en la lluvia, ni cargue, utilice, o almacene la batería en un lugar húmedo o mojado. Si el terminal se moja o si entra líquido al interior de la batería, la batería podrá cortocircuitarse y existe el riesgo de recalentamiento, incendio, o explosión.
9. **Después de retirar la batería de la herramienta o el cargador, asegúrese de colocar la tapa de la batería en la batería y de guardarla en un lugar seco.**
10. **Si el cartucho de batería se moja, retire el agua del interior y después límpielo con un paño seco.** Seque el cartucho de batería completamente en un lugar seco antes de utilizarlo.

Mantenimiento y almacenamiento

1. **Cuando detenga la herramienta para hacerle el servicio, una inspección o para almacenarla, apáguela y retire el cartucho de batería, y asegúrese de que todas las partes móviles se han detenido.** Deje que la herramienta se enfríe antes de hacer cualquier inspección, ajuste, etc.
2. **Deje siempre que la herramienta se enfríe antes de almacenarla.**
3. **Cuando no se esté utilizando, coloque la cubierta de las cuchillas en la herramienta y almacene la herramienta en interiores en un lugar seco y alto, cerrado con llave, fuera del alcance de los niños.**
4. **Haga el mantenimiento a la herramienta con cuidado.** Mantenga el borde de corte afilado y limpio para obtener el mejor rendimiento y para reducir el riesgo de heridas. Siga las instrucciones para lubricar y cambiar los accesorios. Mantenga los mangos secos, limpios y libres de aceite y grasa.
5. **Compruebe las partes dañadas.** Antes de seguir utilizando la herramienta, cualquier parte que se haya dañado deberá inspeccionarse cuidadosamente para determinar que funcionará debidamente y que realizará la función para la que ha sido prevista. Compruebe la alineación de las partes móviles, la unión de las partes móviles, rotura de partes, montaje,

- y cualquier otra condición que pueda afectar a su operación. Un protector u otra parte que esté dañada se deberá reparar o reemplazar debidamente en el centro de servicio autorizado.
6. Utilice solamente piezas de repuesto genuinas.
 7. Cuando mueva la herramienta a otro lugar, incluyendo durante el trabajo, retire siempre el cartucho de batería y ponga la cubierta de las cuchillas en las cuchillas de tijeras. No transporte ni traslade nunca la herramienta con las cuchillas en movimiento. No agarre nunca las cuchillas con las manos.
 8. Limpie la herramienta y especialmente las cuchillas de tijeras después de la utilización, y antes de almacenar la herramienta durante periodos prolongados. Enaceite ligeramente las cuchillas de tijeras y ponga la cubierta de las cuchillas.
 9. No lave la herramienta con agua a mucha presión.
 10. Cuando lave la herramienta, no deje que entre agua en el mecanismo eléctrico como la batería, el motor, y los terminales.
 11. Realice la inspección o el mantenimiento en un lugar donde se pueda evitar la lluvia.
 12. Después de utilizar la herramienta, retire la suciedad adherida y seque la herramienta completamente antes de almacenarla. Dependiendo de la estación del año o el área, existe el riesgo de un mal funcionamiento debido a la congelación.
 13. Cuando almacene la herramienta, evite la luz solar directa y la lluvia, y almacénela en un lugar donde no se caliente o humedezca.
4. Si entra electrolito en sus ojos, aclárelos con agua limpia y acuda a un médico inmediatamente. Existe el riesgo de poder perder la vista.
 5. No cortocircuite el cartucho de batería:
 - (1) No toque los terminales con ningún material conductor.
 - (2) Evite guardar el cartucho de batería en un cajón junto con otros objetos metálicos, como clavos, monedas, etc.
 - (3) No exponga el cartucho de batería al agua ni a la lluvia.
 Un cortocircuito en la batería puede producir una gran circulación de corriente, un recalentamiento, posibles quemaduras e incluso una rotura de la misma.
 6. No guarde ni utilice la herramienta y el cartucho de batería en lugares donde la temperatura pueda alcanzar o exceder los 50 °C.
 7. Nunca incinere el cartucho de batería incluso en el caso de que esté dañado seriamente o ya no sirva en absoluto. El cartucho de batería puede explotar si se tira al fuego.
 8. No clave, corte, aplaste, lance, deje caer el cartucho de batería, ni golpee contra un objeto duro el cartucho de batería. Tal conducta podrá resultar en un incendio, calor excesivo, o una explosión.
 9. No utilice una batería dañada.
 10. Las baterías de litio-ion contenidas están sujetas a los requisitos de la Legislación para Materiales Peligrosos.

Para transportes comerciales, p.ej., por terceras personas y agentes de transportes, se deberán observar requisitos especiales para el empaquetado y etiquetado.

Para la preparación del artículo que se va a enviar, se requiere consultar con un experto en materiales peligrosos. Por favor, observe también la posibilidad de reglamentos nacionales más detallados.

Cubra con cinta aislante o enmascare los contactos expuestos y empaquete la batería de tal manera que no se pueda mover alrededor dentro del embalaje.

11. Para desechar el cartucho de batería, retírelo de la herramienta y deséchelo en un lugar seguro. Siga los reglamentos locales referentes al desecho de la batería.
12. Utilice las baterías solamente con los productos especificados por Makita. La instalación de las baterías en productos no compatibles puede resultar en un incendio, calor excesivo, explosión, o fuga de electrolito.
13. Si la herramienta no va a ser utilizada durante un periodo de tiempo largo, la batería deberá ser retirada de la herramienta.
14. Durante y después de la utilización, el cartucho de batería podrá acumular calor, lo cual puede ocasionar quemaduras o quemaduras de baja temperatura. Preste atención al manejo de cartuchos de batería calientes.
15. No toque el terminal de la herramienta inmediatamente después de utilizar, dado que puede calentarse lo suficiente como para

GUARDE ESTAS INSTRUCCIONES.

⚠ ADVERTENCIA: NO deje que la comodidad o familiaridad con el producto (a base de utilizarlo repetidamente) sustituya la estricta observancia de las normas de seguridad para el producto en cuestión. El MAL USO o el no seguir las normas de seguridad establecidas en este manual de instrucciones podrá ocasionar heridas personales graves.

Instrucciones de seguridad importantes para el cartucho de batería

1. Antes de utilizar el cartucho de batería, lea todas las instrucciones e indicaciones de precaución sobre (1) el cargador de baterías, (2) la batería, y (3) el producto con el que se utiliza la batería.
2. No desensamble ni manipule el cartucho de batería. Podrá resultar en un incendio, calor excesivo, o una explosión.
3. Si el tiempo de uso se acorta demasiado, cese la operación inmediatamente. Podría resultar en un riesgo de recalentamiento, posibles quemaduras e incluso una explosión.

ocasionar quemaduras.

16. **No permita que virutas, polvo, o tierra se adhieran dentro de los terminales, orificios, y ranuras del cartucho de batería.** Esto podría ocasionar calentamiento, que coja fuego, reviente y un mal funcionamiento de la herramienta o el cartucho de batería, resultando en quemaduras o heridas personales.
17. **A menos que la herramienta pueda utilizarse cerca de cables eléctricos de alta tensión, no utilice el cartucho de batería cerca de cables eléctricos de alta tensión.** Podrá resultar en un mal funcionamiento o rotura de la herramienta o el cartucho de batería.
18. **Mantenga la batería alejada de los niños.**

GUARDE ESTAS INSTRUCCIONES.

⚠PRECAUCIÓN: Utilice solamente baterías genuinas de Makita. La utilización de baterías no genuinas de Makita, o baterías que han sido alteradas, puede resultar en una explosión de la batería ocasionando incendios, heridas personales y daños. También anulará la garantía de Makita para la herramienta y el cargador de Makita.

Consejos para alargar al máximo la vida de servicio de la batería

1. **Cargue el cartucho de batería antes de que se descargue completamente. Detenga siempre la operación y cargue el cartucho de batería cuando note menos potencia en la herramienta.**
2. **No cargue nunca un cartucho de batería que esté completamente cargado. La sobrecarga acortará la vida de servicio de la batería.**
3. **Cargue el cartucho de batería a temperatura ambiente de 10 °C - 40 °C. Si un cartucho de batería está caliente, déjelo enfriar antes de cargarlo.**
4. **Cuando no esté utilizando el cartucho de batería, retírelo de la herramienta o del cargador.**
5. **Cargue el cartucho de batería si no lo utiliza durante un periodo de tiempo prolongado (más de seis meses).**

DESCRIPCIÓN DE LAS PARTES

► Fig.1

1	Cabezal	2	Empuñadura delantera	3	Colgador	4	Palanca de desbloqueo
5	Cartucho de batería	6	Empuñadura trasera	7	Palanca interruptor	8	Manguito deslizable
9	Cuchillas de tijeras	10	Indicador de velocidad	11	Lámpara de precaución	12	Botón de inversión
13	Botón de alimentación principal	-	-	-	-	-	-

DESCRIPCIÓN DEL FUNCIONAMIENTO

⚠PRECAUCIÓN: Asegúrese siempre de que la herramienta está apagada y el cartucho de batería retirado antes de realizar cualquier ajuste o comprobación en la herramienta.

Instalación o extracción del cartucho de batería

⚠PRECAUCIÓN: Apague siempre la herramienta antes de instalar o retirar el cartucho de batería.

⚠PRECAUCIÓN: Sujete la herramienta y el cartucho de batería firmemente cuando instale o retire el cartucho de batería. Si no sujeta la herramienta y el cartucho de batería firmemente podrán caérsele de las manos y resultar en daños a la herramienta y al cartucho de batería y heridas personales.

Para instalar el cartucho de batería, alinee la lengüeta del cartucho de batería con la ranura del alojamiento y deslícelo al interior hasta encajarlo en su sitio. Insértelo por completo hasta que se bloquee en su sitio con un pequeño chasquido. Si puede ver el indicador rojo como se muestra en la figura, no estará bloqueado completamente.

Para retirar el cartucho de batería, deslícelo de la herramienta mientras desliza el botón de la parte frontal del cartucho.

► Fig.2: 1. Indicador rojo 2. Botón 3. Cartucho de batería

⚠PRECAUCIÓN: Instale siempre el cartucho de batería completamente hasta que no pueda verse el indicador rojo. En caso contrario, podrá caerse accidentalmente de la herramienta y ocasionarle heridas a usted o a alguien que esté cerca de usted.

⚠PRECAUCIÓN: No instale el cartucho de batería empleando fuerza. Si el cartucho no se desliza al interior fácilmente, será porque no está siendo insertado correctamente.

Modo de indicar la capacidad de batería restante

Presione el botón de comprobación en el cartucho de batería para indicar la capacidad de batería restante. Las lámparas indicadoras se iluminan durante unos pocos segundos.

► **Fig.3:** 1. Lámparas indicadoras 2. Botón de comprobación

Lámparas indicadoras			Capacidad restante
Iluminada	Apagada	Parpadeando	
			75% a 100%
			50% a 75%
			25% a 50%
			0% a 25%
			Cargue la batería.
			Puede que la batería no esté funcionando bien.

NOTA: Dependiendo de las condiciones de utilización y de la temperatura ambiente, la indicación podrá variar ligeramente de la capacidad real.

NOTA: La primera lámpara indicadora (extremo izquierdo) parpadeará cuando el sistema de protección de la batería esté funcionando.

Sistema de protección de la herramienta / batería

La herramienta está equipada con sistema de protección de la herramienta/batería. Este sistema corta automáticamente la alimentación del motor para alargar la vida útil de la herramienta y la batería. La herramienta se detendrá automáticamente durante la operación si la herramienta o la batería es puesta en una de las condiciones siguientes:

► **Fig.4:** 1. Lámpara de precaución

Lámpara de precaución			Estado
Color	Encendido	Parpadeando	
Verde			Sobrecarga
Rojo			Recalentamiento (herramienta) / (batería)
Rojo			Descarga excesiva

AVISO: Dependiendo de las condiciones de utilización, la herramienta se parará automáticamente sin ninguna indicación si las ramas o los desechos se enredan en la herramienta. En este caso, apague la herramienta y retire el cartucho de batería, y después retire las ramas o los restos enredados utilizando utensilios tales como alicates. Después de retirar las ramas o los restos, instale el cartucho de batería y encienda la herramienta otra vez.

Protección contra sobrecarga

Si la herramienta o la batería se sobrecarga con ramas enredadas u otros restos, la herramienta se detendrá automáticamente y la lámpara de precaución comenzará a parpadear en verde.

En esta situación, apague la herramienta y detenga la aplicación que ocasiona que la herramienta se sobrecargue. Después encienda la herramienta para volver a empezar.

Protección contra recalentamiento para la herramienta o la batería

Si la herramienta o el cartucho de batería se recalienta, la herramienta se detiene automáticamente. Cuando la herramienta se recalienta, la lámpara de precaución se ilumina en rojo. Cuando el cartucho de batería se recalienta, la lámpara de precaución parpadea en rojo. Deje que la herramienta y/o la batería se enfríen antes de encender la herramienta otra vez.

Protección contra descarga excesiva

Cuando la capacidad de batería sea baja, la herramienta se detendrá automáticamente y la lámpara de precaución comenzará a parpadear en rojo.

Si la herramienta no funciona aun cuando los interruptores sean accionados, retire el cartucho de batería de la herramienta y cárguelo.

Protecciones contra otras causas

También hay un sistema de protección diseñado para otras causas que pueden dañar la herramienta y permite a la herramienta detenerse automáticamente. Realice todos los pasos siguientes para despejar las causas, cuando la herramienta haya sido llevada a una pausa temporal o a una parada en la operación.

1. Apague la herramienta, y después enciéndala otra vez para volver a empezar.
2. Cargue la(s) batería(s) o reemplácela(s) con una batería(s) recargada(s).
3. Deje que la herramienta y la(s) batería(s) se enfríen.

Si no se nota una mejora al restablecer el sistema de protección, póngase en contacto con el centro de servicio Makita local.

Accionamiento del interruptor de alimentación

⚠ADVERTENCIA: Por su propia seguridad, esta herramienta está equipada con un interruptor de desbloqueo que evita que pueda ser puesta en marcha sin querer. No utilice NUNCA la herramienta si se pone en marcha cuando usted simplemente aprieta la palanca interruptor sin presionar la palanca de desbloqueo. Traiga la herramienta a nuestro centro de servicio autorizado para hacer las reparaciones apropiadas ANTES de seguir utilizándola.

⚠ADVERTENCIA: NUNCA sujete con cinta adhesiva o anule el propósito o la función de la palanca de desbloqueo.

⚠PRECAUCIÓN: Antes de instalar el cartucho de batería en la herramienta, compruebe siempre para ver que la palanca interruptor se acciona debidamente y que vuelve a la posición "apagada" cuando la suelta. La utilización de una herramienta con un interruptor que no se acciona debidamente puede dar lugar a la pérdida de control y heridas personales graves.

⚠PRECAUCIÓN: No transporte nunca la herramienta con el dedo puesto en el interruptor. La herramienta podrá ponerse en marcha involuntariamente y ocasionar heridas.

AVISO: No apriete con fuerza la palanca interruptor sin presionar la palanca de desbloqueo. Podría ocasionar la rotura del interruptor.

Presione el botón de alimentación principal para encender la herramienta. Para apagar la herramienta, mantenga presionado el botón de alimentación principal hasta que el indicador de velocidad se apague.

► **Fig.5:** 1. Botón de alimentación principal 2. Indicador de velocidad 3. Lámpara de precaución

NOTA: La lámpara de precaución parpadeará en verde si se aprieta la palanca interruptor en condiciones en las que la operación no es posible como las de abajo:

- Activa el interruptor de alimentación principal mientras mantiene presionadas la palanca de desbloqueo y la palanca interruptor.
- Aprieta la palanca interruptor estando presionada la palanca de desbloqueo mientras pliega el cabezal de la herramienta.

NOTA: Esta herramienta emplea la función de desconexión automática de la alimentación. El interruptor de alimentación principal se inhabilitará automáticamente si la herramienta se deja sin usar 5 minutos aproximadamente.

NOTA: La función de desconexión automática de la alimentación se podrá activar cuando la herramienta se pare debido a la operación del sistema de protección. El interruptor de alimentación principal se inhabilitará automáticamente 5 minutos aproximadamente después de que el motor se pare automáticamente y no se tome ninguna medida correctiva para proteger la herramienta.

Para evitar que la palanca interruptor pueda ser apretada accidentalmente, se ha provisto un interruptor de desbloqueo doble por seguridad.

Para poner en marcha la herramienta, empuje la palanca de bloqueo hacia abajo al frente más allá de su posición normal usando el arco de la mano (es decir, la parte entre los dedos pulgar e índice) y apriete la palanca de desbloqueo con la palma. Después apriete la palanca interruptor con la palanca de desbloqueo estando presionada.

Suelte la palanca interruptor para parar.

► **Fig.6:** 1. Palanca de bloqueo 2. Palanca de desbloqueo 3. Palanca interruptor

Ajuste de la velocidad

Puede ajustar la velocidad de la herramienta presionando el botón de alimentación principal. Cada vez que presione el botón de alimentación principal, cambiará el nivel de velocidad.

► **Fig.7:** 1. Botón de alimentación principal
2. Indicador de velocidad

Indicador	Modo	Velocidad de carrera
 3 2 1	Alto	4.000 min ⁻¹
 3 2 1	Medio	3.000 min ⁻¹
 3 2 1	Bajo	2.000 min ⁻¹

NOTA: La herramienta se pondrá en marcha en el mismo modo que el de la última operación. Si retira la batería mientras el motor está girando después de pararlo, puede que la herramienta no se ponga en marcha en el mismo modo que el de la última operación.

Botón de inversión para retirar restos

⚠ADVERTENCIA: Si las ramas o los restos enredados no se pueden retirar con la función de inversión, apague la herramienta y retire el cartucho de batería, y después retire las ramas o los restos enredados utilizando utensilios tales como alicates. No apagar la herramienta y retirar el cartucho de batería puede resultar en heridas personales graves por una puesta en marcha accidental. Retirar con la mano las ramas y los desechos enredados puede ocasionar heridas, ya que las cuchillas de tijeras se pueden mover como reacción al retirarlas.

Esta herramienta tiene un botón de inversión para cambiar la dirección del movimiento de las cuchillas de tijeras. Este es solamente para retirar ramas y restos enredados en la herramienta.

Para invertir el movimiento de las cuchillas de tijeras, presione el botón de inversión cuando las cuchillas de tijeras se hayan parado, y después apriete la palanca interruptor mientras presiona la palanca de desbloqueo. El indicador de velocidad comenzará a parpadear, y las cuchillas de tijeras se moverán en dirección inversa. Cuando las ramas y restos enredados sean retirados, la herramienta volverá al movimiento normal y el indicador de velocidad dejará de parpadear y se iluminará.

► **Fig.8:** 1. Botón de inversión 2. Indicador de velocidad

NOTA: Si las ramas o restos enredados no se pueden retirar, libere la palanca interruptor, luego presione el botón de inversión, y después apriete la palanca interruptor hasta que sean retirados.

NOTA: Si presiona el botón de inversión mientras las cuchillas de tijeras todavía están moviéndose, la herramienta se detendrá y estará lista para el movimiento inverso.

Ajuste del ángulo de corte

PRECAUCIÓN: Asegúrese siempre de que la herramienta está apagada antes de plegar o desplegar el cabezal.

PRECAUCIÓN: Cuando pliegue el cabezal para transportar la herramienta o después de utilizar la herramienta, asegúrese de colocar la cubierta de las cuchillas antes de plegar el cabezal.

PRECAUCIÓN: Cuando pliegue el cabezal, tenga cuidado de no pillarse los dedos entre el cabezal y el mango deslizable.

El ángulo del cabezal se puede ajustar en 6 pasos entre 45° hacia arriba y 70° hacia abajo. Para cambiar el ángulo del cabezal, siga los pasos de abajo.

► **Fig.9:** 1. Ángulos del cabezal hacia arriba
2. Ángulos del cabezal hacia abajo

1. Sujete el cabezal y el mango deslizable como se muestra en la figura.

► **Fig.10:** 1. Cabezal 2. Mango deslizable

2. Mueva el cabezal mientras mantiene sujetado el mango deslizable, y después libere el mango deslizable.

3. Mueva el cabezal ligeramente hasta que se bloquee con un chasquido.

NOTA: Asegúrese de que el cabezal está bloqueado firmemente antes de operar la herramienta.

Función electrónica

La herramienta está equipada con funciones electrónicas para facilitar la operación.

- Control de velocidad constante
La función de control de velocidad brinda la velocidad de rotación constante independientemente de las condiciones de carga.
- Freno eléctrico
Esta herramienta está equipada con un freno eléctrico. Si la herramienta consistentemente deja de parar las cuchillas de tijeras rápidamente

después de liberar la palanca interruptor, haga que la herramienta sea servida en un centro de servicio autorizado Makita.

- Función de prevención de reinicio de puesta en marcha accidental
Cuando encienda la herramienta mientras aprieta la palanca interruptor, la herramienta no se pondrá en marcha y la lámpara de precaución parpadeará en verde. Para poner en marcha la herramienta, primero suelte la palanca interruptor y después encienda la herramienta.

MONTAJE

PRECAUCIÓN: Asegúrese siempre de que la herramienta está apagada y el cartucho de batería retirado antes de realizar cualquier trabajo en la herramienta.

PRECAUCIÓN: Cuando reemplace las cuchillas de tijeras, póngase siempre guantes de forma que sus manos no entren en contacto directamente con las cuchillas de tijeras.

Instalación o desmontaje de las cuchillas de tijeras

PRECAUCIÓN: Coloque la cubierta de las cuchillas antes de retirar o instalar las cuchillas de tijeras.

AVISO: Cuando reemplace las cuchillas de tijeras, no limpie la grasa del engranaje y el cigüeñal.

NOTA: Antes de instalar o retirar las cuchillas de tijeras, despliegue el cabezal de la herramienta de forma que el cabezal quede recto en el cuerpo de la herramienta.

1. Coloque la herramienta cabeza abajo, y después retire los 6 pernos.

► **Fig.11:** 1. Perno

2. Retire la cubierta y la placa.

► **Fig.12:** 1. Cubierta 2. Placa

Utilice un destornillador de punta plana para abrir la cubierta haciendo palanca si resulta difícil abrirla.

Inserte un destornillador de punta plana en una o más de las aberturas y huecos de la carcasa de la herramienta, y después levante la cubierta para quitarla de la carcasa.

► **Fig.13:** 1. Huecos (en ambos costados de la carcasa) 2. Abertura (entre la cubierta y las cuchillas de tijeras)

NOTA: La placa puede permanecer dentro de la cubierta.

3. Retire la biela de conexión y el cojinete.

► **Fig.14:** 1. Biela de conexión 2. Cojinete

NOTA: La biela de conexión y el cojinete pueden permanecer dentro de la cubierta.

4. Retire los 2 pernos y los 2 casquillos de las cuchillas de tijeras. Desmonte las cuchillas de tijeras del cuerpo de la herramienta. Después retire la almohadilla de fieltro y el guardapolvos de goma de las cuchillas de tijeras.

► **Fig.15:** 1. Perno 2. Casquillo 3. Cuchillas de tijeras 4. Almohadilla de fieltro 5. Guardapolvos

AVISO: Tenga cuidado de no perder las piezas de las partes componentes porque se volverán a usar para el reensamblaje.

5. Retire la cubierta de las cuchillas, y después colóquela en las cuchillas de tijeras nuevas.

► **Fig.16:** 1. Cubierta de las cuchillas

6. Ajuste el cigüeñal de manera que 2 agujeros estén alineados en la línea de alineación.

► **Fig.17:** 1. Agujeros 2. Línea de alineación

7. Alinee las partes protuberantes de ambos lados de las cuchillas de tijeras.

► **Fig.18:** 1. Partes protuberantes

8. Sujete las cuchillas de tijeras con sus agujeros para casquillos orientados hacia arriba. Coloque la almohadilla de fieltro en las cuchillas de tijeras con sus brazos plegados alrededor de las cuchillas de tijeras.

► **Fig.19:** 1. Almohadilla de fieltro 2. Agujero para casquillo

9. Ponga las cuchillas de tijeras cabeza abajo. Coloque el guardapolvos de goma en las cuchillas de tijeras. Ajuste su posición de manera que un extremo del guardapolvos toque la parte protuberante de las cuchillas de tijeras.

► **Fig.20:** 1. Guardapolvos 2. Parte protuberante

10. Gire las cuchillas de tijeras con la almohadilla de fieltro orientada hacia arriba. Alinee la parte protuberante de las cuchillas de tijeras con el agujero del extremo pequeño de la biela de conexión. Vuelva a colocar las cuchillas de tijeras en su sitio.

► **Fig.21:** 1. Almohadilla de fieltro 2. Guardapolvos 3. Parte protuberante 4. Agujero del extremo pequeño 5. Recortes para la almohadilla de fieltro 6. Recortes para el guardapolvos

AVISO: Asegúrese de encajar la almohadilla de fieltro y el guardapolvos de goma bien dentro de los recortes del alojamiento de la cuchilla.

AVISO: Aplique una pequeña cantidad de grasa a la periferia interior del agujero del extremo pequeño de la biela de conexión.

11. Ponga los casquillos nuevos en los agujeros para casquillos de las cuchillas de tijeras.

► **Fig.22:** 1. Casquillo 2. Agujero para casquillo

AVISO: Tenga cuidado de no perder los casquillos.

12. Alinee los agujeros de los casquillos, los de las cuchillas de tijeras y los del alojamiento de la cuchilla conjuntamente a lo largo de una línea. Después apriete los 2 pernos para sujetar las cuchillas de tijeras.

► **Fig.23:** 1. Perno 2. Casquillo 3. Cuchillas de tijeras

13. Coloque el cojinete y la biela de conexión.

► **Fig.24:** 1. Biela de conexión 2. Agujero del extremo pequeño 3. Cojinete

AVISO: Aplique una pequeña cantidad de grasa a la periferia interior del agujero del extremo pequeño de la biela de conexión.

AVISO: Asegúrese de encajar la parte protuberante de las cuchillas de tijeras bien dentro del agujero del extremo pequeño de la biela de conexión.

14. Vuelva a colocar la placa en su sitio.

► **Fig.25:** 1. Placa 2. Parte protuberante

AVISO: Asegúrese de encajar la parte protuberante de las cuchillas de tijeras bien dentro del agujero de la placa.

15. Coloque la cubierta, y después apriete los 6 pernos.

► **Fig.26:** 1. Cubierta 2. Perno

AVISO: Si las cuchillas de tijeras no se mueven suavemente, será porque no estarán acopladas debidamente con las bielas de conexión. Instale las cuchillas de tijeras otra vez.

AVISO: Si partes distintas de las cuchillas de tijeras tales como las bielas de conexión se desgastan, pida en centros de servicio autorizados de Makita que reemplacen las piezas o que hagan las reparaciones.

Instalación o desmontaje del receptor de virutas

Accesorio opcional

⚠PRECAUCIÓN: Cuando instale o retire el receptor de virutas, póngase siempre guantes de manera que sus manos no entren en contacto directamente con las cuchillas de tijeras.

AVISO: La cubierta de las cuchillas no se puede instalar si el receptor de virutas está instalado en la herramienta. Antes de transportar o almacenar la herramienta, desinstale el receptor de virutas y después instale la cubierta de las cuchillas para evitar el contacto con las cuchillas.

AVISO: Asegúrese de retirar la cubierta de las cuchillas antes de instalar el receptor de virutas.

El receptor de virutas recoge las hojas descartadas y hace que la limpieza después sea mucho más fácil. Se puede instalar en cualquiera de los lados de la herramienta.

1. Enganche los enganches del receptor de virutas en las cuchillas de tijeras.

► **Fig.27:** 1. Receptor de virutas 2. Cuchillas de tijeras 3. Enganche

2. Alinee los agujeros del receptor de virutas con los tornillos de las cuchillas de tijeras, y después coloque el receptor de virutas en las cuchillas de tijeras firmemente.

► **Fig.28:** 1. Agujero 2. Tornillo

AVISO: Asegúrese de que el receptor de virutas no traslade el recogedor de ramas.

► **Fig.29:** 1. Recogedor de ramas

Para retirar el receptor de virutas, presione las palancas para liberar las pestañas.

► **Fig.30:** 1. Palanca

AVISO: No intente nunca retirar el receptor de virutas haciendo fuerza excesiva con sus ganchos bloqueados en las acanaladuras de las cuchillas de tijeras.

OPERACIÓN

Colocación del arnés de hombro

PRECAUCIÓN: Antes de la operación, asegúrese de que el arnés de hombro está colocado debidamente en el colgador de la herramienta.

PRECAUCIÓN: Cuando utilice la herramienta en combinación con el suministro de alimentación tipo mochila tal como una unidad portátil de alimentación eléctrica, no utilice el arnés de hombro incluido en el paquete de la herramienta, sino que utilice la cinta colgante recomendada por Makita.

Si se pone el arnés de hombro incluido en el paquete de la herramienta y el arnés de hombro del suministro de alimentación tipo mochila al mismo tiempo, le resultará difícil quitarse la herramienta o el suministro de alimentación tipo mochila en caso de una emergencia, y esto podrá ocasionar un accidente o heridas. Para la cinta colgante recomendada, pregunte en centros de servicio autorizados de Makita.

NOTA: Utilice el arnés de hombro colocado en la herramienta. Antes de la operación, ajuste el arnés de hombro de acuerdo con la talla del usuario para evitar la fatiga.

1. Póngase el arnés de hombro en el hombro.

► **Fig.31**

2. Prenda el gancho del arnés de hombro en el colgador de la herramienta.

► **Fig.32:** 1. Gancho 2. Colgador

3. Ajuste el arnés de hombro en una posición de trabajo cómoda.

► **Fig.33**

El arnés de hombro cuenta con un medio de desenganche rápido.

Simplemente apriete los costados de la hebilla para desenganchar la herramienta del arnés de hombro.

► **Fig.34:** 1. Hebilla

Operación de la herramienta

ADVERTENCIA: No utilice la herramienta cerca de ninguna línea eléctrica. El contacto con líneas eléctricas o el uso de la herramienta cerca de ellas puede ocasionar heridas graves o una descarga eléctrica resultando en la muerte.

ADVERTENCIA: Mantenga las manos alejadas de las cuchillas de tijeras.

ADVERTENCIA: Tenga mucho cuidado de mantener el control de la herramienta en todo momento. No permita que la herramienta se desvíe hacia usted o hacia cualquiera que se encuentre cerca de usted. No mantener el control de la herramienta puede resultar en heridas graves a los transeúntes y el operario.

PRECAUCIÓN: Evite operar la herramienta en tiempo muy cálido tanto como sea práctico. Cuando utilice la herramienta, tenga cuidado de su condición física.

PRECAUCIÓN: Tenga cuidado de no hacer contacto accidental con una valla de metal u otros objetos duros mientras recorta. Las cuchillas de tijeras podrán romperse y ocasionar heridas.

PRECAUCIÓN: Tenga cuidado de no permitir que las cuchillas de tijeras entren en contacto con el suelo. La herramienta podrá recular y ocasionar heridas.

PRECAUCIÓN: Recortar con un cortasetos donde no se alcanza, particularmente desde una escalera, es extremadamente peligroso. No trabaje mientras está subido en cualquier cosa tambaleante o inestable.

AVISO: No intente cortar ramas más gruesas de 10 mm de diámetro con la herramienta. Corte las ramas a 10 cm por debajo de la altura de corte utilizando cortadores de ramas antes de utilizar la herramienta.

► **Fig.35:** 1. Altura de corte 2. 10 cm

AVISO: No tale árboles muertos u objetos duros similares. Si lo hace podrá dañar la herramienta.

AVISO: No recorte hierba o maleza mientras utiliza las cuchillas de tijeras. Las cuchillas de tijeras podrán enredarse en la hierba o maleza.

Sujete la herramienta con ambas manos.

► **Fig.36**

Apriete la palanca interruptor mientras mantiene presionada la palanca de desbloqueo, y después prepare la herramienta para recortar.

► **Fig.37**

Para operación básica, incline las cuchillas de tijeras hacia la dirección de recorte y muévalas con calma y despacio a una velocidad de 3 a 4 segundos por metro.

► **Fig.38**

Para cortar el costado de un seto uniformemente, corte desde abajo hacia arriba.

► **Fig.39**

Cuando recorte para hacer una forma redonda (recorte de boj o rododendro, etc.), recorte desde la raíz hacia la parte superior para obtener un bonito acabado.

► Fig.40

Si el recificador de virutas está colocado en las cuchillas de tijeras, recogerá las hojas eliminadas y hará que la limpieza después sea mucho más fácil.

► Fig.41

MANTENIMIENTO

⚠PRECAUCIÓN: Asegúrese siempre de que la herramienta está apagada y de que el cartucho de batería está retirado antes de intentar hacer una inspección o mantenimiento.

⚠PRECAUCIÓN: Cuando inspeccione o haga el mantenimiento a la herramienta, ponga siempre la herramienta en el suelo. Ensamblar o ajustar la herramienta en una posición vertical puede resultar en heridas graves.

Para mantener la SEGURIDAD y FIABILIDAD del producto, las reparaciones, y cualquier otra tarea de mantenimiento o ajuste deberán ser realizadas en centros de servicio o de fábrica autorizados por Makita, empleando siempre repuestos Makita.

Limpieza de la herramienta

Limpie la herramienta quitando el polvo con un paño seco o uno sumergido en agua jabonosa y escurrido.

AVISO: No utilice nunca gasolina, bencina, disolvente, alcohol o similares. Podría producir descoloración, deformación o grietas.

Mantenimiento de las cuchillas de tijeras

Antes de la operación o una vez por hora durante la operación, aplique aceite de baja viscosidad (aceite para máquinas, o aceite de lubricación de tipo aerosol) a las cuchillas de tijeras.

► Fig.42

Después de la operación, retire el polvo de ambas caras de las cuchillas de tijeras con un cepillo de alambres, limpie las cuchillas con un paño y después aplique aceite de baja viscosidad (aceite para máquinas, o aceite de lubricación de tipo aerosol) a las cuchillas de tijeras.

► Fig.43

AVISO: No lave las cuchillas de tijeras en agua. Si lo hace podrá ocasionar oxidación o daño a la herramienta.

AVISO: La suciedad y la corrosión ocasionan una fricción excesiva de la cuchilla y acortan el tiempo de operación por cada carga de batería.

Almacenamiento

Coloque la cubierta de las cuchillas en las cuchillas de tijeras de forma que las cuchillas no queden expuestas. Guarde la herramienta alejada del alcance de los niños. Almacene la herramienta en un lugar no expuesto a la humedad o la lluvia.

Afilado de las cuchillas de tijeras

AVISO: Si las cuchillas de tijeras se han deformado considerablemente debido al afilado, reemplazelas con unas nuevas.

1. Instale el cartucho de batería en la herramienta.
2. Encienda y ponga en marcha la herramienta de manera que la cuchilla superior y la cuchilla inferior estén posicionadas intercalándose unas en las otras.
► Fig.44
3. Apague la herramienta y retire el cartucho de batería de la herramienta.
4. Retire el tornillo, y después retire el recogedor de ramas.
► Fig.45: 1. Tornillo 2. Recogedor de ramas
5. Coloque la lima a un ángulo de 50°, y afile la cuchilla superior con la lima exactamente en las direcciones de los tres bordes.
► Fig.46: 1. Lima 2. 50°

⚠PRECAUCIÓN: Antes de afilar las cuchillas de tijeras, asegúrese de que la herramienta está apagada y el cartucho de batería retirado de la herramienta.

6. Coloque la herramienta cabeza abajo, y después retire las rebabas de la cuchilla de tijeras con la piedra de acondicionamiento.
► Fig.47: 1. Piedra de acondicionamiento
7. Coloque la lima a un ángulo de 50°, y afile la cuchilla inferior con la lima exactamente en las direcciones de los tres bordes.
8. Vuelva a colocar la herramienta en la posición normal, y después retire las rebabas de la cuchilla de tijeras con la piedra de acondicionamiento.
9. Coloque el recogedor de ramas apretando el tornillo.

Lubricación con grasa

Intervalo de lubricación: Cada 50 horas de operación

Utilización del agujero de lubricación

1. Retire el perno del agujero para lubricación.
► Fig.48: 1. Perno
2. Retire la tapa del tubo de grasa. Alinee la salida del tubo de grasa con el agujero de la cubierta, y después presione la salida del tubo de grasa contra el agujero.
► Fig.49: 1. Tubo de grasa 2. Agujero
3. Aplique la grasa a la herramienta (aproximadamente 5 g a modo de guía).
4. Apriete el perno.

Utilización del engrasador

El conector del engrasador ayuda a conectar una pistola engrasadora con un encaje firme.

1. Prepare una pistola engrasadora para usar.
2. Conecte el adaptador de la pistola engrasadora al engrasador de la herramienta.

► **Fig.50:** 1. Adaptador de pistola engrasadora 2. Engrasador

3. Aplique la grasa a la herramienta (aproximadamente 5 g a modo de guía).

4. Inclíne ligeramente el adaptador para liberar la presión interna, y después retire el adaptador del engrasador.

Limpie la grasa del adaptador y del engrasador.

SOLUCIÓN DE PROBLEMAS

Antes de solicitar reparaciones, realice su propia inspección en primer lugar. Si encuentra un problema que no está explicado en el manual, no intente desmontar la herramienta. En su lugar, pregunte en los centros de servicio autorizados Makita, utilizando siempre piezas de recambio Makita para las reparaciones.

Estado de anomalía	Causa probable (mal funcionamiento)	Remedio
El motor no se pone en marcha.	El cartucho de batería no está instalado.	Instale el cartucho de batería.
	Problema de batería (poca tensión)	Recargue la batería. Si la recarga no se realiza efectivamente, reemplace la batería.
	El sistema de accionamiento no funciona correctamente.	Pida a su centro de servicio autorizado local que le hagan la reparación.
El motor se para después de usarlo un poco.	El nivel de carga de la batería es bajo.	Recargue la batería. Si la recarga no se realiza efectivamente, reemplace la batería.
	Recalentamiento.	Deje de utilizar la herramienta para permitir que se enfríe.
La herramienta no alcanza el máximo de RPM.	La batería está instalada incorrectamente.	Instale el cartucho de batería como se describe en este manual.
	La potencia de la batería está cayendo.	Recargue la batería. Si la recarga no se realiza efectivamente, reemplace la batería.
	El sistema de accionamiento no funciona correctamente.	Pida a su centro de servicio autorizado local que le hagan la reparación.
Las cuchillas de tijeras no se mueven: ⇒ ¡detenga la máquina inmediatamente!	Ángulo de las cuchillas de tijeras inapropiado.	Asegúrese de que el cabezal está fijado debidamente en el ángulo de operación.
	Hay objetos extraños enganchados entre las cuchillas de tijeras.	1. Utilice el botón de inversión. 2. Apague la herramienta y retire el cartucho de batería, y después retire los objetos extraños utilizando utensilios como alicates.
	El sistema de accionamiento no funciona correctamente.	Pida a su centro de servicio autorizado local que le hagan la reparación.
Vibración anormal: ⇒ ¡detenga la máquina inmediatamente!	Las cuchillas de tijeras están rotas, torcidas o gastadas.	Reemplace las cuchillas de tijeras.
	El sistema de accionamiento no funciona correctamente.	Pida a su centro de servicio autorizado local que le hagan la reparación.
Las cuchillas de tijeras y el motor no se pueden parar: ⇒ ¡Retire la batería inmediatamente!	Mal funcionamiento eléctrico.	Retire la batería y pida a su centro de servicio autorizado local que le hagan la reparación.

ACCESORIOS OPCIONALES

⚠PRECAUCIÓN: Estos accesorios o aditamentos están recomendados para su uso con la herramienta Makita especificada en este manual.

El uso de cualquier otro accesorio o aditamento puede suponer un riesgo de heridas personales. Utilice el accesorio o aditamento solamente con la finalidad indicada para el mismo.

Si necesita cualquier ayuda para más detalles en relación con estos accesorios, pregunte al centro de servicio Makita local.

- Conjunto de cuchillas de tijeras
- Recibidor de virutas
- Tubo de grasa
- Batería y cargador genuinos de Makita

NOTA: Algunos elementos de la lista podrán estar incluidos en el paquete de la herramienta como accesorios estándar. Pueden variar de un país a otro.

ESPECIFICAÇÕES

Modelo:		UN001G
Comprimento da lâmina		600 mm
Cursos por minuto		2.000/3.000/4.000 min ⁻¹
Ângulo da lâmina de corte		115° (45° para cima, 70° para baixo)
Comprimento total		2.268 mm
Tensão nominal		C.C. 36 V - 40 V máx.
Peso líquido	*1	4,0 kg
	*2	4,7 - 5,9 kg
Grau de proteção		IPX4

- Devido a um programa contínuo de pesquisa e desenvolvimento, estas especificações estão sujeitas a alteração sem aviso prévio.
 - As especificações podem variar de país para país.
- *1: Peso sem quaisquer acessórios ou bateria(s)
 *2: O peso poderá diferir em função do(s) acessório(s), incluindo a bateria. As combinações mais leve e mais pesada, de acordo com o Procedimento EPTA 01/2014, são apresentadas na tabela.

Bateria e carregador aplicável

Bateria	BL4020 / BL4025 / BL4040 / BL4040F / BL4050F / BL4080F
Carregador	DC40RA / DC40RB / DC40RC / DC40WA

- Algumas das baterias e carregadores listados acima poderão não estar disponíveis, dependendo da sua região de residência.

⚠AVISO: Utilize apenas as baterias e carregadores listados acima. A utilização de quaisquer outras baterias e carregadores pode causar ferimentos e/ou um incêndio.






Fonte de alimentação ligada por fio recomendada

Adaptador de baterias tipo mochila	PDC01 / PDC1200 / PDC1500
------------------------------------	---------------------------

- A(s) fonte(s) de alimentação ligada(s) por fio listada(s) acima pode(m) não estar disponível(eis) dependendo da sua região de residência.
- Antes de utilizar a fonte de alimentação ligada por fio, leia as instruções e etiquetas de precaução na mesma.

Símbolos

A seguir são apresentados os símbolos que podem ser utilizados para o equipamento. Certifique-se de que compreende o seu significado antes da utilização.

	Leia o manual de instruções.
	Use capacetes, óculos de proteção e proteção auricular.
	PERIGO - Mantenha as mãos afastadas da lâmina.
	Tenha cuidado com as linhas elétricas, risco de choque elétrico.
	Mantenha uma distância de, pelo menos, 15 m.



Apenas para países da UE
 Devido à presença de componentes perigosos no equipamento, os resíduos de equipamentos elétricos e eletrônicos, acumuladores e baterias podem ter um impacto negativo no meio ambiente e na saúde humana.
 Não elimine aparelhos elétricos e eletrônicos ou baterias juntamente com resíduos domésticos!
 De acordo com a Diretiva europeia relativa aos resíduos de equipamentos elétricos e eletrônicos, acumuladores e baterias, bem como a respetiva adaptação à legislação nacional, os resíduos de equipamentos elétricos e eletrônicos, acumuladores e baterias devem ser armazenados separadamente e entregues num ponto de recolha separado para resíduos municipais, que opere de acordo com os regulamentos de proteção ambiental.
 Tal é indicado pelo símbolo de contentor de lixo com rodas barrado com uma cruz colocado no equipamento.



Nível de potência sonora garantido de acordo com a Diretiva de ruído ambiente da UE.



Nível de potência sonora de acordo com o Regulamento de controlo do ruído de NSW da Austrália

Utilização a que se destina

A ferramenta destina-se a aparar sebes.

Ruído

A característica do nível de ruído A determinado de acordo com a EN62841-4-2:

Modelo	Nível de pressão sonora		Nível garantido de potência sonora	Nível medido de potência sonora	
	L _{pA} (dB(A))	K de incerteza (dB(A))	L _{WA} (dB(A))	L _{WA} (dB(A))	K de incerteza (dB(A))
UN001G	82	3	94	93	1,5

NOTA: O(s) valor(es) da emissão de ruído indicado(s) foi medido de acordo com um método de teste padrão e pode ser utilizado para comparar duas ferramentas.

NOTA: O(s) valor(es) da emissão de ruído indicado(s) pode também ser utilizado na avaliação preliminar da exposição.

AVISO: Utilize protetores auriculares.

AVISO: A emissão de ruído durante a utilização real da ferramenta elétrica pode diferir do(s) valor(es) indicado(s), dependendo das formas como a ferramenta é utilizada, especialmente o tipo de peça de trabalho que é processada.

AVISO: Certifique-se de identificar as medidas de segurança para proteção do operador que sejam baseadas em uma estimativa de exposição em condições reais de utilização (considerando todas as partes do ciclo de operação, tal como quando a ferramenta está desligada e quando está a funcionar em marcha lenta além do tempo de acionamento).

Vibração

Valor total da vibração (soma vetorial tri-axial) determinado de acordo com a EN62841-4-2:

Modelo	Pega esquerda (punho dianteiro/pega)		Pega direita (punho traseiro)	
	ah (m/s ²)	K de incerteza (m/s ²)	ah (m/s ²)	K de incerteza (m/s ²)
UN001G	4,9	1,5	3,5	1,5

NOTA: O(s) valor(es) total(ais) de vibração indicado(s) foi medido de acordo com um método de teste padrão e pode ser utilizado para comparar duas ferramentas.

NOTA: O(s) valor(es) total(ais) de vibração indicado(s) pode também ser utilizado na avaliação preliminar da exposição.

AVISO: A emissão de vibração durante a utilização real da ferramenta elétrica pode diferir do(s) valor(es) indicado(s), dependendo das formas como a ferramenta é utilizada, especialmente o tipo de peça de trabalho que é processada.

AVISO: Certifique-se de identificar as medidas de segurança para proteção do operador que sejam baseadas em uma estimativa de exposição em condições reais de utilização (considerando todas as partes do ciclo de operação, tal como quando a ferramenta está desligada e quando está a funcionar em marcha lenta além do tempo de acionamento).

Declarações de conformidade

Apenas para os países europeus

As Declarações de conformidade estão incluídas no Anexo A deste manual de instruções.

AVISOS DE SEGURANÇA

Avisos gerais de segurança para ferramentas elétricas

AVISO Leia todos os avisos de segurança, instruções, ilustrações e especificações fornecidos com esta ferramenta elétrica. O incumprimento de todas as instruções abaixo enumeradas pode resultar em choque elétrico, incêndio e/ou ferimentos graves.

Guarde todos os avisos e instruções para futuras referências.

O termo "ferramenta elétrica" nos avisos refere-se às ferramentas elétricas ligadas à corrente elétrica (com cabo) ou às ferramentas elétricas operadas por meio de bateria (sem cabo).

Avisos de segurança para o aparador de cerca viva a bateria

Avisos de segurança para o aparador de cerca viva a bateria:

1. **Não utilize o aparador de cerca viva em más condições atmosféricas, especialmente quando existe o risco de relâmpagos.** Isto reduz o risco de ser atingido por um relâmpago.
2. **Mantenha todos os cabos de alimentação afastados da área de corte.** Os cabos de alimentação podem estar ocultos em sebes ou arbustos e podem ser acidentalmente cortados pela lâmina.
3. **Utilize proteção auditiva.** O equipamento de proteção adequado reduz o risco de perda auditiva.
4. **Segure o aparador de cerca viva apenas pelas superfícies de agarrar isoladas, porque a lâmina poderá tocar em fios ocultos.** O contacto das lâminas com um fio sob tensão pode colocar sob tensão as peças metálicas expostas do aparador de cerca viva e pode provocar um choque elétrico no operador.
5. **Mantenha todas as partes do corpo afastadas da lâmina. Não remova material cortado nem segure material a cortar quando as lâminas estiverem em movimento.** As lâminas continuam a mover-se depois de desligar o interruptor. Um momento de desatenção durante a operação do aparador de cerca viva pode resultar em ferimentos pessoais graves.
6. **Quando desimpedir material encravado ou efetuar a manutenção do aparador de cerca viva, certifique-se de que todos os interruptores de alimentação estão desligados e que o conjunto de baterias foi removido ou está desligado.** A atuação inesperada do aparador de cerca viva, ao desimpedir material encravado ou efetuar a manutenção, pode resultar em ferimentos pessoais graves.
7. **Transporte o aparador de cerca viva segurando a pega com a lâmina imobilizada e tendo cuidado para não operar qualquer interruptor de alimentação.** O transporte apropriado do aparador de cerca viva reduz o risco de arranque inadvertido e consequentes ferimentos pessoais resultantes das lâminas.

8. **Quando transportar ou guardar o aparador de cerca viva, utilize sempre a tampa da lâmina.** O manuseamento apropriado do aparador de cerca viva reduz o risco de ferimentos pessoais resultantes das lâminas.

Avisos de segurança para o aparador de cerca viva a bateria:

1. **Utilize sempre proteção para a cabeça quando utilizar o aparador de cerca viva acima da cabeça.** A queda de detritos pode resultar em ferimentos pessoais graves.
2. **Utilize sempre as duas mãos quando utilizar o aparador de cerca viva.** Segure o aparador de cerca viva com as duas mãos para evitar a perda de controlo.
3. **Para reduzir o risco de eletrocussão, nunca utilize o aparador de cerca viva junto de linhas elétricas.** O contacto com, ou a utilização junto de, linhas elétricas pode causar ferimentos graves ou um choque elétrico que resulte em morte.

Avisos de segurança adicionais

Preparação

1. **ESTE APARADOR DE CERCA VIVA PODE PROVOCAR FERIMENTOS GRAVES. Leia atentamente as instruções para o manuseamento, a preparação, a manutenção, o arranque e a paragem corretos da ferramenta. Familiarize-se com todos os controlos e a utilização adequada da ferramenta.**
2. **Verifique as sebes e os arbustos quanto a objetos estranhos, tais como cercas de arame ou fios ocultos antes de utilizar a ferramenta.**
3. **O aparador de cerca viva não deve ser utilizado por crianças ou jovens com idade inferior a 18 anos.** Os jovens com mais de 16 anos poderão estar isentos desta restrição se estiverem a receber formação sob a supervisão de um utilizador experiente.
4. **Caso ocorra uma emergência, desligue a ferramenta e remova a bateria imediatamente.**
5. **PERIGO - Mantenha as mãos afastadas da lâmina.** O contacto com a lâmina resultará em lesões físicas graves.
6. **Utilize apenas com a pega e o resguardo devidamente montados na ferramenta.** A utilização da ferramenta sem o resguardo ou a pega corretos fornecidos pode provocar ferimentos pessoais graves.
7. **As pessoas que utilizam a ferramenta pela primeira vez devem ser instruídas por um utilizador experiente capaz de lhes demonstrar como utilizar a ferramenta.**
8. **Antes da operação, examine a área de trabalho para ver se há cercas de arame, pedras ou outros objetos sólidos. Estes podem danificar as lâminas.**
9. **Utilize o aparador de cerca viva apenas se estiver em boas condições físicas.** Se estiver cansado, a sua atenção será reduzida. Tenha especial atenção no final de um dia de trabalho. Realize todo o trabalho com calma e cuidado. O utilizador é responsável por todos os danos causados a terceiros.

10. Antes de iniciar o trabalho, verifique se o aparador apresenta condições de trabalho adequadas e seguras. Assegure que os resguardos estão corretamente instalados. O aparador de cerca viva não deve ser utilizado se não estiver completamente montado.
11. Evite ambientes perigosos. Não utilize a ferramenta em locais húmidos ou molhados, nem a exponha à chuva. A água que entra na ferramenta aumenta o risco de choque elétrico.

Equipamento de proteção pessoal

1. As luvas de trabalho de couro robusto fazem parte do equipamento básico do aparador de cerca viva e têm de ser sempre usadas quando trabalhar com esta ferramenta. Use sempre calçado robusto com solas antideslizantes.
2. Use proteção auditiva, tais como tampões para os ouvidos, para evitar a perda de audição.
3. Use óculos de proteção, capacete de proteção e luvas de proteção para proteger-se contra detritos arremessados ou queda de objetos.
4. Use luvas de proteção quando tocar nas lâminas ou ajustar o ângulo da lâmina. As lâminas podem cortar as mãos gravemente.

Operação

1. Utilize sempre as duas mãos para operar a ferramenta equipada com duas pegas. A utilização de uma mão pode provocar a perda de controlo e resultar em ferimentos pessoais graves.
2. Enquanto opera a ferramenta, certifique-se sempre de que a posição de operação é segura e estável. Esticar-se para alcançar um local com a ferramenta, particularmente desde uma escada, é extremamente perigoso. Não trabalhe a partir de um suporte trêmulo ou instável.
3. Não utilize simultaneamente vários arneses para o cinto e/ou arneses para o ombro quando operar a ferramenta.
4. Durante a operação, mantenha os espetadores ou animais a, pelo menos, 15 m de distância da ferramenta. Pare a ferramenta assim que alguém se aproximar.
5. Se a ferramenta de corte bater em algum objeto ou se a ferramenta começar a fazer um ruído ou uma vibração fora do normal, desligue a ferramenta e remova a bateria imediatamente, e deixe a ferramenta parar. Em seguida, realize os passos seguintes:
 - inspecione quanto a danos,
 - verifique se há peças soltas e aperte-as,
 - solicite a substituição de quaisquer peças danificadas por peças sobressalentes genuínas ou a respetiva reparação com peças sobressalentes genuínas.
6. Utilize apenas a ferramenta para a respetiva finalidade pretendida. Não utilize a ferramenta para qualquer outra finalidade.
7. Desligue a ferramenta e remova a bateria antes de:
 - limpar ou ao desimpedir um bloqueio,
 - verificar, realizar a manutenção ou trabalhar na ferramenta,

- ajustar a posição de trabalho das lâminas de corte,
 - deixar a ferramenta sem supervisão.
8. Certifique-se de que a ferramenta está corretamente localizada numa posição de trabalho designada antes de arrancar a ferramenta.
 9. Não opere a ferramenta com lâminas de corte danificadas ou excessivamente desgastadas.
 10. Certifique-se sempre de que todas as pegas e resguardos estão equipados quando utilizar a ferramenta. Nunca tente usar uma ferramenta incompleta ou equipada com uma modificação não autorizada.
 11. Esteja sempre atento à área circundante e mantenha-se alerta quanto a possíveis perigos dos quais pode não estar ciente devido ao ruído da ferramenta.
 12. Tenha cuidado para não tocar acidentalmente numa cerca de metal ou noutros objetos duros durante a operação. A lâmina parte-se e pode causar ferimentos graves.
 13. Evite o arranque involuntário. Não transporte a ferramenta quando a bateria está instalada e com o dedo no interruptor. Certifique-se de que o interruptor está desligado quando instalar a bateria.
 14. Não agarre as lâminas de corte expostas nem os bordos cortantes quando levantar ou segurar a ferramenta.
 15. Não force a ferramenta. Fará o trabalho melhor e com menor probabilidade de risco de ferimentos à velocidade para a qual foi concebida.
 16. Não utilize a ferramenta sob precipitação nem em condições chuvosas ou de muita humidade. O motor elétrico não é estanque.
 17. Agarre a ferramenta com firmeza durante a sua utilização.
 18. Não opere a ferramenta sem carga desnecessariamente.
 19. Antes de verificar as lâminas de corte, reparar avarias ou remover objetos estranhos presos nas lâminas de corte, desligue sempre a ferramenta e remova a bateria.
 20. Nunca aponte as lâminas de corte na sua direção ou na direção de terceiros.
 21. Se as lâminas pararem devido ao encravamento de objetos estranhos entre as lâminas durante o funcionamento, desligue a ferramenta e remova a bateria e, em seguida, remova os objetos estranhos utilizando ferramentas, tais como um alicate. A remoção manual dos objetos estranhos pode causar ferimentos, uma vez que as lâminas podem mover-se como reação à remoção dos objetos estranhos.
 22. Certifique-se de que não há cabos elétricos, tubos de água, tubos de gás, etc., que possam constituir um perigo se danificados pela utilização da ferramenta.
 23. Não toque nas peças de metal ou nas superfícies quentes da ferramenta durante a utilização ou imediatamente após a operação; estas podem estar extremamente quentes e podem causar queimaduras na sua pele. Deixe a ferramenta arrefecer antes de efetuar qualquer

- trabalho na ferramenta.
24. **Não utilize a ferramenta em pisos macios/ instáveis/escorregadios ou em declives íngremes.** Evite efetuar trabalhos em escadas ou em altura. Qualquer outra abordagem pode causar um risco de queda, dando origem a ferimentos pessoais.
 25. **Não utilize a ferramenta em más condições atmosféricas ou à noite, nas quais a visibilidade seja limitada.** O incumprimento desta indicação pode provocar a queda ou a operação incorreta devido a baixa visibilidade.
 26. **Evite trabalhar num ambiente adverso no qual se preveja um aumento da fadiga do utilizador.**
 27. **Não submerja a ferramenta numa poça.**
 28. **Não deixe a ferramenta sem supervisão no exterior à chuva.**
 29. **Quando folhas molhadas ou sujidade aderirem à boca de sucção (janela de ventilação) devido a chuva, remova-as.**
 30. **Não utilize a ferramenta na neve.**

Segurança elétrica e da bateria

1. **Não elimine a(s) bateria(s) no fogo. A célula pode explodir.** Verifique com os códigos locais as possíveis instruções de eliminação especiais.
2. **Não abra nem mutile a(s) bateria(s).** O eletrólito libertado é corrosivo e pode provocar danos nos olhos ou na pele. Pode ser tóxico se for engolido.
3. **Não carregue a bateria sob chuva ou em locais húmidos.**
4. **Não carregue a bateria ao ar livre.**
5. **Não toque no carregador, incluindo a ficha do carregador e os terminais do carregador, com as mãos molhadas.**
6. **Não substitua a bateria com as mãos molhadas.**
7. **Não substitua a bateria à chuva.**
8. **Não molhe o terminal da bateria com líquido, tal como água, nem submerja a bateria.** Não deixe a bateria à chuva nem carregue, utilize ou guarde a bateria num local húmido ou molhado. Se o terminal ficar molhado ou entrar líquido para a bateria, a bateria pode entrar em curto-circuito e existe um risco de sobreaquecimento, incêndio ou explosão.
9. **Após remover a bateria da ferramenta ou do carregador, certifique-se de que prende a tampa da bateria à bateria e guarde-a num local seco.**
10. **Se a bateria ficar húmida, drene a água no interior e limpe-a com um pano seco.** Seque a bateria completamente num local seco antes de utilizá-la.

Manutenção e armazenamento

1. **Quando a ferramenta estiver parada para manutenção, inspeção ou armazenamento, desligue a ferramenta e remova a bateria, e certifique-se de que todas as peças móveis pararam.** Deixe a ferramenta arrefecer antes de realizar quaisquer inspeções, ajustes, etc.

2. **Deixe sempre a ferramenta arrefecer antes do armazenamento.**
3. **Quando não estiver em utilização, prenda a tampa da lâmina na ferramenta e guarde a ferramenta num local interior, seco, alto e trancado, longe do alcance das crianças.**
4. **Conserve a ferramenta com cuidado.** Mantenha o bordo cortante afiado e limpo para obter um melhor desempenho e para reduzir o risco de ferimentos. Siga as instruções para lubrificar e substituir acessórios. Mantenha as pegas secas, limpas e sem óleo ou massa lubrificante.
5. **Verifique as peças danificadas.** Antes de continuar a utilizar a ferramenta, qualquer peça danificada deve ser cuidadosamente verificada para determinar se funcionará adequadamente e realizará a função pretendida. Verifique o alinhamento das peças móveis, a união das peças móveis, a quebra de peças, a montagem e quaisquer outras condições que possam afetar o seu funcionamento. Um resguardo ou outra peça que estejam danificadas devem ser reparados adequadamente ou substituídos pelo seu centro de assistência autorizado.
6. **Utilize apenas peças sobressalentes genuínas.**
7. **Quando mover a ferramenta para outro local, incluindo durante o trabalho, remova sempre a bateria e coloque a tampa da lâmina nas lâminas de corte.** Nunca carregue nem transporte a ferramenta com as lâminas em funcionamento. Nunca agarre as lâminas com as mãos.
8. **Limpe a ferramenta, e especialmente as lâminas de corte, após a utilização e antes de armazenar a ferramenta por períodos prolongados.** Lubrifique ligeiramente as lâminas de corte e coloque a tampa da lâmina.
9. **Não lave a ferramenta com água a alta pressão.**
10. **Quando lavar a ferramenta, não deixe entrar água no mecanismo elétrico, tais como a bateria, motor e terminais.**
11. **Realize a inspeção ou a manutenção num local no qual possa evitar-se a chuva.**
12. **Após utilizar a ferramenta, remova a sujidade aderida e seque a ferramenta completamente antes de guardá-la.** Dependendo da estação do ano ou da área, existe um risco de avaria devido a congelamento.
13. **Quando guardar a ferramenta, evite a luz solar direta e a chuva e guarde-a num local onde não fique quente ou húmido.**

GUARDE ESTAS INSTRUÇÕES.

AVISO: NÃO permita que conforto ou familiaridade com o produto (adquirido com o uso repetido) substitua a aderência estrita às regras de segurança da ferramenta. MÁ INTERPRETAÇÃO ou não seguimento das regras de segurança estabelecidas neste manual de instruções pode causar danos pessoais sérios.

Instruções de segurança importantes para a bateria

1. **Antes de utilizar a bateria, leia todas as instruções e etiquetas de precaução no (1) carregador de bateria (2) bateria e (3) produto que utiliza a bateria.**
2. **Não desmonte ou manipule a bateria.** Pode resultar num incêndio, em calor excessivo ou numa explosão.
3. **Se o tempo de funcionamento se tornar excessivamente curto, pare o funcionamento imediatamente.** Pode resultar em sobreaquecimento, possíveis queimaduras e mesmo explosão.
4. **Se entrar eletrólito nos seus olhos, lave-os com água e consulte imediatamente um médico.** Pode resultar em perda de visão.
5. **Não coloque a bateria em curto-circuito:**
 - (1) **Não toque nos terminais com qualquer material condutor.**
 - (2) **Evite guardar a bateria juntamente com outros objetos metálicos tais como pregos, moedas, etc.**
 - (3) **Não exponha a bateria à água ou chuva.** Um curto-circuito pode ocasionar um enorme fluxo de corrente, sobreaquecimento, possíveis queimaduras e mesmo estragar-se.
6. **Não guarde nem utilize a ferramenta e a bateria em locais onde a temperatura pode atingir ou exceder 50 °C.**
7. **Não queime a bateria mesmo que esteja estragada ou completamente gasta. A bateria pode explodir no fogo.**
8. **Não pregue, corte, esmague, atire, deixe cair a bateria, nem bata a bateria contra um objeto rijo.** Esta conduta pode resultar num incêndio, em calor excessivo ou numa explosão.
9. **Não utilize uma bateria danificada.**
10. **As baterias de íões de lítio contidas na ferramenta são sujeitas aos requisitos da DGL (Dangerous Goods Legislation - Legislação de bens perigosos).**

Para o transporte comercial, por exemplo, por terceiros ou agentes de expedição, têm de ser observados os requisitos referentes à embalagem e etiquetagem.

Para preparação do artigo a ser expedido, é necessário consultar um perito em materiais perigosos. Tenha ainda em conta a possibilidade de existirem regulamentos nacionais mais detalhados.

Coloque fita-cola ou tape os contactos abertos e embale a bateria de tal forma que não possa mover-se dentro da embalagem.
11. **Quando eliminar a bateria, remova-a da ferramenta e elimine-a num local seguro. Siga os regulamentos locais relacionados com a eliminação de baterias.**
12. **Utilize as baterias apenas com os produtos especificados pela Makita.** Instalar as baterias em produtos não-conformes poderá resultar num incêndio, calor excessivo, explosão ou fuga de eletrólito.
13. **Se a ferramenta não for utilizada durante um período de tempo prolongado, a bateria deve ser removida da ferramenta.**
14. **Durante e após a utilização, a bateria pode aquecer, o que pode provocar queimaduras ou queimaduras a baixa temperatura.** Preste atenção ao manuseamento de baterias quentes.
15. **Não toque no terminal da ferramenta imediatamente após a utilização, pois pode ficar suficientemente quente para provocar queimaduras.**
16. **Não permita a adesão de aparas, pó ou sujidade nos terminais, nos orifícios e nas ranhuras da bateria.** Poderá fazer com que a ferramenta ou a bateria aqueça, incendeie, rebente e avarie, resultando em queimaduras ou ferimentos corporais.
17. **A menos que a ferramenta suporte a utilização perto de linhas elétricas de alta tensão, não utilize a bateria perto de linhas elétricas de alta tensão.** Pode resultar no mau funcionamento ou na avaria da ferramenta ou bateria.
18. **Mantenha a bateria afastada das crianças.**

GUARDE ESTAS INSTRUÇÕES.

⚠PRECAUÇÃO: Utilize apenas baterias genuínas da Makita. A utilização de baterias não genuínas da Makita ou de baterias que foram alteradas, pode resultar no rebentamento da bateria provocando incêndios, ferimentos pessoais e danos. Além disso, anulará a garantia da Makita no que se refere à ferramenta e ao carregador Makita.

Conselhos para manter a máxima vida útil da bateria

1. **Carregue a bateria antes que esteja completamente descarregada.** Pare sempre o funcionamento da ferramenta e carregue a bateria quando notar menos poder na ferramenta.
2. **Nunca carregue uma bateria completamente carregada.** Carregamento excessivo diminui a vida útil da bateria.
3. **Carregue a bateria à temperatura ambiente de 10 °C – 40 °C.** Deixe que uma bateria quente arrefeça antes de a carregar.
4. **Quando não utilizar a bateria, remova-a da ferramenta ou do carregador.**
5. **Carregue a bateria se não a utilizar durante um longo período de tempo (mais de seis meses).**

DESCRIÇÃO DAS PEÇAS

► Fig.1

1	Cabeça	2	Punho dianteiro	3	Anexo	4	Alavanca de desbloqueio
5	Bateria	6	Punho traseiro	7	Alavanca do interruptor	8	Manga de deslizamento
9	Lâminas de corte	10	Indicador de velocidade	11	Luz de precaução	12	Botão de inversão
13	Botão de alimentação principal	-	-	-	-	-	-

DESCRIÇÃO FUNCIONAL

⚠ PRECAUÇÃO: Certifique-se sempre de que a ferramenta está desligada e a bateria foi retirada antes de regular ou verificar qualquer função na ferramenta.

Instalação ou remoção da bateria

⚠ PRECAUÇÃO: Desligue sempre a ferramenta antes de colocar ou retirar a bateria.

⚠ PRECAUÇÃO: Segure firmemente a ferramenta e a bateria quando instalar ou remover a bateria. Se não segurar firmemente a ferramenta e a bateria pode fazer com que escorreguem das suas mãos resultando em danos na ferramenta e na bateria e ferimentos pessoais.

Para instalar a bateria, alinhe a lingueta na bateria com a ranhura na caixa e deslize-a para a posição correta. Insira-a por completo até bloquear na posição correta com um pequeno clique. Se conseguir ver o indicador vermelho conforme apresentado na figura, não está completamente bloqueada.

Para retirar a bateria, deslize-a para fora da ferramenta enquanto desliza o botão na frente da bateria.

► Fig.2: 1. Indicador vermelho 2. Botão 3. Bateria

⚠ PRECAUÇÃO: Instale sempre a bateria até ao fim, até deixar de ver o indicador vermelho.

Caso contrário, a bateria poderá cair da ferramenta acidentalmente e provocar ferimentos em si mesmo ou em alguém próximo.

⚠ PRECAUÇÃO: Não instale a bateria à força. Se a bateria não deslizar facilmente é porque não foi colocada corretamente.

Indicação da capacidade restante da bateria

Prima o botão de verificação na bateria para indicar a capacidade restante da bateria. As luzes indicadoras acendem durante alguns segundos.

► Fig.3: 1. Luzes indicadoras 2. Botão de verificação

Luzes indicadoras			Capacidade restante
Acaso	Apagado	A piscar	
■	□	◐	75% a 100%
■	■	□	50% a 75%
■	■	□	25% a 50%
■	□	□	0% a 25%
◐	□	□	Carregar a bateria.
■	■	□	A bateria pode estar avariada.
□	□	■	

NOTA: Dependendo das condições de utilização e da temperatura ambiente, a indicação pode ser ligeiramente diferente da capacidade real.

NOTA: A primeira luz indicadora (extremo esquerdo) pisca quando o sistema de proteção da bateria funciona.

Sistema de proteção da ferramenta/bateria

A ferramenta está equipada com um sistema de proteção da ferramenta/bateria. Este sistema desliga automaticamente a alimentação do motor para prolongar a vida útil da ferramenta e da bateria. A ferramenta para automaticamente durante o funcionamento se a ferramenta ou a bateria for colocada numa das seguintes condições:

► Fig.4: 1. Luz de precaução

Luz de precaução		Estado
Cor	● Acaso / ● A piscar	
Verde	●	Sobrecarga
Vermelho	● (ferramenta) / ● (bateria)	Sobreaquecimento
Vermelho	●	Sobrecarga

OBSERVAÇÃO: Dependendo das condições de utilização, a ferramenta para automaticamente sem qualquer indicação se os ramos ou detritos estiverem emaranhados na ferramenta. Neste caso, desligue a ferramenta e remova a bateria e, em seguida, remova os ramos emaranhados ou detritos utilizando ferramentas, tais como um alicate. Após remover os ramos ou detritos, instale a bateria e ligue a ferramenta novamente.

Proteção contra sobrecarga

Se a ferramenta ou bateria estiver sobrecarregada com ramos enredados ou outros detritos, a ferramenta para automaticamente e a luz de precaução começa a piscar a verde.

Nesta situação, desligue a ferramenta e pare a aplicação que provocou a sobrecarga na ferramenta. Depois, ligue a ferramenta para a reiniciar.

Proteção contra sobreaquecimento da ferramenta ou bateria

Se a ferramenta ou a bateria estiver sobreaquecida, a ferramenta para automaticamente. Quando a ferramenta estiver sobreaquecida, a luz de precaução acende a vermelho. Quando a bateria estiver sobreaquecida, a luz de precaução pisca a vermelho. Deixe a ferramenta e/ou bateria arrefecer antes de a voltar a ligar.

Proteção contra descarga excessiva

Quando a capacidade da bateria diminuir, a ferramenta para automaticamente e a luz de precaução começa a piscar a vermelho.

Se a ferramenta não funcionar mesmo quando os interruptores são acionados, retire a bateria da ferramenta e carregue-a.

Proteções contra outras causas

O sistema de proteção foi também concebido para outras causas que possam danificar a ferramenta e permite à ferramenta parar automaticamente. Tome todas as medidas que se seguem para eliminar as causas quando a ferramenta tiver parado ou interrompido temporariamente a operação.

1. Desligue a ferramenta e, em seguida, volte a ligá-la para reiniciar.
2. Carregue a(s) bateria(s) ou substitua-a(s) por bateria(s) recarregada(s).
3. Deixe a máquina e a(s) bateria(s) arrefecerem.

Se não for possível constatar qualquer melhoria através do restauro do sistema de proteção, contacte o centro de assistência Makita local.

Ação do interruptor de alimentação

AVISO: Para sua segurança, esta ferramenta está equipada com o interruptor de desbloqueio que impede que a ferramenta efetue o arranque inadvertidamente. **NUNCA** utilize a ferramenta se esta funcionar quando puxa simplesmente a alavanca do interruptor sem pressionar a alavanca de desbloqueio. Devolva a ferramenta ao nosso centro de assistência autorizado para obter as reparações adequadas **ANTES** de continuar a utilizá-la.

AVISO: **NUNCA** utilize fita-cola nem tente anular a finalidade e funcionamento da alavanca de desbloqueio.

PRECAUÇÃO: Antes de instalar a bateria na ferramenta, verifique sempre se a alavanca do interruptor atua corretamente e volta para a posição de “DESLIGADO” quando libertada. Utilizar uma ferramenta com um interruptor que não atua corretamente pode provocar a perda de controlo e ferimentos pessoais graves.

PRECAUÇÃO: Nunca coloque o dedo no interruptor durante o transporte. A ferramenta pode arrancar inadvertidamente e causar ferimentos.

OBSERVAÇÃO: Não puxe a alavanca do interruptor com força sem pressionar a alavanca de desbloqueio. Esta ação pode provocar a quebra do interruptor.

Pressione o botão de alimentação principal para ligar a ferramenta. Para desligar a ferramenta, pressione e mantenha pressionado o botão de alimentação principal até o indicador de velocidade apagar.

► **Fig.5:** 1. Botão de alimentação principal
2. Indicador de velocidade 3. Luz de precaução

NOTA: A luz de precaução pisca a verde se a alavanca do interruptor for puxada em condições não operacionais da maneira a seguir descrita:

- Ligar o interruptor de alimentação principal enquanto pressiona a alavanca de desbloqueio e a alavanca do interruptor.
- Puxar a alavanca do interruptor com a alavanca de desbloqueio sendo pressionada enquanto dobrar a cabeça da ferramenta.

NOTA: Esta ferramenta utiliza a função de desconexão automática. O interruptor de alimentação principal irá desligar automaticamente se a ferramenta não for operada durante aproximadamente 5 minutos.

NOTA: A função de desconexão automática pode ser operada quando a ferramenta para devido à operação do sistema de proteção. O interruptor de alimentação principal irá desligar automaticamente cerca de 5 minutos após o motor parar automaticamente e não ser tomada qualquer ação corretiva contra a proteção da ferramenta.

Para evitar que a alavanca do interruptor seja puxada acidentalmente, é providenciado um interruptor de desbloqueio duplo por motivos de segurança.

Para arrancar a ferramenta, pressione para baixo a alavanca de bloqueio para a frente além da sua posição normal utilizando a membrana da sua mão (ou seja, a parte entre o polegar e o dedo indicador) e aperte a alavanca de desbloqueio com a sua palma. Em seguida, puxe a alavanca do interruptor com a alavanca de desbloqueio a ser pressionada.




Solte a alavanca do interruptor para parar.

► **Fig.6:** 1. Alavanca de bloqueio 2. Alavanca de segurança 3. Alavanca do interruptor

Ajuste da velocidade

Pode ajustar a velocidade da ferramenta premindo o botão de alimentação principal. Sempre que premir o botão de alimentação principal, o nível de velocidade muda.

► **Fig.7:** 1. Botão de alimentação principal 2. Indicador de velocidade

Indicador	Modo	Velocidade do curso
	Alto	4.000 min ⁻¹
	Médio	3.000 min ⁻¹
	Baixo	2.000 min ⁻¹

NOTA: A ferramenta arranca no mesmo modo da última operação. Se remover a bateria enquanto o motor está a funcionar após o desligamento, a ferramenta pode não arrancar no mesmo modo da última operação.

Botão de inversão para a remoção de detritos

AVISO: Se não for possível remover os ramos emaranhados ou detritos através da função de inversão, desligue a ferramenta e remova a bateria e, em seguida, remova os ramos ou detritos utilizando ferramentas, tais como um alicate.

Se não desligar a ferramenta e remover a bateria, podem resultar ferimentos graves provocados pelo arranque acidental da ferramenta. A remoção manual dos ramos emaranhados ou de detritos pode causar ferimentos, uma vez que as lâminas de corte podem mover-se como reação de serem removidas.

Esta ferramenta possui um botão de inversão para alterar a direção do movimento das lâminas de corte. Serve apenas para remover ramos e detritos emaranhados na ferramenta.

Para inverter o movimento das lâminas de corte, pressione o botão de inversão quando as lâminas de corte tiverem parado e, em seguida, puxe a alavanca do interruptor enquanto pressiona a alavanca de desbloqueio. O indicador de velocidade começa a piscar e as lâminas de corte movem-se na direção inversa.

Quando os ramos emaranhados e os detritos forem removidos, a ferramenta retorna ao movimento habitual e o indicador de velocidade para de piscar e acende.

► **Fig.8:** 1. Botão de inversão 2. Indicador de velocidade

NOTA: Se não for possível remover os ramos emaranhados ou os detritos, solte a alavanca do interruptor, pressione depois o botão de inversão e, em seguida, puxe a alavanca do interruptor até serem removidos.

NOTA: Se pressionar o botão de inversão enquanto as lâminas de corte ainda estiverem em movimento, a ferramenta para e fica pronta para efetuar o movimento inverso.

Ajustar o ângulo de corte

PRECAUÇÃO: Certifique-se sempre de que a ferramenta está desligada antes de dobrar ou desdobrar a cabeça.

PRECAUÇÃO: Quando dobrar a cabeça para transportar a ferramenta ou após utilizar a ferramenta, certifique-se de que prende a tampa da lâmina antes de dobrar a cabeça.

PRECAUÇÃO: Quando dobrar a cabeça, tenha cuidado para não prender os dedos entre a cabeça e a manga de deslizamento.

O ângulo da cabeça pode ser ajustado em 6 passos a um valor entre 45° para cima e 70° para baixo. Para alterar o ângulo da cabeça, siga os passos abaixo.

► **Fig.9:** 1. Ângulos da cabeça para cima 2. Ângulos da cabeça para baixo

1. Segure a cabeça e a manga de deslizamento conforme ilustrado na figura.

► **Fig.10:** 1. Cabeça 2. Manga de deslizamento

2. Mova a cabeça enquanto pressiona a manga de deslizamento para baixo e, em seguida, solte a manga de deslizamento.

3. Mova a cabeça ligeiramente até ficar bloqueada com um clique.

NOTA: Certifique-se de que a cabeça está firmemente bloqueada antes de utilizar a ferramenta.

Função eletrônica

A ferramenta está equipada com as funções eletrônicas para operação fácil.

- **Controlo constante da velocidade**
A função de controlo da velocidade assegura a velocidade constante da rotação independentemente das condições de carga.
- **Travão elétrico**
Esta ferramenta está equipada com um travão elétrico. Se a ferramenta consistentemente não parar rapidamente as lâminas de corte após a alavanca do interruptor ser libertada, solicite a reparação da ferramenta num centro de assistência autorizado da Makita.
- **Função de prevenção de reinício acidental**
Quando ligar a ferramenta enquanto puxar a alavanca do interruptor, a ferramenta não arranca

e a luz de precaução pisca a verde. Para arrancar a ferramenta, primeiro solte a alavanca do interruptor e depois ligue a ferramenta.

MONTAGEM

⚠PRECAUÇÃO: Certifique-se sempre de que a ferramenta está desligada e a bateria retirada antes de executar qualquer trabalho na ferramenta.

⚠PRECAUÇÃO: Quando substituir as lâminas de corte, use sempre luvas, de modo a que as suas mãos não fiquem em contacto direto com as lâminas.

Instalar ou remover as lâminas de corte

⚠PRECAUÇÃO: Acople a tampa da lâmina antes de remover ou instalar as lâminas de corte.

OBSERVAÇÃO: Quando substituir as lâminas de corte, não limpe a massa lubrificante da engrenagem e da manivela.

NOTA: Antes de instalar ou remover as lâminas de corte, desdobre a cabeça da ferramenta de modo que a cabeça fique reta ao corpo da ferramenta.

1. Coloque a ferramenta ao contrário e, em seguida, remova os 6 pernos.
▶ **Fig.11:** 1. Parafuso
2. Remova a tampa e a placa.
▶ **Fig.12:** 1. Tampa 2. Placa

Utilize uma chave de fendas de ponta achatada para forçar a abertura da tampa se tiver dificuldade em abrir a tampa.

Insira a chave de fendas de ponta achatada num ou em mais orifícios de abertura e recortes na caixa da ferramenta e, em seguida, levante a tampa para fora da caixa.

- ▶ **Fig.13:** 1. Recortes (em ambos os lados da caixa)
2. Abertura (entre a tampa e as lâminas de corte)

NOTA: A placa pode permanecer dentro da tampa.

3. Remova a haste de ligação e o rolamento.
▶ **Fig.14:** 1. Haste de ligação 2. Rolamento

NOTA: A haste de ligação e o rolamento podem permanecer dentro da tampa.

4. Remova os 2 pernos e as 2 mangas das lâminas de corte. Desmonte as lâminas de corte do corpo da ferramenta. Em seguida, desprenda a base de feltro e a vedação de poeira de borracha das lâminas de corte.
▶ **Fig.15:** 1. Parafuso 2. Manga 3. Lâminas de corte
4. Base de feltro 5. Vedação de poeira

OBSERVAÇÃO: Tenha cuidado para não perder partes das peças componentes uma vez que estas irão ser reutilizadas para a remontagem.

5. Remova a tampa da lâmina e, em seguida, prenda-a às lâminas de corte novas.
▶ **Fig.16:** 1. Tampa da lâmina
6. Ajuste a manivela de modo que 2 orifícios fiquem alinhados na linha de alinhamento.
▶ **Fig.17:** 1. Orifícios 2. Linha de alinhamento
7. Alinhe as partes salientes em ambos os lados das lâminas de corte.
▶ **Fig.18:** 1. Partes salientes
8. Segure as lâminas de corte com os respetivos orifícios de manga virados para cima. Prenda a base de feltro nas lâminas de corte já que os respetivos braços envolvem as lâminas de corte.
▶ **Fig.19:** 1. Base de feltro 2. Orifício de manga
9. Rode as lâminas de corte ao contrário. Prenda a vedação de poeira de borracha nas lâminas de corte. Ajuste a respetiva posição de modo que uma extremidade da vedação de poeira toque na parte saliente das lâminas de corte.
▶ **Fig.20:** 1. Vedação de poeira 2. Parte saliente
10. Rode as lâminas de corte com a base de feltro virada para cima. Alinhe a parte saliente das lâminas de corte com o pequeno orifício de extremidade na haste de ligação. Volte a montar as lâminas de corte no devido lugar.
▶ **Fig.21:** 1. Base de feltro 2. Vedação de poeira 3. Parte saliente 4. Pequeno orifício de extremidade 5. Recortes para base de feltro 6. Recortes para vedação de poeira

OBSERVAÇÃO: Certifique-se de que encaixa bem a base de feltro e a vedação de poeira de borracha nos recortes na caixa da lâmina.

OBSERVAÇÃO: Aplique uma pequena quantidade de massa lubrificante na periferia interna do pequeno orifício de extremidade na haste de ligação.

11. Coloque novas mangas nos orifícios de manga nas lâminas de corte.
▶ **Fig.22:** 1. Manga 2. Orifício de manga

OBSERVAÇÃO: Tenha cuidado para não perder as mangas.

12. Alinhe os orifícios nas mangas, os orifícios nas lâminas de corte e os orifícios na caixa da lâmina conjuntamente ao longo de uma linha. Em seguida, aperte os 2 pernos para fixar as lâminas de corte.
▶ **Fig.23:** 1. Perno 2. Manga 3. Lâminas de corte
13. Prenda o rolamento e a haste de ligação.
▶ **Fig.24:** 1. Haste de ligação 2. Pequeno orifício de extremidade 3. Rolamento

OBSERVAÇÃO: Aplique uma pequena quantidade de massa lubrificante na periferia interna do pequeno orifício de extremidade na haste de ligação.

OBSERVAÇÃO: Certifique-se de que encaixa bem a parte saliente das lâminas de corte no pequeno orifício de extremidade na haste de ligação.

14. Volte a montar a placa no devido lugar.

► Fig.25: 1. Placa 2. Parte saliente

OBSERVAÇÃO: Certifique-se de que encaixa bem a parte saliente das lâminas de corte no orifício na placa.

15. Prenda a tampa e, em seguida, aperte os 6 pernos.

► Fig.26: 1. Tampa 2. Parafuso

OBSERVAÇÃO: Se as lâminas de corte não se moverem suavemente, as lâminas de corte não estão corretamente engatadas nas hastes de ligação. Volte a instalar as lâminas de corte.

OBSERVAÇÃO: Se as outras peças além das lâminas de corte, por exemplo, as hastes de ligação, estiverem desgastadas, solicite a substituição das peças ou reparações num dos centros de assistência autorizados da Makita.

Instalar ou remover o recipiente de aparas

Acessório opcional

PRECAUÇÃO: Quando instalar ou remover o recipiente de aparas, use sempre luvas, de modo a que as suas mãos não fiquem em contacto direto com as lâminas de corte.

OBSERVAÇÃO: A tampa da lâmina não pode ser instalada se o recipiente de aparas estiver instalado na ferramenta. Antes de transportar ou armazenar a ferramenta, desinstale o recipiente de aparas e, em seguida, instale a tampa da lâmina de modo a evitar a exposição da lâmina.

OBSERVAÇÃO: Certifique-se de que remove a tampa da lâmina antes de instalar o recipiente de aparas.

O recipiente de aparas recolhe folhas caídas e torna a limpeza posterior muito mais fácil. Pode ser instalado em ambos os lados da ferramenta.

1. Enganche as garras do recipiente de aparas nas lâminas de corte.

► Fig.27: 1. Recipiente de aparas 2. Lâminas de corte 3. Garra

2. Alinhe os orifícios no recipiente de aparas com os parafusos nas lâminas de corte e, em seguida, prenda o recipiente de aparas firmemente nas lâminas de corte.

► Fig.28: 1. Orifício 2. Parafuso

OBSERVAÇÃO: Certifique-se de que o recipiente de aparas não fica sobreposto ao apanhador de ramos.

► Fig.29: 1. Apanhador de ramos

Para remover o recipiente de aparas, pressione as alavancas para soltar as garras.

► Fig.30: 1. Alavanca

OBSERVAÇÃO: Nunca tente remover o recipiente de aparas exercendo força excessiva com os respetivos ganchos bloqueados nas ranhuras das lâminas de corte.

OPERAÇÃO

Prender o arnês para o ombro

PRECAUÇÃO: Antes do funcionamento, certifique-se de que o arnês para o ombro está devidamente preso ao anexo na ferramenta.

PRECAUÇÃO: Quando utilizar a ferramenta em combinação com a fonte de alimentação tipo mochila como o adaptador de baterias tipo mochila, não utilize o arnês para o ombro incluído na embalagem da ferramenta, mas utilize a fita para pendurar recomendada pela Makita.

Se colocar o arnês para o ombro incluído na embalagem da ferramenta e o arnês para o ombro da fonte de alimentação tipo mochila ao mesmo tempo, a remoção da ferramenta ou da fonte de alimentação tipo mochila é difícil em caso de emergência e pode causar um acidente ou ferimentos. Para obter a fita para pendurar recomendada, solicite-a nos centros de assistência autorizados da Makita.

NOTA: Utilize o arnês para o ombro preso à ferramenta. Antes da operação, ajuste o arnês para o ombro de acordo com o tamanho do utilizador para impedir a fadiga.

1. Utilize o arnês para o ombro no seu ombro.

► Fig.31

2. Feche o gancho do arnês para o ombro ao anexo da ferramenta.

► Fig.32: 1. Gancho 2. Anexo

3. Ajuste o arnês para o ombro a uma posição de trabalho confortável.

► Fig.33

O arnês para o ombro dispõe de um meio de libertação rápida.

Basta apertar as laterais da fivela para soltar a ferramenta do arnês para o ombro.

► Fig.34: 1. Fivela

Operar a ferramenta

⚠️ AVISO: Não utilize a ferramenta junto de linhas elétricas. O contacto com linhas elétricas ou a utilização da ferramenta junto de linhas elétricas pode causar ferimentos graves ou um choque elétrico que resulte em morte.

⚠️ AVISO: Mantenha as mãos afastadas das lâminas de corte.

⚠️ AVISO: Tenha extremo cuidado para manter o controlo da ferramenta em todos os momentos. Não permita que a ferramenta se desvie na sua direção ou na de outras pessoas nas proximidades do trabalho. Se não conseguir manter o controlo da ferramenta, pode provocar ferimentos graves nos espetadores e no operador.

⚠️ PRECAUÇÃO: Evite operar a ferramenta em condições atmosferas muito quentes tanto quanto seja possível. Quando operar a ferramenta, tenha cuidado com a sua condição física.

⚠️ PRECAUÇÃO: Tenha cuidado para não tocar acidentalmente numa cerca de metal ou noutro objeto duro enquanto estiver a aparar. As lâminas de corte podem partir e causar ferimentos.

⚠️ PRECAUÇÃO: Tenha cuidado para não deixar que as lâminas de corte toquem no solo. A ferramenta pode recuar e causar ferimentos.

⚠️ PRECAUÇÃO: Esticar-se para alcançar um local com o aparador de cerca viva, particularmente desde uma escada, é extremamente perigoso. Não trabalhe se estiver posicionado sobre um suporte trêmulo ou instável.

⚠️ OBSERVAÇÃO: Não tente cortar ramos mais grossos do que 10 mm de diâmetro com a ferramenta. Apare ramos 10 cm mais baixo do que a altura de corte utilizando lâminas para ramos antes de utilizar a ferramenta.

► Fig.35: 1. Altura de corte 2. 10 cm

⚠️ OBSERVAÇÃO: Não corte árvores secas ou objetos duros similares. Ao fazê-lo pode causar danos na ferramenta.

⚠️ OBSERVAÇÃO: Não apare a relva ou ervas enquanto estiver a utilizar as lâminas de corte. As lâminas de corte poderão ficar emaranhadas na relva ou nas ervas.

Segure a ferramenta com as duas mãos.

► Fig.36

Puxe a alavanca do interruptor enquanto pressiona e mantém pressionada a alavanca de desbloqueio e, em seguida, prepare a ferramenta para aparar.

► Fig.37

Para o funcionamento básico, incline as lâminas de corte em direção ao sentido de aparar e mova-as calma e lentamente à velocidade de 3 a 4 segundos por metro.

► Fig.38

Para cortar o lado de uma cerca uniformemente, corte a partir da parte inferior até ao topo.

► Fig.39

Quando aparar para moldar uma forma redonda (aparar por buxo ou rododendro, etc.), apare desde a raiz até ao topo para obter um acabamento bonito.

► Fig.40

Se o recipiente de aparas estiver acoplado às lâminas de corte, este recolhe folhas caídas e torna a limpeza posterior muito mais fácil.

► Fig.41

MANUTENÇÃO

⚠️ PRECAUÇÃO: Certifique-se sempre de que a ferramenta se encontra desligada e de que a bateria foi retirada antes de executar qualquer inspeção ou manutenção.

⚠️ PRECAUÇÃO: Quando inspecionar ou realizar a manutenção da ferramenta, coloque sempre a ferramenta em baixo. Montar ou ajustar a ferramenta na vertical pode resultar em ferimentos graves.

Para manter a SEGURANÇA e a FIABILIDADE do produto, as reparações e qualquer outra manutenção ou ajuste devem ser levados a cabo pelos centros de assistência Makita autorizados ou pelos centros de assistência de fábrica, utilizando sempre peças de substituição Makita.

Limpar a ferramenta

Limpe a ferramenta, limpando o pó com um pano seco ou um pano humedecido em água com detergente e torcido.

⚠️ OBSERVAÇÃO: Nunca utilize gasolina, benzina, diluente, álcool ou produtos semelhantes. Pode ocorrer a descoloração, deformação ou rachaduras.

Manutenção das lâminas de corte

Antes da operação ou uma vez por hora durante a operação, aplique óleo de baixa viscosidade (óleo para máquinas ou óleo lubrificante de pulverizar) nas lâminas de corte.

► Fig.42

Após a operação, remova o pó de ambos os lados das lâminas de corte com uma escova de fios, limpe-as com um pano e, em seguida, aplique óleo de baixa viscosidade (óleo para máquinas ou óleo lubrificante de pulverizar) nas lâminas de corte.

► Fig.43

OBSERVAÇÃO: Não lave as lâminas de corte na água. Ao fazê-lo pode causar ferrugem ou danos na ferramenta.

OBSERVAÇÃO: A sujidade e a corrosão causam fricção excessiva da lâmina e encurtam o tempo de funcionamento por carga de bateria.

Armazenamento

Acople a tampa da lâmina às lâminas de corte, de modo a que as lâminas não fiquem expostas. Guarde a ferramenta fora do alcance das crianças. Guarde a ferramenta num local não exposto a humidade ou precipitação.

Retificação das lâminas de corte

OBSERVAÇÃO: Se as lâminas de corte foram consideravelmente deformadas por retificação, substitua-as por lâminas de corte novas.

1. Instale a bateria na ferramenta.
2. Ligue e efetue o arranque da ferramenta, de modo que a lâmina superior e a lâmina inferior fiquem posicionadas de modo ajustado uma em relação à outra.
► **Fig.44**
3. Desligue a ferramenta e remova a bateria da ferramenta.
4. Remova o parafuso e, em seguida, remova o apanhador de ramos.
► **Fig.45:** 1. Parafuso 2. Apanhador de ramos
5. Defina o ângulo de uma lima para 50° e retifique a lâmina superior com a lima em exatamente as três direções de extremidade.
► **Fig.46:** 1. Lima 2. 50°

PRECAUÇÃO: Antes de retificar as lâminas de corte, certifique-se de que a ferramenta está desligada e que a bateria foi removida da ferramenta.

6. Coloque a ferramenta ao contrário e, em seguida, remova as rebarbas da lâmina de corte com a pedra de amolar.
► **Fig.47:** 1. Pedra de amolar
7. Defina o ângulo da lima para 50° e retifique a lâmina inferior com a lima em exatamente as três direções de extremidade.
8. Volte a colocar a ferramenta na posição normal e, em seguida, remova as rebarbas da lâmina de corte com a pedra de amolar.
9. Prenda o apanhador de ramos ao apertar o parafuso.

Lubrificação com massa lubrificante

Intervalo de lubrificação: A cada 50 horas de funcionamento

Utilizar o orifício de óleo para lubrificação

1. Remova o parafuso do orifício para lubrificação.
► **Fig.48:** 1. Parafuso
2. Remova a tampa do recipiente de massa lubrificante. Alinhe a saída do recipiente de massa lubrificante com o orifício na tampa e, em seguida, pressione a saída do recipiente de massa lubrificante no orifício.
► **Fig.49:** 1. Recipiente de massa lubrificante
2. Orifício
3. Aplique a massa lubrificante na ferramenta (aproximadamente 5 g como um guia).
4. Aperte o parafuso.

Utilizar o bocal de massa lubrificante

O conector do bocal ajuda a ligar uma pistola de massa lubrificante com um bom encaixe.

1. Prepare uma pistola de massa lubrificante para utilização.
2. Ligue o adaptador da pistola de massa lubrificante ao bocal de massa lubrificante na ferramenta.
► **Fig.50:** 1. Adaptador da pistola de massa lubrificante 2. Bocal de massa lubrificante
3. Aplique a massa lubrificante na ferramenta (aproximadamente 5 g como um guia).
4. Incline o adaptador ligeiramente para libertar a pressão interna e, em seguida, remova o adaptador do bocal de massa lubrificante.

Limpe a massa lubrificante do adaptador e do bocal de massa lubrificante.

RESOLUÇÃO DE PROBLEMAS

Antes de pedir uma reparação, realize primeiro a sua própria inspeção. Se encontrar um problema que não esteja explicado no manual, não tente desmontar a ferramenta. Em vez disso, peça as reparações nos centros de assistência técnica autorizados da Makita, usando sempre peças de substituição da Makita.

Estado da anomalia	Causa provável (avaria)	Correção
O motor não funciona.	A bateria não está instalada.	Instale a bateria.
	Problema com a bateria (baixa tensão)	Recarregue a bateria. Se o carregamento não for eficaz, substitua a bateria.
	O sistema de acionamento não funciona corretamente.	Peça a reparação no centro de assistência autorizado local.
O motor para de funcionar após pouco uso.	O nível de carga da bateria está baixo.	Recarregue a bateria. Se o carregamento não for eficaz, substitua a bateria.
	Sobreaquecimento.	Pare a utilização da ferramenta para que ela possa arrefecer.
A ferramenta não atinge as RPM máximas.	A bateria está mal instalada.	Instale a bateria como descrito neste manual.
	A potência da bateria está a baixar.	Recarregue a bateria. Se o carregamento não for eficaz, substitua a bateria.
	O sistema de acionamento não funciona corretamente.	Peça a reparação no centro de assistência autorizado local.
As lâminas de corte não se movem: ⇒ pare a máquina imediatamente!	Ângulo inadequado das lâminas de corte.	Certifique-se de que a cabeça está devidamente fixada no ângulo operacional.
	Ficam presos objetos estranhos entre as lâminas de corte.	1. Utilize o botão de inversão. 2. Desligue a ferramenta e remova a bateria e, em seguida, remova os objetos estranhos utilizando ferramentas, tais como um alicate.
	O sistema de acionamento não funciona corretamente.	Peça a reparação no centro de assistência autorizado local.
Vibração anormal: ⇒ pare a máquina imediatamente!	As lâminas de corte estão partidas, curvadas ou desgastadas.	Substitua as lâminas de corte.
	O sistema de acionamento não funciona corretamente.	Peça a reparação no centro de assistência autorizado local.
As lâminas de corte e o motor não conseguem parar: ⇒ retire imediatamente a bateria!	Falha elétrica.	Retire a bateria e peça a reparação no centro de assistência autorizado local.

ACESSÓRIOS OPCIONAIS

⚠ PRECAUÇÃO: Estes acessórios ou peças são recomendados para utilização com a ferramenta Makita especificada neste manual. A utilização de outros acessórios ou peças pode ser perigosa para as pessoas. Utilize apenas acessórios ou peças para os fins indicados.

Se necessitar de informações adicionais relativas a estes acessórios, solicite-as ao seu centro de assistência Makita.

- Conjunto das lâminas de corte
- Recipiente de aparas
- Recipiente de massa lubrificante
- Bateria e carregador genuínos da Makita

NOTA: Alguns itens da lista podem estar incluídos na embalagem da ferramenta como acessórios padrão. Eles podem variar de país para país.

ΠΡΟΔΙΑΓΡΑΦΕΣ

Μοντέλο:		UN001G
Μήκος λάμας		600 mm
Διαδρομές ανά λεπτό		2.000 / 3.000 / 4.000 min ⁻¹
Γωνία κοπτικής λάμας		115° (πάνω 45°, κάτω 70°)
Συνολικό μήκος		2.268 mm
Ονομαστική τάση		D.C. 36 V - 40 V μέγ.
Καθαρό βάρος	*1	4,0 kg
	*2	4,7 - 5,9 kg
Βαθμός προστασίας		IPX4

- Λόγω του συνεχιζόμενου προγράμματος έρευνας και ανάπτυξης, οι προδιαγραφές αυτές υπόκεινται σε αλλαγές χωρίς προειδοποίηση.
- Τα τεχνικά χαρακτηριστικά μπορεί να διαφέρουν από χώρα σε χώρα.

*1: Βάρος χωρίς αξεσουάρ ή κασέτα(-ες) μπαταριών

*2: Το βάρος μπορεί να διαφέρει ανάλογα με τα προσαρτήματα, συμπεριλαμβάνοντας την κασέτα μπαταριών. Οι ελαφρύτεροι και βαρύτεροι συνδυασμοί, σύμφωνα με τη διαδικασία EPTA 01/2014, απεικονίζονται στον πίνακα.

Ισχύουσα κασέτα μπαταριών και φορτιστής

Κασέτα μπαταρίας	BL4020 / BL4025 / BL4040 / BL4040F / BL4050F / BL4080F
Φορτιστής	DC40RA / DC40RB / DC40RC / DC40WA

- Ορισμένες από τις κασέτες και τους φορτιστές μπαταριών που αναγράφονται παραπάνω ίσως να μην είναι διαθέσιμοι, ανάλογα με την τοποθεσία κατοικίας σας.

▲ ΠΡΟΕΙΔΟΠΟΙΗΣΗ: Να χρησιμοποιείτε μόνο τις κασέτες μπαταριών και τους φορτιστές που παρατίθενται ανωτέρω. Η χρήση οποιασδήποτε άλλης κασέτας μπαταριών ή φορτιστή μπορεί να προκαλέσει τραυματισμό ή/και πυρκαγιά.

Συνιστώμενη ενσύρματη πηγή τροφοδοσίας

Φορητή ηλεκτρική τροφοδότηση	PDC01 / PDC1200 / PDC1500
------------------------------	---------------------------

- Οι ενσύρματες πηγές τροφοδοσίας που αναγράφονται παραπάνω μπορεί να μην είναι διαθέσιμες, ανάλογα με την περιοχή της κατοικίας σας.
- Πριν χρησιμοποιήσετε την ενσύρματη πηγή τροφοδοσίας, διαβάστε τις οδηγίες και τις ενδείξεις προφυλάξεων που αναγράφονται σε αυτή.

Σύμβολα

Παρακάτω παρουσιάζονται τα σύμβολα που μπορούν να χρησιμοποιηθούν για τον εξοπλισμό. Βεβαιωθείτε ότι κατανοείτε τη σημασία τους πριν από τη χρήση.



Διαβάστε το εγχειρίδιο οδηγιών.



Να φοράτε κράνος ασφαλείας, προστατευτικά γυαλιά και ωτοασπίδες.



ΚΙΝΔΥΝΟΣ - Κρατήστε τα χέρια μακριά από τη λάμα.



Προσέχετε τις ηλεκτρικές γραμμές, κίνδυνος ηλεκτροπληξίας.



Κρατήστε απόσταση τουλάχιστον 15 m.



Μόνο για τις χώρες της ΕΕ
 Λόγω της παρουσίας των επικίνδυνων συστατικών μερών στον εξοπλισμό, ο απόβλητος ηλεκτρικός και ηλεκτρονικός εξοπλισμός, οι συσσωρευτές και οι μπαταρίες μπορεί να έχουν αρνητική επίδραση στο περιβάλλον και την ανθρώπινη υγεία. Μην απορρίπτετε τις ηλεκτρικές και ηλεκτρονικές συσκευές ή μπαταρίες μαζί με τα οικιακά απορρίμματα!
 Σύμφωνα με την Ευρωπαϊκή Οδηγία για τον απόβλητο ηλεκτρικό και ηλεκτρονικό εξοπλισμό και για τους συσσωρευτές και μπαταρίες και τους απόβλητους συσσωρευτές και μπαταρίες, καθώς και την προσαρμογή τους στην εθνική νομοθεσία, ο απόβλητος ηλεκτρικός εξοπλισμός, οι μπαταρίες και οι συσσωρευτές θα πρέπει να αποθηκεύονται ξεχωριστά και να παραδίδονται σε ξεχωριστό σημείο συλλογής για δημοτικά απόβλητα, το οποίο λειτουργεί σύμφωνα με τους κανονισμούς για την προστασία του περιβάλλοντος.
 Αυτό υποδεικνύεται από το σύμβολο του διαγραμμένου τροχοφόρου κάδου που βρίσκεται αναρτημένο επάνω στον εξοπλισμό.



Εγγυημένη στάθμη ηχητικής ισχύος σύμφωνα με την Οδηγία της ΕΕ για την εκπομπή θορύβου σε εξωτερικούς χώρους.



Στάθμη ηχητικής ισχύος σύμφωνα με τον Κανονισμό ελέγχου θορύβου της Νέας Νότιας Ουαλίας της Αυστραλίας

Προοριζόμενη χρήση

Το εργαλείο προορίζεται για το ψαλίδισμα μπροντούρας.

Θόρυβος

Το τυπικό Α επίπεδο καταμετρημένου θορύβου καθορίζεται σύμφωνα με το EN62841-4-2:

Μοντέλο	Στάθμη ηχητικής πίεσης		Εγγυημένο επίπεδο ηχητικής ισχύος	Μετρούμενο επίπεδο ηχητικής ισχύος	
	L _{PA} (dB(A))	Αβεβαιότητα K (dB(A))	L _{WA} (dB(A))	L _{WA} (dB(A))	Αβεβαιότητα K (dB(A))
UN001G	82	3	94	93	1,5

ΠΑΡΑΤΗΡΗΣΗ: Η δηλωμένη τιμή(ές) εκπομπής θορύβου έχει μετρηθεί σύμφωνα με την πρότυπη μέθοδο δοκιμής και μπορεί να χρησιμοποιηθεί για τη σύγκριση ενός εργαλείου με κάποιο άλλο.

ΠΑΡΑΤΗΡΗΣΗ: Η δηλωμένη τιμή(ές) εκπομπής θορύβου μπορεί να χρησιμοποιηθεί και στην προκαταρκτική αξιολόγηση της έκθεσης.

▲ ΠΡΟΕΙΔΟΠΟΙΗΣΗ: Να φοράτε ωτοασπίδες.

▲ ΠΡΟΕΙΔΟΠΟΙΗΣΗ: Η εκπομπή θορύβου κατά τη χρήση του ηλεκτρικού εργαλείου σε πραγματικές συνθήκες μπορεί να διαφέρει από τη δηλωμένη τιμή(ές) ανάλογα με τους τρόπους χρήσης του εργαλείου, ιδιαίτερα το είδος του τεμαχίου εργασίας που υπόκειται επεξεργασία.

▲ ΠΡΟΕΙΔΟΠΟΙΗΣΗ: Φροντίστε να λάβετε τα κατάλληλα μέτρα προστασίας του χειριστή βάσει ενός υπολογισμού της έκθεσης σε πραγματικές συνθήκες χρήσης (λαμβάνοντας υπόψη όλες τις συνιστώσες του κύκλου λειτουργίας όπως τους χρόνους που το εργαλείο είναι εκτός λειτουργίας και όταν βρίσκεται σε αδρανή λειτουργία πέραν του χρόνου ενεργοποίησης).

Κραδασμός

Η ολική τιμή δόνησης (άθροισμα τρι-αξονικού διανύσματος) καθορίζεται σύμφωνα με το EN62841-4-2:

Μοντέλο	Αριστερό χέρι (μπροστινή λαβή / χειρολαβή)		Δεξιό χέρι (πίσω λαβή)	
	ah (m/s ²)	Αβεβαιότητα K (m/s ²)	ah (m/s ²)	Αβεβαιότητα K (m/s ²)
UN001G	4,9	1,5	3,5	1,5

ΠΑΡΑΤΗΡΗΣΗ: Η δηλωμένη τιμή(ές) συνολικών κραδασμών έχει μετρηθεί σύμφωνα με την πρότυπη μέθοδο δοκιμής και μπορεί να χρησιμοποιηθεί για τη σύγκριση ενός εργαλείου με κάποιο άλλο.

ΠΑΡΑΤΗΡΗΣΗ: Η δηλωμένη τιμή(ές) συνολικών κραδασμών μπορεί να χρησιμοποιηθεί και στην προκαταρκτική αξιολόγηση της έκθεσης.

⚠️ ΠΡΟΕΙΔΟΠΟΙΗΣΗ: Η εκπομπή κραδασμών κατά τη χρήση του ηλεκτρικού εργαλείου σε πραγματικές συνθήκες μπορεί να διαφέρει από τη δηλωμένη τιμή(ές) εκπομπής ανάλογα με τους τρόπους χρήσης του εργαλείου, ιδιαίτερα το είδος του τεμαχίου εργασίας που υπόκειται επέξεργασία.

⚠️ ΠΡΟΕΙΔΟΠΟΙΗΣΗ: Φροντίστε να λάβετε τα κατάλληλα μέτρα προστασίας του χειριστή βάσει ενός υπολογισμού της έκθεσης σε πραγματικές συνθήκες χρήσης (λαμβάνοντας υπόψη όλες τις συνιστώσες του κύκλου λειτουργίας όπως τους χρόνους που το εργαλείο είναι εκτός λειτουργίας και όταν βρίσκεται σε αδρανή λειτουργία πέραν του χρόνου ενεργοποίησης).

Δήλωση Συμμόρφωσης

Μόνο για χώρες της Ευρώπης

Οι Δήλωσης Συμμόρφωσης περιλαμβάνονται στο Παράρτημα Α στο παρόν χειρίδιο οδηγιών.

ΠΡΟΕΙΔΟΠΟΙΗΣΕΙΣ ΑΣΦΑΛΕΙΑΣ

Γενικές προειδοποιήσεις ασφαλείας για το ηλεκτρικό εργαλείο

⚠️ ΠΡΟΕΙΔΟΠΟΙΗΣΗ Διαβάστε όλες τις προειδοποιήσεις ασφάλειας, οδηγίες, εικονογραφίες και προδιαγραφές που παρέχονται με αυτό το ηλεκτρικό εργαλείο. Η μη τήρηση όλων των οδηγιών που αναγράφονται κατωτέρω μπορεί να καταλήξει σε ηλεκτροπληξία, πυρκαγιά ή/και σοβαρό τραυματισμό.

Φυλάξτε όλες τις προειδοποιήσεις και τις οδηγίες για μελλοντική παραπομπή.

Στις προειδοποιήσεις, ο όρος «ηλεκτρικό εργαλείο» αναφέρεται σε ηλεκτρικό εργαλείο που τροφοδοτείται από την κύρια παροχή ηλεκτρικού ρεύματος (με ηλεκτρικό καλώδιο) ή σε ηλεκτρικό εργαλείο που τροφοδοτείται από μπαταρία (χωρίς ηλεκτρικό καλώδιο).

Προειδοποιήσεις ασφαλείας για το φορητό κονταροψάλιδο μπορντούρας

Προειδοποιήσεις ασφαλείας για το φορητό ψαλίδι μπορντούρας:

1. Μην χρησιμοποιείτε το ψαλίδι μπορντούρας σε άσχημες καιρικές συνθήκες, ειδικά όταν υπάρχει κίνδυνος κεραυνών. Αυτό μειώνει τον κίνδυνο να χτυπηθείτε από κεραυνό.
2. Να κρατάτε όλα τα ηλεκτρικά καλώδια και τα σύρματα μακριά από την περιοχή κοπής. Τα ηλεκτρικά καλώδια ή τα σύρματα μπορεί να είναι κρυμμένα στις μπορντούρες ή τους θάμνους και να κοπούν κατά λάθος από τη λάμα.
3. Φοράτε ωτοασπίδες. Ο επαρκής προστατευτικός εξοπλισμός θα μειώσει τον κίνδυνο απώλειας της ακοής.
4. Κρατάτε το ψαλίδι μπορντούρας μόνο από τις μονωμένες επιφάνειες λαβής επειδή η λάμα μπορεί να κάνει επαφή με το κρυμμένο καλώδιο. Σε περίπτωση επαφής των λαμών με

ηλεκτροφόρο καλώδιο, μπορεί να εκτεθειμένα μεταλλικά εξαρτήματα του ψαλιδιού μπορντούρας να καταστούν τα ίδια ηλεκτροφόρα και να προκαλέσουν ηλεκτροπληξία στο χειριστή.

5. Απομακρύνετε όλα τα μέρη του σώματος από τη λάμα. Μην αφαιρείτε το κομμένο υλικό και μην κρατάτε το υλικό προς κοπή όταν οι λάμες κινούνται. Οι λάμες συνεχίζουν να κινούνται μετά την απενεργοποίηση του διακόπτη. Μια στιγμή απροσεξίας κατά τη διάρκεια χειρισμού του ψαλιδιού μπορντούρας μπορεί να προκαλέσει σοβαρό προσωπικό τραυματισμό.
6. Όταν καθαρίζετε μπλοκαρισμένο υλικό ή πραγματοποιείτε σέρβις στο ψαλίδι μπορντούρας, να βεβαιώνετε ότι όλοι οι διακόπτες λειτουργίας είναι σβηστοί και η κασέτα μπαταριών έχει αφαιρεθεί ή αποσυνδεθεί. Η απρόσμενη ενεργοποίηση του ψαλιδιού μπορντούρας κατά τον καθαρισμό του μπλοκαρισμένου υλικού ή το σέρβις μπορεί να έχει ως αποτέλεσμα σοβαρό προσωπικό τραυματισμό.
7. Μεταφέρετε το ψαλίδι μπορντούρας από τη λαβή με τη λάμα σταματημένη και προσέχετε να μην θέσετε τον διακόπτη λειτουργίας σε λειτουργία. Η σωστή μεταφορά του ψαλιδιού μπορντούρας θα μειώσει τον κίνδυνο αθλήτης έναρξης και τον επακόλουθο προσωπικό τραυματισμό από τις λάμες.
8. Κατά τη μεταφορά ή την αποθήκευση του ψαλιδιού μπορντούρας, να χρησιμοποιείτε πάντα το κάλυμμα λαμών. Ο σωστός χειρισμός του ψαλιδιού μπορντούρας θα μειώσει τον κίνδυνο προσωπικού τραυματισμού από τις λάμες.

Προειδοποιήσεις ασφαλείας για το φορητό κονταροψάλιδο μπορντούρας:

1. Να χρησιμοποιείτε πάντα προστασία κεφαλιού κατά τη λειτουργία του κονταροψάλιδου μπορντούρας από ύψος. Η πτώση θραυσμάτων μπορεί να έχει ως αποτέλεσμα σοβαρό προσωπικό τραυματισμό.
2. Να χρησιμοποιείτε πάντα δύο χέρια όταν χρησιμοποιείτε το κονταροψάλιδο μπορντούρας. Να κρατάτε το κονταροψάλιδο μπορντούρας και με τα δύο χέρια για να αποφεύγετε η απώλεια ελέγχου.
3. Για να μειώσετε τον κίνδυνο ηλεκτροπληξίας, μην χρησιμοποιείτε ποτέ το κονταροψάλιδο μπορντούρας κοντά σε οποιοδήποτε ηλεκτρικές γραμμές. Η επαφή με ηλεκτρικές γραμμές ή η χρήση κοντά σε αυτές μπορεί να προκαλέσει σοβαρό τραυματισμό ή ηλεκτροπληξία με αποτέλεσμα τον θάνατο.

Πρόσθετες προειδοποιήσεις ασφάλειας

Προτοιμασία

1. **ΑΥΤΟ ΤΟ ΨΑΛΙΔΙ ΜΠΟΡΝΤΟΥΡΑΣ ΜΠΟΡΕΙ ΝΑ ΠΡΟΚΑΛΕΣΕΙ ΣΟΒΑΡΟΥΣ ΤΡΑΥΜΑΤΙΣΜΟΥΣ.** Διαβάστε τις οδηγίες προσεκτικά για το σωστό χειρισμό, προτοιμασία, συντήρηση, εκκίνηση και διακοπή του εργαλείου. Εξοικειωθείτε με όλα τα χειριστήρια και τη σωστή χρήση του εργαλείου.
2. **Ελέγχετε τους φράχτες από θάμνους και τους θάμνους για ξένα αντικείμενα, όπως συρμάτινους φράχτες ή κρυμμένα καλώδια, πριν θέσετε σε λειτουργία το εργαλείο.**
3. **Το ψαλίδι μπορντούρας δεν πρέπει να χρησιμοποιείται από παιδιά και νέους κάτω των 18 ετών.** Εξαιρούνται από αυτήν την απαγόρευση οι νέοι άνω των 16 ετών που εκπαιδεύονται υπό την επίβλεψη ειδικού.
4. **Σε περίπτωση επείγουσας ανάγκης, απενεργοποιήστε αμέσως το εργαλείο και αφαιρέστε την κασέτα μπαταριών.**
5. **ΚΙΝΔΥΝΟΣ - Να διατηρείτε τα χέρια σας μακριά από τη λάμα.** Η επαφή με τη λάμα θα έχει ως αποτέλεσμα σοβαρό προσωπικό τραυματισμό.
6. **Να χρησιμοποιείτε μόνο με τη λαβή και τον προφυλακτήρα σωστά συναρμολογημένα στο εργαλείο.** Η χρήση του εργαλείου χωρίς τον σωστό παρεχόμενο προφυλακτήρα ή λαβή μπορεί να έχει ως αποτέλεσμα σοβαρό προσωπικό τραυματισμό.
7. **Όσο χρησιμοποιούν το εργαλείο για πρώτη φορά θα πρέπει να ζητήσουν από έναν έμπειρο χρήστη να τους δείξει πώς να χρησιμοποιήσουν το εργαλείο.**
8. **Πριν τη λειτουργία, εξετάστε αν υπάρχουν συρμάτινοι φράχτες, πέτρες ή άλλα στερεά αντικείμενα στην περιοχή εργασίας. Μπορεί να προκαλέσουν ζημιά στις λάμες.**
9. **Να χρησιμοποιείτε το ψαλίδι μπορντούρας μόνο αν βρίσκεστε σε καλή σωματική κατάσταση.** Αν είστε κουρασμένοι, η προσοχή σας θα είναι μειωμένη. Προσέξτε ιδιαίτερα κατά το τέλος της μέρας εργασίας. Εκτελέστε όλες τις εργασίες με ηρεμία και προσοχή. Ο χρήστης είναι υπεύθυνος για όλες τις ζημιές σε άλλα άτομα.
10. **Πριν ξεκινήσετε οποιαδήποτε εργασία, ελέγξτε για να βεβαιωθείτε ότι το ψαλίδι βρίσκεται σε καλή και ασφαλή κατάσταση εργασίας. Βεβαιωθείτε ότι οι προφυλακτήρες είναι τοποθετημένα σωστά. Το ψαλίδι μπορντούρας δεν πρέπει να χρησιμοποιηθεί αν δεν είναι πλήρως συναρμολογημένο.**
11. **Να αποφεύγετε τα επικίνδυνα περιβάλλοντα. Μη χρησιμοποιείτε το εργαλείο σε υγραμένο ή υγρό χώρο ούτε να το εκθέτετε στη βροχή. Η εισοδος νερού στο εργαλείο μπορεί να αυξήσει τον κίνδυνο πρόκλησης ηλεκτροπληξίας.**

Προσωπικός προστατευτικός εξοπλισμός

1. Τα γάντια εργασίας από ανθεκτικό δέρμα αποτελούν μέρος του βασικού εξοπλισμού του ψαλιδιού μπορντούρας και πρέπει πάντα να φοριούνται κατά την εργασία με αυτό. Επίσης, να φοράτε σταθερά παπούτσια με αντιολισθητικές σόλες.

2. Φοράτε προστατευτικά αυτιών, όπως ωτοασπίδες, για να αποτρέψετε την απώλεια της ακοής σας.
3. Φοράτε προστατευτικά γυαλιά, κράνος ασφαλείας και προστατευτικά γάντια για να προστατέψετε τον εαυτό σας από τα αντικείμενα που εκτοξεύονται ή πέφτουν.
4. Όταν αγγίζετε λάμες ή ρυθμίστε τη γωνία λάμας, να φοράτε προστατευτικά γάντια. Οι λάμες μπορούν να κόψουν σοβαρά τα γυμνά χέρια.

Λειτουργία

1. **Να χρησιμοποιείτε πάντα και τα δύο χέρια για να θέσετε σε λειτουργία το εργαλείο, το οποίο έχει προσαρμοστεί με τις δύο λαβές.** Αν χρησιμοποιήσετε ένα χέρι, μπορεί να προκληθεί απώλεια ελέγχου και να έχει ως αποτέλεσμα σοβαρό προσωπικό τραυματισμό.
2. **Ενώ λειτουργείτε το εργαλείο, να εξασφαλίζετε πάντα ότι η θέση λειτουργίας είναι ασφαλής και ασφαλισμένη.** Είναι εξαιρετικά επικίνδυνο να τονώνετε ενώ χρησιμοποιείτε το εργαλείο, ειδικά όταν βρίσκεστε επάνω σε σκάλα. **Μην εργάζεστε ενώ στέκεστε επάνω σε οτιδήποτε ασταθές ή αδύναμο.**
3. **Μην φοράτε ταυτόχρονα πολλαπλούς ιμάντες ζώνης ή/και ιμάντες ώμου ενώ λειτουργείτε το εργαλείο.**
4. **Κατά τη διάρκεια της λειτουργίας, οι παρευρισκόμενοι ή τα ζώα πρέπει να παραμείνουν τουλάχιστον 15 μέτρα μακριά από το εργαλείο. Να διακόπτετε τη λειτουργία του εργαλείου μόλις κάποιος πλησιάζει.**
5. **Αν το κοπτικό εργαλείο χτυπήσει οποιοδήποτε αντικείμενο ή το εργαλείο αρχίσει να παράγει ασυνήθιστο θόρυβο ή δόνηση, σβήστε αμέσως το εργαλείο και βγάλτε την κασέτα μπαταριών, και αφήστε το εργαλείο να ακινητοποιηθεί. Και μετά πραγματοποιήστε τα ακόλουθα βήματα:**
 - επιθεωρήστε για ζημιά
 - ελέγξτε για χαλαρά μέρη και σφίξτε τα ανάλογα
 - αντικαταστήστε ή επισκευάστε τυχόν κατεστραμμένα εξαρτήματα με γνήσια ανταλλακτικά.
6. **Να χρησιμοποιείτε το εργαλείο μόνο για το ενδεδειγμένο σκοπό του. Μη χρησιμοποιείτε το εργαλείο για οποιοδήποτε άλλο σκοπό.**
7. **Απενεργοποιήστε το εργαλείο και αφαιρέστε την κασέτα μπαταριών πριν:**
 - τον καθαρισμό ή πριν καθαρίσετε κάποια εμπλοκή,
 - ελέγξετε, εκτελέσετε συντήρηση ή εκτελέσετε εργασίες στο εργαλείο,
 - ρυθμίσετε τη θέση εργασίας των λαμών κουρευτικού,
 - αφήσετε το εργαλείο χωρίς επιτήρηση.
8. **Βεβαιωθείτε ότι το εργαλείο έχει τοποθετηθεί σωστά στην καθορισμένη θέση εργασίας πριν την εκκίνηση του εργαλείου.**
9. **Μην λειτουργείτε το εργαλείο με κατεστραμμένες ή υπερβολικά φθαρμένες λάμες κουρευτικού.**

10. Όταν χρησιμοποιείτε το εργαλείο, να βεβαιώνετε πάντα ότι όλες οι λαβές και προστατευτικά είναι τοποθετημένα. Μην επιχειρήσετε ποτέ να χρησιμοποιήσετε ένα εργαλείο με ελλείψεις ή ένα εργαλείο στο οποίο έχει πραγματοποιηθεί μη εξουσιοδοτημένη τροποποίηση.
11. Να γνωρίζετε τον περιβάλλοντα χώρο και να είσαστε σε ετοιμότητα για πιθανούς κινδύνους που μπορεί να μην γνωρίζετε λόγω του θορύβου του εργαλείου.
12. Κατά τη λειτουργία, προσέχετε να μην έρθει το εργαλείο σε επαφή με μεταλλικό φράχτη ή άλλα σκληρά αντικείμενα. Η λάμα θα σπάσει και μπορεί να προκαλέσει σοβαρό τραυματισμό.
13. Να αποφεύγετε την αθέλητη εκκίνηση του εργαλείου. Μην μεταφέρετε το εργαλείο όταν η κασέτα μπαταριών είναι τοποθετημένη και με το δάκτυλο στο διακόπτη. Να βεβαιώνετε ότι ο διακόπτης είναι σβηστός όταν τοποθετείτε την κασέτα μπαταριών.
14. Μην πιάνετε τις εκτεθειμένες λάμες κοπής ή τα κοπτικά άκρα όταν σηκώνετε ή κρατάτε το εργαλείο.
15. Μην ασκείτε δύναμη στο εργαλείο. Το εργαλείο θα πραγματοποιήσει την εργασία καλύτερα και με μικρότερη πιθανότητα για κίνδυνο τραυματισμού στο ρυθμό για τον οποίο σχεδιάστηκε.
16. Μη χρησιμοποιήσετε το εργαλείο στη βροχή ή σε βρεγμένες ή πολύ νωπές συνθήκες. Το ηλεκτρικό μοτέρ δεν είναι αδιάβροχο.
17. Κρατήστε το εργαλείο σταθερά όταν χρησιμοποιείτε το εργαλείο.
18. Μη θέτετε το εργαλείο σε λειτουργία χωρίς φορτίο όταν αυτό δεν είναι απαραίτητο.
19. Πριν ελέγξετε τις λάμες κουρευτικού, διορθώστε μια βλάβη ή αφαιρέστε ξένα υλικά που πιπίστηκαν στις λάμες κουρευτικού, να σβίγνετε πάντα το εργαλείο και να βγάξετε την κασέτα μπαταριών.
20. Μην στρέφετε ποτέ τις λάμες κουρευτικού προς το μέρος σας ή προς τους άλλους.
21. Αν οι λάμες σταματήσουν να κινούνται επειδή κόλλησαν ξένα αντικείμενα μεταξύ των λαμιών κατά τη λειτουργία, σβήστε το εργαλείο και αφαιρέστε την κασέτα μπαταριών, μετά αφαιρέστε το ξένο αντικείμενο χρησιμοποιώντας κάποιο εργαλείο, όπως μια πένσα. Η αφαίρεση των ξένων αντικειμένων με το χέρι μπορεί να προκαλέσει τραυματισμό, επειδή οι λάμες μπορεί να κινηθούν σε αντίδραση της αφαίρεσης των ξένων αντικειμένων.
22. Βεβαιωθείτε ότι δεν υπάρχουν ηλεκτρικά καλώδια, σωληνώσεις νερού ή αερίου κ.λπ. οι οποίες θα μπορούσαν να προκαλέσουν κίνδυνο αν υποστούν ζημιές από τη χρήση του εργαλείου.
23. Μην αγγίζετε τα μεταλλικά μέρη ή τις ζεστές επιφάνειες του εργαλείου κατά τη διάρκεια της χρήσης ή αμέσως μετά τη λειτουργία. Μπορεί να είναι πολύ ζεστά και να προκληθεί έγκαυμα στο δέρμα σας. Αφήστε το εργαλείο να ψυχθεί πριν εκτελέσετε οποιαδήποτε εργασία στο εργαλείο.
24. Μην χρησιμοποιείτε το εργαλείο σε μαλακό/ασταθές/ολισθηρό έδαφος ή απότομες κλίσεις. Αποφύγετε να εργάζεστε σε σκάλες ή από ύψος. Αν το κάνετε αυτό, μπορεί να προκληθεί κίνδυνος πρώτης έχοντας ως αποτέλεσμα προσωπικό τραυματισμό.
25. Μην χρησιμοποιείτε το εργαλείο σε άσχημες καιρικές συνθήκες ή τη νύχτα, όταν η ορατότητα είναι περιορισμένη. Αν δεν τηρήσετε αυτή την προειδοποίηση, μπορεί να προκληθεί πτώση ή λανθασμένη λειτουργία λόγω χαμηλής ορατότητας.
26. Αποφύγετε να εργάζεστε σε κακό περιβάλλον, όπου αναμένεται αυξημένη κόπωση του χρήστη.
27. Μην βυθίζετε το εργαλείο σε λακκούβα.
28. Μην αφήνετε το εργαλείο χωρίς επιτήρηση σε εξωτερικούς χώρους στη βροχή.
29. Όταν βρεγμένα φύλλα ή χώμα κολλούν στο στόμιο αναρρόφησης (παράθυρο εξαερισμού) λόγω βροχής, αφαιρέστε τα.
30. Μην χρησιμοποιείτε το εργαλείο στο χιόνι.

Ηλεκτρική ασφάλεια και ασφάλεια μπαταρίας

1. Μη απορρίπτετε την μπαταρία(ίες) στη φωτιά. Το κελί μπορεί να εκραγεί. Συμβουλευτείτε τους τοπικούς κώδικες για πιθανές ειδικές οδηγίες απόρριψης.
2. Μη απορρίπτετε και μην καταστρέψετε την μπαταρία(ίες). Ο ηλεκτρολύτης που εκλύεται είναι διαβρωτικός και μπορεί να προκαλέσει ζημία στα μάτια ή στο δέρμα. Σε περίπτωση κατάποσης, μπορεί να είναι τοξικό.
3. Μη φορτίσετε την μπαταρία στη βροχή, αλλά ούτε σε υγρές τοποθεσίες.
4. Μην φορτίζετε τη μπαταρία σε εξωτερικό χώρο.
5. Μην χειρίζεστε τον φορτιστή, συμπεριλαμβανομένου του φινιρίστη, και τους ακροδέκτες φορτιστή με βρεγμένα χέρια.
6. Μην αλλάζετε την μπαταρία με βρεγμένα χέρια.
7. Μην αλλάζετε την μπαταρία στη βροχή.
8. Μην βρέχετε τον πόλο της μπαταρίας με υγρό, όπως το νερό, και μη βυθίζετε την μπαταρία σε υγρό. Μην αφήνετε την μπαταρία στη βροχή, και μην φορτίζετε, χρησιμοποιείτε ή αποθηκεύετε την μπαταρία σε νωπό ή βρεγμένο μέρος. Αν ο πόλος βρεχτεί ή εισέλθει υγρό στο εσωτερικό της μπαταρίας, η μπαταρία μπορεί να βραχυκυκλώσει και να υπάρχει κίνδυνος υπερθέρμανσης, πυρκαγιάς ή έκρηξης.
9. Αφού αφαιρέσετε την μπαταρία από το εργαλείο ή τον φορτιστή, φροντίστε να συνδέσετε το κάλυμμα μπαταριών στην μπαταρία και να την αποθηκεύσετε σε στεγνό μέρος.
10. Αν η κασέτα μπαταριών βραχεί, αποστραγγίστε το νερό από το εσωτερικό και μετά σκουπίστε την με ένα στεγνό πανί. Στεγνώστε την κασέτα μπαταριών εντελώς σε ένα στεγνό μέρος πριν τη χρησιμοποιήσετε.

Συντήρηση και αποθήκευση

1. Όταν το εργαλείο διακοπεί για συντήρηση, επιθεώρηση ή αποθήκευση, σβήστε το εργαλείο και αφαιρέστε την κασέτα μπαταριών, και

βεβαιωθείτε ότι όλα τα κινούμενα εξαρτήματα έχουν ακινητοποιηθεί. Αφήστε το εργαλείο να ψυχθεί πριν πραγματοποιήσετε οποιαδήποτε επιθεώρηση, ρύθμιση, κτλ.

2. Να αφήνετε πάντα το εργαλείο να ψυχθεί πριν την αποθήκευση.
3. Όταν δεν χρησιμοποιείτε το εργαλείο, προσαρτήστε το κάλυμμα λαμών στο εργαλείο και αποθηκεύστε το εργαλείο σε εσωτερικό χώρο σε ένα στεγνό και υψηλό κλειδωμένο σημείο, που δεν φτάνουν τα παιδιά.
4. Να διατηρείτε το εργαλείο με φροντίδα. Να διατηρείτε το κοπτικό άκρο αιχμηρό και καθαρό, για τη βέλτιστη απόδοση και για τη μείωση του κινδύνου τραυματισμού. Να ακολουθείτε τις οδηγίες για τη λίπανση και την αλλαγή των εξαρτημάτων. Να φροντίζετε ώστε οι λαβές να διατηρούνται στεγνές, καθαρές και χωρίς ίχνη λαδιού ή γράσου.
5. Να ελέγχετε τα μέρη με ζημιά. Πριν από την περαιτέρω χρήση του εργαλείου, θα πρέπει να ελέγχετε προσεκτικά τυχόν εξάρτημα με ζημιά για να καθορίσετε αν θα λειτουργήσουν σωστά και αν θα πραγματοποιήσουν την προοριζόμενη λειτουργία τους. Ελέγξτε την ευθυγράμμιση των κινούμενων μερών, την ελεύθερη κίνηση των κινούμενων μερών, το τυχόν σπασίμο εξαρτημάτων, τη στερέωση και οποιαδήποτε άλλη συνθήκη που ενδεχομένως να επηρεάσει τη λειτουργία του εργαλείου. Ένας προφυλακτήρας ή άλλο εξάρτημα με ζημιά θα πρέπει να επισκευαστεί ή να αντικατασταθεί σωστά σε εξουσιοδοτημένο κέντρο σέρβις.
6. Να χρησιμοποιείτε μόνο γνήσια ανταλλακτικά.
7. Όταν μετακινείτε το εργαλείο σε άλλη τοποθεσία, συμπεριλαμβανόντας κατά τη διάρκεια της εργασίας, να αφαιρείτε πάντα την κασέτα μπαταριών και να τοποθετείτε το κάλυμμα λαμών στις λάμες κουρευτικού. Μην μεταφέρετε ποτέ το εργαλείο με τις λάμες σε λειτουργία. Μην πιάνετε ποτέ τις λάμες με τα χέρια σας.
8. Να καθαρίζετε το εργαλείο, και ειδικά τις λάμες κουρευτικού, μετά τη χρήση και πριν τοποθετήσετε το εργαλείο για αποθήκευση για μεγάλες χρονικές περιόδους. Λιπάνετε ελαφρά τις λάμες κουρευτικού και τοποθετήστε το κάλυμμα λαμών.
9. Μην πλένετε το εργαλείο με νερό υψηλής πίεσης.
10. Όταν πλένετε το εργαλείο, μην αφήνετε το νερό να εισέλθει στον ηλεκτρικό μηχανισμό, όπως η μπαταρία, το μοτέρ και τους πόλους.
11. Εκτελέστε τις εργασίες επιθεώρησης και συντήρησης σε ένα μέρος όπου μπορεί να αποφευχθεί η βροχή.
12. Μετά τη χρήση του εργαλείου, αφαιρέστε το προσκολλημένο χρώμα και στεγνώστε το εργαλείο εντελώς πριν την αποθήκευση. Ανάλογα με την εποχή ή την περιοχή, υπάρχει κίνδυνος δυσλειτουργίας λόγω παγώματος.
13. Όταν αποθηκεύετε το εργαλείο, να αποφεύγετε την άμεση ηλιοβολή και τη βροχή, και να το αποθηκεύσετε σε ένα μέρος όπου δεν υπάρχει πολύ ζέση και υγρασία.

ΦΥΛΑΞΤΕ ΤΙΣ ΟΔΗΓΙΕΣ ΑΥΤΕΣ.

▲ΠΡΟΕΙΔΟΠΟΙΗΣΗ: ΜΗΝ επιτρέψετε το βαθμό άνεσης ή εξοικείωσης με το προϊόν (λόγω επαναληπτικής χρήσης) να αντικαταστήσει την αυστηρή τήρηση των κανόνων ασφαλείας του παρόντος εργαλείου. Η ΛΑΝΘΑΣΜΕΝΗ ΧΡΗΣΗ ή η αμέλεια να ακολουθήσετε τους κανόνες ασφαλείας που διατυπώνονται στο παρόν εγχειρίδιο οδηγιών μπορεί να προκαλέσει σοβαρό προσωπικό τραυματισμό.

Σημαντικές οδηγίες ασφάλειας για κασέτα μπαταριών

1. Πριν χρησιμοποιήσετε την κασέτα μπαταριών, διαβάστε όλες τις οδηγίες και σημειώσεις προφύλαξης (1) στον φορτιστή μπαταριών, (2) στην μπαταρία και (3) στο προϊόν που χρησιμοποιεί την μπαταρία.
2. Μην απουσαρμολογείτε ή παραβιάσετε την κασέτα μπαταριών. Μπορεί να έχει ως αποτέλεσμα πυρκαγιά, υπερθέρμανση ή έκρηξη.
3. Εάν ο χρόνος λειτουργίας έχει γίνει υπερβολικά βραχύς, σταματήστε τη λειτουργία αμέσως. Αλλιώς, μπορεί να έχει ως αποτέλεσμα κίνδυνο υπερθέρμανσης, πιθανά εγκαύματα ή ακόμη και έκρηξη.
4. Εάν ηλεκτρολύτης μπει στα μάτια σας, ξεπλύνετε τα με καθαρό νερό και ζητήστε ιατρική φροντίδα αμέσως. Αλλιώς, μπορεί να έχει ως αποτέλεσμα απώλεια της όρασης σας.
5. Μην βραχυκυκλώνετε την κασέτα μπαταριών:
 - (1) Μην αγγίζετε τους πόλους με οτιδήποτε αγώγιμο υλικό.
 - (2) Αποφεύγετε να αποθηκεύετε την κασέτα μπαταριών μέσα σε ένα δοχείο μαζί με άλλα μεταλλικά αντικείμενα όπως καρφιά, νομίσματα, κλπ.
 - (3) Μην εκθέτετε την κασέτα μπαταριών στο νερό ή στη βροχή.Ένα βραχυκύκλωμα μπαταρίας μπορεί να προκαλέσει μεγάλη ροή ρεύματος, υπερθέρμανση, πιθανά εγκαύματα ακόμη και σοβαρή βλάβη.
6. Μην αποθηκεύετε και μην χρησιμοποιείτε το εργαλείο και την κασέτα μπαταριών σε τοποθεσίες όπου η θερμοκρασία μπορεί να φτάσει ή να ξεπεράσει τους 50 °C.
7. Μην καίτε την κασέτα μπαταριών ακόμη και εάν έχει σοβαρή ζημιά ή είναι εντελώς φθαρμένη. Η κασέτα μπαταριών μπορεί να εκραγεί στη φωτιά.
8. Μην καρφώσετε, κόψετε, συνθλίψετε, πετάξετε ή ρίξετε κάτω την κασέτα μπαταριών, ούτε να χτυπήσετε ένα σκληρό αντικείμενο επάνω στην κασέτα μπαταριών. Τέτοια συμπεριφορά μπορεί να έχει ως αποτέλεσμα πυρκαγιά, υπερθέρμανση ή έκρηξη.
9. Μην χρησιμοποιείτε μπαταρία που έχει υποστεί ζημιά.
10. Οι μπαταρίες ιόντων λιθίου που περιέχονται υπόκεινται στις απαιτήσεις της νομοθεσίας για επικίνδυνα αγαθά.

Για εμπορικές μεταφορές, για παράδειγμα από τρίτα μέρη, πρέπει να τηρούνται οι διαμεταφορές,

οι ειδικές απαιτήσεις στη συσκευασία και η επισήμανση.

Για προετοιμασία του στοιχείου που αποστέλλεται, είναι απαραίτητο να συμβουλευτείτε έναν ειδικό για επικίνδυνα υλικά. Επίσης, τηρήστε τους πιθανούς, πιο αναλυτικούς εθνικούς κανονισμούς. Καλύψτε με αυτοκόλλητη ταινία ή κρύψτε τις ανοικτές επαφές και συσκευάστε την μπαταρία με τρόπο που να μην μπορεί να μετακινείται μέσα στη συσκευασία.

11. Όταν απορρίπτετε την κασέτα μπαταριών, αφαιρέστε την από το εργαλείο και διαθέστε την σε ένα ασφαλές μέρος. Τηρήστε τους τοπικούς κανονισμούς που σχετίζονται με τη διάθεση της μπαταρίας.
12. Χρησιμοποιήστε τις μπαταρίες μόνο με τα προϊόντα που καθορίζει η Makita. Αν τοποθετήσετε τις μπαταρίες σε μη συμβατά προϊόντα μπορεί να έχει ως αποτέλεσμα πυρκαγιά, υπερβολική θερμότητα, έκρηξη ή διαρροή ηλεκτρολύτη.
13. Αν δεν χρησιμοποιείτε το εργαλείο για μεγάλο χρονικό διάστημα, πρέπει να βγάλετε την μπαταρία από το εργαλείο.
14. Κατά τη διάρκεια και μετά τη χρήση, η κασέτα μπαταριών μπορεί να θερμανθεί, γεγονός που μπορεί να προκαλέσει εγκαύματα ή εγκαύματα από χαμηλή θερμοκρασία. Προσέχετε το χειρισμό των ζεστών κασετών μπαταριών.
15. Μην αγγίζετε τον ακροδέκτη του εργαλείου αμέσως μετά τη χρήση επειδή μπορεί να έχει ζεσταθεί αρκετά για να προκαλέσει εγκαύματα.
16. Μην αφήνετε θραύσματα, σκόνη ή βρομιά να κολλήσει στους ακροδέκτες, τις οπές και τις εγχοπές της κασέτας μπαταριών. Μπορεί να προκαλέσει θέρμανση, φωτιά, έκρηξη και δυσλειτουργία του εργαλείου ή της κασέτας μπαταριών, έχοντας ως αποτέλεσμα εγκαύματα ή προσωπικό τραυματισμό.

17. Εκτός αν το εργαλείο υποστηρίζει τη χρήση κοντά σε ηλεκτρικές γραμμές υψηλής τάσης, μην χρησιμοποιείτε την κασέτα μπαταριών κοντά σε ηλεκτρικές γραμμές υψηλής τάσης. Μπορεί να έχει ως αποτέλεσμα δυσλειτουργία ή στάσιμο του εργαλείου ή της κασέτας μπαταριών.
18. ΚρΦυλάξτε την μπαταρία μακριά από παιδιά.

ΦΥΛΑΞΤΕ ΤΙΣ ΟΔΗΓΙΕΣ ΑΥΤΕΣ.

▲ ΠΡΟΣΟΧΗ: Να χρησιμοποιείτε μόνο γνήσιες μπαταρίες της Makita. Η χρήση μη γνήσιων μπαταριών Makita, ή μπαταριών που έχουν τροποποιηθεί, μπορεί να έχει ως αποτέλεσμα τη ρήξη της μπαταρίας, προκαλώντας πυρκαγιά, προσωπικό τραυματισμό και βλάβη. Επίσης, θα ακυρωθεί η εγγύηση της Makita για το εργαλείο και φορτιστή Makita.

Συμβουλές για τη διατήρηση της μέγιστης ζωής μπαταρίας

1. Φορτίζετε την κασέτα μπαταριών πριν από την πλήρη αποφόρτιση της. Πάντοτε να σταματάτε τη λειτουργία του εργαλείου και να φορτίζετε την κασέτα μπαταριών όταν παρατηρείτε μειωμένη ισχύ εργαλείου.
2. Ποτέ μην επαναφορτίζετε μια πλήρως φορτισμένη κασέτα μπαταριών. Η υπερφόρτιση μειώνει την ωφέλιμη ζωή της μπαταρίας.
3. Να φορτίζετε την κασέτα μπαταριών σε θερμοκρασία δωματίου, δηλαδή στους 10 °C έως 40 °C. Αφήστε μια θερμή κασέτα μπαταριών να κρυώσει πριν την φορτίσετε.
4. Όταν δεν χρησιμοποιείτε την κασέτα μπαταριών, αφαιρέστε την από το εργαλείο ή τον φορτιστή.
5. Να φορτίζετε την κασέτα μπαταριών εάν δεν τη χρησιμοποιείτε για μεγάλη χρονική περίοδο (περισσότερο από έξι μήνες).

ΠΕΡΙΓΡΑΦΗ ΕΞΑΡΤΗΜΑΤΩΝ

► Εικ.1

1	Κεφαλή	2	Μπροστινή λαβή	3	Αναρτήρας	4	Μοχλός απασφάλισης
5	Κασέτα μπαταριών	6	Πίσω λαβή	7	Μοχλός διακόπτης	8	Χιτώνιο ολισθησης
9	Λάμες κουρευτικού	10	Ένδειξη ταχύτητας	11	Προειδοποιητική λυχνία	12	Κουμπί αντιστροφής
13	Κουμπί κύριας λειτουργίας	-	-	-	-	-	-

ΠΕΡΙΓΡΑΦΗ ΛΕΙΤΟΥΡΓΙΑΣ

▲ ΠΡΟΣΟΧΗ: Να φροντίζετε πάντα για την απενεργοποίηση του εργαλείου και την αφαίρεση της κασέτας μπαταρίας, πριν από οποιαδήποτε ρύθμιση ή έλεγχο της λειτουργίας του.

Τοποθέτηση ή αφαίρεση της κασέτας μπαταριών

▲ ΠΡΟΣΟΧΗ: Να σβήνετε πάντα το εργαλείο πριν τοποθετήσετε ή αφαιρέσετε την κασέτα μπαταριών.

▲ ΠΡΟΣΟΧΗ: Κρατήστε το εργαλείο και την κασέτα μπαταριών σταθερά κατά την τοποθέτηση ή αφαίρεση της κασέτας μπαταριών. Εάν δεν κρατάτε το εργαλείο και την κασέτα μπαταριών σταθερά μπορεί να γλιστρήσουν από τα χέρια σας και να προκληθεί βλάβη στο εργαλείο και την κασέτα μπαταριών και προσωπικός τραυματισμός.

Για να τοποθετήσετε την κασέτα μπαταριών, ευθυγραμμίστε τη γλώσσα στην κασέτα μπαταριών με την εγκοπή στο περίβλημα και ολισθήστε τη στη θέση της. Τοποθετήστε την μέχρι τέρμα μέχρι να ασφαλίσει στη θέση της, γεγονός που υποδεικνύεται με ένα χαρακτηριστικό ήχο. Αν μπορείτε να δείτε τον κόκκινο δείκτη όπως απεικονίζεται στην εικόνα, δεν έχει κλειδώσει τελείως.

Για να αφαιρέσετε την κασέτα μπαταριών, ολισθήστε την από το εργαλείο ενώ σύρετε το κουμπί στο μπροστινό μέρος της κασέτας.

► **Εικ.2:** 1. Κόκκινος δείκτης 2. Κουμπί 3. Κασέτα μπαταριών

▲ ΠΡΟΣΟΧΗ: Να τοποθετείτε πάντα την κασέτα μπαταριών πλήρως μέχρι να μη βλέπετε τον κόκκινο δείκτη. Εάν δεν ασφαλιστεί, μπορεί να πέσει από το εργαλείο τυχαία, προκαλώντας σωματική βλάβη σε εσάς ή κάποιον άλλο γύρω σας.

▲ ΠΡΟΣΟΧΗ: Μην τοποθετείτε την κασέτα μπαταριών με βία. Εάν η κασέτα δεν ολισθαίνει με ευκολία, τότε δεν έχει τοποθετηθεί κατάλληλα.

Εμφάνιση υπολειπόμενης χωρητικότητας μπαταρίας

Πίστετε το κουμπί ελέγχου στην κασέτα μπαταριών για να υποδείξετε την υπολειπόμενη χωρητικότητα μπαταρίας. Οι ενδεικτικές λυχνίες ανάβουν για λίγα δευτερόλεπτα.

► **Εικ.3:** 1. Ενδεικτικές λυχνίες 2. Κουμπί ελέγχου

Ενδεικτικές λυχνίες			Υπολειπόμενη χωρητικότητα
Αναμμένες	Σβηστές	Αναβοσβήνουν	
■ ■ ■ ■			75% έως 100%
■ ■ ■ □			50% έως 75%
■ ■ □ □			25% έως 50%
■ □ □ □			0% έως 25%
■ □ □ □		▲ □ □ □	Φορτίστε την μπαταρία.
■ ■ □ □		▲ □ □ □	Μπορεί να προέκυψε δυσλειτουργία στην μπαταρία.

ΠΑΡΑΤΗΡΗΣΗ: Ανάλογα με τις συνθήκες χρήσης και τη θερμοκρασία περιβάλλοντος, η ένδειξη μπορεί να διαφέρει λίγο από την πραγματική χωρητικότητα.

ΠΑΡΑΤΗΡΗΣΗ: Η πρώτη (τέρμα αριστερά) ενδεικτική λυχνία θα αναβοσβήνει όταν λειτουργεί το σύστημα προστασίας μπαταρίας.

Σύστημα προστασίας εργαλείου/ μπαταρίας

Το εργαλείο είναι εξοπλισμένο με σύστημα προστασίας εργαλείου/μπαταρίας. Αυτό το σύστημα αποκόπτει αυτόματα την ισχύ προς το μοτέρ για να παραταθεί η διάρκεια λειτουργίας του εργαλείου και της μπαταρίας. Το εργαλείο σταματά αυτόματα κατά τη διάρκεια της λειτουργίας αν το εργαλείο ή η μπαταρία βρεθούν κάτω από τις παρακάτω συνθήκες:

► **Εικ.4:** 1. Προειδοποιητική λυχνία

Χρώμα	Προειδοποιητική λυχνία		Κατάσταση
	● Αναμμένη	● Αναβοσβήνει	
Πράσινη	●	●	Υπερφόρτιση
Κόκκινη	● (εργαλείο) / ● (μπαταρία)	●	Υπερθέρμανση
Κόκκινη		●	Υπερεκφόρτιση

ΕΙΔΟΠΟΙΗΣΗ: Ανάλογα με τις συνθήκες χρήσης, το εργαλείο σταματάει αυτόματα χωρίς καμία ένδειξη αν μπλεχτούν κλαδιά ή σκουπίδια στο εργαλείο. Σε αυτή την περίπτωση, απενεργοποίηστε το εργαλείο και αφαιρέστε την κασέτα μπαταριών, μετά αφαιρέστε τα μπλεγμένα κλαδιά ή σκουπίδια χρησιμοποιώντας εργαλεία όπως μια πένσα. Αφού αφαιρέσετε τα κλαδιά ή σκουπίδια, τοποθετήστε την κασέτα μπαταριών και ενεργοποιήστε ξανά το εργαλείο.

Προστασία υπερφόρτωσης

Αν το εργαλείο ή η μπαταρία υπερφορτωθεί με μπλεγμένα κλαδιά ή άλλα σκουπίδια, σταματάει αυτόματα η λειτουργία του εργαλείου και η λυχνία προσοχής αρχίζει να αναβοσβήνει με πράσινο χρώμα.

Σε αυτή την κατάσταση, σβήστε το εργαλείο και διακόψτε την εφαρμογή που προκαλεί την υπερφόρτωση του εργαλείου. Μετά, ενεργοποιήστε το εργαλείο για επανεκκίνηση.

Προστασία υπερθέρμανσης για το εργαλείο ή την μπαταρία

Αν το εργαλείο ή η κασέτα μπαταριών υπερθερμανθεί, το εργαλείο σταματάει αυτόματα. Όταν το εργαλείο υπερθερμανθεί, ανάβει η προειδοποιητική λυχνία με κόκκινο χρώμα. Όταν η κασέτα μπαταριών υπερθερμανθεί, η προειδοποιητική λυχνία αναβοσβήνει με κόκκινο χρώμα. Αφήστε το εργαλείο και/ή την μπαταρία να κρυώσει, πριν ενεργοποιήσετε ξανά το εργαλείο.

Προστασία υπερβολικής απόφορτισης

Όταν η χωρητικότητα μπαταρίας είναι χαμηλή, η λειτουργία του εργαλείου σταματάει αυτόματα και η προειδοποιητική λυχνία αρχίζει να αναβοσβήνει με κόκκινο χρώμα.

Αν το εργαλείο δεν λειτουργήσει ακόμα και όταν χειριστείτε τους διακόπτες, αφαιρέστε την κασέτα μπαταριών από το εργαλείο και φορτίστε την.

Προστασία και από άλλες αιτίες

Το σύστημα προστασίας έχει επίσης σχεδιαστεί για άλλες αιτίες που μπορούν να προκαλέσουν ζημιά στο εργαλείο και επιτρέπει την αυτόματη διακοπή του εργαλείου. Λάβετε όλα τα ακόλουθα βήματα για να διορθώσετε τις αιτίες, όταν το εργαλείο τεθεί σε προσωρινή διακοπή ή διακοπή κατά τη διάρκεια της λειτουργίας.

1. Απενεργοποιήστε το εργαλείο και, στη συνέχεια, ενεργοποιήστε το ξανά για να επανεκκινήσει.
2. Φορτίστε την μπαταρία ή τις μπαταρίες ή αντικαταστήστε τις με επαναφορτιζόμενες μπαταρίες.
3. Αφήστε το μηχανήμα και τις μπαταρίες να ψυχθούν.

Εάν δεν υπάρχει βελτίωση με την επαναφορά του συστήματος προστασίας, επικοινωνήστε με το τοπικό σας κέντρο εξυπηρέτησης της Makita.

Δράση διακοπή τροφοδοσίας

▲ΠΡΟΕΙΔΟΠΟΙΗΣΗ: Για την ασφάλεια σας, το εργαλείο αυτό παρέχεται με διακοπή απασφάλισης ο οποίος αποτρέπει την εκκίνηση του εργαλείου κατά λάθος. Μη χρησιμοποιείτε ΠΟΤΕ το εργαλείο αν μπορείτε να το θέσετε σε λειτουργία πιέζοντας απλά τον μοχλό διακοπή, χωρίς να πατάτε και τον μοχλό απασφάλισης. Στείλτε το εργαλείο σε εξουσιοδοτημένο κέντρο σέρβις για να το επισκευάσουν σωστά ΠΡΙΝ το χρησιμοποιήσετε ξανά.

▲ΠΡΟΕΙΔΟΠΟΙΗΣΗ: ΠΟΤΕ μην κολλάτε το μοχλό ασφάλισης στην πατημένη θέση του και ΠΟΤΕ μην παρακάμπετε το σκοπό του μοχλού ασφάλισης.

▲ΠΡΟΣΟΧΗ: Πριν τοποθετήσετε την κασέτα μπαταριών μέσα στο εργαλείο, να ελέγχετε πάντα να δείτε αν ο μοχλός διακοπής ενεργοποιείται κανονικά και επιστρέφει στη θέση «OFF» όταν ελευθερώνεται. Η λειτουργία ενός εργαλείου με διακοπή ο οποίος δεν ενεργοποιείται σωστά μπορεί να οδηγήσει σε απώλεια ελέγχου και σοβαρό προσωπικό τραυματισμό.

▲ΠΡΟΣΟΧΗ: Μη βάζετε ποτέ το δάχτυλό σας πάνω στο διακόπτη καθώς το μεταφέρετε. Μπορεί να ξεκινήσει σε λειτουργία κατά λάθος το εργαλείο και να προκληθεί τραυματισμός.

ΕΙΔΟΠΟΙΗΣΗ: Μην τραβάτε τον μοχλό διακοπή με δύναμη χωρίς να πατάτε τον μοχλό απασφάλισης. Αυτό μπορεί να προκαλέσει σπάσιμο του διακοπτή.

Πατήστε το κουμπί κύριας λειτουργίας για να ενεργοποιήσετε το εργαλείο. Για να απενεργοποιήσετε το εργαλείο, πατήστε παρατεταμένα το κουμπί κύριας λειτουργίας μέχρι να σβήσει η ένδειξη ταχύτητας.

► **Εικ.5:** 1. Κουμπί κύριας λειτουργίας 2. Ένδειξη ταχύτητας 3. Προειδοποιητική λυχνία

ΠΑΡΑΤΗΡΗΣΗ: Η προειδοποιητική λυχνία αναβοσβήνει με πράσινο χρώμα αν τραβήξετε τον μοχλό διακοπή κάτω από μη λειτουργικές συνθήκες ως εξής:

- Ενεργοποιήστε τον διακόπτη κύριας λειτουργίας ενώ κρατάτε πατημένο τον μοχλό απασφάλισης και τον μοχλό διακοπή.
- Τραβήξετε τον μοχλό διακοπή με τον μοχλό απασφάλισης πατημένο ενώ διπλώνετε την κεφαλή εργαλείου.

ΠΑΡΑΤΗΡΗΣΗ: Το εργαλείο αυτό χρησιμοποιεί τη λειτουργία αυτόματης απενεργοποίησης. Ο διακόπτης κύριας λειτουργίας θα σβήσει αυτόματα αν το εργαλείο δεν λειτουργεί για περίπου 5 λεπτά.

ΠΑΡΑΤΗΡΗΣΗ: Η λειτουργία αυτόματης απενεργοποίησης μπορεί να ενεργοποιηθεί όταν το εργαλείο σταματήσει λόγω της ενεργοποίησης του συστήματος προστασίας. Ο διακόπτης κύριας λειτουργίας θα σβήσει αυτόματα περίπου 5 λεπτά αφού το μοτέρ σταματήσει αυτόματα και δεν ληφθεί καμία διορθωτική ενέργεια έναντι της προστασίας εργαλείου.

Για να εμποδιστεί το τυχαίο τράβηγμα του μοχλού διακόπτη, υπάρχει ένας διπλός διακόπτης απασφάλισης για ασφάλεια.

Για να ξεκινήσετε το εργαλείο, σπρώξτε τον μοχλό ασφάλισης κάτω και μπροστά, πέρα από την κανονική θέση του, χρησιμοποιώντας την άκρη της παλάμης σας (πιο συγκεκριμένα, την περιοχή μεταξύ του αντίχειρα και του δείκτη σας) και πιέστε τον μοχλό απασφάλισης με την παλάμη σας. Μετά, τραβήξτε τον μοχλό διακόπτη με τον μοχλό απασφάλισης κρατημένο.

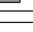

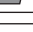
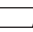


Ελευθερώστε τον μοχλό διακόπτη για να σταματήσει.

► **Εικ.6:** 1. Μοχλός ασφάλισης 2. Μοχλός ασφάλισης 3. Μοχλός διακόπτης

Ρύθμιση ταχύτητας

Μπορείτε να ρυθμίσετε την ταχύτητα του εργαλείου αν πατήσετε το κουμπί κύριας λειτουργίας. Κάθε φορά που πατάτε το κουμπί κύριας λειτουργίας, αλλάζει το επίπεδο της ταχύτητας.

► **Εικ.7:** 1. Κουμπί κύριας λειτουργίας 2. Ένδειξη ταχύτητας

Ένδειξη	Λειτουργία	Ταχύτητα διαδρομής
3  2  1 	Υψηλή	4.000 min ⁻¹
3  2  1 	Μεσαία	3.000 min ⁻¹
3  2  1 	Χαμηλή	2.000 min ⁻¹

ΠΑΡΑΤΗΡΗΣΗ: Το εργαλείο αρχίζει με τον τρόπο λειτουργίας που χρησιμοποιούσατε κατά την τελευταία λειτουργία. Αν αφαιρέσετε την μπαταρία ενώ το μοτέρ λειτουργεί μετά τον τερματισμό, το εργαλείο μπορεί να μην ξεκινήσει με τον τρόπο λειτουργίας που χρησιμοποιούσατε κατά την τελευταία λειτουργία.

Κουμπί αντιστροφής για αφαίρεση σκουπιδιών

▲ ΠΡΟΕΙΔΟΠΟΙΗΣΗ: Αν τα μπλεγμένα κλαδιά ή σκουπίδια δεν αφαιρεθούν με τη λειτουργία αντιστροφής, απενεργοποιήστε το εργαλείο και αφαιρέστε την κασέτα μπαταριών, μετά αφαιρέστε τα μπλεγμένα κλαδιά ή απορρίμματα χρησιμοποιώντας εργαλεία όπως μια πένσα. Αν δεν σβήσετε το εργαλείο και δεν βγάλετε την κασέτα μπαταριών, μπορεί να προκληθεί σοβαρός προσωπικός τραυματισμός από την τυχαία εκκίνηση. Η αφαίρεση των μπλεγμένων κλαδιών ή σκουπιδιών με το χέρι μπορεί να προκαλέσει τραυματισμό, επειδή οι λάμες κουρευτικού μπορεί να κινηθούν σε αντίδραση της αφαίρεσής τους.

Αυτό το εργαλείο διαθέτει ένα κουμπί αντιστροφής για να αλλάξει τη διεύθυνση της κίνησης των λαμών κουρευτικού. Προορίζεται μόνο για την απομάκρυνση

κλαδιών και σκουπιδιών που είναι μπλεγμένα στο εργαλείο.

Για να αντιστρέψετε την κίνηση των λαμών κουρευτικού, πατήστε το κουμπί αντιστροφής όταν οι λάμες κουρευτικού έχουν σταματήσει και, στη συνέχεια, τραβήξτε τον μοχλό διακόπτη ενώ πατάτε τον μοχλό απασφάλισης. Η ένδειξη ταχύτητας αρχίζει να αναβοσβήνει και οι λάμες κουρευτικού κινούνται προς την αντίθετη κατεύθυνση. Όταν αφαιρεθούν τα μπλεγμένα κλαδιά και σκουπίδια, το εργαλείο επιστρέφει στην κανονική κίνηση και η ένδειξη ταχύτητας σταματάει να αναβοσβήνει και ανάβει συνεχόμενα.

► **Εικ.8:** 1. Κουμπί αντιστροφής 2. Ένδειξη ταχύτητας

ΠΑΡΑΤΗΡΗΣΗ: Αν δεν μπορούν να αφαιρεθούν τα μπλεγμένα κλαδιά ή σκουπίδια, απελευθερώστε τον μοχλό διακόπτη, πατήστε το κουμπί αντιστροφής και μετά τραβήξτε τον μοχλό διακόπτη μέχρι να αφαιρεθούν.

ΠΑΡΑΤΗΡΗΣΗ: Αν πατήσετε το κουμπί αντιστροφής ενώ οι λάμες κουρευτικού κινούνται ακόμη, το εργαλείο ακινητοποιείται και είναι έτοιμο για την αντίστροφη κίνηση.

Ρύθμιση της γωνίας κοπής

▲ ΠΡΟΣΟΧΗ: Να βεβαιώνετε πάντα ότι το εργαλείο είναι απενεργοποιημένο πριν διπλώσετε ή ξεδιπλώσετε την κεφαλή.

▲ ΠΡΟΣΟΧΗ: Όταν διπλώνετε την κεφαλή για τη μεταφορά του εργαλείου ή μετά τη χρήση του εργαλείου, βεβαιωθείτε να προσαρτήσετε το κάλυμμα λαμών πριν διπλώσετε την κεφαλή.

▲ ΠΡΟΣΟΧΗ: Όταν διπλώνετε την κεφαλή, προσέχετε να μην πιαστούν τα δάχτυλά σας μεταξύ της κεφαλής και του χιτώνιου ολίσθησης.

Η γωνία της κεφαλής μπορεί να προσαρμοστεί σε 6 βήματα μεταξύ 45° προς τα πάνω και 70° προς τα κάτω. Για να αλλάξετε τη γωνία της κεφαλής, ακολουθήστε τα παρακάτω βήματα.

► **Εικ.9:** 1. Γωνίες κεφαλής προς τα πάνω 2. Γωνίες κεφαλής προς τα κάτω

1. Κρατήστε την κεφαλή και το χιτώνιο ολίσθησης όπως απεικονίζεται στην εικόνα.

► **Εικ.10:** 1. Κεφαλή 2. Χιτώνιο ολίσθησης

2. Μετακινήστε την κεφαλή ενώ κρατάτε κάτω το χιτώνιο ολίσθησης και, στη συνέχεια, απελευθερώστε το χιτώνιο ολίσθησης.

3. Μετακινήστε λίγο την κεφαλή μέχρι να ασφαλιστεί με ένα κλικ.

ΠΑΡΑΤΗΡΗΣΗ: Βεβαιωθείτε ότι η κεφαλή έχει ασφαλιστεί καλά πριν λειτουργήσετε το εργαλείο.

Ηλεκτρονική λειτουργία

Το εργαλείο είναι εξοπλισμένο με ηλεκτρονικές λειτουργίες για εύκολη λειτουργία.

- Έλεγχος σταθερής ταχύτητας
Η λειτουργία ελέγχου ταχύτητας παρέχει σταθερή ταχύτητα περιστροφής, ανεξάρτητα από τις συνθήκες φόρτου.

- Ηλεκτρικό φρένο
Το εργαλείο αυτό είναι εξοπλισμένο με ηλεκτρικό φρένο. Αν το εργαλείο αποτυγχάνει συνεχώς να σταματάει γρήγορα τις λάμες κουρευτικού όταν αφήσετε τον μοχλό διακόπτη, αναθέστε την επισκευή του εργαλείου σε εξουσιοδοτημένο κέντρο εξυπηρέτησης της Makita.
- Λειτουργία αποφυγής τυχάσας επανεκκίνησης
Όταν ενεργοποιείτε το εργαλείο ενώ τραβάτε τον μοχλό διακόπτη, το εργαλείο δεν ξεκινάει και η προειδοποιητική λυχνία αναβοσβήνει με τριπλό χρώμα. Για να ξεκινήσετε το εργαλείο, αφήστε πρώτα τον μοχλό διακόπτη και, στη συνέχεια, ενεργοποιήστε το εργαλείο.

3. Αφαιρέστε τη συνδετική ράβδο και το έδρανο.
▶ **Εικ.14:** 1. Συνδετική ράβδος 2. Έδρανο

ΠΑΡΑΤΗΡΗΣΗ: Η συνδετική ράβδος και το έδρανο μπορεί να παραμείνουν μέσα στο κάλυμμα.

4. Αφαιρέστε τα 2 μπουλόνια και τις 2 ροδέλες από τις λάμες κουρευτικού. Αποσυναρμολογήστε τις λάμες κουρευτικού από το σώμα του εργαλείου. Στη συνέχεια, αποσυνδέστε το πέλμα και την ελαστική σφράγιση κατά της σκόνης από τις λάμες κουρευτικού.
▶ **Εικ.15:** 1. Μπουλόνι 2. Χιτώνιο 3. Λάμες κουρευτικού 4. Πέλμα 5. Σφράγιση κατά της σκόνης

ΕΙΔΟΠΟΙΗΣΗ: Προσέχετε να μην χάσετε κομμάτια από τα συστατικά εξαρτήματα επειδή θα επαναχρησιμοποιηθούν για την επανασυναρμολόγηση.

5. Αφαιρέστε το κάλυμμα λαμών και μετά προσαρτήστε το στις καινούριες λάμες κουρευτικού.
▶ **Εικ.16:** 1. Κάλυμμα λαμών

6. Προσαρμόστε τον στρόφαλο με τρόπο ώστε οι 2 οπές να ευθυγραμμιστούν στη γραμμή ευθυγράμμισης.
▶ **Εικ.17:** 1. Οπές 2. Γραμμή ευθυγράμμισης

7. Ευθυγραμμίστε τα μέρη που προεξέχουν και στις δύο πλευρές των λαμών κουρευτικού.
▶ **Εικ.18:** 1. Μέρη που προεξέχουν

8. Κρατήστε τις λάμες κουρευτικού με τις οπές ροδελών στραμμένες προς τα πάνω. Προσαρτήστε το πέλμα στις λάμες κουρευτικού καθώς οι βραχιόνες του περιπλύνονται γύρω από τις λάμες κουρευτικού.
▶ **Εικ.19:** 1. Πέλμα 2. Οπή ροδέλας

9. Γυρίστε τις λάμες κουρευτικού ανάποδα. Προσαρτήστε την ελαστική σφράγιση κατά της σκόνης στις λάμες κουρευτικού. Προσαρμόστε τη θέση της ώστε το ένα άκρο της σφράγισης κατά της σκόνης να αγγίζει το μέρος που προεξέχει των λαμών κουρευτικού.
▶ **Εικ.20:** 1. Σφράγιση κατά της σκόνης 2. Μέρος που προεξέχει

10. Γυρίστε τις λάμες κουρευτικού με το πέλμα στραμμένο προς τα πάνω. Ευθυγραμμίστε το μέρος που προεξέχει των λαμών κουρευτικού με την οπή μικρού άκρου στη συνδετική ράβδο. Συναρμολογήστε τις λάμες κουρευτικού ξανά στη θέση τους.
▶ **Εικ.21:** 1. Πέλμα 2. Σφράγιση κατά της σκόνης 3. Μέρος που προεξέχει 4. Οπή μικρού άκρου 5. Αποκοπές για πέλμα 6. Αποκοπές για σφράγιση κατά της σκόνης

ΕΙΔΟΠΟΙΗΣΗ: Βεβαιωθείτε να ταιριάζετε το πέλμα και την ελαστική σφράγιση κατά της σκόνης καλά μέσα στις αποκοπές στο περίβλημα λαμών.

ΕΙΔΟΠΟΙΗΣΗ: Εφαρμόστε μια μικρή ποσότητα γράσου στην εσωτερική περιφέρεια της οπής μικρού άκρου στη συνδετική ράβδο.

11. Τοποθετήστε καινούριες ροδέλες στις οπές ροδελών στις λάμες κουρευτικού.
▶ **Εικ.22:** 1. Ροδέλα 2. Οπή ροδέλας

ΕΙΔΟΠΟΙΗΣΗ: Προσέχετε να μην χάσετε τις ροδέλες.

ΣΥΝΑΡΜΟΛΟΓΗΣΗ

▲ΠΡΟΣΟΧΗ: Να βεβαιώνεστε πάντα ότι το εργαλείο είναι σβηστό και η κασέτα μπαταρίας έχει αφαιρεθεί πριν εκτελέσετε κάποια εργασία στο εργαλείο.

▲ΠΡΟΣΟΧΗ: Όταν αντικαθιστάτε τις λάμες κουρευτικού, να φοράτε πάντα γάντια για να μην έρχονται τα χέρια σας σε απευθείας επαφή με τις λάμες.

Τοποθέτηση ή αφαίρεση των λαμών κουρευτικού

▲ΠΡΟΣΟΧΗ: Προσαρτήστε το κάλυμμα λαμών πριν αφαιρέσετε ή τοποθετήσετε τις λάμες κουρευτικού.

ΕΙΔΟΠΟΙΗΣΗ: Όταν αντικαθιστάτε τις λάμες κουρευτικού, μη σκουπίζετε το γράσο από το γράναζι και στρόφαλο.

ΠΑΡΑΤΗΡΗΣΗ: Πριν τοποθετήσετε ή αφαιρέσετε τις λάμες κουρευτικού, ξεδιπλώστε την κεφαλή του εργαλείου με τρόπο ώστε η κεφαλή να βρίσκεται σε ευθεία με το σώμα του εργαλείου.

1. Τοποθετήστε το εργαλείο ανάποδα και μετά αφαιρέστε τα 6 μπουλόνια.
▶ **Εικ.11:** 1. Μπουλόνι
2. Αφαιρέστε το κάλυμμα και την πλάκα.
▶ **Εικ.12:** 1. Κάλυμμα 2. Πλάκα

Χρησιμοποιήστε το κατσαβίδι με επίπεδη μύτη για να αναμοχλεύσετε το κάλυμμα ώστε να το ανοίξετε, αν είναι δύσκολο να ανοίξετε το κάλυμμα.

Εισαγάγετε το κατσαβίδι με επίπεδη μύτη σε ένα ή περισσότερα από τα ανοίγματα και αποκοπές στο περίβλημα του εργαλείου και, στη συνέχεια, σηκώστε το κάλυμμα από το περίβλημα.

- ▶ **Εικ.13:** 1. Αποκοπές (και στις δύο πλευρές του περιβλήματος) 2. Άνοιγμα (μεταξύ του καλύμματος και των λαμών κουρευτικού)

ΠΑΡΑΤΗΡΗΣΗ: Η πλάκα μπορεί να παραμείνει μέσα στο κάλυμμα.

12. Ευθυγραμμίστε τις οπές στις ροδέλες, αυτές στις λάμες κουρευτικού και αυτές στο περίβλημα λαμών μαζί, κατά μήκος μιας γραμμής. Στη συνέχεια, σφίξτε τα 2 μπουλόνια για να ασφαλίσετε τις λάμες κουρευτικού.
▶ **Εικ.23:** 1. Μπουλόνι 2. Ροδέλα 3. Λάμες κουρευτικού

13. Προσαρτήστε το έδρανο με τη συνδετική ράβδο.
▶ **Εικ.24:** 1. Συνδετική ράβδος 2. Οπή μικρού άκρου 3. Έδρανο

ΕΙΔΟΠΟΙΗΣΗ: Εφαρμόστε μια μικρή ποσότητα γράσου στην εσωτερική περιφέρεια της οπής μικρού άκρου στη συνδετική ράβδο.

ΕΙΔΟΠΟΙΗΣΗ: Βεβαιωθείτε να τοποθετήσετε το μέρος που προεξέχει των λαμών κουρευτικού καλά μέσα στην οπή μικρού άκρου στη συνδετική ράβδο.

14. Συναρμολογήστε την πλάκα ξανά στη θέση της.
▶ **Εικ.25:** 1. Πλάκα 2. Μέρος που προεξέχει

ΕΙΔΟΠΟΙΗΣΗ: Βεβαιωθείτε να τοποθετήσετε το μέρος που προεξέχει των λαμών κουρευτικού καλά μέσα στην οπή στην πλάκα.

15. Προσαρτήστε το κάλυμμα και μετά σφίξτε τα 6 μπουλόνια.
▶ **Εικ.26:** 1. Κάλυμμα 2. Μπουλόνι

ΕΙΔΟΠΟΙΗΣΗ: Αν οι λάμες κουρευτικού δεν κινούνται ομαλά, οι λάμες κουρευτικού δεν έχουν δεσμευτεί σωστά με τις συνδετικές ράβδους. Τοποθετήστε ξανά τις λάμες κουρευτικού.

ΕΙΔΟΠΟΙΗΣΗ: Αν εξαρτήματα εκτός των λαμών κουρευτικού, όπως οι συνδετικές ράβδοι, είναι φθαρμένα, ζητήστε από εξουσιοδοτημένο κέντρο σέρβις της Makita να αντικαταστήσει ή να επισκευάσει τα εξαρτήματα.

Τοποθέτηση ή αφαίρεση του συλλογέα θραυσμάτων

Προαιρετικό εξάρτημα

▲ΠΡΟΣΟΧΗ: Όταν τοποθετείτε ή αφαιρείτε τον συλλογέα θραυσμάτων, να φοράτε πάντα γάντια για να μην έρχονται τα χέρια σας σε απευθείας επαφή με τις λάμες κουρευτικού.

ΕΙΔΟΠΟΙΗΣΗ: Το κάλυμμα λαμών δεν μπορεί να τοποθετηθεί αν ο συλλογέας θραυσμάτων είναι τοποθετημένος στο εργαλείο. Πριν μεταφέρετε ή αποθηκεύσετε το εργαλείο, αφαιρέστε τον συλλογέα θραυσμάτων, και μετά τοποθετήστε το κάλυμμα λαμών για να αποφύγετε την έκθεση της λάμας.

ΕΙΔΟΠΟΙΗΣΗ: Βεβαιωθείτε να αφαιρέσετε το κάλυμμα λαμών πριν τοποθετήσετε τον συλλογέα θραυσμάτων.

Ο συλλογέας θραυσμάτων μαζεύει τα παραπεταμένα φύλλα και καθιστά τον μετέπειτα καθάρισμα πολύ πιο εύκολο. Μπορείτε να τον τοποθετήσετε σε οποιαδήποτε πλευρά του εργαλείου.

1. Γαντζώστε τα κλιπ του συλλογέα θραυσμάτων με τις λάμες κουρευτικού.

▶ **Εικ.27:** 1. Συλλογέας θραυσμάτων 2. Λάμες κουρευτικού 3. Κλιπ

2. Ευθυγραμμίστε τις οπές του συλλογέα θραυσμάτων με τις βίδες στις λάμες κουρευτικού και μετά προσαρτήστε τον συλλογέα θραυσμάτων καλά με τις λάμες κουρευτικού.

▶ **Εικ.28:** 1. Οπή 2. Βίδα

ΕΙΔΟΠΟΙΗΣΗ: Βεβαιωθείτε ότι ο συλλογέας θραυσμάτων δεν υπερκαλύπτει τον συγκρατήρα κλαδιών.

▶ **Εικ.29:** 1. Συγκρατήρας κλαδιών

Για να αφαιρέσετε τον συλλογέα θραυσμάτων, πατήστε τους μοχλούς για να απασφαλίσετε τα κλιπ.

▶ **Εικ.30:** 1. Μοχλός

ΕΙΔΟΠΟΙΗΣΗ: Μην δοκιμάζετε ποτέ να αφαιρέσετε τον συλλογέα θραυσμάτων με υπερβολική δύναμη, με τους γάντζους ασφαλισμένους στις εγκοπές των λαμών κουρευτικού.

ΛΕΙΤΟΥΡΓΙΑ

Σύνδεση του ιμάντα ώμου

▲ΠΡΟΣΟΧΗ: Πριν από τη λειτουργία, βεβαιωθείτε ότι ο ιμάντας ώμου είναι σωστά προσαρτημένος στον αναρτήρα στο εργαλείο.

▲ΠΡΟΣΟΧΗ: Όταν χρησιμοποιείτε το εργαλείο σε συνδυασμό με το τροφοδοτικό τύπου σακιδίου, όπως τη φορητή ηλεκτρική τροφοδότηση, μην χρησιμοποιήσετε τον ιμάντα ώμου που συμπεριλαμβάνεται στη συσκευασία του εργαλείου, αλλά να χρησιμοποιήσετε τον κρεμάμενο ιμάντα που συνιστά η Makita.

Αν φορέσετε ταυτόχρονα τον ιμάντα ώμου που συμπεριλαμβάνεται στη συσκευασία του εργαλείου και τον ιμάντα ώμου του τροφοδοτικού τύπου σακιδίου, η αφαίρεση του εργαλείου ή του τροφοδοτικού τύπου σακιδίου είναι δύσκολη στην περίπτωση έκτακτης ανάγκης και μπορεί να προκληθεί ατύχημα ή τραυματισμός. Για τον συνιστώμενο κρεμάμενο ιμάντα, ρωτήστε στα εξουσιοδοτημένα κέντρα σέρβις της Makita.

ΠΑΡΑΤΗΡΗΣΗ: Να χρησιμοποιείτε τον ιμάντα ώμου που είναι προσαρτημένος στο εργαλείο. Πριν τη λειτουργία, προσαρμόστε τον ιμάντα ώμου ανάλογα με το σωματικό μέγεθος του χρήστη για να αποφευχθεί η κόπωση.

1. Να φοράτε τον ιμάντα ώμου στον ώμο σας.

▶ **Εικ.31**

2. Πιάστε το γάντζο του ιμάντα ώμου στον αναρτήρα του εργαλείου.

▶ **Εικ.32:** 1. Γάντζος 2. Αναρτήρας

3. Ρυθμίστε τον ιμάντα ώμου σε μια άνετη θέση εργασίας.

► **Εικ.33**

Ο ιμάντας ώμου διαθέτει εξάρτημα ταχείας αποσύνδεσης.

Πιέστε απλά τα πλαινά της πόρτης για να αποσυνδέσετε το εργαλείο από τον ιμάντα ώμου.

► **Εικ.34:** 1. Πόρτη

Λειτουργία του εργαλείου

▲ ΠΡΟΕΙΔΟΠΟΙΗΣΗ: Μην χρησιμοποιείτε το εργαλείο κοντά σε ηλεκτρικές γραμμές. Η επαφή με ηλεκτρικές γραμμές ή η χρήση του εργαλείου κοντά σε ηλεκτρικές γραμμές μπορεί να προκαλέσει σοβαρό τραυματισμό ή ηλεκτροπληξία με αποτέλεσμα τον θάνατο.

▲ ΠΡΟΕΙΔΟΠΟΙΗΣΗ: Να κρατάτε τα χέρια σας μακριά από τις λάμες κουρευτικού.

▲ ΠΡΟΕΙΔΟΠΟΙΗΣΗ: Δώστε μεγάλη προσοχή για να διατηρήσετε τον έλεγχο του εργαλείου ανά πάσα στιγμή. Μην αφήνετε το εργαλείο να εκτραπεί προς το μέρος σας ή προς οποιονδήποτε άλλον στην περιοχή εργασίας. Αν δεν διατηρείτε τον έλεγχο του εργαλείου, μπορεί να προκύψει σοβαρός τραυματισμός σε παρευρισκόμενους και στο χειριστή.

▲ ΠΡΟΣΟΧΗ: Αποφύγετε τη λειτουργία του εργαλείου σε πολύ ζεστό καιρό, όσο αυτό είναι εφικτό. Όταν χρησιμοποιείτε το εργαλείο, να προσέχετε τη σωματική σας κατάσταση.

▲ ΠΡΟΣΟΧΗ: Κατά το ψαλίδισμα, προσέχετε να μην έρθει το εργαλείο σε επαφή με μεταλλικό φράχτη ή άλλα σκληρά αντικείμενα. Οι λάμες κουρευτικού μπορεί να σπάσουν και να προκαλέσουν τραυματισμό.

▲ ΠΡΟΣΟΧΗ: Προσέξτε να μην αφήσετε τις λάμες κουρευτικού να έρθουν σε επαφή με το έδαφος.

Διαφορετικά το εργαλείο μπορεί να ανατυλιχτεί και να προκαλέσει τραυματισμό.

▲ ΠΡΟΣΟΧΗ: Είναι εξαιρετικά επικίνδυνο να τεντώνετε με το ψαλίδι μπορντούρας, ειδικά όταν βρίσκεστε επάνω σε σκάλα. Μην εργάζεστε ενώ στέκεστε επάνω σε ο,τιδήποτε ασταθές ή αδύναμο.

ΕΙΔΟΠΟΙΗΣΗ: Μην επιχειρήσετε να κόβετε κλαδιά με διάμετρο μεγαλύτερη από 10 mm με το εργαλείο. Κόψτε τα κλαδιά στα 10 cm κάτω από το ύψος κοπής χρησιμοποιώντας κλαδευτήρες πριν χρησιμοποιήσετε το εργαλείο.

► **Εικ.35:** 1. Ύψος κοπής 2. 10 cm

ΕΙΔΟΠΟΙΗΣΗ: Μην κόβετε νεκρά δέντρα ή παρόμοια σκληρά αντικείμενα. Μπορεί να προκληθεί ζημιά στο εργαλείο.

ΕΙΔΟΠΟΙΗΣΗ: Μην ψαλιδίζετε το γκαζόν ή τα αγριόχορτα ενώ χρησιμοποιείτε τις λάμες κουρευτικού. Οι λάμες κουρευτικού μπορεί να μπερδεύονται στο γκαζόν ή στα αγριόχορτα.

Να κρατάτε το εργαλείο με τα δύο χέρια.

► **Εικ.36**

Τραβήξτε τον μοχλό διακόπτη ενώ πατάτε παρατεταμένα τον μοχλό απασφάλισης και, στη συνέχεια, προετοιμάστε το εργαλείο για κούρεμα.

► **Εικ.37**

Για βασική λειτουργία, γείρετε τις λάμες κουρευτικού προς την κατεύθυνση ψαλιδίσματος και μετακινήστε τις ήρεμα και αργά με ταχύτητα 3 έως 4 δευτερόλεπτα το μέτρο.

► **Εικ.38**

Για να κόψετε ομοιόμορφα την πλευρά μπορντούρας, να κουρεύετε από το κάτω μέρος προς τα πάνω.

► **Εικ.39**

Όταν ψαλιδίζετε για να δώσετε ένα στρογγυλό σχήμα (ψαλίδισμα πυξαρίου ή ροδόδεντρου, κτλ.), να ψαλιδίζετε από τη ρίζα προς τα πάνω, για ένα μορφοτελείωμα.

► **Εικ.40**

Αν ο συλλογικός θραυσμάτων είναι προσαρτημένος στις λάμες κουρευτικού, μαζεύει τα παραπτεταμένα φύλλα και καθιστά τον μετέπειτα καθαρισμό πολύ πιο εύκολο.

► **Εικ.41**

ΣΥΝΤΗΡΗΣΗ

▲ ΠΡΟΣΟΧΗ: Πριν την εκτέλεση εργασιών επιθεώρησης ή συντήρησης, πάντοτε να βεβαιώνετε ότι η συσκευή απενεργοποιήθηκε και η κασέτα μπαταριών έχει αφαιρεθεί.

▲ ΠΡΟΣΟΧΗ: Όταν επιθεωρείτε ή συντηρείτε το εργαλείο, πάντα να αφήνετε το εργαλείο κάτω.

Η συναρμολόγηση ή η ρύθμιση του εργαλείου σε όρθια θέση μπορεί να έχει ως αποτέλεσμα σοβαρό τραυματισμό.

Για τη διατήρηση της ΑΣΦΑΛΕΙΑΣ και ΑΞΙΟΠΙΣΤΙΑΣ του προϊόντος, οι επισκευές και οποιαδήποτε άλλη εργασία συντήρησης ή ρύθμισης πρέπει να εκτελούνται από εξουσιοδοτημένα ή εργοστασιακά κέντρα εξυπηρέτησης της Makita, χρησιμοποιώντας πάντοτε ανταλλακτικά της Makita.

Καθαρισμός του εργαλείου

Καθαρίστε το εργαλείο σκουπίζοντας τη σκόνη με ένα στεγνό πανί ή ένα πανί διαποτισμένο με σαπουνόνερο αφού πρώτα το έχετε στίψει.

ΕΙΔΟΠΟΙΗΣΗ: Μην χρησιμοποιείτε ποτέ βενζίνη, πετρελαϊκό αιθέρα, διαλυτικό, αλκοόλη ή παρόμοιες ουσίες. Μπορεί να προκληθεί αποχρωματισμός, παραμόρφωση ή ρωγμές.

Συντήρηση λαμών κουρευτικού

Πριν τη λειτουργία ή μία φορά κάθε ώρα κατά τη διάρκεια της λειτουργίας, εφαρμόστε λάδι χαμηλού ιξώδους (μηχανέλαιο ή λιπαντικό λάδι σε μορφή σπρέι) στις λάμες κουρευτικού.

► **Εικ.42**

Μετά τη λειτουργία, αφαιρέστε τη σκόνη και από τις δύο πλευρές των λαμών κουρευτικού με μια συρμάτινη βούρτσα, σκουπίστε τις με ένα πανί και μετά εφαρμόστε λάδι χαμηλού ιξώδους (μηχανέλαιο ή λιπαντικό λάδι σε μορφή σπρέι) στις λάμες κουρευτικού.

► **Εικ.43**

ΕΙΔΟΠΟΙΗΣΗ: Μην πλένετε τις λάμες κουρευτικού σε νερό. Αν το κάνετε αυτό, μπορεί να προκληθεί σκουριά ή ζημιά στο εργαλείο.

ΕΙΔΟΠΟΙΗΣΗ: Το χώμα και η διάβρωση μπορούν να προκαλέσουν υπερβολική τριβή στις λάμες και μείωση του χρόνου λειτουργίας ανά φόρτιση της μπαταρίας.

Αποθήκευση

Προσαρτήστε το κάλυμμα λαμών στις λάμες κουρευτικού με τρόπο ώστε οι λάμες να μην εκτεθούν. Αποθηκεύστε το εργαλείο μακριά από παιδιά. Φυλάξτε το εργαλείο σε ένα μέρος που δεν εκτίθεται στην υγρασία και τη βροχή.

Ακόνισμα των λαμών κουρευτικού

ΕΙΔΟΠΟΙΗΣΗ: Αν οι λάμες κουρευτικού έχουν παραμορφωθεί σημαντικά από το ακόνισμα, αντικαταστήστε τις λάμες κουρευτικού με καινούριες.

1. Τοποθετήστε τις κασέτες μπαταριών στο εργαλείο.
2. Ενεργοποιήστε και εκκινήστε το εργαλείο ώστε η άνω λάμα και η κάτω λάμα να είναι τοποθετημένες μετατοπισμένες η μία προς την άλλη.
► **Εικ.44**
3. Απενεργοποιήστε το εργαλείο και αφαιρέστε την κασέτα μπαταριών από το εργαλείο.
4. Αφαιρέστε τη βίδα και μετά αφαιρέστε τον συγκρατήρα κλαδιών.
► **Εικ.45:** 1. Βίδα 2. Συγκρατήρας κλαδιών
5. Θέστε την κλίση μιας λίμας στις 50°, και ακονίστε την άνω λάμα με τη λίμα ακριβώς στις κατευθύνσεις των τριών άκρων.
► **Εικ.46:** 1. Λίμα 2. 50°

▲ΠΡΟΣΟΧΗ: Πριν ακονίσετε τις λάμες κουρευτικού, βεβαιωθείτε ότι το εργαλείο είναι απενεργοποιημένο και η κασέτα μπαταριών έχει αφαιρεθεί από το εργαλείο.

6. Τοποθετήστε το εργαλείο ανάποδα και μετά αφαιρέστε τα γρέζια από τη λάμα κουρευτικού με την πέτρα λείανσης.
► **Εικ.47:** 1. Πέτρα λείανσης
7. Θέστε την κλίση της λίμας στις 50°, και ακονίστε την κάτω λάμα με τη λίμα ακριβώς στις κατευθύνσεις των τριών άκρων.
8. Επιστρέψτε το εργαλείο στην κανονική θέση και μετά αφαιρέστε τα γρέζια από τη λάμα κουρευτικού με την πέτρα λείανσης.
9. Προσαρτήστε τον συγκρατήρα κλαδιών σφίγγοντας τη βίδα.

Λίπανση με γράσο

Μεσοδιάστημα λίπανσης: Κάθε 50 ώρες λειτουργίας

Χρήση της οπής λαδιού για λίπανση

1. Αφαιρέστε το μπουλόνι από την οπή για λίπανση.
► **Εικ.48:** 1. Μπουλόνι
2. Αφαιρέστε το καπάκι από τον περιέκτη γράσου. Ευθυγραμμίστε την έξοδο του περιέκτη γράσου με την οπή στο κάλυμμα και μετά πατήστε την έξοδο του περιέκτη γράσου στην οπή.
► **Εικ.49:** 1. Περιέκτης γράσου 2. Οπή
3. Εφαρμόστε το γράσο στο εργαλείο (περίπου 5 g ως οδηγό).
4. Σφίξτε το μπουλόνι.

Χρήση του γρασαδορακιού

Ο σύνδεσμος στομίου βοηθάει με τη σύνδεση ενός γρασαδόρου με θετική ένωση.

1. Προετοιμάστε τον γρασαδόρο για χρήση.
2. Συνδέστε τον προσαρμογέα του γρασαδόρου στο γρασαδοράκι στο εργαλείο.
► **Εικ.50:** 1. Προσαρμογέας γρασαδόρου
2. Γρασαδοράκι
3. Εφαρμόστε το γράσο στο εργαλείο (περίπου 5 g ως οδηγό).
4. Γείρτε τον προσαρμογέα ελαφρά για να εκτονώσετε την εσωτερική πίεση και, στη συνέχεια, αφαιρέστε τον προσαρμογέα από το γρασαδοράκι.

Σκουπίστε το γράσο από τον προσαρμογέα και το γρασαδοράκι.

ΑΝΤΙΜΕΤΩΠΙΣΗ ΠΡΟΒΛΗΜΑΤΩΝ

Πριν ζητήσετε επισκευές, εκτελέστε αρχικά τη δική σας επιθεώρηση. Αν εντοπίσετε πρόβλημα που δεν επεξηγείται στο εγχειρίδιο, μην επιχειρήσετε να αποσυναρμολογήσετε το εργαλείο. Αντ' αυτού, ζητήστε βοήθεια από εξουσιοδοτημένα κέντρα εξυπηρέτησης της Makita και πάντοτε να χρησιμοποιείτε γνήσια ανταλλακτικά της Makita.

Κατάσταση προβλήματος	Πιθανή αιτία (δυσλειτουργία)	Αποκατάσταση
Το μοτέρ δεν λειτουργεί.	Δεν είναι τοποθετημένη η κασέτα μπαταριών.	Τοποθετήστε την κασέτα μπαταριών.
	Πρόβλημα μπαταριών (μικρή τάση)	Επαναφορτίστε την μπαταρία. Αν η επαναφόρτιση δεν είναι αποτελεσματική, αντικαταστήστε την μπαταρία.
	Το σύστημα μετάδοσης κίνησης δεν λειτουργεί σωστά.	Απευθυνθείτε στο τοπικό εξουσιοδοτημένο κέντρο σέρβις για επισκευή.
Το μοτέρ σταματά να λειτουργεί μετά από μικρή χρήση.	Το επίπεδο φόρτισης μπαταρίας είναι χαμηλό.	Επαναφορτίστε την μπαταρία. Αν η επαναφόρτιση δεν είναι αποτελεσματική, αντικαταστήστε την μπαταρία.
	Υπερθέρμανση.	Σταματήστε να χρησιμοποιείτε το εργαλείο για να το αφήσετε να κρυώσει.
Το εργαλείο δεν φτάνει τις μέγιστες ΣΑΛ.	Η μπαταρία δεν είναι σωστά τοποθετημένη.	Τοποθετήστε την κασέτα μπαταριών όπως περιγράφεται σε αυτό το εγχειρίδιο.
	Η ισχύς της μπαταρίας πέφτει.	Επαναφορτίστε την μπαταρία. Αν η επαναφόρτιση δεν είναι αποτελεσματική, αντικαταστήστε την μπαταρία.
	Το σύστημα μετάδοσης κίνησης δεν λειτουργεί σωστά.	Απευθυνθείτε στο τοπικό εξουσιοδοτημένο κέντρο σέρβις για επισκευή.
Οι λάμες κουρευτικού δεν κινούνται: ⇒ Σταματήστε αμέσως το μηχάνημα!	Λανθασμένη γωνία των λαμών κουρευτικού.	Βεβαιωθείτε ότι η κεφαλή είναι καλά στερεωμένη στη λειτουργική γωνία.
	Ξένα αντικείμενα έχουν πιαστεί μεταξύ των λαμών κουρευτικού.	1. Χρησιμοποιήστε το κουμπί αντιστροφής. 2. Απενεργοποιήστε το εργαλείο και αφαιρέστε την κασέτα μπαταριών, μετά αφαιρέστε τα ξένα αντικείμενα χρησιμοποιώντας εργαλεία όπως μια πένσα.
	Το σύστημα μετάδοσης κίνησης δεν λειτουργεί σωστά.	Απευθυνθείτε στο τοπικό εξουσιοδοτημένο κέντρο σέρβις για επισκευή.
Ασυνήθιστοι κραδασμοί: ⇒ Σταματήστε αμέσως το μηχάνημα!	Οι λάμες κουρευτικού είναι σπασμένες, λυγισμένες ή φθαρμένες.	Αντικαταστήστε τις λάμες κουρευτικού.
	Το σύστημα μετάδοσης κίνησης δεν λειτουργεί σωστά.	Απευθυνθείτε στο τοπικό εξουσιοδοτημένο κέντρο σέρβις για επισκευή.
Οι λάμες κουρευτικού και το μοτέρ δεν σταματούν: ⇒ Βγάλετε αμέσως την μπαταρία!	Ηλεκτρική δυσλειτουργία.	Βγάλετε την μπαταρία και απευθυνθείτε στο τοπικό εξουσιοδοτημένο κέντρο σέρβις για επισκευή.

ΠΡΟΑΙΡΕΤΙΚΑ ΕΞΑΡΤΗΜΑΤΑ

⚠ ΠΡΟΣΟΧΗ: Αυτά τα εξαρτήματα ή προσαρτήματα συνιστώνται για χρήση με το εργαλείο Makita που περιγράφηκε στις οδηγίες αυτές. Η χρήση οποιωνδήποτε άλλων εξαρτημάτων ή προσαρτημάτων μπορεί να προκαλέσει κίνδυνο τραυματισμού σε άτομα. Να χρησιμοποιείτε τα εξαρτήματα ή προσαρτήματα μόνο για την χρήση που προορίζονται.

Εάν χρειάζεστε οποιαδήποτε βοήθεια για περισσότερες πληροφορίες σε σχέση με αυτά τα εξαρτήματα, απαντήστε στο τοπικό σας κέντρο εξυπηρέτησης Makita.

- Διάταξη λαμών κουρευτικού
- Συλλογέας θραυσμάτων
- Περιεκτής γράσου
- Γνήσια μπαταρία και φορτιστής της Makita

ΠΑΡΑΤΗΡΗΣΗ: Μερικά στοιχεία στη λίστα μπορεί να συμπεριλαμβάνονται στη συσκευασία εργαλείου ως στάνταρ εξαρτήματα. Μπορεί να διαφέρουν ανάλογα με τη χώρα.

TEKNİK ÖZELLİKLER

Model:	UN001G	
Bıçak uzunluğu	600 mm	
Dakikadaki hareket sayısı	2.000 / 3.000 / 4.000 min ⁻¹	
Kesici bıçak açısı	115° (yukarı 45°, aşağı 70°)	
Tam uzunluk	2.268 mm	
Nominal voltaj	D.C. 36 V - 40 V maks.	
Net ağırlık	*1	4,0 kg
	*2	4,7 - 5,9 kg
Koruma sınıfı	IPX4	

• Sürekli yapılan araştırma ve geliştirmelerden dolayı, burada belirtilen özellikler önceden bildirilmeksizin değiştirilebilir.

• Özellikler ülkeden ülkeye değişebilir.

*1: Aksesuarlar veya batarya kartuşları olmaksızın ağırlık

*2: Ağırlık, batarya kartuşu dahil ekli parçaya/parçalara bağlı olarak farklılık gösterebilir. EPTA prosedürü 01/2014'e göre en hafif ve en ağır kombinasyon tabloda gösterilmiştir.

Geçerli batarya kartuşu ve şarj aleti

Batarya kartuşu	BL4020 / BL4025 / BL4040 / BL4040F / BL4050F / BL4080F
Şarj aleti	DC40RA / DC40RB / DC40RC / DC40WA

• Yukarıda listelenen batarya kartuşlarının ve şarj aletlerinin bazıları yaşadığınız bölgeye bağlı olarak mevcut olmayabilir.

⚠UYARI: Sadece yukarıda listelenen batarya kartuşlarını ve şarj aletlerini kullanın. Başka batarya kartuşlarının ve şarj aletlerinin kullanılması yaralanma ve/veya yangına neden olabilir.

Önerilen kablo bağlantılı güç kaynağı

Taşınabilir güç ünitesi	PDC01 / PDC1200 / PDC1500
-------------------------	---------------------------

• Yukarıda listelenen kablo bağlantılı güç kaynakları yaşadığınız bölgeye bağlı olarak mevcut olmayabilir.

• Kablo bağlantılı güç kaynağını kullanmadan önce, üzerindeki uyarı işaretlerini ve talimatı okuyun.

Semboller

Ekipmanı için kullanılacak semboller aşağıda gösterilmiştir. Kullanmadan önce anlamlarını anladığınızdan emin olun.



Kullanma kılavuzunu okuyun.



Kask, koruyucu gözlük ve kulak koruyucu takın.



TEHLİKE - Elleri bıçaktan uzak tutun.



Elektrik hatlarına karşı dikkatli olun, elektrik çarpması riski.



En az 15 m uzakta durun.



Sadece AB ülkeleri için
Ekipmanda tehlikeli bileşenler bulunduğu için atık elektrikli ve elektronik ekipmanlar, aküler ve bataryalar çevre ve insan sağlığı üzerinde olumsuz etkiye yol açabilir.

Elektrikli ve elektronik cihazları veya bataryaları evsel atıklarla birlikte atmayın!
Atık elektrikli ve elektronik ekipmanlar ile akümülatörler ve bataryalar hakkındaki Avrupa Direktifi ve söz konusu direktifin ulusal yasalara uyarlanması gereğince atık elektrikli ekipmanlar, bataryalar ve akümülatörler ayrı olarak depolanmalı ve çevre koruma hakkındaki mevzuata uygun olarak faaliyet gösteren ayrı bir kentsel atık toplama noktasına teslim edilmelidir.
Bu husus, ekipmanın üzerine yerleştirilmiş üzerinde çarpı işareti bulunan tekerlekli çöp kovası simgesi ile belirtilmiştir.



AB Dış Mekan Gürültü Direktifi uyarınca garanti edilen ses gücü seviyesi.



Kullanım amacı

Bu alet çit budamak için tasarlanmıştır.

Gürültü

Tipik A-ağırlıklı gürültü düzeyi (EN62841-4-2 standardına göre belirlenen):

Model	Ses basıncı seviyesi		Garanti edilen ses gücü seviyesi	Ölçülen ses gücü seviyesi	
	L _{PA} (dB(A))	Belirsizlik K (dB(A))	L _{WA} (dB(A))	L _{WA} (dB(A))	Belirsizlik K (dB(A))
UN001G	82	3	94	93	1,5

NOT: Beyan edilen gürültü emisyonu değer(ler)i bir standart test yöntemine uygun şekilde ölçülmüştür ve bir aleti bir başkasıyla karşılaştırmak için kullanılabilir.

NOT: Beyan edilen gürültü emisyonu değer(ler)i bir ön maruz kalma değerlendirmesi olarak da kullanılabilir.

⚠UYARI: Kulak koruyucuları takın.

⚠UYARI: Elektrikli aletin gerçek kullanımı sırasındaki gürültü emisyonu, aletin kullanım biçimlerine, özellikle işlenen iş parçasının türüne bağlı olarak beyan edilen değer(ler)den farklı olabilir.

⚠UYARI: Gerçek kullanım koşullarındaki tahmini maruziyeti baz alan, operatörü koruyacak güvenlik önlemlerini mutlaka belirleyin (çalışma döngüsü içerisinde aletin kapalı olduğu ve aktif durumda olmasının yanı sıra boşta çalıştığı zamanlar gibi, bütün zaman dilimleri göz önünde bulundurarak).

Titreşim

Titreşim toplam değeri (üç eksenli vektör toplamı) (EN62841-4-2 standardına göre hesaplanan):

Model	Sol el (Ön sap / Kol)		Sağ el (Arka sap)	
	ah (m/s ²)	Belirsizlik K (m/s ²)	ah (m/s ²)	Belirsizlik K (m/s ²)
UN001G	4,9	1,5	3,5	1,5

NOT: Beyan edilen titreşim toplam değeri(ler)i bir standart test yöntemine uygun şekilde ölçülmüştür ve bir aleti bir başkasıyla karşılaştırmak için kullanılabilir.

NOT: Beyan edilen titreşim toplam değeri(ler)i bir ön maruz kalma değerlendirmesi olarak da kullanılabilir.

⚠UYARI: Elektrikli aletin gerçek kullanımı sırasındaki titreşim emisyonu, aletin kullanım biçimlerine, özellikle işlenen iş parçasının türüne bağlı olarak beyan edilen değer(ler)den farklı olabilir.

⚠UYARI: Gerçek kullanım koşullarındaki tahmini maruziyeti baz alan, operatörü koruyacak güvenlik önlemlerini mutlaka belirleyin (çalışma döngüsü içerisinde aletin kapalı olduğu ve aktif durumda olmasının yanı sıra boşta çalıştığı zamanlar gibi, bütün zaman dilimleri göz önünde bulundurarak).

Uygunluk Beyanları

Sadece Avrupa ülkeleri için

Uygunluk beyanları bu kullanma kılavuzuna Ek A olarak eklenmiştir.

GÜVENLİK UYARILARI

Genel elektrikli alet güvenliği uyarıları

⚠UYARI Bu elektrikli aletle birlikte verilen tüm güvenlik uyarılarını, talimatları, resimli açıklamaları ve teknik özellikleri okuyun. Aşağıda listelenen

talimatların herhangi birine uyulmaması elektrik çarpması, yangın ve/veya ciddi yaralanma ile sonuçlanabilir.

Tüm uyarıları ve talimatları ile-ride başvurmak için saklayın.

Uyarılardaki "elektrikli alet" terimi ile ya prizden çalışan (kordonlu) elektrikli aletiniz ya da kendi aküsü ile çalışan (kordonsuz) elektrikli aletiniz kastedilmektedir.

Akülü Yüksek Çit Budama Güvenlik Uyarıları

Akülü çit budama güvenlik uyarıları:

1. Özellikle yıldırım düşmesi riski olan kötü hava koşullarında çit budamayı kullanmayın. Bu şekilde yıldırım çarpması riskini azaltabilirsiniz.

2. **Tüm elektrik kablolarını kesim alanından uzak tutun.** Elektrik kabloları çitlere veya çalılara saklanabilir ve bıçak tarafından yanlışlıkla kesilebilir.
3. **Kulak koruyucuları takın.** Uygun koruyucu donanım işitme kaybı riskini azaltacaktır.
4. **Bıçak gizli kablolara temas edebileceği için, çit budamayı sadece yalıtımlı kavrama yüzeylerinden tutun.** Bıçakların "akımlı" bir telle temas etmesi çit budamanın yalıtımsız metal kısımlarını "akımlı" hale getirebilir ve kullanıcıyı elektrik şokuna maruz bırakabilir.
5. **Vücudunuzun tüm kısımlarını bıçaktan uzak tutun.** Bıçaklar hareket halindeyken kesilen malzemeyi çıkarmaya ve kesilecek malzemeyi tutmaya çalışmayın. Anahtar kapatıldıktan sonra bıçaklar hareket etmeye devam eder. Çit budamayı kullanırken bir anlık dikkatsizlik ciddi bir yaralanmayla sonuçlanabilir.
6. **Sıkışan maddeleri çıkarırken veya çit budamaya bakım yaparken tüm güç anahtarlarının kapalı ve batarya takımının çıkarılması veya ayrılmış olduğundan emin olun.** Sıkışan maddeleri çıkarırken veya çit budamaya bakım yaparken çit budamanın beklenmedik şekilde çalışmaya başlaması ciddi yaralanmalara neden olabilir.
7. **Çit budamayı, bıçak durmuş halde ve hiçbir güç anahtarını kullanmamaya dikkat ederek koldan tutarak taşıyın.** Çit budamanın doğru bir şekilde taşınması, istemsiz başlatma ve bunun sonucunda bıçaklardan kaynaklanan yaralanma riskini azaltır.
8. **Çit budamayı naklederken veya saklarken bıçak kılıfını mutlaka kullanın.** Çit budamayı doğru bir şekilde taşımak kesici bıçaklarla yaralanma riskini azaltır.
4. **Acil bir durumda, derhal aleti kapatın ve batarya kartuşunu çıkarın.**
5. **TEHLİKE - Ellerinizi bıçaktan uzak tutun.** Bıçağa temas edilmesi ciddi yaralanmaya neden olur.
6. **Yalnızca alete düzgün bir şekilde takılmış kol ve siperle kullanın.** Aletin, verilen uygun kol veya siper olmadan kullanılması ciddi yaralanmalara neden olabilir.
7. **Aleti ilk kez kullanacak olanlar, deneyimli bir kullanıcının aletinin nasıl kullanılacağını göstermesi için yardım almalıdır.**
8. **Çalıştırmadan önce, çalışma alanında tel örgü, taş ya da başka katı nesnelerin olup olmadığına bakın.** Bunlar bıçaklara zarar verebilir.
9. **Çit budamayı yalnızca fiziksel durumunuz uygunsuzsa kullanın.** Yorgunsanız dikkatiniz azalır. Özellikle çalışma gününün son saatlerinde dikkatli olun. Tüm işlerinizi sakın ve dikkatli bir şekilde yürütün. Üçüncü taraflar üzerinde meydana gelebilecek tüm zararlardan kullanıcı sorumludur.
10. **İşe başlamadan önce, budama aletinin iyi ve güvenli bir şekilde çalışır durumda olduğundan emin olun.** Siperlerin yerine düzgün bir şekilde takıldığından emin olun. Çit budama, tam olarak monte edilmediği durumlarda kullanılmamalıdır.
11. **Tehlikeli ortamlardan kaçının.** Aleti nemli ya da ıslak yerlerde kullanmayın ve yağmura maruz bırakmayın. Makinenin içine su girmesi elektrik çarpması riskini arttıracaktır.

Kişisel koruyucu ekipmanlar

1. **Dayanıklı deriden yapılmış iş eldivenleri çit budama aletinin temel ekipmanının parçasıdır ve bu aletle çalışırken daima giyilmelidir.** Daima kaymaz tabanlı sağlam ayakkabılar giyin.
2. **İşitme kaybını engellemek için kulak tıkacı gibi kulak koruyucu takın.**
3. **Uçuşan çer çöp veya düşen nesnelere kendinizi korumak için koruyucu gözlük, güvenlik kaskı ve koruyucu eldiven takın.**
4. **Bıçaklara dokunurken veya bıçak açısını ayarlarken koruyucu eldiven giyin.** Bıçaklar çıplak elleri ağır biçimde kesebilir.

Kullanma

1. **İki kolla donatılmış aleti kullanırken daima iki elinizi kullanın.** Tek el kullanılması kontrolün kaybedilmesine neden olabilir ve ciddi yaralanmalara yol açabilir.
2. **Aleti kullanırken kullanım konumunun güvenli ve emniyetli olduğundan mutlaka emin olun.** Aletle fazla ileriye uzanmak, özellikle bir merdivenden, aşırı derecede tehlikelidir. Sallanan veya zayıf hiçbir yerden çalışmayın.
3. **Aleti kullanırken birden fazla kemer takımını ve/veya omuz askısını aynı anda takmayın.**
4. **Kullanım sırasında, etrafınızdaki kişileri ya da hayvanları aletten en az 15 m uzakta tutun.** Biri yaklaştığı anda aleti durdurun.
5. **Kesici parça herhangi bir nesneye çarpar veya alet anormal gürültü veya titreşim yapmaya başlarsa derhal aleti kapatın ve batarya kartuşunu çıkarın, aletin durmasını bekleyin.** Daha

Akülü yükse çit budama güvenlik uyarıları:

1. **Yüksek çit budamayı başınızdan daha yukarıda kullanırken daima baret kullanın.** Düşen döküntüler ciddi yaralanmaya neden olabilir.
2. **Yüksek çit budamayı kullanırken daima iki elinizi kullanın.** Kontrol kaybını önlemek için yüksek çit budamayı iki elle tutun.
3. **Elektrik çarpması riskini azaltmak için yüksek çit budamayı her türlü elektrik hattının yanında asla kullanmayın.** Elektrik hatlarıyla temas veya bunların yanında kullanmak ciddi yaralanma veya ölüme sonuçlanacak elektrik çarpmasına neden olabilir.

Ek Güvenlik Uyarıları

Hazırlık

1. **BU ÇİT BUDAMA CİDDİ YARALANMALARA YOL AÇABİLİR.** Aletin doğru taşınması, hazırlanması, bakımı, çalıştırılması ve durdurulması için talimatları dikkatlice okuyun. Aletin tüm kontrollerine ve düzgün kullanımına aşinalık kazanın.
2. **Aleti çalıştırmadan önce çitleri ve çalılıkları, tel örgü veya gizli kablo gibi yabancı maddelere karşı kontrol edin.**
3. **Çit budama, çocuklar ve 18 yaşın altındaki gençler tarafından kullanılmamalıdır.** 16 yaşın üzerindeki gençler, bir uzmanın gözetiminde eğitim alıyorsa bu kısıtlamadan muaf tutulabilirler.

sonra aşağıdaki adımları atın:

- hasar kontrolü yapın
 - parçaların gevşek olup olmadığını kontrol edin, gevşek olanları sıkın
 - hasarlı tüm parçaları orijinal yedek parçalarla değiştirin veya tamir ettirin.
6. Aleti sadece kullanım amacı doğrultusunda kullanın. Aleti başka amaçlarla kullanmayın.
 7. Şu işlemlerden önce aletini kapatın ve batarya kartuşunu çıkarın:
 - temizleme veya bir tıkanıklığı giderme,
 - aleti kontrol etme, bakım yapma veya üzerinde çalışma,
 - keski bıçaklarının çalışma konumunu ayarlama,
 - aleti gözetimsiz bırakma.
 8. Aleti çalıştırmadan önce aletin belirlenen çalışma konumuna doğru bir şekilde alındığından emin olun.
 9. Aleti, hasarlı veya aşırı aşınmış keski bıçaklarıyla çalıştırmayın.
 10. Aleti kullanırken tüm kol ve siperlerinin takılı olduklarından mutlaka emin olun. Eksik bir aleti veya yetkisiz değişiklik yapılmış bir aleti kullanmaya asla çalışmayın.
 11. Her zaman etrafınıza dikkat edin ve aletin gürültüsü nedeniyle farkında olamayabileceğiniz olası tehlikelere karşı uyanık olun.
 12. Çalışma sırasında metal bir çite ya da başka sert nesnelere temas etmemeye dikkat edin. Bıçak kırılır ve ciddi yaralanmaya neden olabilir.
 13. İstem dışı başlatmayı önleyin. Batarya kartuşu takılı ve parmağınız düğmenin üzerindeyken aleti taşımayın. Batarya kartuşunu takarken anahtarın kapalı olduğundan emin olun.
 14. Aleti kaldırırken veya tutarken açıkta kalan keskin bıçakları ya da keskin kenarları tutmayın.
 15. Aleti zorlamayın. Tasarlandığı hızda kullanıldığında, alet işi daha iyi yapar ve yaralanma riski azalır.
 16. Aleti yağmurda veya ıslak ya da çok nemli koşullarda kullanmayın. Elektrikli motor su geçirmez değildir.
 17. Aleti kullanırken sıkıca tutun.
 18. Aleti gereksiz yere yüksüz çalıştırmayın.
 19. Keski bıçaklarını kontrol etmeden, arızalarla ilgilenmeden ya da keski bıçaklarına takılan yabancı maddeleri çıkarmadan önce daima aleti kapatın ve batarya kartuşunu çıkarın.
 20. Keski bıçaklarının asla kendinize veya başkalarına doğrultmayın.
 21. Çalışma sırasında bıçakların arasında yabancı maddelerin sıkışmasından dolayı bıçaklar hareket etmeyi keserse aleti kapatın ve batarya kartuşunu çıkarın, ardından yabancı maddeleri pense, vb. kullanarak çıkarın. Yabancı maddelerin elle çıkarılması, yabancı maddeleri çıkarmaya tepki olarak bıçaklar hareket edebileceğinden dolayı yaralanmaya neden olabilir.
 22. Aletin kullanımından dolayı hasar görmesi halinde tehlikeye yol açabilecek elektrik kabloları, su boruları, gaz boruları, vb. olmadığından

emin olun.

23. Kullanım sırasında veya çalışmanız bittikten hemen sonra aletin metal kısımlarına veya sıcak yüzeylerine dokunmayın; bunlar aşırı sıcak olabilir ve yanıklara yol açabilir. Alet üzerinde herhangi bir çalışma yapmadan önce aletin soğumasını bekleyin.
24. Aleti yumuşak/dengesiz/kaygan zeminde veya dik yokuşlarda kullanmayın. Merdivenlerde veya yükseklerde çalışmaktan kaçının. Aksi takdirde düşme riskine neden olarak yaralanmaya yol açabilir.
25. Aleti, görüşün sınırlı olduğu kötü havalarda veya gece kullanmayın. Aksi takdirde düşük görüş nedeniyle düşmeye veya hatalı çalışmaya neden olabilir.
26. Yüksek kullanıcı yorgunluğunun beklendiği kötü ortamlarda çalışmaktan kaçının.
27. Aleti su birikintisine sokmayın.
28. Aleti dışarıda yağmur altında gözetimsiz bırakmayın.
29. Yağmurdan dolayı emme ağzına (havalandırma penceresi) ıslak yapraklar veya pislik yapışırsa bunları temizleyin.
30. Aleti karda kullanmayın.

Elektrik ve batarya güvenliği

1. Bataryayı/bataryaları ateşe atmayın. Batarya hücresi patlayabilir. Bertaraf etmeye ilişkin olası özel talimatlar için yerel yönetmelikleri kontrol edin.
2. Batarya/bataryaları açmayın ya da batarya(lar) üzerinde değişiklik yapmayın. Ortaya çıkan elektrolit aşındırıcıdır ve gözlere ya da cilde zarar verebilir. Yutulduğu takdirde zehirli olabilir.
3. Bataryayı yağmurda veya ıslak yerlerde şarj etmeyin.
4. Bataryayı açık alanda şarj etmeyin.
5. Şarj aleti fişi ve şarj aleti terminaleri dahil şarj aletine ıslak ellerle dokunmayın.
6. Bataryayı ıslak ellerle değiştirmeyin.
7. Bataryayı yağmurda değiştirmeyin.
8. Batarya bağlantı uçlarını su gibi sıvılarla ıslatmayın ya da bataryayı sıvılara sokmayın. Bataryayı yağmurda bırakmayın veya bataryayı nemli ya da ıslak yerlerde şarj etmeyin, kullanmayın veya depolamayın. Bağlantı uçları ıslanır veya bataryanın içine sıvı girerse batarya kısa devre olabilir ve aşırı ısınma, yangın veya patlama riski ortaya çıkar.
9. Bataryayı alet veya şarj aletinden çıkardıktan sonra mutlaka bataryaya batarya kapağını takın ve kuru bir yerde depolayın.
10. Batarya kartuşu ıslanırsa içinden suyu boşaltın ve ardından kuru bir bezle silin. Kullanmadan önce batarya kartuşunu kuru bir yerde tamamen kuruyun.

Bakım ve saklama

1. Alet; bakım, kontrol veya saklama için durdurulduğunda, aleti kapatın ve batarya kartuşunu çıkarın, tüm hareketli parçaların tam olarak durduğundan emin olun. Herhangi bir kontrol, ayarlama, vb. yapmadan önce aletin

- soğumasını bekleyin.
2. Aleti saklamadan önce her zaman soğumasını bekleyin.
 3. Kullanılmadığı zaman bıçak kılıfını alete takın ve aleti kapalı mekanlarda, çocukların ulaşamayacağı, kuru ve yüksek kilitli bir yerde saklayın.
 4. Aletin bakımını dikkatli yapın. En iyi performans ve yaralanma riskini azaltmak için kesici kenarı keskin ve temiz tutun. Yağlama ve aksesuar değişimi için talimatları izleyin. Kolları kuru, temiz ve yağ ve gres bulaşmamış halde bulundurun.
 5. Hasarlı parçaları kontrol edin. Aleti kullanmaya devam etmeden önce, hasar görmüş tüm parçaları, uygun şekilde çalışıp çalışmayacağını ve amaçlanan işlevini görüp göremeyeceğini belirlemek için, dikkatlice kontrol edilmelidir. Hareketli parçaların hizalanmalarını, bağlantılarını, parçalardaki kırıkları, montajlarını ve çalışmasını etkileyebilecek diğer durumları kontrol edin. Hasar görmüş siper ya da başka bir parça, yetkili servis tarafından onarılmalı ya da değiştirilmelidir.
 6. Sadece orijinal yedek parçaları kullanın.
 7. Aleti başka bir yere taşımadan önce, çalışma sırasında dahil olmak üzere, daima batarya kartuşunu çıkarın ve keski bıçaklarına bıçak kılıfını takın. Bıçaklar çalışırken aleti asla taşımayın ya da nakletmeyin. Bıçakları asla elinizle kavramayın.
 8. Kullandıktan sonra ve aleti uzun süreli depoya kaldırmadan önce aleti ve özellikle keski bıçaklarını temizleyin. Keski bıçaklarını hafifçe yağlayın ve bıçak kılıfını takın.
 9. Aleti yüksek basınçlı su ile yıkamayın.
 10. Aleti yıkarken batarya, motor ve terminaller gibi elektrik mekanizmasına su girmesine izin vermeyin.
 11. Kontrol veya bakımı, yağmurdan sakınılabilecek bir yerde yapın.
 12. Aleti kullandıktan sonra yapışan pislikleri temizleyin ve depolamadan önce aleti tamamen kurutun. Mevsim veya bölgeye bağlı olarak donma kaynaklı arıza riski vardır.
 13. Aleti depolarken doğrudan güneş ışığı ve yağmurdan sakının, ısınmayacak veya nemlenmeyecek bir yerde depolayın.
2. Batarya kartuşunu parçalarına ayırmayın veya kurcalamayın. Yangın, aşırı ısı veya patlamaya neden olabilir.
 3. Çalışma süresi aşırı derecede kısalırsa kullanmayı derhal bırakın. Aşırı ısınma, yanma riski hatta patlamaya neden olabilir.
 4. Gözünüze elektrolit kaçarsa, gözlerinizi temiz suyla durulayın ve hemen tıbbi yardım alın. Görme kaybına yol açabilir.
 5. Batarya kartuşuna kısa devre yaptırmayın:
 - (1) Terminallere herhangi bir iletken madde bağdırmeyin.
 - (2) Batarya kartuşunu çiviler, madeni paralar, vb. gibi başka metal nesnelere aynı kaba koymaktan kaçının.
 - (3) Batarya kartuşunu yağmura ya da suya maruz bırakmayın.
 Kısa devre, büyük bir akım akışına, aşırı ısınmaya, olası yanıklara hatta bataryanın bozulmasına yol açabilir.
 6. Aleti ve batarya kartuşunu sıcaklığın 50 °C ya da daha yüksekçe ulaştığı yerlerde saklamayın ve kullanmayın.
 7. Aşırı derecede hasar görmüş ya da tamamen kullanılamaz durumda olsa bile batarya kartuşunu yakmayın. Batarya kartuşu ateşe atılırsa patlayabilir.
 8. Batarya kartuşunu çivilemeyin, kesmeyin, ezmeyin, fırlatmayın, düşürmeyin ya da batarya kartuşuna sert bir nesne ile vurmeyin. Bu eylemler yangın, aşırı ısı veya patlamaya neden olabilir.
 9. Hasarlı bataryayı kullanmayın.
 10. Aletin içerdığı lityum-iyon bataryalar Tehlikeli Eşyalar Yönetmeliğinin gereksinimlerine tabidir.

Ticari nakliye işlemleri için, örneğin üçüncü taraflar, nakliye acenteleri tarafından yapılan nakliyelerde, paketleme ve etiketleme gereksinimlerine uyulmalıdır.

Nakliyesi yapılacak ürünün hazırlanması için, tehlikeli maddeler konusunda uzman bir kişiye danışın. Lütfen muhtemelen daha ayrıntılı olan ulusal yönetmeliklere de uyun.

Açık kontakları bantlayın ya da maskeleyin ve bataryayı paketin içinde hareket etmeyecek şekilde paketleyin.
 11. Batarya kartuşunu bertaraf ederken aletten çıkarın ve güvenli bir yerde bertaraf edin. Bataryanın bertaraf edilmesi ile ilgili yerel düzenlemelere uyunuz.
 12. Bataryaları sadece Makita tarafından belirtilen ürünlerle kullanın. Bataryaların uyumsuz ürünlere takılması; yangın, aşırı ısınma, patlama ya da elektrolit sızıntısına neden olabilir.
 13. Alet uzun süre kullanılmıyacaksa batarya aletten çıkarılmalıdır.
 14. Kullanma sırasında ve sonrasında batarya kartuşu ısınarak yanıklara veya düşük sıcaklık yanıklarına yol açabilir. Sıcak batarya kartuşları ile işlemler yaparken dikkat edin.
 15. Yanıklara neden olabilecek kadar sıcak olabileceğinden kullandıktan hemen sonra aletin terminaline dokunmayın.

BU TALİMATLARI SAKLAYIN.

⚠UYARI: Ürünü kullanırken (defalarca kullanınca kazanılan) rahatlık ve tanıdıklık duygusunun ilgili ürünün güvenlik kurallarına sıkı sıkıya bağlı kalmanızı yerine geçmesine İZİN VERMEYİN. YANLIŞ KULLANIM veya bu kullanma kılavuzunda belirtilen emniyet kurallarına uymama ciddi yaralanmaya neden olabilir.

Batarya kartuşu hakkında önemli güvenlik talimatları

1. Batarya kartuşunu kullanmadan önce, tüm talimatları ve (1) batarya kartuşu, (2) batarya ve (3) ürün üzerindeki tüm uyarı işaretlerini okuyun.

16. **Batarya kartuşunun terminallerine, deliklerine ve kanallarına mıcır, toz veya toprak girmesine izin vermeyin.** Aletin veya batarya kartuşunun ısınmasına, alev almasına, patlamasına ve arızalanmasına neden olarak yanıklara veya yaralanmaya yol açabilir.
17. **Alet yüksek gerilim elektrik güç hatları yakınında kullanımı desteklemediği sürece batarya kartuşunu yüksek gerilim elektrik güç hatlarının yakınında kullanmayın.** Aletin veya batarya kartuşunun arızalanmasına veya bozulmasına neden olabilir.
18. **Bataryayı çocuklardan uzak tutun.**

BU TALİMATLARI MUHAFAZA EDİNİZ.

⚠DİKKAT: Sadece orijinal Makita bataryalarını kullanın. Orijinal olmayan Makita bataryaları ya da üzerine değişiklik yapılmış bataryaların kullanımı bataryanın patlamasına ve sonuç olarak yangın, kişisel yaralanma ve hasara neden olabilir. Ayrıca Makita aleti ve şarj aletinin Makita tarafından sunulan garantisi de geçersiz olur.

Maksimum batarya ömrü için ipuçları

1. **Batarya kartuşunu tamamen boşalmadan önce şarj edin.** Aletin gücünün zayıflamaya başladığını fark ettiğinizde aleti durdurun ve batarya kartuşunu şarj edin.
2. **Tam dolu bir batarya kartuşunu asla yeniden şarj etmeyin.** Aşırı şarj etme bataryanın hizmet ömrünü kısaltır.
3. **Batarya kartuşunu 10 °C - 40 °C oda sıcaklığında şarj edin.** Sıcak bir batarya kartuşunu şarj etmeden önce soğumasını bekleyin.
4. **Batarya kartuşunu kullanıyorken aletten veya şarj aletinden çıkarın.**
5. **Uzun bir süre (altı aydan daha fazla) kullanmadığınız durumlarda batarya kartuşunu şarj edin.**

PARÇALARIN TANIMI

► Şek.1

1	Başlık	2	Ön sap	3	Askı	4	Güvenlik kilidi mandalı
5	Batarya kartuşu	6	Arka sap	7	Anahtar mandalı	8	Kayar manşon
9	Keski bıçakları	10	Hız göstergesi	11	İkaz lambası	12	Ters dönüş düğmesi
13	Ana güç düğmesi	-	-	-	-	-	-

İŞLEVSEL NİTELİKLER

⚠DİKKAT: Alet üzerinde ayarlama veya işleyiş kontrolü yapmadan önce aletin kapalı ve batarya kartuşunun ayrılmış olduğundan daima emin olun.

Batarya kartuşunun takılması ve çıkarılması

⚠DİKKAT: Batarya kartuşunu takmadan ya da çıkarmadan önce aleti daima kapatın.

⚠DİKKAT: Batarya kartuşunu takarken veya çıkarırken aleti ve batarya kartuşunu sıkıca tutun. Aletin ve batarya kartuşunun sıkıca tutulmaması bunların düşürülmesine sebep olabilir ve alet ve batarya kartuşunun zarar görmesine ya da ciddi yaralanmasına yol açabilir.

Batarya kartuşunu takmak için, batarya kartuşu üzerindeki dili yuvanın oluğu ile hizalayın ve kartuşu yerine oturtun. Kartuşu, küçük bir tık sesi ile yerine sabitlenene dek sonuna kadar ittirin. Şekilde gösterildiği gibi kırmızı göstereyi görebiliyorsanız tam olarak kilitlememiş demektir.

Batarya kartuşunu çıkarmak için, kartuşun ön tarafındaki düğmeyi kaydırarak kartuşu aletten çıkarın.

► **Şek.2:** 1. Kırmızı gösterge 2. Düğme 3. Batarya kartuşu

⚠DİKKAT: Batarya kartuşunu daima kırmızı gösterge görünmeyecek şekilde tam olarak takın. Yerine tam oturmazsa, aletten yanlışlıkla düşebilir, sizin ya da çevrenizdeki kişilerin yaralanmasına neden olabilir.

⚠DİKKAT: Batarya kartuşunu zorlayarak takmayın. Kartuş kolay bir şekilde kaymıyorsa doğru yerleştirilmemiş demektir.

Kalan batarya kapasitesinin gösterilmesi

Kalan batarya kapasitesini göstermesi için batarya kartuşu üzerindeki kontrol düğmesine basın. Göstere lambaları birkaç saniye yanar.

► **Şek.3:** 1. Göstere lambaları 2. Kontrol düğmesi

Gösterge lambaları			Kalan kapasite
Yanıyor	Kapalı	Yanıp sönmüyor	
■	□	■	%75 ila %100
■	■	■	%50 ila %75
■	■	□	%25 ila %50
■	□	□	%0 ila %25
■	□	□	Bataryayı şarj edin.
■	■	□	Batarya arızalanmış olabilir.

NOT: Kullanım koşullarına ve ortam sıcaklığına bağlı olarak, gösterilen değer gerçek kapasiteden biraz farklılık gösterebilir.

NOT: İlk (en soldaki) gösterge lambası, batarya koruma sistemi çalıştığında yanıp söner.

Alet/batarya koruma sistemi

Bu alet, alet/batarya koruma sistemi ile donatılmıştır. Bu sistem motora giden gücü otomatik olarak keserek uzun alet ve batarya ömrü sağlar. Alet veya batarya için aşağıdaki durumlardan biri söz konusu olduğunda aletin işleyişi otomatik olarak durur:

► **Şek.4:** 1. İkaz lambası

Renk	İkaz lambası		Durum
	● Açık	● Yanıp sönmüyor	
Yeşil	●	●	Aşırı yüklenme
Kırmızı	● (alet) / ● (batarya)	●	Aşırı ısınma
Kırmızı	●	●	Aşırı boşaltma

ÖNEMLİ NOT: Kullanım koşullarına bağlı olarak, alete dallar veya birikintiler takılırsa hiçbir bildirimde bulunmadan alet otomatik olarak durur. Bu durumda aleti kapatın ve batarya kartuşunu çıkarın, ardından takılan dalları veya birikintileri pense vb. kullanarak çıkarın. Dalları veya birikintileri çıkardıktan sonra batarya kartuşunu takın ve aleti yeniden açın.

Aşırı yük koruması

Alet veya batarya, takılan dallar ya da başka çer çöp nedeniyle aşırı yüklenirse alet otomatik olarak durur ve ikaz lambası yeşil yanıp sönmeye başlar. Bu durumda, aleti kapatın ve aletin aşırı yüklenmesine neden olan uygulamayı durdurun. Daha sonra aleti yeniden başlaması için çalıştırın.

Alet veya batarya için aşırı ısınma koruması

Alet veya batarya kartuşu aşırı ısınır alet otomatik olarak durur. Alet aşırı ısındığında ikaz lambası kırmızı yanar. Batarya kartuşu aşırı ısındığında ikaz lambası kırmızı yanıp söner. Aleti yeniden çalıştırmadan önce aletin ve/veya bataryanın soğumasını sağlayın.

Aşırı deşarj koruması

Batarya kapasitesi azaldığında alet otomatik olarak durur ve ikaz lambası kırmızı renkte yanıp sönmeye başlar. Anahtarlar kullanıldığında bile alet çalışmazsa batarya kartuşunu aletten çıkarıp şarj edin.

Diğer nedenlere karşı korumalar

Koruma sistemi, alete zarar verebilecek diğer nedenler için de tasarlanmıştır ve aletin otomatik olarak durmasını sağlar. Alet çalışırken geçici duraklama veya durma yaparsa nedenleri ortadan kaldırmak için aşağıdaki tüm adımları uygulayın.

1. Aleti kapatın ve ardından tekrar açarak yeniden çalıştırın.
2. Bataryaları şarj edin veya şarjlı bataryalarla değiştirin.
3. Makinenin ve bataryaların soğumasını bekleyin.

Koruma sistemi eski haline getirilerek ilerleme kaydedilemezse yerel Makita Servis Merkezimize başvurun.

Güç düğmesinin işleyişi

UYARI: Güvenliğiniz için, bu alet istem dışı başlatmayı önlemek üzere bir güvenlik kilidi anahtarı ile donatılmıştır. Güvenlik kilidi mandalina basmadan sadece anahtar mandalını çekilmek suretiyle çalışıyorsa aleti ASLA kullanmayın. Daha fazla kullanmadan ÖNCE aleti uygun onarım için yetkili servis merkezimize getirin.

UYARI: Güvenlik kilidi kolunu ASLA bantlamayın veya amacını ve işlevini engelleyecek şekilde devre dışı bırakmayın.

DIKKAT: Batarya kartuşunu alete takmadan önce anahtar mandalının doğru çalıştığından ve bırakıldığında “kapalı” konuma döndüğünden emin olun. Aletin düzgün çalışmaması bir anahtarla kullanılması kontrol kaybına ve ciddi yaralanmaya neden olabilir.

DIKKAT: Taşıma sırasında parmağınızı asla anahtarın üzerine koymayın. Alet kazara çalışabilir ve yaralanmalara neden olabilir.

ÖNEMLİ NOT: Güvenlik kilidi mandalina basmadan anahtar mandalını zorlayarak çekmeyin. Bu, anahtarın kırılmasına neden olabilir.

Aleti açmak için ana güç düğmesine basın. Aleti kapatmak için ana güç düğmesine basın ve hız göstergesi sönene dek basılı tutun.

► **Şek.5:** 1. Ana güç düğmesi 2. Hız göstergesi 3. İkaz lambası

NOT: Şu şekilde kullanımın mümkün olmadığı durumlarda anahtar mandalı çekilirse ikaz lambası yeşil yanıp söner:

- Güvenlik kilidi mandalını ve anahtar mandalını aşağı doğru bastırırken ana güç anahtarını açıldığında.
- Alet başlığını katlarken güvenlik kilidi mandalını aşağı bastırılmış durumda anahtar mandalı çekildiğinde.

NOT: Bu alet otomatik güç kapama fonksiyonu kullanır. Alet yaklaşık 5 dakika kullanılmazsa ana güç anahtarını otomatik olarak kapanır.

NOT: Koruma sisteminin çalışması dolayısıyla alet durduğunda otomatik kapama fonksiyonu kullanılabilir. Motor otomatik olarak durduktan ve aleti korumaya karşı düzeltici işlem yapılmadıktan yaklaşık 5 dakika sonra ana güç anahtarını otomatik olarak kapanır.

Anahtar mandalının kazara çekilmesini önlemek için güvenlik maksadıyla çift güvenlik kilidi anahtarını sağlanmıştıdır.

Aleti çalıştırmak için elinizin perdesini (baş parmak ile işaret parmağı arasındaki kısım) kullanarak kilitleme mandalını normal konumunu geçecek şekilde ittirin ve güvenlik kilidi mandalını avuç içinizle sıkın. Ardından güvenlik kilidi mandalı tutulu durumda anahtar mandalını çekin.




Durdurmak için anahtar mandalını serbest bırakın.

- **Şek.6:** 1. Kilitleme mandalı 2. Güvenlik kilidi kolu
3. Anahtar mandalı

Hız ayarlama

Ana güç düğmesine basarak aletin hızını ayarlayabilirsiniz. Ana güç düğmesine her bastığınızda, hız seviyesi değişir.

- **Şek.7:** 1. Ana güç düğmesi 2. Hız göstergesi

Gösterge	Mod	Hareket hızı
	Yüksek	4.000 min ⁻¹
	Orta	3.000 min ⁻¹
	Düşük	2.000 min ⁻¹

NOT: Alet, son çalışma ile aynı modda çalışmaya başlar. Kapandıktan sonra motor çalışırken bataryayı çıkarırsanız alet, son çalışma ile aynı modda çalışmaya başlamaz.

Birikintilerin giderilmesi için ters dönüş düğmesi

⚠UYARI: Takılan dallar veya birikintiler ters hareket fonksiyonu ile çıkarılmazsa aleti kapatın ve batarya kartuşunu çıkarın, ardından takılan dalları veya birikintileri pense, vb. kullanarak çıkarın. Aletin kapatılmaması ve batarya kartuşunun çıkarılmaması kazara çalışma sonucu ciddi yaralanmaya neden olabilir. Takılan dalların veya birikintilerin elle çıkarılması, çıkarmaya tepki olarak keski bıçakları hareket edebileceğinden yaralanmaya neden olabilir.

Bu alette, keski bıçaklarının hareket yönünü değiştirmek için bir yön değiştirme düğmesi mevcuttur. Sadece alete takılan dalları ve birikintileri çıkarmak için kullanılır. Keski bıçaklarının hareket yönünü değiştirmek için keski bıçakları durduğunda yön değiştirme düğmesine basın ve ardından güvenlik kilidi mandalina basarken anahtar mandalını çekin. Hız göstergesi yanıp sönmeye başlar ve keski bıçakları ters yönde hareket eder. Takılan dallar veya birikintiler çıkarıldığında alet normal harekete geri döner ve hız göstergesi yanıp sönmeyi keserek yanar.

- **Şek.8:** 1. Ters dönüş düğmesi 2. Hız göstergesi

NOT: Takılan dallar veya birikintiler çıkarılmazsa anahtar mandalını bırakın, ardından yön değiştirme düğmesine basın ve daha sonra dallar veya birikintiler çıkarılana kadar anahtar mandalını çekin.

NOT: Keski bıçakları hala hareket halindeyken yön değiştirme düğmesine basarsanız alet durur ve ters hareket için hazır hale gelir.

Kesim açısının ayarlanması

⚠DİKKAT: Başlığı katlamadan veya açmadan önce aletin kapalı olduğundan daima emin olun.

⚠DİKKAT: Aleti taşımak için veya aleti kullandıktan sonra başlığı katlarken başlığı katlamadan önce bıçak kılıfını mutlaka takın.

⚠DİKKAT: Başlığı katlarken parmaklarınızı başlık ile kayar manşon arasına sıkıştırmamaya dikkat edin.

Başlık açısı, 45° yukarı ile 70° aşağı arasında 6 kademe ayarlanabilir. Başlık açısını değiştirmek için aşağıdaki adımları izleyin.

- **Şek.9:** 1. Yukarı başlık açıları 2. Aşağı başlık açıları

1. Başlığı ve kayar manşonu şekilde gösterildiği gibi tutun.

- **Şek.10:** 1. Başlık 2. Kayar manşon

2. Kayar manşonu basılı tutarken başlığı oynatın ve ardından kayar manşonu bırakın.

3. Bir tek sesi ile kilitlemeye kadar başlığı hafifçe oynatın.

NOT: Aleti kullanmadan önce başlığın sıkıca kilitletiğinden emin olun.

Elektronik fonksiyon

Alet, kolay kullanım için elektronik fonksiyonlarla donatılmıştır.

- Sabit hız kontrolü
Hız kontrol fonksiyonu, yük koşullarından bağımsız olarak sabit devir hızı sağlar.
- Elektrikli fren
Bu alet bir elektrikli fren ile donatılmıştır. Alet, anahtar mandalı bırakıldıktan sonra sürekli olarak keski bıçaklarını çabucak durduramıyorsa alete Makita Yetkili Servis Merkezinde bakım yaptırın.
- İstemsiz yeniden başlatma önleyici işlev
Anahtar mandalını çekerken aleti açtığınızda alet çalışmaya başlamaz ve ikaz lambası yeşil yanıp söner. Aleti başlatmak için önce anahtar mandalını serbest bırakın ve ardından aleti açın.

MONTAJ

⚠DİKKAT: Alet üzerinde herhangi bir iş yapmadan önce aletin kapalı ve batarya kartuşunun ayrılmış olduğundan daima emin olun.

⚠DİKKAT: Keski bıçaklarını değiştirirken ellerinizin bıçaklarla doğrudan temas etmemesi için daima eldiven kullanın.

Keski bıçaklarının takılması veya çıkarılması

⚠DİKKAT: Keski bıçaklarını takmadan veya çıkarmadan önce bıçak kılıfını takın.

ÖNEMLİ NOT: Keski bıçaklarını değiştirirken dişli ve krank bölümlerindeki gresi silmeyin.

NOT: Keski bıçaklarını takmadan veya çıkarmadan önce aletin başlığını, başlı aletin gövdesine düz olacak şekilde açın.

1. Aleti ters şekilde yerleştirin ve ardından 6 civatayı çıkarın.

▶ **Şek.11:** 1. Cıvata

2. Kapağı ve plakayı çıkarın.

▶ **Şek.12:** 1. Kapak 2. Plaka

Kapağı açmakta zorlanırsanız kapağı kanırtarak açmak için bir düz tornavida kullanın.

Düz tornavidayı aletin gövdesindeki açıklık ve kesiklerin birine veya daha fazlasına sokun ve ardından gövdenin kapağını kaldırarak çıkarın.

▶ **Şek.13:** 1. Kesikler (gövdenin her iki tarafında)
2. Açıklık (kapak ile keski bıçaklarının arasında)

NOT: Plaka kapağın içinde kalabilir.

3. Bağlantı rotu ve rulmanı çıkarın.

▶ **Şek.14:** 1. Bağlantı rotu 2. Rulman

NOT: Bağlantı rotu ve rulman, kapağın içinde kalabilir.

4. 2 cıvata ve 2 manşonu keski bıçaklarından çıkarın. Keski bıçaklarını aletin gövdesinden sökün. Ardından keçe tamponu ve kauçuk toz keçesini keski bıçaklarından çıkarın.

▶ **Şek.15:** 1. Cıvata 2. Manşon 3. Keski bıçakları
4. Keçe tamponu 5. Toz keçesi

ÖNEMLİ NOT: Yeniden monte etmek için tekrar kullanılacakları için bileşen parçalarını kaybetmeye dikkat edin.

5. Bıçak kılıfını çıkarın ve ardından yeni keski bıçaklarını takın.

▶ **Şek.16:** 1. Bıçak kılıfı

6. 2 delik, hizalama çizgisinde aynı hizaya gelecek şekilde krankı ayarlayın.

▶ **Şek.17:** 1. Delikler 2. Hizalama çizgisi

7. Keski bıçaklarının her iki tarafındaki çıkıntılı kısımları hizalayın.

▶ **Şek.18:** 1. Çıkıntılı kısımlar

8. Manşon delikleri yukarı bakacak şekilde keski bıçaklarını tutun. Keçe tamponunu, kolları keski bıçaklarını saracak şekilde keski bıçaklarına takın.

▶ **Şek.19:** 1. Keçe tamponu 2. Manşon deliği

9. Keski bıçaklarını ters çevirin. Kauçuk toz keçesini keski bıçaklarına takın. Toz keçesinin bir ucu keski bıçaklarının çıkıntılı kısmına dokunacak şekilde konumunu ayarlayın.

▶ **Şek.20:** 1. Toz keçesi 2. Çıkıntılı kısım

10. Keski bıçaklarını, keçe tamponu yukarı bakacak şekilde çevirin. Keski bıçaklarının çıkıntılı kısmını, bağlantı rotundaki küçük uç deliği ile hizalayın. Keski bıçaklarını tekrar yerine takın.

▶ **Şek.21:** 1. Keçe tamponu 2. Toz keçesi 3. Çıkıntılı kısım 4. Küçük uç deliği 5. Keçe tamponu açıklıkları 6. Toz keçesi açıklıkları

ÖNEMLİ NOT: Keçe tamponu ve kauçuk toz keçesini bıçak gövdesindeki açıklıklara iyice oturtduğunuzdan emin olun.

ÖNEMLİ NOT: Bağlantı rotundaki küçük uç deliğinin iç çevresine az bir miktar gres yağı sürün.

11. Yeni manşonları, keski bıçaklarındaki manşon deliklerine yerleştirin.

▶ **Şek.22:** 1. Manşon 2. Manşon deliği

ÖNEMLİ NOT: Manşonları kaybetmemeye dikkat edin.

12. Manşonlardaki delikleri, keski bıçaklarındaki ve bıçak gövdesindeki delikleri bir hat boyunca birbirine hizalayın. Ardından 2 civatayı sıkarak keski bıçaklarını sabitleyin.

▶ **Şek.23:** 1. Cıvata 2. Manşon 3. Keski bıçakları

13. Rulman ve bağlantı rotunu takın.

▶ **Şek.24:** 1. Bağlantı rotu 2. Küçük uç deliği
3. Rulman

ÖNEMLİ NOT: Bağlantı rotundaki küçük uç deliğinin iç çevresine az bir miktar gres yağı sürün.

ÖNEMLİ NOT: Keski bıçaklarının çıkıntılı kısmını, bağlantı rotundaki küçük uç deliğine iyice oturtduğunuzdan emin olun.

14. Plaka tekrar yerine takın.

► **Şek.25:** 1. Plaka 2. Çıkıntılı kısım

ÖNEMLİ NOT: Keski bıçaklarının çıkıntılı kısmını, plakadaki deliğe iyice oturtduğunuzdan emin olun.

15. Kapağı takın ve ardından 6 civatayı sıkın.

► **Şek.26:** 1. Kapak 2. Civata

ÖNEMLİ NOT: Keski bıçakları akıcı hareket etmezse keski bıçakları bağlantı rotalarına düzgün geçmez. Keski bıçaklarını tekrar takın.

ÖNEMLİ NOT: Keski bıçakları dışında bağlantı rotları gibi parçalar yıpranırsa parça değişimi ve onarım için Makita Yetkili Servis Merkezlerine başvurun.

Talaş yakalayıcının takılması veya çıkarılması

İsteğe bağlı aksesuarlar

⚠DİKKAT: Talaş yakalayıcıyı takarken veya çıkarırken ellerinizin keski bıçaklarıyla doğrudan temas etmemesi için daima eldiven kullanın.

ÖNEMLİ NOT: Alete talaş yakalayıcı takılı ise bıçak kılıfı takılamaz. Aleti taşımadan veya depolamadan önce talaş yakalayıcıyı çıkarın ve ardından bıçağın açıkta kalmasını engellemek için bıçak kılıfını takın.

ÖNEMLİ NOT: Talaş yakalayıcıyı takmadan önce bıçak kılıfını mutlaka çıkarın.

Talaş yakalayıcı atık yapıları toplayarak işiniz bittikten sonra temizlik yapmayı kolaylaştırır. Aletin her iki yanına da takılabilir.

1. Talaş yakalayıcının kısıkaçlarını keski bıçaklarına geçirin.

► **Şek.27:** 1. Talaş yakalayıcı 2. Keski bıçakları 3. Kısıkaç

2. Talaş yakalayıcı üzerindeki delikleri keski bıçaklarının üzerindeki vidalarla hizalayın ve ardından talaş yakalayıcıyı keski bıçaklarına sıkıca takın.

► **Şek.28:** 1. Delik 2. Vida

ÖNEMLİ NOT: Talaş yakalayıcının, dal tutucunun üzerine binmediğinden emin olun.

► **Şek.29:** 1. Dal tutucu

Talaş yakalayıcıyı çıkarmak için, kısıkaçları serbest bırakmak amacıyla mandallara bastırın.

► **Şek.30:** 1. Mandal

ÖNEMLİ NOT: Talaş yakalayıcı, keski bıçaklarının kanallarına kancalarıyla kilitlemiş durumdayken aşırı güç uygulayarak çıkarmaya çalışmayın.

KULLANIM

Omuz askısının takılması

⚠DİKKAT: Çalıştırmadan önce omuz askısının aletin üzerindeki askıya düzgün bir şekilde takıldığından emin olun.

⚠DİKKAT: Aleti taşınabilir güç ünitesi gibi sırt çantası tipi güç kaynağı ile birlikte kullanırken alet paketinde verilen omuz kayışını kullanmayın, Makita tarafından önerilen askı kayışını kullanın.

Alet paketinde verilen omuz kayışını ve sırt çantası tipi güç kaynağının omuz kayışını aynı anda takarsanız acil bir durumda alet veya sırt çantası tipi güç kaynağının çıkarılması zor olur ve kaza veya yaralanmaya neden olabilir. Önerilen askı kayışı için Makita Yetkili Servis Merkezlerine başvurun.

NOT: Omuz askısını alete takılı kullanın.

Kullanmadan önce, yorgunluğu önlemek için omuz askısını kullanıcının boyutlarına göre ayarlayın.

1. Omuz askısını omzunuza takın.

► **Şek.31**

2. Omuz askısı üzerindeki kancayı aletin askısına takın.

► **Şek.32:** 1. Kanca 2. Askı

3. Omuz askısını rahat bir çalışma konumuna ayarlayın.

► **Şek.33**

Omuz askısı hızlı açılma özelliğine sahiptir.

Aleti omuz askısından çıkarmak için tokenin yan kısımlarına bastırmanız yeterlidir.

► **Şek.34:** 1. Toka

Aletin kullanılması

⚠UYARI: Aleti hiçbir elektrik hattının yanında kullanmayın. Elektrik hatlarıyla temas veya aleti elektrik hatlarının yanında kullanmak ciddi yaralanma veya ölümlü sonuçlanacak elektrik çarpmasına neden olabilir.

⚠UYARI: Ellerinizi keski bıçaklarından uzak tutun.

⚠UYARI: Aletin kontrolünün her zaman sizde olması için son derece dikkatli olun. Aletin, size veya çalıştığınız çevredeki herhangi birine doğru dönmesine izin vermeyin. Aleti kontrol altında tutamamak çevredekilerin ve kullanıcının ciddi bir şekilde yaralanmasına neden olabilir.

⚠DİKKAT: Mümkünse, aleti çok sıcak havalarda kullanmaktan kaçının. Aleti kullanırken fiziksel durumunuza dikkat edin.

⚠DİKKAT: Budama sırasında metal bir çite ya da başka sert nesnelere temas etmemeye dikkat edin. Keski bıçakları kırılabilir ve yaralanmaya neden olabilir.

⚠DİKKAT: Keski bıçaklarının yere temas etmesine izin vermeyin. Alet geri tepebilir ve yaralanmaya neden olabilir.

⚠DİKKAT: Bir çit budama aletini normalde uzanmayacağınız bir yükseklik için kullanmaya çalışmak, özellikle de merdivene çıkıp kullanmaya çalışmak, aşırı derecede tehlikelidir. Sallanan veya zayıf bir zemin üzerinde dururken çalışmayın.

ÖNEMLİ NOT: Aletle, çapı 10 mm'den daha kalın dalları kesmeye çalışmayın. Aleti kullanmadan önce, dal budayıcı kullanarak dalları kesim yüksekliğinden 10 cm aşağıda olacak şekilde kesin.

► **Şek.35:** 1. Kesim yüksekliği 2. 10 cm

ÖNEMLİ NOT: Ölü ağaçları veya benzer sert nesnelere kesmeyin. Aksi takdirde alete hasar verebilirsiniz.

ÖNEMLİ NOT: Keski bıçaklarını kullanırken çimlere ya da yabancı otlara dolanabilir.

Aleti iki elle tutun.

► **Şek.36**

Güvenlik kilidi mandalına basıp basılı tutarken anahtar mandalını çekin ve ardından aleti budamaya hazırlayın.

► **Şek.37**

Temel çalışma için, keski bıçaklarını kesim yönünde eğin ve metre başına 3 ila 4 saniyelik bir hızla sakın ve yavaş bir biçimde hareket ettirin.

► **Şek.38**

Çitin yan kısmını düzgün bir şekilde kesmek için aşağıdan yukarı doğru kesin.

► **Şek.39**

Yuvarlak bir şekil elde etmek için budama yapılırken (şimşir veya orman gülü ve benzerinin budanması sırasında) iyi bir sonuç elde etmek için aşağıdan yukarıya doğru budama yapın.

► **Şek.40**

Keski bıçaklarına talaş yakalayıcı takıldığında, talaş yakalayıcı atık yaprakları toplayarak işiniz bittikten sonra temiz yapmayı kolaylaştırır.

► **Şek.41**

BAKIM

⚠DİKKAT: Muayene ya da bakım yapmadan önce aletin kapalı ve batarya kartuşunun çıkartılmış olduğundan daima emin olun.

⚠DİKKAT: Aleti kontrol ederken veya bakımını yaparken aleti daima yere koyun. Aleti dik konumda monte etmek veya ayarlamak ciddi yaralanmaya neden olabilir.

Aleti EMNİYETLİ ve ÇALIŞMAYA HAZIR durumda tutmak için onarımlar, başka her türlü bakım ve ayarlamalar daima Makita yedek parçaları kullanılarak Makita yetkili servis merkezleri veya Fabrikanın Servis Merkezleri tarafından yapılmalıdır.

Aletin temizlenmesi

Alet gövdesini kuru bir bezle veya sabunlu suya batırılıp sıkılmış bir bezle temizleyin.

ÖNEMLİ NOT: Benzin, tiner, alkol ve benzeri maddeleri kesinlikle kullanmayın. Renk değişimi, deformasyon veya çatlaklar oluşabilir.

Keski bıçaklarının bakımı

Çalışmadan önce veya çalışma sırasında saatte bir kez, keski bıçaklarına düşük viskoziteli yağ (makine yağı ya da sprey şeklinde yağ) uygulayın.

► **Şek.42**

Çalışmanın ardından, keski bıçaklarının her iki tarafındaki tozları tel fırça ile giderin, bir bezle silin ve keski bıçaklarına düşük viskoziteli yağ (makine yağı veya sprey şeklinde yağ) uygulayın.

► **Şek.43**

ÖNEMLİ NOT: Keski bıçaklarını suda yıkamayın. Bunu yapmak paslanmaya ya da alete zarar gelmesine neden olabilir.

ÖNEMLİ NOT: Kir ve korozyon bıçaklarda aşırı sürtünmeye neden olabilir ve bir seferlik batarya şarjıyla çalışabilen süreyi kısaltır.

Saklama

Bıçak kılıfını bıçaklar örtülecek şekilde keski bıçaklarına takın. Aleti çocukların erişemeyeceği bir yerde saklayın. Aleti neme ya da yağmura maruz kalmayan bir yerde saklayın.

Keski bıçaklarının bilenmesi

ÖNEMLİ NOT: Keski bıçakları bileme nedeniyle kayda değer ölçüde deforme olursa keski bıçaklarını yenileriyle değiştirin.

1. Batarya kartuşunu alete takın.
2. Aleti açın ve üst bıçak ile alt bıçak birbirine göre kaymış olarak konumlanacak şekilde çalıştırın.
► **Şek.44**
3. Aletini kapatın ve batarya kartuşunu aletten çıkarın.

4. Vidayı çıkarın ve ardından dal tutucuyu çıkarın.

► **Şek.45:** 1. Vida 2. Dal tutucu

5. Eĝe açısını 50°'ye ayarlayın ve üst bıçağı eĝe ile tam olarak üç kenar yönünde bileyin.

► **Şek.46:** 1. Eĝe 2. 50°

⚠DİKKAT: Keski bıçaklarını bilemeden önce aletin kapalı olduğundan ve batarya kartuşunun altetten çıkarıldığından emin olun.

6. Aleti ters şekilde yerleştirin ve ardından keski bıçağındaki pürüzleri bileme taşı ile temizleyin.

► **Şek.47:** 1. Bileme taşı

7. Eĝe açısını 50°'ye ayarlayın ve alt bıçağı eĝe ile tam olarak üç kenar yönünde bileyin.

8. Aleti normal konuma getirin ve ardından keski bıçağındaki pürüzleri bileme taşı ile temizleyin.

9. Vidayı sıkarak dal tutucuyu takın.

Gres yağlaması

Yağlama aralığı: Her 50 çalışma saatinde bir

Yağlama için yağ deliğini kullanma

1. Yağlama için civatayı delikten çıkarın.

► **Şek.48:** 1. Civata

2. Gres kabının kapağını çıkarın. Gres kabının çıkışı kapak üzerindeki delikle hizalayın ve ardından gres kabının çıkışını deliğe bastırın.

► **Şek.49:** 1. Gres kabı 2. Delik

3. Alete gres uygulayın (kural olarak yaklaşık 5 g).

4. Civatayı sıkın.

Gresörlük kullanma

Gresörlük, pozitif geçmeli gres tabancası bağlanmasını kolaylaştırır.

1. Kullanmak için bir gres tabancası hazırlayın.

2. Gres tabancasının adaptörünü, aletin üzerindeki gresörlüğe bağlayın.

► **Şek.50:** 1. Gres tabancası adaptörü 2. Gresörlük

3. Alete gres uygulayın (kural olarak yaklaşık 5 g).

4. İç basıncı serbest bırakmak için adaptörü hafif yatırın ve ardından adaptörü gresörlükten çıkarın.

Adaptör ve gresörlükteki gresi silerek temizleyin.

SORUN GİDERME

Onarım için servise gitmeden önce kontrolleri yapın. Kılavuzda açıklanmayan bir problemle karşılaşırsanız aleti demonte etmeyin. Bunun yerine, Makita Yetkili Servis Merkezlerine başvurun ve daima orijinal Makita yedek parçaları kullanın.

Anormal durum	Olası nedeni (arıza)	Çözümü
Motor çalışmıyor.	Batarya kartuşu takılı değil.	Batarya kartuşunu takın.
	Batarya sorunu (voltaj yetersiz)	Bataryayı şarj edin. Şarj etmek işe yaramıyorsa, bataryayı değiştirin.
	Sürüş sistemi doğru işlemiyor.	Yerel yetkili servis merkezinizden tamir etmelerini isteyin.
Kısa bir kullanımdan sonra motor duruyor.	Bataryanın şarj seviyesi düşük.	Bataryayı şarj edin. Şarj etmek işe yaramıyorsa, bataryayı değiştirin.
	Aşırı ısınma.	Aleti kullanmayı durdurun ve soğumasını bekleyin.
Alet maksimum devre ulaşmıyor.	Batarya düzgün takılmamış.	Batarya kartuşunu bu kılavuzda açıklandığı gibi takın.
	Batarya gücü düşüyor.	Bataryayı şarj edin. Şarj etmek işe yaramıyorsa, bataryayı değiştirin.
	Sürüş sistemi doğru işlemiyor.	Yerel yetkili servis merkezinizden tamir etmelerini isteyin.
Keski bıçakları hareket etmiyor: ⇒ makineyi hemen durdurun!	Uygun olmayan keski bıçağı açısı.	Başlılığın çalışma açısında sıkıca sabitlendiğinden emin olun.
	Keski bıçaklarının arasına yabancı maddeler takılmış.	1. Yön değiştirme düğmesini kullanın. 2. Aleti kapatın ve batarya kartuşunu çıkarın, ardından yabancı maddeleri pense, vb. kullanarak çıkarın.
	Sürüş sistemi doğru işlemiyor.	Yerel yetkili servis merkezinizden tamir etmelerini isteyin.
Olağan dışı titreşim: ⇒ makineyi hemen durdurun!	Keski bıçakları kırık, eğilmiş veya aşınmış.	Keski bıçaklarını değiştirin.
	Sürüş sistemi doğru işlemiyor.	Yerel yetkili servis merkezinizden tamir etmelerini isteyin.
Keski bıçakları ve motor durmuyor: ⇒ Bataryayı hemen çıkarın!	Elektrik arızası.	Bataryayı çıkarın ve yerel yetkili servis merkezinizden tamir etmelerini isteyin.

İSTEĞE BAĞLI AKSESUARLAR

⚠ DİKKAT: Bu aksesuarlar ve ek parçalar bu el kitabında belirtilen Makita aletiniz ile kullanılmak için tavsiye edilmektedir. Herhangi başka bir aksesuar ya da ek parça kullanılması insanlar için bir yaralanma riski getirebilir. Aksesuarları ya da ek parçaları yalnızca belirtilmiş olan kullanım amaçlarına uygun olarak kullanın.

Bu aksesuarlarla ilgili daha fazla bilgiye ihtiyaç duysanız bulunduğunuz yerdeki yetkili Makita servisine başvurun.

- Keski bıçağı takımı
- Talaş yakalayıcı
- Gres kabı
- Orijinal Makita batarya ve şarj aleti

NOT: Listedeki parçaların bazıları alet paketi içerisinde standart aksesuar olarak dahil edilmiş olabilir. Bunlar ülkeden ülkeye farklılık gösterebilir.

Makita Europe N.V.

Jan-Baptist Vinkstraat 2, 3070 Kortenberg, Belgium

Makita Corporation

3-11-8, Sumiyoshi-cho, Anjo, Aichi 446-8502 Japan

www.makita.com



885A66-992
EN, FR, DE, IT, NL,
ES, PT, EL, TR
20240222