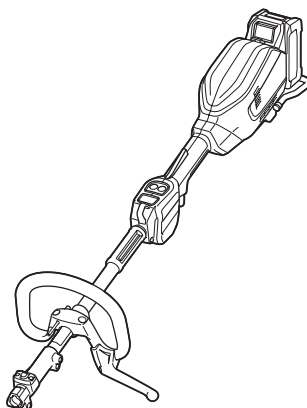
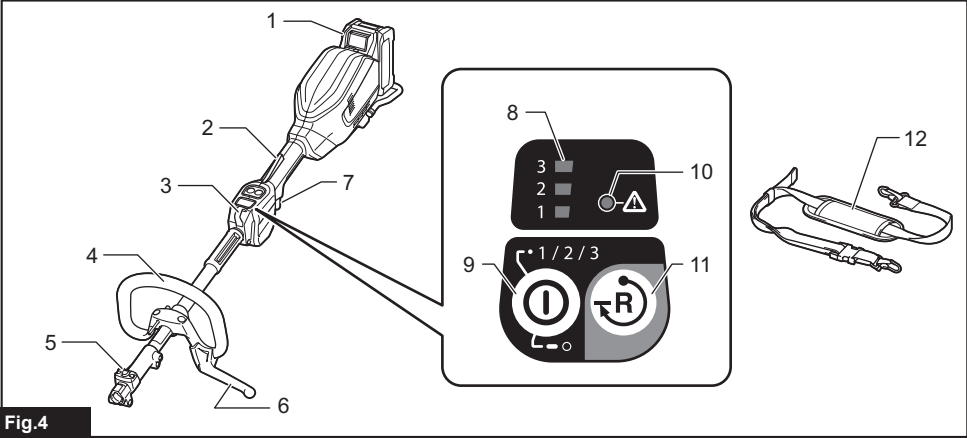
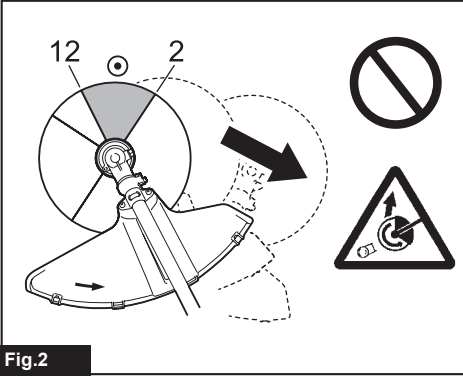
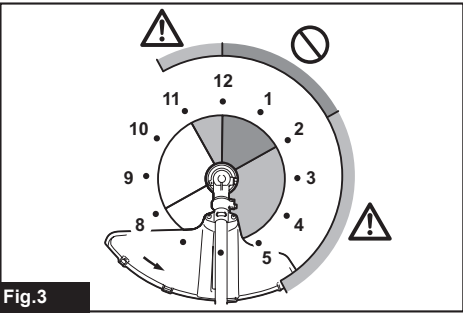
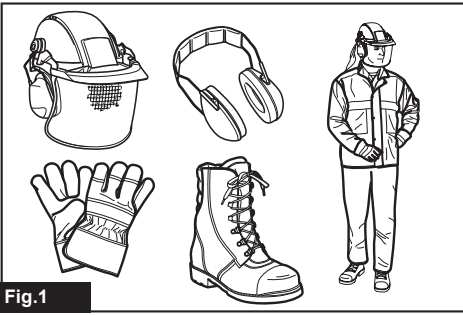




EN	Cordless Multi Function Power Head	INSTRUCTION MANUAL	6
FR	Moteur Multi-Fonctions Sans Fil	MANUEL D'INSTRUCTIONS	19
DE	Multifunktions-Antrieb	BETRIEBSANLEITUNG	33
IT	Testa motorizzata multifunzione a batteria	ISTRUZIONI PER L'USO	48
NL	Multifunctioneel accuaandrijfsysteem	GEBRUIKSAANWIJZING	62
ES	Herramienta Multifuncional Inalámbrica	MANUAL DE INSTRUCCIONES	76
PT	FERRAMENTA MULTIFUNCIONAL A BATERIA	MANUAL DE INSTRUÇÕES	91
DA	Akku flerfunktions motorhoved	BRUGSANVISNING	105
EL	Φορητή πολυλειτουργική ηλεκτρική κεφαλή	ΕΓΧΕΙΡΙΔΙΟ ΟΔΗΓΙΩΝ	118
TR	Kablosuz Çok Fonksiyonlu Akülü Kafa	KULLANMA KILAVUZU	133

## UX01G





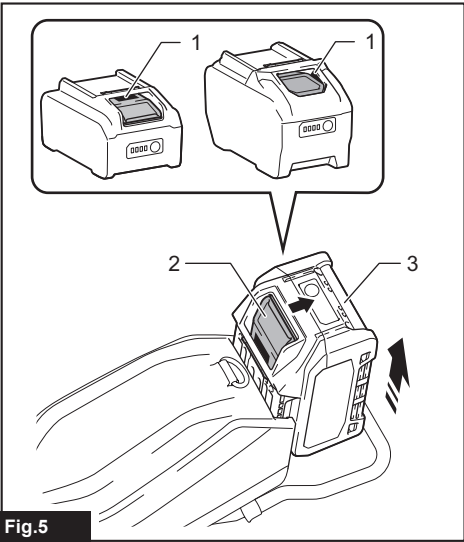


Fig.5

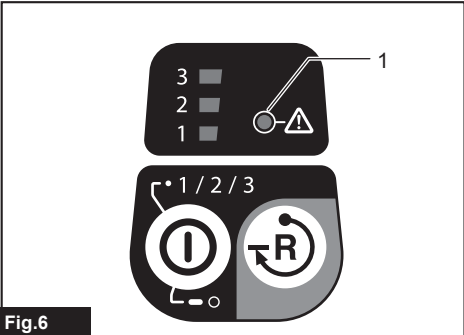


Fig.6

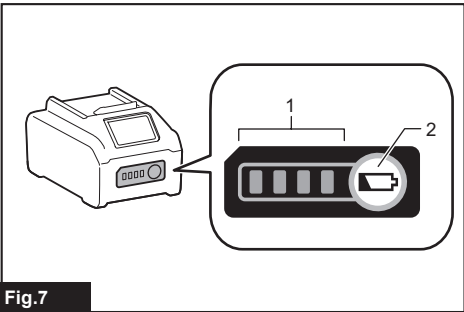


Fig.7

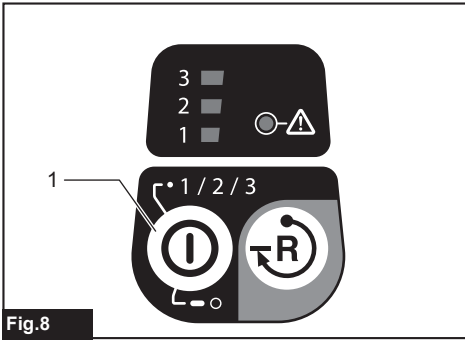


Fig.8

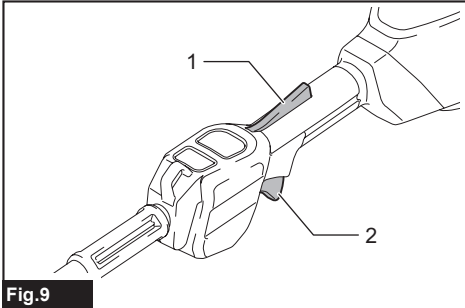


Fig.9

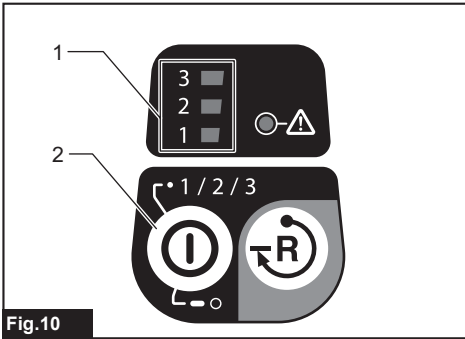


Fig.10

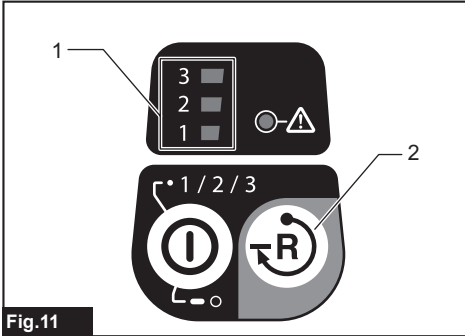


Fig.11

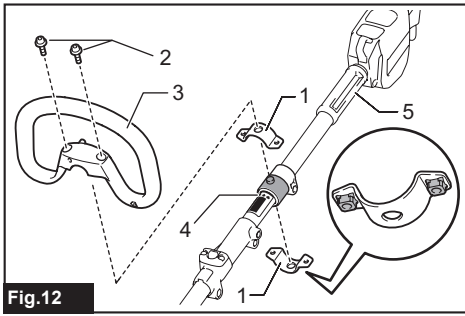


Fig.12

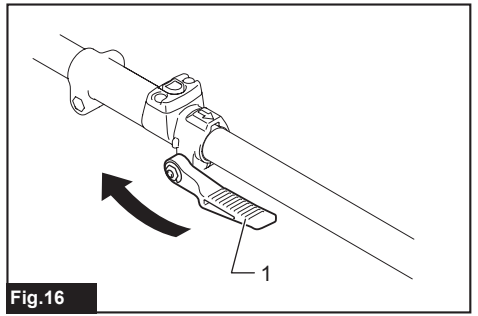


Fig.16

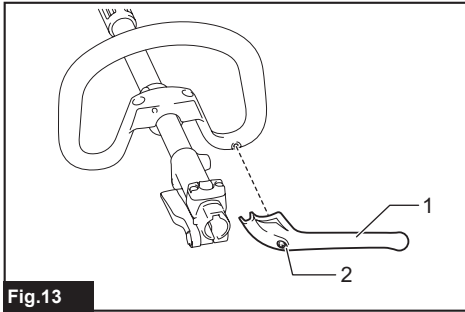


Fig.13

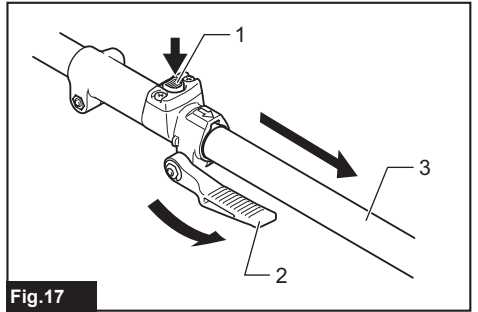


Fig.17

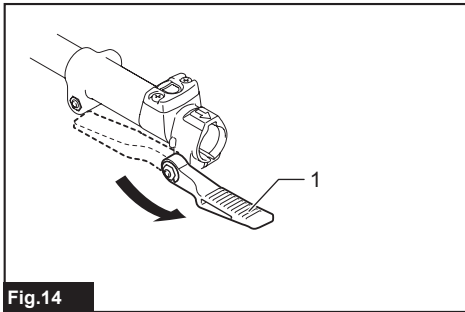


Fig.14

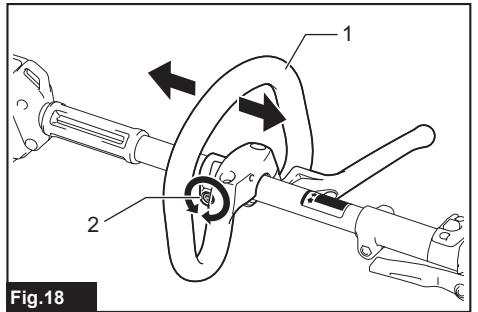


Fig.18

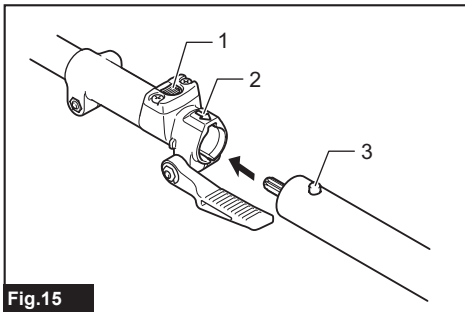


Fig.15

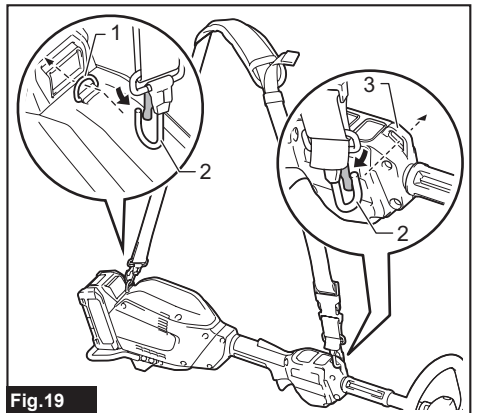
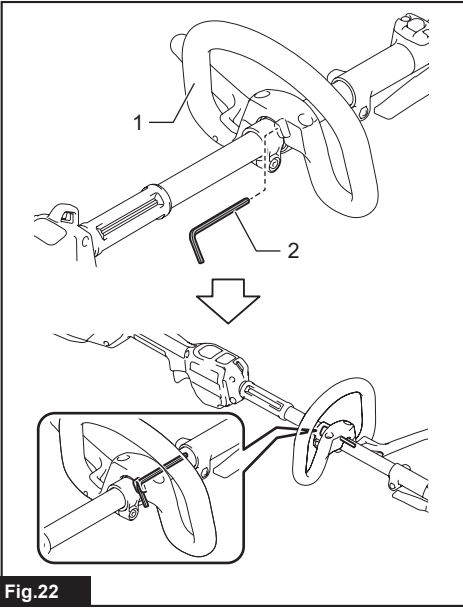
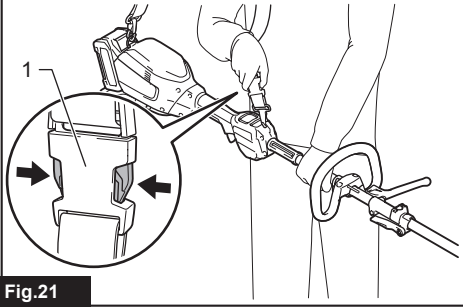
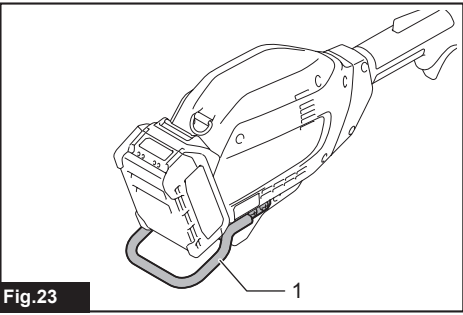
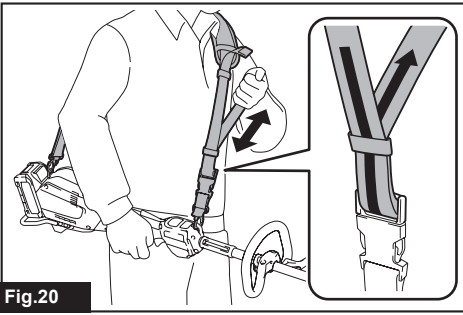


Fig.19



# SPECIFICATIONS

<b>Model:</b>		<b>UX01G</b>
No load speed (without attachment)	Low	0 - 5,700 min <sup>-1</sup>
	Medium	0 - 8,200 min <sup>-1</sup>
	High	0 - 9,700 min <sup>-1</sup>
Overall length (without battery cartridge)		1,001 mm
Rated voltage		D.C. 36 V - 40 V max
Net weight	*1	3.5 kg
	*2	5.3 kg - 12.5 kg
Protection degree		IPX4

- Due to our continuing program of research and development, the specifications herein are subject to change without notice.
- Specifications may differ from country to country.

\*1: Weight without any accessories or battery cartridge(s)

\*2: The weight may differ depending on the attachment(s), including the battery cartridge. The lightest and heaviest combinations, according to EPTA-Procedure 01/2014, are shown in the table.

## Applicable battery cartridge and charger

Type	Battery cartridge					
	BL4020	BL4025	BL4040	BL4040F	BL4050F	BL4080F
Brushcutter attachment	Available	Available	Recommended	Recommended	Recommended	Recommended
String trimmer attachment	Available	Available	Recommended	Recommended	Recommended	Recommended
Rotary scissors attachment	Available	Available	Recommended	Recommended	Recommended	Recommended
Grass trimmer attachment	Available	Available	Recommended	Recommended	Recommended	Recommended
Hedge trimmer attachment	Available	Recommended	Recommended	Recommended	Recommended	Recommended
Ground trimmer attachment	Available	Recommended	Recommended	Recommended	Recommended	Recommended
Pole saw attachment	Available	Available	Recommended	Recommended	Recommended	Recommended
Cultivator attachment	Available	Available	Recommended	Recommended	Recommended	Recommended
Edger attachment	Available	Recommended	Recommended	Recommended	Recommended	Recommended
Coffee harvester attachment	Available	Available	Recommended	Recommended	Recommended	Recommended
Power brush attachment	Available	Available	Recommended	Recommended	Recommended	Recommended
Power sweep attachment	Available	Available	Recommended	Recommended	Recommended	Recommended
Blower attachment	Available	Available	Recommended	Recommended	Recommended	Recommended
Pump attachment	Available	Recommended	Recommended	Recommended	Recommended	Recommended
Weeding attachment	Available	Recommended	Recommended	Recommended	Recommended	Recommended
Charger	DC40RA / DC40RB / DC40RC / DC40WA					

- Some of the battery cartridges and chargers listed above may not be available depending on your region of residence.

**⚠WARNING: Only use the battery cartridges and chargers listed above.** Use of any other battery cartridges and chargers may cause injury and/or fire.

## Recommended cord connected power source

Portable power pack	PDC01 / PDC1200 / PDC1500
---------------------	---------------------------

- The cord connected power source(s) listed above may not be available depending on your region of residence.
- Before using the cord connected power source, read instruction and cautionary markings on them.

## No load speed with attachment




Model	Rotation speed		
	Low	Medium	High
EM401MP	0 - 4,200 min <sup>-1</sup>	0 - 6,000 min <sup>-1</sup>	0 - 7,100 min <sup>-1</sup>
EM404MP / EM406MP	0 - 3,500 min <sup>-1</sup>	0 - 5,000 min <sup>-1</sup>	0 - 6,000 min <sup>-1</sup>
EM407MP	Upper blade	0 - 310 min <sup>-1</sup>	0 - 370 min <sup>-1</sup>
	Lower blade	0 - 470 min <sup>-1</sup>	0 - 790 min <sup>-1</sup>
EM408MP / EM409MP	0 - 4,200 min <sup>-1</sup>	0 - 6,000 min <sup>-1</sup>	0 - 7,100 min <sup>-1</sup>
EN401MP / EN402MP / EN410MP / EN420MP / EN422MP / EN424MP (Strokes per minute)	0 - 2,400 min <sup>-1</sup>	0 - 3,400 min <sup>-1</sup>	0 - 4,000 min <sup>-1</sup>
EY403MP (chain speed)	0 - 11 m/s	0 - 16 m/s	0 - 19 m/s
KR400MP	0 - 160 min <sup>-1</sup>	0 - 230 min <sup>-1</sup>	0 - 280 min <sup>-1</sup>
KR401MP	0 - 130 min <sup>-1</sup>	0 - 190 min <sup>-1</sup>	0 - 230 min <sup>-1</sup>
EE400MP	0 - 2,800 min <sup>-1</sup>	0 - 4,000 min <sup>-1</sup>	0 - 4,700 min <sup>-1</sup>
EJ400MP	0 - 1,600 min <sup>-1</sup>	0 - 2,300 min <sup>-1</sup>	0 - 2,800 min <sup>-1</sup>
BR400MP	0 - 130 min <sup>-1</sup>	0 - 190 min <sup>-1</sup>	0 - 230 min <sup>-1</sup>
SW400MP	0 - 130 min <sup>-1</sup>	0 - 190 min <sup>-1</sup>	0 - 230 min <sup>-1</sup>
UB400MP	0 - 5,650 min <sup>-1</sup>	0 - 7,800 min <sup>-1</sup>	0 - 9,450 min <sup>-1</sup>
UB401MP	0 - 5,650 min <sup>-1</sup>	0 - 7,800 min <sup>-1</sup>	0 - 9,450 min <sup>-1</sup>
UB402MP	0 - 5,700 min <sup>-1</sup>	0 - 8,100 min <sup>-1</sup>	0 - 9,600 min <sup>-1</sup>
PF400MP	0 - 5,600 min <sup>-1</sup>	0 - 8,100 min <sup>-1</sup>	0 - 9,500 min <sup>-1</sup>
WA400MP	0 - 570 min <sup>-1</sup>	0 - 815 min <sup>-1</sup>	0 - 970 min <sup>-1</sup>

## Approved attachment

Type	Model
Brushcutter attachment	EM401MP / EM404MP
String trimmer attachment	EM406MP
Rotary scissors attachment	EM407MP
Grass trimmer attachment	EM408MP / EM409MP
Hedge trimmer attachment	EN401MP / EN402MP / EN410MP
Ground trimmer attachment	EN420MP / EN422MP / EN424MP
Pole saw attachment	EY403MP
Cultivator attachment	KR400MP / KR401MP
Edger attachment	EE400MP
Coffee harvester attachment	EJ400MP
Shaft extension attachment	LE400MP
Power brush attachment	BR400MP
Power sweep attachment	SW400MP
Blower attachment	UB400MP / UB401MP / UB402MP
Pump attachment	PF400MP
Weeding attachment	WA400MP

## Symbols

The followings show the symbols which may be used for the equipment. Be sure that you understand their meaning before use.

	Read instruction manual.
	Take particular care and attention.
	Do not expose to moisture.



Only for EU countries

Due to the presence of hazardous components in the equipment, waste electrical and electronic equipment, accumulators and batteries may have a negative impact on the environment and human health. Do not dispose of electrical and electronic appliances or batteries with household waste!

In accordance with the European Directive on waste electrical and electronic equipment and on accumulators and batteries and waste accumulators and batteries, as well as their adaptation to national law, waste electrical equipment, batteries and accumulators should be stored separately and delivered to a separate collection point for municipal waste, operating in accordance with the regulations on environmental protection.

This is indicated by the symbol of the crossed-out wheeled bin placed on the equipment.

## Intended use

This cordless multi function power head is intended for driving an approved attachment listed in the section "SPECIFICATIONS" of this instruction manual. Never use the unit for the other purpose.

**⚠️WARNING:** Read the instruction manual of the attachment as well as this instruction manual before using. Failure to follow the warnings and instructions may result serious injury.

## Noise

Attachment		Sound pressure level		Guaranteed sound power level	Measured sound power level		Applicable standard
		$L_{pA}$ (dB (A))	Uncertainty K (dB (A))		$L_{WA}$ (dB (A))	Uncertainty K (dB (A))	
EM401MP (as a brushcutter)		79.8	1.2	-	94.8	2.5	ISO22868 (ISO11806-1)
EM401MP (as a string trimmer)	Nylon cutting head	80.1	1.0	-	94.3	2.0	ISO22868 (ISO11806-1)/ EN50636-2-91
	Plastic blade	79.4	1.0	-	91.4	2.1	ISO22868 (ISO11806-1)/ EN50636-2-91
EM404MP (as a brushcutter)		79.4	1.4	-	92.0	1.0	ISO22868 (ISO11806-1)
EM404MP (as a string trimmer)	Nylon cutting head	80.7	1.3	-	91.9	1.4	ISO22868 (ISO11806-1)/ EN50636-2-91
	Plastic blade	78.6	0.7	-	87.8	0.4	ISO22868 (ISO11806-1)/ EN50636-2-91
EM406MP	Nylon cutting head	81.3	0.6	-	93.4	2.1	ISO22868 (ISO11806-1)/ EN50636-2-91
	Plastic blade	78.8	0.4	-	87.9	0.6	ISO22868 (ISO11806-1)/ EN50636-2-91



Attachment		Sound pressure level		Guaranteed sound power level	Measured sound power level		Applicable standard
		L <sub>pA</sub> (dB (A))	Uncertainty K (dB (A))		L <sub>WA</sub> (dB (A))	L <sub>WA</sub> (dB (A))	
EM407MP		84.7	1.7	-	99.0	1.3	ISO22868 (ISO11806-1)
EM408MP	Metal blade	80.7	1.7	-	94.7	3.0	ISO22868 (ISO11806-1)
	Nylon cutting head	79.5	1.3	-	92.8	2.7	ISO22868 (ISO11806-1)/ EN50636-2-91
	Plastic blade	80.5	1.1	-	92.2	2.8	ISO22868 (ISO11806-1)/ EN50636-2-91
EM409MP	Nylon cutting head	80.6	1.2	-	93.4	2.3	ISO22868 (ISO11806-1)/ EN50636-2-91
	Plastic blade	81.0	1.4	-	91.9	2.4	ISO22868 (ISO11806-1)/ EN50636-2-91
EN401MP		85	3	96	95	1.1	EN62841-4-2
EN401MP + LE400MP		82	3	98	96	1.4	EN62841-4-2
EN402MP		83	3	95	92	2.3	EN62841-4-2
EN402MP + LE400MP		79	3	96	94	1.8	EN62841-4-2
EN410MP		81	3	93	91	2.0	EN62841-4-2
EN410MP + LE400MP		80	3	93	91	1.7	EN62841-4-2
EN420MP		84	3	94	94	0.4	EN62841-4-2
EN422MP		81	3	94	92	1.9	EN62841-4-2
EN424MP		80	3	-	88	3	EN62841-1
EY403MP		95	3	-	102	3	ISO22868 (ISO11680-1)
EY403MP+LE400MP		95	3	-	102	3	ISO22868 (ISO11680-1)
KR400MP		77.8	0.7	-	86.6	1.2	EN709
KR401MP		77.7	0.3	-	86.7	2.0	EN709
EE400MP		76.1	1.7	-	88.2	2.3	ISO11789 / 2000/14/EC
EJ400MP		82.9	0.6	-	94.4	1.5	ISO22868 (ISO11806-1)
EJ400MP + LE400MP		79.7	1.4	-	94.0	0.7	ISO22868 (ISO11806-1)
BR400MP		80.2	1.0	-	88.9	0.8	EN60335-2-72
SW400MP		80.3	0.2	-	88.3	0.6	EN60335-2-72
UB400MP		92.1	1.6	-	104.1	1.3	EN50636-2-100
UB401MP		85.6	2.1	-	97.1	1.0	EN50636-2-100
UB402MP		81.7	1.9	-	90.8	1.7	EN50636-2-100
PF400MP		75	2.5	-	90	2.5	ISO20361
WA400MP		77	3	-	89	3	ISO22868 (ISO11806-1)

- Even if the sound pressure level listed above is 80 dB (A) or less, the level under working may exceed 80 dB (A). Wear ear protection.

**NOTE:** The declared noise emission value(s) has been measured in accordance with a standard test method and may be used for comparing one tool with another.

**NOTE:** The declared noise emission value(s) may also be used in a preliminary assessment of exposure.

**⚠ WARNING:** Wear ear protection.

**⚠ WARNING:** The noise emission during actual use of the power tool can differ from the declared value(s) depending on the ways in which the tool is used especially what kind of workpiece is processed.

**⚠ WARNING:** Be sure to identify safety measures to protect the operator that are based on an estimation of exposure in the actual conditions of use (taking account of all parts of the operating cycle such as the times when the tool is switched off and when it is running idle in addition to the trigger time).

## Vibration

Attachment		Left handle (Front grip)		Right handle (Rear grip)		Applicable standard
		ah (m/s <sup>2</sup> )	Uncertainty K (m/s <sup>2</sup> )	ah (m/s <sup>2</sup> )	Uncertainty K (m/s <sup>2</sup> )	
EM401MP (as a brushcutter)		2.5 or less	1.5	2.5 or less	1.5	ISO22867 (ISO11806-1)
EM401MP (as a string trimmer)	Nylon cutting head	3.7	1.5	3.0	1.5	ISO22867 (ISO11806-1)
	Plastic blade	2.5 or less	1.5	2.5 or less	1.5	ISO22867 (ISO11806-1)
EM404MP (as a brushcutter)		2.5 or less	1.5	2.5 or less	1.5	ISO22867 (ISO11806-1)
EM404MP (as a string trimmer)	Nylon cutting head	2.5 or less	1.5	2.5 or less	1.5	ISO22867 (ISO11806-1)
	Plastic blade	2.5 or less	1.5	2.5 or less	1.5	ISO22867 (ISO11806-1)
EM406MP	Nylon cutting head	2.5 or less	1.5	2.5 or less	1.5	ISO22867 (ISO11806-1)
	Plastic blade	2.5 or less	1.5	2.5 or less	1.5	ISO22867 (ISO11806-1)
EM407MP		2.5 or less	1.5	2.5 or less	1.5	ISO22867 (ISO11806-1)
EM408MP	Metal blade	2.5 or less	1.5	2.5 or less	1.5	ISO22867 (ISO11806-1)
	Nylon cutting head	2.5 or less	1.5	2.5 or less	1.5	ISO22867 (ISO11806-1)
	Plastic blade	2.5 or less	1.5	2.5 or less	1.5	ISO22867 (ISO11806-1)
EM409MP	Nylon cutting head	2.5 or less	1.5	2.5 or less	1.5	ISO22867 (ISO11806-1)
	Plastic blade	2.5 or less	1.5	2.5 or less	1.5	ISO22867 (ISO11806-1)
EN401MP		3.4	1.5	2.5 or less	1.5	EN62841-4-2
EN401MP + LE400MP		5.4	1.5	2.7	1.5	EN62841-4-2
EN402MP		2.5 or less	1.5	2.5	1.5	EN62841-4-2
EN402MP + LE400MP		5.0	1.5	3.4	1.5	EN62841-4-2
EN410MP		6.7	1.5	3.1	1.5	EN62841-4-2
EN410MP + LE400MP		4.4	1.5	2.5 or less	1.5	EN62841-4-2
EN420MP		2.9	1.5	2.5 or less	1.5	EN62841-4-2
EN422MP		2.5 or less	1.5	2.5	1.5	EN62841-4-2
EN424MP		2.5 or less	1.5	2.5 or less	1.5	EN62841-1
EY403MP		4.0	1.5	2.5 or less	1.5	ISO22867 (ISO11680-1)
EY403MP+LE400MP		3.2	1.5	2.5 or less	1.5	ISO22867 (ISO11680-1)
KR400MP		2.5 or less	1.5	2.5 or less	1.5	EN709
KR401MP		2.5 or less	1.5	2.5 or less	1.5	EN709
EE400MP		2.5 or less	1.5	2.5 or less	1.5	ISO11789

Attachment	Left handle (Front grip)		Right handle (Rear grip)		Applicable standard
	ah (m/s <sup>2</sup> )	Uncertainty K (m/s <sup>2</sup> )	ah (m/s <sup>2</sup> )	Uncertainty K (m/s <sup>2</sup> )	
EJ400MP	3.5	1.5	3.9	1.5	ISO22867 (ISO11806-1)
EJ400MP + LE400MP	4.8	1.5	2.6	1.5	ISO22867 (ISO11806-1)
BR400MP	2.5 or less	1.5	2.5 or less	1.5	EN60335-2-72
SW400MP	2.5	1.5	2.5 or less	1.5	EN60335-2-72
UB400MP	4.6	1.5	2.5 or less	2.5	EN50636-2-100
UB401MP	2.5 or less	1.7	2.5 or less	1.5	EN50636-2-100
UB402MP	2.5 or less	1.5	2.5 or less	1.5	EN50636-2-100
PF400MP	2.5 or less	1.5	2.5 or less	1.5	ISO22867
WA400MP	2.8	1.5	2.5 or less	1.5	ISO22867 (ISO11806-1)

**NOTE:** The declared vibration total value(s) has been measured in accordance with a standard test method and may be used for comparing one tool with another.

**NOTE:** The declared vibration total value(s) may also be used in a preliminary assessment of exposure.

**⚠ WARNING:** The vibration emission during actual use of the power tool can differ from the declared value(s) depending on the ways in which the tool is used especially what kind of workpiece is processed.

**⚠ WARNING:** Be sure to identify safety measures to protect the operator that are based on an estimation of exposure in the actual conditions of use (taking account of all parts of the operating cycle such as the times when the tool is switched off and when it is running idle in addition to the trigger time).

## Declarations of Conformity

### For European countries only

The Declarations of conformity are included in Annex A to this instruction manual.

## SAFETY WARNINGS

### General power tool safety warnings

**⚠ WARNING** Read all safety warnings, instructions, illustrations and specifications provided with this power tool. Failure to follow all instructions listed below may result in electric shock, fire and/or serious injury.

### Save all warnings and instructions for future reference.

The term "power tool" in the warnings refers to your mains-operated (corded) power tool or battery-operated (cordless) power tool.

### Additional safety instructions

### Personal protective equipment

► Fig.1

1. Wear safety helmet, protective goggles and protective gloves to protect yourself from flying debris or falling objects.
2. Wear ear protection such as ear muffs to prevent hearing loss.

3. Wear proper clothing and shoes for safe operation, such as a work overall and sturdy, non-slip shoes. Do not wear loose clothing or jewelry. Loose clothes, jewelry or long hair can be caught in moving parts.
4. When touching the cutting blade, wear protective gloves. Cutting blades can cut bare hands severely.

### Work area safety

1. Before operation, examine the work area for stones or other solid objects. They can be thrown or cause dangerous kickback and result in serious injury and/or property damage.

### Electrical and battery safety

1. Avoid dangerous environment. Don't use the tool in damp or wet locations or expose it to rain. Water entering the tool will increase the risk of electric shock.
2. Do not dispose of the battery(ies) in a fire. The cell may explode. Check with local codes for possible special disposal instructions.
3. Do not open or mutilate the battery(ies). Released electrolyte is corrosive and may cause damage to the eyes or skin. It may be toxic if swallowed.
4. Do not charge battery in rain, or in wet locations.
5. Do not replace the battery with wet hands.
6. Do not replace the battery in the rain.
7. Do not wet the terminal of battery with liquid such as water, or submerge the battery. Do not leave the battery in the rain, nor charge, use, or store the battery in a damp or wet place. If

the terminal gets wet or liquid enters inside of battery, the battery may be short circuited and there is a risk of overheat, fire, or explosion.

8. **After removing the battery from the tool or charger, be sure to attach the battery cover to the battery and store it in a dry place.**
9. **If the battery cartridge gets wet, drain the water inside and then wipe it with a dry cloth. Dry the battery cartridge completely in a dry place before use.**

## Putting into operation

1. **The cutting tool has to be equipped with the guard. Never run the tool with damaged guards or without guards in place!**
2. **Make sure there are no electrical cables, water pipes, gas pipes etc. that could cause a hazard if damaged by use of the tool.**

## Operation

1. **Always keep your hands, face, and clothes away from the cutting tool when it is rotating.** Failure to do so may cause personal injury.
2. **During operation, keep bystanders or animals at least 15 m away from the tool. Stop the tool as soon as someone approaches.**
3. **During operation, never stand on an unstable or slippery surface or a steep slope. During the cold season, beware of ice and snow and always ensure secure footing.**
4. **Never work on a ladder or tree to avoid loss of control.**
5. **When you leave the tool, even if it is a short time, always remove the battery cartridge.** The unattended tool with the battery cartridge installed may be used by unauthorized person and cause serious accident.
6. **Before starting the tool, be sure that the cutting tool is not touching the ground and other obstacles such as a tree.**
7. **Check the cutting attachment frequently during operation for cracks or damages. Before the inspection, remove the battery cartridge and wait until the cutting attachment stops completely. Replace damaged cutting attachment immediately, even if it has only superficial cracks.**
8. **Do not operate the tool in bad weather or if there is a risk of lightning.**
9. **During operation always hold the tool with both hands. Never hold the tool with one hand during use.**
10. **During operation, use the shoulder harness. Keep the tool on your right side firmly.**
11. **Do not touch the gear case during and immediately after the operation.** The gear case becomes hot during operation and can cause burn injury.
12. **Take a rest to prevent loss of control caused by fatigue.** We recommend taking a 10 to 20-minute rest every hour.
13. **When you use the tool on muddy ground, wet slope, or slippery place, pay attention to your footing.**

14. **Avoid working in poor environment where increased user fatigue is expected.**
15. **Do not use the tool in bad weather where visibility is limited.** Failure to do so may cause fall or incorrect operation due to low visibility.
16. **Do not submerge the tool into a puddle.**
17. **Do not leave the tool unattended outdoors in the rain.**
18. **When wet leaves or dirt adhere to the suction mouth (ventilation window) due to rain, remove them.**
19. **Do not use the tool in the snow.**

## Cutting tools

1. **When using cutting blades, avoid kickback and always prepare for an accidental kickback. See the section for Kickback.**
2. **When not in use, attach the blade cover onto the blade. Remove the cover before operation.**

## Kickback (Blade thrust)

1. **Kickback (blade thrust) is a sudden reaction to a caught or bound cutting blade. Once it occurs, the tool is thrown sideways toward the operator at great force and it may cause serious injury.**
2. **Kickback occurs particularly when applying the blade segment between 12 and 2 o'clock to solids, bushes and trees with 3 cm or larger diameter.**

► Fig.2

3. **To avoid kickback:**
  1. **Apply the segment between 8 and 11 o'clock.**
  2. **Never apply the segment between 12 and 2 o'clock.**
  3. **Never apply the segment between 11 and 12 o'clock and between 2 and 5 o'clock, unless the operator is well trained and experienced and does it at his/her own risk.**
  4. **Never use cutting blades close to solids, such as fences, walls, tree trunks and stones.**
  5. **Never use cutting blades vertically, for such operations as edging and trimming hedges.**

► Fig.3

## Vibration

1. **People with poor circulation who are exposed to excessive vibration may experience injury to blood vessels or the nervous system.** Vibration may cause the following symptoms to occur in the fingers, hands or wrists: "Falling asleep" (numbness), tingling, pain, stabbing sensation, alteration of skin color or of the skin. If any of these symptoms occur, see a physician!
2. **To reduce the risk of "white finger disease", keep your hands warm during operation and well maintain the tool and accessories.**

## Transport

1. Before transporting the tool, turn it off and remove the battery cartridge. Attach the cover to the cutting blade.

## Maintenance

1. Before doing any maintenance or repair work or cleaning the tool, always turn it off and remove the battery cartridge.
2. When handling a cutter blade, always wear gloves and put the blade cover on the blade.
3. Keep handles dry, clean and free from oil and grease. Keep all cooling air inlets clear of debris.
4. Do not wash the tool with high pressure water.
5. When washing the tool, do not let water enter the electrical mechanism such as battery, motor, and terminals.
6. Perform inspection or maintenance in a place where rain can be avoided.
7. After using the tool, remove the adhered dirt and dry the tool completely before storing. Depending on the season or the area, there is a risk of malfunction due to freezing.

## Storage

1. Before storing the tool, perform full cleaning and maintenance. Remove the battery cartridge. Attach the cover to the cutting blade.
2. Store the tool in a dry and high or locked location out of reach of children.
3. When storing the tool, avoid direct sunlight and rain, and store it in a place where it does not get hot or humid.

## Important safety instructions for battery cartridge

1. Before using battery cartridge, read all instructions and cautionary markings on (1) battery charger, (2) battery, and (3) product using battery.
2. Do not disassemble or tamper with the battery cartridge. It may result in a fire, excessive heat, or explosion.
3. If operating time has become excessively shorter, stop operating immediately. It may result in a risk of overheating, possible burns and even an explosion.
4. If electrolyte gets into your eyes, rinse them out with clear water and seek medical attention right away. It may result in loss of your eyesight.
5. Do not short the battery cartridge:
  - (1) Do not touch the terminals with any conductive material.
  - (2) Avoid storing battery cartridge in a container with other metal objects such as nails, coins, etc.
  - (3) Do not expose battery cartridge to water or rain.

A battery short can cause a large current flow, overheating, possible burns and even a breakdown.

6. Do not store and use the tool and battery cartridge in locations where the temperature may reach or exceed 50 °C (122 °F).
7. Do not incinerate the battery cartridge even if it is severely damaged or is completely worn out. The battery cartridge can explode in a fire.
8. Do not nail, cut, crush, throw, drop the battery cartridge, or hit against a hard object to the battery cartridge. Such conduct may result in a fire, excessive heat, or explosion.
9. Do not use a damaged battery.
10. The contained lithium-ion batteries are subject to the Dangerous Goods Legislation requirements. For commercial transports e.g. by third parties, forwarding agents, special requirement on packaging and labeling must be observed. For preparation of the item being shipped, consulting an expert for hazardous material is required. Please also observe possibly more detailed national regulations. Tape or mask off open contacts and pack up the battery in such a manner that it cannot move around in the packaging.
11. When disposing the battery cartridge, remove it from the tool and dispose of it in a safe place. Follow your local regulations relating to disposal of battery.
12. Use the batteries only with the products specified by Makita. Installing the batteries to non-compliant products may result in a fire, excessive heat, explosion, or leak of electrolyte.
13. If the tool is not used for a long period of time, the battery must be removed from the tool.
14. During and after use, the battery cartridge may take on heat which can cause burns or low temperature burns. Pay attention to the handling of hot battery cartridges.
15. Do not touch the terminal of the tool immediately after use as it may get hot enough to cause burns.
16. Do not allow chips, dust, or soil stuck into the terminals, holes, and grooves of the battery cartridge. It may cause heating, catching fire, burst and malfunction of the tool or battery cartridge, resulting in burns or personal injury.
17. Unless the tool supports the use near high-voltage electrical power lines, do not use the battery cartridge near high-voltage electrical power lines. It may result in a malfunction or breakdown of the tool or battery cartridge.
18. Keep the battery away from children.

## SAVE THESE INSTRUCTIONS.

**⚠ CAUTION:** Only use genuine Makita batteries. Use of non-genuine Makita batteries, or batteries that have been altered, may result in the battery bursting causing fires, personal injury and damage. It will also void the Makita warranty for the Makita tool and charger.

## Tips for maintaining maximum battery life

1. Charge the battery cartridge before completely discharged. Always stop tool operation and charge the battery cartridge when you notice less tool power.
2. Never recharge a fully charged battery cartridge. Overcharging shortens the battery service life.
3. Charge the battery cartridge with room temperature at 10 °C - 40 °C (50 °F - 104 °F). Let a hot battery cartridge cool down before charging it.
4. When not using the battery cartridge, remove it from the tool or the charger.
5. Charge the battery cartridge if you do not use it for a long period (more than six months).

## PARTS DESCRIPTION

► Fig.4

1	Battery cartridge	2	Lock-off lever	3	Hanger	4	Handle
5	Release button	6	Barrier	7	Switch trigger	8	Speed indicator
9	Main power button	10	Caution lamp	11	Reverse button	12	Shoulder harness

## FUNCTIONAL DESCRIPTION

**⚠ WARNING:** Always be sure that the tool is switched off and the battery cartridge is removed before adjusting or checking function on the tool. Failure to switch off and remove the battery cartridge may result in serious personal injury from accidental start-up.

### Installing or removing battery cartridge

**⚠ CAUTION:** Always switch off the tool before installing or removing of the battery cartridge.

**⚠ CAUTION:** Hold the tool and the battery cartridge firmly when installing or removing battery cartridge. Failure to hold the tool and the battery cartridge firmly may cause them to slip off your hands and result in damage to the tool and battery cartridge and a personal injury.

To install the battery cartridge, align the tongue on the battery cartridge with the groove in the housing and slip it into place. Insert it all the way until it locks in place with a little click. If you can see the red indicator as shown in the figure, it is not locked completely.

To remove the battery cartridge, slide it from the tool while sliding the button on the front of the cartridge.

► Fig.5: 1. Red indicator 2. Button 3. Battery cartridge

**⚠ CAUTION:** Always install the battery cartridge fully until the red indicator cannot be seen. If not, it may accidentally fall out of the tool, causing injury to you or someone around you.

**⚠ CAUTION:** Do not install the battery cartridge forcibly. If the cartridge does not slide in easily, it is not being inserted correctly.

### Tool / battery protection system

The tool is equipped with a tool/battery protection system. This system automatically cuts off power to the motor to extend tool and battery life. The tool will automatically stop during operation if the tool is placed under one of the following conditions:

► Fig.6: 1. Caution lamp

Caution lamp			Status
Color	● On	● Blinking	
Green	●		Overload
Red	● (tool) / ● (battery)		Overheat
Red	●		Over discharge

### Overload protection

If the tool or battery gets into one of the following situation, the tool automatically stops and the caution lamp starts blinking in green:

- The tool is overloaded by entangled weeds or other debris.
- The cutting tool is locked or kicked back.
- The main power button is turned on while the switch trigger is being pulled.

In this situation, release the switch trigger and remove entangled weeds or debris if necessary. After that, pull the switch trigger again to resume.

**⚠ CAUTION:** If you need to remove the entangled weeds on the tool or release the locked cutting tool, be sure to turn the tool off before you start.

## Overheat protection for tool or battery

If the tool or battery cartridge is overheated, the tool stops automatically. When the tool is overheated, the caution lamp lights up in red. When the battery cartridge is overheated, the caution lamp blinks in red. Let the tool and/or battery cool down before turning the tool on again.

## Overdischarge protection

When the battery capacity becomes low, the tool stops automatically and the caution lamp starts blinking in red. If the tool does not operate even when the switches are operated, remove the battery cartridge from the tool and charge it.

### Indicating the remaining battery capacity

Press the check button on the battery cartridge to indicate the remaining battery capacity. The indicator lamps light up for a few seconds.

► Fig.7: 1. Indicator lamps 2. Check button

Indicator lamps			Remaining capacity
Lighted	Off	Blinking	
■	□	▧	75% to 100%
■ ■ ■ ■			
■ ■ ■ □			
■ ■ □ □			50% to 75%
■ □ □ □			25% to 50%
□ □ □ □			0% to 25%
▧ □ □ □			Charge the battery.
■ ■ □ □			The battery may have malfunctioned.
□ □ ■ ■			

**NOTE:** Depending on the conditions of use and the ambient temperature, the indication may differ slightly from the actual capacity.

**NOTE:** The first (far left) indicator lamp will blink when the battery protection system works.

## Main power switch

**WARNING:** Always turn off the main power switch when not in use.

Press the main power button to turn on the tool. To turn off the tool, press and hold the main power button until the speed indicators go off.

► Fig.8: 1. Main power button

**NOTE:** The caution lamp blinks if the switch trigger is pulled under unoperable conditions. The caution lamp blinks if you turn on the main power switch while holding down the lock-off lever and the switch trigger.

**NOTE:** This tool employs the auto power-off function. To avoid unintentional start up, the main power switch will automatically shut down when the switch trigger is not pulled for a certain period after the main power switch is turned on.

## Switch action

**WARNING:** For your safety, this tool is equipped with lock-off lever which prevents the tool from unintended starting. NEVER use the tool if it runs when you simply pull the switch trigger without pressing the lock-off lever. Return the tool to our authorized service center for proper repairs BEFORE further usage.

**WARNING:** NEVER tape down or defeat purpose and function of lock-off lever.

**CAUTION:** Before installing the battery cartridge into the tool, always check to see that the switch trigger actuates properly and returns to the "OFF" position when released.

**CAUTION:** Never put your finger on the main power button and switch trigger when carrying the tool. The tool may start unintentionally and cause injury.

**NOTICE:** Do not pull the switch trigger hard without pressing the lock-off lever. This can cause switch breakage.

To prevent the switch trigger from being accidentally pulled, a lock-off lever is provided.

► Fig.9: 1. Lock-off lever 2. Switch trigger

To start the tool, turn on the main power switch and grasp the handle (the lock-off lever is released by the grasp) and then pull the switch trigger. Tool speed is increased by increasing the pressure on the switch trigger. To stop the tool, release the switch trigger.

## Speed adjusting

You can select the tool speed by tapping the main power button. Each time you tap the main power button, the level of speed will change.

► Fig.10: 1. Speed indicator 2. Main power button

Speed indicator	Mode
3 ■ 2 ■ 1 ■	High
3 □ 2 ■ 1 ■	Medium
3 □ 2 □ 1 ■	Low

## Reverse button for debris removal

**⚠ WARNING:** Switch off the tool and remove the battery cartridge before you remove entangled weeds or debris which the reverse rotation function can not remove. Failure to switch off and remove the battery cartridge may result in serious personal injury from accidental start-up.

This tool has a reverse button to change the direction of rotation. It is only for removing weeds and debris entangled in the tool.

To reverse the rotation, tap the reverse button and pull the switch trigger while depressing the lock-off lever when the cutting tool is stopped. The speed indicators start blinking, and the cutting tool rotates in reverse direction when you pull the switch trigger.

To return to regular rotation, release the trigger and wait until the cutting tool stops.

► **Fig.11:** 1. Speed indicator 2. Reverse button

**NOTE:** During the reverse rotation, the tool operates only for a short period of time and then automatically stops.

**NOTE:** Once the tool is stopped, the rotation returns to regular direction when you start the tool again.

**NOTE:** If you tap the reverse button while the cutting tool is still rotating, the tool comes to stop and to be ready for reverse rotation.

## Electronic torque control function

The tool electronically detects a sudden drop in the rotation speed which may cause a kickback. In this situation, the tool automatically stops to prevent further rotation of cutting tool. To restart the tool, release the switch trigger. Clear the cause of sudden drop in the rotation speed and then turn the tool on.

**NOTE:** This function is not a preventive measure for kickbacks.

## ASSEMBLY

**⚠ WARNING:** Always be sure that the tool is switched off and battery cartridge is removed before carrying out any work on the tool. Failure to switch off and remove the battery cartridge may result in serious personal injury from accidental start-up.

**⚠ WARNING:** Never start the tool unless it is completely assembled. Operation of the tool in a partially assembled state may result in serious personal injury from accidental start-up.

## Mounting the handle

Attach the handle with supplied clamps and bolts. Make sure that the handle is located between the spacer and the arrow mark. Do not remove or shrink the spacer.

► **Fig.12:** 1. Clamp 2. Hex socket bolt 3. Handle 4. Arrow mark 5. Spacer

When using the following attachments, be sure to attach the barrier to the handle using the screw on the barrier.

- Brushcutter attachment \*
- Rotary scissors attachment
- Grass trimmer attachment \*
- Edger attachment

\*. Only when metal blade is attached.

► **Fig.13:** 1. Barrier 2. Screw

## Mounting the attachment pipe

**⚠ CAUTION:** Always check that the attachment pipe is secured after installation. Improper installation may cause the attachment falling off from the power unit and cause personal injury.

Mount the attachment pipe to the power unit.

1. Turn the lever of the power unit toward the attachment side.

► **Fig.14:** 1. Lever

2. Remove the cap of the attachment. Align the pin with the arrow mark and insert the attachment pipe until the release button pops up.

► **Fig.15:** 1. Release button 2. Arrow mark 3. Pin

3. Turn the lever toward the power unit side.

► **Fig.16:** 1. Lever

Make sure that the surface of the lever is parallel to the pipe.

To remove the pipe, turn the lever toward the attachment side and pull the pipe out while pressing down the release button.

► **Fig.17:** 1. Release button 2. Lever 3. Pipe

## Adjusting the handle position

Adjust the handle position to obtain comfortable handling of the tool.

Loosen the hex socket head bolt on the handle. Move the handle to a comfortable working position and then tighten the bolt.

► **Fig.18:** 1. Handle 2. Hex socket head bolt

## Attaching the shoulder harness

**⚠ WARNING:** Be extremely careful to maintain control of the tool at all times. Do not allow the tool to be deflected toward you or anyone in the work vicinity. Failure to keep control of the tool could result in serious injury to the bystander and the operator.



**⚠ CAUTION:** When you use the tool in combination of the backpack-type power supply such as portable power pack, do not use the shoulder harness included in the tool package, but use the hanging band recommended by Makita.

If you put on the shoulder harness included in the tool package and the shoulder harness of the backpack-type power supply at the same time, removing the tool or backpack-type power supply is difficult in case of an emergency, and it may cause an accident or injury. For the recommended hanging band, ask Makita Authorized Service Centers.

**⚠ CAUTION:** Always use the shoulder harness attached to the tool. Before operation, adjust the shoulder harness according to the user size to prevent fatigue.

**⚠ CAUTION:** Before operation, make sure that the shoulder harness is properly attached to the tool.

1. Clasp the hook on the shoulder harness to tool's ring and hanger.

► Fig.19: 1. Ring 2. Hook 3. Hanger

2. Put on the shoulder harness on your left shoulder. Adjust the shoulder harness to a comfortable working position.

► Fig.20

The shoulder harness features a means of quick release.

Simply squeeze the sides of the buckle to release the tool from the shoulder harness.

► Fig.21: 1. Buckle

## Hex wrench storage

**⚠ CAUTION:** Be careful not to leave the hex wrench inserted in the tool head. It may cause injury and/or damage to the tool.

When not in use, store the hex wrench as illustrated to keep it from being lost.

► Fig.22: 1. Handle 2. Hex wrench

## MAINTENANCE

**⚠ WARNING:** Always be sure that the tool is switched off and battery cartridge is removed before attempting to perform inspection or maintenance on the tool. Failure to switch off and remove the battery cartridge may result in serious personal injury from accidental start-up.

**NOTICE:** Never use gasoline, benzine, thinner, alcohol or the like. Discoloration, deformation or cracks may result.

To maintain product SAFETY and RELIABILITY, repairs, any other maintenance or adjustment should be performed by Makita Authorized or Factory Service Centers, always using Makita replacement parts.

## Cleaning the tool

Clean the tool by wiping off dust, dirt, or cut off grass with a dry cloth or one dipped in soapy water and wrung out. To avoid overheating of the tool, be sure to remove the cut off grass or debris adhered to the vent of the tool.

## Battery guard

**⚠ WARNING:** Do not remove the battery guard. Do not use the tool with the battery guard removed or damaged. Direct impact to the battery cartridge may cause battery malfunction and result in injury and/or fire. If the battery guard is deformed or damaged, contact your authorized service center for repairs.

► Fig.23: 1. Battery guard

# TROUBLESHOOTING

Before asking for repairs, conduct your own inspection first. If you find a problem that is not explained in the manual, do not attempt to dismantle the tool. Instead, ask Makita Authorized Service Centers, always using Makita replacement parts for repairs.

State of abnormality	Probable cause (malfunction)	Remedy
Motor does not run.	Battery cartridge is not installed.	Install the battery cartridge.
	Battery problem (under voltage)	Recharge the battery. If recharging is not effective, replace battery.
	The drive system does not work correctly.	Ask your local authorized service center for repair.
Motor stops running after a little use.	Rotation is in reverse.	Change the direction of rotation with the reversing switch.
	Battery's charge level is low.	Recharge the battery. If recharging is not effective, replace battery.
	Overheating.	Stop using of tool to allow it to cool down.
It does not reach maximum RPM.	Battery is installed improperly.	Install the battery cartridge as described in this manual.
	Battery power is dropping.	Recharge the battery. If recharging is not effective, replace battery.
	The drive system does not work correctly.	Ask your local authorized service center for repair.

## OPTIONAL ACCESSORIES

**NOTE:** Some items in the list may be included in the tool package as standard accessories. They may differ from country to country.

**CAUTION:** These accessories or attachments are recommended for use with your Makita tool specified in this manual. The use of any other accessories or attachments might present a risk of injury to persons. Only use accessory or attachment for its stated purpose.

If you need any assistance for more details regarding these accessories, ask your local Makita Service Center.  
Refer to "Approved attachment" section for the applicable models for this tool.

- Brushcutter attachment
- String trimmer attachment
- Rotary scissors attachment
- Grass trimmer attachment
- Hedge trimmer attachment
- Ground trimmer attachment
- Pole saw attachment
- Cultivator attachment
- Edger attachment
- Coffee harvester attachment
- Shaft extension attachment
- Power brush attachment
- Power sweep attachment
- Blower attachment
- Pump attachment
- Weeding attachment
- Makita genuine battery and charger

# SPÉCIFICATIONS

Modèle :		UX01G
Vitesse à vide (sans accessoire)	Faible	0 - 5 700 min <sup>-1</sup>
	Moyen	0 - 8 200 min <sup>-1</sup>
	Élevé	0 - 9 700 min <sup>-1</sup>
Longueur totale (sans la batterie)		1 001 mm
Tension nominale		36 V - 40 V c.c. max.
Poids net	*1	3,5 kg
	*2	5,3 kg - 12,5 kg
Degré de protection		IPX4

- Étant donné l'évolution constante de notre programme de recherche et de développement, les spécifications contenues dans ce manuel sont sujettes à modification sans préavis.
- Les spécifications peuvent varier suivant les pays.

\*1 : Poids sans accessoires ou batterie(s)

\*2 : Le poids peut être différent selon les pièces complémentaires, notamment la batterie. Les associations les plus légères et les plus lourdes, conformément à la procédure EPTA 01/2014, sont indiquées dans le tableau.

## Batterie et chargeur applicables

Type	Batterie					
	BL4020	BL4025	BL4040	BL4040F	BL4050F	BL4080F
Tête Débroussailluse	Dispo- nible	Dispo- nible	Recom- mandé	Recom- mandé	Recom- mandé	Recom- mandé
Tête Coupe Herbe	Dispo- nible	Dispo- nible	Recom- mandé	Recom- mandé	Recom- mandé	Recom- mandé
Outil Ciseaux rotatifs	Dispo- nible	Dispo- nible	Recom- mandé	Recom- mandé	Recom- mandé	Recom- mandé
Tête débroussailluse	Dispo- nible	Dispo- nible	Recom- mandé	Recom- mandé	Recom- mandé	Recom- mandé
Tête Taille-Haie à Perche	Dispo- nible	Recom- mandé	Recom- mandé	Recom- mandé	Recom- mandé	Recom- mandé
Tête Faucheuse	Dispo- nible	Recom- mandé	Recom- mandé	Recom- mandé	Recom- mandé	Recom- mandé
Tête Élagueuse à Perche	Dispo- nible	Dispo- nible	Recom- mandé	Recom- mandé	Recom- mandé	Recom- mandé
Tête Moto-Bineuse	Dispo- nible	Dispo- nible	Recom- mandé	Recom- mandé	Recom- mandé	Recom- mandé
Tête dresse-bordures	Dispo- nible	Recom- mandé	Recom- mandé	Recom- mandé	Recom- mandé	Recom- mandé
Tête Peigne Vibreur Pour Café	Dispo- nible	Dispo- nible	Recom- mandé	Recom- mandé	Recom- mandé	Recom- mandé
Outil Balai Brosse	Dispo- nible	Dispo- nible	Recom- mandé	Recom- mandé	Recom- mandé	Recom- mandé
Outil Balai Racleur	Dispo- nible	Dispo- nible	Recom- mandé	Recom- mandé	Recom- mandé	Recom- mandé
Tête Souffleur	Dispo- nible	Dispo- nible	Recom- mandé	Recom- mandé	Recom- mandé	Recom- mandé
Accessoire pour pompe	Dispo- nible	Recom- mandé	Recom- mandé	Recom- mandé	Recom- mandé	Recom- mandé
Outil de désherbage	Dispo- nible	Recom- mandé	Recom- mandé	Recom- mandé	Recom- mandé	Recom- mandé
Chargeur	DC40RA / DC40RB / DC40RC / DC40WA					

- Certains chargeurs et batteries répertoriés ci-dessus peuvent ne pas être disponibles selon la région où vous résidez.

**⚠ AVERTISSEMENT : N'utilisez que les batteries et les chargeurs répertoriés ci-dessus. L'utilisation d'autres batteries et chargeurs peut provoquer des blessures et/ou un incendie.**

## Source d'alimentation connectée par cordon recommandée

Support d'alimentation portable	PDC01 / PDC1200 / PDC1500
---------------------------------	---------------------------

- La ou les sources d'alimentation connectées par cordon répertoriées ci-dessus peuvent ne pas être disponibles selon la région où vous résidez.
- Avant d'utiliser la source d'alimentation connectée par cordon, lisez les instructions et les avertissements inscrits dessus.

## Vitesse à vide avec accessoire

Modèle		Vitesse de rotation		
		Faible	Moyen	Élevé
EM401MP		0 - 4 200 min <sup>-1</sup>	0 - 6 000 min <sup>-1</sup>	0 - 7 100 min <sup>-1</sup>
EM404MP / EM406MP		0 - 3 500 min <sup>-1</sup>	0 - 5 000 min <sup>-1</sup>	0 - 6 000 min <sup>-1</sup>
EM407MP	Lame supérieure	0 - 220 min <sup>-1</sup>	0 - 310 min <sup>-1</sup>	0 - 370 min <sup>-1</sup>
	Lame inférieure	0 - 470 min <sup>-1</sup>	0 - 670 min <sup>-1</sup>	0 - 790 min <sup>-1</sup>
EM408MP / EM409MP		0 - 4 200 min <sup>-1</sup>	0 - 6 000 min <sup>-1</sup>	0 - 7 100 min <sup>-1</sup>
EN401MP / EN402MP / EN410MP / EN420MP / EN422MP / EN424MP (Nombre de courses par minute)		0 - 2 400 min <sup>-1</sup>	0 - 3 400 min <sup>-1</sup>	0 - 4 000 min <sup>-1</sup>
EY403MP (vitesse de chaîne)		0 - 11 m/s	0 - 16 m/s	0 - 19 m/s
KR400MP		0 - 160 min <sup>-1</sup>	0 - 230 min <sup>-1</sup>	0 - 280 min <sup>-1</sup>
KR401MP		0 - 130 min <sup>-1</sup>	0 - 190 min <sup>-1</sup>	0 - 230 min <sup>-1</sup>
EE400MP		0 - 2 800 min <sup>-1</sup>	0 - 4 000 min <sup>-1</sup>	0 - 4 700 min <sup>-1</sup>
EJ400MP		0 - 1 600 min <sup>-1</sup>	0 - 2 300 min <sup>-1</sup>	0 - 2 800 min <sup>-1</sup>
BR400MP		0 - 130 min <sup>-1</sup>	0 - 190 min <sup>-1</sup>	0 - 230 min <sup>-1</sup>
SW400MP		0 - 130 min <sup>-1</sup>	0 - 190 min <sup>-1</sup>	0 - 230 min <sup>-1</sup>
UB400MP		0 - 5 650 min <sup>-1</sup>	0 - 7 800 min <sup>-1</sup>	0 - 9 450 min <sup>-1</sup>
UB401MP		0 - 5 650 min <sup>-1</sup>	0 - 7 800 min <sup>-1</sup>	0 - 9 450 min <sup>-1</sup>
UB402MP		0 - 5 700 min <sup>-1</sup>	0 - 8 100 min <sup>-1</sup>	0 - 9 600 min <sup>-1</sup>
PF400MP		0 - 5 600 min <sup>-1</sup>	0 - 8 100 min <sup>-1</sup>	0 - 9 500 min <sup>-1</sup>
WA400MP		0 - 570 min <sup>-1</sup>	0 - 815 min <sup>-1</sup>	0 - 970 min <sup>-1</sup>

## Accessoire approuvé

Type	Modèle
Tête Débroussaileuse	EM401MP / EM404MP
Tête Coupe Herbe	EM406MP
Outil Ciseaux rotatifs	EM407MP
Tête débroussaileuse	EM408MP / EM409MP
Tête Taille-Haie à Perche	EN401MP / EN402MP / EN410MP
Tête Faucheuse	EN420MP / EN422MP / EN424MP
Tête Élagueuse à Perche	EY403MP
Tête Moto-Bineuse	KR400MP / KR401MP
Tête Dresse-Bordures	EE400MP
Tête Peigne Vibreur Pour Café	EJ400MP
Rallonge d'Arbre	LE400MP
Outil Balai Brosse	BR400MP
Outil Balai Racléur	SW400MP
Pièce du souffleur	UB400MP / UB401MP / UB402MP
Accessoire pour pompe	PF400MP

Type	Modèle
Outil de désherbage	WA400MP

## Symboles

Vous trouverez ci-dessous les symboles susceptibles d'être utilisés pour l'appareil. Veuillez à comprendre leur signification avant toute utilisation.



Lire le mode d'emploi.



Veuillez être prudent et rester attentif.



Ne pas exposer à l'eau.



Pour les pays de l'Union européenne uniquement

En raison de la présence de composants dangereux dans l'équipement, les déchets d'équipements électriques et électroniques, les accumulateurs et les batteries peuvent avoir un impact négatif sur l'environnement et la santé humaine.

Ne jetez pas les appareils électriques et électroniques ou les batteries avec les ordures ménagères !

Conformément à la directive européenne relative aux déchets d'équipements électriques et électroniques et aux déchets d'accumulateurs et de batteries, ainsi qu'à son adaptation à la législation nationale, les déchets d'équipements électriques, les batteries et les accumulateurs doivent être collectés séparément et déposés dans un point de collecte distinct pour déchets urbains, conformément aux réglementations en matière de protection de l'environnement.

Cela est indiqué par le symbole de la poubelle à roulettes barrée sur l'équipement.

## Utilisations

Ce moteur multi-fonctions sans fil est conçu pour entraîner un accessoire approuvé dans la section « SPÉCIFICATIONS » de ce manuel d'instructions. Ne jamais utiliser l'unité dans un autre but.

**⚠️ AVERTISSEMENT : Lire le manuel d'instructions de l'accessoire, ainsi que ce manuel d'instructions avant toute utilisation.** Le non-respect des avertissements et des instructions peut entraîner de graves blessures.

## Bruit

Accessoire		Niveau de pression acoustique		Niveau de puissance sonore garanti	Niveau de puissance sonore mesuré		Norme applicable
		L <sub>PA</sub> (dB (A))	Incertitude K (dB (A))		L <sub>WA</sub> (dB (A))	L <sub>WA</sub> (dB (A))	
EM401MP (comme débroussailleuse)		79,8	1,2	-	94,8	2,5	ISO22868 (ISO11806-1)
EM401MP (comme coupe herbe)	Tête de coupe à fil nylon	80,1	1,0	-	94,3	2,0	ISO22868 (ISO11806-1)/ EN50636-2-91
	Lame en plastique	79,4	1,0	-	91,4	2,1	ISO22868 (ISO11806-1)/ EN50636-2-91
EM404MP (comme débroussailleuse)		79,4	1,4	-	92,0	1,0	ISO22868 (ISO11806-1)
EM404MP (comme coupe herbe)	Tête de coupe à fil nylon	80,7	1,3	-	91,9	1,4	ISO22868 (ISO11806-1)/ EN50636-2-91
	Lame en plastique	78,6	0,7	-	87,8	0,4	ISO22868 (ISO11806-1)/ EN50636-2-91

Accessoire		Niveau de pression acoustique		Niveau de puissance sonore garanti	Niveau de puissance sonore mesuré		Norme applicable
		L <sub>pA</sub> (dB (A))	Incertitude K (dB (A))		L <sub>WA</sub> (dB (A))	L <sub>WA</sub> (dB (A))	
EM406MP	Tête de coupe à fil nylon	81,3	0,6	-	93,4	2,1	ISO22868 (ISO11806-1)/ EN50636-2-91
	Lame en plastique	78,8	0,4	-	87,9	0,6	ISO22868 (ISO11806-1)/ EN50636-2-91
EM407MP		84,7	1,7	-	99,0	1,3	ISO22868 (ISO11806-1)
EM408MP	Lame métallique	80,7	1,7	-	94,7	3,0	ISO22868 (ISO11806-1)
	Tête de coupe à fil nylon	79,5	1,3	-	92,8	2,7	ISO22868 (ISO11806-1)/ EN50636-2-91
	Lame en plastique	80,5	1,1	-	92,2	2,8	ISO22868 (ISO11806-1)/ EN50636-2-91
EM409MP	Tête de coupe à fil nylon	80,6	1,2	-	93,4	2,3	ISO22868 (ISO11806-1)/ EN50636-2-91
	Lame en plastique	81,0	1,4	-	91,9	2,4	ISO22868 (ISO11806-1)/ EN50636-2-91
EN401MP		85	3	96	95	1,1	EN62841-4-2
EN401MP + LE400MP		82	3	98	96	1,4	EN62841-4-2
EN402MP		83	3	95	92	2,3	EN62841-4-2
EN402MP + LE400MP		79	3	96	94	1,8	EN62841-4-2
EN410MP		81	3	93	91	2,0	EN62841-4-2
EN410MP + LE400MP		80	3	93	91	1,7	EN62841-4-2
EN420MP		84	3	94	94	0,4	EN62841-4-2
EN422MP		81	3	94	92	1,9	EN62841-4-2
EN424MP		80	3	-	88	3	EN62841-1
EY403MP		95	3	-	102	3	ISO22868 (ISO11680-1)
EY403MP+LE400MP		95	3	-	102	3	ISO22868 (ISO11680-1)
KR400MP		77,8	0,7	-	86,6	1,2	EN709
KR401MP		77,7	0,3	-	86,7	2,0	EN709
EE400MP		76,1	1,7	-	88,2	2,3	ISO11789 / 2000/14/EC
EJ400MP		82,9	0,6	-	94,4	1,5	ISO22868 (ISO11806-1)
EJ400MP + LE400MP		79,7	1,4	-	94,0	0,7	ISO22868 (ISO11806-1)
BR400MP		80,2	1,0	-	88,9	0,8	EN60335-2-72
SW400MP		80,3	0,2	-	88,3	0,6	EN60335-2-72
UB400MP		92,1	1,6	-	104,1	1,3	EN50636-2-100
UB401MP		85,6	2,1	-	97,1	1,0	EN50636-2-100
UB402MP		81,7	1,9	-	90,8	1,7	EN50636-2-100
PF400MP		75	2,5	-	90	2,5	ISO20361
WA400MP		77	3	-	89	3	ISO22868 (ISO11806-1)

- Même si le niveau de pression sonore indiqué ci-dessus est inférieur ou égal à 80 dB (A), le niveau en fonctionnement peut dépasser 80 dB (A). Portez un serre-tête antibruit.

**NOTE** : La ou les valeurs d'émission de bruit déclarées ont été mesurées conformément à la méthode de test standard et peuvent être utilisées pour comparer les outils entre eux.

**NOTE** : La ou les valeurs d'émission de bruit déclarées peuvent aussi être utilisées pour l'évaluation préliminaire de l'exposition.

**⚠ AVERTISSEMENT** : Portez un serre-tête antibruit.

**⚠ AVERTISSEMENT** : L'émission de bruit lors de l'usage réel de l'outil électrique peut être différente de la ou des valeurs déclarées, suivant la façon dont l'outil est utilisé, particulièrement selon le type de pièce usinée.

**⚠ AVERTISSEMENT** : Les mesures de sécurité à prendre pour protéger l'utilisateur doivent être basées sur une estimation de l'exposition dans des conditions réelles d'utilisation (en tenant compte de toutes les composantes du cycle d'utilisation, comme par exemple le moment de sa mise hors tension, lorsqu'il tourne à vide et le moment de son déclenchement).

## Vibration

Accessoire		Poignée gauche (prise avant)		Poignée droite (prise arrière)		Norme applicable
		ah (m/s <sup>2</sup> )	Incertitude K (m/s <sup>2</sup> )	ah (m/s <sup>2</sup> )	Incertitude K (m/s <sup>2</sup> )	
EM401MP (comme débroussailleuse)		2,5 ou moins	1,5	2,5 ou moins	1,5	ISO22867 (ISO11806-1)
EM401MP (comme coupe herbe)	Tête de coupe à fil nylon	3,7	1,5	3,0	1,5	ISO22867 (ISO11806-1)
	Lame en plastique	2,5 ou moins	1,5	2,5 ou moins	1,5	ISO22867 (ISO11806-1)
EM404MP (comme débroussailleuse)		2,5 ou moins	1,5	2,5 ou moins	1,5	ISO22867 (ISO11806-1)
EM404MP (comme coupe herbe)	Tête de coupe à fil nylon	2,5 ou moins	1,5	2,5 ou moins	1,5	ISO22867 (ISO11806-1)
	Lame en plastique	2,5 ou moins	1,5	2,5 ou moins	1,5	ISO22867 (ISO11806-1)
EM406MP	Tête de coupe à fil nylon	2,5 ou moins	1,5	2,5 ou moins	1,5	ISO22867 (ISO11806-1)
	Lame en plastique	2,5 ou moins	1,5	2,5 ou moins	1,5	ISO22867 (ISO11806-1)
EM407MP		2,5 ou moins	1,5	2,5 ou moins	1,5	ISO22867 (ISO11806-1)
EM408MP	Lame métallique	2,5 ou moins	1,5	2,5 ou moins	1,5	ISO22867 (ISO11806-1)
	Tête de coupe à fil nylon	2,5 ou moins	1,5	2,5 ou moins	1,5	ISO22867 (ISO11806-1)
	Lame en plastique	2,5 ou moins	1,5	2,5 ou moins	1,5	ISO22867 (ISO11806-1)
EM409MP	Tête de coupe à fil nylon	2,5 ou moins	1,5	2,5 ou moins	1,5	ISO22867 (ISO11806-1)
	Lame en plastique	2,5 ou moins	1,5	2,5 ou moins	1,5	ISO22867 (ISO11806-1)
EN401MP		3,4	1,5	2,5 ou moins	1,5	EN62841-4-2
EN401MP + LE400MP		5,4	1,5	2,7	1,5	EN62841-4-2
EN402MP		2,5 ou moins	1,5	2,5	1,5	EN62841-4-2
EN402MP + LE400MP		5,0	1,5	3,4	1,5	EN62841-4-2
EN410MP		6,7	1,5	3,1	1,5	EN62841-4-2
EN410MP + LE400MP		4,4	1,5	2,5 ou moins	1,5	EN62841-4-2

Accessoire	Poignée gauche (prise avant)		Poignée droite (prise arrière)		Norme applicable
	ah (m/s <sup>2</sup> )	Incertitude K (m/s <sup>2</sup> )	ah (m/s <sup>2</sup> )	Incertitude K (m/s <sup>2</sup> )	
EN420MP	2,9	1,5	2,5 ou moins	1,5	EN62841-4-2
EN422MP	2,5 ou moins	1,5	2,5	1,5	EN62841-4-2
EN424MP	2,5 ou moins	1,5	2,5 ou moins	1,5	EN62841-1
EY403MP	4,0	1,5	2,5 ou moins	1,5	ISO22867 (ISO11680-1)
EY403MP+LE400MP	3,2	1,5	2,5 ou moins	1,5	ISO22867 (ISO11680-1)
KR400MP	2,5 ou moins	1,5	2,5 ou moins	1,5	EN709
KR401MP	2,5 ou moins	1,5	2,5 ou moins	1,5	EN709
EE400MP	2,5 ou moins	1,5	2,5 ou moins	1,5	ISO11789
EJ400MP	3,5	1,5	3,9	1,5	ISO22867 (ISO11806-1)
EJ400MP + LE400MP	4,8	1,5	2,6	1,5	ISO22867 (ISO11806-1)
BR400MP	2,5 ou moins	1,5	2,5 ou moins	1,5	EN60335-2-72
SW400MP	2,5	1,5	2,5 ou moins	1,5	EN60335-2-72
UB400MP	4,6	1,5	2,5 ou moins	2,5	EN50636-2-100
UB401MP	2,5 ou moins	1,7	2,5 ou moins	1,5	EN50636-2-100
UB402MP	2,5 ou moins	1,5	2,5 ou moins	1,5	EN50636-2-100
PF400MP	2,5 ou moins	1,5	2,5 ou moins	1,5	ISO22867
WA400MP	2,8	1,5	2,5 ou moins	1,5	ISO22867 (ISO11806-1)

**NOTE** : La ou les valeurs de vibration totales déclarées ont été mesurées conformément à la méthode de test standard et peuvent être utilisées pour comparer les outils entre eux.

**NOTE** : La ou les valeurs de vibration totales déclarées peuvent aussi être utilisées pour l'évaluation préliminaire de l'exposition.

**⚠ AVERTISSEMENT** : L'émission de vibrations lors de l'usage réel de l'outil électrique peut être différente de la ou des valeurs déclarées, suivant la façon dont l'outil est utilisé, particulièrement selon le type de pièce usinée.

**⚠ AVERTISSEMENT** : Les mesures de sécurité à prendre pour protéger l'utilisateur doivent être basées sur une estimation de l'exposition dans des conditions réelles d'utilisation (en tenant compte de toutes les composantes du cycle d'utilisation, comme par exemple le moment de sa mise hors tension, lorsqu'il tourne à vide et le moment de son déclenchement).

## Déclarations de conformité

*Pour les pays européens uniquement*

Les déclarations de conformité sont fournies en Annexe A à ce mode d'emploi.

## CONSIGNES DE SÉCURITÉ

### Consignes de sécurité générales pour outils électriques

**⚠ AVERTISSEMENT** Veuillez lire toutes les consignes de sécurité, instructions, illustrations



et spécifications qui accompagnent cet outil électrique. Le non-respect de toutes les instructions indiquées ci-dessous peut entraîner une électrocution, un incendie et/ou de graves blessures.

## Conservez toutes les mises en garde et instructions pour référence ultérieure.

Le terme « outil électrique » dans les avertissements fait référence à l'outil électrique alimenté par le secteur (avec cordon d'alimentation) ou à l'outil électrique fonctionnant sur batterie (sans cordon d'alimentation).

### Consignes de sécurité supplémentaires

## Équipement de protection individuelle

► Fig.1

1. Portez un casque de sécurité, des lunettes à coques et des gants de protection pour vous protéger des projections de débris ou des chutes d'objets.
2. Portez des protections auditives comme des coquilles anti-bruit afin d'éviter une perte d'audition.
3. Portez des vêtements et des chaussures permettant une utilisation sécuritaire, comme une combinaison de travail et des chaussures robustes anti-dérapantes. Ne portez pas de vêtements amples ni de bijoux. Les pièces en mouvement peuvent happer les vêtements amples, les bijoux ou les cheveux longs.
4. Si vous touchez la lame de coupe, mettez des gants de protection. Les lames de coupe peuvent gravement couper les mains nues.

## Sécurité de l'aire de travail

1. Avant toute utilisation, examinez l'aire de travail pour vous assurer qu'elle ne présente pas de pierres ou d'autres objets durs. Ils peuvent être projetés ou provoquer un recul dangereux et entraîner de graves blessures et/ou des dommages matériels.

## Sécurité électrique et sécurité des batteries

1. Évitez les environnements dangereux. N'utilisez pas l'outil dans un endroit humide, ni ne l'exposez à la pluie. Le risque d'électrocution augmente si de l'eau pénètre dans l'outil.
2. Ne jetez pas la ou les batteries au feu. L'élément de la pile pourrait exploser. Consultez les codes locaux pour de possibles instructions de mise au rebut spéciales.
3. N'ouvrez ni ne manipulez la ou les batteries. L'électrolyte qui s'échappe de la batterie est corrosif et peut irriter la peau ou les yeux. Il peut être toxique en cas d'ingestion.
4. Ne chargez pas la batterie sous la pluie ou dans un endroit mouillé.

5. Ne remplacez pas la batterie avec les mains mouillées.
6. Ne remplacez pas la batterie sous la pluie.
7. Ne mouillez pas la borne de la batterie avec un liquide comme de l'eau, ni ne plongez la batterie dans un liquide. Ne laissez pas la batterie sous la pluie et évitez de charger, utiliser ou ranger la batterie dans un endroit humide ou mouillé. Si la borne est mouillée ou si un liquide pénètre à l'intérieur de la batterie, un court-circuit est possible et risque de provoquer une surchauffe, un incendie ou une explosion.
8. Après avoir retiré la batterie de l'outil ou du chargeur, veillez à fixer le couvercle de batterie sur la batterie et à la ranger dans un endroit sec.
9. Si la batterie est mouillée, videz l'eau à l'intérieur, puis essuyez-la avec un chiffon sec. Séchez complètement la batterie dans un endroit sec avant utilisation.

## Mise en service

1. Un carter de protection doit être installé sur l'outil de coupe. Ne faites jamais tourner l'outil si le carter de protection est endommagé ou n'est pas posé.
2. Assurez-vous qu'il n'y a pas de câbles électriques, de conduites d'eau, de conduites de gaz, etc., présentant un risque s'ils sont endommagés suite à l'utilisation de l'outil.

## Fonctionnement

1. Éloignez toujours vos mains, votre visage et vos vêtements de l'outil de coupe en rotation. Vous risqueriez autrement de vous blesser.
2. Pendant le fonctionnement, éloignez les badauds ou les animaux d'au moins 15 m de l'outil. Arrêtez l'outil aussitôt que quelqu'un s'approche.
3. Pendant le fonctionnement, ne vous tenez jamais sur une surface instable ou glissante ou sur une pente abrupte. En hiver, faites attention aux verglas et à la neige et assurez-vous toujours d'avoir une bonne assise.
4. Ne travaillez jamais depuis une échelle ou un arbre pour éviter de perdre le contrôle.
5. Lorsque vous abandonnez l'outil, même pendant un court instant, retirez toujours la batterie. Un outil sans surveillance avec la batterie en place peut être utilisé par une personne non autorisée et provoquer de graves accidents.
6. Avant de démarrer l'outil, assurez-vous que l'outil de coupe ne touche pas le sol et d'autres obstacles comme un arbre.
7. Vérifiez fréquemment pendant l'utilisation que l'accessoire de coupe ne présente pas de fissures ou de dégâts. Avant l'inspection, retirez la batterie et patientez jusqu'à ce que l'accessoire de coupe s'arrête complètement. Remplacez immédiatement l'accessoire de coupe s'il est abîmé, même s'il ne présente que des fissures superficielles.
8. N'utilisez pas l'outil par mauvais temps ou en cas d'orage.

9. **Tenez toujours l'outil à deux mains pendant le fonctionnement. Ne tenez jamais l'outil d'une seule main pendant le fonctionnement.**
10. **Pendant le fonctionnement, utilisez la bandoulière. Maintenez fermement l'outil contre vous du côté droit.**
11. **Ne touchez pas le boîtier d'engrenage pendant et immédiatement après le fonctionnement.** Le boîtier d'engrenage devient chaud pendant le fonctionnement et peut provoquer des brûlures.
12. **Reposez-vous régulièrement pour empêcher la perte du contrôle due à la fatigue.** Nous recommandons de faire une pause de 10 à 20 minutes toutes les heures.
13. **Lorsque vous utilisez l'outil sur un sol boueux, une pente trempée ou un endroit glissant, faites attention de ne pas perdre l'équilibre.**
14. **Évitez de travailler dans un piètre environnement susceptible d'accroître la fatigue de l'utilisateur.**
15. **N'utilisez pas l'outil par mauvais temps avec une visibilité réduite.** Le non-respect de cette précaution pourrait entraîner votre chute ou un fonctionnement incorrect en raison de la faible visibilité.
16. **Ne plongez pas l'outil dans une flaque.**
17. **Ne laissez pas l'outil sans surveillance à l'extérieur sous la pluie.**
18. **Si des feuilles mouillées ou des saletés se collent sur la bouche d'aspiration (ouverture d'aération) en raison de la pluie, retirez-les.**
19. **N'utilisez pas l'outil dans la neige.**

## Outils de coupe

1. Lorsque vous utilisez des lames de coupe, évitez le recul et préparez-vous toujours à un recul accidentel. Reportez-vous à la section Recul.
2. Lorsque vous ne l'utilisez pas, fixez le couvercle sur la lame. Déposez le couvercle avant utilisation.

## Recul (rebond de la lame)

1. Le recul (rebond de la lame) est une réaction soudaine d'une lame de coupe lorsqu'elle se coince ou accroche. En cas de recul, l'outil est projeté de côté ou vers l'utilisateur avec une grande force, ce qui peut entraîner de graves blessures.
2. Le recul se produit particulièrement lorsque vous appliquez le segment de lame entre midi et 2 heures sur des objets durs, des buissons et des arbres d'un diamètre de plus de 3 cm.

### ► Fig.2

3. **Pour éviter le recul :**
  1. Appliquez le segment entre 8 et 11 heures.
  2. N'appliquez jamais le segment entre midi et 2 heures.
  3. N'appliquez jamais le segment entre 11 heures et midi et entre 2 et 5 heures, à moins que l'utilisateur soit bien formé et expérimenté et le fasse à ses propres

risques.

4. **N'utilisez jamais de lames de coupe près d'objets solides, comme des clôtures, murs, troncs d'arbre et pierres.**
5. **N'utilisez jamais de lames de coupe verticalement, pour des tâches comme le dressage de bordures et la taille des haies.**

### ► Fig.3

## Vibration

1. **Les personnes ayant une mauvaise circulation du sang qui sont exposées à des vibrations excessives peuvent présenter des lésions des vaisseaux sanguins ou du système nerveux.** Les vibrations peuvent être à l'origine des symptômes suivants dans les doigts, les mains ou les poignets : engourdissement, picotement, douleur, douleur lancinante, changement de couleur de la peau ou de la peau elle-même. Si un ou plusieurs de ces symptômes apparaissent, consultez un médecin !
2. **Pour réduire le risque du syndrome de Raynaud, gardez vos mains au chaud pendant l'utilisation et conservez en bon état l'outil et les accessoires.**

## Transport

1. **Avant de transporter l'outil, éteignez-le et retirez la batterie. Fixez le couvercle sur la lame de coupe.**

## Entretien

1. **Avant de réaliser une tâche d'entretien ou de réparation ou le nettoyage de l'outil, éteignez-le toujours et retirez la batterie.**
2. Lorsque vous manipulez une lame de coupe, portez toujours des gants et placez le couvercle sur la lame.
3. **Gardez toutes les poignées sèches, propres et sans trace d'huile ou de graisse. Assurez-vous que toutes les entrées de l'air de refroidissement ne sont pas obstruées par des débris.**
4. **Ne lavez pas l'outil avec de l'eau sous pression.**
5. Lorsque vous lavez l'outil, ne laissez pas l'eau pénétrer dans le mécanisme électrique comme la batterie, le moteur et les bornes.
6. **Procédez à l'inspection ou à l'entretien dans un endroit non affecté par la pluie.**
7. **Après avoir utilisé l'outil, retirez la saleté collée et séchez-le complètement avant de le ranger.** Selon la saison ou la région, le gel peut présenter un risque de dysfonctionnement.

## Rangement

1. **Avant de ranger l'outil, procédez à un nettoyage et un entretien complets. Retirez la batterie. Fixez le couvercle sur la lame de coupe.**
2. **Rangez l'outil dans un endroit sec en hauteur ou verrouillé hors de la portée des enfants.**
3. **Lorsque vous rangez l'outil, évitez les endroits exposés aux rayons directs du soleil ou à la**

pluie, et rangez-le dans un endroit tempéré et sec.

## Consignes de sécurité importantes pour la batterie

1. **Avant d'utiliser la batterie, lisez toutes les instructions et précautions relatives (1) au chargeur de batterie, (2) à la batterie, et (3) au produit utilisant la batterie.**
2. **Ne désasemblez pas et ne modifiez pas la batterie.** Cela pourrait entraîner un incendie, une chaleur excessive ou une explosion.
3. **Cessez immédiatement l'utilisation si le temps de fonctionnement devient excessivement court.** Il y a risque de surchauffe, de brûlures, voire d'explosion.
4. **Si l'électrolyte pénètre dans vos yeux, rincez-les à l'eau claire et consultez immédiatement un médecin.** Il y a risque de perte de la vue.
5. **Ne court-circuitez pas la batterie :**
  - (1) **Ne touchez les bornes avec aucun matériau conducteur.**
  - (2) **Évitez de ranger la batterie dans un conteneur avec d'autres objets métalliques, par exemple des clous, des pièces de monnaie, etc.**
  - (3) **N'exposez pas la batterie à l'eau ou à la pluie.**

Un court-circuit de la batterie peut provoquer une intensité de courant élevée, une surchauffe, parfois des brûlures et même une panne.

6. **Ne rangez ni n'utilisez l'outil et la batterie dans un endroit où la température risque d'atteindre ou de dépasser 50 °C.**
7. **Ne jetez pas la batterie au feu même si elle est sérieusement endommagée ou complètement épuisée. La batterie peut exploser au contact du feu.**
8. **Abstenez-vous de clouer, couper, écraser, jeter, laisser tomber la batterie, ou de la heurter contre un objet dur.** Cela pourrait entraîner un incendie, une chaleur excessive ou une explosion.
9. **N'utilisez pas la batterie si elle est endommagée.**
10. **Les batteries au lithium-ion contenues sont soumises aux exigences de la législation sur les marchandises dangereuses.**

Lors du transport commercial par des tierces parties ou des transitaires par exemple, des exigences spécifiques en matière d'étiquetage et d'emballage doivent être respectées.

Pour la préparation de l'article expédié, il est nécessaire de consulter un expert en matériau dangereux. Veuillez également respecter les réglementations nationales susceptibles d'être plus détaillées.

Recouvrez les contacts exposés avec du ruban adhésif ou du ruban de masquage et emballez la batterie de telle sorte qu'elle ne puisse pas bouger dans l'emballage.

11. **Lors de la mise au rebut de la batterie, retirez-la de l'outil et jetez-la en lieu sûr.** Suivez les réglementations locales en matière de mise au rebut des batteries.
12. **Utilisez les batteries uniquement avec les produits spécifiés par Makita.** L'insertion de batteries dans des produits non conformes peut provoquer un incendie, une chaleur excessive, une explosion ou une fuite de l'électrolyte.
13. **Lorsque vous n'utilisez pas l'outil pendant une période prolongée, la batterie doit être retirée de l'outil.**
14. **Pendant et après l'utilisation, la batterie peut chauffer, ce qui peut entraîner des brûlures, y compris en cas de température relativement basse.** Manipulez les batteries chaudes avec précaution.
15. **Ne touchez pas la borne de l'outil immédiatement après utilisation car elle peut être assez chaude pour provoquer des brûlures.**
16. **Évitez que des copeaux, de la poussière ou du sol adhèrent aux bornes, aux trous et aux rainures de la batterie.** Cela peut provoquer un échauffement, un incendie, une explosion ou un dysfonctionnement de l'outil ou de la batterie, ce qui peut entraîner des brûlures ou des blessures.
17. **À moins que l'outil prenne en charge un tel usage, n'utilisez pas la batterie à proximité de lignes électriques haute tension.** Cela pourrait entraîner un dysfonctionnement ou casser l'outil ou la batterie.
18. **Conservez la batterie hors de portée des enfants.**

## CONSERVEZ CES INSTRUCTIONS.

**⚠ ATTENTION :** N'utilisez que des batteries Makita d'origine. L'utilisation de batteries de marque autre que Makita ou de batteries modifiées peut provoquer l'explosion des batteries, ce qui présente un risque d'incendie, de dommages matériels et corporels. Cela annulera également la garantie Makita pour l'outil et le chargeur Makita.

## Conseils pour assurer la durée de vie optimale de la batterie

1. **Chargez la batterie avant qu'elle ne soit complètement déchargée.** Arrêtez toujours l'outil et rechargez la batterie quand vous remarquez que la puissance de l'outil diminue.
2. **Ne rechargez jamais une batterie complètement chargée.** La surcharge réduit la durée de service de la batterie.
3. **Chargez la batterie à une température ambiante comprise entre 10 °C et 40 °C.** Avant de charger une batterie chaude, laissez-la refroidir.
4. **Lorsque vous n'utilisez pas la batterie, retirez-la de l'outil ou du chargeur.**
5. **Rechargez la batterie si elle est restée inutilisée pendant une période prolongée (plus de six mois).**

# DESCRIPTION DES PIÈCES

► Fig.4

1	Batterie	2	Levier de sécurité	3	Dispositif de suspension	4	Poignée
5	Bouton de dégagement	6	Barre de protection	7	Gâchette	8	Indicateur de vitesse
9	Bouton d'alimentation principale	10	Témoin d'avertissement	11	Bouton de marche arrière	12	Bandoulière

## DESCRIPTION DU FONCTIONNEMENT

**⚠ AVERTISSEMENT : Assurez-vous toujours que l'outil est hors tension et que la batterie est retirée avant de régler ou de vérifier le fonctionnement de l'outil.** En ne mettant pas l'outil hors tension et en ne retirant pas la batterie, vous risqueriez de vous blesser grièvement en cas de démarrage accidentel.

### Insertion ou retrait de la batterie

**⚠ ATTENTION : Éteignez toujours l'outil avant de mettre en place ou de retirer la batterie.**

**⚠ ATTENTION : Tenez fermement l'outil et la batterie lors de la mise en place ou du retrait de la batterie.** Si vous ne tenez pas fermement l'outil et la batterie, ils peuvent vous glisser des mains, et s'abîmer ou vous blesser.

Pour mettre la batterie en place, alignez la languette de la batterie avec la rainure du compartiment puis insérez la batterie. Insérez-la entièrement jusqu'à entendre un léger dé clic indiquant qu'elle est bien en place. Si vous pouvez voir l'indicateur rouge comme illustré sur la figure, c'est qu'elle n'est pas bien verrouillée.

Pour retirer la batterie, faites-la glisser hors de l'outil tout en faisant glisser le bouton à l'avant de la batterie.

► Fig.5: 1. Indicateur rouge 2. Bouton 3. Batterie

**⚠ ATTENTION : Insérez toujours complètement la batterie jusqu'à ce que l'indicateur rouge ne soit plus visible.** Sinon, elle pourrait tomber accidentellement de l'outil, au risque de vous blesser ou de blesser quelqu'un se trouvant près de vous.

**⚠ ATTENTION : N'insérez pas la batterie de force.** Si elle ne glisse pas facilement, c'est que vous ne l'insérez pas correctement.

### Système de protection de l'outil/la batterie

L'outil est équipé d'un système de protection de l'outil/la batterie. Ce système coupe automatiquement l'alimentation vers le moteur pour prolonger la durée de vie de l'outil et de la batterie. Si l'outil se trouve dans l'une des situations suivantes, l'outil cessera automatiquement de fonctionner :

► Fig.6: 1. Témoin d'avertissement

Témoin d'avertissement			État
Couleur	● Allumé	⦿ Clignotant	
Vert		⦿	Surcharge
Rouge	● (outil) ● (batterie)		Surchauffe
Rouge		⦿	Décharge excessive

### Protection contre la surcharge

Si l'outil ou la batterie présente l'une des situations suivantes, l'outil s'arrête automatiquement et le témoin d'avertissement se met à clignoter en vert :

- L'outil est surchargé par un enchevêtrement de mauvaises herbes ou d'autres débris.
- L'outil de coupe est bloqué ou a reculé.
- Le bouton d'alimentation principale est activé pendant que la gâchette est enclenchée.

Dans cette situation, relâchez la gâchette et retirez l'enchevêtrement de mauvaises herbes ou des débris si nécessaire. Cela fait, enclenchez de nouveau la gâchette pour reprendre la tâche.

**⚠ ATTENTION : Si vous avez besoin de retirer l'enchevêtrement de mauvaises herbes sur l'outil ou de dégager un outil de coupe bloqué, veillez à éteindre l'outil avant de commencer.**

### Protection contre la surchauffe de l'outil ou de la batterie

En cas de surchauffe de l'outil ou de la batterie, l'outil s'arrête automatiquement. Si l'outil surchauffe, le témoin d'avertissement s'allume en rouge. Si la batterie surchauffe, le témoin d'avertissement clignote en rouge. Laissez l'outil et/ou la batterie refroidir avant de rallumer l'outil.

### Protection contre la décharge totale de la batterie

Lorsque la charge de la batterie devient faible, l'outil s'arrête automatiquement et le témoin d'avertissement se met à clignoter en rouge.

Si l'outil ne fonctionne pas même en actionnant les interrupteurs, retirez la batterie de l'outil et chargez-la.

## Indication de la charge restante de la batterie

Appuyez sur le bouton de vérification sur la batterie pour indiquer la charge restante de la batterie. Les témoins s'allument pendant quelques secondes.

► Fig.7: 1. Témoins 2. Bouton de vérification

Témoins			Charge restante
Allumé	Éteint	Clignotant	
			75 % à 100 %
			50 % à 75 %
			25 % à 50 %
			0 % à 25 %
			Chargez la batterie.
			Anomalie possible de la batterie.

**NOTE :** Selon les conditions d'utilisation et la température ambiante, l'indication peut être légèrement différente de la capacité réelle.

**NOTE :** Le premier témoin (complètement à gauche) clignotera pendant le fonctionnement du système de protection de la batterie.

## Interrupteur principal

**AVERTISSEMENT :** Lorsque vous n'utilisez pas l'outil, mettez-le toujours hors tension avec l'interrupteur d'alimentation principale.

Appuyez sur le bouton d'alimentation principale pour mettre l'outil sous tension. Pour mettre l'outil hors tension, maintenez à nouveau enfoncé le bouton d'alimentation principale jusqu'à ce que les indicateurs de vitesse s'éteignent.

► Fig.8: 1. Bouton d'alimentation principale

**NOTE :** Le témoin d'avertissement clignote si vous enclenchez la gâchette dans des conditions ne permettant pas d'utiliser l'outil. Le témoin d'avertissement clignote si vous mettez l'interrupteur d'alimentation principale en position de marche tout en maintenant le levier de sécurité et la gâchette abaissés.

**NOTE :** Cet outil dispose d'une fonction de mise hors tension automatique. Pour éviter tout démarrage intempestif, l'interrupteur d'alimentation principale effectue automatiquement une mise hors tension lorsque la gâchette n'est pas enclenchée pendant un certain temps après actionnement de l'interrupteur d'alimentation principale.

## Fonctionnement de la gâchette

**AVERTISSEMENT :** Pour votre sécurité, cet outil est équipé d'un levier de sécurité qui empêche son démarrage intempestif. N'utilisez JAMAIS l'outil s'il fonctionne alors que vous avez seulement enclenché la gâchette sans avoir actionné le levier de sécurité. Rapportez l'outil à notre centre de service après-vente agréé pour le faire réparer AVANT toute utilisation.

**AVERTISSEMENT :** NE FIXEZ JAMAIS le levier de sécurité avec du ruban adhésif et abstenez-vous de le mettre hors fonction ou de contre-carrier son utilité.

**ATTENTION :** Avant d'insérer la batterie dans l'outil, vérifiez toujours que la gâchette fonctionne bien et revient en position d'arrêt lorsque vous la relâchez.

**ATTENTION :** Ne placez jamais votre doigt sur le bouton d'alimentation principale et la gâchette lors du transport de l'outil. L'outil risquerait de démarrer brusquement et de provoquer des blessures.

**REMARQUE :** Évitez d'appuyer sur la gâchette avec force lorsque le levier de sécurité n'est pas enfoncé. Vous risqueriez de briser la gâchette.

Un levier de sécurité est fourni pour prévenir l'activation accidentelle de la gâchette.

► Fig.9: 1. Levier de sécurité 2. Gâchette

Pour démarrer l'outil, actionnez l'interrupteur d'alimentation principale et saisissez la poignée (le levier de sécurité est alors relâché), puis enclenchez la gâchette. Pour accroître la vitesse de l'outil, augmentez la pression sur la gâchette. Pour arrêter l'outil, relâchez la gâchette.

## Réglage de la vitesse

Vous pouvez sélectionner la vitesse de l'outil en touchant le bouton d'alimentation principale. Chaque fois que vous touchez le bouton d'alimentation principale, le niveau de vitesse change.

► Fig.10: 1. Indicateur de vitesse 2. Bouton d'alimentation principale

Indicateur de vitesse	Mode
	Élevé
	Moyen
	Faible

## Bouton de marche arrière pour le retrait des débris

**⚠ AVERTISSEMENT :** Mettez l'outil hors tension et retirez la batterie avant de retirer un enchevêtrement de mauvaises herbes ou des débris que la fonction de rotation inverse ne peut pas retirer. En ne mettant pas l'outil hors tension et en ne retirant pas la batterie, vous risqueriez de vous blesser grièvement en cas de démarrage accidentel.

Cet outil est pourvu d'un bouton de marche arrière permettant de changer le sens de rotation. Il sert uniquement à retirer les mauvaises herbes et débris pris dans l'outil.

Pour inverser la rotation, touchez le bouton de marche arrière et enclenchez la gâchette tout en enfonçant le levier de sécurité une fois que l'outil de coupe s'est arrêté. Les indicateurs de vitesse se mettent à clignoter, et l'outil de coupe tourne en sens inverse lorsque vous enclenchez la gâchette.

Pour revenir à la rotation normale, relâchez la gâchette et attendez que l'outil de coupe s'arrête.

► **Fig.11:** 1. Indicateur de vitesse 2. Bouton de marche arrière

**NOTE :** Pendant la rotation inverse, l'outil ne fonctionne que pendant une courte période et s'arrête automatiquement.

**NOTE :** Une fois que l'outil est arrêté, la rotation revient au sens habituel lorsque vous redémarrez l'outil.

**NOTE :** Si vous touchez le bouton de marche arrière alors que l'outil de coupe tourne encore, l'outil s'arrête en vue de la rotation inverse.

## Fonction de contrôle du couple électronique

L'outil détecte électroniquement une soudaine baisse de la vitesse de rotation susceptible d'entraîner un recul. Dans ce cas, l'outil s'arrête automatiquement pour éviter que l'outil de coupe continue sa rotation. Pour redémarrer l'outil, relâchez la gâchette. Éliminez la cause de la soudaine baisse de la vitesse de rotation et mettez l'outil sous tension.

**NOTE :** Cette fonction n'est pas une mesure de prévention contre les reculs.

## ASSEMBLAGE

**⚠ AVERTISSEMENT :** Assurez-vous toujours que l'outil est éteint et que la batterie est retirée avant de procéder à n'importe quelle tâche sur l'outil. En ne mettant pas l'outil hors tension et en ne retirant pas la batterie, vous risqueriez de vous blesser grièvement en cas de démarrage accidentel.

**⚠ AVERTISSEMENT :** Ne démarrez l'outil que si ses pièces sont toutes montées. Si vous utilisez un outil dont les pièces sont partiellement montées, vous risqueriez de vous blesser grièvement en cas de démarrage accidentel.

## Montage de la poignée

Fixez la poignée à l'aide des dispositifs de serrage et des boulons fournis. Assurez-vous que la poignée est située entre le dispositif d'espacement et la flèche. Ne retirez pas ou ne réduisez pas le dispositif d'espacement.

► **Fig.12:** 1. Dispositif de serrage 2. Boulon cylindrique à six pans creux 3. Poignée 4. Flèche 5. Dispositif d'espacement

Lors de l'utilisation des accessoires suivants, veillez à fixer la barre de protection sur la poignée au moyen de la vis sur la barre.

- Tête débroussailleuse \*
- Outil Ciseaux rotatifs
- Tête débroussailleuse \*
- Tête dresse-bordures

\*. Uniquement lorsque la lame métallique est fixée.

► **Fig.13:** 1. Barre de protection 2. Vis

## Fixation du tuyau pour accessoire

**⚠ ATTENTION :** Vérifiez toujours que le tuyau pour accessoire est fixé en place après l'installation. Une installation incorrecte peut faire tomber l'accessoire de l'outil motorisé et provoquer des blessures.

Fixez le tuyau pour accessoire à l'outil motorisé.

1. Tournez le levier de l'unité motorisée vers le côté accessoire.

► **Fig.14:** 1. Levier

2. Retirez le capuchon de l'accessoire. Alignez la goupille sur la flèche et insérez le tuyau pour accessoire jusqu'à ce que le bouton de dégagement apparaisse.

► **Fig.15:** 1. Bouton de dégagement 2. Flèche 3. Goupille

3. Tournez le levier vers le côté unité motorisée.

► **Fig.16:** 1. Levier

Assurez-vous que la surface du levier est parallèle au tuyau.

Pour retirer le tuyau, tournez le levier vers le côté accessoire et tirez sur le tuyau pour le sortir tout en appuyant sur le bouton de dégagement.

► **Fig.17:** 1. Bouton de dégagement 2. Levier 3. Tuyau

## Réglage de la position de la poignée

Réglez la position de la poignée pour obtenir un maniement confortable de l'outil.

Desserrez le boulon à tête cylindrique à six pans creux sur la poignée. Déplacez la poignée sur une position de travail confortable, puis serrez le boulon.

► **Fig.18:** 1. Poignée 2. Boulon à tête cylindrique à six pans creux

## Fixation de la bandoulière

**⚠AVERTISSEMENT :** Redoublez de prudence pour garder constamment la maîtrise de l'outil. Ne laissez pas l'outil dévier vers vous ou en direction de quiconque à proximité de la zone de travail. Si vous ne maîtrisez pas l'outil, vous risqueriez de vous blesser et de blesser d'autres personnes.

**⚠ATTENTION :** Lorsque vous utilisez l'outil en combinaison avec une alimentation de type dorsal, comme un support d'alimentation portable, n'utilisez pas la sangle d'épaule incluse dans l'emballage de l'outil, mais utilisez la lanière de suspension recommandée par Makita.

Si vous placez en même temps la sangle d'épaule incluse dans l'emballage de l'outil et la bandoulière de l'alimentation de type dorsal, il est difficile de retirer l'outil ou l'alimentation de type dorsal en cas d'urgence, ce qui peut provoquer un accident ou des blessures. Pour connaître la lanière de suspension recommandée, adressez-vous aux centres de service après-vente Makita agréés.

**⚠ATTENTION :** Utilisez toujours la bandoulière fixée sur l'outil. Avant utilisation, la bandoulière doit être ajustée selon la taille de l'utilisateur pour éviter la fatigue.

**⚠ATTENTION :** Avant utilisation, assurez-vous que la bandoulière est correctement attachée à l'outil.

1. Refermez le crochet sur la bandoulière sur l'anneau et le dispositif de suspension de l'outil.

► **Fig.19:** 1. Anneau 2. Crochet 3. Dispositif de suspension

2. Placez la bandoulière sur votre épaule gauche. Ajustez la bandoulière sur une position confortable pour travailler.

► **Fig.20**

La bandoulière est pourvue d'un système de desserrage rapide.

Il suffit d'appuyer sur les côtés de la boucle pour que l'outil se décroche de la bandoulière.

► **Fig.21:** 1. Boucle

## Rangement de la clé hexagonale

**⚠ATTENTION :** Veillez à ne pas laisser la clé hexagonale insérée dans la tête de l'outil. Cela peut provoquer des blessures et/ou endommager l'outil.

Lorsque vous n'utilisez pas la clé hexagonale, rangez-la comme illustré pour éviter de la perdre.

► **Fig.22:** 1. Poignée 2. Clé hexagonale

## ENTRETIEN

**⚠AVERTISSEMENT :** Assurez-vous toujours que l'outil est hors tension et que la batterie est retirée avant d'effectuer tout travail d'inspection ou d'entretien sur l'outil. En ne mettant pas l'outil hors tension et en ne retirant pas la batterie, vous risqueriez de vous blesser grièvement en cas de démarrage accidentel.

**REMARQUE :** N'utilisez jamais d'essence, benzine, diluant, alcool ou autre produit similaire. Cela risquerait de provoquer la décoloration, la déformation ou la fissuration de l'outil.

Pour assurer la SÉCURITÉ et la FIABILITÉ du produit, toute réparation, tout travail d'entretien ou de réglage doivent être effectués par un centre d'entretien Makita agréé, avec des pièces de rechange Makita.

## Nettoyage de l'outil

Nettoyez l'outil en essuyant la poussière, la saleté ou l'herbe coupée avec un chiffon sec ou un chiffon imbibé d'eau savonneuse bien essoré. Pour éviter la surchauffe de l'outil, veillez à retirer l'herbe coupée ou les débris collés sur l'orifice d'aération de l'outil.

## Protecteur de batterie

**⚠AVERTISSEMENT :** Ne retirez pas le protecteur de batterie. N'utilisez pas l'outil lorsque le protecteur de batterie est retiré ou détérioré. Un choc direct sur la batterie peut entraîner un dysfonctionnement de celle-ci, ce qui peut provoquer une blessure et/ou un incendie. Si le protecteur de batterie est déformé ou détérioré, contactez votre centre de service après-vente agréé pour les réparations.

► **Fig.23:** 1. Protecteur de batterie

# GUIDE DE DÉPANNAGE

Avant de faire une demande de réparation, effectuez d'abord vous-même une inspection. Si vous rencontrez un problème non documenté dans le mode d'emploi, n'essayez pas de démonter l'outil. Demandez plutôt à un centre de service après-vente Makita agréé d'effectuer la réparation au moyen de pièces de rechange Makita.

État d'anomalie	Cause probable (dysfonctionnement)	Solution
Le moteur ne tourne pas.	La batterie n'est pas installée.	Installez la batterie.
	Problème de batterie (sous tension)	Rechargez la batterie. Si vous n'arrivez pas à recharger la batterie, remplacez-la.
	Le mécanisme d'entraînement ne fonctionne pas correctement.	Demandez à votre centre de service après-vente local agréé d'effectuer la réparation.
Le moteur s'arrête au bout d'un court moment.	La rotation est inversée.	Changez le sens de rotation à l'aide du levier de l'inverseur.
	La charge de la batterie est faible.	Rechargez la batterie. Si vous n'arrivez pas à recharger la batterie, remplacez-la.
	Surchauffe.	Arrêtez d'utiliser l'outil pour le laisser refroidir.
Il ne tourne pas à plein régime.	La batterie n'est pas bien installée.	Installez la batterie comme décrit dans ce mode d'emploi.
	La batterie faiblit.	Rechargez la batterie. Si vous n'arrivez pas à recharger la batterie, remplacez-la.
	Le mécanisme d'entraînement ne fonctionne pas correctement.	Demandez à votre centre de service après-vente local agréé d'effectuer la réparation.

## ACCESSOIRES EN OPTION

**ATTENTION** : Ces accessoires ou pièces complémentaires sont recommandés pour l'utilisation avec l'outil Makita spécifié dans ce mode d'emploi. L'utilisation de tout autre accessoire ou pièce complémentaire peut comporter un risque de blessure. N'utilisez les accessoires ou pièces complémentaires qu'aux fins auxquelles ils ont été conçus.

**NOTE** : Il se peut que certains éléments de la liste soient compris dans l'emballage de l'outil en tant qu'accessoires standard. Ils peuvent varier d'un pays à l'autre.

Pour obtenir plus de détails sur ces accessoires, contactez votre centre d'entretien local Makita. Reportez-vous à la section « Accessoire approuvé » pour les modèles applicables de cet outil.

- Tête Débroussailleuse
- Tête Coupe Herbe
- Outil Ciseaux rotatifs
- Tête débroussailleuse
- Tête Taille-Haie à Perche
- Tête Faucheuse
- Tête Élagueuse à Perche
- Tête Moto-Bineuse
- Tête dresse-bordures
- Tête Peigne Vibreur Pour Café
- Rallonge d'Arbre
- Outil Balai Brosse
- Outil Balai Raclleur
- Tête Souffleur
- Accessoire pour pompe
- Outil de désherbage
- Batterie et chargeur Makita d'origine



## TECHNISCHE DATEN

<b>Modell:</b>		<b>UX01G</b>
Leerlaufdrehzahl (ohne Aufsatz)	Niedrig	0 - 5.700 min <sup>-1</sup>
	Mittel	0 - 8.200 min <sup>-1</sup>
	Hoch	0 - 9.700 min <sup>-1</sup>
Gesamtlänge (ohne Akku)		1.001 mm
Nennspannung		36 V - 40 V Gleichstrom
Nettogewicht	*1	3,5 kg
	*2	5,3 kg - 12,5 kg
Schutzgrad		IPX4

- Wir behalten uns vor, Änderungen der technischen Daten im Zuge der Entwicklung und des technischen Fortschritts ohne vorherige Ankündigung vorzunehmen.
- Die technischen Daten können von Land zu Land unterschiedlich sein.

\*1: Gewicht ohne Zubehör oder Akku(s)

\*2: Das Gewicht kann abhängig von dem Aufsatz (den Aufsätzen), einschließlich des Akkus, unterschiedlich sein. Die leichtesten und schwersten Kombinationen gemäß dem EPTA-Verfahren 01/2014 sind in der Tabelle angegeben.

### Zutreffende Akkus und Ladegeräte

Typ	Akku					
	BL4020	BL4025	BL4040	BL4040F	BL4050F	BL4080F
Freischneider-Aufsatz	Verfügbar	Verfügbar	Empfohlen	Empfohlen	Empfohlen	Empfohlen
Sensen-Aufsatz	Verfügbar	Verfügbar	Empfohlen	Empfohlen	Empfohlen	Empfohlen
Rotierender Scherenaufsatz	Verfügbar	Verfügbar	Empfohlen	Empfohlen	Empfohlen	Empfohlen
Sensenaufsatz	Verfügbar	Verfügbar	Empfohlen	Empfohlen	Empfohlen	Empfohlen
Heckenscheren-Aufsatz	Verfügbar	Empfohlen	Empfohlen	Empfohlen	Empfohlen	Empfohlen
Aufsatz Gestrüppschneider	Verfügbar	Empfohlen	Empfohlen	Empfohlen	Empfohlen	Empfohlen
Hochtaster-Aufsatz	Verfügbar	Verfügbar	Empfohlen	Empfohlen	Empfohlen	Empfohlen
Kultivator-Aufsatz	Verfügbar	Verfügbar	Empfohlen	Empfohlen	Empfohlen	Empfohlen
Kantenschneider-Vorsatz	Verfügbar	Empfohlen	Empfohlen	Empfohlen	Empfohlen	Empfohlen
Kaffee-Ernte-Aufsatz	Verfügbar	Verfügbar	Empfohlen	Empfohlen	Empfohlen	Empfohlen
Sensen Aufsatz	Verfügbar	Verfügbar	Empfohlen	Empfohlen	Empfohlen	Empfohlen
Bürsten Aufsatz	Verfügbar	Verfügbar	Empfohlen	Empfohlen	Empfohlen	Empfohlen
Gebläse-Aufsatz	Verfügbar	Verfügbar	Empfohlen	Empfohlen	Empfohlen	Empfohlen
Pumpenaufsatz	Verfügbar	Empfohlen	Empfohlen	Empfohlen	Empfohlen	Empfohlen
Bodenhackenaufsatz	Verfügbar	Empfohlen	Empfohlen	Empfohlen	Empfohlen	Empfohlen

Ladegerät	DC40RA / DC40RB / DC40RC / DC40WA
-----------	-----------------------------------

- Einige der oben aufgelisteten Akkus und Ladegeräte sind je nach Ihrem Wohngebiet eventuell nicht erhältlich.

**⚠️ WARNUNG:** Verwenden Sie nur die oben aufgeführten Akkus und Ladegeräte. Bei Verwendung irgendwelcher anderer Akkus und Ladegeräte besteht Verletzungs- und/oder Brandgefahr.

### Empfohlene kabelgebundene Stromquelle

Rückentragbare Akku-Bank	PDC01 / PDC1200 / PDC1500
--------------------------	---------------------------

- Die oben aufgelisteten kabelgebundenen Stromquellen sind je nach Ihrem Wohngebiet eventuell nicht erhältlich.
- Lesen Sie vor Gebrauch der kabelgebundenen Stromquelle die daran angebrachten Anweisungen und Warnmarkierungen durch.

## Leerlaufdrehzahl mit Aufsatz

Modell		Drehzahl		
		Niedrig	Mittel	Hoch
EM401MP		0 - 4.200 min <sup>-1</sup>	0 - 6.000 min <sup>-1</sup>	0 - 7.100 min <sup>-1</sup>
EM404MP / EM406MP		0 - 3.500 min <sup>-1</sup>	0 - 5.000 min <sup>-1</sup>	0 - 6.000 min <sup>-1</sup>
EM407MP	Obermesser	0 - 220 min <sup>-1</sup>	0 - 310 min <sup>-1</sup>	0 - 370 min <sup>-1</sup>
	Untermesser	0 - 470 min <sup>-1</sup>	0 - 670 min <sup>-1</sup>	0 - 790 min <sup>-1</sup>
EM408MP / EM409MP		0 - 4.200 min <sup>-1</sup>	0 - 6.000 min <sup>-1</sup>	0 - 7.100 min <sup>-1</sup>
EN401MP / EN402MP / EN410MP / EN420MP / EN422MP / EN424MP (Hubzahl pro Minute)		0 - 2.400 min <sup>-1</sup>	0 - 3.400 min <sup>-1</sup>	0 - 4.000 min <sup>-1</sup>
EY403MP (Kettengeschwindigkeit)		0 - 11 m/s	0 - 16 m/s	0 - 19 m/s
KR400MP		0 - 160 min <sup>-1</sup>	0 - 230 min <sup>-1</sup>	0 - 280 min <sup>-1</sup>
KR401MP		0 - 130 min <sup>-1</sup>	0 - 190 min <sup>-1</sup>	0 - 230 min <sup>-1</sup>
EE400MP		0 - 2.800 min <sup>-1</sup>	0 - 4.000 min <sup>-1</sup>	0 - 4.700 min <sup>-1</sup>
EJ400MP		0 - 1.600 min <sup>-1</sup>	0 - 2.300 min <sup>-1</sup>	0 - 2.800 min <sup>-1</sup>
BR400MP		0 - 130 min <sup>-1</sup>	0 - 190 min <sup>-1</sup>	0 - 230 min <sup>-1</sup>
SW400MP		0 - 130 min <sup>-1</sup>	0 - 190 min <sup>-1</sup>	0 - 230 min <sup>-1</sup>
UB400MP		0 - 5.650 min <sup>-1</sup>	0 - 7.800 min <sup>-1</sup>	0 - 9.450 min <sup>-1</sup>
UB401MP		0 - 5.650 min <sup>-1</sup>	0 - 7.800 min <sup>-1</sup>	0 - 9.450 min <sup>-1</sup>
UB402MP		0 - 5.700 min <sup>-1</sup>	0 - 8.100 min <sup>-1</sup>	0 - 9.600 min <sup>-1</sup>
PF400MP		0 - 5.600 min <sup>-1</sup>	0 - 8.100 min <sup>-1</sup>	0 - 9.500 min <sup>-1</sup>
WA400MP		0 - 570 min <sup>-1</sup>	0 - 815 min <sup>-1</sup>	0 - 970 min <sup>-1</sup>

## Zugelassene Aufsätze

Typ	Modell
Freischneider-Aufsatz	EM401MP / EM404MP
Sensen-Aufsatz	EM406MP
Rotierender Scherenaufsatz	EM407MP
Sensenaufsatz	EM408MP / EM409MP
Heckenscheren-Aufsatz	EN401MP / EN402MP / EN410MP
Aufsatz Gestrüppschneider	EN420MP / EN422MP / EN424MP
Hochtaster-Aufsatz	EY403MP
Kultivator-Aufsatz	KR400MP / KR401MP
Kantenschneider-Vorsatz	EE400MP
Kaffee-Ernte-Aufsatz	EJ400MP
Schaftverlängerung	LE400MP
Sensen Aufsatz	BR400MP
Bürsten Aufsatz	SW400MP
Gebläseaufsatz	UB400MP / UB401MP / UB402MP
Pumpenaufsatz	PF400MP
Bodenhackenaufsatz	WA400MP

## Symbole

Nachfolgend werden Symbole beschrieben, die für das Gerät verwendet werden können. Machen Sie sich unbedingt vor der Benutzung mit ihrer Bedeutung vertraut.



Besondere Umsicht und Aufmerksamkeit erforderlich.



Keiner Feuchtigkeit aussetzen.



Betriebsanleitung lesen.



Nur für EU-Länder  
Aufgrund des Vorhandenseins gefährlicher Komponenten in der Ausrüstung können Elektro- und Elektronik-Altgeräte, Akkumulatoren und Batterien sich negativ auf die Umwelt und die menschliche Gesundheit auswirken.  
Entsorgen Sie Elektro- und Elektronikgeräte oder Batterien nicht mit dem Hausmüll!  
In Übereinstimmung mit der Europäischen Richtlinie über Elektro- und Elektronik-Altgeräte, Akkumulatoren und Batterien, verbrauchte Akkumulatoren und Batterien sowie ihrer Anpassung an nationales Recht sollten Elektro-Altgeräte, Batterien und Akkumulatoren gemäß den Umweltschutzbestimmungen getrennt gelagert und zu einer getrennten Sammelstelle für Siedlungsabfälle geliefert werden.  
Dies wird durch das am Gerät angebrachte Symbol der durchgestrichenen Abfalltonne auf Rädern angezeigt.

## Vorgesehene Verwendung

Dieser Multifunktions-Antrieb ist zum Antreiben der zugelassenen Aufsätze vorgesehen, die im Abschnitt „TECHNISCHE DATEN“ dieser Betriebsanleitung aufgeführt sind. Benutzen Sie die Einheit niemals für andere Zwecke.

**⚠️ WARNUNG: Lesen Sie vor der Benutzung die Gebrauchsanleitung des Aufsatzes sowie diese Betriebsanleitung durch.** Eine Missachtung der Warnungen und Anweisungen kann zu schweren Verletzungen führen.

## Geräusch

Aufsatz		Schalldruckpegel		Garantierter Schalleistungspegel $L_{WA}$ (dB (A))	Gemessener Schalleistungspegel		Zutreffender Standard
		$L_{pA}$ (dB (A))	Messunsicherheit K (dB (A))		$L_{WA}$ (dB (A))	Messunsicherheit K (dB (A))	
EM401MP (als Freischneider)		79,8	1,2	-	94,8	2,5	ISO22868 (ISO11806-1)
EM401MP (als Fadentrimmer)	Nylonfadenkopf	80,1	1,0	-	94,3	2,0	ISO22868 (ISO11806-1)/ EN50636-2-91
	Kunststoffmesser	79,4	1,0	-	91,4	2,1	ISO22868 (ISO11806-1)/ EN50636-2-91
EM404MP (als Freischneider)		79,4	1,4	-	92,0	1,0	ISO22868 (ISO11806-1)
EM404MP (als Fadentrimmer)	Nylonfadenkopf	80,7	1,3	-	91,9	1,4	ISO22868 (ISO11806-1)/ EN50636-2-91
	Kunststoffmesser	78,6	0,7	-	87,8	0,4	ISO22868 (ISO11806-1)/ EN50636-2-91
EM406MP	Nylonfadenkopf	81,3	0,6	-	93,4	2,1	ISO22868 (ISO11806-1)/ EN50636-2-91
	Kunststoffmesser	78,8	0,4	-	87,9	0,6	ISO22868 (ISO11806-1)/ EN50636-2-91
EM407MP		84,7	1,7	-	99,0	1,3	ISO22868 (ISO11806-1)
EM408MP	Metallmesser	80,7	1,7	-	94,7	3,0	ISO22868 (ISO11806-1)
	Nylonfadenkopf	79,5	1,3	-	92,8	2,7	ISO22868 (ISO11806-1)/ EN50636-2-91
	Kunststoffmesser	80,5	1,1	-	92,2	2,8	ISO22868 (ISO11806-1)/ EN50636-2-91

Aufsatz		Schalldruckpegel		Garantierter Schallleistungspegel	Gemessener Schallleistungspegel		Zutreffender Standard
		L <sub>pA</sub> (dB (A))	Messunsicherheit K (dB (A))		L <sub>WA</sub> (dB (A))	L <sub>WA</sub> (dB (A))	
EM409MP	Nylonfadenkopf	80,6	1,2	-	93,4	2,3	ISO22868 (ISO11806-1)/ EN50636-2-91
	Kunststoffmesser	81,0	1,4	-	91,9	2,4	ISO22868 (ISO11806-1)/ EN50636-2-91
EN401MP		85	3	96	95	1,1	EN62841-4-2
EN401MP + LE400MP		82	3	98	96	1,4	EN62841-4-2
EN402MP		83	3	95	92	2,3	EN62841-4-2
EN402MP + LE400MP		79	3	96	94	1,8	EN62841-4-2
EN410MP		81	3	93	91	2,0	EN62841-4-2
EN410MP + LE400MP		80	3	93	91	1,7	EN62841-4-2
EN420MP		84	3	94	94	0,4	EN62841-4-2
EN422MP		81	3	94	92	1,9	EN62841-4-2
EN424MP		80	3	-	88	3	EN62841-1
EY403MP		95	3	-	102	3	ISO22868 (ISO11680-1)
EY403MP+LE400MP		95	3	-	102	3	ISO22868 (ISO11680-1)
KR400MP		77,8	0,7	-	86,6	1,2	EN709
KR401MP		77,7	0,3	-	86,7	2,0	EN709
EE400MP		76,1	1,7	-	88,2	2,3	ISO11789 / 2000/14/EC
EJ400MP		82,9	0,6	-	94,4	1,5	ISO22868 (ISO11806-1)
EJ400MP + LE400MP		79,7	1,4	-	94,0	0,7	ISO22868 (ISO11806-1)
BR400MP		80,2	1,0	-	88,9	0,8	EN60335-2-72
SW400MP		80,3	0,2	-	88,3	0,6	EN60335-2-72
UB400MP		92,1	1,6	-	104,1	1,3	EN50636-2-100
UB401MP		85,6	2,1	-	97,1	1,0	EN50636-2-100
UB402MP		81,7	1,9	-	90,8	1,7	EN50636-2-100
PF400MP		75	2,5	-	90	2,5	ISO20361
WA400MP		77	3	-	89	3	ISO22868 (ISO11806-1)

- Selbst wenn der oben aufgeführte Schalldruckpegel 80 dB (A) oder weniger beträgt, kann der bei der Arbeit erzeugte Schalldruckpegel 80 dB (A) überschreiten. Tragen Sie einen Gehörschutz.

**HINWEIS:** Der (Die) angegebene(n) Schallemissionswert(e) wurde(n) im Einklang mit der Standardprüfmethode gemessen und kann (können) für den Vergleich zwischen Werkzeugen herangezogen werden.

**HINWEIS:** Der (Die) angegebene(n) Schallemissionswert(e) kann (können) auch für eine Vorbewertung des Gefährdungsgrads verwendet werden.

**⚠️ WARNUNG:** Einen Gehörschutz tragen.

**⚠️ WARNUNG:** Die Schallemission während der tatsächlichen Benutzung des Elektrowerkzeugs kann je nach der Benutzungsweise des Werkzeugs, und speziell je nach der Art des bearbeiteten Werkstücks, von dem (den) angegebenen Wert(en) abweichen.

**⚠️ WARNUNG:** Identifizieren Sie Sicherheitsmaßnahmen zum Schutz des Benutzers anhand einer Schätzung des Gefährdungsgrads unter den tatsächlichen Benutzungsbedingungen (unter Berücksichtigung aller Phasen des Arbeitszyklus, wie z. B. Ausschalt- und Leerlaufzeiten des Werkzeugs zusätzlich zur Betriebszeit).

## Vibrationen

Aufsatz		Linker Handgriff (Frontgriff)		Rechter Handgriff (hinterer Griff)		Zutreffender Standard
		ah (m/s <sup>2</sup> )	Messunsicherheit K (m/s <sup>2</sup> )	ah (m/s <sup>2</sup> )	Messunsicherheit K (m/s <sup>2</sup> )	
EM401MP (als Freischneider)		2,5 oder weniger	1,5	2,5 oder weniger	1,5	ISO22867 (ISO11806-1)
EM401MP (als Fadentrimmer)	Nylonfadenkopf	3,7	1,5	3,0	1,5	ISO22867 (ISO11806-1)
	Kunststoffmesser	2,5 oder weniger	1,5	2,5 oder weniger	1,5	ISO22867 (ISO11806-1)
EM404MP (als Freischneider)		2,5 oder weniger	1,5	2,5 oder weniger	1,5	ISO22867 (ISO11806-1)
EM404MP (als Fadentrimmer)	Nylonfadenkopf	2,5 oder weniger	1,5	2,5 oder weniger	1,5	ISO22867 (ISO11806-1)
	Kunststoffmesser	2,5 oder weniger	1,5	2,5 oder weniger	1,5	ISO22867 (ISO11806-1)
EM406MP	Nylonfadenkopf	2,5 oder weniger	1,5	2,5 oder weniger	1,5	ISO22867 (ISO11806-1)
	Kunststoffmesser	2,5 oder weniger	1,5	2,5 oder weniger	1,5	ISO22867 (ISO11806-1)
EM407MP		2,5 oder weniger	1,5	2,5 oder weniger	1,5	ISO22867 (ISO11806-1)
EM408MP	Metallmesser	2,5 oder weniger	1,5	2,5 oder weniger	1,5	ISO22867 (ISO11806-1)
	Nylonfadenkopf	2,5 oder weniger	1,5	2,5 oder weniger	1,5	ISO22867 (ISO11806-1)
	Kunststoffmesser	2,5 oder weniger	1,5	2,5 oder weniger	1,5	ISO22867 (ISO11806-1)
EM409MP	Nylonfadenkopf	2,5 oder weniger	1,5	2,5 oder weniger	1,5	ISO22867 (ISO11806-1)
	Kunststoffmesser	2,5 oder weniger	1,5	2,5 oder weniger	1,5	ISO22867 (ISO11806-1)
EN401MP		3,4	1,5	2,5 oder weniger	1,5	EN62841-4-2
EN401MP + LE400MP		5,4	1,5	2,7	1,5	EN62841-4-2
EN402MP		2,5 oder weniger	1,5	2,5	1,5	EN62841-4-2
EN402MP + LE400MP		5,0	1,5	3,4	1,5	EN62841-4-2
EN410MP		6,7	1,5	3,1	1,5	EN62841-4-2
EN410MP + LE400MP		4,4	1,5	2,5 oder weniger	1,5	EN62841-4-2
EN420MP		2,9	1,5	2,5 oder weniger	1,5	EN62841-4-2
EN422MP		2,5 oder weniger	1,5	2,5	1,5	EN62841-4-2
EN424MP		2,5 oder weniger	1,5	2,5 oder weniger	1,5	EN62841-1

Aufsatz	Linker Handgriff (Frontgriff)		Rechter Handgriff (hinterer Griff)		Zutreffender Standard
	ah (m/s <sup>2</sup> )	Messunsicherheit K (m/s <sup>2</sup> )	ah (m/s <sup>2</sup> )	Messunsicherheit K (m/s <sup>2</sup> )	
EY403MP	4,0	1,5	2,5 oder weniger	1,5	ISO22867 (ISO11680-1)
EY403MP+LE400MP	3,2	1,5	2,5 oder weniger	1,5	ISO22867 (ISO11680-1)
KR400MP	2,5 oder weniger	1,5	2,5 oder weniger	1,5	EN709
KR401MP	2,5 oder weniger	1,5	2,5 oder weniger	1,5	EN709
EE400MP	2,5 oder weniger	1,5	2,5 oder weniger	1,5	ISO11789
EJ400MP	3,5	1,5	3,9	1,5	ISO22867 (ISO11806-1)
EJ400MP + LE400MP	4,8	1,5	2,6	1,5	ISO22867 (ISO11806-1)
BR400MP	2,5 oder weniger	1,5	2,5 oder weniger	1,5	EN60335-2-72
SW400MP	2,5	1,5	2,5 oder weniger	1,5	EN60335-2-72
UB400MP	4,6	1,5	2,5 oder weniger	2,5	EN50636-2-100
UB401MP	2,5 oder weniger	1,7	2,5 oder weniger	1,5	EN50636-2-100
UB402MP	2,5 oder weniger	1,5	2,5 oder weniger	1,5	EN50636-2-100
PF400MP	2,5 oder weniger	1,5	2,5 oder weniger	1,5	ISO22867
WA400MP	2,8	1,5	2,5 oder weniger	1,5	ISO22867 (ISO11806-1)

**HINWEIS:** Der (Die) angegebene(n) Vibrationsgesamtwert(e) wurde(n) im Einklang mit der Standardprüfmethode gemessen und kann (können) für den Vergleich zwischen Werkzeugen herangezogen werden.

**HINWEIS:** Der (Die) angegebene(n) Vibrationsgesamtwert(e) kann (können) auch für eine Vorbewertung des Gefährdungsgrads verwendet werden.

**⚠️ WARNUNG:** Die Vibrationsemission während der tatsächlichen Benutzung des Elektrowerkzeugs kann je nach der Benutzungsweise des Werkzeugs, und speziell je nach der Art des bearbeiteten Werkstücks, von dem (den) angegebenen Emissionswert(en) abweichen.

**⚠️ WARNUNG:** Identifizieren Sie Sicherheitsmaßnahmen zum Schutz des Benutzers anhand einer Schätzung des Gefährdungsgrads unter den tatsächlichen Benutzungsbedingungen (unter Berücksichtigung aller Phasen des Arbeitszyklus, wie z. B. Ausschalt- und Leerlaufzeiten des Werkzeugs zusätzlich zur Betriebszeit).

## Konformitätserklärungen

### Nur für europäische Länder

Die Konformitätserklärungen sind in Anhang A dieser Betriebsanleitung enthalten.

## SICHERHEITSWARNUNGEN

### Allgemeine Sicherheitswarnungen für Elektrowerkzeuge

**⚠️ WARNUNG** Lesen Sie alle Sicherheitshinweise, Anweisungen, Abbildungen und Spezifikationen, die diesem Elektrowerkzeug beiliegen. Eine Missachtung der unten aufgeführten Anweisungen kann zu einem elektrischen Schlag, Brand und/oder schweren Verletzungen führen.

# Bewahren Sie alle Warnungen und Anweisungen für spätere Bezugnahme auf.

Der Ausdruck „Elektrowerkzeug“ in den Warnhinweisen bezieht sich auf Ihr mit Netzstrom (mit Kabel) oder Akku (ohne Kabel) betriebenes Elektrowerkzeug.

## Zusätzliche Sicherheitsanweisungen

### Persönliche Schutzausrüstung

► Abb.1

1. Tragen Sie einen Schutzhelm, eine Schutzbrille und Schutzhandschuhe, um sich vor zersplitterndem Unrat oder fallenden Gegenständen zu schützen.
2. Tragen Sie einen Gehörschutz, wie z. B. Ohrschützer, um eine Gehörschädigung zu verhindern.
3. Tragen Sie sachgerechte Kleidung und Schuhe für sicheren Betrieb, wie z. B. einen Arbeitsoverall und robustes, rutschfestes Schuhwerk. Tragen Sie keine lose Kleidung oder Schmuck. Lose Kleidung, Schmuck oder langes Haar kann sich in beweglichen Teilen verfangen.
4. Tragen Sie Schutzhandschuhe, wenn Sie das Schneidblatt berühren müssen. Schneidblätter können schwere Verletzungen an bloßen Händen verursachen.

### Sicherheit im Arbeitsbereich

1. Untersuchen Sie den Arbeitsbereich vor Arbeitsbeginn auf Steine oder andere feste Objekte. Diese können herausgeschleudert werden oder gefährlichen Rückstoß verursachen, was zu ernsthaften Verletzungen und/oder Beschädigung von Eigentum führen kann.

### Sicherheit der Elektrik und des Akkus

1. Vermeiden Sie gefährliche Umgebungen. Benutzen Sie das Werkzeug nicht an feuchten oder nassen Orten, und setzen Sie es auch keinem Regen aus. Wasser, das in das Werkzeug eindringt, erhöht die Stromschlaggefahr.
2. Werfen Sie den (die) Akku(s) nicht ins Feuer. Die Zelle könnte explodieren. Prüfen Sie die örtlichen Vorschriften für mögliche spezielle Entsorgungsanweisungen.
3. Versuchen Sie nicht, den (die) Akku(s) zu öffnen oder zu verstümmeln. Freigesetzter Elektrolyt ist korrosiv und kann Schäden an Augen oder Haut verursachen. Falls er verschluckt wird, kann er giftig sein.
4. Laden Sie den Akku nicht im Regen oder an nassen Orten.
5. Tauschen Sie den Akku nicht mit nassen Händen aus.
6. Tauschen Sie den Akku nicht im Regen aus.

7. Vermeiden Sie Benetzen der Akkukontakte mit einer Flüssigkeit, wie z. B. Wasser, oder Untertauchen des Akkus. Lassen Sie den Akku nicht im Regen stehen, und unterlassen Sie Laden, Benutzen oder Lagern des Akkus an einem feuchten oder nassen Ort. Falls die Kontakte nass werden, oder eine Flüssigkeit in den Akku eindringt, kann der Akku kurzgeschlossen werden, und es besteht Überhitzungs-, Brand- oder Explosionsgefahr.
8. Nachdem Sie den Akku vom Werkzeug oder Ladegerät entfernt haben, bringen Sie unbedingt die Akkuabdeckung am Akku an, und lagern Sie ihn an einem trockenen Ort.
9. Falls der Akku nass wird, lassen Sie das eingedrungene Wasser ab, und wischen Sie ihn dann mit einem trockenen Tuch ab. Lassen Sie den Akku an einem trockenen Ort vollkommen trocknen, bevor Sie ihn benutzen.

### Inbetriebnahme

1. Das Schneidwerkzeug muss mit der Schutzhaube ausgestattet sein. Betreiben Sie das Werkzeug niemals mit beschädigten oder fehlenden Schutzhauben!
2. Vergewissern Sie sich, dass keine Stromkabel, Wasserrohre, Gasrohre usw. vorhanden sind, die bei Beschädigung durch den Einsatz des Werkzeugs eine Gefahr darstellen können.

### Betrieb

1. Halten Sie stets Ihre Hände, Gesicht und Kleidung vom rotierenden Schneidwerkzeug fern. Anderenfalls kann es zu Personenschäden kommen.
2. Halten Sie Umstehende oder Tiere während der Arbeit mindestens 15 m vom Werkzeug entfernt. Halten Sie das Werkzeug an, sobald jemand sich nähert.
3. Stellen Sie sich während der Arbeit niemals auf eine instabile oder schlüpfrige Fläche oder einen steilen Hang. Nehmen Sie sich während der kalten Jahreszeit vor Eis und Schnee in Acht, und achten Sie stets auf sicheren Stand.
4. Arbeiten Sie niemals auf einer Leiter oder einem Baum, um Verlust der Kontrolle zu vermeiden.
5. Wenn Sie das Werkzeug unbeaufsichtigt lassen, auch nur für kurze Zeit, nehmen Sie stets den Akku ab. Bleibt der Akku des unbeaufsichtigten Werkzeugs eingesetzt, kann das Werkzeug von einer unbefugten Person benutzt werden und einen schweren Unfall verursachen.
6. Vergewissern Sie sich vor dem Starten des Werkzeugs, dass das Schneidwerkzeug nicht den Boden oder andere Hindernisse, wie z. B. einen Baum, berührt.
7. Überprüfen Sie den Schneidaufsatz während des Betriebs öfter auf Risse oder Beschädigung. Nehmen Sie vor der Inspektion den Akku ab, und warten Sie, bis der Schneidaufsatz vollständig zum Stillstand kommt. Wechseln Sie einen beschädigten Schneidaufsatz unverzüglich aus, selbst wenn er nur oberflächliche Risse aufweist.

8. **Benutzen Sie das Werkzeug nicht bei schlechtem Wetter oder wenn Blitzgefahr besteht.**
  9. **Halten Sie das Werkzeug während des Betriebs immer mit beiden Händen. Halten Sie das Werkzeug während der Benutzung niemals nur mit einer Hand.**
  10. **Benutzen Sie den Schultergurt während des Betriebs. Halten Sie das Werkzeug sicher auf Ihrer rechten Seite.**
  11. **Vermeiden Sie Berühren des Antriebsgehäuses während und unmittelbar nach dem Betrieb.** Das Antriebsgehäuse wird während des Betriebs heiß und kann Verbrennungen verursachen.
  12. **Machen Sie eine Pause, um durch Müdigkeit verursachten Verlust der Kontrolle zu verhindern.** Wir empfehlen, jede Stunde eine Pause von 10 bis 20 Minuten einzulegen.
  13. **Wenn Sie das Werkzeug auf schlammigem Boden, auf einem nassen Hang oder an einem schlüpfrigen Ort benutzen, achten Sie auf Ihren Stand.**
  14. **Vermeiden Sie Arbeiten in ungünstiger Umgebung, wo mit erhöhter Benutzerermüdung zu rechnen ist.**
  15. **Benutzen Sie das Werkzeug nicht bei schlechtem Wetter, wo die Sichtverhältnisse eingeschränkt sind.** Anderenfalls kann es zu einem Sturz oder falschem Betrieb wegen schlechter Sichtverhältnisse kommen.
  16. **Tauchen Sie das Werkzeug nicht in einen Tümpel ein.**
  17. **Lassen Sie das Werkzeug bei Regen nicht unbeaufsichtigt im Freien stehen.**
  18. **Wenn nasse Blätter oder Schmutz aufgrund von Regen an der Saugöffnung (Belüftungsfenster) haften, entfernen Sie diese.**
  19. **Benutzen Sie das Werkzeug nicht im Schnee.**
3. **So vermeiden Sie Rückschlag:**
    1. **Setzen Sie das Segment zwischen der 8- und 11-Uhr-Stellung an.**
    2. **Setzen Sie niemals das Segment zwischen der 12- und 2-Uhr-Stellung an.**
    3. **Setzen Sie niemals das Segment zwischen der 11- und 12-Uhr-Stellung sowie zwischen der 2- und 5-Uhr-Stellung an, es sei denn, der Bediener ist geschult und erfahren und führt die Arbeiten auf eigene Gefahr aus.**
    4. **Benutzen Sie Schneidblätter niemals in der Nähe von festen Objekten, wie z. B. Zäunen, Mauern, Baumstümpfen und Steinen.**
    5. **Benutzen Sie Schneidblätter niemals senkrecht für solche Arbeiten wie Kanten- und Heckenschneiden.**

► Abb.3

## Vibrationen

1. **Bei Personen mit Durchblutungsstörungen, die starken Schwingungen ausgesetzt werden, kann es zu einer Schädigung von Blutgefäßen oder des Nervensystems kommen.** Folgende Symptome können durch Schwingungen an Fingern, Händen oder Handgelenken auftreten: „Einschlafen“ (Taubheit) von Körperteilen, Kribbeln, Schmerz, Stechen, Veränderung von Hautfarbe oder Haut. Falls eines dieser Symptome auftritt, suchen Sie einen Arzt auf!
2. **Um die Gefahr von VVS (vibrationsbedingtes vasospastisches Syndrom) zu reduzieren, halten Sie Ihre Hände während der Arbeit warm, und sorgen Sie für gute Wartung von Werkzeug und Zubehör.**

## Transport

1. **Bevor Sie das Werkzeug transportieren, schalten Sie es aus, und nehmen Sie den Akku ab. Bringen Sie die Abdeckung am Schneidblatt an.**

## Wartung

1. **Bevor Sie Wartungs- oder Reparaturarbeiten durchführen oder das Werkzeug reinigen, sollten Sie immer das Werkzeug ausschalten und den Akku abnehmen.**
2. **Tragen Sie zum Anfassen eines Schneidblatts immer Handschuhe, und setzen Sie die Schneidblattabdeckung auf das Schneidblatt.**
3. **Halten Sie die Griffe trocken, sauber und frei von Öl und Fett. Halten Sie alle Kühllufteinlässe frei von Unrat.**
4. **Waschen Sie das Werkzeug nicht mit Hochdruck-Wasserstrahl.**
5. **Achten Sie beim Waschen des Werkzeugs darauf, dass kein Wasser in den elektrischen Mechanismus, wie z. B. Akku, Motor und Anschlüsse, eindringt.**
6. **Führen Sie Inspektions- oder Wartungsarbeiten an einem Ort durch, wo Regen vermieden werden kann.**

## Schneidwerkzeuge

1. **Wenn Sie Schneidblätter verwenden, vermeiden Sie Rückschlag, und machen Sie sich immer auf unvorhergesehene Rückschläge gefasst. Siehe den Abschnitt über Rückschlag.**
2. **Schützen Sie das Schneidblatt bei Nichtgebrauch mit der Schneidblattabdeckung. Entfernen Sie die Abdeckung vor dem Betrieb.**

## Rückschlag (Schneidblatthieb)

1. **Rückschlag (Schneidblatthieb) ist eine plötzliche Reaktion auf ein hängen bleibendes oder klemmendes Schneidblatt. Derartige Rückschläge schleudern das Werkzeug mit großer Kraft seitwärts oder auf den Bediener zu und können ernsthafte Verletzungen verursachen.**
2. **Rückschlag tritt vor allem auf, wenn das Schneidblattsegment zwischen der 12- und 2-Uhr-Stellung an feste Gegenstände, Büsche und Bäume mit einem Durchmesser von 3 cm oder mehr angesetzt wird.**

► Abb.2



7. Nachdem Sie das Werkzeug benutzt haben, entfernen Sie den anhaftenden Schmutz, und lassen Sie das Werkzeug vor der Lagerung vollständig trocknen. Je nach Jahreszeit oder Gebiet besteht die Gefahr einer Funktionsstörung durch Gefrieren.

## Lagerung

1. Bevor Sie das Werkzeug lagern, führen Sie eine vollständige Reinigung und Wartung durch. Nehmen Sie den Akku ab. Bringen Sie die Abdeckung am Schneidblatt an.
2. Lagern Sie das Werkzeug an einem trockenen und hohen oder abschließbaren Ort außer Reichweite von Kindern.
3. Lagern Sie das Werkzeug nicht an einem Ort, der direktem Sonnenlicht und Regen ausgesetzt ist, sondern an einem Ort, an dem es nicht heiß oder feucht wird.

## Wichtige Sicherheitsanweisungen für Akku

1. Lesen Sie vor der Benutzung des Akkus alle Anweisungen und Warnhinweise, die an (1) Ladegerät, (2) Akku und (3) Akkuwerkzeug angebracht sind.
2. Unterlassen Sie Zerlegen oder Manipulieren des Akkus. Es kann sonst zu einem Brand, übermäßiger Hitzeentwicklung oder einer Explosion kommen.
3. Falls die Betriebszeit beträchtlich kürzer geworden ist, stellen Sie den Betrieb sofort ein. Anderenfalls besteht die Gefahr von Überhitzung, möglichen Verbrennungen und sogar einer Explosion.
4. Falls Elektrolyt in Ihre Augen gelangt, waschen Sie sie mit sauberem Wasser aus, und begeben Sie sich unverzüglich in ärztliche Behandlung. Anderenfalls können Sie Ihre Sehkraft verlieren.
5. Der Akku darf nicht kurzgeschlossen werden:
  - (1) Die Kontakte dürfen nicht mit leitfähigem Material berührt werden.
  - (2) Lagern Sie den Akku nicht in einem Behälter zusammen mit anderen Metallgegenständen, wie z. B. Nägel, Münzen usw.
  - (3) Setzen Sie den Akku weder Wasser noch Regen aus.Ein Kurzschluss des Akkus verursacht starken Stromfluss, der Überhitzung, mögliche Verbrennungen und einen Defekt zur Folge haben kann.
6. Lagern und benutzen Sie das Werkzeug und den Akku nicht an Orten, an denen die Temperatur 50 °C erreichen oder überschreiten kann.
7. Versuchen Sie niemals, den Akku zu verbrennen, selbst wenn er stark beschädigt oder vollkommen verbraucht ist. Der Akku kann im Feuer explodieren.
8. Unterlassen Sie Nageln, Schneiden, Zerquetschen, Werfen, Fallenlassen des Akkus oder Schlagen des Akkus mit einem harten Gegenstand. Eine solche Handlung kann zu einem Brand, übermäßiger Hitzeentwicklung oder einer Explosion führen.
9. Benutzen Sie keine beschädigten Akkus.
10. Die enthaltenen Lithium-Ionen-Akkus unterliegen den Anforderungen der Gefahrgut-Gesetzgebung.

Für kommerzielle Transporte, z. B. durch Dritte oder Spediteure, müssen besondere Anforderungen zu Verpackung und Etikettierung beachtet werden.

Zur Vorbereitung des zu transportierenden Artikels ist eine Beratung durch einen Experten für Gefahrgut erforderlich. Bitte beachten Sie möglicherweise ausführlichere nationale Vorschriften. Überkleben oder verdecken Sie offene Kontakte, und verpacken Sie den Akku so, dass er sich in der Verpackung nicht umher bewegen kann.
11. Entfernen Sie den Akku zum Entsorgen vom Werkzeug, und entsorgen Sie ihn an einem sicheren Ort. Befolgen Sie die örtlichen Vorschriften bezüglich der Entsorgung von Akkus.
12. Verwenden Sie die Akkus nur mit den von Makita angegebenen Produkten. Das Einsetzen der Akkus in nicht konforme Produkte kann zu einem Brand, übermäßiger Hitzeentwicklung, einer Explosion oder Auslaufen von Elektrolyt führen.
13. Soll das Werkzeug längere Zeit nicht benutzt werden, muss der Akku vom Werkzeug entfernt werden.
14. Bei und nach dem Gebrauch kann der Akku heiß werden, was Verbrennungen oder Niedertemperaturverbrennungen verursachen kann. Beachten Sie die Handhabung von heißen Akkus.
15. Berühren Sie nicht den Anschlusskontakt des Werkzeugs unmittelbar nach dem Gebrauch, da er heiß genug werden kann, um Verbrennungen zu verursachen.
16. Achten Sie darauf, dass sich keine Späne, Staub oder Schmutz in den Anschlusskontakten, Löchern und Nuten des Akkus absetzen. Es könnte sonst zu Erhitzung, Brandauslösung, Bersten und Funktionsstörungen des Werkzeugs oder des Akkus kommen, was zu Verbrennungen oder Personenschäden führen kann.
17. Wenn das Werkzeug den Einsatz in der Nähe einer Hochspannungs-Stromleitung nicht unterstützt, benutzen Sie den Akku nicht in der Nähe einer Hochspannungs-Stromleitung. Dies kann zu einer Funktionsstörung oder Betriebsstörung des Werkzeugs oder des Akkus führen.
18. Halten Sie die Batterie von Kindern fern.

**DIESE ANWEISUNGEN  
AUFBEWAHREN.**

**⚠ VORSICHT:** Verwenden Sie nur Original-Makita-Akkus. Die Verwendung von Nicht-Original-Makita-Akkus oder von Akkus, die abgeändert worden sind, kann zum Bersten des Akkus und daraus resultierenden Bränden, Personenschäden und Beschädigung führen. Außerdem wird dadurch die Makita-Garantie für das Makita-Werkzeug und -Ladegerät ungültig.

## Hinweise zur Aufrechterhaltung der maximalen Akku-Nutzungsdauer

1. **Laden Sie den Akku, bevor er vollkommen erschöpft ist. Schalten Sie das Werkzeug stets aus, und laden Sie den Akku, wenn Sie ein Nachlassen der Werkzeulleistung feststellen.**
2. **Unterlassen Sie erneutes Laden eines voll aufgeladenen Akkus. Überladen führt zu einer Verkürzung der Nutzungsdauer des Akkus.**
3. **Laden Sie den Akku bei Raumtemperatur zwischen 10 – 40 °C. Lassen Sie einen heißen Akku abkühlen, bevor Sie ihn laden.**
4. **Wenn Sie den Akku nicht benutzen, nehmen Sie ihn vom Werkzeug oder Ladegerät ab.**
5. **Der Akku muss geladen werden, wenn er lange Zeit (länger als sechs Monate) nicht benutzt wird.**

## BEZEICHNUNG DER TEILE

► Abb.4

1	Akku	2	Einschaltsperrhebel	3	Aufhänger	4	Griffstange
5	Entriegelungsknopf	6	Barriere	7	Ein-Aus-Schalter	8	Drehzahlanzeige
9	Hauptbetriebstaste	10	Warnlampe	11	Drehrichtungs-Umkehrtaste	12	Schultergurt

## FUNKTIONSBE-SCHREIBUNG

**⚠ WARNUNG:** Vergewissern Sie sich vor der Durchführung von Einstellungen oder Funktionsprüfungen des Werkzeugs stets, dass das Werkzeug ausgeschaltet und der Akku abgenommen ist. Werden Ausschalten des Werkzeugs und Abnehmen des Akkus unterlassen, kann es zu schweren Personenschäden durch versehentliches Anlaufen kommen.

### Anbringen und Abnehmen des Akkus

**⚠ VORSICHT:** Schalten Sie das Werkzeug stets aus, bevor Sie den Akku anbringen oder abnehmen.

**⚠ VORSICHT:** Halten Sie das Werkzeug und den Akku beim Anbringen oder Abnehmen des Akkus sicher fest. Wenn Sie das Werkzeug und den Akku nicht sicher festhalten, können sie Ihnen aus der Hand rutschen, was zu einer Beschädigung des Werkzeugs und des Akkus und zu Körperverletzungen führen kann.

Richten Sie zum Anbringen des Akkus dessen Führungsfeder auf die Nut im Gehäuse aus, und schieben Sie den Akku hinein. Schieben Sie ihn vollständig ein, bis er mit einem leisen Klicken einrastet. Wenn Sie die rote Anzeige sehen können, wie in der Abbildung gezeigt, ist der Akku nicht vollständig verriegelt.

Ziehen Sie den Akku zum Abnehmen vom Werkzeug ab, während Sie den Knopf an der Vorderseite des Akkus verschieben.

► **Abb.5:** 1. Rote Anzeige 2. Knopf 3. Akku

**⚠ VORSICHT:** Schieben Sie den Akku stets bis zum Anschlag ein, bis die rote Anzeige nicht mehr sichtbar ist. Anderenfalls kann er aus dem Werkzeug herausfallen und Sie oder umstehende Personen verletzen.

**⚠ VORSICHT:** Unterlassen Sie Gewaltanwendung beim Anbringen des Akkus. Falls der Akku nicht reibungslos hineingleitet, ist er nicht richtig ausgerichtet.

### Werkzeug/Akku-Schutzsystem

Das Werkzeug ist mit einem Werkzeug/Akku-Schutzsystem ausgestattet. Dieses System schaltet die Stromversorgung des Motors automatisch ab, um die Lebensdauer von Werkzeug und Akku zu verlängern. Das Werkzeug bleibt während des Betriebs automatisch stehen, wenn das Werkzeug einer der folgenden Bedingungen unterliegt:

► **Abb.6:** 1. Warnlampe

Warnlampe			Status
Farbe	● Ein	● Blinkend	
Grün	●		Überlastung
Rot	● (Werkzeug) / ● (Akku)		Überhitzung
Rot	●		Tiefentladung

## Überlastschutz

Falls das Werkzeug oder der Akku in eine der folgenden Situationen gerät, bleibt das Werkzeug automatisch stehen, und die Warnlampe beginnt in Grün zu blinken:

- Das Werkzeug wird durch verheddertes Unkraut oder anderen Unrat überlastet.
- Das Schneidwerkzeug ist blockiert oder hat einen Rückschlag bewirkt.
- Die Hauptbetriebstaste ist eingeschaltet, während der Auslöseschalter betätigt wird.

Lassen Sie in dieser Situation den Auslöseschalter los, und entfernen Sie gegebenenfalls verfangenes Unkraut oder Fremdkörper. Betätigen Sie danach wieder den Auslöseschalter, um fortzufahren.

**⚠ VORSICHT:** Wenn Sie verheddertes Unkraut am Werkzeug entfernen oder das blockierte Schneidwerkzeug befreien müssen, schalten Sie unbedingt das Werkzeug aus, bevor Sie beginnen.

## Überhitzungsschutz für Werkzeug oder Akku

Wenn das Werkzeug oder der Akku überhitzt wird, bleibt das Werkzeug automatisch stehen. Wenn das Werkzeug überhitzt wird, leuchtet die Warnlampe in Rot auf. Wenn der Akku überhitzt wird, blinkt die Warnlampe in Rot. Lassen Sie das Werkzeug und/oder den Akku abkühlen, bevor Sie das Werkzeug wieder einschalten.

## Überentladungsschutz

Wenn die Akkukapazität niedrig wird, bleibt das Werkzeug automatisch stehen, und die Warnlampe beginnt in Rot zu blinken. Falls das Werkzeug trotz Betätigung der Schalter nicht funktioniert, nehmen Sie den Akku vom Werkzeug ab, und laden Sie ihn auf.

## Anzeigen der Akku-Restkapazität

Drücken Sie die Prüftaste am Akku, um die Akku-Restkapazität anzuzeigen. Die Anzeigelampen leuchten wenige Sekunden lang auf.

► **Abb.7:** 1. Anzeigelampen 2. Prüftaste

Anzeigelampen			Restkapazität
Erleuchtet	Aus	Blinkend	
■	□	▧	
■ ■ ■ ■			75% bis 100%
■ ■ ■ □			50% bis 75%
■ ■ □ □			25% bis 50%

Anzeigelampen			Restkapazität
Erleuchtet	Aus	Blinkend	
■	□	▧	
■ □ □ □			0% bis 25%
▧ □ □ □			Den Akku aufladen.
■ ■ □ □			Möglicherweise liegt eine Funktionsstörung im Akku vor.
□ □ ■ ■			

**HINWEIS:** Abhängig von den Benutzungsbedingungen und der Umgebungstemperatur kann die Anzeige geringfügig von der tatsächlichen Kapazität abweichen.

**HINWEIS:** Die erste (äußerste linke) Anzeigelampe blinkt, wenn das Akku-Schutzsystem aktiv ist.

## Hauptbetriebsschalter

**⚠ WARNUNG:** Schalten Sie den Hauptbetriebsschalter stets aus, wenn das Werkzeug nicht benutzt wird.

Drücken Sie die Hauptbetriebstaste, um das Werkzeug einzuschalten. Um das Werkzeug auszuschalten, halten Sie die Hauptbetriebstaste gedrückt, bis die Drehzahlanzeigen erlöschen.

► **Abb.8:** 1. Hauptbetriebstaste

**HINWEIS:** Die Warnlampe blinkt, wenn der Auslöseschalter unter betriebsunfähigen Bedingungen betätigt wird. Die Warnlampe blinkt, wenn Sie den Hauptbetriebsschalter einschalten, während Sie den Einschaltsperrhebel und den Auslöseschalter gedrückt halten.

**HINWEIS:** Dieses Werkzeug verwendet die Abschaltautomatik. Um unbeabsichtigtes Anlaufen zu vermeiden, wird der Hauptbetriebsschalter automatisch abgeschaltet, wenn der Auslöseschalter eine bestimmte Zeitlang nach dem Einschalten des Hauptbetriebsschalters nicht betätigt wird.

## Schalterfunktion

**⚠ WARNUNG:** Aus Sicherheitsgründen ist dieses Werkzeug mit einem Einschaltsperrhebel ausgestattet, der versehentliches Einschalten des Werkzeugs verhindert. Benutzen Sie das Werkzeug NIEMALS, wenn es durch einfache Betätigung des Auslöseschalters eingeschaltet werden kann, ohne den Einschaltsperrhebel zu drücken. Lassen Sie das Werkzeug von einem unserer autorisierten Service-Center ordnungsgemäß reparieren, BEVOR Sie es weiter benutzen.

**⚠ WARNUNG:** Der Einschaltsperrhebel darf NIEMALS festgeklebt oder funktionsunfähig gemacht werden.

**⚠ VORSICHT:** Vergewissern Sie sich vor dem Einsetzen des Akkus in das Werkzeug stets, dass der Ein-Aus-Schalter ordnungsgemäß funktioniert und beim Loslassen in die AUS-Stellung zurückkehrt.

**⚠ VORSICHT:** Legen Sie beim Tragen des Werkzeugs niemals Ihren Finger auf die Hauptbetriebstaste und den Auslöseschalter. Anderenfalls kann das Werkzeug unbeabsichtigt anlaufen und Verletzungen verursachen.

**ANMERKUNG:** Betätigen Sie den Ein-Aus-Schalter nicht gewaltsam, ohne den Einschaltsperrhebel zu drücken. Dies kann zu Beschädigung des Schalters führen.

Um versehentliche Betätigung des Ein-Aus-Schalters zu verhüten, ist das Werkzeug mit einem Einschaltsperrhebel ausgestattet.










► **Abb.9:** 1. Einschaltsperrhebel 2. Ein-Aus-Schalter

Um das Werkzeug zu starten, schalten Sie den Hauptbetriebsschalter ein, fassen Sie den Handgriff (der Einschaltsperrhebel wird durch den Zugriff freigegeben), und betätigen Sie dann den Auslöseschalter. Die Drehzahl erhöht sich durch verstärkte Druckausübung auf den Auslöseschalter. Zum Ausschalten des Werkzeugs lassen Sie den Auslöseschalter los.

## Drehzahleinstellung

Sie können die Werkzeugdrehzahl durch Antippen der Hauptbetriebstaste wählen. Mit jedem Antippen der Hauptbetriebstaste ändert sich die Drehzahlstufe.

► **Abb.10:** 1. Drehzahlanzeige 2. Hauptbetriebstaste

Drehzahlanzeige	Betriebsart
3  2  1 	Hoch
3  2  1 	Mittel
3  2  1 	Niedrig

## Drehrichtungs-Umkehrtaste für Fremdkörperbeseitigung

**⚠ WARNUNG:** Schalten Sie das Werkzeug aus, und nehmen Sie den Akku ab, bevor Sie verheddertes Unkraut oder Fremdkörper entfernen, die durch die Drehrichtungs-Umkehrfunktion nicht beseitigt werden können. Werden Ausschalten des Werkzeugs und Abnehmen des Akkus unterlassen, kann es zu schweren Personenschäden durch versehentliches Anlaufen kommen.

Dieses Werkzeug besitzt eine Drehrichtungs-Umkehrtaste, mit der die Drehrichtung gewechselt werden kann. Sie ist nur zum Entfernen von Unkraut und Fremdkörpern vorgesehen, die sich im Werkzeug verfangen haben.

Um die Drehrichtung umzukehren, tippen Sie die Drehrichtungs-Umkehrtaste an, und betätigen Sie den Auslöseschalter, während Sie den Einschaltsperrhebel bei still stehendem Schneidwerkzeug niederdrücken. Die Drehzahlanzeigen beginnen zu blinken, und das Schneidwerkzeug dreht sich in umgekehrter Richtung, wenn Sie den Auslöseschalter betätigen.

Um wieder auf die normale Drehrichtung umzuschalten, lassen Sie den Auslöser los, und warten Sie, bis das Schneidwerkzeug zum Stillstand kommt.

► **Abb.11:** 1. Drehzahlanzeige  
2. Drehrichtungs-Umkehrtaste

**HINWEIS:** Das Werkzeug läuft nur für eine kurze Zeitspanne in umgekehrter Drehrichtung und bleibt dann automatisch stehen.

**HINWEIS:** Nachdem das Werkzeug zum Stillstand gekommen ist, läuft es wieder in der normalen Drehrichtung, wenn Sie es wieder in Betrieb nehmen.

**HINWEIS:** Wenn Sie die Drehrichtungs-Umkehrtaste antippen, während sich das Schneidwerkzeug noch dreht, kommt das Werkzeug zum Stillstand und ist dann für Rückwärtsdrehung bereit.

## Elektronische Drehmomentregelung

Das Werkzeug erkennt elektronisch einen plötzlichen Abfall der Drehzahl, wodurch ein Rückschlag verursacht werden kann. In dieser Situation bleibt das Werkzeug automatisch stehen, um weitere Drehung des Schneidwerkzeugs zu verhindern. Zum erneuten Starten des Werkzeugs lassen Sie den Auslöseschalter los. Beseitigen Sie die Ursache des plötzlichen Drehzahlabfalls, und schalten Sie dann das Werkzeug ein.

**HINWEIS:** Diese Funktion ist keine Vorbeugungsmaßnahme für Rückschläge.

## MONTAGE

**⚠ WARNUNG:** Vergewissern Sie sich vor der Ausführung von Arbeiten am Werkzeug stets, dass das Werkzeug ausgeschaltet und der Akku abgenommen ist. Werden Ausschalten des Werkzeugs und Abnehmen des Akkus unterlassen, kann es zu schweren Personenschäden durch versehentliches Anlaufen kommen.

**⚠ WARNUNG:** Starten Sie das Werkzeug niemals, wenn es nicht vollständig zusammengebaut ist. Der Betrieb des unvollständig zusammengebauten Werkzeugs kann zu schweren Personenschäden durch versehentliches Anlaufen führen.

## Montieren des Handgriffs

Befestigen Sie den Handgriff mit den mitgelieferten Klemmen und Schrauben. Vergewissern Sie sich, dass sich der Handgriff zwischen der Distanzhülse und der Pfeilmarkierung befindet. Die Distanzhülse darf nicht entfernt oder geschruppft werden.

- **Abb.12:** 1. Klemme 2. Innensechskantschraube  
3. Handgriff 4. Pfeilmarkierung  
5. Distanzhülse

Wenn Sie die folgenden Aufsätze benutzen, befestigen Sie unbedingt die Barriere mit der Schraube der Barriere am Handgriff.

- Freischneider-Aufsatz \*
- Rotierender Scherenaufsatz
- Sensenaufsatz \*
- Kantenschneider-Vorsatz

\*. Nur wenn Metallmesser angebracht ist.

- **Abb.13:** 1. Barriere 2. Schraube

## Montieren des Zubehörrohrs

**⚠VORSICHT:** Prüfen Sie nach der Installation stets nach, ob das Zubehörrohr gesichert ist. Falsche Installation kann dazu führen, dass sich der Aufsatz vom Antriebsaggregat löst und Personenschäden verursacht.

Montieren Sie das Zubehörrohr am Antriebsaggregat.

1. Schwenken Sie den Hebel des Antriebsaggregats in Richtung des Zubehörs.

- **Abb.14:** 1. Hebel

2. Entfernen Sie die Kappe des Aufsatzes. Richten Sie den Stift auf die Pfeilmarkierung aus, und führen Sie das Zubehörrohr ein, bis der Entriegelungsknopf herauspringt.

- **Abb.15:** 1. Entriegelungsknopf 2. Pfeilmarkierung  
3. Stift

3. Schwenken Sie den Hebel in Richtung des Antriebsaggregats.

- **Abb.16:** 1. Hebel

Vergewissern Sie sich, dass die Oberfläche des Hebels parallel zum Rohr ist.

Zum Entfernen des Rohrs schwenken Sie den Hebel in Richtung des Aufsatzes, und ziehen Sie das Rohr heraus, während Sie den Entriegelungsknopf niederdrücken.

- **Abb.17:** 1. Entriegelungsknopf 2. Hebel 3. Rohr

## Einstellen der Handgriffposition

Stellen Sie die Handgriffposition ein, um eine komfortable Handhabung des Werkzeugs zu erhalten.

Lösen Sie die Innensechskantschraube am Handgriff. Bewegen Sie den Handgriff auf eine komfortable Arbeitsposition, und ziehen Sie dann die Schraube fest.

- **Abb.18:** 1. Griffstange 2. Innensechskantschraube

## Anbringen des Schultergurts

**⚠WARNUNG:** Lassen Sie äußerste Sorgfalt walten, um immer die Kontrolle über das Werkzeug zu behalten. Achten Sie darauf, dass das Werkzeug nicht zu Ihnen oder einer anderen Person im Arbeitsbereich abgelenkt wird. Verlust der Kontrolle über das Werkzeug kann zu schweren Verletzungen von Umstehenden und Bediener führen.

**⚠VORSICHT:** Wenn Sie das Werkzeug in Kombination mit einer rucksackartigen Stromquelle, wie z. B. der rückentragbaren Akkubank, betreiben, verwenden Sie nicht den im Werkzeugpaket enthaltenen Schultergurt, sondern das von Makita empfohlene Aufhängeband.

Falls Sie den im Werkzeugpaket enthaltenen Schultergurt und den Schultergurt der rucksackartigen Stromquelle gleichzeitig anlegen, ist das Ablegen des Werkzeugs oder der rucksackartigen Stromquelle in einem Notfall schwierig, und es kann zu einem Unfall oder zu Verletzungen kommen. Wenden Sie sich für das empfohlene Aufhängeband an ein autorisiertes Makita-Servicecenter.

**⚠VORSICHT:** Benutzen Sie immer den am Werkzeug angebrachten Schultergurt. Stellen Sie den Schultergurt vor der Arbeit auf die Benutzergröße ein, um Ermüdung zu verhüten.

**⚠VORSICHT:** Vergewissern Sie sich vor dem Betrieb, dass der Schultergurt einwandfrei am Werkzeug angebracht ist.

1. Hängen Sie den Haken am Schultergurt in den Ring und Aufhänger des Werkzeugs ein.

- **Abb.19:** 1. Ring 2. Haken 3. Aufhänger

2. Legen Sie den Schultergurt auf Ihrer linken Schulter an. Stellen Sie den Schultergurt auf eine bequeme Arbeitsposition ein.

- **Abb.20**

Der Schultergurt besitzt eine Schnellentriegelung. Drücken Sie einfach die Seiten der Schnalle zusammen, um das Werkzeug vom Schultergurt zu lösen.

- **Abb.21:** 1. Schnalle

## Aufbewahrung des Inbusschlüssels

**⚠VORSICHT:** Vergessen Sie nicht, den Inbusschlüssel aus dem Werkzeugkopf herauszunehmen. Anderenfalls kann es zu Verletzungen und/oder Beschädigung des Werkzeugs kommen.

Bewahren Sie den Inbusschlüssel bei Nichtbenutzung an der abgebildeten Stelle auf, damit er nicht verloren geht.

- **Abb.22:** 1. Handgriff 2. Inbusschlüssel

# WARTUNG

**⚠️ WARNUNG:** Vergewissern Sie sich vor der Durchführung von Inspektions- oder Wartungsarbeiten am Werkzeug stets, dass das Werkzeug ausgeschaltet und der Akku abgenommen ist. Werden Ausschalten des Werkzeugs und Abnehmen des Akkus unterlassen, kann es zu schweren Personenschäden durch versehentliches Anlaufen kommen.

**ANMERKUNG:** Verwenden Sie auf keinen Fall Benzin, Waschbenzin, Verdünnern, Alkohol oder dergleichen. Solche Mittel können Verfärbung, Verformung oder Rissbildung verursachen.

Um die SICHERHEIT und ZUVERLÄSSIGKEIT dieses Produkts zu gewährleisten, sollten Reparaturen und andere Wartungs- oder Einstellarbeiten nur von Makita-Vertragswerkstätten oder Makita-Kundendienstzentren unter ausschließlicher Verwendung von Makita-Originalersatzteilen ausgeführt werden.

# Reinigen des Werkzeugs

Reinigen Sie das Werkzeug, indem Sie Staub, Schmutz oder Grasreste mit einem trockenen oder in Seifenwasser getauchten und ausgewrungenen Tuch abwischen. Um Überhitzung des Werkzeugs zu vermeiden, entfernen Sie unbedingt das abgeschnittene Gras oder an der Lüftungsöffnung des Werkzeugs haftenden Unrat.

# Akku-Schutz

**⚠️ WARNUNG:** Entfernen Sie den Akku-Schutz nicht. Benutzen Sie das Werkzeug nicht, wenn der Akku-Schutz abgenommen oder beschädigt ist. Direkter Aufprall auf den Akku kann eine Funktionsstörung des Akkus verursachen und zu einer Verletzung und/oder einem Brand führen. Falls der Akku-Schutz verformt oder beschädigt ist, kontaktieren Sie Ihr autorisiertes Service-Center bezüglich Reparaturen.

► **Abb.23:** 1. Akku-Schutz

# FEHLERSUCHE

Bevor Sie den Reparaturdienst anrufen, führen Sie zunächst Ihre eigene Inspektion durch. Falls Sie ein Problem finden, das nicht in der Anleitung erläutert wird, versuchen Sie nicht, das Werkzeug zu zerlegen. Wenden Sie sich stattdessen an autorisierte Makita-Kundendienstzentren, und achten Sie darauf, dass stets Makita-Ersatzteile für Reparaturen verwendet werden.

Zustand der Unregelmäßigkeit	Wahrscheinliche Ursache (Funktionsstörung)	Abhilfemaßnahme
Der Motor läuft nicht.	Der Akku ist nicht eingesetzt.	Den Akku einsetzen.
	Akkustörung (Unterspannung)	Den Akku aufladen. Falls Laden nichts nützt, den Akku austauschen.
	Das Antriebssystem funktioniert nicht korrekt.	Wenden Sie sich bezüglich einer Reparatur an Ihr autorisiertes Kundendienstzentrum.
Der Motor bleibt nach kurzer Zeit stehen.	Die Drehrichtung ist umgekehrt.	Ändern Sie die Drehrichtung mit dem Drehrichtungsumschalter.
	Der Ladestand des Akkus ist niedrig.	Den Akku aufladen. Falls Laden nichts nützt, den Akku austauschen.
	Überhitzung.	Brechen Sie die Benutzung des Werkzeugs ab, um es abkühlen zu lassen.
Die Maximaldrehzahl wird nicht erreicht.	Der Akku ist falsch eingesetzt.	Setzen Sie den Akku gemäß der Beschreibung in dieser Anleitung ein.
	Die Akkuleistung lässt nach.	Den Akku aufladen. Falls Laden nichts nützt, den Akku austauschen.
	Das Antriebssystem funktioniert nicht korrekt.	Wenden Sie sich bezüglich einer Reparatur an Ihr autorisiertes Kundendienstzentrum.

# SONDERZUBEHÖR

**⚠ VORSICHT:** Die folgenden Zubehörteile oder Vorrichtungen werden für den Einsatz mit dem in dieser Anleitung beschriebenen Makita-Werkzeug empfohlen. Die Verwendung anderer Zubehörteile oder Vorrichtungen kann eine Verletzungsgefahr darstellen. Verwenden Sie Zubehörteile oder Vorrichtungen nur für ihren vorgesehenen Zweck.

Wenn Sie weitere Einzelheiten bezüglich dieser Zubehörteile benötigen, wenden Sie sich bitte an Ihre Makita-Kundendienststelle.

Angaben zu den zutreffenden Modellen für dieses Werkzeug finden Sie im Abschnitt „Zugelassene Aufsätze“.

- Freischneider-Aufsatz
- Sensen-Aufsatz
- Rotierender Scherenaufsatz
- Sensenaufsatz
- Heckenscheren-Aufsatz
- Aufsatz Gestrüppschneider
- Hochentaster-Aufsatz
- Kultivator-Aufsatz
- Kantenschneider-Vorsatz
- Kaffee-Ernte-Aufsatz
- Schaftverlängerung
- Sensen Aufsatz
- Bürsten Aufsatz
- Gebläse-Aufsatz
- Pumpenaufsatz
- Bodenhackenaufsatz
- Original-Makita-Akku und -Ladegerät

**HINWEIS:** Manche Teile in der Liste können als Standardzubehör im Werkzeugsatz enthalten sein. Sie können von Land zu Land unterschiedlich sein.

## DATI TECNICI

Modello:		UX01G
Velocità a vuoto (senza accessorio)	Bassa	Da 0 a 5.700 min <sup>-1</sup>
	Media	Da 0 a 8.200 min <sup>-1</sup>
	Alta	Da 0 a 9.700 min <sup>-1</sup>
Lunghezza complessiva (cartuccia della batteria esclusa)		1.001 mm
Tensione nominale		Da 36 V a 40 V CC max
Peso netto	*1	3,5 kg
	*2	Da 5,3 kg a 12,5 kg
Grado di protezione		IPX4

- A causa del nostro programma continuativo di ricerca e sviluppo, i dati tecnici sono soggetti a modifiche senza preavviso.
- I dati tecnici possono variare da nazione a nazione.

\*1: Peso senza accessori, cartuccia o cartucce delle batterie

\*2: il peso può variare a seconda dell'accessorio o degli accessori, inclusa la cartuccia della batteria. La combinazione più leggera e quella più pesante, in base alla Procedura EPTA 01/2014, sono indicate nella tabella.

### Cartuccia della batteria e caricabatterie applicabili

Tipo	Cartuccia della batteria					
	BL4020	BL4025	BL4040	BL4040F	BL4050F	BL4080F
Accessorio decespugliatore	Disponibile	Disponibile	Consigliato	Consigliato	Consigliato	Consigliato
Accessorio tagliabordi a filo	Disponibile	Disponibile	Consigliato	Consigliato	Consigliato	Consigliato
Accessorio reciprocatore	Disponibile	Disponibile	Consigliato	Consigliato	Consigliato	Consigliato
Accessorio tagliabordi	Disponibile	Disponibile	Consigliato	Consigliato	Consigliato	Consigliato
Accessorio tagliaiepi	Disponibile	Consigliato	Consigliato	Consigliato	Consigliato	Consigliato
Accessorio tagliaiepi da terra	Disponibile	Consigliato	Consigliato	Consigliato	Consigliato	Consigliato
Accessorio potatore	Disponibile	Disponibile	Consigliato	Consigliato	Consigliato	Consigliato
Accessorio coltivatore	Disponibile	Disponibile	Consigliato	Consigliato	Consigliato	Consigliato
Accessorio tagliabordi	Disponibile	Consigliato	Consigliato	Consigliato	Consigliato	Consigliato
Accessorio per la raccolta del caffè	Disponibile	Disponibile	Consigliato	Consigliato	Consigliato	Consigliato
Accessorio spazzolone rotativo a motore	Disponibile	Disponibile	Consigliato	Consigliato	Consigliato	Consigliato
Accessorio rullo-spazzola a motore	Disponibile	Disponibile	Consigliato	Consigliato	Consigliato	Consigliato
Accessorio soffiatore	Disponibile	Disponibile	Consigliato	Consigliato	Consigliato	Consigliato
Accessorio pompa	Disponibile	Consigliato	Consigliato	Consigliato	Consigliato	Consigliato
Accessorio sarchiatore	Disponibile	Consigliato	Consigliato	Consigliato	Consigliato	Consigliato

Caricabatterie	DC40RA / DC40RB / DC40RC / DC40WA
----------------	-----------------------------------

- Alcune cartucce delle batterie e alcuni caricabatterie elencati sopra potrebbero non essere disponibili a seconda della propria area geografica di residenza.

**⚠ AVVERTIMENTO:** Utilizzare solo le cartucce delle batterie e i caricabatterie elencati sopra. L'utilizzo di altre cartucce delle batterie e di altri caricabatterie potrebbe causare lesioni personali e/o un incendio.

### Fonte di alimentazione collegata via cavo consigliata

Gruppo di alimentazione portatile	PDC01 / PDC1200 / PDC1500
-----------------------------------	---------------------------

- La fonte o le fonti di alimentazione collegate via cavo elencate sopra potrebbero non essere disponibili, a seconda della propria area geografica di residenza.
- Prima di utilizzare la fonte di alimentazione collegata via cavo, leggere le istruzioni e le indicazioni delle avvertenze riportate su quest'ultima.



## Velocità a vuoto con accessorio

Modello	Velocità di rotazione		
	Bassa	Media	Alta
EM401MP	Da 0 a 4.200 min <sup>-1</sup>	Da 0 a 6.000 min <sup>-1</sup>	Da 0 a 7.100 min <sup>-1</sup>
EM404MP / EM406MP	Da 0 a 3.500 min <sup>-1</sup>	Da 0 a 5.000 min <sup>-1</sup>	Da 0 a 6.000 min <sup>-1</sup>
EM407MP	Lama superiore	Da 0 a 220 min <sup>-1</sup>	Da 0 a 370 min <sup>-1</sup>
	Lama inferiore	Da 0 a 470 min <sup>-1</sup>	Da 0 a 790 min <sup>-1</sup>
EM408MP / EM409MP	Da 0 a 4.200 min <sup>-1</sup>	Da 0 a 6.000 min <sup>-1</sup>	Da 0 a 7.100 min <sup>-1</sup>
EN401MP / EN402MP / EN410MP / EN420MP / EN422MP / EN424MP (Colpi al minuto)	Da 0 a 2.400 min <sup>-1</sup>	Da 0 a 3.400 min <sup>-1</sup>	Da 0 a 4.000 min <sup>-1</sup>
EY403MP (velocità della catena)	Da 0 a 11 m/s	Da 0 a 16 m/s	Da 0 a 19 m/s
KR400MP	Da 0 a 160 min <sup>-1</sup>	Da 0 a 230 min <sup>-1</sup>	Da 0 a 280 min <sup>-1</sup>
KR401MP	Da 0 a 130 min <sup>-1</sup>	Da 0 a 190 min <sup>-1</sup>	Da 0 a 230 min <sup>-1</sup>
EE400MP	Da 0 a 2.800 min <sup>-1</sup>	Da 0 a 4.000 min <sup>-1</sup>	Da 0 a 4.700 min <sup>-1</sup>
EJ400MP	Da 0 a 1.600 min <sup>-1</sup>	Da 0 a 2.300 min <sup>-1</sup>	Da 0 a 2.800 min <sup>-1</sup>
BR400MP	Da 0 a 130 min <sup>-1</sup>	Da 0 a 190 min <sup>-1</sup>	Da 0 a 230 min <sup>-1</sup>
SW400MP	Da 0 a 130 min <sup>-1</sup>	Da 0 a 190 min <sup>-1</sup>	Da 0 a 230 min <sup>-1</sup>
UB400MP	Da 0 a 5.650 min <sup>-1</sup>	Da 0 a 7.800 min <sup>-1</sup>	Da 0 a 9.450 min <sup>-1</sup>
UB401MP	Da 0 a 5.650 min <sup>-1</sup>	Da 0 a 7.800 min <sup>-1</sup>	Da 0 a 9.450 min <sup>-1</sup>
UB402MP	Da 0 a 5.700 min <sup>-1</sup>	Da 0 a 8.100 min <sup>-1</sup>	Da 0 a 9.600 min <sup>-1</sup>
PF400MP	Da 0 a 5.600 min <sup>-1</sup>	Da 0 a 8.100 min <sup>-1</sup>	Da 0 a 9.500 min <sup>-1</sup>
WA400MP	Da 0 a 570 min <sup>-1</sup>	Da 0 a 815 min <sup>-1</sup>	Da 0 a 970 min <sup>-1</sup>

## Accessorio approvato

Tipo	Modello
Accessorio decespugliatore	EM401MP / EM404MP
Accessorio tagliabordi a filo	EM406MP
Accessorio reciprocatore	EM407MP
Accessorio tagliabordi	EM408MP / EM409MP
Accessorio taglia siepi	EN401MP / EN402MP / EN410MP
Accessorio taglia siepi da terra	EN420MP / EN422MP / EN424MP
Accessorio potatore	EY403MP
Accessorio coltivatore	KR400MP / KR401MP
Accessorio tagliabordi	EE400MP
Accessorio per la raccolta del caffè	EJ400MP
Accessorio prolunga albero	LE400MP
Accessorio spazzolone rotativo a motore	BR400MP
Accessorio rullo-spazzola a motore	SW400MP
Accessorio soffiatore	UB400MP / UB401MP / UB402MP
Accessorio pompa	PF400MP
Accessorio sarchiatore	WA400MP

## Simboli

Le figure seguenti mostrano i simboli utilizzati per l'apparecchio. accertarsi di comprenderne il significato prima dell'uso.



Adottare cura e attenzione particolari.



Non esporre all'umidità.



Leggere il manuale d'uso.



Solo per le nazioni dell'EU  
A causa della presenza di componenti pericolosi nelle apparecchiature, i rifiuti di apparecchiature elettriche ed elettroniche, accumulatori e batterie potrebbero produrre un impatto negativo sull'ambiente e sulla salute umana.

Non smaltire elettrodomestici elettrici ed elettronici o batterie insieme ai rifiuti domestici!

In conformità alla direttiva europea sui rifiuti di apparecchiature elettriche ed elettroniche (RAEE), sugli accumulatori e le batterie, nonché sui rifiuti di accumulatori e batterie, e al suo adattamento alle normative nazionali, i rifiuti di apparecchiature elettriche ed elettroniche, batterie e accumulatori vanno conservati separatamente e conferiti a un punto di raccolta separato per i rifiuti comunali, operando in conformità alle normative per la protezione dell'ambiente.

Tale requisito viene indicato mediante il simbolo del bidone della spazzatura con ruote barrato apposto sull'apparecchio.

## Utilizzo previsto

Questa testa motorizzata multifunzione a batteria è destinata a fungere da motore per un accessorio approvato elencato nella sezione "DATI TECNICI" del presente manuale d'uso. Non utilizzare mai l'unità per altri scopi.

**⚠AVVERTIMENTO:** Prima dell'uso, leggere il manuale d'uso dell'accessorio, nonché il presente manuale d'uso. La mancata osservanza delle avvertenze e delle istruzioni potrebbe causare gravi lesioni personali.

## Rumorosità

Accessorio		Livello di pressione sonora		Livello di potenza sonora garantito	Livello di potenza sonora misurato		Standard applicabile
		L <sub>pA</sub> (dB (A))	Incertezza K (dB (A))	L <sub>WA</sub> (dB (A))	L <sub>WA</sub> (dB (A))	Incertezza K (dB (A))	
EM401MP (come decespugliatore)		79,8	1,2	-	94,8	2,5	ISO22868 (ISO11806-1)
EM401MP (come tagliabordi a filo)	Testina da taglio in nylon	80,1	1,0	-	94,3	2,0	ISO22868 (ISO11806-1)/ EN50636-2-91
	Lama di plastica	79,4	1,0	-	91,4	2,1	ISO22868 (ISO11806-1)/ EN50636-2-91
EM404MP (come decespugliatore)		79,4	1,4	-	92,0	1,0	ISO22868 (ISO11806-1)
EM404MP (come tagliabordi a filo)	Testina da taglio in nylon	80,7	1,3	-	91,9	1,4	ISO22868 (ISO11806-1)/ EN50636-2-91
	Lama di plastica	78,6	0,7	-	87,8	0,4	ISO22868 (ISO11806-1)/ EN50636-2-91
EM406MP	Testina da taglio in nylon	81,3	0,6	-	93,4	2,1	ISO22868 (ISO11806-1)/ EN50636-2-91
	Lama di plastica	78,8	0,4	-	87,9	0,6	ISO22868 (ISO11806-1)/ EN50636-2-91
EM407MP		84,7	1,7	-	99,0	1,3	ISO22868 (ISO11806-1)
EM408MP	Lama in metallo	80,7	1,7	-	94,7	3,0	ISO22868 (ISO11806-1)
	Testina da taglio in nylon	79,5	1,3	-	92,8	2,7	ISO22868 (ISO11806-1)/ EN50636-2-91
	Lama di plastica	80,5	1,1	-	92,2	2,8	ISO22868 (ISO11806-1)/ EN50636-2-91

Accessorio		Livello di pressione sonora		Livello di potenza sonora garantito	Livello di potenza sonora misurato		Standard applicabile
		L <sub>pA</sub> (dB (A))	Incertezza K (dB (A))	L <sub>WA</sub> (dB (A))	L <sub>WA</sub> (dB (A))	Incertezza K (dB (A))	
EM409MP	Testina da taglio in nylon	80,6	1,2	-	93,4	2,3	ISO22868 (ISO11806-1)/ EN50636-2-91
	Lama di plastica	81,0	1,4	-	91,9	2,4	ISO22868 (ISO11806-1)/ EN50636-2-91
EN401MP		85	3	96	95	1,1	EN62841-4-2
EN401MP + LE400MP		82	3	98	96	1,4	EN62841-4-2
EN402MP		83	3	95	92	2,3	EN62841-4-2
EN402MP + LE400MP		79	3	96	94	1,8	EN62841-4-2
EN410MP		81	3	93	91	2,0	EN62841-4-2
EN410MP + LE400MP		80	3	93	91	1,7	EN62841-4-2
EN420MP		84	3	94	94	0,4	EN62841-4-2
EN422MP		81	3	94	92	1,9	EN62841-4-2
EN424MP		80	3	-	88	3	EN62841-1
EY403MP		95	3	-	102	3	ISO22868 (ISO11680-1)
EY403MP+LE400MP		95	3	-	102	3	ISO22868 (ISO11680-1)
KR400MP		77,8	0,7	-	86,6	1,2	EN709
KR401MP		77,7	0,3	-	86,7	2,0	EN709
EE400MP		76,1	1,7	-	88,2	2,3	ISO11789 / 2000/14/EC
EJ400MP		82,9	0,6	-	94,4	1,5	ISO22868 (ISO11806-1)
EJ400MP + LE400MP		79,7	1,4	-	94,0	0,7	ISO22868 (ISO11806-1)
BR400MP		80,2	1,0	-	88,9	0,8	EN60335-2-72
SW400MP		80,3	0,2	-	88,3	0,6	EN60335-2-72
UB400MP		92,1	1,6	-	104,1	1,3	EN50636-2-100
UB401MP		85,6	2,1	-	97,1	1,0	EN50636-2-100
UB402MP		81,7	1,9	-	90,8	1,7	EN50636-2-100
PF400MP		75	2,5	-	90	2,5	ISO20361
WA400MP		77	3	-	89	3	ISO22868 (ISO11806-1)

- Anche se il livello di pressione sonora indicato sopra è di 80 dB (A) o inferiore, il livello acustico in condizioni di lavoro potrebbe superare gli 80 dB (A). Indossare protezioni acustiche.

**NOTA:** Il valore o i valori dichiarati delle emissioni di rumori sono stati misurati in conformità a un metodo standard di verifica, e possono essere utilizzati per confrontare un utensile con un altro.

**NOTA:** Il valore o i valori dichiarati delle emissioni di rumori possono venire utilizzati anche per una valutazione preliminare dell'esposizione.

**⚠AVVERTIMENTO:** Indossare protezioni per le orecchie.

**⚠AVVERTIMENTO:** L'emissione di rumori durante l'utilizzo effettivo dell'utensile elettrico può variare rispetto al valore o ai valori dichiarati, a seconda dei modi in cui viene utilizzato l'utensile e specialmente a seconda di che tipo di pezzo venga lavorato.

**⚠AVVERTIMENTO:** Accertarsi di identificare misure di sicurezza per la protezione dell'operatore che siano basate su una stima dell'esposizione nelle condizioni effettive di utilizzo (tenendo conto di tutte le parti del ciclo operativo, ad esempio del numero di spegnimenti dell'utensile e di quando giri a vuoto, oltre al tempo di attivazione).

Accessorio		Maniglia sinistra (impugnatura anteriore)		Maniglia destra (impugnatura posteriore)		Standard applicabile
		ah (m/s <sup>2</sup> )	Incertezza K (m/s <sup>2</sup> )	ah (m/s <sup>2</sup> )	Incertezza K (m/s <sup>2</sup> )	
EM401MP (come decespugliatore)		2,5 o meno	1,5	2,5 o meno	1,5	ISO22867 (ISO11806-1)
EM401MP (come tagliabordi a filo)	Testina da taglio in nylon	3,7	1,5	3,0	1,5	ISO22867 (ISO11806-1)
	Lama di plastica	2,5 o meno	1,5	2,5 o meno	1,5	ISO22867 (ISO11806-1)
EM404MP (come decespugliatore)		2,5 o meno	1,5	2,5 o meno	1,5	ISO22867 (ISO11806-1)
EM404MP (come tagliabordi a filo)	Testina da taglio in nylon	2,5 o meno	1,5	2,5 o meno	1,5	ISO22867 (ISO11806-1)
	Lama di plastica	2,5 o meno	1,5	2,5 o meno	1,5	ISO22867 (ISO11806-1)
EM406MP	Testina da taglio in nylon	2,5 o meno	1,5	2,5 o meno	1,5	ISO22867 (ISO11806-1)
	Lama di plastica	2,5 o meno	1,5	2,5 o meno	1,5	ISO22867 (ISO11806-1)
EM407MP		2,5 o meno	1,5	2,5 o meno	1,5	ISO22867 (ISO11806-1)
EM408MP	Lama in metallo	2,5 o meno	1,5	2,5 o meno	1,5	ISO22867 (ISO11806-1)
	Testina da taglio in nylon	2,5 o meno	1,5	2,5 o meno	1,5	ISO22867 (ISO11806-1)
	Lama di plastica	2,5 o meno	1,5	2,5 o meno	1,5	ISO22867 (ISO11806-1)
EM409MP	Testina da taglio in nylon	2,5 o meno	1,5	2,5 o meno	1,5	ISO22867 (ISO11806-1)
	Lama di plastica	2,5 o meno	1,5	2,5 o meno	1,5	ISO22867 (ISO11806-1)
EN401MP		3,4	1,5	2,5 o meno	1,5	EN62841-4-2
EN401MP + LE400MP		5,4	1,5	2,7	1,5	EN62841-4-2
EN402MP		2,5 o meno	1,5	2,5	1,5	EN62841-4-2
EN402MP + LE400MP		5,0	1,5	3,4	1,5	EN62841-4-2
EN410MP		6,7	1,5	3,1	1,5	EN62841-4-2
EN410MP + LE400MP		4,4	1,5	2,5 o meno	1,5	EN62841-4-2
EN420MP		2,9	1,5	2,5 o meno	1,5	EN62841-4-2
EN422MP		2,5 o meno	1,5	2,5	1,5	EN62841-4-2
EN424MP		2,5 o meno	1,5	2,5 o meno	1,5	EN62841-1
EY403MP		4,0	1,5	2,5 o meno	1,5	ISO22867 (ISO11680-1)
EY403MP+LE400MP		3,2	1,5	2,5 o meno	1,5	ISO22867 (ISO11680-1)
KR400MP		2,5 o meno	1,5	2,5 o meno	1,5	EN709
KR401MP		2,5 o meno	1,5	2,5 o meno	1,5	EN709
EE400MP		2,5 o meno	1,5	2,5 o meno	1,5	ISO11789

Accessorio	Maniglia sinistra (impugnatura anteriore)		Maniglia destra (impugnatura posteriore)		Standard applicabile
	ah (m/s <sup>2</sup> )	Incertezza K (m/s <sup>2</sup> )	ah (m/s <sup>2</sup> )	Incertezza K (m/s <sup>2</sup> )	
EJ400MP	3,5	1,5	3,9	1,5	ISO22867 (ISO11806-1)
EJ400MP + LE400MP	4,8	1,5	2,6	1,5	ISO22867 (ISO11806-1)
BR400MP	2,5 o meno	1,5	2,5 o meno	1,5	EN60335-2-72
SW400MP	2,5	1,5	2,5 o meno	1,5	EN60335-2-72
UB400MP	4,6	1,5	2,5 o meno	2,5	EN50636-2-100
UB401MP	2,5 o meno	1,7	2,5 o meno	1,5	EN50636-2-100
UB402MP	2,5 o meno	1,5	2,5 o meno	1,5	EN50636-2-100
PF400MP	2,5 o meno	1,5	2,5 o meno	1,5	ISO22867
WA400MP	2,8	1,5	2,5 o meno	1,5	ISO22867 (ISO11806-1)

**NOTA:** Il valore o i valori complessivi delle vibrazioni dichiarati sono stati misurati in conformità a un metodo standard di verifica, e possono essere utilizzati per confrontare un utensile con un altro.

**NOTA:** Il valore o i valori complessivi delle vibrazioni dichiarati possono venire utilizzati anche per una valutazione preliminare dell'esposizione.

**⚠AVVERTIMENTO:** L'emissione delle vibrazioni durante l'utilizzo effettivo dell'utensile elettrico può variare rispetto al valore o ai valori dichiarati, a seconda dei modi in cui viene utilizzato l'utensile, specialmente a seconda di che tipo di pezzo venga lavorato.

**⚠AVVERTIMENTO:** Accertarsi di identificare misure di sicurezza per la protezione dell'operatore che siano basate su una stima dell'esposizione nelle condizioni effettive di utilizzo (tenendo conto di tutte le parti del ciclo operativo, ad esempio del numero di spegnimenti dell'utensile e di quando giri a vuoto, oltre al tempo di attivazione).

## Dichiarazioni di conformità

### Solo per i paesi europei

Le Dichiarazioni di conformità sono incluse nell'Allegato A al presente manuale d'uso.

## AVVERTENZE DI SICUREZZA

### Avvertenze generali relative alla sicurezza dell'utensile elettrico

**⚠AVVERTIMENTO** Leggere tutte le avvertenze di sicurezza, le istruzioni, le illustrazioni e i dati tecnici forniti insieme a questo utensile elettrico. La mancata osservanza di tutte le istruzioni seguenti potrebbe risultare in scosse elettriche, incendi e/o gravi lesioni personali.

## Conservare tutte le avvertenze e le istruzioni come riferimento futuro.

Il termine "utensile elettrico" nelle avvertenze si riferisce sia all'utensile elettrico (cablato) nel funzionamento alimentato da rete elettrica che all'utensile elettrico (a batteria) nel funzionamento alimentato a batteria.

## Istruzioni di sicurezza aggiuntive

### Attrezzatura di protezione personale

► Fig.1

1. Indossare un casco di sicurezza, occhiali protettivi e guanti protettivi per proteggersi da detriti volanti oppure oggetti che cadano.
2. Indossare protezioni per l'udito, ad esempio cuffie antirumore, per prevenire perdite dell'udito.
3. Indossare indumenti e calzature appropriati per un utilizzo sicuro, ad esempio una tuta da lavoro e scarpe robuste e antiscivolo. Non indossare indumenti troppo larghi o gioielli. Indumenti troppo larghi, gioielli o capelli lunghi possono restare impigliati nelle parti in movimento.

4. **Quando si intende toccare la lama da taglio, indossare guanti protettivi.** Le lame da taglio possono tagliare gravemente le mani nude.

## Sicurezza dell'area di lavoro

1. **Prima dell'uso, esaminare l'eventuale presenza nell'area di lavoro di pietre o altri oggetti solidi.** Questi oggetti possono essere scagliati o causare un contraccolpo pericoloso e risultare in gravi lesioni personali e/o danni alle cose.

## Sicurezza elettrica e della batteria

1. **Evitare gli ambienti pericolosi. Non utilizzare l'utensile in luoghi umidi o bagnati né esporlo alla pioggia. La penetrazione di acqua nell'utensile incrementa il rischio di scosse elettriche.**
2. **Non smaltire le batterie nel fuoco.** La cella potrebbe esplodere. Controllare le normative locali per eventuali istruzioni speciali relative allo smaltimento.
3. **Non aprire né fare a pezzi le batterie.** L'elettrolita rilasciato è corrosivo, e potrebbe causare danni agli occhi o alla pelle. Inoltre, potrebbe essere tossico, se inghiottito.
4. **Non caricare la batteria sotto la pioggia o in condizioni di bagnato.**
5. **Non sostituire la batteria con le mani bagnate.**
6. **Non sostituire la batteria sotto la pioggia.**
7. **Non far bagnare i terminali della batteria con liquidi, ad esempio con acqua, né sommergere la batteria. Non lasciare la batteria sotto la pioggia e non caricarla, utilizzarla o riporla in un'ubicazione umida o bagnata.** Qualora i terminali si bagnino o del liquido penetri all'interno della batteria, quest'ultima potrebbe venire cortocircuitata, e sussiste il rischio di surriscaldamento, incendio o esplosione.
8. **Dopo aver rimosso la batteria dall'utensile o dal caricabatterie, accertarsi di applicare il cappuccio della batteria su quest'ultima e di riporre la batteria in un'ubicazione asciutta.**
9. **Qualora la cartuccia della batteria si bagni, far fuoriuscire tutta l'acqua dall'interno, quindi pulirla con un panno asciutto. Far asciugare completamente la cartuccia della batteria in un luogo asciutto, prima dell'uso.**

## Messa in funzione

1. **Sull'utensile da taglio deve essere installata la protezione. Non far funzionare mai l'utensile con protezioni danneggiate o senza aver installato le protezioni.**
2. **Accertarsi che non siano presenti cavi elettrici, tubi dell'acqua, tubi del gas, e così via, che potrebbero costituire un pericolo qualora venissero danneggiati dall'utilizzo dell'utensile.**

## Funzionamento

1. **Tenere sempre le mani, il viso e gli indumenti lontani dall'utensile da taglio, quando quest'ultimo sta ruotando.** In caso contrario, si potrebbero causare lesioni personali.

2. **Durante l'uso, tenere astanti o animali a una distanza di almeno 15 m dall'utensile. Arrestare l'utensile non appena si avvicina qualcuno.**
3. **Durante l'uso, non stare mai in piedi su superfici instabili o scivolose o su pendii ripidi. Durante la stagione fredda, fare attenzione al ghiaccio e alla neve e assicurare sempre un saldo equilibrio sui piedi.**
4. **Per evitare la perdita di controllo, non lavorare mai su una scala a pioli o su un albero.**
5. **Quando si lascia l'utensile, anche se per un breve periodo di tempo, rimuovere sempre la cartuccia della batteria.** L'utensile lasciato incustodito con la cartuccia della batteria installata potrebbe venire utilizzato da persone non autorizzate e causare un grave incidente.
6. **Prima di avviare l'utensile, accertarsi che l'utensile da taglio non stia toccando il suolo e altri oggetti, ad esempio un albero.**
7. **Controllare spesso l'eventuale presenza di spaccature o danneggiamenti dell'accessorio da taglio durante l'uso. Prima dell'ispezione, rimuovere la cartuccia della batteria e attendere l'arresto completo dell'accessorio da taglio. Sostituire immediatamente un accessorio da taglio danneggiato, anche solo in presenza di spaccature superficiali.**
8. **Non utilizzare l'utensile in condizioni meteo avverse o qualora sussista il rischio di fulmini.**
9. **Durante il funzionamento, mantenere sempre l'utensile con entrambe le mani. Non mantenere mai utensile con una sola mano durante l'uso.**
10. **Durante l'uso, utilizzare la tracolla. Mantenere l'utensile saldamente sul proprio lato destro.**
11. **Non toccare la scatola degli ingranaggi durante e subito dopo l'uso.** La scatola degli ingranaggi raggiunge una temperatura estremamente elevata, durante l'uso, e può causare ustioni.
12. **Fare delle pause per evitare la perdita di controllo causata dall'affaticamento.** Si consiglia di fare una pausa di lunghezza compresa tra 10 e 20 minuti ogni ora.
13. **Quando si utilizza l'utensile su suolo fangoso, pendii bagnati o ubicazioni scivolose, fare attenzione al proprio appoggio sui piedi.**
14. **Evitare di lavorare in un ambiente inadeguato in cui si preveda un maggiore affaticamento per l'utente.**
15. **Non utilizzare l'utensile in condizioni di tempo avverso in cui la visibilità sia limitata.** La mancata osservanza di questa indicazione potrebbe causare cadute o funzionamento errato a causa della scarsa visibilità.
16. **Non immergere l'utensile in una pozzanghera.**
17. **Non lasciare l'utensile incustodito all'aperto sotto la pioggia.**
18. **Quando foglie bagnate o sporco aderiscono alla bocca di aspirazione (finestrella di ventilazione) a causa della pioggia, rimuoverle.**
19. **Non utilizzare l'utensile nella neve.**

## Utensili da taglio

1. Quando si intende utilizzare lame da taglio, evitare i contraccolpi ed essere sempre pronti a un contraccolpo accidentale. Vedere la sezione relativa al contraccolpo.
2. Quando il decespugliatore non è in uso, applicare il coprilama sulla lama. Rimuovere il coprilama prima dell'uso.

## Contraccolpo (spinta della lama)

1. Il contraccolpo (spinta della lama) è una reazione improvvisa a una lama da taglio che resti inceppata o bloccata. Quando si verifica questo fenomeno, l'utensile viene scagliato di lato o verso l'operatore con forza elevata, e ciò potrebbe causare gravi lesioni personali.
2. Il contraccolpo si verifica, in particolare, quando si applica il segmento della lama compreso tra ore 12 e ore 2 su oggetti solidi, cespugli e alberelli con un diametro di 3 cm o superiore.

► Fig.2

3. Per evitare il contraccolpo:
  1. Applicare il segmento compreso tra ore 8 e ore 11.
  2. Non applicare mai il segmento compreso tra ore 12 e ore 2.
  3. Non applicare mai il segmento compreso tra ore 11 e ore 12 e quello compreso tra ore 2 e ore 5, a meno che l'operatore sia ben addestrato ed esperto e lo faccia a proprio rischio.
  4. Non utilizzare mai le lame da taglio in prossimità di oggetti solidi, quali recinzioni, pareti, tronchi d'albero e pietre.
  5. Non utilizzare mai le lame da taglio verticalmente, per operazioni quali la bordatura e la rifilatura di siepi.

► Fig.3

## Vibrazioni

1. Le persone che soffrono di cattiva circolazione e che siano esposte a vibrazioni eccessive potrebbero essere soggette a lesioni ai vasi sanguigni o al sistema nervoso. Le vibrazioni possono causare il verificarsi dei seguenti sintomi alle dita, alle mani e ai polsi: Sensazioni di "addormentamento" (intorpidimento), formicolii, dolori, fitte, alterazione del colore della pelle o della pelle stessa. Qualora si verifichi un qualsiasi sintomo tra questi, consultare un medico.
2. Per ridurre il rischio della cosiddetta "sindrome del dito bianco", tenere calde le mani durante l'uso e mantenere in buone condizioni l'utensile e gli accessori.

## Trasporto

1. Prima di trasportare l'utensile, spegnerlo e rimuovere la cartuccia della batteria. Montare il coprilama sulla lama da taglio.

## Manutenzione

1. Prima di effettuare qualsiasi intervento di manutenzione o di riparazione, o prima di pulire l'utensile, spegnere sempre quest'ultimo e rimuovere la cartuccia della batteria.
2. Quando si intende maneggiare la lama da taglio, indossare sempre i guanti e applicare il coprilama sulla lama.
3. Mantenere le maniglie asciutte, pulite e prive di olio e grasso. Mantenere tutte le prese d'aria di raffreddamento prive di detriti.
4. Non lavare l'utensile con acqua ad alta pressione.
5. Quando si intende lavare l'utensile, non lasciar penetrare acqua nell'impianto elettrico, ad esempio nella batteria, nel motore e nei terminali.
6. Effettuare l'ispezione e la manutenzione in un'ubicazione in cui si possa evitare la pioggia.
7. Dopo aver utilizzato l'utensile, rimuovere lo sporco che si è depositato e far asciugare completamente l'utensile prima di riporlo. A seconda della stagione o della zona, sussiste il rischio di malfunzionamento dovuto a congelamento.

## Conservazione

1. Prima di riporre l'utensile, effettuare la pulizia e la manutenzione complete. Rimuovere la cartuccia della batteria. Montare il coprilama sulla lama da taglio.
2. Riporre l'utensile in un'ubicazione asciutta e in posizione elevata, o chiusa a chiave, fuori dalla portata dei bambini.
3. Quando si intende riporre l'utensile, evitare la luce solare diretta e la pioggia, e riporlo in un'ubicazione in cui non sia soggetto a temperature estremamente elevate o umidità.

## Istruzioni di sicurezza importanti per la cartuccia della batteria

1. Prima di utilizzare la cartuccia della batteria, leggere tutte le istruzioni e le avvertenze riportate (1) sul caricabatteria, (2) sulla batteria e (3) sul prodotto che utilizza la batteria.
2. Non smantellare né manomettere la cartuccia della batteria. In caso contrario, si potrebbe causare un incendio, calore eccessivo o un'esplosione.
3. Qualora il tempo di utilizzo si riduca eccessivamente, interrompere immediatamente l'utilizzo dell'utensile. In caso contrario, si può incorrere nel rischio di surriscaldamento, possibili ustioni e persino un'esplosione.
4. Qualora l'elettrolita entri in contatto con gli occhi, sciacquarli con acqua pulita e richiedere immediatamente assistenza medica. Questa eventualità può risultare nella perdita della vista.
5. Non cortocircuitare la cartuccia della batteria:
  - (1) Non toccare i terminali con alcun materiale conduttivo.

(2) Evitare di conservare la cartuccia della batteria in un contenitore insieme ad altri oggetti metallici quali chiodi, monete, e così via.

(3) Non esporre la cartuccia della batteria all'acqua o alla pioggia.

Un cortocircuito della batteria può causare un grande flusso di corrente, un surriscaldamento, possibili ustioni e persino un guasto.

6. Non conservare e utilizzare l'utensile e la cartuccia della batteria in ubicazioni in cui la temperatura possa raggiungere o superare i 50 °C.

7. Non incenerire la cartuccia della batteria anche qualora sia gravemente danneggiata o completamente esaurita. La cartuccia della batteria può esplodere se a contatto con il fuoco.

8. Non inchiodare, tagliare, schiacciare, lanciare o far cadere la cartuccia della batteria, né farla urtare con forza contro un oggetto duro. Questi comportamenti potrebbero risultare in un incendio, calore eccessivo o un'esplosione.

9. Non utilizzare una batteria danneggiata.

10. Le batterie a ioni di litio contenute sono soggette ai requisiti del regolamento sul trasporto di merci pericolose (Dangerous Goods Legislation).

Per trasporti commerciali, ad esempio da parte di terzi o spedizionieri, è necessario osservare dei requisiti speciali sull'imballaggio e sull'etichetta. Per la preparazione dell'articolo da spedire, è richiesta la consulenza di un esperto in materiali pericolosi. Attenersi anche alle normative nazionali, che potrebbero essere più dettagliate.

Nastrare o coprire i contatti aperti e imballare la batteria in modo tale che non si possa muovere liberamente all'interno dell'imballaggio.

11. Quando si intende smaltire la cartuccia della batteria, rimuoverla dall'utensile e smaltirla in un luogo sicuro. Attenersi alle normative locali relative allo smaltimento della batteria.

12. Utilizzare le batterie esclusivamente con i prodotti specificati da Makita. L'installazione delle batterie in prodotti non compatibili potrebbe risultare in incendi, calore eccessivo, esplosioni o perdite di liquido elettrolitico.

13. Se l'utensile non viene utilizzato per un periodo di tempo prolungato, la batteria deve essere rimossa dall'utensile.

14. Durante e dopo l'uso, la cartuccia della batteria potrebbe assorbire calore, che può causare ustioni o ustioni a bassa temperatura. Fare

attenzione a come si maneggiano le cartucce delle batterie estremamente calde.

15. Non toccare i terminali dell'utensile subito dopo l'uso, in quanto potrebbero diventare estremamente caldi al punto da causare ustioni.

16. Evitare di far incastrare schegge, polveri o terreno nei terminali, nei fori e nelle scanalature della cartuccia della batteria. In caso contrario, l'utensile o la cartuccia della batteria potrebbero riscaldarsi, prendere fuoco, scoppiare o guastarsi, causando ustioni o lesioni personali.

17. A meno che l'utensile supporti l'uso in prossimità di linee elettriche ad alta tensione, non utilizzare la cartuccia della batteria in prossimità di linee elettriche ad alta tensione. In caso contrario, si potrebbe causare un malfunzionamento o la rottura dell'utensile o della cartuccia della batteria.

18. Tenere la batteria lontana dai bambini.

## CONSERVARE LE PRESENTI ISTRUZIONI.

**ATTENZIONE:** Utilizzare solo batterie originali Makita. L'utilizzo di batterie Makita non originali, o di batterie che siano state alterate, potrebbe risultare nello scoppio della batteria, causando incendi, lesioni personali e danni. Inoltre, ciò potrebbe invalidare la garanzia Makita per l'utensile e il caricabatterie Makita.

## Suggerimenti per preservare la durata massima della batteria

1. Caricare la cartuccia della batteria prima che si scarichi completamente. Smettere sempre di utilizzare l'utensile e caricare la cartuccia della batteria quando si nota che la potenza dell'utensile è diminuita.
2. Non ricaricare mai una cartuccia della batteria completamente carica. La sovraccarica riduce la vita utile della batteria.
3. Caricare la cartuccia della batteria a una temperatura ambiente compresa tra 10 °C e 40 °C. Lasciar raffreddare una cartuccia della batteria prima di caricarla.
4. Quando non si utilizza la cartuccia della batteria, rimuoverla dall'utensile o dal caricabatterie.
5. Caricare la cartuccia della batteria se non la si è utilizzata per un periodo di tempo prolungato (più di sei mesi).

## DESCRIZIONE DELLE PARTI

► Fig.4

1	Cartuccia della batteria	2	Leva di sblocco	3	Anello di aggancio	4	Maniglia
5	Pulsante di sblocco	6	Barriera	7	Interruttore a grilletto	8	Indicatore di velocità
9	Pulsante di accensione principale	10	Indicatore luminoso di avvertimento	11	Pulsante di inversione	12	Tracolla



## DESCRIZIONE DELLE FUNZIONI

**⚠AVVERTIMENTO:** Accertarsi sempre che l'utensile sia spento e che la cartuccia della batteria sia rimossa, prima di regolare o controllare il funzionamento dell'utensile. Il mancato spegnimento e la mancata rimozione della cartuccia della batteria potrebbero risultare in gravi lesioni personali dovute all'avvio accidentale.

## Installazione o rimozione della cartuccia della batteria

**⚠ATTENZIONE:** Spegnerne sempre l'utensile prima di installare o rimuovere la cartuccia della batteria.

**⚠ATTENZIONE:** Mantenere saldamente lo strumento e la batteria quando si intende installare o rimuovere la cartuccia della batteria. Qualora non si mantengano saldamente lo strumento e la cartuccia della batteria, questi ultimi potrebbero scivolare dalle mani, con la possibilità di causare un danneggiamento dello strumento e della cartuccia della batteria, nonché una lesione personale.

Per installare la cartuccia della batteria, allineare la linguetta sulla cartuccia della batteria con la scanalatura nell'alloggiamento e farla scivolare in sede. Inserirla completamente fino al suo blocco in sede con un leggero scatto. Se è possibile vedere l'indicatore rosso, come indicato nella figura, non è bloccata completamente.

Per rimuovere la cartuccia della batteria, farla scorrere via dall'utensile mentre si fa scorrere allo stesso tempo il pulsante sulla parte anteriore della cartuccia.

► Fig.5: 1. Indicatore rosso 2. Pulsante 3. Cartuccia della batteria

**⚠ATTENZIONE:** Installare sempre fino in fondo la cartuccia della batteria, fino a quando l'indicatore rosso non è più visibile. In caso contrario, la batteria potrebbe cadere accidentalmente dall'utensile, causando lesioni personali all'operatore o a chi gli è vicino.

**⚠ATTENZIONE:** Non installare forzatamente la cartuccia della batteria. Qualora la batteria non si inserisca scorrendo agevolmente, vuol dire che non viene inserita correttamente.

## Sistema di protezione strumento/batteria

L'utensile è dotato di un sistema di protezione utensile/batteria. Questo sistema interrompe automaticamente l'alimentazione al motore per prolungare la vita utile dell'utensile e della batteria. L'utensile si arresta automaticamente durante il funzionamento, qualora venga a trovarsi in una delle condizioni seguenti:

► Fig.6: 1. Indicatore luminoso di avvertimento

Indicatore luminoso di avvertimento		Stato
Colore	● Acceso    ● Lampeggiante	
Verde	●	Sovraccarico
Rosso	● (utensile) / ● (batteria)	Surriscaldamento
Rosso	●	Sovrascarica

## Protezione dal sovraccarico

Qualora l'utensile o la batteria vengano a trovarsi in una delle situazioni seguenti, l'utensile si arresta automaticamente e l'indicatore luminoso di avvertimento inizia a lampeggiare in verde:

- L'utensile è sovraccaricato da erbacce impigliate o altri detriti.
- L'utensile da taglio è bloccato o è stato soggetto a un contraccolpo.
- Il pulsante di accensione principale viene attivato mentre si tiene premuto l'interruttore a grilletto.

In questa situazione, rilasciare l'interruttore a grilletto e rimuovere le erbacce impigliate o i detriti, se necessario. Dopodiché, premere di nuovo l'interruttore a grilletto per riprendere l'utilizzo.

**⚠ATTENZIONE:** Qualora sia necessario rimuovere le erbacce impigliate nell'utensile o sbloccare l'utensile da taglio bloccato, accertarsi di spegnere l'utensile prima di iniziare.

## Protezione dal surriscaldamento per l'utensile o la batteria

Qualora l'utensile o la cartuccia della batteria siano surriscaldati, l'utensile si arresta automaticamente. Quando l'utensile è surriscaldato, l'indicatore luminoso di avvertimento si illumina in rosso. Quando la cartuccia della batteria è surriscaldata, l'indicatore luminoso di avvertimento lampeggia in rosso. Lasciar raffreddare l'utensile e/o la batteria, prima di riaccendere l'utensile.

## Protezione dalla sovrascarica

Quando la carica della batteria diventa bassa, l'utensile si arresta automaticamente, e l'indicatore luminoso di avvertimento inizia a lampeggiare in rosso. Qualora l'utensile non funzioni anche quando si attivano gli interruttori, rimuovere la cartuccia della batteria dall'utensile e caricarla.

## Indicazione della carica residua della batteria

Premere il pulsante di controllo sulla cartuccia della batteria per indicare la carica residua della batteria. Gli indicatori luminosi si illuminano per alcuni secondi.

► Fig.7: 1. Indicatori luminosi 2. Pulsante di controllo

Indicatori luminosi			Carica residua
■ Illuminato	□ Spento	▧ Lampeggiante	
■ ■ ■ ■			Dal 75% al 100%
■ ■ ■ □			Dal 50% al 75%
■ ■ □ □			Dal 25% al 50%
■ □ □ □			Dallo 0% al 25%
▧ □ □ □			Caricare la batteria.
■ ■ □ □	↑ ↓	□ □ ■ ■	La batteria potrebbe essersi guastata.

**NOTA:** A seconda delle condizioni d'uso e della temperatura ambiente, l'indicazione potrebbe variare leggermente rispetto alla carica effettiva.

**NOTA:** Il primo indicatore luminoso (all'estremità sinistra) lampeggia quando il sistema di protezione della batteria è in funzione.

## Interruttore di accensione principale

**AVVERTIMENTO:** Disattivare sempre l'interruttore di accensione principale quando la macchina non è in uso.

Per accendere l'utensile, premere il pulsante di accensione principale. Per spegnere l'utensile, tenere premuto il pulsante di accensione principale fino a quando gli indicatori di velocità si spengono.

► Fig.8: 1. Pulsante di accensione principale

**NOTA:** L'indicatore luminoso di avvertimento lampeggia, qualora si prema l'interruttore a grilletto in condizioni di inutilizzabilità. L'indicatore luminoso di avvertimento lampeggia se si attiva l'interruttore di accensione principale mentre si tengono premuti la leva di sblocco e l'interruttore a grilletto.

**NOTA:** Questo utensile utilizza una funzione di spegnimento automatico. Per evitare l'avvio accidentale, l'interruttore di accensione principale si disattiva automaticamente quando l'interruttore a grilletto non viene premuto per un determinato periodo di tempo, dopo che l'interruttore di accensione principale è stato attivato.

## Funzionamento dell'interruttore

**AVVERTIMENTO:** Per la sicurezza dell'operatore, questo utensile è dotato di una leva di sblocco, che evita l'avvio accidentale dell'utensile. Non utilizzare MAI l'utensile qualora entri in funzione semplicemente quando si preme l'interruttore a grilletto senza premere la leva di sblocco. Portare l'utensile a un nostro centro di assistenza autorizzato per le riparazioni del caso PRIMA di un ulteriore utilizzo.

**AVVERTIMENTO:** Non fissare MAI con del nastro adesivo la leva di sblocco e non escluderne MAI la funzione e l'operatività.

**ATTENZIONE:** Prima di inserire la cartuccia della batteria nell'utensile, controllare sempre che l'interruttore a grilletto funzioni correttamente e torni sulla posizione "OFF" quando viene rilasciato.

**ATTENZIONE:** Quando si trasporta utensile, non appoggiare mai il dito sul pulsante di accensione principale e sull'interruttore a grilletto. In caso contrario, l'utensile si potrebbe avviare accidentalmente e causare lesioni personali.

**AVVISO:** Non premere con forza l'interruttore a grilletto senza tenere premuta la leva di sblocco. In caso contrario, si potrebbe causare la rottura dell'interruttore.

Per evitare di premere accidentalmente l'interruttore a grilletto, è fornita una leva di sblocco.










► Fig.9: 1. Leva di sblocco 2. Interruttore a grilletto

Per avviare l'utensile, attivare l'interruttore di accensione principale e afferrare la maniglia (la leva di sblocco viene sbloccata afferrandola con la mano), quindi premere l'interruttore a grilletto. La velocità dell'utensile aumenta mediante l'aumento della pressione sull'interruttore a grilletto. Per arrestare l'utensile, rilasciare l'interruttore a grilletto.

## Regolazione della velocità

È possibile selezionare la velocità dell'utensile toccando il pulsante di accensione principale. A ogni tocco del pulsante di accensione principale, il livello di velocità cambia.

► Fig.10: 1. Indicatore di velocità 2. Pulsante di accensione principale

Indicatore di velocità	Modalità
3  2  1 	Alta
3  2  1 	Media
3  2  1 	Bassa

## Pulsante di inversione per la rimozione dei detriti

**⚠AVVERTIMENTO:** Prima di rimuovere erbacce o detriti impigliati che la funzione di rotazione inversa non è in grado di rimuovere, spegnere l'utensile e rimuovere la cartuccia della batteria. Il mancato spegnimento e la mancata rimozione della cartuccia della batteria potrebbero risultare in gravi lesioni personali dovute all'avvio accidentale.

Questo utensile dispone di un pulsante di inversione per cambiare la direzione di rotazione. La sua funzione è esclusivamente la rimozione di erbacce e detriti impigliati nell'utensile.

Per invertire la rotazione, toccare il pulsante di inversione e premere l'interruttore a grilletto mentre si tiene premuta la leva di sblocco, quando l'utensile da taglio è arrestato. Gli indicatori di velocità iniziano a lampeggiare, e l'utensile da taglio ruota in direzione inversa, quando si preme l'interruttore a grilletto.

Per tornare alla rotazione normale, rilasciare il grilletto e attendere che l'utensile da taglio si arresti.

► **Fig.11:** 1. Indicatore di velocità 2. Pulsante di inversione

**NOTA:** Durante la rotazione inversa, l'utensile funziona solo per un breve periodo di tempo, quindi si arresta automaticamente.

**NOTA:** Una volta che l'utensile si è arrestato, la rotazione torna alla direzione normale quando si riavvia l'utensile.

**NOTA:** Se si tocca il pulsante di inversione mentre l'utensile da taglio sta ancora ruotando, l'utensile si arresta per predisporre alla rotazione inversa.

## Funzione di controllo elettronico della coppia

L'utensile rileva elettronicamente la riduzione improvvisa nella velocità di rotazione, che potrebbe causare un contraccolpo. In questa situazione, l'utensile si arresta automaticamente per evitare un'ulteriore rotazione dell'utensile da taglio. Per riavviare l'utensile, rilasciare l'interruttore a grilletto. Eliminare la causa della riduzione improvvisa nella velocità di rotazione, quindi accendere l'utensile.

**NOTA:** Questa funzione non è una misura preventiva per i contraccolpi.

## MONTAGGIO

**⚠AVVERTIMENTO:** Accertarsi sempre che l'utensile sia spento e che la cartuccia della batteria sia rimossa, prima di effettuare qualsiasi altra operazione sull'utensile. Il mancato spegnimento e la mancata rimozione della cartuccia della batteria potrebbero risultare in gravi lesioni personali dovute all'avvio accidentale.

**⚠AVVERTIMENTO:** Non avviare mai l'utensile se non è stato completamente assemblato. L'utilizzo dell'utensile in uno stato di assemblaggio parziale potrebbe risultare in gravi lesioni personali dovute all'avvio accidentale.

## Montaggio della maniglia

Montare la maniglia con le morse e i bulloni in dotazione. Accertarsi che la maniglia sia collocata tra il distanziatore e il simbolo della freccia. Non rimuovere né accorciare il distanziatore.

► **Fig.12:** 1. Morsa 2. Bullone a esagono incassato 3. Maniglia 4. Simbolo della freccia 5. Distanziatore

Quando si intende utilizzare gli accessori seguenti, accertarsi di montare la barriera sulla maniglia utilizzando la vite presente sulla barriera.

- Accessorio decespugliatore\*
  - Accessorio reciprocatore
  - Accessorio tagliabordi\*
  - Accessorio tagliabordi
- \*. Solo quando è montata una lama in metallo.

► **Fig.13:** 1. Barriera 2. Vite

## Montaggio del tubo degli accessori

**⚠ATTENZIONE:** Controllare sempre che il tubo dell'accessorio sia fissato dopo l'installazione. Un'installazione inappropriata potrebbe causare la caduta dell'accessorio dall'unità motore e causare lesioni personali.

Montare il tubo degli accessori sull'unità motore.

1. Ruotare la leva dell'unità motore verso il lato dell'accessorio.

► **Fig.14:** 1. Leva

2. Rimuovere il cappuccio dell'accessorio. Allineare il perno con il simbolo della freccia e inserire il tubo degli accessori fino a quando il pulsante di sblocco scatta verso l'alto.

► **Fig.15:** 1. Pulsante di sblocco 2. Simbolo della freccia 3. Perno

3. Ruotare la leva verso il lato dell'unità motore.

► **Fig.16:** 1. Leva

Accertarsi che la superficie della leva sia parallela al tubo.

Per rimuovere il tubo, ruotare la leva verso il lato dell'accessorio ed estrarre il tubo mentre si tiene premuto il pulsante di sblocco.

► **Fig.17:** 1. Pulsante di sblocco 2. Leva 3. Tubo

## Regolazione della posizione della maniglia

Regolare la posizione della maniglia in modo da poter maneggiare comodamente l'utensile.

Allentare il bullone a esagono incassato sulla maniglia. Spostare la maniglia su una posizione di lavoro comoda, quindi serrare il bullone.

► **Fig.18:** 1. Maniglia 2. Bullone a esagono incassato

## Fissaggio della tracolla

**⚠AVVERTIMENTO:** Mantenere il controllo dell'utensile in qualsiasi momento con la massima attenzione. Non consentire la deviazione dell'utensile verso se stessi o chiunque altro in prossimità dell'area di lavoro. La mancata capacità di mantenere il controllo dell'utensile potrebbe risultare in gravi lesioni personali agli astanti e all'operatore.

**⚠ATTENZIONE:** Quando si utilizza l'utensile in combinazione con un alimentatore di tipo a zaino, ad esempio un gruppo di alimentazione portatile, non utilizzare la tracolla inclusa nella confezione dell'utensile, ma utilizzare la fascia di sospensione consigliata da Makita.

Qualora si indossino contemporaneamente la tracolla inclusa nella confezione dell'utensile e l'imbracatura dell'alimentatore di tipo a zaino, la rimozione dell'utensile o dell'alimentatore di tipo a zaino risulta difficoltosa in caso di emergenza, e potrebbe causare un incidente o lesioni personali. Per informazioni sulla fascia di sospensione consigliata, rivolgersi ai centri di assistenza autorizzati Makita.

**⚠ATTENZIONE:** Utilizzare sempre la tracolla montata sull'utensile. Prima dell'uso, regolare la tracolla in base alla taglia dell'utente, per evitare l'affaticamento.

**⚠ATTENZIONE:** Prima dell'uso, accertarsi che la tracolla sia montata correttamente sull'utensile.

1. Fissare il gancio presente sulla tracolla all'anello e all'anello di aggancio dell'utensile.

► **Fig.19:** 1. Anello 2. Gancio 3. Anello di aggancio

2. Posizionare la tracolla sulla spalla sinistra.

Regolare la tracolla su una posizione di lavoro comoda.

► **Fig.20**

La tracolla è dotata di un sistema di sgancio rapido. È sufficiente premere i lati della fibbia per liberare l'utensile dalla tracolla.

► **Fig.21:** 1. Fibbia

## Conservazione della chiave esagonale

**⚠ATTENZIONE:** Fare attenzione a non lasciare la chiave a brugola inserita nella testa dell'utensile. In caso contrario, potrebbe causare lesioni personali e/o danneggiare l'utensile.

Quando non è in uso, conservare la chiave a brugola come indicato, per evitare che venga persa.

► **Fig.22:** 1. Maniglia 2. Chiave a brugola

## MANUTENZIONE

**⚠AVVERTIMENTO:** Accertarsi sempre che l'utensile sia spento e che la cartuccia della batteria sia rimossa, prima di effettuare qualsiasi intervento di ispezione o manutenzione sull'utensile. Il mancato spegnimento e la mancata rimozione della cartuccia della batteria potrebbero risultare in gravi lesioni personali dovute all'avvio accidentale.

**AVVISO:** Non utilizzare mai benzina, benzene, solventi, alcol o altre sostanze simili. In caso contrario, si potrebbero causare scolorimenti, deformazioni o crepe.

Per preservare la SICUREZZA e l'AFFIDABILITÀ del prodotto, le riparazioni e qualsiasi altro intervento di manutenzione e di regolazione devono essere eseguiti da un centro di assistenza autorizzato Makita, utilizzando sempre ricambi Makita.

## Pulizia dell'utensile

Pulire l'utensile asportando polvere, sporco o erba tagliata con un panno asciutto o immerso in acqua saponata e strizzato. Per evitare il surriscaldamento dell'utensile, accertarsi di rimuovere l'erba tagliata o i detriti depositati sull'apertura di scarico dell'utensile.

## Protezione della batteria

**⚠AVVERTIMENTO:** Non rimuovere la protezione della batteria. Non utilizzare l'utensile con la protezione della batteria rimossa o danneggiata. Un impatto diretto con la cartuccia della batteria potrebbe causare il malfunzionamento della batteria e risultare in lesioni personali e/o un incendio. Qualora la protezione della batteria sia deformata o danneggiata contattare il proprio centro di assistenza autorizzato per le riparazioni.

► **Fig.23:** 1. Protezione della batteria

# RISOLUZIONE DEI PROBLEMI

Prima di richiedere riparazioni, eseguire un'ispezione personalmente. Qualora si rilevi un problema che non è illustrato nel manuale, non tentare di smontare l'utensile. Rivolgersi, invece, a un centro di assistenza autorizzato Makita, utilizzando sempre pezzi di ricambio Makita per le riparazioni.

Stato di anomalia	Causa probabile (guasto)	Azione correttiva
Il motore non funziona.	La cartuccia della batteria non è installata.	Installare la cartuccia della batteria.
	Problema della batteria (sotto tensione)	Ricaricare la batteria. Qualora la ricarica non sia efficace, sostituire la batteria.
	Il sistema di trasmissione non funziona correttamente.	Richiedere la riparazione a un centro di assistenza autorizzato locale.
Il motore si arresta dopo un breve utilizzo.	La rotazione è invertita.	Cambiare la direzione di rotazione con il commutatore di inversione della rotazione.
	Il livello di carica della batteria è basso.	Ricaricare la batteria. Qualora la ricarica non sia efficace, sostituire la batteria.
	Surriscaldamento.	Interrompere l'utilizzo dell'utensile per consentirgli di raffreddarsi.
L'utensile non raggiunge il numero di giri massimo.	La batteria non è installata correttamente.	Installare la cartuccia della batteria come descritto nel presente manuale.
	La carica della batteria si sta esaurendo.	Ricaricare la batteria. Qualora la ricarica non abbia effetto, sostituire la batteria.
	Il sistema di trasmissione non funziona correttamente.	Richiedere la riparazione a un centro di assistenza autorizzato locale.

## ACCESSORI OPZIONALI

**⚠ATTENZIONE:** Questi accessori o componenti aggiuntivi sono consigliati per l'uso con l'utensile Makita specificato nel presente manuale. L'impiego di altri accessori o componenti aggiuntivi può costituire un rischio di lesioni alle persone. Utilizzare gli accessori o i componenti aggiuntivi solo per il loro scopo prefissato.

**NOTA:** Alcuni articoli nell'elenco potrebbero essere inclusi nell'imballaggio dell'utensile come accessori standard. Tali articoli potrebbero variare da nazione a nazione.

Per ottenere ulteriori dettagli relativamente a questi accessori, rivolgersi a un centro di assistenza Makita. Per i modelli applicabili al presente utensile, vedere la sezione "Accessorio approvato".

- Accessorio decespugliatore
- Accessorio tagliabordi a filo
- Accessorio reciprocatore
- Accessorio tagliabordi
- Accessorio taglia siepi
- Accessorio taglia siepi da terra
- Accessorio patate
- Accessorio coltivatore
- Accessorio tagliabordi
- Accessorio per la raccolta del caffè
- Accessorio prolunga albero
- Accessorio spazzolone rotativo a motore
- Accessorio rullo-spazzola a motore
- Accessorio soffiatore
- Accessorio pompa
- Accessorio sarchiatore
- Batteria e caricabatterie originali Makita

## TECHNISCHE GEGEVENS

<b>Model:</b>		<b>UX01G</b>
Nullasttoerental (zonder hulpstuk)	Laag	0 - 5.700 min <sup>-1</sup>
	Gemiddeld	0 - 8.200 min <sup>-1</sup>
	Hoog	0 - 9.700 min <sup>-1</sup>
Totale lengte (zonder accu)		1.001 mm
Nominale spanning		Max. 36 V - 40 V gelijkspanning
Nettogewicht	*1	3,5 kg
	*2	5,3 kg - 12,5 kg
Beschermingsklasse		IPX4

- In verband met ononderbroken research en ontwikkeling, behouden wij ons het recht voor de bovenstaande technische gegevens zonder voorafgaande kennisgeving te wijzigen.
- De technische gegevens kunnen van land tot land verschillen.

\*1: Gewicht zonder enige accessoires of accu('s)

\*2: Het gewicht kan verschillen afhankelijk van het/de hulpstuk(ken), waaronder de accu. De lichtste en zwaarste combinaties, volgens EPTA-procedure 01/2014, worden vermeld in de tabel.

### Toepasselijke accu's en laders

Type	Accu					
	BL4020	BL4025	BL4040	BL4040F	BL4050F	BL4080F
Bosmaaierhulpstuk	Leverbaar	Leverbaar	Aanbevolen	Aanbevolen	Aanbevolen	Aanbevolen
Graskantmaaierhulpstuk	Leverbaar	Leverbaar	Aanbevolen	Aanbevolen	Aanbevolen	Aanbevolen
Cirkelschaarhulpstuk	Leverbaar	Leverbaar	Aanbevolen	Aanbevolen	Aanbevolen	Aanbevolen
Grastrimmerhulpstuk	Leverbaar	Leverbaar	Aanbevolen	Aanbevolen	Aanbevolen	Aanbevolen
Heggenschaarhulpstuk	Leverbaar	Aanbevolen	Aanbevolen	Aanbevolen	Aanbevolen	Aanbevolen
Grondheggenschaarhulpstuk	Leverbaar	Aanbevolen	Aanbevolen	Aanbevolen	Aanbevolen	Aanbevolen
Stoksnoeizaaghulpstuk	Leverbaar	Leverbaar	Aanbevolen	Aanbevolen	Aanbevolen	Aanbevolen
Grondfreeshulpstuk	Leverbaar	Leverbaar	Aanbevolen	Aanbevolen	Aanbevolen	Aanbevolen
Grasrandsnijhulpstuk	Leverbaar	Aanbevolen	Aanbevolen	Aanbevolen	Aanbevolen	Aanbevolen
Koffieoogsthulpstuk	Leverbaar	Leverbaar	Aanbevolen	Aanbevolen	Aanbevolen	Aanbevolen
Borstelhulpstuk	Leverbaar	Leverbaar	Aanbevolen	Aanbevolen	Aanbevolen	Aanbevolen
Vegerhulpstuk	Leverbaar	Leverbaar	Aanbevolen	Aanbevolen	Aanbevolen	Aanbevolen
Bladblazerhulpstuk	Leverbaar	Leverbaar	Aanbevolen	Aanbevolen	Aanbevolen	Aanbevolen
Pomphulpstuk	Leverbaar	Aanbevolen	Aanbevolen	Aanbevolen	Aanbevolen	Aanbevolen
Onkruidwiedhulpstuk	Leverbaar	Aanbevolen	Aanbevolen	Aanbevolen	Aanbevolen	Aanbevolen
Lader	DC40RA / DC40RB / DC40RC / DC40WA					

- Sommige van de hierboven vermelde accu's en laders zijn mogelijk niet leverbaar afhankelijk van waar u woont.

**⚠️ WAARSCHUWING:** Gebruik uitsluitend de accu's en laders die hierboven worden genoemd. Gebruik van enige andere accu of lader kan leiden tot letsel en/of brand.

## Aanbevolen bekabelde voedingsbron

Draagbare voedingseenheid	PDC01 / PDC1200 / PDC1500
---------------------------	---------------------------

- De hierboven vermelde bekabelde voedingsbron(nen) is/zijn mogelijk niet leverbaar afhankelijk van waar u woont.
- Alvorens de bekabelde voedingsbron te gebruiken, leest u de instructies en waarschuwingsopdrachten erop.

## Nullasttoerental met hulpstuk

Model	Toerental		
	Laag	Gemiddeld	Hoog
EM401MP	0 - 4.200 min <sup>-1</sup>	0 - 6.000 min <sup>-1</sup>	0 - 7.100 min <sup>-1</sup>
EM404MP / EM406MP	0 - 3.500 min <sup>-1</sup>	0 - 5.000 min <sup>-1</sup>	0 - 6.000 min <sup>-1</sup>
EM407MP	Bovenste snijblad	0 - 220 min <sup>-1</sup>	0 - 310 min <sup>-1</sup>
	Onderste snijblad	0 - 470 min <sup>-1</sup>	0 - 670 min <sup>-1</sup>
EM408MP / EM409MP	0 - 4.200 min <sup>-1</sup>	0 - 6.000 min <sup>-1</sup>	0 - 7.100 min <sup>-1</sup>
EN401MP / EN402MP / EN410MP / EN420MP / EN422MP / EN424MP (Bewegingen per minuut)	0 - 2.400 min <sup>-1</sup>	0 - 3.400 min <sup>-1</sup>	0 - 4.000 min <sup>-1</sup>
EY403MP (kettingsnelheid)	0 - 11 m/s	0 - 16 m/s	0 - 19 m/s
KR400MP	0 - 160 min <sup>-1</sup>	0 - 230 min <sup>-1</sup>	0 - 280 min <sup>-1</sup>
KR401MP	0 - 130 min <sup>-1</sup>	0 - 190 min <sup>-1</sup>	0 - 230 min <sup>-1</sup>
EE400MP	0 - 2.800 min <sup>-1</sup>	0 - 4.000 min <sup>-1</sup>	0 - 4.700 min <sup>-1</sup>
EJ400MP	0 - 1.600 min <sup>-1</sup>	0 - 2.300 min <sup>-1</sup>	0 - 2.800 min <sup>-1</sup>
BR400MP	0 - 130 min <sup>-1</sup>	0 - 190 min <sup>-1</sup>	0 - 230 min <sup>-1</sup>
SW400MP	0 - 130 min <sup>-1</sup>	0 - 190 min <sup>-1</sup>	0 - 230 min <sup>-1</sup>
UB400MP	0 - 5.650 min <sup>-1</sup>	0 - 7.800 min <sup>-1</sup>	0 - 9.450 min <sup>-1</sup>
UB401MP	0 - 5.650 min <sup>-1</sup>	0 - 7.800 min <sup>-1</sup>	0 - 9.450 min <sup>-1</sup>
UB402MP	0 - 5.700 min <sup>-1</sup>	0 - 8.100 min <sup>-1</sup>	0 - 9.600 min <sup>-1</sup>
PF400MP	0 - 5.600 min <sup>-1</sup>	0 - 8.100 min <sup>-1</sup>	0 - 9.500 min <sup>-1</sup>
WA400MP	0 - 570 min <sup>-1</sup>	0 - 815 min <sup>-1</sup>	0 - 970 min <sup>-1</sup>

## Goedgekeurd hulpstuk

Type	Model
Bosmaaierhulpstuk	EM401MP / EM404MP
Graskantmaaierhulpstuk	EM406MP
Cirkelschaarhulpstuk	EM407MP
Grastrimmerhulpstuk	EM408MP / EM409MP
Heggenschaarhulpstuk	EN401MP / EN402MP / EN410MP
Grondheggenschaarhulpstuk	EN420MP / EN422MP / EN424MP
Stoksnoeizaaghulpstuk	EY403MP
Grondfreeshulpstuk	KR400MP / KR401MP
Grasrandsnijhulpstuk	EE400MP
Koffieoogstulpstuk	EJ400MP
Asverlenghulpstuk	LE400MP
Borstelhulpstuk	BR400MP
Vegerhulpstuk	SW400MP
Blazerhulpstuk	UB400MP / UB401MP / UB402MP
Pomphulpstuk	PF400MP
Onkruidwiedhulpstuk	WA400MP

## Symbolen

Hieronder staan de symbolen die voor het gereedschap kunnen worden gebruikt. Zorg ervoor dat u de betekenis ervan kent voordat u het gereedschap gaat gebruiken.



Lees de gebruiksaanwijzing.



Wees vooral voorzichtig en let goed op.



Stel niet bloot aan vocht.



Alleen voor EU-landen

Als gevolg van de aanwezigheid van schadelijke componenten in het apparaat, kunnen oude elektrische en elektronische apparaten, accu's en batterijen negatieve gevolgen hebben voor het milieu en de gezondheid van mensen.

Gooi elektrische en elektronische apparaten en accu's niet met het huisvuil weg! In overeenstemming met de Europese richtlijn inzake oude elektrische en elektronische apparaten en inzake accu's en batterijen, alsmede de toepassing daarvan binnen de nationale wetgeving, dienen oude elektrische apparaten, accu's en batterijen gescheiden te worden opgeslagen en te worden ingeleverd bij een apart inzamelingspunt voor huishoudelijk afval dat de milieubeschermingsvoorschriften in acht neemt.

Dit wordt op het apparaat aangegeven door het symbool van een doorgekruiste afvalcontainer.

## Gebruiksdoelinden

Dit multifunctioneel accuaandrijfsysteem is bedoeld voor het aandrijven van een goedgekeurd hulpstuk vermeld in het hoofdstuk "TECHNISCHE GEGEVENS" van deze gebruiksaanwijzing. Gebruik het apparaat nooit voor enig ander doel.

**⚠️ WAARSCHUWING:** Lees vóór gebruik de gebruiksaanwijzing van het hulpstuk naast deze gebruiksaanwijzing. Het niet volgen van de waarschuwingen en instructies kan leiden tot ernstig letsel.

## Geluid

Hulpstuk		Geluids- druk-niveau		Gega- ran- deerd geluids- vermo- gen- nive- au	Gemeten geluids- vermogen-niveau		Toepasselijke norm
		L <sub>pA</sub> (dB (A))	Onze- ker- heid K (dB (A))		L <sub>WA</sub> (dB (A))	Onze- ker- heid K (dB (A))	
EM401MP (als bosmaaier)		79,8	1,2	-	94,8	2,5	ISO22868 (ISO11806-1)
EM401MP (als graskantmaaier)	Nylondraad-snijkop	80,1	1,0	-	94,3	2,0	ISO22868 (ISO11806-1)/ EN50636-2-91
	Kunststof snijblad	79,4	1,0	-	91,4	2,1	ISO22868 (ISO11806-1)/ EN50636-2-91
EM404MP (als bosmaaier)		79,4	1,4	-	92,0	1,0	ISO22868 (ISO11806-1)
EM404MP (als graskantmaaier)	Nylondraad-snijkop	80,7	1,3	-	91,9	1,4	ISO22868 (ISO11806-1)/ EN50636-2-91
	Kunststof snijblad	78,6	0,7	-	87,8	0,4	ISO22868 (ISO11806-1)/ EN50636-2-91



Hulpstuk		Geluids- drukkniveau		Gega- ran- deerd geluids- vermo- gen- niveau	Gemeten geluids- vermogeniveau		Toepasselijke norm
		L <sub>PA</sub> (dB (A))	Onze- ker- heid K (dB (A))		L <sub>MFA</sub> (dB (A))	Onze- ker- heid K (dB (A))	
EM406MP	Nylondraad-snijkop	81,3	0,6	-	93,4	2,1	ISO22868 (ISO11806-1)/ EN50636-2-91
	Kunststof snijblad	78,8	0,4	-	87,9	0,6	ISO22868 (ISO11806-1)/ EN50636-2-91
EM407MP		84,7	1,7	-	99,0	1,3	ISO22868 (ISO11806-1)
EM408MP	Metalen snijblad	80,7	1,7	-	94,7	3,0	ISO22868 (ISO11806-1)
	Nylondraad-snijkop	79,5	1,3	-	92,8	2,7	ISO22868 (ISO11806-1)/ EN50636-2-91
	Kunststof snijblad	80,5	1,1	-	92,2	2,8	ISO22868 (ISO11806-1)/ EN50636-2-91
EM409MP	Nylondraad-snijkop	80,6	1,2	-	93,4	2,3	ISO22868 (ISO11806-1)/ EN50636-2-91
	Kunststof snijblad	81,0	1,4	-	91,9	2,4	ISO22868 (ISO11806-1)/ EN50636-2-91
EN401MP		85	3	96	95	1,1	EN62841-4-2
EN401MP + LE400MP		82	3	98	96	1,4	EN62841-4-2
EN402MP		83	3	95	92	2,3	EN62841-4-2
EN402MP + LE400MP		79	3	96	94	1,8	EN62841-4-2
EN410MP		81	3	93	91	2,0	EN62841-4-2
EN410MP + LE400MP		80	3	93	91	1,7	EN62841-4-2
EN420MP		84	3	94	94	0,4	EN62841-4-2
EN422MP		81	3	94	92	1,9	EN62841-4-2
EN424MP		80	3	-	88	3	EN62841-1
EY403MP		95	3	-	102	3	ISO22868 (ISO11680-1)
EY403MP+LE400MP		95	3	-	102	3	ISO22868 (ISO11680-1)
KR400MP		77,8	0,7	-	86,6	1,2	EN709
KR401MP		77,7	0,3	-	86,7	2,0	EN709
EE400MP		76,1	1,7	-	88,2	2,3	ISO11789 / 2000/14/EC
EJ400MP		82,9	0,6	-	94,4	1,5	ISO22868 (ISO11806-1)
EJ400MP + LE400MP		79,7	1,4	-	94,0	0,7	ISO22868 (ISO11806-1)
BR400MP		80,2	1,0	-	88,9	0,8	EN60335-2-72
SW400MP		80,3	0,2	-	88,3	0,6	EN60335-2-72
UB400MP		92,1	1,6	-	104,1	1,3	EN50636-2-100
UB401MP		85,6	2,1	-	97,1	1,0	EN50636-2-100
UB402MP		81,7	1,9	-	90,8	1,7	EN50636-2-100
PF400MP		75	2,5	-	90	2,5	ISO20361

Hulpstuk	Geluids- druk-niveau		Gega- ran- deerd geluids- vermo- gen- niveau	Gemeten geluids- vermogen-niveau		Toepasselijke norm
	$L_{pA}$ (dB (A))	Onze- ker- heid K (dB (A))	$L_{WA}$ (dB (A))	$L_{MA}$ (dB (A))	Onze- ker- heid K (dB (A))	
WA400MP	77	3	-	89	3	ISO22868 (ISO11806-1)

- Zelfs als het bovenvermelde geluidsdruk-niveau 80 dB (A) of minder is, kan het niveau tijdens bedrijf hoger zijn dan 80 dB (A). Draag gehoorbescherming.

**OPMERKING:** De opgegeven geluidsemissiewaarde(n) is/zijn gemeten volgens een standaardtestmethode en kan/kunnen worden gebruikt om dit gereedschap te vergelijken met andere gereedschappen.

**OPMERKING:** De opgegeven geluidsemissiewaarde(n) kan/kunnen ook worden gebruikt voor een beoordeling vooraf van de blootstelling.

**⚠WAARSCHUWING:** Draag gehoorbescherming.

**⚠WAARSCHUWING:** De geluidsemissie tijdens het gebruik van het elektrisch gereedschap in de praktijk kan verschillen van de opgegeven waarde(n) afhankelijk van de manier waarop het gereedschap wordt gebruikt, met name van het soort werkstuk waarmee wordt gewerkt.

**⚠WAARSCHUWING:** Zorg ervoor dat veiligheidsmaatregelen worden getroffen ter bescherming van de gebruiker die zijn gebaseerd op een schatting van de blootstelling onder praktijkomstandigheden (rekening houdend met alle fasen van de bedrijfscyclus, zoals de tijdsduur gedurende welke het gereedschap is uitgeschakeld en stationair draait, naast de ingeschakelde tijdsduur).

## Trillingen

Hulpstuk		Linkerhandgreep (voorhandgreep)		Rechterhandgreep (achterhandgreep)		Toepasselijke norm
		ah (m/s <sup>2</sup> )	Onzekerheid K (m/s <sup>2</sup> )	ah (m/s <sup>2</sup> )	Onzekerheid K (m/s <sup>2</sup> )	
EM401MP (als bosmaaier)		2,5 of minder	1,5	2,5 of minder	1,5	ISO22867 (ISO11806-1)
EM401MP (als graskantmaaier)	Nylondraad-snijkop	3,7	1,5	3,0	1,5	ISO22867 (ISO11806-1)
	Kunststof snijblad	2,5 of minder	1,5	2,5 of minder	1,5	ISO22867 (ISO11806-1)
EM404MP (als bosmaaier)		2,5 of minder	1,5	2,5 of minder	1,5	ISO22867 (ISO11806-1)
EM404MP (als graskantmaaier)	Nylondraad-snijkop	2,5 of minder	1,5	2,5 of minder	1,5	ISO22867 (ISO11806-1)
	Kunststof snijblad	2,5 of minder	1,5	2,5 of minder	1,5	ISO22867 (ISO11806-1)
EM406MP	Nylondraad-snijkop	2,5 of minder	1,5	2,5 of minder	1,5	ISO22867 (ISO11806-1)
	Kunststof snijblad	2,5 of minder	1,5	2,5 of minder	1,5	ISO22867 (ISO11806-1)
EM407MP		2,5 of minder	1,5	2,5 of minder	1,5	ISO22867 (ISO11806-1)
EM408MP	Metalen snijblad	2,5 of minder	1,5	2,5 of minder	1,5	ISO22867 (ISO11806-1)
	Nylondraad-snijkop	2,5 of minder	1,5	2,5 of minder	1,5	ISO22867 (ISO11806-1)
	Kunststof snijblad	2,5 of minder	1,5	2,5 of minder	1,5	ISO22867 (ISO11806-1)

Hulpstuk		Linkerhandgreep (voorhandgreep)		Rechterhandgreep (achterhandgreep)		Toepasselijke norm
		ah (m/s <sup>2</sup> )	Onzekerheid K (m/s <sup>2</sup> )	ah (m/s <sup>2</sup> )	Onzekerheid K (m/s <sup>2</sup> )	
EM409MP	Nylondraad-snijkop	2,5 of minder	1,5	2,5 of minder	1,5	ISO22867 (ISO11806-1)
	Kunststof snijblad	2,5 of minder	1,5	2,5 of minder	1,5	ISO22867 (ISO11806-1)
EN401MP		3,4	1,5	2,5 of minder	1,5	EN62841-4-2
EN401MP + LE400MP		5,4	1,5	2,7	1,5	EN62841-4-2
EN402MP		2,5 of minder	1,5	2,5	1,5	EN62841-4-2
EN402MP + LE400MP		5,0	1,5	3,4	1,5	EN62841-4-2
EN410MP		6,7	1,5	3,1	1,5	EN62841-4-2
EN410MP + LE400MP		4,4	1,5	2,5 of minder	1,5	EN62841-4-2
EN420MP		2,9	1,5	2,5 of minder	1,5	EN62841-4-2
EN422MP		2,5 of minder	1,5	2,5	1,5	EN62841-4-2
EN424MP		2,5 of minder	1,5	2,5 of minder	1,5	EN62841-1
EY403MP		4,0	1,5	2,5 of minder	1,5	ISO22867 (ISO11680-1)
EY403MP+LE400MP		3,2	1,5	2,5 of minder	1,5	ISO22867 (ISO11680-1)
KR400MP		2,5 of minder	1,5	2,5 of minder	1,5	EN709
KR401MP		2,5 of minder	1,5	2,5 of minder	1,5	EN709
EE400MP		2,5 of minder	1,5	2,5 of minder	1,5	ISO11789
EJ400MP		3,5	1,5	3,9	1,5	ISO22867 (ISO11806-1)
EJ400MP + LE400MP		4,8	1,5	2,6	1,5	ISO22867 (ISO11806-1)
BR400MP		2,5 of minder	1,5	2,5 of minder	1,5	EN60335-2-72
SW400MP		2,5	1,5	2,5 of minder	1,5	EN60335-2-72
UB400MP		4,6	1,5	2,5 of minder	2,5	EN50636-2-100
UB401MP		2,5 of minder	1,7	2,5 of minder	1,5	EN50636-2-100
UB402MP		2,5 of minder	1,5	2,5 of minder	1,5	EN50636-2-100
PF400MP		2,5 of minder	1,5	2,5 of minder	1,5	ISO22867
WA400MP		2,8	1,5	2,5 of minder	1,5	ISO22867 (ISO11806-1)

**OPMERKING:** De totale trillingswaarde(n) is/zijn gemeten volgens een standaardtestmethode en kan/kunnen worden gebruikt om dit gereedschap te vergelijken met andere gereedschappen.

**OPMERKING:** De opgegeven totale trillingswaarde(n) kan/kunnen ook worden gebruikt voor een beoordeling vooraf van de blootstelling.

**⚠️ WAARSCHUWING:** De trillingsemissie tijdens het gebruik van het elektrisch gereedschap in de praktijk kan verschillen van de opgegeven waarde(n) afhankelijk van de manier waarop het gereedschap wordt gebruikt, met name van het soort werkstuk waarmee wordt gewerkt.

**⚠️ WAARSCHUWING:** Zorg ervoor dat veiligheidsmaatregelen worden getroffen ter bescherming van de gebruiker die zijn gebaseerd op een schatting van de blootstelling onder praktijkomstandigheden (rekening houdend met alle fasen van de bedrijfscyclus, zoals de tijdsduur gedurende welke het gereedschap is uitgeschakeld en stationair draait, naast de ingeschakelde tijdsduur).

## Verklaringen van conformiteit

### *Alleen voor Europese landen*

De verklaringen van conformiteit zijn bijgevoegd in Bijlage A bij deze gebruiksaanwijzing.

# VEILIGHEIDSWAARSCHUWINGEN

## Algemene veiligheidswaarschuwingen voor elektrisch gereedschap

**⚠️ WAARSCHUWING** Lees alle veiligheidswaarschuwingen, instructies, afbeeldingen en technische gegevens die bij dit elektrisch gereedschap worden geleverd. Als niet alle onderstaande instructies worden opgevolgd, kan dat leiden tot een elektrische schok, brand en/of ernstig letsel.

## Bewaar alle waarschuwingen en instructies om in de toekomst te kunnen raadplegen.

De term "elektrisch gereedschap" in de veiligheidsvoorschriften duidt op gereedschappen die op stroom van het lichtnet werken (met snoer) of gereedschappen met een accu (snoerloos).

## Aanvullende veiligheidsinstructies

### Persoonlijke-veiligheidsmiddelen

► Fig.1

1. Draag een veiligheidshelm, veiligheidsbril en veiligheidshandschoenen om uzelf te beschermen tegen rondvliegend afval en vallende voorwerpen.
2. Draag gehoorbescherming, zoals oorkappen, om gehoorschade te voorkomen.
3. Draag geschikte kleding en schoenen waarmee veilig kan worden gewerkt, zoals een werkoverall en stevige schoenen met antislipzolen. Draag geen loshangende kleding of sieraden. Loshangende kleding, sieraden en lang haar kunnen verstrikt raken in bewegende delen.
4. Trek veiligheidshandschoenen aan voordat u het metalen snijblad aanraakt. Een metalen snijblad kan flinke snijwonden veroorzaken in blote handen.

## Veiligheid op de werkplek

1. Onderzoek het werkgebied op stenen en andere massieve voorwerpen voordat u met de werkzaamheden begint. Deze kunnen worden opgeworpen of gevaarlijke terugslag veroorzaken en leden tot ernstig letsel en/of materiële schade.

## Elektrische veiligheid en accu

1. Vermijd gevaarlijke omgevingen. Gebruik het gereedschap niet op vochtige of natte plaatsen en stel het niet bloot aan regen. Als water binnendringt in het gereedschap, wordt de kans op een elektrische schok groter.
2. Werp de accu('s) niet in een vuur. De accu kan exploderen. Raadpleeg de lokale regelgeving voor mogelijke speciale verwerkingsvereisten.
3. Open of vervorm de accu('s) niet. Het elektrolyt is agressief en kan letsel toebrengen aan de ogen en huid. Het kan giftig zijn bij inslikken.
4. Laad de accu niet op in de regen of op een natte plaats.
5. Vervang de accu niet met natte handen.
6. Vervang de accu niet in de regen.
7. Laat de aansluitpunten van de accu niet nat worden met een vloeistof, zoals water, en dompel de accu niet onder. Laat de accu niet in de regen liggen en laad of berg de accu niet op een vochtige of natte plaats op. Als de aansluitpunten nat worden of vloeistof binnendringt in de accu, kan kortsluiting ontstaan in de accu en bestaat de kans op oververhitting, brand of explosie.
8. Nadat de accu vanaf het gereedschap of de acculader is verwijderd, vergeet u niet het accudeksel op de accu te bevestigen en deze op een droge plaats op te bergen.
9. Als de accu nat wordt, laat u het water eruit lopen en veegt u hem af met een droge doek. Laat de accu volledig drogen op een droge plaats voordat u hem gebruikt.

## In gebruik nemen

1. Het snijgarnituur moet zijn uitgerust met een beschermkap. Gebruik het gereedschap nooit met een beschadigde beschermkap of zonder aangebrachte beschermkap!
2. Verzeker u ervan dat er geen elektriciteitskabels, waterleidingen, gasleidingen, enz. zijn die een gevaarlijke situatie zouden kunnen veroorzaken als ze worden beschadigd door het gebruik van dit gereedschap.

## Gebruik

1. **Houd altijd uw handen, gezicht en kleding uit de buurt van het snijgarnituur wanneer dit ronddraait.** Als u dit niet doet, kan persoonlijk letsel ontstaan.
2. **Houd tijdens gebruik omstanders en dieren ten minste 15 meter uit de buurt van het gereedschap.** Zet het gereedschap uit zodra iemand dichterbij komt.
3. **Tijdens gebruik mag u nooit op een instabiele of gladde ondergrond of op een steile helling staan.** Let in de winter op ijs en sneeuw, en zorg er altijd voor dat u stevig staat.
4. **Werk nooit op een ladder of in een boom om te voorkomen dat u de controle over het gereedschap verliest.**
5. **Wanneer u het gereedschap achterlaat, al is het maar even, verwijdert u altijd de accu.** Een onbeheerd gereedschap met een aangebrachte accu kan door onbevoegden worden gebruikt en tot een ernstig ongeval leiden.
6. **Alvorens het gereedschap in te schakelen, verzekert u zich ervan dat het gereedschap niet de grond of andere obstakels, zoals een boom, raakt.**
7. **Controleer het snijgarnituur tijdens gebruik veelvuldig op barsten of beschadigingen.** Voordat u inspecteert, verwijdert u de accu en wacht u tot het snijgarnituur volledig tot stilstand is gekomen. Vervang een beschadigd snijgarnituur onmiddellijk, ook wanneer het slechts oppervlakkige barsten vertoont.
8. **Bedien het gereedschap niet tijdens slecht weer of als de kans op bliksem bestaat.**
9. **Houd tijdens gebruik het gereedschap altijd met twee handen vast.** Houd het gereedschap tijdens het gebruik nooit met slechts één hand vast.
10. **Gebruik tijdens het werk het schouderdraagstel.** Houd het gereedschap stevig tegen uw rechterzij.
11. **Raak het tandwielhuis niet aan tijdens en onmiddellijk na gebruik.** Het tandwielhuis wordt tijdens gebruik erg warm en kan brandwonden veroorzaken.
12. **Neem een pauze om te voorkomen dat u door vermoeidheid de controle over het gereedschap verliest.** Wij adviseren u ieder uur 10 tot 20 minuten te rusten.
13. **Als u het gereedschap op een modderige ondergrond, natte helling of gladde plaats gebruikt, let u erop dat u stevig staat.**
14. **Vermijd werken in een ongunstige omgeving waarin een verhoogde vermoeidheid van de gebruiker kan worden verwacht.**
15. **Gebruik het gereedschap niet bij slecht weer waarin het zicht beperkt is.** Als u zich hier niet aan houdt, kan dat een val of verkeerde bediening veroorzaken als gevolg van het slechte zicht.
16. **Dompel het gereedschap niet onder in een waterplas.**
17. **Laat het gereedschap niet onbeheerd buiten in de regen staan.**
18. **Wanneer natte bladeren of vuil blijft kleven aan de aanzuigmond (ventilatieopening) als gevolg van de regen, verwijdert u deze.**
19. **Gebruik het gereedschap niet in de sneeuw.**

## Snijgarnituren

1. **Voorkom bij gebruik van een metalen snijblad dat terugslag kan optreden en wees altijd voorbereid op per ongeluk optredende terugslag.** Raadpleeg de tekst onder het kopje Terugslag.
2. **Als het gereedschap niet in gebruik is, brengt u altijd de schede aan om het snijblad.** Verwijder de schede vóór gebruik.

## Terugslag (stoot van het snijblad)

1. **Terugslag (stoot van het snijblad) is een plotselinge reactie op een klemmend of vastgelopen metalen snijblad.** Zodra dit optreedt wordt het gereedschap met grote kracht zijwaarts of in de richting van de gebruiker geworpen en kan het ernstig letsel veroorzaken.
2. **Terugslag treedt met name op wanneer u met het snijbladsegment tussen 12 en 2 uur tegen een hard voorwerp, struiken en takken met een diameter van 3 cm of meer komt.**

### ► Fig.2

3. **Om terugslag te voorkomen:**

1. **Gebruik het snijbladsegment tussen 8 en 11 uur.**
2. **Gebruik nooit het snijbladsegment tussen 12 en 2 uur.**
3. **Gebruik het snijbladsegment nooit tussen 11 en 12 uur en tussen 2 en 5 uur, behalve indien de gebruiker goed opgeleid en erg ervaren is en dit onder zijn/haar eigen verantwoordelijkheid doet.**
4. **Gebruik het metalen snijblad nooit dichtbij harde voorwerpen, zoals afrasteringen, muren, boomstammen en stenen.**
5. **Houd het metalen snijblad nooit verticaal voor werkzaamheden zoals kanten snijden of hekken snoeien.**

### ► Fig.3

## Trillingen

1. **Mensen met een slechte bloedsomloop die worden blootgesteld aan sterke trillingen, kunnen verwondingen aan bloedvaten of het zenuwstelsel oplopen.** Trillingen kunnen de volgende symptomen veroorzaken in de vingers, handen of polsen: 'Slapen' (gevoelloosheid), tintelen, pijn, stekend gevoel, verandering van huidskleur of van de huid. Als een van deze symptomen zich voordoet, raadpleegt u uw huisarts!
2. **Om de kans op 'witte-vingerziekte' te verkleinen, houdt u uw handen warm tijdens het werk en onderhoudt u het gereedschap en de accessoires goed.**

## Vervoeren

1. **Alvorens het gereedschap te vervoeren, schakelt u het uit en verwijdert u de accu.** Breng de schede aan om het metalen snijblad.

## Onderhoud

1. Voordat u enige onderhouds-, reparatie- of reinigingswerkzaamheden uitvoert aan het gereedschap, schakelt u altijd het gereedschap uit en verwijdert u de accu.
2. Bij het hanteren van het metalen snijblad draagt u altijd handschoenen en plaatst u de schede om het snijblad.
3. Houd de handgrepen droog, schoon en vrij van olie en vetten. Zorg ervoor dat alle koelluchtinlaten vrij zijn van vuil.
4. Was het gereedschap niet met water onder hoge druk.
5. Wanneer u het gereedschap wast, zorgt u ervoor dat geen water kan binnendringen in de elektrische delen, zoals de accu, motor en aansluitingen.
6. Voer inspectie en onderhoud uit op een plaats waar regen kan worden vermeden.
7. Nadat u het gereedschap hebt gebruikt, verwijdert u het aanklevende vuil en laat u het gereedschap volledig drogen voordat u hem opbergt. Afhankelijk van het seizoen of gebied, bestaat de kans op een storing als gevolg van bevriezing.

## Opslag

1. Alvorens het gereedschap op te bergen, voert u alle reinigings- en onderhoudswerkzaamheden uit. Verwijder de accu. Breng de schede aan om het metalen snijblad.
2. Berg het gereedschap op een droge en hoge of afgesloten plaats op, buiten het bereik van kinderen.
3. Wanneer u het gereedschap opbergt, vermijdt u direct zonlicht en regen, en bergt u het op een plaats op die niet heet of vochtig wordt.

## Belangrijke veiligheidsinstructies voor een accu

1. Lees alle voorschriften en waarschuwingen op (1) de acculader, (2) de accu, en (3) het product waarvoor de accu wordt gebruikt, alvorens de accu in gebruik te nemen.
2. Haal de accu niet uit elkaar en saboteer hem niet. Dit kan leiden tot brand, buitensporige hitte of een explosie.
3. Als de gebruikstijd van een opgeladen accu aanzienlijk korter is geworden, moet u het gebruik ervan onmiddellijk stopzetten. Voortgezet gebruik kan oververhitting, brandwonden en zelfs een ontploffing veroorzaken.
4. Als elektrolyt in uw ogen is terechtgekomen, spoelt u uw ogen met schoon water en roept u onmiddellijk de hulp van een dokter in. Elektrolyt in de ogen kan blindheid veroorzaken.
5. Voorkom kortsluiting van de accu:
  - (1) Raak de accuklemmen nooit aan met een geleidend materiaal.
  - (2) Bewaar de accu niet in een bak waarin andere metalen voorwerpen zoals spijkers, munten e.d. worden bewaard.
6. Bewaar en gebruik het gereedschap en de accu niet op plaatsen waar de temperatuur kan oplopen tot 50 °C of hoger.
7. Werp de accu nooit in het vuur, ook niet wanneer hij zwaar beschadigd of volledig versleten is. De accu kan ontploffen in het vuur.
8. Laat de accu niet vallen, sla er geen spijker in, snijd er niet in, gooi er niet mee en stoot hem niet tegen een hard voorwerp. Dergelijke handelingen kunnen leiden tot brand, buitensporige hitte of een explosie.
9. Gebruik nooit een beschadigde accu.
10. De bijgeleverde lithium-ionbatterijen zijn onderhevig aan de vereisten in de wetgeving omtrent gevaarlijke stoffen.

Voor commercieel transport en dergelijke doorden en transporteurs moeten speciale vereisten ten aanzien van verpakking en etikettering worden nageleefd.

Als voorbereiding van het artikel dat wordt getransporteerd is het noodzakelijk een expert op het gebied van gevaarlijke stoffen te raadplegen. Houd u tevens aan mogelijk strengere nationale regelgeving.

Blootliggende contactpunten moeten worden afgedekt met tape en de accu moet zodanig worden verpakt dat deze niet kan bewegen in de verpakking.
11. Wanneer u de accu wilt weggooien, verwijdert u de accu vanaf het gereedschap en gooit u hem op een veilige manier weg. Volg bij het weggooien van de accu de plaatselijke voorschriften.
12. Gebruik de accu's uitsluitend met de gereedschappen die door Makita zijn aanbevolen. Als de accu's worden aangebracht in niet-compatibele gereedschappen, kan dat leiden tot brand, buitensporige warmteontwikkeling, een explosie of lekkage van elektrolyt.
13. Als u het gereedschap gedurende een lange tijd niet denkt te gaan gebruiken, moet de accu vanaf het gereedschap worden verwijderd.
14. Tijdens en na gebruik, kan de accu heet worden waardoor brandwonden of koude brandwonden kunnen worden veroorzaakt. Wees voorzichtig bij het hanteren van een hete accu.
15. Raak de aansluitpunten van het gereedschap niet onmiddellijk na gebruik aan omdat deze heet genoeg kunnen zijn om brandwonden te veroorzaken.
16. Zorg ervoor dat geen steenslag, stof of grond vast komt te zitten op/in de aansluitpunten, openingen en groeven van de accu. Hierdoor kan oververhitting, brand, een barst en een storing in het gereedschap of de accu ontstaan waardoor brandwonden of persoonlijk letsel kunnen ontstaan.
17. Behalve indien gebruik van het gereedschap is toegestaan in de buurt van hoogspanningsleidingen, mag u de accu niet gebruiken in de buurt van een hoogspanningsleiding. Dit

kan leiden tot een storing of een defect van het gereedschap of de accu.

18. **Houd de accu uit de buurt van kinderen.**

**BEWAAR DEZE INSTRUCTIES.**

**⚠ LET OP:** Gebruik uitsluitend originele Makita accu's. Het gebruik van niet-originele accu's, of accu's die zijn gewijzigd, kan ertoe leiden dat de accu ontploft en brand, persoonlijk letsel en schade veroorzaakt. Ook vervalt daarmee de garantie van Makita op het gereedschap en de lader van Makita.

**Tips voor een maximale levensduur van de accu**

1. Laad de accu op voordat hij volledig ontladen is. Stop het gebruik van het gereedschap en laad de accu op telkens wanneer u vaststelt dat het vermogen van het gereedschap is afgenomen.
2. Laad een volledig opgeladen accu nooit opnieuw op. Te lang opladen verkort de levensduur van de accu.
3. Laad de accu op bij een omgevingstemperatuur tussen 10 °C en 40 °C. Laat een warme accu afkoelen alvorens hem op te laden.
4. Als de accu niet wordt gebruikt, verwijderd u hem vanaf het gereedschap of de lader.
5. Laad de accu op als u deze gedurende een lange tijd (meer dan zes maanden) niet gaat gebruiken.

**BESCHRIJVING VAN DE ONDERDELEN**

► Fig.4

1	Accu	2	Uit-vergrendelknop	3	Bevestigingsoog	4	Handgreep
5	Ontgrendelknop	6	Beschermstang	7	Trekkerschakelaar	8	Toerentalampjes
9	Aan-uitknop	10	Waarschuwinglampje	11	Omkeerknop	12	Schouderdraagstel

**BESCHRIJVING VAN DE FUNCTIES**

**⚠ WAARSCHUWING:** Zorg er altijd voor dat het gereedschap is uitgeschakeld en dat de accu is verwijderd voordat u de werking van het gereedschap aanpast of controleert. Als het gereedschap niet wordt uitgeschakeld en de accu niet uit het gereedschap wordt verwijderd, kan dat na per ongeluk inschakelen leiden tot ernstig persoonlijk letsel.

**De accu aanbrengen en verwijderen**

**⚠ LET OP:** Schakel het gereedschap altijd uit voordat u de accu aanbrengt of verwijdert.

**⚠ LET OP:** Houd het gereedschap en de accu stevig vast tijdens het aanbrengen of verwijderen van de accu. Als u het gereedschap en de accu niet stevig vasthoudt, kunnen deze uit uw handen glijpen en het gereedschap of de accu beschadigen, of kan persoonlijk letsel worden veroorzaakt.

Om de accu aan te brengen lijnt u de lip op de accu uit met de groef in de behuizing en duwt u de accu op zijn plaats. Steek de accu zo ver mogelijk in het gereedschap tot u een klinkgeluid hoort. Wanneer het rode deel zichtbaar is, zoals aangegeven in de afbeelding, is de accu niet geheel vergrendeld.

Om de accu te verwijderen verschuift u de knop aan de voorkant van de accu en schuift u tegelijkertijd de accu uit het gereedschap.

► Fig.5: 1. Rood deel 2. Knop 3. Accu

**⚠ LET OP:** Breng de accu altijd helemaal aan totdat het rode deel niet meer zichtbaar is. Als u dit niet doet, kan de accu per ongeluk uit het gereedschap vallen en u of anderen in uw omgeving verwonden.

**⚠ LET OP:** Breng de accu niet met kracht aan. Als de accu niet gemakkelijk in het gereedschap kan worden geschoven, wordt deze niet goed aangebracht.

**Gereedschap-/accubeveiligingssysteem**

Het gereedschap is uitgerust met een gereedschap-/accubeveiligingssysteem. Dit systeem schakelt automatisch de voeding naar de motor uit om de levensduur van het gereedschap en de accu te verlengen. Het gereedschap kan tijdens het gebruik automatisch stoppen als het gereedschap aan één van de volgende omstandigheden wordt blootgesteld:

► Fig.6: 1. Waarschuwinglampje

Waarschuwinglampje			Status
Kleur	● Aan	ⓘ Knippert	
Groen	ⓘ		Overbelast
Rood	● (gereedschap) / ⓘ (accu)		Oververhit
Rood	ⓘ		Te ver ontladen

## Overbelastingsbeveiliging

Als een van de volgende situaties zich voordoet met het gereedschap of de accu, stopt het gereedschap automatisch en gaat het waarschuwinglampje groen knipperen:

- Het gereedschap wordt overbelast door verstrikt geraakt onkruid of ander vuil.
- Het snijgarnituur wordt geblokkeerd of slaat terug.
- De aan-uitknop wordt ingeschakeld terwijl de trekkerschakelaar ingeknepen is.

Laat in die situatie de trekkerschakelaar los en verwijder zo nodig verstrikt geraakte onkruiden of vuil. Knijp daarna de trekkerschakelaar weer in om het gebruik te hervatten.

**⚠️ LET OP:** Als u de verstrikt geraakte onkruiden vanaf het gereedschap wilt verwijderen of het geblokkeerde snijgarnituur wilt vrijmaken, moet u het gereedschap uitschakelen voordat u begint.

## Oververhittingsbeveiliging voor het gereedschap of de accu

Als het gereedschap of de accu oververhit is, stopt het gereedschap automatisch. Wanneer het gereedschap oververhit is, brandt het waarschuwinglampje rood. Wanneer de accu oververhit is, knippert het waarschuwinglampje rood. Laat het gereedschap en/of de accu afkoelen alvorens het gereedschap weer in te schakelen.

## Beveiliging tegen te ver ontladen

Als de acculading laag wordt, stopt het gereedschap automatisch en gaat het waarschuwinglampje rood knipperen.

Als het gereedschap niet werkt, ook niet wanneer de schakelaars worden bediend, verwijdert u de accu vanaf het gereedschap en laadt u hem op.

## De resterende acculading controleren

Druk op de testknop op de accu om de resterende acculading te zien. De indicatorlampjes branden gedurende enkele seconden.

► Fig.7: 1. Indicatorlampjes 2. Testknop

Indicatorlampjes			Resterende acculading
Brandt	Uit	Knippert	
■	□	▧	75% tot 100%
■	■	■	50% tot 75%
■	□	□	25% tot 50%
■	□	□	0% tot 25%
▧	□	□	Laad de accu op.

Indicatorlampjes			Resterende acculading
Brandt	Uit	Knippert	
■	□	▧	Er kan een storing zijn opgetreden in de accu.
■	□	▧	

**OPMERKING:** Afhankelijk van de gebruiksomstandigheden en de omgevingstemperatuur, is het mogelijk dat de aangegeven acculading verschilt van de werkelijke acculading.

**OPMERKING:** Het eerste (meest linker) indicatorlampje knippert wanneer het accubeveiligingssysteem in werking is getreden.

## Hoofdschakelaar

**⚠️ WAARSCHUWING:** Schakel altijd de aan-uitknop uit wanneer het gereedschap niet wordt gebruikt.

Druk op de aan-uitknop om het gereedschap in te schakelen. Om het gereedschap uit te schakelen, houdt u de aan-uitknop ingedrukt totdat de toerentalampjes uit gaan.

► Fig.8: 1. Aan-uitknop

**OPMERKING:** Het waarschuwinglampje knippert wanneer de trekkerschakelaar wordt ingeknepen onder ongeschikte omstandigheden. Het waarschuwinglampje knippert wanneer u de aan-uitknop inschakelt terwijl u de uit-vergrendelhendel ingedrukt en de trekkerschakelaar ingeknepen houdt.

**OPMERKING:** Dit gereedschap maakt gebruik van de automatische uitschakelfunctie. Om onbedoeld starten te voorkomen wordt de aan-uitknop automatisch uitgeschakeld wanneer de trekkerschakelaar niet wordt ingeknepen binnen een bepaalde tijdsduur nadat de aan-uitknop is ingeschakeld.

## De trekkerschakelaar gebruiken

**⚠️ WAARSCHUWING:** Omwille van uw veiligheid is dit gereedschap uitgerust met een uit-vergrendelhendel die voorkomt dat het gereedschap onbedoeld wordt ingeschakeld. Gebruik het gereedschap **NOOIT** wanneer het kan worden ingeschakeld door alleen de trekkerschakelaar in te knijpen zonder de uit-vergrendelhendel in te drukken. Stuur het gereedschap voor degelijke reparatie terug naar ons servicecentrum **ALVORENS** het verder te gebruiken.

**⚠️ WAARSCHUWING:** U mag **NOOIT** de uit-vergrendelhendel met plakband vastzetten of anderszins de werking en functie ervan tenietdoen.



**⚠ LET OP:** Alvorens de accu in het gereedschap te plaatsen, moet u altijd controleren of de trekkerschakelaar goed werkt en bij het loslaten terugkeert naar de stand "OFF".

**⚠ LET OP:** Plaats uw vinger nooit op de aan-uitknop en de trekkerschakelaar wanneer u het gereedschap draagt. Het gereedschap kan onbedoeld starten en letsel veroorzaken.

**KENNISGEVING:** Knijp de trekkerschakelaar niet hard in zonder de uit-vergrendelknop in te drukken. Hierdoor kan de schakelaar kapot gaan.




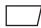





Om te voorkomen dat de trekkerschakelaar per ongeluk wordt bediend, is een uit-vergrendelknop aangebracht.  
► **Fig.9:** 1. Uit-vergrendelknop 2. Trekkerschakelaar

Om het gereedschap te starten, schakelt u de aan-uitknop in, pakt u de handgreep vast (de uit-vergrendelhendel wordt bediend door het vastpakken) en knijpt u vervolgens de trekkerschakelaar in. Hoe groter de druk op de trekkerschakelaar, hoe hoger het toerental van het gereedschap. Om het gereedschap te stoppen, laat u de trekkerschakelaar los.

## Toerentalregeling

U kunt het toerental van het gereedschap selecteren door op de aan-uitknop te tikken. Bij elke tik op de aan-uitknop, verandert het toerental.

► **Fig.10:** 1. Toerentallampjes 2. Aan-uitknop

Toerental lampjes	Functie
3  2  1 	Hoog
3  2  1 	Gemiddeld
3  2  1 	Laag

## Omkeerknop voor verwijderen van vuil

**⚠ WAARSCHUWING:** Schakel het gereedschap uit en verwijder de accu voordat u verstrikt geraakte onkruiden of vuil verwijdert dat niet door de functie voor omgekeerd draaien kon worden verwijderd. Als het gereedschap niet wordt uitgeschakeld en de accu niet uit het gereedschap wordt verwijderd, kan dat na per ongeluk inschakelen leiden tot ernstig persoonlijk letsel.

Dit gereedschap heeft een omkeerknop om de draairichting te veranderen. Dit is alleen voor het verwijderen van onkruiden en vuil dat verstrikt is geraakt in het gereedschap.

Om de draairichting om te keren, tikt u op de omkeerknop en knijpt u de trekkerschakelaar in terwijl u de uit-vergrendelhendel ingedrukt houdt nadat het snijgarnituur stilstaat. De toerental lampjes beginnen te knipperen en wanneer u de trekkerschakelaar inknijpt, draait het snijgarnituur in de omgekeerde richting. Om terug te keren naar de normale draairichting, laat u de trekker los en wacht u totdat het snijgarnituur stilstaat.

► **Fig.11:** 1. Toerental lampjes 2. Omkeerknop

**OPMERKING:** In de omgekeerde draairichting werkt het gereedschap slechts een korte tijd, waarna het automatisch stopt.

**OPMERKING:** Nadat u het gereedschap is gestopt en u het gereedschap weer start, werkt het in de normale draairichting.

**OPMERKING:** Als u op de omkeerknop tikt terwijl het snijgarnituur nog draait, wordt het gereedschap gestopt en klaargezet voor de omgekeerde draairichting.

## Elektronische koppelregelfunctie

Het gereedschap detecteert elektronisch een plotselinge afname van het toerental waardoor een terugslag kan ontstaan. In dat geval stopt het gereedschap automatisch om verder ronddraaien van het snijgarnituur te voorkomen. Om het gereedschap weer te starten, laat u de trekkerschakelaar los. Hef de oorzaak van de plotselinge afname van het toerental op, en schakel daarna het gereedschap weer in.

**OPMERKING:** Deze functie is geen preventieve maatregel tegen terugslag.

## MONTAGE

**⚠ WAARSCHUWING:** Controleer altijd of het gereedschap is uitgeschakeld en de accu is verwijderd alvorens enige werkzaamheden aan het gereedschap te verrichten. Als het gereedschap niet wordt uitgeschakeld en de accu niet uit het gereedschap wordt verwijderd, kan dat na per ongeluk inschakelen leiden tot ernstig persoonlijk letsel.

**⚠ WAARSCHUWING:** Start het gereedschap nooit voordat het op de juiste wijze is gemonteerd. Door het gereedschap in een gedeeltelijk gemonteerde toestand te laten werken, kan dat na per ongeluk inschakelen leiden tot ernstig persoonlijk letsel.

## De handgreep monteren

Bevestig de handgreep met de bijgeleverde klemmen en bouten. Zorg ervoor dat de handgreep zich tussen de afstandshouder en de pijlmarkering bevindt. Verwijder of verkort de afstandshouder niet.

► **Fig.12:** 1. Klem 2. Inbusbout 3. Handgreep 4. Pijlmarkering 5. Afstandshouder

Bij gebruik van de volgende hulpstukken, moet de beschermstang aan de handgreep zijn bevestigd met behulp van de schroef op de beschermstang.

- Bosmaaierhulpstuk\*
- Cirkelschaarhulpstuk
- Grastrimmerhulpstuk\*
- Grasrandsnijhulpstuk

\*. Alleen wanneer een metaal snijblad is bevestigd.

► **Fig.13:** 1. Beschermstang 2. Schroef

## De hulpstukpijp bevestigen

**⚠ALLET OP:** Controleer na het aanbrengen altijd of de hulpstukpijp stevig is bevestigd. Door onjuist aanbrengen kan het hulpstuk van het aandrijfsysteem af vallen en persoonlijk letsel veroorzaken.

Bevestig de pijp van het hulpstuk aan het aandrijfsysteem.

1. Kantel de hendel van het aandrijfsysteem naar de kant van het hulpstuk.

► **Fig.14:** 1. Hendel

2. Verwijder de dop vanaf het hulpstuk. Lijn de pen uit met de pijlmarkering en steek de hulpstukpijp erin tot de ontgrendelknop omhoog springt.

► **Fig.15:** 1. Ontgrendelknop 2. Pijlmarkering 3. Pen

3. Kantel de hendel naar de kant van het aandrijfsysteem.

► **Fig.16:** 1. Hendel

Zorg ervoor dat het bovenvlak van de hendel parallel ligt aan de pijp.

Om de pijp te verwijderen, kantelt u de hendel naar de kant van het hulpstuk en trekt u de pijp eruit terwijl u de ontgrendelknop ingedrukt houdt.

► **Fig.17:** 1. Ontgrendelknop 2. Hendel 3. Pijp

## De positie van de handgreep afstellen

Stel de positie van de handgreep af op een comfortabele houding tijdens het gebruik van het gereedschap.

Draai de inbusbout op de handgreep los. Verplaats de handgreep naar een comfortabele werkhouding en draai daarna de inbusbout vast.

► **Fig.18:** 1. Handgreep 2. Inbusbout

## Het schouderdraagstel bevestigen

**⚠WAARSCHUWING:** Let er goed op dat u te allen tijde de controle over het gereedschap behoudt. Zorg ervoor dat het gereedschap zich niet in uw richting of in de richting van iemand die in de buurt staat beweegt. Als u de controle over het gereedschap verliest, kan dat leiden tot ernstig letsel van de gebruiker en omstanders.

**⚠ALLET OP:** Wanneer u het gereedschap gebruikt in combinatie met de ruggedragen voeding, zoals de draagbare voedingseenheid, mag u het schouderdraagstel dat in de doos van het gereedschap zit niet gebruiken, maar gebruikt u in plaats daarvan de draagband aanbevolen door Makita.

Als u het schouderdraagstel die in de doos van het gereedschap zit omdoet en tegelijkertijd het schouderdraagstel van de ruggedragen voeding draagt, is het moeilijk om het gereedschap of de ruggedragen voeding in een noodgeval af te doen, waardoor een ongeval of letsel kan ontstaan. Voor de aanbevolen draagband neemt u contact op met een erkend Makita-servicecentrum.

**⚠ALLET OP:** Gebruik altijd het schouderdraagstel bevestigd aan het gereedschap. Stel voor gebruik het schouderdraagstel af op de lichaamsgrootte van de gebruiker om vermoeidheid te voorkomen.

**⚠ALLET OP:** Verzeker u er voor gebruik van dat het schouderdraagstel goed is bevestigd aan het gereedschap.

1. Maak de haak van het schouderdraagstel vast aan de ring en het bevestigingssoog van het gereedschap.

► **Fig.19:** 1. Ring 2. Haak 3. Bevestigingssoog

2. Plaats het schouderdraagstel over uw linker-schouder. Stel het schouderdraagstel af op een comfortabele werkhouding.

► **Fig.20**

Het schouderdraagstel is voorzien van een snelontgrendelingsmethode.

Knijp eenvoudigweg de zijkant van de gesp in om het gereedschap los te maken van het schouderdraagstel.

► **Fig.21:** 1. Gesp

## Opbergen van de inbusleutel

**⚠ALLET OP:** Denk eraan dat u de inbusleutel niet in de gereedschapskop laat zitten. Dit kan letsel en/of schade aan het gereedschap veroorzaken.

Wanneer de inbusleutel niet wordt gebruikt, bergt u hem op zoals afgebeeld zodat u hem niet verliest.

► **Fig.22:** 1. Handgreep 2. Inbusleutel

## ONDERHOUD

**⚠WAARSCHUWING:** Zorg er altijd voor dat het gereedschap is uitgeschakeld en de accu is verwijderd, voordat u een inspectie of onderhoud aan het gereedschap uitvoert. Als het gereedschap niet wordt uitgeschakeld en de accu niet uit het gereedschap wordt verwijderd, kan dat na per ongeluk inschakelen leiden tot ernstig persoonlijk letsel.

**KENNISGEVING:** Gebruik nooit benzine, wasbenzine, thinner, alcohol en dergelijke. Hierdoor kunnen verkleuring, vervormingen en barsten worden veroorzaakt.

Om de VEILIGHEID en BETROUWBAARHEID van het gereedschap te handhaven, dienen alle reparaties, onderhoud of afstellingen te worden uitgevoerd bij een erkend Makita-servicecentrum of de Makita-fabriek, en altijd met gebruik van Makita-ervangingsonderdelen.

## Het gereedschap reinigen

Reinig het gereedschap door stof, vuil of maaisel eraf te vegen met een droge doek of een doek die in zeepwater is gedompeld en uitgewrongen. Om oververhitting van het gereedschap te voorkomen, zorgt u ervoor dat het gemaaid gras of vuil dat aan het rooster van het gereedschap kleeft wordt verwijderd.

## Accubeschermbeguel

**⚠️WAARSCHUWING:** Verwijder de accubeschermbeguel niet. Gebruik het gereedschap niet terwijl de accubeschermbeguel verwijderd of beschadigd is. Rechtstreeks stoten tegen de accu kan een accustoring veroorzaken en leiden tot letsel en/of brand. Als de accubeschermbeguel vervormd of beschadigd is, neemt u voor reparatie contact op met uw erkende servicecentrum.

► Fig.23: 1. Accubeschermbeguel

## PROBLEMEN OPLOSSEN

Alvorens u verzoekt om reparatie, kunt u zelf als volgt het probleem opsporen en oplossen. Als u met een probleem kampt dat in deze handleiding niet wordt beschreven, probeer dan niet het gereedschap te demonteren. Laat reparaties over aan een erkend Makita-servicecentrum, uitsluitend met gebruik van originele Makita-ervangingsonderdelen.

Probleemomschrijving	Waarschijnlijke oorzaak (storing)	Oplossing
Motor loopt niet.	De accu is niet aangebracht.	Breng de accu aan.
	Probleem met de accu (lage spanning).	Laad de accu op. Als het opladen niet helpt, vervangt u de accu.
	De aandrijving werkt niet goed.	Vraag uw plaatselijke, erkende servicecentrum het gereedschap te repareren.
De motor stopt na kort te hebben gedraaid.	De draairichting is omgekeerd.	Verander de draairichting met de omkeerschakelaar.
	De accu is bijna leeg.	Laad de accu op. Als het opladen niet helpt, vervangt u de accu.
	Oververhitting.	Stop het gebruik van het gereedschap en laat het afkoelen.
Het gereedschap bereikt het maximale toerental niet.	De accu is niet goed aangebracht.	Breng de accu aan zoals beschreven in deze gebruiksaanwijzing.
	Het accuvermogen neemt af.	Laad de accu op. Als het opladen niet helpt, vervangt u de accu.
	De aandrijving werkt niet goed.	Vraag uw plaatselijke, erkende servicecentrum het gereedschap te repareren.

## OPTIONELE ACCESSOIRES

**⚠️LET OP:** Deze accessoires of hulpstukken worden aanbevolen voor gebruik met het Makita gereedschap dat in deze gebruiksaanwijzing is beschreven. Bij gebruik van andere accessoires of hulpstukken bestaat het gevaar van persoonlijke letsel. Gebruik de accessoires of hulpstukken uitsluitend voor hun bestemde doel.

Wenst u meer bijzonderheden over deze accessoires, neem dan contact op met het plaatselijke Makita-servicecentrum.

Raadpleeg de paragraaf "Goedgekeurd hulpstuk" voor de geschikte modellen voor dit gereedschap.

- Bosmaaierhulpstuk
- Graskantmaaierhulpstuk
- Cirkelschaarhulpstuk

- Grastrimmerhulpstuk
- Heggenschaarhulpstuk
- Grondheggenschaarhulpstuk
- Stoksnoeizaaghulpstuk
- Grondfreeshulpstuk
- Grasrandsnijhulpstuk
- Koffieoogsthulpstuk
- Asverlenghulpstuk
- Borstelhulpstuk
- Vegerhulpstuk
- Bladblazerhulpstuk
- Pomphulpstuk
- Onkruidwiedhulpstuk
- Originele Makita accu's en acculaders

**OPMERKING:** Sommige items op de lijst kunnen zijn inbegrepen in de doos van het gereedschap als standaard toebehoren. Deze kunnen van land tot land verschillen.

# ESPECIFICACIONES

Modelo:		UX01G
Velocidad sin carga (sin accesorio)	Baja	0 - 5.700 min <sup>-1</sup>
	Media	0 - 8.200 min <sup>-1</sup>
	Alta	0 - 9.700 min <sup>-1</sup>
Longitud total (sin cartucho de batería)		1.001 mm
Tensión nominal		CC 36 V - 40 V máx.
Peso neto	*1	3,5 kg
	*2	5,3 kg - 12,5 kg
Grado de protección		IPX4

- Debido a nuestro continuado programa de investigación y desarrollo, las especificaciones aquí dadas están sujetas a cambios sin previo aviso.
- Las especificaciones pueden ser diferentes de país a país.

\*1: Peso sin ningún accesorio ni cartucho(s) de batería

\*2: El peso puede variar dependiendo del accesorio o los accesorios, incluyendo el cartucho de batería. La combinación menos pesada y la más pesada, de acuerdo con el procedimiento EPTA 01/2014, se muestran en la tabla.

## Cartucho de batería y cargador aplicables

Tipo	Cartucho de batería					
	BL4020	BL4025	BL4040	BL4040F	BL4050F	BL4080F
Accesorio para desbrozadora	Disponible	Disponible	Recomendado	Recomendado	Recomendado	Recomendado
Accesorio para desbrozadora con cordón	Disponible	Disponible	Recomendado	Recomendado	Recomendado	Recomendado
Accesorio de tijeras rotativas	Disponible	Disponible	Recomendado	Recomendado	Recomendado	Recomendado
Accesorio de cortador de pasto	Disponible	Disponible	Recomendado	Recomendado	Recomendado	Recomendado
Accesorio para cortasetos	Disponible	Recomendado	Recomendado	Recomendado	Recomendado	Recomendado
Accesorio de corte a ras de piso	Disponible	Recomendado	Recomendado	Recomendado	Recomendado	Recomendado
Accesorio para sierra de extensión	Disponible	Disponible	Recomendado	Recomendado	Recomendado	Recomendado
Accesorio para cultivador	Disponible	Disponible	Recomendado	Recomendado	Recomendado	Recomendado
Accesorio rebordeador	Disponible	Recomendado	Recomendado	Recomendado	Recomendado	Recomendado
Accesorio para cosecha de café	Disponible	Disponible	Recomendado	Recomendado	Recomendado	Recomendado
Accesorio de cepillado motorizado	Disponible	Disponible	Recomendado	Recomendado	Recomendado	Recomendado
Accesorio barredor motorizado	Disponible	Disponible	Recomendado	Recomendado	Recomendado	Recomendado
Accesorio de sopladora	Disponible	Disponible	Recomendado	Recomendado	Recomendado	Recomendado
Accesorio de bomba	Disponible	Recomendado	Recomendado	Recomendado	Recomendado	Recomendado
Accesorio para deshierbar	Disponible	Recomendado	Recomendado	Recomendado	Recomendado	Recomendado
Cargador	DC40RA / DC40RB / DC40RC / DC40WA					

- Algunos de los cartuchos de batería y cargadores indicados arriba puede que no estén disponibles dependiendo de su región de residencia.

**⚠ ADVERTENCIA:** Utilice solamente los cartuchos de batería y cargadores indicados arriba. La utilización de cualquier otro cartucho de batería y cargador puede ocasionar heridas y/o un incendio.

## Fuente de alimentación conectada por cable recomendada

Unidad portátil de alimentación eléctrica	PDC01 / PDC1200 / PDC1500
---	---------------------------

- La fuente o fuentes de alimentación conectadas por cable indicadas arriba puede que no estén disponibles dependiendo de su región de residencia.
- Antes de utilizar la fuente de alimentación conectada por cable, lea las instrucciones e indicaciones de precaución sobre ella.

## Velocidad sin carga con accesorio

Modelo	Velocidad de giro		
	Baja	Media	Alta
EM401MP	0 - 4.200 min <sup>-1</sup>	0 - 6.000 min <sup>-1</sup>	0 - 7.100 min <sup>-1</sup>
EM404MP / EM406MP	0 - 3.500 min <sup>-1</sup>	0 - 5.000 min <sup>-1</sup>	0 - 6.000 min <sup>-1</sup>
EM407MP	Disco superior	0 - 220 min <sup>-1</sup>	0 - 310 min <sup>-1</sup>
	Disco inferior	0 - 470 min <sup>-1</sup>	0 - 670 min <sup>-1</sup>
EM408MP / EM409MP	0 - 4.200 min <sup>-1</sup>	0 - 6.000 min <sup>-1</sup>	0 - 7.100 min <sup>-1</sup>
EN401MP / EN402MP / EN410MP / EN420MP / EN422MP / EN424MP (Carreras por minuto)	0 - 2.400 min <sup>-1</sup>	0 - 3.400 min <sup>-1</sup>	0 - 4.000 min <sup>-1</sup>
EY403MP (velocidad de la cadena)	0 - 11 m/s	0 - 16 m/s	0 - 19 m/s
KR400MP	0 - 160 min <sup>-1</sup>	0 - 230 min <sup>-1</sup>	0 - 280 min <sup>-1</sup>
KR401MP	0 - 130 min <sup>-1</sup>	0 - 190 min <sup>-1</sup>	0 - 230 min <sup>-1</sup>
EE400MP	0 - 2.800 min <sup>-1</sup>	0 - 4.000 min <sup>-1</sup>	0 - 4.700 min <sup>-1</sup>
EJ400MP	0 - 1.600 min <sup>-1</sup>	0 - 2.300 min <sup>-1</sup>	0 - 2.800 min <sup>-1</sup>
BR400MP	0 - 130 min <sup>-1</sup>	0 - 190 min <sup>-1</sup>	0 - 230 min <sup>-1</sup>
SW400MP	0 - 130 min <sup>-1</sup>	0 - 190 min <sup>-1</sup>	0 - 230 min <sup>-1</sup>
UB400MP	0 - 5.650 min <sup>-1</sup>	0 - 7.800 min <sup>-1</sup>	0 - 9.450 min <sup>-1</sup>
UB401MP	0 - 5.650 min <sup>-1</sup>	0 - 7.800 min <sup>-1</sup>	0 - 9.450 min <sup>-1</sup>
UB402MP	0 - 5.700 min <sup>-1</sup>	0 - 8.100 min <sup>-1</sup>	0 - 9.600 min <sup>-1</sup>
PF400MP	0 - 5.600 min <sup>-1</sup>	0 - 8.100 min <sup>-1</sup>	0 - 9.500 min <sup>-1</sup>
WA400MP	0 - 570 min <sup>-1</sup>	0 - 815 min <sup>-1</sup>	0 - 970 min <sup>-1</sup>

## Accesorio homologado

Tipo	Modelo
Accesorio para Desbrozadora	EM401MP / EM404MP
Accesorio para Desbrozadora	EM406MP
Accesorio de tijeras rotativas	EM407MP
Accesorio de cortador de pasto	EM408MP / EM409MP
Accesorio para Cortasetos	EN401MP / EN402MP / EN410MP
Accesorio de Corte a Ras de Piso	EN420MP / EN422MP / EN424MP
Accesorio para Sierra de Extensión	EY403MP
Accesorio para Cultivador	KR400MP / KR401MP
Accesorio Rebordeador	EE400MP
Accesorio para Cosecha de Café	EJ400MP
Extensión del Eje	LE400MP
Accesorio de cepillado motorizado	BR400MP
Accesorio barredor motorizado	SW400MP

Tipo	Modelo
Accesorio de soplador	UB400MP / UB401MP / UB402MP
Accesorio de bomba	PF400MP
Accesorio para deshierbar	WA400MP

## Símbolos

A continuación se muestran los símbolos que pueden ser utilizados para el equipo. Asegúrese de que entienda su significado antes de utilizar.



Lea el manual de instrucciones.



Preste cuidado y atención especiales.



No exponga a la humedad.



Sólo para países de la Unión Europea  
Debido a la presencia de componentes peligrosos en el equipo, el equipo eléctrico y electrónico, los acumuladores y las baterías desechados pueden tener un impacto negativo para el medioambiente y la salud humana.

¡No tire los aparatos eléctricos y electrónicos ni las baterías junto con los residuos domésticos!

De conformidad con las Directivas Europeas sobre residuos de aparatos eléctricos y electrónicos y sobre acumuladores y baterías, así como la adaptación de las mismas a la ley nacional, el equipo eléctrico, las baterías y los acumuladores desechados deberán ser almacenados por separado y trasladados a un punto distinto de recogida de desechos municipales, que cumpla con los reglamentos sobre protección medioambiental.

Esto se indica mediante el símbolo de cubo de basura tachado colocado en el equipo.

## Uso previsto

Esta herramienta multifuncional inalámbrica ha sido prevista para propulsar un accesorio homologado indicado en la sección "ESPECIFICACIONES" de este manual de instrucciones. No utilice nunca la unidad para otro propósito.

**⚠️ ADVERTENCIA:** Lea el manual de instrucciones del accesorio así como este manual de instrucciones antes de utilizar. Si no sigue estas advertencias e instrucciones podrá resultar en heridas graves.

## Ruido

Accesorio		Nivel de presión del sonido		Nivel de potencia de sonido garantizado		Nivel de potencia de sonido medido		Estándar aplicable
		L <sub>pA</sub> (dB (A))	Incertidumbre K (dB (A))	L <sub>WA</sub> (dB (A))	L <sub>WA</sub> (dB (A))	Incertidumbre K (dB (A))		
EM401MP (como desbrozadora)		79,8	1,2	-	94,8	2,5	ISO22868 (ISO11806-1)	
EM401MP (como desbrozadora con cordón)	Cabezal de corte de nylon	80,1	1,0	-	94,3	2,0	ISO22868 (ISO11806-1)/ EN50636-2-91	
	Cuchilla de plástico	79,4	1,0	-	91,4	2,1	ISO22868 (ISO11806-1)/ EN50636-2-91	
EM404MP (como desbrozadora)		79,4	1,4	-	92,0	1,0	ISO22868 (ISO11806-1)	

Accesorio		Nivel de presión del sonido		Nivel de potencia de sonido garantizado	Nivel de potencia de sonido medido		Estándar aplicable
		L <sub>pA</sub> (dB (A))	Incertidumbre K (dB (A))	L <sub>WA</sub> (dB (A))	L <sub>WA</sub> (dB (A))	Incertidumbre K (dB (A))	
EM404MP (como desbrozadora con cordón)	Cabezal de corte de nylon	80,7	1,3	-	91,9	1,4	ISO22868 (ISO11806-1)/ EN50636-2-91
	Cuchilla de plástico	78,6	0,7	-	87,8	0,4	ISO22868 (ISO11806-1)/ EN50636-2-91
EM406MP	Cabezal de corte de nylon	81,3	0,6	-	93,4	2,1	ISO22868 (ISO11806-1)/ EN50636-2-91
	Cuchilla de plástico	78,8	0,4	-	87,9	0,6	ISO22868 (ISO11806-1)/ EN50636-2-91
EM407MP		84,7	1,7	-	99,0	1,3	ISO22868 (ISO11806-1)
EM408MP	Cuchilla de metal	80,7	1,7	-	94,7	3,0	ISO22868 (ISO11806-1)
	Cabezal de corte de nylon	79,5	1,3	-	92,8	2,7	ISO22868 (ISO11806-1)/ EN50636-2-91
	Cuchilla de plástico	80,5	1,1	-	92,2	2,8	ISO22868 (ISO11806-1)/ EN50636-2-91
EM409MP	Cabezal de corte de nylon	80,6	1,2	-	93,4	2,3	ISO22868 (ISO11806-1)/ EN50636-2-91
	Cuchilla de plástico	81,0	1,4	-	91,9	2,4	ISO22868 (ISO11806-1)/ EN50636-2-91
EN401MP		85	3	96	95	1,1	EN62841-4-2
EN401MP + LE400MP		82	3	98	96	1,4	EN62841-4-2
EN402MP		83	3	95	92	2,3	EN62841-4-2
EN402MP + LE400MP		79	3	96	94	1,8	EN62841-4-2
EN410MP		81	3	93	91	2,0	EN62841-4-2
EN410MP + LE400MP		80	3	93	91	1,7	EN62841-4-2
EN420MP		84	3	94	94	0,4	EN62841-4-2
EN422MP		81	3	94	92	1,9	EN62841-4-2
EN424MP		80	3	-	88	3	EN62841-1
EY403MP		95	3	-	102	3	ISO22868 (ISO11680-1)
EY403MP+LE400MP		95	3	-	102	3	ISO22868 (ISO11680-1)
KR400MP		77,8	0,7	-	86,6	1,2	EN709
KR401MP		77,7	0,3	-	86,7	2,0	EN709
EE400MP		76,1	1,7	-	88,2	2,3	ISO11789 / 2000/14/EC
EJ400MP		82,9	0,6	-	94,4	1,5	ISO22868 (ISO11806-1)
EJ400MP + LE400MP		79,7	1,4	-	94,0	0,7	ISO22868 (ISO11806-1)
BR400MP		80,2	1,0	-	88,9	0,8	EN60335-2-72
SW400MP		80,3	0,2	-	88,3	0,6	EN60335-2-72

Accesorio	Nivel de presión del sonido		Nivel de potencia de sonido garantizado	Nivel de potencia de sonido medido		Estándar aplicable
	L <sub>pA</sub> (dB (A))	Incertidumbre K (dB (A))	L <sub>WA</sub> (dB (A))	L <sub>WA</sub> (dB (A))	Incertidumbre K (dB (A))	
UB400MP	92,1	1,6	-	104,1	1,3	EN50636-2-100
UB401MP	85,6	2,1	-	97,1	1,0	EN50636-2-100
UB402MP	81,7	1,9	-	90,8	1,7	EN50636-2-100
PF400MP	75	2,5	-	90	2,5	ISO20361
WA400MP	77	3	-	89	3	ISO22868 (ISO11806-1)

- Aunque el nivel de presión del sonido listado arriba es de 80 dB (A) o menos, el nivel en situación de trabajo puede exceder los 80 dB (A). Póngase protección para los oídos.

**NOTA:** El valor (o los valores) de emisión de ruido declarado ha sido medido de acuerdo con un método de prueba estándar y se puede utilizar para comparar una herramienta con otra.

**NOTA:** El valor (o valores) de emisión de ruido declarado también se puede utilizar en una valoración preliminar de exposición.

**⚠ ADVERTENCIA:** Póngase protectores para oídos.

**⚠ ADVERTENCIA:** La emisión de ruido durante la utilización real de la herramienta eléctrica puede variar del valor (o los valores) de emisión declarado dependiendo de las formas en las que la herramienta sea utilizada, especialmente qué tipo de pieza de trabajo se procesa.

**⚠ ADVERTENCIA:** Asegúrese de identificar medidas de seguridad para proteger al operario que estén basadas en una estimación de la exposición en las condiciones reales de utilización (teniendo en cuenta todas las partes del ciclo operativo como las veces cuando la herramienta está apagada y cuando está funcionando en vacío además del tiempo de gatillo).

## Vibración

Accesorio		Mango izquierdo (Empuñadura delantera)		Mango derecho (Empuñadura trasera)		Estándar aplicable
		ah (m/s <sup>2</sup> )	Incertidumbre K (m/s <sup>2</sup> )	ah (m/s <sup>2</sup> )	Incertidumbre K (m/s <sup>2</sup> )	
EM401MP (como desbrozadora)		2,5 o menos	1,5	2,5 o menos	1,5	ISO22867 (ISO11806-1)
EM401MP (como desbrozadora con cordón)	Cabezal de corte de nylon	3,7	1,5	3,0	1,5	ISO22867 (ISO11806-1)
	Cuchilla de plástico	2,5 o menos	1,5	2,5 o menos	1,5	ISO22867 (ISO11806-1)
EM404MP (como desbrozadora)		2,5 o menos	1,5	2,5 o menos	1,5	ISO22867 (ISO11806-1)
EM404MP (como desbrozadora con cordón)	Cabezal de corte de nylon	2,5 o menos	1,5	2,5 o menos	1,5	ISO22867 (ISO11806-1)
	Cuchilla de plástico	2,5 o menos	1,5	2,5 o menos	1,5	ISO22867 (ISO11806-1)
EM406MP	Cabezal de corte de nylon	2,5 o menos	1,5	2,5 o menos	1,5	ISO22867 (ISO11806-1)
	Cuchilla de plástico	2,5 o menos	1,5	2,5 o menos	1,5	ISO22867 (ISO11806-1)
EM407MP		2,5 o menos	1,5	2,5 o menos	1,5	ISO22867 (ISO11806-1)



Accesorio		Mango izquierdo (Empuñadura delantera)		Mango derecho (Empuñadura trasera)		Estándar aplicable
		ah (m/s <sup>2</sup> )	Incertidumbre K (m/s <sup>2</sup> )	ah (m/s <sup>2</sup> )	Incertidumbre K (m/s <sup>2</sup> )	
EM408MP	Cuchilla de metal	2,5 o menos	1,5	2,5 o menos	1,5	ISO22867 (ISO11806-1)
	Cabezal de corte de nylon	2,5 o menos	1,5	2,5 o menos	1,5	ISO22867 (ISO11806-1)
	Cuchilla de plástico	2,5 o menos	1,5	2,5 o menos	1,5	ISO22867 (ISO11806-1)
EM409MP	Cabezal de corte de nylon	2,5 o menos	1,5	2,5 o menos	1,5	ISO22867 (ISO11806-1)
	Cuchilla de plástico	2,5 o menos	1,5	2,5 o menos	1,5	ISO22867 (ISO11806-1)
EN401MP		3,4	1,5	2,5 o menos	1,5	EN62841-4-2
EN401MP + LE400MP		5,4	1,5	2,7	1,5	EN62841-4-2
EN402MP		2,5 o menos	1,5	2,5	1,5	EN62841-4-2
EN402MP + LE400MP		5,0	1,5	3,4	1,5	EN62841-4-2
EN410MP		6,7	1,5	3,1	1,5	EN62841-4-2
EN410MP + LE400MP		4,4	1,5	2,5 o menos	1,5	EN62841-4-2
EN420MP		2,9	1,5	2,5 o menos	1,5	EN62841-4-2
EN422MP		2,5 o menos	1,5	2,5	1,5	EN62841-4-2
EN424MP		2,5 o menos	1,5	2,5 o menos	1,5	EN62841-1
EY403MP		4,0	1,5	2,5 o menos	1,5	ISO22867 (ISO11680-1)
EY403MP+LE400MP		3,2	1,5	2,5 o menos	1,5	ISO22867 (ISO11680-1)
KR400MP		2,5 o menos	1,5	2,5 o menos	1,5	EN709
KR401MP		2,5 o menos	1,5	2,5 o menos	1,5	EN709
EE400MP		2,5 o menos	1,5	2,5 o menos	1,5	ISO11789
EJ400MP		3,5	1,5	3,9	1,5	ISO22867 (ISO11806-1)
EJ400MP + LE400MP		4,8	1,5	2,6	1,5	ISO22867 (ISO11806-1)
BR400MP		2,5 o menos	1,5	2,5 o menos	1,5	EN60335-2-72
SW400MP		2,5	1,5	2,5 o menos	1,5	EN60335-2-72
UB400MP		4,6	1,5	2,5 o menos	2,5	EN50636-2-100
UB401MP		2,5 o menos	1,7	2,5 o menos	1,5	EN50636-2-100
UB402MP		2,5 o menos	1,5	2,5 o menos	1,5	EN50636-2-100
PF400MP		2,5 o menos	1,5	2,5 o menos	1,5	ISO22867
WA400MP		2,8	1,5	2,5 o menos	1,5	ISO22867 (ISO11806-1)

**NOTA:** El valor (o los valores) total de emisión de vibración declarado ha sido medido de acuerdo con un método de prueba estándar y se puede utilizar para comparar una herramienta con otra.

**NOTA:** El valor (o los valores) total de emisión de vibración declarado también se puede utilizar en una valoración preliminar de exposición.

**⚠ADVERTENCIA:** La emisión de vibración durante la utilización real de la herramienta eléctrica puede variar del valor (o los valores) de emisión declarado dependiendo de las formas en las que la herramienta sea utilizada, especialmente qué tipo de pieza de trabajo se procesa.

**⚠ADVERTENCIA:** Asegúrese de identificar medidas de seguridad para proteger al operario que estén basadas en una estimación de la exposición en las condiciones reales de utilización (teniendo en cuenta todas las partes del ciclo operativo como las veces cuando la herramienta está apagada y cuando está funcionando en vacío además del tiempo de gatillo).

## Declaraciones de conformidad

### Para países europeos solamente

Las declaraciones de conformidad están incluidas como Anexo A de este manual de instrucciones.

## ADVERTENCIAS DE SEGURIDAD

### Advertencias de seguridad para herramientas eléctricas en general

**⚠ADVERTENCIA** Lea todas las advertencias de seguridad, instrucciones, ilustraciones y especificaciones provistas con esta herramienta eléctrica.

Si no sigue todas las instrucciones indicadas abajo, podrá resultar en una descarga eléctrica, un incendio y/o heridas graves.

### Guarde todas las advertencias e instrucciones para futuras referencias.

El término "herramienta eléctrica" en las advertencias se refiere a su herramienta eléctrica de funcionamiento con conexión a la red eléctrica (con cable) o herramienta eléctrica de funcionamiento a batería (sin cable).

### Instrucciones de seguridad adicionales

### Equipo de protección personal

► Fig.1

1. Póngase casco de seguridad, gafas de protección y guantes de protección para protegerse de los restos que salen volando u objetos que caigan.
2. Póngase protección para los oídos como orejeras para evitar pérdida auditiva.
3. Póngase ropa y zapatos apropiados, como un mono de trabajo y zapatos robustos con suela antideslizante, para realizar la operación con seguridad. No se ponga ropa holgada ni joyas. Las ropas holgadas, las joyas y el cabello largo se

pueden enganchar en las partes móviles.

4. Cuando toque la cuchilla de corte, póngase siempre guantes de protección. Las cuchillas de corte pueden cortar las manos desnudas gravemente.

### Seguridad en el área de trabajo

1. Antes de la operación, examine el área de trabajo por si hay piedras u otros objetos sólidos. Estos pueden ser lanzados u ocasionar contragolpes peligrosos y resultar en heridas graves y/o daños a la propiedad.

### Seguridad eléctrica y de la batería

1. Evite los entornos peligrosos. No utilice la herramienta en lugares húmedos o mojados ni la esponja a la lluvia. La entrada de agua en la herramienta aumentará el riesgo de que se produzca una descarga eléctrica.
2. No deseche la batería(s) arrojándola al fuego. La célula puede explotar. Compruebe los códigos locales por si hay instrucciones para el posible desecho especial.
3. No abra o mute la batería(s). El electrolito liberado es corrosivo y puede ocasionar daño a los ojos o la piel. Puede ser tóxico si se traga.
4. No cargue la batería bajo la lluvia, o en lugares mojados.
5. No reemplace la batería con las manos mojadas.
6. No reemplace la batería en la lluvia.
7. No moje el terminal de la batería con líquido como agua, ni sumerja la batería. No deje la batería en la lluvia, ni cargue, utilice, o almacene la batería en un lugar húmedo o mojado. Si el terminal se moja o si entra líquido al interior de la batería, la batería podrá cortocircuitarse y existe el riesgo de recalentamiento, incendio, o explosión.
8. Después de retirar la batería de la herramienta o el cargador, asegúrese de colocar la tapa de la batería en la batería y de guardarla en un lugar seco.
9. Si el cartucho de batería se moja, retire el agua del interior y después límpielo con un paño seco. Seque el cartucho de batería completamente en un lugar seco antes de utilizarlo.

## Puesta en operación

1. El implemento de corte tiene que estar equipado con el protector. ¡No utilice nunca la herramienta con protectores dañados ni sin los protectores instalados en su sitio!
2. Asegúrese de que no hay cables eléctricos, tuberías de agua, tuberías de gas, etc., que puedan ocasionar un riesgo si se dañan al utilizar la herramienta.

## Operación

1. Mantenga siempre las manos, la cara, y la ropa alejadas del implemento de corte cuando este esté girando. En caso contrario, podrán producirse heridas personales.
2. Durante la operación, mantenga a los transeúntes o animales alejados al menos 15 m de la herramienta. Pare la herramienta en cuanto alguien se acerque.
3. Durante la operación, no se ponga nunca sobre una superficie inestable o resbaladiza ni en una pendiente empinada. Durante la estación fría, tenga cuidado con el hielo y la nieve y asegúrese siempre de que pisa suelo firme.
4. No trabaje nunca subido en una escalera o un árbol para evitar perder el control.
5. Cuando deje la herramienta, aunque solo sea durante un tiempo corto, retire siempre el cartucho de batería. La herramienta sin atender con el cartucho de batería instalado puede ser utilizada por una persona no autorizada y ocasionar un accidente grave.
6. Antes de poner en marcha la herramienta, asegúrese de que el implemento de corte no esté tocando el suelo y otros obstáculos como un árbol.
7. Compruebe el accesorio de corte con frecuencia durante la operación por si tiene grietas o daños. Antes de la inspección, retire el cartucho de batería y espere hasta que el accesorio de corte se haya detenido completamente. Reemplace inmediatamente el accesorio de corte dañado, aunque solamente tenga grietas superficiales.
8. No opere la herramienta con mal tiempo o si hay riesgo de relámpagos.
9. Durante la operación sujete siempre la herramienta con ambas manos. No sujete nunca la herramienta con una mano durante la utilización.
10. Durante la operación, utilice el arnés de hombro. Mantenga la herramienta en su costado derecho firmemente.
11. No toque la caja de engranajes durante e inmediatamente después de la operación. La caja de engranajes se vuelve caliente durante la operación y puede ocasionar heridas de quemadura.
12. Descanse para evitar la pérdida de control a causa de la fatiga. Recomendamos descansar de 10 a 20 minutos cada hora.
13. Cuando utilice la herramienta en suelo enlodado, pendiente mojada, o lugar resbaladizo, preste atención a donde pisa.

14. Evite trabajar en un entorno poco adecuado donde se espere que la fatiga del usuario aumente.
15. No utilice la herramienta en mal tiempo donde la visibilidad sea limitada. En caso contrario, podrá ocasionar una caída u operación incorrecta debido a la mala visibilidad.
16. No sumerja la herramienta en un charco.
17. No deje la herramienta sin atender en exteriores en la lluvia.
18. Cuando se adhieran hojas mojadas o suciedad a la boca de succión (ventanilla de ventilación) debido a la lluvia, retirelas.
19. No utilice la herramienta en la nieve.

## Implementos de corte

1. Cuando utilice cuchillas de corte, evite un contragolpe y prepárese siempre para un contragolpe accidental. Consulte la sección para contragolpe.
2. Cuando no esté siendo utilizada, coloque la cubierta de la cuchilla sobre la cuchilla. Retire la cubierta antes de la operación.

## Contragolpe (Empujón de la cuchilla)

1. El contragolpe (empujón de la cuchilla) es una reacción repentina a una cuchilla de corte enganchada o confinada. Una vez que ocurre, la herramienta es lanzada lateralmente o hacia el operario con gran fuerza y puede ocasionar heridas graves.
2. El contragolpe ocurre particularmente cuando se aplica el segmento de disco de entre las 12 y las 2 en punto a objetos sólidos, arbustos y árboles de un diámetro de 3 cm o más.

### ► Fig.2

3. Para evitar el contragolpe:
  1. Aplique el segmento de entre las 8 y las 11 en punto.
  2. No aplique nunca el segmento de entre las 12 y las 2 en punto.
  3. No aplique nunca el segmento de entre las 11 y las 12 en punto ni de entre las 2 y las 5 en punto, a menos que el operario cuente con la formación y la experiencia adecuadas y lo haga bajo su propia responsabilidad.
  4. No utilice nunca las cuchillas de corte cerca de objetos sólidos, como vallas, paredes, troncos de árboles y piedras.
  5. No utilice nunca las cuchillas de corte en vertical, para tareas como perfilar o recortar setos.

### ► Fig.3

## Vibración

1. Las personas con mala circulación de la sangre que se expongan a vibración excesiva podrán sufrir heridas en los vasos sanguíneos o el sistema nervioso. La vibración puede ocasionar la aparición de los síntomas siguientes en los dedos, manos o muñecas: "adormecimiento" (entumecimiento), hormigueo, dolor, sensación de

pinchazos, alteración del color de la piel o alteración de la piel. Si aparece cualquiera de estos síntomas, ¡consulte a un médico!

2. **Para reducir el riesgo del “mal de dedos blancos”, mantenga calientes las manos durante la operación y realice correctamente el mantenimiento de la herramienta y los accesorios.**

## Transporte

1. **Antes de transportar la herramienta, apáguela y retire el cartucho de batería. Coloque la cubierta en la cuchilla de corte.**

## Mantenimiento

1. **Antes de hacer cualquier trabajo de mantenimiento o reparación o limpiar la herramienta, siempre apáguela y retire el cartucho de batería.**
2. **Cuando maneje un disco del cortador, utilice siempre guantes y ponga la cubierta del disco sobre el disco.**
3. **Mantenga los mangos secos, limpios y libres de aceite y grasa. Mantenga todas las entradas de aire de refrigeración libres de desechos.**
4. **No lave la herramienta con agua a mucha presión.**
5. **Cuando lave la herramienta, no deje que entre agua en el mecanismo eléctrico como la batería, el motor, y los terminales.**
6. **Realice la inspección o el mantenimiento en un lugar donde se pueda evitar la lluvia.**
7. **Después de utilizar la herramienta, retire la suciedad adherida y seque la herramienta completamente antes de almacenarla.**  
Dependiendo de la estación del año o el área, existe el riesgo de un mal funcionamiento debido a la congelación.

## Almacenamiento

1. **Antes de almacenar la herramienta, realice una limpieza y mantenimiento completos. Retire el cartucho de batería. Coloque la cubierta en la cuchilla de corte.**
2. **Almacene la herramienta en un lugar seco y alto o cerrado con llave fuera del alcance de los niños.**
3. **Cuando almacene la herramienta, evite la luz solar directa y la lluvia, y almacénela en un lugar donde no se caliente o humedezca.**

## Instrucciones de seguridad importantes para el cartucho de batería

1. **Antes de utilizar el cartucho de batería, lea todas las instrucciones e indicaciones de precaución sobre (1) el cargador de baterías, (2) la batería, y (3) el producto con el que se utiliza la batería.**
2. **No desensamble ni manipule el cartucho de batería. Podrá resultar en un incendio, calor excesivo, o una explosión.**

3. **Si el tiempo de uso se acorta demasiado, cese la operación inmediatamente. Podría resultar en un riesgo de recalentamiento, posibles quemaduras e incluso una explosión.**
4. **Si entra electrolito en sus ojos, aclárelos con agua limpia y acuda a un médico inmediatamente. Existe el riesgo de poder perder la vista.**
5. **No cortocircuite el cartucho de batería:**
  - (1) **No toque los terminales con ningún material conductor.**
  - (2) **Evite guardar el cartucho de batería en un cajón junto con otros objetos metálicos, como clavos, monedas, etc.**
  - (3) **No exponga el cartucho de batería al agua ni a la lluvia.**

Un cortocircuito en la batería puede producir una gran circulación de corriente, un recalentamiento, posibles quemaduras e incluso una rotura de la misma.

6. **No guarde ni utilice la herramienta y el cartucho de batería en lugares donde la temperatura pueda alcanzar o exceder los 50 °C.**
7. **Nunca incinere el cartucho de batería incluso en el caso de que esté dañado seriamente o ya no sirva en absoluto. El cartucho de batería puede explotar si se tira al fuego.**
8. **No clave, corte, aplaste, lance, deje caer el cartucho de batería, ni golpee contra un objeto duro el cartucho de batería.** Tal conducta podrá resultar en un incendio, calor excesivo, o una explosión.
9. **No utilice una batería dañada.**
10. **Las baterías de litio-ion contenidas están sujetas a los requisitos de la Legislación para Materiales Peligrosos.**  
Para transportes comerciales, p.ej., por terceras personas y agentes de transportes, se deberán observar requisitos especiales para el empaquetado y etiquetado.  
Para la preparación del artículo que se va a enviar, se requiere consultar con un experto en materiales peligrosos. Por favor, observe también la posibilidad de reglamentos nacionales más detallados.  
Cubra con cinta aislante o enmascare los contactos expuestos y empaquete la batería de tal manera que no se pueda mover alrededor dentro del embalaje.
11. **Para desechar el cartucho de batería, retírelo de la herramienta y deséchelo en un lugar seguro. Siga los reglamentos locales referentes al desecho de la batería.**
12. **Utilice las baterías solamente con los productos especificados por Makita.** La instalación de las baterías en productos no compatibles puede resultar en un incendio, calor excesivo, explosión, o fuga de electrolito.
13. **Si la herramienta no va a ser utilizada durante un periodo de tiempo largo, la batería deberá ser retirada de la herramienta.**
14. **Durante y después de la utilización, el cartucho de batería podrá acumular calor, lo cual puede ocasionar quemaduras o quemaduras de baja temperatura. Preste atención al manejo de cartuchos de batería calientes.**

15. **No toque el terminal de la herramienta inmediatamente después de utilizar, dado que puede calentarse lo suficiente como para ocasionar quemaduras.**
16. **No permita que virutas, polvo, o tierra se adhieran dentro de los terminales, orificios, y ranuras del cartucho de batería.** Esto podría ocasionar calentamiento, que coja fuego, reviente y un mal funcionamiento de la herramienta o el cartucho de batería, resultando en quemaduras o heridas personales.
17. **A menos que la herramienta pueda utilizarse cerca de cables eléctricos de alta tensión, no utilice el cartucho de batería cerca de cables eléctricos de alta tensión.** Podrá resultar en un mal funcionamiento o rotura de la herramienta o el cartucho de batería.
18. **Mantenga la batería alejada de los niños.**

## GUARDE ESTAS INSTRUCCIONES.

**⚠PRECAUCIÓN:** Utilice solamente baterías genuinas de Makita. La utilización de baterías no genuinas de Makita, o baterías que han sido alteradas, puede resultar en una explosión de la batería ocasionando incendios, heridas personales y daños. También anulará la garantía de Makita para la herramienta y el cargador de Makita.

## Consejos para alargar al máximo la vida de servicio de la batería

1. **Cargue el cartucho de batería antes de que se descargue completamente. Detenga siempre la operación y cargue el cartucho de batería cuando note menos potencia en la herramienta.**
2. **No cargue nunca un cartucho de batería que esté completamente cargado. La sobrecarga acortará la vida de servicio de la batería.**
3. **Cargue el cartucho de batería a temperatura ambiente de 10 °C - 40 °C. Si un cartucho de batería está caliente, déjelo enfriar antes de cargarlo.**
4. **Cuando no esté utilizando el cartucho de batería, retírelo de la herramienta o del cargador.**
5. **Cargue el cartucho de batería si no lo utiliza durante un periodo de tiempo prolongado (más de seis meses).**

## DESCRIPCIÓN DE LAS PARTES

► Fig.4

1	Cartucho de batería	2	Palanca de desbloqueo	3	Colgador	4	Mango
5	Botón de liberación	6	Barrera	7	Gatillo interruptor	8	Indicador de velocidad
9	Botón de alimentación principal	10	Lámpara de precaución	11	Botón de inversión	12	Arnés de hombro

## DESCRIPCIÓN DEL FUNCIONAMIENTO

**⚠ADVERTENCIA:** Asegúrese siempre de que la herramienta está apagada y el cartucho de batería retirado antes de ajustar o comprobar la función de la herramienta. No apagar la herramienta y retirar el cartucho de batería puede resultar en heridas personales graves a causa de una puesta en marcha accidental.

## Instalación o extracción del cartucho de batería

**⚠PRECAUCIÓN:** Apague siempre la herramienta antes de instalar o retirar el cartucho de batería.

**⚠PRECAUCIÓN:** Sujete la herramienta y el cartucho de batería firmemente cuando instale o retire el cartucho de batería. Si no sujeta la herramienta y el cartucho de batería firmemente podrán caérsele de las manos y resultar en daños a la herramienta y al cartucho de batería y heridas personales.

Para instalar el cartucho de batería, alinee la lengüeta del cartucho de batería con la ranura del alojamiento y deslícelo al interior hasta encajarlo en su sitio. Insértelo por completo hasta que se bloquee en su sitio con un pequeño chasquido. Si puede ver el indicador rojo como se muestra en la figura, no estará bloqueado completamente.

Para retirar el cartucho de batería, deslícelo de la herramienta mientras desliza el botón de la parte frontal del cartucho.

► **Fig.5:** 1. Indicador rojo 2. Botón 3. Cartucho de batería

**⚠PRECAUCIÓN:** Instale siempre el cartucho de batería completamente hasta que no pueda verse el indicador rojo. En caso contrario, podrá caerse accidentalmente de la herramienta y ocasionarle heridas a usted o a alguien que esté cerca de usted.

**⚠PRECAUCIÓN:** No instale el cartucho de batería empleando fuerza. Si el cartucho no se desliza al interior fácilmente, será porque no está siendo insertado correctamente.

## Sistema de protección de la herramienta / batería

La herramienta está equipada con un sistema de protección de la herramienta/batería. Este sistema corta automáticamente la alimentación del motor para alargar la vida útil de la herramienta y la batería. La herramienta se detendrá automáticamente durante la operación si la herramienta es puesta en una de las condiciones siguientes:

► **Fig.6:** 1. Lámpara de precaución

Lámpara de precaución		Estado
Color	Encendido / Parpadeando	
Verde		Sobrecarga
Rojo	(herramienta) /  (batería)	Recalentamiento
Rojo		Descarga excesiva

## Protección contra sobrecarga

Si la herramienta o la batería se encuentra en una de las siguientes situaciones, la herramienta se detendrá automáticamente y la lámpara de precaución comenzará a parpadear en verde:

- La herramienta se sobrecarga con hiervas enredadas u otros desechos.
- El implemento de corte se bloquea o da un contragolpe.
- El botón de alimentación principal se enciende mientras el gatillo interruptor está siendo apretado.

En esta situación, libere el gatillo interruptor y retire las hiervas enredadas o restos si es necesario. Después de eso, apriete el gatillo interruptor otra vez para reanudar.

**⚠PRECAUCIÓN:** Si necesita retirar las hiervas enredadas en la herramienta o liberar el implemento de corte bloqueado, asegúrese de apagar la herramienta antes de comenzar.

## Protección contra recalentamiento para la herramienta o la batería

Si la herramienta o el cartucho de batería se recalienta, la herramienta se detiene automáticamente. Cuando la herramienta se recalienta, la lámpara de precaución se ilumina en rojo. Cuando el cartucho de batería se recalienta, la lámpara de precaución parpadea en rojo. Deje que la herramienta y/o la batería se enfríen antes de encender la herramienta otra vez.

## Protección contra descarga excesiva

Cuando la capacidad de batería sea baja, la herramienta se detendrá automáticamente y la lámpara de precaución comenzará a parpadear en rojo. Si la herramienta no funciona aun cuando los interruptores sean accionados, retire el cartucho de batería de la herramienta y cárguelo.

## Modo de indicar la capacidad de batería restante

Presione el botón de comprobación en el cartucho de batería para indicar la capacidad de batería restante. Las lámparas indicadoras se iluminan durante unos pocos segundos.

► **Fig.7:** 1. Lámparas indicadoras 2. Botón de comprobación

Lámparas indicadoras			Capacidad restante
Iluminada	Apagada	Parpadeando	
			75% a 100%
			50% a 75%
			25% a 50%
			0% a 25%
			Cargue la batería.
			Puede que la batería no esté funcionando bien.

**NOTA:** Dependiendo de las condiciones de utilización y de la temperatura ambiente, la indicación podrá variar ligeramente de la capacidad real.

**NOTA:** La primera lámpara indicadora (extremo izquierdo) parpadeará cuando el sistema de protección de la batería esté funcionando.

## Interruptor de alimentación principal

**⚠ADVERTENCIA:** Desactive siempre el interruptor de alimentación principal cuando no se esté utilizando.

Presione el botón de alimentación principal para encender la herramienta. Para apagar la herramienta, mantenga presionado el botón de alimentación principal hasta que los indicadores de velocidad se apaguen.

► **Fig.8:** 1. Botón de alimentación principal

**NOTA:** La lámpara de precaución parpadeará si se aprieta el gatillo interruptor en condiciones en las que la operación no es posible. La lámpara de precaución parpadeará si activa el interruptor de alimentación principal mientras mantiene presionados la palanca de desbloqueo y el gatillo interruptor.

**NOTA:** Esta herramienta emplea la función de desconexión automática de la alimentación. Para evitar una puesta en marcha no intencionada, el interruptor de alimentación principal se inhabilitará automáticamente cuando no se apriete el gatillo interruptor durante un cierto periodo de tiempo después de activar el interruptor de alimentación principal.

## Accionamiento del interruptor

**⚠ADVERTENCIA:** Para su seguridad, esta herramienta está equipada con la palanca de desbloqueo que evita que la herramienta se ponga en marcha de forma no intencionada. No utilice NUNCA la herramienta si se pone en marcha cuando usted simplemente aprieta el gatillo interruptor sin presionar la palanca de desbloqueo. Lleve la herramienta a nuestro centro de servicio autorizado para que le hagan la reparación apropiada ANTES de seguir utilizándola.

**⚠ADVERTENCIA:** No sujete NUNCA con cinta o anule la finalidad o la función de la palanca de desbloqueo.

**⚠PRECAUCIÓN:** Antes de insertar el cartucho de batería en la herramienta, compruebe siempre para cerciorarse de que el gatillo interruptor se acciona debidamente y que vuelve a la posición "OFF" cuando lo suelta.

**⚠PRECAUCIÓN:** No ponga nunca el dedo en el botón de alimentación principal y el gatillo interruptor cuando transporte la herramienta. La herramienta podrá ponerse en marcha involuntariamente y ocasionar heridas.

**AVISO:** No apriete con fuerza el gatillo interruptor sin presionar la palanca de desbloqueo. Esto puede ocasionar la rotura del interruptor.

Para evitar que el gatillo interruptor pueda accionarse accidentalmente, se ha provisto una palanca de desbloqueo.










► **Fig.9:** 1. Palanca de desbloqueo 2. Gatillo interruptor

Para poner en marcha la herramienta, active el interruptor de alimentación principal y agarre el mango (la palanca de desbloqueo se libera al agarrar) y después apriete el gatillo interruptor. La velocidad se incrementa aumentando la presión en el gatillo interruptor. Para detener la herramienta, suelte el gatillo interruptor.

## Ajuste de la velocidad

Puede seleccionar la velocidad de la herramienta tocando el botón de alimentación principal. Cada vez que toque el botón de alimentación principal, cambiará el nivel de velocidad.

► **Fig.10:** 1. Indicador de velocidad 2. Botón de alimentación principal

Indicador de velocidad	Modo
3  2  1 	Alto
3  2  1 	Medio
3  2  1 	Bajo

## Botón de inversión para retirar restos

**⚠ADVERTENCIA:** Apague la herramienta y retire el cartucho de batería antes de retirar hiervas enredadas o restos que la función de giro inverso no puede retirar. No apagar la herramienta y retirar el cartucho de batería puede resultar en heridas personales graves a causa de una puesta en marcha accidental.

Esta herramienta tiene un botón de inversión para cambiar la dirección de giro. Este es solamente para retirar hiervas y restos enredados en la herramienta. Para invertir el giro, toque el botón de inversión y apriete el gatillo interruptor mientras presiona hacia dentro la palanca de desbloqueo cuando el implemento de corte esté parado. Los indicadores de velocidad comenzarán a parpadear, y el implemento de corte girará en dirección inversa cuando apriete el gatillo interruptor.

Para volver al giro regular, suelte el gatillo y espere hasta que el implemento de corte se haya parado.

► **Fig.11:** 1. Indicador de velocidad 2. Botón de inversión

**NOTA:** Durante el giro inverso, la herramienta funciona solamente durante un periodo de tiempo corto y después se para.

**NOTA:** Una vez que la herramienta se para, el giro vuelve a la dirección regular cuando usted pone en marcha la herramienta otra vez.

**NOTA:** Si golpea ligeramente el botón de inversión mientras el implemento de corte todavía está girando, la herramienta se detendrá y estará lista para el giro inverso.

## Función electrónica de control del par de apriete

La herramienta detecta electrónicamente una disminución repentina de la velocidad de giro que puede ocasionar un retroceso brusco. En esta situación, la herramienta se detiene automáticamente para evitar que el implemento de corte siga girando. Para volver a poner en marcha la herramienta, suelte el gatillo interruptor. Despeje la causa de la reducción repentina de la velocidad de giro y después encienda la herramienta.

**NOTA:** Esta función no es una medida de prevención de los retrocesos bruscos.

## MONTAJE

**⚠️ ADVERTENCIA:** Asegúrese siempre de que la herramienta está apagada y el cartucho de batería retirado antes de realizar cualquier trabajo en la herramienta. No apagar la herramienta y retirar el cartucho de batería puede resultar en heridas personales graves a causa de una puesta en marcha accidental.

**⚠️ ADVERTENCIA:** No ponga nunca en marcha la herramienta a menos que esté completamente ensamblada. La operación de la herramienta en un estado parcialmente ensamblado podrá resultar en heridas personales graves a causa de un arranque accidental.

### Montaje del mango

Coloque el mango con las abrazaderas y pernos suministrados. Asegúrese de que el mango está situado entre el espaciador y la marca de flecha. No retire o contraiga el espaciador.

► **Fig.12:** 1. Abrazadera 2. Perno de cabeza hueca hexagonal 3. Mango 4. Marca de flecha 5. Espaciador

Cuando utilice los accesorios siguientes, asegúrese de colocar la barrera en el mango utilizando el tornillo de la barrera.

- Accesorio para desbrozadora \*
- Accesorio de tijeras rotativas
- Accesorio de desbrozadora \*
- Accesorio rebordeador

\*. Solo cuando está colocada la cuchilla de metal

► **Fig.13:** 1. Barrera 2. Tornillo

### Montaje del tubo accesorio

**⚠️ PRECAUCIÓN:** Compruebe siempre que el tubo accesorio está sujetado después de la instalación. Una instalación incorrecta puede ocasionar que el accesorio se caiga de la unidad motriz y causar heridas personales.

Monte el tubo accesorio en la unidad de alimentación.

1. Gire la palanca de la unidad motriz hacia el lado del accesorio.

► **Fig.14:** 1. Palanca

2. Retire la tapa del accesorio. Alinee el pasador con la marca de flecha e inserte el tubo accesorio hasta que emerja el botón de liberación.

► **Fig.15:** 1. Botón de liberación 2. Marca de flecha 3. Pasador

3. Gire la palanca hacia el lado de la unidad motriz.

► **Fig.16:** 1. Palanca

Asegúrese de que la superficie de la palanca está paralela al tubo.

Para retirar el tubo, gire la palanca hacia el lado del accesorio y extraiga el tubo mientras mantiene presionado el botón de liberación.

► **Fig.17:** 1. Botón de liberación 2. Palanca 3. Tubo

## Ajuste de la posición del mango

Ajuste la posición del mango para obtener un manejo de la herramienta cómodo.

Afloje el perno de cabeza hueca hexagonal del mango. Mueva el mango hasta una posición de trabajo cómoda y después apriete el perno.

► **Fig.18:** 1. Mango 2. Perno de cabeza hueca hexagonal

## Colocación del arnés de hombro

**⚠️ ADVERTENCIA:** Tenga mucho cuidado de mantener el control de la herramienta en todo momento. No permita que la herramienta se desvíe hacia usted o hacia cualquiera que se encuentre cerca de usted. No mantener el control de la herramienta puede resultar en heridas graves a los transeúntes y el operario.

**⚠️ PRECAUCIÓN:** Cuando utilice la herramienta en combinación con el suministro de alimentación tipo mochila tal como una unidad portátil de alimentación eléctrica, no utilice el arnés de hombro incluido en el paquete de la herramienta, sino que utilice la cinta colgante recomendada por Makita.

Si se pone el arnés de hombro incluido en el paquete de la herramienta y el arnés de hombro del suministro de alimentación tipo mochila al mismo tiempo, le resultará difícil quitarse la herramienta o el suministro de alimentación tipo mochila en caso de una emergencia, y esto podrá ocasionar un accidente o heridas. Para la cinta colgante recomendada, pregunte en centros de servicio autorizados de Makita.

**⚠️ PRECAUCIÓN:** Utilice siempre el arnés de hombro fijado en la herramienta. Antes de la operación, ajuste el arnés de hombro de acuerdo con la talla del usuario para evitar la fatiga.

**⚠️ PRECAUCIÓN:** Antes de la operación, asegúrese de que el arnés de hombro está colocado debidamente en la herramienta.

1. Prenda el gancho del arnés de hombro en la anilla y en el colgador de la herramienta.

► **Fig.19:** 1. Anilla 2. Gancho 3. Colgador



2. Póngase el arnés de hombro en su hombro izquierdo. Ajuste el arnés de hombro en una posición de trabajo cómoda.

► Fig.20

El arnés de hombro cuenta con un medio de desenganche rápido.

Simplemente apriete los costados de la hebilla para desenganchar la herramienta del arnés de hombro.

► Fig.21: 1. Hebilla

## Para guardar la llave hexagonal

**⚠PRECAUCIÓN:** Tenga cuidado de no dejar la llave hexagonal insertada en el cabezal de la herramienta. Podrá ocasionar heridas y/o dañar a la herramienta.

Cuando no se esté utilizando, almacene la llave hexagonal como se muestra en la ilustración para evitar perderla.

► Fig.22: 1. Mango 2. Llave hexagonal

## MANTENIMIENTO

**⚠ADVERTENCIA:** Asegúrese siempre de que la herramienta está apagada y el cartucho de batería retirado antes de intentar hacer una inspección o mantenimiento en la herramienta. No apagar la herramienta y retirar el cartucho de batería puede resultar en heridas personales graves a causa de una puesta en marcha accidental.

**AVISO:** No utilice nunca gasolina, bencina, disolvente, alcohol o similares. Podría producir descoloración, deformación o grietas.

Para mantener la SEGURIDAD y FIABILIDAD del producto, las reparaciones, y cualquier otra tarea de mantenimiento o ajuste deberán ser realizadas en centros de servicio o de fábrica autorizados por Makita, empleando siempre repuestos Makita.

## Limpieza de la herramienta

Limpie la herramienta quitando el polvo, la suciedad, o el pasto cortado con un paño seco o uno sumergido en agua jabonosa y escurrido. Para evitar el recalentamiento de la herramienta, asegúrese de retirar la hierba cortada o los desechos adheridos a la abertura de ventilación de la herramienta.

## Protector de batería

**⚠ADVERTENCIA:** No retire el protector de batería. No utilice la herramienta con el protector de batería retirado o dañado. Un impacto directo al cartucho de batería puede ocasionar un mal funcionamiento de la batería y resultar en heridas y/o incendio. Si el protector de batería se deforma o daña, póngase en contacto con el centro de servicio autorizado para hacer reparaciones.

► Fig.23: 1. Protector de batería

## SOLUCIÓN DE PROBLEMAS

Antes de solicitar reparaciones, realice su propia inspección en primer lugar. Si encuentra un problema que no está explicado en el manual, no intente desmontar la herramienta. En su lugar, pregunte en los centros de servicio autorizados Makita, utilizando siempre piezas de recambio Makita para las reparaciones.

Estado de anormalidad	Causa probable (mal funcionamiento)	Remedio
El motor no se pone en marcha.	El cartucho de batería no está instalado.	Instale el cartucho de batería.
	Problema de batería (poca tensión)	Recargue la batería. Si la recarga no se realiza efectivamente, reemplace la batería.
	El sistema de accionamiento no funciona correctamente.	Pida a su centro de servicio autorizado local que le hagan la reparación.
El motor se para después de usarlo un poco.	El giro está en inverso.	Cambie la dirección de giro con el interruptor inversor.
	El nivel de carga de la batería es bajo.	Recargue la batería. Si la recarga no se realiza efectivamente, reemplace la batería.
	Recalentamiento.	Deje de utilizar la herramienta para permitir que se enfríe.
No alcanza el máximo de RPM.	La batería está instalada incorrectamente.	Instale el cartucho de batería como se describe en este manual.
	La potencia de la batería está cayendo.	Recargue la batería. Si la recarga no se realiza efectivamente, reemplace la batería.
	El sistema de accionamiento no funciona correctamente.	Pida a su centro de servicio autorizado local que le hagan la reparación.

# ACCESORIOS OPCIONALES

**⚠PRECAUCIÓN:** Estos accesorios o aditamentos están recomendados para su uso con la herramienta Makita especificada en este manual.

El uso de cualquier otro accesorio o aditamento puede suponer un riesgo de heridas personales.

Utilice el accesorio o aditamento solamente con la finalidad indicada para el mismo.

Si necesita cualquier ayuda para más detalles en relación con estos accesorios, pregunte al centro de servicio Makita local.

Consulte la sección “Accesorio homologado” para ver los modelos aplicables para esta herramienta.

- Accesorio para Desbrozadora
- Accesorio para Desbrozadora
- Accesorio de tijeras rotativas
- Accesorio de cortador de pasto
- Accesorio para cortasetos
- Accesorio de corte a ras de piso
- Accesorio para sierra de extensión
- Accesorio para cultivador
- Accesorio rebordeador
- Accesorio para cosecha de café
- Accesorio para extensión del eje
- Accesorio de cepillado motorizado
- Accesorio barredor motorizado
- Accesorio de sopladora
- Accesorio de bomba
- Accesorio para deshierbar
- Batería y cargador genuinos de Makita

**NOTA:** Algunos elementos de la lista podrán estar incluidos en el paquete de la herramienta como accesorios estándar. Pueden variar de un país a otro.

# ESPECIFICAÇÕES

Modelo:		UX01G
Velocidade sem carga (sem implemento)	Baixa	0 - 5.700 min <sup>-1</sup>
	Média	0 - 8.200 min <sup>-1</sup>
	Alta	0 - 9.700 min <sup>-1</sup>
Comprimento total (sem bateria)		1.001 mm
Tensão nominal		C.C. 36 V - 40 V máx.
Peso líquido	*1	3,5 kg
	*2	5,3 kg - 12,5 kg
Grau de proteção		IPX4

- Devido a um programa contínuo de pesquisa e desenvolvimento, estas especificações estão sujeitas a alteração sem aviso prévio.
  - As especificações podem variar de país para país.
- \*1: Peso sem quaisquer acessórios ou bateria(s)  
 \*2: O peso poderá diferir em função do(s) acessório(s), incluindo a bateria. As combinações mais leve e mais pesada, de acordo com o Procedimento EPTA 01/2014, são apresentadas na tabela.

## Bateria e carregador aplicável

Tipo	Bateria					
	BL4020	BL4025	BL4040	BL4040F	BL4050F	BL4080F
Implemento roçadeira	Disponível	Disponível	Recomendada	Recomendada	Recomendada	Recomendada
Implemento aparador de grama	Disponível	Disponível	Recomendada	Recomendada	Recomendada	Recomendada
Acessório tesoura rotativa	Disponível	Disponível	Recomendada	Recomendada	Recomendada	Recomendada
Acessório para aparador de grama	Disponível	Disponível	Recomendada	Recomendada	Recomendada	Recomendada
Implemento aparador de cerca viva	Disponível	Recomendada	Recomendada	Recomendada	Recomendada	Recomendada
Implemento aparador de grama	Disponível	Recomendada	Recomendada	Recomendada	Recomendada	Recomendada
Implemento podador	Disponível	Disponível	Recomendada	Recomendada	Recomendada	Recomendada
Implemento cultivador	Disponível	Disponível	Recomendada	Recomendada	Recomendada	Recomendada
Aparador de cantos	Disponível	Recomendada	Recomendada	Recomendada	Recomendada	Recomendada
Implemento derriçador	Disponível	Disponível	Recomendada	Recomendada	Recomendada	Recomendada
Implemento Escova para Varrer	Disponível	Disponível	Recomendada	Recomendada	Recomendada	Recomendada
Implemento de Borracha para Varrer	Disponível	Disponível	Recomendada	Recomendada	Recomendada	Recomendada
Implemento soprador	Disponível	Disponível	Recomendada	Recomendada	Recomendada	Recomendada
Acessório de bomba	Disponível	Recomendada	Recomendada	Recomendada	Recomendada	Recomendada
Implemento de capina	Disponível	Recomendada	Recomendada	Recomendada	Recomendada	Recomendada
Carregador	DC40RA / DC40RB / DC40RC / DC40WA					

- Algumas das baterias e carregadores listados acima poderão não estar disponíveis, dependendo da sua região de residência.

**AVISO:** Utilize apenas as baterias e carregadores listados acima. A utilização de quaisquer outras baterias e carregadores pode causar ferimentos e/ou um incêndio.

## Fonte de alimentação ligada por fio recomendada

Adaptador de baterias tipo mochila	PDC01 / PDC1200 / PDC1500
------------------------------------	---------------------------

- A(s) fonte(s) de alimentação ligada(s) por fio listada(s) acima pode(m) não estar disponível(eis) dependendo da sua região de residência.
- Antes de utilizar a fonte de alimentação ligada por fio, leia as instruções e etiquetas de precaução na mesma.

## Velocidade sem carga com acessório

Modelo	Velocidade de rotação		
	Baixa	Média	Alta
EM401MP	0 - 4.200 min <sup>-1</sup>	0 - 6.000 min <sup>-1</sup>	0 - 7.100 min <sup>-1</sup>
EM404MP / EM406MP	0 - 3.500 min <sup>-1</sup>	0 - 5.000 min <sup>-1</sup>	0 - 6.000 min <sup>-1</sup>
EM407MP	Lâmina superior	0 - 220 min <sup>-1</sup>	0 - 310 min <sup>-1</sup>
	Lâmina inferior	0 - 470 min <sup>-1</sup>	0 - 790 min <sup>-1</sup>
EM408MP / EM409MP	0 - 4.200 min <sup>-1</sup>	0 - 6.000 min <sup>-1</sup>	0 - 7.100 min <sup>-1</sup>
EN401MP / EN402MP / EN410MP / EN420MP / EN422MP / EN424MP (Cursos por minuto)	0 - 2.400 min <sup>-1</sup>	0 - 3.400 min <sup>-1</sup>	0 - 4.000 min <sup>-1</sup>
EY403MP (velocidade da corrente)	0 - 11 m/s	0 - 16 m/s	0 - 19 m/s
KR400MP	0 - 160 min <sup>-1</sup>	0 - 230 min <sup>-1</sup>	0 - 280 min <sup>-1</sup>
KR401MP	0 - 130 min <sup>-1</sup>	0 - 190 min <sup>-1</sup>	0 - 230 min <sup>-1</sup>
EE400MP	0 - 2.800 min <sup>-1</sup>	0 - 4.000 min <sup>-1</sup>	0 - 4.700 min <sup>-1</sup>
EJ400MP	0 - 1.600 min <sup>-1</sup>	0 - 2.300 min <sup>-1</sup>	0 - 2.800 min <sup>-1</sup>
BR400MP	0 - 130 min <sup>-1</sup>	0 - 190 min <sup>-1</sup>	0 - 230 min <sup>-1</sup>
SW400MP	0 - 130 min <sup>-1</sup>	0 - 190 min <sup>-1</sup>	0 - 230 min <sup>-1</sup>
UB400MP	0 - 5.650 min <sup>-1</sup>	0 - 7.800 min <sup>-1</sup>	0 - 9.450 min <sup>-1</sup>
UB401MP	0 - 5.650 min <sup>-1</sup>	0 - 7.800 min <sup>-1</sup>	0 - 9.450 min <sup>-1</sup>
UB402MP	0 - 5.700 min <sup>-1</sup>	0 - 8.100 min <sup>-1</sup>	0 - 9.600 min <sup>-1</sup>
PF400MP	0 - 5.600 min <sup>-1</sup>	0 - 8.100 min <sup>-1</sup>	0 - 9.500 min <sup>-1</sup>
WA400MP	0 - 570 min <sup>-1</sup>	0 - 815 min <sup>-1</sup>	0 - 970 min <sup>-1</sup>

## Implemento aprovado

Tipo	Modelo
Implemento Roçadeira	EM401MP / EM404MP
Implemento Aparador de Grama	EM406MP
Acessório tesoura rotativa	EM407MP
Acessório para aparador de grama	EM408MP / EM409MP
Implemento Aparador de Cerca Viva	EN401MP / EN402MP / EN410MP
Implemento Aparador de Grama	EN420MP / EN422MP / EN424MP
Implemento Podador	EY403MP
Implemento Cultivador	KR400MP / KR401MP
Aparador de Cantos	EE400MP
Implemento Derriçador	EJ400MP
Extensão do Tubo	LE400MP
Implemento Escova para Varrer	BR400MP
Implemento de Borracha para Varrer	SW400MP
Acessório do soprador	UB400MP / UB401MP / UB402MP
Acessório de bomba	PF400MP

Tipo	Modelo
Implemento de capina	WA400MP

## Símbolos

A seguir são apresentados os símbolos que podem ser utilizados para o equipamento. Certifique-se de que compreende o seu significado antes da utilização.



Leia o manual de instruções.



Tenha especial cuidado e atenção.



Não exponha à humidade.



Ni-MH  
Li-ion

Apenas para países da UE  
Devido à presença de componentes perigosos no equipamento, os resíduos de equipamentos elétricos e eletrónicos, acumuladores e baterias podem ter um impacto negativo no meio ambiente e na saúde humana.

Não elimine aparelhos elétricos e eletrónicos ou baterias juntamente com resíduos domésticos!

De acordo com a Diretiva europeia relativa aos resíduos de equipamentos elétricos e eletrónicos, acumuladores e baterias, bem como a respetiva adaptação à legislação nacional, os resíduos de equipamentos elétricos e eletrónicos, acumuladores e baterias devem ser armazenados separadamente e entregues num ponto de recolha separado para resíduos municipais, que opere de acordo com os regulamentos de proteção ambiental.

Tal é indicado pelo símbolo de contentor de lixo com rodas barrado com uma cruz colocado no equipamento.

## Utilização a que se destina

Esta ferramenta multifuncional a bateria tem como função acionar um implemento aprovado listado na secção “ESPECIFICAÇÕES” deste manual de instruções. Nunca utilize a unidade para outros fins.

**AVISO:** Leia o manual de instruções do implemento, bem como este manual de instruções, antes de utilizar. O não cumprimento destes avisos e instruções pode resultar em ferimentos graves.

## Ruído

Implemento		Nível de pressão sonora		Nível garantido de potência sonora	Nível medido de potência sonora		Padrão aplicável
		L <sub>pA</sub> (dB (A))	K de incerteza (dB (A))		L <sub>WA</sub> (dB (A))	K de incerteza (dB (A))	
EM401MP (como roçadeira)		79,8	1,2	-	94,8	2,5	ISO22868 (ISO11806-1)
EM401MP (como aparador de grama)	Cabeça de corte de nylon	80,1	1,0	-	94,3	2,0	ISO22868 (ISO11806-1)/ EN50636-2-91
	Lâmina de plástico	79,4	1,0	-	91,4	2,1	ISO22868 (ISO11806-1)/ EN50636-2-91
EM404MP (como roçadeira)		79,4	1,4	-	92,0	1,0	ISO22868 (ISO11806-1)
EM404MP (como aparador de grama)	Cabeça de corte de nylon	80,7	1,3	-	91,9	1,4	ISO22868 (ISO11806-1)/ EN50636-2-91
	Lâmina de plástico	78,6	0,7	-	87,8	0,4	ISO22868 (ISO11806-1)/ EN50636-2-91

Implemento		Nível de pressão sonora		Nível garantido de potência sonora	Nível medido de potência sonora		Padrão aplicável
		L <sub>PA</sub> (dB (A))	K de incerteza (dB (A))		L <sub>WA</sub> (dB (A))	L <sub>WA</sub> (dB (A))	
EM406MP	Cabeça de corte de nylon	81,3	0,6	-	93,4	2,1	ISO22868 (ISO11806-1)/ EN50636-2-91
	Lâmina de plástico	78,8	0,4	-	87,9	0,6	ISO22868 (ISO11806-1)/ EN50636-2-91
EM407MP		84,7	1,7	-	99,0	1,3	ISO22868 (ISO11806-1)
EM408MP	Lâmina de metal	80,7	1,7	-	94,7	3,0	ISO22868 (ISO11806-1)
	Cabeça de corte de nylon	79,5	1,3	-	92,8	2,7	ISO22868 (ISO11806-1)/ EN50636-2-91
	Lâmina de plástico	80,5	1,1	-	92,2	2,8	ISO22868 (ISO11806-1)/ EN50636-2-91
EM409MP	Cabeça de corte de nylon	80,6	1,2	-	93,4	2,3	ISO22868 (ISO11806-1)/ EN50636-2-91
	Lâmina de plástico	81,0	1,4	-	91,9	2,4	ISO22868 (ISO11806-1)/ EN50636-2-91
EN401MP		85	3	96	95	1,1	EN62841-4-2
EN401MP + LE400MP		82	3	98	96	1,4	EN62841-4-2
EN402MP		83	3	95	92	2,3	EN62841-4-2
EN402MP + LE400MP		79	3	96	94	1,8	EN62841-4-2
EN410MP		81	3	93	91	2,0	EN62841-4-2
EN410MP + LE400MP		80	3	93	91	1,7	EN62841-4-2
EN420MP		84	3	94	94	0,4	EN62841-4-2
EN422MP		81	3	94	92	1,9	EN62841-4-2
EN424MP		80	3	-	88	3	EN62841-1
EY403MP		95	3	-	102	3	ISO22868 (ISO11680-1)
EY403MP+LE400MP		95	3	-	102	3	ISO22868 (ISO11680-1)
KR400MP		77,8	0,7	-	86,6	1,2	EN709
KR401MP		77,7	0,3	-	86,7	2,0	EN709
EE400MP		76,1	1,7	-	88,2	2,3	ISO11789 / 2000/14/EC
EJ400MP		82,9	0,6	-	94,4	1,5	ISO22868 (ISO11806-1)
EJ400MP + LE400MP		79,7	1,4	-	94,0	0,7	ISO22868 (ISO11806-1)
BR400MP		80,2	1,0	-	88,9	0,8	EN60335-2-72
SW400MP		80,3	0,2	-	88,3	0,6	EN60335-2-72
UB400MP		92,1	1,6	-	104,1	1,3	EN50636-2-100
UB401MP		85,6	2,1	-	97,1	1,0	EN50636-2-100
UB402MP		81,7	1,9	-	90,8	1,7	EN50636-2-100
PF400MP		75	2,5	-	90	2,5	ISO20361

Implemento	Nível de pressão sonora		Nível garantido de potência sonora	Nível medido de potência sonora		Padrão aplicável
	$L_{pA}$ (dB (A))	K de incerteza (dB (A))	$L_{WA}$ (dB (A))	$L_{WA}$ (dB (A))	K de incerteza (dB (A))	
WA400MP	77	3	-	89	3	ISO22868 (ISO11806-1)

- Mesmo que o nível de pressão sonora indicado acima seja 80 dB (A) ou menos, o nível durante o trabalho pode exceder os 80 dB (A). Utilize proteção auricular.

**NOTA:** O(s) valor(es) da emissão de ruído indicado(s) foi medido de acordo com um método de teste padrão e pode ser utilizado para comparar duas ferramentas.

**NOTA:** O(s) valor(es) da emissão de ruído indicado(s) pode também ser utilizado na avaliação preliminar da exposição.

**⚠️ AVISO:** Utilize protetores auriculares.

**⚠️ AVISO:** A emissão de ruído durante a utilização real da ferramenta elétrica pode diferir do(s) valor(es) indicado(s), dependendo das formas como a ferramenta é utilizada, especialmente o tipo de peça de trabalho que é processada.

**⚠️ AVISO:** Certifique-se de identificar as medidas de segurança para proteção do operador que sejam baseadas em uma estimativa de exposição em condições reais de utilização (considerando todas as partes do ciclo de operação, tal como quando a ferramenta está desligada e quando está a funcionar em marcha lenta além do tempo de acionamento).

## Vibração

Implemento		Pega esquerda (punho frontal)		Pega direita (punho traseiro)		Padrão aplicável
		ah (m/s <sup>2</sup> )	K de incerteza (m/s <sup>2</sup> )	ah (m/s <sup>2</sup> )	K de incerteza (m/s <sup>2</sup> )	
EM401MP (como roçadeira)		2,5 ou menos	1,5	2,5 ou menos	1,5	ISO22867 (ISO11806-1)
EM401MP (como aparador de grama)	Cabeça de corte de nylon	3,7	1,5	3,0	1,5	ISO22867 (ISO11806-1)
	Lâmina de plástico	2,5 ou menos	1,5	2,5 ou menos	1,5	ISO22867 (ISO11806-1)
EM404MP (como roçadeira)		2,5 ou menos	1,5	2,5 ou menos	1,5	ISO22867 (ISO11806-1)
EM404MP (como aparador de grama)	Cabeça de corte de nylon	2,5 ou menos	1,5	2,5 ou menos	1,5	ISO22867 (ISO11806-1)
	Lâmina de plástico	2,5 ou menos	1,5	2,5 ou menos	1,5	ISO22867 (ISO11806-1)
EM406MP	Cabeça de corte de nylon	2,5 ou menos	1,5	2,5 ou menos	1,5	ISO22867 (ISO11806-1)
	Lâmina de plástico	2,5 ou menos	1,5	2,5 ou menos	1,5	ISO22867 (ISO11806-1)
EM407MP		2,5 ou menos	1,5	2,5 ou menos	1,5	ISO22867 (ISO11806-1)
EM408MP	Lâmina de metal	2,5 ou menos	1,5	2,5 ou menos	1,5	ISO22867 (ISO11806-1)
	Cabeça de corte de nylon	2,5 ou menos	1,5	2,5 ou menos	1,5	ISO22867 (ISO11806-1)
	Lâmina de plástico	2,5 ou menos	1,5	2,5 ou menos	1,5	ISO22867 (ISO11806-1)
EM409MP	Cabeça de corte de nylon	2,5 ou menos	1,5	2,5 ou menos	1,5	ISO22867 (ISO11806-1)
	Lâmina de plástico	2,5 ou menos	1,5	2,5 ou menos	1,5	ISO22867 (ISO11806-1)

Implemento	Pega esquerda (punho frontal)		Pega direita (punho traseiro)		Padrão aplicável
	ah (m/s <sup>2</sup> )	K de incerteza (m/s <sup>2</sup> )	ah (m/s <sup>2</sup> )	K de incerteza (m/s <sup>2</sup> )	
EN401MP	3,4	1,5	2,5 ou menos	1,5	EN62841-4-2
EN401MP + LE400MP	5,4	1,5	2,7	1,5	EN62841-4-2
EN402MP	2,5 ou menos	1,5	2,5	1,5	EN62841-4-2
EN402MP + LE400MP	5,0	1,5	3,4	1,5	EN62841-4-2
EN410MP	6,7	1,5	3,1	1,5	EN62841-4-2
EN410MP + LE400MP	4,4	1,5	2,5 ou menos	1,5	EN62841-4-2
EN420MP	2,9	1,5	2,5 ou menos	1,5	EN62841-4-2
EN422MP	2,5 ou menos	1,5	2,5	1,5	EN62841-4-2
EN424MP	2,5 ou menos	1,5	2,5 ou menos	1,5	EN62841-1
EY403MP	4,0	1,5	2,5 ou menos	1,5	ISO22867 (ISO11680-1)
EY403MP+LE400MP	3,2	1,5	2,5 ou menos	1,5	ISO22867 (ISO11680-1)
KR400MP	2,5 ou menos	1,5	2,5 ou menos	1,5	EN709
KR401MP	2,5 ou menos	1,5	2,5 ou menos	1,5	EN709
EE400MP	2,5 ou menos	1,5	2,5 ou menos	1,5	ISO11789
EJ400MP	3,5	1,5	3,9	1,5	ISO22867 (ISO11806-1)
EJ400MP + LE400MP	4,8	1,5	2,6	1,5	ISO22867 (ISO11806-1)
BR400MP	2,5 ou menos	1,5	2,5 ou menos	1,5	EN60335-2-72
SW400MP	2,5	1,5	2,5 ou menos	1,5	EN60335-2-72
UB400MP	4,6	1,5	2,5 ou menos	2,5	EN50636-2-100
UB401MP	2,5 ou menos	1,7	2,5 ou menos	1,5	EN50636-2-100
UB402MP	2,5 ou menos	1,5	2,5 ou menos	1,5	EN50636-2-100
PF400MP	2,5 ou menos	1,5	2,5 ou menos	1,5	ISO22867
WA400MP	2,8	1,5	2,5 ou menos	1,5	ISO22867 (ISO11806-1)

**NOTA:** O(s) valor(es) total(ais) de vibração indicado(s) foi medido de acordo com um método de teste padrão e pode ser utilizado para comparar duas ferramentas.

**NOTA:** O(s) valor(es) total(ais) de vibração indicado(s) pode também ser utilizado na avaliação preliminar da exposição.

**⚠️ AVISO:** A emissão de vibração durante a utilização real da ferramenta elétrica pode diferir do(s) valor(es) indicado(s), dependendo das formas como a ferramenta é utilizada, especialmente o tipo de peça de trabalho que é processada.

**⚠️ AVISO:** Certifique-se de identificar as medidas de segurança para proteção do operador que sejam baseadas em uma estimativa de exposição em condições reais de utilização (considerando todas as partes do ciclo de operação, tal como quando a ferramenta está desligada e quando está a funcionar em marcha lenta além do tempo de acionamento).



## Declarações de conformidade

### *Apenas para os países europeus*

As Declarações de conformidade estão incluídas no Anexo A deste manual de instruções.

## AVISOS DE SEGURANÇA

### Avisos gerais de segurança para ferramentas elétricas

**⚠️ AVISO** Leia todos os avisos de segurança, instruções, ilustrações e especificações fornecidos com esta ferramenta elétrica. O incumprimento de todas as instruções abaixo enumeradas pode resultar em choque elétrico, incêndio e/ou ferimentos graves.

### Guarde todos os avisos e instruções para futuras referências.

O termo "ferramenta elétrica" nos avisos refere-se às ferramentas elétricas ligadas à corrente elétrica (com cabo) ou às ferramentas elétricas operadas por meio de bateria (sem cabo).

### Instruções de segurança adicionais

#### Equipamento de proteção pessoal

► Fig.1

1. Use capacete de proteção, óculos de proteção e luvas de proteção para proteger-se contra detritos arremessados ou queda de objetos.
2. Use proteção auditiva, tais como tampões para os ouvidos para evitar a perda de audição.
3. Use vestuário e calçado adequados para o funcionamento seguro, tais como uniforme de trabalho e calçado resistente antidesslizante. Não use vestuário solto nem joias. O vestuário solto, as joias ou o cabelo longo podem ficar presos nas peças em movimento.
4. Use luvas de proteção quando tocar na lâmina de corte. As lâminas de corte podem cortar as mãos gravemente.

#### Segurança da área de trabalho

1. Antes da operação, examine a área de trabalho para ver se há pedras ou outros objetos sólidos. Estes podem ser arremessados ou causar ressalto perigoso e resultar em ferimentos graves e/ou danos materiais.

#### Segurança elétrica e da bateria

1. Evite ambientes perigosos. Não utilize a ferramenta em locais húmidos ou molhados, nem a exponha à chuva. A água que entra na ferramenta aumenta o risco de choque elétrico.
2. Não elimine a(s) bateria(s) no fogo. A célula pode explodir. Verifique com os códigos locais as possíveis instruções de eliminação especiais.

3. Não abra nem mutile a(s) bateria(s). O eletrólito libertado é corrosivo e pode provocar danos nos olhos ou na pele. Pode ser tóxico se for engolido.
4. Não carregue a bateria sob chuva ou em locais húmidos.
5. Não substitua a bateria com as mãos molhadas.
6. Não substitua a bateria à chuva.
7. Não molhe o terminal da bateria com líquido, tal como água, nem submerja a bateria. Não deixe a bateria à chuva nem carregue, utilize ou guarde a bateria num local húmido ou molhado. Se o terminal ficar molhado ou entrar líquido para a bateria, a bateria pode entrar em curto-circuito e existe um risco de sobreaquecimento, incêndio ou explosão.
8. Após remover a bateria da ferramenta ou do carregador, certifique-se de que prende a tampa da bateria à bateria e guarde-a num local seco.
9. Se a bateria ficar húmida, drene a água no exterior e limpe-a com um pano seco. Seque a bateria completamente num local seco antes de utilizá-la.

#### Colocar em funcionamento

1. A ferramenta de corte tem de estar equipada com o resguardo. Nunca execute a ferramenta com resguardos danificados ou sem ter os resguardos instalados no lugar!
2. Certifique-se de que não há cabos elétricos, tubos de água, tubos de gás, etc., que possam constituir um perigo se danificados pela utilização da ferramenta.

#### Operação

1. Mantenha sempre as suas mãos, rosto e vestuário longe da ferramenta de corte quando estiver a rodar. Se não o fizer poderá causar lesões físicas.
2. Durante a operação, mantenha os espetadores ou animais a, pelo menos, 15 m de distância da ferramenta. Pare a ferramenta assim que alguém se aproximar.
3. Durante a operação, nunca esteja numa superfície instável ou escorregadia, nem uma zona muito inclinada. Durante a época fria, tenha cuidado com o gelo e a neve e garanta sempre uma base segura.
4. Nunca utilize a ferramenta em cima de uma escada ou árvore para evitar a perda de controlo.
5. Quando deixar a ferramenta, mesmo que seja por um curto espaço de tempo, remova sempre a bateria. A ferramenta sem supervisão com a bateria instalada pode ser utilizada por pessoas não autorizadas e provocar acidentes graves.
6. Antes de efetuar o arranque da ferramenta, certifique-se de que a ferramenta de corte não está a tocar no solo e noutros objetos, tais como uma árvore.
7. Verifique o implemento de corte com frequência durante a operação para ver se apresenta rachas ou danos. Antes da inspeção, remova

- a bateria e aguarde até o implemento de corte parar completamente. Substitua o implemento de corte danificado imediatamente, mesmo que tenha apenas rachas superficiais.
8. Não utilize a ferramenta em más condições atmosféricas ou quando existe o risco de relâmpagos.
  9. Durante a operação, segure sempre a ferramenta com as duas mãos. Nunca agarre na ferramenta só com uma mão durante a utilização.
  10. Durante a operação, utilize o arnês para o ombro. Mantenha a ferramenta firmemente do seu lado direito.
  11. Não toque na caixa de engrenagens durante e imediatamente após a operação. A caixa de engrenagens aquece durante o funcionamento e pode causar lesões por queimadura.
  12. Descanse para prevenir a perda de controle provocada pela fadiga. Recomendamos que descanse 10 a 20 minutos por cada hora de trabalho.
  13. Quando utilizar a ferramenta em terreno lamacento, declives húmidos ou local escorregadio, preste atenção ao seu posicionamento.
  14. Evite trabalhar num ambiente adverso no qual se preveja um aumento da fadiga do utilizador.
  15. Não utilize a ferramenta em más condições atmosféricas, nas quais a visibilidade seja limitada. Caso contrário, pode ocorrer a queda ou a operação incorreta devido a baixa visibilidade.
  16. Não submerja a ferramenta numa poça.
  17. Não deixe a ferramenta sem supervisão no exterior à chuva.
  18. Quando folhas molhadas ou sujidade aderirem à boca de sucção (janela de ventilação) devido a chuva, remova-as.
  19. Não utilize a ferramenta na neve.

## Ferramentas de corte

1. Quando utilizar lâminas de corte, evite ressaltos e prepare-se sempre para um ressalto accidental. Consulte a secção Ressaltos.
2. Quando não estiver a utilizar a ferramenta, prenda a cobertura da lâmina à lâmina. Remova a tampa antes da utilização.

## Ressaltos (impulso da lâmina)

1. O ressalto (impulso da lâmina) é uma reação repentina a uma lâmina de corte presa ou torta. Quando ocorrer, a ferramenta é arremessada lateralmente ou na direção do operador com uma força significativa e pode provocar ferimentos graves.
2. Os ressaltos ocorrem particularmente quando o segmento da lâmina entre as 12 e as 2 horas é aplicado em objetos sólidos, arbustos e árvores com um diâmetro de 3 cm ou superior.

### ► Fig.2

3. Para evitar ressaltos:
  1. Aplique o segmento entre as 8 e as 11 horas.
  2. Nunca aplique o segmento entre as 12 e as 2 horas.

3. Nunca aplique o segmento entre as 11 e as 12 horas e entre as 2 e as 5 horas, salvo se o operador estiver bem treinado e possuir experiência e decidir fazê-lo por sua conta e risco.
4. Nunca utilize as lâminas de corte junto a objetos sólidos, tais como vedações, paredes, troncos de árvores e pedras.
5. Nunca utilize as lâminas de corte na vertical para operações como aparar e aparar sebes.

### ► Fig.3

## Vibração

1. As pessoas com má circulação que sejam expostas a vibração excessiva podem experimentar lesões nos vasos sanguíneos ou no sistema nervoso. A vibração pode causar a ocorrência dos seguintes sintomas nos dedos, mãos ou pulsos: "Adormecimento" (dormência), formigueiro, dor, sensação aguda, alteração da cor da pele ou alteração da pele. Se ocorrer qual-quer um destes sintomas, consulte um médico!
2. Para reduzir o risco de "doença do dedo branco", mantenha as mãos quentes durante o funcionamento, e realize a manutenção adequada da ferramenta e dos acessórios.

## Transporte

1. Desligue a ferramenta e remova a bateria antes de transportar a ferramenta. Acople a tampa na lâmina de corte.

## Manutenção

1. Antes de realizar quaisquer trabalhos de manutenção ou reparação ou de limpar a ferramenta, desligue sempre a ferramenta e remova a bateria.
2. Quando manusear a lâmina de corte, use sempre luvas e coloque a cobertura da lâmina na lâmina.
3. Mantenha as mãos secas, limpas e sem óleo e massa lubrificante. Mantenha todas as entradas de ar de arrefecimento livres de resíduos.
4. Não lave a ferramenta com água a alta pressão.
5. Quando lavar a ferramenta, não deixe entrar água no mecanismo elétrico, tais como a bateria, motor e terminais.
6. Realize a inspeção ou a manutenção num local no qual possa evitar-se a chuva.
7. Após utilizar a ferramenta, remova a sujidade aderida e seque a ferramenta completamente antes de guardá-la. Dependendo da estação do ano ou da área, existe um risco de avaria devido a congelamento.

## Armazenamento

1. Antes de armazenar a ferramenta, realize uma limpeza e manutenção totais. Retire a bateria. Acople a tampa na lâmina de corte.
2. Armazene a ferramenta num local seco e alto ou trancado, longe do alcance das crianças.

- Quando guardar a ferramenta, evite a luz solar direta e a chuva e guarde-a num local onde não fique quente ou húmido.

## Instruções de segurança importantes para a bateria

- Antes de utilizar a bateria, leia todas as instruções e etiquetas de precaução no (1) carregador de bateria (2) bateria e (3) produto que utiliza a bateria.
- Não desmonte ou manipule a bateria. Pode resultar num incêndio, em calor excessivo ou numa explosão.
- Se o tempo de funcionamento se tornar excessivamente curto, pare o funcionamento imediatamente. Pode resultar em sobreaquecimento, possíveis queimaduras e mesmo explosão.
- Se entrar eletrólito nos seus olhos, lave-os com água e consulte imediatamente um médico. Pode resultar em perda de visão.
- Não coloque a bateria em curto-circuito:
  - Não toque nos terminais com qualquer material condutor.
  - Evite guardar a bateria juntamente com outros objetos metálicos tais como pregos, moedas, etc.
  - Não exponha a bateria à água ou chuva. Um curto-circuito pode ocasionar um enorme fluxo de corrente, sobreaquecimento, possíveis queimaduras e mesmo estragar-se.
- Não guarde nem utilize a ferramenta e a bateria em locais onde a temperatura pode atingir ou exceder 50 °C.
- Não queime a bateria mesmo que esteja estragada ou completamente gasta. A bateria pode explodir no fogo.
- Não pregue, corte, esmague, atire, deixe cair a bateria, nem bata a bateria contra um objeto rijo. Esta conduta pode resultar num incêndio, em calor excessivo ou numa explosão.
- Não utilize uma bateria danificada.
- As baterias de íões de lítio contidas na ferramenta são sujeitas aos requisitos da DGL (Dangerous Goods Legislation - Legislação de bens perigosos).

Para o transporte comercial, por exemplo, por terceiros ou agentes de expedição, têm de ser observados os requisitos referentes à embalagem e etiquetagem.

Para preparação do artigo a ser expedido, é necessário consultar um perito em materiais perigosos. Tenha ainda em conta a possibilidade de existirem regulamentos nacionais mais detalhados.

Coloque fita-cola ou tape os contactos abertos e embale a bateria de tal forma que não possa mover-se dentro da embalagem.
- Quando eliminar a bateria, remova-a da ferramenta e elimine-a num local seguro. Siga os regulamentos locais relacionados com a eliminação de baterias.

- Utilize as baterias apenas com os produtos especificados pela Makita. Instalar as baterias em produtos não-conformes poderá resultar num incêndio, calor excessivo, explosão ou fuga de eletrólito.
- Se a ferramenta não for utilizada durante um período de tempo prolongado, a bateria deve ser removida da ferramenta.
- Durante e após a utilização, a bateria pode aquecer, o que pode provocar queimaduras ou queimaduras a baixa temperatura. Preste atenção ao manuseamento de baterias quentes.
- Não toque no terminal da ferramenta imediatamente após a utilização, pois pode ficar suficientemente quente para provocar queimaduras.
- Não permita a adesão de aparas, pó ou sujidade nos terminais, nos orifícios e nas ranhuras da bateria. Poderá fazer com que a ferramenta ou a bateria aqueça, incendeie, rebente e avarie, resultando em queimaduras ou ferimentos corporais.
- A menos que a ferramenta suporte a utilização perto de linhas elétricas de alta tensão, não utilize a bateria perto de linhas elétricas de alta tensão. Pode resultar no mau funcionamento ou na avaria da ferramenta ou bateria.
- Mantenha a bateria afastada das crianças.

## GUARDE ESTAS INSTRUÇÕES.

**⚠PRECAUÇÃO:** Utilize apenas baterias genuínas da Makita. A utilização de baterias não genuínas da Makita ou de baterias que foram alteradas, pode resultar no rebentamento da bateria provocando incêndios, ferimentos pessoais e danos. Além disso, anulará da garantia da Makita no que se refere à ferramenta e ao carregador Makita.

## Conselhos para manter a máxima vida útil da bateria

- Carregue a bateria antes que esteja completamente descarregada. Pare sempre o funcionamento da ferramenta e carregue a bateria quando notar menos poder na ferramenta.
- Nunca carregue uma bateria completamente carregada. Carregamento excessivo diminui a vida útil da bateria.
- Carregue a bateria à temperatura ambiente de 10 °C – 40 °C. Deixe que uma bateria quente arrefeça antes de a carregar.
- Quando não utilizar a bateria, remova-a da ferramenta ou do carregador.
- Carregue a bateria se não a utilizar durante um longo período de tempo (mais de seis meses).

# DESCRIÇÃO DAS PEÇAS

► Fig.4

1	Bateria	2	Alavanca de desbloqueio	3	Anexo	4	Pega
5	Botão de libertação	6	Barreira	7	Gatilho	8	Indicador de velocidade
9	Botão de alimentação principal	10	Luz de precaução	11	Botão de inversão	12	Amês para o ombro

## DESCRIÇÃO FUNCIONAL

**⚠️ AVISO:** Certifique-se sempre de que a ferramenta está desligada e que a bateria foi removida antes de ajustar ou verificar o funcionamento da ferramenta. Não desligar a ferramenta e não remover a bateria pode resultar em ferimentos pessoais graves devido a arranque acidental.

### Instalação ou remoção da bateria

**⚠️ PRECAUÇÃO:** Desligue sempre a ferramenta antes de colocar ou retirar a bateria.

**⚠️ PRECAUÇÃO:** Segure firmemente a ferramenta e a bateria quando instalar ou remover a bateria. Se não segurar firmemente a ferramenta e a bateria pode fazer com que escorreguem das suas mãos resultando em danos na ferramenta e na bateria e ferimentos pessoais.

Para instalar a bateria, alinhe a lingueta na bateria com a ranhura na caixa e deslize-a para a posição correta. Insira-a por completo até bloquear na posição correta com um pequeno clique. Se conseguir ver o indicador vermelho conforme apresentado na figura, não está completamente bloqueada.

Para retirar a bateria, deslize-a para fora da ferramenta enquanto desliza o botão na frente da bateria.

► Fig.5: 1. Indicador vermelho 2. Botão 3. Bateria

**⚠️ PRECAUÇÃO:** Instale sempre a bateria até ao fim, até deixar de ver o indicador vermelho.

Caso contrário, a bateria poderá cair da ferramenta acidentalmente e provocar ferimentos em si mesmo ou em alguém próximo.

**⚠️ PRECAUÇÃO:** Não instale a bateria à força. Se a bateria não deslizar facilmente é porque não foi colocada corretamente.

### Sistema de proteção da ferramenta/bateria

A ferramenta está equipada com um sistema de proteção da ferramenta/bateria. Este sistema desliga automaticamente a alimentação do motor para prolongar a vida útil da ferramenta e da bateria. A ferramenta para automaticamente durante o funcionamento se estiver sujeita a uma das seguintes condições:

► Fig.6: 1. Luz de precaução

Luz de precaução			Estado
Cor	● Aceso	● A piscar	
Verde		●	Sobrecarga
Vermelho	● (ferramenta) / ● (bateria)	●	Sobreaquecimento
Vermelho		●	Sobrecarga

### Proteção contra sobrecarga

Se a ferramenta ou a bateria se deparar com uma das seguintes situações, a ferramenta para automaticamente e a luz de precaução começa a piscar a verde:

- A ferramenta está sobrecarregada com ervas enredadas ou outros detritos.
- A ferramenta de corte está bloqueada ou ressalta.
- O botão de alimentação principal acende enquanto o gatilho do interruptor estiver a ser puxado.

Nesta situação, solte o gatilho do interruptor e remova as ervas enredadas ou os detritos, se necessário. Em seguida, puxe novamente o gatilho do interruptor para retomar o funcionamento.

**⚠️ PRECAUÇÃO:** Se necessitar de remover as ervas enredadas na ferramenta ou soltar a ferramenta de corte bloqueada, certifique-se de que desliga a ferramenta antes de iniciar.

### Proteção contra sobreaquecimento da ferramenta ou bateria

Se a ferramenta ou a bateria estiver sobreaquecida, a ferramenta para automaticamente. Quando a ferramenta estiver sobreaquecida, a luz de precaução acende a vermelho. Quando a bateria estiver sobreaquecida, a luz de precaução pisca a vermelho. Deixe a ferramenta e/ou bateria arrefecer antes de a voltar a ligar.

### Proteção contra descarga excessiva

Quando a capacidade da bateria diminuir, a ferramenta para automaticamente e a luz de precaução começa a piscar a vermelho.

Se a ferramenta não funcionar mesmo quando os interruptores são acionados, retire a bateria da ferramenta e carregue-a.

## Indicação da capacidade restante da bateria

Prima o botão de verificação na bateria para indicar a capacidade restante da bateria. As luzes indicadoras acendem durante alguns segundos.

► **Fig.7:** 1. Luzes indicadoras 2. Botão de verificação

Luzes indicadoras			Capacidade restante
Aceso	Apagado	A piscar	
			75% a 100%
			50% a 75%
			25% a 50%
			0% a 25%
			Carregar a bateria.
			A bateria pode estar avariada.

**NOTA:** Dependendo das condições de utilização e da temperatura ambiente, a indicação pode ser ligeiramente diferente da capacidade real.

**NOTA:** A primeira luz indicadora (extremo esquerdo) pisca quando o sistema de proteção da bateria funciona.

## Interruptor de alimentação principal

**AVISO:** Desligue sempre o interruptor de alimentação principal quando não está a utilizar.

Pressione o botão de alimentação principal para ligar a ferramenta. Para desligar a ferramenta, prima e mantenha premido o botão de alimentação principal até os indicadores de velocidade apagarem.

► **Fig.8:** 1. Botão de alimentação principal

**NOTA:** A luz de precaução pisca se o gatilho do interruptor for puxado em condições de não funcionamento. A luz de precaução pisca se ligar o interruptor de alimentação principal enquanto pressiona a alavanca de desbloqueio e o gatilho do interruptor para baixo.

**NOTA:** Esta ferramenta tem uma função de desligar automático. Para evitar o arranque não intencional, o interruptor de alimentação principal desliga automaticamente quando o gatilho do interruptor não é puxado durante um determinado período de tempo, depois de se ligar o interruptor de alimentação principal.

## Ação do interruptor

**AVISO:** Para sua segurança, esta ferramenta está equipada com uma alavanca de desbloqueio que impede a ferramenta de arrancar não intencionalmente. NUNCA utilize a ferramenta se ela funcionar quando puxar o gatilho do interruptor sem premir a alavanca de desbloqueio. Entregue a ferramenta num centro de assistência autorizado para que lhe sejam feitas as reparações adequadas ANTES de voltar a utilizar.

**AVISO:** NUNCA coloque fita nem prejudique o funcionamento e a finalidade da alavanca de desbloqueio.

**PRECAUÇÃO:** Antes de colocar a bateria na ferramenta, verifique sempre se o gatilho do interruptor funciona corretamente e volta para a posição "OFF" quando libertado.

**PRECAUÇÃO:** Nunca coloque o dedo no botão de alimentação principal e no gatilho do interruptor quando transportar a ferramenta. A ferramenta pode arrancar inadvertidamente e causar ferimentos.

**OBSERVAÇÃO:** Não puxe o gatilho com força sem premir a alavanca de desbloqueio. Pode partir o gatilho.

Para evitar que o gatilho seja puxado acidentalmente, existe uma alavanca de desbloqueio.

► **Fig.9:** 1. Alavanca de desbloqueio 2. Gatilho

Para pôr a ferramenta a funcionar, ligue o interruptor de alimentação principal e agarre na pega (a alavanca de desbloqueio é libertada quando agarrar na pega) e puxe o gatilho do interruptor. A velocidade da ferramenta é aumentada quando se aumenta a pressão no gatilho do interruptor. Para parar a ferramenta, liberte o gatilho do interruptor.

## Ajuste da velocidade

Podemos selecionar a velocidade da ferramenta tocando no botão de alimentação principal. Sempre que tocar no botão de alimentação principal, o nível de velocidade muda.

► **Fig.10:** 1. Indicador de velocidade 2. Botão de alimentação principal

Indicador de velocidade	Modo
3 2 1	Alto
3 2 1	Médio
3 2 1	Baixo

## Botão de inversão para a remoção de detritos

**⚠️ AVISO:** Desligue a ferramenta e retire a bateria antes de remover as ervas enredadas ou os detritos que a rotação inversa não conseguir remover. Não desligar a ferramenta e não remover a bateria pode resultar em ferimentos pessoais graves devido a arranque acidental.

Esta ferramenta tem um botão de inversão para mudar a direção de rotação. Serve apenas para remover as ervas e os resíduos enredados na ferramenta. Para inverter a rotação, toque no botão de inversão e puxe o gatilho do interruptor enquanto pressiona a alavanca de desbloqueio quando a ferramenta de corte estiver parada. Os indicadores de velocidade começam a piscar e a ferramenta de corte roda na direção inversa quando puxa o gatilho do interruptor. Para voltar à rotação normal, solte o gatilho e aguarde até a ferramenta de corte parar.

► **Fig.11:** 1. Indicador de velocidade 2. Botão de inversão

**NOTA:** Durante a rotação de inversão, a ferramenta opera apenas durante um curto período de tempo e, depois, para automaticamente.

**NOTA:** Assim que a ferramenta para, a rotação volta à direção normal assim que voltar a ligar a ferramenta.

**NOTA:** Se tocar no botão de inversão enquanto a ferramenta de corte ainda está a rodar, a ferramenta para e fica pronta para a rotação inversa.

## Função de controlo eletrónico do binário

A ferramenta deteta eletronicamente uma queda abrupta na velocidade de rotação, que pode provocar ressaltos. Nesta situação, a ferramenta para automaticamente para evitar que a ferramenta de corte continue a rodar. Para reiniciar a ferramenta, liberte o gatilho do interruptor. Elimine a causa da queda abrupta da velocidade de rotação e ligue a ferramenta.

**NOTA:** Esta função não é uma medida preventiva para ressaltos.

## MONTAGEM

**⚠️ AVISO:** Certifique-se sempre de que a ferramenta está desligada e que a bateria foi removida antes de efetuar quaisquer trabalhos na ferramenta. Não desligar a ferramenta e não remover a bateria pode resultar em ferimentos pessoais graves devido a arranque acidental.

**⚠️ AVISO:** Nunca ponha a ferramenta a funcionar a não ser quando está completamente montada. A operação da ferramenta num estado parcialmente montado pode resultar em ferimentos pessoais graves provocados pelo arranque acidental.

## Montar a pega

Prenda a pega com as braçadeiras e os pernos fornecidos. Certifique-se de que a pega está localizada entre o espaçador e a marca da seta. Não retire nem encolha o espaçador.

► **Fig.12:** 1. Braçadeira 2. Perno de encaixe hexagonal 3. Pega 4. Marca da seta 5. Espaçador

Quando utilizar os seguintes acessórios, certifique-se de que prende a barreira na pega utilizando o parafuso na barreira.

- Implemento roçadeira \*
- Acessório tesoura rotativa
- Acessório para aparador de grama \*
- Aparador de cantos

\*. Apenas quando a lâmina de metal estiver presa.

► **Fig.13:** 1. Barreira 2. Parafuso

## Montar o tubo de fixação

**⚠️ PRECAUÇÃO:** Verifique sempre se o tubo de fixação está fixo após a instalação. A instalação incorreta pode causar a queda do implemento da unidade de alimentação e causar ferimentos.

Montar o tubo de fixação na unidade de alimentação.

1. Rode a alavanca da unidade de alimentação em direção ao lado do acessório.

► **Fig.14:** 1. Alavanca

2. Remova a tampa do acessório. Alinhe o pino com a marca da seta e insira o tubo de fixação até o botão de libertação sair.

► **Fig.15:** 1. Botão de libertação 2. Marca da seta 3. Pino

3. Rode a alavanca em direção ao lado da unidade de alimentação.

► **Fig.16:** 1. Alavanca

Certifique-se de que a superfície da alavanca está paralela ao tubo.

Para remover o tubo, rode a alavanca em direção ao lado do acessório e puxe o tubo para fora, pressionando ao mesmo tempo o botão de libertação para baixo.

► **Fig.17:** 1. Botão de libertação 2. Alavanca 3. Tubo

## Ajustar a posição da pega

Ajuste a posição da pega para obter um manuseamento confortável da ferramenta.

Solte o perno de cabeça sextavada na pega. Mova a pega para uma posição de trabalho confortável e, de seguida, aperte o perno.

► **Fig.18:** 1. Pega 2. Perno de cabeça sextavada

## Prender o arnês para o ombro

**⚠️ AVISO:** Tenha extremo cuidado para manter o controlo da ferramenta em todos os momentos. Não permita que a ferramenta se desvie na sua direção ou na de outras pessoas nas proximidades do trabalho. Se não conseguir manter o controlo da ferramenta, pode provocar ferimentos graves nos espetadores e no operador.

**⚠️ PRECAUÇÃO:** Quando utilizar a ferramenta em combinação com a fonte de alimentação tipo mochila como o adaptador de baterias tipo mochila, não utilize o arnês para o ombro incluído na embalagem da ferramenta, mas utilize a fita para pendurar recomendada pela Makita.

Se colocar o arnês para o ombro incluído na embalagem da ferramenta e o arnês para o ombro da fonte de alimentação tipo mochila ao mesmo tempo, a remoção da ferramenta ou da fonte de alimentação tipo mochila é difícil em caso de emergência e pode causar um acidente ou ferimentos. Para obter a fita para pendurar recomendada, solicite-a nos centros de assistência autorizados da Makita.

**⚠️ PRECAUÇÃO:** Utilize sempre o arnês para o ombro preso à ferramenta. Antes da operação, ajuste o arnês para o ombro de acordo com o tamanho do utilizador para impedir a fadiga.

**⚠️ PRECAUÇÃO:** Antes do funcionamento, certifique-se de que o arnês para o ombro está devidamente preso na ferramenta.

1. Feche o gancho no arnês para o ombro para o anel e o anexo da ferramenta.

► Fig.19: 1. Anel 2. Gancho 3. Anexo

2. Coloque o arnês para o ombro no seu ombro esquerdo. Ajuste o arnês para o ombro para uma posição de trabalho confortável.

► Fig.20

O arnês para o ombro dispõe de um meio de libertação rápida.

Basta apertar as laterais da fivela para soltar a ferramenta do arnês para o ombro.

► Fig.21: 1. Fivela

## Armazenamento da chave hexagonal

**⚠️ PRECAUÇÃO:** Tenha cuidado para não deixar a chave hexagonal inserida na cabeça da ferramenta. Pode causar ferimentos e/ou danos na ferramenta.

Quando não estiver a ser utilizada, guarde a chave hexagonal conforme ilustrado para evitar perdê-la.

► Fig.22: 1. Pega 2. Chave hexagonal

## MANUTENÇÃO

**⚠️ AVISO:** Certifique-se sempre de que a ferramenta está desligada e que a bateria foi removida antes de tentar efetuar uma inspeção ou manutenção na ferramenta. Não desligar a ferramenta e não remover a bateria pode resultar em ferimentos pessoais graves devido a arranque acidental.

**OBSERVAÇÃO:** Nunca utilize gasolina, benzina, diluente, álcool ou produtos semelhantes. Pode ocorrer a descoloração, deformação ou rachaduras.

Para manter a SEGURANÇA e a FIABILIDADE do produto, as reparações e qualquer outra manutenção ou ajuste devem ser levados a cabo pelos centros de assistência Makita autorizados ou pelos centros de assistência de fábrica, utilizando sempre peças de substituição Makita.

## Limpar a ferramenta

Limpe a ferramenta retirando o pó, sujidade ou relva cortada com um pano seco ou um embebido em água com sabão e torça. Para evitar o sobreaquecimento da ferramenta, certifique-se de que remove a relva cortada ou os resíduos que tenham aderido à abertura de ventilação da ferramenta.

## Resguardo da bateria

**⚠️ AVISO:** Não retire o resguardo da bateria. Em momento algum utilize a ferramenta se o resguardo não estiver instalado ou se estiver danificado. Um impacto direto na bateria pode provocar avarias na mesma e resultar em ferimentos e/ou um incêndio. Se o resguardo da bateria estiver deformado ou danificado, contacte um centro de assistência autorizado e solicite a reparação.

► Fig.23: 1. Resguardo da bateria

# RESOLUÇÃO DE PROBLEMAS

Antes de pedir uma reparação, realize primeiro a sua própria inspeção. Se encontrar um problema que não esteja explicado no manual, não tente desmontar a ferramenta. Em vez disso, peça as reparações nos centros de assistência técnica autorizados da Makita, usando sempre peças de substituição da Makita.

Estado da anomalia	Causa provável (avaria)	Correção
O motor não funciona.	A bateria não está instalada.	Instale a bateria.
	Problema com a bateria (baixa tensão)	Recarregue a bateria. Se o carregamento não for eficaz, substitua a bateria.
	O sistema de acionamento não funciona corretamente.	Peça a reparação no centro de assistência autorizado local.
O motor para de funcionar após pouco uso.	A rotação está em inversão.	Mude a direção de rotação com o interruptor de inversão.
	O nível de carga da bateria está baixo.	Recarregue a bateria. Se o carregamento não for eficaz, substitua a bateria.
	Sobreaquecimento.	Pare a utilização da ferramenta para que ela possa arrefecer.
Não atinge o máximo das RPM.	A bateria está mal instalada.	Instale a bateria como descrito neste manual.
	A potência da bateria está a baixar.	Recarregue a bateria. Se o carregamento não for eficaz, substitua a bateria.
	O sistema de acionamento não funciona corretamente.	Peça a reparação no centro de assistência autorizado local.

## ACESSÓRIOS OPCIONAIS

**⚠PRECAUÇÃO:** Estes acessórios ou peças são recomendados para utilização com a ferramenta Makita especificada neste manual. A utilização de outros acessórios ou peças pode ser perigosa para as pessoas. Utilize apenas acessórios ou peças para os fins indicados.

**NOTA:** Alguns itens da lista podem estar incluídos na embalagem da ferramenta como acessórios padrão. Eles podem variar de país para país.

Se necessitar de informações adicionais relativas a estes acessórios, solicite-as ao seu centro de assistência Makita.

Consulte a secção "Implemento aprovado" para os modelos aplicáveis desta ferramenta.

- Implemento Roçadeira
- Implemento Aparador de Grama
- Acessório tesoura rotativa
- Acessório para aparador de grama
- Implemento aparador de cerca viva
- Implemento aparador de grama
- Implemento podador
- Implemento cultivador
- Aparador de cantos
- Implemento derriçador
- Extensão do tubo
- Implemento Escova para Varrer
- Implemento de Borracha para Varrer
- Implemento soprador
- Acessório de bomba
- Implemento de capina
- Bateria e carregador genuínos da Makita



## SPECIFIKATIONER

Model:		UX01G
Hastighed uden belastning (uden tilbehør)	Lav	0 - 5.700 min <sup>-1</sup>
	Middel	0 - 8.200 min <sup>-1</sup>
	Høj	0 - 9.700 min <sup>-1</sup>
Længde i alt (uden akku)		1.001 mm
Mærkespænding		D.C. 36 V - 40 V maks.
Nettovægt	*1	3,5 kg
	*2	5,3 kg - 12,5 kg
Beskyttelsesgrad		IPX4

- På grund af vores kontinuerlige forsknings- og udviklingsprogrammer kan hosstående specifikationer blive ændret uden varsel.
- Specifikationer kan variere fra land til land.

\*1: Vægt uden tilbehør eller akku(er)

\*2: Vægten kan variere afhængigt af tilbehøret, herunder akkuen. De letteste og tungeste kombinationer, i henhold til EPTA-procedure 01/2014, er vist i tabellen.

### Anvendelig akku og oplader

Type	Akku					
	BL4020	BL4025	BL4040	BL4040F	BL4050F	BL4080F
Tilbehør til buskrydder	Til rådighed	Til rådighed	Anbefalet	Anbefalet	Anbefalet	Anbefalet
Tilbehør til trådtrimmer	Til rådighed	Til rådighed	Anbefalet	Anbefalet	Anbefalet	Anbefalet
Tilbehør til roterende saks	Til rådighed	Til rådighed	Anbefalet	Anbefalet	Anbefalet	Anbefalet
Tilbehør til græstrimmer	Til rådighed	Til rådighed	Anbefalet	Anbefalet	Anbefalet	Anbefalet
Tilbehør til hækkeklipper	Til rådighed	Anbefalet	Anbefalet	Anbefalet	Anbefalet	Anbefalet
Tilbehør til buskrydder	Til rådighed	Anbefalet	Anbefalet	Anbefalet	Anbefalet	Anbefalet
Tilbehør til stangsav	Til rådighed	Til rådighed	Anbefalet	Anbefalet	Anbefalet	Anbefalet
Tilbehør til kultivator	Til rådighed	Til rådighed	Anbefalet	Anbefalet	Anbefalet	Anbefalet
Tilbehør til kantskærer	Til rådighed	Anbefalet	Anbefalet	Anbefalet	Anbefalet	Anbefalet
Tilbehør til kaffehøster	Til rådighed	Til rådighed	Anbefalet	Anbefalet	Anbefalet	Anbefalet
Tilbehør til motorbørste	Til rådighed	Til rådighed	Anbefalet	Anbefalet	Anbefalet	Anbefalet
Tilbehør til motorfejmaskine	Til rådighed	Til rådighed	Anbefalet	Anbefalet	Anbefalet	Anbefalet
Blæsertilbehør	Til rådighed	Til rådighed	Anbefalet	Anbefalet	Anbefalet	Anbefalet
Pumpertilbehør	Til rådighed	Anbefalet	Anbefalet	Anbefalet	Anbefalet	Anbefalet
Ukrudstilbehør	Til rådighed	Anbefalet	Anbefalet	Anbefalet	Anbefalet	Anbefalet
Oplader	DC40RA / DC40RB / DC40RC / DC40WA					

- Nogle af de akkuer og opladere, der er angivet ovenfor, er muligvis ikke tilgængelige, afhængigt af hvilket område du bor i.

**⚠ ADVARSEL:** Brug kun de akkuer og opladere, der er angivet ovenfor. Brug af andre akkuer og opladere kan medføre personskaade og/eller brand.

## Anbefalet ledningstilsluttet strømforsyningskilde

Bærbær strømforsyning	PDC01 / PDC1200 / PDC1500
-----------------------	---------------------------

- Den eller de ovenfor anførte ledningstilsluttede strømforsyningskilder er muligvis ikke tilgængelige, afhængigt af hvilket område du bor i.
- Inden du bruger den ledningstilsluttede strømforsyningskilde, skal du læse instruktionen og advarselsmærkerne på dem.

## Hastighed uden belastning med tilbehør

Model		Rotationshastighed		
		Lav	Middel	Høj
EM401MP		0 - 4.200 min <sup>-1</sup>	0 - 6.000 min <sup>-1</sup>	0 - 7.100 min <sup>-1</sup>
EM404MP / EM406MP		0 - 3.500 min <sup>-1</sup>	0 - 5.000 min <sup>-1</sup>	0 - 6.000 min <sup>-1</sup>
EM407MP	Øverste klinge	0 - 220 min <sup>-1</sup>	0 - 310 min <sup>-1</sup>	0 - 370 min <sup>-1</sup>
	Nederste klinge	0 - 470 min <sup>-1</sup>	0 - 670 min <sup>-1</sup>	0 - 790 min <sup>-1</sup>
EM408MP / EM409MP		0 - 4.200 min <sup>-1</sup>	0 - 6.000 min <sup>-1</sup>	0 - 7.100 min <sup>-1</sup>
EN401MP / EN402MP / EN410MP / EN420MP / EN422MP / EN424MP (Antal slag pr. minut)		0 - 2.400 min <sup>-1</sup>	0 - 3.400 min <sup>-1</sup>	0 - 4.000 min <sup>-1</sup>
EY403MP (kædehastighed)		0 - 11 m/s	0 - 16 m/s	0 - 19 m/s
KR400MP		0 - 160 min <sup>-1</sup>	0 - 230 min <sup>-1</sup>	0 - 280 min <sup>-1</sup>
KR401MP		0 - 130 min <sup>-1</sup>	0 - 190 min <sup>-1</sup>	0 - 230 min <sup>-1</sup>
EE400MP		0 - 2.800 min <sup>-1</sup>	0 - 4.000 min <sup>-1</sup>	0 - 4.700 min <sup>-1</sup>
EJ400MP		0 - 1.600 min <sup>-1</sup>	0 - 2.300 min <sup>-1</sup>	0 - 2.800 min <sup>-1</sup>
BR400MP		0 - 130 min <sup>-1</sup>	0 - 190 min <sup>-1</sup>	0 - 230 min <sup>-1</sup>
SW400MP		0 - 130 min <sup>-1</sup>	0 - 190 min <sup>-1</sup>	0 - 230 min <sup>-1</sup>
UB400MP		0 - 5.650 min <sup>-1</sup>	0 - 7.800 min <sup>-1</sup>	0 - 9.450 min <sup>-1</sup>
UB401MP		0 - 5.650 min <sup>-1</sup>	0 - 7.800 min <sup>-1</sup>	0 - 9.450 min <sup>-1</sup>
UB402MP		0 - 5.700 min <sup>-1</sup>	0 - 8.100 min <sup>-1</sup>	0 - 9.600 min <sup>-1</sup>
PF400MP		0 - 5.600 min <sup>-1</sup>	0 - 8.100 min <sup>-1</sup>	0 - 9.500 min <sup>-1</sup>
WA400MP		0 - 570 min <sup>-1</sup>	0 - 815 min <sup>-1</sup>	0 - 970 min <sup>-1</sup>

## Godkendt tilbehør

Type	Model
Tilbehør til buskrydder	EM401MP / EM404MP
Tilbehør til trådtrimmer	EM406MP
Tilbehør til roterende saks	EM407MP
Tilbehør til græstrimmer	EM408MP / EM409MP
Tilbehør til hækkeklipper	EN401MP / EN402MP / EN410MP
Tilbehør til buskrydder	EN420MP / EN422MP / EN424MP
Tilbehør til stangsav	EY403MP
Tilbehør til kultivator	KR400MP / KR401MP
Tilbehør til kantskærer	EE400MP
Tilbehør til kaffehøster	EJ400MP
Tilbehør til skaffforlænger	LE400MP
Tilbehør til motorbørste	BR400MP
Tilbehør til motorfejmaskine	SW400MP
Blæsertilbehør	UB400MP / UB401MP / UB402MP
Pumpetilbehør	PF400MP

Type	Model
Ukrudstilbehør	WA400MP

## Symboler

Følgende viser de symboler, der muligvis anvendes til udstyret. Sørg for, at du forstår deres betydning før brugen.



Læs betjeningsvejledningen.



Udvis særlig forsigtighed og opmærksomhed.



Må ikke udsættes for fugt.



Ni-MH  
Li-ion

Kun for lande inden for EU

På grund af tilstedeværelsen af farlige komponenter i udstyret kan affald af elektrisk og elektronisk udstyr, akkumulatører og batterier have en negativ indvirkning på miljøet og folkesundheden. Bortskaf ikke elektriske og elektroniske apparater eller batterier sammen med husholdningsaffald! I overensstemmelse med EF-direktiv om affaldshåndtering af elektrisk og elektronisk udstyr og om akkumulatører og batterier og affaldsakkumulatører og -batterier, og i overensstemmelse med national lovgivning, skal brugt elektrisk udstyr, batterier og akkumulatører opbevares separat og leveres til et separat indsamlingssted for kommunalt affald, der er etableret i henhold til bestemmelserne om miljøbeskyttelse. Dette er angivet ved symbolet på den krydsede skraldespand, der er placeret på udstyret.

## Tilsløbet anvendelse

Dette akku flerfunktions motorhoved er beregnet til at drive det godkendte tilbehør, der er angivet i afsnittet "SPECIFIKATIONER" i denne brugsanvisning. Brug aldrig enheden til andre formål.



**ADVARSEL: Læs brugsanvisningen til tilbehøret samt denne brugsanvisning, før brugen.**

Hvis du ikke følger alle advarsler og instruktioner, kan det medføre alvorlig personskade.

## Støj

Tilbehør		Lydtrykniveau		Garanteret lydeffektniveau	Målt lydeffektniveau		Gældende standard
		L <sub>pA</sub> (dB (A))	Usikkerhed K (dB (A))		L <sub>WA</sub> (dB (A))	Usikkerhed K (dB (A))	
EM401MP (som buskrydder)		79,8	1,2	-	94,8	2,5	ISO22868 (ISO11806-1)
EM401MP (som trådtrimmer)	Nylonskærehoved	80,1	1,0	-	94,3	2,0	ISO22868 (ISO11806-1)/ EN50636-2-91
	Plastikklinge	79,4	1,0	-	91,4	2,1	ISO22868 (ISO11806-1)/ EN50636-2-91
EM404MP (som buskrydder)		79,4	1,4	-	92,0	1,0	ISO22868 (ISO11806-1)
EM404MP (som trådtrimmer)	Nylonskærehoved	80,7	1,3	-	91,9	1,4	ISO22868 (ISO11806-1)/ EN50636-2-91
	Plastikklinge	78,6	0,7	-	87,8	0,4	ISO22868 (ISO11806-1)/ EN50636-2-91
EM406MP	Nylonskærehoved	81,3	0,6	-	93,4	2,1	ISO22868 (ISO11806-1)/ EN50636-2-91
	Plastikklinge	78,8	0,4	-	87,9	0,6	ISO22868 (ISO11806-1)/ EN50636-2-91

Tilbehør		Lydtrykniveau		Garanteret lydeffektniveau	Målt lydeffektniveau		Gældende standard
		L <sub>pA</sub> (dB (A))	Usikkerhed K (dB (A))		L <sub>WA</sub> (dB (A))	L <sub>WA</sub> (dB (A))	
EM407MP		84,7	1,7	-	99,0	1,3	ISO22868 (ISO11806-1)
EM408MP	Metalklinge	80,7	1,7	-	94,7	3,0	ISO22868 (ISO11806-1)
	Nylonskærehoved	79,5	1,3	-	92,8	2,7	ISO22868 (ISO11806-1)/ EN50636-2-91
	Plastikklinge	80,5	1,1	-	92,2	2,8	ISO22868 (ISO11806-1)/ EN50636-2-91
EM409MP	Nylonskærehoved	80,6	1,2	-	93,4	2,3	ISO22868 (ISO11806-1)/ EN50636-2-91
	Plastikklinge	81,0	1,4	-	91,9	2,4	ISO22868 (ISO11806-1)/ EN50636-2-91
EN401MP		85	3	96	95	1,1	EN62841-4-2
EN401MP + LE400MP		82	3	98	96	1,4	EN62841-4-2
EN402MP		83	3	95	92	2,3	EN62841-4-2
EN402MP + LE400MP		79	3	96	94	1,8	EN62841-4-2
EN410MP		81	3	93	91	2,0	EN62841-4-2
EN410MP + LE400MP		80	3	93	91	1,7	EN62841-4-2
EN420MP		84	3	94	94	0,4	EN62841-4-2
EN422MP		81	3	94	92	1,9	EN62841-4-2
EN424MP		80	3	-	88	3	EN62841-1
EY403MP		95	3	-	102	3	ISO22868 (ISO11680-1)
EY403MP+LE400MP		95	3	-	102	3	ISO22868 (ISO11680-1)
KR400MP		77,8	0,7	-	86,6	1,2	EN709
KR401MP		77,7	0,3	-	86,7	2,0	EN709
EE400MP		76,1	1,7	-	88,2	2,3	ISO11789 / 2000/14/EC
EJ400MP		82,9	0,6	-	94,4	1,5	ISO22868 (ISO11806-1)
EJ400MP + LE400MP		79,7	1,4	-	94,0	0,7	ISO22868 (ISO11806-1)
BR400MP		80,2	1,0	-	88,9	0,8	EN60335-2-72
SW400MP		80,3	0,2	-	88,3	0,6	EN60335-2-72
UB400MP		92,1	1,6	-	104,1	1,3	EN50636-2-100
UB401MP		85,6	2,1	-	97,1	1,0	EN50636-2-100
UB402MP		81,7	1,9	-	90,8	1,7	EN50636-2-100
PF400MP		75	2,5	-	90	2,5	ISO20361
WA400MP		77	3	-	89	3	ISO22868 (ISO11806-1)

- Selv om det lydtrykniveau, der er angivet ovenfor, er 80 dB (A) eller derunder, kan niveauet under arbejdet overskride 80 dB (A). Bær høreværn.

**BEMÆRK:** De(n) angivne støjemissionsværdi(er) er målt i overensstemmelse med en standardtestmetode og kan anvendes til at sammenligne en maskine med en anden.

**BEMÆRK:** De(n) angivne støjemissionsværdi(er) kan også anvendes i en præliminær eksponeringsvurdering.

**⚠ ADVARSEL:** Bær høreværn.

**⚠ ADVARSEL:** Støjemissionen under den faktiske anvendelse af maskinen kan være forskellig fra de(n) angivne værdi(er), afhængigt af den måde hvorpå maskinen anvendes, især den type arbejdsemne der behandles.

**⚠ ADVARSEL:** Sørg for at identificere de sikkerhedsforskrifter til beskyttelse af operatøren, som er baseret på en vurdering af eksponering under de faktiske brugsforhold (med hensyntagen til alle dele i brugsklassen, f.eks. de gange, hvor maskinen er slukket, og når den kører i tomgang i tilgift til afbrydertiden).

## Vibration

Tilbehør		Venstre håndtag (forreste greb)		Højre håndtag (bageste greb)		Gældende standard
		ah (m/s <sup>2</sup> )	Usikkerhed K (m/s <sup>2</sup> )	ah (m/s <sup>2</sup> )	Usikkerhed K (m/s <sup>2</sup> )	
EM401MP (som en buskrydder)		2,5 eller mindre	1,5	2,5 eller mindre	1,5	ISO22867 (ISO11806-1)
EM401MP (som trådtrimmer)	Nylonskærehoved	3,7	1,5	3,0	1,5	ISO22867 (ISO11806-1)
	Plastikklinge	2,5 eller mindre	1,5	2,5 eller mindre	1,5	ISO22867 (ISO11806-1)
EM404MP (som buskrydder)		2,5 eller mindre	1,5	2,5 eller mindre	1,5	ISO22867 (ISO11806-1)
EM404MP (som trådtrimmer)	Nylonskærehoved	2,5 eller mindre	1,5	2,5 eller mindre	1,5	ISO22867 (ISO11806-1)
	Plastikklinge	2,5 eller mindre	1,5	2,5 eller mindre	1,5	ISO22867 (ISO11806-1)
EM406MP	Nylonskærehoved	2,5 eller mindre	1,5	2,5 eller mindre	1,5	ISO22867 (ISO11806-1)
	Plastikklinge	2,5 eller mindre	1,5	2,5 eller mindre	1,5	ISO22867 (ISO11806-1)
EM407MP		2,5 eller mindre	1,5	2,5 eller mindre	1,5	ISO22867 (ISO11806-1)
EM408MP	Metalklinge	2,5 eller mindre	1,5	2,5 eller mindre	1,5	ISO22867 (ISO11806-1)
	Nylonskærehoved	2,5 eller mindre	1,5	2,5 eller mindre	1,5	ISO22867 (ISO11806-1)
	Plastikklinge	2,5 eller mindre	1,5	2,5 eller mindre	1,5	ISO22867 (ISO11806-1)
EM409MP	Nylonskærehoved	2,5 eller mindre	1,5	2,5 eller mindre	1,5	ISO22867 (ISO11806-1)
	Plastikklinge	2,5 eller mindre	1,5	2,5 eller mindre	1,5	ISO22867 (ISO11806-1)
EN401MP		3,4	1,5	2,5 eller mindre	1,5	EN62841-4-2
EN401MP + LE400MP		5,4	1,5	2,7	1,5	EN62841-4-2
EN402MP		2,5 eller mindre	1,5	2,5	1,5	EN62841-4-2
EN402MP + LE400MP		5,0	1,5	3,4	1,5	EN62841-4-2
EN410MP		6,7	1,5	3,1	1,5	EN62841-4-2
EN410MP + LE400MP		4,4	1,5	2,5 eller mindre	1,5	EN62841-4-2
EN420MP		2,9	1,5	2,5 eller mindre	1,5	EN62841-4-2
EN422MP		2,5 eller mindre	1,5	2,5	1,5	EN62841-4-2
EN424MP		2,5 eller mindre	1,5	2,5 eller mindre	1,5	EN62841-1
EY403MP		4,0	1,5	2,5 eller mindre	1,5	ISO22867 (ISO11680-1)

Tilbehør	Venstre håndtag (forreste greb)		Højre håndtag (bageste greb)		Gældende standard
	ah (m/s <sup>2</sup> )	Usikkerhed K (m/s <sup>2</sup> )	ah (m/s <sup>2</sup> )	Usikkerhed K (m/s <sup>2</sup> )	
EY403MP+LE400MP	3,2	1,5	2,5 eller mindre	1,5	ISO22867 (ISO11680-1)
KR400MP	2,5 eller mindre	1,5	2,5 eller mindre	1,5	EN709
KR401MP	2,5 eller mindre	1,5	2,5 eller mindre	1,5	EN709
EE400MP	2,5 eller mindre	1,5	2,5 eller mindre	1,5	ISO11789
EJ400MP	3,5	1,5	3,9	1,5	ISO22867 (ISO11806-1)
EJ400MP + LE400MP	4,8	1,5	2,6	1,5	ISO22867 (ISO11806-1)
BR400MP	2,5 eller mindre	1,5	2,5 eller mindre	1,5	EN60335-2-72
SW400MP	2,5	1,5	2,5 eller mindre	1,5	EN60335-2-72
UB400MP	4,6	1,5	2,5 eller mindre	2,5	EN50636-2-100
UB401MP	2,5 eller mindre	1,7	2,5 eller mindre	1,5	EN50636-2-100
UB402MP	2,5 eller mindre	1,5	2,5 eller mindre	1,5	EN50636-2-100
PF400MP	2,5 eller mindre	1,5	2,5 eller mindre	1,5	ISO22867
WA400MP	2,8	1,5	2,5 eller mindre	1,5	ISO22867 (ISO11806-1)

**BEMÆRK:** De(n) angivne totalværdi(er) for vibration er målt i overensstemmelse med en standardtestmetode og kan anvendes til at sammenligne en maskine med en anden.

**BEMÆRK:** De(n) angivne totalværdi(er) for vibration kan også anvendes i en præliminær eksponeringsvurdering.

**⚠ ADVARSEL:** Vibrationsemissionen under den faktiske anvendelse af maskinen kan være forskellig fra de(n) angivne værdi(er), afhængigt af den måde hvorpå maskinen anvendes, især den type arbejdsemne der behandles.

**⚠ ADVARSEL:** Sørg for at identificere de sikkerhedsforskrifter til beskyttelse af operatøren, som er baseret på en vurdering af eksponering under de faktiske brugsforhold (med hensyntagen til alle dele i brugscyklussen, f.eks. de gange, hvor maskinen er slukket, og når den kører i tomgang i tilgift til afbrydertiden).

## Overensstemmelseserklæringer

### Kun for lande i Europa

Overensstemmelseserklæringerne er inkluderet i Bilag A i denne brugsanvisning.

## SIKKERHEDSAD- VARSLER

### Almindelige sikkerhedsregler for el-værktøj

**⚠ ADVARSEL** Læs alle sikkerhedsadvarsler, instruktioner, illustrationer og specifikationer, der følger med denne maskine. Hvis du ikke følger alle nedenstående instruktioner, kan det medføre elektrisk

stød, brand og/eller alvorlig personskade.

## Gem alle advarsler og instruktioner til fremtidig reference.

Ordet "el-værktøj" i advarslerne henviser til det netforsyede (netledning) el-værktøj eller batteriforsyede (akku) el-værktøj.

## Yderligere sikkerhedsinstruktioner

### Personligt beskyttelsesudstyr

► Fig.1

1. Bær sikkerhedshjelm, beskyttelsesbriller og beskyttelseshandsker som beskyttelse mod flyvende partikler eller faldende genstande.
2. Bær hørevern som f.eks. hørevern for at forhindre høretab.
3. Bær egnet tøj og sko til sikker drift, såsom en arbejdsoverall og solide, skridsikre sko.

**Undlad at bære løstsiddende tøj eller smykker.** Løstsiddende tøj, smykker eller langt hår kan blive fanget i de bevægelige dele.

4. **Bær beskyttelseshandsker, før du berører den skærende kling.** Skærende klinger kan skære bare hænder alvorligt.

## Sikkerhed i arbejdsområdet

1. **Før brugen skal du kontrollere arbejdsområdet for sten eller andre hårde genstande.** De kan blive kastet eller forårsage farlige tilbageslag og resultere i alvorlig personskade og/eller materielle skader.

## Elektrisk sikkerhed og batterisikkerhed

1. **Undgå farlige miljøer.** Brug ikke maskinen på fugtige eller våde steder, og udsæt den ikke for regn. Hvis der kommer vand ind i maskinen, forøger det risikoen for elektrisk stød.
2. **Undlad at kaste batterierne i åben ild.** Cellen kan eksplodere. Tjek de lokale regler for eventuelle særlige instruktioner vedrørende bortskaffelse.
3. **Undlad at åbne eller mishandle batterierne.** Lækket elektrolyt er ætsende og kan medføre skader på øjnene eller huden. Den kan være giftig, hvis den indtages.
4. **Undlad at oplade batteriet i regnvejrs eller under våde forhold.**
5. **Undlad at udskifte batteriet med våde hænder.**
6. **Undlad at udskifte batteriet i regnvejrs.**
7. **Undgå at gøre batteriets terminal våd med væske såsom vand, eller nedsænke batteriet.** Undlad at lade batteriet ligge i regnvejrs eller at oplade, bruge eller opbevare batteriet på et fugtigt eller vådt sted. Hvis terminalen bliver våd, eller der kommer væske ind i batteriet, kan batteriet blive kortslettet, og der er risiko for overophedning, brand eller eksplosion.
8. **Når du har fjernet batteriet fra maskinen eller opladeren, skal du sørge for at fastgøre akku-dækslet på batteriet og opbevare det på et tørt sted.**
9. **Hvis akkuen bliver våd, skal du tømme vandet ud og derefter tørre den med en tør klud.** Tør akkuen helt på et tørt sted før brug.

## Ibrugtagning

1. **Skæreværktøjet skal være udstyret med beskyttelsesskærmen.** Lad aldrig maskinen køre med beskadigede beskyttelsesskærme eller uden beskyttelsesskærmene på plads!
2. **Sørg for, at der ikke er nogen elledninger, vandrør, gasrør osv., der kan udgøre en fare, hvis de beskadiges ved brug af maskinen.**

## Drift

1. **Hold altid dine hænder, dit ansigt og dit tøj væk fra skæreværktøjet, når det roterer.** Hvis du ikke gør dette, kan det medføre personskade.
2. **Hold tilskuere og dyr mindst 15 m væk fra maskinen under brugen.** Stop maskinen, så

snart nogen nærmer sig.

3. **Under brug må du aldrig stå på en ustabil eller glat overflade eller en stejl skråning.** I den kolde årstid skal du være opmærksom på is og sne og altid sørge for sikker fodfæste.
4. **Arbejd aldrig på en stige eller et træ for at undgå tab af kontrol.**
5. **Når du forlader maskinen, skal du altid fjerne akkuen, også selv om det er i kort tid.** Hvis maskinen efterlades med akkuen installeret, kan uautoriserede personer bruge maskinen og forårsage en alvorlig ulykke.
6. **Før du starter maskinen, skal du omhyggeligt kontrollere, at skæreværktøjet ikke rører ved jorden og andre forhindrer, såsom et træ.**
7. **Kontroller skæretilbehøret hyppigt under brugen for revner eller beskadigelse.** Før inspektionen skal du fjerne akkuen og vente, indtil skæretilbehøret stopper helt. Udskift det beskadigede skæretilbehør straks, også selv om det kun har overfladiske revner.
8. **Betjen ikke maskinen i dårligt vejr, eller hvis der er risiko for lynnedslag.**
9. **Hold altid i maskinen med begge hænder under anvendelse.** Hold aldrig maskinen med én hånd under brug.
10. **Brug skulderselen under anvendelse.** Hold maskinen fast på din højre side.
11. **Rør ikke gearhuset under og umiddelbart efter brug.** Gearhuset bliver varmt under brugen og kan forårsage forbrændinger.
12. **Hold pause for at undgå at miste kontrollen på grund af træthed.** Vi anbefaler, at du tager en pause på 10 til 20 minutter hver time.
13. **Vær opmærksom på dit fodfæste, når du bruger maskinen på mudret jord, en våd skråning eller et glat sted.**
14. **Undlad at arbejde i et dårligt arbejdsmiljø, hvor øget brugertræthed kan forventes.**
15. **Undlad at bruge maskinen i dårligt vejr, hvor sigtbarheden er nedsat.** Ellers kan det medføre fald eller forkert betjening på grund af dårlig sigtbarhed.
16. **Undlad at nedsænke maskinen i en vandpyt.**
17. **Efterlad ikke maskinen uden opsyn udendørs i regnvejrs.**
18. **Når våde blade eller snavs sætter sig fast på sugeåbningen (ventilationsvindue) på grund af regn, skal du fjerne dem.**
19. **Brug ikke maskinen i snevejrs.**

## Skæreværktøjer

1. **Når du bruger skærende klinger, skal du undgå tilbageslag og altid være forberedt på et utilsigtet tilbageslag.** Se afsnittet om Tilbageslag.
2. **Monter altid klingedækslet på klingene, når den ikke er i brug.** Fjern dækslet før brug.

## Tilbageslag (klingekast)

1. **Tilbageslag (klingekast) er en pludselig reaktion på en fastklemt eller bundet skærende kling.** Når det sker, slynges maskinen sidelæns eller mod operatøren med stor kraft,

hvilket kan forårsage alvorlig personskade.

2. Tilbageslag sker især, når klingesegmentet anvendes i retning mellem klokken 12 og klokken 2 mod faste genstande, buske og træer med en diameter på 3 cm eller derover.

#### ► Fig.2

3. Sådan undgår du tilbageslag:
  1. Anvend segmentet mellem klokken 8 og klokken 11.
  2. Anvend aldrig segmentet mellem klokken 12 og klokken 2.
  3. Anvend aldrig segmentet mellem klokken 11 og klokken 12 og mellem klokken 2 og klokken 5, medmindre operatøren er godt uddannet og erfaren og gør dette på egen risiko.
  4. Brug aldrig skærende klinger i nærheden af hårde genstande som f.eks. hegn, vægge, træstammer og sten.
  5. Brug aldrig skærende klinger lodret til anvendelsesformål som f.eks. kantning og klipning af hække.

#### ► Fig.3

## Vibration

1. **Personer med dårligt blodomløb, der udsættes for kraftige vibrationer, kan risikere beskadigelse af blodkar eller nervesystemet.** Vibrationer kan medføre følgende symptomer i fingre, hænder eller håndled: "Sovende" led (følelseløshed), prikken, smerte, stikkende fornemmelse, ændring af hudfarven eller af huden. Søg læge, hvis nogen af disse symptomer opstår!
2. **For at mindske risikoen for "hvide fingre", skal du holde hænderne varme under brugen og holde maskinen og tilbehøret i god stand.**

## Transport

1. **Sluk altid for maskinen og fjern akkuen, før du transporterer maskinen. Monter dækslet på den skærende klinge.**

## Vedligeholdelse

1. **Før der udføres nogen form for vedligeholdelse, reparationsarbejde eller rengøring af maskinen, skal du altid slukke for den og fjern akkuen.**
2. **Ved håndtering af en skærende klinge skal du altid bære handsker og lægge klingedækslet på klingens.**
3. **Hold håndtagene tørre, rene og fri for olie og fedt. Hold alle kølingsluftåbningerne fri for affald.**
4. **Undlad at vaske maskinen med højtryksvand.**
5. **Når du vasker maskinen, må du ikke lade vandet komme ind i den elektriske mekanisme, såsom batteri, motor og terminaler.**
6. **Udfør inspektion eller vedligeholdelse på et sted, hvor der er ly for regn.**
7. **Når maskinen har været i brug, skal du fjerne fastsiddende snavs og tørre maskinen fuldstændigt, før den opbevares.** Afhængig af årstiden eller området er der risiko for fejlfunktion på grund af frost.

## Opbevaring

1. **Udfør komplet rengøring og vedligeholdelse, før maskinen opbevares. Fjern akkuen. Monter dækslet på den skærende klinge.**
2. **Opbevar maskinen på et tørt og højt eller aflåst sted, der er utilgængeligt for børn.**
3. **Undgå direkte sollys og regn ved opbevaring af maskinen, og opbevar den på et sted, hvor det ikke bliver varmt eller fugtigt.**

## Vigtige sikkerhedsinstruktioner for akkuen

1. **Læs alle instruktioner og advarselmærkater på (1) akku-opladeren, (2) akkuen og (3) produktet, som anvender akku.**
2. **Adskil eller ændr ikke akkuen.** Det kan muligvis resultere i en brand, overdreven varme eller eksplosion.
3. **Hold straks op med anvendelsen, hvis brugstiden er blevet stærkt afkortet.** Fortsat anvendelse kan resultere i risiko for overophedning, forbrændinger og endog eksplosion.
4. **Hvis De har fået elektrolytvæske i øjnene, skal De straks skylle den ud med rent vand og derefter øjeblikkeligt søge lægehjælp.** I modsat fald kan De miste synet.
5. **Vær påpasselig med ikke at komme til at kortslutte akkuen:**
  - (1) **Rør ikke ved terminalerne med noget ledende materiale.**
  - (2) **Undgå at opbevare akkuen i en beholder sammen med andre genstande af metal, for eksempel søm, mønter og lignende.**
  - (3) **Udsæt ikke akkuen for vand eller regn.** Kortslutning af akkuen kan forårsage en kraftig øgning af strømmen, overophedning, mulige forbrændinger og endog værkøjtstop.
6. **Opbevar og brug ikke maskinen og akkuen på steder, hvor temperaturen muligvis kan nå eller overstige 50 °C.**
7. **Lad være med at brænde akkuen, selv ikke i tilfælde, hvor den har lidt alvorlig skade eller er fuldstændig udtjent.** Akkuen kan eksplodere, hvis man forsøger at brænde den.
8. **Slå ikke søm i, skær ikke i, knus, kast, tab ikke akkuen og stød ikke akkuen mod en hård genstand.** Sådan adfærd kan muligvis resultere i en brand, overdreven varme eller eksplosion.
9. **Anvend ikke en beskadiget akku.**
10. **De indbyggede litium-ion-batterier er underlagt lovkrav vedrørende farligt gods.** Ved kommerciel transport, f.eks. af tredjeparts transportselskaber, skal særlige krav til forpakning og mærkning overholdes. Ved forberedelse af udstyret til forsendelse skal du kontakte en ekspert i farligt gods. Overhold også eventuel mere detaljeret national lovgivning. Tape eller tildæk åbne kontakter, og pak batteriet på en måde, så det ikke kan flytte sig rundt i pakningen.
11. **Når akkuen bortskaffes, skal du fjerne den fra maskinen og bortskaffe den på et sikkert sted. Følg de lokale love vedrørende bortskaffelsen af batterier.**



12. **Brug kun batterierne med de produkter, som Makita specificerer.** Hvis batterierne installeres i ikke-kompatible produkter, kan det medføre brand, kraftig varme, eksplosion eller udsivning af elektrolyt.
13. **Hvis maskinen ikke skal bruges i længere tid ad gangen, skal du fjerne batteriet fra maskinen.**
14. **Akkuen kan muligvis under og efter brug være varm, hvilket kan forårsage forbrændinger eller lavtemperaturforbrændinger. Vær påpasselig med håndtering af varme akkuer.**
15. **Rør ikke terminalen på maskinen straks efter brug, da den bliver varm nok til at forårsage forbrændinger.**
16. **Sørg for, at spåner, støv eller jord ikke sætter sig fast i akkuens terminaler, huller og riller.** Det kan forårsage opvarmning, antændelse, sprængning og funktionsfejl i maskinen eller akkuen, hvilket kan medføre forbrændinger eller personskaade.
17. **Medmindre maskinen understøtter brugen i nærheden af elektriske højspændingsledninger, skal du ikke anvende akkuen i nærheden af elektriske højspændingsledninger.** Det kan muligvis medføre funktionsfejl på eller nedbrud af

maskinen eller akkuen.

18. **Opbevar batteriet utilgængeligt for børn.**

## GEM DENNE BRUGSANVISNING.

**⚠FORSIGTIG:** Brug kun originale batterier fra Makita. Brug af uoriginale Makita-batterier, eller batterier som er blevet ændret, kan muligvis medføre brud på batteriet, hvilket kan forårsage brand, personskaade eller beskadigelse. Det ugyldiggør også Makita-garantien for Makita-maskinen og opladeren.

## Tips til opnåelse af maksimal akku-levetid

1. **Oplad akkuen, inden den er helt afladet. Stop altid værktøjet, og oplad akkuen, hvis De bemærker, at værktøjeffekten er aftagende.**
2. **Genoplad aldrig en fuldt opladet akku. Overopladning vil afkorte akkuens levetid.**
3. **Oplad akkuen ved stuetemperatur ved 10 °C - 40 °C. Lad altid en varm akku få tid til at køle af, inden den oplades.**
4. **Når du ikke anvender akkuen, skal du fjerne den fra maskinen eller opladeren.**
5. **Oplad akkuen, hvis De ikke skal bruge den i længere tid (mere end seks måneder).**

## BESKRIVELSE AF DELENE

► Fig.4

1	Akku	2	Aflåsehåndtag	3	Bøjle	4	Håndtag
5	Udløserknap	6	Spærre	7	Afbryderknap	8	Hastighedsindikator
9	Hovedafbryderknap	10	Advarselsslampe	11	Tilbage-knap	12	Skuldersæle

## FUNKTIONSBESKRIVELSE

**⚠ADVARSEL:** Sørg altid for, at der er slukket for maskinen, og at akkuen er fjernet, før der foretages justeringer eller kontrolleres funktioner på maskinen. Hvis maskinen ikke slås fra, og akkuen ikke fjernes, kan det forårsage alvorlig personskaade på grund af utilsigtet start.

### Isætning eller fjernelse af akkuen

**⚠FORSIGTIG:** Sluk altid for værktøjet, før De monterer eller fjerner akkuen.

**⚠FORSIGTIG:** Hold værktøjet og akkuen fast ved montering eller fjernelse af akkuen. Hvis De ikke holder værktøjet og akkuen fast, kan de glide ud af hænderne på Dem og forårsage beskadigelse af værktøjet og akkuen eller personskaade.

For at montere akkuen skal du justere tungen på akkuen med rillen i huset og skubbe den på plads. Indsæt den hele vejen, indtil den låses på plads med

et lille klik. Hvis du kan se den røde indikator, som vist i figuren, er den ikke helt låst.

Akkuen fjernes ved, at De trækker den ud af værktøjet, idet De skyder knappen på forsiden af akkuen i stilling.

► Fig.5: 1. Rød indikator 2. Knap 3. Akku

**⚠FORSIGTIG:** Monter altid akkuen helt, indtil den røde indikator ikke længere er synlig. Hvis dette ikke gøres, kan den falde ud af værktøjet ved et uheld, hvorved De selv eller personer i nærheden kan komme til skade.

**⚠FORSIGTIG:** Brug ikke magt ved montering af akkuen. Hvis akkuen ikke glider på plads uden problemer, betyder det, at den ikke sættes i på korrekt vis.

### Beskyttelsessystem til værktøj/batteri

Maskinen er forsynet med et beskyttelsessystem til maskine/batteri. Systemet afbryder automatisk strømmen til motoren for at forlænge maskinens og batteriets levetid. Maskinen stopper automatisk under brugen, hvis maskinen udsættes for et af følgende forhold:

► Fig.6: 1. Advarselsslampe

Advarselsslampe		Status
Farve	<input type="radio"/> Tændt <input type="radio"/> Blinker	
Grøn		Overbelastning
Rød	(maskine) /  (batteri)	Overophedning
Rød		Overafledning

## Overbelastningsbeskyttelse

Hvis maskinen eller batteriet kommer i en af følgende situationer, stopper maskinen automatisk, og advarselsslampen begynder at blinke grønt:

- Maskinen er overbelastet af sammenfiltret ukrudt eller andre rester.
- Skæreværktøjet er låst eller slået tilbage.
- Hovedafbryderknappen er tændt, så længe der trykkes på afbryderknappen.

I denne situation skal du slippe afbryderknappen og fjerne sammenfiltret ukrudt eller rester om nødvendigt. Efter dette skal du trykke afbryderknappen ind igen for at genoptage betjening.

**⚠️FORSIGTIG:** Hvis du skal fjerne det sammenfiltrede ukrudt på maskinen eller løse det låste skæreværktøj, skal du sørge for at slukke for maskinen, før du starter.

## Overophedningsbeskyttelse for maskine eller batteri

Hvis maskinen eller akkuen bliver overophedet, stopper maskinen automatisk. Når maskinen er overophedet, lyser advarselsslampen rødt. Når akkuen er overophedet, blinker advarselsslampen rødt. Lad maskinen og/eller batteriet køle ned, før der tændes for maskinen igen.

## Beskyttelse mod overafledning

Hvis batteriladningen bliver lav, stopper maskinen automatisk, og advarselsslampen begynder at blinke rødt. Hvis maskinen ikke fungerer, selvom kontakterne betjenes, skal du fjerne akkuen fra maskinen og oplade den.

## Indikation af den resterende batteriladning

Tryk på kontrolknappen på akkuen for at få vist den resterende batteriladning. Indikatorlamper lyser i nogle sekunder.

► Fig.7: 1. Indikatorlamper 2. Kontrolknap

Indikatorlamper			Resterende ladning
Tændt	Slukket	Blinker	
			75% til 100%
			50% til 75%
			25% til 50%

Indikatorlamper			Resterende ladning
Tændt	Slukket	Blinker	
			0% til 25%
			Genoplad batteriet.
			Der er muligvis fejl i batteriet.

**BEMÆRK:** Afhængigt af brugsforholdene og den omgivende temperatur kan indikationen afvige en smule fra den faktiske ladning.

**BEMÆRK:** Den første indikatorlampe (længst mod venstre) vil blinke, når batteribeskyttelsessystemet aktiveres.

## Hovedafbryder

**⚠️ADVARSEL:** Sluk altid på hovedafbryderen, når maskinen ikke bruges.

Tryk på hovedafbryderknappen for at tænde for maskinen. For at slukke maskinen skal du trykke og holde hovedafbryderknappen nede, indtil hastighedsindikatorerne slukker.

► Fig.8: 1. Hovedafbryderknap

**BEMÆRK:** Advarselsslampen blinker, hvis der trykkes på afbryderknappen under forhold, hvor maskinen ikke kan anvendes. Advarselsslampen blinker, hvis du tænder på hovedafbryderen, mens aflåsehåndtaget og afbryderknappen holdes nede.

**BEMÆRK:** Denne maskine har en funktion til automatisk slukning. For at undgå utilsigtet start slukker hovedafbryderen automatisk, når der ikke trykkes på afbryderknappen i en vis periode, efter at der tændes for hovedafbryderen.

## Afbryderbetjening

**⚠️ADVARSEL:** Af hensyn til din sikkerhed er maskinen forsynet med et aflåsehåndtag, der forhindrer, at maskinen starter ved et uheld. Brug ALDRIG maskinen, hvis den kører, når du blot trykker på afbryderknappen uden at trykke på aflåsehåndtaget. Returner maskinen til vores autoriserede servicecenter til korrekt reparation, FØR den benyttes igen.

**⚠️ADVARSEL:** Du må ALDRIG fastgøre aflåsehåndtaget med tape eller omgå dets formål og funktion.

**⚠FORSIGTIG:** Inden akkuen sættes i maskinen, bør De altid kontrollere, at afbryderknappen fungerer korrekt, og returnerer til "OFF"-positionen, når den slippes.

**⚠FORSIGTIG:** Sæt aldrig fingeren på hovedafbryderknappen og afbryderknappen, når du bærer maskinen. Ellers kan maskinen starte ved et uheld og forårsage personskade.

**BEMÆRKNING:** Tryk ikke hårdt på afbryderknappen uden at trykke på aflåsehåndtaget. Dette kan forårsage afbryderbeskadigelse.

For at forhindre, at der trykkes på afbryderknappen ved et uheld, er den forsynet med et aflåsehåndtag.

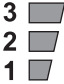


► **Fig.9:** 1. Aflåsehåndtag 2. Afbryderknop

For at starte maskinen skal du tænde på hovedafbryderen og tage fat i håndtaget (aflåsehåndtaget frigives, når du tager fat) og derefter trykke på afbryderknappen. Maskinens hastighed forøges ved at trykke hårdere på afbryderknappen. Slip afbryderknappen for at stoppe maskinen.

## Justering af hastigheden

Du kan vælge maskinens hastighed ved at trykke på hovedafbryderknappen. Hver gang du trykker på hovedafbryderknappen, ændres hastighedsniveauet.

► **Fig.10:** 1. Hastighedsindikator  
2. Hovedafbryderknop

Hastighedsindikator	Tilstand
	Høj
	Middel
	Lav

## Tilbage-knap til fjernelse af rester

**⚠ADVARSEL:** Sluk for maskinen, og fjern akkuen, før du fjerner fastklemt ukrudt eller rester, som den baglæns rotationsfunktion ikke kan fjerne. Hvis maskinen ikke slås fra, og akkuen ikke fjernes, kan det forårsage alvorlig personskade på grund af utilsigtet start.

Denne maskine har en tilbage-knap til at vende rotationsretningen. Den er kun til at fjerne ukrudt og rester, der sidder fast i maskinen.

For at vende rotationen skal du trykke på tilbage-knappen og trække i afbryderknappen, mens du trykker ind på aflåsehåndtaget, når skæreværktøjet er stoppet. Hastighedsindikatorerne begynder at blinke, og skæreværktøjet roterer i omvendt retning, når du trækker i

afbryderknappen.

For at vende tilbage til normal rotation skal du slippe afbryderen og vente, indtil skæreværktøjet stopper.

► **Fig.11:** 1. Hastighedsindikator 2. Tilbage-knap

**BEMÆRK:** Under omvendt rotation kører maskinen kun i kort tid, hvorefter den stopper automatisk.

**BEMÆRK:** Når maskinen er stoppet, vender rotationen tilbage til normal retning, når du starter maskinen igen.

**BEMÆRK:** Hvis du trykker på tilbage-knappen, mens skæreværktøjet stadig roterer, stopper maskinen og er klar til omvendt rotation.

## Elektronisk drejningskontrolfunktion

Maskinen registrerer elektronisk et pludseligt fald i rotationshastigheden, som kan medføre tilbageslag. I så fald stopper maskinen automatisk for at forhindre, at skæreværktøjet fortsætter med at rotere. Slip afbryderknappen for at genstarte maskinen. Fjern årsagen til det pludselige fald i rotationshastighed, og tænd derefter for maskinen.

**BEMÆRK:** Denne funktion er ikke en forebyggende foranstaltning mod tilbageslag.

## SAMLING

**⚠ADVARSEL:** Sørg altid for, at der er slukket for maskinen, og at akkuen er fjernet, før der foretages nogen form for arbejde på maskinen.

Hvis maskinen ikke slås fra, og akkuen ikke fjernes, kan det forårsage alvorlig personskade på grund af utilsigtet start.

**⚠ADVARSEL:** Start aldrig maskinen, medmindre den er fuldstændigt samlet. Betjening af maskinen i delvis samlet tilstand kan forårsage alvorlig personskade på grund af utilsigtet start.

## Montering af håndtaget

Monter håndtaget med de medfølgende klemmer og bolte. Kontroller, at håndtaget er placeret mellem mellemstykket og pilemærket. Undlad at fjerne eller mindske længden af mellemstykket.

► **Fig.12:** 1. Klemme 2. Sekskantmuffebolt 3. Håndtag  
4. Pilemærke 5. Mellemstykke

Når du anvender følgende tilbehør, skal du sørge for at montere spærren på håndtaget vha. skruen på spærren.

- Tilbehør til buskrydder\*
- Tilbehør til roterende saks
- Tilbehør til græstrimmer\*
- Tilbehør til kantskærer

\*. Kun når metalklinge er monteret.

► **Fig.13:** 1. Spærre 2. Skruer

## Montering af monteringsrøret

**⚠FORSIGTIG:** Kontroller altid, at monteringsrøret sidder fast efter installationen. Forkert installation kan medføre, at tilbehøret falder af effektenheden og forårsager personskade.

Monter monteringsrøret på effektenheden.

1. Drej håndtaget på motorenheden mod tilbehørssiden.

► Fig.14: 1. Håndtag

2. Fjern hættten på tilbehøret. Juster stiften i forhold til pilemærket, og indsæt monteringsrøret, indtil udløserknappen kommer op.

► Fig.15: 1. Udløserknop 2. Pilemærke 3. Stift

3. Drej håndtaget mod motorenhedssiden.

► Fig.16: 1. Håndtag

Sørg for, at overfladen på håndtaget ligger parallelt med røret.

For at fjerne røret skal du dreje håndtaget mod tilbehørssiden og trække røret ud, idet der trykkes ned på udløserknappen.

► Fig.17: 1. Udløserknop 2. Håndtag 3. Rør

## Justering af håndtagspositionen

Juster håndtagets position for at opnå behagelig håndtering af maskinen.

Løsn sekskantmuffebolten på håndtaget. Flyt håndtaget til en behagelig arbejdsstilling, og stram derefter bolten.

► Fig.18: 1. Håndtag 2. Sekskantmuffebolt

## Montering af skulderselen

**⚠ADVARSEL:** Vær yderst omhyggelig med at bevare kontrollen over maskinen til enhver tid. Lad ikke maskinen blive slynget tilbage mod dig selv eller andre i arbejdsområdet. Hvis du ikke bevarer kontrollen over maskinen, kan det forårsage alvorlig personskade for tilskueren og operatøren.

**⚠FORSIGTIG:** Når du anvender maskinen kombineret med en strømforsyning af rygsæktypen som fx en bærbart strømforsyning, skal du ikke anvende den skuldersæle, som er inkluderet i pakken med maskinen, men benytte det hængende bånd som anbefales af Makita.

Hvis du anvender den skuldersæle, som er inkluderet i pakken med maskinen, og skulderselen fra strømforsyningen af rygsæktypen på samme tid, er fjernelse af maskinen eller strømforsyningen af rygsæktypen svær i et nødstilfælde, og det kan muligvis forårsage en ulykke eller personskade. Bed et autoriseret Makita-servicecenter angående det anbefalede hængende bånd.

**⚠FORSIGTIG:** Brug altid skulderselen monteret på maskinen. Juster skulderselen efter brugerens størrelse før anvendelsen for at forebygge træthed.

**⚠FORSIGTIG:** Før brugen skal du kontrollere, at skulderselen er korrekt monteret på maskinen.

1. Hægt krogen på skulderselen til maskinens ring og bøjle.

► Fig.19: 1. Ring 2. Krog 3. Bøjle

2. Placer skulderselen på din venstre skulder. Juster skulderselen til en komfortabel arbejdsposition.

► Fig.20

Skulderselen har en metode til hurtig frigørelse.

Klem blot siderne af spændet sammen for at frigøre maskinen fra skulderselen.

► Fig.21: 1. Spænde

## Opbevaring af unbrakonøgle

**⚠FORSIGTIG:** Pas på ikke at lade unbrakonøglen sidde i maskinhovedet. Dette kan medføre personskade og/eller beskadigelse af maskinen.

Når sekskantnøglen ikke bruges, skal den opbevares som vist for at forhindre, at den bliver væk.

► Fig.22: 1. Håndtag 2. Sekskantnøgle

## VEDLIGEHOELDELSE

**⚠ADVARSEL:** Sørg altid for, at der er slukket for maskinen, og at akkuen er fjernet, før du forsøger at udføre inspektion eller vedligeholdelse på maskinen. Hvis maskinen ikke slås fra, og akkuen ikke fjernes, kan det forårsage alvorlig personskade på grund af utilsigtet start.

**BEMÆRKNING:** Anvend aldrig benzin, rensebenzin, fortynder, alkohol og lignende. Det kan medføre misfarvning, deformation eller revner.

For at opretholde produktets SIKKERHED og PÅLIDELIGHED må reparation, vedligeholdelse eller justering kun udføres af et autoriseret Makita servicecenter eller fabrikksservicecenter med anvendelse af Makita reservedele.

## Rengøring af maskinen

Rengør maskinen ved at aftørre støv, snavs eller afskåret græs med en tør klud eller en klud, der er dyppet i sæbevand og vredet. For at undgå overophedning af maskinen skal du sørge for at fjerne afskåret græs eller affald, som sidder fast på maskinens udluftning.

## Batteriskærm

**⚠ADVARSEL:** Undlad at fjerne batteriskærmen. Undlad at bruge maskinen, hvis batteriskærmen er fjernet eller beskadiget. Direkte slag mod akkuen kan medføre fejl i batteriet og forårsage personskade og/eller brand. Kontakt dit autoriserede servicecenter for reparation, hvis batteriskærmen er deformeret eller beskadiget.

► Fig.23: 1. Batteriskærm

# FEJLFINDING

Udfør selv en inspektion, inden De anmoder om reparation. Hvis De opdager et problem, som ikke er forklaret i brugsanvisningen, må De ikke forsøge at adskille maskinen. Rådfør Dem i stedet med et autoriseret Makita Servicecenter, og brug altid originale Makita udskiftningsdele til reparationer.

Unormal tilstand	Sandsynlig årsag (fejl)	Afhjælpning
Motoren kører ikke.	Akkuen er ikke indsat.	Indsæt akkuen.
	Problem med batteriet (for lav spænding)	Genoplad batteriet. Udskift batteriet, hvis genopladning ikke er effektiv.
	Drevsystemet fungerer ikke korrekt.	Kontakt det lokale autoriserede servicecenter for reparation.
Motoren holder op med at køre efter kort tids brug.	Rotationen er baglæns.	Skift rotationsretningen ved hjælp af omløbsvælgeren.
	Batteriets opladningsniveau er for lavt.	Genoplad batteriet. Udskift batteriet, hvis genopladning ikke er effektiv.
	Overophedning.	Hold op med at bruge maskinen, så den kan køle ned.
Den når ikke det maksimale omdrejningstal.	Batteriet er indsat forkert.	Indsæt akkuen som beskrevet i denne brugervejledning.
	Batteriladningen falder.	Genoplad batteriet. Udskift batteriet, hvis genopladning ikke er effektiv.
	Drevsystemet fungerer ikke korrekt.	Kontakt det lokale autoriserede servicecenter for reparation.

## EKSTRAUDSTYR

**⚠ FORSIGTIG:** Det følgende tilbehør og ekstraudstyr er anbefalet til brug med Deres Makita maskine, der er beskrevet i denne brugsanvisning. Anvendelse af andet tilbehør eller ekstraudstyr kan udgøre en risiko for personskade. Anvend kun tilbehør og ekstraudstyr til det beskrevne formål.

Hvis De behøver hjælp ved valg af tilbehør eller ønsker yderligere informationer, bedes De kontakte Deres lokale Makita servicecenter.

Se i afsnittet "Godkendt tilbehør" vedrørende de relevante modeller for denne maskine.

- Tilbehør til buskrydder
- Tilbehør til trådtrimmer
- Tilbehør til roterende saks
- Tilbehør til græstrimmer
- Tilbehør til hækkeklipper
- Tilbehør til buskrydder
- Tilbehør til stangsav
- Tilbehør til kultivator
- Tilbehør til kantskærer
- Tilbehør til kaffehøster
- Tilbehør til skaffforlænger
- Tilbehør til motorbørste
- Tilbehør til motorfejmaskine
- Blæsertilbehør
- Pumpetilbehør
- Ukrudstilbehør
- Original Makita-akku og oplader

**BEMÆRK:** Nogle ting på denne liste kan være inkluderet i værktøjspakken som standardtilbehør. Det kan være forskellige fra land til land.

## ΠΡΟΔΙΑΓΡΑΦΕΣ

Μοντέλο:		UX01G
Ταχύτητα χωρίς φορτίο (χωρίς προσάρτημα)	Χαμηλή	0 - 5.700 min <sup>-1</sup>
	Μεσαία	0 - 8.200 min <sup>-1</sup>
	Υψηλή	0 - 9.700 min <sup>-1</sup>
Συνολικό μήκος (χωρίς κασέτα μπαταριών)		1.001 mm
Ονομαστική τάση		D.C. 36 V - 40 V μεγ.
Καθαρό βάρος	*1	3,5 kg
	*2	5,3 kg - 12,5 kg
Βαθμός προστασίας		IPX4

- Λόγω του συνεχιζόμενου προγράμματος έρευνας και ανάπτυξης, οι προδιαγραφές αυτές υπόκεινται σε αλλαγές χωρίς προειδοποίηση.
- Τα τεχνικά χαρακτηριστικά μπορεί να διαφέρουν από χώρα σε χώρα.

\*1: Βάρος χωρίς αξεσουάρ ή κασέτα(-ες) μπαταριών

\*2: Το βάρος μπορεί να διαφέρει ανάλογα με τα προσάρτηματα, συμπεριλαμβάνοντας την κασέτα μπαταριών. Οι ελαφρύτεροι και βαρύτεροι συνδυασμοί, σύμφωνα με τη διαδικασία EPTA 01/2014, απεικονίζονται στον πίνακα.

### Ισχύουσα κασέτα μπαταριών και φορτιστής

Τύπος	Κασέτα μπαταριών					
	BL4020	BL4025	BL4040	BL4040F	BL4050F	BL4080F
Προσάρτημα θερμοκοπτικού	Διαθέσιμο	Διαθέσιμο	Συνιστώμενο	Συνιστώμενο	Συνιστώμενο	Συνιστώμενο
Προσάρτημα κουρευτικού με πετονιά	Διαθέσιμο	Διαθέσιμο	Συνιστώμενο	Συνιστώμενο	Συνιστώμενο	Συνιστώμενο
Προσάρτημα περιστρεφόμενων ψαλιδιών	Διαθέσιμο	Διαθέσιμο	Συνιστώμενο	Συνιστώμενο	Συνιστώμενο	Συνιστώμενο
Προσάρτημα κουρευτικού γκαζόν	Διαθέσιμο	Διαθέσιμο	Συνιστώμενο	Συνιστώμενο	Συνιστώμενο	Συνιστώμενο
Προσάρτημα κλαδευτηριού	Διαθέσιμο	Συνιστώμενο	Συνιστώμενο	Συνιστώμενο	Συνιστώμενο	Συνιστώμενο
Προσάρτημα κλαδευτηριού εδάφους	Διαθέσιμο	Συνιστώμενο	Συνιστώμενο	Συνιστώμενο	Συνιστώμενο	Συνιστώμενο
Προσάρτημα κονταροπρίονου	Διαθέσιμο	Διαθέσιμο	Συνιστώμενο	Συνιστώμενο	Συνιστώμενο	Συνιστώμενο
Προσάρτημα καλλιεργητή	Διαθέσιμο	Διαθέσιμο	Συνιστώμενο	Συνιστώμενο	Συνιστώμενο	Συνιστώμενο
Προσάρτημα διαμόρφωσης άκρων	Διαθέσιμο	Συνιστώμενο	Συνιστώμενο	Συνιστώμενο	Συνιστώμενο	Συνιστώμενο
Προσάρτημα συλλεκτικής μηχανής καφέ	Διαθέσιμο	Διαθέσιμο	Συνιστώμενο	Συνιστώμενο	Συνιστώμενο	Συνιστώμενο
Προσάρτημα μηχανοκίνητης βούρτσας	Διαθέσιμο	Διαθέσιμο	Συνιστώμενο	Συνιστώμενο	Συνιστώμενο	Συνιστώμενο
Προσάρτημα μηχανοκίνητου κυλίνδρου σκουπίσματος	Διαθέσιμο	Διαθέσιμο	Συνιστώμενο	Συνιστώμενο	Συνιστώμενο	Συνιστώμενο
Προσάρτημα φυσητήρα	Διαθέσιμο	Διαθέσιμο	Συνιστώμενο	Συνιστώμενο	Συνιστώμενο	Συνιστώμενο
Προσάρτημα αντλίας	Διαθέσιμο	Συνιστώμενο	Συνιστώμενο	Συνιστώμενο	Συνιστώμενο	Συνιστώμενο
Προσάρτημα ξεχορταρίσματος	Διαθέσιμο	Συνιστώμενο	Συνιστώμενο	Συνιστώμενο	Συνιστώμενο	Συνιστώμενο
Φορτιστής	DC40RA / DC40RB / DC40RC / DC40WA					

- Ορισμένες από τις κασέτες και τους φορτιστές μπαταριών που αναγράφονται παραπάνω ίσως να μην είναι διαθέσιμοι, ανάλογα με την τοποθεσία κατοικίας σας.

**⚠ ΠΡΟΕΙΔΟΠΟΙΗΣΗ:** Να χρησιμοποιείτε μόνο τις κασέτες μπαταριών και τους φορτιστές που παρατίθενται ανωτέρω. Η χρήση οποιασδήποτε άλλης κασέτας μπαταριών ή φορτιστή μπορεί να προκαλέσει τραυματισμό ή/και πυρκαγιά.

## Συνιστώμενη ενσύρματη πηγή τροφοδοσίας

Φορητή ηλεκτρική τροφοδότηση	PDC01 / PDC1200 / PDC1500
------------------------------	---------------------------

- Οι ενσύρματες πηγές τροφοδοσίας που αναγράφονται παραπάνω μπορεί να μην είναι διαθέσιμες, ανάλογα με την περιοχή της κατοικίας σας.
- Πριν χρησιμοποιήσετε την ενσύρματη πηγή τροφοδοσίας, διαβάστε τις οδηγίες και τις ενδείξεις προφυλάξεων που αναγράφονται σε αυτή.

## Ταχύτητα χωρίς φορτίο με προσάρτημα

Μοντέλο		Ταχύτητα περιστροφής		
		Χαμηλή	Μεσαία	Υψηλή
EM401MP		0 - 4.200 min <sup>-1</sup>	0 - 6.000 min <sup>-1</sup>	0 - 7.100 min <sup>-1</sup>
EM404MP / EM406MP		0 - 3.500 min <sup>-1</sup>	0 - 5.000 min <sup>-1</sup>	0 - 6.000 min <sup>-1</sup>
EM407MP	Ανω λάμα	0 - 220 min <sup>-1</sup>	0 - 310 min <sup>-1</sup>	0 - 370 min <sup>-1</sup>
	Κάτω λάμα	0 - 470 min <sup>-1</sup>	0 - 670 min <sup>-1</sup>	0 - 790 min <sup>-1</sup>
EM408MP / EM409MP		0 - 4.200 min <sup>-1</sup>	0 - 6.000 min <sup>-1</sup>	0 - 7.100 min <sup>-1</sup>
EN401MP / EN402MP / EN410MP / EN420MP / EN422MP / EN424MP (Διαδρομές ανά λεπτό)		0 - 2.400 min <sup>-1</sup>	0 - 3.400 min <sup>-1</sup>	0 - 4.000 min <sup>-1</sup>
EY403MP (ταχύτητα αλυσίδας)		0 - 11 m/s	0 - 16 m/s	0 - 19 m/s
KR400MP		0 - 160 min <sup>-1</sup>	0 - 230 min <sup>-1</sup>	0 - 280 min <sup>-1</sup>
KR401MP		0 - 130 min <sup>-1</sup>	0 - 190 min <sup>-1</sup>	0 - 230 min <sup>-1</sup>
EE400MP		0 - 2.800 min <sup>-1</sup>	0 - 4.000 min <sup>-1</sup>	0 - 4.700 min <sup>-1</sup>
EJ400MP		0 - 1.600 min <sup>-1</sup>	0 - 2.300 min <sup>-1</sup>	0 - 2.800 min <sup>-1</sup>
BR400MP		0 - 130 min <sup>-1</sup>	0 - 190 min <sup>-1</sup>	0 - 230 min <sup>-1</sup>
SW400MP		0 - 130 min <sup>-1</sup>	0 - 190 min <sup>-1</sup>	0 - 230 min <sup>-1</sup>
UB400MP		0 - 5.650 min <sup>-1</sup>	0 - 7.800 min <sup>-1</sup>	0 - 9.450 min <sup>-1</sup>
UB401MP		0 - 5.650 min <sup>-1</sup>	0 - 7.800 min <sup>-1</sup>	0 - 9.450 min <sup>-1</sup>
UB402MP		0 - 5.700 min <sup>-1</sup>	0 - 8.100 min <sup>-1</sup>	0 - 9.600 min <sup>-1</sup>
PF400MP		0 - 5.600 min <sup>-1</sup>	0 - 8.100 min <sup>-1</sup>	0 - 9.500 min <sup>-1</sup>
WA400MP		0 - 570 min <sup>-1</sup>	0 - 815 min <sup>-1</sup>	0 - 970 min <sup>-1</sup>

## Εγκεκριμένο προσάρτημα

Τύπος	Μοντέλο
Προσάρτημα θαμνοκοπτικού	EM401MP / EM404MP
Προσάρτημα κουρευτικού με πετονιά	EM406MP
Προσάρτημα περιστρεφόμενων ψαλιδιών	EM407MP
Προσάρτημα κουρευτικού γκαζόν	EM408MP / EM409MP
Προσάρτημα κλαδευτηριού	EN401MP / EN402MP / EN410MP
Προσάρτημα κλαδευτηριού εδάφους	EN420MP / EN422MP / EN424MP
Προσάρτημα κονταροπριονου	EY403MP
Προσάρτημα καλλιεργητή	KR400MP / KR401MP
Προσάρτημα διαμόρφωσης άκρων	EE400MP
Προσάρτημα συλλεκτικής μηχανής καφέ	EJ400MP
Προσάρτημα επέκτασης άξονα	LE400MP
Προσάρτημα μηχανοκίνητης βούρτσας	BR400MP

Τύπος	Μοντέλο
Προσάρτημα μηχανοκίνητου κυλίνδρου σκουπίσματος	SW400MP
Προσάρτημα φυσικήρα	UB400MP / UB401MP / UB402MP
Προσάρτημα αντλίας	PF400MP
Προσάρτημα ξεχορταρίσματος	WA400MP

## Σύμβολα

Παρακάτω παρουσιάζονται τα σύμβολα που μπορούν να χρησιμοποιηθούν για τον εξοπλισμό. Βεβαιωθείτε ότι κατανοείτε τη σημασία τους πριν από τη χρήση.



Διαβάστε το εγχειρίδιο οδηγιών.



Απαιτούνται ιδιαίτερη φροντίδα και προσοχή.



Μην εκθέτετε σε υγρασία.



Μόνο για τις χώρες της ΕΕ  
Λόγω της παρουσίας των επικίνδυνων συστατικών μερών στον εξοπλισμό, ο απόβλητος ηλεκτρικός και ηλεκτρονικός εξοπλισμός, οι συσσωρευτές και οι μπαταρίες μπορεί να έχουν αρνητική επίδραση στο περιβάλλον και την ανθρώπινη υγεία. Μην απορρίπτετε τις ηλεκτρικές και ηλεκτρονικές συσκευές ή μπαταρίες μαζί με τα οικιακά απορρίμματα!  
Σύμφωνα με την Ευρωπαϊκή Οδηγία για τον απόβλητο ηλεκτρικό και ηλεκτρονικό εξοπλισμό και για τους συσσωρευτές και μπαταρίες και τους απόβλητους συσσωρευτές και μπαταρίες, καθώς και την προσαρμογή τους στην εθνική νομοθεσία, ο απόβλητος ηλεκτρικός εξοπλισμός, οι μπαταρίες και οι συσσωρευτές θα πρέπει να αποθηκεύονται ξεχωριστά και να παραδίδονται σε ξεχωριστό σημείο συλλογής για δημοτικά απόβλητα, το οποίο λειτουργεί σύμφωνα με τους κανονισμούς για την προστασία του περιβάλλοντος.  
Αυτό υποδεικνύεται από το σύμβολο του διαγραμμένου τροχοφόρου κάδου που βρίσκεται αναρτημένο επάνω στον εξοπλισμό.

## Προοριζόμενη χρήση

Αυτή η φορητή πολυλειτουργική ηλεκτρική κεφαλή προορίζεται για την οδήγηση ενός εγκεκριμένου προσαρτήματος που παρατίθεται στην ενότητα «ΠΡΟΔΙΑΓΡΑΦΕΣ» του παρόντος εγχειριδίου οδηγιών. Μη χρησιμοποιείτε ποτέ τη μονάδα για άλλο σκοπό.

**⚠️ ΠΡΟΕΙΔΟΠΟΙΗΣΗ:** Διαβάστε το εγχειρίδιο οδηγιών του προσαρτήματος καθώς και το παρόν εγχειρίδιο οδηγιών πριν από τη χρήση. Η μη τήρηση των προειδοποιήσεων και οδηγιών μπορεί να καταλήξει σε σοβαρό τραυματισμό.

## Θόρυβος

Προσάρτημα		Στάθμη ηχητικής πίεσης		Εγγυημένο επίπεδο ηχητικής ισχύος	Μετρούμενο επίπεδο ηχητικής ισχύος		Ισχύον πρότυπο
		$L_{pA}$ (dB (A))	Αβεβαιότητα K (dB (A))		$L_{WA}$ (dB (A))	$L_{WA}$ (dB (A))	
EM401MP (ως θαμνοκοπτικό)		79,8	1,2	-	94,8	2,5	ISO22868 (ISO11806-1)
EM401MP (ως κουρευτικό με πετονιά)	Κεφαλή κοπής με νάιλον	80,1	1,0	-	94,3	2,0	ISO22868 (ISO11806-1)/ EN50636-2-91
	Πλαστική λάμα	79,4	1,0	-	91,4	2,1	ISO22868 (ISO11806-1)/ EN50636-2-91
EM404MP (ως θαμνοκοπτικό)		79,4	1,4	-	92,0	1,0	ISO22868 (ISO11806-1)



Προσάρτημα		Στάθμη ηχητικής πίεσης		Εγγυημένο επίπεδο ηχητικής ισχύος	Μετρούμενο επίπεδο ηχητικής ισχύος		Ισχύον πρότυπο
		L <sub>PA</sub> (dB (A))	Αβεβαιότητα K (dB (A))		L <sub>WA</sub> (dB (A))	L <sub>WA</sub> (dB (A))	
EM404MP (ως κουρευτικό με πετονιά)	Κεφαλή κοπής με νάιλον	80,7	1,3	-	91,9	1,4	ISO22868 (ISO11806-1)/ EN50636-2-91
	Πλαστική λάμα	78,6	0,7	-	87,8	0,4	ISO22868 (ISO11806-1)/ EN50636-2-91
EM406MP	Κεφαλή κοπής με νάιλον	81,3	0,6	-	93,4	2,1	ISO22868 (ISO11806-1)/ EN50636-2-91
	Πλαστική λάμα	78,8	0,4	-	87,9	0,6	ISO22868 (ISO11806-1)/ EN50636-2-91
EM407MP		84,7	1,7	-	99,0	1,3	ISO22868 (ISO11806-1)
EM408MP	Μεταλλική λάμα	80,7	1,7	-	94,7	3,0	ISO22868 (ISO11806-1)
	Κεφαλή κοπής με νάιλον	79,5	1,3	-	92,8	2,7	ISO22868 (ISO11806-1)/ EN50636-2-91
	Πλαστική λάμα	80,5	1,1	-	92,2	2,8	ISO22868 (ISO11806-1)/ EN50636-2-91
EM409MP	Κεφαλή κοπής με νάιλον	80,6	1,2	-	93,4	2,3	ISO22868 (ISO11806-1)/ EN50636-2-91
	Πλαστική λάμα	81,0	1,4	-	91,9	2,4	ISO22868 (ISO11806-1)/ EN50636-2-91
EN401MP		85	3	96	95	1,1	EN62841-4-2
EN401MP + LE400MP		82	3	98	96	1,4	EN62841-4-2
EN402MP		83	3	95	92	2,3	EN62841-4-2
EN402MP + LE400MP		79	3	96	94	1,8	EN62841-4-2
EN410MP		81	3	93	91	2,0	EN62841-4-2
EN410MP + LE400MP		80	3	93	91	1,7	EN62841-4-2
EN420MP		84	3	94	94	0,4	EN62841-4-2
EN422MP		81	3	94	92	1,9	EN62841-4-2
EN424MP		80	3	-	88	3	EN62841-1
EY403MP		95	3	-	102	3	ISO22868 (ISO11680-1)
EY403MP+LE400MP		95	3	-	102	3	ISO22868 (ISO11680-1)
KR400MP		77,8	0,7	-	86,6	1,2	EN709
KR401MP		77,7	0,3	-	86,7	2,0	EN709
EE400MP		76,1	1,7	-	88,2	2,3	ISO11789 / 2000/14/EC
EJ400MP		82,9	0,6	-	94,4	1,5	ISO22868 (ISO11806-1)
EJ400MP + LE400MP		79,7	1,4	-	94,0	0,7	ISO22868 (ISO11806-1)
BR400MP		80,2	1,0	-	88,9	0,8	EN60335-2-72
SW400MP		80,3	0,2	-	88,3	0,6	EN60335-2-72
UB400MP		92,1	1,6	-	104,1	1,3	EN50636-2-100

Προσάρτημα	Στάθμη ηχητικής πίεσης		Εγγυημένο επίπεδο ηχητικής ισχύος	Μετρούμενο επίπεδο ηχητικής ισχύος		Ισχύον πρότυπο
	L <sub>PA</sub> (dB (A))	Αβεβαιότητα K (dB (A))		L <sub>WA</sub> (dB (A))	Αβεβαιότητα K (dB (A))	
UB401MP	85,6	2,1	-	97,1	1,0	EN50636-2-100
UB402MP	81,7	1,9	-	90,8	1,7	EN50636-2-100
PF400MP	75	2,5	-	90	2,5	ISO20361
WA400MP	77	3	-	89	3	ISO22868 (ISO11806-1)

- Ακόμη κι αν η στάθμη ηχητικής πίεσης που παρατίθεται ανωτέρω είναι 80 dB (A) ή λιγότερο, η στάθμη υπό συνθήκες εργασίας μπορεί να υπερβεί τα 80 dB (A). Να φοράτε ωτοασπίδες.

**ΠΑΡΑΤΗΡΗΣΗ:** Η δηλωμένη τιμή(ές) εκπομπής θορύβου έχει μετρηθεί σύμφωνα με την πρότυπη μέθοδο δοκιμής και μπορεί να χρησιμοποιηθεί για τη σύγκριση ενός εργαλείου με κάποιο άλλο.

**ΠΑΡΑΤΗΡΗΣΗ:** Η δηλωμένη τιμή(ές) εκπομπής θορύβου μπορεί να χρησιμοποιηθεί και στην προκαταρκτική αξιολόγηση της έκθεσης.

**⚠ ΠΡΟΕΙΔΟΠΟΙΗΣΗ:** Να φοράτε ωτοασπίδες.

**⚠ ΠΡΟΕΙΔΟΠΟΙΗΣΗ:** Η εκπομπή θορύβου κατά τη χρήση του ηλεκτρικού εργαλείου σε πραγματικές συνθήκες μπορεί να διαφέρει από τη δηλωμένη τιμή(ές) ανάλογα με τους τρόπους χρήσης του εργαλείου, ιδιαίτερα το είδος του τεμαχίου εργασίας που υπόκειται επεξεργασία.

**⚠ ΠΡΟΕΙΔΟΠΟΙΗΣΗ:** Φροντίστε να λάβετε τα κατάλληλα μέτρα προστασίας του χειριστή βάσει ενός υπολογισμού της έκθεσης σε πραγματικές συνθήκες χρήσης (λαμβάνοντας υπόψη όλες τις συνιστώσες του κύκλου λειτουργίας όπως τους χρόνους που το εργαλείο είναι εκτός λειτουργίας και όταν βρίσκεται σε αδρανή λειτουργία πέραν του χρόνου ενεργοποίησης).

## Κραδασμός

Προσάρτημα		Αριστερή χειρολαβή (μπροστινή λαβή)		Δεξιά χειρολαβή (πίσω λαβή)		Ισχύον πρότυπο
		ah (m/s <sup>2</sup> )	Αβεβαιότητα K (m/s <sup>2</sup> )	ah (m/s <sup>2</sup> )	Αβεβαιότητα K (m/s <sup>2</sup> )	
EM401MP (ως θαμνοκοπτικό)		2,5 ή λιγότερο	1,5	2,5 ή λιγότερο	1,5	ISO22867 (ISO11806-1)
EM401MP (ως κουρευτικό με πετονιά)	Κεφαλή κοπής με νάιλον	3,7	1,5	3,0	1,5	ISO22867 (ISO11806-1)
	Πλαστική λάμα	2,5 ή λιγότερο	1,5	2,5 ή λιγότερο	1,5	ISO22867 (ISO11806-1)
EM404MP (ως θαμνοκοπτικό)		2,5 ή λιγότερο	1,5	2,5 ή λιγότερο	1,5	ISO22867 (ISO11806-1)
EM404MP (ως κουρευτικό με πετονιά)	Κεφαλή κοπής με νάιλον	2,5 ή λιγότερο	1,5	2,5 ή λιγότερο	1,5	ISO22867 (ISO11806-1)
	Πλαστική λάμα	2,5 ή λιγότερο	1,5	2,5 ή λιγότερο	1,5	ISO22867 (ISO11806-1)
EM406MP	Κεφαλή κοπής με νάιλον	2,5 ή λιγότερο	1,5	2,5 ή λιγότερο	1,5	ISO22867 (ISO11806-1)
	Πλαστική λάμα	2,5 ή λιγότερο	1,5	2,5 ή λιγότερο	1,5	ISO22867 (ISO11806-1)
EM407MP		2,5 ή λιγότερο	1,5	2,5 ή λιγότερο	1,5	ISO22867 (ISO11806-1)
EM408MP	Μεταλλική λάμα	2,5 ή λιγότερο	1,5	2,5 ή λιγότερο	1,5	ISO22867 (ISO11806-1)
	Κεφαλή κοπής με νάιλον	2,5 ή λιγότερο	1,5	2,5 ή λιγότερο	1,5	ISO22867 (ISO11806-1)
	Πλαστική λάμα	2,5 ή λιγότερο	1,5	2,5 ή λιγότερο	1,5	ISO22867 (ISO11806-1)

Προσάρτημα		Αριστερή χειρολαβή (μπροστινή λαβή)		Δεξιά χειρολαβή (πίσω λαβή)		Ισχύον πρότυπο
		ah (m/s <sup>2</sup> )	Αβεβαιότητα K (m/s <sup>2</sup> )	ah (m/s <sup>2</sup> )	Αβεβαιότητα K (m/s <sup>2</sup> )	
EM409MP	Κεφαλή κοπής με νάιλον	2,5 ή λιγότερο	1,5	2,5 ή λιγότερο	1,5	ISO22867 (ISO11806-1)
	Πλαστική λάμα	2,5 ή λιγότερο	1,5	2,5 ή λιγότερο	1,5	ISO22867 (ISO11806-1)
EN401MP		3,4	1,5	2,5 ή λιγότερο	1,5	EN62841-4-2
EN401MP + LE400MP		5,4	1,5	2,7	1,5	EN62841-4-2
EN402MP		2,5 ή λιγότερο	1,5	2,5	1,5	EN62841-4-2
EN402MP + LE400MP		5,0	1,5	3,4	1,5	EN62841-4-2
EN410MP		6,7	1,5	3,1	1,5	EN62841-4-2
EN410MP + LE400MP		4,4	1,5	2,5 ή λιγότερο	1,5	EN62841-4-2
EN420MP		2,9	1,5	2,5 ή λιγότερο	1,5	EN62841-4-2
EN422MP		2,5 ή λιγότερο	1,5	2,5	1,5	EN62841-4-2
EN424MP		2,5 ή λιγότερο	1,5	2,5 ή λιγότερο	1,5	EN62841-1
EY403MP		4,0	1,5	2,5 ή λιγότερο	1,5	ISO22867 (ISO11680-1)
EY403MP+LE400MP		3,2	1,5	2,5 ή λιγότερο	1,5	ISO22867 (ISO11680-1)
KR400MP		2,5 ή λιγότερο	1,5	2,5 ή λιγότερο	1,5	EN709
KR401MP		2,5 ή λιγότερο	1,5	2,5 ή λιγότερο	1,5	EN709
EE400MP		2,5 ή λιγότερο	1,5	2,5 ή λιγότερο	1,5	ISO11789
EJ400MP		3,5	1,5	3,9	1,5	ISO22867 (ISO11806-1)
EJ400MP + LE400MP		4,8	1,5	2,6	1,5	ISO22867 (ISO11806-1)
BR400MP		2,5 ή λιγότερο	1,5	2,5 ή λιγότερο	1,5	EN60335-2-72
SW400MP		2,5	1,5	2,5 ή λιγότερο	1,5	EN60335-2-72
UB400MP		4,6	1,5	2,5 ή λιγότερο	2,5	EN50636-2-100
UB401MP		2,5 ή λιγότερο	1,7	2,5 ή λιγότερο	1,5	EN50636-2-100
UB402MP		2,5 ή λιγότερο	1,5	2,5 ή λιγότερο	1,5	EN50636-2-100
PF400MP		2,5 ή λιγότερο	1,5	2,5 ή λιγότερο	1,5	ISO22867
WA400MP		2,8	1,5	2,5 ή λιγότερο	1,5	ISO22867 (ISO11806-1)

**ΠΑΡΑΤΗΡΗΣΗ:** Η δηλωμένη τιμή(ές) συνολικών κραδασμών έχει μετρηθεί σύμφωνα με την πρότυπη μέθοδο δοκιμής και μπορεί να χρησιμοποιηθεί για τη σύγκριση ενός εργαλείου με κάποιο άλλο.

**ΠΑΡΑΤΗΡΗΣΗ:** Η δηλωμένη τιμή(ές) συνολικών κραδασμών μπορεί να χρησιμοποιηθεί και στην προκαταρκτική αξιολόγηση της έκθεσης.

**⚠️ ΠΡΟΕΙΔΟΠΟΙΗΣΗ:** Η εκπομπή κραδασμών κατά τη χρήση του ηλεκτρικού εργαλείου σε πραγματικές συνθήκες μπορεί να διαφέρει από τη δηλωμένη τιμή(ές) εκπομπής ανάλογα με τους τρόπους χρήσης του εργαλείου, ιδιαίτερα το είδος του τεμαχίου εργασίας που υπόκειται επεξεργασία.

**⚠️ ΠΡΟΕΙΔΟΠΟΙΗΣΗ:** Φροντίστε να λάβετε τα κατάλληλα μέτρα προστασίας του χειριστή βάσει ενός υπολογισμού της έκθεσης σε πραγματικές συνθήκες χρήσης (λαμβάνοντας υπόψη όλες τις συνιστώσες του κύκλου λειτουργίας όπως τους χρόνους που το εργαλείο είναι εκτός λειτουργίας και όταν βρίσκεται σε αδρανή λειτουργία πέραν του χρόνου ενεργοποίησης).

## Δήλωση Συμμόρφωσης

*Μόνο για χώρες της Ευρώπης*

Οι Δήλωσης Συμμόρφωσης περιλαμβάνονται στο Παράρτημα Α στο παρόν χειρίδιο οδηγιών.

## ΠΡΟΕΙΔΟΠΟΙΗΣΕΙΣ ΑΣΦΑΛΕΙΑΣ

### Γενικές προειδοποιήσεις ασφαλείας για το ηλεκτρικό εργαλείο

**⚠️ ΠΡΟΕΙΔΟΠΟΙΗΣΗ** Διαβάστε όλες τις προειδοποιήσεις ασφάλειας, οδηγίες, εικονογραφίες και προδιαγραφές που παρέχονται με αυτό το ηλεκτρικό εργαλείο. Η μη τήρηση όλων των οδηγιών που αναγράφονται κατωτέρω μπορεί να καταλήξει σε ηλεκτροπληξία, πυρκαγιά ή/και σοβαρό τραυματισμό.

### Φυλάξτε όλες τις προειδοποιήσεις και τις οδηγίες για μελλοντική παραπομπή.

Στις προειδοποιήσεις, ο όρος «ηλεκτρικό εργαλείο» αναφέρεται σε ηλεκτρικό εργαλείο που τροφοδοτείται από την κύρια παροχή ηλεκτρικού ρεύματος (με ηλεκτρικό καλώδιο) ή σε ηλεκτρικό εργαλείο που τροφοδοτείται από μπαταρία (χωρίς ηλεκτρικό καλώδιο).

### Επιπλέον οδηγίες για την ασφάλεια

### Προσωπικός προστατευτικός εξοπλισμός

► Εικ.1

1. Φοράτε κράνος ασφαλείας, προστατευτικά γάντια για να προστατέψετε τον εαυτό σας από τα αντικείμενα που εκτοξεύονται ή πέφτουν.
2. Φοράτε προστατευτικά αυτιών, όπως ωτοασπίδες, για να αποτρέψετε την απώλεια της ακοής σας.
3. Φοράτε σωστό ρουχισμό και παπούτσια για την ασφαλή λειτουργία, όπως ολόσωμη φόρμα εργασίας και σταθερά, αντιολισθητικά παπούτσια. Μη φοράτε φαρδιά ρούχα ή κοσμήματα. Υπάρχει κίνδυνος να εμπλακούν τα φαρδιά ρούχα, τα κοσμήματα ή τα μακριά μαλλιά σε κινούμενα μέρη.
4. Όταν αγγίζετε τη λεπίδα κόπτη, να φοράτε προστατευτικά γάντια. Οι κοπτικές λάμες μπορούν να κόψουν σοβαρά τα γυμνά χέρια.

### Ασφάλεια στο χώρο εργασίας

1. Πριν τη λειτουργία, εξετάστε αν υπάρχουν πέτρες ή άλλα στερεά αντικείμενα στην περιοχή εργασίας. Μπορεί να πεταχτούν ή να προκαλέσουν επικίνδυνο κλότσημα, και να έχουν ως αποτέλεσμα σοβαρό τραυματισμό ή/και ζημιά σε ιδιοκτησία.

### Ηλεκτρική ασφάλεια και ασφάλεια μπαταρίας

1. Να αποφεύγετε τα επικίνδυνα περιβάλλοντα. Μη χρησιμοποιείτε το εργαλείο σε υγραμένο ή υγρό χώρο ούτε να το εκθέτετε στη βροχή. Η είσοδος νερού στο εργαλείο μπορεί να αυξήσει τον κίνδυνο πρόκλησης ηλεκτροπληξίας.
2. Μη απορρίπτετε την μπαταρία(ίες) στη φωτιά. Το καλί μπορεί να εκραγεί. Συμβουλευτείτε τους τοπικούς κώδικες για πιθανές ειδικές οδηγίες απόρριψης.
3. Μη απορρίπτετε και μην καταστρέψετε την μπαταρία(ίες). Ο ηλεκτρολύτης που εκλύεται είναι διαβρωτικός και μπορεί να προκαλέσει ζημιά στα μάτια ή στο δέρμα. Σε περίπτωση κατάποσης, μπορεί να είναι τοξικό.
4. Μη φορτίζετε την μπαταρία στη βροχή, αλλά ούτε σε υγρές τοποθεσίες.
5. Μην αλλάζετε την μπαταρία με βρεγμένα χέρια.
6. Μην αλλάζετε την μπαταρία στη βροχή.
7. Μην βρέχετε τον πόλο της μπαταρίας με υγρό, όπως το νερό, και μη βυθίζετε την μπαταρία σε υγρό. Μην αφήνετε την μπαταρία στη βροχή, και μην φορτίζετε, χρησιμοποιείτε ή αποθηκεύετε την μπαταρία σε νωπό ή βρεγμένο μέρος. Αν ο πόλος βρεχτεί ή εισέλθει υγρό στο εσωτερικό της μπαταρίας, η μπαταρία μπορεί να βραχυκυκλώσει και να υπάρξει κίνδυνος υπερθέρμανσης, πυρκαγιάς ή έκρηξης.
8. Αφού αφαιρέσετε την μπαταρία από το εργαλείο ή τον φορτιστή, φροντίστε να συνδέσετε το κάλυμμα μπαταριών στην μπαταρία και να την αποθηκεύσετε σε στεγνό μέρος.
9. Αν η κασέτα μπαταριών βραχεί, αποστραγγίστε το νερό από το εσωτερικό και μετά σκουπίστε την με ένα στεγνό πανί. Στεγνώστε την κασέτα μπαταριών εντελώς σε ένα στεγνό μέρος πριν τη χρησιμοποιήσετε.

### Λειτουργία

1. Το κοπτικό εργαλείο πρέπει να είναι εξοπλισμένο με το προφυλακτήρα. Ποτέ μην χρησιμοποιείτε το εργαλείο με κατεστραμμένους προφυλακτήρες ή όταν οι προφυλακτήρες δεν βρίσκονται στη θέση τους!
2. Βεβαιωθείτε ότι δεν υπάρχουν ηλεκτρικά καλώδια, σωληνώσεις νερού ή αερίου κ.λπ.

οι οποίες θα μπορούσαν να προκαλέσουν κίνδυνο αν υποστούν ζημιές από τη χρήση του εργαλείου.

## Λειτουργία

1. Διατηρείτε πάντα τα χέρια, το πρόσωπο και τα ρούχα σας μακριά από το κοπτικό εργαλείο όταν αυτό περιστρέφεται. Αν δεν το κάνετε αυτό, μπορεί να προκληθεί ατομικός τραυματισμός.
2. Κατά τη διάρκεια της λειτουργίας, οι παρευρισκόμενοι ή τα ζώα πρέπει να παραμένουν τουλάχιστον 15 μέτρα μακριά από το εργαλείο. Να διακόπτετε τη λειτουργία του εργαλείου μόλις κάποιος πλησιάσει.
3. Κατά τη διάρκεια της λειτουργίας, μην στέκεστε ποτέ σε ασταθή ή ολισθηρή επιφάνεια ή σε κατηφόρα. Κατά τις κρύες εποχές, να προσέχετε τον πάγο και το χιόνι και να φροντίζετε ώστε να πατάτε καλά.
4. Μην εργάζεστε ποτέ σε σκάλα ή δέντρο, για να αποφύγετε την απώλεια ελέγχου.
5. Όταν αφήσετε το εργαλείο, ακόμη κι αν είναι για σύντομο χρόνο, να βγάξετε πάντα την κασέτα μπαταριών. Αν το εργαλείο δεν επιτηρείται και είναι τοποθετημένη η κασέτα μπαταριών, μπορεί να χρησιμοποιηθεί από μη εξουσιοδοτημένο άτομο και να προκληθεί σοβαρό ατύχημα.
6. Πριν εκκινήσετε το εργαλείο, βεβαιωθείτε ότι το κοπτικό εργαλείο δεν αγγίζει το έδαφος και άλλα αντικείμενα, όπως κάποιο δέντρο.
7. Να ελέγχετε συχνά το εξάρτημα κοπής για ρωγμές ή ζημιές κατά τη διάρκεια της λειτουργίας. Πριν το έλεγχο, αφαιρέστε την κασέτα μπαταριών και περιμένετε μέχρι να σταματήσει εντελώς το εξάρτημα κοπής. Αντικαταστήστε αμέσως ένα κατεστραμμένο εξάρτημα κοπής, ακόμη κι αν έχει μόνο επιφανειακές ρωγμές.
8. Μην θέτετε το εργαλείο σε λειτουργία σε άσχημες καιρικές συνθήκες ή αν υπάρχει κίνδυνος για κεραυνούς.
9. Κατά την χρήση, να κρατάτε πάντα το εργαλείο και με τα δύο σας χέρια. Κατά τη χρήση, μην κρατάτε ποτέ το εργαλείο με ένα χέρι.
10. Κατά τη διάρκεια της λειτουργίας, να χρησιμοποιείτε τον μάντα ώμου. Κρατήστε το εργαλείο σταθερά στη δεξιά πλευρά σας.
11. Μην αγγίζετε το κιβώτιο οδοντωτών τροχών κατά τη διάρκεια της λειτουργίας ή αμέσως μετά αυτή. Το κιβώτιο οδοντωτών τροχών θερμαίνεται κατά τη λειτουργία και μπορεί να προκαλέσει εγκαύματα.
12. Κάντε ένα διάλειμμα για να αποφύγετε την απώλεια του ελέγχου που προκαλείται από την κόπωση. Συνιστούμε να κάνετε ένα διάλειμμα για ξεκούραση διάρκειας 10 έως 20 λεπτών κάθε ώρα.
13. Όταν χρησιμοποιείτε το εργαλείο σε λασπώδη έδαφος, βρεγμένες κλίσεις ή ολισθηρό μέρος, να προσέχετε το πάτημά σας.
14. Αποφεύγετε να εργάζεστε σε κακό περιβάλλον, όπου αναμένεται αυξημένη κόπωση του χρήστη.
15. Μην χρησιμοποιείτε το εργαλείο σε άσχημες καιρικές συνθήκες, όταν η ορατότητα είναι

περιορισμένη. Αν δεν τηρήσετε αυτή την προειδοποίηση, μπορεί να προκληθεί πτώση ή λανθασμένη λειτουργία λόγω χαμηλής ορατότητας.

16. Μην βυθίζετε το εργαλείο σε λακκούβα.
17. Μην αφήνετε το εργαλείο χωρίς επιτήρηση σε εξωτερικούς χώρους στη βροχή.
18. Όταν βρεγμένα φύλλα ή χώμα κολλούν στο στόμιο αναρρόφησης (παράθυρο εξαερισμού) λόγω βροχής, αφαιρέστε τα.
19. Μην χρησιμοποιείτε το εργαλείο στο χιόνι.

## Κοπτικά εργαλεία

1. Όταν χρησιμοποιείτε κοπτικές λάμες, αποφύγετε το «κλότσημα» και να είστε πάντα προετοιμασμένοι για κάποιο τυχαίο κλότσημα. Δείτε την ενότητα για το κλότσημα.
2. Όταν δεν χρησιμοποιείται, προσαρτήστε το κάλυμμα λαμών στη λάμα. Αφαιρέστε το κάλυμμα πριν τη λειτουργία.

## Κλότσημα (ώθηση λάμας)

1. Το κλότσημα (ώθηση λάμας) είναι μια ξαφνική αντίδραση όταν η κοπτική λάμα είναι πιασμένη ή δεσμευμένη. Μόλις συμβεί, το εργαλείο πετάγεται προς το πλάι ή προς το χειριστή με μεγάλη δύναμη και μπορεί να προκληθεί σοβαρός τραυματισμός.
2. Το κλότσημα εμφανίζεται ιδιαίτερα κατά τη χρήση του τμήματος της λάμας των 12 και 2 «ωρών» πάνω σε στερεά, θάμνους και δέντρα με διάμετρο 3 cm ή μεγαλύτερη.

► Εικ.2

3. Για την αποφυγή του κλοτσήματος:
  1. Χρησιμοποιήστε το τμήμα μεταξύ των 8 και 11 «ωρών».
  2. Μην χρησιμοποιήσετε ποτέ το τμήμα μεταξύ των 12 και 2 «ωρών».
  3. Μην χρησιμοποιήσετε ποτέ το τμήμα μεταξύ των 11 και 12 «ωρών» και το τμήμα μεταξύ των 2 και 5 «ωρών», εκτός αν ο χειριστής είναι καλά εκπαιδευμένος και έμπειρος και το κάνει με δική του ευθύνη.
  4. Μην χρησιμοποιείτε ποτέ κοπτικές λάμες κοντά σε στερεά, όπως φράκτες, τοίχους, κορμούς δέντρων και πέτρες.
  5. Μην χρησιμοποιήσετε ποτέ κοπτικές λάμες κάθετα, για εργασίες όπως μπορντούρες και φράκτες από θάμνους.

► Εικ.3

## Κραδασμός

1. Τα άτομα με κακό κυκλοφορικό σύστημα τα οποία εκτίθενται σε υπερβολικούς κραδασμούς μπορεί να παρουσιάσουν βλάβη στα αιμοφόρα αγγεία ή στο νευρικό σύστημα. Οι κραδασμοί μπορεί να προκαλέσουν τα ακόλουθα συμπτώματα στα δάχτυλα, τα χέρια ή τους καρπούς: «Κοίμηση» (μούδιασμα), μυρμηγκίασμα, πόνος, αίσθηση μαχαιρώματος, αλλαγή χρώματος ή παραμόρφωση του δέρματος. Αν έχετε οποιαδήποτε από αυτά τα συμπτώματα, επισκεφτείτε ένα γιατρό!

2. Για να μειώσετε τον κίνδυνο του «συνδρόμου λευκού δακτύλου», να διατηρείτε τα χέρια σας ζεστά κατά τη λειτουργία και να συντηρείτε σωστά το εργαλείο και τα εξαρτήματα.

## Μεταφορά

1. Πριν τη μεταφορά του εργαλείου, απενεργοποιήστε το και αφαιρέστε την κασέτα μπαταριών. Προσαρτήστε το κάλυμμα στην κοπτική λάμα.

## Συντήρηση

1. Πριν την εκτέλεση οποιασδήποτε εργασίας συντήρησης και επισκευής ή τον καθαρισμό του εργαλείου, να το απενεργοποιείτε και να αφαιρείτε την κασέτα μπαταριών.
2. Κατά το χειρισμό μιας κοπτικής λάμας, να φοράτε πάντα γάντια και να τοποθετείτε το κάλυμμα λάμας πάνω στη λάμα.
3. Να διατηρείτε τις λαβές στεγνές, καθαρές, χωρίς λάδι και γράσο. Να διατηρείτε καθαρές όλες τις εισόδους του αέρα ψύξης.
4. Μην πλένετε το εργαλείο με νερό υψηλής πίεσης.
5. Όταν πλένετε το εργαλείο, μην αφήνετε το νερό να εισέλθει στον ηλεκτρικό μηχανισμό, όπως η μπαταρία, το μοτέρ και τους πόλους.
6. Εκτελέστε τις εργασίες επιθεώρησης και συντήρησης σε ένα μέρος όπου μπορεί να αποφευχθεί η βροχή.
7. Μετά τη χρήση του εργαλείου, αφαιρέστε το προσκολλημένο χώμα και στεγνώστε το εργαλείο εντελώς πριν την αποθήκευση. Ανάλογα με την εποχή ή την περιοχή, υπάρχει κίνδυνος δυσλειτουργίας λόγω παγώματος.

## Αποθήκευση

1. Πριν τη φύλαξη του εργαλείου, εκτελέστε πλήρη καθαρισμό και συντήρηση. Αφαιρέστε την κασέτα μπαταριών. Προσαρτήστε το κάλυμμα στην κοπτική λάμα.
2. Φυλάξτε το εργαλείο σε ένα ψηλό ή κλειδωμένο μέρος χωρίς υγρασία, μακριά από παιδιά.
3. Όταν αποθηκεύετε το εργαλείο, να αποφεύγετε την άμεση ηλιοβολή και τη βροχή, και να το αποθηκεύσετε σε ένα μέρος όπου δεν υπάρχει πολύ ζέση και υγρασία.

## Σημαντικές οδηγίες ασφάλειας για κασέτα μπαταριών

1. Πριν χρησιμοποιήσετε την κασέτα μπαταριών, διαβάστε όλες τις οδηγίες και σημειώσεις προφύλαξης (1) στον φορτιστή μπαταριών, (2) στην μπαταρία και (3) στο προϊόν που χρησιμοποιεί την μπαταρία.
2. Μην αποσυναρμολογήσετε ή παραβιάσετε την κασέτα μπαταριών. Μπορεί να έχει ως αποτέλεσμα πυρκαγιά, υπερθέρμανση ή έκρηξη.
3. Εάν ο χρόνος λειτουργίας έχει γίνει υπερβολικά βραχύς, σταματήστε τη λειτουργία αμέσως. Αλλιώς, μπορεί να έχει ως αποτέλεσμα κίνδυνο υπερθέρμανσης, πιθανά εγκαύματα ή

ακόμη και έκρηξη.

4. Εάν ηλεκτρολύτης μπει στα μάτια σας, ξεπλύνετε τα με καθαρό νερό και ζητήστε ιατρική φροντίδα αμέσως. Αλλιώς, μπορεί να έχει ως αποτέλεσμα απώλεια της όρασης σας.
5. Μην βραχυκυκλώνετε την κασέτα μπαταριών:
  - (1) Μην αγγίζετε τους πόλους με οτιδήποτε αγώγιμο υλικό.
  - (2) Αποφεύγετε να αποθηκεύετε την κασέτα μπαταριών μέσα σε ένα δοχείο μαζί με άλλα μεταλλικά αντικείμενα όπως καρφιά, νομίσματα, κλπ.
  - (3) Μην εκθέτετε την κασέτα μπαταριών στο νερό ή στη βροχή.Ένα βραχυκύκλωμα μπαταρίας μπορεί να προκαλέσει μεγάλη ροή ρεύματος, υπερθέρμανση, πιθανά εγκαύματα ακόμη και σοβαρή βλάβη.
6. Μην αποθηκεύετε και μην χρησιμοποιείτε το εργαλείο και την κασέτα μπαταριών σε τοποθεσίες όπου η θερμοκρασία μπορεί να φτάσει ή να ξεπεράσει τους 50 °C.
7. Μην καίτε την κασέτα μπαταριών ακόμη και εάν έχει σοβαρή ζημιά ή είναι εντελώς φθαρμένη. Η κασέτα μπαταριών μπορεί να εκραγεί στη φωτιά.
8. Μην καρφώσετε, κόψετε, συνθλίψετε, πετάξετε ή ρίξετε κάτω την κασέτα μπαταριών, ούτε να σχυπήσετε ένα σκληρό αντικείμενο επάνω στην κασέτα μπαταριών. Τέτοια συμπεριφορά μπορεί να έχει ως αποτέλεσμα πυρκαγιά, υπερθέρμανση ή έκρηξη.
9. Μην χρησιμοποιείτε μπαταρία που έχει υποστεί ζημιά.
10. Οι μπαταρίες ιόντων λιθίου που περιέχονται υπόκεινται στις απαιτήσεις της νομοθεσίας για επικίνδυνα αγαθά.

Για εμπορικές μεταφορές, για παράδειγμα από τρίτα μέρη, πρέπει να τηρούνται οι διαμεταφορές, οι ειδικές απαιτήσεις στη συσκευασία και η επισημάνση.

Για προετοιμασία του στοιχείου που αποστέλλεται, είναι απαραίτητο να συμβουλευτείτε έναν ειδικό για επικίνδυνα υλικά. Επίσης, τηρήστε τους πιθανούς, πιο αναλυτικούς εθνικούς κανονισμούς. Καλύψτε με αυτοκόλλητη ταινία ή κρύψτε τις ανοικτές επαφές και συσκευάστε την μπαταρία με τρόπο που να μην μπορεί να μετακινείται μέσα στη συσκευασία.

11. Όταν απορρίπτετε την κασέτα μπαταριών, αφαιρέστε την από το εργαλείο και διαθέστε την σε ένα ασφαλές μέρος. Τηρήστε τους τοπικούς κανονισμούς που σχετίζονται με τη διάθεση της μπαταρίας.
12. Χρησιμοποιήστε τις μπαταρίες μόνο με τα προϊόντα που καθορίζει η Makita. Αν τοποθετήσετε τις μπαταρίες σε μη συμβατά προϊόντα μπορεί να έχει ως αποτέλεσμα πυρκαγιά, υπερβολική θερμότητα, έκρηξη ή διαρροή ηλεκτρολύτη.
13. Αν δεν χρησιμοποιείτε το εργαλείο για μεγάλο χρονικό διάστημα, πρέπει να βγάλετε την μπαταρία από το εργαλείο.
14. Κατά τη διάρκεια και μετά τη χρήση, η κασέτα μπαταριών μπορεί να θερμανθεί, γεγονός που μπορεί να προκαλέσει εγκαύματα ή εγκαύματα

από χαμηλή θερμοκρασία. Προσέχετε το χειρισμό των ζεστών κασετών μπαταριών.

- Μην αγγίζετε τον ακροδέκτη του εργαλείου αμέσως μετά τη χρήση επειδή μπορεί να έχει ζεσταθεί αρκετά για να προκαλέσει εγκαύματα.
- Μην αφήνετε θραύσματα, σκόνη ή βρομιά να κολλήσει στους ακροδέκτες, τις σπές και τις εγκοπές της κασέτας μπαταριών. Μπορεί να προκαλέσει θέρμανση, φωτιά, έκρηξη και δυσλειτουργία του εργαλείου ή της κασέτας μπαταριών, έχοντας ως αποτέλεσμα εγκαύματα ή προσωπικό τραυματισμό.
- Εκτός αν το εργαλείο υποστηρίζει τη χρήση κοντά σε ηλεκτρικές γραμμές υψηλής τάσης, μην χρησιμοποιείτε την κασέτα μπαταριών κοντά σε ηλεκτρικές γραμμές υψηλής τάσης. Μπορεί να έχει ως αποτέλεσμα δυσλειτουργία ή σπάσιμο του εργαλείου ή της κασέτας μπαταριών.
- Κρφυλάξτε την μπαταρία μακριά από παιδιά.

## ΦΥΛΑΞΤΕ ΤΙΣ ΟΔΗΓΙΕΣ ΑΥΤΕΣ.

**⚠ ΠΡΟΣΟΧΗ:** Να χρησιμοποιείτε μόνο γνήσιες μπαταρίες της Makita. Η χρήση μη γνήσιων μπαταριών Makita, ή μπαταριών που έχουν τροποποιηθεί, μπορεί να έχει ως αποτέλεσμα τη ρήξη της μπαταρίας, προκαλώντας πυρκαγιά, προσωπικό τραυματισμό και βλάβη. Επίσης, θα ακυρωθεί η εγγύηση της Makita για το εργαλείο και φορτιστή Makita.

## Συμβουλές για τη διατήρηση της μέγιστης ζωής μπαταρίας

- Φορτίζετε την κασέτα μπαταριών πριν από την πλήρη αποφόρτισή της. Πάντοτε να σταματάτε τη λειτουργία του εργαλείου και να φορτίζετε την κασέτα μπαταριών όταν παρατηρείτε μειωμένη ισχύ εργαλείου.
- Ποτέ μην επαναφορτίζετε μια πλήρως φορτισμένη κασέτα μπαταριών. Η υπερφόρτιση μειώνει την ωφέλιμη ζωή της μπαταρίας.
- Να φορτίζετε την κασέτα μπαταριών σε θερμοκρασία δωματίου, δηλαδή στους 10 °C έως 40 °C. Αφήστε μια θερμή κασέτα μπαταριών να κρυώσει πριν την φορτίσετε.
- Όταν δεν χρησιμοποιείτε την κασέτα μπαταριών, αφαιρέστε την από το εργαλείο ή τον φορτιστή.
- Να φορτίζετε την κασέτα μπαταριών εάν δεν τη χρησιμοποιείτε για μεγάλη χρονική περίοδο (περισσότερο από έξι μήνες).

## ΠΕΡΙΓΡΑΦΗ ΕΞΑΡΤΗΜΑΤΩΝ

► Εικ.4

1	Κασέτα μπαταριών	2	Μοχλός απασφάλισης	3	Αναρτήρας	4	Χειρολαβή
5	Κουμπί απασφάλισης	6	Φραγμός	7	Σκανδάλη διακόπτης	8	Ένδειξη ταχύτητας
9	Κουμπί κύριας λειτουργίας	10	Προειδοποιητική λυχνία	11	Κουμπί αντιστροφής	12	Ιμάντας ώμου

## ΠΕΡΙΓΡΑΦΗ ΛΕΙΤΟΥΡΓΙΑΣ

**⚠ ΠΡΟΕΙΔΟΠΟΙΗΣΗ:** Να φροντίζετε πάντα για την απενεργοποίηση του εργαλείου και την αφαίρεση της κασέτας μπαταριών, πριν από οποιαδήποτε ρύθμιση ή έλεγχο της λειτουργίας του. Αν δεν σβήσετε το μηχάνημα και δεν βγάλετε την κασέτα μπαταριών, μπορεί να προκληθεί σοβαρός προσωπικός τραυματισμός από την τυχαία εκκίνηση.

## Τοποθέτηση ή αφαίρεση της κασέτας μπαταριών

**⚠ ΠΡΟΣΟΧΗ:** Να σβήνετε πάντα το εργαλείο πριν τοποθετήσετε ή αφαιρέσετε την κασέτα μπαταριών.

**⚠ ΠΡΟΣΟΧΗ:** Κρατήστε το εργαλείο και την κασέτα μπαταριών σταθερά κατά την τοποθέτηση ή αφαίρεση της κασέτας μπαταριών. Εάν δεν κρατάτε το εργαλείο και την κασέτα μπαταριών σταθερά μπορεί να γλιστρήσουν από τα χέρια σας και να προκληθεί βλάβη στο εργαλείο και την κασέτα μπαταριών και προσωπικός τραυματισμός.

Για να τοποθετήσετε την κασέτα μπαταριών, ευθυγραμμίστε τη γλώσσα στην κασέτα μπαταριών με την εγκοπή στο περίβλημα και ολισθήστε τη στη θέση της. Τοποθετήστε την μέχρι τέρμα μέχρι να ασφαλίσει στη θέση της, γεγονός που υποδεικνύεται με ένα χαρακτηριστικό ήχο. Αν μπορείτε να δείτε τον κόκκινο δείκτη όπως απεικονίζεται στην εικόνα, δεν έχει κλειδώσει τελείως.

Για να αφαιρέσετε την κασέτα μπαταριών, ολισθήστε την από το εργαλείο ενώ σύρετε το κουμπί στο μπροστινό μέρος της κασέτας.

► **Εικ.5:** 1. Κόκκινος δείκτης 2. Κουμπί 3. Κασέτα μπαταριών

**▲ΠΡΟΣΟΧΗ:** Να τοποθετείτε πάντα την κασέτα μπαταριών πλήρως μέχρι να μη βλέπετε τον κόκκινο δείκτη. Εάν δεν ασφαλιστεί, μπορεί να πέσει από το εργαλείο τυχαία, προκαλώντας σωματική βλάβη σε εσάς ή κάποιον άλλο γύρω σας.

**▲ΠΡΟΣΟΧΗ:** Μην τοποθετείτε την κασέτα μπαταριών με βία. Εάν η κασέτα δεν ολισθαίνει με ευκολία, τότε δεν έχει τοποθετηθεί κατάλληλα.

## Σύστημα προστασίας εργαλείου/ μπαταρίας

Το εργαλείο είναι εξοπλισμένο με σύστημα προστασίας εργαλείου/μπαταρίας. Αυτό το σύστημα αποκόπτει αυτόματα την ισχύ προς το μοτέρ για να παραταθεί η διάρκεια λειτουργίας του εργαλείου και της μπαταρίας. Το εργαλείο σταματάει αυτόματα κατά τη διάρκεια της λειτουργίας αν το εργαλείο βρεθεί κάτω από τις παρακάτω συνθήκες:

► **Εικ.6:** 1. Προειδοποιητική λυχνία

Προειδοποιητική λυχνία		Κατάσταση
Χρώμα	<input checked="" type="radio"/> Αναμμένη <input type="radio"/> Αναβοσβήνει	
Πράσινη	<input type="radio"/>	Υπερφόρτιση
Κόκκινη	<input checked="" type="radio"/> (εργαλείο) / <input checked="" type="radio"/> (μπαταρία)	Υπερθέρμανση
Κόκκινη	<input checked="" type="radio"/>	Υπερεκφόρτιση

## Προστασία υπερφόρτωσης

Αν το εργαλείο ή η μπαταρία βρεθεί σε μία από τις ακόλουθες καταστάσεις, η λειτουργία του εργαλείου σταματάει αυτόματα και η λυχνία προσοχής αρχίζει να αναβοσβήνει με πράσινο χρώμα:

- Το εργαλείο υπερφορτώνεται με μπλεγμένα ζιζάνια ή άλλα σκουπίδια.
- Το κοπτικό εργαλείο είναι ασφαλισμένο ή έχει κλοτσήσει προς τα πίσω.
- Το κουμπί κύριας λειτουργίας είναι ενεργοποιημένο όσο τραβάτε τη σκανδάλη διακόπτη.

Σε αυτή την περίπτωση, αφήστε τη σκανδάλη διακόπτη και αφαιρέστε τα μπλεγμένα αγριόχορτα ή σκουπίδια αν απαιτείται. Στη συνέχεια, τραβήξτε ξανά τη σκανδάλη διακόπτη για να συνεχίσετε.

**▲ΠΡΟΣΟΧΗ:** Αν πρέπει να αφαιρέσετε μπλεγμένα αγριόχορτα από το εργαλείο ή να αποδεσμεύσετε το ασφαλισμένο κοπτικό εργαλείο, βεβαιωθείτε να απενεργοποιήσετε το εργαλείο πριν ξεκινήσετε.

## Προστασία υπερθέρμανσης για το εργαλείο ή την μπαταρία

Αν το εργαλείο ή η κασέτα μπαταριών υπερθερμανθεί, το εργαλείο σταματάει αυτόματα. Όταν το εργαλείο υπερθερμανθεί, ανάβει η προειδοποιητική λυχνία με κόκκινο χρώμα. Όταν η κασέτα μπαταριών υπερθερμανθεί, η προειδοποιητική λυχνία αναβοσβήνει με κόκκινο χρώμα. Αφήστε το εργαλείο και/ή την μπαταρία να κρυώσει, πριν ενεργοποιήσετε ξανά το εργαλείο.

## Προστασία υπερβολικής αποφόρτισης

Όταν η χωρητικότητα μπαταρίας είναι χαμηλή, η λειτουργία του εργαλείου σταματάει αυτόματα και η προειδοποιητική λυχνία αρχίζει να αναβοσβήνει με κόκκινο χρώμα.

Αν το εργαλείο δεν λειτουργήσει ακόμα και όταν χειριστείτε τους διακόπτες, αφαιρέστε την κασέτα μπαταριών από το εργαλείο και φορτίστε την.

## Εμφάνιση υπολειπόμενης χωρητικότητας μπαταρίας

Πιέστε το κουμπί ελέγχου στην κασέτα μπαταριών για να υποδείξετε την υπολειπόμενη χωρητικότητα μπαταρίας. Οι ενδεικτικές λυχνίες ανάβουν για λίγα δευτερόλεπτα.

► **Εικ.7:** 1. Ενδεικτικές λυχνίες 2. Κουμπί ελέγχου

Ενδεικτικές λυχνίες			Υπολειπόμενη χωρητικότητα
Αναμμένες	Σβηστές	Αναβοσβήνουν	
■ ■ ■ ■			75% έως 100%
■ ■ ■ □			50% έως 75%
■ ■ □ □			25% έως 50%
■ □ □ □			0% έως 25%
▲ □ □ □			Φορτίστε την μπαταρία.
■ ■ □ □			Μπορεί να προέκυψε δυσλειτουργία στην μπαταρία.
□ □ ■ ■			

**ΠΑΡΑΤΗΡΗΣΗ:** Ανάλογα με τις συνθήκες χρήσης και τη θερμοκρασία περιβάλλοντος, η ένδειξη μπορεί να διαφέρει λίγο από την πραγματική χωρητικότητα.

**ΠΑΡΑΤΗΡΗΣΗ:** Η πρώτη (τέρμα αριστερά) ενδεικτική λυχνία θα αναβοσβήνει όταν λειτουργεί το σύστημα προστασίας μπαταρίας.



## Διακόπτης κύριας λειτουργίας

**▲ ΠΡΟΕΙΔΟΠΟΙΗΣΗ:** Να απενεργοποιείτε πάντα το διακόπτη κύριας λειτουργίας όταν δεν χρησιμοποιείτε το εργαλείο.

Πατήστε το κουμπί κύριας λειτουργίας για να ενεργοποιήσετε το εργαλείο. Για να απενεργοποιήσετε το εργαλείο, πατήστε παρατεταμένα το κουμπί κύριας λειτουργίας μέχρι να σβήσουν οι ενδείξεις ταχύτητας.

► **Εικ.8:** 1. Κουμπί κύριας λειτουργίας

**ΠΑΡΑΤΗΡΗΣΗ:** Η λυχνία προσοχής αναβοσβήνει αν τραβήξετε τη σκανδάλη διακόπτη κάτω από μη λειτουργικές συνθήκες. Η λυχνία προσοχής αναβοσβήνει αν ενεργοποιήσετε τον διακόπτη κύριας λειτουργίας ενώ κρατάτε πατημένο τον μοχλό απασφάλισης και τη σκανδάλη διακόπτη.

**ΠΑΡΑΤΗΡΗΣΗ:** Αυτό το εργαλείο χρησιμοποιεί τη λειτουργία αυτόματης απενεργοποίησης. Για να αποφευχθεί η αθέλητη εκκίνηση, ο διακόπτης κύριας λειτουργίας κλείνει αυτόματα αν δεν τραβήξετε τη σκανδάλη διακόπτη για κάποια καθορισμένη περίοδο μετά την ενεργοποίηση του διακόπτη κύριας λειτουργίας.

## Δράση διακόπτη

**▲ ΠΡΟΕΙΔΟΠΟΙΗΣΗ:** Για την ασφάλεια σας, το εργαλείο αυτό παρέχεται με μοχλό απασφάλισης το οποίο αποτρέπει την εκκίνηση του εργαλείου κατά λάθος. Μη χρησιμοποιείτε ΠΟΤΕ το εργαλείο αν μπορείτε να το θέσετε σε λειτουργία πιέζοντας απλά τη σκανδάλη διακόπτη, χωρίς να τραβάτε και το μοχλό απασφάλισης. Στείλτε το εργαλείο σε εξουσιοδοτημένο κέντρο σέρβις για να το επισκευάσουν σωστά ΠΡΙΝ το χρησιμοποιήσετε ξανά.

**▲ ΠΡΟΕΙΔΟΠΟΙΗΣΗ:** ΠΟΤΕ μην κολλάτε το μοχλό απασφάλισης στην πατημένη θέση του και ΠΟΤΕ μην παρακάμπτετε το σκοπό του μοχλού απασφάλισης.

**▲ ΠΡΟΣΟΧΗ:** Πριν βάλετε την κασέτα μπαταρίας μέσα στο εργαλείο, να ελέγχετε πάντα να δείτε αν η σκανδάλη διακόπτης ενεργοποιείται κανονικά και επιστρέφει στη θέση «OFF» όταν ελευθερώνεται.

**▲ ΠΡΟΣΟΧΗ:** Μη βάζετε ποτέ το δάχτυλό σας πάνω στο κουμπί κύριας λειτουργίας και τη σκανδάλη διακόπτη όταν μεταφέρετε το εργαλείο. Μπορεί να ξεκινήσει να λειτουργεί κατά λάθος το εργαλείο και να προκληθεί τραυματισμός.

**ΕΙΔΟΠΟΙΗΣΗ:** Μην τραβάτε τη σκανδάλη διακόπτη με βία χωρίς να πατάτε το μοχλό ασφάλισης. Μπορεί να σπάσει ο διακόπτης.

Για να μην πιέζεται η σκανδάλη διακόπτης κατά λάθος, παρέχεται ένας μοχλός απασφάλισης.

► **Εικ.9:** 1. Μοχλός απασφάλισης 2. Σκανδάλη διακόπτης

Για να ξεκινήσει η λειτουργία του εργαλείου, ενεργοποιήστε το διακόπτη κύριας λειτουργίας και πιάστε τη χειρολαβή (ο μοχλός απασφάλισης απελευθερώνεται με το πιάσιμο) και μετά τραβήξτε τη σκανδάλη διακόπτη. Η ταχύτητα του εργαλείου αυξάνει αν αυξήσετε την πίεση στη σκανδάλη διακόπτη. Για να ξεκινήσετε το εργαλείο, αφήστε τη σκανδάλη διακόπτη.

## Ρύθμιση ταχύτητας

Μπορείτε να επιλέξετε την ταχύτητα εργαλείου αν κτυπήσετε το κουμπί κύριας λειτουργίας. Κάθε φορά που πατάτε το κουμπί κύριας λειτουργίας, αλλάζει η ταχύτητα.

► **Εικ.10:** 1. Ένδειξη ταχύτητας 2. Κουμπί κύριας λειτουργίας

Ένδειξη ταχύτητας	Λειτουργία
  	Υψηλή
  	Μεσαία
  	Χαμηλή

## Κουμπί αντιστροφής για αφαίρεση σκουπιδιών

**▲ ΠΡΟΕΙΔΟΠΟΙΗΣΗ:** Να σβήνετε το εργαλείο και να βγάξετε την κασέτα μπαταριών πριν αφαιρέσετε μπλεγμένα ζιζάνια ή σκουπίδια, τα οποία δεν μπορεί να αφαιρέσει η λειτουργία αντιστροφής περιστροφής. Αν δεν σβήσετε το μηχάνημα και δεν βγάλετε την κασέτα μπαταριών, μπορεί να προκληθεί σοβαρός προσωπικός τραυματισμός από την τυχαία εκκίνηση.

Αυτό το εργαλείο έχει ένα κουμπί αντιστροφής για να αλλάξει τη διεύθυνση περιστροφής. Προορίζεται μόνο για την απομάκρυνση ζιζανίων και σκουπιδιών που είναι μπλεγμένα στο εργαλείο.

Για να αντιστρέψετε την περιστροφή, κτυπήστε το κουμπί αντιστροφής και τραβήξτε τη σκανδάλη διακόπτη ενώ πατάτε τον μοχλό απασφάλισης όταν έχει σταματήσει η λειτουργία του κοπτικού εργαλείου. Οι ενδείξεις ταχύτητας αρχίζουν να αναβοσβήνουν και το κοπτικό εργαλείο περιστρέφεται στην αντίστροφη κατεύθυνση όταν τραβάτε τη σκανδάλη διακόπτη.

Για να επιστρέψετε στην κανονική περιστροφή, αφήστε τη σκανδάλη διακόπτη και περιμένετε μέχρι να σταματήσει το κοπτικό εργαλείο.

► **Εικ.11:** 1. Ένδειξη ταχύτητας 2. Κουμπί αντιστροφής

**ΠΑΡΑΤΗΡΗΣΗ:** Κατά τη διάρκεια της αντιστροφής περιστροφής, το εργαλείο λειτουργεί μόνο για μια σύντομη χρονική περίοδο και μετά σταματάει αυτόματα.

**ΠΑΡΑΤΗΡΗΣΗ:** Μόλις το εργαλείο σταματήσει, η περιστροφή επιτρέφει στην κανονική κατεύθυνση όταν αρχίσετε ξανά το εργαλείο.

**ΠΑΡΑΤΗΡΗΣΗ:** Αν κτυπήσετε το κουμπί αντιστροφής ενώ το κοπτικό εργαλείο περιστρέφεται ακόμη, το εργαλείο ακινητοποιείται και είναι έτοιμο για την αντίστροφη περιστροφή.

## Ηλεκτρονική λειτουργία ελέγχου ροπής

Το εργαλείο ανιχνεύει ηλεκτρονικά μια απότομη πτώση της ταχύτητας περιστροφής που μπορεί να προκαλέσει κλότσημα. Σε αυτή την κατάσταση, το εργαλείο σταματάει αυτόματα για να αποφευχθεί η περαιτέρω περιστροφή του εργαλείου κουρέματος. Για να επανεκκινήσετε το εργαλείο, αφήστε τη σκανδάλη διακόπτη. Διορθώστε την αιτία της ξαφνικής πτώσης των στροφών περιστροφής και μετά ενεργοποιήστε ξανά το εργαλείο.

**ΠΑΡΑΤΗΡΗΣΗ:** Αυτή η λειτουργία δεν αποτελεί προληπτικό μέτρο για το κλότσημα.

## ΣΥΝΑΡΜΟΛΟΓΗΣΗ

**▲ ΠΡΟΕΙΔΟΠΟΙΗΣΗ:** Να βεβαιώνετε πάντα ότι έχετε σβήσει το εργαλείο και έχετε βγάλει την κασέτα μπαταριών πριν εκτελέσετε οποιαδήποτε εργασία σε αυτό. Αν δεν σβήσετε το μηχάνημα και δεν βγάλετε την κασέτα μπαταριών, μπορεί να προκληθεί σοβαρός προσωπικός τραυματισμός από την τυχαία εκκίνηση.

**▲ ΠΡΟΕΙΔΟΠΟΙΗΣΗ:** Μη βάζετε ποτέ μπροστά το εργαλείο αν δεν είναι πλήρως συναρμολογημένο. Η λειτουργία του εργαλείου σε μερικώς συναρμολογημένη κατάσταση μπορεί να έχει ως αποτέλεσμα σοβαρό προσωπικό τραυματισμό από τυχαία έναρξη.

## Στερέωση χειρολαβής

Συνδέστε τη χειρολαβή με τους παρεχόμενους σφιγκτήρες και μπουλόνια. Βεβαιωθείτε ότι η χειρολαβή βρίσκεται μεταξύ του αποστάτη και του σημαδιού βέλους. Μην αφαιρείτε και μην συρρικνώνετε τον αποστάτη.

► **Εικ.12:** 1. Σφιγκτήρας 2. Εξαγωνικό μπουλόνι 3. Χειρολαβή 4. Σημάδι βέλους 5. Αποστάτης

Όταν χρησιμοποιείτε τα ακόλουθα προσαρτήματα, βεβαιωθείτε να συνδέσετε τον φραγμό στη χειρολαβή χρησιμοποιώντας τη βίδα στον φραγμό.

- Προσάρτημα θαμνοκοπτικού \*
- Προσάρτημα περιστρεφόμενων ψαλιδιών
- Προσάρτημα κουρευτικού γκαζόν \*
- Προσάρτημα διαμόρφωσης άκρων

\*. Μόνο όταν είναι συνδεδεμένη η μεταλλική λάμα.

► **Εικ.13:** 1. Φραγμός 2. Βίδα

## Τοποθέτηση του πρόσθετου σωλήνα

**▲ ΠΡΟΣΟΧΗ:** Να ελέγχετε πάντα ότι ο πρόσθετος σωλήνας είναι ασφαλισμένος μετά την τοποθέτηση. Η λανθασμένη τοποθέτηση μπορεί να προκαλέσει την πτώση του προσαρτήματος από την ηλεκτρική μονάδα και προσωπικό τραυματισμό.

Τοποθετήστε τον πρόσθετο σωλήνα στην ηλεκτροκίνητη μονάδα.

1. Γυρίστε το μοχλό της ηλεκτρικής μονάδας προς την πλευρά του προσαρτήματος.

► **Εικ.14:** 1. Μοχλός

2. Αφαιρέστε το καπάκι του προσαρτήματος. Ευθυραμμίστε τον πείρο με το σημάδι βέλους και εισαγάγετε τον πρόσθετο σωλήνα μέχρι να πεταχτεί το κουμπί απασφάλισης.

► **Εικ.15:** 1. Κουμπί απασφάλισης 2. Σημάδι βέλους 3. Πείρος

3. Γυρίστε το μοχλό προς την πλευρά της ηλεκτρικής μονάδας.

► **Εικ.16:** 1. Μοχλός

Βεβαιωθείτε ότι η επιφάνεια του μοχλού είναι παράλληλη προς το σωλήνα.

Για να αφαιρέσετε το σωλήνα, γυρίστε το μοχλό προς τη μεριά του προσαρτήματος και τραβήξτε το σωλήνα προς τα έξω ενώ πιέζετε ταυτόχρονα προς τα κάτω το κουμπί απασφάλισης.

► **Εικ.17:** 1. Κουμπί απασφάλισης 2. Μοχλός 3. Σωλήνας

## Προσαρμογή της θέσης χειρολαβής

Ρυθμίστε τη θέση της χειρολαβής για να επιτύχετε άνετο χειρισμό του εργαλείου.

Χαλαρώστε τις βίδες allen στη χειρολαβή. Μετακινήστε τη χειρολαβή σε άνετη θέση εργασίας και σφίξτε τη βίδα.

► **Εικ.18:** 1. Χειρολαβή 2. Βίδα allen

## Σύνδεση του ιμάντα ώμου

**▲ ΠΡΟΕΙΔΟΠΟΙΗΣΗ:** Δώστε μεγάλη προσοχή για να διατηρήσετε τον έλεγχο του εργαλείου ανά πάσα στιγμή. Μην αφήνετε το εργαλείο να εκτραπεί προς το μέρος σας ή προς οποιονδήποτε άλλο στην περιοχή εργασίας. Αν δεν διατηρείτε τον έλεγχο του εργαλείου, μπορεί να προκύψει σοβαρός τραυματισμός σε παρευρισκόμενους και στο χειριστή.

**▲ ΠΡΟΣΟΧΗ:** Όταν χρησιμοποιείτε το εργαλείο σε συνδυασμό με το τροφοδοτικό τύπου σακιδίου, όπως τη φορητή ηλεκτρική τροφοδότηση, μην χρησιμοποιήσετε τον ιμάντα ώμου που συμπεριλαμβάνεται στη συσκευασία του εργαλείου, αλλά να χρησιμοποιήσετε τον κρεμάμενο ιμάντα που συνιστά η Makita.

Αν φοράσετε ταυτόχρονα τον ιμάντα ώμου που συμπεριλαμβάνεται στη συσκευασία του εργαλείου και τον ιμάντα ώμου του τροφοδοτικού τύπου σακιδίου, η αφαίρεση του εργαλείου ή του τροφοδοτικού τύπου σακιδίου είναι δύσκολη στην περίπτωση έκτακτης ανάγκης και μπορεί να προκληθεί ατύχημα ή τραυματισμός. Για τον συνιστώμενο κρεμάμενο ιμάντα, ρωτήστε στα εξουσιοδοτημένα κέντρα σέρβις της Makita.

**▲ ΠΡΟΣΟΧΗ:** Να χρησιμοποιείτε πάντα τον ιμάντα ώμου που είναι προσαρτημένος στο εργαλείο. Πριν τη λειτουργία, προσαρμόστε τον ιμάντα ώμου ανάλογα με το σωματικό μέγεθος του χρήστη για να αποφευχθεί η κόπωση.

**▲ ΠΡΟΣΟΧΗ:** Πριν από τη λειτουργία, βεβαιωθείτε ότι ο ιμάντας ώμου είναι σωστά προσαρτημένος στο εργαλείο.

1. Πιάστε τον γάντζο του ιμάντα ώμου στον δακτύλιο και τον αναρτήρα του εργαλείου.

► **Εικ.19:** 1. Δακτύλιος 2. Γάντζος 3. Αναρτήρας

2. Να φοράτε τον ιμάντα ώμου στον αριστερό ώμο σας. Ρυθμίστε τον ιμάντα ώμου σε μια άνετη θέση εργασίας.

► **Εικ.20**

Ο ιμάντας ώμου διαθέτει εξάρτημα ταχείας αποσύνδεσης.

Πιέστε απλώς τα πλαινά της πόρπης για να αποσυνδέσετε το εργαλείο από τον ιμάντα ώμου.

► **Εικ.21:** 1. Πόρπη

## Φύλαξη εξαγωνικού κλειδιού

**▲ ΠΡΟΣΟΧΗ:** Προσέξτε να μην αφήσετε το εξαγωνικό κλειδί μέσα στην κεφαλή του εργαλείου. Μπορεί να προκληθεί τραυματισμός και/ή ζημιά στο εργαλείο.

Όταν δεν χρησιμοποιείτε, αποθηκεύστε το εξαγωνικό κλειδί όπως απεικονίζεται για να μην το χάσετε.

► **Εικ.22:** 1. Χειρολαβή 2. Εξαγωνικό κλειδί

## ΣΥΝΤΗΡΗΣΗ

**▲ ΠΡΟΕΙΔΟΠΟΙΗΣΗ:** Να φροντίζετε πάντα για την απενεργοποίηση του εργαλείου και την αφαίρεση της κασέτας μπαταριών πριν επιχειρήσετε να εκτελέσετε μια εργασία ελέγχου ή συντήρησης στο εργαλείο. Αν δεν σβήσετε το μηχάνημα και δεν βγάλετε την κασέτα μπαταριών, μπορεί να προκληθεί σοβαρός προσωπικός τραυματισμός από την τυχαία εκκίνηση.

**ΕΙΔΟΠΟΙΗΣΗ:** Μην χρησιμοποιείτε ποτέ βενζίνη, πετρελαϊκό αιθέρα, διαλυτικό, αλκοόλη ή παρόμοιες ουσίες. Μπορεί να προκληθεί αποχρωματισμός, παραμόρφωση ή ρωγμές.

Για τη διατήρηση της ΑΣΦΑΛΕΙΑΣ και ΑΞΙΟΠΙΣΤΙΑΣ του προϊόντος, οι επισκευές και οποιαδήποτε άλλη εργασία συντήρησης ή ρύθμισης πρέπει να εκτελούνται από εξουσιοδοτημένα ή εργοστασιακά κέντρα εξυπηρέτησης της Makita, χρησιμοποιώντας πάντοτε ανταλλακτικά της Makita.

## Καθαρισμός του εργαλείου

Καθαρίστε το εργαλείο σκουπίζοντας τη σκόνη, το χώμα ή τα κομμένα χόρτα με ένα στεγνό πανί ή ένα πανί που έχετε βουτήξει σε σαπουνό νερό και το έχετε στραγγίξει. Για να αποφύγετε την υπερθέρμανση του εργαλείου, αφαιρέστε οπωσδήποτε τα κομμένα χόρτα ή τα σκουπίδια που έχουν κολλήσει στον αεραγωγό του εργαλείου.

## Προστατευτικό μπαταριών

**▲ ΠΡΟΕΙΔΟΠΟΙΗΣΗ:** Μην αφαιρέσετε το προστατευτικό μπαταριών. Μην χρησιμοποιήσετε το εργαλείο αν το προστατευτικό μπαταριών έχει αφαιρεθεί ή παρουσιάζει ζημιά. Η άμεση σύγκρουση της κασέτας μπαταριών μπορεί να προκαλέσει τη δυσλειτουργία της μπαταρίας και να έχει ως αποτέλεσμα τον τραυματισμό ή/και την πυρκαγιά. Αν το προστατευτικό μπαταριών είναι παραμορφωμένο ή κατεστραμμένο, επικοινωνήστε με το εξουσιοδοτημένο κέντρο σέρβις για επισκευές.

► **Εικ.23:** 1. Προστατευτικό μπαταριών

# ΑΝΤΙΜΕΤΩΠΙΣΗ ΠΡΟΒΛΗΜΑΤΩΝ

Πριν ζητήσετε επισκευές, εκτελέστε αρχικά τη δική σας επιθεώρηση. Αν εντοπίσετε πρόβλημα που δεν επεξηγείται στο εγχειρίδιο, μην επιχειρήσετε να αποσυναρμολογήσετε το εργαλείο. Αντ' αυτού, ζητήστε βοήθεια από εξουσιοδοτημένα κέντρα εξυπηρέτησης της Makita και πάντοτε να χρησιμοποιείτε γνήσια ανταλλακτικά της Makita.

Κατάσταση προβλήματος	Πιθανή αιτία (δυσλειτουργία)	Αποκατάσταση
Το μοτέρ δεν λειτουργεί.	Δεν είναι τοποθετημένη η κασέτα μπαταριών.	Τοποθετήστε την κασέτα μπαταριών.
	Πρόβλημα μπαταριών (μικρή τάση)	Επαναφορτίστε την μπαταρία. Αν η επαναφόρτιση δεν είναι αποτελεσματική, αντικαταστήστε την μπαταρία.
	Το σύστημα μετάδοσης κίνησης δεν λειτουργεί σωστά.	Απευθυνθείτε στο τοπικό εξουσιοδοτημένο κέντρο σέρβις για επισκευή.
Το μοτέρ σταματά να λειτουργεί μετά από μικρή χρήση.	Η περιστροφή γίνεται αντίστροφα.	Αλλάξτε την κατεύθυνση περιστροφής με το διακόπτη αντιστροφής.
	Το επίπεδο φόρτισης μπαταρίας είναι χαμηλό.	Επαναφορτίστε την μπαταρία. Αν η επαναφόρτιση δεν είναι αποτελεσματική, αντικαταστήστε την μπαταρία.
	Υπερθέρμανση.	Σταματήστε να χρησιμοποιείτε το εργαλείο για να το αφήσετε να κρυώσει.
Δεν φτάνει τις μέγιστες ΣΑΛ.	Η μπαταρία δεν είναι σωστά τοποθετημένη.	Τοποθετήστε την κασέτα μπαταριών όπως περιγράφεται σε αυτό το εγχειρίδιο.
	Η ισχύς της μπαταρίας πέφτει.	Επαναφορτίστε την μπαταρία. Αν η επαναφόρτιση δεν είναι αποτελεσματική, αντικαταστήστε την μπαταρία.
	Το σύστημα μετάδοσης κίνησης δεν λειτουργεί σωστά.	Απευθυνθείτε στο τοπικό εξουσιοδοτημένο κέντρο σέρβις για επισκευή.

## ΠΡΟΑΙΡΕΤΙΚΑ ΕΞΑΡΤΗΜΑΤΑ

**▲ ΠΡΟΣΟΧΗ:** Αυτά τα εξαρτήματα ή προσαρτήματα συνιστώνται για χρήση με το εργαλείο Makita που περιγράφτηκε στις οδηγίες αυτές. Η χρήση οποιωνδήποτε άλλων εξαρτημάτων ή προσαρτημάτων μπορεί να προκαλέσει κίνδυνο τραυματισμού σε άτομα. Να χρησιμοποιείτε τα εξαρτήματα ή προσαρτήματα μόνο για την χρήση που προορίζονται.

- Προσάρτημα φυσητήρα
- Προσάρτημα αντλίας
- Προσάρτημα ξεχορταρίσματος
- Γνήσια μπαταρία και φορτιστής της Makita

**ΠΑΡΑΤΗΡΗΣΗ:** Μερικά στοιχεία στη λίστα μπορεί να συμπεριλαμβάνονται στη συσκευασία εργαλείου ως στάνταρ εξαρτήματα. Μπορεί να διαφέρουν ανάλογα με τη χώρα.

Εάν χρειάζεστε οποιαδήποτε βοήθεια για περισσότερες πληροφορίες σε σχέση με αυτά τα εξαρτήματα, αποτανθείτε στο τοπικό σας κέντρο εξυπηρέτησης Makita. Ανατρέξτε στην ενότητα «Εγκεκριμένο προσάρτημα» για τα ισχύοντα μοντέλα για αυτό το εργαλείο.

- Προσάρτημα θαμνοκοπτικού
- Προσάρτημα κουρευτικού με πετονιά
- Προσάρτημα περιστρεφόμενων ψαλιδιών
- Προσάρτημα κουρευτικού γκαζόν
- Προσάρτημα κλαδευτηριού
- Προσάρτημα κλαδευτηριού εδάφους
- Προσάρτημα κονταροπρίονου
- Προσάρτημα καλλιεργητή
- Προσάρτημα διαμόρφωσης άκρων
- Προσάρτημα συλλεκτικής μηχανής καφέ
- Προσάρτημα επέκτασης άξονα
- Προσάρτημα μηχανοκίνητης βούρτσας
- Προσάρτημα μηχανοκίνητου κυλίνδρου σκουπίσματος

## TEKNİK ÖZELLİKLER

Model:		UX01G
Yüksüz hız (ek parçasız)	Düşük	0 - 5.700 min <sup>-1</sup>
	Orta	0 - 8.200 min <sup>-1</sup>
	Yüksek	0 - 9.700 min <sup>-1</sup>
Tam uzunluk (batarya kartuşu olmadan)		1.001 mm
Anma voltajı		D.C. 36 V - 40 V maks
Net ağırlık	*1	3,5 kg
	*2	5,3 kg - 12,5 kg
Koruma sınıfı		IPX4

• Sürekli yapılan araştırma ve geliştirmelerden dolayı, burada belirtilen özellikler önceden bildirilmeksizin değiştirilebilir.

• Özellikler ülkeden ülkeye değişebilir.

\*1: Aksesuarlar veya batarya kartuşları olmaksızın ağırlık

\*2: Ağırlık, batarya kartuşu dahil ekli parçaya/parçalara bağlı olarak farklılık gösterebilir. EPTA prosedürü 01/2014'e göre en hafif ve en ağır kombinasyon tabloda gösterilmiştir.

### Geçerli batarya kartuşu ve şarj aleti

Tip	Batarya kartuşu					
	BL4020	BL4025	BL4040	BL4040F	BL4050F	BL4080F
Yan tırpan ek parçası	Kullanılabilir	Kullanılabilir	Önerilir	Önerilir	Önerilir	Önerilir
Misinalı yan tırpan ek parçası	Kullanılabilir	Kullanılabilir	Önerilir	Önerilir	Önerilir	Önerilir
Döner makas ek parçası	Kullanılabilir	Kullanılabilir	Önerilir	Önerilir	Önerilir	Önerilir
Yan tırpan ek parçası	Kullanılabilir	Kullanılabilir	Önerilir	Önerilir	Önerilir	Önerilir
Çit budama ek parçası	Kullanılabilir	Önerilir	Önerilir	Önerilir	Önerilir	Önerilir
Çim budama ek parçası	Kullanılabilir	Önerilir	Önerilir	Önerilir	Önerilir	Önerilir
Yüksek dal budama ek parçası	Kullanılabilir	Kullanılabilir	Önerilir	Önerilir	Önerilir	Önerilir
Kültivatör ek parçası	Kullanılabilir	Kullanılabilir	Önerilir	Önerilir	Önerilir	Önerilir
Kenar düzeltici ek parçası	Kullanılabilir	Önerilir	Önerilir	Önerilir	Önerilir	Önerilir
Kahve hasat makinesi ek parçası	Kullanılabilir	Kullanılabilir	Önerilir	Önerilir	Önerilir	Önerilir
Tahrikli fırça ek parçası	Kullanılabilir	Kullanılabilir	Önerilir	Önerilir	Önerilir	Önerilir
Tahrikli süpürge ek parçası	Kullanılabilir	Kullanılabilir	Önerilir	Önerilir	Önerilir	Önerilir
Üfleyci ek parçası	Kullanılabilir	Kullanılabilir	Önerilir	Önerilir	Önerilir	Önerilir
Pompa ek parçası	Kullanılabilir	Önerilir	Önerilir	Önerilir	Önerilir	Önerilir
Ot temizleme ek parçası	Kullanılabilir	Önerilir	Önerilir	Önerilir	Önerilir	Önerilir

Şarj aleti	DC40RA / DC40RB / DC40RC / DC40WA
------------	-----------------------------------

• Yukarıda listelenen batarya kartuşlarının ve şarj aletlerinin bazıları yaşadığınız bölgeye bağlı olarak mevcut olmayabilir.

**⚠UYARI:** Sadece yukarıda listelenen batarya kartuşlarını ve şarj aletlerini kullanın. Başka batarya kartuşlarının ve şarj aletlerinin kullanılması yaralanma ve/veya yangına neden olabilir.

## Önerilen kablo bağlantılı güç kaynağı

Taşınabilir güç ünitesi	PDC01 / PDC1200 / PDC1500
-------------------------	---------------------------

- Yukarıda listelenen kablo bağlantılı güç kaynakları yaşadığınız bölgeye bağlı olarak mevcut olmayabilir.
- Kablo bağlantılı güç kaynağını kullanmadan önce, üzerindeki uyarı işaretlerini ve talimatı okuyun.

## Ek parçaları yüksüz hız

Model	Dönüş hızı		
	Düşük	Orta	Yüksek
EM401MP	0 - 4.200 min <sup>-1</sup>	0 - 6.000 min <sup>-1</sup>	0 - 7.100 min <sup>-1</sup>
EM404MP / EM406MP	0 - 3.500 min <sup>-1</sup>	0 - 5.000 min <sup>-1</sup>	0 - 6.000 min <sup>-1</sup>
EM407MP	Üst bıçak	0 - 220 min <sup>-1</sup>	0 - 310 min <sup>-1</sup>
	Alt bıçak	0 - 470 min <sup>-1</sup>	0 - 670 min <sup>-1</sup>
EM408MP / EM409MP	0 - 4.200 min <sup>-1</sup>	0 - 6.000 min <sup>-1</sup>	0 - 7.100 min <sup>-1</sup>
EN401MP / EN402MP / EN410MP / EN420MP / EN422MP / EN424MP (Dakikadaki hareket sayısı)	0 - 2.400 min <sup>-1</sup>	0 - 3.400 min <sup>-1</sup>	0 - 4.000 min <sup>-1</sup>
EY403MP (zincir hızı)	0 - 11 m/s	0 - 16 m/s	0 - 19 m/s
KR400MP	0 - 160 min <sup>-1</sup>	0 - 230 min <sup>-1</sup>	0 - 280 min <sup>-1</sup>
KR401MP	0 - 130 min <sup>-1</sup>	0 - 190 min <sup>-1</sup>	0 - 230 min <sup>-1</sup>
EE400MP	0 - 2.800 min <sup>-1</sup>	0 - 4.000 min <sup>-1</sup>	0 - 4.700 min <sup>-1</sup>
EJ400MP	0 - 1.600 min <sup>-1</sup>	0 - 2.300 min <sup>-1</sup>	0 - 2.800 min <sup>-1</sup>
BR400MP	0 - 130 min <sup>-1</sup>	0 - 190 min <sup>-1</sup>	0 - 230 min <sup>-1</sup>
SW400MP	0 - 130 min <sup>-1</sup>	0 - 190 min <sup>-1</sup>	0 - 230 min <sup>-1</sup>
UB400MP	0 - 5.650 min <sup>-1</sup>	0 - 7.800 min <sup>-1</sup>	0 - 9.450 min <sup>-1</sup>
UB401MP	0 - 5.650 min <sup>-1</sup>	0 - 7.800 min <sup>-1</sup>	0 - 9.450 min <sup>-1</sup>
UB402MP	0 - 5.700 min <sup>-1</sup>	0 - 8.100 min <sup>-1</sup>	0 - 9.600 min <sup>-1</sup>
PF400MP	0 - 5.600 min <sup>-1</sup>	0 - 8.100 min <sup>-1</sup>	0 - 9.500 min <sup>-1</sup>
WA400MP	0 - 570 min <sup>-1</sup>	0 - 815 min <sup>-1</sup>	0 - 970 min <sup>-1</sup>

## Onaylı ek parça

Tip	Model
Yan tırpan ek parçası	EM401MP / EM404MP
Misinalı yan tırpan ek parçası	EM406MP
Döner makas ek parçası	EM407MP
Yan tırpan ek parçası	EM408MP / EM409MP
Çit budama ek parçası	EN401MP / EN402MP / EN410MP
Çim budama ek parçası	EN420MP / EN422MP / EN424MP
Yüksek dal budama ek parçası	EY403MP
Kültivatör ek parçası	KR400MP / KR401MP
Kenar düzeltici ek parçası	EE400MP
Kahve hasat makinesi ek parçası	EJ400MP
Şaft uzatma ek parçası	LE400MP
Tahrikli fırça ek parçası	BR400MP
Tahrikli süpürge ek parçası	SW400MP
Üfleyci ek parçası	UB400MP / UB401MP / UB402MP
Pompa ek parçası	PF400MP
Ot temizleme ek parçası	WA400MP

## Semboller

Ekipmanı için kullanılabilecek semboller aşağıda gösterilmiştir. Kullanmadan önce anlamlarını anladığınızdan emin olun.



El kitabını okuyun.



Çok özenli ve dikkatli kullanın.



Neme maruz bırakmayın.



Sadece AB ülkeleri için  
Ekipmanda tehlikeli bileşenler bulunduğundan dolayı atık elektrikli ve elektronik ekipmanlar, aküler ve bataryalar çevre ve insan sağlığı üzerinde olumsuz etkiye yol açabilir.

Elektrikli ve elektronik cihazları veya bataryaları evsel atıklarla birlikte atmayın!  
Atık elektrikli ve elektronik ekipmanlar ile akümülatörler ve bataryalar hakkındaki Avrupa Direktifi ve söz konusu direktifin ulusal yasalara uyarlanması gereğince atık elektrikli ekipmanlar, bataryalar ve akümülatörler ayrı olarak depolanmalı ve çevre koruma hakkındaki mevzuata uygun olarak faaliyet gösteren ayrı bir kentsel atık toplama noktasına teslim edilmelidir.  
Bu husus, ekipmanın üzerine yerleştirilmiş üzerinde çarpı işareti bulunan tekerlekli çöp kovası simgesi ile belirtilmiştir.

## Kullanım amacı

Bu kablosuz çok fonksiyonlu akülü kafa, bu kullanma kılavuzunun "TEKNİK ÖZELLİKLER" kısmında listelenen onaylı ek parçaları tahrik etmek için tasarlanmıştır. Üniteyi hiçbir zaman başka amaçlarla kullanmayın.

**⚠️ UYARI: Kullanmadan önce ek parça kullanma kılavuzunu ve bu kullanma kılavuzunu okuyun.**  
Uyarılara ve talimatlara uyulmaması ciddi yaralanmalar ile sonuçlanabilir.

## Gürültü

Ek parça		Ses basıncı seviyesi		Garanti edilen ses gücü seviyesi	Ölçülen ses gücü seviyesi		Geçerli standart
		L <sub>PA</sub> (dB (A))	Belirsizlik K (dB (A))		L <sub>WA</sub> (dB (A))	Belirsizlik K (dB (A))	
EM401MP (yan tırpan olarak)		79,8	1,2	-	94,8	2,5	ISO22868 (ISO11806-1)
EM401MP (misinalı yan tırpan olarak)	Misinalı kesim başlığı	80,1	1,0	-	94,3	2,0	ISO22868 (ISO11806-1)/ EN50636-2-91
	Plastik bıçak	79,4	1,0	-	91,4	2,1	ISO22868 (ISO11806-1)/ EN50636-2-91
EM404MP (yan tırpan olarak)		79,4	1,4	-	92,0	1,0	ISO22868 (ISO11806-1)
EM404MP (misinalı yan tırpan olarak)	Misinalı kesim başlığı	80,7	1,3	-	91,9	1,4	ISO22868 (ISO11806-1)/ EN50636-2-91
	Plastik bıçak	78,6	0,7	-	87,8	0,4	ISO22868 (ISO11806-1)/ EN50636-2-91
EM406MP	Misinalı kesim başlığı	81,3	0,6	-	93,4	2,1	ISO22868 (ISO11806-1)/ EN50636-2-91
	Plastik bıçak	78,8	0,4	-	87,9	0,6	ISO22868 (ISO11806-1)/ EN50636-2-91
EM407MP		84,7	1,7	-	99,0	1,3	ISO22868 (ISO11806-1)

Ek parça		Ses basıncı seviyesi		Garanti edilen ses gücü seviyesi	Ölçülen ses gücü seviyesi		Geçerli standart
		L <sub>PA</sub> (dB (A))	Belirsizlik K (dB (A))		L <sub>WA</sub> (dB (A))	Belirsizlik K (dB (A))	
EM408MP	Metal bıçak	80,7	1,7	-	94,7	3,0	ISO22868 (ISO11806-1)
	Misinalı kesim başlığı	79,5	1,3	-	92,8	2,7	ISO22868 (ISO11806-1)/ EN50636-2-91
	Plastik bıçak	80,5	1,1	-	92,2	2,8	ISO22868 (ISO11806-1)/ EN50636-2-91
EM409MP	Misinalı kesim başlığı	80,6	1,2	-	93,4	2,3	ISO22868 (ISO11806-1)/ EN50636-2-91
	Plastik bıçak	81,0	1,4	-	91,9	2,4	ISO22868 (ISO11806-1)/ EN50636-2-91
EN401MP		85	3	96	95	1,1	EN62841-4-2
EN401MP + LE400MP		82	3	98	96	1,4	EN62841-4-2
EN402MP		83	3	95	92	2,3	EN62841-4-2
EN402MP + LE400MP		79	3	96	94	1,8	EN62841-4-2
EN410MP		81	3	93	91	2,0	EN62841-4-2
EN410MP + LE400MP		80	3	93	91	1,7	EN62841-4-2
EN420MP		84	3	94	94	0,4	EN62841-4-2
EN422MP		81	3	94	92	1,9	EN62841-4-2
EN424MP		80	3	-	88	3	EN62841-1
EY403MP		95	3	-	102	3	ISO22868 (ISO11680-1)
EY403MP+LE400MP		95	3	-	102	3	ISO22868 (ISO11680-1)
KR400MP		77,8	0,7	-	86,6	1,2	EN709
KR401MP		77,7	0,3	-	86,7	2,0	EN709
EE400MP		76,1	1,7	-	88,2	2,3	ISO11789 / 2000/14/EC
EJ400MP		82,9	0,6	-	94,4	1,5	ISO22868 (ISO11806-1)
EJ400MP + LE400MP		79,7	1,4	-	94,0	0,7	ISO22868 (ISO11806-1)
BR400MP		80,2	1,0	-	88,9	0,8	EN60335-2-72
SW400MP		80,3	0,2	-	88,3	0,6	EN60335-2-72
UB400MP		92,1	1,6	-	104,1	1,3	EN50636-2-100
UB401MP		85,6	2,1	-	97,1	1,0	EN50636-2-100
UB402MP		81,7	1,9	-	90,8	1,7	EN50636-2-100
PF400MP		75	2,5	-	90	2,5	ISO20361
WA400MP		77	3	-	89	3	ISO22868 (ISO11806-1)

- Yukarıda belirtilen ses basınç seviyesi 80 dB (A) veya daha düşük olsa da, çalışma sırasındaki seviye 80 dB (A)'yı aşabilir. Kulak koruyucuları takın.

**NOT:** Beyan edilen gürültü emisyonu değer(ler)i bir standart test yöntemine uygun şekilde ölçülmüştür ve bir aleti bir başkasıyla karşılaştırmak için kullanılabilir.

**NOT:** Beyan edilen gürültü emisyonu değer(ler)i bir ön maruz kalma değerlendirmesi olarak kullanılabilir.



**⚠UYARI:** Kulak koruyucuları takın.

**⚠UYARI:** Elektrikli aletin gerçek kullanımı sırasındaki gürültü emisyonu, aletin kullanım biçimlerine, özellikle işlenen iş parçasının türüne bağlı olarak beyan edilen değer(ler)den farklı olabilir.

**⚠UYARI:** Gerçek kullanım koşullarındaki tahmini maruziyeti baz alan, operatörü koruyacak güvenlik önlemlerini mutlaka belirleyin (çalışma döngüsü içerisinde aletin kapalı olduğu ve aktif durumda olmasının yanı sıra boşta çalıştığı zamanlar gibi, bütün zaman dilimleri göz önünde bulundurarak).

## Titreşim

Ek parça		Sol kol (Ön sap)		Sağ kol (Arka sap)		Geçerli standart
		ah (m/s <sup>2</sup> )	Belirsizlik K (m/s <sup>2</sup> )	ah (m/s <sup>2</sup> )	Belirsizlik K (m/s <sup>2</sup> )	
EM401MP (çalışma tırpanı olarak)		2,5 veya daha az	1,5	2,5 veya daha az	1,5	ISO22867 (ISO11806-1)
EM401MP (misinalı yan tırpan olarak)	Misinalı kesim başlığı	3,7	1,5	3,0	1,5	ISO22867 (ISO11806-1)
	Plastik bıçak	2,5 veya daha az	1,5	2,5 veya daha az	1,5	ISO22867 (ISO11806-1)
EM404MP (yan tırpan olarak)		2,5 veya daha az	1,5	2,5 veya daha az	1,5	ISO22867 (ISO11806-1)
EM404MP (misinalı yan tırpan olarak)	Misinalı kesim başlığı	2,5 veya daha az	1,5	2,5 veya daha az	1,5	ISO22867 (ISO11806-1)
	Plastik bıçak	2,5 veya daha az	1,5	2,5 veya daha az	1,5	ISO22867 (ISO11806-1)
EM406MP	Misinalı kesim başlığı	2,5 veya daha az	1,5	2,5 veya daha az	1,5	ISO22867 (ISO11806-1)
	Plastik bıçak	2,5 veya daha az	1,5	2,5 veya daha az	1,5	ISO22867 (ISO11806-1)
EM407MP		2,5 veya daha az	1,5	2,5 veya daha az	1,5	ISO22867 (ISO11806-1)
EM408MP	Metal bıçak	2,5 veya daha az	1,5	2,5 veya daha az	1,5	ISO22867 (ISO11806-1)
	Misinalı kesim başlığı	2,5 veya daha az	1,5	2,5 veya daha az	1,5	ISO22867 (ISO11806-1)
	Plastik bıçak	2,5 veya daha az	1,5	2,5 veya daha az	1,5	ISO22867 (ISO11806-1)
EM409MP	Misinalı kesim başlığı	2,5 veya daha az	1,5	2,5 veya daha az	1,5	ISO22867 (ISO11806-1)
	Plastik bıçak	2,5 veya daha az	1,5	2,5 veya daha az	1,5	ISO22867 (ISO11806-1)
EN401MP		3,4	1,5	2,5 veya daha az	1,5	EN62841-4-2
EN401MP + LE400MP		5,4	1,5	2,7	1,5	EN62841-4-2
EN402MP		2,5 veya daha az	1,5	2,5	1,5	EN62841-4-2
EN402MP + LE400MP		5,0	1,5	3,4	1,5	EN62841-4-2
EN410MP		6,7	1,5	3,1	1,5	EN62841-4-2
EN410MP + LE400MP		4,4	1,5	2,5 veya daha az	1,5	EN62841-4-2
EN420MP		2,9	1,5	2,5 veya daha az	1,5	EN62841-4-2
EN422MP		2,5 veya daha az	1,5	2,5	1,5	EN62841-4-2
EN424MP		2,5 veya daha az	1,5	2,5 veya daha az	1,5	EN62841-1
EY403MP		4,0	1,5	2,5 veya daha az	1,5	ISO22867 (ISO11680-1)
EY403MP+LE400MP		3,2	1,5	2,5 veya daha az	1,5	ISO22867 (ISO11680-1)

Ek parça	Sol kol (Ön sap)		Sağ kol (Arka sap)		Geçerli standart
	ah (m/s <sup>2</sup> )	Belirsizlik K (m/s <sup>2</sup> )	ah (m/s <sup>2</sup> )	Belirsizlik K (m/s <sup>2</sup> )	
KR400MP	2,5 veya daha az	1,5	2,5 veya daha az	1,5	EN709
KR401MP	2,5 veya daha az	1,5	2,5 veya daha az	1,5	EN709
EE400MP	2,5 veya daha az	1,5	2,5 veya daha az	1,5	ISO11789
EJ400MP	3,5	1,5	3,9	1,5	ISO22867 (ISO11806-1)
EJ400MP + LE400MP	4,8	1,5	2,6	1,5	ISO22867 (ISO11806-1)
BR400MP	2,5 veya daha az	1,5	2,5 veya daha az	1,5	EN60335-2-72
SW400MP	2,5	1,5	2,5 veya daha az	1,5	EN60335-2-72
UB400MP	4,6	1,5	2,5 veya daha az	2,5	EN50636-2-100
UB401MP	2,5 veya daha az	1,7	2,5 veya daha az	1,5	EN50636-2-100
UB402MP	2,5 veya daha az	1,5	2,5 veya daha az	1,5	EN50636-2-100
PF400MP	2,5 veya daha az	1,5	2,5 veya daha az	1,5	ISO22867
WA400MP	2,8	1,5	2,5 veya daha az	1,5	ISO22867 (ISO11806-1)

**NOT:** Beyan edilen titreşim toplam değer(ler)i bir standart test yöntemine uygun şekilde ölçülmüştür ve bir aleti bir başkasıyla karşılaştırmak için kullanılabilir.

**NOT:** Beyan edilen titreşim toplam değer(ler)i bir ön maruz kalma değerlendirmesi olarak da kullanılabilir.

**⚠UYARI:** Elektrikli aletin gerçek kullanımı sırasındaki titreşim emisyonu, aletin kullanım biçimlerine, özellikle işlenen iş parçasının türüne bağlı olarak beyan edilen değer(ler)den farklı olabilir.

**⚠UYARI:** Gerçek kullanım koşullarındaki tahmini maruziyeti baz alan, operatörü koruyacak güvenlik önlemlerini mutlaka belirleyin (çalışma döngüsü içerisinde aletin kapalı olduğu ve aktif durumda olmasının yanı sıra boşta çalıştığı zamanlar gibi, bütün zaman dilimleri göz önünde bulundurarak).

## Uygunluk Beyanları

### Sadece Avrupa ülkeleri için

Uygunluk beyanları bu kullanma kılavuzuna EK A olarak eklenmiştir.

## GÜVENLİK UYARILARI

### Genel elektrikli alet güvenliği uyarıları

**⚠UYARI** Bu elektrikli aletle birlikte verilen tüm güvenlik uyarılarını, talimatları, resimli açıklamaları ve teknik özellikleri okuyun. Aşağıda listelenen talimatların herhangi birine uyulmaması elektrik çarpması, yangın ve/veya ciddi yaralanma ile sonuçlanabilir.

### Tüm uyarıları ve talimatları ile-ride başvurmak için saklayın.

Uyarılardaki "elektrikli alet" terimi ile ya prizden çalışan (kordonlu) elektrikli aletiniz ya da kendi aküsü ile

çalışan (kordonsuz) elektrikli aletiniz kastedilmektedir.

## İlave güvenlik talimatları

### Kişisel koruyucu ekipmanlar

#### ► Şek.1

1. Uçuşan çer çöp veya düşen nesnelere kendinizi korumak için güvenlik kaskı, koruyucu gözlük ve koruyucu eldiven takın.
2. İşitme kaybını engellemek için kulak tıkacı gibi kulak koruyucu takın.
3. Güvenli çalışma için iş tulumu ve sağlam, kaymaz ayakkabı gibi uygun giysi ve ayakkabı giyin. Bol kıyafet giymeyin veya takı takmayın. Bol kıyafet, takı veya uzun saç hareketli parçalara kaptrılabilir.
4. Kesici bıçağa dokunurken koruyucu eldiven giyin. Kesici bıçaklar çıplak elleri ağır biçimde kesebilir.

### Çalışma alanı güvenliği

1. Çalıştırmadan önce, çalışma alanında taş ya da başka sert cisimler olup olmadığına bakın. Bunlar fırlatılabilir veya tehlikeli geri tepmeye

neden olarak ciddi yaralanma ve/veya mal hasarına yol açabilir.

## Elektrik ve batarya güvenliği

1. Tehlikeli ortamlardan kaçının. Aleti nemli ya da ıslak yerlerde kullanmayın ve yağmura maruz bırakmayın. Makinenin içine su girmesi elektrik çarpması riskini arttıracaktır.
2. Bataryayı/bataryaları ateşe atmayın. Batarya hücreleri patlayabilir. Bertaraf etmeye ilişkin özel talimatlar için yerel yönetmelikleri kontrol edin.
3. Batarya/bataryaları açmayın ya da batarya(lar) üzerinde değişiklik yapmayın. Ortaya çıkan elektrolit aşındırıcıdır ve gözlerle ya da cilde zarar verebilir. Yutulduğu takdirde zehirli olabilir.
4. Bataryayı yağmurda veya ıslak yerlerde şarj etmeyin.
5. Bataryayı ıslak ellerle değiştirmeyin.
6. Bataryayı yağmurda değiştirmeyin.
7. Batarya bağlantı uçlarını su gibi sıvılarla ıslatmayın ya da bataryayı sıvılara sokmayın. Bataryayı yağmurda bırakmayın veya bataryayı nemli ya da ıslak yerlerde şarj etmeyin, kullanmayın veya depolamayın. Bağlantı uçları ıslanır veya bataryanın içine sıvı girerse batarya kısa devre olabilir ve aşırı ısınma, yangın veya patlama riski ortaya çıkar.
8. Bataryayı alet veya şarj aletinden çıkardıktan sonra mutlaka bataryaya batarya kapağını takın ve kuru bir yerde depolayın.
9. Batarya kartuşu ıslanırsa içinden suyu boşaltın ve ardından kuru bir bezle silin. Kullanmadan önce batarya kartuşunu kuru bir yerde tamamen kurulaştırın.

## Kullanıma alma

1. Kesici parça, siperle donatılmalıdır. Aleti asla hasarlı siperlerle ya da siperler takılı değilken çalıştırmayın.
2. Aletin kullanımından dolayı hasar görmesi halinde tehlikeye yol açabilecek elektrik kabloları, su boruları, gaz boruları, vb. olmadığından emin olun.

## Çalıştırma

1. Ellerinizi, yüzünüzü ve giysilerinizi dönen kesici parçadan daima uzak tutun. Aksi takdirde yaralanmaya sebep olabilir.
2. Kullanım sırasında, etrafınızdaki kişileri ya da hayvanları aletten en az 15 m uzakta tutun. Biri yaklaştığı anda aleti durdurun.
3. Kullanım sırasında, asla sabit olmayan ya da kaygan bir yüzeyde veya dik meyilli bir yerde durmayın. Soğuk mevsimlerde, buz ve kara karşı dikkatli olun ve her zaman yere sağlam bastığınızdan emin olun.
4. Kontrol kaybından sakınmak için asla bir merdivenin üzerinde veya ağaçta çalışmayın.
5. Aleti kısa bir süreliğine bile olsa bıraktığınızda, mutlaka batarya kartuşunu çıkarın. Batarya kartuşu takılı durumda gözetimsiz bırakılan alet, yetkisiz bir kişi tarafından kullanılabilir ve ciddi kazalara sebep olabilir.

6. Aleti çalıştırmadan önce, kesici parçanın yere ve ağaç gibi diğer cisimlere değmediğinden emin olun.
7. Çalışma sırasında kesici ek parçayı çatlaklara veya hasarlara karşı sık sık kontrol edin. Kontrol etmeden önce batarya kartuşunu çıkarın ve kesici ek parça tamamen durana kadar bekleyin. Sadece yüzeysel çatlaklar olsa bile hasarlı kesici ek parçayı derhal değiştirin.
8. Aleti kötü havada veya yıldırım riski varken çalıştırmayın.
9. Kullanım sırasında aleti daima iki elinizle birden tutun. Kullanım sırasında aleti asla tek elinizle tutmayın.
10. Çalışma sırasında, omuz askısını kullanın. Aleti sağ tarafınızda sıkı bir şekilde tutun.
11. Çalışma sırasında veya hemen ardından dışı kutusuna dokunmayın. Çalışma sırasında dışı kutusu ısınır ve yanık yaralanmasına neden olabilir.
12. Yorgunluk nedeniyle kontrol kaybı oluşmasını önlemek için dinlenin. Saat başına 10 ila 20 dakika dinlenmeniz önerilir.
13. Aleti çamurlu zeminde, ıslak yamaçlarda veya kaygan yerlerde kullanırken dengenize dikkat edin.
14. Yüksek kullanıcı yorgunluğunun beklendiği kötü ortamlarda çalışmaktan kaçının.
15. Aleti, görüşün sınırlı olduğu kötü havalarda kullanmayın. Aksi takdirde düşük görüş nedeniyle düşmeye veya hatalı çalışmaya neden olabilir.
16. Aleti su birikintisine sokmayın.
17. Aleti dışarıda yağmur altında gözetimsiz bırakmayın.
18. Yağmurdan dolayı emme ağzına (havalandırma penceresi) ıslak yapraklar veya pislik yapışsıra bunları temizleyin.
19. Aleti karda kullanmayın.

## Kesici parçalar

1. Kesici bıçakları kullanırken “geri tepmeden” kaçınin ve kazara geri tepmeye karşı daima hazırlıklı olun. Geri tepme kısmına bakın.
2. Kullanılmadığında, bıçağa bıçak kapağını takın. Çalışmaya başlamadan önce kapağı çıkarın.

## Geri tepme (Bıçak itmesi)

1. Geri tepme (bıçak itmesi) sıkışan veya tutukluk yapan kesici bıçağa karşı ani bir tepkidir. Meydana geldiğinde alet sağa veya sola ya da operatöre doğru büyük bir güçle atılır ve ciddi yaralanmaya neden olabilir.
2. Geri tepme özellikle bıçak bölümünü, çapı 3 cm veya daha büyük olan sert cisimlere, çalılara ve ağaçlara saat 12 ila 2 yönünde uygularken oluşur.

### ► Şek.2

3. Geri tepmeden sakınmak için:
  1. Bıçak bölümünü saat 8 ila 11 yönünde uygulayın.
  2. Bıçak bölümünü asla saat 12 ila 2 yönünde uygulamayın.

## Batarya kartuşu hakkında önemli güvenlik talimatları

3. Kullanıcı iyi eğitilmiş ve deneyimli değilse ve riski kendi üzerine alarak yapmadığı sürece bıçak bölümünü asla saat 11 ila 12 ve 2 ila 5 yönünde uygulamayın.
4. Kesici bıçakları asla çit, duvar, ağaç gövdesi veya taş gibi sert cisimlere yakın kullanmayın.
5. Kesici bıçakları asla, kenar düzeltme ve çit budama gibi işlemler için dikey olarak kullanmayın.

### ► Şek.3

## Titreşim

1. Dolaşım sistemi zayıf olan kişiler aşırı titreşime maruz kaldıklarında kan damarları veya sinir sisteminde hasar oluşabilir. Titreşim parmaklarda, ellerde ve bileklerde şu semptomlara neden olabilir: "Uyuklama" (uyuşma), karıncalanma, ağrı, bıçak saplanıyor hissi, cilt renginde değişme. Bu semptomlardan herhangi biri ortaya çıkarsa, bir doktora görünün!
2. "Beyaz parmak hastalığı" riskini azaltmak için çalışma sırasında ellerinizi sıcak tutun ve alet ile aksesuarlara iyi bakın.

## Taşıma

1. Aleti taşımadan önce kapatın ve batarya kartuşunu çıkarın. Kapağı kesici bıçağa takın.

## Bakım

1. Herhangi bir bakım veya tamir işlemi yapmadan ya da aleti temizlemeden önce daima aleti kapatın ve batarya kartuşunu çıkarın.
2. Kesici bıçakla işlem yaparken daima eldiven giyin ve bıçak kapağını bıçağın üzerine takın.
3. Tutamakları kuru, temiz ve yağ ve gres bulaşmamış halde bulundurun. Tüm soğutma hava girişlerini döküntülerden temiz tutun.
4. Aleti yüksek basınçlı su ile yıkamayın.
5. Aleti yıkarken batarya, motor ve terminaller gibi elektrik mekanizmasına su girmesine izin vermeyin.
6. Kontrol veya bakımı, yağmurdan sakınılabilecek bir yerde yapın.
7. Aleti kullandıktan sonra yapışan pislikleri temizleyin ve depolamadan önce aleti tamamen kurutun. Mevsim veya bölgeye bağlı olarak donma kaynaklı arıza riski vardır.

## Depolama

1. Aleti saklamadan önce, tam bir temizlik ve bakım yapın. Batarya kartuşunu çıkarın. Kapağı kesici bıçağa takın.
2. Aleti, çocukların ulaşamayacağı, kuru ve yüksek ya da kilitli bir yerde saklayın.
3. Aleti depolarken doğrudan güneş ışığı ve yağmurdan sakının, ısınmayacak veya nemlenmeyecek bir yerde depolayın.

1. Batarya kartuşunu kullanmadan önce, tüm talimatları ve (1) batarya kartuşu, (2) batarya ve (3) ürün üzerindeki tüm uyarı işaretlerini okuyun.
2. Batarya kartuşunu parçalarına ayırmayın veya kurcalamayın. Yangın, aşırı ısı veya patlamaya neden olabilir.
3. Çalışma süresi aşırı derecede kısalırsa kullanmayı derhal bırakın. Aşırı ısınma, yanma riski hatta patlamaya neden olabilir.
4. Gözünüze elektrolit kaçarsa, gözlerinizi temiz suyla durulayın ve hemen tıbbi yardım alın. Görme kaybına yol açabilir.
5. Batarya kartuşuna kısa devre yaptırmayın:
  - (1) Terminallere herhangi bir iletken madde değdirmeyin.
  - (2) Batarya kartuşunu çiviler, madeni paralar, vb. gibi başka metal nesnelere aynı kaba koymaktan kaçının.
  - (3) Batarya kartuşunu yağmura ya da suya maruz bırakmayın.

Kısa devre, büyük bir akım akışına, aşırı ısınmaya, olası yanıklara hatta bataryanın bozulmasına yol açabilir.

6. Aleti ve batarya kartuşunu sıcaklığın 50 °C ya da daha yükseğe ulaştığı yerlerde saklamayın ve kullanmayın.
7. Aşırı derecede hasar görmüş ya da tamamen kullanılamaz durumda olsa bile batarya kartuşunu yakmayın. Batarya kartuşu ateşe atılırsa patlayabilir.
8. Batarya kartuşunu çivilemeyin, kesmeyin, ezmeyin, fırlatmayın, düşürmeyin ya da batarya kartuşuna sert bir nesne ile vurmeyin. Bu eylemler yangın, aşırı ısı veya patlamaya neden olabilir.
9. Hasarlı bataryayı kullanmayın.
10. Aletin içerdığı lityum-iyon bataryalar Tehlikeli Eşyalar Yönetmeliğinin gereksinimlerine tabidir.

Ticari nakliye işlemleri için, örneğin üçüncü taraflar, nakliye acenteleri tarafından yapılan nakliyelerde, paketleme ve etiketleme gereksinimlerine uyulmalıdır.

Nakliyesi yapılacak ürünün hazırlanması için, tehlikeli maddeler konusunda uzman bir kişiye danışın. Lütfen muhtemelen daha ayrıntılı olan ulusal yönetmeliklere de uyun.

Açık kontakları bantlayın ya da maskeleyin ve bataryayı paketin içinde hareket etmeyecek şekilde paketleyin.

11. Batarya kartuşunu bertaraf ederken aletten çıkarın ve güvenli bir yerde bertaraf edin. Bataryanın bertaraf edilmesi ile ilgili yerel düzenlemelere uyunuz.
12. Bataryaları sadece Makita tarafından belirtilen ürünlerle kullanın. Bataryaların uyumsuz ürünlere takılması; yangın, aşırı ısınma, patlama ya da elektrolit sızıntısına neden olabilir.
13. Alet uzun süre kullanılmıyorsa batarya aletten çıkarılmalıdır.

14. Kullanma sırasında ve sonrasında batarya kartuşu ısınarak yanıklara veya düşük sıcaklık yanıklarına yol açabilir. Sıcak batarya kartuşları ile işlem yaparken dikkat edin.
15. Yanıklara neden olabilecek kadar sıcak olabileceğinden kullandıktan hemen sonra aletin terminaline dokunmayın.
16. Batarya kartuşunun terminallerine, deliklerine ve kanallarına mıcır, toz veya toprak girmesine izin vermeyin. Aletin veya batarya kartuşunun ısınmasına, alev almasına, patlamasına ve arızalanmasına neden olarak yanıklara veya yaralanmaya yol açabilir.
17. Alet yüksek gerilim elektrik güç hatları yakınında kullanımı desteklemediği sürece batarya kartuşunu yüksek gerilim elektrik güç hatlarının yakınında kullanmayın. Aletin veya batarya kartuşunun arızalanmasına veya bozulmasına neden olabilir.
18. Bataryayı çocuklardan uzak tutun.

## BU TALİMATLARI MUHAFAZA EDİNİZ.

**⚠DİKKAT:** Sadece orijinal Makita bataryalarını kullanın. Orijinal olmayan Makita bataryaları ya da üzerine değişiklik yapılmış bataryaların kullanımı bataryanın patlamasına ve sonuç olarak yangın, kişisel yaralanma ve hasara neden olabilir. Ayrıca Makita aleti ve şarj aletinin Makita tarafından sunulan garantisi de geçersiz olur.

## Maksimum batarya ömrü için ipuçları

1. Batarya kartuşunu tamamen boşalmadan önce şarj edin. Aletin gücünün zayıflamaya başladığını fark ettiğinizde aleti durdurun ve batarya kartuşunu şarj edin.
2. Tam dolu bir batarya kartuşunu asla yeniden şarj etmeyin. Aşırı şarj etme bataryanın hizmet ömrünü kısaltır.
3. Batarya kartuşunu 10 °C - 40 °C oda sıcaklığında şarj edin. Sıcak bir batarya kartuşunu şarj etmeden önce soğumasını bekleyin.
4. Batarya kartuşunu kullanmıyorken aletten veya şarj aletinden çıkarın.
5. Uzun bir süre (altı aydan daha fazla) kullanmadığınız durumlarda batarya kartuşunu şarj edin.

## PARÇALARIN TANIMI

### ► Şek.4

1	Batarya kartuşu	2	Güvenlik kilidi kolu	3	Askı	4	Kol
5	Serbest bırakma düğmesi	6	Bariyer	7	Anahtar tetik	8	Hız göstergesi
9	Ana güç düğmesi	10	İkaz lambası	11	Ters dönüş düğmesi	12	Omuz askısı

## İŞLEVSEL NİTELİKLER

**⚠UYARI:** Alet üzerinde ayarlama ya da işleyiş kontrolü yapmadan önce aletin kapalı ve batarya kartuşunun çıkartılmış olduğundan daima emin olun. Aletin kapatılmaması ve batarya kartuşunun çıkarılmaması istemsiz olarak aletin başlatılması sonucu ciddi kişisel yaralanmalara neden olabilir.

### Batarya kartuşunun takılması ve çıkarılması

**⚠DİKKAT:** Batarya kartuşunu takmadan ya da çıkarmadan önce aleti daima kapatın.

**⚠DİKKAT:** Batarya kartuşunu takarken veya çıkarırken aleti ve batarya kartuşunu sıkıca tutun. Aletin ve batarya kartuşunun sıkıca tutulmaması bunların düşürülmesine sebep olabilir ve alet ve batarya kartuşunun zarar görmesine ya da ciddi yaralanmasına yol açabilir.

Batarya kartuşunu takmak için, batarya kartuşu üzerindeki dili yuvanın oluğu ile hizalayın ve kartuşu yerine oturtun. Kartuşu, küçük bir tık sesi ile yerine sabitlenene dek sonuna kadar ittirin. Şekilde gösterildiği gibi kırmızı göstergeli görebiliyorsanız tam olarak kilitlenmemiş demektir.

Batarya kartuşunu çıkarmak için, kartuşun ön tarafındaki düğmeyi kaydırarak kartuşu aletten çıkarın.

► **Şek.5:** 1. Kırmızı gösterge 2. Düğme 3. Batarya kartuşu

**⚠DİKKAT:** Batarya kartuşunu daima kırmızı gösterge görünmeyecek şekilde tam olarak takın. Yerine tam oturmazsa, aletten yanlışlıkla düşebilir, sizin ya da çevrenizdeki kişilerin yaralanmasına neden olabilir.

**⚠DİKKAT:** Batarya kartuşunu zorlayarak takmayın. Kartuş kolay bir şekilde kaymıyorsa doğru yerleş-tirilmediği demektir.

## Alet/batarya koruma sistemi

Bu alet bir alet/batarya koruma sistemi ile donatılmıştır. Bu sistem motora giden gücü otomatik olarak keserek uzun alet ve batarya ömrü sağlar. Alet için aşağıdaki durumlardan biri söz konusu olduğunda aletin işleyişi otomatik olarak durur:

► **Şek.6:** 1. İkaz lambası

İkaz lambası			Durum
Renk	● Açık	● Yanıp sönmüyor	
Yeşil		●	Aşırı yüklenme
Kırmızı	● (alet) / ● (batarya)		Aşırı ısınma
Kırmızı		●	Aşırı boşaltma

## Aşırı yük koruması

Alet veya batarya aşağıdaki durumlardan birine girerse alet otomatik olarak durur ve ikaz lambası yeşil renkte yanıp sönmeye başlar:

- Aletin, takılan yabancı otlar ya da diğer birikintiler nedeniyle aşırı yüklenmesi.
- Kesici parçanın sıkışması veya geri tepmesi.
- Anahtar tetik çekilirken ana güç düğmesinin açılması.

Bu durumda anahtar tetiği bırakın ve gerekirse takılan yabancı otları veya birikintileri çıkarın. Ondan sonra anahtar tetiği tekrar çekerek çalışmaya devam edin.

**⚠ DİKKAT:** Alete takılan yabancı otları çıkarmanız veya sıkışan kesici parçayı kurtarmanız gerekirse başlamadan önce aleti mutlaka kapatın.

## Alet veya batarya için aşırı ısınma koruması

Alet veya batarya kartuşu aşırı ısınırsa alet otomatik olarak durur. Alet aşırı ısındığında ikaz lambası kırmızı yanar. Batarya kartuşu aşırı ısındığında ikaz lambası kırmızı yanıp söner. Aleti yeniden çalıştırmadan önce aletin ve/veya bataryanın soğumasını sağlayın.

## Aşırı deşarj koruması

Batarya kapasitesi azaldığında alet otomatik olarak durur ve ikaz lambası kırmızı renkte yanıp sönmeye başlar.

Anahtarlar kullanıldığında bile alet çalışmazsa batarya kartuşunu aletten çıkarıp şarj edin.

## Kalan batarya kapasitesinin gösterilmesi

Kalan batarya kapasitesini göstermesi için batarya kartuşu üzerindeki kontrol düğmesine basın. Gösterge lambaları birkaç saniye yanar.

► **Şek.7:** 1. Gösterge lambaları 2. Kontrol düğmesi

Gösterge lambaları			Kalan kapasite
Yanıyor	Kapalı	Yanıp sönmüyor	
■	□	□	%75 ila %100
■	■	□	%50 ila %75
■	■	□	%25 ila %50
■	□	□	%0 ila %25
■	□	□	Bataryayı şarj edin.
■	■	□	Batarya arızalanmış olabilir.

**NOT:** Kullanım koşullarına ve ortam sıcaklığına bağlı olarak, gösterilen değer gerçek kapasiteden biraz farklılık gösterebilir.

**NOT:** İlk (en soldaki) gösterge lambası, batarya koruma sistemi çalıştığında yanıp söner.

## Ana güç anahtarı

**⚠ UYARI:** Kullanımda değilken ana güç düğmesini mutlaka kapatın.

Aleti açmak için ana güç düğmesine basın. Aleti kapatmak için ana güç düğmesine basın ve hız göstergeleri söne dek basılı tutun.

► **Şek.8:** 1. Ana güç düğmesi

**NOT:** Çalıştırılmaz koşullar altında anahtar tetik çekilirse ikaz lambası yanıp söner. Güvenlik kilidi kolunu ve anahtar tetiği basılı tutarken ana güç düğmesi açılırsa ikaz lambası yanıp söner.

**NOT:** Bu alet otomatik güç kapama fonksiyonu kullanır. Yanlışlıkla çalışmaları engellemek için ana güç düğmesi açıldıktan sonra belirli bir süre boyunca anahtar tetik çekilmezse ana güç düğmesi otomatik olarak kapanır.

## Anahtar işlemleri

**⚠ UYARI:** Güvenliğiniz için bu alet, aletin yanlışlıkla çalışmasını engelleyen güvenlik kilidi kolunu ile donatılmıştır. Güvenlik kilidi koluna basmadan sadece anahtar tetiği çekerek çalışıyorsa aleti ASLA kullanmayın. Daha fazla kullanmadan ÖNCE aleti, uygun onarım için yetkili servis merkezimize getirin.

**⚠ UYARI:** Güvenlik kilidi kolunu ASLA bantlamayın veya amacını ve fonksiyonunu boşa çıkarmayın.

**⚠DİKKAT:** Batarya kartuşunu alete takmadan önce anahtar tetiğın doğru çalıştığından ve bira kılıdında "OFF" (kapalı) konumuna döndüğünden emin olun.

**⚠DİKKAT:** Aleti taşırken parmağınızı asla ana güç düğmesi ve anahtar tetiğın üzerine koymayın. Alet kazara çalışabilir ve yaralanmalara neden olabilir.

**ÖNEMLİ NOT:** Güvenlik kilidi koluna bastırma dan anahtar tetiğı zorlayarak çekmeyin. Bu, anahtarın kırılmasına neden olabilir.

Anahtar tetiğın kaza sonucu çekilmesini önlemek için, bir güvenlik kilidi kolu sunulmuştur.




► **Şek.9:** 1. Güvenlik kilidi kolu 2. Anahtar tetik

Aleti başlatmak için, ana güç düğmesini açın ve kolu kavrayın (güvenlik kilidi kolu kavramayla birlikte açılır) ve ardından anahtar tetiğı çekin. Aletin hızı, anahtar tetiğı uygulanan basınç artırılarak artırılır. Aleti durdurmak için anahtar tetiğı serbest bırakın.

## Hız ayarlama

Ana güç düğmesine dokunarak alet hızını seçebilirsiniz. Ana güç düğmesine her dokunuşunuzda, hız seviyesi değişir.

► **Şek.10:** 1. Hız göstergesi 2. Ana güç düğmesi

Hız göstergesi	Mod
	Yüksek
	Orta
	Düşük

## Birikintilerin giderilmesi için ters dönüş düğmesi

**⚠UYARI:** Alete takılan ve ters dönüş işleviyle giderilemeyen yabancı otları veya birikintileri gidermek için aleti kapalı duruma getirin ve batarya kartuşunu çıkarın. Aletin kapatılmaması ve batarya kartuşunun çıkarılmaması istemsiz olarak aletin başlatılması sonucu ciddi kişisel yaralanmalara neden olabilir.

Bu makinenin dönme yönünü değiştirmek için ters dönüş düğmesi vardır. Bu düğme sadece alete takılan yabancı otları ve birikintileri gidermek için kullanılır. Dönüşü tersine çevirmek için, ters dönüş düğmesine basın ve kesici parça durduğunda güvenlik kilidi koluna bastırarak anahtar tetiğı çekin. Hız göstergeleri yanıp sönmeye başlar ve anahtar tetiğı çektiğinizde kesici parça ters yönde döner.

Normal dönüşe geri dönmek için, anahtar tetiğı bırakın ve kesici parça durana kadar bekleyin.

► **Şek.11:** 1. Hız göstergesi 2. Ters dönüş düğmesi

**NOT:** Ters dönüş sırasında, alet sadece kısa bir süre için çalışır ve ardından otomatik olarak durur.

**NOT:** Alet durduktan sonra tekrar başlatıldığında dönüş normal yönde devam eder.

**NOT:** Kesici parça dönmeye devam ederken ters dönüş düğmesine basarsanız alet durur ve ters dönüşe hazır olur.

## Elektronik tork kontrol fonksiyonu

Alet, geri tepmeye neden olabilecek ani devir hızı düşüşlerini elektronik olarak algılar. Bu durumda, kesici parçanın daha fazla dönmesini engellemek için alet otomatik olarak durur. Aleti yeniden çalıştırmak için anahtar tetiğı serbest bırakın. Devir hızındaki ani düşüşün nedenini ortadan kaldırın ve daha sonra aleti açın.

**NOT:** Bu fonksiyon, geri tepmeleri engelleyici bir önlem değildir.

## MONTAJ

**⚠UYARI:** Alet üzerinde herhangi bir işlem yapmadan önce aletin kapalı ve batarya kartuşunun çıkarılmış olduğundan daima emin olun. Aletin kapatılmaması ve batarya kartuşunun çıkarılmaması istemsiz olarak aletin başlatılması sonucu ciddi kişisel yaralanmalara neden olabilir.

**⚠UYARI:** Tüm parçalar birleştirilmeden asla aleti başlatmayın. Parçalar kısmen birleştirilmiş haldeyken aletle çalışmak, aletin istemsiz olarak başlatılması sonucu ciddi kişisel yaralanmalara neden olabilir.

## Kolun takılması

Kolu, ürünle verilen klempeler ve civatalar ile monte edin. Kolu ara parça ve ok işareti arasında yerleştirildiğinden emin olun. Ara parçayı çıkarmayın veya küçültmeyin.

► **Şek.12:** 1. Klemp 2. Altıgen başlı civata 3. Kol 4. Ok işareti 5. Ara parça

Aşağıdaki ek parçaları kullanarak bariyerin üzerindeki vidayı kullanarak bariyeri kola mutlaka takın.

- Yan tırpan ek parçası \*
  - Döner makas ek parçası
  - Yan tırpan ek parçası \*
  - Kenar düzeltici ek parçası
- \*. Sadece metal bıçak takıldığında.

► **Şek.13:** 1. Bariyer 2. Vida

## Ek borunun takılması

**⚠DİKKAT:** Monte ettikten sonra ek borunun sabitlenmiş olduğunu mutlaka kontrol edin. Hatalı montaj ek parçanın güç ünitesinden düşmesine neden olabilir ve yaralanmaya yol açabilir.

Ek boruyu ana üniteye takın.

1. Güç ünitesinin mandalını ek parça tarafına doğru çevirin.

► **Şek.14:** 1. Mandal

2. Ek parçanın başlığını çıkarın. Pimi ok işareti ile hizalayın ve serbest bırakma düğmesi yukarı çıkana dek ek boruyu sokun.

► **Şek.15:** 1. Serbest bırakma düğmesi 2. Ok işareti 3. Pim

3. Mandalı güç ünitesi tarafına doğru çevirin.

► **Şek.16:** 1. Mandal

Mandalın yüzeyinin boruya paralel olduğundan emin olun.

Boruyu çıkarmak için, mandalı ek parça tarafına doğru çevirin ve serbest bırakma düğmesine basarak boruyu çekip çıkarın.

► **Şek.17:** 1. Serbest bırakma düğmesi 2. Mandal 3. Boru

## Kol konumunun ayarlanması

Aleti rahat bir şekilde kullanabilmek için kol konumunu ayarlayın.

Kol üzerindeki altıgen başlı civatayı gevşetin. Kolu rahat bir çalışma konumuna taşıyın ve ardından civatayı sıkın.

► **Şek.18:** 1. Kol 2. Altıgen başlı civata

## Omuz askısının takılması

**UYARI:** Aletin kontrolünün her zaman sizde olması için son derece dikkatli olun. Aletin, size veya çalıştığınız çevredeki herhangi birine doğru dönmesine izin vermeyin. Aleti kontrol altında tutamamak çevredekilerin ve kullanıcının ciddi bir şekilde yaralanmasına neden olabilir.

**DİKKAT:** Aleti taşınabilir güç ünitesi gibi sırt çantası tipi güç kaynağı ile birlikte kullanırken alet paketinde verilen omuz askısını kullanmayın, Makita tarafından önerilen askı kayışını kullanın.

Alet paketinde verilen omuz askısını ve sırt çantası tipi güç kaynağının omuz askısını aynı anda takarsanız acil bir durumda alet veya sırt çantası tipi güç kaynağının çıkarılması zor olur ve kaza veya yaralanmaya neden olabilir. Önerilen askı kayışı için Makita Yetkili Servis Merkezlerine başvurun.

**DİKKAT:** Omuz askısı daima alete takılı kullanın. Kullanmadan önce, yorgunluğu önlemek için omuz askısını kullanıcının boyutlarına göre ayarlayın.

**DİKKAT:** Çalıştırmadan önce omuz askısının alete düzgün bir şekilde takıldığından emin olun.

1. Omuz askısı üzerindeki kancayı aletin halka ve askısına takın.

► **Şek.19:** 1. Halka 2. Kanca 3. Askı

2. Omuz askısını sol omzunuza takın. Omuz askısını rahat bir çalışma konumuna ayarlayın.

► **Şek.20**

Omuz askısı hızlı açılma özelliğine sahiptir.

Aleti omuz askısından çıkarmak için tokenın yan kısımlarına bastırmanız yeterlidir.

► **Şek.21:** 1. Toka

## Altıgen anahtarın saklanması

**DİKKAT:** Altıgen anahtar aletin kafasına takılı halde bırakılmaya dikkat edin. Yaralanmaya neden olabilir ve/veya alete zarar gelebilir.

Kullanılmadığı zamanlarda, altıgen anahtarın kaybolmasını önlemek için anahtar şeklide gösterildiği gibi saklayın.

► **Şek.22:** 1. Kol 2. Altıgen anahtar

## BAKIM

**UYARI:** Alet üzerinde kontrol ya da bakım yapmadan önce aletin kapalı ve batarya kartuşunun çıkartılmış olduğundan daima emin olun. Aletin kapatılmaması ve batarya kartuşunun çıkarılmaması istemsiz olarak aletin başlatılması sonucu ciddi kişisel yaralanmalara neden olabilir.

**ÖNEMLİ NOT:** Benzin, tiner, alkol ve benzeri maddeleri kesinlikle kullanmayın. Renk değişimi, deformasyon veya çatlaklar oluşabilir.

Aleti EMNİYETLİ ve ÇALIŞMAYA HAZIR durumda tutmak için onarımlar, başka her türlü bakım ve ayarlamalar daima Makita yedek parçaları kullanılarak Makita yetkili servis merkezleri veya Fabrikanın Servis Merkezleri tarafından yapılmalıdır.

## Aletin temizlenmesi

Aleti, kuru bir bez veya sabunlu suya batırılıp sıkılmış bir bezle toz, kir veya kesilen çimlerle silerek temizleyin. Aletin aşırı ısınmasını engellemek için aletin hava deliğine yapışkan kesilen çim veya döküntüleri mutlaka temizleyin.

## Batarya siperi

**UYARI:** Batarya siperini çıkarmayın. Aleti batarya siperi çıkarılmış veya hasarlı durumda kullanmayın. Batarya kartuşunun doğrudan darbe görmesi batarya arızasına neden olabilir ve yaralanma ve/veya yangına yol açabilir. Batarya siperi deforme olur veya hasar görürse onarım için yetkili servis merkezimize başvurun.

► **Şek.23:** 1. Batarya siperi



# SORUN GİDERME

Onarım için servise gitmeden önce kontrolleri yapın. Kılavuzda açıklanmayan bir problemle karşılaşırsanız aleti demonte etmeyin. Bunun yerine, Makita Yetkili Servis Merkezlerine başvurun ve daima orijinal Makita yedek parçaları kullanın.

Anormal durum	Olası nedeni (arıza)	Çözümü
Motor çalışmıyor.	Batarya kartuşu takılı değil.	Batarya kartuşunu takın.
	Batarya sorunu (voltaj yetersiz)	Bataryayı şarj edin. Şarj etmek işe yaramıyorsa, bataryayı değiştirin.
	Sürüş sistemi doğru işlemiyor.	Yerel yetkili servis merkezinizden tamir etmelerini isteyin.
Kısa bir kullanımdan sonra motor duruyor.	Dönüş yönü ters.	Dönüş yönünü ters dönüş mandalı ile değiştirin.
	Bataryanın şarj seviyesi düşük.	Bataryayı şarj edin. Şarj etmek işe yaramıyorsa, bataryayı değiştirin.
	Aşırı ısınma.	Aleti kullanmayı durdurun ve soğumasını bekleyin.
Alet maksimum devre ulaşmıyor.	Batarya düzgün takılmamış.	Batarya kartuşunu bu kılavuzda açıklandığı gibi takın.
	Batarya gücü düşüyor.	Bataryayı şarj edin. Şarj etmek işe yaramıyorsa, bataryayı değiştirin.
	Sürüş sistemi doğru işlemiyor.	Yerel yetkili servis merkezinizden tamir etmelerini isteyin.

## İSTEĞE BAĞLI AKSESUARLAR

**⚠ DİKKAT:** Bu aksesuarlar ve ek parçalar bu el kitabında belirtilen Makita aletiniz ile kullanılmak için tavsiye edilmektedir. Herhangi başka bir aksesuar ya da ek parça kullanılması insanlar için bir yaralanma riski getirebilir. Aksesuarları ya da ek parçaları yalnızca belirtilmiş olan kullanım amaçlarına uygun olarak kullanın.

Bu aksesuarlarla ilgili daha fazla bilgiye ihtiyaç duyarsanız bulunduğunuz yerdeki yetkili Makita servisine başvurun.

Bu alet için geçerli modeller, “Onaylı ek parça” kısmında verilmiştir.

- Yan tırpan ek parçası
- Misinalı yan tırpan ek parçası
- Döner makas ek parçası
- Yan tırpan ek parçası
- Çit budama ek parçası
- Çim budama ek parçası
- Yüksek dal budama ek parçası
- Kültivatör ek parçası
- Kenar düzeltici ek parçası
- Kahve hasat makinesi ek parçası
- Şaft uzatma ek parçası
- Tahrikli fırça ek parçası
- Tahrikli süpürge ek parçası
- Üfleyci ek parçası
- Pompa ek parçası
- Ot temizleme ek parçası
- Orijinal Makita batarya ve şarj aleti

**NOT:** Listedeki parçaların bazıları alet paketi içerisinde standart aksesuar olarak dahil edilmiş olabilir. Bunlar ülkeden ülkeye farklılık gösterebilir.





# Makita Europe N.V.

Jan-Baptist Vinkstraat 2, 3070 Kortenberg, Belgium

# Makita Corporation

3-11-8, Sumiyoshi-cho, Anjo, Aichi 446-8502 Japan

[www.makita.com](http://www.makita.com)



885830H995  
EN, FR, DE, IT, NL,  
ES, PT, DA, EL, TR  
20231215