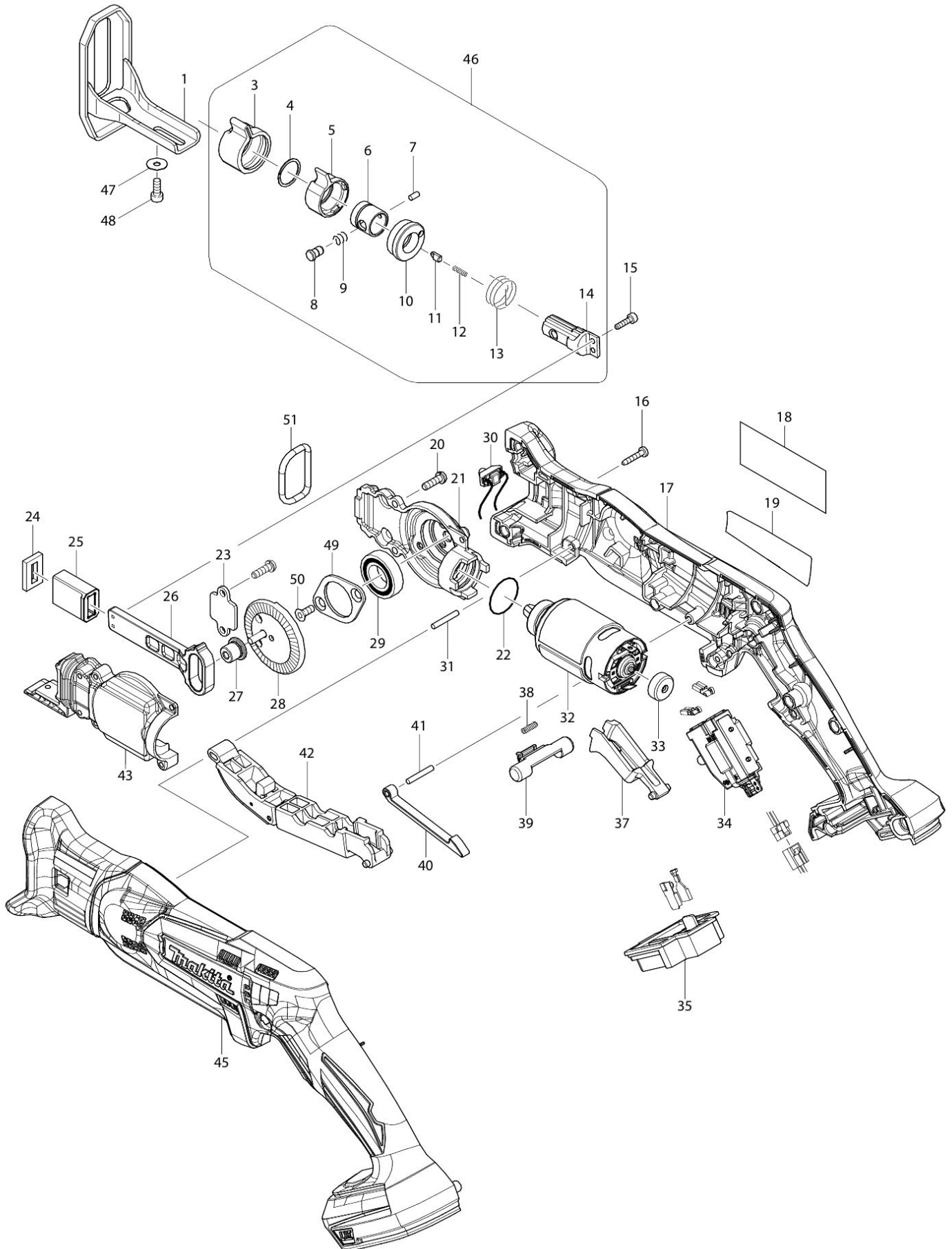


Partdrawing for DJR183RTJ - Reciprozaag 18V



2013/05
DJR183