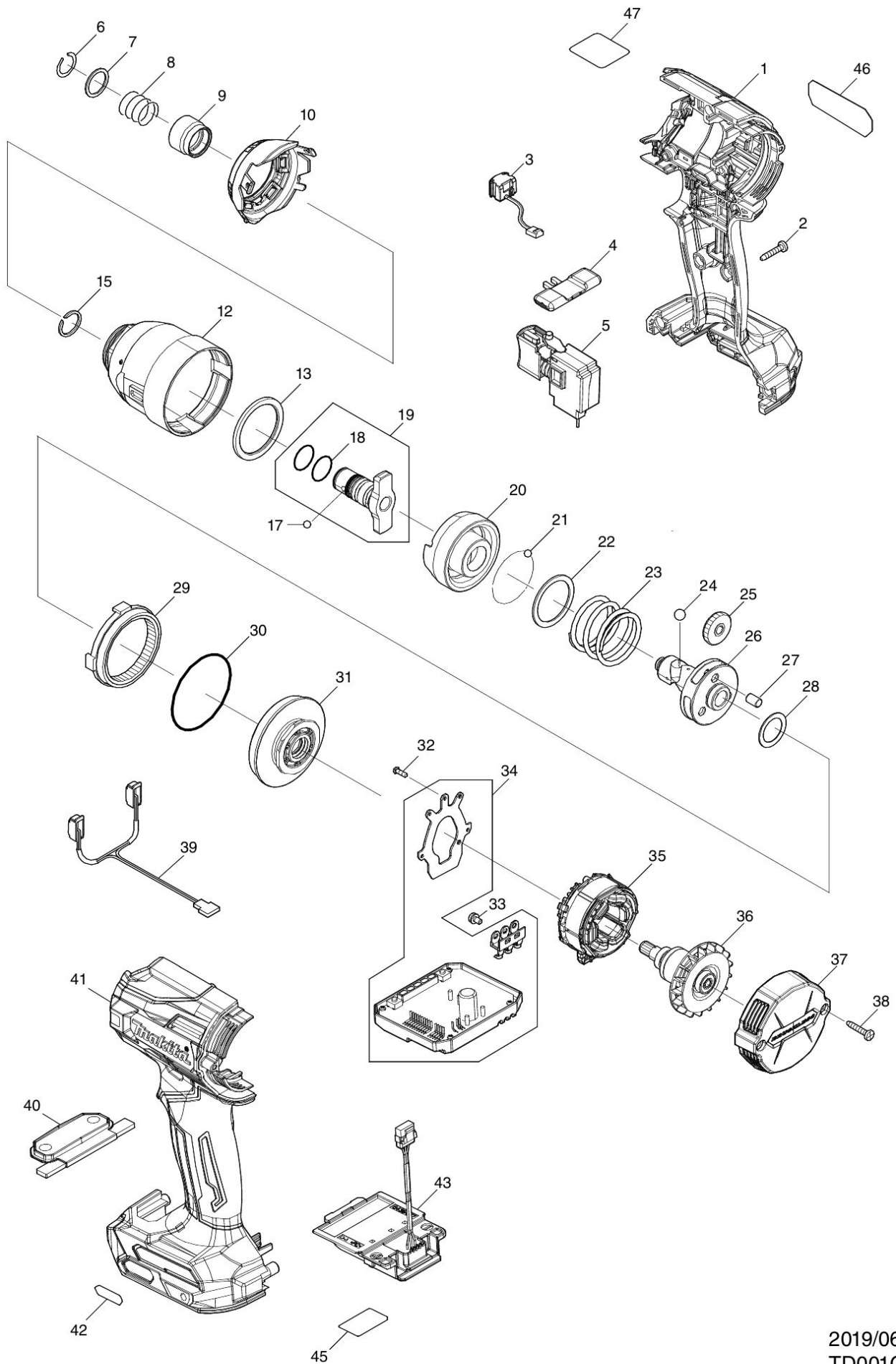


# Partdrawing for TD001GZ - Slagschroevendraaier



2019/06  
TD001G