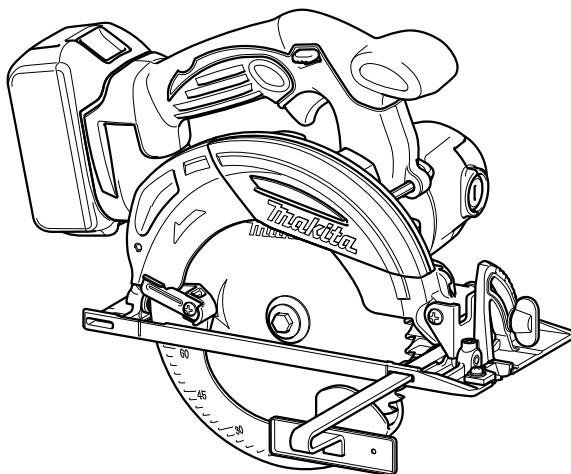




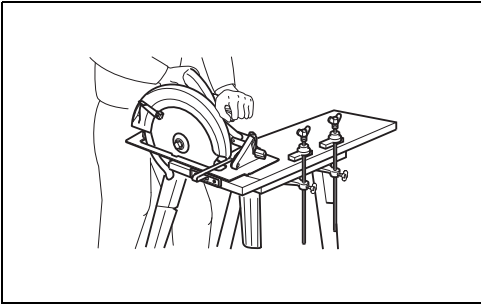
GB	Cordless Circular Saw	Instruction manual
F	Scie Circulaire sans Fil	Manuel d'instructions
D	Akku-Handkreissäge	Betriebsanleitung
I	Sega circolare a batteria	Istruzioni per l'uso
NL	Accucirkelzaag	Gebruiksaanwijzing
E	Sierra Circular Inalámbrica	Manual de instrucciones
P	Serra Circular a Bateria	Manual de instruções
DK	Ledningsfri rundsav	Brugsanvisning
GR	Φορητό δισκοπρίονο	Οδηγίες χρήσης
TR	Akülü Sunta Kesme	Kullanım kılavuzu

DHS630



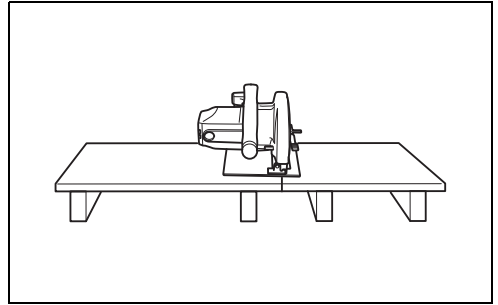
012092





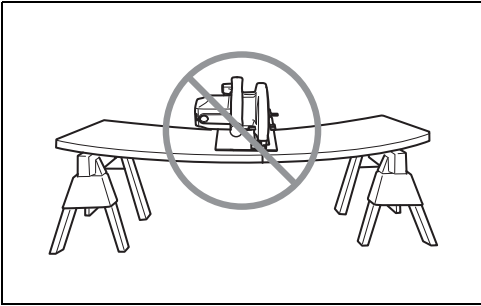
1

000157-1



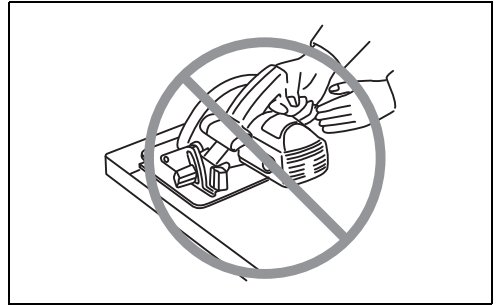
2

000154



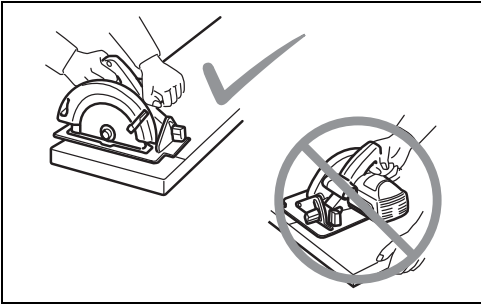
3

000156



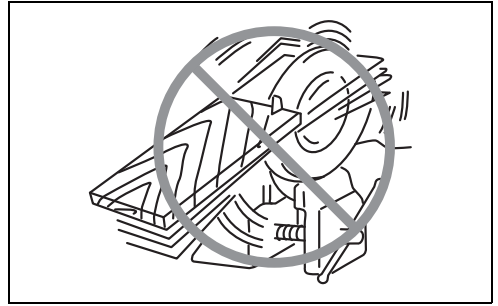
4

000194



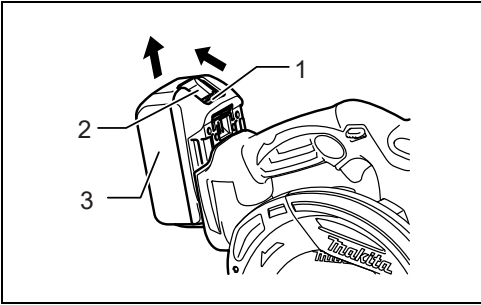
5

000147



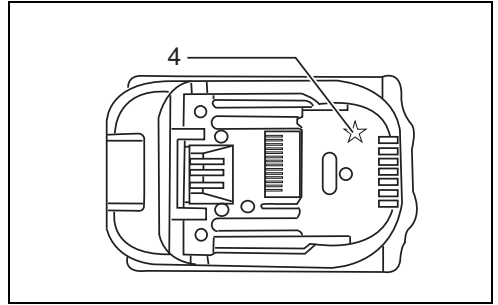
6

000029



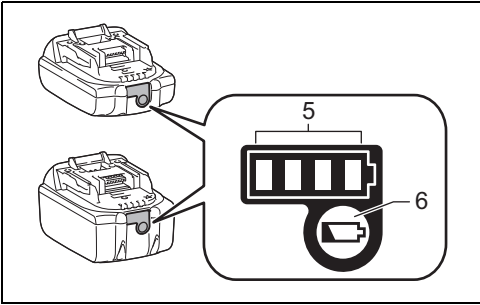
7

012093



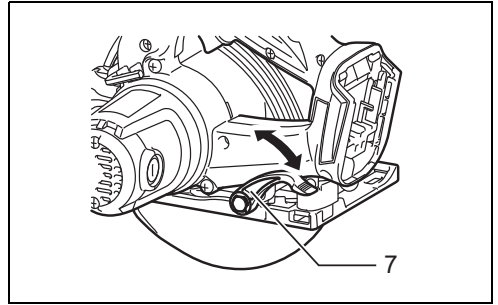
8

012128



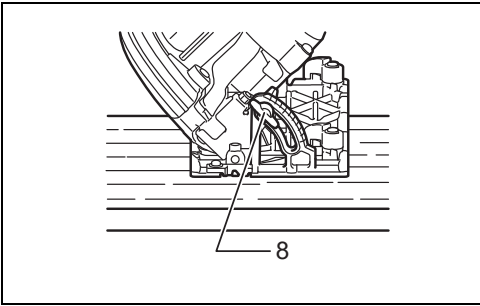
9

015659



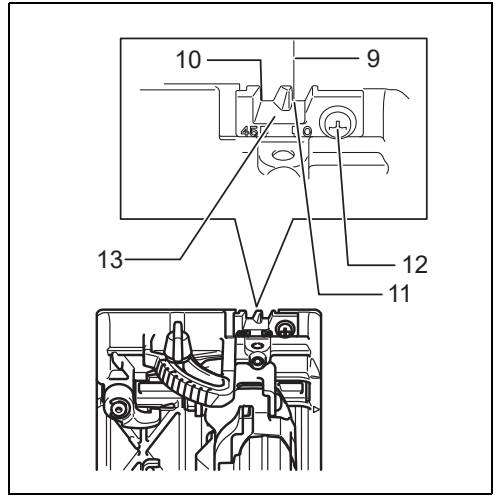
10

012098



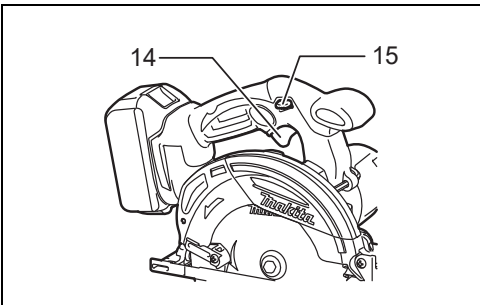
11

012100



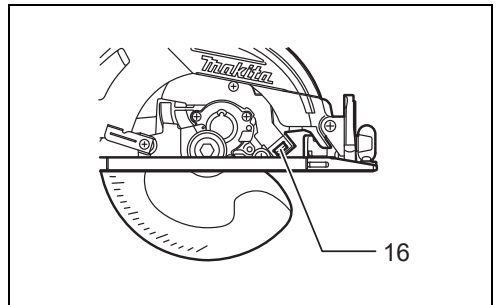
12

012107



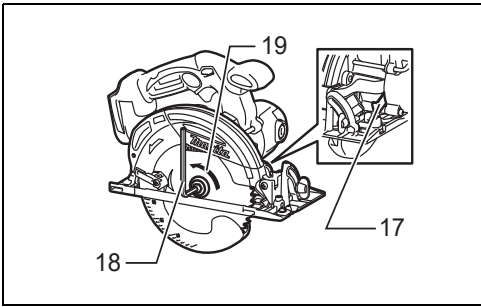
13

012105



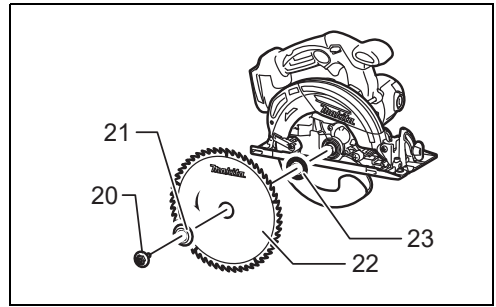
14

012106



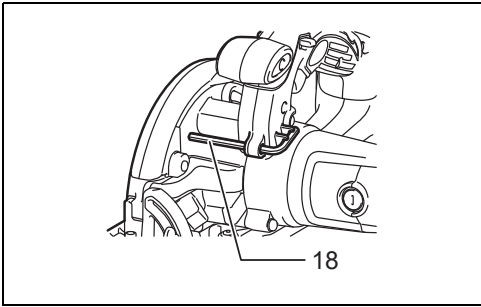
15

012094



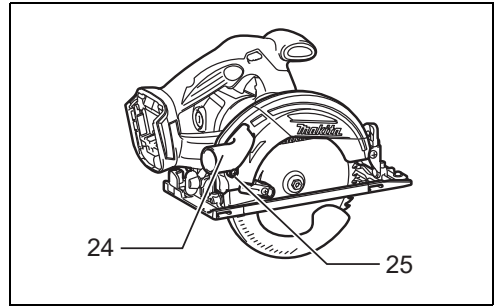
16

012096



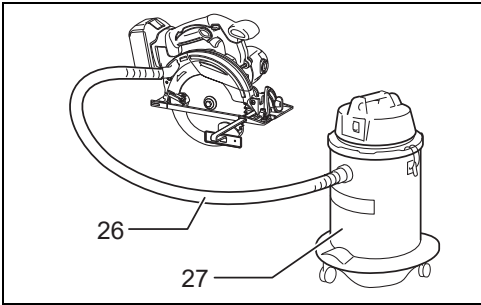
17

012097



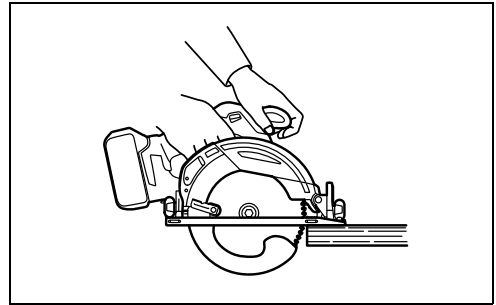
18

012113



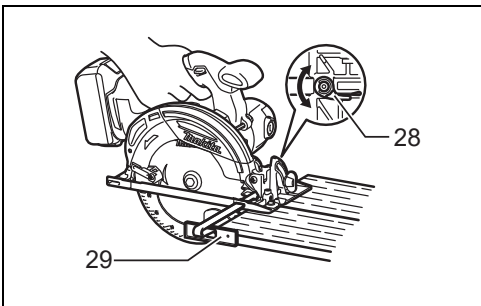
19

012149



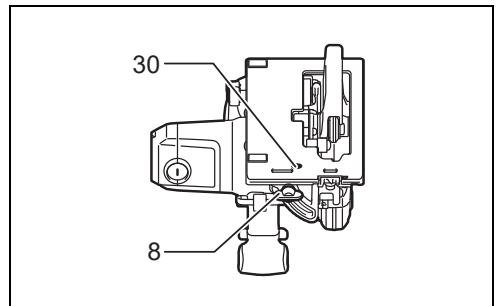
20

012108



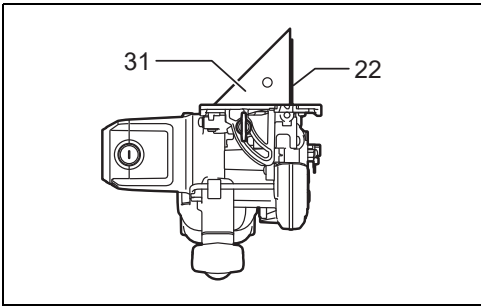
21

012109



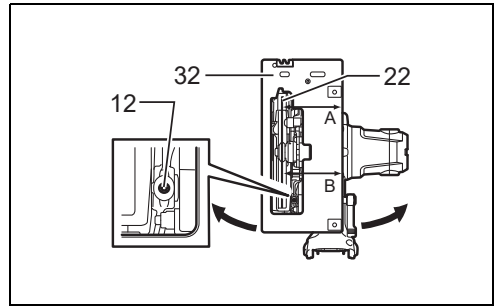
22

012102



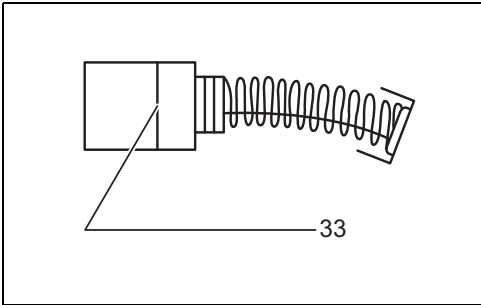
23

012103



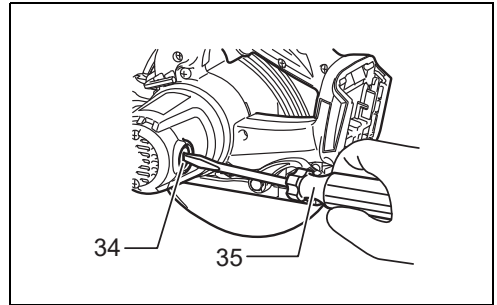
24

012101



25

001145



26

012114

ENGLISH (Original instructions)

Explanation of general view

- | | | |
|----------------------|--------------------|----------------------------|
| 1. Red indicator | 13. Top guide | 25. Thumb screw |
| 2. Button | 14. Switch trigger | 26. Hose |
| 3. Battery cartridge | 15. Lock-off lever | 27. Vacuum cleaner |
| 4. Star marking | 16. Light | 28. Clamp lever |
| 5. Indicator lamps | 17. Shaft lock | 29. Rip fence (Guide rule) |
| 6. Check button | 18. Hex wrench | 30. Adjusting screw |
| 7. Lever | 19. Loosen | 31. Triangular rule |
| 8. Wing screw | 20. Hex bolt | 32. Base |
| 9. Cutting line | 21. Outer flange | 33. Limit mark |
| 10. 45° position | 22. Saw blade | 34. Brush holder cap |
| 11. 0° position | 23. Inner flange | 35. Screwdriver |
| 12. Screw | 24. Dust nozzle | |

SPECIFICATIONS

Model	DHS630	
Blade diameter	165 mm	
Max. Cutting depth	at 90°	66 mm
	at 45°	46 mm
No load speed (min ⁻¹)	3,100	
Overall length	346 mm	
Net weight	3.0 - 3.4 kg	
Rated voltage	D.C. 18V	

- Due to our continuing program of research and development, the specifications herein are subject to change without notice.
- Specifications may differ from country to country.
- The weight may differ depending on the attachment(s), including the battery cartridge. The lightest and heaviest combination, according to EPTA-Procedure 01/2014, are shown in the table.

Applicable battery cartridge and charger

Battery cartridge	BL1815N/BL1820/BL1820B/BL1830/BL1830B/BL1840/BL1840B/BL1850/BL1850B/BL1860B
Charger	DC18RC/DC18RD/DC18RE/DC18SD/DC18SE/DC18SF

- Some of the battery cartridges and chargers listed above may not be available depending on your region of residence.

WARNING:

- **Only use the battery cartridges and chargers listed above.** Use of any other battery cartridges and chargers may cause injury and/or fire.


Intended use

ENE028-1

The tool is intended for performing lengthways and crossways straight cuts and mitre cuts with angles in wood while in firm contact with the workpiece.

General power tool safety warnings

GEA010-2

 **WARNING: Read all safety warnings, instructions, illustrations and specifications provided with this power tool.** Failure to follow all instructions listed below may result in electric shock, fire and/or serious injury.


Save all warnings and instructions for future reference.

The term "power tool" in the warnings refers to your mains-operated (corded) power tool or battery-operated (cordless) power tool.

CORDLESS CIRCULAR SAW SAFETY WARNINGS

GEB151-1

Cutting procedures

1.  **DANGER: Keep hands away from cutting area and the blade. Keep your second hand on auxiliary handle, or motor housing.** If both hands are holding the saw, they cannot be cut by the blade.

2. **Do not reach underneath the workpiece.** The guard cannot protect you from the blade below the workpiece.
3. **Adjust the cutting depth to the thickness of the workpiece.** Less than a full tooth of the blade teeth should be visible below the workpiece.
4. **Never hold the workpiece in your hands or across your leg while cutting. Secure the workpiece to a stable platform.** It is important to support the work properly to minimise body exposure, blade binding, or loss of control. (Fig. 1)
5. **Hold the power tool by insulated gripping surfaces, when performing an operation where the cutting tool may contact hidden wiring or its own cord.** Contact with a “live” wire will also make exposed metal parts of the power tool “live” and could give the operator an electric shock.
6. **When ripping, always use a rip fence or straight edge guide.** This improves the accuracy of cut and reduces the chance of blade binding.
7. **Always use blades with correct size and shape (diamond versus round) of arbour holes.** Blades that do not match the mounting hardware of the saw will run off-centre, causing loss of control.
8. **Never use damaged or incorrect blade washers or bolt.** The blade washers and bolt were specially designed for your saw, for optimum performance and safety of operation.

Kickback causes and related warnings

- kickback is a sudden reaction to a pinched, jammed or misaligned saw blade, causing an uncontrolled saw to lift up and out of the workpiece toward the operator;
- when the blade is pinched or jammed tightly by the kerf closing down, the blade stalls and the motor reaction drives the unit rapidly back toward the operator;
- if the blade becomes twisted or misaligned in the cut, the teeth at the back edge of the blade can dig into the top surface of the wood causing the blade to climb out of the kerf and jump back toward the operator.

Kickback is the result of saw misuse and/or incorrect operating procedures or conditions and can be avoided by taking proper precautions as given below.

1. **Maintain a firm grip with both hands on the saw and position your arms to resist kickback forces. Position your body to either side of the blade, but not in line with the blade.** Kickback could cause the saw to jump backwards, but kickback forces can be controlled by the operator, if proper precautions are taken.
2. **When blade is binding, or when interrupting a cut for any reason, release the trigger and hold the saw motionless in the material until the blade comes to a complete stop. Never attempt to remove the saw from the work or pull the saw backward while the blade is in motion or kickback may occur.** Investigate and take corrective actions to eliminate the cause of blade binding.
3. **When restarting a saw in the workpiece, centre the saw blade in the kerf so that the saw teeth are not engaged into the material.** If a saw blade binds, it may walk up or kickback from the workpiece as the saw is restarted.
4. **Support large panels to minimise the risk of blade pinching and kickback.** Large panels tend to sag

- under their own weight. Supports must be placed under the panel on both sides, near the line of cut and near the edge of the panel. (Fig. 2 & 3)
- 5. **Do not use dull or damaged blades.** Unsharpened or improperly set blades produce narrow kerf causing excessive friction, blade binding and kickback.
- 6. **Blade depth and bevel adjusting locking levers must be tight and secure before making the cut.** If blade adjustment shifts while cutting, it may cause binding and kickback.
- 7. **Use extra caution when sawing into existing walls or other blind areas.** The protruding blade may cut objects that can cause kickback.
- 8. **ALWAYS hold the tool firmly with both hands. NEVER place your hand, leg or any part of your body under the tool base or behind the saw, especially when making cross-cuts.** If kickback occurs, the saw could easily jump backwards over your hand, leading to serious personal injury. (Fig. 4)
- 9. **Never force the saw. Push the saw forward at a speed so that the blade cuts without slowing.** Forcing the saw can cause uneven cuts, loss of accuracy, and possible kickback.

Lower guard function

1. **Check the lower guard for proper closing before each use. Do not operate the saw if the lower guard does not move freely and close instantly. Never clamp or tie the lower guard into the open position.** If the saw is accidentally dropped, the lower guard may be bent. Raise the lower guard with the retracting handle and make sure it moves freely and does not touch the blade or any other part, in all angles and depths of cut.
2. **Check the operation of the lower guard spring. If the guard and the spring are not operating properly, they must be serviced before use.** Lower guard may operate sluggishly due to damaged parts, gummy deposits, or a build-up of debris.
3. **The lower guard may be retracted manually only for special cuts such as “plunge cuts” and “compound cuts”. Raise the lower guard by the retracting handle and as soon as the blade enters the material, the lower guard must be released.** For all other sawing, the lower guard should operate automatically.
4. **Always observe that the lower guard is covering the blade before placing the saw down on bench or floor.** An unprotected, coasting blade will cause the saw to walk backwards, cutting whatever is in its path. Be aware of the time it takes for the blade to stop after switch is released.
5. **To check lower guard, open lower guard by hand, then release and watch guard closure. Also check to see that retracting handle does not touch tool housing.** Leaving blade exposed is VERY DANGEROUS and can lead to serious personal injury.


Additional safety warnings

1. **Use extra caution when cutting damp wood, pressure treated lumber, or wood containing knots.** Maintain smooth advancement of tool without decrease in blade speed to avoid overheating the blade tips.

2. Do not attempt to remove cut material when blade is moving. Wait until blade stops before grasping cut material. Blades coast after turn off.
3. Avoid cutting nails. Inspect for and remove all nails from lumber before cutting.
4. Place the wider portion of the saw base on that part of the workpiece which is solidly supported, not on the section that will fall off when the cut is made. If the workpiece is short or small, clamp it down. **DO NOT TRY TO HOLD SHORT PIECES BY HAND!** (Fig. 5)
5. Before setting the tool down after completing a cut, be sure that the guard has closed and the blade has come to a complete stop.
6. Never attempt to saw with the circular saw held upside down in a vise. This is extremely dangerous and can lead to serious accidents. (Fig. 6)
7. Some material contains chemicals which may be toxic. Take caution to prevent dust inhalation and skin contact. Follow material supplier safety data.
8. Do not stop the blades by lateral pressure on the saw blade.
9. Do not use any abrasive wheels.
10. Only use the saw blade with the diameter that is marked on the tool or specified in the manual. Use of an incorrectly sized blade may affect the proper guarding of the blade or guard operation which could result in serious personal injury.
11. **Keep blade sharp and clean.** Gum and wood pitch hardened on blades slows saw and increases potential for kickback. Keep blade clean by first removing it from tool, then cleaning it with gum and pitch remover, hot water or kerosene. Never use gasoline.
12. **Wear a dust mask and hearing protection when use the tool.**
13. **Always use the saw blade intended for cutting the material that you are going to cut.**
14. **Only use the saw blades that are marked with a speed equal or higher than the speed marked on the tool.**
15. **(For European countries only)**
Always use the blade which conforms to EN847-1.
3. If operating time has become excessively shorter, stop operating immediately. It may result in a risk of overheating, possible burns and even an explosion.
4. If electrolyte gets into your eyes, rinse them out with clear water and seek medical attention right away. It may result in loss of your eyesight.
5. Do not short the battery cartridge:
 - (1) Do not touch the terminals with any conductive material.
 - (2) Avoid storing battery cartridge in a container with other metal objects such as nails, coins, etc.
 - (3) Do not expose battery cartridge to water or rain.

A battery short can cause a large current flow, overheating, possible burns and even a breakdown.
6. Do not store the tool and battery cartridge in locations where the temperature may reach or exceed 50°C (122°F).
7. Do not incinerate the battery cartridge even if it is severely damaged or is completely worn out. The battery cartridge can explode in a fire.
8. Be careful not to drop or strike battery.
9. Do not use a damaged battery.
10. **The contained lithium-ion batteries are subject to the Dangerous Goods Legislation requirements.**
For commercial transports e.g. by third parties, forwarding agents, special requirement on packaging and labeling must be observed.
For preparation of the item being shipped, consulting an expert for hazardous material is required. Please also observe possibly more detailed national regulations.
Tape or mask off open contacts and pack up the battery in such a manner that it cannot move around in the packaging.
11. **Follow your local regulations relating to disposal of battery.**
12. **Use the batteries only with the products specified by Makita.** Installing the batteries to non-compliant products may result in a fire, excessive heat, explosion, or leak of electrolyte.

SAVE THESE INSTRUCTIONS.


 **WARNING:** DO NOT let comfort or familiarity with product (gained from repeated use) replace strict adherence to safety rules for the subject product. MISUSE or failure to follow the safety rules stated in this instruction manual may cause serious personal injury.

IMPORTANT SAFETY INSTRUCTIONS FOR BATTERY CARTRIDGE

ENC007-12

1. Before using battery cartridge, read all instructions and cautionary markings on (1) battery charger, (2) battery, and (3) product using battery.
2. Do not disassemble battery cartridge.

SAVE THESE INSTRUCTIONS.

 **CAUTION:** Only use genuine Makita batteries. Use of non-genuine Makita batteries, or batteries that have been altered, may result in the battery bursting causing fires, personal injury and damage. It will also void the Makita warranty for the Makita tool and charger.

Tips for maintaining maximum battery life

1. Charge the battery cartridge before completely discharged.
Always stop tool operation and charge the battery cartridge when you notice less tool power.
2. Never recharge a fully charged battery cartridge. Overcharging shortens the battery service life.
3. Charge the battery cartridge with room temperature at 10°C - 40°C (50°F - 104°F). Let a hot battery cartridge cool down before charging it.

4. **Charge the battery cartridge if you do not use it for a long period (more than six months).**

FUNCTIONAL DESCRIPTION

⚠ CAUTION:

- Always be sure that the tool is switched off and the battery cartridge is removed before adjusting or checking function on the tool.

Installing or removing battery cartridge (Fig. 7)

- Always switch off the tool before installing or removing of the battery cartridge.
- To remove the battery cartridge, slide it from the tool while sliding the button on the front of the cartridge.
- To install the battery cartridge, align the tongue on the battery cartridge with the groove in the housing and slip it into place. Always insert it all the way until it locks in place with a little click. If you can see the red indicator on the upper side of the button, it is not locked completely. Install it fully until the red indicator cannot be seen. If not, it may accidentally fall out of the tool, causing injury to you or someone around you.
- Do not use force when installing the battery cartridge. If the cartridge does not slide in easily, it is not being inserted correctly.

Battery protection system (Lithium-ion battery with star marking) (Fig. 8)

Lithium-ion batteries with a star marking are equipped with a protection system. This system automatically cuts off power to the tool to extend battery life.

The tool will automatically stop during operation if the tool and/or battery are placed under one of the following conditions:

- **Overloaded:**
The tool is operated in a manner that causes it to draw an abnormally high current.
In this situation, release the trigger switch on the tool and stop the application that caused the tool to become overloaded. Then pull the trigger switch again to restart.
If the tool does not start, the battery is overheated. In this situation, let the battery cool before pulling the trigger switch again.
- **Low battery voltage:**
The remaining battery capacity is too low and the tool will not operate. In this situation, remove and recharge the battery.

Indicating the remaining battery capacity

Only for battery cartridges with the indicator (Fig. 9)

Press the check button on the battery cartridge to indicate the remaining battery capacity. The indicator lamps light up for a few seconds.

Indicator lamps			Remaining capacity
Lighted	Off	Blinking	
■	■	■	75% to 100%
■	■	□	50% to 75%
■	□	□	25% to 50%
■	□	□	0% to 25%
◻	◻	◻	Charge the battery.
■	■	□	The battery may have malfunctioned.
□	□	■	

NOTE:

- Depending on the conditions of use and the ambient temperature, the indication may differ slightly from the actual capacity.

Adjusting depth of cut (Fig. 10)

⚠ CAUTION:

- After adjusting the depth of cut, always tighten the lever securely.

Loosen the lever on the side of the rear handle and move the base up or down. At the desired depth of cut, secure the base by tightening the lever.

For cleaner, safer cuts, set cut depth so that no more than one blade tooth projects below workpiece. Using proper cut depth helps to reduce potential for dangerous kickback which can cause personal injury.

Bevel cutting (Fig. 11)

Loosen the wing screw on the front and rear base. Set for the desired angle (0° - 45°) by tilting accordingly, then tighten the wing screw securely.

Sighting (Fig. 12)

For straight cuts, align the 0° position on the front of the base with your cutting line. For 45° bevel cuts, align the 45° position with it. The position of the top guide is adjustable.

Switch action (Fig. 13)

⚠ CAUTION:

- Before installing the battery cartridge into the tool, always check to see that the switch trigger actuates properly and returns to the "OFF" position when released.
- Do not pull the switch trigger hard without pressing the lock-off lever. This can cause switch breakage.

To prevent the switch trigger from being accidentally pulled, a lock-off lever is provided. To start the tool, press the lock-off lever and pull the switch trigger. Release the switch trigger to stop.

WARNING:

- For your safety, this tool is equipped with lock-off lever which prevents the tool from unintended starting. NEVER use the tool if it runs when you simply pull the switch trigger without pressing the lock-off lever. Return tool a MAKITA service center for proper repairs BEFORE further usage.
- NEVER tape down or defeat purpose and function of lock-off lever.

Lighting the lamp

CAUTION:

- Do not look in the light or see the source of light directly. (Fig. 14)

Only to turn on the light, pull the switch trigger without pressing the lock-off lever. To turn on the light and run the tool, press the lock-off lever and pull the switch trigger with the lock-off lever being pressed.

NOTE:

- Use a dry cloth to wipe the dirt off the lens of lamp. Be careful not to scratch the lens of lamp, or it may lower the illumination.
- Do not use gasoline, thinner or the like to clean the lens of lamp. Using such substances will damage the lens.

ASSEMBLY

CAUTION:

- Always be sure that the tool is switched off and the battery cartridge is removed before carrying out any work on the tool.

Removing or installing saw blade

CAUTION:

- Be sure the blade is installed with teeth pointing up at the front of the tool.
- Use only the Makita wrench to install or remove the blade. (Fig. 15)

To remove the blade, press the shaft lock so that the blade cannot revolve and use the wrench to loosen the hex bolt counterclockwise. Then remove the hex bolt, outer flange and blade.

To install the blade, follow the removal procedure in reverse. BE SURE TO TIGHTEN THE HEX BOLT CLOCKWISE SECURELY. (Fig. 16)

When changing blade, make sure to also clean upper and lower blade guards of accumulated sawdust. Such efforts do not, however, replace the need to check lower guard operation before each use.

Hex wrench storage (Fig. 17)

When not in use, store the hex wrench as shown in the figure to keep it from being lost.

Connecting a vacuum cleaner

Optional accessory (Fig. 18 & 19)

When you wish to perform clean cutting operation, connect a Makita vacuum cleaner to your tool. Install the dust nozzle on the tool using the screw. Then connect a hose of the vacuum cleaner to the dust nozzle as shown in the figure.

OPERATION

CAUTION:

- Always insert the battery cartridge all the way until it locks in place. If you can see the red part on the upper side of the button, it is not locked completely. Insert it fully until the red part cannot be seen. If not, it may accidentally fall out of the tool, causing injury to you or someone around you.
- Be sure to move the tool forward in a straight line gently. Forcing or twisting the tool will result in overheating the motor and dangerous kickback, possibly causing severe injury.
- If the tool is operated continuously until the battery cartridge has discharged, allow the tool to rest for 15 minutes before proceeding with a fresh battery. (Fig. 20)

Hold the tool firmly. The tool is provided with both a front grip and rear handle. Use both to best grasp the tool. If both hands are holding saw, they cannot be cut by the blade. Set the base on the workpiece to be cut without the blade making any contact. Then turn the tool on and wait until the blade attains full speed. Now simply move the tool forward over the workpiece surface, keeping it flat and advancing smoothly until the sawing is completed. To get clean cuts, keep your sawing line straight and your speed of advance uniform. If the cut fails to properly follow your intended cut line, do not attempt to turn or force the tool back to the cut line. Doing so may bind the blade and lead to dangerous kickback and possible serious injury. Release switch, wait for blade to stop and then withdraw tool. Realign tool on new cut line, and start cut again. Attempt to avoid positioning which exposes operator to chips and wood dust being ejected from saw. Use eye protection to help avoid injury.

Rip fence (Guide rule) (Fig. 21)

The handy rip fence allows you to do extra-accurate straight cuts. Simply slide the rip fence up snugly against the side of the workpiece and secure it in position with the clamp lever on the front of the base. It also makes repeated cuts of uniform width possible.

MAINTENANCE

CAUTION:

- Always be sure that the tool is switched off and the battery cartridge is removed before attempting to perform inspection or maintenance.
- **Clean out the upper and lower guards to ensure there is no accumulated sawdust which may impede the operation of the lower guarding system.** A dirty guarding system may limit the proper operation which could result in serious personal injury. The most effective way to accomplish this cleaning is with compressed air. **If the dust is being blown out of the guards be sure the proper eye and breathing protection is used.**
- Never use gasoline, benzine, thinner, alcohol or the like. Discoloration, deformation or cracks may result.

Adjusting for accuracy of 90° cut (vertical cut) (Fig. 22 & 23)

This adjustment has been made at the factory. But if it is off, adjust the adjusting screw with a hex wrench while inspecting 90° the blade with the base using a triangular rule or square rule, etc.

Adjusting for parallelism (Fig. 24)

The parallelism between the blade and the base has been factory adjusted. But if it is off, you can adjust it as the following procedure.

Make sure all levers and screws are tightened. Slightly loosen the screw as illustrated. While opening the lower guard, move the rear of base so that the distance A and B are equal. After adjusting, tighten the screw. Make a test cut to get a correct parallelism.

Replacing carbon brushes (Fig. 25)

Remove and check the carbon brushes regularly. Replace when they wear down to the limit mark. Keep the carbon brushes clean and free to slip in the holders. Both carbon brushes should be replaced at the same time. Use only identical carbon brushes. (Fig. 26)

Use a screwdriver to remove the brush holder caps. Take out the worn carbon brushes, insert the new ones and secure the brush holder caps.

To maintain product SAFETY and RELIABILITY, repairs, any other maintenance or adjustment should be performed by Makita Authorized Service Centers, always using Makita replacement parts.

OPTIONAL ACCESSORIES

⚠ CAUTION:

- These accessories or attachments are recommended for use with your Makita tool specified in this manual. The use of any other accessories or attachments might present a risk of injury to persons. Only use accessory or attachment for its stated purpose.

If you need any assistance for more details regarding these accessories, ask your local Makita Service Center.

- Saw blades
- Rip fence (Guide rule)
- Hex wrench 5
- Dust nozzle
- Guide rail adapter
- Guide rail
- Various type of Makita genuine batteries and chargers

NOTE:

- Some items in the list may be included in the tool package as standard accessories. They may differ from country to country.

Noise

The typical A-weighted noise level determined according to EN62841:

Sound pressure level (L_{pA}): 91 dB (A)

Sound power level (L_{WA}): 99 dB (A)

Uncertainty (K): 3 dB (A)

ENG907-1

- The declared noise emission value(s) has been measured in accordance with a standard test method and may be used for comparing one tool with another.

- The declared noise emission value(s) may also be used in a preliminary assessment of exposure.

⚠ WARNING:

- **Wear ear protection.**
- **The noise emission during actual use of the power tool can differ from the declared value(s) depending on the ways in which the tool is used especially what kind of workpiece is processed.**
- **Be sure to identify safety measures to protect the operator that are based on an estimation of exposure in the actual conditions of use (taking account of all parts of the operating cycle such as the times when the tool is switched off and when it is running idle in addition to the trigger time).**

Vibration

ENG900-1

The vibration total value (tri-axial vector sum) determined according to EN62841:

Work mode: cutting chipboard

Vibration emission ($a_{h,CW}$): 2.5 m/s² or less

Uncertainty (K): 1.5 m/s²

ENG901-2

- The declared vibration total value(s) has been measured in accordance with a standard test method and may be used for comparing one tool with another.
- The declared vibration total value(s) may also be used in a preliminary assessment of exposure.

⚠ WARNING:

- **The vibration emission during actual use of the power tool can differ from the declared value(s) depending on the ways in which the tool is used especially what kind of workpiece is processed.**
- **Be sure to identify safety measures to protect the operator that are based on an estimation of exposure in the actual conditions of use (taking account of all parts of the operating cycle such as the times when the tool is switched off and when it is running idle in addition to the trigger time).**

Declarations of Conformity

For European countries only

The Declarations of conformity are included in Annex A to this instruction manual.

FRANÇAIS (Instructions d'origine)

Descriptif

1. Voyant rouge	13. Guide supérieur	25. Vis à oreilles
2. Bouton	14. Gâchette	26. Tuyau
3. Batterie	15. Levier de verrouillage	27. Aspirateur
4. Étoile	16. Lumière	28. Levier de serrage
5. Voyants	17. Blocage de l'arbre	29. Garde parallèle (règle de guidage)
6. Bouton de vérification	18. Clé hexagonale	30. Vis de réglage
7. Levier	19. Desserrer	31. Règle triangulaire
8. Vis à oreilles	20. Boulon hexagonal	32. Socle
9. Ligne de coupe	21. Flasque extérieur	33. Repère d'usage
10. Position à 45°	22. Lame	34. Bouchon de porte-charbon
11. Position à 0°	23. Flasque intérieur	35. Tournevis
12. Vis	24. Raccord à poussières	

SPÉCIFICATIONS

Modèle		DHS630
Diamètre de la lame		165 mm
Profondeur de coupe max.	à 90°	66 mm
	à 45°	46 mm
Vitesse à vide (min ⁻¹)		3 100
Longueur totale		346 mm
Poids net		3,0 - 3,4 kg
Tension nominale		C.C. 18 V

- Étant donné l'évolution constante de notre programme de recherche et de développement, les spécifications contenues dans ce manuel sont sujettes à des modifications sans préavis.
- Les spécifications peuvent varier suivant les pays.
- Le poids peut varier en fonction des pièces complémentaires, notamment de la batterie. La combinaison la plus légère et la combinaison la plus lourde, selon la procédure EPTA du 01/2014, sont présentées dans le tableau.

Batterie standard et chargeur applicables

Batterie	BL1815N/BL1820/BL1820B/BL1830/BL1830B/BL1840/BL1840B/BL1850/BL1850B/BL1860B
Chargeur	DC18RC/DC18RD/DC18RE/DC18SD/DC18SE/DC18SF

- Certains types de batterie et de chargeurs répertoriés ci-dessus peuvent ne pas être disponibles en fonction de votre région ou lieu de résidence.

AVERTISSEMENT :

- **Utilisez uniquement les batteries et chargeurs indiqués ci-dessus.** L'utilisation de toute autre batterie ou d'un autre chargeur peut provoquer des blessures et/ou déclencher un incendie.


Utilisations

ENE028-1

L'outil est conçu pour les coupes en longueur et les coupes transversales, ainsi que pour les coupes d'onglet angulaires dans le bois en maintenant un contact ferme avec la pièce à travailler.

Consignes de sécurité générales pour outils électriques

GEA010-2

 **AVERTISSEMENT : Veuillez lire les consignes de sécurité, instructions, illustrations et spécifications qui accompagnent cet outil électrique.** Le non-respect de toutes les instructions indiquées ci-dessous peut entraîner une électrocution, un incendie et/ou de graves blessures.

Conservez toutes les mises en garde et instructions pour référence ultérieure.

Le terme « outil électrique » dans les avertissements fait référence à l'outil électrique alimenté par le secteur (avec cordon d'alimentation) ou à l'outil électrique fonctionnant sur batterie (sans cordon d'alimentation).

CONSIGNES DE SÉCURITÉ POUR SCIE CIRCULAIRE SANS FIL

GEB151-1

Procédures de coupe

1. **⚠ DANGER : Gardez vos mains à l'écart de la zone de coupe et de la lame. Laissez votre deuxième main sur la poignée auxiliaire ou le carter du moteur.** La lame ne risquera pas de vous couper les mains si vous les utilisez toutes les deux pour tenir la scie.
2. **Ne placez aucune partie de votre corps sous la pièce à travailler.** Le carter de protection ne peut pas protéger l'utilisateur de la lame sous la pièce.
3. **Réglez la profondeur de coupe suivant l'épaisseur de la pièce à travailler.** La partie de la lame visible sous la pièce à travailler doit être moindre qu'une dent de lame complète.
4. **Ne tenez jamais la pièce avec les mains ou contre la jambe pendant la coupe. Fixez la pièce sur une plate-forme stable.** Il est important que la pièce soit soutenue convenablement, afin de minimiser l'exposition du corps, de la grippage de la lame ou la perte de contrôle. (Fig. 1)
5. **Tenez l'outil électrique par une surface de prise isolée, lorsque vous effectuez une tâche où l'outil de coupe pourrait toucher un câblage caché ou son propre cordon d'alimentation.** Le contact avec un fil « sous tension » mettra également « sous tension » les parties métalliques exposées de l'outil électrique, pouvant ainsi causer un choc électrique chez l'utilisateur.
6. **Lors du sciage en long, utilisez toujours un guide longitudinal ou un guide de chant.** La coupe sera plus précise et cela réduira les risques de pincement de la lame.
7. **Utilisez toujours des lames dont l'orifice central est de taille et de forme (diamantée ou circulaire) appropriée.** Les lames qui ne correspondent pas aux éléments de montage de la scie fonctionneront de manière décentrée, provoquant une perte de contrôle.
8. **N'utilisez jamais de rondelles ou boulons de la lame endommagés ou inadéquats.** Les rondelles et le boulon de la lame ont été conçus exclusivement pour votre scie, afin d'assurer une performance optimale et une utilisation sûre.

Causes des chocs en retour et avertissements concernant ces derniers

- le choc en retour est une réaction soudaine de l'outil lorsque la lame de scie est coincée, pincée ou désalignée, et la scie, hors de contrôle, se soulève alors et quitte la pièce en se dirigeant vers l'utilisateur ;
- lorsque la lame se coince ou est pincée fermement par le trait de scie qui se referme sur elle, la lame se bloque et la réaction du moteur entraîne la projection de l'outil à grande vitesse vers l'utilisateur ;
- si la lame se tord ou se désaligne par rapport à la ligne de coupe, les dents arrière risquent de s'enfoncer dans la surface du bois et la lame de quitter le trait de scie en reculant brusquement vers l'utilisateur.

Le choc en retour est le résultat d'une mauvaise utilisation de la scie et/ou de procédures ou conditions d'utilisation incorrectes. On peut l'éviter en prenant des précautions adéquates, comme indiqué ci-dessous :

1. **Maintenez une poigne ferme à deux mains sur la scie, et placez vos bras de sorte qu'ils puissent résister à la force du choc en retour. Placez-vous d'un côté ou de l'autre de la lame, jamais dans sa ligne de coupe.** Le choc en retour peut faire bondir la scie vers l'arrière, mais la force du choc en retour peut être maîtrisée par l'utilisateur en prenant les précautions adéquates.
2. **Si la lame se pince ou si vous interrompez la coupe pour une raison quelconque, libérez la gâchette et maintenez la scie immobile dans le matériau jusqu'à l'arrêt complet de la lame. N'essayez jamais de retirer la scie de la pièce ou de la faire reculer alors que la lame tourne encore, sous peine de provoquer un choc en retour.** Identifiez la cause du pincement de la lame et prenez les mesures correctives pour y remédier.
3. **Avant de redémarrer la scie dans la pièce, centrez la lame de scie dans le trait de scie de sorte que les dents ne pénètrent pas dans le matériau.** Si une lame de scie coince, elle risque de remonter ou de reculer brutalement au moment du redémarrage de la scie.
4. **Placez un dispositif de soutien sous les grands panneaux pour réduire les risques de pincement de la lame et de choc en retour.** Les panneaux de grande dimension ont tendance à s'affaisser sous leur propre poids. Des supports doivent être installés sous le panneau, des deux côtés, près de la ligne de coupe et près du bord du panneau. (Fig. 2 et 3)
5. **N'utilisez pas des lames émoussées ou endommagées.** Les lames mal affûtées ou mal posées produisent un trait de scie étroit, entraînant une friction excessive, le pincement de la lame et un choc en retour.
6. **Les leviers de verrouillage de la profondeur de coupe et du réglage de coupe en biseau doivent être serrés de manière ferme et sûre avant de procéder à la coupe.** Il y a un risque de pincement et de choc en retour si les réglages de la lame changent pendant la coupe.
7. **Soyez tout particulièrement prudent lorsque vous sciez dans un mur ou autre surface derrière laquelle peuvent se trouver des objets non visibles.** La lame peut causer un choc en retour en entrant en contact avec ces objets.
8. **Tenez TOUJOURS l'outil fermement à deux mains. Ne placez JAMAIS la main, la jambe ou toute autre partie du corps sous la base de l'outil ou derrière la scie, particulièrement lors de coupes transversales.** En cas de choc en retour, la scie pourrait facilement bondir vers l'arrière et passer sur votre main, vous infligeant une blessure grave. (Fig. 4)
9. **Ne forcez jamais la scie. Faites avancer la scie à une vitesse permettant à la lame de tourner sans perte de vitesse.** Le fait de forcer la scie peut résulter en des coupes inégales, une perte de précision et un choc en retour.

Fonctionnement du carter de protection

1. **Avant chaque utilisation, assurez-vous que le carter de protection inférieur ferme bien. N'utilisez pas la scie si le carter de protection inférieur ne se déplace pas librement et ne se referme pas**

immédiatement. Évitez d'immobiliser ou fixer le carter de protection inférieur en position ouverte.

Si la scie tombe accidentellement, le carter de protection inférieur peut se tordre. Soulevez le carter de protection inférieur à l'aide de la poignée rétractable et assurez-vous qu'il se déplace librement sans entrer en contact avec la lame ou toute autre partie de la scie, et ce quel que soit l'angle ou la profondeur de coupe.

2. **Vérifiez le fonctionnement du ressort du carter de protection inférieur. Le carter de protection et le ressort doivent être réparés avant l'utilisation s'ils ne fonctionnent pas correctement.** Le fonctionnement du carter de protection inférieur peut être ralenti par des pièces endommagées, des dépôts gluants ou l'accumulation de débris.
3. **Le carter de protection inférieur ne doit être rétracté manuellement que lors des coupes spéciales, comme les « coupes en plongée » et les « coupes mixtes ». Soulevez le carter de protection inférieur à l'aide de la poignée rétractable et libérez-le dès que la lame entre en contact avec le matériau.** Pour tout autre type de coupe, il faut laisser le carter de protection inférieur fonctionner automatiquement.
4. **Assurez-vous toujours que le carter de protection inférieur recouvre la lame avant de poser la scie sur l'établi ou le plancher.** Une lame non protégée et continuant à fonctionner par inertie entraînera la scie en arrière coupant tout ce qui se trouve sur sa trajectoire. N'oubliez pas qu'il faut un certain temps avant que la lame ne s'arrête une fois la gâchette libérée.
5. **Pour vérifier que le carter de protection inférieur se referme bien, ouvrez-le manuellement et relâchez-le. Assurez-vous également que la poignée rétractable ne touche pas le carter de l'outil.** Une lame exposée est TRÈS DANGEREUSE et peut causer de graves blessures.

Consignes de sécurité supplémentaires

1. **Soyez encore plus prudent pour couper du bois mouillé, du bois traité sous pression ou du bois qui contient des nœuds.** Pour éviter que le tranchant de la lame ne surchauffe, faites avancer l'outil à une vitesse régulière sans ralentissement de la vitesse de rotation de la lame.
2. **N'essayez pas de retirer le matériau coupé pendant que la lame tourne. Attendez l'arrêt total de la lame avant de saisir le bout de matériau coupé.** La lame continue de tourner même une fois le contact coupé.
3. **Prenez garde aux clous pendant la coupe. Avant de couper dans le bois de construction, inspectez-le et retirez-en tous les clous.**
4. **Placez la partie la plus grande du socle de la scie sur la partie de la pièce qui est solidement soutenue, non sur celle qui tombera une fois la coupe terminée. Si la pièce est courte ou petite, placez-la dans un dispositif de serrage. N'ESSAYEZ PAS DE TENIR LES COURTES PIÈCES UNIQUEMENT AVEC LA MAIN ! (Fig. 5)**
5. **Avant de déposer l'outil une fois la coupe terminée, assurez-vous que le carter de protection**

est fermé et que la lame est parfaitement immobile.

6. **N'essayez jamais de scier en plaçant la scie circulaire à l'envers dans un étai. Cela est très dangereux et peut entraîner un accident grave. (Fig. 6)**
7. **Certains matériaux contiennent des substances chimiques qui peuvent être toxiques. Prenez les précautions nécessaires pour ne pas inhaler les poussières qu'ils dégagent et pour éviter tout contact avec la peau. Respectez les données de sécurité du fabricant du matériau.**
8. **N'appliquez jamais de pression latérale sur la lame de scie pour l'arrêter.**
9. **N'utilisez pas de disques abrasifs.**
10. **Utilisez uniquement une lame de scie ayant le diamètre indiqué sur l'outil ou spécifié dans le mode d'emploi.** L'utilisation d'une taille incorrecte de lame peut affecter la protection de la lame ou le fonctionnement du carter de protection, ce qui pourrait provoquer de graves blessures.
11. **Maintenez la lame bien affûtée et propre.** Les dépôts de colle et les copeaux de bois qui durcissent contre la lame ralentissent la scie et entraînent une augmentation des risques de choc en retour. Pour nettoyer la lame, retirez-la d'abord de l'outil, puis nettoyez-la avec un décapant, de l'eau chaude ou du kérosène. N'utilisez jamais d'essence.
12. **Portez un masque antipoussières et des protections d'oreilles lorsque vous utilisez l'outil.**
13. **Utilisez toujours la lame de scie conçue pour la coupe du matériau de travail.**
14. **Utilisez uniquement des lames de scie sur lesquelles est indiquée une vitesse égale ou supérieure à la vitesse figurant sur l'outil.**
15. **(Pour les pays européens uniquement) Utilisez toujours une lame conforme à la norme EN847-1.**

CONSERVEZ CES INSTRUCTIONS.

⚠ AVERTISSEMENT : NE vous laissez PAS tromper (au fil d'une utilisation répétée) par un sentiment d'aisance et de familiarité avec le produit, en négligeant le respect rigoureux des consignes de sécurité qui accompagnent le produit en question. La MAUVAISE UTILISATION de l'outil ou l'ignorance des consignes de sécurité indiquées dans ce mode d'emploi peut entraîner de graves blessures.

CONSIGNES DE SECURITE IMPORTANTES POUR LA BATTERIE

ENC007-12

1. **Avant d'utiliser la batterie, veuillez lire toutes les instructions et tous les avertissements inscrits sur (1) le chargeur, (2) la batterie et (3) l'appareil alimenté par la batterie.**
2. **Ne démontez pas la batterie.**
3. **Cessez immédiatement d'utiliser l'outil si le temps de fonctionnement devient excessivement court. Il**

y a risque de surchauffe, de brûlures, voire d'explosion.

4. Si l'électrolyte pénètre dans vos yeux, rincez-les à l'eau claire et consultez immédiatement un médecin. Il y a risque de perte de la vue.
5. Évitez de court-circuiter la batterie :
 - (1) Ne touchez les bornes avec aucun matériau conducteur.
 - (2) Évitez de ranger la batterie dans un contenant où se trouvent d'autres objets métalliques tels que des clous, pièces de monnaie, etc.
 - (3) N'exposez pas la batterie à l'eau ou à la pluie. Un court-circuit de la batterie risque de provoquer un fort courant, une surchauffe, parfois des brûlures et même une panne.
6. Ne rangez pas l'outil ou la batterie dans des endroits où la température risque d'atteindre ou de dépasser 50 °C (122 °F).
7. Ne jetez pas la batterie au feu même si elle est sérieusement endommagée ou complètement épuisée. La batterie peut exploser au contact du feu.
8. Veillez à ne pas laisser tomber ou heurter la batterie.
9. N'utilisez pas de batterie endommagée.
10. Les batteries au lithium-ion contenues sont soumises aux exigences de la législation sur les marchandises dangereuses.

Lors du transport commercial par des tiers parties ou des transitaires par exemple, des exigences spécifiques en matière d'étiquetage et d'emballage doivent être respectées.

Pour la préparation de l'article expédié, il est nécessaire de consulter un expert en matériau dangereux. Veuillez également respecter les réglementations nationales susceptibles d'être plus détaillées.

Recouvrez les contacts exposés avec du ruban adhésif ou du ruban de masquage et emballez la batterie de telle sorte qu'elle ne puisse pas bouger dans l'emballage.

11. Respectez les réglementations locales relatives à la mise au rebut des batteries.
12. Utilisez les batteries uniquement avec les produits spécifiés par Makita. L'installation des batteries sur des produits non conformes peut entraîner un incendie, une chaleur excessive, une explosion ou une fuite d'électrolyte.

CONSERVEZ CES INSTRUCTIONS.

⚠ ATTENTION : N'utilisez que des batteries Makita d'origine.

L'utilisation de batteries de marque autre que Makita ou de batteries modifiées peut provoquer l'explosion des batteries, ce qui présente un risque d'incendie, de dommages matériels et corporels. Cela annulera également la garantie Makita pour l'outil et le chargeur Makita.

Conseils pour assurer la durée de vie optimale de la batterie

1. Rechargez la batterie avant qu'elle ne soit complètement épuisée. Arrêtez toujours l'outil et rechargez la batterie quand vous constatez que la puissance de l'outil diminue.
2. Ne rechargez jamais une batterie complètement chargée. La surcharge réduit la durée de service de la batterie.
3. Chargez la batterie alors que la température de la pièce se trouve entre 10 °C et 40 °C (50 °F et 104 °F). Si une batterie est chaude, laissez-la refroidir avant de la charger.
4. Chargez la batterie si vous ne l'avez pas utilisée pendant une longue période (plus de six mois).

DESCRIPTION DU FONCTIONNEMENT

⚠ ATTENTION :

- Veillez toujours à ce que l'outil soit éteint et la batterie déposée avant d'effectuer des réglages ou de vérifier le fonctionnement de l'outil.

Installation ou retrait de la batterie (Fig. 7)

- Éteignez toujours l'outil avant d'installer ou de retirer la batterie.
- Pour retirer la batterie, faites glisser le bouton à l'avant de la batterie et sortez la batterie.
- Pour installer la batterie, alignez sa languette sur la rainure qui se trouve à l'intérieur du carter, puis glissez la batterie pour la mettre en place. Insérez-la toujours bien à fond, jusqu'à ce qu'elle se verrouille en émettant un léger clic. Si vous pouvez voir la partie rouge sur la face supérieure du bouton, la batterie n'est pas parfaitement verrouillée. Installez-la à fond, jusqu'à ce que la partie rouge ne soit plus visible. Sinon, elle risque de tomber accidentellement de l'outil, en vous blessant ou en blessant une personne située près de vous.
- N'appliquez pas une force excessive lors de l'installation de la batterie. Si la batterie ne glisse pas aisément, c'est qu'elle n'est pas insérée correctement.

Système de protection de la batterie (batterie au lithium-ion comportant une étoile) (Fig. 8)

Les batteries au lithium-ion comportant une étoile sont équipées d'un système de protection. Ce système coupe automatiquement l'alimentation en électricité vers l'outil afin de prolonger sa durée de vie.

L'outil s'arrête automatiquement pendant l'utilisation lorsqu'il et/ou la batterie se trouvent dans l'une des situations suivantes :

- Surchargé :
 - L'outil fonctionne de manière à créer un courant anormalement élevé.
 - Dans ce cas, relâchez la gâchette située sur l'outil et arrêtez l'application ayant provoqué la surcharge de

l'outil. Ensuite, appuyez à nouveau sur la gâchette pour redémarrer l'outil.

Si l'outil ne démarre pas, la batterie est en surchauffe. Dans ce cas, laissez la batterie refroidir avant d'appuyer à nouveau sur la gâchette.

• **Basse tension :**

L'autonomie restante est trop basse et l'outil ne fonctionnera pas. Dans ce cas, retirez la batterie et rechargez-la.

Indication de l'autonomie restante de la batterie

Uniquement pour les batteries avec voyant lumineux (Fig. 9)

Appuyez sur le bouton de vérification sur la batterie pour indiquer la charge restante de la batterie. Les témoins s'allument pendant quelques secondes.

Voyants			Autonomie restante
Allumé	Éteint	Clignotant	
■	□	◐	
■ ■ ■ ■			75 % à 100 %
■ ■ ■ □			50 % à 75 %
■ ■ □ □			25 % à 50 %
■ □ □ □			0 % à 25 %
◐ □ □ □			Recharger la batterie.
■ ■ □ □	↑ ↓	■ ■	Il est possible que la batterie ait mal fonctionné.

REMARQUE :

- Selon les conditions d'utilisation et la température ambiante, les indications peuvent différer légèrement de l'autonomie réelle restante.

Réglage de la profondeur de coupe (Fig. 10)

⚠ ATTENTION :

- Après avoir réglé la profondeur de coupe, serrez toujours fermement le levier.

Desserrez le levier du côté de la poignée arrière puis déplacez le socle vers le haut ou le bas. Une fois la profondeur de coupe désirée atteinte, fixez le socle en serrant le levier.

Pour obtenir des coupes plus propres et les effectuer de manière plus sûre, réglez la profondeur de coupe de sorte que pas plus d'une dent de lame ne dépasse sous la pièce. Une profondeur de coupe adéquate permet de réduire les risques de chocs en retour dangereux et de blessures.

Coupe en biseau (Fig. 11)

Desserrez la vis à oreilles située à l'avant et à l'arrière du socle. Réglez selon l'angle désiré (0° à 45°) en inclinant l'outil, puis serrez fermement la vis à oreilles.

Visée (Fig. 12)

Pour les coupes rectilignes, alignez sur la ligne de coupe la position 0° à l'avant du socle. Pour les coupes en biseau de 45°, alignez la position à 45° sur la ligne de coupe. La position du guide supérieur est réglable.

Interrupteur (Fig. 13)

⚠ AVERTISSEMENT :

- Avant d'installer la batterie dans l'outil, vérifiez toujours que la gâchette fonctionne bien et revient en position d'arrêt lorsqu'elle est libérée.
- Ne forcez pas en appuyant sur la gâchette sans avoir d'abord enfoncé le levier de sécurité. Vous risqueriez de casser la gâchette.

L'outil est équipé d'un levier de sécurité pour prévenir la pression accidentelle sur la gâchette. Pour démarrer l'outil, appuyez sur le levier de sécurité puis appuyez sur la gâchette. Pour l'arrêter, relâchez la gâchette.

⚠ ATTENTION :

- Pour assurer votre sécurité, cet outil est doté d'un levier de sécurité qui empêche le démarrage accidentel de l'outil. N'utilisez JAMAIS l'outil s'il se met en marche lorsque vous appuyez simplement sur la gâchette sans avoir appuyé sur le levier de sécurité. Renvoyez l'outil à un centre de service après-vente MAKITA pour le faire réparer AVANT toute autre utilisation.
- Le levier de sécurité ne doit JAMAIS être immobilisé avec du ruban adhésif, ni modifié.

Allumage de la lampe

⚠ ATTENTION :

- Ne regardez pas directement la lumière ou la source lumineuse. (Fig. 14)

Pour allumer la lumière sans démarrer l'outil, appuyez sur la gâchette sans enfoncer le levier de sécurité. Pour allumer la lumière et faire démarrer l'outil, enfoncez le levier de sécurité et appuyez sur la gâchette en laissant le levier enfoncé.

REMARQUE :

- Utilisez un chiffon sec pour essuyer les saletés qui recouvrent la lentille de la lampe. Prenez garde de ne pas rayer la lentille de la lampe, sinon sa capacité d'éclairage sera affectée.
- N'utilisez pas d'essence, de diluant ou d'autre liquide similaire pour nettoyer la lentille de la lampe. L'objectif risque d'être endommagé si vous utilisez de telles substances.

ASSEMBLAGE

⚠ ATTENTION :

- Assurez-vous toujours que l'outil est hors tension et que la batterie est retirée avant d'effectuer toute intervention sur l'outil.

Retrait ou pose de la lame

ATTENTION :

- Assurez-vous que la lame est installée avec les dents orientées vers le haut à l'avant de l'outil.
- Utilisez exclusivement une clé Makita pour installer ou retirer la lame. (Fig. 15)

Pour retirer la lame, appuyez sur le blocage de l'arbre de sorte que la lame ne puisse pas tourner, et desserrez le boulon hexagonal à l'aide de la clé hexagonale, en tournant dans le sens inverse des aiguilles d'une montre. Retirez ensuite le boulon hexagonal, le flasque extérieur et la lame.

Pour poser la lame, suivez la procédure de retrait dans l'ordre inverse. ASSUREZ-VOUS D'AVOIR FERMEMENT SERRÉ LE BOULON HEXAGONAL EN TOURNANT DANS LE SENS DES AIGUILLES D'UNE MONTRE. (Fig. 16)

Lorsque vous changez de lame, vous devez retirer la sciure de bois accumulée sur les carters de protection supérieur et inférieur. Vous devez vérifier le bon fonctionnement du carter de protection inférieur avant chaque utilisation, même après un nettoyage.

Rangement de la clé hexagonale (Fig. 17)

Lorsque vous n'utilisez pas la clé hexagonale, rangez-la comme illustré sur la figure pour éviter de la perdre.

Raccorder un aspirateur

Accessoire en option (Fig. 18 et 19)

Pour effectuer un travail plus propre, raccordez un aspirateur Makita à votre outil. Installez le raccord à poussières sur l'outil à l'aide de la vis. Connectez ensuite le tuyau de l'aspirateur au raccord à poussières, comme illustré sur la figure.

FONCTIONNEMENT

ATTENTION :

- Insérez toujours la batterie bien à fond, jusqu'à ce qu'elle se verrouille en place. Si vous pouvez voir la partie rouge sur la face supérieure du bouton, la batterie n'est pas parfaitement verrouillée. Insérez-la à fond, jusqu'à ce que la partie rouge ne soit plus visible. Sinon, elle risque de tomber accidentellement de l'outil, en vous blessant ou en blessant une personne située près de vous.
- Vous devez faire avancer l'outil doucement, en ligne droite. Le fait de forcer ou de tordre l'outil causerait un surchauffe du moteur et un dangereux choc en retour, risquant d'entraîner une blessure grave.
- Si l'outil a fonctionné de façon continue jusqu'à ce que la batterie soit épuisée, laissez-le reposer pendant 15 minutes avant de poursuivre avec une batterie chargée. (Fig. 20)

Tenez l'outil fermement. L'outil est doté d'une poignée avant et d'une poignée arrière. Tenez l'outil par ses deux poignées. Vous ne risquez pas de vous couper les mains si vous les utilisez toutes les deux pour tenir la scie. Placez le socle de l'outil sur la pièce, de sorte que la lame n'entre pas en contact avec quoi que ce soit. Mettez ensuite l'outil sous tension et attendez que la lame ait atteint sa pleine vitesse. Ensuite, déplacez simplement l'outil vers l'avant sur la surface de la pièce, en le

maintenant bien à plat et en le faisant avancer doucement, jusqu'à ce que la coupe soit terminée. Pour des coupes propres, évitez de dévier de la ligne de coupe et faites avancer l'outil à une vitesse régulière. Si la lame dévie de la ligne de coupe prévue, ne tentez pas de modifier la course de l'outil pour le forcer à revenir sur la ligne de coupe. Vous risqueriez de plier la lame et de provoquer un dangereux choc en retour et des blessures graves. Relâchez la gâchette, attendez l'arrêt complet de la lame, puis retirez l'outil. Réalignez l'outil sur une nouvelle ligne de coupe, puis poursuivez la coupe. Évitez de vous exposer aux copeaux et sciures de bois éjectés par la scie. Portez des lunettes de protection pour réduire les risques de blessure.

Garde parallèle (règle de guidage)

(Fig. 21)

Le garde parallèle est pratique pour effectuer des coupes droites avec une très grande précision. Faites simplement glisser le garde parallèle le long du bord de la pièce en le maintenant en position à l'aide du levier de serrage qui se trouve à l'avant du socle. Cela permet également d'effectuer plusieurs coupes d'une largeur uniforme.

ENTRETIEN

ATTENTION :

- Assurez-vous toujours que l'outil est hors tension et que la batterie est retirée avant d'y effectuer tout travail d'inspection ou d'entretien.
- **Nettoyez les carters de protection supérieur et inférieur afin de vous assurer que de la sciure de bois ne s'est pas accumulée et ne risque pas d'empêcher le fonctionnement du système de protection inférieur.** Un système de protection sale peut perturber le fonctionnement et provoquer de graves blessures corporelles. Le nettoyage le plus efficace doit être réalisé avec de l'air comprimé. **En cas de projection de poussière au niveau des carters de protection veillez à utiliser des lunettes et un masque adaptés.**
- N'utilisez jamais d'essence, de benzine, de diluant, d'alcool ou de produit similaire. Ces produits risquent de provoquer des décolorations, des déformations ou des fissures.

Réglage de la précision de coupe à 90° (coupe verticale) (Fig. 22 et 23)

Ce réglage est effectué en usine. S'il est désactivé, réajustez la vis de réglage au moyen d'une clé hexagonale, en vous assurant que la lame est sur un angle de 90° par rapport au socle, avec une règle triangulaire, une équerre de menuisier, etc.

Réglage du parallélisme (Fig. 24)

Le parallélisme entre la lame et le socle a été réglé en usine. Mais s'il est désactivé, vous pouvez le régler en procédant comme suit.

Assurez-vous que tous les leviers et toutes les vis sont serrés. Desserrez légèrement la vis, comme illustré. Tout en ouvrant le carter de protection inférieur, déplacez l'arrière du socle, de sorte que la distance entre A et B soit

identique. Après le réglage, serrez la vis. Effectuez une coupe test pour obtenir un parallélisme correct.

Remplacement des charbons (Fig. 25)

Retirez et vérifiez les charbons régulièrement.

Remplacez-les lorsqu'ils atteignent le repère d'usure. Maintenez les charbons propres et en état de glisser aisément dans les porte-charbons. Les deux charbons doivent être remplacés en même temps. N'utilisez que des charbons identiques. (Fig. 26)

Retirez les bouchons de porte-charbon à l'aide d'un tournevis. Enlevez les charbons usés, insérez-en de nouveaux et revissez solidement les bouchons de porte-charbon.

Pour garantir la SÉCURITÉ et la FIABILITÉ du produit, les réparations, ainsi que tout autre travail d'entretien ou de réglage doivent être effectués dans un centre de service Makita agréé, exclusivement avec des pièces de rechange Makita.

ACCESSOIRES FOURNIS EN OPTION

ATTENTION :

- Ces accessoires ou pièces complémentaires sont recommandés pour être utilisés avec l'outil Makita spécifié dans ce mode d'emploi. L'utilisation de tout autre accessoire ou pièce complémentaire peut comporter un risque de blessure. N'utilisez les accessoires ou pièces qu'aux fins auxquelles ils ont été conçus.

Pour obtenir plus de détails sur ces accessoires, contactez votre Centre de service local Makita.

- Lames
- Garde parallèle (règle de guidage)
- Clé hexagonale 5
- Raccord à poussières
- Adaptateur pour rail de guidage
- Rail de guidage
- Divers types de batteries et chargeurs de marque Makita

REMARQUE :

- Certains éléments de la liste peuvent être inclus en tant qu'accessoires standard dans le coffret de l'outil envoyé. Ils peuvent varier suivant les pays.

Bruit

Les niveaux de bruit pondéré A typiques ont été mesurés selon la norme EN62841 :

Niveau de pression sonore (L_{pA}) : 91 dB (A)

Niveau de puissance sonore (L_{WA}) : 99 dB (A)

Incertitude (K) : 3 dB (A)

ENG907-1

- La ou les valeurs d'émission de bruit déclarées ont été mesurées conformément à la méthode de test standard et peuvent être utilisées pour comparer les outils entre eux.
- La ou les valeurs d'émission de bruit déclarées peuvent aussi être utilisées pour l'évaluation préliminaire de l'exposition.

AVERTISSEMENT :

- **Portez un serre-tête antibruit.**

- **L'émission de bruit lors de l'usage réel de l'outil électrique peut être différente de la ou des valeurs déclarées, suivant la façon dont l'outil est utilisé, particulièrement selon le type de pièce usinée.**
- **Les mesures de sécurité à prendre pour protéger l'utilisateur doivent être basées sur une estimation de l'exposition dans des conditions réelles d'utilisation (en tenant compte de toutes les composantes du cycle d'utilisation, comme par exemple le moment de sa mise hors tension, lorsqu'il tourne à vide et le moment de son déclenchement).**

Vibrations

ENG900-1

La valeur totale de vibration (somme du vecteur triaxial) a été déterminée selon la norme EN62841 :

Mode de fonctionnement : coupe de panneaux agglomérés

Émission de vibrations ($a_{h,CW}$) : 2,5 m/s² ou moins

Incertitude (K) : 1,5 m/s²

ENG901-2

- La ou les valeurs de vibration totales déclarées ont été mesurées conformément à la méthode de test standard et peuvent être utilisées pour comparer les outils entre eux.
- La ou les valeurs de vibration totales déclarées peuvent aussi être utilisées pour l'évaluation préliminaire de l'exposition.

AVERTISSEMENT :

- **L'émission de vibrations lors de l'usage réel de l'outil électrique peut être différente de la ou des valeurs déclarées, suivant la façon dont l'outil est utilisé, particulièrement selon le type de pièce usinée.**
- **Les mesures de sécurité à prendre pour protéger l'utilisateur doivent être basées sur une estimation de l'exposition dans des conditions réelles d'utilisation (en tenant compte de toutes les composantes du cycle d'utilisation, comme par exemple le moment de sa mise hors tension, lorsqu'il tourne à vide et le moment de son déclenchement).**

Déclarations de conformité

Pour les pays européens uniquement

Les déclarations de conformité sont fournies en Annexe A à ce mode d'emploi.

DEUTSCH (Originalanweisungen)

Erklärung der Gesamtdarstellung

- | | | |
|--------------------|------------------------|-------------------------------------|
| 1. Roter Bereich | 13. Obere Führung | 25. Fingerschraube |
| 2. Taste | 14. Ein/Aus-Schalter | 26. Schlauch |
| 3. Akkublock | 15. Entriegelungshebel | 27. Staubsauger |
| 4. Sternmarkierung | 16. Lampe | 28. Klemmhebel |
| 5. Anzeigenlampen | 17. Spindelarretierung | 29. Parallelschlag (Führungslineal) |
| 6. Akkuprüftaste | 18. Inbusschlüssel | 30. Einstellschraube |
| 7. Hebel | 19. Lösen | 31. Einstelldreieck |
| 8. Flügelschraube | 20. Sechskantschraube | 32. Fuß |
| 9. Schneidlinie | 21. Außenflansch | 33. Verschleißgrenze |
| 10. 45°-Position | 22. Sägeblatt | 34. Bürstenhalterkappe |
| 11. 0°-Position | 23. Innenflansch | 35. Schraubendreher |
| 12. Schraube | 24. Absaugstutzen | |

TECHNISCHE DATEN

Modell	DHS630	
Blattdurchmesser	165 mm	
Max. Schnitttiefe	bei 90°	66 mm
	bei 45°	46 mm
Leerlauf-Drehzahl (min ⁻¹)	3.100	
Gesamtlänge	346 mm	
Nettogewicht	3,0 - 3,4 kg	
Nennspannung	18 V Gleichspannung	

- Aufgrund unserer beständigen Forschungen und Weiterentwicklungen sind Änderungen an den hier angegebenen Technischen Daten ohne Vorankündigung vorbehalten.
- Die Technischen Daten können in den einzelnen Ländern voneinander abweichen.
- Das Gewicht kann sich je nach Umfang und Art der vorhandenen Zubehörteile inkl. Akkublock ändern. Das Gewicht der leichtest- und schwerstmöglichen Kombination, das im Einklang mit dem EPTA-Verfahren 01/2014 ermittelt wurde, ist in der Tabelle aufgeführt.

Zu verwendender Akkublock mit Ladegerät

Akkublock	BL1815N/BL1820/BL1820B/BL1830/BL1830B/BL1840/BL1840B/BL1850/BL1850B/BL1860B
Ladegerät	DC18RC/DC18RD/DC18RE/DC18SD/DC18SE/DC18SF

- In Abhängigkeit der Region, in der Sie ansässig sind, kann es vorkommen, dass einige von den oben aufgeführten Akkublöcken und Ladegeräten nicht verfügbar sind.

WARNUNG:

- **Verwenden Sie ausschließlich die oben angegebenen Akkublöcke und Ladegeräte.** Bei Verwendung anderer Akkublöcke und Ladegeräte besteht Verletzungs- und Brandgefahr.

Verwendungszweck


Das Werkzeug eignet sich für Längs- und Querschnitte sowie Gehrungsschnitte mit Winkeln in Holz bei engem Kontakt mit dem Werkstück.

ENE028-1

Anweisungen kann zu einem elektrischen Schlag, Brand und/oder schweren Verletzungen führen.

Allgemeine Sicherheitswarnungen für Elektrowerkzeuge

GEA1010-2

 **WARNUNG: Lesen Sie alle mit diesem Elektrowerkzeug gelieferten Sicherheitswarnungen, Anweisungen, Abbildungen und technischen Daten durch.** Eine Missachtung der unten aufgeführten

Bewahren Sie alle Warnungen und Anweisungen für spätere Bezugnahme auf.

Der Ausdruck „Elektrowerkzeug“ in den Warnhinweisen bezieht sich auf Ihr mit Netzstrom (mit Kabel) oder Akku (ohne Kabel) betriebenes Elektrowerkzeug.

SICHERHEITSWARNUNGEN FÜR AKKU-HANDKREISSÄGE

GEB151-1

Schneidverfahren

1. **⚠️ GEFAHR: Halten Sie Ihre Hände vom Schnittbereich und vom Sägeblatt fern. Halten Sie mit der zweiten Hand den Zusatzgriff oder das Motorgehäuse.** Wenn beide Hände die Säge halten, können sie nicht durch das Sägeblatt verletzt werden.
2. **Fassen Sie nicht unter das Werkstück.** Die Schutzhaube bietet keinen Schutz auf der Unterseite des Werkstücks.
3. **Stellen Sie die Schnitttiefe auf die Dicke des Werkstücks ein.** Das Sägeblatt darf nicht mehr als eine Zahnlänge auf der Unterseite des Werkstücks überstehen.
4. **Halten Sie das Werkstück beim Schneiden niemals in Ihren Händen oder auf den Beinen. Sichern Sie das Werkstück auf einer stabilen Plattform.** Es ist wichtig, das Werkstück sachgemäß abzustützen, um Körperaussetzung, Klemmen des Sägeblatts oder Verlust der Kontrolle auf ein Minimum zu reduzieren. (Abb. 1)
5. **Halten Sie das Elektrowerkzeug an den isolierten Griffflächen, wenn Sie Arbeiten ausführen, bei denen die Gefahr besteht, dass das Schneidwerkzeug verborgene Kabel oder das eigene Kabel kontaktiert.** Bei Kontakt mit einem Strom führenden Kabel können die freiliegenden Metallteile des Elektrowerkzeugs ebenfalls Strom führend werden, so dass der Benutzer einen elektrischen Schlag erleiden kann.
6. **Verwenden Sie beim Längssägen stets einen Parallelenschlag oder ein Richtlineal.** Dadurch wird die Schnittgenauigkeit verbessert und die Gefahr von Sägeblatt-Klemmen reduziert.
7. **Verwenden Sie stets Sägeblätter, deren Spindelbohrung die korrekte Größe und Form (rautenförmig oder rund) hat.** Sägeblätter, die nicht genau auf den Montageflansch der Säge passen, rotieren exzentrisch und verursachen den Verlust der Kontrolle.
8. **Verwenden Sie niemals beschädigte oder falsche Sägeblattscheiben oder -schrauben.** Die Sägeblattscheiben und -schrauben sind speziell für Ihre Säge vorgesehen, um optimale Leistung und Betriebssicherheit zu gewährleisten.

Rückschlagursachen und damit zusammenhängende Warnungen

- Ein Rückschlag ist eine plötzliche Reaktion auf ein eingeklemmtes, blockiertes oder falsch ausgerichtetes Sägeblatt, der ein unkontrolliertes Anheben und Herauspringen der Säge aus dem Werkstück in Richtung der Bedienungsperson verursacht.
- Wenn das Sägeblatt durch den sich schließenden Sägeschlitz eingeklemmt oder blockiert wird, bleibt das Sägeblatt stehen, und die Motorreaktion drückt die Säge plötzlich in Richtung der Bedienungsperson zurück.
- Falls das Sägeblatt im Schnitt verdreht oder versetzt wird, können sich die Zähne an der Hinterkante des Sägeblatts in die Oberfläche des Holzstücks bohren, so dass sich das Sägeblatt aus dem Sägeschlitz

heraushebt und in Richtung der Bedienungsperson zurückspringt.

Rückschlag ist das Resultat falscher Handhabung der Säge und/oder falscher Arbeitsverfahren oder -bedingungen und kann durch Anwendung der nachstehenden Vorsichtsmaßnahmen vermieden werden.

1. **Halten Sie die Säge mit beiden Händen fest, und positionieren Sie Ihre Arme so, dass sie die Rückschlagkräfte auffangen. Stellen Sie sich so, dass sich Ihr Körper seitlich vom Sägeblatt befindet, nicht auf gleicher Linie mit dem Sägeblatt.** Rückschlag kann Zurückspringen der Säge verursachen; doch wenn geeignete Vorkehrungen getroffen werden, können die Rückschlagkräfte von der Bedienungsperson unter Kontrolle gehalten werden.
2. **Falls das Sägeblatt klemmt oder der Schnitt aus irgendeinem Grund unterbrochen wird, lassen Sie den Ein-Aus-Schalter los, und halten Sie die Säge bewegungslos im Werkstück, bis das Sägeblatt zum völligen Stillstand kommt. Versuchen Sie niemals, die Säge bei noch rotierendem Sägeblatt vom Werkstück abzunehmen oder zurückzuziehen, weil es sonst zu einem Rückschlag kommen kann.** Nehmen Sie eine Überprüfung vor, und treffen Sie Abhilfemaßnahmen, um die Ursache von Sägeblatt-Klemmen zu beseitigen.
3. **Wenn Sie die Säge bei im Werkstück befindlichem Sägeblatt wieder einschalten, zentrieren Sie das Sägeblatt im Sägeschlitz, und vergewissern Sie sich, dass die Sägezähne nicht mit dem Werkstück im Eingriff sind.** Falls ein Sägeblatt klemmt, kann es beim Wiedereinschalten der Säge aus dem Werkstück herausschnellen oder zurückspringen.
4. **Stützen Sie große Platten ab, um die Gefahr von Klemmen und Rückschlagen des Sägeblatts auf ein Minimum zu reduzieren.** Große Platten neigen dazu, unter ihrem Eigengewicht durchzuhängen. Die Stützen müssen beidseitig der Schnittlinie und in der Nähe der Plattenkante unter der Platte platziert werden. (Abb. 2 und 3)
5. **Verwenden Sie keine stumpfen oder beschädigten Sägeblätter.** Unschärfe oder falsch angebrachte Sägeblätter erzeugen einen schmalen Sägeschlitz, der übermäßige Reibung, Sägeblatt-Klemmen und Rückschlag verursacht.
6. **Die Sägeblatttiefen- und Neigungseinstellungs-Arretierhebel müssen fest angezogen und gesichert sein, bevor der Schnitt ausgeführt wird.** Falls sich die Sägeblatteinstellung während des Sägens verstellt, kann es zu Klemmen und Rückschlag kommen.
7. **Lassen Sie beim Sägen in vorhandene Wände oder andere tote Winkel besondere Vorsicht walten.** Das vorstehende Sägeblatt kann Objekte durchschneiden, die Rückschlag verursachen können.
8. **Halten Sie das Werkzeug IMMER mit beiden Händen fest. Halten Sie NIEMALS Ihre Hand, Ihr Bein oder irgendeinen Körperteil unter die Werkzeugbasis oder hinter die Säge, insbesondere bei der Ausführung von Querschnitten.** Falls Rückschlag auftritt, besteht die

Gefahr, dass die Säge über Ihre Hand zurückspringt und schwere Personenschäden verursacht. (Abb. 4)

9. **Wenden Sie keine Gewalt auf die Säge an. Schieben Sie die Säge mit einer Geschwindigkeit vor, dass das Sägeblatt nicht abgebremst wird.** Gewaltanwendung kann ungleichmäßige Schnitte, Verlust der Genauigkeit und möglichen Rückschlag verursachen.

Funktion der Schutzhaube

1. **Überprüfen Sie die untere Schutzhaube vor jeder Benutzung auf einwandfreies Schließen. Betreiben Sie die Säge nicht, falls sich die untere Schutzhaube nicht ungehindert bewegt und sich nicht schließt. Die untere Schutzhaube darf auf keinen Fall in der geöffneten Stellung festgeklemmt oder festgebunden werden.** Wird die Säge versehentlich fallen gelassen, kann die untere Schutzhaube verbogen werden. Heben Sie die untere Schutzhaube mit dem Rückzuggriff an, und vergewissern Sie sich, dass sie sich ungehindert bewegt und bei allen Winkel- und Schnitttiefen-Einstellungen nicht mit dem Sägeblatt oder irgendeinem anderen Teil in Berührung kommt.
2. **Überprüfen Sie die Funktion der Feder der unteren Schutzhaube. Falls Schutzhaube und Feder nicht einwandfrei funktionieren, müssen die Teile vor der Benutzung gewartet werden.** Falls beschädigte Teile, klebrige Ablagerungen oder Schmutzansammlung vorhanden sind, kann die untere Schutzhaube schwergängig werden.
3. **Die untere Schutzhaube sollte nur für spezielle Schnitte, wie „Tauschnitte“ und „Doppelwinkelschnitte“, manuell zurückgezogen werden. Heben Sie die untere Schutzhaube mit dem Rückzuggriff an, und sobald das Sägeblatt in das Werkstück eindringt, muss die untere Schutzhaube losgelassen werden.** Für alle anderen Sägearbeiten sollte die untere Schutzhaube automatisch betätigt werden.
4. **Vergewissern Sie sich stets, dass die untere Schutzhaube das Sägeblatt verdeckt, bevor Sie die Säge auf der Werkbank oder dem Boden ablegen.** Ein ungeschützt auslaufendes Sägeblatt bewirkt Rückwärtskriechen der Säge und schneidet alles, was sich in seinem Weg befindet. Berücksichtigen Sie die Auslaufzeit des Sägeblatts bis zum Stillstand nach dem Loslassen des Schalters.
5. **Öffnen Sie die untere Schutzhaube probeweise von Hand, und achten Sie beim Loslassen darauf, dass sie sich einwandfrei schließt. Vergewissern Sie sich auch, dass der Rückzuggriff nicht mit dem Werkzeuggehäuse in Berührung kommt.** Die Bloßstellung des Sägeblatts ist SEHR GEFÄHRLICH und kann zu schweren Verletzungen führen.

Zusätzliche Sicherheitswarnungen

1. **Lassen Sie beim Schneiden von feuchtem Holz, druckbehandeltem Bauholz oder Astholz besondere Vorsicht walten.** Behalten Sie einen gleichmäßigen Vorschub des Werkzeugs bei, ohne dass sich die Sägeblatt Drehzahl verringert, um Überhitzen der Sägeblattzähne zu vermeiden.
2. **Versuchen Sie nicht, abgeschnittenes Material bei rotierendem Sägeblatt zu entfernen.** Warten Sie,

bis das Sägeblatt zum Stillstand kommt, bevor Sie abgeschnittenes Material wegnehmen. Das Sägeblatt läuft nach dem Ausschalten noch nach.

3. **Vermeiden Sie das Schneiden von Nägeln.** Überprüfen Sie Bauholz vor dem Schneiden auf Nägel, und entfernen Sie etwaige Nägel.
4. **Setzen Sie den breiteren Teil der Grundplatte auf den fest abgestützten Teil des Werkstücks, nicht auf den Teil, der nach dem Schnitt herunterfällt.** Kurze oder kleine Werkstücke müssen eingespannt werden. **VERSUCHEN SIE NICHT, KURZE WERKSTÜCKE MIT DER HAND ZU HALTEN!** (Abb. 5)
5. **Bevor Sie das Werkzeug nach Ausführung eines Schnitts absetzen, vergewissern Sie sich, dass sich die Schutzhaube geschlossen hat und das Sägeblatt zu vollständigem Stillstand gekommen ist.**
6. **Versuchen Sie niemals, die Kreissäge zum Sägen verkehrt herum in einen Schraubstock einzuspannen.** Dies ist sehr gefährlich und kann zu schweren Unfällen führen. (Abb. 6)
7. **Manche Materialien können giftige Chemikalien enthalten. Treffen Sie Vorsichtsmaßnahmen, um das Einatmen von Arbeitsstaub und Hautkontakt zu verhüten.** Befolgen Sie die Sicherheitsdaten des Materiallieferanten.
8. **Bremsen Sie die Säge nicht durch seitlichen Druck auf das Sägeblatt ab.**
9. **Verwenden Sie keine Schleifscheiben.**
10. **Verwenden Sie nur Sägeblätter mit einem Durchmesser, der am Werkzeug markiert oder im Handbuch angegeben ist.** Die Verwendung eines Sägeblatts mit falscher Größe kann den einwandfreien Schutz des Sägeblatts oder den Schutzbetrieb beeinträchtigen, was ernsthaften Personenschaden zur Folge haben kann.
11. **Halten Sie das Sägeblatt scharf und sauber.** An den Sägeblättern haftendes und verhärtetes Gummi und Harz verlangsamen die Säge und erhöhen die Rückschlaggefahr. Halten Sie das Sägeblatt sauber, indem Sie es vom Werkzeug abmontieren und dann mit Gummi- und Harzentferner, heißem Wasser oder Petroleum reinigen. Verwenden Sie niemals Benzin.
12. **Tragen Sie bei der Benutzung des Werkzeugs eine Staubmaske und einen Gehörschutz.**
13. **Verwenden Sie immer das zum Schneiden des jeweiligen Arbeitsmaterials vorgesehene Sägeblatt.**
14. **Verwenden Sie nur Sägeblätter, die mit einer Drehzahl markiert sind, die der am Werkzeug angegebenen Drehzahl entspricht oder diese übertrifft.**
15. **(Nur für europäische Länder)** Verwenden Sie immer ein Sägeblatt, das EN847-1 entspricht.

DIESE ANWEISUNGEN AUFBEWAHREN.

⚠️ WARNUNG: Lassen Sie sich NICHT durch Bequemlichkeit oder Vertrautheit mit dem Produkt (durch wiederholten Gebrauch erworben) von der strikten Einhaltung der Sicherheitsregeln für das

vorliegende Produkt abhalten. **MISSBRAUCH** oder Missachtung der Sicherheitsvorschriften in dieser Anleitung können schwere Personenschäden verursachen.

WICHTIGE SICHERHEITSANWEISUNGEN FÜR AKKU

ENC007-12

1. Lesen Sie vor der Verwendung des Akkublocks alle Anweisungen und Sicherheitshinweise für das Akkuladegerät (1), den Akku (2) und das Produkt (3), für das der Akku verwendet wird, sorgfältig durch.
2. Der Akkublock darf nicht zerlegt werden.
3. Falls die Betriebsdauer erheblich kürzer wird, beenden Sie den Betrieb umgehend. Andernfalls besteht die Gefahr einer Überhitzung sowie das Risiko möglicher Verbrennungen und sogar einer Explosion.
4. Wenn Elektrolyt in Ihre Augen gerät, waschen Sie diese mit klarem Wasser aus und suchen Sie sofort einen Arzt auf. Andernfalls können Sie Ihre Sehfähigkeit verlieren.
5. Vermeiden Sie einen Kurzschluss des Akkublocks:
 - (1) Die Kontakte dürfen nicht mit leitendem Material in Berührung kommen.
 - (2) Der Akkublock darf nicht in einem Behälter aufbewahrt werden, in dem sich andere metallische Gegenstände wie beispielsweise Nägel, Münzen usw. befinden.
 - (3) Der Akkublock darf weder Feuchtigkeit noch Regen ausgesetzt werden.

Ein Kurzschluss des Akkus kann zu hohem Kriechstrom, Überhitzung, möglichen Verbrennungen und sogar zu einer Zerstörung des Werkzeugs führen.

6. Werkzeug und Akkublock dürfen nicht an Orten aufbewahrt werden, an denen Temperaturen von 50°C oder darüber erreicht werden können.
7. Beschädigte oder verbrauchte Akkus dürfen nicht verbrannt werden. Der Akkublock kann in den Flammen explodieren.
8. Lassen Sie den Akku nicht fallen und vermeiden Sie Schläge gegen den Akku.
9. Verwenden Sie niemals einen beschädigten Akku.
10. Die enthaltenen Lithium-Ionen-Akkus unterliegen den Anforderungen der Gefahrgut-Gesetzgebung.

Für kommerzielle Transporte, z. B. durch Dritte oder Spediteure, müssen besondere Anforderungen zu Verpackung und Etikettierung beachtet werden.

Zur Vorbereitung des zu transportierenden Artikels ist eine Beratung durch einen Experten für Gefahrgut erforderlich. Bitte beachten Sie möglicherweise ausführlichere nationale Vorschriften.

Überkleben oder verdecken Sie offene Kontakte, und verpacken Sie den Akku so, dass er sich in der Verpackung nicht umher bewegen kann.

11. Befolgen Sie die in Ihrem Land geltenden Bestimmungen bzgl. der Entsorgung von Akkus.

12. Verwenden Sie die Akkus nur mit den von Makita genannten Produkten. Der Einsatz der Akkus in nicht kompatiblen Produkten kann Brände, extreme Wärmeentwicklung, Explosionen oder einen Austritt von Elektrolyt verursachen.

BEWAHREN SIE DIESE ANLEITUNG SORGFÄLTIG AUF.

⚠ VORSICHT: Verwenden Sie nur Original-Makita-Akkus.

Die Verwendung von Nicht-Original-Makita-Akkus für den Akku, die abgeändert worden sind, kann zum Bersten des Akkus und daraus resultierenden Bränden, Personenschäden und Beschädigung führen. Außerdem wird dadurch die Makita-Garantie für das Makita-Werkzeug und -Ladegerät ungültig.

Tipps für eine maximale Nutzungsdauer von Akkus

1. Laden Sie den Akkublock auf, bevor der Akku vollständig entladen ist. Sobald Sie eine verringerte Leistung des Werkzeugs bemerken, beenden Sie stets den Betrieb des Werkzeugs und laden Sie den Akkublock auf.
2. Ein voll aufgeladener Akkublock darf niemals erneut geladen werden. Durch Überladungen wird die Lebensdauer des Akkus verkürzt.
3. Laden Sie den Akkublock bei einer Zimmertemperatur von 10°C bis 40°C auf. Lassen Sie einen heißen Akkublock vor dem Aufladen abkühlen.
4. Laden Sie den Akkublock auf, wenn Sie diesen für längere Zeit nicht verwenden (mehr als sechs Monate).

FUNKTIONSBESCHREIBUNG

⚠ ACHTUNG:

- Schalten Sie das Werkzeug stets aus und entfernen Sie den Akkublock, bevor Sie Einstellungen oder eine Funktionsprüfung des Werkzeugs vornehmen.

Einsetzen und Entfernen des Akkublocks (Abb. 7)

- Schalten Sie das Werkzeug stets aus, bevor Sie den Akkublock einsetzen oder entfernen.
- Zum Entfernen des Akkublocks müssen Sie die Taste auf der Vorderseite des Akkublocks schieben und gleichzeitig den Akkublock aus dem Gerät herausziehen.
- Zum Einsetzen des Akkublocks müssen Sie die Zunge des Akkublocks an der Rille im Gehäuse ausrichten und in die gewünschte Position schieben. Setzen Sie den Akkublock unbedingt ganz ein, bis er mit einem Klick einrastet. Wenn Sie den roten Bereich oben auf der Taste sehen können, ist der Akkublock noch nicht ordnungsgemäß eingerastet. Setzen Sie den Akkublock vollständig ein, bis der rote Bereich nicht mehr zu sehen ist. Andernfalls kann der Akkublock

versehentlich aus dem Werkzeug fallen und Sie oder Personen in Ihrem Umfeld verletzen.

- Wenden Sie beim Einsetzen des Akkublocks keine Gewalt an. Wenn der Akkublock nicht leicht hineingeht, ist er nicht richtig angesetzt.

Akku-Schutzsystem (Lithium-Ionen-Akku ist mit einem Stern gekennzeichnet) (Abb. 8)

Mit einem Stern gekennzeichnete Lithium-Ionen-Akkus verfügen über ein Schutzsystem. Dieses System schaltet die Stromversorgung des Werkzeugs automatisch aus, um die Lebensdauer des Akkus zu verlängern.

















Unter folgenden Bedingungen des Werkzeugs und/oder des Akkus kann das Werkzeug während des Betriebs automatisch stoppen:

- Überlastet:
Das Werkzeug wird auf eine Weise betrieben, die zu einer anormal hohen Stromaufnahme führt. Lassen Sie in dieser Situation den Ein/Aus-Schalter des Werkzeugs los und beenden Sie die Arbeiten, die zu der Überlastung des Werkzeugs geführt haben. Betätigen Sie anschließend den Ein/Aus-Schalter wieder, um das Werkzeug wieder in Betrieb zu nehmen.
Wenn das Werkzeug nicht startet, ist der Akku überhitzt. Lassen Sie in dieser Situation den Akku erst abkühlen, bevor Sie wieder den Ein/Aus-Schalter betätigen.
- Spannung des Akkus zu niedrig:
Die noch vorhandene Akkuladung ist zu niedrig, und das Werkzeug startet nicht. Entnehmen Sie in dieser Situation den Akku und laden Sie den Akku wieder auf.

Anzeigen der Restladung des Akkus

Nur für Akkus mit Anzeige (Abb. 9)

Drücken Sie die Prüftaste am Akku, um die Akku-Restkapazität anzuzeigen. Die Anzeigelampen leuchten wenige Sekunden lang auf.

Anzeigelampen			Verbleibende Akkuladung
 Leuchtet	 Aus	 Blinkt	
			75% bis 100%
			50% bis 75%
			25% bis 50%
			0% bis 25%
			Laden Sie den Akku auf.
 	 		Möglicherweise liegt ein Defekt des Akkus vor.

HINWEIS:

- In Abhängigkeit von den Bedingungen bei Gebrauch und von der Umgebungstemperatur kann der angezeigte Ladezustand geringfügig vom tatsächlichen Ladezustand abweichen.

Einstellen der Schnittiefe (Abb. 10)

⚠ ACHTUNG:

- Ziehen Sie den Hebel nach der Einstellung der Schnittiefe stets fest an.

Lösen Sie den Hebel an der Tiefenführung und verstellen Sie den Gleitschuh nach oben oder unten. Arretieren Sie den Gleitschuh an der gewünschten Schnittiefe durch Festziehen des Hebels.

Für einen sauberen, sicheren Schnitt, stellen Sie die Schnittiefe so ein, dass nur maximal ein Sägeblattzahn unter dem Werkstück herausragt. Die Verwendung der richtigen Schnittiefe minimiert die Gefahr von Rückschlägen, die zu Personenschäden führen können.

Gehrungsschnitt (Abb. 11)

Lösen Sie die Flügelschrauben an den Gleitschuhen vorn und hinten. Neigen Sie das Werkzeug auf den gewünschten Winkel (0° bis 45°) und ziehen Sie anschließend die Flügelschraube fest an.

Schnittlinie (Abb. 12)

Für Geradschnitte richten Sie die Position 0° an der Vorderseite des Gleitschuhs auf Ihre Schnittlinie aus. Für 45°-Gehrungsschnitte richten Sie die Position 45° an der Vorderseite des Gleitschuhs auf Ihre Schnittlinie aus. Die Position der oberen Führung ist einstellbar.

Ein- und Ausschalten (Abb. 13)

⚠ ACHTUNG:

- Achten Sie vor dem Einsetzen des Akkublocks in das Werkzeug darauf, dass sich der Ein/Aus-Schalter korrekt bedienen lässt und beim Loslassen in die Position „OFF“ (AUS) zurückkehrt.
- Betätigen Sie niemals mit Gewalt die Auslöseschaltung, ohne dabei den Entsperrungshebel zu drücken. Anderenfalls kann der Ein/Aus-Schalter beschädigt werden.

Um die versehentliche Betätigung des Ein/Aus-Schalters zu verhindern, ist das Werkzeug mit einer Einschaltsperrleiste ausgestattet. Um das Werkzeug zu starten, drücken Sie zuerst den Entsperrhebel, und betätigen Sie den Ein/Aus-Schalter. Lassen Sie zum Ausschalten des Werkzeugs den Ein/Aus-Schalter los.

⚠ WARNUNG:

- Zu Ihrer Sicherheit ist das vorliegende Werkzeug mit einem Entriegelungshebel ausgestattet, um zu verhindern, dass das Werkzeug versehentlich gestartet wird. Verwenden Sie das Werkzeug NIEMALS, wenn es durch einfaches Betätigen des Ein/Aus-Schalters startet, ohne dass Sie dabei den Entsperrhebel drücken. Geben Sie VOR dem weiteren Gebrauch das Werkzeug an ein MAKITA Servicecenter, um es dort ordnungsgemäß reparieren zu lassen.
- Kleben Sie NIEMALS den Entsperrhebel zu oder verändern Sie diesen, so dass er seinen Zweck und seine Funktion nicht mehr erfüllt.

Einschalten der Lampe

ACHTUNG:

- Schauen Sie nicht direkt in das Licht oder in die Lichtquelle. (Abb. 14)

Wenn Sie nur die Lampe einschalten möchten, ziehen Sie die Auslöseschaltung ohne Drücken des Entsperrhebels. Wenn Sie hingegen die Lampe einschalten und das Werkzeug in Betrieb nehmen möchten, drücken Sie den Entsperrhebel, und ziehen Sie bei gedrücktem Entsperrhebel die Auslöseschaltung.

HINWEIS:

- Wischen Sie Schmutz auf der Lampenlinse mit einem trockenen Tuch ab. Achten Sie darauf, dass die Lampenlinse nicht zerkratzt wird, da dies die Leuchtstärke mindern kann.
- Verwenden Sie zur Reinigung der Linse weder Benzin, noch Verdünnern oder Ähnliches. Die Verwendung solcher Flüssigkeiten beschädigt die Linse.

ZUSAMMENBAU

ACHTUNG:

- Schalten Sie das Werkzeug stets aus und entfernen Sie den Akkublock, bevor Sie Arbeiten am Werkzeug ausführen.

Montieren und Demontieren des Sägeblatts

ACHTUNG:

- Montieren Sie das Sägeblatt so, dass die Zähne an der Vorderseite der Maschine nach oben zeigen.
- Verwenden Sie nur Schraubenschlüssel von Makita zum Demontieren oder Montieren des Sägeblatts. (Abb. 15)

Zur Demontage des Sägeblatts drücken Sie die Spindelarretierung, um ein Drehen des Sägeblatts zu verhindern, und lösen Sie die Schraube durch Drehen des Sechskantschlüssels gegen den Uhrzeigersinn. Entfernen Sie dann Sechskantschraube, Außenflansch und Sägeblatt.

Zum Montieren des Sägeblatts befolgen Sie die Entnahmeprozedur in umgekehrter Reihenfolge. ZIEHEN SIE DIE SECHSKANTSCHRAUBE IM UHRZEIGERSINN FEST AN. (Abb. 16)

Vergessen Sie beim Austausch des Sägeblatts nicht, das angefallene Sägemehl vom oberen und unteren Blattschutz zu entfernen. Dies ersetzt jedoch nicht die Überprüfung der Funktion der beweglichen Schutzhaube vor jeder Verwendung.

Aufbewahren des Sechskantschlüssels (Abb. 17)

Wenn Sie den Sechskantschlüssel nicht verwenden, bewahren Sie ihn wie in der Abbildung dargestellt auf, damit er nicht verloren geht.

Anschließen eines Staubsaugers

Sonderzubehör (Abb. 18 und 19)

Für größere Sauberkeit bei der Arbeit schließen Sie einen Makita-Staubsauger an Ihr Werkzeug an. Montieren Sie den Absaugstutzen mit der Schraube an der Maschine.

Schließen Sie dann den Schlauch eines Staubsaugers an den Stutzen, wie in der Abbildung dargestellt, an.

BETRIEB

ACHTUNG:

- Schieben Sie den Akkublock stets vollständig ein, bis er einrastet. Wenn Sie den roten Bereich oben auf der Taste sehen können, ist der Block nicht ordnungsgemäß eingerastet. Setzen Sie den Akkublock ganz ein, bis der rote Bereich nicht mehr zu sehen ist. Andernfalls kann der Akkublock versehentlich aus dem Werkzeug fallen und Sie oder Personen in Ihrem Umfeld verletzen.
- Schieben Sie das Werkzeug beim Schneiden stets langsam vor. Übermäßige Druckausübung oder Verdrehen des Werkzeugs bewirken eine Überhitzung des Motors und gefährliche Rückschläge, die möglicherweise zu schweren Verletzungen führen können.
- Wenn das Werkzeug bis zur vollständigen Entladung des Akkus betrieben wurde, lassen Sie das Werkzeug 15 Minuten liegen, bevor Sie die Arbeiten mit einem neuen Akku fortsetzen. (Abb. 20)

Halten Sie das Werkzeug mit festem Griff. Das Werkzeug verfügt sowohl über einen vorderen als auch über einen hinteren Griff. Verwenden Sie beide Griffe, um so das Werkzeug bestmöglich zu umfassen. Wenn Sie die Säge mit beiden Händen festhalten, vermeiden Sie Verletzungen durch das Sägeblatt. Setzen Sie den Gleitschuh auf das zu schneidende Werkstück auf, ohne dass das Sägeblatt mit ihm in Berührung kommt. Schalten Sie anschließend das Werkzeug ein und warten Sie, bis das Sägeblatt die volle Drehzahl erreicht hat. Schieben Sie nun das Werkzeug flach und gleichmäßig über die Oberfläche des Werkstücks vor, bis der Schnitt beendet ist.

Für saubere Schnitte halten Sie eine gerade Schnittlinie und eine gleichmäßige Vorschubgeschwindigkeit ein. Wenn der Schnitt nicht genau der beabsichtigten Schnittlinie folgt, versuchen Sie nicht, das Werkzeug zurück zur Schnittlinie zu drehen oder mit Gewalt zu schieben. Dies kann zum Einklemmen des Sägeblatts führen und somit zu einem gefährlichen Rückschlag und möglicherweise zu schweren Verletzungen. Lassen Sie den Schalter los, warten Sie auf den Stillstand des Sägeblatts und ziehen Sie dann das Werkzeug zurück. Setzen Sie das Werkzeug an der neuen Schnittlinie an und starten Sie den Sägevorgang erneut. Versuchen Sie dabei, Positionen zu vermeiden, in denen der Bediener den Sägespänen und dem Sägestaub ausgesetzt ist. Tragen Sie eine Schutzbrille, um Verletzungen zu vermeiden.

Parallelanschlag (Führungslineal) (Abb. 21)

Der praktische Parallelanschlag ermöglicht die Ausführung besonders genauer Geradschnitte. Schieben Sie den Parallelanschlag einfach fest anliegend gegen die Werkstückkante, und sichern Sie den Anschlag mit dem Feststellhebel an der Vorderseite des Gleitschuhs. Wiederholte Schnitte auf gleiche Breite sind ebenfalls möglich.

WARTUNG

ACHTUNG:

- Schalten Sie das Werkzeug stets aus und ziehen Sie den Akkublock ab, bevor Sie Inspektionen oder Wartungsarbeiten am Werkzeug vornehmen.
- **Reinigen Sie die oberen und unteren Schutzhauben, um sicherzustellen, dass sich kein Sägemehl ansammelt, das die Funktion der unteren Schutzeinrichtung beeinträchtigen könnte.** Eine verschmutzte Schutzeinrichtung kann in ihrer ordnungsgemäßen Funktion eingeschränkt sein, was zu schweren Verletzungen führen kann. Druckluft hat sich als effektivste Methode zur Reinigung erwiesen. **Wenn das Sägemehl aus den Schutzhauben geblasen wird, ist sicherzustellen, dass entsprechender Augen- und Atemschutz getragen wird.**
- Verwenden Sie zum Reinigen niemals Kraftstoffe, Benzin, Verdünnern, Alkohol oder ähnliches. Dies kann zu Verfärbungen, Verformungen oder Rissen führen.

Einstellen der 90°-Schnittgenauigkeit (Vertikalschnitt) (Abb. 22 u. 23)

Diese Einstellung wurde werkseitig vorgenommen. Sollte sie verstellt sein, müssen Sie die Einstellschraube mit einem Inbusschlüssel nachjustieren, während Sie das Sägeblatt mit Hilfe eines Einstelldreiecks, Anschlagwinkels, usw. in den Winkel von 90° bringen.

Einstellen auf Parallelität (Abb. 24)

Die Parallelität zwischen Gleitschuh und Sägeblatt wurde werkseitig eingestellt. Sollte die Parallelität jedoch nicht mehr gegeben sein, können Sie die Parallelität wie folgt einstellen.

Stellen Sie sicher, dass alle Hebel und Schrauben festgezogen sind. Lösen Sie die Schrauben etwas, wie dargestellt. Öffnen Sie die untere Schutzhaube und verschieben Sie die hintere Seite des Gleitschuhs so, dass die Abstände A und B gleich sind. Ziehen Sie nach dem Ausrichten die Schraube fest. Führen Sie einen Probeschnitt aus, um die Parallelität zu überprüfen.

Ersetzen der Kohlebürsten (Abb. 25)

Entnehmen und überprüfen Sie die Kohlebürsten in regelmäßigen Abständen. Wenn die Kohlebürsten bis zur Verschleißgrenze abgenutzt sind, müssen die Kohlebürsten durch neue ersetzt werden. Halten Sie die Kohlebürsten sauber und sorgen Sie dafür, dass die Bürsten locker in den Halterungen gleiten. Ersetzen Sie immer beide Kohlebürsten gleichzeitig. Verwenden Sie nur identische Kohlebürsten. **(Abb. 26)**

Nehmen Sie die Kappen der Bürstenhalter mit Hilfe eines Schraubendrehers ab. Entnehmen Sie die verbrauchten Kohlebürsten, setzen Sie neue Bürsten ein und bringen Sie die Bürstenhalterkappen wieder fest an.

Zur Gewährleistung von SICHERHEIT und ZUVERLÄSSIGKEIT des Produkts sollten Reparaturen, Wartungsarbeiten und Einstellungen nur durch von Makita autorisierte Servicecenter durchgeführt und ausschließlich Makita-Ersatzteile verwendet werden.

SONDERZUBEHÖR

ACHTUNG:

- Für das in diesem Handbuch beschriebene Makita-Gerät werden die folgenden Zubehör- und Zusatzteile empfohlen. Bei Verwendung anderer Zubehör- und Zusatzteile kann es zu Verletzungen kommen. Verwenden Sie Zubehör- und Zusatzteile nur für den vorgesehenen Zweck.

Informationen zu diesem Zubehör erhalten Sie von Ihrem Makita-Servicecenter.

- Sägeblätter
- Parallelanschlag (Führungslinial)
- Inbusschlüssel 5
- Absaugstutzen
- Führungsschiennenadapter
- Führungsschiene
- Verschiedene Arten an originalen Akkus und Ladegeräten von Makita

INWEIS:

- Einige der in der Liste aufgeführten Elemente sind dem Werkzeugpaket als Standardzubehör beigelegt. Diese können in den einzelnen Ländern voneinander abweichen.

Schallpegel

Typischer A-bewerteter Schallpegel nach EN62841:

Schalldruckpegel (L_{pA}): 91 dB (A)

Schalleistungspegel (L_{WA}): 99 dB (A)

Abweichung (K): 3 dB (A)

ENG907-1

- Der (Die) angegebene(n) Schallemissionswert(e) wurde(n) im Einklang mit der Standardprüfmethode gemessen und kann (können) für den Vergleich zwischen Werkzeugen herangezogen werden.
- Der (Die) angegebene(n) Schallemissionswert(e) kann (können) auch für eine Vorbewertung des Gefährdungsgrads verwendet werden.

WARNUNG:

- **Einen Gehörschutz tragen.**
- **Die Schallemission während der tatsächlichen Benutzung des Elektrowerkzeugs kann je nach der Benutzungsweise des Werkzeugs, und speziell je nach der Art des bearbeiteten Werkstücks, von dem (den) angegebenen Wert(en) abweichen.**
- **Identifizieren Sie Sicherheitsmaßnahmen zum Schutz des Benutzers anhand einer Schätzung des Gefährdungsgrads unter den tatsächlichen Benutzungsbedingungen (unter Berücksichtigung aller Phasen des Arbeitszyklus, wie z. B. Ausschalt- und Leerlaufzeiten des Werkzeugs zusätzlich zur Betriebszeit).**

Schwingung

ENG900-1

Schwingungsgesamtwerte (Vektorsumme dreier Achsen) nach EN62841:

Arbeitsmodus: Schneiden von Spanplatten
Schwingungsbelastung ($a_{h, CW}$): 2,5 m/s² oder weniger

Abweichung (K): 1,5 m/s²

ENG901-2

- Der (Die) angegebene(n) Vibrationsgesamtwert(e) wurde(n) im Einklang mit der Standardprüfmethode

gemessen und kann (können) für den Vergleich zwischen Werkzeugen herangezogen werden.

- Der (Die) angegebene(n) Vibrationsgesamtwert(e) kann (können) auch für eine Vorbewertung des Gefährdungsgrads verwendet werden.

 **WARNUNG:**

- **Die Vibrationsemission während der tatsächlichen Benutzung des Elektrowerkzeugs kann je nach der Benutzungsweise des Werkzeugs, und speziell je nach der Art des bearbeiteten Werkstücks, von dem (den) angegebenen Emissionswert(en) abweichen.**
- **Identifizieren Sie Sicherheitsmaßnahmen zum Schutz des Benutzers anhand einer Schätzung des Gefährdungsgrads unter den tatsächlichen Benutzungsbedingungen (unter Berücksichtigung aller Phasen des Arbeitszyklus, wie z. B. Ausschalt- und Leerlaufzeiten des Werkzeugs zusätzlich zur Betriebszeit).**

Konformitätserklärungen

Nur für europäische Länder

Die Konformitätserklärungen sind in Anhang A dieser Betriebsanleitung enthalten.

ITALIANO (Istruzioni originali)

Spiegazione della vista generale

- | | | |
|--------------------------|--------------------------------|------------------------------------|
| 1. Indicatore rosso | 13. Guida superiore | 25. Vite ad alette |
| 2. Pulsante | 14. Interruttore di accensione | 26. Tubo |
| 3. Batteria | 15. Sicura di accensione | 27. Aspiratore |
| 4. Contrassegno a stella | 16. Lampada | 28. Leva del morsetto |
| 5. Spie luminose | 17. Blocco dell'albero | 29. Guida di taglio (regolo guida) |
| 6. Pulsante di controllo | 18. Chiave esagonale | 30. Vite di regolazione |
| 7. Leva | 19. Allentare | 31. Squadra triangolare |
| 8. Vite ad alette | 20. Bullone esagonale | 32. Base |
| 9. Linea di taglio | 21. Flangia esterna | 33. Indicatore di limite |
| 10. Posizione 45° | 22. Lama della sega | 34. Coperchio del portaspazzola |
| 11. Posizione 0° | 23. Flangia interna | 35. Cacciavite |
| 12. Vite | 24. Ugello antipolvere | |

CARATTERISTICHE TECNICHE

Modello	DHS630	
Diametro lama	165 mm	
Profondità massima di taglio	a 90°	66 mm
	a 45°	46 mm
Velocità a vuoto (min ⁻¹)	3.100	
Lunghezza totale	346 mm	
Peso netto	3,0 - 3,4 kg	
Tensione nominale	18 V CC	

- Le caratteristiche tecniche riportate di seguito sono soggette a modifiche senza preavviso in virtù del nostro programma continuo di ricerca e sviluppo.
- Le caratteristiche tecniche possono differire da paese a paese.
- Il peso può variare in base agli accessori in uso, compresa la batteria. Le combinazioni più leggere e pesanti, in conformità alla procedura EPTA 01/2014, sono mostrate nella tabella.

Batteria e caricabatteria applicabili

Batteria	BL1815N/BL1820/BL1820B/BL1830/BL1830B/BL1840/BL1840B/BL1850/BL1850B/BL1860B
Caricatore	DC18RC/DC18RD/DC18RE/DC18SD/DC18SE/DC18SF

- Alcune delle batterie e dei caricabatterie elencati sopra potrebbero non essere disponibili a seconda della vostra regione di residenza.

ATTENZIONE:

- **Utilizzare solo le batterie e i caricabatterie elencati sopra.** L'uso di batterie e caricabatterie diversi può far sorgere il rischio di infortuni e/o incendi.


Uso previsto

ENE028-1

L'utensile è progettato per l'esecuzione di tagli nel legno, sia dritti in senso longitudinale e trasversale sia obliqui, mantenendo un saldo contatto con il pezzo in lavorazione.

Avvertenze generali relative alla sicurezza dell'utensile elettrico

GEA010-2

 **AVVERTENZA: Leggere tutte le avvertenze di sicurezza, le istruzioni, le illustrazioni e i dati tecnici forniti con il presente utensile elettrico.** La mancata osservanza di tutte le istruzioni elencate di seguito potrebbe risultare in scosse elettriche, incendi e/o gravi lesioni personali.

Conservare tutte le avvertenze e le istruzioni come riferimento futuro.

Il termine "utensile elettrico" nelle avvertenze si riferisce sia all'utensile elettrico (cablato) nel funzionamento alimentato da rete elettrica che all'utensile elettrico (a batteria) nel funzionamento alimentato a batteria.

AVVERTENZE DI SICUREZZA PER LA SEGA CIRCOLARE A BATTERIA

GEB151-1

Procedure di taglio

1. **⚠ PERICOLO:** Tenere le mani lontane dall'area di taglio e dalla lama. Tenere la mano che non impugna l'utensile sul manico ausiliario o sull'alloggiamento del motore. Se si mantiene la sega con entrambe le mani, queste ultime non possono venire tagliate dalla lama.
2. **Non mettere le mani sotto il pezzo.** La protezione non può proteggere l'operatore dalla lama al di sotto del pezzo.
3. **Regolare la profondità di taglio in base allo spessore del pezzo.** Sotto il pezzo i denti della lama dovrebbero essere visibili per una lunghezza inferiore a un intero dente.
4. **Non mantenere mai tra le mani o appoggiato di traverso sulla gamba il pezzo in lavorazione durante il taglio.** Fissare il pezzo in lavorazione su una piattaforma stabile. È importante sostenere correttamente il pezzo in lavorazione per ridurre al minimo l'esposizione del corpo, gli inceppamenti della lama o la perdita di controllo. (Fig. 1)
5. **Mantenere l'utensile elettrico per le superfici di impugnatura isolate quando si intende eseguire un'operazione in cui l'utensile da taglio potrebbe entrare in contatto con fili elettrici nascosti o con il proprio cavo di alimentazione.** Il contatto con un filo elettrico sotto tensione mette sotto tensione anche le parti metalliche esposte dell'utensile elettrico, e potrebbe causare una scossa elettrica all'operatore.
6. **Quando si intende eseguire tagli longitudinali, utilizzare sempre una guida di taglio o una guida per bordi dritti.** In tal modo si migliora la precisione del taglio e si riduce il rischio che la lama si blocchi.
7. **Utilizzare sempre lame con dimensione e forma corretta (a diamante rispetto a quella circolare) dei fori per l'albero.** Le lame che non corrispondono all'attacco di montaggio della sega girano decentrate, causando la perdita di controllo.
8. **Non utilizzare mai rondelle o bulloni per la lama danneggiati o errati.** Le rondelle e i bulloni per la lama sono stati progettati appositamente per le prestazioni ottimali e per la sicurezza d'uso della sega.

Cause dei contraccolpi e avvertenze correlate

- il contraccolpo è una reazione improvvisa dovuta a una lama incastrata, inceppata o disallineata, che causa il sollevamento fuori dal pezzo in lavorazione e verso l'operatore di una sega fuori controllo;
- quando la lama è incastrata o inceppata con forza dal taglio che si chiude, la lama entra in stallo e la reazione del motore spinge rapidamente all'indietro l'unità verso l'operatore;
- qualora la lama si deformi o si disallinei nel taglio, i denti sul bordo posteriore della lama possono scavare nella superficie superiore del legno facendola fuoriuscire dal taglio e rimbalzare all'indietro verso l'operatore.

Il contraccolpo è il risultato dell'uso improprio della sega e/o di procedure o condizioni operative errate, e può

essere evitato adottando le precauzioni appropriate indicate di seguito.

1. **Mantenere una presa solida con entrambe le mani sulla sega, e posizionare le braccia in modo da resistere alle forze del contraccolpo. Posizionare il corpo da un lato o dall'altro della lama, e non allineato con quest'ultima.** Un contraccolpo potrebbe far saltare all'indietro la sega, ma le sue forze possono essere controllate dall'operatore, se vengono adottate le precauzioni appropriate.
2. **Quando la lama si sta bloccando, oppure se per un qualsiasi motivo si intende interrompere il taglio, rilasciare l'interruttore e tenere la sega immobile nel materiale fino al suo arresto completo. Non cercare mai di rimuovere la sega dal pezzo o di tirarla all'indietro mentre la lama è in movimento, oppure si potrebbe verificare un contraccolpo.** Indagare e adottare delle misure correttive per eliminare la causa del blocco della lama.
3. **Quando si riavvia una sega all'interno di un pezzo in lavorazione, centrare la lama nel taglio in modo che i denti della sega non siano in contatto con il materiale.** Qualora la lama si inceppi, potrebbe risalire o produrre un contraccolpo dal pezzo in lavorazione quando la sega viene riavviata.
4. **Supportare i pannelli di grandi dimensioni per ridurre al minimo il rischio che la lama resti incastrata e i contraccolpi.** I pannelli di grandi dimensioni tendono a flettersi sotto il loro stesso peso. È necessario sistemare dei sostegni sotto il pannello su entrambi i lati, vicino alla linea di taglio e in prossimità dei bordi del pannello. (Fig. 2 e 3)
5. **Non utilizzare lame smussate o danneggiate.** Le lame non affilate o non applicate correttamente producono un taglio stretto che può causare frizione eccessiva, blocchi della lama e contraccolpi.
6. **Le leve di blocco della profondità della lama e di regolazione del taglio a unghia devono essere fissate saldamente prima del taglio.** Qualora la regolazione della lama si sposti durante il taglio, potrebbe causare un blocco o un contraccolpo della lama.
7. **Fare particolarmente attenzione quando si intende segare in pareti esistenti o altre aree cieche.** La lama che sporge potrebbe tagliare oggetti che possono causare contraccolpi.
8. **Tenere SEMPRE saldamente l'utensile con entrambe le mani. Non posizionare MAI una mano, una gamba o qualsiasi altra parte del corpo sotto la base dell'utensile o dietro la sega, specialmente quando si intende eseguire tagli di testa.** Qualora si verifici un contraccolpo, la sega potrebbe facilmente saltare all'indietro sulla mano, causando gravi lesioni personali. (Fig. 4)
9. **Non forzare mai la sega. Spingere in avanti la sega a una velocità tale che la lama tagli senza rallentare.** Qualora si forzi la sega, si potrebbero causare tagli irregolari, perdita di precisione e possibili contraccolpi.

Funzione della protezione

1. **Controllare sempre che la protezione inferiore si chiuda correttamente prima dell'uso. Non utilizzare la sega qualora la protezione inferiore non si muova liberamente e non si chiuda**

istantaneamente. **Non bloccare o legare mai la protezione inferiore in posizione di apertura.** Qualora la sega venga fatta cadere accidentalmente, la protezione inferiore potrebbe deformarsi. Sollevare la protezione inferiore con il manico retrattile e accertarsi che si muova liberamente e che non tocchi la lama o alcuna altra parte, a tutti gli angoli e a tutte le profondità di taglio.

2. **Controllare il funzionamento della molla della protezione inferiore. Qualora la protezione e la molla non funzionino correttamente, è necessario sottoporle a interventi di assistenza prima dell'uso.** La protezione inferiore potrebbe funzionare lentamente a causa di parti danneggiate, depositi gommosi o accumulazione di detriti.
3. **La protezione inferiore può essere fatta rientrare manualmente solo per tagli speciali quali i "tagli a immersione" e i "tagli compositi". Sollevare la protezione inferiore facendo rientrare il manico retrattile e rilasciarla non appena la lama penetra nel materiale.** Per tutti gli altri tagli, la protezione inferiore dovrebbe funzionare automaticamente.
4. **Accertarsi sempre che la protezione inferiore copra la lama prima di posare la sega sul banco di lavoro o sul pavimento.** Una lama non protetta in rotazione inerziale fa muovere all'indietro la sega, tagliando tutto ciò che incontra sul suo percorso. Tenere presente il tempo necessario alla lama per arrestarsi dopo il rilascio dell'interruttore.
5. **Per controllare la protezione inferiore, aprirla manualmente, quindi rilasciarla e osservarla mentre si chiude. Controllare anche che il manico retrattile non tocchi il corpo dell'utensile.** Lasciare la lama esposta È MOLTO PERICOLOSO e può causare gravi lesioni personali.


Avvertenze aggiuntive per la sicurezza

1. **Fare particolarmente attenzione quando si intende tagliare legno umido, legname trattato a pressione o legno contenente nodi.** Mantenere un avanzamento uniforme dell'utensile senza ridurre la velocità della lama, per evitare il surriscaldamento delle punte della lama.
2. **Non cercare di rimuovere il materiale tagliato quando la lama è in movimento. Attendere che la lama si sia arrestata prima di afferrare il materiale tagliato.** Le lame continuano a girare per inerzia dopo lo spegnimento.
3. **Evitare di tagliare i chiodi. Ispezionare il legname e rimuovere tutti i chiodi prima di eseguire tagli.**
4. **Collocare la porzione più ampia della base della sega sulla parte del pezzo supportata saldamente, e non sulla sezione destinata a cadere una volta eseguito il taglio. Qualora il pezzo sia corto o piccolo, bloccarlo con una morsa. NON TENTARE DI TENERE IN MANO I PEZZI CORTI! (Fig. 5)**
5. **Prima di posare l'utensile dopo aver completato un taglio, accertarsi che la protezione si sia chiusa e che la lama si sia arrestata completamente.**
6. **Non tentare mai di segare con la sega circolare tenuta capovolta in una morsa. Ciò è estremamente pericoloso e può causare incidenti gravi. (Fig. 6)**
7. **Alcuni materiali contengono sostanze chimiche che possono essere tossiche. Fare attenzione per**

evitare l'inalazione della polvere e il contatto con la pelle. Attenersi ai dati sulla sicurezza del fornitore del materiale.

8. **Non arrestare la lama esercitando una pressione laterale sulla lama stessa.**
9. **Non utilizzare alcun tipo di dischi abrasivi.**
10. **Utilizzare esclusivamente una lama che abbia il diametro indicato sull'utensile o specificato nel manuale.** L'uso di una lama di dimensioni errate potrebbe influire sulla corretta protezione della lama o sul funzionamento della protezione, il che potrebbe risultare in gravi lesioni personali.
11. **Mantenere la lama affilata e pulita.** Collanti e pece di legno induriti sulle lame rallentano la sega e aumentano la possibilità dei contraccolpi. Mantenere pulita la lama, innanzitutto rimuovendola dall'utensile e quindi pulendola con un solvente per collanti e pece di legno, quali acqua calda o cherosene. Non utilizzare mai benzina.
12. **Quando si utilizza l'utensile, indossare una mascherina antipolvere e protezioni acustiche.**
13. **Utilizzare sempre una lama destinata al taglio del materiale che si intende tagliare.**
14. **Utilizzare solo lame che siano contrassegnate con una velocità pari o superiore a quella contrassegnata sull'utensile.**
15. **(Solo per le nazioni europee) Utilizzare sempre una lama conforme allo standard EN847-1.**

CONSERVARE LE PRESENTI ISTRUZIONI.

 **AVVERTENZA:** NON lasciare che comodità o la familiarità d'utilizzo con il prodotto (acquisita con l'uso ripetuto) sostituisca la stretta osservanza delle norme di sicurezza per il prodotto in questione. L'USO IMPROPRIO o la mancata osservanza delle norme di sicurezza indicate nel presente manuale di istruzioni potrebbero causare gravi lesioni personali.

ISTRUZIONI DI SICUREZZA IMPORTANTI PER LA CARTUCCIA DELLA BATTERIA

ENC007-12

1. **Prima di utilizzare la batteria, leggere tutte le istruzioni e gli avvisi di sicurezza relativi a (1) caricabatteria, (2) batteria e (3) prodotto utilizzato con la batteria.**
2. **Non smontare la batteria.**
3. **Se il tempo di funzionamento è diventato eccessivamente breve, non utilizzare l'utensile. Potrebbero verificarsi surriscaldamenti, ustioni o esplosioni.**
4. **In caso di contatto dell'elettrolita della batteria con gli occhi, sciacquare con acqua fresca e rivolgersi immediatamente a un medico. Potrebbero verificarsi danni permanenti alla funzionalità visiva.**
5. **Non cortocircuitare la batteria:**
 - (1) **Non toccare i terminali della batteria con materiale in grado di condurre elettricità.**

- (2) **Evitare di conservare la batteria a contatto con oggetti metallici quali chiodi, monete e così via.**
- (3) **Non esporre le batterie all'acqua o alla pioggia.**
Un cortocircuito può provocare un elevato flusso di corrente, surriscaldamento, ustioni o rotture.
6. **Non conservare l'utensile e la batteria a una temperatura superiore a 50 °C.**
7. **Evitare di smaltire le batterie danneggiate o esaurite bruciandole. Se esposte al fuoco, le batterie possono esplodere.**
8. **Evitare di far cadere o di colpire la batteria.**
9. **Non utilizzare batterie danneggiate.**
10. **Le batterie a ioni di litio contenute sono soggette ai requisiti del regolamento sul trasporto di merci pericolose (Dangerous Goods Legislation).**
 Per trasporti commerciali, ad esempio da parte di terzi o spedizionieri, è necessario osservare dei requisiti speciali sull'imballaggio e sull'etichetta.
 Per la preparazione dell'articolo da spedire, è richiesta la consulenza di un esperto in materiali pericolosi.
 Attenersi anche alle normative nazionali, che potrebbero essere più dettagliate.
 Nastrare o coprire i contatti aperti e imballare la batteria in modo tale che non si possa muovere liberamente all'interno dell'imballaggio.
11. **Attenersi alle normative della propria area geografica relative allo smaltimento delle batterie.**
12. **Utilizzare le batterie solo con i prodotti specificati da Makita.** L'installazione delle batterie in prodotti non compatibili potrebbe causare incendi, calore eccessivo, esplosione o perdita di elettroliti.

CONSERVARE QUESTE ISTRUZIONI.

⚠ ATTENZIONE: Utilizzare solo batterie originali Makita.

L'utilizzo di batterie Makita non originali, o di batterie che siano state alterate, potrebbe risultare nello scoppio della batteria, causando incendi, lesioni personali e danni. Inoltre, ciò potrebbe invalidare la garanzia Makita per l'utensile e il caricabatterie Makita.

Suggerimenti per il prolungamento della durata della batteria

1. **Caricare le batterie prima di scaricarle completamente.**
Se si nota una diminuzione di potenza dell'utensile, interrompere il lavoro e ricaricare la batteria.
2. **Non ricaricare una batteria già completamente carica.**
In caso contrario, la durata operativa della batteria potrebbe ridursi.
3. **Caricare la batteria in ambienti con temperatura compresa tra 10 °C e 40 °C.** Prima di caricare una batteria surriscaldata, lasciarla raffreddare.
4. **Caricare la batteria qualora non venga utilizzata per un lungo periodo (superiore a sei mesi).**

DESCRIZIONE FUNZIONALE

⚠ ATTENZIONE:

- Prima di regolare o controllare le funzioni dell'utensile, verificare sempre di averlo spento e di aver rimosso la batteria.

Installazione o rimozione della batteria (Fig. 7)

- Spegnerne sempre l'utensile prima di installare o rimuovere la batteria.
- Per rimuovere la batteria è sufficiente estrarla dall'utensile facendo scorrere il pulsante nella parte anteriore della batteria.
- Per inserire la batteria, allineare la linguetta sulla batteria con la scanalatura nell'alloggiamento e farla scorrere fino a raggiungere la posizione corretta. Inserire a fondo la batteria fino a quando si blocca in posizione con uno scatto. Se è visibile l'indicatore rosso sul lato superiore del pulsante significa che la batteria non è completamente inserita. Inserirla a fondo fino a quando l'indicatore rosso non è più visibile. In caso contrario potrebbe fuoriuscire accidentalmente dall'utensile e provocare danni all'operatore o a eventuali osservatori.
- Non applicare una forza eccessiva per inserire la batteria. Se la batteria non scorre agevolmente, la manovra di inserimento non è corretta.

Sistema di protezione della batteria (batteria agli ioni di litio con contrassegno a stella) (Fig. 8)

Le batterie agli ioni di litio con contrassegno a stella sono dotate di una sistema di protezione. Questo sistema interrompe automaticamente l'alimentazione dell'utensile per prolungare la durata della batteria.

L'utensile viene spento automaticamente durante l'uso se l'utensile stesso e/o la batteria vengono utilizzati in una delle condizioni riportate di seguito:

- Sovraccarico:

L'utensile viene utilizzato con modalità che provocano un anomalo assorbimento di corrente. In questa situazione occorre rilasciare l'interruttore di accensione dell'utensile e interrompere l'operazione che ha provocato il sovraccarico dell'utensile stesso. Azionare di nuovo l'interruttore di accensione per riavviare l'utensile.

Se l'utensile non sia avviato si è verificato un surriscaldamento della batteria. In questa situazione occorre far raffreddare la batteria prima di azionare nuovamente l'interruttore di accensione.

- Bassa tensione della batteria:

La capacità rimanente della batteria è troppo bassa e non consente di utilizzare l'utensile. In questo caso occorre rimuovere e ricaricare la batteria.

Indicazione della capacità residua della batteria

Solo per cartucce delle batterie dotate di indicatore (Fig. 9)

Premere il pulsante di controllo sulla cartuccia della batteria per indicare la capacità residua della batteria. Gli indicatori luminosi si illuminano per alcuni secondi.

Spie luminose			Capacità residua
Accesa	Spenta	Lampeggiante	
			Dal 75% al 100%
			Dal 50% al 75%
			Dal 25% al 50%
			Dal 0% al 25%
			Caricare la batteria.
			Probabile malfunzionamento o della batteria.

NOTA:

- Il valore indicato potrebbe variare leggermente dalla capacità effettiva in base alle condizioni di utilizzo e alla temperatura ambientale.

Regolazione della profondità di taglio (Fig. 10)

⚠ ATTENZIONE:

- Dopo aver regolato la profondità di taglio, serrare accuratamente la leva.

Allentare la leva presente sul lato della maniglia posteriore e spostare la base verso l'alto o verso il basso. Dopo aver raggiunto la profondità di taglio desiderata, fissare la base serrando la leva.

Per garantire la massima sicurezza e accuratezza, impostare la profondità di taglio in modo che dal pezzo in lavorazione fuoriesca solo un dente della lama. Una regolazione corretta della profondità di taglio consente di ridurre l'eventualità di pericolosi contraccolpi che possono provocare danni alla persona.

Tagli obliqui (Fig. 11)

Allentare le vite ad alette sulla base anteriore e posteriore. Impostare l'angolo desiderato (0° - 45°) piegando la sega, quindi serrare saldamente le vite ad alette.

Allineamento (Fig. 12)

Per tagli dritti, allineare la linea di taglio con la posizione 0° sulla parte frontale della base. Per tagli obliqui a 45°, allineare la linea di taglio alla posizione 45°. La posizione della guida superiore è regolabile.

Azionamento dell'interruttore (Fig. 13)

⚠ ATTENZIONE:

- Prima di inserire la batteria nell'utensile, controllare se l'interruttore di accensione funziona correttamente e ritorna alla posizione "OFF" una volta rilasciato.
- Non tirare con forza l'interruttore di accensione senza aver prima premuto la sicura di accensione. In caso contrario, l'interruttore potrebbe rompersi.

La sicura di accensione consente di evitare l'azionamento involontario dell'interruttore di accensione. Per accendere l'utensile, premere la sicura e tirare l'interruttore di accensione. Rilasciare l'interruttore di accensione per spegnerlo.

⚠ AVVERTENZA:

- Per la sicurezza personale, questo utensile è dotato di una sicura di accensione che ne impedisce l'azionamento accidentale. NON utilizzare l'utensile se è possibile azionarlo semplicemente tirando l'interruttore di accensione senza premere la relativa sicura. PRIMA di utilizzare nuovamente l'utensile, rivolgersi a un centro di assistenza Makita per le necessarie riparazioni.
- NON tentare di manomettere o di vanificare lo scopo e la funzione della sicura di accensione.

Accensione della lampada

⚠ ATTENZIONE:

- Non osservare direttamente la luce o la fonte luminosa. (Fig. 14)

Per accendere solo la lampada, tirare l'interruttore di accensione senza premere la sicura di accensione. Per accendere la lampada e utilizzare l'utensile, premere la sicura e azionare l'interruttore tenendo premuta la sicura di accensione.

NOTA:

- Utilizzare un panno asciutto per pulire la lente della lampada. Prestare attenzione a non graffiare la lente della lampada per evitare riduzioni dell'intensità luminosa.
- Per pulire la lente della lampada non utilizzare diluenti, benzina o prodotti chimici analoghi. Queste sostanze possono danneggiare la lente.

MONTAGGIO

⚠ ATTENZIONE:

- Prima di eseguire qualsiasi operazione sull'utensile, verificare sempre di averlo spento e di aver rimosso la batteria.

Installazione o rimozione della lama della sega

⚠ ATTENZIONE:

- Assicurarsi che la lama sia installata in modo che i denti siano rivolti verso la parte frontale dell'utensile.
- Per installare o rimuovere la lama utilizzare solo la chiave fornita da Makita. (Fig. 15)

Per rimuovere la lama, premere il blocco dell'albero in modo che la lama non possa ruotare e utilizzare la chiave per allentare il bullone esagonale in senso antiorario. Rimuovere il bullone esagonale, la flangia esterna e la lama.

Per installare la lama, attenersi alla procedura di installazione procedendo in senso inverso. ACCERTARSI DI AVER FISSATO SALDAMENTE IL BULLONE ESAGONALE RUOTANDOLO IN SENSO ORARIO. (Fig. 16)

Quando si sostituisce la lama, rimuovere gli accumuli di segatura dai coprilama superiore e inferiore. Queste operazioni di pulizia non sostituiscono la procedura di

controllo del funzionamento del coprilama inferiore, che deve comunque essere eseguita prima di ogni utilizzo.

Alloggiamento della chiave esagonale (Fig. 17)

Per evitare di perdere la chiave esagonale quando non è in uso, conservarla nella posizione illustrata nella figura.

Collegamento di un aspiratore

Accessorio opzionale (Fig. 18 e 19)

Se si desidera eseguire tagli senza produrre polvere, collegare all'utensile un aspiratore Makita. Installare l'ugello per la polvere sull'utensile utilizzando la vite. Collegare quindi il tubo dell'aspiratore all'ugello per la polvere secondo quanto illustrato nella figura.

USO

⚠ ATTENZIONE:

- Inserire la batteria completamente, fino a quando si blocca in posizione con uno scatto. Se la parte rossa sul lato superiore del pulsante è ancora visibile, la batteria non è completamente inserita. Inserirla fino a quando la parte rossa non è più visibile. In caso contrario potrebbe fuoriuscire accidentalmente dall'utensile e provocare danni all'operatore o a eventuali osservatori.
- Accertarsi di spostare in avanti l'utensile procedendo in linea retta con regolarità e senza esercitare una pressione eccessiva. Se si forza o si sposta dalla linea di taglio l'utensile, il motore può surriscaldarsi e si possono verificare pericolosi contraccolpi che possono determinare lesioni personali gravi.
- Se si utilizza continuamente l'utensile fino al completo scaricamento della batteria, attendere 15 minuti prima di continuare a utilizzarlo con una nuova batteria. (Fig. 20)

Tenere l'utensile in modo saldo. L'utensile viene fornito con un'impugnatura frontale e una maniglia posteriore. Utilizzarle entrambe per garantire la presa più sicura. Se entrambe le mani vengono utilizzate per tenere la sega, non potranno essere colpite dalla lama. Collocare la base sul pezzo in lavorazione senza che la lama entri in contatto con il materiale da tagliare. Accendere l'utensile e attendere che la lama raggiunga la massima velocità. Far avanzare l'utensile sulla superficie del pezzo in lavorazione, procedendo in piano e con regolarità fino al completamento del taglio.

Per ottenere tagli netti e accurati, avanzare in linea retta e con velocità costante. Se durante il taglio si devia dalla linea prevista, evitare di ruotare o forzare l'utensile in modo da ritornare sulla linea di taglio, perché la lama potrebbe bloccarsi e provocare pericolosi contraccolpi e lesioni personali. Rilasciare l'interruttore, attendere che la lama si arresti e quindi rimuovere l'utensile. Riallineare l'utensile con la nuova linea di taglio e riprendere la lavorazione. Evitare le posizioni che espongono l'operatore ai trucioli e alla polvere espulsi dalla sega. Per una maggiore sicurezza, indossare una protezione per gli occhi.

Guida di taglio (regolo guida) (Fig. 21)

La pratica guida di taglio consente di realizzare tagli dritti accuratissimi. Far scorrere la guida di taglio mantenendola aderente a un lato del pezzo in lavorazione e fissarla in posizione con la leva del morsetto sulla parte frontale della base. La guida consente inoltre di realizzare tagli ripetuti mantenendo uniforme la larghezza del taglio.

MANUTENZIONE

⚠ ATTENZIONE:

- Prima di effettuare operazioni di ispezione o manutenzione, verificare sempre di aver spento l'utensile e di aver rimosso la batteria.
- **Pulire i coprilama superiore e inferiore assicurandosi che non siano presenti accumuli di segatura che potrebbero impedire il funzionamento del sistema di protezione inferiore.** Un sistema di protezione sporco potrebbe influire sul corretto funzionamento, causando gravi danni alla persona. Il modo più efficace per eseguire la pulizia è quello di utilizzare aria compressa. **Se la polvere viene soffiata fuori dai coprilama, assicurarsi di utilizzare un'adeguata protezione per gli occhi e le vie respiratorie.**
- Evitare assolutamente di usare benzina, diluenti, solventi, alcol o sostanze simili. In caso contrario, potrebbero verificarsi scoloriture, deformazioni o incrinature.

Regolazione dell'impostazione di taglio a 90° (taglio verticale) (Fig. 22 e 23)

Questa regolazione è preimpostata dal produttore. In caso fosse necessario correggerla, mettere a punto l'impostazione con la vite di regolazione utilizzando una chiave esagonale e controllando che la lama formi un angolo di 90° con la base mediante una squadra triangolare oppure ad angolo retto.

Regolazione per il parallelismo (Fig. 24)

Il parallelismo tra la lama e la base è stato regolato in fabbrica. Qualora si verificano deviazioni è possibile procedere come segue per la regolazione. Assicurarsi che tutte le leve e le viti siano serrate. Allentare leggermente la vite, come mostrato nella figura. Mentre si apre il coprilama inferiore, spostare il retro della base in modo che le distanze A e B siano identiche. Al termine della regolazione, stringere la vite. Effettuare un taglio di prova per verificare il parallelismo.

Sostituzione delle spazzole in carbonio (Fig. 25)

Rimuovere e controllare periodicamente le spazzole in carbonio. Sostituirle quando sono consumate fino al limite indicato. Mantenere le spazzole in carbonio pulite e libere di scivolare nei supporti. Entrambe le spazzole in carbonio devono essere sostituite contemporaneamente. Utilizzare solo spazzole in carbonio identiche. (Fig. 26) Utilizzare un cacciavite per rimuovere i coperchi dei portaspazzola. Estrarre le spazzole in carbonio consumate, inserire le nuove spazzole e fissare i coperchi dei portaspazzola.

Per mantenere la SICUREZZA e l’AFFIDABILITÀ del prodotto, le riparazioni e qualsiasi altra operazione di manutenzione o regolazione devono essere eseguite dai centri assistenza autorizzati Makita, utilizzando sempre ricambi Makita.

ACCESSORI OPZIONALI

ATTENZIONE:

- Si consiglia l’uso dei seguenti accessori per l’utensile Makita descritto in questo manuale. L’uso di qualsiasi altro accessorio potrebbe provocare lesioni personali. Utilizzare gli accessori esclusivamente per l’uso dichiarato.

Per l’assistenza e per ulteriori informazioni su tali accessori, rivolgersi al centro assistenza Makita di zona.

- Lame della sega
- Guida di taglio (regolo guida)
- Chiave esagonale 5
- Ugello per la polvere
- Adattatore per binario guida
- Binario guida
- Diversi tipi di batterie e caricabatterie originali Makita

NOTA:

- Alcuni degli accessori elencati potrebbero essere inclusi nella confezione dell’utensile come accessori standard. Gli accessori standard possono differire da paese a paese.

Rumore

Il tipico livello di rumore ponderato A è determinato in conformità alla norma EN62841:

Livello di pressione sonora (L_{pA}): 91 dB (A)

Livello di potenza sonora (L_{WA}): 99 dB (A)

Variazione (K): 3 dB (A)

ENG907-1

- Il valore o i valori dichiarati delle emissioni di rumori sono stati misurati in conformità a un metodo standard di verifica, e possono essere utilizzati per confrontare un utensile con un altro.
- Il valore o i valori dichiarati delle emissioni di rumori possono venire utilizzati anche per una valutazione preliminare dell’esposizione.

AVVERTENZA:

- **Indossare protezioni per le orecchie.**
- **L’emissione di rumori durante l’utilizzo effettivo dell’utensile elettrico può variare rispetto al valore o ai valori dichiarati, a seconda dei modi in cui viene utilizzato l’utensile e specialmente a seconda di che tipo di pezzo venga lavorato.**
- **Accertarsi di identificare misure di sicurezza per la protezione dell’operatore che siano basate su una stima dell’esposizione nelle condizioni effettive di utilizzo (tenendo conto di tutte le parti del ciclo operativo, ad esempio del numero di spegnimenti dell’utensile e di quando giri a vuoto, oltre al tempo di attivazione).**

Vibrazioni

ENG900-1

Il valore totale delle vibrazioni (somma vettoriale triassiale) è determinato in conformità alla norma EN62841:

Modalità di lavoro: taglio di pannelli truciolari

Emissione di vibrazioni ($a_{h,cw}$): 2,5 m/s² o inferiore

Variazione (K): 1,5 m/s²

ENG901-2

- Il valore o i valori complessivi delle vibrazioni dichiarati sono stati misurati in conformità a un metodo standard di verifica, e possono essere utilizzati per confrontare un utensile con un altro.
- Il valore o i valori complessivi delle vibrazioni dichiarati possono venire utilizzati anche per una valutazione preliminare dell’esposizione.

AVVERTENZA:

- **L’emissione delle vibrazioni durante l’utilizzo effettivo dell’utensile elettrico può variare rispetto al valore o ai valori dichiarati, a seconda dei modi in cui viene utilizzato l’utensile, specialmente a seconda di che tipo di pezzo venga lavorato.**
- **Accertarsi di identificare misure di sicurezza per la protezione dell’operatore che siano basate su una stima dell’esposizione nelle condizioni effettive di utilizzo (tenendo conto di tutte le parti del ciclo operativo, ad esempio del numero di spegnimenti dell’utensile e di quando giri a vuoto, oltre al tempo di attivazione).**

Dichiarazioni di conformità

Solo per i paesi europei

Le Dichiarazioni di conformità sono incluse nell’Allegato A al presente manuale d’uso.

NEDERLANDS (Originele instructies)

Verklaring van het onderdelenoverzicht

1. Rode deel	13. Bovenste geleider	25. Vingerschroef
2. Knop	14. Aan/uit-schakelaar	26. Slang
3. Accu	15. Uit-vergrendelhendel	27. Stofzuiger
4. Ster-merkteken	16. Lamp	28. Klemhendel
5. Indicatorlampjes	17. Asvergrendeling	29. Breedtegeleider (linaal)
6. Testknop	18. Inbussleutel	30. Stelschroef
7. Hendel	19. Losdraaien	31. Geodriehoek
8. Vleugelbout	20. Zeskantbusbout	32. Zool
9. Zaaglijn	21. Buitenflens	33. Slijtgrensmarkering
10. Stand 45°	22. Zaagblad	34. Koolborsteldop
11. Stand 0°	23. Binnenflens	35. Schroevendraaier
12. Schroef	24. Stofafzuigaansluitmond	

TECHNISCHE GEGEVENS

Model	DHS630	
Diameter zaagblad	165 mm	
Max. zaagdiepte	bij 90°	66 mm
	bij 45°	46 mm
Nullasttoerental (min ⁻¹)	3.100	
Totale lengte	346 mm	
Nettogewicht	3,0 - 3,4 kg	
Nominale spanning	18 volt gelijkstroom	

- Als gevolg van ons doorlopende onderzoeks- en ontwikkelingsprogramma, zijn de technische gegevens van dit gereedschap onderhevig aan veranderingen zonder voorafgaande kennisgeving.
- De technische gegevens kunnen van land tot land verschillen.
- Het gewicht kan verschillen afhankelijk van het/de hulpstuk(ken), waaronder de accu. De lichtste en zwaarste combinatie, volgens EPTA-Procedure 01/2014, worden vermeld in de tabel.

Geschikte accu en acculader

Accu	BL1815N/BL1820/BL1820B/BL1830/BL1830B/BL1840/BL1840B/BL1850/BL1850B/BL1860B
Acculader	DC18RC/DC18RD/DC18RE/DC18SD/DC18SE/DC18SF

- Sommige van de bovenvermelde accu's en acculaders zijn mogelijk niet leverbaar, afhankelijk van het gebied waarin u woont.

WAARSCHUWING:

- **Gebruik uitsluitend de bovenvermelde accu's en acculaders.** Als u een andere accu of oplader gebruikt, kan dit leiden tot letsel en/of brand.


Gebruiksdoeleinden

ENE028-1

Het gereedschap is bedoeld voor het recht zagen in de lengte- en breedterichting, en verstekzagen onder een hoek in hout, waarbij het gereedschap stevig in contact staat met het werkstuk.

Algemene

GEA010-2

 **WAARSCHUWING: Lees alle veiligheids waarschuwingen, aanwijzingen, afbeeldingen en technische gegevens behorend bij dit elektrische gereedschap aandachtig door.** Als u niet alle onderstaande aanwijzingen naleeft, kan dat resulteren in brand, elektrische schokken en/of ernstig letsel.

Bewaar alle waarschuwingen en instructies om in de toekomst te kunnen raadplegen.

De term "elektrisch gereedschap" in de veiligheidsvoorschriften duidt op gereedschappen die op stroom van het lichtnet werken (met snoer) of gereedschappen met een accu (snoerloos).

VEILIGHEIDSWAARSCHUWINGEN VOOR EEN ACCUCIRKELZAAG

GEB151-1

Werkwijze bij het zagen

1. **⚠ GEVAAR:** Houd uw handen uit de buurt van het zaaggebied en het zaagblad. Houd met uw andere hand de voorhandgreep of de behuizing van het gereedschap vast. Als u de zaag met beide handen vasthoudt, kunt u nooit in uw handen zagen.
2. **Reik nooit met uw handen onder het werkstuk.** De beschermkap kan u niet beschermen tegen het zaagblad onder het werkstuk.
3. **Stel de zaagdiepte in overeenkomstig de dikte van het werkstuk.** Minder dan een volledige tandhoogte dient onder het werkstuk uit te komen.
4. **Houd tijdens het zagen het werkstuk nooit vast met uw handen of benen.** Zorg dat het werkstuk stabiel is ten opzichte van de ondergrond. Het is belangrijk het werkstuk goed te ondersteunen om de kans te minimaliseren dat uw lichaam eraan blootgesteld wordt, het zaagblad vastloopt of u de controle over het gereedschap verliest. (zie afb. 1)
5. **Houd elektrisch gereedschap vast aan het geïsoleerde oppervlak van de handgrepen wanneer u werkt op plaatsen waar het snijgarnituur met verborgen bedrading of zijn eigen snoer in aanraking kan komen.** Door contact met onder spanning staande draden, zullen ook de niet-geïsoleerde metalen delen van het elektrisch gereedschap onder spanning komen te staan zodat de gebruiker een elektrische schok kan krijgen.
6. **Gebruik bij het schulpen altijd de breedtegeleider of de langseleider.** Hierdoor wordt de nauwkeurigheid van het zagen vergroot en de kans op vastlopen van het zaagblad verkleind.
7. **Gebruik altijd zaagbladen met een middengat van de juiste afmetingen en vorm (diamant versus rond).** Zaagbladen die niet goed passen op de bevestigingsmiddelen van de zaag, zullen uit-het-midden draaien waardoor u de controle over het gereedschap verliest.
8. **Gebruik nooit een beschadigde of verkeerde bouten en ringen om het zaagblad te bevestigen.** De bouten en ringen voor de bevestiging van het zaagblad zijn speciaal ontworpen voor gebruik met uw zaag voor optimale prestaties en veilig gebruik.

Oorzaken van terugslag en aanverwante waarschuwingen

- Terugslag is een plotselinge reactie op een bekneld, vastgelopen of niet-uitgelijnd zaagblad, waardoor de oncontroleerbare zaag omhoog, uit het werkstuk en in de richting van de gebruiker gaat.
- Wanneer het zaagblad bekneld raakt of vastloopt doordat de zaagsnede naar beneden toe smaller wordt, komt het zaagblad tot stilstand en komt als reactie de motor snel omhoog in de richting van de gebruiker.
- Als het zaagblad gebogen of niet-uitgelijnd raakt in de zaagsnede, kunnen de tanden aan de achterrand van het zaagblad zich in het bovenoppervlak van het hout vreten, waardoor het zaagblad uit de zaagsnede klimt en omhoog springt in de richting van de gebruiker.

Terugslag is het gevolg van misgebruik van de zaag en/of onjuiste gebruikprocedures of -omstandigheden, en kan worden voorkomen door goede voorzorgsmaatregelen te treffen, zoals hieronder vermeld.

1. **Houd de zaag stevig vast met beide handen en houd uw armen zodanig dat een terugslag wordt opgevangen.** Plaats uw lichaam zijwaarts versprongen van het zaagblad en niet in een rechte lijn erachter. Door terugslag kan de zaag achterwaarts springen, maar de kracht van de terugslag kan met de juiste voorzorgsmaatregelen door de gebruiker worden opgevangen.
2. **Wanneer het zaagblad vastloopt, of wanneer u om een of andere reden het zagen onderbreekt, laat u de aan-uitschakelaar los en houdt u de zaag stil in het materiaal totdat het zaagblad volledig tot stilstand is gekomen.** Probeer nooit de zaag uit het werkstuk te halen of de zaag naar achteren te trekken, terwijl het zaagblad nog draait omdat hierdoor een terugslag kan optreden. Onderzoek waarom het zaagblad is vastgelopen en tref afdoende maatregelen om de oorzaak ervan op te heffen.
3. **Wanneer u de zaag weer inschakelt terwijl het zaagblad in het werkstuk zit, plaatst u het zaagblad in het midden van de zaagsnede zodat de tanden niet in het materiaal grijpen.** Als het zaagblad is vastgelopen, kan wanneer de zaag wordt ingeschakeld het zaagblad uit het werkstuk lopen of terugslaan.
4. **Ondersteun grote platen om de kans te minimaliseren dat het zaagblad bekneld raakt of terugslaat.** Grote platen neigen door te zakken onder hun eigen gewicht. U moet de plaat ondersteunen aan beide zijden, vlakbij de zaaglijn en vlakbij de rand van de plaat. (zie afb. 2 en 3)
5. **Gebruik een bot of beschadigd zaagblad niet meer.** Niet-geslepen of verkeerd gezette tanden maken een smalle zaagsnede wat leidt tot grote wrijving, vastlopen en terugslag.
6. **De vergrendelhendels voor het instellen van de zaagbladdiepte en verstekhoek moeten vastgezet zijn alvorens te beginnen met zagen.** Als de afstellingen van het zaagblad tijdens het zagen verlopen, kan dit leiden tot vastlopen of terugslag.
7. **Wees extra voorzichtig wanneer u een invalzaagsnede maakt in een bestaande wand of een andere plaats waarvan u de onderkant niet kunt zien.** Het zaagblad zou een hard voorwerp kunnen raken, met als gevolg een gevaarlijke terugslag.
8. **Houd het gereedschap ALTIJD met beide handen stevig vast. Plaats NOOIT een hand, been of een ander lichaamsdeel onder zoolplaat of achter de zaag, speciaal bij het afkorten.** Als een terugslag optreedt, kan de zaag gemakkelijk achteruit en over uw hand springen waardoor ernstig persoonlijk letsel ontstaat. (zie afb. 4)
9. **Dwing de zaag nooit. Duw de zaag vooruit met een snelheid waarbij het zaagblad niet vertraagt.** Als u de zaag dwingt, kan dat leiden tot een ongelijkmatige zaagsnede, verminderde nauwkeurigheid en mogelijke terugslag.

Functie van de beschermkap

1. **Controleer voor ieder gebruik of de onderste beschermkap goed sluit. Gebruik de zaag niet als de onderste beschermkap niet vrij kan bewegen en onmiddellijk sluit. Zet de onderste beschermkap nooit vast in de geopende stand.** Als u de zaag per ongeluk laat vallen, kan de onderste beschermkap worden verbogen. Til de onderste beschermkap op aan de terugtrekhandel en controleer dat deze vrij kan bewegen en niet het zaagblad of enig ander onderdeel raakt, onder alle verstekhoeken en op alle zaagdiepten.
2. **Controleer de werking van de veer van de onderste beschermkap. Als de beschermkap en de veer niet goed werken, dienen deze vóór gebruik te worden gerepareerd.** De onderste beschermkap kan traag werken als gevolg van beschadigde onderdelen, gom- of harsafzetting, of opeenhoping van vuil.
3. **De onderste beschermkap mag alleen met de hand worden geopend voor het maken van speciale zaagsneden, zoals een invalzaagsnede en gecombineerde zaagsnede. Til de onderste beschermkap op aan de terugtrekhandel en laat deze los zodra het zaagblad in het materiaal zaagt.** Bij alle andere typen zaagsneden, dient de onderste beschermkap automatisch te werken.
4. **Let er altijd op dat de onderste beschermkap het zaagblad bedekt voordat u de zaag op een werkbank of vloer neerlegt.** Een onbeschermd zaagblad dat nog nadraait, zal de zaag achteruit doen lopen waarbij alles op zijn weg wordt gezaagd. Denk aan de tijd die het duurt nadat de schakelaar is losgelaten voordat het zaagblad stilstaat.
5. **U kunt de onderste beschermkap controleren, door deze met de hand te openen, los te laten en te kijken of hij goed sluit. Controleer tevens of de terugtrekhandel de behuizing van het gereedschap niet raakt.** Het zaagblad onbeschermd laten is UITERST GEVAARLIJK en kan leiden tot ernstig persoonlijk letsel.

Aanvullende veiligheidsvoorschriften

1. **Wees extra voorzichtig bij het zagen in nat hout, druk-behandeld timmerhout en hout met knoesten.** Zorg dat het gereedschap steeds soepel vooruit beweegt zonder dat de snelheid van het zaagblad lager wordt, om oververhitting van de zaagtanden te voorkomen.
2. **Probeer niet afgezaagd materiaal te verwijderen terwijl het zaagblad nog draait. Wacht totdat het zaagblad volledig tot stilstand is gekomen voordat u het afgezaagde materiaal vastpakt.** Het zaagblad draait nog na nadat het gereedschap is uitgeschakeld.
3. **Voorkom dat u in spijkers zaagt. Inspecteer het hout op spijkers en verwijder deze zo nodig voordat u begint te zagen.**
4. **Plaats het bredere deel van de zool van de zaag op het deel van het werkstuk dat goed is ondersteund, en niet op het deel dat omlaag valt nadat de zaagsnede gemaakt is. Als het werkstuk kort of smal is, klemt u het vast. PROBEER NOOIT EEN KORT WERKSTUK IN UW HANDEN VAST TE HOUDEN!** (zie afb. 5)

5. **Voordat u het gereedschap neerlegt na het voltooiën van een zaagsnede, controleert u dat de beschermkap gesloten is en het zaagblad volledig tot stilstand is gekomen.**
6. **Probeer nooit te zagen waarbij de zaag ondersteboven in een bankschroef is geklemd. Dit is uiterst gevaarlijk en kan leiden tot ernstig persoonlijk letsel.** (zie afb. 6)
7. **Sommige materialen bevatten chemische stoffen die giftig kunnen zijn. Neem voorzorgsmaatregelen tegen het inademen van stof en contact met de huid. Volg de veiligheidsinstructies van de leverancier van het materiaal op.**
8. **Breng het zaagblad niet tot stilstand door zijdelings op het zaagblad te drukken.**
9. **Gebruik geen slijpschijven.**
10. **Gebruik uitsluitend een zaagblad met een diameter die is aangegeven op het gereedschap of vermeld in de gebruiksaanwijzing.** Het gebruik van een zaagblad met een verkeerde afmeting kan de goede bescherming van het zaagblad of de werking van de beschermkap negatief beïnvloeden, waardoor ernstig persoonlijk letsel kan ontstaan.
11. **Houd het zaagblad scherp en schoon.** Gom of hars dat op het zaagblad is opgedroogd vertraagt het zaagblad en verhoogt de kans op terugslag. Houd het zaagblad schoon door dit eerst van het gereedschap te demonteren en het vervolgens schoon te maken met een reinigingsmiddel voor gom en hars, heet water of kerosine. Gebruik nooit benzine.
12. **Draag een stofmasker en gehoorbescherming tijdens gebruik van het gereedschap.**
13. **Gebruik altijd het zaagblad dat is bedoeld voor zagen in het materiaal waarin u gaat zagen.**
14. **Gebruik altijd een zaagblad dat is gemarkeerd met een toerental dat gelijk is aan of hoger is dan het toerental dat is aangegeven op het gereedschap.**
15. **(Alleen voor Europese landen) Gebruik altijd een zaagblad dat voldoet aan EN847-1.**

BEWAAR DEZE INSTRUCTIES.

⚠ WAARSCHUWING: Laat u NIET misleiden door een vals gevoel van comfort en bekendheid met het gereedschap (na veelvuldig gebruik) en neem alle veiligheidsvoorschriften van het betreffende gereedschap altijd strikt in acht. VERKEERD GEBRUIK of het niet naleven van de veiligheidsvoorschriften in deze gebruiksaanwijzing kan leiden tot ernstig persoonlijk letsel.

BELANGRIJKE VEILIGHEIDSINSTRUCTIES VOOR EEN ACCU

ENC007-12

1. Alvorens de accu in gebruik te nemen, leest u eerst alle instructies en waarschuwingsopdrachten op (1) de acculader, (2) de accu en (3) het apparaat waarin de accu wordt aangebracht.
2. Haal de accu niet uit elkaar.

3. Als de gebruikstijd aanzienlijk korter is geworden, stopt u onmiddellijk met het gebruik. Anders kan dit leiden tot kans op oververhitting, mogelijke brandwonden en zelfs een explosie.
4. Als de elektrolyt in uw ogen komt, wast u deze uit met schoon water en raadpleegt u onmiddellijk een arts. Dit kan leiden tot verlies van gezichtsvermogen.
5. Sluit de accu niet kort:
 - (1) Raak de accupolen niet aan met enig geleidend materiaal.
 - (2) Bewaar de accu niet op een plaats waar deze in aanraking kan komen met andere metalen voorwerpen, zoals spijkers, munten, enz.
 - (3) Stel de accu niet bloot aan water of regen.

Kortsluiting van de accu kan leiden tot een hoge stroomsterkte, oververhitting, mogelijke brandwonden en zelfs een defect.

6. Bewaar het gereedschap en de accu niet op plaatsen waar de temperatuur kan oplopen tot 50 °C of hoger.
7. Werp de accu niet in een vuur, zelfs niet als deze al ernstig beschadigd of helemaal versleten is. De accu kan in een vuur exploderen.
8. Wees voorzichtig dat u de accu niet laat vallen of ergens tegenaan stoot.
9. Gebruik nooit een beschadigde accu.
10. De bijgeleverde lithium-ionbatterijen zijn onderhevig aan de vereisten in de wetgeving omtrent gevaarlijke stoffen.

Voor commercieel transport en dergelijke door derden en transporteurs moeten speciale vereisten ten aanzien van verpakking en etikettering worden nageleefd.

Als voorbereiding van het artikel dat wordt getransporteerd is het noodzakelijk een expert op het gebied van gevaarlijke stoffen te raadplegen. Houd u tevens aan mogelijk strengere nationale regelgeving. Blootliggende contactpunten moeten worden afgedekt met tape en de accu moet zodanig worden verpakt dat deze niet kan bewegen in de verpakking.

11. Neem de plaatselijke regelgeving met betrekking tot het weggooiën van de accu in acht.
12. Gebruik de accu's uitsluitend met de apparaten opgegeven door Makita. Als de accu's worden geplaatst in niet-compatibele apparaten, kan dat leiden tot brand, buitensporige hitte, een explosie of lekkage van elektrolyt.

BEWAAR DEZE INSTRUCTIES.

⚠ LET OP: Gebruik uitsluitend originele Makita accu's.

Het gebruik van niet-originele accu's, of accu's die zijn gewijzigd, kan ertoe leiden dat de accu ontploft en brand, persoonlijk letsel en schade veroorzaakt. Ook vervalt daarmee de garantie van Makita op het gereedschap en de lader van Makita.

Tips voor een lange levensduur van de accu

1. Laad de accu op voordat deze volledig leeg is. Wanneer u merkt dat het gereedschap minder

vermogen heeft, stopt u met het gebruik ervan en laadt u eerst de accu op.

2. Laad nooit een volledig opgeladen accu op. Te lang opladen verkort de levensduur van de accu.
3. Laad de accu op bij een omgevingstemperatuur van 10 °C tot 40 °C. Laat een warme accu eerst afkoelen voordat u deze oplaadt.
4. Als de accu gedurende een lange tijd (meer dan zes maanden) niet gebruikt, laadt u deze eerst op alvorens deze te gebruiken.

BESCHRIJVING VAN DE FUNCTIES

⚠ LET OP:

- Zorg ervoor dat het gereedschap is uitgeschakeld en dat de accu is verwijderd voordat u de werking van het gereedschap aanpast of controleert.

De accu aanbrengen en verwijderen (zie afb. 7)

- Schakel het gereedschap altijd uit voordat u de accu aanbrengt of verwijdert.
- Om de accu te verwijderen verschuift u de knop aan de voorkant van de accu en schuift u tegelijkertijd de accu van het gereedschap af.
- Om de accu aan te brengen lijnt u de lip op de accu uit met de groef in de behuizing en duwt u de accu op zijn plaats. Steek de accu zo ver mogelijk in het gereedschap tot u een klinkgeluid hoort. Als u het rode deel aan de bovenkant van de knop kunt zien, is de accuadapter niet goed aangebracht. Breng de accuadapter zo ver mogelijk aan tot het rode deel niet meer zichtbaar is. Als u dit niet doet, kan de accu per ongeluk uit het gereedschap vallen en u of anderen in uw omgeving verwonden.
- Oefen geen grote kracht uit bij het aanbrengen van de accu. Als de accu niet gemakkelijk erin kan worden geschoven, wordt deze niet goed aangebracht.

Accuveiligingssysteem (lithiumionaccu met een ster-merkteken) (zie afb. 8)

Lithiumionaccu's met een ster-merkteken zijn uitgerust met een beveiligingssysteem. Dit systeem schakelt automatisch de voeding naar het gereedschap uit om de levensduur van de accu te verlengen.

Het gereedschap zal tijdens gebruik automatisch stoppen wanneer het gereedschap en/of de accu zich in een van de volgende omstandigheden bevinden:

- Overbelasting:

Het gereedschap wordt gebruikt op een manier die ertoe leidt dat een abnormaal hoge stroomsterkte uit de accu wordt getrokken.

Laat in die situatie de aan/uit-schakelaar van het gereedschap los en stop het gebruik dat ertoe leidde dat het gereedschap overbelast werd. Knijp daarna opnieuw de aan/uit-schakelaar in om het gereedschap weer in te schakelen.

Als het gereedschap niet wordt ingeschakeld, is de accu oververhit. In die situatie laat u de accu eerst afkoelen voordat u opnieuw de aan/uit-schakelaar inknijpt.

- Lage accuspanning:
De resterende acculading is te laag en het gereedschap wordt niet ingeschakeld. Verwijder in die situatie de accu en laad hem op.

Aanduiding van de resterende acculading

Alleen voor accu's met indicatorlampjes (zie afb. 9)

Druk op de testknop op de accu om de resterende acculading te zien. De indicatorlampjes branden gedurende enkele seconden.

Indicatorlampjes			Resterende acculading
Brandt	Uit	Knippert	
■	□	▧	75% tot 100%
■	■	■	50% tot 75%
■	■	□	25% tot 50%
■	□	□	0% tot 25%
▧	□	□	Laad de accu op.
■	■	□	Er kan een storing in de accu zijn opgetreden.
□	□	■	

OPMERKING:

- Afhankelijk van de gebruiksomstandigheden en de omgevingstemperatuur, is het mogelijk dat de aangegeven acculading verschilt van de werkelijke acculading.

De zaagdiepte instellen (zie afb. 10)

⚠ LET OP:

- Nadat u de zaagdiepte hebt ingesteld, zet u de hendel altijd stevig vast.

Zet de hendel los aan de zijkant van de achterhandgreep en beweeg de zool omhoog en omlaag. Zet de zool vast op de gewenste zaagdiepte door de hendel vast te zetten. Voor een schonere, veiligere zaagsnede, stelt u de zaagdiepte zodanig in dat niet meer dan een tandhoogte door het werkstuk heen steekt. Door de zaagdiepte goed in te stellen, verkleint u de kans op een potentieel gevaarlijke terugslag, en daarmee op persoonlijk letsel.

Verticaal verstekzagen (zie afb. 11)

Draai de vleugelbout los aan de voor- en achterkant van de zool. Stel de gewenste verstekhoek in (0° - 45°) door dienovereenkomstig te kantelen, en draai vervolgens de vleugelbout weer stevig vast.

Zichtlijn (zie afb. 12)

Voor recht zagen lijnt u de stand 0° op de voorkant van de zool uit met de zaaglijn. Voor verstekzagen onder een hoek van 45°, gebruikt lijnt u uit met de stand 45°. De stand van de bovengeleider is verstelbaar.

In- en uitschakelen (zie afb. 13)

⚠ LET OP:

- Controleer altijd, voordat u de accu op het gereedschap aanbrengt, of de aan/uit-schakelaar op de juiste manier schakelt en weer terugkeert naar de uit-stand nadat deze is losgelaten.
- Knijp de aan/uit-schakelaar niet hard in zonder de uit-vergrendeling in te duwen. Hierdoor kan de aan/uit-schakelaar kapot gaan.

Om te voorkomen dat de aan/uit-schakelaar per ongeluk wordt bediend, is een uit-vergrendeling aangebracht. Om het gereedschap te starten, duwt u de uit-vergrendeling in en knijpt u de aan/uit-schakelaar in. Laat de aan/uit-schakelaar los om het gereedschap te stoppen.

⚠ WAARSCHUWING:

- Omwille van uw veiligheid is dit gereedschap uitgerust met een uit-vergrendeling die voorkomt dat het gereedschap onbedoeld wordt ingeschakeld. Gebruik het gereedschap NOOIT wanneer dit draait door gewoon de aan/uit-schakelaar in te knijpen zonder de uit-vergrendeling in te duwen. Stuur het gereedschap voor deugdelijke reparatie terug naar een MAKITA-servicecentrum ALVORENS het verder te gebruiken.
- U mag NOOIT de uit-vergrendeling met plakband vastzetten of anderszins de werking en functie ervan te niet doen.

De lamp inschakelen

⚠ LET OP:

- Kijk niet rechtstreeks in het licht of naar de bron van de lamp (zie afb. 14).

U kunt de lamp inschakelen door gewoon de aan/uit-schakelaar in te knijpen zonder de uit-vergrendeling te bedienen. Om de lamp en het gereedschap in te schakelen, bedient u de uit-vergrendeling en knijpt u tegelijkertijd de aan/uit-schakelaar in.

OPMERKING:

- Gebruik een doek om het vuil van de lens van de lamp te vegen. Wees voorzichtig de lens van de lamp niet te bekrassen om de lichtopbrengst niet te verlagen.
- Gebruik geen benzine, thinner of soortgelijk middel om de lens van de lamp te reinigen. Dergelijke middelen zullen de lens beschadigen.

DE ONDERDELEN MONTEREN

⚠ LET OP:

- Controleer altijd of het gereedschap is uitgeschakeld en de accu is verwijderd alvorens enige werkzaamheden aan het gereedschap te verrichten.

Het zaagblad aanbrengen en verwijderen

⚠ LET OP:

- Verzeker u ervan dat het zaagblad zodanig wordt aangebracht dat de tanden aan de voorkant van het gereedschap omhoog wijzen.
- Gebruik uitsluitend de Makita-inbussleutel voor het aanbrengen en verwijderen van het zaagblad (zie afb. 15).

Als u het zaagblad wilt verwijderen, drukt u eerst de asvergrendeling in zodat het zaagblad niet meer kan

draaien, en gebruikt u vervolgens de inbusleutel om de inbusbout linksom los te draaien. Verwijder tenslotte de zeskantbout, de buitenflens en het zaagblad. Om het zaagblad aan te brengen, volgt u de procedure in omgekeerde volgorde. ZORG ERVOOR DAT U DE INBUSBOUW RECHTSOM STEVIG VASTDRAAIT (zie afb. 16).

Vergeet niet tijdens het verwisselen van het zaagblad ook de bovenste en onderste beschermkappen te ontdoen van opgehoopt zaagsel. Ondanks dergelijk onderhoud blijft het noodzakelijk de werking van de onderste beschermkap voor ieder gebruik te controleren.

Opbergplaats van de inbusleutel (zie afb. 17)

Wanneer u de inbusleutel niet gebruikt, bergt u deze op de plaats aangegeven in de afbeelding op, om te voorkomen dat deze wordt verloren.

Een stofzuiger aansluiten

Los verkrijgbaar (zie afb. 18 en 19)

Wanneer u tijdens het zagen schoon wilt werken, sluit u een Makita-stofzuiger aan op uw gereedschap. Monteer de stofzuigaansluitmond op het gereedschap met behulp van de schroef. Sluit vervolgens de stofzuigerslang aan op de stofzuigaansluitmond, zoals aangegeven in de afbeelding.

BEDIENING

⚠ LET OP:

- Steek de accu altijd zo ver mogelijk in het gereedschap totdat deze met een klik wordt vergrendeld. Als u het rode deel aan de bovenkant van de knop kunt zien, is de accu niet goed aangebracht. Steek de accu zo ver mogelijk erin tot het rode deel niet meer zichtbaar is. Als u dit niet doet, kan de accu per ongeluk uit het gereedschap vallen en u of anderen in uw omgeving verwonden.
- Duw het gereedschap voorzichtig in een rechte lijn naar voren. Als u het gereedschap dwing of verdraait, zal de motor oververhit raken en het gereedschap gevaarlijk terugslaan waardoor ernstig letsel kan worden veroorzaakt.
- Als het gereedschap continu wordt bediend totdat de accu leeg is, laat u het gereedschap gedurende 15 minuten liggen alvorens verder te werken met een volle accu (zie afb. 20).

Houd het gereedschap stevig vast. Het gereedschap is voorzien van zowel een voorhandgreep als een achterhandgreep. Gebruik beide om het gereedschap zo goed mogelijk vast te houden. Als u de cirkelzaag met beide handen vasthoudt, kunt u nooit in uw handen zagen. Plaats eerst de zool op het werkstuk dat u wilt zagen, zonder dat het zaagblad het werkstuk raakt. Schakel vervolgens het gereedschap in en wacht totdat het zaagblad op volle snelheid draait. Duw het gereedschap nu gewoon naar voren over het oppervlak van het werkstuk, houd het daarbij vlak, en duw gelijkmatig totdat het zagen klaar is. Zorg voor een schone zaagsnede door een rechte zaaglijn en een constante voortgaande snelheid. Als de zaagsnede niet verloopt volgens de voorgenomen zaaglijn, mag u niet proberen het gereedschap iets te

draaien of te dwingen terug te keren naar de zaaglijn. Als u dit doet, kan het zaagblad vastlopen en een gevaarlijke terugslag optreden met mogelijk ernstig persoonlijk letsel tot gevolg. Laat de aan/uit-schakelaar los, wacht tot het zaagblad tot stilstand is gekomen en trek vervolgens het gereedschap terug. Lijn het gereedschap opnieuw uit met een nieuwe zaaglijn en begin weer te zagen. Probeer te vermijden dat door de positie van het gereedschap de gebruiker wordt blootgesteld aan zaagsel en spaanders die door het gereedschap worden uitgeworpen. Gebruik oogbescherming om verwonding te voorkomen.

Breedtegeleider (liniaal) (zie afb. 21)

Met de handige breedtegeleider kunt u extra nauwkeurig recht zagen. Schuif gewoon de breedtegeleider strak tegen de zijkant van het werkstuk en zet deze op zijn plaats vast met behulp van de klemhendel op de voorkant van de zool van het gereedschap. Op deze manier is het tevens mogelijk een zaagbeweging te herhalen met identieke breedte.

ONDERHOUD

⚠ LET OP:

- Zorg er altijd voor dat het gereedschap is uitgeschakeld en de accu is verwijderd, voordat u een inspectie of onderhoud uitvoert.
- **Reinig de bovenste en onderste beschermkappen om er zeker van te zijn dat er geen opgehoopt zaagsel in zit dat de werking van het onderste beschermkapmechanisme kan hinderen.** Een vuil beschermkapmechanisme kan de goede werking hinderen, waardoor ernstig persoonlijk letsel kan ontstaan. De meest effectieve manier om dit reinigen uit te voeren is met perslucht. **Als het vuil uit de beschermkappen wordt geblazen, dient u geschikte oog- en ademhalingsbescherming te gebruiken.**
- Gebruik nooit benzine, wasbenzine, thinner, alcohol, enz. Dit kan leiden tot verkleuren, vervormen of barsten.

Het zaagblad nauwkeurig instellen op 90° (voor verticale zaagsnede) (zie afb. 22 en 23)

Deze instelling is reeds in de fabriek gemaakt. Maar als dit niet meer juist is, draait u de instelbout met een inbusleutel terwijl u de zaaghoek van 90° tussen het zaagblad en de zool van het gereedschap controleert met behulp van een winkelhaak, geodriehoek, enz.

Het zaagblad parallel stellen aan de zool (zie afb. 24)

In de fabriek is het zaagblad parallel gesteld aan de zool van de cirkelzaag. Maar als dit niet meer juist is, kunt u dit afstellen met de volgende procedure. Controleer of alle hendels, bouten en schroeven vastgedraaid zijn. Draai de schroef iets los, zoals afgebeeld. Terwijl u de onderste beschermkap geopend houdt, verplaatst u de achterkant van de zool zodanig dat de afstanden A en B gelijk zijn. Draai na het afstellen de schroef vast. Maak een proefzaagsnede om te

controleren of het zaagblad parallel staat aan de zool van de cirkelzaag.

De koolborstels vervangen (zie afb. 25)

Verwijder en controleer de koolborstels regelmatig. Vervang deze wanneer ze tot aan de slijtgrensmarkering zijn afgesleten. Houd de koolborstels schoon en zorg ervoor dat ze vrij kunnen bewegen in de houders. Beide koolborstels dienen tegelijkertijd te worden vervangen. Gebruik alleen identieke koolborstels (zie afb. 26). Gebruik een schroevendraaier om de koolborsteldoppen te verwijderen. Haal de versleten koolborstels eruit, plaats de nieuwe erin, en zet de koolborsteldoppen goed vast. Om de VEILIGHEID en BETROUWBAARHEID van het gereedschap te handhaven, dienen alle reparaties, onderhoud en afstellingen te worden uitgevoerd door een erkend Makita-servicecentrum, en altijd met gebruikmaking van originele Makita-ervangingsonderdelen.

VERKRIJGBARE ACCESSOIRES

LET OP:

- Deze accessoires of hulpstukken worden aanbevolen voor gebruik met het Makita-gereedschap dat in deze gebruiksaanwijzing wordt beschreven. Het gebruik van andere accessoires of hulpstukken kan gevaar voor persoonlijk letsel opleveren. Gebruik de accessoires of hulpstukken uitsluitend voor de aangegeven gebruiksdoeleinden.

Mocht u meer informatie willen hebben over deze accessoires, dan kunt u contact opnemen met uw plaatselijke Makita-servicecentrum.

- Zaagbladen
- Breedtegeleider (liniaal)
- Inbus sleutel 5
- Stofafzuigaansluitmond
- Geleiderailadapter
- Geleiderail
- Diverse types originele Makita-accu's en -acculaders

OPMERKING:

- Sommige items op de lijst kunnen zijn inbegrepen in de doos van het gereedschap als standaard toebehoren. Zij kunnen van land tot land verschillen.

Geluid

De typische, A-gewogen geluidsniveaus zijn gemeten volgens EN62841:

Geluidsdrukniveau (L_{pA}): 91 dB (A)

Geluidsvermogeniveau (L_{WA}): 99 dB (A)

Onzekerheid (K): 3 dB (A)

ENG907-1

- De opgegeven geluidsemisiewaarde(n) is/zijn gemeten volgens een standaardtestmethode en kan/kunnen worden gebruikt om dit gereedschap te vergelijken met andere gereedschappen.
- De opgegeven geluidsemisiewaarde(n) kan/kunnen ook worden gebruikt voor een beoordeling vooraf van de blootstelling.

WAARSCHUWING:

- **Draag gehoorbescherming.**
- **De geluidsemisie tijdens het gebruik van het elektrisch gereedschap in de praktijk kan**

verschillen van de opgegeven waarde(n) afhankelijk van de manier waarop het gereedschap wordt gebruikt, met name van het soort werkstuk waarmee wordt gewerkt.

- **Zorg ervoor dat veiligheidsmaatregelen worden getroffen ter bescherming van de gebruiker die zijn gebaseerd op een schatting van de blootstelling onder praktijkomstandigheden (rekening houdend met alle fasen van de bedrijfscyclus, zoals de tijdsduur gedurende welke het gereedschap is uitgeschakeld en stationair draait, naast de ingeschakelde tijdsduur).**

Trillingen

ENG900-1

De totale trillingswaarde (triaxiale vectorsom) zoals vastgesteld volgens EN62841:

Gebruikstoepassing: zagen in spaanplaat

Trillingsemisie ($a_{h,CW}$): 2,5 m/s² of minder

Onzekerheid (K): 1,5 m/s²

ENG901-2

- De totale trillingswaarde(n) is/zijn gemeten volgens een standaardtestmethode en kan/kunnen worden gebruikt om dit gereedschap te vergelijken met andere gereedschappen.
- De opgegeven totale trillingswaarde(n) kan/kunnen ook worden gebruikt voor een beoordeling vooraf van de blootstelling.

WAARSCHUWING:

- **De trillingsemisie tijdens het gebruik van het elektrisch gereedschap in de praktijk kan verschillen van de opgegeven waarde(n) afhankelijk van de manier waarop het gereedschap wordt gebruikt, met name van het soort werkstuk waarmee wordt gewerkt.**
- **Zorg ervoor dat veiligheidsmaatregelen worden getroffen ter bescherming van de gebruiker die zijn gebaseerd op een schatting van de blootstelling onder praktijkomstandigheden (rekening houdend met alle fasen van de bedrijfscyclus, zoals de tijdsduur gedurende welke het gereedschap is uitgeschakeld en stationair draait, naast de ingeschakelde tijdsduur).**

Verklaringen van conformiteit

Alleen voor Europese landen

De verklaringen van conformiteit zijn bijgevoegd in Bijlage A bij deze gebruiksaanwijzing.

ESPAÑOL (Instrucciones originales)

Explicación de los dibujos

- | | | |
|---------------------------|-------------------------------|-----------------------------------|
| 1. Indicador rojo | 13. Guía superior | 25. Tornillo de mano |
| 2. Botón | 14. Interruptor disparador | 26. Manguera |
| 3. Cartucho de la batería | 15. Palanca de desbloqueo | 27. Aspirador |
| 4. Marca de estrella | 16. Lámpara | 28. Palanca de fijación |
| 5. Luces indicadoras | 17. Bloqueo del eje | 29. Guía de apoyo (Regla de guía) |
| 6. Botón de comprobación | 18. Llave hexagonal | 30. Tornillo de ajuste |
| 7. Palanca | 19. Aflojar | 31. Escuadra |
| 8. Tornillo de mariposa | 20. Perno de cabeza hexagonal | 32. Base |
| 9. Línea de corte | 21. Brida exterior | 33. Marca de límite |
| 10. Posición de 45° | 22. Disco de sierra | 34. Tapa del portaescobillas |
| 11. Posición de 0° | 23. Brida interior | 35. Destornillador |
| 12. Tornillo | 24. Boquilla para el polvo | |

ESPECIFICACIONES

Modelo	DHS630	
Diámetro del disco	165 mm	
Profundidad de corte máxima	a 90°	66 mm
	a 45°	46 mm
Velocidad en vacío (min ⁻¹)	3.100	
Longitud total	346 mm	
Peso neto	3,0 - 3,4 kg	
Tensión nominal	CC 18V	

- Debido a nuestro programa continuo de investigación y desarrollo, las especificaciones aquí descritas están sujetas a cambios sin previo aviso.
- Las especificaciones pueden ser diferentes de un país a otro.
- El peso puede diferir en función de los accesorios, incluyendo el cartucho de la batería. En la tabla se muestran la combinación más ligera y la más pesada, de acuerdo con el Procedimiento EPTA 01/2014.

Cargador y cartucho de la batería aplicable

Cartucho de la batería	BL1815N/BL1820/BL1820B/BL1830/BL1830B/BL1840/BL1840B/BL1850/BL1850B/BL1860B
Cargador	DC18RC/DC18RD/DC18RE/DC18SD/DC18SE/DC18SF

- Es posible que algunos de los cartuchos de la batería y los cargadores que se muestran más arriba no estén disponibles, en función de su región de residencia.

ADVERTENCIA:


- **Utilice solo los cartuchos de la batería y los cargadores que se muestran más arriba.** El uso de cualquier otro cartucho de la batería y otros cargadores puede crear un riesgo de lesiones y/o incendio.

Uso previsto

La herramienta está diseñada para realizar cortes rectos y cortes a inglete longitudinal y transversalmente en madera mientras mantiene un firme contacto con la pieza de trabajo.

Advertencias de seguridad para herramientas eléctricas en general

GEA010-2

 **ADVERTENCIA: Lea todas las advertencias de seguridad, instrucciones, ilustraciones y especificaciones provistas con esta herramienta eléctrica.** Si no sigue todas las instrucciones indicadas

abajo podrá resultar en una descarga eléctrica, un incendio y/o heridas graves.


Guarde todas las advertencias e instrucciones para futuras referencias.

El término "herramienta eléctrica" en las advertencias se refiere a su herramienta eléctrica de funcionamiento con conexión a la red eléctrica (con cable) o herramienta eléctrica de funcionamiento a batería (sin cable).

ADVERTENCIAS DE SEGURIDAD PARA LA SIERRA CIRCULAR INALÁMBRICA

GEB151-1

Procedimientos de corte

1.  **PELIGRO:** Mantenga las manos alejadas del área de corte y del disco. Mantenga su segunda mano en el mango auxiliar, o en el alojamiento del motor. Si ambas manos están sujetando la sierra, no podrán ser cortadas por el disco.
2. **No se ponga debajo de pieza de trabajo.** Debajo de la pieza de trabajo el protector no le puede proteger del disco.
3. **Ajuste la profundidad de corte al grosor de la pieza de trabajo.** Por debajo de la pieza de trabajo deberá verse menos de un diente entero de los dientes del disco.
4. **No sujete nunca con las manos o sobre su pierna la pieza de trabajo durante el corte. Sujete la pieza de trabajo en una plataforma estable.** Es importante apoyar la pieza de trabajo debidamente para minimizar la exposición del cuerpo, el estancamiento del disco, o la pérdida de control. (Fig. 1)
5. **Cuando realice una operación en la que el implemento de corte pueda entrar en contacto con cableado oculto o con su propio cable, sujete la herramienta eléctrica por las superficies de aislamiento aisladas.** El contacto con un cable con corriente también hará que la corriente circule por las partes metálicas expuestas de la herramienta eléctrica y podrá soltar una descarga eléctrica al operario.
6. **Cuando haga cortes al hilo, utilice siempre una guía lateral o guía de borde recto.** Esto mejora la precisión del corte y reduce la posibilidad de que el disco se estanque.
7. **Utilice siempre discos con agujero para eje del tamaño y forma correctos (diamante en oposición a redondo).** Los discos que no correspondan con el mecanismo de montaje de la sierra se descentrarán, ocasionando la pérdida de control.
8. **No utilice nunca arandelas o perno de disco dañados o incorrectos.** Las arandelas y el perno de disco han sido diseñados especialmente para su sierra, y con ellos se logran un rendimiento y seguridad de operación óptimos.

Causas de los retrocesos bruscos y advertencias relacionadas

- el retroceso brusco es una reacción repentina al estancamiento, atasco o desalineación del disco, que ocasiona que la sierra descontrolada se levante y salga de la pieza de trabajo hacia el operario;
- cuando el disco queda aprisionado o atascado firmemente debido al cierre de la hendidura, el disco se inmoviliza y la reacción del motor empuja la sierra bruscamente hacia atrás contra el operario;
- si el disco se retuerce o desalinea en el corte, los dientes del borde trasero del disco pueden morder la superficie superior de la madera haciendo que el disco se salga de la hendidura y salte hacia atrás contra el operario.

Los retrocesos bruscos se deben a un mal uso de la sierra y/o a procedimientos o condiciones de trabajo

incorrectos y pueden evitarse tomando las precauciones indicadas abajo.

1. **Sujete la sierra firmemente con ambas manos y posicione los brazos de forma que pueda resistir las fuerzas de un retroceso brusco.** Posicione su cuerpo a uno de los costados del disco, pero no en línea con el disco. Los retrocesos bruscos pueden hacer que la sierra salte hacia atrás, pero las fuerzas de los retrocesos bruscos las puede controlar el operario, si toma las precauciones apropiadas.
2. **Cuando note que el disco se estanca, o cuando quiera interrumpir un corte por cualquier razón, suelte el gatillo y mantenga la sierra inmóvil en el material hasta que el disco se pare completamente. No intente nunca extraer el disco de la pieza de trabajo o tirar de la sierra hacia atrás mientras el disco está moviéndose porque podrá ocasionar un retroceso brusco.** Investigue y tome medidas correctivas para eliminar la causa del estancamiento del disco.
3. **Cuando vuelva a poner en marcha la sierra en la pieza de trabajo, centre el disco en la hendidura de forma que los dientes del mismo no estén enganchados en el material.** Si un disco se estanca, podrá saltar o retroceder bruscamente desde la pieza de trabajo al volver a poner en marcha la sierra.
4. **Apoye los paneles grandes para minimizar el riesgo de que el disco se estanque y retroceda bruscamente.** Los paneles grandes tienden a combarse con su propio peso. Deberá poner apoyos debajo del panel a ambos lados, cerca de la línea de corte y cerca del borde del panel. (Fig. 2 y 3)
5. **No utilice discos mellados o dañados.** Los discos desafilados o mal ajustados producen una hendidura estrecha que ocasiona excesiva fricción, estancamiento del disco y retrocesos bruscos.
6. **Las palancas de bloqueo de los ajustes de profundidad y de bisel del disco deben estar apretadas y sujetadas antes de realizar el corte.** Si el ajuste del disco cambia durante el corte, podrá ocasionar un estancamiento y retroceso brusco.
7. **Extreme las precauciones cuando sierre en paredes existentes u otras áreas ciegas.** La parte sobresaliente del disco podrá cortar objetos que pueden ocasionar un retroceso brusco.
8. **Sujete SIEMPRE la herramienta firmemente con ambas manos. No ponga NUNCA sus manos, piernas o cualquier otra parte de su cuerpo debajo de la base de la herramienta o detrás de la sierra, especialmente cuando haga cortes transversales.** Si se produce un retroceso brusco, la sierra podrá saltar fácilmente hacia atrás sobre su mano, causándole graves heridas personales. (Fig. 4)
9. **No fuerce nunca la sierra. Empuje la sierra hacia delante a una velocidad a la que el disco corte sin frenarse.** Si fuerza la sierra podrá ocasionar cortes irregulares, pérdida de precisión, y posibles retrocesos bruscos.

Función del protector

1. **Compruebe el protector inferior para confirmar que se cierra debidamente antes de cada uso. No utilice la sierra si el protector inferior no se mueve libremente y se cierra instantáneamente. No sujete ni ate nunca el protector inferior en la posición**

abierta. Si deja caer accidentalmente la sierra, el protector inferior podrá doblarse. Levante el protector inferior con la manivela retráctil y asegúrese de que se mueve libremente y que no toca el disco o cualquier otra parte, en todos los ángulos y profundidades de corte.

2. **Compruebe la operación del resorte del protector inferior. Si el protector y el resorte no funcionan debidamente, deberán ser servidos antes de la utilización.** El protector inferior podrá funcionar lentamente debido a partes dañadas, sedimentos pegajosos, o una acumulación de residuos.
3. **El protector inferior puede retraerse manualmente sólo para cortes especiales, como “cortes por hundimiento” y “cortes compuestos”. Levante el protector inferior con la manivela retráctil y tan pronto como el disco entre en el material, deberá liberar el protector inferior.** Para todos los demás cortes, el protector inferior deberá funcionar automáticamente.
4. **Antes de dejar la sierra en el banco o en el suelo, observe siempre que el protector inferior está cubriendo el disco.** Un disco desprotegido, girando por inercia, hará que la sierra se desplace hacia atrás, cortando todo lo que encuentre a su paso. Tenga presente el tiempo que el disco tarda en pararse después de soltar el interruptor.
5. **Para comprobar el protector inferior, abra el protector inferior con la mano, después suéltelo y observe que se cierra. Compruebe también para asegurarse de que la manivela retráctil no toca la carcasa de la herramienta.** Dejar el disco expuesto es MUY PELIGROSO y puede acarrear heridas personales graves.

Advertencias de seguridad adicionales

1. **Preste precaución especial cuando corte madera húmeda, madera tratada a presión, o madera que tenga nudos.** Mantenga uniforme el avance de la herramienta sin que disminuya la velocidad del disco para evitar recalentar los dientes del disco.
2. **No intente retirar material cortado cuando el disco esté moviéndose. Espere hasta que el disco se pare antes de agarrar el material cortado.** Los discos siguen girando por inercia después de apagar la herramienta.
3. **Evite cortar clavos. Inspeccione la madera y quite todos los clavos antes de cortar.**
4. **Ponga la porción más ancha de la base de la sierra en la parte de la pieza de trabajo que esté sólidamente apoyada, no en la sección que caerá cuando se haga el corte. Si la pieza de trabajo es corta o pequeña, amordácela. ¡NO INTENTE SUJETAR PIEZAS PEQUEÑAS CON LA MANO! (Fig. 5)**
5. **Antes de dejar la herramienta después de completar un corte, asegúrese de que el protector se ha cerrado y que el disco se ha parado completamente.**
6. **No intente nunca serrar con la sierra circular sujeta al revés en un tornillo de banco. Es sumamente peligroso y puede ocasionar graves accidentes. (Fig. 6)**
7. **Algunos materiales contienen sustancias químicas que pueden ser tóxicas. Tenga**

precaución para evitar la inhalación de polvo y el contacto con la piel. Siga los datos de seguridad del abastecedor del material.

8. **No pare los discos haciendo presión lateral en el disco.**
9. **No utilice ningún disco abrasivo.**
10. **Utilice solamente el disco con el diámetro que hay marcado en la herramienta o especificado en el manual.** La utilización de un disco dimensionado incorrectamente puede afectar a la protección del disco o a la operación del protector lo que puede resultar en heridas personales graves.
11. **Mantenga el disco afilado y limpio.** La cola y la resina de madera endurecidas en los discos frenan la sierra y aumentan la posibilidad de que se produzcan retrocesos bruscos. Mantenga el disco limpio desmontándolo primero de la herramienta, y limpiándolo después con un producto para quitar colas y resina, agua caliente o queroseno. No utilice nunca gasolina.
12. **Póngase máscara y protección para los oídos cuando utilice la herramienta.**
13. **Utilice siempre el disco que ha sido previsto para cortar el material que usted va a cortar.**
14. **Utilice solamente discos que tengan marcada una velocidad igual o mayor que la velocidad marcada en la herramienta.**
15. **(Para países europeos solamente)**
Utilice siempre el disco que cumpla con EN847-1.

GUARDE ESTAS INSTRUCCIONES.

⚠ ADVERTENCIA: NO deje que la comodidad o familiaridad con el producto (a base de utilizarlo repetidamente) sustituya la estricta observancia de las normas de seguridad para el producto en cuestión. El MAL USO o el no seguir las normas de seguridad establecidas en este manual de instrucciones podrá ocasionar graves heridas personales.

INSTRUCCIONES DE SEGURIDAD IMPORTANTES PARA EL CARTUCHO DE BATERÍA

ENC007-12

1. **Antes de utilizar el cartucho de la batería, lea todas las instrucciones y referencias de precaución que se encuentran en (1) el cargador de baterías, (2) la batería y (3) el producto que utiliza la batería.**
2. **No desmonte el cartucho de la batería.**
3. **Si el tiempo de funcionamiento es excesivamente corto, deje de utilizar la herramienta de inmediato. De lo contrario, existe el riesgo de sobrecalentamiento, quemaduras e incluso explosión.**
4. **Si se produce contacto ocular con electrolito, enjuáguese los ojos con agua limpia y acuda de urgencia al médico. Corre el riesgo de perder la visión.**
5. **No cortocircuite el cartucho de la batería:**

- (1) **No toque los terminales con material conductor.**
- (2) **Evite guardar el cartucho de la batería en un recipiente con otros objetos metálicos, como clavos, monedas, etc.**
- (3) **No exponga el cartucho de la batería al agua o a la lluvia.**

Un cortocircuito puede provocar un elevado flujo de corriente, sobrecalentamiento, quemaduras o incluso una avería.

6. **No almacene la herramienta ni el cartucho de la batería en lugares donde la temperatura supere los 50 °C (122 °F).**
7. **No queme el cartucho de la batería aunque esté gravemente dañado o completamente gastado. El cartucho de la batería puede explotar si entra en contacto con fuego.**
8. **Procure que la batería no sufra golpes ni caídas.**
9. **No utilice una batería dañada.**
10. **Las baterías de litio-ion contenidas están sujetas a los requisitos de la Legislación para Materiales Peligrosos.**
Para transportes comerciales, p.ej., por terceras personas y agentes de transportes, se deberán observar requisitos especiales para el empaquetado y etiquetado.
Para la preparación del artículo que se va a enviar, se requiere consultar con un experto en materiales peligrosos. Por favor, observe también la posibilidad de reglamentos nacionales más detallados.
Cubra con cinta aislante o enmascare los contactos expuestos y empaquete la batería de tal manera que no se pueda mover alrededor dentro del embalaje.
11. **Siga las normativas locales relativas al desecho de la batería.**
12. **Utilice las baterías solo con los productos especificados por Makita.** La instalación de las baterías en productos no compatibles puede provocar un incendio, un calor excesivo, una explosión o fuga de electrolitos.

GUARDE ESTAS INSTRUCCIONES.

⚠ PRECAUCIÓN: Utilice solamente baterías genuinas de Makita.

La utilización de baterías no genuinas de Makita, o baterías que han sido alteradas, puede resultar en una explosión de la batería ocasionando incendios, heridas personales y daños. También anulará la garantía de Makita para la herramienta y el cargador de Makita.

Consejos para conseguir una mayor duración de la batería

1. **Cargue la batería antes de que se descargue por completo.**
Cuando observe que la herramienta tiene menos potencia, deje de utilizarla y cargue el cartucho de la batería.
2. **No recargue nunca un cartucho de batería completamente cargado.**
La sobrecarga acorta la vida útil de la batería.
3. **Cargue el cartucho de la batería a una temperatura ambiente que oscile entre 10 °C y 40 °C (50 °F -**

104 °F). Antes de cargar un cartucho de batería caliente, deje que se enfríe.

4. **Cargue el cartucho de la batería si no lo ha utilizado durante un periodo prolongado (más de seis meses).**

DESCRIPCIÓN DEL FUNCIONAMIENTO

⚠ PRECAUCIÓN:

- Antes de ajustar o de comprobar la herramienta, asegúrese siempre de que está apagada y de que la batería ha sido extraída.

Instalación o extracción del cartucho de la batería (Fig. 7)

- Apague siempre la herramienta antes de instalar o quitar el cartucho de la batería.
- Para quitar el cartucho de la batería, mantenga pulsado el botón de la parte frontal del cartucho y retírelo.
- Para instalar el cartucho de la batería, alinee la lengüeta situada en el cartucho de la batería con la ranura del alojamiento e insértela. Insértela completamente hasta que quede firmemente sujeta y se bloquee con un clic. Si puede ver el indicador rojo de la zona superior del botón, significa que el cartucho no está completamente bloqueado. Instálelo completamente hasta que el indicador rojo quede oculto. De lo contrario, el cartucho puede desprenderse accidentalmente de la herramienta y causar lesiones al operario o a alguna persona que se encuentre cerca.
- No haga fuerza al instalar el cartucho de la batería. Si no se inserta suavemente, significa que no lo está instalando correctamente.

Sistema de protección de la batería (batería de iones de litio con una marca de estrella) (Fig. 8)

Las baterías de iones de litio con una marca de estrella están equipadas con un sistema de protección. Este sistema corta automáticamente la alimentación a la herramienta para ampliar la duración de la batería. La herramienta se detendrá automáticamente durante el funcionamiento si la herramienta y/o la batería se someten a los siguientes estados:












- **Sobrecarga:**
La herramienta se utiliza de una forma que hace que consuma una cantidad anómalamente alta de corriente.
En ese caso, suelte el interruptor disparador de la herramienta y detenga la aplicación que provocaba que la herramienta se sobrecargara. A continuación vuelva a accionar el interruptor disparador para reanudar las operaciones.
Si la herramienta no se pone en marcha, la batería se sobrecalienta. En ese caso, deje que la batería se enfríe antes de volver a accionar el interruptor disparador.

- Tensión de la batería baja:
La capacidad restante de la batería es demasiado baja y la herramienta no funcionará. En ese caso, extraiga y recargue la batería.

Indicación de la capacidad restante de la batería

Solamente para cartuchos de batería con el indicador (Fig. 9)

Presione el botón de comprobación en el cartucho de batería para indicar la capacidad de batería restante. Las lámparas indicadoras se iluminan durante unos pocos segundos.

Luces indicadoras			Capacidad restante
 Iluminada	 Apagado	 Parpadea	
			75% a 100%
			50% a 75%
			25% a 50%
			0% a 25%
			Cargue la batería.
			Es posible que la batería se haya averiado.

NOTA:

- En función de las condiciones de uso y de la temperatura ambiente, la indicación puede diferir ligeramente de la capacidad real.

Ajuste de la profundidad de corte (Fig. 10)

PRECAUCIÓN:

- Después de ajustar la profundidad de corte, apriete siempre la palanca con firmeza.
- Afioje la palanca del lateral del mango posterior y mueva la base hacia arriba o hacia abajo. Cuando haya alcanzado la profundidad de corte deseada, fije la base apretando la palanca.
- Para lograr cortes más limpios y seguros, fije la profundidad de corte de forma que no sobresalga más de un diente de la hoja por debajo de la pieza de trabajo. El uso de una profundidad de corte correcta ayuda a reducir la posibilidad de peligrosos contragolpes que pueden provocar lesiones personales.

Corte en bisel (Fig. 11)

Afloje el tornillo de mariposa de la base delantera y posterior. Ajuste el ángulo deseado (0° - 45°) mediante la inclinación que corresponda y apriete el tornillo de mariposa firmemente.

Visor (Fig. 12)

Para cortes rectos, alinee la posición de 0° en la parte delantera de la base con la línea de corte. Para cortes en bisel de 45°, alinee la posición de 45° con la línea de corte. La posición de la guía superior se puede ajustar.

Accionamiento del interruptor (Fig. 13)

PRECAUCIÓN:

- Antes de instalar el cartucho de la batería en la herramienta, asegúrese siempre de que el interruptor disparador funciona como es debido y que vuelve a la posición "OFF" (apagado) al soltarlo.
- No tire con fuerza del interruptor del disparador sin presionar la palanca de desbloqueo. Podría romper el interruptor.

Para evitar que el disparador del interruptor se accione accidentalmente se proporciona una palanca de bloqueo. Para poner en marcha la herramienta, presione la palanca de desbloqueo y tire del disparador del interruptor. Suelte el interruptor disparador para detener la herramienta.

ADVERTENCIA:

- Por su seguridad, esta herramienta está equipada con una palanca de bloqueo que impide que la herramienta se ponga en marcha de forma accidental. NUNCA utilice la herramienta si funciona simplemente pulsando el disparador sin presionar la palanca de desbloqueo. Devuelva la herramienta a un centro de asistencia técnica de MAKITA ANTES de continuar utilizándola.
- NUNCA fije con cinta adhesiva ni impida el funcionamiento ni la finalidad de la palanca de bloqueo.

Encendido de la lámpara

PRECAUCIÓN:

- No mire hacia la luz ni mire directamente hacia la fuente de luz. (Fig. 14)

Para encender sólo la luz, tire del interruptor disparador sin presionar la palanca de desbloqueo. Para encender la luz y utilizar la herramienta, presione la palanca de desbloqueo y tire del interruptor disparador mientras mantiene presionada la palanca de desbloqueo.

NOTA:

- Utilice un paño seco para limpiar la suciedad del cristal de la lámpara. Procure no rayar el cristal de la lámpara, puesto que puede disminuir el grado de iluminación.
- No utilice gasolina, disolvente ni ningún producto similar para limpiar la lente de la lámpara. El uso de tales sustancias dañará la lente.

MONTAJE

PRECAUCIÓN:

- Asegúrese siempre de apagar la herramienta y extraer el cartucho de la batería antes de intentar realizar cualquier tipo de operación en la herramienta.

Extracción o instalación del disco de la sierra

PRECAUCIÓN:

- Asegúrese de que el disco esté instalado con los dientes apuntando hacia la parte delantera de la herramienta.
- Utilice sólo la llave de Makita para instalar o extraer el disco. (Fig. 15)

Para extraer el disco, ejerza presión sobre el bloqueo del eje para que el disco no pueda girar y utilice la llave para aflojar el perno hexagonal en el sentido contrario a las agujas del reloj. A continuación, quite el perno hexagonal, la brida exterior y el disco.

Para instalar el disco, siga el procedimiento de extracción a la inversa. **ASEGÚRESE DE APRETAR FIRMEAMENTE EL PERNO DE CABEZA HEXAGONAL EN EL SENTIDO DE LAS AGUJAS DEL RELOJ.** (Fig. 16)

Cuando cambie el disco, asegúrese de limpiar también los protectores superior e inferior del disco de serrín acumulado. No obstante, tales esfuerzos no sustituyen la necesidad de comprobar el funcionamiento del protector inferior antes de cada uso.

Almacenamiento de la llave Allen (Fig. 17)

Cuando no la utilice, guarde la llave de Allen como se muestra en la figura para evitar que se pierda.

Conexión de una aspiradora

Accesorio opcional (Fig. 18 y 19)

Si desea realizar una operación de corte limpio, conecte una aspiradora Makita a la herramienta. Instale la boquilla de polvo en la herramienta utilizando el tornillo. A continuación, conecte una manguera de la aspiradora a la boquilla de polvo como se muestra en la figura.

FUNCIONAMIENTO

PRECAUCIÓN:

- Inserte siempre el cartucho de la batería hasta que quede completamente sujeto. Si puede ver la parte roja de la zona superior del botón, significa que el cartucho no está completamente bloqueado. Insértelo completamente hasta que la parte roja quede oculta. De lo contrario, el cartucho puede desprenderse accidentalmente de la herramienta y causar lesiones al operario o a alguna persona que se encuentre cerca.
- Asegúrese de desplazar la herramienta suavemente hacia delante en línea recta. Si se fuerza o se retuerce la herramienta se provocará un sobrecalentamiento del motor y un peligroso contragolpe, que puede causar graves lesiones personales.
- Si la herramienta se utiliza continuamente hasta que el cartucho de la batería se descarga, deje reposar la herramienta durante 15 minutos antes de continuar con una batería cargada. (Fig. 20)

Sujete con fuerza la herramienta. La herramienta se suministra con una empuñadura delantera y un mango trasero. Utilice ambos elementos para sujetar mejor la herramienta. Si sujeta la sierra con las dos manos, no sufrirá cortes de la hoja. Coloque la base sobre la pieza de trabajo que debe cortarse sin que el disco realice ningún contacto. A continuación, encienda la herramienta y espere hasta que el disco alcance la velocidad máxima.

Ahora sólo tiene que empujar la herramienta hacia delante sobre la superficie de la pieza de trabajo, manteniéndola plana y avanzando suavemente hasta que el proceso de serrado se haya completado.

Para obtener cortes limpios, mantenga la línea de serrado recta y la velocidad de avance uniforme. Si el corte no sigue correctamente la línea de corte prevista, no intente girar la herramienta ni la fuerza para volver a la línea de corte. El disco puede agarrarse y provocar peligrosos contragolpes y posibles lesiones graves. Suelte el interruptor, espere a que el disco se pare y retire la herramienta. Vuelva a alinear la herramienta sobre la línea de corte y reinicie el corte. Intente no colocarse en una postura que exponga al operario a astillas y serrín que se expulsan desde la sierra. Utilice protección ocular para evitar lesiones.

Tope lateral (regla de guía) (Fig. 21)

El útil tope lateral permite realizar cortes rectos de gran precisión. Sólo tiene que deslizar el tope lateral cómodamente hasta el lateral de la pieza de trabajo y fijarlo en posición con la palanca de fijación de la parte delantera de la base. También hace que los cortes repetidos sean del ancho más uniforme posible.

MANTENIMIENTO

PRECAUCIÓN:

- Asegúrese de apagar siempre la herramienta y extraer el cartucho de la batería antes de intentar realizar cualquier trabajo de inspección o mantenimiento en ella.
- **Limpie los protectores superior e inferior para asegurarse de que no se haya acumulado serrín, lo que podría impedir el funcionamiento del sistema de protección inferior.** Un sistema de protección sucio puede limitar el funcionamiento correcto, lo que podría provocar graves lesiones personales. La forma más efectiva de realizar la limpieza es utilizar aire comprimido. **Si está soplando el polvo para retirar de los protectores, asegúrese de utilizar una protección adecuada para los ojos y el sistema respiratorio.**
- Nunca utilice gasolina, benceno, disolvente, alcohol o un producto similar. Se puede provocar una decoloración, una deformación o grietas.

Ajustar la precisión para obtener un corte de 90° (corte vertical) (Fig. 22 y 23)

Este ajuste se ha realizado en fábrica. Pero si, está desactivado, ajuste la posición del tornillo de ajuste mientras realiza una inspección a 90° respecto a la base, mediante una escuadra o una regla, etc.

Ajuste del paralelismo (Fig. 24)

El paralelismo entre la hoja y la base se ha ajustado en fábrica. Pero si está desajustado, puede ajustarlo siguiendo este procedimiento. Asegúrese de que todas las palancas y los tornillos estén ajustados. Afloje el tornillo ligeramente de acuerdo con la ilustración. Mientras está abierto el protector inferior, mueva la parte posterior de la base de forma que la distancia entre A y B sea la misma. Tras el ajuste, apriete

el tornillo. Realice un corte de prueba para obtener un paralelismo correcto.

Sustitución de las escobillas de carbón (Fig. 25)

Extraiga y compruebe periódicamente las escobillas de carbón. Cámbielas cuando el desgaste alcance la marca de límite. Mantenga las escobillas de carbón limpias y de forma que entren libremente en el portaescobillas. Ambas escobillas de carbón deberán ser sustituidas al mismo tiempo. Utilice únicamente escobillas de carbón idénticas. (Fig. 26)

Utilice un destornillador para extraer las tapas de los portaescobillas. Extraiga las escobillas de carbón gastadas, inserte las nuevas y vuelva a fijar los tapones portaescobillas.

Para mantener la SEGURIDAD y la FIABILIDAD del producto, las reparaciones y cualquier otra tarea de mantenimiento o ajuste deberán ser realizadas en centros de servicio autorizados por Makita, utilizando siempre repuestos Makita.

ACCESORIOS OPCIONALES

PRECAUCIÓN:

- Se recomienda el uso de estos accesorios o complementos con la herramienta Makita especificada en este manual. El uso de otros accesorios o complementos puede conllevar el riesgo de ocasionar daños corporales. Utilice los accesorios o complementos solamente para su fin establecido.

Si necesita cualquier ayuda para obtener más información relativa a estos accesorios, pregunte a su centro de servicio Makita local.

- Hojas de sierra
- Tope lateral (regla de guía)
- Llave Allen 5
- Boquilla para el polvo
- Adaptador para carril de guía
- Carril de guía
- Diversos tipos de baterías y cargadores originales de Makita

NOTA:

- Algunos elementos de la lista se pueden incluir en el paquete de la herramienta como accesorios estándar. Pueden ser diferentes de un país a otro.

Ruido

Niveles típicos de ruido ponderado A determinados conforme a EN62841:

Nivel de presión de sonido (L_{pA}): 91 dB (A)

Nivel de potencia sonora (L_{WA}): 99 dB (A)

Incertidumbre (K): 3 dB (A)

ENG907-1

- El valor (o los valores) de emisión de ruido declarado ha sido medido de acuerdo con un método de prueba estándar y se puede utilizar para comparar una herramienta con otra.
- El valor (o valores) de emisión de ruido declarado también se puede utilizar en una valoración preliminar de exposición.

ADVERTENCIA:

- Póngase protectores para oídos.

- La emisión de ruido durante la utilización real de la herramienta eléctrica puede variar del valor (o los valores) de emisión declarado dependiendo de las formas en las que la herramienta sea utilizada, especialmente qué tipo de pieza de trabajo se procesa.
- Asegúrese de identificar medidas de seguridad para proteger al operario que estén basadas en una estimación de la exposición en las condiciones reales de utilización (teniendo en cuenta todas las partes del ciclo operativo como las veces cuando la herramienta está apagada y cuando está funcionando en vacío además del tiempo de gatillo).

Vibración

ENG900-1

Valor total de la vibración (suma de vectores triaxiales) determinado según el estándar EN62841:

Modo de trabajo: corte de madera aglomerada

Emisión de vibraciones ($a_{h,CW}$): 2,5 m/s² o menos

Incertidumbre (K): 1,5 m/s²

ENG901-2

- El valor (o los valores) total de emisión de vibración declarado ha sido medido de acuerdo con un método de prueba estándar y se puede utilizar para comparar una herramienta con otra.
- El valor (o los valores) total de emisión de vibración declarado también se puede utilizar en una valoración preliminar de exposición.

ADVERTENCIA:

- La emisión de vibración durante la utilización real de la herramienta eléctrica puede variar del valor (o los valores) de emisión declarado dependiendo de las formas en las que la herramienta sea utilizada, especialmente qué tipo de pieza de trabajo se procesa.
- Asegúrese de identificar medidas de seguridad para proteger al operario que estén basadas en una estimación de la exposición en las condiciones reales de utilización (teniendo en cuenta todas las partes del ciclo operativo como las veces cuando la herramienta está apagada y cuando está funcionando en vacío además del tiempo de gatillo).

Declaraciones de conformidad

Para países europeos solamente

Las declaraciones de conformidad están incluidas como Anexo A de este manual de instrucciones.

PORTUGUÊS (Instruções de origem)

Descrição geral

- | | | |
|-------------------------|--------------------------|--|
| 1. Indicador vermelho | 13. Guia superior | 25. Parafuso de polegar |
| 2. Botão | 14. Gatilho | 26. Tubo flexível |
| 3. Bateria | 15. Alavanca de bloqueio | 27. Aspirador |
| 4. Marca de estrela | 16. Luz | 28. Alavanca de fixação |
| 5. Lâmpadas indicadoras | 17. Bloqueio do veio | 29. Vedação para escarificação (guia paralela) |
| 6. Botão de verificação | 18. Chave sextavada | 30. Parafuso de regulação |
| 7. Alavanca | 19. Desapertar | 31. Guia triangular |
| 8. Parafuso de orelhas | 20. Parafuso sextavado | 32. Base |
| 9. Linha de corte | 21. Flange exterior | 33. Marca limite |
| 10. Posição 45° | 22. Lâmina | 34. Tampa do porta-escovas |
| 11. Posição 0° | 23. Flange interior | 35. Chave de parafusos |
| 12. Parafuso | 24. Bocal do pó | |

ESPECIFICAÇÕES

Modelo	DHS630	
Diâmetro da lâmina	165 mm	
Profundidade máxima de corte	a 90°	66 mm
	a 45°	46 mm
Velocidade de rotação sem carga (min. ⁻¹)	3.100	
Comprimento total	346 mm	
Peso líquido	3,0 - 3,4 kg	
Tensão nominal	C.C. 18V	

- Devido à pesquisa e desenvolvimento constantes, estas especificações estão sujeitas a alteração sem aviso prévio.
- Estas especificações podem diferir de país para país.
- O peso pode variar dependendo do(s) acessório(s), incluindo a bateria. A combinação mais leve e a mais pesada, de acordo com o procedimento EPTA 01/2014, são apresentadas na tabela.

Bateria e carregador aplicáveis

Bateria	BL1815N/BL1820/BL1820B/BL1830/BL1830B/BL1840/BL1840B/BL1850/BL1850B/BL1860B
Carregador	DC18RC/DC18RD/DC18RE/DC18SD/DC18SE/DC18SF

- Algumas baterias e carregadores indicados acima podem não estar disponíveis consoante a região de residência.

AVISO:

- **Utilize apenas os tipos de bateria e carregador indicados acima.** A utilização de qualquer outra bateria ou carregador pode criar um risco de ferimentos e/ou incêndios.


Utilização prevista

ENE028-1

Esta ferramenta destina-se a efectuar cortes rectos ao comprido e laterais e cortes angulares em madeira, mantendo um contacto firme com a peça de trabalho.

Avisos gerais de segurança para ferramentas elétricas

GEA010-2

 **AVISO: Leia todos os avisos de segurança, instruções, ilustrações e especificações fornecidos com esta ferramenta elétrica.** O não cumprimento de todas as instruções indicadas em baixo pode resultar em choque elétrico, incêndio e/ou ferimentos graves.

Guarde todos os avisos e instruções para futuras referências.

O termo “ferramenta elétrica” nos avisos refere-se às ferramentas elétricas ligadas à corrente elétrica (com cabo) ou às ferramentas elétricas operadas por meio de bateria (sem cabo).

AVISOS DE SEGURANÇA DA SERRA CIRCULAR A BATERIA

GEB151-1

Procedimentos de corte

1. **⚠ PERIGO:** Mantenha as mãos afastadas da área de corte e da lâmina. Mantenha a outra mão na pega auxiliar ou na caixa do motor. Se as duas mãos estiverem a pegar na serra, não podem ser cortadas pela lâmina.
2. **Não toque na superfície inferior da peça de trabalho.** O resguardo não o protege da lâmina debaixo da peça de trabalho.
3. **Regule a profundidade do corte em relação à espessura da peça de trabalho.** Só deve ser possível ver menos de um dente completo da lâmina sob a peça de trabalho.
4. **Nunca segure a peça de trabalho nas mãos ou apoiada em sua perna enquanto efetua o corte. Fixe a peça de trabalho numa plataforma estável.** É importante apoiar a peça de trabalho de forma apropriada para minimizar a exposição do corpo, a dobragem da lâmina ou a perda de controlo. (Fig. 1)
5. **Agarre na ferramenta elétrica pelas superfícies isoladas preparadas para esse fim quando executar uma operação em que a ferramenta de corte possa entrar em contacto com cablagem escondida ou o próprio cabo.** O contacto com um fio "sob tensão" também fará com que as partes de metal expostas da ferramenta elétrica fiquem "sob tensão", provocando um choque elétrico ao operador.
6. **Em escarificação use sempre uma guia paralela ou uma guia reta.** Melhora a precisão do corte e reduz a possibilidade de a lâmina encravar.
7. **Use sempre lâminas com o tamanho e forma (diamante versus redonda) corretos de orifícios do eixo.** As lâminas que não correspondem ao equipamento de montagem da serra desviar-se-ão do centro, causando perda de controlo.
8. **Nunca utilize arruelas ou Pernos de lâmina estragados ou incorretos.** As arruelas e Pernos da lâmina foram concebidos para a sua serra, para maior rendimento e segurança na operação.

Causas e avisos sobre recuos

- o recuo é uma reação súbita a uma lâmina de serra apertada, encravada ou desalinhada, fazendo com que uma serra descontrolada se eleve e saia da peça de trabalho em direção ao operador;
- quando a lâmina é apertada ou encravada pelo fecho do corte, a lâmina para e a reação do motor aciona a unidade rapidamente para trás em direção ao operador;
- se a lâmina ficar torta ou mal alinhada no corte, os dentes na extremidade traseira da lâmina podem perfurar a superfície superior da madeira fazendo com que a lâmina suba no corte e salte em direção ao operador.

O recuo é o resultado de má utilização da serra e/ou de procedimentos ou condições de funcionamento incorretos e pode ser evitado tomando as precauções adequadas como indicado abaixo.

1. **Mantenha a serra bem agarrada com as duas mãos e posicione os braços para resistir às forças de recuo. Posicione o seu corpo num dos lados da**

lâmina, mas nunca alinhado com a lâmina. O recuo pode fazer com que a serra salte para trás, mas as forças de recuo podem ser controladas pelo operador se forem tomadas as precauções apropriadas.

2. **Se a lâmina está presa ou se, por qualquer razão, interromper o corte, solte o gatilho e agarre na serra parada no material até que a lâmina pare completamente. Nunca tente retirar a serra da peça de trabalho nem puxar a serra para trás enquanto a lâmina está em movimento, pois pode ocorrer recuo.** Investigue e execute as ações corretivas para eliminar as causas de a lâmina encravar.
3. **Quando efetuar o rearranque de uma serra na peça de trabalho, centre a lâmina da serra no corte, de modo a que os dentes da serra não fiquem engatados no material.** Se uma lâmina de serra dobrar, poderá levantar ou recuar da peça de trabalho à medida que é efetuado o rearranque da serra.
4. **Suporte os painéis grandes para minimizar o risco de a lâmina prender e recuar.** Os painéis grandes tendem a ceder sob o próprio peso. Os suportes devem ser colocados sob o painel, nos dois lados, perto da linha de corte e perto da extremidade do painel. (Fig. 2 e 3)
5. **Não utilize lâminas rombas ou estragadas.** As lâminas não afiadas ou mal colocadas produzem um corte estreito causando fricção excessiva, encravamento da lâmina e recuo.
6. **As alavancas de bloqueio de regulação de profundidade e ângulo de corte devem estar apertadas e presas antes de fazer o corte.** Se a regulação da lâmina se alterar durante o corte, pode causar encravamento e recuo.
7. **Tenha cuidado especialmente ao serrar em paredes existentes ou outras áreas ocultas.** A lâmina saliente pode cortar objetos que podem originar recuo.
8. **Agarre SEMPRE na ferramenta firmemente com as duas mãos. NUNCA coloque as mãos, pernas ou outra parte do corpo por baixo da base da ferramenta ou por trás da serra, especialmente quando executar cortes cruzados.** Se ocorrer recuo, a serra pode facilmente saltar para trás sobre a sua mão, ocasionando ferimentos pessoais graves. (Fig. 4)
9. **Nunca force a serra. Empurre a serra para a frente a uma velocidade tal em que a lâmina corte sem perder velocidade.** Forçar a serra pode causar cortes desiguais, perda de precisão e possível recuo.

Função do resguardo

1. **Verifique se o resguardo inferior fecha bem antes de cada utilização. Não utilize a serra se o resguardo inferior não se movimentar livremente e fechar instantaneamente. Nunca fixe nem prenda o resguardo inferior na posição de aberto.** Se deixar cair a serra acidentalmente, o resguardo inferior pode ficar dobrado. Levante o resguardo inferior com a pega retratora e certifique-se de que se movimenta livremente e não toca na lâmina ou em qualquer outra parte, em todos os ângulos e profundidades de corte.

2. **Verifique o funcionamento da mola do resguardo inferior. Se o resguardo e a mola não estiverem a funcionar corretamente, devem ser reparados antes da utilização.** O resguardo inferior pode funcionar mal devido a peças danificadas, depósitos pegajosos ou acumulação de resíduos.
3. **O resguardo inferior pode ser retraído manualmente só para cortes especiais como “cortes penetrantes” e “cortes compostos”.** Levante o resguardo inferior pela pega retratora e assim que a lâmina entrar no material, deve libertar o resguardo inferior. Para todos os restantes tipos de corte, o resguardo inferior deve funcionar automaticamente.
4. **Certifique-se sempre de que o resguardo inferior está a cobrir a lâmina antes de colocar a serra sobre a bancada ou no chão.** Uma lâmina sem proteção, a rodar por inércia, fará com que a serra recue cortando tudo o que estiver no seu caminho. Preste atenção ao tempo que a lâmina leva a parar depois de soltar o gatilho.
5. **Para verificar o resguardo inferior, abra-o à mão, depois solte-o e observe se o resguardo se fecha. Certifique-se também de que a pega retratora não toca na caixa da ferramenta.** Deixar a lâmina exposta é MUITO PERIGOSO e pode originar ferimentos pessoais graves.

Avisos adicionais de segurança

1. **Tenha extremo cuidado quando cortar madeira húmida, madeira prensada ou madeira que contenha nós.** Mantenha o avanço suave da ferramenta sem diminuir a velocidade da lâmina para evitar o superaquecimento das pontas da lâmina.
2. **Não tente retirar material cortado quando a lâmina está em movimento. Espere até que a lâmina esteja completamente parada antes de pegar no material cortado.** A lâmina continua a rodar depois de desligar a ferramenta.
3. **Evite cortar pregos. Inspeccione e retire todos os pregos da madeira antes de cortar.**
4. **Coloque a parte mais larga da base da serra na parte da peça de trabalho que está firmemente suportada e não na secção que cairá quando faz o corte. Se a peça de trabalho for curta ou pequena, prenda-a com grampos de fixação. NÃO TENTE AGARRAR PEÇAS PEQUENAS COM A MÃO! (Fig. 5)**
5. **Antes de colocar a ferramenta de lado depois de terminar um corte, certifique-se de que o resguardo fechou e que a lâmina está completamente parada.**
6. **Nunca tente serrar com a serra circular presa ao contrário num torno. É extremamente perigoso e pode originar acidentes graves. (Fig. 6)**
7. **Alguns materiais contêm químicos que podem ser tóxicos. Tenha cuidado para evitar a inalação de pó e o contacto com a pele. Siga os dados de segurança do fornecedor.**
8. **Não pare as lâminas por meio de pressão lateral na lâmina de serra.**
9. **Não utilize discos abrasivos.**
10. **Utilize apenas uma lâmina de serra que tenha o diâmetro marcado na ferramenta ou especificado no manual.** A utilização de uma lâmina de tamanho

incorreto pode afetar a proteção adequada da lâmina ou a operação de resguardo, o que pode resultar em ferimentos pessoais graves.

11. **Mantenha a lâmina afiada e limpa.** Os resíduos acumulados e pastosos tornam a serra mais lenta e aumentam a possibilidade de recuo. Mantenha a lâmina limpa retirando-a primeiro da ferramenta e limpando-a com um produto para remoção de resíduos pastosos, água quente ou querosene. Nunca utilize gasolina.
12. **Use uma máscara contra o pó e proteção auricular quando utilizar a ferramenta.**
13. **Use sempre a lâmina de serra prevista para cortar o material que vai cortar.**
14. **Apenas use lâminas de serra marcadas com uma velocidade igual ou superior à velocidade marcada na ferramenta.**
15. **(Apenas para países europeus) Use sempre a lâmina que possui conformidade com a EN847-1.**

GUARDE ESTAS INSTRUÇÕES.

⚠ AVISO: NÃO permita que o conforto ou familiaridade com o produto (adquirido com o uso repetido) substitua o cumprimento estrito das regras de segurança da ferramenta. A MÁ INTERPRETAÇÃO ou o não seguimento das regras de segurança estabelecidas neste manual de instruções pode provocar ferimentos pessoais graves.

INSTRUÇÕES DE SEGURANÇA IMPORTANTES PARA A BATERIA

ENC007-12

1. **Antes de utilizar a bateria, leias as instruções e chamadas de atenção sobre: (1) o carregador da bateria, (2) a bateria e (3) o produto que utiliza a bateria.**
2. **Não desmonte a bateria.**
3. **Se o tempo de utilização com a bateria se tornar demasiado curto, deve parar imediatamente. Se continuar, pode causar superaquecimento, incêndio e mesmo explosão.**
4. **Se o electrólito entrar em contacto com os olhos, enxagúe-os com água limpa e consulte imediatamente um médico. Os riscos incluem perda de visão.**
5. **Não provoque um curto-circuito na bateria:**
 - (1) **Não deixe que quaisquer materiais condutores entrem em contacto com os terminais da bateria.**
 - (2) **Evite guardar a bateria juntamente com outros objectos de metal como pregos, moedas, etc.**
 - (3) **Não exponha a bateria a água ou chuva.**
6. **Um curto-circuito na bateria pode criar uma grande carga eléctrica, superaquecimento, possíveis queimaduras e mesmo uma avaria.**
7. **Não guarde a ferramenta e a bateria em locais onde a temperatura possa atingir ou exceder 50°C (122°F).**

7. **Não incinere a bateria, nem mesmo se esta estiver irremediavelmente danificada ou completamente gasta. Pode explodir num incêndio.**
8. **Não a deixe cair e evite o choque com outros objectos.**
9. **Não utilize uma bateria danificada.**
10. **As baterias de iões de lítio contidas na ferramenta são sujeitas aos requisitos da DGL (Dangerous Goods Legislation - Legislação de bens perigosos).**

Para o transporte comercial, por exemplo, por terceiros ou agentes de expedição, têm de ser observados os requisitos referentes à embalagem e etiquetagem.

Para preparação do artigo a ser expedido, é necessário consultar um perito em materiais perigosos. Tenha ainda em conta a possibilidade de existirem regulamentos nacionais mais detalhados. Coloque fita-cola ou tape os contactos abertos e embale a bateria de tal forma que não possa mover-se dentro da embalagem.
11. **Siga os regulamentos locais relacionados com a eliminação da bateria.**
12. **Use as baterias apenas com os produtos especificados pela Makita.** A instalação de baterias em produtos que não estão em conformidade pode resultar num incêndio, calor excessivo, explosão ou fuga de eletrólito.

GUARDE ESTAS INSTRUÇÕES.

⚠ PRECAUÇÃO: Utilize apenas baterias genuínas da Makita.

A utilização de baterias não genuínas da Makita ou de baterias que foram alteradas, pode resultar no reventamento da bateria provocando incêndios, ferimentos pessoais e danos. Além disso, anulará da garantia da Makita no que se refere à ferramenta e ao carregador Makita.

Sugestões para o máximo de tempo de vida da bateria

1. **Não espere que a bateria se gaste completamente para voltar a carregá-la.**
Pare a ferramenta e carregue a bateria sempre que detectar um baixo nível de energia.
2. **Nunca volte a carregar uma bateria já completamente carregada.**
O carregamento excessivo diminui o tempo de vida das baterias.
3. **Carregue a bateria em locais onde a temperatura se situe entre 10°C e 40°C (50°F - 104°F). Se a bateria estiver quente, deixe-a arrefecer antes de iniciar o carregamento.**
4. **Carregue a bateria em caso de inatividade durante um longo período de tempo (mais de seis meses).**

DESCRIÇÃO DO FUNCIONAMENTO

⚠ PRECAUÇÃO:

- Certifique-se sempre de que a ferramenta está desligada e que a bateria foi removida antes de proceder a ajustes ou testar acessórios.

Instalar ou retirar a bateria (Fig. 7)

- Desligue sempre a ferramenta antes de colocar ou remover a bateria.
- Para retirar a bateria, mantenha premido o botão na frente da bateria e puxe.
- Para colocar a bateria, alinhe a respectiva saliência com a calha do compartimento e encaixe-a suavemente. Insira-a completamente até fixar em posição com um clique. Se ainda estiver visível o indicador vermelho na parte superior do botão, não estará bem encaixado. Coloque-a completamente, até deixar de ver o indicador vermelho. Caso contrário, pode cair da ferramenta e causar ferimentos em si, ou em alguém que esteja perto de si.
- Não exerça força ao colocar a bateria. Se não encaixar facilmente é porque não está correctamente posicionada.

Sistema de protecção da bateria (Bateria de iões de lítio com uma marca de estrela) (Fig. 8)

As baterias de iões de lítio com uma marca de estrela estão equipadas com um sistema de protecção. Este sistema corta automaticamente a alimentação para prolongar a vida útil da bateria.

A ferramenta pára automaticamente durante o funcionamento quando a ferramenta e/ou bateria são colocadas numa das condições seguintes:

- Sobrecarregada:
A ferramenta é utilizada de tal forma que atrai uma corrente involuntariamente alta.
Nesta situação, solte o gatilho da ferramenta e pare a aplicação que causou a sobrecarga. De seguida, prima novamente o gatilho para reiniciar.
Se a ferramenta não ligar, a bateria está sobreaquecida. Nesta situação, deixe a bateria arrefecer antes de premir novamente o gatilho.
- Tensão baixa da bateria:
A carga restante da bateria é demasiado baixa e a ferramenta não funciona. Nesta situação, retire e recarregue a bateria.

Indicar a carga restante da bateria

Apenas para baterias com indicador (Fig. 9)

Prima o botão de verificação na bateria para indicar a capacidade restante da bateria. As luzes indicadoras acendem durante alguns segundos.

Lâmpadas indicadoras			Carga restante
Acesa	Apagada	Intermitente	
	■ ■ ■ ■		75% a 100%
	■ ■ ■ □		50% a 75%
	■ ■ □ □		25% a 50%
	■ □ □ □		0% a 25%
▬	□ □ □ □		Carregue a bateria.
■ ■ □ □	□ □ ■ ■		A bateria pode ter avariado.

NOTA:

- Consoante as condições de utilização e a temperatura ambiente, a indicação pode ser ligeiramente diferente da carga real.

Ajustar a profundidade de corte (Fig. 10)

⚠ PRECAUÇÃO:

- Após regular a profundidade de corte, aperte sempre bem a alavanca.

Desaperte a alavanca na parte lateral da alavanca posterior e mova a base para cima ou para baixo. Na profundidade de corte pretendida, fixe a base apertando a alavanca.

Para cortes mais limpos e seguros, defina a profundidade de corte de forma a que não mais de um dente de uma lâmina seja projectado abaixo da peça de trabalho.

Utilizar uma profundidade de corte correcta reduz o potencial para recusos perigosos que podem causar ferimentos pessoais.

Corte em bisel (Fig. 11)

Solte o parafuso de orelhas na base dianteira e traseira. Regule para o ângulo pretendido (0° - 45°) inclinando de forma correcta e aperte bem o parafuso de orelhas.

Alinhamento (Fig. 12)

Para cortes a direito, alinhe a posição 0° na frente da base com a linha de corte. Para cortes de bisel de 45°, alinhe-a com a posição 45°. A posição da guia superior é ajustável.

Acção do interruptor (Fig. 13)

⚠ PRECAUÇÃO:

- Antes de colocar a bateria na ferramenta, verifique se o gatilho está a funcionar correctamente e se regressa à posição "OFF" quando o solta.
- Não puxe com força o gatilho sem pressionar a alavanca de bloqueio. Isto poderá quebrar o interruptor.

Para evitar que o gatilho seja acidentalmente puxado, é fornecida uma alavanca de bloqueio. Para iniciar a

ferramenta, pressione a alavanca de bloqueio e puxe o gatilho. Para parar a ferramenta, solte o gatilho.

⚠ AVISO:

- Para a sua segurança, esta ferramenta está equipada com uma alavanca de bloqueio, o que evita que a ferramenta se ligue acidentalmente. NUNCA utilize a ferramenta se esta funcionar quando premir o gatilho sem premir a alavanca de bloqueio. Devolva a ferramenta a um centro de serviço MAKITA para que seja correctamente reparada ANTES de utilizar.
- NUNCA coloque fita-cola ou desactive o objectivo e função da alavanca de bloqueio.

Acender a lâmpada

⚠ PRECAUÇÃO:

- Não olhe directamente para a luz da ferramenta. (Fig. 14)

Para apenas acender a luz, puxe o gatilho sem premir a alavanca de bloqueio. Para acender a luz e accionar a ferramenta, prima a alavanca de bloqueio e puxe o gatilho premindo a alavanca de bloqueio.

NOTA:

- Para limpar a lâmpada, utilize um tecido seco. Tenha cuidado para não riscar a lente da lâmpada, pois poderia diminuir a intensidade da iluminação.
- Não utilize gasolina, diluente ou semelhantes para limpar a lente de uma lâmpada. Utilizar tais substâncias danificará a lente.

MONTAGEM

⚠ PRECAUÇÃO:

- Certifique-se sempre de que a ferramenta está desligada e a bateria removida, antes de efectuar qualquer operação na ferramenta.

Remover ou instalar a lâmina da serra

⚠ PRECAUÇÃO:

- Certifique-se de que a lâmina está instalada com os dentes a apontar para a frente da ferramenta.
- Utilize apenas uma chave Makita para instalar ou remover a lâmina. (Fig. 15)

Para remover a lâmina, prima o bloqueio do veio de forma a que a lâmina não possa voltar-se e utilize a chave para desapertar o parafuso sextavado no sentido contrário ao dos ponteiros do relógio. De seguida, remova o parafuso sextavado, flange exterior e lâmina.

Para instalar a lâmina, siga o procedimento inverso de remoção. **CERTIFIQUE-SE DE QUE APERTA BEM O PARAFUSO SEXTAVADO NO SENTIDO DOS PONTEIROS DO RELÓGIO. (Fig. 16)**

Quando mudar a lâmina, certifique-se de que limpa igualmente o serrim acumulado das protecções superiores e inferiores da lâmina. No entanto, tais esforços não substituem a necessidade de verificar o funcionamento da protecção inferior antes de cada utilização.

Armazenamento da chave sextavada (Fig. 17)

Quando não estiver a ser utilizada, guarde a chave sextavada tal como indicado na ilustração, para evitar que se perca.

Ligar um aspirador

Acessório opcional (Fig. 18 e 19)

Quando pretender efectuar uma operação de corte limpo, ligue um aspirador Makita à sua ferramenta. Instale o pino de pó na ferramenta utilizando o parafuso. De seguida, ligue um tubo flexível do aspirador ao bico de pó, tal como indicado na ilustração.

FUNCIONAMENTO

⚠ PRECAUÇÃO:

- Introduza sempre o cartucho da bateria até ao fundo, até que encaixe. Se ainda estiver visível a peça vermelha na parte superior do botão, não estará bem encaixada. Insira-a completamente, até deixar de ver a peça vermelha. Caso contrário, pode cair da ferramenta e causar ferimentos em si, ou em alguém que esteja perto de si.
- Certifique-se de que move suavemente a ferramenta para a frente numa linha recta. Forçar ou torcer a ferramenta resultará num sobreaquecimento do motor e recuos perigosos, causando possivelmente ferimentos graves.
- Se mantiver a ferramenta a funcionar ininterruptamente até a bateria se gastar completamente, deixe-a em repouso durante 15 minutos antes de substituir a bateria. (Fig. 20)

Segure bem na ferramenta. A ferramenta é fornecida com um apoio dianteiro e pega traseira. Utilize ambos para agarrar bem a ferramenta. Se ambas as mãos estiverem a segurar a serra, não podem ser cortadas pela lâmina. Defina a base na peça de trabalho a cortar, sem que a lâmina faça qualquer contacto. De seguida, ligue a ferramenta e aguarde até que a lâmina atinja a velocidade máxima. Agora, basta mover a ferramenta para a frente na superfície da peça de trabalho, mantendo-a nivelada e avançando suavemente até que termine de serrar.

Para obter cortes limpos, mantenha a linha de serra a direito e a velocidade de avanço uniforme. Se o corte não seguir de forma adequada a linha de corte pretendida, não tente rodar ou forçar a ferramenta novamente para a linha de corte. Ao fazê-lo poderá dobrar a lâmina e levar a recuos perigosos e possíveis ferimentos graves. Solte o interruptor, aguarde que a lâmina pare e retire a ferramenta. Realinhe a ferramenta numa nova linha de corte e comece outra vez a cortar. Tente evitar um posicionamento que exponha o operador a farpas e serrim que são ejectados da serra. Use protecção para os olhos para ajudar a evitar ferimentos.

Vedação para escarificação (guia paralela) (Fig. 21)

A vedação para escarificação permite que faça cortes a direito bastante precisos. Basta deslizar a vedação para escarificação ao longo da peça de trabalho e fixe-a com a alavanca de fixação na frente da base. Possibilita

igualmente que faça cortes repetidos com larguras uniformes.

MANUTENÇÃO

⚠ PRECAUÇÃO:

- Certifique-se sempre de que a ferramenta está desligada e a bateria removida antes de efectuar operações de inspecção ou de manutenção.
- **Limpe o resguardo superior e inferior para garantir que não existe serrim acumulado que possa impedir o funcionamento do sistema de protecção inferior.** Um sistema de protecção sujo pode limitar o funcionamento adequado, o que pode resultar em ferimentos pessoais graves. A forma mais eficiente de efectuar esta limpeza é com ar comprimido. **Se estiver a limpar o pó dos resguardos, certifique-se de que utiliza protecção ocular e respiratória adequada.**
- Nunca utilize gasolina, benzina, diluente, álcool ou semelhante. Podem formar-se descolorações, deformações ou fissuras.

Regular para precisão de cortes a 90° (corte vertical) (Fig. 22 e 23)

Esta regulação foi feita na fábrica. Mas se estiver incorrecta, ajuste o parafuso de regulação com uma chave sextavada enquanto inspeciona 90° da lâmina com a base, utilizando uma régua triangular ou régua quadrada, etc.

Ajustar o paralelismo (Fig. 24)

O paralelismo entre a lâmina e a base foi ajustado de fábrica. Mas, se estiver incorrecto, pode ajustá-lo seguindo o procedimento seguinte.

Certifique-se de que todas as alavancas e os parafusos estão apertados. Solte ligeiramente o parafuso, como ilustrado. Ao abrir a protecção inferior, mova a parte traseira da base de forma a que a distância entre A e B seja igual. Após o ajuste, aperte o parafuso. Faça um corte de teste para obter o paralelismo correcto.

Substituição das escovas de carvão (Fig. 25)

Remova e verifique regularmente as escovas de carvão. Substitua-as quando o desgaste atingir a marca limite. Mantenha-as limpas para poderem deslizar no porta-escovas. Substitua as duas ao mesmo tempo. Utilize unicamente escovas de carvão idênticas. (Fig. 26) Utilize uma chave de parafusos para remover as tampas do porta-escovas. Retire as escovas usadas, coloque umas novas e fixe as tampas do porta-escovas. Para manter os níveis de SEGURANÇA e FIABILIDADE definidos para este produto, as reparações e os procedimentos de manutenção ou ajustes devem ser executados por centros de assistência Makita autorizados, utilizando sempre peças de substituição Makita.

ACESSÓRIOS OPCIONAIS

⚠ PRECAUÇÃO:

- Os seguintes acessórios ou extensões são os recomendados para utilizar com a ferramenta Makita

especificada neste manual. A utilização de quaisquer outros acessórios poderá representar um risco de ferimento para as pessoas. Apenas utilize o acessório para o fim indicado.

Se precisar de informações adicionais relativas aos acessórios, contacte o centro local de assistência Makita.

- Lâminas da serra
- Vedação para escarificação (guia paralela)
- Chave sextavada 5
- Bico de pó
- Adaptador do carril de guia
- Carril de guia
- Vários tipos de baterias e carregadores Makita genuínos

NOTA:

- Alguns itens na lista podem estar incluídos no pacote de ferramentas como acessórios de série. Podem diferir de país para país.

Ruído

O nível de ruído ponderado A típico determinado, de acordo com EN62841:

Nível de pressão sonora (L_{pA}): 91 dB (A)

Nível de potência sonora (L_{WA}): 99 dB (A)

Incerteza (K): 3 dB (A)

ENG907-1

- O(s) valor(es) da emissão de ruído indicado(s) foi medido de acordo com um método de teste padrão e pode ser utilizado para comparar duas ferramentas.
- O(s) valor(es) da emissão de ruído indicado(s) pode também ser utilizado na avaliação preliminar da exposição.

⚠ AVISO:

- **Utilize protetores auriculares.**
- **A emissão de ruído durante a utilização real da ferramenta elétrica pode diferir do(s) valor(es) indicado(s), dependendo das formas como a ferramenta é utilizada, especialmente o tipo de peça de trabalho que é processada.**
- **Certifique-se de identificar as medidas de segurança para proteção do operador que sejam baseadas em uma estimativa de exposição em condições reais de utilização (considerando todas as partes do ciclo de operação, tal como quando a ferramenta está desligada e quando está a funcionar em marcha lenta além do tempo de acionamento).**

Vibração

ENG900-1

O valor total de vibração (soma vector triaxial) determinado, de acordo com EN62841:

Modo de trabalho: corte de tiras de madeira

Emissão de vibração ($a_{h,CW}$): 2,5 m/s² ou menos

Incerteza (K): 1,5 m/s²

ENG901-2

- O(s) valor(es) total(ais) de vibração indicado(s) foi medido de acordo com um método de teste padrão e pode ser utilizado para comparar duas ferramentas.
- O(s) valor(es) total(ais) de vibração indicado(s) pode também ser utilizado na avaliação preliminar da exposição.

⚠ AVISO:

- **A emissão de vibração durante a utilização real da ferramenta elétrica pode diferir do(s) valor(es) indicado(s), dependendo das formas como a ferramenta é utilizada, especialmente o tipo de peça de trabalho que é processada.**
- **Certifique-se de identificar as medidas de segurança para proteção do operador que sejam baseadas em uma estimativa de exposição em condições reais de utilização (considerando todas as partes do ciclo de operação, tal como quando a ferramenta está desligada e quando está a funcionar em marcha lenta além do tempo de acionamento).**

Declarações de conformidade

Apenas para os países europeus

As Declarações de conformidade estão incluídas no Anexo A deste manual de instruções.

DANSK (Originalvejledning)

Forklaring til generel oversigt

1. Rød indikator	13. Topguide	25. Vingeskrue
2. Knap	14. Afbryderkontakt	26. Slange
3. Batteripakke	15. Lås-fra-mekanisme	27. Støvsuger
4. Stjernemærkning	16. Lampe	28. Spændehåndtag
5. Indikatorlamper	17. Spindellås	29. Parallellanslag (styrepind)
6. Kontrolknap	18. Unbrakonøgle	30. Justeringsskrue
7. Håndtag	19. Løsn	31. Trekantlineal
8. Vingeskrue	20. Sekskantbolt	32. Base
9. Skærelinje	21. Ydre flange	33. Slidgrænse
10. 45°-position	22. Savklinge	34. Kulholderdæksel
11. 0°-position	23. Indre flange	35. Skruetrækker
12. Skrue	24. Mundstykke	

SPECIFIKATIONER

Model	DHS630	
Klingediameter	165 mm	
Maks. skæredybde	ved 90°	66 mm
	ved 45°	46 mm
Hastighed uden belastning (min ⁻¹)	3.100	
Længde i alt	346 mm	
Nettovægt	3,0 - 3,4 kg	
Nominel spænding	18V jævnstrøm	

- På grund af vores løbende forsknings- og udviklingsprogram kan specifikationerne heri ændres uden forudgående varsel.
- Specifikationerne kan variere fra land til land.
- Vægten kan muligvis afvige afhængigt af tilbehøret, inklusive batteripakken. Den letteste og tungeste kombination, ifølge EPTA-procedure 01/2014, er vist i tabellen.

Anvendelig batteripakke og oplader

Batteripakke	BL1815N/BL1820/BL1820B/BL1830/BL1830B/BL1840/BL1840B/BL1850/BL1850B/BL1860B
Oplader	DC18RC/DC18RD/DC18RE/DC18SD/DC18SE/DC18SF

- Nogle af de ovennævnte batteripakker og opladere er muligvis ikke til rådighed, afhængigt af den region du bor i.

ADVARSEL:

- **Brug kun de ovennævnte batteripakker og opladere.** Brug af NOGEN andre batteripakker og opladere kan muligvis forårsage personskade og/eller brand.


Tilsigtet anvendelse

ENE028-1

Værktøjet er beregnet til lige snit og vinklede geringssnit på langs og på tværs i træ ved fast kontakt med arbejdsemnet.

Almindelige sikkerhedsregler for el-værktøj

GEA010-2

 **ADVARSEL: Læs alle de sikkerhedsadvarsler, instruktioner, illustrationer og specifikationer, der følger med denne maskine.** Forsømmelse af at overholde alle nedenstående instruktioner kan medføre elektrisk stød, brand og/eller alvorlig personskade.


Gem alle advarsler og instruktioner til fremtidig reference.

Ordet "el-værktøj" i advarslerne henviser til det netforsynede (netledning) el-værktøj eller batteriforsynede (akku) el-værktøj.

SIKKERHEDSADVARSLER FOR LEDNINGSFRI RUNDSAV

GEB151-1

Fremgangsmåder for skæring

1.  **FARE:** Hold hænderne på god afstand af skærområdet og klingens. Hold den anden hånd på hjælpelhåndtaget eller motorhuset. Hvis De

holder saven med begge hænder, kan klingen ikke komme til at skære i dem.

2. **Ræk ikke ned under arbejdsmenet.** Beskyttelsesskærmen kan ikke beskytte Dem mod klingens nedden under arbejdsmenet.
3. **Justér skæredybden efter tykkelsen af arbejdsmenet.** Mindre end en hel tand i klingetænderne bør være synlig under arbejdsmenet.
4. **Hold aldrig arbejdsmenet i hænderne eller hen over benet, mens der skæres. Fastgør arbejdsmenet til en stabil platform.** Det er vigtigt at understøtte arbejdsmenet korrekt for at minimere risikoen for udsættelse af kroppen, binding af klingens eller tab af kontrollen. (Fig. 1)
5. **Hold maskinen i de isolerede håndtagsflader, når der udføres et arbejde, hvor den skærende maskine kan komme i kontakt med skjulte ledninger eller maskinens egen ledning.** Kontakt med en strømførende ledning vil bevirke, at synlige metaldele på maskinen også bliver strømførende, hvorved operatøren kan få elektrisk stød.
6. **Ved kløvning skal der altid anvendes et parallelanslag eller en lige styreskinne.** Dette vil forbedre nøjagtigheden af snittet og mindske risikoen for, at klingens binder.
7. **Brug altid klinger med akselhuller af den korrekte størrelse og form (kantede eller runde).** Klinger, der ikke svarer til savens monteringsdele, vil rotere skævt, så du mister kontrollen.
8. **Anvend aldrig beskadigede eller forkerte spændeskiver og bolte til klingens.** Klingens spændeskiver og bolte er specielt fremstillede til Deres sav og til optimal ydelse og sikker anvendelse.

Årsager til tilbageslag og relaterede advarsler

- Tilbageslag er en pludselig reaktion på en fastklemt, fastsiddende eller forkert justeret savklinge, som kan medføre, at en ukontrolleret sav løftes opad og ud af arbejdsmenet i retning mod operatøren.
- Når klingens kommer i klemme eller sidder fast, fordi savsnittet lukkes sammen, stopper klingens, og motorreaktionen skubber apparatet hurtigt tilbage mod operatøren.
- hvis klingens bliver bøjet eller fejlljusteret i snittet, kan tænderne på bagkanten af klingens grave sig ind i træets øverste overflade, hvorved klingens kan smutte ud af savsnittet og springe tilbage i retning mod operatøren.

Tilbageslag skyldes forkert anvendelse af savens og/eller forkert fremgangsmåde for anvendelse eller forkerte forhold og kan undgås ved, at der træffes de rigtige forholdsregler som vist herunder.

1. **Oprethold et fast greb med begge hænder på savens, og hold armene således, at tilbageslagskraften modvirkes. Stil Dem på siden af klingens, men ikke på linje med den.** Tilbageslag kan bevirke, at savens springer bagud, men tilbageslagskraften kan kontrolleres af operatøren, hvis denne træffer de fornødne forholdsregler.
2. **Hvis klingens binder, eller hvis skæringen af en eller anden årsag afbrydes, skal De slippe afbryderknappen og holde savens stille i materialet, indtil klingens er standset helt. Forsøg aldrig at fjerne savens fra arbejdsmenet eller at trække savens bagud, mens klingens er i bevægelse, da**

dette kan medføre tilbageslag. Undersøg situationen, og træf afhjælpningsforanstaltninger for at eliminere årsagen til, at klingens binder.

3. **Når savens startes igen i arbejdsmenet, skal du centrere savklingen i savsnittet, så savtænderne ikke sidder fast i emnet.** Hvis savklingen binder, kan den bevæge sig opad eller slå tilbage fra arbejdsmenet, når savens startes igen.
4. **Anvend store støtteplader til at minimere risikoen for fastklemning af klingens og tilbageslag.** Store plader har tendens til at synke under deres egen vægt. Der skal anbringes støtter under pladerne i begge sider, i nærheden af skærelinjen og nær kanten af pladen. (Fig. 2 og 3)
5. **Anvend ikke sløve eller beskadigede klingers.** Uskarpe eller forkert monterede klingers frembringer et snævert savsnit, som medfører kraftig friktion, binding af klingens og tilbageslag.
6. **Låsegrebene til klingedybde og skråsnitindstilling skal være stramme og sikre, inden skæringen påbegyndes.** Hvis klingeindstillingen ændrer sig under skæringen, kan der opstå binding og tilbageslag.
7. **Vær særlig forsigtig, når der saves ind i eksisterende vægge eller andre skjulte områder.** Savklingen, som stikker frem, kan komme til at skære i genstande, der kan medføre tilbageslag.
8. **Hold ALTID fast i maskinen med begge hænder. Placér ALDRIG Deres hånd, ben eller nogen del af kroppen under maskinens grundplade eller bag ved savens, især når De foretager krydssnit.** Hvis der opstår tilbageslag, kan savens nemt springe bagud over Deres hånd, hvorved der kan ske alvorlig personskade. (Fig. 4)
9. **Pres aldrig savens. Tryk savens fremad med en hastighed, så klingens skærer, uden at hastigheden sænkes.** Hvis De presser savens, kan der opstå uensartede skæringer, tab af præcision og muligt tilbageslag.

Beskyttelsesskærmens funktion

1. **Kontroller, at den nederste beskyttelsesskærm lukker korrekt inden hver brug. Anvend ikke savens, hvis den nederste beskyttelsesskærm ikke bevæger sig frit og lukker med det samme. Den nederste beskyttelsesskærm må aldrig fastspændes eller fastbindes i den åbne stilling.** Hvis savens ved et uheld tapes, kan den nederste beskyttelsesskærm blive bøjet. Hæv den nederste beskyttelsesskærm med tilbagetrækningshåndtaget og kontroller, at den bevæger sig frit og ikke kommer i berøring med klingens eller andre dele i alle vinkler og skæredybder.
2. **Kontroller den nederste beskyttelsesskærmfjederens funktion. Hvis beskyttelsesskærmen og fjederen ikke fungerer korrekt, skal de serviceres inden brugen.** Den nederste beskyttelsesskærm kan fungere trægt på grund af beskadigede dele, gummi aflejring eller ansamling af affaldsstoffer.
3. **Den nederste beskyttelsesskærm må kun trækkes tilbage manuelt i tilfælde af specielle snit som for eksempel "stikssnit" eller "kombinerede snit". Hæv den nederste beskyttelsesskærm ved at trække håndtaget tilbage, og så snart klingens går**

ind i materialet, bør den nederste

beskyttelsesskærm slippes. Ved alle andre former for savning skal den nederste beskyttelsesskærm have lov at bevæge sig automatisk.

1. **Sørg altid for, at den nederste beskyttelsesskærm dækker klingens, inden saven anbringes på bænk eller gulv.** En ubeskyttet, roterende klinge vil bevirke, at saven bevæger sig bagud og skærer i alt, hvad der er i dens bane. Vær opmærksom på den tid, det tager for klingens at stoppe, efter at afbryderen er sluppet.
2. **For at kontrollere den nederste beskyttelsesskærm, skal man åbne den med hånden og derefter slippe den og bekræfte lukningen af skærmen.** Kontroller ligeledes, at tilbagetrækningshåndtaget ikke kommer i berøring med maskinhuset. At efterlade klingens synlig er MEGET FARLIGT og kan føre til alvorlig personskade.

Supplerende sikkerhedsforskrifter

1. **Vær ekstra forsigtig, hvis De skærer i fugtigt træ, trykbehandlet tømmer eller træ, som har knaster.** Før maskinen jævnt frem uden at mindske klingens hastighed, således at overophedning af klingens takker undgås.
2. **Forsøg ikke at fjerne afskåret materiale, mens klingens roterer.** Vent, indtil klingens er standset, inden De fjerner afskåret materiale. Klingens fortsætter med at rotere, efter at der er slukket for maskinen.
3. **Undgå at skære i søm.** Se efter, om der er søm i tømmeret, og fjern alle søm, inden skæringen påbegyndes.
4. **Anbring den bredeste del af savgrundpladen på den del af arbejdsområdet, som er solidt understøttet, ikke på den del, som vil falde af, når skæringen er fuldført.** Hvis arbejdsområdet er kort eller lille, skal det spændes fast. **FORSØG IKKE AT HOLDE KORTE ARBEJDSOMRÅDER FAST MED HÅNDEN!** (Fig. 5)
5. **Inden De lægger maskinen fra Dem efter at have fuldført en skæring, skal De sikre Dem, at beskyttelsesskærmen er lukket, og at klingens er standset fuldstændigt.**
6. **Forsøg aldrig at save med rundsaven holdt på hovedet i en skruetvinge.** Dette er yderst farligt og kan føre til alvorlige ulykker. (Fig. 6)
7. **Noget materiale indeholder kemikalier, som kan være giftige.** Vær påpasselig med ikke at indånde støv, og undgå hudkontakt. Følg fabrikantens sikkerhedsdata.
8. **Stop ikke klingerne ved hjælp af lateralt tryk på savklingen.**
9. **Anvend ikke slibeskiver.**
10. **Anvend kun savklinger med den diameter, der er markeret på maskinen eller specificeret i manualen.** Brug af en klinge med en forkert størrelse kan hindre korrekt afskærmning af klingens eller beskyttelsesskærmen funktion, hvilket kan medføre alvorlig personskade.
11. **Hold altid klingens skarp og ren.** Gummi og træbeg, som er størket på klingens, gør savens langsommere og øger risikoen for tilbagelag. Hold altid klingens ren ved først at tage den af maskinen og derefter rengøre

den med en gummi- og begfjerner, varmt vand eller petroleum. Anvend aldrig benzin.

12. **Bær altid støvmaske og høreværn, når De anvender maskinen.**
13. **Brug altid en savklinge, der er beregnet til at skære i det materiale, du skal skære i.**
14. **Brug kun savklinger, der er mærket med en hastighed svarende til eller større end den hastighed, der er angivet på maskinen.**
15. **(Kun for lande i Europa)**
Brug altid en klinge, der overholder EN847-1.

GEM DISSE FORSKRIFTER.

⚠ ADVARSEL: LAD IKKE bekvemmelighed eller kendskab til produktet (opnået gennem gentagen brug) forhindre, at sikkerhedsforskrifterne for produktet nøje overholdes. MISBRUG eller forsømmelse af at følge de i denne brugsvejledning givne sikkerhedsforskrifter kan medføre alvorlig personskade.

VIGTIGE SIKKERHEDSINSTRUKTIONER FOR AKKUEN

ENC007-12

1. **Før brugen af batteripakken skal du læse alle instruktioner og advarsler på (1) batteriopladeren, (2) batteriet og (3) det produkt, som batteriet anvendes i.**
2. **Skil ikke batteripakken ad.**
3. **Hvis driftstiden bliver betydeligt kortere, skal du straks ophøre med brugen.** Brug kan medføre risiko for overophedning, risiko for forbrændinger eller endog eksplosion.
4. **Hvis du får elektrolyt i øjnene, skal du med det samme rense øjnene med rent vand og søge læge.** Dette kan medføre tab af synet.
5. **Kortslut ikke batteripakken:**
 - (1) **Undgå at røre ved terminalerne med ledende materiale.**
 - (2) **Undgå at opbevare batteripakken i en beholder med andre metalgenstande som f.eks. søm, mønter osv.**
 - (3) **Udsæt ikke batteripakken for vand eller regn.** Hvis batteriet kortslettes, kan det medføre voldsom strøm, overophedning, mulige forbrændinger og endog nedbrud.
6. **Undgå at opbevare værktøjet og batteripakken på steder, hvor temperaturen kan komme op på eller overstige 50°C.**
7. **Sæt ikke ild til batteripakken, selvom den er alvorligt beskadiget eller helt udtjent.** Batteripakken kan eksplodere ved brand.
8. **Undgå at tabe eller slå på batteriet.**
9. **Undlad brug af et beskadiget batteri.**
10. **De indbyggede litium-ion-batterier er underlagt lovkrav vedrørende farligt gods.** Ved kommerciel transport, f.eks. af tredjeparts transportelskaber, skal særlige krav til forpakning og mærkning overholdes. Ved forberedelse af udstyret til forsendelse skal du kontakte en ekspert i farligt gods. Overhold også

eventuel mere detaljeret national lovgivning.

Tape eller tildæk åbne kontakter, og pak batteriet på en måde, så det ikke kan flytte sig rundt i pakningen.

11. **Følg de lokale bestemmelser med hensyn til bortskaffelse af batteri.**
12. **Brug kun batterierne med de produkter, som er specificeret af Makita.** Monteres batterierne i produkter, som ikke er kompatible, kan det muligvis resultere i brand, kraftig varmeudvikling, eksplosion eller lækage af elektrolyt.

GEM DISSE INSTRUKTIONER.

FORSIGTIG: Brug kun originale batterier fra Makita.

Brug af uoriginale Makita-batterier, eller batterier som er blevet ændret, kan muligvis medføre brud på batteriet, hvilket kan forårsage brand, personskade eller beskadigelse. Det ugyldiggør også Makita-garantien for Makita-maskinen og opladeren.

Tips til, hvordan du forlænger batteriets levetid

1. **Oplad batteripakken, før den bliver helt afladet.** Ophør med at bruge værktøjet, og udskift batteripakken, hvis strømmen til værktøjet aftager.
2. **Oplad aldrig en fuldt opladet batteripakke.** Overopladning forkorter batteriets levetid.
3. **Oplad batteripakken ved stuetemperatur på 10°C - 40°C.** Lad batteripakken køle ned før den oplades, hvis den er varm.
4. **Oplad batteripakken, hvis du ikke skal anvende den i en længere periode (mere end seks måneder).**

FUNKTIONSBESKRIVELSE

FORSIGTIG:

- Sørg altid for, at maskinen er slukket, og at batteripakken er taget ud, før du justerer maskinen eller kontrollerer dens funktion.

Montering eller afmontering af batteripakke (Fig. 7)

- Sluk altid for maskinen inden batteripakken monteres eller afmonteres.
- Afmonter batteripakken ved at holde ned på knappen foran på batteripakken og skubbe den af maskinen.
- Ved montering af batteripakken justeres tungen på batteripakken med rillen i huset, hvorefter pakken skubbes på plads. Sæt den altid hele vejen ind, indtil den låses på plads med et lille klik. Hvis den røde indikator øverst på knappen er synlig, er batteripakken ikke låst helt fast. Sæt den helt ind, indtil den røde indikator ikke er synlig. Ellers kan den falde ud af maskinen og skade dig eller andre personer i nærheden.
- Anvend ikke kræfter ved montering af batteripakken. Hvis den ikke glider let ind, er den ikke indsat korrekt.

Batteribeskyttelsessystem (lithium-ion-batteri med stjernemærkning) (Fig. 8)

Lithium-ion-batterier med en stjernemærkning er udstyret med et beskyttelsessystem. Dette system slukker automatisk for strømmen til maskinen for at forlænge batterilevetiden.



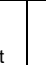





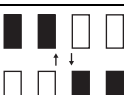
Maskinen stopper automatisk under anvendelsen, hvis maskinen og/eller batteriet udsættes for en af de følgende situationer:

- **Overbelastning:**
Maskinen anvendes på en sådan måde, at det får den til at bruge unormalt meget strøm. I denne situation skal du slippe afbryderkontakten på maskinen og stoppe den anvendelse, som gjorde maskinen overbelastet. Tryk derefter ind på afbryderkontakten for starte igen. Hvis maskinen ikke starter, er batteriet overbelastet. I denne situation skal du lade batteriet køle af, inden du trykke ind på afbryderkontakten igen.
- **Lav batterispænding:**
Den resterende batterikapacitet er for lav, og maskinen kan ikke køre. I denne situation skal du afmontere og oplade batteriet.

Angivelse af den resterende batterikapacitet

Kun til akkuer med indikatoren (Fig. 9)

Tryk på kontrolknappen på akkuen for at få vist den resterende batteriladning. Indikatorlampen lyser i nogle sekunder.

Indikatorlamper			Resterende kapacitet
 Tændt	 Slukket	 Blinker	
			75% til 100%
			50% til 75%
			25% til 50%
			0% til 25%
			Oplad batteriet.
			Der opstod muligvis funktionsfejl på batteriet.

BEMÆRK:

- Afhængigt af anvendelsesforholdene og den omgivende temperatur, kan angivelsen muligvis afvige en smule fra den egentlige kapacitet.

Indstilling af skæredybde (Fig. 10)

FORSIGTIG:

- Skru låsearmen godt fast, når skæredybden er indstillet.

Løsn låsearmen på siden af de bageste håndtag, og flyt basis op eller ned. Fastgør basis ved at stramme låsearmen ved den ønskede skæredybde. De opnår renere og sikrere snit ved at indstille skæredybden, så der ikke stikker mere end én klingetand ud under arbejdsemnet. Anvendelse af den korrekte skæredybde hjælper med at reducere risikoen for farlige tilbageslag, som kan forårsage personskade.

Skråsnit (Fig. 11)

Løsn vingeskruen foran og bag på basen. Indstil den ønskede vinkel (0° - 45°) ved at dreje tilsvarende, og stram vingeskruen godt fast.

Indstilling (Fig. 12)

Ved lige snit justeres 0°-positionen forrest på basen med skærelinjen. For skråsnit på 45° justeres 45°-positionen med den. Positionen af topguiden er justerbar.

Betjening af afbryderkontakt (Fig. 13)

⚠ FORSIGTIG:

- Før batteripakken sættes i maskinen, skal du altid kontrollere, at afbryderkontakten reagerer korrekt og vender tilbage i "OFF"-stillingen, når du slipper den.
 - Træk ikke hårdt i afbryderkontakten uden at trykke på låsehåndtaget. Dette kan ødelægge kontakten.
- Et låsehåndtag forhindrer, at afbryderkontakten aktiveres ved et uheld. Maskinen startes ved at trykke låsehåndtaget ind og trække i afbryderkontakten. Slip afbryderkontakten for at stoppe.

⚠ ADVARSEL:

- Af hensyn til din sikkerhed er maskinen forsynet med et låsehåndtag, der forhindrer, at maskinen starter ved et uheld. Brug ALDRIG maskinen, hvis den kører, når du trækker i kontaktgrebet uden at trykke på låsehåndtaget. Indlever maskinen til et MAKITA-servicecenter til reparation, FØR den benyttes igen.
- Du må ALDRIG fastgøre låsehåndtaget med tape eller omgå dets funktion.

Tænding af lampen

⚠ FORSIGTIG:

- Se ikke direkte ind i lyset eller lyskilden. (Fig. 14)
- Hvis kun lyset skal tændes, skal der trækkes i afbryderkontakten uden at trykke på låsehåndtaget. Hvis lyset skal tændes og maskinen startes, skal du trykke på låsehåndtaget og trække i afbryderkontakten, mens der trykkes på låsehåndtaget.

BEMÆRK:

- Benyt en tør klud til at tørre snavs af lampens linse. Pas på ikke at ridse lampens linse, da det kan mindske lysstyrken.
- Brug ikke benzin, fortynder eller lignende til at rengøre lampens linse. Sådanne stoffer beskadiger linsen.

MONTERING

⚠ FORSIGTIG:

- Sørg altid for, at maskinen er slukket, og at batteripakken er taget ud, før du udfører nogen form for arbejde på maskinen.

Afmontering eller montering af savklingen

⚠ FORSIGTIG:

- Sørg for, at klingen er monteret, så tænderne peger opad foran på maskinen.
- Anvend kun den medfølgende Makita-skruenøgle til at montere eller afmontere klingens. (Fig. 15)

For at afmontere klingens skal du trykke på skaftlåsen, så klingens ikke kan dreje, og anvende skruenøglen til at løsne sekskantmøtrikken mod urets retning. Fjern derefter sekskantmøtrikken, den ydre flange og klingens. Følg fremgangsmåden til afmontering i omvendt rækkefølge for at montere klingens. SØRG FOR AT SPÆNDE SEKSKANTMØTRIKKEN ORDENTLIGT TIL I URETS RETNING. (Fig. 16)

Ved skift af klinger skal du sørge for også at fjerne opsamlet savsmuld fra den øverste og nederste klingebeskytter. Du skal dog stadig kontrollere den nederste klingebeskytters funktion, hver gang maskinen skal anvendes.

Opbevaring af unbrakonøgle (Fig. 17)

Opbevar unbrakonøglen som vist i figuren, når den ikke anvendes, for at forhindre, at den bliver væk.

Tilslutning af en støvsuger

Ekstratilbehør (Fig. 18 og 19)

Hvis du ønsker at holde arbejdsområdet rent under savning, kan du tilslutte en Makita-støvsuger til maskinen. Monter støvmundstykket på maskinen ved hjælp af skruen. Slut derefter støvsugerlangens til støvmundstykket som vist på figuren.

BETJENING

⚠ FORSIGTIG:

- Sæt altid batteripakken helt ind, indtil den låses på plads. Hvis den røde del øverst på knappen er synlig, er batteripakken ikke låst helt fast. Sæt den helt ind, indtil den røde del ikke er synlig. Ellers kan den falde ud af maskinen og skade dig eller andre personer i nærheden.
- Sørg for at flytte maskinen lige fremad uden at bruge magt. Hvis maskinen tvinges eller vrides, kan det medføre overophedning af motoren og farligt tilbageslag, som kan føre til alvorlig personskade.
- Hvis maskinen betjenes konstant, indtil batteripakken er afladet, skal du lade maskinen hvile i 15 minutter, før du fortsætter med et nyt batteri. (Fig. 20)

Hold godt fast i maskinen. Maskinen har både et greb foran og et håndtag bagpå. Hold maskinen med begge hænder. Hvis begge hænder holder på savens, kan du ikke blive skåret af klingens. Placer basen på det arbejdsemne, der skal skæres i, uden at klingens berører arbejdsemnet. Tænd derefter for maskinen, og vent, indtil klingens når fuld hastighed. Flyt maskinen fremad hen over arbejdsemnet, idet maskinen holdes fladt og flyttes jævnt frem, indtil savningen er færdig.

Du opnår rene snit ved at holde savelinjen lige og flytte maskinen med jævn hastighed. Forsøg ikke at dreje eller tvinge maskinen tilbage til skæringslinjen, hvis snittet ikke følger den ønskede skæringslinje. Hvis du gør dette, kan klingens komme i klemme, hvilket kan medføre farligt

tilbageslag med risiko for alvorlig personskade. Slip kontakten, vent, til klingen er stoppet, og tag derefter maskinen ud. Juster maskinen med den nye skæringslinje, og start skæringen igen. Sørg for at placere dig, så du ikke bliver udsat for de spåner og træsmuld, der udstødes fra saven. Bær øjenbeskyttelse for at undgå personskade.

Parallellanslag (styrepind) (Fig. 21)

Med det praktiske parallellanslag kan du udføre ekstremt præcise lige skæringer. Skub parallellanslaget mod siden af arbejdsemnet og fastgør det med spændehåndtaget forrest på maskinens base. Det gør det også muligt at foretage flere skæringer med ens bredde.

VEDLIGEHODELSE

⚠ FORSIGTIG:

- Sørg altid for, at maskinen er slukket, og at batteripakken er taget ud, før du forsøger at udføre inspektion eller vedligeholdelse.
- **Rengør de øverste og nederste skærme for at sikre, at der ikke har ophobet sig savsmuld, som muligvis kan være til hindring for funktionen af det nederste beskyttelsessystem.** Et beskidt beskyttelsessystem kan begrænse den korrekte funktion, hvilket kan medføre alvorlig personskade. Den mest effektive måde at foretage denne rengøring på, er at anvende trykluft. **Hvis støvet blæses ud af skærmene, skal du sørge for at anvende ordentlig øjen- og åndedrætsbeskyttelse.**
- Brug aldrig benzin, benzen, fortynder, alkohol eller lignende. Det kan muligvis medføre misfarvning, deformation eller revner.

Nøjagtighedsjustering af et 90° snit (lodret snit) (Fig. 22 og 23)

Denne justering er udført på fabrikken. Hvis justeringen er unøjagtig, skal du indstille justeringsskruen med en unbrakonøgle, mens de 90° kontrolleres med klingens og basis ved hjælp af en trekantlineal, en firkantlineal e.l.

Parallelismejustering (Fig. 24)

Parallelismen mellem klingens og basis er blevet justeret på fabrikken. Men hvis den ikke passer, kan du justere den vha. følgende procedure. Sørg for at alle håndtag og skruer er strammet. Løsn skruen en smule som illustreret. Mens du åbner den nederste klingebeskytter, flyttes det bagerste af basis, så afstanden A og B er lige store. Stram skruen fast efter justeringen. Foretag et testsnit for at opnå en korrekt parallelisme.

Udskiftning af kulbørsterne (Fig. 25)

Tag regelmæssigt kulbørsterne af, og efterse dem. Udskift dem, når de er nedslidte til slidgrænsen. Hold kulbørsterne rene og frie til at glide i holderne. Begge kulbørster skal udskiftes samtidig. Brug altid identiske kulbørster. (Fig. 26)

Brug en skruetrækker til at fjerne kulholderdækslerne. Tag de udslidte kulbørster ud, monter de nye, og fastgør kulholderdækslerne.

For at holde produktet SIKKERT og PÅLIDELIGT skal reparationer samt al anden vedligeholdelse eller justering

udføres af autoriserede Makita-servicecentre, og der skal altid benyttes Makita-reservedele.

EKSTRAUDSTYR

⚠ FORSIGTIG:

- Dette tilbehør eller ekstraudstyr anbefales til brug med det Makita-værktøj, som er beskrevet i denne brugsanvisning. Brug af andet tilbehør eller ekstraudstyr kan forårsage personskade. Brug kun tilbehør eller ekstraudstyr til det formål, det er beregnet til.

Henvend dig til dit lokale Makita-servicecenter, hvis du har brug for hjælp eller yderligere oplysninger vedrørende tilbehøret.

- Savklinger
- Parallellanslag (styrepind)
- Unbrakonøgle 5
- Støvdüse
- Støtteskinneadapter
- Støtteskinne
- Forskellige typer af originale batterier og opladere fra Makita

BEMÆRK:

- Visse dele på listen er muligvis indeholdt maskinindpakningen som standardtilbehør. De kan variere fra land til land.

Støj

Det typiske A-vægtede støjniveau bestemt i overensstemmelse med EN62841:

Lydtryksniveau (L_{pA}): 91 dB (A)
Lydeffektniveau (L_{WA}): 99 dB (A)
Usikkerhed (K): 3 dB (A)

ENG907-1

- De(n) angivne støjemissionsværdi(er) er målt i overensstemmelse med en standardtestmetode og kan anvendes til at sammenligne en maskine med en anden.
- De(n) angivne støjemissionsværdi(er) kan også anvendes i en præliminær eksponeringsvurdering.

⚠ ADVARSEL:

- **Bær høreværn.**
- **Støjemissionen under den faktiske anvendelse af maskinen kan være forskellig fra de(n) angivne værdi(er), afhængigt af den måde hvorpå maskinen anvendes, især den type arbejdsemne der behandles.**
- **Sørg for at identificere de sikkerhedsforskrifter til beskyttelse af operatøren, som er baseret på en vurdering af eksponering under de faktiske brugsforhold (med hensyntagen til alle dele i brugscyklussen, f.eks. de gange, hvor maskinen er slukket, og når den kører i tomgang i tilgift til afbrydertiden).**

Vibration

ENG900-1

Den samlede vibrationsværdi (treaksiel vektorsum) bestemt i overensstemmelse med EN62841:

Arbejdstilstand: skæring af spånplade
Vibrationsemission ($a_{h,CW}$): 2,5 m/s² eller mindre
Usikkerhed (K): 1,5 m/s²

- De(n) angivne totalværdi(er) for vibration er målt i overensstemmelse med en standardtestmetode og kan anvendes til at sammenligne en maskine med en anden.
- De(n) angivne totalværdi(er) for vibration kan også anvendes i en præliminær eksponeringsvurdering.

 **ADVARSEL:**

- **Vibrationsemissionen under den faktiske anvendelse af maskinen kan være forskellig fra de(n) angivne værdi(er), afhængigt af den måde hvorpå maskinen anvendes, især den type arbejdsemne der behandles.**
- **Sørg for at identificere de sikkerhedsforskrifter til beskyttelse af operatøren, som er baseret på en vurdering af eksponering under de faktiske brugsforhold (med hensyntagen til alle dele i brugscyklussen, f.eks. de gange, hvor maskinen er slukket, og når den kører i tomgang i tilgift til afbrydertiden).**

Overensstemmelseserklæringer

Kun for lande i Europa

Overensstemmelseserklæringerne er inkluderet i Bilag A i denne brugsanvisning.

ΕΛΛΗΝΙΚΑ (Πρωτογενείς οδηγίες)

Περιγραφή γενικής όψης

- | | | |
|------------------------|------------------------|-----------------------------------|
| 1. Κόκκινη ένδειξη | 13. Πάνω οδηγός | 25. Βίδα σχήματος πεταλούδας |
| 2. Κουμπί | 14. Σκανδάλη διακόπτης | 26. Εύκαμπτος σωλήνας |
| 3. Κασέτα μπαταρίας | 15. Μοχλός κλειδώματος | 27. Ηλεκτρική σκούπα |
| 4. Ένδειξη άστρου | 16. Φως | 28. Μοχλός σφικτήρα |
| 5. Ενδεικτικές λυχνίες | 17. Κλειδωμα άξονα | 29. Οδηγός κοπής (Οδηγός χάρακας) |
| 6. Κουμπί ελέγχου | 18. Εξάγωνο άλεν | 30. Ρυθμιστική βίδα |
| 7. Μοχλός | 19. Ξεσφίξτε | 31. Τριγωνικός οδηγός |
| 8. Χειροβίδα | 20. Εξάγωνο μπουλόνι | 32. Βάση |
| 9. Γραμμή κοπής | 21. Εξωτερική φλάντζα | 33. Ένδειξη ορίου |
| 10. Θέση 45° | 22. Δισκοπρίονο | 34. Καπάκι θήκης ψήκτρας |
| 11. Θέση 0° | 23. Εσωτερική φλάντζα | 35. Κατασβίδι |
| 12. Βίδα | 24. Στόμιο σκόνης | |

ΠΡΟΔΙΑΓΡΑΦΕΣ

Μοντέλο	DHS630	
Διάμετρος δίσκου	165 mm	
Μέγιστο βάθος κοπής	στις 90°	66 mm
	στις 45°	46 mm
Ταχύτητα χωρίς φορτίο (min ⁻¹)	3.100	
Ολικό μήκος	346 mm	
Καθαρό βάρος	3,0 - 3,4 kg	
Ονομαστική τιμή τάσης	D.C. 18V	

- Λόγω του συνεχόμενου προγράμματος που εφαρμόζουμε για έρευνα και ανάπτυξη, τα τεχνικά χαρακτηριστικά στο παρόν έντυπο υπόκεινται σε αλλαγή χωρίς προειδοποίηση.
- Τα τεχνικά χαρακτηριστικά ενδέχεται να διαφέρουν ανάλογα με τη χώρα.
- Το βάρος μπορεί να διαφέρει αναλόγως του προσαρτήματος(ων), συμπεριλαμβανομένης της κασέτας μπαταρίας. Ο ελαφρύτερος και ο βαρύτερος συνδυασμός, σύμφωνα με τη Διαδικασία-EPTA 01/2014, εμφανίζονται στον πίνακα.

Ισχύουσα κασέτα μπαταρίας και φορτιστής

Κασέτα μπαταρίας	BL1815N/BL1820/BL1820B/BL1830/BL1830B/BL1840/BL1840B/BL1850/BL1850B/BL1860B
Φορτιστής	DC18RC/DC18RD/DC18RE/DC18SD/DC18SE/DC18SF

- Μερικές από τις κασέτες μπαταριών και φορτιστές που παρατίθενται παρακάτω μπορεί να μην είναι διαθέσιμες ανάλογα με την περιοχή κατοικίας σας.

⚠ ΠΡΟΕΙΔΟΠΟΙΗΣΗ:

- **Χρησιμοποιήστε μόνο τις κασέτες μπαταριών και τους φορτιστές που παρατίθενται παρακάτω.** Η χρήση άλλων κασετών μπαταριών και φορτιστών μπορεί να προκαλέσει τραυματισμό ή/και φωτιά.

Προοριζόμενη χρήση

Το εργαλείο αυτό προορίζεται για την εκτέλεση ευθειών κοπών κατά μήκος και κατά πλάτος και λοξών κοπών με κλίση σε ξύλο, ενώ βρίσκεται σε σταθερή επαφή με το τεμάχιο εργασίας.

Γενικές προειδοποιήσεις ασφαλείας για το ηλεκτρικό εργαλείο

- ⚠ **ΠΡΟΕΙΔΟΠΟΙΗΣΗ: Διαβάστε όλες τις προειδοποιήσεις ασφαλείας, οδηγίες, εικονογραφίες και προδιαγραφές που παρέχονται με αυτό το ηλεκτρικό εργαλείο.** Η μη τήρηση όλων των οδηγιών που αναγράφονται κατωτέρω μπορεί να

ENE028-1

GEA010-2

καταλήξει σε ηλεκτροπληξία, πυρκαγιά ή/και σοβαρό τραυματισμό.

Φυλάξτε όλες τις προειδοποιήσεις και τις οδηγίες για μελλοντική παραπομπή.

Στις προειδοποιήσεις, ο όρος “ηλεκτρικό εργαλείο” αναφέρεται σε ηλεκτρικό εργαλείο που τροφοδοτείται από την κύρια παροχή ηλεκτρικού ρεύματος (με ηλεκτρικό καλώδιο) ή σε ηλεκτρικό εργαλείο που τροφοδοτείται από μπαταρία (χωρίς ηλεκτρικό καλώδιο).

ΠΡΟΕΙΔΟΠΟΙΗΣΕΙΣ ΓΙΑ ΤΗΝ ΑΣΦΑΛΕΙΑ ΤΟΥ ΦΟΡΗΤΟΥ ΔΙΣΚΟΠΡΙΟΝΟΥ

GEB151-1

Διαδικασίες κοπής

1. **⚠ ΚΙΝΔΥΝΟΣ:** Κρατάτε τα χέρια σας μακριά από την περιοχή κοπής και τη λάμα. Κρατάτε το άλλο σας χέρι πάνω στη βοηθητική λαβή, ή στο περίβλημα μοτέρ. Αν κρατάτε το πριόνι και με τα δύο χέρια, δεν είναι δυνατό να κοπούν από τη λάμα.
2. **Μην απλώνετε τα χέρια σας κάτω από το τεμάχιο εργασίας.** Το προστατευτικό δεν σας παρέχει προστασία από τη λάμα κάτω από το τεμάχιο εργασίας.
3. **Ρυθμίστε το βάθος κοπής σύμφωνα με το πάχος του τεμαχίου εργασίας.** Λιγότερο από ένα ολόκληρο δόντι από τα δόντια της λάμας πρέπει να φαίνεται κάτω από το τεμάχιο εργασίας.
4. **Μην κρατάτε ποτέ το τεμάχιο εργασίας στα χέρια σας ή πάνω στο πόδι σας ενώ το κόβετε. Ασφαλίστε το τεμάχιο εργασίας σε μια σταθερή πλατφόρμα.** Είναι σημαντικό να στηρίξετε το τεμάχιο εργασίας κατάλληλα για να ελαχιστοποιήσετε την έκθεση του σώματός σας, την εμπλοκή της λάμας ή την απώλεια ελέγχου. (Εικ. 1)
5. **Κρατάτε το ηλεκτρικό εργαλείο από τις μονωμένες επιφάνειες χειρολαβής όταν εκτελείτε μια εργασία κατά την οποία το κοπτικό εργαλείο μπορεί να έρθει σε επαφή με κρυμμένα καλώδια ή με το καλώδιό του.** Αν γίνει επαφή με κάποιο ηλεκτροφόρο καλώδιο, τα εκτεθειμένα μεταλλικά μέρη του ηλεκτρικού εργαλείου θα γίνουν και αυτά ηλεκτροφόρα και μπορεί να προκληθεί ηλεκτροπληξία στο χειριστή.
6. **Όταν τεμαχίζετε, να χρησιμοποιείτε πάντα οδηγό κομματιού ή άλλο οδηγό με ευθύγραμμη ακμή.** Αυτό βελτιώνει την ακρίβεια της κοπής και μειώνει την πιθανότητα εμπλοκής της λάμας.
7. **Να χρησιμοποιείτε πάντα λάμες με το σωστό μέγεθος και το σωστό σχήμα (σχήμα διαμαντιού έναντι στρογγυλού σχήματος) οπών στερέωσης.** Οι λάμες που δεν ταιριάζουν με τον εξοπλισμό στερέωσης του πριονιού θα λειτουργούν έκκεντρα, προκαλώντας απώλεια ελέγχου.
8. **Μη χρησιμοποιείτε ποτέ στη λάμα ροδέλες ή μπουλόνια που είναι κατεστραμμένα ή λανθασμένου μεγέθους.** Οι ροδέλες και μπουλόνια λάμας έχουν σχεδιαστεί ειδικά για το πριόνι σας, για βέλτιστη απόδοση και ασφάλεια λειτουργίας.

Αιτίες κλοστήματος και σχετικές προειδοποιήσεις

- Το κλόστημα είναι μια ξαφνική αντίδραση όταν η λάμα πριονιού είναι αποκομμένη, μπλοκαρισμένη ή ευθυγραμμισμένη λανθασμένα, και προκαλεί την ανεξέλεγκτη ανύψωση του πριονιού έξω από το τεμάχιο εργασίας και προς τη μεριά του χειριστή.
- Όταν η λάμα είναι αποκομμένη ή μπλοκαρισμένη σφίχτα από την εγκοπή, αυτή ακινητοποιείται και η αντίδραση του μοτέρ οδηγεί το εργαλείο με ταχύτητα προς τη μεριά του χειριστή.
- Αν η λάμα παραμορφωθεί ή ευθυγραμμιστεί λανθασμένα κατά την κοπή, τα δόντια στο πίσω μέρος της λάμας μπορεί να σκάψουν μέσα στην άνω επιφάνεια του ξύλου και έτσι η λάμα να βγει από την εγκοπή και να αναπηδήσει προς τη μεριά του χειριστή.

Το κλόστημα προκαλείται όταν το πριόνι χρησιμοποιείται λανθασμένα ή/και όταν οι διαδικασίες ή οι συνθήκες λειτουργίας είναι λανθασμένες. Μπορεί να αποφευχθεί αν ληφθούν οι κατάλληλες προφυλάξεις που αναφέρονται παρακάτω.

1. **Να κρατάτε το πριόνι γερά και με τα δύο χέρια και να τοποθετείτε τους βραχιόνες σας με τρόπο ώστε να αντιστέκονται στη δύναμη του κλοστήματος. Να τοποθετείτε το σώμα σας πλευρικά της λάμας, αλλά όχι στην ίδια ευθεία με τη λάμα.** Το κλόστημα μπορεί να προκαλέσει την αναπήδηση του πριονιού προς τα πίσω, αλλά ο χειριστής μπορεί να ελέγξει το κλόστημα αν λάβει τις κατάλληλες προφυλάξεις.
2. **Όταν εμποδίζεται η κίνηση της λάμας ή όταν διακόπτεται η κοπή για οποιοδήποτε λόγο, αφήστε τη σκανδάλη και κρατήστε ακίνητο το πριόνι μέσα στο υλικό έως ότου ακινητοποιηθεί η λάμα. Μη δοκιμάσετε ποτέ να βγάλετε το πριόνι από το τεμάχιο εργασίας ούτε να το τραβήξετε προς τα πίσω όταν η λάμα κινείται, επειδή μπορεί να κλοστήσει.** Ελέγξτε και πάρτε διορθωτικά μέτρα για να εξαλείψετε την αιτία πιασίματος της λάμας.
3. **Όταν ξεκινάτε ξανά την κοπή ενός τεμαχίου εργασίας, κεντράρετε τη λάμα πριονιού στην εγκοπή με τρόπο ώστε τα δόντια της λάμας να μην έχουν πιαστεί μέσα στο υλικό.** Αν εμποδίζεται μια λάμα πριονιού, το εργαλείο μπορεί να αναπηδήσει από το τεμάχιο εργασίας ή να κλοστήσει όταν το θέσετε ξανά σε λειτουργία.
4. **Πρέπει να στηρίζετε τις μεγάλες πλάκες για να ελαχιστοποιείτε τον κίνδυνο να πιαστεί η λάμα, αλλά και να κλοστήσει.** Μεγάλα τεμάχια τείνουν να λυγίζουν κάτω από το βάρος τους. Πρέπει να τοποθετείτε στηρίγματα κάτω από τις πλάκες, και στις δύο πλευρές, κοντά στη γραμμή κοπής και κοντά στην άκρη της πλάκας. (Εικ. 2 & 3)
5. **Μη χρησιμοποιείτε λάμες αμβλυμένες ή με ζημιές.** Ατρόχιστες λάμες ή ακατάλληλα τοποθετημένες λάμες δημιουργούν στενή τομή προκαλώντας υπερβολική τριβή, πιάσιμο της λάμας και κλόστημα.
6. **Οι μοχλοί ασφαλισής του βάθους λάμας και της ρύθμισης λοξοτομής πρέπει να είναι σφιχτοί και ασφαλισμένοι πριν από την κοπή.** Αν η ρύθμιση λάμας μετακινείται κατά την κοπή, μπορεί να προκληθεί πιάσιμο και κλόστημα.
7. **Δώστε μεγάλη προσοχή όταν πριονίζετε σε υπάρχοντες τοίχους ή άλλες τυφλές περιοχές.** Αν η λάμα προεξέχει, μπορεί να κόψει αντικείμενα που θα προκαλέσουν κλόστημα.
8. **Κρατήστε ΠΑΝΤΑ το εργαλείο σταθερά με τα δύο χέρια. Μην τοποθετείτε ΠΟΤΕ το χέρι, το πόδι ή οποιοδήποτε μέρος του σώματός σας κάτω από τη βάση του εργαλείου ή πίσω από το πριόνι, ειδικά όταν δημιουργείται εγκάρσιες κοπές.** Αν συμβεί κλόστημα, το πριόνι μπορεί εύκολα να τηρήξει προς τα πίσω πάνω από το χέρι σας, οδηγώντας σε σοβαρό προσωπικό τραυματισμό. (Εικ. 4)
9. **Ποτέ μην εξαναγκάσετε το πριόνι. Να σπρώχνετε το πριόνι προς τα μπροστά με τέτοια ταχύτητα ώστε η λάμα να κόβει χωρίς να επιβραδύνει.** Αν ζορίζετε το πριόνι μπορεί να προκληθούν ανομοιόμορφες κοπές, απώλεια της ακρίβειας και πιθανώς κλόστημα.

Λειτουργία προστατευτικού

1. Ελέγξτε τον κάτω προφυλακτήρα για κατάλληλο κλείσιμο πριν από κάθε χρήση. Μη θέσετε σε λειτουργία το πριόνι αν ο κάτω προφυλακτήρας δεν κινείται ελεύθερα και δεν κλείνει αμέσως. Μη συγκρατείτε και μη δένετε ποτέ τον κάτω προφυλακτήρα στην ανοιχτή θέση. Αν το πριόνι πέσει τυχαίως, ο κάτω προφυλακτήρας μπορεί να λυγίσει. Σηκώστε τον κάτω προφυλακτήρα με τη βοήθεια της ανασυρόμενης λαβής και βεβαιωθείτε ότι κινείται ελεύθερα και δεν ακουμπά τη λάμα ή κάποιο άλλο μέρος, σε όλες τις γωνίες και βάθη κοπής.
2. **ΕΛΕΓΞΤΕ ΤΗ ΛΕΙΤΟΥΡΓΙΑ ΟΥ ΕΛΑΤΗΡΙΟΥ ΤΟΥ ΚΑΤΩ ΠΡΟΦΥΛΑΚΤΗΡΑ.** Αν ο προφυλακτήρας και το ελατήριο δεν λειτουργούν κατάλληλα, πρέπει να συντηρηθούν πριν από τη χρήση. Ο κάτω προφυλακτήρας μπορεί να λειτουργεί αργά λόγω τμημάτων με ζημιές, αποθέματα κόλλας ή συσώρευσης απορριμμάτων.
3. Ο κάτω προφυλακτήρας μπορεί να αποσυρθεί χειροκίνητα μόνο για ειδικές κοπές όπως “κοπές βύθισης” και “σύνθετες κοπές”. Σηκώστε τον κάτω προφυλακτήρα αποσύροντας τη λαβή και μόλις η λάμα εισέλθει στο υλικό, ο κάτω προφυλακτήρας πρέπει να ελευθερωθεί. Για όλα τα άλλα πριονίσματα, ο κάτω προφυλακτήρας πρέπει να λειτουργεί αυτόματα.
4. **Να παρατηρείτε πάντα ότι ο κάτω προφυλακτήρας καλύπτει τη λάμα πριν τοποθετήσετε το πριόνι σε πάγκο ή στο πάτωμα.** Αν η λάμα δεν προστατεύεται και κινείται ελεύθερα, το πριόνι θα κινηθεί προς τα πίσω, κόβοντας ότι βρεθεί στο δρόμο του. Να είστε ενήμεροι για τον χρόνο που χρειάζεται για τη λάμα να σταματήσει αφού ο διακόπτης έχει απελευθερωθεί.
5. Για να ελέγξετε τον κάτω προφυλακτήρα, ανοίξτε τον κάτω προφυλακτήρα με το χέρι και, στη συνέχεια, αφήστε και παρακολουθήστε το κλείσιμο του προφυλακτήρα. Επίσης, ελέγξτε να δείτε ότι η λαβή απόσυρσης δεν αγγίζει το περίβλημα του εργαλείου. Είναι ΠΟΛΥ ΕΠΙΚΙΝΔΥΝΟ να αφήσετε τη λάμα εκτεθειμένη και μπορεί να οδηγήσει σε σοβαρό προσωπικό τραυματισμό.

Πρόσθετες προειδοποιήσεις ασφάλειας

1. Δώστε μεγάλη προσοχή όταν κόβετε νωπό ξύλο, ξυλεία επεξεργασμένη με πίεση ή ξύλο που περιέχει κόμπο. Διατηρήστε ομαλή προώθηση του εργαλείου χωρίς να μειώνετε την ταχύτητα της λάμας, προκειμένου να αποφύγετε την υπερθέρμανση των άκρων της λάμας.
2. Μην επιχειρήσετε να αφαιρέσετε κομμένο υλικό όταν η λάμα κινείται. Περιμένετε μέχρι να σταματήσει η λάμα πριν πιάσετε κομμένο υλικό. Οι λάμες περιστρέφονται και μετά το σβήσιμο.
3. Αποφεύγετε την κοπή καρφιών. Ελέγξτε και αφαιρέστε όλα τα καρφιά από την ζυλεία πριν από την κοπή.
4. Τοποθετήστε το πλατύτερο τμήμα της βάσης του πριονιού σε εκείνο το τμήμα του τεμαχίου εργασίας που στηρίζεται σταθερά, και όχι στο τμήμα εκείνο που θα πέσει όταν θα γίνει η κοπή. Αν το τεμάχιο εργασίας είναι κοντό ή μικρό, συγκρατήστε το. ΜΗ ΠΡΟΣΠΑΘΕΙΤΕ ΝΑ ΚΡΑΤΑΤΕ ΜΙΚΡΑ ΤΕΜΑΧΙΑ ΜΕ ΤΟ ΧΕΡΙ! (Εικ. 5)

5. Πριν τοποθετήσετε το εργαλείο κάτω μετά το τέλος της κοπής, βεβαιωθείτε ότι έκλεισε το προστατευτικό και ακινητοποιήθηκε τελείως η λάμα.
6. Μη δοκιμάσετε ποτέ να πριονίσετε όταν το δισκοπριονο είναι στερεωμένο ανάποδα σε μια μέγκενη. Αυτό είναι εξαιρετικά επικίνδυνο και μπορεί να οδηγήσει σε σοβαρά ατυχήματα. (Εικ. 6)
7. Μερικά υλικά περιέχουν χημικά που μπορεί να είναι τοξικά. Προσέχετε ώστε να αποφεύγετε την εισπνοή σκόνης και την επαφή με το δέρμα. Ακολουθείτε τα δεδομένα ασφάλειας υλικού που παρέχονται από τον προμηθευτή.
8. Μη σταματάτε τις λάμες με πλευρική πίεση στη λάμα πριονιού.
9. Μη χρησιμοποιείτε αποξεστικούς τροχούς.
10. Χρησιμοποιείτε μόνο τη λάμα πριονιού με τη διάμετρο που είναι επισημασμένη στο εργαλείο ή που καθορίζεται στο εγχειρίδιο. Η χρήση μιας λάμας λανθασμένου μεγέθους μπορεί να επηρεάσει τη σωστή προστασία της λάμας ή τη λειτουργία του προστατευτικού, γεγονός που μπορεί να έχει ως αποτέλεσμα σοβαρό προσωπικό τραυματισμό.
11. Κρατάτε τη λάμα κοφτερή και καθαρή. Η κόλλα και τα πριονίσματα ξύλου που έχουν ξεραθεί επάνω στις λάμες επιβραδύνουν το πριόνι και αυξάνουν την πιθανότητα κλοστήματος. Διατηρείτε τη λάμα καθαρή αφού πρώτα τη βγάλετε από το εργαλείο και μετά την καθαρίσετε με καθαριστικό για κόλλα και πριονίσματα, ζεστό νερό ή κηροζίνη. Μη χρησιμοποιήσετε ποτέ βενζίνη.
12. Να φοράτε προσωπίδα κατά της σκόνης και υαλοσπίδες όταν χρησιμοποιείτε το εργαλείο.
13. Να χρησιμοποιείτε πάντα τη λάμα πριονιού που προορίζεται για την κοπή του υλικού που θα κόψετε.
14. Να χρησιμοποιείτε μόνο λάμες πριονιού που είναι επισημασμένες με ταχύτητα ίση με ή υψηλότερη από την ταχύτητα που είναι επισημασμένη στο εργαλείο.
15. (Για ευρωπαϊκές χώρες μόνο)
Να χρησιμοποιείτε πάντα λάμα που συμμορφώνεται με το πρότυπο EN847-1.

ΦΥΛΑΞΤΕ ΑΥΤΕΣ ΤΙΣ ΟΔΗΓΙΕΣ.

⚠️ ΠΡΟΕΙΔΟΠΟΙΗΣΗ: ΜΗΝ επιτρέψετε στην άνεση ή στην εξοικείωσή σας με το προϊόν (που αποκτήθηκε από επανειλημμένη χρήση) να αντικαταστήσει την αυστηρή τήρηση των κανόνων ασφαλείας του παρόντος εργαλείου. Η ΛΑΝΘΑΣΜΕΝΗ ΧΡΗΣΗ ή η αμέλεια να ακολουθήσετε τους κανόνες ασφάλειας που διατυπώνονται στο παρόν εγχειρίδιο οδηγιών μπορεί να προκαλέσει σοβαρό προσωπικό τραυματισμό.

ΣΗΜΑΝΤΙΚΕΣ ΟΔΗΓΙΕΣ ΑΣΦΑΛΕΙΑΣ ΓΙΑ ΚΑΣΕΤΑ ΜΠΑΤΑΡΙΩΝ

ENC007-12

1. Πριν χρησιμοποιήσετε την μπαταρία, διαβάστε όλες τις οδηγίες και τις ενδείξεις προφύλαξης στο

- (1) φορτιστή μπαταρίας, (2) την μπαταρία και (3) το προϊόν στο οποίο χρησιμοποιείται η μπαταρία.
- Μην αποσυναρμολογείτε την μπαταρία.
- Αν ο χρόνος λειτουργίας της μπαταρίας είναι υπερβολικά σύντομος, διακόψτε αμέσως τη λειτουργία. Αν συνεχίσετε, μπορεί να έχει ως αποτέλεσμα τον κίνδυνο υπερθέρμανσης, πιθανών εγκαυμάτων και ακόμη έκρηξης.
- Αν μπει στα μάτια σας ηλεκτρολύτης, ξεπλύνετε με καθαρό νερό και αναζητήστε αμέσως ιατρική βοήθεια. Μπορεί να χάσετε την όρασή σας.
- Μην βραχυκυκλώνετε την μπαταρία:
 - (1) Μην αγγίζετε τους ακροδέκτες με αγώγιμο υλικό.
 - (2) Μην αποθηκεύετε την μπαταρία σε δοχείο με άλλα μεταλλικά αντικείμενα, όπως καρφιά, νομίσματα, κτλ.
 - (3) Μην εκθέτετε την μπαταρία σε νερό ή βροχή. Αν βραχυκυκλωθεί η μπαταρία, μπορεί να προκαληθεί μεγάλη ροή ηλεκτρικού ρεύματος, υπερθέρμανση, πιθανά εγκαύματα και ακόμη και καταστροφή της μπαταρίας.
- Μην αποθηκεύετε το εργαλείο και την μπαταρία σε μέρη όπου η θερμοκρασία μπορεί να φτάσει ή να ξεπεράσει τους 50°C (122°F).
- Μην αποθερμώνετε την μπαταρία ακόμη κι αν παρουσιάζει σοβαρή ζημιά ή είναι εντελώς φθαρμένη. Η μπαταρία μπορεί να εκραγεί σε φωτιά.
- Να προσέχετε να μη σας πέσει η μπαταρία και να μη συγκρουστεί με κάποιο αντικείμενο.
- Μη χρησιμοποιείτε μια μπαταρία που έχει υποστεί βλάβη.
- Οι μπαταρίες ιόντων λιθίου που περιέχονται υπόκεινται στις απαιτήσεις της νομοθεσίας για επικίνδυνα αγαθά.

Για μηπορικές μεταφορές, για παράδειγμα από τρίτα μέρη, πρέπει να τηρούνται οι διαμεταφορές, οι ειδικές απαιτήσεις στη συσκευασία και η επισήμανση. Για προετοιμασία του στοιχείου που αποστέλλεται, είναι απαραίτητο να συμβουλευτείτε έναν ειδικό για επικίνδυνα υλικά. Επίσης, τηρήστε τους πιθανούς, πιο αναλυτικούς εθνικούς κανονισμούς.

Καλύψτε με αυτοκόλλητη ταινία ή κρύψτε τις ανοικτές επαφές και συσκευάστε την μπαταρία με τρόπο που να μην μπορεί να μετακινείται μέσα στη συσκευασία.
- Ακολουθήστε τους τοπικούς κανονισμούς σχετικά με την απόρριψη της μπαταρίας.
- Χρησιμοποιείτε τις μπαταρίες μόνο με τα προϊόντα που καθορίζει η Makita. Η τοποθέτηση των μπαταριών σε μη συμμορφούμενα προϊόντα μπορεί να προκαλέσει πυρκαγιά, υπερβολική ζέση, έκρηξη ή διαρροή ηλεκτρολύτη.

ΦΥΛΑΞΤΕ ΑΥΤΕΣ ΤΙΣ ΟΔΗΓΙΕΣ.

⚠ ΠΡΟΣΟΧΗ: Να χρησιμοποιείτε μόνο γνήσιες μπαταρίες της Makita.

Η χρήση μη γνήσιων μπαταριών Makita, ή μπαταριών που έχουν τροποποιηθεί, μπορεί να έχει ως αποτέλεσμα τη ρήξη της μπαταρίας, προκαλώντας πυρκαγιά, προσωπικό τραυματισμό και βλάβη. Επίσης, θα ακυρωθεί η εγγύηση της Makita για το εργαλείο και φορτιστή Makita.

Συμβουλές για τη διατήρηση της μέγιστης ζωής της μπαταρίας

- Να φορτίζετε την μπαταρία πριν αποφορτιστεί εντελώς.

Πάντοτε να διακόπτετε τη λειτουργία του εργαλείου και να φορτίζετε την μπαταρία όταν παρατηρείται μειωμένη ισχύ του εργαλείου.
- Ποτέ μην επαναφορτίζετε μια πλήρως φορτισμένη μπαταρία.

Αν υπερφορτίσετε την μπαταρία, μειώνεται η ωφέλιμη διάρκεια ζωής της.
- Να φορτίζετε την μπαταρία σε θερμοκρασία δωματίου, δηλαδή στους 10°C έως 40°C (50°F έως 104°F). Αν η μπαταρία είναι θερμή, αφήστε την να ψυχθεί πριν τη φορτίσετε.
- Φορτίστε την κασέτα μπαταρίας εάν δεν πρόκειται να την χρησιμοποιήσετε για περισσότερους από έξι μήνες.

ΠΕΡΙΓΡΑΦΗ ΛΕΙΤΟΥΡΓΙΑΣ

⚠ ΠΡΟΣΟΧΗ:

- Να βεβαιώναστε πάντοτε ότι έχετε σβήσει το εργαλείο και έχετε βγάλει την μπαταρία πριν ρυθμίσετε ή ελέγξετε κάποια λειτουργία του εργαλείου.

Τοποθέτηση ή αφαίρεση της κασέτας μπαταρίας (Εικ. 7)

- Πάντοτε να απενεργοποιείτε το εργαλείο πριν από την τοποθέτηση ή την αφαίρεση της κασέτας μπαταρίας.
- Για να βγάλετε την κασέτα μπαταρίας, σύρετε την από το εργαλείο ολισθαίνοντας το κουμπί στο μπροστινό μέρος της κασέτας.
- Για να τοποθετήσετε την κασέτα μπαταρίας, ευθυγραμμίστε τη γλωττίδα της κασέτας μπαταρίας με την εγκοπή στο περίβλημα και ολισθήστε τη στη θέση της. Πάντοτε να την τοποθετείτε έως το τέρμα, δηλαδή έως όπου ασφαρίζει στη θέση και ακουστεί ένας χαρακτηριστικός ήχος "κλικ". Αν μπορείτε να δείτε την κόκκινη ένδειξη στην πάνω πλευρά του κουμπιού, η μπαταρία δεν είναι πλήρως ασφαλισμένη. Τοποθετήστε την πλήρως για να μη φαίνεται η κόκκινη ένδειξη. Σε αντίθετη περίπτωση, μπορεί να πέσει κατά λάθος από το εργαλείο και να τραυματίσει εσάς ή κάποιον παρευρισκόμενο.
- Να μη χρησιμοποιείτε δύναμη όταν τοποθετείτε την κασέτα μπαταρίας. Αν η κασέτα δεν ολισθαίνει με ευκολία, δεν την εισήγατε σωστά.

Σύστημα προστασίας μπαταρίας (Μπαταρία ιόντων λιθίου με την ένδειξη άστρου) (Εικ. 8)

Οι μπαταρίες ιόντων λιθίου με ένδειξη άστρου είναι εφοδιασμένες με ένα σύστημα προστασίας. Αυτό το σύστημα διακόπτει αυτόματα το ρεύμα στο εργαλείο για να παρατείνεται η διάρκεια ζωής της μπαταρίας. Το εργαλείο θα σταματήσει αυτόματα κατά τη λειτουργία όταν το εργαλείο και/ή η μπαταρία υποστούν τις παρακάτω συνθήκες.

- Υπερφόρτιση:

Το εργαλείο λειτουργεί με τρόπο που προκαλεί την κατανάλωση ασυνήθιστα υψηλής ποσότητας ρεύματος.

Στην περίπτωση αυτή, ελευθερώστε το διακόπτη ενεργοποίησης του εργαλείου και σταματήστε την εφαρμογή που προκάλεσε την υπερφόρτωση του εργαλείου. Στη συνέχεια, τραβήξτε τη σκανδάλη ξανά για επανεκκίνηση.












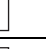





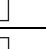

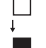




Εάν το εργαλείο δεν ξεκινά, η μπαταρία έχει υπερθερμανθεί. Στην περίπτωση αυτή, αφήστε την μπαταρία να κρυώσει πριν τραβήξετε τη σκανδάλη ξανά.

- Χαμηλή τάση της μπαταρίας:
Η εναπομένουσα ποσότητα ρεύματος της μπαταρίας είναι πολύ χαμηλή και το εργαλείο δεν θα λειτουργήσει. Σε αυτήν την περίπτωση, αφαιρέστε και επαναφορτίστε τη μπαταρία.

Ένδειξη της εναπομένουσας χωρητικότητας της μπαταρίας

Μόνο για κασέτες μπαταρίας με την ενδεικτική λυχνία (Εικ. 9)

Πιέστε το κουμπιέ ελέγχου στην κασέτα μπαταριών για να υποδείξετε την υπολειπόμενη χωρητικότητα μπαταρίας. Οι ενδεικτικές λυχνίες ανάβουν για λίγα δευτερόλεπτα.

Ενδεικτικές λυχνίες			Εναπομένουσα χωρητικότητα
 Αναμμένες	 Σβηστές	 Αναβοσβήνουν	
			75% έως 100%
			50% έως 75%
			25% έως 50%
			0% έως 25%
			Φορτίστε τη μπαταρία.
			Η μπαταρία μπορεί να δυσλειτουργεί.
			

ΣΗΜΕΙΩΣΗ:

- Ανάλογα με τις συνθήκες χρήσης και τη θερμοκρασία περιβάλλοντος, η ένδειξη μπορεί να διαφέρει ελαφρώς από την πραγματική χωρητικότητα.

Ρύθμιση του βάθους κοπής (Εικ. 10)

⚠ ΠΡΟΣΟΧΗ:

- Μετά τη ρύθμιση του βάθους κοπής, πάντοτε να σφίγγετε καλά το μοχλό.

Χαλαρώστε το μοχλό στην πλευρά της πίσω λαβής και μετακινήστε τη βάση προς τα πάνω ή προς τα κάτω. Στο επιθυμητό βάθος κοπής, ασφαλίστε τη βάση σφίγγοντας το μοχλό.

Για ακρίβεια και ασφάλεια κατά την κοπή, ρυθμίστε το βάθος κοπής ώστε μόνο ένα δόντι του δίσκου να προεξέχει κάτω από το τεμάχιο εργασίας. Η χρήση κατάλληλου βάθους κοπής συμβάλλει στη μείωση της

πιθανότητας επικίνδυνου κλωστήματος που μπορεί να προκαλέσει τραυματισμό.

Λοξοτομή (Εικ. 11)

Ξεσφίξτε τη χειροβίδα στο μπροστινό και πίσω μέρος της βάσης. Ρυθμίστε την επιθυμητή γωνία (0° - 45°) δίνοντας την κατάλληλη κλίση και έπειτα σφίξτε καλά τη χειροβίδα.

Στόχευση (Εικ. 12)

Για ευθείες κοπές, ευθυγραμμίστε τη θέση 0° στο μπροστινό μέρος της βάσης με τη γραμμή κοπής. Για λοξοτομές 45°, ευθυγραμμίστε τη θέση 45° με αυτήν. Η θέση του πάνω οδηγού είναι ρυθμιζόμενη.

Δράση διακόπτη (Εικ. 13)

⚠ ΠΡΟΣΟΧΗ:

- Πριν την τοποθέτηση της μπαταρίας στο εργαλείο, πάντοτε να ελέγχετε ότι η σκανδάλη-διακόπτης ενεργοποιείται κανονικά και επιστρέφει στη θέση "OFF" όταν την αφήνετε.
- Μην τραβάτε το διακόπτη με βία χωρίς να πιέζετε το μοχλό ασφάλισης. Αυτό μπορεί να προκαλέσει το σπάσιμο του διακόπτη.

Για να μην τραβηχτεί ο διακόπτης κατά λάθος, υπάρχει ένας μοχλός ασφάλισης. Για να ξεκινήσετε τη λειτουργία του εργαλείου, πιέστε το μοχλό ασφάλισης και τραβήξτε το διακόπτη ταυτόχρονα. Για να σταματήσετε το εργαλείο, αφήστε τη σκανδάλη-διακόπτης.

⚠ ΠΡΟΕΙΔΟΠΟΙΗΣΗ:

- Για την ασφάλεια σας, το εργαλείο αυτό παρέχεται με μοχλό ασφάλισης ο οποίος αποτρέπει την ενεργοποίηση του εργαλείου κατά λάθος. Μη χρησιμοποιείτε ΠΟΤΕ το εργαλείο αν μπορείτε να το θέσετε σε λειτουργία πιέζοντας απλά το διακόπτη, χωρίς να πιέζετε και το μοχλό ασφάλισης. Στείλτε το εργαλείο σε ένα κέντρο εξυπηρέτησης της ΜΑΚΙΤΑ για να επισκευαστεί σωστά ΠΡΙΝ το χρησιμοποιήσετε ξανά.
- ΠΟΤΕ μην κολλήσετε με ταινία το μοχλό ασφάλισης και μην ακυρώσετε το λόγο ύπαρξης και τη λειτουργία του.

Ενεργοποίηση λυχνίας

⚠ ΠΡΟΣΟΧΗ:

- Μην κοιπάτε κατευθείαν μέσα στο φως ή στην πηγή του φωτός. (Εικ. 14)

Για να ανάψετε μόνο το φως, τραβήξτε το διακόπτη χωρίς να πιέζετε το μοχλό ασφάλισης. Για να ανάψετε το φως και να θέσετε το εργαλείο σε λειτουργία, πιέστε το μοχλό ασφάλισης και τραβήξτε το διακόπτη ταυτόχρονα.

ΣΗΜΕΙΩΣΗ:

- Χρησιμοποιήστε ένα στεγνό πανί για να σκουπίσετε την σκόνη από το φακό της λυχνίας. Προσέχετε να μη γρατσουνίσετε το φακό της λάμπας, επειδή μπορεί να μειωθεί η ένταση του φωτισμού.
- Μη χρησιμοποιείτε βενζίνη, διαλυτικό ή παρόμοια υλικά για να καθαρίσετε το φακό της λυχνίας. Αν χρησιμοποιήσετε τέτοιες ουσίες, θα καταστρέψετε το φακό.

ΣΥΝΑΡΜΟΛΟΓΗΣΗ

ΠΡΟΣΟΧΗ:

- Να βεβαιώνετε πάντοτε ότι έχετε σβήσει το εργαλείο και έχετε βγάλει την μπαταρία πριν εκτελέσετε οποιαδήποτε εργασία σε αυτό.

Αφαίρεση ή τοποθέτηση δίσκου

ΠΡΟΣΟΧΗ:

- Βεβαιωθείτε ότι ο δίσκος είναι τοποθετημένος με τα δόντια στραμμένα προς τα πάνω στο μπροστινό μέρος του εργαλείου.
- Να χρησιμοποιείτε μόνο το παρεχόμενο άλεν της Makita για να τοποθετήσετε ή για να αφαιρέσετε το δίσκο. **(Εικ. 15)**

Για να αφαιρέσετε το δίσκο, πιέστε το κλειδί/μα αζονα ώστε να μην μπορεί να περιστραφεί ο δίσκος και χρησιμοποιήστε το κλειδί για να χαλαρώσετε το εξαγωνικό μπουλόνι γυρίζοντάς το αριστερόστροφα. Κατόπιν, αφαιρέστε το εξαγωνικό μπουλόνι, τον εξωτερικό αποστάτη και το δίσκο.

Για να τοποθετήσετε το δίσκο, ακολουθήστε τη διαδικασία αφαίρεσης με αντίστροφη σειρά. **ΒΕΒΑΙΩΘΕΙΤΕ ΝΑ ΣΦΙΞΕΤΕ ΚΑΛΑ ΤΟ ΕΞΑΓΩΝΙΚΟ ΜΠΟΥΛΟΝΙ ΓΥΡΙΖΟΝΤΑΣ ΤΟ ΔΕΞΙΟΣΤΡΟΦΑ. (Εικ. 16)**

Όταν αλλάζετε δίσκους, φροντίστε να καθαρίσετε επίσης το πάνω και κάτω προστατευτικό του δίσκου από τη συσσωρευμένη πριονόσκονη. Οστόσο, οι ενέργειες αυτές δεν αντικαθιστούν την ανάγκη να ελέγχετε τη λειτουργία του κάτω προστατευτικού πριν από κάθε χρήση.

Αποθήκευση εξαγωνικού άλεν (Εικ. 17)

Όταν δεν χρησιμοποιείτε το εξαγωνικό άλεν, αποθηκεύστε το, όπως απεικονίζεται, για να μην το χάσετε.

Σύνδεση ηλεκτρικής σκούπας

Προαιρετικό αξεσουάρ (Εικ. 18 και 19)

Εάν θέλετε να εκτελέσετε κοπές καθαρά, συνδέστε την ηλεκτρική σκούπα της Makita στο εργαλείο που διαθέτετε. Τοποθετήστε το στόμιο εξαγωγής στο εργαλείο με τη βοήθεια των βιδών. Κατόπιν συνδέστε τον εύκαμπο σωλήνα της ηλεκτρικής σκούπας στο στόμιο σκόνης όπως δείχνεται στην εικόνα.

ΛΕΙΤΟΥΡΓΙΑ

ΠΡΟΣΟΧΗ:

- Να εισάγετε πάντοτε την μπαταρία πλήρως, μέχρι να ασφαλιστεί στη θέση της. Αν φαίνεται το κόκκινο τμήμα στην άνω πλευρά του κομπιού, η μπαταρία δεν είναι πλήρως ασφαλισμένη. Εισάγετέ την πλήρως για να μη φαίνεται το κόκκινο τμήμα. Σε αντίθετη περίπτωση, μπορεί να πέσει κατά λάθος από το εργαλείο και να τραυματίσει εσάς ή κάποιον παρευρισκόμενο.
- Φροντίστε να μετακινείτε ομαλά το εργαλείο προς τα μπροστά, σε ευθεία γραμμή. Αν πιέσετε ή στρέψετε το εργαλείο, ενδέχεται να υπερθερμανθεί το μοτέρ και να προκληθεί επικίνδυνο κλώτσημα, που πιθανώς να προκαλέσει σοβαρό τραυματισμό.
- Αν το εργαλείο λειτουργεί συνεχόμενα έως ότου αποφορτιστεί η μπαταρία, αφήστε το εργαλείο σβηστό για 15 λεπτά πριν συνεχίσετε την εργασία με καινούργια μπαταρία. **(Εικ. 20)**

Να κρατάτε το εργαλείο σταθερά. Το εργαλείο είναι εξοπλισμένο με μπροστινή και πίσω λαβή. Να χρησιμοποιείτε και τις δύο λαβές για να έχετε καλύτερο κράτημα του εργαλείου. Αν κρατάτε το δισκοπρίονο και με τα δύο χέρια, δεν είναι δυνατό να κοπούν από το δίσκο. Τοποθετήστε τη βάση στο υλικό προς κοπή, χωρίς ο δίσκος να το ακουμπάει. Κατόπιν, ανάψτε το εργαλείο και περιμένετε έως ότου ο δίσκος αποκτήσει την πλήρη ταχύτητα του. Τότε, απλά μετακινήστε το εργαλείο προς τα εμπρός πάνω στην επιφάνεια τεμαχίου εργασίας, κρατώντας το επίπεδο και προωθώντας το ομαλά μέχρι να ολοκληρωθεί η κοπή.

Για να πετύχετε ακριβείς κοπές, κρατήστε τη γραμμή κοπής ευθεία και την ταχύτητα προώθησης σταθερή. Εάν η κοπή δεν ακολουθήσει σωστά την προοριζόμενη γραμμή κοπής, μην επιχειρήσετε να γυρίσετε ή να πιέσετε το εργαλείο ξανά στη γραμμή κοπής. Αυτό ενδεχομένως να προκαλέσει την παρεμπόδιση της κίνησης του δίσκου και να οδηγήσει σε ένα επικίνδυνο κλώτσημα και πιθανώς στο σοβαρό τραυματισμό. Αφήστε το δισκοπρίονο, περιμένετε να ακινητοποιηθεί ο δίσκος και κατόπιν αποσύρετε το εργαλείο. Ευθυγραμμίστε ξανά το εργαλείο σε καινούργια γραμμή κοπής και ξεκινήστε ξανά την κοπή. Προσπαθήστε να αποφύγετε τη θέση η οποία αφήνει εκτεθειμένο το χειριστή σε θραύσματα και πριονίδια που εκτοξεύονται από το δισκοπρίονο. Χρησιμοποιήστε προστατευτικά ματιών για την αποφυγή τραυματισμού.

Οδηγός κοπής (Οδηγός χάρακας)

(Εικ. 21)

Ο πρακτικός οδηγός κοπής σας επιτρέπει να κάνετε ευθείες κοπές με μεγάλη ακρίβεια. Απλά ολισθήστε τον οδηγό κοπής επάνω στο τεμάχιο εργασίας ενώ έρχεται σε επαφή με αυτό και ασφαλίστε τον στην κατάλληλη θέση με το μοχλό σύσφιξης στο μπροστινό μέρος της βάσης. Έτσι είναι επίσης δυνατή η επαναλαμβανόμενη κοπή κομματιών σταθερού πλάτους.

ΣΥΝΤΗΡΗΣΗ

ΠΡΟΣΟΧΗ:

- Να βεβαιώνετε πάντοτε ότι έχετε σβήσει το εργαλείο και έχετε βγάλει την κασέτα μπαταρίας πριν εκτελέσετε οποιαδήποτε εργασία ελέγχου ή συντήρησης σε αυτό.
- **Καθαρίστε το πάνω και κάτω προστατευτικό για να εξασφαλίσετε ότι δεν υπάρχει συσσωρευμένη πριονόσκονη που ενδέχεται να παρεμποδίσει τη λειτουργία του κάτω προστατευτικού συστήματος.** Ένα βρωμικό προστατευτικό σύστημα μπορεί να μειώσει την εύρυθμη λειτουργία πράγμα που θα μπορούσε να οδηγήσει σε σοβαρό τραυματισμό. Ο πιο αποτελεσματικός τρόπος για να επιτευχθεί αυτός ο καθαρισμός είναι η χρήση πεπιεσμένου αέρα. **Αν πετάγεται η σκόνη με τον αέρα έξω από τα προστατευτικά φροντίστε να χρησιμοποιήσετε τα κατάλληλα προστατευτικά μέσα για την αναπνοή και τα μάτια.**
- Μην χρησιμοποιήσετε βενζίνη, βενζόλη, διαλυτικό, αλκοόλη ή κάτι παρόμοιο. Μπορεί να προκαλέσει αποχρωματισμό, παραμόρφωση ή ρωγμές.

Ρύθμιση για ακρίβεια κοπής 90° (κάθετη κοπή) (Εικ. 22 και 23)

Αυτή η ρύθμιση έχει γίνει στο εργοστάσιο. Εάν όμως απορρυθμιστεί, μετακινήστε τη ρυθμιστική βίδα με τη βοήθεια του εξαγωνικού άλεν ενώ ελέγχετε ότι η γωνία μεταξύ της βάσης και του δίσκου είναι 90° με τη χρήση γεωμετρικού τριγώνου, χάρακα κτλ.

Ρύθμιση παραλληλισμού (Εικ. 24)

Η ρύθμιση παραλληλισμού μεταξύ του δίσκου και της βάσης έχει γίνει στο εργοστάσιο. Εντούτοις αν υπάρχει εκτροπή, μπορείτε να τον ρυθμίσετε ακολουθώντας την παρακάτω διαδικασία. Βεβαιωθείτε ότι είναι σφιγμένοι όλοι οι μοχλοί και οι βίδες. Ξεσφίξτε ελαφρώς τις βίδες όπως υποδεικνύεται στο διάγραμμα. Έχοντας ανοικτό τον κάτω προφυλακτήρα, μετακινήστε το πίσω μέρος της βάσης έτσι ώστε να είναι ίσες οι αποστάσεις Α και Β. Μετά τη ρύθμιση, σφίξτε καλά τη βίδα. Κάνετε ένα δοκιμαστικό κόψιμο για να αποκτήσετε το σωστό παραλληλισμό.

Αλλαγή καρβουνακίων (Εικ. 25)

Να αφαιρείτε και να ελέγχετε τακτικά τα καρβουνάκια. Να αντικαθιστάτε τα καρβουνάκια όταν έχουν φθαρεί έως της ένδειξη ορίου. Να διατηρείτε τα καρβουνάκια καθαρά και ελεύθερα για να γλιστρούν στις υποδοχές. Πρέπει να αλλάζετε ταυτόχρονα και τα δύο καρβουνάκια. Να χρησιμοποιείτε μόνο καρβουνάκια ίδιου τύπου. (Εικ. 26) Με τη βοήθεια ενός καταβιδιού, βγάλτε τα καπάκια υποδοχής για τα καρβουνάκια. Βγάλτε τα φθαρμένα καρβουνάκια, τοποθετήστε τα καινούργια και ασφαλίστε τα καπάκια υποδοχής για τα καρβουνάκια. Για να διατηρείται η ΑΣΦΑΛΕΙΑ και η ΑΞΙΟΠΙΣΤΙΑ του προϊόντος, οι εργασίες επισκευής, καθώς και οποιαδήποτε άλλη εργασία συντήρησης ή ρύθμισης, θα πρέπει να εκτελούνται σε εξουσιοδοτημένα κέντρα εξυπηρέτησης της Makita, και πάντοτε με τη χρήση ανταλλακτικών της Makita.

ΠΡΟΑΙΡΕΤΙΚΑ ΑΞΕΣΟΥΑΡ

⚠️ ΠΡΟΣΟΧΗ:

- Συνιστάται η χρήση αυτών των αξεσουάρ ή εξαρτημάτων με το εργαλείο της Makita, όπως περιγράφεται στο παρόν εγχειρίδιο. Αν χρησιμοποιήσετε άλλα αξεσουάρ ή εξαρτήματα μπορεί να παρουσιαστεί κίνδυνος για πρόκληση τραυματισμού προσώπων. Να χρησιμοποιείτε τα αξεσουάρ και τα εξαρτήματα μόνο για το σκοπό για τον οποίο προορίζονται.

Αν χρειάζεστε κάποια βοήθεια ή περισσότερες πληροφορίες σχετικά με τα αξεσουάρ αυτά, απευθυνθείτε στο πλησιέστερο κέντρο εξυπηρέτησης της Makita.

- Δισκοπρίονο
- Οδηγός κομματιού (Οδηγός χάρακας)
- Εξαγωνικό άλεν 5
- Στόμιο σκόνης
- Προσαρμογέας καθοδηγητικής σιδηροτροχιάς
- Οδηγητική ράγα
- Διάφοροι τύποι γνήσιων μπαταριών και φορτιστών της Makita

ΣΗΜΕΙΩΣΗ:

- Ορισμένα από τα στοιχεία της λίστα μπορεί να περιέχονται στην συσκευασία του εργαλείου ως κανονικά αξεσουάρ. Αυτά ενδέχεται να διαφέρουν από χώρα σε χώρα.

Θόρυβος

Το σύνθηρες σταθμισμένο επίπεδο θορύβου που έχει καθοριστεί σύμφωνα με την EN62841:

Επίπεδο ηχητικής πίεσης (L_{pA}): 91 dB (A)
Επίπεδο ηχητικής ισχύος (L_{WA}): 99 dB (A)
Αβηβαιότητα (K): 3 dB (A)

ENG907-1

- Η δηλωμένη τιμή(ές) εκπομπής θορύβου έχει μετρηθεί σύμφωνα με την πρότυπη μέθοδο δοκιμής και μπορεί να χρησιμοποιηθεί για τη σύγκριση ενός εργαλείου με κάποιο άλλο.
- Η δηλωμένη τιμή(ές) εκπομπής θορύβου μπορεί να χρησιμοποιηθεί και στην προκαταρκτική αξιολόγηση της έκθεσης.

⚠️ ΠΡΟΕΙΔΟΠΟΙΗΣΗ:

- **Να φοράτε ωτοασπίδες.**
- **Η εκπομπή θορύβου κατά τη χρήση του ηλεκτρικού εργαλείου σε πραγματικές συνθήκες μπορεί να διαφέρει από τη δηλωμένη τιμή(ές) ανάλογα με τους τρόπους χρήσης του εργαλείου, ιδιαίτερα το είδος του τεμαχίου εργασίας που υπόκειται επεξεργασία.**
- **Φροντίστε να λάβετε τα κατάλληλα μέτρα προστασίας του χειριστή βάσει ενός υπολογισμού της έκθεσης σε πραγματικές συνθήκες χρήσης (λαμβάνοντας υπόψη όλες τις συνιστώσες του κύκλου λειτουργίας όπως τους χρόνους που το εργαλείο είναι εκτός λειτουργίας και όταν βρίσκεται σε αδρανή λειτουργία πέραν του χρόνου ενεργοποίησης).**

Δόνηση

ENG900-1

Η συνολική τιμή δόνησης (διανυσματικό άθροισμα τριών αξόνων) που έχει καθοριστεί σύμφωνα με την EN62841:

Κατάσταση λειτουργίας: κοπή νοβοπάν
Εκπομπή δόνησης ($a_{h,CW}$): 2,5 m/s² ή λιγότερο
Αβηβαιότητα (K): 1,5 m/s²

ENG901-2

- Η δηλωμένη τιμή(ές) συνολικών κραδασμών έχει μετρηθεί σύμφωνα με την πρότυπη μέθοδο δοκιμής και μπορεί να χρησιμοποιηθεί για τη σύγκριση ενός εργαλείου με κάποιο άλλο.
- Η δηλωμένη τιμή(ές) συνολικών κραδασμών μπορεί να χρησιμοποιηθεί και στην προκαταρκτική αξιολόγηση της έκθεσης.

⚠️ ΠΡΟΕΙΔΟΠΟΙΗΣΗ:

- **Η εκπομπή κραδασμών κατά τη χρήση του ηλεκτρικού εργαλείου σε πραγματικές συνθήκες μπορεί να διαφέρει από τη δηλωμένη τιμή(ές) εκπομπής ανάλογα με τους τρόπους χρήσης του εργαλείου, ιδιαίτερα το είδος του τεμαχίου εργασίας που υπόκειται επεξεργασία.**
- **Φροντίστε να λάβετε τα κατάλληλα μέτρα προστασίας του χειριστή βάσει ενός υπολογισμού της έκθεσης σε πραγματικές συνθήκες χρήσης (λαμβάνοντας υπόψη όλες τις συνιστώσες του**

κύκλου λειτουργίας όπως τους χρόνους που το εργαλείο είναι εκτός λειτουργίας και όταν βρίσκεται σε αδρανή λειτουργία πέραν του χρόνου ενεργοποίησης).

Δήλωση Συμμόρφωσης

Μόνο για χώρες της Ευρώπης

Οι Δηλώσεις Συμμόρφωσης περιλαμβάνονται στο Παράρτημα Α στο παρόν εγχειρίδιο οδηγιών.

TÜRKÇE (Orijinal talimatlar)

Genel görünüm

1. Kırmızı gösterge	13. Üst kılavuz	25. Kelebek vida
2. Düğme	14. Açma/kapama düğmesi	26. Hortum
3. Akü	15. Kilit açma şalteri	27. Elektrik süpürgesi
4. Yıldız işareti	16. Lamba	28. Kelepçe kolu
5. Gösterge lambaları	17. Şaft kilidi	29. Kılavuz mesnedi (Kılavuz cetveli)
6. Kontrol düğmesi	18. Alyan anahtarı	30. Ayar vidası
7. Mandal	19. Gevşetir	31. Üçgen gönye
8. Kelebek vida	20. Cıvata	32. Taban
9. Misina	21. Dış flanş	33. Sınır çizgisi
10. 45° konumu	22. Testere bıçağı	34. Fırça yuvası kapağı
11. 0° konumu	23. İç flanş	35. Tornavida
12. Vida	24. Toz nozülü	

TEKNİK ÖZELLİKLER

Model	DHS630	
Bıçak çapı	165 mm	
Maks. kesme derinliği	90°'de	66 mm
	45°'de	46 mm
Yüksüz hız (dak ⁻¹)	3.100	
Toplam uzunluk	346 mm	
Net ağırlık	3,0 - 3,4 kg	
Anma gerilimi	D.C. 18 V	

- Sürekli yapılan araştırma ve geliştirmelerden dolayı, burada belirtilen özellikler önceden bildirilmeksizin değiştirilebilir.
- Özellikler ülkeden ülkeye farklılıklar gösterebilir.
- Ağırlık, akü de dahil aksesuar(lar)a bağlı olarak değişebilir. EPTA Prosedürü 01/2014'e göre en düşük ve en yüksek ağırlıklı kombinasyonlar tabloda gösterilmiştir.

İlgili akü ve şarj cihazı

Akü	BL1815N/BL1820/BL1820B/BL1830/BL1830B/BL1840/BL1840B/BL1850/BL1850B/BL1860B
Şarj cihazı	DC18RC/DC18RD/DC18RE/DC18SD/DC18SE/DC18SF

- Listelenen akülerden ve şarj cihazlarından bazıları yaşadığınız bölgede bulunmayabilir.

⚠ UYARI:

- Sadece yukarıda listelenen aküleri ve şarj cihazlarını kullanın.** Başka akülerin ve şarj cihazlarının kullanılması yaralanmalara ve/veya yangına yol açabilir.

Amaçlanan kullanım

ENE028-1

Bu makine, ahşap malzemelerde tam bir temas sağlayarak enlemesine ve çaprazlamasına ve ayrıca köşebentlerde düz kesimler yapmak amacıyla kullanılır.

Genel elektrikli alet güvenliği uyarıları

GEA010-2

⚠ **UYARI:** Bu elektrikli aletle birlikte sunulan tüm güvenlik uyarılarını, talimatlarını, çizimlerini ve teknik özelliklerini okuyun. Aşağıda verilen talimatlara uyulmaması elektrik şoku, yangın ve/veya ciddi yaralanmalar ile sonuçlanabilir.

Tüm uyarıları ve talimatları ileride başvurmak için saklayın.

Uyanlardaki "elektrikli alet" terimi ile ya prizden çalışan (kordonlu) elektrikli aletiniz ya da kendi aküsü ile çalışan (kordonsuz) elektrikli aletiniz kastedilmektedir.

AKÜLÜ SUNTA KESME GÜVENLİK UYARILARI

GEB151-1

Kesim prosedürleri

- ⚠ **TEHLİKE:** Ellerinizi kesme alanından ve bıçaktan uzak tutun. Diğer elinizi yardımcı tutamak veya motor mahfazası üstünde tutun. Her iki el de testereyi tutarsa, bıçaklar tarafından kesilemez.
- İş parçasının altına uzanmayın.** Siper iş parçasının altında sizi bıçaktan koruyamaz.

3. **Kesme derinliđini iř parçasının kalınlıđına göre ayarlayın.** İř parçasının altında bıçak diřlerinin bir tam diřinden daha azı gürülmelidir.
4. **Kesim sırasında iř parçasını asla elinizle ya da bacaklarınızla tutmayın. İř parçasını sabit bir platforma oturtun.** Bedensel zarar gelmesini, bıçađın iř parçasına saplanıp kalmasını ya da kontrolün kaybedilmesini önlemek için yapılan iş uyun şekilde desteklemek oldukça önemlidir. (Şekil. 1)
5. **Kesici aletin görünmeyen kabloları ya da aletin kendi kordonuna temas etme olasılıđı bulunan yerlerde çalıřırken elektrikli aletleri yalıtımlı kavrama yüzeylerinden tutun.** “Akımlı” bir telle temas da elektrikli aletin yalıtımsız metal kısımlarını “akımlı” hale getirir ve kullanıcıyı elektrik řokuna maruz bırakabilir.
6. **Biçme yaparken daima bir biçki kenarlıđı veya düz kenar kılavuzu kullanın.** Bu daha hassas bir kesim sađlar ve bıçađın sıkıřması riskini azaltır.
7. **Her zaman dođru mil delik řekline (elmas ya da yuvarlak) ve boyutuna sahip bıçaklar kullanın.** Testerenin montaj donanımına uymayan bıçaklar eksenden çıkar ve kontrolün kaybedilmesine neden olur.
8. **Asla hasarlı ya da yanlış bıçak rondelalarını veya civatasını kullanmayın.** Bıçak rondelaları ve civatası testereniz için, optimum performans ve çalıřma güvenliđi sađlamak amacıyla özel olarak tasarlanmıřtır.

Geri tepme nedenleri ve ilgili uyarılar

- geri tepme, sıkıřan, takılan ya da yanlış hizalanan testere bıçađına karřı gösterilen ani bir tepkidir ve kontrol edilemeyen testerenin iř parçasından çıkıp operatöre dođru yukarı kalkmasına neden olur;
- kesik kapanarak bıçađın takılmasına ya da sıkıřmasına neden olduđunda bıçak durur ve motorun tepkisi sonucu ünite hızlı bir şekilde kullanıcıya dođru geri teper;
- Eđer bıçak kesik içinde bükülür veya yanlış hizalanırsa, bıçađın arka kenarındaki diřler ađabın üst yüzeyine batarak, kertik diřına tıranıp, operatöre dođru geri zıplamasına neden olabilir.

Geri tepme testerenin yanlış kullanılmasının ve/veya yanlış kullanım usulleri veya kořullarının bir sonucudur ve ařađıda verildiđi gibi dođru önlemlerle önlenir.

1. **Testereyi iki elinizle sıkıca kavramayı sürdürün ve kollarınızı geri tepme kuvvetlerine karřı koyacak bir konumda tutun. Vücudunuzu bıçak ile aynı hatta deđil, bıçađın herhangi bir yanında tutun.** Geri tepme testerenin geriye sıçramasına neden olabilir ama geri tepme kuvvetleri, eđer uygun önlemler alınırsa, operatör tarafından kontrol edilebilir.
2. **Bıçak takıldıđı veya herhangi bir nedenle kesmeyi durdurduđu zaman, tetiđi serbest bırakın ve testereyi bıçak tamamen duruncaya kadar malzeme içinde hareketsiz olarak tutun. Bıçak hareket halindeyken asla testereyi iřten çıkarmaya veya geriye çekmeye çalıřmayın, aksi takdirde geri tepme meydana gelebilir.** Bıçađın takılma nedenini arařtırıp, ortadan kaldırmak için düzeltici iřlemleri yapın.
3. **Testereyi iř parçasının içinde yeniden bařlatırken, testere bıçađını kesieđe ortalayarak testere diřlerinin malzemenin içine girmemiř olduđundan**

- emin olun.** Testere bıçađı takılırsa, testere yeniden bařlatıldıđında yukarı kalkabilir ya da geri tepebilir.
4. **Bıçađın sıkıřması ve geri tepmesi riskini en aza indirmek için büyük panelleri destekleyin.** Büyük paneller kendi ađırlıkları altında bel vermeye meyillidirler. Destekler, kesme hattına ve panelin kenarına yakın olarak, panelin her iki tarafının altına yerleřtirilmelidirler. (Şekil. 2 ve 3)
5. **Kör veya hasarlı bıçakları kullanmayın.** Keskin olmayan veya yanlış ayarlanmış bıçaklar dar kertikler açarak, ařırı sürtünmeye, bıçak takılmasına ve geri tepmeye neden olurlar.
6. **Kesme yapmadan önce bıçak derinliđi ve řev ayarı kilitleme levyeleri sıkılı ve sabitlenmiř olmalıdır.** Eđer bıçak ayarı kesme sırasında kayarsa, takılmaya ve geri tepmeye neden olabilir.
7. **Mevcut duvarların veya diđer kör alanların içine biçme yaparken daha fazla dikkat gösterin.** Çıkıntı yapan bıçak geri tepmeye neden olabilecek cisimleri kesebilir.
8. **Aleti DAİMA her iki elinizle sıkıca tutun. Özellikle enine kesim yaparken elinizi, bacađınızı ve vücudunuzun hiçbir kısmını ASLA alet tabanının altına ya da testerenin arkasına koymayın.** Geri tepme olursa, testere kolayca geriye elinizin üstüne sıçrayarak ciddi yaralanmalara neden olabilir. (Şekil. 4)
9. **Testereyi asla zorlamayın. Testereyi bıçađın yavaşlamadan keseceđi bir hızda ileri dođru itin.** Testereyi zorlamak düzgün olmayan kesmelere, hassaslık kaybına ve olası geri tepmeye neden olabilir.

Siper iřlevi

1. **Her kullandımdan önce alt koruma parçasının dođru bir şekilde kapatılıp kapatılmadıđını kontrol edin. Alt koruma parçası serbest bir şekilde hareket etmiyor ve anında kapanmıyorsa sunta kesme aletini kullanmayın. Alt koruma parçasını asla açık konumda kalacak şekilde sıkıřtırmayın ve bađlamayın.** Sunta kesme aleti kazayla düşerse, alt koruma parçası bükülebilir. Alt koruma parçasını geri çekme kolu ile kaldırın ve tüm açılarda ve tüm kesme derinliklerinde serbest bir şekilde hareket ettiđinden, bıçađa ya da diđer parçalara temas etmediđinden emin olun.
2. **Alt koruma parçasına ait yayın iřleyiřini kontrol edin. Koruma parçası ve yay düzgün iřlemiyorsa, kullanmadan önce tamir edilmelidir.** Hasarlı parçalar, yapıřkan nitelikli artıklar ya da talař birikmesi alt koruma parçasının yavaş çalıřmasına neden olabilir.
3. **Sadece “dalmalı tip kesme” ya da “birleřik kesme” gibi özel kesimlerde alt koruma parçası elle geri çekilebilir. Alt koruma parçasını geri çekme kolu ile kaldırın, bıçak malzemeye girer girmez alt koruma parçası serbest kalmalıdır.** Diđer tüm kesme iřlemlerinde alt koruma parçası otomatik olarak çalıřmalıdır.
4. **Sunta kesme aletini tezgahın ya da zeminin üstüne yerleřtirmeden önce alt koruma parçasının bıçađı örttüđünden emin olun.** Korumasız, bořta kalan bir bıçak, sunta kesme aletinin geri hareket ederek önünde ne varsa kesmesine neden olur. Anahtar

bırakıldıktan sonra bıçağın durması için gereken zamana dikkat edin.

5. **Alt koruma parçasını kontrol etmek için, alt koruma parçasını elle açın ve ardından koruma parçasını serbest bırakın ve kapanmasını izleyin. Ayrıca geri çekme kolunun alet muhafazasına temas edip etmediğini kontrol edin. Bıçağı açıkta bırakmak ÇOK TEHLİKELİDİR ve ciddi kişisel yaralanmalara neden olabilir.**

Ek güvenlik uyarıları

1. **Islak tahtaları, basınçla işlenmiş keresteleri veya budaklı ağaçları keserken daha fazla dikkat gösterin.** Bıçak uçlarının aşırı ısınmasını önlemek için, aletin bıçak hızı düşmeden düzgün ilerlemesini sağlayın.
2. **Bıçak hareket halindeyken kesilen malzemeyi çıkarmaya çalışmayın. Kesilen materyale ellemeden önce bıçağın durmasını bekleyin.** Kapatıldıktan sonra bıçaklar bir müddet boşa hareket edebilir.
3. **Çivileri kesmekten kaçının. Kesmeden önce tahtadaki tüm çivileri bulun ve çıkarın.**
4. **Kesme yaparken, testere tabanının daha geniş bölümünü iş parçasının düşecek kısmının değil altı sağlam şekilde desteklenen kısmının üstüne yerleştirin. İş parçası kısa ya da küçüğe, mengeneyle sıkıştırın. KISA PARÇALARI ELLE TUTMAYA ÇALIŞMAYIN!** (Şekil. 5)
5. **Bir kesimi gerçekleştirdikten sonra aleti bırakırken, siperin kapalı olduğundan ve bıçağın tam olarak durduğundan emin olun.**
6. **Daire testereyi mengeneyle baş aşağı tutarak kesme yapmaya asla çalışmayın. Bu son derecede tehlikelidir ve ciddi kazalara yol açabilir.** (Şekil. 6)
7. **Bazı malzemeler zehirli olabilen kimyasallar içerirler. Toz yutmayı ve cilt temasını önlemek için tedbir alın. Malzeme sağlayıcısının güvenlik bilgilerine uyun.**
8. **Bıçakları testere bıçağına yanal basınç uygulayarak durdurmayın.**
9. **Aşındırıcı diskleri kullanmayın.**
10. **Sadece alet üzerine basılmış olan ya da kılavuzda belirtilmiş olan çapta bir testere bıçağı kullanın.** Yanlış boyuttaki bir bıçağın kullanılması bıçağa karşı doğru bir şekilde siperle koruma yapılmasını veya siperin işleyişini etkileyebilir, bu da ciddi kişisel yaralanmalara neden olabilir.
11. **Bıçağı keskin ve temiz tutun.** Bıçakların üzerinde sertleşen sakız veya zambak, testereyi yavaşlatır ve geri tepme riskini artırır. Bıçağı önce aletten çıkarıp ardından sakız ve zambak çözücü bir madde, sıcak su veya gaz yağı ile temizleyin. Asla benzin kullanmayın.
12. **Bu aleti kullanırken bir toz maskesi ve kulak koruması takın.**
13. **Her zaman keseceğiniz malzeme için tasarlanmış testere bıçağını kullanın.**
14. **Sadece hızı alet üzerinde işaretli olan hıza eşit ya da ondan daha yüksek olan testere bıçaklarını kullanın.**
15. **(Yalnızca Avrupa ülkeleri için) Her zaman EN847-1 standartına uygun bir bıçak kullanın.**

BU TALİMATLARI MUHAFAZA EDİNİZ.

⚠ UYARI: Ürünü kullanırken (defalarca kullanınca kazanılan) rahatlık ve tanıdıklık duygusunun ilgili ürünün güvenli kullarlarına sıkı sıkıya bağlı kalmanın yerine geçmesine İZİN VERMEYİN. YANLIŞ KULLANIM veya bu kullanma kılavuzunda belirtilen emniyet kurallarına uymama ciddi yaralanmaya neden olabilir.

BATARYA KARTUŞU HAKKINDA ÖNEMLİ GÜVENLİK TALİMATLARI

ENC007-12

1. **Aküyü kullanmaya başlamadan önce (1) akü şarj cihazı, (2) akü ve (3) akünün takıldığı ürüne ilişkin tüm talimatları ve uyarıları okuyun.**
2. **Aküyü sökmeye çalışmayın.**
3. **Çalışma süresinde önemli bir kısıalma gözlerseniz, hemen çalışmayı bırakın. Bu durum AŞIRI ısınmaya, yangına ve hatta patlamaya yol açabilir.**
4. **Elektrolit (akü sıvısı) gözlerinize temas ederse, bol temiz suyla yıkayın ve derhal bir doktora başvurun. Elektrolit körlüğe neden olabilir.**
5. **Akünün kısa devre yapmasını önleyin:**
 - (1) Herhangi bir iletken nesne ile akü uçlarına dokunmayın.
 - (2) Aküyü çivi, madeni para vb. metal nesnelere bulduğu bir yerde saklamayın.
 - (3) Aküyü suya veya yağmura maruz bırakmayın. Aküde oluşan kısa devre büyük bir elektrik akımına, aşırı ısınmaya, yangına ve aletin bozulmasına yol açabilir.
6. **Aleti ve aküyü 50°C (122°F) sıcaklığa ulaşabilecek veya bu değeri aşabilecek ortamlarda saklamayın.**
7. **Önemli ölçüde hasar görmüş veya tümüyle tükenmiş olsa da aküyü kesinlikle yakarak imha etmeye çalışmayın. Akü ateşe atıldığında patlayabilir.**
8. **Akünün düşmemesine ve darbe almamasına dikkat edin.**
9. **Hasarlı bir aküyü kesinlikle kullanmayın.**
10. **Aletin içerdiği lityum-iyon bataryalar Tehlikeli Eşyalar Yönetmeliğinin gereksinimlerine tabidir.** Ticari nakliye işlemleri için, örneğin üçüncü taraflar, nakliye acenteleri tarafından yapılan nakliyelerde, paketleme ve etiketleme gereksinimlerine uyulmalıdır. Nakliyesi yapılacak ürünün hazırlanması için, tehlikeli maddeler konusunda uzman bir kişiye danışın. Lütfen muhtemelen daha ayrıntılı olan ulusal yönetmeliklere de uyun. Açık kontakları bantlayın ya da maskeleyin ve bataryayı paketin içinde hareket etmeyecek şekilde paketleyin.
11. **Akünün atılması sırasında ilgili yönetmeliklere uyun.**
12. **Aküleri sadece Makita tarafından belirtilen ürünlerle kullanın.** Akülerin, uyumlu olmayan ürünlere takılması yangına, aşırı ısınmaya, patlamaya veya elektrolit sızıntısına neden olabilir.

BU TALİMATLARI SAKLAYIN.

⚠ DİKKAT: Sadece orijinal Makita bataryalarını kullanın.

Orijinal olmayan Makita bataryaları ya da üzerine değişiklik yapılmış bataryaların kullanımı bataryanın patlamasına ve sonuç olarak yangın, kişisel yaralanma ve hasara neden olabilir. Ayrıca Makita aleti ve şarj aletinin Makita tarafından sunulan garantisini de geçersiz olur.

Akünün öngörülen maksimum ömrü dolana kadar kullanılması için öneriler

- Aküyü tamamen boşalmasını beklemeden şarj edin.**
Aletin çalışma gücünden bir azalma gördüğünüzde, mutlaka çalışmayı bırakıp, aküyü şarj edin.
- Tam olarak şarj edilmiş bir aküyü tekrar şarj etmeyin.**
Akünün normalden fazla şarj edilmesi ömrünü kısaltır.
- Aküyü 10°C - 40°C (50°F - 104°F) değerlerini aşmayan oda sıcaklığında şarj edin.** Akü ısınmışsa, şarj etmeden önce soğumasını bekleyin.
- Uzun (altı ayı aşkın) bir süredir kullanmıyorsanız aküyü şarj edin.**

KULLANIMA İLİŞKİN TANIMLAR

⚠ DİKKAT:

- Makine üzerinde ayar veya başka bir kontrol işlemi yapmadan önce makinenin kapalı ve aküsünün çıkartılmış olduğundan emin olun.

Akünün takılması ve çıkartılması (Şekil 7)

- Aküyü takmadan veya çıkarmadan önce mutlaka makineyi kapalı konuma getirin.
- Aküyü çıkarmak için akünün ön tarafında bulunan düğmeye bastırın ve aküyü çekerek makineden çıkartın.
- Aküyü takmak için ise aküdeki dili makine yuvasındaki girintiyle aynı hizaya getirin ve aküyü iterek yerine oturmasını sağlayın. Akünün tam yerine oturduğunu klik sesinden anlayabilirsiniz. Düğmenin üst tarafında bulunan kırmızı göstergesi görüyorsanız, akü tam olarak kilitlememiştir. Kırmızı gösterge tamamen kayboluncaya kadar aküyü itin. Aksi takdirde, akü makineden kayıp düşebilir ve operatörün veya çevredeki kişilerin yaralanmasına neden olabilir.
- Aküyü takarken güç kullanmayın. Akünün makineye rahat bir şekilde takılamaması, akünün yanlış takıldığını gösterir.

Akü koruma sistemi (Yıldız işaretli lityum akülerde) (Şekil 8)

Yıldız işaretli lityum akülerde koruma sistemi mevcuttur. Bu sistem, akü ömrünü uzatmak için makineye beslenen gücü otomatik olarak keser.

Makine ve/veya akü için aşağıda sıralanan durumlardan birinin geçerli olması halinde, makine çalışmasını otomatik olarak durdurur:

- Aşırı yüklenme:
Makine anormal yüksek akım çekecek şekilde çalışır.














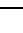

Böyle bir durumda, makine üzerindeki açma/kapama düğmesinden elinizi çekin ve makinenin aşırı yüklenmesine neden olan uygulamayı durdurun. Ardından, yeniden başlatmak için açma/kapama düğmesine tekrar basın.

- Makine çalışmıyorsa, akü aşırı ısınmıştır. Böyle bir durumda, açma/kapama düğmesine tekrar basmadan önce akünün soğumasını bekleyin.
- Düşük akü gerilimi:
Kalan akü kapasitesi çok düşüktür ve makine çalışmıyordur. Böyle bir durumda, aküyü çıkartın ve şarj edin.

Kalan akü kapasitesinin kontrol edilmesi

Sadece göstergeli batarya kartuşları için (Şekil 9)

Kalan batarya kapasitesini göstermesi için batarya kartuşu üzerindeki kontrol düğmesine basın. Gösterge lambaları birkaç saniye yanar.

Gösterge lambaları			Kalan kapasite
 Açık	 Kapalı	 Yanıp sönüyor	
			%75 ile %100 arası
			%50 ile %75 arası
			%25 ile %50 arası
			%0 ile %25 arası
			Aküyü şarj edin.
			Akü bozulmuş olabilir.

NOT:

- Gösterilen kapasite seviyesi, kullanım koşullarına ve ortam sıcaklığına bağlı olarak gerçek seviyeden bir miktar farklı olabilir.

Kesme derinliğinin ayarlanması (Şekil 10)

⚠ DİKKAT:

- Kesme derinliğini ayarladıktan sonra kolu mutlaka iyice sıkın.

Arka sapın kenarındaki kolu gevşeterek tabanı yukarıya veya aşağıya doğru oynatın. İstenilen kesme derinliğine gelince, kolu sıkarak tabanı sabitleyin.

Daha temiz ve daha güvenli kesimler için kesme derinliğini bıçak dişlerinden yalnızca bir tanesi işparçasının altından çıkacak şekilde ayarlayın. Doğru kesme derinliklerinin kullanılması, yaralanmalara neden olabilecek potansiyel geri tepme risklerini azaltır.

Eğimli kesim (Şekil 11)

Ön ve arka tabandaki kelebek vidayı gevşetin. Uygun biçimde eğerek istediğiniz açığa (0° - 45° arası) ayarlayın ve sonra kelebek vidayı iyice sıkın.

Hizalama (Şekil 12)

Düz kesimlerde, tabanın ön kısmındaki 0° konumunu kesim çizginize ayarlayın. 45°'lik eğimli kesimlerde 45° konumunu ayarlayın. Üst kılavuzun konumu ayarlanabilir.

Açma/kapama işlemi (Şekil 13)

⚠ DİKKAT:

- Aküyü makineye takmadan önce, açma/kapama düğmesinin kusursuz çalışıp çalışmadığını ve açma/kapama düğmesi bırakıldığında makinenin "KAPALI" konuma dönüp dönmediğini mutlaka kontrol edin.
- Kilit açma şalterine basılmamışsa, açma/kapama düğmesini zorlamayın. Aksi takdirde, açma/kapama düğmesi kırılabilir.

Açma/kapama düğmesinin yanlışlıkla çekilmesini önlemek için, makinede kilit açma şalteri bulunmaktadır. Makineyi çalıştırmak için kilitleme koluna basın ve tetiği çekin. Makineyi durdurmak için parmağınızı açma/kapama düğmesinden çekin.

⚠ UYARI:

- Güvenliğiniz için makinenin yanlışlıkla çalışmasının önlenmesi için makinede bir kilit açma şalteri bulunmaktadır. Kilit açma şalterine basmadığınız halde açma/kapama düğmesine basınca makine çalışıyorsa, makineyi KESİNLİKLE kullanmayın. Makineyi bir MAKİTA servis merkezine götürerek gerekli onarımları yaptırmadan KESİNLİKLE kullanmayın.
- Kilit açma şalterini KESİNLİKLE bantlamayın veya amaç ve işlevini engellemeyin.

Lambanın yakılması

⚠ DİKKAT:

- Lambaya veya ışık kaynağına doğrudan bakmayın. (Şekil 14)

Tetiği, yalnızca ışığı yakmak amacıyla kilitleme koluna basmadan çekebilirsiniz. Işığı yakıp makineyi çalıştırmak için kilitleme koluna basın ve kilitleme kolu basılıyken tetiği çekin.

NOT:

- Lambanın lensindeki kiri silmek için kuru bir bez kullanın. Lensin çizilmemesine dikkat edin, aksi takdirde lambanın aydınlatma gücü azalır.
- Lamba lensini temizlemek için benzin, tiner veya benzerlerini kullanmayın. Bu maddelerin kullanılması lense zarar verir.

KURULUM

⚠ DİKKAT:

- Makine üzerinde herhangi bir işlem yapmadan önce makinenin kapalı ve aküsünün çıkartılmış olduğundan emin olun.

Testere bıçağının sökülmesi ve takılması

⚠ DİKKAT:

- Bıçağın, dişler makinenin önünde yukarıyı gösterecek şekilde takıldığından emin olun.
- Bıçağın takılması ve sökülmesi için sadece verilen Makita anahtar kullanılmaktadır. (Şekil 15)

Bıçağı sökmek için şaft kilidini sıkıca bastırarak bıçağın dönmelerini önleyin, daha sonra Alyan anahtarını

kullanarak altigen civatayı saat yönünün tersine çevirerek gevşetin. Civatayı, dış flanşı ve bıçağı çıkartın.

Bıçağı sökmek için, takma işlemlerini ters sırayla uygulayın. ALTİGEN BAŞLI CIVATAYI SAAT YÖNÜNDE İYİCE SIKTIĞINIZDAN EMİN OLUN. (Şekil 16)

Bıçağı değiştirirken üst ve alt bıçak muhafazalarında birikmiş talaşları da temizlemeyi unutmayın. Ancak bu işlemi yapmış olmanız alt muhafazanın her kullanımdan önce mutlaka kontrol edilmesi şartını ortadan kaldırmaz.

Alyan anahtarının saklanması (Şekil 17)

Alyan anahtarı kullanılmadığında, kaybolmaması için şekilde gösterildiği gibi saklanmalıdır.

Elektrik süpürgesinin bağlanması

Opsiyonel aksesuar (Şekil 18 ve 19)

Temiz bir kesme işlemi yapmak istiyorsanız, makineye bir Makita elektrik süpürgesi bağlayın. Vidayı kullanarak toz nozulünü makinenin üzerine takın. Daha sonra, elektrik süpürgesinin hortumunu şekilde gösterildiği biçimde toz nozulüne takın.

ÇALIŞTIRMA

⚠ DİKKAT:

- Akü mutlaka tam olarak yerine oturacak şekilde takılmaktadır. Düğmenin üst tarafında bulunan kırmızı bölümü görüyorsanız, akü tam olarak kilitlememiştir. Kırmızı bölüm tamamen kayboluncaya kadar aküyü itin. Aksi takdirde, akü makineden kayıp düşebilir ve operatörün veya çevredeki kişilerin yaralanmasına neden olabilir.
- Makineyi düz bir çizgi üzerinde ve yumuşak bir şekilde ileriye doğru ittiğinizden emin olun. Makinenin zorlanması ve bükülmesi, motorun aşırı ısınmasına ve tehlikeli geri tepmelere neden olarak, ciddi yaralanmalara yol açabilir.
- Makine, akü bitene kadar sürekli olarak çalıştırılmışsa, dolu bir akü ile yeniden çalışmaya başlamadan önce 15 dakika kadar bekleyin. (Şekil 20)

Makineyi sıkıca kavrayın. Makinede hem ön hem de arka tutma sapları bulunmaktadır. Makineyi en iyi şekilde tutabilmek için her ikisini de kullanın. Her iki elinizle testereyi tutarsanız, bıçak ellerinizi kesemez. Gövde tabanını, bıçak herhangi bir yere temas etmeyecek şekilde kesilecek işparçasının üzerine yerleştirin. Sonra makineyi çalıştırın ve bıçak tam hızına ulaşıncaya kadar bekleyin. Şimdi makineyi düz tutarak ve kesme işlemi bitinceye dek yavaşça ilerleyecek şekilde işparçasının üzerine doğru yürütün.

Temiz kesimler elde edebilmek için kesme hattınızı düz ve kesme hızınızı sabit tutun. Kesme işlemini istediğiniz hat üzerinde düzgün bir şekilde yapamıyorsanız, makineyi kesim çizgisini üzerine getirmek için çevirmeyin ya da zorlamayın. Bu durum bıçağın sıkışmasına neden olarak tehlikeli geri tepmeye ve dolayısıyla yaralanma riskinin artmasına yol açacaktır. Açma/kapama düğmesini serbest bırakın, bıçağın durmasını bekleyin ve sonra makineyi geri çekin. Makineyi yeni bir kesim çizgisine üzerine ayarlayın ve yeniden kesmeye başlayın. Operatör, testereden çıkan çapaklara ve talaş tozuna maruz kalabileceği pozisyonlarda durmamalıdır. Herhangi bir yaralanmanın önüne geçmek için göz koruyucu kullanın.

Kılavuz mesnedi (Kılavuz cetveli) (Şekil 21)

Elle kolayca tutulabilen kılavuz mesnedi ekstra düzgün kesimler yapmanızı sağlar. Kılavuz mesnedini işparçasının kenarına sıkıca kaydırarak tabanın ön kısmında bulunan sıkıştırma kolu yardımıyla yerine sabitleyin. Bu, ayrıca mümkün olduğunca sabit genişlikte çok sayıda kesim yapmanıza olanak sağlar.

BAKIM

⚠ DİKKAT:

- Makine üzerinde kontrol veya bakım işlemlerine başlamadan önce mutlaka makinenin kapalı ve akünün çıkartılmış olduğundan emin olun.
- **Alt muhafaza sisteminin çalışmasını etkileyebilecek testere talaşı kalmadığından emin olarak, üst ve alt muhafazaları temizleyin.** Kirli bir muhafaza sistemi, doğru çalışmayı engelleyebilir ve ciddi yaralanmalara yol açabilir. En etkili yöntem, basınçlı hava kullanılarak temizlenmesidir. **Toz, muhafazalardan dışarı üfleniyorsa, uygun göz ve solunum koruyucu ekipmanları kullandığınızdan emin olun.**
- Kesinlikle gazolin, benzin, tiner, alkol veya benzeri bir madde kullanmayın. Aksi takdirde renk bozulması, deformasyon veya çatlaklar meydana gelebilir.

90° kesim (düşey kesim) için hassasiyet ayarı (Şekil 22 ve 23)

Gerekli ayar fabrika çıkışında yapılmıştır. Ancak, yapılmış olan bu ayarın bozulması durumunda, bıçak ile gövde tabanı arasında 90° açılı ayarını yapmak için bir üçgen veya kare gönye ve Alyan anahtarı yardımıyla ayar vidasını ayarlayın.

Paralellik ayarı (Şekil 24)

Bıçak ile taban arasındaki paralellik fabrikada ayarlanır. Bu ayarın bozulması durumunda, aşağıda açıklanan prosedürü takip ederek tekrar ayarlayabilirsiniz. Tüm kolların ve vidaların sıkıldığından emin olun. Vidayı gösterildiği gibi hafifçe gevşetin. Alt muhafazayı açarken, tabanın arka tarafını A ve B mesafeleri eşit şekilde hareket ettirin. Ayar işleminden sonra vidayı sıkın. Paralelliğin doğru şekilde ayarlandığını kontrol etmek için bir deneme kesimi gerçekleştirin.

Karbon fırçaların değiştirilmesi (Şekil 25)

Karbon fırçaları düzenli olarak çıkartın ve kontrol edin. Sınır çizgisine kadar aşınan karbon fırçaları değiştirin. Karbon fırçaları yuvanın içinde kayabilecek şekilde temiz tutun. Her iki karbon fırça aynı anda değiştirilmelidir. Aşınan karbon fırçaları mutlaka aynı tipte fırçalar ile değiştirin. (Şekil 26)

Fırça yuvası kapaklarını açmak için bir tornavida kullanın. Aşınmış karbon fırçaları çıkartın ve yenilerini taktıktan sonra fırça yuvası kapaklarını geri vidalayın. Ürünün EMNİYETLİ ve GÜVENİLİR durumda kalmasını sağlamak için tüm onarımlar, bakım ve ayarlar Makita yetkili servisleri veya fabrika servis merkezleri tarafından Makita yedek parçaları kullanılarak yapılmalıdır.

OPSİYONEL AKSESUARLAR

⚠ DİKKAT:

- Bu kullanım kılavuzunda tanıtılan Makita marka makineyle aşağıdaki aksesuarların ve parçaların kullanılması önerilir. Bunların dışında başka aksesuarların veya parçaların kullanılması yaralanmalara yol açabilir. Aksesuarlar ve parçalar doğru şekilde ve öngörüldükleri işlevler için kullanılmalıdır.

Aksesuarlara ilişkin daha ayrıntılı bilgi almak için size en yakın yetkili Makita servisine başvurabilirsiniz.

- Testere bıçakları
- Kılavuz mesnedi (Kılavuz cetveli)
- Alyan anahtar 5
- Toz nozülü
- Kılavuz ray adaptörü
- Kılavuz rayı
- Çeşitli tiplerde orijinal Makita aküler ve şarj cihazları

NOT:

- Listedeki bazı parçalar makineyle birlikte standart aksesuar olarak verilebilir. Ürünle verilen aksesuarlar ülkeden ülkeye farklılıklar gösterebilir.

Gürültü

EN62841 uyarınca belirlenen tipik A ağırlıklı gürültü seviyesi:

- Ses basıncı seviyesi (L_{pA}): 91 dB (A)
- Ses gücü seviyesi (L_{WA}): 99 dB (A)
- Belirsizlik (K): 3 dB (A)

ENG907-1

- Beyan edilen gürültü emisyonu değer(ler)i bir standart test yöntemine uygun şekilde ölçülmüştür ve bir aleti bir başkasıyla karşılaştırmak için kullanılabilir.
- Beyan edilen gürültü emisyonu değer(ler)i bir ön maruz kalma değerlendirme olarak da kullanılabilir.

⚠ UYARI:

- **Kulak koruyucuları takın.**
- **Elektrikli aletin gerçek kullanımını sırasındaki gürültü emisyonu, aletin kullanım biçimlerine, özellikle işlenen iş parçasının türüne bağlı olarak beyan edilen değer(ler)den farklı olabilir.**
- **Gerçek kullanım koşullarındaki tahmini maruziyeti baz alan, operatörü koruyacak güvenlik önlemlerini mutlaka belirleyin (çalışma döngüsü içerisinde aletin kapalı olduğu ve aktif durumda olmasının yanı sıra boşta çalıştığı zamanlar gibi, bütün zaman dilimleri göz önünde bulundurarak).**

Titreşim

EN62841'e göre belirlenen toplam titreşim değeri (üç eksenli vektörel toplam):

- Çalışma modu: sunta kesme
- Titreşim emisyonu ($a_{sa,CW}$): 2,5 m/s² veya daha düşük
- Belirsizlik (K): 1,5 m/s²

ENG901-2

- Beyan edilen titreşim toplam değer(ler)i bir standart test yöntemine uygun şekilde ölçülmüştür ve bir aleti bir başkasıyla karşılaştırmak için kullanılabilir.
- Beyan edilen titreşim toplam değer(ler)i bir ön maruz kalma değerlendirmesi olarak da kullanılabilir.

⚠ UYARI:

- Elektrikli aletin gerçek kullanımı sırasındaki titreşim emisyonu, aletin kullanım biçimlerine, özellikle işlenen iş parçasının türüne bağlı olarak beyan edilen değer(ler)den farklı olabilir.
- Gerçek kullanım koşullarındaki tahmini maruziyeti baz alan, operatörü koruyacak güvenlik önlemlerini mutlaka belirleyin (çalışma döngüsü içerisinde aletin kapalı olduğu ve aktif durumda olmasının yanı sıra boşta çalıştığı zamanlar gibi, bütün zaman dilimleri göz önünde bulundurarak).

Uygunluk Beyanları

Sadece Avrupa ülkeleri için

Uygunluk beyanları bu kullanma kılavuzuna Ek A olarak eklenmiştir.

Makita Europe N.V.

Jan-Baptist Vinkstraat 2, 3070 Kortenberg, Belgium

Makita Corporation

3-11-8, Sumiyoshi-cho, Anjo, Aichi 446-8502 Japan

www.makita.com

885270C997

ALA

