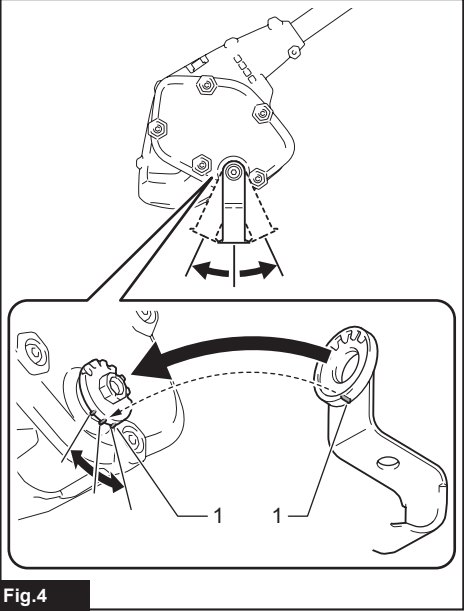
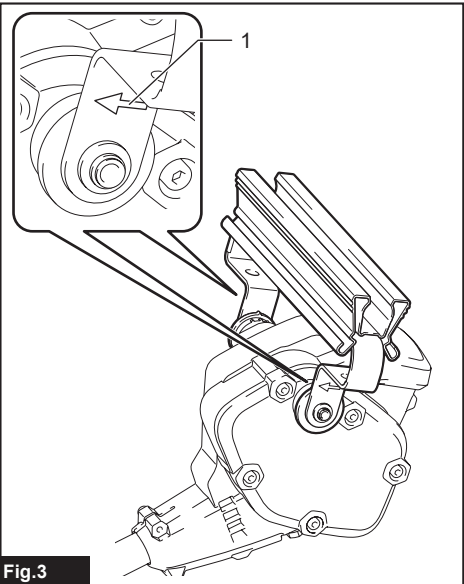
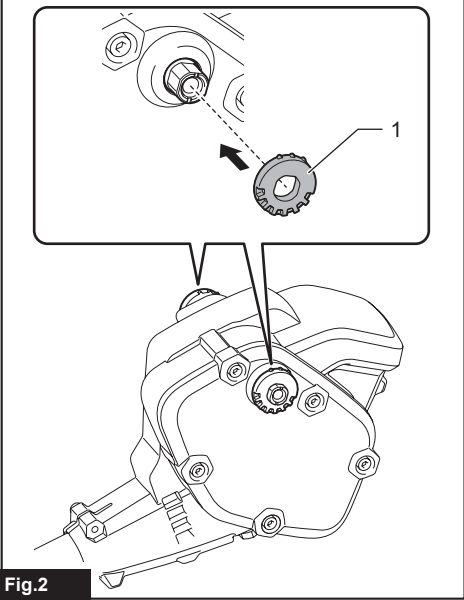
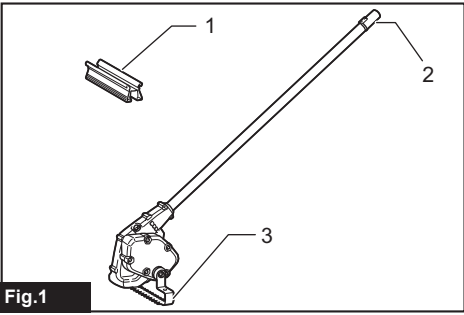
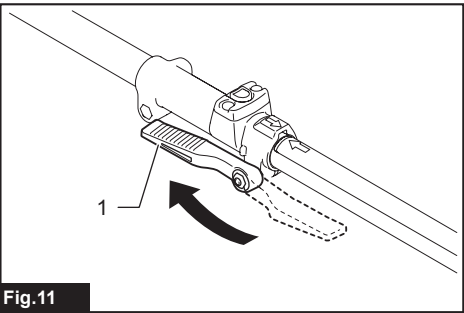
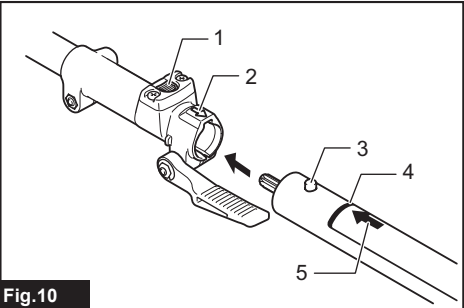
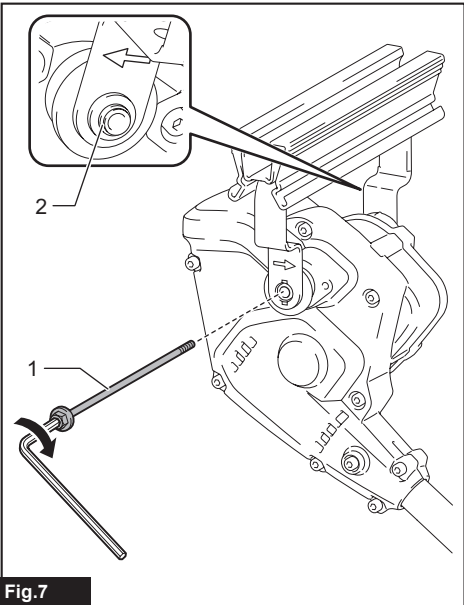
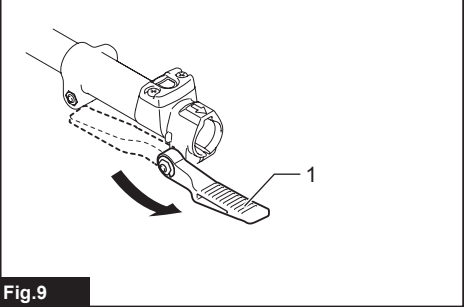
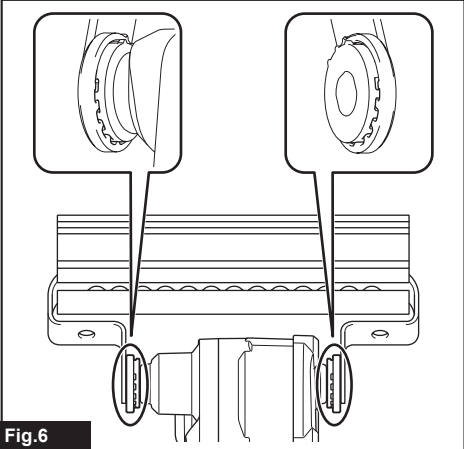
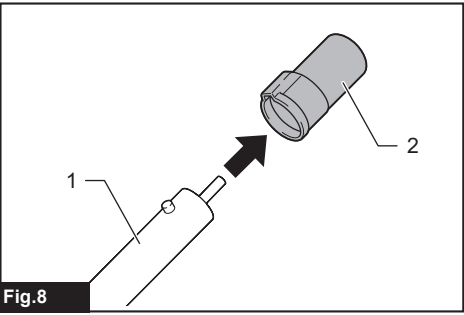
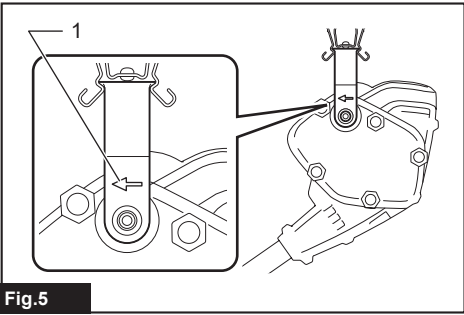


**WA400MP**

EN	Weeding Attachment	INSTRUCTION MANUAL	7
FR	Outil de désherbage	MANUEL D'INSTRUCTIONS	13
DE	Bodenhackenaufsatz	BETRIEBSANLEITUNG	20
IT	Accessorio sarchiatore	ISTRUZIONI PER L'USO	27
NL	Onkruidwiedhulpstuk	GEBRUIKSAANWIJZING	34
ES	Accesorio para Deshierbar	MANUAL DE INSTRUCCIONES	41
PT	Implemento de Capina	MANUAL DE INSTRUÇÕES	48
DA	Ukrudtstilbehør	BRUGSANVISNING	54
EL	Προσάρτημα ξεχορταριάσματος	ΕΓΧΕΙΡΙΔΙΟ ΟΔΗΓΙΩΝ	60
TR	Ot Temizleme Ek Parçası	KULLANMA KILAVUZU	67
SV	Ogräsrensningstilläts	BRUKSANVISNING	73
NO	Tilbehør for luking	BRUKSANVISNING	79
FI	Kitkentälaite	KÄYTTÖOHJE	85
LV	Ravēšanas uzgalis	LIETOŠANAS INSTRUKCIJA	91
LT	Ravėjimo priedas/kauptukas	NAUDOJIMO INSTRUKCIJA	97
ET	Rohimis liides	KASUTUSJUHEND	103
PL	Przystawka Do Usuwania Chwastów	INSTRUKCJA OBSŁUGI	109
HU	Gyomlálási toldóelem	HASZNÁLATI KÉZIKÖNYV	116
SK	Nástavec na burinu	NÁVOD NA OBSLUHU	122
CS	Plečí nástavec	NÁVOD K OBSLUZE	128
SL	Nastavek za odstranjevanje plevela	NAVODILA ZA UPORABO	134
SQ	Aksesori i heqjes së barishteve	MANUALI I PËRDORIMIT	140
BG	Приставка за плевене	РЪКОВОДСТВО ЗА ЕКСПЛОАТАЦИЯ	146
HR	Nastavak za uklanjanje korova	PRIRUČNIK S UPUTAMA	153
MK	Додаток за плевел	УПАТСТВО ЗА УПОТРЕБА	159
SR	Наставак за плевљење	УПУТСТВО ЗА УПОТРЕБУ	166
RO	Dispozitiv de atașare pentru plivit	MANUAL DE INSTRUCȚIUNI	173
UK	Насадка для видалення бур'янів	ІНСТРУКЦІЯ З ЕКСПЛУАТАЦІЇ	179
RU	Насадка-плоскорез	РУКОВОДСТВО ПО ЭКСПЛУАТАЦИИ	186
KK	Сыдыра жыртқыш саптамасы	ПАЙДАЛАНУ ЖӨНІНДЕГІ НҮСҚАУЛЫҚ	193
ZHTW	鋤根器組	使用說明書	200







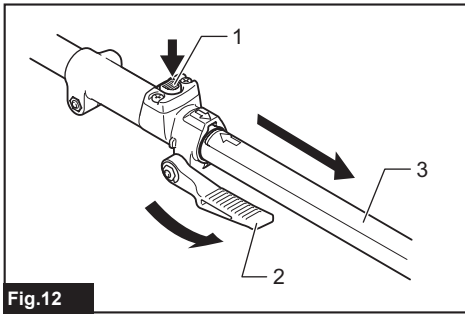


Fig.12

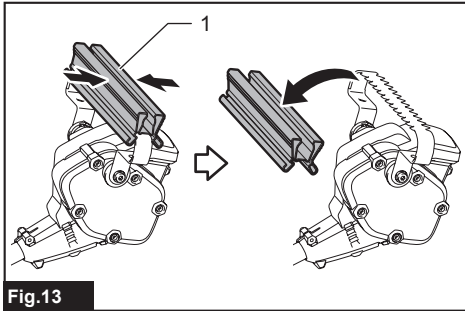


Fig.13

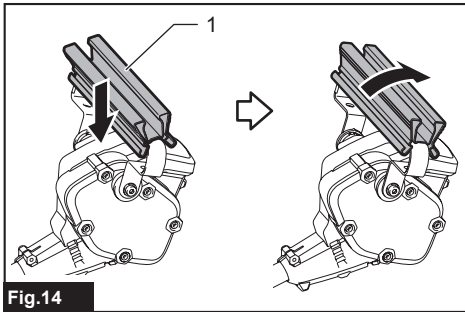


Fig.14

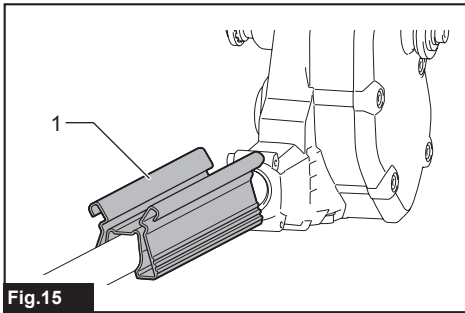


Fig.15

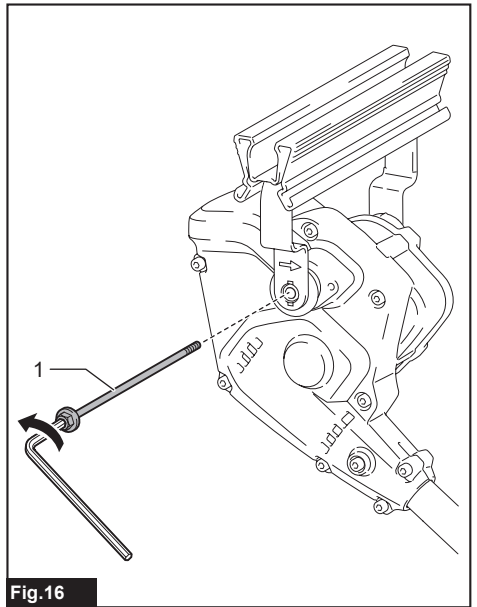


Fig.16

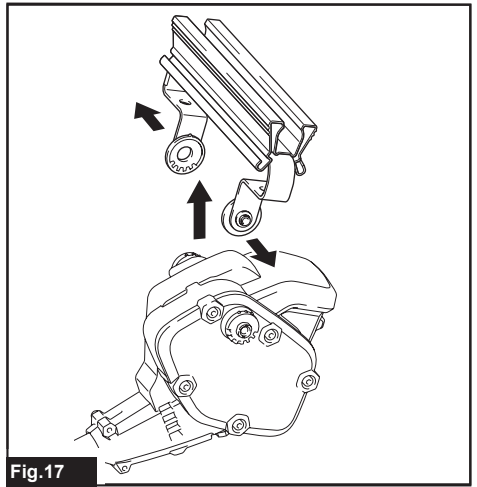


Fig.17

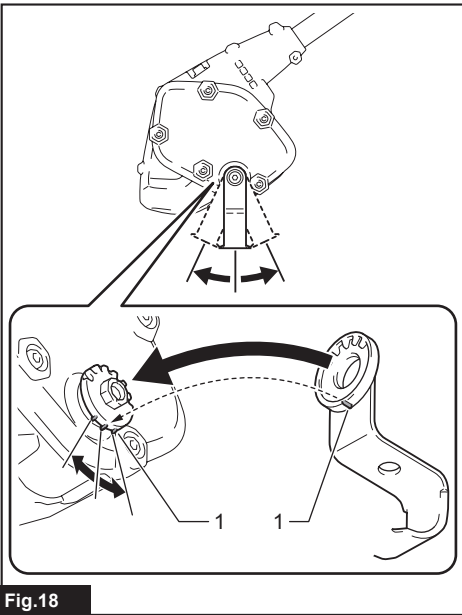


Fig.18



Fig.19

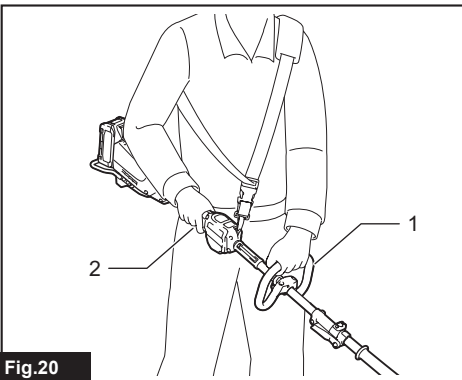


Fig.20

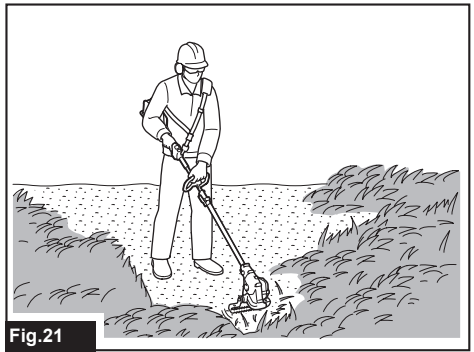


Fig.21

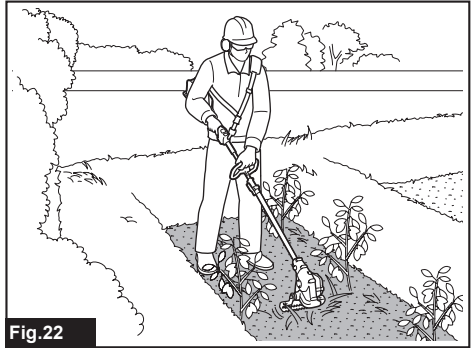


Fig.22

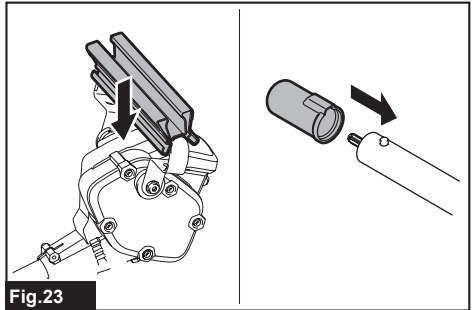


Fig.23

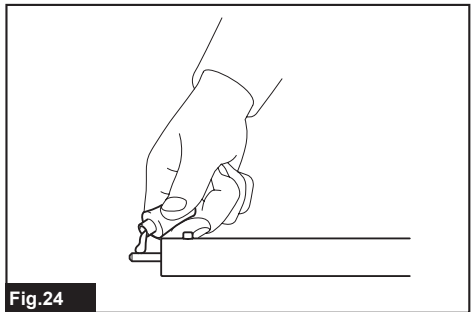


Fig.24

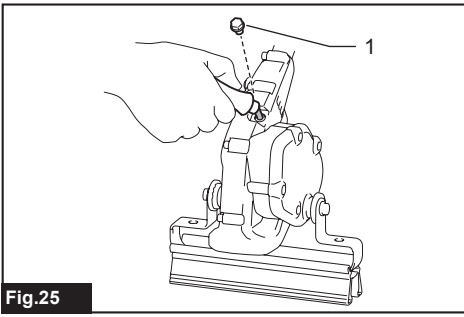


Fig.25

SPECIFICATIONS

Model:	WA400MP
Cutting width	220 mm
Dimensions (L x W x H)	980 mm x 226 mm x 196 mm
Net weight	2.8 kg

- Due to our continuing program of research and development, the specifications herein are subject to change without notice.
- Specifications may differ from country to country.

Approved power unit

This attachment is approved to use only with the following power unit(s):

- DUX60 Cordless multi function power head
- DUX18 Cordless multi function power head
- UX01G Cordless multi function power head

⚠ WARNING: Never use the attachment with non-approved power unit. Non-approved combination may cause serious injury.

Symbols

The followings show the symbols which may be used for the equipment. Be sure that you understand their meaning before use.

	Read and follow the instruction manual.
	Wear protective helmet, eye and ear protection.
	Wear protective gloves.
	Wear sturdy boots with non-slip soles.
	Warning; Disconnect battery before maintenance.
	Keep your feet away from the weeding blade.
	Keep bystanders and animals at least 5 m away from the power tool.
	Hot surfaces - Burns to fingers or hands.
	Guaranteed sound power level according to EU Outdoor Noise Directive.



Sound power level according to Australia NSW Noise Control Regulation.

Intended use

This attachment is designed for only the purpose of weeding grass on the ground in conjunction with an approved power unit. Never use the attachment for the other purpose. Abusing the attachment may cause serious injury.

EC Declaration of Conformity

For European countries only

We as the manufacturers: **Makita Europe N.V.**, Business address: **Jan-Baptist Vinkstraat 2 3070 Kortenberg BELGIUM**. Authorize **Kazuhisa Makino** for the compilation of the technical file and declare under our sole responsibility that the product(s); Designation: **Weeding Attachment**. Designation of Type(s): **WA400MP**.

Fulfills all the relevant provisions of **2006/42/EC** and also fulfills all the relevant provisions of the following EC/EU Directives: **2000/14/EC** and are manufactured in accordance with the following Harmonised Standards: **EN 62841-1:2015+A11:2022, EN ISO 11806-1:2022, EN IEC 62841-4-7:2022+A11:2022**.

Place and date of declaration: **Kortenberg, Belgium. 27. 9.2023**

Responsible person: **Kazuhisa Makino, Director - Makita Europe N.V.**

Declaration of Conformity (For UK)

For UK only

We as the manufacturers: **Makita Europe N.V.**,
Business address: **Jan-Baptist Vinkstraat 2 3070
Kortenberg BELGIUM**. Authorize **Kazuhisa Makino**
for the compilation of the technical file and declare
under our sole responsibility that the product(s);
Designation: **Weeding Attachment**. Designation of
Type(s): **WA400MP**.

Fulfills all the relevant provisions of **S.I. 2008/1597
(as amended)** and also fulfills all the relevant provisions
of the following UK Regulations: **S.I. 2001/1701
(as amended)** and are manufactured in accordance
with the following Designated Standards: **EN 62841-
1:2015+A11:2022, EN ISO 11806-1:2022, EN IEC
62841-4-7:2022+A11:2022**.

Place and date of declaration: **Kortenberg, Belgium.**

27. 9.2023

Responsible person: **Kazuhisa Makino, Director -
Makita Europe N.V.**

Importer: Makita (UK) Limited, Michigan Drive,
Tongwell, Milton Keynes, Buckinghamshire, MK15
8JD, UK



SAFETY WARNINGS

Weeding Attachment safety warnings

- Do not use the machine in bad weather conditions, especially when there is a risk of lightning.** This decreases the risk of being struck by lightning.
- Thoroughly inspect the area for wildlife where the machine is to be used.** Wildlife may be injured by the machine during operation.
- Thoroughly inspect the area where the machine is to be used and remove all stones, sticks, wires, bones, and other foreign objects.** Thrown objects can cause personal injury.
- Before using the machine, always visually inspect to see that the weeding blade is not damaged.** Damaged part increases the risk of injury.
- Follow instructions for changing accessories.** Improperly tightened blade securing nuts or bolts may either damage the blade or result in it becoming detached.
- Wear eye, ear, head and hand protection.** Adequate protective equipment will reduce personal injury by flying debris or accidental contact with the cutting line or blade.
- While operating the machine, always wear non-slip and protective footwear. Do not operate the machine when barefoot or wearing open sandals.** This reduces the chance of injury to the feet from contact with the moving cutters or lines.
- While operating the machine, always wear long trousers.** Exposed skin increases the likelihood of injury from thrown objects.
- Keep bystanders away while operating the machine.** Thrown debris can result in serious personal injury.
- Always use two hands when operating the machine.** Holding the machine with both hands will avoid loss of control.
- Hold the machine by the insulated gripping surfaces only, because the cutting line or blade may contact hidden wiring.** Cutting line or blades contacting a "live" wire may make exposed metal parts of the machine "live" and could give the operator an electric shock.
- Always keep proper footing and operate the machine only when standing on the ground.** Slippery or unstable surfaces may cause a loss of balance or control of the machine.
- Do not operate the machine on excessively steep slopes.** This reduces the risk of loss of control, slipping and falling which may result in personal injury.
- When working on slopes, always be sure of your footing, always work across the face of slopes, never up or down and exercise extreme caution when changing direction.** This reduces the risk of loss of control, slipping and falling which may result in personal injury.
- Keep all parts of the body away from the weeding blade when the machine is operating. Before you start the machine, make sure the weeding blade is not contacting anything.** A moment of inattention while operating the machine may result in injury to yourself or others.
- Do not operate the machine above waist height.** This helps prevent unintended weeding blade contact and enables better control of the machine in unexpected situations.
- When cutting brush or saplings that are under tension, be alert for spring back.** When the tension in the wood fibres is released, the brush or sapling may strike the operator and/or throw the machine out of control.
- Use extreme caution when cutting brush and saplings.** The slender material may catch the blade and be whipped toward you or pull you off balance.
- Maintain control of the machine and do not touch weeding blade and other hazardous moving parts while they are still in motion.** This reduces the risk of injury from moving parts.
- Carry the machine with the machine switched off and away from your body.** Proper handling of the machine will reduce the likelihood of accidental contact with a moving cutter, line or blade.
- When transporting or storing the machine, always fit the cover on the weeding blade.** Proper handling of the machine will reduce the likelihood of accidental contact with the blade.
- Only use replacement weeding blades specified by the manufacturer.** Incorrect replacement parts may increase the risk of breakage and injury.
- When clearing jammed material or servicing the machine, make sure the switch is off and the battery pack is removed.** Unexpected starting of the machine while clearing jammed material or servicing may result in serious personal injury.

Additional safety warnings

General instructions

1. To ensure correct operation, user has to read this instruction manual to make himself familiar with the handling of the equipment. Users insufficiently informed will risk danger to themselves as well as others due to improper handling.
2. Never allow children, persons with reduced physical, sensory or mental capabilities or lack of experience and knowledge or people unfamiliar with these instructions to use the machine, local regulations may restrict the age of the operator.
3. Use the equipment with the utmost care and attention.
4. Operate the equipment only if you are in good physical condition. Perform all work calmly and carefully. Use common sense and keep in mind that the operator or user is responsible for accidents or hazards occurring to other people or their property.
5. Never operate the machine while people, especially children, or pets are nearby.
6. The motor is to be switched off immediately in case that the equipment shows any problem or abnormal sign.
7. Switch off and remove the battery cartridge when resting and when leaving the equipment unattended, and place it in a safe location to prevent danger to others or damage to the equipment.
8. Avoid using the machine in bad weather conditions especially when there is a risk of lightning.

Personal protective equipment

1. Wear eye protection and stout shoes at all times while operating the machine.
2. Always wear substantial footwear and long trousers while operating the machine.

Starting up the equipment

1. Make sure that there are no children or other people nearby, also pay attention to any animals in the working vicinity. Otherwise stop using the equipment.
2. During operation, keep bystanders or animals at least 5 m away from the tool. Stop the tool as soon as someone approaches.
3. Before use always check that the equipment is safe for operation. Check the security of the cutting tool and the switch trigger for easy and proper action. Check for clean and dry handles and test the function of the start/stop.
4. Check damaged parts before further use of the equipment. A part that is damaged should be carefully checked to determine that it will operate properly and perform its intended function. Check for alignment of moving parts, binding of moving parts, breakage of parts, mounting, and any other condition that may affect its operation. A part that is damaged should be properly repaired or replaced by our authorized service center unless indicated elsewhere in this manual.

5. Switch on the motor only when the hands and feet are away from the cutting tool.
6. Before starting make sure that the cutting tool has no contact with any objects.
7. Hold the tool firmly when using the tool.
8. Avoid unintentional starting. Do not carry the tool when the battery cartridge is installed and with finger on the switch. Make sure that the switch is off when installing the battery cartridge.
9. Before operation, examine the work area for wire fences, stones, or other solid objects. They can damage the weeding blade.
10. Check the hedges and bushes for foreign objects, such as wire fences or hidden wiring before operating the tool.

Method of operation

1. Only use the equipment in good light and visibility. During the winter season beware of slippery or wet areas, ice and snow (risk of slipping). Always ensure a safe footing on slopes and be sure to walk and never run.
2. Take care against injury to feet and hands from the cutting tool.
3. Never stand on a ladder and run the equipment.
4. Never climb up into trees to perform cutting operation with the equipment.
5. Never work on unstable surfaces.
6. Remove sand, stones, nails etc. found within the working range. Foreign particles may damage the cutting tool and can cause dangerous kick-backs.
7. Should the cutting tool hit stones or other hard objects, immediately switch off the motor and inspect the cutting tool.
8. Inspect the cutting tool at short regular intervals for damage (detection of hairline cracks by means of tapping-noise test).
9. Always remove the battery cartridge from the equipment:
 - whenever leaving the equipment unattended;
 - before clearing a blockage;
 - before checking, cleaning or working on the equipment;
 - after striking a foreign object;
 - whenever the equipment starts vibrating abnormally.
10. Cutting means continues to run after the motor is switched off.
11. When attaching or removing the blade cover, be careful not to injure your hands.

Maintenance instructions

1. The condition of the equipment, in particular of the cutting tool of the protective devices must be checked before commencing work.
2. Turn off the motor and remove the battery cartridge before carrying out maintenance, replacing cutting tools or cleaning the equipment or cutting tool.

- When not in use, attach the blade cover to the tool and store the tool indoors in dry, and high locked-up place, out of reach of children.

SAVE THESE INSTRUCTIONS.

⚠WARNING: DO NOT let comfort or familiarity with product (gained from repeated use) replace strict adherence to safety rules for the subject product. MISUSE or failure to follow the safety rules stated in this instruction manual may cause serious personal injury.

PARTS DESCRIPTION

- Fig.1: 1. Blade cover 2. Cap 3. Weeding blade

ASSEMBLY

⚠WARNING: Before assembling or adjusting the equipment, switch off the motor and remove the battery cartridge. Otherwise, the machine may start unintentionally and result in an injury.

⚠WARNING: When assembling or adjusting the equipment, always put it down. Assembling or adjusting the equipment in an upright position may result in serious injury.

⚠WARNING: Follow the warnings and precautions in the chapter "SAFETY WARNINGS" and the instruction manual of the power unit.

Assembling the attachment

- Attach the 2 adjusting plates to the attachment so that the grooves of the plates face outward.

► Fig.2: 1. Adjusting plate

- Attach the weeding blade to the adjusting plates while opening the blade outward slightly.

When attaching the weeding blade, make sure the arrow points toward the pipe.

► Fig.3: 1. Arrow

The angle of the weeding blade can be changed by aligning the protrusion on the weeding blade with the one of the protrusions on the adjusting plates.

► Fig.4: 1. Protrusion

NOTICE: Make sure that the arrows on the weeding blade face in the direction shown in the figure.

► Fig.5: 1. Arrow

- Make sure that the weeding blade is engaged with the adjusting plates.

► Fig.6

- Insert the bolt from the side without the nut and tighten the bolt with the wrench.

Make sure that the bolt is securely tightened.

► Fig.7: 1. Bolt 2. Nut

NOTE: Tightening torque : 5 - 10 N•m

Mounting the attachment pipe

⚠CAUTION: Always check that the attachment pipe is secured after installation. Improper installation may cause the attachment falling off from the power unit and cause personal injury.

Mount the attachment pipe to the power unit.

- Remove the cap from the end of the pipe.

► Fig.8: 1. Pipe 2. Cap

NOTICE: Do not dispose of the cap since the cap is necessary for storing the attachment.

- Turn the lever toward the attachment.

► Fig.9: 1. Lever

- Align the pin with the arrow mark on the power unit. Insert the pipe until the release button pops up.

Make sure that the position line is on the tip of the arrow mark on the power unit, and the arrow mark on the power unit and the arrow mark on the pipe are facing each other.

► Fig.10: 1. Release button 2. Arrow mark on the power unit 3. Pin 4. Position line 5. Arrow mark on the pipe

- Turn the lever toward the power unit.

► Fig.11: 1. Lever

Make sure that the surface of the lever is parallel to the pipe.

NOTICE: Do not tighten the lever without the attachment pipe inserted. Otherwise the lever may tighten the entrance of the drive shaft too much and damage it.

To remove the pipe, turn the lever toward the attachment and pull the pipe out while pressing down the release button.

► Fig.12: 1. Release button 2. Lever 3. Pipe

Removing or attaching the blade cover

To remove the blade cover, push the blade cover toward the inside and turn it.

► Fig.13: 1. Blade cover

To attach the blade cover, hook the blade cover to one side of the weeding blade, and then turn it.

► Fig.14: 1. Blade cover

NOTE: You can attach the blade cover to the pipe as shown in the figure.

► Fig.15: 1. Blade cover

Installing or removing the weeding blade

⚠CAUTION: When replacing the weeding blade, always wear gloves so that your hands do not directly contact the weeding blade.

⚠CAUTION: Attach the blade cover before removing or installing the weeding blade.

1. Attach the blade cover to the weeding blade.
2. Remove the bolt by loosening the bolt with the wrench.
▶ Fig.16: 1. Bolt
3. Remove the weeding blade while opening the weeding blade outward slightly.
▶ Fig.17

Install the weeding blade referring to the instructions for assembling the attachment.

FUNCTIONAL DESCRIPTION

CAUTION: Always be sure that the tool is switched off and the battery cartridge is removed before adjusting or checking function on the tool.

Adjusting the cutting angle

CAUTION: Always be sure that the tool is switched off before adjusting the cutting angle.

The angle of the weeding blade can be changed in three levels. To change the angle, align the protrusion on the weeding blade with the one of the protrusions on the adjusting plates, and then install the weeding blade.

1. Loosen the bolt that fix the cutting blade with the wrench.
2. Align the protrusion on the weeding blade with the one of the protrusions on the adjusting plates.
3. Retighten the bolt to fix the cutting blade.
▶ Fig.18: 1. Protrusion

OPERATION

WARNING: Follow the warnings and precautions in the chapter "SAFETY WARNINGS" and the instruction manual of the power unit.

Operating the tool

WARNING: Keep hands away from weeding blade.

WARNING: Be extremely careful to maintain control of the tool at all times. Do not allow the tool to be deflected toward you or anyone in the work vicinity. Failure to keep control of the tool could result in serious injury to the bystander and the operator.

WARNING: Before weeding, clear away sticks and stones from the weeding area.

NOTE: This tool is intended for removing weeds less than 15 cm (5-7/8").

▶ Fig.19

CAUTION: Avoid operating the tool in very hot weather as much as practicable. When operating the tool, be careful of your physical condition.

CAUTION: Be careful not to accidentally contact a metal fence or other hard objects while weeding. The weeding blade may break and cause an injury.

CAUTION: Overreaching with the tool, particularly from a ladder, is extremely dangerous. Do not work while standing on anything wobbly or infirm.

NOTICE: Do not use the tool in a way that causes the motor to stop or to rotate extremely slowly.

Hold the tool with both hands by holding the front handle and the rear grip of the power unit.

▶ Fig.20: 1. Front handle 2. Rear grip

Turn the tool on with the weeding blade off the ground. Place the weeding blade on the ground, and pull the tool toward you slowly to weed. It is easier to work when the weeding blade is at an angle nearly perpendicular to the ground.

▶ Fig.21

▶ Fig.22

MAINTENANCE

WARNING: Before inspecting or maintaining the equipment, switch off the motor and remove the battery cartridge. Otherwise, the machine may start unintentionally and result in serious injury.

WARNING: When inspecting or maintaining the equipment, always put it down. Assembling or adjusting the equipment in an upright position may result in serious injury.

WARNING: Follow the warnings and precautions in the chapter "SAFETY WARNINGS" and the instruction manual of the power unit.

CAUTION: Wear gloves when performing the inspection or maintenance.

NOTICE: Never use gasoline, benzene, thinner, alcohol or the like. Discoloration, deformation or cracks may result.

To maintain product SAFETY and RELIABILITY, repairs, any other maintenance or adjustment should be performed by Makita Authorized or Factory Service Centers, always using Makita replacement parts.

Cleaning the tool

Clean the tool by wiping off dust with a dry cloth or one dipped in soapy water and wrung out.

Blade maintenance

After operation, remove the entangled grass or roots from the blade.

NOTICE: Do not wash the blade in water. Doing so may cause rust or damage to the blade or attachment.

Storage

Attach the blade cover to the weeding blade. Store the tool out of the reach of children. Store the tool in a place not exposed to moisture or rain.

When storing the attachment separated from the power unit, put the cap onto the end of the pipe.

► Fig.23

Lubricating moving parts

NOTICE: Follow the instruction of the frequency and amount of grease supplied. Otherwise insufficient lubrication may damage moving parts.

Drive axle:

Apply grease (Makita grease N No.2 or equivalent) every 25 hours of operation.

► Fig.24

NOTE: Genuine Makita grease may be purchased from your local Makita dealer.

Grease lubrication

Interval of lubrication: Every 25 operating hours

1. Remove the bolt from the hole for lubrication.

► Fig.25: 1. Bolt

2. Apply the grease (Makita grease SG No.0 or equivalent) to the tool (approximately 3.0 g as a guide).

3. Tighten the bolt.

TROUBLESHOOTING

Before asking for repairs, conduct your own inspection first. If you find a problem that is not explained in the manual, do not attempt to dismantle the tool. Instead, ask Makita Authorized Service Centers, always using Makita replacement parts for repairs.

State of abnormality	Probable cause (malfunction)	Remedy
Motor does not start.	-	Refer to the instruction manual of the power unit.
Motor stops soon.	-	Refer to the instruction manual of the power unit.
Motor speed does not increase.	-	Refer to the instruction manual of the power unit.
Weeding blade do not move: ⇒ stop the machine immediately!	The drive system does not work correctly.	Ask your local authorized service center for repair.
Abnormal vibration: ⇒ stop the machine immediately!	Weeding blade is broken, bent or worn.	Replace the weeding blade.
	The drive system does not work correctly.	Ask your local authorized service center for repair.
Weeding blade and motor cannot stop: ⇒ Remove the battery immediately!	Electric malfunction.	Remove the battery and ask your local authorized service center for repair.

OPTIONAL ACCESSORIES

⚠ CAUTION: These accessories or attachments are recommended for use with your Makita machine specified in this manual. The use of any other accessories or attachments might present a risk of injury to persons. Only use accessory or attachment for its stated purpose.

If you need any assistance for more details regarding these accessories, ask your local Makita Service Center.

- Weeding blade
- Cultivator blade
- Makita genuine battery and charger

NOTE: Some items in the list may be included in the product package as standard accessories. They may differ from country to country.

SPÉCIFICATIONS

Modèle :	WA400MP
Largeur de coupe	220 mm
Dimensions (L x l x H)	980 mm x 226 mm x 196 mm
Poids net	2,8 kg

- Étant donné l'évolution constante de notre programme de recherche et de développement, les spécifications contenues dans ce manuel sont sujettes à modification sans préavis.
- Les spécifications peuvent varier suivant les pays.

Unité motorisée approuvée

Cet accessoire est approuvé pour être utilisé avec le ou les unités motorisées suivantes :

- DUX60 Moteur multi-fonctions sans fil
- DUX18 Moteur multi-fonctions sans fil
- UX01G Moteur multi-fonctions sans fil

⚠ AVERTISSEMENT : Ne jamais utiliser l'accessoire avec une unité motorisée non approuvée. Une combinaison non approuvée peut provoquer de graves blessures.

Symboles

Vous trouverez ci-dessous les symboles susceptibles d'être utilisés pour l'appareil. Veuillez à comprendre leur signification avant toute utilisation.

	Lire et respecter ce mode d'emploi.
	Porter un casque de sécurité, des lunettes de protection et un serre-tête antibruit.
	Porter des gants de protection.
	Porter des bottes robustes à semelles antidérapantes.
	Avertissement ; Déconnectez la batterie avant l'entretien.
	Tenez vos pieds à l'écart de la lame de désherbage.
	Éloignez les badauds et les animaux d'au moins 5 m de l'outil électrique.
	Surfaces chaudes - Risque de brûlures des doigts ou des mains.
	Niveau de puissance sonore garanti selon la directive européenne sur le bruit dans l'environnement.



Niveau de puissance sonore selon la réglementation australienne NSW sur le contrôle du bruit

Utilisations

Cet accessoire est conçu uniquement pour désherber les mauvaises herbes au sol en association avec un outil motorisé approuvé. N'utilisez jamais l'accessoire à toute autre fin. Une utilisation inadéquate de l'accessoire pourrait provoquer de graves blessures.

Déclaration de conformité CE

Pour les pays européens uniquement

Nous, fabricants : **Makita Europe N.V.**, adresse commerciale : **Jan-Baptist Vinkstraat 2 3070 Kortenberg BELGIQUE**. Autorisons **Kazuhisa Makino** pour la compilation du fichier technique et déclarons sous notre seule responsabilité que le ou les produits ; désignation : **outil de désherbage** ; désignation du ou des types : **WA400MP**.

respectent toutes les dispositions pertinentes de la Directive **2006/42/CE** et respectent également toutes les dispositions pertinentes des Directives CE/UE suivantes : **2000/14/EC** et sont fabriqués conformément aux normes harmonisées suivantes : **EN 62841-1:2015+A11:2022, EN ISO 11806-1:2022, EN IEC 62841-4-7:2022+A11:2022**.

Lieu et date de déclaration : **Kortenberg, Belgique. 27. 9.2023**

Personne responsable : **Kazuhisa Makino, Directeur - Makita Europe N.V.**

CONSIGNES DE SÉCURITÉ

Consignes de sécurité pour l'outil de désherbage

- N'utilisez pas la machine par mauvais temps, particulièrement en cas d'orage.** Vous diminuerez ainsi le risque d'être frappé par la foudre.
- Vérifiez soigneusement l'absence d'animaux sauvages dans la zone où la machine doit être utilisée.** Les animaux sauvages peuvent être blessés par la machine pendant son fonctionnement.
- Inspectez soigneusement la zone où la machine doit être utilisée et retirez toutes pierres, brindilles, tous fils, os et autres corps étrangers.** Les projections d'objets comportent un risque de blessure.
- Avant d'utiliser la machine, vérifiez toujours visuellement que la lame de désherbage n'est pas endommagée.** Une pièce endommagée augmente le risque de blessures.
- Suivez les instructions pour remplacer les accessoires.** Des écrous ou boulons de fixation de lame mal serrés peuvent endommager la lame ou entraîner son détachement.
- Portez une protection pour les yeux, les oreilles, la tête et les mains.** Le port d'équipements de protection adéquats réduit le risque de blessure causée par les débris éjectés ou par le contact accidentel avec la ligne de coupe ou la lame.
- Pendant l'utilisation de la machine, portez toujours des chaussures antidérapantes et de protection. N'utilisez pas la machine pieds nus ou avec des sandales qui laissent les pieds partiellement découverts.** Cela réduit les risques de blessures aux pieds en cas de contact avec les coupoirs ou les lignes en mouvement.
- Pendant l'utilisation de la machine, portez toujours un pantalon long.** La peau exposée augmente les risques de blessures provoquées par les projections d'objets.
- Tenez à distance les passants pendant que vous utilisez la machine.** La chute de débris peut provoquer de graves blessures corporelles.
- Servez-vous toujours de vos deux mains lorsque vous utilisez la machine.** Tenez la machine des deux mains pour éviter toute perte de contrôle.
- Tenez la machine uniquement par ses surfaces de prise isolées, car la ligne de coupe ou la lame pourrait entrer en contact avec le câblage caché.** Le contact des lignes de coupe ou des lames avec un fil sous tension peut transmettre du courant dans les pièces métalliques exposées de la machine et électrocuter l'utilisateur.
- Conservez toujours un bon appui et utilisez la machine uniquement en vous tenant debout sur le sol.** Vous risquez de perdre l'équilibre ou le contrôle de la machine si vous travaillez sur une surface glissante ou instable.
- N'utilisez pas la machine sur des pentes trop raides.** Cela permet de réduire le risque de perte de contrôle, de dérapage et de chute, susceptibles de provoquer une blessure.
- En cas de travail en pente, ayez toujours une bonne prise au sol, travaillez toujours perpendiculairement au sens de la pente, jamais vers le haut ou vers le bas, et soyez extrêmement attentif en cas de changement de direction.** Cela permet de réduire le risque de perte de contrôle, de dérapage et de chute, susceptibles de provoquer une blessure.
- Prenez soin de n'approcher aucune partie du corps de la lame de désherbage lorsque la machine fonctionne. Avant de faire démarrer la machine, assurez-vous que la lame de désherbage n'est pas en contact avec quoi que soit.** Un moment d'inattention durant l'utilisation de la machine peut vous blesser ainsi que d'autres personnes.
- N'utilisez pas la machine plus haut que votre taille.** Cela permet d'éviter un contact accidentel avec la lame de désherbage et de mieux maîtriser la machine dans les situations imprévues.
- Lorsque vous coupez des broussailles ou de jeunes arbres en tension, prenez garde à leur retour.** Lorsque la tension exercée sur les fibres du bois est libérée, des broussailles ou de jeunes arbres pourraient frapper l'utilisateur et/ou provoquer une perte de contrôle de la machine.
- Faites preuve d'une grande prudence lorsque vous coupez des broussailles ou de jeunes arbres.** De fins morceaux de bois peuvent se coincer dans la lame et être projetés vers vous ou exercer une traction qui vous ferait perdre l'équilibre.
- Conservez le contrôle de la machine et ne touchez pas la lame de désherbage et d'autres pièces mobiles dangereuses lorsqu'elles sont encore en mouvement.** Cela réduit le risque de blessures provoquées par les pièces en mouvement.
- Transportez la machine éteinte et éloignée de votre corps.** Une manipulation adéquate de la machine réduit le risque de contact accidentel avec un coupoir, une ligne ou une lame en mouvement.
- Lors du transport ou du rangement de la machine, placez toujours le couvercle sur la lame de désherbage.** Une manipulation adéquate de la machine réduit le risque de contact accidentel avec la lame.
- Utilisez exclusivement les lames de désherbage de rechange spécifiées par le fabricant.** Des pièces de rechange incorrectes peuvent augmenter le risque de rupture et de blessures.
- Lorsque vous dégagez un matériau bloqué ou dépannez la machine, assurez-vous que l'interrupteur est sur arrêt et que la batterie est retirée.** Le démarrage inopiné de la machine pendant que vous dégagez un matériau bloqué ou la dépannez peut provoquer de graves blessures corporelles.

Consignes de sécurité supplémentaires

Généralités

1. Pour garantir un fonctionnement correct, vous devez lire ce manuel d'instructions en vue de vous familiariser avec la manipulation de l'équipement. Les utilisateurs mal informés risquent, par des manipulations inappropriées, de se blesser ou de blesser leur entourage.
2. Ne laissez en aucun cas les enfants, les personnes aux facultés physiques, sensorielles ou mentales diminuées ou sans expérience ni expertise ou les personnes qui ne sont pas familiarisées avec ces instructions utiliser la machine. Les réglementations locales peuvent limiter l'âge de l'utilisateur.
3. Soyez toujours très prudent et attentif lorsque vous utilisez l'équipement.
4. N'utilisez l'équipement que si vous êtes en bonne condition physique. Travaillez toujours en faisant preuve de calme et de prudence. Faites preuve de bons sens et gardez à l'esprit que l'opérateur ou l'utilisateur est responsable des accidents ou risques encourus par les personnes ou leur propriété.
5. N'utilisez jamais la machine alors que des personnes — et tout particulièrement des enfants — ou des animaux domestiques se trouvent à proximité.
6. Vous devez immédiatement couper le moteur si l'équipement présente un problème ou une anomalie.
7. Éteignez et retirez la batterie lorsque vous faites une pause et lorsque vous laissez l'équipement sans surveillance, et rangez-le dans un endroit où il ne représentera un danger pour personne et ne risquera pas d'être endommagé.
8. Évitez d'utiliser la machine par mauvais temps, particulièrement en cas d'orage.

Équipement de protection individuelle

1. Portez toujours une protection oculaire et des chaussures solides pendant que vous utilisez la machine.
2. Portez toujours des chaussures adaptées et un pantalon long pendant l'utilisation de la machine.

Démarrage de l'équipement

1. Assurez-vous qu'il n'y a pas d'enfants ou d'autres personnes à proximité. Faites également attention aux animaux aux alentours. Autrement, arrêtez d'utiliser l'équipement.
2. Pendant le fonctionnement, éloignez les badauds ou les animaux d'au moins 5 m de l'outil. Arrêtez l'outil aussitôt que quelqu'un s'approche.
3. Avant de l'utiliser, vérifiez toujours la sécurité de l'équipement. Vérifiez la sécurité de l'outil de coupe et de la gâchette pour un fonctionnement facile et correct. Assurez-vous que les poignées sont propres et sèches et vérifiez le fonctionnement de marche/arrêt.

4. Vérifiez qu'aucune pièce n'est endommagée avant de continuer à utiliser l'équipement. Vérifiez soigneusement une pièce endommagée pour vous assurer qu'elle fonctionne bien et remplit ses fonctions prévues. Assurez-vous que les pièces en mouvement ne sont pas désalignées ou coincées, qu'il n'y a pas de pièces cassées ou mal montées ou la présence de toute autre condition pouvant affecter le bon fonctionnement. Si une pièce est endommagée, elle doit être réparée ou remplacée de manière adéquate par notre centre de service après-vente agréé sauf indication contraire dans ce manuel.
5. Démarrez le moteur uniquement lorsque les mains et les pieds sont éloignés de l'outil de coupe.
6. Avant le démarrage, vérifiez que l'outil de coupe n'entre en contact avec aucun objet.
7. Tenez l'outil fermement lorsque vous l'utilisez.
8. Évitez les démarrages intempestifs. Ne transportez pas l'outil avec la batterie insérée et avec le doigt sur l'interrupteur. Assurez-vous que l'interrupteur est en position d'arrêt lorsque vous insérez la batterie.
9. Avant toute utilisation, examinez l'aire de travail pour vous assurer qu'elle ne présente pas de fils barbelés, de pierres ou d'autres objets durs. Ils peuvent endommager la lame de désherbage.
10. Vérifiez l'absence de corps étrangers comme du fil barbelé ou un câblage caché dans les haies et les buissons avant d'utiliser l'outil.

Utilisation

1. N'utilisez l'équipement qu'avec une bonne visibilité et un bon éclairage. En hiver, faites attention aux sols glissants ou aux zones humides, à la glace et à la neige (risque de glissade). Gardez toujours un bon appui au sol sur les terrains en pente et veillez toujours à marcher et à ne jamais courir.
2. Prenez garde de ne pas vous blesser les pieds et les mains avec l'outil de coupe.
3. N'utilisez jamais l'équipement en vous tenant sur une échelle.
4. Ne grimpez jamais dans un arbre pour effectuer une opération de coupe avec l'équipement.
5. Ne travaillez jamais sur des surfaces instables.
6. Enlevez le sable, les pierres, les clous ou autres se trouvant dans le rayon d'utilisation de l'outil. Les corps étrangers peuvent endommager l'outil de coupe et provoquer de dangereux chocs en retour.
7. Si l'outil de coupe heurte des pierres ou d'autres objets durs, coupez immédiatement le moteur et inspectez l'outil de coupe.
8. Vérifiez à intervalles courts et réguliers que l'outil de coupe n'est pas endommagé (détection de fines fissures grâce au test du bruit d'impact).

9. Retirez toujours la batterie de l'équipement :
 - chaque fois que vous devez laisser l'équipement sans surveillance ;
 - avant de débloquer l'outil ;
 - avant d'effectuer la vérification, le nettoyage ou l'entretien de l'équipement ;
 - après avoir heurté un corps étranger ;
 - chaque fois que l'équipement se met à vibrer de manière inhabituelle.
10. Les dispositifs de coupe continuent de tourner une fois le moteur coupé.
11. Lors de la fixation ou du retrait du couvre-lame, prenez soin de ne pas vous blesser les mains.

Instructions d'entretien

1. Vérifiez l'état de l'équipement, en particulier de l'outil de coupe et des dispositifs de protection avant de commencer la tâche.
2. Coupez le moteur et retirez la batterie avant d'effectuer l'entretien, de remplacer les outils de coupe ou de nettoyer l'équipement ou l'outil de coupe.
3. Quand l'outil n'est pas utilisé, le couvre-lame doit être en place et l'outil doit être rangé à l'intérieur dans un endroit sec, surélevé, fermé à clef et hors de portée des enfants.

CONSERVEZ CES INSTRUCTIONS.

⚠ AVERTISSEMENT : NE vous laissez PAS tromper (au fil d'une utilisation répétée) par un sentiment d'aisance et de familiarité avec le produit, en négligeant le respect rigoureux des consignes de sécurité qui accompagnent le produit en question. La MAUVAISE UTILISATION de l'outil ou l'ignorance des consignes de sécurité indiquées dans ce mode d'emploi peut entraîner de graves blessures.

DESCRIPTION DES PIÈCES

- Fig.1: 1. Couvre-lame 2. Capuchon 3. Lame de désherbage

ASSEMBLAGE

⚠ AVERTISSEMENT : Avant de monter ou de régler l'équipement, coupez le moteur et retirez la batterie. Autrement, la machine pourrait démarrer brusquement et provoquer des blessures.

⚠ AVERTISSEMENT : Lorsque vous montez ou réglez l'équipement, posez-le toujours. Le montage ou le réglage de l'équipement en position verticale peut entraîner de graves blessures.

⚠ AVERTISSEMENT : Suivez les avertissements et les précautions du chapitre « CONSIGNES DE SÉCURITÉ » et le manuel d'instructions de l'unité motorisée.

Assemblage de l'accessoire

1. Fixez les 2 plaques de réglage à l'accessoire de sorte que les rainures des plaques soient orientées vers l'extérieur.

► Fig.2: 1. Plaque de réglage

2. Fixez la lame de désherbage sur les plaques de réglage tout en dépliant légèrement la lame vers l'extérieur.

Lors de la fixation de la lame de désherbage, assurez-vous que la flèche est dirigée vers le tuyau.

► Fig.3: 1. Flèche

L'angle de la lame de désherbage peut être modifié en alignant la partie saillante de la lame de désherbage sur l'une des parties saillantes des plaques de réglage.

► Fig.4: 1. Partie saillante

REMARQUE : Assurez-vous que les flèches sur la lame de désherbage sont tournées dans le sens indiqué sur la figure.

► Fig.5: 1. Flèche

3. Assurez-vous que la lame de désherbage est engagée dans les plaques de réglage.

► Fig.6

4. Insérez le boulon du côté sans écrou et serrez le boulon avec la clé.

Assurez-vous que le boulon est solidement serré.

► Fig.7: 1. Boulon 2. Écrou

NOTE : Couple de serrage : 5 - 10 N•m

Fixation du tuyau pour accessoire

⚠ ATTENTION : Vérifiez toujours que le tuyau pour accessoire est fixé en place après l'installation. Une installation incorrecte peut faire tomber l'accessoire de l'outil motorisé et provoquer des blessures.

Fixez le tuyau pour accessoire à l'outil motorisé.

1. Retirez le capuchon de l'extrémité du tuyau.

► Fig.8: 1. Tuyau 2. Capuchon

REMARQUE : Ne jetez pas le capuchon, car il est nécessaire pour ranger l'accessoire.

2. Actionnez le levier vers l'accessoire.

► **Fig.9:** 1. Levier

3. Alignez la goupille avec le repère fléché sur l'outil motorisé. Insérez le tuyau jusqu'à ce que le bouton de dégagement sorte.

Assurez-vous que la ligne de position se trouve sur la pointe du repère fléché sur l'outil motorisé, et que le repère fléché sur l'outil motorisé et celui sur le tuyau se font face.

► **Fig.10:** 1. Bouton de dégagement 2. Repère fléché sur l'outil motorisé 3. Goupille 4. Ligne de position 5. Repère fléché sur le tuyau

4. Actionnez le levier vers l'outil motorisé.

► **Fig.11:** 1. Levier

Assurez-vous que la surface du levier est parallèle au tuyau.

REMARQUE : Ne serrez pas le levier sans avoir inséré le tuyau pour accessoire. Le levier pourrait autrement trop serrer l'entrée de l'arbre d'entraînement et l'endommager.

Pour retirer le tuyau, actionnez le levier vers l'accessoire et tirez sur le tuyau pour le sortir tout en appuyant sur le bouton de dégagement.

► **Fig.12:** 1. Bouton de dégagement 2. Levier 3. Tuyau

Retrait ou fixation du couvre-lame

Pour retirer le couvre-lame, poussez-le vers l'intérieur et tournez-le.

► **Fig.13:** 1. Couvre-lame

Pour fixer le couvre-lame, accrochez-le à un côté de la lame de désherbage, puis tournez-le.

► **Fig.14:** 1. Couvre-lame

NOTE : Vous pouvez fixer le couvre-lame sur le tuyau comme illustré sur la figure.

► **Fig.15:** 1. Couvre-lame

Pose ou dépose de la lame de désherbage

ATTENTION : Lorsque vous remplacez la lame de désherbage, portez toujours des gants de sorte que vos mains n'entrent pas en contact direct avec celle-ci.

ATTENTION : Fixez le couvre-lame avant de déposer ou poser les lames de désherbage.

1. Fixez le couvre-lame sur la lame de désherbage.

2. Retirez le boulon en le desserrant avec la clé.

► **Fig.16:** 1. Boulon

3. Déposez la lame de désherbage tout en la déployant légèrement vers l'extérieur.

► **Fig.17**

Posez la lame de désherbage en vous reportant aux instructions de montage de l'accessoire.

DESCRIPTION DU FONCTIONNEMENT

ATTENTION : Assurez-vous toujours que l'outil est hors tension et que sa batterie est retirée avant de l'ajuster ou de vérifier son fonctionnement.

Réglage de l'angle de coupe

ATTENTION : Assurez-vous toujours que l'outil est hors tension avant de régler l'angle de coupe.

L'angle de la lame de désherbage peut être modifié selon trois niveaux. Pour modifier l'angle, alignez la partie saillante de la lame de désherbage sur l'une des parties saillantes des plaques de réglage, puis posez la lame de désherbage.

1. Desserrez le boulon maintenant la lame de coupe avec la clé.

2. Alignez la partie saillante de la lame de désherbage sur l'une des parties saillantes des plaques de réglage.

3. Resserrez le boulon pour fixer en place la lame de coupe.

► **Fig.18:** 1. Partie saillante

UTILISATION

AVERTISSEMENT : Suivez les avertissements et les précautions du chapitre « CONSIGNES DE SÉCURITÉ » et le manuel d'instructions de l'unité motorisée.

Fonctionnement de l'outil

AVERTISSEMENT : Gardez vos mains à l'écart de la lame de désherbage.

AVERTISSEMENT : Redoublez de prudence pour garder constamment la maîtrise de l'outil. Ne laissez pas l'outil dévier vers vous ou en direction de quiconque à proximité de la zone de travail. Si vous ne maîtrisez pas l'outil, vous risqueriez de vous blesser et de blesser d'autres personnes.

AVERTISSEMENT : Avant de désherber, enlevez les bouts de bois et les cailloux de la zone à désherber.

NOTE : Cet outil est conçu pour retirer les mauvaises herbes de moins de 15 cm (5-7/8").

► **Fig.19**

⚠ ATTENTION : Évitez autant que possible de faire fonctionner l'outil par temps très chaud. Lorsque vous utilisez l'outil, faites attention à votre condition physique.

⚠ ATTENTION : Prenez soin de ne pas toucher accidentellement une clôture en métal ou d'autres objets durs pendant le désherbage. La lame de désherbage peut se briser et vous blesser.

⚠ ATTENTION : Il est très dangereux de se pencher trop loin avec l'outil, particulièrement depuis une échelle. Ne travaillez pas en vous tenant debout sur une surface bancale ou molle.

REMARQUE : N'utilisez pas l'outil d'une façon susceptible d'arrêter le moteur ou le faire tourner très lentement.

Tenez l'outil des deux mains en tenant la poignée avant et le manche arrière de l'outil motorisé.

► Fig.20: 1. Poignée avant 2. Manche arrière

Mettez l'outil sous tension avec la lame de désherbage au-dessus du sol. Placez la lame de désherbage sur le sol et tirez lentement l'outil vers vous pour désherber. Il est plus facile de travailler lorsque la lame de désherbage est à un angle presque perpendiculaire au sol.

► Fig.21

► Fig.22

ENTRETIEN

⚠ AVERTISSEMENT : Avant l'inspection ou l'entretien de l'équipement, coupez le moteur et retirez la batterie. Autrement, la machine pourrait démarrer brusquement et provoquer de graves blessures.

⚠ AVERTISSEMENT : Lorsque vous inspectez ou entretenez l'équipement, posez-le toujours. Le montage ou le réglage de l'équipement en position verticale peut entraîner de graves blessures.

⚠ AVERTISSEMENT : Suivez les avertissements et les précautions du chapitre « CONSIGNES DE SÉCURITÉ » et le manuel d'instructions de l'unité motorisée.

⚠ ATTENTION : Portez des gants lorsque vous effectuez l'inspection ou l'entretien.

REMARQUE : N'utilisez jamais d'essence, benzine, diluant, alcool ou autre produit similaire. Cela risquerait de provoquer la décoloration, la déformation ou la fissuration de l'outil.

Pour assurer la SÉCURITÉ et la FIABILITÉ du produit, toute réparation, tout travail d'entretien ou de réglage doivent être effectués par un centre d'entretien Makita agréé, avec des pièces de rechange Makita.

Nettoyage de l'outil

Nettoyez l'outil en essuyant la poussière avec un chiffon sec ou un chiffon imbibé d'eau savonneuse bien essoré.

Entretien de la lame

Après utilisation, retirez l'herbe ou les racines enchevêtrées dans la lame.

REMARQUE : Ne lavez pas la lame dans l'eau. Cela peut corroder ou endommager la lame ou l'accessoire.

Rangement

Fixez le couvre-lame sur la lame de désherbage. Rangez l'outil hors de portée des enfants. Rangez l'outil dans un endroit non exposé à l'humidité ou à la pluie. Lorsque vous rangez l'accessoire séparément de l'outil motorisé, placez le capuchon sur l'extrémité du tuyau.

► Fig.23

Lubrification des pièces mobiles

REMARQUE : Suivez les instructions sur la fréquence et la quantité de graisse fournie. Autrement une lubrification insuffisante pourrait endommager les pièces mobiles.

Essieu moteur :

Appliquez la graisse (Graisse Makita N No.2 ou équivalent) toutes les 25 heures de fonctionnement.

► Fig.24

NOTE : Vous pouvez acheter de la graisse de marque Makita auprès de votre revendeur local Makita.

Lubrification à la graisse

Intervalle de lubrification : Toutes les 25 heures de fonctionnement

1. Retirez le boulon du trou pour la lubrification.

► Fig.25: 1. Boulon

2. Appliquez la graisse (Graisse Makita SG No.0 ou équivalent) sur l'outil (environ 3,0 g à titre indicatif).

3. Serrez le boulon.

GUIDE DE DÉPANNAGE

Avant de faire une demande de réparation, effectuez d'abord vous-même une inspection. Si vous rencontrez un problème non documenté dans le mode d'emploi, n'essayez pas de démonter l'outil. Demandez plutôt à un centre de service après-vente Makita agréé d'effectuer la réparation au moyen de pièces de rechange Makita.

État d'anomalie	Cause probable (dysfonctionnement)	Solution
Le moteur ne démarre pas.	-	Consultez le manuel d'instructions de l'unité motorisée.
Le moteur s'arrête rapidement.	-	Consultez le manuel d'instructions de l'unité motorisée.
Le moteur n'accélère pas.	-	Consultez le manuel d'instructions de l'unité motorisée.
La lame de désherbage ne bouge pas : ⇒ arrêtez immédiatement la machine !	Le mécanisme d'entraînement ne fonctionne pas correctement.	Demandez à votre centre de service après-vente local agréé d'effectuer la réparation.
Vibration anormale : ⇒ arrêtez immédiatement la machine !	La lame de désherbage est cassée, pliée ou usée.	Remplacez la lame de désherbage.
	Le mécanisme d'entraînement ne fonctionne pas correctement.	Demandez à votre centre de service après-vente local agréé d'effectuer la réparation.
La lame de désherbage et le moteur ne s'arrêtent pas : ⇒ retirez immédiatement la batterie !	Dysfonctionnement électrique.	Retirez la batterie et demandez à votre centre de service après-vente local agréé d'effectuer la réparation.

ACCESSOIRES EN OPTION

⚠ ATTENTION : Ces accessoires ou pièces complémentaires sont recommandés pour l'utilisation avec la machine Makita spécifiée dans ce manuel. L'utilisation de tout autre accessoire peut présenter un risque de blessure. N'utilisez un accessoire que pour son usage prévu.

Pour obtenir plus de détails sur ces accessoires, contactez votre centre d'entretien local Makita.

- Lame de désherbage
- Lame de motobineuse
- Batterie et chargeur de marque Makita

NOTE : Il se peut que certains éléments de la liste soient compris dans l'emballage du produit en tant qu'accessoires standard. Ils peuvent varier d'un pays à l'autre.

TECHNISCHE DATEN

Modell:	WA400MP
Schnittbreite	220 mm
Abmessungen (L x B x H)	980 mm x 226 mm x 196 mm
Nettogewicht	2,8 kg

- Wir behalten uns vor, Änderungen der technischen Daten im Zuge der Entwicklung und des technischen Fortschritts ohne vorherige Ankündigung vorzunehmen.
- Die technischen Daten können von Land zu Land unterschiedlich sein.

Zugelassenes Antriebsaggregat









Dieser Aufsatz ist nur für den Einsatz mit dem (den) folgenden Antriebsaggregat(en) zugelassen:

- DUX60 Multifunktions-Antrieb
- DUX18 Multifunktions-Antrieb
- UX01G Multifunktions-Antrieb

⚠️ WARNUNG: Benutzen Sie den Aufsatz niemals mit einem nicht zugelassenen Antriebsaggregat. Eine nicht zugelassene Kombination kann schwere Verletzungen verursachen.

Symbole

Nachfolgend werden Symbole beschrieben, die für das Gerät verwendet werden können. Machen Sie sich unbedingt vor der Benutzung mit ihrer Bedeutung vertraut.

	Lesen und befolgen Sie die Gebrauchsanleitung.
	Schutzhelm, Schutzbrille und Gehörschutz tragen.
	Schutzhandschuhe tragen.
	Feste Schuhe mit rutschfesten Sohlen tragen.
	Warnung: Batterie vor Wartung abklemmen.
	Halten Sie Ihre Füße vom Jätewarder fern.
	Halten Sie Umstehende und Tiere mindestens 5 m vom Elektrowerkzeug entfernt.
	Heiße Oberflächen - Verbrennungen von Fingern oder Händen.



Garantierter Schallleistungspegel gemäß der EU-Richtlinie über Außenlärm.



Schallleistungspegel gemäß der australischen NSW-Lärmschutzverordnung

Verwendungszweck

Dieser Aufsatz ist nur für den Zweck des Unkrautjäters am Boden in Verbindung mit einem zugelassenen Antriebsaggregat bestimmt. Benutzen Sie den Aufsatz niemals für andere Zwecke. Missbrauch des Aufsatzes kann schwere Verletzungen verursachen.

EG-Konformitätserklärung

Nur für europäische Länder

Wir als die Hersteller: **Makita Europe N.V.**,
Geschäftsadresse: **Jan-Baptist Vinkstraat 2 3070 Kortenberg BELGIEN**. Beauftragen **Kazuhisa Makino** mit der Zusammenstellung der technischen Dokumentation und erklären unter unserer alleinigen Verantwortung, dass das (die) Produkt(e);
Bezeichnung: **Bodenhackenaufsatz**. Bezeichnung des Typs (der Typen): **WA400MP**.
Erfüllt alle relevanten Vorschriften von **2006/42/EG** sowie alle relevanten Vorschriften der folgenden EG/EU-Richtlinien: **2000/14/EC** und sind gemäß den folgenden harmonisierten Normen gefertigt: **EN 62841-1:2015+A11:2022, EN ISO 11806-1:2022, EN IEC 62841-4-7:2022+A11:2022**.
Ort und Datum der Erklärung: **Kortenberg, Belgien. 27. 9.2023**
Verantwortliche Person: **Kazuhisa Makino, Direktor - Makita Europe N.V.**



SICHERHEITSWARNUNGEN

Sicherheitswarnungen für Bodenhackenaufsatz

- Benutzen Sie die Maschine nicht bei schlechtem Wetter, insbesondere bei Blitzschlaggefahr.** Dadurch wird die Gefahr, von einem Blitz getroffen zu werden, verringert.
- Untersuchen Sie den Bereich, in dem die Maschine benutzt werden soll, gründlich auf Wildtiere.** Wildtiere können durch die Maschine während des Betriebs verletzt werden.
- Untersuchen Sie den Bereich, in dem die Maschine benutzt werden soll, gründlich und entfernen Sie alle Steine, Stöcke, Drähte, Knochen und andere Fremdkörper.** Herausgeschleuderte Objekte können Personenschäden verursachen.
- Vergewissern Sie sich vor der Benutzung der Maschine durch eine Sichtprüfung, dass das Jätmesser nicht beschädigt ist.** Ein beschädigtes Teil erhöht das Verletzungsrisiko.
- Befolgen Sie die Anweisungen zum Auswechseln von Zubehör.** Unzureichend angezogene Muttern oder Schrauben zur Sicherung des Messers können entweder das Messer beschädigen oder dazu führen, dass es sich löst.
- Tragen Sie Augen-, Ohren-, Kopf- und Handschutz.** Angemessene Schutzausrüstungen verringern Personenschäden durch umherfliegende Trümmer oder versehentlichen Kontakt mit der Schneidleitung oder dem Messer.
- Tragen Sie während des Betriebs der Maschine immer rutschfestes und schützendes Schuhwerk. Betreiben Sie die Maschine nicht, wenn Sie barfuß sind oder offene Sandalen tragen.** Dadurch wird die Gefahr von Fußverletzungen durch Kontakt mit den sich bewegenden Schneidgliedern oder Leitungen verringert.
- Tragen Sie beim Betrieb der Maschine immer lange Hosen.** Ungeschützte Haut erhöht die Wahrscheinlichkeit von Verletzungen durch weggeschleuderte Gegenstände.
- Halten Sie Umstehende während des Betriebs der Maschine fern.** Herausgeschleuderte Fremdkörper können zu schweren Personenschäden führen.
- Benutzen Sie immer zwei Hände, wenn Sie die Maschine betreiben.** Halten der Maschine mit beiden Händen verhindert den Verlust der Kontrolle.
- Halten Sie die Maschine nur an den isolierten Griffflächen, da die Schneidleitung oder das Messer versteckte Drähte berühren kann.** Wenn die Schneidleitung oder die Messer einen spannungsführenden Draht berühren, können freiliegende Metallteile der Maschine unter Spannung stehen und dem Bediener einen elektrischen Schlag versetzen.
- Achten Sie immer auf einen sicheren Stand und betreiben Sie die Maschine nur, wenn Sie auf dem Boden stehen.** Rutschige oder instabile Oberflächen können einen Verlust des Gleichgewichts oder der Kontrolle über die Maschine verursachen.
- Betreiben Sie die Maschine nicht auf übermäßig steilen Hängen.** Dies reduziert die Gefahr des Verlusts der Kontrolle, des Rutschens und Stürzens, was zu Personenschäden führen kann.
- Achten Sie beim Arbeiten auf Hängen stets auf Ihren Halt, arbeiten Sie stets quer zur Hangfläche, niemals auf- oder abwärts, und lassen Sie bei Richtungswechseln äußerste Vorsicht walten.** Dies reduziert die Gefahr des Verlusts der Kontrolle, des Rutschens und Stürzens, was zu Personenschäden führen kann.
- Halten Sie alle Körperteile vom Jätmesser fern, wenn die Maschine betrieben wird. Vergewissern Sie sich vor dem Starten der Maschine, dass das Jätmesser keinen Gegenstand berührt.** Ein Moment der Unachtsamkeit beim Betreiben der Maschine kann zu Verletzungen bei Ihnen oder anderen führen.
- Betreiben Sie die Maschine nicht über Hüfthöhe.** Dies verhindert den unbeabsichtigten Kontakt der Jätmesser und ermöglicht eine bessere Kontrolle der Maschine in unerwarteten Situationen.
- Achten Sie beim Schneiden von Gestrüpp oder Schösslingen, die unter Spannung stehen, auf Rückschlag.** Wenn die Spannung in den Holzfasern gelöst wird, kann das Gestrüpp oder der Schössling den Bediener treffen und/oder die Maschine außer Kontrolle geraten lassen.
- Lassen Sie beim Schneiden von Gestrüpp und Schösslingen äußerste Vorsicht walten.** Das dünne Material kann das Messer erfassen und auf Sie zupeitschen oder Sie aus dem Gleichgewicht bringen.
- Behalten Sie die Kontrolle über die Maschine und berühren Sie nicht die Jätmesser und andere gefährliche, sich bewegende Teile, während diese noch in Bewegung sind.** Dadurch wird die Verletzungsgefahr durch bewegte Teile verringert.
- Tragen Sie die Maschine in ausgeschaltetem Zustand und vom Körper weg.** Die ordnungsgemäße Handhabung der Maschine verringert die Wahrscheinlichkeit eines versehentlichen Kontakts mit einem sich bewegenden Schneidglied, einer Leitung oder einem Messer.
- Bringen Sie beim Transport oder der Lagerung der Maschine immer die Abdeckung des Jätmessers an.** Die ordnungsgemäße Handhabung der Maschine verringert die Wahrscheinlichkeit eines versehentlichen Kontakts mit dem Messer.
- Benutzen Sie nur die vom Hersteller angegebenen Ersatz-Jätmesser.** Falsche Ersatzteile können die Bruch- und Verletzungsgefahr erhöhen.
- Vergewissern Sie sich, dass der Schalter ausgeschaltet und der Akku entfernt ist, wenn Sie einen Materialstau beseitigen oder die Maschine warten.** Unerwartetes Starten der Maschine bei der Beseitigung von Materialstau oder bei Wartungsarbeiten kann zu schweren Personenschäden führen.

Zusätzliche Sicherheitswarnungen

Allgemeine Anweisungen

1. Zur Gewährleistung der korrekten Bedienung muss der Benutzer diese Betriebsanleitung durchlesen, um sich mit der Handhabung des Gerätes vertraut zu machen. Unzureichend informierte Benutzer können sich und andere Personen durch unsachgemäßen Gebrauch gefährden.
2. Lassen Sie niemals zu, dass Kinder, Personen mit verminderten körperlichen, sensorischen oder geistigen Fähigkeiten oder Mangel an Erfahrung und Kenntnissen, oder Personen, die nicht mit diesen Anweisungen vertraut sind, das Werkzeug benutzen. Örtliche Vorschriften können das Alter der Bedienungsperson einschränken.
3. Benutzen Sie das Gerät mit äußerster Sorgfalt und Aufmerksamkeit.
4. Betreiben Sie das Gerät nur, wenn Sie sich in guter körperlicher Verfassung befinden. Führen Sie alle Arbeiten ruhig und sorgfältig durch. Lassen Sie gesunden Menschenverstand walten, und denken Sie daran, dass der Bediener oder Benutzer verantwortlich für Verletzungen oder Sachschäden ist, die an Personen oder ihrem Eigentum entstehen.
5. Betreiben Sie die Maschine keinesfalls, während sich Personen, besonders Kinder, oder Haustiere in der Nähe aufhalten.
6. Falls das Gerät irgendwelche Probleme oder anormale Zeichen zeigt, ist der Motor unverzüglich auszuschalten.
7. Schalten Sie den Motor aus, und nehmen Sie den Akku ab, wenn Sie das Gerät ablegen oder unbeaufsichtigt lassen, und legen Sie das Gerät an einen sicheren Ort, um die Gefährdung von Personen oder Beschädigung des Gerätes zu verhüten.
8. Vermeiden Sie die Benutzung der Maschine bei schlechten Witterungsverhältnissen, besonders bei Blitzschlaggefahr.

Persönliche Schutzausrüstung

1. Tragen Sie während der Benutzung der Maschine stets einen Augenschutz und robuste Schuhe.
2. Tragen Sie immer kräftiges Schuhwerk und lange Hosen während der Benutzung der Maschine.

Starten des Gerätes

1. Vergewissern Sie sich, dass sich keine Kinder oder andere Personen in der Nähe aufhalten, und achten Sie auch auf Tiere im Arbeitsbereich. Brechen Sie anderenfalls die Benutzung des Gerätes ab.
2. Halten Sie Umstehende oder Tiere während des Betriebs mindestens 5 m vom Werkzeug entfernt. Halten Sie das Werkzeug an, sobald jemand sich nähert.
3. Prüfen Sie vor der Benutzung immer, ob das Gerät betriebssicher ist. Prüfen Sie die Sicherheit des Schneidwerkzeugs und des Auslöseschalters auf Leichtgängigkeit und einwandfreie Funktion. Vergewissern Sie sich, dass die Handgriffe sauber und trocken sind, und überprüfen Sie die Start/Stop-Funktion.

4. Überprüfen Sie die Ausrüstung vor der Weiterbenutzung auf beschädigte Teile. Ein beschädigtes Teil sollte sorgfältig geprüft werden, um festzustellen, ob es ordnungsgemäß betrieben werden kann und seine vorgesehene Funktion durchführt. Überprüfen Sie das Werkzeug auf Ausrichtung und Klemmen beweglicher Teile, Bruchstellen, Befestigungszustand und sonstige Bedingungen, die seinen Betrieb beeinträchtigen können. Ein beschädigtes Teil sollte ordnungsgemäß von unserem autorisierten Service-Center repariert oder ersetzt werden, sofern nicht anderweitig in diesem Handbuch angegeben.
5. Schalten Sie den Motor nur ein, wenn Hände und Füße ausreichenden Abstand vom Schneidwerkzeug haben.
6. Vergewissern Sie sich vor dem Starten, dass das Schneidwerkzeug keinen Kontakt mit irgendwelchen Objekten hat.
7. Halten Sie das Werkzeug während der Benutzung mit festem Griff.
8. Vermeiden Sie unbeabsichtigtes Einschalten. Tragen Sie das Werkzeug nicht bei angebrachtem Akku und mit dem Finger am Schalter. Vergewissern Sie sich beim Anbringen des Akkus, dass der Schalter ausgeschaltet ist.
9. Untersuchen Sie den Arbeitsbereich vor Arbeitsbeginn auf Drahtzäune, Steine oder andere feste Objekte. Sie können das Jätmesser beschädigen.
10. Überprüfen Sie die Hecken und Büsche auf Fremdkörper, wie z. B. Drahtzäune oder verborgene Kabel, bevor Sie das Werkzeug betreiben.

Betriebsmethode

1. Benutzen Sie das Gerät nur bei guten Licht- und Sichtverhältnissen. Achten Sie während der kalten Jahreszeit auf schlüpfrige oder nasse Bereiche, Eis und Schnee (Rutschgefahr). Achten Sie auf Hängen immer auf sicheren Stand, und unterlassen Sie schnelles Laufen mit dem Gerät.
2. Hüten Sie sich vor Fuß- und Handverletzungen durch das Schneidwerkzeug.
3. Betreiben Sie das Gerät niemals auf einer Leiter stehend.
4. Klettern Sie niemals auf Bäume, um Schneidarbeiten mit dem Gerät auszuführen.
5. Arbeiten Sie niemals auf instabilen Flächen.
6. Entfernen Sie Sand, Steine, Nägel usw. aus dem Arbeitsbereich. Fremdkörper können das Schneidwerkzeug beschädigen und gefährliche Rückschläge verursachen.
7. Sollte das Schneidwerkzeug Steine oder andere harte Gegenstände treffen, schalten Sie sofort den Motor aus, und überprüfen Sie das Schneidwerkzeug.
8. Überprüfen Sie das Schneidwerkzeug in kurzen regelmäßigen Zeitabständen auf Beschädigung (Überprüfung auf Haarrisse durch Klopfest).

9. Nehmen Sie immer den Akku vom Gerät ab:
 - wann immer Sie das Gerät unbeaufsichtigt lassen;
 - bevor Sie eine Blockierung beseitigen;
 - bevor Sie das Gerät überprüfen, reinigen oder daran arbeiten;
 - nachdem ein Fremdkörper berührt wurde;
 - wann immer das Gerät ungewöhnlich zu vibrieren beginnt.
10. Die Schneidelemente laufen nach dem Ausschalten des Motors noch weiter.
11. Achten Sie beim Anbringen oder Abnehmen der Messerabdeckung darauf, dass Sie sich nicht die Hände verletzen.

Wartungsanweisungen

1. Überprüfen Sie immer den Zustand des Gerätes, insbesondere des Schneidwerkzeugs und der Schutzvorrichtungen, bevor Sie mit der Arbeit beginnen.
2. Schalten Sie den Motor aus, und nehmen Sie den Akku ab, bevor Sie Wartungsarbeiten ausführen, Schneidwerkzeuge auswechseln oder das Gerät oder das Schneidwerkzeug reinigen.
3. Wenn das Werkzeug nicht in Gebrauch ist, bringen Sie die Messerabdeckung am Werkzeug an, und lagern Sie das Werkzeug in einem Innenraum an einem trockenen und hohen verriegelten Ort außerhalb der Reichweite von Kindern.

DIESE ANWEISUNGEN AUFBEWAHREN.

⚠️ WARNUNG: Lassen Sie sich NICHT durch Bequemlichkeit oder Vertrautheit mit dem Produkt (durch wiederholten Gebrauch erworben) von der strikten Einhaltung der Sicherheitsregeln für das vorliegende Produkt abhalten. MISSBRAUCH oder Missachtung der Sicherheitsvorschriften in dieser Anleitung können schwere Verletzungen verursachen.

BEZEICHNUNG DER TEILE

► **Abb. 1:** 1. Messerabdeckung 2. Kappe 3. Jätmesser

MONTAGE

⚠️ WARNUNG: Bevor Sie das Gerät zusammenbauen oder einstellen, stellen Sie den Motor ab, und entfernen Sie den Akku. Anderenfalls kann die Maschine ungewollt starten und Verletzungen verursachen.

⚠️ WARNUNG: Legen Sie das Gerät zum Zusammenbauen oder Einstellen immer hin. Wird das Gerät in aufrechter Stellung zusammengebaut oder eingestellt, kann es zu schweren Verletzungen kommen.

⚠️ WARNUNG: Befolgen Sie die Warnungen und Vorsichtsmaßnahmen im Kapitel „SICHERHEITSWARNUNGEN“ und in der Gebrauchsanleitung des Antriebsaggregats.

Montieren des Aufsatzes

1. Bringen Sie die 2 Einstellplatten so am Aufsatz an, dass die Rillen der Platten nach außen zeigen.
► **Abb.2:** 1. Einstellplatte
2. Bringen Sie das Jätmesser an den Einstellplatten an, und öffnen Sie dabei das Messer leicht nach außen.

Vergewissern Sie sich beim Anbringen des Jätmessers, dass der Pfeil in Richtung des Rohrs zeigt.

► **Abb.3:** 1. Pfeil

Der Winkel des Jätmessers kann geändert werden, indem der Vorsprung am Jätmesser auf einen der Vorsprünge an den Einstellplatten ausgerichtet wird.

► **Abb.4:** 1. Vorsprung

ANMERKUNG: Vergewissern Sie sich, dass die Pfeile auf dem Jätmesser in die in der Abbildung gezeigte Richtung zeigen.

► **Abb.5:** 1. Pfeil

3. Vergewissern Sie sich, dass das Jätmesser in die Einstellplatten eingreift.

► **Abb.6**

4. Führen Sie die Schraube von der Seite ohne Mutter ein, und ziehen Sie die Schraube mit dem Schraubenschlüssel an.

Vergewissern Sie sich, dass die Schraube fest angezogen ist.

► **Abb.7:** 1. Schraube 2. Mutter

HINWEIS: Anzugsmoment: 5 - 10 N•m

Montieren des Zubehörrohrs

⚠️ VORSICHT: Prüfen Sie nach der Installation stets nach, ob das Zubehörrohr gesichert ist. Falsche Installation kann dazu führen, dass sich der Aufsatz vom Antriebsaggregat löst und Personenschäden verursacht.

Montieren Sie das Zubehörrohr am Antriebsaggregat.

1. Entfernen Sie die Kappe vom Ende des Rohrs.
► **Abb.8:** 1. Rohr 2. Kappe

ANMERKUNG: Werfen Sie die Kappe nicht weg, da sie für die Lagerung des Aufsatzes notwendig ist.

2. Schwenken Sie den Hebel in Richtung des Aufsatzes.
► **Abb.9:** 1. Hebel

3. Richten Sie den Stift auf die Pfeilmarkierung am Antriebsaggregat aus. Führen Sie das Rohr ein, bis der Entriegelungsknopf hoch springt.

Vergewissern Sie sich, dass sich die Positionslinie an der Spitze der Pfeilmarkierung am Antriebsaggregat befindet, und dass die Pfeilmarkierung am Antriebsaggregat und die Pfeilmarkierung am Rohr einander zugewandt sind.

- **Abb.10:** 1. Entriegelungsknopf 2. Pfeilmarkierung am Antriebsaggregat 3. Stift
4. Positionslinie 5. Pfeilmarkierung am Rohr

4. Schwenken Sie den Hebel in Richtung des Antriebsaggregats.

► **Abb.11:** 1. Hebel

Vergewissern Sie sich, dass die Oberfläche des Hebels parallel zum Rohr ist.

ANMERKUNG: Ziehen Sie den Hebel nicht an, ohne dass das Zubehörorrohr eingeführt ist. Andernfalls kann der Hebel den Eingang der Antriebswelle zu sehr verengen und ihn beschädigen.

Zum Entfernen des Rohrs schwenken Sie den Hebel in Richtung des Aufsatzes, und ziehen Sie das Rohr heraus, während Sie den Entriegelungsknopf niederdrücken.

► **Abb.12:** 1. Entriegelungsknopf 2. Hebel 3. Rohr

Abnehmen und Anbringen der Messerabdeckung

Um die Messerabdeckung zu entfernen, schieben Sie die Messerabdeckung nach innen und drehen Sie sie.

► **Abb.13:** 1. Messerabdeckung

Zum Anbringen der Messerabdeckung haken Sie die Messerabdeckung an einer Seite des Jätmessers ein, und drehen Sie sie dann.

► **Abb.14:** 1. Messerabdeckung

HINWEIS: Sie können die Messerabdeckung am Rohr anbringen, wie in der Abbildung gezeigt.

► **Abb.15:** 1. Messerabdeckung

Montieren und Demontieren des Jätmessers

⚠ VORSICHT: Tragen Sie beim Auswechseln des Jätmessers immer Handschuhe, damit Ihre Hände nicht direkt mit dem Jätmesser in Berührung kommen.

⚠ VORSICHT: Bringen Sie die Messerabdeckung an, bevor Sie das Jätmesser demontieren oder montieren.

1. Bringen Sie die Messerabdeckung am Jätmesser an.

2. Entfernen Sie die Schraube, indem Sie sie mit dem Schraubenschlüssel lockern.

► **Abb.16:** 1. Schraube

3. Entfernen Sie das Jätmesser, indem Sie das Jätmesser leicht nach außen öffnen.

► **Abb.17**

Montieren Sie das Jätmesser gemäß der Anweisung für den Zusammenbau des Aufsatzes.

FUNKTIONSBE-SCHREIBUNG

⚠ VORSICHT: Vergewissern Sie sich vor der Durchführung von Einstellungen oder Funktionsprüfungen des Werkzeugs stets, dass das Werkzeug ausgeschaltet und der Akku abgenommen ist.

Einstellen des Schnittwinkels

⚠ VORSICHT: Vergewissern Sie sich vor dem Einstellen des Schnittwinkels stets, dass das Werkzeug ausgeschaltet ist.

Der Winkel des Jätmessers lässt sich in drei Stufen ändern. Um den Winkel zu ändern, richten Sie den Vorsprung am Jätmesser auf einen der Vorsprünge an den Einstellplatten aus, und installieren Sie dann das Jätmesser.

1. Lösen Sie die Schraube, die das Schneidmesser fixiert, mit dem Schraubenschlüssel.

2. Richten Sie den Vorsprung am Jätmesser auf einen der Vorsprünge an den Einstellplatten aus.

3. Ziehen Sie die Schraube wieder an, um das Schneidmesser zu fixieren.

► **Abb.18:** 1. Vorsprung

BETRIEB

⚠ WARNUNG: Befolgen Sie die Warnungen und Vorsichtsmaßnahmen im Kapitel „SICHERHEITSWARNUNGEN“ und in der Gebrauchsanleitung des Antriebsaggregats.

Betreiben des Werkzeugs

⚠ WARNUNG: Halten Sie die Hände vom Jätmesser fern.

⚠ WARNUNG: Lassen Sie äußerste Sorgfalt walten, um immer die Kontrolle über das Werkzeug zu behalten. Achten Sie darauf, dass das Werkzeug nicht zu Ihnen oder einer anderen Person im Arbeitsbereich abgelenkt wird. Verlust der Kontrolle über das Werkzeug kann zu schweren Verletzungen von Umstehenden und Bediener führen.

⚠ WARNUNG: Entfernen Sie vor dem Unkrautjäten Stöcke und Steine von der Jätefläche.

HINWEIS: Dieses Werkzeug ist zum Entfernen von Unkraut mit einer Länge von weniger als 15 cm (5-7/8") bestimmt.

► **Abb.19**

⚠ VORSICHT: Vermeiden Sie den Betrieb des Werkzeugs bei sehr heißem Wetter so weit wie praktikabel. Nehmen Sie beim Betreiben des Werkzeugs Rücksicht auf Ihre körperliche Verfassung.

⚠ VORSICHT: Achten Sie darauf, dass Sie beim Unkrautjäten nicht versehentlich einen Metallzaun oder andere harte Objekte berühren. Das Jätmesser kann brechen und eine Verletzung verursachen.

⚠ VORSICHT: Strecken Sie sich mit dem Werkzeug, besonders auf einer Leiter, nicht zu weit vor, da dies äußerst gefährlich ist. Schneiden Sie nicht, während Sie auf einer wackligen oder instabilen Unterlage stehen.

ANMERKUNG: Benutzen Sie das Werkzeug nicht auf eine Weise, die Stoppen oder äußerst langsames Drehen des Motors verursacht.

Halten Sie das Werkzeug mit beiden Händen am vorderen und hinteren Handgriff des Antriebsaggregats fest.
▶ **Abb.20:** 1. Vorderer Handgriff 2. Hinterer Handgriff

Schalten Sie das Werkzeug ein, wenn das Jätmesser vom Boden abgehoben ist. Platzieren Sie das Jätmesser auf den Boden und ziehen Sie das Werkzeug langsam zu sich heran, um zu jäten. Es ist einfacher zu arbeiten, wenn das Jätmesser fast senkrecht zum Boden steht.

▶ **Abb.21**

▶ **Abb.22**

WARTUNG

⚠ WARNUNG: Bevor Sie das Gerät überprüfen oder warten, stellen Sie den Motor ab, und entfernen Sie den Akku. Anderenfalls kann die Maschine ungewollt starten und schwere Verletzungen verursachen.

⚠ WARNUNG: Legen Sie das Gerät immer ab, um es zu überprüfen oder zu warten. Wird das Gerät in aufrechter Stellung zusammengebaut oder eingestellt, kann es zu schweren Verletzungen kommen.

⚠ WARNUNG: Befolgen Sie die Warnungen und Vorsichtsmaßnahmen im Kapitel „SICHERHEITSWARNUNGEN“ und in der Gebrauchsanleitung des Antriebsaggregats.

⚠ VORSICHT: Tragen Sie Handschuhe zur Durchführung von Inspektions- oder Wartungsarbeiten.

ANMERKUNG: Verwenden Sie auf keinen Fall Benzin, Waschbenzin, Verdünner, Alkohol oder dergleichen. Solche Mittel können Verfärbung, Verformung oder Rissbildung verursachen.

Um die SICHERHEIT und ZUVERLÄSSIGKEIT dieses Produkts zu gewährleisten, sollten Reparaturen und andere Wartungs- oder Einstellarbeiten nur von Makita-Vertragswerkstätten oder Makita-Kundendienstzentren unter ausschließlicher Verwendung von Makita-Originalersatzteilen ausgeführt werden.

Reinigen des Werkzeugs

Reinigen Sie das Werkzeug, indem Sie es mit einem trockenen oder einem in Seifenwasser getauchten und ausgewringenen Tuch abwischen.

Messerwartung

Entfernen Sie nach dem Betrieb verheddertes Gras oder Wurzeln vom Messer.

ANMERKUNG: Waschen Sie das Messer nicht mit Wasser. Anderenfalls kann Rost oder eine Beschädigung des Messers oder des Aufsatzes verursacht werden.

Lagerung

Bringen Sie die Messerabdeckung am Jätmesser an. Lagern Sie das Werkzeug außer Reichweite von Kindern. Lagern Sie das Werkzeug an einem Ort, der weder Feuchtigkeit noch Regen ausgesetzt ist.

Wenn Sie den Aufsatz getrennt vom Antriebsaggregat lagern, setzen Sie die Kappe auf das Ende des Rohrs.

▶ **Abb.23**

Schmierer der beweglichen Teile

ANMERKUNG: Befolgen Sie die Anweisung zu Häufigkeit der Schmierung und der zugeführten Schmierfettmenge. Anderenfalls kann unzureichende Schmierung zu einer Beschädigung der beweglichen Teile führen.

Antriebsachse:

Tragen Sie Schmierfett (Makita-Schmierfett N No.2 oder gleichwertiges) alle 25 Betriebsstunden auf.

▶ **Abb.24**

HINWEIS: Original-Makita-Schmierfett erhalten Sie bei Ihrem Makita-Händler.

Fettschmierung

Schmierintervall: Alle 25 Betriebsstunden

1. Entfernen Sie die Schraube zum Schmieren aus der Bohrung.

▶ **Abb.25:** 1. Schraube

2. Tragen Sie das Schmierfett (Makita-Schmierfett SG No.0 oder gleichwertig) auf das Werkzeug auf (ca. 3,0 g als Richtwert).

3. Ziehen Sie die Schraube an.

FEHLERSUCHE

Bevor Sie den Reparaturdienst anrufen, führen Sie zunächst Ihre eigene Inspektion durch. Falls Sie ein Problem finden, das nicht in der Anleitung erläutert wird, versuchen Sie nicht, das Werkzeug zu zerlegen. Wenden Sie sich stattdessen an autorisierte Makita-Kundendienstzentren, und achten Sie darauf, dass stets Makita-Ersatzteile für Reparaturen verwendet werden.

Zustand der Unregelmäßigkeit	Wahrscheinliche Ursache (Funktionsstörung)	Abhilfemaßnahme
Der Motor läuft nicht an.	-	In der Gebrauchsanleitung des Antriebsaggregats nachschlagen.
Der Motor bleibt sofort wieder stehen.	-	In der Gebrauchsanleitung des Antriebsaggregats nachschlagen.
Die Motordrehzahl nimmt nicht zu.	-	In der Gebrauchsanleitung des Antriebsaggregats nachschlagen.
Das Jätmesser bewegt sich nicht: ⇒ Die Maschine unverzüglich stoppen!	Das Antriebssystem funktioniert nicht korrekt.	Wenden Sie sich bezüglich einer Reparatur an Ihr autorisiertes Kundendienstzentrum.
Ungewöhnliche Vibration: ⇒ Die Maschine unverzüglich stoppen!	Das Jätmesser ist gebrochen, verbogen oder abgenutzt.	Tauschen Sie das Jätmesser aus.
	Das Antriebssystem funktioniert nicht korrekt.	Wenden Sie sich bezüglich einer Reparatur an Ihr autorisiertes Kundendienstzentrum.
Jätmesser und Motor halten nicht an: ⇒ Den Akku unverzüglich entfernen!	Elektrische Funktionsstörung.	Entfernen Sie den Akku, und wenden Sie sich bezüglich einer Reparatur an Ihr autorisiertes Kundendienstzentrum.

SONDERZUBEHÖR

⚠ VORSICHT: Die folgenden Zubehörteile oder Vorrichtungen werden für den Einsatz mit der in dieser Anleitung beschriebenen Makita-Maschine empfohlen. Die Verwendung anderer Zubehörteile oder Vorrichtungen kann eine Verletzungsgefahr darstellen. Verwenden Sie Zubehörteile oder Vorrichtungen nur für ihren vorgesehenen Zweck.

Wenn Sie weitere Einzelheiten bezüglich dieser Zubehörteile benötigen, wenden Sie sich bitte an Ihre Makita-Kundendienststelle.

- Jätmesser
- Grubbermesser
- Original-Makita-Akku und -Ladegerät

HINWEIS: Manche Teile in der Liste können als Standardzubehör im Produktpaket enthalten sein. Sie können von Land zu Land unterschiedlich sein.

DATI TECNICI

Modello:	WA400MP
Larghezza di taglio	220 mm
Dimensioni (L x P x A)	980 mm x 226 mm x 196 mm
Peso netto	2,8 kg

- In conseguenza del nostro programma di ricerca e sviluppo continui, i dati tecnici nel presente manuale sono soggetti a modifiche senza preavviso.
- I dati tecnici possono variare da nazione a nazione.

Unità motore approvata

Questo accessorio è approvato per l'uso solo con l'unità o le unità motore seguenti:

- Testa motorizzata multifunzione a batteria DUX60
- Testa motorizzata multifunzione a batteria DUX18
- Testa motorizzata multifunzione a batteria UX01G

⚠ AVVERTIMENTO: Non utilizzare mai l'accessorio con un'unità motore non approvata. Una combinazione non approvata potrebbe causare gravi lesioni personali.

Simboli

Le figure seguenti mostrano i simboli utilizzati per l'apparecchio. Accertarsi di comprenderne il significato prima dell'uso.

	Leggere e seguire il manuale d'uso.
	Indossare elmetto di protezione, protezioni per gli occhi e per le orecchie.
	Indossare guanti protettivi.
	Indossare calzature robuste con soles antiscivolo.
	Avvertenza: scollegare la batteria prima della manutenzione.
	Tenere i piedi lontani dalla lama sarchiatrice.
	Tenere astanti e animali a una distanza di almeno 5 m dall'utensile elettrico.
	Superfici estremamente calde - Pericolo di ustioni alle dita o alle mani.
	Livello di potenza sonora garantita in base alla Direttiva rumore macchine all'aperto UE.



Livello di potenza sonora in base alla normativa sul controllo del rumore NSW australiana

Utilizzo previsto

Questo accessorio è progettato esclusivamente allo scopo di sarchiare l'erba presente sul suolo in combinazione con un'unità motore approvata. Non utilizzare mai l'accessorio ad altri scopi. Un utilizzo improprio dell'accessorio potrebbe causare gravi lesioni personali.

Dichiarazione di conformità CE

Solo per i paesi europei

In qualità di fabbricante, **Makita Europe N.V.**, con indirizzo aziendale **Jan-Baptist Vinkstraat 2 3070 Kortenberg BELGIO**, autorizza **Kazuhisa Makino** alla compilazione della documentazione tecnica e dichiara, sotto la propria ed esclusiva responsabilità, che il prodotto o i prodotti con designazione **Accessorio sarchiatore**, con designazione del tipo o dei tipi **WA400MP**, è conforme a tutte le disposizioni rilevanti della normativa **2006/42/CE** ed è, inoltre, conforme a tutte le disposizioni rilevanti delle direttive CE/UE seguenti, **2000/14/EC**, ed è fabbricato in conformità agli Standard Armonizzati seguenti: **EN 62841-1:2015+A11:2022, EN ISO 11806-1:2022, EN IEC 62841-4-7:2022+A11:2022**.
Luogo e data della dichiarazione: **Kortenberg, Belgio. 27. 9.2023**

Persona responsabile: **Kazuhisa Makino, Direttore - Makita Europe N.V.**

AVVERTENZE DI SICUREZZA

Avvertenze di sicurezza relative all'accessorio sarchiatore

- Non utilizzare la macchina in condizioni meteorologiche avverse, specialmente quando sussiste il rischio di fulmini.** In tal modo si riduce il rischio di venire colpiti da un fulmine.
- Verificare accuratamente l'eventuale presenza di animali selvatici nell'area in cui si deve utilizzare la macchina.** Gli animali selvatici potrebbero venire feriti dalla macchina durante l'uso.
- Verificare accuratamente l'eventuale presenza di pietre, stecchi, fili elettrici, ossa e altri corpi estranei nell'area in cui si deve utilizzare la macchina.** Gli oggetti scagliati possono causare lesioni personali.
- Prima di utilizzare la macchina, ispezionarla sempre visivamente per verificare che la lama sarchiatrice non sia danneggiata.** Componenti danneggiati incrementano il rischio di lesioni personali.
- Seguire le istruzioni per la sostituzione degli accessori.** Dadi o bulloni di fissaggio della lama serrati in modo improprio potrebbero danneggiare la lama o causarne il distacco.
- Indossare protezioni per occhi, orecchie, testa e mani.** Attrezzature di protezione adeguate riducono le lesioni personali causate da detriti volanti o dal contatto accidentale con la linea di taglio o la lama da taglio.
- Durante l'uso della macchina, indossare sempre calzature antiscivolo e protettive. Non far funzionare la macchina a piedi nudi o indossando sandali aperti.** Questa precauzione riduce la possibilità di lesioni personali ai piedi dovute al contatto con i taglierini o le linee di taglio in movimento.
- Mentre si utilizza la macchina, indossare sempre pantaloni lunghi.** La pelle esposta incrementa la probabilità di lesioni personali dovute a oggetti scagliati.
- Tenere lontani gli astanti durante l'utilizzo della macchina.** I detriti scagliati possono causare gravi lesioni personali.
- Utilizzare sempre due mani quando si fa funzionare la macchina.** Se si mantiene la macchina con entrambe le mani, si evita la perdita di controllo.
- Mantenere la macchina solo mediante le superfici di impugnatura isolate, poiché la linea di taglio o la lama da taglio potrebbero entrare in contatto con cablaggi nascosti.** Una linea di taglio o lame da taglio che entrino in contatto con un filo elettrico sotto tensione potrebbero mettere sotto tensione le parti metalliche esposte della macchina e trasmettere una scossa elettrica all'operatore.
- Mantenere sempre un equilibrio appropriato sui piedi e utilizzare la macchina solo mentre si sta in piedi sul suolo.** Le superfici scivolose o instabili potrebbero causare la perdita dell'equilibrio o del controllo della macchina.
- Non far funzionare la macchina su pendii eccessivamente ripidi.** Questa precauzione riduce il rischio di perdite di controllo, scivolate e cadute, che potrebbero causare lesioni personali.
- Quando si lavora sui pendii, accertarsi sempre di mantenere un saldo equilibrio sui piedi, lavorare sempre trasversalmente alla facciata dei pendii, mai verso l'alto o verso il basso, e adottare estrema cautela quando si cambia direzione.** Questa precauzione riduce il rischio di perdite di controllo, scivolate e cadute, che potrebbero causare lesioni personali.
- Tenere tutte le parti del corpo lontane dalla lama sarchiatrice quando la macchina è in funzione.** Prima di avviare la macchina, accertarsi che la lama sarchiatrice non sia in contatto con alcun oggetto. Un attimo di disattenzione durante l'uso della macchina potrebbe risultare in lesioni personali all'utilizzatore o ad altri.
- Non far funzionare la macchina al di sopra dell'altezza della vita.** Ciò contribuisce ad evitare il contatto involontario con la lama sarchiatrice, e consente un controllo migliore della macchina in situazioni impreviste.
- Quando si tagliano sterpaglie o alberelli sottoposti a tensione, fare attenzione al rinculo.** Quando la tensione delle fibre del legno viene rilasciata, la sterpaglia o l'alberello potrebbero colpire l'operatore e/o scagliare la macchina fuori controllo.
- Adottare la massima attenzione quando si intende tagliare sterpaglia e alberelli.** Il materiale sottile potrebbe rimanere impigliato nella lama e venire scagliato come una frusta verso l'utilizzatore, o tirarlo facendogli perdere l'equilibrio.
- Mantenere il controllo della macchina e non toccare la lama sarchiatrice e altre parti mobili pericolose mentre sono ancora in movimento.** Questa precauzione riduce il rischio di lesioni personali dovute alle parti mobili.
- Trasportare la macchina mentre è spenta e tenendola lontana dal proprio corpo.** Se si maneggia correttamente la macchina, si riduce la probabilità di contatto accidentale con un taglierino, una linea o una lama in movimento.
- Quando si intende trasportare o conservare la macchina, applicare sempre la copertura sulla lama sarchiatrice.** Se si maneggia correttamente la macchina, si riduce la probabilità di contatto accidentale con la lama.
- Utilizzare esclusivamente le lame sarchiatriche di ricambio specificate dal produttore.** Una sostituzione errata dei componenti potrebbe incrementare il rischio di rottura e lesioni personali.
- Quando si intende rimuovere materiale inceppato o sottoporre a interventi di assistenza la macchina, accertarsi che l'interruttore sia disattivato e che la cartuccia della batteria sia stata rimossa.** L'azionamento imprevisto della macchina durante la rimozione di materiale inceppato o l'esecuzione di interventi di assistenza potrebbe risultare in gravi lesioni personali.

Avvertenze aggiuntive per la sicurezza

Istruzioni generali

1. Per assicurare il funzionamento corretto, l'utente deve leggere il presente manuale d'uso per familiarizzare con il modo di maneggiare l'apparecchio. Gli utenti non informati sufficientemente rischiano pericoli nei confronti di se stessi e di altri dovuti al maneggiamento errato.
2. Non consentire mai l'uso della macchina a bambini, persone con capacità fisiche, sensoriali o mentali ridotte o prive di esperienza e di preparazione, o a persone che non abbiano familiarità con le presenti istruzioni; le normative locali potrebbero limitare l'età dell'operatore.
3. Utilizzare l'apparecchio con la massima cura e attenzione.
4. Utilizzare l'apparecchio solo se si è in buone condizioni fisiche. Effettuare tutti i lavori con calma e con attenzione. Adottare il buon senso e tenere a mente che l'operatore o l'utente è responsabile per eventuali incidenti o pericoli che si verifichino nei confronti di altre persone o delle loro proprietà.
5. Non utilizzare mai la macchina mentre nelle vicinanze sono presenti persone, specialmente bambini, o animali.
6. Il motore va spento immediatamente qualora l'apparecchio mostri eventuali problemi o segni di anomalie.
7. Spegnerne l'apparecchio e rimuovere la cartuccia della batteria durante le pause di riposo e quando si intende lasciare l'apparecchio incustodito, e collocarlo in un'ubicazione sicura per evitare pericoli ad altri o danni all'apparecchio.
8. Evitare di utilizzare la macchina in condizioni meteorologiche avverse, specialmente quando sussiste il rischio di fulmini.

Attrezzatura di protezione personale

1. Indossare sempre protezioni per gli occhi e scarpe resistenti mentre si utilizza la macchina.
2. Indossare sempre calzature robuste e pantaloni lunghi mentre si utilizza la macchina.

Avvio dell'apparecchio

1. Accertarsi che non siano presenti bambini o altre persone nelle vicinanze, e fare anche attenzione all'eventuale presenza di animali in prossimità dell'area di lavoro. In caso contrario, interrompere l'uso dell'apparecchio.
2. Durante l'uso, tenere astanti o animali a una distanza di almeno 5 m dall'utensile. Arrestare l'utensile non appena si avvicina qualcuno.
3. Prima dell'uso, controllare sempre che l'apparecchio possa essere utilizzato in sicurezza. Controllare la sicurezza dell'utensile da taglio e che l'interruttore a grilletto funzioni in modo agevole e corretto. Controllare che le maniglie siano pulite e asciutte, quindi verificare la funzionalità di avvio/arresto.

4. Controllare l'eventuale presenza di componenti danneggiati prima di un ulteriore utilizzo dell'apparecchio. Un componente danneggiato va esaminato con attenzione per verificare che sia in grado di funzionare correttamente e di svolgere la funzione a cui è preposto. Controllare l'allineamento delle parti mobili e l'eventuale inceppamento di queste ultime, l'eventuale rottura di componenti, attacchi di montaggio e qualsiasi altra condizione che potrebbe influenzare il funzionamento della macchina. Un componente danneggiato va riparato in modo adeguato o sostituito dai nostri centri di assistenza autorizzati, se non diversamente indicato nel presente manuale.
5. Accendere il motore solo quando le mani e i piedi sono lontani dall'utensile da taglio.
6. Prima di iniziare, accertarsi che l'utensile da taglio non sia in contatto con alcun oggetto.
7. Mantenere saldamente l'utensile quando lo si utilizza.
8. Evitare l'avvio accidentale. Non trasportare l'utensile quando la cartuccia della batteria è installata e con il dito appoggiato sull'interruttore. Quando si intende installare la cartuccia della batteria, accertarsi che l'interruttore sia disattivato.
9. Prima dell'uso, esaminare l'eventuale presenza nell'area di lavoro di recinzioni metalliche, pietre o altri oggetti solidi. Tali oggetti possono danneggiare la lama sarchiatrice.
10. Prima di utilizzare l'utensile, verificare l'eventuale presenza di corpi estranei nelle siepi e nei cespugli, ad esempio recinzioni in fil di ferro o cablaggi nascosti.

Metodo di funzionamento

1. Utilizzare l'apparecchio esclusivamente in buone condizioni di illuminazione e visibilità. Durante la stagione invernale, fare attenzione ad aree scivolose o bagnate, al ghiaccio e alla neve (pericolo di scivolamento). Accertarsi sempre di avere un saldo equilibrio sui piedi sui pendii e di camminare e non correre mai.
2. Fare attenzione a prevenire lesioni personali a mani e piedi causate dall'utensile da taglio.
3. Non far funzionare mai l'apparecchio stando in piedi su una scala a pioli.
4. Non arrampicarsi mai sugli alberi per effettuare operazioni di taglio con l'apparecchio.
5. Non lavorare mai su superfici stabili.
6. Rimuovere sabbia, pietre, chiodi, e così via, rilevati entro l'area di lavoro. I corpi estranei potrebbero danneggiare l'utensile da taglio e possono causare pericolosi contraccolpi.
7. Qualora l'utensile da taglio colpisca delle pietre o altri oggetti duri, spegnere immediatamente il motore e ispezionare l'utensile da taglio.
8. Ispezionare l'utensile da taglio a intervalli regolari ravvicinati alla ricerca di eventuali danni (rilevamento di spaccature microscopiche mediante il test del ticchettio).

9. Rimuovere sempre la cartuccia della batteria dall'apparecchio nei casi seguenti:
 - quando si lascia l'apparecchio incustodito;
 - prima di pulire un'ostruzione;
 - prima di controllare, pulire o effettuare interventi sull'apparecchio;
 - dopo aver colpito un corpo estraneo;
 - ogni volta che l'apparecchio inizia a vibrare in modo anomalo.
10. Gli strumenti da taglio continuano a funzionare dopo lo spegnimento del motore.
11. Quando si intende montare o rimuovere il coprilama, fare attenzione a non ferirsi le mani.

Istruzioni per la manutenzione

1. Prima di iniziare il lavoro, è necessario controllare le condizioni dell'apparecchio, in particolare dell'utensile da taglio e dei dispositivi di protezione.
2. Spegner il motore e rimuovere la cartuccia della batteria prima di eseguire la manutenzione, sostituire gli utensili da taglio o pulire l'apparecchio o l'utensile da taglio.
3. Quando l'utensile non è in uso, applicare il coprilama sull'utensile e conservarlo al chiuso in un luogo asciutto ed elevato che sia chiuso a chiave, fuori dalla portata dei bambini.

CONSERVARE LE PRESENTI ISTRUZIONI.

⚠AVVERTIMENTO: NON lasciare che la comodità o la familiarità d'uso con il prodotto (acquisita con l'uso ripetuto) sostituiscano la stretta osservanza delle norme di sicurezza. L'USO IMPROPRIO o la mancata osservanza delle norme di sicurezza riportate nel presente manuale manuale di istruzioni potrebbero causare lesioni personali gravi.

DESCRIZIONE DELLE PARTI

- Fig.1: 1. Coprilama 2. Cappuccio 3. Lama sarchiatrice

MONTAGGIO

⚠AVVERTIMENTO: Prima di montare o regolare l'apparecchio, spegnere il motore e rimuovere la cartuccia della batteria. In caso contrario, la macchina potrebbe avviarsi accidentalmente e causare lesioni personali.

⚠AVVERTIMENTO: Quando si intende montare o regolare l'apparecchio, appoggiarlo sempre. Il montaggio o la regolazione dell'apparecchio in posizione verticale potrebbero causare gravi lesioni personali.

⚠AVVERTIMENTO: Attenersi alle avvertenze e alle precauzioni nel capitolo "AVVERTENZE DI SICUREZZA" e nel manuale d'uso dell'unità motore.

Montaggio dell'accessorio

1. Montare le 2 piastre di regolazione sull'accessorio, in modo che le scanalature delle piastre siano rivolte verso l'esterno.
► Fig.2: 1. Piastra di regolazione
2. Montare la lama sarchiatrice sulle piastre di regolazione mentre si mantiene leggermente aperta la lama verso l'esterno. Durante il montaggio della lama sarchiatrice, accertarsi che la freccia punti verso il tubo.
► Fig.3: 1. Freccia

È possibile modificare l'angolazione della lama sarchiatrice allineandone la sporgenza con una delle sporgenze sulle piastre di regolazione.

- Fig.4: 1. Sporgenza

AVVISO: Accertarsi che le frecce sulla lama sarchiatrice siano rivolte nella direzione indicata nella figura.

- Fig.5: 1. Freccia

3. Accertarsi che la lama sarchiatrice sia innestata nelle piastre di regolazione.
► Fig.6
4. Inserire il bullone dal lato privo del dado e serrare il bullone con la chiave.
Accertarsi che il bullone sia serrato saldamente.
► Fig.7: 1. Bullone 2. Dado

NOTA: Coppia di serraggio: 5 - 10 N•m

Montaggio del tubo degli accessori

⚠ATTENZIONE: Controllare sempre che il tubo dell'accessorio sia fissato dopo l'installazione. Un'installazione inappropriata potrebbe causare la caduta dell'accessorio dall'unità motore e causare lesioni personali.

Montare il tubo degli accessori sull'unità motore.

1. Rimuovere il cappuccio dall'estremità del tubo.
► Fig.8: 1. Tubo 2. Cappuccio

AVVISO: Non smaltire il cappuccio, poiché è necessario per riporre l'accessorio.

2. Ruotare la leva verso l'accessorio.

► Fig.9: 1. Leva

3. Allineare il perno con il simbolo della freccia sull'unità motore. Inserire il tubo fino a quando il pulsante di sblocco scatta verso l'alto.

Accertarsi che la linea di posizione si trovi in corrispondenza della punta del simbolo della freccia sull'unità motore, e che i simboli delle frecce sull'unità motore e sul tubo siano rivolti l'uno verso l'altro.

► Fig.10: 1. Pulsante di sblocco 2. Simbolo della freccia sull'unità motore 3. Perno 4. Linea di posizione 5. Simbolo della freccia sul tubo

4. Ruotare la leva verso l'unità motore.

► Fig.11: 1. Leva

Accertarsi che la superficie della leva sia parallela al tubo.

AVVISO: Non serrare la leva senza aver inserito il tubo dell'accessorio. In caso contrario, la leva potrebbe serrare eccessivamente l'entrata dell'albero di trasmissione e danneggiarla.

Per rimuovere il tubo, ruotare la leva verso l'accessorio ed estrarre il tubo mentre si tiene premuto il pulsante di sblocco.

► Fig.12: 1. Pulsante di sblocco 2. Leva 3. Tubo

Rimozione o montaggio del coprilama

Per rimuovere il coprilama, spingerlo verso l'interno e ruotarlo.

► Fig.13: 1. Coprilama

Per montare il coprilama, agganciarlo a un lato della lama sarchiatrice, quindi ruotarlo.

► Fig.14: 1. Coprilama

NOTA: È possibile montare il coprilama sul tubo come indicato nella figura.

► Fig.15: 1. Coprilama

Installazione o rimozione della lama sarchiatrice

ATTENZIONE: Quando si intende sostituire la lama sarchiatrice, indossare sempre dei guanti, in modo che le mani non entrino in contatto direttamente con la lama sarchiatrice.

ATTENZIONE: Montare il coprilama prima di rimuovere o installare la lama sarchiatrice.

1. Applicare il coprilama sulla lama sarchiatrice.

2. Rimuovere il bullone allentandolo con la chiave.

► Fig.16: 1. Bullone

3. Rimuovere la lama sarchiatrice mentre la si mantiene leggermente aperta verso l'esterno.

► Fig.17

Installare la lama sarchiatrice facendo riferimento alle istruzioni relative al montaggio dell'accessorio.

DESCRIZIONE DELLE FUNZIONI

ATTENZIONE: Accertarsi sempre che l'utensile sia spento e che la cartuccia della batteria sia stata rimossa prima di regolare o di controllare il funzionamento dell'utensile.

Regolazione dell'angolo di taglio

ATTENZIONE: Accertarsi sempre che l'utensile sia spento, prima di regolare l'angolo di taglio.

È possibile modificare l'angolazione della lama sarchiatrice su tre livelli. Per modificare l'angolazione, allineare la sporgenza sulla lama sarchiatrice con una delle sporgenze sulle piastre di regolazione, quindi installare la lama sarchiatrice.

1. Allentare il bullone che fissa la lama da taglio con la chiave.

2. Allineare la sporgenza sulla lama sarchiatrice con una delle sporgenze sulle piastre di regolazione.

3. Serrare nuovamente il bullone per fissare la lama da taglio.

► Fig.18: 1. Sporgenza

FUNZIONAMENTO

AVVERTIMENTO: Attenersi alle avvertenze e alle precauzioni nel capitolo "AVVERTENZE DI SICUREZZA" e nel manuale d'uso dell'unità motore.

Utilizzo dell'utensile

AVVERTIMENTO: Tenere le mani lontane dalla lama sarchiatrice.

AVVERTIMENTO: Mantenere il controllo dell'utensile in qualsiasi momento con la massima attenzione. Non consentire la deviazione dell'utensile verso se stessi o chiunque altro in prossimità dell'area di lavoro. La mancata capacità di mantenere il controllo dell'utensile potrebbe risultare in gravi lesioni personali agli astanti e all'operatore.

AVVERTIMENTO: Prima della sarchiatura, rimuovere eventuali stecchi e pietre dall'area di sarchiatura.

NOTA: Questo utensile è destinato alla rimozione di erbacce di lunghezza inferiore a 15 cm (5-7/8").

► Fig.19

⚠ATTENZIONE: Evitare l'utilizzo dell'utensile in condizioni atmosferiche estremamente calde, per quanto possibile. Quando si utilizza l'utensile, fare attenzione alle proprie condizioni fisiche.

⚠ATTENZIONE: Fare attenzione a non entrare in contatto accidentalmente con una recinzione in metallo o con altri oggetti duri durante la sarchiatura. In caso contrario, la lama sarchiatrice potrebbe rompersi e causare lesioni personali.

⚠ATTENZIONE: È estremamente pericoloso sporgersi con l'utensile, specialmente da una scala a pioli. Non lavorare in piedi su alcuna superficie traballante o malferma.

AVVISO: Non utilizzare l'utensile in modo tale da causare l'arresto del motore o da farlo girare con estrema lentezza.

Mantenere l'utensile con entrambe le mani, afferrando la maniglia anteriore e l'impugnatura posteriore dell'unità motore.

► **Fig.20:** 1. Maniglia anteriore 2. Impugnatura posteriore

Accendere l'utensile con la lama sarchiatrice sollevata dal suolo. Appoggiare la lama sarchiatrice al suolo, quindi tirare l'utensile lentamente verso di sé per sarchiare. È più facile lavorare quando la lama sarchiatrice si trova a un'angolazione quasi perpendicolare rispetto al suolo.

► **Fig.21**

► **Fig.22**

MANUTENZIONE

⚠AVVERTIMENTO: Prima di ispezionare o sottoporre a manutenzione l'apparecchio, spegnere il motore e rimuovere la cartuccia della batteria. In caso contrario, la macchina potrebbe avviarsi accidentalmente e causare gravi lesioni personali.

⚠AVVERTIMENTO: Quando si intende ispezionare o sottoporre a manutenzione l'apparecchio, appoggiarlo sempre. Il montaggio o la regolazione dell'apparecchio in posizione verticale potrebbero causare gravi lesioni personali.

⚠AVVERTIMENTO: Attenersi alle avvertenze e alle precauzioni nel capitolo "AVVERTENZE DI SICUREZZA" e nel manuale d'uso dell'unità motore.

⚠ATTENZIONE: Indossare dei guanti quando si intende eseguire l'ispezione o la manutenzione.

AVVISO: Non utilizzare mai benzina, benzene, solventi, alcol o altre sostanze simili. In caso contrario, si potrebbero causare scolorimenti, deformazioni o crepe.

Per preservare la SICUREZZA e l'AFFIDABILITÀ del prodotto, le riparazioni e qualsiasi altro intervento di manutenzione e di regolazione devono essere eseguiti da un centro di assistenza autorizzato Makita, utilizzando sempre ricambi Makita.

Pulizia dell'utensile

Pulire l'utensile rimuovendo le polveri con un panno asciutto o con uno bagnato in acqua saponata e strizzato.

Manutenzione della lama

Dopo l'uso, rimuovere dalla lama l'erba o le radici attorcigliate.

AVVISO: Non lavare la lama in acqua. In caso contrario, si potrebbe causare la formazione di rugine o danneggiare la lama o l'accessorio.

Conservazione

Applicare il coprilama sulla lama sarchiatrice. Conservare l'utensile fuori dalla portata dei bambini. Conservare l'utensile in un'ubicazione non esposta all'umidità o alla pioggia.

Quando si intende riporre l'accessorio separatamente dall'unità motore, applicare il cappuccio sull'estremità del tubo.

► **Fig.23**

Lubrificazione delle parti mobili

AVVISO: Attenersi alle istruzioni relative alla frequenza e alla quantità di grasso applicato. In caso contrario, una lubrificazione insufficiente potrebbe danneggiare le parti mobili.

Asse della trasmissione:

Applicare il grasso (grasso Makita N No.2 o equivalente) ogni 25 ore di funzionamento.

► **Fig.24**

NOTA: È possibile acquistare grasso originale Makita dal proprio rivenditore locale Makita.

Lubrificazione con grasso

Intervallo di lubrificazione: Ogni 25 ore di funzionamento

1. Rimuovere il bullone dal foro per la lubrificazione.
► **Fig.25:** 1. Bullone
2. Applicare il grasso (grasso Makita SG No.0 o equivalente) sull'utensile (circa 3,0 g come indicazione di massima).
3. Serrare il bullone.

RISOLUZIONE DEI PROBLEMI

Prima di richiedere riparazioni, eseguire un'ispezione personale. Qualora si rilevi un problema che non è illustrato nel manuale, non tentare di smontare l'utensile. Rivolgersi, invece, a un centro di assistenza autorizzato Makita, utilizzando sempre pezzi di ricambio Makita per le riparazioni.

Stato di anomalia	Causa probabile (guasto)	Azione correttiva
Il motore non si avvia.	-	Consultare il manuale d'uso dell'unità motore.
Il motore si arresta dopo poco tempo.	-	Consultare il manuale d'uso dell'unità motore.
La velocità del motore non aumenta.	-	Consultare il manuale d'uso dell'unità motore.
La lama sarchiatrice non si muove: ⇒ arrestare immediatamente la macchina!	Il sistema di trasmissione non funziona correttamente.	Richiedere la riparazione a un centro di assistenza autorizzato locale.
Vibrazione anomala: ⇒ arrestare immediatamente la macchina!	La lama sarchiatrice è rotta, piegata o usurata.	Sostituire la lama sarchiatrice.
	Il sistema di trasmissione non funziona correttamente.	Richiedere la riparazione a un centro di assistenza autorizzato locale.
Non si riesce ad arrestare la lama sarchiatrice e il motore: ⇒ rimuovere immediatamente la batteria!	Malfunzionamento elettrico.	Rimuovere la batteria e richiedere la riparazione a un centro di assistenza autorizzato locale.

ACCESSORI OPZIONALI

⚠ATTENZIONE: Questi accessori o componenti aggiuntivi sono consigliati per l'uso con il prodotto Makita specificato nel presente manuale. L'impiego di altri accessori o componenti aggiuntivi di qualsiasi tipo potrebbe costituire un rischio di lesioni alle persone. Utilizzare un accessorio o un componente aggiuntivo solo per lo scopo a cui è destinato.

Per ottenere ulteriori dettagli relativamente a questi accessori, rivolgersi a un centro di assistenza Makita.

- Lama sarchiatrice
- Lama per coltivatore
- Batteria e caricabatterie originali Makita

NOTA: Alcuni articoli nell'elenco potrebbero essere inclusi in dotazione nella confezione dell'utensile come accessori di serie. Tali articoli possono variare da una nazione all'altra.

TECHNISCHE GEGEVENS

Model:	WA400MP
Snijbreedte	220 mm
Afmetingen (l x b x h)	980 mm x 226 mm x 196 mm
Nettogewicht	2,8 kg

- In verband met ononderbroken research en ontwikkeling behouden wij ons het recht voor bovenstaande technische gegevens te wijzigen zonder voorafgaande kennisgeving.
- De technische gegevens kunnen van land tot land verschillen.

Goedgekeurd aandrijfsysteem

Dit hulpstuk is alleen goedgekeurd voor gebruik met de volgende aandrijfsystemen:

- Multifunctioneel accuaandrijfsysteem DUX60
- Multifunctioneel accuaandrijfsysteem DUX18
- Multifunctioneel accuaandrijfsysteem UX01G

⚠ WAARSCHUWING: Gebruik het hulpstuk nooit met een niet-goedgekeurd aandrijfsysteem. Een niet-goedgekeurde combinatie kan leiden tot ernstig letsel.

Symbolen

Hieronder staan de symbolen die voor het gereedschap kunnen worden gebruikt. Zorg ervoor dat u de betekenis ervan kent voordat u het gereedschap gaat gebruiken.

	Lees de gebruiksaanwijzing en volg deze op.
	Draag een veiligheidshelm, oog- en gehoorbescherming.
	Draag veiligheidshandschoenen.
	Draag stevige schoenen met antislipzolen.
	Waarschuwing: Koppel de accu los alvorens onderhoud uit te voeren.
	Houd uw voeten uit de buurt van het wiedzmes.
	Houd omstanders en dieren ten minste 5 meter uit de buurt van het elektrisch gereedschap.
	Hete delen - brandgevaar voor vingers en handen.
	Gegarandeerd geluidsvermogensniveau conform EU-richtlijn inzake geluidsemmissie buitenhuis.



Geluidsvermogensniveau conform de Regelgeving Geluidsregeling van NSW, Australië

Bedoeld gebruik

Dit hulpstuk is uitsluitend bedoeld voor het wieden van gras op de grond in combinatie met een goedgekeurd aandrijfsysteem. Gebruik het hulpstuk nooit voor enig ander doel. Misbruik van het hulpstuk kan ernstig letsel veroorzaken.

EG-verklaring van conformiteit

Alleen voor Europese landen

Wij als de fabrikanten: **Makita Europe N.V.**, Bedrijfsadres: **Jan-Baptist Vinkstraat 2, 3070 Kortenberg, BELGIË**. Stellen **Kazuhisa Makino** aan om het technische bestand samen te stellen en verklaren onder eigen verantwoordelijkheid dat het/de product(en); Aanduiding: **Onkruidwiedhulpstuk**. Aanduiding van type(n): **WA400MP**. Voldoet aan de relevante voorwaarden van **2006/42/EG** en voldoet tevens aan de relevante voorwaarden van de volgende EG/EU-richtlijnen: **2000/14/EC** en zijn gefabriceerd conform de volgende geharmoniseerde normen: **EN 62841-1:2015+A11:2022, EN ISO 11806-1:2022, EN IEC 62841-4-7:2022+A11:2022**. Plaats en datum van verklaring: **Kortenberg, België. 27. 9.2023**
Verantwoordelijke persoon: **Kazuhisa Makino, directeur - Makita Europe N.V.**

VEILIGHEIDSWAARSCHUWINGEN

Veiligheidswaarschuwingen voor een onkruidwiedhulpstuk

- 1. Gebruik het gereedschap niet onder slechte weersomstandigheden, met name wanneer de kans op bliksem bestaat.** Dit verkleint de kans om door de bliksem getroffen te worden.
- 2. Inspecteer het gebied waar het gereedschap gebruikt gaat worden zorgvuldig op de aanwezigheid van dieren.** Dieren kunnen gewond raken tijdens het gebruik van het gereedschap.
- 3. Inspecteer het gebied waar het gereedschap gebruikt gaat worden zorgvuldig en verwijder alle stenen, stokken, draden, botten en andere vreemde voorwerpen.** Weggeworpen voorwerpen kunnen persoonlijk letsel veroorzaken.
- 4. Voordat u het gereedschap gebruikt, voert u altijd een visuele inspectie uit om te controleren of het wiedzmes niet beschadigd is.** Een beschadigd onderdeel verhoogt het risico van letsel.
- 5. Houdt u aan de instructies voor het verwisselen van de accessoires.** Verkeerd aangedraaide bevestigingsmoeren of -bouten van het mes kunnen het mes beschadigen of ertoe leiden dat het mes los komt.
- 6. Draag oog-, gehoor-, hoofd- en handbescherming.** Afdoende beschermingsmiddelen verkleinen de kans op persoonlijk letsel als gevolg van rondvliegend afval of onbedoelde aanraking van de snoeindraad of het mes.
- 7. Draag tijdens gebruik van het gereedschap altijd slipvast veiligheidsschoeisel. Gebruik het gereedschap niet wanneer u op blote voeten loopt of open sandalen draagt.** Dit verkleint de kans op letsel aan uw voeten door contact met de/het bewegende snoeindraad of mes.
- 8. Draag tijdens gebruik van het gereedschap altijd een lange broek.** Blootliggende huid verhoogt de kans op letsel door weggeworpen voorwerpen.
- 9. Houd omstanders uit de buurt wanneer u het gereedschap gebruikt.** Weggeworpen afval kan leiden tot ernstig persoonlijk letsel.
- 10. Gebruik altijd twee handen om het gereedschap te bedienen.** Door het gereedschap met twee handen vast te houden voorkomt u de controle over het gereedschap te verliezen.
- 11. Houd het gereedschap alleen vast bij het geïsoleerde oppervlak omdat de snoeindraad of het mes met verborgen bedrading in aanraking kan komen.** Wanneer de snoeindraad of het mes in aanraking komt met onder spanning staande draden, zullen de niet-geïsoleerde metalen delen van het gereedschap onder spanning komen te staan zodat de gebruiker een elektrische schok kan krijgen.
- 12. Zorg er altijd voor dat u stevig staat en bedien het gereedschap alleen terwijl u op de grond staat.** Op een gladde of instabiele ondergrond kunt u uw evenwicht of de controle over het gereedschap verliezen.
- 13. Gebruik het gereedschap niet op zeer steile hellingen.** Dit verkleint de kans op verlies van controle, uitglijden en vallen die kunnen leiden tot persoonlijk letsel.
- 14. Verzeker u bij het werken op hellingen er altijd van dat u stevig staat, werk altijd dwars op de helling, nooit hellingopwaarts of -afwaarts, en wees uiterst voorzichtig bij het veranderen van richting.** Dit verkleint de kans op verlies van controle, uitglijden en vallen die kunnen leiden tot persoonlijk letsel.
- 15. Houd alle delen van uw lichaam uit de buurt van het wiedzmes wanneer het gereedschap is ingeschakeld. Voordat u het gereedschap start, verzekert u zichzelf ervan dat het wiedzmes niets raakt.** Een ogenblik van onoplettendheid kan tijdens het gebruik van het gereedschap leiden tot letsel voor u of anderen.
- 16. Gebruik het gereedschap niet boven heuphoogte.** Dit helpt te voorkomen dat het wiedzmes per ongeluk iets raakt en biedt een betere controle over het gereedschap in onverwachte situaties.
- 17. Bij het afzagen van een takje of jong boompje dat onder spanning staat, let u goed op eventuele terugslag.** Wanneer de spanning in de houtvezels vrijkomt, kan het onder spanning staande takje of jonge boompje tegen de gebruiker slaan en/of de controle over de kettingzaag doen verliezen.
- 18. Wees uiterst voorzichtig bij het zagen van struiken en jonge boompjes.** Het dunne materiaal kan zich vasthaken aan het mes en naar u toe geslingerd worden of u uit balans brengen.
- 19. Behoud de controle over het gereedschap en raak het wiedzmes en andere gevaarlijke, bewegende delen niet aan zolang deze nog bewegen.** Dit verkleint de kans op letsel door bewegende delen.
- 20. Draag het gereedschap terwijl dit is uitgeschakeld en uit de buurt van uw lichaam.** Een juiste behandeling van het gereedschap verkleint de kans op het per ongeluk aanraken van de/het bewegende snoeindraad of mes.
- 21. Wanneer u het gereedschap transporteert of opbergt, bevestigt u altijd de afdekking op het wiedzmes.** Een juiste behandeling van het gereedschap verkleint de kans op het per ongeluk aanraken van het mes.
- 22. Gebruik voor vervanging uitsluitend wiedzmesen die zijn opgegeven door de fabrikant.** Verkeerde vervangingsonderdelen kunnen het risico van defect en letsel verhogen.
- 23. Bij het verwijderen van vastgelopen materiaal of het uitvoeren van onderhoud aan het gereedschap, verzekert u zich ervan dat de schakelaar uit staat en de accu is verwijderd.** Onverwachts starten van het gereedschap tijdens het verwijderen van vastgelopen materiaal of het uitvoeren van onderhoud, kan leiden tot ernstig persoonlijk letsel.

Aanvullende veiligheidswaarschuwingen

Algemene instructies

1. Voor een correct gebruik dient de gebruiker deze gebruiksaanwijzing te lezen om zichzelf bekend te maken met de juiste manier van omgaan met het gereedschap. Gebruikers die onvoldoende geïnformeerd zijn, lopen de kans zichzelf en anderen in gevaar te brengen als gevolg van onjuist hanteren.
2. Laat in geen geval kinderen, personen met een verminderd lichamelijk, zintuiglijk of geestelijk vermogen, of gebrek aan kennis en ervaring, en personen die deze gebruiksaanwijzing niet gelezen hebben, het gereedschap gebruiken. De leeftijd van de gebruiker kan landelijk gereguleerd zijn.
3. Gebruik het gereedschap met de hoogst mogelijke zorg en aandacht.
4. Gebruik het gereedschap alleen als u in goede lichamelijke conditie bent. Werk altijd rustig en voorzichtig. Gebruik uw gezond verstand en denk eraan dat de gebruiker van het gereedschap verantwoordelijk is voor ongelukken en gevaren die personen of hun eigendommen kunnen overkomen.
5. Bedien het gereedschap nooit in de buurt van andere personen, met name kinderen, of huisdieren.
6. In het geval dat het gereedschap enig probleem of abnormaal gedrag vertoont, moet de motor onmiddellijk worden uitgeschakeld.
7. Tijdens uitrusten en wanneer het gereedschap onbeheerd achtergelaten wordt, schakelt u het gereedschap uit en verwijdert u de accu, en legt u het gereedschap op een veilige plaats neer om gevaar voor anderen en beschadiging van het gereedschap te voorkomen.
8. Vermijd het gebruik van het gereedschap onder slechte weersomstandigheden, met name wanneer de kans op bliksem bestaat.

Persoonlijke-veiligheidsmiddelen

1. Draag tijdens het gebruik van het gereedschap altijd oogbescherming en stevige schoenen.
2. Draag tijdens het gebruik van het gereedschap altijd stevige schoenen en een lange broek.

Het gereedschap inschakelen

1. Zorg ervoor dat geen kinderen of andere personen zich in de buurt bevinden, en let ook op of er geen dieren in de werkomgeving zijn. Als dat het geval is, stopt u met het gebruik van het gereedschap.
2. Houd tijdens het gebruik omstanders en dieren ten minste 5 meter uit de buurt van het gereedschap. Zet het gereedschap uit zodra iemand dichterbij komt.
3. Controleer voor gebruik altijd of het gereedschap veilig is om te gebruiken. Controleer de veiligheid van het snijgarnituur, en controleer of de trekverschakelaar goed werkt en gemakkelijk kan worden bediend. Controleer of de handgrepen schoon en droog zijn en test de werking van de aan-uitschakelaar.

4. Controleer op beschadigde onderdelen voordat u het gereedschap verder gebruikt. Een onderdeel dat beschadigd is, moet nauwkeurig worden onderzocht om te bepalen of het goed werkt en zijn beoogde functie kan uitvoeren. Controleer of bewegende delen goed uitgelijnd zijn en niet vastgelopen zijn, of onderdelen niet kapot zijn en stevig gemonteerd zijn, en enige andere situatie die van invloed kan zijn op de werking van het gereedschap. Een onderdeel dat beschadigd is, dient vakkundig te worden gerepareerd of vervangen door ons erkend servicecentrum, behalve indien anders aangegeven in deze gebruiksaanwijzing.
5. Schakel de motor alleen in wanneer de handen en voeten uit de buurt van het snijgarnituur zijn.
6. Controleer vóór het starten of het snijgarnituur geen contact maakt met enig voorwerp.
7. Houd tijdens het gebruik het gereedschap stevig vast.
8. Voorkom onbedoeld starten. Draag het gereedschap niet terwijl de accu is aangebracht met uw vinger op de schakelaar. Verzeker u ervan dat de schakelaar uit staat voordat u de accu aanbrengt.
9. Onderzoek vóór gebruik het werkgebied op draadafrasteringen, stenen en andere massieve voorwerpen. Zij kunnen het wiedmes beschadigen.
10. Controleer de heggen en struiken op vreemde voorwerpen, zoals draadafrastering of verborgen draden, voordat u het gereedschap gebruikt.

Gebruiksmethode

1. Gebruik het gereedschap alleen bij goed licht en zicht. Wees in de winter bedacht op gladde of natte plaatsen, ijs en sneeuw (gevaar voor uitglijden). Verzeker u er altijd van dat u stabiel staat op hellingen, en ren nooit maar loop rustig.
2. Wees voorzichtig uw handen en voeten niet te verwonden aan het snijgarnituur.
3. Sta nooit op een ladder met draaiend gereedschap.
4. Klim nooit in een boom om daar met het gereedschap te werken.
5. Werk nooit op een instabiele ondergrond.
6. Verwijder zand, stenen, nagels, enz. die u binnen uw werkbereik vindt. Vreemde voorwerpen kunnen het snijgarnituur beschadigen en gevaarlijke terugslagen veroorzaken.
7. Als het snijgarnituur stenen of andere harde voorwerpen raakt, moet u de motor onmiddellijk uitschakelen en het snijgarnituur controleren.
8. Controleer het snijgarnituur regelmatig op beschadiging (inspecteren op haarscheurtjes met de kloppeludentest).
9. Verwijder altijd de accu uit het gereedschap:
 - iedere keer als u het gereedschap onbeheerd achterlaat;
 - voordat u een verstopping opheft;
 - voordat u het gereedschap controleert, reinigt of er werkzaamheden aan gaat verrichten;

- na het raken van een vreemd voorwerp;
- als het gereedschap op ongebruikelijke manier begint te trillen.

10. Het snijgarnituur blijft werken nadat de motor is uitgeschakeld.
11. Wees bij het aanbrengen en verwijderen van de schede voorzichtig dat u uw handen niet verwondt.

Onderhoudsinstructies

1. De toestand van het gereedschap, met name die van het snijgarnituur en de veiligheidsuitrusting, moet worden gecontroleerd voor aanvang van de werkzaamheden.
2. Schakel de motor uit en verwijder de accu voordat u onderhoudswerkzaamheden uitvoert, het snijgarnituur vervangt, of het gereedschap of de snijgarnituur schoonmaakt.
3. Als het gereedschap niet wordt gebruikt, bevestig u de schede op het gereedschap en bergt u het gereedschap binnen op een droge, hoge of afgesloten plaats, buiten het bereik van kinderen.

BEWAAR DEZE VOORSCHRIFTEN.

⚠ WAARSCHUWING: Laat u NIET misleiden door een vals gevoel van comfort en bekendheid met het gereedschap (na veelvuldig gebruik) en neem alle veiligheidsvoorschriften van het betreffende gereedschap altijd strikt in acht. VERKEERD GEBRUIK of het niet naleven van de veiligheidsvoorschriften in deze gebruiksaanwijzing kan leiden tot ernstig letsel.

BESCHRIJVING VAN DE ONDERDELEN

► Fig.1: 1. Schede 2. Dop 3. Wiedmes

MONTAGE

⚠ WAARSCHUWING: Alvorens het apparaat te monteren of af te stellen, schakelt u de motor uit en verwijdert u de accu. Anders kan het apparaat onbedoeld starten, waardoor letsel kan ontstaan.

⚠ WAARSCHUWING: Leg het gereedschap altijd op de grond wanneer u het afstelt of onderdelen aanbrengt. Als u onderdelen aanbrengt of het gereedschap afstelt terwijl het rechtop staat, kan ernstig letsel worden veroorzaakt.

⚠ WAARSCHUWING: Volg de waarschuwingen en voorzorgsmaatregelen in het hoofdstuk "VEILIGHEIDSWAARSCHUWINGEN" op en raadpleeg de gebruiksaanwijzing van het aandrijfsysteem.

Het hulpstuk aanbrengen

1. Bevestig de 2 stelplaten zodanig aan het hulpstuk dat de groeven van de platen naar buiten wijzen.
► Fig.2: 1. Stelplaat
2. Bevestig het wiedmes aan de stelplaten terwijl u de bevestigingen van het wiedmes iets naar buiten trekt.

Wanneer u het wiedmes bevestigt, verzekert u zich ervan dat de pijl in de richting van de pijp wijst.

► Fig.3: 1. Pijl

De hoek van het wiedmes kan worden veranderd door het uitsteeksel op het wiedmes uit te lijnen met een van de uitsteeksel op de stelplaten.

► Fig.4: 1. Uitsteeksel

KENNISGEVING: Verzekert u ervan dat de pijlen op het wiedmes wijzen in de richting aangegeven in de afbeelding.

► Fig.5: 1. Pijl

3. Verzekert u ervan dat het wiedmes aangrijpt in de stelplaten.

► Fig.6

4. Steek de bout erin vanaf de zijkant zonder moer en draai de bout vast met behulp van de inbussleutel.

Verzekert u dat de bout stevig is vastgedraaid.

► Fig.7: 1. Bout 2. Moer

OPMERKING: Aanhaalkoppel: 5 - 10 N•m

De hulpstukpijp bevestigen

⚠ LET OP: Controleer na het aanbrengen altijd of de hulpstukpijp stevig is bevestigd. Door onjuist aanbrengen kan het hulpstuk van het aandrijfsysteem af vallen en persoonlijk letsel veroorzaken.

Bevestig de pijp van het hulpstuk aan het aandrijfsysteem.

1. Verwijder de dop vanaf het uiteinde van de pijp.

► Fig.8: 1. Pijp 2. Dop

KENNISGEVING: Gooi de dop niet weg omdat deze weer nodig is voor het opbergen van het hulpstuk.

2. Kantel de hendel naar het hulpstuk.

► Fig.9: 1. Hendel

3. Lijn de pen uit met de pijlmarkering op het aandrijfsysteem. Steek de pijp erin tot de ontgrendelknop omhoog springt.

Verzekert u ervan dat de positielijn tegen de punt van de pijlmarkering op het aandrijfsysteem komt, en dat de pijlmarkering op het aandrijfsysteem en de pijlmarkering op de pijp tegenover elkaar liggen.

► Fig.10: 1. Ontgrendelknop 2. Pijlmarkering op het aandrijfsysteem 3. Pen 4. Positielijn 5. Pijlmarkering op de pijp

4. Kantel de hendel naar het aandrijfsysteem.

► Fig.11: 1. Hendel

Zorg ervoor dat het bovenvlak van de hendel parallel ligt aan de pijp.

KENNISGEVING: Zet de hendel niet vast zonder dat de hulpstukpijp erin is gestoken. Als u dit doet, kan de hendel de ingang voor de aandrijfschacht te ver dichtknijpen en beschadigen.

Om de pijp te verwijderen, kantelt u de hendel naar het hulpstuk en trekt u de pijp eruit terwijl u de ontgrendelknop ingedrukt houdt.

► Fig.12: 1. Ontgrendelknop 2. Hendel 3. Pijp

De schede verwijderen en aanbrengen

Om de mesafdekking te verwijderen, duwt u de mesafdekking in de richting van de binnenkant en kantelt u hem.

► Fig.13: 1. Mesafdekking

Om de mesafdekking aan te brengen, zet u de mesafdekking tegen één kant van het wiedzmes en kantelt u hem erop.

► Fig.14: 1. Mesafdekking

OPMERKING: U kunt de mesafdekking aan de pijp bevestigen, zoals aangegeven in de afbeelding.

► Fig.15: 1. Mesafdekking

Het wiedzmes aanbrengen en verwijderen

⚠ LET OP: Draag tijdens het vervangen van het wiedzmes altijd handschoenen zodat uw handen niet rechtstreeks in aanraking komen met het wiedzmes.

⚠ LET OP: Breng de mesafdekking aan voordat u het wiedzmes aanbrengt of verwijdert.

1. Breng de mesafdekking aan op het wiedzmes.
2. Verwijder de bout door de bout los te draaien met behulp van de inbusleutel.

► Fig.16: 1. Bout

3. Verwijder het wiedzmes terwijl u de bevestigingen van het wiedzmes iets naar buiten trekt.

► Fig.17

Breng het wiedzmes aan door de instructies voor het aanbrengen van het hulpstuk te raadplegen.

BESCHRIJVING VAN DE FUNCTIES

⚠ LET OP: Zorg altijd dat het gereedschap is uitgeschakeld en de accu ervan is verwijderd alvorens de functies op het gereedschap af te stellen of te controleren.

De snoeihoek instellen

⚠ LET OP: Verzeker u er altijd van dat het gereedschap is uitgeschakeld voordat u de snoeihoek instelt.

De hoek van het wiedzmes kan in drie stappen worden veranderd. Om de hoek te veranderen, lijnt u het uitsteeksel op het wiedzmes uit met een van de uitsteeksel op de stelplaten, en brengt u vervolgens het wiedzmes aan.

1. Draai de bout waarmee het wiedzmes is bevestigd los met behulp van de inbusleutel.
2. Lijn het uitsteeksel op het wiedzmes uit met een van de uitsteeksel op de stelplaten.
3. Draai de bout weer vast om het wiedzmes te bevestigen.

► Fig.18: 1. Uitsteeksel

BEDIENING

⚠ WAARSCHUWING: Volg de waarschuwingen en voorzorgsmaatregelen in het hoofdstuk "VEILIGHEIDSWAARSCHUWINGEN" op en raadpleeg de gebruiksaanwijzing van het aandrijfsysteem.

Het gereedschap bedienen

⚠ WAARSCHUWING: Houd uw handen uit de buurt van het wiedzmes.

⚠ WAARSCHUWING: Let er goed op dat u te allen tijde de controle over het gereedschap behoudt. Zorg ervoor dat het gereedschap zich niet in uw richting of in de richting van iemand die in de buurt staat beweegt. Als u de controle over het gereedschap verliest, kan dat leiden tot ernstig letsel van de gebruiker en omstanders.

⚠ WAARSCHUWING: Voor het wieden, verwijdert u alle takken en stenen uit het gebied dat u gaat wieden.

OPMERKING: Het gereedschap is bedoeld voor het verwijderen van onkruiden korter dan 15 cm (5-7/8").

► Fig.19

⚠ LET OP: Vermijd, voor zover dat praktisch is, het gebruik van het gereedschap bij zeer warm weer. Let tijdens gebruik van het gereedschap op uw fysieke toestand.

⚠ LET OP: Wees voorzichtig niet per ongeluk een metalen afrastering of andere harde voorwerpen te raken tijdens het wieden. Het wiedmes kan breken en letsel veroorzaken.

⚠ LET OP: Het is bijzonder gevaarlijk om met het gereedschap te ver te reiken, met name op een ladder. Werk niet met het gereedschap terwijl u op een wankel of instabiel hulpmiddel staat.

KENNISGEVING: Gebruik het gereedschap niet op een manier waardoor de motor stopt of zeer langzaam werkt.

Houd het gereedschap met beide handen vast door de voorhandgreep en achterhandgreep van het aandrijfsysteem vast te pakken.

► **Fig.20:** 1. Voorhandgreep 2. Achterhandgreep

Schakel het gereedschap in terwijl het wiedmes de grond niet raakt. Plaats het wiedmes op de grond en trek het gereedschap langzaam naar u toe om te wieden. Het werkt gemakkelijker als het wiedmes ongeveer loodrecht op de grond staat.

► **Fig.21**

► **Fig.22**

ONDERHOUD

⚠ WAARSCHUWING: Alvorens het gereedschap te inspecteren of te onderhouden, zet u de motor uit en verwijdert u de accu. Anders kan het apparaat onbedoeld starten, waardoor ernstig letsel kan ontstaan.

⚠ WAARSCHUWING: Leg het gereedschap altijd op de grond wanneer u het inspecteert of onderhoudt. Als u onderdelen aanbrengt of het gereedschap afstelt terwijl het rechtop staat, kan ernstig letsel worden veroorzaakt.

⚠ WAARSCHUWING: Volg de waarschuwingen en voorzorgsmaatregelen in het hoofdstuk "VEILIGHEIDSWAARSCHUWINGEN" op en raadpleeg de gebruiksaanwijzing van het aandrijfsysteem.

⚠ LET OP: Draag handschoenen bij het verrichten van inspectie of onderhoud.

KENNISGEVING: Gebruik nooit benzine, wasbenzine, thinner, alcohol en dergelijke. Hierdoor kunnen verkleuring, vervormingen en barsten worden veroorzaakt.

Om de VEILIGHEID en BETROUWBAARHEID van het gereedschap te handhaven, dienen alle reparaties, onderhoud of afstellingen te worden uitgevoerd bij een erkend Makita-servicecentrum of de Makita-fabriek, en altijd met gebruik van Makita-vervangingsonderdelen.

Het gereedschap reinigen

Reinig het gereedschap door het stof eraf te vegen met een droge doek of een doek gedoopt in zeepwater en uitgewrongen.

Onderhoud van het mes

Na gebruik verwijdert u het vastgelopen gras of onkruid vanaf het mes.

KENNISGEVING: Was het mes niet met water. Als u dit toch doet, kan het mes of hulpstuk gaan roesten of worden beschadigd.

Opslag

Breng de mesafdekking aan op het wiedmes. Bewaar het gereedschap buiten bereik van kinderen. Bewaar het gereedschap op een plaats die niet is blootgesteld aan vocht of regen.

Als het hulpstuk los van het aandrijfsysteem wordt opgeborgen, brengt u de dop aan op het uiteinde van de pijp.

► **Fig.23**

Bewegende delen smeren

KENNISGEVING: Houd u aan de frequentie en de opgegeven hoeveelheid vet. Als u dat niet doet, kunnen door onvoldoende smering de bewegende delen worden beschadigd.

Aandrijfas:

Vul smeervet (Makita-smeervet N No.2 of gelijkwaardig) bij elke 25 bedrijfsuren.

► **Fig.24**

OPMERKING: Origineel Makita-smeervet kan worden aangeschaft bij uw plaatselijke Makita-dealer.

Smeren met vet

Smeerinterval: Elke 25 bedrijfsuren

1. Verwijder de bout uit het smeergat.

► **Fig.25:** 1. Bout

2. Breng het smeervet (Makita-vet SG No.0 of gelijkwaardig) aan in het gereedschap (ongeveer 3,0 gram als richtlijn).

3. Draai de bout vast.

PROBLEMEN OPLOSSEN

Alvorens u verzoekt om reparatie, kunt u zelf als volgt het probleem opsporen en oplossen. Als u met een probleem kampt dat in deze handleiding niet wordt beschreven, probeer dan niet het gereedschap te demonteren. Laat reparaties over aan een erkend Makita-servicecentrum, uitsluitend met gebruik van originele Makita-ervangingsonderdelen.

Probleemomschrijving	Waarschijnlijke oorzaak (storing)	Oplossing
De motor start niet.	-	Raadpleeg de gebruiksaanwijzing van het aandrijfsysteem.
De motor stopt spoedig.	-	Raadpleeg de gebruiksaanwijzing van het aandrijfsysteem.
Het motortoerental neemt niet toe.	-	Raadpleeg de gebruiksaanwijzing van het aandrijfsysteem.
Het wiedmes beweegt niet: ⇒ stop het gereedschap onmiddellijk!	De aandrijving werkt niet goed.	Vraag uw plaatselijke, erkende servicecentrum het gereedschap te repareren.
Abnormale trillingen: ⇒ stop het gereedschap onmiddellijk!	Het wiedmes is gebroken, verbogen of versleten.	Vervang het wiedmes.
	De aandrijving werkt niet goed.	Vraag uw plaatselijke, erkende servicecentrum het gereedschap te repareren.
Het wiedmes en de motor kunnen niet stoppen: ⇒ verwijder de accu onmiddellijk!	Elektrische storing.	Verwijder de accu en vraag uw plaatselijk erkende servicecentrum het gereedschap te repareren.

OPTIONELE ACCESSOIRES

⚠ LET OP: Deze accessoires of hulpstukken worden aanbevolen voor gebruik met het Makita-apparaat dat in deze gebruiksaanwijzing wordt beschreven. Het gebruik van andere accessoires of hulpstukken kan gevaar voor persoonlijke verwonding opleveren. Gebruik accessoires of hulpstukken uitsluitend voor de aangegeven doeleinden.

Wenst u meer bijzonderheden over deze accessoires, neem dan contact op met het plaatselijke Makita-servicecentrum.

- Wiedmes
- Grondfreesmes
- Originele Makita-accu en -acculader

OPMERKING: Sommige items op de lijst kunnen zijn inbegrepen in de doos van het product als standaard toebehoren. Deze kunnen van land tot land verschillen.

ESPECIFICACIONES

Modelo:	WA400MP
Anchura de corte	220 mm
Dimensiones (La x An x Al)	980 mm x 226 mm x 196 mm
Peso neto	2,8 kg

- Debido a nuestro continuado programa de investigación y desarrollo, las especificaciones aquí dadas están sujetas a cambios sin previo aviso.
- Las especificaciones pueden ser diferentes de país a país.

Unidad motriz homologada


Este accesorio ha sido homologado para ser utilizado solamente con la unidad(es) motriz siguiente:

- DUX60 Herramienta Multifuncional Inalámbrica
- DUX18 Herramienta Multifuncional Inalámbrica
- UX01G Herramienta Multifuncional Inalámbrica

⚠ ADVERTENCIA: No utilice nunca el accesorio con una unidad motriz no homologada. Una combinación no homologada puede ocasionar heridas graves.

Símbolos

A continuación se muestran los símbolos que pueden ser utilizados para el equipo. Asegúrese de que entiende su significado antes de utilizar.

	Lea y siga el manual de instrucciones.
	Póngase casco de protección, y protección para los ojos y oídos.
	Póngase guantes de protección.
	Utilice botas robustas con suelas antideslizantes.
	Advertencia: Desconecte la batería antes de hacer el mantenimiento.
	Mantenga sus pies alejados de la cuchilla de deshierbe.
	Mantenga a los transeúntes y animales alejados al menos 5 m de la herramienta eléctrica.
	Superficies calientes - Quemarán sus dedos o manos.
	Nivel de potencia del sonido garantizado de acuerdo con la Directiva UE sobre ruido ambiental.



Nivel de potencia del sonido de acuerdo con el reglamento para el control de ruido en NSW, Australia

Uso previsto

Este accesorio ha sido diseñado para la sola finalidad de deshierbar el suelo usándolo junto con una unidad motriz homologada. No utilice nunca el accesorio para otro propósito. Abusar del accesorio puede ocasionar heridas graves.

Declaración CE de conformidad

Para países europeos solamente

Nosotros como los fabricantes: **Makita Europe N.V.**, Dirección comercial: **Jan-Baptist Vinkstraat 2 3070 Kortenberg BÉLGICA**. Autorizamos a **Kazuhisa Makino** para la compilación del archivo técnico y declaramos ante nuestra sola responsabilidad que el(los) producto(s);

Designación: **Accesorio para Deshierbar**. Designación de tipo(s): **WA400MP**.

Cumple con todas las disposiciones pertinentes de **2006/42/CE** y también cumple con todas las disposiciones pertinentes de las Directivas CE/UE siguientes: **2000/14/EC** y están fabricados de acuerdo con los estándares unificados siguientes: **EN 62841-1:2015+A11:2022, EN ISO 11806-1:2022, EN IEC 62841-4-7:2022+A11:2022**.

Lugar y fecha de la declaración: **Kortenberg, Bélgica. 27. 9.2023**

Persona responsable: **Kazuhisa Makino, Director - Makita Europe N.V.**

ADVERTENCIAS DE SEGURIDAD

Advertencias de seguridad para el accesorio para deshierbar

- No utilice la máquina en malas condiciones meteorológicas, especialmente cuando haya riesgo de relámpagos.** Esto disminuirá el riesgo de sufrir el impacto de un rayo.
- Inspeccione a fondo el área por si hay fauna silvestre donde se va a utilizar la máquina.** Podría herir la fauna silvestre con la máquina durante la operación.
- Inspeccione a fondo el área donde va a utilizar la máquina y retire todas las piedras, palos, alambres, huesos, y otros objetos extraños.** Los objetos que salen despedidos pueden ocasionar heridas personales.
- Antes de utilizar la máquina, inspeccione siempre visualmente para comprobar que la cuchilla de deshierbar no está dañada.** Una pieza dañada aumenta el riesgo de sufrir heridas.
- Siga las instrucciones para el cambio de accesorios.** Un apriete incorrecto de las tuercas o pernos que sujetan la cuchilla puede dañar la cuchilla o resultar en que esta se desprenda.
- Póngase protección para los ojos, oídos, cabeza y manos.** El equipo de protección adecuado reducirá las heridas personales debidas a los restos que salen despedidos o al contacto accidental con la línea o cuchilla de corte.
- Mientras esté operando la máquina, póngase siempre calzado antideslizante y de protección. No utilice la máquina cuando esté descalzo o lleve puestas sandalias abiertas.** Esto reducirá la posibilidad de sufrir heridas en los pies por el contacto con los cortadores o líneas de segado en movimiento.
- Mientras esté utilizando la máquina, póngase siempre pantalones largos.** La piel expuesta aumentará la posibilidad de sufrir heridas por objetos que salen lanzados.
- Mantenga a los transeúntes alejados mientras utiliza la máquina.** Los restos lanzados pueden resultar en heridas personales graves.
- Utilice siempre las dos manos cuando opere la máquina.** Sujetando la máquina con ambas manos evitará la pérdida de control.
- Sujete la máquina por las superficies de aislamiento aisladas solamente, porque la línea o cuchilla de corte puede entrar en contacto con cableado oculto.** El contacto de la línea o cuchillas de corte con un cable con corriente puede hacer que la corriente circule por las partes metálicas expuestas de la máquina y soltar una descarga eléctrica al operario.
- Mantenga siempre los pies sobre suelo firme y maneje la máquina solo cuando esté de pie sobre el terreno.** Las superficies resbaladizas o inestables pueden ocasionar una pérdida del equilibrio o del control de la máquina.
- No opere la máquina en cuevas excesivamente empinadas.** Esto reducirá el riesgo de la pérdida de control, deslizamiento y caída, que pueden resultar en heridas personales.
- Cuando trabaje en cuevas, asegúrese siempre de que pisa suelo firme, trabaje siempre a través de la cara de las cuevas, nunca hacia arriba o hacia abajo, y extreme las precauciones cuando cambie de dirección.** Esto reducirá el riesgo de la pérdida de control, deslizamiento y caída, que pueden resultar en heridas personales.
- Mantenga todas las partes del cuerpo alejadas de la cuchilla de deshierbar cuando la máquina esté funcionando.** Antes de poner en marcha la máquina, asegúrese de que la cuchilla de deshierbar no está en contacto con ninguna cosa. Un momento de despiste mientras utiliza la máquina puede resultar en heridas a usted o a otras personas.
- No utilice la máquina por encima de la altura de la cintura.** Esto le ayudará a evitar que la cuchilla de deshierbar toque algo sin querer y le permitirá controlar mejor la máquina en situaciones inesperadas.
- Cuando corte maleza o árboles jóvenes que estén bajo tensión, manténgase alerta por si retroceden de repente.** Cuando se libera la tensión en las fibras de la madera, la maleza o árbol joven bajo tensión puede golpear al operario y/o descontrolar la máquina.
- Extreme las precauciones cuando corte maleza y árboles jóvenes.** El material delgado puede engancharse en la cuchilla y producir un latigazo hacia usted o hacerle perder el equilibrio.
- Mantenga el control de la máquina y no toque la cuchilla de deshierbar ni otras piezas móviles peligrosas mientras todavía estén moviéndose.** Esto reducirá el riesgo de sufrir heridas por piezas en movimiento.
- Transporte la máquina estando apagada y alejada de su cuerpo.** Un manejo correcto de la máquina reducirá la posibilidad de un contacto accidental con un cortador, línea o cuchilla en movimiento.
- Cuando transporte o almacene al máquina, encaje siempre la cubierta en la cuchilla de deshierbar.** Un manejo correcto de la máquina reducirá la posibilidad de un contacto accidental con la cuchilla.
- Utilice solamente cuchillas de deshierbar de repuesto especificadas por el fabricante.** Las piezas de repuesto incorrectas pueden aumentar el riesgo de rotura y heridas.
- Cuando retire material atascado o haga el servicio a la máquina, asegúrese de que el interruptor está desactivado y que la batería ha sido retirada.** Una puesta en marcha inesperada de la máquina mientras retira material atascado o hace el servicio podrá resultar en heridas personales graves.

Advertencias de seguridad adicionales

Instrucciones generales

1. Para garantizar una operación correcta, el usuario tiene que leer este manual de instrucciones para familiarizarse con el manejo del equipo. Los usuarios insuficientemente informados se pondrán en riesgo de peligro a sí mismos y a otros debido a un manejo incorrecto.
2. No permita nunca que niños, personas con capacidades físicas, sensoriales o mentales reducidas o falta de experiencia y conocimiento o personas no familiarizadas con estas instrucciones utilicen la máquina; puede que los reglamentos locales restrinjan la edad del operario.
3. Utilice el equipo con sumo cuidado y atención.
4. Maneje el equipo solamente si usted se encuentra en buena condición física. Realice todo el trabajo con calma y con cuidado. Utilice el sentido común y tenga en cuenta que el operario o usuario es el responsable de los accidentes o riesgos ocasionados a otras personas o a sus propiedades.
5. No utilice nunca la máquina cuando haya gente, especialmente niños o animales domésticos, cerca.
6. El motor ha de ser apagado inmediatamente en caso de que el equipo muestre cualquier problema o indicio anormal.
7. Apague el equipo y retire el cartucho de batería cuando descanse y cuando lo deje desatendido, y póngalo en un sitio seguro para evitar riesgos a otras personas o daños al equipo.
8. Evite utilizar la máquina en malas condiciones meteorológicas especialmente cuando haya riesgo de relámpagos.

Equipo de protección personal

1. Póngase protección para los ojos y zapatos robustos en todo momento mientras maneja la máquina.
2. Póngase siempre calzado robusto y pantalones largos mientras utiliza la máquina.

Puesta en marcha del equipo

1. Asegúrese de que no hay cerca niños u otras personas, preste atención también a cualquier animal en los alrededores de lugar de trabajo. De lo contrario, deje de utilizar el equipo.
2. Durante la operación, mantenga a los transeúntes o animales alejados al menos 5 m de la herramienta. Pare la herramienta en cuanto alguien se acerque.
3. Antes de la utilización compruebe siempre que el equipo se puede operar con seguridad. Compruebe la seguridad del implemento de corte y que el gatillo interruptor se acciona fácil y debidamente. Compruebe que los mangos están limpios y secos y pruebe la función de puesta en marcha/parada.

4. Compruebe las piezas dañadas antes de seguir utilizando el equipo. Una pieza que esté dañada deberá ser inspeccionada cuidadosamente para determinar que funcionará debidamente y que realizará la función para la que ha sido prevista. Compruebe la alineación de las piezas móviles, la unión de las piezas móviles, rotura de piezas, montaje, y cualquier otra condición que pueda afectar a su operación. Una pieza que esté dañada deberá ser reparada o reemplazada debidamente en nuestro centro de servicio autorizado a menos que se indique otra cosa en algún otro sitio en este manual.
5. Encienda el motor solamente cuando las manos y los pies estén alejados del implemento de corte.
6. Antes de la puesta en marcha, asegúrese de que el implemento de corte no hace contacto con ningún objeto.
7. Sujete la herramienta firmemente cuando la esté utilizando.
8. Evite una puesta en marcha involuntaria. No transporte la herramienta con el cartucho de batería instalado y el dedo en el interruptor. Asegúrese de que el interruptor está desactivado cuando instale el cartucho de batería.
9. Antes de la operación, examine el área de trabajo por si hay cercas alambradas, piedras u otros objetos sólidos. Pueden dañar la cuchilla de deshierbe.
10. Compruebe los setos y arbustos por si tienen objetos extraños, tal como cercas alambradas o cables ocultos antes de utilizar la herramienta.

Método de trabajo

1. Utilice el equipo solamente en buenas condiciones de iluminación y visibilidad. Durante la estación de invierno tenga cuidado con las áreas húmedas o resbaladizas, hielo y nieve (riesgo de resbalar). Asegúrese siempre de poner los pies sobre suelo seguro en pendientes y de caminar no lo correr nunca.
2. Tenga cuidado de no herirse los pies o manos con el implemento de corte.
3. No se suba nunca a una escalera y ponga en marcha el equipo.
4. No se suba nunca a un árbol para realizar operaciones de corte con el equipo.
5. No trabaje nunca en superficies inestables.
6. Elimine la arena, piedras, clavos, etc., que se encuentren en el área de trabajo. Los objetos extraños pueden dañar el implemento de corte y ocasionar retrocesos bruscos peligrosos.
7. Si el implemento de corte golpea piedras u otros objetos duros, apague el motor inmediatamente e inspeccione el implemento de corte.
8. Inspeccione el implemento de corte a intervalos regulares cortos por si se ha dañado (detección de grietas finas mediante una prueba de ruido golpeando ligeramente).

9. Retire siempre el cartucho de batería del equipo:
 - siempre que deje el equipo sin atender;
 - antes de despejar un bloqueo;
 - antes de comprobar, limpiar o trabajar en el equipo;
 - después de haber golpeado un objeto extraño;
 - siempre que el equipo comience a vibrar de forma anormal.
10. Los implementos de corte sigan girando después de haber apagado el motor.
11. Cuando coloque o retire la cubierta de las cuchillas, tenga cuidado de no herirse las manos.

Instrucciones de mantenimiento

1. El estado del equipo, en particular el del implemento de corte y el de los dispositivos de protección, debe ser comprobado antes de comenzar el trabajo.
2. Apague el motor y retire el cartucho de batería antes de llevar a cabo el mantenimiento, el reemplazo de implementos de corte o la limpieza del equipo o del implemento de corte.
3. Cuando no se esté utilizando, coloque la cubierta de las cuchillas en la herramienta y almacene la herramienta en interiores en un lugar seco y alto, cerrado con llave, fuera del alcance de los niños.

GUARDE ESTAS INSTRUCCIONES.

⚠ADVERTENCIA: NO deje que la comodidad o familiaridad con el producto (a base de utilizarlo repetidamente) sustituya la estricta observancia de las normas de seguridad para el producto en cuestión. El MAL USO o el no seguir las normas de seguridad establecidas en este manual de instrucciones podrá ocasionar heridas personales graves.

DESCRIPCIÓN DE LAS PARTES

- Fig.1: 1. Cubierta de las cuchillas 2. Tapa
3. Cuchilla de deshierbe

MONTAJE

⚠ADVERTENCIA: Antes de ensamblar o ajustar el equipo, apague el motor y retire el cartucho de batería. De lo contrario, la máquina se podrá poner en marcha involuntariamente y resultar en heridas.

⚠ADVERTENCIA: Cuando ensamble o ajuste el equipo, póngalo siempre en el suelo. Ensamblar o ajustar el equipo en una posición vertical puede resultar en heridas graves.

⚠ADVERTENCIA: Siga las advertencias y precauciones del capítulo "ADVERTENCIAS DE SEGURIDAD" y del manual de instrucciones de la unidad motriz.

Ensamblaje del accesorio

1. Coloque las 2 placas de ajuste en el accesorio de manera que las ranuras de las placas queden orientadas hacia afuera.

► Fig.2: 1. Placa de ajuste

2. Coloque la cuchilla de deshierbe en las placas de ajuste mientras abre la cuchilla hacia afuera ligeramente.

Cuando coloque la cuchilla de deshierbe, asegúrese de que la flecha apunte hacia el tubo.

► Fig.3: 1. Flecha

El ángulo de la cuchilla de deshierbe se puede cambiar alineando la protuberancia de la cuchilla de deshierbe con una de las protuberancias de las placas de ajuste.

► Fig.4: 1. Protuberancia

AVISO: Asegúrese de que las flechas de la cuchilla de deshierbe están orientadas en la dirección mostrada en la figura.

► Fig.5: 1. Flecha

3. Asegúrese de que la cuchilla de deshierbe está acoplada a las placas de ajuste.

► Fig.6

4. Inserte el perno desde el costado sin la tuerca y apriete el perno con la llave.

Asegúrese de que el perno está apretado firmemente.

► Fig.7: 1. Perno 2. Tuerca

NOTA: Par de apriete: 5 - 10 N•m

Montaje del tubo accesorio

⚠PRECAUCIÓN: Compruebe siempre que el tubo accesorio está sujetado después de la instalación. Una instalación incorrecta puede ocasionar que el accesorio se caiga de la unidad motriz y causar heridas personales.

Monte el tubo accesorio en la unidad de alimentación.

1. Retire la tapa del extremo del tubo.

► Fig.8: 1. Tubo 2. Tapa

AVISO: No deseche la tapa porque la necesitará para guardar el accesorio.

2. Gire la palanca hacia el accesorio.

► **Fig.9:** 1. Palanca

3. Alinee el pasador con la marca de flecha de la unidad motriz. Inserte el tubo hasta que emerja el botón de liberación.

Asegúrese de que la línea de posición está en la punta de la marca de flecha de la unidad motriz, y la marca de flecha de la unidad motriz y la marca de flecha del tubo están enfrente la una de la otra.

► **Fig.10:** 1. Botón de liberación 2. Marca de flecha de la unidad motriz 3. Pasador 4. Línea de posición 5. Marca de flecha del tubo

4. Gire la palanca hacia la unidad de alimentación.

► **Fig.11:** 1. Palanca

Asegúrese de que la superficie de la palanca está paralela al tubo.

AVISO: No apriete la palanca sin estar insertado el tubo accesorio. De lo contrario la palanca podrá apretar demasiado la entrada del eje motriz y dañarla.

Para retirar el tubo, gire la palanca hacia el accesorio y extraiga el tubo mientras mantiene presionado el botón de liberación.

► **Fig.12:** 1. Botón de liberación 2. Palanca 3. Tubo

Desmontaje o colocación de la cubierta de las cuchillas

Para retirar la cubierta de la cuchilla, presione la cubierta de la cuchilla hacia adentro y gírela.

► **Fig.13:** 1. Cubierta de la cuchilla

Para colocar la cubierta de la cuchilla, enganche la cubierta de la cuchilla en un lateral de la cuchilla de deshierbe, y gírela.

► **Fig.14:** 1. Cubierta de la cuchilla

NOTA: Puede colocar la cubierta de la cuchilla en el tubo como se muestra en la figura.

► **Fig.15:** 1. Cubierta de la cuchilla

Instalación o desmontaje de la cuchilla de deshierbe

PRECAUCIÓN: Cuando reemplace la cuchilla de deshierbe, póngase siempre guantes de forma que sus manos no entren en contacto directamente con la cuchilla de deshierbe.

PRECAUCIÓN: Coloque la cubierta de la cuchilla antes de retirar o instalar la cuchilla de deshierbe.

1. Coloque la cubierta de la cuchilla en la cuchilla de deshierbe.

2. Retire el perno aflojándolo con la llave.

► **Fig.16:** 1. Perno

3. Retire la cuchilla de deshierbe mientras abre la cuchilla de deshierbe hacia afuera ligeramente.

► **Fig.17**

Instale la cuchilla de deshierbe refiriéndose a las instrucciones para el montaje del accesorio.

DESCRIPCIÓN DEL FUNCIONAMIENTO

PRECAUCIÓN: Asegúrese siempre de que la herramienta está apagada y el cartucho de batería retirado antes de realizar cualquier ajuste o comprobación en la herramienta.

Ajuste del ángulo de corte

PRECAUCIÓN: Asegúrese siempre de que la herramienta está apagada antes de ajustar el ángulo de corte.

El ángulo de la cuchilla de deshierbe se puede cambiar en tres niveles. Para cambiar el ángulo, alinee la protuberancia de la cuchilla de deshierbe con una de las protuberancias de las placas de ajuste, y después instale la cuchilla de deshierbe.

1. Afloje el perno que sujeta la cuchilla de corte con la llave.

2. Alinee la protuberancia de la cuchilla de deshierbe con una de las protuberancias de las placas de ajuste.

3. Vuelva a apretar el perno para sujetar la cuchilla de corte.

► **Fig.18:** 1. Protuberancia

OPERACIÓN

ADVERTENCIA: Siga las advertencias y precauciones del capítulo "ADVERTENCIAS DE SEGURIDAD" y del manual de instrucciones de la unidad motriz.

Operación de la herramienta

ADVERTENCIA: Mantenga las manos alejadas de la cuchilla de deshierbe.

ADVERTENCIA: Tenga mucho cuidado de mantener el control de la herramienta en todo momento. No permita que la herramienta se desvíe hacia usted o hacia cualquiera que se encuentre cerca de usted. No mantener el control de la herramienta puede resultar en heridas graves a los transeúntes y el operario.

ADVERTENCIA: Antes de deshierbar, retire los palos y piedras del área de deshierbe.

NOTA: Esta herramienta ha sido prevista para eliminar hierbas de menos de 15 cm (5-7/8").

► **Fig.19**

⚠PRECAUCIÓN: Evite operar la herramienta en tiempo muy cálido tanto como sea práctico. Cuando utilice la herramienta, tenga cuidado de su condición física.

⚠PRECAUCIÓN: Tenga cuidado de no hacer contacto accidental con una valla de metal u otros objetos duros mientras deshierba. La cuchilla de deshierbe podrá romperse y ocasionar heridas.

⚠PRECAUCIÓN: Trabajar con la herramienta donde no se alcanza, particularmente desde una escalera de mano, es sumamente peligroso. No trabaje mientras está subido en cualquier cosa tambaleante o inestable.

AVISO: No utilice la herramienta de forma que ocasione que el motor se pare o que gire extremadamente despacio.

Sujete la herramienta con ambas manos agarrando el asidero delantero y la empuñadura trasera de la unidad motriz.

► Fig.20: 1. Asidero delantero 2. Empuñadura trasera

Encienda la herramienta con la cuchilla de deshierbe separada del suelo. Ponga la cuchilla de deshierbe sobre el suelo, y tire de la herramienta hacia usted despacio para deshierbar. Resulta más fácil trabajar cuando la cuchilla de deshierbe está en un ángulo casi perpendicular al suelo.

► Fig.21

► Fig.22

MANTENIMIENTO

⚠ADVERTENCIA: Antes de inspeccionar o hacer el mantenimiento al equipo, apague el motor y retire el cartucho de batería. De lo contrario, la máquina se podrá poner en marcha involuntariamente y resultar en heridas graves.

⚠ADVERTENCIA: Cuando inspeccione o haga el mantenimiento al equipo, póngalo siempre en el suelo. Ensamblar o ajustar el equipo en una posición vertical puede resultar en heridas graves.

⚠ADVERTENCIA: Siga las advertencias y precauciones del capítulo "ADVERTENCIAS DE SEGURIDAD" y del manual de instrucciones de la unidad motriz.

⚠PRECAUCIÓN: Póngase guantes cuando realice la inspección o el mantenimiento.

AVISO: No utilice nunca gasolina, bencina, disolvente, alcohol o similares. Podría producir descoloración, deformación o grietas.

Para mantener la SEGURIDAD y FIABILIDAD del producto, las reparaciones, y cualquier otra tarea de mantenimiento o ajuste deberán ser realizadas en centros de servicio o de fábrica autorizados por Makita, empleando siempre repuestos Makita.

Limpieza de la herramienta

Limpie la herramienta quitando el polvo con un paño seco o uno sumergido en agua jabonosa y escurrido.

Mantenimiento de la cuchilla

Después de la operación, retire la hierba y raíces enredadas en la cuchilla.

AVISO: No lave la cuchilla en agua. Si lo hace podrá ocasionar oxidación o daño a la cuchilla o el accesorio.

Almacenamiento

Coloque la cubierta de la cuchilla en la cuchilla de deshierbe. Guarde la herramienta alejada del alcance de los niños. Almacene la herramienta en un lugar no expuesto a la humedad ni a la lluvia.

Cuando almacene el accesorio separado de la unidad motriz, ponga la tapa en el extremo del tubo.

► Fig.23

Lubricación de las partes móviles

AVISO: Siga las instrucciones para la frecuencia y cantidad de grasa a suministrar. De lo contrario una lubricación insuficiente podrá dañar las partes móviles.

Eje propulsor:

Aplique grasa (Grasa Makita N No.2 o equivalente) cada 25 horas de operación.

► Fig.24

NOTA: Puede comprar grasa genuina de Makita en su distribuidor Makita local.

Lubricación con grasa

Intervalo de lubricación: Cada 25 horas de operación

1. Retire el perno del agujero para lubricación.

► Fig.25: 1. Perno

2. Aplique grasa (Grasa Makita SG No.0 o equivalente) a la herramienta (aproximadamente 3,0 g a modo de guía).

3. Apriete el perno.

SOLUCIÓN DE PROBLEMAS

Antes de solicitar reparaciones, realice su propia inspección en primer lugar. Si encuentra un problema que no está explicado en el manual, no intente desmontar la herramienta. En su lugar, pregunte en los centros de servicio autorizados Makita, utilizando siempre piezas de recambio Makita para las reparaciones.

Estado de anomalía	Causa probable (mal funcionamiento)	Remedio
El motor no arranca.	-	Consulte el manual de instrucciones de la unidad motriz.
El motor se para enseguida.	-	Consulte el manual de instrucciones de la unidad motriz.
La velocidad del motor no aumenta.	-	Consulte el manual de instrucciones de la unidad motriz.
La cuchilla de deshierbe no se mueve: ⇒ ¡detenga la máquina inmediatamente!	El sistema de accionamiento no funciona correctamente.	Pida a su centro de servicio autorizado local que le hagan la reparación.
Vibración anormal: ⇒ ¡detenga la máquina inmediatamente!	La cuchilla de deshierbe está rota, doblada o gastada.	Reemplace la cuchilla de deshierbe.
	El sistema de accionamiento no funciona correctamente.	Pida a su centro de servicio autorizado local que le hagan la reparación.
La cuchilla de deshierbe y el motor no se pueden parar: ⇒ ¡Retire la batería inmediatamente!	Mal funcionamiento eléctrico.	Retire la batería y pida a su centro de servicio autorizado local que le hagan la reparación.

ACCESORIOS OPCIONALES

⚠PRECAUCIÓN: Estos accesorios o acoplamientos están recomendados para utilizar con su máquina Makita especificada en este manual. La utilización de cualquier otro accesorio o acoplamiento puede presentar un riesgo de heridas a personas. Utilice los accesorios o acoplamientos solamente para su fin establecido.

Si necesita cualquier ayuda para más detalles en relación con estos accesorios, pregunte al centro de servicio Makita local.

- Cuchilla de deshierbe
- Cuchilla para cultivador
- Batería y cargador genuinos de Makita

NOTA: Algunos elementos de la lista podrán estar incluidos en el paquete del producto como accesorios estándar. Pueden variar de un país a otro.

ESPECIFICAÇÕES

Modelo:	WA400MP
Largura de corte	220 mm
Dimensões (C x L x A)	980 mm x 226 mm x 196 mm
Peso bruto	2,8 kg

- Devido a um programa contínuo de pesquisa e desenvolvimento, estas especificações podem ser alteradas sem aviso prévio.
- As especificações podem variar de país para país.

Unidade de alimentação aprovada










Este implemento foi aprovado para utilização apenas com a(s) seguinte(s) unidade(s) de alimentação:

- Ferramenta multifuncional a bateria DUX60
- Ferramenta multifuncional a bateria DUX18
- Ferramenta multifuncional a bateria UX01G

⚠ AVISO: Nunca utilize o implemento com uma unidade de alimentação não aprovada. A combinação não aprovada pode provocar ferimentos graves.

Símbolos

A seguir são apresentados os símbolos que podem ser utilizados para o equipamento. Certifique-se de que compreende o seu significado antes da utilização.

	Leia e siga o manual de instruções.
	Use capacete de proteção, proteção ocular e auricular.
	Use luvas de proteção.
	Use botas resistentes com solas antidesslizantes.
	Aviso; desligue a bateria antes da manutenção.
	Mantenha os pés afastados da lâmina de capina.
	Mantenha as pessoas presentes e os animais a, pelo menos, 5 m de distância da ferramenta elétrica.
	Superfícies quentes - queimaduras nos dedos ou mãos.
	Nível de potência sonora garantido de acordo com a Diretiva de ruído ambiente da UE.



Nível de potência sonora de acordo com o Regulamento de controlo do ruído de NSW da Austrália

Utilização pretendida

Este implemento foi concebido apenas para o fim de retirar a relva no chão em conjunto com uma unidade de alimentação aprovada. Nunca utilize o implemento para outros fins. A utilização abusiva do implemento pode provocar ferimentos graves.

Declaração de conformidade da CE

Apenas para os países europeus

Nós, na qualidade de fabricantes: **Makita Europe N.V.**, Endereço comercial: **Jan-Baptist Vinkstraat 2 3070 Kortenberg BÉLGICA**. Autorizamos **Kazuhisa Makino** a compilar o ficheiro técnico e declaramos, mediante a nossa única responsabilidade, que o(s) produto(s); Designação: **Implemento de Capina**. Designação do(s) tipo(s): **WA400MP**.

Cumprе todas as disposições relevantes da **2006/42/CE** e também cumpre todas as disposições relevantes da seguinte Diretiva da CE/UE: **2000/14/EC**, e é fabricado de acordo com as seguintes normas harmonizadas: **EN 62841-1:2015+A11:2022, EN ISO 11806-1:2022, EN IEC 62841-4-7:2022+A11:2022**.

Local e data da declaração: **Kortenberg, Bélgica. 27. 9.2023**
Pessoa responsável: **Kazuhisa Makino, Diretor - Makita Europe N.V.**

AVISOS DE SEGURANÇA

Avisos de segurança do implemento de capina

1. **Não utilize a máquina em más condições atmosféricas, especialmente quando houver risco de relâmpagos.** Tal reduz o risco de ser atingido por um relâmpago.
2. **Inspeccione cuidadosamente a área quanto a fauna selvagem na qual a máquina tem de ser utilizada.** A fauna selvagem poderá ser ferida pela máquina durante o funcionamento.

3. **Inspecione cuidadosamente a área na qual a máquina tem de ser utilizada e remova todas as pedras, paus, fios, ossos e outros objetos estranhos.** Os objetos projetados podem causar ferimentos pessoais.
4. **Antes de utilizar a máquina, inspecione sempre visualmente para verificar se a lâmina de capina não está danificada.** Uma peça danificada aumenta o risco de ferimentos.
5. **Siga as instruções para mudar os acessórios.** Uma lâmina indevidamente apertada que fixa porcas ou pernos pode danificar a lâmina ou fazer com que a mesma fique desprendida.
6. **Utilize proteção ocular, proteção auditiva, proteção para a cabeça e proteção para as mãos.** Um equipamento de proteção adequado reduz os ferimentos pessoais causados por detritos projetados ou contacto accidental com a linha ou a lâmina de corte.
7. **Utilize sempre calçado antiderrapante e de proteção enquanto utiliza a máquina. Não utilize a máquina se estiver descalço ou calçando sandálias abertas.** Tal reduz a possibilidade de ferimentos nos pés resultantes do contacto com os dispositivos de corte ou linhas móveis.
8. **Utilize sempre calças compridas enquanto utiliza a máquina.** A pele exposta aumenta a probabilidade de ferimentos resultantes de objetos projetados.
9. **Mantenha as pessoas presentes afastadas enquanto opera a máquina.** A projeção de detritos pode resultar em ferimentos pessoais graves.
10. **Utilize sempre as duas mãos quando utilizar a máquina.** Segurar a máquina com as duas mãos irá evitar a perda de controlo.
11. **Segure a máquina apenas pelas superfícies de agarrar isoladas, porque a linha ou a lâmina de corte poderá tocar em fios ocultos.** A linha ou as lâminas de corte que tocam num fio sob tensão poderão colocar sob tensão as peças metálicas expostas da máquina e podem provocar um choque elétrico no operador.
12. **Mantenha sempre os pés firmes e opere a máquina apenas quando estiver de pé no chão.** As superfícies escorregadias ou instáveis podem provocar uma perda de equilíbrio ou de controlo da máquina.
13. **Não utilize a máquina em terrenos excessivamente íngremes.** Tal reduz o risco de perda de controlo, deslizamento e queda que podem resultar em ferimentos pessoais.
14. **Quando estiver a trabalhar em declives, certifique-se sempre do local onde posiciona os pés, trabalhe sempre em toda a face dos declives, nunca para cima ou para baixo, e exerça de extremo cuidado quando mudar de direção.** Tal reduz o risco de perda de controlo, deslizamento e queda que podem resultar em ferimentos pessoais.
15. **Mantenha todas as partes do corpo afastadas da lâmina de capina quando a máquina estiver a funcionar. Antes de efetuar o arranque da máquina, certifique-se de que a lâmina de capina não está em contacto com nada.** Um momento de desatenção enquanto opera a máquina pode resultar em ferimentos para si ou para outras pessoas.
16. **Não opere a máquina a uma altura acima da cintura.** Tal ajuda a evitar o contacto accidental da lâmina de capina e possibilita um maior controlo da máquina em situações imprevistas.
17. **Quando cortar silvados ou brotos que estejam sob tensão, tenha cuidado com a volta do ramo para trás.** Quando a tensão nas fibras de madeira é libertada, os silvados ou os brotos podem acertar no operador e/ou deixar a máquina fora de controlo.
18. **Tenha muito cuidado quando está a cortar silvados e brotos.** O material fino pode ficar preso na lâmina e ser atirado contra o operador ou causar a perda de equilíbrio.
19. **Mantenha o controlo da máquina e não toque na lâmina de capina e nas outras peças móveis perigosas enquanto ainda estiverem em movimento.** Tal reduz o risco de ferimentos causados por peças móveis.
20. **Transporte a máquina com a máquina desligada e afastada do seu corpo.** O manuseamento adequado da máquina reduz a probabilidade de contacto accidental com um dispositivo de corte, uma linha ou uma lâmina em movimento.
21. **Quando transportar ou armazenar a máquina, coloque sempre a tampa na lâmina de capina.** O manuseamento adequado da máquina reduz a probabilidade de contacto accidental com a lâmina.
22. **Utilize somente as lâminas de capina de substituição especificadas pelo fabricante.** As peças de substituição incorretas podem aumentar o risco de quebra e ferimentos.
23. **Quando desimpedir material encravado ou efetuar a manutenção da máquina, certifique-se de que o interruptor está desligado e que o conjunto de baterias foi removido.** O arranque inesperado da máquina, enquanto limpa material encravado ou efetua a manutenção, pode resultar em ferimentos pessoais graves.

Avisos de segurança adicionais

Instruções gerais

1. **Para assegurar o funcionamento correto, o utilizador tem de ler o presente manual de instruções para se familiarizar com o manuseamento do equipamento.** Os utilizadores insuficientemente informados colocam-se em perigo a si próprios e aos outros devido ao manuseamento inapropriado da ferramenta.
2. **Nunca permita que crianças, pessoas com capacidades físicas, sensoriais ou mentais reduzidas ou com falta de experiência e conhecimento ou pessoas não familiarizadas com estas instruções utilizem a máquina; os regulamentos locais poderão limitar a idade do operador.**
3. **Utilize o equipamento com o máximo de cuidado e atenção.**
4. **Opere o equipamento apenas se estiver em boas condições físicas. Realize todo o trabalho com calma e cuidado. Utilize o senso comum e tenha em mente que o operador ou utilizador é responsável por acidentes ou perigos que ocorram a outras pessoas ou à respetiva propriedade.**

5. Nunca opere a máquina enquanto outras pessoas, especialmente crianças, ou animais estão por perto.
6. O motor deve ser desligado imediatamente se o equipamento apresentar qualquer problema ou sinais de funcionamento irregular.
7. Desligue e remova a bateria quando repousar e quando deixar o equipamento sem supervisão e coloque-o num local seguro de modo a evitar perigo para outras pessoas ou danos no equipamento.
8. Evite utilizar a máquina em más condições atmosféricas, especialmente quando existe o risco de trovoadas.

Equipamento de proteção pessoal

1. Use sempre óculos de proteção e calçado robusto enquanto opera a máquina.
2. Use sempre calçado substancial e calças compridas enquanto opera a máquina.

Ligar o equipamento

1. Certifique-se de que não existem crianças ou outras pessoas por perto e tome igualmente atenção a quaisquer animais nas proximidades da área de trabalho. Caso contrário, pare de utilizar o equipamento.
2. Durante a operação, mantenha as pessoas presentes ou os animais a, pelo menos, 5 m de distância da ferramenta. Pare a ferramenta assim que alguém se aproximar.
3. Antes de utilizar, verifique sempre se é seguro operar o equipamento. Verifique a segurança da ferramenta de corte e do gatilho do interruptor para verificar se funcionam fácil e adequadamente. Verifique se as pegadas estão limpas e secas e teste a função de iniciar/parar.
4. Verifique se há peças danificadas antes de continuar a utilizar o equipamento. Uma peça que está danificada deve ser verificada com cuidado para determinar se funciona adequadamente e efetua a respetiva função pretendida. Verifique o alinhamento das peças móveis, a união das peças móveis, se as peças e fixações estão partidas e se há quaisquer outras condições que possam afetar a respetiva operação. Uma peça que está danificada deve ser reparada adequadamente ou substituída pelo nosso centro de assistência autorizado, a menos que seja indicado de outra forma neste manual.
5. Ligue o motor apenas quando as suas mãos e pés estão afastados da ferramenta de corte.
6. Antes de começar, certifique-se de que a ferramenta de corte não tem contacto com quaisquer objetos.
7. Agarre a ferramenta com firmeza durante a sua utilização.
8. Evite o arranque involuntário. Não transporte a ferramenta quando a bateria está instalada e com o dedo no interruptor. Certifique-se de que o interruptor está desligado quando instalar a bateria.
9. Antes da operação, examine a área de trabalho para verificar se há cercas de arame, pedras ou outros objetos sólidos. Estes podem danificar a lâmina de capina.
10. Verifique as sebes e os arbustos quanto a objetos estranhos, tais como cercas de arame ou fios ocultos antes de utilizar a ferramenta.

Método de operação

1. Utilize apenas o equipamento com boa luz e visibilidade. Durante a época do Inverno, tenha cuidado com as áreas escorregadias ou molhadas, como as áreas com gelo e neve (risco de escorregar). Assegure sempre uma posição segura em declives e certifique-se de que caminha e nunca corre.
2. Previna-se contra ferimentos nos pés e mãos provocados pela ferramenta de corte.
3. Nunca utilize o equipamento em cima de uma escada.
4. Nunca suba nas árvores para realizar cortes com o equipamento.
5. Nunca trabalhe em superfícies instáveis.
6. Retire a areia, pedras, pregos, etc. que se encontrem dentro da área de trabalho. As partículas estranhas podem danificar a ferramenta de corte e podem causar ressaltos perigosos.
7. Se a ferramenta de corte atingir pedras ou outros objetos rijos, desligue imediatamente o motor e inspecione a ferramenta de corte.
8. Inspeccione a ferramenta de corte em intervalos curtos regulares quanto a danos (detecção de fissuras finas através do teste de escuta de ruído).
9. Retire sempre a bateria do equipamento:
 - sempre que deixar o equipamento sem supervisão;
 - antes de desimpedir um bloqueio;
 - antes de verificar, limpar ou trabalhar no equipamento;
 - após bater num objeto estranho;
 - sempre que o equipamento começar a vibrar de forma invulgar.
10. Os elementos cortantes continuam a funcionar depois de o motor ser desligado.
11. Quando prender ou remover a cobertura da lâmina, tenha cuidado para não ferir as mãos.

Instruções de manutenção

1. A condição do equipamento, em particular da ferramenta de corte e dos dispositivos de proteção, deve ser verificada antes de iniciar o trabalho.
2. Desligue o motor e retire a bateria antes de efetuar qualquer manutenção, substituir as ferramentas de corte ou limpar o equipamento ou a ferramenta de corte.
3. Quando não estiver em utilização, prenda a tampa da lâmina na ferramenta e guarde a ferramenta num local interior, seco, alto e trancado, longe do alcance das crianças.

GUARDE ESTAS INSTRUÇÕES.

AVISO: NÃO permita que conforto ou familiaridade com o produto (adquirido com o uso repetido) substitua a aderência estrita às regras de segurança da ferramenta. MÁ INTERPRETAÇÃO ou não seguimento das regras de segurança estabelecidas neste manual de instruções pode causar danos pessoais sérios.

DESCRIÇÃO DAS PEÇAS

► Fig.1: 1. Tampa da lâmina 2. Tampa 3. Lâmina de capina

MONTAGEM

⚠️ AVISO: Antes de montar ou ajustar o equipamento, desligue o motor e remova a bateria. Caso contrário, a máquina pode arrancar não intencionalmente e provocar ferimentos.

⚠️ AVISO: Quando montar ou regular o equipamento, pouse-o sempre. A montagem ou regulação do equipamento numa posição vertical pode resultar em ferimentos graves.

⚠️ AVISO: Siga os avisos e precauções no capítulo “AVISOS DE SEGURANÇA” e o manual de instruções da unidade de alimentação.

Montar o implemento

1. Prenda as 2 placas de ajuste no implemento de forma que as ranhuras das placas fiquem voltadas para fora.

► Fig.2: 1. Placa de ajuste

2. Prenda a lâmina de capina nas placas de ajuste enquanto estiver a abrir ligeiramente a lâmina para fora.

Quando prender a lâmina de capina, certifique-se de que a seta aponta para o tubo.

► Fig.3: 1. Seta

O ângulo da lâmina de capina pode ser alterado alinhando a saliência na lâmina de capina com uma das saliências nas placas de ajuste.

► Fig.4: 1. Saliência

OBSERVAÇÃO: Certifique-se de que as setas na lâmina de capina estão viradas na direção apresentada na figura.

► Fig.5: 1. Seta

3. Certifique-se de que a lâmina de capina está engatada com as placas de ajuste.

► Fig.6

4. Insira o perno a partir do lado sem a porca e aperte o perno com a chave.

Certifique-se de que o perno está firmemente apertado.

► Fig.7: 1. Perno 2. Porca

NOTA: Binário de aperto: 5 - 10 N•m

Montar o tubo de fixação

⚠️ PRECAUÇÃO: Verifique sempre se o tubo de fixação está fixo após a instalação. A instalação incorreta pode causar a queda do implemento da unidade de alimentação e causar ferimentos.

Montar o tubo de fixação na unidade de alimentação.

1. Remova a tampa da extremidade do tubo.

► Fig.8: 1. Tubo 2. Tampa

OBSERVAÇÃO: Não elimine a tampa, pois a tampa é necessária para armazenar o acessório.

2. Rode a alavanca em direção ao implemento.

► Fig.9: 1. Alavanca

3. Alinhe o pino com a marca da seta na unidade de alimentação. Insira o tubo até o botão de libertação sair.

Certifique-se de que a linha de posição está localizada na ponta da marca da seta na unidade de alimentação e que a marca da seta na unidade de alimentação e a marca da seta no tubo estão viradas uma para a outra.

► Fig.10: 1. Botão de libertação 2. Marca da seta na unidade de alimentação 3. Pino 4. Linha de posição 5. Marca da seta no tubo

4. Rode a alavanca em direção à unidade de alimentação.

► Fig.11: 1. Alavanca

Certifique-se de que a superfície da alavanca está paralela ao tubo.

OBSERVAÇÃO: Não aperte a alavanca sem que o tubo de fixação esteja inserido. Caso contrário, a alavanca pode apertar demasiado a entrada do eixo de acionamento e danificá-lo.

Para remover o tubo, rode a alavanca na direção do implemento e puxe o tubo para fora, pressionando ao mesmo tempo o botão de libertação para baixo.

► Fig.12: 1. Botão de libertação 2. Alavanca 3. Tubo

Remover ou prender a cobertura da lâmina

Para remover a tampa da lâmina, empurre a tampa da lâmina para o interior e rode-a.

► Fig.13: 1. Tampa da lâmina

Para prender a tampa da lâmina, enganche a tampa da lâmina num lado da lâmina de capina e, em seguida, rode-a.

► Fig.14: 1. Tampa da lâmina

NOTA: Pode prender a tampa da lâmina no tubo conforme apresentado na figura.

► Fig.15: 1. Tampa da lâmina

Instalar ou remover a lâmina de capina

⚠️ PRECAUÇÃO: Quando substituir a lâmina de capina, utilize sempre luvas de modo que as suas mãos não entrem diretamente em contacto com a lâmina de capina.

⚠️ PRECAUÇÃO: Prenda a tampa da lâmina antes de remover ou instalar a lâmina de capina.

1. Prenda a tampa da lâmina na lâmina de capina.

2. Remova o perno soltando o perno com a chave.

► Fig.16: 1. Perno

3. Remova a lâmina de capina enquanto estiver a abrir ligeiramente a lâmina de capina para fora.

► Fig.17

Instale a lâmina de capina consultando as instruções para a montagem do implemento.

DESCRIÇÃO FUNCIONAL

⚠️ PRECAUÇÃO: Certifique-se sempre de que a ferramenta está desligada e a bateria foi retirada antes de regular ou verificar qualquer função na ferramenta.

Ajustar o ângulo de corte

⚠️ PRECAUÇÃO: Certifique-se sempre de que a ferramenta está desligada antes de ajustar o ângulo de corte.

O ângulo da lâmina de capina pode ser alterado em três níveis. Para alterar o ângulo, alinhe a saliência na lâmina de capina com uma das saliências nas placas de ajuste e, em seguida, instale a lâmina de capina.

1. Solte o perno que fixa a lâmina de corte com a chave.
2. Alinhe a saliência na lâmina de capina com uma das saliências nas placas de ajuste.
3. Volte a apertar o perno para fixar a lâmina de corte.

► Fig.18: 1. Saliência

OPERAÇÃO

⚠️ AVISO: Siga os avisos e precauções no capítulo "AVISOS DE SEGURANÇA" e o manual de instruções da unidade de alimentação.

Operar a ferramenta

⚠️ AVISO: Mantenha as mãos afastadas da lâmina de capina.

⚠️ AVISO: Tenha extremo cuidado para manter o controle da ferramenta em todos os momentos. Não permita que a ferramenta se desvie na sua direção ou na de outras pessoas nas proximidades do trabalho. Se não conseguir manter o controle da ferramenta, pode provocar ferimentos graves nos espetadores e no operador.

⚠️ AVISO: Antes de efetuar a capina, retire os paus e as pedras da área de capina.

NOTA: Esta ferramenta foi concebida para remover ervas daninhas com menos de 15 cm (5-7/8").

► Fig.19

⚠️ PRECAUÇÃO: Evite operar a ferramenta em condições atmosféricas muito quentes tanto quanto seja possível. Quando operar a ferramenta, tenha cuidado com a sua condição física.

⚠️ PRECAUÇÃO: Tenha cuidado para não entrar acidentalmente em contacto com uma cerca de metal ou outros objetos duros enquanto estiver a efetuar a capina. A lâmina de capina pode partir e causar ferimentos.

⚠️ PRECAUÇÃO: Esticar-se para alcançar um local com a ferramenta, particularmente desde uma escada, é extremamente perigoso. Não trabalhe se estiver posicionado sobre um suporte trémulo ou instável.

OBSERVAÇÃO: Não utilize a ferramenta de modo a causar a paragem do motor ou a respetiva rotação extremamente lenta.

Segure a ferramenta com as duas mãos segurando a pega dianteira e o punho traseiro da unidade de alimentação.

► Fig.20: 1. Pega dianteira 2. Punho traseiro

Ligue a ferramenta com a lâmina de capina fora do chão. Coloque a lâmina de capina no chão e puxe a ferramenta lentamente para si para efetuar a capina. É mais fácil trabalhar quando a lâmina de capina está num ângulo praticamente perpendicular ao chão.

► Fig.21

► Fig.22

MANUTENÇÃO

⚠️ AVISO: Antes de inspecionar ou efetuar manutenções no equipamento, desligue o motor e remova a bateria. Caso contrário, a máquina pode arrancar não intencionalmente e provocar ferimentos graves.

⚠️ AVISO: Quando inspecionar ou realizar manutenções no equipamento, pause-o sempre. A montagem ou regulação do equipamento numa posição vertical pode resultar em ferimentos graves.

⚠️ AVISO: Siga os avisos e precauções no capítulo "AVISOS DE SEGURANÇA" e o manual de instruções da unidade de alimentação.

⚠️ PRECAUÇÃO: Utilize luvas quando efetuar uma inspeção ou manutenção.

OBSERVAÇÃO: Nunca utilize gasolina, benzina, diluente, álcool ou produtos semelhantes. Pode ocorrer a descoloração, deformação ou rachaduras.

Para manter a SEGURANÇA e a FIABILIDADE do produto, as reparações e qualquer outra manutenção ou ajuste devem ser levados a cabo pelos centros de assistência Makita autorizados ou pelos centros de assistência de fábrica, utilizando sempre peças de substituição Makita.

Limpar a ferramenta

Limpe a ferramenta, limpando o pó com um pano seco ou um pano humedecido em água com detergente e torcido.

Manutenção da lâmina

Após a operação, remova a relva ou as raízes emaranhadas da lâmina.

OBSERVAÇÃO: Não lave a lâmina na água. Ao fazê-lo pode causar ferrugem ou danos na lâmina ou no implemento.

Armazenamento

Prenda a tampa da lâmina na lâmina de capina. Armazene a ferramenta fora do alcance das crianças. Armazene a ferramenta num local não exposto a humidade ou precipitação. Quando armazenar o implemento separado da unidade de alimentação, coloque a tampa sobre a extremidade do tubo.

► Fig.23

Lubrificar as peças móveis

OBSERVAÇÃO: Siga as instruções referentes à frequência e à quantidade de massa lubrificante fornecida. Caso contrário, uma lubrificação insuficiente, pode danificar as peças móveis.

Eixo motor:

Aplique massa lubrificante (massa lubrificante Makita N No.2 ou equivalente) a cada 25 horas de funcionamento.

► Fig.24

NOTA: Pode adquirir massa lubrificante genuína da Makita no seu distribuidor Makita local.

Lubrificação com massa lubrificante

Intervalo de lubrificação: A cada 25 horas de funcionamento

1. Remova o perno do orifício para lubrificação.
► Fig.25: 1. Perno
2. Aplique massa lubrificante (massa lubrificante Makita SG No.0 ou equivalente) na ferramenta (aproximadamente 3,0 g como orientação).
3. Aperte o perno.

RESOLUÇÃO DE PROBLEMAS

Antes de pedir uma reparação, realize primeiro a sua própria inspeção. Se encontrar um problema que não esteja explicado no manual, não tente desmontar a ferramenta. Em vez disso, peça as reparações nos centros de assistência técnica autorizados da Makita, usando sempre peças de substituição da Makita.

Estado da anomalia	Causa provável (avaria)	Correção
O motor não arranca.	-	Consulte o manual de instruções da unidade de alimentação.
O motor para em breve.	-	Consulte o manual de instruções da unidade de alimentação.
A velocidade do motor não aumenta.	-	Consulte o manual de instruções da unidade de alimentação.
A lâmina de capina não se movimenta: ⇒ pare a máquina imediatamente!	O sistema de acionamento não funciona corretamente.	Peça a reparação no centro de assistência autorizado local.
Vibração anormal: ⇒ pare a máquina imediatamente!	A lâmina de capina está partida, dobrada ou gasta.	Substitua a lâmina de capina.
	O sistema de acionamento não funciona corretamente.	Peça a reparação no centro de assistência autorizado local.
A lâmina de capina e o motor não conseguem parar: ⇒ retire imediatamente a bateria!	Falha elétrica.	Retire a bateria e peça a reparação no centro de assistência autorizado local.

ACESSÓRIOS OPCIONAIS

⚠PRECAUÇÃO: Estes acessórios ou acoplamentos são recomendados para utilização com a sua máquina Makita especificada no presente manual. A utilização de quaisquer outros acessórios ou acoplamentos pode representar risco de lesão física. Utilize apenas acessórios ou acoplamentos para os respetivos fins previstos.

Se necessitar de informações adicionais relativas a estes acessórios, solicite-as ao seu centro de assistência Makita.

- Lâmina de capina
- Lâmina do cultivador
- Bateria e carregador genuínos da Makita

NOTA: Alguns itens na lista poderão estar incluídos na embalagem do produto como acessórios padrão. Podem diferir de país para país.

SPECIFIKATIONER

Model:	WA400MP
Klippebredde	220 mm
Dimensioner (L x B x H)	980 mm x 226 mm x 196 mm
Nettovægt	2,8 kg

- På grund af vores kontinuerlige forsknings- og udviklingsprogrammer kan hosstående specifikationer blive ændret uden varsel.
- Specifikationer kan variere fra land til land.

Godkendt motorenhed

Dette tilbehør er kun godkendt til brug sammen med følgende motorenhed(er):

- DUX60 Akku flerfunktions motorhoved
- DUX18 Akku flerfunktions motorhoved
- UX01G Akku flerfunktions motorhoved

⚠ ADVARSEL: Brug aldrig tilbehøret med en motorenhed, der ikke er godkendt. En ikke-godkendt kombination kan medføre alvorlig personskade.

Symboler

Følgende viser de symboler, der muligvis anvendes til udstyret. Sørg for, at du forstår deres betydning før brugen.

	Læs og følg brugsanvisningen.
	Bær sikkerhedshjelm, beskyttelsesbriller og høreværn.
	Bær arbejdshandsker.
	Bær solide støvler med skridsikre såler.
	Advarsel: Afbryd batteriet inden vedligeholdelse.
	Hold fødderne væk fra ukrudtsklingen.
	Hold tilskuere og dyr mindst 5 m væk fra maskinværktøjet.
	Varme overflader - Forbrændinger af fingre og hænder.
	Garanteret lydeffektniveau i henhold til EU-direktivet om maskiner til udendørs brug.



Lydeffektniveau i henhold til Australiens NSW forordning om støjemission

Tilsligtet brug

Dette tilbehør er kun beregnet til at luge græs på jorden sammen med en godkendt effektkenhed. Undlad at bruge tilbehøret til andre formål. Misbrug af tilbehøret kan forårsage alvorlig personskade.

EF-overensstemmelseserklæring

Kun for lande i Europa

Vi som producenter: **Makita Europe N.V.**,
Forretningsadresse: **Jan-Baptist Vinkstraat 2 3070 Kortenberg BELGIEN**. Godkender **Kazuhisa Makino** til kompilering af den tekniske fil og tager det fulde ansvar for, at produktet eller produkterne, Betegnelse: **Ukrudtstilbehør**. Betegnelse for type(r): **WA400MP**.

Opfylder alle de relevante bestemmelser i **2006/42/EF** og opfylder også alle de relevante bestemmelser i følgende EF/EU-direktiver: **2000/14/EC** og er fremstillet i overensstemmelse med følgende harmoniserede standarder: **EN 62841-1:2015+A11:2022, EN ISO 11806-1:2022, EN IEC 62841-4-7:2022+A11:2022**.

Sted og dato for erklæring: **Kortenberg, Belgien, 27. 9.2023**
Ansvarlig person: **Kazuhisa Makino, Direktør - Makita Europe N.V.**

SIKKERHEDSADVARSLER

Sikkerhedsadvarsler for ukrudtstilbehør

1. **Undlad at bruge maskinen under dårlige vejforhold, især hvis der er risiko for lynnedslag.** Dette mindsker risikoen for at blive ramt af lynnedslag.
2. **Undersøg området grundigt for dyreliv, hvor maskinen skal bruges.** Dyrelivet kan blive skadet af maskinen under anvendelse.

3. **Undersøg det område grundigt, hvor maskinen skal bruges, og fjern alle sten, pinde, ledninger, knogler og andre fremmedlegemer.** Udslyngede genstande kan forårsage personskade.
4. **Før du bruger maskinen, skal du altid visuelt inspicere for at se, at ukrudtsklingen ikke er beskadiget.** En beskadiget del øger risikoen for personskade.
5. **Følg instruktionerne for udsifting af tilbehør.** Forkert tilspænding af møtrikker eller bolte, der fastgør klingen, kan enten beskadige klingen eller medføre, at den løsnes.
6. **Bær beskyttelse af øjne, ører, hoved og hånd.** Tilstrækkeligt beskyttelsesudstyr vil reducere personskader som følge af flyvende snavs eller utilsigtet kontakt med savkæden eller klingen.
7. **Når du betjener maskinen, skal du altid bære skridsikkert og beskyttende fodtøj. Undlad at betjene maskinen, når du er barfodet eller bærer åbne sandaler.** Dette reducerer risikoen for skade på fødderne som følge af kontakt med de bevægelige skærere eller savkæden.
8. **Bær altid lange bukser, mens du betjener maskinen.** Eksponeret hud øger sandsynligheden for skade fra udslyngede genstande.
9. **Hold tilskuere væk, mens du betjener maskinen.** Udslyngt snavs kan resultere i alvorlig personskade.
10. **Brug altid to hænder, når du betjener maskinen.** Hvis du holder maskinen med begge hænder, undgår du at miste kontrollen.
11. **Hold altid kun i maskinen på de isolerede gribeffader, da savkæden eller klingen kan komme i kontakt med skjulte ledninger.** Savkæden eller klinger, der kommer i kontakt med en "strømførende" ledning, kan gøre maskinens blottede metaldele strømførende og kan give operatøren et elektrisk stød.
12. **Hold altid ordentlig fodfæste, og betjen kun maskinen, når du står på jorden.** Glatte eller ustabile overflader kan medføre, at du mister balancen eller kontrollen med maskinen.
13. **Undlad at betjene maskinen på meget stejle skråninger.** Dette reducerer risikoen for, at du mister kontrollen, glider, og falder, hvilket kan medføre personskade.
14. **Når du arbejder på skråninger, skal du altid være sikker på fodfæstet, altid arbejde på tværs af skråninger, aldrig op eller ned og udvise ekstrem forsigtighed, når du skifter retning.** Dette reducerer risikoen for, at du mister kontrollen, glider, og falder, hvilket kan medføre personskade.
15. **Hold alle kroppsdele væk fra ukrudtsklingen, når maskinen er i drift. Før du starter maskinen, skal du sørge for, at ukrudtsklingen ikke kommer i kontakt med noget.** Et øjeblik uopmærksomhed under betjening af maskinen kan medføre personskade på dig selv eller andre.
16. **Undlad at betjene maskinen over taljehøjde.** Dette hjælper med at forhindre utilsigtet kontakt med ukrudtsklingen og muliggør bedre kontrol over maskinen i uventede situationer.
17. **Når du skærer buske eller unge træer, der er under spænding, skal du være opmærksom på tilbageslag.** Når spændingen i træfibrene frigøres, kan busken eller det unge træ ramme operatøren og/eller slynge maskinen ud af kontrol.
18. **Udvis den største forsigtighed, når du skærer buske og unge træer.** Det tynde materiale kan fange klingen og blive pisket mod dig eller trække dig ud af balance.
19. **Bevar kontrollen over maskinen, og undlad at røre ved ukrudtsklingen og andre farlige bevægelige dele, mens de stadig er i bevægelse.** Dette reducerer risikoen for skader fra bevægelige dele.
20. **Bær maskinen med maskinen slukket og væk fra kroppen.** Korrekt håndtering af maskinen vil reducere sandsynligheden for utilsigtet kontakt med en bevægelig skærer, savkæde eller klinge.
21. **Når du transporterer eller opbevarer maskinen, skal du altid montere dækslet på ukrudtsklingen.** Korrekt håndtering af maskinen vil reducere sandsynligheden for utilsigtet kontakt med klingen.
22. **Brug kun reserveklinger til ukrudt, der er angivet af producenten.** Forkerte reservedele kan øge risikoen for brud og personskade.
23. **Når du fjerner fastklemt materiale eller service-rer maskinen, skal du sørge for, at afbryderen er slukket, og at batteripakken er fjernet.** Uventet start af maskinen, mens du rydder fastklemt materiale eller service-rer maskinen, kan medføre alvorlig personskade.

Yderligere sikkerhedsadvarsler

Generelle instruktioner

1. **For at sikre korrekt anvendelse skal brugeren læse denne brugsanvisning for at gøre sig bekendt med håndteringen af udstyret.** Brugere, som er utilstrækkeligt informeret, risikerer at udsætte sig selv og andre for fare på grund af forkert håndtering.
2. **Lad aldrig børn, personer med reducerede fysiske, motoriske eller mentale færdigheder eller manglende erfaring og viden eller personer, der ikke er bekendt med disse instruktioner, anvende maskinen. Lokale regulativer begrænser muligvis operatørens alder.**
3. **Anvend udstyret med den største forsigtighed og opmærksomhed.**
4. **Brug kun udstyret, hvis du er i god fysisk form. Udfør alt arbejde roligt og omhyggeligt. Anvend sund fornuft, og husk, at operatøren eller brugeren er ansvarlig for ulykker eller farlige situationer, der opstår for andre personer eller deres ejendom.**
5. **Anvend aldrig maskinen, når der er personer, især børn, eller kæledyr i nærheden.**
6. **Sluk straks for motoren, hvis udstyret viser problemer eller unormale tegn.**
7. **Sluk for og fjern akkuen, når du hviler dig, og når du lader udstyret ligge uden opsyn, og placer det på et sikkert sted for at undgå fare for andre eller beskadigelse af udstyret.**
8. **Undgå at bruge maskinen i dårligt vejr, især hvis der er risiko for lynnedslag.**

Personligt beskyttelsesudstyr

1. Bær til enhver tid øjebeskyttelse og solide sko, når du betjener maskinen.
2. Bær altid solidt fodtøj og lange bukser, når du betjener maskinen.

Start af udstyret

1. Se efter, at der ikke er børn eller andre personer i nærheden, og vær også opmærksom på dyr i nærheden af arbejdsområdet. Ellers skal du holde op med at bruge udstyret.
2. Hold tilskuere eller dyr mindst 5 m væk fra maskinen under betjeningen. Stop maskinen, så snart nogen nærmer sig.
3. Før brug skal du altid kontrollere, at udstyret er sikkert at betjene. Kontroller sikkerheden af skæreværktøjet og afbryderknappen for nem og korrekt brug. Kontrollér, om der er rene og tørre håndtag, og test start/stop-funktionen.
4. Kontroller beskadigede dele inden yderligere brug af udstyret. En del, der er beskadiget, skal kontrolleres omhyggeligt for at fastslå, om den vil fungere korrekt og udføre sin tilsigtede funktion. Kontroller for justering af bevægelige dele, binding af bevægelige dele, brud på dele, montering og enhver anden tilstand, der kan påvirke dens funktion. En del, der er beskadiget, skal repareres eller udskiftes korrekt af vores autoriserede servicecenter, medmindre andet er angivet andetsteds i denne vejledning.
5. Tænd kun for motoren, når hænder og fødder er på afstand af skæreværktøjet.
6. Kontroller før starten, at skæreværktøjet ikke er i kontakt med andre genstande.
7. Hold godt fast i maskinen, når du bruger maskinen.
8. Undgå utilsigtet start. Bær ikke maskinen, når akkuen er installeret og med fingeren på afbryderen. Sørg for, at afbryderen er slået fra, når du installerer akkuen.
9. Før betjening skal du undersøge arbejdsområdet for trådhegn, sten eller andre faste genstande. De kan beskadige ukrudtsklingen.
10. Kontrollér hækken og buskene for fremmedlegemer som f.eks. trådhegn eller skjulte ledninger, før maskinen anvendes.

Anvendelsesmetode

1. Brug kun udstyret i god belysning og sigtbarhed. Om vinteren skal du være opmærksom på glatte eller våde områder, is og sne (risiko for at glide). Sørg altid for at have sikkert fodfæste på skråninger, og sørg for at gå, aldrig løbe.
2. Pas på personskade på fødder og hænder fra skæreværktøjet.
3. Stå aldrig på en stige, når du bruger udstyret.
4. Kravt aldrig op i træer for at foretage en skæring med udstyret.
5. Arbejd aldrig på ustabile overflader.
6. Fjern sand, sten, søm osv. fra arbejdsområdet. Fremmedpartikler kan beskadige skæreværktøjet og kan forårsage farlige tilbageslag.
7. Hvis skæreværktøjet rammer sten eller andre hårde genstande, skal du med det samme slukke for motoren og kontrollere skæreværktøjet.

8. Inspicer skæreværktøjet for beskadigelse med korte regelmæssige mellemrum (registrer fine revner ved en slå-og-lytte-test).
9. Fjern altid akkuen fra udstyret:
 - når udstyret efterlades uden opsyn,
 - før du fjerner en hindring,
 - før du efterser, rengør eller arbejder på udstyret,
 - efter at du har ramt et fremmedlegeme,
 - når udstyret begynder at vibrere unormalt.
10. De skærende dele fortsætter med at rotere, efter at der er slukket for motoren.
11. Når du monterer eller afmonterer klingedækslet, skal du passe på ikke at skade hænderne.

Vedligeholdelsesinstruktioner

1. Tilstanden af udstyret, især skæreværktøjet og beskyttelsesenhederne, skal kontrolleres, før arbejdet påbegyndes.
2. Sluk for motoren, og fjern akkuen, før du udfører vedligeholdelse, udskifter skæreværktøjer eller rengør udstyret eller skæreværktøjet.
3. Når den ikke er i brug, skal klingedækslet til maskinen monteres, og maskinen skal opbevares indendørs på et tørt og højtliggende aflåst sted, der er utilgængeligt for børn.

GEM DENNE BRUGSANVISNING.

⚠ ADVARSEL: LAD IKKE bekvemmelighed eller kendskab til produktet (opnået gennem gentagen brug) forhindre, at sikkerhedsforskrifterne for produktet nøje overholdes. MISBRUG eller forsømmelse af at følge de i denne brugsvejledning givne sikkerhedsforskrifter kan føre til, at De kommer alvorligt til skade.

BESKRIVELSE AF DELENE

► Fig.1: 1. Klingedæksel 2. Hætte 3. Ukrudtsklinge

SAMLING

⚠ ADVARSEL: Før du samler eller justerer udstyret, skal du slukke for motoren og afmontere akkuen. Ellers kan maskinen starte utilsigtet og medføre personskade.

⚠ ADVARSEL: Ved samling eller justering af udstyret skal du altid lægge det ned. Samling eller justering af udstyret i stående position kan medføre alvorlig personskade.

⚠ ADVARSEL: Følg advarselserne og forholdsreglerne i kapitlet "SIKKERHEDSADVARSLER" samt brugsanvisningen til motorenheden.

Montering af tilbehøret

1. Fastgør de 2 justeringsplader til tilbehøret, så rillerne på pladerne vender udad.

► **Fig.2:** 1. Justeringsplade

2. Fastgør ukrudtsklingen til justeringspladerne, mens du åbner klingens en smule udad.

Når du fastgør ukrudtsklingen, skal du sørge for, at pileren peger mod røret.

► **Fig.3:** 1. Pile

Vinklen på ukrudtsklingen kan ændres ved at justere fremspringet på ukrudtsklingen med et af fremspringene på justeringspladerne.

► **Fig.4:** 1. Fremspring

BEMÆRKNING: Sørg for, at pilene på ukrudtsklingen vender i den retning, der er vist på figuren.

► **Fig.5:** 1. Pile

3. Sørg for, at ukrudtsklingen er i indgreb med justeringspladerne.

► **Fig.6**

4. Sæt boltene i fra siden uden møtrikken, og tilspænd boltene med skruenøglen.

Sørg for, at boltene er spændt godt fast.

► **Fig.7:** 1. Bolt 2. Møtrik

BEMÆRK: Tilspændingsmoment: 5 - 10 N•m

Montering af monteringsrøret

⚠FORSIGTIG: Kontroller altid, at monteringsrøret sidder fast efter installationen. Forkert installation kan medføre, at tilbehøret falder af effektenheden og forårsager personskade.

Monter monteringsrøret på effektenheden.

1. Fjern hættens fra enden af røret.

► **Fig.8:** 1. Rør 2. Hætte

BEMÆRKNING: Undlad at kassere hættens, da hættens er påkrævet til opbevaring af tilbehøret.

2. Drej håndtaget mod tilbehøret.

► **Fig.9:** 1. Håndtag

3. Juster stiften i forhold til pilemærket på motorenheden. Indsæt røret, indtil udløserknappen kommer op.

Sørg for at positionsmærket befinder sig ved spidsen af pilemærket på motorenheden, og at pilemærket på motorenheden og pilemærket på røret vender mod hinanden.

► **Fig.10:** 1. Udløserknap 2. Pilemærke på motorenheden 3. Stift 4. Positionsmærke 5. Pilemærke på røret

4. Drej håndtaget mod motorenheden.

► **Fig.11:** 1. Håndtag

Sørg for, at overfladen på håndtaget ligger parallelt med røret.

BEMÆRKNING: Stram ikke håndtaget, uden at monteringsrøret er indsat. Ellers kan håndtaget stramme indgangen til drevskaffet for hårdt og beskadige det.

For at fjerne røret skal du dreje håndtaget mod tilbehøret og trække røret ud, idet der trykkes ned på udløserknappen.

► **Fig.12:** 1. Udløserknap 2. Håndtag 3. Rør

Afmontering eller montering af klingedækslet

Hvis du vil afmontere klingedækslet, skal du skubbe klingedækslet mod indersiden og dreje det.

► **Fig.13:** 1. Klingedæksel

Hvis du vil fastgøre klingedækslet, skal du hægte klingedækslet på den ene side af ukrudtsklingen, og derefter dreje det.

► **Fig.14:** 1. Klingedæksel

BEMÆRK: Du kan fastgøre klingedækslet til røret som vist på figuren.

► **Fig.15:** 1. Klingedæksel

Montering eller afmontering af ukrudtsklingen

⚠FORSIGTIG: Når du udskifter ukrudtsklingen, skal du altid bære handsker, så hænderne ikke kommer i direkte kontakt med ukrudtsklingen.

⚠FORSIGTIG: Fastgør klingedækslet, før du afmonterer eller monterer ukrudtsklingen.

1. Fastgør klingedækslet til ukrudtsklingen.

2. Fjern boltene ved at løsne boltene med skruenøglen.

► **Fig.16:** 1. Bolt

3. Afmonter ukrudtsklingen, mens du åbner ukrudtsklingen en smule udad.

► **Fig.17**

Monter ukrudtsklingen i overensstemmelse med instruktionerne for montering af tilbehøret.

FUNKTIONSBESKRIVELSE

⚠FORSIGTIG: Sørg altid for at maskinen er slukket, og at akkuen er taget ud, før der udføres justering eller kontrol af funktioner på maskinen.

Justering af skærevinklen

⚠FORSIGTIG: Sørg altid for, at maskinen er slukket, før du justerer skærevinklen.

Vinklen på ukrudtsklingen kan ændres i tre niveauer. Hvis du vil ændre vinklen, skal du justere fremspringet på ukrudtsklingen med et af fremspringene på justeringspladerne og derefter montere ukrudtsklingen.

1. Løsn boltene, der fastgør den skærende klinge, med skruenøglen.
2. Juster fremspringet på ukrudtsklingen med et af fremspringene på justeringspladerne.
3. Tilspænd boltene igen for at fastgøre den skærende klinge.

► Fig.18: 1. Fremspring

ANVENDELSE

⚠ADVARSEL: Følg advarselne og forholdsreglerne i kapitlet "SIKKERHEDSADVARSLER" samt brugsanvisningen til motorenheden.

Betjening af maskinen

⚠ADVARSEL: Hold hænderne væk fra ukrudtsklingen.

⚠ADVARSEL: Vær yderst omhyggelig med at bevare kontrollen over maskinen til enhver tid. Lad ikke maskinen blive slynget tilbage mod dig selv eller andre i arbejdsområdet. Hvis du ikke bevarer kontrollen over maskinen, kan det forårsage alvorlig personskade for tilskueren og operatøren.

⚠ADVARSEL: Før lugning skal du fjerne pinde og sten fra ukrudtsområdet.

BEMÆRK: Denne maskine er beregnet til at fjerne ukrudt mindre end 15 cm (5-7/8").

► Fig.19

⚠FORSIGTIG: Undgå så vidt muligt at anvende maskinen i meget varmt vejr. Vær opmærksom på din fysiske tilstand, når du anvender maskinen.

⚠FORSIGTIG: Pas på, at du ikke utilsigtet kommer i kontakt med et metalhegn eller andre hårde genstande, mens du luger. Ukrudtsklingen kan knække og forårsage personskade.

⚠FORSIGTIG: Det er ekstremt farligt at strække sig for langt med maskinen, især fra en stige. Undlad at arbejde, mens du står på noget, der rokker eller er ustabil.

BEMÆRKNING: Brug ikke maskinen på en måde, der får motoren til at gå i stå eller dreje meget langsomt.

Hold maskinen med begge hænder ved at holde fast i det forreste håndtag og det bageste greb på effektenheden.

► Fig.20: 1. Forreste håndtag 2. Bageste greb

Tænd maskinen med ukrudtsklingen fri af jorden. Anbring ukrudtsklingen på jorden, og træk maskinen langsomt mod dig for at luge. Det er nemmere at arbejde, når ukrudtsklingen er i en vinkel, næsten vinkelret på jorden.

► Fig.21

► Fig.22

VEDLIGEHOOLDSE

⚠ADVARSEL: Før du efterser eller vedligeholder udstyret, skal du slukke for motoren og afmontere akkuen. Ellers kan maskinen starte utilsigtet og medføre alvorlig personskade.

⚠ADVARSEL: Ved inspektion eller vedligeholdelse af udstyret skal du altid lægge det ned. Samling eller justering af udstyret i stående position kan medføre alvorlig personskade.

⚠ADVARSEL: Følg advarselne og forholdsreglerne i kapitlet "SIKKERHEDSADVARSLER" samt brugsanvisningen til motorenheden.

⚠FORSIGTIG: Bær handsker, når du udfører eftersyn eller vedligeholdelse.

BEMÆRKNING: Anvend aldrig benzin, rensebenzin, fortynder, alkohol og lignende. Det kan medføre misfarvning, deformation eller revner.

For at opretholde produktets SIKKERHED og PÅLIDELIGHED må reparation, vedligeholdelse eller justering kun udføres af et autoriseret Makita servicecenter eller fabrikkens servicecenter med anvendelse af Makita reservedele.

Rengøring af maskinen

Rengør maskinen ved at aftørre støv med en tør klud eller en klud, der er dyppet i sæbevand og vredet.

Vedligeholdelse af klinge

Efter betjening skal du fjerne det sammenfiltrede græs eller de sammenfiltrede rødder fra klingen.

BEMÆRKNING: Undlad at vaske klingen i vand. Hvis du gør det, kan det medføre rust eller beskadigelse af klingen eller tilbehøret.

Opbevaring

Fastgør klingedækslet til ukrudtsklingen. Opbevar maskinen utilgængeligt for børn. Opbevar maskinen på et sted, der ikke udsættes for fugt eller regn. Hvis tilbehøret opbevares adskilt fra motorenheden, skal låtten sættes på enden af røret.

► Fig.23

Smøring af bevægelige dele

BEMÆRKNING: Følg instruktionerne vedrørende hyppighed og tilført mængde fedtstof. Ellers kan manglende smøring beskadige de bevægelige dele.

Drevaksel:

Tilfør fedtstof (Makita-fedt N No.2 eller tilsvarende) for hver 25 timers drift.

► Fig.24

BEMÆRK: Ægte Makita-fedtstof kan købes fra din lokale Makita-forhandler.

Smøring med fedt

Smøringsinterval: Hver 25 driftstimer

1. Fjern boltene fra hullet til smøring.
► Fig.25: 1. Bolt
2. Påfør smørefedt (Makita smørefedt SG No.0 eller tilsvarende) på maskinen (ca. 3,0 g som vejledning).
3. Stram boltene.

FEJLFINDING

Udfør selv en inspektion, inden De anmoder om reparation. Hvis De opdager et problem, som ikke er forklaret i brugsanvisningen, må De ikke forsøge at adskille maskinen. Rådfør Dem i stedet med et autoriseret Makita Servicecenter, og brug altid originale Makita udskiftningsdele til reparationer.

Unormal tilstand	Sandsynlig årsag (fejl)	Afhjælpning
Motoren starter ikke.	-	Se i brugsanvisningen til motorenheden.
Motoren stopper hurtigt.	-	Se i brugsanvisningen til motorenheden.
Motorhastigheden øges ikke.	-	Se i brugsanvisningen til motorenheden.
Ukrudtsklingen bevæger sig ikke: ⇒ Stop maskinen med det samme!	Drevsystemet fungerer ikke korrekt.	Kontakt det lokale autoriserede servicecenter for reparation.
Unormal vibration: ⇒ Stop maskinen med det samme!	Ukrudtsklingen er knækket, bøjet eller slidt.	Udskift ukrudtsklingen.
	Drevsystemet fungerer ikke korrekt.	Kontakt det lokale autoriserede servicecenter for reparation.
Ukrudtsklinge og motor kan ikke stoppe: ⇒ Fjern batteriet med det samme!	Elektrisk funktionsfejl.	Fjern batteriet, og kontakt det lokale autoriserede servicecenter for reparation.

EKSTRAUDSTYR

⚠FORSIGTIG: Dette tilbehør og ekstraudstyr er anbefalet til brug med din Makita-maskine, der er beskrevet i denne brugsanvisning. Brug af andet ekstraudstyr eller tilbehør kan medføre risiko for personskade. Brug kun ekstraudstyr eller tilbehør til det formål, det er beregnet til.

Hvis De behøver hjælp ved valg af tilbehør eller ønsker yderligere informationer, bedes De kontakte Deres lokale Makita servicecenter.

- Ukrudtsklinge
- Kultivatorklinge
- Original Makita akku og oplader

BEMÆRK: Nogle ting på denne liste kan være inkluderet i produktpakken som standardtilbehør. De kan være forskellige fra land til land.

ΠΡΟΔΙΑΓΡΑΦΕΣ

Μοντέλο:	WA400MP
Πλάτος κοπής	220 mm
Διαστάσεις (Μ x Π x Υ)	980 mm x 226 mm x 196 mm
Καθαρό βάρος	2,8 kg

- Λόγω του συνεχόμενου προγράμματος που εφαρμόζουμε για έρευνα και ανάπτυξη, τα τεχνικά χαρακτηριστικά στο παρόν έντυπο υπόκεινται σε αλλαγή χωρίς προειδοποίηση.
- Τα τεχνικά χαρακτηριστικά μπορεί να διαφέρουν από χώρα σε χώρα.

Εγκεκριμένη ηλεκτρική μονάδα

Αυτό το προσάρτημα εγκρίνεται για χρήση μόνο με τις ακόλουθες ηλεκτρικές μονάδες:

- DUX60 Φορητή πολυλειτουργική ηλεκτρική κεφαλή
- DUX18 Φορητή πολυλειτουργική ηλεκτρική κεφαλή
- UX01G Φορητή πολυλειτουργική ηλεκτρική κεφαλή

⚠ ΠΡΟΕΙΔΟΠΟΙΗΣΗ: Μη χρησιμοποιείτε ποτέ το προσάρτημα με μη εγκεκριμένη ηλεκτρική μονάδα. Ο μη εγκεκριμένος συνδυασμός μπορεί να προκαλέσει σοβαρό τραυματισμό.

Σύμβολα

Παρακάτω παρουσιάζονται τα σύμβολα που μπορούν να χρησιμοποιηθούν για τον εξοπλισμό. Βεβαιωθείτε ότι κατανοείτε τη σημασία τους πριν από τη χρήση.



Διαβάστε και ακολουθήστε το εγχειρίδιο οδηγιών.



Να φοράτε κράνος και προστατευτικά για τα μάτια και τα αυτιά.



Να φοράτε προστατευτικά γάντια.



Να φοράτε ανθεκτικές μπότες με αντιολισθητικές σόλες.



Προειδοποίηση: Αποσυνδέστε την μπαταρία πριν τη συντήρηση.



Διατηρήστε τα πόδια σας μακριά από τη λάμα ξεχορταριάζματος.



Διατηρήστε τους παρευρισκόμενους και τα ζώα τουλάχιστον 5 m μακριά από το ηλεκτρικό εργαλείο.



Ζεστές επιφάνειες - Εγκαύματα δακτύλων ή χεριών.



Εγγυημένη στάθμη ηχητικής ισχύος σύμφωνα με την Οδηγία της ΕΕ για την εκπομπή θορύβου σε εξωτερικούς χώρους.



Στάθμη ηχητικής ισχύος σύμφωνα με τον Κανονισμό ελέγχου θορύβου της Νέας Νότιας Ουαλίας της Αυστραλίας

Προοριζόμενη χρήση

Αυτό το προσάρτημα έχει σχεδιαστεί μόνο για το ξεχορτάρισμα του εδάφους σε συνδυασμό με εγκεκριμένη μονάδα ισχύος. Μη χρησιμοποιείτε ποτέ το προσάρτημα για άλλο σκοπό. Η κακή χρήση του προσαρτήματος μπορεί να προκαλέσει σοβαρό τραυματισμό.

Δήλωση συμμόρφωσης ΕΚ

Μόνο για χώρες της Ευρώπης

Εμείς ως οι κατασκευαστές: **Makita Europe N.V.**, Διεύθυνση επιχείρησης: **Jan-Baptist Vinkstraat 2 3070 Kortenberg ΒΕΛΓΙΟ**. Εξουσιοδοτούμε τον **Kazuhiisa Makino** για τη σύνταξη του τεχνικού αρχείου και δηλώνουμε, υπό την αποκλειστική μας ευθύνη, ότι το(α) προϊόν(τα), Προσδιορισμός: **Προσάρτημα ξεχορταριάζματος**. Προσδιορισμός τύπου(ων): **WA400MP**. Ικανοποιεί όλες τις σχετικές διατάξεις της οδηγίας **2006/42/ΕΚ** και επίσης ικανοποιεί όλες τις σχετικές διατάξεις των ακόλουθων Οδηγιών ΕΚ/ΕΕ: **2000/14/ΕΚ** και κατασκευάζονται σύμφωνα με τα ακόλουθα εναρμονισμένα πρότυπα: **EN 62841-1:2015+A11:2022, EN ISO 11806-1:2022, EN IEC 62841-4-7:2022+A11:2022**. Τόπος και ημερομηνία δήλωσης: **Kortenberg, Βέλγιο. 27. 9.2023**
Υπεύθυνος: **Kazuhiisa Makino, Διευθυντής - Makita Europe N.V.**

ΠΡΟΕΙΔΟΠΟΙΗΣΕΙΣ ΑΣΦΑΛΕΙΑΣ

Προειδοποιήσεις ασφάλειας για το προσάρτημα ξεχορταριάσματος

1. Μην χρησιμοποιείτε το μηχάνημα σε άσχημες καιρικές συνθήκες, ειδικά όταν υπάρχει κίνδυνος κεραυνών. Αυτό μειώνει τον κίνδυνο να χτυπηθείτε από κεραυνό.
2. Επιθεωρήστε πολύ καλά για ζώα την περιοχή όπου θα χρησιμοποιηθεί το μηχάνημα. Τα ζώα μπορεί να τραυματιστούν από το μηχάνημα κατά τη διάρκεια της λειτουργίας.
3. Επιθεωρήστε πολύ καλά την περιοχή όπου το μηχάνημα πρόκειται να χρησιμοποιηθεί και αφαιρέστε όλες τις πέτρες, ξύλα, σύρματα, κόκκαλα και άλλα ξένα αντικείμενα. Τα εκτοξευόμενα αντικείμενα μπορεί να προκαλέσουν προσωπικό τραυματισμό.
4. Πριν τη χρήση του μηχανήματος, να επιθεωρείτε πάντα οπτικά για να ελέγχετε ότι δεν υπάρχει ζημιά στη λάμα ξεχορταριάσματος. Ένα κατεστραμμένο εξάρτημα αυξάνει τον κίνδυνο τραυματισμού.
5. Να ακολουθείτε τις οδηγίες για την αλλαγή των αξεσουάρ. Αν τα παζμάδια ή μπουλόνια που ασφαλίζουν τη λάμα δεν είναι σωστά σφιγμένα, μπορεί είτε να καταστρέψουν τη λάμα ή να έχουν ως αποτέλεσμα την απόσπασή της.
6. Φοράτε προστασία για τα μάτια, τα αυτιά, το κεφάλι και τα χέρια. Ο επαρκής προστατευτικός εξοπλισμός μειώνει τον κίνδυνο προσωπικού τραυματισμού λόγω εκτινασόμενων θραυσμάτων ή τυχαίας επαφής με τη γραμμή κοπής ή λάμα.
7. Κατά τη λειτουργία του μηχανήματος, να φοράτε πάντα αντιολισθητικά και προστατευτικά υποδήματα. Μη χειρίζεστε το μηχάνημα ξυπόλυτοι ή με ανοικτά σαντάλια. Αυτό μειώνει την πιθανότητα τραυματισμού στα πόδια λόγω της επαφής με τους κινούμενους κόπτες ή τις γραμμές.
8. Ενώ λειτουργείτε το μηχάνημα, να φοράτε πάντα μακρύ παντελόνι. Το εκτεθειμένο δέρμα αυξάνει την πιθανότητα τραυματισμού από αντικείμενα που πετάνονται.
9. Να απομακρύνετε τους παρευρισκόμενους όταν χειρίζεστε το μηχάνημα. Η εκτίναξη θραυσμάτων μπορεί να έχει ως αποτέλεσμα σοβαρό προσωπικό τραυματισμό.
10. Όταν χειρίζεστε το μηχάνημα, να χρησιμοποιείτε πάντα και τα δύο χέρια σας. Αν κρατάτε το μηχάνημα με δύο χέρια, αποφεύγεται η απώλεια ελέγχου.
11. Κρατάτε το μηχάνημα μόνο από τις μονωμένες επιφάνειες λαβής, επειδή η κοπτική γραμμή ή λάμα μπορεί να κάνει επαφή με το κρυμμένο καλώδιο. Η κοπτική γραμμή ή λάμας που έρχονται σε επαφή με ένα ηλεκτροφόρο καλώδιο μπορεί να κάνουν τα εκτεθειμένα μεταλλικά μέρη του μηχανήματος ηλεκτροφόρα και να προκαλέσουν ηλεκτροπληξία στο χειριστή.
12. Να διατηρείτε πάντα σωστό πάτημα και να χρησιμοποιείτε το μηχάνημα μόνο όταν στέκεστε στο έδαφος. Οι ολισθηρές ή ασταθείς επιφάνειες μπορεί να προκαλέσουν απώλεια της ισορροπίας ή του ελέγχου του μηχανήματος.
13. Μη χειρίζεστε το μηχάνημα σε υπερβολικά μεγάλες κλίσεις. Έτσι μειώνεται ο κίνδυνος για απώλεια ελέγχου, ολίσθηση και πτώση, τα οποία μπορούν να έχουν ως αποτέλεσμα προσωπικό τραυματισμό.
14. Όταν εργάζεστε υπό κλίση, να είστε πάντα σίγουροι για το πάτημά σας, να εργάζεστε πάντα κατά πλάτος της πρόσωσης της κλίσης, ποτέ προς τα πάνω ή κάτω, και να προσέχετε ιδιαίτερα όταν αλλάζετε κατεύθυνση. Έτσι μειώνεται ο κίνδυνος για απώλεια ελέγχου, ολίσθηση και πτώση, τα οποία μπορούν να έχουν ως αποτέλεσμα προσωπικό τραυματισμό.
15. Να διατηρείτε όλα τα μέρη του σώματος μακριά από τη λάμα ξεχορταριάσματος όταν το μηχάνημα βρίσκεται σε λειτουργία. Πριν ξεκινήσετε το μηχάνημα, βεβαιωθείτε ότι η λάμα ξεχορταριάσματος δεν έρχεται σε επαφή με οτιδήποτε. Μια στιγμή απροσεξίας κατά τη διάρκεια χειρισμού του μηχανήματος μπορεί να προκαλέσει τραυματισμό σε εσάς ή σε άλλους.
16. Μη θέτετε το μηχάνημα σε λειτουργία από ύψος πάνω από τη μέση. Αυτό βοηθά στην αποφυγή ανεπιθύμητης επαφής της λάμας ξεχορταριάσματος και διευκολύνει στον καλύτερο έλεγχο του μηχανήματος σε μη αναμενόμενες καταστάσεις.
17. Κατά την κοπή θάμνων ή δενδρυλλίων που είναι τεντωμένοι, να είστε προσεκτικοί σε περίπτωση εκτίναξης προς τα πίσω. Όταν η τάση στις ίνες ξύλου απελευθερωθεί, ο θάμνος ή δενδρύλλιο μπορεί να χτυπήσει το χειριστή ή/και να φέρει το μηχάνημα εκτός ελέγχου.
18. Να είστε εξαιρετικά προσεκτικοί κατά την κοπή θάμνων και δενδρυλλίων. Το λεπτό υλικό μπορεί να σκαλώσει στη λάμα και να εκτιναχθεί προς το μέρος σας ή να προκαλέσει απώλεια της ισορροπίας σας.
19. Διατηρήστε τον έλεγχο του μηχανήματος και μην αγγίξετε τη λάμα ξεχορταριάσματος και άλλα επικίνδυνα κινούμενα μέρη ενώ βρίσκει ακόμη σε κίνηση. Έτσι μειώνεται ο κίνδυνος τραυματισμού από τα κινούμενα εξαρτήματα.
20. Μεταφέρετε το μηχάνημα ενώ είναι απενεργοποιημένο και μακριά από το σώμα σας. Ο σωστός χειρισμός του μηχανήματος μειώνει την πιθανότητα τυχαίας επαφής με έναν κινούμενο κόπτη, γραμμή ή λάμα.
21. Κατά τη μεταφορά ή αποθήκευση του μηχανήματος, να τοποθετείτε πάντα το κάλυμμα πάνω από τη λάμα ξεχορταριάσματος. Ο σωστός χειρισμός του μηχανήματος μειώνει την πιθανότητα τυχαίας επαφής με τη λάμα.
22. Να χρησιμοποιείτε μόνο ανταλλακτικές λάμες ξεχορταριάσματος που συνιστώνται από τον κατασκευαστή. Η λανθασμένη αντικατάσταση εξαρτημάτων μπορεί να αυξήσει τον κίνδυνο θραύσης και τραυματισμού.
23. Όταν καθαρίζετε μπλοκαρισμένο υλικό ή πραγματοποιείτε σέρβις στο μηχάνημα, να βεβαιώνετε ότι ο διακόπτης είναι σβηστός και η κασέτα μπαταριών έχει αφαιρεθεί. Η απρόσμενη εκκίνηση του μηχανήματος κατά τον καθαρισμό του μπλοκαρισμένου υλικού ή το σέρβις μπορεί να έχει ως αποτέλεσμα σοβαρό προσωπικό τραυματισμό.

Πρόσθετες προειδοποιήσεις ασφάλειας

Γενικές οδηγίες

1. Για να εξασφαλιστεί η σωστή λειτουργία, ο χρήστης πρέπει να διαβάσει το παρόν χειριρίδιο οδηγιών για να εξοικειωθεί με τον χειρισμό του εξοπλισμού. Οι χρήστες οι οποίοι δεν διαθέτουν επαρκή ενημέρωση θα θέσουν σε κίνδυνο τους εαυτούς τους και τους άλλους λόγω του ακατάλληλου χειρισμού.
2. Μην επιτρέπετε ποτέ σε παιδιά, σε άτομα με μειωμένες σωματικές, αισθητήριες ή διανοητικές ικανότητες ή χωρίς πείρα και γνώσεις ή σε άτομα που δεν γνωρίζουν αυτές τις οδηγίες να χρησιμοποιούν το μηχάνημα, οι τοπικοί κανονισμοί μπορεί να περιορίζουν την ηλικία του χειριστή.
3. Να χρησιμοποιείτε τον εξοπλισμό με τη μεγαλύτερη προσοχή.
4. Να χειρίζεστε τον εξοπλισμό μόνο αν βρίσκεστε σε καλή σωματική κατάσταση. Εκτελέστε όλες τις εργασίες με ηρεμία και προσοχή. Χρησιμοποιήστε κοινή λογική και να θυμάστε ότι ο χειριστής ή ο χρήστης είναι υπεύθυνος για ατυχήματα ή κινδύνους που υφίστανται άλλα άτομα ή η ιδιοκτησία τους.
5. Μη χρησιμοποιείτε ποτέ το μηχάνημα όταν άλλα άτομα, ιδιαίτερα παιδιά ή κατοικίδια, βρίσκονται σε κοντινή απόσταση.
6. Το μοτέρ σβήνει αμέσως στην περίπτωση που ο εξοπλισμός εμφανίσει οποιοδήποτε πρόβλημα ή μη φυσιολογικό σημάδι.
7. Σβήστε και αφαιρέστε της κασέτα μπαταριών κατά την ανάπαυση και όταν παραμένει η συσκευή χωρίς επίβλεψη και τοποθετήστε τη σε ένα ασφαλή χώρο για την αποφυγή κινδύνων σε άλλους ή ζημιές στον εξοπλισμό.
8. Να αποφεύγετε τη χρήση του μηχανήματος σε κακές καιρικές συνθήκες, ιδιαίτερα όταν υπάρχουν κίνδυνοι για εμφάνιση κεραυνών.

Προσωπικός προστατευτικός εξοπλισμός

1. Να φοράτε πάντα προστατευτικά ματιών και ανθεκτικά παπούτσια όταν χειρίζεστε το μηχάνημα.
2. Κατά τη λειτουργία του μηχανήματος, να φοράτε πάντα κατάλληλα υποδήματα και μακρού παντελόνι.

Εκκίνηση του εξοπλισμού

1. Φροντίστε ώστε να μην υπάρχουν παιδιά ή άλλα άτομα σε κοντινή απόσταση, επίσης δώστε προσοχή στα οποιαδήποτε ζώα μέσα στην περιοχή εργασίας. Διαφορετικά, σταματήστε τη χρήση του εξοπλισμού.
2. Κατά τη διάρκεια της λειτουργίας, οι παρευρισκόμενοι ή τα ζώα πρέπει να παραμένουν τουλάχιστον 5 m μακριά από το εργαλείο. Να διακόπτετε τη λειτουργία του εργαλείου μόλις κάποιος πλησιάζει.
3. Πριν τη λειτουργία, να ελέγχετε πάντα ότι ο εξοπλισμός είναι ασφαλής για λειτουργία. Ελέγξτε την ασφάλεια του εργαλείου κουρέματος και τη σκανδάλη διακόπτη για εύκολη και σωστή δράση. Ελέγξτε ότι οι χειρολαβές είναι καθαρές και στεγνές και ελέγξτε τη λειτουργία της εκκίνησης/διακόπτη.

4. Ελέγξτε τα κατεστραμμένα εξαρτήματα πριν από την περαιτέρω χρήση του εξοπλισμού. Θα πρέπει να ελέγχετε προσεκτικά κάποιο εξάρτημα με ζημιά για να καθορίσετε αν θα λειτουργήσει σωστά και αν θα πραγματοποιήσει την προοριζόμενη λειτουργία του. Ελέγξτε την ευθυγράμμιση των κινούμενων μερών, την ελεύθερη κίνηση των κινούμενων μερών, το τυχόν σπάσιμο εξαρτημάτων, τη στερέωση και οποιαδήποτε άλλη συνθήκη που ενδεχομένως να επηρεάσει τη λειτουργία του εργαλείου. Ένα εξάρτημα με ζημιά θα πρέπει να επισκευαστεί ή να αντικατασταθεί σωστά σε εξουσιοδοτημένο κέντρο σέρβις εκτός αν δηλώνεται διαφορετικά στο παρόν χειριρίδιο.
5. Να ενεργοποιείτε το μοτέρ μόνο όταν τα χέρια και τα πόδια σας είναι μακριά από το κοπτικό εργαλείο.
6. Πριν το ξεκίνημα, βεβαιωθείτε ότι το κοπτικό εργαλείο δεν βρίσκεται σε επαφή με οποιαδήποτε αντικείμενα.
7. Κρατήστε το εργαλείο σταθερά όταν χρησιμοποιείτε το εργαλείο.
8. Να αποφεύγετε την αθέλητη εκκίνηση του εργαλείου. Μην μεταφέρετε το εργαλείο όταν η κασέτα μπαταριών είναι τοποθετημένη και με το δάκτυλο στο διακόπτη. Να βεβαιώνεστε ότι ο διακόπτης είναι σβηστός όταν τοποθετείτε την κασέτα μπαταριών.
9. Πριν τη λειτουργία, εξετάστε αν υπάρχουν σур-μάνιοι φράχτες, πέτρες ή άλλα στερεά αντικείμενα στην περιοχή εργασίας. Μπορεί να προκαλέσουν ζημιά στη λάμα ξεχορταριάσματος.
10. Ελέγχετε τους φράχτες από θάμνους και τους θάμνους για ξένα αντικείμενα, όπως συρμάντιους φράχτες ή κρυμμένα καλώδια, πριν θέσετε σε λειτουργία το εργαλείο.

Μέθοδος λειτουργίας

1. Χρησιμοποιήστε τον εξοπλισμό μόνο κάτω από καλό φωτισμό και ορατότητα. Κατά τη διάρκεια της εποχής του χειμώνα δώστε προσοχή στις περιοχές που είναι υγρές και γλιστρούν, στον πάγο και στο χιόνι (κίνδυνος ολισθηρότητας). Να εξασφαλίζεται πάντα ότι το πάτημά σας σε κλίσεις και να περπατάτε, ποτέ να μην τρέχετε.
2. Να προσέχετε ώστε να μην τραυματίσετε τα πόδια και τα χέρια σας από το κοπτικό εργαλείο.
3. Μην στέκεστε ποτέ σε σκάλα και να χρησιμοποιείτε τον εξοπλισμό.
4. Να μην σκαρφαλώνετε ποτέ σε δέντρα για να εκτελέσετε εργασίες κοπής με τον εξοπλισμό.
5. Μην εργάζεστε ποτέ πάνω σε ασταθές επιφάνειες.
6. Αφαιρέστε την άμμο, τις πέτρες, τα καρφιά κτλ. που βρίσκονται μέσα στο εύρος της περιοχής εργασίας. Τα ξένα σωματίδια μπορεί να προκαλέσουν ζημιά στο κοπτικό εργαλείο και μπορεί να προκληθούν επικίνδυνα κλοστήματα.
7. Αν το κοπτικό εργαλείο χτυπήσει πέτρες ή άλλα σκληρά αντικείμενα, αμέσως κλείστε το μοτέρ και επιθεωρήστε το κοπτικό εργαλείο.

8. Επιθεωρείτε το κοπτικό εργαλείο για ζημιά ανά τακτά και σύντομα διαστήματα (διάγνωση λεπτών ρωγμών χρησιμοποιώντας το τεστ ήχου που παράγεται από την κρούση).
9. Να αφαιρείτε πάντα την κασέτα μπαταριών από τον εξοπλισμό:
 - κάθε φορά που αφήνετε τον εξοπλισμό χωρίς επιτήρηση,
 - πριν καθαρίσετε κάποια εμπλοκή,
 - πριν ελέγξετε ή καθαρίσετε τον εξοπλισμό ή πριν εκτελέσετε εργασίες σε αυτό,
 - αφού χτυπήσετε ένα ξένο αντικείμενο,
 - όποτε ο εξοπλισμός αρχίσει να δονείται μη φυσιολογικά.
10. Τα κοπτικά μέσα συνεχίζουν να λειτουργούν μετά την απενεργοποίηση του μοτέρ.
11. Όταν προσαρτάτε ή αφαιρείτε το κάλυμμα λαμίων, προσέχετε να μην τραυματίσετε τα χέρια σας.

Οδηγίες συντήρησης

1. Η κατάσταση του εξοπλισμού, ιδιαίτερα του κοπτικού εργαλείου και των προστατευτικών συσκευών, θα πρέπει να ελέγχεται πριν από την έναρξη της εργασίας.
2. Να σβήνετε το μοτέρ και να βγάξετε την κασέτα μπαταριών πριν εκτελείτε εργασίες συντήρησης, αντικαθιστάτε τα κοπτικά εργαλεία και καθαρίζετε τον εξοπλισμό ή το κοπτικό εργαλείο.
3. Όταν δεν χρησιμοποιείτε το εργαλείο, προσαρτήστε το κάλυμμα λαμίων στο εργαλείο και αποθηκεύστε το εργαλείο σε εσωτερικό χώρο σε ένα στεγνό και υψηλό κλειδωμένο σημείο, που δεν φτάνουν τα παιδιά.

ΦΥΛΑΞΤΕ ΤΙΣ ΟΔΗΓΙΕΣ ΑΥΤΕΣ.

▲ ΠΡΟΕΙΔΟΠΟΙΗΣΗ: ΜΗΝ επιτρέψετε το βαθμό άνεσης ή εξοικείωσης με το προϊόν (λόγω επανειλημμένης χρήσης) να αντικαταστήσει την αυστηρή τήρηση των κανόνων ασφαλείας του παρόντος εργαλείου. Η ΛΑΝΘΑΣΜΕΝΗ ΧΡΗΣΗ ή η αμέλεια να ακολουθήσετε τους κανόνες ασφαλείας που διατυπώνονται στο παρόν εγχειρίδιο οδηγιών μπορεί να προκαλέσει σοβαρό προσωπικό τραυματισμό.

ΠΕΡΙΓΡΑΦΗ ΕΞΑΡΤΗΜΑΤΩΝ

- **Εικ.1:** 1. Κάλυμμα λαμίων 2. Καπάκι 3. Λάμα ξεχορταριάσματος

ΣΥΝΑΡΜΟΛΟΓΗΣΗ

▲ ΠΡΟΕΙΔΟΠΟΙΗΣΗ: Πριν συναρμολογήσετε ή ρυθμίσετε τον εξοπλισμό, σβήστε το μοτέρ και βγάλτε την κασέτα μπαταριών. Διαφορετικά, το μηχάνημα μπορεί να ξεκινήσει απρόσμενα και να προκληθεί τραυματισμός.

▲ ΠΡΟΕΙΔΟΠΟΙΗΣΗ: Όταν συναρμολογείτε ή ρυθμίζετε τον εξοπλισμό, να τον αφήνετε πάντα κάτω. Η συναρμολόγηση ή ρύθμιση του εξοπλισμού σε όρθια θέση μπορεί να έχει ως αποτέλεσμα σοβαρό τραυματισμό.

▲ ΠΡΟΕΙΔΟΠΟΙΗΣΗ: Ακολουθήστε τις προειδοποιήσεις και προφυλάξεις στο κεφάλαιο «ΠΡΟΕΙΔΟΠΟΙΗΣΕΙΣ ΑΣΦΑΛΕΙΑΣ» και το εγχειρίδιο οδηγιών της ηλεκτρικής μονάδας.

Συναρμολόγηση προσαρτήματος

1. Προσαρτήστε τις 2 ρυθμιστικές πλάκες στο προσαρτήμα ώστε οι εγκοπές των πλακών να είναι στραμμένες προς τα έξω.

► **Εικ.2:** 1. Πλάκα ρύθμισης

2. Προσαρτήστε τη λάμα ξεχορταριάσματος στις ρυθμιστικές πλάκες ενώ ανοίγετε τη λάμα λίγο προς τα έξω.

Όταν προσαρτάτε τη λάμα ξεχορταριάσματος, βεβαιωθείτε ότι το βέλος είναι στραμμένο προς τον σωλήνα.

► **Εικ.3:** 1. Βέλος

Μπορείτε να αλλάξετε τη γωνία της λάμας ξεχορταριάσματος, εάν ευθυγραμμίσετε την προεξοχή της λάμας ξεχορταριάσματος με μία από τις προεξοχές στις ρυθμιστικές πλάκες.

► **Εικ.4:** 1. Προεξοχή

ΕΙΔΟΠΟΙΗΣΗ: Βεβαιωθείτε ότι τα βέλη στη λάμα ξεχορταριάσματος είναι στραμμένα προς την κατεύθυνση που απεικονίζεται στην εικόνα.

► **Εικ.5:** 1. Βέλος

3. Βεβαιωθείτε ότι η λάμα ξεχορταριάσματος έχει δεσμευτεί με τις ρυθμιστικές πλάκες.

► **Εικ.6**

4. Εισαγάγετε το μπουλόνι από το πλάι χωρίς το παξιμάδι και σφίξτε το μπουλόνι με το κλειδί.

Βεβαιωθείτε ότι το μπουλόνι είναι καλά σφιγμένο.

► **Εικ.7:** 1. Μπουλόνι 2. Παξιμάδι

ΠΑΡΑΤΗΡΗΣΗ: Ροπή σύσφιξης: 5 - 10 N•m

Τοποθέτηση του πρόσθετου σωλήνα

ΠΡΟΣΟΧΗ: Να ελέγχετε πάντα ότι ο πρόσθετος σωλήνας είναι ασφαλισμένος μετά την τοποθέτηση. Η λανθασμένη τοποθέτηση μπορεί να προκαλέσει την πτώση του προσαρτήματος από την ηλεκτρική μονάδα και προσωπικό τραυματισμό.

Τοποθετήστε τον πρόσθετο σωλήνα στην ηλεκτροκίνητη μονάδα.

1. Αφαιρέστε το καπάκι από το άκρο του σωλήνα.
- **Εικ.8:** 1. Σωλήνας 2. Καπάκι

ΕΙΔΟΠΟΙΗΣΗ: Μην απορρίψετε το καπάκι επειδή το καπάκι είναι απαραίτητο για την αποθήκευση του προσαρτήματος.

2. Γυρίστε το μοχλό προς το προσάρτημα.
- **Εικ.9:** 1. Μοχλός
3. Ευθυγραμμίστε τον πείρο με το σημάδι βέλους στη μονάδα ισχύος. Εισαγάγετε τον σωλήνα μέχρι να πεταχτεί το κουμπί απασφάλισης.

Βεβαιωθείτε ότι η γραμμή τοποθέτησης βρίσκεται στη μύτη του σημαδιού βέλους στη μονάδα ισχύος, καθώς και το σημάδι βέλους στη μονάδα ισχύος και το σημάδι βέλους στο σωλήνα είναι αντικριστά.

- **Εικ.10:** 1. Κουμπί απασφάλισης 2. Σημάδι βέλους στη μονάδα ισχύος 3. Πείρος 4. Γραμμή τοποθέτησης 5. Σημάδι βέλους στο σωλήνα

4. Γυρίστε το μοχλό προς την ηλεκτρική μονάδα.
- **Εικ.11:** 1. Μοχλός

Βεβαιωθείτε ότι η επιφάνεια του μοχλού είναι παράλληλη προς το σωλήνα.

ΕΙΔΟΠΟΙΗΣΗ: Μη σφίξετε το μοχλό χωρίς να έχετε εισαγάγει τον πρόσθετο σωλήνα. Διαφορετικά, ο μοχλός μπορεί να σφίξει πολύ την είσοδο του άξονα κίνησης και να προκαλέσει ζημιά σε αυτή.

Για να αφαιρέσετε το σωλήνα, γυρίστε το μοχλό προς το προσάρτημα και τραβήξτε το σωλήνα προς τα έξω ενώ πιέζετε ταυτόχρονα προς τα κάτω το κουμπί απασφάλισης.

- **Εικ.12:** 1. Κουμπί απασφάλισης 2. Μοχλός 3. Σωλήνας

Αφαίρεση ή τοποθέτηση του καλύμματος λαμών

Για να αφαιρέσετε το κάλυμμα λάμας, σπρώξτε το κάλυμμα λάμας προς τα μέσα και περιστρέψτε το.

- **Εικ.13:** 1. Κάλυμμα λαμών

Για να προσαρτήσετε το κάλυμμα λάμας, αγκιστρώστε το κάλυμμα λάμας στη μία πλευρά της λάμας ξεχορταρίσματος και μετά περιστρέψτε το.

- **Εικ.14:** 1. Κάλυμμα λαμών

ΠΑΡΑΤΗΡΗΣΗ: Μπορείτε να προσαρτήσετε το κάλυμμα λάμας στον σωλήνα όπως απεικονίζεται στην εικόνα.

- **Εικ.15:** 1. Κάλυμμα λαμών

Τοποθέτηση ή αφαίρεση της λάμας ξεχορταρίσματος

ΠΡΟΣΟΧΗ: Όταν αντικαθιστάτε τη λάμα ξεχορταρίσματος, να φοράτε πάντα γάντια για να μην έρχονται τα χέρια σας σε απευθείας επαφή με τη λάμα ξεχορταρίσματος.

ΠΡΟΣΟΧΗ: Προσαρτήστε το κάλυμμα λαμών πριν αφαιρέσετε ή τοποθετήσετε τη λάμα ξεχορταρίσματος.

1. Προσαρτήστε το κάλυμμα λαμών στη λάμα ξεχορταρίσματος.
 2. Αφαιρέστε το μπουλόνι χαλαρώνοντας το μπουλόνι με το κλειδί.
- **Εικ.16:** 1. Μπουλόνι
3. Αφαιρέστε τη λάμα ξεχορταρίσματος ενώ ανοίξετε τη λάμα ξεχορταρίσματος λίγο προς τα έξω.
- **Εικ.17**

Τοποθετήστε τη λάμα ξεχορταρίσματος αναφερόμενοι στις οδηγίες για τη συναρμολόγηση του προσαρτήματος.

ΠΕΡΙΓΡΑΦΗ ΛΕΙΤΟΥΡΓΙΑΣ

ΠΡΟΣΟΧΗ: Να φροντίζετε πάντα για την απενεργοποίηση του εργαλείου και την αφαίρεση της κασέτας μπαταρίας, πριν από οποιαδήποτε ρύθμιση ή έλεγχο της λειτουργίας του.

Ρύθμιση της γωνίας κοπής

ΠΡΟΣΟΧΗ: Να βεβαιώνετε πάντα ότι το εργαλείο είναι απενεργοποιημένο πριν ρυθμίσετε τη γωνία κοπής.

Μπορείτε να αλλάξετε τη γωνία της λάμας ξεχορταρίσματος σε τρία επίπεδα. Για να αλλάξετε τη γωνία, ευθυγραμμίστε την προεξοχή στη λάμα ξεχορταρίσματος με μία από τις προεξοχές στις ρυθμιστικές πλάκες και, στη συνέχεια, τοποθετήστε τη λάμα ξεχορταρίσματος.

1. Χαλαρώστε το μπουλόνι που στερεώνει την κοπτική λάμα με το κλειδί.
 2. Ευθυγραμμίστε την προεξοχή στη λάμα ξεχορταρίσματος με μία από τις προεξοχές στις ρυθμιστικές πλάκες.
 3. Σφίξτε ξανά το μπουλόνι για να στερεώσετε την κοπτική λάμα.
- **Εικ.18:** 1. Προεξοχή

ΛΕΙΤΟΥΡΓΙΑ

▲ ΠΡΟΕΙΔΟΠΟΙΗΣΗ: Ακολουθήστε τις προειδοποιήσεις και προφυλάξεις στο κεφάλαιο «ΠΡΟΕΙΔΟΠΟΙΗΣΕΙΣ ΑΣΦΑΛΕΙΑΣ» και το εγχειρίδιο οδηγιών της ηλεκτρικής μονάδας.

Λειτουργία του εργαλείου

▲ ΠΡΟΕΙΔΟΠΟΙΗΣΗ: Να διατηρείτε τα χέρια σας μακριά από τη λάμα ξεχορταριάσματος.

▲ ΠΡΟΕΙΔΟΠΟΙΗΣΗ: Δώστε μεγάλη προσοχή για να διατηρήσετε τον έλεγχο του εργαλείου ανά πάσα στιγμή. Μην αφήνετε το εργαλείο να εκτραπεί προς το μέρος σας ή προς οποιονδήποτε άλλον στην περιοχή εργασίας. Αν δεν διατηρείτε τον έλεγχο του εργαλείου, μπορεί να προκύψει σοβαρός τραυματισμός σε παρευρισκόμενους και στο χειριστή.

▲ ΠΡΟΕΙΔΟΠΟΙΗΣΗ: Πριν το ξεχορτάρισμα, καθαρίστε τα ξύλα και τις πέτρες από την περιοχή που θα ξεχορταριάσετε.

ΠΑΡΑΤΗΡΗΣΗ: Αυτό το εργαλείο προορίζεται για την αφαίρεση αγριόχορτων μικρότερων των 15 cm (5-7/8").

► Εικ.19

▲ ΠΡΟΣΟΧΗ: Αποφύγετε τη λειτουργία του εργαλείου σε πολύ ζεστό καιρό, όσο αυτό είναι εφικτό. Όταν χρησιμοποιείτε το εργαλείο, να προσέχετε τη σωματική σας κατάσταση.

▲ ΠΡΟΣΟΧΗ: Κατά το ξεχορτάρισμα, προσέχετε να μη γίνει τυχαία επαφή με μεταλλικό φράχτη ή άλλα σκληρά αντικείμενα. Η λάμα ξεχορταριάσματος μπορεί να σπάσει και να προκαλέσει τραυματισμό.

▲ ΠΡΟΣΟΧΗ: Είναι εξαιρετικά επικίνδυνο να τεντώνετε ενώ χρησιμοποιείτε το εργαλείο, ειδικά όταν βρίσκεστε επάνω σε σκάλα. Μην εργάζεστε ενώ στέκεστε επάνω σε ο,τιδήποτε ασταθές ή αδύναμο.

ΕΙΔΟΠΟΙΗΣΗ: Μην χρησιμοποιείτε το εργαλείο με τρόπο ώστε να προκαλείται η διακοπή του μοτέρ ή η υπερβολικά αργή περιστροφή.

Κρατήστε το εργαλείο και με τα δύο χέρια, κρατώντας την μπροστινή λαβή και την πίσω λαβή της μονάδας ισχύος.

► **Εικ.20:** 1. Μπροστινή λαβή 2. Πίσω λαβή

Ενεργοποιήστε το εργαλείο ενώ η λάμα ξεχορταριάσματος δεν ακουμπάει στο έδαφος. Τοποθετήστε τη λάμα ξεχορταριάσματος στο έδαφος και τραβήξτε το εργαλείο προς το μέρος σας αργά, για να ξεχορταριάσετε. Η εργασία διευκολύνεται όταν η λάμα ξεχορταριάσματος βρίσκεται υπό κλίση, σχεδόν κάθετα με το έδαφος.

► **Εικ.21**

► **Εικ.22**

ΣΥΝΤΗΡΗΣΗ

▲ ΠΡΟΕΙΔΟΠΟΙΗΣΗ: Πριν επιθεωρήσετε ή συντηρήσετε τον εξοπλισμό, σβήστε το μοτέρ και βγάλτε την κασέτα μπαταριών. Διαφορετικά, το μηχανήμα μπορεί να ξεκινήσει απρόσμενα και να προκληθεί σοβαρός τραυματισμός.

▲ ΠΡΟΕΙΔΟΠΟΙΗΣΗ: Όταν επιθεωρείτε ή συντηρείτε τον εξοπλισμό, να τον αφήνετε πάντα κάτω. Η συναρμολόγηση ή ρύθμιση του εξοπλισμού σε όρθια θέση μπορεί να έχει ως αποτέλεσμα σοβαρό τραυματισμό.

▲ ΠΡΟΕΙΔΟΠΟΙΗΣΗ: Ακολουθήστε τις προειδοποιήσεις και προφυλάξεις στο κεφάλαιο «ΠΡΟΕΙΔΟΠΟΙΗΣΕΙΣ ΑΣΦΑΛΕΙΑΣ» και το εγχειρίδιο οδηγιών της ηλεκτρικής μονάδας.

▲ ΠΡΟΣΟΧΗ: Να φοράτε γάντια όταν εκτελείτε εργασίες επιθεώρησης ή συντήρησης.

ΕΙΔΟΠΟΙΗΣΗ: Μην χρησιμοποιείτε ποτέ βενζίνη, πετρελαϊκό αιθέρα, διαλυτικό, αλκοόλη ή παρόμοιες ουσίες. Μπορεί να προκληθεί αποχρωματισμός, παραμόρφωση ή ρωγμές.

Για τη διατήρηση της ΑΣΦΑΛΕΙΑΣ και ΑΞΙΟΠΙΣΤΙΑΣ του προϊόντος, οι επισκευές και οποιαδήποτε άλλη εργασία συντήρησης ή ρύθμισης πρέπει να εκτελούνται από εξουσιοδοτημένα ή εργοστασιακά κέντρα εξυπηρέτησης της Makita, χρησιμοποιώντας πάντοτε ανταλλακτικά της Makita.

Καθαρισμός του εργαλείου

Καθαρίστε το εργαλείο σκουπίζοντας τη σκόνη με ένα στεγνό πανί ή ένα πανί διαποτισμένο με σαπουνόνερο αφού πρώτα το έχετε στυψει.

Συντήρηση λαμών

Μετά τη λειτουργία, αφαιρέστε το μπλεγμένο χορτάρι ή ριζες από τη λάμα.

ΕΙΔΟΠΟΙΗΣΗ: Μην πλένετε τη λάμα σε νερό. Αν το κάνετε αυτό, μπορεί να προκληθεί σκουριά ή ζημιά στη λάμα ή στο προσάρτημα.

Αποθήκευση

Προσαρτήστε το κάλυμμα λαμών στη λάμα ξεχορταριάσματος. Αποθηκεύστε το εργαλείο μακριά από παιδιά. Φυλάξτε το εργαλείο σε ένα μέρος που δεν εκτίθεται στην υγρασία και τη βροχή.

Όταν αποθηκεύετε το προσάρτημα ξεχωριστά από τη μονάδα ισχύος, τοποθετήστε το καπάκι στο άκρο του σωλήνα.

► **Εικ.23**

Λίπανση κινούμενων μερών

ΕΙΔΟΠΟΙΗΣΗ: Ακολουθήστε τις οδηγίες για τη συχνότητα και την παρεχόμενη ποσότητα γράσου. Διαφορετικά, η ανεπαρκής λίπανση μπορεί να προκαλέσει ζημιά στα κινούμενα μέρη.

Αξονας οδήγησης:

Ρίξτε γράσο (γράσο Makita N No.2 ή ισοδύναμο) κάθε 25 ώρες λειτουργίας.

► **Εικ.24**

ΠΑΡΑΤΗΡΗΣΗ: Μπορείτε να αγοράσετε αυθεντικό γράσο της Makita από τον τοπικό σας αντιπρόσωπο της Makita.

Λίπανση με γράσο

Μεσοδιάστημα λίπανσης: Κάθε 25 ώρες λειτουργίας

1. Αφαιρέστε το μπουλόνι από την οπή για λίπανση.
► **Εικ.25:** 1. Μπουλόνι
2. Εφαρμόστε γράσο (γράσο Makita SG No.0 ή ισοδύναμο) στο εργαλείο (περίπου 3,0 γρ. ως οδηγό).
3. Σφίξτε το μπουλόνι.

ΑΝΤΙΜΕΤΩΠΙΣΗ ΠΡΟΒΛΗΜΑΤΩΝ

Πριν ζητήσετε επισκευές, εκτελέστε αρχικά τη δική σας επιθεώρηση. Αν εντοπίσετε πρόβλημα που δεν επεξηγείται στο εγχειρίδιο, μην επιχειρήσετε να αποσυναρμολογήσετε το εργαλείο. Αντί αυτού, ζητήστε βοήθεια από εξουσιοδοτημένα κέντρα εξυπηρέτησης της Makita και πάντοτε να χρησιμοποιείτε γνήσια ανταλλακτικά της Makita.

Κατάσταση προβλήματος	Πιθανή αιτία (δυσλειτουργία)	Αποκατάσταση
Το μοτέρ δεν εκκινείται.	-	Ανατρέξτε στο εγχειρίδιο οδηγιών της ηλεκτρικής μονάδας.
Το μοτέρ σταματά γρήγορα.	-	Ανατρέξτε στο εγχειρίδιο οδηγιών της ηλεκτρικής μονάδας.
Οι στροφές μοτέρ δεν αυξάνονται.	-	Ανατρέξτε στο εγχειρίδιο οδηγιών της ηλεκτρικής μονάδας.
Η λάμα ξεχορταριάζματος δεν κινείται: ⇒ Σταματήστε αμέσως το μηχάνημα!	Το σύστημα μετάδοσης κίνησης δεν λειτουργεί σωστά.	Απευθυνθείτε στο τοπικό εξουσιοδοτημένο κέντρο σέρβις για επισκευή.
Ασυνήθιστοι κραδασμοί: ⇒ Σταματήστε αμέσως το μηχάνημα!	Η λάμα ξεχορταριάζματος είναι σπασμένη, λυγισμένη ή φθαρμένη.	Αντικαταστήστε τη λάμα ξεχορταριάζματος.
	Το σύστημα μετάδοσης κίνησης δεν λειτουργεί σωστά.	Απευθυνθείτε στο τοπικό εξουσιοδοτημένο κέντρο σέρβις για επισκευή.
Η λάμα ξεχορταριάζματος και το μοτέρ δεν σταματούν: ⇒ Βγάλτε αμέσως την μπαταρία!	Ηλεκτρική δυσλειτουργία.	Βγάλτε την μπαταρία και απευθυνθείτε στο τοπικό εξουσιοδοτημένο κέντρο σέρβις για επισκευή.

ΠΡΟΑΙΡΕΤΙΚΑ ΕΞΑΡΤΗΜΑΤΑ

⚠ ΠΡΟΣΟΧΗ: Αυτά τα εξαρτήματα ή προσαρτήματα συνιστώνται για χρήση με το μηχάνημά σας Makita που καθορίζεται στο παρόν εγχειρίδιο. Η χρήση άλλων εξαρτημάτων ή προσαρτημάτων μπορεί να παρουσιάζει κίνδυνο για τραυματισμό ατόμων. Χρησιμοποιήστε εξαρτήματα ή προσαρτήματα μόνο για τον καθορισμένο σκοπό.

Εάν χρειάζεστε οποιαδήποτε βοήθεια για περισσότερες πληροφορίες σε σχέση με αυτά τα εξαρτήματα, απευθυνθείτε στο τοπικό σας κέντρο εξυπηρέτησης Makita.

- Λάμα ξεχορταριάζματος
- Λάμα καλλιεργητή
- Γνήσια μπαταρία και φορτιστής της Makita

ΠΑΡΑΤΗΡΗΣΗ: Μερικά στοιχεία στη λίστα μπορεί να συμπεριλαμβάνονται στη συσκευασία προϊόντος ως στάνταρ εξαρτήματα. Μπορεί να διαφέρουν ανάλογα με τη χώρα.

TEKNİK ÖZELLİKLER

Model:	WA400MP
Kesim genişliği	220 mm
Ebat (U x G x Y)	980 mm x 226 mm x 196 mm
Net ağırlık	2,8 kg

- Sürekli yapılan araştırma ve geliştirmelerden dolayı, burada belirtilen özellikler önceden bildirilmeksizin değiştirilebilir.
- Özellikler ülkeden ülkeye değişebilir.

Onaylı güç ünitesi

Bu ek parça sadece aşağıdaki güç ünitesi(üniteleri) ile kullanım için onaylanmıştır:

- DUX60 Kablosuz çok fonksiyonlu akülü kafa
- DUX18 Kablosuz çok fonksiyonlu akülü kafa
- UX01G Kablosuz çok fonksiyonlu akülü kafa

UYARI: Ek parçayı hiçbir zaman onaysız güç ünitesi ile kullanmayın. Onaysız kombinasyon ciddi yaralanmalara neden olabilir.

Semboller

Ekipmanı için kullanılacak semboller aşağıda gösterilmiştir. Kullanmadan önce anlamlarını anladığınızdan emin olun.



Kullanım kılavuzunu okuyun ve takip edin.



Koruyucu baret, gözlük ve kulaklık kullanın.



Koruyucu eldiven giyin.



Altı kaymayan sağlam ayakkabılar giyin.



Uyarı; Bakım yapmadan önce bataryayı ayırın.



Ayaklarınızı ot temizleme bıçağından uzak tutun.



Etrafınızdaki kişileri ve hayvanları elektrikli aletten en az 5 m uzakta tutun.



Sıcak yüzeyler - Parmaklar veya ellerde yanıklara neden olabilir.



AB Dış Mekan Gürültü Direktifi uyarınca garanti edilen ses gücü seviyesi.



Avustralya NSW Gürültü Kontrol Mevzuatı uyarınca ses gücü seviyesi

Kullanım amacı

Bu ek parça, sadece onaylı bir güç ünitesiyle birlikte zemindeki otları temizlemek amacıyla tasarlanmıştır. Ek parçayı asla başka bir amaçla kullanmayın. Ek parçayı amacı dışında kullanmak ciddi yaralanmaya neden olabilir.

EC Uygunluk Beyanı

Sadece Avrupa ülkeleri için

Üretici firma: **Makita Europe N.V.**, İş adresi: **Jan-Baptist Vinkstraat 2 3070 Kortenberg BELÇİKA** olarak **Kazuhisa Makino**'yu teknik dosyayı derleme yetkisi verir ve yegane bizim sorumluluğumuzda aşağıda adı verilen ürünün/ürünlerin:

Adı: **Ot Temizleme Ek Parçası**. Tip Adı: **WA400MP**. **2006/42/EC**'nin ve ayrıca şu EC/EU Direktiflerinin ilgili tüm hükümlerini karşıladığını: **2000/14/EC** ve aşağıdaki Uyumlu Hale Getirilmiş Standartlara uygun olarak imal edildiğini, beyan ederiz: **EN 62841-1:2015+A11:2022, EN ISO 11806-1:2022, EN IEC 62841-4-7:2022+A11:2022**.

Beyan yeri ve tarihi: **Kortenberg, Belçika. 27. 9.2023**
Sorumlu kişi: **Kazuhisa Makino, Direktör - Makita Europe N.V.**

GÜVENLİK UYARILARI

Ot Temizleme Ek Parçası güvenlik uyarıları

1. **Makineyi kötü hava şartlarında, özellikle yıldırım riski varken kullanmayın.** Bu şekilde yıldırım çarpması riskini azaltabilirsiniz.
2. **Makinenin kullanılacağı yeri yabancı hayvanlar açısından baştan aşağı kontrol edin.** Çalışma sırasında yabancı hayvanlar makineden dolayı yaralanabilir.

3. **Makinenin kullanılacağı yeri baştan aşağı kontrol edin ve tüm taş, çubuk, tel, kemik ve diğer yabancı maddeleri kaldırın.** Fırlayan cisimler yaralanmaya neden olabilir.
4. **Makineyi kullanmadan önce ot temizleme bıçağının hasarlı olmadığını görmek için daima gözle kontrol edin.** Hasarlı parça yaralanma riskini artırır.
5. **Aksesuarların değiştirilmesi için talimatlara uyun.** Hatallı sıkılan bıçak sabitleme somunları veya civataları bıçağa zarar verebilir ya da çıkmalarına neden olabilir.
6. **Göz, kulak, kafa ve el koruyucu takın.** Yeterli koruyucu ekipman uçan çer çöp veya kazayla misina ya da bıçağa temas etme nedeniyle yaralanmaları azaltacaktır.
7. **Makineyi kullanırken daima kaymaz ve koruyucu ayakkabı giyin.** Makineyi çıplak ayakla ya da açık sandaletlerle kullanmayın. Bu, ayakların hareket eden kesici veya misinaya temas sonucu yaralanma ihtimalini azaltır.
8. **Makineyi kullanırken her zaman uzun pantolon giyin.** Açıkta kalan cilt, fırlayan cisimler nedeniyle yaralanma ihtimalini artırır.
9. **Makineyi kullanırken etrafta bekleyenleri uzak tutun.** Fırlayan çer çöp ciddi yaralanmaya neden olabilir.
10. **Makineyi kullanırken daima iki elinizi kullanın.** Makinenin iki elle tutulması kontrol kaybını önler.
11. **Misina veya bıçak gizli kablolarla temas edebileceği için, makineyi sadece yalıtımlı kavrama yüzülerinden tutun.** Misina veya bıçakların "akımlı" bir tele temas etmesi makinenin yalıtımsız metal kısımlarını "akımlı" hale getirebilir ve kullanıcıyı elektrik şokuna maruz bırakabilir.
12. **Her zaman yere sağlam basın ve makineyi sadece yerde ayakta durarak kullanın.** Sabit olmayan ve kaygan yüzeyler dengeyi veya makinenin kontrolünü kaybetmenize neden olabilir.
13. **Makineyi aşırı dik yokuşlarda kullanmayın.** Bu, yaralanma ile sonuçlanabilecek kontrol kaybı, kayma ve düşme riskini azaltır.
14. **Yokuşlarda çalışırken daima yere sağlam basın, her zaman yokuş cephesinde yanlamasına çalışın, asla yokuş aşağı veya yukarı çalışmayın ve yön değiştirirken çok dikkatli olun.** Bu, yaralanma ile sonuçlanabilecek kontrol kaybı, kayma ve düşme riskini azaltır.
15. **Makine çalışırken vücudunuzun tüm kısımlarını ot temizleme bıçağından uzak tutun.** Makineyi çalıştırmadan önce, ot temizleme bıçağının hiçbir şeye temas etmediğinden emin olun. Makineyi kullanırken bir anlık bir dikkatsizlik sizin veya başkalarının yaralanmasıyla sonuçlanabilir.
16. **Makineyi bel yüksekliğinden yukarıda çalıştırmayın.** Bu, istenmeyen ot temizleme bıçağı temasının önlenmesine yardımcı olur ve beklenmedik durumlarda makinenin daha iyi kontrol edilebilmesini sağlar.
17. **Gerilim altındaki çalı veya fidanları keserken, geri fırlamaya karşı tetikte olun.** Ağaç liflerindeki gerilim boşaldığı zaman, çalı veya fidan operatöre çarpabilir ve/veya makineyi kontrolsüz şekilde fırlatabilir.

18. **Çalıları ve fidanları keserken çok dikkatli olun.** İnce dallı malzeme bıçağı kıştırabilir ve size doğru kamçı gibi çarptırabilir veya dengeyi bozabilir.
19. **Makineyi kontrol altında tutun ve hala hareket halindeyken ot temizleme bıçağına ve diğer tehlikeli hareketli parçalara dokunmayın.** Bu hareketli parçalar nedeniyle yaralanma riskini azaltır.
20. **Makineyi kapalı durumda ve vücudunuzdan uzakta taşıyın.** Makinenin doğru şekilde tutulması, hareketli kesici, misina veya bıçağa kazayla temas etme olasılığını azaltacaktır.
21. **Makineyi taşıırken veya depolarken ot temizleme bıçağının üzerine kılıfı mutlaka takın.** Makinenin doğru şekilde tutulması, bıçağa kazayla temas etme olasılığını azaltacaktır.
22. **Sadece imalatçının belirttiği yedek ot temizleme bıçaklarını kullanın.** Hatallı yedek parçalar kırılma ve yaralanma riskini artırabilir.
23. **Sıkışan maddeleri çıkarırken veya makineye bakım yaparken anahtarın kapalı ve batarya takımının çıkarılmış olduğundan emin olun.** Sıkışan maddeleri çıkarırken veya bakım yaparken makinenin beklenmedik şekilde çalışmaya başlaması ciddi yaralanmalara neden olabilir.

Ek güvenlik uyarıları

Genel Talimatlar

1. **Doğru çalışmayı sağlamak için, kullanıcı bu kullanım kılavuzunu okuyup aletin kullanımına aşina olmalıdır.** Bilgi seviyesi yetersiz kullanıcılar, hatalı kullanımdan dolayı kendilerini ve başkalarını tehlikeye atarlar.
2. **Fiziksel, duyuşsal ya da zihinsel yetenekleri kısıtlı olan veya deneyim ya da bilgileri olmayan ya da bu talimatlarla makineyi kullanacak kadar aşina olmayan kişilerin ve çocukların makineyi kullanmasına asla izin vermeyin.** Yerel düzenlemeler operatörün yaşına kısıtlama getirebilir.
3. **Aleti azami özen ve dikkatle kullanın.**
4. **Aleti yalnızca fiziksel durumunuz uygunsa kullanın.** Tüm işlerinizi sakın ve dikkatli bir şekilde yürütün. Sağduyulu davranın ve diğer insanlara ya da mallarına gelecek zararlardan ve kazalardan kullanıcı sorumluluğunu aldığınızı unutmayın.
5. **Makineyi asla çevresinde insanlar, özellikle de çocuklar veya evcil hayvanlar varken kullanmayın.**
6. **Alette herhangi bir sorun ya da anormal bir işaret olduğunda motor derhal kapatılmalıdır.**
7. **İnsanların veya aletin zarar görmesini önlemek için, dinlenirken veya aletin başından ayrılırken aleti kapatın, bataryayı kartuşunu çıkarın ve aleti güvenli bir yere kaldırın.**
8. **Özellikle yıldırım düşmesi riski olan kötü hava koşullarında makineyi kullanmaktan kaçının.**

Kişisel koruyucu ekipmanlar

1. **Makineyi kullanırken daima koruyucu gözlük takın ve dayanıklı ayakkabılar giyin.**
2. **Makineyi kullanırken daima sağlam ayakkabılar ve uzun pantolonlar giyin.**

Aletin başlatılması

1. Yakınlarda çocuk ya da başka insanlar olmadığından emin olun, ayrıca çalışılan çevrede hiçbir hayvan olmamasına da özen gösterin. Aksi takdirde aleti kullanmayı durdurun.
2. Kullanım sırasında, etrafınızdaki kişileri ya da hayvanları aletten en az 5 m uzakta tutun. Biri yaklaştığı anda aleti durdurun.
3. Kullanmadan önce daima aletin işlem için güvenli olduğundan emin olun. Kolay ve doğru çalışma için kesici parçanın ve anahtar tetiğinin güvenliğini kontrol edin. Kolların temiz ve kuru olduğunu kontrol edin ve başlatma/durdurma işlevini test edin.
4. Aleti daha fazla kullanmadan önce hasar görmüş parçaları kontrol edin. Hasar görmüş bir parça, uygun şekilde çalışıp çalışmayacağını ve amaçlanan işlevini görüp göremeyeceğini belirlemek amacıyla, dikkatli bir şekilde kontrol edilmelidir. Hareketli parçaların hizalanmalarını, hareketli parçaların bağlantılarını, parça kırılmalarını, montaj ve işleyişi etkileyebilecek diğer durumları kontrol edin. Hasar görmüş bir parça, bu kullanım kılavuzunda başka bir yer belirtilmediği sürece yetkili servis tarafından onarılmalı ya da değiştirilmelidir.
5. Sadece elleriniz ve ayaklarınız kesici parçadan uzaktayken motoru açık konuma getirin.
6. Kullanmaya başlamadan önce, kesici parçanın herhangi bir nesne ile temas etmediğinden emin olun.
7. Aleti kullanırken sıkıca tutun.
8. İstem dışı başlatmayı önleyin. Batarya kartuşu takılı ve parmağınız düğmenin üzerindeyken aleti taşımayın. Batarya kartuşunu takarken anahtarın kapalı olduğundan emin olun.
9. Çalıştırmadan önce, çalışma alanında tel çit, taş ya da başka katı nesnelere olup olmadığına bakın. Bunlar ot temizleme bıçağına zarar verebilir.
10. Aleti çalıştırmadan önce çitleri ve çalılıkları, tel örgü veya gizli kablo gibi yabancı maddelere karşı kontrol edin.

Çalıştırma yöntemi

1. Aleti sadece iyi ışıkta ve görünürlükte kullanın. Kış mevsiminde kaygan veya ıslak alanlara, buz ve kara dikkat edin (kayma riski). Eğimli yerlerde adımlarınıza dikkat edin ve yürüyerek hareket etmeye, asla koşmamaya dikkat edin.
2. Kesici parçanın ayaklarınızı ve ellerinizi yaralmasına karşı dikkatli olun.
3. Asla bir merdivenin üzerinde durarak aleti çalıştırmayın.
4. Asla aletle birlikte kesim yapmak üzere ağaca çıkmayın.
5. Dengesiz zeminler üzerinde kesinlikle çalışmayın.
6. Çalışma alanı içerisinde bulunan kum, taş, çivi vs. gibi yabancı maddeleri temizleyin. Yabancı maddeler, kesici parçaya zarar verebilir ve kesici parçanın tehlikeli şekilde geri tepmesine neden olabilir.

7. Kesici parçanın taş ya da benzeri sert bir cisme çarpması halinde, derhal motoru durdurun ve kesici parçayı kontrol edin.
8. Kesici parçada hasar olup olmadığını sık ve düzenli olarak kontrol edin (tıklatma-gürültü testi kullanılarak kılcal çatlaklar tespit edilebilir).
9. Şu durumlarda her zaman batarya kartuşunu aletten çıkarın:
 - aleti gözetimsiz bırakırken;
 - bir tıkanıklığı temizlemeden önce;
 - kontrol etmeden, temizlemeden ve alet üzerinde çalışmadan önce;
 - yabancı bir cisme çarptıktan sonra;
 - alet olağan dışı bir şekilde titremeye başladığında.
10. Kesme aracı, motor kapatıldıktan sonra dönmeye devam eder.
11. Bıçak kılıfını takıp çıkarırken ellerinizi incitmeye dikkat edin.

Bakım talimatları

1. Çalışmaya başlanılmadan önce makinenin, özellikle de kesici parça ve koruyucu aletlerin durumu kontrol edilmelidir.
2. Bakım yapmadan, kesici parçayı değiştirmeden veya aleti veya kesici parçayı temizlemeden önce motoru kapatın ve batarya kartuşunu çıkarın.
3. Kullanılmadığı zaman bıçak kılıfını alete takın ve aleti kapalı mekanlarda, çocukların ulaşamayacağı, kuru ve yüksek kilitleli bir yerde saklayın.

BU TALİMATLARI SAKLAYIN.

⚠ UYARI: Ürünü kullanırken (defalarca kullanınca kazanılan) rahatlık ve tanıdıklık duygusunun ilgili ürünün güvenlik kurallarına sıkı sıkıya bağlı kalmanın yerine geçmesine İZİN VERMEYİN. **YANLIŞ KULLANIM** veya bu kullanma kılavuzunda belirtilen emniyet kurallarına uymama ciddi yaralanmaya neden olabilir.

PARÇALARIN TANIMI

- Şek.1: 1. Bıçak kılıfı 2. Başlık 3. Ot temizleme bıçağı

MONTAJ

⚠UYARI: Ekipmanı monte etmeden veya ayarlamadan önce motoru kapatın ve batarya kartuşunu çıkarın. Aksi takdirde makine kazara çalışmaya başlayarak yaralanmaya neden olabilir.

⚠UYARI: Ekipmanı monte ederken veya ayarlarken daima yere koyun. Ekipmanın dik konumda monte edilmesi veya ayarlanması ciddi yaralanmaya neden olabilir.

⚠UYARI: "GÜVENLİK UYARILARI" bölümündeki ve güç ünitesinin kullanma kılavuzundaki uyarılara ve önlemlere uyun.

Ek parçanın monte edilmesi

1. 2 ayar plakasını, plakaların girintileri dışarı bakacak şekilde ek parçaya takın.

► **Şek.2:** 1. Ayar plakası

2. Bıçağı dışarı doğru hafifçe açarken ot temizleme bıçağını ayar plakalarına takın.

Ot temizleme bıçağını takarken okun boruya doğru baktığından emin olun.

► **Şek.3:** 1. Ok

Ot temizleme bıçağının açısı, ot temizleme bıçağı üzerindeki çıkıntı, ayar plakalarının üzerindeki çıkıntılardan biriyle hizalanarak değiştirilebilir.

► **Şek.4:** 1. Çıkıntı

ÖNEMLİ NOT: Ot temizleme bıçağı üzerindeki okların şekilde gösterilen yöne baktığından emin olun.

► **Şek.5:** 1. Ok

3. Ot temizleme bıçağının ayar plakalarına geçtiğinden emin olun.

► **Şek.6**

4. Cıvataı somunsuz taraftan sokun ve cıvataı anahtarla sıkın.

Cıvatanın iyice sıkıldığından emin olun.

► **Şek.7:** 1. Cıvata 2. Somun

NOT: Sıkma torku: 5 - 10 N•m

Ek borunun takılması

⚠DİKKAT: Monte ettikten sonra ek borunun sabitlenmiş olduğunu mutlaka kontrol edin. Hatalı montaj ek parçanın güç ünitesinden düşmesine neden olabilir ve yaralanmaya yol açabilir.

Ek boruyu ana üniteye takın.

1. Başlığı borunun ucundan çıkarın.

► **Şek.8:** 1. Boru 2. Başlık

ÖNEMLİ NOT: Ek parçayı depolamak için başlık gerekeceğinden başlığı atmayın.

2. Mandalı ek parçaya doğru çevirin.

► **Şek.9:** 1. Mandal

3. Pimi güç ünitesinin üzerindeki ok işaretiyle hizalayın. Serbest bırakma düğmesi yukarı çıkana dek boruyu sokun.

Konum çizgisinin, güç ünitesinin üzerindeki ok işaretinin ucunda olduğundan ve güç ünitesinin üzerindeki ok işareti ile borunun üzerindeki ok işaretinin birbirlerine baktığından emin olun.

► **Şek.10:** 1. Serbest bırakma düğmesi 2. Güç ünitesinin üzerindeki ok işareti 3. Pim 4. Konum çizgisi 5. Borunun üzerindeki ok işareti

4. Mandalı güç ünitesine doğru çevirin.

► **Şek.11:** 1. Mandal

Mandalın yüzeyinin boruya paralel olduğundan emin olun.

ÖNEMLİ NOT: Mandalı, ek boru takılmadan sıkmayın. Aksi takdirde mandal, tahrik milinin girişini çok fazla sıkıp ona zarar verebilir.

Boruyu çıkarmak için, mandalı ek parçaya doğru çevirin ve serbest bırakma düğmesine basarak boruyu çekip çıkarın.

► **Şek.12:** 1. Serbest bırakma düğmesi 2. Mandal 3. Boru

Bıçak kılıfının çıkarılması veya takılması

Bıçak kılıfını çıkarmak için bıçak kılıfını içeri doğru itirin ve çevirin.

► **Şek.13:** 1. Bıçak kılıfı

Bıçak kılıfını takmak için bıçak kılıfını, ot temizleme bıçağının bir tarafına geçirin ve ardından çevirin.

► **Şek.14:** 1. Bıçak kılıfı

NOT: Bıçak kılıfını, şekilde gösterildiği gibi boruya takabilirsiniz.

► **Şek.15:** 1. Bıçak kılıfı

Ot temizleme bıçağının takılması veya çıkarılması

⚠DİKKAT: Ot temizleme bıçağını değiştirirken ellerinizin ot temizleme bıçağına doğrudan temas etmemesi için daima eldiven giyin.

⚠DİKKAT: Ot temizleme bıçağını çıkarmadan veya takmadan önce bıçak kılıfını takın.

1. Bıçak kılıfını ot temizleme bıçağına takın.

2. Cıvataı anahtarla gevşeterek çıkarın.

► **Şek.16:** 1. Cıvata

3. Ot temizleme bıçağını dışarı doğru hafifçe açarak ot temizleme bıçağını çıkarın.

► **Şek.17**

Ot temizleme bıçağını, ek parçayı birleştirme talimatlarına bakarak takın.

İŞLEVSEL NİTELİKLER

⚠ DİKKAT: Alet üzerinde ayarlama veya işleyiş kontrolü yapmadan önce aletin kapalı ve batarya kartuşunun ayrılmış olduğundan daima emin olun.

Kesim açısının ayarlanması

⚠ DİKKAT: Kesim açısını ayarlamadan önce aletin kapalı olduğundan daima emin olun.

Ot temizleme bıçağının açısı üç kademede ayarlanabilir. Açıyı değiştirmek için ot temizleme bıçağı üzerindeki çıkıntıyı, ayar plakalarının üzerindeki çıkıntılardan biriyle hizalayın ve ardından ot temizleme bıçağını takın.

1. Kesici bıçağı sabitleyen civatayı anahtarla gevşetin.
 2. Ot temizleme bıçağı üzerindeki çıkıntıyı, ayar plakalarının üzerindeki çıkıntılardan biriyle hizalayın.
 3. Kesici bıçağı sabitlemek için civatayı yeniden sıkın.
- **Şek.18:** 1. Çıkıntı

KULLANIM

⚠ UYARI: "GÜVENLİK UYARILARI" bölümündeki ve güç ünitesinin kullanma kılavuzundaki uyarılara ve önlemlere uyun.

Aletin kullanılması

⚠ UYARI: Ellerinizi ot temizleme bıçağından uzak tutun.

⚠ UYARI: Aletin kontrolünün her zaman sizde olması için son derece dikkatli olun. Aletin, size veya çalıştığınız çevredeki herhangi birine doğru dönmesine izin vermeyin. Aleti kontrol altında tutamamak çevredakilerin ve kullanıcının ciddi bir şekilde yaralanmasına neden olabilir.

⚠ UYARI: Ot temizlemeye başlamadan önce ot temizleme alanındaki kalın dalları ve taşları kaldırın.

NOT: Bu alet, 15 cm'den (5-7/8") daha küçük otları temizlemek için tasarlanmıştır.

► **Şek.19**

⚠ DİKKAT: Mümkünse, aleti çok sıcak havalarda kullanmaktan kaçının. Aleti kullanırken fiziksel durumunuza dikkat edin.

⚠ DİKKAT: Ot temizleme sırasında metal bir çite ya da başka sert nesnelere temas etmemeye dikkat edin. Ot temizleme bıçakları kırılabilir ve yaralanmaya neden olabilir.

⚠ DİKKAT: Aletle fazla ileriye uzanmak, özellikle bir merdivenden, aşırı derecede tehlikelidir. Sallanan veya zayıf bir zemin üzerinde dururken çalışmayın.

ÖNEMLİ NOT: Aleti motoru durduracak ya da aşırı derecede yavaş dönmeye neden olacak şekilde kullanmayın.

Aleti, ön kol ve arka saptan tutarak iki elinizle tutun.

► **Şek.20:** 1. Ön kol 2. Arka sap

Ot temizleme bıçağı yere temas etmiyorken aleti açın. Ot temizleme bıçağını yere koyun ve ot temizlemek için aleti kendinize doğru yavaşça çekin. Ot temizleme bıçağı yerle neredeyse dik açı yapar durumdayken çalışmak daha kolaydır.

► **Şek.21**

► **Şek.22**

BAKIM

⚠ UYARI: Ekipmanı kontrol etmeden veya bakımını yapmadan önce motoru kapatın ve batarya kartuşunu çıkarın. Aksi takdirde makine kazara çalışmaya başlayarak ciddi yaralanmaya neden olabilir.

⚠ UYARI: Ekipmanı kontrol ederken veya bakımını yaparken daima yere koyun. Ekipmanın dik konumda monte edilmesi veya ayarlanması ciddi yaralanmaya neden olabilir.

⚠ UYARI: "GÜVENLİK UYARILARI" bölümündeki ve güç ünitesinin kullanma kılavuzundaki uyarılara ve önlemlere uyun.

⚠ DİKKAT: Kontrol veya bakım işlemi yapmadan önce eldiven giyin.

ÖNEMLİ NOT: Benzin, tiner, alkol ve benzeri maddeleri kesinlikle kullanmayın. Renk değişimi, deformasyon veya çatlaklar oluşabilir.

Aleti EMNİYETLİ ve ÇALIŞMAYA HAZIR durumda tutmak için onarımlar, başka her türlü bakım ve ayarlamalar daima Makita yedek parçaları kullanılarak Makita yetkili servis merkezleri veya Fabrikanın Servis Merkezleri tarafından yapılmalıdır.

Aletin temizlenmesi

Alet gövdesini kuru bir bezle veya sabunlu suya batırılıp sıkılmış bir bezle temizleyin.

Bıçak bakımı

Kullandıktan sonra takın ot veya kökleri bıçaktan temizleyin.

ÖNEMLİ NOT: Bıçağı suda yıkamayın. Aksi takdirde paslanmaya ya da bıçak veya ek parçanın zarar görmesine neden olabilir.

Saklama

Bıçak kılıfını ot temizleme bıçağına takın. Aleti çocukların erişemeyeceği bir yerde saklayın. Aleti neme ya da yağmura maruz kalmayan bir yerde saklayın. Güç ünitesinden ayrılmış ek parçayı saklarken borunun ucuna kapağı takın.

► **Şek.23**

Hareketli parçaların yağlanması

ÖNEMLİ NOT: Sıklık ve sağlanan gres miktarına ilişkin talimatları takip edin. Aksi takdirde yetersiz yağlama hareketli parçalara zarar verebilir.

Tahrik mili:

Her 25 saat çalışma sonunda gres (Makita gres N No.2 veya eşdeğeri) basın.

► Şek.24

NOT: Makita bayinizden orijinal Makita gres satın alabilirsiniz.

Gres yağlaması

Yağlama aralığı: Her 25 çalışma saatinde bir

1. Yağlama için civatayı delikten çıkarın.
► Şek.25: 1. Cıvata
2. Alete gres (Makita gres SG No.0 veya eşdeğeri) sürün (yönlendirme açısından yaklaşık 3,0 g).
3. Cıvatayı sıkın.

SORUN GİDERME

Onarım için servise gitmeden önce kontrolleri yapın. Kılavuzda açıklanmayan bir problemle karşılaşırsanız aleti demonte etmeyin. Bunun yerine, Makita Yetkili Servis Merkezlerine başvurun ve daima orijinal Makita yedek parçaları kullanın.

Anormal durum	Olası nedeni (arıza)	Çözümü
Motor çalışmıyor.	-	Güç ünitesi kullanma kılavuzuna bakın.
Motor hemen duruyor.	-	Güç ünitesi kullanma kılavuzuna bakın.
Motor devri yükselmiyor.	-	Güç ünitesi kullanma kılavuzuna bakın.
Ot temizleme bıçağı hareket etmiyor: ⇒ makineyi hemen durdurun!	Sürüş sistemi doğru işlemiyor.	Yerel yetkili servis merkezinizden tamir etmelerini isteyin.
Olağan dışı titreşim: ⇒ makineyi hemen durdurun!	Ot temizleme bıçağı kırılmış, eğilmiş veya aşınmış. Sürüş sistemi doğru işlemiyor.	Ot temizleme bıçağını değiştirin. Yerel yetkili servis merkezinizden tamir etmelerini isteyin.
Ot temizleme bıçağı ve motor durmuyor: ⇒ Bataryayı hemen çıkarın!	Elektrik arızası.	Bataryayı çıkarın ve yerel yetkili servis merkezinizden tamir etmelerini isteyin.

İSTEĞE BAĞLI AKSESUARLAR

⚠DİKKAT: Bu aksesuarlar ve ek parçalar bu el kitabında belirtilen Makita makineniz ile kullanılmak için tavsiye edilmektedir. Herhangi başka bir aksesuar ya da ek parça kullanılması insanlar için bir yaralanma riski getirebilir. Aksesuarları ya da ek parçaları yalnızca belirtilmiş olan kullanım amaçlarına uygun olarak kullanın.

Bu aksesuarlarla ilgili daha fazla bilgiye ihtiyac duyarsanız bulunduğunuz yerdeki yetkili Makita servisine başvurun.

- Ot temizleme bıçağı
- Kültivatör bıçağı
- Orijinal Makita batarya ve şarj aleti

NOT: Listedeki bazı kalemler ürünün ambalajında standart aksesuar olarak yer alabilir. Bunlar ülkeden ülkeye değişebilir.

SPECIFIKATIONER

Modell:	WA400MP
Skärbredd	220 mm
Dimensioner (L x B x H)	980 mm x 226 mm x 196 mm
Nettovikt	2,8 kg

- På grund av vårt pågående program för forskning och utveckling kan dessa specifikationer ändras utan föregående meddelande.
- Specifikationer kan variera mellan olika länder.

Godkänd drivenhet

Denna tillsats är endast godkänd för användning med följande drivenheter:

- DUX60 Sladdlös multifunktionell drivenhet
- DUX18 Sladdlös multifunktionell drivenhet
- UX01G Sladdlös multifunktionell drivenhet

⚠ VARNING: Använd aldrig tillsatsen med icke-godkända drivenheter. En icke-godkänd kombination kan orsaka allvarliga skador.

Symboler

Följande visar symbolerna som kan användas för utrustningen. Se till att du förstår innebörden innan användning.

	Läs och följ bruksanvisningen.
	Använd skyddshjälm, skyddsglasögon och hörselskydd.
	Använd skyddshandskar.
	Använd kraftiga stövlar med halkfri sula.
	Varning: Koppla från batteriet före underhåll.
	Håll fötterna borta från ogräsrensningsskivorna.
	Håll omgivande personer och djur på ett avstånd på minst 5 m från elverktøget.
	Heta ytor – brännskador på fingrar och händer.
	Garanterad ljudeffektnivå enligt EU-direktivet för utomhusbuller.



Ljudeffektnivå enligt Australia NSW Noise Control Regulation (Bullerreglering)

Avsedd användning

Denna tillsats har utformats enbart för att rensa gräs på marken i kombination med en godkänd drivenhet. Använd aldrig tillsatsen för andra ändamål. Missbruk av tillsatsen kan leda till allvarliga skador.

EG-försäkran om överensstämmelse

Gäller endast inom EU

Vi, som tillverkare: **Makita Europe N.V.**, bolagsadress: **Jan-Baptist Vinkstraat 2 3070 Kortenberg BELGIUM**. Auktoriserar **Kazuhisa Makino** för sammansättningen av den tekniska filen och deklarerar på eget ansvar att produkten/produkterna:

Beteckning: **Ogräsrensningstillsats.**

Typbeteckning(ar): **WA400MP.**

Uppfyller alla relevanta villkor i **2006/42/EC** och uppfyller även alla relevanta villkor i följande EG-/EU-direktiv: **2000/14/EC** och är tillverkad i enlighet med följande harmoniserade normer: **EN 62841-1:2015+A11:2022, EN ISO 11806-1:2022, EN IEC 62841-4-7:2022+A11:2022.**

Plats och datum för deklARATIONEN: **Kortenberg, Belgien. 27. 9.2023**

Ansvarig person: **Kazuhisa Makino, direktör – Makita Europe N.V.**

SÄKERHETSVARNINGAR

Säkerhetsvarningar för ogräsrensningstillsats

1. **Använd inte maskinen vid dåliga väderförhållanden, särskilt vid risk för blixtnedslag.** Då minskar risken att bli träffad av blixten.
2. **Inspektera noggrant området där maskinen ska användas med avseende på vilda djur.** Vilda djur kan skadas av maskinen under drift.

3. **Inspektera noggrant området där maskinen ska användas och ta bort alla stenar, pinnar, trädor, ben och andra främmande föremål.** Föremål som flyger ut kan orsaka personskador.
4. **Inspektera alltid maskinen visuellt före användning för att kontrollera att ogrärensningsskivanskniven inte är skadad.** Skadade delar ökar risken för personskada.
5. **Följ anvisningarna för byte av tillbehör.** Fästmuttrar eller -bultar som håller fast kniven som inte är ordentligt åtdragna kan antingen skada kniven eller leda till att den lossnar.
6. **Använd ögon-, öron-, huvud- och handskydd.** Lämplig skyddsutrustning minskar risken för personskador från flygande skräp eller oavsiktlig kontakt med skärtråden eller -kniven.
7. **Bär alltid halkfria skyddsskor när du använder maskinen. Använd inte skor utan bafota eller med öppna sandaler.** Detta minskar risken för skador på fötterna från kontakt med rörliga knivar eller trädor.
8. **Bär alltid långbyxor när du använder maskinen.** Exponerad hud ökar risken för skador från föremål som kastas ut.
9. **Håll åskådare på avstånd när du använder maskinen.** Utslungat skräp kan leda till allvarlig personskada.
10. **Använd alltid två händer vid användning av maskinen.** Håll maskinen med båda händerna för att undvika att du förlorar kontrollen.
11. **Håll endast maskinen i de isolerade greppytorna eftersom det finns risk för att skärtråden eller -kniven kan komma i kontakt med en dold elkabel.** Om skärtrådar eller -knivar kommer i kontakt med en strömförande ledning blir verktygets metalldelar strömförande och kan ge operatören en elektrisk stöt.
12. **Se till att alltid ha bra fotfäste och använd endast maskinen när du står stadigt på marken.** Hala eller instabila ytor kan göra att du tappar balansen eller kontrollen över maskinen.
13. **Använd inte maskinen i mycket branta sluttningar.** Detta minskar risken att tappa kontrollen, halka och ramla, vilket kan leda till personskada.
14. **Vid arbeten i sluttningar, se alltid till att stå stadigt, alltid arbeta tvärs med sluttning, aldrig upp/ner, och utöva extrem försiktighet vid riktningbyte.** Detta minskar risken att tappa kontrollen, halka och ramla, vilket kan leda till personskada.
15. **Håll alla delar av kroppen borta från ogrärensningsskivanskniven när maskinen är igång.** Se till att ogrärensningsskivanskniven inte vidrör någonting innan du startar maskinen. Ett ögonblick av ouppmärksamhet när du använder maskinen kan resultera i allvarlig personskada på dig själv eller andra.
16. **Använd inte maskinen över midjehöjd.** Detta förhindrar oavsiktlig kontakt med ogrärensningsskivanskniven och ger bättre kontroll över maskinen i oväntade situationer.
17. **Var uppmärksam vid sågning av sly eller unga träd eftersom de kan fjädra tillbaka.** När spänningen i träfibrerna släpper kan slyn eller det unga trädet slå tillbaka mot användaren och/eller slå maskinen ur händerna.
18. **Var mycket försiktig vid sågning av sly och unga träd.** Det fina materialet kan fånga kniven och piskas mot dig eller få dig ur balans.
19. **Behåll kontrollen över maskinen och rör inte vid ogrärensningsskivanskniven och andra farliga rörliga delar medan de fortfarande är i rörelse.** Detta minskar risken för personskada från rörliga delar.
20. **Bär maskinen med maskinen avstängd och borta från kroppen.** Korrekt hantering av maskinen minskar risken för oavsiktlig kontakt med en kniv eller träd som är i rörelse.
21. **Montera alltid skyddet på ogrärensningsskivanskniven vid transport eller förvaring av maskinen.** Korrekt hantering av maskinen minskar risken för oavsiktlig kontakt med kniven.
22. **Använd endast en ogrärensningsskivanskniv som specificeras av tillverkaren vid utbyte.** Felaktiga reservdelar kan öka risken för brott och personskada.
23. **När du tar bort material som fastnat eller ser var maskinen ska du se till att strömbrytaren är avstängd och batteripaketet borttaget.** Att oväntat sätta igång maskinen medan man håller på att ta bort material som fastnat eller utför service kan orsaka allvarlig personskada.

Ytterligare säkerhetsvarningar

Allmänna anvisningar

1. **För att säkerställa en korrekt användning måste användaren läsa igenom denna bruksanvisning för att bli förtrogen med hanteringen av utrustningen.** En användare som inte har tillgodogjort sig informationen utgör en risk både för sig själv och andra på grund av felaktig hantering.
2. **Låt aldrig barn eller personer med nedsatt fysisk, sensorisk eller mental förmåga, eller personer som saknar kunskap och erfarenhet av maskinen eller som inte är förtrogna med dessa anvisningar, använda maskinen.**
3. **Använd maskinen med största försiktighet och uppmärksamhet.**
4. **Använd endast maskinen när du är i god fysisk kondition.** Utför allt arbete noggrant och i lugnt tempo. Använd sunt förnuft och glöm inte att användaren är ansvarig för olyckor eller eventuella fara gentemot andra personer och deras egendom.
5. **Använd aldrig maskinen när personer (speciellt barn) eller djur finns i närheten.**
6. **Motorn ska stängas av direkt i händelse av att utrustningen visar tecken på något problem eller något onormalt.**
7. **Stäng av motorn och ta bort batterikassetten vid vila och när maskinen lämnas utan uppsikt, samt placera den på ett säkert ställe för att förhindra att andra personer eller maskinen skadas.**
8. **Undvik att använda maskinen vid dåliga väderförhållanden, speciellt vid risk för åska.**

Personlig skyddsutrustning

1. Bär alltid skyddsglasögon och kraftiga skor när du arbetar med maskinen.
2. Bär alltid lämpliga skor och långbyxor vid arbete med maskinen.

Starta maskinen

1. Förvissa dig om att varken barn eller andra personer befinner sig i närheten, och var även uppmärksam på eventuella djur i omgivningen. Sluta att använda maskinen annars.
2. Håll åskådare och djur på minst 5 m avstånd från verktyget under användning. Stanna verktyget så fort någon närmar sig.
3. Kontrollera alltid före användningen att utrustningen är säker att använda. Kontrollera att skärverktyget fungerar säkert och att avtryckaren kan användas enkelt och fungerar korrekt. Kontrollera att handtagen är rena och torra och testa att start-/stoppfunktionen fungerar.
4. Kontrollera skadade delar före fortsatt användning av utrustningen. En del som är skadad måste noggrant kontrolleras för att avgöra om den kommer att fungera korrekt och utföra det arbete som den är avsedd för. Kontrollera inriktningen och fästet för rörliga delar, om det finns trasiga delar, monteringen eller andra förhållande som kan påverka användningen. En del som är skadad ska repareras ordentligt eller bytas ut av en auktoriserad serviceverkstad om inte något annat anges i denna bruksanvisning.
5. Starta endast motorn när du inte har dina händer och fötter i närheten av skärverktyget.
6. Kontrollera innan du startar att skärverktyget inte är i kontakt med några föremål.
7. Håll ett stadigt tag i maskinen när du arbetar.
8. Undvik att starta verktyget oavsiktligt. Bär inte verktyget när batterikassetten är installerad och du har ett finger på avtryckaren. Se till att strömbrytaren är avstängd när du sätter i batterikassetten.
9. Undersök arbetsområdet före användningen, så att det inte finns trädstängsel, stenar eller andra fasta föremål. De kan skada ogräsrensningsskniven.
10. Kontrollera häckarna och buskarna avseende främmande föremål, som staket eller dolda kablar innan du använder maskinen.

Arbetsmetod

1. Använd endast utrustningen då du har goda ljus- och siktförhållanden. Var uppmärksam på våta och hala fläckar, snö och is under vintersäsongen (halkrisk). Säkerställ att du alltid står stabilt i slutningar och att du alltid går och inte springer när du använder maskinen.
2. Var försiktig så att du inte skadar händer och fötter på skärverktyget.
3. Stå aldrig på en stege när du använder maskinen.
4. Klättra aldrig upp i träd för att klippa med maskinen.

5. Arbeta aldrig på ostadigt underlag.
6. Ta bort sand, stenar, spikar etc. som finns i arbetsområdet. Främmande föremål kan skada skärverktyget och eventuellt orsaka farliga bakåtkast.
7. Stäng omedelbart av motorn och inspektera skärverktyget om det har slagit i stenar eller andra hårda föremål.
8. Kontrollera om det finns några skador på skärverktyget under korta regelbundna intervaller (upptäck hårfina sprickor med hjälp av knackande ljudtest).
9. Ta alltid bort batterikassetten från maskinen:
 - när maskinen lämnas utan uppsikt;
 - innan du tar bort något som fastnat;
 - innan utrustningen kontrolleras, rengörs eller något arbete utförs på den;
 - om du stött emot ett främmande föremål med maskinen;
 - om maskinen börjar vibrera på ett onormalt sätt.
10. De skärande delarna fortsätter att gå efter att motorn har stängts av.
11. Var försiktig så att du inte skadar dina händer när du monterar eller tar bort bladskyddet.

Underhållsanvisningar

1. Utrustningens kondition och i synnerhet skydden för skärverktyget måste kontrolleras innan arbetet påbörjas.
2. Stäng av motorn och ta bort batterikassetten innan du utför något underhållsarbete, byter ut skärverktyg eller rengör maskinen eller skärverktyget.
3. När verktyget inte används ska bladskyddet sättas fast på det och det ska förvaras inomhus på en torr och högt belägen låst plats, utom räckhåll för barn.

SPARA DESSA ANVISNINGAR.

⚠ VARNING: GLÖM INTE att också fortsättningsvis strikt följa säkerhetsanvisningarna för maskinen även efter att du blivit van att använda den. Vid FELAKTIG HANTERING av maskinen eller om inte säkerhetsanvisningarna i denna bruksanvisning följs kan följden bli allvariga personskadorna.

BESKRIVNING AV DELAR

► Fig. 1: 1. Bladskydd 2. Lock 3. Ogräsrensningsskniv

MONTERING

⚠ VARNING: Före montering eller justering av utrustningen stänger du av motorn och avlägsnar batterikassetten. Annars kan maskinen starta oavsiktligt och resultera i en personskada.

⚠ VARNING: Lägg alltid ner utrustningen när du ska montera eller justera den. Om du monterar eller justerar utrustningen i upprätt läge kan det leda till allvarliga skador.

⚠ VARNING: Följ varningar och försiktighetsåtgärder i kapitlet "SÄKERHETSVARNINGAR" och i drivenhetens bruksanvisning.

Montera tillsatsen

1. Fäst de 2 inställningsplattorna till tillsatsen så att skärorna i plattorna är vända utåt.

► Fig.2: 1. Inställningsplatta

2. Fäst ogräsrensningsskivorna till inställningsplattorna och öppna samtidigt kniven något utåt.

Se till att pilarna pekar mot röret när du fäster ogräsrensningsskivorna.

► Fig.3: 1. Pil

Vinkeln på ogräsrensningsskivorna kan ändras genom att rikta in utsprånget på ogräsrensningsskivorna med ett av utsprånget på inställningsplattorna.

► Fig.4: 1. Utsprång

OBSERVERA: Se till att pilarna på ogräsrensningsskivorna pekar i riktningen som visas i figuren.

► Fig.5: 1. Pil

3. Se till att ogräsrensningsskivorna griper in i inställningsplattorna.

► Fig.6

4. Sätt i bulten från sidan utan mutter och dra åt den med skiftnyckeln.

Se till att bulten är ordentligt åtdragen.

► Fig.7: 1. Bult 2. Mutter

OBS: Åtdragningsmoment: 5 – 10 N•m

Montera anslutningsröret

⚠ FÖRSIKTIGT: Kontrollera alltid att anslutningsröret är ordentligt fastsatt efter installation. Felaktig installation kan göra så att tillsatsen lossar från drivenheten och orsakar personskador.

Montera anslutningsröret på drivenheten.

1. Ta bort locket från röränden.

► Fig.8: 1. Rör 2. Lock

OBSERVERA: Släng inte locket eftersom det behövs för att förvara tillsatsen.

2. Vrid spärren mot tillsatsen.

► Fig.9: 1. Spak

3. Rikta in stiftet mot pilmarkeringen på drivenheten. Sätt in röret tills frigöringsknappen ploppar upp.

Kontrollera att positionslinjen ligger på pilmarkeringens spets på drivenheten och att pilmarkeringen på drivenheten och pilmarkeringen på röret är vända mot varandra.

► Fig.10: 1. Frigöringsknapp 2. Pilmarkering på drivenheten 3. Stift 4. Positionslinje 5. Pilmarkering på röret

4. Vrid spärren mot drivenheten.

► Fig.11: 1. Spak

Se till att spärrens yta är parallell mot röret.

OBSERVERA: Dra inte åt spärren utan att anslutningsröret är insatt. I annat fall kan spärren dra åt drivaxelns öppning för mycket och skada den.

För att ta bort röret, vrid spärren mot tillsatsen och dra ut röret samtidigt som frigöringsknappen trycks ner.

► Fig.12: 1. Frigöringsknapp 2. Spärr 3. Rör

Montera eller demontera bladskyddet

Ta bort knivskyddet genom att trycka knivskyddet mot insidan och vrida det.

► Fig.13: 1. Knivskydd

Fäst knivskyddet genom att kroka fast knivskyddet till ena sidan av ogräsrensningsskivorna och sedan vrida det.

► Fig.14: 1. Knivskydd

OBS: Du kan fästa knivskyddet till röret enligt figuren.

► Fig.15: 1. Knivskydd

Montera eller ta bort knivskyddet

⚠ FÖRSIKTIGT: Bär alltid handskar så att händerna inte kommer i direkt kontakt med ogräsrensningsskivorna när du byter ut den.

⚠ FÖRSIKTIGT: Sätt på knivskyddet innan ogräsrensningsskivorna tas bort eller monteras.

1. Montera knivskyddet på ogräsrensningsskivorna.

2. Ta bort bulten genom att lossa den med skiftnyckeln.

► Fig.16: 1. Bult

3. Ta bort ogräsrensningsskivorna samtidigt som du öppnar den något utåt.

► Fig.17

Montera ogräsrensningsskivorna genom att följa anvisningarna för montering av tillsatsen.

FUNKTIONSBESKRIVNING

⚠ FÖRSIKTIGT: Se alltid till att maskinen är avstängd och batterikassetten borttagen innan du justerar maskinen eller kontrollerar dess funktioner.

Inställning av sågvinkeln

⚠ FÖRSIKTIGT: Se alltid till att verktyget är avstängt innan du justerar skärvinkeln.

Vinkeln på ogrärensningsskivnan kan ändras i tre nivåer. Ändra vinkeln genom att rikta in utsprånget på ogrärensningsskivnan med ett av utsprången på inställningsplattorna och sedan montera ogrärensningsskivnan.

1. Lossa bulten som håller fast skärkniven med skiftnyckeln.
2. Rikta in utsprånget på ogrärensningsskivnan med ett av utsprången på inställningsplattorna.
3. Dra åt bulten igen för att fästa skärkniven.

► Fig.18: 1. Utsprång

ANVÄNDNING

⚠ VARNING: Följ varningar och försiktighetsåtgärder i kapitlet "SÄKERHETSVARNINGAR" och i drivenhetens bruksanvisning.

Använda verktyget

⚠ VARNING: Håll händerna borta från ogrärensningsskivnan.

⚠ VARNING: Var ytterst försiktig så att du alltid behåller kontrollen över maskinen. Låt aldrig maskinen vridas mot dig eller någon annan i närheten. Om du mister kontrollen över maskinen kan detta orsaka allvarliga personskador på åskådare eller dig själv.

⚠ VARNING: Före ogrärensning ska alla pinnar och stenar i området för ogrärensningen tas bort.

OBS: Detta verktyg är avsett för att rensa ogräs som är lägre än 15 cm (5-7/8").

► Fig.19

⚠ FÖRSIKTIGT: Undvik i mesta möjliga mån att använda maskinen i brännande solsken. Var rädd om dig när du använder maskinen.

⚠ FÖRSIKTIGT: Var försiktig så att du inte kommer i kontakt med ett metallstängsel eller andra hårda föremål under ogrärensningen. Ogrärensningsskivnan kan gå av och orsaka en personskada.

⚠ FÖRSIKTIGT: Att sträcka sig för långt med verktyget, särskilt från en stege, är extremt farligt. Arbeta inte när du står på ett underlag som inte är fast eller stabilt.

OBSERVERA: Använd inte maskinen på ett sätt som gör att motorn stannar eller roterar extremt långsamt.

Håll verktyget med båda händerna genom att hålla i det främre och bakre handtaget på drivenheten.

► Fig.20: 1. Främre handtag 2. Bakre handtag

Slå på verktyget med ogrärensningsskivnan borta från marken. Placera ogrärensningsskivnan på marken och dra sakta verktyget mot dig för att rensa ogräs. Det är enklare att arbeta när ogrärensningsskivnan är vid en vinkel som är nästan vinkelrät mot marken.

► Fig.21

► Fig.22

UNDERHÅLL

⚠ VARNING: Före inspektion eller underhåll av utrustningen ska du stänga av motorn och avlägsna batterikassetten. Annars kan maskinen starta oavsiktligt och resultera i allvarlig personskada.

⚠ VARNING: Lägg alltid ner utrustningen när du ska inspektera den eller utföra underhåll. Om du monterar eller justerar utrustningen i upprätt läge kan det leda till allvarliga skador.

⚠ VARNING: Följ varningar och försiktighetsåtgärder i kapitlet "SÄKERHETSVARNINGAR" och i drivenhetens bruksanvisning.

⚠ FÖRSIKTIGT: Bär handskar vid inspektion eller underhåll.

OBSERVERA: Använd inte bensen, förtunningsmedel, alkohol eller liknande. Missfärgning, deformation eller sprickor kan uppstå.

För att upprätthålla produktens SÄKERHET och TILLFÖRLITLIGHET bör allt underhålls- och justeringsarbete utföras av ett auktoriserat Makita servicecenter och med reservdelar från Makita.

Rengöra maskinen

Rengör maskinen genom att torka av damm med en torr trasa, eller en urvriden trasa fuktad med såpvatten.

Knivunderhåll

Ta bort gräs och rötter som fastnat på kniven efter användning.

OBSERVERA: Tvätta inte kniven i vatten. Det kan göra att kniven eller tillsatsen rostar eller skadas.

Förvaring

Montera knivskyddet på ogrärensningsskivnan. Förvara verktyget utom räckhåll för barn. Förvara verktyget på en plats som inte utsätts för fukt eller regn.

Sätt på locket på änden av röret om tillsatsen förvaras separat från drivenheten.

► Fig.23

Smörja rörliga delar

OBSERVERA: Följ instruktionerna angående hur mycket smörjmedel som ska appliceras och hur ofta detta ska göras. I annat fall kan otillräcklig smörjning skada rörliga delar.

Drivaxel:

Applicera fett (Makita-fett N No.2 eller motsvarande) efter var 25:e användningstimme.

► Fig.24

OBS: Smörjfett från Makita måste köpas från din Makita-leverantör.

Fettsmörjning

Smörjningsintervall: Var 25:e driftstimme

1. Ta bort bulten från hålet för att smörja den.
► Fig.25: 1. Bult
2. Applicera fettet (Makita-fett SG No.0 eller motsvarande) till verktyget (cirka 3,0 g som en riktlinje).
3. Dra åt bulten.

FELSÖKNING

Innan du ber om reparation ska du först utföra en egen kontroll. Om du hittar ett problem som inte finns förklarat i bruksanvisningen ska du inte försöka att ta isär maskinen. Fråga istället ett auktoriserad servicecenter för Makita, och använd alltid reservdelar från Makita för reparationer.

Feltillstånd	Trolig orsak (felfunktion)	Åtgärd
Motorn startar inte.	-	Se bruksanvisningen för drivenheten.
Motorn stannar genast.	-	Se bruksanvisningen för drivenheten.
Motorhastigheten ökar inte.	-	Se bruksanvisningen för drivenheten.
Ogräsrensningsskivan rör sig inte: ⇒ Stoppa maskinen omedelbart!	Drivsystelet fungerar inte som det ska.	Lämna in till ditt lokala auktoriserade servicecenter för reparation.
Onormal vibration: ⇒ Stoppa maskinen omedelbart!	Ogräsrensningsskivan är trasig, böjd eller sliten.	Byt ut ogräsrensningsskivan.
	Drivsystelet fungerar inte som det ska.	Lämna in till ditt lokala auktoriserade servicecenter för reparation.
Ogräsrensningsskivan och motorn kan inte stanna: ⇒ Ta omedelbart ur batteriet!	Elektriskt funktionsfel.	Ta ur batteriet och lämna in till ditt lokala auktoriserade servicecenter för reparation.

VALFRIA TILLBEHÖR

⚠ FÖRSIKTIGT: Följande tillbehör eller tillsatser rekommenderas för användning med den Makita-maskin som denna bruksanvisning avser. Om andra tillbehör eller tillsatser används kan det uppstå risk för personskador. Använd endast tillbehören eller tillsatserna för de syften de är avsedda för.

Kontakta ditt lokala Makita servicecenter om du behöver ytterligare information om dessa tillbehör.

- Ogräsrensningsskiv
- Jordfråskniv
- Makitas originalbatteri och laddare

OBS: Några av tillbehören i listan kan vara inkluderade i produktpaketet som standardtillbehör. De kan variera mellan olika länder.

TEKNISKE DATA

Modell:	WA400MP
Skjærebredde	220 mm
Mål (L x B x H)	980 mm x 226 mm x 196 mm
Nettovekt	2,8 kg

- På grunn av vårt kontinuerlige forsknings- og utviklingsprogram kan spesifikasjonene som oppgis i dette dokumentet endres uten varsel.
- Spesifikasjonene kan variere fra land til land.

Godkjent drivenhet

Dette tilbehøret er godkjent for bruk kun med følgende drivenhet(er):

- DUX60 batteridrevet flerfunksjonelt drivhode
- DUX18 batteridrevet flerfunksjonelt drivhode
- UX01G batteridrevet flerfunksjonelt drivhode

⚠ ADVARSEL: Bruk aldri tilbehøret uten godkjent drivenhet. En kombinasjon som ikke er godkjent, kan føre til alvorlig skade.

Symboler

Nedenfor ser du symbolene som kan brukes for dette utstyret. Forviss deg om at du forstår hva de betyr, før du begynner å bruke maskinen.

	Les og følg bruksanvisningen.
	Bruk hjelm, vernebriller og hørselvern.
	Bruk vernehansker.
	Bruk robust føttøy med såler som gir godt feste.
	Advarsel: Koble fra batteriet før vedlikehold.
	Hold føttene unna lukebladet.
	Hold tilskuere og dyr minst 5 m unna verktøyet.
	Varme overflater - brannskader på fingre og hender.
	Garantert lydeffektnivå i henhold til EU-direktivet om støy fra utstyr til utendørs bruk.



Lydeffektnivå i henhold til Australia NSW støykontrollforskrift

Riktig bruk

Dette tilbehøret er laget bare for å luke gress på bakken når det brukes sammen med et godkjent drivverk. Dette tilbehøret må aldri brukes til andre formål. Feil bruk av tilbehøret kan føre til alvorlige personskader.

EFs samsvarserklæring

Gjelder kun for land i Europa

Vi, produsentene: **Makita Europe N.V.**, Kontoradresse: **Jan-Baptist Vinkstraat 2 3070 Kortenberg, BELGIA.**

Gir **Kazuhisa Makino** fullmakt til å utarbeide den tekniske filen, og erklærer under vårt eneansvar at produktet/produktene;
 Betegnelse: **Tilbehør for luking**. Typebetegnelse(r): **WA400MP**.
 Oppfyller alle de relevante bestemmelsene i **2006/42/EF** og oppfyller også alle de relevante bestemmelsene i følgende EF-/EU-direktiver: **2000/14/EC** og er produsert i samsvar med følgende harmoniserte standarder: **EN 62841-1:2015+A11:2022, EN ISO 11806-1:2022, EN IEC 62841-4-7:2022+A11:2022.**

Sted og dato for erklæringen: **Kortenberg, Belgia. 27. 9.2023**
 Ansvarlig person: **Kazuhisa Makino, direktør – Makita Europe N.V.**

SIKKERHETSADVARSEL

Sikkerhetsadvarsler for tilbehør for luking

- Ikke bruk maskinen under dårlige værforhold, spesielt ved fare for lynnedslag.** Dette reduserer faren for å bli truffet av lyn.
- Inspiser området grundig med tanke på ville dyr der maskinen skal brukes.** Ville dyr kan bli skadet av maskinen under bruk.
- Inspiser området grundig hvor maskinen skal brukes, og fjern alle steiner, pinner, ledninger, ben og andre fremmedelementer.** Gjenstander som blir slynget ut kan føre til personskader.
- Før du bruker maskinen må du alltid inspiserer visuelt for å se at lukebladet ikke er skadet.** Skadde deler øker risikoen for personskade.
- Følg instruksjonene for bytte av tilbehør.** Feil stramming av festemutrene eller boltene for bladet kan enten skade bladet eller føre til at det løsner.
- Bruk verneutstyr for øyne, ører, hode og hender.** Egnert verneutstyr vil redusere personskader fra flygende avfall eller ved utilsiktet berøring med skjærelinjen eller bladet.
- Bruk alltid sklisikkert vernefottøy når du bruker maskinen. Bruk ikke maskinen barbeint eller med åpne sandaler.** Dette reduserer faren for skade på føttene ved kontakt med de bevegelige kutterne eller skjærelinjene.
- Bruk alltid lange benklær når maskinen brukes.** Utildekket hud øker sannsynligheten for personskade fra gjenstander som slynget ut.
- Hold tilskuere unna når maskinen brukes.** Avfall som slynget, kan forårsake alvorlige personskader.
- Bruk alltid begge hendene når maskinen brukes.** Du unngår tap av kontroll når du holder maskinen med begge hender.
- Du må bare holde maskinen i de isolerte gripeflatene, ellersom skjærelinjen kan komme i kontakt med skjulte ledninger.** Skjærelinjer eller blader som berører en strømførende ledning, kan gjøre at metalldelene på verktøyet blir strømførende og gi brukeren elektrisk støt.
- Ha alltid godt fotfeste og bruk maskinen bare når du står på bakken.** Glatte eller ustabile overflater kan forårsake at du kommer ut av balanse eller mister kontrollen over maskinen.
- Ikke bruk maskinen i svært bratte bakker.** Da reduserer du faren for å miste kontrollen, skli eller falle, noe som kan føre til personskade.
- Når du jobber i bakker, må du alltid ha godt fotfeste, alltid jobbe på tvers av bakken, aldri opp eller ned, og utvis ekstrem forsiktighet når du endrer retning.** Da reduserer du faren for å miste kontrollen, skli eller falle, noe som kan føre til personskade.
- Hold alle kroppsdelene unna lukebladet når maskinen er i gang. Før du starter maskinen må du forvise deg om at lukebladet ikke berører noe.** Et øyeblikks uoppmerksomhet mens du bruker maskinen kan forårsake alvorlige personskader på deg selv eller andre.
- Ikke bruk maskinen over hofte høyde.** Da kan du unngå at lukebladet uforvarende kommer borti noe, og du får bedre kontroll med maskinen i uventede situasjoner.
- Når du kutter buskvekster eller ungsudd som står i spenn, må du være oppmerksom på at de spretter tilbake.** Når spenningen i trefibre frigjøres, vil busken eller ungsuddet kunne treffe operatøren og/eller kaste maskinen ut av kontroll.
- Vær ekstremt forsiktig ved kutting av buskvekster og ungsudd.** Det tynne materialet kan sette seg fast i bladet og piskes mot deg eller trekke deg ut av likevekt.
- Hold kontroll over maskinen og ikke rør lukebladet og andre farlige bevegelige deler mens de fortsatt er i bevegelse.** Dette reduserer faren for personskade fra bevegelige deler.
- Bær maskinen når den er slått av og holdt unna kroppen din.** Korrekt håndtering av maskinen vil redusere sannsynligheten for utilsiktet berøring med en bevegelig kutter, skjærelinje eller blad.
- Når du transporterer eller lagrer maskinen, må du alltid sette dekselet på lukebladet.** Korrekt håndtering av maskinen vil redusere sannsynligheten for utilsiktet berøring med bladet.
- Bare bruk reserve-lukeblader som er spesifisert av produsenten.** Feile reservedeler kan øker faren for ødeleggelse og personskade.
- Når du skal fjerne materiale som sitter fast eller utfører service på maskinen, må du kontrollere at strømbryteren er slått av og at batteriet er tatt ut.** Uventet oppstart av maskinen mens du fjerner materiale som sitter fast eller utfører service, kan forårsake alvorlige personskader.

Flere sikkerhetsadvarsler

Generelle anvisninger

- Av sikkerhetshensyn er det absolutt nødvendig at brukeren leser denne bruksanvisningen nøye for å bli fortlølig med hvordan utstyret skal håndteres.** Utilstrekkelige kunnskaper kan føre til at brukeren utsetter seg selv og andre personer for fare ved uforsiktig håndtering.
- Du må ikke la barn, personer med nedsatte fysiske evner, sanseevner eller mentale evner, personer som mangler erfaring og kunnskap, eller personer som ikke er kjent med disse anvisningene, bruke maskinen.** Lokale bestemmelser kan begrense operatørens alder.
- Utstyret må brukes med største forsiktighet og oppmerksomhet.**
- Bruk utstyret kun hvis du er i god fysisk form.** Utfør alt arbeid rolig og forsiktig. Bruk sunn fornuft, og husk at operatøren er ansvarlig for ulykker eller feres som berører andre mennesker eller deres eiendom.
- Aldri bruk maskinen mens uvedkommende (særlig barn og kjæledyr) er til stede.**
- Motoren skal slås av omgående hvis utstyret viser tegn til problemer eller uventet oppførsel.**

- Slå av utstyret, og ta ut det oppladbare batteriet når du tar en hvil, eller når du lar utstyret være uten tilsyn, og legg det på et sikkert sted for å unngå å utsette andre mennesker for fare, eller at utstyret blir skadet.
- Unngå å bruke maskinen under dårlige værforhold, spesielt hvis det er fare for lyn.
- Du må aldri bruke utstyret mens du står i en stige.
- Ikke klatre opp i trær for å kutte greiner, o.l. med utstyret.
- Arbeid aldri på ustabil underlag.
- Fjern sand, steiner, spiker, osv. du finner innenfor arbeidsområdet. Fremmedlegemer kan ødelegge skjæreverktøyet og forårsake farlige tilbakeslag.

Personlig verneutstyr

- Du må alltid ha på deg vernebriller og solide sko når du bruker maskinen.
- Du må alltid ha på deg solid fottey og lange benklær når du bruker maskinen.

Starte utstyret

- Pass på at det ikke er barn eller uvedkommende til stede. Vær også oppmerksom på eventuelle dyr i nærheten. Ellers må du slutte å bruke utstyret.
- Andre personer eller dyr må holdes minst 5 m unna verktøyet når det er i bruk. Stans verktøyet umiddelbart så snart noen nærmer seg.
- Før bruk må du alltid kontrollere at det vil være trygt å bruke utstyret. Kontroller at skjæreverktøyet er trygt å bruke og at startbryteren fungerer lett og på riktig måte. Kontroller at håndtakene er rene og tørre, og test start/stopp-funksjonen.
- Kontroller utstyret med tanke på skadde deler, før du fortsetter å bruke det. En del som er skadet skal kontrolleres nøye for å fastslå om den vil fungere som den skal og oppfylle sin tiltenkte funksjon. Kontroller at bevegelige deler beveger seg riktig i forhold til hverandre, at bevegelige deler kan bevege seg fritt, om noen deler er brukket, om monteringen er som den skal, eller om andre forhold kan påvirke funksjonen. En del som er skadet, må repareres ordentlig eller skiftes ut av et autorisert servicesenter med mindre noe annet er angitt i denne håndboken.
- Motoren må kun slås på når hender og føtter er i god avstand fra skjæreverktøyet.
- Før du starter, må du kontrollere at skjæreverktøyet ikke berører andre gjenstander.
- Hold verktøyet i et fast grep når du bruker det.
- Unngå utilsiktet start. Ikke bær verktøyet med batteriet satt i og med en finger på bryteren. Kontroller at bryteren er slått av før du setter i batteriet.
- Undersøk området for nettinggjerder, steiner og andre harde gjenstander før du begynner bruken. De kan ødelegge lukebladene.
- Kontroller at det ikke er noen fremmedlegemer i hekkene eller buskene, som piggetråd eller skjulte kabler.
- Skjæreverktøyene fortsetter å kjøre etter at motoren er slått av.
- Vær forsiktig så du ikke skader hendene dine når du monterer eller demonterer bladdekselet.

Vedlikeholdsanvisning

- Tilstanden til utstyret, særlig skjæreverktøyets beskyttelsesdeler, må kontrolleres før arbeidet påbegynnes.
- Slå av motoren, og fjern det oppladbare batteriet før du utfører vedlikehold, skifter ut skjæreverktøyet eller rengjør utstyret/skjæreverktøyet.
- Når verktøyet ikke er i bruk, festes bladdekselet på verktøyet, og verktøyet oppbevares tørt og høyt innelåst – utilgjengelig for barn.

TA VARE PÅ DISSE INSTRUKSENE.

⚠ ADVARSEL: IKKE LA hensynet til hva som er "behagelig" eller det faktum at du kjenner produktet godt (etter mange gangers bruk) gjøre deg mindre oppmerksom på sikkerhetsreglene for bruken av det aktuelle produktet. Ved MISBRUK eller hvis ikke sikkerhetsreglene i denne bruksanvisningen følges, kan det oppstå alvorlig personskade.

Bruksmåte

- Utstyret må kun brukes i godt lys og med god sikt. Om vinteren må du være oppmerksom på glatte eller våte områder, is og snø (fare for å skli). Sørg alltid for å ha godt fotfeste i bakker, og du må gå, aldri løpe.
- Ta nødvendige forholdsregler for å unngå at skjæreverktøyet skader føtter eller hender.

DELEBESKRIVELSE

► Fig. 1: 1. Bladdekselet 2. Deksel 3. Lukeblad

MONTERING

⚠ ADVARSEL: Før du monterer eller justerer utstyret må du slå av motoren og ta ut batteriet. Ellers kan maskinen starte utilsiktet, noe som kan føre til personskader.

⚠ ADVARSEL: Legg alltid utstyret ned når du skal montere eller justere det. Hvis du monterer eller justerer utstyret når det står oppreist, kan det føre til alvorlig skade.

⚠ ADVARSEL: Følg advarslene og forholdsreglene i kapittelet "SIKKERHETSADVARSLER" og i brukerveiledningen for drivverket.

Montere tilbehør

1. Fest de 2 justeringsplatene på tilbehøret slik at sporene i platene vender utover.

► Fig.2: 1. Justeringsplate

2. Fest lukebladet til justeringsplatene mens du åpner bladet litt utover.

Når du fester lukebladet, må du passe på at pilen peker mot røret.

► Fig.3: 1. Pil

Vinkelen på lukebladet kan endres ved å rette inn fremspringet på lukebladet med et av fremspringene på justeringsplatene.

► Fig.4: 1. Fremspring

OBS: Pass på at pilene på lukebladet vender i retningen som er vist i figuren.

► Fig.5: 1. Pil

3. Pass på at lukebladet er i inngrep med justeringsplatene.

► Fig.6

4. Før inn bolten fra siden uten mutteren, og stram den til med skiftenekkelen.

Sørg for at bolten er festet godt.

► Fig.7: 1. Bolt 2. Mutter

MERK: Tiltrekkingsmoment: 5–10 N•m

Montere festerøret

⚠ FORSIKTIG: Kontroller alltid at tilbehørsrøret er sikret etter monteringen. Feil montering kan føre til at tilbehøret falle av fra drivverket og kan føre til personskade.

Monter festerøret på et drivverket.

1. Fjern hetten fra rørenden.

► Fig.8: 1. Rør 2. Deksel

OBS: Ikke kast hettene, siden disse er nødvendige ved oppbevaring av tilbehøret.

2. Drei hendelen mot tilbehøret.

► Fig.9: 1. Spak

3. Still inn stifen med pilmerket avhengig av drivverket. Sett inn røret inntil utløsningsknappen spretter ut.

Kontroller at posisjoneringlinjen er plassert på spissen av pilmerket, og at pilmerket på drivverket og pilmerket på røret vender mot hverandre.

► Fig.10: 1. Utløserknapp 2. Pilmerke på drivverket 3. Splint 4. Posisjonslinje 5. Pilmerke på røret

4. Drei hendelen mot drivverket.

► Fig.11: 1. Spak

Sørg for at overflaten på hendelen er parallell med røret.

OBS: Ikke stram hendelen uten at tilbehørsrøret er satt inn. Ellers kan hendelen stramme til inngangen for drivakselen for hardt og ødelegge den.

Når du skal fjerne røret, dreier du hendelen mot tilbehøret og trekker ut røret samtidig som du trykker inn utløserknappen.

► Fig.12: 1. Utløserknapp 2. Hendel 3. Rør

Fjerne eller montere bladdekslet

For å ta av bladdekslet, skyver du bladdekslet mot innsiden og dreier det.

► Fig.13: 1. Bladdeksel

For å feste bladdekslet, hekter du bladdekslet på den ene siden av lukebladet, og deretter dreier det.

► Fig.14: 1. Bladdeksel

MERK: Du kan feste bladdekslet til røret som vist på figuren.

► Fig.15: 1. Bladdeksel

Montere eller fjerne lukebladet

⚠ FORSIKTIG: Når du skifter ut lukebladet, må du alltid bruke hansker, slik at hendene ikke kommer i direkte kontakt med lukebladet.

⚠ FORSIKTIG: Fest bladdekslet før du fjerner eller monterer lukebladet.

1. Fest bladdekslet til lukebladet.

2. Fjern bolten ved å løsne den med skiftenekkelen.

► Fig.16: 1. Bolt

3. Fjern lukebladet mens du åpner det litt utover.

► Fig.17

Monter lukebladet i henhold til instruksjonene for montering av tilbehør.

FUNKSJONSBEKRIVELSE

⚠FORSIKTIG: Forviss deg alltid om at maskinen er slått av og batteriet tatt ut før du justerer maskinen eller kontrollerer dens mekaniske funksjoner.

Justere skjærevinkelen

⚠FORSIKTIG: Du må alltid slå av verktøyet før du justerer skjærevinkelen.

Vinkelen til lukebladet kan endres i tre nivåer. Vinkelen kan endres ved å rette inn fremspringet på lukebladet med et av fremspringene på justeringsplatene, og deretter installere lukebladet.

1. Bruk skiftenøkkelen til å løsne boltene som holder skjæreblandet.
 2. Rett inn fremspringet på lukebladet med et av fremspringene på justeringsplatene.
 3. Stram boltene igjen for å feste skjæreblandet.
- Fig.18: 1. Fremspring

BRUK

⚠ADVARSEL: Følg advarslene og forholdsreglene i kapittelet "SIKKERHETSADVARSLER" og i brukerveiledningen for drivverket.

Bruke verktøyet

⚠ADVARSEL: Hold hendene unna lukebladet.

⚠ADVARSEL: Pass ekstremt godt på at du opprettholder kontrollen over maskinen i denne situasjonen. Ikke la verktøyet kastes mot deg eller noen andre i nærheten av arbeidsstedet. Hvis du ikke klarer å holde kontroll på verktøyet, kan det føre til alvorlige personskader på tilskuere og operatøren.

⚠ADVARSEL: Før luking må du fjerne pinner og steiner fra lukeområdet.

MERK: Dette verktøyet er tiltenkt for fjerning av ugress som er under 15 cm (5-7/8").

► Fig.19

⚠FORSIKTIG: Unngå å bruke verktøyet i svært varmt vær så sant det lar seg gjøre. Ikke bruk verktøyet hvis du føler deg uvel.

⚠FORSIKTIG: Vær forsiktig så du ikke utilsikket kommer borti et metallgjerde eller andre harde gjenstander mens du luker. Lukebladet kan brenne og forårsake personskade.

⚠FORSIKTIG: Å lenes seg ut over noe med verktøyet, særlig fra en stige, er svært farlig. Når du jobber, må du ikke stå på noe som er ustøtt eller ustabil.

OBS: Ikke bruk verktøyet på en måte som får motoren til å stanse eller rotere svært sakte.

Hold verktøyet med begge hender ved å holde i det fremre håndtaket og det bakre grepet på drivverket.

► Fig.20: 1. Håndtak foran 2. Bakre grep

Slå på verktøyet med lukebladet opp fra bakken.

Plasser lukebladet på bakken, og trekk verktøyet sakte mot deg for å luke. Det er lettere å arbeide når lukebladet er i en vinkel som er nesten vinkelrett mot bakken.

► Fig.21

► Fig.22

VEDLIKEHOLD

⚠ADVARSEL: Før du inspiserer eller vedlikeholder utstyret, må du slå av motoren og ta ut batteriet. Ellers kan maskinen starte utilsikket, noe som kan føre til alvorlige personskader.

⚠ADVARSEL: Legg alltid utstyret ned når du skal undersøke eller vedlikeholde det. Hvis du monterer eller justerer utstyret når det står oppreist, kan det føre til alvorlig skade.

⚠ADVARSEL: Følg advarslene og forholdsreglene i kapittelet "SIKKERHETSADVARSLER" og i brukerveiledningen for drivverket.

⚠FORSIKTIG: Bruk hansker når du utfører inspeksjon eller vedlikehold.

OBS: Aldri bruk gasolin, bensin, tynner alkohol eller lignende. Det kan føre til misfarging, deformering eller sprekke dannelse.

For å opprettholde produktets SIKKERHET og PÅLITELIGHET, må reparasjoner, vedlikehold og justeringer utføres av autoriserte Makita servicesentre eller fabrikk servicesentre, og det må alltid brukes reservedeler fra Makita.

Rengjøre verktøyet

Rengjør verktøyet ved å tørke bort støv med en tørr klut eller en klut som er dyppet i såpevann og vridd opp.

Vedlikehold av bladene

Etter bruk må du fjerne gress eller røtter som har satt seg fast på bladet.

OBS: Ikke vask bladet i vann. Det kan føre til at bladet eller tilbehøret begynner å ruste eller blir skadet.

Lagring

Fest bladdekselet til lukebladet. Oppbevar verktøyet utilgjengelig for barn. Oppbevar verktøyet på et sted som ikke er utsatt for fuktighet eller regn.

Når du oppbevarer tilbehøret separat fra drivverket, må du sette dekkelet på enden av røret.

► Fig.23

Smøring av bevegelige deler

OBS: Følg anvisningene for hvor ofte og hvor mye smurning som skal påføres. Ellers kan utilstrekkelig smurning føre til skade på bevegelige deler.

Drivaksel:

Påfør smørefett (Makitas smørefett N No.2 eller tilsvarende) hver 25. driftstime.

► Fig.24

MERK: Originalt Makita-smørefett kan kjøpes hos den lokale Makita-forhandleren.

Fettsmøring

Smøreintervall: Hver 25 driftstime

1. Fjern bolten fra hullet for smøring.
► Fig.25: 1. Bolt
2. Påfør smørefett (Makita-smørefett SG No.0 eller tilsvarende) på verktøyet (som en veiledning ca. 3,0 g).
3. Trekk til bolten.

FEILSØKING

Inspirer utstyret selv før du bestiller reparasjon. Ikke prøv å demontere verktøyet hvis du finner et problem som ikke er forklart i brukerveiledningen. I stedet bør du ta kontakt med et av Makitas autoriserte servicesentre, som alltid bruker reservedeler fra Makita til reparasjoner.

Unormal tilstand	Sannsynlig årsak (feil)	Løsning
Motoren starter ikke.	-	Se brukerveiledningen for drivverket.
Motoren stanser raskt.	-	Se brukerveiledningen for drivverket.
Motorhastigheten øker ikke.	-	Se brukerveiledningen for drivverket.
Lukebladet beveger seg ikke: ⇒ stans maskinen umiddelbart!	Drivsystemet virker ikke slik det skal.	Kontakt ditt nærmeste autoriserte servicesenter hvis det oppstår behov for reparasjon.
Unormale vibrasjoner: ⇒ stans maskinen umiddelbart!	Lukebladet er ødelagt, bøyd eller slitt.	Skift ut lukebladet.
	Drivsystemet virker ikke slik det skal.	Kontakt ditt nærmeste autoriserte servicesenter hvis det oppstår behov for reparasjon.
Lukebladet og motoren vil ikke stoppe: ⇒ Fjern batteriet umiddelbart!	Elektrisk funksjonfeil.	Fjern batteriet og kontakt ditt nærmeste autoriserte servicesenter for reparasjon.

VALGFRITT TILBEHØR

⚠FORSIKTIG: Det anbefales at du bruker dette tilbehøret eller verktøyet sammen med Makita-maskinen som er spesifisert i denne håndboken. Bruk av annet tilbehør eller verktøy kan forårsake personskader. Tilbehør og verktøy må kun brukes til det formålet det er beregnet på.

Ta kontakt med ditt lokale Makita-servicesenter hvis du trenger mer informasjon om dette tilbehøret.

- Lukeblad
- Kultivatorblad
- Makita originalbatteri og lader

MERK: Enkelte artikler på listen kan være inkludert som standardtilbehør i produktpakken. Artiklene kan variere fra land til land.

TEKNISET TIEDOT

Malli:	WA400MP
Leikkuuleveys	220 mm
Mitat (P x L x K)	980 mm x 226 mm x 196 mm
Nettopaino	2,8 kg

- Jatkuvasta tutkimus- ja kehitystyöstämme johtuen esitetyt tekniset tiedot saattavat muuttua ilman erillistä ilmoitusta.
- Tekniset tiedot voivat vaihdella maittain.

Hyväksytyt teholliset

Tämä laite on hyväksytty käytettäväksi vain seuraavien tehollisten kanssa:

- Akkukäyttöinen monitoimimoottoriyksikkö DUX60
- Akkukäyttöinen monitoimimoottoriyksikkö DUX18
- Akkukäyttöinen monitoimimoottoriyksikkö UX01G

VAROITUS: Älä koskaan liitä laitetta hyväksyttömään teholliseen. Hyväksymätön yhdistelmä voi aiheuttaa vakavia vammoja.

Symbolit

Laitteessa on mahdollisesti käytetty seuraavia symboleja. Opettele niiden merkitys ennen käyttöä.

	Lue käyttöopas ja noudata sen ohjeita.
	Käytä suojakypärää, suojalaseja ja kuulosuojaimia.
	Käytä suojakäsineitä.
	Käytä tukevia saappaita, joissa on luistamaton pohja.
	Varoitus: Irrota akku ennen huoltotoimia.
	Pida jalat etäällä kitkentäterästä.
	Pida sivulliset ja eläimet vähintään 5 metrin etäisyydellä sähkötyökäytöstä.
	Kuumia pintoja – sormien tai käsien palovammat.
	EU:n ulkona käytettävien laitteiden melupäästöjä koskevan direktiivin mukainen taattu äänitehotaso.



Australian Uuden Etelä-Walesin osavaltion melutasolainsäädännön mukainen äänitehotaso

Käyttötarkoitus

Tämä laite on suunniteltu vain ruohon kirkemiseen maassa yhdistettynä hyväksytyyn voimanlähteeseen. Älä koskaan käytä laitetta mihinkään muuhun tarkoitukseen. Laitteen väärinkäyttö voi aiheuttaa vakavia vammoja.

EY-vaatimustenmukaisuusvakuutus

Koskee vain Euroopan maita

Valmistaja: **Makita Europe N.V.**, osoite: **Jan-Baptist Vinkstraat 2 3070 Kortenberg BELGIUM**. valtuuttaa **Kazuhisa Makinon** laatimaan teknisen tiedoston ja vakuuttaa yksinomaisella vastuullaan, että seuraavat tuotteet:

Mallimääritys: **Kitkentälaite**. Tyyppimääritys: **WA400MP**.

Täyttää kaikki direktiivin **2006/42/EY** sekä seuraavien EY/EU direktiivien olennaiset määräykset: **2000/14/EC** ja on valmistettu seuraavien yhdenmukaistettujen standardien mukaan: **EN 62841-1:2015+A11:2022, EN ISO 11806-1:2022, EN IEC 62841-4-7:2022+A11:2022**.

Vakuutuksen paikka ja päivämäärä: **Kortenberg, Belgia. 27. 9.2023**

Vastuuhenkilö: **Kazuhisa Makino, Director – Makita Europe N.V.**

TURVAVAROITUKSET

Kitkentälaitteen turvavaroitukset

1. **Älä käytä laitetta huonoissa sääolosuhteissa, varsinkaan ukkosella salamaniskun vaaran takia.** Näin voit pienentää salamaniskun riskiä.
2. **Tarkasta alue, jossa konetta tullaan käyttämään, huolellisesti villieläinten varalta.** Kone saattaa vahingoittaa villieläimiä käytön aikana.
3. **Tarkasta alue, jossa konetta tullaan käyttämään, huolellisesti ja poista kaikki kivet, risut, rautalangat, luut ja muut vieraat esineet.** Sinkoavat kappaleet voivat aiheuttaa henkilövahinkoja.
4. **Tarkasta aina ennen koneen käyttämistä, että kitkentäterä ei ole vaurioitunut.** Vaurioitunut osa lisää loukkaantumisaaraa.
5. **Noudata lisälaitteiden vaihtamista koskevia ohjeita.** Väärin kiristetyt terän kiinnitysmutterit tai pultit voivat vaurioittaa terää tai aiheuttaa sen irtoamisen.
6. **Käytä silmä-, kuulo-, pää- ja käsisuojaimia.** Asianmukaiset suojavarusteet suojaavat lentäviltä roskilta sekä leikkuulinjan tai terän vahinkokosketuksesta johtuvilta henkilövahingoilta.
7. **Käytä konetta käyttäessäsi aina luistamattomia turvajalkineita. Älä käytä laitetta paljain jaloin tai avosandaalit jalassa.** Tämä vähentää liikkuvien leikkurien koskettamisesta aiheutuvien jalkavammojen todennäköisyyttä.
8. **Käytä laitetta käyttäessäsi aina pitkiä housuja.** Paljas iho lisää sinkoutuvien kappaleiden aiheuttaman vamman todennäköisyyttä.
9. **Pidä sivulliset loitolla, kun käytät konetta.** Sinkoavat irtoroskat voivat aiheuttaa vakavia vammoja.
10. **Konetta on käytettävä aina kahdella kädellä.** Koneesta pitäminen kiinni kummallakin kädellä estää hallinnan menettämisen.
11. **Kannattele konetta vain sen eristetyistä tartuntapinnoista, sillä leikkuulinjat tai terä voi osua piilossa oleviin johtoihin.** Jos leikkuulinjat tai terät osuvat jännitteeseen johtoon, jännite voi siirtyä työkalun sähköä johtaviin metallisiin ja aiheuttaa käyttäjälle sähköiskun.
12. **Varmista aina hyvä jalansija ja käytä konetta vain, kun seisot maassa.** Liukkaat tai epävakaaat alustat voivat aiheuttaa horjahduksen ja koneen hallinnan menetyksen.
13. **Älä käytä konetta erittäin jyrkissä rinteissä.** Tämä vähentää hallinnan menettämisen, luistamisen ja putoamisen vaaraa, joka voi johtaa henkilövahinkoon.
14. **Työskennellessäsi rinteissä säilytä hyvä tasapaino, kulje rinteiden poikki, ei koskaan ylös tai alas ja ole erittäin varovainen vaihtaessasi suuntaa.** Tämä vähentää hallinnan menettämisen, luistamisen ja putoamisen vaaraa, joka voi johtaa henkilövahinkoon.
15. **Pidä kaikki kehon osat loitolla kitkentäterästä koneen ollessa käynnissä. Varmista ennen koneen käynnistämistä, että kitkentäterä ei kosketa mitään.** Hetkellinenkin varomattomuus laitteen käytön aikana voi johtaa vakavaan henkilövahinkoon itsellesi tai muille.

16. **Älä käytä konetta vyötärön korkeuden yläpuolella.** Tämä vähentää todennäköisyyttä, että kitkentäterä osuu johonkin tahattomasti sekä parantaa koneen hallittavuutta odottamattomissa tilanteissa.
17. **Kun leikkaat jännityksessä olevia pensaita tai taimia, ota huomioon vastaiskun mahdollisuus.** Puukuidun vapautuva jännite voi saada risun tai pensaikon iskeytymään käyttäjää vasten ja/tai lyödä koneen käyttäjän hallinnasta.
18. **Ole erityisen varovainen leikatessasi pensaita ja taimia.** Ohuet varret voivat tarttua terään ja iskeytyä käyttäjään tai vetää käyttäjän tasapainosta.
19. **Säilytä koneen hallinta äläkä kosketa kitkentäterää ja muita vaarallisia liikkuvia osia, kun ne vielä liikkuvat.** Tämä pienentää liikkuvista osista aiheutuvien henkilövahinkojen riskiä.
20. **Kanna konetta sammutettuna ja etäällä varta-losta.** Koneen asianmukainen käsittely vähentää todennäköisyyttä, että liikkuva leikkuri, linja tai terä osuu käyttäjään.
21. **Kun kuljetat tai säilytät konetta, kiinnitä aina suojus kitkentäterään.** Koneen asianmukainen käsittely vähentää todennäköisyyttä, että terä osuu käyttäjään.
22. **Käytä vain valmistajan määrittelemiä kitkentäteriä.** Väärät vaihto-osat voivat suurentaa rikkoutumisen ja henkilövahingon riskiä.
23. **Kun poistat kiinni jäänyttä leikkumateriaalia tai huollat konetta, varmista, että virtakytin on pois päältä ja akkupaketti on irrotettu.** Koneen odottamaton käynnistyminen kiinni jääneen materiaalin poistamisen tai huollon yhteydessä voi aiheuttaa vakavan henkilövahingon.

Turvallisuutta koskevia lisävaroituksia

Yleisiä ohjeita

1. **Oikean käyttötavan varmistamiseksi on käytäjän luettava nämä käyttöohjeet laitteen käsittelyyn ja käyttöön tutustumista varten.** Kouluttamattomat ja kokemattomat käyttäjät asettavat itsensä sekä sivulliset vaaratilanteeseen virheellisestä laitteen käsittelystä johtuen.
2. **Älä koskaan anna lasten, henkilöiden, joiden fyysiset, sensoriset tai henkiset kyvyt ovat rajoittuneet tai joilla ei ole kokemusta tai tietoa laitteen käytöstä, tai henkilöiden, jotka eivät ole perehtyneet näihin käyttöohjeisiin, käyttää laitetta.** Käyttäjän ikä voi olla rajoitettu paikallisten määräysten toimesta.
3. **Laitetta käytettäessä on oltava äärimmäisen huolellinen ja varovainen.**
4. **Käytä laitetta vain, jos olet hyvässä fyysisessä kunnossa.** Työskentele rauhallisesti ja varovaisesti. Käytä tervettä järkeä ja muista, että käyttäjä vastaa itse tapaturmista tai vahingoista, jotka hän aiheuttaa muille ihmisille tai heidän omaisuudelleen.
5. **Laitetta ei saa koskaan käyttää, kun lähikölliä on muita henkilöitä, erityisesti lapsia tai lemmikkieläimiä.**

- Moottori on sammutettava heti, jos laitteessa ilmenee ongelmia tai merkkejä epänormaalia toiminnasta.
- Sammuta laite ja irrota sen akku lepotaukojen ajaksi sekä silloin, kun jätät laitteen ilman valvontaa. Säilytä leikkuria turvallisessa paikassa niin, että sivulliset eivät joudu vaaraan eikä laitteeseen aiheudu vaurioita.
- Vältä käyttämästä laitetta huonoissa sääolosuhteissa, varsinkin ukkosella salamanskun vaaran takia.

Henkilönsuojaimet

- Käytä laitetta käyttäessäsi aina suojalaseja ja kestäviä jalkineita.
- Käytä laitetta käyttäessäsi aina vahvoja jalkineita ja pitkiä housuja.

Laitteen käynnistäminen

- Varmista, että lähistöllä ei ole lapsia tai muita ihmisiä. Varmista myös, ettei työskentelyalueen läheisyydessä ole eläimiä. Muussa tapauksessa laitteen käyttö on lopetettava.
- Pidä sivulliset ja eläimet työskentelyn aikana vähintään 5 metrin etäisyydellä työkalusta. Sammuta työkalu heti, jos joku tulee tätä lähemmäs.
- Varmista aina ennen käyttöä, että laitteen käyttö on turvallista. Tarkista leikkaustyökalun turvallisuus ja liipaisinkytkimen sujuva toimivuus. Varmista, että kädensijat ovat puhtaat ja kuivat, ja tarkista, että laitteen voi käynnistää ja sammuttaa.
- Tarkista ennen käyttöä, onko jokin laitteen osa vaurioitunut. Jos jokin osa on vaurioitunut, on syytä tarkistaa, että se toimii moitteettomasti ja käyttötarkoituksensa mukaisella tavalla. Varmista, että liikkuvat osat ovat oikeissa asennoissa ja pääsevät liikkumaan esteettä. Tarkasta myös osien eheys, kiinnitykset sekä muut toimintaan mahdollisesti vaikuttavat seikat. Vaurioitunut osa tulee viedä valtuutettuun huoltoliikkeeseen korjattavaksi tai vaihdettavaksi, jollei tässä käyttöohjeessa muuta mainita.
- Käynnistä moottori ainoastaan silloin, kun jalkasi ja kätesi ovat kaukana leikkuuterästä.
- Varmista ennen käynnistystä, että leikkuuterä ei kosketa mihinkään esteeseen.
- Pidä laitteesta tukevasti kiinni sen käytön aikana.
- Estä tahaton käynnistyminen. Älä kannata työkalua siten, että akkupaketti on asennettu ja siten, että sormesi on kytkimellä. Varmista, että kytkin on sammutettu, kun asennat akkupakettia.
- Tarkista ennen käytön aloittamista, onko työskentelyalueella lanka-aitoja, kiviä tai muita kiinteitä esineitä. Ne voivat vaurioittaa kitkentäterää.
- Tarkista ennen laitteen käytön aloittamista, ettei aidoissa tai pensaissa ole muuta kuin oksastoa, kuten verkkoaitaa tai piilossa olevia johtoja.

Käyttötavat

- Käytä laitetta vain hyvässä valaistuksessa ja näkyvyudessa. Varo talviaikaan liukkaita tai märkiä alueita, jäätä ja lunta (liukastumisvaara). Varmista aina hyvä tasapainosi rinneissä. Kävele, äläkä koskaan juokse.
- Varo, ettei leikkuuterä vahingoita jalkojasi tai käsiäsi.
- Älä koskaan seiso tikkailla laitetta käyttäessäsi.
- Älä koskaan kiipeä puuhun laitteella leikatessasi.
- Älä työskentele epävakailla alustoilla.
- Poista hiekka, kivet, naulat jne. muut sopimattomat materiaalit laitteen käyttöalueelta. Ulkopuoliset kohteet voivat vahingoittaa leikkuuterää ja aiheuttaa vaarallisia takaiskuja.
- Jos leikkuuterä osuu kiviin tai muihin koviin esineisiin, sammuta moottori heti ja tarkasta leikkuuterä.
- Tarkasta leikkuuterä säännöllisesti lyhyin väliajoin vaurioiden varalta (hiusmurtumien tarkastus koputtelemalla).
- Poista akku aina laitteesta seuraavissa tilanteissa:
 - kun poistat laitteen luota;
 - ennen tukoksen selvittämistä;
 - ennen laitteen tarkastamista, puhdistamista tai kunnossapitoa;
 - laitteen osuttua ulkopuoliseen kohteeseen;
 - aina, kun laite alkaa täristä epänormaalisti.
- Leikkuuterä jatkaa pyörimistä moottorin sammuttamisen jälkeen.
- Varo loukkaamasta käsiäsi, kun kiinnität tai irrotat teräsuojusta.

Huolto-ohjeet

- Laitteen sekä erityisesti leikkuuterän ja suojavausteiden kunto on tarkastettava ennen käytön aloittamista.
- Sammuta moottori ja irrota akku ennen laitteen huoltamista, leikkuuterien vaihtamista sekä laitteen tai leikkuuterän puhdistamista.
- Kun et käytä laitetta, aseta teräsuoja työkalun ja säilytä sitä sisällä kuivassa ja korkeassa, lukitussa paikassa lasten ulottumattomissa.

SÄILYTÄ NÄMÄ OHJEET.

VAROITUS: ÄLÄ anna työkalun helppokäyttöisyyden (toistuvan käytön aikaansaama) johtaa sinua väärään turvallisuuden tunteeseen niin, että laiminlyöt työkalun turvaohjeiden noudattamisen. VÄÄRINKÄYTTÖ tai tässä käyttöohjeessa ilmoitettujen turvamääräysten laiminlyönti voi aiheuttaa vakavia henkilövahinkoja.

OSIEN KUVAUS

► Kuva1: 1. Teränsuojus 2. Kansi 3. Kitkentäterä

KOKOONPANO

VAROITUS: Sammuuta moottori ja irrota akkupaketti ennen laitteen kokoamista ja säätämistä. Muuten laite saattaa käynnistyä vahingossa ja aiheuttaa tapaturman.

VAROITUS: Kun kokoat ja säädät laitetta, laita se aina maahan. Laitteiden kokoaminen tai säätäminen pystyasennossa voi aiheuttaa vakavia vammoja.

VAROITUS: Noudata luvun ”TURVAVAROITUKSET” ja tehölähteen käyttöoppaan varoituksia ja varoitoimenpiteitä.

Lisälaitteen kokoaminen

1. Kiinnitä 2 säätölevyä lisälaitteeseen niin, että levyjen urat osoittavat ulospäin.

► **Kuva2:** 1. Säätölevy

2. Kiinnitä kitkentäterä säätölevyihin samalla, kun avaat terää hieman ulospäin.

Varmista kiinnittäessäsi kitkentäterää, että nuoli osoittaa kohti varrtta.

► **Kuva3:** 1. Nuoli

Kitkentäterän kulmaa voidaan muuttaa kohdistamalla kitkentäterän uloke yhteen säätölevyjen ulokeista.

► **Kuva4:** 1. Uloke

HUOMAUTUS: Varmista, että kitkentäterän nuolet osoittavat kuvan mukaiseen suuntaan.

► **Kuva5:** 1. Nuoli

3. Varmista, että kitkentäterä on lukittunut säätölevyihin.

► **Kuva6**

4. Aseta pultti sivusta ilman mutteria ja kiristä pultti kiintoavaimella.

Varmista, että pultti on kiristetty kunnolla.

► **Kuva7:** 1. Pultti 2. Mutteri

HUOMAA: Kiristysmomentti: 5–10 N·m

Työkalan putken asentaminen

HUOMIO: Tarkista aina asennuksen jälkeen, että lisälaitteputki on kiinni. Virheellinen asennus voi johtaa laitteen irtoamiseen tehoyksiköstä ja aiheuttaa henkilövahinkoja.

Työkalan putken kiinnittäminen voimanlähteeseen.

1. Irrota putken päässä oleva kansi.

► **Kuva8:** 1. Putki 2. Kansi

HUOMAUTUS: Älä hävitä kanta, koska niitä tarvitaan lisälaitteen varastointiin.

2. Käännä vipua laitetta kohti.

► **Kuva9:** 1. Vipua

3. Kohdista tappi nuolimerkkiin tehoyksikössä.

Työnnä putkea, kunnes vapautuspainike ponnahtaa ylös.

Varmista, että asentoviiva on tehoyksikön nuolimerkin kärjen kohdalla ja että tehoyksikön nuolimerkki ja putken nuolimerkki ovat vastakkain.

► **Kuva10:** 1. Vapautuspainike 2. Tehoyksikön nuolimerkki 3. Tappi 4. Sijaintilinja 5. Putken nuolimerkki

4. Käännä vipua moottoriyksikköä kohti.

► **Kuva11:** 1. Vipua

Varmista, että vivun pinta on putken suuntainen.

HUOMAUTUS: Älä kiristä vipua, jos lisälaitteputki ei ole paikallaan. Vipua voi tällöin kiristää käyttökäkelin suuaukkoa liikaa ja vahingoittaa sitä.

Poista putki kääntämällä vipua lisälaitetta kohti ja vedä putkea ulos painamalla samalla vapautuspainiketta.

► **Kuva12:** 1. Vapautuspainike 2. Vipua 3. Putki

Teräsuojuksen irrottaminen ja asentaminen

Irrota teräsuojus painamalla sitä sisäänpäin ja kiertämällä sitä.

► **Kuva13:** 1. Teräsuojus

Kiinnitä teräsuojus ripustamalla se kitkentäterän toiselle puolelle ja kiertämällä sitä.

► **Kuva14:** 1. Teräsuojus

HUOMAA: Teräsuojus voidaan kiinnittää varteen kuvan mukaisesti.

► **Kuva15:** 1. Teräsuojus

Kitkentäterän asentaminen ja irrottaminen

HUOMIO: Kitkentäterän vaihtamisen aikana tulee käyttää käsineitä, jotta terä ei pääse kosketamaan paljaita käsiä.

HUOMIO: Kiinnitä teräsuojus ennen kitkentäterän irrottamista tai asentamista.

1. Aseta teräsuojus paikalleen kitkentäterään.

2. Irrota pultti löysäämällä sitä kiintoavaimella.

► **Kuva16:** 1. Pultti

3. Irrota kitkentäterä samalla, kun avaat sitä hieman ulospäin.

► **Kuva17**

Asenna kitkentäterä lisälaitteen kokoamisohjeiden mukaisesti.

TOIMINTOJEN KUVAUS

▲HUOMIO: Varmista aina ennen säätöjä ja tarkastuksia, että työkalu on sammutettu ja akkupaketti irrotettu.

Sahauskulman säätäminen

▲HUOMIO: Varmista aina ennen leikkauskulman säätämistä, että työkalu on sammutettu.

Kitkentäterän kulma voidaan muuttaa kolmelle tasolle. Kun haluat muuttaa kulman, kohdista kitkentäterän uloke yhteen säätölevyjien ulokkeista ja asenna sitten kitkentäterä.

1. Avaa leikkuuterän kiinnityspulttia kiintoavaimella.
 2. Kohdista kitkentäterän uloke yhteen säätölevyjien ulokkeista.
 3. Kiinnitä leikkuuterä kiristämällä pultti uudelleen.
- Kuva18: 1. Uloke

TYÖSKENTELY

▲VAROITUS: Noudata luvun ”TURVAVAROITUKSET” ja tehölähteen käyttöoppaan varoituksia ja varotoimenpiteitä.

Työkalun käyttäminen

▲VAROITUS: Pidä kädet kaukana kitkentäterästä.

▲VAROITUS: Huolehdi aina, että työkalu pysyy hallinnassasi. Älä anna työkalun ohjautua itseäsi tai muita lähetyvillä olevia ihmisiä kohti. Työkalun hallinnan menettäminen voi aiheuttaa vakavia vammoja sivullisille tai työkalun käyttäjille.

▲VAROITUS: Poista risut ja kivet kitkentäalueelta ennen kitkennän aloittamista.

HUOMAA: Työkalu on tarkoitettu alle 15 cm (5-7/8”) pitkien rikkaruohojen poistamiseen.

► Kuva19

▲HUOMIO: Vältä laitteen käyttämistä erittäin kuumissa sääolosuhteissa. Vältä ylirasittumista, kun käytät laitetta.

▲HUOMIO: Huolehdi siitä, että terä ei osu metalliaitaan tai muuhun kovaan esineeseen kitkennän aikana. Muutoin kitkentäterä voi rikkoontua ja aiheuttaa vammoja.

▲HUOMIO: Työkalun kanssa kurkotteleminen, erityisesti tikkailla seisottaessa, on erittäin vaarallista. Älä työskentele seisossaasi epävakailta alustoilla.

HUOMAUTUS: Älä käytä laitetta tavalla, joka aiheuttaa moottorin sammumisen tai pyörimisen äärimmäisen hitaasti.

Tartu työkaluun molemmin käsin pitämällä kiinni etukahvasta ja tehoyksikön takakahvasta.

► Kuva20: 1. Etukahva 2. Takakahva

Kytke työkalu päälle kitkentäterä irti maasta. Aseta kitkentäterä maahan ja kitke vetämällä työkalua hitaasti itseäsi kohti. Työskentelyä helpottaa, jos kitkentäterä on lähes kohtisuorassa kulmassa maahan.

► Kuva21

► Kuva22

KUNNOSSAPITO

▲VAROITUS: Sammuta moottori ja irrota akkupaketti ennen laitteen tarkistamista ja huoltamista. Muuten laite saattaa käynnistyä vahingossa ja aiheuttaa vakavan tapaturman.

▲VAROITUS: Kun tarkastat tai huollat laitetta, laita se aina maahan. Laitteiden kokoaminen tai säätäminen pystyasennossa voi aiheuttaa vakavia vammoja.

▲VAROITUS: Noudata luvun ”TURVAVAROITUKSET” ja tehölähteen käyttöoppaan varoituksia ja varotoimenpiteitä.

▲HUOMIO: Käytä käsineitä tarkastuksen ja huollon aikana.

HUOMAUTUS: Älä koskaan käytä bensiiniä, ohenteita, alkoholia tai tms. aineita. Muutono pinta voi halkeilla tai sen värit ja muoto voivat muuttua. Muutoin laitteeseen voi tulla värjäytyymiä, muodon vääristymiä tai halkeamia.

Tuotteen TURVALLISUUDEN ja LUOTETTAVUUDEN takaamiseksi korjaukset, muut huoltotyöt ja säädöt on teetettävä Makitan valtuutetussa huoltopisteessä Makitan varaosia käyttäen.

Laitteen puhdistaminen

Puhdista laite pyyhkimällä pölyt kuivalla liinalla tai kostuta liina saippuaveteen ja rutista kuivaksi.

Terän huolto

Poista käytön jälkeen terään takertunut ruoho ja juuret.

HUOMAUTUS: Älä pese terää vedellä. Se voi aiheuttaa ruostumista tai vaurioittaa terää tai lisälaitetta.

Säilytys

Aseta teräsuojus paikalleen kitkentäterään. Säilytä työkalua lasten ulottumattomissa. Säilytä työkalua paikassa, missä se ei altistu kosteudelle tai sateelle. Kun säilytät lisälaitetta erillään tehoyksiköstä, laita suojus putken päähän.

► Kuva23

Liikkuvien osien voitelu

HUOMAUTUS: Noudata mukana toimitettujen ohjeiden määrittelemiä aikavälejä ja voiteluainemääriä. Muuten riittämätön voitelu voi vaurioittaa liikkuvia osia.

Käyttöäkseli:

Lisää voitelurasvaa (Makita-rasva N No.2 tai vastaava) 25 käyttötunnin välein.

► Kuva24

HUOMAA: Voit hankkia aitoa Makita-rasvaa omalta Makita-jälleenmyyjältäsi.

Voitelurasvan lisääminen

Voiteluväli: 25 käyttötuntia

1. Irrota pultti reiästä voitelua varten.
► **Kuva25:** 1. Pultti
2. Levitä työkaluun rasvaa (Makita-rasva SG No.0 tai vastaava) (ohjeena noin 3,0 g).
3. Kiristä pultti.

VIANMÄÄRITYS

Tarkista laite ensin itse, ennen kuin viet sen korjattavaksi. Jos ongelmaan ei löydy ratkaisua käyttöoppaasta, älä kuitenkaan yritä purkaa työkalua osiin. Ota sen sijaan yhteyttä Makita-huoltoliikkeeseen. Käytä korjaamiseen aina alkuperäisiä Makita-varaosia.

Epänormaali tila	Todennäköinen syy (toimintahäiriö)	Korjaus
Moottori ei käynnisty.	-	Lisätietoja teholähteen käyttöoppaasta.
Moottori sammuu pian.	-	Lisätietoja teholähteen käyttöoppaasta.
Moottorin nopeus ei kasva.	-	Lisätietoja teholähteen käyttöoppaasta.
Kitkentäterä ei liiku: ⇒ pysäytä kone välittömästi!	Vetojärjestelmä ei toimi oikein.	Pyydä valtuutettua huoltoliikettäsi korjaamaan laite.
Epänormaali tärinä: ⇒ pysäytä kone välittömästi!	Kitkentäterä on rikkoutunut, taipunut tai kulunut. Vetojärjestelmä ei toimi oikein.	Vaihda kitkentäterä. Pyydä valtuutettua huoltoliikettäsi korjaamaan laite.
Kitkentäterä ja moottori eivät pysähdy: ⇒ Poista akku välittömästi!	Sähkövika.	Poista akku ja pyydä valtuutettua huoltoliikettäsi korjaamaan laite.

LISÄVARUSTEET

⚠HUOMIO: Seuraavia lisävarusteita tai -laitteita suositellaan käytettäväksi tässä ohjeessa kuvattun Makita-koneen kanssa. Muiden lisävarusteiden tai -laitteiden käyttö voi aiheuttaa henkilövahinkoja. Käytä lisävarusteita ja -laitteita vain niiden käyttötarjoituksen mukaisesti.

Jos tarvitset apua tai yksityiskohtaisempia tietoja seuraavista lisävarusteista, ota yhteys paikalliseen Makitan huoltoon.

- Kitkentäterä
- Jyrsintäterä
- Aito Makita-akku ja -laturi

HUOMAA: Jotkin luettelossa mainitut varusteet voivat sisältyä laiteomitukseen vakiovarusteina. Ne voivat vaihdella maittain.

SPECIFIKĀCIJAS

Modelis:	WA400MP
Griešanas platums	220 mm
Izmēri (G × P × A)	980 mm × 226 mm × 196 mm
Tīrsvars	2,8 kg

- Nepārtrauktās izpētes un izstrādes programmas dēļ šeit uzrādītās specifikācijas var tikt mainītas bez brīdinājuma.
- Atkarībā no valsts specifikācijas var atšķirties.

Apstiprinātais piedziņas bloks

Šī papildierīce ir apstiprināta lietošanai tikai ar šādiem piedziņas blokiem:

- Bezvada daudzfunkciju instrumentgalva DUX60
- Bezvada daudzfunkciju instrumentgalva DUX18
- Bezvada daudzfunkciju instrumentgalva UX01G

⚠ BRĪDINĀJUMS: Nekad nelietojiet papildierīci kopā ar neapstiprinātu piedziņas bloku. Nepareiza kombinācija var izraisīt smagu traumu.

Simboli

Tālāk ir attēloti simboli, kas var attiekties uz darbarīka lietošanu. Pirms darbarīka izmantošanas pārliecinieties, vai pareizi izprotat to nozīmi.

	Izlasiet un ievērojiet lietošanas rokasgrāmatas informāciju.
	Izmantojiet aizsargķiveri, aizsargbrilles un ausu aizsargus.
	Lietojiet aizsargcimdus.
	Valkājiet izturīgus apavus ar neslīdošām zolēm.
	Brīdinājums: pirms veicat apkopi, atvienojiet akumulatoru.
	Netuviniet kājas ravēšanas asmenim.
	Gādājiet, lai cilvēki vai dzīvnieki atrastos vismaz 5 m attālumā no darbarīka.
	Karstas virsmas — pirkstu vai roku apdegumi.
	Garantētais skaņas jaudas līmenis saskaņā ar ES Direktīvu par troksni ārpus telpām.



Skaņas jaudas līmenis saskaņā ar Austrālijas NSW trokšņu kontroles noteikumiem

Paredzētā izmantošana

Šī papildierīce paredzēta tikai zāles un nezāļu ravēšanai, kad tā pievienota apstiprinātam piedziņas blokam. Nekad neizmantojiet papildierīci citiem mērķiem. Nepareiza papildierīces izmantošana var izraisīt smagas traumas.

EK atbilstības deklarācija

Tikai Eiropas valstīm

Mēs – ražotāji: „**Makita Europe N.V.**”, darbūm darbības adrese: **Jan-Baptist Vinkstraat 2 3070 Kortenberg BEĻĢIJA**. Pilnvarojam **Kazuhisa Makino** sagatavot tehnisko dokumentāciju un ar pilnu atbildību paziņojam, ka izstrādājums (-i);
Apzīmējums: **ravēšanas uzgalis**. Modeļa (-u) nosaukums: **WA400MP**.
Atbilst attiecīgajiem Direktīvas **2006/42/EK** noteikumiem, kā arī attiecīgajiem šādu EK/ES direktīvu noteikumiem: Direktīva **2000/14/EC**, un ir izgatavots saskaņā ar šādiem saskaņotajiem standartiem: **EN 62841-1:2015+A11:2022, EN ISO 11806-1:2022, EN IEC 62841-4-7:2022+A11:2022**.
Paziņojuma vieta un datums: **Kortnerberga, Beļģija. 27. 9.2023**
Atbildīgā persona: **Kazuhisa Makino, Makita Europe N.V. vadītājs**.

DROŠĪBAS BRĪDINĀJUMI

Ravēšanas uzgaļa drošības brīdinājumi

1. **Neizmantojiet darbarīku sliktos laikapstākļos, jo īpaši laikā, kad iespējams zibens.** Tādējādi samazinās zibens trieciena risks.
2. **Rūpīgi pārbaudiet, vai zonā, kur paredzēts lietot darbarīku, nav savvaļas dzīvnieku.** Darbarīks ekspluatācijas laikā var savainot savvaļas dzīvniekus.
3. **Rūpīgi pārbaudiet zonu, kur paredzēts lietot darbarīku, un novāciet visus akmeņus, žaģarus, stieples, kaulus un citus svešķermeņus.** Izsviesti priekšmeti var izraisīt ievainojumus.
4. **Pirms darbarīka lietošanas vienmēr to apskatiet, pārliecinoties, vai ravēšanas asmens nav bojāts.** Bojātas daļas palielina ievainojumu risku.
5. **Ievērojiet piederumu maiņas norādījumus.** Nepareizi pievilkti asmens stiprināšanas uzgriežņi vai buļskrūves var vai nu sabojāt asmeni, vai izraisīt tā atvienošanos.
6. **Valkājiet acu, ausu, galvas un roku aizsarglīdzekļus.** Piemērots aizsargaprīkojums samazina risku gūt traumas no lidojošiem gružiem vai nejaušas saskares ar griezējauku vai asmeni.
7. **Strādājot ar ierīci, vienmēr valkājiet neslidošus aizsargapavus.** Nelietojiet ierīci, ja kājās nav apavi vai valkājāt atvērta sandales. Tādējādi samazinās iespēja savainot kājas ar kustīgiem asmeņiem vai auklām.
8. **Strādājot ar ierīci, vienmēr valkājiet garās bikses.** Kaila āda palielina iespēju gūt ievainojumus no lidojošiem priekšmetiem.
9. **Strādājot ar darbarīku, neļaujiet tuvumā atrasties nepiederošām personām.** Lidojoši gruži var izraisīt nopietnus savainojumus.
10. **Strādājot ar darbarīku, vienmēr turiet to ar abām rokām.** Turot darbarīku ar abām rokām, var izvairīties no kontroles zaudēšanas.
11. **Turiet darbarīku tikai aiz izolētajām satveršanas virsmām, jo griezējauka vai asmens var skart aplsēptus vadus.** Ja griezējauka vai asmens saskaras ar vadu, kurā ir strāva, visas darbarīka ārējās metāla virsmas var vadīt strāvu un radīt elektriskās strāvas trieciena risku.
12. **Vienmēr stāviet stabili un strādājiet ar darbarīku, tikai stāvot uz zemes.** Stāvot uz slidenas vai nestabilas virsmas, var zaudēt līdzsvaru un kontroli pār darbarīku.
13. **Nedarbiniet darbarīku uz pārāk stāvām nogāzēm.** Tādējādi samazināsiet risku zaudēt kontroli, paslīdēt un pakrist, kas varētu radīt traumas.
14. **Strādājot uz nogāzēm, vienmēr nodrošiniet kāju atbalstu, vienmēr strādājiet šķērsvirzienā nogāzes slīpumam, bet nekad virzienā uz leju vai uz augšu, un ievērojiet īpašu piesardzību, mainot virzienu.** Tādējādi samazināsiet risku zaudēt kontroli, paslīdēt un pakrist, kas varētu radīt traumas.
15. **Netuviniet nevienu ķermeņa daļu ravēšanas asmenim, kad darbarīks darbojas.** Pirms darbarīka iedarbināšanas pārliecinieties, vai ravēšanas asmens nekam nepieskaras. Lietojot darbarīku, īss neuzmanības brīdis var izraisīt smagus ievainojumus.

16. **Nestrādājiet ar darbarīku augstāk par jostas vietas augstumu.** Tādējādi izvairīsieties no netīšas saskares ar ravēšanas asmeni un varēsiet nodrošināt labāku kontroli pār darbarīku neparedzētās situācijās.
17. **Zāgējot nospriegotus krūmus vai atvases, esiet modrs, lai izvairītos no atlecošiem zariem.** Kad koksnes šķiedras nospriegotus ir zudis, nospriegotais zars vai atvase var atstāties pret operatoru un/vai izstīst darbarīku, padarot to nekontrolējamu.
18. **Esiet īpaši piesardzīgi, zāgējot krūmus un atvases.** Tievie zari var saķerties ar asmeni un triekties pret jums kā pātagas vai izraut jūs no līdzsvara.
19. **Saglabājiet kontroli pār darbarīku un nepieskarieties ravēšanas asmenim un citām bīstamām kustīgām daļām, kamēr tās vēl kustas.** Tādējādi samazinās iespēja gūt ievainojumus no kustīgām daļām.
20. **Pārnēsājiet darbarīku izslēgtu, turot to prom no ķermeņa.** Pareiza rīkošanās ar darbarīku samazina iespēju nejauši saskarties ar kustīgu asmeni vai auklu.
21. **Pāravadājot darbarīku vai novietojot to glabāšanai, vienmēr uzstādiet pārsegu uz ravēšanas asmens.** Pareiza rīkošanās ar darbarīku samazina iespēju nejauši saskarties ar asmeni.
22. **Izmantojiet tikai ražotāja norādītos rezerves ravēšanas asmeņus.** Nepareizas rezerves daļas var palielināt salūšanas un traumu gūšanas risku.
23. **Trot iestrēgušus materiālus vai apkopjot ierīci, raugieties, lai slēdzis būtu izslēgts un akumulatora bloks izņemts.** Negaidīta darbarīka iedarbošanās apkopes vai iestrēgušu materiālu tīrīšanas laikā var izraisīt smagas traumas.

Papildu drošības brīdinājumi

Vispārēji norādījumi

1. **Lai nodrošinātu pareizu ekspluatāciju, lietotājam jāizlasa šī lietošanas rokasgrāmata un jāiepazīstas ar ierīces izmantošanu.** Lietotāji, kas nebūs pietiekami labi informēti, pakļaus sevi un arī citus riskam, nepareizi rīkojoties ar ierīci.
2. **Šo ierīci nedrīkst izmantot bērni, personas ar samazinātām fiziskām, uztveres vai garīgām spējām, personas, kam trūkst pieredzes un zināšanu, vai personas, kas nepārzina šos ierīces lietošanas norādījumus; vietējā likumdošanā var būt noteikti lietotāja vecuma ierobežojumi.**
3. **Ierīci izmantojiet ar vislielāko rūpību un uzmanību.**
4. **Ierīci lietot tikai tad, ja esat labā fiziskā stāvoklī.** Visus darbus veiciet mierīgi un uzmanīgi. Sekojiet savai darbībai un ņemiet vērā, ka operators vai lietotājs ir atbildīgs par negadījumiem vai apdraudējumu, kas radīts citiem cilvēkiem vai to īpašumam.
5. **Nekad nestrādājiet ar ierīci, ja tuvumā ir cilvēki, jo īpaši bērni, vai dzīvnieki.**
6. **Motors jāizslēdz nekavējoties, ja ierīcei pamanāt kādu problēmu vai novirzi.**

7. Izslēdziet ierīci un izņemiet akumulatora kasetni atpūtas laikā un atstājot ierīci bez uzraudzības, kā arī novietojiet to drošā vietā, lai nepakļautu riskam citus un lai nebojātu ierīci.
8. Neizmantojiet ierīci sliktos laikapstākļos, sevišķi laikā, kad iespējams zibens.

Individuālās aizsardzības līdzekļi

1. Vienmēr, strādājot ar ierīci, izmantojiet acu aizsarglīdzekļus un valkājiet izturīgus apavus.
2. Lietojot darbarīku, vienmēr uzvelciet piemērotus apavus un garās bikses.

Ierīces iedarbināšana

1. Pārliecinieties, ka tuvumā neatrodas bērni vai citi cilvēki, kā arī uzmanieties no tuvumā esošiem dzīvniekiem. Pretējā gadījumā pārtrauciet ierīces lietošanu.
2. Izmantošanas laikā nodrošiniet, lai cilvēki vai dzīvnieki atrastos vismaz 5 m attālumā no darbarīka. Izslēdziet darbarīku, tiklīdz kāds tuvojas.
3. Pirms lietošanas vienmēr pārbaudiet, vai ierīce ir droša ekspluatācijā. Pārbaudiet griešanas instrumenta drošību un to, vai slēdža mēlīte darbojas viegli un pareizi. Pārbaudiet, vai rokturi ir tīri un sausi un to, kā darbojas ieslēgšanas/izslēgšanas funkcija.
4. Pirms ierīces izmantošanas pārbaudiet, vai tai nav bojātu daļu. Bojāta daļa rūpīgi jāpārbauda, lai noteiktu, vai tā darbosies pareizi un pildīs paredzēto funkciju. Pārbaudiet, vai kustīgās daļas ir pareizi salāgotas, vai tās var brīvi kustēties, vai daļas nav salūzušas; pārbaudiet to stiprinājumus un citus apstākļus, kas var ietekmēt darbarīka darbību. Bojātas daļas pienācīgi jāsaņemontē vai jānomaina pilnvarotā apkopes centrā, ja vien šajā lietošanas rokasgrāmatā nav norādīts citādi.
5. Motoru ieslēdziet tikai tad, ja rokas un kājas neatrodas griešanas instrumenta tuvumā.
6. Pirms iedarbināšanas pārbaudiet, vai griešanas instruments nesaskaras ar kādu priekšmetu.
7. Darba laikā stingri turiet darbarīku.
8. Izvairieties no nejaušas ieslēgšanas. Nepārnēsājiet darbarīku ar uzstādītu akumulatora kasetni vai ar pirkstu uz slēdža. Uzstādot akumulatora kasetni, pārliecinieties, ka slēdžs ir izslēgts.
9. Pirms darba sākšanas pārbaudiet, vai darba vietā nav stieplu žogu, akmeņu vai citu cietu priekšmetu. Šādi priekšmeti var sabojāt ravēšanas asmeni.
10. Pirms darbarīka lietošanas pārbaudiet, vai dzīvžogā vai krūmos neatrodas traucējoši priekšmeti, piemēram, stieplu žogs vai vadi.

Ekspluatācijas metode

1. Ierīci izmantojiet tikai labā apgaismojumā un redzamībā. Ziemā esiet uzmanīgs slidenās vai slapjās vietās, uz ledus un sniegā (paslīdēšanas risks). Vienmēr nodrošiniet, lai uz nogāzēm būtu droša pārvietošanās; vienmēr ejiet, neskrīniet.

2. Uzmanieties, lai griešanas instruments nesavainotu kājas un rokas.
3. Nekad nestāviet uz pieslienamajām kāpnēm ar iedarbinātu ierīci.
4. Nekad nekāpiet kokā, lai veiktu griešanu ar ierīci.
5. Nekad nestrādājiet uz nestabilām virsmām.
6. Darba vietā novāciet smiltis, akmeņus, naglas utt. Svešķermeņi var bojāt griešanas instrumentu un var izraisīt bīstamus atsitienus.
7. Ja griešanas instruments trāpa akmeņiem vai citiem cietiem priekšmetiem, nekavējoties izslēdziet motoru un pārbaudiet griešanas instrumentu.
8. Regulāri īsos intervālos pārbaudiet, vai griešanas instrumentam nav bojājumu (sīkas plaisas nosakiet ar uzsīšanas trokšņa pārbaudi).
9. Vienmēr izņemiet akumulatora kasetni no ierīces norādītajās situācijās:
 - atstājot ierīci bez uzraudzības;
 - pirms nosprostojuma tīrīšanas;
 - pirms ierīces pārbaudīšanas, tīrīšanas vai strādāšanas ar to;
 - pēc atsišanās pret kādu priekšmetu;
 - ja ierīce sāk neparasti vibrēt.
10. Griešanas elementi turpina griezties pēc motora izslēgšanas.
11. Uzstādot un noņemot asmens aizsargu, uzmanieties, lai nesavainotu rokas.

Tehniskās apkopes norādījumi

1. Pirms darba sākšanas pārbaudiet ierīces stāvokli – īpaši pārbaudiet griešanas instrumenta aizsargierīces.
2. Pirms tehniskās apkopes darbiem, griešanas instrumenta nomaiņas vai ierīces vai griešanas instrumenta tīrīšanas izslēdziet motoru un izņemiet akumulatora kasetni.
3. Kad darbarīks netiek izmantots, uzlieciet asmens aizsargu un glabājiet to iekštelpās, sausā un aizslēgtā vietā, kur nevar piekļūt bērni.

SAGLABĀJIET ŠOS NORĀDĪJUMUS.

▲BRĪDINĀJUMS: NEPIEĻAUJIET to, ka labu iemaņu vai izstrādājuma labas pārzināšanas (darbarīku atkārtoti ekspluatējot) rezultātā vairs stingri neievērojāt šī izstrādājuma drošības noteikumus. NEPAREIZI LIETOJOT darbarīku vai neievērojot šajā instrukciju rokasgrāmatā minētos drošības noteikumus, var tikt gūtas smagas traumas.

DETAĻU APRAKSTS

- Att.1: 1. Asmeņu apvalks 2. Uzmvava 3. Ravēšanas asmens

MONTĀŽA

▲BRĪDINĀJUMS: Pirms aprīkojuma salikšanas vai regulēšanas izslēdziet motoru un izņemiet akumulatora kasetni. Pretējā gadījumā ierīce var nejauši sākt darboties un radīt ievainojumus.

▲BRĪDINĀJUMS: Veicot aprīkojuma salikšanu vai regulēšanu, vienmēr nolieciet to gulus. Aprīkojuma salikšana vai regulēšana stateniskā stāvoklī var radīt smagu traumu.

▲BRĪDINĀJUMS: Ievērojiet brīdinājumus un piesardzības norādījumus nodaļā "DROŠĪBAS BRĪDINĀJUMI" un piedziņas bloka lietošanas rokasgrāmatā.

Papildierīces salikšana

1. Piestipriniet 2 regulēšanas plāksnes agregātam tā, lai plāksņu rievas būtu vērstas uz ārpusi.
▶ **Att.2:** 1. Regulēšanas plāksne

2. Piestipriniet ravēšanas plāksni regulēšanas plāksnēm, mazliet atverot asmeni uz ārpusi.

Piestiprinot ravēšanas asmeni, raugieties, lai bultiņa būtu vērsta caurules virzienā.

▶ **Att.3:** 1. Bultiņa

Ravēšanas asmens leņķi var mainīt, savietojot ravēšanas asmens izvīzījumu ar vienu no izvīzījumiem uz regulēšanas plāksnēm.

▶ **Att.4:** 1. Izvīzījums

IEVĒRĪBAI: Gādājiet, lai bultiņas uz ravēšanas asmens būtu vērstas attēlā parādītajā virzienā.

▶ **Att.5:** 1. Bultiņa

3. Pārbaudiet, vai ravēšanas asmens ir saslēdzies ar regulēšanas plāksnēm.

▶ **Att.6**

4. Ievietojiet bultskrūvi no sāniem bez uzgriežņa un pievelciet bultskrūvi ar uzgriežņu atslēgu.

Stingri pievelciet bultskrūvi.

▶ **Att.7:** 1. Skrūve 2. Uzgrieznis

PIEZĪME: Pievilšanas griezes moments: 5–10 N•m

Papildu caurules piestiprināšana

▲UZMANĪBU: Vienmēr pēc montāžas pārbaudiet, vai papildierīces caurule ir cieši nostiprināta. Ja papildierīce nav pareizi uzmontēta, tā var atvienoties no piedziņas bloka un izraisīt traumas.

Papildu cauruli piestipriniet pie piedziņas bloka.

1. Noņemiet vāciņu no caurules gala.

▶ **Att.8:** 1. Caurule 2. Vāciņš

IEVĒRĪBAI: Neatbrīvojieties no vāciņa, jo tas būs vajadzīgs papildierīces glabāšanai.

2. Pagrieziet sviru pret papildierīci.

▶ **Att.9:** 1. Svira

3. Savietojiet tapu ar bultas atzīmi uz piedziņas bloka. Virziet cauruli, līdz atbrīvošanas poga izbīdās uz āru.

Novietojuma līnijai ir jāatrodas tieši pretī bultas atzīmei uz piedziņas bloka, un bultas atzīmēm uz piedziņas bloka un caurules ir jābūt vērstām vienai pret otru.

▶ **Att.10:** 1. Atlaišanas poga 2. Bultas atzīme uz piedziņas bloka 3. Tapa 4. Novietojuma līnija 5. Bultas atzīme uz caurules

4. Pagrieziet sviru pret piedziņas bloku.

▶ **Att.11:** 1. Svira

Pārliecinieties, ka sviras virsma ir novietota paralēli caurulei.

IEVĒRĪBAI: Nepievelciet sviru, ja nav ievietota papildierīces caurule. Citādi svira var pārāk cieši savilkst piedziņas vārpstas atveri un to sabojāt.

Lai noņemtu cauruli, pagrieziet sviru pret papildierīci un, spiežot atbrīvošanas pogu, izvelciet cauruli.

▶ **Att.12:** 1. Atlaišanas poga 2. Svira 3. Caurule

Asmens apvalka noņemšana un uzlikšana

Lai noņemtu asmens aizsargu, spiediet to uz iekšpusi un pagrieziet.

▶ **Att.13:** 1. Asmens aizsargs

Lai uzliktu asmens aizsargu, aizkāpjiet aizsargu vienā ravēšanas asmens pusē un pēc tam pagrieziet to.

▶ **Att.14:** 1. Asmens aizsargs

PIEZĪME: Asmens aizsargu var uzlikt uz caurules, kā parādīts attēlā.

▶ **Att.15:** 1. Asmens aizsargs

Ravēšanas asmens uzstādīšana vai noņemšana

▲UZMANĪBU: Mainot ravēšanas asmeni, vienmēr lietojiet cimdus, lai rokām nebūtu tiešas saskares ar ravēšanas asmeni.

▲UZMANĪBU: Pirms ravēšanas asmens noņemšanas vai uzstādīšanas uzstādiet asmens aizsargu.

1. Uzlieciet ravēšanas asmenim asmens aizsargu.

2. Noņemiet bultskrūvi, atskrūvējot to ar uzgriežņu atslēgu.

▶ **Att.16:** 1. Skrūve

3. Noņemiet ravēšanas asmeni, mazliet paplešot to uz āru.

▶ **Att.17**

Uzstādiet ravēšanas asmeni saskaņā ar papildierīces montāžas norādījumiem.

FUNKCIJU APRAKSTS

⚠UZMANĪBU: Pirms darbarīka regulēšanas vai tā darbības pārbaudes vienmēr pārliecinieties, ka darbarīks ir izslēgts un akumulatora kasetne ir izņemta.

Zāģēšanas leņķa pielāgošana

⚠UZMANĪBU: Pirms regulējat griešanas leņķi, vienmēr pārliecinieties, ka darbarīks ir izslēgts.

Ravēšanas asmens leņķi var mainīt trīs pakāpēs. Lai mainītu leņķi, savietojiet ravēšanas asmens izvīrījumu ar vienu no izvīrījumiem uz regulēšanas plāksnēm un pēc tam uzlieciet ravēšanas asmeni.

1. Ar uzgriežņu atslēgu atskrūvējiet valīgāk bultskrūvi, ar kuru piestiprināts asmens.
 2. Savietojiet ravēšanas asmens izvīrījumu ar vienu no izvīrījumiem uz regulēšanas plāksnēm.
 3. Vēlreiz pievelciet bultskrūvi, lai nostiprinātu asmeni.
- **Att.18:** 1. Izvīrījums

EKSPLUATĀCIJA

⚠BRĪDINĀJUMS: Ievērojiet brīdinājumus un piesardzības norādījumus nodaļā "DROŠĪBAS BRĪDINĀJUMI" un piedziņas bloka lietošanas rokasgrāmatā.

Darbarīka lietošana

⚠BRĪDINĀJUMS: Netuviniet rokas ravēšanas asmenim.

⚠BRĪDINĀJUMS: Vienmēr īpaši sekojiet, lai nodrošinātu darbarīka vadību. Neļaujiet darbarīkam atlēkt savā vai citu cilvēku virzienā darba vietas tuvumā. Ja zaudē kontroli pār darbarīku, smagas traumas var gūt gan operators, gan cilvēki tuvumā.

⚠BRĪDINĀJUMS: Pirms ravēšanas no darba zonas novāciet žaģarus un akmeņus.

PIEZĪME: Šis darbarīks paredzēts tādu nezāļu griešanai, kas nepārsniedz 15 cm (5-7/8").

► **Att.19**

⚠UZMANĪBU: Pēc iespējas nelietojiet darbarīku ļoti karstā laikā. Lietojot darbarīku, ņemiet vērā savu fizisko stāvokli.

⚠UZMANĪBU: Griešanas laikā uzmanieties, lai nejauši nesaskartos ar metāla sētu vai citiem cietiem priekšmetiem. Ravēšanas asmens var salūzt un izraisīt savainojumus.

⚠UZMANĪBU: Stiepšanās ar darbarīku pārāk tālu, it īpaši no kāpnēm, ir ļoti bīstama. Neveiciet darbu, stāvot uz nestabiliem un neizturīgiem objektiem.

IEVĒRĪBAI: Neizmantojiet šo darbarīku tādā veidā, kad motors apstājas vai darbojas ļoti lēni.

Turiet darbarīku ar abām rokām, satverot priekšējo rokturi un piedziņas bloka aizmugures rokturi.

► **Att.20:** 1. Priekšējais rokturis 2. Aizmugures rokturis

Ieslēdziet darbarīku, kad ravēšanas asmens nesaskaras ar zemi. Lai nogrieztu nezāles, nolieciet ravēšanas asmeni uz zemes un lēni velciet darbarīku uz savu pusi. Ir vieglāk strādāt, ja ravēšanas asmens ir gandrīz perpendikulāri zemei.

► **Att.21**

► **Att.22**

APKOPE

⚠BRĪDINĀJUMS: Pirms aprikojuma pārbaudes vai apkopes izslēdziet dzinēju un izņemiet akumulatora kasetni. Pretējā gadījumā ierīce var nejauši sākt darboties un radīt ievainojumus.

⚠BRĪDINĀJUMS: Veicot aprikojuma pārbaudi vai apkopi, vienmēr nolieciet to guļus. Aprikojuma salikšana vai regulēšana stateniskā stāvoklī var radīt smagus ievainojumus.

⚠BRĪDINĀJUMS: Ievērojiet brīdinājumus un piesardzības norādījumus nodaļā "DROŠĪBAS BRĪDINĀJUMI" un piedziņas bloka lietošanas rokasgrāmatā.

⚠UZMANĪBU: Veicot pārbaudi vai apkopi, valkājiet cimdus.

IEVĒRĪBAI: Nekad neizmantojiet gazoļinu, benzīnu, atšķaidītāju, spirtu vai līdzīgus šķidrumus. Tas var radīt izbalēšanu, deformāciju vai plaisas.

Lai saglabātu izstrādājuma DROŠU un UZTICAMU darbību, remontdarbus, apkopi un regulēšanu uzticiet veikt tikai Makita pilnvarotam vai rūpnīcas apkopes centram, un vienmēr izmantojiet tikai Makita rezerves daļas.

Darbarīka tīrīšana

Tīriet darbarīku, noslaukot putekļus ar sausu drānu vai drānu, kas samērcēta ziepjūdenī un izgriezta.

Asmens apkope

Pēc darba notīriet no asmens pieķērušos zāli vai saknes.

IEVĒRĪBAI: Nemazgājiet asmeni ar ūdeni. Šis norādes neievērošana var izraisīt rūsas veidošanos vai asmens vai papildierīces bojājumus.

Glabāšana

Uzlieciet ravēšanas asmenim asmens aizsargu. Glabājiet darbarīku bērniem nepieejamā vietā. Glabājiet darbarīku tādā vietā, kas pasargāta no mitruma un lietus. Ja glabājat papildierīci atsevišķi no piedziņas bloka, caurules galam uzlieciet vāciņu.

► **Att.23**

Kustīgo daļu eļļošana

IEVĒRĪBAI: Izpildiet aprīkojuma eļļošanas biežuma un daudzuma norādījumus. Nepietiekama eļļošana var sabojāt kustīgās detaļas.

Piedziņas vārpsta:

Ik pēc 25 darba stundām uzklājiet smērvielu (izmantojiet Makita smērvielu N No.2 vai līdzvērtīgu).

► **Att.24**

PIEZĪME: Oriģinālo „Makita” smērvielu var nopirkt pie vietējā „Makita” izplatītāja.

Eļļošana ar smērvielu

Eļļošanas intervāls: ik pēc 25 darba stundām

1. Izņemiet skrūvi no atvēruma, lai varētu ieeļļot.
► **Att.25:** 1. Skrūve
2. Uzklājiet darbarīkam smērvielu (Makita smērvielu SG No.0 vai līdzvērtīgu, orientējot aptuveni 3,0 g).
3. Ieskrūvējiet skrūvi.

PROBLĒMU NOVĒRŠANA

Pirms nodošanas remontā vispirms veiciet pārbaudi pats. Ja konstatējat kļūmi, kas nav aprakstīta rokasgrāmatā, nemēģiniet darbarīku izjaukt. Dodieties uz Makita pilnvarotu apkopes centru un remontam vienmēr izmantojiet tikai Makita rezerves daļas.

Neatbilstošas darbības stāvoklis	Iespējamais iemesls (kļūme)	Risinājums
Motors nesāk darboties.	-	Skatiet piedziņas bloka lietošanas rokasgrāmatu.
Motors ātri apstājas.	-	Skatiet piedziņas bloka lietošanas rokasgrāmatu.
Motora apgriezienu skaits nepalielinās.	-	Skatiet piedziņas bloka lietošanas rokasgrāmatu.
Ravēšanas asmens nekustas: ⇒ nekavējoties apturiet mašīnu!	Piedziņas sistēma nedarbojas pareizi.	Dodieties to remontēt vietējā pilnvarotā apkopes centrā.
Pārmērīga vibrācija: ⇒ nekavējoties apturiet mašīnu!	Ravēšanas asmens ir salauzts, saliekts vai nodilis.	Nomainiet ravēšanas asmeni.
	Piedziņas sistēma nedarbojas pareizi.	Dodieties to remontēt vietējā pilnvarotā apkopes centrā.
Ravēšanas asmeni un motoru nevar apturēt: ⇒ nekavējoties izņemiet akumulatoru!	Elektriska kļūme.	Izņemiet akumulatoru un sazinieties ar vietējo pilnvaroto apkopes centru, lai vienotos par remontu.

PAPILDU PIEDERUMI

⚠ UZMANĪBU: Kopā ar šajā rokasgrāmatā aprakstīto Makita darbarīku ieteicams izmantot norādītos piederumus vai palīgierīces. Izmantojot citus piederumus vai palīgierīces, var izraisīt traumas. Piederumu vai palīgierīci izmantojiet tikai paredzētajam nolūkam.

Ja jums vajadzīga palīdzība vai precīzāka informācija par šiem piederumiem, vērsieties savā tuvākajā Makita apkopes centrā.

- Ravēšanas asmens
- Kultivatora asmens
- Makita oriģinālais akumulators un lādētājs

PIEZĪME: Daži sarakstā norādītie izstrādājumi var būt iekļauti izstrādājuma komplektācijā kā standarta piederumi. Tie dažādās valstīs var būt atšķirīgi.

SPECIFIKACIJOS

Modelis:	WA400MP
Pjovimo plotis	220 mm
Matmenys (I x P x A)	980 mm x 226 mm x 196 mm
Grynasis svoris	2,8 kg

- Atliekame tęstinus tyrimus ir nuolatos tobuliname savo gaminius, todėl čia pateikiamos specifikacijos gali būti keičiamos be įspėjimo.
- Skirtingose šalyse specifikacijos gali skirtis.

Patvirtintas galios įrenginys

Šis priedas patvirtintas naudoti tik su toliau nurodytu (-ais) varančiuoju (-iaisiais) įrankiu (-iais):

- DUX60 Belaidė daugiafunkcė benzininė galvutė
- DUX18 Belaidė daugiafunkcė benzininė galvutė
- UX01G belaidė daugiafunkcė benzininė galvutė

ĮSPĖJIMAS: Niekada nenaudokite priedo su nepatvirtintu galios įrenginiu. Nepatvirtintas derinys gali sunkiai susižaloti.

Simboliai

Toliau yra nurodyti simboliai, kurie gali būti naudojami įrangai. Prieš naudodami įsitikinkite, kad suprantate jų reikšmę.



Perskaitykite naudojimo instrukciją ir ją vadovaukitės.



Uždėkite apsauginį šalmą, naudokite akių ir klausos organų apsaugos priemones.



Mūvėkite apsaugines pirštines.



Avėkite virtus batus neslidžiais padais.



Įspėjimas: prieš atikdami techninės priežiūros darbus, atjunkite akumuliatorių.



Laikykite kojas atokiau nuo ravėjimo peilio.



Pašaliniai asmenys ir gyvūnai turi būti ne mažesniu nei 5 m atstumu nuo elektrinio įrankio.



Įkaitę paviršiai – galima nusideginti pirštus arba rankas.



Garantuojamas garso galios lygis pagal ES lauko triukšmo direktyvą.



Garso galios lygis pagal Australijos NSW triukšmo kontrolės reglamentą

Numatytoji paskirtis

Šis priedas skirtas tik žolei ant žemės ravėti kartu su patvirtintu galios įrenginiu. Niekada nenaudokite priedo kitam tikslui. Netinkamai elgiantis su priedu galima sunkiai susižaloti.

EB atitikties deklaracija

Tik Europos šalims

Mes, gamintojai: **Makita Europe N.V.**, buveinės adresas: **Jan-Baptist Vinkstraat 2 3070 Kortenberg BELGIJA**. Įgaliojame **Kazuhisa Makino** parengti techninių duomenų bylą ir atsakingai tvirtiname, kad gaminyje (-iai); pavadinimas: **ravėjimo priedas/kauptukas**, tipo (-ų) ženklavimas: **WA400MP**.

Atitinka visas susijusias Direktyvos **2006/42/EB** nuostatas, taip pat atitinkamas toliau nurodytų **EB / ES** direktyvų nuostatas: **2000/14/EC** ir gaminami pagal tolesnius darniuosius standartus: **EN 62841-1:2015+A11:2022, EN ISO 11806-1:2022, EN IEC 62841-4-7:2022+A11:2022**.

Deklaracijos sudarymo vieta ir data: **Kortenbergas, Belgija. 27. 9.2023**

Atsakingasis asmuo: **Kazuhisa Makino, direktorius – „Makita Europe N.V.“**

SAUGOS ĮSPĖJIMAI

Ravėjimo priedo/kauptuko saugos įspėjimai

- Nenaudokite įrenginio prastu oru, ypač – jei gali žaibuoti.** Taip sumažinsite nutrenkimo žaibu pavojų.
- Kruopščiai apžiūrėkite, ar toje vietoje, kur bus naudojamas įrenginys, nėra laukinių gyvūnų.** Darbo metu įrenginys gali sužaloti laukinius gyvūnus.
- Krupščiai apžiūrėkite vietą, kurioje bus naudojamas įrenginys, ir pašalinkite visus akmenis, pagalius, vielas, kaulus ir kitus pašalininius objektus.** Kitaip išsviesti objektai gali sužeisti.
- Prieš naudodami įrenginį, visada patikrinkite, ar nepažeistas ravėjimo peilis.** Pažeista dalis didina pavojų susižaloti.
- Laikykitės priedų keitimo nurodymų.** Netinkamai priveržtos peilio tvirtinimo varžlės arba varžtai gali sugadinti peilį arba jis gali atsijungti.
- Dėvėkite akių, ausų, galvos ir rankų apsaugos priemones.** Tinkamos apsaugos priemonės padės sumažinti susižalojimo dėl skriejančių šiukšlelių arba atsitiktinio sąlyčio su pjovimo linija (ašmenimis) pavojų.
- Naudodami šį įrenginį, visada avėkite apsauginę avalynę neslidžiais padais. Niekomet nedirbkite įrenginiu basi arba avėdami atvirus sandalus.** Taip sumažinsite pavojų susižeisti pėdas dėl sąlyčio su judančiais pjaustytuvais ar pjovimo linijomis.
- Dirbdami įrenginiu, visada dėvėkite ilgus kelnes.** Nepridengta oda padidina tikimybę susižeisti išsviestais objektais.
- Dirbdami mašina, pasirūpinkite, kad pašaliniai asmenys stovėtų atokiai.** Išsviestos šiukšlės gali sunkiai sužaloti.
- Įrenginį visada valdykite dviem rankomis.** Laikydami įrenginį abiem rankomis, išvengsite kontrolės praradimo.
- Laikykite įrenginį tik už izoliuotų, suimti skirtų paviršių, nes pjovimo linija arba peilis gali užkliudyti paslėptą laidą.** Pjovimo linijai arba peiliui prisilietus prie laido, kuriuo teka srovė, neizoliuotos metalinės įrenginio dalys gali sukelti operatoriui elektros šoką.
- Visada užtikrinkite tinkamą stovėseną ir įrenginį naudokite tik stovėdami ant žemės.** Stovint ant slidaus arba nestabiliu pagrindu, galima prarasti pusiausvyrą arba nesuvaldyti įrenginio.
- N nedirbkite įrenginiu pernelyg stačiam nuolydyje.** Taip kils mažesnis pavojus nesuvaldyti įrankio, paslysti, nugriūti ir susižaloti.
- Dirbdami nuolydžiuose, visada tvirtai stovėkite ir dirbkite skersai nuolydžio – niekada neikite aukštyn arba žemyn.** Taip pat būkite itin atsargūs, kai keičiate kryptį. Taip kils mažesnis pavojus nesuvaldyti įrankio, paslysti, nugriūti ir susižaloti.
- Įrenginiui veikiant saugokite visas kūno dalis nuo ravėjimo peilio. Prieš įjungdami įrenginį, įsitikinkite, kad ravėjimo peilis su niekuo nesiliečia.** Net ir akimirka neatidumo dirbant įrenginiu gali lemti jūsų arba aplinkinių susižalojimą.

- N nedirbkite įrenginiu didesniame nei juosmens aukštyje.** Tai padės išvengti netyčinio ravėjimo peilio sąlyčio ir leis geriau valdyti įrenginį netikėtose situacijose.
- Pjaudami įtemptus krūmus ar medelius, saugokitės jų atsokimo.** Atsipalaidavus medienos pluošto įtempiui, krūmas arba medelis gali atsokti į operatorių ir (arba) sutrikdyti įrenginio kontrolę.
- Pjaudami krūmus ir medelius, būkite ypač atsargūs.** Peilis gali kliudyti plonas medžio daleles ir nukreipti jas į jūsų pusę arba dėl to galite prarasti pusiausvyrą.
- Kontroliuokite įrenginį ir nelieskite ravėjimo peilio bei kitų pavojingų judančių dalių.** Taip sumažinsite pavojų susižeisti judančiomis dalimis.
- Nešiokite įrenginį išjungtą, laikydami atokiai nuo kūno.** Tinkamas įrenginio valdymas sumažins atsitiktinio sąlyčio su judančiu pjaustytuvu, linija arba peiliu tikimybę.
- Prieš gabendami arba sandėliuodami įrenginį, visada sumontuokite dangtelį ant ravėjimo peilio.** Tinkamai tvarkant įrenginį, sumažės atsitiktinio sąlyčio su peiliu tikimybė.
- Naudokite tik gamintojo nurodytus atsarginius ravėjimo peilius.** Dėl netinkamų atsarginių dalių gali padidėti lūžimo ir susižalojimo pavojus.
- Prieš šalindami įstrigusias medžiagas arba vykdydami įrenginio priežiūrą, užtikrinkite, kad jungiklis būtų išjungtas, o akumulatorius – išimtas.** Netyčia paleidus įrenginį, kol šalინamos įstrigusios medžiagos arba atliekama priežiūra, galima sunkiai susižaloti.

Papildomi įspėjimai dėl saugos

Bendrieji nurodymai

- Norėdamas užtikrinti tinkamą įrenginio darbą, vartotojas turi perskaityti šią naudojimo instrukciją, kad sužinotų, kaip naudoti šį prietaisą.** Nepakankamai informuoti vartotojai padidina sau ir kitiems dėl netinkamo naudojimo kylančių pavojų.
- Niekada neleiskite, kad šį įrankį naudotų asmenys (įskaitant vaikus) su fizine, jutimine ar psichine negalia arba stokojantys patirties ir žinių ar kurie nėra perskaitę šios instrukcijos, kaip naudoti šį įrankį; pagal vietinius įstatymus operatoriaus amžius gali būti ribojamas.**
- Naudodami šį prietaisą, būkite labai atsargūs ir atidūs.**
- Naudokite šį prietaisą tik būdami geros fizinės būklės.** Visus darbus atlikite ramiai ir atidžiai. Vadovaukitės sveika nuovoka ir prisiminkite, kad operatorius arba vartotojas yra atsakingas už nelaimingus atsitikimus ar žalą, padarytą kitiems žmonėms arba jų turtui.
- Niekomet nenaudokite šio prietaiso, jei netoliese yra žmonių, ypač vaikų ar naminių gyvūnų.**
- Įvykus kokiam nors šio prietaiso gedimui ar esant neįprasto veikimo požymiams, būtina tuoj pat išjungti variklį.**

- Išjunkite variklį ir ištraukite akumulatoriaus kasetę poilsio pertraukų metu ir tuomet, kai paliekate šį prietaisą be priežiūros; padėkite jį saugioje vietoje, kad jis nekeltų pavojaus kitiems arba pats nebūtų sugadintas.
- Venkite naudoti mašiną esant blogam orui, ypač jei gali žaibuoti.

Asmeninės apsaugos priemonės

- Naudodami šį prietaisą, visuomet dėvėkite akių apsaugas ir avėkite tvirtus batus.
- Naudodami šį prietaisą, visuomet avėkite tinkamą avalynę ir mūvėkite ilgas kelnes.

Įrenginio paleidimas

- Įsitinkinkite, kad šalia darbo vietos nebūtų vaikų ar kitų žmonių, taip pat atkreipkite dėmesį, ar netoliese nėra kokių nors gyvūnų. Kitaip nenaudokite prietaiso.
- Kai dirbate, pašaliniai asmenys ir gyvūnai turi būti ne mažesniu nei 5 m atstumu nuo įrankio. Kūm nors artėjant išjunkite įrankį.
- Prieš pradėdami naudoti šį įrenginį, patikrinkite, ar jį saugu naudoti. Patikrinkite pjovimo įrankio saugą ir įsitinkinkite, kad gaidukas veikia lengvai ir tinkamai. Patikrinkite, ar rankenos švarios ir sausos ir ar tinkamai veikia įjungiklis (išjungiklis).
- Prieš pradėdami naudoti šį įrenginį, patikrinkite, ar nėra pažeistų dalių. Atidžiai apžiūrėkite pažeistą dalį ir nustatykite, ar ji veiks tinkamai ir atliks savo funkciją. Patikrinkite judančių dalių lygiavimą, suveržimą, ar nėra sulūžusių dalių, ar dalys tinkamai sumontuotos ir kitas sąlygas, kurios gali paveikti įrenginio veikimą. Sugadintą dalį reikia tinkamai suremontuoti arba pakeisti mūsų įgaliotajame priežiūros centre, nebent šioje instrukcijoje būtų nurodyta kitaip.
- Paleiskite variklį tik tuomet, kai rankos ir kojos bus atokiai nuo pjovimo įrankio.
- Prieš paleisdami pjovimo įrankį, įsitinkinkite, kad jis neliečia jokių objektų.
- Darbo metu įrankį laikykite tvirtai.
- Saugokitės, kad įrenginio neįjungtumėte netyčia. Neneškite įrankio su įdėta akumulatoriaus kasete ir laikydami pirštą ant jungiklio. Dėdami akumulatoriaus kasetę, įsitinkinkite, kad jungiklis išjungtas.
- Prieš darbą apžiūrėkite darbinę zoną, ar joje nėra vielinių tvorų, akmenų ar kitų kietų objektų. Jie gali pažeisti ravėjimo peilius.
- Prieš naudodami įrankį patikrinkite gyvatvores ir krūmus, ar nėra pašalinių medžiagų, pvz., vielinių tvorų ar užslėptų vielų.

Naudojimo būdas

- Naudokite šį prietaisą tik esant geram apšvietimui ir matomumui. Žiemos metu saugokitės slidžių ar šlapių vietų, ledo ir sniego (pavojus paslysti). Visuomet tvirtai stovėkite nuožulniose vietose ir eikite, niekuomet nebėkite.
- Būkite atsargūs, kad nesusižeistumėte pjovimo įrankiu kojų ir rankų.

- Niekada nenaudokite šio prietaiso stovėdami ant kopėčių.
- Niekada nelipkite į medžius, kad nupjautumėte šakas šiuo prietaisu.
- Niekada nedirbkite stovėdami ant nestabilių paviršių.
- Iš darbo vietos pašalinkite smėlį, akmenis, vinis ir pan. Pašaliniai daiktai ir dalelės gali sugadinti pjovimo įrankį ir sukelti pavojingą atotrūkį.
- Jei pjovimo įrankis atsitrenkęs į akmenį ar kokį nors kitą kietą objektą, tuoj pat išjunkite variklį ir apžiūrėkite pjovimo įrankį.
- Reguliariai tikrinkite pjovimo įrankį, ar jis neapgadintas (vielos įtrūkimus tikrinkite atlikdami tapšnojiimo-garso bandymą).
- Visuomet ištraukite iš įrankio akumulatoriaus kasetę:
 - kai paliekate prietaisą be priežiūros;
 - prieš pašalindami užsikimšimą;
 - prieš atlikdami šio prietaiso patikrą, valymą ir prieš pradėdami darbą;
 - atsitrenkę į kokį nors daiktą;
 - jeigu prietaisas pradeda neįprastai vibruoti.
- Išjungus variklį, pjovimo dalys dar kurį laiką sukasi.
- Tvirtindami arba nuimdami peilių gaubtą, būkite atsargūs, kad nesusižalotumėte rankų.

Techninės priežiūros instrukcija

- Prieš pradėdami darbą, būtina patikrinti šio prietaiso būklę, ypač apsauginius pjovimo įrankio įtaisus.
- Prieš atlikdami techninės priežiūros darbus, keisdami pjovimo įrankius, taip pat valydami prietaisą arba pjovimo įrankį, išjunkite variklį ir ištraukite akumulatoriaus kasetę.
- Kai įrankio nenaudojate, uždėkite peilių gaubtą ir laikykite įrankį sausoje, rakinamoje patalpoje aukštai padėtą, kad jo nepasiektų vaikai.

SAUGOKITE ŠIAS INSTRUKCIJAS.

⚠️ ĮSPĖJIMAS: NELEISKITE, kad patogumas ir gaminio saulpinimas (igyjamas pakartotinai naudojant) susilpnintų griežtą saugos taisyklių, taikytinų šiam gaminiui, laikymąsi. Dėl NETINKAMO NAUDOJIMO arba saugos taisyklių, kurios pateiktos šioje instrukcijoje, nesilaikymo galima rimtai susižeisti.

DALIŲ APRAŠYMAS

- ▶ Pav.1: 1. Peilių gaubtas 2. Dangtelis 3. Ravėjimo peilis

SURINKIMAS

⚠️ JSPĖJIMAS: Prieš surinkdami arba reguliuodami įrangą, išjunkite variklį ir išimkite akumuliatoriaus kasetę. Priešingu atveju mechanizmas gali netolygiai įsijungti ir sužaloti.

⚠️ JSPĖJIMAS: Kai surenkate arba reguliuojate įrankį, visada jį nuleiskite. Surenkant arba reguliuojant įrangą esant stačiai padėčiai, galima sunkiai susižaloti.

⚠️ JSPĖJIMAS: Laikykitės įspėjimų ir atsargumo priemonių, nurodytų skyriuje SAUGUMO ĮSPĖJIMAI ir galios įrenginio naudojimo instrukcijoje.

Priedo surinkimas

1. Prie priedo pritvirtinkite 2 reguliavimo plokšteles, kad plokštelių grioveliai būtų nukreipti į išorę.
▶ **Pav.2:** 1. Reguliavimo plokštelė

2. Pritvirtinkite ravėjimo peilį prie reguliavimo plokštelių, šiek tiek atidarydami peilį į išorę.

Tvirtindami ravėjimo peilį, užtikrinkite, kad rodyklė būtų nukreipta į vamzdį.

▶ **Pav.3:** 1. Rodyklė

Ravėjimo peilio kampa galima keisti sulyguojant jo iškyšą su viena iš reguliavimo plokštelių iškyšų.

▶ **Pav.4:** 1. Iškyša

PASTABA: Užtikrinkite, kad ant ravėjimo peilio esančios rodyklės būtų nukreiptos paveikslėlyje pavaizduota kryptimi.

▶ **Pav.5:** 1. Rodyklė

3. Užtikrinkite, kad ravėjimo peilis būtų sujungtas su reguliavimo plokšteliųėmis.

▶ **Pav.6**

4. Įkiškite varžtą iš tos pusės, kurioje nėra varžlės, ir priveržkite jį veržliarakčiu.

Užtikrinkite, kad varžtas būtų gerai priveržtas.

▶ **Pav.7:** 1. Varžtas 2. Veržlė

PASTABA: Priveržimo sukimo momentas: 5–10 N•m

Priedo vamzdžio sumontavimas

⚠️ PERSPĖJIMAS: Po montavimo visada patikrinkite, ar priedo vamzdis užfiksuotas. Netinkamai sumontavus, priedas gali nukristi nuo galios įrenginio ir sužaloti.

Pritvirtinkite priedo vamzdį prie galios įrenginio.

1. Nuo vamzdžio galo nuimkite dangtelį.

▶ **Pav.8:** 1. Vamzdis 2. Dangtelis

PASTABA: Dangtelio neišmeskite, kadangi jo reikės sandėliuojant priedą.

2. Pasukite svirtį priedo link.

▶ **Pav.9:** 1. Svirtis

3. Sutapdinkite kaištį su ant galios įrenginio pažymėta rodykle. Kiškite vamzdį, kol atleidimo mygtukas iššoks.

Įsitikinkite, kad padėties linija yra ant rodyklės žymos galiuko ant galios įrenginio, o rodyklės žyma ant galios įrenginio ir rodyklės žyma ant vamzdžio yra nukreiptos viena į kitą.

▶ **Pav.10:** 1. Atlaisvinimo mygtukas 2. Rodyklės žyma ant galios įrenginio 3. Kaištis 4. Padėties linija 5. Rodyklės žyma ant vamzdžio

4. Pasukite svirtį link galios įrenginio.

▶ **Pav.11:** 1. Svirtis

Pasirūpinkite, kad svirties paviršius būtų lygiagretus vamzdžio atžvilgiu.

PASTABA: Nepriveržkite svirties, neįdėję priedo vamzdžio. Antraip svirtis gali per daug priveržti varantįjį veleną ir jį sugadinti.

Norėdami nuimti vamzdį, pasukite svirtį priedo link ir ištraukite vamzdį, tuo pačiu metu spausdami atlaisvinimo mygtuką.

▶ **Pav.12:** 1. Atlaisvinimo mygtukas 2. Svirtis 3. Vamzdis

Peilių gaubto sumontavimas ir nuėmimas

Norėdami nuimti peilio dangtelį, pastumkite jį vidun ir pasukite.

▶ **Pav.13:** 1. Peilio dangtelis

Norėdami sumontuoti peilio dangtelį, užkabinkite jį ant vienos ravėjimo peilio pusės ir pasukite.

▶ **Pav.14:** 1. Peilio dangtelis

PASTABA: Peilio dangtelį galite prijungti prie vamzdžio, kaip parodyta paveikslėlyje.

▶ **Pav.15:** 1. Peilio dangtelis

Ravėjimo peilio įrengimas ir nuėmimas

⚠️ PERSPĖJIMAS: Keisdami ravėjimo peilį, visada mūvėkite pirštines, kad rankos tiesiogiai prie jo neprilietų.

⚠️ PERSPĖJIMAS: Prieš montuodami arba nuimdami ravėjimo peilį, sumontuokite peilio dangtelį.

1. Sumontuokite peilio dangtelį ant ravėjimo peilio.

2. Atlaisvinkite varžtą veržliarakčiu ir atsukite jį.

▶ **Pav.16:** 1. Varžtas

3. Nuimkite ravėjimo peilį, šiek tiek atidarydami jį išorėn.

▶ **Pav.17**

Sumontuokite ravėjimo peilį, vadovaudamiesi priedo surinkimo nurodymais.

VEIKIMO APRAŠYMAS

⚠ PERSPĖJIMAS: Prieš pradėdami reguliuoti arba tikrinti įrankio veikimą, visuomet būtinai išjunkite įrankį ir išimkite akumulatoriaus kasetę.

Pjovimo kampo reguliavimas

⚠ PERSPĖJIMAS: Prieš reguliuodami pjovimo kampą, užtikrinkite, kad įrankis būtų išjungtas.

Ravėjimo peilio kampą galima keisti trimis lygiais. Norėdami pakeisti kampą, sulygiuokite ravėjimo peilio iškyšą su viena iš reguliavimo plokštelių iškyšų, tada sumontuokite ravėjimo peilį.

1. Veržliarakčiu atlaisvinkite peilio tvirtinimo varžtą.
 2. Sulygiuokite ravėjimo peilio iškyšą su viena iš reguliavimo plokštelių iškyšų.
 3. Vėl priveržkite varžtą, kad pritvirtintumėte peilį.
- Pav.18: 1. Iškyša

NAUDOJIMAS

⚠ JSPĖJIMAS: Laikykitės įspėjimų ir atsargumo priemonių, nurodytų skyriuje SAUGUMO ĮSPĖJIMAI ir galios įrenginio naudojimo instrukcijoje.

Įrankio naudojimas

⚠ JSPĖJIMAS: Laikykite rankas atokiai nuo ravėjimo peilio.

⚠ JSPĖJIMAS: Tuo metu būkite labai atsargūs, kad suvaldytumėte įrankį. Neleiskite, kad įrankis būtų nukreiptas jūsų arba kito, šalia darbo vietos esančio žmogaus, link. Nesuvaldžius įrankio, galima sunkiai susižeisti arba sužeisti šalia esančius žmones ir operatorių.

⚠ JSPĖJIMAS: Prieš pradėdami ravėti, iš ravėjimo zonos pašalinkite pagalius ir akmenis.

PASTABA: Šis įrankis skirtas mažesnėms nei 15 cm (5-7/8") piktžolėms šalinti.

► Pav.19

⚠ PERSPĖJIMAS: Jei tik įmanoma, stenkitės nenaudoti šio įrankio labai karštomis oro sąlygomis. Naudodami šį įrankį, atsizvelkite į savo fizinę būklę.

⚠ PERSPĖJIMAS: Ravėdami saugokitės, kad neužkabintumėte peiliu metalinės tvoros ar kitų kietų objektų. Ravėjimo peilis gali sulūžti ir ką nors sužaloti.

⚠ PERSPĖJIMAS: Nesiekite įrankiu per toli, ypač – stovėdami ant kopėčių, nes tai labai pavojinga. Nedirbkite stovėdami ant netvirtu ar svyruojančio pagrindo.

PASTABA: Nenaudokite šio įrankio taip, kad variklis sustotų arba suktųsi labai lėtai.

Laikykite įrankį abiem rankomis už priekinės rankenos ir galios įrenginio galinės rankenos.

► Pav.20: 1. Priekinė rankena 2. Galinė rankena

Įjunkite įrankį, kai ravėjimo peilis yra pakeltas nuo žemės. Norėdami pradėti ravėti, padėkite ravėjimo peilį ant žemės ir lėtai traukite įrankį link savęs. Dirbti lengviau, kai ravėjimo peilis yra beveik statmenas žemei.

► Pav.21

► Pav.22

TECHNINĖ PRIEŽIŪRA

⚠ JSPĖJIMAS: Prieš atlikdami techninę įrangos priežiūrą arba apžiūrą, išjunkite variklį ir išimkite akumulatoriaus kasetę. Priešingu atveju mechanizmas gali netyčia įsijungti ir rimtai sužaloti.

⚠ JSPĖJIMAS: Kai tikrinatė įrangą arba atliekatė jos techninės priežiūros darbus, visada ją nuleiskite. Surenkant arba reguliuojant įrangą esant stačiai padėčiai, galima sunkiai susižaloti.

⚠ JSPĖJIMAS: Laikykitės įspėjimų ir atsargumo priemonių, nurodytų skyriuje SAUGUMO ĮSPĖJIMAI ir galios įrenginio naudojimo instrukcijoje.

⚠ PERSPĖJIMAS: Atlikdami patikrinimo arba techninės priežiūros darbus, mūvėkite pirštines.

PASTABA: Niekada nenaudokite gazolino, benzino, tirpiklio, spirito arba panašių medžiagų. Gali atsirasti išblukimų, deformacijų arba įtrūkimų.

Kad gaminys būtų SAUGUS ir PATIKIMAS, jį taisyti, apžiūrėti ar vykdyti bet kokią kitą priežiūrą ar derinimą turi įgaliotasis kompanijos „Makita“ techninės priežiūros centras; reikia naudoti tik kompanijos „Makita“ pagamintas atsargines dalis.

Įrankio valymas

Nuvalykite nuo įrankio dulkes sausu ar muilinu vandeniu sumirkytu ir nugręžtu skuduru.

Peilio techninė priežiūra

Po darbo pašalinkite nuo peilio įsipainiojusią žolę arba šaknis.

PASTABA: Neplaukite peilio vandeniu. Kitaip gali atsirasti rūdžių, gali būti pažeistas peilis arba priedas.

Laikymas

Sumontuokite peilio dangtelį ant ravėjimo peilio. Laikykite įrankį vaikams nepasiekiamoje vietoje. Laikykite įrankį nuo drėgmės ar lietaus apsaugotoje vietoje.

Kai priedą (atskirytą nuo galios įrenginio) reikia sandėliuoti, sumontuokite dangtelį ant vamzdžio galo.

► Pav.23

Judamųjų dalių sutepimas

PASTABA: Laikykitės tepimo dažnumo ir naudojamo tepalo kiekio nurodymų. Kitu atveju judančios dalys gali būti sugadintos dėl nepakankamo tepimo.

Varančioji ašis:

Įpilkite tepalo („Makita grease N No.2“ ar analogiško) kas 25 val. darbo.

► **Pav.24**

PASTABA: Originalaus „Makita“ tepalo galite įsigyti iš savo vietinio „Makita“ pardavimo atstovo.

Tepimas

Tepimo intervalas: Kas 25 darbo valandų

1. Išsukite varžtą iš skylės, kad galėtumėte sutepti.
► **Pav.25:** 1. Varžtas
2. Užtepkite ant įrankio tepalo („Makita“ tepalo SG No.0 arba lygiavėrio) (maždaug 3,0 g).
3. Priveržkite varžtą.

GEDIMŲ ŠALINIMAS

Prieš kreipdamiesi dėl remonto darbų, pirmiausia patikrinkite gedimus patys. Kilus problemų, apie kurias nepaaiškinta vartotojo vadove, nemėginkite ardyti įrankio. Kreipkitės į įgaliotuosius „Makita“ techninės priežiūros centrus, kuriuose remontui visuomet naudojamos originalios „Makita“ keičiamosios dalys.

Neįprasta būklė	Tikėtina priežastis (triktis)	Ištaisomoji priemonė
Variklio nepavyksta paleisti.	-	Žr. galios įrenginio naudojimo instrukciją.
Variklis greitai sustoja.	-	Žr. galios įrenginio naudojimo instrukciją.
Variklio greitis nedidėja.	-	Žr. galios įrenginio naudojimo instrukciją.
Ravėjimo peilis nejuda: ⇒ nedelsdami sustabdykite įrenginį!	Netinkamai veikia pavaros sistema.	Dėl remonto kreipkitės į vietinį įgaliotąjį techninės priežiūros centrą.
Neįprasta vibracija: ⇒ nedelsdami sustabdykite įrenginį!	Ravėjimo peilis lūžęs, sulenktas arba susidėvėjęs. Netinkamai veikia pavaros sistema.	Pakeiskite ravėjimo peilį. Dėl remonto kreipkitės į vietinį įgaliotąjį techninės priežiūros centrą.
Ravėjimo peilis ir variklis nesustoja: ⇒ nedelsdami išimkite akumuliatorių!	Elektros gedimas.	Išimkite akumuliatorių ir susisiekite su vietiniu įgaliotuoju techninės priežiūros centru dėl remonto.

PASIRENKAMI PRIEDAI

⚠ PERSPĖJIMAS: Su šiuo vadove nurodyta „Makita“ mašina rekomenduojama naudoti šiuos įtaisus arba priedus. Naudojant bet kokius kitus įtaisus arba priedus, gali kilti pavojus sužaloti žmones. Įtaisus arba priedus naudokite tik pagal nurodytą paskirtį.

Jeigu norite daugiau sužinoti apie tuos priedus, kreipkitės į artimiausią „Makita“ techninės priežiūros centrą.

- Ravėjimo peilis
- Kultivatoriaus peilis
- Originalūs „Makita“ akumuliatoriai ir įkroviklis

PASTABA: Kai kurie sąrašė esantys priedai gali būti pateikti gaminio pakuotėje kaip standartiniai priedai. Jie įvairiose šalyse gali skirtis.

TEHNILISED ANDMED

Mudel:	WA400MP
Lõikelaius	220 mm
Mõõtmed (P × L × K)	980 mm × 226 mm × 196 mm
Netokaal	2,8 kg

- Meie pideva uuringu- ja arendusprogrammi tõttu võidakse tehnilisi andmeid muuta ilma sellest ette teatamata.
- Tehnilised andmed võivad riigiti erineda.

Heakskiidetud mootorseade

See tarvik on heaks kiidetud ainult järgmis(t)e mootor-seadme(te)ga kasutamiseks:

- Juhtmeta universaalne mootorajam DUX60
- Juhtmeta universaalne mootorajam DUX18
- Juhtmeta universaalne mootorajam UX01G

⚠ HOIATUS: Ärge kasutage tarvikut koos heakskiitmata mootorajamiga. Heakskiiduta kombinatsioon võib tuua kaasa raske kehavigastuse.

Sümbolid

Alljärgnevalt kirjeldatakse tingimärke, mida võidakse seadmetel kasutada. Enne seadme kasutamist tehke endale selgeks nende tähendus.

	Lugege läbi ja järgige kasutusjuhendit.
	Kandke kaitsekiivrit, kaitseprille ja kõrvakaitsmeid.
	Kandke kaitsekindaid.
	Kandke tugevaid libisemiskindla tallaga jalatseid.
	Hoiatus; lahutage aku enne hooldamist.
	Hoidke jalgu rohimisterast eemal.
	Hoidke kõrvalseisjad ja loomad töötamise ajal elektritööriistast vähemalt 5 m kaugusel.
	Kuumad pinnad – sõrmede või käte põletused.
	Garanteeritud helivõimsustase ELi välis-tingimustes kasutatavate seadmete müra direktiivi kohaselt.



Helivõimsustase Austraalia NSW müra-kontrolli määrase kohaselt

Kavandatud kasutus

See tarvik on ette nähtud sobiva mootorseadmega ühendatult ainult maapinnal oleva rohu eemaldamiseks. Ärge kasutage tarvikut muul otstarbel. Tarviku väärkasutamine võib tuua kaasa raske kehavigastuse.

EÜ vastavusdeklaratsioon

Ainult Euroopa riikide puhul

Meie kui tootjad: **Makita Europe N.V.**, ettevõtte aadress: **Jan-Baptist Vinkstraat 2, 3070 Kortenberg, BELGIUM**. Volitame **Kazuhisa Makino** koostama tehnilist dokumenti ja deklareerime oma ainuvastutusel, et toode/tooted; Nimetus: **rohimis liides**. Tüübi/tüüpide tähis: **WA400MP**. Vastab kõikidele direktiivi **2006/42/EÜ** asjakohastele sätetele ning järgmiste EÜ/EL-i direktiivide kõikidele asjakohastele sätetele: **2000/14/EC** ning on valmistatud kooskõlas järgmiste harmoneeritud standarditega: **EN 62841-1:2015+A11:2022, EN ISO 11806-1:2022, EN IEC 62841-4-7:2022+A11:2022**.

Deklaratsiooni koht ja kuupäev: **Kortenberg, Belgia. 27. 9.2023**

Vastutav isik: **Kazuhisa Makino, direktor – Makita Europe N.V.**

OHUTUSHOIATUSED

Rohimisliidese ohutushoiatused

1. **Ärge kasutage masinat halva ilmaga, eriti äikeseoahu korral.** See vähendab välgutabamuse saamise ohtu.
2. **Kontrollige masina kasutamise piirkonnas hoolikalt, ega seal ei ole metsloomi või -linde.** Metsloomad ja -linnud võivad masina kasutamisel viga saada.
3. **Kontrollige hoolikalt masina kasutamise piirkonda ja eemaldage kõik kivid, oksad, traadid, luud ja muud võõrkehad.** Eemalepaiskuvad esemed võivad põhjustada kehavigastusi.

4. **Enne masina kasutamist kontrollige alati visuaalselt, ega rohimistera pole kahjustunud.** Kahjustunud osad suurendavad kehavigastuste ohtu.
5. **Järgige tarvikute vahetamise juhiseid.** Korralikult pingutamata mutrid või poldid lõiketeral võivad kas lõiketera kahjustada või põhjustada selle lahtituleku.
6. **Kandke silmade, kõrvade, pea ja käte kaitsevahendeid.** Sobivad kaitsevahendid vähendavad kehavigastuste ohtu juhuslikul kokkupuutel lõikejõhvi või -teraga.
7. **Masina kasutamisel kandke alati mittelibisevaid turvajalatsid. Ärge töötage masinaga, kui olete paljajalu või kannate lahtisi sandaale.** Nii vähendate jalgade vigastamise ohtu liikuvate lõikurite või jõhvide tõttu.
8. **Kandke masinaga töötamise ajal alati pikki pükse.** Paljastunud nahk suurendab laialipaiskuvate esemete tõttu tekkivate kehavigastuste tõenäosust.
9. **Hoidke kõrvalised isikud masina kasutamise ajal eemal.** Laialipaiskuv praht võib põhjustada raskeid kehavigastusi.
10. **Masinaga töötamisel kasutage alati kahte kätt.** Masina hoidmine kahe käega väldib juhitavuse kaotamise ohtu.
11. **Hoidke masinat ainult isoleeritud haardepindadest, sest lõikejõhv või -tera võib sattuda kokkupuutesse varjatud juhtmetega.** Pingestatud juhtmega kokkupuutesse sattunud lõikejõhv või -terad võivad pingestada masina metalloosi, mille tagajärjel võib seadme kasutaja saada elektrilöögi.
12. **Jalgalaune peab olema alati kindel ning masinat tohib kasutada ainult maapinnal seistes.** Libedad või ebastabiilsed pinnad võivad põhjustada tasakaalu või kontrolli kaotust masina üle.
13. **Ärge kasutage masinat liiga järskudel kallakutel.** See vähendab kontrolli kaotamise, libisemise ja kukkumise ohtu, mis võib põhjustada kehavigastusi.
14. **Kallakutel töötades veenduge alati, et teie jalgalaune oleks kindel, töötage alati kallaku suhtes ristisuunas, mitte kunagi üles või alla, ning olge suunda muutes alati väga ettevaatlik.** See vähendab kontrolli kaotamise, libisemise ja kukkumise ohtu, mis võib põhjustada kehavigastusi.
15. **Hoidke masina töötamise ajal kõik kehaosad rohimisterast eemal. Enne masina käivitamist veenduge, et rohimistera ei puutuks millegagi kokku.** Üks hetk tähelepanematust masinaga töötamisel võib põhjustada kehavigastusi teile või teistele.
16. **Ärge kasutage masinat vöökohast kõrgemal.** See aitab ennetada tahtmatut rohimisteraga kokkupuudet ja võimaldab paremat kontrolli masina üle ootamatutes olukordades.
17. **Pinge all oleva võsa või noorte puude lõikamisel arvestage tagasipaiskumise ohuga.** Kui pinge puu kiududes vabaneb, võib pinge all olnud võsa või noor puu kasutajat ootamatult tabada ja/ või masina kontrolli alt välja viia.
18. **Olge võsa ja noorte puude lõikamisel eriti ettevaatlik.** Painduv materjal võib tera külge jääda ning teie poole paiskuda või teid tasakaalust välja lüüa.
19. **Säilitage masina üle kontroll ja ärge puudutage rohimistera ja muid ohtlikke liikuvaid osi, kui need veel liiguvad.** See vähendab liikuvate osade tõttu tekkivate kehavigastuste ohtu.
20. **Kandke masinat siis, kui masin on välja lülitatud, ning hoidke seda enda kehast eemal.** Masina õige käsitsemine vähendab juhusliku kokkupuute tõenäosust liikuva lõikuri, jõhvi või lõiketeraga.
21. **Masina transportimisel või hoistumisel paldalage rohimisterale alati kate.** Masina õige käsitsemine vähendab juhusliku kokkupuute tõenäosust liikuva lõiketeraga.
22. **Kasutage ainult tootja määratud asendusrohimisterasid.** Valed asendusosad võivad suurendada purunemise ja kehavigastuste ohtu.
23. **Kinnijäänud materjali eemaldamisel või masina hooldamisel veenduge, et lüliti oleks välja lülitatud ning akupakk eemaldatud.** Masina ootamatu käivitamine kinnijäänud materjali eemaldamisel või hooldamisel võib põhjustada raskeid kehavigastusi.

Täiendavad ohutusnõuded

Üldjuhised

1. **Lõuetekohase töö tagamiseks peab kasutaja lugema seda kasutusjuhendit, et tutvuda seadme käsitsemisega.** Puudulikult informeeritud kasutajad võivad seadme oskamatu käsitsemisega seada ohtu nii enda kui ka teised inimesed.
2. **Ärge kunagi laske tööriista kasutada lastel, vähenenud füüsiliste, meeleliste või vaimsete võimeteга inimestel, puudulike kogemuste ega teadmistega inimestel ega inimestel, kes ei ole tutvunud nende juhistega, kohalikud määrused võivad seada piirangu kasutaja vanusele.**
3. **Seadme kasutamisel tuleb olla ülimalt ettevaatlik ja tähelepanelik.**
4. **Seadet kasutavad inimesed peavad olema heas füüsilises vormis. Töötage alati rahulikult ja ettevaatlikult. Lähtuge kainest mõistusest ja pidage meeles, et omanik või kasutaja vastutab teistele isikutele põhjustatud vigastuste või nende varale tekitatud kahjustuste eest.**
5. **Ärge kunagi kasutage masinat siis, kui läheduses viibivad inimesed (eriti lapsed) või lemmikloomad.**
6. **Kui seadmel ilmnevad mis tahes probleemid või ebarahulikud nähud, siis tuleb mootor viivitamatult välja lülitada.**
7. **Lülitage mootor välja ja eemaldage akusasset, kui puhkate või jätate seadme järelevalveta, ning paigutage seade ohutusse kohta, kus see kedagi ei ohustaks ja oleks kaitsitud kahjustuste eest.**
8. **Vältige masina kasutamist halbade ilmaolude korral, eriti kui valitseb äikesoht.**

Isikukaitsevahendid

1. **Masinaga töötamisel peavad silmad olema alati kaitsitud ning tuleb kanda toekaid jalanõusid.**
2. **Kandke tööriista kasutades alati tugevaid jalatsid ja pikki pükse.**

Seadme käivitamine

1. Veenduge, et läheduses ei oleks lapsi ega teisi isikuid ning pöörake tähelepanu ka tööpiirkonnas viibivatele loomadele. Muul juhul lõpetage seadme kasutamine.
2. Hoidke kõrvalseisjad ja loomad töötamise ajal tööriistast vähemalt 5 m kaugusel. Seisake tööriist kohe, kui keegi teile läheneb.
3. Enne kasutamist kontrollige alati, et seade oleks töökorras. Kontrollige lõikeriista ohutust ning lüliti päästiku sujuvat ja korrektset toimimist. Kontrollige, kas käepidemed on puhtad ja kuivad, ning testige käivitamise/seiskamise funktsiooni.
4. Kontrollige enne seadme edasi kasutamist, ega selle osad pole kahjustunud. Kahjustunud osa tuleb hoolikalt kontrollida, kas see töötab korrektselt ja täidab ettenähtud funktsiooni. Kontrollige liikuvate osade joondust, liikuvate osade kokkujooksu, purunenud osi, osade paigaldust ja muid tingimusi, mis võivad mõjutada osa tööd. Kahjustunud osa tuleb nõuetekohaselt parandada või vahetada välja volitatud hoolduskeskuses, välja arvatud juhul, kui selles juhendis on öeldud teisiti.
5. Lülitage mootor sisse ainult siis, kui käed ja jalad on lõikeriistast eemal.
6. Veenduge enne lõikeriista käivitamist, et see ei puutuks mitte millegi vastu.
7. Töötades hoidke tööriista kindlalt käes.
8. Vältige juhukäivitust. Ärge kandke tööriista, kui akukasett on paigaldatud või kui sõrm on lülilil. Akukasetti paigaldamisel veenduge, et tööriist oleks välja lülitatud.
9. Enne töö alustamist uurige, kas tööpiirkonnas leidub traataedu, kive või muid kõvu esemeid. Need võivad rohimistera kahjustada.
10. Enne tööriista kasutamist kontrollige hekke ja pöösaid seoses vöörkehadega, näiteks traataid või varjatud juhtmed.

Tõõmeetod

1. Kasutage seadet ainult hea valguse ja nähtavuse korral. Olge eriti tähelepanelik talvel, kui on libe, märg, jääne ja lumine (libisemisoht). Jälgige, et jalgealune oleks kallakutel alati kindel ja ärge kunagi jookske, vaid kõndige.
2. Olge tähelepanelik, et te ei vigastaks lõikeriistaga oma jalgu ega käsi.
3. Ärge kasutage töötavat seadet redelil seistes.
4. Ärge löigake kunagi selle seadmega puu otsa ronides.
5. Ärge töötage kunagi ebakindlal pinnal.
6. Eemaldage tööpiirkonnast liiv, kivid, naelad jms. Vöörkehad võivad kahjustada lõikeriista ja põhjustada ohtlikke tagasilööke.
7. Kui lõikeriist peaks tabama kive või muid kõvasid esemeid, lülitage mootor kohe välja ja kontrollige lõikeriista.
8. Kontrollige lõikeriista sageli ja regulaarselt vigastuste esinemise suhtes (juuspeened praod saab koputamise teel kindlaks teha).
9. Eemaldage alati seadmest akukasett:
 - kui lahkute seadme juurest;
 - enne takistuse või ummistuse kõrvaldamist;
 - enne kontrollimist, puhastamist või mis tahes muude tööde tegemist seadmel;
 - pärast pörkumist vastu vöörkeha;
 - kui seade hakkab ebataavaliselt vibreerima.

10. Lõikeosad liiguvad pärast mootori väljalülitamist edasi.
11. Lõiketera katte kinnitamisel ja eemaldamisel olge ettevaatlik, et te oma käsi ei vigastaks.

Hooldusjuhised

1. Kontrollige enne töö alustamist seadme korrasolekut, eelkõige lõikeriista ja kaitseseadiste seisukorda.
2. Lülitage mootor välja ja eemaldage akukasett enne, kui teete hooldustöid, vahetate lõikeriistu või puhastate seadet või lõikeriista.
3. Kui tööriista ei kasutata, kinnitage terakate tööriistale ning pange tööriista hoiule kuiva ja kõrgel asuvasse lukustatud kohta, kuhu lapsed ligi ei pääse.

HOIDKE JUHEND ALLES.

⚠ HOIATUS: ÄRGE UNUSTAGE järgida toote ohutusnõudeid mugavuse või toote (korduskasutamise saavutatud) hea tundmise tõttu. **VALE KASUTUS** või kasutusjuhendi ohutuseeskirjade eiramine võib põhjustada tervisekahjustusi.

OSADE KIRJELDUS

► **Joon.1:** 1. Lõiketera kate 2. Kate 3. Rohimistera

KOKKUPANEK

⚠ HOIATUS: Enne seadme kokkupanemist või reguleerimist lülitage mootor välja ja eemaldage akukasett. Muidu võib masin tahtmatult käivituda ja vigastusi põhjustada.

⚠ HOIATUS: Seadet kokku pannes või reguleerides asetage seade alati maha. Seadme püstises asendis kokkupanemine või reguleerimine võib põhjustada raske kehavigastuse.

⚠ HOIATUS: Järgige peatükis OHUTUSHOIJATUSED ja mootorseadme kasutusjuhendis toodud hoiatusi ja ettevaatusabinõusid.

Tarviku kokkupanemine

1. Kinnitage kaks reguleerimisplaati tarvikule nii, et plaadi sooned oleksid väljaspool.

► **Joon.2:** 1. Reguleerimisplaat

2. Kinnitage rohimistera reguleerimisplaatidele, avades lõiketera kergelt väljapoole.

Rohimistera paigaldamisel peab nool näitama toru poole.

► **Joon.3:** 1. Nool

Rohimistera nurka saab muuta, joondades rohimisteral oleva eendi mõne reguleerimisplaatidel oleva eendiga.

► **Joon.4:** 1. Eend

TÄHELEPANU: Veenduge, et rohimisteral olevad nooled oleksid joonisel näidatud suunas.

► **Joon.5:** 1. Nool

3. Veenduge, et rohimistera oleks reguleerimisplaatide külge haakunud.

► **Joon.6**

4. Sisestage polt küljelt ilma mutrita ning keerake polt mutrivõtmega kinni.

Veenduge, et polt oleks tugevalt kinni keeratud.

► **Joon.7:** 1. Polt 2. Mutter

MÄRKUS: Pingutusmoment: 5–10 N•m

Liitetoru monteerimine

⚠ETTEVAATUST: Kontrollige alati, kas paigaldusvarras on korralikult paigaldatud. Ebaõige paigaldamine võib põhjustada tarviku mootorseadme küljest ärakukkumist ja põhjustada kehavigastusi.

Kinnitage liitetoru mootorseadmele.

1. Eemaldage toru otsast kork.

► **Joon.8:** 1. Toru 2. Kork

TÄHELEPANU: Äрге visake korki ära, sest see on vajalik tarviku hoidmiseks.

2. Pöörake hooba tarviku suunas.

► **Joon.9:** 1. Hoob

3. Joondage tihvt mootorseadmel asuva noolemärgiga. Sisestage toru, kuni vabastusnupp hüppab üles.

Veenduge, et asendijoon asuks mootorseadmel asuva noolemärgi otsas ning et mootorseadmel asuv noolemärk ja torul asuv noolemärk oleksid teineteise vastas.

► **Joon.10:** 1. Vabastusnupp 2. Mootorseadmel asuv noolemärk 3. Tihvt 4. Asendijoon 5. Torul asuv noolemärk

4. Pöörake hooba mootorseadme suunas.

► **Joon.11:** 1. Hoob

Veenduge, et hooba pind oleks toruga paralleelne.

TÄHELEPANU: Äрге pingutage hooba, ilma et tarviku varras oleks sisestatud. Selle eiramisel võib hoob veovõlli sissepääsu liialt pingutada ja seda kahjustada.

Toru eemaldamiseks pöörake hooba tarviku suunas ja tõmmake toru välja, vajutades vabastusnupu samal ajal alla.

► **Joon.12:** 1. Vabastusnupp 2. Hoob 3. Toru

Lõiketera katte eemaldamine ja paigaldamine

Lõiketera katte eemaldamiseks lükake katet sissepoole ja keerake.

► **Joon.13:** 1. Lõiketera kate

Lõiketera katte paigaldamiseks kinnitage kate rohimistera ühele küljele ja seejärel pöörake seda.

► **Joon.14:** 1. Lõiketera kate

MÄRKUS: Saate kinnitada lõiketera katte torule joonisel näidatud viisil.

► **Joon.15:** 1. Lõiketera kate

Rohimistera paigaldamine ja eemaldamine

⚠ETTEVAATUST: Rohimistera vahetamisel kandke alati kindaid, et käed ei puutuks rohimistera otseselt kokku.

⚠ETTEVAATUST: Paigaldage enne rohimistera eemaldamist või paigaldamist terakate.

1. Kinnitage lõiketera kate rohimisterale.

2. Eemaldage polt, keerates selle mutrivõtmega lahti.

► **Joon.16:** 1. Polt

3. Eemaldage rohimistera, avades tera veidi väljapoole.

► **Joon.17**

Rohimistera paigaldamiseks järgige tarviku paigaldamise juhiseid.

FUNKTSIONAALNE KIRJELDUS

⚠ETTEVAATUST: Kandke alati hoolt selle eest, et tööriist oleks enne reguleerimist ja kontrollimist välja lülitatud ja akukassett eemaldatud.

Lõikenurga reguleerimine

⚠ETTEVAATUST: Enne lõikenurga reguleerimist tuleb tööriist kindlasti välja lülitada.

Rohimistera nurka saab muuta kolmel astmel. Nurga muutmiseks joondage rohimisteral olev eend mõne reguleerimisplaatidel oleva eendiga ja paigaldage seejärel rohimistera.

1. Keerake lõiketera kinnitav polt mutrivõtmega lahti.

2. Joondage rohimisteral olev eend mõne reguleerimisplaatidel oleva eendiga.

3. Lõiketera kinnitamiseks keerake polt uuesti kinni.

► **Joon.18:** 1. Eend

TÖÖRIISTA KASUTAMINE

⚠HOIATUS: Järgige peatükis OHUTUSHOIATUSED ja mootorseadme kasutusjuhendis toodud hoiatusi ja ettevaatusabinõusid.

Tööriista kasutamine

⚠HOIATUS: Hoidke käed rohimisterast eemal.

⚠HOIATUS: Olge äärmiselt ettevaatlik ja tagage tööriista üle alati kontrolli. Äрге laske tööriistal kalduda enda ega kellegi teise läheduses viibiva isiku poole. Kontrolli kaotamine tööriista üle võib põhjustada kõrvalseisjale ja operaatorile tõsise kehavigastuse.

⚠HOIATUS: Puhastage rohitav ala enne rohimist okstest ja kividest.

MÄRKUS: See tööriist on mõeldud alla 15 cm (5-7/8") rohu eemaldamiseks.

► Joon.19

⚠ETTEVAATUST: Vältige nii palju kui võimalik tööriista kasutamist väga kuumas ilmaga. Pidage tööriista kasutamisel silmas oma füüsilist vormi.

⚠ETTEVAATUST: Olge rohimisel ettevaatlik, et te ei satuks kontakti metalliaia ega muu kõva esemega. Rohimisterad võivad puruneda ja põhjustada kehavigastusi.

⚠ETTEVAATUST: Tööriistaga küünitamine, eriti redeliit, on äärmiselt ohtlik. Ärge töötage, kui seisate kõikuval või ebakindlal pinnal.

TÄHELEPANU: Ärge kasutage tööriista nii, et selle mootor jääb seisma või töötab väga aeglaselt.

Hoidke tööriista mõlema käega, hoides mootorseadme esimese ja tagumise käepidemest.

► Joon.20: 1. Eesmine käepide 2. Tagumine käepide

Lülitage tööriist sisse siis, kui rohimistera on maapinnast kõrgemal. Rohimiseks asetage rohimistera maapinnale ja tõmmake tööriista aeglaselt enda poole. Lihtsam on töötada siis, kui rohimistera on maapinnaga peaaegu täisnurga all.

► Joon.21

► Joon.22

HOOLDUS

⚠HOIATUS: Enne seadme kontrollimist või hooldamist lülitage mootor välja ja eemaldage akukassett. Muidu võib masin tahtmatult käivituda ja raskeid vigastusi põhjustada.

⚠HOIATUS: Seadet kontrollides või hooldades asetage seade alati maha. Seadme püstises asendis kokkupanemine või reguleerimine võib põhjustada raske kehavigastuse.

⚠HOIATUS: Järgige peatükis OHUTUSHOIATUSED ja mootorseadme kasutusjuhendis toodud hoiatusi ja ettevaatusabinõusid.

⚠ETTEVAATUST: Kandke kontrollimise või hooldamise ajal kaitsekindaid.

TÄHELEPANU: Ärge kunagi kasutage bensiini, vedeldit, alkoholi ega midagi muud sarnast. Selle tulemuseks võib olla luitumine, deformatsioon või pragunemine.

Toote OHUTUSE ja TÖÖKINDLUSE tagamiseks tuleb vajalikud remonttööd ning muud hooldus- ja reguleerimistööd lasta teha Makita volitatud teeninduskeskustes või tehase teeninduskeskustes. Alati tuleb kasutada Makita varuosi.

Tööriista puhastamine

Tööriista puhastamiseks pühkige sellelt kuiva või seebivette kastetud ja välja väänatud lapiga tolm.

Lõiketerade hooldus

Pärast kasutamist eemaldage lõiketeralt sinna jäänud rohi ja juured.

TÄHELEPANU: Ärge peske lõiketera vees. Vastasel juhul võib lõiketera või tarvik rooste minna.

Hoiustamine

Kinnitage lõiketera kate rohimisterale. Hoidke tööriista lastele kättesaamatus kohas. Hoidke tööriista kohas, kuhu ei pääse niiskust ega vihma. Mootorseadmelt eraldatud tarviku hoiustamisel asetage turuotsale kork.

► Joon.23

Liikuvate osade määrimine

TÄHELEPANU: Järgige määrde koguse ja määrimissageduse juhiseid. Selle eiramisel võib ebapiisav määrimine liikuvaid osi kahjustada.

Veovõll:

Lisage määrdeainet (Makita määrdeaine N No.2 või samaväärne) iga 25 töötunni järel.

► Joon.24

MÄRKUS: Makita originaalmääret saate osta kohaliku Makita müügiesindaja käest.

Määrimine

Määrimise intervall: Iga 25 töötunni järel

1. Eemaldage määrimiseks polt august.

► Joon.25: 1. Polt

2. Kandke tööriistale määret (Makita määre SG No.0 või samaväärne) (orienteeruv kogus umbes 3,0 g).

3. Pingutage polte.

VEAOTSING

Enne remonditöökotta pöördumist kontrollige niidukit ise. Ärge üritage niidukit lahti võtta, kui leiata probleemi, mida kasutusjuhendis ei kirjeldata. Selle asemel pöörduge Makita volitatud teeninduskeskusesse, kus kasutatakse remontimisel alati Makita tagavaraosi.

Tõrge	Võimalik põhjus (riike)	Lahendus
Mootor ei käivitu.	-	Vt mootorseadme kasutusjuhendit.
Mootor seiskub mõne aja pärast.	-	Vt mootorseadme kasutusjuhendit.
Mootori kiirus ei tõuse.	-	Vt mootorseadme kasutusjuhendit.
Rohimistera ei liigu: ⇒ seisake masin viivitamatult!	Veosüsteem ei tööta korralikult.	Paluge volitatud teeninduskeskuses teha parandustööd.
Ebatavaline vibratsioon: ⇒ seisake masin viivitamatult!	Rohimistera on purunenud, paindunud või kulunud.	Vahetage rohimistera välja.
	Veosüsteem ei tööta korralikult.	Paluge volitatud teeninduskeskuses teha parandustööd.
Rohimistera ja mootor ei seisku: ⇒ eemaldage viivitamatult aku!	elektriline riike.	Eemaldage aku ja paluge kohalikul ametlikul teeninduskeskusel tööriist remontida.

VALIKULISED TARVIKUD

⚠ETTEVAATUST: Neid tarvikuid ja lisaseadmeid on soovitatav kasutada koos Makita masinaga, mille kasutamist selles kasutusjuhendis kirjeldatakse. Muude tarvikute ja lisaseadmete kasutamisega võib kaasneda vigastusoht. Kasutage tarvikuid ja lisaseadmeid ainult otstarbekohaselt.

Saate vajaduse korral kohalikust Makita teeninduskeskusest lisateavet nende tarvikute kohta.

- Rohimistera
- Kultivaatoritera
- Makita algupärane aku ja laadija

MÄRKUS: Mõned nimekirjas loetletud tarvikud võivad olla lisatud põhivarustusena toote pakendisse. Need võivad riigiti erineda.

DANE TECHNICZNE

Model:	WA400MP
Szerokość cięcia	220 mm
Wymiary (dług. x szer. x wys.)	980 mm x 226 mm x 196 mm
Masa netto	2,8 kg

- W związku ze stale prowadzonym przez naszą firmę programem badawczo-rozwojowym niniejsze dane mogą ulec zmianom bez wcześniejszego powiadomienia.
- Dane techniczne mogą różnić się w zależności od kraju.

Zatwierdzona jednostka napędowa





Przyrządu można używać wyłącznie z poniższymi jednostkami napędowymi:

- Bezprzewodowa Wielofunkcyjna Jednostka Napędowa DUX60
- Bezprzewodowa Wielofunkcyjna Jednostka Napędowa DUX18
- Bezprzewodowa Wielofunkcyjna Jednostka Napędowa UX01G

⚠ OSTRZEŻENIE: Nie wolno używać przyrządu z niezatwierdzoną jednostką napędową. Korzystanie z niezatwierdzonej jednostki napędowej może spowodować poważne obrażenia.

Symbol

Poniżej pokazano symbole, jakie mogą być zastosowane na urządzeniu. Przed rozpoczęciem użytkowania należy zapoznać się z ich znaczeniem.

-  Przeczytać instrukcję obsługi i stosować się do zaleceń.
-  Nosić kask oraz okulary ochronne i ochronniki słuchu.
-  Nosić rękawice ochronne.
-  Nosić wytrzymałe obuwie robocze na podszewie antypoślizgowej.
-  Ostrzeżenie: Przed rozpoczęciem konserwacji należy odłączyć akumulator.
-  Nie wolno zbliżać stóp do ostrza do usuwania chwastów.
-  Osoby postronne i zwierzęta powinny znajdować się w odległości co najmniej 5 m od elektronarzędzia.
-  Gorące powierzchnie — ryzyko oparzeń palców i dłoni.



Gwarantowany poziom mocy akustycznej zgodnie z dyrektywą UE w sprawie hałasu na zewnątrz.



Poziom mocy akustycznej zgodnie z australijskimi przepisami dot. redukcji hałasu dla Nowej Południowej Walii

Przeznaczenie

Przyrządu można używać wyłącznie do usuwania chwastów rosnących na ziemi w połączeniu z zatwierdzoną jednostką napędową. Nigdy nie używać przyrządu do innych celów. Nieprawidłowe korzystanie z przyrządu może doprowadzić do poważnych obrażeń.

Deklaracja zgodności WE

Dotyczy tylko krajów europejskich

Jako producenci: **Makita Europe N.V.**, adres firmy: **Jan-Baptist Vinkstraat 2 3070 Kortenberg, BELGIA.** Upoważniamy **Kazuhisa Makino** do przygotowania dokumentacji technicznej i na własną odpowiedzialność oświadczamy, że produkty:
Oznaczenie: **Przystawka Do Usuwania Chwastów.**
Oznaczenie typu: **WA400MP.**
Spełnia wszystkie odpowiednie postanowienia dyrektywy **2006/42/WE**, jak również spełnia wszystkie odpowiednie postanowienia następujących dyrektyw WE/UE: **2000/14/EC** i jest produkowana w sposób zgodny z następującymi normami zharmonizowanymi: **EN 62841-1:2015+A11:2022, EN ISO 11806-1:2022, EN IEC 62841-4-7:2022+A11:2022.**
Miejsce i data deklaracji: **Kortenberg, Belgia. 27. 9.2023**
Osoba odpowiedzialna: **Kazuhisa Makino, Dyrektor — Makita Europe N.V.**



OSTRZEŻENIA DOTYCZĄCE BEZPIECZEŃSTWA

Ostrzeżenia dotyczące bezpiecznej eksploatacji przystawki do usuwania chwastów

1. **Nie należy używać maszyny przy złej pogodzie, w szczególności jeśli istnieje ryzyko wyładowań atmosferycznych.** Pozwala to zmniejszyć ryzyko porażenia piorunem.
2. **Należy dokładnie sprawdzić, czy w obszarze, na którym ma być używana maszyna, nie ma dzikich zwierząt.** Podczas pracy maszyny może dojść do obrażeń u dzikich zwierząt.
3. **Należy dokładnie sprawdzić obszar, na którym ma być używana maszyna, i usunąć z niego wszystkie kamienie, patyki, druty, kości i inne przedmioty.** Wyrzucane przedmioty mogą spowodować obrażenia ciała.
4. **Przed użyciem maszyny zawsze należy wstępnie sprawdzić, czy ostrze do usuwania chwastów nie jest uszkodzone.** Uszkodzone części zwiększają ryzyko obrażeń.
5. **Przestrzegać instrukcji wymiany akcesoriów.** Nieprawidłowe dokręcenie nakrętek lub śrub mocujących ostrze może skutkować uszkodzeniem lub odłączeniem ostrza.
6. **Należy nosić sprzęt zabezpieczający oczy, uszy, głowę i dłonie.** Odpowiednie wyposażenie ochronne obniża ryzyko powstania obrażeń ciała powodowanych wyrzucanymi odłamkami lub przypadkowym dotknięciem linii cięcia lub ostrza.
7. **Podczas użytkowania maszyny zawsze należy nosić antypoślizgowe i ochronne obuwie. Nie wolno używać maszyny bez założonego obuwia lub noszący sandały.** Zmniejsza to ryzyko obrażeń stóp na skutek kontaktu z ruchomymi ostrzami lub liniami cięcia.
8. **Podczas użytkowania maszyny zawsze należy nosić spodnie z długimi nogawkami.** Odsłonięta skóra zwiększa prawdopodobieństwo obrażeń spowodowanych przez wyrzucane przedmioty.
9. **Podczas korzystania z maszyny osoby postronne powinny przebywać w bezpiecznej odległości.** Wyrzucane odłamki mogą spowodować poważne obrażenia ciała.
10. **Maszynę należy zawsze obsługiwać oburącz.** Trzymanie maszyny obiema rękami pozwala uniknąć utraty kontroli.
11. **Ponieważ linia cięcia lub ostrze może zetknąć się z ukrytymi przewodami elektrycznymi, maszynę należy trzymać tylko za izolowane uchwyty.** Zetknięcie linii cięcia lub ostrzy z przewodem elektrycznym znajdującym się pod napięciem spowoduje, że odsłonięte elementy metalowe maszyny również znajdą się pod napięciem, stwarzając ryzyko porażenia operatora prądem elektrycznym.
12. **Przez cały czas należy stać pewnie na ziemi podczas obsługiwanie maszyny.** Śliskie lub niestabilne podłoże może spowodować utratę równowagi lub panowania nad maszyną.
13. **Nie wolno używać maszyny na zbyt stromych zboczach.** Pozwala to zmniejszyć ryzyko utraty kontroli, poślizgnięcia się lub upadku mogących spowodować obrażenia ciała.
14. **W przypadku pracy na zboczach należy stawiać stabilne kroki i poruszać się zawsze w poprzek zbocza, a nie w górę ani w dół, a podczas zmiany kierunku zachować szczególną ostrożność.** Pozwala to zmniejszyć ryzyko utraty kontroli, poślizgnięcia się lub upadku mogących spowodować obrażenia ciała.
15. **Gdy maszyna jest włączona, nie wolno zbliżać żadnej części ciała do ostrza do usuwania chwastów. Przed uruchomieniem maszyny należy upewnić się, że ostrze do usuwania chwastów niczego nie dotyka.** Moment nieuwagi podczas korzystania z ostrzem może skutkować obrażeniami ciała operatora lub innych osób.
16. **Podczas pracy nie wolno trzymać maszyny powyżej pasa.** Pomoże to zapobiec przypadkowemu kontaktowi z ostrzem do usuwania chwastów i zapewni lepszą kontrolę nad maszyną w nieoczekiwanych sytuacjach.
17. **Podczas cięcia krzaków i młodych drzewek należy uważać na ich odskakanie do pionowego położenia.** Kiedy napięcie gałęzi zostanie zwolnione, krzak lub młode drzewko może uderzyć operatora i/lub wyrwać maszynę spod kontroli.
18. **Należy bardzo uważać podczas cięcia krzaków i młodych drzewek.** Cienkie gałązki mogą zostać pochwycone przez ostrze i uderzyć operatora lub uniemożliwić zachowanie równowagi.
19. **Należy utrzymywać maszynę pod kontrolą i nie dotykać ostrza do usuwania chwastów ani innych niebezpiecznych ruchomych części, jeśli nadal się poruszają.** Zmniejsza to ryzyko obrażeń spowodowanych przez ruchome części.
20. **Maszynę należy przenosić wyłączoną i zwróconą z dala od ciała.** Prawidłowe obchodzenie się z maszyną zmniejsza prawdopodobieństwo przypadkowego kontaktu z ruchomym ostrzem lub linią cięcia.
21. **Podczas transportu lub przechowywania maszyny na ostrzu do usuwania chwastów zawsze musi znajdować się osłona.** Prawidłowe obchodzenie się z maszyną zmniejsza prawdopodobieństwo przypadkowego kontaktu z ostrzem.
22. **Należy stosować wyłącznie zamienne ostrza do usuwania chwastów zalecane przez producenta.** Użycie niewłaściwych części zamiennych może zwiększyć ryzyko uszkodzenia i obrażeń ciała.
23. **Podczas usuwania zakleszczonego materiału lub serwisowania maszyny należy upewnić się, że przełącznik jest wyłączony, a akumulator został wyjęty.** Nieoczekiwane uruchomienie maszyny podczas usuwania zakleszczonego materiału lub serwisowania może doprowadzić do poważnych obrażeń ciała.

Dodatkowe ostrzeżenia dotyczące bezpieczeństwa

Instrukcje ogólne

1. Aby zapewnić prawidłowe działanie, użytkownik musi przeczytać niniejszą instrukcję obsługi i zapoznać się z jego obsługą. Użytkownicy niewystarczająco zapoznani z urządzeniem mogą obsługiwać je w nieprawidłowy sposób i stanowić zagrożenie dla siebie i innych osób.
2. Narzędzie nie może być użytkowane przez dzieci, osoby, które nie przeczytały niniejszej instrukcji, osoby niebędące w pełni władz fizycznych, poznawczych lub umysłowych ani niemające odpowiedniej wiedzy i doświadczenia; lokalnie obowiązujące przepisy mogą ograniczać wiek osoby obsługującej narzędzie.
3. Podczas użytkowania urządzenia należy zachować maksymalną ostrożność i uwagę.
4. Urządzenie powinno być używane tylko wtedy, gdy osoba ją obsługująca jest w odpowiedniej formie fizycznej. Wszelkie czynności powinny być wykonywane spokojnie i ostrożnie. Należy kierować się zdrowym rozsądkiem i pamiętać, że operator lub użytkownik odpowiada za wypadki oraz niebezpieczeństwa zagrażające innym osobom lub ich mieniu.
5. Nie wolno użytkować urządzenia, gdy w pobliżu znajdują się inne osoby, zwłaszcza dzieci, oraz zwierzęta.
6. W razie jakichkolwiek problemów lub nietypowego zachowania urządzenia należy natychmiast wyłączyć silnik.
7. Podczas przerwy w pracy lub pozostawiania urządzenia bez nadzoru należy je wyłączyć i wyjąć akumulator; urządzenie należy odkładać w bezpieczne miejsce, aby nie stwarzać zagrożenia dla innych osób i wykluczyć ryzyko jego uszkodzenia.
8. Unikać korzystania z urządzenia przy złej pogodzie, w szczególności podczas burzy.

Środki ochrony osobistej

1. Przez cały czas użytkowania urządzenia należy nosić osłonę oczu i solidne buty.
2. Podczas używania urządzenia nosić odpowiednie obuwie oraz spodnie z długimi nogawkami.

Uruchamianie urządzenia

1. Upewnić się, że w pobliżu nie przebywają żadne dzieci ani inne osoby lub zwierzęta. W przeciwnym razie należy zaprzestać używania urządzenia.
2. Podczas pracy należy zachować odległość co najmniej 5 m od osób postronnych i zwierząt. W przypadku zbliżania się innej osoby wyłączyć narzędzie.
3. Przed użyciem zawsze należy sprawdzić, czy uruchomienie urządzenia jest bezpieczne. Ze względów bezpieczeństwa sprawdzić narzędzie tnące oraz spust przełącznika pod kątem łatwego korzystania i prawidłowego działania. Sprawdzić, czy uchwyty są czyste i suche oraz przetestować działanie funkcji uruchamiania/wyłączania.

4. Przed dalszym użytkowaniem urządzenia należy sprawdzić, czy żadna część nie jest uszkodzona. Uszkodzoną część należy dokładnie sprawdzić, aby mieć pewność, że będzie ona poprawnie działać i spełniać swoją funkcję. Należy sprawdzić urządzenie pod kątem nieprawidłowego ustawienia lub zablokowania elementów ruchomych, pęknięć części, zamocowania oraz innych usterek, które mogą mieć wpływ na jego działanie. Uszkodzone części powinny zostać naprawione lub wymienione przez autoryzowane centrum serwisowe, o ile w niniejszej instrukcji nie podano inaczej.
5. Silnik należy uruchamiać tylko wtedy, gdy dłonie i stopy znajdują się z dala od narzędzia tnącego.
6. Przed uruchomieniem upewnić się, że narzędzie tnące niczego nie dotyka.
7. Narzędzie należy trzymać pewnie podczas pracy.
8. Unikać przypadkowego uruchomienia. Nie przenosić narzędzia z zamontowanym akumulatorem i palcem na przełączniku. Podczas zakładania akumulatora należy upewnić się, że przełącznik jest wyłączony.
9. Przed rozpoczęciem eksploatacji należy sprawdzić, czy w miejscu pracy nie ma druczanych ogrodzeń, kamieni ani innych obiektów. Mogą one uszkodzić ostrze do usuwania chwastów.
10. Przed uruchomieniem narzędzia należy sprawdzić, czy w żywopłocie lub krzewach nie ma elementów takich jak ogrodzenia z drutu lub niewidoczne przewody elektryczne.

Metoda pracy

1. Urządzenia należy używać tylko przy dobrym oświetleniu i widoczności. Zimą należy uważać na śliskim lub mokrym terenie, jak również na lodzie i śniegu (ryzyko poślizgnięcia). Podczas używania urządzenia należy chodzić, a nie biegać, a także zadbać o odpowiednie oparcie dla stóp na pochyłościach.
2. Należy chronić stopy i dłonie przed obrażeniami ze strony narzędzia tnącego.
3. Nie wolno używać narzędzia, stojąc na drabinie.
4. Nie wolno wspinąć się na drzewa w celu pracy za pomocą narzędzia.
5. Nigdy nie pracować na niestabilnych powierzchniach.
6. Usunąć z obszaru pracy piasek, kamienie, gwoździe itp. Obce ciała mogą spowodować uszkodzenie i niebezpieczne odskoczenie narzędzia tnącego.
7. Jeśli narzędzie tnące uderzy o kamień lub inny twardy przedmiot, należy natychmiast wyłączyć silnik i sprawdzić narzędzie tnące.
8. Należy często regularnie sprawdzać narzędzie tnące pod kątem uszkodzeń (wykrywanie drobnych pęknięć przy użyciu testu odgłosów przy stukaniu).
9. W następujących sytuacjach zawsze należy wyjmować akumulator z narzędzia:
 - pozostawiające urządzenie bez nadzoru;
 - przed usunięciem blokady;
 - przed sprawdzaniem, czyszczeniem lub konserwacją urządzenia;
 - po uderzeniu w przeszkodę;
 - gdy urządzenie zaczyna drgać w nietypowy sposób.

10. Elementy tnące poruszają się nawet po wyłączeniu silnika.
11. Podczas montowania i demontażu osłony ostrzy należy zachować ostrożność, aby nie skaleczyć się w dłonie.

Instrukcje konserwacji

1. Przed rozpoczęciem pracy należy sprawdzić stan urządzenia, a zwłaszcza narzędzia tnącego i jego osłon.
2. Przed przystąpieniem do konserwacji, wymiany narzędzi tnących lub czyszczenia urządzenia czy narzędzia tnącego należy wyłączyć silnik i wyjąć akumulator.
3. Jeśli narzędzie nie jest używane, należy zamocować osłonę ostrza i schować narzędzie w suchym pomieszczeniu, w wysoko położonym, zamkniętym i niedostępnym dla dzieci miejscu.

ZACHOWAĆ NINIEJSZE INSTRUKCJE.

⚠ OSTRZEŻENIE: NIE WOLNO pozwolić, aby wygoda lub rutyna (nabyta w wyniku wielokrotnego używania urządzenia) zastąpiły ściśle przestrzeganie zasad bezpieczeństwa obsługi. **NIEWŁAŚCIWE UŻYTKOWANIE** narzędzia lub niestosowanie się do zasad bezpieczeństwa podanych w niniejszej instrukcji obsługi może prowadzić do poważnych obrażeń ciała.

OPIS CZĘŚCI

- **Rys.1:** 1. Osłona ostrzy 2. Nasadka 3. Ostrze do usuwania chwastów

MONTAŻ

⚠ OSTRZEŻENIE: Przed montażem lub regulacją wyposażenia należy wyłączyć silnik i wyjąć akumulator. W przeciwnym razie maszyna może zostać przypadkowo uruchomiona i spowodować obrażenia ciała.

⚠ OSTRZEŻENIE: Podczas montażu lub regulacji urządzenia zawsze należy położyć je na podłożu. Montowanie lub regulowanie narzędzia w położeniu pionowym może spowodować poważne obrażenia.

⚠ OSTRZEŻENIE: Należy przestrzegać ostrzeżeń i środków ostrożności opisanych w rozdziale „OSTRZEŻENIA DOTYCZĄCE BEZPIECZEŃSTWA” oraz w instrukcji obsługi jednostki napędowej.

Montaż przyrządu

1. Przymocować 2 płytki regulacyjne do przyrządu w taki sposób, by rowki płytek były skierowane na zewnątrz.

► **Rys.2:** 1. Płytki regulacyjna

2. Przymocować ostrze do usuwania chwastów do płytek regulacyjnych, otwierając ostrze nieznacznie na zewnątrz.

Podczas mocowania ostrza do usuwania chwastów należy upewnić się, że strzałki są skierowane w stronę drążka.

► **Rys.3:** 1. Strzałka

Kąt ustawienia ostrza do usuwania chwastów można zmienić, dopasowując występ na ostrzu do jednego z występów na płytkach regulacyjnych.

► **Rys.4:** 1. Występ

UWAGA: Należy upewnić się, że strzałki na ostrzu do usuwania chwastów są ustawione w kierunku wskazanym na rysunku.

► **Rys.5:** 1. Strzałka

3. Upewnić się, że ostrze do usuwania chwastów jest przymocowane do płytek regulacyjnych.

► **Rys.6**

4. Wsunąć śrubę z boku bez nakrętki i dokręcić za pomocą klucza.

Upewnić się, że śruba jest dokładnie dokręcona.

► **Rys.7:** 1. Śruba 2. Nakrętka

WSKAZÓWKA: Moment dokręcenia: 5–10 N•m

Podłączanie drążka przyrządu

⚠ PRZESTROGA: Po zakończeniu montażu zawsze należy sprawdzać, czy drążek przyrządu jest poprawnie zamontowany. Nieprawidłowa instalacja może spowodować odpadnięcie przyrządu z jednostki napędowej i wywołać poważne obrażenia ciała.

Podłączanie drążka przyrządu do jednostki napędowej.

1. Należy zdjąć nasadkę z końca drążka.

► **Rys.8:** 1. Drążek 2. Nasadka

UWAGA: Nie wyrzucać nasadki, ponieważ jest ona potrzebna podczas przechowywania przystawki.

2. Obrócić dźwignię w kierunku przyrządu.

► **Rys.9:** 1. Dźwignia

3. Wyrównać kołek zgodnie ze wskazaniem strzałki na jednostce napędowej. Drążek należy wprowadzać, aż przycisk zwalnający wyskoczy.

Linia wskazująca położenie powinna znajdować się na końcówce strzałki na jednostce napędowej, a strzałka na jednostce napędowej i strzałka na drążku powinny być zwrócone do siebie.

► **Rys.10:** 1. Przycisk zwalnający 2. Strzałka na jednostce napędowej 3. Kołek 4. Linia pozycji 5. Strzałka na drążku

4. Obrócić dźwignię w kierunku jednostki napędowej.

► **Rys.11:** 1. Dźwignia

Upewnić się, że powierzchnia dźwigni znajduje się w położeniu równoległym do drążka.

UWAGA: Dźwigni nie należy dokręcać, jeśli drążek przyrządu nie został wprowadzony. W przeciwnym wypadku dźwignia może zbyt mocno zacisnąć koniec wałka napędowego i uszkodzić go.

Aby wyjąć drążek, należy obrócić dźwignię w kierunku przyrządu i wyciągnąć drążek, naciskając przycisk zwalniający.

► **Rys.12:** 1. Przycisk zwalniający 2. Dźwignia
3. Drążek

Demontaż i montaż osłony ostrzy

Aby zdemontować osłonę ostrzy, należy popchnąć ją do środka i obrócić.

► **Rys.13:** 1. Osłona ostrzy

W celu zamontowania osłony ostrzy należy zaczepić ją po jednej stronie ostrza do usuwania chwastów, a następnie obrócić.

► **Rys.14:** 1. Osłona ostrzy

WSKAZÓWKA: Osłonę ostrzy można przymocować do drążka, jak przedstawiono na rysunku.

► **Rys.15:** 1. Osłona ostrzy

Zakładanie i zdejmowanie ostrza do usuwania chwastów

▲PRZESTROGA: Podczas wymiany ostrza do usuwania chwastów należy zawsze nosić rękawice, aby nie dotykać go bezpośrednio.

▲PRZESTROGA: Przed zdjęciem lub założeniem ostrza do usuwania chwastów należy założyć osłonę ostrzy.

1. Założyć osłonę ostrzy na ostrze do usuwania chwastów.

2. Poluzować śrubę za pomocą klucza i wyjąć ją.

► **Rys.16:** 1. Śruba

3. Zdjąć ostrze do usuwania chwastów, otwierając je nieznacznie do zewnątrz.

► **Rys.17**

Ostrze do usuwania chwastów należy założyć zgodnie z instrukcjami montażu przyrządu.

OPIS DZIAŁANIA

▲PRZESTROGA: Przed przystąpieniem do regulacji lub przeglądu narzędzia upewnić się, że jest ono wyłączone, a akumulator został wyjęty.

Regulacja kąta cięcia

▲PRZESTROGA: Przed wyregulowaniem kąta cięcia należy zawsze upewnić się, że narzędzie jest wyłączone.

Kąt ostrza do usuwania chwastów można zmienić w trzech poziomach. Aby zmienić kąt, należy dopasować występ na ostrzu do usuwania chwastów do jednego z występów na płytkach regulacyjnych, a następnie zamontować ostrze.

1. Za pomocą klucza poluzować śrubę mocującą ostrze tnące.

2. Dopasować występ na ostrzu do usuwania chwastów do jednego z występów na płytkach regulacyjnych.

3. Ponownie dokręcić śrubę, aby zamocować ostrze tnące.

► **Rys.18:** 1. Występ

OBSŁUGA

▲OSTRZEŻENIE: Należy przestrzegać ostrzeżeń i środków ostrożności opisanych w rozdziale „OSTRZEŻENIA DOTYCZĄCE BEZPIECZEŃSTWA” oraz w instrukcji obsługi jednostki napędowej.

Obsługa narzędzia

▲OSTRZEŻENIE: Nie zbliżać dłoni do ostrza do usuwania chwastów.

▲OSTRZEŻENIE: Należy zachować najwyższą ostrożność, aby nie utracić kontroli nad narzędziem. Nie dopuścić, aby narzędzie odchyliło się w stronę użytkownika lub jakiegokolwiek innej osoby przebywającej w pobliżu. Brak kontroli nad narzędziem może spowodować poważne obrażenia operatora lub osób postronnych.

▲OSTRZEŻENIE: Przed rozpoczęciem usuwania chwastów należy usunąć gałęzie oraz kamienie z terenu.

WSKAZÓWKA: To narzędzie jest przeznaczone do usuwania chwastów o wysokości poniżej 15 cm (5-7/8”).

► **Rys.19**

▲PRZESTROGA: W miarę możliwości należy unikać używania narzędzia przy wysokiej temperaturze otoczenia. Podczas obsługi narzędzia należy zwracać uwagę na swój stan fizyczny.

▲PRZESTROGA: Podczas usuwania chwastów należy uważać, aby nie dotknąć metalowego ogrodzenia lub innych twardych przedmiotów. Ostrze do usuwania chwastów może ulec uszkodzeniu i spowodować obrażenia ciała.

▲PRZESTROGA: Sięganie narzędziem zbyt daleko, zwłaszcza podczas pracy na drabinie, może być bardzo niebezpieczne. Podczas pracy nie wolno stać na niczym chwiejnym lub niestabilnym.

UWAGA: Nie używać narzędzia w sposób, który powoduje zatrzymanie lub bardzo wolne obroty silnika.

Narzędzie należy trzymać oburącz, przytrzymując za uchwyt przedni i tylną rękojeść jednostki napędowej.

► **Rys.20:** 1. Uchwyt przedni 2. Tylna rękojeść

W momencie włączania narzędzia ostrze do usuwania chwastów nie może znajdować się na podłożu. Ustawić ostrze do usuwania chwastów na podłożu i powoli pociągnąć narzędzie w swoim kierunku, aby rozpocząć usuwanie chwastów. Praca jest łatwiejsza, gdy ostrze do usuwania chwastów jest ustawione niemal prostopadle do podłoża.

► **Rys.21**

► **Rys.22**

KONSERWACJA

▲OSTRZEŻENIE: Przed rozpoczęciem przeglądu lub konserwacji wyposażenia należy wyłączyć silnik i wyjąć akumulator. W przeciwnym razie maszyna może zostać przypadkowo uruchomiona i spowodować poważne obrażenia ciała.

▲OSTRZEŻENIE: Na czas kontroli lub konserwacji urządzenia zawsze należy położyć je na podłożu. Montowanie lub regulowanie narzędzia w położeniu pionowym może spowodować poważne obrażenia.

▲OSTRZEŻENIE: Należy przestrzegać ostrzeżeń i środków ostrożności opisanych w rozdziale „OSTRZEŻENIA DOTYCZĄCE BEZPIECZEŃSTWA” oraz w instrukcji obsługi jednostki napędowej.

▲PRZESTROGA: Przed przystąpieniem do przeglądu lub prac konserwacyjnych należy założyć rękawice.

UWAGA: Nie stosować benzyny, rozpuszczalników, alkoholu itp. środków. Mogą one powodować odbarwienia, odkształcenia lub pęknięcia.

W celu zachowania odpowiedniego poziomu BEZPIECZEŃSTWA i NIEZAWODNOŚCI produktu wszelkie naprawy i różnego rodzaju prace konserwacyjne lub regulacje powinny być przeprowadzane przez autoryzowany lub fabryczny punkt serwisowy narzędzi Makita, zawsze z użyciem oryginalnych części zamiennych Makita.

Czyszczenie narzędzia

Czyścić narzędzie, wycierając kurz suchą szmatką lub szmatką zanurzoną wcześniej w roztworze wodnym mydła i wyżętą.

Konserwacja ostrzy

Po zakończeniu pracy należy usunąć z ostrza zaplątaną trawę lub korzenie.

UWAGA: Ostrza nie wolno myć wodą. Może to spowodować korozję lub uszkodzenie ostrza bądź przyrządu.

Przechowywanie

Założyć osłonę ostrzy na ostrze do usuwania chwastów. Narzędzie należy przechowywać w bezpiecznym, niedostępnym dla dzieci miejscu. Narzędzie należy przechowywać w miejscu nienarażonym na działanie wilgoci i deszcz.

Podczas przechowywania przyrządu bez jednostki napędowej należy nałożyć nasadkę na koniec drążka.

► **Rys.23**

Smarowanie ruchomych części

UWAGA: Przestrzegać instrukcji odnośnie do częstotliwości smarowania i ilości smaru. W przeciwnym razie niewystarczające smarowanie może spowodować uszkodzenie części ruchomych.

Wałek napędowy:

Nakładać smar (smar Makita N No.2 lub jego zamiennik) co 25 godzin pracy.

► **Rys.24**

WSKAZÓWKA: Oryginalny smar firmy Makita można zakupić u lokalnego przedstawiciela firmy Makita.

Smarowanie

Częstotliwość smarowania: Co 25 godzin pracy

1. Wyciągnąć śrubę z otworu do smarowania.

► **Rys.25:** 1. Śruba

2. Nałożyć smar (smar SG No.0 firmy Makita lub odpowiednik) na narzędzie (około 3,0 g).

3. Dokręcić śrubę.

ROZWIĄZYWANIE PROBLEMÓW

Przed oddaniem urządzenia do naprawy należy najpierw przeprowadzić samodzielną kontrolę. W razie napotkania problemu, który nie został wyjaśniony w instrukcji, nie należy próbować demontować urządzenia we własnym zakresie. Należy natomiast zlecić naprawę w autoryzowanym punkcie serwisowym firmy Makita; zawsze z użyciem oryginalnych części zamiennych Makita.

Nieprawidłowe działanie	Prawdopodobna przyczyna (usterka)	Rozwiązanie
Silnik się nie uruchamia.	-	Patrz instrukcja obsługi jednostki napędowej.
Silnik zatrzymuje się wkrótce po uruchomieniu.	-	Patrz instrukcja obsługi jednostki napędowej.
Prędkość obrotowa silnika nie wzrasta.	-	Patrz instrukcja obsługi jednostki napędowej.
Ostrze do usuwania chwastów nie porusza się: ⇒ Natychmiast wyłączyć narzędzie!	Układ napędowy nie działa prawidłowo.	Zlecić naprawę w lokalnym autoryzowanym punkcie serwisowym.
Nietypowe drgania: ⇒ Natychmiast wyłączyć narzędzie!	Ostrze do usuwania chwastów jest uszkodzone, wygięte lub zużyte.	Wymienić ostrze do usuwania chwastów.
	Układ napędowy nie działa prawidłowo.	Zlecić naprawę w lokalnym autoryzowanym punkcie serwisowym.
Nie można zatrzymać ostrza do usuwania chwastów ani silnika: ⇒ Natychmiast wyjąć akumulator!	Usterka w układzie elektrycznym.	Wyjąć akumulator i zlecić naprawę w lokalnym autoryzowanym punkcie serwisowym.

AKCESORIA OPCJONALNE

⚠ PRZESTROGA: Zaleca się stosowanie wymienionych akcesoriów i przystawek z maszyną Makita opisaną w niniejszej instrukcji. Stosowanie innych akcesoriów lub przystawek może być przyczyną obrażeń ciała. Akcesoriów lub przystawek należy używać tylko zgodnie z ich przeznaczeniem.

W razie potrzeby wszelkiej pomocy i szczegółowych informacji na temat niniejszych akcesoriów udziela Państwu lokalne punkty serwisowe Makita.

- Ostrze do usuwania chwastów
- Ostrze kultywatora
- Oryginalny akumulator i ładowarka firmy Makita

WSKAZÓWKA: Niektóre pozycje znajdujące się na liście mogą być dołączone do pakietu urządzenia jako akcesoria standardowe. Mogą to być różne pozycje, w zależności od kraju.

RÉSZLETES LEÍRÁS

Tipus:	WA400MP
Vágási szélesség	220 mm
Méretek (H x SZ x M)	980 mm x 226 mm x 196 mm
Nettó tömeg	2,8 kg

- Folyamatos kutató- és fejlesztőprogramunk eredményeként az itt felsorolt tulajdonságok figyelmeztetés nélkül megváltozhatnak.
- A tulajdonságok országról országra különbözhetnek.

Jóváhagyott meghajtóegység







A jelen tartozék kizárólag a következő meghajtóegység-gel/-egységekkel használható:

- DUX60 vezeték nélküli többfunkciós alapgép
- DUX18 vezeték nélküli többfunkciós alapgép
- UX01G vezeték nélküli többfunkciós alapgép

▲ FIGYELMEZTETÉS: Soha ne használja a tartozékot nem jóváhagyott meghajtóegységgel. A nem jóváhagyott alkatrészek kombinációja súlyos személyi sérülést okozhat.

Szimbólumok

A következőkben a berendezésen esetleg használt jelképek láthatók. A szerszám használata előtt bizonyosodjon meg arról hogy helyesen értelmezi a jelentésüket.

	Olvassa el a használati útmutatót, és tartsa be az abban leírtakat.
	Viseljen sisakot, védőszemüveget és fülvédőt.
	Viseljen védőkesztyűt.
	Viseljen csúszásmentes talpú, merev cipőt/cizmát.
	Figyelmeztetés: Karbantartás előtt válassza le az akkumulátort.
	Tartsa távol a lábát a gyomláló késtől.
	Biztosítsa, hogy az emberek és az állatok legalább 5 m-re legyenek az elektromos szerszámtól.
	Forró felületek – ujjak és kéz égésveszélye.



Garantált hangteljesítményszint az EU szabotáteri zajvédelmi irányelvének megfelelően.



Hangteljesítményszint Auszália NSW tartománya zajszabályozási rendelete szerint

Rendeltetés

A jelen tartozék kizárólag fű gyomirtására használható talajon, és kizárólag a jóváhagyott meghajtóegységhez csatlakoztatható. A tartozékot nem szabad más célra használni. A tartozék helytelen használata súlyos sérülést okozhat.

EK Megfelelőségi nyilatkozat

Csak európai országokra vonatkozóan

Mi, a **Makita Europe N.V.**, székhely: **Jan-Baptist Vinkstraat 2 3070 Kortenberg BELGIUM**, mint gyártó felhatalmazzuk **Kazuhsa Makinó**t a műszaki leírás elkészítésére, valamint saját felelősségünkre kijelentjük, hogy a termék(ek), úgy mint a:

Meghatározás: **Gyomlálási toldóelem**. Típuszám(ok): **WA400MP**.
Megfelel a **2006/42/EK** irányelvnek, és megfelel az alábbi EK/EU irányelvek minden vonatkozó rendelkezésének is: **2000/14/EC**, illetve a következő harmonizált szabványok alapján kerültek legyártásra: **EN 62841-1:2015+A11:2022, EN ISO 11806-1:2022, EN IEC 62841-4-7:2022+A11:2022**.

A nyilatkozat helye és kelte: **Kortenberg, Belgium. 27. 9.2023**
Felelős személy: **Kazuhsa Makino, igazgató – Makita Europe N.V.**



BIZTONSÁGI FIGYELMEZTETÉS

Gyomlálási toldóelem biztonsági figyelmeztetése

- Ne használja a gépet rossz időjárási körülmények esetén, különösen, ha villámcsapás várható.** Ez csökkenti a villámcsapás veszélyét.
- Alaposan vizsgálja át a terület élővilágát, ahol a gépet használni fogják.** A gép működése közben károkat okozhat az élővilágban.
- Alaposan vizsgálja át a területet, ahol a gépet használni fogják, és távolítsa el minden követ, botot, vezetékét, csontot és egyéb idegen tárgyat.** A repülő tárgyak személyi sérülést okozhatnak.
- A gép használata előtt mindig szemrevételezéssel ellenőrizze, hogy a gyomirtó kés nem sérült-e.** A sérült alkatrészek növelik a sérülés kockázatát.
- Tartsa be a tartozékok cseréjére vonatkozó útmutatásokat.** A nem megfelelően meghúzott késrögzítő anyák vagy csavarok károsíthatják a kést vagy leválhatnak.
- Viseljen szem-, fül-, fej- és kézvédőt.** A megfelelő védőfelszerelés viselete csökkenti a repülő törmelék okozta személyi sérülések kockázatát, illetve a vágódamillal vagy késsel való véletlen érintkezés kockázatát is.
- A gép használata közben mindig csúszásgátló munkavédelmi lábbelit viseljen. Ne működtesse a gépet mezítláb vagy nyitott szandálban.** Ez csökkenti a mozgó vágóval vagy damillal történő érintkezés okozta lábfejsérülés esélyét.
- A gép használata közben mindig hosszú nadrágot viseljen.** A repülő tárgyakkal kitett bőrfelület növeli a sérülés valószínűségét.
- A gép használata közben tartsa távol a közelben tartózkodókat.** A kirepülő törmelék súlyos személyi sérülést okozhat.
- Mindig két kézzel működtesse a gépet.** A gépet két kézzel tartsa, hogy ne veszítse el fölötte az uralmát.
- Kizárólag a szigetelt markolás felületeinél fogva tartsa a gépet, mert fennáll a veszélye, hogy a vágódamill vagy kés rejtett vezetékekbe ütközik.** Ha a vágódamill vagy a kések feszültség alatt lévő vezetékekkel érintkeznek, a gép fém alkatrészei is áram alá kerülhetnek, és áramütés érheti a kezelőt.
- Mindig vigyázzon a megfelelő lábtartásra, és csak akkor üzemeltesse a gépet, ha szilárdan a talajon áll.** A csúszós vagy nem stabil felületek az egyensúly és a gép fölötti kontroll elvesztését okozhatják.
- Ne használja a gépet túl meredek lejtőn.** Így elkerülheti a gép feletti uralom elvesztésének, az elcsúszásnak és az elesésnek a kockázatát, ami személyi sérülést okozhat.

- Ha lejtőn dolgozik, ügyeljen arra, hogy biztonságosan álljon, a lejtőn keresztirányban dolgozzon és soha sem felfelé vagy lefelé haladjon, irányváltáskor pedig különös óvatossággal járjon el.** Így elkerülheti a gép feletti uralom elvesztésének, az elcsúszásnak és az elesésnek a kockázatát, ami személyi sérülést okozhat.
- A gép működésekor tartsa távol a testrészeit a gyomirtó késtől.** Mielőtt beindítaná a gépet, győződjön meg arról, hogy a gyomirtó kés nem érintkezik semmivel. A gép használata közben egy pillanatnyi figyelmetlenséggel is komoly sérülést okozhat magának vagy másoknak.
- Soha ne működtesse a gépet derékmagasságnál magasabban.** Így megakadályozható a gyomirtó kés véletlen érintkezése, és a gép jobban irányítható váratlan helyzetekben is.
- Feszülő vágókefe vagy csemeték vágásakor ügyeljen a visszacsapódásra.** Amikor a farostok felszabadulnak a feszültség alól, a kefe vagy a facsemete megütheti a kezelőt és/vagy irányíthatatlanná teheti a gépet.
- Legyen nagyon óvatos ágak és facsemeték vágásakor.** A gyenge anyagba beakadhat és Ön felé robdíthat a kés, vagy kibillentheti az egyensúlyából.
- Tartsa meg az ellenőrzést a gép fölött, és ne érjen a gyomirtó késhez és más veszélyes mozgó alkatrészekhez, amikor még mozgásban vannak.** Így csökkenti a mozgó alkatrészek okozta sérülés kockázatát.
- A gépet kikapcsolva, és a testétől távol tartva hordozza.** A gép megfelelő kezelése lecsökkenti a mozgó vágószerszámmal, damillal vagy késsel való véletlenszerű érintkezés esélyét.
- A gép szállításakor vagy tárolásakor mindig helyezze fel a gyomirtó kés védőborítását.** A gép megfelelő kezelése csökkenti késsel való véletlenszerű érintkezés esélyét.
- Kizárólag a gyártó által meghatározott cserre gyomirtó késeket használjon.** A nem megfelelő cserealkatrészek növelhetik a törés és sérülés kockázatát.
- Az elakadt anyag eltávolításakor vagy a gép javításakor ügyeljen arra, hogy a kapcsoló ki legyen kapcsolva, és az akkumulátort ki legyen véve.** A gép váratlan bekapcsolása az elakadt anyag eltávolítása vagy javítás közben súlyos személyi sérüléseket okozhat.

További biztonsági figyelmeztetések

Általános tudnivalók

- A helyes használat biztosítása érdekében a felhasználónak el kell olvasnia a használati utasítást, hogy megismerkedjen a gép kezelésével.** A hiányos ismeretekkel rendelkező kezelő a helytelen kezelés miatt saját magára és más személyekre is veszélyt jelent.
- A szerszámot nem használhatják gyerekek, csökkent fizikai, érzékelési vagy értelmi képességű személyek, illetve a szerszám használatával kapcsolatban tapasztalattal nem rendelkező, a jelen használati utasítást nem ismerő személyek.** A helyi szabályozások korlátozhatják a kezelő életkorát.
- A géppel végzendő munkák különleges óvatosságot és figyelmet igényelnek.**

4. A gépet csak jó fizikai állapotban lévő személyek használják. Minden munkát nyugodtan és elővigyázatosan végezzen. Hagyatkozzon a józan belátásra, és ne feledje, hogy a kezelő, illetve felhasználó felelős a balesetekért vagy a más személyeket vagy tulajdont ért veszélyhelyzetek következményeikért.
5. Ne működtesse a gépet, ha emberek – különösen gyermekek – vagy háziállatok tartózkodnak a közelben.
6. Amennyiben a gép működésében hiba lép fel, vagy rendellenesen viselkedik, a motort haladéktalanul le kell állítani.
7. Ha a gépet nem használja vagy felügyelet nélkül hagyja, kapcsolja ki, és vegye ki belőle az akkumulátort, majd tegye olyan biztonságos helyre, ahol nem jelent veszélyt másokra, illetve ahol nem károsodik.
8. Kerülje a gép használatát rossz időjárási körülmények esetén, különösen, ha villámlás várható.

Személyi védőfelszerelések

1. A gép használata közben viseljen védőszemüveget és zárt lábbelit.
2. Mindig megfelelő lábbelit és hosszú nadrágot viseljen a gép használata közben.

A szerszám beindítása

1. Ügyeljen rá, hogy a munkakörnyezetben ne tartózkodjanak gyermekek vagy más személyek, illetve állatok. Ellenkező esetben ne használja a szerszámot.
2. Üzemeltetés közben tartson minden személyt és állatot legalább 5 m távolságra a szerszámtól. Ha valaki közelebb jön, azonnal állítsa le a szerszámot.
3. Használat előtt mindig ellenőrizze, hogy a szerszám biztonságosan üzemeltethető-e. Ellenőrizze, hogy a vágószerszám biztonságos-e, valamint a kapcsológomb könnyen és megfelelően működik-e. Ellenőrizze, hogy a fogantyúk tiszták és szárazak-e, és tisztelje a be-/kikapcsolás megfelelő működését.
4. Használat előtt ellenőrizze, hogy a gépen nincsenek-e sérült alkatrészek. Gondosan ellenőrizze a sérült alkatrészeket, hogy eldönthesse, helyesen működnek-e, illetve képesek-e ellátni a funkciójukat. Ellenőrizze a mozgó részek illeszkedését, esetleges elakadását, az alkatrészek vagy a szerelvények törését vagy bármely olyan körülményt, amely hatással lehet a gép működésére. A sérült alkatrészt megfelelő módon meg kell javítani vagy arra jogosult szervizben kell kicseréltetni, kivéve akkor, ha a használati útmutató erről máshogy rendelkezik.
5. A motort csak akkor kapcsolja be, amikor keze és lába nincs a vágószerszám közelében.
6. A beindítás előtt győződjön meg róla, hogy a vágószerszám nem ér hozzá semmilyen tárgyhöz.
7. Használat közben erősen tartsa a szerszámot.
8. Kerülje a véletlenszerű elindítást. Ne hordozza a szerszámot, ha az akkumulátor be van helyezve, és ujjal a kapcsolón. Az akkumulátor behelyezése előtt ellenőrizze, hogy a kapcsoló ki van-e kapcsolva.

9. Használat előtt vizsgálja át a teljes munkaterületet, hogy található-e rajta drótkerítés, kő vagy egyéb szilárd tárgy. Ezek a gyomirtó kés sérülését okozhatják.
10. A szerszám használata előtt ellenőrizze a sövényeket és bokrokat, nincs-e bennük idegen tárgy, mint például drótkerítés vagy rejtett huzalok.

A használat módja

1. A gépet kizárólag jó fény- és látási viszonyok között használja. Télen figyeljen a csúszós vagy nedves területekre, a jégre és a hóra (csúszásveszély). Lejtős felületen ügyeljen arra, hogy biztonságosan álljon, és lassan, nem futva közlekedjen.
2. Ügyeljen a vágószerszámmra, mivel láb- és kézsérüléseket okozhat.
3. Működő géppel soha ne álljon létrára.
4. Soha ne végezzen metszési munkákat a géppel úgy, hogy felmászik vele egy fára.
5. Ne dolgozzon olyan felületen, ahol nem tud stabilan állni.
6. Távolítsa el a munkaterületen talált homokot, köveket, szökeket stb. Az idegen részecskék károsíthatják a vágószerszámot, és veszélyes visszarúgásokat okozhatnak.
7. A vágószerszám kövel vagy kemény tárggyal való ütközésekor azonnal állítsa le a motort és vizsgálja át a vágószerszámot.
8. Rendszeres időközönként ellenőrizze, található-e a vágószerszámon sérülések (hajszalrpedések keresése ütögetéssel).
9. Mindig vegye ki az akkumulátort a gépből:
 - ha a gépet felügyelet nélkül hagyja;
 - mielőtt eltömődést szüntet meg;
 - ellenőrzés, tisztítás vagy a gépen való munkavégzés előtt;
 - idegen tárggyba ütközés után;
 - ha a gép rendellenesen rázkódni kezd.
10. A vágószerkezet a motor kikapcsolása után egy ideig még mozog.
11. A késvédő felhelyezésekor vagy eltávolítása-kor vigyázzon, nehogy megsérüljön a keze.

Karbantartási utasítások

1. A munka megkezdése előtt meg kell vizsgálni a gép állapotát, különösen a vágószerszám védőburkolatait.
2. Mielőtt karbantartást, vágószerszámcsere-t vagy vágószerszám-tisztítást végezne, kapcsolja ki a motort, majd vegye ki az akkumulátort.
3. Amikor nem használja, csatlakoztassa a pengevédőt a szerszámhoz és azt száraz helyen, magasan, elzártan tárolja, hogy gyerekek ne férjenek hozzá.

ŐRIZZE MEG EZEKET AZ UTASÍTÁSOKAT.

▲ FIGYELMEZTETÉS: NE HAGYJA, hogy (a termék többszöri használatából eredő) kényelem és megszokás váltsa fel a termék biztonsági előírásainak szigorú betartását. A **HELYTELEN HASZNÁLAT** és a használati útmutatóban szereplő biztonsági előírások megszegése súlyos személyi sérülésekhez vezethet.

ALKATRÉSZEK LEÍRÁSA

► **Ábra1:** 1. Késvédő 2. Kupak 3. Gyomirtó kés

ÖSSZESZERELÉS

▲ FIGYELMEZTETÉS: A gép összeszerelése vagy beállítása előtt állítsa le a motort, és távolítsa el az akkumulátort. Ellenkező esetben a gép véletlenül is elindulhat, amely sérülést okozhat.

▲ FIGYELMEZTETÉS: A gép összeszerelése vagy beállítása során mindig tegye le a gépet. A gép álló helyzetben történő összeszerelése és beállítása súlyos sérüléseket okozhat.

▲ FIGYELMEZTETÉS: Minden esetben kövesse a „BIZTONSÁGI FIGYELMEZTETÉSEK” fejezetben, illetve a meghajtóegység használati útmutatójában ismertetett figyelmeztetéseket és óvintézkedéseket.

A tartozék felszerelése

1. Rögzítse a 2 beállítólemezt a toldóelemhez úgy, hogy a lemezek hornyai kifelé nézzenek.
► **Ábra2:** 1. Beállítólemez

2. Rögzítse a gyomirtó kést a beállítólemezekhez, miközben a kést kissé kifelé nyitja.

A gyomirtó kés felszerelésekor ügyeljen arra, hogy a nyíl a cső felé mutasson.

► **Ábra3:** 1. Nyíl

A gyomirtó kés szöge úgy változtatható meg, hogy a gyomirtó késen lévő kiemelkedést a beállítólemezekben lévő kiemelkedések valamelyikéhez igazítja.

► **Ábra4:** 1. Kiemelkedés

MEGJEGYZÉS: Győződjön meg arról, hogy a gyomirtó késen lévő nyilak az ábrán látható irányba nézzenek.
► **Ábra5:** 1. Nyíl

3. Győződjön meg arról, hogy a gyomirtó kés illeszkedik a beállítólemezekhez.
► **Ábra6**

4. Helyezze be a csavart az anya nélküli oldalról, és húzza meg a csavart a csavarkulccsal.

Ellenőrizze, hogy a csavar biztonságosan meg van-e húzva.

► **Ábra7:** 1. Csavar 2. Anya

MEGJEGYZÉS: Meghúzási nyomaték: 5 - 10 N•m

A hosszabbítócső felszerelése

▲ VIGYÁZAT: Mindig ellenőrizze, hogy a tartozék csöve rögzítve van felszerelés után. A helytelen felszerelés azt okozhatja, hogy a tartozék kiesik a meghajtóegységből, és személyi sérülést okoz.

Szerelje fel a hosszabbítócsövet a meghajtóegységre.

1. Távolítsa el a cső végéről a kupakot.

► **Ábra8:** 1. Cső 2. Kupak

MEGJEGYZÉS: Ne dobja el a kupakot, mert a kupak szükséges a tartozék tárolásához.

2. Fordítsa a kart a tartozék irányába.

► **Ábra9:** 1. Kar

3. Állítsa a rögzítőcsapot a meghajtóegységen lévő nyíl jelzéshez. Nyomja be a csövet, amíg a kioldógomb fel nem ugrik.

Gondoskodjon róla, hogy a pozicionáló vonal a meghajtóegységen lévő nyíl hegyénél legyen, a meghajtóegységen lévő nyíl jelzés és a csövön lévő nyíl jelzés pedig egymással szemben legyen.

► **Ábra10:** 1. Kioldógomb 2. Nyíl jelzés a meghajtóegységen 3. Csap 4. Pozícióvonal 5. Nyíl jelzés a csövön

4. Fordítsa a kart a meghajtóegység irányába.

► **Ábra11:** 1. Kar

Ügyeljen arra, hogy a kar felülete párhuzamos legyen a csővel.

MEGJEGYZÉS: Ne húzza meg a kart, ha a tartozék csöve nincs behelyezve. A kar ilyenkor ugyanis túlzott mértékben befeszítheti, és így károsíthatja a hajtótengely belépő részét.

A cső eltávolításához fordítsa a kart a tartozék irányába, majd húzza ki a csövet, miközben a kioldógombot lenyomva tartja.

► **Ábra12:** 1. Kioldógomb 2. Kar 3. Cső

A késvédő felszerelése és eltávolítása

A késvédő burkolat eltávolításához nyomja befelé a késvédőburkolatát, és fordítsa el.

► **Ábra13:** 1. Késvédő burkolat

A késvédő burkolat rögzítéséhez akassza a kés védőburkolatát a gyomirtó kés egyik oldalára, majd fordítsa el.

► **Ábra14:** 1. Késvédő burkolat

MEGJEGYZÉS: A késvédő burkolatot a csőhöz csatlakoztathatja az ábrán látható módon.

► **Ábra15:** 1. Késvédő burkolat

A gyomirtó kés felszerelése vagy eltávolítása

▲ VIGYÁZAT: A gyomirtó kés cseréjekor mindig viseljen kesztyűt, hogy a keze ne érjen közvetlenül a gyomirtó késhez.

▲ VIGYÁZAT: A gyomirtó kés eltávolítása vagy felszerelése előtt szerelje fel a késvédő burkolatot.

1. Szerelje fel a késvédő burkolatot a gyomirtó késre.

2. Távolítsa el a csavart úgy, hogy meglátfázza a csavarkulccsal.

► **Ábra16:** 1. Csavar

3. Távolítsa el a gyomirtó kést, miközben kissé kifelé nyitja azt.

► **Ábra17**

Szerelje fel a gyomirtó kést a tartozék felszerelési útmutatója alapján.

A MŰKÖDÉS LEÍRÁSA

⚠ VIGYÁZAT: Minden esetben ellenőrizze, hogy a szerszám ki van kapcsolva és az akkumulátor eltávolításra került mielőtt beállít vagy ellenőriz valamilyen funkciót a szerszámon.

A vágási szög beállítása

⚠ VIGYÁZAT: Mielőtt beállítja a vágási szöget, mindig bizonyosodjon meg arról, hogy a szerszámot kikapcsolta.

A gyomirtó kés szöge három fokozatban állítható. A szög megváltoztatásához igazítsa a gyomirtó penge kiemelkedését a beállítólemezek egyik kiemelkedéséhez, majd szerelje be a gyomirtó kést.

1. Lazítsa meg a vágókést rögzítő csavart a csavar kulccsal.

2. Igazítsa a gyomirtó késen lévő kiemelkedést a beállítólemezekon lévő kiemelkedések valamelyikéhez.

3. Szorítsa meg újra a csavart a vágókést rögzítéséhez.

▶ **Ábra18:** 1. Kiemelkedés

MŰKÖDTETÉS

⚠ FIGYELMEZTETÉS: Minden esetben kövesse a „BIZTONSÁGI FIGYELMEZTETÉSEK” fejezetben, illetve a meghajtóegység használati útmutatójában ismertetett figyelmeztetéseket és óvintézkedéseket.

A szerszám működtetése

⚠ FIGYELMEZTETÉS: Tartsa távol a kezét a gyomirtó késtől.

⚠ FIGYELMEZTETÉS: Mindig különösen óvatosan dolgozzon, ezzel biztosítva a gép feletti uralom megtartását. Ne hagyja, hogy a gép maga felé vagy a munkavégzés közelében tartózkodó személyek felé dőljön. A gép feletti uralom elvesztése a kezelő és a közelben tartózkodó személyek súlyos sérülését okozhatja.

⚠ FIGYELMEZTETÉS: Gyomirtás előtt takarítsa el a botokat és köveket a gyomirtási területről.

MEGJEGYZÉS: Ez az eszköz 15 cm-nél (5-7/8”) kisebb gyomok eltávolítására szolgál.

▶ **Ábra19**

⚠ VIGYÁZAT: Nagy hőségben lehetőleg ne használja a gépet. A gép használatakor ügyeljen a saját fizikai állapotára.

⚠ VIGYÁZAT: Ügyeljen rá, ne hogy véletlenül hozzáérjen egy fémkerítéshez vagy más kemény tárgyhoz gyomirtás közben. A gyomirtó penge eltörhet, és sérülést okozhat.

⚠ VIGYÁZAT: Ha túl messzire nyúl a szerszámmal, különösen egy létráról, az rendkívül veszélyes. Ne dolgozzon semmilyen billegő vagy nem stabil helyről.

MEGJEGYZÉS: Ne használja a szerszámot olyan módon, ami a motor leállását vagy rendkívül lassú forgását okozza.

Tartsa a szerszámot mindkét kézzel a meghajtóegység elülső fogantyújánál és a hátsó markolatánál fogva.

▶ **Ábra20:** 1. Elülső fogantyú 2. Hátsó markolat

Kapcsolja be a szerszámot úgy, hogy a gyomirtó kés a talaj fölé van. Helyezze a gyomirtó pengét a talajra, és lassan húzza maga felé a szerszámot a gyomláláshoz. Könnyebb a munkavégzés, ha a gyomirtó kés a talajra közel merőleges szögben van.

▶ **Ábra21**

▶ **Ábra22**

KARBANTARTÁS

⚠ FIGYELMEZTETÉS: A gép átvizsgálása vagy karbantartása előtt állítsa le a motort, és távolítsa el a gyújtógy az akkumulátort. Ellenkező esetben a gép véletlenül is elindulhat, amely súlyos sérülést okozhat.

⚠ FIGYELMEZTETÉS: A gép vizsgálata vagy karbantartása során mindig tegye azt le. A gép álló helyzetben történő összeszerelése és beállítása súlyos sérüléseket okozhat.

⚠ FIGYELMEZTETÉS: Minden esetben kövesse a „BIZTONSÁGI FIGYELMEZTETÉSEK” fejezetben, illetve a meghajtóegység használati útmutatójában ismertetett figyelmeztetéseket és óvintézkedéseket.

⚠ VIGYÁZAT: Viseljen kesztyűt az átvizsgálás és a karbantartás során.

MEGJEGYZÉS: Soha ne használjon gázolajt, benzint, hígítót, alkoholt vagy hasonló anyagokat. Ezek elszíneződést, alakvesztést vagy repedést okozhatnak.

A termék BIZTONSÁGÁNAK és MEGBÍZHATÓSÁGÁNAK fenntartása érdekében a javításokat és más karbantartásokat vagy beállításokat a Makita hivatalos vagy gyári szervizközpontjában kell elvégezni, mindig csak Makita cserealkatrészeket használva.

A szerszám tisztítása

A szerszámról egy száraz, vagy egy szappanos vízbe mártott és kicsavart ruhával törölje le a port.

A penge karbantartása

Használat után távolítsa el a belegabalyodott fűvet vagy gyökereket a késről.

MEGJEGYZÉS: Ne mossa a kést vízben. Ha így tesz, azzal a kés vagy a tartozék rozsdásodását vagy károsodását okozhatja.

Tárolás

Szerelje fel a késvédő burkolatot a gyomirtó késere. A szerszámot olyan helyen tárolja, ahol gyerekek nem érhetik el. A szerszámot olyan helyen tárolja, amely nincs kitéve nedvességnek vagy esőnek.

Amennyiben a tartozékot a meghajtóegységtől külön tárolja, mindig helyezze fel a sapkát a cső végére.

► **Ábra23**

A mozgó alkatrészek kenése

MEGJEGYZÉS: Kövesse a zsírozásra vonatkozó gyakorisági és mennyiségi utasításokat. A nem elegetendő zsírozás a mozgó alkatrészek sérülését okozhatja.

Hajtótengely:

Tegyen bele kenőzsírt (Makita N No.2 vagy azzal egyenértékű kenőzsírt) minden 25 órányi használat után.

► **Ábra24**

MEGJEGYZÉS: Eredeti Makita kenőzsír a helyi Makita forgalmazótól szerezhető be.

Zsírral kenés

Kenési intervallum: minden 25 órányi működés után

1. A kenéshez vegye ki a fejescsavart a furatból.
► **Ábra25:** 1. Csavar
2. Vigyen fel zsírt (Makita zsír, SG No.0 vagy azzal egyenértékű) a szerszámra (mintegy 3,0 g, iránymutatásként).
3. Szorítsa meg a fejescsavart.

HIBAEELHÁRÍTÁS

Mielőtt a szervizhez fordulna, először végezzen saját maga is átvizsgálást. Ha olyan problémát talál, amire a kézikönyv nem tartalmaz magyarázatot, ne próbálja meg szétszedni az eszközt. Ehelyett kérjen tanácsot a Makita hivatalos szervizközpontjától, és javításhoz mindig Makita cserealkatrészeket használjon.

Rendellenesség	Lehetséges ok (meghibásodás)	Megoldás
A motor nem indul be.	-	Tekintse meg a meghajtóegység használati útmutatóját.
A motor rövid időn belül leáll.	-	Tekintse meg a meghajtóegység használati útmutatóját.
A motor fordulatszámja nem növelhető.	-	Tekintse meg a meghajtóegység használati útmutatóját.
A gyomirtó kés nem mozog: ⇒ azonnal állítsa le a gépet!	A meghajtórendszer nem működik megfelelően.	Javításért forduljon a kijelölt helyi szervizhez.
A gép rendellenesen rezeg: ⇒ azonnal állítsa le a gépet!	A gyomirtó kés törött, görbe vagy elhasználódott.	Cserélje ki a gyomirtó pengét.
	A meghajtórendszer nem működik megfelelően.	Javításért forduljon a kijelölt helyi szervizhez.
A gyomirtó kés és a motor nem áll le: ⇒ Haladéktalanul távolítsa el az akkumulátort!	Elektromos hiba.	Vegye ki az akkumulátort, és javításért forduljon a kijelölt helyi szakszervizhez.

OPCIONÁLIS KIEGÉSZÍTŐK

⚠ VIGYÁZAT: Ezen kiegészítőket és tartozékokat javasoljuk a kézikönyvben ismertetett Makita géphez. Bármilyen más kiegészítő vagy tartozék használata a személyi sérülés kockázatával jár. A kiegészítőt vagy tartozékot csak rendeltetészerűen használja.

Ha bármilyen segítségre vagy további információra van szüksége ezekkel a tartozékokkal kapcsolatban, keresse fel a helyi Makita Szervizközpontot.

- Gyomirtó kés
- Kultivátor kés
- Eredeti Makita akkumulátor és töltő

MEGJEGYZÉS: A listában felsorolt alkatrészek egy része a termékhez mellékelt standard tartozék lehet. Ezek országonként eltérőek lehetnek.

TECHNICKÉ ŠPECIFIKÁCIE

Model:	WA400MP
Šírka strihania	220 mm
Rozmery (D x Š x V)	980 mm x 226 mm x 196 mm
Čistá hmotnosť	2,8 kg

- Vzhľadom na neustály výskum a vývoj podliehajú technické údaje uvedené v tomto dokumente zmenám bez upozornenia.
- Technické údaje sa môžu pre rôzne krajiny líšiť.

Schválená motorová jednotka

Používanie tohto nadstavca je schválené len s nasledujúcimi motorovými jednotkami:

- Akumulátorová multifunkčná motorová jednotka DUX60
- Akumulátorová multifunkčná motorová jednotka DUX18
- Akumulátorová multifunkčná motorová jednotka UX01G

VAROVANIE: Nadstavec nikdy nepoužívajte spolu s neschválenou motorovou jednotkou. Neschválená kombinácia môže spôsobiť vážne zranenie.

Symbole

Nižšie sú uvedené symboly, ktoré sa môžu používať pri tomto nástroji. Je dôležité, aby ste poznali ich význam, skôr než začnete pracovať.



Prečítajte si návod na obsluhu a dodržiavajte pokyny, ktoré sú v ňom uvedené.



Používajte ochrannú prilbu, okuliare a chrániče sluchu.



Používajte ochranné rukavice.



Používajte pevnú obuv s nekĺzavou podrážkou.



Varovanie: pred údržbou odpojte akumulátor.



Chodidlá udržiajte v bezpečnej vzdialenosti od čepele na burinu.



Iné osoby a zvieratá sa nesmú k elektrickému nástroju priblížiť na menej než 5 m.



Horúce povrchy – hrozí popálenie prstov a rúk.



Zaručená hladina akustického výkonu podľa smernice EÚ o vonkajšom hluku.



Hladina akustického výkonu podľa nariadenia austrálskeho NSW o znižovaní hluku

Určené použitie

Tento nadstavec slúži len na odburiňovanie trávnikov na zemi v spojení so schválenou motorovou jednotkou. Nadstavec nikdy nepoužívajte na iný účel. Nesprávne používanie nadstavca môže spôsobiť vážne zranenie.

Vyhlasenie o zhode ES

Len pre krajiny Európy

My ako výrobcovia: **Makita Europe N.V.** so sídlom na adrese: **Jan-Baptist Vinkstraat 2, 3070 Kortenberg, BELGICKO.** Oprávňujeme **Kazuhisa Makino** na zostavenie technického súboru a na základe našej výlučnej zodpovednosti vyhlasujeme, že produkty:

S označením: **Nadstavec na burinu.** Označenie typov: **WA400MP.**

Spĺňajú všetky príslušné ustanovenia smernice **2006/42/ES** a zároveň spĺňajú všetky príslušné ustanovenia nasledujúcich smerníc ES/EÚ: **2000/14/EC** a sú vyrobené v súlade s nasledujúcimi harmonizovanými normami: **EN 62841-1:2015+A11:2022, EN ISO 11806-1:2022, EN IEC 62841-4-7:2022+A11:2022.**

Miesto a dátum vyhlásenia: **Kortenberg, Belgicko. 27. 9.2023**
Zodpovedná osoba: **Kazuhisa Makino, riaditeľ, Makita Europe N.V.**

BEZPEČNOSTNÉ VAROVANIA

Bezpečnostné varovania pre nadvrtiacu burinu

1. **Nepoužívajte zariadenie počas zlých poveternostných podmienok, hlavne ak existuje riziko bleskov.** Znížte tým riziko zásahu bleskom.
2. **Dôkladne skontrolujte oblasť, kde sa má zariadenie používať, či sa tu nenachádzajú divo žijúce živočíchy.** Počas prevádzky zariadenia sa môžu divo žijúce živočíchy zraniť.
3. **Dôkladne skontrolujte oblasť, kde sa má zariadenie používať, a odstráňte všetky kamene, konáre, drôty, kosti a iné cudzie predmety.** Vymrštené predmety môžu spôsobiť poranenie osôb.
4. **Pred použitím zariadenia vždy vizuálne skontrolujte, či čepeľ na burinu nie je poškodená.** Poškodené diely zvyšujú riziko poranenia.
5. **Príslušenstvo vymieňajte podľa pokynov.** Nesprávne uťahnuté matice alebo skrutky na upevnenie čepele môžu poškodiť čepeľ alebo spôsobiť jej odpojenie.
6. **Používajte ochranu zraku, sluchu, hlavy a rúk.** Primerané ochranné vybavenie znižuje riziko poranení od odletujúcich drobných kúskov, prípadne náhodných kontaktov s vyžínacím lankom alebo čepeľou.
7. **Počas používania zariadenia vždy noste protišmykovú a ochrannú obuv. Zariadenie neobsluhujte, pokiaľ ste bosí alebo máte obuté sandále.** Takto znížite riziko poranenia chodidiel pri kontakte s pohybujúcimi sa čepeľami alebo lankami.
8. **Počas používania zariadenia vždy používajte dlhé nohavice.** Pri odhalenej pokožke existuje vyššia pravdepodobnosť poranenia vymrštenými predmetmi.
9. **Počas používania zariadenia zabráňte prístupu okolostojacich.** Odletujúce drobné kúsky môžu spôsobiť vážne poranenia.
10. **Pri práci so zariadením vždy používajte obe ruky.** Držaním zariadenia obomi rukami sa zabráni strate kontroly.
11. **Zariadenie držte len za izolované plochy na uchopenie, pretože vyžínacie lanko alebo čepeľ sa môžu dostať do kontaktu so skrytými vodičmi.** Vyžínacie lanko alebo čepele, ktoré sa dostanú do kontaktu s vodičom pod napätím, môžu spôsobiť prechod elektrického prúdu odhalenými kovovými časťami zariadenia a spôsobiť obsluhu zásah elektrickým prúdom.
12. **Vždy pevne stojte a so zariadením pracujte, len ak stojíte na zemi.** Pri práci na šmyklavom alebo nestabilnom povrchu môže dôjsť k strate rovnováhy alebo kontroly nad zariadením.
13. **Zariadenie nepoužívajte na príliš strmých svahoch.** Znížte tým riziko straty kontroly, pošmyknutia a pádu, pri ktorých môže dôjsť k poraneniu.

14. **Pri práci na svahoch vždy stojte pevne, vždy pracujte naprieč svahom, nikdy nie smerom nadol ani nahor, a pri zmene smeru si dávajte maximálny pozor.** Znížte tým riziko straty kontroly, pošmyknutia a pádu, pri ktorých môže dôjsť k poraneniu.
15. **Ak je zariadenie v prevádzke, nepribližujte sa telom k čepeľi na burinu.** Pred spustením zariadenia skontrolujte, či sa čepeľ na burinu ničoho nedotýka. Chvilka nepozornosti pri používaní zariadenia môže viesť k poraneniu seba alebo iných.
16. **Zariadenie nepoužívajte vo výške nad úrovňou pása.** Tým dopomôžete zabrániť náhodnému kontaktu s čepeľou na burinu a zabezpečíte si lepšie ovládanie zariadenia v neočakávaných situáciách.
17. **Pri rezaní napnutého krika alebo porastu si dávajte pozor na spätný švih.** Pri uvoľnení napätia vo vláknach dreva môže krik alebo porast udrieť obsluhu a/alebo spôsobiť stratu kontroly nad zariadením.
18. **Pri rezaní krikov a porastu si dávajte obzvlášť pozor.** Tenké materiály sa môžu zachytiť a čepeľ a šlahnúť smerom k vám, prípadne spôsobiť stratu rovnováhy.
19. **Udržujte si kontrolu nad zariadením a nedotýkajte sa čepele na burinu ani iných nebezpečných pohyblivých dielov, kým sú v pohybe.** Znížte tým riziko poranenia pohyblivými časťami.
20. **Zariadenie prenášajte vo vypnutom stave a držte ho pritom od tela.** Správne zaobchádzanie so zariadením znižuje riziko náhodného kontaktu s pohybujúcou sa rezačkou, lankom alebo čepeľou.
21. **Pri preprave alebo uskladnení zariadenia na čepeľ na burinu vždy nasadzte kryt.** Správne zaobchádzanie so zariadením znižuje riziko náhodného kontaktu s čepeľou.
22. **Používajte výhradne náhradné čepele na burinu určené výrobcom.** Nesprávne náhradné diely môžu zvýšiť riziko poškodenia a zranenia.
23. **Pri čistení zaseknutého materiálu alebo údržbe zariadenia sa uistite, že je vypínač vypnutý a akumulátorová batéria vybrať.** Neočakávané spustenie zariadenia pri čistení zaseknutého materiálu alebo pri vykonávaní údržby môže spôsobiť vážne zranenie.

Ďalšie bezpečnostné varovania

Všeobecné pokyny

1. **Na zaistenie správnej prevádzky si musí používateľ prečítať tento návod na obsluhu, aby sa oboznámil s manipuláciou so zariadením.** Nedostatočne informovaný používateľ vystavujú pri nesprávnej manipulácii nebezpečenstvu seba aj ostatných.
2. **Nikdy nedovoľte, aby deti, osoby so zníženými fyzickými, zmyslovými alebo duševnými schopnosťami, osoby s nedostatkami skúsenosťami a znalosťami alebo osoby neoboznámené s týmito pokynmi používali toto zariadenie.** Vek obsluhy môžu obmedzovať aj miestne nariadenia.
3. **Zariadenie používajte s maximálnou opatrnosťou a pozornosťou.**

4. So zariadením pracujte, len ak ste v dobrom fyzickom stave. Všetky úkony vykonávajte pokojne a dôkladne. Používajte zdravý rozum a majte na pamäti, že za nehody alebo nebezpečenstvá spôsobené ostatným ľuďom alebo za škody na ich majetku zodpovedá obsluha, resp. používateľ.
5. Nikdy so zariadením nepracujte, pokiaľ sú v blízkosti osoby, hlavne deti, alebo zvieratá.
6. Motor je nutné okamžite vypnúť v prípade, ak zariadenie vykazuje akýkoľvek problém alebo príznaky neobvyklého fungovania.
7. Zariadenie vypnite a vyberte z neho akumulátor počas odpočinku alebo kým nechávate zariadenie bez dozoru, a umiestnite ho na bezpečnom mieste, aby ste predišli ohrozeniu ostatných alebo poškodeniu zariadenia.
8. Vyhybajte sa používaniu zariadenia počas zlých poveternostných podmienok, hlavne ak existuje riziko bleskov.
10. Pred použitím nástroja skontrolujte, či ploty alebo kríky neobsahujú cudzie predmety, ako napríklad drôtené ploty alebo skryté káble.

Spôsob prevádzky

1. Zariadenie používajte jedine pri dobrom osvetlení a viditeľnosti. Počas zimného obdobia dávajte pozor na klzké alebo mokré plochy, ľad a sneh (riziko pošmyknutia). Vždy dbajte na stabilný postoj vo svahu. Pri používaní zariadenia kráčajte, nikdy nebežte.
2. Dávajte pozor na poranenie nôh a rúk spôsobené sečným náradím.
3. Zariadenie nikdy nespúšťajte na rebriku.
4. Nikdy nelezte na stromy na účely strihania pomocou zariadenia.
5. Nikdy nepracujte na nestabilnom povrchu.
6. Odstráňte piesok, kamene, klince atď., na ktoré by ste mohli s náradím naraziť pri práci. Cudzie látky môžu poškodiť sečné náradie a spôsobiť nebezpečné spätné nárazy.
7. Pokiaľ sečné náradie narazí na kameň alebo iný tvrdý predmet, okamžite vypnite motor a skontrolujte sečné náradie.
8. V pravidelných krátkych intervaloch kontrolujte poškodenie sečného náradia (zistenie vlasových trhlín pomocou zvukového testu poklepaním).
9. Zo zariadenia vyberte akumulátor:
 - vždy, keď nechávate zariadenie bez dozoru;
 - vždy pred odstraňovaním prekážky;
 - pred kontrolou, čistením alebo prácou na zariadení;
 - po narazení na cudzí predmet;
 - vždy, keď zariadenie začne neštandardne vibrovať.
10. Po vypnutí motora sa bude rezné príslušenstvo aj naďalej pohybovať.
11. Pri pripájaní alebo odpájaní krytu čepele si dajte pozor na to, aby ste si neporanili ruky.

Osobné ochranné pomôcky

1. Pri práci so zariadením používajte ochranu zraku a pevnú obuv.
2. Pri používaní zariadenia vždy používajte pevnú obuv a dlhé nohavice.

Spustenie zariadenia

1. Presvedčte sa, že sa v blízkosti nenachádzajú deti ani iné osoby a taktiež dávajte pozor na zvieratá v pracovnej oblasti. V opačnom prípade prestaňte zariadenie používať.
2. Počas prevádzky zabezpečte, aby sa okolostojace osoby alebo zvieratá zdržiavali vo vzdialenosti aspoň 5 m od nástroja. Ak sa ktokoľvek priblíži, okamžite vypnite nástroj.
3. Pred použitím vždy skontrolujte, či možno zariadenie bezpečne používať. Skontrolujte bezpečnosť sečného náradia a spúšťacieho spínača, či ľahko a správne fungujú. Skontrolujte, či sú rukoväti čisté a suché, a skontrolujte funkciu spustenia/zastavenia.
4. Pred ďalším používaním zariadenia skontrolujte poškodené súčasti. Diely, ktoré sú poškodené, treba dôkladne skontrolovať, aby sa určilo, či budú fungovať správne a či budú vykonávať určenú funkciu. Skontrolujte pohyblivé diely, či sú zarovnané, či nie sú uviaznuté, či niektoré diely nie sú zlomené, či nie sú zle namontované a či sú v takom stave, ktorý nebude mať negatívny vplyv na prevádzku. Poškodené diely treba správne opraviť alebo vymeniť v autorizovanom servisnom stredisku, pokiaľ nie je v tomto návode uvedené inak.
5. Motor zapínajte len vtedy, keď máte ruky a nohy v dostatočnej vzdialenosti od sečného náradia.
6. Pred spustením sa presvedčte, že sa sečné náradie nedotýka žiadnych predmetov.
7. Počas používania zariadenie držte pevne.
8. Zabráňte náhodnému spusteniu. Neprenášajte náradie s nainštalovaným akumulátorom a s prstom na spínači. Pri inštalácii akumulátora sa uistite, že spínač je vypnutý.
9. Pred vykonávaním práce zistíte, či sa na pracovisku nenachádzajú pletivé ploty, kamene alebo iné pevné predmety. Tieto predmety by mohli spôsobiť poškodenie čepele na burinu.

Pokyny týkajúce sa údržby

1. Stav zariadenia, a to hlavne sečného náradia a ochranných zariadení sa musí pred začatím práce skontrolovať.
2. Pred vykonávaním činnosti údržby, výmeny sečného náradia alebo čistenia zariadenia či sečného náradia vypnite motor a vyberte akumulátor.
3. Keď náradie nepoužívate, dajte na čepeľ kryt a uskladnite ho vo vnútri na suchom a dobre uzamknutom mieste – mimo dosahu detí.

TIETO POKYNY USCHOVAJTE.

VAROVANIE: NIKDY nepripustíte, aby sebavedomie a dobrá znalosť výrobku (získané opakovaným používaním) nahradili presné dodržiavanie bezpečnostných pravidiel pre náradie. NESPRÁVNE POUŽÍVANIE alebo nedodržiavanie bezpečnostných zásad uvedených v tomto návode môže viesť k vážnemu zraneniu.

POPIS SÚČASTÍ

► **Obr.1:** 1. Kryt čepeľí 2. Kryt 3. Čepeľ na burinu

ZOSTAVENIE

VAROVANIE: Pred zostavením alebo nastavením zariadenia vypnite motor a vyberte akumulátor. Inak sa zariadenie môže neúmyselne spustiť a spôsobiť zranenie.

VAROVANIE: Pri zostavovaní a nastavovaní zariadenie vždy položte. Pri zostavovaní alebo nastavovaní zariadenia v zvislej polohe môže dôjsť k vážnemu zraneniu.

VAROVANIE: Riadte sa varovaniami a preventívnymi opatreniami uvedenými v kapitole „BEZPEČNOSTNÉ VAROVANIA“ a návodom na používanie motorovej jednotky.

Zostavenie nadstavca

1. Pripevnite 2 nastavovacie platničky k nadstavcu tak, aby drážky platničiek smerovali von.

► **Obr.2:** 1. Nastavovacia platnička

2. Čepeľ na burinu upevnite k nastavovacím platničkám, pričom nôž mierne otvorte smerom von.

Pri upevňovaní čepele na burinu dbajte na to, aby šípka smerovala k tyči.

► **Obr.3:** 1. Šípka

Uhol čepele na burinu možno meniť zarovnaním výčnelku na čepeľi na burinu s jedným z výčnelkov na nastavovacích platničkách.

► **Obr.4:** 1. Výčnelok

UPOZORNENIE: Uistite sa, že šípky na čepeľi na burinu smerujú v smere zobrazenom na obrázku.

► **Obr.5:** 1. Šípka

3. Uistite sa, že je čepeľ na burinu zachytená do nastavovacích platničiek.

► **Obr.6**

4. Vložte skrutku zo strany bez matice a utiahnite skrutku kľúčom.

Skontrolujte, či je skrutka pevne dotiahnutá.

► **Obr.7:** 1. Skrutka 2. Matica

POZNÁMKA: Uťahovací moment: 5 – 10 N•m

Montáž tyče nadstavca

POZOR: Po inštalácii vždy skontrolujte, či je tyč nadstavca bezpečne pripevnená. Nesprávna inštalácia môže spôsobiť, že nadstavec sa odpojí od motorovej jednotky a spôsobí poranenie.

Nasaďte tyč nadstavca na napájaciu jednotku.

1. Odstráňte kryt z konca tyče.

► **Obr.8:** 1. Tyč 2. Kryt

UPOZORNENIE: Kryt nevyhadzujte, pretože je potrebný pri uskladnení nadstavca.

2. Otočte páčku smerom k nadstavcu.

► **Obr.9:** 1. Páčka

3. Čap zarovnajete so šípkou na motorovej jednotke. Zasuňte tyč, až kým nevyskočí uvoľňovacie tlačidlo.

Skontrolujte, či je čiara označujúca polohu na hrote šípky na motorovej jednotke a že šípka na motorovej jednotke a šípka na tyči smerujú k sebe.

► **Obr.10:** 1. Uvoľňovacie tlačidlo 2. Šípka na motorovej jednotke 3. Kolík 4. Čiara označujúca polohu 5. Šípka na tyči

4. Otočte páčku smerom k motorovej jednotke.

► **Obr.11:** 1. Páčka

Povrch páčky musí byť v jednej rovine s tyčou.

UPOZORNENIE: Pred uťahovaním páčky zasuňte tyč nadstavca. V opačnom prípade môže páčka príliš silno stiahnuť otvor na hnací hriadeľ a poškodiť ho.

Ak chcete tyč odpojiť, otočte páčku smerom k príslušenstvu a po stlačení uvoľňovacieho tlačidla ťahajte tyč smerom von.

► **Obr.12:** 1. Uvoľňovacie tlačidlo 2. Páčka 3. Tyč

Odstránenie alebo pripevnenie krytu čepeľí

Ak chcete odstrániť kryt čepeľí, zatlačte kryt čepeľí smerom dovnútra a otočte ho.

► **Obr.13:** 1. Kryt čepeľí

Ak chcete pripevniť kryt čepeľí, nasadte kryt čepeľí na jednu stranu čepele na burinu a potom ho otočte.

► **Obr.14:** 1. Kryt čepeľí

POZNÁMKA: Kryt čepeľí môžete pripevniť k tyči podľa obrázka.

► **Obr.15:** 1. Kryt čepeľí

Montáž a demontáž čepele na burinu

POZOR: Pri výmene čepele na burinu majte vždy nasadené rukavice, aby sa vaše ruky nedostali do priameho kontaktu s čepeľou na burinu.

POZOR: Pred demontážou alebo montážou čepele na burinu nasadte kryt čepeľí.

1. Nasadte kryt čepeľí na čepeľ na burinu.

2. Odstráňte skrutku tak, že ju povolíte kľúčom.

► **Obr.16:** 1. Skrutka

3. Odstráňte čepeľ na burinu, pričom ju mierne otvárajte smerom von.

► **Obr.17**

Vložte čepeľ na burinu podľa pokynov na montáž nadstavca.

OPIS FUNKCIÍ

⚠️ POZOR: Pred úpravou alebo kontrolou funkčnosti nástroja vždy skontrolujte, či je nástroj vypnutý a akumulátor je vybitý.

Nastavenie uhla rezania

⚠️ POZOR: Pred nastavovaním uhla rezania sa vždy uistite, že nástroj je vypnutý.

Uhol čepele na burinu možno zmeniť v troch úrovniach. Ak chcete zmeniť uhol, zarovnajzte výčnelok na čepeli na burinu s jedným z výčnelkov na nastavovacích platničkách, a potom namontujte čepeľ na burinu.

1. Pomocou kľúča uvoľnite skrutku, ktorá drží reznú čepeľ.
 2. Zarovnajzte výčnelok na čepeli na burinu s jedným z výčnelkov na nastavovacích platničkách.
 3. Znova utiahnite skrutku na upevnenie reznej čepele.
- Obr.18: 1. Výčnelok

PREVÁDZKA

⚠️ VAROVANIE: Riadte sa varovaniami a preventívnymi opatreniami uvedenými v kapitole „BEZPEČNOSTNÉ VAROVANIA“ a návodom na používanie motorovej jednotky.

Prevádzka nástroja

⚠️ VAROVANIE: Ruky držte mimo čepele na burinu.

⚠️ VAROVANIE: Počas celej doby buďte veľmi opatrní a udržujte si nad náradím kontrolu. Zabráňte, aby sa náradie vychýlilo smerom k vám alebo smerom ku komukoľvek v okolí miesta vykonávania práce. Opomenutie dodržiavať ovládanie náradia môže viesť k vážnemu poraneniu okolostojacich a obsluhy.

⚠️ VAROVANIE: Pred odburiňovaním vždy odstráňte konáre a kamene z oblasti odburiňovania.

POZNÁMKA: Tento nástroj je určený na odstraňovanie buriny kratšej ako 15 cm (5-7/8").

► Obr.19

⚠️ POZOR: Podľa možností sa vyhnite prevádzkovaniu zariadenia pri mimoriadne horúcom počasí. Pri prevádzkovaní zariadenia dávajte pozor na svoj fyzický stav.

⚠️ POZOR: Počas odburiňovania si dávajte pozor, aby ste náhodne neprišli do styku s kovovým oploštením alebo inými tvrdými predmetmi. Čepeľ na burinu sa môže zlomiť a spôsobiť zranenie.

⚠️ POZOR: Snaha dosiahnuť s nástrojom príliš ďaleko, a to zvlášť z rebriku, je veľmi nebezpečná. Činnosť strihania nevykonávajte, keď stojíte na vratkom alebo nestabilnom predmete.

UPOZORNENIE: Zariadenie nepoužívajte spôsobom, ktorý by spôsobil zastavenie motora alebo jeho extrémne pomalé otáčanie.

Držte nástroj oboma rukami za prednú rukoväť a zadné držadlo motorovej jednotky.

► Obr.20: 1. Predná rukoväť 2. Zadné držadlo

Zapnite nástroj tak, aby sa čepeľ na burinu nedotýkala zeme. Položte čepeľ na burinu na zem a pomalým ťahaním nástroja k sebe vykonávajte odburiňovanie. Práca je ľahšia, ak je čepeľ na burinu v uhle takmer kolmom na zem.

► Obr.21

► Obr.22

ÚDRŽBA

⚠️ VAROVANIE: Pred kontrolou alebo údržbou zariadenia vypnite motor a vyberte akumulátor. Inak sa zariadenie môže neúmyselne spustiť a spôsobiť vážne zranenie.

⚠️ VAROVANIE: Keď vykonávate kontrolu alebo údržbu zariadenia, zariadenie vždy položte. Pri zostavovaní alebo nastavovaní zariadenia v zvislej polohe môže dôjsť k vážnemu zraneniu.

⚠️ VAROVANIE: Riadte sa varovaniami a preventívnymi opatreniami uvedenými v kapitole „BEZPEČNOSTNÉ VAROVANIA“ a návodom na používanie motorovej jednotky.

⚠️ POZOR: Kontrolu alebo údržbu vždy vykonávajte v rukaviciach.

UPOZORNENIE: Nepoužívajte benzín, riedidlo, alkohol ani podobné látky. Mohlo by to spôsobiť zmenu farby, deformácie alebo praskliny.

Ak chcete udržať BEZPEČNOSŤ a BEZPORUCHOVOSŤ výrobku, prenechajte opravy, údržbu a nastavenie na autorizované alebo továrenské servisné centrá Makita, ktoré používajú len náhradné diely značky Makita.

Čistenie zariadenia

Zariadenie očistite utretím prachu čistou handričkou alebo handričkou navlhčenou mydlovou vodou a následne vyžmýkanou.

Údržba čepele

Po práci odstráňte z čepele zachytenú trávu alebo korene.

UPOZORNENIE: Čepeľ neumývajte vo vode. V opačnom prípade môže dôjsť k hrdzaveniu alebo k poškodeniu čepele alebo nadstavca.

Uskladnenie

Nasadte kryt čepele na čepeľ na burinu. Nástroj bezpečne uskladnite mimo dosahu detí. Nástroj uskladnite na mieste, ktoré nie je vystavené vplyvu vlhkosti ani vody. Pri skladovaní nadstavca oddeleného od motorovej jednotky nasadte na koniec tyče kryt.

► Obr.23

Mazanie pohyblivých častí

UPOZORNENIE: Dodržiavajte pokyny upravujúce frekvenciu a množstvo nanášaného maziva. Nedostatočné mazanie môže spôsobiť poškodenie pohyblivých častí.

Hnacia os:

Aplikujte mazivo (mazivo Makita N No.2 alebo ekvivalent) po každých 25 hodinách prevádzky.

► Obr.24

POZNÁMKA: Originálne mazivo značky Makita si môžete kúpiť od miestneho predajcu spoločnosti Makita.

Nanášanie maziva

Interval mazania: Každých 25 prevádzkových hodín

1. Vyberte skrutku z otvoru na mazanie.
► **Obr.25:** 1. Skrutka
2. Naneste mazivo (mazivo Makita SG No.0 alebo ekvivalentné) na nástroj (pomôcka: približne 3,0 g).
3. Dotiahnite skrutku.

RIEŠENIE PROBLÉMOV

Pred požiadanim o vykonanie opravy najprv vykonajte vlastnú kontrolu. Ak zistíte problém, ktorý nie je vysvetlený v návode, nepokúšajte sa nástroj rozoberať. Namiesto toho požiadajte o opravu autorizované servisné strediská spoločnosti Makita, ktoré používajú len náhradné diely značky Makita.

Chybný stav	Predpokladaná príčina (porucha)	Náprava
Motor sa neštartuje.	-	Postupujte podľa pokynov v návode na používanie motorovej jednotky.
Motor sa zakrátko vypne.	-	Postupujte podľa pokynov v návode na používanie motorovej jednotky.
Otáčky motora sa nezvyšujú.	-	Postupujte podľa pokynov v návode na používanie motorovej jednotky.
Čepeľ na burinu sa nepohybuje: ⇒ okamžite náradie zastavte!	Systém pohonu nefunguje správne.	O opravu požiadajte miestne autorizované servisné stredisko.
Nadmerné vibrácie: ⇒ okamžite náradie zastavte!	Čepeľ na burinu je zlomená, ohnutá alebo opotrebovaná. Systém pohonu nefunguje správne.	Vymeňte čepeľ na burinu. O opravu požiadajte miestne autorizované servisné stredisko.
Čepeľ na burinu a motor sa nedajú zastaviť: ⇒ Ihneď odnňte akumulátor!	Elektrická porucha.	Odnímate akumulátor a o opravu požiadajte miestne autorizované servisné stredisko.

VOLITEĽNÉ PRÍSLUŠENSTVO

⚠ POZOR: Pre váš výrobok Makita opísaný v tomto návode odporúčame používať toto príslušenstvo alebo nadstavce. Pri použití iného príslušenstva či nadstavcov môže hroziť nebezpečenstvo zranenia osôb. Príslušenstvo a nadstavce sa môžu používať len na stanovené účely.

Ak potrebujete bližšie informácie týkajúce sa tohoto príslušenstva, obráťte sa na vaše miestne servisné stredisko firmy Makita.

- Čepeľ na burinu
- Čepeľ kultivátora
- Originálna batéria a nabíjačka Makita

POZNÁMKA: Niektoré položky zo zoznamu môžu byť súčasťou balenia produktu vo forme štandardného príslušenstva. Rozsah týchto položiek môže byť v každej krajine odlišný.

SPECIFIKACE

Model:	WA400MP
Šířka řezu	220 mm
Rozměry (D × Š × V)	980 mm × 226 mm × 196 mm
Čistá hmotnost	2,8 kg

- Vzhledem k neustálému výzkumu a vývoji podléhají zde uvedené specifikace změnám bez upozornění.
- Specifikace se mohou pro různé země lišit.

Schválená motorová jednotka









Tento nástavec se smí používat pouze s následujícími motorovými jednotkami:

- Akumulátorová multifunkční motorová jednotka DUX60
- Akumulátorová multifunkční motorová jednotka DUX18
- Akumulátorová multifunkční motorová jednotka UX01G

VAROVÁNÍ: Nikdy nepoužívejte nástavec s motorovou jednotkou, která není schválená. Při použití v neschválené kombinaci může dojít k vážnému zranění.

Symbols

Níže jsou uvedeny symboly, se kterými se můžete při použití nářadí setkat. Je důležité, abyste dříve, než s ním začnete pracovat, pochopili jejich význam.

	Přečtěte si pokyny v návodu k obsluze a dodržujte je.
	Používejte ochrannou přilbu, brýle a ochranu sluchu.
	Noste ochranné rukavice.
	Noste pevnou obuv s protiskluzovou podrážkou.
	Varování: Před údržbou odpojte akumulátor.
	Nepřibližujte se nohama k plecímu noži.
	Pokud se ve vzdálenosti menší než 5 m vyskytují přihlížející osoby nebo zvířata, nářadí nepoužívejte.
	Horký povrch – nebezpečí popálení prstů nebo ruky.



Zaručená hladina akustického výkonu podle směrnice EU o hluku ve venkovním prostoru.



Hladina akustického výkonu podle nařízení australské vlády NSW o kontrole hluku

Účel použití

Tento nástavec je určen pouze na pleť trávy na zemi v kombinaci se schválenou motorovou jednotkou. Nástavec nikdy nepoužívejte k žádným jiným účelům. Při použití nástavce k nesprávnému účelu může dojít k vážnému úrazu.

Prohlášení ES o shodě

Pouze pro evropské země

My, jako výrobci: **Makita Europe N.V.**, obchodní adresa: **Jan-Baptist Vinkstraat 2 3070 Kortenberg BELGIE**, pověřujeme pana **Kazuhiho Makino** sestavováním technického souboru a prohlašujeme na vlastní odpovědnost, že produkty; Označení: **Plečí nástavec**. Označení typů: **WA400MP**, splňují všechna příslušná ustanovení směrnice **2006/42/ES** a také splňují všechna příslušná ustanovení následujících směrnic ES/EU: **2000/14/EC** a jsou vyrobeny v souladu s následujícími harmonizovanými normami: **EN 62841-1:2015+A11:2022, EN ISO 11806-1:2022, EN IEC 62841-4-7:2022+A11:2022**. Místo a datum prohlášení: **Kortenberg, Belgie. 27. 9.2023** Odpovědná osoba: **Kazuhiho Makino, ředitel – Makita Europe N.V.**



BEZPEČNOSTNÍ VÝSTRAHY

Bezpečnostní výstrahy pro plecí nástavec

- Zařízení nepoužívejte za nepříznivého počasí, zvláště existuje-li nebezpečí bouřek.** Tím se snižuje riziko zásahu bleskem.
- Místo použití zařízení pečlivě zkontrolujte, zda se tam nenachází zvěře.** Za provozu zařízení může dojít ke zranění zvěře.
- Pečlivě zkontrolujte oblast použití zařízení a odstraňte veškeré kameny, větve, dráty, kosti a další cizí předměty.** Vymrštěné předměty mohou způsobit zranění.
- Před použitím zařízení vždy vizuálně zkontrolujte, zda plecí nůž není opotřebený nebo poškozený.** Poškozený díl zvyšuje riziko zranění.
- Při výměně příslušenství postupujte podle pokynů.** Nesprávně utažené zajišťovací matice nebo šrouby nože mohou nůž poškodit nebo způsobit jeho uvolnění.
- Používejte ochranu očí, uší, hlavy a rukou.** Adekvátní ochranné prostředky zamezí zranění odletávajícími třískami a nechtěnému kontaktu s ryskou řezání nebo nožem.
- Při obsluze zařízení vždy noste neklouzavou ochrannou obuv. Se zařízením nepracujte bosí ani v otevřené obuvi.** Tím se snižuje nebezpečí zranění nohou při kontaktu s pohyblivými se noži nebo ryskami.
- Při obsluze zařízení vždy noste dlouhé kalhoty.** Odhalená kůže zvyšuje pravděpodobnost zranění vymrštěnými předměty.
- Se zařízením nepracujte v blízkosti přihlížejících osob.** Vymrštěný materiál může způsobit vážné zranění.
- Při obsluze zařízení vždy používejte obě ruce.** Zařízení vždy držte oběma rukama, abyste nad ním neztratili kontrolu.
- Zařízení držte pouze za izolované části držadel, neboť ryska řezu nebo nůž mohou narazit na skryté elektrické vedení.** Ryska řezu nebo nůž mohou při kontaktu s vodičem pod napětím přenést proud do nechráněných kovových částí zařízení a obsluha může utrpět úraz elektrickým proudem.
- Vždy udržujte správný postoj a se zařízením pracujte, pouze když stojíte na zemi.** Kluzký nebo nestabilní povrch mohou způsobit ztrátu rovnováhy nebo kontroly nad zařízením.
- Zařízení neprovozujte na nadměrně strmých svazích.** Tím snížíte nebezpečí ztráty kontroly, uklouznutí a pádu a případného následného zranění.
- Při práci na svazích vždy zkontrolujte, zda máte pevnou půdu pod nohama, pracujte vždy kolmo ke spádnicí, nikdy směrem nahoru nebo dolů, a buďte mimořádně opatrní při změně směru.** Tím snížíte nebezpečí ztráty kontroly, uklouznutí a pádu a případného následného zranění.
- Je-li zařízení v provozu, udržujte všechny končetiny mimo dosah plecího nože.** Před zapnutím zařízení se ujistěte, že se plecí nůž ničeho nedotýká. Okamžik nepozornosti při používání stroje může mít za následek zranění Vás nebo jiných osob.
- Zařízení neprovozujte nad úroveň pasu.** Můžete tak předejít nechtěnému kontaktu s plecím nožem a umožníte lepší ovládání zařízení v nenadálých situacích.
- Při řezání napnutých keřů nebo stromků dávejte pozor na zpětný ráz.** Když se napětí ve dřevěných vláknech uvolní, napnutý keř nebo stromek mohou zasáhnout obsluhu nebo způsobit ztrátu kontroly nad zařízením.
- Při řezání keřů a stromků dbejte mimořádné opatrnosti.** Pružný materiál může nůž zachytit a vymrstit se směrem k vám nebo vás vyvést z rovnováhy.
- Udržujte kontrolu nad zařízením a nedotýkejte se plecího nože ani dalších nebezpečných pohyblivých dílů, jsou-li stále v pohybu.** Tím se snižuje nebezpečí zranění pohyblivými díly.
- Při přenášení nechte zařízení vypnuté a držte je tak, aby mířilo směrem od vašeho těla.** Správnou manipulací se zařízením lze snížit riziko nechtěného kontaktu s pohyblivým se řezným nástrojem, ryskou nebo nožem.
- Při přepravě nebo ukládání zařízení vždy upevněte kryt na plecí nůž.** Správnou manipulací se zařízením lze snížit riziko nechtěného kontaktu s pohyblivým se nožem.
- Používejte pouze náhradní plecí nože určené výrobcem.** Nesprávné náhradní díly mohou zvýšit riziko rozbití a zranění.
- Při odstraňování zaseknutého materiálu nebo provádění servisu zařízení dbejte, aby byl vypínač vypnutý a byl vyjmutý akumulátor.** Neočekávané spuštění zařízení během uvolňování zaseknutého materiálu nebo oprav může mít za následek vážné zranění osob.

Další bezpečnostní varování

Všeobecné pokyny

- K zajištění správného provozu je nutné, aby si uživatel přečetl tento návod k obsluze a seznámil se s obsluhou zařízení.** Nedostatečně informovaný uživatel se v důsledku nesprávné manipulace vystavuje nebezpečí zranění sebe a ostatních osob.
- Nikdy nedovolte, aby toto zařízení používaly děti, osoby s omezenými fyzickými, smyslovými či duševními schopnostmi nebo s nedostatečnými zkušenostmi a znalostmi, ani osoby neobeznámené s těmito pokyny.** Věk obsluhy může být omezen místními předpisy.
- Zařízení používejte vždy s maximální opatrností a pozorností.**
- Se zařízením pracujte, pouze pokud jste v dobrém fyzickém stavu.** Veškerou práci provádějte klidně a opatrně. Řiďte se zdravým úsudkem a pamatujte, že za nehody nebo vystavení jiných osob a jejich majetku nebezpečí odpovídá obsluha či uživatel.

5. Se zařízením nikdy nepracujte v blízkosti osob, zvláště pak dětí a domácích zvířat.
6. Motor je nutné okamžitě vypnout, pokud zařízení vykazuje problém nebo příznaky neobvyklého chování.
7. Vypněte zařízení a odmontujte akumulátor, pokud odpočíváte nebo necháváte zařízení bez dozoru, a uložte jej na bezpečném místě, aby se zabránilo ohrožení ostatních osob a poškození zařízení.
8. Se zařízením nepracujte za nepříznivého počasí, zvláště existuje-li nebezpečí bouřek.

Osobní ochranné prostředky

1. Při každé práci se zařízením používejte ochranu zraku a pevnou obuv.
2. Při práci se zařízením vždy noste pevnou obuv a dlouhé kalhoty.

Spuštění zařízení

1. Ujistěte se, zda nejsou v blízkosti žádné děti a další osoby a také dejte pozor na zvířata poblíž místa vykonávané práce. V případě výskytu osob přestaňte zařízení používat.
2. S náradím pracujte ve vzdálenosti alespoň 5 m od zvířat nebo přihlížejících osob. Jakmile pozorujete, že se k vám někdo blíží, nářadí vypněte.
3. Před prací vždy zkontrolujte, zda je zařízení bezpečně provozuschopné. Zkontrolujte bezpečnost vyžínacího nástroje a správnou bezproblémovou funkci spouště. Zkontrolujte, zda jsou držadla čistá a suchá, a vyzkoušejte funkci start/stop.
4. Před dalším používáním zařízení zkontrolujte, zda nejsou poškozené nějaké díly. Poškozený díl je třeba pečlivě zkontrolovat a posoudit, zda bude i nadále správně fungovat a plnit příslušnou funkci. Zkontrolujte vyrovnaní pohyblivých částí, spoje pohyblivých částí, zda nejsou některé díly rozbité či uvolněné a zda nenastaly nějaké potíže, které mohou ovlivnit funkci. Pokud není v této příručce stanoveno jinak, musí být poškozený díl řádně opraven nebo vyměněn autorizovaným servisem.
5. Motor startujte, pouze pokud máte ruce i nohy mimo dosah vyžínacího nástroje.
6. Před startováním se ujistěte, zda není vyžínací nástroj v kontaktu s žádnými předměty.
7. Při práci držte nástroj pevně.
8. Zamezte nechtěnému spuštění. Nepřenášejte nářadí se zapojeným akumulátorem a prstem na spoušti. Během vkládání akumulátoru do nářadí se ujistěte, že je vypnuté.
9. Před zahájením práce zkontrolujte, zda se v pracovní oblasti nenacházejí drátěné ploty, kameny či jiné pevné objekty. Může dojít k poškození plecího nože.
10. Před prací s náradím zkontrolujte, zda živé ploty a křoviny neskrývají cizí předměty, například drátěné ploty nebo elektrické vedení.

Způsob používání

1. Se zařízením pracujte pouze při dostatečném osvětlení a za dobré viditelnosti. V zimním období dejte pozor na kluzká a vlhká místa s ledem a sněhem (nebezpečí uklouznutí). Na svazích a při chůzi vždy zaujměte stabilní postoj, nikdy neběhejte.

2. Dejte pozor, abyste si o vyžínací nástroj neporanili ruce a nohy.
3. Nikdy nestůjte na žebříku se spuštěným zařízením.
4. Nikdy neprovazujte zařízení na stromech.
5. Nikdy nepracuje na nestabilních plochách.
6. Z pracovního prostoru odstraňte písek, kameny, hřebíky apod. Cizí částice mohou poškodit vyžínací nástroj a způsobit nebezpečný zpětný ráz.
7. Jestliže vyžínací nástroj narazí do kamenů či jiných tvrdých předmětů, vypněte motor a vyžínací nástroj ihned prohlédněte.
8. V pravidelných intervalech kontrolujte, zda není vyžínací nástroj poškozený (detekce vlasových prasklin pomocí testu lehkým poklepem).
9. Z nářadí vždy vyjměte akumulátor:
 - kdykoli necháte zařízení bez dozoru;
 - před uvolňováním zablokování;
 - před kontrolou, čištěním či prováděním prací na zařízení;
 - po kontaktu s cizím předmětem;
 - kdykoli začne zařízení neobvykle vibrovat.
10. Vyžínací zařízení pokračuje po vypnutí motoru v pohybu.
11. Při nasazování nebo odstraňování krytu nožů buďte opatrní, abyste si neporanili ruce.

Pokyny k údržbě

1. Před zahájením práce je nutné zkontrolovat stav zařízení, zvláště pak vyžínacího nástroje a ochranných prvků.
2. Před prováděním údržby, výměnou vyžínacích nástrojů a také před čištěním zařízení či vyžínacího nástroje vypněte motor a vyjměte akumulátor.
3. Neří nářadí používáno, nasadte na něj kryt nožů a uložte ho pod střechem na suché a vyvěšené či uzamykatelné místo – mimo dosah dětí.

TYTO POKYNY USCHOVEJTE.

VAROVÁNÍ: NEDOVOLTE, aby pohodlnost nebo pocit znalosti výrobku (získaný na základě předchozího použití) vedl k zanedbání dodržování bezpečnostních pravidel platných pro tento výrobek. **NESPRÁVNÉ POUŽÍVÁNÍ** či nedodržení bezpečnostních pravidel uvedených v tomto návodu k obsluze může způsobit vážné zranění.

POPIS DÍLŮ

► Obr.1: 1. Kryt nožů 2. Kryt 3. Plecí nůž

SESTAVENÍ

VAROVÁNÍ: Před montáží a seřízením zařízení vypněte motor a vyjměte akumulátor. Jinak se může stroj nechtěně spustit a způsobit zranění.

VAROVÁNÍ: Při montáži nebo seřizování mějte zařízení vždy položené na zemi. Provádě-li se montáž nebo seřizování zařízení ve svislé poloze, může dojít k vážnému zranění.

VAROVÁNÍ: Řiďte se výstrahami a dodržujte opatření uvedená v kapitole „BEZPEČNOSTNÍ VAROVÁNÍ“ a v návodu k obsluze motorové jednotky.

Montáž nástavce

1. 2 vyrovnávací desky připevněte k nástavci tak, aby drážky desek mířily ven.

► **Obr.2:** 1. Vyrovnávací deska

2. K vyrovnávacím deskám připevněte plecí nůž, přitom lehce rozevřete nůž ven.

Při připevňování plecího nože zajistěte, aby šipka mířila směrem k trubici.

► **Obr.3:** 1. Šipka

Úhel plecího nože lze změnit vyrovnáním výstupku na plecím noži s jedním z výstupků na vyrovnávacích deskách.

► **Obr.4:** 1. Výstupek

POZOR: Ujistěte se, že šipky na plecím noži míří ve směru znázorněném na obrázku.

► **Obr.5:** 1. Šipka

3. Ujistěte se, že je plecí nůž v záběru s vyrovnávacími deskami.

► **Obr.6**

4. Vložte šroub ze strany bez matice a utáhněte šroub klíčem.

Dbejte na to, aby byl šroub pevně dotažen.

► **Obr.7:** 1. Šroub 2. Matice

POZNÁMKA: Utahovací moment: 5 – 10 N•m

Montáž nástavcové tyče

UPOZORNĚNÍ: Po instalaci se vždy ujistěte, že je trubice nástavce bezpečně zajištěná. Nesprávná instalace může způsobit pád nástavce z hnací jednotky a následnému zranění.

Namontujte nástavcovou tyč na motorovou jednotku.

1. Odstraňte kryt z konce trubky.

► **Obr.8:** 1. Trubka 2. Kryt

POZOR: Krytku nevyhazujte, protože je potřeba pro následné uskladnění nástavce.

2. Otočte páčku směrem k nástavci.

► **Obr.9:** 1. Páčka

3. Kolík vyrovnějte se značkou šipky na hnací jednotce. Zasouvejte trubku, dokud uvolňovací tlačítko nevyškočí.

Dbejte, aby byla polohová čára na vrcholku značky šipky na hnací jednotce a aby značka na hnací jednotce a značka šipky na trubce směřovaly proti sobě.

► **Obr.10:** 1. Uvolňovací tlačítko 2. Značka šipky na hnací jednotce 3. Kolík 4. Polohová čára 5. Značka šipky na trubce

4. Otočte páčku směrem k motorové jednotce.

► **Obr.11:** 1. Páčka

Zajistěte, aby byla plocha páčky rovnoběžně s tyčí.

POZOR: Páčku neutahujte, pokud není zasunutá nástavcová tyč. Páčka by jinak mohla vstup hnacího hřídele příliš stáhnout a poškodit ho.

Chcete-li tyč vyjmout, otočte páčku směrem k nástavci a vytáhněte tyč při současném stisknutí uvolňovacího tlačítka.

► **Obr.12:** 1. Uvolňovací tlačítko 2. Páčka 3. Tyč

Sejmutí nebo připevnění krytu nožů

Chcete-li kryt nožů sejmut, zatlačte na kryt nožů směrem dovnitř a otočte jej.

► **Obr.13:** 1. Kryt nožů

Chcete-li kryt nožů upevnit, zahákněte kryt nožů na jednu stranu plecího nože a poté jej otočte.

► **Obr.14:** 1. Kryt nožů

POZNÁMKA: Kryt nožů můžete připojit k trubici, jak je znázorněno na obrázku.

► **Obr.15:** 1. Kryt nožů

Montáž a demontáž plecího nože

UPOZORNĚNÍ: Při výměně plecího nože vždy používejte rukavice, aby nedošlo k přímému kontaktu plecího nože s rukama.

UPOZORNĚNÍ: Před demontáží nebo montáží plecího nože nasadte kryt nožů.

1. Na plecí nůž nasadte kryt nožů.

2. Šroub povolte klíčem a demontujte jej.

► **Obr.16:** 1. Šroub

3. Demontujte plecí nůž, přitom lehce rozevřete plecí nůž ven.

► **Obr.17**

Namontujte plecí nůž dle pokynů k montáži nástavce.

POPIS FUNKCÍ

⚠ UPOZORNĚNÍ: Před nastavováním nářadí nebo kontrolou jeho funkce se vždy přesvědčte, zda je vypnuté a je vyjmutý akumulátor.

Nastavení úhlu řezání

⚠ UPOZORNĚNÍ: Před nastavením úhlu řezání se vždy ujistěte, že je nářadí vypnuté.

Úhel plechho nože lze nastavit na tři úrovně. Chcete-li změnit úhel, zarovnejte výstupek na plecím noži s jedním z výstupků na vyrovnávacích deskách a poté plecí nůž namontujte.

1. Klíčem povolte šroub upevňující sekací nůž.
2. Vyrovnajte výstupek na plecím noži s jedním z výstupků na vyrovnávacích deskách.
3. Opětovným utažením šroubu sekací nůž připevňte.

► Obr.18: 1. Výstupek

PRÁCE S NÁŘADÍM

⚠ VAROVÁNÍ: Řiďte se výstrahami a dodržujte opatření uvedená v kapitole „BEZPEČNOSTNÍ VAROVÁNÍ“ a v návodu k obsluze motorové jednotky.

Používání nářadí

⚠ VAROVÁNÍ: Nepřibližujte ruce k plecím noži.

⚠ VAROVÁNÍ: Počínejte si velmi opatrně, abyste nad nářadím nikdy neztratili kontrolu. Nedovoľte, aby se nářadí odrazilo směrem k vám či jakékoli osobě v blízkosti pracoviště. Ztráta kontroly nad nářadím může způsobit vážné zranění přihlížejících osob a obsluhy.

⚠ VAROVÁNÍ: Před pleťm odstraňte z plecího prostoru větve a kameny.

POZNÁMKA: Toto nářadí je určeno k odstraňování plevele menšího než 15 cm (5-7/8").

► Obr.19

⚠ UPOZORNĚNÍ: S nářadím pokud možno nepracujte v horkém počasí. Při obsluze nářadí na sebe dávejte pozor.

⚠ UPOZORNĚNÍ: Při pleťm dávejte pozor, abyste omylem nezasáhli kovový plot nebo jiné tvrdé předměty. Plecí nůž může prasknout a způsobit zranění.

⚠ UPOZORNĚNÍ: Natahování těla s nástrojem, zejména ze žebříku, je velice nebezpečné. Při práci nestůjte na kymácejícím se nebo jinak nestabilním povrchu.

POZOR: Nepoužívejte nářadí způsobem, který způsobuje zastavení nebo velmi pomalé otáčení motoru.

Podržte nářadí oběma rukama za přední držadlo a zadní rukojeť motorové jednotky.

► Obr.20: 1. Přední držadlo 2. Zadní rukojeť

Při zapínání nářadí se plecí nůž nesmí dotýkat země. Položte plecí nůž na zem a plejte pomalým tažením nářadí k sobě. Práce je snazší, když je plecí nůž v úhlu téměř kolmém k zemi.

► Obr.21

► Obr.22

ÚDRŽBA

⚠ VAROVÁNÍ: Před prohlídkou nebo údržbou zařízení vypněte motor a vyjměte akumulátor. Jinak se může stroj nechtěně spustit a způsobit vážné zranění.

⚠ VAROVÁNÍ: Při kontrole nebo údržbě zařízení jej vždy položte. Provádí-li se montáž nebo seřizování zařízení ve svislé poloze, může dojít k vážnému zranění.

⚠ VAROVÁNÍ: Řiďte se výstrahami a dodržujte opatření uvedená v kapitole „BEZPEČNOSTNÍ VAROVÁNÍ“ a v návodu k obsluze motorové jednotky.

⚠ UPOZORNĚNÍ: Při provádění kontroly či údržby používejte ochranné rukavice.

POZOR: Nikdy nepoužívejte benzin, benzen, ředidlo, alkohol či podobné prostředky. Mohlo by tak dojít ke změnám barvy, deformacím či vzniku prasklin.

K zachování BEZPEČNOSTI a SPOLEHLIVOSTI výrobku musí být opravy a veškerá další údržba či seřizování prováděny autorizovanými nebo továrními servisními středisky společnosti Makita s využitím náhradních dílů Makita.

Čištění nástroje

Vyčistěte nástroj setřením prachu suchým hadrem nebo hadrem ponořeným do mýdlové vody a vyždímaným.

Údržba nožů

Po ukončení práce odstraňte z nože namotanou trávu nebo kořeny.

POZOR: Nůž nemyjte ve vodě. V takovém případě může dojít ke korozi nože nebo poškození nástavce.

Skladování

Na plecí nůž nasadte kryt nožů. Nářadí uchovávejte mimo dosah dětí. Nářadí uchovávejte na místě, kde nebude vystaveno vlhkosti a dešti.

Při ukládání nástavce odděleně od motorové jednotky nasadte na konec trubky kryt.

► Obr.23

Mazání pohyblivých částí

POZOR: Dodržujte pokyny týkající se frekvence mazání a množství nanášeného maziva. Při nedostatečném mazání hrozí poškození pohyblivých částí.

Hnací osa:

Nanášejte tuk (tuk Makita N No.2 nebo srovnatelný) každých 25 hodin provozu.

► Obr.24

POZNÁMKA: Originální mazivo Makita zakoupíte u místního prodejce Makita.

Mazání

Interval mazání: Každých 25 hodin provozu

1. Vyjměte šroub z otvoru za účelem jeho promazání.

► Obr.25: 1. Šroub

2. Naneste (přibližně 3,0 g, orientační hodnota) na nářadí mazivo (mazivo Makita SG No.0 nebo ekvivalentní).

3. Utáhněte šroub.

ŘEŠENÍ POTÍŽÍ

Před žádostí o opravu proveďte nejprve prohlídku sami. Narazíte-li na problém, jenž v této příručce není vysvětlen, nepouštějte se do demontáže zařízení. Požádejte o pomoc některé z autorizovaných servisních středisek Makita, kde k opravám vždy používají náhradní díly Makita.

Problém	Pravděpodobná příčina (porucha)	Náprava
Motor nelze spustit.	-	Viz návod k obsluze motorové jednotky.
Motor se brzy zastaví.	-	Viz návod k obsluze motorové jednotky.
Nelze zvýšit otáčky motoru.	-	Viz návod k obsluze motorové jednotky.
Plečí nůž se nepohybuje: ⇒ zařízení ihned vypněte!	Systém pohonu nepracuje správně.	Předejte zařízení k opravě v místním autorizovaném servisním středisku.
Nenormální vibrace: ⇒ zařízení ihned vypněte!	Plečí nůž je zlomený, ohnutý či opotřebovaný. Systém pohonu nepracuje správně.	Vyměňte plečí nůž. Předejte zařízení k opravě v místním autorizovaném servisním středisku.
Plečí nůž a motor nelze vypnout: ⇒ Okamžitě vyjměte akumulátor!	Elektrická závada.	Vyjměte akumulátor a zařízení předejte k opravě v místním autorizovaném servisním středisku.

VOLITELNÉ PŘÍSLUŠENSTVÍ

⚠ UPOZORNĚNÍ: Se strojem Makita popsaným v tomto návodu doporučujeme používat následující příslušenství a nástavce. Při použití jiného příslušenství či nástavců může hrozit nebezpečí zranění osob. Příslušenství lze používat pouze pro stanovené účely.

Potřebujete-li bližší informace ohledně tohoto příslušenství, obraťte se na místní servisní středisko společnosti Makita.

- Plečí nůž
- Kultivační nůž
- Originální akumulátor a nabíječka Makita

POZNÁMKA: Některé položky seznamu mohou být k produktu přibaleny jako standardní příslušenství. Přibalené příslušenství se může v různých zemích lišit.

TEHNIČNI PODATKI

Model:	WA400MP
Širina reza	220 mm
Mere (D × Š × V)	980 mm × 226 mm × 196 mm
Neto teža	2,8 kg

- Ker nenehno opravljamo raziskave in razvijamo svoje izdelke, se lahko tehnični podatki v tem dokumentu spremenijo brez obvestila.
- Tehnični podatki se lahko razlikujejo od države do države.

Odobrena pogonska enota

Uporaba tega priključka je odobrena le za naslednji pogonski enoti:

- Brezžična večfunkcijska pogonska glava DUX60
- Brezžična večfunkcijska pogonska glava DUX18
- Brezžična večfunkcijska pogonska glava UX01G

⚠ OPOZORILO: Priključka nikoli ne uporabljajte z neodobreno pogonsko enoto. Neodobrene kombinacije lahko povzročijo hude telesne poškodbe.

Simboli

Naslednji simboli se lahko uporabljajo v povezavi s strojem. Pred uporabo izdelka se obvezno seznanite z njihovim pomenom.



Preberite navodila za uporabo in jih upoštevajte.



Uporabljajte zaščitno čelado ter zaščito za oči in sluh.



Uporabljajte zaščitne rokavice.



Uporabljajte trpežne škornje z nedrsečim podplatom.



Opozorilo: pred vzdrževanjem odklopite akumulator.



Noge držite stran od rezila za odstranjevanje plevela.



Električno orodje upravljajte najmanj 5 m stran od oseb in živali v okolici.



Vroče površine – opekline prstov in rok.



Zajamčena raven zvočne moči v skladu z direktivo EU o hrupu na prostem.



Raven zvočne moči v skladu z avstralskim predpisom o nadzoru hrupa NSW

Namenska uporaba

Priključek je oblikovan izključno za odstranjevanje plevela iz trave na tleh ob uporabi odobrene pogonske enote. Priključka nikoli ne uporabljajte za druge namene. Ob nepravilni uporabi lahko pride do hudih telesnih poškodb.

Izjava o skladnosti ES

Samo za evropske države

Mi kot proizvajalec: **Makita Europe N.V.**, sedež podjetja: **Jan-Baptist Vinkstraat 2 3070 Kortenberg BELGIUM**. pooblaščamo **Kazuhisa Makino** za pripravo tehnične dokumentacije in z izključno odgovornostjo izjavljamo, da izdelki:

Z oznako: **Nastavek za odstranjevanje plevela.**

Oznaka tipa oz. tipov: **WA400MP.**

izpolnjujejo vse ustrezne določbe Direktive **2006/42/ES** in tudi vse ustrezne določbe naslednjih direktiv ES/EU: **2000/14/EC** in so izdelani v skladu z naslednjimi harmoniziranimi standardi: **EN 62841-1:2015+A11:2022, EN ISO 11806-1:2022, EN IEC 62841-4-7:2022+A11:2022.**

Kraj in datum izjave: **Kortenberg, Belgija. 27. 9.2023**

Odgovorna oseba: **Kazuhisa Makino, Direktor – Makita Europe N.V.**

VARNOSTNA OPOZORILA

Varnostna opozorila za nastavek za odstranjevanje plevela

- 1. Stroja ne uporabljajte ob slabem vremenu, še posebej, kadar obstaja nevarnost udara strele.** S tem zmanjšate tveganje, da v vas udari strela.
- 2. Dobro pogledjte, ali so na območju, kjer boste stroj uporabljali, kakšne divje živali.** S strojem lahko med delom poškodujete divje živali.
- 3. Dobro pregledjte območje, kjer boste stroj uporabljali, in odstranite vse kamenje, veje, žice, kosti in druge tujeke.** Z letečimi predmeti se lahko poškodujete.
- 4. Stroj pred uporabo vedno pregledjte, da preverite, ali je rezilo za odstranjevanje plevela poškodovano.** Poškodovani deli povečajo tveganje za poškodbe.
- 5. Sledite navodilom za zamenjavo dodatkov.** Nepravilno zategnjene pritrilne matice ali vijaki rezila lahko bodisi poškodujejo rezilo bodisi povzročijo, da se sname.
- 6. Nosite zaščitno za oči, ušesa, glavo in roke.** Zadostna zaščitna oprema bo zmanjšala telesne poškodbe zaradi letečih ostankov ali nenamerne stika z rezalno nitko ali rezilom.
- 7. Med uporabo stroja vedno nosite zaščitno obutev z nedrsečim podplatom. Stroja ne uporabljajte, ko ste bos ali nosite odprte sandale.** Tako zmanjšate možnost poškodbe stopal zaradi stika s premikajočimi škarjami ali nitkami.
- 8. Med uporabo stroja vedno nosite dolge hlače.** Izpostavljenost kroja poveča možnost poškodbe z letečimi predmeti.
- 9. Poskrbite, da med uporabo stroja v delovnem območju ni drugih oseb.** Leteči ostanki lahko povzročijo hude telesne poškodbe.
- 10. Stroj med uporabo vedno držite z obema rokama.** Če stroj držite z obema rokama, ne boste izgubili nadzora.
- 11. Stroj držite le za izolirane prijemalne površine, saj se lahko rezalne nitke ali rezila dotaknejo skrite električne napeljave.** Ob stiku rezalne nitke ali rezil z vodniki pod napetostjo lahko dobio napetost vsi neizolirani kovinski deli stroja, zaradi česar lahko uporabnik utрпи električni udar.
- 12. Vedno uporabljajte ustrezno obutev in stroj upravljajte samo, ko stojite na tleh.** Drseča ali nestabilna površina lahko povzroči izgubo ravnotežja ali nadzora nad strojem.
- 13. Stroja ne uporabljajte na izredno strmih pobočjih.** S tem zmanjšate nevarnost izgube nadzora, zdrsa in padca, ki lahko povzročijo telesne poškodbe.
- 14. Pri delu na pobočjih si vedno zagotovite trden oprijem na podlagi, vedno delajte prečno po pobočju, nikoli navzgor ali navzdol in bodite izjemno previdni pri menjavi smeri.** S tem zmanjšate nevarnost izgube nadzora, zdrsa in padca, ki lahko povzročijo telesne poškodbe.

- 15. Med delovanjem stroja ne približujte delov telesa rezilu za odstranjevanje plevela. Preden zaženete stroj, se prepričajte, da se rezilo za odstranjevanje plevela ničesar ne dotika.** Zaradi trenutka nepozornosti med upravljanjem stroja lahko poškodujete sebe in druge.
- 16. Stroja ne upravljajte nad višino pasu.** S tem boste preprečili nenameren stik z rezilom za odstranjevanje plevela in omogočili boljši nadzor nad strojem v nepredvidenih situacijah.
- 17. Kadar režete napeto grmičevje ali mladiko, pazite, saj lahko le-ta odskoči.** Ko se napetost lesnih vlaken sprosti, lahko grmičevje ali mladika udari upravljavca in/ali povzroči nenadzorovano delovanje stroja.
- 18. Bodite izjemno previdni pri rezanju grmičevja in mladik.** Vitek material lahko ujame rezilo in ga vrže proti vam ali povzroči izgubo ravnotežja.
- 19. Ohranjate nadzor nad strojem in se ne dotikajte rezila za odstranjevanje plevela ali drugih nevarnih premikajočih se delov, ko se ti še premikajo.** Tako zmanjšate tveganje za poškodbe z deli, ki se premikajo.
- 20. Stroj prenašajte tako, da ga izklopljenega držite stran od telesa.** Ustrezno ravnanje s strojem bo zmanjšalo verjetnost nenamerne stika s premikajočimi se škarjami, rezalno nitko ali rezilom.
- 21. Kadar prenašate ali pospravite stroj, na rezilo za odstranjevanje plevela vedno namestite pokrov.** Ustrezno ravnanje s strojem bo zmanjšalo verjetnost nenamerne stika z rezilom.
- 22. Uporabljajte samo nadomestna rezila za odstranjevanje plevela, ki jih je določil proizvajalec.** Nepravilni nadomestni deli lahko povečajo tveganje za zlome in poškodbe.
- 23. Pri odstranjevanju zagozdenega materiala ali servisiranju stroja poskrbite, da je stikalo za vklop izključeno in da je akumulatorska baterija odstranjena.** Nepričakovan zagon stroja med odstranjevanjem zagozdenega materiala ali servisiranjem lahko povzroči hude telesne poškodbe.

Dodatna varnostna opozorila

Splošna navodila

- 1. Za zagotavljanje pravilnega delovanja mora uporabnik prebrati ta navodila za uporabo in se seznaniti z upravljanjem opreme.** Nezadostno poučeni uporabniki lahko spravijo v nevarnost sebe in okolico.
- 2. Nikoli ne dovolite uporabe orodja otrokom, osebam z zmanjšanimi fizičnimi, čutilnimi ali psihičnimi sposobnostmi ter s pomanjkanjem izkušenj in znanja ter osebam, ki niso seznanjene s temi navodili za uporabo orodja.** Lokalni predpisi lahko omejijo starost upravljavca.
- 3. Opremo uporabljajte samo, ko ste popolnoma zbrani in pozorni.**
- 4. Z opremo delajte samo, če ste v dobri fizični kondiciji. Vsa dela opravljajte mirno in zbrano.** Uporabljajte zdrav razum in upoštevajte, da je upravljavec ali uporabnik odgovoren za nesreče ali nevarnosti, ki se zgodijo drugim ljudem ali njihovi lastnini.

5. Nikoli ne uporabljajte orodja v bližini ljudi, še posebej otrok, ali hišnih ljubljenčkov.
6. V primeru težav ali neobičajnih znakov opreme takoj ugasnite motor.
7. Med počitkom in kadar puščate opremo nena-dzorovano, jo ugasnite in odstranite akumula-torsko baterijo ter jo odložite na varno mesto, da preprečite nevarnost za druge osebe ali poškodbe opreme.
8. Orodja ne uporabljajte v slabem vremenu, še posebej, kadar bliska.

Osebnostna zaščitna oprema

1. Med uporabo orodja vedno nosite zaščito za oči in robustne čevlje.
2. Pri delu z orodjem vedno nosite kakovostno obutev in dolge hlače.

Zagon opreme

1. Zagotovite, da se v bližini ne nahajajo otroci ali druge osebe. Pazite tudi na živali, ki se naha-jajo v delovnem območju. Sicer prenehajte z uporabo opreme.
2. Med uporabo naj bodo prisotne osebe ali živali vsaj 5 m oddaljeni od orodja. Če se kdo pribli-ža, takoj ustavite orodje.
3. Pred uporabo vedno preverite, ali je oprema varna za uporabo. Preverite varnost rezalnega orodja in sprožilca, da zagotovite enostavno in pravilno uporabo. Preverite, ali so ročaji čisti in suhi, ter preizkusite delovanje vklopa/izklopa.
4. Pred nadaljnjo uporabo opreme preverite poškodovane dele. Poškodovani del je treba skrbno pregledati, da ugotovite, ali bo pravilno deloval in služil svojemu namenu. Preverite poravnano-st in zatikanje gibljivih delov, morebitne zlomljene dele in vsa druga stanja, ki bi lahko vplivala na njegovo delovanje. Poškodovani del mora ustrezno popraviti ali zamenjati pooblaščen servisni center, razen če je drugače določeno v teh navodilih.
5. Motor vključite samo, če roke in noge niso v bližini rezalnega orodja.
6. Pred zagonom se pripravite, da rezalno orodje ni v stiku z drugimi predmeti.
7. Med uporabo trdno držite orodje.
8. Preprečite nenameren zagon. Orodja ne prena-šajte, če je vstavljena akumulatorska baterija in imate prst na stikalu. Pri vstavljanju akumu-latorske baterije poskrbite za to, da je stikalo izključeno.
9. Pred uporabo se pripravite, da v delovnem območju ni žičnih ograj, kamnov ali drugih trdih predmetov. Ti lahko poškoduje rezilo za odstranjevanje plevela.
10. Pred uporabo orodja preverite, da v živi meji in grmičevju ni tujkov, kot so žične ograje ali skrite žice.

Način uporabe

1. Opremo uporabljajte samo pri dobri svetlobi in vidljivosti. Pozimi bodite pozorni na drseča ali mokra območja ter led in sneg (nevarnost zdrsa). Na nagnjenih površinah morate vedno biti pozorni, da stojite trdno na tleh. Med upo-rabo orodja ne tecite, temveč hodite.

2. Bodite previdni, da si z rezalnim orodjem ne poškodujete stopal in dlani.
3. Med uporabo opreme nikoli ne stojte na lestvi.
4. Med rezanjem z opremo nikoli ne plezajte na drevesa.
5. Nikoli ne delajte na nestabilnih površinah.
6. Iz delovnega območja odstranite pesek, kamne, žebelje itd. Tuji delci lahko poškodujejo rezalno orodje in povzročijo nevarne povratne udarce.
7. Če rezalno orodje zadene ob kamne ali druge trde predmete, takoj izklopite motor in pregledajte rezalno orodje.
8. Pregledujte rezalno orodje v krajših in rednih presledkih (odkivanje razpok širine lasu z uporabo metode trkanja).
9. Vedno odstranite akumulatorsko baterijo iz opreme:
 - kadar pustite opremo nenadzorovano,
 - preden odstranite oviro,
 - pred pregledom, čiščenjem ali delom na opremi,
 - po odstranitvi tujka,
 - kadar oprema začne neobičajno vibrirati.
10. Ko motor ugasnete, se rezila še vedno premikajo.
11. Pri nameščanju ali odstranjevanju pokrova rezila pazite, da si ne poškodujete rok.

Navodila za vzdrževanje

1. Pred začetkom dela je treba preveriti stanje opreme, predvsem zaščitnih naprav rezalnega orodja.
2. Pred izvajanjem vzdrževanja, zamenjavo rezal-nega orodja ali čiščenjem opreme ali rezalnega orodja ugasnite motor in odstranite akumu-latorsko baterijo.
3. Kadar orodja ne uporabljate, namestite pokrov rezila na orodje in ga shranite v notranjem, suhem prostoru na visokem mestu ali v zakle-njenem vsebniku zunaj dosega otrok.

SHRANITE TA NAVODILA.

⚠ OPOZORILO: NE dovolite, da bi zaradi udobnejšega dela ali znanja o uporabi izdelka (prido-bljenega z večkratno uporabo) opustili strogo upoštevanje varnostnih zahtev v okviru pravilne uporabe orodja. ZLORABA ali neupoštevanje var-nostnih zahtev v teh navodilih za uporabo lahko povzroči resne telesne poškodbe.

OPIS DELOV

- **SI.1:** 1. Pokrov rezil 2. Kapica 3. Rezilo za odstra-njevanje plevela

MONTAŽA

⚠ OPOZORILO: Preden sestavite ali nastavljate opremo, motor izklopite in odstranite akumulatorsko baterijo. V nasprotnem primeru se lahko stroj nepričakovano zažene in povzroči telesno poškodbo.

⚠ OPOZORILO: Med sestavljanjem ali prilaganjem opremo vedno položite na tla. Sestavljanje ali prilaganje opreme v pokončnem položaju lahko povzroči hude telesne poškodbe.

⚠ OPOZORILO: Upoštevajte opozorila in previdnostne ukrepe v poglavju „VARNOSTNA OPOZORILA“ in navodila za uporabo pogonske enote.

Sestavljanje priključka

1. Pritrdite 2 nastavitveni plošči na nastavek tako, da so utori plošč obrnjeni navzven.

► **SI.2:** 1. Nastavitvena plošča

2. Pritrdite rezilo za odstranjevanje plevla na nastavitvene plošče, medtem ko rezilo rahlo odprete navzven.

Ko pritrdite rezilo za odstranjevanje plevla, se prepričajte, da je puščica usmerjena proti cevi.

► **SI.3:** 1. Puščica

Kot rezila za odstranjevanje plevla je mogoče spremeniti tako, da poravnate izboklino na rezilu za odstranjevanje plevla z izboklinami na nastavitvenih ploščah.

► **SI.4:** 1. Izboklina

OBVESTILO: Preverite, ali so puščice na rezilu za odstranjevanje plevla obrnjene v smeri, prikazani na sliki.

► **SI.5:** 1. Puščica

3. Prepričajte se, da je rezilo za odstranjevanje plevla zaskočeno z nastavitvenimi ploščami.

► **SI.6**

4. Vijak vstavite s strani brez matice in ga privijte s ključem.

Prepričajte se, da je vijak trdno zategnjen.

► **SI.7:** 1. Vijak 2. Matica

OPOMBA: Navor privitja: 5–10 N•m

Montaža priključne cevi

⚠ POZOR: Po namestitvi priključne cevi vedno preverite, ali je cev čvrsto pritrjena. Nepravilna namestitev lahko povzroči, da cev pade iz pogonske enote in poškoduje ljudi.

Namestite priključno cev na pogonsko enoto.

1. Odstranite pokrovček s conca cevi.

► **SI.8:** 1. Cev 2. Pokrovček

OBVESTILO: Pokrovčka ne zavrzite, ker ga potrebujete za shranjevanje priključka.

2. Ročico obrnite proti priključku.

► **SI.9:** 1. Ročica

3. Zatič poravnajte s puščično oznako na pogonski enoti. Cev potiskajte naprej, dokler sprostilni gumb ne izskoči.

Prepričajte se, da je položajna črta poravnana s konico puščične oznake na pogonski enoti in da sta puščični oznaki na pogonski enoti in cevi obrnjeni ena proti drugi.

► **SI.10:** 1. Sprostilni gumb 2. Puščična oznaka na pogonski enoti 3. Zatič 4. Črta položaja 5. Puščična oznaka na cevi

4. Ročico obrnite proti pogonski enoti.

► **SI.11:** 1. Ročica

Zagotovite, da bo površina ročice poravnana vzporedno s cevjo.

OBVESTILO: Ne privijajte ročice, če priključna cev ni vstavljena. To lahko stisne vhodno odprtino pogonske gredi in jo poškoduje.

Če želite odstraniti cev, obrnite ročico proti priključku ter pridržite sprostilni gumb in izvlecite cev.

► **SI.12:** 1. Sprostilni gumb 2. Ročica 3. Cev

Odstranjevanje ali pritrjevanje pokrova rezila

Če želite odstraniti pokrov rezila, potisnite pokrov rezila proti notranjosti in ga obrnite.

► **SI.13:** 1. Pokrov rezila

Za pritrditev pokrova rezila zatakните pokrov rezila na eno stran rezila za odstranjevanje plevla in ga obrnite.

► **SI.14:** 1. Pokrov rezila

OPOMBA: Pokrov rezila lahko priključite na cev, kot je prikazano na sliki.

► **SI.15:** 1. Pokrov rezila

Namestitev ali odstranitev rezila za odstranjevanje plevla

⚠ POZOR: Pri menjavi rezila za odstranjevanje plevla vedno nosite rokavice, da se dlani neposredno ne dotikajo rezila za odstranjevanje plevla.

⚠ POZOR: Preden odstranite ali namestite rezilo za odstranjevanje plevla, namestite pokrov rezila.

1. Pritrdite pokrov rezila na rezilo za odstranjevanje plevla.

2. S ključem odvijte vijak in ga odstranite.

► **SI.16:** 1. Vijak

3. Odstranite rezilo za odstranjevanje plevla, medtem ko ga rahlo odprete navzven.

► **SI.17**

Namestite rezilo za odstranjevanje plevla v skladu z navodili za sestavljanje nastavka.

OPIS DELOVANJA

⚠️ POZOR: Pred nastavljanjem ali preizkusom delovanja orodja se prepričajte, ali je orodje izključeno in ali je akumulatorska baterija odstranjena.

Prilagoditev rezalnega kota

⚠️ POZOR: Pred prilagajanjem rezalnega kota se vedno prepričajte, da je orodje izklopljeno.

Kot rezila za odstranjevanje plevla je mogoče spremeniti na tri stopnje. Če želite spremeniti kot, poravnajte izboklino na rezilu za odstranjevanje plevla z izboklinami na nastavitvenih ploščah in nato namestite rezilo za odstranjevanje plevla.

1. Popustite vijak, ki drži rezilo, s ključem.
 2. Poravnajte izboklino na rezilu za odstranjevanje plevla z izboklinami na nastavitvenih ploščah.
 3. Ponovno privijte vijak, da pritrdite rezilo.
- **SI.18:** 1. Izboklina

UPRAVLJANJE

⚠️ OPOZORILO: Upošteвайте opozorila in previdnostne ukrepe v poglavju „VARNOSTNA OPOZORILO“ in navodila za uporabo pogonske enote.

Uporaba orodja

⚠️ OPOZORILO: Rok ne približujte rezilu za odstranjevanje plevla.

⚠️ OPOZORILO: Skrbno pazite, da ohranjate nadzor nad orodjem ves čas uporabe. Ne pustite, da bi orodje odbilo proti vam ali drugi osebi v bližini. Če ne ohranite nadzora, lahko pride do hudih telesnih poškodb upravljalca ali drugih oseb.

⚠️ OPOZORILO: Pred odstranjevanjem plevla z območja odstranite palice in kamne.

OPOMBA: Orodje je namenjeno odstranjevanju plevla, nižje od 15 cm (5-7/8").

► **SI.19**

⚠️ POZOR: Izigibajte se uporabi orodja pri visokih temperaturah, kolikor je to mogoče. Med uporabo orodja upoštevajte svoje fizično stanje.

⚠️ POZOR: Pazite, da se med odstranjevanjem plevla nenamerno ne dotaknete kovinske ograje ali drugih trdih predmetov. Rezilo za odstranjevanje plevla se lahko zlomi in povzroči poškodbe.

⚠️ POZOR: Previsoko seganje z orodjem, še posebej z lestve, je izjemno nevarno. Ne delajte, medtem ko stojite na majavi ali nestabilni podlagi.

OBVESTILO: Orodja ne uporabljajte na način, ki bi povzročil zaustavitev ali zelo počasno delovanje motorja.

Orodje držite z obema rokama tako, da držite sprednji ročaj in zadnji ročaj pogonske enote.

► **SI.20:** 1. Sprednji ročaj 2. Zadnji ročaj

Orodje vklopite z rezilom za odstranjevanje plevla proč od tal. Rezilo za odstranjevanje plevla namestite na tla in orodje počasi povlecite proti sebi, da prične z odstranjevanjem plevla. Lažje je delati, če je rezilo za odstranjevanje plevla pod kotom, skoraj pravokotno na tla.

► **SI.21**

► **SI.22**

VZDRŽEVANJE

⚠️ OPOZORILO: Pred pregledovanjem ali vzdrževanjem opreme, izklopite motor in odstranite akumulatorsko baterijo. V nasprotnem primeru se lahko stroj nepričakovano zažene in povzroči hude poškodbe.

⚠️ OPOZORILO: Opremo pri preverjanju ali vzdrževanju vedno postavite na tla. Sestavljanje ali prilagajanje opreme v pokončnem položaju lahko povzroči hude telesne poškodbe.

⚠️ OPOZORILO: Upošteвайте opozorila in previdnostne ukrepe v poglavju „VARNOSTNA OPOZORILO“ in navodila za uporabo pogonske enote.

⚠️ POZOR: Med pregledovanjem ali vzdrževanjem uporabljajte rokavice.

OBVESTILO: Nikoli ne uporabljajte bencina, razredčila, alkohola ali podobnega sredstva. V tem primeru se lahko orodje razbarva ali deformira oziroma lahko nastanejo razpoke.

VARNO in ZANESLJIVO delovanje tega izdelka bo zagotovljeno le, če boste popravila, vzdrževanje in nastavitve prepustili pooblaščenemu servisu za orodja Makita ali tovarniškemu osebju, ki vgrajuje izključno originalne nadomestne dele.

Čiščenje orodja

Orodje očistite tako, da obrišete prah s suho krpo ali krpo, ki ste jo namočili v milnico in jo nato dobro oželi.

Vzdrževanje rezila

Po končanem delu z rezila odstranite namotano travo ali korenine.

OBVESTILO: Rezila ne čistite z vodo. V nasprotnem primeru lahko pride do rje ali poškodb na rezilu ali nastavku.

Shranjevanje

Pritrdite pokrov rezila na rezilo za odstranjevanje plevla. Orodje hranite izven dosega otrok. Orodje hranite na mestu, ki ni izpostavljeno vlagi ali dežju. Če priključek in pogonsko enoto shranjujete ločeno, namestite pokrovček na konec cevi.

► **SI.23**

Mazanje premičnih delov

OBVESTILO: Upoštevajte navodila glede pogostosti mazanja in količine priložene masti. Nezadostno mazanje lahko poškoduje gibljive dele.

Pogonska os:

Mast nanosite (mast Makita N No.2 ali enakovredno) vsakih 25 ur delovanja.

► **SI.24**

OPOMBA: Originalno mast Makita lahko kupite pri lokalnem prodajalcu izdelkov Makita.

Mazanje z mastjo

Interval mazanja: Vsakih 25 ur delovanja

1. Odstranite vijak iz odprtine za nanos masti.
► **SI.25:** 1. Vijak
2. Na orodje nanosite mast (mast Makita SG No.0 ali enakovredno) (približno 3,0 g).
3. Privijte vijak.

ODPRAVLJANJE TEŽAV

Preden zahtevate popravilo, izvedite lasten pregled. Če naletite na težavo, ki ni pojasnjena v navodilih, ne poskušajte razstavljati orodja. Namesto tega se obrnite na pooblaščen servis Makita. Pri popravilih vedno uporabljajte nadomestne dele Makita.

Neobičajno stanje	Možni vzroki (okvare)	Ukrep
Motorja ni mogoče zagnati.	-	Preberite navodila za uporabo pogonske enote.
Motor se kmalu ustavi.	-	Preberite navodila za uporabo pogonske enote.
Hitrost motorja se ne poveča.	-	Preberite navodila za uporabo pogonske enote.
Rezilo za odstranjevanje plevela se ne premika: ⇒ takoj zaustavite kosilnico!	Pogonski sistem ne deluje pravilno.	Za popravilo se obrnite na lokalni pooblaščen servisni center.
Neobičajno vibriranje: ⇒ takoj zaustavite kosilnico!	Rezilo za odstranjevanje plevela je poškodovano, ukrivljeno ali izravnano. Pogonski sistem ne deluje pravilno.	Zamenjajte rezilo za odstranjevanje plevela. Za popravilo se obrnite na lokalni pooblaščen servisni center.
Rezilo za odstranjevanje plevela in motor se ne moreta ustaviti: ⇒ takoj odstranite akumulatorsko baterijo!	Električna okvara.	Odstranite akumulatorsko baterijo in se za popravilo obrnite na lokalni pooblaščen servisni center.

DODATNA OPREMA

⚠ POZOR: Ta dodatna oprema ali priključki so predvideni za uporabo s strojem Makita, opisanim v teh navodilih za uporabo. Pri uporabi druge dodatne opreme ali nastavkov lahko pride do telesnih poškodb. Dodatno opremo ali nastavke uporabljajte le v skladu z njihovim namenom.

Za več informacij o dodatni opremi se obrnite na najbližji pooblaščen servis za orodja Makita.

- Rezilo za odstranjevanje plevela
- Rezilo kultivatorja
- Originalna akumulator in polnilnik Makita

OPOMBA: Nekateri predmeti na seznamu so lahko izdelku priloženi kot standardna dodatna oprema. Lahko se razlikujejo od države do države.

SPECIFIKIMET

Modeli:	WA400MP
Gjerësia e prerjes	220 mm
Përmasat (GJ x T x L)	980 mm x 226 mm x 196 mm
Pesha neto	2,8 kg

- Për shkak të programit tonë të vazhdueshëm të kërkim-zhvillimit, specifikimet që jepen këtu mund të ndryshojnë pa dhënë njoftim.
- Specifikimet mund të ndryshojnë nga njëri shtet në tjetrin.

Njësia e miratuar elektrike

Ky aksesori është miratuar për t'u përdorur vetëm me njësinë(të) e mëposhtme elektrike:

- DUX60 Kokë elektrike me shumë funksione pa kordon
- DUX18 Kokë elektrike me shumë funksione pa kordon
- UX01G Kokë elektrike me shumë funksione pa kordon

⚠ PARALAJMËRIM: Asnjëherë mos e përdorni aksesori me njësi elektrike të pamiratuara. Kombinimi i pamiratuar mund të shkaktojë lëndim të rëndë.

Simbolet

Pjesët në vazhdim tregojnë simbolet që mund të përdoren për pajisjen. Sigurohuni që merrni vesh kuptimin e tyre përpara përdorimit.



Lexoni dhe zbatoni manualin e përdorimit.



Mbani helmët mbrojtëse, mbrojtëse për sytë dhe për veshët.



Mbani doreza mbrojtëse.



Mbani këpucë të forta me shuall që nuk rëshqet.



Paralajmërim: Shkëputeni baterinë përpara mirëmbajtjes.



Mbajini këmbët larg fletës për heqjen e barishteve.



Mbajini kalimtarët dhe kafshët të paktën 5 m larg veglës elektrike.



Sipërfaqe të nxehta - Djegje te gishtat ose duart.



Niveli i garantuar i fuqisë së zhurmsës sipas Direktivës së BE-së për Nivelin e Zhurmsës Jashtë.



Niveli i fuqisë së zhurmsës sipas Rregullores së Australisë NSW për Kontrollin e Zhurmsës

Përdorimi i synuar

Ky aksesori është projektuar vetëm për qëllimin e heqjes së barishteve në tokë së bashku me një njësi të miratuar elektrike. Asnjëherë mos e përdorni aksesori për qëllime të tjera. Keqpërdorimi i aksesorit mund të shkaktojë lëndime të rënda.

Deklarata e konformitetit me KE-në

Vetëm për shtetet evropiane

Ne si prodhuesit: **Makita Europe N.V.**, Selia e biznesit: **Jan-Baptist Vinkstraat 2 3070 Kortenberg BELGIUM.** Autorizojmë **Kazuhisa Makino** për hartimin e skedarit teknik dhe deklarojmë nën përgjegjësinë tonë të vetme se produkti(et);

Përcaktimi: **Aksesori i heqjes së barishteve.**
Përcaktimi i llojeve: **WA400MP.**

Plotëson të gjitha dispozitat përkatëse të ligjit **2006/42/KE** dhe gjithashtu plotëson të gjitha dispozitat përkatëse të Direktivave të KE-së/BE-së të mëposhtme: **2000/14/EC** dhe janë prodhuar në përputhje me standardet e mëposhtme të harmonizuara: **EN 62841-1:2015+A11:2022, EN ISO 11806-1:2022, EN IEC 62841-4-7:2022+A11:2022.**

Vendi dhe data e deklarimit: **Kortenberg, Belgjikë. 27. 9.2023**
Personi përgjegjës: **Kazuhisa Makino, Drejtor - Makita Europe N.V.**

PARALAJMËRIME SIGURIE

Paralajmërimi i sigurisë për aksesori e heqjes së barishteve

1. **Mos e përdorni makinerinë në kushte moti të keq, veçanërisht kur ka rrezik për vetëtimin.** Kjo redukton rrezikun e goditjes nga vetëtimin.
2. **Inspektori tërësisht për kafshë të egra zonën ku do të përdoret makineria.** Kafshët e egra mund të plagosen nga makineria gjatë funksionimit.
3. **Inspektori tërësisht zonën ku duhet të përdoret makineria dhe hiqni të gjithë gurët, shkopinjtë, telat, kockat dhe sende të tjera të huaja.** Sendet e hedhura mund të shkaktojnë lëndime.
4. **Para se të përdorni makinerinë, inspektori gjithnjë me sy për të parë nëse fleta e heqjes së barishteve është e dëmtuar.** Pjesa e dëmtuar rrit rrezikun e lëndimit.
5. **Ndiqni udhëzimet për ndërrimin e aksesorëve.** Dadot ose bulonat e fiksimit të fletës së shtërënguar gabimisht mund të dëmtojnë fletën ose të shkaktojnë shkëputjen e saj.
6. **Përdorni mbrojtje për sytë, veshët, kokën dhe duart.** Pajisjet e përshtatshme mbrojtëse pakësojnë lëndimin personal nga copëzat fluturuese ose nga kontakti aksidental me vijën e prerjes ose fletën.
7. **Gjatë përdorimit të makinerisë vishni gjithmonë këpucë mbrojtëse dhe që nuk rrëshqasin.** Mos e përdorni makinerinë kur jeni zbatuar apo kur keni veshur sandale të hapura. Kjo zvogëlon mundësinë e lëndimit të këmbëve nga kontakti me vijat ose prerësit lëvizës.
8. **Gjatë përdorimit të makinerisë mbani gjithnjë pantalona të gjata.** Ekspozimi i lëkurës rrit gjasat e lëndimit nga flakja e sendeve.
9. **Mbajni larg kalimtarët ndërsa përdorni makinerinë.** Copëzat e flakura mund të rezultojnë në lëndime të rënda personale.
10. **Përdorini gjithmonë të dyja duart kur përdorni makinerinë.** Mbajta e makinerisë me të dyja duart shmanj humbjen e kontrollit.
11. **Mbajni makinerinë vetëm nga sipërfaqet e izoluar të kapjes, sepse vija prerëse ose fleta mund të prekin linja të fshehura elektrike.** Vija prerëse ose fletët që prekin një tel me rymë mund të elektrizojnë pjesët e ekspozuara metalike të makinerisë dhe mund t'i shkaktojnë goditje elektrike përdoruesit.
12. **Mbajni gjithmonë këmbët në pozicionin e duhur dhe përdorni makinerinë vetëm kur qëndroni mbi terren.** Sipërfaqet e rrëshqitshme apo të paqëndrueshme mund shkaktojnë humbjen e ekuilibrit apo të kontrollit të makinerisë.
13. **Mos e përdorni makinerinë në pjerrina shumë të thepisura.** Kjo redukton rrezikun e humbjes së kontrollit, rrëshqitjes dhe rënies, veprime të cilat mund të çojnë në lëndim personal.

14. **Kur punoni në pjerrina, gjithmonë sigurohuni për mbështetjen e këmbëve, gjithmonë punoni përmes faqeve të pjerrinave, asnjëherë lart ose poshtë si dhe ushtroni kujdes shumë të madh kur ndryshoni drejtimin.** Kjo redukton rrezikun e humbjes së kontrollit, rrëshqitjes dhe rënies, veprime të cilat mund të çojnë në lëndim personal.
15. **Mbajni të gjitha pjesët e trupit larg fletës së heqjes së barishteve ndërsa makineria është duke punuar.** Para se ta ndizni makinerinë, sigurohuni që fleta e heqjes së barishteve të mos kontaktojë asgjë. Një moment shpërqendrimi ndërsa përdorni makinerinë mund të rezultojë në lëndim tuajin ose të tjerëve.
16. **Mos e përdorni makinerinë mbi lartësinë e belit.** Kjo ndihmon parandalimin e kontaktit aksidental me fletën e heqjes së barishteve dhe mundëson kontroll më të mirë të makinerisë në situata të papritura.
17. **Kur prisni kaçube ose fidanë që janë nën tension, jini vigjilent ndaj zbrapsjes së sustës.** Kur lirohet tensioni në fije të drurit, kaçuba ose fidani mund të godasë operatorin dhe/ose ta nxjerrë makinerinë jashtë kontrollit.
18. **Bëni shumë kujdes kur prisni kaçuba ose fidanë.** Materiali i hollë mund të kapë fletën dhe të vërvitet drejt jush ose t'ju rrezëtojë.
19. **Mbani kontrollin e makinerisë dhe mos e prekin fletën e heqjes së barishteve apo pjesët e tjera të rrezikshme lëvizëse ndërsa janë ende në lëvizje.** Kjo zvogëlon rrezikun e lëndimit nga pjesët e lëvizshme.
20. **Transportojeni makinerinë të fikur dhe larg trupit.** Manovrimi i duhur i makinerisë zvogëlon mundësinë e kontaktit aksidental me një prerës, vijë apo fletë në lëvizje.
21. **Kur e transportoni ose e ruani makinerinë, vendosni gjithmonë kapakun në fletën e heqjes së barishteve.** Manovrimi i duhur i makinerisë do të zvogëlojë mundësinë e kontaktit aksidental me fletën.
22. **Përdorni vetëm fletët zëvendësuese të heqjes së barishteve të specifikuara nga prodhuesi.** Pjesët e pasakta të ndërrimit mund të rrisin rrezikun e thyerjes dhe të lëndimit.
23. **Kur pastroni materialin e bllokuar ose kur i bëni servis makinerisë, sigurohuni që çelësi të jetë i fikur dhe bateria të jetë hequr.** Ndezja e papritur e makinerisë gjatë pastrimit të materialit të bllokuar ose servisit mund të rezultojë në lëndime të rënda.

Paralajmërimi i shtesë mbi sigurinë

Udhëzime të përgjithshme

1. **Për të siguruar funksionimin e duhur, përdoruesi duhet të lexojë manualin e përdorimit që të njihet me mënyrën e përdorimit të pajisjes.** Përdoruesit jo të mirinformuar vënë në rrezik veten dhe të tjerët për shkak të përdorimit jo të duhur.
2. **Mos i lejoni asnjëherë fëmijët, personat me aftësi të kufizuara fizike, ndijore ose mendore, ose me mungesë përvojë dhe njohurish, apo njerëzit që nuk i njohin këto udhëzime, të përdorin pajisjen, rregulloret lokale mund të kufizojnë moshën e operatorit.**
3. **Përdorini pajisjen me kujdes dhe vëmendje maksimale.**

4. Përdoreni pajisjen vetëm nëse jeni në gjendje të mirë fizike. Kryejini të gjitha punët me qetësi dhe kujdes. Përdorni logjikën dhe kini parasysh se përdoruesi është përgjegjës për aksidentet apo rreziqet që mund t'u kanosen personave të tjerë apo pronës së tyre.
5. Mos e përdorni kurrë pajisjen nëse ka njerëz pranë, sidomos fëmijë apo kafshë shtëpiake.
6. Motori duhet të fiket menjëherë në rast se pajisja shfaq ndonjë problem ose shenjë anomalie.
7. Fikeni pajisjen dhe hiqeni kutinë e baterisë kur pushoni dhe kur e lini pajisjen pa mbikëqyrje dhe vendoseni në një vend të sigurt për të parandaluar rrezikun ndaj të tjerëve ose dëmtimin e pajisjes.
8. Shmangni përdorimin e makinerisë në kushte të këqija atmosferike, veçanërisht kur ka rrezik për vetëtima.

Pajisje për mbrojtje personale

1. Mbani mbrojtëse për sytë dhe këpucë të forta gjatë gjithë kohës së përdorimit të makinerisë.
2. Gjithmonë vishni këpucë të përshatshme dhe pantallona të gjata gjatë përdorimit të pajisjes.

Ndezja e pajisjes

1. Sigurohuni të mos ketë fëmijë ose njerëz të tjerë pranë dhe kini kujdes për kafshët pranë zonës së punës. Përndryshe, ndaloni përdorimin e pajisjes.
2. Gjatë përdorimit, mbajini personat e pranishëm ose kafshët të paktën 5 m larg nga vegla. Fikeni veglën sapo të afrohet dikush.
3. Kontrolloni gjithmonë që pajisja të jetë e sigurt për përdorim para se ta përdorni. Kontrolloni sigurinë e veglës prerëse dhe këmbëzës së çelësit për veprim të lehtë dhe të duhur. Kontrolloni që dorezat të jenë të pastra dhe të thata dhe testoni funksionin e ndezjes/fikjes.
4. Kontrolloni pjesët e dëmtuara përpara përdorimit të mëtejshëm të pajisjes. Një pjesë e dëmtuar duhet të kontrollohet me kujdes për të përcaktuar nëse do të funksionojë siç duhet dhe do të kryejë funksionin e synuar. Kontrolloni bashkërenditjen e pjesëve lëvizëse, lidhjen e pjesëve lëvizëse, prishjen e pjesëve, montimin dhe ndonjë rrethanë tjetër që mund të ndikojë në funksionimin e saj. Një pjesë e dëmtuar duhet të riparohet ose zëvendësohet siç duhet nga qendra jonë e autorizuar e servisit, përveç rasteve kur tregohet diku tjetër në këtë manual.
5. Ndizeni motorin vetëm kur t'i keni duart dhe këmbët larg veglës prerëse.
6. Para se ta ndizni, sigurohuni që vegla prerëse nuk prek objekte të tjera.
7. Mbajeni veglën fort gjatë përdorimit.
8. Shmangni ndezjen e paqëllimshme. Mos e transportoni veglën kur kutia e baterisë është e instaluar dhe me gishtin në çelës. Sigurohuni që çelësi të jetë fikur gjatë instalimit të kutisë së baterisë.
9. Përpara përdorimit, kontrolloni zonën e punës për gardhe me tela, gurë ose objekte të tjera të forta. Ato mund të dëmtojnë fletën e heqjes së barishteve.
10. Kontrolloni kaçubat dhe shkurret për objekte të huaja, si p.sh. gardhe me tela ose instalime elektrike të fshehura përpara se të përdorni veglën.

Metoda e përdorimit

1. Përdoreni pajisjen vetëm në vende me dritë dhe shikueshmëri të mirë. Gjatë stinës së dimrit bëni kujdes nga zonat e rrëshqitshme ose të lagështa, akulli dhe dëborra (rrezik rrëshqitjeje). Gjithmonë sigurohuni që të mbështesni këmbët në pjerrësi dhe sigurohuni që të ecni dhe asnjëherë të mos vraponi.
2. Bëni kujdes të mos lëndoni këmbët dhe duart me veglën prerëse.
3. Mos qëndroni asnjëherë mbi shkallë dhe të përdorni pajisjen.
4. Mos hipni asnjëherë në pemë për të kryer prerje me pajisjen.
5. Mos punoni asnjëherë në sipërfaqe të paqëndrueshme.
6. Hiqni rërën, gurët, gozhdët etj. që gjenden brenda zonës së punës. Copëzat e huaja mund ta dëmtojnë veglën prerëse dhe mund të shkaktojnë kundërveprime të rrezikshme.
7. Nëse vegla prerëse godet gurë ose objekte të tjera të forta, fikeni menjëherë motorin dhe kontrolloni veglën prerëse.
8. Inspektojini veglën prerëse në intervale të shkurtra të rregullta për dëmtim (zbulimi i krisjeve të vogla me anë të testit të zhurmës së trokitjes).
9. Hiqeni gjithmonë kutinë e baterisë nga pajisja:
 - kur e lini pajisjen pa mbikëqyrje;
 - përpara pastrimit të një bllokimi;
 - përpara se të kontrolloni, pastroni apo të kryeni punë në pajisje;
 - pasi të keni goditur objekte të huaja;
 - kur pajisja fillon të dridhet në mënyrë jonormale.
10. Pajisjet prerëse vazhdojnë të punojnë pasi motori të jetë fikur.
11. Kur montoni ose hiqni kapakun e fletës, kini kujdes të mos lëndoni duart.

Udhëzimet për mirëmbajtjen

1. Përpara fillimit të punës duhet të kontrollohet gjendja e pajisjes, në veçanti ajo e veglës prerëse dhe e pajisjeve mbrojtëse.
2. Fikni motorin dhe hiqni kutinë e baterisë përpara se të kryeni mirëmbajtje, duke ndërruar veglat prerëse ose duke pastruar pajisjen ose veglën prerëse.
3. Kur nuk e përdorni veglën, vendosni kapakun e fletës dhe ruajeni brenda në një vend të thatë dhe të lartë e të kyçur, larg fëmijëve.

RUAJINI KËTO UDHËZIME.

⚠ PARALAJMËRIM: MOS lejoni që njohja ose familjarizimi me produktin (të fituara nga përdorimi i shpeshtë) të zëvendësojnë zbatimin me përpikëri të rregullave të sigurisë për produktin në fjalë. KEQPËRDORIMI ose mosndjekja e rregullave të sigurisë të dhëna në këtë manual përdorimi mund të shkaktojë dëmtime të rënda personale.

PËRSHKRIMI I PJESËVE

- **Fig.1:** 1. Kapaku i fletës 2. Kapaku 3. Fleta e heqjes së barishteve

MONTIMI

▲PARALAJMËRIM: Përpara montimit ose kalibrimit të pajisjes, fikeni motorin dhe hiqeni kutinë e baterisë. Përndryshe makineria mund të ndizet pa dashje duke rezultuar në lëndime.

▲PARALAJMËRIM: Kur montoni ose kalibroni pajisjen, gjithmonë uleni atë poshtë. Montimi ose rregullimi i pajisjes në pozicion vertikal mund të rezultojë në lëndime të rënda.

▲PARALAJMËRIM: Ndiqni paralajmërimet dhe masat paraprahe në kapitullin "PARALAJMËRIME SIGURIE" dhe në manualin e përdorimit të njësisë elektrike.

Montimi i aksesorit

1. Montoni 2 pllakat rregulluese në aksesor në mënyrë që kanalet e pllakave të drejtohen nga jashtë.
► **Fig.2:** 1. Pllaka e rregullimit

2. Montoni fletën e heqjes së barishteve në pllakat rregulluese ndërsa hapni fletën pak nga jashtë.

Kur vendosni fletën e heqjes së barishteve, sigurohuni që shigjeta të drejtohet drejt tubit.

- **Fig.3:** 1. Shigjeta

Këndi i fletës së heqjes së barishteve mund të ndryshohet duke e drejtuar pjesën e dalë në fletën e heqjes së barishteve me atë të pjesëve të dala në pllakat rregulluese.

- **Fig.4:** 1. Pjesa e dalë

VINI RE: Sigurohuni që shigjetat në fletën e heqjes së barishteve të jenë në drejtimin e treguar në figurë.

- **Fig.5:** 1. Shigjeta

3. Sigurohuni që fleta e heqjes së barishteve të jetë e ngërthyer me pllakat rregulluese.
► **Fig.6**

4. Futni bulonin nga ana pa dadon dhe shtrëngoni bulonin me çelës.

Sigurohuni që buloni jetë i shtrënguar mirë.

- **Fig.7:** 1. Buloni 2. Dadoja

SHËNIM: Forca shtrënguese: 5 - 10 N.m.

Montimi i tubit bashkues

▲KUJDES: Kontrolloni gjithmonë që tubi i aksesorit të jetë i siguruar pas instalimit. Instalimi i gabuar mund të bëjë që aksesorit të bjerë nga njësisë elektrike dhe të shkaktojë lëndim të personit.

Montojeni tubin bashkues te njësisë elektrike.

1. Hiqni kapakun nga fundi i tubit.

- **Fig.8:** 1. Tubi 2. Kapaku

VINI RE: Mos e hidhni kapakun sepse nevojitet për ruajtjen e aksesorit.

2. Rrotullojeni levën drejt aksesorit.

- **Fig.9:** 1. Leva

3. Bashkërenditni kunjin me shenjën e shigjetës në njësinë elektrike. Futeni tubin derisa butoni i lëshimit të kërcejë jashtë.

Sigurohuni që vija e pozicionit në majë të shigjetës në njësinë elektrike, shenja e shigjetës në njësinë elektrike dhe shenja e shigjetës në tub të jenë përballë njëra-tjetrës.

- **Fig.10:** 1. Butoni i lëshimit 2. Shenja e shigjetës në njësinë elektrike 3. Kunji 4. Vija e pozicionit 5. Shenja e shigjetës në tub

4. Lëvizeni levën drejt njësisë elektrike.

- **Fig.11:** 1. Leva

Sigurohuni që sipërfaqja e levës të jetë paralele me tubin.

VINI RE: Mos e shtrëngoni levën pa pasur të futur tubin e aksesorit. Ndryshe, leva mund ta shtrëngojë hyrjen e boshitit të transmisionit më shumë se sa duhet dhe mund ta dëmtojë.

Për ta hequr tubin, rrotullojeni levën drejt aksesorit dhe nxirreni tubin ndërsa shtypni për poshtë butonin e lëshimit.

- **Fig.12:** 1. Butoni i lëshimit 2. Leva 3. Tubi

Heqja ose montimi i kapakut të fletës

Për të hequr kapakun e fletës, shtypni nga brenda dhe kthejeni.

- **Fig.13:** 1. Kapaku i fletës

Për të ngjitur kapakun e fletës, kapeni kapakun e fletës në njërin anë të fletës së heqjes së barishteve dhe më pas kthejeni.

- **Fig.14:** 1. Kapaku i fletës

SHËNIM: Mund ta montoni kapakun e fletës në tub siç tregohet në figurë.

- **Fig.15:** 1. Kapaku i fletës

Instalimi ose heqja e fletës së heqjes së barishteve

▲KUJDES: Kur ndërroni fletën e heqjes së barishteve, mbani gjithmonë doreza në mënyrë që duart të mos kontaktojnë drejtpërdrejt me fletën e heqjes së barishteve.

▲KUJDES: Montoni kapakun e fletës përpara se të hiqni ose instaloni fletën e heqjes së barishteve.

1. Montoni kapakun e fletës me fletën e heqjes së barishteve.

2. Hiqni bulonin duke e liruar bulonin me çelës.

- **Fig.16:** 1. Buloni

3. Hiqni fletën e heqjes së barishteve ndërsa hapni fletën paksa nga jashtë.

- **Fig.17**

Instalojeni fletën e heqjes së barishteve duke iu referuar udhëzimeve për montimin e aksesorit.

PËRSHKRIMI I PUNËS

▲KUJDES: Sigurohuni gjithmonë që vegla të jetë e fikur dhe kutia e baterisë të jetë hequr përpara se ta rregulloni apo t'i kontrolloni funksionet e veglës.

Rregullimi i këndit të prerjes

▲KUJDES: Sigurohuni gjithmonë që vegla të jetë fikur përpara se të rregulloni këndin e prerjes.

Këndi i fletës së heqjes së barishteve mund të ndryshohet në tri nivele. Për të ndryshuar këndin, drejtoni pjesën e dalë në fletën e heqjes së barishteve me atë të pjesëve të dala në pllakat rregulluese dhe më pas instaloni fletën e heqjes së barishteve.

1. Lironi bulonin që fikson fletën prerëse me çelës.
 2. Drejtoni pjesën e dalë në fletën e heqjes së barishteve me atë të pjesëve të dala në pllakat rregulluese.
 3. Shtrëngoni përsëri bulonin për të rregulluar fletën prerëse.
- Fig.18: 1. Pjesa e dalë

PËRDORIMI

▲PARALAJMËRIM: Ndiqni paralajmërimet dhe masat paraprake në kapitullin "PARALAJMËRIME SIGURIE" dhe në manualin e përdorimit të njësisë elektrike.

Përdorimi i veglës

▲PARALAJMËRIM: Mbajni duart larg fletës së heqjes së barishteve.

▲PARALAJMËRIM: Bëni kujdes maksimal për të ruajtur kontrollin e veglës gjatë gjithë kohës. Mos lejoni që vegla të afrohet drejt jush ose ndokujt në afërsi të ambientit të punës. Humbja e kontrollit të veglës mund të shkaktojë lëndime serioze për personat në afërsi dhe përdoruesin.

▲PARALAJMËRIM: Para se të hiqni barishtet, hiqni shkopiinjë dhe gurët nga zona e heqjes së barishteve.

SHËNIM: Kjo vegël është menduar për heqjen e barishteve më pak se 15 cm (5-7/8").

► Fig.19

▲KUJDES: Shmangni përdorimin e veglës në mot shumë të nxehtë sa më shumë që të jetë e mundur. Tregoni kujdes për gjendjen tuaj fizike gjatë përdorimit të veglës.

▲KUJDES: Bëni kujdes të mos prekni aksidentalisht ndonjë gardh metalik ose objekte të tjera të forta gjatë heqjes së barishteve. Fleta e heqjes së barishteve mund të thyhet dhe të shkaktojë lëndim.

▲KUJDES: Është shumë e rrezikshme të zgjateni me veglën, veçanërisht nga një shkallë. Mos punoni ndërsa qëndroni në këmbë mbi ndonjë vend i lëvizshëm ose të paqëndrueshëm.

VINI RE: Mos e përdorni veglën në mënyrë të tillë që të bëjë që motori të ndalojë ose të rrotullohet jashtëzakonisht ngadalë.

Mbajni veglën me të dyja duart duke mbajtur dorezën e përparme dhe mbajtësen e pasme të njësisë elektrike.
► Fig.20: 1. Doreza e përparme 2. Mbajtësja e pasme

Ndizeni veglën me fletën e heqjes së barishteve të shkëputur nga toka. Vendosni fletën e heqjes së barishteve në tokë dhe tërhiqeni veglën drejt jush ngadalë për ta pastruar. Është më e lehtë të punohet kur fleta e heqjes së barishteve është në një kënd gati pingul me tokën.

► Fig.21

► Fig.22

MIRËMBAJTJA

▲PARALAJMËRIM: Përpara inspektimit apo mirëmbajtjes së pajisjes, fikni motorin dhe hiqni kutinë e baterisë. Përndryshe makineria mund të ndizet pa dashje duke shkaktuar lëndim të rëndë.

▲PARALAJMËRIM: Kur inspektoni ose kryeni mirëmbajtjen e pajisjes, gjithmonë uleni poshtë atë. Montimi ose rregullimi i pajisjes në pozicion vertikal mund të rezultojë në lëndime të rënda.

▲PARALAJMËRIM: Ndiqni paralajmërimet dhe masat paraprake në kapitullin "PARALAJMËRIME SIGURIE" dhe në manualin e përdorimit të njësisë elektrike.

▲KUJDES: Vini gjithmonë doreza kur kryeni inspektimin ose mirëmbajtjen.

VINI RE: Mos përdorni kurrë benzinë, benzinë pastrimi, hollues, alkoool dhe të ngjashme. Mund të shkaktoni çngjyrosje, deformime ose krisje.

Për të ruajtur SIGURINË dhe QËNDRUESHMËRINË, riparimet dhe çdo mirëmbajtje apo rregullim tjetër duhen kryer nga qendrat e autorizuara të shërbimit ose të shërbimit të fabrikës të Makita-s, duke përdorur gjithnjë pjesë këmbimi të Makita-s.

Pastrimi i veglës

Pastrojeni veglën duke e fshirë tallashin me një leckë të thatë ose me një të njomur me ujë me sapun dhe të shtrydhur.

Mirëmbajtja e fletës

Pas punës, hiqni nga fleta barin ose rrënjët e ngatërruara në të.

VINI RE: Mos e lani në ujë fletën. Kjo mund të shkaktojë ndryshkjen ose dëmtimin e fletës ose të aksesorit.

Magazinimi

Montoni kapakun e fletës me fletën e heqjes së barishteve. Ruajeni veglën larg fëmijëve. Ruajeni veglën në vende që nuk janë të ekspozuara ndaj lagështirës dhe shiut.

Kur e magazinoni aksesorin veçmas njësisë elektrike, vendosni kapakun në fund të tubit.

► Fig.23

Lubrifikimi i pjesëve lëvizëse

VINI RE: Ndiqni udhëzimin për shpeshtësinë dhe sasinë e graso që aplikohet. Ndryshe, lubrifikimi i papërshtatshëm mund të dëmtojë pjesët lëvizëse.

Aksi i transmisionit:

Aplikoni graso (graso Makita N No.2 ose ekuivalent të saj) çdo 25 orë pune.

► Fig.24

SHËNIM: Grasoja origjinale Makita mund të blihet nga shitësi juaj lokal i Makita.

Lubrifikimi me graso

Intervali i lubrifikimit: Çdo 25 orë pune

1. Hiqni bulonin nga vrima për lubrifikim.

► Fig.25: 1. Buloni

2. Vendosni graso (graso Makita SG No.0 ose ekuivalente) në vegël (afërsisht 3,0 g si orientuese).

3. Shtërngoni bulonin.

NDREQJA E DEFEKTEVE

Përpara se të kërkon riparime bëni inspektimet tuaja. Nëse zbuloni ndonjë problem që nuk shpjegohet në manual, mos u mundoni të çmontoni veglën. Por për riparime drejtoju Qendrave të Autorizuara të Shërbimit Makita, duke përdorur gjithmonë pjesë zëvendësuese Makita.

Gjendja anormale	Shkaku i mundshëm (keqfunksionimi)	Zgjidhja
Motori nuk ndizet.	-	Referojuni manualit të përdorimit të njësishë elektrike.
Motori ndalon shpejt.	-	Referojuni manualit të përdorimit të njësishë elektrike.
Shpejtësia e motorit nuk rritet.	-	Referojuni manualit të përdorimit të njësishë elektrike.
Fleta e heqjes së barishteve nuk lëviz: ⇒ ndalojeni menjëherë makinerinë!	Sistemi i lëvizjes nuk funksionon mirë.	Kërkojini qendrës lokale të autorizuar të shërbimit që ta riparojë.
Dridhje jonormale: ⇒ ndalojeni menjëherë makinerinë!	Fleta e heqjes së barishteve është e thyer, e përkulur ose e konsumuar. Sistemi i lëvizjes nuk funksionon mirë.	Ndërrojeni fletën e heqjes së barishteve. Kërkojini qendrës lokale të autorizuar të shërbimit që ta riparojë.
Fleta dhe motori i heqjes së barishteve nuk mund të ndalojnë: ⇒ Hiqni menjëherë baterinë!	Keqfunksionim elektrik.	Hiqni baterinë dhe kërkojini qendrës lokale të autorizuar të shërbimit që ta riparojë.

AKSESORË OPSIONALË

▲KUJDES: Këta aksesorë ose shtojca rekomandohen për përdorim me makinerinë Makita të përcaktuar në këtë manual. Përdorimi i aksesorëve apo i shtojcave të tjera mund të përbëjë rrezik lëndimi ndaj njerëzve. Aksesorët ose shtojcat përdorini vetëm për qëllimin e tyre të përcaktuar.

Nëse keni nevojë për më shumë të dhëna në lidhje me aksesorët, pyesni qendrën vendore të shërbimit të Makita-s.

- Fleta e heqjes së barishteve
- Fleta e kultivatorit
- Bateri dhe ngarkues origjinal Makita

SHËNIM: Disa artikuj të listës mund të përfshihen në paketën e produktit si aksesorë standardë. Ato mund të ndryshojnë nga njëri shtet në tjetrin.

СПЕЦИФИКАЦИИ

Модел:	WA400MP
Ширина на рязане	220 мм
Размери (Д x Ш x В)	980 мм x 226 мм x 196 мм
Нето тегло	2,8 кг

- Поради нашата непрекъсната научно-развойна дейност посочените тук спецификации могат да бъдат променени без предизвестие.
- Спецификациите може да са различни в различните държави.

Одобрен задвижващ механизъм

Тази приставка е одобрена за използване само със следния(те) захранващ(и) механизъм(ми):

- Многофункционална задвижваща глава без кабел DUX60
- Многофункционална задвижваща глава без кабел DUX18
- Многофункционална задвижваща глава без кабел UX01G

▲ ПРЕДУПРЕЖДЕНИЕ: Никога не използвайте приставката с неодобрен задвижващ механизъм. Неодобрената комбинация може да причини сериозни наранявания.

Символи

По-долу са описани символите, които може да се използват за тази машина. Задължително е да се запознаете с техните значения, преди да пристъпите към работа.



Прочетете и спазвайте ръководството за експлоатация.



Носете предпазна каска, очила и предпазни средства за слуха и очите.



Носете предпазни ръкавици.



Носете здрави обувки с неплъзгащи се подметки.



Предупреждение: Изключвайте батерията, преди да пристъпите към поддръжка.



Дръжте краката си далеч от ножа за плевене.



Не допускате странични лица и животни на разстояние, по-малко от 5 м, от електрическия инструмент.



Горещи повърхности – Изгаряния на пръстите или ръцете.



Гарантирано ниво на звукова мощност съгласно директивата на ЕС за шумовите емисии на съоръжения, предназначени за употреба извън сградите.



Ниво на звукова мощност съгласно Регламента за управление на шума на Нов Южен Уелс, Австралия

Предназначение

Тази приставка, заедно с одобрен захранващ блок, е предназначена единствено за плевене на трева, растяща по земята. Никога не използвайте приставката за други цели. Неправилното използване на приставката може да доведе до сериозни наранявания.

ЕО декларация за съответствие

Само за европейските страни

В качеството си на производители: **ние, Makita Europe N.V.**, търговски адрес: **Jan-Baptist Vinkstraat 2 3070 Kortenberg БЕЛГИЯ**. Упълномощаваме **Kazuhisa Makino** да състави техническата документация и декларираме на своя лична отговорност, че продуктът(ите);

Обозначение: **Приставка за плевене**. Обозначение на типа(овете): **WA400MP**.

Отговаря на всички приложими клаузи на **2006/42/ЕО**, също и на всички приложими клаузи на следващите Директиви на ЕО/ЕС: **2000/14/ЕС** и са произведени в съответствие със следните хармонизирани стандарти: **EN 62841-1:2015+A11:2022, EN ISO 11806-1:2022, EN IEC 62841-4-7:2022+A11:2022**.

Място и дата на декларацията: **Kortenberg, Белгия. 27. 9.2023**

Отговорно лице: **Kazuhisa Makino, директор – Makita Europe N.V.**

ПРЕДУПРЕЖДЕНИЯ ЗА БЕЗОПАСНОСТ

Предупреждения, свързани с безопасността на приставката за плевене

1. **Не използвайте машината при лоши атмосферни условия, особено когато има риск от светкавици.** Това намалява риска да бъдете ударени от мълния.
2. **Проверявайте щателно площта за диви животни, когато ще се използва машината.** Дивите животни може да бъдат наранени от машината по време на работата ѝ.
3. **Проверявайте щателно площта, където ще се използва машината, и отстранявайте всички камъни, клонки, тел, кости и други чужди предмети.** Изхвърчащи предмети могат да предизвикат нараняване.
4. **Преди да използвате машината, винаги проверявайте визуално дали ножът за плевене не е повреден.** Повредените части увеличават риска от нараняване.
5. **Спазвайте указанията за смяна на принадлежностите.** Неправилно затегнатите гайки или болтове на ножа могат да го повредят или да станат причина той да се откачи.
6. **Използвайте предпазни средства за очите, ушите, главата и ръцете.** Подходящите предпазни средства ще намалят нараняванията от летящи отпадъци или случаен контакт с кордата за рязане или ножа.
7. **При работа с машината винаги носете неплъзгащи се и защитни обувки. Не работете с машината боси или обути с отворени сандали.** Това намалява вероятността от нараняване на стъпалата при контакт с движещите се резачки или корди.
8. **Когато работите с машината, винаги носете дълги панталони.** Непокритата кожа повишава вероятността от нараняване от изхвърчащи предмети.
9. **Когато работите с машината, намиращите се наоколо хора трябва да стоят настрана.** Изхвърчащите изрезки може да предизвикат сериозно нараняване.
10. **При работа с машината винаги използвайте и двете си ръце.** Дръжте машината с две ръце, за да избегнете загуба на контрол.
11. **Дръжте машината само за изолираните повърхности за хващане, тъй като има опасност рещещата корда или ножът да се допрат до скрити кабели.** При контакт на рещещата корда или ножа с проводник под напрежение токът може да премине през металните части на машината и да подложи работещия на електрически удар.
12. **Винаги заемайте стабилна позиция и работете с машината само когато сте стъпили на земята.** Хлъзгавите или нестабилни повърхности могат да причинят загуба на равновесие или на контрол върху машината.
13. **Не използвайте машината по много стръмни наклони.** Това увеличава риска от загуба на управление, хлъзгане и падане, което може да доведе до телесно нараняване.
14. **При работа по наклони винаги стъпвайте стабилно, винаги работете напречно на наклоните, никога нагоре или надолу и бъдете изключително внимателни при смяна на посоката.** Това увеличава риска от загуба на управление, хлъзгане и падане, което може да доведе до телесно нараняване.
15. **Когато машината работи, дръжте всички части на тялото си на разстояние от ножа за плевене.** Преди да стартирате машината, се уверете, че ножът за плевене не се допира до нищо. Моментното невнимание при работа с машината може да доведе до нараняване на вас или на други хора.
16. **Не работете с машината над височината на талията.** Така ще предотвратите неволен контакт с ножа за плевене и ще имате по-добър контрол върху машината в неочаквани ситуации.
17. **Когато режете храсти и фиданки, които са подложени на напрежение, внимавайте да не отскочат назад.** Когато напрежението върху влакната на дървесината се освободи, храстът или фиданката може да ударят оператора и/или да изхвърлят машината, което ще доведе до загуба на контрол върху нея.
18. **Бъдете изключително внимателни, когато режете храсти и фиданки.** Ножът може да заклепти тънкия материал и да го изхвърли към вас, или да ви извади от равновесие.
19. **Поддържайте контрола върху машината и не докосвайте ножа за плевене и другите опасни движещи се части, докато все още са в движение.** Това намалява риска от нараняване от движещи се части.
20. **Пренасяйте машината в изключено състояние и на разстояние от тялото си.** Правилното боравене с машината намалява вероятността за случаен контакт с движещата се резачка, корда или нож.
21. **Когато транспортирате или прибирате машината, винаги монтирайте капака на ножа за плевене.** Правилното боравене с машината намалява вероятността за случаен контакт с ножа.
22. **Използвайте само резервни ножове за плевене, посочени от производителя.** Неподходящите резервни части могат да увеличат риска от счупване и нараняване.
23. **При почистване на заседналият материал или при обслужване на машината се уверете, че превключвателят е изключен и батерията е извадена.** Неочакваното стартиране на машината по време на почистване на заседналият материал или при обслужване може да доведе до сериозно нараняване.

Допълнителни предупреждения за безопасност

Общи указания

1. За да гарантира изправно функциониране, потребителят трябва да прочете този наръчник с инструкции, за да се запознае с работата на оборудването. Недостатъчно информирани потребители излагат себе си, както и останалите на опасности, дължащи се на неправилно боравене.
2. Никога не допускайте деца, лица с намалени физически, сетивни или умствени способности, или без нужния опит и познания, както и хора, незапознати с тези инструкции, да използват този инструмент, местните разпоредби може ограничават възрастта на оператора.
3. Използвайте оборудването изключително внимателно.
4. Използвайте оборудването само ако сте в добро физическо състояние. Изпълнявайте всички работни дейности спокойно и внимателно. Бъдете разумни и имайте предвид, че операторът или потребителят е отговорен за инцидентите и опасности, които може да възникнат спрямо други хора или имуществото им.
5. Никога не работете с инструмента в близост до хора, особено деца, или домашни любимци.
6. Изключете незабавно мотора, ако инструментът показва признаци за възникнал проблем или необичайна работа.
7. За предотвратяване на опасности за други лица или повреждане на оборудването по време на престой и когато го оставяте без надзор, го изключете, извадете акумулаторната батерия и я поставете на безопасно място.
8. Избягвайте да използвате инструмента при лоши атмосферни условия, особено когато има риск от светкавици.

Лично предпазно оборудване

1. По всяко време на работа с инструмента да се носят защитни средства за очите и здрави обувки.
2. Винаги носете стабилни обувки и дълги панталони, когато работите с инструмента.

Пускане на оборудването в действие

1. Моля, уверете се, че в близост няма деца или други лица, и внимавайте за намиращи се наблизо животни. В противен случай прекратете работата с оборудването.
2. По време на работа не допускайте странични лица или животни на разстояние, по-малко от 5 м, до инструмента. Ако някой се приближи, веднага спрете инструмента.
3. Преди употреба винаги проверявайте дали оборудването е безопасно за работа. Проверете обезопасяването на режещия инструмент, както и лесното и правилно функциониране на пусковия прекъсвач. Проверете дали дръжките са чисти и сухи и изпробвайте функцията за включване/спиране.

4. Преди по-нататъшна работа с оборудването го проверете за повредени части. Ако някоя част е повредена, тя трябва да бъде внимателно проверена, за да се установи дали работи правилно и дали изпълнява функциите си по предназначение. Проверявайте движещите се части за неправилно подравняване или огъване, за счупване, монтаж или друго обстоятелство, което може да повлияе на функционирането им. Повредените части трябва да бъдат съответно ремонтирани или заменени в нашия оторизиран сервизен център, освен ако в това ръководство не е описано нещо друго.
5. Включвайте мотора само когато ръцете и краката ви са далеч от режещия инструмент.
6. Преди пускане в действие се уверете, че режещият инструмент не е в контакт с никакви други обекти.
7. По време на работа дръжте инструмента здраво.
8. Избягвайте случайно пускане в действие. Не пренасяйте инструмента с монтирана акумулаторна батерия и пръст, поставен на прекъсвача. Уверете се, че прекъсвачът е изключен, когато монтирате акумулаторната батерия.
9. Преди работа прегледайте работната зона за наличие на телени огради, камъни или твърди предмети. Те могат да повредят ножа за плевене.
10. Преди да работите с инструмента, проверете живия плет и храстите за наличие на чужди предмети, например телени огради или скрити кабели.

Метод на работа

1. Използвайте оборудването само при достатъчно добро осветление и видимост. През зимния сезон избягвайте хлъзгави или влажни участъци, лед и сняг (риск от подхлъзване). Винаги стъпвайте стабилно върху наклони и ходете – никога не бягайте.
2. Вземете мерки срещу нараняване на краката и ръцете от режещия инструмент.
3. Никога не стойте на стълба, за да работите с оборудването.
4. Никога не се качвайте на дърво, за да режете с оборудването.
5. Никога не работете върху нестабилни повърхности.
6. Отстранявайте пясък, камъни, пирони и др., намиращи се в работната зона. Чужди тела могат да повредят режещия инструмент и да предизвикат опасен откат.
7. Ако режещият инструмент удари в камъни или други твърди обекти, изключете незабавно мотора и проверете режещия инструмент.
8. Проверявайте режещия инструмент за повреда на кратки и редовни интервали (откриване на микропукнатини чрез изпробване за характерен шум при почукване).

9. Винаги изваждайте акумулаторната батерия от оборудването:
 - когато оставяте оборудването без надзор;
 - преди почистване на задръстване;
 - преди проверка, почистване или работа по оборудването;
 - след удар във външен обект;
 - когато оборудването започне да вибрира необичайно.
10. Режещите части продължават да се движат след изключване на електромотора.
11. Когато поставяте или сваляте капака на остриетата, внимавайте да не нараните ръцете си.

Инструкции за поддръжка

1. Преди продължаване на работата е необходимо да се провери състоянието на оборудването, особено това на режещия инструмент и предпазните устройства.
2. Преди поддръжка, смяна на режещи инструменти, почистване на оборудването или режещия инструмент изключете мотора и извадете акумулаторната батерия.
3. Когато не използвате инструмента, поставете капака на остриетата и съхранявайте инструмента на закрито, на сухо и високо разположено заключващо се място, далече от достъпа на деца.

ЗАПАЗЕТЕ НАСТОЯЩИТЕ ИНСТРУКЦИИ.

▲ПРЕДУПРЕЖДЕНИЕ: НЕ позволявайте комфорта от познаването на продукта (придобит при дългата му употреба) да замени стриктното спазване на правилата за безопасност за въпросния продукт. **НЕПРАВИЛНАТА УПОТРЕБА** и неспазването на правилата за безопасност, посочени в настоящото ръководство за експлоатация, може да доведе до тежки наранявания.

ОПИСАНИЕ НА ЧАСТИТЕ

- **Фиг.1:** 1. Капак на ножа 2. Капачка 3. Нож за плевене

СГЛОБЯВАНЕ

▲ПРЕДУПРЕЖДЕНИЕ: Преди сглобяване или регулиране на оборудването изключете мотора и извадете акумулаторната батерия. В противен случай машината може да се стартира внезапно и да причини нараняване.

▲ПРЕДУПРЕЖДЕНИЕ: При сглобяване или регулиране на оборудването винаги го поставяйте на земята. Сглобяването или регулирането на оборудването в изправено положение може да доведе до сериозно нараняване.

▲ПРЕДУПРЕЖДЕНИЕ: Следвайте предупрежденията и мерките за безопасност в главата „ПРЕДУПРЕЖДЕНИЯ ЗА БЕЗОПАСНОСТ“ и в ръководството за експлоатация на задвижващия механизъм.

Сглобяване на приставката

1. Прикрепете 2-те регулиращи пластини към приставката така, че каналите на пластините да са насочени навън.
► **Фиг.2:** 1. Регулираща пластина
2. Прикрепете ножа за плевене към регулиращите пластини, като го отворите леко навън.
При прикрепване на ножа за плевене се уверете, че стрелката сочи към тръбата.
► **Фиг.3:** 1. Стрелка

Ъгълът на ножа за плевене може да се промени чрез подравняване на издадената му част с една от издадените части на регулиращите пластини.
► **Фиг.4:** 1. Издадена част

БЕЛЕЖКА: Уверете се, че стрелките на ножа за плевене са обърнати в посоката, показана на фигурата.
► **Фиг.5:** 1. Стрелка

3. Уверете се, че ножът за плевене е захванат от регулиращите пластини.
► **Фиг.6**
4. Вкарайте болта от страната без гайката и го затегнете с гаечния ключ.
Уверете се, че болтът е здраво затегнат.
► **Фиг.7:** 1. Болт 2. Гайка

ЗАБЕЛЕЖКА: Момент на затягане: 5 – 10 N•m

Монтиране на тръбата за приставка

▲ВНИМАНИЕ: Винаги проверявайте закрепването на тръбата за приставката след монтажа. Неправилният монтаж може да доведе до падане на приставката от задвижващия механизъм и да предизвика нараняване.

Монтирайте тръбата за приставка към инструмента.

1. Сваляте капачката от края на тръбата.
► **Фиг.8:** 1. Тръба 2. Капачка

БЕЛЕЖКА: Не изхвърляйте капачката, тъй като тя ще е необходима при прибиране на приставката.

2. Завъртете лоста към приставката.

► **Фиг.9:** 1. Лост

3. Изравнете шифта със стрелката на задвижващия механизъм. Вмъквайте тръбата, докато бутонът за освобождаване изскочи.

Уверете се, че линията за позициониране е върху върха на стрелката на задвижващия механизъм, а стрелката на задвижващия механизъм и стрелката на тръбата са обърнати една към друга.

► **Фиг.10:** 1. Освобождаващ бутон 2. Стрелка на задвижващия механизъм 3. Шифт 4. Линия на позициониране 5. Стрелка на тръбата

4. Завъртете лоста към задвижващия механизъм.

► **Фиг.11:** 1. Лост

Уверете се, че повърхността на лоста е паралелна на тръбата.

БЕЛЕЖКА: Не затягайте лоста, без да сте поставили тръбата за приставката. В противен случай лостът може да затегне прекалено много входа на задвижващия вал и да го повреди.

За да свалите тръбата, завъртете лоста към приставката и издърпайте тръбата навън, като натискате надолу бутона за освобождаване.

► **Фиг.12:** 1. Освобождаващ бутон 2. Лост 3. Тръба

Сваляне или поставяне на капака на остриетата

За да свалите капака на остриетата, натиснете го навътре и го завъртете.

► **Фиг.13:** 1. Капак на остриетата

За да закрепите капака на остриетата, закачете го от едната страна на ножа за плевене и след това го завъртете.

► **Фиг.14:** 1. Капак на остриетата

ЗАБЕЛЕЖКА: Можете да прикрепите капака на остриетата, както е показано на фигурата.

► **Фиг.15:** 1. Капак на остриетата

Монтиране или демонтиране на ножа за плевене

ВНИМАНИЕ: Когато сменяте ножа за плевене, винаги носете ръкавици, за да избегнете пряк контакт на ръцете си с него.

ВНИМАНИЕ: Прикрепете капака на остриетата преди демонтиране или монтиране на ножа за плевене.

1. Прикрепете капака на остриетата към ножа за плевене.

2. Свалете болта, като ги разхлабите с гаечния ключ.

► **Фиг.16:** 1. Болт

3. Свалете ножа за плевене, като го отворите леко навън.

► **Фиг.17**

Монтирайте ножа за плевене, като направите справка с инструкциите за сглобяване на приставката.

ОПИСАНИЕ НА ФУНКЦИТЕ

ВНИМАНИЕ: Винаги проверявайте дали инструментът е изключен и касетата с акумулаторната батерия е извадена, преди да регулирате или проверявате дадена функция на инструмента.

Регулиране на ъгъла на рязане

ВНИМАНИЕ: Винаги проверявайте дали инструментът е изключен, преди да регулирате ъгъла на рязане.

Ъгълът на ножа за плевене може да се променя на три нива. За да промените ъгъла, подравнете издадената част на ножа за плевене с една от издадените части на регулиращите пластини и след това монтирайте ножа за плевене.

1. Разхлабете болта, който закрепва режещия нож, с помощта на гаечния ключ.

2. Подравнете издадената част на ножа за плевене с една от издадените части на регулиращите пластини.

3. Затегнете отново болта, за да закрепите режещия нож.

► **Фиг.18:** 1. Издадена част

Експлоатация

ПРЕДУПРЕЖДЕНИЕ: Следвайте предупрежденията и мерките за безопасност в главата „ПРЕДУПРЕЖДЕНИЯ ЗА БЕЗОПАСНОСТ“ и в ръководството за експлоатация на задвижващия механизъм.

Работа с инструмента

ПРЕДУПРЕЖДЕНИЕ: Дръжте ръцете си далеч от ножа за плевене.

ПРЕДУПРЕЖДЕНИЕ: Особено внимавайте в такива моменти уредът да е под контрол. Не допускайте уредът да се накланя към вас или друг човек, намиращ се наблизо. Ако не се поддържа контрол върху уреда, съществува опасност от сериозно нараняване на оператора и близо стоящи хора.

ПРЕДУПРЕЖДЕНИЕ: Преди да плевите, разчистете всички пръчки и камъни от зоната за плевене.

ЗАБЕЛЕЖКА: Този инструмент е предназначен за отстраняване на плевели, по-малки от 15 см (5-7/8”).

► **Фиг.19**

⚠ ВНИМАНИЕ: Доколкото е възможно, избягвайте работа с инструмента при много горещо време. При работа с инструмента обръщайте внимание на вашето физическо състояние.

⚠ ВНИМАНИЕ: По време на плевене внимавайте да не влезете в случаен контакт с метална ограда или други твърди предмети. Ножът за плевене може да се счупи и да причини нараняване.

⚠ ВНИМАНИЕ: Прекомерното протягане с инструмента, особено от стълба, е изключително опасно. Не работете, застанали върху платформа, която се клати или е нестабилна.

БЕЛЕЖКА: Не използвайте инструмента по начин, който води до спиране на двигателя или до работата му на изключително бавни обороти.

Дръжте инструмента с двете си ръце, като хванете предната ръкохватка и задната дръжка на задвижващия механизъм.

► **Фиг.20:** 1. Предна ръкохватка 2. Задна дръжка

Включвайте инструмента, когато ножът за плевене е отделен от земята. Поставете ножа за плевене на земята и дърпайте бавно инструмента към себе си, за да плевите. По-лесно е да се работи, когато ножът за плевене е под ъгъл, почти перпендикулярен на земята.

► **Фиг.21**

► **Фиг.22**

ПОДДРЪЖКА

⚠ ПРЕДУПРЕЖДЕНИЕ: Преди да проверите или да извършите техническа поддръжка на оборудването, изключете двигателя и извадете акумулаторната батерия. В противен случай машината може да се стартира внезапно и да причини сериозно нараняване.

⚠ ПРЕДУПРЕЖДЕНИЕ: Когато проверявате или извършвате техническо обслужване на оборудването, винаги го поставяйте на земята. Слобояването или регулирането на оборудването в изправено положение може да доведе до сериозно нараняване.

⚠ ПРЕДУПРЕЖДЕНИЕ: Следвайте предупрежденията и мерките за безопасност в главата „ПРЕДУПРЕЖДЕНИЯ ЗА БЕЗОПАСНОСТ“ и в ръководството за експлоатация на задвижващия механизъм.

⚠ ВНИМАНИЕ: Носете предпазни ръкавици при извършване на проверка или техническо обслужване.

БЕЛЕЖКА: Не използвайте бензин, нафта, разреждател, спирт и др. подобни. Това може да причини обезцветяване, деформация или пукнатини.

За да се поддържа БЕЗОПАСНОСТТА и НАДЕЖДНОСТТА на продукта, ремонтите, поддръжката или регулирането трябва да се извършват от упълномощен сервиз или фабрични сервизни центрове на Makita, като винаги трябва да използвате резервни части от Makita.

Почистяване на инструмента

Почистете инструмента, като избършете праха със суха кърпа или кърпа, напоена с вода и миещ препарат и изстискана.

Поддръжка на ножа

След работа отстранете от ножа заплелите се в него трева или корени.

БЕЛЕЖКА: Не мийте ножа с вода. Това може да доведе до образуване на ръжда или повреда на ножа или приставката.

Съхранение

Прикрепете капака на остриетата към ножа за плевене. Съхранявайте инструмента извън обсега на деца. Съхранявайте инструмента на място, което не е изложено на влага или дъжд.

Когато съхранявате приставката отделно от задвижващия механизъм, поставете капачката на края на тръбата.

► **Фиг.23**

Смазване на движещите се части

БЕЛЕЖКА: Спазвайте инструкциите за честотата на гресиране и за количеството грес. В противен случай, недостатъчното смазване може да повреди движещите се части.

Задвижващ мост:

Добавяйте грес (грес Makita N No.2 или еквивалентна) на всеки 25 часа работа.

► **Фиг.24**

ЗАБЕЛЕЖКА: Оригинален грес на Makita можете да закупите от Вашия местен търговски представител на Makita.

Смазване със смазка

Интервал на смазване: На всеки 25 работни часа

1. Отстранете болта от отвора за смазване.

► **Фиг.25:** 1. Болт

2. Нанесете грес (грес Makita SG No.0 или еквивалентна) върху инструмента (приблизително 3,0 г като ориентир).

3. Затегнете болта.

ОТСТРАНЯВАНЕ НА НЕИЗПРАВНОСТИ

Преди да заявите ремонт, сами извършете проверка. Ако установите проблем, който не е обяснен в ръководството, не се опитвайте да разглобявате инструмента. Вместо това го занесете в някой от оторизираните сервиси на Makita, които винаги използват за ремонтите резервни части от Makita.

Състояние на неизправност	Възможно причина (неизправност)	Мерки за отстраняване
Двигателят не стартира.	–	Направете справка с ръководството за експлоатация на захранващия блок.
Двигателят спира бързо.	–	Направете справка с ръководството за експлоатация на захранващия блок.
Оборотите на двигателя не се увеличават.	–	Направете справка с ръководството за експлоатация на захранващия блок.
Ножът за плевене не се движи: ⇒ спрете веднага машината!	Задвижващата система не работи нормално.	Обърнете се към местния упълномощен сервис за извършване на ремонт.
Ненормални вибрации: ⇒ спрете веднага машината!	Ножът за плевене е счупен, огънат или износен. Задвижващата система не работи нормално.	Сменете ножа за плевене. Обърнете се към местния упълномощен сервис за извършване на ремонт.
Ножът за плевене и двигателят не могат да спрат: ⇒ Незабавно извадете акумулаторната батерия!	Електрическа неизправност.	Свалете акумулаторната батерията и се обърнете към местния упълномощен сервис за извършване на ремонт.

ДОПЪЛНИТЕЛНИ АКСЕСОАРИ

⚠ ВНИМАНИЕ: Препоръчва се използването на тези аксесоари или приспособления с Вашата машина Makita, описана в настоящото ръководство. Използването на други аксесоари или приспособления може да доведе до опасност от телесни наранявания. Използвайте съответните аксесоар или приспособление само по предназначение.

Ако имате нужда от помощ за повече подробности относно тези аксесоари, се обърнете към местния сервизен център на Makita.

- Нож за плевене
- Нож на култиватора
- Оригинална акумулаторна батерия и зарядно устройство на Makita

ЗАБЕЛЕЖКА: Някои артикули от списъка може да са включени в комплекта на продукта като стандартни аксесоари. Те може да са различни в различните държави.

SPECIFIKACIJE

Model:	WA400MP
Širina reza	220 mm
Dimenzije (D x Š x V)	980 mm x 226 mm x 196 mm
Neto težina	2,8 kg

- Zahvaljujući našem stalnom programu razvoja i istraživanja, navedene specifikacije podložne su promjenama bez obavijesti.
- Specifikacije mogu biti različite ovisno o zemlji.

Odobrena jedinica napajanja

Ovaj priključak odobren je za uporabu isključivo sa sljedećim jedinicama napajanja:

- Bežičnom višefunkcijskom električnom glavom DUX60
- Bežičnom višefunkcijskom električnom glavom DUX18
- Bežičnom višefunkcijskom električnom glavom UX01G

⚠ UPOZORENJE: Uporaba priključka bez odobrene jedinice napajanja nije dopuštena. Kombinacija koja nije odobrena može uzrokovati ozbiljne ozljede.

Simboli

U nastavku su prikazani simboli koji se upotrebljavaju za opremu. Prije korištenja provjerite jeste li razumjeli njihovo značenje.



Pročitajte i pridržavajte se uputa iz priručnika s uputama.



Nosite zaštitnu kacigu, naočale i štitičke za uši.



Nosite zaštitne rukavice.



Nosite robusne čizme s potplatima koji se ne klizu.



Upozorenje; odspojite bateriju prije radova održavanja.



Noge držite podalje od oštrice za uklanjanje korova.



Slučajne prolaznike i životinje držite najmanje 5 m dalje od električnog alata.



Vruća površina – opasnost od opekлина po prstima ili šakama.



Zajamčena razina jačine zvuka u skladu s Direktivom EU o emisiji buke u okoliš.



Razina jačine zvuka u skladu s Uredbom o kontroli buke u Australiji (Novi Južni Wales)

Namjena

Ovaj priključak namijenjen je samo za uklanjanje korova na tlu u kombinaciji s odobrenom jedinicom napajanja. Zabranjena je uporaba priključka u bilo koje druge svrhe. U slučaju njegove zlouporabe moguće su ozbiljne ozljede.

Izjava o sukladnosti EZ

Samo za države članice Europske unije

Mi, kao proizvođači: **Makita Europe N.V.**, poslovna adresa: **Jan-Baptist Vinkstraat 2 3070 Kortenberg BELGIUM**. Ovlašćujemo **Kazuhisa Makina** za sastavljanje tehničke dokumentacije i s punom odgovornošću izjavljujemo da proizvodi s opisom: Namjena: **Nastavak za uklanjanje korova**. Oznaka tipa: **WA400MP**.

Ispunjavaju sve mjerodavne odredbe Direktive **2006/42/EZ**, kao i mjerodavne odredbe sljedećih direktiva EZ-a/EU-a: **2000/14/EC** te da su proizvedeni u skladu sa sljedećim usklađenim normama: **EN 62841-1:2015+A11:2022, EN ISO 11806-1:2022, EN IEC 62841-4-7:2022+A11:2022**.

Mjesto i datum izjave: **Kortenberg, Belgija. 27. 9.2023**
Odgovorna osoba: **Kazuhisa Makino, direktor – Makita Europe N.V.**

SIGURNOSNA UPOZORENJA

Sigurnosna upozorenja za nastavak za uklanjanje korova

- Stroj nemojte upotrebljavati u lošim vremenskim uvjetima, osobito kada postoji opasnost od udara munje.** Time se smanjuje mogućnost udara munje.
- Pažljivo pregledajte ima li životinja na području na kojem će se stroj upotrijebiti.** Stroj može ozlijediti životinje tijekom rada.
- Pažljivo pregledajte područje na kojem će se stroj upotrijebiti i uklonite kamenje, štapove, žice, kosti i ostale strane predmete.** Bačeni predmeti mogu uzrokovati tjelesne ozljede.
- Prije upotrebe stroja, uvijek vizualno pregledajte da nastavak za uklanjanje korova nije oštećen.** Oštećeni dijelovi povećavaju opasnost od ozljede.
- Sljedite upute za zamjenu pribora.** Nepravilno zategnute matice ili vijci kojima je oštrica učvršćena mogu oštetiti oštricu ili dovesti do njezinog odspajanja.
- Nosite zaštitu za oči, uši i ruke.** Odgovarajuća zaštitna oprema smanjit će osobne ozljede prouzročene letećim krhotinama ili slučajnim kontaktom s linijom rezanja ili oštricom.
- Tijekom rada sa strojem uvijek nosite zaštitnu obuću s potplatima koji se ne klizu. Nemojte raditi sa strojem bosonogi ili dok nosite otvorene sandale.** Tako se smanjuje opasnost od ozljeda stopala u slučaju kontakta s pomičnim rezačima ili linijama.
- Tijekom rukovanja strojem uvijek nosite duge hlače.** Ogoljena koža povećava vjerojatnost ozljeđivanja bačenim predmetima.
- Držite prolaznike podalje od stroja tijekom rada.** Krhotine koje padaju mogu uzrokovati ozbiljne tjelesne ozljede.
- Prilikom rukovanja strojem uvijek upotrebljavajte obje ruke.** Stroj držite objema rukama kako ne biste izgubili kontrolu.
- Stroj držite isključivo za izolirane rukohvatne površine jer linije za rezanje ili oštrica mogu doći u kontakt sa skrivenim ožičenjem.** Linije za rezanje ili oštrice koje dođu u dodir s vodičem pod naponom mogu dovesti pod napon izložene metalne dijelove stroja i mogu prouzročiti strujni udar kod rukovatelja.
- U svakom trenutku imajte odgovarajući oslonac i strojem rukujte samo dok stojite na tlu.** Klizave ili nestabilne površine mogu dovesti do gubitka ravnoteže ili kontrole nad strojem.
- Nemojte upravljati strojem na prestrimim padinama.** Time se smanjuje opasnost od gubitka nadzora, proklizavanja ili pada što može prouzročiti tjelesne ozljede.
- Tijekom rada na padinama uvijek osigurajte dobro uporište, uvijek radite u poprečnom smjeru u odnosu na padinu, nikada nemojte raditi uz ili niz padinu i budite iznimno oprezni prilikom promjene smjera.** Time se smanjuje opasnost od gubitka nadzora, proklizavanja ili pada što može prouzročiti tjelesne ozljede.

- Držite sve dijelove tijela dalje od oštrice za uklanjanje korova dok rukujete strojem.** Prije pokretanja stroja provjerite da oštrica za uklanjanje korova ništa ne dodiruje. Trenutak nepažnje prilikom rukovanja strojem može dovesti do ozbiljnih tjelesnih ozljeda vas samih ili dugih osoba.
- Strojem nemojte rukovati iznad visine struka.** Tako se sprječava nehotično dodirivanje oštrice za uklanjanje korova i omogućuje bolja kontrola nad strojem u neočekivanim situacijama.
- Kada režete napeto žbunje ili mladice, pripazite na povratni udar opruge.** Kada se napetost u vlaknima drveta oslobodi, žbunje ili mladice može udariti rukovatelja i/ili staviti stroj izvan kontrole.
- Budite oprezni prilikom rezanja žbunja i mladica.** Ovaj tanki materijal može uhvatiti oštricu i baciti se prema vama ili vas izbaciti iz ravnoteže.
- Zadržite kontrolu nad strojem i nemojte dodirivati oštricu za uklanjanje korova i ostale opasne pokretne dijelove dok se još kreću.** To smanjuje opasnost od ozljeđivanja pomičnim dijelovima.
- Pazite da je stroj isključen kad ga nosite i držite ga podalje od svog tijela.** Pravilno rukovanje strojem smanjuje vjerojatnost slučajnog kontakta s pokretnim rezačem, linijom ili oštricom.
- Prilikom transporta ili nošenja stroja, na oštricu za uklanjanje korova uvijek stavite pokrov.** Pravilno rukovanje strojem smanjuje vjerojatnost slučajnog kontakta s oštricom.
- Upotrebljavajte isključivo zamjenske oštrice za uklanjanje korova koje preporučuje proizvođač.** Neodgovarajući zamjenski dijelovi mogu povećati opasnost od kvara i ozljeda.
- Pri uklanjanju zaglavljenog materijala ili servisiranju stroja, provjerite je li prekidač isključen te je li baterija uklonjena.** Neočekivano pokretanje stroja pri uklanjanju zaglavljenog materijala ili servisiranju može uzrokovati teške tjelesne ozljede.

Dotatna sigurnosna upozorenja

Opće upute

- Da bi se zajamčio ispravan rad, korisnik mora pročitati ovaj priručnik s uputama i upoznati se s rukovanjem opremom.** Nedovoljno obaviješteni korisnici neispravnim rukovanjem izlažu opasnosti i sebe i druge.
- Nikada nemojte dopustiti upotrebu stroja djeci, osobama sa smanjenim fizičkim, osjetilnim ili mentalnim sposobnostima ili s nedovoljnim iskustvom i znanjem ili osobama koje nisu upoznate s uputama.** Lokalni propisi mogu ograničavati starosnu dob korisnika.
- Budite krajnje oprezni i pažljivi pri upotrebi opreme.**
- Opremom rukujte samo ako ste u dobrom fizičkom stanju.** Sve radove obavljajte smireno i pažljivo. Upotrebljavajte zdrav razum i imajte na umu da je rukovatelj ili korisnik odgovoran za nesreće ili opasnosti koje se mogu dogoditi drugim ljudima ili njihovoj imovini.

5. Nikada ne upotrebljavajte stroj dok su u blizini ljudi, a naročito djeca ili kućni ljubimci.
6. Motor treba odmah isključiti ako se počne činiti da oprema teško ili nepravilno radi.
7. Isključite i uklonite baterijski uložak kada se odmarate ili kada ostavljate stroj bez nadzora pa ga spremite ga na sigurno mjesto kako ne bi predstavljao opasnost za druge ili kako se oprema ne bi oštetila.
8. Izbjegavajte upotrebu stroja u lošim vremenskim uvjetima, osobito kada postoji rizik od munje.

Osobna zaštitna oprema

1. Cijelo vrijeme dok upravljate strojem nosite zaštitne naočale i čvrstu obuću.
2. Uvijek nosite čvrstu obuću i duge hlače dok rukujete strojem.

Pokretanje opreme

1. Provjerite da se u blizini ne nalaze djeca ili druge osobe. Također pripazite na životinje u blizini područja na kojem ćete raditi. U tom slučaju isključite opremu.
2. Tijekom rada držite promatrače ili životinje najmanje 5 m dalje od alata. Isključite alat čim se netko približi.
3. Prije upotrebe uvijek provjerite je li sigurno rukovati opremom. Provjerite sigurnost reznog alata te neometan i ispravan rad uključno/isključne sklopke. Provjerite jesu li rukohvati čisti i suhi te testirajte rad prekidača za pokretanje/zaustavljanje.
4. Provjerite jesu li neki dijelovi oštećeni prije nego nastavite koristiti opremu. Sve ostale oštećene dijelove potrebno je pažljivo pregledati kako biste utvrdili hoće li moći normalno raditi i obavljati svoju namijenjenu funkciju. Provjerite jesu li pokretljivi dijelovi poravnati i dobro povezani, ima li slomljenih dijelova i jesu li dobro postavljeni, te svako drugo stanje koje bi moglo utjecati na rad stroja. Oštećeni dio potrebno je popraviti ili zamijeniti u ovlaštenom servisnom centru, osim ako nije drugačije navedeno u ovom priručniku.
5. Motor uključite tek nakon odmicanja ruku i stopala od reznog alata.
6. Prije početka upotrebe provjerite da rezni alat ne dodiruje druge objekte.
7. Prilikom upotrebe alat čvrsto držite.
8. Izbjegavajte nenamjerno pokretanje alata. Nemojte nositi alat s umetnutim baterijskim uloškom i s prstom na prekidaču. Provjerite je li prekidač isključen pri umetanju baterijskog uloška.
9. Prije rada provjerite ima li na radnom području žičanih ograda, kamenja ili drugih čvrstih predmeta. Oni mogu oštetiti oštricu za uklanjanje korova.
10. Prije rukovanja alatom provjerite da u živici i grmlju nema stranih predmeta, kao što su žičane ograde ili skriveni kabeli.

Način rukovanja

1. Opremu upotrebljavajte na dobro osvijetljenim i preglednim mjestima. Zimi pazite na klizava ili mokra područja, led i snijeg (opasnost od klizanja). Uvijek pazite da čvrsto stojite na padinama i hodajte, nemojte trčati.

2. Pazite da vam rezni alat ne ozlijedi stopala ili ruke.
3. Nikada nemojte rukovati opremom dok stojite na ljestvama.
4. Ne penjite se na stabla da biste rezali opremom.
5. Nikad nemojte raditi na nestabilnim površinama.
6. Uklonite pijesak, kamenje, čavle i sl. koji se nalaze unutar radnog područja. Strani predmeti mogu oštetiti rezni alat i mogu izazvati opasan povratni udar.
7. Ako rezni alat udari u kamenje ili druge čvrste predmete, odmah isključite motor i pregledajte rezni alat.
8. Ispitajte rezni alat u kratkim intervalima radi otkrivanja štete (otkrivanje finih pukotina testom lupkanja).
9. Uvijek uklonite baterijski uložak iz opreme:
 - svaki put kada ostavljate opremu bez nadzora;
 - prije uklanjanja zapreka;
 - prije provjere, čišćenja ili rada s opremom;
 - nakon udara u strano tijelo;
 - svaki put kada oprema počne neuobičajeno vibrirati.
10. Sredstvo za rezanje nastavlja s radom nakon što se motor isključi.
11. Prilikom pričvršćivanja ili uklanjanja poklopca oštrice, pazite da ne ozlijedite ruke.

Upute za održavanje

1. Prije početka rada potrebno je provjeriti stanje opreme, osobito stanje reznog alata zaštitnih uređaja.
2. Isključite motor i uklonite baterijski uložak prije održavanja, zamjene reznih alata ili čišćenja opreme ili reznog alata.
3. Kada ne upotrebljavate alat, prekrijte oštricu alata i spremite alat na zatvoreno, suho i zaključano mjesto izvan dosega djece.

ČUVAJTE OVE UPUTE.

▲ UPOZORENJE: NEMOJTE dozvoliti da udobnost ili znanje o proizvodu (stečeno stalnim korištenjem) zamijene strogo pridržavanje sigurnosnih propisa za određeni proizvod. ZLOUPORABA ili nepridržavanje sigurnosnih propisa navedenih u ovom priručniku s uputama mogu prouzročiti ozbiljne ozljede.

OPIS DIJELOVA

- **Sl.1:** 1. Poklopac oštrice 2. Poklopac 3. Oštrica za uklanjanje korova

MONTAŽA

⚠UPOZORENJE: Prije sastavljanja ili prilagodbe opreme isključite motor i izvadite baterijski uložak. U protivnom se stroj može nehotično pokrenuti i dovesti do ozljede.

⚠UPOZORENJE: Opremu prije sastavljanja ili prilagodbe uvijek odložite na tlo. Sastavljanje ili prilagodba opreme u uspravnom položaju može prouzročiti ozbiljne ozljede.

⚠UPOZORENJE: Pridržavajte se upozorenja i mjera opreza iz poglavlja „SIGURNOSNA UPOZORENJA” i priručnika s uputama za jedinicu napajanja.

Sastavljanje priključka

1. Pričvrstite 2 ploče za prilagodbu na nastavak tako da su u tori plača okrenuti prema van.
▶ **SI.2:** 1. Ploča za prilagodbu

2. Pričvrstite oštricu za uklanjanje korova na ploče za prilagodbu dok malo otvarate oštricu prema van.

Prilikom pričvršćivanja oštrice za uklanjanje korova pazite da je strelica okrenuta prema cijevi.

▶ **SI.3:** 1. Strelica

Kut oštrice za uklanjanje korova može se promijeniti poravnavanjem izbočina na oštrici za uklanjanje korova s jednim od izbočina na pločama za prilagodbu.

▶ **SI.4:** 1. Izbočina

NAPOMENA: Pazite da su strelice na oštrici za uklanjanje korova okrenute u smjeru prikazanom na slici.

▶ **SI.5:** 1. Strelica

3. Provjerite da oštrica za uklanjanje korova zahvaća ploče za prilagodbu.

▶ **SI.6**

4. Umetnite vijak sa strane bez matice i zategnite vijak ključem.

Provjerite je li vijak čvrsto zategnut.

▶ **SI.7:** 1. Vijak 2. Matica

NAPOMENA: Zatezni moment: 5 – 10 N•m

Montaža cijevi nastavka

⚠OPREZ: Nakon instaliranja uvijek provjerite je li priključna cijev dobro pričvršćena. Neispravna instalacija može dovesti do odvajanja priključka od jedinice napajanja i prouzročiti ozljede.

Montirajte cijev nastavka na jedinicu napajanja.

1. Uklonite poklopac s kraja cijevi.

▶ **SI.8:** 1. Cijev 2. Poklopac

NAPOMENA: Nemojte bacati poklopac jer je poklopac je potreban za pohranjivanje priključka.

2. Okrenite ručicu prema priključku.

▶ **SI.9:** 1. Ručica

3. Poravnajte zatik s oznakom strelice na jedinici napajanja. Umetnite cijev dok ne iskoči gumb za otpuštanje.

Provjerite nalazi li se pozicijska linija na vrhu oznake strelice na jedinici napajanja te jesu li oznaka strelice na jedinici napajanja i oznaka strelice na cijevi okrenute jedna prema drugoj.

▶ **SI.10:** 1. Gumb za otpuštanje 2. Oznaka strelice na jedinici napajanja 3. Zatik 4. Pozicijska linija 5. Oznaka strelice na cijevi

4. Okrenite ručicu prema jedinici napajanja.

▶ **SI.11:** 1. Ručica

Pripazite da je površina ručice paralelna s cijevi.

NAPOMENA: Nemojte zatezati ručicu ako priključna cijev nije umetnuta. U protivnom ručica može previše zategnuti otvor na pogonskom vratilu i oštetiti ga.

Kako biste uklonili cijev, okrenite ručicu prema priključku i izvucite cijev dok pritišćete gumb za otpuštanje.

▶ **SI.12:** 1. Gumb za otpuštanje 2. Ručica 3. Cijev

Uklanjanje ili pričvršćivanje poklopca oštrice

Poklopac oštrice skinite tako da poklopac oštrice gurnete prema unutra i okrenete.

▶ **SI.13:** 1. Poklopac oštrice

Poklopac oštrice pričvrstite tako da ga zakvačite na jednu stranu oštrice za uklanjanje korova i zatim ga okrenete.

▶ **SI.14:** 1. Poklopac oštrice

NAPOMENA: Poklopac oštrice možete pričvrstiti na cijev kao što je prikazano na slici.

▶ **SI.15:** 1. Poklopac oštrice

Postavljanje ili uklanjanje oštrice za uklanjanje korova

⚠OPREZ: Kad zamjenjujete oštricu za uklanjanje korova, uvijek nosite rukavice tako da ruke nisu izravno izložene oštrici za uklanjanje korova.

⚠OPREZ: Pričvrstite poklopac oštrice prije uklanjanja ili postavljanja oštrice za uklanjanje korova.

1. Pričvrstite poklopac oštrice na oštricu za uklanjanje korova.

2. Uklonite vijak tako da vijak otpustite ključem.

▶ **SI.16:** 1. Vijak

3. Uklonite oštricu za uklanjanje korova dok ju malo otvarate prema van.

▶ **SI.17**

Oštricu za uklanjanje korova postavite pridržavajući se uputa za sastavljanje nastavka.

FUNKCIONALNI OPIS

⚠ OPREZ: Prije podešavanja ili provjere rada alata obavezno provjerite je li stroj isključen i baterija uklonjena.

Prilagođavanje kuta rezanja

⚠ OPREZ: Uvijek provjerite je li alat isključen prije prilagodbe kuta rezanja.

Kut oštrice za uklanjanje korova može se promijeniti na tri razine. Da biste promijenili kut, poravnajte izbočinu na oštrici za uklanjanje korova s jednom od izbočina na ploči za prilagodbu i zatim postavite oštricu za uklanjanje korova.

1. Ključem otpustite vijak kojim je pričvršćena rezna oštrica.
 2. Poravnajte izbočinu na oštrici za uklanjanje korova s jednom od izbočina na pločama za prilagodbu.
 3. Ponovno zategnite vijak da biste pričvrstili reznu oštricu.
- **SI.18:** 1. Izbočina

RAD

⚠ UPOZORENJE: Pridržavajte se upozorenja i mjera opreza iz poglavlja „SIGURNOSNA UPOZORENJA” i priručnika s uputama za jedinicu napajanja.

Rukovanje alatom

⚠ UPOZORENJE: Ruke držite dalje od oštrice za uklanjanje korova.

⚠ UPOZORENJE: Budite iznimno oprezni kako biste uvijek održavali kontrolu nad alatom. Ne dopustite odbijanje alata prema vama ili nekome u blizini rada. Ako izgubite kontrolu nad alatom, može doći do teških tjelesnih ozljeda promatrača ili rukovatelja.

⚠ UPOZORENJE: Prije uklanjanja korova uklonite granje i kamenje s područja uklanjanja korova.

NAPOMENA: Ovaj je alat namijenjen za uklanjanje korova manjeg od 15 cm (5-7/8”).

► **SI.19**

⚠ OPREZ: Izbjegavajte rukovanje alatom na visokim temperaturama koliko god je moguće. Kada rukujete alatom pazite na svoje fizičko stanje.

⚠ OPREZ: Pazite da slučajno ne dodirnete metalnu ogradu ili neki drugi čvrsti predmet tijekom uklanjanja korova. Oštrica za uklanjanje korova može se slomiti i prouzročiti ozbiljnu ozljedu.

⚠ OPREZ: Predaleko doseganje alatom, osobito s ljestvi, iznimno je opasno. Nemojte raditi stojeći na nesigurnoj ili mekanoj podlozi.

NAPOMENA: Nemojte upotrebljavati alat na način na koji može doći do zaustavljanja motora ili iznimno sporig okretanja.

Držite alat objema rukama držeći za prednju ručku i stražnju dršku jedinice napajanja.

► **SI.20:** 1. Prednja ručka 2. Stražnja drška

Alat uključite tako da oštrica za uklanjanje korova ne dodiruje tlo. Oštricu za uklanjanje korova stavite na tlo i alat polako povlačite prema sebi da biste uklonili korov. Rad je lakši kad je oštrica za uklanjanje korova gotovo pod pravim kutom u odnosu na tlo.

► **SI.21**

► **SI.22**

ODRŽAVANJE

⚠ UPOZORENJE: Prije pregleda ili održavanja opreme isključite motor i izvadite baterijski uložak. U protivnom se stroj može nehotično pokrenuti i dovesti do teške ozljede.

⚠ UPOZORENJE: Opremu prije pregleda ili održavanja uvijek odložite opremu na tlo. Sastavljanje ili prilagodba opreme u uspravnom položaju može prouzročiti ozbiljne ozljede.

⚠ UPOZORENJE: Pridržavajte se upozorenja i mjera opreza iz poglavlja „SIGURNOSNA UPOZORENJA” i priručnika s uputama za jedinicu napajanja.

⚠ OPREZ: Nosite rukavice tijekom pregleda ili održavanja.

NAPOMENA: Nikada nemojte koristiti benzin, mješavinu benzina, razrjeđivač, alkohol ili slično. Kao rezultat toga može se izgubiti boja, pojaviti deformacija ili pukotine.

Da biste zadržali SIGURNOST I POUZDANOST proizvoda, održavanje ili namještanja trebali biste prepustiti ovlaštenim servisnim ili tvorničkim centrima tvrtke Makita; uvijek rabite originalne rezervne dijelove.

Čišćenje alata

Očistite alat brisanjem prašine suhom krpom ili krpom namočenom u sapunicu a zatim iscijeđenom.

Održavanje oštrice

Nakon rada, skinite zapletenu travu ili korijenje s oštrice.

NAPOMENA: Oštricu ne perite u vodi. U protivnom alat može zahrđati ili se oštrica ili nastavak mogu oštetiti.

Skladištenje

Pričvrstite poklopac oštrice na oštricu za uklanjanje korova. Skladištite alat izvan dohvata djece. Skladištite alat na mjestu koje nije izloženo vlazi ili kiši.

Prilikom skladištenja priključka odvojeno od jedinice napajanja stavite poklopac na kraj cijevi.

► **SI.23**

Podmazivanje pomičnih dijelova

NAPOMENA: Slijedite isporučene upute o učestalosti podmazivanja i potrebnoj količini maziva. Nedovoljno podmazivanje može oštetiti pokretne dijelove.

Pogonsko vratilo:

Nanesite mazivo (mazivo Makita N No.2 ili jednakvrijedno) nakon svakih 25 radnih sati.

► **SI.24**

NAPOMENA: Originalno mazivo tvrtke Makita možete kupiti kod svog trgovca tvrtke Makita.

Podmazivanje

Interval podmazivanja: Svakih 25 radnih sati

1. Izvadite vijak iz otvora za podmazivanje.
► **SI.25:** 1. Vijak
2. Nanesite mazivo (mazivo Makita SG No.0 ili slično) na alat (kao smjernica, približno 3,0 g).
3. Zategnite vijak.

RJEŠAVANJE PROBLEMA

Prije nego zatražite popravak, sami pregledajte stroj. Ako pronađete problem za koji ne postoji objašnjenje u uputama, nemojte pokušavati rastaviti alat. Umjesto toga obratite se ovlaštenom servisnom centru tvrtke Makita koji za popravke uvijek koristi zamjenske dijelove tvrtke Makita.

Stanje nepravilnosti	Mogući uzroci (kvar)	Otklanjanje problema
Motor se ne može pokrenuti.	-	Pogledajte priručnik s uputama za jedinicu napajanja.
Motor se ubrzo zaustavlja.	-	Pogledajte priručnik s uputama za jedinicu napajanja.
Brzina se motora ne povećava.	-	Pogledajte priručnik s uputama za jedinicu napajanja.
Oštrica za uklanjanje korova se ne pomiče: ⇒ odmah zaustavite stroj!	Pogonski sustav ne radi pravilno.	Za popravak se obratite lokalnom ovlaštenom servisu.
Neuobičajene vibracije: ⇒ odmah zaustavite stroj!	Oštrica za uklanjanje korova je razbijena, savijena ili istrošena.	Zamijenite oštricu za uklanjanje korova.
	Pogonski sustav ne radi pravilno.	Za popravak se obratite lokalnom ovlaštenom servisu.
Oštrica za uklanjanje korova i motor ne zaustavljaju se: ⇒ Odmah izvadite bateriju!	Električni kvar.	Izvadite bateriju i obratite se ovlaštenom lokalnom servisu radi popravka.

DODATNI PRIBOR

⚠ OPREZ: Ovaj dodatni pribor i dodaci preporučuju se za upotrebu s proizvodom tvrtke Makita navedenim u ovom priručniku. Upotreba bilo kojeg drugog dodatnog pribora ili dodataka može prouzročiti ozljede. Upotrebite dodatni pribor ili dodatak samo za njegovu navedenu svrhu.

Ako vam je potrebna pomoć za više detalja u pogledu ovih dodatnih pribora, obratite se najbližem Makita servisnom centru.

- Oštrica za uklanjanje korova
- Rezač kultivatora
- Originalna baterija i punjač Makita

NAPOMENA: Neke stavke s popisa mogu se isporučiti zajedno s proizvodom kao standardni dodatni pribor. One mogu biti različite ovisno o zemlji.

СПЕЦИФИКАЦИИ

Модел:	WA400MP
Ширина на сечење	220 мм
Димензии (Д x Ш x В)	980 мм x 226 мм x 196 мм
Нето тежина	2,8 кг

- Поради нашата континуирана програма за истражување и развој, спецификациите тука подлежат на промена без најава.
- Спецификациите може да се разликуваат од држава до држава.

Одобрен уред за напојување

Овој додаток е одобрен само за употреба со следниве уреди за напојување:

- DUX60 Безжична повеќефункционална глава за напојување
- DUX18 Безжична повеќефункционална глава за напојување
- UX01G Безжична повеќефункционална глава за напојување

▲ ПРЕДУПРЕДУВАЊЕ: Никогаш не користете го додатокот со неодобрен уред за напојување. Неодобрената комбинација може да предизвика сериозна повреда.

Симболи

Долунаведените ги прикажуваат симболите што може да се користат кај опремата. Пред употребата, проверете дали го разбирате нивното значење.



Прочитајте го и следете го прирачникот со упатства.



Носете заштитен шлем, заштитни очила и заштита за уши.



Носете заштитни ракавици.



Носете цврсти чизми со ѓонови што не се пизгаат.



Предупредување: Исклучете ја батеријата пред одржување.



Чувајте ги стапалата подалеку од сечилото за плевел.



Лицата во близина и животните нека бидат на најмалку 5 м од електричниот алат.



Жешки површини - може да ги изгорат прстите или дланките.



Гарантирано ниво на јачина на звукот во согласност со Директивата на ЕУ за бучава на отворено.



Ниво на јачина на звукот во согласност со Регулативата за контрола на бучава во Австралија, Нов Јужен Велс

Наменета употреба

Додатокот е предвиден само за плевене трева на земјата, заедно со одобрен уред за напојување. Никогаш не користете го додатокот за други намени. Со неправилна употреба на додатокот може да предизвика сериозна повреда.

Декларација за сообразност од ЕУ

Само за земјите во Европа

Ние како производители: **Makita Europe N.V.**, деловна адреса: **Jan-Baptist Vinkstraat 2 3070 Kortenberg BELGIUM**. го овластуваме **Kazuhisa Makino** за составување на техничкиот документ и со наша целосна лична одговорност изјавуваме дека производителите;

Ознака: **Додаток за плевел**. Ознака на типот(овите): **WA400MP**.

Ги исполнува сите релевантни одредби од **2006/42/E3** и исто така ги исполнува сите релевантни одредби од следниве Директиви на ЕЗ/ЕУ:

2000/14/ЕС и се произведени во согласност со следниве хармонизирани стандарди: **EN 62841-1:2015+A11:2022, EN ISO 11806-1:2022, EN IEC 62841-4-7:2022+A11:2022**.

Место и датум на изјавата: **Контенберг, Белгија. 27. 9.2023**

Одговорно лице: **Kazuhisa Makino, директор - Makita Europe N.V.**

БЕЗБЕДНОСНИ ПРЕДУПРЕДУВАЊА

Безбедносни предупредувања за додатокот за плевел

1. **Не користете ја машината при лоши временски услови, особено кога има ризик од грмотевици.** Со тоа се намалува ризикот од удар на гром.
2. **Внимателно проверете дали во областа каде што треба да се користи машината има животински свет.** Машината може да го повреди животинскиот свет за време на работата.
3. **Внимателно проверете ја областа каде што треба да се користи машината и отстранете ги сите камења, стапчиња, жици, коски и други туѓи предмети.** Фрлените предмети може да предизвикаат телесна повреда.
4. **Пред користење на машината, секогаш проверувајте визуелно за да видите дали сечилото за плевел е оштетено.** Оштетениот дел го зголемува ризикот од повреда.
5. **Следете ги упатствата за промена на додатоци.** Неправилно затегнати завртки или навртки за прицврстување може да го оштетат сечилото или да предизвикаат негово откачување.
6. **Носете заштита за очите, ушите, главата и рацете.** Соодветната заштитна опрема може да ги намали телесните повреди од разлетаниот отпад или случајниот контакт со линијата за сечење или сечилото.
7. **Додека работите со машината, секогаш носете заштитни обувки што не се лизгаат. Не ракувајте со машината боси или со отворени сандали.** Ова ја намалува шансата за повреда на стапалата од допир со подвижните секачи или линии.
8. **При ракувањето со машината, секогаш носете долги панталони.** Изложената кожа ја зголемува веројатноста од повреда од исфрлени предмети.
9. **Набљудувачите нека стојат понастрана кога работите со машината.** Исфрлените остатоци може да предизвикаат сериозна телесна повреда.
10. **Секогаш користете ги двете раце кога работите со машината.** Држете ја машината со двете раце за да избегнете губење контрола.
11. **Држете ја машината само за изолираните држачи затоа што линијата за сечење или сечилото може да дојде во допир со скриени жици.** Линијата за сечење или сечилата што ќе допрат жица под напон може да ја пренесе струјата до металните делови на машината и да предизвика струен удар на операторот.
12. **Секогаш обезбедувајте стабилна потпора и ракувајте со машината само кога стоите на земја.** Лизгавите или нестабилни површини може да доведат до губење на рамнотежата или контролата врз машината.
13. **Не работете со машината на многу стрмни падини.** Ова го намалува ризикот од губење на контролата, лизгање и паѓање, што може да резултира со телесна повреда.
14. **Кога работите на падини, секогаш внимавајте како газите, секогаш работете напречно, никогаш нагоре или надолу и бидете исклучително внимателни кога ја менувате насоката.** Ова го намалува ризикот од губење на контролата, лизгање и паѓање, што може да резултира со телесна повреда.
15. **Чувајте ги сите делови на телото подалеку од сечилото за плевел кога работи алатот.** Пред да ја стартувате машината, осигурете се дека сечилото за плевел не допира ништо. Еден момент на невнимание при употребата на машината може да доведе да се повредите вие или некој друг.
16. **Не ракувајте со машината повисоко од вашата половина.** Така ќе спречите ненамерно допирање на сечилото за плевел и ќе имате подобра контрола над машината во неочекувани ситуации.
17. **Кога сечете грмушки или фиданки што се оптегнати, внимавајте кога ќе се ослободат.** Кога ќе се ослободи тензијата во дрвото, грмушките или фиданките може да го ударат операторот и/или да ја исфрлат машината надвор од контрола.
18. **Посебно внимавајте кога сечете грмушки и фиданки.** Тенкиот материјал може да го фати сечилото и да го повлече кон вас или да ја наруши вашата рамнотежа.
19. **Одржувајте ја контролата над машината и не допирајте го сечилото за плевел и другите опасни подвижни делови додека сè уште се движат.** Ова го намалува ризикот од повреда од подвижни делови.
20. **Носете ја машината исклучена и подалеку од вашето тело.** Ако правилно ракувате со машината, ќе се намали можноста случајно да дојдете во контакт со подвижниот секач, линија или сечило.
21. **При транспорт или складирање на машината, секогаш прикачувајте го капакот на сечилото за плевел.** Ако правилно ракувате со машината, ќе се намали можноста случајно да дојдете во контакт со сечилото.
22. **Користете само сечила за плевел за замена што ги препорачува производителот.** Неправилни резервни делови може да го зголемат ризикот од кршење и повреда.
23. **При чистење на заглавен материјал или сервисирање на машината, проверете дали прекинувачот е исклучен и дали батеријата е отстранета.** Ночекуваното стартување на машината при чистење на заглавен материјал или сервисирање може да резултира со сериозна телесна повреда.

Дополнителни безбедносни предупредувања

Општи упатства

1. За да се осигури правилна работа, корисникот мора да го прочита ова упатство за користење за да се запознае со ракувањето со опремата. Недоволно информираниите корисници ризикуваат да се доведат себе си и другите во опасност заради неправилно ракување.
 2. Никогаш не дозволувајте деца и лица со намален физички, сензорен или ментален капацитет или без искуство и знаење или пак, лица кои не се запознаени со овие упатства да го користат алатот. Локалните закони може да имаат и ограничување на возраста на ракувачот.
 3. Користете ја опремата со голема грижа и внимание.
 4. Ракувајте со опремата само ако сте во добра физичка состојба. Сите работи изведувајте ги смилено и внимателно. Користете здрав разум и имајте на ум дека операторот или корисникот е одговорен за несреќите или опасностите што им се случуваат на другите луѓе или имотот.
 5. Никогаш не работете со машината кога има луѓе, особено деца, или домашни животни во близина.
 6. Моторот треба да се исклучи веднаш ако опремата покажува какви било проблеми или ненормални знаци.
 7. Исклучете ја и извадете ја касетата за батерија кога правите пауза и кога ја оставате опремата необезбедена, и ставете ја на безбедна локација за да спречите опасност по другите или оштетување на опремата.
 8. Избегнувајте користење на машината при лоши временски услови, особено кога има ризик од грмотевици.
4. Проверете дали има оштетени делови пред натамошната употреба на опремата. Дел што е оштетен треба внимателно да се провери за да се утврди дали ќе работи исправно и дали ќе ја изврши својата наменета функција. Проверете ги порамнувањето на подвижните делови, спојот на подвижните делови, скршени делови, монтажа и сите други состојби што може да влијаат врз работата. Дел што е оштетен треба соодветно да се поправи или замени од страна на наш овластен сервисен центар, освен ако не е поинаку наведено во ова упатство за користење.
 5. Вклучете го моторот само кога рацете и стапалата се настрана од алатот за сечење.
 6. Пред стартувањето, осигурете се дека алатот за сечење не е во допир со какви било предмети.
 7. Држете го алатот цврсто кога го користите.
 8. Избегнувајте ненамерно стартување. Не го носете алатот кога касетата за батерија е монтирана и со прст на прекинувачот. Осигурајте се дека прекинувачот е исклучен кога ја монтирате касетата за батерија.
 9. Пред работењето, испитајте дали во работната област има жичени огради, камења или други тврди предмети. Тие може да го оштетат сечилото за плевел.
 10. Проверете дали има туги предмети во живата ограда и грмушките, како на пример, жичени огради или сокриени кабли, пред да започнете со работата.

Метод на работа

1. Користете ја опремата само во услови на добра осветленост и видливост. За време на зимата, внимавајте на лизгави или влажни подлоги, мраз и снег (ризик од лизгање). Секогаш осигурете се дека безбедно газите на стрмините и одете, никогаш не трчајте.
2. Внимавајте да не дојде до повреда на стапалата и рацете од алатот за сечење.
3. Никогаш не стојте на скала додека работите со опремата.
4. Никогаш не качувајте се на дрвја за да изведувате сечење со опремата.
5. Никогаш немојте да работите на нестабилни површини.
6. Отстранете ги песокот, камењата, шајките и другите предмети што се наоѓаат во рамки на работната област. Надворешните предмети може да го оштетат алатот за сечење и може да предизвикаат опасни повратни удари.
7. Ако алатот за сечење удри во камења или други тврди предмети, веднаш исклучете го моторот и проверете го алатот за сечење.
8. Проверувајте дали има оштетувања на алатот за сечење на редовни, кратки временски интервали (проверка за пукнатини со потчукување и одредување според звукот).
9. Секогаш вадете ја касетата за батерија од опремата:
 - кога ја оставате опремата без ваше присуство;
 - пред да пристапите кон деблокирање;
 - пред проверување, чистење или изведување работи врз опремата;

Лична заштитна опрема

1. Носете заштита за очите и обувки со дебели фони цело време додека работите со машината.
2. Секогаш носете цврсти обувки и долги панталони додека работите со машината.

Стартување на опремата

1. Осигурете се дека нема деца или други луѓе во близина и, исто така, обрнете внимание на какви било животни во близина на работното место. Во спротивно, запрете со користење на опремата.
2. При работењето, држете ги луѓето и животните што се наоѓаат во близина на растојание од најмалку 5 м од алатот. Исклучете го алатот веднаш штом некој се приближи.
3. Пред употреба, секогаш проверувајте дали опремата е безбедна за користење. Проверете ја сигурноста на алатот за сечење и на прекинувачот за стартување за лесна и соодветна работа. Проверете дали рачките се чисти и суви и тестирајте го функционирањето на прекинувачот за стартување/исклучување.

- откако ќе удрите во надворешен предмет;
 - кога опремата ќе започне да вибрира ненормално.
10. Средствата за сечење продолжуваат да работат откако моторот ќе се исклучи.
 11. Кога го прикачувате или вадите капакот за сечилата, внимавајте да не си ги повредите дланките.

Упатства за одржување

1. Состојбата на опремата, конкретно на заштитните уреди на алатот за сечење, мора да се провери пред да се започне со работа.
2. Исклучете го моторот и извадете ја касетата за батерија пред да изведете одржување, замена на алати за сечење или чистење на опремата или алатот за сечење.
3. Кога не се користи, поставете го капакот за сечилото на алатот и складирајте го алатот во затворена просторија, на суво и високо или заклучено место, подалеку од дофат на деца.

ЧУВАЈТЕ ГО УПАТСТВОТО.

▲ ПРЕДУПРЕДУВАЊЕ: НЕ ДОЗВОЛУВАЈТЕ удобноста или познавањето на производот (стекнати со подолга употреба) да ве наведат да не се придржувате строго до безбедносните правила за овој производ. ЗЛОУПОТРЕБАТА или непочитувањето на безбедносните правила наведени во ова упатство може да предизвикаат тешка телесна повреда.

ОПИС НА ДЕЛОВИТЕ

- **Сл.1:** 1. Капак на сечилото 2. Капаче 3. Сечило за плевел

СОСТАВУВАЊЕ

▲ ПРЕДУПРЕДУВАЊЕ: Пред да ја склопувате или нагодувате опремата, исклучете го моторот и извадете ја касетата за батеријата. Во спротивно, машината може да се активира ненадејно и тоа да резултира со повреда.

▲ ПРЕДУПРЕДУВАЊЕ: Кога ќе ја склопувате или нагодувате опремата, секогаш спуштете ја долу. Склопувањето или нагодувањето на опремата во исправена положба може да резултира со сериозна повреда.

▲ ПРЕДУПРЕДУВАЊЕ: Следете ги предупредувањата и мерките на предпазливост во поглавјето „БЕЗБЕДНОСНИ ПРЕДУПРЕДУВАЊА“ и упатството за користење на уредот за напојување.

Склопување на додатокот

1. Прицврстете 2 нагодувачки плочи на додатокот така што жлебовите од плочите да се свртени нанадвор.

► **Сл.2:** 1. Нагодувачка плоча

2. Прицврстете го сечилото за плевел на нагодувачките плочи додека малку го отворите сечилото нанадвор.

Кога го прицврстувате сечилото за плевел, стрелката треба да биде насочена кон цевката.

► **Сл.3:** 1. Стрелка

Аголот на сечилото за плевел може да се промени со порамнување на испакнатиот дел на сечилото за плевел со еден од испакнатите делови на нагодувачките плочи.

► **Сл.4:** 1. Испакнат дел

ЗАБЕЛЕШКА: Осигурете се дека стрелките на сечилото за плевел се свртени во насоката прикажана на сликата.

► **Сл.5:** 1. Стрелка

3. Осигурете се дека сечилото за плевел е прицврстено на нагодувачките плочи.

► **Сл.6**

4. Ставете ја завртката од страната без навртка и затегнете ја завртката со клучот.

Осигурете се дека завртката е затегната цврсто.

► **Сл.7:** 1. Завртка 2. Навртка

НАПОМЕНА: Затезен момент: 5 - 10 N•m

Монтирање на приклучната цевка

▲ ВНИМАНИЕ: По монтирањето, секогаш проверувајте дали приклучната цевка е прицврстена. Несоодветното монтирање може да предизвика додатокот да падне од уредот за напојување и да предизвика лична повреда.

Монтирајте ја приклучната цевка на уредот за напојување.

1. Отстранете го капачето од крајот на цевката.

► **Сл.8:** 1. Цевка 2. Капаче

ЗАБЕЛЕШКА: Не фрлајте го капачето бидејќи е потребно за складирање на додатокот.

2. Свртете го лостот кон додатокот.

► **Сл.9:** 1. Лост

3. Порамнете ја иглата со ознаката за стрелка на уредот за напојување. Вметнете ја цевката додека не се појави копчето за отпуштање.

Осигурете се дека линијата за положба е на врвот од ознаката за стрелка на уредот за напојување, а ознаките за стрелка на уредот за напојување и на цевката се насочени една кон друга.

► **Сл.10:** 1. Копче за отпуштање 2. Ознака за стрелка на уредот за напојување 3. Чепче 4. Линија за положба 5. Ознака за стрелка на цевката

4. Свртете го лостот кон уредот за напојување.

► **Сл.11:** 1. Лост

Осигурете се дека површината на лостот е паралелна во однос на цевката.

ЗАБЕЛЕШКА: Не стегајте го лостот без да биде вметната приклучната цевка. Инаку, лостот може да го престегне и да го оштети влезниот отвор на погонската оска.

За да ја отстраните цевката, свртете го лостот во насока на додатокот и извлекете ја цевката додека го притискате копчето за отпуштање.

► **Сл.12:** 1. Копче за отпуштање 2. Лост 3. Цевка

Отстранување или прицврстување на капакот на сечилото

За да го извадите капакот на сечилото, притиснете го капакот на сечилото навнатре и свртете го.

► **Сл.13:** 1. Капак на сечилото

За да го прицврстите капакот на сечилото, закачете го капакот на сечилото на едната страна од сечилото за плевел, па свртете го.

► **Сл.14:** 1. Капак на сечилото

НАПОМЕНА: Може да го прикачите капакот на сечилото на цевката како што е прикажано на сликата.

► **Сл.15:** 1. Капак на сечилото

Монтирање или отстранување на сечилото за плевел

ВНИМАНИЕ: Кога го заменува сечилото за плевел, секогаш носете ракавици за да не дојдат рацете и лицето во директен допир со сечилото за плевел.

ВНИМАНИЕ: Прикачете го капакот за сечилото пред да го извадите или монтирате сечилото за плевел.

1. Прикачете го капакот на сечилото за плевел.

2. Отстранете ја завртката така што ќе ја разлабавите со клучот.

► **Сл.16:** 1. Завртка

3. Извадете го сечилото за плевел додека малку го отворате сечилото за плевел нанадвор.

► **Сл.17**

Монтирајте го сечилото за плевел според упатствата за склопување на додатокот.

ОПИС НА ФУНКЦИЈЕ

ВНИМАНИЕ: Пред секое нагодување или проверка на алатот, проверувајте дали е исклучен и батеријата е извадена.

Нагодување на аголот на сечење

ВНИМАНИЕ: Пред нагодување на аголот на сечење, секогаш осигурете дека алатот е исклучен.

Аголот на сечилото за плевел може да се постави на три нивоа. За да го промените аголот, порамнете го испакнатиот дел на сечилото за плевел со еден од испакнатите делови на нагодувачките плочи, па монтирајте го сечилото за плевел.

1. Разлабавете ја завртката што го прицврстува сечилото за сечење со клучот.

2. Порамнете го испакнатиот дел на сечилото за плевел со еден од испакнатите делови на нагодувачките плочи.

3. Повторно затегнете ја завртката за да го фиксирате сечилото за сечење.

► **Сл.18:** 1. Испакнат дел

РАБОТЕЊЕ

ПРЕДУПРЕДУВАЊЕ: Следете ги предупредувањата и мерките на претпазливост во поглавјето „БЕЗБЕДНОСНИ ПРЕДУПРЕДУВАЊА“ и упатството за користење на уредот за напојување.

Работење со алатот

ПРЕДУПРЕДУВАЊЕ: Држете ги рацете настрана од сечилото за плевел.

ПРЕДУПРЕДУВАЊЕ: Бидете многу внимателни во одржувањето контрола врз алатот цело време. Не дозволувајте алатот да се одбие кон вас или кој било во работната област. Ако не одржувате контрола врз алатот, може да дојде до тешка повреда на лицата во близина или на операторот.

ПРЕДУПРЕДУВАЊЕ: Пред да започнете со плевање, расчистете ги стапчињата и камењата од областа што ќе се плевии.

НАПОМЕНА: Алатот е наменет за отстранување плевели што се помали од 15 см (5-7/8”).

► **Сл.19**

▲ВНИМАНИЕ: Избегнувајте работа со алатот на многу топло време колку што е можно повеќе. Кога работите со алатот, внимавајте на вашата физичка состојба.

▲ВНИМАНИЕ: Внимавајте случајно да не допрете метална ограда или други тврди предмети за време на плевенето. Сечилото за плевел може да се скрши и да предизвика повреда.

▲ВНИМАНИЕ: Пресегнувањето со алатот, особено од скала, е многу опасно. Не работете качени на структура што се ниша или не е стабилна.

ЗАБЕЛЕШКА: Немојте да го користите алатот на начин што ќе предизвика моторот да сопре или да ротира многу бавно.

Држете го алатот со двете раце така што ќе го држите за предната рачка и задната дршка на уредот за напојување.

► **Сл.20:** 1. Предна рачка 2. Задна дршка

Вклучете го алатот кога сечилото за плевел не ја допира земјата. Ставете го сечилото за плевел и полека повлечете го алатот кон вас за да плевите. Полесно е да работите со сечилото за плевел кога неговият агол е речиси под прав агол со земјата.

► **Сл.21**

► **Сл.22**

ОДРЖУВАЊЕ

▲ПРЕДУПРЕДУВАЊЕ: Пред проверка и одржување на опремата, исклучете ја и извадете ја касетата за батеријата. Во спротивно, машината може да се активира ненадејно и тоа да резултира со тешка повреда.

▲ПРЕДУПРЕДУВАЊЕ: При проверка или одржување на опремата, секогаш ставајте ја долу. Склопувањето или нагодувањето на опремата во исправена положба може да резултира со сериозна повреда.

▲ПРЕДУПРЕДУВАЊЕ: Следете ги предупредувањата и мерките на претпазливост во поглавјето „БЕЗБЕДНОСНИ ПРЕДУПРЕДУВАЊА“ и упатството за користење на уредот за напојување.

▲ВНИМАНИЕ: Носете ракавици кога извршувате проверка или одржување.

ЗАБЕЛЕШКА: За чистење, не користете нафта, бензин, разредувач, алкохол или слично. Тие средства ја вадат бојата и може да предизвикаат деформации или пукнатини.

За да се одржи БЕЗБЕДНОСТА и СИГУРНОСТА на производот, поправките, одржувањата или дотерувањата треба да се вршат во овластени сервисни или фабрички центри на Makita, секогаш со резервни делови од Makita.

Чистење на алатот

Чистете го алатот, така што ќе ја бришете прашинаста со сува крпа или крпа натопена во сапуница, па исцедена.

Одржување на сечилата

По работата, отстранете ја заплетканата трева или корења од сечилото.

ЗАБЕЛЕШКА: Не мијте го сечилото со вода. Во спротивно, може да дојде до кородирање или оштетување на сечилото или додатокот.

Складирање

Прикачете го капакот на сечилото за плевел. Складирајте го алатот надвор од дофат на деца. Складирајте го алатот на место што не е изложено на влага или дожд.

При одделно складирање на додатокот од уредот за напојување, ставете го капачето на крајот од цевката.

► **Сл.23**

Подмачкување на подвижните делови

ЗАБЕЛЕШКА: Следете ги упатствата за зачестеноста и количеството на обезбедено средство за подмачкување. Инаку, недоволното подмачкување може да ги оштети подвижните делови.

Погонска оска:

Нанесувајте средство за подмачкување (масло Makita N No.2 или слично) на секои 25 часа од работата.

► **Сл.24**

НАПОМЕНА: Оригинално средство за подмачкување на Makita може да се купи од вашиот локален продавач на Makita.

Подмачкување со масло

Интервал на подмачкување: на секои 25 часа работење

1. Извадете ја завртката од отворот за подмачкување.

► **Сл.25:** 1. Завртка

2. Нанесете ја маста (маст Makita SG No.0 или еднаква на таа) на алатот (приближно 3,0 г како насока).

3. Затегнете ја завртката.

РЕШАВАЊЕ ПРОБЛЕМИ

Пред да нарачате поправка, прво сами проверете ја состојбата. Ако најдете проблем што не е објаснет во упатството, не обидувајте се да го расклопите алатот. Наместо тоа, побарајте помош од овластените сервисни центри на Makita и секогаш користете делови за замена и поправка од Makita.

Состојба на аномалии	Можна причина (дефект)	Поправка
Моторот не стартува.	-	Погледнете во прирачникот со упатства за уредот за напојување.
Моторот запира брзо.	-	Погледнете во прирачникот со упатства за уредот за напојување.
Брзината на моторот не се зголемува.	-	Погледнете во прирачникот со упатства за уредот за напојување.
Сечилото за плевел не се движи: ⇒ веднаш запрете ја машината!	Погонскиот систем не работи правилно.	Побарајте помош од локален, овластен, сервисен центар за поправка.
Абнормални вибрации: ⇒ веднаш запрете ја машината!	Сечилото за плевел е скршено, извиткано или изабено.	Заменете го сечилото за плевел.
	Погонскиот систем не работи правилно.	Побарајте помош од локален, овластен, сервисен центар за поправка.
Сечилото за плевел и моторот не запираат: ⇒ веднаш извадете ја батеријата!	Електричен дефект.	Отстранете ја батеријата и побарајте го вашиот локален, овластен, сервисен центар за поправка.

ОПЦИОНАЛЕН ПРИБОР

⚠ ВНИМАНИЕ: Овој прибор или додатоци се препорачуваат за користење со машината од Makita наведена во упатството. Со користење друг прибор или додатоци може да се изложите на ризик од телесни повреди. Користете ги приборот и додатоците само за нивната назначена намена.

Ако ви треба помош за повеќе детали за приборот, прашајте во локалниот сервисен центар на Makita.

- Сечило за плевел
- Сечило на култиваторот
- Оригинална батерија и полнач на Makita

НАПОМЕНА: Некои ставки на листата може да се вклучени со пакетот производи како стандарден прибор. Тие може да се разликуваат од држава до држава.

ТЕХНИЧКИ ПОДАЦИ

Модел:	WA400MP
Ширина резања	220 мм
Димензије (Д x Ш x В)	980 мм x 226 мм x 196 мм
Нето тежина	2,8 кг

- Због нашег непрестаног истраживања и развоја задржавамо право измена наведених спецификација без претходне најаве.
- Спецификације могу да се разликују у различитим земљама.

Одобрена погонска јединица

Овај наставак је одобрен за коришћење само са следећим погонским јединицама:

- DUX60 Бежична вишенаменска погонска глава
- DUX18 Бежична вишенаменска погонска глава
- UX01G Бежична вишенаменска погонска глава

▲ УПОЗОРЕЊЕ: Никада немојте да користите наставак са неодобреном погонском јединицом. Коришћење неодобрених делова може довести до наношења озбиљних повреда.

Симболи

У наставку су приказани симболи који се односе на опрему. Пре употребе се обавезно упознајте са њиховим значењем.

	Прочитајте и пратите приручник са упутствима.
	Носите заштитни шлем, заштитне наочаре и заштитне слушалице.
	Носите заштитне рукавице.
	Носите робусне цизме са неклизајућим ђоном.
	Упозорење, искључите батерију пре одржавања.
	Држите стопала даље од оштрице за плевљење.
	Водите рачуна о томе да посматрачи и животиње буду удаљени од електричног алата најмање 5 м.
	Вруће површине – опекотине прстију или шака.



Гарантовани ниво звучне снаге у складу са ЕУ директивом о буци коју емитује опрема на отвореном простору.



Ниво звучне снаге у складу са уредбом о контроли буке у Аустралији, НЈВ

Намена

Овај наставак је дизајниран само за коришћење приликом плевљења траве на земљи у комбинацији са одобреном погонском јединицом. Никада немојте користити наставак за друге намене. Неправилно коришћење наставка може довести до наношења озбиљних повреда.

ЕЗ декларација о усаглашености

Само за европске земље

У име произвођача: **Makita Europe N.V.**, пословна адреса: **Jan-Baptist Vinkstraat 2 3070 Kortenberg BELGIUM. Kazuhisa Makino** је овлашћен за скупљање техничких датотека и изјављује под пуном одговорношћу да производи
Ознака: **Наставак за плевљење**. Ознака типа: **WA400MP**.

Испуњавају све релевантне одредбе директиве **2006/42/ЕЗ** и такође испуњавају све релевантне одредбе следећих директива ЕЗ/ЕУ: **2000/14/ЕС** и произведени су у складу са следећим усклађеним стандардима: **EN 62841-1:2015+A11:2022, EN ISO 11806-1:2022, EN IEC 62841-4-7:2022+A11:2022**. Место и датум декларације: **Kortenberg, Белгија. 27. 9.2023**

Одговорна особа: **Kazuhisa Makino, директор – Makita Europe N.V.**



БЕЗБЕДНОСНА УПОЗОРЕЊА

Безбедносна упозорења за наставак за плевљење

1. **Немојте користити машину у лошим временским условима, нарочито када постоји ризик од удара грома.** Тако смањујете опасност од удара грома.
2. **Темељно прегледајте подручје на којем ћете користити машину на присуство дивљих животиња.** Машина током рада може да повреди дивље животиње.
3. **Темељно прегледајте подручје на којем ћете користити машину и уклоните све камење, пруће, жице, кости и друга страна тела.** Бачени предмети могу да доведу до телесних повреда.
4. **Пре употребе машине, увек визуелно прегледајте да ли је сечиво за плевљење оштећено.** Оштећени делови повећавају опасност од повреда.
5. **Придржавајте се упутстава за замену прибора.** Неправилно затегнуте навртке или вијци за причвршћивање сечива могу да оштете сечиво или доведу до његовог одвајања.
6. **Носите заштиту за очи, уши, главу и шаке.** Одговарајућа заштитна опрема умањите телесне повреде од летећих опилчака или случајног контакта са линијом сечења или сечивом.
7. **Док управљате машином, увек носите неклизајућу и заштитну обућу.** Немојте користити машину боси или са отвореним сандалама. Ово смањује могућност повреде стопала од додира са покретним секачима или линијом сечења.
8. **Док радите са машином, увек носите дуге панталоне.** Излагање коже повећава вероватноћу повреде од бачених предмета.
9. **Посматрачи не смеју да буду у близини док се ради са машином.** Опилгци који су бачени могу да доведу до тешких телесних повреда.
10. **Увек користите две руке приликом рада са машином.** Држите машину с обе руке да бисте избегли губитак контроле.
11. **Држите машину за изоловане површине за хватање јер линија сечења или сечиво могу да дођу у додир са сакривеним електричним инсталацијама.** Линија сечења или сечива која додирују струјни вод могу да ставе под напон изложене металне делове машине и изложе руковаоца струјном удару.
12. **Увек обезбедите одговарајући ослонац за стопала и користите машину само када стојите на тлу.** Клизаवे или нестабилне површине могу да доведу до губитка равнотеже или контроле над машином.
13. **Немојте управљати машином на изузетно стрмим нагибима.** Ово смањује ризик од губитка контроле, проклизавања и пада, што може изазвати телесне повреде.
14. **Када радите на нагибима, увек обезбедите добар ослонац за ноге, увек радите попречно на нагибу, никад навише или наниже и будите изузетно пажљиви када мењате смер.** Ово смањује ризик од губитка контроле, проклизавања и пада, што може изазвати телесне повреде.
15. **Све делове тела држите даље од сечива за плевљење када машина ради.** Пре него што покренете машину, уверите се да на сечиву за плевљење нема ничега. Један тренутак непажње током руковања машином може да доведе до повређивања вас или неке друге особе.
16. **Немојте радити са машином на висини изнад висине струка.** На тај начин ћете спречити нежељени контакт са сечивом за плевљење и омогућити бољу контролу над машином у неочекиваним ситуацијама.
17. **Када сечете жбул или младице које су под тензијом, пазите да не одскоче.** Када се тензија у влакнима дрвета ослободи, жбул или младица може да удари руковаоца и/или да доведе до губитка контроле над машином.
18. **Будите изузетно пажљиви када сечете жбул и младице.** Танки материјали могу да се узхвате у сечиву и буду одбачени према вама или да вас избаци из равнотеже.
19. **Одржавајте контролу над машином и немојте одржавати сечиво за плевљење или друге опасне покретне делове док су још у покрету.** Ово смањује опасност од повреда покретним деловима.
20. **Машину носите искључену држећи је даље од тела.** Исправним руковањем машином умањите могућност случајног контакта са покретним секачем, линијом за сечење или сечивом.
21. **Приликом преношења или складиштења машине увек поставите поклопац на сечиво за плевљење.** Исправним руковањем машином умањите могућност случајног контакта са сечивом.
22. **Користите само она замена сечива за плевљење која је навео произвођач.** Погрешни резервни делови могу да увећају ризик од лома и повреде.
23. **Када чистите заглављени материјал или сервисирате машину, уверите се да је прекидач искључен и да је батерија уклоњена.** Неочекивано покретање машине током чишћења заглављених материја или сервисирања може да доведе до тешке телесне повреде.

Додатна безбедносна упозорења

Општа упутства

1. **Да би обезбедио правилан рад, корисник мора да прочита ово упутство и упозна се са руковањем опремом.** Корисници који нису у довољној мери информисани ризикују да ће изложити опасности себе, као и друге особе услед неправилног руковања.
2. **Никада немојте да дозволите да алат користе деца, особе са смањеним физичким, сензорним или менталним способностима, особе са недостатком искуства и знања, као ни особе које нису упознате са овим упутствима; локални прописи можда ограничавају старост особе која сме да користи овај уређај.**
3. **Алат користите са највећим опрезом и пажњом.**

4. Рукујте алатом само ако сте у добром физичком стању. Сав рад обављајте смирено и пажљиво. Користите здрав разум и имајте на уму да је руковалац или корисник одговоран за несрећне случајеве или опасност која је изазвана другим људима или њиховој имовини.
5. Никада не укључујте машину док су у близини људи, посебно деца, или кућни љубимци.
6. Мотор се одмах мора искључити уколико се на алату јави било какав проблем или абнормалан знак.
7. Искључите и скините уложак батерије у паузама или када опрему оставите без надзора и ставите га на безбедно место да бисте спречили опасност за друге или оштећење опреме.
8. Избегавајте да користите машину у лошим временским условима, нарочито када постоји ризик од удара грома.
10. Проверите да ли у живици и жбуњу постоје страни предмети, као што су жичане оgrade или скривене жице, пре него што употребите овај алат.

Начин рада

1. Користите опрему само при добром светлу и видљивости. Током зиме пазите се клизавих или влажних површина, леда и снега (ризик од клизања). Водите рачуна о безбедном ослонцу док сте на нагибима и ходајте, никада немојте трчати.
2. Пазите да вам резни алат не повреди стопала или шаке.
3. Никада немојте руковати опремом док стојите на мердевинама.
4. Никада немојте да се пењете на дрвеће да бисте нешто исекли уз помоћ опреме.
5. Никада немојте да радите на нестабилним површинама.
6. Уклоните песак, камење, ексере и сличне предмете који се могу наћи у подручју рада. Страни објекти могу да оштете резни алат и да узрокују опасне повратне ударе.
7. Уколико резни алат удари у камење или друге чврсте предмете, одмах искључите мотор и проверите резни алат.
8. У крајним редовним интервалима проверавајте да ли на резном алату има оштећења (откривање танких пукотина провером звука лаганог ударања).
9. Увек скините уложак батерије са опреме:
 - када опрему остављате без надзора;
 - пре уклањања зачепљења;
 - пре провере, чишћења или рада на опреми;
 - након што ударите у неко страни тело;
 - кад год опрема почне абнормално да вибрира.
10. Алат за сечење наставља да ради и након што се мотор искључи.
11. Приликом причвршћивања и скидања поклопца сечива, пазите да не повредите руке.

Лична заштитна опрема

1. Док рукујете машином носите штитник за очи и заштитну обућу.
2. Увек носите одговарајућу обућу и дугачке панталоне док управљате алатом.

Покретање опреме

1. Уверите се да у близини нема деце или других људи, а обратите пажњу и на животиње у близини рада. Ако их има, престаните да користите опрему.
2. Током рада, водите рачуна да посматрачи или животиње буду удаљени од алата најмање 5 м. Зауоставите алат чим се неко приближи.
3. Пре коришћења увек проверите да ли је опрема безбедна за рад. Проверите сигурност резног алата и окидач прекидача за рад и адекватан рад. Проверите да ли су ручке чисте и суве и тестирајте функционисање прекидача за покретање/зауоставање.
4. Проверите да ли има оштећених делова пре даљег коришћења опреме. Део који је оштећен треба пажљиво прегледати како бисте се уверили да ће радити адекватно и испунити своју наменску функцију. Проверите усклађеност покретних делова, спојеве покретних делова, ломове делова, монтажу и све друге услове који могу да утичу на рад алата. Део који је оштећен треба ваљано поправити или заменити у нашем овлашћеном сервисном центру осим ако у овом упутству није другачије наведено.
5. Укључите мотор тек када сте шаке и стопала удаљили од резног алата.
6. Пре почетка рада уверите се да резни алат не додирује никакве предмете.
7. Чврсто држите алат приликом руковања.
8. Водите рачуна да не покретете случајно алат. Не носите алат када је у њега постављен уложак батерије и са прстом на прекидачу. Уверите се да је прекидач искључен када постављате уложак батерије.
9. Пре почетка рада проверите да ли у простору за рад има жичаних ограда, камења или других чврстих предмета. Они могу да оштете сечиво за плевљење.

Упутства за одржавање

1. Пре почетка рада мора да се провери стање опреме, посебно резног алата и заштитних уређаја.
2. Искључите мотор и скините уложак батерије пре него што приступите одржавању, замени резних алата или чишћењу опреме или резног алата.
3. Када га не користите, поставите поклопац сечива на алат и чувајте алат у затвореном простору, на сувом, високом и заштитном месту, ван домаћаја деце.

САЧУВАЈТЕ ОВО УПУТСТВО.

▲ УПОЗОРЕЊЕ: НЕМОЈТЕ себи да дозволите да занемарите строга безбедносна правила која се односе на овај производ услед чињенице да сте производ добро упознали и стекли рутину у руковању њиме (услед честог коришћења). **НЕНАМЕНСКА УПОТРЕБА** или непоштовање безбедносних правила наведених у овом упутству могу довести до тешких телесних повреда.

ОПИС ДЕЛОВА

- **Слика1:** 1. Поклопац сечива 2. Поклопац
3. Сечиво за плевљење

СКЛАПАЊЕ

▲УПОЗОРЕЊЕ: Искључите мотор и уклоните уложак батерије пре склапања или подешавања опреме. У супротном, машина може изненада да се укључи и изазове повреду.

▲УПОЗОРЕЊЕ: Приликом склапања или подешавања опреме, увек спустите опрему. Склапање или подешавање опреме у усправном положају може довести до озбиљних повреда.

▲УПОЗОРЕЊЕ: Пратите упозорења и мере предострожности у одељку „БЕЗБЕДНОСНА УПОЗОРЕЊА“ и приручник са упутствима за погонску јединицу.

Склапање наставка

1. Причврстите 2 плоче за подешавање за наставка тако да жлебови плоча буду окренути ка споља.

► **Слика2:** 1. Плоча за подешавање

2. Причврстите сечиво за плевљење за плоче за подешавање док благо отварате сечиво према споља.

Када причвршћујете сечиво за плевљење, уверите се да је стрелица усмерена ка цеви.

► **Слика3:** 1. Стрелица

Угао сечива за плевљење је могуће променити поравнавањем испупчења на сечиву за плевљење са једним од испупчења на плочи за подешавање.

► **Слика4:** 1. Испупчење

ОБАВЕШТЕЊЕ: Водите рачуна да се стрелице на лицу сечива за плевљење окрену у смеру приказаном на слици.

► **Слика5:** 1. Стрелица

3. Уверите се да је сечиво за плевљење у контакту са плочама за подешавање.

► **Слика6**

4. Уметните вијак са стране без навртке и затегните га помоћу кључа.

Постарајте се да завртач буде чврсто затегнут.

► **Слика7:** 1. Вијак 2. Навртка

НАПОМЕНА: Момент причвршћивања: 5 – 10 Н•м

Постављање цеви наставка

▲ПАЖЊА: Увек проверите да ли је цев наставка чврсто постављена након монтирања. Ако је неправилно монтирате, наставка би могао да се откачи са погонске јединице и изазове повреду.

Поставите наставка на погонску јединицу.

1. Уклоните поклопац на крају осовине.

► **Слика8:** 1. Осовина 2. Поклопац

ОБАВЕШТЕЊЕ: Не одлажите поклопац јер је неопходан за складиштење наставка.

2. Окрените полуку ка наставку.

► **Слика9:** 1. Полука

3. Поравнајте иглу са ознаком стрелице на погонској јединици. Уметните цев док не искочи дугме за отпуштање.

Уверите се да се линија положаја налази на врху ознаке стрелице на погонској јединици, а да су ознака стрелице на погонској јединици и ознака на цеви усмерене једна према другој.

► **Слика10:** 1. Дугме за отпуштање 2. Ознака стрелице на погонској јединици 3. Игла 4. Линија положаја 5. Ознака стрелице на цеви

4. Окрените полуку ка погонској јединици.

► **Слика11:** 1. Полука

Проверите да ли је површина полуге паралелна у односу на цев.

ОБАВЕШТЕЊЕ: Немојте стезати полуку без уметнуте осовине наставка. Полука може превише да затегне улаз погонске осовине и оштети је.

Да бисте уклонили осовину, окрените полуку у правцу наставка и извуците осовину док притискате дугме за отпуштање.

► **Слика12:** 1. Дугме за отпуштање 2. Полука 3. Цев

Уклањање и причвршћивање поклопаца сечива

Да бисте уклонили поклопац сечива, гурните поклопац сечива ка унутрашњој страни и окрените га.

► **Слика13:** 1. Поклопац сечива

Да бисте причврстили поклопац сечива, закачите поклопац сечива за једну страну сечива за плевљење, а затим га окрените.

► **Слика14:** 1. Поклопац сечива

НАПОМЕНА: Можете причврстити поклопац сечива за цев као што је приказано на слици.

► **Слика15:** 1. Поклопац сечива

Постављање или уклањање сечива за плевљење

▲ПАЖЊА: Приликом замене сечива за плевљење, увек носите рукавице да руке не би дошле у директан контакт са сечивом за плевљење.

▲ПАЖЊА: Поставите поклопац сечива пре уклањања или постављања сечива за плевљење.

1. Поставите поклопац сечива на сечиво за плевљење.
2. Уклоните вијак тако што ћете га отпустити помоћу кључа.
► **Слика16:** 1. Вијак
3. Уклоните сечиво за плевљење док благо отварате сечиво за плевљење према споља.
► **Слика17**

Поставите сечиво за плевљење у складу с упутствима за склапање наставка.

ОПИС НАЧИНА ФУНКЦИОНИСАЊА

▲ПАЖЊА: Пре подешавања или провере функција алата увек проверите да ли је алат искључен и да ли је уложак батерије уклоњен.

Подешавање угла резања

▲ПАЖЊА: Увек проверите да ли је алат искључен пре подешавања угла сечења.

Угао сечива за плевљење може да се промени на три нивоа. Да бисте променили угао, поравнајте испупчење на сечиву за плевљење с једним од испупчења на плочама за подешавање, а затим поставите сечиво за плевљење.

1. Кључем олабавите вијак који причвршћује резно сечиво.
2. Поравнајте испупчење на сечиву за плевљење са једним од испупчења на плочама за подешавање.
3. Поново затегните вијак да бисте фиксирали резно сечиво.
► **Слика18:** 1. Испупчење

РАД

▲УПОЗОРЕЊЕ: Пратите упозорења и мере предострожности у одељку „БЕЗБЕДНОСНА УПОЗОРЕЊА“ и приручник са упутствима за погонску јединицу.

Рад са алатом

▲УПОЗОРЕЊЕ: Држите шаке даље од сечива за плевљење.

▲УПОЗОРЕЊЕ: Будите изузетно пажљиви да одржавате контролу над алатом у сваком тренутку. Немојте да дозволите да се алат савија према вама или некој другој особи у близини простора за рад. Губитак контроле над алатом може да доведе до озбиљне повреде посматрача или руковаоца.

▲УПОЗОРЕЊЕ: Пре плевљења, уклоните пруге и камење из подручја плевљења.

НАПОМЕНА: Овај алат је намењен уклањању корова који је мањи од 15 цм (5-7/8”).

► **Слика19**

▲ПАЖЊА: Избегавајте да рукујете алатом по веома топлим времену колико год је то могуће. Када рукујете алатом водите рачуна о свом физичком стању.

▲ПАЖЊА: Водите рачуна да случајно не додирнете металну ограду или друге чврсте предмете током плевљења. Сечиво за плевљење се може сломити и изазвати повреду.

▲ПАЖЊА: Протезање са алатом, посебно са мердевина, је изузетно опасно. Немојте радити док стојите на површини која је несигурна или нестабилна.

ОБАВЕШТЕЊЕ: Немојте користити алат на начин који изазива заустављање мотора или његово екстремно успоравање.

Држите алат обема рукама тако што ћете га ухватити за предњу ручку и задњи рукохват погонске јединице.

► **Слика20:** 1. Предња ручка 2. Задњи рукохват

Укључите алат са сечивом за плевљење уздигнутим од земље. Поставите сечиво за плевљење на земљу и полако повуците алат према себи да бисте плевили. Лакше је радити када је сечиво за плевљење скоро под правим углом у односу на тло.

► **Слика21**

► **Слика22**

ОДРЖАВАЊЕ

▲ УПОЗОРЕЊЕ: Искључите мотор и уклоните уложак батерије пре провере или одржавања опреме. У супротном, машина може изненада да се укључи и изазове тешке повреде.

▲ УПОЗОРЕЊЕ: Приликом провере или одржавања опреме, увек спустите опрему. Склапање или подешавање опреме у усправном положају може довести до озбиљних повреда.

▲ УПОЗОРЕЊЕ: Пратите упозорења и мере предострожности у одељку „БЕЗБЕДНОСНА УПОЗОРЕЊА“ и приручник са упутствима за погонску јединицу.

▲ ПАЖЊА: Носите рукавице када обављате радове провере или одржавања.

ОБАВЕШТЕЊЕ: Никад немојте да користите нафту, бензин, разређивач, алкохол и слична средства. Може доћи до губитка боје, деформације или оштећења.

БЕЗБЕДАН и ПОУЗДАН рад алата гарантујемо само ако поправке, свако друго одржавање или подешавање, препустите овлашћеном сервису компаније Makita или фабричком сервису, уз употребу оригиналних резервних делова компаније Makita.

Чишћење алата

Алат чистите тако што ћете пребрисати прашину сувом тканином или тканином натопљеном сапуницом и исцеђеном.

Одржавање сечива

Након рада, уклоните уплетену траву или корење са сечива.

ОБАВЕШТЕЊЕ: Немојте прати сечиво у води. Тако може да дође до корозије или оштећења сечива или наставка.

Чување

Поставите поклопац сечива на сечиво за плевљење. Чувајте алат изван домаћаја деце. Чувајте алат на месту које није изложено влази и киши.

Приликом складиштења наставка одвојено од погонске јединице, поставите поклопац на крај цеви.

► Слика23

Подмазивање покретних делова

ОБАВЕШТЕЊЕ: Пратите испоручена упутства о учесталости и количини масти. Недовољно подмазивање може да оштети покретне делове.

Погонски мост:

Нанесите мазиво (Makita мазиво N No.2 или слично) на сваких 25 сати рада.

► Слика24

НАПОМЕНА: Оригинално Makita мазиво можете да купите код локалног Makita продавца.

Мазиво

Учесталост подмазивања: На сваких неколико (25) сати рада

1. Уклоните вијак из отвора ради подмазивања.

► Слика25: 1. Вијак

2. Нанесите мазиво (Makita мазиво SG No.0 или еквивалентно) на алат (приближно 3,0 г као што је наведено у водичу).

3. Притегните вијак.

РЕШАВАЊЕ ПРОБЛЕМА

Пре него што затражите поправку, најпре сами извршите преглед. Уколико наиђете на проблем који није објашњен у упутству, не покушавајте да расклопите алат. Уместо тога тражите поправке од овлашћених сервисних центара Makita и увек користите оригиналне Makita резервне делове приликом поправки.

Неисправно стање	Вероватан узрок (квар)	Отклањање квара
Мотор се не покреће.	–	Погледајте приручник са упутствима за погонску јединицу.
Мотор се брзо зауставља.	–	Погледајте приручник са упутствима за погонску јединицу.
Брзина мотора се не повећава.	–	Погледајте приручник са упутствима за погонску јединицу.
Сечиво за плевљење се не помера: ⇒ одмах зауставите машину!	Погонски систем не ради како треба.	Затражите поправку од свог локалног овлашћеног сервисног центра.
Необичне вибрације: ⇒ одмах зауставите машину!	Сечиво за плевљење је поломљено, савијено или похабано.	Замените сечиво за плевљење.
	Погонски систем не ради како треба.	Затражите поправку од свог локалног овлашћеног сервисног центра.
Сечиво за плевљење и мотор не могу да се зауставе: ⇒ Одмах уклоните батерију!	Електрични квар.	Уклоните батерију и затражите поправку од локалног овлашћеног сервисног центра.

ОПЦИОНИ ПРИБОР

⚠ ПАЖЊА: Ова опрема и прибор су предвиђени за употребу са Makita машином описаном у овом упутству за употребу. Употреба друге опреме и прибора може да доведе до повреда. Додатну опрему или прибор користите искључиво за предвиђену намену.

Да бисте добили више детаља у вези са овим прибором, обратите се локалном сервисном центру компаније Makita.

- Сечиво за плевљење
- Сечиво култиватора
- Makita оригинална батерија и пуњач

НАПОМЕНА: Поједине ставке на листи могу бити укључене у садржај паковања производа као стандардна опрема. Оне се могу разликовати од земље до земље.

SPECIFICAȚII

Model:	WA400MP
Lățime de tăiere	220 mm
Dimensiuni (L x l x H)	980 mm x 226 mm x 196 mm
Greutate netă	2,8 kg

- Datorită programului nostru continuu de cercetare și dezvoltare, specificațiile pot fi modificate fără o notificare prealabilă.
- Specificațiile pot varia în funcție de țară.

Unitate de acționare aprobată

Acest dispozitiv de atașare este aprobat pentru utilizare numai cu următoarele unități/următoarea unitate de acționare:

- Cap cu motor universal fără cablu DUX60
- Cap cu motor universal fără cablu DUX18
- Cap cu motor universal fără cablu UX01G

⚠️ AVERTIZARE: Nu utilizați niciodată dispozitivul de atașare cu o unitate de acționare neaprobată. Combinațiile neaprobate pot cauza leziuni grave.

Simboluri

Mai jos sunt prezentate simbolurile care pot fi utilizate pentru echipament. Asigurați-vă că înțelegeți sensul acestora înainte de utilizare.



Citiți și respectați manualul de instrucțiuni.



Purtați cască de protecție, protecție pentru ochi și urechi.



Purtați mănuși de protecție.



Purtați cizme robuste cu talpă antiderapantă.



Avertizare: deconectați acumulatorul înainte de a efectua lucrări de întreținere.



Țineți picioarele departe de lama de plivit.



Țineți persoanele din zonă și animalele la cel puțin 5 m de unitatea de acționare.



Suprafețe fierbinți – risc de arsuri ale degetelor sau mâinilor.



Nivel de putere acustică garantat în conformitate cu Directiva UE privind zgomotul emis de echipamentele utilizate în exterior.



Nivel de putere acustică în conformitate cu Regulamentul NSW al Australiei privind atenuarea zgomotului

Destinația de utilizare

Acest dispozitiv de atașare este conceput numai pentru plivitul ierburilor pe sol în împreună cu o unitate de acționare aprobată. Nu utilizați niciodată dispozitivul de atașare în alte scopuri. Utilizarea necorespunzătoare a dispozitivului de atașare poate cauza leziuni grave.

Declarație de conformitate CE

Numai pentru țările europene

Noi, în calitate de producători: **Makita Europe N.V.**, cu adresa profesională: **Jan-Baptist Vinkstraat 2 3070 Kortenberg BELGIA**. Îl autorizăm pe **Kazuhiisa Makino** pentru compilarea fișierului tehnic și declarăm pe propria răspundere faptul că produsul (produsele): Denumire: **Dispozitiv de atașare pentru plivit**. Denumirea tipului (tipurilor): **WA400MP**. Îndeplinește toate prevederile relevante ale Directivei **2006/42/CE**, precum și toate prevederile relevante ale următoarelor Directive CE/UE: **2000/14/EC** și este fabricat în conformitate cu următoarele standarde armonizate: **EN 62841-1:2015+A11:2022, EN ISO 11806-1:2022, EN IEC 62841-4-7:2022+A11:2022**. Locul și data declarației: **Kortenberg, Belgia. 27. 9.2023** Persoana responsabilă: **Kazuhiisa Makino, director - Makita Europe N.V.**

AVERTIZĂRI DE SIGURANȚĂ

Avertizări de siguranță pentru dispozitivul de atașare pentru plivit

- Nu utilizați mașina în condiții de vreme nefavorabilă, în special când există riscul de descărcări electrice.** Astfel, reduceți riscul de a fi lovit de fulger.
- Inspectați cu atenție zona în care va fi utilizată mașina, pentru a verifica dacă sunt animale sălbatice.** Animalele sălbatice pot fi rănite de mașină în timpul funcționării.
- Inspectați cu atenție zona în care va fi utilizată mașina și îndepărtați toate pietrele, bețele, sârmele, oasele și alte obiecte străine.** Obiectele aruncate pot provoca vătămări corporale.
- Înainte de a folosi mașina, întotdeauna inspectați vizual lama de plivit pentru ca aceasta să nu fie deteriorată.** Piesa deteriorată crește riscul de rănire.
- Respectați instrucțiunile pentru schimbarea accesoriilor.** Piulițele sau șuruburile de fixare a lamei străne necorespunzător fie pot deteriora lama, fie pot provoca desprinderea acesteia.
- Purtați protecție pentru ochi, urechi, cap și mâini.** Echipamentul de protecție adecvat va reduce riscul rănirii personale din cauza resturilor proiectate sau a contactului accidental cu linia de tăiere sau cu lama.
- În timpul folosirii mașinii, întotdeauna purtați încălțăminte neaderentă de protecție. Nu utilizați mașina cu picioarele goale sau purtând sandale.** Astfel, reduceți posibilitatea de a vă răni picioarele la contactul cu cuțitele sau liniile aflate în mișcare.
- În timpul utilizării mașinii, purtați întotdeauna pantalonii lungi.** Pielea expusă crește probabilitatea de rănire din cauza obiectelor aruncate.
- Asigurați-vă că nu sunt în apropiere persoane în timpul funcționării mașinii.** Resturile care sunt aruncate pot provoca vătămări corporale grave.
- Folosiți întotdeauna ambele mâini pentru a manevra mașina.** Dacă țineți mașina cu ambele mâini veți evita pierderea controlului.
- Țineți mașina doar de suprafețele de prindere izolate, deoarece linia de tăiere sau lama poate intra în contact cu fire ascunse.** Contactul liniei de tăiere sau a lamelor cu un cablu aflat sub tensiune poate pune sub tensiune piesele metalice expuse ale mașinii, conducând la electrocutarea operatorului.
- Păstrați-vă întotdeauna echilibrul și utilizați mașina doar stând pe pământ.** Suprafețele alunecoase sau instabile pot duce la pierderea echilibrului sau a controlului mașinii.
- Nu folosiți mașina pe pante excesiv de abrupte.** Acest lucru implică riscul de pierdere a controlului, alunecare și cădere, ceea ce poate cauza vătămări corporale.
- Atunci când lucrați pe pante, asigurați-vă întotdeauna că aveți un echilibru bun, că întotdeauna lucrați transversal pe pante, niciodată în sus sau în jos, și că acordați foarte mare atenție atunci când schimbați direcția.** Acest lucru implică riscul de pierdere a controlului, alunecare și cădere, ceea ce poate cauza vătămări corporale.
- Feriți toate părțile corpului din calea lamei de plivit în timpul funcționării mașinii. Înainte de a porni mașina asigurați-vă că lama de plivit nu atinge nimic.** Un moment de neatenție în timpul utilizării mașinii poate cauza vătămări corporale grave pentru dumneavoastră sau alte persoane.
- Nu utilizați mașina mai sus de înălțimea taliei.** Aceasta va va ajuta să preveniți contactul neintenționat al lamei de plivit și va permite un control mai bun al mașinii în situații neprevăzute.
- Când tăiați tufișuri sau pomi tineri care sunt tensionați, aveți grijă la destinderea acestora.** Atunci când este eliminată tensiunea din fibrele lemnelui, tufișul sau pomul tânăr poate lovi operatorul și/sau poate conduce la pierderea controlului mașinii.
- Fiți extrem de precauți atunci când tăiați tufișuri sau pomi tineri.** Materialul subțire poate prinde lama și poate fi aruncat către dumneavoastră sau vă poate trage și dezechilibra.
- Păstrați controlul asupra mașinii și nu atingeți lama de plivit și alte piese periculoase aflate în mișcare până nu s-au oprit.** Astfel, reduceți riscul de rănire din cauza pieselor aflate în mișcare.
- Transportați mașina oprită și la depărtare de corpul dumneavoastră.** Manipularea adecvată a mașinii va reduce probabilitatea contactului accidental al mașinii cu un cuțit, o linie sau o lamă în mișcare.
- Atunci când transportați sau depozitați mașina, atașați întotdeauna capacul la lama de plivit.** Manipularea adecvată a mașinii va reduce probabilitatea contactului accidental cu lama mașinii.
- Utilizați doar lamele de plivit de schimb specificate de producător.** Piesele de schimb incorecte pot crește riscul de deteriorare sau vătămare corporală.
- Atunci când îndepărtați materialul blocat în mașină sau efectuați operațiuni de service la aceasta, asigurați-vă că ați oprit întrerupătorul de alimentare și că ați demontat grupul de acumulatori.** Pornirea pe neașteptate a mașinii în timp ce îndepărtați materialul blocat sau efectuați operațiuni de service poate cauza vătămări corporale grave.

Avertizări de siguranță suplimentare

Instrucțiuni generale

- Pentru a asigura operarea corectă, utilizatorul trebuie să citească acest manual de instrucțiuni pentru a se familiariza cu manipularea echipamentului.** Utilizatorii insuficient informați se pun în pericol, atât pe ei, cât și pe alții, din cauza manevrării greșite a uneltei.
- Nu permiteți niciodată copiilor, persoanelor cu dizabilități fizice, senzoriale sau mentale sau lipsite de experiență sau cunoștințe sau persoanelor care nu sunt familiarizate cu aceste instrucțiuni să folosească utilajul.** Este posibil ca în regulamentele locale să existe o limită de vârstă pentru operator.
- Folosiți echipamentul cu cea mai mare grijă și atenție.**

4. Utilizați echipamentul numai dacă vă aflați într-o stare fizică bună. Executați fiecare lucrare cu calm și cu atenție. Folosiți-vă simțul practic și țineți cont de faptul că operatorul sau utilizatorul este responsabil de accidente sau situațiile neprevăzute ce afectează alte persoane sau bunurile acestora.
5. Nu folosiți niciodată utilajul când în apropiere se află persoane, în special copii, sau animale de companie.
6. Motorul trebuie oprit imediat în cazul în care echipamentul indică probleme sau funcționează anormal.
7. Oprți și îndepărtați cartușul acumulatorului atunci când echipamentul este în repaus și când îl lăsați nesupravegheat, apoi amplasați-l într-o locație sigură pentru a preveni pericolul pentru ceilalți sau deteriorarea echipamentului.
8. Evitați utilizarea echipamentului în condiții de vreme nefavorabilă, în special când există riscul de descărcări electrice.

Echipament individual de protecție

1. Purtați permanent ochelari de protecție și încălțăminte rezistentă în timpul operării utilajului.
2. Atunci când folosiți utilajul, purtați întotdeauna încălțăminte de protecție și pantaloni lungi.

Pornirea echipamentului

1. Asigurați-vă că nu există copii sau alte persoane în apropiere, de asemenea, acordați atenție oricăror animale din apropierea zonei de lucru. În caz contrar, oprți utilizarea echipamentului.
2. În timpul operării, țineți mașina la o distanță de cel puțin 5 m de persoanele din jur sau de animale. Oprți mașina atunci când o persoană se apropie de dumneavoastră.
3. Înainte de utilizare, asigurați-vă întotdeauna că echipamentul poate fi operat în siguranță. Verificați siguranța unelei de tăiere și butonul declanșator pentru a vă asigura că acestea funcționează ușor și corect. Verificați dacă mânerul este curat și uscat și testați funcționarea comutatorului de pornire/oprire.
4. Verificați dacă există eventuale componente defecte înainte de utilizarea echipamentului. Componentele care sunt deteriorate trebuie să fie verificate cu atenție pentru a stabili dacă vor funcționa în mod corespunzător. Verificați alinierea componentelor mobile, funcționarea liberă a componentelor mobile, starea fizică a componentelor, montarea sau orice altă stare care ar putea afecta operarea acestora. Componentele care sunt deteriorate trebuie să fie reparate în mod corespunzător sau înlocuite de către atelierul nostru de service autorizat, cu excepția cazurilor în care se prevede altfel în acest manual.
5. Porniți motorul doar când mâinile și picioarele dumneavoastră se află la distanță de unealta de tăiere.
6. Înainte de a începe, asigurați-vă că unealta de tăiere nu intră în contact cu niciun obiect.
7. Țineți ferm unealta atunci când o utilizați.
8. Evitați pornirea accidentală. Nu transportați mașina când cartușul acumulatorului este instalat și ținând degetul pe întrerupător. Asigurați-vă că întrerupătorul este oprit atunci când instalați cartușul acumulatorului.
9. Înainte de operare, verificați dacă în zona de lucru există garduri de sârmă, pietre sau alte obiecte solide. Acestea pot deteriora lama de plivă.
10. Verificați dacă există obiecte străine în gardurile vii și în tufșuri, cum ar fi garduri de sârmă sau fire ascunse, înainte de a utiliza mașina.

Metoda de operare

1. Utilizați echipamentul doar în condiții bune de lumină și vizibilitate. În timpul sezonului de iarnă, ferți-vă de zonele alunecoase sau umede, de gheață și zăpadă (risc de alunecare). Asigurați-vă întotdeauna că aveți un sprijin sigur pentru picioare atunci când vă aflați în rampă și mergeți, nu alergați.
2. Asigurați-vă împotriva rănirii picioarelor și mâinilor de către unealta de tăiere.
3. Nu stați niciodată pe o scară în timp ce operați echipamentul.
4. Nu vă urcați în copaci pentru a efectua operația de tăiere cu echipamentul.
5. Nu lucrați niciodată pe suprafețe instabile.
6. Îndepărtați nisipul, pietrele, cuiele etc. găsite în zona de lucru. Particulele străine pot deteriora unealta de tăiere și pot cauza reculeri periculoase.
7. În cazul în care unealta de tăiere lovește pietre sau alte obiecte dure, oprți imediat motorul și inspectați unealta de tăiere.
8. Inspectați eventuala deteriorare a unelei de tăiere la intervale regulate apropiate (detectarea fisurilor capilare cu ajutorul testul zgomotului la lovire ușoară).
9. Întotdeauna scoateți cartușul acumulatorului din echipament:
 - de fiecare dată când lăsați echipamentul nesupravegheat;
 - înainte de eliberarea unui blocaj;
 - înainte de a controla, curăța sau lucra asupra echipamentului;
 - după ce ați lovit un obiect străin;
 - de fiecare dată când echipamentul începe să vibreze anormal.
10. Dispozitivele de tăiere continuă să funcționeze după oprirea motorului.
11. Când atașați sau scoateți capacul pentru lame, aveți grijă să nu vă răniți mâinile.

Instrucțiuni de întreținere

1. Starea echipamentului, în special a unelei de tăiere, a dispozitivelor de protecție trebuie verificată înainte de începerea lucrului.
2. Oprți motorul și îndepărtați cartușul acumulatorului înainte de a efectua întreținerea, de a înlocui unelele de tăiere sau înainte de a curăța echipamentul sau unealta de tăiere.
3. Când nu este în uz, atașați capacul pentru lame la mașină și depozitați mașina în interior, într-un loc uscat, la înălțime și încluiat, astfel încât să nu fie la îndemâna copiilor.

PĂSTRAȚI ACESTE INSTRUCȚIUNI.

⚠️ AVERTIZARE: NU permiteți comodității și familiarizării cu produsul (obținute prin utilizare repetată) să înlocuiască respectarea strictă a normelor de securitate pentru acest produs. FOLOSIREA INCORECTĂ sau nerespectarea normelor de securitate din acest manual de instrucțiuni poate provoca vătămări corporale grave.

DESCRIERE COMPONENTE

► Fig.1: 1. Capacul lamei 2. Capac 3. Lamă de plivit

ASAMBLARE

⚠️ AVERTIZARE: Înainte de asamblarea sau de reglarea echipamentului, opriți motorul și scoateți cartușul acumulatorului. În caz contrar, utilajul ar putea porni brusc și provoca accidente.

⚠️ AVERTIZARE: La asamblarea sau reglarea echipamentului, întotdeauna puneți-l jos. Asamblarea sau reglarea echipamentului într-o poziție verticală poate duce la răni grave.

⚠️ AVERTIZARE: Respectați avertizările și precauțiile din capitolul „AVERTIZĂRI DE SIGURANȚĂ” și manualul de instrucțiuni al unității de acționare.

Asamblarea dispozitivului de atașare

1. Atașați cele două plăci de reglare la dispozitivul de atașare, astfel încât canelurile plăcilor să fie orientate spre exterior.

► Fig.2: 1. Placă de reglare

2. Atașați lama de plivit pe plăcile de reglare în timp ce deschideți ușor lama spre exterior.

Atunci când atașați lama de plivit, asigurați-vă că săgeata este orientată în direcția țevii.

► Fig.3: 1. Săgeată

Unghiul lamei de plivit poate fi schimbat aliniind proeminența de pe lama de plivit cu una dintre proeminențele de pe plăcile de reglare.

► Fig.4: 1. Proeminență

NOTĂ: Asigurați-vă că săgețile de pe fața lamei de plivit sunt îndreptate în direcția indicată în figură.

► Fig.5: 1. Săgeată

3. Asigurați-vă că lama de plivit este cuplată cu plăcile de reglare.

► Fig.6

4. Introduceți bolțul din lateral fără piuliță și strângeți bolțul cu cheia.

Asigurați-vă că bolțul este strâns bine.

► Fig.7: 1. Bolț 2. Piuliță

NOTĂ: Cuplu de strângere: 5 - 10 N•m

Montarea țevii de fixare

⚠️ ATENȚIE: Verificați întotdeauna dacă țeava de fixare este strânsă după instalare. O instalare necorespunzătoare poate duce la căderea dispozitivului de atașare de pe unitatea de acționare și la vătămarea corporală.

Montați țeava de fixare pe unitatea de acționare.

1. Scoateți capacul de la capătul țevii.

► Fig.8: 1. Țeavă 2. Capac

NOTĂ: Nu aruncați capacul, deoarece acesta este necesar pentru depozitarea dispozitivului de atașare.

2. Rotiți pârghia spre dispozitivul de atașare.

► Fig.9: 1. Pârghie

3. Aliniați știftul cu marcajul săgeată de pe unitatea de acționare. Introduceți țeava până la deblocarea butonului de eliberare.

Asigurați-vă că linia de poziție este localizată în vârful marcajului săgeată de pe unitatea de acționare și că marcajul săgeată de pe unitatea de acționare și cel de pe țeavă sunt orientate unul către celălalt.

► Fig.10: 1. Buton de eliberare 2. Marcajul săgeată de pe unitatea de acționare 3. Știft 4. Linia de poziționare 5. Marcajul săgeată de pe țeavă

4. Rotiți pârghia spre unitatea de acționare.

► Fig.11: 1. Pârghie

Asigurați-vă că suprafața pârgchiei este paralelă cu țeava.

NOTĂ: Nu strângeți pârghia fără ca țeava de fixare să fie introdusă. În caz contrar, pârghia poate strânge excesiv porțiunea de intrare a arborelui motor și o poate deteriora.

Pentru a scoate țeava, rotiți pârghia spre dispozitivul de atașare și trageți țeava în afară în timp ce apăsați butonul de eliberare.

► Fig.12: 1. Buton de eliberare 2. Pârghie 3. Țeavă

Demontarea sau atașarea capacului pentru lame

Pentru a scoate capacul pentru lame, împingeți-l spre interior și rotiți-l.

► Fig.13: 1. Capacul pentru lame

Pentru a atașa capacul pentru lame, prindeți capacul pentru lame de o latură a lamei de plivit, apoi rotiți-l.

► Fig.14: 1. Capacul pentru lame

NOTĂ: Puteți atașa capacul pentru lame la țeavă, după cum se arată în figură.

► Fig.15: 1. Capacul pentru lame

Montarea sau demontarea lamei de plivit

⚠️ ATENȚIE: Atunci când înlocuiți lama de plivit, purtați întotdeauna mănuși, astfel încât mâinile dumneavoastră să nu intre în contact direct cu lama de plivit.

⚠️ ATENȚIE: Atașați capacul pentru lame înainte de a demonta sau monta lama de plivit.

1. Atașați capacul pentru lame la lama de plivit.
2. Scoateți bolțul slăbind bolțul cu cheia.
▶ Fig.16: 1. Bolț
3. Scoateți lama de plivit în timp ce deschideți ușor lama de plivit spre exterior.
▶ Fig.17

Montați lama de plivit consultând instrucțiunile pentru asamblarea dispozitivului de atașare.

DESCRIEREA FUNCȚIILOR

⚠️ ATENȚIE: Asigurați-vă întotdeauna că mașina este oprită și cartușul acumulatorului este scos înainte de a ajusta sau verifica funcționarea mașinii.

Reglarea unghiului de tăiere

⚠️ ATENȚIE: Înainte de a regla unghiul de tăiere, asigurați-vă întotdeauna că mașina este oprită.

Unghiul lamei de plivit poate fi schimbat la trei niveluri. Pentru a schimba unghiul, aliniați proeminența de pe lama de plivit cu una dintre proeminențele de pe plăcile de reglare și apoi instalați lama de plivit.

1. Slăbiți bolțul care fixează lama de tăiere cu cheia.
2. Aliniați proeminența de pe lama de plivit cu una dintre proeminențele de pe plăcile de reglare.
3. Strângeți din nou bolțul pentru a fixa lama de tăiere.
▶ Fig.18: 1. Proeminență

OPERAREA

⚠️ AVERTIZARE: Respectați avertizările și precauțiile din capitolul „AVERTIZĂRI DE SIGURANȚĂ” și manualul de instrucțiuni al unității de acționare.

Utilizarea mașinii

⚠️ AVERTIZARE: Țineți mâinile la distanță de lama de plivit.

⚠️ AVERTIZARE: Fiți foarte atenți pentru a menține controlul mașinii în orice moment. Nu lăsați mașina să fie deviată spre dumneavoastră sau orice altă persoană din apropierea zonei de lucru. Scăparea de sub control a mașinii poate duce la accidente grave ale operatorului și persoanelor din jur.

⚠️ AVERTIZARE: Înainte de a efectua plivitul, degajați întotdeauna zona de plivit de bețe și pietre.

NOTĂ: Această mașină este destinată îndepărtării buruienilor mai mici de 15 cm (5-7/8”).

▶ Fig.19

⚠️ ATENȚIE: Pe cât posibil, evitați operarea unelei în condiții de temperatură foarte ridicată. La operarea unelei, țineți cont de condiția dumneavoastră fizică.

⚠️ ATENȚIE: În timpul plivitului, aveți grijă să nu atingeți accidental un gard metallic sau alte obiecte tari. Lama de plivit se poate rupe și poate produce răni.

⚠️ ATENȚIE: Este extrem de periculos să vă întindeți cu mașina, în special de pe o scară. Nu lucrați în timp ce stați pe suporturi instabile sau lipsite de fermitate.

NOTĂ: Nu utilizați uneala într-un mod care va cauza oprirea motorului sau rotirea extrem de lentă a acestuia.

Țineți mașina cu ambele mâini, apucând mânerul frontal și mânerul posterior al unității de acționare.

▶ Fig.20: 1. Mâner frontal 2. Mâner posterior

Porniți mașina cu lama de plivit ridicată de pe sol. Așezați lama de plivit pe sol și trageți ușor mașina spre dumneavoastră pentru a plivi. Se poate lucra mai ușor atunci când lama de plivit este la un unghi aproape perpendicular pe sol.

▶ Fig.21

▶ Fig.22

ÎNȚREȚINERE

⚠️ AVERTIZARE: Înainte de verificarea sau de întreținerea echipamentului, opriți motorul și scoateți cartușul acumulatorului. În caz contrar, utilajul ar putea porni brusc și provoca accidente grave.

⚠️ AVERTIZARE: La inspectarea sau întreținerea echipamentului, puneți-l întotdeauna jos. Asamblarea sau reglarea echipamentului într-o poziție verticală poate duce la răni grave.

⚠️ AVERTIZARE: Respectați avertizările și precauțiile din capitolul „AVERTIZĂRI DE SIGURANȚĂ” și manualul de instrucțiuni al unității de acționare.

⚠️ ATENȚIE: Purtați mănuși atunci când efectuați o inspecție sau activitate de întreținere.

NOTĂ: Nu utilizați niciodată gazolină, benzină, diluant, alcool sau alte substanțe asemănătoare. În caz contrar, pot rezulta decolorări, deformări sau fisuri.

Pentru a menține SIGURANȚA și FIABILITATEA produsului, reparațiile și orice alte lucrări de întreținere sau reglare trebuie executate de centre de service Makita autorizate sau proprii, folosind întotdeauna piese de schimb Makita.

Curățarea uneltei

Curățați unealta ștergând praful cu o lavetă uscată și cu o lavetă umezită cu apă cu săpun și stoarsă.

Întreținerea lamei

După utilizare, îndepărtați iarba sau rădăcinile blocate de pe lamă.

NOTĂ: Nu spălați lama în apă. În caz contrar, lama sau dispozitivul de atașare se poate deteriora sau poate rugini.

Depozitare

Atașați capacul pentru lame la lama de plivit. Depozitați mașina departe de raza de acțiune a copiilor. Depozitați mașina într-un loc care nu este expus la umezeală sau ploaie.

Când depozitați dispozitivul de atașare separat de unitatea de acționare, puneți capacul pe capătul țevii.

► Fig.23

Lubrifierea pieselor în mișcare

NOTĂ: Urmați instrucțiunile pentru frecvența și cantitatea de unsoare furnizate. În caz contrar, lubrifierea insuficientă poate deteriora componentele în mișcare.

Axa motoare:

Aplicați vaselină (vaselină Makita N No.2 sau echivalent) la fiecare 25 de ore de funcționare.

► Fig.24

NOTĂ: Vaselina Makita originală poate fi achiziționată de la distribuitorul dumneavoastră Makita local.

Lubrifiere cu unsoare

Interval de lubrifiere: La fiecare 25 ore de funcționare

1. Scoateți bolțul din orificiul pentru lubrifiere.

► Fig.25: 1. Bolț

2. Aplicați vaselina (vaselină Makita SG No.0 sau o vaselină echivalentă) pe mașină (aproximativ 3,0 g cu titlu orientativ).

3. Strângeți bolțul.

DEPANARE

Înainte de a solicita reparații, efectuați mai întâi propria inspecție. În cazul în care găsiți o problemă care nu este explicată în manual, nu încercați să demontați echipamentul. În schimb, adresați-vă Centrelor de service autorizate Makita, utilizând întotdeauna piese de schimb Makita pentru reparații.

Stare de anormalitate	Cauză probabilă (defecțiuni)	Remediu
Motorul nu pornește.	-	Consultați manualul de instrucțiuni al unității de acționare.
Motorul se oprește imediat.	-	Consultați manualul de instrucțiuni al unității de acționare.
Turația motorului nu crește.	-	Consultați manualul de instrucțiuni al unității de acționare.
Lama de plivit nu se mișcă: ⇒ opriți imediat mașina!	Sistemul de acționare nu funcționează corect.	Solicitați centrului de service autorizat local efectuarea reparațiilor.
Vibrații anormale: ⇒ opriți imediat mașina!	Lama de plivit este ruptă, îndoită sau uzată.	Înlocuiți lama de plivit.
	Sistemul de acționare nu funcționează corect.	Solicitați centrului de service autorizat local efectuarea reparațiilor.
Lama de plivit și motorul nu se opresc: ⇒ Scoateți imediat acumulatorul!	Defecțiune electrică.	Scoateți acumulatorul și solicitați reparații din partea centrului de service autorizat local.

ACCESORII OPȚIONALE

ATENȚIE: Folosiți accesoriile sau piesele auxiliare recomandate pentru mașina dumneavoastră Makita în acest manual. Utilizarea altor accesorii sau piese auxiliare poate prezenta risc de accidentări. Utilizați accesoriile sau piesele auxiliare numai în scopul destinat.

Dacă aveți nevoie de asistență sau de mai multe detalii referitoare la aceste accesorii, adresați-vă centrului local de service Makita.

- Lamă de plivit
- Lama cultivatorului
- Acumulator și încărcător original Makita

NOTĂ: Unele articole din listă pot fi incluse ca accesorii standard în ambalajul produsului. Acestea pot diferi în funcție de țară.

ТЕХНІЧНІ ХАРАКТЕРИСТИКИ

Модель:	WA400MP
Ширина різання	220 мм
Габаритні розміри (Д × Ш × В)	980 × 226 × 196 мм
Маса нетто	2,8 кг

- Оскільки наша програма наукових досліджень і розробок триває безперервно, наведені тут технічні характеристики можуть бути змінені без попередження.
- У різних країнах технічні характеристики можуть бути різними.

Схвалений приводний інструмент

Цю насадку схвалено для використання з такими приводними інструментами:

- Акумуляторний багатофункціональний приводний інструмент DUX60
- Акумуляторний багатофункціональний приводний інструмент DUX18
- Акумуляторний багатофункціональний приводний інструмент UX01G

⚠ ПОПЕРЕДЖЕННЯ: Заборонено використовувати насадку з приводним інструментом, який не було схвалено. Використання комбінації пристроїв, яку не було схвалено, може призвести до серйозних травм.

Символи

Далі наведено символи, які можуть застосовуватися для позначення обладнання. Перед користуванням переконайтеся, що ви розумієте їхнє значення.

	Прочитайте посібник з експлуатації та дотримуйтеся наведених у ньому вказівок.
	Надягайте каску, засоби захисту органів зору та слуху.
	Надягайте захисні рукавиці.
	Надягайте міцне взуття із підшвами, що не ковзають.
	Попередження. Перед технічним обслуговуванням необхідно від'єднати акумулятор.
	Тримайте стопи подалі від леза для видалення бур'янів.
	Сторонні особи й тварини не повинні наближатися до електроінструмента на відстань менше 5 м.



Гарячі поверхні! Можливі опіки пальців і рук.



Гарантований рівень звукової потужності відповідно до Директиви ЄС щодо шумів поза приміщеннями.



Рівень звукової потужності відповідно до Регламенту Австралії (Новий Південний Уельс) з контролю за шумом

Призначення

Ця насадка призначена лише для видалення бур'яну на землі й використовується разом із рекомендованим приводним інструментом. Заборонено використовувати насадку з іншою метою. Неналежне використання насадки може призвести до тяжких травм.

Декларація про відповідність стандартам ЄС

Тільки для країн Європи

Ми, виробники цього обладнання: компанія **Makita Europe N.V.**, юридична адреса: **Jan-Baptist Vinkstraat 2 3070 Kortenberg BELGIUM** (Бельгія), уповноважуємо **Kazuhsa Makino** скласти технічну документацію та під свою виключну відповідальність заявляємо про те, що виріб;

Позначення: **насадка для видалення бур'янів.**

Модель: **WA400MP.**

Відповідає всім застосовним вимогам директиви **2006/42/ЄС**, а також усім застосовним вимогам таких директив ЄС, як **2000/14/ЄС**, і виробляється згідно з такими гармонізованими стандартами: **EN 62841-1:2015+A11:2022, EN ISO 11806-1:2022, EN IEC 62841-4-7:2022+A11:2022.**

Місце й дата декларації: **Kortenberg, Belgium (Бельгія). 27. 9.2023**

Відповідальна особа: **Kazuhsa Makino**, директор компанії **Makita Europe N.V.**



ПОПЕРЕДЖЕННЯ ПРО ДОТРИМАННЯ ТЕХНІКИ БЕЗПЕКИ

Попередження про дотримання техніки безпеки щодо насадки для видалення бур'янів

- 1. Заборонено використовувати пристрій за несприятливих погодних умов, особливо коли є ризик виникнення грозового розряду.** Це правило дає змогу зменшити ризик ураження блискавкою.
- 2. Перевірте, чи немає диких тварин у зоні, де буде використовуватись обладнання.** Під час роботи пристрій може травмувати тварин.
- 3. Ретельно перевірте зону, де буде використовуватися пристрій, і приберіть із неї каміння, гілки, дроти, кістки й інші сторонні предмети.** Предмети, що відскакують, можуть спричинити травмування.
- 4. Перед використанням пристрою завжди оглядайте леза для видалення бур'янів на наявність пошкоджень.** Пошкоджені деталі підвищують ризик травмування.
- 5. Дотримуйтесь інструкцій із заміни приладдя.** Неправильне затягування гайок чи болтів, які кріплять лезо, може призвести до пошкодження чи від'єднання леза.
- 6. Одягайте засоби захисту очей, вух, голови й рук.** Належне захисне спорядження знижує кількість травм від сміття, що розлітається, або від випадкового контакту з лінією різання чи лезом.
- 7. Під час роботи з обладнанням завжди надягайте захисне взуття з підшвами, які не ковзають.** Заборонено працювати з пристроєм босоніж або у відкритих сандалях. Це правило дає змогу зменшити ризик травмування стоп унаслідок контакту з різакми чи дротами, що рухаються.
- 8. Перед використанням пристрою обов'язково надягайте довгі штани.** Оголення частин тіла збільшує ризик травмування об'єктами, які відскакують від пристрою.
- 9. Поблизу пристрою, що працює, не повинно бути сторонніх осіб.** Сміття, що відлітає, може спричинити тяжкі травми.
- 10. Під час роботи пристрій завжди слід тримати двома руками.** Утримання пристрою двома руками допоможе запобігти втраті контролю.
- 11. Пристрій слід тримати тільки за спеціальні ізольовані поверхні, оскільки різальний дріт чи лезо можуть зачепити приховану електропроводку.** Торкання різальним дротом чи лезами електропроводки під напругою може призвести до передавання напруги до оголених металевих частин пристрою й до ураження оператора електричним струмом.
- 12. Завжди зберігайте стійке положення й користуйтеся пристроєм лише тоді, коли стоїте на землі.** Робота на слизьких або нестійких поверхнях може призвести до втрати рівноваги й контролю над пристроєм.
- 13. Не використовуйте пристрій на дуже крутих схилах.** Це правило зменшує ризик втрати керування, зісковзування та падіння, що можуть спричинити травмування.
- 14. Працюючи на схилах, завжди займайте стійке положення, рухайтесь поперек схилів, а не вгору чи вниз, і будьте надзвичайно обережні, якщо змінюєте напрямок.** Це правило зменшує ризик втрати керування, зісковзування та падіння, що можуть спричинити травмування.
- 15. Коли пристрій працює, тримайтеся подальше від леза для видалення бур'янів. Перш ніж запускати пристрій, слід переконатися, що лезо для видалення бур'янів нічого не торкається.** Одна мить необережності під час роботи з пристроєм може призвести до травмування оператора чи інших осіб.
- 16. Під час роботи не піднімайте пристрій вище пояса.** Дотримання цих правил допоможе уникнути непередбачуваного контакту з лезом для видалення бур'янів і дасть змогу краще контролювати пристрій у непередбачуваних ситуаціях.
- 17. Будьте уважні під час скошування чагарників або саджанців, які напружені, адже вони можуть вивільнитися й відскочити.** Коли натяг волокон деревини різко зменшується, чагарник або саджанець можуть вдарити оператора та (або) призвести до втрати керування над пристроєм.
- 18. Слід бути дуже обережним під час обрізання кущів і порості.** Гнучкі гілки можуть бути захоплені лезом, і їх може потягнути в напрямку до оператора, або оператора може потягнути, і він втратить рівновагу.
- 19. Тримайте пристрій під контролем і не торкайтесь леза для видалення бур'янів та інших небезпечних рухомих деталей, коли вони рухаються.** Це дасть змогу знизити ризик травмування рухомими деталями.
- 20. Пристрій слід переносити у вимкненому стані, тримаючи подальше від тіла.** Правильне поводження з пристроєм знизить вірогідність випадкового контакту рухомих різаків, ліній чи лезом.
- 21. Під час транспортування або зберігання пристрою завжди встановлюйте кожух на лезо для видалення бур'янів.** Правильне поводження з пристроєм знизить вірогідність випадкового контакту з лезом.
- 22. Використовувати слід тільки запасні леза для видалення бур'янів, зазначені виробником.** Використання неправильних запасних частин може збільшити ризик поломки й травмування.
- 23. Перш ніж видаляти застряглі обрізки або проводи для обслуговування пристрою, переконайтеся, що вимикач вимкнено, а блок акумулятора вийнято.** Несподіване вимкнення пристрою під час видалення застряглих предметів або обслуговування може призвести до тяжких травм.

Додаткові попередження про необхідну обережність

Загальні положення

1. Для того щоб забезпечити належну роботу, користувач повинен прочитати цю інструкцію для ознайомлення з правилами поводження з пристроєм. Недостатньо інформовані користувачі піддають себе та інших небезпеці через неправильне поводження з інструментом.
2. Ніколи не дозволяйте користуватися цим інструментом дітям, особам з обмеженими фізичними, сенсорними або розумовими можливостями, особам із недостатнім досвідом чи знаннями або людям, які не ознайомилися з інструкцією з використання пристрою. Обмеження віку оператора може регулюватися місцевим законодавством.
3. Пристроєм слід завжди користуватись із максимальною обережністю й увагою.
4. Працювати із пристроєм можна тільки в доброму фізичному стані. Усю роботу виконуйте спокійно та обережно. Під час роботи керуйтеся здоровим глуздом і пам'ятайте, що оператор або користувач несуть відповідальність за нещасні випадки та безпеку, якій вони піддають інших людей або їхнє майно.
5. Ніколи не працюйте з інструментом, коли інші люди, особливо діти, або домашні тварини є поблизу.
6. Двигун треба негайно вимкнути, якщо під час роботи з пристроєм виникли проблеми або незвичайна ситуація.
7. Коли ви відпочиваєте або залишаєте пристрій без нагляду, зупиніть двигун, дістаньте касету з акумулятором і покладіть пристрій у належне місце, щоб запобігти небезпеці інших осіб або пошкодженню пристрою.
8. Не використовуйте пристрій за поганих погодних умов, особливо коли є ризик виникнення грозового розряду.

Засоби індивідуального захисту

1. Перед використанням пристрою вдягайте засіб для захисту очей і надійні черевики.
2. На час роботи з інструментом завжди взувайте міцне взуття та надягайте довгі штани.

Запуск пристрою

1. Упевніться, що поблизу немає дітей та інших людей або тварин. Інакше припиніть роботу з пристроєм.
2. Під час роботи сторонні особи й тварини мають перебувати на відстані щонайменше 5 м від інструмента. У разі наближення будь-якої особи або тварини негайно вимкніть інструмент.
3. Перед початком роботи завжди переконуйтеся, що пристрій перебуває в безпечному для роботи стані. Перевіряйте надійність кріплення різального інструмента, а також легкість і надійність функціонування курка вмикача. Переконайтеся, що ручки чисті та сухі, після чого перевірте функціональність запуску/зупинки пристрою.

4. Перевірте пристрій на наявність пошкоджених частин перед подальшим його використанням. Пошкоджену деталь слід уважно оглянути, щоб переконатися в тому, що вона може й надалі виконувати свої функції належним чином. Перевіряйте положення та закріплення рухомих частин, наявність поломок частин, монтаж та інші аспекти, які можуть впливати на експлуатацію інструмента. Ремонтувати або замінювати пошкоджені деталі повинні спеціалісти авторизованого сервісного центру, якщо в цій інструкції не зазначено інше.
5. Вмикайте двигун тільки тоді, коли руки та ноги перебувають подалі від різального інструмента.
6. Перед запуском пристрою впевніться, що різальний інструмент не торкається інших об'єктів.
7. Під час роботи міцно тримайте інструмент.
8. Не допускайте випадкового запуску. Не переносьте інструмент з установленою в нього касетою з акумулятором і поклавши палець на перемикач. Під час установки касети з акумулятором переконайтеся в тому, що вмикач вимкнений.
9. Перед початком роботи перевірте робочу ділянку на наявність дратяних загорю, каміння або інших твердих об'єктів. Вони можуть пошкодити лезо для видалення бур'янів.
10. Перед початком робіт з інструментом перевіряйте живопліт і куші на наявність сторонніх предметів, як-от дратяні загорю чи прихована електропроводка.

Порядок роботи

1. Пристрій можна використовувати тільки за умов належного освітлення та видимості. Узимку слід берегтися слизьких або вологих ділянок, льоду та снігу (безпека ковзання). Будьте завжди обережними, стоячи на схилах. Рухайтесь спокійно, не бігайте.
2. Будьте обережні, щоб не травмувати ноги або руки різальним інструментом.
3. Ніколи не стійте на сходах під час роботи з пристроєм.
4. Ніколи не залізайте на дерева для виконання робіт за допомогою пристрою.
5. Не працюйте на нестійких поверхнях.
6. Якщо в межах місця роботи є цвяхи, пісок, каміння тощо, їх слід прибрати. Сторонні частки можуть пошкодити різальний інструмент і призвести до небезпечної віддачі.
7. Якщо різальний інструмент наштовхнувся на каміння або на інші тверді предмети, слід негайно вимкнути двигун та оглянути різальний інструмент.
8. Періодично оглядайте різальний інструмент на наявність пошкоджень (виявлення тонких тріщин за допомогою шуму, що має характер постукування).

9. Завжди знімайте касету з акумулятором із пристрою:
 - коли залишаєте пристрій без нагляду;
 - перш ніж прочистити засмічення;
 - перед перевіркою, очищенням або роботою з пристроєм;
 - після зіткнення зі сторонніми предметами;
 - коли пристрій починає незвичайно вібрувати.
10. Різальна частина продовжує рухатися після того, як двигун було вимкнено.
11. Під час надягання чи зняття кожуха леза будьте уважні, щоб не травмувати свої руки.

Інструкції щодо технічного обслуговування

1. Перед початком роботи необхідно перевірити стан пристрою, особливо його різального інструмента, а також захисних засобів.
2. Вимикайте двигун і знімайте касету з акумулятором, перш ніж виконувати технічне обслуговування, заміну різального інструмента або чищення пристрою чи різального інструмента.
3. Коли інструмент не використовується, вдягайте чохол на леза інструмента й зберігайте інструмент у сухому замкненому місці на висоті поза зоною досяжності дітей.

ЗБЕРІГАЙТЕ ЦІ ВКАЗІВКИ.

▲ПОПЕРЕДЖЕННЯ: НІКОЛИ НЕ втрачайте пильності та не розслабляйтеся під час користування виробом (що можливо при частому користуванні); обов'язково строго дотримуйтеся відповідних правил безпеки. **НЕНАЛЕЖНЕ ВИКОРИСТАННЯ** або недотримання правил техніки безпеки, викладених у цій інструкції з експлуатації, може призвести до серйозних травм.

ОПИС ДЕТАЛЕЙ

- **Рис.1:** 1. Кожух пили 2. Ковпачок 3. Лезо для видалення бур'янів

ЗБОРКА

▲ПОПЕРЕДЖЕННЯ: Перед збиранням або регулюванням обладнання вимкніть двигун і витягніть касету з акумулятором. У разі недотримання цієї вимоги машина може випадково ввімкнутися, що може призвести до травмування.

▲ПОПЕРЕДЖЕННЯ: Обов'язково кладіть обладнання на горизонтальну поверхню перед збиранням або регулюванням. Збирання або регулювання обладнання у вертикальному положенні може призвести до серйозної травми.

▲ПОПЕРЕДЖЕННЯ: Дотримуйтеся попереджень і застережень, наведених у розділі «ПОПЕРЕДЖЕННЯ ПРО НЕОБХІДНІСТЬ ДОТРИМАННЯ ТЕХНІКИ БЕЗПЕКИ» та посібнику з експлуатації приводного інструмента.

Збирання насадки

1. Прикріпіть 2 регулювальні пластини до насадки таким чином, щоб пази пластин були спрямовані назовні.

► **Рис.2:** 1. Регулювальна пластина

2. Прикріпіть лезо для видалення бур'янів до регулювальних пластин, трохи відкривши лезо назовні.

Під час закріплення леза для видалення бур'янів упевніться, що стрілки вказують у напрямку труби.

- **Рис.3:** 1. Стрілка

Кут леза для видалення бур'янів можна змінити, сумістивши виступ на лезі для видалення бур'янів з одним із виступів на регулювальних пластинах.

- **Рис.4:** 1. Виступ

УВАГА: Переконайтеся, що стрілки на робочій частині леза для видалення бур'янів спрямовані, як показано на рисунку.

- **Рис.5:** 1. Стрілка

3. Упевніться, що лезо для видалення бур'янів зачеплено з регулювальними пластинами.

- **Рис.6**

4. Вставте болт із боку без гайки та затягніть болт гайковим ключем.

Переконайтеся, що болт надійно затягнуто.

- **Рис.7:** 1. Болт 2. Гайка

ПРИМІТКА: Момент затягування: 5–10 Н•м

Монтаж трубки-насадки

▲ОБЕРЕЖНО: Завжди перевіряйте надійність закріплення трубки насадки після її встановлення. Неналежне встановлення може призвести до падіння насадки з приводного інструмента й травм.

Монтаж трубки-насадки на приводний блок.

1. Зніміть ковпачок з кінця трубки.

- **Рис.8:** 1. Трубка 2. Ковпачок

УВАГА: Не викидайте ковпачок – він знадобиться для зберігання насадки.

2. Натисніть на важіль у бік насадки.

► **Рис.9:** 1. Важіль

3. Сумістіть штифт зі стрілкою на приводному агрегаті. Вставте трубку таким чином, щоб піднялася кнопка розблокування.

Переконайтеся в тому, що лінія положення суміщена з кінцем мітки у вигляді стрілки на приводному агрегаті, а мітка у вигляді стрілки на приводному агрегаті й мітка на трубі розташовані одна навпроти іншої.

► **Рис.10:** 1. Кнопка розблокування 2. Мітка у вигляді стрілки на приводному агрегаті 3. Штифт 4. Лінія позиціонування 5. Мітка у вигляді стрілки на трубі

4. Поверніть важіль у бік приводного інструмента.

► **Рис.11:** 1. Важіль

Поверхня важеля має бути розташована паралельно трубі.

УВАГА: Не затягуйте важіль, якщо трубку насадки не вставлено. Інакше важіль може занадто сильно стиснути вхідний отвір приводного вала й пошкодити його.

Щоб зняти трубку, поверніть важіль у бік насадки й витягніть трубку, одночасно натискаючи на кнопку розблокування.

► **Рис.12:** 1. Кнопка розблокування 2. Важіль 3. Трубка

Зняття або встановлення кожуха ножових полотен

Щоб зняти кожух леза, посуňte кожух леза всередину й поверніть його.

► **Рис.13:** 1. Кожух леза

Щоб закріпити кожух леза, закріпіть кожух леза з одного боку леза для видалення бур'янів, а потім поверніть його.

► **Рис.14:** 1. Кожух леза

ПРИМІТКА: Кожух леза можна прикріпити до труби, як показано на рисунку.

► **Рис.15:** 1. Кожух леза

Установлення й зняття леза для видалення бур'янів

⚠ОБЕРЕЖНО: Перед заміною леза для видалення бур'янів завжди вдягайте рукавиці, щоб уникнути прямого контакту рук із лезом для видалення бур'янів.

⚠ОБЕРЕЖНО: Прикріплюйте кожух леза, перш ніж знімати чи встановлювати лезо для видалення бур'янів.

1. Прикріпіть кожух леза до леза для видалення бур'янів.

2. За допомогою ключа послабте й зніміть болт.

► **Рис.16:** 1. Болт

3. Зніміть лезо для видалення бур'янів, трохи відкривши лезо для видалення бур'янів назовні.

► **Рис.17**

Установіть лезо для видалення бур'янів, дотримуючись інструкцій щодо збирання насадки.

ОПИС РОБОТИ

⚠ОБЕРЕЖНО: Обов'язково переконайтеся, що прилад вимкнено, а касету з акумулятором знято, перед регулюванням або перевіркою функціонування інструмента.

Порядок регулювання кута різання

⚠ОБЕРЕЖНО: Перед регулюванням кута різання переконайтеся, що інструмент вимкнено.

Кут леза для видалення бур'янів можна змінювати, для чого передбачено три рівні. Щоб змінити кут, сумістіть виступ на лезі для видалення бур'янів з одним із виступів на регульовальних пластинах, а потім установіть лезо для видалення бур'янів.

1. Використовуючи гайковий ключ, послабте болт, який фіксує різальне лезо.

2. Сумістіть виступ на лезі для видалення бур'янів з одним із виступів на пластинах регулювання.

3. Знову затягніть болт, щоб зафіксувати різальне лезо.

► **Рис.18:** 1. Виступ

РОБОТА

⚠ПОПЕРЕДЖЕННЯ: Дотримуйтеся попереджень і застережень, наведених у розділі «ПОПЕРЕДЖЕННЯ ПРО НЕОБХІДНІСТЬ ДОТРИМАННЯ ТЕХНІКИ БЕЗПЕКИ» та посібнику з експлуатації приводного інструмента.

Експлуатація інструмента

⚠ПОПЕРЕДЖЕННЯ: Тримайте руки подалі від леза для видалення бур'янів.

⚠ПОПЕРЕДЖЕННЯ: Будьте надзвичайно обережні й постійно зберігайте контроль над інструментом. Не дозволяйте інструменту відхилятися у ваш бік або в бік інших осіб, що знаходяться поблизу місця роботи. Через втрату контролю над інструментом оператор та інші особи можуть отримати серйозні травми.

⚠ПОПЕРЕДЖЕННЯ: Перед видаленням бур'янів приберіть із робочої ділянки гілки й каміння.

ПРИМІТКА: Цей інструмент призначений для видалення бур'янів до 15 см (5-7/8").

► **Рис.19**

⚠ ОБЕРЕЖНО: Якнайменше використовуйте інструмент у спекотну погоду. Під час використання інструмента стежте за своїм фізичним станом.

⚠ ОБЕРЕЖНО: Будьте обережні: не допускайте випадкового контакту з металом або іншими твердими об'єктами під час видалення бур'янів. Лезо для видалення бур'янів може зламатися й спричинити травму.

⚠ ОБЕРЕЖНО: Не намагайтеся дотягнутися до віддалених зон, коли працюєте з інструментом, особливо стоячи на драбині – це надзвичайно небезпечно. Під час роботи не стійте на нестійкій або неміцній поверхні.

УВАГА: Не використовуйте інструмент для дій, що можуть призвести до зупинки або дуже повільного обертання двигуна.

Тримайте інструмент обома руками, утримуючи його за передню ручку та задню ручку приводного агрегату.
► **Рис.20:** 1. Передня ручка 2. Задня ручка

Увімкніть інструмент, тримаючи лезо для видалення бур'янів над землею. Помістіть лезо для видалення бур'янів на землю, а потім штовхайте інструмент уперед, щоб повільно видаляти бур'яни. Працювати легше, коли лезо для видалення бур'янів розташоване майже перпендикулярно землі.
► **Рис.21**

► **Рис.22**

ТЕХНІЧНЕ ОБСЛУГОВУВАННЯ

⚠ ПОПЕРЕДЖЕННЯ: Перед оглядом або технічним обслуговуванням обладнання вимкніть двигун і зніміть касету з акумулятором. У разі недотримання цієї вимоги машина може випадково запуститися й спричинити тяжкі травми.

⚠ ПОПЕРЕДЖЕННЯ: обов'язково кладіть обладнання на горизонтальну поверхню перед оглядом або технічним обслуговуванням. Збирання або регулювання обладнання у вертикальному положенні може призвести до серйозної травми.

⚠ ПОПЕРЕДЖЕННЯ: Дотримуйтеся попереджень і застережень, наведених у розділі «ПОПЕРЕДЖЕННЯ ПРО НЕОБХІДНІСТЬ ДОТРИМАННЯ ТЕХНІКИ БЕЗПЕКИ» та посібнику з експлуатації приводного інструмента.

⚠ ОБЕРЕЖНО: Під час огляду або проведення технічного обслуговування одягайте рукавиці.

УВАГА: Ніколи не використовуйте газолін, бензин, розріджувач, спирт та подібні речовини. Їх використання може призвести до зміни кольору, деформації або появи тріщин.

Для забезпечення БЕЗПЕКИ та НАДІЙНОСТІ продукції, її ремонт, а також роботи з обслуговування або регулювання повинні виконуватись уповноваженими або заводськими сервісними центрами Makita із використанням запчастин виробництва компанії Makita.

Очищення інструмента

Щоб очистити інструмент, протріть на ньому пил сухою тканиною або занурте його в мильну воду та вийміть звідти.

Технічне обслуговування леза

Після роботи приберіть траву й коріння з леза.

УВАГА: Не мийте лезо у воді. Це може призвести до утворення іржі й пошкодження леза чи насадки.

Зберігання

Прикріпіть кожух леза до леза для видалення бур'янів. Зберігайте інструмент у недоступному для дітей місці. Зберігайте інструмент у місці, що не зазнає впливу вологи та дощу.

Якщо насадка зберігається окремо від приводного інструмента, закривайте кінець труби ковпачком.

► **Рис.23**

Змащування деталей, що рухаються

УВАГА: Виконуйте інструкції щодо періодичності й обсягу застосування консистентного мастила. У разі невиконання цієї вимоги недостатнє змащування може призвести до пошкодження рухомих деталей.

Ведуча вісь

Нанесіть мастило (мастило Makita N No.2 або аналогічне) кожні 25 годин роботи.

► **Рис.24**

ПРИМІТКА: Оригінальне мастило Makita можна придбати в дилера компанії Makita.

Змащування консистентним мастилом

Інтервал змащування: кожні 25 години роботи

1. Вийміть болт з отвору для змащення.

► **Рис.25:** 1. Болт

2. Нанесіть мастило (мастило Makita SG No.0 чи еквівалентне) на інструмент (приблизно 3,0 г).

3. Затягніть болт.

УСУНЕННЯ НЕСПРАВНОСТЕЙ

Перш ніж звертатися з приводу ремонту інструмента, проведіть його перевірку самостійно. У разі виявлення несправності, яку не описано в цьому посібнику, не намагайтеся розібрати інструмент. Натомість зверніться до авторизованих сервісних центрів Makita та використовуйте для ремонту тільки запасні частини виробництва компанії Makita.

Стан відхилення від норми	Можлива причина (несправність)	Спосіб виправлення
Двигун не запускається.	—	Див. посібник з експлуатації приводного інструмента.
Двигун швидко зупиняється.	—	Див. посібник з експлуатації приводного інструмента.
Швидкість обертів двигуна не збільшується.	—	Див. посібник з експлуатації приводного інструмента.
Лезо для видалення бур'янів не рухається: ⇒ негайно зупиніть інструмент!	Система приводу працює неправильно.	Зверніться до місцевого авторизованого сервісного центру з приводу ремонту.
Аномальна вібрація: ⇒ негайно зупиніть інструмент!	Лезо для видалення бур'янів зламано, зігнуте чи зношене.	Замініть лезо для видалення бур'янів.
	Система приводу працює неправильно.	Зверніться до місцевого авторизованого сервісного центру з приводу ремонту.
Лезо для видалення бур'янів і двигун не можуть зупинитися: ⇒ Негайно зніміть акумулятор!	Несправність електричної частини.	Зніміть акумулятор та зверніться до місцевого авторизованого сервісного центру з приводу ремонту.

ДОДАТКОВЕ ПРИЛАДДЯ

⚠ ОБЕРЕЖНО: Це допоміжне приладдя й насадки рекомендовано використовувати з машиною Makita, зазначеною в цьому посібнику. Використання будь-якого іншого додаткового приладдя й насадок може призвести до травмування. Використовуйте додаткове приладдя й насадки лише за призначенням.

У разі необхідності отримати допомогу в більш детальному ознайомленні з оснащенням звертайтеся до місцевого сервісного центру Makita.

- Лезо для видалення бур'янів
- Лезо культиватора
- Оригінальний акумулятор та зарядний пристрій Makita

ПРИМІТКА: Деякі елементи в списку можуть входити до комплекту поставки обладнання як стандартне приладдя. Вони можуть різнитися залежно від країни.

ТЕХНИЧЕСКИЕ ХАРАКТЕРИСТИКИ

Модель:	WA400MP
Ширина резания	220 мм
Размеры (Д x Ш x В)	980 мм x 226 мм x 196 мм
Масса нетто	2,8 кг

- Благодаря нашей постоянно действующей программе исследований и разработок указанные здесь технические характеристики могут быть изменены без предварительного уведомления.
- Технические характеристики могут различаться в зависимости от страны.

Одобрённый силовой агрегат



Допустимо использование этой насадки только со следующими силовыми агрегатами:

- Многофункциональный аккумуляторный привод для садовых насадок DUX60
- Многофункциональный аккумуляторный привод для садовых насадок DUX18
- Многофункциональный аккумуляторный привод для садовых насадок UX01G

⚠ ОСТОРОЖНО: Запрещается использовать насадку с неодобренным силовым агрегатом. Неодобренное сочетание компонентов может стать причиной серьезной травмы.

Символы

Ниже приведены символы, которые могут использоваться для обозначения оборудования. Перед использованием убедитесь в том, что вы понимаете их значение.

	Прочитайте инструкцию по эксплуатации и соблюдайте все предписания.
	Надевайте каску, защитные очки и используйте средства защиты слуха.
	Используйте защитные перчатки.
	Обувайте прочные ботинки с нескользящими подошвами.
	Осторожно! Перед техническим обслуживанием необходимо отсоединить аккумулятор.
	Не держите ноги вблизи пропального лезвия.
	Следите, чтобы люди и животные находились на расстоянии не менее 5 метров от силового агрегата.



Горячие поверхности - возможен ожог рук и пальцев.



Гарантированный уровень звуковой мощности в соответствии с Директивой ЕС по шумам вне помещений.



Уровень звуковой мощности в соответствии с Регламентом Австралии (Новый Южный Уэльс) по контролю за шумом

Назначение

Данная насадка предназначена только для выпалывания травы на поверхности земли в сочетании с одобренным силовым агрегатом. Запрещается использовать насадку для других целей. Несоблюдение инструкций по эксплуатации насадки может стать причиной серьезной травмы.

Декларация о соответствии ЕС

Только для европейских стран

Мы, производитель: **Makita Europe N.V.**, адрес компании: **Jan-Baptist Vinkstraat 2 3070 Kortenberg BELGIUM (Бельгия)**, предоставляем **Kazuhiisa Makino** право на составление технической документации и заявляем под нашу исключительную ответственность, что продукция; Обозначение: **Насадка-плоскорез**. Обозначение типа(-ов): **WA400MP**.

Соответствуют всем относящимся к ней положениям **2006/42/ЕС**, а также всем относящимся к ней положениям следующих директив ЕС/EU: **2000/14/ЕС**, а также изготовлены в соответствии со следующими единичными стандартами: **EN 62841-1:2015+A11:2022, EN ISO 11806-1:2022, EN IEC 62841-4-7:2022+A11:2022**.

Место и дата принятия декларации: **Kortenberg, Belgium (Бельгия), 27. 9.2023**
 Ответственное лицо: **Kazuhiisa Makino, руководитель компании Makita Europe N.V.**



МЕРЫ БЕЗОПАСНОСТИ

Правила техники безопасности при эксплуатации насадки-плоскореза

1. **Не пользуйтесь машиной в неблагоприятных погодных условиях, особенно при наличии опасности удара молнии.** Это снижает риск поражения молнией.
2. **Внимательно осмотрите участок, где будет использоваться машина, и убедитесь в отсутствии диких животных.** Во время работы машины оказавшиеся поблизости дикие животные могут быть травмированы.
3. **Внимательно осмотрите участок, где будет использоваться машина, и уберите отсюда все камни, палки, провода, кости и другие посторонние предметы.** Отброшенные предметы могут нанести травму.
4. **Перед использованием машины обязательно осматривайте пропальное лезвие визуально с целью убедиться в отсутствии его повреждений.** Поврежденная деталь увеличивает риск получения травмы.
5. **Следуйте инструкциям по смене насадок.** Ненадлежащая затяжка гаек или болтов, фиксирующих лезвие, может привести либо к повреждению лезвия, либо к его отрыву.
6. **Надевайте средства защиты глаз, слуха, головы и рук.** Надлежащее защитное оборудование снижает риск получения травм от разлетающихся частиц или при случайном прикосновении к режущему полотну или лезвию.
7. **При работе с машиной обязательно надевайте нескользящую защитную обувь.** Не работайте с машиной босиком или в открытых сандалиях. Это позволит снизить риск получения травмы при соприкосновении ноги с движущимися ножами или полотнами.
8. **На время работы с газонокосилкой обязательно надевайте длинные брюки.** Отсутствие защиты кожи повышает вероятность травмирования отлетающими предметами.
9. **При работе с машиной не допускайте посторонних к месту выполнения работ.** Отлетающие осколки могут привести к тяжелым травмам.
10. **При работе с машиной обязательно следует держать ее двумя руками.** Это поможет избежать потери управления.
11. **Держите машину только за специальные изолированные поверхности, поскольку режущее полотно или лезвие может соприкоснуться со скрытой электропроводкой.** Прикосновение режущего полотна или лезвия к находящемуся под напряжением проводу может привести к тому, что неизолированные металлические детали машины также окажутся под напряжением, и вызвать поражение оператора электрическим током.
12. **Обязательно сохраняйте устойчивое положение ног и работайте с машиной только стоя на поверхности земли.** Скользкие или неустойчивые поверхности могут вызвать потерю равновесия или управления машиной.
13. **Не работайте с машиной на чрезмерно крутых склонах.** Это снижает вероятность потери контроля, подкальзывания и падения, которые могут привести к травме.
14. **При работе на склонах обязательно сохраняйте устойчивое положение ног, двигайтесь вдоль поверхности откосов, а не вверх или вниз, и соблюдайте особую осторожность при изменении направления движения.** Это снижает вероятность потери контроля, подкальзывания и падения, которые могут привести к травме.
15. **Не приближайте пропальное лезвие к каким-либо частям тела при работающей машине. Перед запуском машины убедитесь в том, что пропальное лезвие ни к чему не прикасается.** Даже мгновенная невнимательность во время работы с машиной может привести к серьезной травме оператора или других лиц.
16. **Не работайте с машиной выше уровня талии.** Это поможет предотвратить непреднамеренное прикосновение к пропальному лезвию и обеспечит лучшую управляемость машины в непредвиденных ситуациях.
17. **При резке кустарников или молодых деревьев в натянутом состоянии внимательно следите за возможной отдачей.** При снятии натяжения в волокнах древесины стельбы кустарника или молодого дерева может ударить оператора и/или вывести машину из-под контроля.
18. **Соблюдайте особую осторожность при резке кустарника и молодых деревьев.** Лезвие может застрять в гибком материале, в результате чего вас может хлестнуть веткой, или вы можете потерять равновесие в результате рывка.
19. **Сохраняйте контроль над машиной и не касайтесь пропальное лезвие и других опасных движущихся деталей, пока они находятся в движении.** Это позволит снизить вероятность травмирования движущимися деталями.
20. **При переноске машины выключайте ее и не приближайте к своему туловищу.** Правильное обращение с машиной снижает вероятность случайного соприкосновения с движущимся ножом, полотном или лезвием.
21. **При транспортировке или хранении машины обязательно надевайте чехол на пропальное лезвие.** Надлежащее обращение с машиной снижает вероятность случайного соприкосновения с движущимся лезвием.
22. **Используйте только сменные пропальное лезвие, указанные производителем.** Ненадлежащие сменные детали могут повысить риск поломки или травмы.

23. При удалении застрявших материалов или обслуживании машины убедитесь в том, что переключатель находится в выключенном положении, а аккумуляторный блок извлечен или отсоединен. Неожиданный запуск машины во время удаления застрявших материалов или обслуживания может привести к тяжелым травмам.
2. Во время работы посторонние люди или животные должны находиться на расстоянии не менее 5 м от инструмента. В случае приближения кого-либо немедленно останавливайте инструмент.
3. Перед началом использования обязательно проверяйте безопасность оборудования для эксплуатации. Проверьте безопасность режущего узла, а также легкость нажатия и правильность работы триггерного переключателя. Убедитесь, что рукоятки находятся в чистом и сухом состоянии, и проверьте функционирование пуска/останова.

Дополнительные предупреждения о безопасности

Общие указания

1. Чтобы обеспечить правильную эксплуатацию, пользователь должен прочитать данное руководство для ознакомления с правилами обращения с оборудованием. Недостаточно информированные пользователи подвергают опасности себя и окружающих.
2. Не разрешайте пользоваться изделием детям, людям с ограниченными физическими, сенсорными или умственными возможностями, либо не имеющим соответствующего опыта или знаний для работы с этим оборудованием, а также лицам, не ознакомившимся с данным руководством. Обратите внимание, что в местном законодательстве могут существовать возрастные ограничения для операторов.
3. Используйте оборудование с максимальной осторожностью и вниманием.
4. Используйте оборудование только в том случае, если находитесь в хорошей физической форме. Выполняйте все работы спокойно и аккуратно. Руководствуйтесь здравым смыслом; помните, что оператор/пользователь несет ответственность за происшествя и опасные ситуации с другими людьми или их собственностью.
5. Запрещается эксплуатировать устройство, если поблизости находятся люди (в особенности дети) или животные.
6. В случае возникновения проблем с оборудованием или его ненадлежащей работы немедленно выключите двигатель.
7. На время перерыва в работе или оставляя устройство без присмотра, выключите его и извлеките блок аккумулятора, затем положите его в безопасное место, чтобы не допустить травмирования окружающих или повреждения оборудования.
8. Не рекомендуется использовать устройство в неблагоприятных погодных условиях, особенно в случае риска удара молнии.
4. Перед дальнейшим использованием оборудования осмотрите его на предмет поврежденных деталей. Поврежденная деталь должна быть тщательно проверена с целью убедиться в том, что она будет работать надлежащим образом и выполнять свою предусмотренную функцию. Убедитесь в соосности и свободном ходе движущихся деталей, отсутствии поломок деталей, надежности крепления и отсутствии каких-либо других условий, которые могут повлиять на его работу. Поврежденная деталь должна быть надлежаще отремонтирована или заменена в авторизованном сервисном центре, если в руководстве по эксплуатации не указано иное.
5. Включайте двигатель только если руки и ноги находятся на безопасном расстоянии от режущего узла.
6. Перед пуском двигателя убедитесь, что режущий узел ничего не касается.
7. Во время работы крепко удерживайте инструмент.
8. Не допускайте случайного запуска. Не переносите инструмент с установленным в него блоком аккумулятора и держа палец на переключателе. При установке блока аккумулятора убедитесь в том, что выключатель выключен.
9. Перед началом работ убедитесь в отсутствии проволочных изгородей, камней или других твердых предметов в рабочей зоне. Они могут повредить прополочную лезвие.
10. Перед началом работ с инструментом проверяйте изгородь и кустарники на наличие посторонних предметов, таких как проволочные ограждения или скрытая электропроводка.

Способ эксплуатации

Индивидуальные средства защиты

1. При эксплуатации устройства обязательно носите средства защиты глаз и прочную обувь.
2. На время эксплуатации инструмента обязательно надевайте длинные брюки и прочную обувь.

Включение оборудования

1. Убедитесь, что поблизости от места работы нет детей и других лиц, а также животных. В противном случае выключите оборудование.
4. Запрещается залезать на деревья для выполнения обрезки.

5. Запрещается работать на неустойчивых поверхностях.
6. Удаляйте из рабочей зоны песок, камни, гвозди и пр. Посторонние предметы могут повредить режущий узел и вызвать опасную отдачу инструмента.
7. В случае удара режущего узла о камень или другой твердый предмет немедленно выключите электродвигатель и осмотрите режущий узел.
8. Осматривайте режущий узел на предмет повреждений через непродолжительные отрезки времени (постукивание свидетельствует о наличии микротрещин).
9. Обязательно извлекайте блок аккумулятора в следующих случаях:
 - оставляя оборудование без присмотра;
 - перед устранением засора;
 - перед проверкой, очисткой или обслуживанием;
 - после удара о посторонний предмет;
 - при появлении ненормальной вибрации.
10. Режущие детали продолжают работать после выключения электромотора.
11. При креплении или снятии кожуха лезвия соблюдайте осторожность во избежание травмирования рук.

Инструкции по техническому обслуживанию

1. Перед началом работы необходимо проверить состояние устройства, в частности, защитных приспособлений режущего узла.
2. Выключите электродвигатель и извлеките блок аккумулятора, прежде чем приступать к обслуживанию, замене режущего узла или чистке оборудования/режущего блока.
3. Когда инструмент не используется, устанавливайте на лезвие чехол и храните инструмент в сухом запечатом месте на высоте, вне зоны досягаемости детей.

СОХРАНИТЕ ДАННЫЕ ИНСТРУКЦИИ.

⚠ОСТОРОЖНО: НЕ ДОПУСКАЙТЕ, чтобы удобство или опыт эксплуатации данного устройства (полученный от многократного использования) доминировали над строгим соблюдением правил техники безопасности при обращении с этим устройством. НЕПРАВИЛЬНОЕ ИСПОЛЬЗОВАНИЕ инструмента или несоблюдение правил техники безопасности, указанных в данном руководстве, может привести к тяжелой травме.

ОПИСАНИЕ ДЕТАЛЕЙ

- Рис.1: 1. Чехол для лезвий 2. Крышка
3. Прополочное лезвие

СБОРКА

⚠ОСТОРОЖНО: Перед сборкой или настройкой оборудования отключите двигатель и извлеките блок аккумулятора. В противном случае возможен непреднамеренный запуск инструмента, который может привести к получению травмы.

⚠ОСТОРОЖНО: Обязательно кладите инструмент на землю, прежде чем приступить к сборке или регулировке. Сборка или регулировка устройства в вертикальном положении может привести к серьезной травме.

⚠ОСТОРОЖНО: Соблюдайте меры безопасности и предосторожности, приведенные в главе «МЕРЫ БЕЗОПАСНОСТИ» и руководстве по эксплуатации силового агрегата.

Сборка насадки

1. Прикрепите к насадке 2 регулировочные пластины таким образом, чтобы канавки пластин были обращены наружу.

► Рис.2: 1. Регулировочная пластина

2. Прикрепите прополочное лезвие к регулировочным пластинам, слегка выгибая лезвие наружу.

При креплении прополочного лезвия убедитесь в том, что стрелка направлена в сторону трубы.

► Рис.3: 1. Стрелка

Угол прополочного лезвия может меняться путем совмещения выступа на прополочном лезвии с одним из выступов на регулировочных пластинах.

► Рис.4: 1. Выступ

ПРИМЕЧАНИЕ: Убедитесь в том, что стрелки на лицевой стороне прополочного лезвия направлены в сторону, указанную на рисунке.

► Рис.5: 1. Стрелка

3. Убедитесь в том, что прополочное лезвие находится в зацеплении с регулировочными пластинами.

► Рис.6

4. Вставьте болт сбоку без гайки и затяните болт гаечным ключом.

Убедитесь в том, что болт надежно затянут.

► Рис.7: 1. Болт 2. Гайка

ПРИМЕЧАНИЕ: Момент затяжки : 5 - 10 Н•м

Установка трубки насадки

⚠ВНИМАНИЕ: Всегда проверяйте, зафиксирована ли трубка насадки, после установки. Неправильная установка насадки может привести к ее падению с силового агрегата и стать причиной травмы.

Установка трубки насадки на силовой агрегат.

1. Снимите заглушку с конца трубки.

► Рис.8: 1. Трубка 2. Заглушка

ПРИМЕЧАНИЕ: Не выбрасывайте заглушку – она нужна для хранения насадок.

2. Поверните рычаг по направлению к насадке.

► **Рис.9:** 1. Рычаг

3. Выровняйте положение штифта относительно метки в виде стрелки на силовом агрегате. Вставьте трубку таким образом, чтобы кнопка разблокировки поднялась.

Убедитесь в том, что линия положения совмещена с концом метки в виде стрелки на силовом агрегате, а метка в виде стрелки на силовом агрегате и метка на трубе расположены одна напротив другой.

► **Рис.10:** 1. Кнопка разблокировки 2. Метка в виде стрелки на силовом агрегате 3. Штифт 4. Линия положения 5. Метка в виде стрелки на трубе

4. Поверните рычаг по направлению к силовому агрегату.

► **Рис.11:** 1. Рычаг

Убедитесь, что поверхность рычага расположена параллельно трубке.

ПРИМЕЧАНИЕ: Не затягивайте рычаг, не вставляя трубку насадки. В противном случае рычаг может слишком сильно зажать входное отверстие приводного вала и повредить его.

Для снятия трубки поверните рычаг по направлению к насадке и вытяните трубку, одновременно нажимая на кнопку разблокировки.

► **Рис.12:** 1. Кнопка разблокировки 2. Рычаг 3. Трубка

Снятие или прикрепление чехла для лезвий

Для снятия чехла с лезвия надавите на чехол лезвия внутрь и поверните его.

► **Рис.13:** 1. Чехол лезвия

Для прикрепления чехла лезвия зацепите чехол лезвия за одну сторону пропалочного лезвия, а затем поверните его.

► **Рис.14:** 1. Чехол лезвия

ПРИМЕЧАНИЕ: Чехол лезвия может крепиться к трубе, как показано на рисунке.

► **Рис.15:** 1. Чехол лезвия

Установка или снятие пропалочного лезвия

ВНИМАНИЕ: При замене пропалочного лезвия обязательно надевайте перчатки, чтобы не касаться его непосредственно руками.

ВНИМАНИЕ: Перед снятием или установкой пропалочного лезвия прикрепляйте к нему чехол.

1. Прикрепите чехол для лезвия к пропалочному лезвию.

2. Выверните болт, ослабив его гаечным ключом.

► **Рис.16:** 1. Болт

3. Снимите пропалочное лезвие, слегка выгнув его наружу.

► **Рис.17**

Установите пропалочное лезвие, следуя указаниям по разборке насадки.

ОПИСАНИЕ РАБОТЫ

ВНИМАНИЕ: Перед регулировкой или проверкой функций инструмента обязательно убедитесь, что он выключен и его аккумуляторный блок снят.

Регулировка угла срезания

ВНИМАНИЕ: Перед регулировкой угла срезания обязательно убедитесь в том, что инструмент выключен.

Угол пропалочного лезвия может меняться между тремя уровнями. Для изменения угла совместите выступ на пропалочном лезвии с одним из выступов на регулировочных пластинах, а затем установите пропалочное лезвие.

1. Ослабьте болт, фиксирующий режущее лезвие, с помощью гаечного ключа.

2. Совместите выступ на пропалочном лезвии с одним из выступов на регулировочных пластинах.

3. Повторно затяните болт для фиксации режущего лезвия.

► **Рис.18:** 1. Выступ

ЭКСПЛУАТАЦИЯ

ОСТОРОЖНО: Соблюдайте меры безопасности и предосторожности, приведенные в главе «МЕРЫ БЕЗОПАСНОСТИ» и руководстве по эксплуатации силового агрегата.

Эксплуатация инструмента

ОСТОРОЖНО: Не подносите руки близко к пропалочному лезвию.

ОСТОРОЖНО: Соблюдайте особую осторожность, чтобы сохранять контроль над инструментом во время работы. Не допускайте отклонения инструмента по направлению к вам или к другим людям, находящимся поблизости. Несоблюдение данного требования может привести к серьезным травмам посторонних лиц или оператора.

ОСТОРОЖНО: Перед прополкой уберите палки и камни из зоны прополки.

ПРИМЕЧАНИЕ: Данный инструмент предназначен для удаления сорняков длиной менее 15 см (5-7/8").

► **Рис.19**

▲ВНИМАНИЕ: По возможности не используйте инструмент в жаркую погоду. При работе с инструментом учитывайте свое физическое состояние.

▲ВНИМАНИЕ: Соблюдайте осторожность, чтобы во время прополки случайно не задеть металлическую ограду или другие твердые предметы. Прополочное лезвие может сломаться или нанести серьезную травму.

▲ВНИМАНИЕ: Не пытайтесь дотянуться инструментом до отдаленных участков, особенно с лестницы. Это крайне опасно. Во время работы не стойте на шатких или неустойчивых предметах.

ПРИМЕЧАНИЕ: Не используйте инструмент способами, заставляющими двигатель останавливаться или вращаться очень медленно.

Держите инструмент обеими руками, удерживая его за переднюю и заднюю рукоятки силового агрегата.

► **Рис.20:** 1. Передняя рукоятка 2. Задняя рукоятка

При включении инструмента отстраняйте прополочное лезвие от земли. Для выполнения прополки поместите прополочное лезвие на землю и тяните инструмент на себя. Размещение прополочного лезвия под углом, близким к перпендикуляру к поверхности земли, облегчает работу.

► **Рис.21**

► **Рис.22**

ОБСЛУЖИВАНИЕ

▲ОСТОРОЖНО: Перед осмотром или техническим обслуживанием оборудования отключите двигатель и извлеките блок аккумулятора. В противном случае возможен непреднамеренный запуск инструмента, который может привести к получению тяжелой травмы.

▲ОСТОРОЖНО: Во время осмотра или обслуживания оборудования обязательно положите его. Сборка или регулировка устройства в вертикальном положении может привести к серьезной травме.

▲ОСТОРОЖНО: Соблюдайте меры безопасности и предосторожности, приведенные в главе «МЕРЫ БЕЗОПАСНОСТИ» и руководстве по эксплуатации силового агрегата.

▲ВНИМАНИЕ: При осмотре и обслуживании надевайте защитные перчатки.

ПРИМЕЧАНИЕ: Запрещается использовать бензин, растворители, спирт и другие подобные жидкости. Это может привести к обесцвечиванию, деформации и трещинам.

Для обеспечения БЕЗОПАСНОСТИ и НАДЕЖНОСТИ оборудования ремонт, любое другое техобслуживание или регулировку необходимо производить в уполномоченных сервис-центрах Makita или сервис-центрах предприятия с использованием только сменных частей производства Makita.

Очистка инструмента

При выполнении очистки инструмента требуется вытирать пыль сухой либо смоченной мыльной водой и выжатой тканью.

Уход за лезвием

После работы удалите с лезвия спутанную траву или корни.

ПРИМЕЧАНИЕ: Не мойте лезвие в воде. Это может привести к повреждению лезвия или насадки либо появлению на них ржавчины.

Хранение

Прикрепите чехол для лезвия к прополочному лезвию. Храните инструмент в недоступном для детей месте. Храните инструмент в месте, защищенном от воздействия влаги или дождя.

При помещении насадки на хранение отдельно от силового агрегата наденьте заглушку на конец трубки.

► **Рис.23**

Смазка движущихся деталей

ПРИМЕЧАНИЕ: Соблюдайте рекомендованную периодичность и количество подачи смазки. Недостаточное количество смазки может привести к повреждению движущихся частей.

Приводная ось:

Наносите смазку (смазку Makita N No.2 или аналогичную) каждые 25 часов работы.

► **Рис.24**

ПРИМЕЧАНИЕ: Оригинальную смазку Makita можно приобрести у дилера Makita.

Смазывание консистентной смазкой

Интервал смазывания: каждые 25 часов работы

1. Удалите болт из отверстия для смазывания.

► **Рис.25:** 1. Болт

2. Нанесите смазку (смазку Makita SG No.0 или эквивалентную) на инструмент (рекомендуется приблизительно 3,0 г).

3. Затяните болт.

ПОИСК И УСТРАНЕНИЕ НЕИСПРАВНОСТЕЙ

Прежде чем обращаться по поводу ремонта, проведите осмотр самостоятельно. Если обнаружена неисправность, не указанная в руководстве, не пытайтесь разобрать инструмент. Обратитесь в один из авторизованных сервисных центров Makita, в которых для ремонта всегда используются оригинальные детали Makita.

Состояние неисправности	Возможная причина (неисправности)	Способ устранения
Двигатель не запускается.	-	См. руководство по эксплуатации силового агрегата.
Двигатель останавливается вскоре после запуска.	-	См. руководство по эксплуатации силового агрегата.
Частота вращения двигателя не повышается.	-	См. руководство по эксплуатации силового агрегата.
Прополочное лезвие не движется: ⇒ немедленно выключите машину!	Привод работает неправильно.	Обратитесь в местный авторизованный центр для ремонта.
Сильная вибрация: ⇒ немедленно выключите машину!	Поломка, изгиб или износ прополочного лезвия.	Замените прополочное лезвие.
	Привод работает неправильно.	Обратитесь в местный авторизованный центр для ремонта.
Прополочное лезвие и двигатель не останавливаются: ⇒ Немедленно извлеките аккумулятор!	Неисправность электрической части.	Извлеките аккумулятор и обратитесь в местный авторизованный сервисный центр для ремонта.

ДОПОЛНИТЕЛЬНЫЕ ПРИНАДЛЕЖНОСТИ

⚠ ВНИМАНИЕ: Эти принадлежности или насадки рекомендованы для использования с машиной Makita, указанной в этом руководстве. Использование других принадлежностей или насадок может привести к травме. Используйте принадлежность или насадку только по назначению.

Если вам необходимо содействие в получении дополнительной информации по этим принадлежностям, свяжитесь с вашим сервис-центром Makita.

- Прополочное лезвие
- Лапа культиватора
- Оригинальный аккумулятор и зарядное устройство Makita

ПРИМЕЧАНИЕ: Некоторые элементы из списка могут входить в комплект машины в качестве стандартных принадлежностей. Они могут различаться в зависимости от страны.

ТЕХНИКАЛЫҚ СИПАТТАМАЛАРЫ

Үлгі:	WA400MP
Кесу ені	220 мм
Өлшемдері (Ұ x Е x Б)	980 мм x 226 мм x 196 мм
Таза салмағы	2,8 кг

- Зерттеу мен өзірлеудің үздіксіз бағдарламасына байланысты осы құжаттағы техникалық сипаттамалар ескертусіз өзгертілуі мүмкін.
- Техникалық сипаттамалары әр елде әр түрлі болуы мүмкін.

Мақұлданған қуат қондырғысы

Бұл саптама төменде көрсетілген қуат қондырғы(лар)ымен ғана пайдалануға арналған:

- DUX60 Бақша саптамаларына арналған көпфункционалды аккумуляторлы жетек
- DUX18 Бақша саптамаларына арналған көпфункционалды аккумуляторлы жетек
- UX01G Бақша саптамаларына арналған көпфункционалды аккумуляторлы жетек

⚠ ЕСКЕРТУ: Саптаманы мақұлданбаған қуат қондырғысымен пайдалануға болмайды. Мақұлданбаған тіркесімде пайдалану ауыр жарақатқа себеп болуы мүмкін.

Белгілер

Төменде жабдықта пайдаланылуы мүмкін белгілер көрсетілген. Пайдалану алдында олардың мағынасын түсініп алыңыз.



Пайдалану нұсқаулығын оқып шығып, ережелерді орындаңыз.



Қорғағыш дулыға киіп, қорғағыш көзілдірік пен құлаққап тағыңыз.



Қорғағыш қолғап киіңіз.



Табаны тайғанамайтын, мықты аяқ киім киіңіз.



Ескерту; аккумуляторды техқызмет көрсетпес бұрын ажыратыңыз.



Аяқтарыңызды арамшөп отау пышағына жақындатпаңыз.



Айналадағы адамдар мен жануарлар электрлік құралдан кемінде 5 м қашықтықта болуы керек.



Беті ыстық - саусақтарды немесе қолды күйдіреді.



Кепілдік берілетін дыбыс қысымының деңгейі ЕО сыртқы шуыл бойынша директивасына сәйкес келеді.



Дыбыс қуатының деңгейі Австралияның NSW шуылды басқару туралы ережесіне сәйкес келеді

Қолдану мақсаты

Бұл қондырма мақұлданған қуат қондырғысына жалғанып, жердегі арамшөптерді отауға ғана арналған. Қондырманы басқа мақсатпен пайдалануға мүлде болмайды. Қондырманы қате пайдалану салдарынан ауыр жарақат алуыңыз мүмкін.

ЕС сәйкестік декларациясы

Тек Еуропа елдеріне арналған

Біз өндірушілер ретінде: **Makita Europe N.V.**, Бизнес мекен-жайы: **Jan-Baptist Vinkstraat 2 3070 Kortenberg, БЕЛЬГИЯ. Kazuhisa Makino** атты директорға техникалық құжатты аяқтауға уәкімдік беру және айрықша жауапкершілігімізбен өнім(дер) нің келесідей екенін мәлімдейміз;
Атауы: **сыдыра жыртқыш саптамасы**. Түр(лер)інің атауы: **WA400MP**.
2006/42/ЕС директивасының және **2000/14/ЕС** ЕС/ЕО директиваларының барлық тиісті талаптарына сәйкес келеді, сондай-ақ **EN 62841-1:2015+A11:2022, EN ISO 11806-1:2022, EN IEC 62841-4-7:2022+A11:2022** келісілген стандарттарына сай өндірілген.
Декларацияның жасалған жері және күні: **Kortenberg, Бельгия. 27. 9.2023**
Жауапты адам: **Kazuhisa Makino, директор - Makita Europe N.V.**

ҚАУІПСІЗДІК БОЙЫНША ЕСКЕРТУЛЕР

Сыдыра жыртқыш саптамасының қауіпсіздік техникасы бойынша ескертүүлөр

1. Құрылғыны ауа райы нашар болғанда, әсіресе найзағай тию қауіп бар болған жағдайда пайдаланбаңыз. Осылайша найзағай соғу қауіп азаяды.
2. Құрылғы қолданылатын аумақта жануарлардың бар-жоғын мұқият тексеріңіз. Құрылғы пайдаланылған кезде, жануарларға зақым келуі мүмкін.
3. Құрылғы қолданылатын аумақты мұқият тексеріп, тастардың, таяқтардың, сым темірлердің, сүйектердің барлығын, сондай-ақ басқа бөтен заттарды алып тастаңыз. Жан-жаққа ұшқан заттар адамды жарақаттауы мүмкін.
4. Құрылғыны пайдалану алдында арамшөп отау пышағының зақымдалмағанын міндетті түрде қарап тексеріңіз. Зақымдалған бөліктен жарақаттану қауіп артады.
5. Аксессуарларды ауыстыру нұсқауларын орындаңыз. Пышақты бекітетін гайкалар немесе болттар жақсылап бұрап тартылмаса, пышақ зақымдалуы немесе ажырап кетуі мүмкін.
6. Көзді, құлақты, басты және қолды қорғайтын құралдарды киіңіз. Тиісті қорғаныс құралдар ұшатын сынықтардан, не болмаса қиатын бөлікке немесе пышаққа байқаусызда тиіп кетуден жарақаттану қауіпін азайтады.
7. Құрылғыны пайдаланған кезде міндетті түрде таймайтын және қорғайтын аяқ киім киіңіз. Құрылғыны жалаң аяқ жүріп немесе ашық сандал киіп пайдаланбаңыз. Бұдан қозғалатын пышақтарға немесе бөліктерге тиіп аяқты жарақаттау мүмкіндігі азаяды.
8. Құрылғыны пайдаланған кезде міндетті түрде ұзын балақты шалбар киіңіз. Дененің ашық жерлерін ұшқан заттардан жарақаттау ықтималдығы артады.
9. Құрылғыны пайдаланған кезде, адамдарды жақындатпаңыз. Ұшқан сынықтар адамдарды ауыр жарақаттауы мүмкін.
10. Құрылғыны міндетті түрде екі қолмен пайдаланыңыз. Құрылғыны екі қолмен ұстасаңыз, оған ие бола алмай қалу жағдайына тап болмайсыз.
11. Құрылғыны оқшауланған арнайы ұстау беттерінен ғана ұстаңыз, себебі кесетін бөлік немесе пышақ көрінбей тұрған сым темірге тиіп кетуі мүмкін. Кесетін бөлік немесе пышақтар кернеулі сым темірге тиіп кетсе, құрылғының ашық металл бөліктерінде кернеу пайда болуы мүмкін, нәтижесінде пайдаланушыны ток соғуы мүмкін.
12. Әрдайым аяқта нық тұрыңыз және құрылғыны тек жерде тұрып пайдаланыңыз. Тайғақ немесе тұрақсыз беттердің салдарынан тепе-теңдігіңіз бұзылуы немесе құрылғыға ие бола алмай қалуыңыз мүмкін.
13. Құрылғыны тым құлама беткейлерде пайдаланбаңыз. Сонда құрылғыға ие бола алмай қалу, тайғанау және құлау қауіп азайып, жарақаттанбайсыз.
14. Еңіс жерлерде жұмыс істегенде, құрылғызды міндетті түрде нық қойыңыз, еңісті міндетті түрде көлденең кесіп жұмыс істеңіз, жоғары немесе төмен мүлде жүрмеңіз және бағытты өте абайлап өзгертіңіз. Сонда құрылғыға ие бола алмай қалу, тайғанау және құлау қауіп азайып, жарақаттанбайсыз.
15. Құрылғы жұмыс істеп тұрғанда, денеңіздің ешбір бөлігін арамшөп отау пышағына жақындатпаңыз. Құрылғыны іске қоспай тұрып, арамшөп отау пышағының ешнәрсеге тиіп тұрмағанына көз жеткізіңіз. Құрылғыны пайдаланған кезде көңіліңіз бір сәтке ауып кетсе, өзіңіз жарақаттануыңыз және басқа адамдар жарақаттануы мүмкін.
16. Құрылғыны белден жоғары көтеріп пайдаланбаңыз. Осылайша арамшөп отау пышағы байқаусызда тиіп кетпейді және құрылғыға күтпеген жағдайларда жақсырақ басқарасыз.
17. Керіліп тұрған бұталарды немесе көшеттерді қиған кезде, абайлаңыз. Олар кері серпілуі мүмкін. Ағаш талшықтарындағы керіліс босаған кезде, бұта немесе көшет пайдаланушыны соғуы және/немесе құрылғыны қолдан қағып жіберуі мүмкін.
18. Бұталар мен көшеттерді қиған кезде, аса мұқият болыңыз. Жіңішке материал пышаққа ілініп, сізді осып жіберуі немесе тепе-теңдігіңізді бұзуы мүмкін.
19. Құрылғыға ие болыңыз және арамшөп отау пышағын және басқа қозғалатын қауіпті бөлшектерді қозғалып тұрғанда ұстамаңыз. Осылайша қозғалатын бөлшектерден жарақаттану қауіп азаяды.
20. Құрылғыны өшіріп және денеңізден алыс ұстап тасыңыз. Құрылғыны дұрыс қолдансаңыз, қозғалатын кескішке, кесетін бөлікке немесе пышаққа байқаусызда тиіп кету ықтималдығы азаяды.
21. Құрылғыны тасымалдағанда немесе сақтағанда, арамшөп отау пышағының жабынын міндетті түрде орнатыңыз. Құрылғыны дұрыс қолдансаңыз, пышаққа байқаусызда тиіп кету ықтималдығы азаяды.
22. Өндіруші белгілеп көрсеткен қосалқы арамшөп отау пышақтарын ғана пайдаланыңыз. Басқа қосалқы бөлшектерден сыну және жарақаттану қауіп артуы мүмкін.
23. Тұрып қалған материалды алып тастаған немесе құрылғы күтімін жасаған кезде, қосқышты өшіру және аккумулятор блогын шығару керек. Тұрып қалған материалды алып жатқанда немесе күтім жасап жатқанда құрылғы күтпеген жерден іске қосылса, ауыр жарақат алуыңыз мүмкін.

Қауіпсіздік техникасы бойынша қосымша ескертулер

Жалпы нұсқаулар

1. Дұрыс жұмыс істеуді қамтамасыз ету үшін пайдаланушы осы нұсқаулықты оқып шығып, жабдықты пайдалануды үйренуі қажет. Қауіп-қатер жайлы хабардар болмаған адамдар дұрыс пайдаланбауы себебінен өздеріне де, басқаларға да қауіп төндіреді.
2. Балалардың, физикалық, сенсорлық немесе ақыл-ой қабілеті төмен немесе тәжірибесі мен білімі жетіспейтін адамдардың, сондай-ақ осы құрылғыны пайдалану нұсқауларын оқымаған адамдардың бұл құрылғыны пайдалануына болмайды. Жергілікті ережелер бойынша оператор жасына шектеу қойылуы мүмкін.
3. Жабдықты қолданған кезде назар аударыңыз және сақ болыңыз.
4. Өзіңізді жақсы сезінсеңіз ғана (ауырып тұрмасаңыз, шаршамасаңыз) осы жабдықты қолданыңыз. Барлық жұмысты байыппен және мұқият орындаңыз. Қырағылық танытыңыз және оператор немесе пайдаланушы басқа адамдарға немесе олардың мүлкіне байланысты туындайтын жазатайым оқиғаларға немесе қауіптерге жауапты екенін ескеріңіз.
5. Жақын жерде адамдар, әсіресе балалар немесе үй жануарлары болса, машинаны пайдаланбаңыз.
6. Жабдықта қандай да бір мәселе немесе қалыптан тыс жағдай пайда болса, мотор бірден өшіріледі.
7. Демалған кезде және жабдықты қараусыз қалдырсаңыз, басқалар жараланбауы және жабдық зақымдалмауы үшін, оны өшіріңіз және аккумулятор картриджін шығарып алып, қауіпсіз жерге қойыңыз.
8. Құрылғыны нашар ауа райы жағдайларында, әсіресе найзағай тию қаупі бар болған жағдайда пайдаланбаңыз.

Жеке қорғаныс жабдығы

1. Құрылғыны пайдаланған кезде, көз қорғанысы мен берік аяқ киімді киіңіз.
2. Құрылғымен жұмыс істеу барысында әрдайым берік аяқ киім мен ұзын шалбар киіңіз.

Жабдықты іске қосу

1. Маңайда ешбір адам немесе бала жоқтығын тексеріңіз, сондай-ақ жұмыс аймағындағы жануарларға да назар аударыңыз. Болмаса, жабдықты пайдалануды тоқтатыңыз.
2. Пайдаланған кезде, айналадағы адамдар немесе жануарлар құралдан кемінде 5 м қашықтықта болуы керек. Біреу жақындаған кезде, құралды тоқтатыңыз.
3. Пайдалану алдында, жабдықты қауіпсіз пайдалануға болатынын міндетті түрде тексеріңіз. Кескіш құрал мен ауыстырғыш шүріппе қауіпсіздігін және оларды оңай және дұрыс пайдалануға болатынын тексеріңіз. Тұтқалардың таза және құрғақ екенін тексеріңіз және іске қосу/өшіру функциясын сынаңыз.
4. Жабдықты әрі қарай пайдалану алдында, зақымдалған бөлшектерді тексеріңіз. Зақымдалған бөлшекті мұқият тексеру және оның дұрыс істейтініне және мақсатына сай функциясын атқара алатынына көз жеткізу қажет. Қозғалмалы бөлшектердің ығысып кетпегенін, тұтылып қалмағанын, бөлшектердің зақымдалмағанын, орнатылғанын және құрылғының жұмысына теріс әсер ете алатын басқа жағдайлардың бар-жоғын тексеріңіз. Осы нұсқаулықта басқаша нұсқау берілмесе, зақымдалған бөлшек мақұлданған сервистік орталығымызда тиісті түрде жөнделуі немесе ауыстырылуы тиіс.
5. Қол мен аяқ кесу құралынан алыс болған кезде ғана моторды қосыңыз.
6. Моторды іске қоспай тұрып, кескіш құралдың ешнәрсеге тимей тұрғанын тексеріңіз.
7. Құралды пайдаланған кезде оны қатты ұстаңыз.
8. Құралдың кездейсоқ іске қосылуынан сақ болыңыз. Аккумулятор картриджі орнатылған кезде, саусағыңызды ауыстырып-қосқышқа қойып, құралды тасымаңыз. Аккумулятор картриджін орнатқанда, ауыстырып-қосқыштың өшірілгеніне көз жеткізіңіз.
9. Пайдалану алдында, жұмыс аймағында сым темірлі қоршаулардың, тастардың немесе басқа қатты заттардың бар-жоғын тексеріңіз. Олар арамшөп отау пышағын зақымдауы мүмкін.
10. Бұл құралды пайдаланбас бұрын көгал мен бұталарда бөгде заттардың, мысалы сым қоршауларының немесе жасырын сымдардың болмауын тексеріп алыңыз.

Қолдану әдісі

1. Жабдықты тек жарық және жақсы көрінетін жерде пайдаланыңыз. Қысқы маусымда тайғақ немесе сулы, мұзды және қарлы аймақтардан (сырғанау қаупі) абай болыңыз. Көлбеу жерде болғанда және жаяу жүргенде аяқта нық тұрып, ешқашан жүгірмеңіз.
2. Кескіш құралдың аяқ пен қолға келтіретін жарақаттан абай болыңыз.
3. Баспалдақта тұрып жабдықты іске қосуға болмайды.
4. Кесу жұмыстарын орындау үшін жабдықпен ағаштың үстіне шығуға болмайды.
5. Турақсыз беттерде жұмыс істеуге болмайды.
6. Жұмыс ауқымынан табылған құмды, тасты, шегені, т.б. алып тастаңыз. Бөгде бөлшектер кесу құралына зақым келтіріп, қауіпті кері соққыға әкелуі мүмкін.
7. Кескіш құрал тасқа немесе басқа қатты нысанға соғылса, моторды бірден өшіріп, кескіш құралды тексеріңіз.
8. Кескіш құралдың зақымдалмағанын жиі аралықта тексеріп тұрыңыз (тықылдайтын шубылдың көмегімен микрожарықтарды анықтау).

9. Жабдықтан аккумулятор картриджін үнемі алып тастаңыз:
 - жабдықты қараусыз қалдырғанда;
 - құлыптауды тазалау алдында;
 - жабдықты тексеру, тазалау немесе онымен жұмыс істеу алдында;
 - бөгде затты соққаннан кейін;
 - жабдықта қалыптан тыс діріл пайда болған жағдайда.
10. Кескіш құралдар мотор өшкеннен кейін де айналып тұрады.
11. Пышақ жабынын таққанда немесе шешіп алғанда, қолыңызды жарақаттап алмаңыз.

Техникалық қызмет көрсету нұсқаулары

1. Жұмысты бастамай тұрып, жабдықтың жағдайын, атап айтқанда, кескіш құралдың және қорғағыш құрылғылардың жағдайын тексеру қажет.
2. Жабдыққа немесе кескіш құралға техникалық қызмет көрсету, кескіш құралды ауыстыру және құралды тазалау алдында моторды өшіріп, аккумулятор картриджін алып шығарыңыз.
3. Құралды пайдаланбаған кезде оған жүз қақпағын кигізіп, құрғақ және балалардың қолы жетпейтін жабық жерде, жоғарыда сақтаңыз.

ОСЫ НҰСҚАУЛАРДЫ САҚТАҢЫЗ.

▲ ЕСКЕРТУ: Өнімді қайта пайдалану барысында САЛҒЫРТТЫҚ ТАНЫТПАЙ, қауіпсіздік ережелерін ұстаныңыз. Осы пайдалану жөніндегі нұсқаулықта келтірілген қауіпсіздік ережелерін ДҰРЫС ПАЙДАЛАНБАУ немесе орындамау ауыр жарақаттарға әкеп соқтыруы мүмкін.

БӨЛШЕКТЕР СИПАТТАМАСЫ

► **Сурет1:** 1. Жүз тысы 2. Қақпақ 3. Арамшөп отау пышағы

ҚҰРАСТЫРУ

▲ ЕСКЕРТУ: жабдықты жинау немесе реттеу алдында моторды өшіріп, аккумулятор картриджін шығарыңыз. Өйтпесе машина абайсызда іске қосылып, адамды жарақаттауы мүмкін.

▲ ЕСКЕРТУ: Жабдықты жинау немесе реттеу кезінде оны әрдайым төменге алып қойыңыз. Жабдықты жоғарыда жинау немесе реттеу ауыр жарақатқа әкелуі мүмкін.

▲ ЕСКЕРТУ: "ҚАУІПСІЗДІК ШАРАЛАРЫ" тарауындағы ескерту мен сақтық шараларын және қуат блогының нұсқаулығын орындаңыз.

Қондырманы орнату

1. 2 реттегіш пластинадағы ойықтарды сыртқа қаратып, пластиналарды қондырмаға бекітіңіз.
 - **Сурет2:** 1. Реттегіш пластина
2. Арамшөп отау пышағын сыртқа қарай аздап қайырып, пышақты реттегіш пластиналарына бекітіңіз. Арамшөп отау пышағын бекіткен кезде, көрсеткі түтікке қаратылуы тиіс.
 - **Сурет3:** 1. Көрсеткі

Арамшөп отау пышағындағы шығыңқы жер мен реттегіш пластиналардағы шығыңқы жерлердің біреуін бір-біріне туралау арқылы арамшөп отау пышағының бұрышын өзгертуге болады.

► **Сурет4:** 1. Шығыңқы жер

▲ НАЗАР САЛЫҢЫЗ: арамшөп отау пышағындағы көрсеткілерді суретте көрсетілген бағытқа қарату керек.

► **Сурет5:** 1. Көрсеткі

3. Арамшөп отау пышағы реттегіш пластиналарға бекітілгеніне көз жеткізіңіз.
 - **Сурет6**
4. Болтты гайкасыз жақтан салып, кілтпен бұрап тартыңыз. Болтты мықтап бұрап тарту керек.
 - **Сурет7:** 1. Болт 2. Гайка

ЕСКЕРТПЕ: Бұрау күші: 5-10 Н•м

Қондырма түтігін орнату

▲ САҚ БОЛЫҢЫЗ: Орнатқаннан кейін әрқашан қондырма түтігінің бекітілгенін тексеріңіз. Дұрыс орнатылмаған жағдайда қондырма қуат блогынан құлап, адам жарақат алуы мүмкін.

Қондырма түтігін қуат блогына орнатыңыз.

1. Түтік ұшынан қақпақты алып тастаңыз.
 - **Сурет8:** 1. Түтік 2. Қақпақ

▲ НАЗАР САЛЫҢЫЗ: Қақпақты лақтырмаңыз, себебі қақпақ қондырманы сақтау үшін қажет.

2. Тұтқаны қондырмаға қарай бұраңыз.
 - **Сурет9:** 1. Тетік

3. Істікті қуат блогындағы көрсеткі белгісімен біріктіріңіз. Шлангты салғанда, босату түймесі жоғары көтерілуі керек.

Жайғасым сызығы қуат блогындағы көрсеткі белгісінің соңында, ал қуат блогындағы көрсеткі белгісі мен шлангтағы көрсеткі белгісі бір-біріне қауап тұрғанына көз жеткізіңіз.

► **Сурет10:** 1. Босату түймесі 2. Қуат блогындағы көрсеткі белгісі 3. Істік 4. Орналасу сызығы 5. Шлангтағы көрсеткі белгісі

4. Тұтқаны қуат блогына қарай бұраңыз.

► **Сурет11:** 1. Тетік

Тұтқаның беті түтікке параллель екеніне көз жеткізіңіз.

НАЗАР САЛЫҢЫЗ: Қондырма түтігін салмайынша тұтқаны тартпаңыз. Әйтпесе, тұтқа жетек білігінің кірісін тым қатты қысып, зақымдауы мүмкін.

Түтікті алу үшін тұтқаны қондырмаға қарай бұраңыз және босату түймесін басып тұрып, түтікті тартып шығарыңыз.

► **Сурет12:** 1. Босату түймесі 2. Тетік 3. Түтік

Қайшы жүзінің жабынын шешіп алу немесе тағу

Пышақ жабынын алып тастау үшін, пышақ жабынын ішке қарай итеріп, бұрыңыз.

► **Сурет13:** 1. Пышақ жабыны

Пышақ жабынын бекіту үшін, оны арамшөп отау пышағының бір жағына іліңіз де, бұрыңыз.

► **Сурет14:** 1. Пышақ жабыны

ЕСКЕРТПЕ: Пышақ жабынын түтікке суретте көрсетілгендей бекітуге болады.

► **Сурет15:** 1. Пышақ жабыны

Арамшөп отау пышағының жабынын орнату немесе шешіп алу

▲САҚ БОЛЫҢЫЗ: арамшөп отау пышақтарын ауыстырған кезде, қолдарыңыз пышақтарға тиіп кетпеуі үшін, міндетті түрде қолғап киіп жүріңіз.

▲САҚ БОЛЫҢЫЗ: арамшөп отау пышағын шешіп алу немесе орнату алдында, пышақ жабынын тағыңыз.

1. Арамшөп отау пышағына жабынын кигізіңіз.

2. Болтты кілтпен босатып, бұрап алыңыз.

► **Сурет16:** 1. Болт

3. Арамшөп отау пышағын сыртқа қарай сәл қайырып, пышақты шешіп алыңыз.

► **Сурет17**

Қондырманы құрастыру нұсқауларын қарай отырып, арамшөп отау пышағын орнатыңыз.

ФУНКЦИОНАЛДЫҚ СИПАТТАМАСЫ

▲САҚ БОЛЫҢЫЗ: Құралдың функциясын реттемес және тексермес бұрын, әрдайым құралдың өшірулі екендігіне және аккумулятор картриджінің алынғанына көз жеткізіңіз.

Кесу бұрышын реттеу

▲САҚ БОЛЫҢЫЗ: кесу бұрышын реттеу алдында, құралды міндетті түрде өшіру керек.

Арамшөп отау пышағының бұрышын үш деңгейге өзгертуге болады. Бұрышты өзгерту үшін, арамшөп отау пышағындағы шығыңқы жер мен реттегіш пластиналардағы шығыңқы жерлердің біреуін бір-біріне туралап, содан кейін арамшөп отау пышағын орнатыңыз.

1. Кесетін пышақты бекітетін болттарды кілтпен бұрап босатыңыз.

2. Арамшөп отау пышағындағы шығыңқы жер мен реттегіш пластиналардағы шығыңқы жерлердің біреуін бір-біріне туралаңыз.

3. Болтты қайта бұрап тарту арқылы кесетін пышақты бекітіңіз.

► **Сурет18:** 1. Шығыңқы жер

ПАЙДАЛАНУ

▲ЕСКЕРТУ: "ҚАУІПСІЗДІК ШАРАЛАРЫ" тарауындағы ескерту мен сақтық шараларын және қуат блогының нұсқаулығын орындаңыз.

Құралды пайдалану

▲ЕСКЕРТУ: арамшөп отау пышағына қолдарыңызды жақындатпаңыз.

▲ЕСКЕРТУ: құралды үнемі қадағалау үшін өте сақ болыңыз. Құралдың жұмыс аймағында өзіңізге немесе өзгеге қарай ауытқып кетуіне жол бермеңіз. Құралды басқара алмай қалу оператордың және айналадағы адамның ауыр жарақат алуына әкелуі мүмкін.

▲ЕСКЕРТУ: бір жердің арамшөбін отамай тұрып, ол жердегі таяқтар мен тастарды алып тастаңыз.

ЕСКЕРТПЕ: Бұл құрал 15 см-ден (5-7/8 дюйм) қысқа арамшөптерді отауға арналған.

► **Сурет19**

▲САҚ БОЛЫҢЫЗ: Құралмен мүмкіндігінше ыстық ауа райында жұмыс істемейсіз. Құралмен жұмыс істеу кезінде физикалық жағдайыңызды есепке алыңыз.

▲САҚ БОЛЫҢЫЗ: арамшөпті отаған кезде, металл қоршауға немесе басқа қатты затқа байқаусызда тиіп кетпеңіз. Арамшөп отау пышағы сынып, адамды жаралауы мүмкін.

▲САҚ БОЛЫҢЫЗ: құралға, әсіресе сатыдан, тым қатты қол созу аса қауіпті. Теңселетін немесе берік емес нәрсенің үстінде тұрып жұмыс істеуге болмайды.

НАЗАР САЛЫҢЫЗ: Құралды мотордың тоқтауына немесе өте баяу айналуына әкелетін жолмен пайдалануға болмайды.

Құралды алдыңғы сабы мен қуат блогының артқы тұтқасынан екі қолыңызбен ұстаңыз.

► **Сурет20:** 1. Алдыңғы сап 2. Артқы тұтқа

Арамшөп отау пышағын жерден көтеріп алып, құралды қосыңыз. Арамшөп отау пышағын жерге қойыңыз да, құралды өзіңізге қарай баяу тартып арамшөп отаңыз. Арамшөп отау пышағы жерге перпендикуляр болатындай ұсталғанда, жұмыс оңай атқарылады.

► **Сурет21**

► **Сурет22**

ТЕХНИКАЛЫҚ ҚЫЗМЕТ КӨРСЕТУ

▲ЕСКЕРТУ: жабдықты тексеру немесе техникалық күтімін жасау алдында, моторды өшіріп, аккумулятор картриджін шығарыңыз. Әйтпесе машина абайсызда іске қосылып, адамды ауыр түрде жарақаттауы мүмкін.

▲ЕСКЕРТУ: Жабдықты тексеру немесе техникалық қызмет көрсету кезінде оны әрдайым төменге алып қойыңыз. Жабдықты жоғарыда жинау немесе реттеу ауыр жарақатқа әкелуі мүмкін.

▲ЕСКЕРТУ: "ҚАУІПСІЗДІК ШАРАЛАРЫ" тарауындағы ескерту мен сақтық шараларын және қуат блогының нұсқаулығын орындаңыз.

▲САҚ БОЛЫҢЫЗ: қарап тексерген немесе техникалық күтім жасаған кезде, қолғап киіңіз.

НАЗАР САЛЫҢЫЗ: Жанармайды, бензинді, сұйылтқышты, спиртті немесе соған ұқсас заттарды ешқашан пайдаланбаңыз. Нәтижесінде түссіздену, бұліну немесе жарықтар пайда болуына әкелуі мүмкін.

Өнімнің ҚАУІПСІЗДІГІ мен СЕНІМДІЛІГІН қамтамасыз ету үшін, жөндеу жұмыстары, кез келген басқа техникалық қызмет көрсету немесе реттеу әрдайым Makita қосалқы бөлшектерін пайдалану арқылы Makita компаниясының өкілетті немесе зауыттық қызмет көрсету орталықтары тарапынан орындалуы керек.

Құралды тазалау

Құрал шаңын құрғақ шүберекпен немесе сабынды суға батырылған шүберекті сығып алып тазалаңыз.

Пышақ күтімі

Пайдаланып болған соң, пышаққа оралып қалған шөпті немесе тамырларды алып тастаңыз.

НАЗАР САЛЫҢЫЗ: пышақты суға салып жууға болмайды. Әйтпесе оны тот басуы, не болмаса пышақ немесе қондырма зақымдануы мүмкін.

Сақтау

Арамшөп отау пышағына жабынын кігізіңіз. Құралды балалардың қолы жетпейтін жерде сақтаңыз.

Құралды ылғал немесе жаңбыр тимейтін жерде сақтаңыз.

Қондырма мен қуат блогын бөлек сақтаған кезде, қалпақты түтіктің ұшына кігізіңіз.

► **Сурет23**

Қозғалмалы бөлшектерін майлау

НАЗАР САЛЫҢЫЗ: Бөрілген майдың жиілігі мен мөлшері туралы нұсқауларды орындаңыз. Әйтпесе, майдың жеткіліксіз болуы қозғалмалы бөлшектерге зақым келтіруі мүмкін.

Жетекші білік:

Майды (Makita майы N No.2 немесе баламасы) жұмыстың әрбір 25 сағаты сайын жағып тұрыңыз.

► **Сурет24**

ЕСКЕРТПЕ: Түпнұсқа Makita майын жергілікті Makita дилерінен сатып алуға болады.

Қоюланған маймен майлау

Майлау аралығы: Пайдалану кезінде әр 25 сағат сайын

1. Майлау үшін болтын саңылаудан алып тастаңыз.

► **Сурет25:** 1. Болт

2. Құралға май (Makita майы SG No.0 немесе оның баламасы) жағыңыз (шамамен 3,0 г).

3. Болтты бекітіңіз.

АҚАУЛЫҚТАРДЫ ЖОЮ

Жөндеу жұмыстарына тапсырыс беруден бұрын, тексерулер жүргізіңіз. Нұсқаулықта көрсетілмеген мәселелер анықталса, құралды бөлшектемеңіз. Makita компаниясының өкілетті қызмет көрсету орталықтарына хабарласыңыз және жөндеу үшін әрқашан Makita қосалқы бөлшектерін пайдаланыңыз.

Ақаулы күйі	Ықтимал себебі (ақаулық)	Шешім
Мотор іске қосылмайды.	-	Сондай-ақ қуат блогының пайдалану нұсқаулығын қараңыз.
Мотор көп ұзамай тоқтайды.	-	Сондай-ақ қуат блогының пайдалану нұсқаулығын қараңыз.
Мотор жылдамдығы артпайды.	-	Сондай-ақ қуат блогының пайдалану нұсқаулығын қараңыз.
Арамшөп отау пышағы қозғалмайды: ⇒ машинаны дереу тоқтатыңыз!	Жетек жүйесі дұрыс жұмыс істемейді.	Жергілікті қызмет көрсету орталығынан жөндеуді сұраңыз.
Қалыптан тыс дірілдеу: ⇒ машинаны дереу тоқтатыңыз!	Арамшөп отау пышағы сынған, майысқан немесе тозған.	Арамшөп отау пышағын ауыстырыңыз.
	Жетек жүйесі дұрыс жұмыс істемейді.	Жергілікті қызмет көрсету орталығынан жөндеуді сұраңыз.
Арамшөп отау пышағы мен мотор тоқтамайды: ⇒ Дереве аккумуляторды шығарып алыңыз!	Электрлік ақаулық.	Аккумуляторды шығарып алыңыз және жергілікті өкілетті қызмет көрсету орталығынан жөндеп беруін сұраңыз.

ҚОСЫМША КЕРЕК-ЖАРАҚТАР

▲ САҚ БОЛЫҢЫЗ: Бұл керек-жарақтарды немесе қондырмаларды осы нұсқаулықта көрсетілген Makita машинасымен бірге пайдаланған дұрыс. Басқа керек-жарақтарды немесе қондырмаларды пайдалану адамдардың жарақаттануына әкелуі мүмкін. Керек-жарақты немесе қондырманы тек мақсатына сәйкес пайдаланыңыз.

Осы керек-жарақтар туралы қосымша мәлімет алу үшін көмек қажет болса, жергілікті Makita қызмет көрсету орталығына хабарласыңыз.

- Арамшөп отау пышағы
- Культиватор табаны
- Makita түпнұсқа аккумуляторы және зарядтау құрылғысы

ЕСКЕРТПЕ: Тізімдегі кейбір элементтер стандартты керек-жарақтар ретінде өнімнің қаптамасында болуы мүмкін. Олар әр елде әртүрлі болуы мүмкін.

規格

型號：	WA400MP
切割寬度	220 mm
尺寸 (長 × 寬 × 高)	980 mm × 226 mm × 196 mm
淨重	2.8 kg

- 生產者保留變更規格不另行通知之權利。
- 規格可能因銷往國家之不同而異。

認可的動力裝置

該組件僅可與以下認可的動力裝置組合使用：


- DUX60 充電式多功能動力機
- DUX18 充電式多功能動力機
- UX01G 充電式多功能動力機


警告：切勿將本組件和未經認可的動力裝置組合使用。未經認可的組合可能會造成嚴重的傷害。


符號


以下顯示本設備可能使用的符號。在使用工具前，請務必理解其涵義。


 閱讀並遵循使用說明書。

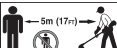
 請佩帶保護頭盔、護目鏡和護耳罩！


 佩帶保護手套。


 穿著具有防滑底的結實靴。


 警告；保養前請拔下電池。

 雙腳務必遠離鋤草刀片。

 確保電動工具的 5 m 範圍內無旁觀者和動物。

 表面高溫 - 手指或手易燙傷。

 符合歐盟戶外噪音指令的保證聲功率位準。

 符合澳洲 NSW 噪音控制條例的聲功率位準

用途

本組件僅適用於除去地上的雜草，且需與認證動力裝置搭配使用。切勿將本組件挪作他用。不正當使用本組件可能造成嚴重的人身傷害。

EC符合性聲明

僅用於歐洲國家

我們作為製造商：**Makita Europe N.V.**，公司地址：**Jan-Baptist Vinkstraat 2 3070 Kortenberg BELGIUM**。授予 **Kazuhisa Makino** 編寫技術檔案之權利，並在權責範圍內發表以下產品聲明；名稱：**鋤根器組**。型式：**WA400MP**。遵守 **2006/42/EC** 所有相關條款以及以下 EC/EU 指令的所有相關條款：**2000/14/EC** 並依照以下 Harmonised 標準製造：**EN 62841-1:2015+A11:2022, EN ISO 11806-1:2022, EN IEC 62841-4-7:2022+A11:2022**。
聲明地點和日期：**Kortenberg, Belgium。27. 9.2023**
負責人：**Makita Europe N.V. 董事 - Kazuhisa Makino**。



安全警告

鋤根器組安全警告

1. 請勿在惡劣的天氣環境下（尤其是雷雨天）使用機器。這可降低遭到雷擊的風險。
2. 請徹底檢查即將使用機器的地點是否有野生動物。野生動物可能會在機器的操作過程中受傷。
3. 請徹底檢查即將使用機器的地點，並將所有石頭、樹枝、鐵絲、骨頭和其他異物清除。拋擲的物體可能會造成人員受傷。
4. 使用機器前，務必目視檢查鋤草刀片未受損。使用受損零件會提高受傷風險。
5. 請遵循配件更換說明。若不當鎖緊固定螺帽或螺絲的刀片，可能會使刀片損壞或導致刀片脫落。
6. 請戴上護目鏡、護耳罩、頭部防護裝置和手部防護裝置。適當的防護設備可以減少受到飛濺碎片，或意外接觸切割線或刀片而造成的人身傷害。
7. 操作機器時，請務必穿著止滑的防護鞋。請勿在赤腳或穿著露趾涼鞋時操作本機器。這可降低雙腳因與移動的刀頭或切割線接觸而受傷的機率。
8. 使用機器時，請務必穿著長褲。外露的皮膚會增加因飛射物體而受傷的風險。
9. 操作本機器時，務必使旁觀者遠離。飛射的碎片可能會造成嚴重的人身傷害。
10. 請務必使用雙手操作機器。雙手握住機器可避免機器失控。
11. 由於切割線或刀片可能會接觸到隱藏的電線，請僅握持機器的絕緣握持表面。切割線或刀片接觸到「帶電」導線時，可能會使機器上暴露的金屬部分「帶電」並使操作人員觸電。
12. 作業時務必站穩，且只有站在地面上時才可操作機器。光滑或不穩的表面可能導致機器失去平衡或失控。
13. 請勿在陡坡上操作本機器。否則恐提高失控、打滑及墜落的風險，並造成人員受傷。
14. 在坡面上操作本機器時，請務必站穩，一律沿坡面進行操作，切勿朝上或朝下，並在變換方向時格外小心。否則恐提高失控、打滑及墜落的風險，並造成人員受傷。
15. 機器運轉時，請將身體所有部位遠離鋤草刀片。啟動機器前，請確定鋤草刀片沒有接觸任何物體。若在操作本機器期間分心，可能會導致您或他人受傷。
16. 操作機器時，請勿高於腰部。這樣有助於避免意外接觸鋤草刀片，並可在發生意外的情況下更易於控制機器。
17. 切割處於張力下的灌木叢或樹苗時，請小心避免被反彈的物體打到。當木材纖維的張力釋放時，灌木及樹苗可能擊中操作者及／或導致機器失去控制。
18. 切割灌木叢及樹苗時，務必小心謹慎。細長的材料可能會卡住刀片及飛向您，或讓您失去平衡。
19. 使機器維持在受控制的情況下，且鋤草刀片和其他危險的移動部件仍在動作時，請勿觸摸。這可減少移動部件造成受傷的風險。
20. 在機器電源關閉的情況下搬運機器，並確保機器遠離自己的身體。正確操作機器將可減少意外碰觸移動刀頭、切割線或刀片的可能性。
21. 運送或存放機器時，務必在鋤草刀片上蓋上護蓋。正確操作機器將可減少意外碰觸刀片的可能性。
22. 僅可使用製造商規定的替代鋤草刀片。不適當的替代零件可能會增加破裂或受傷的風險。
23. 清理卡住的材料或維修機器時，請確認開關已關閉且電池組已取下。清理卡住的材料或進行維修時，若意外啟動機器，可能會導致嚴重的人身傷害。

附加安全警告

一般操作說明

1. 為確保正確操作，使用者必須閱讀本操作說明，使自己熟悉本設備的操作方式。使用者若未充分掌握相關知識，將因操作不當而對自身及他人造成危險。
2. 切勿讓兒童或體力、感覺或心智不健全或缺乏經驗和知識或不熟悉本操作說明的人員使用本機器。當地法規可能會限制操作人員的年齡。
3. 使用本設備時務必特別小心和注意。
4. 如果您的身體狀況不佳，請勿操作本設備。執行各項工作時，請冷靜和小心。請運用常識，並時刻謹記：如果使他人或其財產遭受意外或危險，操作人員或使用者要為此負責。

- 切勿在附近有人（特別是兒童）或寵物的情況下操作本機器。
- 本設備出現任何問題或異常狀況時，請立即關閉電機。
- 當您休息時，或當本設備無人照看時，請關閉並拆下電池組，並將其放在安全位置，以免對他人造成危險，或使本設備受損。
- 切勿在惡劣天氣環境下（尤其是雷電天氣）使用本機器。

安全裝置

- 操作本機器時，應全程佩戴護目鏡並穿著厚實的鞋子。
- 操作本機器期間，務必穿著厚實的鞋子和長褲。

啟動本設備

- 確保附近無兒童或其他人員，並注意工作區域附近的動物。否則應停止使用本設備。
- 操作期間，請確保工具的 5 m 範圍內無任何旁觀者或動物。若有他人靠近，請立即停止工具。
- 使用前，請務必檢查本設備能否安全操作。檢查切割工具是否穩固，並檢查開關扳機能否操作自如且正確作動。檢查把手是否清潔和乾燥，並測試開關功能。
- 在繼續使用本設備前，檢查是否有部件受損。當部件受損時，應仔細加以檢查，判斷部件是否能夠正確運作及發揮應有功能。檢查移動部件是否對正及是否卡滯、零件是否破損、安裝是否正確，以及其他可能影響機器運轉的情況。當部件受損時，除非本手冊另有指示，否則應交由授權維修服務中心妥善修復或更換。
- 只有在手脚均遠離切割工具時才能啟動電機。
- 開始作業前，請確定切割工具並未接觸任何物品。
- 使用本工具時，請緊握本工具。
- 避免意外起動。裝有電池組且手指置於開關上時，請勿搬運工具。安裝電池組時，請確認開關已關閉。
- 操作之前，請檢查作業區域是否有鐵絲柵欄、石頭或其他堅硬物體。這類物品會損傷鋤草刀片。
- 在操作本工具之前請檢查籬笆與樹叢中是否有任何異物，如鐵絲柵欄或隱藏電線。

操作方法

- 只有在光線充足且可見度佳的情況下才能使用本設備。冬季時，應留意濕滑區域和冰、雪（可能滑倒）。在坡地上務必站穩，且務必只能走動，切勿奔跑。
- 請小心，勿使切割工具傷及手脚。
- 操作本設備時，切勿站在梯子上。
- 切勿為了以本設備執行切割作業而攀爬樹木。
- 切勿在不穩固的表面上工作。
- 如果在工作範圍內發現砂石和釘子等異物，請加以去除。外來顆粒可能使切割工具受損，且可能因彈飛而造成危險。
- 萬一切割工具碰觸到石頭或其他硬物，請立即關閉電機並檢查切割工具。
- 請定期且頻繁地檢查切割工具是否受損（可透過輕拍時所發出的聲響偵測有無細小裂紋）。
- 遇下列情況，務必從本設備上拆下電池組：
 - 本設備無人照看時；
 - 清除堵塞物前；
 - 檢查、清潔或保養本設備前；
 - 擊打到異物後；
 - 本設備出現異常震動時。
- 電機關閉後，切割裝置還會繼續運轉。
- 安裝或拆卸刀片保護罩時，小心不要傷到手。

保養注意事項

- 開始工作前，必須檢查本設備的狀況，尤其是切割工具和防護裝置的狀況。
- 在執行保養作業、更換切割工具或清潔本設備或切割工具前，請關閉電機並拆下電池組。
- 不使用時，請在工具上安裝刀片保護罩，並將工具存放在兒童接觸不到的室內乾燥高處或加鎖位置。

妥善保存這些手冊。

▲警告：請勿為圖方便或因對產品足夠熟悉（因重複的使用）而不嚴格遵循產品的安全規則。使用不當或不遵循本說明書中的安全規則會導致嚴重的人身傷害。

部件說明

- 圖片1: 1. 刀片保護罩 2. 蓋子 3. 鋤草刀片

裝配

⚠警告：組裝或調整設備前，請關閉馬達並取下電池組。否則，機器可能會意外啟動並導致受傷。

⚠警告：組裝或調整設備時，請始終將其放倒。組裝或調整設備時直立放置設備可能造成嚴重人身傷害。

⚠警告：遵循「安全警告」一節以及動力裝置使用說明書中的警告和注意事項。

組裝組件

1. 將 2 個調整板安裝至組件，使調整板的凹槽朝外。

▶ 圖片2: 1. 調整板

2. 將鋤草刀片安裝至調整板上，同時將刀片稍微向外開啟。

安裝鋤草刀片時，務必確保箭頭指向連接管。

▶ 圖片3: 1. 箭頭

將鋤草刀片的凸起部分對準調整板上的任一凸起部分，即可變更鋤草刀片的角度。

▶ 圖片4: 1. 凸起部分

注意：確定鋤草刀片上的箭頭朝向圖中所示的方向。

▶ 圖片5: 1. 箭頭

3. 確定鋤草刀片與調整板保持接合。

▶ 圖片6

4. 從沒有螺帽的那側插入螺栓，並使用扳手鎖緊螺栓。

確保螺栓確實緊固。

▶ 圖片7: 1. 螺栓 2. 螺帽

注：鎖緊扭力：5 - 10 N·m

安裝連接管

⚠小心：安裝完成後，務必檢查組件外管已確實固定。安裝不當可能造成組件自動力裝置脫落並導致人員受傷。

將連接管安裝於動力裝置。

1. 取下外管末端的蓋子。

▶ 圖片8: 1. 外管 2. 蓋子

注意：蓋子請勿丟棄，於收納本組件時會用到。

2. 將固定桿朝組件轉動。

▶ 圖片9: 1. 固定桿

3. 將插銷對齊動力裝置上的箭頭標誌。插入外管，直到釋放按鈕彈出。

確認位置線位於動力裝置上的箭頭標誌尖端，且動力裝置上的箭頭標誌及外管上的箭頭標誌彼此相對。

▶ 圖片10: 1. 釋放按鈕 2. 動力裝置上的箭頭標誌 3. 銷 4. 位置線 5. 外管上的箭頭標誌

4. 將固定桿朝動力裝置轉動。

▶ 圖片11: 1. 固定桿

確認固定桿表面與連接管平行。

注意：請勿在未插入組件外管的情況下鎖緊固定桿。否則固定桿可能會過度鎖緊傳動軸的入口並造成損壞。

若要取下組件外管，請將固定桿朝組件轉動，並於壓下釋放按鈕的同時拉出外管。

▶ 圖片12: 1. 釋放按鈕 2. 固定桿 3. 連接管

拆下或安裝刀片保護罩

若要拆下刀片保護罩，請將刀片保護罩向內推並將其轉動。

▶ 圖片13: 1. 刀片保護罩

若要安裝刀片保護罩，請將刀片保護罩鉤住鋤草刀片並將其轉動。

▶ 圖片14: 1. 刀片保護罩

注：如圖所示，可將刀片保護罩安裝至連接管上。

▶ 圖片15: 1. 刀片保護罩

安裝或拆卸鋤草刀片

⚠小心：更換鋤草刀片時，請務必配戴手套，以免雙手直接接觸鋤草刀片。

⚠小心：在拆下或安裝鋤草刀片前，請裝上刀片保護罩。

1. 將刀片保護罩裝在鋤草刀片上。

2. 使用扳手鬆開螺栓，並將螺栓取下。

▶ 圖片16: 1. 螺栓

3. 稍微將鋤草刀片向外開啟，同時將鋤草刀片取下。

▶ 圖片17

安裝鋤草刀片時，務必參照組裝組件的指示。

功能描述

⚠️小心：調節或檢查工具功能之前，請務必關閉工具電源開關並取下電池組。

調整切割角度

⚠️小心：在調整切割角度之前，請務必關閉工具電源。

鋤草刀片的角度共有三個變更選項。若要調整角度，將鋤草刀片的凸起部分對準調整板上的任一凸起部分，然後安裝鋤草刀片。

1. 使用扳手鬆開固定切割刀片的螺栓。
2. 將鋤草刀片的凸起部分對準調整板上的任一凸起部分。
3. 重新鎖緊螺栓以固定切割刀片。

▶ 圖片18: 1. 凸起部分

操作

⚠️警告：遵循「安全警告」一節以及動力裝置使用說明書中的警告和注意事項。

操作工具

⚠️警告：使雙手遠離鋤草刀片。

⚠️警告：任何時候都務必特別小心地控制工具。切勿使工具偏向自身或工作區域中的任何人員。工具失控會對鄰近和操作人員造成嚴重的傷害。

⚠️警告：開始鋤草前，請清除雜草區域內的樹枝和石頭。

注：本工具適用於清除低於 15 cm (5-7/8 吋) 的雜草。

▶ 圖片19

⚠️小心：盡量避免在非常熱的天氣下操作本工具。操作本工具時，請注意您的身體狀況。

⚠️小心：鋤草時，請小心勿意外接觸到金屬籬笆或其他堅硬物體。鋤草刀片可能會斷裂並使人員受傷。

⚠️小心：使用工具時過度前傾伸展身體（尤其是站在梯子上時）極度危險。請勿站在任何會晃動或不穩固的地方工作。

注意：請勿以會導致電機停止或以極低速轉動的方式使用本工具。

握住動力裝置的前手柄和後把手，以雙手握住工具。
▶ 圖片20: 1. 前手柄 2. 後把手

應在鋤草刀片遠離地面時開啟工具電源。將鋤草刀片置於地面上，然後將工具緩慢拉向您的方向進行鋤草。鋤草刀片與地面幾乎呈垂直角度時，會更容易操作。

▶ 圖片21

▶ 圖片22

保養

⚠️警告：在檢查或保養設備前，請關閉馬達並取下電池組。否則，機器有可能意外啟動並導致重傷。

⚠️警告：檢查或保養本設備時，請一律將其放倒。組裝或調整設備時直立放置設備可能造成嚴重人身傷害。

⚠️警告：遵循「安全警告」一節以及動力裝置使用說明書中的警告和注意事項。

⚠️小心：進行檢查和保養時，請配戴手套。

注意：切勿使用汽油、茶、稀釋劑、酒精或類似物品清潔工具。否則可能會導致工具變色、變形或出現裂縫。

為了保證產品的安全與可靠性，任何維修或其他維修保養工作需由Makita（牧田）授權的或工廠維修服務中心來進行。務必使用Makita（牧田）的更換部件。

清潔本工具

清潔本工具時，請以乾布或泡過肥皂水並擰乾的布拭去灰塵。

刀片保養

操作完畢後，將纏繞的雜草或草根從刀片上取下。

注意：請勿在水中清洗刀片。否則可能會使刀片或組件生鏽或損壞。

存放

將刀片保護罩裝在鋤草刀片上。請將本工具存放在兒童接觸不到的地方。請勿將本工具存放在潮溼或有雨的地方。存放由動力裝置分離之組件時，請蓋上外管末端的封蓋。

▶ 圖片23

潤滑移動部件

注意：按照頻度說明塗抹一定量的油脂。否則不充分的潤滑可能會損壞運動部件。

驅動軸：

每操作 25 小時塗抹潤滑脂（Makita 潤滑脂 N No.2 或同級品）。

► 圖片24

注：Makita 原廠潤滑脂可向 Makita 當地經銷商購買。

潤滑油潤滑

潤滑間隔：每操作 25 小時

1. 取下開孔中的螺栓以進行潤滑。

► 圖片25: 1. 螺栓

2. 將潤滑脂（Makita（牧田）潤滑脂 SG No.0 或同級產品）擠入工具（參考值：大約 3.0 g）。

3. 鎖緊螺栓。

故障排除

請求維修之前先自行檢查。如果您發現本手冊中未作說明的问题，請勿拆解工具。應詢問 Makita（牧田）授權的維修服務中心。務必使用 Makita（牧田）的更換部件進行維修。

異常狀態	可能原因（故障）	糾正措施
馬達未啟動。	-	請參閱動力裝置的使用說明書。
馬達很快停止。	-	請參閱動力裝置的使用說明書。
馬達速度未變快。	-	請參閱動力裝置的使用說明書。
鋤草刀片無法移動： ⇒ 立即停止機器！	驅動系統無法正常工作。	請當地授權的維修服務中心進行維修。
異常振動： ⇒ 立即停止機器！	鋤草刀片破損、彎曲或磨損。	更換鋤草刀片。
	驅動系統無法正常工作。	請當地授權的維修服務中心進行維修。
鋤草刀片及馬達無法停止： ⇒ 立即卸下電池組！	電氣故障。	拆下電池組並請當地授權的維修服務中心進行維修。

選購附件

⚠小心：這些配件或組件為本說明書所列的 Makita（牧田）機器專用。如使用其他廠牌的配件或組件，可能會發生人員受傷的危險。僅可將選購配件或組件用於其規定目的。

如您需要瞭解更多關於這些選購附件的信息，請諮詢當地的 Makita（牧田）維修服務中心。

- 鋤草刀片
- 耕耘刀片
- Makita（牧田）原裝電池和充電器

注：本列表中的部分部件，可能為產品包裝內隨附的標準配件。內容可能因國家而異。

Makita Europe N.V.

Jan-Baptist Vinkstraat 2, 3070 Kortenberg, Belgium

Makita Corporation

3-11-8, Sumiyoshi-cho, Anjo, Aichi 446-8502 Japan

www.makita.com



885A52A880
EN, FR, DE, IT, NL,
ES, PT, DA, EL, TR,
SV, NO, FI, LV, LT,
ET, PL, HU, SK, CS,
SL, SQ, BG, HR,
MK, SR, RO, UK,
RU, KK, ZHTW
20231225