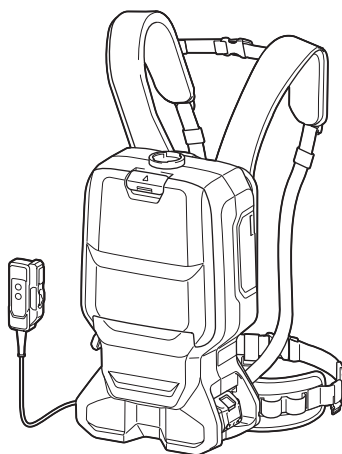




|    |                                       |                         |     |
|----|---------------------------------------|-------------------------|-----|
| EN | Cordless Backpack Vacuum Cleaner      | INSTRUCTION MANUAL      | 12  |
| FR | Aspirateur dorsal sans fil            | MANUEL D'INSTRUCTIONS   | 27  |
| DE | Akku-Rucksackstaubsauger              | BETRIEBSANLEITUNG       | 43  |
| IT | Aspirapolvere spalleggiato a batteria | ISTRUZIONI PER L'USO    | 59  |
| NL | Ruggedragen accustofzuiger            | GEBRUIKSAANWIJZING      | 75  |
| ES | Aspiradora de mochila a batería       | MANUAL DE INSTRUCCIONES | 91  |
| PT | Aspirador Costal a Bateria            | MANUAL DE INSTRUÇÕES    | 107 |
| DA | Akku rygstøvsuger                     | BRUGSANVISNING          | 122 |
| EL | Φορητή μηχανή αναρρόφησης πλάτης      | ΕΓΧΕΙΡΙΔΙΟ ΟΔΗΓΙΩΝ      | 137 |
| TR | Akülü Sirt Süpürgesi                  | KULLANMA KILAVUZU       | 153 |

## DVC665



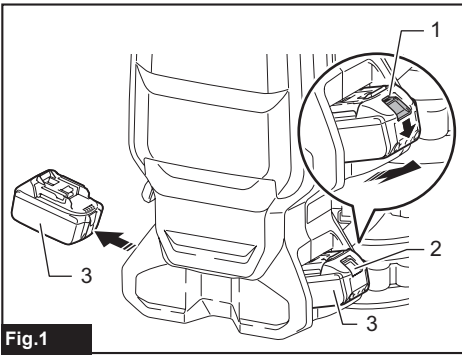


Fig.1

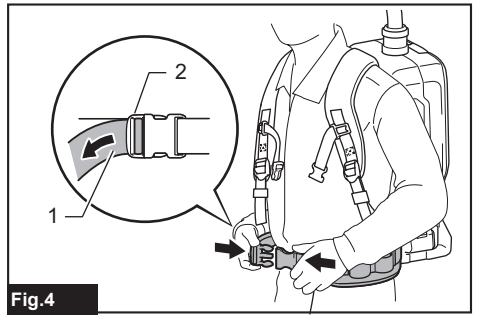


Fig.4

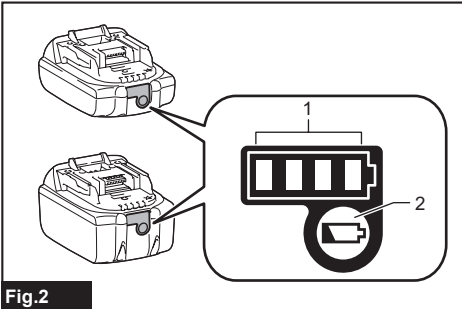


Fig.2

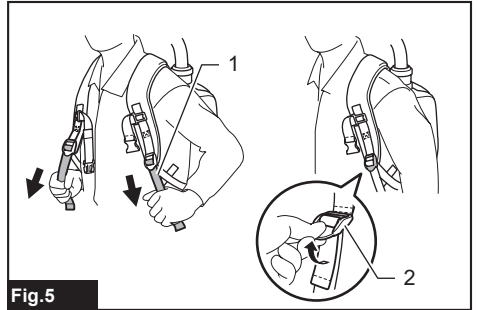


Fig.5

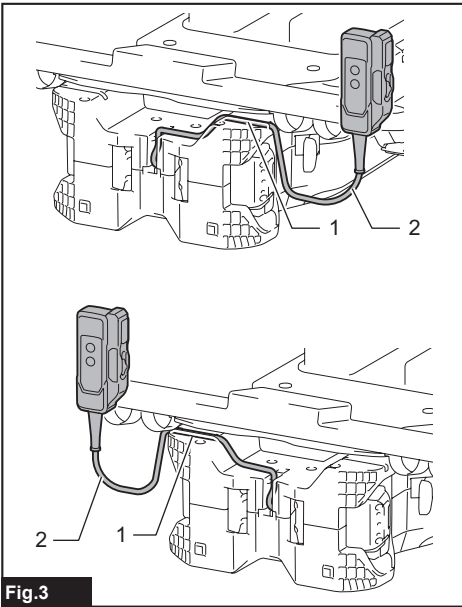


Fig.3

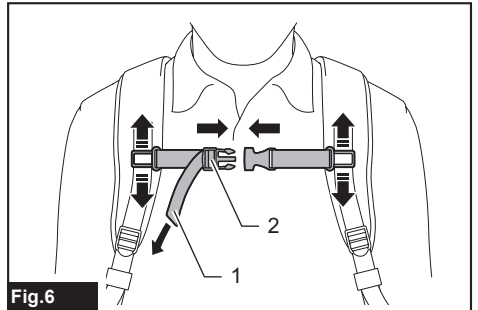


Fig.6

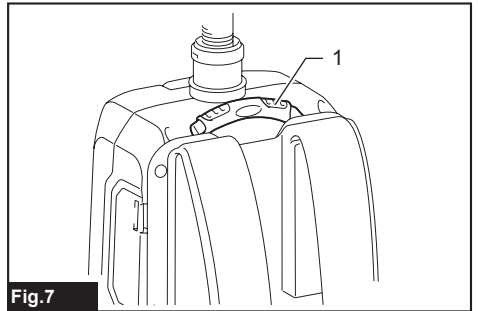


Fig.7

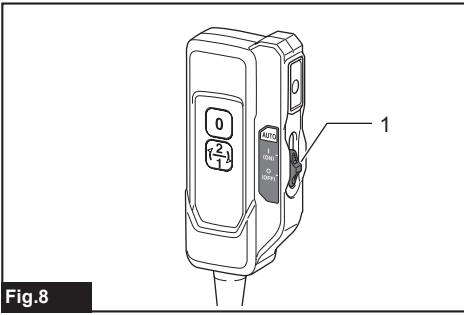


Fig.8

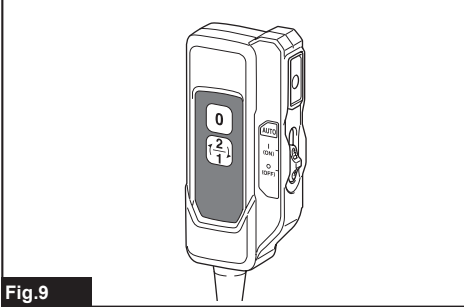


Fig.9

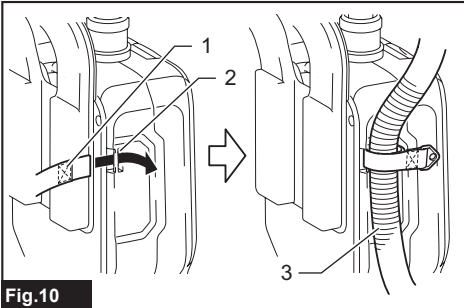


Fig.10

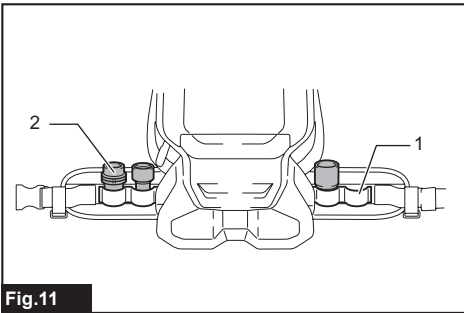


Fig.11

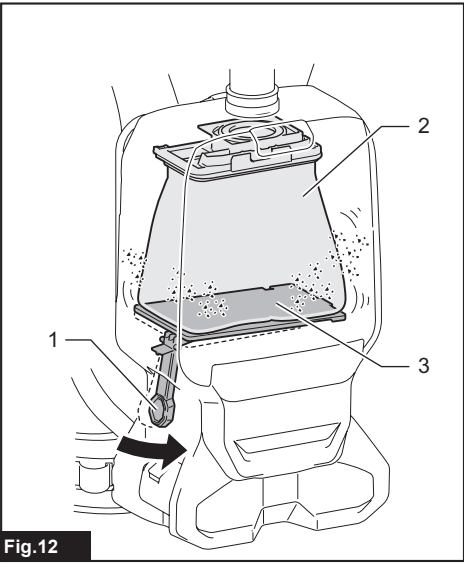


Fig.12

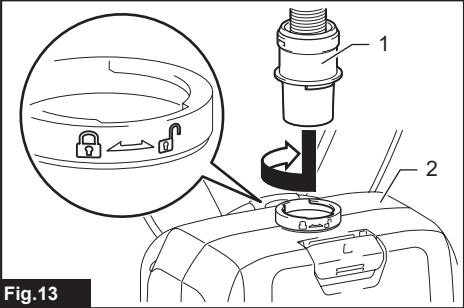


Fig.13

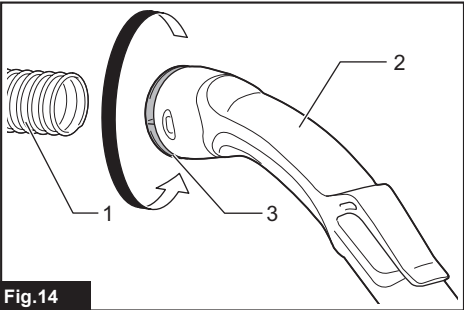


Fig.14

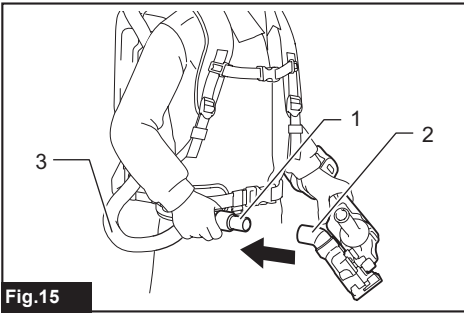


Fig.15

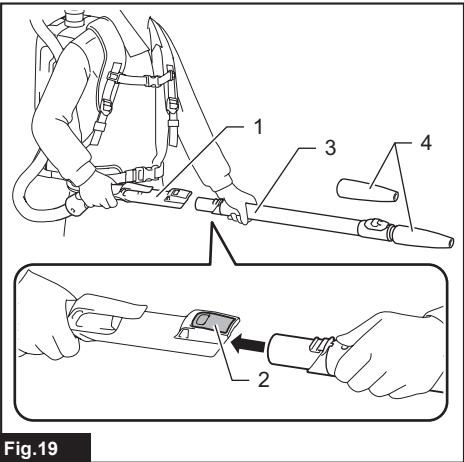


Fig.19

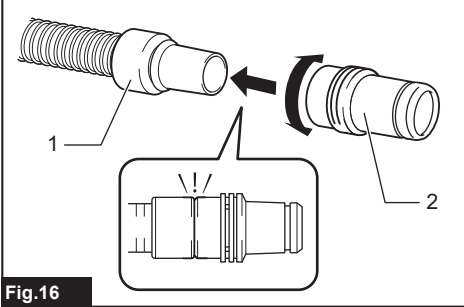


Fig.16

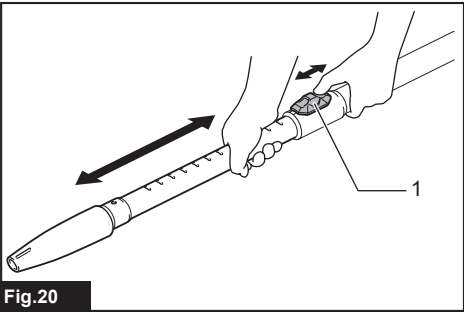


Fig.20

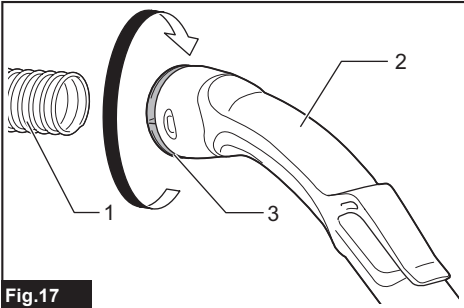


Fig.17

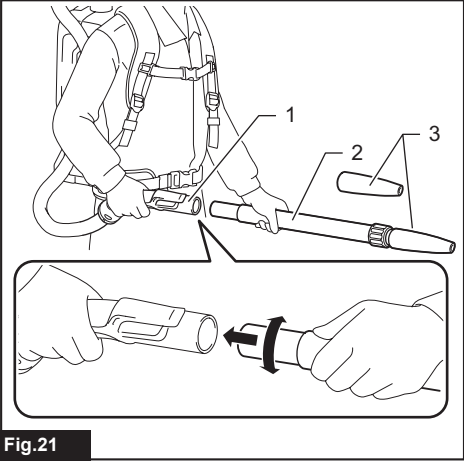


Fig.21

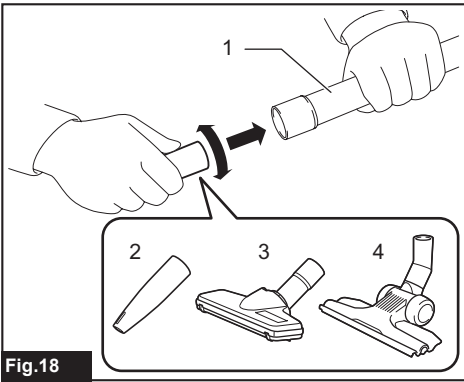


Fig.18



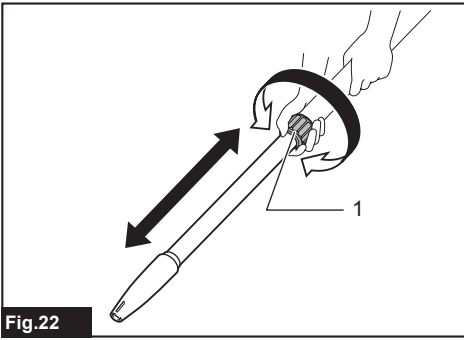


Fig.22

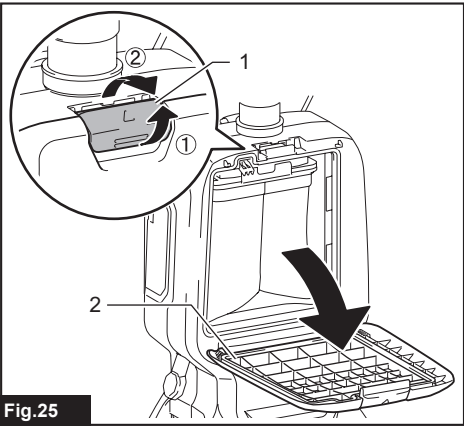


Fig.25

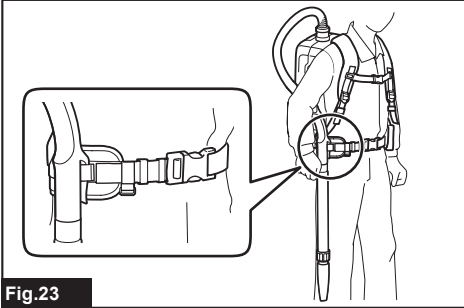


Fig.23

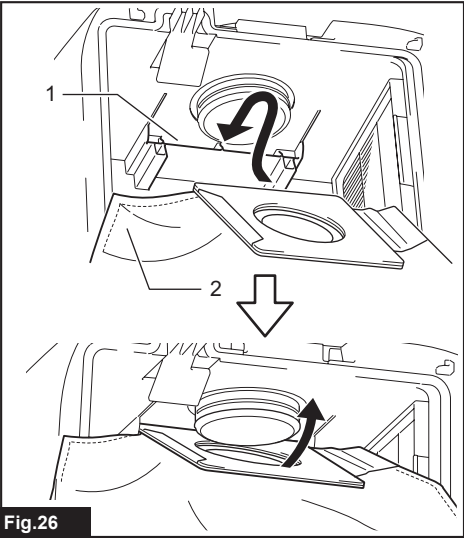


Fig.26

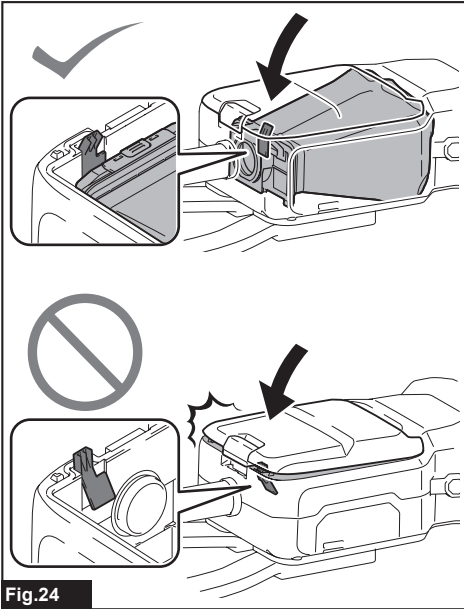


Fig.24

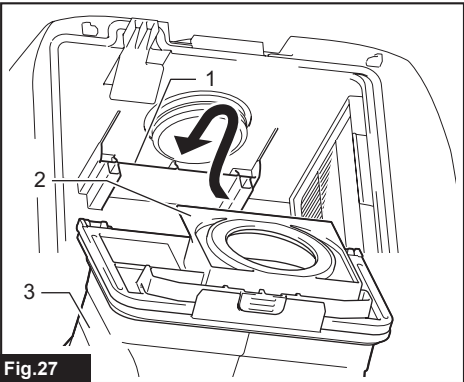
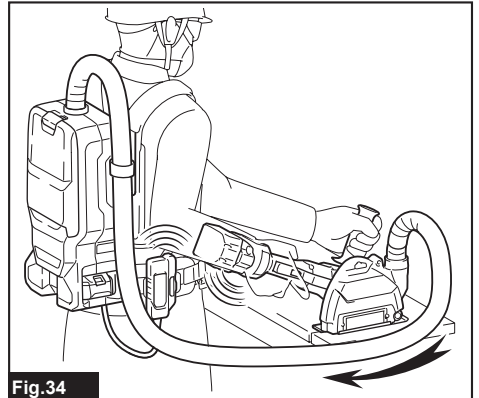
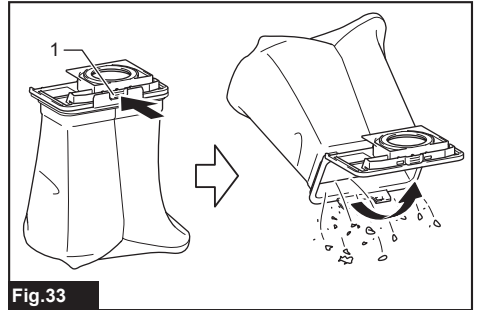
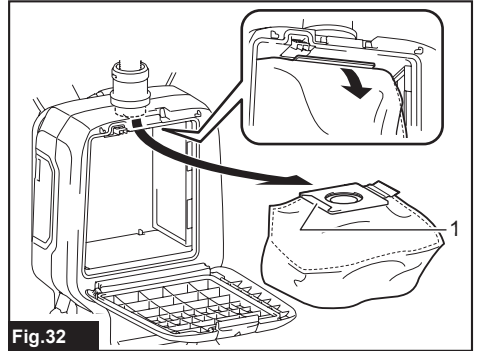
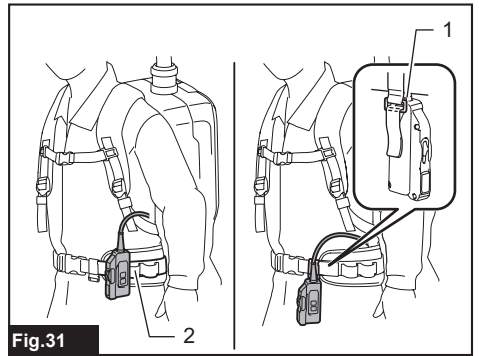
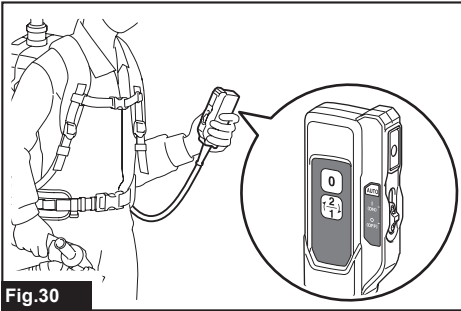
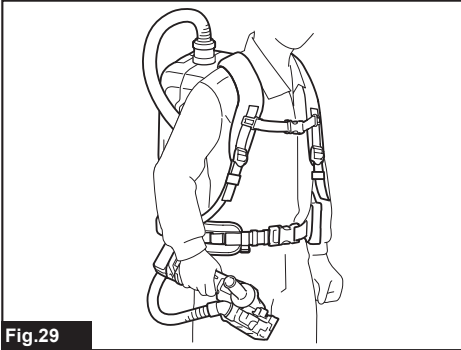
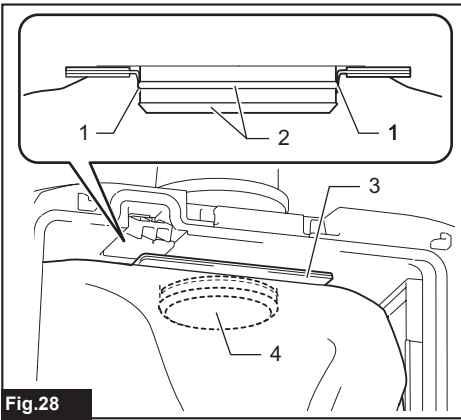


Fig.27



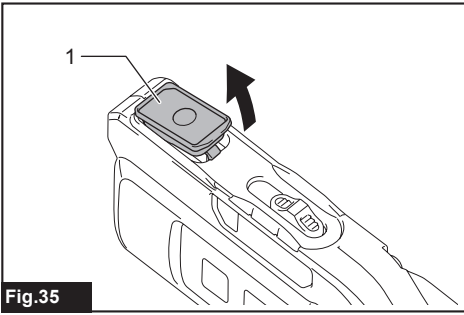


Fig.35

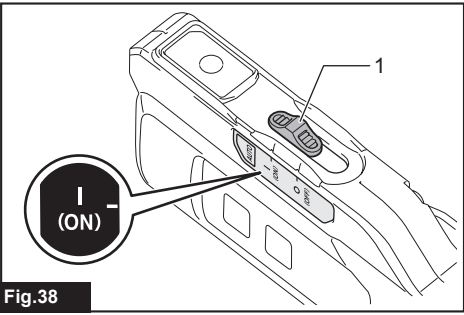


Fig.38

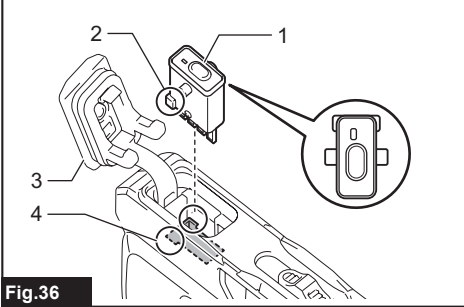


Fig.36

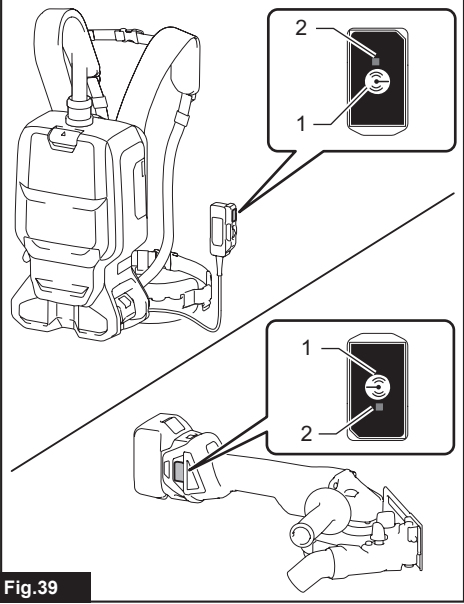


Fig.39

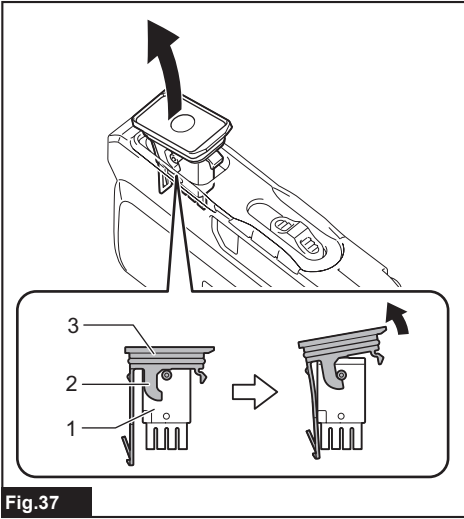


Fig.37

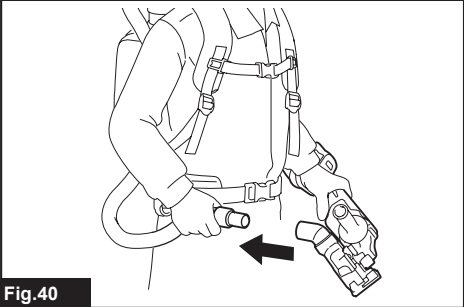
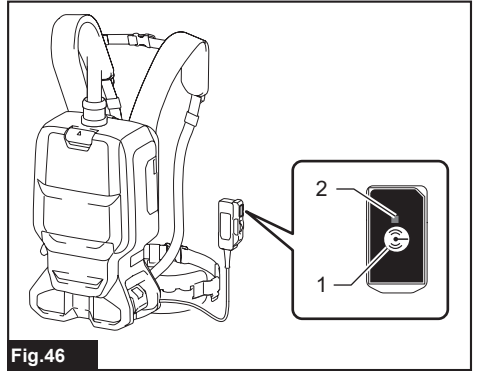
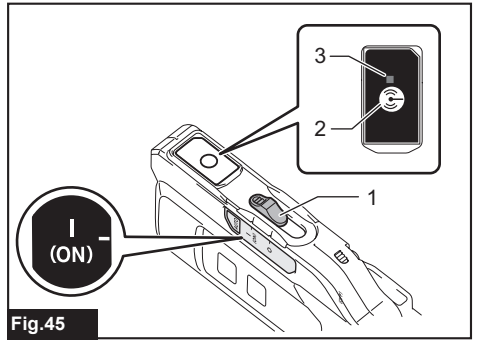
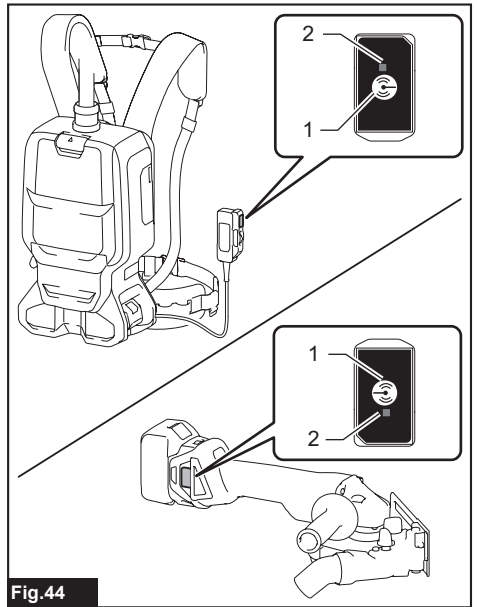
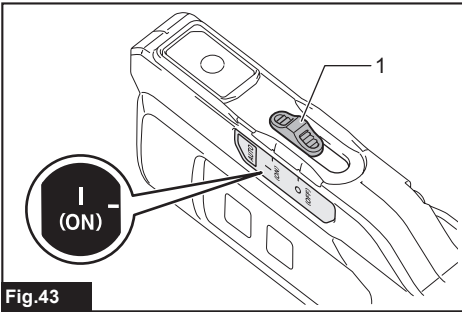
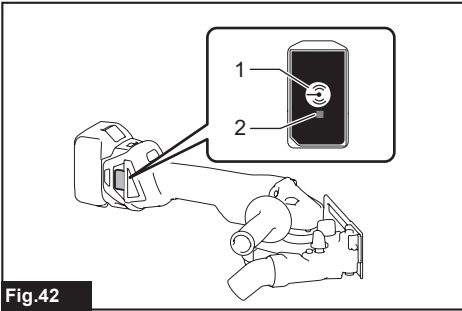
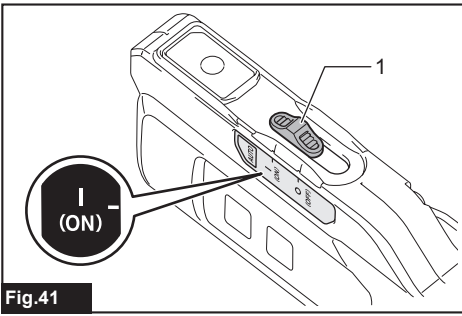
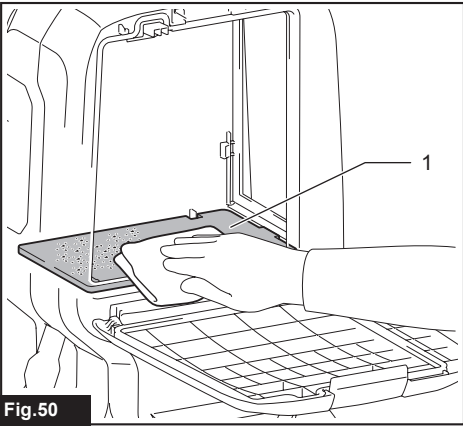
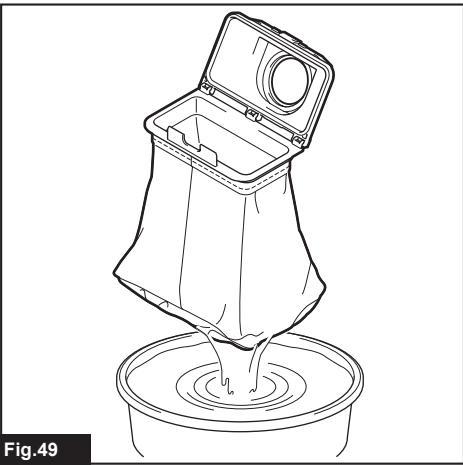
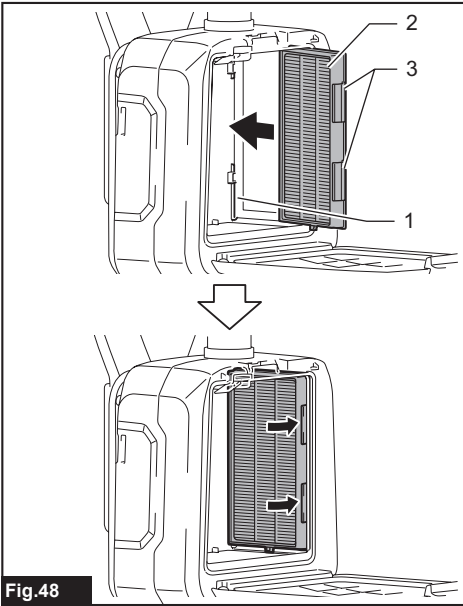
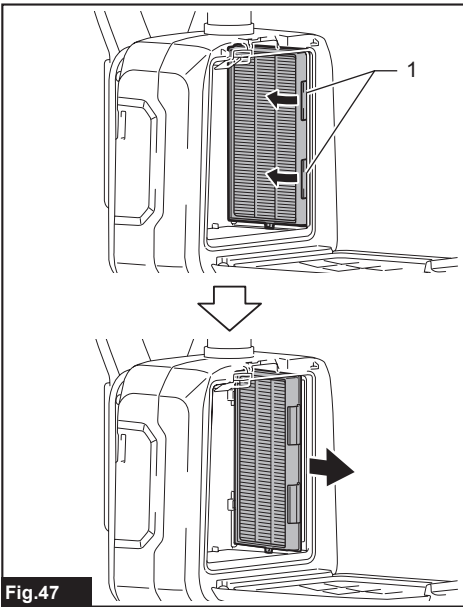


Fig.40





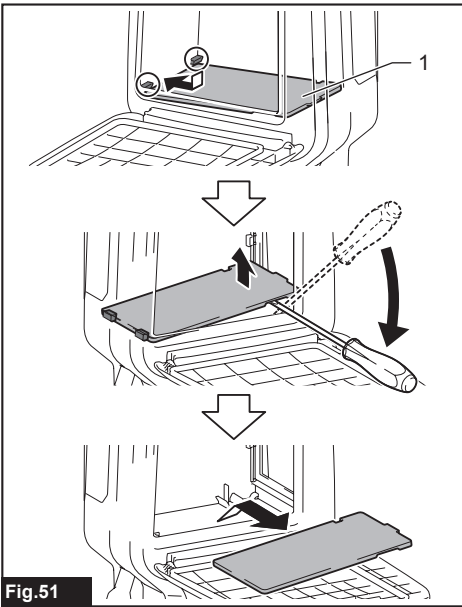


Fig. 51

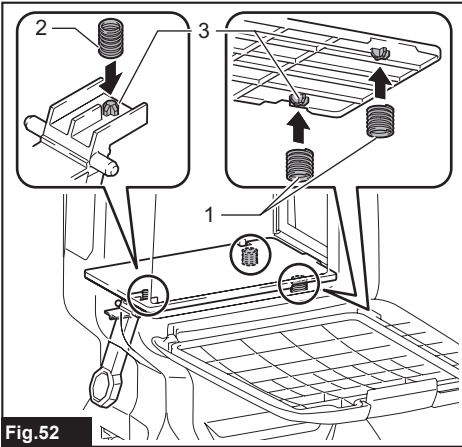


Fig. 52

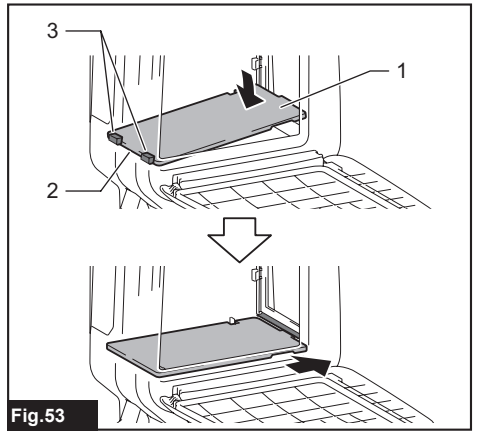


Fig. 53

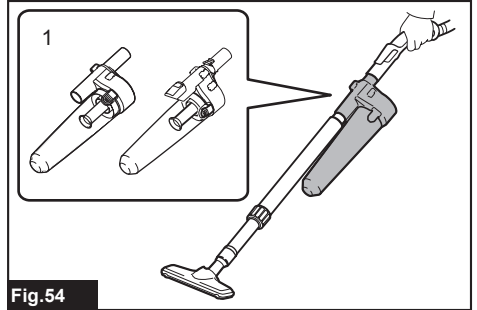


Fig. 54

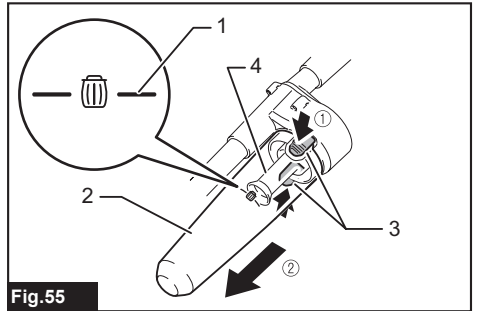


Fig. 55

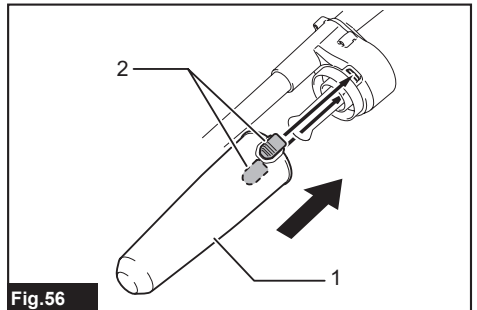


Fig. 56

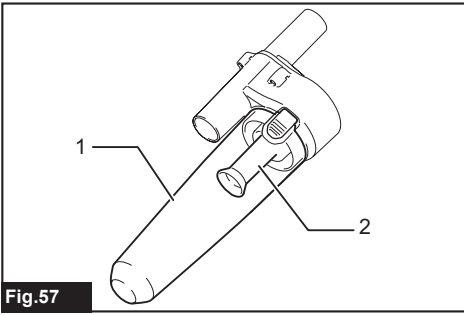


Fig.57

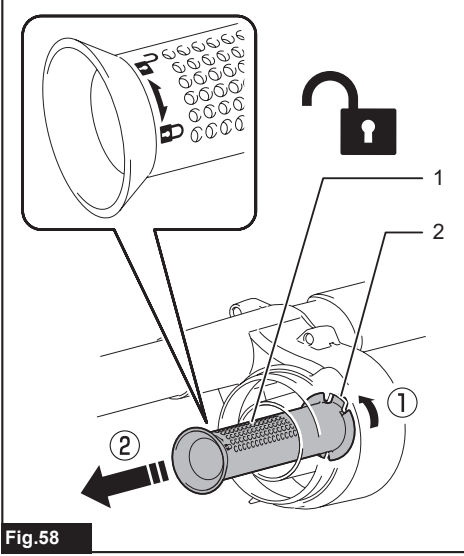


Fig.58

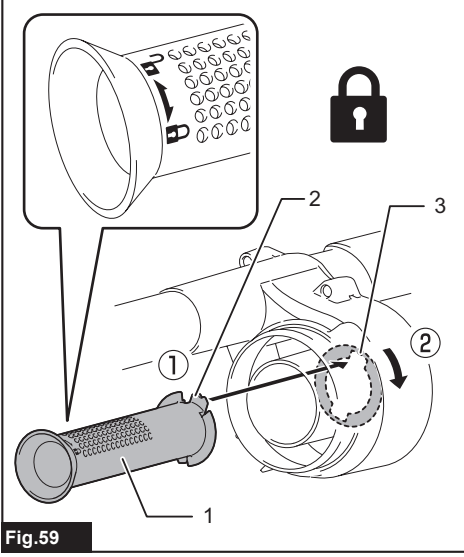


Fig.59

## WARNING

- This machine is not intended for use by persons including children with reduced physical, sensory or mental capabilities, or lack of experience and knowledge.
- Children should be supervised to ensure that they do not play with the cleaner.
- See the chapter "SPECIFICATIONS" for the type reference of the battery.
- See the section "Installing or removing battery cartridge" for how to remove or install the battery.
- When disposing the battery cartridge, remove it from the tool and dispose of it in a safe place. Follow your local regulations relating to disposal of battery.
- If the tool is not used for a long period of time, the battery must be removed from the tool.
- Do not short the battery cartridge.
- See the chapter "MAINTENANCE" for the appropriate details of precautions during user maintenance.

## SPECIFICATIONS

|   |            |                          |
|---|------------|--------------------------|
| <b>Model:</b>                                     |            | <b>DVC665</b>            |
| Capacity  | Filter bag | 6.0 L                    |
|   | Dust bag   | 5.5 L                    |
| Maximum air volume<br>(With hose ø28 mm x 1.5 m)  |            | 1.8 m <sup>3</sup> /min  |
| Vacuum  |            | 110 hPa                  |
| Dimensions (L x W x H)<br>(excluding the harness) |            | 297 mm x 174 mm x 523 mm |
| Rated voltage                                     |            | D.C. 36 V                |
| Net weight  |            | 6.1 - 6.7 kg             |

- Due to our continuing program of research and development, the specifications herein are subject to change without notice.
- Specifications may differ from country to country.
- The weight does not include accessories but battery cartridge(s). The lightest and heaviest combination weight of the appliance and battery cartridge(s) are shown in the table.

### Applicable battery cartridge and charger

|                   |  |
|-------------------|--|
| Battery cartridge | BL1815N / BL1820B / BL1830B / BL1840B / BL1850B / BL1860B    |
| Charger           | DC18RC / DC18RD / DC18RE / DC18SD / DC18SE / DC18SF / DC18SH |

- Some of the battery cartridges and chargers listed above may not be available depending on your region of residence.

**⚠ WARNING: Only use the battery cartridges and chargers listed above.** Use of any other battery cartridges and chargers may cause injury and/or fire.

**⚠ WARNING: Do not use a corded power supply such as battery adapter or portable power pack with this tool.** Wearing more than one harness at a time makes it difficult to operate and release the tool, and may cause an injury.

## Symbols



Take particular care and attention.

The followings show the symbols which may be used for the equipment. Be sure that you understand their meaning before use.



Read instruction manual.





Only for EU countries  
 Due to the presence of hazardous components in the equipment, waste electrical and electronic equipment, accumulators and batteries may have a negative impact on the environment and human health. Do not dispose of electrical and electronic appliances or batteries with household waste!  
 In accordance with the European Directive on waste electrical and electronic equipment and on accumulators and batteries and waste accumulators and batteries, as well as their adaptation to national law, waste electrical equipment, batteries and accumulators should be stored separately and delivered to a separate collection point for municipal waste, operating in accordance with the regulations on environmental protection.  
 This is indicated by the symbol of the crossed-out wheeled bin placed on the equipment.

**NOTE:** The declared vibration total value(s) has been measured in accordance with a standard test method and may be used for comparing one tool with another.  
**NOTE:** The declared vibration total value(s) may also be used in a preliminary assessment of exposure.

**⚠WARNING:** The vibration emission during actual use of the power tool can differ from the declared value(s) depending on the ways in which the tool is used especially what kind of workpiece is processed.  
**⚠WARNING:** Be sure to identify safety measures to protect the operator that are based on an estimation of exposure in the actual conditions of use (taking account of all parts of the operating cycle such as the times when the tool is switched off and when it is running idle in addition to the trigger time).

## Intended use

The appliance is intended for collecting dry dust. The appliance is suitable for commercial use, for example in hotels, schools, hospitals, factories, shops, offices and rental businesses.

## EC Declaration of Conformity

*For European countries only*  
 The EC declaration of conformity is included as Annex A to this instruction manual.

## Noise

The typical A-weighted noise level determined according to IEC60335-2-69, IEC60704-2-1:  
 Sound pressure level ( $L_{pA}$ ) : 70 dB(A) or less  
 Uncertainty (K) : 2.5 dB(A)

The noise level under working may exceed 80 dB (A).

**NOTE:** The declared noise emission value(s) has been measured in accordance with a standard test method and may be used for comparing one tool with another.  
**NOTE:** The declared noise emission value(s) may also be used in a preliminary assessment of exposure.

## SAFETY WARNINGS

### Cordless vacuum cleaner safety warnings

**⚠WARNING: IMPORTANT! READ CAREFULLY all safety warnings and all instructions BEFORE USE.** Failure to follow the warnings and instructions may result in electric shock, fire and/or serious injury.

**⚠WARNING:** Wear ear protection.  
**⚠WARNING:** The noise emission during actual use of the power tool can differ from the declared value(s) depending on the ways in which the tool is used especially what kind of workpiece is processed.  
**⚠WARNING:** Be sure to identify safety measures to protect the operator that are based on an estimation of exposure in the actual conditions of use (taking account of all parts of the operating cycle such as the times when the tool is switched off and when it is running idle in addition to the trigger time).

1. **Before use, make sure that this cleaner must be used by people who have been adequately instructed on the use of this cleaner.**
2. **Do not use the cleaner without the filter. Replace a damaged filter immediately.**
3. **Do not attempt to pick up flammable materials, fire works, lighted cigarettes, hot ashes, hot metal chips, sharp materials such as razors, needles, broken glass or the like.**
4. **NEVER USE THE CLEANER IN THE VICINITY OF GASOLINE, GAS, PAINT, ADHESIVES OR OTHER HIGHLY EXPLOSIVE SUBSTANCES.** The switch emits sparks when turned ON and OFF. And so does the motor commutator during operation. A dangerous explosion may result.
5. **This cleaner is not suitable for picking up hazardous dust.**
6. **Never vacuum up toxic, carcinogenic, combustible or other hazardous materials such as asbestos, arsenic, barium, beryllium, lead, pesticides, or other health endangering materials.**
7. **Never use the cleaner outdoors in the rain.**

## Vibration

The vibration total value (tri-axial vector sum) determined according to IEC60335-2-69:  
 Work mode: operation without load  
 Vibration emission ( $a_h$ ) : 2.5 m/s<sup>2</sup> or less  
 Uncertainty (K) : 1.5 m/s<sup>2</sup>

8. For Finland, this machine is not to be used outdoors at low temperature.
9. Do not use close to heat sources (stoves, etc.).
10. Do not block cooling vents. These vents permit cooling of the motor. Blockage should be carefully avoided otherwise the motor will burn out from lack of ventilation.
11. Keep proper footing and balance at all times.
12. Do not fold, tug or step on the hose.
13. Stop the cleaner immediately if you notice poor performance or anything abnormal during operation.
14. DISCONNECT THE BATTERIES. When not in use, before servicing, and when changing accessories.
15. Clean and service the cleaner immediately after each use to keep it in tiptop operating condition.
16. MAINTAIN THE CLEANER WITH CARE. Keep the cleaner clean for better and safer performance. Follow instructions for changing accessories. Keep handles dry, clean, and free from oil and grease.
17. CHECK DAMAGED PARTS. Before further use of the cleaner, a guard or other part that is damaged should be carefully checked to determine that it will operate properly and perform its intended function. Check for alignment of moving parts, binding of moving parts, breakage of parts, mounting, and any other conditions that may affect its operation. A guard or other part that is damaged should be properly repaired or replaced by an authorized service center unless otherwise indicated elsewhere in this instruction manual. Have defective switches replaced by authorized service center. Don't use the cleaner if switch does not turn it on and off.
18. REPLACEMENT PARTS. When servicing, use only identical replacement parts.
19. When not in use, always store the cleaner indoors.
20. Be kind to your cleaner. Rough handling can cause breakage of even the most sturdily built cleaner.
21. Do not attempt to clean the exterior or interior with benzene, thinner or cleaning chemicals. Cracks and discoloration may be caused.
22. Do not use cleaner in an enclosed space where flammable, explosive or toxic vapors are given off by oil-base paint, paint-thinner, gasoline, some mothproofing substances, etc., or in areas where flammable dust is present.
23. Do not operate the cleaner while under the influence of drugs or alcohol.
24. As a basic rule of safety, use safety goggles or safety glasses with side shields.
25. Use a dust mask in dusty work conditions.
26. This machine is not intended for use by persons including children with reduced physical, sensory or mental capabilities, or lack of experience and knowledge.
27. Children should be supervised to ensure that they do not play with the cleaner.
28. Never handle battery(ies) and cleaner with wet hands.
29. Use extreme caution when cleaning on stairs.
30. Do not use the cleaner as a stool or work bench. The machine may fall down and may result in personal injury.

#### Battery tool use and care

1. Recharge only with the charger specified by the manufacturer. A charger that is suitable for one type of battery pack may create a risk of fire when used with another battery pack.
2. Use power tools only with specifically designated battery packs. Use of any other battery packs may create a risk of injury and fire.
3. When battery pack is not in use, keep it away from other metal objects, like paper clips, coins, keys, nails, screws or other small metal objects, that can make a connection from one terminal to another. Shorting the battery terminals together may cause burns or a fire.
4. Under abusive conditions, liquid may be ejected from the battery; avoid contact. If contact accidentally occurs, flush with water. If liquid contacts eyes, additionally seek medical help. Liquid ejected from the battery may cause irritation or burns.
5. Do not use a battery pack or tool that is damaged or modified. Damaged or modified batteries may exhibit unpredictable behaviour resulting in fire, explosion or risk of injury.
6. Do not expose a battery pack or tool to fire or excessive temperature. Exposure to fire or temperature above 130 °C may cause explosion.
7. Follow all charging instructions and do not charge the battery pack or tool outside the temperature range specified in the instructions. Charging improperly or at temperatures outside the specified range may damage the battery and increase the risk of fire.
8. Do not use a corded power supply such as battery adapter or portable power pack with this tool. The cable of such power supply may hinder the operation and result in personal injury.

#### Service

1. Have your power tool serviced by a qualified repair person using only identical replacement parts. This will ensure that the safety of the power tool is maintained.
2. Follow instruction for lubricating and changing accessories.
3. Keep handles dry, clean and free from oil and grease.

### Important safety instructions for battery cartridge

1. Before using battery cartridge, read all instructions and cautionary markings on (1) battery charger, (2) battery, and (3) product using battery.
2. Do not disassemble or tamper with the battery cartridge. It may result in a fire, excessive heat, or explosion.

3. If operating time has become excessively shorter, stop operating immediately. It may result in a risk of overheating, possible burns and even an explosion.
4. If electrolyte gets into your eyes, rinse them out with clear water and seek medical attention right away. It may result in loss of your eyesight.
5. Do not short the battery cartridge:
  - (1) Do not touch the terminals with any conductive material.
  - (2) Avoid storing battery cartridge in a container with other metal objects such as nails, coins, etc.
  - (3) Do not expose battery cartridge to water or rain.
6. Do not store and use the tool and battery cartridge in locations where the temperature may reach or exceed 50 °C (122 °F).
7. Do not incinerate the battery cartridge even if it is severely damaged or is completely worn out. The battery cartridge can explode in a fire.
8. Do not nail, cut, crush, throw, drop the battery cartridge, or hit against a hard object to the battery cartridge. Such conduct may result in a fire, excessive heat, or explosion.
9. Do not use a damaged battery.
10. The contained lithium-ion batteries are subject to the Dangerous Goods Legislation requirements.
11. For commercial transports e.g. by third parties, forwarding agents, special requirement on packaging and labeling must be observed.
12. For preparation of the item being shipped, consulting an expert for hazardous material is required. Please also observe possibly more detailed national regulations.
13. Tape or mask off open contacts and pack up the battery in such a manner that it cannot move around in the packaging.
14. When disposing the battery cartridge, remove it from the tool and dispose of it in a safe place. Follow your local regulations relating to disposal of battery.
15. Use the batteries only with the products specified by Makita. Installing the batteries to non-compliant products may result in a fire, excessive heat, explosion, or leak of electrolyte.
16. If the tool is not used for a long period of time, the battery must be removed from the tool.
17. During and after use, the battery cartridge may take on heat which can cause burns or low temperature burns. Pay attention to the handling of hot battery cartridges.
18. Do not touch the terminal of the tool immediately after use as it may get hot enough to cause burns.
19. Do not allow chips, dust, or soil stuck into the terminals, holes, and grooves of the battery cartridge. It may result in poor performance or breakdown of the tool or battery cartridge.
20. Unless the tool supports the use near high-voltage electrical power lines, do not use the battery cartridge near high-voltage electrical power lines. It may result in a malfunction or breakdown of the tool or battery cartridge.
21. Keep the battery away from children.

## SAVE THESE INSTRUCTIONS.

**CAUTION:** Only use genuine Makita batteries. Use of non-genuine Makita batteries, or batteries that have been altered, may result in the battery bursting causing fires, personal injury and damage. It will also void the Makita warranty for the Makita tool and charger.

## Tips for maintaining maximum battery life

1. Charge the battery cartridge before completely discharged. Always stop tool operation and charge the battery cartridge when you notice less tool power.
2. Never recharge a fully charged battery cartridge. Overcharging shortens the battery service life.
3. Charge the battery cartridge with room temperature at 10 °C - 40 °C (50 °F - 104 °F). Let a hot battery cartridge cool down before charging it.
4. When not using the battery cartridge, remove it from the tool or the charger.
5. Charge the battery cartridge if you do not use it for a long period (more than six months).

## Important safety instructions for wireless unit

1. Do not disassemble or tamper with the wireless unit.
2. Keep the wireless unit away from young children. If accidentally swallowed, seek medical attention immediately.
3. Use the wireless unit only with Makita tools.
4. Do not expose the wireless unit to rain or wet conditions.
5. Do not use the wireless unit in places where the temperature exceeds 50 °C (122 °F).
6. Do not operate the wireless unit in places where medical instruments, such as heart pace makers are nearby.
7. Do not operate the wireless unit in places where automated devices are nearby. If operated, automated devices may develop malfunction or error.
8. Do not operate the wireless unit in places under high temperature or places where static electricity or electrical noise could be generated.
9. The wireless unit can produce electromagnetic fields (EMF) but they are not harmful to the user.
10. The wireless unit is an accurate instrument. Be careful not to drop or strike the wireless unit.

11. Avoid touching the terminal of the wireless unit with bare hands or metallic materials.
12. Always remove the battery on the product when installing the wireless unit into it.
13. When opening the lid of the slot, avoid the place where dust and water may come into the slot. Always keep the inlet of the slot clean.
14. Always insert the wireless unit in the correct direction.
15. Do not press the wireless activation button on the wireless unit too hard and/or press the button with an object with a sharp edge.
16. Always close the lid of the slot when operating.
17. Do not remove the wireless unit from the slot while the power is being supplied to the tool. Doing so may cause a malfunction of the wireless unit.
18. Do not remove the sticker on the wireless unit.
19. Do not put any sticker on the wireless unit.
20. Do not leave the wireless unit in a place where static electricity or electrical noise could be generated.
21. Do not leave the wireless unit in a place subject to high heat, such as a car sitting in the sun.
22. Do not leave the wireless unit in a dusty or powdery place or in a place corrosive gas could be generated.
23. Sudden change of the temperature may bedew the wireless unit. Do not use the wireless unit until the dew is completely dried.
24. When cleaning the wireless unit, gently wipe with a dry soft cloth. Do not use benzine, thinner, conductive grease or the like.
25. When storing the wireless unit, keep it in the supplied case or a static-free container.
26. Do not insert any devices other than Makita wireless unit into the slot on the tool.
27. Do not use the tool with the lid of the slot damaged. Water, dust, and dirt come into the slot may cause malfunction.
28. Do not pull and/or twist the lid of the slot more than necessary. Restore the lid if it comes off from the tool.
29. Replace the lid of the slot if it is lost or damaged.

## SAVE THESE INSTRUCTIONS.

## FUNCTIONAL DESCRIPTION

**CAUTION:** Always be sure that the appliance is switched off and the battery cartridge is removed before adjusting or checking function on the appliance.

## Installing or removing battery cartridge

**CAUTION:** Always switch off the appliance before installing or removing of the battery cartridge.

**CAUTION:** Hold the appliance and the battery cartridge firmly when installing or removing battery cartridge. Failure to hold the appliance and the battery cartridge firmly may cause them to slip off your hands and result in damage to the appliance and battery cartridge and a personal injury.

► Fig.1: 1. Red indicator 2. Button 3. Battery cartridge

To remove the battery cartridge, slide it from the appliance while sliding the button on the front of the cartridge.

To install the battery cartridge, align the tongue on the battery cartridge with the groove in the housing and slip it into place. Insert it all the way until it locks in place with a little click. If you can see the red indicator on the upper side of the button, it is not locked completely.

**CAUTION:** Always install the battery cartridge fully until the red indicator cannot be seen. If not, it may accidentally fall out of the appliance, causing injury to you or someone around you.

**CAUTION:** Do not install the battery cartridge forcibly. If the cartridge does not slide in easily, it is not being inserted correctly.

## Appliance / battery protection system

The appliance is equipped with a appliance / battery protection system. This system automatically cuts off power to the motor to extend appliance and battery life. The appliance will automatically stop during operation if the appliance or battery is placed under one of the following conditions.

### Overload protection

When the appliance is operated in a manner that causes it to draw an abnormally high current, the appliance automatically stops without any indication. In this situation, turn the appliance off and stop the application that caused the appliance to become overloaded. Then turn the appliance on to restart.

### Overheat protection

When the appliance is overheated, the appliance stops automatically. Let the appliance cool down before turning the appliance on again.

### Overdischarge protection

When the battery capacity becomes low, the appliance stops automatically. If the product does not operate even when the switches are operated, remove the batteries from the appliance and charge the batteries.

## Indicating the remaining battery capacity

Only for battery cartridges with the indicator

► Fig.2: 1. Indicator lamps 2. Check button

Press the check button on the battery cartridge to indicate the remaining battery capacity. The indicator lamps light up for a few seconds.

| Indicator lamps |     |          | Remaining capacity                  |
|-----------------|-----|----------|-------------------------------------|
| Lighted         | Off | Blinking |                                     |
| ■               | □   | ▧        | 75% to 100%                         |
| ■               | ■   | ■        |                                     |
| ■               | ■   | ■        |                                     |
| ■               | ■   | □        | 50% to 75%                          |
| ■               | ■   | □        | 25% to 50%                          |
| ■               | □   | □        | 0% to 25%                           |
| ▧               | □   | □        | Charge the battery.                 |
| ■               | ■   | □        | The battery may have malfunctioned. |
| □               | □   | ■        |                                     |

**NOTE:** Depending on the conditions of use and the ambient temperature, the indication may differ slightly from the actual capacity.

**NOTE:** The first (far left) indicator lamp will blink when the battery protection system works.

## Switch box position

The switch box can be hooked on either side of the lower belt. Arrange the cord so that the switch box comes to your desired side. To prevent the cord from being damaged, pass the cord through the groove as illustrated.

► Fig.3: 1. Groove 2. Cord

## Adjusting belts

The tightness of the shoulder belts, upper and lower belts can be adjusted. Put your arms through the shoulder belts first then fasten the lower and upper belts. To tighten, pull the end of the strap as illustrated. To loosen, pull up the end of the fastener.

**Lower belt**

► Fig.4: 1. Strap 2. Fastener

**Shoulder belts**

► Fig.5: 1. Strap 2. Fastener

**Upper belt**

► Fig.6: 1. Strap 2. Fastener

## Carrying hook

**CAUTION:** Use the hanging/mounting parts for their intended purposes only. Using for unintended purpose may cause accident or personal injury.

Always grab the carrying hook when handling the vacuum cleaner body.

► Fig.7: 1. Carrying hook

## Stand-by switch

The stand-by switch is the switch to turn on/off the wireless activation function. The vacuum cleaner is in the stand-by state regardless of the switch position and it runs when (2) button is pushed.

► Fig.8: 1. Stand-by switch

| Switch position |         | Status   |
|-----------------|---------|--|
| AUTO            | I (ON)  | The vacuum cleaner is in the stand-by state and the wireless activation function is available.         |
|                 | O (OFF) | The vacuum cleaner is in the stand-by state however the wireless activation function is not available. |

## Switch action

To start vacuuming, press (2) button once. The vacuum cleaner will start in the same suction power when you turned it off previously. When you press (2) button while the vacuum cleaner is running, the suction power switches between normal (1) and higher (2) suction power. To turn off the vacuum cleaner, press (0) button.

► Fig.9

**NOTE:** If you want to run the vacuum cleaner along with the switch operation of the tool connected to the vacuum cleaner (wireless activation function), set the stand-by switch to "I (ON)".

**NOTE:** To use the wireless activation function, finish the tool registration beforehand. Refer to "WIRELESS ACTIVATION FUNCTION" section for detail.

**NOTE:** When using the wireless activation function, you will not be able to stop the vacuuming by (0) button.

## Hose band

Hose band can be used for holding the hose or free nozzle.

To secure the hose to the vacuum cleaner body, pass the hose band through the slot on the body. You can attach the hose band on either side.

► Fig.10: 1. Hose band 2. Slot 3. Hose

The loop on the lower belt can be used for carrying nozzles as illustrated.

► Fig.11: 1. Loop 2. Nozzles

## Dust beating system

Dust goes down when you pull the lever or walk with wearing the cleaner. This system helps the cleaner maintaining the suction power.

► **Fig.12:** 1. Lever 2. Filter bag/dust bag 3. Board

**NOTE:** This function works when the cleaner is switched off and the filter bag/dust bag contains a certain amount of dust to touch the board.

## ASSEMBLY

**⚠CAUTION:** Always be sure that the appliance is switched off and the battery cartridge is removed before carrying out any work on the appliance.

### Assembling hose

Insert the hose cuff into the vacuum cleaner body and turn it clockwise.

► **Fig.13:** 1. Hose cuff 2. Vacuum cleaner body

### Connecting the tool

If the bent pipe assembly is attached to the hose, loosen the sleeve of bent pipe assembly and remove it.

► **Fig.14:** 1. Hose 2. Bent pipe assembly 3. Sleeve

1. Attach the front cuff to the hose for dust extraction. When connecting the front cuff, make sure that it is securely screwed on the hose.

2. Connect the front cuff to the tool's extraction outlet.

► **Fig.15:** 1. Front cuff 2. Extraction outlet 3. Hose

The front cuff can be detached by turning it counter-clockwise while holding the hose.

**NOTE:** Always use a suitable front cuff. When using the front cuff 24, attach it to the front cuff 22 that is connected to the hose.

► **Fig.16:** 1. Front cuff 22 2. Front cuff 24

### Using as a cleaner

If you want to use this product as a cleaner, follow the below procedures.

**NOTICE:** If the front cuff is attached to the hose, remove it beforehand.

**NOTE:** The bent pipe assembly, extension wand, and nozzles are supplied as optional accessories in some countries.

**NOTE:** There are two types of bent pipe assembly; the one for slide-type extension wand and the one for ring-type extension wand. If you prepare the bent pipe assembly, choose the one for your desired extension wand type.

1. Fasten the sleeve of bent pipe assembly onto the hose.

► **Fig.17:** 1. Hose 2. Bent pipe assembly 3. Sleeve

To remove the bent pipe assembly, loosen the sleeve of bent pipe assembly from the hose.

2. Twist and insert the nozzle to the extension wand.

► **Fig.18:** 1. Extension wand 2. Free nozzle  
3. T-shape nozzle 4. T-shape nozzle (slim)

**NOTE:** By twisting the nozzle while inserting, the nozzle can be attached to the extension wand securely.

3. Follow the procedures below, depending on the type of the extension wand :

**NOTE:** The slide-type extension wand and the ring-type extension wand are not compatible with each other. If you want to change the slide-type extension wand to the ring-type extension wand or vice versa, change the bent pipe assembly also.

**NOTE:** The free nozzle can be attached to the bent pipe assembly directly.

#### For the slide-type extension wand

Shoulder the vacuum cleaner body then insert the extension wand into the bent pipe assembly until it clicks. To disconnect, extract the extension wand with pressing the button.

► **Fig.19:** 1. Bent pipe assembly 2. Button 3. Slide-type extension wand 4. Free nozzle

The length of the wand can be adjusted.

With pressing the slide button, adjust the wand length. The length is locked when releasing the slide button.

► **Fig.20:** 1. Slide button

#### For the ring-type extension wand

Shoulder the vacuum cleaner body then twist and insert the extension wand into the bent pipe assembly. To disconnect, twist and extract it.

► **Fig.21:** 1. Bent pipe assembly 2. Ring-type extension wand 3. Free nozzle

The length of the wand can be adjusted.

Loosen the ring on the wand and adjust the wand length. Tighten the ring at your desired length.

► **Fig.22:** 1. Ring

### Hose hook

When you suspend the operation, the hook on the bent pipe assembly can be used for hanging the wand on the lower belt.

► **Fig.23**

## Installing filter bag / dust bag

### Optional accessory

**⚠CAUTION:** Do not use a damaged filter bag. Always use the vacuum cleaner with the filter bag properly installed. Otherwise the vacuumed dust or particles may be exhausted from the cleaner and they may cause respiratory disease to the operator.

Install either dust bag or filter bag before using cleaner.

- Dust bag are usable many times repeatedly by cleaning it out.
- Filter bag is a throw-away type. Throw away the entire filter bag without emptying when it has become full.



**NOTICE:** When the filter bag is already full, replace with new one. When the dust bag is already full, empty it. Continuous use with the filter bag/dust bag full results in reduced suction power.

**NOTICE:** To prevent dust from getting into the motor:

- Make sure that the filter bag/dust bag is installed before use.
- Do not use a broken or ripped bag.

Otherwise the motor may be broken.

**NOTICE:** Do not fold the cardboard at its opening when installing the filter bag/dust bag.

**NOTICE:** The filter bag/dust bag for the cleaner is an important component for maintaining the appliance performance. Using non-genuine filter bag/dust bag may cause smoke or ignition.

**NOTE:** When the filter bag/dust bag is not installed in the cleaner, the front cover does not close completely.

► Fig.24

1. Unlock the latch by lifting the bottom side. Push the grooved area to lift the front latching side. Pull the latch to open the lid.

► Fig.25: 1. Hook 2. Lid

2. Insert the filter bag into the slit on the upper side of the room as illustrated.

► Fig.26: 1. Slit 2. Filter bag

When using the dust bag, insert the brim of the dust bag into the slit.

► Fig.27: 1. Slit 2. Brim 3. Dust bag

3. Align the hole of the filter bag with the hose cuff and push the cardboard portion to the end. Make sure that the rubber ring on the filter bag goes over the rim on the hose cuff.

► Fig.28: 1. Rubber ring on the filter bag 2. Rim on the hose cuff 3. Cardboard portion of the filter bag 4. Hose cuff

## OPERATION

**⚠ WARNING:** Operators shall be adequately instructed on the use of the vacuum cleaner.

**⚠ WARNING:** This vacuum cleaner is not suitable for picking up hazardous dust.

**⚠ CAUTION:** This cleaner is for dry use only.


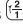
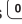
**⚠ CAUTION:** This cleaner is for indoor use only.

**⚠ CAUTION:** Always insert the battery cartridge all the way until it locks in place. If you can see the red indicator on the upper side of the button, it is not locked completely. Insert it fully until the red indicator cannot be seen. If not, it may accidentally fall out of the appliance, causing injury to you or someone around you.

**⚠ CAUTION:** During operation, be conscious of the vacuum cleaner on your back. You may lose your balance if the vacuum cleaner body bumps against a wall or the hose is hooked by an obstacles.

1. Shoulder the vacuum cleaner body and fasten lower and upper belts. Adjust the tightness as necessary.

► Fig.29

2. Press  button to start vacuuming. To change the suction power, press  button while the vacuum cleaner is running. The suction power switches between normal (1) and higher (2) suction power. Press  button to stop.

► Fig.30

During the operation, hook the switch box on the lower belt or the ring.

► Fig.31: 1. Ring 2. Lower belt

3. Replace the filter bag when it becomes full. Open the lid and take out the filter bag. Pull the strip on the side of the opening to shut the filter bag and dispose of the filter bag in whole.

► Fig.32: 1. Strip

When using a dust bag, take out the dust bag and dispose of the dust by releasing the latch.

► Fig.33: 1. Latch

**NOTICE:** Do not put filter bag/dust bag or other heavy objects on the lid. The appliance may fall down.

**NOTICE:** Periodically check the filter bag if it is full. Continuous use with the filter bag full results in reduced suction power.

**NOTICE:** Do not use an used filter bag. The filter bag is designed for single use. Using filter bag repeatedly may cause clogging of the filter and results in damage to the cleaner. If you want to use the bag repeatedly, use a dust bag.

## WIRELESS ACTIVATION FUNCTION

### What you can do with the wireless activation function

The wireless activation function enables clean and comfortable operation. By connecting a supported tool to the cleaner, you can run the cleaner automatically along with the switch operation of the tool.

► Fig.34

**NOTICE:** Be sure to refer to the instruction manual of the tool when using the cleaner with wireless activation function.

**NOTICE:** Do not disassemble or tamper with the wireless unit.

**NOTICE:** To prevent dust coming into the slot of the wireless unit, always close the lid securely during operation and storage.

**NOTICE:** Do not remove the wireless unit while the power is being supplied. Doing so may cause a malfunction of the wireless unit.

**NOTICE:** Do not press the wireless activation button too hard and/or press the button with an object with a sharp edge.



**NOTE:** Wireless activation needs Makita tools equipped with the wireless unit.

**NOTE:** Prior to the initial use of the wireless activation function with each tool, the tool registration is required. Once the registration is finished with the tool, the re-registration is not required unless it is cancelled.

**NOTE:** Before registration, be sure that the wireless unit is properly inserted.

**NOTE:** One wireless unit can register up to 10 links with other wireless units. If more than 10 other wireless units are registered to one wireless unit, the one registered earliest will be cancelled automatically.

**NOTE:** The position of the wireless activation button varies depending on the tool.

**NOTE:** The cleaner also starts by pressing  button when the stand-by switch is set to "I (ON)". However the  button will not work when the wireless activation function is used.

## Installing the wireless unit

**CAUTION:** Place the cleaner on a flat and stable surface when installing the wireless unit.

**NOTICE:** Clean the dust and dirt on the cleaner before installing the wireless unit. Dust or dirt may cause malfunction if it comes into the slot of the wireless unit.

**NOTICE:** To prevent the malfunction caused by static, touch a static discharging material, such as a metallic part, before picking up the wireless unit.

**NOTICE:** When installing the wireless unit, always be sure that the wireless unit is inserted in the correct direction and the lid is completely closed.

1. Open the lid on the cleaner as shown in the figure.  
▶ **Fig.35:** 1. Lid

2. Insert the wireless unit to the slot and then close the lid.

When inserting the wireless unit, align the projections with the recessed portions on the slot.

- ▶ **Fig.36:** 1. Wireless unit 2. Projection 3. Lid  
4. Recessed portion

When removing the wireless unit, open the lid slowly. The hooks on the back of the lid will lift the wireless unit as you pull up the lid.

- ▶ **Fig.37:** 1. Wireless unit 2. Hook 3. Lid

After removing the wireless unit, keep it in the supplied case or a static-free container.

**NOTICE:** Always use the hooks on the back of the lid when removing the wireless unit. If the hooks do not catch the wireless unit, close the lid completely and open it slowly again.

## Tool registration for the cleaner

**NOTE:** A Makita tool supporting the wireless activation function is required for the tool registration.

**NOTE:** Finish installing the wireless unit to the tool before starting the tool registration.

**NOTE:** During the tool registration, do not pull the switch trigger on the tool or push the cleaner's switch for vacuuming.

**NOTE:** Refer to the instruction manual of the tool, too.

If you wish to activate the cleaner along with the switch operation of the tool, finish the tool registration beforehand.

1. Install the wireless units to the cleaner and the tool, respectively.
2. Install the batteries to the cleaner and the tool.
3. Set the stand-by switch on the cleaner to "I (ON)".  
▶ **Fig.38:** 1. Stand-by switch

4. Press the wireless activation button on the cleaner for 3 seconds until the wireless activation lamp blinks in green. And then press the wireless activation button on the tool in the same way.

▶ **Fig.39:** 1. Wireless activation button 2. Wireless activation lamp

If the cleaner and the tool are linked successfully, the wireless activation lamps will light up in green for 2 seconds and start blinking in blue.

**NOTE:** The wireless activation lamps finish blinking in green after 20 seconds elapsed. Press the wireless activation button on the tool while the wireless activation lamp on the cleaner is blinking. If the wireless activation lamp does not blink in green, push the wireless activation button briefly and hold it down again.

**NOTE:** When performing two or more tool registration for the cleaner, finish the tool registration one by one.

## Starting the wireless activation function

**NOTE:** Finish the tool registration for the cleaner for wireless activation.

**NOTE:** Always place the cleaner so that you can see the status of the wireless activation lamp.

**NOTE:** Refer to the instruction manual of the tool, too.

After registering a tool to the cleaner, the cleaner will automatically runs along with the switch operation of the tool.

1. Install the wireless units to the cleaner and the tool, respectively.
2. Install the batteries to the cleaner and the tool.
3. Connect the hose of the cleaner with the tool.  
▶ **Fig.40**
4. Set the stand-by switch on the cleaner to "I (ON)". The wireless activation lamp will blink in blue.  
▶ **Fig.41:** 1. Stand-by switch



5. Push the wireless activation button on the tool briefly. The wireless activation lamp will blink in blue.

► **Fig.42:** 1. Wireless activation button 2. Wireless activation lamp

6. Pull the switch trigger of the tool. Check if the cleaner runs while the switch trigger on the tool is being pulled.

**CAUTION:** Always check if the wireless activation function works before starting a work with the tool.

To stop the wireless activation, push the wireless activation button on the tool or set the stand-by switch on the cleaner to "O (OFF)".

**NOTE:** The wireless activation lamp on the tool will stop blinking in blue when there is no operation for 2 hours. In this case, press the wireless activation buttons on the tool again.

**NOTE:** The cleaner starts/stops with a delay. There is a time lag when the cleaner detects a switch operation of the tool.

**NOTE:** The transmission distance of the wireless unit may vary depending on the location and surrounding circumstances.

**NOTE:** When two or more tools are registered to one cleaner, the cleaner may start running even if you don't pull the switch trigger because other user is using the wireless activation function.

## Cancelling tool registration for the cleaner

Perform the following procedure when cancelling the tool registration for the cleaner.

1. Install the wireless units to the cleaner and the tool, respectively.
2. Install the batteries to the cleaner and the tool.
3. Set the stand-by switch on the cleaner to "I (ON)".

► **Fig.43:** 1. Stand-by switch

4. Press the wireless activation button on the cleaner for 6 seconds. The wireless activation lamp blinks in green and then become red. After that, press the wireless activation button on the tool in the same way.

► **Fig.44:** 1. Wireless activation button 2. Wireless activation lamp

If the cancellation is performed successfully, the wireless activation lamps will light up in red for 2 seconds and start blinking in blue.

**NOTE:** The wireless activation lamps finish blinking in red after 20 seconds elapsed. Press the wireless activation button on the tool while the wireless activation lamp on the cleaner is blinking. If the wireless activation lamp does not blink in red, push the wireless activation lamp briefly and hold it down again.

## Erasing all tool registrations

You can erase all tool registrations from the cleaner as follows.

► **Fig.45:** 1. Stand-by switch 2. Wireless activation button 3. Wireless activation lamp











1. Install the wireless unit to the cleaner.
2. Install the batteries to the cleaner.
3. Set the stand-by switch to "I (ON)".
4. Hold down the wireless activation button for about 6 seconds until the wireless activation lamp blinks in red (about twice per one second).
5. When the wireless activation lamp starts blinking in red, release your finger from the wireless activation button. Thereafter, hold down the wireless activation button again for about 6 seconds.
6. When the wireless activation lamp starts blinking fast (about 5 times per one second) in red, release your finger from the wireless activation button. When the wireless activation lamp lights up in red and later lights off, all tool registrations are erased.

**NOTE:** If the wireless activation lamp does not blink in red, press the wireless activation button briefly and try again.

## Description of the wireless activation lamp status

► **Fig.46:** 1. Wireless activation button 2. Wireless activation lamp

The wireless activation lamp shows the status of the wireless activation function. Refer to the below table for the meaning of the lamp status.

| Status                               | Wireless activation lamp |   |  | Description  |
|--------------------------------------|--------------------------|---|--|--|
|                                      | Color                    |  On                      |  Blinking |  |
| Standby                              | Blue                     |                          | Cleaner: continuing<br>Tool: 2 hours   | Waiting for the tool registration or the wireless activation function is available.<br>The lamp on the cleaner blinks when the stand-by switch is set in "I (ON)". The lamp on the tool blinks when the wireless activation button is pushed. The lamp on the tool will automatically turn off when no operation is performed for 2 hours. |
|                                      |                          |                          | When the tool is running.  | The wireless activation of the cleaner is available and the tool is running.   |
| Tool registration                    | Green                    |                          | 20 seconds   | Ready for the tool registration. Searching the tool to be registered.  |
|                                      |                          |                          | 2 seconds  | The tool registration has been finished. The wireless activation lamp will start blinking in blue.   |
| Cancelling/erasing tool registration | Red                      | <br>(slow: 2 times/sec.) | 20 seconds   | Ready for the cancellation of the tool registration. Searching the tool to be cancelled.   |
|                                      |                          | <br>(fast: 5 times/sec.) | When the wireless activation button is pressed down.                                       | Ready to erase all tool registrations.   |
|                                      |                          |                          | 2 seconds  | The tool registration has been cancelled/erased. The wireless activation lamp will start blinking in blue.   |
| Others                               | Red                      |                          | 3 seconds  | The power is supplied to the wireless unit and the wireless activation function is starting up.  |
|                                      | Off                      | -   | -  | The stand-by switch is not set to "I (ON)".  |

## Troubleshooting for wireless activation function

Before asking for repairs, conduct your own inspection first. If you find a problem that is not explained in the manual, do not attempt to dismantle the tool. Instead, ask Makita Authorized Service Centers, always using Makita replacement parts for repairs.

| State of abnormality   | Probable cause (malfunction)   | Remedy   |
|--|--|--|
| The wireless activation lamp does not light/blink.                               | The wireless unit is not installed into the cleaner and/or the tool.<br>The wireless unit is improperly installed into the cleaner and/or the tool.            | Install the wireless unit correctly.   |
|  | The terminal of the wireless unit and/or the slot is dirty.  | Gently wipe off dust and dirt on the terminal of the wireless unit and clean the slot of the cleaner and/or the tool.  |
|  | The wireless activation button on the tool have not been pushed.   | Push the wireless activation button on the tool briefly. Make sure that the wireless activation lamp is blinking in blue.                                      |
|  | The stand-by switch on the cleaner is not set to "I (ON)".   | Set the stand-by switch on the cleaner to "I (ON)".  |
|  | No power supply  | Supply the power to the tool and the cleaner.  |
| Cannot finish tool registration / cancelling tool registration successfully.     | The wireless unit is not installed into the cleaner and/or the tool.<br>The wireless unit is improperly installed into the cleaner and/or the tool.            | Install the wireless unit correctly.   |
|  | The terminal of the wireless unit and/or the slot is dirty.  | Gently wipe off dust and dirt on the terminal of the wireless unit and clean the slot of the cleaner and/or the tool.  |
|  | The stand-by switch on the cleaner is not set to "I (ON)".   | Set the stand-by switch on the cleaner to "I (ON)".  |
|  | No power supply  | Supply the power to the tool and the cleaner.  |
|  | Incorrect operation  | Push the wireless activation button briefly and perform the tool registration/cancellation procedures again.   |
|  | The tool and cleaner are away from each other (out of the transmission range).   | Get the tool and the cleaner closer to each other. The maximum transmission distance is approximately 10 m however it may vary according to the circumstances. |
|  | Before finishing the tool registration/cancellation;<br>- the switch trigger on the tool is pulled or;<br>- the cleaner's switch to start vacuuming is pushed. | Push the wireless activation button briefly and perform the tool registration/cancellation procedures again.   |
|  | The tool registration procedures for the tool or the cleaner has not been finished.  | Perform the tool registration procedures for the tool and the cleaner at the same timing.  |
| Radio disturbance by other appliances which generate high-intensity radio waves. | Keep the tool and the cleaner away from the appliances such as Wi-Fi devices and microwave ovens.  |  |

| State of abnormality  | Probable cause (malfunction)  | Remedy   |
|---|---|--|
| The cleaner does not run along with the switch operation of the tool. | The wireless unit is not installed into the cleaner and/or the tool.<br>The wireless unit is improperly installed into the cleaner and/or the tool.   | Install the wireless unit correctly.   |
|   | The terminal of the wireless unit and/or the slot is dirty.   | Gently wipe off dust and dirt on the terminal of the wireless unit and clean the slot of the cleaner and/or the tool.  |
|   | The wireless activation button on the tool have not been pushed.  | Push the wireless activation button on the tool briefly. Make sure that the wireless activation lamp is blinking in blue.  |
|   | The stand-by switch on the cleaner is not set to "I (ON)".  | Set the stand-by switch on the cleaner to "I (ON)".  |
|   | More than 10 tools are registered to the cleaner.   | Perform the tool registration again.<br>If more than 10 tools are registered to the cleaner, the tool registered earliest will be cancelled automatically.   |
|   | The cleaner erased all tool registrations.  | Perform the tool registration again.   |
|   | No power supply   | Supply the power to the tool and the cleaner.  |
|   | The tool and cleaner are away from each other (out of the transmission range).  | Get the tool and the cleaner closer to each other. The maximum transmission distance is approximately 10 m however it may vary according to the circumstances.   |
|   | Radio disturbance by other appliances which generate high-intensity radio waves.  | Keep the tool and the cleaner away from the appliances such as Wi-Fi devices and microwave ovens.  |
| The cleaner runs while the tool's switch trigger is not pulled.       | Other users are using the wireless activation of the cleaner with their tools.<br><br>Perform one of the following way;<br>- set the stand-by switch on the cleaner to "O" position or;<br>- turn off the wireless activation button of the other tools or;<br>- cancel the tool registration of the other tools. |  |
| Cannot erase all tool registrations in the cleaner.                   | Pressing the wireless button on the tool.   | Press the wireless button on the cleaner for erasing all tool registrations.   |
|   | The stand-by switch on the cleaner is not set to "I (ON)".  | Set the stand-by switch on the cleaner to "I (ON)".  |
|   | The wireless activation button is not held down correctly.  | Hold down the wireless activation button for more than 6 seconds and then release it when the wireless activation lamp blinks in red. Hold down the wireless activation button for more than 6 seconds again until the wireless activation button rapidly blinks in red and then release the button. |

## MAINTENANCE

**CAUTION:** Always be sure that the appliance is switched off and the battery cartridge is removed before attempting to perform inspection or maintenance.

**NOTICE:** Never use gasoline, benzine, thinner, alcohol or the like. Discoloration, deformation or cracks may result.

To maintain product SAFETY and RELIABILITY, repairs, any other maintenance or adjustment should be performed by Makita Authorized or Factory Service Centers, always using Makita replacement parts.

## Cleaning the HEPA filter

**CAUTION:** Do not use the vacuum cleaner without a filter or continue to use dirty or damaged filter. Vacuumed dust or particles may be exhausted from the cleaner and they may cause respiratory disease to the operator.

**NOTICE:** To keep optimum suction power and clean exhaust, clean the filter periodically. If enough suction power is not obtained even after the cleaning, replace the filter with new one.

**NOTICE:** To prevent the filter from being damaged, do not use following tools and similar items for cleaning :

- Air duster
- High pressure washer
- Tools made of hard materials such as a metallic brush

1. Open the lid and take out the filter bag/dust bag. Release the hook on the filter and remove it from the vacuum cleaner body.

► **Fig.47:** 1. Hook

2. Beat the dust off from the filter. The filter can be washed with water. Rinse away the dust and particles on the filter every 1 or 2 month. After that, dry the filter completely in a shaded and well-ventilated place to prevent unpleasant odor or malfunctions.

3. To install the filter, insert the side without the hooks into the groove then push in the filter until the hooks are secured with a click.

► **Fig.48:** 1. Groove 2. HEPA filter 3. Hook

## Cleaning the dust bag

Regularly clean the dust bag with soap and water. Turn the dust bag inside out and remove the sticky dust. Wash lightly by hand and rinse well with water. Dry completely before installing to the vacuum cleaner.

► **Fig.49**

**NOTICE:** Wet dust bag lowers the vacuuming performance as well as the life of the motor.

## Cleaning the room for filter bag/dust bag

When cleaning the room for filter bag/dust bag, remove and wipe the board inside.

► **Fig.50:** 1. Board

## Removing the board

1. Remove the HEPA filter. Refer to the section for cleaning the HEPA filter for how to remove.

2. Push down the board, and slide it to left until the board touches the wall.

3. Lift the right side of the board up and take it out.

► **Fig.51:** 1. Board

The board is supported by three springs.

If the springs came off from the board or the lever, reattach them as illustrated.

► **Fig.52:** 1. Spring for board 2. Spring for lever 3. Projection

**NOTE:** Attach the springs securely so that the springs touch the root of the projections.

## Attaching the board

1. Insert the straight side of the board into the catches in the lower left side of the room.

2. Put the right side of the board in place.

► **Fig.53:** 1. Board 2. Straight side 3. Catch

# OPTIONAL ACCESSORIES

**CAUTION:** These accessories or attachments are recommended for use with your Makita product specified in this manual. The use of any other accessories or attachments might present a risk of injury to persons. Only use accessory or attachment for its stated purpose.

If you need any assistance for more details regarding these accessories, ask your local Makita Service Center.

- Hose (for dust extraction type)
- Hose (for vacuum cleaner type)
- Extension wand
- Free nozzle
- T-shape nozzle
- Seat nozzle
- Corner nozzle
- Shelf brush
- Round brush
- Filter bag
- Dust bag
- Front cuff
- HEPA filter
- Wireless unit
- Cyclone attachment
- Makita genuine battery and charger

**NOTE:** Some items in the list may be included in the tool package as standard accessories. They may differ from country to country.

## Cyclone attachment

**NOTE:** When using the cyclone attachment with this appliance, the bent pipe is also required.

► **Fig.54:** 1. Cyclone attachment

## About the cyclone attachment

Using the cleaner with the cyclone attachment installed reduces the amount of dust that enters the dust bag, which helps to prevent the suction force from weakening. In addition, cleaning after use is also simple.

**CAUTION:** Always be sure that the tool is switched off and the battery cartridge is removed before carrying out any work on the tool. If the battery cartridge is left inserted, the cleaner may start unexpectedly and result in injury.

**CAUTION:** Clean the mesh filter of the cyclone attachment and the dust bag of the cleaner unit when they become clogged.

Continued use in the clogged condition may result in heating or smoke.

**NOTICE:** When the cyclone attachment is attached, do not use the cyclone attachment in the horizontal or upward facing condition. Doing so may cause the mesh filter to become clogged.

**NOTICE:** Always use the cleaner with the dust bag installed, even when using the cyclone attachment. Using the cleaner without the dust bag installed may result in a motor malfunction.

**NOTE:** Check that the cyclone attachment, cleaner, and straight pipe are locked properly before use.

**NOTE:** Empty the dust case of the cyclone attachment and the dust bag of the cleaner when dust has accumulated. Continued use will result in weakened suction force.

**NOTE:** You can use the cyclone attachment with or without lock function.

**NOTE:** To install or remove the cyclone attachment, refer to the section "Using as a cleaner".

## Disposing of dust

When dust has accumulated up to the full line of the dust case, follow the procedure below and dispose of the dust.

1. Hold the dust case firmly, press and hold the two buttons, and remove the dust case.

► **Fig.55:** 1. Full line 2. Dust case 3. Button (two locations) 4. Mesh filter

2. Dispose of the dust inside the dust case and remove any dust and powder adhered to the surface of the mesh filter.

3. Insert the dust case all the way until the two buttons lock with a click.

► **Fig.56:** 1. Dust case 2. Button (two locations)

**NOTE:** Check that the cyclone attachment, cleaner, and straight pipe are locked properly before restarting operation.

**NOTE:** If the suction force does not recover even after disposing of the dust and cleaning the mesh filter, check whether dust has accumulated in the dust bag of the cleaner or clogging has occurred.

## Cleaning

When the dust case becomes dirty or the mesh filter is clogged, remove and wash them with water. (Refer to "Disposing of dust" for the removal procedure.)

Dry the parts thoroughly before reinstallation and use.

► **Fig.57:** 1. Dust case 2. Mesh filter

When the mesh filter gets dirty badly, clean it in the following procedures.

1. Turn the mesh filter counterclockwise and remove it while the hooks are unlocked.

► **Fig.58:** 1. Mesh filter 2. Hook

2. Remove the dust on the mesh filter and then wash it with water. After that, dry it thoroughly.

3. Insert the mesh filter into the base while the hooks are aligned with the port. Turn the mesh filter clockwise until the hooks are locked with a click. Make sure that the mesh filter is installed securely.

► **Fig.59:** 1. Mesh filter 2. Hook 3. Port

## AVERTISSEMENT

- Cette machine n'est pas destinée à être utilisée par des personnes (y compris les enfants) aux facultés physiques, sensorielles ou mentales diminuées ou sans expérience ni expertise.
- Les enfants doivent être sous la surveillance d'un adulte afin de s'assurer qu'ils ne jouent pas avec l'aspirateur.
- Voir le chapitre « SPÉCIFICATIONS » pour la désignation de la batterie.
- Voir la section « Insertion ou retrait de la batterie » pour la méthode de retrait ou d'insertion de la batterie.
- Une fois la batterie arrivée en fin de vie, retirez-la de l'outil et déposez-la en lieu sûr. Respectez la réglementation locale en matière de mise au rebut des batteries.
- Lorsque vous n'utilisez pas l'outil pendant une période prolongée, la batterie doit être retirée de l'outil.
- Ne court-circuitez pas la batterie.
- Voir le chapitre « ENTRETIEN » pour des précautions détaillées pendant l'entretien à la charge de l'utilisateur.

## SPÉCIFICATIONS

|   |                 |                          |
|---|-----------------|--------------------------|
| <b>Modèle :</b>   |                 | <b>DVC665</b>            |
| Capacité  | Sac-filtre      | 6,0 L                    |
|   | Sac à poussière | 5,5 L                    |
| Volume d'air maximum<br>(Avec un tuyau de ø28 mm x 1,5 m) |                 | 1,8 m <sup>3</sup> /min  |
| Vide  |                 | 110 hPa                  |
| Dimensions (L x P x H)<br>(sans le harnais)               |                 | 297 mm x 174 mm x 523 mm |
| Tension nominale  |                 | 36 V CC                  |
| Poids net   |                 | 6,1 - 6,7 kg             |

- Étant donné l'évolution constante de notre programme de recherche et de développement, les spécifications contenues dans ce manuel sont sujettes à modification sans préavis.
- Les spécifications peuvent varier suivant les pays.
- Le poids ne comprend pas les accessoires, mais la ou les batteries. Le poids combiné le plus léger et le plus lourd de l'appareil et de la ou des batteries est indiqué dans le tableau.

### Batterie et chargeur applicables

|          |  |
|----------|--|
| Batterie | BL1815N / BL1820B / BL1830B / BL1840B / BL1850B / BL1860B    |
| Chargeur | DC18RC / DC18RD / DC18RE / DC18SD / DC18SE / DC18SF / DC18SH |

- Certains chargeurs et batteries répertoriés ci-dessus peuvent ne pas être disponibles selon la région où vous résidez.

**⚠ AVERTISSEMENT :** N'utilisez que les batteries et les chargeurs répertoriés ci-dessus. L'utilisation d'autres batteries et chargeurs peut provoquer des blessures et/ou un incendie.

**⚠ AVERTISSEMENT :** N'utilisez pas de source d'alimentation câblée comme un adaptateur de batterie ou un support d'alimentation portable avec cet outil. Le port de plus d'un harnais à la fois complique l'utilisation et le dégagement de l'outil, et peut provoquer des blessures.

### Symboles

Vous trouverez ci-dessous les symboles susceptibles d'être utilisés pour l'appareil. Veuillez à comprendre leur signification avant toute utilisation.



Lire le mode d'emploi.



Veuillez être prudent et rester attentif.



Pour les pays de l'Union européenne uniquement

En raison de la présence de composants dangereux dans l'équipement, les déchets d'équipements électriques et électroniques, les accumulateurs et les batteries peuvent avoir un impact négatif sur l'environnement et la santé humaine.

Ne jetez pas les appareils électriques et électroniques ou les batteries avec les ordures ménagères !  
Conformément à la directive européenne relative aux déchets d'équipements électriques et électroniques et aux déchets d'accumulateurs et de batteries, ainsi qu'à son adaptation à la législation nationale, les déchets d'équipements électriques, les batteries et les accumulateurs doivent être collectés séparément et déposés dans un point de collecte distinct pour déchets urbains, conformément aux réglementations en matière de protection de l'environnement.

Cela est indiqué par le symbole de la poubelle à roulettes barrée sur l'équipement.

## Utilisations

L'appareil est conçu pour la collecte des poussières sèches. L'appareil est prévu pour un usage commercial, par exemple, dans les hôtels, écoles, hôpitaux, usines, magasins, bureaux et agences de location.

## Bruit

Niveau de bruit pondéré A typique, déterminé selon IEC60335-2-69, IEC60704-2-1 :  
Niveau de pression sonore ( $L_{pA}$ ) : 70 dB (A) ou moins  
Incertitude (K) : 2,5 dB (A)

Le niveau de bruit en fonctionnement peut dépasser 80 dB (A).

**NOTE** : La ou les valeurs d'émission de bruit déclarées ont été mesurées conformément à la méthode de test standard et peuvent être utilisées pour comparer les outils entre eux.

**NOTE** : La ou les valeurs d'émission de bruit déclarées peuvent aussi être utilisées pour l'évaluation préliminaire de l'exposition.

**AVERTISSEMENT** : Portez un serre-tête antibruit.

**AVERTISSEMENT** : L'émission de bruit lors de l'usage réel de l'outil électrique peut être différente de la ou des valeurs déclarées, suivant la façon dont l'outil est utilisé, particulièrement selon le type de pièce usinée.

**AVERTISSEMENT** : Les mesures de sécurité à prendre pour protéger l'utilisateur doivent être basées sur une estimation de l'exposition dans des conditions réelles d'utilisation (en tenant compte de toutes les composantes du cycle d'utilisation, comme par exemple le moment de sa mise hors tension, lorsqu'il tourne à vide et le moment de son déclenchement).

## Vibrations

Valeur totale de vibrations (somme de vecteur triaxial) déterminée selon IEC60335-2-69 :

Mode de travail : fonctionnement à vide

Émission de vibrations ( $a_h$ ) : 2,5 m/s<sup>2</sup> ou moins

Incertitude (K) : 1,5 m/s<sup>2</sup>

**NOTE** : La ou les valeurs de vibration totales déclarées ont été mesurées conformément à la méthode de test standard et peuvent être utilisées pour comparer les outils entre eux.

**NOTE** : La ou les valeurs de vibration totales déclarées peuvent aussi être utilisées pour l'évaluation préliminaire de l'exposition.

**AVERTISSEMENT** : L'émission de vibrations lors de l'usage réel de l'outil électrique peut être différente de la ou des valeurs déclarées, suivant la façon dont l'outil est utilisé, particulièrement selon le type de pièce usinée.

**AVERTISSEMENT** : Les mesures de sécurité à prendre pour protéger l'utilisateur doivent être basées sur une estimation de l'exposition dans des conditions réelles d'utilisation (en tenant compte de toutes les composantes du cycle d'utilisation, comme par exemple le moment de sa mise hors tension, lorsqu'il tourne à vide et le moment de son déclenchement).

## Déclaration de conformité CE

*Pour les pays européens uniquement*

La déclaration de conformité CE est fournie en Annexe A à ce mode d'emploi.

## CONSIGNES DE SÉCURITÉ

### Consignes de sécurité pour aspirateur sans fil

**AVERTISSEMENT** : IMPORTANT ! LIRE ATTENTIVEMENT toutes les consignes de sécurité et toutes les instructions AVANT UTILISATION. Le non-respect des avertissements et des instructions peut entraîner une électrocution, un incendie et/ou de graves blessures.

1. Avant l'utilisation, veillez à ce que l'aspirateur soit utilisé par des personnes ayant reçu des instructions adéquates quant à son utilisation.
2. N'utilisez pas l'aspirateur sans le filtre. Remplacez immédiatement le filtre s'il est endommagé.
3. N'essayez pas d'aspirer des matériaux inflammables, du matériel pyrotechnique, des cigarettes allumées, des cendres chaudes, des copeaux de métal chauds, des matériaux tranchants comme un rasoir, des aiguilles, des morceaux de verre, etc.



4. **N'UTILISEZ JAMAIS L'ASPIRATEUR À PROXIMITÉ D'ESSENCE, GAZ, PEINTURE, ADHÉSIFS OU AUTRES SUBSTANCES TRÈS EXPLOSIVES.** L'interrupteur émet des étincelles à la mise sous et hors tension. Tout comme le commutateur du moteur pendant le fonctionnement. Une dangereuse explosion peut survenir.
  5. Cet aspirateur ne convient pas pour aspirer des poussières dangereuses.
  6. N'aspirez jamais des matériaux toxiques, cancérogènes, combustibles ou d'autres produits dangereux comme l'amiante, l'arsenic, le baryum, le béryllium, le plomb, les pesticides ou d'autres matières présentant un danger pour la santé.
  7. N'utilisez jamais l'aspirateur à l'extérieur sous la pluie.
  8. Pour la Finlande, cette machine ne doit pas être utilisée à l'extérieur à basse température.
  9. N'utilisez pas l'aspirateur près de sources de chaleur (cuisinières, etc.).
  10. Ne bloquez pas les fentes d'aération. Ces fentes permettent le refroidissement du moteur. Il faut éviter soigneusement de les bloquer sous peine de griller le moteur en raison d'un manque d'aération.
  11. Maintenez constamment une bonne assise et un bon équilibre.
  12. Ne pliez pas le tuyau, ni ne tirez ou marchez dessus.
  13. Arrêtez immédiatement l'aspirateur si vous remarquez des performances médiocres ou toute autre anomalie pendant le fonctionnement.
  14. **DÉBRANCHEZ LES BATTERIES.** Lorsque vous n'utilisez pas l'aspirateur, avant de le réparer et lors du remplacement des accessoires.
  15. Procédez au nettoyage et à l'entretien de l'aspirateur immédiatement après chaque utilisation pour le maintenir dans des conditions de fonctionnement optimales.
  16. **ENTRETENEZ SOIGNEUSEMENT L'ASPIRATEUR.** L'aspirateur doit toujours être propre pour améliorer la sécurité et les performances. Suivez les instructions pour remplacer les accessoires. Les poignées doivent toujours être sèches, propres et exemptes d'huile ou de graisse.
  17. **VÉRIFIEZ LES PIÈCES ENDOMMAGÉES.** Avant toute nouvelle utilisation de l'aspirateur, vérifiez soigneusement un carter de protection ou toute autre pièce endommagée pour déterminer qu'ils fonctionnent bien et remplissent leurs fonctions respectives. Vérifiez l'alignement des pièces mobiles, le blocage des pièces mobiles, les pièces cassées, l'installation et tout autre état susceptible d'affecter le fonctionnement. Un carter de protection ou toute autre pièce endommagée doivent être réparés ou remplacés correctement par un centre de service après-vente agréé sauf indication contraire de ce mode d'emploi. Confiez le remplacement des interrupteurs défectueux à un centre de service après-vente agréé. N'utilisez pas l'aspirateur s'il ne peut pas être mis sous et hors tension au moyen de l'interrupteur.
  18. **PIÈCES DE RECHANGE.** En cas de réparation, utilisez uniquement des pièces de rechange identiques.
  19. **RANGEZ L'ASPIRATEUR APRÈS UTILISATION.** Lorsque vous n'utilisez pas l'aspirateur, rangez-le à l'intérieur.
  20. **Épargnez votre aspirateur.** Une manipulation brutale peut entraîner la rupture de l'aspirateur le plus robuste.
  21. **Ne nettoyez pas l'extérieur ou l'intérieur avec du benzène, du diluant ou d'autres produits chimiques de nettoyage.** Vous risqueriez de le fissurer ou de le décolorer.
  22. **N'utilisez pas l'aspirateur dans un endroit fermé où des vapeurs inflammables, explosives ou toxiques sont dégagées par de la peinture à base d'huile, du diluant pour peinture, de l'essence, certains produits antimites, etc., ou dans des endroits exposés à des poussières inflammables.**
  23. **N'utilisez pas l'aspirateur sous l'influence de drogues, de médicaments ou d'alcool.**
  24. Par mesure de sécurité, utilisez des lunettes à coques ou des lunettes de sécurité avec écrans latéraux.
  25. Utilisez un masque anti-poussière dans des conditions de travail poussiéreuses.
  26. Cette machine n'est pas destinée à être utilisée par des personnes (y compris les enfants) aux facultés physiques, sensorielles ou mentales diminuées ou sans expérience ni expertise.
  27. Les enfants doivent être sous la surveillance d'un adulte afin de s'assurer qu'ils ne jouent pas avec l'aspirateur.
  28. **Ne manipulez jamais la ou les batteries et l'aspirateur avec les mains mouillées.**
  29. **Redoublez de précaution lorsque vous nettoyez des escaliers.**
  30. **N'utilisez pas l'aspirateur comme marchepied ou établi.** La machine pourrait tomber et provoquer des blessures corporelles.
- Utilisation et entretien des outils fonctionnant sur batterie**
1. **Rechargez la batterie uniquement avec le chargeur spécifié par le fabricant.** Un chargeur qui est adapté à un type spécifique de batterie peut présenter un risque d'incendie s'il est utilisé avec un autre type de batterie.
  2. **Utilisez un outil électrique uniquement avec la batterie spécifiquement indiquée.** L'utilisation de toute autre batterie peut présenter un risque de blessure et d'incendie.
  3. **Lorsque vous n'utilisez pas la batterie, tenez-la à l'écart des objets métalliques, comme des trombones, pièces de monnaie, clés, clous, vis ou autres petits objets métalliques, susceptibles de créer une connexion entre deux bornes.** Court-circuiter les bornes d'une batterie entre elles peut provoquer des brûlures ou un incendie.
  4. **Dans des conditions d'utilisation inadéquate, il peut y avoir une fuite de l'électrolyte de la batterie.** Le cas échéant, évitez tout contact avec ce liquide. En cas de contact accidentel, rincez à l'eau. Si le liquide pénètre dans les yeux, consultez par ailleurs un médecin. Le liquide s'échappant de la batterie peut provoquer une irritation ou des brûlures.

5. **N'utilisez pas une batterie ou un outil s'ils sont endommagés ou modifiés.** Une batterie endommagée ou modifiée peut avoir un comportement imprévisible susceptible d'entraîner un incendie, une explosion ou des blessures.
6. **N'exposez pas la batterie ou l'outil au feu ou à une température excessive.** L'exposition au feu ou à une température supérieure à 130 °C peut provoquer une explosion.
7. **Respectez toutes les instructions de charge et ne chargez pas la batterie ou l'outil en dehors de la plage de température indiquée dans les instructions.** Une charge incorrecte ou à une température en dehors de la plage indiquée peut endommager la batterie et augmenter le risque d'incendie.
8. **N'utilisez pas de source d'alimentation câblée comme un adaptateur de batterie ou un support d'alimentation portable avec cet outil.** Le câble de ce type de source d'alimentation pourrait gêner le fonctionnement et provoquer des blessures corporelles.
6. **Ne rangez ni n'utilisez l'outil et la batterie dans un endroit où la température risque d'atteindre ou de dépasser 50 °C.**
7. **Ne jetez pas la batterie au feu même si elle est sérieusement endommagée ou complètement épuisée. La batterie peut exploser au contact du feu.**
8. **Abstenez-vous de clouer, couper, écraser, jeter, laisser tomber la batterie, ou de la heurter contre un objet dur.** Cela pourrait entraîner un incendie, une chaleur excessive ou une explosion.
9. **N'utilisez pas la batterie si elle est endommagée.**
10. **Les batteries au lithium-ion contenues sont soumises aux exigences de la législation sur les marchandises dangereuses.** Lors du transport commercial par des tierces parties ou des transitaires par exemple, des exigences spécifiques en matière d'étiquetage et d'emballage doivent être respectées. Pour la préparation de l'article expédié, il est nécessaire de consulter un expert en matériel dangereux. Veuillez également respecter les réglementations nationales susceptibles d'être plus détaillées. Recouvrez les contacts exposés avec du ruban adhésif ou du ruban de masquage et emballez la batterie de telle sorte qu'elle ne puisse pas bouger dans l'emballage.

### Dépannage

1. **Confiez la réparation de votre outil électrique à un réparateur qualifié qui utilise des pièces de rechange identiques.** La sécurité de l'outil électrique sera ainsi préservée.
2. **Suivez les instructions pour la lubrification et le remplacement des accessoires.**
3. **Gardez toutes les poignées sèches, propres et sans trace d'huile ou de graisse.**

### Consignes de sécurité importantes pour la batterie

1. **Avant d'utiliser la batterie, lisez toutes les instructions et précautions relatives (1) au chargeur de batterie, (2) à la batterie, et (3) au produit utilisant la batterie.**
2. **Ne désassemblez pas et ne modifiez pas la batterie.** Cela pourrait entraîner un incendie, une chaleur excessive ou une explosion.
3. **Cessez immédiatement l'utilisation si le temps de fonctionnement devient excessivement court. Il y a risque de surchauffe, de brûlures, voire d'explosion.**
4. **Si l'électrolyte pénètre dans vos yeux, rincez-les à l'eau claire et consultez immédiatement un médecin. Il y a risque de perte de la vue.**
5. **Ne court-circuitez pas la batterie :**
  - (1) **Ne touchez les bornes avec aucun matériau conducteur.**
  - (2) **Évitez de ranger la batterie dans un conteneur avec d'autres objets métalliques, par exemple des clous, des pièces de monnaie, etc.**
  - (3) **N'exposez pas la batterie à l'eau ou à la pluie.**

Un court-circuit de la batterie peut provoquer une intensité de courant élevée, une surchauffe, parfois des brûlures et même une panne.
11. **Lors de la mise au rebut de la batterie, retirez-la de l'outil et jetez-la en lieu sûr. Suivez les réglementations locales en matière de mise au rebut des batteries.**
12. **Utilisez les batteries uniquement avec les produits spécifiés par Makita.** L'insertion de batteries dans des produits non conformes peut provoquer un incendie, une chaleur excessive, une explosion ou une fuite de l'électrolyte.
13. **Lorsque vous n'utilisez pas l'outil pendant une période prolongée, la batterie doit être retirée de l'outil.**
14. **Pendant et après l'utilisation, la batterie peut chauffer, ce qui peut entraîner des brûlures, y compris en cas de température relativement basse. Manipulez les batteries chaudes avec précaution.**
15. **Ne touchez pas la borne de l'outil immédiatement après utilisation car elle peut être assez chaude pour provoquer des brûlures.**
16. **Évitez que des copeaux, de la poussière ou du sol adhèrent aux bornes, aux trous et aux rainures de la batterie.** Cela pourrait réduire les performances ou casser l'outil ou la batterie.
17. **À moins que l'outil prenne en charge un tel usage, n'utilisez pas la batterie à proximité de lignes électriques haute tension.** Cela pourrait entraîner un dysfonctionnement ou casser l'outil ou la batterie.
18. **Conservez la batterie hors de portée des enfants.**

**CONSERVEZ CES INSTRUCTIONS.**

**⚠ ATTENTION : N'utilisez que des batteries Makita d'origine.** L'utilisation de batteries de marque autre que Makita ou de batteries modifiées peut provoquer l'explosion des batteries, ce qui présente un risque d'incendie, de dommages matériels et corporels. Cela annulera également la garantie Makita pour l'outil et le chargeur Makita.

## Conseils pour assurer la durée de vie optimale de la batterie

1. Chargez la batterie avant qu'elle ne soit complètement déchargée. Arrêtez toujours l'outil et rechargez la batterie quand vous remarquez que la puissance de l'outil diminue.
2. Ne rechargez jamais une batterie complètement chargée. La surcharge réduit la durée de service de la batterie.
3. Chargez la batterie à une température ambiante comprise entre 10 °C et 40 °C. Avant de charger une batterie chaude, laissez-la refroidir.
4. Lorsque vous n'utilisez pas la batterie, retirez-la de l'outil ou du chargeur.
5. Rechargez la batterie si elle est restée inutilisée pendant une période prolongée (plus de six mois).

## Consignes de sécurité importantes pour le connecteur sans fil

1. Ne démontez ni ne modifiez le connecteur sans fil.
2. Conservez le connecteur sans fil hors de portée des jeunes enfants. En cas d'ingestion accidentelle, consultez immédiatement un médecin.
3. Utilisez le connecteur sans fil uniquement avec des outils Makita.
4. N'exposez pas le connecteur sans fil à la pluie ou à l'humidité.
5. N'utilisez pas le connecteur sans fil dans un endroit où la température dépasse 50 °C.
6. Ne faites pas fonctionner le connecteur sans fil dans un endroit où des appareils médicaux comme des simulateurs cardiaques sont utilisés.
7. Ne faites pas fonctionner le connecteur sans fil dans un endroit où des appareils automatiques sont utilisés. Sinon, ces appareils pourraient présenter un dysfonctionnement ou une erreur.
8. N'utilisez pas le connecteur sans fil dans un endroit à température élevée ou dans un endroit susceptible de générer de l'électricité statique ou du bruit électrique.
9. Le connecteur sans fil peut produire des champs électromagnétiques (CEM), mais ceux-ci ne sont pas dangereux pour l'utilisateur.
10. Le connecteur sans fil est un instrument de précision. Évitez de laisser tomber ou de cogner le connecteur sans fil.
11. Évitez de toucher la borne du connecteur sans fil avec les mains nues ou avec des objets métalliques.
12. Retirez toujours la batterie du produit avant d'y installer le connecteur sans fil.
13. Évitez d'ouvrir le couvercle de la fente dans un endroit où de la poussière ou de l'eau pourrait pénétrer dans la fente. Maintenez toujours propre l'entrée de la fente.
14. Insérez toujours le connecteur sans fil dans le bon sens.
15. N'appuyez pas trop fort sur le bouton d'activation sans fil du connecteur sans fil, ni n'appuyez dessus avec un objet pointu.
16. Fermez toujours le couvercle de la fente pendant le fonctionnement.
17. Ne retirez pas le connecteur sans fil de la fente alors que l'outil est sous tension. Vous risqueriez de provoquer un dysfonctionnement du connecteur sans fil.
18. Ne retirez pas l'autocollant du connecteur sans fil.
19. Ne placez pas d'autocollant sur le connecteur sans fil.
20. Ne laissez pas le connecteur sans fil dans un endroit susceptible de générer de l'électricité statique ou du bruit électrique.
21. Ne laissez pas le connecteur sans fil dans un endroit soumis à une forte chaleur, comme une voiture en plein soleil.
22. Ne laissez pas le connecteur sans fil dans un endroit poussiéreux ou sablonneux ou dans un endroit susceptible de générer des gaz corrosifs.
23. De la condensation peut se former sur le connecteur sans fil en cas de brusque changement de température. N'utilisez pas le connecteur sans fil tant que la condensation n'a pas complètement séché.
24. Pour nettoyer le connecteur sans fil, essuyez-le délicatement avec un chiffon doux et sec. N'utilisez pas de benzine, diluant, graisse conductrice ou autre.
25. Rangez le connecteur sans fil en le conservant dans l'étui fourni ou dans un récipient anti-statique.
26. N'insérez pas d'autres dispositifs que le connecteur sans fil Makita dans la fente sur l'outil.
27. N'utilisez pas l'outil si le couvercle de la fente est endommagé. L'eau, la poussière ou la saleté pourraient pénétrer dans la fente provoquant un dysfonctionnement.
28. Ne tirez, ni ne tordez plus que nécessaire le couvercle de la fente. Remettez le couvercle en place s'il se détache de l'outil.
29. Remplacez le couvercle de la fente si vous le perdez ou l'endommagez.

## CONSERVEZ CES INSTRUCTIONS.

# DESCRIPTION DU FONCTIONNEMENT

**⚠ ATTENTION :** Assurez-vous toujours que l'appareil est hors tension et que sa batterie est retirée avant de l'ajuster ou de vérifier son fonctionnement.

## Insertion ou retrait de la batterie

**⚠ ATTENTION :** Éteignez toujours l'appareil avant de mettre en place ou de retirer la batterie.

**⚠ ATTENTION :** Tenez fermement l'appareil et la batterie lors de la mise en place ou du retrait de la batterie. Si vous ne tenez pas fermement l'appareil et la batterie, ils peuvent vous glisser des mains, et s'abîmer ou vous blesser.

► Fig.1: 1. Indicateur rouge 2. Bouton 3. Batterie

Pour retirer la batterie, faites-la glisser hors de l'appareil tout en faisant glisser le bouton à l'avant de la batterie.

Pour mettre en place la batterie, alignez la languette sur la batterie avec la rainure sur le compartiment et insérez-la. Insérez-la à fond jusqu'à ce qu'un léger dé clic se fasse entendre. Si l'indicateur rouge sur le dessus du bouton est visible, cela signifie qu'elle n'est pas bien verrouillée.

**⚠ ATTENTION :** Insérez toujours complètement la batterie jusqu'à ce que le voyant rouge ne soit plus visible. Sinon, elle pourrait tomber accidentellement de l'appareil au risque de vous blesser ou de blesser quelqu'un se trouvant à proximité.

**⚠ ATTENTION :** N'insérez pas la batterie de force. Si elle ne glisse pas facilement, c'est que vous ne l'insérez pas correctement.

## Système de protection de l'appareil/la batterie

L'appareil est équipé d'un système de protection de l'appareil/la batterie. Ce système met automatiquement hors tension le moteur pour accroître l'autonomie de l'appareil et de la batterie. Si l'appareil ou la batterie se trouve dans l'une des situations suivantes, l'appareil cessera automatiquement de fonctionner.

### Protection contre la surcharge

Lorsque l'appareil est utilisé d'une manière provoquant un appel de courant anormalement élevé, il s'arrête automatiquement sans indication. Dans ce cas, éteignez l'appareil et arrêtez la tâche ayant provoqué la surcharge de l'appareil. Puis rallumez l'appareil pour reprendre la tâche.

### Protection contre la surchauffe

En cas de surchauffe de l'appareil, il s'arrête automatiquement. Laissez l'appareil refroidir avant de le remettre sous tension.

### Protection contre la décharge totale de la batterie

Lorsque la charge restante de la batterie devient faible, l'appareil s'arrête automatiquement. Si le produit ne fonctionne pas même lorsque les boutons sont actionnés, retirez les batteries de l'appareil et chargez-les.

## Indication de la charge restante de la batterie

Uniquement pour les batteries avec voyant lumineux

► Fig.2: 1. Témoins 2. Bouton de vérification

Appuyez sur le bouton de vérification sur la batterie pour indiquer la charge restante de la batterie. Les témoins s'allument pendant quelques secondes.

| Témoins |        |            | Charge restante                   |
|---------|--------|------------|-----------------------------------|
| Allumé  | Éteint | Clignotant |                                   |
| ■       | □      | ◐          | 75 % à 100 %                      |
| ■       | ■      | □          | 50 % à 75 %                       |
| ■       | ■      | □          | 25 % à 50 %                       |
| ■       | □      | □          | 0 % à 25 %                        |
| ◐       | □      | □          | Chargez la batterie.              |
| ■       | ■      | □          | Anomalie possible de la batterie. |
| □       | □      | ■          |                                   |

**NOTE :** Selon les conditions d'utilisation et la température ambiante, l'indication peut être légèrement différente de la capacité réelle.

**NOTE :** Le premier témoin (complètement à gauche) clignotera pendant le fonctionnement du système de protection de la batterie.

## Position du boîtier de commande

Le boîtier de commande peut être accroché de n'importe quel côté de la ceinture inférieure. Arrangez le cordon de sorte que le boîtier de commande se place du côté souhaité. Pour éviter d'abîmer le cordon, faites-le passer dans la rainure comme illustré.

► Fig.3: 1. Rainure 2. Cordon

## Réglage des ceintures

Il est possible de régler les courroies d'épaule et les ceintures supérieure et inférieure. Passez d'abord vos bras par les courroies d'épaule, puis serrez les ceintures inférieure et supérieure. Pour serrer, tirez sur l'extrémité de la courroie comme illustré. Pour desserrer, soulevez l'extrémité de la barrette.

### Ceinture inférieure

► Fig.4: 1. Courroie 2. Barrette

### Courroies d'épaule

► Fig.5: 1. Courroie 2. Barrette

### Ceinture supérieure

► Fig.6: 1. Courroie 2. Barrette

## Crochet de transport

**⚠ ATTENTION : N'utilisez les pièces d'accrochage/de fixation qu'aux fins pour lesquelles elles ont été conçues.** Leur utilisation à toute autre fin peut provoquer un accident ou des blessures corporelles.

Tenez toujours le crochet de transport lorsque vous manipulez le corps de l'aspirateur.

► Fig.7: 1. Crochet de transport

## Bouton de veille

Le bouton de veille sert à activer/désactiver la fonction d'activation sans fil. L'aspirateur est à l'état de veille quel que soit la position du bouton et il fonctionne lorsque le bouton (1) est enfoncé.

► Fig.8: 1. Bouton de veille

| Position du bouton |         | État  |
|--------------------|---------|---|
| AUTO               | I (ON)  | L'aspirateur est à l'état de veille et la fonction d'activation sans fil est disponible.              |
|                    | O (OFF) | L'aspirateur est à l'état de veille toutefois la fonction d'activation sans fil n'est pas disponible. |

## Fonctionnement de la gâchette

Pour commencer à aspirer, appuyez une fois sur le bouton (1). L'aspirateur démarrera à la même puissance d'aspiration qu'au moment où vous l'avez éteint précédemment. Si vous appuyez sur le bouton (2) alors que l'aspirateur fonctionne, la puissance d'aspiration permute entre normale (1) et élevée (2). Pour éteindre l'aspirateur, appuyez sur le bouton (0).

► Fig.9

**NOTE :** Si vous souhaitez faire fonctionner l'aspirateur en utilisant l'interrupteur de l'outil raccordé à l'aspirateur (fonction d'activation sans fil), placez le bouton de veille sur « I (ON) ».

**NOTE :** Pour utiliser la fonction d'activation sans fil, terminez d'abord l'enregistrement de l'outil. Consultez la section « FONCTION D'ACTIVATION SANS FIL » pour en savoir plus.

**NOTE :** Lorsque vous utilisez la fonction d'activation sans fil, vous n'êtes pas en mesure d'arrêter l'aspiration avec le bouton (0).

## Collier du tuyau

Le collier du tuyau peut servir à tenir le tuyau ou le raccorder libre.

Pour fixer le tuyau au corps de l'aspirateur, faites passer le collier du tuyau par la fente sur le corps. Vous pouvez fixer le collier du tuyau de n'importe quel côté.

► Fig.10: 1. Collier du tuyau 2. Fente 3. Tuyau

L'arceau présent sur la ceinture inférieure peut être utilisé pour transporter les raccords comme illustré.

► Fig.11: 1. Arceau 2. Raccords

## Système de battage des poussières

La poussière descend lorsque vous tirez sur le levier ou marchez en portant l'aspirateur. Ce système aide l'aspirateur à maintenir sa puissance d'aspiration.

► Fig.12: 1. Levier 2. Sac-filtre/Sac à poussière 3. Plateau

**NOTE :** Cette fonction fonctionne lorsque l'aspirateur est hors tension et que le sac-filtre/sac à poussière contient tellement de poussière qu'elle touche le plateau.

## ASSEMBLAGE

**⚠ ATTENTION :** Vérifiez toujours que l'appareil est hors tension et que la batterie est retirée avant toute intervention dessus.

### Assemblage du tuyau

Insérez le manchon du tuyau dans le corps de l'aspirateur et tournez-le dans le sens des aiguilles d'une montre.

► Fig.13: 1. Manchon du tuyau 2. Corps de l'aspirateur

### Raccordement de l'outil

Si l'ensemble du tube cintré est fixé sur le tuyau, desserrez le manchon de l'ensemble du tube cintré et retirez-le.

► Fig.14: 1. Tuyau 2. Ensemble du tube cintré 3. Manchon

1. Fixez le manchon avant sur le tuyau d'extraction de poussière. Lors du raccordement du manchon avant, assurez-vous qu'il est bien vissé sur le tuyau.

2. Raccordez le manchon avant sur la bouche d'extraction de l'outil.

► Fig.15: 1. Manchon avant 2. Bouche d'extraction 3. Tuyau

Le manchon avant peut être retiré en le tournant dans le sens inverse des aiguilles d'une montre tout en tenant le tuyau.

**NOTE :** Utilisez toujours un manchon avant adapté. Lorsque vous utilisez le manchon avant 24, fixez-le sur le manchon avant 22 qui est raccordé au tuyau.

► Fig.16: 1. Manchon avant 22 2. Manchon avant 24

### Utilisation en tant qu'aspirateur

Si vous souhaitez utiliser ce produit comme aspirateur, procédez comme indiqué ci-dessous.

**REMARQUE :** Si le manchon avant est fixé sur le tuyau, retirez-le au préalable.

**NOTE :** L'ensemble du tube cintré, le tube prolongateur et les raccords sont fournis en tant qu'accessoires en option dans certains pays.

**NOTE :** Il existe deux types d'ensemble du tube cintré : celui pour le tube prolongateur de type coulissant et celui pour le tube prolongateur avec bague. Si vous préparez l'ensemble du tube cintré, choisissez celui correspondant au type de tube prolongateur souhaité.

1. Serrez le manchon de l'ensemble du tube cintré sur le tuyau.

- **Fig.17:** 1. Tuyau 2. Ensemble du tube cintré  
3. Manchon

Pour retirer l'ensemble du tube cintré, desserrez le manchon de l'ensemble du tube cintré sur le tuyau.

2. Insérez en tournant le raccord sur le tube prolongateur.

- **Fig.18:** 1. Tube prolongateur 2. Raccord libre  
3. Raccord en forme de T 4. Raccord en forme de T (mince)

**NOTE :** Tourner le raccord en l'insérant permet de le fixer solidement au tube prolongateur.

3. Procédez comme indiqué ci-dessous en fonction du type de tube prolongateur :

**NOTE :** Le tube prolongateur de type coulissant et le tube prolongateur avec bague ne sont pas compatibles. Pour remplacer le tube prolongateur de type coulissant par le tube prolongateur avec bague ou inversement, il faut également changer l'ensemble du tube cintré.

**NOTE :** Le raccord libre peut être directement fixé à l'ensemble du tube cintré.

#### Pour le tube prolongateur de type coulissant

Chargez le corps de l'aspirateur sur vos épaules, puis insérez le tube prolongateur dans l'ensemble du tube cintré jusqu'au déclic. Pour le déconnecter, retirez le tube prolongateur en appuyant sur le bouton.

- **Fig.19:** 1. Ensemble du tube cintré 2. Bouton  
3. Tube prolongateur de type coulissant  
4. Raccord libre

Il est possible de régler la longueur du tube.

Tout en appuyant sur le bouton coulissant, réglez la longueur du tube. La longueur est bloquée lorsque vous relâchez le bouton coulissant.

- **Fig.20:** 1. Bouton coulissant

#### Pour le tube prolongateur avec bague

Chargez le corps de l'aspirateur sur vos épaules, puis insérez en tournant le tube prolongateur dans l'ensemble du tube cintré. Pour le déconnecter, tirez en tournant.

- **Fig.21:** 1. Ensemble du tube cintré 2. Tube prolongateur avec bague 3. Raccord libre

Il est possible de régler la longueur du tube.

Desserrez la bague sur le tube et réglez la longueur du tube. Serrez la bague à la longueur souhaitée.

- **Fig.22:** 1. Bague

## Crochet du tuyau

Lorsque vous interrompez la tâche, le crochet sur l'ensemble du tube cintré peut être utilisé pour pendre le tube à la ceinture inférieure.

- **Fig.23**

## Installation du sac-filtre/sac à poussière

### Accessoire en option

**ATTENTION :** N'utilisez pas un sac-filtre endommagé. Utilisez toujours l'aspirateur avec le sac-filtre correctement installé. Autrement, la poussière et les particules aspirées peuvent être expulsées de l'aspirateur, ce qui présente un risque de maladie respiratoire pour l'utilisateur.

Installez le sac à poussière ou le sac-filtre avant d'utiliser l'aspirateur.

- Les sacs à poussière sont réutilisables si vous les nettoyez correctement.
- Le sac-filtre est de type jetable. Jetez l'ensemble du sac-filtre sans le vider une fois qu'il est plein.

**REMARQUE :** Lorsque le sac-filtre est plein, remplacez-le par un neuf. Lorsque le sac à poussière est plein, videz-le. Si vous continuez à utiliser le sac-filtre/sac à poussière plein, la puissance d'aspiration sera réduite.

**REMARQUE :** Pour éviter que la poussière pénètre dans le moteur :

- Assurez-vous que le sac-filtre/sac à poussière est installé avant utilisation.
- N'utilisez pas un sac rompu ou déchiré.

Cela risquerait d'endommager le moteur.

**REMARQUE :** Ne pliez pas l'ouverture en carton du sac-filtre/sac à poussière lorsque vous l'installez.

**REMARQUE :** Le sac-filtre/sac à poussière pour aspirateur est un élément important du maintien des performances de l'appareil. L'utilisation d'un autre filtre que le sac-filtre/sac à poussière d'origine peut provoquer un dégagement de fumée ou une combustion.

**NOTE :** Si le sac-filtre/sac à poussière n'est pas installé dans l'aspirateur, le couvercle avant ne se ferme pas complètement.

- **Fig.24**

1. Déverrouillez le loquet en soulevant la partie inférieure. Poussez la zone rainurée pour soulever la partie avant de verrouillage. Tirez sur le loquet pour ouvrir le couvercle.

- **Fig.25:** 1. Crochet 2. Couvercle

2. Insérez le sac-filtre dans la fente sur le côté supérieur de la chambre comme illustré.

- **Fig.26:** 1. Fente 2. Sac-filtre

Si vous utilisez le sac à poussière, insérez le bord du sac à poussière dans la fente.

- **Fig.27:** 1. Fente 2. Bord 3. Sac à poussière

3. Alignez l'orifice du sac-filtre sur le manchon du tuyau et poussez la partie en carton vers le fond. Assurez-vous que la bague en caoutchouc sur le sac-filtre passe au-dessus du bord sur le manchon du tuyau.

- **Fig.28:** 1. Bague en caoutchouc sur le sac-filtre  
2. Bord sur le manchon du tuyau 3. Partie en carton du sac-filtre 4. Manchon du tuyau



## UTILISATION

**⚠ AVERTISSEMENT :** Les utilisateurs doivent avoir reçu les instructions adéquates sur l'utilisation de l'aspirateur.

**⚠ AVERTISSEMENT :** Cet aspirateur ne convient pas pour aspirer des poussières dangereuses.

**⚠ ATTENTION :** Cet aspirateur est conçu pour une utilisation à sec uniquement.

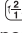
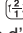

**⚠ ATTENTION :** Cet aspirateur est conçu pour une utilisation en intérieur uniquement.

**⚠ ATTENTION :** Insérez toujours la batterie à fond jusqu'à ce qu'elle se verrouille en place. Si le voyant rouge sur le dessus du bouton est visible, cela signifie qu'elle n'est pas bien verrouillée. Insérez-la complètement jusqu'à ce que le voyant rouge ne soit plus visible. Sinon, elle pourrait tomber accidentellement de l'appareil au risque de vous blesser ou de blesser quelqu'un se trouvant à proximité.

**⚠ ATTENTION :** Pendant le fonctionnement, soyez conscient de l'aspirateur sur votre dos. Vous pourriez perdre l'équilibre si le corps de l'aspirateur se cogne contre un mur ou si le tuyau est accroché par des obstacles.

1. Chargez le corps de l'aspirateur sur vos épaules et serrez les ceintures inférieure et supérieure. Réglez le serrage au besoin.

► Fig.29

2. Appuyez sur le bouton  pour démarrer l'aspiration. Pour modifier la puissance d'aspiration, appuyez sur le bouton  pendant que l'aspirateur fonctionne. La puissance d'aspiration bascule entre normale (1) et élevée (2). Appuyez sur le bouton  pour arrêter.

► Fig.30

Pendant le fonctionnement, accrochez le boîtier de commande sur la ceinture inférieure ou l'anneau.

► Fig.31: 1. Bague 2. Ceinture inférieure

3. Remplacez le sac-filtre lorsqu'il est plein. Ouvrez le couvercle et sortez le sac-filtre. Tirez sur la bande sur le côté de l'ouverture pour fermer le sac-filtre et jetez l'ensemble.

► Fig.32: 1. Bande

Si vous utilisez un sac à poussière, sortez le sac à poussière et jetez la poussière en libérant le loquet.

► Fig.33: 1. Loquet

**REMARQUE :** Ne placez pas le sac-filtre/sac à poussière ou d'autres objets lourds sur le couvercle. L'appareil risque de tomber.

**REMARQUE :** Vérifiez régulièrement si le sac-filtre est plein. Si vous continuez à utiliser le sac-filtre plein, la puissance d'aspiration sera réduite.

**REMARQUE :** N'utilisez pas un sac-filtre usé. Le sac-filtre n'est pas conçu pour être réutilisé. L'utilisation répétée du sac-filtre peut boucher le filtre et endommager l'aspirateur. Si vous voulez réutiliser le sac, optez pour un sac à poussière.

## FONCTION D'ACTIVATION SANS FIL

### À quoi sert la fonction d'activation sans fil

La fonction d'activation sans fil offre un fonctionnement propre et confortable. En raccordant un outil compatible à l'aspirateur, vous pouvez déclencher automatiquement l'aspirateur en utilisant l'interrupteur de l'outil.

► Fig.34

**REMARQUE :** Consultez impérativement le mode d'emploi de l'outil lorsque vous utilisez l'aspirateur avec la fonction d'activation sans fil.

**REMARQUE :** Ne démontez ni ne modifiez le connecteur sans fil.

**REMARQUE :** Pour empêcher la poussière d'entrer dans la fente du connecteur sans fil, fermez toujours solidement le couvercle pendant le fonctionnement et le rangement.

**REMARQUE :** Ne retirez pas le connecteur sans fil alors que l'aspirateur est sous tension. Vous risqueriez de provoquer un dysfonctionnement du connecteur sans fil.

**REMARQUE :** N'appuyez pas trop fort sur le bouton d'activation sans fil, ni n'appuyez dessus avec un objet pointu.

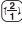
**NOTE :** L'activation sans fil nécessite des outils Makita pourvus du connecteur sans fil.

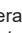
**NOTE :** Avant la première utilisation de la fonction d'activation sans fil avec chaque outil, il est nécessaire de procéder à l'enregistrement de l'outil. Une fois l'enregistrement de l'outil terminé, il n'est pas nécessaire de le ré-enregistrer sauf en cas d'annulation.

**NOTE :** Avant l'enregistrement, assurez-vous que le connecteur sans fil est correctement inséré.

**NOTE :** Un connecteur sans fil peut enregistrer jusqu'à 10 liens avec d'autres connecteurs sans fil. Si plus de 10 autres connecteurs sans fil sont enregistrés sur un connecteur sans fil, celui enregistré en premier sera automatiquement annulé.

**NOTE :** L'emplacement du bouton d'activation sans fil dépend de l'outil.

**NOTE :** L'aspirateur démarre également en appuyant sur le bouton  lorsque le bouton de veille est placé sur « I (ON) ».

Toutefois, le bouton  ne fonctionnera pas pendant que la fonction d'activation sans fil est utilisée.

## Installation du connecteur sans fil

**⚠ ATTENTION :** Placez l'aspirateur sur une surface plane et stable pour y installer le connecteur sans fil.

**REMARQUE :** Retirez la poussière et la saleté sur l'aspirateur avant d'installer le connecteur sans fil. La poussière ou la saleté peuvent provoquer des dysfonctionnements si elles pénètrent dans la fente sur le connecteur sans fil.

**REMARQUE :** Pour éviter un dysfonctionnement provoqué par l'électricité statique, touchez un matériau conducteur comme une pièce métallique, avant de prendre dans vos mains le connecteur sans fil.

**REMARQUE :** Lorsque vous installez le connecteur sans fil, veillez toujours à l'insérer dans le bon sens et assurez-vous que le couvercle est complètement fermé.

1. Ouvrez le couvercle sur l'aspirateur comme illustré sur la figure.

► Fig.35: 1. Couvercle

2. Insérez le connecteur sans fil dans la fente, puis refermez le couvercle.

Lors de l'insertion du connecteur sans fil, alignez les parties saillantes avec les parties creuses sur la fente.

► Fig.36: 1. Connecteur sans fil 2. Partie saillante 3. Couvercle 4. Partie creuse

Pour retirer le connecteur sans fil, ouvrez lentement le couvercle. Les crochets au dos du couvercle soulèveront le connecteur sans fil à mesure que vous tirez le couvercle vers le haut.

► Fig.37: 1. Connecteur sans fil 2. Crochet 3. Couvercle

Après avoir retiré le connecteur sans fil, gardez-le dans l'étui fourni ou dans un récipient anti-statique.

**REMARQUE :** Utilisez toujours les crochets au dos du couvercle lorsque vous retirez le connecteur sans fil. Si les crochets ne s'attachent pas au connecteur sans fil, fermez complètement le couvercle, puis rouvrez-le lentement.

## Enregistrement de l'outil pour l'aspirateur

**NOTE :** Un outil Makita compatible avec la fonction d'activation sans fil est nécessaire pour l'enregistrement de l'outil.

**NOTE :** Terminez la mise en place du connecteur sans fil sur l'outil avant de commencer l'enregistrement de l'outil.

**NOTE :** Pendant l'enregistrement de l'outil, n'enclenchez pas la gâchette sur l'outil, ni n'appuyez sur le bouton de l'aspirateur pour aspirer.

**NOTE :** Consultez aussi le mode d'emploi de l'outil.

Si vous souhaitez activer l'aspirateur en utilisant l'interrupteur de l'outil, terminez d'abord l'enregistrement de l'outil.

1. Installez les connecteurs sans fil sur l'aspirateur et l'outil, respectivement.

2. Installez les batteries dans l'aspirateur et l'outil.

3. Placez le bouton de veille de l'aspirateur sur « I (ON) ».

► Fig.38: 1. Bouton de veille

4. Appuyez sur le bouton d'activation sans fil de l'aspirateur pendant 3 secondes jusqu'à ce que le témoin d'activation sans fil clignote en vert. Puis appuyez sur le bouton d'activation sans fil de l'outil de la même façon.

► Fig.39: 1. Bouton d'activation sans fil 2. Témoin d'activation sans fil

Si la liaison entre l'aspirateur et l'outil est réussie, les témoins d'activation sans fil s'allumeront en vert pendant 2 secondes et se mettront à clignoter en bleu.

**NOTE :** Les témoins d'activation sans fil cessent de clignoter en vert au bout de 20 secondes. Appuyez sur le bouton d'activation sans fil de l'outil pendant que le témoin d'activation sans fil de l'aspirateur clignote. Si le témoin d'activation sans fil ne clignote pas en vert, appuyez brièvement sur le bouton d'activation sans fil et maintenez-le à nouveau enfoncé.

**NOTE :** Si vous effectuez plus de deux enregistrements d'outils pour l'aspirateur, terminez-les l'un après l'autre.

## Démarrage de la fonction d'activation sans fil

**NOTE :** Terminez l'enregistrement de l'outil pour l'aspirateur pour l'activation sans fil.

**NOTE :** Positionnez toujours l'aspirateur de sorte à voir le statut du témoin d'activation sans fil.

**NOTE :** Consultez aussi le mode d'emploi de l'outil.

Après avoir enregistré un outil sur l'aspirateur, ce dernier se déclenchera automatiquement en utilisant l'interrupteur de l'outil.

1. Installez les connecteurs sans fil sur l'aspirateur et l'outil, respectivement.

2. Insérez les batteries dans l'aspirateur et l'outil.

3. Raccordez le tuyau de l'aspirateur à l'outil.

► Fig.40

4. Placez le bouton de veille de l'aspirateur sur « I (ON) ». Le témoin d'activation sans fil clignote en bleu.

► Fig.41: 1. Bouton de veille

5. Appuyez brièvement sur le bouton d'activation sans fil sur l'outil. Le témoin d'activation sans fil clignote en bleu.

► Fig.42: 1. Bouton d'activation sans fil 2. Témoin d'activation sans fil

6. Enclenchez la gâchette de l'outil. Vérifiez que l'aspirateur fonctionne alors que la gâchette sur l'outil est enclenchée.

**⚠ ATTENTION :** Vérifiez toujours si la fonction d'activation sans fil fonctionne avant de commencer une tâche avec l'outil.

Pour arrêter l'activation sans fil, poussez le bouton d'activation sans fil sur l'outil ou placez le bouton de veille sur l'aspirateur sur « O (OFF) ».



**NOTE :** Le témoin d'activation sans fil de l'outil cessera de clignoter en bleu en l'absence d'opérations pendant 2 heures. Dans ce cas, appuyez à nouveau sur les boutons d'activation sans fil sur l'outil.

**NOTE :** L'aspirateur démarre/s'arrête avec un léger retard. Il y a un décalage lorsque l'aspirateur détecte l'utilisation de l'interrupteur de l'outil.

**NOTE :** La distance de transmission du connecteur sans fil peut varier selon l'emplacement et les conditions environnantes.

**NOTE :** Si plus de deux outils sont enregistrés sur un aspirateur, ce dernier peut se mettre en marche sans que vous enclenchiez la gâchette, car un autre utilisateur emploie la fonction d'activation sans fil.

**5.** Lorsque le témoin d'activation sans fil se met à clignoter en rouge, relâchez votre doigt du bouton d'activation sans fil. Ensuite, maintenez à nouveau enfoncé le bouton d'activation sans fil pendant 6 secondes environ.

**6.** Lorsque le témoin d'activation sans fil se met à clignoter rapidement en rouge (environ 5 fois par seconde), relâchez votre doigt du bouton d'activation sans fil. Lorsque le témoin d'activation sans fil s'allume en rouge, puis s'éteint, tous les enregistrements d'outils sont effacés.

**NOTE :** Si le témoin d'activation sans fil ne clignote pas en rouge, appuyez brièvement sur le bouton d'activation sans fil et réessayez.

## Annulation de l'enregistrement de l'outil pour l'aspirateur

Procédez comme indiqué ci-après pour annuler l'enregistrement de l'outil pour l'aspirateur.

1. Installez les connecteurs sans fil sur l'aspirateur et l'outil, respectivement.
2. Installez les batteries dans l'aspirateur et l'outil.
3. Placez le bouton de veille de l'aspirateur sur « I (ON) ».

► **Fig.43:** 1. Bouton de veille

**4.** Appuyez sur le bouton d'activation sans fil de l'aspirateur pendant 6 secondes. Le témoin d'activation sans fil clignote en vert, puis devient rouge. Après cela, appuyez sur le bouton d'activation sans fil de l'outil de la même façon.

► **Fig.44:** 1. Bouton d'activation sans fil 2. Témoin d'activation sans fil

Si l'annulation est réussie, les témoins d'activation sans fil s'allumeront en rouge pendant 2 secondes et se mettront à clignoter en bleu.

**NOTE :** Les témoins d'activation sans fil arrêtent de clignoter en rouge au bout de 20 secondes. Appuyez sur le bouton d'activation sans fil de l'outil pendant que le témoin d'activation sans fil de l'aspirateur clignote. Si le témoin d'activation sans fil ne clignote pas en rouge, appuyez brièvement sur le bouton d'activation sans fil et maintenez-le à nouveau enfoncé.

## Effacement de tous les enregistrements d'outils

Vous pouvez effacer tous les enregistrements d'outils de l'aspirateur comme suit.











► **Fig.45:** 1. Bouton de veille 2. Bouton d'activation sans fil 3. Témoin d'activation sans fil

1. Installez le connecteur sans fil sur l'aspirateur.
2. Installez les batteries dans l'aspirateur.
3. Placez le bouton de veille sur « I (ON) ».
4. Maintenez enfoncé le bouton d'activation sans fil pendant 6 secondes environ jusqu'à ce que le témoin d'activation sans fil clignote en rouge (environ deux fois par seconde).

## Description du statut du témoin d'activation sans fil

► **Fig.46:** 1. Bouton d'activation sans fil 2. Témoin d'activation sans fil

Le témoin d'activation sans fil indique le statut de la fonction d'activation sans fil. Consultez le tableau ci-dessous pour la signification du statut du témoin.

| Statut   | Témoin d'activation sans fil |  |  | Description   |
|--|------------------------------|--|--|---|
|  | Couleur                      |  Allumé                       |  Clignotant |   |
| Veille   | Bleu                         |                               | Aspirateur : continu<br>Outil : 2 heures   | En attente de la disponibilité de l'enregistrement de l'outil ou de la fonction d'activation sans fil. Le témoin sur l'aspirateur clignote lorsque le bouton de veille est placé sur « I (ON) ». Le témoin sur l'outil clignote lorsque le bouton d'activation sans fil est enfoncé. Le témoin sur l'outil s'éteint automatiquement en l'absence d'opérations pendant 2 heures. |
|  |                              |                               | Pendant le fonctionnement de l'outil.  | L'activation sans fil de l'aspirateur est disponible et l'outil fonctionne.   |
| Enregistrement de l'outil                            | Vert                         |                               | 20 secondes  | Prêt pour l'enregistrement de l'outil. Recherche en cours de l'outil à enregistrer.   |
|  |                              |                               | 2 secondes   | L'enregistrement de l'outil est terminé. Le témoin d'activation sans fil se met à clignoter en bleu.  |
| Annulation/effacement de l'enregistrement de l'outil | Rouge                        | <br>(lent : 2 fois/seconde)   | 20 secondes  | Prêt pour l'annulation de l'enregistrement de l'outil. Recherche en cours de l'outil à annuler.   |
|  |                              | <br>(rapide : 5 fois/seconde) | Lorsque le bouton d'activation sans fil est enfoncé.   | Prêt à effacer tous les enregistrements d'outils.   |
|  |                              |                               | 2 secondes   | L'enregistrement de l'outil a été annulé/effacé. Le témoin d'activation sans fil se met à clignoter en bleu.  |
| Autres   | Rouge                        |                               | 3 secondes   | Le connecteur sans fil est alimenté en électricité et la fonction d'activation sans fil démarre.  |
|  | Éteint                       | -  | -  | Le bouton de veille n'est pas placé sur « I (ON) ».   |

## Guide de dépannage de la fonction d'activation sans fil

Avant de faire une demande de réparation, effectuez d'abord vous-même une inspection. Si vous rencontrez un problème non documenté dans le mode d'emploi, n'essayez pas de démonter l'outil. Demandez plutôt à un centre de service après-vente Makita agréé d'effectuer la réparation au moyen de pièces de rechange Makita.

| État d'anomalie  | Cause probable (dysfonctionnement)  | Solution  |
|--|---|---|
| Le témoin d'activation sans fil ne s'allume pas ou ne clignote pas.  | Le connecteur sans fil n'est pas installé sur l'aspirateur et/ou l'outil.<br>Le connecteur sans fil est mal installé sur l'aspirateur et/ou l'outil.  | Installez correctement le connecteur sans fil.  |
|  | La borne du connecteur sans fil et/ou la fente sont sales.  | Essayez délicatement la poussière et la saleté sur la borne du connecteur sans fil et nettoyez la fente de l'aspirateur et/ou de l'outil.       |
|  | Le bouton d'activation sans fil de l'outil n'a pas été enfoncé.   | Appuyez brièvement sur le bouton d'activation sans fil sur l'outil. Assurez-vous que le témoin d'activation sans fil clignote en bleu.          |
|  | Le bouton de veille de l'aspirateur n'est pas placé sur « I (ON) ».   | Placez le bouton de veille de l'aspirateur sur « I (ON) ».  |
|  | Pas d'alimentation électrique   | Mettez sous tension l'outil et l'aspirateur.  |
| Impossible de terminer correctement l'enregistrement de l'outil/l'annulation de l'enregistrement de l'outil. | Le connecteur sans fil n'est pas installé sur l'aspirateur et/ou l'outil.<br>Le connecteur sans fil est mal installé sur l'aspirateur et/ou l'outil.  | Installez correctement le connecteur sans fil.  |
|  | La borne du connecteur sans fil et/ou la fente sont sales.  | Essayez délicatement la poussière et la saleté sur la borne du connecteur sans fil et nettoyez la fente de l'aspirateur et/ou de l'outil.       |
|  | Le bouton de veille de l'aspirateur n'est pas placé sur « I (ON) ».   | Placez le bouton de veille de l'aspirateur sur « I (ON) ».  |
|  | Pas d'alimentation électrique   | Mettez sous tension l'outil et l'aspirateur.  |
|  | Fonctionnement incorrect  | Appuyez brièvement sur le bouton d'activation sans fil et recommencez l'enregistrement de l'outil/l'annulation de l'enregistrement de l'outil.  |
|  | L'outil et l'aspirateur sont éloignés l'un de l'autre (hors de la portée de transmission).  | Rapprochez l'outil de l'aspirateur. La distance de transmission maximum est d'environ 10 m, toutefois elle peut varier selon les circonstances. |
|  | Avant de finir l'enregistrement de l'outil/l'annulation de l'enregistrement de l'outil :<br>- la gâchette de l'outil est enclenchée ou ;<br>- le bouton de l'aspirateur pour démarrer l'aspiration est enfoncé. | Appuyez brièvement sur le bouton d'activation sans fil et recommencez l'enregistrement de l'outil/l'annulation de l'enregistrement de l'outil.  |
|  | Les procédures d'enregistrement de l'outil pour l'outil ou l'aspirateur ne sont pas terminées.  | Procédez à l'enregistrement de l'outil pour l'outil et l'aspirateur en même temps.  |
| Interférence radio d'autres appareils qui génèrent des ondes radio puissantes.                               | Maintenez l'outil et l'aspirateur à l'écart des appareils comme des appareils Wi-Fi et des fours à micro-ondes.   |   |

| État d'anomalie   | Cause probable (dysfonctionnement)   | Solution  |
|---|--|---|
| L'aspirateur ne se met pas en marche avec l'utilisation de l'interrupteur de l'outil. | Le connecteur sans fil n'est pas installé sur l'aspirateur et/ou l'outil.<br>Le connecteur sans fil est mal installé sur l'aspirateur et/ou l'outil. | Installez correctement le connecteur sans fil.  |
|   | La borne du connecteur sans fil et/ou la fente sont sales.   | Essayez délicatement la poussière et la saleté sur la borne du connecteur sans fil et nettoyez la fente de l'aspirateur et/ou de l'outil.   |
|   | Le bouton d'activation sans fil de l'outil n'a pas été enfoncé.  | Appuyez brièvement sur le bouton d'activation sans fil sur l'outil. Assurez-vous que le témoin d'activation sans fil clignote en bleu.  |
|   | Le bouton de veille de l'aspirateur n'est pas placé sur « I (ON) ».  | Placez le bouton de veille de l'aspirateur sur « I (ON) ».  |
|   | Plus de 10 outils sont enregistrés sur l'aspirateur.   | Recommencez l'enregistrement de l'outil.<br>Si plus de 10 outils sont enregistrés sur l'aspirateur, l'outil enregistré le plus tôt sera automatiquement annulé.   |
|   | L'aspirateur a effacé tous les enregistrements d'outils.   | Recommencez l'enregistrement de l'outil.  |
|   | Pas d'alimentation électrique  | Mettez sous tension l'outil et l'aspirateur.  |
|   | L'outil et l'aspirateur sont éloignés l'un de l'autre (hors de la portée de transmission).   | Rapprochez l'outil de l'aspirateur. La distance de transmission maximum est d'environ 10 m, toutefois elle peut varier selon les circonstances.   |
|   | Interférence radio d'autres appareils qui génèrent des ondes radio puissantes.   | Maintenez l'outil et l'aspirateur à l'écart des appareils comme des appareils Wi-Fi et des fours à micro-ondes.   |
| L'aspirateur fonctionne alors que la gâchette de l'outil n'est pas enclenchée.        | D'autres utilisateurs emploient la fonction d'activation sans fil de l'aspirateur avec leurs outils.   | Effectuez l'une ou l'autre des actions suivantes :<br>- placez le bouton de veille de l'aspirateur sur « O » ou ;<br>- désactiver le bouton d'activation sans fil des autres outils ou ;<br>- annuler l'enregistrement de l'outil des autres outils.  |
| Impossible d'effacer tous les enregistrements d'outils dans l'aspirateur.             | Pression sur le bouton sans fil sur l'outil.   | Appuyez sur le bouton sans fil de l'aspirateur pour effacer tous les enregistrements d'outils.  |
|   | Le bouton de veille de l'aspirateur n'est pas placé sur « I (ON) ».  | Placez le bouton de veille de l'aspirateur sur « I (ON) ».  |
|   | Le bouton d'activation sans fil n'est pas maintenu enfoncé correctement.   | Maintenez enfoncé le bouton d'activation sans fil pendant plus de 6 secondes, puis relâchez-le lorsque le témoin d'activation sans fil clignote en rouge. Maintenez à nouveau enfoncé le bouton d'activation sans fil pendant plus de 6 secondes jusqu'à ce que le bouton d'activation sans fil clignote rapidement en rouge, puis relâchez-le. |

## ENTRETIEN

**ATTENTION** : Assurez-vous toujours que l'appareil est hors tension et que la batterie est retirée avant d'y effectuer tout travail d'inspection ou d'entretien.

**REMARQUE** : N'utilisez jamais d'essence, benzène, diluant, alcool ou autre produit similaire. Cela risquerait de provoquer la décoloration, la déformation ou la fissuration de l'outil.

Pour assurer la SÉCURITÉ et la FIABILITÉ du produit, toute réparation, tout travail d'entretien ou de réglage doivent être effectués par un centre d'entretien Makita agréé, avec des pièces de rechange Makita.

## Nettoyage du filtre HEPA

**ATTENTION** : N'utilisez pas l'aspirateur sans filtre, ni ne continuez à utiliser un filtre sale ou endommagé. La poussière ou les particules aspirées peuvent être expulsées de l'aspirateur, ce qui présente un risque de maladie respiratoire pour l'utilisateur.

**REMARQUE** : Pour conserver une puissance d'aspiration optimale et un échappement propre, nettoyez régulièrement le filtre. Si vous n'obtenez pas une puissance d'aspiration suffisante même après le nettoyage, remplacez le filtre par un neuf.

**REMARQUE** : Pour éviter d'endommager le filtre, n'utilisez pas les outils suivants et les articles similaires pour le nettoyage.

- Souffleur de poussières
- Nettoyeur haute pression
- Outils fabriqués en matériaux durs comme une brosse métallique

1. Ouvrez le couvercle et sortez le sac-filtre/sac à poussière. Libérez le crochet sur le filtre et retirez-le du corps de l'aspirateur.

► **Fig.47:** 1. Crochet

2. Retirez la poussière du filtre. Le filtre peut être lavé à l'eau. Rincez la poussière et les particules sur le filtre tous les mois ou tous les deux mois. Puis, séchez complètement le filtre dans un endroit à l'ombre et bien aéré pour empêcher les mauvaises odeurs ou des dysfonctionnements.

3. Pour installer le filtre, insérez le côté sans les crochets dans la rainure, puis poussez le filtre jusqu'au déclic indiquant que les crochets sont fixés.

► **Fig.48:** 1. Rainure 2. Filtre HEPA 3. Crochet

## Nettoyage du sac à poussière

Nettoyez régulièrement le sac à poussière à l'eau et au savon. Retournez le sac à poussière et enlevez la poussière collante. Lavez délicatement à la main et rincez abondamment à l'eau. Séchez-le complètement avant de le placer sur l'aspirateur.

► **Fig.49**

**REMARQUE :** Un sac à poussière mouillé réduit les performances d'aspiration ainsi que la durée de vie du moteur.

## Nettoyage de l'espace du sac-filtre/sac à poussière

Lorsque vous nettoyez l'espace du sac-filtre/sac à poussière, retirez et frottez le plateau intérieur.

► **Fig.50:** 1. Plateau

## Retrait du plateau

1. Retirez le filtre HEPA. Reportez-vous à la section sur le nettoyage du filtre HEPA pour connaître la procédure de retrait.

2. Enfoncez le plateau vers le bas et faites-le coulisser vers la gauche jusqu'à ce qu'il touche la paroi.

3. Soulevez le côté droit du plateau et extrayez-le.

► **Fig.51:** 1. Plateau

Le plateau est soutenu par trois ressorts.

Si les ressorts se détachent du plateau ou du levier, remettez-les en place comme illustré.

► **Fig.52:** 1. Ressort du plateau 2. Ressort du levier 3. Partie saillante

**NOTE :** Fixez correctement les ressorts, de sorte qu'ils soient en contact avec la base des parties saillantes.

## Fixation du plateau

1. Insérez le côté rectiligne du plateau dans les crans situés sur le côté inférieur gauche de l'espace.

2. Mettez en place le côté droit du plateau.

► **Fig.53:** 1. Plateau 2. Côté rectiligne 3. Cran

# ACCESSOIRES EN OPTION

**ATTENTION :** Ces accessoires ou pièces complémentaires sont recommandés pour l'utilisation avec le produit Makita spécifié dans ce manuel. L'utilisation de tout autre accessoire ou pièce complémentaire peut comporter un risque de blessure. N'utilisez les accessoires ou pièces complémentaires qu'aux fins auxquelles ils ont été conçus.

Pour obtenir plus de détails sur ces accessoires, contactez votre centre d'entretien local Makita.

- Tuyau (pour le type extracteur de poussière)
- Tuyau (pour le type aspirateur)
- Tube prolongateur
- Raccord libre
- Raccord en forme de T
- Suceur pour siège
- Suceur plat
- Brosse pour étagères
- Brosse ronde
- Sac-filtre
- Sac à poussière
- Manchon avant
- Filtre HEPA
- Connecteur sans fil
- Collecteur cyclone
- Batterie et chargeur Makita d'origine

**NOTE :** Il se peut que certains éléments de la liste soient compris dans l'emballage de l'outil en tant qu'accessoires standard. Ils peuvent varier d'un pays à l'autre.

## Collecteur cyclone

**NOTE :** Lorsque vous utilisez le collecteur cyclone avec cet appareil, le tube cintré est également nécessaire.

► **Fig.54:** 1. Collecteur cyclone

## À propos du collecteur cyclone

L'utilisation de l'aspirateur avec le collecteur cyclone installé réduit la quantité de poussière qui pénètre dans le sac à poussière, ce qui permet d'éviter que la puissance d'aspiration faiblisse. De plus, le nettoyage après utilisation est également simple.

**ATTENTION :** Assurez-vous toujours que l'outil est hors tension et que sa batterie est retirée avant d'effectuer toute tâche dessus. Si la batterie est insérée, un démarrage intempestif de l'aspirateur susceptible de provoquer des blessures est possible.

**ATTENTION :** Nettoyez le filtre à maille du collecteur cyclone et le sac à poussière de l'aspirateur s'ils sont bouchés. L'utilisation continue dans cet état peut provoquer une émission de chaleur ou de fumée.

**REMARQUE** : Lorsque le collecteur cyclone est fixé, ne l'utilisez pas dans le sens horizontal ou tourné vers le haut. Le filtre à maille pourrait se boucher.

**REMARQUE** : Utilisez toujours l'aspirateur avec le sac à poussière installé, même lorsque vous utilisez le collecteur cyclone. Si vous utilisez l'aspirateur sans sac à poussière installé, un dysfonctionnement du moteur peut se produire.

**NOTE** : Vérifiez avant utilisation que le collecteur cyclone, l'aspirateur et le tuyau droit sont correctement verrouillés.

**NOTE** : Videz le logement à poussières du collecteur cyclone et le sac à poussière de l'aspirateur lorsque de la poussière s'est accumulée. Si vous continuez à utiliser l'aspirateur dans cet état, la puissance d'aspiration sera affaiblie.

**NOTE** : Vous pouvez utiliser le collecteur cyclone avec ou sans la fonction de blocage.

**NOTE** : Pour installer ou retirer le collecteur cyclone, reportez-vous à la section « Utilisation en tant qu'aspirateur ».

Lorsque le filtre à maille est très sale, nettoyez-le en procédant comme suit.

1. Tournez le filtre à maille dans le sens inverse des aiguilles d'une montre et retirez-le alors que les crochets sont déverrouillés.

► **Fig.58:** 1. Filtre à maille 2. Crochet

2. Retirez la poussière sur le filtre à maille, puis lavez-le à l'eau. Ensuite, séchez-le soigneusement.

3. Insérez le filtre à maille dans la base avec les crochets alignés sur l'orifice. Tournez le filtre à maille dans le sens des aiguilles d'une montre jusqu'à ce que les crochets se verrouillent en place avec un déclic. Assurez-vous que le filtre à maille est solidement installé.

► **Fig.59:** 1. Filtre à maille 2. Crochet 3. Orifice

## Mise au rebut des poussières

Lorsque la poussière s'est accumulée jusqu'à la ligne Plein du logement à poussières, procédez comme indiqué ci-dessous et jetez la poussière.

1. Tenez fermement le logement à poussières, maintenez enfoncés les deux boutons et retirez le logement à poussières.

► **Fig.55:** 1. Ligne Plein 2. Logement à poussières 3. Bouton (deux emplacements) 4. Filtre à maille

2. Jetez la poussière à l'intérieur du logement à poussières et retirez la poussière ou la poudre collée à la surface du filtre à maille.

3. Insérez le logement à poussières à fond jusqu'à ce que les deux boutons se verrouillent en place avec un déclic.

► **Fig.56:** 1. Logement à poussières 2. Bouton (deux emplacements)

**NOTE** : Vérifiez avant de redémarrer que le collecteur cyclone, l'aspirateur et le tuyau droit sont correctement verrouillés.

**NOTE** : Si la puissance d'aspiration n'est pas rétablie même après avoir jeté la poussière et nettoyé le filtre à maille, vérifiez si la poussière ne s'est pas accumulée dans le sac à poussière de l'aspirateur ou si ce dernier n'est pas bouché.

## Nettoyage

Lorsque le logement à poussières est sale ou que le filtre à maille est bouché, retirez-les et lavez-les à l'eau. (Consultez « Mise au rebut des poussières » pour la procédure de retrait.)

Séchez soigneusement les pièces avant de les remettre en place et d'utiliser l'aspirateur.

► **Fig.57:** 1. Logement à poussières 2. Filtre à maille

## WARNUNG

- Diese Maschine sollte nicht von Personen (einschließlich Kindern) mit reduzierten körperlichen, sensorischen oder geistigen Fähigkeiten oder mangelnder Erfahrung und Kenntnis benutzt werden.
- Kinder sollten beaufsichtigt werden, um sicherzugehen, dass sie nicht mit dem Sauggerät spielen.
- Angaben zur Typenbezeichnung des Akkus finden Sie im Kapitel „TECHNISCHE DATEN“.
- Angaben zum Demontage- oder Installationsverfahren des Akkus finden Sie im Abschnitt „Installieren oder Demontieren des Akkus“.
- Entfernen Sie den Akku zum Entsorgen vom Werkzeug, und entsorgen Sie ihn an einem sicheren Ort. Befolgen Sie die örtlichen Vorschriften bezüglich der Entsorgung von Akkus.
- Soll das Werkzeug längere Zeit nicht benutzt werden, muss der Akku vom Werkzeug entfernt werden.
- Der Akku darf nicht kurzgeschlossen werden.
- Entsprechende Details der Vorsichtsmaßnahmen während der Benutzerwartung finden Sie im Kapitel „WARTUNG“.

## TECHNISCHE DATEN

| Modell:  |              | DVC665                   |
|--|--------------|--------------------------|
| Kapazität  | Filterbeutel | 6,0 L                    |
|  | Staubsaack   | 5,5 L                    |
| Maximales Luftvolumen<br>(Mit Schlauch ø28 mm x 1,5 m) |              | 1,8 m <sup>3</sup> /min  |
| Unterdruck   |              | 110 hPa                  |
| Abmessungen (L x B x H)<br>(ohne Tragegurt)            |              | 297 mm x 174 mm x 523 mm |
| Nennspannung   |              | 36 V Gleichstrom         |
| Nettogewicht   |              | 6,1 - 6,7 kg             |

- Wir behalten uns vor, Änderungen der technischen Daten im Zuge der Entwicklung und des technischen Fortschritts ohne vorherige Ankündigung vorzunehmen.
- Die technischen Daten können von Land zu Land unterschiedlich sein.
- Das Gewicht schließt keine Zubehörteile, aber Akkus ein. Das niedrigste und höchste Kombinationsgewicht des Gerätes und der Akkus sind in der Tabelle angegeben.

## Zutreffende Akkus und Ladegeräte

|           |  |
|-----------|--|
| Akku      | BL1815N / BL1820B / BL1830B / BL1840B / BL1850B / BL1860B    |
| Ladegerät | DC18RC / DC18RD / DC18RE / DC18SD / DC18SE / DC18SF / DC18SH |

- Einige der oben aufgelisteten Akkus und Ladegeräte sind je nach Ihrem Wohngebiet eventuell nicht erhältlich.

**⚠️ WARNUNG:** Verwenden Sie nur die oben aufgeführten Akkus und Ladegeräte. Bei Verwendung irgendwelcher anderer Akkus und Ladegeräte besteht Verletzungs- und/oder Brandgefahr.

**⚠️ WARNUNG:** Verwenden Sie keine verkabelte Stromversorgung, wie z. B. einen Akku-Adapter oder eine rückentragbare Akku-Bank, mit diesem Werkzeug. Gleichzeitiges Anlegen von mehr als einem Tragegurt erschwert die Betätigung und Freigabe des Werkzeugs und kann Verletzungen verursachen.

## Symbole

Nachfolgend werden Symbole beschrieben, die für das Gerät verwendet werden können. Machen Sie sich unbedingt vor der Benutzung mit ihrer Bedeutung vertraut.



Betriebsanleitung lesen.



Besondere Umsicht und Aufmerksamkeit erforderlich.



Nur für EU-Länder  
Aufgrund des Vorhandenseins gefährlicher Komponenten in der Ausrüstung können Elektro- und Elektronik-Altgeräte, Akkumulatoren und Batterien sich negativ auf die Umwelt und die menschliche Gesundheit auswirken.  
Entsorgen Sie Elektro- und Elektronikgeräte oder Batterien nicht mit dem Hausmüll!  
In Übereinstimmung mit der Europäischen Richtlinie über Elektro- und Elektronik-Altgeräte, Akkumulatoren und Batterien, verbrauchte Akkumulatoren und Batterien sowie ihrer Anpassung an nationales Recht sollten Elektro-Altgeräte, Batterien und Akkumulatoren gemäß den Umweltschutzbestimmungen getrennt gelagert und zu einer getrennten Sammelstelle für Siedlungsabfälle geliefert werden.  
Dies wird durch das am Gerät angebrachte Symbol der durchgestrichenen Abfalltonne auf Rädern angezeigt.

## Vorgesehene Verwendung

Das Gerät ist für das Absaugen von Trockenstaub vorgesehen. Das Gerät eignet sich für kommerziellen Einsatz z. B. in Hotels, Schulen, Krankenhäusern, Fabriken, Läden, Büros und Mietunternehmen.

## Geräusch

Typischer A-bewerteter Geräuschpegel ermittelt gemäß IEC60335-2-69, IEC60704-2-1:  
Schalldruckpegel ( $L_{pA}$ ): 70 dB (A) oder weniger  
Messunsicherheit (K): 2,5 dB (A)

Der Geräuschpegel kann während des Betriebs 80 dB (A) überschreiten.

**HINWEIS:** Der (Die) angegebene(n) Schallemissionswert(e) wurde(n) im Einklang mit der Standardprüfmethode gemessen und kann (können) für den Vergleich zwischen Werkzeugen herangezogen werden.

**HINWEIS:** Der (Die) angegebene(n) Schallemissionswert(e) kann (können) auch für eine Vorbewertung des Gefährdungsgrads verwendet werden.

**⚠️ WARNUNG:** Einen Gehörschutz tragen.

**⚠️ WARNUNG:** Die Schallemission während der tatsächlichen Benutzung des Elektrowerkzeugs kann je nach der Benutzungsweise des Werkzeugs, und speziell je nach der Art des bearbeiteten Werkstücks, von dem (den) angegebenen Wert(en) abweichen.

**⚠️ WARNUNG:** Identifizieren Sie Sicherheitsmaßnahmen zum Schutz des Benutzers anhand einer Schätzung des Gefährdungsgrads unter den tatsächlichen Benutzungsbedingungen (unter Berücksichtigung aller Phasen des Arbeitszyklus, wie z. B. Ausschalt- und Leerlaufzeiten des Werkzeugs zusätzlich zur Betriebszeit).

## Schwingungen

Schwingungsgesamtwert (Drei-Achsen-Vektorsumme) ermittelt gemäß IEC60335-2-69:  
Arbeitsmodus: Leerlaufbetrieb  
Schwingungsemission ( $a_h$ ): 2,5 m/s<sup>2</sup> oder weniger  
Messunsicherheit (K): 1,5 m/s<sup>2</sup>

**HINWEIS:** Der (Die) angegebene(n) Vibrationsgesamtwert(e) wurde(n) im Einklang mit der Standardprüfmethode gemessen und kann (können) für den Vergleich zwischen Werkzeugen herangezogen werden.

**HINWEIS:** Der (Die) angegebene(n) Vibrationsgesamtwert(e) kann (können) auch für eine Vorbewertung des Gefährdungsgrads verwendet werden.

**⚠️ WARNUNG:** Die Vibrationsemission während der tatsächlichen Benutzung des Elektrowerkzeugs kann je nach der Benutzungsweise des Werkzeugs, und speziell je nach der Art des bearbeiteten Werkstücks, von dem (den) angegebenen Emissionswert(en) abweichen.

**⚠️ WARNUNG:** Identifizieren Sie Sicherheitsmaßnahmen zum Schutz des Benutzers anhand einer Schätzung des Gefährdungsgrads unter den tatsächlichen Benutzungsbedingungen (unter Berücksichtigung aller Phasen des Arbeitszyklus, wie z. B. Ausschalt- und Leerlaufzeiten des Werkzeugs zusätzlich zur Betriebszeit).

## EG-Konformitätserklärung

Nur für europäische Länder

Die EG-Konformitätserklärung ist als Anhang A in dieser Bedienungsanleitung enthalten.

## SICHERHEITSWARNUNGEN

### Sicherheitswarnungen für Akku-Sauggerät

**⚠️ WARNUNG: WICHTIG! Alle Sicherheitswarnungen und Anweisungen VOR GEBRAUCH AUFMERKSAM LESEN.** Eine Missachtung der Warnungen und Anweisungen kann zu einem elektrischen Schlag, Brand und/oder schweren Verletzungen führen.

1. Stellen Sie vor dem Gebrauch sicher, dass dieses Sauggerät nur von Personen benutzt wird, die im Gebrauch dieses Sauggerätes hinreichend unterrichtet worden sind.
2. Benutzen Sie das Sauggerät nicht ohne den Filter. Ersetzen Sie einen beschädigten Filter unverzüglich.
3. Versuchen Sie nicht, brennbare Materialien, Feuerwerk, brennende Zigaretten, heiße Asche, heiße Metallspäne, scharfe Gegenstände, wie etwa Rasierklingen, Nadeln, Glasscherben oder dergleichen aufzusaugen.



4. **BENUTZEN SIE DAS SAUGGERÄT NIEMALS IN DER NÄHE VON BENZIN, GAS, LACK, KLEBSTOFFEN ODER ANDEREN HOCH EXPLOSIVEN SUBSTANZEN.** Der Schalter erzeugt Funken beim Ein- und Ausschalten. Ebenso der Motorkollektor während des Betriebs. Es kann zu einer gefährlichen Explosion kommen.
  5. Dieser Sauger ist nicht zum Aufsaugen giftigen Staubs geeignet.
  6. Saugen Sie niemals giftige, krebserregende, brennbare oder andere Gefahrstoffe wie Asbest, Arsen, Barium, Beryllium, Blei, Pestizide oder sonstige gesundheitsgefährdende Materialien auf.
  7. Benutzen Sie das Sauggerät niemals im Freien bei Regen.
  8. Für Finnland: Diese Maschine darf nicht im Freien bei niedrigen Temperaturen benutzt werden.
  9. Benutzen Sie das Sauggerät nicht in der Nähe von Wärmequellen (Öfen usw.).
  10. Blockieren Sie die Kühlluftöffnungen nicht. Diese Öffnungen gestatten eine Kühlung des Motors. Blockierung ist sorgfältig zu vermeiden, weil sonst der Motor wegen mangelnder Belüftung überhitzt.
  11. Achten Sie stets auf sicheren Stand und gute Balance.
  12. Vermeiden Sie Knicken, Ziehen oder Zertreten des Schlauchs.
  13. Stellen Sie das Sauggerät sofort ab, wenn Sie während des Betriebs eine Leistungsver schlechterung oder etwas Ungewöhnliches bemerken.
  14. **AKKUS ABTRENNEN.** Bei Nichtgebrauch, vor der Wartung und beim Wechseln von Zubehör.
  15. Reinigen und warten Sie das Sauggerät sofort nach jedem Gebrauch, um es in tadellosem Betriebszustand zu halten.
  16. **SAUGGERÄT SORGFÄLTIG WARTEN.** Halten Sie das Sauggerät für bessere und sicherere Leistung sauber. Befolgen Sie die Anweisungen zum Auswechseln von Zubehör. Halten Sie die Handgriffe trocken, sauber und frei von Öl und Fett.
  17. **GERÄT AUF BESCHÄDIGTE TEILE ÜBERPRÜFEN.** Bevor Sie das Sauggerät weiter benutzen, sollten Sie beschädigte Schutzvorrichtungen und Teile sorgfältig auf ihre Betriebsfähigkeit und Funktionstüchtigkeit hin überprüfen. Überprüfen Sie das Gerät auf Ausrichtung und Klemmen beweglicher Teile, Beschädigung von Teilen, Befestigungszustand und sonstige Mängel von Teilen, die seinen Betrieb beeinträchtigen können. Beschädigte Schutzvorrichtungen oder Teile sollten von einem autorisierten Service-Center ordnungsgemäß repariert oder ausgetauscht werden, wenn nicht anders in dieser Bedienungsanleitung angegeben. Lassen Sie defekte Schalter von einem autorisierten Service-Center auswechseln. Benutzen Sie das Sauggerät nicht, wenn es sich nicht mit dem Schalter ein- und ausschalten lässt.
  18. **ERSATZTEILE.** Verwenden Sie bei der Wartung nur identische Ersatzteile.
  19. **UNBENUTZTES SAUGGERÄT LAGERN.** Bei Nichtgebrauch sollte das Sauggerät in einem Innenraum gelagert werden.
  20. **Behandeln Sie Ihr Sauggerät mit Sorgfalt.** Grobe Behandlung kann eine Beschädigung des Sauggerätes verursachen, selbst wenn es noch so robust gebaut ist.
  21. Versuchen Sie nicht, die Außen- oder Innenseite mit Waschbenzin, Verdünnern oder Reinigungschemikalien zu reinigen. Dadurch können Risse und Verfärbung verursacht werden.
  22. Benutzen Sie das Sauggerät nicht in einem geschlossenen Raum, wo brennbare, explosive oder giftige Dämpfe von Lack auf Ölbasis, Lackverdünner, Benzin, bestimmten Mottenschutzmitteln usw. abgegeben werden, oder in Bereichen, wo brennbarer Staub vorhanden ist.
  23. **Betreiben Sie das Sauggerät nicht, wenn Sie unter dem Einfluss von Medikamenten oder Alkohol stehen.**
  24. **Als Grundregel der Sicherheit sollten Sie stets eine Schutzbrille oder eine Sicherheitsbrille mit Seitenschützern verwenden.**
  25. **Verwenden Sie eine Staubmaske bei staubigen Arbeitsbedingungen.**
  26. **Diese Maschine sollte nicht von Personen (einschließlich Kindern) mit reduzierten körperlichen, sensorischen oder geistigen Fähigkeiten oder mangelnder Erfahrung und Kenntnis benutzt werden.**
  27. **Kinder sollten beaufsichtigt werden, um sicherzugehen, dass sie nicht mit dem Sauggerät spielen.**
  28. **Fassen Sie Akku(s) und den Staubsauger niemals mit nassen Händen an.**
  29. **Lassen Sie bei der Reinigung auf Treppen äußerste Vorsicht walten.**
  30. **Benutzen Sie das Sauggerät nicht als Hocker oder Werkbank. Anderenfalls kann die Maschine herunterfallen und Personenschäden verursachen.**
- Gebrauch und Pflege von Akkuwerkzeugen**
1. **Laden Sie den Akku nur mit dem vom Hersteller vorgeschriebenen Ladegerät.** Ein Ladegerät, das für einen Akkutyp geeignet ist, kann eine Brandgefahr darstellen, wenn es mit einem anderen Akku verwendet wird.
  2. **Benutzen Sie Elektrowerkzeuge nur mit den ausdrücklich vorgeschriebenen Akkus.** Bei Verwendung irgendwelcher anderer Akkus besteht Verletzungs- und Brandgefahr.
  3. **Halten Sie den Akku bei Nichtgebrauch von anderen Metallgegenständen, wie z. B. Büroklammern, Münzen, Schlüsseln, Nägeln, Schrauben oder anderen kleinen Metallgegenständen, fern, welche die Kontakte kurzschließen können.** Kurzschließen der Akkukontakte kann Verbrennungen oder einen Brand verursachen.
  4. **Bei Missbrauch kann Flüssigkeit aus dem Akku austreten. Vermeiden Sie Kontakt mit dieser Flüssigkeit.** Falls Sie versehentlich mit der Flüssigkeit in Berührung kommen, spülen Sie die betroffenen Stellen mit Wasser ab. Falls die Flüssigkeit in die Augen gelangt, suchen Sie zusätzlich ärztliche Hilfe auf. Die vom Akku austretende Flüssigkeit kann Hautreizungen oder Verätzungen verursachen.

5. **Verwenden Sie keinen Akku und auch kein Werkzeug, der (das) beschädigt oder modifiziert ist.** Beschädigte oder modifizierte Akkus können unvorhersehbares Verhalten zeigen, das zu einem Brand, einer Explosion oder Verletzungsgefahr führen kann.
6. **Setzen Sie einen Akku oder ein Werkzeug nicht Feuer oder übermäßigen Temperaturen aus.** Bei Einwirkung von Feuer oder Temperaturen über 130 °C kann es zu einer Explosion kommen.
7. **Befolgen Sie alle Ladeanweisungen, und laden Sie den Akku bzw. das Werkzeug nicht außerhalb des in den Anweisungen angegebenen Temperaturbereichs.** Wird der Ladevorgang unsachgemäß oder bei Temperaturen außerhalb des angegebenen Bereichs durchgeführt, kann es zu einer Beschädigung des Akkus und erhöhter Brandgefahr kommen.
8. **Verwenden Sie keine verkabelte Stromversorgung, wie z. B. einen Akku-Adapter oder eine rückentragbare Akku-Bank, mit diesem Werkzeug.** Andernfalls kann das Kabel einer solchen Stromversorgung den Betrieb behindern und Personenschäden verursachen.
9. **Lagern und benutzen Sie das Werkzeug und den Akku nicht an Orten, an denen die Temperatur 50 °C erreichen oder überschreiten kann.**
10. **Die enthaltenen Lithium-Ionen-Akkus unterliegen den Anforderungen der Gefahrgut-Gesetzgebung.** Für kommerzielle Transporte, z. B. durch Dritte oder Spediteure, müssen besondere Anforderungen zu Verpackung und Etikettierung beachtet werden. Zur Vorbereitung des zu transportierenden Artikels ist eine Beratung durch einen Experten für Gefahrgut erforderlich. Bitte beachten Sie möglicherweise ausführlichere nationale Vorschriften. Überkleben oder verdecken Sie offene Kontakte, und verpacken Sie den Akku so, dass er sich in der Verpackung nicht umher bewegen kann.

## Wartung

1. **Lassen Sie Ihr Elektrowerkzeug nur unter Verwendung identischer Ersatzteile von einem qualifizierten Wartungstechniker warten.** Dadurch wird die Aufrechterhaltung der Sicherheit des Elektrowerkzeugs gewährleistet.
2. **Befolgen Sie die Anweisungen für die Schmierung und den Austausch von Zubehör.**
3. **Halten Sie Griffe trocken, sauber und frei von Öl und Fett.**
11. **Entfernen Sie den Akku zum Entsorgen vom Werkzeug, und entsorgen Sie ihn an einem sicheren Ort.** Befolgen Sie die örtlichen Vorschriften bezüglich der Entsorgung von Akkus.
12. **Verwenden Sie die Akku nur mit den von Makita angegebenen Produkten.** Das Einsetzen der Akku in nicht konforme Produkte kann zu einem Brand, übermäßiger Hitzeentwicklung, einer Explosion oder Auslaufen von Elektrolyt führen.
13. **Soll das Werkzeug längere Zeit nicht benutzt werden, muss der Akku vom Werkzeug entfernt werden.**
14. **Bei und nach dem Gebrauch kann der Akku heiß werden, was Verbrennungen oder Niedertemperaturverbrennungen verursachen kann.** Beachten Sie die Handhabung von heißen Akkus.
15. **Berühren Sie nicht den Anschlusskontakt des Werkzeugs unmittelbar nach dem Gebrauch, da er heiß genug werden kann, um Verbrennungen zu verursachen.**
16. **Achten Sie darauf, dass sich keine Späne, Staub oder Schmutz in den Anschlusskontakten, Löchern und Nuten des Akkus absetzen.** Dies kann zu einer Leistungseinbuße oder Betriebsstörung des Werkzeugs oder des Akkus führen.
17. **Wenn das Werkzeug den Einsatz in der Nähe einer Hochspannungs-Stromleitung nicht unterstützt, benutzen Sie den Akku nicht in der Nähe einer Hochspannungs-Stromleitung.** Dies kann zu einer Funktionsstörung oder Betriebsstörung des Werkzeugs oder des Akkus führen.
18. **Halten Sie die Batterie von Kindern fern.**

## Wichtige Sicherheitsanweisungen für Akku

1. **Lesen Sie vor der Benutzung des Akkus alle Anweisungen und Warnhinweise, die an (1) Ladegerät, (2) Akku und (3) Akkuwerkzeug angebracht sind.**
2. **Unterlassen Sie Zerlegen oder Manipulieren des Akkus.** Es kann sonst zu einem Brand, übermäßiger Hitzeentwicklung oder einer Explosion kommen.
3. **Falls die Betriebszeit beträchtlich kürzer geworden ist, stellen Sie den Betrieb sofort ein.** Andernfalls besteht die Gefahr von Überhitzung, möglichen Verbrennungen und sogar einer Explosion.
4. **Falls Elektrolyt in Ihre Augen gelangt, waschen Sie sie mit sauberem Wasser aus, und begeben Sie sich unverzüglich in ärztliche Behandlung.** Andernfalls können Sie Ihre Sehkraft verlieren.
5. **Der Akku darf nicht kurzgeschlossen werden:**
  - (1) **Die Kontakte dürfen nicht mit leitfähigem Material berührt werden.**
  - (2) **Lagern Sie den Akku nicht in einem Behälter zusammen mit anderen Metallgegenständen, wie z. B. Nägel, Münzen usw.**
  - (3) **Setzen Sie den Akku weder Wasser noch Regen aus.**

Ein Kurzschluss des Akkus verursacht starken Stromfluss, der Überhitzung, mögliche Verbrennungen und einen Defekt zur Folge haben kann.

## DIESE ANWEISUNGEN AUFBEWAHREN.

**⚠ VORSICHT:** Verwenden Sie nur Original-Makita-Akkus. Die Verwendung von Nicht-Original-Makita-Akkus oder von Akkus, die abgeändert worden sind, kann zum Bersten des Akkus und daraus resultierenden Bränden, Personenschäden und Beschädigung führen. Außerdem wird dadurch die Makita-Garantie für das Makita-Werkzeug und -Ladegerät ungültig.

## Hinweise zur Aufrechterhaltung der maximalen Akku-Nutzungsdauer

1. Laden Sie den Akku, bevor er vollkommen erschöpft ist. Schalten Sie das Werkzeug stets aus, und laden Sie den Akku, wenn Sie ein Nachlassen der Werkzeulleistung feststellen.
2. Unterlassen Sie erneutes Laden eines voll aufgeladenen Akkus. Überladen führt zu einer Verkürzung der Nutzungsdauer des Akkus.
3. Laden Sie den Akku bei Raumtemperatur zwischen 10 – 40 °C. Lassen Sie einen heißen Akku abkühlen, bevor Sie ihn laden.
4. Wenn Sie den Akku nicht benutzen, nehmen Sie ihn vom Werkzeug oder Ladegerät ab.
5. Der Akku muss geladen werden, wenn er lange Zeit (länger als sechs Monate) nicht benutzt wird.

## Wichtige Sicherheitsanweisungen für Funk-Adapter

1. Unterlassen Sie Zerlegen oder Manipulieren des Funk-Adapters.
2. Halten Sie den Funk-Adapter von kleinen Kindern fern. Suchen Sie bei versehentlichem Verschlucken sofort ärztliche Behandlung auf.
3. Benutzen Sie den Funk-Adapter nur mit Makita-Werkzeugen.
4. Setzen Sie den Funk-Adapter keinem Regen oder Nässe aus.
5. Benutzen Sie den Funk-Adapter nicht an Orten, wo die Temperatur 50 °C überschreitet.
6. Betreiben Sie den Funk-Adapter nicht an Orten, in deren Nähe sich medizinische Geräte, wie z. B. Herzschrittmacher, befinden.
7. Betreiben Sie den Funk-Adapter nicht an Orten, in deren Nähe sich automatisierte Geräte befinden. Bei Betrieb kann in den automatisierten Geräten eine Funktionsstörung oder ein Fehler entstehen.
8. Betreiben Sie den Funk-Adapter nicht an Orten unter hohen Temperaturen oder an Orten, wo statische Elektrizität oder elektrisches Rauschen erzeugt werden könnte.
9. Der Funk-Adapter kann elektromagnetische Felder (EMF) erzeugen, die aber für den Benutzer nicht gesundheitsschädlich sind.
10. Der Funk-Adapter ist ein Präzisionsinstrument. Achten Sie darauf, dass der Funk-Adapter nicht fallen gelassen oder Stößen ausgesetzt wird.
11. Vermeiden Sie Berühren der Kontakte des Funk-Adapters mit bloßen Händen oder Metallgegenständen.
12. Entfernen Sie stets den Akku vom Produkt, bevor Sie den Funk-Adapter installieren.
13. Öffnen Sie den Deckel des Steckplatzes nicht an Orten, wo Staub und Wasser in den Steckplatz eindringen können. Halten Sie den Einlass des Steckplatzes stets sauber.
14. Führen Sie den Funk-Adapter stets in der korrekten Richtung ein.
15. Drücken Sie nicht zu fest und/oder mit einem scharfkantigen Gegenstand auf die Funk-Aktivierungstaste des Funk-Adapters.
16. Halten Sie den Deckel des Steckplatzes beim Betrieb immer geschlossen.
17. Entfernen Sie den Funk-Adapter nicht aus dem Steckplatz, während das Werkzeug mit Strom versorgt wird. Anderenfalls kann eine Funktionsstörung des Funk-Adapters verursacht werden.
18. Entfernen Sie nicht den Aufkleber vom Funk-Adapter.
19. Kleben Sie keinen anderen Aufkleber auf den Funk-Adapter.
20. Lassen Sie den Funk-Adapter nicht an einem Ort liegen, wo statische Elektrizität oder elektrisches Rauschen erzeugt werden könnte.
21. Lassen Sie den Funk-Adapter nicht an einem Ort liegen, der starker Hitze ausgesetzt ist, wie z. B. in einem in praller Sonne geparkten Auto.
22. Lassen Sie den Funk-Adapter nicht an einem Ort liegen, der Staub oder Puder aufweist, oder an dem ein korrosives Gas erzeugt werden könnte.
23. Plötzliche Temperaturschwankungen können den Funk-Adapter betauen. Benutzen Sie den Funk-Adapter nicht eher, bis der Tau vollständig getrocknet ist.
24. Wischen Sie den Funk-Adapter zum Reinigen sachte mit einem trockenen, weichen Tuch ab. Verwenden Sie kein Waschbenzin, kein leitfähiges Fett, keinen Verdünner oder dergleichen.
25. Bewahren Sie den Funk-Adapter zur Lagerung in der mitgelieferten Schachtel oder einem statikfreien Behälter auf.
26. Führen Sie keine anderen Geräte außer dem Makita-Funk-Adapter in den Steckplatz des Werkzeugs ein.
27. Benutzen Sie das Werkzeug nicht, wenn der Deckel des Steckplatzes beschädigt ist. Wasser, Staub und Schmutz, die in den Steckplatz eindringen, können eine Funktionsstörung verursachen.
28. Ziehen und/oder verdrehen Sie den Deckel des Steckplatzes nicht mehr als nötig. Bringen Sie den Deckel wieder an, falls er sich vom Werkzeug löst.
29. Ersetzen Sie den Deckel des Steckplatzes, falls er verloren geht oder beschädigt wird.

**BEWAHREN SIE DIESE ANLEITUNG AUF.**

## FUNKTIONSBESCHREIBUNG

**⚠ VORSICHT:** Vergewissern Sie sich vor der Durchführung von Einstellungen oder Funktionsprüfungen des Gerätes stets, dass das Gerät ausgeschaltet und der Akku abgenommen ist.

### Anbringen und Abnehmen des Akkus

**⚠ VORSICHT:** Schalten Sie stets das Gerät aus, bevor Sie den Akku anbringen oder abnehmen.

**⚠ VORSICHT:** Halten Sie das Gerät und den Akku beim Anbringen oder Abnehmen des Akkus sicher fest. Wenn Sie das Gerät und den Akku nicht sicher festhalten, können sie Ihnen aus der Hand rutschen, was zu einer Beschädigung des Gerätes und des Akkus und zu Personenschäden führen kann.

► **Abb. 1:** 1. Rote Anzeige 2. Knopf 3. Akku

Ziehen Sie den Akku zum Abnehmen vom Gerät ab, während Sie den Knopf an der Vorderseite des Akkus verschieben.

Richten Sie zum Anbringen des Akkus dessen Führungsfeder auf die Nut im Gehäuse aus, und schieben Sie den Akku hinein. Schieben Sie ihn vollständig ein, bis er mit einem hörbaren Klicken einrastet. Falls die rote Anzeige an der Oberseite des Knopfes sichtbar ist, ist der Akku nicht vollständig verriegelt.

**⚠ VORSICHT:** Schieben Sie den Akku stets bis zum Anschlag ein, bis die rote Anzeige nicht mehr sichtbar ist. Anderenfalls kann er versehentlich aus dem Gerät herausfallen und Sie oder umstehende Personen verletzen.

**⚠ VORSICHT:** Unterlassen Sie Gewaltanwendung beim Anbringen des Akkus. Falls der Akku nicht reibungslos hineingleitet, ist er nicht richtig ausgerichtet.

### Geräte-/Akku-Schutzsystem

Das Gerät ist mit einem Geräte-/Akku-Schutzsystem ausgestattet. Dieses System schaltet die Stromversorgung des Motors automatisch ab, um die Lebensdauer von Gerät und Akku zu verlängern. Das Gerät bleibt während des Betriebs automatisch stehen, wenn das Gerät oder der Akku einer der folgenden Bedingungen unterliegt.

### Überlastschutz

Wird das Gerät in einer Weise betrieben, die eine ungewöhnlich hohe Stromaufnahme bewirkt, bleibt das Gerät ohne jegliche Anzeige automatisch stehen. Schalten Sie in dieser Situation das Gerät aus, und brechen Sie die Anwendung ab, die eine Überlastung des Gerätes verursacht hat. Schalten Sie dann das Gerät wieder ein, um es neu zu starten.

### Überhitzungsschutz

Wenn das Gerät überhitzt wird, bleibt es automatisch stehen. Lassen Sie das Gerät abkühlen, bevor Sie es wieder einschalten.

## Überentladungsschutz

Wenn die Akkukapazität niedrig wird, bleibt das Gerät automatisch stehen. Falls das Produkt trotz Betätigung der Schalter nicht funktioniert, entfernen Sie die Akkus vom Gerät, und laden Sie sie auf.

### Anzeigen der Akku-Restkapazität

**Nur für Akkus mit Anzeige**

► **Abb. 2:** 1. Anzeigelampen 2. Prüftaste

Drücken Sie die Prüftaste am Akku, um die Akku-Restkapazität anzuzeigen. Die Anzeigelampen leuchten wenige Sekunden lang auf.

| Anzeigelampen |     |          | Restkapazität   |
|---------------|-----|----------|---|
| Erleuchtet    | Aus | Blinkend |   |
| ■             | □   | ◐        | 75% bis 100%  |
| ■             | ■   | □        | 50% bis 75%   |
| ■             | ■   | □        | 25% bis 50%   |
| ■             | □   | □        | 0% bis 25%  |
| ◐             | □   | □        | Den Akku aufladen.                                      |
| ■             | ■   | □        | Möglicherweise liegt eine Funktionsstörung im Akku vor. |
| □             | □   | ■        |   |

**HINWEIS:** Abhängig von den Benutzungsbedingungen und der Umgebungstemperatur kann die Anzeige geringfügig von der tatsächlichen Kapazität abweichen.

**HINWEIS:** Die erste (äußerste linke) Anzeigelampe blinkt, wenn das Akku-Schutzsystem aktiv ist.

### Position der Schalterbox

Die Schalterbox kann auf beiden Seiten des unteren Gurts eingehängt werden. Ordnen Sie das Kabel so an, dass die Schalterbox auf Ihrer gewünschten Seite liegt. Um Beschädigung des Kabels zu verhindern, führen Sie das Kabel durch die Führungsnut, wie dargestellt.

► **Abb. 3:** 1. Nut 2. Kabel

### Einstellen der Gurte

Die Straffheit der Schultergurte und des oberen und unteren Gurts kann eingestellt werden. Stecken Sie Ihre Arme zuerst durch die Schultergurte, und ziehen Sie dann den unteren und oberen Gurt straff. Zum Straffen ziehen Sie das Ende des Riemens, wie dargestellt. Zum Lockern ziehen Sie das Ende der Schnalle nach oben.

**Unterer Gurt**

► **Abb. 4:** 1. Riemen 2. Schnalle

**Schultergurte**

► **Abb. 5:** 1. Riemen 2. Schnalle

**Oberer Gurt**

► **Abb. 6:** 1. Riemen 2. Schnalle

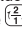
## Tragegriff

**⚠ VORSICHT:** Verwenden Sie die Aufhängungs-/Montageteile nur für ihre vorgesehenen Zwecke. Die Verwendung für nicht vorgesehene Zwecke kann einen Unfall oder Personenschäden verursachen.

Fassen Sie stets den Tragegriff zur Handhabung des Sauggeräts-Hauptteils.

► **Abb.7:** 1. Tragegriff




## Bereitschaftsschalter

Mit dem Bereitschaftsschalter wird die Funk-Aktivierungsfunktion ein- oder ausgeschaltet. Das Sauggerät befindet sich im Bereitschaftszustand ohne Rücksicht auf die Schalterstellung und läuft an, wenn die Taste  gedrückt wird.

► **Abb.8:** 1. Bereitschaftsschalter

| Schalterstellung |            | Zustand  |
|------------------|------------|--|
| AUTO             | I<br>(ON)  | Das Sauggerät befindet sich im Bereitschaftszustand, und die Funk-Aktivierungsfunktion ist verfügbar.        |
|                  | O<br>(OFF) | Das Sauggerät befindet sich im Bereitschaftszustand, aber die Funk-Aktivierungsfunktion ist nicht verfügbar. |


## Schalterfunktion

Zum Starten des Saugbetriebs drücken Sie  einmal. Das Sauggerät startet mit der gleichen Saugkraft, die auch beim vorherigen Ausschalten wirksam war. Wenn Sie die Taste  bei laufendem Sauggerät drücken, wird die Saugkraft zwischen normaler (1) und höherer (2) Saugkraft umgeschaltet. Zum Ausschalten des Sauggeräts drücken Sie die Taste .

► **Abb.9**

**HINWEIS:** Wenn Sie das Sauggerät zusammen mit der Schalterbetätigung des am Sauggerät angeschlossenen Werkzeugs betreiben wollen (Funk-Aktivierungsfunktion), stellen Sie den Bereitschaftsschalter auf „I (EIN)“.

**HINWEIS:** Um die Funk-Aktivierungsfunktion zu benutzen, vollenden Sie zuvor die Werkzeugregistrierung. Einzelheiten dazu finden Sie im Abschnitt „FUNK-AKTIVIERUNGSFUNKTION“.

**HINWEIS:** Wenn Sie die Funk-Aktivierungsfunktion benutzen, können Sie den Saugbetrieb nicht mit der Taste  stoppen.

## Schlauchband

Das Schlauchband kann zur Sicherung des Schlauchs oder der freien Düse verwendet werden.

Um den Schlauch am Sauggeräts-Hauptteil zu sichern, führen Sie das Schlauchband durch den Schlitz am Hauptteil. Das Schlauchband kann auf beiden Seiten angebracht werden.

► **Abb.10:** 1. Schlauchband 2. Schlitz 3. Schlauch

Die Schlaufe am unteren Gurt kann zum Tragen von Düsen verwendet werden, wie dargestellt.

► **Abb.11:** 1. Schlaufe 2. Düsen

## Staubabschüttelsystem

Der Staub fällt herunter, wenn Sie den Hebel ziehen oder mit dem Staubsauger gehen. Dieses System hilft dem Staubsauger, seine Saugkraft aufrechtzuerhalten.

► **Abb.12:** 1. Hebel 2. Filterbeutel/Staubsaugbeutel 3. Platte

**HINWEIS:** Diese Funktion ist wirksam, wenn der Staubsauger ausgeschaltet ist und der Filterbeutel/Staubsaugbeutel eine bestimmte Staubmenge enthält, um die Platte zu berühren.

## MONTAGE

**⚠ VORSICHT:** Vergewissern Sie sich vor der Ausführung von Arbeiten am Gerät stets, dass das Gerät ausgeschaltet und der Akku abgenommen ist.

## Montieren des Schlauchs

Führen Sie die Schlauchmanschette in den Sauggeräts-Hauptteil ein, und drehen Sie sie im Uhrzeigersinn.

► **Abb.13:** 1. Schlauchmanschette  
2. Sauggeräts-Hauptteil

## Anschließen des Werkzeugs

Wenn die gebogene Rohreinheit am Schlauch angebracht ist, lösen Sie die Manschette der gebogenen Rohreinheit, und entfernen Sie sie.

► **Abb.14:** 1. Schlauch 2. Gebogene Rohreinheit  
3. Manschette

1. Bringen Sie die Frontmanschette an dem Schlauch für Staubabsaugung an. Vergewissern Sie sich beim Anschließen der Frontmanschette, dass sie sicher auf den Schlauch geschraubt ist.

2. Verbinden Sie die Frontmanschette mit dem Absaugstutzen des Werkzeugs.

► **Abb.15:** 1. Frontmanschette 2. Absaugstutzen  
3. Schlauch

Die Frontmanschette kann durch Drehen entgegen dem Uhrzeigersinn gelöst werden, während der Schlauch festgehalten wird.

**HINWEIS:** Verwenden Sie stets eine geeignete Frontmanschette. Wenn Sie die Frontmanschette 24 benutzen, stecken Sie sie auf die mit dem Schlauch verbundene Frontmanschette 22.

► **Abb.16:** 1. Frontmanschette 22  
2. Frontmanschette 24



## Verwendung als Sauggerät

Wenn Sie dieses Produkt als Sauggerät benutzen wollen, befolgen Sie die nachstehenden Verfahren.

**ANMERKUNG:** Falls die Frontmanschette am Schlauch angebracht ist, entfernen Sie sie vorher.

**HINWEIS:** Die gebogene Rohreinheit, das Verlängerungsrohr und die Düsen werden in manchen Ländern als Sonderzubehör geliefert.

**HINWEIS:** Es gibt zwei Arten von gebogener Rohreinheit; die eine für das Klemmknopf-Verlängerungsrohr und die andere für das Klemmring-Verlängerungsrohr. Wenn Sie die gebogene Rohreinheit vorbereiten, wählen Sie diejenige für Ihren gewünschten Verlängerungsrohrtyp.

1. Befestigen Sie die Manschette der gebogenen Rohreinheit am Schlauch.

► **Abb.17:** 1. Schlauch 2. Gebogene Rohreinheit 3. Manschette

Um die gebogene Rohreinheit abzunehmen, lösen Sie die Manschette der gebogenen Rohreinheit vom Schlauch.

2. Führen Sie die Düse bei gleichzeitigem Drehen in das Verlängerungsrohr ein.

► **Abb.18:** 1. Verlängerungsrohr 2. Freie Düse 3. T-Düse 4. T-Düse (schmal)

**HINWEIS:** Durch Drehen der Düse beim Einführen kann die Düse sicher am Verlängerungsrohr angebracht werden.

3. Folgen Sie je nach Art des Verlängerungsrohrs den nachstehenden Verfahren:

**HINWEIS:** Das Klemmknopf-Verlängerungsrohr und das Klemmring-Verlängerungsrohr sind nicht miteinander kompatibel. Wenn Sie das Klemmknopf-Verlängerungsrohr gegen das Klemmring-Verlängerungsrohr oder umgekehrt austauschen wollen, müssen Sie auch die gebogene Rohreinheit austauschen.

**HINWEIS:** Die freie Düse kann direkt an der gebogenen Rohreinheit angebracht werden.

### Für das Klemmknopf-Verlängerungsrohr

Schultern Sie den Sauggeräte-Hauptteil, und führen Sie dann das Verlängerungsrohr in die gebogene Rohreinheit ein, bis es mit einem Klicken einrastet. Zum Trennen ziehen Sie das Verlängerungsrohr bei gleichzeitigem Drücken des Knopfes heraus.

► **Abb.19:** 1. Gebogene Rohreinheit 2. Knopf 3. Klemmknopf-Verlängerungsrohr 4. Freie Düse

Die Länge des Saugrohrs ist einstellbar. Stellen Sie die Saugrohrlänge ein, während Sie den Klemmknopf drücken. Beim Loslassen des Klemmknopfes wird die Länge verriegelt.

► **Abb.20:** 1. Klemmknopf

### Für das Klemmring-Verlängerungsrohr

Schultern Sie den Sauggeräte-Hauptteil, und führen Sie dann das Verlängerungsrohr bei gleichzeitigem Drehen in die gebogene Rohreinheit ein. Zum Trennen ziehen Sie es bei gleichzeitigem Drehen heraus.

► **Abb.21:** 1. Gebogene Rohreinheit 2. Klemmring-Verlängerungsrohr 3. Freie Düse

Die Länge des Saugrohrs ist einstellbar.

Lösen Sie den Ring am Saugrohr, und stellen Sie die Länge des Saugrohrs ein. Ziehen Sie den Ring an der gewünschten Länge fest.

► **Abb.22:** 1. Ring

## Schlauchhaken

Wenn Sie den Betrieb unterbrechen, kann der Haken an der gebogenen Rohreinheit zum Aufhängen des Saugrohrs am unteren Gurt verwendet werden.

► **Abb.23**

## Installieren von Filterbeutel/Staubsaack

### Sonderzubehör

**⚠ VORSICHT:** Verwenden Sie keinen beschädigten Filterbeutel. Verwenden Sie das Sauggerät stets mit ordnungsgemäß montiertem Filterbeutel. Anderenfalls können aufgesaugter Staub oder Partikel vom Sauggerät entweichen und die Atemwege des Bedieners angreifen.

Setzen Sie vor der Benutzung des Staubsaugers entweder den Staubsaack oder den Filterbeutel ein.

- Der Staubsaack kann durch Entleeren viele Male wieder verwendet werden.
- Der Filterbeutel ist ein Wegwerfartikel. Werfen Sie den ganzen Filterbeutel weg, ohne ihn zu entleeren, wenn er voll geworden ist.

**ANMERKUNG:** Wenn der Filterbeutel bereits voll ist, wechseln Sie ihn gegen einen neuen aus. Wenn der Staubsaack bereits voll ist, leeren Sie ihn. Fortgesetzter Gebrauch mit vollem Filterbeutel/Staubsaack führt zu reduzierter Saugkraft.

**ANMERKUNG:** Um Eindringen von Staub in den Motor zu verhindern:

- Vergewissern Sie sich vor der Benutzung stets, dass der Filterbeutel/Staubsaack eingesetzt ist.
- Verwenden Sie keinen beschädigten oder zerrissenen Beutel.

Anderenfalls kann der Motor beschädigt werden.

**ANMERKUNG:** Unterlassen Sie Falten des Kartons an seiner Öffnung, wenn Sie den Filterbeutel/Staubsaack einsetzen.

**ANMERKUNG:** Der Filterbeutel/Staubsaack für den Staubsauger ist ein wichtiges Teil zur Aufrechterhaltung der Geräteleistung. Die Verwendung eines nicht originalen Filterbeutels/Staubsaacks kann Rauchbildung oder Entflammung verursachen.

**HINWEIS:** Wenn der Filterbeutel/Staubsaack nicht im Staubsauger eingesetzt ist, lässt sich die Frontabdeckung nicht vollständig schließen.

► **Abb.24**

1. Entriegeln Sie die Klinke durch Anheben der Unterseite. Drücken Sie auf den gerillten Bereich, um die vordere Klinskenseite anzuheben. Ziehen Sie die Klinke, um die Klappe zu öffnen.

► **Abb.25:** 1. Haken 2. Klappe

2. Führen Sie den Filterbeutel in den Schlitz an der Oberseite des Raums ein, wie dargestellt.

► **Abb.26:** 1. Schlitz 2. Filterbeutel

Wenn Sie den Staubsack verwenden, führen Sie den Rand des Staubsacks in den Schlitz ein.

► **Abb.27:** 1. Schlitz 2. Rand 3. Staubsack

3. Richten Sie die Öffnung des Filterbeutels auf die Schlauchmanschette aus, und schieben Sie den Kartenteil bis zum Anschlag. Vergewissern Sie sich, dass der Gummiring am Filterbeutel über der Randlippe der Schlauchmanschette liegt.

► **Abb.28:** 1. Gummiring am Filterbeutel 2. Randlippe an Schlauchmanschette 3. Kartenteil des Filterbeutels 4. Schlauchmanschette

3. Wechseln Sie den Filterbeutel aus, wenn er voll wird. Öffnen Sie die Klappe, und nehmen Sie den Filterbeutel heraus. Ziehen Sie den Streifen an der Seite der Öffnung, um den Filterbeutel zu verschließen, und entsorgen Sie den ganzen Filterbeutel.

► **Abb.32:** 1. Streifen

Wenn Sie einen Staubsack benutzen, nehmen Sie den Staubsack heraus, und entleeren Sie ihn durch Lösen der Klinke.

► **Abb.33:** 1. Klinke

## BETRIEB

**⚠️ WARNUNG:** Die Bediener müssen im Gebrauch des Sauggerätes hinreichend unterwiesen werden.

**⚠️ WARNUNG:** Dieses Sauggerät eignet sich nicht zum Aufsammeln von gefährlichem Staub.

**⚠️ VORSICHT:** Dieses Sauggerät ist nur für Trockengebrauch vorgesehen.




**⚠️ VORSICHT:** Dieses Sauggerät ist nur für Inneneinsatz vorgesehen.

**⚠️ VORSICHT:** Führen Sie den Akku immer vollständig ein, bis er einrastet. Falls die rote Anzeige an der Oberseite des Knopfes sichtbar ist, ist der Akku nicht vollständig verriegelt. Schieben Sie ihn bis zum Anschlag ein, bis die rote Anzeige nicht mehr sichtbar ist. Anderenfalls kann er versehentlich aus dem Gerät herausfallen und Sie oder umstehende Personen verletzen.

**⚠️ VORSICHT:** Während des Betriebs sollten Sie sich des Sauggerätes auf Ihrem Rücken bewusst sein. Sie können Ihr Gleichgewicht verlieren, falls der Sauggeräte-Hauptteil gegen eine Wand stößt oder der Schlauch an einem Hindernis hängen bleibt.

1. Schultern Sie den Sauggeräte-Hauptteil, und ziehen Sie den unteren und oberen Gurt straff. Stellen Sie die Straffheit bei Bedarf ein.

► **Abb.29**

2. Drücken Sie die Taste , um den Saugbetrieb zu starten. Um die Saugkraft zu ändern, drücken Sie die Taste  bei laufendem Sauggerät. Die Saugkraft wird zwischen normaler (1) und höherer (2) Saugkraft umgeschaltet. Drücken Sie die Taste , um den Saugbetrieb zu stoppen.

► **Abb.30**

Hängen Sie die Schalterbox während des Betriebs an den unteren Gurt oder den Ring.

► **Abb.31:** 1. Ring 2. Unterer Gurt

**ANMERKUNG:** Legen Sie nicht den Filterbeutel/ Staubsack oder andere schwere Gegenstände auf den Deckel. Das Gerät kann sonst herunterfallen.

**ANMERKUNG:** Prüfen Sie in regelmäßigen Abständen nach, ob der Filterbeutel voll ist. Fortgesetzter Gebrauch mit vollem Filterbeutel führt zu reduzierter Saugkraft.

**ANMERKUNG:** Verwenden Sie keinen gebrauchten Filterbeutel. Der Filterbeutel ist für Einmalgebrauch ausgelegt. Wiederholter Gebrauch des Filterbeutels kann Verstopfung des Filters verursachen und zu einer Beschädigung des Sauggerätes führen. Verwenden Sie für wiederholten Gebrauch einen Staubsack.

## FUNK- AKTIVIERUNGSFUNKTION

### Mit der Funk-Aktivierungsfunktion verfügbare Möglichkeiten

Die Funk-Aktivierungsfunktion ermöglicht sauberen und komfortablen Betrieb. Wenn Sie ein unterstütztes Werkzeug an den Staubsauger anschließen, können Sie den Staubsauger automatisch mit der Schalterbetätigung des Werkzeugs betreiben.

► **Abb.34**

**ANMERKUNG:** Nehmen Sie unbedingt die Betriebsanleitung des Werkzeugs zur Hand, wenn Sie den Staubsauger mit der Funk-Aktivierungsfunktion benutzen.

**ANMERKUNG:** Unterlassen Sie Zerlegen oder Manipulieren des Funk-Adapters.

**ANMERKUNG:** Um zu verhindern, dass Staub in den Schlitz des Funk-Adapters gelangt, schließen Sie stets den Deckel einwandfrei während Betrieb und Lagerung.

**ANMERKUNG:** Entfernen Sie den Funk-Adapter nicht, während Strom zugeführt wird. Anderenfalls kann eine Funktionsstörung des Funk-Adapters verursacht werden.

**ANMERKUNG:** Drücken Sie nicht zu fest und/ oder mit einem scharfkantigen Gegenstand auf die Funk-Aktivierungstaste.



**HINWEIS:** Für die Funk-Aktivierung werden Makita-Werkzeuge mit dem Funk-Adapter benötigt.

**HINWEIS:** Bevor die Funk-Aktivierungsfunktion zum ersten Mal mit dem jeweiligen Werkzeug benutzt werden kann, ist die Werkzeugregistrierung erforderlich. Wenn die Registrierung des Werkzeugs einmal durchgeführt worden ist, erübrigt sich eine Neuregistrierung, sofern die Registrierung nicht aufgehoben wird.

**HINWEIS:** Vergewissern Sie sich vor der Registrierung, dass der Funk-Adapter ordnungsgemäß eingesetzt ist.

**HINWEIS:** Ein Funk-Adapter kann bis zu 10 Verbindungen mit anderen Funk-Adaptoren registrieren. Wenn mehr als 10 andere Funk-Adapter in einem Funk-Adapter registriert werden, wird die Registrierung des ersten automatisch gelöscht.

**HINWEIS:** Die Position der Funk-Aktivierungstaste ist je nach Werkzeug unterschiedlich.

**HINWEIS:** Das Sauggerät kann auch durch Drücken der Taste  gestartet werden, wenn der Bereitschaftsschalter auf „I (EIN)“ steht. Die Taste  lässt sich jedoch nicht betätigen, wenn die Funk-Aktivierungsfunktion benutzt wird.

## Installieren des Funk-Adapters

**⚠ VORSICHT:** Legen Sie das Sauggerät zum Installieren des Funk-Adapters auf eine ebene und stabile Oberfläche.

**ANMERKUNG:** Entfernen Sie Staub und Schmutz vom Sauggerät, bevor Sie den Funk-Adapter installieren. Staub oder Schmutz können eine Funktionsstörung verursachen, falls sie in den Schlitz des Funk-Adapters gelangen.

**ANMERKUNG:** Um eine durch statische Entladung verursachte Funktionsstörung zu verhindern, berühren Sie ein Material zur Ableitung statischer Elektrizität, wie z. B. ein Metallteil, bevor Sie den Funk-Adapter anfassen.

**ANMERKUNG:** Achten Sie beim Installieren des Funk-Adapters immer darauf, dass der Funk-Adapter in der korrekten Richtung eingeführt wird und der Deckel vollständig geschlossen ist.

1. Öffnen Sie den Deckel am Sauggerät, wie in der Abbildung gezeigt.

► **Abb.35:** 1. Deckel

2. Führen Sie den Funk-Adapter in den Steckplatz ein, und schließen Sie dann den Deckel.

Wenn Sie den Funk-Adapter einführen, richten Sie die Vorsprünge auf die Vertiefungen des Steckplatzes aus.

► **Abb.36:** 1. Funk-Adapter 2. Vorsprung 3. Deckel 4. Vertiefung

Zum Entfernen des Funk-Adapters öffnen Sie den Deckel langsam. Die Haken an der Rückseite des Deckels heben den Funk-Adapter an, wenn Sie den Deckel hochziehen.

► **Abb.37:** 1. Funk-Adapter 2. Haken 3. Deckel

Bewahren Sie den Funk-Adapter nach der Entnahme in der mitgelieferten Schachtel oder einem statikfreien Behälter auf.

**ANMERKUNG:** Verwenden Sie immer die Haken an der Rückseite des Deckels zum Entfernen des Funk-Adapters. Falls die Haken den Funk-Adapter nicht greifen, schließen Sie den Deckel vollständig, und öffnen Sie ihn dann wieder langsam.

## Werkzeugregistrierung für den Staubsauger

**HINWEIS:** Ein Makita-Werkzeug, das die Funk-Aktivierungsfunktion unterstützt, ist für die Werkzeugregistrierung erforderlich.

**HINWEIS:** Die Installation des Funk-Adapters im Werkzeug muss vollendet sein, bevor mit der Werkzeugregistrierung begonnen wird.

**HINWEIS:** Unterlassen Sie während der Werkzeugregistrierung die Betätigung des Auslöseschalters am Werkzeug oder das Drücken des Schalters für Saugbetrieb am Sauggerät.

**HINWEIS:** Nehmen Sie auch auf die Betriebsanleitung des Werkzeugs Bezug.

Wenn Sie den Staubsauger zusammen mit der Schalterbetätigung des Werkzeugs aktivieren möchten, müssen Sie zuvor die Werkzeugregistrierung beenden.

1. Setzen Sie die Funk-Adapter jeweils in das Sauggerät und das Werkzeug ein.

2. Setzen Sie die Akkus in den Staubsauger und das Werkzeug ein.

3. Stellen Sie den Bereitschaftsschalter am Sauggerät auf „I (EIN)“.

► **Abb.38:** 1. Bereitschaftsschalter

4. Drücken Sie die Funk-Aktivierungstaste am Staubsauger für 3 Sekunden, bis die Funk-Aktivierungslampe in Grün blinkt. Drücken Sie dann die Funk-Aktivierungstaste am Werkzeug in der gleichen Weise.

► **Abb.39:** 1. Funk-Aktivierungstaste

2. Funk-Aktivierungslampe

Wenn Staubsauger und Werkzeug erfolgreich verbunden werden, leuchtet die Funk-Aktivierungslampe 2 Sekunden lang in Grün auf und beginnt dann in Blau zu blinken.

**HINWEIS:** Nach Ablauf von 20 Sekunden hören die Funk-Aktivierungslampen auf, in Grün zu blinken. Drücken Sie die Funk-Aktivierungstaste am Werkzeug, während die Funk-Aktivierungslampe am Staubsauger blinkt. Falls die Funk-Aktivierungslampe nicht in Grün blinkt, drücken Sie die Funk-Aktivierungstaste kurz, und halten Sie sie erneut gedrückt.

**HINWEIS:** Wenn Sie zwei oder mehr Werkzeugregistrierungen für den Staubsauger durchführen, beenden Sie die Werkzeugregistrierungen nacheinander.



## Starten der Funk-Aktivierungsfunktion

**HINWEIS:** Beenden Sie die Werkzeugregistrierung für den Staubsauger für die Funk-Aktivierung.

**HINWEIS:** Platzieren Sie den Staubsauger immer so, dass Sie den Status der Funk-Aktivierungslampe sehen können.

**HINWEIS:** Nehmen Sie auch auf die Betriebsanleitung des Werkzeugs Bezug.

Nachdem Sie ein Werkzeug im Staubsauger registriert haben, läuft der Staubsauger automatisch mit der Schalterbetätigung am Werkzeug an.

1. Setzen Sie die Funk-Adapter jeweils in das Sauggerät und das Werkzeug ein.
2. Setzen Sie die Akkus in das Sauggerät und das Werkzeug ein.
3. Schließen Sie den Schlauch des Staubsaugers am Werkzeug an.

► **Abb.40**

4. Stellen Sie den Bereitschaftsschalter am Sauggerät auf „I (EIN)“. Die Funk-Aktivierungslampe blinkt in Blau.

► **Abb.41:** 1. Bereitschaftsschalter

5. Drücken Sie die Funk-Aktivierungstaste am Werkzeug kurz. Die Funk-Aktivierungslampe blinkt in Blau.

► **Abb.42:** 1. Funk-Aktivierungstaste  
2. Funk-Aktivierungslampe

6. Betätigen Sie den Auslöseschalter des Werkzeugs. Prüfen Sie, ob der Staubsauger läuft, während der Auslöseschalter am Werkzeug betätigt wird.

**⚠ VORSICHT:** Prüfen Sie immer nach, ob die Funk-Aktivierungsfunktion wirksam ist, bevor Sie eine Arbeit mit dem Werkzeug beginnen.

Um die Funk-Aktivierung zu stoppen, drücken Sie die Funk-Aktivierungstaste am Werkzeug, oder stellen Sie den Bereitschaftsschalter am Sauggerät auf „O (AUS)“.

**HINWEIS:** Die Funk-Aktivierungslampe am Werkzeug hört auf, in Blau zu blinken, wenn 2 Stunden lang kein Betrieb erfolgt. Drücken Sie in diesem Fall die Funk-Aktivierungstasten am Werkzeug erneut.

**HINWEIS:** Der Staubsauger startet/stoppt mit einer Verzögerung. Es tritt eine Zeitverzögerung auf, wenn der Staubsauger eine Schalterbetätigung des Werkzeugs erkennt.

**HINWEIS:** Die Übertragungsreichweite des Funk-Adapters kann abhängig vom Ort und den Umgebungsbedingungen schwanken.

**HINWEIS:** Wenn zwei oder mehr Werkzeuge in einem Staubsauger registriert sind, kann der Staubsauger anlaufen, selbst wenn Sie den Auslöseschalter nicht betätigen, weil ein anderer Benutzer die Funk-Aktivierungsfunktion benutzt.

## Aufheben der Werkzeugregistrierung für den Staubsauger

Führen Sie das folgende Verfahren durch, um die Werkzeugregistrierung für den Staubsauger aufzuheben.

1. Setzen Sie die Funk-Adapter jeweils in das Sauggerät und das Werkzeug ein.
2. Setzen Sie die Akkus in den Staubsauger und das Werkzeug ein.
3. Stellen Sie den Bereitschaftsschalter am Sauggerät auf „I (EIN)“.  
► **Abb.43:** 1. Bereitschaftsschalter
4. Drücken Sie die Funk-Aktivierungstaste am Staubsauger für 6 Sekunden. Die Funk-Aktivierungslampe blinkt in Grün und wird dann rot. Drücken Sie danach die Funk-Aktivierungstaste am Werkzeug in der gleichen Weise.  
► **Abb.44:** 1. Funk-Aktivierungstaste  
2. Funk-Aktivierungslampe

Wenn die Aufhebung erfolgreich war, leuchten die Funk-Aktivierungslampen 2 Sekunden lang in Rot auf und beginnen dann in Blau zu blinken.

**HINWEIS:** Nach Ablauf von 20 Sekunden hören die Funk-Aktivierungslampen auf, in Rot zu blinken. Drücken Sie die Funk-Aktivierungstaste am Werkzeug, während die Funk-Aktivierungslampe am Staubsauger blinkt. Falls die Funk-Aktivierungslampe nicht in Rot blinkt, drücken Sie die Funk-Aktivierungstaste kurz, und halten Sie sie erneut gedrückt.

## Löschen aller Werkzeugregistrierungen

Um alle Werkzeugregistrierungen im Staubsauger zu löschen, gehen Sie wie folgt vor.











- **Abb.45:** 1. Bereitschaftsschalter  
2. Funk-Aktivierungstaste  
3. Funk-Aktivierungslampe
1. Installieren Sie den Funk-Adapter am Sauggerät.
  2. Setzen Sie die Akkus in den Staubsauger ein.
  3. Stellen Sie den Bereitschaftsschalter auf „I (EIN)“.
  4. Halten Sie die Funk-Aktivierungstaste etwa 6 Sekunden lang gedrückt, bis die Funk-Aktivierungslampe in Rot blinkt (etwa zweimal pro Sekunde).
  5. Sobald die Funk-Aktivierungslampe in Rot zu blinken beginnt, nehmen Sie den Finger von der Funk-Aktivierungstaste. Halten Sie danach die Funk-Aktivierungstaste erneut etwa 6 Sekunden lang gedrückt.
  6. Sobald die Funk-Aktivierungslampe schnell in Rot zu blinken beginnt (etwa 5-mal pro Sekunde), nehmen Sie den Finger von der Funk-Aktivierungstaste. Wenn die Funk-Aktivierungslampe in Rot aufleuchtet und später erlischt, werden alle Werkzeugregistrierungen gelöscht.

**HINWEIS:** Falls die Funk-Aktivierungslampe nicht in Rot blinkt, drücken Sie die Funk-Aktivierungstaste kurz, und versuchen Sie es erneut.

## Beschreibung des Zustands der Funk-Aktivierungslampe

- **Abb.46:** 1. Funk-Aktivierungstaste  
2. Funk-Aktivierungslampe

Die Funk-Aktivierungslampe zeigt den Zustand der Funk-Aktivierungsfunktion an. Die Bedeutung des Lampenzustands ist aus der nachstehenden Tabelle ersichtlich.

| Zustand  | Funk-Aktivierungslampe |  |  |  | Beschreibung   |
|--|------------------------|--|--|--|--|
|  | Farbe                  |  Ein                      |  Blinkend | Dauer (ungefähr)                               |  |
| Bereitschaft                                   | Blau                   |                           |  | Staubsauger: fortlaufend Werkzeug: 2 Stunden   | Warten darauf, dass die Werkzeugregistrierung oder die Funk-Aktivierungsfunktion verfügbar ist.<br>Die Lampe am Sauggerät blinkt, wenn der Bereitschaftsschalter auf „I (EIN)“ steht. Die Lampe am Werkzeug blinkt, wenn die Funk-Aktivierungstaste gedrückt wird. Die Lampe am Werkzeug erlischt automatisch, wenn 2 Stunden lang kein Betrieb erfolgt. |
|  |                        |                           |  | Wenn das Werkzeug läuft.                       | Die Funk-Aktivierung des Staubsaugers ist verfügbar, und das Werkzeug läuft.   |
| Werkzeugregistrierung                          | Grün                   |                           |  | 20 Sekunden                                    | Bereit für die Werkzeugregistrierung. Suchen des zu registrierenden Werkzeugs.   |
|  |                        |                           |  | 2 Sekunden                                     | Die Werkzeugregistrierung ist beendet worden. Die Funk-Aktivierungslampe beginnt, in Blau zu blinken.  |
| Aufheben/<br>Löschen der Werkzeugregistrierung | Rot                    | <br>(langsam: 2-mal/Sek.) |  | 20 Sekunden                                    | Bereit für die Aufhebung der Werkzeugregistrierung. Suchen des aufzuhebenden Werkzeugs.  |
|  |                        | <br>(schnell: 5-mal/Sek.) |  | Wenn die Funk-Aktivierungstaste gedrückt wird. | Bereit, alle Werkzeugregistrierungen zu löschen.   |
|  |                        |                           |  | 2 Sekunden                                     | Die Werkzeugregistrierung ist aufgehoben/gelöscht worden. Die Funk-Aktivierungslampe beginnt, in Blau zu blinken.  |
| Sonstiges                                      | Rot                    |                           |  | 3 Sekunden                                     | Der Funk-Adapter wird mit Strom versorgt, und die Funk-Aktivierungsfunktion wird gestartet.  |
|  | Aus                    | -  |  | -  | Der Bereitschaftsschalter steht nicht auf „I (EIN)“.   |

## Fehlersuche für Funk-Aktivierungsfunktion

Bevor Sie den Reparaturdienst anrufen, führen Sie zunächst Ihre eigene Inspektion durch. Falls Sie ein Problem finden, das nicht in der Anleitung erläutert wird, versuchen Sie nicht, das Werkzeug zu zerlegen. Wenden Sie sich stattdessen an autorisierte Makita-Kundendienstzentren, und achten Sie darauf, dass stets Makita-Ersatzteile für Reparaturen verwendet werden.

| Zustand der Unregelmäßigkeit   | Wahrscheinliche Ursache (Funktionsstörung)  | Abhilfemaßnahme  |
|--|---|--|
| Die Funk-Aktivierungslampe leuchtet/blinkt nicht.  | Es ist kein Funk-Adapter im Sauggerät und/oder Werkzeug installiert. Der Funk-Adapter ist falsch im Sauggerät und/oder Werkzeug installiert.  | Installieren Sie den Funk-Adapter korrekt.   |
|  | Die Kontakte des Funk-Adapters und/oder des Steckplatzes sind verschmutzt.  | Wischen Sie Staub und Schmutz an den Kontakten des Funk-Adapters saftig ab, und reinigen Sie den Schlitz des Sauggerätes und/oder Werkzeugs.                               |
|  | Die Funk-Aktivierungstaste am Werkzeug ist nicht gedrückt worden.   | Drücken Sie die Funk-Aktivierungstaste am Werkzeug kurz. Vergewissern Sie sich, dass die Funk-Aktivierungslampe in Blau blinkt.  |
|  | Der Bereitschaftsschalter am Sauggerät steht nicht auf „I (EIN)“.   | Stellen Sie den Bereitschaftsschalter am Sauggerät auf „I (EIN)“.  |
|  | Keine Stromversorgung   | Versorgen Sie Werkzeug und Staubsauger mit Strom.  |
| Die Werkzeugregistrierung/Aufhebung der Werkzeugregistrierung kann nicht erfolgreich beendet werden. | Es ist kein Funk-Adapter im Sauggerät und/oder Werkzeug installiert. Der Funk-Adapter ist falsch im Sauggerät und/oder Werkzeug installiert.  | Installieren Sie den Funk-Adapter korrekt.   |
|  | Die Kontakte des Funk-Adapters und/oder des Steckplatzes sind verschmutzt.  | Wischen Sie Staub und Schmutz an den Kontakten des Funk-Adapters saftig ab, und reinigen Sie den Schlitz des Sauggerätes und/oder Werkzeugs.                               |
|  | Der Bereitschaftsschalter am Sauggerät steht nicht auf „I (EIN)“.   | Stellen Sie den Bereitschaftsschalter am Sauggerät auf „I (EIN)“.  |
|  | Keine Stromversorgung   | Versorgen Sie Werkzeug und Staubsauger mit Strom.  |
|  | Falsche Bedienung   | Drücken Sie die Funk-Aktivierungstaste kurz, und führen Sie die Verfahren der Registrierung/Registrierungsaufhebung des Werkzeugs erneut durch.                            |
|  | Der Abstand zwischen Werkzeug und Staubsauger ist zu groß (außerhalb der Übertragungsbereichweite).   | Verkleinern Sie den Abstand zwischen Werkzeug und Staubsauger. Die maximale Übertragungsbereichweite beträgt ungefähr 10 m, sie kann aber je nach den Umständen schwanken. |
|  | Vor Beendigung der Werkzeugregistrierung/Aufhebung der Werkzeugregistrierung:<br>- der Auslöseschalter am Werkzeug wird betätigt, oder<br>- der Schalter zum Starten des Saugbetriebs am Sauggerät wird gedrückt. | Drücken Sie die Funk-Aktivierungstaste kurz, und führen Sie die Verfahren der Registrierung/Registrierungsaufhebung des Werkzeugs erneut durch.                            |
|  | Die Verfahren der Werkzeugregistrierung für das Werkzeug oder das Sauggerät sind nicht beendet.   | Führen Sie die Verfahren der Werkzeugregistrierung sowohl für das Werkzeug als auch den Staubsauger zum selben Zeitpunkt durch.  |
|  | Funkstörungen durch andere Geräte, die starke Funkwellen erzeugen.  | Halten Sie das Werkzeug und den Staubsauger von solchen Geräten wie WLAN-Geräten und Mikrowellenöfen fern.   |

| Zustand der Unregelmäßigkeit   | Wahrscheinliche Ursache (Funktionsstörung)   | Abhilfemaßnahme   |
|--|--|---|
| Der Staubsauger läuft bei der Schalterbetätigung des Werkzeugs nicht an.                 | Es ist kein Funk-Adapter im Saugergerät und/oder Werkzeug installiert. Der Funk-Adapter ist falsch im Saugergerät und/oder Werkzeug installiert. | Installieren Sie den Funk-Adapter korrekt.  |
|  | Die Kontakte des Funk-Adapters und/oder des Schlitzes sind verschmutzt.  | Wischen Sie Staub und Schmutz an den Kontakten des Funk-Adapters saftig ab, und reinigen Sie den Schlitz des Saugergerätes und/oder Werkzeugs.  |
|  | Die Funk-Aktivierungstaste am Werkzeug ist nicht gedrückt worden.  | Drücken Sie die Funk-Aktivierungstaste am Werkzeug kurz. Vergewissern Sie sich, dass die Funk-Aktivierungslampe in Blau blinkt.   |
|  | Der Bereitschaftsschalter am Saugergerät steht nicht auf „I (EIN)“.  | Stellen Sie den Bereitschaftsschalter am Saugergerät auf „I (EIN)“.   |
|  | Es sind mehr als 10 Werkzeuge im Staubsauger registriert.  | Führen Sie die Werkzeugregistrierung erneut durch. Wenn mehr als 10 Werkzeuge im Staubsauger registriert werden, wird die Registrierung des ersten Werkzeugs automatisch gelöscht.  |
|  | Der Staubsauger hat alle Werkzeugregistrierungen gelöscht.   | Führen Sie die Werkzeugregistrierung erneut durch.  |
|  | Keine Stromversorgung  | Versorgen Sie Werkzeug und Staubsauger mit Strom.   |
|  | Der Abstand zwischen Werkzeug und Staubsauger ist zu groß (außerhalb der Übertragungreichweite).   | Verkleinern Sie den Abstand zwischen Werkzeug und Staubsauger. Die maximale Übertragungreichweite beträgt ungefähr 10 m, sie kann aber je nach den Umständen schwanken.   |
|  | Funkstörungen durch andere Geräte, die starke Funkwellen erzeugen.   | Halten Sie das Werkzeug und den Staubsauger von solchen Geräten wie WLAN-Geräten und Mikrowellenöfen fern.  |
| Der Staubsauger läuft an, obwohl der Auslöseschalter des Werkzeugs nicht betätigt wurde. | Andere Benutzer nutzen die Funk-Aktivierung des Staubsaugers mit ihren Werkzeugen.   | Führen Sie einen der folgenden Vorgänge durch:<br>- Stellen Sie den Bereitschaftsschalter am Saugergerät auf die Stellung „O“, oder<br>- Schalten Sie die Funk-Aktivierungstaste der anderen Werkzeuge aus, oder<br>- Brechen Sie die Werkzeugregistrierung der anderen Werkzeuge ab.                                   |
| Es können nicht alle Werkzeugregistrierungen im Staubsauger gelöscht werden.             | Drücken der Funk-Aktivierungstaste am Werkzeug.  | Drücken Sie die Funk-Aktivierungstaste am Staubsauger, um alle Werkzeugregistrierungen zu löschen.  |
|  | Der Bereitschaftsschalter am Saugergerät steht nicht auf „I (EIN)“.  | Stellen Sie den Bereitschaftsschalter am Saugergerät auf „I (EIN)“.   |
|  | Die Funk-Aktivierungstaste wird nicht korrekt gedrückt gehalten.   | Halten Sie die Funk-Aktivierungstaste länger als 6 Sekunden gedrückt, und lassen Sie sie dann los, wenn die Funk-Aktivierungslampe in Rot blinkt. Halten Sie die Funk-Aktivierungstaste erneut länger als 6 Sekunden gedrückt, bis die Funk-Aktivierungslampe schnell in Rot blinkt, und lassen Sie dann die Taste los. |

## WARTUNG

**⚠ VORSICHT:** Vergewissern Sie sich vor der Durchführung von Inspektions- oder Wartungsarbeiten stets, dass das Gerät ausgeschaltet und der Akku abgenommen ist.

**ANMERKUNG:** Verwenden Sie auf keinen Fall Benzin, Waschbenzin, Verdünner, Alkohol oder dergleichen. Solche Mittel können Verfärbung, Verformung oder Rissbildung verursachen.

Um die SICHERHEIT und ZUVERLÄSSIGKEIT dieses Produkts zu gewährleisten, sollten Reparaturen und andere Wartungs- oder Einstellarbeiten nur von Makita-Vertragswerkstätten oder Makita-Kundendienstzentren unter ausschließlicher Verwendung von Makita-Originalersatzteilen ausgeführt werden.

## Reinigen des HEPA-Filters

**⚠ VORSICHT:** Benutzen Sie das Saugergerät nicht ohne einen Filter oder mit einem verschmutzten oder beschädigten Filter. Es besteht sonst die Gefahr, dass aufgesaugter Staub oder Partikel vom Saugergerät entweichen und die Atemwege des Bedieners angreifen.

**ANMERKUNG:** Um optimale Saugkraft und saubere Abluft aufrechtzuerhalten, reinigen Sie den Filter regelmäßig. Falls trotz einer Reinigung keine ausreichende Saugkraft erzielt wird, ersetzen Sie den Filter durch einen neuen.

**ANMERKUNG:** Um eine Beschädigung des Filters zu verhindern, verwenden Sie nicht die folgenden Werkzeuge und ähnliche Gegenstände zum Reinigen:

- Druckluftspray
- Hochdruckreiniger
- Aus harten Materialien hergestellte Werkzeuge, wie z. B. eine Metallbürste

1. Öffnen Sie die Klappe, und nehmen Sie den Filterbeutel/Staubsaack heraus. Lösen Sie den Haken am Filter, und nehmen Sie den Filter aus dem Sauggeräte-Hauptteil heraus.

► **Abb.47:** 1. Haken

2. Klopfen Sie den Filter aus, um Staub zu entfernen. Der Filter kann mit Wasser gewaschen werden. Spülen Sie Staub und Partikel am Filter alle 1 oder 2 Monate ab. Lassen Sie den Filter anschließend an einem schattigen und gut belüfteten Ort vollkommen trocknen, um unangenehmen Geruch oder Funktionsstörungen zu verhindern.

3. Um den Filter einzusetzen, führen Sie die Seite ohne die Haken in die Führungsnut ein, und drücken Sie dann den Filter hinein, bis die Haken mit einem Klicken einrasten.

► **Abb.48:** 1. Nut 2. HEPA-Filter 3. Haken

## Reinigen des Staubsaacks

Reinigen Sie den Staubsaack regelmäßig mit Seife und Wasser. Stülpen Sie den Staubsaack um, und entfernen Sie den klebrigen Staub. Waschen Sie den Staubsaack leicht von Hand aus, und spülen Sie ihn gut mit Wasser ab. Lassen Sie den Staubsaack vollkommen trocknen, bevor Sie ihn in das Sauggerät einsetzen.

► **Abb.49**

**ANMERKUNG:** Ein nasser Staubsaack verringert die Saugleistung sowie die Lebensdauer des Motors.

## Reinigen des Raums für den Filterbeutel/Staubsaack

Wenn Sie den Raum für den Filterbeutel/Staubsaack reinigen, entfernen Sie die Platte im Inneren, und wischen Sie sie ab.

► **Abb.50:** 1. Platte

## Entfernen der Platte

1. Nehmen Sie den HEPA-Filter ab. Angaben zum Abnahmeverfahren finden Sie in dem Abschnitt zum Reinigen des HEPA-Filters.

2. Drücken Sie die Platte nach unten, und schieben Sie sie nach links, bis sie die Wand berührt.

3. Heben Sie die rechte Seite der Platte an, und nehmen Sie sie heraus.

► **Abb.51:** 1. Platte

Die Platte wird von drei Federn abgestützt. Falls sich die Federn von der Platte oder dem Hebel lösen, bringen Sie sie wieder an, wie dargestellt.

► **Abb.52:** 1. Feder für Platte 2. Feder für Hebel 3. Vorsprung

**HINWEIS:** Bringen Sie die Federn sicher an, so dass sie den Ansatz der Vorsprünge berühren.

## Anbringen der Platte

1. Führen Sie die gerade Seite der Platte in die Klinke auf der unteren linken Seite des Raums ein.

2. Setzen Sie die rechte Seite der Platte ein.

► **Abb.53:** 1. Platte 2. Gerade Seite 3. Klinke

# SONDERZUBEHÖR

**⚠VORSICHT:** Die folgenden Zubehörteile oder Vorrichtungen werden für den Einsatz mit dem in dieser Anleitung beschriebenen Makita-Produkt empfohlen. Die Verwendung anderer Zubehörteile oder Vorrichtungen kann eine Verletzungsgefahr darstellen. Verwenden Sie Zubehörteile oder Vorrichtungen nur für ihren vorgesehenen Zweck.

Wenn Sie weitere Einzelheiten bezüglich dieser Zubehörteile benötigen, wenden Sie sich bitte an Ihre Makita-Kundendienststelle.

- Schlauch (für Staubabsaugungstyp)
- Schlauch (für Sauggerätetyp)
- Verlängerungsrohr
- Freie Düse
- T-Düse
- Sitzdüse
- Spitzdüse
- Regalbürste
- Rundbürste
- Filterbeutel
- Staubsaack
- Frontmanschette
- HEPA-Filter
- Funk-Adapter
- Zyklaufsatz
- Original-Makita-Akku und -Ladegerät

**HINWEIS:** Manche Teile in der Liste können als Standardzubehör im Werkzeugsatz enthalten sein. Sie können von Land zu Land unterschiedlich sein.

## Zyklaufsatz

**HINWEIS:** Wenn Sie den Zyklaufsatz mit diesem Gerät verwenden, ist auch das gebogene Rohr erforderlich.

► **Abb.54:** 1. Zyklaufsatz

## Info zum Zyklaufsatz

Wird der Staubsauger mit installiertem Zyklaufsatz verwendet, so wird die Staubmenge, die in den Staubsaack gelangt, reduziert, was dazu beiträgt, eine Abschwächung der Saugkraft zu verhindern. Außerdem wird die Reinigung nach dem Gebrauch ebenfalls vereinfacht.

**⚠VORSICHT:** Vergewissern Sie sich vor der Ausführung von Arbeiten am Werkzeug stets, dass das Werkzeug ausgeschaltet und der Akku abgenommen ist. Wird der Akku eingesetzt gelassen, kann der Staubsauger unerwartet anlaufen, was zu Verletzungen führen kann.

**⚠VORSICHT:** Reinigen Sie den Netzfilter des Zyklaufsatzes und den Staubsaack der Staubsaugereinheit, wenn sie verstopft werden. Fortgesetzter Gebrauch im verstopften Zustand kann zu Erhitzung oder Rauchbildung führen.

**ANMERKUNG:** Wenn der Zyklonaufsatz angebracht ist, verwenden Sie ihn nicht im horizontalen oder nach oben gerichteten Zustand. Anderenfalls kann der Netzfilter verstopft werden.

**ANMERKUNG:** Benutzen Sie den Staubsauger selbst bei Verwendung des Zyklonaufsatzes immer mit installiertem Staubsack. Wird der Staubsauger ohne den Staubsack benutzt, kann es zu einer Funktionsstörung des Motors kommen.

**HINWEIS:** Stellen Sie vor Gebrauch sicher, dass Zyklonaufsatz, Staubsauger und gerades Rohr einwandfrei verriegelt sind.

**HINWEIS:** Entleeren Sie den Staubsammelbehälter des Zyklonaufsatzes und den Staubsack des Staubsaugers, wenn Staub sich angesammelt hat. Fortgesetzter Gebrauch führt zu einer Abschwächung der Saugkraft.

**HINWEIS:** Sie können den Zyklonaufsatz mit oder ohne Verriegelungsfunktion verwenden.

**HINWEIS:** Informationen zum Montieren oder Demontieren des Zyklonaufsatzes finden Sie im Abschnitt "Verwendung als Staubsauger".

Wenn der Netzfilter stark verschmutzt wird, reinigen Sie ihn nach den folgenden Verfahren.

1. Drehen Sie den Netzfilter entgegen dem Uhrzeigersinn, und entfernen Sie ihn bei entriegelten Rasten.

► **Abb.58:** 1. Netzfilter 2. Raste

2. Entfernen Sie den Staub am Netzfilter, und waschen Sie ihn dann mit Wasser. Lassen Sie ihn danach gründlich trocknen.

3. Führen Sie den Netzfilter in die Basis ein, während die Rasten auf den Anschluss ausgerichtet sind. Drehen Sie den Netzfilter im Uhrzeigersinn, bis die Rasten mit einem Klicken einrasten. Vergewissern Sie sich, dass der Netzfilter sicher installiert ist.

► **Abb.59:** 1. Netzfilter 2. Raste 3. Anschluss

## Staubentleerung

Wenn Staub sich bis zur Voll-Linie des Staubsammelbehälters angesammelt hat, entsorgen Sie den Staub nach dem folgenden Verfahren.

1. Halten Sie den Staubsammelbehälter mit festem Griff, während Sie die zwei Knöpfe gedrückt halten, und entfernen Sie den Staubsammelbehälter.

► **Abb.55:** 1. Voll-Linie 2. Staubsammelbehälter  
3. Knopf (zwei Stellen) 4. Netzfilter

2. Entsorgen Sie den Staub im Staubsammelbehälter, und entfernen Sie jeglichen an der Oberfläche des Netzfilters haftenden Staub und Pulver.

3. Führen Sie den Staubsammelbehälter vollständig ein, bis die zwei Knöpfe mit einem Klicken einrasten.

► **Abb.56:** 1. Staubsammelbehälter 2. Knopf (zwei Stellen)

**HINWEIS:** Stellen Sie vor dem erneuten Starten des Betriebs sicher, dass Zyklonaufsatz, Staubsauger und gerades Rohr einwandfrei verriegelt sind.

**HINWEIS:** Falls die Saugkraft selbst nach der Entsorgung des Staubs und der Reinigung des Netzfilters nicht wiederhergestellt wird, prüfen Sie, ob Staub sich im Staubsack des Staubsaugers angesammelt hat, oder ob eine Verstopfung aufgetreten ist.

## Reinigen

Wenn der Staubsammelbehälter schmutzig wird oder der Netzfilter verstopft ist, entfernen Sie die Teile, und waschen Sie sie mit Wasser. (Angaben zum Demontageverfahren finden Sie unter „Staubentleerung“.)

Lassen Sie die Teile gründlich trocknen, bevor Sie sie wieder installieren und benutzen.

► **Abb.57:** 1. Staubsammelbehälter 2. Netzfilter

## AVVERTENZA

- La presente macchina non è destinata all'utilizzo da parte di persone, inclusi i bambini, dalle capacità fisiche, sensoriali o mentali ridotte, o prive di esperienza e preparazione.
- I bambini vanno tenuti sotto controllo per accertarsi che non giochino con l'aspiratore.
- Per il riferimento sul tipo di batteria, vedere il capitolo "DATI TECNICI".
- Per istruzioni su come rimuovere o installare la batteria, vedere la sezione "Installazione o rimozione della cartuccia della batteria".
- Quando si intende smaltire la cartuccia della batteria, rimuoverla dall'utensile e smaltirla in un luogo sicuro. Attenersi alle normative locali relative allo smaltimento della batteria.
- Se l'utensile non viene utilizzato per un periodo di tempo prolungato, la batteria deve essere rimossa dall'utensile.
- Non cortocircuitare la cartuccia della batteria.
- Per i dettagli appropriati relativi alle precauzioni durante la manutenzione da parte dell'utente, vedere il capitolo "MANUTENZIONE".

## DATI TECNICI

| Modello:  |                   | DVC665                   |
|---|-------------------|--------------------------|
| Capacità  | Sacchetto filtro  | 6,0 L                    |
|   | Sacchetto polveri | 5,5 L                    |
| Volume d'aria massimo<br>(Con tubo flessibile da $\varnothing 28$ mm x 1,5 m) |                   | 1,8 m <sup>3</sup> /min  |
| Pressione di vuoto  |                   | 110 hPa                  |
| Dimensioni (L x P x A)<br>(imbragatura esclusa)                               |                   | 297 mm x 174 mm x 523 mm |
| Tensione nominale   |                   | 36 V C.C.                |
| Peso netto  |                   | 6,1 - 6,7 kg             |

- A causa del nostro programma continuativo di ricerca e sviluppo, i dati tecnici sono soggetti a modifiche senza preavviso.
- I dati tecnici possono variare da una nazione all'altra.
- Il peso non comprende gli accessori ma comprende la cartuccia della batteria o le cartucce delle batterie. Nella tabella sono indicati il peso combinato minimo e massimo dell'apparecchio insieme alla cartuccia della batteria o alle cartucce delle batterie.

## Cartuccia della batteria e caricabatterie applicabili

|                          |  |
|--------------------------|--|
| Cartuccia della batteria | BL1815N / BL1820B / BL1830B / BL1840B / BL1850B / BL1860B    |
| Caricabatterie           | DC18RC / DC18RD / DC18RE / DC18SD / DC18SE / DC18SF / DC18SH |

- Alcune cartucce delle batterie e alcuni caricabatterie elencati sopra potrebbero non essere disponibili a seconda della propria area geografica di residenza.

**⚠ AVVERTIMENTO:** Utilizzare solo le cartucce delle batterie e i caricabatterie elencati sopra. L'utilizzo di altre cartucce delle batterie e di altri caricabatterie potrebbe causare lesioni personali e/o un incendio.

**⚠ AVVERTIMENTO:** Non utilizzare un alimentatore con cavo, ad esempio un adattatore per batterie o un gruppo di alimentazione portatile, insieme a questo utensile. Qualora si indossino più imbracature contemporaneamente, anziché una sola, si rende difficile utilizzare e sganciare l'utensile, e si potrebbero causare lesioni personali.

## Simboli

Le figure seguenti mostrano i simboli utilizzati per l'apparecchio. Accertarsi di comprenderne il significato prima dell'uso.



Leggere il manuale d'uso.



Adottare cura e attenzione particolari.



Solo per le nazioni dell'EU  
A causa della presenza di componenti pericolosi nelle apparecchiature, i rifiuti di apparecchiature elettriche ed elettroniche, accumulatori e batterie potrebbero produrre un impatto negativo sull'ambiente e sulla salute umana.

Non smaltire elettrodomestici elettrici ed elettronici o batterie insieme ai rifiuti domestici!

In conformità alla direttiva europea sui rifiuti di apparecchiature elettriche ed elettroniche (RAEE), sugli accumulatori e le batterie, nonché sui rifiuti di accumulatori e batterie, e al suo adattamento alle normative nazionali, i rifiuti di apparecchiature elettriche ed elettroniche, batterie e accumulatori vanno conservati separatamente e conferiti a un punto di raccolta separato per i rifiuti comunali, operando in conformità alle normative per la protezione dell'ambiente.

Tale requisito viene indicato mediante il simbolo del bidone della spazzatura con ruote barrato apposto sull'apparecchio.

## Utilizzo previsto

Questo apparecchio è progettato per la raccolta delle polveri secche. L'apparecchio è idoneo a usi commerciali, ad esempio in hotel, scuole, ospedali, fabbriche, negozi, uffici e noleggi.

## Rumore

Livello tipico di rumore pesato A determinato in base allo standard IEC60335-2-69, IEC60704-2-1:  
Livello di pressione sonora ( $L_{pA}$ ) : 70 dB (A) o inferiore  
Incertezza (K): 2,5 dB (A)

Il livello del rumore nelle condizioni di lavoro può superare gli 80 dB (A).

**NOTA:** Il valore o i valori dichiarati delle emissioni di rumori sono stati misurati in conformità a un metodo standard di verifica, e possono essere utilizzati per confrontare un utensile con un altro.

**NOTA:** Il valore o i valori dichiarati delle emissioni di rumori possono venire utilizzati anche per una valutazione preliminare dell'esposizione.

**AVVERTIMENTO:** Indossare protezioni per le orecchie.

**AVVERTIMENTO:** L'emissione di rumori durante l'utilizzo effettivo dell'utensile elettrico può variare rispetto al valore o ai valori dichiarati, a seconda dei modi in cui viene utilizzato l'utensile e specialmente a seconda di che tipo di pezzo venga lavorato.

**AVVERTIMENTO:** Accertarsi di identificare misure di sicurezza per la protezione dell'operatore che siano basate su una stima dell'esposizione nelle condizioni effettive di utilizzo (tenendo conto di tutte le parti del ciclo operativo, ad esempio del numero di spegnimenti dell'utensile e di quando giri a vuoto, oltre al tempo di attivazione).

## Vibrazioni

Valore totale delle vibrazioni (somma vettoriale triassiale) determinato in base allo standard IEC60335-2-69:  
Modalità di lavoro: funzionamento a vuoto  
Emissione di vibrazioni ( $a_h$ ) : 2,5 m/s<sup>2</sup> o inferiore  
Incertezza (K): 1,5 m/s<sup>2</sup>

**NOTA:** Il valore o i valori complessivi delle vibrazioni dichiarati sono stati misurati in conformità a un metodo standard di verifica, e possono essere utilizzati per confrontare un utensile con un altro.

**NOTA:** Il valore o i valori complessivi delle vibrazioni dichiarati possono venire utilizzati anche per una valutazione preliminare dell'esposizione.

**AVVERTIMENTO:** L'emissione delle vibrazioni durante l'utilizzo effettivo dell'utensile elettrico può variare rispetto al valore o ai valori dichiarati, a seconda dei modi in cui viene utilizzato l'utensile, specialmente a seconda di che tipo di pezzo venga lavorato.

**AVVERTIMENTO:** Accertarsi di identificare misure di sicurezza per la protezione dell'operatore che siano basate su una stima dell'esposizione nelle condizioni effettive di utilizzo (tenendo conto di tutte le parti del ciclo operativo, ad esempio del numero di spegnimenti dell'utensile e di quando giri a vuoto, oltre al tempo di attivazione).

## Dichiarazione di conformità CE

*Solo per i paesi europei*

La dichiarazione di conformità CE è inclusa nell'Allegato A al presente manuale di istruzioni.

## AVVERTENZE DI SICUREZZA

### Avvertenze di sicurezza dell'aspirapolvere a batteria

**AVVERTIMENTO:** IMPORTANTE! LEGGERE CON ATTENZIONE tutte le avvertenze di sicurezza e tutte le istruzioni PRIMA DELL'USO. La mancata osservanza delle avvertenze e delle istruzioni potrebbe risultare in scosse elettriche, incendi e/o gravi lesioni personali.

1. Prima dell'uso, accertarsi che il presente aspiratore venga utilizzato esclusivamente da personale che sia stato istruito in modo adeguato sull'utilizzo del presente aspiratore.
2. Non utilizzare l'aspiratore senza il filtro. Sostituire immediatamente un filtro danneggiato.
3. Non tentare di raccogliere materiali infiammabili, fuochi d'artificio, sigarette accese, ceneri calde, schegge di metallo roventi, materiali affilati quali rasoi, aghi, vetri rotti o simili.



4. **NON UTILIZZARE MAI L'ASPIRATORE IN PROSSIMITÀ DI BENZINA, GAS, VERNICI, ADESIVI O ALTRE SOSTANZE ALTAMENTE ESPLOSIVE.** L'interruttore emette delle scintille quando viene attivato e disattivato. Anche il commutatore del motore emette scintille durante l'uso. Di conseguenza, potrebbe verificarsi un'esplosione pericolosa.
  5. Questo aspiratore non è idoneo all'aspirazione di polveri pericolose.
  6. Non aspirare mai materiali tossici, cancerogeni, combustibili o altri materiali pericolosi quali amianto, arsenico, bario, berillio, piombo, pesticidi o altri materiali nocivi.
  7. Non utilizzare mai l'aspiratore all'aperto sotto la pioggia.
  8. Per la Finlandia, questa macchina non va utilizzata all'aperto a basse temperature.
  9. Non utilizzare in prossimità di fonti di calore (cucine, e così via).
  10. Non ostruire le feritoie di ventilazione. Tali feritoie consentono il raffreddamento del motore. Le ostruzioni vanno evitate con cura; in caso contrario, il motore si brucia a causa della mancanza di ventilazione.
  11. Mantenere sempre un corretto appoggio sui piedi e l'equilibrio.
  12. Non piegare, tirare o calpestare il tubo flessibile.
  13. Arrestare immediatamente l'aspiratore qualora si notino prestazioni scadenti o qualsiasi anomalia durante l'uso.
  14. **SCOLLEGARE LE BATTERIE** quando non si utilizza l'apparecchio, prima di interventi di assistenza e quando si intende sostituire gli accessori.
  15. Pulire e sottoporre a manutenzione l'aspiratore subito dopo ciascun utilizzo per mantenerlo in condizioni operative ottimali.
  16. **SOTTOPORRE A MANUTENZIONE L'ASPIRATORE CON CURA.** Mantenere l'aspiratore pulito per prestazioni migliori e più sicure. Seguire le istruzioni per la sostituzione degli accessori. Mantenere le maniglie pulite, asciutte e prive di olio e grasso.
  17. **CONTROLLARE L'EVENTUALE PRESENZA DI PARTI DANNEGGIATE.** Prima di utilizzare ulteriormente l'aspiratore, controllare con cura protezioni o altre parti che siano danneggiate per accertarsi che funzionino correttamente e che svolgano la funzione a cui sono destinate. Controllare l'allineamento delle parti mobili, la presenza di eventuali inceppamenti delle parti mobili o rottura dei componenti, il montaggio ed eventuali altre condizioni che potrebbero influenzare il funzionamento. Una protezione o un'altra parte che siano danneggiate vanno riparate correttamente o sostituite da un centro di assistenza autorizzato, se non diversamente indicato altrove nel presente manuale di istruzioni. Far sostituire gli interruttori difettosi da un centro di assistenza autorizzato. Non utilizzare l'aspiratore qualora l'interruttore non consenta di accenderlo e spegnerlo.
  18. **PEZZI DI RICAMBIO.** Quando si effettuano interventi di assistenza, utilizzare esclusivamente pezzi di ricambio identici.
  19. **RIPORRE L'ASPIRATORE QUANDO NON VIENE UTILIZZATO.** Quando l'aspiratore non è in uso, dovrebbe venire riposto al chiuso.
  20. **Maneggiare con delicatezza l'aspiratore.** Anche l'aspiratore più robusto può rompersi a causa dell'incuria nel maneggiarlo.
  21. **Non tentare di pulire la superficie esterna o interna con benzina, solventi o prodotti chimici di pulizia.** In caso contrario, si potrebbero causare spaccature e scolorimenti.
  22. **Non utilizzare l'aspiratore in spazi chiusi in cui siano presenti emissioni di vapori infiammabili, esplosivi o tossici dovute a vernici a olio, diluenti per vernici, benzina, alcune sostanze per trattamenti antifunghi, e così via, o in aree in cui siano presenti polveri infiammabili.**
  23. **Non utilizzare l'aspiratore sotto l'effetto di droghe o alcolici.**
  24. **Come regola di base per la sicurezza, utilizzare occhiali oppure occhiali di sicurezza con paraocchi laterali.**
  25. **Utilizzare una maschera antipolvere in condizioni di lavoro che presentino polveri.**
  26. **La presente macchina non è destinata all'utilizzo da parte di persone, inclusi i bambini, dalle capacità fisiche, sensoriali o mentali ridotte, o prive di esperienza e preparazione.**
  27. **I bambini vanno tenuti sotto controllo per accertarsi che non giochino con l'aspiratore.**
  28. **Non maneggiare mai la/e batteria/e e l'aspiratore con le mani bagnate.**
  29. **Adottare estrema cautela durante la pulizia delle scale.**
  30. **Non utilizzare l'aspiratore come sgabello o piano di lavoro.** In caso contrario, la macchina potrebbe cadere, causando lesioni personali.
- Uso e manutenzione degli strumenti a batterie**
1. **Ricaricare solo con il caricabatterie specificato dal produttore.** Un caricabatterie appropriato per un tipo di batteria potrebbe creare un rischio di incendio, se utilizzato con un'altra batteria.
  2. **Utilizzare gli utensili elettrici solo con le batterie specificamente designate.** L'uso di qualsiasi altra batteria potrebbe creare un rischio di lesioni personali e incendi.
  3. **Quando la batteria non è in uso, tenerla lontana da altri oggetti metallici, quali graffette, monete, chiavi, chiodi, viti o altri piccoli oggetti metallici, che potrebbero fare contatto tra terminali diversi.** Il cortocircuito dei terminali della batteria può causare ustioni o incendi.
  4. **In condizioni di uso improprio, la batteria potrebbe emettere un liquido: evitare il contatto con tale liquido. Qualora si verifichi un contatto accidentale con il liquido, lavare abbondantemente con acqua. Qualora il liquido entri in contatto con gli occhi, richiedere anche assistenza medica.** Il liquido espulso dalla batteria può causare irritazioni o ustioni.

5. **Non utilizzare una batteria o un utensile che siano danneggiati o che siano stati modificati.** Batterie danneggiate o modificate potrebbero mostrare un comportamento imprevedibile che può risultare in incendi, esplosioni o nel rischio di lesioni personali.
6. **Non esporre una batteria o un utensile al fuoco o a temperature eccessive.** L'esposizione al fuoco o a temperature superiori ai 130 °C potrebbe causare un'esplosione.
7. **Attenersi a tutte le istruzioni relative alla carica e non caricare la batteria o l'utensile al di fuori della gamma di temperature specificata nelle istruzioni.** Una carica inappropriata o a temperature al di fuori della gamma specificata potrebbe danneggiare la batteria e incrementare il rischio di incendio.
8. **Non utilizzare un alimentatore con cavo, ad esempio un adattatore per batterie o un gruppo di alimentazione portatile, insieme a questo utensile.** Il cavo di alimentatori di questo tipo potrebbe interferire con il funzionamento e risultare in lesioni personali.
6. **Non conservare e utilizzare l'utensile e la cartuccia della batteria in ubicazioni in cui la temperatura possa raggiungere o superare i 50°C.**
7. **Non incenerire la cartuccia della batteria anche qualora sia gravemente danneggiata o completamente esaurita. La cartuccia della batteria può esplodere se a contatto con il fuoco.**
8. **Non inchiodare, tagliare, schiacciare, lanciare o far cadere la cartuccia della batteria, né farla urtare con forza contro un oggetto duro.** Questi comportamenti potrebbero risultare in un incendio, calore eccessivo o un'esplosione.
9. **Non utilizzare una batteria danneggiata.**
10. **Le batterie a ioni di litio contenute sono soggette ai requisiti del regolamento sul trasporto di merci pericolose (Dangerous Goods Legislation).**  
Per trasporti commerciali, ad esempio da parte di terzi o spedizionieri, è necessario osservare dei requisiti speciali sull'imballaggio e sull'etichetta. Per la preparazione dell'articolo da spedire, è richiesta la consulenza di un esperto in materiali pericolosi. Attenersi anche alle normative nazionali, che potrebbero essere più dettagliate. Nastrare o coprire i contatti aperti e imballare la batteria in modo tale che non si possa muovere liberamente all'interno dell'imballaggio.

#### Assistenza tecnica

1. **Per l'assistenza tecnica relativa all'utensile elettrico, rivolgersi a un riparatore qualificato che utilizzi solo pezzi di ricambio identici.** In tal modo, si garantisce che la sicurezza dell'utensile elettrico venga preservata.
2. **Seguire le istruzioni per la lubrificazione e la sostituzione degli accessori.**
3. **Mantenere i manici asciutti, puliti e privi di olio e grasso.**

### Istruzioni di sicurezza importanti per la cartuccia della batteria

1. **Prima di utilizzare la cartuccia della batteria, leggere tutte le istruzioni e le avvertenze riportate (1) sul caricabatteria, (2) sulla batteria e (3) sul prodotto che utilizza la batteria.**
2. **Non smantellare né manomettere la cartuccia della batteria.** In caso contrario, si potrebbe causare un incendio, calore eccessivo o un'esplosione.
3. **Qualora il tempo di utilizzo si riduca eccessivamente, interrompere immediatamente l'utilizzo dell'utensile. In caso contrario, si può incorrere nel rischio di surriscaldamento, possibili ustioni e persino un'esplosione.**
4. **Qualora l'elettrolita entri in contatto con gli occhi, sciacquarli con acqua pulita e richiedere immediatamente assistenza medica.** Questa eventualità può risultare nella perdita della vista.
5. **Non cortocircuitare la cartuccia della batteria:**
  - (1) **Non toccare i terminali con alcun materiale conduttivo.**
  - (2) **Evitare di conservare la cartuccia della batteria in un contenitore insieme ad altri oggetti metallici quali chiodi, monete, e così via.**
  - (3) **Non esporre la cartuccia della batteria all'acqua o alla pioggia.**
11. **Quando si intende smaltire la cartuccia della batteria, rimuoverla dall'utensile e smaltirla in un luogo sicuro. Attenersi alle normative locali relative allo smaltimento della batteria.**
12. **Utilizzare le batterie esclusivamente con i prodotti specificati da Makita.** L'installazione delle batterie in prodotti non compatibili potrebbe risultare in incendi, calore eccessivo, esplosioni o perdite di liquido elettrolitico.
13. **Se l'utensile non viene utilizzato per un periodo di tempo prolungato, la batteria deve essere rimossa dall'utensile.**
14. **Durante e dopo l'uso, la cartuccia della batteria potrebbe assorbire calore, che può causare ustioni o ustioni a bassa temperatura. Fare attenzione a come si maneggiano le cartucce delle batterie estremamente calde.**
15. **Non toccare i terminali dell'utensile subito dopo l'uso, in quanto potrebbero diventare estremamente caldi al punto da causare ustioni.**
16. **Evitare di far incastrare schegge, polveri o terreno nei terminali, nei fori e nelle scanalature della cartuccia della batteria.** In caso contrario, si potrebbero causare prestazioni scadenti o la rottura dell'utensile o della cartuccia della batteria.
17. **A meno che l'utensile supporti l'uso in prossimità di linee elettriche ad alta tensione, non utilizzare la cartuccia della batteria in prossimità di linee elettriche ad alta tensione.** In caso contrario, si potrebbe causare un malfunzionamento o la rottura dell'utensile o della cartuccia della batteria.
18. **Tenere la batteria lontana dai bambini.**

## CONSERVARE LE PRESENTI ISTRUZIONI.

**⚠ATTENZIONE:** Utilizzare solo batterie originali Makita. L'utilizzo di batterie Makita non originali, o di batterie che siano state alterate, potrebbe risultare nello scoppio della batteria, causando incendi, lesioni personali e danni. Inoltre, ciò potrebbe invalidare la garanzia Makita per l'utensile e il caricabatterie Makita.

## Suggerimenti per preservare la durata massima della batteria

1. Caricare la cartuccia della batteria prima che si scarichi completamente. Smettere sempre di utilizzare l'utensile e caricare la cartuccia della batteria quando si nota che la potenza dell'utensile è diminuita.
2. Non ricaricare mai una cartuccia della batteria completamente carica. La sovraccarica riduce la vita utile della batteria.
3. Caricare la cartuccia della batteria a una temperatura ambiente compresa tra 10 °C e 40 °C. Lasciar raffreddare una cartuccia della batteria prima di caricarla.
4. Quando non si utilizza la cartuccia della batteria, rimuoverla dall'utensile o dal caricabatterie.
5. Caricare la cartuccia della batteria se non la si è utilizzata per un periodo di tempo prolungato (più di sei mesi).

## Istruzioni importanti per la sicurezza dell'unità senza fili

1. Non smontare né manomettere l'unità senza fili.
2. Tenere l'unità senza fili lontana dai bambini piccoli. Qualora venga inghiottita accidentalmente, richiedere immediatamente assistenza medica.
3. Utilizzare l'unità senza fili esclusivamente con utensili Makita.
4. Non esporre l'unità senza fili alla pioggia o a condizioni di bagnato.
5. Non utilizzare l'unità senza fili in luoghi in cui la temperatura superi i 50 °C.
6. Non utilizzare l'unità senza fili in luoghi in cui siano presenti strumenti medici, ad esempio pacemaker, nelle vicinanze.
7. Non utilizzare l'unità senza fili in luoghi in cui siano presenti dispositivi automatizzati nelle vicinanze. In caso contrario, i dispositivi automatizzati potrebbero sviluppare un malfunzionamento o un errore.
8. Non far funzionare l'unità senza fili in ubicazioni con temperatura ambiente elevata o in ubicazioni in cui potrebbero venire generati elettricità statica o disturbi elettrici.
9. L'unità senza fili può produrre campi elettromagnetici (EMF) ma questi ultimi non sono dannosi per l'utente.
10. L'unità senza fili è uno strumento preciso. Fare attenzione a non far cadere e a non colpire l'unità senza fili.

11. Evitare di toccare il terminale dell'unità senza fili a mani nude o con materiali metallici.
12. Rimuovere sempre la batteria sul prodotto quando si intende installare su quest'ultimo l'unità senza fili.
13. Quando si intende aprire il coperchio dell'alloggiamento, evitare ubicazioni in cui polvere e acqua potrebbero penetrare nell'alloggiamento. Mantenere sempre l'apertura di entrata dell'alloggiamento pulita.
14. Inserire sempre l'unità senza fili nella direzione corretta.
15. Non premere con forza eccessiva il pulsante di attivazione della comunicazione senza fili sull'unità senza fili, né premere il pulsante con un oggetto dal bordo affilato.
16. Chiudere sempre il coperchio dell'alloggiamento durante il funzionamento.
17. Non rimuovere l'unità senza fili dall'alloggiamento mentre viene fornita l'alimentazione all'utensile. In caso contrario, si potrebbe causare un malfunzionamento dell'unità senza fili.
18. Non rimuovere l'adesivo sull'unità senza fili.
19. Non applicare alcun adesivo sull'unità senza fili.
20. Non lasciare l'unità senza fili in un'ubicazione in cui potrebbero venire generati elettricità statica o disturbi elettrici.
21. Non lasciare l'unità senza fili in ubicazioni soggette a calore elevato, ad esempio in un'auto parcheggiata al sole.
22. Non lasciare l'unità senza fili in ubicazioni polverose o in ubicazioni in cui potrebbero venire generati gas corrosivi.
23. Una variazione improvvisa di temperatura potrebbe far bagnare di condensa l'unità senza fili. Non utilizzare l'unità senza fili fino alla completa asciugatura della condensa.
24. Quando si intende pulire l'unità senza fili, passarvi sopra delicatamente un panno morbido asciutto. Non utilizzare benzina per pulizia, diluenti, grasso conduttivo o simili.
25. Quando si intende riporre l'unità senza fili, conservarla nella custodia in dotazione o in un contenitore antistatico.
26. Non inserire alcun dispositivo diverso dall'unità senza fili Makita nell'alloggiamento presente sull'utensile.
27. Non utilizzare l'utensile con il coperchio dell'alloggiamento danneggiato. Qualora nell'alloggiamento penetrino acqua, polvere e sporco, potrebbero causare un malfunzionamento.
28. Non tirare né attorcigliare il coperchio dell'alloggiamento oltre il necessario. Qualora il coperchio si stacchi dall'utensile, riapplicarlo.
29. Qualora il coperchio dell'alloggiamento vada perso o venga danneggiato, sostituirlo.

## CONSERVARE LE PRESENTI ISTRUZIONI.

## DESCRIZIONE DELLE FUNZIONI

**⚠ATTENZIONE:** Accertarsi sempre che l'apparecchio sia spento e che la cartuccia della batteria sia stata rimossa, prima di regolare o di controllare il funzionamento dell'apparecchio.

### Installazione o rimozione della cartuccia della batteria

**⚠ATTENZIONE:** Spegnerne sempre l'apparecchio prima di installare o rimuovere la cartuccia della batteria.

**⚠ATTENZIONE:** Mantenere saldamente l'apparecchio e la cartuccia della batteria, quando si intende installare o rimuovere la cartuccia della batteria.

Qualora non si mantengano saldamente l'apparecchio e la cartuccia della batteria, questi ultimi potrebbero scivolare dalle mani e causare un danneggiamento dell'apparecchio e della cartuccia della batteria, nonché lesioni personali.

► Fig.1: 1. Indicatore rosso 2. Pulsante 3. Cartuccia della batteria

Per rimuovere la cartuccia della batteria, farla scorrere via dall'apparecchio mentre si fa scorrere allo stesso tempo il pulsante sulla parte anteriore della cartuccia.

Per installare la cartuccia della batteria, allineare l'appendice della batteria con la scanalatura nell'alloggiamento e farla scivolare in sede. Inserirli completamente fino al suo blocco in sede con un leggero scatto. Se è possibile vedere l'indicatore rosso sul lato superiore del pulsante, la batteria non è bloccata completamente.

**⚠ATTENZIONE:** Installare sempre a fondo la cartuccia della batteria, fino a quando l'indicatore rosso non è più visibile. In caso contrario, potrebbe cadere accidentalmente dall'apparecchio, causando lesioni personali all'operatore o a chi gli è vicino.

**⚠ATTENZIONE:** Non installare forzatamente la cartuccia della batteria. Qualora la batteria non si inserisca scorrendo agevolmente, vuol dire che non viene inserita correttamente.

### Sistema di protezione dell'apparecchio e della batteria

L'apparecchio è dotato di un sistema di protezione dell'apparecchio stesso e della batteria. Questo sistema interrompe automaticamente l'alimentazione al motore per prolungare la vita utile dell'apparecchio e della batteria. L'apparecchio si arresta automaticamente durante il funzionamento, qualora l'apparecchio stesso o la batteria vengano a trovarsi in una delle condizioni seguenti:

#### Protezione dal sovraccarico

Quando l'apparecchio viene utilizzato in modo tale da causare un assorbimento di corrente elevato in modo anomalo, l'apparecchio si arresta automaticamente senza alcuna indicazione. In questa circostanza, spegnere l'apparecchio e interrompere l'applicazione che ha causato il sovraccarico dell'apparecchio. Quindi, accendere l'apparecchio per ricominciare.

#### Protezione dal surriscaldamento

Quando l'apparecchio è surriscaldato, si arresta automaticamente. Lasciar raffreddare l'apparecchio prima di riaccenderlo.

#### Protezione dalla sovrascarica

Quando la carica della batteria diventa bassa, l'apparecchio si arresta automaticamente. Qualora il prodotto non funzioni anche quando si attivano gli interruttori, rimuovere le batterie dall'apparecchio e caricarle.

### Indicazione della carica residua della batteria

**Solo per cartucce delle batterie dotate di indicatore**

► Fig.2: 1. Indicatori luminosi 2. Pulsante di controllo

Premere il pulsante di controllo sulla cartuccia della batteria per indicare la carica residua della batteria. Gli indicatori luminosi si illuminano per alcuni secondi.

| Indicatori luminosi |          |                | Carica residua                         |
|---------------------|----------|----------------|--|
| ■ Illuminato        | □ Spento | ◐ Lampeggiante |  |
| ■ ■ ■ ■             |          |                | Dal 75% al 100%                        |
| ■ ■ ■ □             |          |                | Dal 50% al 75%                         |
| ■ ■ □ □             |          |                | Dal 25% al 50%                         |
| ■ □ □ □             |          |                | Dallo 0% al 25%                        |
| ◐ □ □ □             |          |                | Caricare la batteria.                  |
| ■ □ □ □             |          |                | La batteria potrebbe essersi guastata. |
| □ □ ■ ■             |          |                |  |

**NOTA:** A seconda delle condizioni d'uso e della temperatura ambiente, l'indicazione potrebbe variare leggermente rispetto alla carica effettiva.

**NOTA:** Il primo indicatore luminoso (all'estremità sinistra) lampeggia quando il sistema di protezione della batteria è in funzione.

### Posizione della pulsantiera

È possibile agganciare la pulsantiera sia da un lato che dal lato opposto della cintura inferiore. Disporre il cavo elettrico in modo che la pulsantiera venga a trovarsi sul lato desiderato. Per evitare il danneggiamento del cavo elettrico, farlo passare attraverso la scanalatura, come illustrato nella figura.

► Fig.3: 1. Scanalatura 2. Cavo elettrico

## Regolazione delle cinture

È possibile regolare la tensione delle tracolle, della cintura superiore e di quella inferiore. Innanzitutto, far passare le braccia attraverso le tracolle, quindi allacciare la cintura inferiore e quella superiore. Per stringerle, tirare l'estremità della cinghia come illustrato nella figura. Per allentarle, tirare verso l'alto l'estremità della fibbia.

### Cintura inferiore

► Fig.4: 1. Cinghia 2. Fibbia

### Tracolle

► Fig.5: 1. Cinghia 2. Fibbia

### Cintura superiore

► Fig.6: 1. Cinghia 2. Fibbia

## Gancio da trasporto

**⚠ATTENZIONE:** Utilizzare le parti per la sospensione o il montaggio esclusivamente per gli scopi a cui sono destinate. L'utilizzo a scopi diversi da quelli previsti potrebbe causare incidenti o lesioni personali.

Afferrare sempre il gancio da trasporto quando si intende maneggiare il corpo dell'aspirapolvere.

► Fig.7: 1. Gancio da trasporto

## Commutatore di standby

Il commutatore di standby serve ad attivare o disattivare la funzione di attivazione della comunicazione senza fili. L'aspirapolvere è in stato di standby indipendentemente dalla posizione del commutatore, ed entra in funzione quando si preme il pulsante (2).

► Fig.8: 1. Commutatore di standby

| Posizione del commutatore |            | Stato  |
|---------------------------|------------|--|
| AUTO                      | I<br>(ON)  | L'aspirapolvere è in stato di standby e la funzione di attivazione della comunicazione senza fili è disponibile.             |
|                           | O<br>(OFF) | L'aspirapolvere è in stato di standby, tuttavia la funzione di attivazione della comunicazione senza fili non è disponibile. |

## Funzionamento dell'interruttore

Per avviare l'aspirazione, premere una volta il pulsante (1). L'aspirapolvere si avvia con la stessa potenza di aspirazione utilizzata al momento dello spegnimento precedente. Quando si preme il pulsante (2) mentre l'aspirapolvere è in funzione, la potenza di aspirazione viene commutata tra quella normale (1) e quella più elevata (2). Per spegnere l'aspirapolvere, premere il pulsante (0).

► Fig.9

**NOTA:** Se si desidera far entrare in funzione l'aspirapolvere insieme all'attivazione dell'interruttore dell'utensile collegato all'aspirapolvere, (funzione di attivazione della comunicazione senza fili), impostare il commutatore di standby sulla posizione "I (ON)".

**NOTA:** Per utilizzare la funzione di attivazione della comunicazione senza fili, completare prima la procedura di registrazione dell'utensile. Per i dettagli, vedere la sezione "FUNZIONE DI ATTIVAZIONE DELLA COMUNICAZIONE SENZA FILI".

**NOTA:** Quando si utilizza la funzione di attivazione della comunicazione senza fili, non è possibile arrestare l'aspirazione premendo il pulsante (0).

## Fascetta per il tubo flessibile

È possibile utilizzare la fascetta per il tubo flessibile per mantenere il tubo flessibile o la bocchetta staccata. Per fissare il tubo flessibile sul corpo dell'aspirapolvere, far passare la fascetta per il tubo flessibile attraverso l'apertura presente sul corpo. È possibile fissare la fascetta per il tubo flessibile da entrambi i lati.

► Fig.10: 1. Fascetta per il tubo flessibile 2. Apertura 3. Tubo flessibile

È possibile utilizzare la fascetta avvolgibile sulla cintura inferiore per trasportare le bocchette, come illustrato nella figura.

► Fig.11: 1. Fascetta avvolgibile 2. Bocchette

## Sistema di abbattimento polveri

La polvere cade verso il basso quando si tira la leva o si cammina mentre si indossa l'aspiratore. Questo sistema aiuta l'aspiratore a preservare la potenza di aspirazione.

► Fig.12: 1. Leva 2. Sacchetto filtro/sacchetto polveri 3. Ripiano

**NOTA:** Questa funzione è operativa quando l'aspiratore è spento e il sacchetto filtro o il sacchetto polveri contengono una quantità di polveri tale da toccare il ripiano.

## MONTAGGIO

**⚠ATTENZIONE:** Prima di effettuare qualsiasi intervento sull'apparecchio, accertarsi sempre che l'apparecchio sia spento e che la cartuccia della batteria sia stata rimossa.

## Montaggio del tubo flessibile

Inserire il risvolto del tubo flessibile nel corpo dell'aspirapolvere e ruotarlo in senso orario.

► Fig.13: 1. Risvolto del tubo flessibile 2. Corpo dell'aspirapolvere

## Collegamento dell'utensile

Se il gruppo con tubo piegato è montato sul tubo flessibile, allentare il manicotto del gruppo con tubo piegato e rimuoverlo.

► **Fig.14:** 1. Tubo flessibile 2. Gruppo con tubo piegato 3. Manicotto

1. Applicare il risvolto anteriore sul tubo flessibile per estrazione polveri.

Durante il collegamento del risvolto anteriore, accertarsi che sia avvitato saldamente sul tubo flessibile.

2. Collegare il risvolto anteriore allo scarico di estrazione dell'utensile.

► **Fig.15:** 1. Risvolto anteriore 2. Scarico di estrazione 3. Tubo flessibile

È possibile staccare il risvolto anteriore ruotandolo in senso antiorario mentre si mantiene il tubo flessibile.

**NOTA:** Utilizzare sempre un risvolto anteriore idoneo. Quando si intende utilizzare il risvolto anteriore 24, montarlo sul risvolto anteriore 22 collegato al tubo flessibile.

► **Fig.16:** 1. Risvolto anteriore 22 2. Risvolto anteriore 24

## Utilizzo come aspiratore

Se si desidera utilizzare questo prodotto come aspiratore, attenersi alle procedure seguenti.

**AVVISO:** Se il risvolto anteriore è montato sul tubo flessibile, rimuoverlo anticipatamente.

**NOTA:** Il gruppo con tubo piegato, la prolunga e le bocchette vengono forniti come accessori opzionali in alcune nazioni.

**NOTA:** Sono disponibili due tipi di gruppi con tubi piegati, quello per la prolunga a scorrimento e quello per la prolunga ad anello. Se si prepara il gruppo con tubo piegato, scegliere quello adatto al tipo di prolunga desiderata.

1. Serrare il manicotto del gruppo con tubo piegato sul tubo flessibile.

► **Fig.17:** 1. Tubo flessibile 2. Gruppo con tubo piegato 3. Manicotto

Per rimuovere il gruppo con tubo piegato, allentare il manicotto del gruppo con tubo piegato dal tubo flessibile.

2. Ruotare e inserire la bocchetta sulla prolunga.

► **Fig.18:** 1. Prolunga 2. Bocchetta staccata 3. Bocchetta a T 4. Bocchetta a T (sottile)

**NOTA:** Facendo ruotare la bocchetta mentre la si inserisce, è possibile montare saldamente la bocchetta sulla prolunga.

3. Attenersi alle procedure seguenti, a seconda del tipo di prolunga:

**NOTA:** La prolunga a scorrimento e la prolunga ad anello non sono compatibili tra di loro. Se si desidera sostituire la prolunga a scorrimento con la prolunga ad anello o viceversa, sostituire anche il gruppo con tubo piegato.

**NOTA:** È possibile montare direttamente la bocchetta staccata sul gruppo con tubo piegato.

### Per la prolunga a scorrimento

Indossare sulle spalle il corpo dell'aspirapolvere, quindi inserire la prolunga nel gruppo con tubo piegato fino a sentire uno scatto. Per scollegare la prolunga, estrarla mentre si tiene premuto il pulsante.

► **Fig.19:** 1. Gruppo con tubo piegato 2. Pulsante 3. Prolunga a scorrimento 4. Bocchetta staccata

È possibile regolare la lunghezza della prolunga. Mentre si tiene premuto il pulsante di scorrimento, regolare la lunghezza della prolunga. La lunghezza viene bloccata quando si rilascia il pulsante di scorrimento.

► **Fig.20:** 1. Pulsante di scorrimento

### Per la prolunga ad anello

Indossare sulle spalle il corpo dell'aspirapolvere, quindi ruotare e inserire la prolunga nel gruppo con tubo piegato. Per scollegarla, ruotarla ed estrarla.

► **Fig.21:** 1. Gruppo con tubo piegato 2. Prolunga ad anello 3. Bocchetta staccata

È possibile regolare la lunghezza della prolunga. Allentare l'anello sulla prolunga e regolare la lunghezza di quest'ultima. Serrare l'anello alla lunghezza desiderata.

► **Fig.22:** 1. Anello

## Gancio del tubo flessibile

Quando si sospende l'operazione, è possibile utilizzare il gancio presente sul gruppo con tubo piegato per appendere la prolunga alla cintura inferiore.

► **Fig.23**

## Installazione del sacchetto filtro o del sacchetto polveri

### Accessorio opzionale

**ATTENZIONE:** Non utilizzare un sacchetto filtro danneggiato. Utilizzare sempre l'aspirapolvere con il sacchetto filtro installato correttamente. In caso contrario, la polvere o le particelle aspirate potrebbero venire espulse dall'aspiratore e potrebbero causare malattie respiratorie all'operatore.

Prima di utilizzare l'aspiratore, installare un sacchetto polveri o un sacchetto filtro.

- È possibile riutilizzare i sacchetti polveri numerose volte, pulendoli a fondo.
- Il sacchetto filtro è di tipo "usa-e-getta". Gettare via l'intero sacchetto filtro senza svuotarlo, quando si è riempito.



**AVVISO:** Quando il sacchetto filtro è quasi pieno, sostituirlo con uno nuovo. Quando il sacchetto polveri è già pieno, svuotarlo. L'utilizzo continuato con un sacchetto filtro o un sacchetto polveri pieno risulta in una potenza di aspirazione ridotta.

**AVVISO:** Per evitare che le polveri penetrino nel motore:

- Prima dell'uso, accertarsi che sia installato il sacchetto filtro o il sacchetto polveri.
- Non utilizzare un sacchetto rotto o strappato.

In caso contrario, si potrebbe rompere il motore.

**AVVISO:** Quando si intende installare il sacchetto filtro o il sacchetto polveri, non piegare il cartone nel punto della sua apertura.

**AVVISO:** Il sacchetto filtro o il sacchetto polveri per l'aspiratore è un componente importante per preservare le prestazioni dell'apparecchio. L'utilizzo di un sacchetto filtro o di un sacchetto polveri non originale potrebbe causare emissione di fumo o combustione.

**NOTA:** Quando nell'aspiratore non è installato il sacchetto filtro o il sacchetto polveri, lo sportellino anteriore non si chiude completamente.

► Fig.24

1. Sbloccare il dispositivo di chiusura sollevandone il lato inferiore. Premere l'area con le scanalature per sollevare il lato di chiusura anteriore. Tirare il dispositivo di chiusura per aprire il coperchio.

► Fig.25: 1. Gancio 2. Coperchio

2. Inserire il sacchetto filtro nella fessura sul lato superiore della camera.

► Fig.26: 1. Fessura 2. Sacchetto filtro

Quando si intende utilizzare il sacchetto polveri, inserire l'orlo del sacchetto polveri nella fessura.

► Fig.27: 1. Fessura 2. Orlo 3. Sacchetto polveri

3. Allineare il foro del sacchetto filtro con il risvolto del tubo flessibile e premere la parte in cartone fino in fondo. Accertarsi che l'anello in gomma presente sul sacchetto filtro sia posizionato al di sopra del bordo sul risvolto del tubo flessibile.

► Fig.28: 1. Anello di gomma sul sacchetto filtro  
2. Bordo sul risvolto del tubo flessibile  
3. Parte in cartone del sacchetto filtro  
4. Risvolto del tubo flessibile

## FUNZIONAMENTO

**AVVERTIMENTO:** Gli operatori vanno istruiti in modo adeguato sull'utilizzo dell'aspirapolvere.

**AVVERTIMENTO:** Il presente aspirapolvere non è idoneo all'aspirazione di polveri pericolose.

**ATTENZIONE:** Il presente aspiratore è destinato esclusivamente all'utilizzo a secco.

**ATTENZIONE:** Il presente aspiratore è destinato esclusivamente all'utilizzo in interni.

**ATTENZIONE:** Inserire sempre a fondo la cartuccia della batteria, fino al suo innesto in sede. Qualora sia possibile vedere l'indicatore rosso sul lato superiore del pulsante, la batteria non è bloccata completamente. Inserirla a fondo, fino a quando l'indicatore rosso non è più visibile. In caso contrario, potrebbe cadere accidentalmente dall'apparecchio, causando lesioni personali all'operatore o a chi gli è vicino.

**ATTENZIONE:** Durante l'uso, fare attenzione alla presenza dell'aspirapolvere sulla propria schiena. Si potrebbe perdere l'equilibrio, qualora il corpo dell'aspirapolvere urtasse contro una parete o il tubo flessibile venisse agganciato da un ostacolo.

1. Indossare sulle spalle il corpo dell'aspirapolvere e allacciare la cintura inferiore e quella superiore. Regolare il livello di tensione in base alle esigenze.

► Fig.29

2. Premere il pulsante (2) per avviare l'aspirazione. Per modificare la potenza di aspirazione, premere il pulsante (2) mentre l'aspirapolvere è in funzione. La potenza di aspirazione viene commutata tra quella normale (1) e quella più elevata (2). Premere il pulsante (0) per interrompere la pulizia.

► Fig.30

Durante l'uso, agganciare la pulsantiera alla cintura inferiore o all'anello.

► Fig.31: 1. Anello 2. Cintura inferiore

3. Sostituire il sacchetto filtro quando diventa pieno. Aprire il coperchio ed estrarre il sacchetto filtro. Tirare la striscia sul fianco dell'apertura per chiudere il sacchetto filtro e smaltire quest'ultimo nella sua interezza.

► Fig.32: 1. Striscia

Quando si utilizza un sacchetto polveri, estrarre il sacchetto polveri e smaltire le polveri sbloccando il dispositivo di chiusura.

► Fig.33: 1. Dispositivo di chiusura

**AVVISO:** Non collocare il sacchetto filtro, il sacchetto polveri o altri oggetti pesanti sul coperchio. In caso contrario, l'apparecchio potrebbe cadere.

**AVVISO:** Controllare a intervalli regolari se il sacchetto filtro sia pieno. L'utilizzo continuato con un sacchetto filtro pieno risulta in una potenza di aspirazione ridotta.

**AVVISO:** Non utilizzare un sacchetto filtro usato. Il sacchetto filtro è progettato come monouso. L'utilizzo ripetuto dello stesso sacchetto filtro potrebbe causare l'intasamento del filtro e risulta nel danneggiamento dell'aspiratore. Se si desidera utilizzare ripetutamente il sacchetto, utilizzare un sacchetto polveri.

# FUNZIONE DI ATTIVAZIONE DELLA COMUNICAZIONE SENZA FILI

## Cosa si può fare con la funzione di attivazione della comunicazione senza fili

La funzione di attivazione della comunicazione senza fili consente un funzionamento pulito e comodo. Collegando un utensile supportato all'aspiratore, è possibile far funzionare automaticamente l'aspiratore insieme all'attivazione dell'interruttore dell'utensile.

► Fig.34

**AVVISO:** Quando si intende utilizzare l'aspiratore con la funzione di attivazione della comunicazione senza fili, accertarsi di fare riferimento al manuale d'uso dell'utensile.

**AVVISO:** Non smontare né manomettere l'unità senza fili.

**AVVISO:** Per evitare che le polveri penetrino nell'alloggiamento dell'unità senza fili, chiuderne sempre saldamente il coperchio durante il funzionamento o la conservazione.

**AVVISO:** Non rimuovere l'unità senza fili mentre viene fornita l'alimentazione. In caso contrario, si potrebbe causare un malfunzionamento dell'unità senza fili.

**AVVISO:** Non premere con forza eccessiva il pulsante di attivazione della comunicazione senza fili, né premere il pulsante con un oggetto dal bordo affilato.

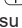
**NOTA:** L'attivazione della comunicazione senza fili necessita di utensili Makita dotati di unità senza fili.

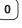
**NOTA:** Prima dell'utilizzo iniziale della funzione di attivazione della comunicazione senza fili con ciascun utensile, è richiesta la registrazione dell'utensile. Una volta che la registrazione è stata completata con l'utensile, non è necessario eseguirla di nuovo, a meno che sia stata annullata.

**NOTA:** Prima della registrazione, accertarsi che l'unità senza fili sia inserita correttamente.

**NOTA:** Una singola unità senza fili può registrare fino a 10 collegamenti con altre unità senza fili. Qualora su una singola unità senza fili vengano registrate più di 10 ulteriori unità senza fili, quella registrata per prima viene annullata automaticamente.

**NOTA:** La posizione del pulsante di attivazione della comunicazione senza fili varia a seconda dell'utensile.

**NOTA:** L'aspiratore si avvia anche premendo il pulsante  quando il commutatore di standby è impostato su "I (ON)".

Tuttavia, il pulsante  non è operativo, quando si utilizza la funzione di attivazione della comunicazione senza fili.

## Installazione dell'unità senza fili

**ATTENZIONE:** Posizionare l'aspiratore su una superficie piana e stabile, quando si intende installare l'unità senza fili.

**AVVISO:** Pulire le polveri e lo sporco sull'aspiratore, prima di installare l'unità senza fili. Polveri o sporco potrebbero causare un malfunzionamento, qualora penetrino nell'alloggiamento dell'unità senza fili.

**AVVISO:** Per evitare il malfunzionamento causato dall'elettricità statica, toccare un materiale che consenta di scaricarla, ad esempio una parte metallica, prima di prendere in mano l'unità senza fili.

**AVVISO:** Quando si installa l'unità senza fili, accertarsi sempre che quest'ultima sia inserita nella direzione corretta e che il coperchio sia completamente chiuso.

1. Aprire il coperchio sull'aspiratore, come indicato nella figura.  
► Fig.35: 1. Coperchio

2. Inserire l'unità senza fili nell'alloggiamento, quindi chiudere il coperchio.

Quando si inserisce l'unità senza fili, allineare le sporgenze con le rientranze presenti nell'alloggiamento.

► Fig.36: 1. Unità senza fili 2. Sporgenza  
3. Coperchio 4. Rientranza

Quando si intende rimuovere l'unità senza fili, aprire lentamente il coperchio. I ganci sul retro del coperchio sollevano l'unità senza fili mentre si tira su il coperchio.

► Fig.37: 1. Unità senza fili 2. Gancio 3. Coperchio

Dopo aver rimosso l'unità senza fili, conservarla nella custodia in dotazione o in un contenitore antistatico.

**AVVISO:** Utilizzare sempre i ganci sul retro del coperchio quando si intende rimuovere l'unità senza fili. Qualora i ganci non si inseriscano nell'unità senza fili, chiudere completamente il coperchio e riaprirlo lentamente.

## Registrazione dell'utensile per l'aspiratore

**NOTA:** Per la registrazione dell'utensile, è richiesto un utensile Makita che supporti la funzione di attivazione della comunicazione senza fili.

**NOTA:** Completare l'installazione dell'unità senza fili nello strumento prima di avviare la registrazione dell'utensile.

**NOTA:** Durante la registrazione dell'utensile, non premere l'interruttore a grilletto sull'utensile né premere l'interruttore dell'aspiratore per eseguire l'aspirazione.

**NOTA:** Fare riferimento anche al manuale d'uso dell'utensile.

Se si desidera attivare l'aspiratore insieme all'attivazione dell'interruttore dell'utensile, completare anticipatamente la registrazione dell'utensile.

1. Installare le unità senza fili nell'aspiratore e nell'utensile, rispettivamente.

2. Installare le batterie nell'aspiratore e nell'utensile.

3. Impostare il commutatore di standby sull'aspiratore su "I (ON)".

► Fig.38: 1. Commutatore di standby



4. Premere il pulsante di attivazione della comunicazione senza fili sull'aspiratore per 3 secondi, fino a quando l'indicatore luminoso di attivazione della comunicazione senza fili lampeggia in verde. Quindi, premere il pulsante di attivazione della comunicazione senza fili sull'utensile in modo analogo.

► **Fig.39:** 1. Pulsante di attivazione della comunicazione senza fili 2. Indicatore luminoso di attivazione della comunicazione senza fili

Se l'aspiratore e l'utensile sono collegati con esito positivo, gli indicatori luminosi di attivazione della comunicazione senza fili si illuminano in verde per 2 secondi, quindi iniziano a lampeggiare in blu.

**NOTA:** Gli indicatori luminosi di attivazione della comunicazione senza fili smettono di lampeggiare in verde dopo 20 secondi. Premere il pulsante di attivazione della comunicazione senza fili sull'utensile mentre l'indicatore luminoso di attivazione della comunicazione senza fili sull'aspiratore sta lampeggiando. Qualora l'indicatore luminoso di attivazione della comunicazione senza fili non lampeggi in verde, premere brevemente e tenere premuto di nuovo il pulsante di attivazione della comunicazione senza fili.

**NOTA:** Quando si intende effettuare la registrazione di due o più utensili per l'aspiratore, completare la registrazione degli utensili uno alla volta.

## Avvio della funzione di attivazione della comunicazione senza fili

**NOTA:** Per l'attivazione della comunicazione senza fili, completare la registrazione dell'utensile per l'aspiratore.

**NOTA:** Posizionare sempre l'aspiratore in modo da poter vedere lo stato dell'indicatore luminoso di attivazione della comunicazione senza fili.

**NOTA:** Fare riferimento anche al manuale d'uso dell'utensile.

Dopo aver registrato un utensile sull'aspiratore, quest'ultimo entra in funzione automaticamente insieme all'attivazione dell'interruttore dell'utensile.

1. Installare le unità senza fili nell'aspiratore e nell'utensile, rispettivamente.

2. Installare le batterie nell'aspiratore e nell'utensile.

3. Collegare il tubo flessibile dell'aspiratore all'utensile.

► **Fig.40**

4. Impostare il commutatore di standby sull'aspiratore su "I (ON)". L'indicatore luminoso di attivazione della comunicazione senza fili lampeggia in blu.

► **Fig.41:** 1. Commutatore di standby

5. Premere brevemente il pulsante di attivazione della comunicazione senza fili sull'utensile. L'indicatore luminoso di attivazione della comunicazione senza fili lampeggia in blu.

► **Fig.42:** 1. Pulsante di attivazione della comunicazione senza fili 2. Indicatore luminoso di attivazione della comunicazione senza fili

6. Premere l'interruttore a grilletto dell'utensile. Controllare se l'aspiratore entri in funzione mentre si preme l'interruttore a grilletto sull'utensile.

**ATTENZIONE:** Prima di iniziare un lavoro con l'utensile, controllare sempre se la funzione di attivazione della comunicazione senza fili sia operativa.

Per arrestare l'attivazione della comunicazione senza fili, premere il pulsante di attivazione della comunicazione senza fili sull'utensile, oppure impostare il commutatore di standby sull'aspiratore sulla posizione "O (OFF)".

**NOTA:** L'indicatore luminoso di attivazione della comunicazione senza fili sull'utensile smette di lampeggiare in blu quando non viene effettuata alcuna operazione per 2 ore. In questo caso, premere di nuovo il pulsante di attivazione della comunicazione senza fili sull'utensile.

**NOTA:** L'aspiratore si avvia o si arresta con un ritardo. Si verifica un ritardo temporale quando l'aspiratore rileva l'utilizzo dell'interruttore sull'utensile.

**NOTA:** La distanza di trasmissione dell'unità senza fili può variare a seconda dell'ubicazione e della situazione circostante.

**NOTA:** Quando due o più utensili sono registrati su un unico aspiratore, quest'ultimo potrebbe iniziare a funzionare anche se non si preme l'interruttore a grilletto, a causa di un altro utente che sta utilizzando la funzione di attivazione della comunicazione senza fili.

## Annullamento della registrazione dell'utensile per l'aspiratore

Quando si intende annullare la registrazione dell'utensile per l'aspiratore, attenersi alla procedura seguente.

1. Installare le unità senza fili nell'aspiratore e nell'utensile, rispettivamente.

2. Installare le batterie nell'aspiratore e nell'utensile.

3. Impostare il commutatore di standby sull'aspiratore su "I (ON)".

► **Fig.43:** 1. Commutatore di standby

4. Premere il pulsante di attivazione della comunicazione senza fili sull'aspiratore per 6 secondi. L'indicatore luminoso di attivazione della comunicazione senza fili lampeggia in verde, quindi diventa rosso. Dopodiché, premere il pulsante di attivazione della comunicazione senza fili sull'utensile in modo analogo.

► **Fig.44:** 1. Pulsante di attivazione della comunicazione senza fili 2. Indicatore luminoso di attivazione della comunicazione senza fili

Se l'annullamento è stato eseguito con esito positivo, gli indicatori luminosi di attivazione della comunicazione senza fili si illuminano in rosso per 2 secondi, quindi iniziano a lampeggiare in blu.

**NOTA:** Gli indicatori luminosi di attivazione della comunicazione senza fili smettono di lampeggiare in rosso dopo 20 secondi. Premere il pulsante di attivazione della comunicazione senza fili sull'utensile mentre l'indicatore luminoso di attivazione della comunicazione senza fili sull'aspiratore sta lampeggiando. Qualora l'indicatore luminoso di attivazione della comunicazione senza fili non lampeggi in rosso, premere brevemente e tenere premuto di nuovo il pulsante di attivazione della comunicazione senza fili.

## Cancellazione di tutte le registrazioni degli utensili

È possibile cancellare tutte le registrazioni degli utensili dall'aspiratore nel modo seguente.

► **Fig.45:** 1. Commutatore di standby 2. Pulsante di attivazione della comunicazione senza fili  
3. Indicatore luminoso di attivazione della comunicazione senza fili

1. Installare l'unità senza fili sull'aspiratore.
2. Installare le batterie nell'aspiratore.
3. Impostare il commutatore di standby su "I (ON)".
4. Tenere premuto il pulsante di attivazione della comunicazione senza fili per circa 6 secondi, fino a quando l'indicatore luminoso di attivazione della comunicazione senza fili lampeggia in rosso (circa due volte al secondo).

5. Quando l'indicatore luminoso di attivazione della comunicazione senza fili inizia a lampeggiare in rosso, rilasciare il dito dal pulsante di attivazione della comunicazione senza fili. Quindi, tenere premuto di nuovo il pulsante di attivazione della comunicazione senza fili per circa 6 secondi.















6. Quando l'indicatore luminoso di attivazione della comunicazione senza fili inizia a lampeggiare rapidamente (circa 5 volte al secondo) in rosso, rilasciare il dito dal pulsante di attivazione della comunicazione senza fili. Quando l'indicatore luminoso di attivazione della comunicazione senza fili si illumina in rosso e successivamente si spegne, tutte le registrazioni degli utensili sono state cancellate.

**NOTA:** Qualora l'indicatore luminoso di attivazione della comunicazione senza fili non lampeggi in rosso, premere brevemente di nuovo il pulsante di attivazione della comunicazione senza fili e riprovare.

## Descrizione dello stato dell'indicatore luminoso di attivazione della comunicazione senza fili

► **Fig.46:** 1. Pulsante di attivazione della comunicazione senza fili 2. Indicatore luminoso di attivazione della comunicazione senza fili

L'indicatore luminoso di attivazione della comunicazione senza fili mostra lo stato della funzione di attivazione della comunicazione senza fili. Per informazioni sul significato dello stato dell'indicatore luminoso, fare riferimento alla tabella seguente.

| Stato   | Indicatore luminoso di attivazione della comunicazione senza fili |   |  |  | Descrizione  |
|---|---|---|--|--|--|
|   | Colore  |  Accesso |  Lampeggiante | Durata (approssimativa)  |  |
| Standby   | Blu   |          |               | Aspiratore: continua<br>Utensile: 2 ore  | In attesa di registrazione dell'utensile, oppure la funzione di attivazione della comunicazione senza fili è disponibile. L'indicatore luminoso sull'aspiratore lampeggia quando il commutatore di standby è impostato su "I (ON)". L'indicatore luminoso sull'utensile lampeggia quando viene premuto il pulsante di attivazione della comunicazione senza fili. L'indicatore luminoso sull'utensile si spegne automaticamente quando non viene eseguita alcuna operazione per 2 ore. |
|   |   |        |  | Quando l'utensile è in funzione.   | È disponibile l'attivazione della funzione di comunicazione senza fili dell'aspiratore e l'utensile è in funzione.   |
| Registrazione dell'utensile   | Verde   |        |             | 20 secondi   | Pronto alla registrazione dell'utensile. Ricerca dell'utensile da registrare in corso.   |
|   |   |        |  | 2 secondi  | La registrazione dell'utensile è stata completata. L'indicatore luminoso di attivazione della comunicazione senza fili inizia a lampeggiare in blu.  |
| Annullamento/cancellazione della registrazione dell'utensile in corso | Rosso   |        |             | 20 secondi   | Pronto alla cancellazione della registrazione dell'utensile. Ricerca dell'utensile da annullare in corso.  |
|   |   |        |             | Quando viene tenuto premuto il pulsante di attivazione della comunicazione senza fili. | Pronto a cancellare tutte le registrazioni degli utensili.   |
|   |   |        |  | 2 secondi  | La registrazione dell'utensile è stata annullata/cancellata. L'indicatore luminoso di attivazione della comunicazione senza fili inizia a lampeggiare in blu.  |
| Altro   | Rosso   |        |  | 3 secondi  | L'alimentazione è fornita all'unità senza fili e la funzione di attivazione della comunicazione senza fili si sta avviando.  |
|   | Spento  | -   |  | -  | Il commutatore di standby non è impostato su "I (ON)".   |

## Risoluzione dei problemi per la funzione di attivazione della comunicazione senza fili

Prima di richiedere riparazioni, eseguire un'ispezione personalmente. Qualora si rilevi un problema che non è illustrato nel manuale, non tentare di smontare l'utensile. Rivolgersi, invece, a un centro di assistenza autorizzato Makita, utilizzando sempre pezzi di ricambio Makita per le riparazioni.

| Stato di anomalia  | Causa probabile (guasto)  | Azione correttiva  |
|--|---|--|
| L'indicatore luminoso di attivazione della comunicazione senza fili non si illumina o non lampeggia.                         | L'unità senza fili non è installata nell'aspiratore e/o nell'utensile.<br>L'unità senza fili è installata in modo errato nell'aspiratore e/o nell'utensile.   | Installare l'unità senza fili correttamente.   |
|  | Il terminale dell'unità senza fili e/o l'alloggiamento sono sporchi.  | Asportare delicatamente polveri e sporco presenti sul terminale dell'unità senza fili e pulire l'alloggiamento dell'aspiratore e/o dell'utensile.  |
|  | Il pulsante di attivazione della comunicazione senza fili sull'utensile non è stato premuto.  | Premere brevemente il pulsante di attivazione della comunicazione senza fili sull'utensile. Accertarsi che l'indicatore luminoso di attivazione della comunicazione senza fili stia lampeggiando in blu. |
|  | Il commutatore di standby sull'aspiratore non è impostato su "I (ON)".  | Impostare il commutatore di standby sull'aspiratore su "I (ON)".   |
|  | Alimentazione assente   | Fornire l'alimentazione all'utensile e all'aspiratore.   |
| Impossibile completare con esito positivo la registrazione dell'utensile o l'annullamento della registrazione dell'utensile. | L'unità senza fili non è installata nell'aspiratore e/o nell'utensile.<br>L'unità senza fili è installata in modo errato nell'aspiratore e/o nell'utensile.   | Installare l'unità senza fili correttamente.   |
|  | Il terminale dell'unità senza fili e/o l'alloggiamento sono sporchi.  | Asportare delicatamente polveri e sporco presenti sul terminale dell'unità senza fili e pulire l'alloggiamento dell'aspiratore e/o dell'utensile.  |
|  | Il commutatore di standby sull'aspiratore non è impostato su "I (ON)".  | Impostare il commutatore di standby sull'aspiratore su "I (ON)".   |
|  | Alimentazione assente   | Fornire l'alimentazione all'utensile e all'aspiratore.   |
|  | Funzionamento errato  | Premere brevemente il pulsante di attivazione della comunicazione senza fili ed eseguire di nuovo le procedure di registrazione o di annullamento dell'utensile.   |
|  | L'utensile e l'aspiratore sono lontani l'uno dall'altro (fuori dalla portata di trasmissione).  | Avvicinare l'utensile e l'aspiratore tra di loro. La distanza massima di trasmissione è di circa 10 m, ma può variare in base alle circostanze.  |
|  | Prima di completare la registrazione o l'annullamento dell'utensile:<br>- l'interruttore a grilletto sull'utensile è premuto, oppure<br>- l'interruttore dell'aspiratore per avviare l'aspirazione è premuto. | Premere brevemente il pulsante di attivazione della comunicazione senza fili ed eseguire di nuovo le procedure di registrazione o di annullamento dell'utensile.   |
|  | Le procedure di registrazione per l'utensile o per l'aspiratore non sono state completate.  | Eseguire le procedure di registrazione dell'utensile sia per l'utensile che per l'aspiratore allo stesso tempo.  |
|  | Sono presenti disturbi radio dovuti ad altri apparecchi che generano onde radio ad alta intensità.  | Tenere l'utensile e l'aspiratore lontani da apparecchi quali dispositivi Wi-Fi e forni a microonde.  |

| Stato di anomalia   | Causa probabile (guasto)  | Azione correttiva   |
|---|---|---|
| L'aspiratore non entra in funzione insieme all'attivazione dell'interruttore dell'utensile.   | L'unità senza fili non è installata nell'aspiratore e/o nell'utensile.<br>L'unità senza fili è installata in modo errato nell'aspiratore e/o nell'utensile. | Installare l'unità senza fili correttamente.  |
|   | Il terminale e/o l'alloggiamento dell'unità senza fili sono sporchi.  | Asportare delicatamente polveri e sporco presenti sul terminale dell'unità senza fili e pulire l'alloggiamento dell'aspiratore e/o dell'utensile.   |
|   | Il pulsante di attivazione della comunicazione senza fili sull'utensile non è stato premuto.  | Premere brevemente il pulsante di attivazione della comunicazione senza fili sull'utensile. Accertarsi che l'indicatore luminoso di attivazione della comunicazione senza fili stia lampeggiando in blu.  |
|   | Il commutatore di standby sull'aspiratore non è impostato su "I (ON)".  | Impostare il commutatore di standby sull'aspiratore su "I (ON)".  |
|   | Sull'aspiratore sono registrati più di 10 utensili.   | Effettuare di nuovo la registrazione dell'utensile. Qualora sull'aspiratore siano registrati più di 10 utensili, l'utensile registrato per primo viene annullato automaticamente.   |
|   | L'aspiratore ha cancellato tutte le registrazioni degli utensili.   | Effettuare di nuovo la registrazione dell'utensile.   |
|   | Alimentazione assente   | Fornire l'alimentazione all'utensile e all'aspiratore.  |
|   | L'utensile e l'aspiratore sono lontani l'uno dall'altro (fuori dalla portata di trasmissione).  | Avvicinare l'utensile e l'aspiratore tra di loro. La distanza massima di trasmissione è di circa 10 m, ma può variare in base alle circostanze.   |
| L'aspiratore entra in funzione mentre l'interruttore a grilletto dell'utensile non è premuto. | Sono presenti disturbi radio dovuti ad altri apparecchi che generano onde radio ad alta intensità.  | Tenere l'utensile e l'aspiratore lontani da apparecchi quali dispositivi Wi-Fi e forni a microonde.   |
|   | Altri utenti stanno utilizzando l'attivazione della comunicazione senza fili dell'aspiratore con i loro utensili.   | Effettuare una delle operazioni seguenti:<br>- impostare il commutatore di standby sull'aspiratore sulla posizione "O", oppure<br>- disattivare il pulsante di attivazione della comunicazione senza fili degli altri utensili, oppure<br>- annullare la registrazione degli altri utensili.  |
| Non è possibile cancellare tutte le registrazioni degli utensili nell'aspiratore.             | Pressione del pulsante della comunicazione senza fili sull'utensile.  | Premere il pulsante della comunicazione senza fili sull'aspiratore per cancellare tutte le registrazioni degli utensili.  |
|   | Il commutatore di standby sull'aspiratore non è impostato su "I (ON)".  | Impostare il commutatore di standby sull'aspiratore su "I (ON)".  |
|   | Non si sta tenendo premuto correttamente il pulsante di attivazione della comunicazione senza fili.   | Tenere premuto il pulsante di attivazione della comunicazione senza fili per più di 6 secondi, quindi rilasciarlo quando l'indicatore luminoso di attivazione della comunicazione senza fili lampeggia in rosso. Tenere premuto di nuovo il pulsante di attivazione della comunicazione senza fili per più di 6 secondi, fino a quando il pulsante di attivazione della comunicazione senza fili lampeggia rapidamente in rosso, quindi rilasciare il pulsante. |

## MANUTENZIONE

**ATTENZIONE:** Prima di tentare di eseguire interventi di ispezione o manutenzione, accertarsi sempre che l'apparecchio sia spento e che la cartuccia della batteria sia stata rimossa.

**AVVISO:** Non utilizzare mai benzina, benzene, solventi, alcol o altre sostanze simili. In caso contrario, si potrebbero causare scolorimenti, deformazioni o crepe.

Per preservare la SICUREZZA e l'AFFIDABILITÀ del prodotto, le riparazioni e qualsiasi altro intervento di manutenzione e di regolazione devono essere eseguiti da un centro di assistenza autorizzato Makita, utilizzando sempre ricambi Makita.

## Pulizia del filtro HEPA

**ATTENZIONE:** Non utilizzare l'aspirapolvere senza un filtro o continuare a utilizzare un filtro sporco o danneggiato. In caso contrario, la polvere o le particelle aspirate potrebbero venire espulse dall'aspiratore e potrebbero causare malattie respiratorie all'operatore.

**AVVISO:** Per mantenere una potenza di aspirazione ottimale e uno scarico pulito, pulire a intervalli regolari il filtro. Qualora non si riesca a ottenere una potenza di aspirazione sufficiente anche dopo la pulizia, sostituire il filtro con uno nuovo.

**AVVISO:** Per evitare che il filtro venga danneggiato, non utilizzare gli utensili seguenti né oggetti simili per la pulizia:

- Soffiatore ad aria compressa
- Idropulitrice ad alta pressione
- Utensili fabbricati in materiali duri, ad esempio spazzole metalliche

1. Aprire il coperchio ed estrarre il sacchetto filtro o il sacchetto polveri. Sbloccare il gancio sul filtro e rimuoverlo dal corpo dell'aspirapolvere.

► **Fig.47:** 1. Gancio

2. Rimuovere le polveri dal filtro con dei colpetti. È possibile lavare il filtro con acqua. Sciacquare le polveri e le particelle presenti sul filtro a intervalli di 1 o 2 mesi. Dopo tale operazione, fare asciugare completamente il filtro in un'ubicazione ombreggiata e ben ventilata per evitare odori sgradevoli o malfunzionamenti.

3. Per installare il filtro, inserire il lato senza i ganci nella scanalatura, quindi spingere all'interno il filtro fino a quando i ganci si fissan con uno scatto.

► **Fig.48:** 1. Scanalatura 2. Filtro HEPA 3. Gancio

## Pulizia del sacchetto polveri

Pulire a intervalli regolari il sacchetto polveri con acqua e sapone. Rivoltare il sacchetto polveri e rimuovere le polveri che vi aderiscono. Lavarlo delicatamente a mano e sciacquarlo bene con acqua. Farlo asciugare completamente prima di installarlo nell'aspirapolvere.

► **Fig.49**

**AVVISO:** Un sacchetto polveri bagnato riduce le prestazioni di aspirazione, nonché la vita utile del motore.

## Pulizia dell'alloggiamento per il sacchetto filtro o il sacchetto polveri

Quando si intende pulire l'alloggiamento per il sacchetto filtro o il sacchetto polveri, rimuovere e pulire con un panno il ripiano all'interno.

► **Fig.50:** 1. Ripiano

## Rimozione del ripiano

1. Rimuovere il filtro HEPA. Per informazioni su come rimuoverlo, fare riferimento alla sezione relativa alla pulizia del filtro HEPA.

2. Premere verso il basso il ripiano, quindi farlo scorrere verso sinistra fino a quando il ripiano tocca la parete.

3. Sollevare il lato destro del ripiano ed estrarre quest'ultimo.

► **Fig.51:** 1. Ripiano

Il ripiano è sostenuto da tre molle. Qualora le molle si staccino dal ripiano o dalla leva, rimontarle come illustrato nella figura.

► **Fig.52:** 1. Molla per il ripiano 2. Molla per la leva 3. Sporgenza

**NOTA:** Montare saldamente le molle, in modo che queste ultime tocchino la base delle sporgenze.

## Montaggio del ripiano

1. Inserire il lato diritto del ripiano nei ganci presenti nel lato inferiore sinistro dell'alloggiamento.

2. Sistemare il lato destro del ripiano in sede.

► **Fig.53:** 1. Ripiano 2. Lato diritto 3. Gancio

## ACCESSORI OPZIONALI

**ATTENZIONE:** Questi accessori o componenti aggiuntivi sono consigliati per l'uso con il prodotto Makita specificato nel presente manuale. L'utilizzo di qualsiasi altro accessorio o componente aggiuntivo potrebbe presentare il rischio di lesioni alle persone. Utilizzare un accessorio o un componente aggiuntivo solo per lo scopo a cui è destinato.

Per ottenere ulteriori dettagli relativamente a questi accessori, rivolgersi a un centro di assistenza Makita.

- Tubo flessibile (per il tipo con estrazione delle polveri)
- Tubo flessibile (per il tipo con aspirapolvere)
- Prolunga
- Bocchetta staccata
- Bocchetta a T
- Bocchetta per sedute
- Bocchetta per angoli
- Spazzola per scaffali
- Spazzola rotonda
- Sacchetto filtro
- Sacchetto polveri
- Risvolto anteriore
- Filtro HEPA
- Unità senza fili
- Accessorio ciclonico
- Batteria e caricabatterie originali Makita

**NOTA:** Alcuni articoli nell'elenco potrebbero essere inclusi nell'imballaggio dell'utensile come accessori standard. Tali articoli potrebbero variare da nazione a nazione.

## Accessorio ciclonico

**NOTA:** Quando si intende utilizzare l'accessorio ciclonico con questo elettrodomestico, è richiesto anche il tubo piegato.

► **Fig.54:** 1. Accessorio ciclonico

## Informazioni sull'accessorio ciclonico

L'utilizzo dell'aspiratore con l'accessorio ciclonico installato riduce la quantità di polveri che entrano nel sacchetto polveri, il che contribuisce a evitare l'indebolimento della forza di aspirazione. Inoltre, anche la pulizia dopo l'uso è semplice.

**ATTENZIONE:** Accertarsi sempre che l'utensile sia spento e che la cartuccia della batteria sia stata rimossa, prima di effettuare qualsiasi intervento sull'utensile. Qualora la cartuccia della batteria venga lasciata inserita, l'aspiratore potrebbe avviarsi inaspettatamente e causare lesioni personali.

**ATTENZIONE:** Pulire il filtro a rete dell'accessorio ciclonico e il sacchetto polveri dell'unità aspiratore quando diventano intasati. L'utilizzo continuato nella condizione di intasamento potrebbe risultare in un riscaldamento o nell'emissione di fumo.

**AVVISO:** Quando è montato l'accessorio ciclonico, non utilizzare l'accessorio ciclonico in direzione orizzontale o rivolto verso l'alto. In caso contrario, si potrebbe causare l'intasamento del filtro a rete.

**AVVISO:** Utilizzare sempre l'aspiratore con il sacchetto polveri installato, anche quando si utilizza l'accessorio ciclonico. L'utilizzo dell'aspiratore senza il sacchetto polveri installato potrebbe risultare in un malfunzionamento del motore.

**NOTA:** Verificare che l'accessorio ciclonico, l'aspiratore e il tubo diritto siano bloccati correttamente, prima dell'uso.

**NOTA:** Svuotare il contenitore polveri dell'accessorio ciclonico e il sacchetto polveri dell'aspiratore, quando le polveri si sono accumulate. In caso contrario, l'utilizzo continuato risulta in una forza di aspirazione ridotta.

**NOTA:** È possibile utilizzare l'accessorio ciclonico con o senza la funzione di blocco.

**NOTA:** Per installare o rimuovere l'accessorio ciclonico, fare riferimento alla sezione "Utilizzo come aspiratore".

Quando il filtro a rete si sporca notevolmente, pulirlo attenendosi alle procedure seguenti.

1. Ruotare il filtro a rete in senso antiorario e rimuoverlo mentre i ganci sono sbloccati.

► **Fig.58:** 1. Filtro a rete 2. Gancio

2. Rimuovere le polveri sul filtro a rete, quindi lavarlo con acqua. Dopodiché, farlo asciugare completamente.

3. Inserire il filtro a rete nella base mentre i ganci sono allineati con l'apertura. Ruotare in senso orario il filtro a rete fino a quando i ganci si bloccano con uno scatto. Accertarsi che il filtro a rete sia installato saldamente.

► **Fig.59:** 1. Filtro a rete 2. Gancio 3. Apertura

## Smaltimento delle polveri

Quando le polveri si sono accumulate fino alla linea di riempimento del contenitore polveri, attenersi alla procedura seguente e smaltire le polveri.

1. Mantenere saldamente il contenitore polveri, premere e tenere premuti i due pulsanti, quindi rimuovere il contenitore polveri.

► **Fig.55:** 1. Linea di riempimento 2. Contenitore polveri 3. Pulsante (in due ubicazioni) 4. Filtro a rete

2. Smaltire le polveri all'interno del contenitore polveri e rimuovere eventuali polveri depositate sulla superficie del filtro a rete.

3. Inserire completamente il contenitore polveri fino a quando i due pulsanti si bloccano con uno scatto.

► **Fig.56:** 1. Contenitore polveri 2. Pulsante (in due ubicazioni)

**NOTA:** Verificare che l'accessorio ciclonico, l'aspiratore e il tubo diritto siano bloccati correttamente, prima di riprendere l'utilizzo.

**NOTA:** Qualora la forza di aspirazione non venga recuperata anche dopo aver smaltito le polveri e aver pulito il filtro a rete, controllare se le polveri si siano accumulate nel sacchetto polveri dell'aspiratore o se si sia verificato un intasamento.

## Pulizia

Quando il contenitore polveri diventa sporco o il filtro a rete è intasato, rimuoverli e lavarli con acqua. (Per la procedura di rimozione, fare riferimento a "Smaltimento delle polveri").

Far asciugare completamente le parti prima della reinstallazione e dell'utilizzo.

► **Fig.57:** 1. Contenitore polveri 2. Filtro a rete

## WAARSCHUWING

- Dit apparaat is niet bedoeld voor gebruik door personen, waaronder kinderen, met een verminderd lichamelijk, zintuiglijk of geestelijk vermogen, of gebrek aan kennis en ervaring.
- Kinderen dienen onder toezicht te staan om ervoor te zorgen dat zij niet met de stofzuiger spelen.
- Zie het hoofdstuk "TECHNISCHE GEGEVENS" voor de typeaanduiding van de accu.
- Zie het hoofdstuk "De accu aanbrengen en verwijderen" voor hoe u de accu kunt aanbrengen en verwijderen.
- Wanneer u de accu wilt weggooien, verwijdert u de accu vanaf het gereedschap en gooit u hem op een veilige manier weg. Volg bij het weggooien van de accu de plaatselijke voorschriften.
- Als u het gereedschap gedurende een lange tijd niet denkt te gaan gebruiken, moet de accu vanaf het gereedschap worden verwijderd.
- Voorkom kortsluiting van de accu.
- Zie het hoofdstuk "ONDERHOUD" voor de benodigde informatie over de voorzorgsmaatregelen tijdens onderhoud door de gebruiker.

## TECHNISCHE GEGEVENS

|   |           |                          |
|---|-----------|--------------------------|
| <b>Model:</b>                                       |           | <b>DVC665</b>            |
| Inhoud  | Filterzak | 6,0 L                    |
|   | Stofzak   | 5,5 L                    |
| Maximaal luchtvolume<br>(Met slang ø28 mm x 1,5 m)  |           | 1,8 m <sup>3</sup> /min  |
| Vacuüm  |           | 110 hPa                  |
| Afmetingen (l x b x h)<br>(exclusief het draagstel) |           | 297 mm x 174 mm x 523 mm |
| Nominale spanning                                   |           | 36 V gelijkspanning      |
| Nettogewicht  |           | 6,1 - 6,7 kg             |

- In verband met ononderbroken research en ontwikkeling, behouden wij ons het recht voor de bovenstaande technische gegevens zonder voorafgaande kennisgeving te wijzigen.
- De technische gegevens kunnen van land tot land verschillen.
- Het gewicht is exclusief bijgeleverde accessoires, maar inclusief de accu('s). Het laagste en hoogste gecombineerde gewicht van het apparaat en de accu('s) wordt vermeld in de tabel.

## Toepasselijke accu's en laders

|       |  |
|-------|--|
| Accu  | BL1815N / BL1820B / BL1830B / BL1840B / BL1850B / BL1860B    |
| Lader | DC18RC / DC18RD / DC18RE / DC18SD / DC18SE / DC18SF / DC18SH |

- Sommige van de hierboven vermelde accu's en laders zijn mogelijk niet leverbaar afhankelijk van waar u woont.

**⚠ WAARSCHUWING:** Gebruik uitsluitend de accu's en laders die hierboven worden genoemd. Gebruik van enige andere accu of lader kan leiden tot letsel en/of brand.

**⚠ WAARSCHUWING:** Gebruik geen bekabelde voeding, zoals een accuadapter of draagbare voedingseenheid met dit gereedschap. Als u meer dan één harnas tegelijk draagt, wordt het moeilijk om het gereedschap te bedienen en los te laten, waardoor letsel kan ontstaan.

## Symbolen

Hieronder staan de symbolen die voor het gereedschap kunnen worden gebruikt. Zorg ervoor dat u de betekenis ervan kent voordat u het gereedschap gaat gebruiken.



Lees de gebruiksaanwijzing.



Wees vooral voorzichtig en let goed op.



Alleen voor EU-landen  
Als gevolg van de aanwezigheid van schadelijke componenten in het apparaat, kunnen oude elektrische en elektronische apparaten, accu's en batterijen negatieve gevolgen hebben voor het milieu en de gezondheid van mensen.  
Gooi elektrische en elektronische apparaten en accu's niet met het huisvuil weg!  
In overeenstemming met de Europese richtlijn inzake oude elektrische en elektronische apparaten en inzake accu's en batterijen en oude accu's en batterijen, alsmede de toepassing daarvan binnen de nationale wetgeving, dienen oude elektrische apparaten, accu's en batterijen gescheiden te worden opgeslagen en te worden ingeleverd bij een apart inzamelingspunt voor huishoudelijk afval dat de milieubeschermingsvoorschriften in acht neemt.  
Dit wordt op het apparaat aangegeven door het symbool van een doorgekruiste afvalcontainer.

## Gebruiksdoeleinden

Het apparaat is bedoeld om droog stof te verzamelen. Het apparaat is geschikt voor commercieel gebruik, bijvoorbeeld in hotels, scholen, ziekenhuizen, fabrieken, winkels, kantoren en verhuurbedrijven.

## Geluidsniveau

De typische, A-gewogen geluidsniveaus zijn gemeten volgens IEC60335-2-69, IEC60704-2-1: Geluidsdruk niveau ( $L_{pA}$ ): 70 dB (A) of lager  
Onzekerheid (K): 2,5 dB (A)

Het geluidsniveau kan tijdens gebruik hoger worden dan 80 dB (A).

**OPMERKING:** De opgegeven geluidsemisiewaarde(n) is/zijn gemeten volgens een standaardtestmethode en kan/kunnen worden gebruikt om dit gereedschap te vergelijken met andere gereedschappen.

**OPMERKING:** De opgegeven geluidsemisiewaarde(n) kan/kunnen ook worden gebruikt voor een beoordeling vooraf van de blootstelling.

**⚠️ WAARSCHUWING:** Draag gehoorbescherming.

**⚠️ WAARSCHUWING:** De geluidsemisie tijdens het gebruik van het elektrisch gereedschap in de praktijk kan verschillen van de opgegeven waarde(n) afhankelijk van de manier waarop het gereedschap wordt gebruikt, met name van het soort werkstuk waarmee wordt gewerkt.

**⚠️ WAARSCHUWING:** Zorg ervoor dat veiligheidsmaatregelen worden getroffen ter bescherming van de gebruiker die zijn gebaseerd op een schatting van de blootstelling onder praktijkomstandigheden (rekening houdend met alle fasen van de bedrijfscyclus, zoals de tijdsduur gedurende welke het gereedschap is uitgeschakeld en stationair draait, naast de ingeschakelde tijdsduur).

## Trilling

De totale trillingswaarde (triaxiale vectorsom) zoals vastgesteld volgens IEC60335-2-69: Gebruikstoepassing: onbelaste werking  
Trillingsemisie ( $a_n$ ): 2,5 m/s<sup>2</sup> of lager  
Onzekerheid (K): 1,5 m/s<sup>2</sup>

**OPMERKING:** De totale trillingswaarde(n) is/zijn gemeten volgens een standaardtestmethode en kan/kunnen worden gebruikt om dit gereedschap te vergelijken met andere gereedschappen.

**OPMERKING:** De opgegeven totale trillingswaarde(n) kan/kunnen ook worden gebruikt voor een beoordeling vooraf van de blootstelling.

**⚠️ WAARSCHUWING:** De trillingsemisie tijdens het gebruik van het elektrisch gereedschap in de praktijk kan verschillen van de opgegeven waarde(n) afhankelijk van de manier waarop het gereedschap wordt gebruikt, met name van het soort werkstuk waarmee wordt gewerkt.

**⚠️ WAARSCHUWING:** Zorg ervoor dat veiligheidsmaatregelen worden getroffen ter bescherming van de gebruiker die zijn gebaseerd op een schatting van de blootstelling onder praktijkomstandigheden (rekening houdend met alle fasen van de bedrijfscyclus, zoals de tijdsduur gedurende welke het gereedschap is uitgeschakeld en stationair draait, naast de ingeschakelde tijdsduur).

## EG-verklaring van conformiteit

*Alleen voor Europese landen*

De EG-verklaring van conformiteit is bijgevoegd als Bijlage A bij deze gebruiksaanwijzing.

## VEILIGHEIDSWAARSCHUWINGEN

### Veiligheidswaarschuwingen voor een accustofzuiger

**⚠️ WAARSCHUWING:** BELANGRIJK! LEES VÓÓR GEBRUIK alle veiligheidswaarschuwingen en alle instructies ZORGVULDIG DOOR. Het niet volgen van de waarschuwingen en instructies kan leiden tot elektrische schokken, brand en/of ernstig letsel.

1. Bedenk vóór gebruik dat deze stofzuiger moet worden gebruikt door mensen die goed zijn geïnstrueerd in het gebruik van deze stofzuiger.
2. Gebruik de stofzuiger niet zonder het filter. Vervang een beschadigd filter onmiddellijk.
3. Probeer niet brandbare materialen, vuurwerk, brandende sigaretten, hete as, hete metaaldeeltjes, scherpe materialen, zoals scheermesjes, naalden, gebroken glas en dergelijke, op te zuigen.



4. **GEBRUIK DE STOFZUIGER NOOIT IN DE BUURT VAN BENZINE, GAS, VERF, LIJM OF ANDERE UITERST EXPLOSIEVE STOFFEN.** De schakelaar produceert vonken bij het in- en uitschakelen. En dat doet ook de collector in de motor tijdens gebruik. Hierdoor kan een gevaarlijke explosie worden veroorzaakt.
  5. Deze stofzuiger is niet geschikt voor het opzuigen van gevaarlijk stof.
  6. Zuig nooit giftige, kankerverwekkende, ontbrandbare of andere gevaarlijke stoffen op, zoals asbest, arsenicum, barium, beryllium, lood, pesticiden en andere gezondheidsbedreigende materialen.
  7. Gebruik de stofzuiger nooit buitenshuis in de regen.
  8. In Finland mag dit apparaat niet buitenshuis worden gebruikt bij lage temperaturen.
  9. Gebruik hem niet dichtbij een warmtebron (fornuis, enz.).
  10. **Blokkeer de ventilatieopeningen niet.** Deze ventilatieopeningen zorgen voor de koeling van de motor. Blokkering ervan moet altijd worden voorkomen omdat anders de motor zal doorbranden als gevolg van gebrek aan ventilatie.
  11. **Zorg altijd voor een stevige stand en goede lichaamsbalans.**
  12. U mag de slang niet knikken, eraan trekken of erop gaan staan.
  13. **Schakel de stofzuiger onmiddellijk uit als u tijdens gebruik slechte prestaties of iets abnormaals opmerkt.**
  14. **VERWIJDER DE ACCU'S** wanneer het gereedschap niet in gebruik is, u er onderhouden aan gaat plegen, en u accessoires verwisselt.
  15. **Reinig en onderhoud de stofzuiger onmiddellijk na elk gebruik om hem in optimale conditie te houden.**
  16. **ONDERHOUD DE STOFZUIGER GOED.** Houd de stofzuiger schoon om beter en veiliger te kunnen werken. Houdt u aan de instructies voor het verwisselen van de accessoires. Houd de handgrepen droog, schoon en vrij van olie en vetten.
  17. **CONTROLEER BESCHADIGDE ONDERDELEN.** Zonder de stofzuiger verder te gebruiken, moet een beschermkap of ander onderdeel dat beschadigd is eerst goed worden onderzocht om te beoordelen of het goed werkt en zijn beoogde functie kan uitvoeren. Controleer of bewegende delen goed uitgelijnd zijn en niet vastgelopen zijn, of onderdelen niet kapot zijn en stevig gemonteerd zijn, en enige andere situatie die van invloed kan zijn op de werking ervan. Een beschermkap of ander onderdeel dat beschadigd is, dient vakkundig te worden gerepareerd of vervangen door een erkend servicecentrum, behalve indien anders aangegeven elders in deze gebruiksaanwijzing. Laat een kapotte schakelaar vervangen door een erkend servicecentrum. Gebruik de stofzuiger niet als hij niet kan worden in- en uitgeschakeld met de schakelaar.
  18. **VERVANGINGSONDERDELEN.** Gebruik tijdens reparaties uitsluitend identieke vervangingsonderdelen.
  19. **BERG EEN STOFZUIGER DIE NIET WORDT GEBRUIKT VEILIG OP.** Wanneer de stofzuiger niet wordt gebruikt, dient hij binnenshuis te worden opgeborgen.
  20. **Behandel uw stofzuiger voorzichtig.** Een ruwe behandeling kan leiden tot een defect van zelfs de meest stevig gebouwde stofzuiger.
  21. **Probeer niet de buitenkant of binnenkant van de stofzuiger schoon te maken met wasbenzine, thinner of schoonmaakmiddelen.** Hierdoor kunnen barsten en verkleuringen ontstaan.
  22. **Gebruik de stofzuiger niet in een afgesloten ruimte waarin brandbare, explosieve of giftige dampen worden afgegeven door verf op olie-basis, thinner, benzine, bepaalde motenbestrijdingsmiddelen, enz., of op plaatsen waar brandbaar stof aanwezig is.**
  23. **Gebruik de stofzuiger niet wanneer u onder invloed bent van drugs of alcohol.**
  24. **Als basisveiligheidsmaatregel gebruikt u een beschermende bril of veiligheidsbril met zijstukken.**
  25. **Gebruik een stofmasker onder stoffige werkomstandigheden.**
  26. **Dit apparaat is niet bedoeld voor gebruik door personen, waaronder kinderen, met een verminderd lichamelijk, zintuiglijk of geestelijk vermogen, of gebrek aan kennis en ervaring.**
  27. **Kinderen dienen onder toezicht te staan om ervoor te zorgen dat zij niet met de stofzuiger spelen.**
  28. **Hanteer de stofzuiger en accu('s) nooit met natte handen.**
  29. **Wees bijzonder voorzichtig tijdens stofzuigen op een trap.**
  30. **Gebruik de stofzuiger niet als een kruk of werkbank.** Anders kan het apparaat vallen, waardoor persoonlijk letsel kan worden veroorzaakt.
- Gebruik en verzorging van gereedschap dat op een accu werkt**
1. **Laad alleen op met de acculader aanbevolen door de fabrikant.** Een acculader die geschikt is voor een bepaald type accu, kan brandgevaar opleveren indien gebruikt met een ander type accu.
  2. **Gebruik elektrisch gereedschap uitsluitend met de daarvoor bestemde accu.** Gebruik van andere accu's kan gevaar voor letsel of brandgevaar opleveren.
  3. **Als de accu niet wordt gebruikt, houdt u deze uit de buurt van metalen voorwerpen, zoals paperclips, muntgeld, sleutels, spijkers, schroeven en andere kleine metalen voorwerpen die een kortsluiting kunnen veroorzaken tussen de accupolen.** Kortsluiting tussen de accupolen kan leiden tot brandwonden of brand.
  4. **Onder zware gebruiksomstandigheden kan vloeistof uit de accu komen. Voorkom aanraking!** Als u er per ongeluk mee in aanraking komt, spoelt u het er met water af. Als de vloeistof in uw ogen komt, raadpleegt u tevens een arts. Vloeistof uit de accu kan irritatie en brandwonden veroorzaken.

5. **Gebruik geen accu of gereedschap dat beschadigd of gewijzigd is.** Beschadigde of gewijzigde accu's kunnen onvoorspelbaar gedrag vertonen dat kan leiden tot brand, explosie of gevaar van letsel.
6. **Stel een accu of gereedschap niet bloot aan vuur of buitensporige temperaturen.** Blootstelling aan vuur of temperaturen hoger dan 130 °C kunnen een explosie veroorzaken.
7. **Volg alle oplaadinstructions en laad de accu of het gereedschap niet op buiten het temperatuurbereik opgegeven in de instructies.** Verkeerd opladen of bij een temperatuur buiten het opgegeven bereik kan de accu beschadigen en de kans op brand vergroten.
8. **Gebruik geen bekabelde voeding, zoals een accuadapter of draagbare voedingseenheid met dit gereedschap.** De kabel van een dergelijke voeding kan het gebruik hinderen, waardoor persoonlijk letsel wordt veroorzaakt.
6. **Bewaar en gebruik het gereedschap en de accu niet op plaatsen waar de temperatuur kan oplopen tot 50 °C of hoger.**
7. **Werp de accu nooit in het vuur, ook niet wanneer hij zwaar beschadigd of volledig versleten is. De accu kan ontploffen in het vuur.**
8. **Laat de accu niet vallen, sla er geen spijker in, snijd er niet in, gooi er niet mee en stoot hem niet tegen een hard voorwerp.** Dergelijke handelingen kunnen leiden tot brand, buitensporige hitte of een explosie.
9. **Gebruik nooit een beschadigde accu.**
10. **De bijgeleverde lithium-ionbatterijen zijn onderhevig aan de vereisten in de wetgeving omtrent gevaarlijke stoffen.** Voor commercieel transport en dergelijke doorden en transporteurs moeten speciale vereisten ten aanzien van verpakking en etikettering worden nageleefd. Als voorbereiding van het artikel dat wordt getransporteerd is het noodzakelijk een expert op het gebied van gevaarlijke stoffen te raadplegen. Houd u tevens aan mogelijk strengere nationale regelgeving. Blootliggende contactpunten moeten worden afgedekt met tape en de accu moet zodanig worden verpakt dat deze niet kan bewegen in de verpakking.

### Reparatie

1. **Laat uw elektrisch gereedschap repareren door een vakbekwame reparateur die gebruik maakt van uitsluitend identieke vervangingsonderdelen.** Zo bent u ervan verzekerd dat de veiligheid van het elektrisch gereedschap behouden blijft.
2. **Volg de instructies voor het smeren en verwisselen van accessoires.**
3. **Houd de handgrepen droog, schoon en vrij van olie en vetten.**

## Belangrijke veiligheidsinstructies voor een accu

1. **Lees alle voorschriften en waarschuwingen op (1) de acculader, (2) de accu, en (3) het product waarvoor de accu wordt gebruikt, alvorens de accu in gebruik te nemen.**
2. **Haal de accu niet uit elkaar en saboteer hem niet.** Dit kan leiden tot brand, buitensporige hitte of een explosie.
3. **Als de gebruikstijd van een opgeladen accu aanzienlijk korter is geworden, moet u het gebruik ervan onmiddellijk stopzetten.** Voortgezet gebruik kan oververhitting, brandwonden en zelfs een ontploffing veroorzaken.
4. **Als elektrolyt in uw ogen is terechtgekomen, spoelt u uw ogen met schoon water en roept u onmiddellijk de hulp van een dokter in.** Elektrolyt in de ogen kan blindheid veroorzaken.
5. **Voorkom kortsluiting van de accu:**
  - (1) **Raak de accuklemmen nooit aan met een geleidend materiaal.**
  - (2) **Bewaar de accu niet in een bak waarin andere metalen voorwerpen zoals spijkers, munten e.d. worden bewaard.**
  - (3) **Stel de accu niet bloot aan water of regen.** Kortsluiting van de accu kan oorzaak zijn van een grote stroomafgifte, oververhitting, brandwonden, en zelfs defecten.
11. **Wanneer u de accu wilt weggooien, verwijdert u de accu vanaf het gereedschap en gooit u hem op een veilige manier weg. Volg bij het weggooien van de accu de plaatselijke voorschriften.**
12. **Gebruik de accu's uitsluitend met de gereedschappen die door Makita zijn aanbevolen.** Als de accu's worden aangebracht in niet-compatibele gereedschappen, kan dat leiden tot brand, buitensporige warmteontwikkeling, een explosie of lekkage van elektrolyt.
13. **Als u het gereedschap gedurende een lange tijd niet denkt te gaan gebruiken, moet de accu vanaf het gereedschap worden verwijderd.**
14. **Tijdens en na gebruik, kan de accu heet worden waardoor brandwonden of koude brandwonden kunnen worden veroorzaakt. Wees voorzichtig bij het hanteren van een hete accu.**
15. **Raak de aansluitpunten van het gereedschap niet onmiddellijk na gebruik aan omdat deze heet genoeg kunnen zijn om brandwonden te veroorzaken.**
16. **Zorg ervoor dat geen steenslag, stof of grond vast komt te zitten op/in de aansluitpunten, openingen en groeven van de accu.** Dit kan leiden tot slechte prestaties of een defect van het gereedschap of de accu.
17. **Behalve indien gebruik van het gereedschap is toegestaan in de buurt van hoogspanningsleidingen, mag u de accu niet gebruiken in de buurt van een hoogspanningsleiding.** Dit kan leiden tot een storing of een defect van het gereedschap of de accu.
18. **Houd de accu uit de buurt van kinderen.**

**BEWAAR DEZE INSTRUCTIES.**

**⚠ LET OP:** Gebruik uitsluitend originele Makita accu's. Het gebruik van niet-originele accu's, of accu's die zijn gewijzigd, kan ertoe leiden dat de accu ontploft en brand, persoonlijk letsel en schade veroorzaakt. Ook vervalt daarmee de garantie van Makita op het gereedschap en de lader van Makita.

## Tips voor een maximale levensduur van de accu

1. Laad de accu op voordat hij volledig ontladen is. Stop het gebruik van het gereedschap en laad de accu op telkens wanneer u vaststelt dat het vermogen van het gereedschap is afgenomen.
2. Laad een volledig opgeladen accu nooit opnieuw op. Te lang opladen verkort de levensduur van de accu.
3. Laad de accu op bij een omgevingstemperatuur tussen 10 °C en 40 °C. Laat een warme accu afkoelen alvorens hem op te laden.
4. Als de accu niet wordt gebruikt, verwijder u hem vanaf het gereedschap of de lader.
5. Laad de accu op als u deze gedurende een lange tijd (meer dan zes maanden) niet gaat gebruiken.

## Belangrijke veiligheidsinstructies voor de draadloos-eenheid

1. Haal de draadloos-eenheid niet uit elkaar en knoei er niet aan.
2. Houd de draadloos-eenheid uit de buurt van kinderen. Indien per ongeluk ingeslikt, raadpleegt u onmiddellijk een arts.
3. Gebruik de draadloos-eenheid uitsluitend met Makita-gereedschap.
4. Stel de draadloos-eenheid niet bloot aan regen of natte omstandigheden.
5. Gebruik de draadloos-eenheid niet op plaatsen waar de temperatuur hoger is dan 50 °C.
6. Bedien de draadloos-eenheid niet op plaatsen in de buurt van medische instrumenten, zoals een pacemaker.
7. Bedien de draadloos-eenheid niet op plaatsen in de buurt van geautomatiseerde apparaten. Bij bediening ervan kan in de geautomatiseerde apparaten een storing of fout optreden.
8. Bedien de draadloos-eenheid niet op plaatsen met een hoge temperatuur of op plaatsen waar statische elektriciteit of elektrische ruis kan worden gegenereerd.
9. De draadloos-eenheid kan elektromagnetische velden genereren, maar deze zijn niet schadelijk voor de gebruiker.
10. De draadloos-eenheid is een nauwkeurig instrument. Wees voorzichtig dat u de draadloos-eenheid niet laat vallen of ergens tegenaan stoot.
11. Raak de aansluitpunten van de draadloos-eenheid niet aan met blote handen of metaalachtige materialen.
12. Verwijder altijd de accu uit het apparaat wanneer u de draadloos-eenheid erin aanbrengt.
13. Open de afdekking van de gleuf niet op plaatsen waar stof of vocht in de gleuf kan binnendringen. Houd de ingang van de gleuf altijd schoon.
14. Breng de draadloos-eenheid altijd in de juiste richting aan.
15. Druk niet te hard op de knop voor draadloos inschakelen op de draadloos-eenheid en/of druk niet op de knop met een scherp voorwerp.
16. Sluit altijd de afdekking van de gleuf tijdens gebruik.
17. Verwijder de draadloos-eenheid niet uit de gleuf terwijl voeding wordt geleverd aan het gereedschap. Als u dit doet, kan een storing optreden in de draadloos-eenheid.
18. Verwijder de sticker op de draadloos-eenheid niet.
19. Plak geen stickers op de draadloos-eenheid.
20. Laat de draadloos-eenheid niet liggen op een plaats waar statische elektriciteit of elektrische ruis kan worden gegenereerd.
21. Laat de draadloos-eenheid niet liggen op een plaats die is blootgesteld aan hoge temperaturen, zoals in een auto die in de zon staat geparkeerd.
22. Laat de draadloos-eenheid niet liggen op een plaats met veel stof of poeder, of op een plaats waar corrosief gas kan worden gegenereerd.
23. Door een plotselinge verandering in temperatuur kan condens op de draadloos-eenheid worden gevormd. Gebruik de draadloos-eenheid niet voordat de condens volledig is verdampt.
24. Veeg de draadloos-eenheid voorzichtig schoon met een droge, zachte doek. Gebruik geen wasbenzine, thinner, geleidend vet en dergelijke.
25. Bewaar de draadloos-eenheid in de bijgeleverde doos of een antistatische container.
26. Breng geen andere apparaten dan een draadloos-eenheid van Makita aan in de gleuf van het gereedschap.
27. Gebruik het gereedschap niet als de afdekking van de gleuf beschadigd is. Water, stof en vuil die in de gleuf binnendringen, kunnen een storing veroorzaken.
28. Trek en draai niet meer dan nodig is aan de afdekking van de gleuf. Plaats de afdekking terug als deze los komt van het gereedschap.
29. Vervang de afdekking van de gleuf als deze verloren of beschadigd is.

## BEWAAR DEZE INSTRUCTIES.

# BESCHRIJVING VAN DE FUNCTIES

**⚠ LET OP:** Zorg altijd dat het apparaat is uitgeschakeld en de accu ervan is verwijderd alvorens de functies op het apparaat af te stellen of te controleren.

## De accu aanbrengen en verwijderen

**⚠ LET OP:** Schakel het apparaat altijd uit voordat u de accu aanbrengt of verwijderd.

**⚠ LET OP:** Houd het apparaat en de accu stevig vast tijdens het aanbrengen of verwijderen van de accu. Als u het apparaat en de accu niet stevig vasthoudt, kunnen deze uit uw handen glippen en het apparaat of de accu beschadigen, of kan persoonlijk letsel worden veroorzaakt.

► Fig.1: 1. Rood deel 2. Knop 3. Accu

Om de accu te verwijderen, verschuift u de knop aan de voorkant van de accu en schuift u tegelijkertijd de accu uit het apparaat.

Om de accu aan te brengen lijnt u de lip op de accu uit met de groef in de behuizing en duwt u de accu op zijn plaats. Steek de accu zo ver mogelijk in het gereedschap tot u een kliegeluid hoort. Als u het rode deel aan de bovenkant van de knop kunt zien, is de accu niet goed aangebracht.

**⚠ LET OP:** Breng de accu altijd helemaal aan totdat het rode deel niet meer zichtbaar is. Als u dit niet doet, kan de accu per ongeluk uit het apparaat vallen en u of anderen in uw omgeving verwonden.

**⚠ LET OP:** Breng de accu niet met kracht aan. Als de accu niet gemakkelijk in het gereedschap kan worden geschoven, wordt deze niet goed aangebracht.

## Apparaat-/accubeveiligingssysteem

Het apparaat is uitgerust met een apparaat-/accubeveiligingssysteem. Dit systeem schakelt automatisch de voeding naar de motor uit om de levensduur van het apparaat en de accu te verlengen. Het apparaat zal tijdens het gebruik automatisch stoppen wanneer het apparaat of de accu zich in één van de volgende omstandigheden bevindt.

### Overbelastingsbeveiliging

Wanneer het apparaat wordt gebruikt op een manier die een abnormaal hoge stroomsterkte vergt, stopt het apparaat automatisch zonder dat een indicatorlampje gaat branden. Schakel in dat geval het apparaat uit en stop met de toepassing die ertoe leidde dat het apparaat overbelast raakte. Schakel vervolgens het apparaat in om het weer te starten.

### Oververhittingsbeveiliging

Wanneer het apparaat oververhit is, stopt het apparaat automatisch. Laat het apparaat eerst afkoelen alvorens het weer in te schakelen.

## Beveiliging tegen te ver ontladen

Als de acculading laag is, stopt het apparaat automatisch. Als het apparaat niet werkt, ook niet wanneer de schakelaars worden bediend, verwijdert u de accu's vanaf het apparaat en laadt u de accu's op.

## De resterende acculading controleren

**Alleen voor accu's met indicatorlampjes**

► Fig.2: 1. Indicatorlampjes 2. Testknop

Druk op de testknop op de accu om de resterende acculading te zien. De indicatorlampjes branden gedurende enkele seconden.

| Indicatorlampjes |     |          | Resterende acculading                          |
|------------------|-----|----------|--|
| Brandt           | Uit | Knippert |  |
| ■ ■ ■ ■          |     |          | 75% tot 100%                                   |
| ■ ■ ■ □          |     |          | 50% tot 75%                                    |
| ■ ■ □ □          |     |          | 25% tot 50%                                    |
| ■ □ □ □          |     |          | 0% tot 25%                                     |
| ▤ □ □ □          |     |          | Laad de accu op.                               |
| ■ ■ □ □          |     |          | Er kan een storing zijn opgetreden in de accu. |
| □ □ ■ ■          |     |          |  |

**OPMERKING:** Afhankelijk van de gebruiksomstandigheden en de omgevingstemperatuur, is het mogelijk dat de aangegeven acculading verschilt van de werkelijke acculading.

**OPMERKING:** Het eerste (meest linker) indicatorlampje knippert wanneer het accubeveiligingssysteem in werking is getreden.

## Plaats van het bedieningskastje

Het bedieningskastje kan aan elke zijkant van de onderste riem worden opgehangen. Geleid het snoer zodanig dat het bedieningskastje aan de gewenste zijkant uitkomt. Om te voorkomen dat het snoer beschadigd raakt, geleidt u het snoer door de groef, zoals afgebeeld.

► Fig.3: 1. Groef 2. Snoer

## De riemen afstellen

De lengte van de schouderriemen, de onderste riem en de bovenste riem kan worden afgesteld. Steek eerst uw armen door de schouderriemen en bevestig daarna de onderste en bovenste riemen. Om strak te trekken, trekt u aan de uiteinden van de riem, zoals afgebeeld. Om los te maken, tilt u het uiteinde van de gesp op.

**Onderste riem**

► Fig.4: 1. Riem 2. Gesp

**Schouderriemen**

► Fig.5: 1. Riem 2. Gesp

**Bovenste riem**

► Fig.6: 1. Riem 2. Gesp

## Draaghandgreep

**⚠ LET OP:** Gebruik de onderdelen voor ophangen of monteren uitsluitend waarvoor ze zijn bedoeld. Het gebruik voor onbedoelde doeleinden kan leiden tot een ongeval of persoonlijk letsel.

Pak altijd de draaghandgreep vast wanneer u de behuizing van de stofzuiger hanteert.

► **Fig.7:** 1. Draaghandgreep

## Standbyschakelaar

De standbyschakelaar is de schakelaar om de functie voor draadloos inschakelen in en uit te schakelen. De stofzuiger staat in de standbystand ongeacht de stand van de schakelaar en wordt ingeschakeld wanneer op de knop  $\left(\frac{2}{1}\right)$  wordt gedrukt.

► **Fig.8:** 1. Standbyschakelaar

| Stand van de schakelaar |         | Status  |
|-------------------------|---------|---|
| AUTO                    | I (ON)  | De stofzuiger staat in de standbystand en de functie voor draadloos inschakelen is beschikbaar.         |
|                         | O (OFF) | De stofzuiger staat in de standbystand, maar de functie voor draadloos inschakelen is niet beschikbaar. |

## De trekkerschakelaar gebruiken

Om het stofzuigen te starten, drukt u eenmaal op de knop  $\left(\frac{2}{1}\right)$ . De stofzuiger start met dezelfde zuigkracht als was ingesteld toen u hem de vorige keer uitschakelde. Als u op de knop  $\left(\frac{2}{1}\right)$  drukt terwijl de stofzuiger ingeschakeld is, schakelt de zuigkracht om tussen de normale (1) en hoge (2) zuigkracht. Om de stofzuiger uit te schakelen, drukt u op de knop  $\left(\frac{0}{0}\right)$ .

► **Fig.9**

**OPMERKING:** Als u de stofzuiger wilt inschakelen tegelijk met het bedienen van de schakelaar van het gereedschap dat is aangesloten op de stofzuiger (functie voor draadloos inschakelen), zet u de standbyschakelaar in de stand "I (ON)".

**OPMERKING:** Om de functie voor draadloos inschakelen te gebruiken, voltooit u van tevoren de registratie van het gereedschap. Raadpleeg de paragraaf "FUNCTIE VOOR DRAADLOOS INSCHAKELEN" voor meer informatie.

**OPMERKING:** Bij gebruik van de functie voor draadloos inschakelen, kunt u het stofzuigen niet stoppen met behulp van de knop  $\left(\frac{0}{0}\right)$ .

## Slangriem

De slangriem kan worden gebruikt voor het vastmaken van de slang of het vrije mondstuk.

Om de slang vast te maken aan de behuizing van de stofzuiger, steekt u de slangriem door de gleuf op de behuizing. U kunt de slangriem aan beide zijanten vastmaken.

► **Fig.10:** 1. Slangriem 2. Gleuf 3. Slang

De lus aan de onderste riem kan worden gebruikt om een mondstuk aan te hangen, zoals afgebeeld.

► **Fig.11:** 1. Lus 2. Mondstuk

## Stofklopsysteem

Het stof gaat omlaag wanneer u aan de hendel trekt of loopt terwijl u de stofzuiger draagt. Dit systeem helpt om de zuigkracht van de stofzuiger te behouden.

► **Fig.12:** 1. Hendel 2. Filterzak/stofzak  
3. Bodemplaat

**OPMERKING:** Deze functie werkt wanneer de stofzuiger is uitgeschakeld en de filterzak/stofzak een bepaalde hoeveelheid stof bevat dat op de bodemplaat ligt.

## MONTAGE

**⚠ LET OP:** Verzeker u er altijd van dat het apparaat is uitgeschakeld en de accu is verwijderd voordat u enige werkzaamheden aan het apparaat uitvoert.

## De slang aansluiten

Steek het aansluitstuk van de slang in de behuizing van de stofzuiger en draai het rechtsonder.

► **Fig.13:** 1. Aansluitstuk van de slang 2. Behuizing van de stofzuiger

## Het gereedschap aansluiten

Als de bochtbuis is bevestigd aan de slang, maakt u de mof van de bochtbuis los en verwijdert u deze.

► **Fig.14:** 1. Slang 2. Bochtbuis 3. Mof

1. Bevestig het voorste aansluitstuk aan de slang om stof af te zuigen.

Zorg ervoor dat bij het aanbrengen van het voorste aansluitstuk dit stevig op de slang wordt gedraaid.

2. Sluit het voorste aansluitstuk aan op de stofafzuigmond van het gereedschap.

► **Fig.15:** 1. Voorste aansluitstuk 2. Stofafzuigmond 3. Slang

Het voorste aansluitstuk kan worden verwijderd door hem linksom te draaien terwijl u de slang vasthoudt.

**OPMERKING:** Gebruik altijd een goed passend voorste aansluitstuk. Bij gebruik van het voorste aansluitstuk 24, bevestigt u dit op het voorste aansluitstuk 22 dat is aangesloten op de slang.

► **Fig.16:** 1. Voorste aansluitstuk 22 2. Voorste aansluitstuk 24

## Gebruik als stofzuiger

Als u dit apparaat wilt gebruiken als een stofzuiger, volgt u de onderstaande procedures.

**KENNISGEVING:** Als het voorste aansluitstuk is bevestigd aan de slang, verwijdert u dit van tevoren.

## De filterzak/stofzak aanbrengen

### Optioneel accessoire

**⚠ LET OP:** Gebruik nooit een beschadigde filterzak. Gebruik de stofzuiger altijd met een correct aangebrachte filterzak. Anders kan het opgezogen stof of deeltjes worden uitgeblazen door de stofzuiger en kunnen deze ademhalingsziekten veroorzaken bij de gebruiker.

Breng de filterzak of stofzak aan voordat u de stofzuiger gebruikt.

- De stoffen stofzak kan veel keren worden hergebruikt door hem leeg te maken.
- De filterzak is voor eenmalig gebruik. Wanneer de filterzak vol is, gooit u hem in zijn geheel weg zonder hem leeg te maken.

**KENNISGEVING:** Als de filterzak vol is, vangt u deze door een nieuwe. Als de stofzak vol is, maakt u deze leeg. Als u het apparaat met een volle filterzak/stofzak blijft gebruiken, zal de zuigkracht afnemen.

**KENNISGEVING:** Om te voorkomen dat stof in de motor kan binnendringen:

- Verzeker u er vóór gebruik van dat de filterzak/stofzak is aangebracht.
- Gebruik geen kapotte of gescheurde stofzak.

Anders kan de motor defect raken.

**KENNISGEVING:** Vouw het karton niet bij de opening wanneer u de filterzak/stofzak aanbrengt.

**KENNISGEVING:** De filterzak/stofzak is een belangrijk onderdeel voor het behouden van de prestaties van de stofzuiger. Het gebruik van een niet-originele filterzak/stofzak kan leiden tot rook of ontbranding.

**OPMERKING:** Als de filterzak/stofzak niet in de stofzuiger is aangebracht, kan de voorklep niet volledig worden gesloten.

### ► Fig.24

1. Ontgrendel de vergrendeling door de onderrand op te tillen. Duw op het gegroefde gedeelte om de voorrand van de vergrendeling omhoog te brengen. Trek aan de vergrendeling om het deksel te openen.

► Fig.25: 1. Haak 2. Deksel

2. Steek de filterzak in de sleuf in de bovenkant binnenin de filterkast.

► Fig.26: 1. Sleuf 2. Filterzak

Wanneer de stofzak wordt gebruikt, steekt u de rand van de stofzak in de sleuf.

► Fig.27: 1. Sleuf 2. Rand 3. Stofzak

3. Lijn de opening van de filterzak uit met het aansluitstuk van de slang en duw het kartonnen deel zo ver mogelijk erover. Zorg ervoor dat de rubber ring op de filterzak over de rand op het aansluitstuk van de slang valt.

► Fig.28: 1. Rubber ring op de filterzak 2. Rand op het aansluitstuk van de slang 3. Kartonnen deel van de filterzak 4. Aansluitstuk van de slang

**OPMERKING:** In sommige landen worden de bochtbuis, telescoopbuis en mondstukken geleverd als optionele accessoires.

**OPMERKING:** Er zijn twee typen bochtbuizen: een voor de telescoopbuis met knop en een voor de telescoopbuis met ring. Bij het voorbereiden van de bochtbuis, kiest u het type dat past bij uw gewenste type telescoopbuis.

1. Bevestig de mof van de bochtbuis aan de slang.  
► Fig.17: 1. Slang 2. Bochtbuis 3. Mof

Om de bochtbuis te verwijderen, maakt u de mof van de bochtbuis los van de slang.

2. Draai en steek het mondstuk in de telescoopbuis.  
► Fig.18: 1. Telescoopbuis 2. Vrij mondstuk  
3. Vloermondstuk 4. Vloermondstuk (slank)

**OPMERKING:** Door het mondstuk te draaien terwijl u het erin steekt, kan het mondstuk stevig worden bevestigd op de telescoopbuis.

3. Volg de onderstaande procedure, afhankelijk van het type telescoopbuis:

**OPMERKING:** De telescoopbuis met knop en de telescoopbuis met ring zijn niet compatibel met elkaar. Als u de telescoopbuis met knop wilt vervangen door de telescoopbuis met ring, of vice versa, moet u tevens de bochtbuis vervangen.

**OPMERKING:** Het vrije mondstuk kan rechtstreeks op de bochtbuis worden bevestigd.

### Voor een telescoopbuis met knop

Draag de behuizing van de stofzuiger op uw rug en steek daarna de telescoopbuis in de bochtbuis tot deze vastklikt. Om hem los te koppelen, trekt u de telescoopbuis eraf door op de knop te drukken.

- Fig.19: 1. Bochtbuis 2. Knop 3. Telescoopbuis met knop 4. Vrij mondstuk

De lengte van de buis kan worden aangepast.

Druk op de schuifknop en stel de lengte van de buis af. De lengte wordt vergrendeld wanneer u de schuifknop loslaat.

► Fig.20: 1. Schuifknop

### Voor een telescoopbuis met ring

Draag de behuizing van de stofzuiger op uw rug en draai en steek daarna de telescoopbuis in de bochtbuis. Om hem los te koppelen, draait u hem en trekt u hem eraf.

- Fig.21: 1. Bochtbuis 2. Telescoopbuis met ring  
3. Vrij mondstuk

De lengte van de buis kan worden aangepast.

Draai de ring op de buis los en stel de lengte van de buis af. Draai op de gewenste lengte de ring weer vast.

► Fig.22: 1. Ring

## Slanghaak

Wanneer u het werk onderbreekt, kan de haak op de bochtbuis worden gebruikt om de buis aan de onderste riem te hangen.

► Fig.23



## BEDIENING

**⚠ WAARSCHUWING:** Gebruikers moeten goed worden geïnstrueerd over het gebruik van de stofzuiger.

**⚠ WAARSCHUWING:** Deze stofzuiger is niet geschikt voor het opzuigen van gevaarlijk stof.

**⚠ LET OP:** Deze stofzuiger is alleen geschikt voor droog gebruik.




**⚠ LET OP:** Deze stofzuiger is alleen geschikt voor gebruik binnenshuis.

**⚠ LET OP:** Druk de accu altijd stevig aan totdat hij op zijn plaats vastklikt. Als u het rode deel aan de bovenkant van de knop kunt zien, is de accu niet goed aangebracht. Schuif hem er helemaal in totdat het rode deel niet meer zichtbaar is. Als u dit niet doet, kan de accu per ongeluk uit het apparaat vallen en u of anderen in uw omgeving verwonden.

**⚠ LET OP:** Wees u tijdens gebruik bewust van de stofzuiger op uw rug. U kunt uw evenwicht verliezen als de behuizing van de stofzuiger tegen een muur aan stoot of de slang ergens achter blijft haken.

1. Draag de behuizing van de stofzuiger op uw rug en maak de onderste en bovenste riemen vast. Maak de riemen naar wens strakker.

► Fig.29

2. Druk op de knop  om het stofzuigen te starten. Als u de zuigkracht wilt veranderen, drukt u op de knop  terwijl de stofzuiger is ingeschakeld. De zuigkracht schakelt om tussen normale (1) en hoge (2) zuigkracht. Druk op de knop  om te stoppen.

► Fig.30

Haak het bedieningskastje tijdens gebruik aan de onderste riem of de ring.

► Fig.31: 1. Ring 2. Onderste riem

3. Vervang de filterzak wanneer deze vol is. Open het deksel en haal de filterzak eruit. Trek aan de strip aan de zijkant van de opening om de filterzak te sluiten en gooi de gehele filterzak weg.

► Fig.32: 1. Strip

Wanneer een stofzak wordt gebruikt, haalt u de stofzak eruit, ontgrendelt u de vergrendeling en gooit u het stof eruit.

► Fig.33: 1. Vergrendeling

**KENNISGEVING:** Plaats de filterzak/stofzak of een ander zwaar voorwerp niet op het deksel. Het apparaat kan omvallen.

**KENNISGEVING:** Controleer de filterzak regelmatig om te zien of deze vol is. Als u de volle filterzak blijft gebruiken, zal de zuigkracht afnemen.

**KENNISGEVING:** Gebruik nooit een gebruikte filterzak. De filterzak is ontworpen voor eenmalig gebruik. Als de filterzak meerdere keren wordt gebruikt, kan het filter verstopt raken en de stofzuiger worden beschadigd. Als u de zak meerdere keren wilt gebruiken, gebruikt u een stofzak.

## FUNCTIE VOOR DRAADLOOS INSCHAKELN

### Mogelijkheden van de functie voor draadloos inschakelen

Met de functie voor draadloos inschakelen kunt u schoon en comfortabel werken. Door een ondersteund gereedschap aan te sluiten op de stofzuiger, kunt u de stofzuiger automatisch laten in- en uitschakelen bij bediening van de schakelaar van het gereedschap.

► Fig.34

**KENNISGEVING:** Raadpleeg tevens de gebruiksaanwijzing van het gereedschap wanneer u een stofzuiger met de functie voor draadloos inschakelen gebruikt.

**KENNISGEVING:** Haal de draadloos-eenheid niet uit elkaar en knoei er niet aan.

**KENNISGEVING:** Om te voorkomen dat stof in de gleuf van de draadloos-eenheid binnendringt, zorgt u ervoor dat het deksel altijd stevig gesloten is tijdens gebruik en opbergen.

**KENNISGEVING:** Verwijder de draadloos-eenheid niet terwijl voeding wordt geleverd.

Als u dit doet, kan een storing optreden in de draadloos-eenheid.

**KENNISGEVING:** Druk niet te hard op de knop voor draadloos inschakelen en/of druk niet op de knop met een scherp voorwerp.



**OPMERKING:** Draadloos inschakelen vereist een Makita-gereedschap dat is uitgerust met de draadloos-eenheid.

**OPMERKING:** Alvorens de functie voor draadloos inschakelen voor het eerst met elk gereedschap te gebruiken, dient het gereedschap te worden geregistreerd. Nadat de registratie van het gereedschap is voltooid, is opnieuw registreren niet nodig, behalve als de registratie wordt geannuleerd.

**OPMERKING:** Controleer vóór registratie of de draadloos-eenheid correct is aangebracht.

**OPMERKING:** Eén draadloos-eenheid kan maximaal 10 verbindingen registreren met andere draadloos-eenheden. Als meer dan 10 draadloos-eenheden zijn geregistreerd in één draadloos-eenheid, wordt degene die het eerste werd geregistreerd automatisch gewist.

**OPMERKING:** De plaats van de knop voor draadloos inschakelen verschilt afhankelijk van het gereedschap.

**OPMERKING:** De stofzuiger wordt tevens ingeschakeld wanneer op de knop  wordt gedrukt terwijl de standbyschakelaar in de stand "I (ON)" staat. De knop  werkt niet wanneer de functie voor draadloos inschakelen wordt gebruikt.

## De draadloos-eenheid aanbrengen

**⚠ LET OP:** Plaats de stofzuiger op een vlakke en stabiele ondergrond wanneer u de draadloos-eenheid aanbrengt.

**KENNISGEVING:** Verwijder het stof en vuil vanaf de stofzuiger voordat u de draadloos-eenheid aanbrengt. Stof en vuil kunnen een storing veroorzaken wanneer ze binnendringen in de gleuf voor de draadloos-eenheid.

**KENNISGEVING:** Om een storing als gevolg van statische elektriciteit te voorkomen, raakt u een materiaal aan dat statische elektriciteit ontleedt, zoals een metalen onderdeel, voordat u de draadloos-eenheid oppakt.

**KENNISGEVING:** Let er bij het aanbrengen van de draadloos-eenheid altijd op dat de draadloos-eenheid in de correcte richting wordt aangebracht en dat de afdekking volledig wordt gesloten.

1. Open het deksel van de stofzuiger, zoals aangegeven in de afbeelding.

► Fig.35: 1. Afdekking

2. Breng de draadloos-eenheid aan in de gleuf en sluit vervolgens de afdekking.

Wanneer u de draadloos-eenheid aanbrengt, lijnt u de uitsteeksel uit met de uitsparingen in de gleuf.

► Fig.36: 1. Draadloos-eenheid 2. Uitsteeksel  
3. Afdekking 4. Uitsparing

Wanneer u de draadloos-eenheid verwijdert, opent u langzaam de afdekking. De haken op de achterkant van de afdekking, tillen de draadloos-eenheid op terwijl u de afdekking omhoog trekt.

► Fig.37: 1. Draadloos-eenheid 2. Haak 3. Afdekking

Nadat de draadloos-eenheid is verwijderd, bewaart u hem in de bijgeleverde doos of een antistatische container.

**KENNISGEVING:** Gebruik altijd de haken op de achterkant van de afdekking wanneer u de draadloos-eenheid verwijdert. Als de haken niet aangrijpen op de draadloos-eenheid, sluit u de afdekking volledig en opent u hem weer langzaam.

## Registratie van het gereedschap in de stofzuiger

**OPMERKING:** Een gereedschap van Makita die de functie voor draadloos inschakelen ondersteunt, is vereist voor registratie van het gereedschap.

**OPMERKING:** Voltooi het aanbrengen van de draadloos-eenheid in het gereedschap voordat u de registratie van het gereedschap start.

**OPMERKING:** Gedurende de registratie van het gereedschap mag u niet de trekkerschakelaar op het gereedschap inknippen en niet op de schakelaar voor stofzuigen op de stofzuiger drukken.

**OPMERKING:** Raadpleeg tevens de gebruiksaanwijzing van het gereedschap.

Als u wilt dat de stofzuiger wordt ingeschakeld tegelijk met de bediening van de schakelaar van het gereedschap, moet u van tevoren de registratie van het gereedschap voltooiën.

1. Breng de draadloos-eenheden aan op zowel de stofzuiger als het gereedschap.

2. Breng de accu's aan in de stofzuiger en het gereedschap.

3. Zet de standbyschakelaar op de stofzuiger in de stand "I (ON)".

► Fig.38: 1. Standbyschakelaar

4. Houd de knop voor draadloos inschakelen op de stofzuiger gedurende 3 seconden ingedrukt totdat de lamp van draadloos inschakelen groen knippert. En houd daarna op dezelfde manier de knop voor draadloos inschakelen op het gereedschap ingedrukt.

► Fig.39: 1. Knop voor draadloos inschakelen  
2. Lamp van draadloos inschakelen

Nadat de stofzuiger en het gereedschap met succes aan elkaar zijn gekoppeld, zullen de lampen van draadloos inschakelen gedurende 2 seconden groen branden, waarna ze blauw gaan knipperen.

**OPMERKING:** De lampen van draadloos inschakelen stoppen na 20 seconden met groen knipperen. Druk op de knop voor draadloos inschakelen op het gereedschap terwijl de lamp van draadloos inschakelen op de stofzuiger knippert. Als de lamp van draadloos inschakelen niet groen knippert, drukt u kort op de knop voor draadloos inschakelen en houdt u deze weer ingedrukt.

**OPMERKING:** Als u twee of meer gereedschappen registreert in de stofzuiger, voltooit u de registratie van de gereedschappen één voor één.

## De functie voor draadloos inschakelen starten

**OPMERKING:** Voltooi de registratie van het gereedschap in de stofzuiger voor draadloos inschakelen.

**OPMERKING:** Plaats de stofzuiger altijd zodanig dat u de status van de lamp van draadloos inschakelen kunt zien.

**OPMERKING:** Raadpleeg tevens de gebruiksaanwijzing van het gereedschap.

Nadat een gereedschap in de stofzuiger is geregistreerd, wordt de stofzuiger automatisch in- en uitgeschakeld door de bediening van de schakelaar van het gereedschap.

1. Breng de draadloos-eenheden aan op zowel de stofzuiger als het gereedschap.

2. Breng de accu's aan in de stofzuiger en het gereedschap.

3. Sluit de slang van de stofzuiger aan op het gereedschap.

► Fig.40

4. Zet de standbyschakelaar op de stofzuiger in de stand "I (ON)". De lamp van draadloos inschakelen knippert blauw.

► Fig.41: 1. Standbyschakelaar

5. Druk kort op de knop voor draadloos inschakelen op het gereedschap. De lamp van draadloos inschakelen knippert blauw.

► Fig.42: 1. Knop voor draadloos inschakelen  
2. Lamp van draadloos inschakelen



6. Knip de trekschakelaar van het gereedschap in. Controleer of de stofzuiger wordt ingeschakeld wanneer de trekkerschakelaar van het gereedschap wordt ingeknepen.

**⚠ LET OP:** Controleer altijd of de functie voor draadloos inschakelen werkt voordat u werkzaamheden met het gereedschap begint.

Om het draadloos inschakelen te stoppen drukt u op de knop voor draadloos inschakelen op het gereedschap, of zet u de standbyschakelaar op de stofzuiger op "O (OFF)".

**OPMERKING:** De lamp van draadloos inschakelen op het gereedschap stopt met blauw knipperen wanneer gedurende 2 uur geen bediening plaatsvindt. Druk in dat geval nogmaals op de knoppen voor draadloos inschakelen op het gereedschap.

**OPMERKING:** De stofzuiger wordt met een vertraging in- en uitgeschakeld. Er treedt een tijdsvertraging op wanneer de stofzuiger de bediening van de schakelaar van het gereedschap detecteert.

**OPMERKING:** Het zendbereik van de draadloos-eenheid kan variëren afhankelijk van de locatie en omgevingsomstandigheden.

**OPMERKING:** Als twee of meer gereedschappen zijn geregistreerd in één stofzuiger, kan de stofzuiger worden ingeschakeld ondanks dat u niet de trekkerschakelaar inknijpt omdat een andere gebruiker de functie voor draadloos inschakelen gebruikt.

## Registratie van het gereedschap in de stofzuiger annuleren

Voer de volgende procedure uit om de registratie van het gereedschap in de stofzuiger te annuleren.

1. Breng de draadloos-eenheden aan op zowel de stofzuiger als het gereedschap.
2. Breng de accu's aan in de stofzuiger en het gereedschap.
3. Zet de standbyschakelaar op de stofzuiger in de stand "I (ON)".

► **Fig.43:** 1. Standbyschakelaar

4. Houd de knop voor draadloos inschakelen op de stofzuiger gedurende 6 seconden ingedrukt. De lamp van draadloos inschakelen knippert groen en brandt daarna rood. Houd daarna op dezelfde manier de knop voor draadloos inschakelen op het gereedschap ingedrukt.

► **Fig.44:** 1. Knop voor draadloos inschakelen  
2. Lamp van draadloos inschakelen

Als het annuleren met succes is uitgevoerd, zullen de lampen van draadloos inschakelen gedurende 2 seconden rood branden, waarna ze blauw gaan knipperen.

**OPMERKING:** De lampen van draadloos inschakelen stoppen na 20 seconden met rood knipperen. Druk op de knop voor draadloos inschakelen op het gereedschap terwijl de lamp van draadloos inschakelen op de stofzuiger knippert. Als de lamp van draadloos inschakelen niet rood knippert, drukt u kort op de knop voor draadloos inschakelen en houdt u deze weer ingedrukt.

## Alle registraties van gereedschappen wissen

U kunt alle registraties van gereedschappen als volgt in de stofzuiger wissen.

► **Fig.45:** 1. Standbyschakelaar 2. Knop voor draadloos inschakelen 3. Lamp van draadloos inschakelen











1. Breng de draadloos-eenheid aan op de stofzuiger.
2. Breng de accu's aan in de stofzuiger.
3. Zet de standbyschakelaar in de stand "I (ON)".
4. Houd de knop voor draadloos inschakelen ongeveer 6 seconden ingedrukt totdat de lamp van draadloos inschakelen rood knippert (ongeveer twee keer per seconde).
5. Wanneer de lamp van draadloos inschakelen rood begint te knipperen, laat u de knop voor draadloos inschakelen los. Houd daarna de knop voor draadloos inschakelen nogmaals ongeveer 6 seconden ingedrukt.
6. Wanneer de lamp van draadloos inschakelen snel rood begint te knipperen (ongeveer 5 keer per seconde), laat u de knop voor draadloos inschakelen los. Wanneer de lamp van draadloos inschakelen rood brandt en later uit gaat, zijn alle registraties van gereedschappen gewist.

**OPMERKING:** Als de lamp van draadloos inschakelen niet rood knippert, drukt u kort op de knop voor draadloos inschakelen en probeert u het opnieuw.

## Beschrijving van de status van de lamp van draadloos inschakelen

- **Fig.46:** 1. Knop voor draadloos inschakelen  
2. Lamp van draadloos inschakelen

De lamp van draadloos inschakelen toont de status van de functie voor draadloos inschakelen. Raadpleeg de onderstaande tabel voor de betekenis van de status van de lamp.

| Status  | Lamp van draadloos inschakelen |   |  | Beschrijving  |
|---|--------------------------------|---|--|---|
|   | Kleur                          |  Brandt                    |  Knippert |   |
| Standby   | Blauw                          |                            | Stofzuiger: continu<br>Gereedschap: 2 uur  | Wachten op de registratie van het gereedschap of de functie voor draadloos inschakelen is beschikbaar.<br>De lamp op de stofzuiger knippert wanneer de standbyschakelaar in de stand "I (ON)" staat. De lamp op het gereedschap knippert wanneer op de knop voor draadloos inschakelen is gedrukt. De lamp op het gereedschap wordt automatisch uitgeschakeld wanneer gedurende 2 uur geen bediening plaatsvindt. |
|   |                                |                            |  |   |
| Registratie van het gereedschap                   | Groen                          |                            | 20 seconden  | Klaar voor registratie van het gereedschap. Het gereedschap zoeken dat moet worden geregistreerd.   |
|   |                                |                            | 2 seconden   | De registratie van het gereedschap is voltooid. De lamp van draadloos inschakelen knippert blauw.   |
| Registratie van het gereedschap annuleren/ wissen | Rood                           | <br>(langzaam: 2 keer/sec) | 20 seconden  | Klaar om de registratie van het gereedschap te annuleren. Het gereedschap zoeken dat moet worden geannuleerd.   |
|   |                                | <br>(snel: 5 keer/sec)     | Zolang de knop voor draadloos inschakelen ingedrukt wordt gehouden.                        | Klaar om alle registraties van gereedschappen te wissen.  |
|   |                                |                            | 2 seconden   | De registratie van het gereedschap is geannuleerd/gewist. De lamp van draadloos inschakelen knippert blauw.   |
| Overig  | Rood                           |                            | 3 seconden   | De draadloos-eenheid wordt van stroom voorzien en de functie voor draadloos inschakelen start nu op.  |
|   | Uit                            | -   | -  | De standbyschakelaar is niet in de stand "I (ON)" gezet.  |

## Storingzoeken van de functie voor draadloos inschakelen

Alvorens u verzoekt om reparatie, kunt u zelf als volgt het probleem opsporen en oplossen. Als u met een probleem kampt dat in deze handleiding niet wordt beschreven, probeer dan niet het gereedschap te demonteren. Laat reparaties over aan een erkend Makita-servicecentrum, uitsluitend met gebruik van originele Makita-ervangingsonderdelen.

| Probleemomschrijving   | Waarschijnlijke oorzaak (storing)   | Oplossing  |
|--|---|--|
| De lamp van draadloos inschakelen brandt/knippert niet.  | De draadloos-eenheid is niet aangebracht in de stofzuiger en/of het gereedschap.<br>De draadloos-eenheid is niet correct aangebracht in de stofzuiger en/of het gereedschap.                              | Breng de draadloos-eenheid correct aan.  |
|  | De aansluitingen van de draadloos-eenheid en/of de gleuf zijn vuil.   | Veeg het stof en vuil op de aansluitingen van de draadloos-eenheid voorzichtig af en reinig de gleuf van de stofzuiger en/of het gereedschap.                          |
|  | Er is niet op de knop voor draadloos inschakelen op het gereedschap gedrukt.  | Druk kort op de knop voor draadloos inschakelen op het gereedschap. Controleer of de lamp van draadloos inschakelen blauw knippert.                                    |
|  | De standbyschakelaar op de stofzuiger is niet in de stand "I (ON)" gezet.   | Zet de standbyschakelaar op de stofzuiger in de stand "I (ON)".  |
|  | Geen voeding.   | Voorziet het gereedschap en de stofzuiger van voeding.   |
| De registratie van het gereedschap/het annuleren van de registratie van het gereedschap kan niet met succes worden voltooid. | De draadloos-eenheid is niet aangebracht in de stofzuiger en/of het gereedschap.<br>De draadloos-eenheid is niet correct aangebracht in de stofzuiger en/of het gereedschap.                              | Breng de draadloos-eenheid correct aan.  |
|  | De aansluitingen van de draadloos-eenheid en/of de gleuf zijn vuil.   | Veeg het stof en vuil op de aansluitingen van de draadloos-eenheid voorzichtig af en reinig de gleuf van de stofzuiger en/of het gereedschap.                          |
|  | De standbyschakelaar op de stofzuiger is niet in de stand "I (ON)" gezet.   | Zet de standbyschakelaar op de stofzuiger in de stand "I (ON)".  |
|  | Geen voeding.   | Voorziet het gereedschap en de stofzuiger van voeding.   |
|  | Onjuiste bediening  | Druk kort op de knop voor draadloos inschakelen en voer de procedures voor de registratie/het annuleren van de registratie opnieuw uit.                                |
|  | Het gereedschap en de stofzuiger staan te ver uit elkaar (buiten het zendbereik).   | Plaats het gereedschap en de stofzuiger dicht bij elkaar. Het maximale zendbereik is ongeveer 10 meter, echter, dit kan verschillen afhankelijk van de omstandigheden. |
|  | Alvorens de registratie/het annuleren van de registratie te voltooiën:<br>- is de trekkerschakelaar van het gereedschap ingeknepen, of<br>- is op de schakelaar voor stofzuiger op de stofzuiger gedrukt. | Druk kort op de knop voor draadloos inschakelen en voer de procedures voor de registratie/het annuleren van de registratie opnieuw uit.                                |
|  | De procedure voor registratie van het gereedschap op het gereedschap of de stofzuiger is niet voltooid.   | Voer de procedure voor de registratie van het gereedschap tegelijkertijd uit op het gereedschap en de stofzuiger.  |
|  | Radiostoring door andere apparaten die sterke radiogolven genereren.  | Houd het gereedschap en de stofzuiger uit de buurt van apparaten zoals Wi-Fi-apparaten en magnetrons.  |

| Probleemomschrijving   | Waarschijnlijke oorzaak (storing)  | Oplossing   |
|--|--|---|
| De stofzuiger wordt niet in- en uitgeschakeld tegelijk met de bediening van de schakelaar van het gereedschap. | De draadloos-eenheid is niet aangebracht in de stofzuiger en/of het gereedschap.<br>De draadloos-eenheid is niet correct aangebracht in de stofzuiger en/of het gereedschap. | Breng de draadloos-eenheid correct aan.   |
|  | De aansluitingen van de draadloos-eenheid en/of de gleuf zijn vuil.  | Veeg het stof en vuil op de aansluitingen van de draadloos-eenheid voorzichtig af en reinig de gleuf van de stofzuiger en/of het gereedschap.   |
|  | Er is niet op de knop voor draadloos inschakelen op het gereedschap gedrukt.   | Druk kort op de knop voor draadloos inschakelen op het gereedschap. Controleer of de lamp van draadloos inschakelen blauw knippert.   |
|  | De standbyschakelaar op de stofzuiger is niet in de stand "I (ON)" gezet.  | Zet de standbyschakelaar op de stofzuiger in de stand "I (ON)".   |
|  | Meer dan 10 gereedschappen zijn geregistreerd in de stofzuiger.  | Voer de registratie van het gereedschap opnieuw uit.<br>Als meer dan 10 gereedschappen in de stofzuiger zijn geregistreerd, wordt de eerste registratie van een gereedschap automatisch gewist.   |
|  | De stofzuiger heeft alle registraties van gereedschappen gewist.   | Voer de registratie van het gereedschap opnieuw uit.  |
|  | Geen voeding.  | Voorzie het gereedschap en de stofzuiger van voeding.   |
|  | Het gereedschap en de stofzuiger staan te ver uit elkaar (buiten het zendbereik).  | Plaats het gereedschap en de stofzuiger dicht bij elkaar. Het maximale zendbereik is ongeveer 10 meter, echter, dit kan verschillen afhankelijk van de omstandigheden.  |
|  | Radiostoring door andere apparaten die sterke radiogolven genereren.   | Houd het gereedschap en de stofzuiger uit de buurt van apparaten zoals Wi-Fi-apparaten en magnetrons.   |
| De stofzuiger wordt ingeschakeld terwijl de trekkerschakelaar van het gereedschap niet wordt ingeknepen.       | Andere gebruikers gebruiken op hun gereedschap de functie voor draadloos inschakelen van de stofzuiger.  | Voer een van de volgende handelingen uit:<br>- zet de standbyschakelaar op de stofzuiger in de stand "O", of<br>- schakel de knop voor draadloos inschakelen van de andere gereedschappen uit, of<br>- annuleer de registratie van het gereedschap van de andere gereedschappen.  |
| Kan alle registraties van gereedschappen in de stofzuiger niet wissen.   | Drukken op de knop voor draadloos inschakelen op het gereedschap.  | Druk op de knop voor draadloos inschakelen op de stofzuiger om alle registraties van gereedschappen te wissen.  |
|  | De standbyschakelaar op de stofzuiger is niet in de stand "I (ON)" gezet.  | Zet de standbyschakelaar op de stofzuiger in de stand "I (ON)".   |
|  | De knop voor draadloos inschakelen wordt niet correct ingedrukt gehouden.  | Houd de knop voor draadloos inschakelen langer dan 6 seconden ingedrukt en laat hem los nadat de lamp van draadloos inschakelen rood knippert. Houd de knop voor draadloos inschakelen nogmaals langer dan 6 seconden ingedrukt totdat de knop voor draadloos inschakelen snel rood knippert, en laat daarna de knop los. |

## ONDERHOUD

**⚠ LET OP:** Zorg er altijd voor dat het apparaat is uitgeschakeld en de accu is verwijderd voordat u een inspectie of onderhoud uitvoert.

**KENNISGEVING:** Gebruik nooit benzine, wasbenzine, thinner, alcohol en dergelijke. Hierdoor kunnen verkleuring, vervormingen en barsten worden veroorzaakt.

Om de VEILIGHEID en BETROUWBAARHEID van het gereedschap te handhaven, dienen alle reparaties, onderhoud of afstellingen te worden uitgevoerd bij een erkend Makita-servicecentrum of de Makita-fabriek, en altijd met gebruik van Makita-vervangingsonderdelen.

## Het HEPA-filter schoonmaken

**⚠ LET OP:** Gebruik de stofzuiger niet zonder filter en blijf een vuil of beschadigd filter niet gebruiken. Opgezogen stof of deeltjes kunnen worden uitgeblazen door de stofzuiger en deze kunnen ademhalingsziekten veroorzaken bij de gebruiker.

**KENNISGEVING:** Om een optimale zuigkracht en schone uitlaatlucht te behouden, moet het filter regelmatig worden schoongemaakt. Als onvoldoende zuigkracht wordt verkregen, zelfs na het schoonmaken, vervangt u het filter door een nieuwe.

**KENNISGEVING:** Om te voorkomen dat het filter wordt beschadigd, mag u de volgende gereedschappen en soortgelijke items niet gebruiken om het schoon te maken:

- Luchtblazer
- Hogedrukreiniger
- Gereedschappen gemaakt van harde materialen, zoals een staalborstel

1. Open het deksel en haal de filterzak/stofzak eruit. Ontgrendel de haak op het filter en verwijder het uit de behuizing van de stofzuiger.

► Fig.47: 1. Haak

2. Sla het stof van het filter af. Het filter mag worden gewassen met water. Spoel elke 1 of 2 maanden het stof en de deeltjes van het filter af. Droog daarna het filter volledig op een goed geventileerde plaats in de schaduw om vieze luchtjes of steringen te voorkomen.

3. Om het filter aan te brengen, steekt u de zijkant zonder de haken in de groef en duwt u het filter erin totdat de haken met een klik worden vergrendeld.

► Fig.48: 1. Groef 2. HEPA-filter 3. Haak

## De stofzak reinigen

Reinig de stofzak regelmatig met zeep en water. Keer de stofzak binnenste buiten en verwijder aanklevend stof. Was licht met de hand en spoel goed met water. Laat volledig drogen voordat u hem weer in de stofzuiger aanbrengt.

► Fig.49

**KENNISGEVING:** Een natte stofzak vermindert de prestaties van de stofzuiger en tevens de levensduur van de motor.

## De ruimte voor de filterzak/stofzak schoonmaken

Om de ruimte voor de filterzak/stofzak schoon te maken, verwijdert u de bodemplaat en veegt u deze af.

► Fig.50: 1. Bodemplaat

## De bodemplaat verwijderen

1. Verwijder het HEPA-filter. Raadpleeg het tekstdeel over het schoonmaken van het HEPA-filter voor informatie over hoe het moet worden verwijderd.

2. Duw de bodemplaat omlaag en schuif hem naar links totdat de bodemplaat de zijkant raakt.

3. Til de rechterkant van de bodemplaat op en haal hem eruit.

► Fig.51: 1. Bodemplaat

De bodemplaat wordt ondersteund door drie veren. Als de veren zijn losgekomen van de bodemplaat of de hengel, bevestigt u ze weer zoals afgebeeld.

► Fig.52: 1. Veer voor bodemplaat 2. Veer voor hengel 3. Uitsteeksels

**OPMERKING:** Bevestig de veren stevig zodat de veren de voet van de uitsteeksels raken.

## De bodemplaat aanbrengen

1. Steek de rechte zijkant van de bodemplaat onder de haken onderaan de linker zijkant van de ruimte.

2. Breng de rechterkant van de bodemplaat op zijn plaats.

► Fig.53: 1. Bodemplaat 2. Rechte zijkant 3. Haak

## OPTIONELE ACCESSOIRES

**⚠ LET OP:** Deze accessoires of hulpstukken worden aanbevolen voor gebruik met het Makita-product dat in deze gebruiksaanwijzing wordt beschreven. Het gebruik van andere accessoires of hulpstukken kan gevaar voor persoonlijk letsel opleveren. Gebruik de accessoires of hulpstukken uitsluitend voor de aangegeven doeleinden.

Wenst u meer bijzonderheden over deze accessoires, neem dan contact op met het plaatselijke Makita-servicecentrum.

- Slang (voor stofzuigsysteem-type)
- Slang (voor stofzuiger-type)
- Telescoopbuis
- Vrij mondstuk
- Vloermondstuk
- Stoelmondstuk
- Hoekmondstuk
- Boekenplankborstel
- Ronde borstel
- Filterzak
- Stofzak
- Voorste aansluitstuk
- HEPA-filter
- Draadloos-eenheid
- Cycloohulpstuk
- Originele Makita accu's en acculaders

**OPMERKING:** Sommige items op de lijst kunnen zijn inbegrepen in de doos van het gereedschap als standaard toebehoren. Deze kunnen van land tot land verschillen.

## Cycloonhulpstuk

**OPMERKING:** Bij gebruik van het cycloonhulpstuk op dit apparaat is tevens de gebogen buis vereist.

► **Fig.54:** 1. Cycloonhulpstuk

### Over het cycloonhulpstuk

Als u de stofzuiger gebruikt met het cycloonhulpstuk aangebracht, wordt de hoeveelheid stof verlaagd die in de stofzak terecht komt, wat helpt om de afname van de zuigkracht te voorkomen. Bovendien is het schoonmaken na gebruik ook eenvoudig.

**▲LET OP:** Zorg altijd dat het gereedschap is uitgeschakeld en de accu ervan is verwijderd alvorens enige werkzaamheden aan het gereedschap uit te voeren. Als u de accu erop laat zitten, kan de stofzuiger onverwachts starten en letsel veroorzaken.

**▲LET OP:** Reinig het gasfilter van het cycloonhulpstuk en de stofzak van de stofzuiger wanneer deze verstopt raken. Als u hem blijft gebruiken terwijl deze verstopt zijn, kan dat leiden tot warm worden en rook.

**KENNISGEVING:** Wanneer het cycloonhulpstuk is aangebracht, mag u het cycloonhulpstuk niet in een horizontale of omhoog gerichte stand gebruiken. Als u dat toch doet, kan het gasfilter verstopt raken.

**KENNISGEVING:** Gebruik de stofzuiger altijd met de stofzak aangebracht, ook wanneer u het cycloonhulpstuk gebruikt. Als u de stofzuiger gebruikt zonder dat de stofzak is aangebracht, kan een storing optreden in de motor.

**OPMERKING:** Controleer vóór gebruik of het cycloonhulpstuk, de stofzuiger en de rechte buis goed zijn vergrendeld.

**OPMERKING:** Maak de stofopvangdoos van het cycloonhulpstuk en de stofzak van de stofzuiger leeg wanneer stof zich heeft opgehoopt. Als u hem blijft gebruiken, zal dat leiden tot een lagere zuigkracht.

**OPMERKING:** U kunt het cycloonhulpstuk gebruiken met of zonder de vergrendelingsfunctie.

**OPMERKING:** Om het cycloonhulpstuk aan te brengen of te verwijderen, raadpleegt u het tekstdeel "Gebruiken als een stofzuiger".

### Het stof weggooien

Wanneer het stof zich heeft opgehoopt tot aan de 'vol'-lijn op de stofopvangdoos, volgt u de onderstaande procedure en gooit u het stof weg.

1. Houd de stofopvangdoos stevig vast, houd de twee knoppen ingedrukt en verwijder de stofopvangdoos.

► **Fig.55:** 1. 'Vol'-lijn 2. Stofopvangdoos 3. Knop (twee plaatsen) 4. Gasfilter

2. Gooi het stof in de stofopvangdoos weg en verwijder alle stof en poeder die vastzit op het oppervlak van het gasfilter.

3. Steek de stofopvangdoos helemaal erop totdat de twee knoppen met een klik vergrendelen.

► **Fig.56:** 1. Stofopvangdoos 2. Knop (twee plaatsen)

**OPMERKING:** Controleer vóór gebruik of het cycloonhulpstuk, de stofzuiger en de rechte buis goed zijn vergrendeld voordat u de werkzaamheden hervat.

**OPMERKING:** Als de zuigkracht niet is hersteld nadat het stof is weggegooid en het gasfilter is schoongemaakt, controleert u of stof zich heeft opgehoopt in de stofzak van de stofzuiger of er een verstopping is opgetreden.

### Schoonmaken

Wanneer de stofopvangdoos vuil wordt of het gasfilter verstopt raakt, verwijdert u ze en wast u ze af met water. (Raadpleeg "Het stof weggooien" voor de verwijderingsprocedure.)

Laat de onderdelen goed drogen voordat u ze weer aanbrengt en gebruikt.

► **Fig.57:** 1. Stofopvangdoos 2. Gasfilter

Wanneer het gasfilter erg vuil wordt, reinigt u het aan de hand van de volgende procedure.

1. Draai het gasfilter linksom en verwijder het nadat de haken ontgrendeld zijn.

► **Fig.58:** 1. Gasfilter 2. Haak

2. Verwijder het stof op het gasfilter en was het daarna met water. Laat het vervolgens goed drogen.

3. Steek het gasfilter in de voet terwijl de haken zijn uitgelijnd met de openingen. Draai het gasfilter rechtsom tot de haken met een klik worden vergrendeld. Verzeker u ervan dat het gasfilter stevig is aangebracht.

► **Fig.59:** 1. Gasfilter 2. Haak 3. Opening

## ADVERTENCIA

- Esta máquina no ha sido prevista para ser utilizada por personas (incluidos niños) con capacidades físicas, sensoriales o mentales reducidas, o falta de experiencia y conocimiento.
- Los niños pequeños deberán ser supervisados para asegurarse de que no juegan con la aspiradora.
- Consulte el capítulo “ESPECIFICACIONES” para ver la referencia del tipo de batería.
- Consulte la sección “Instalación o extracción del cartucho de batería” para ver cómo retirar o instalar la batería.
- Para desechar el cartucho de batería, retírelo de la herramienta y deséchelo en un lugar seguro. Siga los reglamentos locales referentes al desecho de la batería.
- Si la herramienta no va a ser utilizada durante un periodo de tiempo largo, la batería deberá ser retirada de la herramienta.
- No cortocircuite el cartucho de batería.
- Consulte el capítulo “MANTENIMIENTO” para ver los detalles apropiados de las precauciones durante el mantenimiento hecho por el usuario.

## ESPECIFICACIONES

|  |                 |                          |
|--|-----------------|--------------------------|
| <b>Modelo:</b>   |                 | <b>DVC665</b>            |
| Capacidad  | Bolsa de filtro | 6,0 L                    |
|  | Bolsa de polvo  | 5,5 L                    |
| Volumen máximo de aire<br>(Con manguera de ø28 mm x 1,5 m) |                 | 1,8 m <sup>3</sup> /min  |
| Aspiración   |                 | 110 hPa                  |
| Dimensiones (La x An x Al)<br>(excluyendo el arnés)        |                 | 297 mm x 174 mm x 523 mm |
| Tensión nominal  |                 | CC 36 V                  |
| Peso neto  |                 | 6,1 - 6,7 kg             |

- Debido a nuestro continuado programa de investigación y desarrollo, las especificaciones aquí dadas están sujetas a cambios sin previo aviso.
- Las especificaciones pueden variar de un país a otro.
- El peso no incluye accesorios excepto el cartucho(s) de batería. El peso de las combinaciones menos pesada y más pesada del aparato y cartucho(s) de batería se muestra en la tabla.

### Cartucho de batería y cargador aplicables

|                     |  |
|---------------------|--|
| Cartucho de batería | BL1815N / BL1820B / BL1830B / BL1840B / BL1850B / BL1860B    |
| Cargador            | DC18RC / DC18RD / DC18RE / DC18SD / DC18SE / DC18SF / DC18SH |

- Algunos de los cartuchos de batería y cargadores indicados arriba puede que no estén disponibles dependiendo de su región de residencia.

**⚠ ADVERTENCIA:** Utilice solamente los cartuchos de batería y cargadores listados arriba. La utilización de cualquier otro cartucho de batería y cargador puede ocasionar heridas y/o un incendio.

**⚠ ADVERTENCIA:** No utilice un suministro de alimentación con cable como un adaptador de batería o unidad portátil de alimentación eléctrica con esta herramienta. Ponerse más de un arnés al mismo tiempo hará que resulte difícil utilizar y soltar la herramienta, y podrá ocasionar heridas.

### Símbolos

A continuación se muestran los símbolos que pueden ser utilizados para el equipo. Asegúrese de que entienda su significado antes de utilizar.



Lea el manual de instrucciones.



Preste cuidado y atención especiales.



Sólo para países de la Unión Europea  
Debido a la presencia de componentes peligrosos en el equipo, el equipo eléctrico y electrónico, los acumuladores y las baterías desechados pueden tener un impacto negativo para el medioambiente y la salud humana.

¡No tire los aparatos eléctricos y electrónicos ni las baterías junto con los residuos domésticos!

De conformidad con las Directivas Europeas sobre residuos de aparatos eléctricos y electrónicos y sobre acumuladores y baterías y residuos de acumuladores y baterías, así como la adaptación de las mismas a la ley nacional, el equipo eléctrico, las baterías y los acumuladores desechados deberán ser almacenados por separado y trasladados a un punto distinto de recogida de desechos municipales, que cumpla con los reglamentos sobre protección medioambiental.

Esto se indica mediante el símbolo de cubo de basura tachado colocado en el equipo.

## Uso previsto

El aparato ha sido previsto para recoger polvo seco. El aparato es apropiado para uso comercial, por ejemplo, en hoteles, escuelas, hospitales, fábricas, tiendas, oficinas y negocios de alquiler.

## Ruido

El nivel de ruido A-ponderado típico determinado de acuerdo con la norma IEC60335-2-69, IEC60704-2-1: Nivel de presión sonora ( $L_{pA}$ ) : 70 dB (A) o menos  
Error (K) : 2,5 dB (A)

El nivel de ruido en situación de trabajo puede exceder 80 dB (A).

**NOTA:** El valor (o los valores) de emisión de ruido declarado ha sido medido de acuerdo con un método de prueba estándar y se puede utilizar para comparar una herramienta con otra.

**NOTA:** El valor (o valores) de emisión de ruido declarado también se puede utilizar en una valoración preliminar de exposición.

**⚠ADVERTENCIA:** Póngase protectores para oídos.

**⚠ADVERTENCIA:** La emisión de ruido durante la utilización real de la herramienta eléctrica puede variar del valor (o los valores) de emisión declarado dependiendo de las formas en las que la herramienta sea utilizada, especialmente qué tipo de pieza de trabajo se procesa.

**⚠ADVERTENCIA:** Asegúrese de identificar medidas de seguridad para proteger al operario que estén basadas en una estimación de la exposición en las condiciones reales de utilización (teniendo en cuenta todas las partes del ciclo operativo como las veces cuando la herramienta está apagada y cuando está funcionando en vacío además del tiempo de gatillo).

## Vibración

El valor total de la vibración (suma de vectores triaxiales) determinado de acuerdo con la norma IEC60335-2-69:

Modo de trabajo: operación sin carga

Emisión de vibración ( $a_{hv}$ ) : 2,5 m/s<sup>2</sup> o menos

Error (K) : 1,5 m/s<sup>2</sup>

**NOTA:** El valor (o los valores) total de emisión de vibración declarado ha sido medido de acuerdo con un método de prueba estándar y se puede utilizar para comparar una herramienta con otra.

**NOTA:** El valor (o los valores) total de emisión de vibración declarado también se puede utilizar en una valoración preliminar de exposición.

**⚠ADVERTENCIA:** La emisión de vibración durante la utilización real de la herramienta eléctrica puede variar del valor (o los valores) de emisión declarado dependiendo de las formas en las que la herramienta sea utilizada, especialmente qué tipo de pieza de trabajo se procesa.

**⚠ADVERTENCIA:** Asegúrese de identificar medidas de seguridad para proteger al operario que estén basadas en una estimación de la exposición en las condiciones reales de utilización (teniendo en cuenta todas las partes del ciclo operativo como las veces cuando la herramienta está apagada y cuando está funcionando en vacío además del tiempo de gatillo).

## Declaración CE de conformidad

### Para países europeos solamente

La declaración CE de conformidad está incluida como Anexo A de esta manual de instrucciones.

## ADVERTENCIAS DE SEGURIDAD

### Advertencias de seguridad para la aspiradora a batería

**⚠ADVERTENCIA:** ¡¡IMPORTANTE! LEA CON ATENCIÓN todas las advertencias de seguridad y todas las instrucciones ANTES DE UTILIZAR. No seguir las advertencias e instrucciones puede resultar en una descarga eléctrica, un incendio y/o heridas graves.

1. Antes de utilizar, asegúrese de que esta aspiradora sea utilizada por personas que han sido instruidas adecuadamente sobre cómo usar esta aspiradora.
2. No utilice la aspiradora sin el filtro. Reemplace un filtro dañado inmediatamente.
3. No intente recoger materiales inflamables, fuegos de artificio, cigarrillos encendidos, cenizas calientes, virutas metálicas calientes, materiales cortantes como cuchillas de afeitar, agujas, cristales rotos o similares.



4. **NO UTILICE NUNCA LA ASPIRADORA CERCA DE GASOLINA, GAS, PINTURA, ADHESIVOS U OTRAS SUSTANCIAS ALTAMENTE EXPLOSIVAS.** El interruptor emite chispas cuando se activa y desactiva. Y también lo hace el conmutador del motor durante la operación. Puede resultar en una peligrosa explosión.
  5. Esta aspiradora no es apropiada para recoger polvo peligroso.
  6. Nunca aspire materiales tóxicos, cancerígenos, combustibles u otros materiales peligrosos como asbestos, arsénico, bario, berilio, plomo, pesticidas, u otros materiales que puedan poner en peligro la salud.
  7. No utilice nunca la aspiradora en exteriores bajo la lluvia.
  8. Para Finlandia, esta máquina no es para ser usada en exteriores con temperatura baja.
  9. No utilice cerca de fuentes de calor (estufas, etc.).
  10. No bloquee las aberturas de enfriamiento. Estas aberturas permite el enfriamiento del motor. Deberá evitarse con cuidado que no se bloquee, de lo contrario el motor se quemará por falta de ventilación.
  11. Mantenga los pies sobre suelo firme y el equilibrio en todo momento.
  12. No doble, pise o tire con fuerza de la manguera.
  13. Detenga la aspiradora inmediatamente si nota un mal rendimiento o algo anormal durante la operación.
  14. **DESCONECTE LAS BATERÍAS.** Cuando no esté siendo utilizada, antes de realizar mantenimiento, y cuando cambie accesorios.
  15. Limpie y haga el mantenimiento a la aspiradora inmediatamente después de cada utilización para mantenerla en las mejores condiciones de operación.
  16. **MANTENGA LA ASPIRADORA CON CUIDADO.** Mantenga la aspiradora limpia para obtener un mejor y más seguro rendimiento. Siga las instrucciones cuando cambie accesorios. Mantenga los asideros secos, limpios y libres de aceite y grasa.
  17. **COMPRUEBE LAS PARTES DAÑADAS.** Antes de seguir utilizando la aspiradora, un protector o cualquier otra parte que se haya dañado deberá inspeccionarse cuidadosamente para determinar que funcionará debidamente y que realizará la función para la que ha sido previsto. Compruebe la alineación de las partes móviles, la unión de las partes móviles, rotura de partes, montaje, y cualquier otra condición que pueda afectar a su operación. Un protector o cualquier otra parte que se haya dañado deberá repararse o reemplazarse debidamente en un centro de servicio autorizado a menos que se indique otra cosa en algún otro sitio en este manual de instrucciones. Pida a un centro de servicio autorizado que le reemplacen los interruptores defectuosos. No utilice la aspiradora si el interruptor no la enciende y apaga.
  18. **PIEZAS DE REPUESTO.** Cuando haga el mantenimiento, utilice solamente piezas de repuesto idénticas.
  19. **GUARDE LA ASPIRADORA SI NO LA ESTÁ UTILIZANDO.** Cuando no esté siendo utilizada, la aspiradora deberá estar guardada en interiores.
  20. Sea amable con su aspiradora. Un manejo brusco puede ocasionar la rotura de incluso la aspiradora más robusta.
  21. No intente limpiar el interior o exterior con bencina, diluyente o productos químicos de limpieza. Podrá ocasionar grietas o decoloración.
  22. No utilice la aspiradora en un espacio cerrado donde puedan desprenderse vapores inflamables, explosivos o tóxicos de pintura a base de aceite, disolventes de pintura, gasolina, algunas sustancias contra las polillas, etc., o en áreas donde haya polvo inflamable.
  23. No utilice la aspiradora bajo la influencia de drogas o alcohol.
  24. Como norma básica de seguridad, utilice gafas de protección o gafas de seguridad con escudos laterales.
  25. Utilice una máscara contra el polvo en condiciones de trabajo polvorientas.
  26. Esta máquina no ha sido prevista para ser utilizada por personas (incluidos niños) con capacidades físicas, sensoriales o mentales reducidas, o falta de experiencia y conocimiento.
  27. Los niños pequeños deberán ser supervisados para asegurarse de que no juegan con la aspiradora.
  28. No maneje nunca la batería(s) y la aspiradora con las manos mojadas.
  29. Tenga mucho cuidado cuando limpie en escaleras.
  30. No utilice la aspiradora como taburete o mesa de trabajo. La máquina podrá caerse y resultar en heridas personales.
- Utilización y cuidado de la herramienta a batería**
1. **Cargue la batería solamente con el cargador especificado por el fabricante.** Un cargador que es apropiado para un tipo de batería puede crear un riesgo de incendio cuando se utiliza con otra batería.
  2. **Utilice las herramientas eléctricas solamente con las baterías designadas específicamente para ellas.** La utilización de cualquier otra batería puede crear un riesgo de heridas o incendio.
  3. **Cuando la batería no esté siendo utilizada, guárdela alejada de otros objetos metálicos, como sujetapapeles, monedas, llaves, clavos, tornillos u otros objetos metálicos pequeños, que puedan hacer conexión entre un terminal y el otro.** Si se cortocircuitan entre sí los terminales de la batería podrán producirse quemaduras o un incendio.
  4. **En condiciones abusivas, es posible que salga expulsado líquido de la batería; evite el contacto con él.** Si se produce un contacto accidental, enjuague con agua. Si el líquido entra en los ojos, además de enjuagarlos, solicite asistencia médica. El líquido expulsado de la batería puede ocasionar irritación y quemaduras.

5. **No utilice una batería o herramienta que esté dañada o modificada.** Las baterías dañadas o modificadas pueden comportarse de forma impredecible resultando en un incendio, explosión o riesgo de heridas.
6. **No exponga una batería o herramienta al fuego o a temperatura excesiva.** La exposición al fuego o a una temperatura superior a los 130 °C puede ocasionar una explosión.
7. **Siga todas las instrucciones de carga y no cargue la batería o la herramienta fuera del rango de temperatura especificado en las instrucciones.** Cargar incorrectamente o a temperaturas fuera del rango especificado puede dañar la batería y aumentar el riesgo de incendio.
8. **No utilice un suministro de alimentación con cable como un adaptador de batería o unidad portátil de alimentación eléctrica con esta herramienta.** El cable de tal suministro de alimentación puede dificultar la operación y resultar en heridas personales.

#### Servicio

1. **Haga que su herramienta eléctrica sea servida por una persona de reparación cualificada utilizando solamente piezas de repuesto idénticas.** De esta forma la herramienta eléctrica seguirá siendo segura.
2. **Siga las instrucciones para lubricarlas y cambiar los accesorios.**
3. **Mantenga las empuñaduras secas, limpias y libres de aceite y grasa.**

### Instrucciones de seguridad importantes para el cartucho de batería

1. **Antes de utilizar el cartucho de batería, lea todas las instrucciones e indicaciones de precaución sobre (1) el cargador de baterías, (2) la batería, y (3) el producto con el que se utiliza la batería.**
  2. **No desensamble ni manipule el cartucho de batería.** Podrá resultar en un incendio, calor excesivo, o una explosión.
  3. **Si el tiempo de uso se acorta demasiado, cese la operación inmediatamente.** Podría resultar en un riesgo de recalentamiento, posibles quemaduras e incluso una explosión.
  4. **Si entra electrolito en sus ojos, aclárelos con agua limpia y acuda a un médico inmediatamente.** Existe el riesgo de poder perder la vista.
  5. **No cortocircuite el cartucho de batería:**
    - (1) **No toque los terminales con ningún material conductor.**
    - (2) **Evite guardar el cartucho de batería en un cajón junto con otros objetos metálicos, como clavos, monedas, etc.**
    - (3) **No exponga el cartucho de batería al agua ni a la lluvia.**
- Un cortocircuito en la batería puede producir una gran circulación de corriente, un recalentamiento, posibles quemaduras e incluso una rotura de la misma.
6. **No guarde ni utilice la herramienta y el cartucho de batería en lugares donde la temperatura pueda alcanzar o exceder los 50 °C.**
  7. **Nunca incinere el cartucho de batería incluso en el caso de que esté dañado seriamente o ya no sirva en absoluto.** El cartucho de batería puede explotar si se tira al fuego.
  8. **No clave, corte, aplaste, lance, deje caer el cartucho de batería, ni golpee contra un objeto duro el cartucho de batería.** Tal conducta podrá resultar en un incendio, calor excesivo, o una explosión.
  9. **No utilice una batería dañada.**
  10. **Las baterías de litio-ion contenidas están sujetas a los requisitos de la Legislación para Materiales Peligrosos.**

Para transportes comerciales, p.ej., por terceras personas y agentes de transportes, se deberán observar requisitos especiales para el empaquetado y etiquetado.

Para la preparación del artículo que se va a enviar, se requiere consultar con un experto en materiales peligrosos. Por favor, observe también la posibilidad de reglamentos nacionales más detallados.

Cubra con cinta aislante o enmascare los contactos expuestos y empaquete la batería de tal manera que no se pueda mover alrededor dentro del embalaje.
  11. **Para desechar el cartucho de batería, retírelo de la herramienta y deséchelo en un lugar seguro.** Siga los reglamentos locales referentes al desecho de la batería.
  12. **Utilice las baterías solamente con los productos especificados por Makita.** La instalación de las baterías en productos no compatibles puede resultar en un incendio, calor excesivo, explosión, o fuga de electrolito.
  13. **Si la herramienta no va a ser utilizada durante un periodo de tiempo largo, la batería deberá ser retirada de la herramienta.**
  14. **Durante y después de la utilización, el cartucho de batería podrá acumular calor, lo cual puede ocasionar quemaduras o quemaduras de baja temperatura.** Preste atención al manejo de cartuchos de batería calientes.
  15. **No toque el terminal de la herramienta inmediatamente después de utilizar, dado que puede calentarse lo suficiente como para ocasionar quemaduras.**
  16. **No permita que virutas, polvo, o tierra se adhieran dentro de los terminales, oficinas, y ranuras del cartucho de batería.** Podría resultar en un mal rendimiento o rotura de la herramienta o el cartucho de batería.
  17. **A menos que la herramienta pueda utilizarse cerca de cables eléctricos de alta tensión, no utilice el cartucho de batería cerca de cables eléctricos de alta tensión.** Podrá resultar en un mal funcionamiento o rotura de la herramienta o el cartucho de batería.
  18. **Mantenga la batería alejada de los niños.**

## GUARDE ESTAS INSTRUCCIONES.

**⚠PRECAUCIÓN:** Utilice solamente baterías genuinas de Makita. La utilización de baterías no genuinas de Makita, o baterías que han sido alteradas, puede resultar en una explosión de la batería ocasionando incendios, heridas personales y daños. También anulará la garantía de Makita para la herramienta y el cargador de Makita.

## Consejos para alargar al máximo la vida de servicio de la batería

1. Cargue el cartucho de batería antes de que se descargue completamente. Detenga siempre la operación y cargue el cartucho de batería cuando note menos potencia en la herramienta.
2. No cargue nunca un cartucho de batería que esté completamente cargado. La sobrecarga acortará la vida de servicio de la batería.
3. Cargue el cartucho de batería a temperatura ambiente de 10 °C - 40 °C. Si un cartucho de batería está caliente, déjelo enfriar antes de cargarlo.
4. Cuando no esté utilizando el cartucho de batería, retírelo de la herramienta o del cargador.
5. Cargue el cartucho de batería si no lo utiliza durante un período de tiempo prolongado (más de seis meses).

## Instrucciones de seguridad importantes para la unidad inalámbrica

1. No desmonte o manipule la unidad inalámbrica.
2. Mantenga la unidad inalámbrica alejada de niños pequeños. Si se ingiere accidentalmente, solicite atención médica inmediatamente.
3. Utilice la unidad inalámbrica solamente con herramientas Makita.
4. No exponga la unidad inalámbrica a la lluvia o a condiciones que se pueda mojar.
5. No utilice la unidad inalámbrica en lugares donde la temperatura exceda los 50 °C.
6. No utilice la unidad inalámbrica en lugares donde se encuentren cerca instrumentos médicos, tales como marcapasos cardiacos.
7. No utilice la unidad inalámbrica en lugares donde se encuentren cerca dispositivos automatizados. Si la utiliza, los dispositivos automatizados podrán desarrollar un mal funcionamiento o error.
8. No utilice la unidad inalámbrica en lugares de temperatura alta o lugares donde se pueda generar electricidad estática o ruido eléctrico.
9. La unidad inalámbrica puede producir campos electromagnéticos (CEM), pero no son perjudiciales para el usuario.
10. La unidad inalámbrica es un instrumento de precisión. Tenga cuidado de no dejar caer o golpear la unidad inalámbrica.

11. Evite tocar el terminal de la unidad inalámbrica con las manos desnudas o materiales metálicos.
12. Retire siempre la batería del producto cuando vaya a instalar la unidad inalámbrica en él.
13. Cuando abra la tapa de la ranura, evite los lugares donde polvo y agua puedan entrar en la ranura. Mantenga siempre limpia la abertura de la ranura.
14. Inserte siempre la unidad inalámbrica en la dirección correcta.
15. No presione el botón de activación inalámbrica en la unidad inalámbrica con fuerza ni presione el botón con un objeto de borde cortante.
16. Cierre siempre la tapa de la ranura cuando esté realizando operaciones.
17. No retire la unidad inalámbrica de la ranura mientras se esté suministrando alimentación a la herramienta. Si lo hace podrá ocasionar un mal funcionamiento de la unidad inalámbrica.
18. No retire la etiqueta adhesiva de la unidad inalámbrica.
19. No ponga ninguna etiqueta adhesiva en la unidad inalámbrica.
20. No deje la unidad inalámbrica en un lugar donde se pueda generar electricidad estática o ruido eléctrico.
21. No deje la unidad inalámbrica en un lugar expuesto a mucho calor, tal como dentro de un automóvil aparcado al sol.
22. No deje la unidad inalámbrica en un lugar polvoriento o polvoroso o en un lugar donde se pueda generar gas corrosivo.
23. Un cambio repentino de la temperatura puede cubrir de rocío la unidad inalámbrica. No utilice la unidad inalámbrica hasta que el rocío se haya secado completamente.
24. Cuando limpie la unidad inalámbrica, frote con cuidado con un paño suave y seco. No utilice benzina, disolvente, grasa conductora o algo similar.
25. Cuando almacene la unidad inalámbrica, manténgala en la funda suministrada o en un contenedor libre de electricidad estática.
26. No inserte ningún dispositivo excepto la unidad inalámbrica de Makita en la ranura de la herramienta.
27. No utilice la herramienta con la tapa de la ranura dañada. Si entra en la ranura agua, polvo o suciedad puede ocasionar un mal funcionamiento.
28. No tire de la tapa de la ranura ni la retuerza más de lo necesario. Vuelva a colocar la tapa si se desprende de la herramienta.
29. Reemplace la tapa de la ranura si se pierde o se daña.

## GUARDE ESTAS INSTRUCCIONES.

## DESCRIPCIÓN DEL FUNCIONAMIENTO

**⚠️ PRECAUCIÓN:** Asegúrese siempre de que el aparato está apagado y el cartucho de batería ha sido retirado antes de ajustar o comprobar una función en el aparato.

### Instalación o extracción del cartucho de batería

**⚠️ PRECAUCIÓN:** Apague siempre el aparato antes de instalar o extraer el cartucho de batería.

**⚠️ PRECAUCIÓN:** Sujete el aparato y el cartucho de batería firmemente cuando instale o retire el cartucho de batería. Si no sujeta el aparato y el cartucho de batería firmemente podrán caerse de las manos y resultar en daños al aparato y cartucho de batería y heridas personales.

► **Fig.1:** 1. Indicador rojo 2. Botón 3. Cartucho de batería

Para retirar el cartucho de batería, deslícelo hacia afuera del aparato mientras desliza el botón de la parte delantera del cartucho.

Para instalar el cartucho de batería, alinee la lengüeta del cartucho de batería con la ranura de la carcasa y deslícelo hasta que encaje en su sitio. Insértelo a tope hasta que se bloquee en su sitio produciendo un pequeño chasquido. Si puede ver el indicador rojo en el lado superior del botón, no estará bloqueado completamente.

**⚠️ PRECAUCIÓN:** Instale siempre el cartucho de batería completamente hasta que el indicador rojo no se pueda ver. En caso contrario, podrá caerse accidentalmente del aparato y ocasionarle heridas a usted o a alguien que esté cerca de usted.

**⚠️ PRECAUCIÓN:** No instale el cartucho de batería empleando fuerza. Si el cartucho no se desliza al interior fácilmente, será porque no está siendo insertado correctamente.

### Sistema de protección del aparato/batería

El aparato está equipado con un sistema de protección del aparato/batería. Este sistema corta automáticamente la alimentación del motor para alargar la vida útil del aparato y la batería. El aparato se detendrá automáticamente durante la operación si el aparato o la batería es puesto en una de las condiciones siguientes.

#### Protección contra sobrecarga

Cuando el aparato sea utilizado de manera que tenga que absorber una corriente anormalmente alta, se parará automáticamente sin ninguna indicación. En esta situación, apague el aparato y detenga la tarea que ocasiona la sobrecarga del aparato. Después encienda el aparato para volver a empezar.

#### Protección contra el recalentamiento

Cuando el aparato se recaliente, se detendrá automáticamente. Deje que el aparato se enfríe antes de encender el aparato otra vez.

#### Protección contra descarga excesiva

Cuando la capacidad de batería sea baja, el aparato se detendrá automáticamente. Si el producto no funciona aunque los interruptores sean accionados, retire las baterías del aparato y cárguelas.

### Modo de indicar la capacidad de batería restante

*Solamente para cartuchos de batería con el indicador*

► **Fig.2:** 1. Lámparas indicadoras 2. Botón de comprobación

Presione el botón de comprobación en el cartucho de batería para indicar la capacidad de batería restante. Las lámparas indicadoras se iluminan durante unos pocos segundos.

| Lámparas indicadoras |         |             | Capacidad restante                             |
|----------------------|---------|-------------|--|
| Iluminada            | Apagada | Parpadeando |  |
|                      |         |             | 75% a 100%                                     |
|                      |         |             |  |
|                      |         |             | 50% a 75%                                      |
|                      |         |             | 25% a 50%                                      |
|                      |         |             | 0% a 25%                                       |
|                      |         |             | Cargue la batería.                             |
|                      |         |             | Puede que la batería no esté funcionando bien. |
|                      |         |             |  |

**NOTA:** Dependiendo de las condiciones de utilización y de la temperatura ambiente, la indicación podrá variar ligeramente de la capacidad real.

**NOTA:** La primera lámpara indicadora (extremo izquierdo) parpadeará cuando el sistema de protección de la batería esté funcionando.

### Posición de la caja de interruptor

La caja de interruptor se puede enganchar en cualquiera de los lados del cinto inferior. Disponga el cable de manera que la caja de interruptor quede en el lado que usted desea. Para evitar que el cable se dañe, páselo a través de la ranura como se muestra en la ilustración.

► **Fig.3:** 1. Ranura 2. Cable

## Correas de ajuste

La tirantez de las correas de hombro, y de los cintos superior e inferior se puede ajustar. Ponga sus brazos a través de las correas de hombro primero y después fije los cintos inferior y superior. Para apretar, tire del extremo de la correa como se muestra en la ilustración. Para aflojar, tire hacia arriba del extremo del fijador.

### Cinto inferior

► Fig.4: 1. Correa 2. Fijador

### Correas de hombro

► Fig.5: 1. Correa 2. Fijador

### Cinto superior

► Fig.6: 1. Correa 2. Fijador

## Gancho de transporte

**⚠PRECAUCIÓN:** Utilice las partes de colgar/montaje solamente para el propósito que han sido previstas. La utilización para propósitos no previstos puede ocasionar un accidente o heridas personales.

Agarre siempre el gancho de transporte cuando maneje el cuerpo de la aspiradora.

► Fig.7: 1. Gancho de transporte

## Interruptor de espera

El interruptor de espera es el interruptor para activar/desactivar la función de activación inalámbrica. La aspiradora está en estado de espera independientemente de la posición del interruptor y se pondrá en marcha cuando se presione el botón (2).

► Fig.8: 1. Interruptor de espera

| Posición del interruptor |         | Estado  |
|--------------------------|---------|---|
| AUTO                     | I (ON)  | La aspiradora está en estado de espera y la función de activación inalámbrica está disponible.                |
|                          | O (OFF) | La aspiradora está en estado de espera, sin embargo, la función de activación inalámbrica no está disponible. |

## Accionamiento del interruptor

Para comenzar a aspirar, presione el botón (2) una vez. La aspiradora se pondrá en marcha con la misma potencia de succión que cuando la apagó anteriormente. Cuando presione el botón (2) mientras la aspiradora está funcionando, la potencia de succión cambiará entre potencia de succión normal (1) y más alta (2). Para apagar la aspiradora, presione el botón (0).

► Fig.9

**NOTA:** Si quiere hacer funcionar la aspiradora junto con la operación del interruptor de la herramienta conectada a la aspiradora (función de activación inalámbrica), ajuste el interruptor de espera a "I (ON)".

**NOTA:** Para utilizar la función de activación inalámbrica, finalice el registro de herramienta de antemano. Consulte la sección "FUNCIÓN DE ACTIVACIÓN INALÁMBRICA" para ver detalles.

**NOTA:** Cuando utilice la función de activación inalámbrica, no podrá detener la aspiración con el botón (0).

## Banda de manguera

La banda de manguera se puede utilizar para sujetar la manguera o la boquilla libre.

Para sujetar la manguera en el cuerpo de la aspiradora, pase la banda de manguera a través de la ranura en el cuerpo. Puede colocar la banda de manguera en cualquiera de los lados.

► Fig.10: 1. Banda de manguera 2. Ranura 3. Manguera

El ojal del cinto inferior se puede utilizar para transportar boquillas como se muestra en la ilustración.

► Fig.11: 1. Ojal 2. Boquillas

## Sistema sacudidor de polvo

El polvo desciende cuando tira de la palanca o camina llevando puesta la aspiradora. Este sistema ayuda a que la aspiradora mantenga la potencia de succión.

► Fig.12: 1. Palanca 2. Bolsa de filtro/bolsa de polvo 3. Lámina

**NOTA:** Esta función se acciona, cuando la aspiradora está apagada y la bolsa de filtro/bolsa de polvo contiene cierta cantidad de polvo, para tocar la lámina.

## MONTAJE

**⚠PRECAUCIÓN:** Asegúrese siempre de que el aparato está apagado y el cartucho de batería ha sido retirado antes de realizar cualquier trabajo en el aparato.

## Montaje de la manguera

Inserte el manguito de manguera en el cuerpo de la aspiradora y gírelo hacia la derecha.

► Fig.13: 1. Manguito de manguera 2. Cuerpo de la aspiradora

## Conexión de la herramienta

Si el conjunto de tubo curvado está colocado en la manguera, afloje el casquillo del conjunto de tubo curvado y retírelo.

► Fig.14: 1. Manguera 2. Conjunto de tubo curvado 3. Casquillo

1. Coloque el manguito delantero en la manguera para extracción de polvo.

Cuando conecte el manguito delantero, asegúrese de que está enroscado firmemente en la manguera.

2. Conecte el manguito delantero en la salida de extracción de la herramienta.

► Fig.15: 1. Manguito delantero 2. Salida de extracción 3. Manguera

El manguito delantero se puede retirar girándolo hacia la izquierda mientras sujeta la manguera.

**NOTA:** Utilice siempre un manguito delantero apropiado. Cuando utilice el manguito delantero de 24, colóquelo en el manguito delantero de 22 que está conectado a la manguera.

► Fig.16: 1. Manguito delantero de 22 2. Manguito delantero de 24

## Utilización como una aspiradora

Si quiere utilizar este producto como una aspiradora, siga los procedimientos de abajo.

**AVISO:** Si el manguito delantero está colocado en la manguera, retíralo de antemano.

**NOTA:** El conjunto de tubo curvado, el tubo de extensión, y las boquillas se suministran como accesorios opcionales en algunos países.

**NOTA:** Hay dos tipos de conjunto de tubo curvado; uno para tubo de extensión tipo deslizable y uno para tubo de extensión tipo anillo. Si prepara el conjunto de tubo curvado, elija el que sirva para el tipo de tubo de extensión que desee.

1. Fije el casquillo del conjunto de tubo curvado en la manguera.
- **Fig.17:** 1. Manguera 2. Conjunto de tubo curvado 3. Casquillo

Para retirar el conjunto de tubo curvado, afloje el casquillo del conjunto de tubo curvado de la manguera.

2. Retuerza e inserte la boquilla en el tubo de extensión.
- **Fig.18:** 1. Tubo de extensión 2. Boquilla libre  
3. Boquilla en T 4. Boquilla en T (delgada)

**NOTA:** Al retorcer la boquilla mientras la inserta, la boquilla se puede colocar en el tubo de extensión firmemente.

3. Siga los procedimientos de abajo, dependiendo del tipo del tubo de extensión:

**NOTA:** El tubo de extensión tipo deslizable y el tubo de extensión tipo anillo no son compatibles entre sí. Si quiere cambiar el tubo de extensión tipo deslizable por el tubo de extensión tipo anillo o viceversa, cambie el conjunto de tubo curvado también.

**NOTA:** La boquilla libre se puede colocar en el conjunto de tubo curvado directamente.

### Para el tubo de extensión tipo deslizable

Cargue al hombro el cuerpo de la aspiradora y después inserte el tubo de extensión en el conjunto de tubo curvado hasta que suene un chasquido. Para desconectarlo, extraiga el tubo de extensión a la vez que presiona el botón.

- **Fig.19:** 1. Conjunto de tubo curvado 2. Botón 3. Tubo de extensión tipo deslizable 4. Boquilla libre

La longitud del tubo se puede ajustar. Con el botón deslizable presionado, ajuste la longitud del tubo. La longitud se bloquea cuando se libera el botón deslizable.

- **Fig.20:** 1. Botón deslizable

### Para el tubo de extensión tipo anillo

Cargue al hombro el cuerpo de la aspiradora y después retuerza e inserte el tubo de extensión en el conjunto de tubo curvado. Para desconectarlo, gírelo y extráigalo.

- **Fig.21:** 1. Conjunto de tubo curvado 2. Tubo de extensión tipo anillo 3. Boquilla libre

La longitud del tubo se puede ajustar. Afloje el anillo del tubo y ajuste la longitud del tubo. Apriete el anillo a la longitud que desee.

- **Fig.22:** 1. Anillo

## Gancho de manguera

Cuando suspenda la operación, puede utilizar el gancho del conjunto de tubo curvado para colgar el tubo en el cinto inferior.

- **Fig.23**

## Instalación de la bolsa de filtro/ bolsa de polvo

### Accesorios opcionales

**PRECAUCIÓN:** No utilice una bolsa de filtro dañada. Utilice siempre la aspiradora con la bolsa de filtro instalada debidamente. De lo contrario el polvo o las partículas recogidos podrán escapar por la aspiradora y ocasionar afección respiratoria al operario.

Instale la bolsa de polvo o la bolsa de filtro antes de utilizar la aspiradora.

- Las bolsas de polvo se pueden utilizar muchas veces repetidamente limpiándolas.
- La bolsa de filtro es de tipo desechable. Descarte la bolsa de filtro completa sin vaciarla cuando se haya llenado.

**AVISO:** Cuando la bolsa de filtro ya esté llena, reemplácela con una nueva. Cuando la bolsa de polvo ya esté llena, vacíela. Continuar utilizando con la bolsa de filtro/bolsa de polvo llena resultará en una reducción de la potencia de succión.

**AVISO:** Para evitar que el polvo entre en el motor:

- Asegúrese de que la bolsa de filtro/bolsa de polvo está instalada antes de utilizar.
- No utilice una bolsa rota o rasgada.

De lo contrario el motor se podrá romper.

**AVISO:** No pliegue el cartón por su abertura cuando instale la bolsa de filtro/bolsa de polvo.

**AVISO:** La bolsa de filtro/bolsa de polvo para la aspiradora es un componente importante para mantener el rendimiento del aparato. La utilización de una bolsa de filtro/bolsa de polvo no genuina puede ocasionar humos o ignición.

**NOTA:** Cuando la bolsa de filtro/bolsa de polvo no está instalada en la aspiradora, la cubierta frontal no se cierra completamente.

- **Fig.24**

1. Desbloquee el cierre levantando el lado inferior. Presione el área ranurada para levantar el lado de cierre delantero. Tire del cierre para abrir la tapa.
- **Fig.25:** 1. Gancho 2. Tapa

2. Inserte la bolsa de filtro en la comisura de la parte superior de la cavidad como se muestra en la ilustración.

- **Fig.26:** 1. Comisura 2. Bolsa de filtro

Cuando utilice la bolsa de polvo, inserte el borde de la bolsa de polvo en la comisura.

- **Fig.27:** 1. Comisura 2. Borde 3. Bolsa de polvo

3. Alinee el agujero de la bolsa de filtro con el manguito de manguera y presione la porción de cartón hasta el final. Asegúrese de que el anillo de goma de la bolsa de filtro pasa sobre el borde del manguito de manguera.

- **Fig.28:** 1. Anillo de goma de la bolsa de filtro  
2. Borde del manguito de manguera  
3. Porción de cartón de la bolsa de filtro  
4. Manguito de manguera



# OPERACIÓN

**⚠ADVERTENCIA:** Los operarios deberán ser instruidos adecuadamente sobre la utilización de la aspiradora.

**⚠ADVERTENCIA:** Esta aspiradora no es apropiada para recoger polvo peligroso.

**⚠PRECAUCIÓN:** Esta aspiradora es para uso seco solamente.




**⚠PRECAUCIÓN:** Esta aspiradora es para uso en interiores solamente.

**⚠PRECAUCIÓN:** Inserte siempre el cartucho de batería a tope hasta que se bloquee en su sitio. Si puede ver el indicador rojo en el lado superior del botón, no estará bloqueado completamente. Insértelo completamente hasta que el indicador rojo no pueda verse. En caso contrario, podrá caerse accidentalmente del aparato y ocasionarle heridas a usted o a alguien que esté cerca de usted.

**⚠PRECAUCIÓN:** Durante la operación, sea consciente de la aspiradora a su espalda. Podrá perder el equilibrio si el cuerpo de la aspiradora golpea contra una pared o la manguera se engancha en algún obstáculo.

1. Cargue al hombro el cuerpo de la aspiradora y fije los cintos inferior y superior. Ajuste la tirantez si es necesario.

► Fig.29

2. Presione el botón  para comenzar a aspirar. Para cambiar la potencia de succión, presione el botón  mientras la aspiradora está en marcha. La potencia de succión cambia entre potencia de succión normal (1) y más alta (2). Presione el botón  para parar.

► Fig.30

Durante la operación, enganche la caja de interruptor en el cinto inferior o el anillo.

► Fig.31: 1. Anillo 2. Cinto inferior

3. Reemplace la bolsa de filtro cuando se llene. Abra la tapa y saque la bolsa de filtro. Tire de la tira del lado de la abertura para cerrar la bolsa de filtro y tire la bolsa de filtro en su totalidad.

► Fig.32: 1. Tira

Cuando utilice una bolsa de polvo, extraiga la bolsa de polvo y vacíe el polvo liberando el cierre.

► Fig.33: 1. Cierre

**AVISO:** No ponga la bolsa de filtro/bolsa de polvo ni otros objetos pesados encima de la tapa. El aparato podrá caerse.

**AVISO:** Compruebe periódicamente la bolsa de filtro por si está llena. Continuar utilizando con la bolsa de filtro llena resultará en una reducción de la potencia de succión.

**AVISO:** No utilice una bolsa de filtro ya usada. La bolsa de filtro ha sido diseñada para ser usada una sola vez. La utilización de la bolsa de filtro repetidamente podrá ocasionar el atasco del filtro y resultar en daños a la aspiradora. Si quiere utilizar la bolsa repetidamente, utilice una bolsa de polvo.

# FUNCIÓN DE ACTIVACIÓN INALÁMBRICA

## Lo que puede hacer con la función de activación inalámbrica

La función de activación inalámbrica permite realizar una operación limpia y cómoda. Conectando a la aspiradora una herramienta compatible, puede poner en marcha automáticamente la aspiradora junto con la operación del interruptor de la herramienta.

► Fig.34

**AVISO:** Asegúrese de consultar el manual de instrucciones de la herramienta cuando utilice la aspiradora con función de activación inalámbrica.

**AVISO:** No desmonte o manipule la unidad inalámbrica.

**AVISO:** Para evitar que el polvo entre en la ranura de la unidad inalámbrica, cierre siempre la tapa firmemente durante la operación y el almacenamiento.

**AVISO:** No retire la unidad inalámbrica mientras se esté suministrando alimentación. Si lo hace podrá ocasionar un mal funcionamiento de la unidad inalámbrica.

**AVISO:** No presione el botón de activación inalámbrica con fuerza y/o presione el botón con un objeto de borde cortante.


**NOTA:** La activación inalámbrica necesita de herramientas Makita equipadas con la unidad inalámbrica.

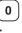
**NOTA:** Antes de la utilización inicial de la función de activación inalámbrica con cada herramienta, se requiere hacer el registro de herramienta. Una vez terminado el registro con la herramienta, no será necesario volver a hacer el registro a menos que este sea cancelado.

**NOTA:** Antes de hacer el registro, asegúrese de que la unidad inalámbrica está insertada debidamente.

**NOTA:** Una unidad inalámbrica puede registrar hasta 10 enlaces con otras unidades inalámbricas. Si hay más de otras 10 unidades inalámbricas registradas a una unidad inalámbrica, la más antigua registrada se cancelará automáticamente.

**NOTA:** La posición del botón de activación inalámbrica varía dependiendo de la herramienta.

**NOTA:** La aspiradora también se pone en marcha presionando el botón  cuando el interruptor de espera está ajustado a "I (ON)".

Sin embargo, el botón  no funcionará cuando se utilice la función de activación inalámbrica.



## Instalación de la unidad inalámbrica

**⚠ PRECAUCIÓN:** Ponga la aspiradora sobre una superficie plana y estable cuando instale la unidad inalámbrica.

**AVISO:** Limpie el polvo y la suciedad de la aspiradora antes de instalar la unidad inalámbrica. El polvo o la suciedad puede ocasionar un mal funcionamiento si entra en la ranura de la unidad inalámbrica.

**AVISO:** Para evitar el mal funcionamiento causado por la electricidad estática, toque un material en el que se descargue la electricidad estática, tal como una pieza metálica, antes de coger la unidad inalámbrica.

**AVISO:** Cuando instale la unidad inalámbrica, asegúrese siempre de que la unidad inalámbrica está insertada en la dirección correcta y que la tapa está completamente cerrada.

1. Abra la tapa de la aspiradora como se muestra en la figura.

► **Fig.35:** 1. Tapa

2. Inserte la unidad inalámbrica en la ranura y después cierre la tapa.

Cuando inserte la unidad inalámbrica, alinee los salientes con las porciones embutidas de la ranura.

► **Fig.36:** 1. Unidad inalámbrica 2. Saliente 3. Tapa 4. Porción embutida

Cuando retire la unidad inalámbrica, abra la tapa despacio. Los ganchos de la parte trasera de la tapa alzarán la unidad inalámbrica a medida que usted levanta la tapa.

► **Fig.37:** 1. Unidad inalámbrica 2. Gancho 3. Tapa

Después de retirar la unidad inalámbrica, manténgala dentro de la funda suministrada o en un contenedor libre de electricidad estática.

**AVISO:** Utilice siempre los ganchos de la parte trasera de la tapa cuando retire la unidad inalámbrica. Si los ganchos no agarran la unidad inalámbrica, cierre la tapa completamente y ábrala despacio otra vez.

## Registro de herramienta para la aspiradora

**NOTA:** Para el registro de herramienta se requiere una herramienta Makita compatible con la función de activación inalámbrica.

**NOTA:** Termine de instalar la unidad inalámbrica en la herramienta antes de comenzar el registro de herramienta.

**NOTA:** Durante el registro de herramienta, no apriete el gatillo interruptor de la herramienta ni presione el interruptor de la aspiradora para aspirar.

**NOTA:** Consulte el manual de instrucciones de la herramienta, también.

Si desea activar la aspiradora junto con la operación del interruptor de la herramienta, termine el registro de herramienta de antemano.

1. Instale las unidades inalámbricas en la aspiradora y la herramienta, respectivamente.

2. Instale las baterías en la aspiradora y la herramienta.

3. Ajuste el interruptor de espera de la aspiradora a "I (ON)".

► **Fig.38:** 1. Interruptor de espera

4. Presione el botón de activación inalámbrica en la aspiradora durante 3 segundos hasta que la lámpara de activación inalámbrica parpadee en verde. Y después presione el botón de activación inalámbrica en la herramienta de la misma manera.

► **Fig.39:** 1. Botón de activación inalámbrica 2. Lámpara de activación inalámbrica

Si la aspiradora y la herramienta están vinculadas correctamente, las lámparas de activación inalámbrica se iluminarán en verde durante 2 segundos y comenzarán a parpadear en azul.

**NOTA:** Las lámparas de activación inalámbrica dejarán de parpadear en verde después de transcurrir 20 segundos. Presione el botón de activación inalámbrica en la herramienta mientras la lámpara de activación inalámbrica en la aspiradora está parpadeando. Si la lámpara de activación inalámbrica no parpadea en verde, presione el botón de activación inalámbrica brevemente y manténgalo presionado otra vez.

**NOTA:** Cuando realice dos o más registros de herramienta para la aspiradora, termine el registro de herramienta de uno en uno.

## Inicio de la función de activación inalámbrica

**NOTA:** Termine el registro de herramienta para la aspiradora para activación inalámbrica.

**NOTA:** Coloque siempre la aspiradora de forma que usted pueda ver el estado de la lámpara de activación inalámbrica.

**NOTA:** Consulte el manual de instrucciones de la herramienta, también.

Después de registrar una herramienta en la aspiradora, la aspiradora se pondrá en marcha automáticamente junto con la operación del interruptor de la herramienta.

1. Instale las unidades inalámbricas en la aspiradora y la herramienta, respectivamente.

2. Instale las baterías en la aspiradora y la herramienta.

3. Conecte la manguera de la aspiradora a la herramienta.

► **Fig.40**

4. Ajuste el interruptor de espera de la aspiradora a "I (ON)". La lámpara de activación inalámbrica parpadeará en azul.

► **Fig.41:** 1. Interruptor de espera

5. Presione el botón de activación inalámbrica en la herramienta brevemente. La lámpara de activación inalámbrica parpadeará en azul.

► **Fig.42:** 1. Botón de activación inalámbrica 2. Lámpara de activación inalámbrica

6. Apriete el gatillo interruptor de la herramienta. Compruebe si la aspiradora se pone en marcha mientras el gatillo interruptor de la herramienta está siendo apretado.

**⚠ PRECAUCIÓN:** Compruebe siempre si la función de activación inalámbrica funciona antes de comenzar un trabajo con la herramienta.

Para detener la activación inalámbrica, presione el botón de activación inalámbrica en la herramienta, o ajuste el interruptor de espera en la aspiradora a "O (OFF)".

**NOTA:** La lámpara de activación inalámbrica en la herramienta dejará de parpadear en azul cuando no se realice ninguna operación durante 2 horas. En este caso, presione los botones de activación inalámbrica de la herramienta otra vez.

**NOTA:** La aspiradora se pone en marcha/se detiene con una demora. Hay un lapso de tiempo cuando la aspiradora detecta una operación del interruptor de la herramienta.

**NOTA:** La distancia de transmisión de la unidad inalámbrica puede variar dependiendo de la ubicación y las circunstancias circundantes.

**NOTA:** Cuando haya registradas dos o más herramientas en una aspiradora, la aspiradora podrá ponerse en marcha aunque usted no apriete el gatillo interruptor porque otro usuario está utilizando la función de activación inalámbrica.

## Cancelación del registro de herramienta para la aspiradora

Realice el procedimiento siguiente cuando vaya a cancelar el registro de herramienta para la aspiradora.

1. Instale las unidades inalámbricas en la aspiradora y la herramienta, respectivamente.
2. Instale las baterías en la aspiradora y la herramienta.
3. Ajuste el interruptor de espera de la aspiradora a "I (ON)".

► **Fig.43:** 1. Interruptor de espera

4. Presione el botón de activación inalámbrica en la aspiradora durante 6 segundos. La lámpara de activación inalámbrica parpadea en verde y después se vuelve roja. Después de esto, presione el botón de activación inalámbrica en la herramienta de la misma manera.

► **Fig.44:** 1. Botón de activación inalámbrica  
2. Lámpara de activación inalámbrica

Si la cancelación se realiza correctamente, las lámparas de activación inalámbrica se iluminarán en rojo durante 2 segundos y comenzarán a parpadear en azul.

**NOTA:** Las lámparas de activación inalámbrica dejarán de parpadear en rojo después de transcurrir 20 segundos. Presione el botón de activación inalámbrica en la herramienta mientras la lámpara de activación inalámbrica en la aspiradora está parpadeando. Si la lámpara de activación inalámbrica no parpadea en rojo, presione el botón de activación inalámbrica brevemente y manténgalo presionado otra vez.

## Borrado de todos los registros de herramienta

Puede borrar todos los registros de herramienta de la aspiradora de la forma siguiente.

► **Fig.45:** 1. Interruptor de espera 2. Botón de activación inalámbrica 3. Lámpara de activación inalámbrica











1. Instale la unidad inalámbrica en la aspiradora.
2. Instale las baterías en la aspiradora.
3. Ajuste el interruptor de espera a "I (ON)".
4. Mantenga presionado el botón de activación inalámbrica durante unos 6 segundos hasta que la lámpara de activación inalámbrica parpadee en rojo (unas dos veces por segundo).
5. Cuando la lámpara de activación inalámbrica comience a parpadear en rojo, libere el dedo del botón de activación inalámbrica. Después, mantenga presionado el botón de activación inalámbrica otra vez durante unos 6 segundos.
6. Cuando la lámpara de activación inalámbrica comience a parpadear rápidamente (unas 5 veces por segundo) en rojo, libere el dedo del botón de activación inalámbrica. Cuando la lámpara de activación inalámbrica se ilumine en rojo y después se apague, todos los registros de herramienta estarán borrados.

**NOTA:** Si la lámpara de activación inalámbrica no parpadea en rojo, presione el botón de activación inalámbrica brevemente e inténtelo otra vez.

## Descripción del estado de la lámpara de activación inalámbrica

- **Fig.46:** 1. Botón de activación inalámbrica  
2. Lámpara de activación inalámbrica

La lámpara de activación inalámbrica muestra el estado de la función de activación inalámbrica. Consulte la tabla de abajo para ver el significado del estado de la lámpara.

| Estado   | Lámpara de activación inalámbrica |  |   | Descripción  |
|--|-----------------------------------|--|---|--|
|  | Color                             |  Encendida                    |  Parpadeando |  |
| En espera                                      | Azul                              |                               | Aspiradora: continuando<br>Herramienta: 2 horas   | Esperando por el registro de herramienta o la función de activación inalámbrica está disponible. La lámpara en la aspiradora parpadea cuando el interruptor de espera está ajustado a "I (ON)". La lámpara en la herramienta parpadea cuando se presiona el botón de activación inalámbrica. La lámpara en la herramienta se apagará automáticamente cuando no se realice ninguna operación durante 2 horas. |
|  |                                   |                               | Cuando la herramienta está en marcha.   | La activación inalámbrica de la aspiradora está disponible y la herramienta está en marcha.  |
| Registro de herramienta                        | Verde                             |                               | 20 segundos   | Preparada para el registro de herramienta. Buscando la herramienta que se va a registrar.  |
|  |                                   |                               | 2 segundos  | El registro de herramienta ha terminado. La lámpara de activación inalámbrica comenzará a parpadear en azul.   |
| Cancelando/borrando el registro de herramienta | Rojo                              | <br>(lento: 2 veces/segundo)  | 20 segundos   | Preparada para la cancelación del registro de herramienta. Buscando la herramienta que se va a cancelar.   |
|  |                                   | <br>(rápido: 5 veces/segundo) | Cuando se presiona el botón de activación inalámbrica.  | Preparada para borrar todos los registros de herramienta.  |
|  |                                   |                               | 2 segundos  | El registro de herramienta ha sido cancelado/borrado. La lámpara de activación inalámbrica comenzará a parpadear en azul.  |
| Otros  | Rojo                              |                               | 3 segundos  | La alimentación se suministra a la unidad inalámbrica y la función de activación inalámbrica se está poniendo en marcha.   |
|  | Apagada                           | -  | -   | El interruptor de espera no está ajustado a "I (ON)".  |

## Solución de problemas para la función de activación inalámbrica

Antes de solicitar reparaciones, realice su propia inspección en primer lugar. Si encuentra un problema que no está explicado en el manual, no intente desmontar la herramienta. En su lugar, pregunte en los centros de servicio autorizados Makita, utilizando siempre piezas de recambio Makita para las reparaciones.

| Estado de anomalía   | Causa probable (mal funcionamiento)  | Remedio   |
|--|--|---|
| La lámpara de activación inalámbrica no se ilumina/parpadea.   | La unidad inalámbrica no está instalada en la aspiradora y/o la herramienta. La unidad inalámbrica está instalada incorrectamente en la aspiradora y/o la herramienta.                                   | Instale la unidad inalámbrica correctamente.  |
|  | El terminal de la unidad inalámbrica y/o la ranura están sucios.   | Retire con cuidado el polvo y la suciedad del terminal de la unidad inalámbrica y limpie la ranura de la aspiradora y/o la herramienta.   |
|  | El botón de activación inalámbrica en la herramienta no ha sido presionado.  | Presione el botón de activación inalámbrica en la herramienta brevemente. Asegúrese de que la lámpara de activación inalámbrica está parpadeando en azul.                           |
|  | El interruptor de espera de la aspiradora no está ajustado a "I (ON)".   | Ajuste el interruptor de espera de la aspiradora a "I (ON)".  |
|  | No se está suministrando alimentación.   | Suministre alimentación a la herramienta y a la aspiradora.   |
| No se puede terminar el registro de herramienta / cancelación del registro de herramienta correctamente. | La unidad inalámbrica no está instalada en la aspiradora y/o la herramienta. La unidad inalámbrica está instalada incorrectamente en la aspiradora y/o la herramienta.                                   | Instale la unidad inalámbrica correctamente.  |
|  | El terminal de la unidad inalámbrica y/o la ranura están sucios.   | Retire con cuidado el polvo y la suciedad del terminal de la unidad inalámbrica y limpie la ranura de la aspiradora y/o la herramienta.   |
|  | El interruptor de espera de la aspiradora no está ajustado a "I (ON)".   | Ajuste el interruptor de espera de la aspiradora a "I (ON)".  |
|  | No se está suministrando alimentación.   | Suministre alimentación a la herramienta y a la aspiradora.   |
|  | Operación incorrecta   | Presione el botón de activación inalámbrica brevemente y realice los procedimientos de registro/cancelación de herramienta otra vez.  |
|  | La herramienta y la aspiradora están alejadas una de la otra (fuera del rango de transmisión).   | Ponga la herramienta y la aspiradora más cerca una de la otra. La distancia de transmisión es de aproximadamente 10 m, sin embargo, podrá variar de acuerdo con las circunstancias. |
|  | Antes de terminar el registro/cancelación de herramienta;<br>- se ha apretado el gatillo interruptor de la herramienta o;<br>- se ha presionado el interruptor de la aspiradora para comenzar a aspirar. | Presione el botón de activación inalámbrica brevemente y realice los procedimientos de registro/cancelación de herramienta otra vez.  |
|  | Los procedimientos de registro de herramienta para la herramienta o la aspiradora no han sido terminados.  | Realice los procedimientos de registro de herramienta para la herramienta y la aspiradora en el mismo momento.  |
| Interferencia de radio de otros aparatos que generan ondas de radio de alta intensidad.                  | Mantenga la herramienta y la aspiradora alejadas de aparatos tales como dispositivos Wi-Fi y hornos de microondas.   |   |

| Estado de anomalía  | Causa probable (mal funcionamiento)  | Remedio  |
|---|--|--|
| La aspiradora no se pone en marcha junto con la operación del interruptor de la herramienta.        | La unidad inalámbrica no está instalada en la aspiradora y/o la herramienta. La unidad inalámbrica está instalada incorrectamente en la aspiradora y/o la herramienta. | Instale la unidad inalámbrica correctamente.   |
|   | El terminal de la unidad inalámbrica y/o la ranura están sucios.   | Retire con cuidado el polvo y la suciedad del terminal de la unidad inalámbrica y limpie la ranura de la aspiradora y/o la herramienta.  |
|   | El botón de activación inalámbrica en la herramienta no ha sido presionado.  | Presione el botón de activación inalámbrica en la herramienta brevemente. Asegúrese de que la lámpara de activación inalámbrica está parpadeando en azul.  |
|   | El interruptor de espera de la aspiradora no está ajustado a "I (ON)".   | Ajuste el interruptor de espera de la aspiradora a "I (ON)".   |
|   | Se han registrado más de 10 herramientas en la aspiradora.   | Realice el registro de herramienta otra vez. Si se registran más de 10 herramientas en la aspiradora, la herramienta que más tiempo lleve registrada se cancelará automáticamente.   |
|   | La aspiradora borró todos los registros de herramienta.  | Realice el registro de herramienta otra vez.   |
|   | No se está suministrando alimentación.   | Suministre alimentación a la herramienta y a la aspiradora.  |
|   | La herramienta y la aspiradora están alejadas una de la otra (fuera del rango de transmisión).   | Ponga la herramienta y la aspiradora más cerca una de la otra. La distancia de transmisión es de aproximadamente 10 m, sin embargo, podrá variar de acuerdo con las circunstancias.  |
|   | Interferencia de radio de otros aparatos que generan ondas de radio de alta intensidad.  | Mantenga la herramienta y la aspiradora alejadas de aparatos tales como dispositivos Wi-Fi y hornos de microondas.   |
| La aspiradora se pone en marcha mientras el gatillo interruptor de la herramienta no está apretado. | Otros usuarios están utilizando la activación inalámbrica de la aspiradora con sus herramientas.   | Realice una de las formas siguientes;<br>- ajuste el interruptor de espera de la aspiradora a la posición "O" o;<br>- desactive el botón de activación inalámbrica de las otras herramientas o;<br>- cancele el registro de herramienta de las otras herramientas.   |
| No se pueden borrar todos los registros de herramienta en la aspiradora.                            | Presionando el botón de activación inalámbrica en la herramienta.  | Presione el botón de activación inalámbrica en la aspiradora para borrar todos los registros de herramienta.   |
|   | El interruptor de espera de la aspiradora no está ajustado a "I (ON)".   | Ajuste el interruptor de espera de la aspiradora a "I (ON)".   |
|   | El botón de activación inalámbrica no se está manteniendo apretado correctamente.  | Mantenga presionado el botón de activación inalámbrica durante más de 6 segundos y después libérela cuando la lámpara de activación inalámbrica parpadee en rojo. Mantenga presionado el botón de activación inalámbrica durante más de 6 segundos otra vez hasta que el botón de activación inalámbrica parpadee rápidamente en rojo y después libere el botón. |

## MANTENIMIENTO

**⚠️ PRECAUCIÓN:** Asegúrese siempre de que el aparato está apagado y el cartucho de batería ha sido retirado antes de intentar hacer una inspección o mantenimiento.

**AVISO:** No utilice nunca gasolina, bencina, disolvente, alcohol o similares. Podría producir descoloración, deformación o grietas.

Para mantener la SEGURIDAD y FIABILIDAD del producto, las reparaciones, y cualquier otra tarea de mantenimiento o ajuste deberán ser realizadas en centros de servicio o de fábrica autorizados por Makita, empleando siempre repuestos Makita.

## Limpieza del filtro HEPA

**⚠ PRECAUCIÓN:** No utilice la aspiradora sin filtro o continúe utilizándola con un filtro sucio o dañado. El polvo o las partículas recogidos podrán escapar por la aspiradora y ocasionar afección respiratoria al operario.

**AVISO:** Para mantener la potencia de succión óptima y el escape limpio, limpie el filtro periódicamente. Si no se obtiene suficiente potencia de succión aun después de limpiar, reemplace el filtro con uno nuevo.

**AVISO:** Para evitar que el filtro se dañe, no utilice los utensilios siguientes y objetos similares para la limpieza:

- Sacudidor de polvo
- Hidrolavadora de alta presión
- Utensilios hechos de materiales duros como un cepillo de alambres

1. Abra la tapa y saque la bolsa de filtro/bolsa de polvo. Libere el gancho del filtro y retírelo del cuerpo de la aspiradora.

► **Fig.47:** 1. Gancho

2. Sacuda el polvo del filtro golpeándolo suavemente. El filtro se puede lavar con agua. Retire el polvo y las partículas enjuagando el filtro cada 1 o 2 meses. Después de eso, seque el filtro completamente en un lugar a la sombra y bien ventilado para evitar olores desagradables o un mal funcionamiento.

3. Para instalar el filtro, inserte el lado sin los ganchos en la ranura y después empuje hacia dentro el filtro hasta que los ganchos se sujeten con un chasquido.

► **Fig.48:** 1. Ranura 2. Filtro HEPA 3. Gancho

## Limpieza de la bolsa de polvo

Limpie regularmente la bolsa de polvo con jabón y agua. Vuelva la bolsa de polvo del revés y retire el polvo adherido. Lávela a mano ligeramente y aclárela bien con agua. Séquela completamente antes de instalarla en el aspirador.

► **Fig.49**

**AVISO:** Una bolsa de polvo mojada reduce el rendimiento de aspiración así como la vida de servicio del motor.

## Limpieza del espacio para la bolsa de filtro/bolsa de polvo

Cuando limpie el espacio para la bolsa de filtro/bolsa de polvo, retire la lámina del interior y límpiela.

► **Fig.50:** 1. Lámina

## Para retirar la lámina

1. Retire el filtro HEPA. Consulte la sección para la limpieza del filtro HEPA para ver cómo retirarlo.

2. Empuje la lámina hacia abajo, y deslícela hacia la izquierda hasta que toque la pared.

3. Levante el lado derecho de la lámina y sáquela.

► **Fig.51:** 1. Lámina

La lámina se apoya en tres resortes.

Si los resortes se salen de la lámina o la palanca, vuelva a colocarlos como se muestra en la ilustración.

► **Fig.52:** 1. Resorte para la lámina 2. Resorte para la palanca 3. Saliente

**NOTA:** Coloque los resortes firmemente de forma que toquen el fondo de los salientes.

## Colocación de la lámina

1. Inserte el lado recto de la lámina en los enganches del lado inferior izquierdo del espacio.

2. Ponga el lado derecho de la lámina en su sitio.

► **Fig.53:** 1. Lámina 2. Lado recto 3. Enganche

## ACCESORIOS OPCIONALES

**⚠ PRECAUCIÓN:** Estos accesorios o aditamentos están recomendados para utilizar con su producto Makita especificado en este manual. La utilización de cualquier otro accesorio o aditamento puede presentar un riesgo de heridas a personas. Solamente utilice el accesorio o aditamento para su fin específico.

Si necesita cualquier ayuda para más detalles en relación con estos accesorios, pregunte al centro de servicio Makita local.

- Manguera (para tipo extracción de polvo)
- Manguera (para tipo aspiradora)
- Tubo de extensión
- Boquilla libre
- Boquilla en T
- Boquilla para asientos
- Boquilla para esquinas
- Cepillo para estanterías
- Cepillo redondo
- Bolsa de filtro
- Bolsa de polvo
- Manguito delantero
- Filtro HEPA
- Unidad inalámbrica
- Colector ciclónico
- Batería y cargador genuinos de Makita

**NOTA:** Algunos elementos de la lista podrán estar incluidos en el paquete de la herramienta como accesorios estándar. Pueden variar de un país a otro.

## Colector ciclónico

**NOTA:** Cuando se utilice el colector ciclónico con este aparato, también se requerirá el tubo curvado.

► **Fig.54:** 1. Colector ciclónico

### Acerca del colector ciclónico

La utilización de la aspiradora con el colector ciclónico instalado reduce la cantidad de polvo que entra en la bolsa de polvo, lo que ayuda a evitar que la fuerza de succión se debilite. Además, la limpieza después de la utilización también se simplifica.

**⚠PRECAUCIÓN:** Asegúrese siempre de que la herramienta está apagada y el cartucho de batería ha sido retirado antes de realizar cualquier trabajo en la herramienta. Si el cartucho de batería se deja insertado, la aspiradora podrá ponerse en marcha inesperadamente y resultar en heridas.

**⚠PRECAUCIÓN:** Limpie el filtro de malla del colector ciclónico y la bolsa de polvo de la unidad de la aspiradora cuando se obstruyan. Continuar utilizando estando obstruidos podrá resultar en calentamiento o humo.

**AVISO:** Cuando el colector ciclónico esté colocado, no utilice el colector ciclónico en posición horizontal ni orientado hacia arriba. Si lo hace podrá ocasionar que el filtro de malla se obstruya.

**AVISO:** Utilice siempre la aspiradora con la bolsa de polvo instalada, aun cuando utilice el colector ciclónico. La utilización de la aspiradora sin la bolsa de polvo instalada podrá resultar en un mal funcionamiento del motor.

**NOTA:** Compruebe que el colector ciclónico, la aspiradora, y el tubo recto están bloqueados debidamente antes de utilizar.

**NOTA:** Vacíe el recipiente para polvo del colector ciclónico y la bolsa de polvo de la aspiradora cuando se haya acumulado polvo. Continuar utilizando resultará en una debilitación de la fuerza de succión.

**NOTA:** Puede utilizar el colector ciclónico con función de bloqueo o sin ella.

**NOTA:** Para instalar o desmontar el colector ciclónico, consulte la sección "Utilización como una aspiradora".

### Extracción del polvo

Cuando el polvo se haya acumulado hasta la línea de lleno del recipiente para polvo, siga el procedimiento de abajo y deseche el polvo.

1. Sujete el recipiente para polvo firmemente, mantenga presionados los dos botones, y retire el recipiente para polvo.

► **Fig.55:** 1. Línea de lleno 2. Recipiente para polvo 3. Botón (dos lugares) 4. Filtro de malla

2. Deseche el polvo de dentro del recipiente para polvo y retire cualquier resto de polvo adherido a la superficie del filtro de malla.

3. Inserte el recipiente para polvo a fondo hasta que los dos botones se bloqueen con un chasquido.

► **Fig.56:** 1. Recipiente para polvo 2. Botón (dos lugares)

**NOTA:** Compruebe que el colector ciclónico, la aspiradora, y el tubo recto están bloqueados debidamente antes de reanudar la operación.

**NOTA:** Si la fuerza de succión no se recupera incluso después de desechar el polvo y limpiar el filtro de malla, compruebe si se ha acumulado polvo en la bolsa de polvo de la aspiradora o si se ha producido obturación.

### Limpieza

Cuando el recipiente para polvo se ensucie o el filtro de malla se obstruya, retírelos y lávelos con agua. (Consulte "Extracción del polvo" para ver el procedimiento de extracción).

Seque las partes completamente antes de volver a instalar y utilizar.

► **Fig.57:** 1. Recipiente para polvo 2. Filtro de malla

Cuando el filtro de malla se ensucie mucho, límpielo siguiendo los procedimientos siguientes.

1. Gire el filtro de malla hacia la izquierda y retírelo mientras los ganchos están desbloqueados.

► **Fig.58:** 1. Filtro de malla 2. Gancho

2. Retire el polvo del filtro de malla y después lávelo con agua. Después de eso, séquelo completamente.

3. Inserte el filtro de malla en la base mientras los ganchos están alineados con la abertura. Gire el filtro de malla hacia la derecha hasta que los ganchos se bloqueen con un chasquido. Asegúrese de que el filtro de malla está instalado firmemente.

► **Fig.59:** 1. Filtro de malla 2. Gancho 3. Abertura



## AVISO

- Esta máquina não deve ser utilizada por pessoas com capacidades físicas, sensoriais ou mentais reduzidas nem por crianças ou pessoas com falta de experiência ou conhecimentos.
- As crianças devem ser supervisionadas, de modo a assegurar que não brincam com o aspirador.
- Consulte o capítulo "ESPECIFICAÇÕES" para ficar a saber a referência de tipo da bateria.
- Consulte a secção "Instalar ou remover a bateria" para saber como remover ou instalar a bateria.
- Quando eliminar a bateria, remova-a da ferramenta e elimine-a num local seguro. Siga os regulamentos locais relacionados com a eliminação de baterias.
- Se a ferramenta não for utilizada durante um período de tempo prolongado, a bateria deve ser removida da ferramenta.
- Não coloque a bateria em curto-circuito.
- Consulte o capítulo "MANUTENÇÃO" para obter as informações adequadas sobre as precauções a ter durante a manutenção pelo utilizador.

## ESPECIFICAÇÕES

|   |                |                          |
|---|----------------|--------------------------|
| <b>Modelo:</b>  |                | <b>DVC665</b>            |
| Capacidade  | Saco do filtro | 6,0 L                    |
|   | Saco para pó   | 5,5 L                    |
| Volume máximo de ar<br>(Com mangueira com $\varnothing$ de 28 mm x 1,5 m) |                | 1,8 m <sup>3</sup> /min  |
| Vácuo   |                | 110 hPa                  |
| Dimensões (C x L x A)<br>(excluindo a cablagem)                           |                | 297 mm x 174 mm x 523 mm |
| Tensão nominal  |                | CC 36 V                  |
| Peso líquido  |                | 6,1 - 6,7 kg             |

- Devido a um programa contínuo de pesquisa e desenvolvimento, estas especificações estão sujeitas a alteração sem aviso prévio.
- As especificações podem diferir de país para país.
- O peso não inclui os acessórios mas a(s) bateria(s). Os pesos combinados mais leve e mais pesado do aparelho e da(s) bateria(s) são indicados na tabela.

## Bateria e carregador aplicável

|            |  |
|------------|--|
| Bateria    | BL1815N / BL1820B / BL1830B / BL1840B / BL1850B / BL1860B    |
| Carregador | DC18RC / DC18RD / DC18RE / DC18SD / DC18SE / DC18SF / DC18SH |

- Algumas das baterias e carregadores listados acima poderão não estar disponíveis, dependendo da sua região de residência.

**⚠AVISO:** Utilize apenas as baterias e carregadores listados acima. A utilização de quaisquer outras baterias e carregadores pode causar ferimentos e/ou um incêndio.

**⚠AVISO:** Não utilize uma fonte de alimentação com fio como um adaptador da bateria ou adaptador de baterias tipo mochila com esta ferramenta. A utilização de mais de um arnês de cada vez dificulta a operação e libertação da ferramenta, e pode provocar ferimentos.

## Símbolos

A seguir são apresentados os símbolos que podem ser utilizados para o equipamento. Certifique-se de que compreende o seu significado antes da utilização.



Leia o manual de instruções.



Tenha especial cuidado e atenção.



Apenas para países da UE  
Devido à presença de componentes perigosos no equipamento, os resíduos de equipamentos elétricos e eletrônicos, acumuladores e baterias podem ter um impacto negativo no meio ambiente e na saúde humana.  
Não elimine aparelhos elétricos e eletrônicos ou baterias juntamente com resíduos domésticos! De acordo com a Diretiva europeia relativa aos resíduos de equipamentos elétricos e eletrônicos, acumuladores e baterias, bem como a respetiva adaptação à legislação nacional, os resíduos de equipamentos elétricos e eletrônicos, acumuladores e baterias devem ser armazenados separadamente e entregues num ponto de recolha separado para resíduos municipais, que opere de acordo com os regulamentos de proteção ambiental.  
Tal é indicado pelo símbolo de contenedor de lixo com rodas barrado com uma cruz colocado no equipamento.

## Utilização a que se destina

O aparelho serve para recolher pó seco. O aparelho é adequado para utilização comercial, por exemplo, em hotéis, escolas, hospitais, fábricas, lojas, escritórios e empresas de aluguer.

## Ruído

A característica do nível de ruído A determinado de acordo com a IEC60335-2-69, IEC60704-2-1:  
Nível de pressão acústica ( $L_{pA}$ ): 70 dB (A) ou menos  
Variabilidade (K): 2,5 dB (A)

O nível de ruído durante o funcionamento pode exceder 80 dB (A).

**NOTA:** O(s) valor(es) da emissão de ruído indicado(s) foi medido de acordo com um método de teste padrão e pode ser utilizado para comparar duas ferramentas.

**NOTA:** O(s) valor(es) da emissão de ruído indicado(s) pode também ser utilizado na avaliação preliminar da exposição.

**AVISO:** Utilize protetores auriculares.

**AVISO:** A emissão de ruído durante a utilização real da ferramenta elétrica pode diferir do(s) valor(es) indicado(s), dependendo das formas como a ferramenta é utilizada, especialmente o tipo de peça de trabalho que é processada.

**AVISO:** Certifique-se de identificar as medidas de segurança para proteção do operador que sejam baseadas em uma estimativa de exposição em condições reais de utilização (considerando todas as partes do ciclo de operação, tal como quando a ferramenta está desligada e quando está a funcionar em marcha lenta além do tempo de acionamento).

## Vibração

Valor total da vibração (soma vetorial tri-axial) determinado de acordo com a IEC60335-2-69:  
Modo de trabalho: funcionamento sem carga  
Emissão de vibração ( $a_{h1}$ ): 2,5  $m/s^2$  ou menos  
Variabilidade (K): 1,5  $m/s^2$

**NOTA:** O(s) valor(es) total(ais) de vibração indicado(s) foi medido de acordo com um método de teste padrão e pode ser utilizado para comparar duas ferramentas.

**NOTA:** O(s) valor(es) total(ais) de vibração indicado(s) pode também ser utilizado na avaliação preliminar da exposição.

**AVISO:** A emissão de vibração durante a utilização real da ferramenta elétrica pode diferir do(s) valor(es) indicado(s), dependendo das formas como a ferramenta é utilizada, especialmente o tipo de peça de trabalho que é processada.

**AVISO:** Certifique-se de identificar as medidas de segurança para proteção do operador que sejam baseadas em uma estimativa de exposição em condições reais de utilização (considerando todas as partes do ciclo de operação, tal como quando a ferramenta está desligada e quando está a funcionar em marcha lenta além do tempo de acionamento).

## Declaração de conformidade da CE

### Apenas para os países europeus

A declaração de conformidade da CE está incluída como Anexo A neste manual de instruções.

## AVISOS DE SEGURANÇA

### Avisos de segurança do aspirador a bateria

**AVISO: IMPORTANTE! LEIA COM ATENÇÃO todos os avisos de segurança e todas as instruções ANTES DA UTILIZAÇÃO.** Caso não siga os avisos e instruções, pode apanhar um choque elétrico, provocar um incêndio e/ou ferimentos graves.

1. Antes de utilizar, certifique-se de que este aspirador é utilizado por pessoas que tenham recebido instruções adequadas sobre a utilização deste aspirador.
2. Não utilize o aspirador sem o filtro. Substitua imediatamente o filtro danificado.
3. Não tente aspirar materiais inflamáveis, fogo de artifício, cigarros acesos, cinzas quentes, aparas metálicas quentes, materiais aguçados como lâminas, agulhas, vidro partido ou outros do género.
4. NUNCA UTILIZE O ASPIRADOR JUNTO DE GASOLINA, GÁS, TINTA, COLAS OU OUTRAS SUBSTÂNCIAS ALTAMENTE EXPLOSIVAS. O interruptor emite faíscas quando se liga e desliga. O mesmo acontece com o comutador do motor durante o funcionamento. Pode resultar em explosão perigosa.
5. Este aspirador não é adequado para aspirar poeiras perigosas.
6. Nunca aspire produtos tóxicos, carcinogénicos, combustíveis ou outros materiais perigosos como amianto, arsénico, bário, berílio, chumbo, pesticidas ou outros materiais que ponham a saúde em perigo.

7. Nunca utilize o aspirador no exterior, à chuva.
  8. No caso da Finlândia, esta máquina não deve ser utilizada ao ar livre a baixa temperatura.
  9. Não utilize junto de fontes de calor (fornos, etc.).
  10. Não bloqueie os ventiladores de arrefecimento. Estes ventiladores permitem arrefecer o motor. Os entupimentos devem ser cuidadosamente evitados, caso contrário, o motor queima por falta de ventilação.
  11. Mantenha sempre o equilíbrio e os pés bem assentes no chão.
  12. Não dobre, arraste nem pise a mangueira.
  13. Desligue imediatamente o aspirador se notar qualquer falta de desempenho ou algo fora do normal durante o funcionamento.
  14. **DESLIGUE AS BATERIAS.** Quando não estiver a utilizar o aparelho, antes da assistência técnica e quando mudar de acessórios.
  15. Limpe e faça a assistência ao aspirador imediatamente após cada utilização para o manter nas condições de funcionamento normal.
  16. **CONSERVE O ASPIRADOR COM CUIDADO.** Mantenha o aspirador limpo para obter um desempenho melhor e mais seguro. Siga as instruções para mudar os acessórios. Mantenha as pegas secas, limpas e sem óleo e gordura.
  17. **VERIFIQUE AS PEÇAS DANIFICADAS.** Antes de continuar a utilizar o aspirador deve verificar cuidadosamente se qualquer resguardo ou outra peça está danificado para determinar se o aspirador funcionará adequadamente e realizará a função pretendida. Verifique o alinhamento das peças móveis, a união das peças móveis, a quebra de peças, a montagem e quaisquer outras condições que possam afetar o seu funcionamento. Um resguardo ou outra peça danificado deve ser adequadamente reparado ou substituído por um centro de assistência autorizado, a menos que indicado o contrário em qualquer outro lugar neste manual. Peça a substituição de interruptores defeituosos junto de um centro de assistência autorizado. Não utilize o aspirador se o interruptor não o ligar ou desligar.
  18. **PEÇAS DE SUBSTITUIÇÃO.** Durante a assistência, utilize apenas peças de substituição idênticas.
  19. **GUARDE O ASPIRADOR PARADO.** Quando não estiver a utilizar o aspirador, deve guardá-lo no interior.
  20. Tenha cuidado com o aspirador. Um manuseamento severo pode provocar quebras até mesmo ao aspirador mais robusto.
  21. Não tente limpar o exterior ou o interior com gasolina, diluente ou produtos químicos de limpeza. Pode provocar rachas ou descoloração.
  22. Não utilize o aspirador num espaço fechado onde existam vapores inflamáveis, explosivos ou tóxicos devido a tintas à base de óleo, diluente de tinta, gasolina, algumas substâncias repelentes de traças, etc. ou em áreas onde estejam presentes poeiras inflamáveis.
  23. Não utilize o aspirador sob a influência de drogas ou álcool.
  24. Utilize óculos de segurança ou de proteção com proteções laterais como medida básica de segurança.
  25. Utilize uma máscara contra pó em condições de trabalho poeirentas.
  26. Esta máquina não deve ser utilizada por pessoas com capacidades físicas, sensoriais ou mentais reduzidas nem por crianças ou pessoas com falta de experiência ou conhecimentos.
  27. As crianças devem ser supervisionadas, de modo a assegurar que não brincam com o aspirador.
  28. Nunca manuseie a(s) bateria(s) e o aspirador com as mãos molhadas.
  29. Tenha extremo cuidado quando limpar escadas.
  30. Não utilize o aspirador como banco ou bancada de trabalho. A máquina pode cair e resultar em ferimentos pessoais.
- Utilização e cuidados com a ferramenta a bateria**
1. **Recarregue apenas com o carregador especificado pelo fabricante.** Um carregador adequado para um tipo de bateria pode criar um risco de incêndio quando utilizado com outra bateria.
  2. **Utilize as ferramentas elétricas apenas com as baterias especificamente designadas.** A utilização de uma bateria diferente pode criar um risco de ferimentos e de incêndio.
  3. **Quando a bateria não está a ser utilizada, mantenha-a afastada de outros objetos metálicos, como cliques, moedas, chaves, pregos, parafusos ou outros objetos metálicos pequenos que possam fazer a ligação entre os dois terminais.** Colocar os terminais da bateria em curto-circuito um com o outro pode provocar queimaduras ou um incêndio.
  4. **Em condições abusivas, o líquido pode ser ejetado da bateria; evite o contacto com o mesmo. Se ocorrer um contacto accidental, lave com água.** Se o líquido entrar em contacto com os olhos, procure também assistência médica. O líquido ejetado da bateria pode provocar irritações ou queimaduras.
  5. **Não utilize um conjunto de baterias ou uma ferramenta que se encontrem danificados ou modificados.** As baterias danificadas ou modificadas poderão exibir um comportamento imprevisível, resultando em incêndio, explosão ou risco de lesão.
  6. **Não exponha um conjunto de baterias ou uma ferramenta a incêndio ou temperatura excessiva.** A exposição a incêndio ou a uma temperatura superior a 130 °C poderá causar uma explosão.
  7. **Siga todas as instruções de carregamento e não carregue o conjunto de baterias ou ferramenta fora da amplitude de temperaturas especificada nas instruções.** O carregamento impróprio ou a temperaturas fora da amplitude especificada poderá danificar a bateria e aumentar o risco de incêndio.

8. **Não utilize uma fonte de alimentação com fio como um adaptador da bateria ou adaptador de baterias tipo mochila com esta ferramenta.** O cabo de tal fonte de alimentação pode impedir a operação e resultar em ferimentos pessoais.
11. **Quando eliminar a bateria, remova-a da ferramenta e elimine-a num local seguro. Siga os regulamentos locais relacionados com a eliminação de baterias.**

#### Assistência

1. **A ferramenta elétrica deve receber assistência por parte de pessoal qualificado que utilize apenas peças de substituição idênticas.** Isto garantirá que a segurança da ferramenta elétrica é mantida.
2. **Siga as instruções para lubrificação e mudança de acessórios.**
3. **Mantenha as peças secas, limpas e sem óleo e massa lubrificante.**
12. **Utilize as baterias apenas com os produtos especificados pela Makita.** Instalar as baterias em produtos não-conformes poderá resultar num incêndio, calor excessivo, explosão ou fuga de eletrólito.
13. **Se a ferramenta não for utilizada durante um período de tempo prolongado, a bateria deve ser removida da ferramenta.**
14. **Durante e após a utilização, a bateria pode aquecer, o que pode provocar queimaduras ou queimaduras a baixa temperatura. Preste atenção ao manuseamento de baterias quentes.**

### Instruções de segurança importantes para a bateria

1. **Antes de utilizar a bateria, leia todas as instruções e etiquetas de precaução no (1) carregador de bateria (2) bateria e (3) produto que utiliza a bateria.**
2. **Não desmonte ou manipule a bateria.** Pode resultar num incêndio, em calor excessivo ou numa explosão.
3. **Se o tempo de funcionamento se tornar excessivamente curto, pare o funcionamento imediatamente. Pode resultar em sobreaquecimento, possíveis queimaduras e mesmo explosão.**
4. **Se entrar eletrólito nos seus olhos, lave-os com água e consulte imediatamente um médico. Pode resultar em perda de visão.**
5. **Não coloque a bateria em curto-circuito:**
  - (1) **Não toque nos terminais com qualquer material condutor.**
  - (2) **Evite guardar a bateria juntamente com outros objetos metálicos tais como pregos, moedas, etc.**
  - (3) **Não exponha a bateria à água ou chuva. Um curto-circuito pode ocasionar um enorme fluxo de corrente, sobreaquecimento, possíveis queimaduras e mesmo estragar-se.**
6. **Não guarde nem utilize a ferramenta e a bateria em locais onde a temperatura pode atingir ou exceder 50 °C.**
7. **Não queime a bateria mesmo que esteja estragada ou completamente gasta. A bateria pode explodir no fogo.**
8. **Não preegue, corte, esmague, atire, deixe cair a bateria, nem bata a bateria contra um objeto rijo.** Esta conduta pode resultar num incêndio, em calor excessivo ou numa explosão.
9. **Não utilize uma bateria danificada.**
10. **As baterias de íões de lítio contidas na ferramenta são sujeitas aos requisitos da DGL (Dangerous Goods Legislation - Legislação de bens perigosos).** Para o transporte comercial, por exemplo, por terceiros ou agentes de expedição, têm de ser observados os requisitos referentes à embalagem e etiquetagem. Para preparação do artigo a ser expedido, é necessário consultar um perito em materiais perigosos. Tenha ainda em conta a possibilidade de existirem regulamentos nacionais mais detalhados. Coloque fita-cola ou tape os contactos abertos e embale a bateria de tal forma que não possa mover-se dentro da embalagem.
15. **Não toque no terminal da ferramenta imediatamente após a utilização, pois pode ficar suficientemente quente para provocar queimaduras.**
16. **Não permita a adesão de aparas, pó ou sujidade nos terminais, nos orifícios e nas ranhuras da bateria.** Pode resultar no fraco desempenho ou na avaria da ferramenta ou bateria.
17. **A menos que a ferramenta suporte a utilização perto de linhas elétricas de alta tensão, não utilize a bateria perto de linhas elétricas de alta tensão.** Pode resultar no mau funcionamento ou na avaria da ferramenta ou bateria.
18. **Mantenha a bateria afastada das crianças.**

### GUARDE ESTAS INSTRUÇÕES.

**⚠PRECAUÇÃO:** Utilize apenas baterias genuínas da Makita. A utilização de baterias não genuínas da Makita ou de baterias que foram alteradas, pode resultar no rebentamento da bateria provocando incêndios, ferimentos pessoais e danos. Além disso, anulará da garantia da Makita no que se refere à ferramenta e ao carregador Makita.

### Conselhos para manter a máxima vida útil da bateria

1. **Carregue a bateria antes que esteja completamente descarregada. Pare sempre o funcionamento da ferramenta e carregue a bateria quando notar menos poder na ferramenta.**
2. **Nunca carregue uma bateria completamente carregada. Carregamento excessivo diminui a vida útil da bateria.**
3. **Carregue a bateria à temperatura ambiente de 10 °C – 40 °C. Deixe que uma bateria quente arrefeça antes de a carregar.**
4. **Quando não utilizar a bateria, remova-a da ferramenta ou do carregador.**
5. **Carregue a bateria se não a utilizar durante um longo período de tempo (mais de seis meses).**

## Instruções de segurança importantes para a unidade sem fios

1. Não desmonte ou manipule a unidade sem fios.
2. Mantenha a unidade sem fios afastada das crianças. Se ocorrer a ingestão accidental, procure imediatamente cuidados médicos.
3. Utilize a unidade sem fios apenas com ferramentas Makita.
4. Não exponha a unidade sem fios à chuva ou a condições húmidas.
5. Não utilize a unidade sem fios em locais onde a temperatura excede 50 °C.
6. Não utilize a unidade sem fios em locais próximos de instrumentos médicos, tais como estimuladores cardíacos.
7. Não utilize a unidade sem fios em locais próximos de dispositivos automatizados. Se utilizada, os dispositivos automatizados podem desenvolver anomalias ou erros.
8. Não utilize a unidade sem fios em locais sob temperaturas altas ou locais nos quais possa ser gerada eletricidade estática ou ruído elétrico.
9. A unidade sem fios pode produzir campos eletromagnéticos (CEM) mas estes não são nocivos para o utilizador.
10. A unidade sem fios é um instrumento preciso. Tenha cuidado para não deixar cair a unidade sem fios nem bater nesta.
11. Evite tocar no terminal da unidade sem fios com as mãos desprotegidas ou com materiais metálicos.
12. Retire sempre a bateria do produto quando instalar a unidade sem fios.
13. Quando abrir a tampa da ranhura, evite o local no qual a poeira e a água podem entrar para a ranhura. Mantenha sempre a entrada da ranhura limpa.
14. Insira sempre a unidade sem fios na direção correta.
15. Não pressione o botão de ativação sem fios na unidade sem fios com demasiada força e/ou pressione o botão com um objeto com aresta afiada.
16. Feche sempre a tampa da ranhura quando utilizar a ferramenta.
17. Não remova a unidade sem fios da ranhura enquanto estiver a ser fornecida alimentação elétrica à ferramenta. Fazê-lo pode causar a anomalia da unidade sem fios.
18. Não remova o adesivo da unidade sem fios.
19. Não coloque qualquer adesivo na unidade sem fios.
20. Não deixe a unidade sem fios num local em que possa ser gerada eletricidade estática ou ruído elétrico.
21. Não deixe a unidade sem fios num local sujeito a calor intenso, tal como um veículo exposto ao sol.
22. Não deixe a unidade sem fios num local poeirento ou pulverulento ou num local onde possa ser gerado gás corrosivo.
23. A mudança súbita da temperatura pode molhar a unidade sem fios com condensação. Não utilize a unidade sem fios até que a condensação esteja completamente seca.
24. Quando limpar a unidade sem fios, limpe-a suavemente com um pano macio e seco. Não utilize benzina, diluente, massa lubrificante condutora ou similar.
25. Quando armazenar a unidade sem fios, guarde-a na caixa fornecida ou num recipiente anti-estática.
26. Não insira quaisquer dispositivos diferentes da unidade sem fios Makita na ranhura na ferramenta.
27. Não utilize a ferramenta com a tampa da ranhura danificada. A entrada de água, poeira e sujidade na ranhura pode causar o mau funcionamento.
28. Não puxe e/ou torça a tampa da ranhura além do necessário. Recoloque a tampa se esta sair da ferramenta.
29. Substitua a tampa da ranhura se a perder ou danificar.

## GUARDE ESTAS INSTRUÇÕES.

## DESCRIÇÃO FUNCIONAL

**⚠PRECAUÇÃO:** Certifique-se sempre de que o aparelho está desligado e a bateria foi retirada antes de regular ou verificar qualquer função no aparelho.

## Instalação ou remoção da bateria

**⚠PRECAUÇÃO:** Desligue sempre o aparelho antes de instalar ou remover a bateria.

**⚠PRECAUÇÃO:** Segure firmemente o aparelho e a bateria quando instalar ou remover a bateria. Se não segurar firmemente o aparelho e a bateria pode fazer com que escorreguem das suas mãos resultando em danos no aparelho e na bateria e ferimentos pessoais.

► Fig.1: 1. Indicador vermelho 2. Botão 3. Bateria

Para retirar a bateria, deslize-a para fora do aparelho enquanto desliza o botão na frente da bateria.

Para instalar a bateria, alinhe a lingueta da bateria com a ranhura no compartimento e deslize-a no lugar. Empurre-a até o fim para que a mesma encaixe no lugar com um clique. Se puder ver a parte vermelha no lado superior do botão, significa que não está completamente bloqueada.

**⚠PRECAUÇÃO:** Instale sempre a bateria totalmente até o indicador vermelho não poder ser visto. Caso contrário, esta poderá cair do aparelho acidentalmente e provocar ferimentos em si ou em alguém próximo.

**⚠PRECAUÇÃO:** Não instale a bateria à força. Se a bateria não deslizar facilmente é porque não foi colocada corretamente.

## Sistema de proteção do aparelho/da bateria

O aparelho está equipado com um sistema de proteção do aparelho/da bateria. Este sistema desliga automaticamente a alimentação do motor para prolongar a vida útil do aparelho e da bateria. O aparelho para automaticamente durante o funcionamento se o aparelho ou a bateria se encontrarem numa das seguintes condições.

### Proteção contra sobrecarga

Quando o aparelho é utilizado de uma forma que causa a absorção de uma corrente anormalmente alta, o aparelho para automaticamente sem qualquer indicação. Nesta situação, desligue o aparelho e pare a aplicação que causou a sobrecarga do aparelho. Em seguida, ligue o aparelho para reiniciar.

### Proteção contra sobreaquecimento

Quando o aparelho estiver sobreaquecido, este para automaticamente. Deixe o aparelho arrefecer antes de ligá-lo novamente.

### Proteção contra descarga excessiva

Quando a capacidade da bateria ficar fraca, o aparelho para automaticamente. Se o produto não funcionar mesmo quando os interruptores são acionados, retire as baterias do aparelho e carregue-as.

## Indicação da capacidade restante da bateria

**Apenas para baterias com indicador**

► Fig.2: 1. Luzes indicadoras 2. Botão de verificação

Prima o botão de verificação na bateria para indicar a capacidade restante da bateria. As luzes indicadoras acendem durante alguns segundos.

| Luzes indicadoras |         |          | Capacidade restante            |
|-------------------|---------|----------|--------------------------------|
| Aceso             | Apagado | A piscar |                                |
|                   |         |          | 75% a 100%                     |
|                   |         |          | 50% a 75%                      |
|                   |         |          | 25% a 50%                      |
|                   |         |          | 0% a 25%                       |
|                   |         |          | Carregar a bateria.            |
|                   |         |          | A bateria pode estar avariada. |

**NOTA:** Dependendo das condições de utilização e da temperatura ambiente, a indicação pode ser ligeiramente diferente da capacidade real.

**NOTA:** A primeira luz indicadora (extremo esquerdo) pisca quando o sistema de proteção da bateria funciona.

## Posição da caixa de interruptores

A caixa de interruptores pode ser enganchada em qualquer um dos lados do cinto inferior. Coloque o cabo de forma a que a caixa de interruptores fique do lado que pretender. Para evitar que o cabo fique danificado, passe-o através da ranhura conforme ilustrado.

► Fig.3: 1. Ranhura 2. Cabo

## Cintos de ajuste

O aperto dos cintos de ombro e dos cintos superior e inferior pode ser ajustado. Primeiro, passe os braços através dos cintos de ombro, depois, aperte os cintos inferior e superior. Para apertar, puxe a extremidade da correia como ilustrado. Para soltar, puxe para cima a extremidade do prendedor.

**Cinto inferior**

► Fig.4: 1. Correia 2. Prendedor

**Cintos de ombros**

► Fig.5: 1. Correia 2. Prendedor

**Cinto superior**

► Fig.6: 1. Correia 2. Prendedor

## Gancho de transporte

**⚠PRECAUÇÃO:** Utilize as peças para pendurar/de montagem apenas para as suas finalidades previstas. A utilização para finalidades não previstas pode causar um acidente ou ferimentos pessoais.

Agarre sempre pelo gancho de transporte quando manusear o corpo do aspirador.

► Fig.7: 1. Gancho de transporte

## Interruptor do modo de espera

O interruptor do modo de espera é o interruptor para ligar/desligar a função de ativação sem fios. O aspirador está no estado de modo de espera independentemente da posição do interruptor e liga quando o botão é pressionado.

► Fig.8: 1. Interruptor do modo de espera

| Posição do interruptor |         | Estado  |
|------------------------|---------|---|
| AUTO                   | I (ON)  | O aspirador está no estado de modo de espera e a função de ativação sem fios está disponível.             |
|                        | O (OFF) | O aspirador está no estado de modo de espera, contudo, a função de ativação sem fios não está disponível. |

## Ação do interruptor


Para começar a aspirar, prima o botão uma vez. O aspirador inicia na mesma potência de sucção que apresentava quando o desligou anteriormente. Se premir o botão enquanto o aspirador está a funcionar, a potência de sucção muda entre normal (1) e superior (2). Para desligar o aspirador, prima o botão .

► Fig.9



**NOTA:** Se pretender ligar o aspirador juntamente com o funcionamento por interruptor da ferramenta ligada ao aspirador (função de ativação sem fios), defina o interruptor do modo de espera para "I (ON)".

**NOTA:** Para utilizar a função de ativação sem fios, conclua o registo da ferramenta previamente. Consulte a secção "FUNÇÃO DE ATIVAÇÃO SEM FIOS" para obter informações.

**NOTA:** Quando utilizar a função de ativação sem fios, não poderá parar a aspiração através do botão .

## Faixa da mangueira

A faixa da mangueira pode ser utilizada para segurar a mangueira ou o bocal livre.

Para fixar a mangueira ao corpo do aspirador, passe a faixa da mangueira através da ranhura no corpo. Pode prender a faixa da mangueira em qualquer um dos lados.

► **Fig.10:** 1. Faixa da mangueira 2. Ranhura 3. Mangueira

A argola no cinto inferior pode ser utilizada para transportar bocais conforme ilustrado.

► **Fig.11:** 1. Argola 2. Bocais

## Sistema de batimento de pó

O pó desce quando puxa a alavanca ou caminha enquanto utiliza o aspirador. Este sistema ajuda o aspirador a manter a potência de sucção.

► **Fig.12:** 1. Alavanca 2. Saco do filtro/saco para pó 3. Placa

**NOTA:** Esta função funciona quando o aspirador está desligado e o saco do filtro/saco para pó contém uma determinada quantidade de pó a tocar na placa.

## MONTAGEM

**⚠PRECAUÇÃO:** Certifique-se sempre de que o aparelho está desligado e a bateria foi retirada antes de realizar qualquer trabalho no aparelho.

### Montar a mangueira

Insira a bainha da mangueira dentro do corpo do aspirador e gire-a para a direita.

► **Fig.13:** 1. Bainha da mangueira 2. Corpo do aspirador

### Ligar a ferramenta

Se o conjunto de tubo curvo estiver preso à mangueira, solte a manga do conjunto de tubo curvo e remova-o.

► **Fig.14:** 1. Mangueira 2. Conjunto de tubo curvo 3. Manga

1. Prenda a bainha frontal na mangueira para extração de poeiras.

Quando ligar a bainha frontal, certifique-se de que esta está bem aparafusada na mangueira.

2. Ligue a bainha frontal à saída de extração da ferramenta.

► **Fig.15:** 1. Bainha frontal 2. Saída de extração 3. Mangueira

A bainha frontal pode ser removida ao rodá-la para a esquerda enquanto segura na mangueira.

**NOTA:** Utilize sempre uma bainha frontal adequada. Quando utilizar a bainha frontal 24, prenda-a na bainha frontal 22 que está ligada à mangueira.

► **Fig.16:** 1. Bainha frontal 22 2. Bainha frontal 24

## Utilizar como aspirador

Se pretender utilizar este produto como aspirador, siga os procedimentos seguintes.

**OBSERVAÇÃO:** Se a bainha frontal estiver presa à mangueira, remova-a previamente.

**NOTA:** O conjunto de tubo curvo, o tubo extensor e os bocais são fornecidos como acessórios opcionais em alguns países.

**NOTA:** Existem dois tipos de conjunto de tubo curvo; para o tubo extensor do tipo correção e para o tubo extensor do tipo anel. Se preparar o conjunto de tubo curvo, escolha um para o tipo de tubo extensor que desejar.

1. Aperte a manga do conjunto de tubo curvo à mangueira.

► **Fig.17:** 1. Mangueira 2. Conjunto de tubo curvo 3. Manga

Para remover o conjunto de tubo curvo, solte a manga do conjunto de tubo curvo da mangueira.

2. Rode e insira o bocal no tubo extensor.

► **Fig.18:** 1. Tubo extensor 2. Bocal livre 3. Bocal em forma de T 4. Bocal em forma de T (estreito)

**NOTA:** O bocal pode ser ligado firmemente ao tubo extensor, rodando-o enquanto é inserido.

3. Siga os procedimentos seguintes em função do tipo de tubo extensor:

**NOTA:** O tubo extensor do tipo correção e o tubo extensor do tipo anel não são compatíveis entre si. Se pretender mudar o tubo extensor do tipo correção para o tubo extensor do tipo anel ou vice-versa, mude também o conjunto de tubo curvo.

**NOTA:** O bocal livre pode ser ligado diretamente ao conjunto de tubo curvo.

### Para o tubo extensor do tipo correção

Coloque o corpo do aspirador aos ombros e, em seguida, insira o tubo extensor no conjunto de tubo curvo até encaixar. Para desligá-lo, extraia o tubo extensor ao pressionar o botão.

► **Fig.19:** 1. Conjunto de tubo curvo 2. Botão 3. Tubo extensor do tipo correção 4. Bocal livre

O comprimento do tubo pode ser ajustado.

Ajuste o comprimento do tubo ao pressionar o botão deslizante. O comprimento é bloqueado ao soltar o botão deslizante.

► **Fig.20:** 1. Botão deslizante



### Para o tubo extensor do tipo anel

Coloque o corpo do aspirador aos ombros e, em seguida, rode e insira o tubo extensor no conjunto de tubo curvo. Para desligá-lo, rode e extraia-o.

► **Fig.21:** 1. Conjunto de tubo curvo 2. Tubo extensor do tipo anel 3. Bocal livre

O comprimento do tubo pode ser ajustado.

Solte o anel no tubo e ajuste o comprimento do tubo.

Aperte o anel ao comprimento pretendido.

► **Fig.22:** 1. Anel

## Gancho da mangueira

Quando suspender a operação, o gancho no conjunto de tubo curvo pode ser utilizado para pendurar o tubo no cinto inferior.

► **Fig.23**

## Instalar o saco do filtro/saco para pó

### Acessório opcional

**⚠PRECAUÇÃO:** Não utilize um saco do filtro danificado. Utilize sempre o aspirador com o saco do filtro adequadamente instalado. Caso contrário, o pó ou as partículas aspiradas podem sair do aspirador e provocar doença respiratória ao operador.

Instale o saco para pó ou saco do filtro antes de utilizar o aspirador.

- O saco para pó é reutilizável após limpá-lo.
- O saco do filtro é do tipo descartável. Deite fora o saco do filtro completo sem esvaziá-lo quando ficar cheio.

**OBSERVAÇÃO:** Quando o saco do filtro está cheio, substitua por um novo. Quando o saco para pó está cheio, esvazie-o. A utilização contínua com o saco do filtro/saco para pó cheio resulta em potência de sucção reduzida.

**OBSERVAÇÃO:** Para evitar que o pó entre no motor:

- Certifique-se de que o saco do filtro/saco para pó está instalado antes da utilização.
- Não utilize um saco partido ou rasgado.

Caso contrário, o motor poderá estar avariado.

**OBSERVAÇÃO:** Não dobre o papelão na sua abertura quando instalar o saco do filtro/saco para pó.

**OBSERVAÇÃO:** O saco do filtro/saco para pó para o aspirador é um componente importante para manter o desempenho do aparelho. Utilizar um saco do filtro/saco para pó não genuíno poderá causar fumo ou ignição.

**NOTA:** Quando o saco do filtro/saco para pó não estiver instalado no aspirador, a tampa frontal não fecha completamente.

► **Fig.24**

1. Desbloqueie o trinco levantando a parte do fundo. Empurre a área ranhurada para levantar a parte de fixação dianteira. Puxe o trinco para abrir a tampa.

► **Fig.25:** 1. Gancho 2. Tampa

2. Insira o saco do filtro dentro da fenda na parte superior do espaço, como ilustrado.

► **Fig.26:** 1. Fenda 2. Saco do filtro

Quando utilizar o saco para pó, insira a aba do saco para pó dentro da fenda.

► **Fig.27:** 1. Fenda 2. Aba 3. Saco para pó

3. Alinhe o orifício do saco do filtro com a bainha da mangueira e empurre a parte de cartão até ao fim. Certifique-se de que o anel de borracha no saco do filtro passa sobre a borda na bainha da mangueira.

► **Fig.28:** 1. Anel de borracha no saco do filtro 2. Borda na bainha da mangueira 3. Parte de cartão do saco do filtro 4. Bainha da mangueira

## OPERAÇÃO

**⚠AVISO:** Os operadores devem receber instruções adequadas sobre a utilização do aspirador.

**⚠AVISO:** Este aspirador não é adequado para aspirar poeiras perigosas.

**⚠PRECAUÇÃO:** Este aspirador serve apenas para utilização a seco.


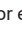

**⚠PRECAUÇÃO:** Este aspirador serve apenas para utilização em interiores.

**⚠PRECAUÇÃO:** Insira sempre a bateria por completo até bloquear no devido lugar. Se conseguir ver o indicador vermelho no lado superior do botão, é porque não está bloqueada completamente. Introduza-a totalmente até o indicador vermelho não poder ser visto. Caso contrário, esta poderá cair do aparelho acidentalmente e provocar ferimentos em si ou em alguém próximo.

**⚠PRECAUÇÃO:** Durante a operação, esteja ciente do aspirador nas suas costas. Pode perder o equilíbrio se o corpo do aspirador bater contra uma parede ou a mangueira ficar presa num obstáculo.

1. Coloque o corpo do aspirador aos ombros e aperte os cintos inferior e superior. Ajuste o aperto conforme necessário.

► **Fig.29**

2. Prima o botão  para começar a aspirar. Para mudar a potência de sucção, pressione o botão  enquanto o aspirador estiver ligado. A potência de sucção muda entre normal (1) e superior (2). Prima o botão  para parar.

► **Fig.30**

Durante a operação, enganche a caixa de interruptores no cinto inferior ou no anel.

► **Fig.31:** 1. Anel 2. Cinto inferior

3. Substitua o saco do filtro quando ficar cheio. Abra a tampa e retire o saco do filtro. Puxe a tira na parte lateral da abertura para fechar o saco do filtro e eliminá-lo inteiro.

► **Fig.32:** 1. Tira

Quando utilizar um saco para pó, retire o saco para pó e elimine o pó libertando o trinco.

► **Fig.33:** 1. Trinco

**OBSERVAÇÃO:** Não coloque o saco do filtro/saco para pó ou outros objetos pesados sobre a tampa. O aparelho pode cair.

**OBSERVAÇÃO:** Verifique periodicamente o saco do filtro para ver se está cheio. A utilização contínua com o saco do filtro cheio resulta em potência de sucção reduzida.

**OBSERVAÇÃO:** Não utilize um saco do filtro usado. O saco do filtro foi concebido para uma única utilização. A utilização repetitiva do saco do filtro pode causar o entupimento do filtro e resultar em danos no aspirador. Se pretender usar o saco repetidamente, utilize um saco para pó.

## FUNÇÃO DE ATIVAÇÃO SEM FIOS

### O que pode fazer com a função de ativação sem fios

A função de ativação sem fios possibilita um funcionamento limpo e confortável. Ao ligar uma ferramenta suportada ao aspirador, pode utilizar o aspirador automaticamente juntamente com o funcionamento por interruptor da ferramenta.

► Fig.34

**OBSERVAÇÃO:** Consulte também o manual de instruções da ferramenta quando utilizar o aspirador com a função de ativação sem fios.

**OBSERVAÇÃO:** Não desmonte ou manipule a unidade sem fios.

**OBSERVAÇÃO:** Para evitar a entrada de poeira na ranhura da unidade sem fios, feche sempre a tampa firmemente durante a operação e o armazenamento.

**OBSERVAÇÃO:** Não remova a unidade sem fios enquanto estiver a ser fornecida alimentação elétrica. Fazê-lo pode causar a anomalia da unidade sem fios.

**OBSERVAÇÃO:** Não pressione o botão de ativação sem fios com demasiada força e/ou pressione o botão com um objeto com aresta afiada.



**NOTA:** A ativação sem fios necessita de ferramentas Makita equipadas com a unidade sem fios.

**NOTA:** Antes da utilização inicial da função de ativação sem fios com cada ferramenta, é necessário realizar o registo da ferramenta. Após ter concluído o registo da ferramenta, não é necessário voltar a registá-la, exceto se for cancelado.

**NOTA:** Antes de realizar o registo, verifique se a unidade sem fios está inserida corretamente.

**NOTA:** Uma unidade sem fios pode registar até 10 ligações com outras unidades sem fios. Se estiverem registadas mais de 10 unidades sem fios para uma unidade sem fios, a unidade sem fios registada mais cedo será cancelada automaticamente.

**NOTA:** A posição do botão de ativação sem fios varia em função da ferramenta.

**NOTA:** O aspirador também efetua o arranque ao pressionar o botão  quando o interruptor do modo de espera estiver regulado para "I (ON)". Contudo, o botão  não atua quando a função de ativação sem fios for utilizada.

### Instalar a unidade sem fios

**PRECAUÇÃO:** Coloque o aspirador numa superfície plana e estável quando instalar a unidade sem fios.

**OBSERVAÇÃO:** Limpe a poeira e a sujidade do aspirador antes de instalar a unidade sem fios. A poeira e a sujidade podem causar o mau funcionamento caso entrem na ranhura da unidade sem fios.

**OBSERVAÇÃO:** Para evitar o mau funcionamento causado pela estática, toque num material de descarga estática, tal como uma peça metálica, antes de pegar na unidade sem fios.

**OBSERVAÇÃO:** Quando instalar a unidade sem fios, certifique-se sempre de que a unidade sem fios é inserida na direção correta e que a tampa está completamente fechada.

1. Abra a tampa do aspirador conforme ilustrado na figura.  
► Fig.35: 1. Tampa

2. Insira a unidade sem fios na ranhura e feche a tampa, em seguida.

Quando inserir a unidade sem fios, alinhe as projeções com as partes encaixadas na ranhura.

► Fig.36: 1. Unidade sem fios 2. Projeção 3. Tampa 4. Parte encaixada

Quando remover a unidade sem fios, abra a tampa lentamente. Os ganchos na parte traseira da tampa elevam a unidade sem fios à medida que puxa a tampa para cima.

► Fig.37: 1. Unidade sem fios 2. Gancho 3. Tampa

Após remover a unidade sem fios, guarde-a na caixa fornecida ou num recipiente anti-estática.

**OBSERVAÇÃO:** Utilize sempre os ganchos da parte traseira da tampa quando remover a unidade sem fios. Se os ganchos não agarrarem a unidade sem fios, feche a tampa completamente e volte a abri-la lentamente.

## Registo da ferramenta para o aspirador

**NOTA:** É necessária uma ferramenta Makita que suporta a função de ativação sem fios para realizar o registo da ferramenta.

**NOTA:** Conclua a instalação da unidade sem fios na ferramenta antes de iniciar o registo da ferramenta.

**NOTA:** Durante o registo da ferramenta, não puxe o gatilho do interruptor na ferramenta ou pressione o interruptor do aspirador para aspirar.

**NOTA:** Consulte também o manual de instruções da ferramenta.

Se pretender ativar o aspirador juntamente com o funcionamento por interruptor da ferramenta, conclua primeiramente o registo da ferramenta.

1. Instale as unidades sem fios no aspirador e na ferramenta, respetivamente.
2. Instale as baterias no aspirador e na ferramenta.
3. Defina o interruptor do modo de espera no aspirador para "I (ON)".  
▶ **Fig.38:** 1. Interruptor do modo de espera
4. Pressione o botão de ativação sem fios do aspirador durante 3 segundos até a lâmpada de ativação sem fios piscar a verde. Em seguida, pressione o botão de ativação sem fios da ferramenta da mesma forma.  
▶ **Fig.39:** 1. Botão de ativação sem fios 2. Lâmpada de ativação sem fios

Se o aspirador e a ferramenta forem ligados com sucesso, as lâmpadas de ativação sem fios acendem a verde durante 2 segundos e começam a piscar a azul.

**NOTA:** As lâmpadas de ativação sem fios acabam de piscar a verde após decorridos 20 segundos. Pressione o botão de ativação sem fios da ferramenta enquanto a lâmpada de ativação sem fios do aspirador estiver a piscar. Se a lâmpada de ativação sem fios não piscar a verde, pressione o botão de ativação sem fios por breves instantes e mantenha-o pressionado novamente.

**NOTA:** Quando realizar dois ou mais registos da ferramenta para o aspirador, conclua o registo da ferramenta um por um.

## Iniciar a função de ativação sem fios

**NOTA:** Conclua o registo da ferramenta para o aspirador para a ativação sem fios.

**NOTA:** Coloque sempre o aspirador de modo a ver o estado da lâmpada de ativação sem fios.

**NOTA:** Consulte também o manual de instruções da ferramenta.

Após registar uma ferramenta para o aspirador, o aspirador funciona automaticamente com o funcionamento por interruptor da ferramenta.

1. Instale as unidades sem fios no aspirador e na ferramenta, respetivamente.
2. Instale as baterias no aspirador e na ferramenta.

3. Ligue a mangueira do aspirador à ferramenta.

▶ **Fig.40**

4. Defina o interruptor do modo de espera no aspirador para "I (ON)". A lâmpada de ativação sem fios pisca a azul.

▶ **Fig.41:** 1. Interruptor do modo de espera

5. Pressione o botão de ativação sem fios da ferramenta por breves instantes. A lâmpada de ativação sem fios pisca a azul.

▶ **Fig.42:** 1. Botão de ativação sem fios 2. Lâmpada de ativação sem fios

6. Puxe o gatilho do interruptor da ferramenta. Verifique se o aspirador funciona enquanto o gatilho do interruptor da ferramenta estiver puxado.

**PRECAUÇÃO:** Verifique sempre se a função de ativação sem fios funciona antes de iniciar um trabalho com a ferramenta.

Para parar a ativação sem fios, pressione o botão de ativação sem fios da ferramenta ou regule o interruptor do modo de espera no aspirador para "O (OFF)".

**NOTA:** A lâmpada de ativação sem fios da ferramenta para de piscar a azul quando não ocorre qualquer utilização durante 2 horas. Neste caso, pressione novamente os botões de ativação sem fios na ferramenta.

**NOTA:** O aspirador inicia/para com um atraso. Ocorre um atraso temporal quando o aspirador deteta o funcionamento por interruptor da ferramenta.

**NOTA:** A distância de transmissão da unidade sem fios poderá variar em função do local e das circunstâncias envolventes.

**NOTA:** Quando duas ou mais ferramentas forem registadas para um aspirador, o aspirador poderá iniciar o seu funcionamento mesmo que não puxe o gatilho do interruptor devido ao facto de outro utilizador estar a utilizar a função de ativação sem fios.

## Cancelar o registo da ferramenta para o aspirador

Realize o procedimento seguinte quando cancelar o registo da ferramenta para o aspirador.

1. Instale as unidades sem fios no aspirador e na ferramenta, respetivamente.
2. Instale as baterias no aspirador e na ferramenta.
3. Defina o interruptor do modo de espera no aspirador para "I (ON)".  
▶ **Fig.43:** 1. Interruptor do modo de espera
4. Pressione o botão de ativação sem fios do aspirador durante 6 segundos. A lâmpada de ativação sem fios pisca a verde e fica vermelha, em seguida. Seguidamente, pressione o botão de ativação sem fios da ferramenta da mesma forma.  
▶ **Fig.44:** 1. Botão de ativação sem fios 2. Lâmpada de ativação sem fios

Se o cancelamento for realizado com sucesso, as lâmpadas de ativação sem fios acendem a vermelha durante 2 segundos e começam a piscar a azul.

**NOTA:** As lâmpadas de ativação sem fios acabam de piscar a vermelho após decorridos 20 segundos. Pressione o botão de ativação sem fios da ferramenta enquanto a lâmpada de ativação sem fios do aspirador estiver a piscar. Se a lâmpada de ativação sem fios não piscar a vermelho, pressione o botão de ativação sem fios por breves instantes e mantenha-o pressionado novamente.

## Apagar todos os registos da ferramenta

Pode apagar todos os registos da ferramenta do aspirador do seguinte modo.

► **Fig.45:** 1. Interruptor do modo de espera 2. Botão de ativação sem fios 3. Lâmpada de ativação sem fios

1. Instale a unidade sem fios no aspirador.
2. Instale as baterias no aspirador.
3. Regule o interruptor do modo de espera para "I (ON)".

4. Pressione o botão de ativação sem fios durante 6 segundos até a lâmpada de ativação sem fios piscar a vermelho (cerca de duas vezes por segundo).

5. Quando a lâmpada de ativação sem fios começa a piscar a vermelho, solte o botão de ativação sem fios. Em seguida, volte a pressionar o botão de ativação sem fios durante cerca de 6 segundos.











6. Quando a lâmpada de ativação sem fios começa a piscar rapidamente (cerca de 5 vezes por segundo) a vermelho, solte o botão de ativação sem fios. Quando a lâmpada de ativação sem fios acende a vermelho e desliga posteriormente, todos os registos da ferramenta são apagados.

**NOTA:** Se a lâmpada de ativação sem fios não piscar a vermelho, pressione o botão de ativação sem fios por breves instantes e tente novamente.

## Descrição do estado da lâmpada de ativação sem fios

► **Fig.46:** 1. Botão de ativação sem fios 2. Lâmpada de ativação sem fios

A lâmpada de ativação sem fios exhibe o estado da função de ativação sem fios. Consulte a tabela seguinte para obter o significado do estado da lâmpada.

| Estado                                  | Lâmpada de ativação sem fios |   |  | Descrição  |   |
|---|------------------------------|---|--|--|---|
|   | Cor                          |  Ligada                      |  A piscar |  | Duração (aproximada)  |
| Modo de espera                          | Azul                         |                              |  | Aspirador: contínuo<br>Ferramenta: 2 horas           | A aguardar o registo da ferramenta ou a função de ativação sem fios está disponível.<br>A lâmpada no aspirador pisca quando o interruptor do modo de espera estiver regulado para "I (ON)". A lâmpada na ferramenta pisca quando o botão de ativação sem fios for pressionado. A lâmpada na ferramenta desliga automaticamente quando não ocorre qualquer utilização durante 2 horas. |
|   |                              |                             |  | Quando a ferramenta estiver a funcionar.             | A ativação sem fios do aspirador está disponível e a ferramenta está a funcionar.   |
| Registo da ferramenta                   | Verde                        |                            |  | 20 segundos  | Preparado para o registo da ferramenta. A pesquisar ferramenta para registo.  |
|   |                              |                            |  | 2 segundos   | O registo da ferramenta foi concluído. A lâmpada de ativação sem fios começa a piscar a azul.   |
| Cancelar/apagar o registo da ferramenta | Vermelho                     | <br>(lento: 2 vezes/seg.)  |  | 20 segundos  | Preparado para o cancelamento do registo da ferramenta. A pesquisar ferramenta a cancelar.  |
|   |                              | <br>(rápido: 5 vezes/seg.) |  | Quando o botão de ativação sem fios for pressionado. | Pronto para apagar todos os registos da ferramenta.   |
|   |                              |                            |  | 2 segundos   | O registo da ferramenta foi cancelado/apagado. A lâmpada de ativação sem fios começa a piscar a azul.   |
| Outros                                  | Vermelho                     |                            |  | 3 segundos   | A alimentação elétrica é fornecida à unidade sem fios e a função de ativação sem fios é iniciada.   |
|   | Desligada                    | -   |  | -  | O interruptor do modo de espera não está regulado para "I (ON)".  |

## Resolução de problemas para a função de ativação sem fios

Antes de pedir uma reparação, realize primeiro a sua própria inspeção. Se encontrar um problema que não esteja explicado no manual, não tente desmontar a ferramenta. Em vez disso, peça as reparações nos centros de assistência técnica autorizados da Makita, usando sempre peças de substituição da Makita.

| Estado da anomalia   | Causa provável (avaria)  | Correção  |
|--|--|---|
| A lâmpada de ativação sem fios não acende/pisca.   | A unidade sem fios não está instalada no aspirador e/ou na ferramenta.<br>A unidade sem fios está instalada incorretamente no aspirador e/ou na ferramenta.                                    | Instale a unidade sem fios corretamente.  |
|  | O terminal da unidade sem fios e/ou a ranhura estão sujos.   | Limpe delicadamente a poeira e a sujidade do terminal da unidade sem fios e limpe a ranhura do aspirador e/ou da ferramenta.                          |
|  | O botão de ativação sem fios da ferramenta não foi pressionado.  | Pressione o botão de ativação sem fios da ferramenta por breves instantes. Verifique se a lâmpada de ativação sem fios está a piscar a azul.          |
|  | O interruptor do modo de espera do aspirador não está regulado para "I (ON)".  | Defina o interruptor do modo de espera no aspirador para "I (ON)".  |
|  | Sem fornecimento de alimentação elétrica   | Forneça alimentação elétrica à ferramenta e ao aspirador.   |
| Não foi possível concluir o registo da ferramenta / o cancelamento do registo da ferramenta com sucesso. | A unidade sem fios não está instalada no aspirador e/ou na ferramenta.<br>A unidade sem fios está instalada incorretamente no aspirador e/ou na ferramenta.                                    | Instale a unidade sem fios corretamente.  |
|  | O terminal da unidade sem fios e/ou a ranhura estão sujos.   | Limpe delicadamente a poeira e a sujidade do terminal da unidade sem fios e limpe a ranhura do aspirador e/ou da ferramenta.                          |
|  | O interruptor do modo de espera do aspirador não está regulado para "I (ON)".  | Defina o interruptor do modo de espera no aspirador para "I (ON)".  |
|  | Sem fornecimento de alimentação elétrica   | Forneça alimentação elétrica à ferramenta e ao aspirador.   |
|  | Funcionamento incorreto  | Pressione o botão de ativação sem fios por breves instantes e volte a realizar os procedimentos de registo da ferramenta/cancelamento.                |
|  | A ferramenta e o aspirador estão afastados um do outro (fora do alcance da transmissão).   | Aproxime a ferramenta do aspirador. A distância máxima de transmissão é aproximadamente 10 m, contudo, poderá variar de acordo com as circunstâncias. |
|  | Antes de concluir o registo da ferramenta/cancelamento;<br>- o gatilho do interruptor da ferramenta está puxado ou;<br>- o interruptor do aspirador para iniciar a aspiração está pressionado. | Pressione o botão de ativação sem fios por breves instantes e volte a realizar os procedimentos de registo da ferramenta/cancelamento.                |
|  | Os procedimentos de registo da ferramenta para a ferramenta ou aspirador não foram concluídos.   | Realize os procedimentos de registo da ferramenta para a ferramenta e para o aspirador ao mesmo tempo.  |
| Interferência radioelétrica por outros aparelhos que geram ondas de rádio de alta intensidade.           | Mantenha a ferramenta e o aspirador afastados de aparelhos como dispositivos Wi-Fi e fornos microondas.  |   |

| Estado da anomalia   | Causa provável (avaria)  | Correção   |
|--|--|--|
| O aspirador não funciona juntamente com o funcionamento por interruptor da ferramenta. | A unidade sem fios não está instalada no aspirador e/ou na ferramenta. A unidade sem fios está instalada incorretamente no aspirador e/ou na ferramenta. | Instale a unidade sem fios corretamente.   |
|  | O terminal da unidade sem fios e/ou a ranhura estão sujos.   | Limpe delicadamente a poeira e a sujidade do terminal da unidade sem fios e limpe a ranhura do aspirador e/ou da ferramenta.   |
|  | O botão de ativação sem fios da ferramenta não foi pressionado.  | Pressione o botão de ativação sem fios da ferramenta por breves instantes. Verifique se a lâmpada de ativação sem fios está a piscar a azul.   |
|  | O interruptor do modo de espera do aspirador não está regulado para "I (ON)".  | Defina o interruptor do modo de espera no aspirador para "I (ON)".   |
|  | Estão registadas mais de 10 ferramentas para o aspirador.  | Realize o registo da ferramenta novamente. Se estiverem registadas mais de 10 ferramentas para o aspirador, a ferramenta registada mais cedo será cancelada automaticamente.   |
|  | O aspirador apagou todos os registos da ferramenta.  | Realize o registo da ferramenta novamente.   |
|  | Sem fornecimento de alimentação elétrica   | Forneça alimentação elétrica à ferramenta e ao aspirador.  |
|  | A ferramenta e o aspirador estão afastados um do outro (fora do alcance da transmissão).   | Aproxime a ferramenta do aspirador. A distância máxima de transmissão é aproximadamente 10 m, contudo, poderá variar de acordo com as circunstâncias.  |
|  | Interferência radioelétrica por outros aparelhos que geram ondas de rádio de alta intensidade.   | Mantenha a ferramenta e o aspirador afastados de aparelhos como dispositivos Wi-Fi e fornos microondas.  |
| O aspirador funciona enquanto o gatilho do interruptor da ferramenta não for puxado.   | Outros utilizadores estão a utilizar a ativação sem fios do aspirador com as respetivas ferramentas.   | Realize uma das seguintes medidas:<br>- regule o interruptor do modo de espera no aspirador para a posição "O" ou;<br>- desligue o botão de ativação sem fios das restantes ferramentas ou;<br>- cancele o registo da ferramenta das restantes ferramentas.  |
| Não pode apagar todos os registos da ferramenta do aspirador.                          | Pressionar o botão sem fios da ferramenta.   | Pressione o botão sem fios do aspirador para apagar todos os registos da ferramenta.   |
|  | O interruptor do modo de espera do aspirador não está regulado para "I (ON)".  | Defina o interruptor do modo de espera no aspirador para "I (ON)".   |
|  | O botão de ativação sem fios não está pressionado corretamente.  | Pressione o botão de ativação sem fios durante mais de 6 segundos e solte-o quando a lâmpada de ativação sem fios piscar a vermelho. Volte a pressionar o botão de ativação sem fios durante mais de 6 segundos até a lâmpada de ativação sem fios piscar rapidamente a vermelho e, em seguida, solte o botão. |

## MANUTENÇÃO

**⚠PRECAUÇÃO:** Certifique-se sempre de que o aparelho está desligado e a bateria foi retirada antes de tentar realizar qualquer inspeção ou manutenção.

**OBSERVAÇÃO:** Nunca utilize gasolina, benzina, diluente, álcool ou produtos semelhantes. Pode ocorrer a descoloração, deformação ou rachaduras.

Para manter a SEGURANÇA e a FIABILIDADE do produto, as reparações e qualquer outra manutenção ou ajuste devem ser levados a cabo pelos centros de assistência Makita autorizados ou pelos centros de assistência de fábrica, utilizando sempre peças de substituição Makita.

## Limpar o filtro HEPA

**⚠PRECAUÇÃO:** Não utilize o aspirador sem um filtro nem continue a utilizar um filtro sujo ou danificado. O pó ou as partículas aspiradas podem sair do aspirador e provocar doença respiratória ao operador.

**OBSERVAÇÃO:** Para manter a potência de sucção ideal e um escape limpo, limpe o filtro periodicamente. Se não obtiver a potência de sucção suficiente, mesmo depois da limpeza, substitua o filtro por um novo.

**OBSERVAÇÃO:** Para evitar que o filtro fique danificado, não utilize as ferramentas seguintes itens semelhantes para limpá-lo:

- Soprador de ar
- Lavadora de alta pressão
- Ferramentas fabricadas com materiais rijos, tais como uma escova metálica

1. Abra a tampa e retire o saco do filtro/saco para pó. Solte o gancho no filtro e retire-o do corpo do aspirador.

► **Fig.47:** 1. Gancho

2. Bata o filtro para sacudir o pó. O filtro pode ser lavado com água. Lave o filtro para remover o pó e as partículas a cada 1 ou 2 meses. Depois disso, seque o filtro completamente num local bem ventilado e à sombra para evitar cheiros desagradáveis ou falhas de funcionamento.

3. Para instalar o filtro, insira o lado sem os ganchos na ranhura e depois empurre o filtro até os ganchos ficarem presos com um clique.

► **Fig.48:** 1. Ranhura 2. Filtro HEPA 3. Gancho

## Limpar o saco para o pó

Limpe com regularidade o saco para o pó com sabão e água. Vire o saco para o pó do avesso e retire o pó que está colado. Lave ligeiramente à mão e passe bem por água. Seque completamente antes de instalar no aspirador.

► **Fig.49**

**OBSERVAÇÃO:** Os sacos para o pó molhados reduzem o desempenho de aspiração, bem como a vida do motor.

## Limpar o compartimento do saco do filtro/saco para pó

Quando limpar o compartimento do saco do filtro/saco para pó, remova e limpe a placa no interior.

► **Fig.50:** 1. Placa

## Remover a placa

1. Remova o filtro HEPA. Consulte a secção para limpar o filtro HEPA para saber como remover.
2. Pressione a placa e deslize-a para a esquerda até a placa tocar na parede.
3. Levante o lado direito da placa e retire-a.

► **Fig.51:** 1. Placa

A placa é suportada por três molas.

Se as molas se tiverem soltado da placa ou da alavanca, volte a prendê-las conforme ilustrado.

► **Fig.52:** 1. Mola da placa 2. Mola da alavanca 3. Projeção

**NOTA:** Prenda as molas firmemente para que as molas toquem na base das projeções.

## Prender a placa

1. Insira o lado reto da placa nos prendedores no lado esquerdo inferior do compartimento.
  2. Coloque o lado direito da placa no devido lugar.
- **Fig.53:** 1. Placa 2. Lado reto 3. Prendedor

## ACESSÓRIOS OPCIONAIS

**PRECAUÇÃO:** Estes acessórios ou complementos são recomendados para utilização com o produto Makita especificado neste manual. A utilização de quaisquer outros acessórios ou complementos pode representar risco de ferimentos a pessoas. Utilize apenas acessórios ou complementos para os respetivos fins indicados.

Se necessitar de informações adicionais relativas a estes acessórios, solicite-as ao seu centro de assistência Makita.

- Mangueira (para o tipo de extração de pó)
- Mangueira (para o tipo de aspirador)
- Tubo extensor
- Bocal livre
- Bocal em forma de T
- Bocal para assentos
- Bocal para cantos
- Escova para prateleiras
- Escova redonda
- Saco do filtro
- Saco para pó
- Bainha frontal
- Filtro HEPA
- Unidade sem fios
- Acessório de ciclone
- Bateria e carregador genuínos da Makita

**NOTA:** Alguns itens da lista podem estar incluídos na embalagem da ferramenta como acessórios padrão. Eles podem variar de país para país.

## Acessório de ciclone

**NOTA:** Quando utilizar o acessório de ciclone com este aparelho, é também necessário o tubo curvo.

► **Fig.54:** 1. Acessório de ciclone

## Informações sobre o acessório de ciclone

A utilização do aspirador com o acessório de ciclone instalado reduz a quantidade de pó que entra no saco para pó, o que ajuda a evitar o enfraquecimento da força de sucção. Além disso, a limpeza após a utilização também é simples.

**PRECAUÇÃO:** Certifique-se sempre de que a ferramenta está desligada e que a bateria foi removida antes de executar qualquer trabalho na ferramenta. Se a bateria permanecer inserida, o aspirador pode arrancar inesperadamente e provocar ferimentos.

**PRECAUÇÃO:** Limpe o filtro de rede do acessório de ciclone e o saco para pó da unidade do aspirador quando ficarem obstruídos. A utilização continuada no estado obstruído pode dar origem a aquecimento ou fumo.



**OBSERVAÇÃO:** Quando o acessório de ciclone estiver preso, não utilize o acessório de ciclone virado na horizontal ou na vertical. Se o fizer, pode fazer com que o filtro de rede fique obstruído.

**OBSERVAÇÃO:** Utilize sempre o aspirador com o saco para pó instalado, mesmo quando utilizar o acessório de ciclone. A utilização do aspirador sem o saco para pó instalado pode dar origem a uma avaria do motor.

**NOTA:** Verifique se o acessório de ciclone, o aspirador e o tubo reto estão devidamente bloqueados antes da utilização.

**NOTA:** Esvazie a caixa do pó do acessório de ciclone e o saco para pó do aspirador quando se tiver acumulado pó. A utilização continuada vai provocar o enfraquecimento da força de sucção.

**NOTA:** Pode utilizar o acessório de ciclone com ou sem a função de bloqueio.

**NOTA:** Para instalar ou remover o acessório de ciclone, consulte a secção “Utilizar como aspirador”.

## Eliminar o pó

Quando o pó se tiver acumulado até à linha de enchimento máximo da caixa do pó, siga o procedimento seguinte e elimine o pó.

1. Segure a caixa do pó firmemente, pressione e mantenha os dois botões pressionados, e remova a caixa do pó.

► **Fig.55:** 1. Linha de enchimento máximo 2. Caixa do pó 3. Botão (dois locais) 4. Filtro de rede

2. Elimine o pó no interior da caixa do pó e remova quaisquer vestígios de pó e poeira que tenham aderido à superfície do filtro de rede.

3. Insira a caixa do pó completamente até os dois botões bloquearem com um clique.

► **Fig.56:** 1. Caixa do pó 2. Botão (dois locais)

**NOTA:** Verifique se o acessório de ciclone, o aspirador e o tubo reto estão devidamente bloqueados antes de reiniciar a operação.

**NOTA:** Se a força de sucção não melhorar mesmo após eliminar o pó e limpar o filtro de rede, verifique se o pó se acumulou no saco para pó do aspirador ou se ocorreu obstrução.

## Limpeza

Quando a caixa do pó ficar suja ou o filtro de rede estiver obstruído, remova-os e lave-os com água. (Consulte “Eliminar o pó” para ficar a conhecer o procedimento de remoção.)

Seque as peças completamente antes de voltar a instalar e utilizar.

► **Fig.57:** 1. Caixa do pó 2. Filtro de rede

Quando o filtro de rede ficar muito sujo, limpe-o com os seguintes procedimentos.

1. Rode o filtro de rede para a esquerda e remova-o enquanto os ganchos estiverem desbloqueados.

► **Fig.58:** 1. Filtro de rede 2. Gancho

2. Remova o pó existente no filtro de rede e, em seguida, lave-o com água. Em seguida, seque-o completamente.

3. Insira o filtro de rede na base enquanto os ganchos estiverem alinhados com a entrada. Rode o filtro de rede para a direita até os ganchos ficarem bloqueados com um clique. Certifique-se de que o filtro de rede está firmemente instalado.

► **Fig.59:** 1. Filtro de rede 2. Gancho 3. Entrada

## ADVARSEL

- Denne maskine er ikke beregnet til brug af personer, herunder børn, med reducerede fysiske, sensoriske eller mentale færdigheder eller manglende erfaring og viden.
- Børn skal overvåges for at sikre, at de ikke leger med støvsugeren.
- Se kapitlet "SPECIFIKATIONER" for batteriets typereference.
- Se afsnittet "Installation eller fjernelse af akkuen" for at finde ud af, hvordan man fjerner eller installerer batteriet.
- Når du bortskaffer akkuen, skal du afmontere den fra maskinen og bortskaffe den på et sikkert sted. Følg dine lokale regler vedrørende bortskaffelse af batterier.
- Hvis maskinen ikke skal bruges i en længere periode, skal batteriet fjernes fra maskinen.
- Akkuen må ikke kortsluttes.
- Se kapitlet "VEDLIGEHOLDELSE" for at få de relevante oplysninger om forholdsregler under brugervedligeholdelse.

## SPECIFIKATIONER

| Model:   |            | DVC665                   |
|--|------------|--------------------------|
| Kapacitet  | Filterpose | 6,0 L                    |
|  | Støvpose   | 5,5 L                    |
| Maksimalt luftvolumen<br>(Med slange ø28 mm x 1,5 m) |            | 1,8 m <sup>3</sup> /min  |
| Vakuum   |            | 110 hPa                  |
| Dimensioner (L x B x H)<br>(eksklusive skulderselen) |            | 297 mm x 174 mm x 523 mm |
| Nominel spænding                                     |            | DC 36 V                  |
| Nettovægt  |            | 6,1 - 6,7 kg             |

- På grund af vores kontinuerlige forsknings- og udviklingsprogrammer kan hosstående specifikationer blive ændret uden varsel.
- Specifikationer kan variere fra land til land.
- Vægten inkluderer akku(er), men ikke tilbehør. Vægten af den letteste og tungeste kombination af apparat og akku(er) er vist i tabellen.

## Anvendelig akku og oplader

|         |  |
|---------|--|
| Akku    | BL1815N / BL1820B / BL1830B / BL1840B / BL1850B / BL1860B    |
| Oplader | DC18RC / DC18RD / DC18RE / DC18SD / DC18SE / DC18SF / DC18SH |

- Nogle af de akkuer og opladere, der er angivet ovenfor, er muligvis ikke tilgængelige, afhængigt af hvilket område du bor i.

**⚠ ADVARSEL: Brug kun de akkuer og opladere, der er angivet ovenfor.** Brug af andre akkuer og opladere kan medføre personskade og/eller brand.

**⚠ ADVARSEL: Brug ikke en ledningsbaseret strømforsyning som fx en batteriadapter eller bærbar strømforsyning med denne maskine.** Anvender du mere end én bæresele på samme tid, bliver det svært at betjene og frigøre maskinen, og det kan muligvis forårsage en personskade.

## Symboler

Følgende viser de symboler, der muligvis anvendes til udstyret. Sørg for, at du forstår deres betydning før brugen.



Læs betjeningsvejledningen.



Udvis særlig forsigtighed og opmærksomhed.



Kun for lande inden for EU  
På grund af tilstedeværelsen af farlige komponenter i udstyret kan affald af elektrisk og elektronisk udstyr, akkumulatører og batterier have en negativ indvirkning på miljøet og folkesundheden.  
Bortskaf ikke elektriske og elektroniske apparater eller batterier sammen med husholdningsaffald!  
I overensstemmelse med EF-direktiv om affaldshåndtering af elektrisk og elektronisk udstyr og om akkumulatører og batterier og affaldsakkumulatører og -batterier, og i overensstemmelse med national lovgivning, skal brugt elektrisk udstyr, batterier og akkumulatører opbevares separat og leveres til et separat indsamlingssted for kommunalt affald, der er etableret i henhold til bestemmelserne om miljøbeskyttelse.  
Dette er angivet ved symbolet på den krydsede skrældespand, der er placeret på udstyret.

## Tilsigtet anvendelse

Apparatet er beregnet til opsugning af tørt støv. Apparatet er egnet til kommerciel brug, for eksempel i hoteller, skoler, hospitaler, fabrikker, butikker, kontorer og udlejningsvirksomheder.

## Støj

Det typiske A-vægtede støjniveau bestemmt i overensstemmelse med IEC60335-2-69, IEC60704-2-1: Lydtryksniveau ( $L_{pA}$ ): 70 dB (A) eller derunder  
Usikkerhed (K): 2,5 dB (A)

Støjniveauet under arbejdet kan overskride 80 dB (A).

**BEMÆRK:** De(n) angivne støjemissionsværdi(er) er målt i overensstemmelse med en standardtestmetode og kan anvendes til at sammenligne en maskine med en anden.

**BEMÆRK:** De(n) angivne støjemissionsværdi(er) kan også anvendes i en præliminær eksponeringsvurdering.

**⚠ ADVARSEL:** Bær høreværn.

**⚠ ADVARSEL:** Støjemissionen under den faktiske anvendelse af maskinen kan være forskellig fra de(n) angivne værdi(er), afhængigt af den måde hvorpå maskinen anvendes, især den type arbejdsemne der behandles.

**⚠ ADVARSEL:** Sørg for at identificere de sikkerhedsforskrifter til beskyttelse af operatøren, som er baseret på en vurdering af eksponering under de faktiske brugsforhold (med hensyntagen til alle dele i brugscyklussen, f.eks. de gange, hvor maskinen er slukket, og når den kører i tomgang i tilgift til afbrydertiden).

## Vibration

Vibrationens totalværdi (tre-aksial vektorsum) bestemmt i overensstemmelse med IEC60335-2-69:  
Arbejdstilstand: brug uden belastning  
Vibrationsemission ( $a_h$ ): 2,5  $m/s^2$  eller mindre  
Usikkerhed (K): 1,5  $m/s^2$

**BEMÆRK:** De(n) angivne totalværdi(er) for vibration er målt i overensstemmelse med en standardtestmetode og kan anvendes til at sammenligne en maskine med en anden.

**BEMÆRK:** De(n) angivne totalværdi(er) for vibration kan også anvendes i en præliminær eksponeringsvurdering.

**⚠ ADVARSEL:** Vibrationsemissionen under den faktiske anvendelse af maskinen kan være forskellig fra de(n) angivne værdi(er), afhængigt af den måde hvorpå maskinen anvendes, især den type arbejdsemne der behandles.

**⚠ ADVARSEL:** Sørg for at identificere de sikkerhedsforskrifter til beskyttelse af operatøren, som er baseret på en vurdering af eksponering under de faktiske brugsforhold (med hensyntagen til alle dele i brugscyklussen, f.eks. de gange, hvor maskinen er slukket, og når den kører i tomgang i tilgift til afbrydertiden).

## EF-overensstemmelseserklæring

*Kun for lande i Europa*

EF-overensstemmelseserklæringen er inkluderet som Bilag A i denne brugsanvisning.

## SIKKERHEDSADVARSLER

### Sikkerhedsadvarsler for akku støvsuger

**⚠ ADVARSEL:** VIGTIGT! LÆS OMHYGGE LIGT alle sikkerhedsadvarsler og alle instruktioner FØR BRUGEN. Hvis advarslerne og instruktionerne ikke overholdes, kan det medføre elektrisk stød, brand og/eller alvorlig personskade.

1. Før brugen skal du sørge for, at denne støvsuger anvendes af personer, der er tilstrækkeligt oplært i brugen af støvsugeren.
2. Anvend ikke støvsugeren uden filteret. Udskift øjeblikkeligt et beskadiget filter.
3. Forsøg ikke at opsuge brændbare materialer, fyrværkeri, tændte cigaretter, varm aske, varme metalspåner, skarpe genstande som f.eks. barberblade, nåle, glasskår eller lignende.
4. BRUG ALDRIG STØVSUGEREN I NÆRHEDEN AF BENZIN, GAS, MALING, LIM ELLER ANDRE STÆRKT EKSPLOSIONSFARLIGE STOFFER. Afbryderen udsender gnister, når der tændes eller slukkes. Det samme gør motorkommutatoren under brugen. Det kan medføre farlig eksplosion.
5. Denne støvsuger er ikke velegnet til opsamling af farligt støv.
6. Støvsug aldrig giftstoffer, kræftfremkaldende stoffer, brændbare stoffer eller andre farlige materialer som f.eks. asbest, arsenik, barium, beryllium, bly, insektmidler eller andre sundhedsskadelige materialer.

7. Brug aldrig støvsugeren udenfor i regnvejr.
  8. I Finland er det ikke tilladt at benytte maskinen ved lave udendørstemperaturer.
  9. Brug ikke i nærheden af varmekilder (kømfurur og lignende).
  10. Bloker ikke ventilationsåbningerne til afkøling. Disse ventilationsåbninger muliggør afkøling af motoren. Blokering skal undgås omhyggeligt, da motoren ellers vil brænde sammen på grund af manglende ventilation.
  11. Oprethold til enhver tid korrekt fodfæste og balance.
  12. Undlad at sammenfolde, rykke i eller træde på slangen.
  13. Stop med det samme støvsugeren, hvis du bliver opmærksom på dårlig ydelse eller noget unormalt under brugen.
  14. TAG AKKUERNE UD. Når maskinen ikke er i brug, før service, og når der skiftes tilbehør.
  15. Rengør og service støvsugeren umiddelbart efter hver brug for at holde den i tiptop funktionstilstand.
  16. VEDLIGEHOLD STØVSUGEREN OMHYGGELIGT. Hold støvsugeren ren for at opnå bedre og sikrere ydelse. Følg instruktionerne for udskitning af tilbehør. Hold håndtagene tørre, rene og fri for olie og fedt.
  17. KONTROLLER BESKADIGEDE DELE. Før støvsugeren bruges igen, skal en beskyttelseskærm eller anden del, som er beskadiget, kontrolleres omhyggeligt for at fastslå, om den vil fungere korrekt og udføre sin tilsigtede funktion. Kontroller for justeringen af bevægelige dele, binding af bevægelige dele, brud på dele, montering og alle andre forhold, der kan påvirke funktionaliteten. En beskyttelseskærm eller anden del, der er beskadiget, skal repareres korrekt eller udskittes af et autoriseret servicecenter, medmindre andet fremgår andetsteds i denne brugsanvisning. Få defekte afbrydere udskitet hos et autoriseret servicecenter. Brug ikke støvsugeren, hvis afbryderen ikke kan tænde eller slukke for den.
  18. RESERVEDELE. Brug kun identiske reservedele i forbindelse med service.
  19. OPBEVAR STØVSUGEREN, NÅR DEN IKKE BRUGES. Når maskinen ikke er i brug, skal den opbevares indendørs.
  20. Behandl din støvsuger godt. Hårdhændet behandling kan medføre, at selv den mest solidt byggede støvsuger går i stykker.
  21. Forsøg ikke at rengøre udvendigt eller indvendigt med benzen, fortynder eller kemiske rengøringsmidler. Dette kan medføre revner og misfarvning.
  22. Brug ikke støvsugeren i et aflukket lokale, hvor der afgives brændbare, eksplosive eller giftige dampe fra oliebaseret maling, malingsfortynder, benzin, visse mælmidler osv., eller på steder med brandfarligt støv.
  23. Anvend ikke støvsugeren, hvis du er påvirket af narkotika eller alkohol.
  24. Anvend som grundlæggende sikkerhedsregel beskyttelsesbriller eller sikkerhedsbriller med sideværn.
  25. Brug en støvmaske i støvede arbejdsforhold.
  26. Denne maskine er ikke beregnet til brug af personer, herunder børn, med reducerede fysiske, sensoriske eller mentale færdigheder eller manglende erfaring og viden.
  27. Børn skal overvåges for at sikre, at de ikke leger med støvsugeren.
  28. Hånder aldrig batteriet eller batterierne og støvsugeren med våde hænder.
  29. Vær ekstremt forsigtig ved rengøring på trapper.
  30. Anvend ikke støvsugeren som taburet eller arbejdsbænk. Maskinen kan falde ned og forårsage personskade.
- Brug og vedligeholdelse af batteriet**
1. Oplad kun med den oplader, som producenten angiver. En oplader, der passer til én type batteri, kan forårsage brand, hvis den anvendes med et andet batteri.
  2. Brug kun el-værktøjer sammen med de tilhørende batteripakker. Brug af andre batteripakker kan forårsage personskade og brand.
  3. Når batteripakker ikke anvendes, skal de holdes borte fra andre metalgenstande som papirclips, mønter, nøgler, søm, skruer og andre små metalgenstande, der kan skabe forbindelse mellem terminalerne. Hvis batteriets terminaler kortsluttes, kan det forårsage brand.
  4. I tilfælde af misbrug kan der sprøjte væske ud fra batteriet. Undgå kontakt. Skyl med vand, hvis De kommer i kontakt med væsken. Søg læge, hvis De får væske i øjet. Væske, der sprøjter ud fra batteriet, kan medføre irritation eller forbrændinger.
  5. Undlad at bruge en akku eller maskine, der er beskadiget eller ændret. Beskadigede eller ændrede batterier kan fungere uforudsigeligt og medføre brand, eksplosion eller risiko for personskade.
  6. Undlad at udsætte en akku eller maskine for brand eller høje temperaturer. Udsættelse for brand eller temperaturer på over 130 °C kan medføre eksplosion.
  7. Følg alle instruktioner vedrørende opladning, og undlad at oplade akkuen eller maskinen uden for det temperaturinterval, der er angivet i instruktionerne. Opladning, der udføres forkert eller ved temperaturer uden for det angivne temperaturinterval, kan beskadige batteriet og medføre øget risiko for brand.
  8. Brug ikke en ledningsbaseret strømforsyning som fx en batteriadapter eller bærbar strømforsyning med denne maskine. Ledningen til en sådan strømforsyning kan muligvis hindre brugen og forårsage personskade.
- Service**
1. Få udført service på el-værktøjet hos en autoriseret mekaniker, og brug kun tilsvarende reservedele. Derved vedligeholdes el-værktøjets sikkerhed.
  2. Følg instruktionerne for smøring og udskitning af tilbehør.
  3. Hold håndtagene tørre, rene og fri for olie og fedtstoffer.

## Vigtige sikkerhedsinstruktioner for akkuen

1. Læs alle instruktioner og advarselmærkater på (1) akku-opladeren, (2) akkuen og (3) produktet, som anvender akku.
2. Adskil eller ændr ikke akkuen. Det kan muligvis resultere i en brand, overdreven varme eller eksplosion.
3. Hold straks op med anvendelsen, hvis brugstiden er blevet stærkt afkortet. Fortsat anvendelse kan resultere i risiko for overophedning, forbrændinger og endog eksplosion.
4. Hvis De har fået elektrolytvæske i øjnene, skal De straks skylle den ud med rent vand og derefter øjeblikkeligt søge lægehjælp. I modsat fald kan De miste synet.
5. Vær påpasselig med ikke at komme til at kortslutte akkuen:
  - (1) Rør ikke ved terminalerne med noget ledende materiale.
  - (2) Undgå at opbevare akkuen i en beholder sammen med andre genstande af metal, for eksempel søm, mønter og lignende.
  - (3) Udsæt ikke akkuen for vand eller regn. Kortslutning af akkuen kan forårsage en kraftig øgning af strømmen, overophedning, mulige forbrændinger og endog værktøjstop.
6. Opbevar og brug ikke maskinen og akkuen på steder, hvor temperaturen muligvis kan nå eller overstige 50 °C.
7. Lad være med at brænde akkuen, selv ikke i tilfælde, hvor den har lidt alvorlig skade eller er fuldstændig udtjent. Akkuen kan eksplodere, hvis man forsøger at brænde den.
8. Slå ikke søm i, skær ikke i, knus, kast, tab ikke akkuen og stød ikke akkuen mod en hård genstand. Sådan adfærd kan muligvis resultere i en brand, overdreven varme eller eksplosion.
9. Anvend ikke en beskadiget akku.
10. De indbyggede litium-ion-batterier er underlagt lovkrav vedrørende farligt gods. Ved kommerciel transport, f.eks. af tredjeparts transportselskaber, skal særlige krav til forpakning og mærkning overholdes. Ved forberedelse af udstyret til forsendelse skal du kontakte en ekspert i farligt gods. Overhold også eventuel mere detaljeret national lovgivning. Tape eller tildæk åbne kontakter, og pak batteriet på en måde, så det ikke kan flytte sig rundt i pakningen.
11. Når akkuen bortskaffes, skal du fjerne den fra maskinen og bortskaffe den på et sikkert sted. Følg de lokale love vedrørende bortskaffelsen af batterier.
12. Brug kun batterierne med de produkter, som Makita specificerer. Hvis batterierne installeres i ikke-kompatible produkter, kan det medføre brand, kraftig varme, eksplosion eller udsivning af elektrolyt.
13. Hvis maskinen ikke skal bruges i længere tid ad gangen, skal du fjerne batteriet fra maskinen.

14. Akkuen kan muligvis under og efter brug være varm, hvilket kan forårsage forbrændinger eller lavtemperaturforbrændinger. Vær påpasselig med håndtering af varme akkuer.
15. Rør ikke terminalen på maskinen straks efter brug, da den bliver varm nok til at forårsage forbrændinger.
16. Sørg for at spåner, støv eller jord ikke sætter sig fast inde i terminalerne, hullerne og rillerne på akkuen. Det kan muligvis medføre dårlig ydelse eller nedbrud af maskinen eller akkuen.
17. Medmindre maskinen understøtter brugen i nærheden af elektriske højspændingsledninger, skal du ikke anvende akkuen i nærheden af elektriske højspændingsledninger. Det kan muligvis medføre funktionsfejl på eller nedbrud af maskinen eller akkuen.
18. Opbevar batteriet utilgængeligt for børn.

## GEM DENNE BRUGSANVISNING.

**⚠FORSIGTIG:** Brug kun originale batterier fra Makita. Brug af uoriginale Makita-batterier, eller batterier som er blevet ændret, kan muligvis medføre brud på batteriet, hvilket kan forårsage brand, personskade eller beskadigelse. Det ugyldiggør også Makita-garantien for Makita-maskinen og opladeren.

## Tips til opnåelse af maksimal akku-levetid

1. Oplad akkuen, inden den er helt afladet. Stop altid værktøjet, og oplad akkuen, hvis De bemærker, at værktøjseffekten er aftagende.
2. Genoplad aldrig en fuldt opladet akku. Overopladning vil afkorte akkuens levetid.
3. Oplad akkuen ved stuetemperatur ved 10 °C - 40 °C. Lad altid en varm akku få tid til at køle af, inden den oplades.
4. Når du ikke anvender akkuen, skal du fjerne den fra maskinen eller opladeren.
5. Oplad akkuen, hvis De ikke skal bruge den i længere tid (mere end seks måneder).

## Vigtige sikkerhedsinstruktioner for trådløs enhed

1. Undlad at adskille eller ændre den trådløse enhed.
2. Opbevar den trådløse enhed utilgængeligt for små børn. Søg øjeblikkeligt læge, hvis den sluges ved et uheld.
3. Brug kun den trådløse enhed sammen med maskiner fra Makita.
4. Udsæt ikke den trådløse enhed for regn eller våde omgivelser.
5. Brug ikke den trådløse enhed på steder, hvor temperaturen overskrider 50 °C.
6. Brug ikke den trådløse enhed i nærheden af medicinske instrumenter som f.eks. pacemakere.
7. Brug ikke den trådløse enhed i nærheden af automatiske enheder. Hvis den bruges, kan automatiske enheder udvikle fejlfunktion eller fejl.

8. Undlad at betjene den trådløse enhed på steder med høje temperaturer eller steder, hvor der kan genereres statisk elektricitet eller elektrisk støj.
9. Den trådløse enhed kan frembringe elektromagnetiske felter (EMF), men de er ikke skadelige for brugeren.
10. Den trådløse enhed er et præcisionsinstrument. Undgå at tabe eller slå på den trådløse enhed.
11. Undgå at berøre terminalen på den trådløse enhed med de bare hænder eller metalliske materialer.
12. Tag altid batteriet ud af produktet, når den trådløse enhed monteres på det.
13. Når låget på åbningen åbnes, skal du undgå steder, hvor der kan komme støv eller vand ind i åbningen. Hold altid indgangen til åbningen ren.
14. Indsæt altid den trådløse enhed i den rigtige retning.
15. Undgå at trykke for hårdt på den trådløse aktiveringsknop på den trådløse enhed og/eller at trykke på knappen med en genstand med en skarp kant.
16. Luk altid låget på åbningen under brug.
17. Undlad at fjerne den trådløse enhed fra åbningen, når der er sluttet strøm til maskinen. Hvis du gør dette, kan det medføre funktionsfejl i den trådløse enhed.
18. Undlad at fjerne etiketten på den trådløse enhed.
19. Undlad at sætte nogen etiket på den trådløse enhed.
20. Lad ikke den trådløse enhed ligge på steder, hvor der kan genereres statisk elektricitet eller elektrisk støj.
21. Lad ikke den trådløse enhed ligge på steder, der er udsat for høj varme, for eksempel en bil, der står i solen.
22. Lad ikke den trådløse enhed ligge på et sted med støv eller pulver eller på et sted, hvor der kan udvikles ætsende gas.
23. En pludselig temperaturændring kan forårsage dug på den trådløse enhed. Brug ikke den trådløse enhed, før duggen er tørret helt bort.
24. Ved rengøring af den trådløse enhed skal den aftørres forsigtigt med en tør, blød klud. Brug ikke rensbenzin, fortynder, ledende fedtstof eller lignende.
25. Ved opbevaring af den trådløse enhed skal den opbevares i den medfølgende æske eller i en beholder, der er fri for statisk elektricitet.
26. Indsæt ikke andre enheder end den trådløse enhed fra Makita i åbningen på maskinen.
27. Undlad at bruge maskinen, hvis låget til åbningen er beskadiget. Vand, støv og snavs, der kommer ind i åbningen, kan forårsage fejlfunktion.
28. Undlad at trække og/eller vride låget til åbningen mere end nødvendigt. Sæt låget på igen, hvis det falder af maskinen.
29. Udskift låget til åbningen, hvis det bliver væk eller ødelægges.

## GEM DISSE FORSKRIFTER.

## FUNKTIONSBESKRIVELSE

**⚠FORSIGTIG:** Sørg altid for, at apparatet er slukket, og at akkuen fjernes, før der udføres justering eller kontrol af funktioner på apparatet.

### Isætning eller fjernelse af akkuen

**⚠FORSIGTIG:** Sluk altid for apparatet før montering eller afmontering af akkuen.

**⚠FORSIGTIG:** Hold apparatet og akkuen fast ved montering eller afmontering af akkuen. Hvis du ikke holder fast i apparatet og akkuen, kan de glide ud af hænderne på dig og medføre beskadigelse af apparatet og akkuen eller personskade.

► Fig. 1: 1. Rød indikator 2. Knap 3. Akku

Akkuen fjernes ved, at den trækkes ud af apparatet, idet der skydes på knappen på forsiden af akkuen.

Akkuen monteres ved, at De sætter tungen på akkuen ud for noten i kabinettet og lader den glide på plads. Sæt den hele vejen ind, så den låses på plads med et lille klik. Hvis den røde indikator på oversiden af knappen er synlig, betyder det, at den ikke er tilstrækkeligt låst.

**⚠FORSIGTIG:** Installer altid akkuen helt, indtil den røde indikator ikke kan ses. Hvis dette ikke gøres, kan den falde ud af apparatet ved et uheld og forårsage skade på dig selv eller andre omkring dig.

**⚠FORSIGTIG:** Brug ikke magt ved montering af akkuen. Hvis akkuen ikke glider på plads uden problemer, betyder det, at den ikke sættes i på korrekt vis.

### Beskyttelsessystem til apparatet og batteriet

Apparatet er udstyret med et beskyttelsessystem til apparatet og batteriet. Systemet afbryder automatisk strømmen til motoren for at forlænge apparatets og batteriets levetid. Apparatet stopper automatisk under anvendelse, hvis apparatet eller batteriet udsættes for et af de følgende forhold.

### Overbelastningsbeskyttelse

Når apparatet betjenes på en måde, der får det til at bruge unormalt meget strøm, stopper apparatet automatisk uden nogen indikation. Sluk i så fald for apparatet, og stop den anvendelse, der medførte, at apparatet blev overbelastet. Tænd derefter for apparatet for at starte det igen.

### Beskyttelse mod overophedning

Når apparatet er overophedet, stopper apparatet automatisk. Lad apparatet køle ned, før der tændes for apparatet igen.

### Beskyttelse mod afladning

Når batteriladningen bliver for lav, stopper apparatet automatisk. Hvis produktet ikke fungerer, selvom kontakterne betjenes, skal du tage batterierne ud af apparatet og lade batterierne op.

## Indikation af den resterende batteriladning

Kun til akkuer med indikatoren

► **Fig. 2:** 1. Indikatorlamper 2. Kontrolknop

Tryk på kontrolknappen på akkuen for at få vist den resterende batteriladning. Indikatorlampen lyser i nogle sekunder.

| Indikatorlamper |         |         | Resterende ladning                |
|-----------------|---------|---------|-----------------------------------|
| Tændt           | Slukket | Blinker |                                   |
| ■               | □       | ◐       | 75% til 100%                      |
| ■               | ■       | □       | 50% til 75%                       |
| ■               | ■       | □       | 25% til 50%                       |
| ■               | □       | □       | 0% til 25%                        |
| ◐               | □       | □       | Genoplad batteriet.               |
| ■               | ■       | □       | Der er muligvis fejl i batteriet. |
| □               | □       | ■       |                                   |

**BEMÆRK:** Afhængigt af brugsforholdene og den omgivende temperatur kan indikationen afvige en smule fra den faktiske ladning.

**BEMÆRK:** Den første indikatorlampe (længst mod venstre) vil blinke, når batteribeskyttelsessystemet aktiveres.

## Placering af afbryderkasse

Afbryderkassen kan fastgøres på begge sider af det nederste bælte. Arranger ledningen, så afbryderkassen placeres på den ønskede side. Før ledningen gennem rillen som vist for at forhindre, at ledningen bliver beskadiget.

► **Fig. 3:** 1. Rille 2. Ledning

## Justeringsbælter

Stramningen af skulderstropperne, det øverste og nederste bælte kan justeres. Før først dine arme gennem skulderstropperne, og stram derefter det nederste og øverste bælte. Træk i enden af stroppen som vist for at stramme. Træk enden af spændet opad for at løsne.

**Nederste bælte**

► **Fig. 4:** 1. Strop 2. Spænde

**Skulderstropper**

► **Fig. 5:** 1. Strop 2. Spænde

**Øverste bælte**

► **Fig. 6:** 1. Strop 2. Spænde

## Bærekrog

**⚠FORSIGTIG:** Brug kun ophængnings-/monteringsdele til deres tilsigtede formål. Brug til utilsigtede formål kan medføre en ulykke eller alvorlig personskade.

Tag altid fat i bærekrogen ved håndtering af støvsugerkabinettet.

► **Fig. 7:** 1. Bærekrog

## Standby-kontakt

Standby-kontakten er den kontakt, der bruges til at tænde/slukke for den trådløse aktiveringsfunktion. Støvsugeren er i standby-tilstand uanset kontaktens position og kører, når der trykkes på  $\left(\frac{2}{1}\right)$ -knappen.

► **Fig. 8:** 1. Standby-kontakt

| Kontaktens position |         | Tilstand   |
|---------------------|---------|--|
| AUTO                | I (ON)  | Støvsugeren er i standby-tilstand, og den trådløse aktiveringsfunktion er tilgængelig.       |
|                     | O (OFF) | Støvsugeren er i standby-tilstand, men den trådløse aktiveringsfunktion er ikke tilgængelig. |

## Afbryderbetjening

Tryk én gang på  $\left(\frac{2}{1}\right)$ -knappen for at begynde at støvsuge. Støvsugeren starter med den samme sugestyrke, som da du slukkede for den tidligere. Når du trykker på  $\left(\frac{2}{1}\right)$ -knappen, mens støvsugeren kører, skifter sugestyrken mellem normal (1) og højere (2) sugestyrke. Tryk på  $\left(\frac{0}{0}\right)$ -knappen for at stoppe støvsugeren.

► **Fig. 9**

**BEMÆRK:** Hvis støvsugeren skal køre, når kontakten på den maskine, der er sluttet til støvsugeren, betjenes (trådløs aktiveringsfunktion), skal du indstille standby-kontakten til "I (ON)".

**BEMÆRK:** Hvis du vil bruge den trådløse aktiveringsfunktion, skal du først fuldføre maskinregistreringen. Se i afsnittet "TRÅDLØS AKTIVERINGSFUNKTION" vedrørende detaljer.

**BEMÆRK:** Ved brug af den trådløse aktiveringsfunktion kan du ikke holde op med at støvsuge ved hjælp af  $\left(\frac{0}{0}\right)$ -knappen.

## Slangebånd

Slangebåndet kan bruges til at holde slangen eller det frie mundstykke.

Før slangebåndet gennem åbningen i støvsugerkabinettet for at fastgøre slangen til kabinettet. Du kan montere slangebåndet i begge sider.

► **Fig. 10:** 1. Slangebånd 2. Åbning 3. Slange

Løkken på det nederste bælte kan anvendes til transport af mundstykker som vist.

► **Fig. 11:** 1. Løkke 2. Mundstykker



## System til støvafbankning

Støvet falder ned, når du trækker i håndtaget eller går med støvsugeren på ryggen. Dette system hjælper støvsugeren med at bevare dens sugestykke.

► **Fig.12:** 1. Håndtag 2. Filterpose/støvpose 3. Plade

**BEMÆRK:** Denne funktion fungerer, når støvsugeren er slukket, og filterposen/støvposen indeholder en vis mængde støv, så den rører pladen.

## SAMLING

**⚠FORSIGTIG:** Sørg altid for, at apparatet er slukket, og akkuen er fjernet, inden der udføres arbejde på apparatet.

## Montering af slange

Sæt slangemanchetten ind i støvsugerkabinettet, og drej den i retningen med uret.

► **Fig.13:** 1. Slangemanchet 2. Støvsugerkabinet

## Tilslutning af maskinen

Hvis den bøjede rørsamling er monteret på slangen, skal du løsne muffen på den bøjede rørsamling og fjerne den.

► **Fig.14:** 1. Slange 2. Bøjet rørsamling 3. Muffe

1. Monter den forreste manchete på slangen til støvudtrækning. Ved tilkobling af den forreste manchete skal det sikres, at den er skruet forsvareligt på slangen.

2. Kobl den forreste manchete på maskinens udtrækningsudgang.

► **Fig.15:** 1. Forreste manchete 2. Udtrækningsudgang 3. Slange

Den forreste manchete kan afmonteres ved at dreje den i retningen mod uret, mens der holdes i slangen.

**BEMÆRK:** Anvend altid en passende forreste manchete. Ved brug af forreste manchete 24 monteres den på den forreste manchete 22, som er koblet på slangen.

► **Fig.16:** 1. Forreste manchete 22 2. Forreste manchete 24

## Ved brug som støvsuger

Hvis du vil bruge dette produkt som en støvsuger, skal du følge nedenstående fremgangsmåder.

**BEMÆRKNING:** Hvis den forreste manchete er monteret på slangen, skal du fjerne den først.

**BEMÆRK:** Den bøjede rørsamling, forlængerrøret og mundstykkerne leveres som ekstraudstyr i nogle lande.

**BEMÆRK:** Der findes to typer af bøjet rørsamling. Den ene er til forlængerrør af glidetyper, og den anden er til forlængerrør af ringtypen. Hvis du forbedrer den bøjede rørsamling, skal du vælge typen til den ønskede type forlængerrør.

1. Fastgør muffen på den bøjede rørsamling på slangen.

► **Fig.17:** 1. Slange 2. Bøjet rørsamling 3. Muffe

Du afmonterer den bøjede rørsamling ved at løsne muffen på den bøjede rørsamling fra slangen.

2. Drej mundstykket, og sæt det på forlængerrøret.

► **Fig.18:** 1. Forlængerrør 2. Frit mundstykke 3. T-formet mundstykke 4. T-formet mundstykke (smalt)

**BEMÆRK:** Når du drejer mundstykket, mens det indsættes, kan mundstykket monteres sikkert på forlængerrøret.

3. Følg nedenstående fremgangsmåde, afhængigt af forlængerrørets type:

**BEMÆRK:** Forlængerrøret af glidetyper og forlængerrøret af ringtypen er ikke kompatible med hinanden. Hvis du vil udskifte forlængerrøret af glidetyper med forlængerrøret af ringtypen eller vice versa, skal du også udskifte den bøjede rørsamling.

**BEMÆRK:** Det frie mundstykke kan monteres direkte på den bøjede rørsamling.

### For forlængerrør af glidetyper

Løft støvsugerkabinettet op på skuldrene, og indsæt forlængerrøret i den bøjede rørsamling, indtil det klikker på plads. For at afmontere det skal du trække forlængerrøret ud, idet du trykker på knappen.

► **Fig.19:** 1. Bøjet rørsamling 2. Knap 3. Forlængerrør af glidetyper 4. Frit mundstykke

Rørets længde kan tilpasses.

Tryk på glideknappen, og juster rørets længde. Længden låses fast, når glideknappen slippes.

► **Fig.20:** 1. Glideknap

### For forlængerrør af ringtypen

Løft støvsugerkabinettet op på skuldrene, og drej og indsæt forlængerrøret i den bøjede rørsamling. For at frigøre skal du dreje det og trække det ud.

► **Fig.21:** 1. Bøjet rørsamling 2. Forlængerrør af ringtypen 3. Frit mundstykke

Rørets længde kan tilpasses.

Løsn ringen på røret, og juster rørets længde. Stram ringen til ved den ønskede længde.

► **Fig.22:** 1. Ring

## Slangekrog

Når du holder pause i brugen, kan krogen på den bøjede rørsamling bruges til at hænge røret på det nederste bælte.

► **Fig.23**

## Montering af filterpose/støvpose

### Ekstraudstyr

**⚠️FORSIGTIG:** Anvend ikke en beskadiget filterpose. Anvend altid støvsugeren med filterposen monteret korrekt. Ellers kan opsuget støv eller partikler blive blæst ud af støvsugeren, hvilket kan medføre åndedrætslidelser hos operatøren.

Monter enten støvposen eller filterposen, før støvsugeren anvendes.

- Støvposen kan genbruges mange gange ved at tømme den.
- Filterposen er en type til bortskaffelse. Smid hele filterposen ud uden at tømme den, når den er fuld.

**BEMÆRKNING:** Erstat filterposen med en ny, når den er fuld. Tøm støvposen, når den er fuld. Fortsat brug med fuld filterpose/støvpose medfører reduceret sugestykke.

**BEMÆRKNING:** Sådan forhindres det, at der kommer støv ind i motoren:

- Sørg for, at enten filterposen/støvposen er monteret før brugen.
- Anvend ikke en beskadiget eller flået pose.

Ellers kan motoren gå i stykker.

**BEMÆRKNING:** Fold ikke pappet ved dens åbning, når filterposen/støvposen monteres.

**BEMÆRKNING:** Filterposen/støvposen til støvsugeren er en vigtig komponent for at opretholde apparatets ydelse. Brug af uoriginal filterpose/støvpose kan muligvis medføre røgudvikling eller antændelse.

**BEMÆRK:** Når filterposen/støvposen ikke er installeret i støvsugeren, kan frontdækslet ikke lukkes helt tæt.

### ► Fig.24

1. Lås klinken op ved at løfte den nedefra. Skub det rillede område for at løfte den forreste klinkeside. Træk i klinken for at åbne låget.

► Fig.25: 1. Krog 2. Låg

2. Sæt filterposen ind i slidsen på den øverste side af rummet som vist.

► Fig.26: 1. Slids 2. Filterpose

Ved brug af støvposen skal du indsætte randen på støvposen i slidsen.

► Fig.27: 1. Slids 2. Rand 3. Støvpose

3. Juster hullet i filterposen i forhold til slangemanchetten, og skub papdelen mod enden. Sørg for, at gummiringen på filterposen løber over slangemanchettens rand.

► Fig.28: 1. Gummiring på filterposen 2. Rand på slangemanchetten 3. Papdel af filterposen 4. Slangemanchet

## ANVENDELSE

**⚠️ADVARSEL:** Operatører skal være tilstrækkeligt instrueret i brugen af støvsugeren.

**⚠️ADVARSEL:** Denne støvsuger er ikke egnet til opugning af farligt støv.

**⚠️FORSIGTIG:** Denne støvsuger er kun til tørt brug.

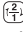


**⚠️FORSIGTIG:** Denne støvsuger er kun til indendørs brug.

**⚠️FORSIGTIG:** Sæt altid akkuen helt ind, så den låses på plads. Hvis du kan se den røde indikator på den øverste side af knappen, er den ikke helt låst. Sæt den helt ind, indtil den røde indikator ikke kan ses. Hvis dette ikke gøres, kan den falde ud af apparatet ved et uheld og forårsage skade på dig selv eller andre omkring dig.

**⚠️FORSIGTIG:** Vær opmærksom på støvsugeren på din ryg under brugen. Du kan miste balancen, hvis støvsugerkabinetet støder mod en væg, eller slangen griber fast i en forhindring.

1. Løft støvsugerkabinetet op på skuldrene, og fastgør det nederste og øverste bælte. Juster stramningen efter behov.

► Fig.29

2. Tryk på -knappen for at begynde at støvsuge. Hvis du vil ændre sugestykken, skal du trykke på -knappen, mens støvsugeren kører. Sugestykken skifter mellem normal (1) og højere (2) sugestykke. Tryk på -knappen for at stoppe.

► Fig.30

Fastgør afbryderkassen på det nederste bælte eller ringen under brugen.

► Fig.31: 1. Ring 2. Nederste bælte

3. Udskift filterposen, når den bliver fuld. Åbn låget, og tag filterposen ud. Træk i snoren på siden af åbningen for at lukke filterposen, og bortskaf hele filterposen.

► Fig.32: 1. Snor

Ved brug af en støvpose skal du tage støvposen ud og bortskaffe støvet ved at frigøre klinken.

► Fig.33: 1. Klinker

**BEMÆRKNING:** Put ikke filterposen/støvposen eller andre tunge genstande oven på låget. Apparatet kan muligvis falde ned.

**BEMÆRKNING:** Kontroller regelmæssigt, om filterposen er fuld. Fortsat brug med fuld filterpose medfører reduceret sugestykke.

**BEMÆRKNING:** Anvend ikke en brugt filterpose. Filterposen er udviklet til brug en gang. Gentagne brug af filterpose kan medføre tilstopning af filteret og forårsage beskadigelse af støvsugeren. Hvis du vil bruge posen flere gange, skal du bruge en støvpose.

# TRÅDLØS AKTIVERINGSFUNKTION

## Hvad kan du foretage dig med den trådløse aktiveringsfunktion

Den trådløse aktiveringsfunktion muliggør ren og behagelig anvendelse. Hvis der slutes en understøttet maskine til støvsugerens, kan du lade støvsugerens køre automatisk, når afbryderen på maskinen betjenes.

► Fig.34

**BEMÆRKNING:** Sørg for at se i brugsanvisningen til maskinen, når du bruger støvsugerens med den trådløse aktiveringsfunktion.

**BEMÆRKNING:** Undlad at adskille eller ændre den trådløse enhed.

**BEMÆRKNING:** Luk altid låget forsvarligt under brug eller opbevaring for at forhindre, at der kommer støv ind i åbningen på den trådløse enhed.

**BEMÆRKNING:** Undlad at fjerne den trådløse enhed, når der er sluttet strøm. Hvis du gør dette, kan det medføre funktionsfejl i den trådløse enhed.

**BEMÆRKNING:** Undgå at trykke for hårdt på den trådløse aktiveringsknap og/eller at trykke på knappen med en genstand med en skarp kant.

**BEMÆRK:** Trådløs aktivering kræver Makita-maskiner, der er udstyret med den trådløse enhed.

**BEMÆRK:** Før den første brug af den trådløse aktiveringsfunktion med hver maskine kræves der maskinregistrering. Når registreringen er fuldført med maskinen, kræves der ikke omregistrering, medmindre den annulleres.

**BEMÆRK:** Før registreringen skal du kontrollere, at den trådløse enhed er indsat korrekt.

**BEMÆRK:** En trådløs enhed kan registrere op til 10 forbindelser til andre trådløse enheder. Hvis der er registreret mere end 10 andre trådløse enheder til én trådløs enhed, bliver den enhed, der er registreret tidligst, automatisk annulleret.

**BEMÆRK:** Placeringen af den trådløse aktiveringsknap varierer afhængigt af maskinen.

**BEMÆRK:** Støvsugerens startes også ved at trykke på (2) -knappen, når standby-kontakten er indstillet til "I (ON)".

(0) -knappen fungerer imidlertid ikke, når den trådløse aktiveringsfunktion anvendes.

## Montering af en trådløs enhed

**⚠FORSIGTIG:** Placer støvsugerens på en flad og stabil overflade, når den trådløse enhed monteres.

**BEMÆRKNING:** Fjern støv og snavs fra støvsugerens, før den trådløse enhed monteres. Støv eller snavs kan forårsage funktionsfejl, hvis det kommer ind i åbningen til den trådløse enhed.

**BEMÆRKNING:** For at forhindre fejlfunktion forårsaget af statisk elektricitet skal du berøre et statisk afledende materiale som f.eks. en metal-del, før du tager den trådløse enhed op.

**BEMÆRKNING:** Ved montering af den trådløse enhed skal du altid sikre dig, at den trådløse enhed er indsat i den korrekte retning, og at låget er lukket helt.

1. Åbn låget på støvsugerens som vist på figuren.

► Fig.35: 1. Låg

2. Indsæt den trådløse enhed i åbningen, og luk derefter låget.

Ved indsættelse af den trådløse enhed skal fremspringene justeres i forhold til de forsænkede dele på åbningen.

► Fig.36: 1. Trådløs enhed 2. Fremspring 3. Låg 4. Forsænket del

Ved fjernelse af den trådløse enhed åbnes låget langsomt. Krogene bag på låget løfter den trådløse enhed, når du trækker låget op.

► Fig.37: 1. Trådløs enhed 2. Krog 3. Låg

Når den trådløse enhed er fjernet, skal den opbevares i den medfølgende æske eller i en beholder, der er fri for statisk elektricitet.

**BEMÆRKNING:** Brug altid krogene bag på låget ved fjernelse af den trådløse enhed. Hvis krogene ikke griber fat i den trådløse enhed, skal du lukke låget helt og åbne det langsomt igen.

## Maskinregistrering til støvsugerens

**BEMÆRK:** Du skal bruge en Makita-maskine, der understøtter den trådløse aktiveringsfunktion, til maskinregistreringen.

**BEMÆRK:** Afslut monteringen af den trådløse enhed på maskinen, før maskinregistreringen startes.

**BEMÆRK:** Under maskinregistreringen må du ikke trykke på afbryderknappen på maskinen eller trykke på støvsugerens knap til støvsugning.

**BEMÆRK:** Se også i brugsanvisningen til maskinen.

Hvis du vil aktivere støvsugerens, når afbryderen på maskinen betjenes, skal du først afslutte maskinregistreringen.

1. Monter de trådløse enheder på henholdsvis støvsugerens og maskinen.
2. Sæt batterierne i støvsugerens og maskinen.
3. Sæt standby-kontakten på støvsugerens til "I (ON)".

► Fig.38: 1. Standby-kontakt

- Tryk på den trådløse aktiveringsknap på støvsugeren i 3 sekunder, indtil den trådløse aktiveringslampe blinker grønt. Tryk derefter på den trådløse aktiveringsknap på maskinen på samme måde.

► **Fig.39:** 1. Trådløs aktiveringsknap 2. Trådløs aktiveringslampe

Hvis støvsugeren og maskinen sammenkædes korrekt, lyser de trådløse aktiveringslamper grønt i 2 sekunder og begynder at blinke blåt.

**BEMÆRK:** De trådløse aktiveringslamper holder op med at blinke grønt efter 20 sekunder. Tryk på den trådløse aktiveringsknap på maskinen, når den trådløse aktiveringslampe på støvsugeren blinker. Hvis den trådløse aktiveringslampe ikke blinker grønt, skal du trykke kortvarigt på den trådløse aktiveringsknap og holde den nede igen.

**BEMÆRK:** Når der udføres to eller flere maskinregistreringer for støvsugeren, skal maskinregistreringerne fuldføres en for en.

## Start af den trådløse aktiveringsfunktion

**BEMÆRK:** Afslut maskinregistreringen for støvsugeren for trådløs aktivering.

**BEMÆRK:** Placer altid støvsugeren, så du kan se status for den trådløse aktiveringslampe.

**BEMÆRK:** Se også i brugsanvisningen til maskinen.

Når en maskine er registreret til støvsugeren, kører støvsugeren automatisk, når afbryderen på maskinen betjenes.

- Monter de trådløse enheder på henholdsvis støvsugeren og maskinen.

- Sæt batterierne i støvsugeren og maskinen.

- Slut støvsugerens slange til maskinen.

► **Fig.40**

- Sæt standby-kontakten på støvsugeren til "I (ON)". Den trådløse aktiveringslampe blinker blåt.

► **Fig.41:** 1. Standby-kontakt

- Tryk kortvarigt på den trådløse aktiveringsknap på maskinen. Den trådløse aktiveringslampe blinker blåt.

► **Fig.42:** 1. Trådløs aktiveringsknap 2. Trådløs aktiveringslampe

- Tryk på maskinens afbryderknap. Kontroller, om støvsugeren kører, når der trykkes på afbryderknappen på maskinen.

**⚠FORSIGTIG:** Kontroller altid, om den trådløse aktiveringsfunktion fungerer, før du påbegynder et stykke arbejde med maskinen.

Tryk på den trådløse aktiveringsknap på maskinen, eller stil standby-kontakten på støvsugeren til "O (OFF)" for at stoppe den trådløse aktivering.

**BEMÆRK:** Den trådløse aktiveringslampe på maskinen holder op med at blinke blåt, hvis der ikke sker nogen betjening i 2 timer. Tryk i så fald på de trådløse aktiveringsknapper på maskinen igen.

**BEMÆRK:** Støvsugeren starter/stopper med en forsinkelse. Der er en forsinkelse, når støvsugeren registrerer en betjening af afbryderen på maskinen.

**BEMÆRK:** Den trådløse enheds transmissionsafstand kan variere afhængigt af placeringen og de omgivende forhold.

**BEMÆRK:** Når to eller flere maskiner er registreret til én støvsuger, begynder støvsugeren muligvis at køre, selvom du ikke trykker på afbryderknappen, fordi en anden bruger anvender den trådløse aktiveringsfunktion.

## Annullering af maskinregistrering for støvsugeren

Benyt følgende fremgangsmåde ved annullering af maskinregistreringen for støvsugeren.

- Monter de trådløse enheder på henholdsvis støvsugeren og maskinen.

- Sæt batterierne i støvsugeren og maskinen.

- Sæt standby-kontakten på støvsugeren til "I (ON)".

► **Fig.43:** 1. Standby-kontakt

- Tryk på den trådløse aktiveringsknap på støvsugeren i 6 sekunder. Den trådløse aktiveringslampe blinker grønt og bliver derefter rød. Tryk derefter på den trådløse aktiveringsknap på maskinen på samme måde.

► **Fig.44:** 1. Trådløs aktiveringsknap 2. Trådløs aktiveringslampe

Hvis annulleringen gennemføres korrekt, lyser de trådløse aktiveringslamper rød i 2 sekunder og begynder at blinke blåt.

**BEMÆRK:** De trådløse aktiveringslamper holder op med at blinke rødt efter 20 sekunder. Tryk på den trådløse aktiveringsknap på maskinen, når den trådløse aktiveringslampe på støvsugeren blinker. Hvis den trådløse aktiveringslampe ikke blinker rødt, skal du trykke kortvarigt på den trådløse aktiveringsknap og holde den nede igen.

## Sletning af alle maskinregistreringer

Du kan slette alle maskinregistreringer fra støvsugeren på følgende måde.

► **Fig.45:** 1. Standby-kontakt 2. Trådløs aktiveringsknap 3. Trådløs aktiveringslampe

- Monter den trådløse enhed på støvsugeren.

- Sæt batterierne i støvsugeren.

- Sæt standby-kontakten til "I (ON)".

- Hold den trådløse aktiveringsknap nede i cirka 6 sekunder, indtil den trådløse aktiveringslampe blinker rødt (cirka to gange i sekundet).

- Fjern fingeren fra den trådløse aktiveringsknap, når den trådløse aktiveringslampe begynder at blinke rødt. Hold derefter den trådløse aktiveringsknap nede igen i cirka 6 sekunder.











6. Når den trådløse aktiveringslampe begynder at blinke hurtigt (cirka 5 gange i sekundet) rødt, skal du fjerne fingeren fra den trådløse aktiveringsknop. Når den trådløse aktiveringslampe løser rødt og derefter slukkes, er alle maskinregistreringer slettet.

**BEMÆRK:** Hvis den trådløse aktiveringslampe ikke blinker rødt, skal du trykke kortvarigt på den trådløse aktiveringsknop og prøve igen.

## Beskrivelse af den trådløse aktiveringslampes status

► **Fig.46:** 1. Trådløs aktiveringsknop 2. Trådløs aktiveringslampe

Den trådløse aktiveringslampe viser status for den trådløse aktiveringsfunktion. Se i tabellen nedenfor vedrørende betydningen af lampens status.

| Status                                     | Trådløs aktiveringslampe |  |   | Varighed (cirka)  | Beskrivelse |
|--|--------------------------|--|---|---|-------------|
|  | Farve                    |  Tændt                      |  Blinker |   |             |
| Standby                                    | Blå                      |                             | Støvsuger: kontinuerligt<br>Maskine: 2 timer  | Venter på maskinregistreringen, eller at den trådløse aktiveringsfunktion er tilgængelig. Lampen på støvsugeren blinker, når standby-kontakten indstilles til "I (ON)". Lampen på maskinen blinker, når der trykkes på den trådløse aktiveringsknop. Lampen på maskinen slukkes automatisk, hvis der ikke er nogen betjening i 2 timer. |             |
|  |                          |                             | Når maskinen kører.   | Den trådløse aktivering af støvsugeren er tilgængelig, og maskinen kører.   |             |
| Maskinregistrering                         | Grøn                     |                             | 20 sekunder   | Klar til maskinregistrering. Søger efter den maskine, der skal registreres.   |             |
|  |                          |                             | 2 sekunder  | Maskinregistreringen er fuldført. Den trådløse aktiveringslampe begynder at blinke blåt.  |             |
| Annullering/sletning af maskinregistrering | Rød                      | <br>(langsom: 2 gange/sek.) | 20 sekunder   | Klar til annullering af maskinregistrering. Søger efter den maskine, der skal annulleres.   |             |
|  |                          | <br>(hurtigt: 5 gange/sek.) | Når der trykkes ned på den trådløse aktiveringsknop.                                      | Klar til at slette alle maskinregistreringer.   |             |
|  |                          |                             | 2 sekunder  | Maskinregistreringen er annulleret/slettet. Den trådløse aktiveringslampe begynder at blinke blåt.  |             |
| Andre                                      | Rød                      |                            | 3 sekunder  | Der er strøm til den trådløse enhed, og den trådløse aktiveringsfunktion starter.   |             |
|  | Slukket                  | -  | -   | Standby-kontakten er ikke indstillet til "I (ON)".  |             |

## Fejlfinding i forbindelse med den trådløse aktiveringsfunktion

Udfør selv en inspektion, inden De anmoder om reparation. Hvis De opdager et problem, som ikke er forklaret i brugsanvisningen, må De ikke forsøge at adskille maskinen. Rådfør Dem i stedet med et autoriseret Makita Servicecenter, og brug altid originale Makita udskiftningsdele til reparationer.

| Unormal tilstand  | Sandsynlig årsag (fejl)  | Afhjælpning  |
|---|--|--|
| Den trådløse aktiveringslampe tændes/blinker ikke.                              | Den trådløse enhed er ikke monteret på støvsugeren og/eller maskinen.<br>Den trådløse enhed er monteret forkert på støvsugeren og/eller maskinen.                              | Monter den trådløse enhed korrekt.   |
|   | Terminalen på den trådløse enhed og/eller åbningen er snavset.   | Aftør forsigtigt støv og snavs på terminalen på den trådløse enhed, og rengør åbningen på støvsugeren og/eller maskinen.                     |
|   | Der er ikke trykket på den trådløse aktiveringsknap på maskinen.   | Tryk kortvarigt på den trådløse aktiveringsknap på maskinen. Kontroller, at den trådløse aktiveringslampe blinker blåt.                      |
|   | Standby-kontakten på støvsugeren er ikke indstillet til "I (ON)".  | Sæt standby-kontakten på støvsugeren til "I (ON)".   |
|   | Ingen strømforsyning   | Tilfør strøm til maskinen og støvsugeren.  |
| Kan ikke afslutte maskinregistrering/annullering af maskinregistrering korrekt. | Den trådløse enhed er ikke monteret på støvsugeren og/eller maskinen.<br>Den trådløse enhed er monteret forkert på støvsugeren og/eller maskinen.                              | Monter den trådløse enhed korrekt.   |
|   | Terminalen på den trådløse enhed og/eller åbningen er snavset.   | Aftør forsigtigt støv og snavs på terminalen på den trådløse enhed, og rengør åbningen på støvsugeren og/eller maskinen.                     |
|   | Standby-kontakten på støvsugeren er ikke indstillet til "I (ON)".  | Sæt standby-kontakten på støvsugeren til "I (ON)".   |
|   | Ingen strømforsyning   | Tilfør strøm til maskinen og støvsugeren.  |
|   | Forkert betjening  | Tryk kortvarigt på den trådløse aktiveringsknap, og udfør procedurerne for maskinregistrering/annullering igen.                              |
|   | Maskinen og støvsugeren er ikke i nærheden af hinanden (uden for transmissionsafstand).  | Flyt maskinen og støvsugeren tættere på hinanden. Den maksimale transmissionsafstand er cirka 10 m, men kan variere afhængigt af forholdene. |
|   | Før du fuldfører maskinregistrering/annullering:<br>- der er trykket på afbryderknappen på maskinen, eller<br>- der er trykket på støvsugerens knap til at starte støvsugning. | Tryk kortvarigt på den trådløse aktiveringsknap, og udfør procedurerne for maskinregistrering/annullering igen.                              |
|   | Maskinregistreringsprocedurerne for maskinen eller støvsugeren er ikke fuldført.   | Udfør maskinregistreringsprocedurerne både på maskinen og støvsugeren på samme tid.  |
| Radiointerferens fra andre apparater, der udsender højintens radiobølger.       | Hold maskinen og støvsugeren væk fra apparater som f.eks. Wi-Fi-enheder og mikrobølgeovne.   |  |

| Unormal tilstand  | Sandsynlig årsag (fejl)  | Afhjælpning   |
|---|--|---|
| Støvsugeren kører ikke, når afbryderen på maskinen betjenes.            | Den trådløse enhed er ikke monteret på støvsugeren og/eller maskinen. Den trådløse enhed er monteret forkert på støvsugeren og/eller maskinen. | Monter den trådløse enhed korrekt.  |
|   | Terminalen på den trådløse enhed og/eller åbningen er snavset.   | Aftør forsigtigt støv og snavs på terminalen på den trådløse enhed, og rengør åbningen på støvsugeren og/eller maskinen.  |
|   | Der er ikke trykket på den trådløse aktiveringsknap på maskinen.   | Tryk kortvarigt på den trådløse aktiveringsknap på maskinen. Kontroller, at den trådløse aktiveringslampe blinker blåt.   |
|   | Standby-kontakten på støvsugeren er ikke indstillet til "I (ON)".  | Sæt standby-kontakten på støvsugeren til "I (ON)".  |
|   | Der er registreret mere end 10 maskiner til støvsugeren.   | Udfør maskinregistreringen igen. Hvis der er registreret mere end 10 maskiner til støvsugeren, bliver den maskine, der blev registreret tidligst, automatisk annulleret.  |
|   | Støvsugeren har slettet alle maskinregistreringer.   | Udfør maskinregistreringen igen.  |
|   | Ingen strømforsyning   | Tilfør strøm til maskinen og støvsugeren.   |
|   | Maskinen og støvsugeren er ikke i nærheden af hinanden (uden for transmissionsafstand).  | Flyt maskinen og støvsugeren tættere på hinanden. Den maksimale transmissionsafstand er cirka 10 m, men kan variere afhængigt af forholdene.  |
|   | Radiointerferens fra andre apparater, der udsender højintens radiobølger.  | Hold maskinen og støvsugeren væk fra apparater som f.eks. Wi-Fi-enheder og mikrobølgeovne.  |
| Støvsugeren kører, mens der ikke trykkes på maskinens afbryderknap.     | Andre brugere anvender den trådløse aktivering af støvsugeren med deres maskiner.  | Gør et af følgende:<br>- sæt standby-kontakten på støvsugeren til positionen "O", eller<br>- sluk på den trådløse aktiveringsknap på de øvrige maskiner, eller<br>- annuller maskinregistreringen for de øvrige maskiner.   |
| Det er ikke muligt at slette alle maskinregistreringer fra støvsugeren. | Der trykkes på den trådløse knap på maskinen.  | Tryk på den trådløse knap på støvsugeren for at slette alle maskinregistreringer.   |
|   | Standby-kontakten på støvsugeren er ikke indstillet til "I (ON)".  | Sæt standby-kontakten på støvsugeren til "I (ON)".  |
|   | Der holdes ikke korrekt ned på den trådløse aktiveringsknap.   | Hold den trådløse aktiveringsknap nede i mere end 6 sekunder, og slip den derefter, når den trådløse aktiveringslampe blinker rødt. Hold den trådløse aktiveringsknap nede i cirka 6 sekunder igen, indtil den trådløse aktiveringsknap blinker hurtigt rødt, og slip derefter knappen. |

## VEDLIGEHOELDELSE

**⚠FORSIGTIG:** Sørg altid for, at apparatet er slukket, og at akkuen er fjernet, før du forsøger at udføre eftersyn eller vedligeholdelse.

**BEMÆRKNING:** Anvend aldrig benzin, rensebenzin, fortynder, alkohol og lignende. Det kan medføre misfarvning, deformation eller revner.

For at opretholde produktets SIKKERHED og PÅLIDELIGHED må reparation, vedligeholdelse eller justering kun udføres af et autoriseret Makita servicecenter eller fabrikkerservicecenter med anvendelse af Makita reservedele.

## Rengøring af HEPA-filteret

**⚠FORSIGTIG:** Undlad at bruge støvsugeren uden et filter eller at fortsætte med at bruge et snavset eller beskadiget filter. Opsuget støv eller partikler kan blive blæst ud af støvsugeren, hvilket kan medføre åndedrætslidelser hos operatøren.

**BEMÆRKNING:** Rengør filteret regelmæssigt for at opretholde optimal sugestyrke og ren udblæsning. Udskift filteret med et nyt, hvis der ikke kan opnås tilstrækkelig sugestyrke selv efter rengøring.

**BEMÆRKNING:** Undlad at bruge følgende værktøjer og lignende genstande til rengøring for at undgå beskadigelse af filteret:

- Støvblæser
- Højtryksrenser
- Værktøjer, der er fremstillet af hårde materialer, f.eks. en metalbørste



1. Åbn låget, og tag filterposen/støvposen ud. Frigør krogen på filteret, og tag det ud fra støvsugerkabinettet.  
► **Fig.47:** 1. Krog

2. Bank støvet af filteret. Filteret kan vaskes med vand. Skyl støv og partikler bort fra filteret hver eller hver 2. måned. Lad derefter filteret tørre helt på et skyggefuldt og velventileret sted for at undgå ubehagelige lugte eller fejlfunktioner.

3. For at installere filteret skal du sætte siden uden krogene ind i rillen og derefter trykke filteret ind, indtil krogene fastgøres med et klik.

► **Fig.48:** 1. Rille 2. HEPA-filtrer 3. Krog

## Rengøring af støvposen

Rengør regelmæssigt støvposen med sæbe og vand. Vend indersiden ud på støvposen, og fjern klæbrigt støv. Vask den let i hånden, og rens grundigt med vand. Tør den helt, før den sættes i støvsugeren.

► **Fig.49**

**BEMÆRKNING:** En våd støvpose reducerer støvsugerens ydelse og motorens levetid.

## Rengøring af rummet til filterposen/ støvposen

Når du rengør rummet til filterposen/støvposen, skal du afmontere og tørre pladen indvendigt.

► **Fig.50:** 1. Plade

## Afmontering af pladen

1. Afmonter HEPA-filtreret. Se afsnittet om rengøring af HEPA-filtreret angående hvordan det fjernes.

2. Tryk ned på pladen og skub den til venstre, indtil pladen rører ved væggen.

3. Løft den højre side af pladen op og tag den ud.

► **Fig.51:** 1. Plade

Pladen er understøttet af tre fjedre.

Hvis fjedrene falder af pladen eller håndtaget, skal du genmontere dem som vist.

► **Fig.52:** 1. Fjeder til plade 2. Fjeder til håndtag 3. Fremspring

**BEMÆRK:** Monter fjedrene ordentligt, så fjedrene rører ved roden af fremspringene.

## Montering af pladen

1. Sæt den lige side af pladen ind i spærhagerne i den nederste venstre side i rummet.

2. Put den højre side af pladen på plads.

► **Fig.53:** 1. Plade 2. Lige side 3. Spærhage

## EKSTRAUDSTYR

**⚠FORSIGTIG:** Det følgende tilbehør og ekstraudstyr anbefales til brug med dit Makita-produkt, der er beskrevet i denne brugsanvisning. Brugen af andet tilbehør eller ekstraudstyr kan medføre risiko for personskade. Brug kun ekstraudstyr eller tilbehør til det formål, det er beregnet til.

Hvis De behøver hjælp ved valg af tilbehør eller ønsker yderligere informationer, bedes De kontakte Deres lokale Makita servicecenter.

- Slange (til støvudtrækningstype)
- Slange (til støvsugertype)
- Forlængerrør
- Frit mundstykke
- T-formet mundstykke
- Møbelmundstykke
- Hjørnemundstykke
- Børste til hylder
- Rund børste
- Filterpose
- Støvpose
- Forreste manchete
- HEPA-filtrer
- Trådløs enhed
- Hvirveltilbehør
- Original Makita-akku og oplader

**BEMÆRK:** Nogle ting på denne liste kan være inkluderet i værktøjsspakken som standardtilbehør. Det kan være forskellige fra land til land.

## Hvirveltilbehør

**BEMÆRK:** Når du bruger hvirveltilbehøret sammen med dette apparat, er det også nødvendigt at bruge det bøjede rør.

► **Fig.54:** 1. Hvirveltilbehør

## Om hvirveltilbehøret

Brug af støvsugeren med hvirveltilbehøret monteret reducerer mængden af støv, som trænger ind i støvposen, hvilket hjælper med til at forhindre sugekraften i at svækkes. Endvidere er rengøring efter brug også nem.

**⚠FORSIGTIG:** Sørg altid for at maskinen er slukket, og at akkuen er taget ud, før der udføres noget arbejde på maskinen. Hvis akkuen forbliver isat, kan støvsugeren muligvis starte uventet og medføre tilskadekomst.

**⚠FORSIGTIG:** Rengør trådsien i hvirveltilbehøret og støvposen i støvsugerenheden, når de bliver tilstoppet. Fortsat brug i den tilstoppede tilstand kan muligvis resultere i opvedning eller røg.

**BEMÆRKNING:** Når hvirveltilbehøret er monteret, må du ikke bruge hvirveltilbehøret i den vandrete eller opadvendte tilstand. Dette kan medføre, at netfilteret bliver tilstoppet.

**BEMÆRKNING:** Brug altid støvsugeren med støvposen monteret, selv når du anvender hvirveltilbehøret. Brug af støvsugeren uden støvposen monteret kan muligvis resultere i en motorfunktionsfejl.

**BEMÆRK:** Kontroller, at hvirveltilbehøret, støvsugeren og det lige rør er ordentligt låst inden brug.

**BEMÆRK:** Tøm støvbakken i hvirveltilbehøret og støvposen i støvsugeren, når der er ophobet støv. Fortsat brug vil resultere i svækket sugekraft.

**BEMÆRK:** Du kan bruge hvirveltilbehøret med eller uden låsefunktion.

**BEMÆRK:** Se afsnittet "Ved brug som støvsuger" for at montere eller afmontere hvirveltilbehøret.

## Bortskaffelse af støv

Når der er ophobet støv op til fuld-linjen i støvbakken, skal du følge proceduren nedenfor og bortskaffe støvet.

1. Hold godt fast i støvbakken, tryk og hold på de to knapper og fjern støvbakken.

► **Fig.55:** 1. Fuld-linje 2. Støvbakke 3. Knap (to steder) 4. Trådsi

2. Bortskaf støvet inde i støvbakken og fjern alt støv og pulver, som sidder fast på overfladen af trådsien.

3. Sæt støvbakken helt ind indtil de to knapper låses med et klik.

► **Fig.56:** 1. Støvbakke 2. Knap (to steder)

**BEMÆRK:** Kontroller, at hvirveltilbehøret, støvsugeren og det lige rør er ordentligt låst inden genstart af betjening.

**BEMÆRK:** Hvis sugekraften ikke genoprettes, selv efter bortskaffelse af støvet og rengøring af trådsien, skal du kontrollere, om der er ophobet støv i støvposen i støvsugeren, eller der er opstået tilstopning.

## Rengøring

Når støvbakken bliver beskidt, eller trådsien er tilstoppet, skal du fjerne og vaske dem med vand. (Se "Bortskaffelse af støv" angående fjernelsesproceduren.)

Tør delene grundigt inden genmontering og ibrugtagning.

► **Fig.57:** 1. Støvbakke 2. Trådsi

Når trådsien bliver meget beskidt, skal du rengøre den vha. de følgende procedurer.

1. Drej trådsien mod uret og fjern den, mens krogene ikke er låst.

► **Fig.58:** 1. Trådsi 2. Krog

2. Fjern støvet på trådsien og vask den derefter med vand. Tør den omhyggeligt efter dette.

3. Sæt trådsien ind i basen mens krogene er rettet ind med åbningen. Drej trådsien med uret indtil krogene låses med et klik. Sørg for, at trådsien er monteret forsvarligt.

► **Fig.59:** 1. Trådsi 2. Krog 3. Åbning

## ΠΡΟΕΙΔΟΠΟΙΗΣΗ

- Το μηχάνημα αυτό δεν προορίζεται για χρήση από άτομα, συμπεριλαμβανομένων των παιδιών, με μειωμένες σωματικές, αισθητήριες ή διανοητικές ικανότητες, ή από άτομα που δεν έχουν πείρα και γνώσεις.
- Τα παιδιά θα πρέπει να επιτηρούνται για να εξασφαλιστεί ότι δεν παίζουν με τη μηχανή.
- Για την αναφορά του τύπου της μπαταρίας, δείτε το κεφάλαιο «ΠΡΟΔΙΑΓΡΑΦΕΣ».
- Για τον τρόπο αφαίρεσης ή τοποθέτησης της μπαταρίας, δείτε την ενότητα «Τοποθέτηση ή αφαίρεση της κασέτας μπαταριών».
- Όταν απορρίπτετε την κασέτα μπαταριών, αφαιρέστε την από το εργαλείο και διαθέστε την σε ένα ασφαλές μέρος. Τηρήστε τους τοπικούς κανονισμούς που σχετίζονται με τη διάθεση της μπαταρίας.
- Αν δεν χρησιμοποιείτε το εργαλείο για μεγάλο χρονικό διάστημα, πρέπει να βγάλετε την μπαταρία από το εργαλείο.
- Μη βραχυκυκλώνετε την κασέτα μπαταριών.
- Για τις κατάλληλες λεπτομέρειες των προφυλάξεων κατά τη διάρκεια της συντήρησης από τον χρήστη, δείτε το κεφάλαιο «ΣΥΝΤΗΡΗΣΗ».

## ΠΡΟΔΙΑΓΡΑΦΕΣ

|   |                 |                          |
|---|-----------------|--------------------------|
| <b>Μοντέλο:</b>   |                 | <b>DVC665</b>            |
| Χωρητικότητα  | Σακούλα φίλτρου | 6,0 L                    |
|   | Σακούλα σκόνης  | 5,5 L                    |
| Μέγιστος όγκος αέρα<br>(Με εύκαμπτο σωλήνα $\varnothing 28 \text{ mm} \times 1,5 \text{ m}$ ) |                 | 1,8 m <sup>3</sup> /min  |
| Υποπίεση  |                 | 110 hPa                  |
| Διαστάσεις (Μ x Π x Υ)<br>(εκτός της εξάρτησης)   |                 | 297 mm x 174 mm x 523 mm |
| Ονομαστική τάση   |                 | D.C. 36 V                |
| Καθαρό βάρος  |                 | 6,1 - 6,7 kg             |

- Λόγω του συνεχιζόμενου προγράμματος έρευνας και ανάπτυξης, οι προδιαγραφές αυτές υπόκεινται σε αλλαγές χωρίς προειδοποίηση.
- Οι προδιαγραφές μπορεί να διαφέρουν ανάλογα με τη χώρα.
- Το βάρος δεν περιλαμβάνει εξαρτήματα αλλά την(ις) κασέτα(ες) μπαταριών. Το μικρότερο και μεγαλύτερο βάρος των συνδυασμών της συσκευής και της(ων) κασέτα(ών) μπαταριών απεικονίζονται στον πίνακα.

## Ισχύουσα κασέτα μπαταριών και φορτιστής

|                  |  |
|------------------|--|
| Κασέτα μπαταρίας | BL1815N / BL1820B / BL1830B / BL1840B / BL1850B / BL1860B    |
| Φορτιστής        | DC18RC / DC18RD / DC18RE / DC18SD / DC18SE / DC18SF / DC18SH |

- Ορισμένες από τις κασέτες και τους φορτιστές μπαταριών που αναγράφονται παραπάνω ίσως να μην είναι διαθέσιμοι, ανάλογα με την τοποθεσία κατοικίας σας.

**⚠ ΠΡΟΕΙΔΟΠΟΙΗΣΗ:** Να χρησιμοποιείτε μόνο τις κασέτες μπαταριών και τους φορτιστές που παρατίθενται ανωτέρω. Η χρήση οποιασδήποτε άλλης κασέτας μπαταριών ή φορτιστή μπορεί να προκαλέσει τραυματισμό ή/και πυρκαγιά.

**⚠ ΠΡΟΕΙΔΟΠΟΙΗΣΗ:** Μην χρησιμοποιείτε ηλεκτρική παροχή με καλώδιο, όπως προσαρμογέα μπαταριών ή φορητή ηλεκτρική τροφοδότηση, με αυτό το εργαλείο. Αν φοράτε περισσότερες από μία εξαρτήσεις ταυτόχρονα, δυσκολεύετε τη λειτουργία και ελευθέρωση του εργαλείου, και μπορεί να προκληθεί τραυματισμός.

## Σύμβολα

Παρακάτω παρουσιάζονται τα σύμβολα που μπορούν να χρησιμοποιηθούν για τον εξοπλισμό. Βεβαιωθείτε ότι κατανοείτε τη σημασία τους πριν από τη χρήση.



Διαβάστε το εγχειρίδιο οδηγιών.



Απαιτούνται ιδιαίτερη φροντίδα και προσοχή.



Μόνο για τις χώρες της ΕΕ  
 Λόγω της παρουσίας των επικίνδυνων συστατικών μερών στον εξοπλισμό, ο απόβλητος ηλεκτρικός και ηλεκτρονικός εξοπλισμός, οι συσσωρευτές και οι μπαταρίες μπορεί να έχουν αρνητική επίδραση στο περιβάλλον και την ανθρώπινη υγεία. Μην απορρίπτετε τις ηλεκτρικές και ηλεκτρονικές συσκευές ή μπαταρίες μαζί με τα οικιακά απορρίμματα!  
 Σύμφωνα με την Ευρωπαϊκή Οδηγία για τον απόβλητο ηλεκτρικό και ηλεκτρονικό εξοπλισμό και για τους συσσωρευτές και μπαταρίες και τους απόβλητους συσσωρευτές και μπαταρίες, καθώς και την προσαρμογή τους στην εθνική νομοθεσία, ο απόβλητος ηλεκτρικός εξοπλισμός, οι μπαταρίες και οι συσσωρευτές θα πρέπει να αποθηκεύονται ξεχωριστά και να παραδίδονται σε ξεχωριστό σημείο συλλογής για δημοτικά απόβλητα, το οποίο λειτουργεί σύμφωνα με τους κανονισμούς για την προστασία του περιβάλλοντος.  
 Αυτό υποδεικνύεται από το σύμβολο του διαγραμμένου τροχοφόρου κάδου που βρίσκεται αναρτημένο επάνω στον εξοπλισμό.

## Προοριζόμενη χρήση

Η συσκευή προορίζεται για τη συλλογή ξηρής σκόνης. Η συσκευή είναι κατάλληλη για εμπορική χρήση, για παράδειγμα, σε ξενοδοχεία, σχολεία, νοσοκομεία, εργοστάσια, καταστήματα, γραφεία και επιχειρήσεις ενοικίασης.

## Θόρυβος

Το τυπικό Α επίπεδο καταμετρημένου θορύβου καθορίζεται σύμφωνα με το IEC60335-2-69, IEC60704-2-1: Στάθμη ηχητικής πίεσης ( $L_{pA}$ ): 70 dB (A) ή λιγότερο  
 Αβεβαιότητα (K): 2,5 dB (A)

Η ένταση θορύβου υπό συνθήκες εργασίας μπορεί να υπερβεί τα 80 dB (A).

**ΠΑΡΑΤΗΡΗΣΗ:** Η δηλωμένη τιμή(ές) εκπομπής θορύβου έχει μετρηθεί σύμφωνα με την πρότυπη μέθοδο δοκιμής και μπορεί να χρησιμοποιηθεί για τη σύγκριση ενός εργαλείου με κάποιο άλλο.

**ΠΑΡΑΤΗΡΗΣΗ:** Η δηλωμένη τιμή(ές) εκπομπής θορύβου μπορεί να χρησιμοποιηθεί και στην προκαταρκτική αξιολόγηση της έκθεσης.

**⚠️ ΠΡΟΕΙΔΟΠΟΙΗΣΗ:** Να φοράτε ωτοασπίδες.

**⚠️ ΠΡΟΕΙΔΟΠΟΙΗΣΗ:** Η εκπομπή θορύβου κατά τη χρήση του ηλεκτρικού εργαλείου σε πραγματικές συνθήκες μπορεί να διαφέρει από τη δηλωμένη τιμή(ές) ανάλογα με τους τρόπους χρήσης του εργαλείου, ιδιαίτερα το είδος του τεμαχίου εργασίας που υπόκειται επεξεργασία.

**⚠️ ΠΡΟΕΙΔΟΠΟΙΗΣΗ:** Φροντίστε να λάβετε τα κατάλληλα μέτρα προστασίας του χειριστή βάσει ενός υπολογισμού της έκθεσης σε πραγματικές συνθήκες χρήσης (λαμβάνοντας υπόψη όλες τις συνιστώσες του κύκλου λειτουργίας όπως τους χρόνους που το εργαλείο είναι εκτός λειτουργίας και όταν βρίσκεται σε αδρανή λειτουργία πέραν του χρόνου ενεργοποίησης).

## Κραδασμός

Η ολική τιμή δόνησης (άθροισμα τρι-αξονικού διανύσματος) καθορίζεται σύμφωνα με το IEC60335-2-69: Είδος εργασίας: λειτουργία χωρίς φορτίο  
 Εκπομπή δόνησης ( $a_{h1}$ ): 2,5 m/s<sup>2</sup> ή λιγότερο  
 Αβεβαιότητα (K): 1,5 m/s<sup>2</sup>

**ΠΑΡΑΤΗΡΗΣΗ:** Η δηλωμένη τιμή(ές) συνολικών κραδασμών έχει μετρηθεί σύμφωνα με την πρότυπη μέθοδο δοκιμής και μπορεί να χρησιμοποιηθεί για τη σύγκριση ενός εργαλείου με κάποιο άλλο.

**ΠΑΡΑΤΗΡΗΣΗ:** Η δηλωμένη τιμή(ές) συνολικών κραδασμών μπορεί να χρησιμοποιηθεί και στην προκαταρκτική αξιολόγηση της έκθεσης.

**⚠️ ΠΡΟΕΙΔΟΠΟΙΗΣΗ:** Η εκπομπή κραδασμών κατά τη χρήση του ηλεκτρικού εργαλείου σε πραγματικές συνθήκες μπορεί να διαφέρει από τη δηλωμένη τιμή(ές) εκπομπής ανάλογα με τους τρόπους χρήσης του εργαλείου, ιδιαίτερα το είδος του τεμαχίου εργασίας που υπόκειται επεξεργασία.

**⚠️ ΠΡΟΕΙΔΟΠΟΙΗΣΗ:** Φροντίστε να λάβετε τα κατάλληλα μέτρα προστασίας του χειριστή βάσει ενός υπολογισμού της έκθεσης σε πραγματικές συνθήκες χρήσης (λαμβάνοντας υπόψη όλες τις συνιστώσες του κύκλου λειτουργίας όπως τους χρόνους που το εργαλείο είναι εκτός λειτουργίας και όταν βρίσκεται σε αδρανή λειτουργία πέραν του χρόνου ενεργοποίησης).

## Δήλωση συμμόρφωσης ΕΚ

Μόνο για χώρες της Ευρώπης

Η δήλωση συμμόρφωσης ΕΚ περιλαμβάνεται ως Παράρτημα Α στο παρόν εγχειρίδιο οδηγιών.

## ΠΡΟΕΙΔΟΠΟΙΗΣΕΙΣ ΑΣΦΑΛΕΙΑΣ

### Προειδοποιήσεις ασφάλειας για τη φορητή μηχανή αναρρόφησης

**⚠️ ΠΡΟΕΙΔΟΠΟΙΗΣΗ:** ΣΗΜΑΝΤΙΚΟ! ΔΙΑΒΑΣΤΕ ΠΡΟΣΕΚΤΙΚΑ όλες τις προειδοποιήσεις για την ασφάλεια και όλες τις οδηγίες ΠΡΙΝ ΑΠΟ ΤΗ ΧΡΗΣΗ. Η μη τήρηση των προειδοποιήσεων και οδηγιών μπορεί να καταλήξει σε ηλεκτροπληξία, τυρκαγιά ή/και σοβαρό τραυματισμό.

1. Πριν από τη χρήση, βεβαιωθείτε ότι αυτή η μηχανή θα χρησιμοποιηθεί από άτομα στα οποία έχουν δοθεί επαρκείς οδηγίες για τη χρήση αυτής της μηχανής.
2. Μη χρησιμοποιείτε τη μηχανή χωρίς το φίλτρο. Αντικαταστήστε αμέσως ένα φίλτρο που έχει υποστεί ζημιά.
3. Μην επιχειρήσετε να συλλέξετε εύφλεκτα υλικά, πυροτεχνήματα, αναμμένα τσιγάρα, καυτές στάχτες, ζεστά μεταλλικά θραύσματα, αιχμηρά αντικείμενα όπως ξυραφάκια, βελόνες, σπασμένο γυαλί ή παρόμοια αντικείμενα.

4. ΜΗ ΧΡΗΣΙΜΟΠΟΙΕΙΤΕ ΠΟΤΕ ΤΗ ΜΗΧΑΝΗ ΚΟΝΤΑ ΣΕ ΒΕΝΖΙΝΗ, ΑΕΡΙΑ, ΜΠΟΓΙΑ, ΚΟΛΛΕΣ Ή ΆΛΛΕΣ ΥΨΗΛΑ ΕΚΡΗΚΤΙΚΕΣ ΟΥΣΙΕΣ. Ο διακόπτης παράγει σπινθήρες όταν ενεργοποιείται και απενεργοποιείται. Το ίδιο και ο μετατροπέας μοτέρ κατά τη διάρκεια της λειτουργίας. Μπορεί να προκύψει επικίνδυνη έκρηξη.
5. Αυτή η σκούπα δεν είναι κατάλληλη για τη συλλογή επικίνδυνης σκόνης.
6. Μην αναρροφάτε ποτέ τοξικά, καρκινογόνα, καύσιμα ή άλλα επικίνδυνα υλικά, όπως αμίαντο, αρσενικό, βάριο, βηρύλλιο, μόλυβδο, εντομοκτόνα ή άλλα υλικά που αποτελούν κίνδυνο για την υγεία.
7. Μη χρησιμοποιείτε ποτέ τη μηχανή σε εξωτερικό χώρο στη βροχή.
8. Για τη Φιλανδία, αυτό το μηχάνημα δεν πρέπει να χρησιμοποιηθεί σε εξωτερικούς χώρους σε χαμηλή θερμοκρασία.
9. Μη χρησιμοποιείτε κοντά σε πηγές θερμότητας (φούρνοι, κτλ.).
10. Μη φράσετε τα ανοίγματα ψύξης. Αυτά τα ανοίγματα επιτρέπουν την ψύξη του μοτέρ. Θα πρέπει να αποφευχθεί προσεκτικά το φράξιμο, διαφορετικά το μοτέρ θα καεί λόγω έλλειψης αερισμού.
11. Να στέκεστε πάντα σταθερά και ισορροπημένα.
12. Μη διπλώνετε, μην τραβάτε και μην πατάτε τον εύκαμπο σωλήνα.
13. Διακόψτε αμέσως τη λειτουργία της μηχανής αν παρατηρήσετε ανεπαρκή απόδοση ή οτιδήποτε ασυνήθιστο κατά τη λειτουργία.
14. ΑΠΟΣΥΝΔΕΣΤΕ ΤΙΣ ΜΠΑΤΑΡΙΕΣ. Όταν δεν χρησιμοποιείται, πριν από το σέρβις και όταν αλλάζετε αξεσουάρ.
15. Καθαρίστε και εκτελέστε σέρβις στη μηχανή αμέσως μετά από κάθε χρήση για να διατηρείται σε άριστη λειτουργική κατάσταση.
16. ΔΙΑΤΗΡΕΙΤΕ ΤΗ ΜΗΧΑΝΗ ΜΕ ΠΡΟΣΟΧΗ. Να διατηρείτε τη μηχανή καθαρή για την καλύτερη και ασφαλέστερη απόδοση. Να ακολουθείτε τις οδηγίες για την αλλαγή των αξεσουάρ. Να διατηρείτε τις λαβές στεγνές, καθαρές, χωρίς λάδι και γράσο.
17. **ΝΑ ΕΛΕΓΧΕΤΕ ΤΑ ΜΕΡΗ ΜΕ ΖΗΜΙΑ.** Πριν από την περαιτέρω χρήση της μηχανής, θα πρέπει να ελέγχετε προσεκτικά τυχόν προστατευτικά εξαρτήματα ή άλλα εξάρτημα με ζημιά για να καθορίσετε αν θα λειτουργήσουν σωστά και αν θα πραγματοποιήσουν την προοριζόμενη λειτουργία τους. Ελέγξτε την ευθυγράμμιση των κινούμενων μερών, την ελεύθερη κίνηση των κινούμενων μερών, το τυχόν σπάσιμο εξαρτημάτων, τη στερέωση και οποιεσδήποτε άλλες συνθήκες που μπορεί να επηρεάσουν τη λειτουργία του εργαλείου. Ένα προστατευτικό ή άλλο εξάρτημα με ζημιά θα πρέπει να επισκευαστεί ή να αντικατασταθεί σωστά σε εξουσιοδοτημένο κέντρο σέρβις εκτός αν δηλώνεται διαφορετικά στο παρόν εγχειρίδιο οδηγιών. Οι ελαττωματικοί διακόπτες πρέπει να αντικαθίστανται σε εξουσιοδοτημένο κέντρο σέρβις. Μη χρησιμοποιείτε τη μηχανή αν ο διακόπτης δεν την ενεργοποιεί και δεν την απενεργοποιεί.
18. **ΑΝΤΑΛΛΑΚΤΙΚΑ.** Κατά το σέρβις, να χρησιμοποιείτε μόνο γνήσια ανταλλακτικά.
19. **ΝΑ ΑΠΟΘΗΚΕΥΕΤΕ ΤΗ ΜΗΧΑΝΗ ΟΤΑΝ ΔΕΝ ΤΗ ΧΡΗΣΙΜΟΠΟΙΕΙΤΕ.** Όταν δεν χρησιμοποιείται, η μηχανή θα πρέπει να αποθηκεύεται σε εξωτερικό χώρο.
20. Να προσέχετε τη μηχανή. Ο σκληρός χειρισμός μπορεί να προκαλέσει το σπάσιμο ακόμη και της πιο καλοκατασκευασμένης μηχανής.
21. Μην επιχειρήσετε να καθαρίσετε το εξωτερικό ή το εσωτερικό με βενζίνη, νέφτι ή καθαριστικές χημικές ουσίες. Μπορεί να προκληθούν ρωγμές και αποχρωματισμός.
22. Μη χρησιμοποιείτε τη μηχανή σε κλειστό χώρο στον οποίο απελευθερώνονται εύφλεκτοι, εκρηκτικοί ή τοξικοί ατμοί από μπιονιές με βάση το λάδι, νέφτι, βενζίνη, μερικές ουσίες κατά της σκουριάς, κτλ., ή σε περιοχές όπου υπάρχει εύφλεκτη σκόνη.
23. Μη χρησιμοποιείτε τη μηχανή υπό την επήρεια ναρκωτικών ουσιών ή αλκοόλ.
24. Ως βασικός κανόνας ασφάλειας, να χρησιμοποιείτε γυαλιά ασφαλείας ή γυαλιά με πλαϊνά προστατευτικά.
25. Να χρησιμοποιείτε μάσκα κατά της σκόνης σε συνθήκες με πολλή σκόνη.
26. Το μηχάνημα αυτό δεν προορίζεται για χρήση από άτομα, συμπεριλαμβανομένων των παιδιών, με μειωμένες σωματικές, αισθητήριες ή διανοητικές ικανότητες, ή από άτομα που δεν έχουν πείρα και γνώσεις.
27. Τα παιδιά θα πρέπει να επιτηρούνται για να εξασφαλιστεί ότι δεν παίζουν με τη μηχανή.
28. Μη χειρίζεστε ποτέ την(τις) μπαταρία(ες) και τη γκούπα με βρεγμένα χέρια.
29. Να προσέχετε ιδιαίτερα όταν καθαρίζετε σκαλοπάτια.
30. Μη χρησιμοποιείτε τη μηχανή για σκαμπό ή πάγκο εργασίας. Η μηχανή σκούπα μπορεί να πέσει και να προκαλέσει προσωπικό τραυματισμό.

#### Χρήση και φροντίδα μπαταριών

1. **Να επαναφορτίσετε τις μπαταρίες μόνο με το φορτιστή που καθορίζεται από τον κατασκευαστή.** Ένας φορτιστής που είναι κατάλληλος για μια συγκεκριμένη μπαταρία μπορεί να δημιουργήσει κίνδυνο πυρκαγιάς όταν χρησιμοποιείται με μια άλλη μπαταρία.
2. **Να χρησιμοποιείτε ηλεκτρικά εργαλεία μόνο με ειδικά καθορισμένες μπαταρίες.** Η χρήση κάθε άλλης μπαταρίας μπορεί να δημιουργήσει κίνδυνο τραυματισμού ή πυρκαγιάς.
3. **Όταν δεν χρησιμοποιείται η κασέτα μπαταριών, διατηρήστε τη μακριά από άλλα μεταλλικά αντικείμενα, όπως συνδετήρες, κέρματα, κλειδιά, καρφιά, βίδες ή άλλα μικρά μεταλλικά αντικείμενα, με τα οποία μπορεί να δημιουργηθεί σύνδεση από τον έναν ακροδέκτη στον άλλον.** Το βραχυκύκλωμα των ακροδεκτών της μπαταρίας μπορεί να προκαλέσει εγκαύματα ή πυρκαγιά.
4. **Υπό συνθήκες κατάχρησης, μπορεί να εξαχθεί υγρό από την μπαταρία.** Να αποφεύγετε την επαφή. Εάν συμβεί επαφή κατά λάθος, εκπλύνετε με νερό. Εάν το υγρό έρθει σε επαφή με τα μάτια, αναζητήστε και ιατρική βοήθεια. Το υγρό που εξάγεται από την μπαταρία μπορεί να προκαλέσει ερεθισμό ή εγκαύματα.

5. **Μη χρησιμοποιείτε μια κασέτα μπαταριών ή εργαλείο που έχει καταστραφεί ή τροποποιηθεί.** Οι κατεστραμμένες ή τροποποιημένες μπαταρίες μπορεί να παρουσιάζουν απρόβλεπτη συμπεριφορά που έχει ως αποτέλεσμα πυρκαγιά, έκρηξη ή κίνδυνο τραυματισμού.
6. **Μην εκθέτετε την κασέτα μπαταριών ή το εργαλείο σε πυρκαγιά ή υπερβολικά υψηλή θερμοκρασία.** Η έκθεση στην πυρκαγιά ή στη θερμοκρασία άνω των 130 °C μπορεί να προκαλέσει έκρηξη.
7. **Ακολουθήστε όλες τις οδηγίες φόρτισης και μη φορτίσετε την κασέτα μπαταριών ή το εργαλείο εκτός του θερμοκρασιακού εύρους που καθορίζεται στις οδηγίες.** Η λανθασμένη φόρτιση ή η φόρτιση σε θερμοκρασίες εκτός του καθορισμένου εύρους μπορεί να προκαλέσει ζημιά στην μπαταρία και να αυξήσει τον κίνδυνο πυρκαγιάς.
8. **Μην χρησιμοποιείτε ηλεκτρική παροχή με καλώδιο, όπως προσαρμογέα μπαταριών ή φορητή ηλεκτρική τροφοδότηση, με αυτό το εργαλείο.** Το καλώδιο μιας τέτοιας ηλεκτρικής παροχής μπορεί να δυσκολέψει τη λειτουργία και να έχει ως αποτέλεσμα ατομικό τραυματισμό.
9. **Μην αποθηκεύετε και μην χρησιμοποιείτε το εργαλείο και την κασέτα μπαταριών σε τοποθεσίες όπου η θερμοκρασία μπορεί να φτάσει ή να ξεπεράσει τους 50°C.**
10. **Μην καίτε την κασέτα μπαταριών ακόμη και εάν έχει σοβαρή ζημιά ή είναι εντελώς φθαρμένη.** Η κασέτα μπαταριών μπορεί να εκραγεί στη φωτιά.
11. **Μην καρφώσετε, κόψετε, συνθλίψετε, πετάξετε ή ριζέτε κάτω την κασέτα μπαταριών, ούτε να χτυπήσετε ένα σκληρό αντικείμενο επάνω στην κασέτα μπαταριών.** Τέτοια συμπεριφορά μπορεί να έχει ως αποτέλεσμα πυρκαγιά, υπερθέρμανση ή έκρηξη.
12. **Μη χρησιμοποιείτε μπαταρία που έχει υποστεί ζημιά.**
13. **Οι μπαταρίες ιόντων λιθίου που περιέχονται υπόκεινται στις απαιτήσεις της νομοθεσίας για επικίνδυνα αγαθά.**

Για εμπορικές μεταφορές, για παράδειγμα από τρίτα μέρη, πρέπει να τηρούνται οι διαμεταφορές, οι ειδικές απαιτήσεις στη συσκευασία και η επισήμανση. Για προετοιμασία του στοιχείου που αποστέλλεται, είναι απαραίτητο να συμβουλευτείτε έναν ειδικό για επικίνδυνα υλικά. Επίσης, τηρήστε τους πθιθικούς, πιο αναλυτικούς εθνικούς κανονισμούς. Καλύψτε με αυτοκόλλητη ταινία ή κρύψτε τις ανακάλυπτες επαφές και συσκευάστε την μπαταρία με τρόπο που να μην μπορεί να μετακινείται μέσα στη συσκευασία.

## Σέρβις

1. **Να φροντίζετε το σέρβις του ηλεκτρικού εργαλείου σας να γίνεται από αρμόδιο επαγγελματία χρησιμοποιώντας μόνο γνήσια ανταλλακτικά.** Έτσι θα είστε σίγουροι για τη διατήρηση της ασφάλειας του ηλεκτρικού εργαλείου.
2. **Να ακολουθείτε τις οδηγίες για τη λίπανση και την αλλαγή των αξεσουάρ.**
3. **Να διατηρείτε τις λαβές στεγνές, καθαρές, χωρίς λάδι και γράσο.**

## Σημαντικές οδηγίες ασφάλειας για κασέτα μπαταριών

1. **Πριν χρησιμοποιήσετε την κασέτα μπαταριών, διαβάστε όλες τις οδηγίες και σημειώσεις προφυλαξης (1) στον φορητή μπαταριών, (2) στην μπαταρία και (3) στο προϊόν που χρησιμοποιεί την μπαταρία.**
  2. **Μην αποσυναρμολογήσετε ή παραβιάσετε την κασέτα μπαταριών.** Μπορεί να έχει ως αποτέλεσμα πυρκαγιά, υπερθέρμανση ή έκρηξη.
  3. **Εάν ο χρόνος λειτουργίας έχει γίνει υπερβολικά βραχύς, σταματήστε τη λειτουργία αμέσως.** Αλλιώς, μπορεί να έχει ως αποτέλεσμα κίνδυνο υπερθέρμανσης, πιθανά εγκαύματα ή ακόμη και έκρηξη.
  4. **Εάν ηλεκτρολύτης μπει στα μάτια σας, ξεπλύνετε τα με καθαρό νερό και ζητήστε ιατρική φροντίδα αμέσως.** Αλλιώς, μπορεί να έχει ως αποτέλεσμα απώλεια της όρασης σας.
  5. **Μη βραχυκυκλώνετε την κασέτα μπαταριών:**
    - (1) **Μην αγγίζετε τους πόλους με οτιδήποτε αγώγιμο υλικό.**
    - (2) **Αποφεύγετε να αποθηκεύετε την κασέτα μπαταριών μέσα σε ένα δοχείο μαζί με άλλα μεταλλικά αντικείμενα όπως καρφιά, νομίσματα, κλπ.**
    - (3) **Μην εκθέτετε την κασέτα μπαταριών στο νερό ή στη βροχή.**
- Ένα βραχυκύκλωμα μπαταρίας μπορεί να προκαλέσει μεγάλη ροή ρεύματος, υπερθέρμανση, πιθανά εγκαύματα ακόμη και σοβαρή βλάβη.
14. **Κατά τη διάρκεια και μετά τη χρήση, η κασέτα μπαταριών μπορεί να θερμανθεί, γεγονός που μπορεί να προκαλέσει εγκαύματα ή εγκαύματα από χαμηλή θερμοκρασία.** Προσέχετε το χειρισμό των ζεστών κασετών μπαταριών.
  15. **Μην αγγίζετε τον ακροδέκτη του εργαλείου αμέσως μετά τη χρήση επειδή μπορεί να έχει ζεσταθεί αρκετά για να προκαλέσει εγκαύματα.**
  16. **Μην αφήνετε θραύσματα, σκόνη ή βρομιά να κολλήσει στους ακροδέκτες, τις οπές και τις εγκοπές της κασέτας μπαταριών.** Μπορεί να έχει ως αποτέλεσμα κακή απόδοση ή σπάσιμο του εργαλείου ή της κασέτας μπαταριών.
  17. **Εκτός αν το εργαλείο υποστηρίζει τη χρήση κοντά σε ηλεκτρικές γραμμές υψηλής τάσης, μην χρησιμοποιείτε την κασέτα μπαταριών κοντά σε ηλεκτρικές γραμμές υψηλής τάσης.** Μπορεί να έχει ως αποτέλεσμα δυσλειτουργία ή σπάσιμο του εργαλείου ή της κασέτας μπαταριών.
  18. **ΚρΦυλάτε την μπαταρία μακριά από παιδιά.**

**ΦΥΛΑΞΤΕ ΤΙΣ ΟΔΗΓΙΕΣ ΑΥΤΕΣ.**



**⚠ ΠΡΟΣΟΧΗ:** Να χρησιμοποιείτε μόνο γνήσιες μπαταρίες της Makita. Η χρήση μη γνήσιων μπαταριών Makita, ή μπαταριών που έχουν τροποποιηθεί, μπορεί να έχει ως αποτέλεσμα τη ρήξη της μπαταρίας, προκαλώντας πυρκαγιά, προσωπικό τραυματισμό και βλάβη. Επίσης, θα ακυρωθεί η εγγύηση της Makita για το εργαλείο και φορτιστή Makita.

## Συμβουλές για τη διατήρηση της μέγιστης ζωής μπαταρίας

1. Φορτίζετε την κασέτα μπαταριών πριν από την πλήρη αποφόρτιση της. Πάντοτε να σταματάτε τη λειτουργία του εργαλείου και να φορτίζετε την κασέτα μπαταριών όταν παρατηρείτε μειωμένη ισχύ εργαλείου.
2. Ποτέ μην επαναφορτίζετε μια πλήρως φορτισμένη κασέτα μπαταριών. Η υπερφόρτιση μειώνει την ωφέλιμη ζωή της μπαταρίας.
3. Να φορτίζετε την κασέτα μπαταριών σε θερμοκρασία δωματίου, δηλαδή στους 10 °C έως 40 °C. Αφήστε μια θερμή κασέτα μπαταριών να κρυώσει πριν την φορτίσετε.
4. Όταν δεν χρησιμοποιείτε την κασέτα μπαταριών, αφαιρέστε την από το εργαλείο ή τον φορτιστή.
5. Να φορτίζετε την κασέτα μπαταριών εάν δεν τη χρησιμοποιείτε για μεγάλη χρονική περίοδο (περισσότερο από έξι μήνες).

## Σημαντικές οδηγίες ασφάλειας για την ασύρματη μονάδα

1. Μην αποσυναρμολογείτε ή παραβιάζετε την ασύρματη μονάδα.
2. Διατηρείτε την ασύρματη μονάδα μακριά από μικρά παιδιά. Αν καταποθεί κατά λάθος, αναζητήστε αμέσως ιατρική βοήθεια.
3. Να χρησιμοποιείτε την ασύρματη μονάδα μόνο με εργαλεία της Makita.
4. Μην εκθέτετε την ασύρματη μονάδα στη βροχή ή σε υγρές συνθήκες.
5. Μη χρησιμοποιείτε την ασύρματη μονάδα σε μέρος όπου η θερμοκρασία ξεπερνάει τους 50 °C.
6. Μη θέτετε την ασύρματη μονάδα σε λειτουργία σε μέρος όπου υπάρχουν ιατρικά όργανα, όπως καρδιακό βηματοδότης.
7. Μη θέτετε την ασύρματη μονάδα σε λειτουργία σε μέρος όπου υπάρχουν αυτοματοποιημένες διατάξεις. Αν τεθούν σε λειτουργία, οι αυτοματοποιημένες συσκευές μπορεί να εμφανίσουν δυσλειτουργία ή σφάλμα.
8. Μη θέσετε σε λειτουργία την ασύρματη μονάδα σε μέρος με υψηλή θερμοκρασία ή σε μέρος όπου μπορεί να παραχθεί στατικός ηλεκτρισμός ή ηλεκτρικός θόρυβος.
9. Η ασύρματη μονάδα μπορεί να παράγει ηλεκτρομαγνητικά πεδία (ΗΜΠ) αλλά δεν είναι επιβλαβή για τον χρήστη.
10. Η ασύρματη μονάδα είναι ένα όργανο ακριβείας. Προσέχετε να μη ρίξετε κάτω ή να χτυπήσετε την ασύρματη μονάδα.
11. Αποφύγετε να αγγίζετε τον ακροδέκτη της ασύρματης μονάδας με γυμνά χέρια ή μεταλλικά υλικά.
12. Αφαιρείτε πάντοτε την μπαταρία από τον προίον όταν τοποθετείτε σε αυτό την ασύρματη μονάδα.
13. Όταν ανοίγετε το καπάκι της σχισμής, αποφύγετε μέρος όπου μπορεί να εισέλθει σκόνη και νερό μέσα στη σχισμή. Να διατηρείτε πάντα καθαρή την είσοδο της σχισμής.
14. Να φορτώνετε πάντα την ασύρματη μονάδα με τη σωστή κατεύθυνση.
15. Μην πατήσετε το κουμπί ασύρματης ενεργοποίησης στην ασύρματη μονάδα πολύ δυνατά ή/και μην πατήσετε το κουμπί με ένα αντικείμενο με αιχμηρό άκρο.
16. Κατά τη λειτουργία, να κλείνετε πάντα το καπάκι της σχισμής.
17. Μην αφαιρείτε την ασύρματη μονάδα από τη σχισμή ενώ παρέχεται ισχύς στο εργαλείο. Αν το κάνετε αυτό, μπορεί να προκληθεί δυσλειτουργία της ασύρματης μονάδας.
18. Μην αφαιρείτε το αυτοκόλλητο στην ασύρματη μονάδα.
19. Μην τοποθετείτε αυτοκόλλητα επάνω στην ασύρματη μονάδα.
20. Μην αφήνετε την ασύρματη μονάδα σε ένα μέρος όπου μπορεί να παραχθεί στατικός ηλεκτρισμός ή ηλεκτρικός θόρυβος.
21. Μην αφήνετε την ασύρματη μονάδα σε ένα μέρος που υπόκειται σε υψηλή θερμότητα, όπως ένα αυτοκίνητο στον ήλιο.
22. Μην αφήνετε την ασύρματη μονάδα σε ένα μέρος με πολλή σκόνη ή πούδρα ή σε ένα μέρος όπου μπορεί να παραχθεί διαβρωτικό αέριο.
23. Η απότομη αλλαγή της θερμοκρασίας μπορεί να υγραίνει την ασύρματη μονάδα. Μη χρησιμοποιείτε την ασύρματη μονάδα μέχρι να στεγνώσει εντελώς όλη η υγρασία.
24. Όταν καθαρίζετε την ασύρματη μονάδα, σκουπίστε απαλά με ένα στεγνό μαλακό πανί. Μη χρησιμοποιείτε βενζίνη, νέφτι, αγώγιμο γράσο ή παρόμοιες ουσίες.
25. Όταν αποθηκεύετε την ασύρματη μονάδα, να τη διατηρείτε μέσα στην παρεχόμενη θήκη ή μέσα σε δοχείο χωρίς στατικό ηλεκτρισμό.
26. Μην εισαγάγετε καμία συσκευή διαφορετική από την ασύρματη μονάδα Makita μέσα στη σχισμή στο εργαλείο.
27. Μη χρησιμοποιείτε το εργαλείο αν το καπάκι της σχισμής είναι κατεστραμμένο. Αν εισέλθει νερό, σκόνη και βρομιά μέσα στη σχισμή, μπορεί να προκληθεί δυσλειτουργία.
28. Μην τραβάτε ή/και μη συστρέψετε το καπάκι της σχισμής περισσότερο από ότι απαιτείται. Τοποθετήστε ξανά το καπάκι αν βγει από το εργαλείο.
29. Αντικαταστήστε ξανά το καπάκι της σχισμής αν χαθεί ή καταστραφεί.

**ΦΥΛΑΞΤΕ ΑΥΤΕΣ ΤΙΣ ΟΔΗΓΙΕΣ.**



## ΠΕΡΙΓΡΑΦΗ ΛΕΙΤΟΥΡΓΙΑΣ

**▲ ΠΡΟΣΟΧΗ:** Να φροντίζετε πάντα για την απενεργοποίηση της συσκευής και την αφαίρεση της κασέτας μπαταριών, πριν από οποιαδήποτε ρύθμιση ή έλεγχο της λειτουργίας της συσκευής.

### Τοποθέτηση ή αφαίρεση της κασέτας μπαταριών

**▲ ΠΡΟΣΟΧΗ:** Να απενεργοποιείτε πάντα τη συσκευή πριν τοποθετείτε ή αφαιρέσετε την κασέτα μπαταριών.

**▲ ΠΡΟΣΟΧΗ:** Κρατήστε τη συσκευή και την κασέτα μπαταριών σταθερά κατά την τοποθέτηση ή αφαίρεση της κασέτας μπαταριών. Αν δεν κρατάτε τη συσκευή και την κασέτα μπαταριών σταθερά, μπορεί να γλιστρήσουν από τα χέρια σας και να προκληθεί ζημιά στη συσκευή και την κασέτα μπαταριών καθώς και προσωπικός τραυματισμός.

► **Εικ.1:** 1. Κόκκινος δείκτης 2. Κουμπί 3. Κασέτα μπαταριών

Για να αφαιρέσετε την κασέτα μπαταριών, σύρετέ την από τη συσκευή ενώ σύρετε το κουμπί στο μπροστινό μέρος της κασέτας.

Για να τοποθετήσετε την κασέτα μπαταριών, ευθυγραμμίστε τη γλώσσα στην κασέτα μπαταριών με την αυλάκα στην υποδοχή και ολισθήστε τη στη θέση της. Να την τοποθετείτε πλήρως μέχρι να ασφαλίσει στη θέση της, γεγονός που υποδεικνύεται με ένα χαρακτηριστικό ήχο. Εάν μπορείτε να δείτε τον κόκκινο δείκτη στην επάνω πλευρά του κουμπιού, δεν έχει κλειδώσει τελείως.

**▲ ΠΡΟΣΟΧΗ:** Να τοποθετείτε πάντα την κασέτα μπαταριών πλήρως μέχρι να μην βλέπετε την κόκκινη ένδειξη. Σε αντίθετη περίπτωση, μπορεί να πέσει κατά λάθος από τη συσκευή, προκαλώντας τραυματισμό σε εσάς ή κάποιον παρευρισκόμενο.

**▲ ΠΡΟΣΟΧΗ:** Μην τοποθετείτε την κασέτα μπαταριών με βία. Εάν η κασέτα δεν ολισθαίνει με ευκολία, τότε δεν έχει τοποθετηθεί κατάλληλα.

### Σύστημα προστασίας της συσκευής/ μπαταρίας

Η συσκευή είναι εξοπλισμένη με σύστημα προστασίας της συσκευής/μπαταρίας. Αυτό το σύστημα αποκόπτει αυτόματα την ισχύ προς το μοτέρ για να παραταθεί η διάρκεια λειτουργίας της συσκευής και της μπαταρίας. Η συσκευή σταματάει αυτόματα κατά τη διάρκεια της λειτουργίας αν η συσκευή ή η μπαταρία βρεθούν κάτω από τις παρακάτω συνθήκες.

### Προστασία υπερφόρτωσης

Όταν η συσκευή λειτουργεί με τρόπο ώστε να αναγκάζεται να καταναλώνει ασυνήθιστα υψηλό ρεύμα, η συσκευή σταματάει αυτόματα χωρίς καμία ένδειξη. Σε αυτή την κατάσταση, απενεργοποιήστε τη συσκευή και διακόψτε την εφαρμογή που προκαλεί την υπερφόρτωση. Μετά, ενεργοποιήστε τη συσκευή για επανεκκίνηση.

### Προστασία υπερθέρμανσης

Όταν η συσκευή υπερθερμανθεί, η συσκευή διακόπτεται αυτόματα. Αφήστε τη συσκευή να ψυχθεί πριν ενεργοποιήσετε ξανά τη συσκευή.

### Προστασία υπερβολικής αποφόρτισης

Όταν μειωθεί πολύ η χωρητικότητα μπαταρίας, η συσκευή σταματάει αυτόματα. Αν το προϊόν δεν τίθεται σε λειτουργία ακόμα και όταν πραγματοποιείται χειρισμός των διακοπών, βγάλτε τις μπαταρίες από τη συσκευή και φορτίστε τις μπαταρίες.

### Εμφάνιση υπολειπόμενης χωρητικότητας μπαταρίας

**Μόνο για κασέτες μπαταρίας με την ενδεικτική λυχνία**

► **Εικ.2:** 1. Ενδεικτικές λυχνίες 2. Κουμπί ελέγχου

Πίστετε το κουμπί ελέγχου στην κασέτα μπαταριών για να υποδείξετε την υπολειπόμενη χωρητικότητα μπαταρίας. Οι ενδεικτικές λυχνίες ανάβουν για λίγα δευτερόλεπτα.

| Ενδεικτικές λυχνίες |           |                | Υπολειπόμενη χωρητικότητα                       |
|---------------------|-----------|----------------|---|
| ■ Αναμμένες         | □ Σβηστές | ▲ Αναβοσβήνουν |   |
| ■ ■ ■ ■             |           |                | 75% έως 100%                                    |
| ■ ■ ■ □             |           |                | 50% έως 75%                                     |
| ■ ■ □ □             |           |                | 25% έως 50%                                     |
| ■ □ □ □             |           |                | 0% έως 25%                                      |
| ▲ □ □ □             |           |                | Φορτίστε την μπαταρία.                          |
| ■ ■ □ □             |           |                | Μπορεί να προέκυψε δυσλειτουργία στην μπαταρία. |
| □ □ ■ ■             |           |                |   |

**ΠΑΡΑΤΗΡΗΣΗ:** Ανάλογα με τις συνθήκες χρήσης και τη θερμοκρασία περιβάλλοντος, η ένδειξη μπορεί να διαφέρει λίγο από την πραγματική χωρητικότητα.

**ΠΑΡΑΤΗΡΗΣΗ:** Η πρώτη (τέρμα αριστερά) ενδεικτική λυχνία θα αναβοσβήνει όταν λειτουργεί το σύστημα προστασίας μπαταρίας.

### Θέση κουτιού διακοπών

Το κουτί διακοπών μπορεί να γαντζωθεί σε οποιαδήποτε πλευρά της κάτω ζώνης. Τακτοποιήστε το καλώδιο με τρόπο ώστε το κουτί διακοπών να εξέρχεται από την επιθυμητή πλευρά σας. Για να αποφευχθεί η πρόκληση ζημιάς στο καλώδιο, περάστε το καλώδιο μέσα από την εγχοπή όπως απεικονίζεται.

► **Εικ.3:** 1. Εγχοπή 2. Καλώδιο

## Ζώνες ρύθμισης

Το σφίξιμο των ζωνών ώμου και της άνω και κάτω ζώνης μπορεί να ρυθμιστεί. Περάστε τα χέρια σας πρώτα μέσα από τις ζώνες ώμου και μετά δέστε την κάτω και άνω ζώνη. Για να σφίξετε, τραβήξτε το άκρο του ιμάντα όπως απεικονίζεται. Για να χαλαρώσετε, τραβήξτε το άκρο του συνδετήρα.

### Κάτω ζώνη

► **Εικ.4:** 1. Ιμάντας 2. Συνδετήρας

### Ζώνες ώμου

► **Εικ.5:** 1. Ιμάντας 2. Συνδετήρας

### Άνω ζώνη

► **Εικ.6:** 1. Ιμάντας 2. Συνδετήρας


## Γάντζος μεταφοράς

**▲ ΠΡΟΣΟΧΗ:** Να χρησιμοποιείτε τα εξαρτήματα ανάρτησης/στερέωσης μόνο για τον σκοπό που προορίζονται. Η χρήση για κάποιο σκοπό για τον οποίο δεν προορίζονται μπορεί να προκαλέσει ατύχημα ή προσωπικό τραυματισμό.

Να πιάνετε πάντα τον γάντζο μεταφοράς κατά το χειρισμό του κύριου τμήματος της μηχανής αναρρόφησης.

► **Εικ.7:** 1. Γάντζος μεταφοράς




## Διακόπτης αναμονής

Ο διακόπτης αναμονής είναι ο διακόπτης για την ενεργοποίηση/απενεργοποίηση της λειτουργίας ασύρματης ενεργοποίησης. Η μηχανή αναρρόφησης βρίσκεται στην κατάσταση αναμονής ανεξάρτητα από τη θέση διακόπτη και λειτουργεί όταν πατηθεί το κουμπί .

► **Εικ.8:** 1. Διακόπτης αναμονής

| Θέση διακόπτη |         | Κατάσταση  |
|---------------|---------|--|
| AUTO          | I (ON)  | Η μηχανή αναρρόφησης βρίσκεται στην κατάσταση αναμονής και η λειτουργία ασύρματης ενεργοποίησης είναι διαθέσιμη.         |
|               | O (OFF) | Η μηχανή αναρρόφησης βρίσκεται στην κατάσταση αναμονής, ωστόσο η λειτουργία ασύρματης ενεργοποίησης δεν είναι διαθέσιμη. |


## Δράση διακόπτη

Για να ξεκινήσει η αναρρόφηση, πατήστε το κουμπί  μία φορά. Η μηχανή αναρρόφησης θα ξεκινήσει με την ίδια ισχύ αναρρόφησης που είχε όταν την απενεργοποιήσατε προηγούμενως. Όταν πατάτε το κουμπί  ενώ η μηχανή αναρρόφησης λειτουργεί, η ισχύς αναρρόφησης αλλάζει μεταξύ κανονικής (1) και υψηλότερης (2) ισχύος αναρρόφησης. Για να απενεργοποιήσετε τη μηχανή αναρρόφησης, πατήστε το κουμπί .

► **Εικ.9**

**ΠΑΡΑΤΗΡΗΣΗ:** Αν θέλετε να λειτουργείτε τη μηχανή αναρρόφησης ταυτόχρονα με τη λειτουργία διακόπτη του εργαλείου που είναι συνδεδεμένο με τη μηχανή αναρρόφησης (λειτουργία ασύρματης ενεργοποίησης), θέστε το διακόπτη αναμονής στη θέση «I (ON)».

**ΠΑΡΑΤΗΡΗΣΗ:** Για να χρησιμοποιήσετε τη λειτουργία ασύρματης ενεργοποίησης, ολοκληρώστε την καταχώρηση εργαλείου προκαταβολικά. Ανατρέξτε στην παράγραφο «ΛΕΙΤΟΥΡΓΙΑ ΑΣΥΡΜΑΤΗΣ ΕΝΕΡΓΟΠΟΙΗΣΗΣ» για λεπτομέρειες.

**ΠΑΡΑΤΗΡΗΣΗ:** Όταν χρησιμοποιείτε τη λειτουργία ασύρματης ενεργοποίησης, δεν θα μπορείτε να διακόψετε την αναρρόφηση με το κουμπί .

## Σφιγκτήρας εύκαμπτου σωλήνα

Ο σφιγκτήρας εύκαμπτου σωλήνα μπορεί να χρησιμοποιηθεί για τη συγκράτηση του εύκαμπτου σωλήνα ή του ελεύθερου ακροφυσίου.

Για να ασφαλίσετε τον εύκαμπο σωλήνα στο κύριο τμήμα της μηχανής αναρρόφησης, περάστε το σφιγκτήρα εύκαμπτου σωλήνα μέσα από την σχισμή στο κύριο τμήμα. Μπορείτε να συνδέσετε το σφιγκτήρα εύκαμπτου σωλήνα σε οποιαδήποτε πλευρά.

► **Εικ.10:** 1. Σφιγκτήρας εύκαμπτου σωλήνα 2. Σχισμή 3. Εύκαμπτος σωλήνας

Ο βρόχος της κάτω ζώνης μπορεί να χρησιμοποιηθεί για τη μεταφορά των ακροφυσίων όπως απεικονίζεται.

► **Εικ.11:** 1. Βρόχος 2. Ακροφύσια

## Σύστημα κτυπήματος σκόνης

Η σκόνη κατεβαίνει όταν τραβήτε το μοχλό ή περπατάτε ενώ φοράτε τη μηχανή αναρρόφησης. Το σύστημα αυτό βοηθάει τη μηχανή αναρρόφησης να διατηρεί την ισχύ αναρρόφησης.

► **Εικ.12:** 1. Μοχλός 2. Σακούλα φίλτρου/Σακούλα σκόνης 3. Πλάκα

**ΠΑΡΑΤΗΡΗΣΗ:** Η δυνατότητα αυτή λειτουργεί όταν η μηχανή αναρρόφησης απενεργοποιείται και η σακούλα φίλτρου/σακούλα σκόνης περιέχει μια συγκεκριμένη ποσότητα σκόνης ώστε να ακουμπάει την πλάκα.

## ΣΥΝΑΡΜΟΛΟΓΗΣΗ

**▲ ΠΡΟΣΟΧΗ:** Να βεβαιώνετε πάντα ότι η συσκευή είναι απενεργοποιημένη και η κασέτα μπαταριών έχει αφαιρεθεί πριν εκτελέσετε οποιαδήποτε εργασία στη συσκευή.

## Συναρμολόγηση εύκαμπτου σωλήνα

Εισαγάγετε το στόμιο εύκαμπτου σωλήνα μέσα στο κύριο τμήμα της μηχανής αναρρόφησης και περιστρέψτε το δεξιόστροφα.

► **Εικ.13:** 1. Στόμιο εύκαμπτου σωλήνα 2. Κύριο τμήμα της μηχανής αναρρόφησης

## Σύνδεση του εργαλείου

Αν η διάταξη λυγισμένου σωλήνα είναι συνδεδεμένη με τον εύκαμπτο σωλήνα, χαλαρώστε το χιτώνιο της διάταξης λυγισμένου σωλήνα και αφαιρέστε τον.

► **Εικ.14:** 1. Εύκαμπτος σωλήνας 2. Διάταξη λυγισμένου σωλήνα 3. Χιτώνιο

1. Συνδέστε το μπροστινό στόμιο στον εύκαμπτο σωλήνα για την απαγωγή σκόνης. Όταν συνδέετε το μπροστινό στόμιο, βεβαιωθείτε ότι είναι καλά βιδωμένο στον εύκαμπτο σωλήνα.

2. Συνδέστε το μπροστινό στόμιο με την έξοδο απαγωγής του εργαλείου.

► **Εικ.15:** 1. Μπροστινό στόμιο 2. Έξοδος απαγωγής 3. Εύκαμπτος σωλήνας

Μπορείτε να αποσπάσετε το μπροστινό στόμιο περιτρέφοντάς το αριστερόστροφα και κρατώντας σταθερά τον εύκαμπτο σωλήνα.

**ΠΑΡΑΤΗΡΗΣΗ:** Χρησιμοποιείτε πάντοτε κατάλληλο μπροστινό στόμιο. Κατά τη χρήση του μπροστινού στομίου 24, συνδέστε το στο μπροστινό στόμιο 22 που είναι συνδεδεμένο στον εύκαμπτο σωλήνα.

► **Εικ.16:** 1. Μπροστινό στόμιο 22 2. Μπροστινό στόμιο 24

## Όταν χρησιμοποιείται ως μηχανή αναρρόφησης

Αν θέλετε να χρησιμοποιήσετε αυτό το προϊόν ως μηχανή αναρρόφησης, ακολουθήστε τις παρακάτω διαδικασίες.

**ΕΙΔΟΠΟΙΗΣΗ:** Αν το μπροστινό στόμιο είναι συνδεδεμένο με τον εύκαμπτο σωλήνα, αφαιρέστε τον προκαταβολικά.

**ΠΑΡΑΤΗΡΗΣΗ:** Η διάταξη λυγισμένου σωλήνα, η ράβδος προέκτασης και τα ακροφύσια παρέχονται ως προαιρετικά εξαρτήματα σε μερικές χώρες.

**ΠΑΡΑΤΗΡΗΣΗ:** Υπάρχουν δύο τύποι διάταξης λυγισμένου σωλήνα: μία για τη ράβδο προέκτασης τύπου ολίσθησης και μία άλλη για τη ράβδο προέκτασης τύπου δακτυλίου. Αν προετοιμάσετε τη διάταξη λυγισμένου σωλήνα, επιλέξτε αυτή για τον επιθυμητό τύπο της ράβδου προέκτασης.

1. Συνδέστε το χιτώνιο της διάταξης λυγισμένου σωλήνα στον εύκαμπτο σωλήνα.

► **Εικ.17:** 1. Εύκαμπτος σωλήνας 2. Διάταξη λυγισμένου σωλήνα 3. Χιτώνιο

Για να αφαιρέσετε τη διάταξη λυγισμένου σωλήνα, χαλαρώστε το χιτώνιο της διάταξης λυγισμένου σωλήνα από τον εύκαμπτο σωλήνα.

2. Περιστρέψτε και εισαγάγετε το ακροφύσιο τη ράβδο προέκτασης.

► **Εικ.18:** 1. Ράβδος προέκτασης 2. Ελεύθερο ακροφύσιο 3. Ακροφύσιο σχήματος T 4. Ακροφύσιο σχήματος T (λεπτό)

**ΠΑΡΑΤΗΡΗΣΗ:** Αν περιστρέψετε το ακροφύσιο ενώ το εισαγάγετε, το ακροφύσιο μπορεί να συνδεθεί στη ράβδο προέκτασης με ασφάλεια.

3. Ακολουθήστε τις παρακάτω διαδικασίες, ανάλογα με τον τύπο της ράβδου προέκτασης:

**ΠΑΡΑΤΗΡΗΣΗ:** Η ράβδος προέκτασης τύπου ολίσθησης και η ράβδος προέκτασης τύπου δακτυλίου δεν είναι συμβατές μεταξύ τους. Αν θέλετε να αλλάξετε τη ράβδο προέκτασης τύπου ολίσθησης με τη ράβδο προέκτασης τύπου δακτυλίου ή αντίστροφα, αλλάξτε και τη διάταξη λυγισμένου σωλήνα.

**ΠΑΡΑΤΗΡΗΣΗ:** Το ελεύθερο ακροφύσιο μπορεί να συνδεθεί απευθείας με τη διάταξη λυγισμένου σωλήνα.

### Για ράβδο προέκτασης τύπου ολίσθησης

Τοποθετήστε το κύριο τμήμα της μηχανής αναρρόφησης στον ώμο σας και μετά εισαγάγετε τη ράβδο προέκτασης μέσα στη διάταξη λυγισμένου σωλήνα μέχρι να ασφαλίσει. Για να αποσυνδέσετε τη ράβδο προέκτασης, εξαγάγετε την πατώντας το κουμπί.

► **Εικ.19:** 1. Διάταξη λυγισμένου σωλήνα 2. Κουμπί 3. Ράβδος προέκτασης τύπου ολίσθησης 4. Ελεύθερο ακροφύσιο

Το μήκος της ράβδου μπορεί να ρυθμιστεί.

Ενώ πατάτε το κουμπί ολίσθησης, ρυθμίστε το μήκος της ράβδου. Το μήκος ασφαρίζεται όταν αφήσετε το κουμπί ολίσθησης.

► **Εικ.20:** 1. Κουμπί ολίσθησης

### Για ράβδο προέκτασης τύπου δακτυλίου

Τοποθετήστε το κύριο τμήμα της μηχανής αναρρόφησης στον ώμο σας και μετά περιστρέψτε και εισαγάγετε τη ράβδο προέκτασης μέσα στη διάταξη λυγισμένου σωλήνα. Για να την αποσυνδέσετε, περιστρέψτε και αποσπάστε τη.

► **Εικ.21:** 1. Διάταξη λυγισμένου σωλήνα 2. Ράβδος προέκτασης τύπου δακτυλίου 3. Ελεύθερο ακροφύσιο

Το μήκος της ράβδου μπορεί να ρυθμιστεί.

Χαλαρώστε το δακτύλιο στη ράβδο και ρυθμίστε το μήκος της ράβδου. Σφίξτε το δακτύλιο στο μήκος που θέλετε.

► **Εικ.22:** 1. Δακτύλιο

## Γάντζος εύκαμπτου σωλήνα

Όταν γίνεται αναστολή της εργασίας, ο γάντζος στη διάταξη λυγισμένου σωλήνα μπορεί να χρησιμοποιηθεί για να κρεμαστεί η ράβδος στην κάτω ζώνη.

► **Εικ.23**

## Τοποθέτηση σακούλας φίλτρου/σακούλας σκόνης

### Προαιρετικό εξάρτημα

**▲ΠΡΟΣΟΧΗ:** Μη χρησιμοποιείτε σακούλα φίλτρου που έχει υποστεί ζημιά. Να χρησιμοποιείτε πάντα τη μηχανή αναρρόφησης με τη σακούλα φίλτρου σωστά τοποθετημένη. Διαφορετικά, η σκόνη ή τα σωματίδια που αναρροφήθηκαν μπορούν να εξέλθουν από τη μηχανή και μπορεί να προκαλέσουν αναπνευστική ασθένεια στο χειριστή.

Τοποθετήστε τη σακούλα σκόνης ή τη σακούλα φίλτρου πριν χρησιμοποιήσετε τη μηχανή αναρρόφησης.

— Μπορείτε να επαναχρησιμοποιήσετε το σάκο σκόνης πολλές φορές αν τον καθαρίσετε.

— Η σακούλα φίλτρου είναι αναλώσιμη. Όταν γεμίσει, πετάξτε ολόκληρη τη σακούλα φίλτρου χωρίς να την αδειάσετε.

**ΕΙΔΟΠΟΙΗΣΗ:** Όταν η σακούλα φίλτρου είναι ήδη γεμάτη, αντικαταστήστε τη με μια καινούρια. Όταν η σακούλα σκόνης είναι ήδη γεμάτη, αδειάστε την. Η συνεχόμενη χρήση με γεμάτη σακούλα φίλτρου/σακούλα σκόνης θα έχει ως αποτέλεσμα μειωμένη ισχύ αναρρόφησης.

**ΕΙΔΟΠΟΙΗΣΗ:** Για να αποφευχθεί η είσοδος σκόνης στο μοτέρ:

- Πριν από τη χρήση, βεβαιωθείτε ότι η σακούλα φίλτρου/σακούλα σκόνης έχει τοποθετηθεί.
- Μη χρησιμοποιείτε σπασμένο ή σκισμένο σάκο.

Διαφορετικά, μπορεί να σπάσει το μοτέρ.

**ΕΙΔΟΠΟΙΗΣΗ:** Μη διπλώνετε το χαρτόνι στο άνοιγμά του όταν τοποθετείτε τη σακούλα φίλτρου/σακούλα σκόνης.

**ΕΙΔΟΠΟΙΗΣΗ:** Η σακούλα φίλτρου/σακούλα σκόνης για τη μηχανή αναρρόφησης είναι ένα σημαντικό εξάρτημα για τη διατήρηση της απόδοσης της συσκευής. Η χρήση μη γνήσιας σακούλας φίλτρου/σακούλας σκόνης μπορεί να προκαλέσει καπνό ή ανάφλεξη.

**ΠΑΡΑΤΗΡΗΣΗ:** Όταν η σακούλα φίλτρου/σακούλα σκόνης δεν είναι τοποθετημένη στη μηχανή αναρρόφησης, το μπροστινό κάλυμμα δεν κλείνει τελείως.

#### ► Εικ.24

1. Ανυψώστε την κάτω πλευρά για να απασφαλίσετε το μάνδαλο. Ωθήστε την περιοχή με εγκοπή για να ανυψώσετε την μπροστινή πλευρά μανδάλωσης. Τραβήξτε το μάνδαλο για να ανοίξετε το καπάκι.

► **Εικ.25:** 1. Γάντζος 2. Καπάκι

2. Εισαγάγετε τη σακούλα φίλτρου μέσα στην εγκοπή στην άνω πλευρά του δωματίου όπως απεικονίζεται.

► **Εικ.26:** 1. Εγκοπή 2. Σακούλα φίλτρου

Όταν χρησιμοποιείτε τη σακούλα σκόνης, εισαγάγετε το χείλος της σακούλας σκόνης μέσα στην εγκοπή.

► **Εικ.27:** 1. Εγκοπή 2. Χείλος 3. Σακούλα σκόνης

3. Ευθυγραμμίστε την οπή της σακούλας φίλτρου με το στόμιο εύκαμπτου σωλήνα και σπρώξτε το χαρτονένιο τμήμα μέχρι το άκρο. Βεβαιωθείτε ότι ο λαστιχένιος δακτύλιος στη σακούλα φίλτρου περνάει πάνω από το χείλος στο στόμιο εύκαμπτου σωλήνα.

► **Εικ.28:** 1. Λαστιχένιος δακτύλιος στη σακούλα φίλτρου 2. Χείλος στο στόμιο εύκαμπτου σωλήνα 3. Χαρτονένιο τμήμα της σακούλας φίλτρου 4. Στόμιο εύκαμπτου σωλήνα

## ΛΕΙΤΟΥΡΓΙΑ

**▲ ΠΡΟΕΙΔΟΠΟΙΗΣΗ:** Στους χειριστές θα πρέπει να δοθούν επαρκείς οδηγίες για τη χρήση της μηχανής αναρρόφησης.

**▲ ΠΡΟΕΙΔΟΠΟΙΗΣΗ:** Αυτή η μηχανή αναρρόφησης δεν είναι κατάλληλη για τη συλλογή επικίνδυνης σκόνης.

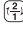
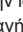

**▲ ΠΡΟΣΟΧΗ:** Αυτή η μηχανή προορίζεται μόνο για στεγνή χρήση.

**▲ ΠΡΟΣΟΧΗ:** Αυτή η μηχανή προορίζεται μόνο για χρήση σε εσωτερικούς χώρους.

**▲ ΠΡΟΣΟΧΗ:** Να εισαγάγετε πάντα την κασέτα μπαταριών έως το τέρμα, μέχρι να ασφαλίσει στη θέση της. Αν μπορείτε να δείτε την κόκκινη ένδειξη στην άνω πλευρά του κουμπιού, δεν έχει κλειδώσει τελείως. Εισαγάγετέ την πλήρως έτσι ώστε να μην φαίνεται η κόκκινη ένδειξη. Σε αντίθετη περίπτωση, μπορεί να πέσει κατά λάθος από τη συσκευή, προκαλώντας τραυματισμό σε εσάς ή κάποιον παρευρισκόμενο.

**▲ ΠΡΟΣΟΧΗ:** Κατά τη λειτουργία, έχετε το νου σας στη μηχανή αναρρόφησης στην πλάτη σας. Μπορεί να χάσετε την ισορροπία σας αν το κύριο τμήμα της μηχανής αναρρόφησης χτυπήσει επάνω σε τοίχο ή ο εύκαμπος σωλήνας γαντζωθεί από εμπόδια.

1. Τοποθετήστε το κύριο τμήμα της μηχανής αναρρόφησης στους ώμους σας και δέστε την κάτω και άνω ζώνη. Ρυθμίστε το βαθμό σφίξιματος όπως απαιτείται.  
► **Εικ.29**

2. Πατήστε το κουμπί  για να ξεκινήσει η αναρρόφηση. Για να αλλάξετε την ισχύ αναρρόφησης, πατήστε το κουμπί  ενώ η μηχανή αναρρόφησης λειτουργεί. Η ισχύς αναρρόφησης αλλάζει μεταξύ κανονική (1) και υψηλότερη (2) ισχύς αναρρόφησης. Πατήστε το κουμπί  για διακοπή.

► **Εικ.30**

Κατά τη λειτουργία, γαντζώστε το κουτί διακοπών στην κάτω ζώνη ή στον δακτύλιο.

► **Εικ.31:** 1. Δακτύλιος 2. Κάτω ζώνη

3. Αντικαταστήστε τη σακούλα φίλτρου όταν γεμίσει. Ανοίξτε το καπάκι και βγάλτε τη σακούλα φίλτρου.

Τραβήξτε τη λωρίδα στην πλευρά του ανοίγματος για να κλείσετε τη σακούλα φίλτρου και απορρίψτε ολόκληρη τη σακούλα φίλτρου.

► **Εικ.32:** 1. Λωρίδα

Όταν χρησιμοποιείτε μια σακούλα σκόνης, βγάλτε τη σακούλα σκόνης και απορρίψτε τη σκόνη αποδεσμευότας το μάνδαλο.

► **Εικ.33:** 1. Μάνδαλο

**ΕΙΔΟΠΟΙΗΣΗ:** Μην τοποθετείτε τη σακούλα φίλτρου/σακούλα σκόνης ή άλλα βαριά αντικείμενα επάνω στο καπάκι. Η συσκευή μπορεί να πέσει.

**ΕΙΔΟΠΟΙΗΣΗ:** Να ελέγχετε περιοδικά αν η σακούλα φίλτρου έχει γεμίσει. Η συνεχόμενη χρήση με γεμάτη σακούλα φίλτρου θα έχει ως αποτέλεσμα μειωμένη ισχύ αναρρόφησης.

**ΕΙΔΟΠΟΙΗΣΗ:** Μη χρησιμοποιείτε μια χρησιμοποιημένη σακούλα φίλτρου. Η σακούλα φίλτρου έχει σχεδιαστεί για μία χρήση. Αν χρησιμοποιείτε τη σακούλα φίλτρου επανειλημμένα, μπορεί να προκληθεί φράξιμο του φίλτρου και ζημιά στη μηχανή. Αν θέλετε να χρησιμοποιήσετε τη σακούλα επανειλημμένα, να χρησιμοποιείτε σακούλα σκόνης.

# ΛΕΙΤΟΥΡΓΙΑ ΑΣΥΡΜΑΤΗΣ ΕΝΕΡΓΟΠΟΙΗΣΗΣ

## Τι μπορείτε να κάνετε με τη λειτουργία ασύρματης ενεργοποίησης

Η λειτουργία ασύρματης ενεργοποίησης επιτρέπει την καθαρή και άνετη λειτουργία. Αν συνδέσετε ένα υποστηρίζόμενο εργαλείο στη σκούπα, μπορείτε να χρησιμοποιείτε τη σκούπα αυτόματα μαζί με τη λειτουργία διακόπτη του εργαλείου.

► **Εικ.34**

**ΕΙΔΟΠΟΙΗΣΗ:** Βεβαιωθείτε να ανατρέξετε και στο εγχειρίδιο οδηγιών του εργαλείου όταν χρησιμοποιείτε τη σκούπα με τη λειτουργία ασύρματης ενεργοποίησης.

**ΕΙΔΟΠΟΙΗΣΗ:** Μην αποσυναρμολογείτε ή παραβιάζετε την ασύρματη μονάδα.

**ΕΙΔΟΠΟΙΗΣΗ:** Για να αποφευχθεί η είσοδος σκόνης στη σχισμή της ασύρματης μονάδας, να κλείνετε πάντα το καπάκι καλά κατά τη λειτουργία και την αποθήκευση.

**ΕΙΔΟΠΟΙΗΣΗ:** Μην αφαιρείτε την ασύρματη μονάδα ενώ παρέχεται ισχύς. Αν το κάνετε αυτό, μπορεί να προκληθεί δυσλειτουργία της ασύρματης μονάδας.

**ΕΙΔΟΠΟΙΗΣΗ:** Μην πατήσετε το κουμπί ασύρματης ενεργοποίησης πολύ δυνατά ή/και μην πατήσετε το κουμπί με ένα αντικείμενο με αιχμηρό άκρο.

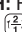
**ΠΑΡΑΤΗΡΗΣΗ:** Για την ασύρματη ενεργοποίηση, τα εργαλεία Makita πρέπει να είναι εξοπλισμένα με την ασύρματη μονάδα.

**ΠΑΡΑΤΗΡΗΣΗ:** Πριν από την αρχική χρήση της λειτουργίας ασύρματης ενεργοποίησης με κάθε εργαλείο, απαιτείται καταχώρηση εργαλείου. Μόλις ολοκληρωθεί η καταχώρηση με το εργαλείο, δεν απαιτείται εκ νέου καταχώρηση εκτός εάν ακυρωθεί.

**ΠΑΡΑΤΗΡΗΣΗ:** Πριν από την καταχώρηση, βεβαιωθείτε ότι η ασύρματη μονάδα είναι σωστά τοποθετημένη.

**ΠΑΡΑΤΗΡΗΣΗ:** Μία ασύρματη μονάδα μπορεί να καταχωρήσει μέχρι 10 συνδέσμους με άλλες ασύρματες μονάδες. Αν περισσότερες από 10 άλλες ασύρματες μονάδες καταχωρηθούν με μία ασύρματη μονάδα, αυτή που είχε καταχωρηθεί πιο νωρίς θα ακυρωθεί αυτόματα.

**ΠΑΡΑΤΗΡΗΣΗ:** Η θέση του κουμπιού ασύρματης ενεργοποίησης διαφέρει ανάλογα με το εργαλείο.

**ΠΑΡΑΤΗΡΗΣΗ:** Η μηχανή επίσης ξεκινάει αν πατήσετε το κουμπί  όταν ο διακόπτης αναμονής είναι στη θέση «I (ON)».

Ωστόσο, το κουμπί  δεν λειτουργεί όταν χρησιμοποιείται η λειτουργία ασύρματης ενεργοποίησης.

## Εγκατάσταση της ασύρματης μονάδας

**▲ ΠΡΟΣΟΧΗ:** Τοποθετήστε τη μηχανή σε μια επίπεδη και σταθερή επιφάνεια όταν εγκαθιστάτε την ασύρματη μονάδα.

**ΕΙΔΟΠΟΙΗΣΗ:** Καθαρίστε τη σκόνη και τη βρομιά στη μηχανή πριν τοποθετήσετε την ασύρματη μονάδα. Η σκόνη ή η βρομιά μπορεί να προκαλέσει δυσλειτουργία αν έρθει σε επαφή με τη σχισμή της ασύρματης μονάδας.

**ΕΙΔΟΠΟΙΗΣΗ:** Για να αποτρέψετε τη δυσλειτουργία που προκαλείται από στατικό ηλεκτρισμό, αγγίξτε κάποιο υλικό στατικής εκκένωσης, όπως ένα μεταλλικό εξάρτημα, πριν σηκώσετε την ασύρματη μονάδα.

**ΕΙΔΟΠΟΙΗΣΗ:** Όταν τοποθετείτε την ασύρματη μονάδα, να βεβαιώνετε πάντα ότι η ασύρματη μονάδα έχει εισαχθεί με τη σωστή κατεύθυνση και το καπάκι είναι εντελώς κλειστό.

1. Ανοίξτε το καπάκι στη μηχανή όπως απεικονίζεται στην εικόνα.

► **Εικ.35:** 1. Καπάκι

2. Εισαγάγετε την ασύρματη μονάδα στη σχισμή και μετά κλείστε το καπάκι.

Όταν εισαγάγετε την ασύρματη μονάδα, ευθυγραμμίστε τις προεξοχές με τα βαθουλωτά τμήματα στη σχισμή.

► **Εικ.36:** 1. Ασύρματη μονάδα 2. Προεξοχή 3. Καπάκι 4. Βαθουλωτό τμήμα

Όταν αφαιρείτε την ασύρματη μονάδα, ανοίξτε το καπάκι αργά. Οι γάντζοι στο πίσω μέρος του καπακιού θα σηκώσουν την ασύρματη μονάδα καθώς τραβάτε το καπάκι προς τα πάνω.

► **Εικ.37:** 1. Ασύρματη μονάδα 2. Γάντζος 3. Καπάκι

Αφού αφαιρέσετε την ασύρματη μονάδα, να τη διατηρείτε μέσα στην παρεχόμενη θήκη ή μέσα σε δοχείο χωρίς στατικό ηλεκτρισμό.

**ΕΙΔΟΠΟΙΗΣΗ:** Να χρησιμοποιείτε πάντα τους γάντζους στο πίσω μέρος του καπακιού όταν αφαιρείτε την ασύρματη μονάδα. Αν οι γάντζοι δεν ασφαλίσουν την ασύρματη μονάδα, κλείστε εντελώς το καπάκι και ανοίξτε το ξανά αργά.

## Καταχώρηση εργαλείου για τη σκούπα

**ΠΑΡΑΤΗΡΗΣΗ:** Για την καταχώρηση εργαλείου, απαιτείται εργαλείο Makita που υποστηρίζει τη λειτουργία ασύρματης ενεργοποίησης.

**ΠΑΡΑΤΗΡΗΣΗ:** Ολοκληρώστε την εγκατάσταση της ασύρματης μονάδας στο εργαλείο πριν ξεκινήσετε τη καταχώρηση εργαλείου.

**ΠΑΡΑΤΗΡΗΣΗ:** Κατά την καταχώρηση εργαλείου, μην τραβάτε τη σκανδάλη διακόπτη στο εργαλείο ούτε να πατάτε το διακόπτη της μηχανής για την αναρρόφηση.

**ΠΑΡΑΤΗΡΗΣΗ:** Ανατρέξτε και στο εγχειρίδιο οδηγιών του εργαλείου.

Αν επιθυμείτε να ενεργοποιήσετε τη σκούπα μαζί με τη λειτουργία διακόπτη του εργαλείου, ολοκληρώστε εκ των προτέρων την καταχώρηση εργαλείου.

**1.** Τοποθετήστε τις ασύρματες μονάδες στη μηχανή και το εργαλείο, αντίστοιχα.

**2.** Τοποθετήστε τις μπαταρίες στη σκούπα και στο εργαλείο.

**3.** Θέστε τον διακόπτη αναμονής στη μηχανή στη θέση «I (ON)».

► **Εικ.38:** 1. Διακόπτης αναμονής

**4.** Πατήστε το κουμπί ασύρματης ενεργοποίησης στη σκούπα για 3 δευτερόλεπτα μέχρι η λυχνία ασύρματης ενεργοποίησης να αναβοσβήνει με πράσινο χρώμα. Και μετά πατήστε το κουμπί ασύρματης ενεργοποίησης στο εργαλείο με τον ίδιο τρόπο.

► **Εικ.39:** 1. Κουμπί ασύρματης ενεργοποίησης  
2. Λυχνία ασύρματης ενεργοποίησης

Αν η σκούπα και το εργαλείο συνδεθούν με επιτυχία, οι λυχνίες ασύρματης ενεργοποίησης θα ανάψουν με πράσινο χρώμα για 2 δευτερόλεπτα και θα αρχίσουν να αναβοσβήνουν με μπλε χρώμα.

**ΠΑΡΑΤΗΡΗΣΗ:** Οι λυχνίες ασύρματης ενεργοποίησης θα αρχίσουν να αναβοσβήνουν με πράσινο χρώμα αφού περάσουν 20 δευτερόλεπτα. Πατήστε το κουμπί ασύρματης ενεργοποίησης στο εργαλείο ενώ η λυχνία ασύρματης ενεργοποίησης αναβοσβήνει στη σκούπα. Αν η λυχνία ασύρματης ενεργοποίησης δεν αναβοσβήνει με πράσινο χρώμα, πατήστε για λίγο το κουμπί ασύρματης ενεργοποίησης και κρατήστε το ξανά πατημένο.

**ΠΑΡΑΤΗΡΗΣΗ:** Όταν εκτελείτε δύο ή περισσότερες καταχωρήσεις εργαλείων για τη σκούπα, ολοκληρώστε την καταχώρηση εργαλείου ένα τη φορά.

## Έναρξη της λειτουργίας ασύρματης ενεργοποίησης

**ΠΑΡΑΤΗΡΗΣΗ:** Ολοκληρώστε την καταχώρηση εργαλείου για τη σκούπα για την ασύρματη ενεργοποίηση.

**ΠΑΡΑΤΗΡΗΣΗ:** Να τοποθετείτε πάντα τη σκούπα με τρόπο ώστε να βλέπετε την κατάσταση της λυχνίας ασύρματης ενεργοποίησης.

**ΠΑΡΑΤΗΡΗΣΗ:** Ανατρέξτε και στο εγχειρίδιο οδηγιών του εργαλείου.

Αφού καταχωρήσετε ένα εργαλείο με τη σκούπα, η σκούπα θα λειτουργεί αυτόματα μαζί με τη λειτουργία διακόπτη του εργαλείου.

**1.** Τοποθετήστε τις ασύρματες μονάδες στη μηχανή και το εργαλείο, αντίστοιχα.

**2.** Τοποθετήστε τις μπαταρίες στη μηχανή και στο εργαλείο.

**3.** Συνδέστε τον εύκαμπο σωλήνα της σκούπας με το εργαλείο.

► **Εικ.40**

**4.** Θέστε τον διακόπτη αναμονής στη μηχανή στη θέση «I (ON)». Η λυχνία ασύρματης ενεργοποίησης θα αναβοσβήνει με μπλε χρώμα.

► **Εικ.41:** 1. Διακόπτης αναμονής

**5.** Πατήστε σύντομα το κουμπί ασύρματης ενεργοποίησης στο εργαλείο. Η λυχνία ασύρματης ενεργοποίησης θα αναβοσβήνει με μπλε χρώμα.

► **Εικ.42:** 1. Κουμπί ασύρματης ενεργοποίησης  
2. Λυχνία ασύρματης ενεργοποίησης

**6.** Τραβήξτε τη σκανδάλη διακόπτη του εργαλείου. Ελέγξτε αν η σκούπα λειτουργεί όσο τραβάτε τη σκανδάλη διακόπτη στο εργαλείο.

**▲ ΠΡΟΣΟΧΗ:** Να ελέγχετε πάντα αν η λειτουργία ασύρματης ενεργοποίησης λειτουργεί πριν ξεκινήσετε μια εργασία με το εργαλείο.

Για να σταματήσετε την ασύρματη ενεργοποίηση, πατήστε το κουμπί ασύρματης ενεργοποίησης στο εργαλείο ή θέστε το διακόπτη αναμονής στη μηχανή στη θέση «O (OFF)».

**ΠΑΡΑΤΗΡΗΣΗ:** Η λυχνία ασύρματης ενεργοποίησης στο εργαλείο θα σταματήσει να αναβοσβήνει με μπλε χρώμα όταν δεν υπάρχει λειτουργία για 2 ώρες. Σε αυτή την περίπτωση, πατήστε ξανά τα κουμπιά ασύρματης ενεργοποίησης στο εργαλείο.

**ΠΑΡΑΤΗΡΗΣΗ:** Η σκούπα αρχίζει/σταματάει με καθυστέρηση. Υπάρχει χρονική καθυστέρηση όταν η σκούπα αναχνεύει τη λειτουργία διακόπτη του εργαλείου.

**ΠΑΡΑΤΗΡΗΣΗ:** Η απόσταση μετάδοσης της ασύρματης μονάδας μπορεί να ποικίλλει ανάλογα με την τοποθεσία και τις περιβάλλουσες συνθήκες.

**ΠΑΡΑΤΗΡΗΣΗ:** Όταν δύο ή περισσότερα εργαλεία καταχωρούνται σε μία σκούπα, η σκούπα μπορεί να αρχίσει να λειτουργεί ακόμη κι αν δεν τραβήξετε τη σκανδάλη διακόπτη επειδή κάποιος άλλος χρήστης χρησιμοποιεί τη λειτουργία ασύρματης ενεργοποίησης.

## Ακύρωση καταχώρησης εργαλείου για τη σκούπα

Εκτελέστε την ακόλουθη διαδικασία όταν ακυρώνετε την καταχώρηση εργαλείου για τη σκούπα.

**1.** Τοποθετήστε τις ασύρματες μονάδες στη μηχανή και το εργαλείο, αντίστοιχα.

**2.** Τοποθετήστε τις μπαταρίες στη σκούπα και στο εργαλείο.

**3.** Θέστε τον διακόπτη αναμονής στη μηχανή στη θέση «I (ON)».

► **Εικ.43:** 1. Διακόπτης αναμονής

**4.** Πατήστε το κουμπί ασύρματης ενεργοποίησης στη σκούπα για 6 δευτερόλεπτα. Η λυχνία ασύρματης ενεργοποίησης αναβοσβήνει με πράσινο χρώμα και μετά γίνεται κόκκινη. Μετά από αυτό, πατήστε το κουμπί ασύρματης ενεργοποίησης στο εργαλείο με τον ίδιο τρόπο.

► **Εικ.44:** 1. Κουμπί ασύρματης ενεργοποίησης  
2. Λυχνία ασύρματης ενεργοποίησης

Αν η ακύρωση εκτελεστεί με επιτυχία, οι λυχνίες ασύρματης ενεργοποίησης θα ανάψουν με κόκκινο χρώμα για 2 δευτερόλεπτα και θα αρχίσουν να αναβοσβήνουν με μπλε χρώμα.



**ΠΑΡΑΤΗΡΗΣΗ:** Οι λυχνίες ασύρματης ενεργοποίησης θα αρχίσουν να αναβοσβήνουν με κόκκινο χρώμα αφού περάσουν 20 δευτερόλεπτα. Πατήστε το κουμπί ασύρματης ενεργοποίησης στο εργαλείο ενώ η λυχνία ασύρματης ενεργοποίησης αναβοσβήνει στη σκούπα. Αν η λυχνία ασύρματης ενεργοποίησης δεν αναβοσβήνει με κόκκινο χρώμα, πατήστε για λίγο το κουμπί ασύρματης ενεργοποίησης και κρατήστε το ξανά πατημένο.

## Διαγραφή όλων των καταχωρήσεων εργαλείων

Μπορείτε να διαγράψετε όλες τις καταχωρήσεις εργαλείων από τη σκούπα ως εξής.

► **Εικ.45:** 1. Διακόπτης αναμονής 2. Κουμπί ασύρματης ενεργοποίησης 3. Λυχνία ασύρματης ενεργοποίησης

1. Εγκαταστήστε την ασύρματη μονάδα στη μηχανή.
2. Τοποθετήστε τις μπαταρίες στη σκούπα.
3. Θέστε το διακόπτη αναμονής στη θέση «I (ON)».

4. Κρατήστε πατημένο το κουμπί ασύρματης ενεργοποίησης για περίπου 6 δευτερόλεπτα μέχρι η λυχνία ασύρματης ενεργοποίησης να αναβοσβήνει με κόκκινο χρώμα (περίπου δύο φορές το δευτερόλεπτο).

5. Όταν η λυχνία ασύρματης ενεργοποίησης αρχίζει να αναβοσβήνει με κόκκινο χρώμα, αφήστε το δάχτυλό σας από το κουμπί ασύρματης ενεργοποίησης. Μετά, κρατήστε ξανά πατημένο το κουμπί ασύρματης ενεργοποίησης για περίπου 6 δευτερόλεπτα.








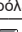


6. Όταν η λυχνία ασύρματης ενεργοποίησης αρχίζει να αναβοσβήνει γρήγορα (περίπου 5 φορές το δευτερόλεπτο) με κόκκινο χρώμα, αφήστε το δάχτυλό σας από το κουμπί ασύρματης ενεργοποίησης. Όταν η λυχνία ασύρματης ενεργοποίησης ανάβει με κόκκινο χρώμα και αργότερα σβήνει, διαγράφονται όλες οι καταχωρήσεις εργαλείων.

**ΠΑΡΑΤΗΡΗΣΗ:** Αν η λυχνία ασύρματης ενεργοποίησης δεν αναβοσβήνει με κόκκινο χρώμα, πατήστε για λίγο το κουμπί ασύρματης ενεργοποίησης και δοκιμάστε ξανά.

## Περιγραφή της κατάστασης της λυχνίας ασύρματης ενεργοποίησης

► **Εικ.46:** 1. Κουμπί ασύρματης ενεργοποίησης  
2. Λυχνία ασύρματης ενεργοποίησης

Η λυχνία ασύρματης ενεργοποίησης δείχνει την κατάσταση της λειτουργίας ασύρματης ενεργοποίησης. Ανατρέξτε στον παρακάτω πίνακα για τη σημασία της κατάστασης λυχνίας.

| Κατάσταση                                  | Λυχνία ασύρματης ενεργοποίησης |  |   | Περιγραφή  |
|--|--------------------------------|--|---|--|
|  | Χρώμα                          |  Αναμμένη                             |  Αναβοσβήνει |  |
| Αναμονή                                    | Μπλε                           |                                       | Σκούπα: συνεχόμενα Εργαλείο: 2 ώρες   | Η αναμονή για την καταχώρηση εργαλείου ή για τη λειτουργία ασύρματης ενεργοποίησης είναι διαθέσιμη. Η λυχνία στη μηχανή αναβοσβήνει όταν ο διακόπτης αναμονής είναι στη θέση «I (ON)». Η λυχνία στο εργαλείο αναβοσβήνει όταν πατηθεί το κουμπί ασύρματης ενεργοποίησης. Η λυχνία στο εργαλείο θα σβήσει αυτόματα όταν δεν εκτελεστεί καμία λειτουργία για 2 ώρες. |
|  |                                |                                     | Όταν το εργαλείο λειτουργεί.  | Η ασύρματη ενεργοποίηση της σκούπας είναι διαθέσιμη και το εργαλείο λειτουργεί.  |
| Καταχώρηση εργαλείου                       | Πράσινη                        |                                     | 20 δευτερόλεπτα   | Έτοιμο για καταχώρηση εργαλείου. Γίνεται αναζήτηση του εργαλείου για καταχώρηση.   |
|  |                                |                                     | 2 δευτερόλεπτα  | Η καταχώρηση εργαλείου έχει ολοκληρωθεί. Η λυχνία ασύρματης ενεργοποίησης θα αρχίσει να αναβοσβήνει με μπλε χρώμα.   |
| Ακύρωση/διαγραφή της καταχώρησης εργαλείου | Κόκκινη                        | <br>(αργά: 2 φορές/δευτερόλεπτο)    | 20 δευτερόλεπτα   | Έτοιμο για ακύρωση της καταχώρησης εργαλείου. Γίνεται αναζήτηση του εργαλείου για ακύρωση.   |
|  |                                | <br>(γρήγορα: 5 φορές/δευτερόλεπτο) | Όταν το κουμπί ασύρματης ενεργοποίησης είναι πατημένο.  | Σε ετοιμότητα για διαγραφή όλων των καταχωρήσεων εργαλείων.  |
|  |                                |                                     | 2 δευτερόλεπτα  | Η καταχώρηση εργαλείου έχει ακυρωθεί/διαγραφεί. Η λυχνία ασύρματης ενεργοποίησης θα αρχίσει να αναβοσβήνει με μπλε χρώμα.  |
| Άλλες                                      | Κόκκινη                        |                                     | 3 δευτερόλεπτα  | Η ισχύς παρέχεται στην ασύρματη μονάδα και η λειτουργία ασύρματης ενεργοποίησης εκκινείται.  |
|  | Σβηστή                         | -  | -   | Ο διακόπτης αναμονής δεν είναι στη θέση «I (ON)».  |



## Αντιμετώπιση προβλημάτων για τη λειτουργία ασύρματης ενεργοποίησης

Πριν ζητήσετε επισκευές, εκτελέστε αρχικά τη δική σας επιθεώρηση. Αν εντοπίσετε πρόβλημα που δεν επεξηγείται στο εγχειρίδιο, μην επιχειρήσετε να αποσυναρμολογήσετε το εργαλείο. Αντ' αυτού, ζητήστε βοήθεια από εξουσιοδοτημένα κέντρα εξυπηρέτησης της Makita και πάντοτε να χρησιμοποιείτε γνήσια ανταλλακτικά της Makita.

| Κατάσταση προβλήματος   | Πιθανή αιτία (δυσλειτουργία)  | Αποκατάσταση   |
|---|---|--|
| Η λυχνία ασύρματης ενεργοποίησης δεν ανάβει/αναβοσβήνει.  | Η ασύρματη μονάδα δεν είναι εγκατεστημένη στη μηχανή ή/και στο εργαλείο. Η ασύρματη μονάδα είναι εγκατεστημένη στη μηχανή ή/και στο εργαλείο λανθασμένα.                      | Τοποθετήστε σωστά την ασύρματη μονάδα.   |
|   | Ο ακροδέκτης της ασύρματης μονάδας ή/και η σχισμή είναι βρόμικα.  | Σκουπίστε απαλά τη σκόνη και τη βρομιά στον ακροδέκτη της ασύρματης μονάδας και καθαρίστε τη σχισμή της μηχανής ή/και του εργαλείου.                 |
|   | Το κουμπί ασύρματης ενεργοποίησης στο εργαλείο δεν έχει πατηθεί.  | Πατήστε σύντομα το κουμπί ασύρματης ενεργοποίησης στο εργαλείο. Βεβαιωθείτε ότι η λυχνία ασύρματης ενεργοποίησης αναβοσβήνει με μπλε χρώμα.          |
|   | Ο διακόπτης αναμονής στη μηχανή δεν είναι στη θέση «I (ON)».  | Θέστε τον διακόπτη αναμονής στη μηχανή στη θέση «I (ON)».  |
| Δεν υπάρχει παροχή ρεύματος   | Παρέχετε ισχύ στο εργαλείο και τη σκούπα.   |  |
| Δεν είναι δυνατή η ολοκλήρωση της καταχώρησης εργαλείου / ακύρωσης καταχώρησης εργαλείου με επιτυχία. | Η ασύρματη μονάδα δεν είναι εγκατεστημένη στη μηχανή ή/και στο εργαλείο. Η ασύρματη μονάδα είναι εγκατεστημένη στη μηχανή ή/και στο εργαλείο λανθασμένα.                      | Τοποθετήστε σωστά την ασύρματη μονάδα.   |
|   | Ο ακροδέκτης της ασύρματης μονάδας ή/και η σχισμή είναι βρόμικα.  | Σκουπίστε απαλά τη σκόνη και τη βρομιά στον ακροδέκτη της ασύρματης μονάδας και καθαρίστε τη σχισμή της μηχανής ή/και του εργαλείου.                 |
|   | Ο διακόπτης αναμονής στη μηχανή δεν είναι στη θέση «I (ON)».  | Θέστε τον διακόπτη αναμονής στη μηχανή στη θέση «I (ON)».  |
|   | Δεν υπάρχει παροχή ρεύματος   | Παρέχετε ισχύ στο εργαλείο και τη σκούπα.  |
|   | Λανθασμένη λειτουργία   | Πατήστε σύντομα το κουμπί ασύρματης ενεργοποίησης και πραγματοποιήστε ξανά τις διαδικασίες καταχώρησης/ακύρωσης εργαλείου.                           |
|   | Το εργαλείο και η σκούπα βρίσκονται σε αρκετή απόσταση μεταξύ τους (εκτός του εύρους μετάδοσης).  | Φέρετε το εργαλείο και τη σκούπα πιο κοντά. Η μέγιστη απόσταση μετάδοσης είναι περίπου 10 μέτρα, ωστόσο, μπορεί να διαφέρει ανάλογα με τις συνθήκες. |
|   | Πριν ολοκληρώσετε την καταχώρηση/ακύρωση εργαλείου,<br>- τραβήξτε τη σκανδάλη διακόπτη στο εργαλείο, ή<br>- πατήστε το διακόπτη της μηχανής για να ξεκινήσετε την αναρρόφηση. | Πατήστε σύντομα το κουμπί ασύρματης ενεργοποίησης και πραγματοποιήστε ξανά τις διαδικασίες καταχώρησης/ακύρωσης εργαλείου.                           |
|   | Δεν έχουν ολοκληρωθεί οι διαδικασίες καταχώρησης εργαλείων για το εργαλείο ή τη μηχανή.   | Εκτελέστε τις διαδικασίες καταχώρησης εργαλείου για το εργαλείο και τη σκούπα ταυτόχρονα.  |
|   | Ραδιοφωνικά παράσιτα από άλλες συσκευές που παράγουν ραδιοκύματα υψηλής έντασης.  | Διατηρήστε το εργαλείο και τη σκούπα μακριά από τις συσκευές, όπως συσκευές Wi-Fi και φούρνους μικροκυμάτων.   |

| Κατάσταση προβλήματος   | Πιθανή αιτία (δυσλειτουργία)   | Αποκατάσταση   |
|---|--|--|
| Η σκούπα δεν λειτουργεί μαζί με τη λειτουργία διακοπή του εργαλείου.      | Η ασύρματη μονάδα δεν είναι εγκατεστημένη στη μηχανή ή/και στο εργαλείο. Η ασύρματη μονάδα είναι εγκατεστημένη στη μηχανή ή/και στο εργαλείο λανθασμένα. | Τοποθετήστε σωστά την ασύρματη μονάδα.   |
|   | Ο ακροδέκτης της ασύρματης μονάδας ή/και η σχισμή είναι βρόμικα.   | Σκουπίστε απαλά τη σκόνη και τη βρομιά στον ακροδέκτη της ασύρματης μονάδας και καθαρίστε τη σχισμή της μηχανής ή/και του εργαλείου.   |
|   | Το κουμπί ασύρματης ενεργοποίησης στο εργαλείο δεν έχει πατηθεί.   | Πατήστε σύντομα το κουμπί ασύρματης ενεργοποίησης στο εργαλείο. Βεβαιωθείτε ότι η λυχνία ασύρματης ενεργοποίησης αναβοσβήνει με μπλε χρώμα.  |
|   | Ο διακόπτης αναμονής στη μηχανή δεν είναι στη θέση «I (ON)».   | Θέστε τον διακόπτη αναμονής στη μηχανή στη θέση «I (ON)».  |
|   | Περισσότερα από 10 εργαλεία έχουν καταχωρηθεί με τη σκούπα.  | Πραγματοποιήστε ξανά την καταχώρηση εργαλείου. Αν περισσότερα από 10 εργαλεία είναι καταχωρημένα στη σκούπα, το εργαλείο που είχε καταχωρηθεί πιο νωρίς θα ακυρωθεί αυτόματα.  |
|   | Η σκούπα έβησε όλες τις καταχωρήσεις εργαλείων.  | Πραγματοποιήστε ξανά την καταχώρηση εργαλείου.   |
|   | Δεν υπάρχει παροχή ρεύματος  | Παρέχετε ισχύ στο εργαλείο και τη σκούπα.  |
|   | Το εργαλείο και η σκούπα βρίσκονται σε αρκετή απόσταση μεταξύ τους (εκτός του εύρους μετάδοσης).   | Φέρετε το εργαλείο και τη σκούπα πιο κοντά. Η μέγιστη απόσταση μετάδοσης είναι περίπου 10 μέτρα, ωστόσο, μπορεί να διαφέρει ανάλογα με τις συνθήκες.   |
|   | Ραδιοφωνικά παράσιτα από άλλες συσκευές που παράγουν ραδιοκύματα υψηλής έντασης.   | Διατηρήστε το εργαλείο και τη σκούπα μακριά από τις συσκευές, όπως συσκευές Wi-Fi και φούρνους μικροκυμάτων.   |
| Η σκούπα λειτουργεί ενώ δεν τραβάτε τη σκανδάλη διακοπή του εργαλείου.    | Άλλοι χρήστες χρησιμοποιούν την ασύρματη ενεργοποίηση της σκούπας με τα εργαλεία τους.   | Εκτελέστε έναν από τους ακόλουθους τρόπους, - θέστε το διακόπτη αναμονής στη μηχανή στη θέση «O», ή - απενεργοποιήστε το κουμπί ασύρματης ενεργοποίησης των άλλων εργαλείων, ή - ακυρώστε την καταχώρηση εργαλείου των άλλων εργαλείων.  |
| Δεν μπορείτε να διαγράψετε όλες τις καταχωρήσεις εργαλείων από τη σκούπα. | Πατάτε το κουμπί ασύρματης λειτουργίας στο εργαλείο.   | Πατήστε το κουμπί ασύρματης λειτουργίας στη σκούπα για διαγραφή όλων των καταχωρήσεων εργαλείων.   |
|   | Ο διακόπτης αναμονής στη μηχανή δεν είναι στη θέση «I (ON)».   | Θέστε τον διακόπτη αναμονής στη μηχανή στη θέση «I (ON)».  |
|   | Το κουμπί ασύρματης ενεργοποίησης δεν είναι πατημένο σωστά.  | Κρατήστε πατημένο το κουμπί ασύρματης ενεργοποίησης για περισσότερα από 6 δευτερόλεπτα και μετά αφήστε το όταν η λυχνία ασύρματης ενεργοποίησης αναβοσβήνει με κόκκινο χρώμα. Κρατήστε ξανά πατημένο το κουμπί ασύρματης ενεργοποίησης για περισσότερα από 6 δευτερόλεπτα μέχρι το κουμπί ασύρματης ενεργοποίησης να αναβοσβήνει γρήγορα με κόκκινο χρώμα και μετά αφήστε το κουμπί. |

## ΣΥΝΤΗΡΗΣΗ

**⚠ ΠΡΟΣΟΧΗ:** Πάντα να βεβαιώνεστε ότι η συσκευή είναι απενεργοποιημένη και η κασέτα μπαταριών έχει αφαιρεθεί πριν επιχειρήσετε να εκτελέσετε εργασίες επιθεώρησης ή συντήρησης.

**ΕΙΔΟΠΟΙΗΣΗ:** Μην χρησιμοποιείτε ποτέ βενζίνη, πετρελαϊκό αιθέρα, διαλυτικό, αλκοόλη ή παρόμοιες ουσίες. Μπορεί να προκληθεί αποχρωματισμός, παραμόρφωση ή ρωγμές.

Για τη διατήρηση της ΑΣΦΑΛΕΙΑΣ και ΑΞΙΟΠΙΣΤΙΑΣ του προϊόντος, οι επισκευές και οποιαδήποτε άλλη εργασία συντήρησης ή ρύθμισης πρέπει να εκτελούνται από εξουσιοδοτημένα ή εργοστασιακά κέντρα εξυπηρέτησης της Makita, χρησιμοποιώντας πάντοτε ανταλλακτικά της Makita.

## Καθαρισμός του φίλτρου HEPA

**ΠΡΟΣΟΧΗ:** Μη χρησιμοποιείτε τη μηχανή αναρρόφησης χωρίς φίλτρο και μη συνεχίζετε να χρησιμοποιείτε βρόμικο ή κατεστραμμένο φίλτρο. Η σκόνη ή τα σωματίδια που αναρροφήθηκαν μπορούν να εξέλθουν από τη μηχανή και μπορεί να προκαλέσουν αναπνευστική ασθένεια στο χειριστή.

**ΕΙΔΟΠΟΙΗΣΗ:** Για να διατηρήσετε βέλτιστη ισχύ αναρρόφησης και καθαρή εξάτμιση, να καθαρίζετε περιοδικά το φίλτρο. Αν δεν υπάρχει αρκετή ισχύς αναρρόφησης ακόμη και μετά τον καθαρισμό, αντικαταστήστε το φίλτρο με ένα καινούριο.

**ΕΙΔΟΠΟΙΗΣΗ:** Για να αποφευχθεί η πρόκληση ζημιάς στο φίλτρο, μη χρησιμοποιείτε τα ακόλουθα εργαλεία και παρόμοια αντικείμενα για τον καθαρισμό:

- Φυσητήρας σκόνης
- Πλυστικό μηχάνημα υψηλής πίεσης
- Εργαλεία που είναι κατασκευασμένα από σκληρά υλικά όπως μια μεταλλική βούρτσα

1. Ανοίξτε το καπάκι και βγάλτε τη σακούλα φίλτρου/σακούλα σκόνης. Αποδεσμεύστε τον γάντζο στο φίλτρο και αφαιρέστε το από το κύριο τμήμα της μηχανής αναρρόφησης.  
► **Εικ.47:** 1. Γάντζος

2. Κτυπήστε τη σκόνη για να απομακρυνθεί από το φίλτρο. Το φίλτρο μπορεί να πλυθεί με νερό. Ξεπλύντε τη σκόνη και τα σωματίδια στο φίλτρο κάθε 1 έως 2 μήνες. Μετά από αυτό, στεγνώστε το φίλτρο εντελώς σε ένα σκιερό και καλά αεριζόμενο χώρο για να αποφευχθούν οι δυσάρεστες οσμές ή δυσλειτουργίες.

3. Για να τοποθετήσετε το φίλτρο, εισαγάγετε την πλευρά χωρίς τους γάντζους μέσα στην εγκοπή και μετά σπρώξτε μέσα το φίλτρο μέχρι οι γάντζοι να ασφαλιστούν με έναν χαρακτηριστικό ήχο ασφάλισης.  
► **Εικ.48:** 1. Εγκοπή 2. Φίλτρο HEPA 3. Γάντζος

## Καθαρισμός της σακούλας σκόνης

Να καθαρίζετε τακτικά τη σακούλα σκόνης με σαπούνι και νερό. Γυρίστε το μέσα-έξω της σακούλας σκόνης και απομακρύνετε τη σκόνη που έχει κολλήσει σε αυτή. Πλύντε ελαφρά με το χέρι και ξεβγάλετε καλά με νερό. Στεγνώστε εντελώς πριν την τοποθετήσετε στη μηχανή αναρρόφησης.

► **Εικ.49**

**ΕΙΔΟΠΟΙΗΣΗ:** Μια βρεγμένη σακούλα σκόνης μειώνει την απόδοση αναρρόφησης καθώς και τη διάρκεια ζωής του μοτέρ.

## Καθαρισμός του δωματίου για τη σακούλα φίλτρου/σακούλα σκόνης

Όταν καθαρίζετε το διαμέρισμα για τη σακούλα φίλτρου/σακούλα σκόνης, αφαιρέστε και σκουπίστε την πλάκα που βρίσκεται στο εσωτερικό.

► **Εικ.50:** 1. Πλάκα

## Αφαίρεση της πλάκας

1. Αφαιρέστε το φίλτρο HEPA. Για τον τρόπο αφαίρεσης, ανατρέξτε στην ενότητα για τον καθαρισμό του φίλτρου HEPA.

2. Σπρώξτε την πλάκα προς τα κάτω και σύρετέ την προς τα αριστερά μέχρι η πλάκα να ακουμπήσει το τοίχωμα.

3. Σηκώστε τη δεξιά πλευρά της πλάκας και βγάλτε την.

► **Εικ.51:** 1. Πλάκα

Η πλάκα στηρίζεται από τρία ελατήρια.

Αν τα ελατήρια βγουν από την πλάκα ή το μοχλό, συνδέστε τα ξανά όπως απεικονίζεται.

► **Εικ.52:** 1. Ελατήριο για πλάκα 2. Ελατήριο για μοχλό 3. Προεξοχή

**ΠΑΡΑΤΗΡΗΣΗ:** Συνδέστε τα ελατήρια με ασφάλεια ώστε τα ελατήρια να αγγίζουν τη βάση των προεξοχών.

## Σύνδεση της πλάκας

1. Εισαγάγετε την ίσια πλευρά της πλάκας στα πιαστηράκια στην κάτω αριστερή πλευρά του διαμερίσματος.

2. Τοποθετήστε τη δεξιά πλευρά της πλάκας στη θέση της.

► **Εικ.53:** 1. Πλάκα 2. Ίσια πλευρά 3. Πιαστηράκι

## ΠΡΟΑΙΡΕΤΙΚΑ ΕΞΑΡΤΗΜΑΤΑ

**ΠΡΟΣΟΧΗ:** Αυτά τα εξαρτήματα ή προσαρτήματα συνιστώνται για χρήση με το προϊόν Makita σας που περιγράφεται στο εγχειρίδιο αυτό. Η χρήση άλλων εξαρτημάτων ή προσαρτημάτων μπορεί να παρουσιάζει κίνδυνο για τραυματισμό ατόμων. Να χρησιμοποιείτε τα εξαρτήματα ή προσαρτήματα μόνο για τη χρήση που προορίζονται.

Εάν χρειάζεστε οποιαδήποτε βοήθεια για περισσότερες πληροφορίες σε σχέση με αυτά τα εξαρτήματα, απευθυνθείτε στο τοπικό σας κέντρο εξυπηρέτησης Makita.

- Εύκαμπτος σωλήνας (για τον τύπο απαγωγής σκόνης)
- Εύκαμπτος σωλήνας (για τον τύπο μηχανής αναρρόφησης)
- Ράβδος προέκτασης
- Ελεύθερο ακροφύσιο
- Ακροφύσιο σχήματος T
- Ακροφύσιο έδρας
- Ακροφύσιο γωνιών
- Βούρτσα ραφιών
- Στρογγυλή βούρτσα
- Σακούλα φίλτρου
- Σακούλα σκόνης
- Μπροστινό στόμιο
- Φίλτρο HEPA
- Ασύρματη μονάδα
- Προσάρτημα κυκλώνα
- Γνήσια μπαταρία και φορτιστής της Makita

**ΠΑΡΑΤΗΡΗΣΗ:** Μερικά στοιχεία στη λίστα μπορεί να συμπεριλαμβάνονται στη συσκευασία εργαλείου ως στάνταρ εξαρτήματα. Μπορεί να διαφέρουν ανάλογα με τη χώρα.

## Προσάρτημα κυκλώνα

**ΠΑΡΑΤΗΡΗΣΗ:** Όταν χρησιμοποιείται το προσάρτημα κυκλώνα με αυτή τη συσκευή, ο λυγισμένος σωλήνας επίσης απαιτείται.

► **Εικ.54:** 1. Προσάρτημα κυκλώνα

## Πληροφορίες για το προσάρτημα κυκλώνα

Αν χρησιμοποιείτε τη σκούπα με τοποθετημένο το προσάρτημα κυκλώνα, μειώνεται η ποσότητα της σκόνης που εισέρχεται στη σακούλα σκόνης, γεγονός που βοηθάει ώστε να μην εξασθενεί η αναρροφητική ισχύς. Επιπλέον, ο καθαρισμός μετά τη χρήση είναι επίσης απλός.

**▲ ΠΡΟΣΟΧΗ:** Να βεβαιώνετε πάντα ότι το εργαλείο είναι απενεργοποιημένο και η κασέτα μπαταριών έχει αφαιρεθεί πριν εκτελέσετε οποιαδήποτε εργασία στο εργαλείο. Αν η κασέτα μπαταριών παραμένει τοποθετημένη, η σκούπα μπορεί να εκκινήσει απρόσμενα και να προκληθεί τραυματισμός.

**▲ ΠΡΟΣΟΧΗ:** Καθαρίστε το κυπελωτό φίλτρο του προσαρτήματος κυκλώνα και τη σακούλα σκόνης της σκούπας όταν φράξουν. Η συνεχιζόμενη χρήση σε φραγμένη κατάσταση μπορεί να έχει ως αποτέλεσμα τη θέρμανση ή τη δημιουργία καπνού.

**ΕΙΔΟΠΟΙΗΣΗ:** Όταν είναι τοποθετημένο το προσάρτημα κυκλώνα, μη χρησιμοποιείτε το προσάρτημα κυκλώνα σε οριζόντια ή ανοδικά στραμμένη κατάσταση. Αν το κάνετε αυτό, το κυπελωτό φίλτρο μπορεί να φράξει.

**ΕΙΔΟΠΟΙΗΣΗ:** Να χρησιμοποιείτε πάντα τη σκούπα με τοποθετημένη σακούλα σκόνης, ακόμη και όταν χρησιμοποιείτε το προσάρτημα κυκλώνα. Αν χρησιμοποιήσετε τη σκούπα χωρίς τοποθετημένη σακούλα σκόνης, μπορεί να έχει ως αποτέλεσμα δυσλειτουργία του μοτέρ.

**ΠΑΡΑΤΗΡΗΣΗ:** Να ελέγχετε ότι το προσάρτημα κυκλώνα, η σκούπα και ο ίσιος σωλήνας είναι σωστά ασφαλισμένα πριν από τη χρήση.

**ΠΑΡΑΤΗΡΗΣΗ:** Αδειάστε τη θήκη σκόνης του προσαρτήματος κυκλώνα και τη σακούλα σκόνης της σκούπας όταν συσσωρευτεί σκόνη. Η συνεχιζόμενη χρήση θα έχει ως αποτέλεσμα εξασθενημένη αναρροφητική ισχύ.

**ΠΑΡΑΤΗΡΗΣΗ:** Μπορείτε να χρησιμοποιήσετε το προσάρτημα κυκλώνα με ή χωρίς τη λειτουργία ασφάλισης.

**ΠΑΡΑΤΗΡΗΣΗ:** Για την εγκατάσταση ή αφαίρεση του προσαρτήματος κυκλώνα, ανατρέξτε στην παράγραφο «Όταν χρησιμοποιείται ως μηχανή αναρρόφησης».

## Απόρριψη σκόνης

Όταν έχει συσσωρευτεί σκόνη μέχρι τη γραμμή πληρότητας της θήκης σκόνης, ακολουθήστε την παρακάτω διαδικασία και απορρίψτε τη σκόνη.

1. Κρατήστε τη θήκη σκόνης καλά, πατήστε παρατεταμένα τα δύο κουμπιά και αφαιρέστε τη θήκη σκόνης.

► **Εικ.55:** 1. Γραμμή πληρότητας 2. Θήκη σκόνης 3. Κουμπί (δύο τοποθεσίες) 4. Κυπελωτό φίλτρο

2. Απορρίψτε τη σκόνη στο εσωτερικό της θήκης σκόνης και αφαιρέστε τυχόν σκόνη και πούδρα που έχει προσκολληθεί στην επιφάνεια του κυπελωτού φίλτρου.

3. Εισαγάγετε τη θήκη σκόνης μέχρι τέρμα μέχρι τα δύο κουμπιά να ασφαλισουν με έναν χαρακτηριστικό ήχο «κλικ».

► **Εικ.56:** 1. Θήκη σκόνης 2. Κουμπί (δύο τοποθεσίες)

**ΠΑΡΑΤΗΡΗΣΗ:** Ελέγξτε ότι το προσάρτημα κυκλώνα, η σκούπα και ο ίσιος σωλήνας είναι σωστά ασφαλισμένα πριν ξεκινήσετε ξανά τη λειτουργία.

**ΠΑΡΑΤΗΡΗΣΗ:** Αν η αναρροφητική ισχύς δεν ανακτηθεί ακόμη και μετά την απόρριψη της σκόνης και τον καθαρισμό του κυπελωτού φίλτρου, ελέγξτε αν έχει συσσωρευτεί σκόνη στη σακούλα σκόνης της σκούπας ή αν συνέβη φράξιμο.

## Καθαρισμός

Όταν η θήκη σκόνης βρομίσει ή το κυπελωτό φίλτρο φράξει, αφαιρέστε και πλύντε τα με νερό. (Ανατρέξτε στην παράγραφο «Απόρριψη σκόνης» για τη διαδικασία αφαίρεσης.)

Στεγνώστε πολύ καλά τα εξαρτήματα πριν τα τοποθετήσετε ξανά και τα χρησιμοποιήσετε.

► **Εικ.57:** 1. Θήκη σκόνης 2. Κυπελωτό φίλτρο

Όταν το κυπελωτό φίλτρο βρομίσει πάρα πολύ, καθαρίστε το σύμφωνα με τις ακόλουθες διαδικασίες.

1. Περιστρέψτε το κυπελωτό φίλτρο αριστερόστροφα και αφαιρέστε το ενώ οι γάντζοι είναι απασφαλισμένοι.

► **Εικ.58:** 1. Κυπελωτό φίλτρο 2. Γάντζος

2. Αφαιρέστε τη σκόνη από το κυπελωτό φίλτρο και, στη συνέχεια, πλύντε το με νερό. Μετά, στεγνώστε το πολύ καλά.

3. Εισαγάγετε το κυπελωτό φίλτρο μέσα στη βάση ενώ οι γάντζοι είναι ευθυγραμμισμένοι με τη θύρα. Περιστρέψτε το κυπελωτό φίλτρο δεξιόστροφα μέχρι οι γάντζοι να ασφαλισουν με έναν χαρακτηριστικό ήχο «κλικ». Βεβαιωθείτε ότι το κυπελωτό φίλτρο είναι τοποθετημένο με ασφάλεια.

► **Εικ.59:** 1. Κυπελωτό φίλτρο 2. Γάντζος 3. Θύρα

# TÜRKÇE (Orijinal talimatlar)

## UYARI

- Bu makine fiziksel, duyuşsal ya da zihinsel yetenekleri kısıtlı olan veya deneyim ya da bilgileri olmayan kişiler ve çocuklar tarafından kullanıma uygun deęildir.
- Süpürge ile oynamadıklarından emin olmak için çocuklar kontrol altında bulundurulmalıdır.
- Bataryanın tip referansı için "TEKNİK ÖZELLİKLER" bölümüne bakın.
- Bataryanın nasıl çıkarılacağı veya takılacağı ile ilgili olarak "Batarya kartuşunun takılması veya çıkartılması" kısmına bakın.
- Batarya kartuşunu bertaraf ederken aletten çıkarın ve güvenli bir yerde bertaraf edin. Bataryanın bertaraf edilmesi ile ilgili yerel düzenlemelere uyun.
- Alet uzun süre kullanılmıyacaksa batarya aletten çıkarılmalıdır.
- Batarya kartuşunu kısa devre yapmayın.
- Kullanıcı bakımı sırasındaki uygun önlem bilgileri için "BAKIM" bölümüne bakın.

## TEKNİK ÖZELLİKLER

| Model:   |                | DVC665                   |
|--|----------------|--------------------------|
| Kapasite   | Filtre torbası | 6,0 L                    |
|  | Toz torbası    | 5,5 L                    |
| Maksimum hava hacmi<br>(ø28 mm x 1,5 m hortumla) |                | 1,8 m <sup>3</sup> /min  |
| Vakum  |                | 110 hPa                  |
| Ebat (U x G x Y)<br>(askı hariç)                 |                | 297 mm x 174 mm x 523 mm |
| Nominal voltaj                                   |                | D.C. 36 V                |
| Net ağırlık                                      |                | 6,1 - 6,7 kg             |

- Sürekli yapılan araştırma ve geliştirmelerden dolayı, burada belirtilen özellikler önceden bildirilmeksizin deęiştirilebilir.
- Teknik özellikler ülkeden ülkeye farklılık gösterebilir.
- Ağırlık, batarya kartuşu/kartuşları hariç aksesuarları içermez. Cihazın ve batarya kartuşunun/kartuşlarının en hafif ve en ağır birleşik ağırlığı tabloda gösterilmiştir.

## Geçerli batarya kartuşu ve şarj aleti

|                 |  |
|-----------------|--|
| Batarya kartuşu | BL1815N / BL1820B / BL1830B / BL1840B / BL1850B / BL1860B    |
| Şarj aleti      | DC18RC / DC18RD / DC18RE / DC18SD / DC18SE / DC18SF / DC18SH |

- Yukarıda listelenen batarya kartuşlarının ve şarj aletlerinin bazıları yaşadığımız bölgeye baęlı olarak mevcut olmayabilir.

**⚠UYARI:** Sadece yukarıda listelenen batarya kartuşlarını ve şarj aletlerini kullanın. Başka batarya kartuşlarının ve şarj aletlerinin kullanılması yaralanma ve/veya yangına neden olabilir.

**⚠UYARI:** Bu aletle batarya adaptörü veya taşınabilir güç ünitesi gibi kablolu güç kaynaęı kullanmayın. Tek seferde birden fazla kayış takımı takılması aleti kullanmayı ve bırakmayı zorlaştırır ve yaralanmaya neden olabilir.

## Semboller

Ekipmanı için kullanılacak semboller aşağıda gösterilmiştir. Kullanmadan önce anlamlarını anladığınızdan emin olun.



El kitabını okuyun.



Çok özenli ve dikkatli kullanın.



Sadece AB ülkeleri için  
Ekipmanda tehlikeli bileşenler bulunduğundan dolayı atık elektrikli ve elektronik ekipmanlar, aküler ve bataryalar çevre ve insan sağlığı üzerinde olumsuz etkiye yol açabilir. Elektrikli ve elektronik cihazları veya bataryaları evsel atıklarla birlikte atmayın! Atık elektrikli ve elektronik ekipmanlar ile akümülatörler ve bataryalar hakkındaki Avrupa Direktifi ve söz konusu direktifin ulusal yasalara uyarlanması gereğince atık elektrikli ekipmanlar, bataryalar ve akümülatörler ayrı olarak depolanmalı ve çevre koruma hakkındaki mevzuata uygun olarak faaliyet gösteren ayrı bir kentsel atık toplama noktasına teslim edilmelidir. Bu husus, ekipmanın üzerine yerleştirilmiş üzerinde çarpı işareti bulunan tekerlekli çöp kovası simgesi ile belirtilmiştir.

## Kullanım amacı

Bu cihaz kuru tozları toplamak amacıyla kullanılır. Cihaz; oteller, okullar, hastaneler, fabrikalar, dükkanlar, ofisler ve kiralamalı hizmetleri gibi ticari kullanımlar için uygundur.

## Gürültü

Tipik A-ağırlıklı gürültü düzeyi (IEC60335-2-69, IEC60704-2-1 standardına göre belirlenen):  
Ses basınç seviyesi ( $L_{pA}$ ): 70 dB (A) veya daha az  
Belirsizlik (K): 2,5 dB (A)

İşlem sırasında gürültü seviyesi 80 dB (A)'yi geçebilir.

**NOT:** Beyan edilen gürültü emisyonu değer(ler)i bir standart test yöntemine uygun şekilde ölçülmüştür ve bir aleti bir başkasıyla karşılaştırmak için kullanılabilir.

**NOT:** Beyan edilen gürültü emisyonu değer(ler)i bir ön maruz kalma değerlendirmesi olarak da kullanılabilir.

**UYARI:** Kulak koruyucuları takın.

**UYARI:** Elektrikli aletin gerçek kullanımı sırasındaki gürültü emisyonu, aletin kullanım biçimlerine, özellikle işlenen iş parçasının türüne bağlı olarak beyan edilen değer(ler)den farklı olabilir.

**UYARI:** Gerçek kullanım koşullarındaki tahmini maruziyeti baz alan, operatörü koruyacak güvenlik önlemlerini mutlaka belirleyin (çalışma döngüsü içerisinde aletin kapalı olduğu ve aktif durumda olmasının yanı sıra boşta çalıştığı zamanlar gibi, bütün zaman dilimleri göz önünde bulundurarak).

## Titreşim

Titreşim toplam değeri (üç eksenli vektör toplamı) (IEC60335-2-69 standardına göre hesaplanan):  
Çalışma modu: yüksüz çalışma  
Titreşim emisyonu ( $a_{h1}$ ): 2,5 m/s<sup>2</sup> den az  
Belirsizlik (K) : 1,5 m/s<sup>2</sup>

**NOT:** Beyan edilen titreşim toplam değer(ler)i bir standart test yöntemine uygun şekilde ölçülmüştür ve bir aleti bir başkasıyla karşılaştırmak için kullanılabilir.

**NOT:** Beyan edilen titreşim toplam değer(ler)i bir ön maruz kalma değerlendirmesi olarak da kullanılabilir.

**UYARI:** Elektrikli aletin gerçek kullanımı sırasındaki titreşim emisyonu, aletin kullanım biçimlerine, özellikle işlenen iş parçasının türüne bağlı olarak beyan edilen değer(ler)den farklı olabilir.

**UYARI:** Gerçek kullanım koşullarındaki tahmini maruziyeti baz alan, operatörü koruyacak güvenlik önlemlerini mutlaka belirleyin (çalışma döngüsü içerisinde aletin kapalı olduğu ve aktif durumda olmasının yanı sıra boşta çalıştığı zamanlar gibi, bütün zaman dilimleri göz önünde bulundurarak).

## EC Uygunluk Beyanı

Sadece Avrupa ülkeleri için

EC uygunluk beyanı bu kullanım kılavuzuna Ek A olarak eklenmiştir.

## GÜVENLİK UYARILARI

### Akülü süpürgesi güvenlik uyarıları

**UYARI:** ÖNEMLİ KULLANMADAN ÖNCE tüm güvenlik uyarılarını ve tüm talimatları DİKKATLE OKUYUN. Uyarılara ve talimatlara uyulmaması elektrik şoku, yangın ve/veya ciddi yaralanmalar ile sonuçlanabilir.

1. Kullanmadan önce, bu süpürgeyi kullanacak kişilerin bu süpürgeyi kullanımı konusunda yeterince bilgilendirildiğinden emin olun.
2. Süpürgeyi filtresiz kullanmayın. Hasarlı filtreyi hemen değiştirin.
3. Yanıcı malzemeleri, havai fişekleri, yanan sigaraları, sıcak külleri, sıcak metal parçaları; jilet, iğne, kırık cam vb. keskin malzemeleri süpürgeyle çekmeye çalışmayın.
4. SÜPÜRGEYİ ASLA BENZİN, GAZ, BOYA, YAPIŞTIRICILAR YA DA DİĞER YÜKSEK ORANDA PATLAYICI ÖZELLİĞİ OLAN MADDELERİN YAKININDA KULLANMAYIN. AÇMA ve KAPAMA sırasında anahtardan kıvılcım çıkar. Kullanım sırasında motor kolektöründen de kıvılcım çıkar. Ciddi bir patlama meydana gelebilir.
5. Bu süpürge tehlikeli tozları toplamak için uygun değildir.
6. Asbest, arsenik, baryum, berilyum, kurşun, pestisitler gibi zehirli, kanserojen, yanıcı veya diğer tehlikeli maddeleri veya sağlığa zararlı maddeleri süpürgeyle çekmeyin.
7. Süpürgeyi yağmurlu havalarda dışarıda asla kullanmayın.
8. Finlandiya için bu makine düşük sıcaklıkta dış mekanlarda kullanılmamalıdır.
9. Isı kaynaklarının yakınında kullanmayın (ocak vb.).
10. Soğutma kanallarını kapatmayın. Bu kanallar motorun soğumasını sağlar. Kanalların kapatılmasından dikkatle kaçınılmalıdır, aksi takdirde yetersiz havalandırma nedeniyle motor yanar.

11. Her zaman yere sağlam basın ve dengeyi koruyun.
  12. Hortumu katlamayın, çekiştirmeyin veya üzerine basmayın.
  13. Kullanım sırasında performansta zayıflama ya da normal olmayan herhangi bir durum tespit ettiğinizde süpürgeyi derhal durdurun.
  14. **BATARYALARI ÇIKARIN.** Kullanılmadığında, servis işlemlerinden önce ve aksesuarları değiştirirken.
  15. Süpürgeyi en iyi kullanım koşullarında tutmak için her kullanımdan sonra süpürgeyi derhal temizleyin ve bakımını yapın.
  16. **SÜPÜRGENİN BAKIMINI DİKKATLİ BİR ŞEKİLDE YAPIN.** Daha iyi ve güvenli performans için süpürgeyi temiz tutun. Aksesuarların değiştirilmesi için talimatlara uyun. Tutamakları kuru, temiz ve yağ ve gres bulaşmamış halde bulundurun.
  17. **HASARLI PARÇALARI KONTROL EDİN.** Süpürgeyi kullanmaya devam etmeden önce, hasar görmüş siper ya da başka bir parça, uygun şekilde çalışıp çalışmayacağını ve amaçlanan işlevi görüp göremeyeceğini belirlemek amacıyla, dikkatli bir şekilde kontrol edilmelidir. Hareketli parçaların hizalanmalarını, bağlantılarını, parçalardaki kırıkları, montajlarını ve işleyişi etkileyebilecek başka durumları kontrol edin. Hasar görmüş siper ya da başka bir parça, bu kullanım kılavuzunda başka bir yer belirtilmediği sürece yetkili bir servis merkezi tarafından onarılmalı ya da değiştirilmelidir. Arızalı anahtarları yetkili servis merkezinde değiştirin. Anahtar süpürgeyi açıp kapatmıyorsa süpürgeyi kullanmayın.
  18. **YEDEK PARÇALAR.** Servis için sadece aynı yedek parçaları kullanın.
  19. **SÜPÜRGENİN KULLANILMADIĞI ZAMAN SAKLANMASI.** Kullanılmadığında, süpürgeyi iç mekanlarda saklayın.
  20. Süpürgeyi özenle kullanın. Kaba kullanım en sağlam yapı süpürgeye bile kırılmasına neden olabilir.
  21. İçini ya da dışını benzin, tiner veya temizleyici kimyasallarla temizlemeye çalışmayın. Çatlaklar ya da renk değişiklikleri oluşabilir.
  22. Yağ bazlı boya, boya inceltici, benzin, bazı güve yemez maddeler vb.den yanıcı, patlayıcı veya zehirli buharlar çıkan kapalı ortamlarda veya yanıcı tozların mevcut olduğu alanlarda süpürgeyi kullanmayın.
  23. Süpürgeyi alkol veya ilaçların etkisi altında kullanmayın.
  24. Temel bir güvenlik kuralı olarak güvenlik gözlükleri veya kenar siperli güvenlik gözlükleri kullanın.
  25. Tozlu çalışma koşullarında bir toz maskesi kullanın.
  26. Bu makine fiziksel, duyuşsal ya da zihinsel yetenekleri kısıtlı olan veya deneyim ya da bilgileri olmayan kişiler ve çocuklar tarafından kullanıma uygun değildir.
  27. Süpürge ile oynamadıklarından emin olmak için çocuklar kontrol altında bulundurulmalıdır.
  28. **Bataryayı/bataryaları ve süpürgeyi asla ıslak elle ellemeyin.**
  29. **Merdivenlerde temizlik yaparken çok dikkatli olun.**
  30. **Süpürgeyi basamak ya da çalışma tezgahı olarak kullanmayın. Makine devrilebilir ve kişisel yaralanmaya neden olabilir.**
- Bataryalı aletin kullanımı ve bakımı**
1. **Sadece üretici tarafından belirtilen şarj aleti ile şarj edin.** Bir batarya kutusu için uygun olan şarj cihazı başka bir batarya kutusu ile kullanıldığında yangın riski oluşturabilir.
  2. **Elektrikli aletleri sadece özel olarak belirtilen batarya kutuları ile kullanın.** Başka batarya kutularının kullanımı yaralanma ve yangın riski oluşturabilir.
  3. **Batarya kutusu kullanılmadığında; iki terminal arasında bağlantı kurulmasına sebep olabilecek ataç, bozuk para, anahtar, çivi, vida gibi metal nesnelere ya da küçük metal objelerden uzak tutun.** Batarya terminallerine kısa devre yaptırmak yanıklara ya da yangına yol açabilir.
  4. **Kötü koşullarda bataryadan sıvı sızabilir; bu sıvıyı temas etmeyin. Eğer istemeden bir temas olursa suyla yıkayın. Sıvı göze temas ederse, suyla yıkadıktan sonra tıbbi yardım alın.** Bataryadan çıkan sıvı tahrişe ya da yanıklara neden olabilir.
  5. **Batarya kutusu ya da alet hasar görmüşse ya da üzerinde değişiklik yapılmış batarya kutusunu kullanmayın.** Hasar görmüş ya da üzerinde değişiklik yapılmış batarya kutuları yangın, patlama ya da yaralanma riski ile sonuçlanan beklenmedik davranışlar sergileyebilir.
  6. **Batarya kutusunu veya aleti ateşe ya da aşırı sıcaklıklara maruz bırakmayın.** Ateşe ya da 130 °C'nin üzerindeki sıcaklıklara maruz bırakmak patlamaya neden olabilir.
  7. **Tüm şarj talimatlarına uyun ve batarya kutusunu ya da aleti yönergelerde belirtilen sıcaklık aralığının dışındaki sıcaklıklarda şarj etmeyin.** Uygun olmayan bir şekilde ya da belirtilen sıcaklık aralığının dışında şarj etmek bataryaya zarar verebilir ve yangın riskini artırabilir.
  8. **Bu aletle batarya adaptörü veya taşınabilir güç ünitesi gibi kablolu güç kaynağı kullanmayın.** Bu tür güç kaynaklarının kablosu çalışmayı engelleyebilir ve yaralanmaya neden olabilir.
- Servis**
1. **Elektrikli aletinize nitelikli bir onarım elemanı tarafından orijinal parçaları kullanılarak servis verilmesini sağlayın.** Bu, elektrikli aletin güvenli kalmasını temin eder.
  2. **Yağlama ve aksesuar değiştirme talimatlarına uyun.**
  3. **Tutamakları kuru, temiz ve yağ ve gres bulaşmamış halde bulundurun.**



## Batarya kartuşu hakkında önemli güvenlik talimatları

1. Batarya kartuşunu kullanmadan önce, tüm talimatları ve (1) batarya kartuşu, (2) batarya ve (3) ürün üzerindeki tüm uyarı işaretlerinizi okuyun.
  2. Batarya kartuşunu parçalarına ayırmayın veya kurcalamayın. Yangın, aşırı ısı veya patlamaya neden olabilir.
  3. Çalışma süresi aşırı derecede kısalmışsa kullanmayı derhal bırakın. Aşırı ısınma, yanma riski hatta patlamaya neden olabilir.
  4. Gözünüze elektrolit kaçarsa, gözlerinizi temiz suyla durulayın ve hemen tıbbi yardım alın. Görme kaybına yol açabilir.
  5. Batarya kartuşuna kısa devre yaptırmayın:
    - (1) Terminallere herhangi bir iletken madde değdırmeyin.
    - (2) Batarya kartuşunu çiviler, madeni paralar, vb. gibi başka metal nesnelere aynı kaba koymaktan kaçının.
    - (3) Batarya kartuşunu yağmura ya da suya maruz bırakmayın.
- Kısa devre, büyük bir akım akışına, aşırı ısınmaya, olası yanıklara hatta bataryanın bozulmasına yol açabilir.
6. Aleti ve batarya kartuşunu sıcaklığın 50°C ya da daha yüksekçe ulaştığı yerlerde saklamayın ve kullanmayın.
  7. Aşırı derecede hasar görmüş ya da tamamen kullanılmaz durumda olsa bile batarya kartuşunu yakmayın. Batarya kartuşu ateşe atılırsa patlayabilir.
  8. Batarya kartuşunu çivilemeyin, kesmeyin, ezmeyin, fırlatmayın, düşürmeyin ya da batarya kartuşuna sert bir nesne ile vurmuyun. Bu eylemler yangın, aşırı ısı veya patlamaya neden olabilir.
  9. Hasarlı bataryayı kullanmayın.
  10. Aletin içerdiği lityum-iyon bataryalar Tehlikeli Eşyalar Yönetmeliğinin gereksinimlerine tabidir.

Ticari nakliye işlemleri için, örneğin üçüncü taraflar, nakliye acenteleri tarafından yapılan nakliyelerde, paketleme ve etiketleme gereksinimlerine uyulmalıdır.

Nakliyesi yapılacak ürünün hazırlanması için, tehlikeli maddeler konusunda uzman bir kişiye danışın. Lütfen muhtemelen daha ayrıntılı olan ulusal yönetmeliklere de uyun.

Açık kontakları bantlayın ya da maskeleyin ve bataryayı paketin içinde hareket etmeyecek şekilde paketleyin.
  11. Batarya kartuşunu bertaraf ederken aletten çıkarın ve güvenli bir yerde bertaraf edin. Bataryanın bertaraf edilmesi ile ilgili yerel düzenlemelere uyunuz.
  12. Bataryaları sadece Makita tarafından belirtilen ürünlerle kullanın. Bataryaların uyumsuz ürünlere takılması; yangın, aşırı ısınma, patlama ya da elektrolit sızıntısına neden olabilir.
  13. Alet uzun süre kullanılmıyacaksa batarya aletten çıkarılmalıdır.

14. Kullanma sırasında ve sonrasında batarya kartuşu ısınarak yanıklara veya düşük sıcaklık yanıklarına yol açabilir. Sıcak batarya kartuşları ile işlem yaparken dikkat edin.
15. Yanıklara neden olabilecek kadar sıcak olabileceğinden kullandıktan hemen sonra aletin terminaline dokunmayın.
16. Batarya kartuşunun terminallerine, deliklerine ve kanallarına mıcır, toz veya toprak girmesine izin vermayın. Aletin veya batarya kartuşunun zayıf performans göstermesine veya bozulmasına neden olabilir.
17. Alet yüksek gerilim elektrik güç hatlarında kullanımı desteklemediği sürece batarya kartuşunu yüksek gerilim elektrik güç hatlarının yakınında kullanmayın. Aletin veya batarya kartuşunun arızalanmasına veya bozulmasına neden olabilir.
18. Bataryayı çocuklardan uzak tutun.

## BU TALİMATLARI MUHAFAZA EDİNİZ.

**⚠DİKKAT:** Sadece orijinal Makita bataryalarını kullanın. Orijinal olmayan Makita bataryaları ya da üzerine değişiklik yapılmış bataryaların kullanımı bataryanın patlamasına ve sonuç olarak yangın, kişisel yaralanma ve hasara neden olabilir. Ayrıca Makita aleti ve şarj aletinin Makita tarafından sunulan garantisini de geçersiz olur.

## Maksimum batarya ömrü için ipuçları

1. Batarya kartuşunu tamamen boşalmadan önce şarj edin. Aletin gücünün zayıflamaya başladığını fark ettiğinizde aleti durdurun ve batarya kartuşunu şarj edin.
2. Tam dolu bir batarya kartuşunu asla yeniden şarj etmeyin. Aşırı şarj etme bataryanın hizmet ömrünü kısaltır.
3. Batarya kartuşunu 10 °C - 40 °C oda sıcaklığında şarj edin. Sıcak bir batarya kartuşunu şarj etmeden önce soğumasını bekleyin.
4. Batarya kartuşunu kullanmıyorken aletten veya şarj aletinden çıkarın.
5. Uzun bir süre (altı aydan daha fazla) kullanmadığınız durumlarda batarya kartuşunu şarj edin.

## Kablosuz ünitesi için önemli güvenlik talimatları

1. Kablosuz ünitesini parçalarına ayırmayın veya kurcalamayın.
2. Kablosuz ünitesini küçük çocuklardan uzak tutun. Kazara yutulursa derhal tıbbi yardım alın.
3. Kablosuz ünitesini sadece Makita aletlerle kullanın.
4. Kablosuz ünitesini yağmura veya ıslak koşullara maruz bırakmayın.
5. Kablosuz ünitesini sıcaklığın 50 °C'yi aştığı yerlerde kullanmayın.

6. Kablosuz ünitesini, kalp pilleri gibi tıbbi cihazların yakınında bulunan yerlerde kullanmayın.
7. Kablosuz ünitesini, otomatik cihazların yakınında bulunan yerlerde kullanmayın. Kullanılırsa otomatik cihazlar arızalanabilir veya hata verebilir.
8. Kablosuz ünitesini, yüksek sıcaklık altındaki yerlerde veya statik elektrik veya elektrik gürlütüsü üretilebilecek yerlerde kullanmayın.
9. Kablosuz ünitesi elektromanyetik alanlar üretilebilir ancak onlar kullanıcıya zararlı değildir.
10. Kablosuz ünitesi hassas bir cihazdır. Kablosuz ünitesini düşürmemeye veya çarpmamaya dikkat edin.
11. Kablosuz ünitesinin terminaline çıplak ellerle veya metalik malzemelerle dokunmaktan kaçının.
12. Kablosuz ünitesini ürüne takarken ürünün üzerindeki bataryayı mutlaka çıkarın.
13. Yuva kapağını açarken yuvaya toz ve suyun girebileceği yerlerden kaçınınız. Yuva girişini daima temiz tutun.
14. Kablosuz ünitesi her zaman doğru yönde takın.
15. Kablosuz ünitesinin üzerindeki kablosuz çalıştırma düğmesine çok sert basmayın ve/veya düğmeye keskin uçlu bir cisim ile basmayın.
16. Kullanırken yuva kapağını mutlaka kapatın.
17. Alete güç beslenirken kablosuz ünitesini yuvadan çıkarmayın. Aksi takdirde kablosuz ünitesi arızalanabilir.
18. Kablosuz ünitesinin üzerindeki etiketi çıkarmayın.
19. Kablosuz ünitesinin üzerine hiçbir etiket koymayın.
20. Kablosuz ünitesini, statik elektrik veya elektrik gürlütüsü üretilebilecek yerlerde bırakmayın.
21. Kablosuz ünitesini, güneşin altında duran bir araba gibi yüksek ısıya maruz yerlerde bırakmayın.
22. Kablosuz ünitesini, tozlu veya aşındırıcı gaz üretilebilecek yerlerde bırakmayın.
23. Ani sıcaklık değişimleri kablosuz ünitesini nemiylemlendirebilir. Nem tamamen kuruyana dek kablosuz ünitesini kullanmayın.
24. Kablosuz ünitesini temizlerken kuru yumuşak bir bezle nazikçe silin. Benzin, tiner, iletken gres veya benzeri maddeler kullanmayın.
25. Kablosuz ünitesini saklarken ürünle verilen kutusunda veya anti-statik bir kaptaki saklayın.
26. Alet üzerindeki yuvaya Makita kablosuz ünitesi dışında başka hiçbir aygıt sokmayın.
27. Aleti, yuvanın kapağı hasarlı iken kullanmayın. Yuvaya giren su, toz ve pislik arızaya neden olabilir.
28. Yuvanın kapağını gerekenden fazla çekmeyin ve/veya bükmeyin. Aletten çıkması durumunda kapağı yeniden takın.
29. Kaybolur veya hasar görürse kapağı değiştirin.

## BU TALİMATLARI MUHAFAZA EDİNİZ.

## İŞLEVSEL NİTELİKLER

**⚠DİKKAT:** Cihaz üzerinde ayarlama ya da işle-  
yiş kontrolü yapmadan önce cihazın kapalı ve  
batarya kartuşunun çıkartılması olduğundan daima  
emin olun.

## Batarya kartuşunun takılması ve çıkarılması

**⚠DİKKAT:** Batarya kartuşunu takmadan ya da  
çıkarmadan önce cihazı daima kapatın.

**⚠DİKKAT:** Batarya kartuşunu takarken veya  
çıkarmak için cihazı ve batarya kartuşunu sıkıca  
tutun. Cihazın ve batarya kartuşunun sıkıca tutul-  
maması bunların düşürülmesine sebep olabilir; cihaz  
ve batarya kartuşunun zarar görmesine ya da ciddi  
yaralanmalara yol açabilir.

► **Şek. 1:** 1. Kırmızı gösterge 2. Düşme 3. Batarya  
kartuşu

Batarya kartuşunu çıkarmak için, kartuşun ön tarafında bulunan düğmeyi kaydırarak batarya kartuşunu cihazdan çekerek ayırın.

Batarya kartuşunu takmak için, batarya kartuşu üzerindeki dili yuvanın çentiği ile hizalayın ve yerine oturtun. Hafif bir tık sesi duyulana kadar itip yerine tam oturmasını sağlayın. Düğmenin üst tarafındaki kırmızı gösterge görünüyorsa tam yerine kilitlenmemiş demektir.

**⚠DİKKAT:** Batarya kartuşunu daima kırmızı  
gösterge görünmeyecek şekilde tam olarak takın.  
Aksi takdirde, cihazın üzerinden kazara düşerek sizin  
ya da çevrenizdekilerin yaralanmasına neden olabilir.

**⚠DİKKAT:** Batarya kartuşunu zorlayarak takma-  
yın. Kartuş kolay bir şekilde kaymıyorsa doğru yerleş-  
tirilmemiş demektir.

## Cihaz/batarya koruma sistemi

Cihaz bir cihaz/batarya koruma sistemi ile donatılmıştır. Bu sistem cihaz ve batarya ömrünü uzatmak için motorun gücünü otomatik olarak keser. Cihaz veya batarya için aşağıdaki durumlardan biri söz konusu olduğunda cihazın işleyişi otomatik olarak durur.

### Aşırı yük koruması

Cihaz, anormal derecede yüksek akım çekmesine neden olacak şekilde kullanıldığında, cihaz hiçbir belirti vermeden otomatik olarak durur. Bu durumda cihazı kapatın ve cihazın aşırı yüklenmesine neden olan uygulamayı kesin. Ardından cihazı açarak yeniden çalıştırın.

### Aşırı ısınma koruması

Cihaz aşırı ısındığında, otomatik olarak durur. Cihazı tekrar açmadan önce soğumasını bekleyin.

### Aşırı deşarj koruması

Batarya kapasitesi düştüğünde cihaz otomatik olarak durur. Anahtarlar devrederken bile ürün çalışmıyorsa, bataryaları cihazdan çıkarıp şarj edin.

## Kalan batarya kapasitesinin gösterilmesi

### Sadece göstergeli batarya kartuşları için

► **Şek.2:** 1. Gösterge lambaları 2. Kontrol düğmesi

Kalan batarya kapasitesini göstermesi için batarya kartuşu üzerindeki kontrol düğmesine basın. Gösterge lambaları birkaç saniye yanar.

| Gösterge lambaları |        |               | Kalan kapasite                |
|--------------------|--------|---------------|-------------------------------|
| Yanıyor            | Kapalı | Yanıp sönüyor |                               |
| ■                  | □      | ▣             |                               |
| ■ ■ ■ ■            |        |               | %75 ila %100                  |
| ■ ■ ■ □            |        |               | %50 ila %75                   |
| ■ ■ □ □            |        |               | %25 ila %50                   |
| ■ □ □ □            |        |               | %0 ila %25                    |
| ▣ □ □ □            |        |               | Bataryayı şarj edin.          |
| ■ ■ □ □            |        |               | Batarya arızalanmış olabilir. |
| □ □ ■ ■            |        |               |                               |

**NOT:** Kullanım koşullarına ve ortam sıcaklığına bağlı olarak, gösterilen değer gerçek kapasiteden biraz farklılık gösterebilir.

**NOT:** İlk (en soldaki) gösterge lambası, batarya koruma sistemi çalıştığında yanıp söner.

## Anahtar kutusu konumu

Anahtar kutusu alt kemerin her iki yanına da takılabilir. Kabloyu ayarlayarak anahtar kutusunu istediğiniz tarafa getirin. Kablonun hasar görmesini önlemek için, kabloyu şekilde gösterildiği gibi oluktan geçirin.

► **Şek.3:** 1. Oluk 2. Kablo

## Kemerlerin ayarlanması

Omuz kayışlarının, üst ve alt kemerlerin sıklığı ayarlanabilir. Önce kollarınızı omuz kayışlarından geçirin, ardından alt ve üst kemerleri takın. Sıkılmak için, askının ucunu şekilde gösterildiği gibi çekin. Gevşetmek için, mandalın ucunu yukarıya doğru çekin.

### Alt kemer

► **Şek.4:** 1. Askı 2. Mandal

### Omuz kayışı

► **Şek.5:** 1. Askı 2. Mandal

### Üst kemer

► **Şek.6:** 1. Askı 2. Mandal

## Taşıma kancası

**▲ DİKKAT:** Asma/montaj parçalarını sadece kullanım amaçları doğrultusunda kullanın. Kullanım amacı dışında kullanmak kaza veya yaralanmaya neden olabilir.

Süpürge gövdesini taşıırken daima taşıma kancasından kavrayın.

► **Şek.7:** 1. Taşıma kancası

## Bekleme düğmesi

Bekleme düğmesi, kablosuz çalıştırma işlevini açan/kapanan düğmedir. Düğme konumu ne olursa olsun elektrikli süpürge bekleme durumundadır ve (2) düğmesine basıldığında çalışır.

► **Şek.8:** 1. Bekleme düğmesi

| Düğme konumu | Durum   |  |
|--------------|---------|--|
| AUTO         | I (ON)  | Elektrikli süpürge bekleme durumundadır ve kablosuz çalıştırma işlevi kullanılabilir.  |
|              | O (OFF) | Elektrikli süpürge bekleme durumundadır ancak kablosuz çalıştırma işlevi kullanılamaz. |

## Anahtar işlevi

Süpürmeye başlamak için (2) düğmesine bir kez basın. Elektrikli süpürge, daha önce kapattığınız zamanki aynı emiş gücünde çalışmaya başlar. Elektrikli süpürge çalışırken (2) düğmesine bastığınızda emme gücü normal (1) ile yüksek (2) emiş gücü arasında değişir. Elektrikli süpürgeyi kapatmak için (0) düğmesine basın.

► **Şek.9**

**NOT:** Elektrikli süpürgeyi, elektrikli süpürgeye bağlı aletin anahtarla çalıştırılması ile (kablosuz çalıştırma işlevi) birlikte çalıştırmak isterseniz bekleme düğmesini "I (ON)" konumuna alın.

**NOT:** Kablosuz çalıştırma işlevini kullanmak için alet kaydını önceden tamamlayın. Ayrıntılar için "KABLOSUZ ÇALIŞTIRMA İŞLEVİ" kısmına bakın.

**NOT:** Kablosuz çalıştırma işlevini kullanırken süpürmeyi (0) düğmesi ile durduramazsınız.

## Hortum kelepeşi

Hortum kelepeşi hortumu veya serbest ağı tutmak için kullanılabilir. Hortumu süpürge gövdesine sabitlemek için hortum kelepeşini gövde üzerindeki yuvadan geçirin. Hortum kelepeşini her iki tarafa da takabilirsiniz.

► **Şek.10:** 1. Hortum kelepeşi 2. Yuva 3. Hortum

Alt kemerin üzerindeki çember, şekilde gösterildiği gibi ağızları taşımak için kullanılabilir.

► **Şek.11:** 1. Çember 2. Ağızlar

## Toz dövme sistemi

Kolu çektiğinizde veya süpürgeyi takarak yürürken toz aşığı iner. Bu sistem, süpürge emiş gücünü korumasına yardımcı olur.

► **Şek.12:** 1. Kol 2. Filtre torbası/toz torbası 3. Tahta

**NOT:** Bu işlev, süpürge kapalıyken ve filtre torbası/toz torbası tahtaya temas eden belirli bir miktarda toz içerdiğinde çalışır.

# MONTAJ

**⚠ DİKKAT:** Cihaz üzerinde herhangi bir iş yapmadan önce cihazın kapalı ve batarya kartuşunun çıkarılmış olduğundan daima emin olun.

## Hortumun takılması

Hortum manşonunu süpürge gövdesine takın ve saat yönünde döndürün.

► **Şek.13:** 1. Hortum manşonu 2. Süpürge gövdesi

## Aletin bağlanması

Eğik boru tertibatı hortuma takılı ise eğik boru tertibatının manşonunu gevşeterek çıkarın.

► **Şek.14:** 1. Hortum 2. Eğik boru tertibatı 3. Manşon

1. Ön manşeti toz çekme hortumuna takın.

Ön manşeti bağlarken hortuma döndürülerek sıkıca takıldığından emin olun.

2. Ön manşeti, aletin toz çekme çıkışına bağlayın.

► **Şek.15:** 1. Ön manşet 2. Toz çekme çıkışı  
3. Hortum

Ön manşet, hortumdan tutup saatin aksi yönde döndürülerek çıkartılabilir.

**NOT:** Her zaman uygun bir ön manşet kullanın. Ön manşet 24'ü kullanırken, onu hortuma bağlı olan ön manşet 22'ye takın.

► **Şek.16:** 1. Ön manşet 22 2. Ön manşet 24

## Süpürge olarak kullanılması

Bu ürünü bir süpürge olarak kullanmak isterseniz aşağıdaki prosedürleri izleyin.

**ÖNEMLİ NOT:** Ön manşet hortuma takılı ise önceden çıkarın.

**NOT:** Eğik boru tertibatı, uzatma çubuğu ve ağızlar bazı ülkelerde isteğe bağlı aksesuarlar şeklinde sağlanır.

**NOT:** Biri kayar tip uzatma çubuğu ve diğeri bilezik tipi uzatma çubuğu için olmak üzere iki tip eğik boru tertibatı vardır. Eğik boru tertibatını hazırlarken istediğiniz uzatma çubuğu tipi için olanı seçin.

1. Eğik boru tertibatının manşonunu çevirerek hortuma takın.

► **Şek.17:** 1. Hortum 2. Eğik boru tertibatı 3. Manşon

Eğik boru tertibatını çıkarmak için, eğik boru tertibatının manşonunu çevirerek hortumdan gevşetin.

2. Ağız çevirerek uzatma çubuğuna sokun.

► **Şek.18:** 1. Uzatma çubuğu 2. Serbest ağız 3. T şekilli ağız 4. T şekilli ağız (ince)

**NOT:** Sokarken ağız çevrilmesi, ağızın uzatma çubuğuna sıkıca takılmasını sağlar.

3. Uzatma çubuğunun tipine göre aşağıdaki prosedürleri izleyin:

**NOT:** Kayar tip uzatma çubuğu ve bilezik tipi uzatma çubuğu birbirleri ile uyumlu değildir. Kayar tip uzatma çubuğunu bilezik tipi uzatma çubuğu ile (veya tersi) değiştirmek isterseniz eğik boru tertibatını da değiştirin.

**NOT:** Serbest ağız, eğik boru tertibatına doğrudan takılabilir.

### Kayar tip uzatma çubuğu için

Süpürge gövdesini omzunuza alın, ardından uzatma çubuğunu tık sesile yerine oturana dek eğik boru tertibatına sokun. Ayırmak için düğmeye basarak uzatma çubuğunu çıkarın.

► **Şek.19:** 1. Eğik boru tertibatı 2. Düğme 3. Kayar tip uzatma çubuğu 4. Serbest ağız

Çubuğun uzunluğu ayarlanabilir.

Kaydırma düğmesine basarak çubuğun uzunluğunu ayarlayın. Kaydırma düğmesi bırakıldığında uzunluk sabitlenir.

► **Şek.20:** 1. Kaydırma düğmesi

### Bilezik tipi uzatma çubuğu için

Süpürge gövdesini omzunuza alın, ardından uzatma çubuğunu çevirerek eğik boru tertibatına sokun.

Ayırmak için, çevirerek çıkarın.

► **Şek.21:** 1. Eğik boru tertibatı 2. Bilezik tipi uzatma çubuğu 3. Serbest ağız

Çubuğun uzunluğu ayarlanabilir.

Çubuk üzerindeki bileziği gevşetin ve çubuğun uzunluğunu ayarlayın. Bileziği istediğiniz uzunlukta sıkılayın.

► **Şek.22:** 1. Bilezik

## Hortum kancası

Çalışmaya ara verdiğinizde, eğik boru tertibatı üzerindeki kanca, çubuğu alt kemere asmak için kullanılabilir.

► **Şek.23**

## Filtre torbası / toz torbasının takılması

### İsteğe bağlı aksesuar

**⚠ DİKKAT:** Hasarlı bir filtre torbasını kullanmayın. Süpürgeyi daima filtre torbası düzgün bir şekilde takılmış halde kullanın. Aksi takdirde, vakumlanan toz ve parçacıklar süpürge dışarı çıkarak operatörde solunum yolu hastalıklarına neden olabilir.

Süpürgeyi kullanmadan önce toz torbası veya filtre torbası takın.

— Toz torbaları temizlenerek bir defadan fazla kullanılabilir.

— Filtre torbası tek kullanımlıktır. Dolduğu zaman filtre torbasını boşaltmadan olduğu gibi atın.

**ÖNEMLİ NOT:** Filtre torbası dolduğunda yeni-  
siyle değiştirin. Toz torbası dolduğunda boşaltın.

Filtre torbası/toz torbası dolu şekilde sürekli kullanım  
emiş gücünde düşüğe neden olur.

**ÖNEMLİ NOT:** Motora toz kaçmasını önlemek için:

- Kullanmadan önce filtre torbası/toz torbası-  
nın takıldığından emin olun.
- Yırtık veya delinmiş torbaları kullanmayın.

Aksi takdirde motor arızalanabilir.

**ÖNEMLİ NOT:** Filtre torbası/toz torbasını takar-  
ken ağır kısmındaki kartonu bükmeyin.

**ÖNEMLİ NOT:** Süpürge filtre torbası/toz tor-  
bası, cihaz performansını sürdürmek için önemli bir  
parçadır. Orijinal olmayan filtre torbası/toz torbası  
kullanılması duman ya da parlamaya neden olabilir.

**NOT:** Süpürgeye filtre torbası/toz torbası takılı değil-  
ken ön kapak tamamen kapanmaz.

#### ► Şek.24

1. Alt tarafı kaldırarak mandalın kilidini açın. Oluklu  
alanı iterek ön mandal tarafını kaldırın. Kapağı açmak  
için mandalı çekin.

► Şek.25: 1. Kanca 2. Kapak

2. Filtre torbasını şekilde gösterildiği gibi yuvanın üst  
kısmındaki kesğin içine takın.

► Şek.26: 1. Kesik 2. Filtre torbası

Toz torbasını kullanırken toz torbasının kenarını kesğin  
içine yerleştirin.

► Şek.27: 1. Kesik 2. Kenar 3. Toz torbası

3. Filtre torbasının deliğini hortum manşonu ile hiza-  
layın ve karton kısmı sonuna kadar itin. Filtre torbası  
üzerindeki küçük bileziğin hortum manşetinin kenarı-  
nın üzerine geldiğinden emin olun.

► Şek.28: 1. Filtre torbası üzerindeki kauçuk bilezik  
2. Hortum manşetinin kenarı 3. Filtre torba-  
sının karton kısmı 4. Hortum manşonu

## KULLANIM

**⚠UYARI:** Operatörlerin süpürge kullanımı konu-  
sunda yeterli bir şekilde bilgilendirilmesi gereklidir.

**⚠UYARI:** Süpürge tehlikeli tozları toplamak için  
uygun değildir.

**⚠DİKKAT:** Bu süpürge sadece kuru kullanım içindir.

**⚠DİKKAT:** Bu süpürge sadece iç mekanlarda  
kullanım içindir.

**⚠DİKKAT:** Batarya kartuşunu daima yerine kilitle-  
nene dek sonuna kadar itin. Düğmenin üst tarafındaki  
kırmızı göstergesi görüyorsanız, kartuş tam kilitlememiş  
demektir. Kırmızı gösterge görünmeyecek şekilde tam ola-  
rak oturtun. Aksi takdirde, cihazın üzerinden kazara düşerek  
sizin ya da çevrenizdekilerin yaralanmasına neden olabilir.

**⚠DİKKAT:** Çalışma sırasında sırtınızdaki elektrikli  
süpürge farkında olun. Süpürge gövdesi bir duvara çarparsa  
veya hortum bir engelle takılırsa dengeyi kaybedebilirsiniz.

1. Süpürge gövdesini omzunuza alıp alt ve üst  
kemerleri takın. Sıklığına gerektiği gibi ayarlayın.

► Şek.29

2. Süpürmeye başlamak için (1) düğmesine basın. Emiş  
gücünü değiştirmek için elektrikli süpürge çalışırken (2) düğ-  
mesine basın. Emiş gücü sırasıyla normal (1) ile yüksek (2)  
emiş gücü arasında değişir. Durmak için (0) düğmesine basın.

► Şek.30

Çalışma sırasında anahtar kutusunu alt kemere veya  
bileziğe takın.

► Şek.31: 1. Bilezik 2. Alt kemer

3. Dolduğu zaman filtre torbasını değiştirin. Kapağı açın ve  
filtre torbasını çıkarın. Filtre torbasını kapatmak için açıklığın  
olduğu taraftaki şeridi çekin ve filtre torbasını bütün olarak atın.

► Şek.32: 1. Şerit

Bir toz torbası kullanırken toz torbasını çıkarın ve man-  
dalı açarak tozu boşaltın.

► Şek.33: 1. Mandal

**ÖNEMLİ NOT:** Kapağın üzerine filtre torbası/toz tor-  
bası veya başka ağır nesnelere koymayın. Cihaz devrilebilir.

**ÖNEMLİ NOT:** Filtre torbasının dolup dolma-  
dığını periyodik olarak kontrol edin. Filtre torbası  
sürekli olarak dolu bir şekilde kullanılırsa emiş  
gücünde azalma meydana gelir.

**ÖNEMLİ NOT:** Kullanılmış bir filtre torbasını  
yeniden kullanmayın. Filtre torbası tek kullanımlık  
olarak tasarlanmıştır. Filtre torbasının tekrar tekrar  
kullanılması filtrenin tıkanmasına neden olabilir ve  
süpürge hasar görmesine yol açar. Torbayı tekrar  
kullanmak isterseniz bir toz torbası kullanın.

## KABLOSUZ ÇALIŞTIRMA İŞLEVİ

### Kablosuz çalıştırma işlevi ile yapabilecekleriniz

Kablosuz çalıştırma işlevi temiz ve rahat kullanım sağlar.  
Süpürgeye desteklenen bir alet bağlayarak süpürgeyi  
aletin anahtarla çalıştırılması ile birlikte çalıştırabilirsiniz.

► Şek.34

**ÖNEMLİ NOT:** Süpürgeyi kablosuz çalıştırma  
işlevi ile kullanırken mutlaka aletin kullanma  
kılavuzuna bakın.

**ÖNEMLİ NOT:** Kablosuz ünitesini parçalarına  
ayırmanın veya kurcalamayın.

**ÖNEMLİ NOT:** Kablosuz ünitesi yuvasına toz  
girmesini engellemek için kullanma ve depolama  
sirasında kapağı daima sıkıca kapatın.

**ÖNEMLİ NOT:** Güç beslenirken kablosuz ünitesini  
çıkarmayın. Aksi takdirde kablosuz ünitesi arızalanabilir.

**ÖNEMLİ NOT:** Kablosuz çalıştırma düğmesine  
çok sert basmayın ve/veya düğmeye keskin uçlu  
bir cisim ile basmayın.


**NOT:** Kablosuz çalıştırma, kablosuz ünitesi ile donatılmış Makita aletler gerektirir.


**NOT:** Kablosuz çalıştırma işlevini her aletle ilk kez kullanmadan önce alet kaydı gerekir. Aletle kayıt tamamlandığında iptal edilmediği sürece tekrar kayıt gerekmez.

**NOT:** Kayıttan önce kablosuz ünitesinin düzgün bir şekilde takıldığından emin olun.

**NOT:** Bir kablosuz ünitesi başka kablosuz üniteleriyle 10'a kadar bağlantı kaydı yapılabilir. Bir kablosuz ünitesine 10'dan fazla başka kablosuz ünitesi kayıt edilirse en önce kaydedilen otomatik olarak iptal edilir.

**NOT:** Kablosuz çalıştırma düğmesinin konumu alete göre değişiklik gösterir.

**NOT:** Süpürge, bekleme düğmesi "I (ON)" konumundayken  düğmesine basılarak da çalışır.

Ancak, kablosuz çalıştırma işlevi kullanılırken  düğmesi çalışmaz.

## Kablosuz ünitesinin takılması

**⚠ DİKKAT:** Kablosuz ünitesini takarken süpürgeyi düz ve dengeli bir zemine yerleştirin.

**ÖNEMLİ NOT:** Kablosuz ünitesini takmadan önce süpürge üzerindeki toz ve kiri temizleyin. Toz veya kir, kablosuz ünitesinin yuvasına girerse arızaya neden olabilir.

**ÖNEMLİ NOT:** Statik elektrik kaynaklı arızaları engellemek için kablosuz ünitesini almadan önce metal parça gibi statik deşarj özellikli bir materyale dokunun.

**ÖNEMLİ NOT:** Kablosuz ünitesini takarken kablosuz ünitesinin doğru yönde sokulduğundan ve kapağın tamamen kapatıldığından mutlaka emin olun.

1. Süpürge üzerindeki kapağı şekilde gösterildiği gibi açın.

► **Şek.35:** 1. Kapak

2. Kablosuz ünitesini yuvaya sokun ve daha sonra kapağı kapatın.

Kablosuz ünitesini sokarken çıkıntıları yuva üzerindeki girintili kısımlarla hizalayın.

► **Şek.36:** 1. Kablosuz ünitesi 2. Çıkıntı 3. Kapak 4. Girintili kısım

Kablosuz ünitesini çıkarırken kapağı yavaşça açın. Kapağın arka kısmındaki kancalar, kapağı yukarı çektiğinizde kablosuz ünitesini kaldıracaktır.

► **Şek.37:** 1. Kablosuz ünitesi 2. Kanca 3. Kapak

Kablosuz ünitesini çıkardıktan sonra ürünle verilen kutusunda veya anti-statik bir kaptaki saklayın.

**ÖNEMLİ NOT:** Kablosuz ünitesini çıkarırken daima kapağın arka kısmındaki kancaları kullanın. Kancalar kablosuz ünitesini yakalamazsa kapağı tamamen kapatın ve yavaşça tekrar açın.

## Süpürge için alet kaydı

**NOT:** Alet kaydı için kablosuz çalıştırma işlevini destekleyen bir Makita alet gerekir.

**NOT:** Alet kaydına başlamadan önce kablosuz ünitesini alete takmayı bitirin.

**NOT:** Alet kaydı sırasında aletin üzerindeki anahtar tetiği çekmeyin veya süpürmek için süpürgeyi düğmesine basmayın.

**NOT:** Aletin kullanma kılavuzuna da bakın.

Süpürgeyi aletin anahtarla çalıştırılması ile birlikte çalıştırmak isterseniz önceden alet kaydını tamamlayın.

1. Kablosuz ünitelerini sırasıyla süpürge ve alete takın.

2. Süpürge ve alete bataryaları takın.

3. Süpürge üzerindeki bekleme düğmesini "I (ON)" konumuna alın.

► **Şek.38:** 1. Hazırda bekletme anahtarı

4. Kablosuz çalıştırma lambası yeşil yanıp sönene kadar süpürge üzerindeki kablosuz çalıştırma düğmesine 3 saniye süreyle basın. Daha sonra aletin üzerindeki kablosuz çalıştırma düğmesine aynı şekilde basın.

► **Şek.39:** 1. Kablosuz çalıştırma düğmesi 2. Kablosuz çalıştırma lambası

Süpürge ve alet başarıyla birbirlerine bağlanırsa kablosuz çalıştırma lambaları 2 saniye süreyle yeşil yanar ve mavi yanıp sönmeye başlar.

**NOT:** Kablosuz çalıştırma lambaları 20 saniye geçtikten sonra yeşil yanıp sönmeyi keser. Süpürge üzerindeki kablosuz çalıştırma lambası yanıp sönerken aletin üzerindeki kablosuz çalıştırma düğmesine basın. Kablosuz çalıştırma lambası yeşil yanıp sönmeye kablosuz çalıştırma düğmesine kısa süreli basın ve tekrar basılı tutun.

**NOT:** Süpürge için iki veya daha fazla alet kaydı yaparken alet kaydını birer birer tamamlayın.

## Kablosuz çalıştırma işlevinin başlatılması

**NOT:** Kablosuz çalıştırma için süpürgeye alet kaydını tamamlayın.

**NOT:** Süpürgeyi daima, kablosuz çalıştırma lambasının durumunu görebilecek şekilde yerleştirin.

**NOT:** Aletin kullanma kılavuzuna da bakın.

Süpürgeye bir aleti kaydettikten sonra süpürge, aletin anahtarla çalıştırılması ile birlikte otomatik olarak çalışır.

1. Kablosuz ünitelerini sırasıyla süpürge ve alete takın.

2. Süpürge ve alete bataryaları takın.

3. Süpürgeyi hortumunu alete bağlayın.

► **Şek.40**

4. Süpürge üzerindeki bekleme düğmesini "I (ON)" konumuna alın. Kablosuz çalıştırma lambası mavi yanıp söner.

► **Şek.41:** 1. Hazırda bekletme anahtarı

5. Aletin üzerindeki kablosuz çalıştırma düğmesine kısa süreyle basın. Kablosuz çalıştırma lambası mavi yanıp söner.

- **Şek.42:** 1. Kablosuz çalıştırma düğmesi  
2. Kablosuz çalıştırma lambası

6. Aletin anahtar tetiğini çekin. Aletin üzerindeki anahtar tetik çekilirken süpürgeyi çalıştırdığını kontrol edin.

**⚠ DİKKAT:** Aletle çalışmaya başlamadan önce kablosuz çalıştırma işlevinin çalıştığını daima kontrol edin.

Kablosuz çalıştırmayı durdurmak için aletin üzerindeki kablosuz çalıştırma düğmesine basın veya süpürgeyi üzerindeki bekleme düğmesini "O (OFF)" konumuna alın.

**NOT:** Alet üzerindeki kablosuz çalıştırma lambası, 2 saat süreyle işlem yapılmazsa mavi yanıp sönmeyi keser. Bu durumda aletin üzerindeki kablosuz çalıştırma düğmelerine tekrar basın.

**NOT:** Süpürge bir gecikmeyle başlar/durur. Süpürge, aletin anahtarla çalıştırıldığını algıladığında bir gecikme söz konusu olur.

**NOT:** Kablosuz ünitesinin iletim mesafesi konum ve çevre şartlarına bağlı olarak değişebilir.

**NOT:** Tek bir süpürgeye iki veya daha fazla alet kaydedildiğinde başka bir kullanıcı kablosuz çalıştırma işlevini kullandığından anahtar tetiği çekmeseniz bile süpürge çalışmaya başlayabilir.

## Süpürge için alet kaydının iptal edilmesi

Süpürge için alet kaydını iptal ederken aşağıdaki prosedürü uygulayın.

1. Kablosuz ünitelerini sırasıyla süpürge ve alete takın.
2. Süpürge ve alete bataryaları takın.
3. Süpürge üzerindeki bekleme düğmesini "I (ON)" konumuna alın.

► **Şek.43:** 1. Hazırda bekletme anahtarı

4. Süpürge üzerindeki kablosuz çalıştırma düğmesine 6 saniye süreyle basın. Kablosuz çalıştırma lambası yeşil yanıp söner ve daha sonra kırmızı olur. Ondan sonra aletin üzerindeki kablosuz çalıştırma düğmesine aynı şekilde basın.

- **Şek.44:** 1. Kablosuz çalıştırma düğmesi  
2. Kablosuz çalıştırma lambası

İptal başarıyla yapılırsa kablosuz çalıştırma lambaları 2 saniye süreyle kırmızı yanar ve mavi yanıp sönmeye başlar.

**NOT:** Kablosuz çalıştırma lambaları 20 saniye geçtikten sonra kırmızı yanıp sönmeyi keser. Süpürge üzerindeki kablosuz çalıştırma lambası yanıp sönerken aletin üzerindeki kablosuz çalıştırma düğmesine basın. Kablosuz çalıştırma lambası kırmızı yanıp sönmese kablosuz çalıştırma düğmesine kısa süreli basın ve tekrar basılı tutun.

## Tüm alet kayıtlarının silinmesi

Tüm alet kayıtlarını süpürgeyi şu şekilde silebilirsiniz.

- **Şek.45:** 1. Hazırda bekletme anahtarı 2. Kablosuz çalıştırma düğmesi 3. Kablosuz çalıştırma lambası

1. Kablosuz ünitesini süpürgeye takın.
2. Süpürgeye bataryaları takın.
3. Bekleme düğmesini "I (ON)" konumuna alın.
4. Kablosuz çalıştırma lambası kırmızı yanıp sönmeye kadar (saniyede yaklaşık iki kez) kablosuz çalıştırma düğmesini yaklaşık 6 saniye basılı tutun.
5. Kablosuz çalıştırma lambası kırmızı yanıp sönmeye başladığında parmağınızı kablosuz çalıştırma düğmesinden çekin. Ondan sonra kablosuz çalıştırma düğmesini yeniden yaklaşık 6 saniye basılı tutun.
6. Kablosuz çalıştırma lambası hızlı bir şekilde (saniyede yaklaşık 5 kez) kırmızı yanıp sönmeye başladığında parmağınızı kablosuz çalıştırma düğmesinden çekin. Kablosuz çalıştırma lambası kırmızı yanar ve daha sonra söndüğünde tüm alet kayıtları silinir.

**NOT:** Kablosuz çalıştırma lambası kırmızı yanıp sönmese kablosuz çalıştırma düğmesine kısa süreli basın ve tekrar deneyin.



## Kablosuz çalışma lambası durumunun açıklanması

- **Şek.46:** 1. Kablosuz çalışma düğmesi  
2. Kablosuz çalışma lambası

Kablosuz çalışma lambası kablosuz çalışma işlevinin durumunu gösterir. Lamba durumunun anlamı için aşağıdaki tabloya bakın.

| Durum                                  | Kablosuz çalışma lambası |  |   | Açıklama                                 |   |
|--|--------------------------|--|---|--|---|
|  | Renk                     | <input type="checkbox"/> Kapalı                            | <input type="checkbox"/> Yanıp sönmüyor |  | Süre (yaklaşık)   |
| Beklemede                              | Mavi                     | <input checked="" type="checkbox"/>                        |   | Süpürge:<br>devamlı<br>Alet: 2 saat      | Alet kaydı için bekleniyor veya kablosuz çalışma işlevi kullanılabilir.<br>Süpürge üzerindeki lamba, bekleme düğmesi "I (ON)" konumundayken yanıp söner. Aletin üzerindeki lamba, kablosuz çalışma düğmesine basıldığında yanıp söner. 2 saat süreyle işlem yapılmazsa aletin üzerindeki lamba otomatik olarak söner. |
|  |                          | <input type="checkbox"/>                                   |   | Alet çalışırken.                         | Süpürge'nin kablosuz çalıştırılması kullanılabilir ve alet çalışıyor.   |
| Alet kaydı                             | Yeşil                    | <input checked="" type="checkbox"/>                        |   | 20 saniye                                | Alet kaydı için hazır. Kaydedilecek alet aranıyor.  |
|  |                          | <input type="checkbox"/>                                   |   | 2 saniye                                 | Alet kaydı tamamlandı. Kablosuz çalışma lambası mavi yanıp sönmeye başlar.  |
| Alet kaydının iptal edilmesi/silinmesi | Kırmızı                  | <input checked="" type="checkbox"/><br>(yavaş: 2 kez/san.) |   | 20 saniye                                | Alet kaydının iptali için hazır. İptal edilecek alet aranıyor.  |
|  |                          | <input checked="" type="checkbox"/><br>(hızlı: 5 kez/san.) |   | Kablosuz çalışma düğmesine basıldığında. | Tüm alet kayıtlarını silmek için hazır.   |
|  |                          | <input type="checkbox"/>                                   |   | 2 saniye                                 | Alet kaydı iptal edildi/silinildi. Kablosuz çalışma lambası mavi yanıp sönmeye başlar.  |
| Diğer                                  | Kırmızı                  | <input type="checkbox"/>                                   |   | 3 saniye                                 | Kablosuz ünitesine güç besleniyor ve kablosuz çalışma işlevi başlıyor.  |
|  | Kapalı                   | -  |   | -  | Bekleme düğmesi "I (ON)" konumuna alınmamış.  |

## Kablosuz çalıştırma işlevi için sorun giderme

Onarım için servise gitmeden önce kontrolleri yapın. Kılavuzda açıklanmayan bir problemle karşılaşırsanız aleti demonte etmeyin. Bunun yerine, Makita Yetkili Servis Merkezlerine başvurun ve daima orijinal Makita yedek parçaları kullanın.

| Anormal durum   | Olası nedeni (arıza)   | Çözümü   |
|---|--|--|
| Kablosuz çalıştırma lambası yanmıyor/yanıp sönmüyor.                  | Kablosuz ünitesi süpürgeye ve/veya alete takılmamış.<br>Kablosuz ünitesi süpürgeye ve/veya alete hatalı takılmış.                                    | Kablosuz ünitesini doğru takın.  |
|   | Kablosuz ünitesinin terminali ve/veya yuva kirlidir.   | Kablosuz ünitesinin terminalindeki tozu ve kiri hafifçe silin ve süpürge ve/veya aletin yuvasını temizleyin.                         |
|   | Aletin üzerindeki kablosuz çalıştırma düğmesine basılmamış.  | Aletin üzerindeki kablosuz çalıştırma düğmesine kısa süreyle basın. Kablosuz çalıştırma lambasının mavi yanıp söndüğünden emin olun. |
|   | Süpürge üzerindeki bekleme düğmesi "I (ON)" konumuna alınmamış.  | Süpürge üzerindeki bekleme düğmesini "I (ON)" konumuna alın.   |
|   | Güç beslemesi yok  | Alete ve süpürgeye güç besleyin.   |
| Alet kaydı / alet kaydı iptali başarıyla tamamlanamıyor.              | Kablosuz ünitesi süpürgeye ve/veya alete takılmamış.<br>Kablosuz ünitesi süpürgeye ve/veya alete hatalı takılmış.                                    | Kablosuz ünitesini doğru takın.  |
|   | Kablosuz ünitesinin terminali ve/veya yuva kirlidir.   | Kablosuz ünitesinin terminalindeki tozu ve kiri hafifçe silin ve süpürge ve/veya aletin yuvasını temizleyin.                         |
|   | Süpürge üzerindeki bekleme düğmesi "I (ON)" konumuna alınmamış.  | Süpürge üzerindeki bekleme düğmesini "I (ON)" konumuna alın.   |
|   | Güç beslemesi yok  | Alete ve süpürgeye güç besleyin.   |
|   | Hatalı çalışma   | Kablosuz çalıştırma düğmesine kısa süreyle basın ve alet kaydı/iptal prosedürlerini yeniden uygulayın.                               |
|   | Alet ve süpürge birbirlerinden uzakta (iletim aralığının dışında).   | Aleti ve süpürgeyi birbirlerine yaklaştırın. Maksimum iletim mesafesi yaklaşık 10 m'dir, ancak şartlara bağlı olarak değişebilir.    |
|   | Alet kaydını/iptalini tamamlamadan önce;<br>- Alet üzerindeki anahtar tetik çekilmiş veya;<br>- Süpürmeyi başlatmak için süpürge düğmesine basılmış. | Kablosuz çalıştırma düğmesine kısa süreyle basın ve alet kaydı/iptal prosedürlerini yeniden uygulayın.                               |
|   | Alet veya süpürge için alet kaydı prosedürleri tamamlanmamış.  | Alet ve süpürge için alet kaydı prosedürlerini aynı zamanda uygulayın.   |
| Yüksek güçte radyo dalgaları üreten diğer cihazlardan radyo paraziti. | Aleti ve süpürgeyi, Wi-Fi cihazları ve mikrodalga fırınlar gibi cihazlardan uzak tutun.  |  |

| Anormal durum   | Olası nedeni (arıza)  | Çözümü  |
|---|---|---|
| Süpürge, aletin anahtarla çalıştırılması ile birlikte çalışmıyor. | Kablosuz ünitesi süpürgeye ve/veya alete takılmamış.<br>Kablosuz ünitesi süpürgeye ve/veya alete hatalı takılmış. | Kablosuz ünitesini doğru takın.   |
|   | Kablosuz ünitesinin terminali ve/veya yuva kirli.   | Kablosuz ünitesinin terminalindeki tozu ve kiri hafifçe silin ve süpürgeyi ve/veya aletin yuvasını temizleyin.  |
|   | Aletin üzerindeki kablosuz çalıştırma düğmesine basılmamış.   | Aletin üzerindeki kablosuz çalıştırma düğmesine kısa süreyle basın. Kablosuz çalıştırma lambasının mavi yanıp söndüğünden emin olun.  |
|   | Süpürge üzerindeki bekleme düğmesi "I (ON)" konumuna alınmamış.   | Süpürge üzerindeki bekleme düğmesini "I (ON)" konumuna alın.  |
|   | Süpürgeye 10'dan fazla alet kayıtlı.  | Alet kaydını yeniden yapın.<br>Süpürgeye 10'dan fazla alet kaydedilir ise ilk kaydedilen alet otomatik olarak iptal edilir.   |
|   | Süpürge tüm alet kayıtlarını silmiş.  | Alet kaydını yeniden yapın.   |
|   | Güç beslemesi yok   | Alete ve süpürgeye güç besleyin.  |
|   | Alet ve süpürge birbirlerinden uzakta (iletim aralığının dışında).  | Aleti ve süpürgeyi birbirlerine yaklaştırın. Maksimum iletim mesafesi yaklaşık 10 m'dir, ancak şartlara bağlı olarak değişebilir.   |
|   | Yüksek güçte radyo dalgaları üreten diğer cihazlardan radyo paraziti.   | Aleti ve süpürgeyi, Wi-Fi cihazları ve mikrodalga fırınlar gibi cihazlardan uzak tutun.   |
| Süpürge, aletin anahtar tetiği çekilmeden çalışıyor.              | Diğer kullanıcılar, süpürgeyi kablosuz çalıştırılmasını kendi aletleriyle kullanıyor.                             | Aşağıdakilerden birini uygulayın;<br>- Süpürge üzerindeki bekleme düğmesini "O" konumuna alın veya;<br>- Diğer aletlerin kablosuz çalıştırma düğmesini kapatın veya;<br>- Diğer aletlerin alet kaydını iptal edin.  |
| Süpürgedeki tüm alet kayıtları silinmiyor.                        | Aletin üzerindeki kablosuz düğmesine basılması.   | Tüm alet kayıtlarını silmek için süpürge üzerindeki kablosuz düğmesine basın.   |
|   | Süpürge üzerindeki bekleme düğmesi "I (ON)" konumuna alınmamış.   | Süpürge üzerindeki bekleme düğmesini "I (ON)" konumuna alın.  |
|   | Kablosuz çalıştırma düğmesi düzgün bir şekilde basılı tutulmuyor.   | Kablosuz çalıştırma düğmesini en az 6 saniye basılı tutun ve daha sonra kablosuz çalıştırma lambası kırmızı yanıp söndüğünde bırakın. Kablosuz çalıştırma düğmesi hızlı bir şekilde kırmızı yanıp sönene kadar kablosuz çalıştırma düğmesini yeniden en az 6 saniye basılı tutun ve daha sonra düğmeyi bırakın. |

## BAKIM

**⚠ DİKKAT:** Kontrol ya da bakım yapmadan önce cihazın kapalı ve batarya kartuşunun çıkarılması olduğundan daima emin olun.

**ÖNEMLİ NOT:** Benzin, tiner, alkol ve benzeri maddeleri kesinlikle kullanmayın. Renk değişimi, deformasyon veya çatlaklar oluşabilir.

Aleti EMNİYETLİ ve ÇALIŞMAYA HAZIR durumda tutmak için onarımlar, başka her türlü bakım ve ayarlamalar daima Makita yedek parçaları kullanılarak Makita yetkili servis merkezleri veya Fabrikanın Servis Merkezleri tarafından yapılmalıdır.

## HEPA filtrenin temizlenmesi

**⚠ DİKKAT:** Süpürgeyi filtresiz olarak kullanmayın ya da kirli veya hasarlı bir filtreyle kullanmaya devam etmeyin. Vakumlanan toz ve parçacıklar süpürge dışarı çıkararak operatörde solunum yolu hastalıklarına neden olabilir.

**ÖNEMLİ NOT:** En iyi emiş gücünü korumak ve temiz bir çıkış sağlamak için, filtreyi periyodik olarak temizleyin. Temizlikten sonra bile yeterli emiş gücü sağlanıyorsa filtreyi yenisiyle değiştirin.

**ÖNEMLİ NOT:** Filtrenin hasar görmesini önlemek için, temizlik amacıyla aşağıdaki aletleri ve benzer eşyaları kullanmayın:

- Havalı toz üfleme aparatı
- Basınçlı yıkama makinası
- Metal fırça gibi sert materyallerden yapılan aletler

1. Kapağı açın ve filtre torbası/toz torbasını çıkarın. Filtre üzerindeki kancayı açın ve filtreyi süpürge gövdesinden çıkarın.

► **Şek.47:** 1. Kanca

2. Filtreye vurarak tozunun çıkmasını sağlayın. Filtre suyla yıkanabilir. 1-2 ayda bir, filtre üzerindeki toz ve parçacıkları suyla giderin. Ardından, filtreyi iyi havalandırılan gölge bir yerde kurutarak istenmeyen kokuların ya da arızaların oluşmasını engelleyin.

3. Filtreyi takmak için, kancasız tarafı oluğa sokun ve ardından kancalar tık sesi ile sabitlenene kadar filtreyi içeri ittirin.

► **Şek.48:** 1. Oluk 2. HEPA filtre 3. Kanca

## Toz torbasının temizlenmesi

Toz torbasını su ve sabunla düzenli olarak temizleyin. Toz torbasının nazını çevirerek yapışan tozları gidirin. Elinizde nazıke yıkayın ve suyla iyice durulayın. Elektrikli süpürgeye takmadan önce tamamen kurutun.

► **Şek.49**

**ÖNEMLİ NOT:** Islak toz torbası vakumlama performansını düşürdüğü gibi motor ömrünü de kısaltır.

## Filtre torbası/toz torbası boşluğunun temizlenmesi

Filtre torbası/toz torbası boşluğunu temizlerken içerideki tahtayı çıkarıp silin.

► **Şek.50:** 1. Tahta

## Tahtanın çıkarılması

1. HEPA filtreyi çıkarın. Çıkarma ile ilgili bilgi için HEPA filtrenin temizlenmesi kısmına bakın.

2. Tahtayı aşağı bastırın ve tahtayı duvara dokunana kadar sola kaydırın.

3. Tahtanın sağ tarafını yukarı kaldırıp çekerek çıkarın.

► **Şek.51:** 1. Tahta

Tahta üç yayla desteklenir.

Yaylar tahta veya koldan çıkarsa şekilde gösterildiği gibi yeniden takın.

► **Şek.52:** 1. Tahta yayı 2. Kol yayı 3. Çıkıntı

**NOT:** Yayları, çıkıntılarının dibine dokunacak şekilde sıkıca takın.

## Tahtanın takılması

1. Tahtanın düz tarafını boşluğun sol alt tarafındaki mandallara sokun.

2. Tahtanın sağ tarafını yerine yerleştirin.

► **Şek.53:** 1. Tahta 2. Düz taraf 3. Mandal

# İSTEĞE BAĞLI AKSESUARLAR

**⚠DİKKAT:** Bu kullanım kılavuzunda belirtilen Makita ürünüyle aşağıdaki aksesuarların ve parçaların kullanılması önerilir. Başka her türlü aksesuar veya ek parça kullanımı yaralanma riski teşkil edebilir. Aksesuar veya ek parçayı mutlaka amacına uygun kullanın.

Bu aksesuarlarla ilgili daha fazla bilgiye ihtiyaç duyanız bulunduğunuz yerdeki yetkili Makita servisine başvurun.

- Hortum (toz çekme tipi için)
- Hortum (elektrikli süpürge tipi için)
- Uzatma çubuğu
- Serbest ağız
- T şekilli ağız
- Koltuk ağız
- Köşe emme başlığı
- Raf fırçası
- Yuvarlak fırça
- Filtre torbası
- Toz torbası
- Ön manşet
- HEPA filtre
- Kablosuz ünitesi
- Siklon ek parçası
- Orijinal Makita batarya ve şarj aleti

**NOT:** Listedeki parçaların bazıları alet paketi içerisinde standart aksesuar olarak dahil edilmiş olabilir. Bunlar ülkeden ülkeye farklılık gösterebilir.

## Siklon ek parçası

**NOT:** Siklon ek parçasını bu cihazla kullanırken dirsekli boru da gerekir.

► **Şek.54:** 1. Siklon ek parçası

## Siklon ek parçası hakkında

Süpürgeyi siklon ek parçası takılı durumda kullanmak toz torbasına giren toz miktarını azaltarak emiş gücünün zayıflamasını önlemeye yardımcı olur. Ek olarak kullanım sonrası temizleme de kolaylaşır.

**⚠DİKKAT:** Alet üzerinde herhangi bir işlem yapmadan önce mutlaka aletin kapalı ve batarya kartuşunun çıkarılmış olduğundan emin olun. Batarya kartuşu takılı bırakılırsa süpürge beklenmedik şekilde çalışabilir ve yaralanmaya neden olabilir.

**⚠DİKKAT:** Siklon ek parçasının gözenekli filtresini ve süpürge ünitesinin toz torbasını tıkağıyla temizleyin. Tıkalı durumda kullanmaya devam etmek ısınma veya dumana neden olabilir.

**ÖNEMLİ NOT:** Siklon ek parçası takılı iken siklon ek parçasını yatay veya yukarı bakar durumda kullanmayın. Bunun yapılması gözenekli filtrenin tıkanmasına neden olabilir.

**ÖNEMLİ NOT:** Süpürgeyi, siklon ek parçasını kullanırken bile, her zaman toz torbası takılı olarak kullanın. Süpürge'nin toz torbası takılı olmadan kullanılması motor arızasına neden olabilir.

**NOT:** Kullanmadan önce siklon ek parçası, süpürge ve düz borunun düzgün bir şekilde kilitletiğini kontrol edin.

**NOT:** Toz biriktiğinde siklon ek parçasının toz kutusunu ve süpürge'nin toz torbasını boşaltın. Kullanmaya devam etmek zayıf emiş gücüne yol açar.

**NOT:** Siklon ek parçasını kilitleme işlevi ile veya olmadan kullanabilirsiniz.

**NOT:** Siklon ek parçasını takmak veya çıkarmak için "Süpürge olarak kullanılması" kısmına bakın.

## Tozun boşaltılması

Toz kutusunun dolu çizgisine kadar toz biriktiğinde aşağıdaki prosedürü izleyerek tozu boşaltın.

1. Toz kutusunu sıkıca tutun, iki düğmeye basarak basılı tutun ve toz kutusunu çıkarın.

► **Şek.55:** 1. Dolu çizgisi 2. Toz kutusu 3. Düğme (iki yerde) 4. Gözenekli filtre

2. Toz kutusunun içindeki tozu boşaltın ve gözenekli filtrenin yüzeyine yapışan tüm tozu temizleyin.

3. Toz kutusunu, iki düğme bir tık sesi ile kilitlene kadar sonuna dek sokun.

► **Şek.56:** 1. Toz kutusu 2. Düğme (iki yerde)

**NOT:** Yeniden çalışmaya başlamadan önce siklon ek parçası, süpürge ve düz borunun düzgün bir şekilde kilitletiğini kontrol edin.

**NOT:** Tozu boşalttıktan ve gözenekli filtreyi temizledikten sonra bile emiş gücü toparlanmazsa süpürge'nin toz torbasında toz birikip birikmediğini veya tıkanma olup olmadığını kontrol edin.

## Temizleme

Toz kutusu kirlendiğinde veya gözenekli filtre tıkanıldığında bunları çıkarıp su ile yıkayın. (Çıkarma prosedürü için "Tozun boşaltılması" kısmına bakın.)

Yeniden takmadan ve kullanmadan önce parçaları tamamen kurutun.

► **Şek.57:** 1. Toz kutusu 2. Gözenekli filtre

Gözenekli filtre çok kirlendiğinde aşağıdaki prosedürleri izleyerek temizleyin.

1. Gözenekli filtreyi saatin aksi yönünde çevirin ve kancalar açıkken çıkarın.

► **Şek.58:** 1. Gözenekli filtre 2. Kanca

2. Gözenekli filtre üzerindeki tozu temizleyin ve ardından su ile yıkayın. Ondan sonra tamamen kurutun.

3. Gözenekli filtreyi, kancalar açıklik ile hizalanmış durumda tabana sokun. Gözenekli filtreyi, kancalar bir tık sesi ile kilitlene kadar saat yönünde çevirin. Gözenekli filtrenin sıkıca takıldığından emin olun.

► **Şek.59:** 1. Gözenekli filtre 2. Kanca 3. Açıklık

# Makita Europe N.V.

Jan-Baptist Vinkstraat 2, 3070 Kortenberg, Belgium

# Makita Corporation

3-11-8, Sumiyoshi-cho, Anjo, Aichi 446-8502 Japan

[www.makita.com](http://www.makita.com)



885746C994  
EN, FR, DE, IT, NL,  
ES, PT, DA, EL, TR  
20210615