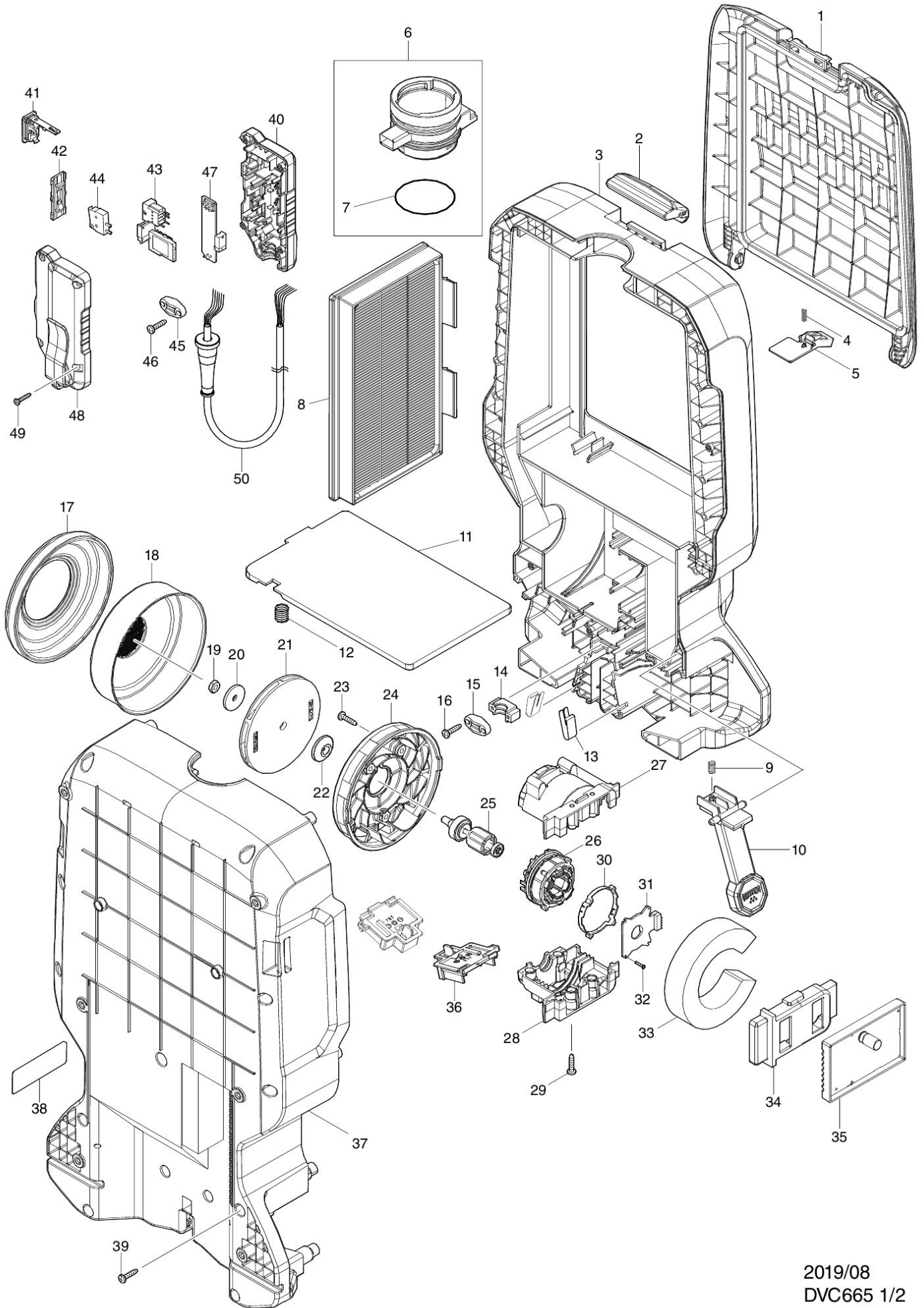


Partdrawing for DVC665ZU - Machine



2019/08
DVC665 1/2