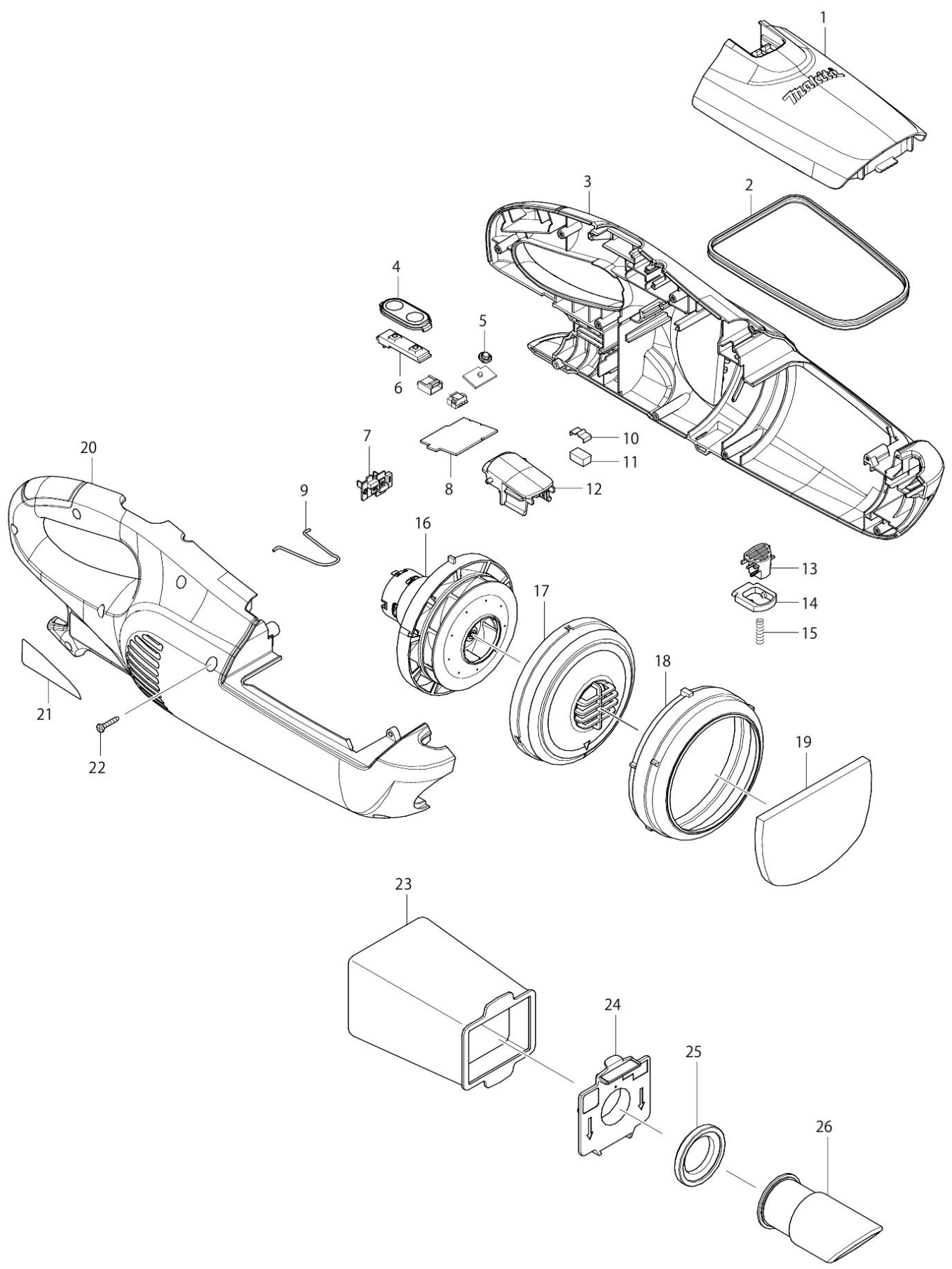


Partdrawing for CL072DZ - Steelstofzuiger



2010/05
CL072D