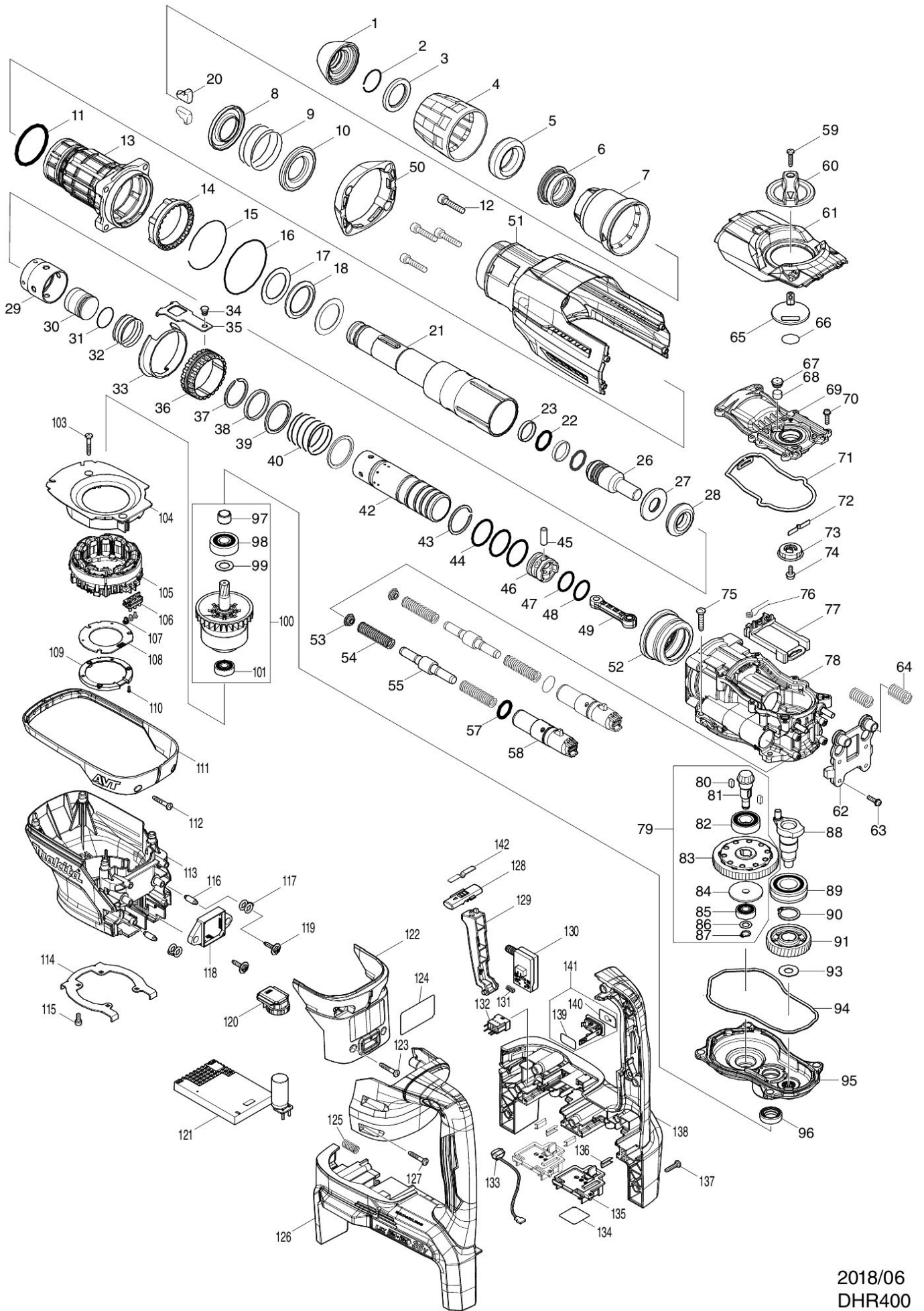


# Partdrawing for DHR400ZUN1 - Combihamer



2018/06  
DHR400