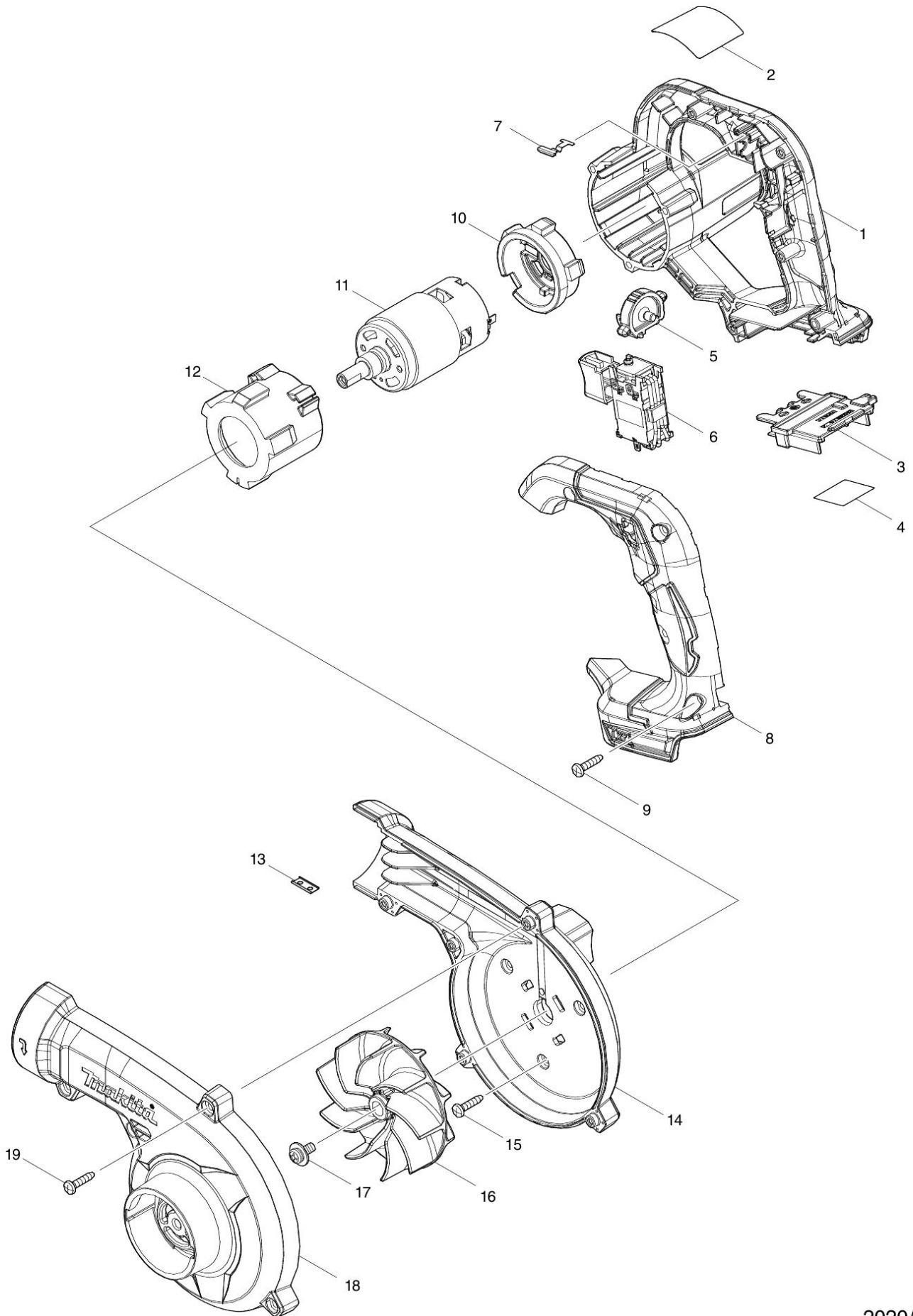


Partdrawing for DUB186Z - Blazer



2020/01
DUB186