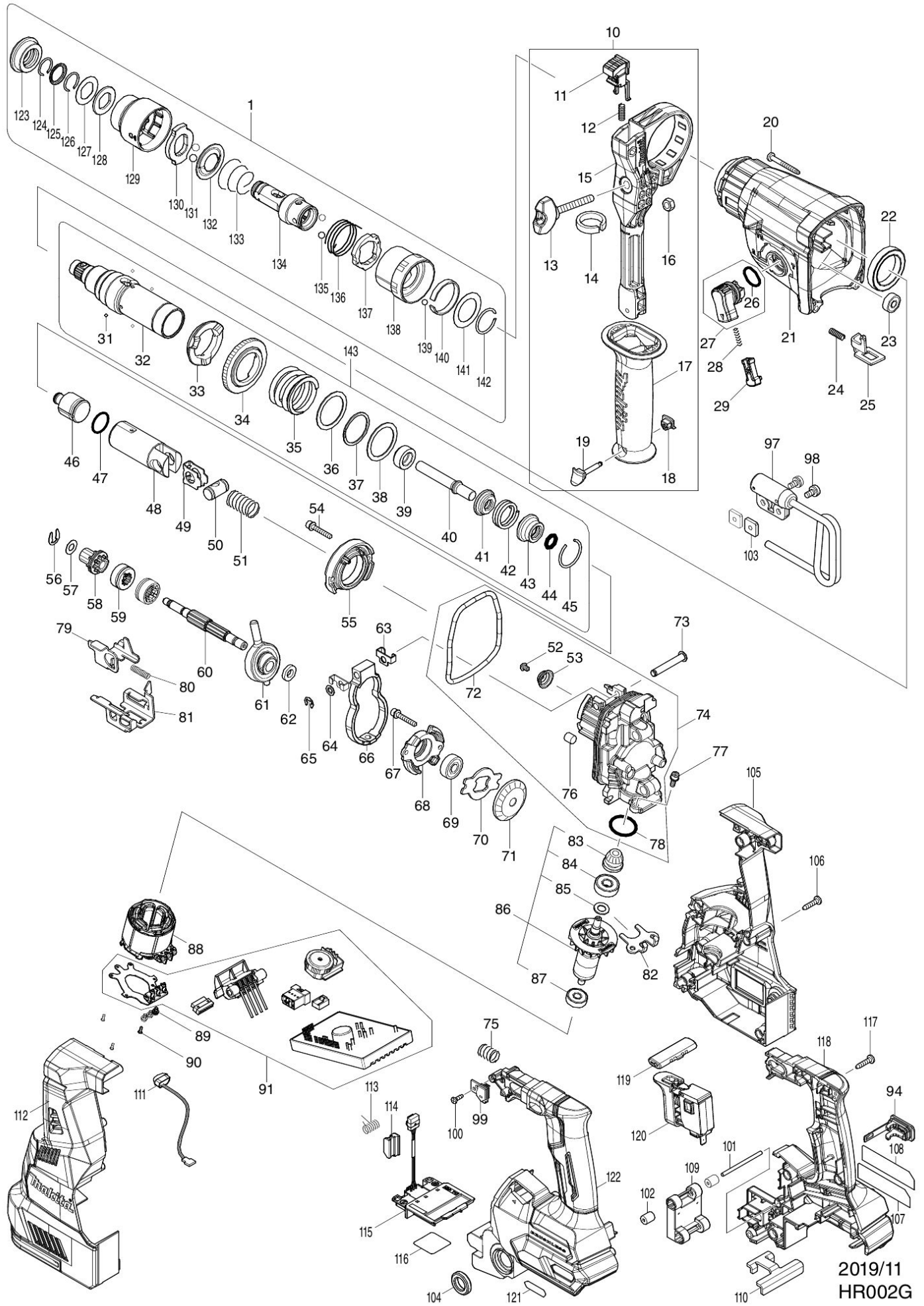


Partdrawing for HR002GM204 - Combihamer



2019/11
HR002G