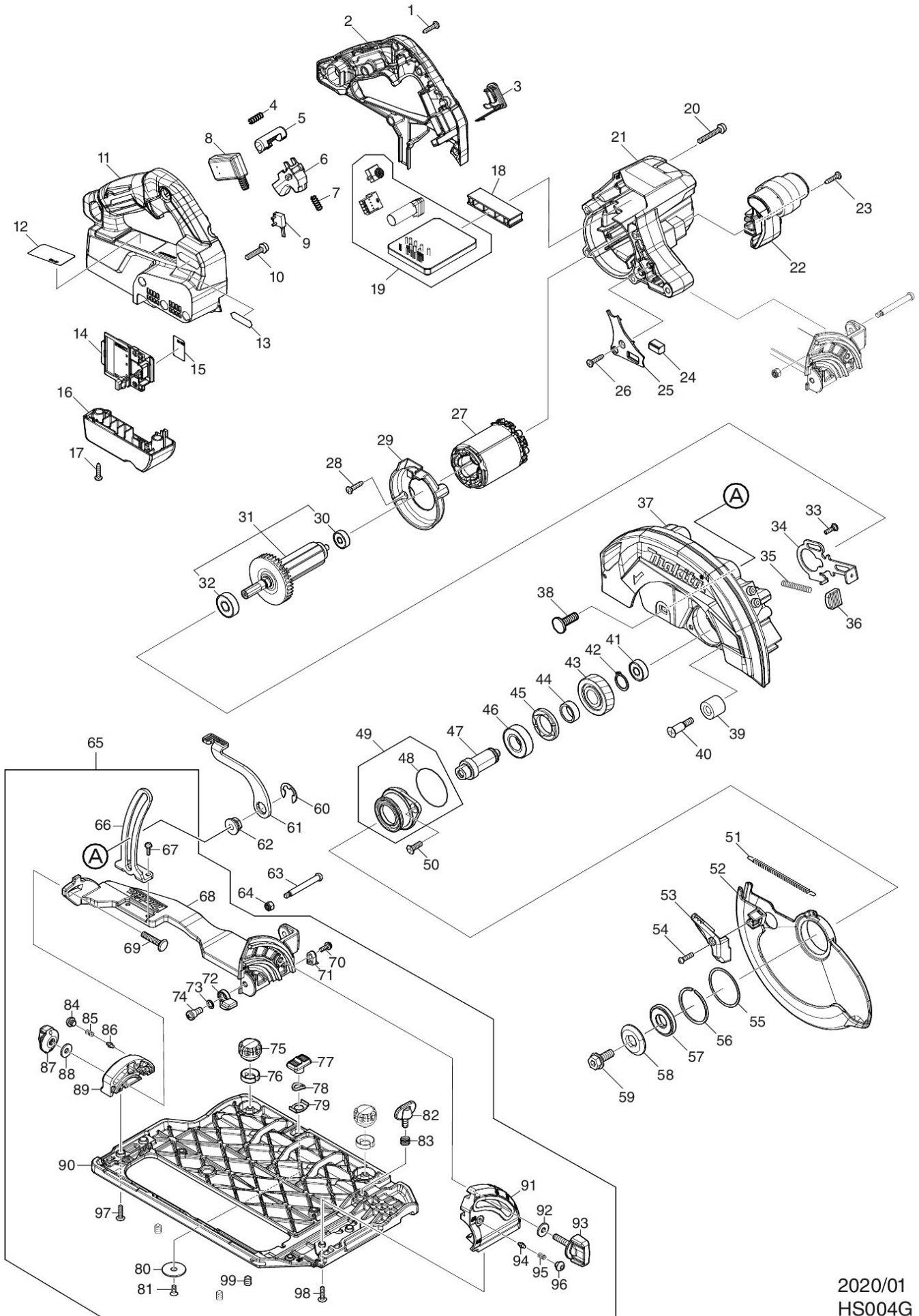


Partdrawing for HS004GM202 - Cirkelzaag



2020/01
HS004G