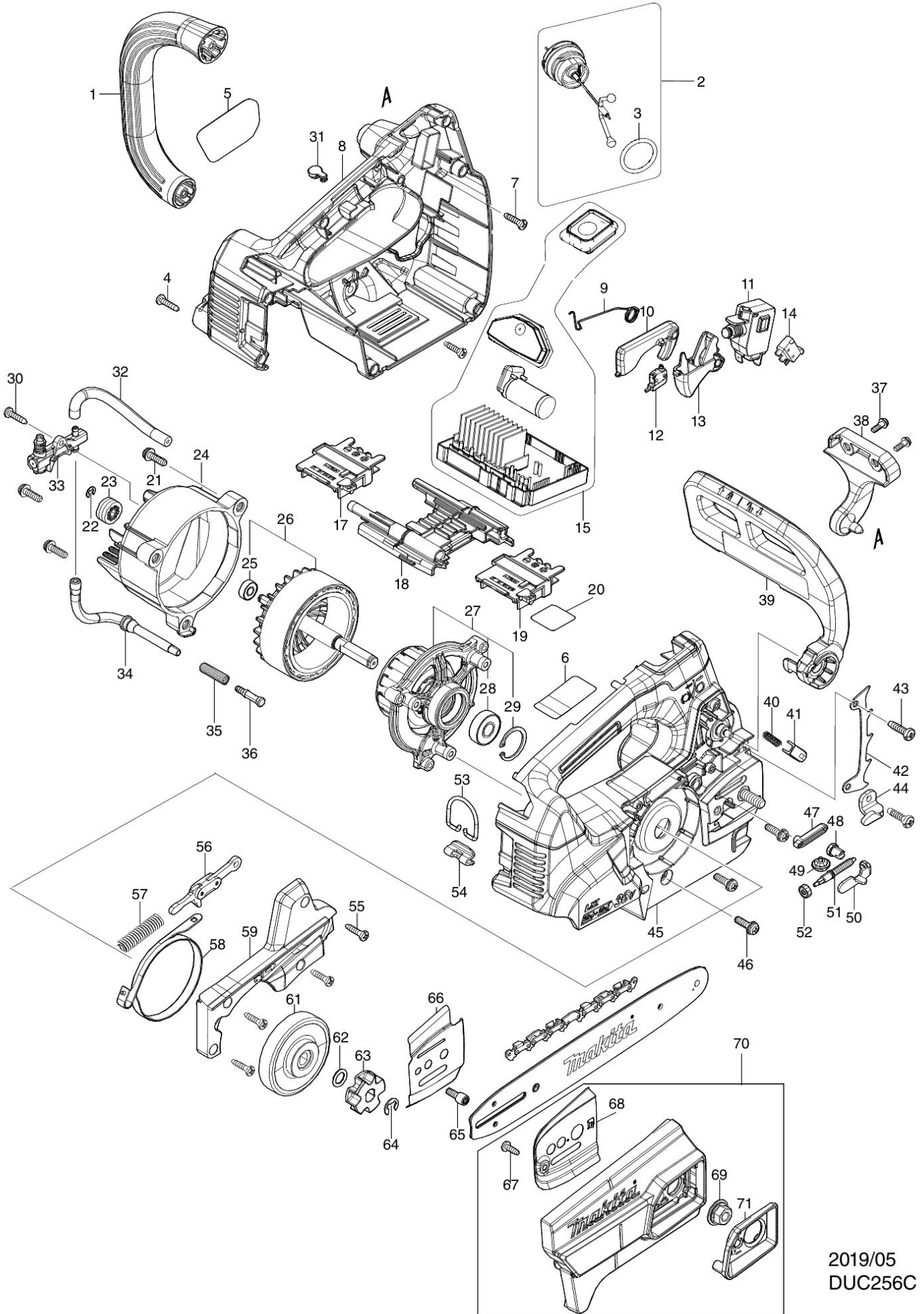


Partdrawing for DUC256CZ - Kettingzaag



2019/05
DUC256C