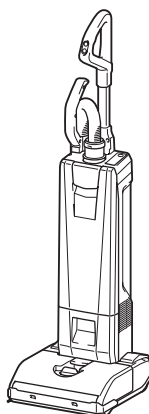
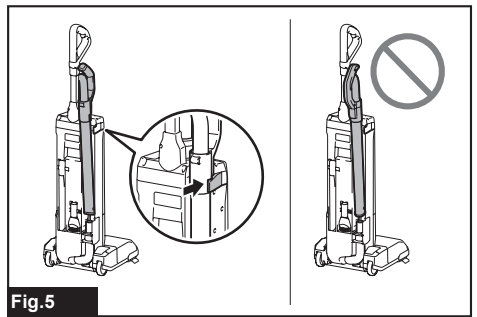
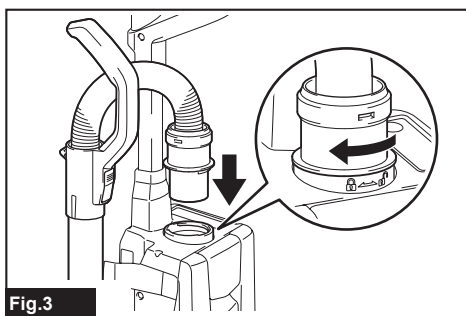
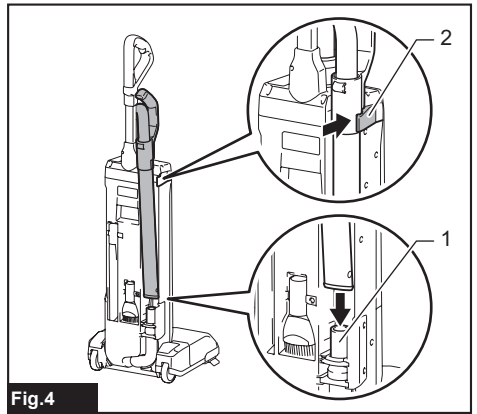
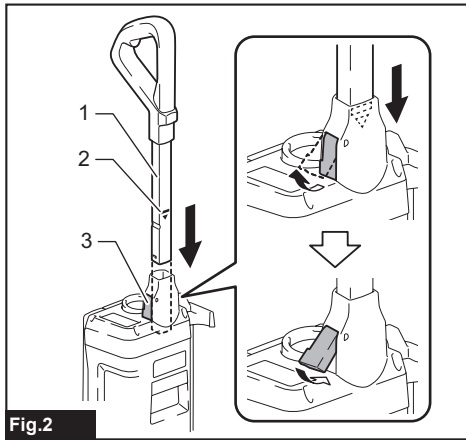
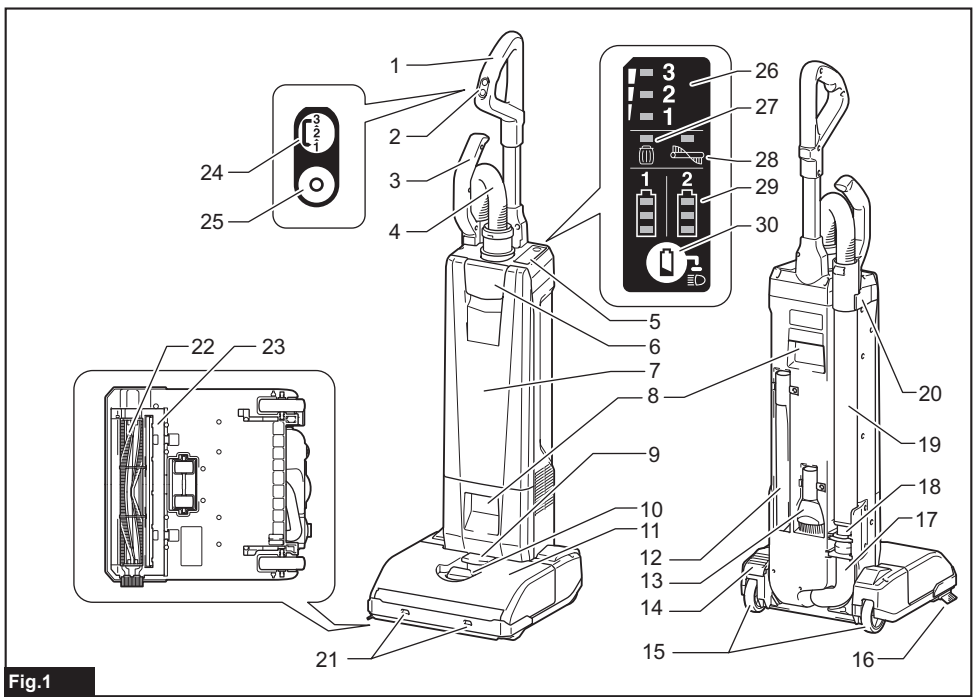


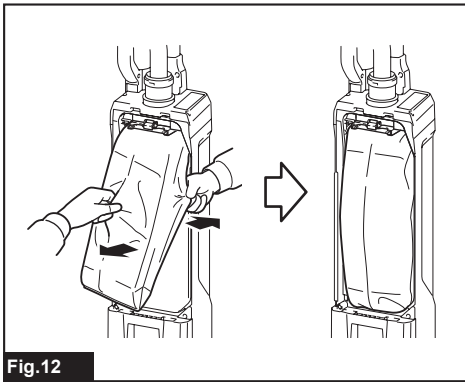
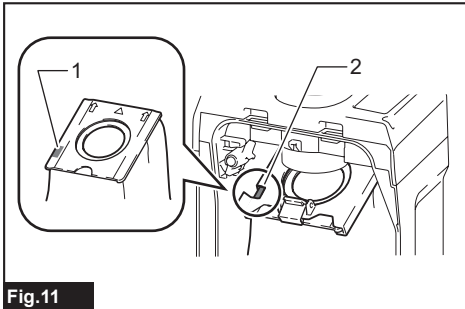
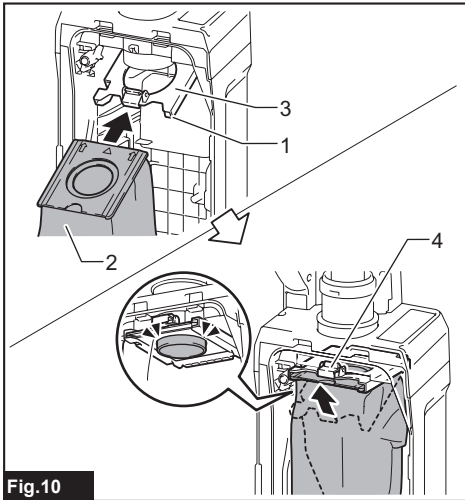
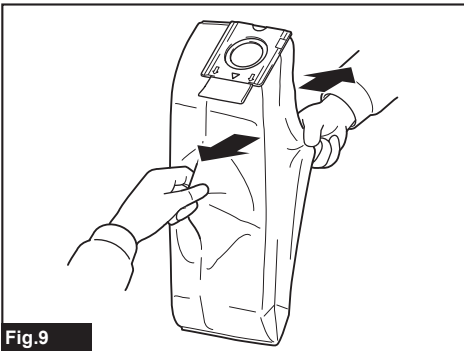
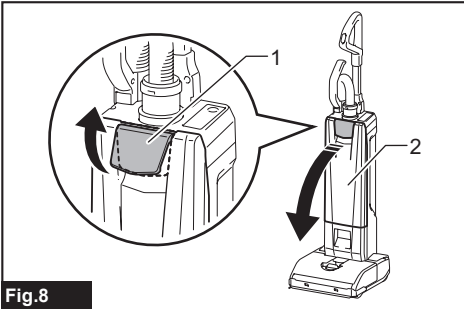
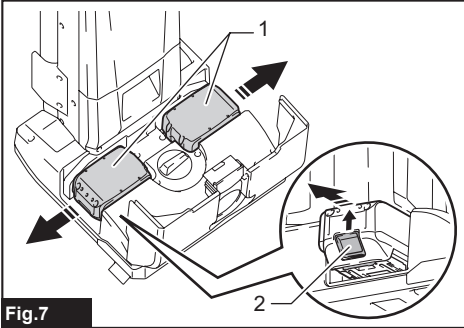
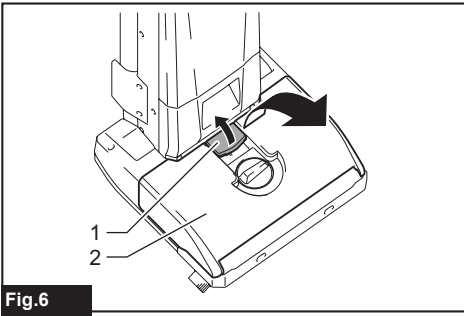


EN	Cordless Upright Cleaner	INSTRUCTION MANUAL	10
FR	Aspiro-brosseur sans fil	MANUEL D'INSTRUCTIONS	22
DE	Akku-Standstaubsauger	BETRIEBSANLEITUNG	36
IT	Aspirapolvere verticale a batteria	ISTRUZIONI PER L'USO	50
NL	Staande accustofzuiger	GEBRUIKSAANWIJZING	64
ES	Limpiador Vertical Inalámbrico	MANUAL DE INSTRUCCIONES	78
PT	Aspirador de Pó Vertical a Bateria	MANUAL DE INSTRUÇÕES	92
DA	Akku oprejst støvsuger	BRUGSANVISNING	105
EL	Φορητή όρθια σκούπα αναρρόφησης	ΕΓΧΕΙΡΙΔΙΟ ΟΔΗΓΙΩΝ	117
TR	Akülü Dikey Süpürge	KULLANMA KILAVUZU	131

DVC560







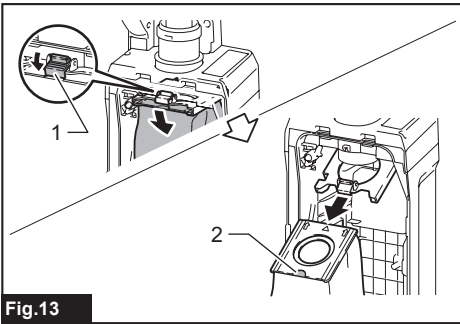


Fig.13

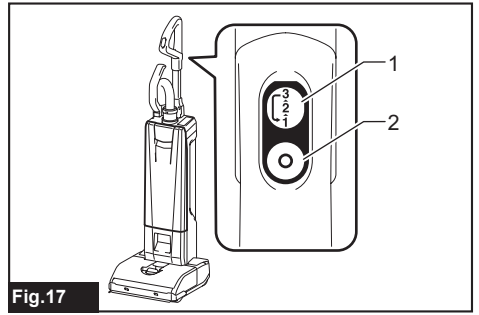


Fig.17

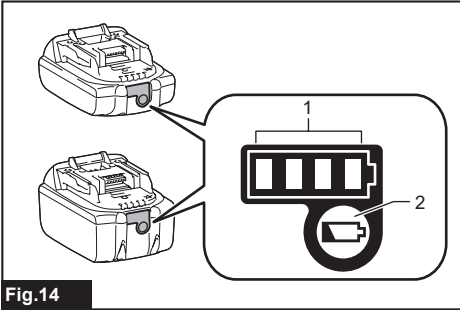


Fig.14

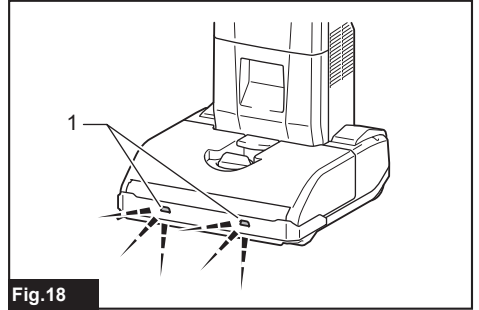


Fig.18

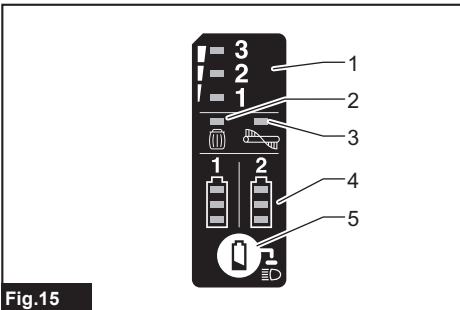


Fig.15

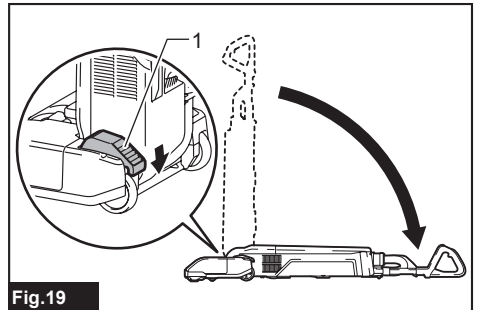


Fig.19

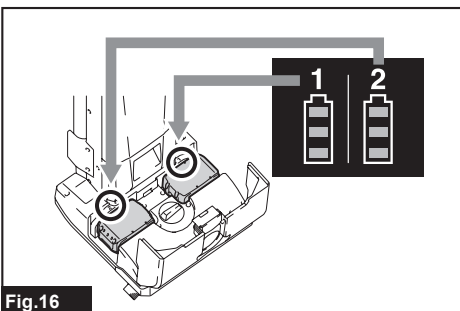


Fig.16

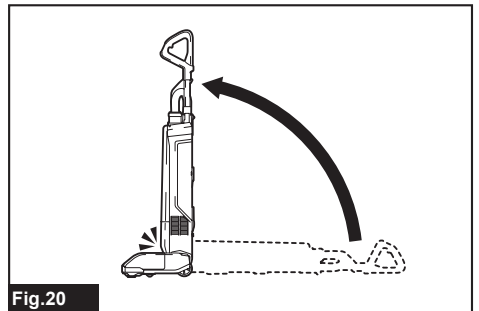


Fig.20

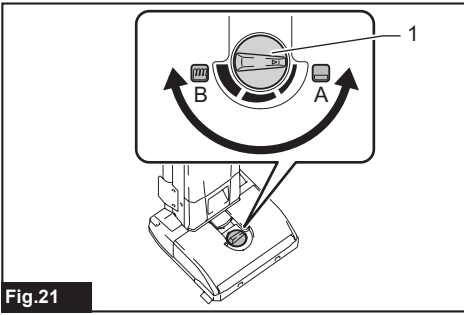


Fig.21

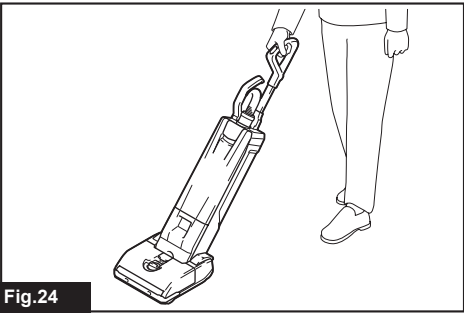


Fig.24

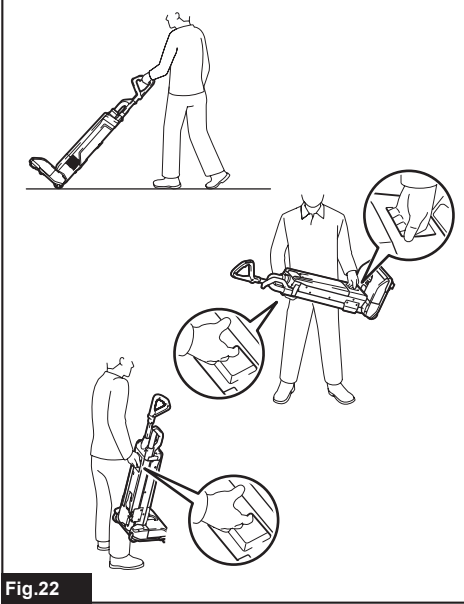


Fig.22

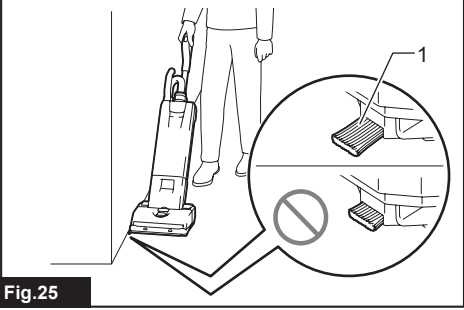


Fig.25

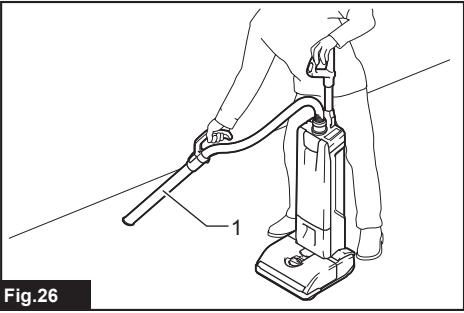


Fig.26

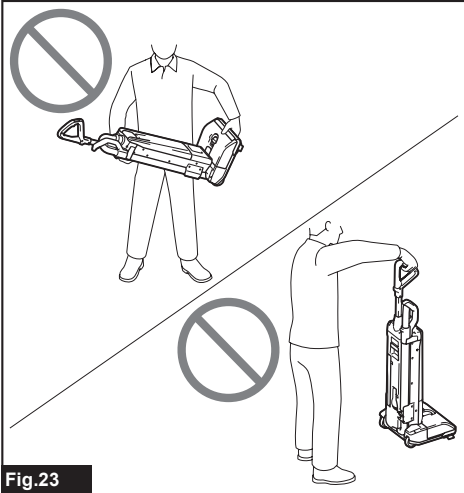


Fig.23

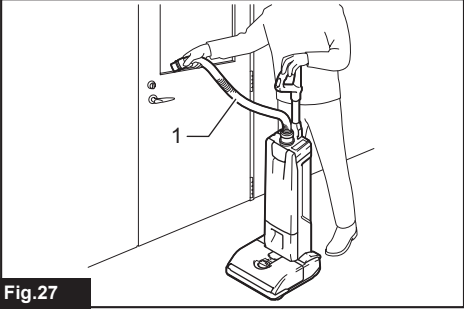


Fig.27

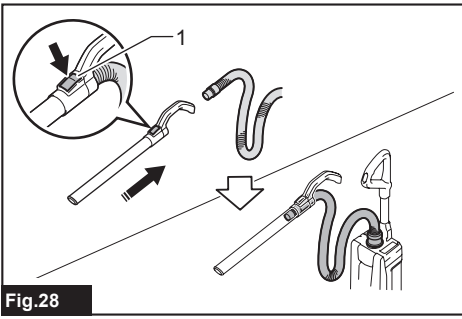


Fig.28

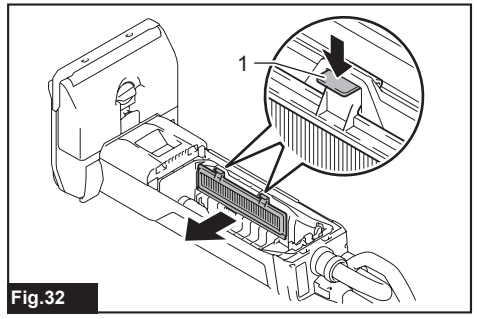


Fig.32

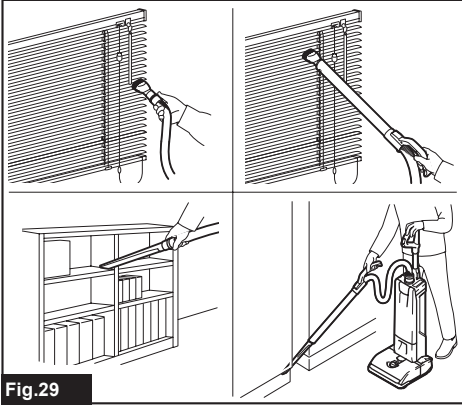


Fig.29

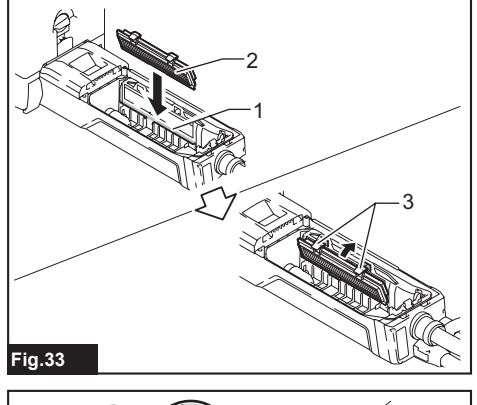


Fig.33

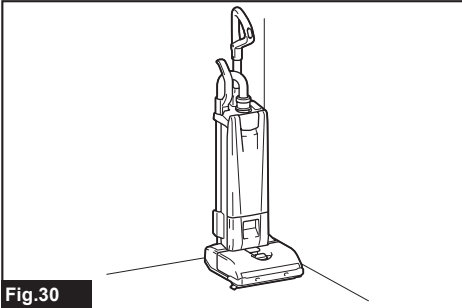


Fig.30

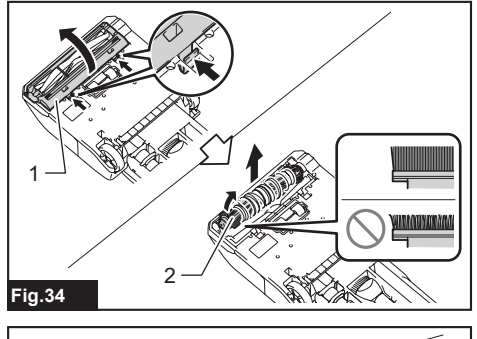


Fig.34

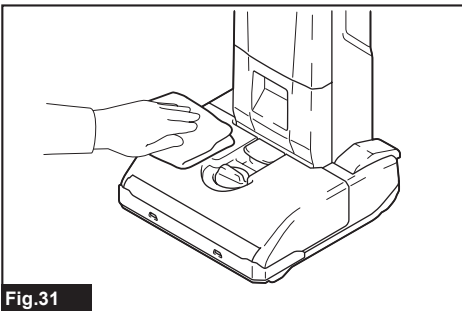


Fig.31

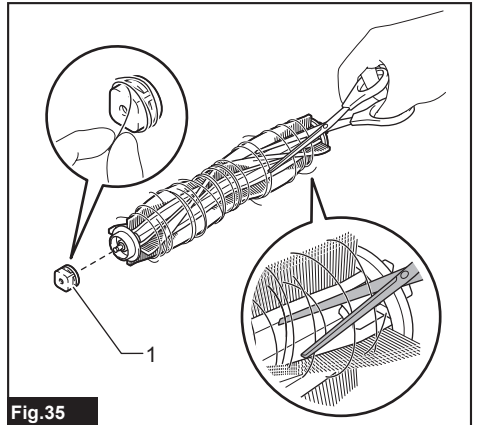


Fig.35

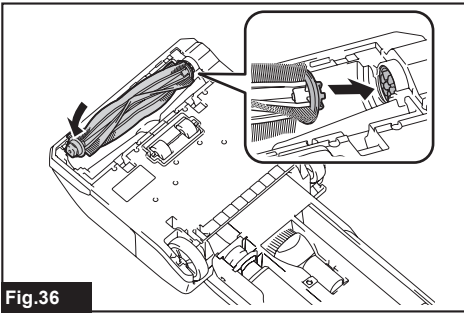


Fig.36

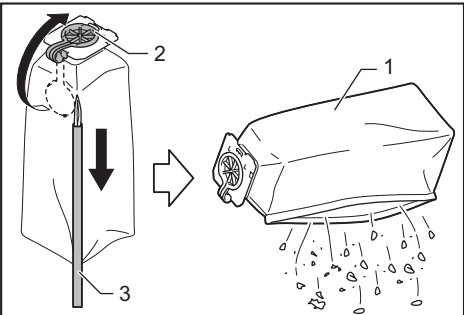


Fig.40

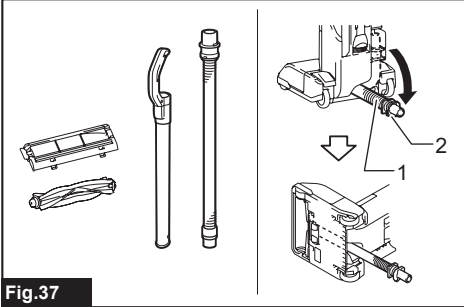


Fig.37

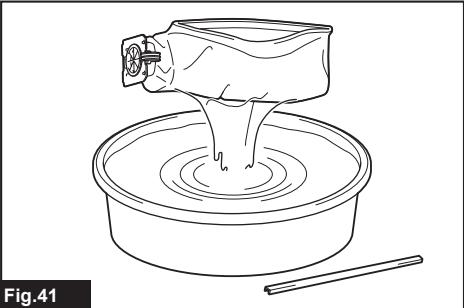


Fig.41

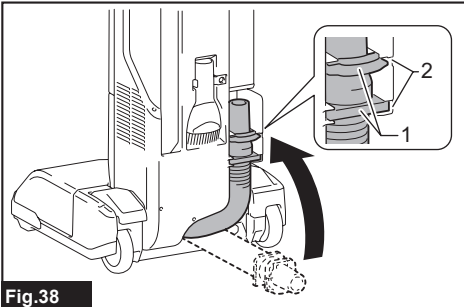


Fig.38

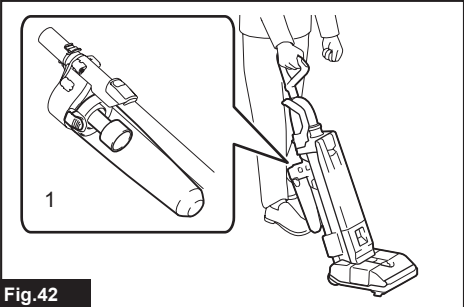


Fig.42

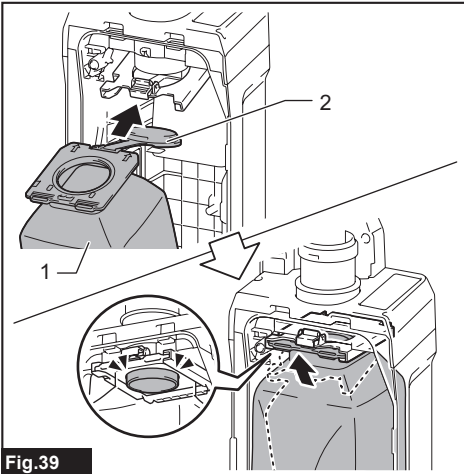


Fig.39

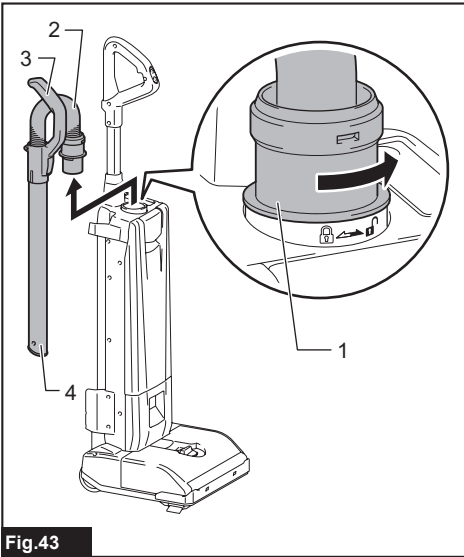


Fig.43

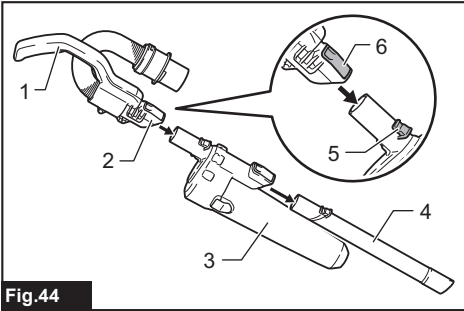


Fig.44

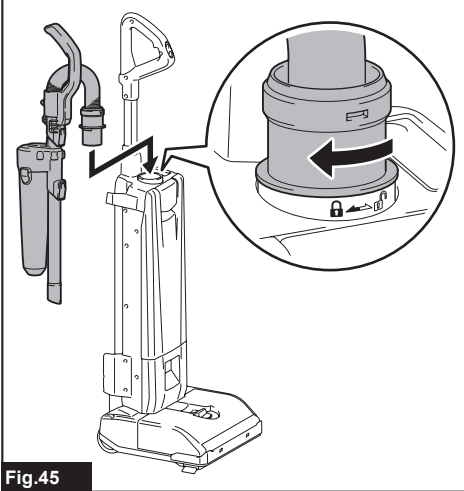


Fig.45

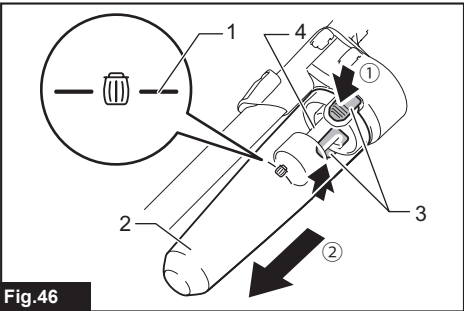


Fig.46

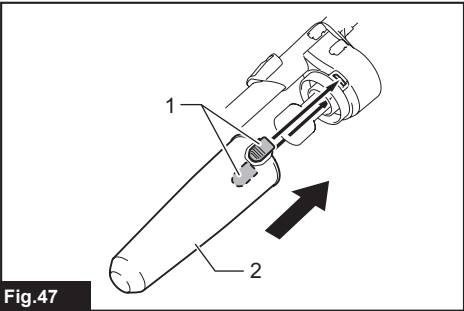


Fig.47

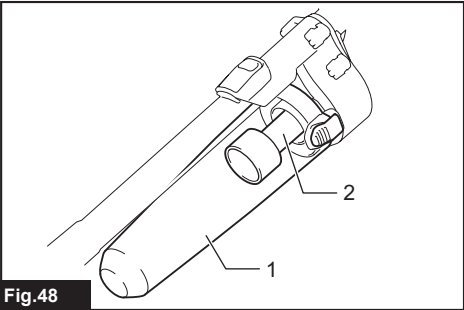


Fig.48

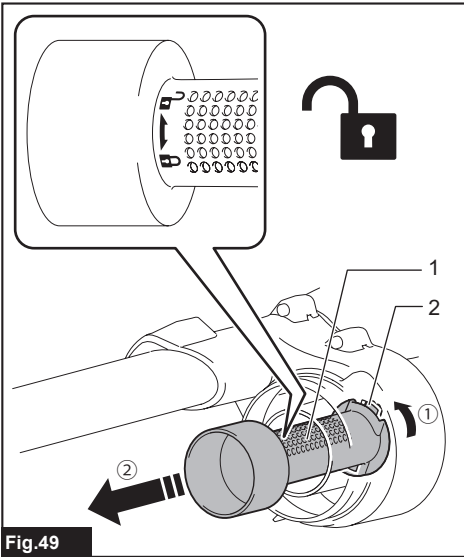


Fig.49

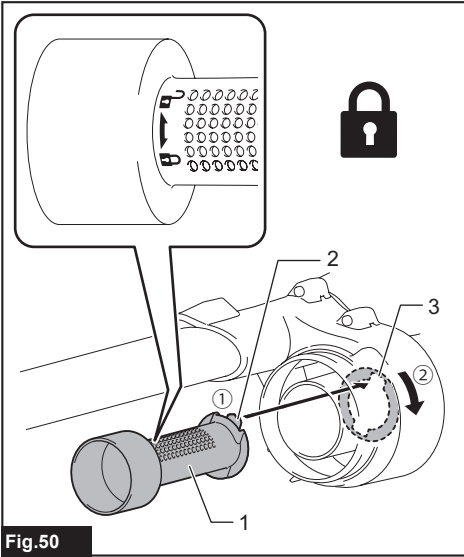


Fig.50

WARNING

- This machine is not intended for use by persons including children with reduced physical, sensory or mental capabilities, or lack of experience and knowledge.
- Children should be supervised to ensure that they do not play with the cleaner.
- See the chapter "SPECIFICATIONS" for the type reference of the battery.
- See the section "Installing or removing battery cartridge" for how to remove or install the battery.
- When disposing the battery cartridge, remove it from the tool and dispose of it in a safe place. Follow your local regulations relating to disposal of battery.
- If the tool is not used for a long period of time, the battery must be removed from the tool.
- Do not short the battery cartridge.
- See the chapter "MAINTENANCE" for the appropriate details of precautions during user maintenance.

SPECIFICATIONS

Model:	DVC560
Maximum air volume *	1.9 m ³ /min
Vacuum *	12 kPa
Capacity	5 L
Dimensions (L x W x H)	326 mm x 318 mm x 1,146 mm
Rated voltage	D.C. 36 V
Net weight	8.3 - 9.0 kg

- * The value is measured by our original method.
- Due to our continuing program of research and development, the specifications herein are subject to change without notice.
- Specifications and battery cartridge may differ from country to country.
- The weight includes accessories (round brush, corner nozzle) and battery cartridge(s). The lightest and heaviest combination weight of the appliance and battery cartridge(s) are shown in the table.

Applicable battery cartridge and charger

Battery cartridge	BL1815N / BL1820B / BL1830B / BL1840B / BL1850B / BL1860B
Charger	DC18RC / DC18RD / DC18RE / DC18SD / DC18SE / DC18SF / DC18SH / DC18WC

- Some of the battery cartridges and chargers listed above may not be available depending on your region of residence.

⚠ WARNING: Only use the battery cartridges and chargers listed above. Use of any other battery cartridges and chargers may cause injury and/or fire.

Symbols

The followings show the symbols which may be used for the equipment. Be sure that you understand their meaning before use.



Read instruction manual.



Take particular care and attention.



Only for EU countries
Due to the presence of hazardous components in the equipment, waste electrical and electronic equipment, accumulators and batteries may have a negative impact on the environment and human health. Do not dispose of electrical and electronic appliances or batteries with household waste! In accordance with the European Directive on waste electrical and electronic equipment and on accumulators and batteries and waste accumulators and batteries, as well as their adaptation to national law, waste electrical equipment, batteries and accumulators should be stored separately and delivered to a separate collection point for municipal waste, operating in accordance with the regulations on environmental protection. This is indicated by the symbol of the crossed-out wheeled bin placed on the equipment.

Intended use

The appliance is intended for collecting dry dust. The appliance is suitable for commercial use, for example in hotels, schools, hospitals, factories, shops, offices and rental businesses.

Noise

The typical A-weighted noise level determined according to IEC60335-2-69:

Sound pressure level (L_{pA}) : 70 dB(A) or less

Uncertainty (K) : 2.5 dB (A)

The noise level under working may exceed 80 dB (A).

NOTE: The declared noise emission value(s) has been measured in accordance with a standard test method and may be used for comparing one tool with another.

NOTE: The declared noise emission value(s) may also be used in a preliminary assessment of exposure.

⚠ WARNING: Wear ear protection.

⚠ WARNING: The noise emission during actual use of the power tool can differ from the declared value(s) depending on the ways in which the tool is used especially what kind of workpiece is processed.

⚠ WARNING: Be sure to identify safety measures to protect the operator that are based on an estimation of exposure in the actual conditions of use (taking account of all parts of the operating cycle such as the times when the tool is switched off and when it is running idle in addition to the trigger time).

Vibration

The vibration total value (tri-axial vector sum) determined according to IEC60335-2-69:

Vibration emission ($a_{h,M}$) : 2.5 m/s^2 or less

Uncertainty (K) : 1.5 m/s^2

NOTE: The declared vibration total value(s) has been measured in accordance with a standard test method and may be used for comparing one tool with another.

NOTE: The declared vibration total value(s) may also be used in a preliminary assessment of exposure.

⚠ WARNING: The vibration emission during actual use of the power tool can differ from the declared value(s) depending on the ways in which the tool is used especially what kind of workpiece is processed.

⚠ WARNING: Be sure to identify safety measures to protect the operator that are based on an estimation of exposure in the actual conditions of use (taking account of all parts of the operating cycle such as the times when the tool is switched off and when it is running idle in addition to the trigger time).

Declarations of Conformity

For European countries only

The Declarations of conformity are included in Annex A to this instruction manual.

SAFETY WARNINGS

Cordless vacuum cleaner safety warnings

⚠ WARNING: IMPORTANT! READ CAREFULLY all safety warnings and all instructions BEFORE USE. Failure to follow the warnings and instructions may result in electric shock, fire and/or serious injury.

1. **Before use, make sure that this cleaner must be used by people who have been adequately instructed on the use of this cleaner.**
2. **Do not use without filter bag and/or filters in place. Replace a damaged filter immediately.**
3. **AVOID UNINTENTIONAL STARTING.** Be sure switch is OFF when installing battery(ies).
4. **Do not attempt to pick up flammable materials, fire works, lighted cigarettes, hot ashes, hot metal chips, sharp materials such as razors, needles, broken glass or the like.**
5. **NEVER USE THE CLEANER IN THE VICINITY OF GASOLINE, GAS, PAINT, ADHESIVES OR OTHER HIGHLY EXPLOSIVE SUBSTANCES.** The switch emits sparks when turned ON and OFF. And so does the motor commutator during operation. A dangerous explosion may result.

6. This cleaner is not suitable for picking up hazardous dust.
7. Never vacuum up toxic, carcinogenic, combustible or other hazardous materials such as asbestos, arsenic, barium, beryllium, lead, pesticides, or other health endangering materials.
8. Do not use outdoors or on wet surfaces.
9. For Finland, this machine is not to be used outdoors at low temperature.
10. Do not use the appliance close to heat sources (stoves, etc.).
11. Do not block suction inlet/outlet/cooling vents. These vents permit cooling of the motor. Blockage should be carefully avoided otherwise the motor will burn out due to a lack of ventilation.
12. Do not fold, tug or step on the hose.
13. Stop the cleaner immediately if you notice poor performance or anything abnormal during operation.
14. REMOVE THE BATTERY(IES). When not in use, before servicing, and when changing accessories.
15. Clean and service the cleaner immediately after each use to keep it in optimum operating condition.
16. MAINTAIN THE CLEANER WITH CARE. Keep the cleaner clean for better and safer performance. Follow instructions for changing accessories. Keep handles dry, clean, and free from oil and grease.
17. CHECK DAMAGED PARTS. Before further use of the cleaner, a guard or other part that is damaged should be carefully checked to determine that it will operate properly and perform its intended function. Check for alignment of moving parts, binding of moving parts, breakage of parts, mounting, and any other conditions that may affect its operation. A guard or other part that is damaged should be properly repaired or replaced by an authorized service center unless otherwise indicated elsewhere in this instruction manual. Have defective switches replaced by authorized service center. Don't use the cleaner if switch does not turn it on and off.
18. REPLACEMENT PARTS. When servicing, use only identical replacement parts.
19. When not in use, always store the cleaner indoors.
20. Be kind to your cleaner. Rough handling can cause breakage of even the most sturdily built cleaner.
21. Do not attempt to clean the exterior or interior with benzine, thinner or cleaning chemicals. Cracks and discoloration may be caused.
22. Do not use cleaner in an enclosed space where flammable, explosive or toxic vapors are given off by oil-base paint, paint-thinner, gasoline, some mothproofing substances, etc., or in areas where flammable dust is present.
23. Do not operate the cleaner or any tool while under the influence of drugs or alcohol.
24. Wear appropriate protective equipment such as a mask depending on the usage environment.
25. This machine is not intended for use by persons including children with reduced physical, sensory or mental capabilities, or lack of experience and knowledge.
26. Children should be supervised to ensure that they do not play with the cleaner.
27. Never handle battery(ies) and cleaner with wet hands.
28. Use extreme caution when cleaning on stairs.
29. Keep proper footing and balance at all times.
30. Do not use the cleaner as a stool or work bench. The machine may fall down and may result in personal injury.
31. Keep all parts of your body and clothing away from the openings and moving part like the rotating brushroll. Otherwise they may be caught in the appliance and cause injury.

Battery tool use and care

1. Recharge only with the charger specified by the manufacturer. A charger that is suitable for one type of battery pack may create a risk of fire when used with another battery pack.
2. Use power tools only with specifically designated battery packs. Use of any other battery packs may create a risk of injury and fire.
3. When battery pack is not in use, keep it away from other metal objects, like paper clips, coins, keys, nails, screws or other small metal objects, that can make a connection from one terminal to another. Shorting the battery terminals together may cause burns or a fire.
4. Under abusive conditions, liquid may be ejected from the battery; avoid contact. If contact accidentally occurs, flush with water. If liquid contacts eyes, additionally seek medical help. Liquid ejected from the battery may cause irritation or burns.
5. Do not use a battery pack or tool that is damaged or modified. Damaged or modified batteries may exhibit unpredictable behaviour resulting in fire, explosion or risk of injury.
6. Do not expose a battery pack or tool to fire or excessive temperature. Exposure to fire or temperature above 130 °C may cause explosion.
7. Follow all charging instructions and do not charge the battery pack or tool outside the temperature range specified in the instructions. Charging improperly or at temperatures outside the specified range may damage the battery and increase the risk of fire.

SAVE THESE INSTRUCTIONS.

⚠WARNING: DO NOT let comfort or familiarity with product (gained from repeated use) replace strict adherence to safety rules for the subject product. MISUSE or failure to follow the safety rules stated in this instruction manual may cause serious personal injury.

Important safety instructions for battery cartridge

1. Before using battery cartridge, read all instructions and cautionary markings on (1) battery charger, (2) battery, and (3) product using battery.
2. Do not disassemble or tamper with the battery cartridge. It may result in a fire, excessive heat, or explosion.
3. If operating time has become excessively shorter, stop operating immediately. It may result in a risk of overheating, possible burns and even an explosion.
4. If electrolyte gets into your eyes, rinse them out with clear water and seek medical attention right away. It may result in loss of your eyesight.
5. Do not short the battery cartridge:
 - (1) Do not touch the terminals with any conductive material.
 - (2) Avoid storing battery cartridge in a container with other metal objects such as nails, coins, etc.
 - (3) Do not expose battery cartridge to water or rain.

A battery short can cause a large current flow, overheating, possible burns and even a breakdown.

6. Do not store and use the tool and battery cartridge in locations where the temperature may reach or exceed 50 °C (122 °F).
7. Do not incinerate the battery cartridge even if it is severely damaged or is completely worn out. The battery cartridge can explode in a fire.
8. Do not nail, cut, crush, throw, drop the battery cartridge, or hit against a hard object to the battery cartridge. Such conduct may result in a fire, excessive heat, or explosion.
9. Do not use a damaged battery.
10. The contained lithium-ion batteries are subject to the Dangerous Goods Legislation requirements.

For commercial transports e.g. by third parties, forwarding agents, special requirement on packaging and labeling must be observed.
For preparation of the item being shipped, consulting an expert for hazardous material is required.
Please also observe possibly more detailed national regulations.
Tape or mask off open contacts and pack up the battery in such a manner that it cannot move around in the packaging.
11. When disposing the battery cartridge, remove it from the tool and dispose of it in a safe place. Follow your local regulations relating to disposal of battery.
12. Use the batteries only with the products specified by Makita. Installing the batteries to non-compliant products may result in a fire, excessive heat, explosion, or leak of electrolyte.

13. If the tool is not used for a long period of time, the battery must be removed from the tool.
14. During and after use, the battery cartridge may take on heat which can cause burns or low temperature burns. Pay attention to the handling of hot battery cartridges.
15. Do not touch the terminal of the tool immediately after use as it may get hot enough to cause burns.
16. Do not allow chips, dust, or soil stuck into the terminals, holes, and grooves of the battery cartridge. It may cause heating, catching fire, burst and malfunction of the tool or battery cartridge, resulting in burns or personal injury.
17. Unless the tool supports the use near high-voltage electrical power lines, do not use the battery cartridge near high-voltage electrical power lines. It may result in a malfunction or breakdown of the tool or battery cartridge.
18. Keep the battery away from children.

SAVE THESE INSTRUCTIONS.

⚠ CAUTION: Only use genuine Makita batteries. Use of non-genuine Makita batteries, or batteries that have been altered, may result in the battery bursting causing fires, personal injury and damage. It will also void the Makita warranty for the Makita tool and charger.

Tips for maintaining maximum battery life

1. Charge the battery cartridge before completely discharged. Always stop tool operation and charge the battery cartridge when you notice less tool power.
2. Never recharge a fully charged battery cartridge. Overcharging shortens the battery service life.
3. Charge the battery cartridge with room temperature at 10 °C - 40 °C (50 °F - 104 °F). Let a hot battery cartridge cool down before charging it.
4. When not using the battery cartridge, remove it from the tool or the charger.
5. Charge the battery cartridge if you do not use it for a long period (more than six months).

PARTS DESCRIPTION

► Fig.1

1	Handle	2	Switch plate	3	Pipe grip	4	Hose
5	Indication panel	6	Lever (for the dust box cover)	7	Dust box cover	8	Carrying handle
9	Lock (for battery cover)	10	Adjusting lever	11	Battery cover	12	Corner nozzle
13	Round brush	14	Foot lever	15	Caster wheel	16	Side brush
17	Suction hose	18	Joint	19	Aluminum pipe	20	Pipe holder
21	LED lamp	22	Brushroll	23	Bottom plate	24	ON / mode change button
25	OFF button	26	Indicator of operating mode	27	Indicator of excess level of dust	28	Indicator of brushroll error
29	Indicator for remaining battery capacity	30	Battery check / LED lamp button	-	-	-	-

ASSEMBLY

⚠ CAUTION: Always be sure that the appliance is switched off and the battery cartridge is removed before carrying out any work on the appliance.

⚠ CAUTION: Always wear dust mask during assembly or maintenance.

Handle connecting

1. Insert the handle pole fully to the cleaner body as shown in the figure.
 2. Close the lock latch.
- Fig.2: 1. Handle pole 2. Red marking 3. Lock latch

NOTICE: Insert the handle fully until the red marking cannot be seen.

Hose connecting

Insert the hose into the mounting port of the appliance and turn the hose until it locks.

► Fig.3

Pipe connecting

Insert the tip of the aluminum pipe to the joint, and then attach the aluminum pipe to the pipe holder.

► Fig.4: 1. Joint 2. Pipe holder

NOTICE: Insert the aluminum pipe in correct direction as shown in figure. Otherwise the pipe holder will not be locked and the aluminum pipe may come off.

► Fig.5

Installing or removing battery cartridge

⚠ CAUTION: Always switch off the appliance before installing or removing of the battery cartridge.

⚠ CAUTION: Hold the cleaner and the battery cartridge firmly when installing or removing battery cartridge. Failure to hold the cleaner and the battery cartridge firmly may cause them to slip off your hands and result in damage to the cleaner and battery cartridge and a personal injury.

⚠ CAUTION: Be careful not to pinch your fingers when opening or closing the battery cover. Failure to do so may cause personal injury.

To install the battery cartridge, release the lock first, and then open the battery cover. After that, insert the battery cartridge.

► Fig.6: 1. Lock 2. Battery cover

Align the tongue on the battery cartridge with the groove in the housing and slip it into place. Insert it all the way until it locks in place with a little click. Then lock the battery cover.

► Fig.7: 1. Battery cartridge 2. Button

To remove the battery cartridge, slide it from the appliance while sliding the button in front of the cartridge.

⚠ CAUTION: Always install the battery cartridge fully. If not, it may accidentally fall out of the appliance, causing injury to you or someone around you.

⚠ CAUTION: Do not install the battery cartridge forcibly. If the cartridge does not slide in easily, it is not being inserted correctly.

NOTE: The cleaner does not work with only one battery cartridge.

Installing the filter bag

CAUTION: Do not use a damaged filter bag. Always use the vacuum cleaner with the filter bag properly installed. Otherwise the vacuumed dust or particles may be exhausted from the cleaner and they may cause respiratory disease to the operator.

Install the filter bag before using cleaner. Filter bag is a throw-away type. Throw away the entire filter bag without emptying when it has become full.

NOTICE: When the filter bag is already full or clogged, replace with new one. Continuous use with the filter bag full or clogged results in reduced suction power.

NOTICE: To prevent dust from getting into the motor:

- Make sure that the filter bag is installed before use.
- Do not use a broken or ripped bag.

Otherwise the motor may be broken.

NOTICE: Do not fold the cardboard at its opening when installing the filter bag.

NOTICE: The filter bag for the cleaner is an important component for maintaining the appliance performance. Using non-genuine filter bag may cause smoke or ignition.

NOTE: When the filter bag is not installed in the appliance, the dust box cover does not close completely.

1. Unlock the lever and open the dust box cover.
▶ Fig.8: 1. Lever 2. Dust box cover
2. Unfold the filter bag fully.
▶ Fig.9
3. Insert the filter bag into the slot on the holder so that the side with mark \triangle enters first.
4. Hook the latch of the holder.
▶ Fig.10: 1. Slot 2. Filter bag 3. Holder 4. Latch
5. Make sure that only the marking on the cardboard can be seen through the slit of the holder.
▶ Fig.11: 1. Marking 2. Slit
6. Unfold the filter bag if it is folded.
▶ Fig.12
7. Lock the dust box cover certainly.

CAUTION: Be careful not to pinch your fingers when hooking the latch, and when closing the dust box cover.

Removing the filter bag

CAUTION: Handle the filter bag softly. Otherwise foreign objects are blown into eyes, it may result in personal injury.

Replace the filter bag when it becomes full or clogged. Open the dust box cover and open the latch, then take out the filter bag.

Pull the strip on the side of the opening to shut the filter bag and dispose of the filter bag in whole.

▶ Fig.13: 1. Latch 2. Strip

NOTICE: Do not use a used filter bag. The filter bag is designed for single use. Using filter bag repeatedly may cause clogging of the filter and results in damage to the appliance.

FUNCTIONAL DESCRIPTION

CAUTION: Always be sure that the appliance is switched off and the battery cartridge is removed before adjusting or checking function on the appliance.

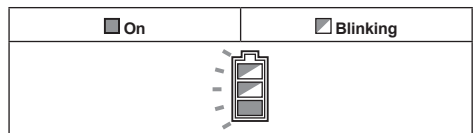
Tool / battery protection system

The tool is equipped with a tool/battery protection system. This system automatically cuts off power to the motor to extend tool and battery life. The tool will automatically stop during operation if the tool or battery is placed under one of the following conditions:

Overload protection

When the tool is operated in a manner that causes it to draw an abnormally high current, the tool automatically stops without any indication. In this situation, turn the tool off and stop the application that caused the tool to become overloaded. Then turn the tool on to restart.

Overheat protection



When the tool is overheated, the tool stops automatically, and the battery indicator blinks about 60 seconds. In this situation, let the tool cool down before turning the tool on again.

Overdischarge protection

When the battery capacity becomes low, the tool stops automatically. If the product does not operate even when the switches are operated, remove the batteries from the tool and charge the batteries.

Indicating the remaining battery capacity

Only for battery cartridges with the indicator

► Fig.14: 1. Indicator lamps 2. Check button

Press the check button on the battery cartridge to indicate the remaining battery capacity. The indicator lamps light up for a few seconds.

Indicator lamps			Remaining capacity
Lighted	Off	Blinking	
■	□	▣	75% to 100%
■ ■ ■ ■			
■ ■ ■ □			
■ ■ □ □			
■ □ □ □			50% to 75%
■ □ □ □			25% to 50%
■ □ □ □			0% to 25%
▣ □ □ □			Charge the battery.
■ ■ □ □			The battery may have malfunctioned.
□ □ ■ ■			

NOTE: Depending on the conditions of use and the ambient temperature, the indication may differ slightly from the actual capacity.

NOTE: The first (far left) indicator lamp will blink when the battery protection system works.

Indication panel

► Fig.15: 1. Operating mode 2. Excess level of dust 3. Brushroll error 4. Remaining battery capacity 5. Battery check / LED lamp button

Operating mode

To change the operating mode, refer to the section for switch action.

Excess level of dust

If this indicator lights up, replace the filter bag. (Refer the section of removing the filter bag.)

NOTE: This indicator does not work when the appliance operates in "lower noise level (1)" mode.

NOTE: This indicator may not work depending on the usage environment.

NOTE: The indicator automatically goes out approximately one minute after the appliance is switched off. If you clear the clogging of the filter bag and restart the appliance, the indicator goes out even within one minute.

Brushroll error

Blinking	The brushroll is under high load for some reasons.
On	The brushroll is stopped by abnormal reason.

⚠ WARNING: Immediately switch off the appliance when this lamp lights up during operation. Otherwise the motor malfunction may occur and cause fire.

Remaining battery capacity

During operation, press the battery check / LED lamp button to indicate the remaining battery capacities. The battery indicators correspond to each battery.

► Fig.16

Battery indicator status			Remaining battery capacity
On	Off	Blinking	
■	□	▣	50% to 100%
■ ■ ■ ■			
■ ■ ■ □			20% to 50%
■ □ □ □			0% to 20%
▣ □ □ □			Charge the battery

Battery check / LED lamp button

During operation, the following operations can be performed.

- Simply press the button to check the remaining battery capacity.
- Press and hold the button to turn on / off the LED lamp.

Switch action

► Fig.17: 1. ON / mode change button 2. OFF button

Turning on / off the appliance

To start the appliance, simply push the ON / mode change button. To switch off, push the OFF button.

⚠ CAUTION: Always put the head of the appliance on the floor when turning on the appliance. Otherwise an accident due to entanglement may occur and cause a personal injury.

Changing operating mode

You can change the operating mode in three steps: "lower noise level (1)", "normal (2)", and "high (3)". If you want to change operating mode, press the ON / mode change button when the appliance is running. The operating mode switches in order "lower noise level (1)", "normal (2)", and "high (3)". The appliance will start in the same mode as the previous setting.

Lighting up the LED lamp

CAUTION: Do not look in the light or see the source of light directly.

The appliance is equipped with the LED lamps. See the paragraph of the battery check / LED lamp button for operation.

► Fig.18: 1. LED lamp

Foot lever

CAUTION: Always lock the appliance in upright position when you let go of the handle. Otherwise the appliance may accidentally fall and cause injury.

CAUTION: Be careful not to pinch your fingers between the main body and the head of the appliance.

To unlock the upright position of the appliance, step on the foot lever and pull the handle backward. The range of motion is 90 degrees from the upright position.

► Fig.19: 1. Foot lever

To lock the appliance in upright position, raise up the handle forward until the foot lever locks the position with click.

► Fig.20

NOTE: While the appliance is in the upright position, the brushroll stops rotating.

Adjusting the height of brushroll

CAUTION: Always make sure that the adjusting lever comes into the position properly before operation.

The height of brushroll can be adjusted in 4 steps. Turn the adjusting lever to your desired height. When the adjusting lever points the A mark, the brushroll is located at the lowest point above the floor and is suitable for cleaning hard floors and short-haired carpets. When the adjusting lever points the B mark, the brushroll is located at the highest point above the floor and is suitable for cleaning long-haired carpets.

► Fig.21: 1. Adjusting lever

NOTE: The brushroll may not rotate if the height of brushroll is too low against the surface of the carpet.

Carrying handle

When carrying the appliance, push the appliance with the caster wheels only, or carry it by holding the carrying handle(s).

► Fig.22

CAUTION: When carrying the appliance, lock the appliance in upright position. Otherwise falling accident may occur.

CAUTION: Do not carry the appliance with anything other than the carrying handle. Otherwise falling accident may occur or unintentional starting may cause an injury.

► Fig.23

OPERATION

CAUTION: Do not pull out the handle pole from the appliance during operation. Doing so lose control of the appliance and may result serious injury.

CAUTION: Do not put your hand or leg under the appliance during operation. Otherwise pinching accident may occur.

Normal cleaning operation

1. Hold the handle, and then unlock the upright position.
2. Turn on the appliance. Clean a floor.

► Fig.24

Using the side brush

The side brush is convenient for cleaning the corner of a wall.

If the side brush gets short, take the appliance to the Makita service center for replacement

► Fig.25: 1. Side brush

Operation with accessories

CAUTION: Keep holding the handle when using accessories. Otherwise the appliance may accidentally fall and cause injury.

NOTICE: When using accessories, lock the appliance in upright position. Otherwise the rotation of the brushroll may damage the floor.

Using the aluminum pipe

The aluminum pipe is suitable for cleaning tight quarters, or high places.

► Fig.26: 1. Aluminum pipe

Using the hose

The hose is suitable for cleaning near your hands.

► **Fig.27:** 1. Hose

To use the hose, pull out the aluminum pipe from the hose while pushing the lever.

To install the hose, insert the hose into the aluminum pipe until it clicks.

► **Fig.28:** 1. Lever

Using the attachments

► **Fig.29**

To install the attachment, twist and insert it securely to the aluminum pipe or the hose. To disconnect, twist and remove it.

MAINTENANCE

⚠ CAUTION: Always be sure that the appliance is switched off and the battery cartridge is removed before attempting to perform inspection or maintenance.

NOTICE: Never use gasoline, benzene, thinner, alcohol or the like. Discoloration, deformation or cracks may result.

To maintain product SAFETY and RELIABILITY, repairs, any other maintenance or adjustment should be performed by Makita Authorized or Factory Service Centers, always using Makita replacement parts.

Storage

When storing, remove the battery cartridges and store the appliance on level place in upright position.

► **Fig.30**

Cleaning the appliance body

From time to time wipe off the outside (cleaner body) of the cleaner using a cloth dampened in soapy water.

► **Fig.31**

Cleaning the HEPA filter

⚠ CAUTION: Do not use the cleaner without a filter or continue to use dirty or damaged filter. Vacuumed dust or particles may be exhausted from the cleaner and they may cause respiratory disease to the operator.

NOTICE: To keep optimum suction power and clean exhaust, clean the filter periodically. If enough suction power is not obtained even after the cleaning, replace the filter with new one.

NOTICE: To prevent the filter from being damaged, do not use following tools and similar items for cleaning :

- Air duster
- High pressure washer
- Tools made of hard materials such as a metallic brush

1. Open the dust box cover and take out the filter bag.

Release the hooks on the filter and remove it from the appliance body.

► **Fig.32:** 1. Hook

2. Beat the dust off from the filter. The filter can be washed with water. Rinse away the dust and particles on the filter every 1 or 2 month. After that, dry the filter completely in a shaded and well-ventilated place to prevent unpleasant odor or malfunctions.

3. To install the filter, insert the side without the hooks into the groove then push in the filter until the hooks are secured with a click.

► **Fig.33:** 1. Groove 2. HEPA filter 3. Hook

Cleaning the brushroll

1. Remove the bottom plate, and then remove the brushroll.

If the hair of the brushroll gets short, ask the Makita service center for new one.

Operating the appliance with the short hair brushroll results in poor dust collecting.

► **Fig.34:** 1. Bottom plate 2. Brushroll

2. Remove threads and hairs from the brushroll using scissors.

Remove the cap and clean debris.

► **Fig.35:** 1. Cap

3. Install the cap, brushroll, and bottom plate in reverse order.

► **Fig.36**

⚠ CAUTION: Attach the bottom plate completely. If the appliance is operated without the bottom plate, the brushroll may come off and cause injury.

NOTICE: Always attach the brushroll. Operating the appliance without the brushroll results in poor dust collecting.

How to clear the clog

NOTICE: Do not operate the appliance with the intake flow path clogged. Continuous use with the intake flow path clogged results in reduced suction power.

1. Remove the bottom plate, and then remove the brushroll.

2. Remove the aluminum pipe from the appliance and from the hose.

3. Turn the hose counterclockwise, and then remove the hose from the appliance.

4. Remove the suction hose by pulling the tab.

► **Fig.37:** 1. Suction hose 2. Tab

5. Inspect the intake flow path of air for the inside of the aluminum pipe and the hose, and the suction hose. Clean debris inside of them.

6. Align the tongue of the suction hose with the groove in the housing and slip it into place.

► **Fig.38:** 1. Tongue 2. Groove

7. Install the hose, aluminum pipe, brushroll, and bottom plate.

CAUTION: Install the hose, pipe firmly. Otherwise dust leakage may occur and cause injury.

Dust bag

Optional accessory

The dust bag can be used repeatedly by cleaning it out.

Installing and removing dust bag

The procedure of installing and removing the dust bag is same as the filter bag. Please refer to the section for Installing the filter bag and Removing the filter bag.

► **Fig.39:** 1. Dust bag 2. Rubber cap

NOTICE: When installing the dust bag, open the rubber cap first. Insert the dust bag with the rubber cap behind.

Emptying dust bag

1. Close the rubber cap to prevent dust from floating.
2. Open the bag mouth by pulling the fastener out.
3. Empty the dust bag of its contents, tapping it lightly so as to remove particles adhering to the insides.

► **Fig.40:** 1. Dust bag 2. Rubber cap 3. Fastener

NOTICE: Empty the dust bag frequently. Too much dust will tear the bag easily.

Cleaning the dust bag

Regularly clean the dust bag with soap and water. Turn the dust bag inside out and remove the sticky dust. Wash lightly by hand and rinse well with water. Dry completely before installing to the vacuum cleaner.

► **Fig.41**

NOTICE: Wet dust bag lowers the vacuuming performance as well as the life of the motor.

NOTICE: When mounting the fastener on the dust bag, make sure that the bag mouth is securely closed.

CYCLONE ATTACHMENT

Optional accessory

► **Fig.42:** 1. Cyclone attachment

About the cyclone attachment

Using the cleaner with the cyclone attachment installed reduces the amount of dust that enters the filter bag, which helps to prevent the suction force from weakening. In addition, cleaning after use is also simple.

CAUTION: Always be sure that the tool is switched off and the battery cartridge is removed before carrying out any work on the tool. If the battery cartridge is left inserted, the cleaner may start unexpectedly and result in injury.

CAUTION: Clean the mesh filter of the cyclone attachment and the filter bag of the cleaner unit when they become clogged.

Continued use in the clogged condition may result in heating or smoke.

NOTICE: When the cyclone attachment is attached, do not use the cyclone attachment in the horizontal or upward facing condition. Doing so may cause the mesh filter to become clogged.

NOTICE: Always use the cleaner with the filter bag installed, even when using the cyclone attachment. Using the cleaner without the filter bag installed may result in a motor malfunction.

NOTE: Check that the cyclone attachment, cleaner, and straight pipe are locked properly before use.

NOTE: Empty the dust case of the cyclone attachment and the filter bag of the cleaner when dust has accumulated. Continued use will result in weakened suction force.

Installing cyclone attachment

1. Turn the cuff on the hose counterclockwise and remove the hose, pipe grip, and aluminum pipe from the appliance.

► **Fig.43:** 1. Cuff 2. Hose 3. Pipe grip 4. Aluminum pipe

2. Turn the side of the stopper on the cyclone attachment upward, aligning the stopper with groove of the suction inlet. Lock the stopper by inserting the cyclone attachment until it clicks. Pull the cyclone attachment lightly to make sure it will not be removed. Install the straight pipe in the same procedure as the cyclone attachment.

► **Fig.44:** 1. Grip for cyclone attachment 2. Suction inlet 3. Cyclone attachment 4. Straight pipe for cyclone attachment 5. Stopper 6. Locking button

3. Install the cyclone attachment to the appliance, and then turn the cuff on the hose clockwise to fix it.

► **Fig.45**

Disposing of dust

When dust has accumulated up to the full line of the dust case, follow the procedure below and dispose of the dust.

1. Hold the dust case firmly, press and hold the two buttons, and remove the dust case.
► **Fig.46:** 1. Full line 2. Dust case 3. Button (two locations) 4. Mesh filter
2. Dispose of the dust inside the dust case and remove any dust and powder adhered to the surface of the mesh filter.
3. Insert the dust case all the way until the two buttons lock with a click.
► **Fig.47:** 1. Dust case 2. Button (two locations)

NOTE: Hold the cyclone attachment firmly when installing the dust case.

NOTE: Check that the cyclone attachment, cleaner, and straight pipe are locked properly before restarting operation.

NOTE: If the suction force does not recover even after disposing of the dust and cleaning the mesh filter, check whether dust has accumulated in the filter bag of the cleaner or clogging has occurred.

Cleaning

When the dust case becomes dirty or the mesh filter is clogged, remove and wash them with water. (Refer to "Disposing of dust" for the removal procedure.)

Dry the parts thoroughly before reinstallation and use.
► **Fig.48:** 1. Dust case 2. Mesh filter

When the mesh filter gets dirty badly, clean it in the following procedures.

1. Turn the mesh filter counterclockwise and remove it while the hooks are unlocked.
► **Fig.49:** 1. Mesh filter 2. Hook
2. Remove the dust on the mesh filter and then wash it with water. After that, dry it thoroughly.
3. Insert the mesh filter into the base while the hooks are aligned with the port. Turn the mesh filter clockwise until the hooks are locked with a click. Make sure that the mesh filter is installed securely.
► **Fig.50:** 1. Mesh filter 2. Hook 3. Port

TROUBLESHOOTING

Before asking for repairs, conduct your own inspection first. If you find a problem that is not explained in the manual, do not attempt to disassemble the machine. Instead, ask Makita Authorized Service Centers, always using Makita replacement parts for repairs.

Symptom	Probable cause	Remedy
Not working	Battery cartridges are installed improperly.	Install the battery cartridges as described in this manual.
	The battery cartridges are exhausted.	Charge the battery cartridges.
	The handle is installed improperly.	Install the handle firmly as described in this manual.
The brushroll does not rotate	The appliance is locked in upright position.	Unlock the upright position of the appliance.
	The indicator of brushroll error is lighting.	Inspect that there is no entanglement around the brushroll (body, cap and joint).
Weak suction power	The indicator of excess level of dust is lighting.	Replace the filter bag. If the filter bag is not full, unfold the filter bag and shake it to clear the clogging.
	⇒If replacing the filter bag does not solve the problem...	Clean or replace the HEPA filter. Inspect that there is no debris clogged in the hose and pipe.
	Debris is entangled in the brushroll and the rotating speed is declined.	Inspect that there is no entanglement around the brushroll (body, cap, joint).
	The height of brushroll is too high from the floor.	Lower the height of the brushroll.
	The hair of brushroll has become short.	Replace the brushroll. Lower the height of the brushroll.
	The appliance is operating in low mode.	Change to the higher operating mode.
	The brushroll is not installed.	Install the brushroll.
	The pipe or the hose is installed improperly.	Install the pipe or the hose firmly.
Loud driving noise	The appliance is operating in high mode.	Change to the lower operating mode.
	Debris is entangled in the brushroll.	Inspect that there is no entanglement around the brushroll (body, cap and joint).
	The filter bag is filled with dust.	Replace the filter bag.
	⇒If replacing the filter bag does not solve the problem...	Clean or replace the HEPA filter. Inspect that there is no debris clogged in the hose and pipe.
The indicator of excess level of dust blinks after a little use	The filter bag is folded.	Unfold the entrance of the filter bag before setting it.
LED lamp does not light	The LED lamp setting is off.	During operation, press and hold the battery check / LED lamp button to turn on the LED lamp.
The caster wheel is hard to move	Debris is entangled in the caster wheel.	Clean the debris on the caster wheel.

OPTIONAL ACCESSORIES

⚠ CAUTION: These accessories or attachments are recommended for use with your Makita tool specified in this manual. The use of any other accessories or attachments might present a risk of injury to persons. Only use accessory or attachment for its stated purpose.

- Cyclone attachment
- HEPA filter
- Filter bag
- Dust bag
- Makita genuine battery and charger

NOTE: Some items in the list may be included in the tool package as standard accessories. They may differ from country to country.

If you need any assistance for more details regarding these accessories, ask your local Makita Service Center.

- Corner nozzle
- Round brush

AVERTISSEMENT

- Cette machine n'est pas destinée à être utilisée par des personnes (y compris les enfants) aux facultés physiques, sensorielles ou mentales diminuées ou sans expérience ni expertise.
- Les enfants doivent être sous la surveillance d'un adulte afin de s'assurer qu'ils ne jouent pas avec l'aspirateur.
- Voir le chapitre « SPÉCIFICATIONS » pour la désignation de la batterie.
- Voir la section « Insertion ou retrait de la batterie » pour la méthode de retrait ou d'insertion de la batterie.
- Une fois la batterie arrivée en fin de vie, retirez-la de l'outil et déposez-la en lieu sûr. Respectez la réglementation locale en matière de mise au rebut des batteries.
- Lorsque vous n'utilisez pas l'outil pendant une période prolongée, la batterie doit être retirée de l'outil.
- Ne court-circuitez pas la batterie.
- Voir le chapitre « ENTRETIEN » pour des précautions détaillées pendant l'entretien à la charge de l'utilisateur.

SPÉCIFICATIONS

Modèle :	DVC560
Volume d'air maximum *	1,9 m ³ /min
Aspiration *	12 kPa
Capacité	5 L
Dimensions (L x P x H)	326 mm x 318 mm x 1 146 mm
Tension nominale	36 V CC
Poids net	8,3 - 9,0 kg

- * La valeur est mesurée selon notre méthode originale.
- Étant donné l'évolution constante de notre programme de recherche et de développement, les spécifications contenues dans ce manuel sont sujettes à modification sans préavis.
- Les spécifications et la batterie peuvent être différentes suivant les pays.
- Le poids comprend les accessoires (brosse ronde, suceur plat) et la ou les batteries. Le poids combiné le plus léger et le plus lourd de l'appareil et de la ou des batteries est indiqué dans le tableau.

Batterie et chargeur applicables

Batterie	BL1815N / BL1820B / BL1830B / BL1840B / BL1850B / BL1860B
Chargeur	DC18RC / DC18RD / DC18RE / DC18SD / DC18SE / DC18SF / DC18SH / DC18WC

- Certains chargeurs et batteries répertoriés ci-dessus peuvent ne pas être disponibles selon la région où vous résidez.

⚠ AVERTISSEMENT : N'utilisez que les batteries et les chargeurs répertoriés ci-dessus. L'utilisation d'autres batteries et chargeurs peut provoquer des blessures et/ou un incendie.

Symboles

Vous trouverez ci-dessous les symboles susceptibles d'être utilisés pour l'appareil. Veuillez à comprendre leur signification avant toute utilisation.



Lire le mode d'emploi.



Veuillez être prudent et rester attentif.



Ni-MH
Li-ion

Pour les pays de l'Union européenne uniquement

En raison de la présence de composants dangereux dans l'équipement, les déchets d'équipements électriques et électroniques, les accumulateurs et les batteries peuvent avoir un impact négatif sur l'environnement et la santé humaine.

Ne jetez pas les appareils électriques et électroniques ou les batteries avec les ordures ménagères !

Conformément à la directive européenne relative aux déchets d'équipements électriques et électroniques et aux déchets d'accumulateurs et de batteries, ainsi qu'à son adaptation à la législation nationale, les déchets d'équipements électriques, les batteries et les accumulateurs doivent être collectés séparément et déposés dans un point de collecte distinct pour déchets urbains, conformément aux réglementations en matière de protection de l'environnement.

Cela est indiqué par le symbole de la poubelle à roulettes barrée sur l'équipement.

Utilisations

L'appareil est conçu pour la collecte des poussières sèches. L'appareil est prévu pour un usage commercial, par exemple, dans les hôtels, écoles, hôpitaux, usines, magasins, bureaux et agences de location.

Bruit

Niveau de bruit pondéré A typique, déterminé selon IEC60335-2-69 :

Niveau de pression sonore (L_{pA}) : 70 dB (A) ou moins
Incertitude (K) : 2,5 dB (A)

Le niveau de bruit en fonctionnement peut dépasser 80 dB (A).

NOTE : La ou les valeurs d'émission de bruit déclarées ont été mesurées conformément à la méthode de test standard et peuvent être utilisées pour comparer les outils entre eux.

NOTE : La ou les valeurs d'émission de bruit déclarées peuvent aussi être utilisées pour l'évaluation préliminaire de l'exposition.

AVERTISSEMENT : Portez un serre-tête antibruit.

AVERTISSEMENT : L'émission de bruit lors de l'usage réel de l'outil électrique peut être différente de la ou des valeurs déclarées, suivant la façon dont l'outil est utilisé, particulièrement selon le type de pièce usinée.

AVERTISSEMENT : Les mesures de sécurité à prendre pour protéger l'utilisateur doivent être basées sur une estimation de l'exposition dans des conditions réelles d'utilisation (en tenant compte de toutes les composantes du cycle d'utilisation, comme par exemple le moment de sa mise hors tension, lorsqu'il tourne à vide et le moment de son déclenchement).

Vibrations

Valeur totale de vibrations (somme de vecteur triaxial) déterminée selon IEC60335-2-69 :

Émission de vibrations ($a_{h,M}$) : 2,5 m/s² ou moins
Incertitude (K) : 1,5 m/s²

NOTE : La ou les valeurs de vibration totales déclarées ont été mesurées conformément à la méthode de test standard et peuvent être utilisées pour comparer les outils entre eux.

NOTE : La ou les valeurs de vibration totales déclarées peuvent aussi être utilisées pour l'évaluation préliminaire de l'exposition.

AVERTISSEMENT : L'émission de vibrations lors de l'usage réel de l'outil électrique peut être différente de la ou des valeurs déclarées, suivant la façon dont l'outil est utilisé, particulièrement selon le type de pièce usinée.

AVERTISSEMENT : Les mesures de sécurité à prendre pour protéger l'utilisateur doivent être basées sur une estimation de l'exposition dans des conditions réelles d'utilisation (en tenant compte de toutes les composantes du cycle d'utilisation, comme par exemple le moment de sa mise hors tension, lorsqu'il tourne à vide et le moment de son déclenchement).

Déclarations de conformité

Pour les pays européens uniquement

Les déclarations de conformité sont fournies en Annexe A à ce mode d'emploi.

CONSIGNES DE SÉCURITÉ

Consignes de sécurité pour aspirateur sans fil

⚠ AVERTISSEMENT : IMPORTANT ! LIRE ATTENTIVEMENT toutes les consignes de sécurité et toutes les instructions AVANT UTILISATION. Le non-respect des avertissements et des instructions peut entraîner une électrocution, un incendie et/ou de graves blessures.

1. Avant l'utilisation, veillez à ce que l'aspirateur soit utilisé par des personnes ayant reçu des instructions adéquates quant à son utilisation.
2. Ne l'utilisez pas sans avoir mis en place le sac-filtre et/ou les filtres. Remplacez immédiatement le filtre s'il est endommagé.
3. ÉVITEZ LES DÉMARRAGES INTEMPESTIFS. Veillez à mettre l'outil hors tension lors de la mise en place de la ou des batteries.
4. N'essayez pas d'aspirer des matériaux inflammables, du matériel pyrotechnique, des cigarettes allumées, des cendres chaudes, des copeaux de métal chauds, des matériaux tranchants comme un rasoir, des aiguilles, des morceaux de verre, etc.
5. N'UTILISEZ JAMAIS L'ASPIRATEUR À PROXIMITÉ D'ESSENCE, GAZ, PEINTURE, ADHÉSIFS OU AUTRES SUBSTANCES TRÈS EXPLOSIVES. L'interrupteur émet des étincelles à la mise sous et hors tension. Tout comme le commutateur du moteur pendant le fonctionnement. Une dangereuse explosion peut survenir.
6. Cet aspirateur ne convient pas pour aspirer des poussières dangereuses.
7. N'aspirez jamais des matériaux toxiques, cancérogènes, combustibles ou d'autres produits dangereux comme l'amiante, l'arsenic, le baryum, le béryllium, le plomb, les pesticides ou d'autres matières présentant un danger pour la santé.
8. Ne l'utilisez pas à l'extérieur ou sur des surfaces humides.
9. Pour la Finlande, cette machine ne doit pas être utilisée à l'extérieur à basse température.
10. N'utilisez pas l'appareil près de sources de chaleur (cuisinières, etc.).
11. Ne bloquez pas les fentes de l'entrée d'aspiration, de la sortie ou d'aération. Ces fentes permettent le refroidissement du moteur. Il faut éviter soigneusement de les bloquer sous peine de griller le moteur en raison d'un manque d'aération.
12. Ne pliez pas le tuyau, ni ne tirez ou marchez dessus.
13. Arrêtez immédiatement l'aspirateur si vous remarquez des performances médiocres ou toute autre anomalie pendant le fonctionnement.
14. RETIREZ LA OU LES BATTERIES. Lorsque vous n'utilisez pas l'aspirateur, avant de le réparer et lors du remplacement des accessoires.
15. Procédez au nettoyage et à l'entretien de l'aspirateur immédiatement après chaque utilisation pour le maintenir dans des conditions de fonctionnement optimales.
16. ENTRETENEZ SOIGNEUSEMENT L'ASPIRATEUR. L'aspirateur doit toujours être propre pour améliorer la sécurité et les performances. Suivez les instructions pour remplacer les accessoires. Les poignées doivent toujours être sèches, propres et exemptes d'huile ou de graisse.
17. VÉRIFIEZ LES PIÈCES ENDOMMAGÉES. Avant toute nouvelle utilisation de l'aspirateur, vérifiez soigneusement un carter de protection ou toute autre pièce endommagées pour déterminer qu'ils fonctionnent bien et remplissent leurs fonctions respectives. Vérifiez l'alignement des pièces mobiles, le blocage des pièces mobiles, les pièces cassées, l'installation et tout autre état susceptible d'affecter le fonctionnement. Un carter de protection ou toute autre pièce endommagées doivent être réparés ou remplacés correctement par un centre de service après-vente agréé sauf indication contraire de ce mode d'emploi. Confiez le remplacement des interrupteurs défectueux à un centre de service après-vente agréé. N'utilisez pas l'aspirateur s'il ne peut pas être mis sous et hors tension au moyen de l'interrupteur.
18. PIÈCES DE RECHANGE. En cas de réparation, utilisez uniquement des pièces de rechange identiques.
19. Lorsqu'il n'est pas utilisé, rangez toujours l'aspirateur à l'intérieur.
20. Épargnez votre aspirateur. Une manipulation brutale peut entraîner la rupture de l'aspirateur le plus robuste.
21. Ne nettoyez pas l'extérieur ou l'intérieur avec du benzène, du diluant ou d'autres produits chimiques de nettoyage. Vous risqueriez de le fissurer ou de le décolorer.
22. N'utilisez pas l'aspirateur dans un endroit fermé où des vapeurs inflammables, explosives ou toxiques sont dégagées par de la peinture à base d'huile, du diluant pour peinture, de l'essence, certains produits antimites, etc., ou dans des endroits exposés à des poussières inflammables.
23. N'utilisez pas cet outil ou tout autre sous l'emprise de drogues, de médicaments ou d'alcool.
24. Portez un équipement de protection approprié, comme un masque en fonction de l'environnement d'utilisation.
25. Cette machine n'est pas destinée à être utilisée par des personnes (y compris les enfants) aux facultés physiques, sensorielles ou mentales diminuées ou sans expérience ni expertise.
26. Les enfants doivent être sous la surveillance d'un adulte afin de s'assurer qu'ils ne jouent pas avec l'aspirateur.
27. Ne manipulez jamais la ou les batteries et l'aspirateur avec les mains mouillées.
28. Redoublez de précaution lorsque vous nettoyez des escaliers.

29. **Conservez un bon appui au sol et gardez votre équilibre en permanence.**
30. **N'utilisez pas l'aspirateur comme marchepied ou établi. La machine pourrait tomber et provoquer des blessures corporelles.**
31. **Éloignez toutes les parties de votre corps et vos vêtements des ouvertures et des pièces mobiles comme le rouleau brosse en rotation.** Autrement, ils pourraient se coincer dans l'appareil et vous blesser.

Utilisation et entretien des outils fonctionnant sur batterie

1. **Rechargez la batterie uniquement avec le chargeur spécifié par le fabricant.** Un chargeur qui est adapté à un type spécifique de batterie peut présenter un risque d'incendie s'il est utilisé avec un autre type de batterie.
2. **Utilisez un outil électrique uniquement avec la batterie spécifiquement indiquée.** L'utilisation de toute autre batterie peut présenter un risque de blessure et d'incendie.
3. **Lorsque vous n'utilisez pas la batterie, tenez-la à l'écart des objets métalliques, comme des trombones, pièces de monnaie, clés, clous, vis ou autres petits objets métalliques, susceptibles de créer une connexion entre deux bornes.**
Court-circuiter les bornes d'une batterie entre elles peut provoquer des brûlures ou un incendie.
4. **Dans des conditions d'utilisation inadéquate, il peut y avoir une fuite de l'électrolyte de la batterie. Le cas échéant, évitez tout contact avec ce liquide. En cas de contact accidentel, rincez à l'eau. Si le liquide pénètre dans les yeux, consultez par ailleurs un médecin.** Le liquide s'échappant de la batterie peut provoquer une irritation ou des brûlures.
5. **N'utilisez pas une batterie ou un outil s'ils sont endommagés ou modifiés.** Une batterie endommagée ou modifiée peut avoir un comportement imprévisible susceptible d'entraîner un incendie, une explosion ou des blessures.
6. **N'exposez pas la batterie ou l'outil au feu ou à une température excessive.** L'exposition au feu ou à une température supérieure à 130 °C peut provoquer une explosion.
7. **Respectez toutes les instructions de charge et ne chargez pas la batterie ou l'outil en dehors de la plage de température indiquée dans les instructions.** Une charge incorrecte ou à une température en dehors de la plage indiquée peut endommager la batterie et augmenter le risque d'incendie.

CONSERVEZ CES INSTRUCTIONS.

⚠ AVERTISSEMENT : NE vous laissez PAS tromper (au fil d'une utilisation répétée) par un sentiment d'aisance et de familiarité avec le produit, en négligeant le respect rigoureux des consignes de sécurité qui accompagnent le produit en question. La MAUVAISE UTILISATION de l'outil ou l'ignorance des consignes de sécurité indiquées dans ce mode d'emploi peut entraîner de graves blessures.

Consignes de sécurité importantes pour la batterie

1. **Avant d'utiliser la batterie, lisez toutes les instructions et précautions relatives (1) au chargeur de batterie, (2) à la batterie, et (3) au produit utilisant la batterie.**
 2. **Ne désassemblez pas et ne modifiez pas la batterie.** Cela pourrait entraîner un incendie, une chaleur excessive ou une explosion.
 3. **Cessez immédiatement l'utilisation si le temps de fonctionnement devient excessivement court. Il y a un risque de surchauffe, de brûlures, voire d'explosion.**
 4. **Si l'électrolyte pénètre dans vos yeux, rincez-les à l'eau claire et consultez immédiatement un médecin. Il y a un risque de perte de la vue.**
 5. **Ne court-circuitez pas la batterie :**
 - (1) **Ne touchez les bornes avec aucun matériau conducteur.**
 - (2) **Évitez de ranger la batterie dans un conteneur avec d'autres objets métalliques, par exemple des clous, des pièces de monnaie, etc.**
 - (3) **N'exposez pas la batterie à l'eau ou à la pluie.**
- Un court-circuit de la batterie peut provoquer une intensité de courant élevée, une surchauffe, parfois des brûlures et même une panne.**
6. **Ne rangez ni n'utilisez l'outil et la batterie dans un endroit où la température risque d'atteindre ou de dépasser 50 °C.**
 7. **Ne jetez pas la batterie au feu même si elle est sérieusement endommagée ou complètement épuisée. La batterie peut exploser au contact du feu.**
 8. **Abstenez-vous de clouer, couper, écraser, jeter, laisser tomber la batterie, ou de la heurter contre un objet dur.** Cela pourrait entraîner un incendie, une chaleur excessive ou une explosion.
 9. **N'utilisez pas la batterie si elle est endommagée.**
 10. **Les batteries au lithium-ion contenues sont soumises aux exigences de la législation sur les marchandises dangereuses.**
Lors du transport commercial par des tiers parties ou des transitaires par exemple, des exigences spécifiques en matière d'étiquetage et d'emballage doivent être respectées. Pour la préparation de l'article expédié, il est nécessaire de consulter un expert en matériau dangereux. Veuillez également respecter les réglementations nationales susceptibles d'être plus détaillées.
Recouvrez les contacts exposés avec du ruban adhésif ou du ruban de masquage et emballez la batterie de telle sorte qu'elle ne puisse pas bouger dans l'emballage.

11. Lors de la mise au rebut de la batterie, retirez-la de l'outil et jetez-la en lieu sûr. Suivez les réglementations locales en matière de mise au rebut des batteries.
12. Utilisez les batteries uniquement avec les produits spécifiés par Makita. L'insertion de batteries dans des produits non conformes peut provoquer un incendie, une chaleur excessive, une explosion ou une fuite de l'électrolyte.
13. Lorsque vous n'utilisez pas l'outil pendant une période prolongée, la batterie doit être retirée de l'outil.
14. Pendant et après l'utilisation, la batterie peut chauffer, ce qui peut entraîner des brûlures, y compris en cas de température relativement basse. Manipulez les batteries chaudes avec précaution.
15. Ne touchez pas la borne de l'outil immédiatement après utilisation car elle peut être assez chaude pour provoquer des brûlures.
16. Évitez que des copeaux, de la poussière ou du sol adhèrent aux bornes, aux trous et aux rainures de la batterie. Cela peut provoquer un échauffement, un incendie, une explosion ou un dysfonctionnement de l'outil ou de la batterie, ce qui peut entraîner des brûlures ou des blessures.
17. À moins que l'outil prenne en charge un tel usage, n'utilisez pas la batterie à proximité de lignes électriques haute tension. Cela pourrait entraîner un dysfonctionnement ou casser l'outil ou la batterie.
18. Conservez la batterie hors de portée des enfants.

⚠ ATTENTION : N'utilisez que des batteries Makita d'origine. L'utilisation de batteries de marque autre que Makita ou de batteries modifiées peut provoquer l'explosion des batteries, ce qui présente un risque d'incendie, de dommages matériels et corporels. Cela annulera également la garantie Makita pour l'outil et le chargeur Makita.

Conseils pour assurer la durée de vie optimale de la batterie

1. Chargez la batterie avant qu'elle ne soit complètement déchargée. Arrêtez toujours l'outil et rechargez la batterie quand vous remarquez que la puissance de l'outil diminue.
2. Ne rechargez jamais une batterie complètement chargée. La surcharge réduit la durée de service de la batterie.
3. Chargez la batterie à une température ambiante comprise entre 10 °C et 40 °C. Avant de charger une batterie chaude, laissez-la refroidir.
4. Lorsque vous n'utilisez pas la batterie, retirez-la de l'outil ou du chargeur.
5. Rechargez la batterie si elle est restée inutilisée pendant une période prolongée (plus de six mois).

CONSERVEZ CES INSTRUCTIONS.

DESCRIPTION DES PIÈCES

► Fig.1

1	Poignée	2	Plaque d'interrupteur	3	Poignée tubulaire	4	Tuyau
5	Tableau des témoins	6	Levier (pour le couvercle du compartiment à poussières)	7	Couvercle du compartiment à poussières	8	Poignée de transport
9	Verrou (pour le couvercle de la batterie)	10	Levier de réglage	11	Couvercle de la batterie	12	Suceur plat
13	Brosse ronde	14	Pédale	15	Roulette	16	Brosse latérale
17	Tuyau d'aspiration	18	Joint	19	Tube en aluminium	20	Porte-tube
21	Voyant DEL	22	Rouleau brosse	23	Plaque de base	24	Bouton Marche (ON)/ Changement de mode
25	Bouton Arrêt (OFF)	26	Témoin du mode de fonctionnement	27	Témoin d'excès de poussière	28	Témoin d'erreur du rouleau brosse
29	Témoin de charge restante de la batterie	30	Bouton de contrôle de batterie/de voyant DEL	-	-	-	-

ASSEMBLAGE

⚠ ATTENTION : Vérifiez toujours que l'appareil est hors tension et que la batterie est retirée avant toute intervention dessus.

⚠ ATTENTION : Portez toujours un masque anti-poussière pendant l'assemblage ou l'entretien.

Raccordement de la poignée

1. Insérez complètement la tige de la poignée dans le corps de l'aspirateur comme illustré sur la figure.
 2. Fermez le loquet de verrouillage.
- Fig.2: 1. Tige de la poignée 2. Repère rouge
3. Loquet de verrouillage

REMARQUE : Insérez complètement la poignée jusqu'à ce que le repère rouge ne soit plus visible.

Raccordement du tuyau

Insérez le tuyau dans l'orifice de montage de l'appareil et tournez-le jusqu'à ce qu'il se verrouille en place.

► Fig.3

Raccordement du tube

Insérez la pointe du tube en aluminium sur le joint, puis fixez le tube en aluminium sur le porte-tube.

► Fig.4: 1. Joint 2. Porte-tube

REMARQUE : Insérez le tube en aluminium dans le bon sens comme illustré sur la figure. Autrement, le porte-tube ne sera pas verrouillé et le tube en aluminium risque de se détacher.

► Fig.5

Insertion ou retrait de la batterie

⚠ ATTENTION : Éteignez toujours l'appareil avant de mettre en place ou de retirer la batterie.

⚠ ATTENTION : Tenez fermement l'aspirateur et la batterie lors de la mise en place ou du retrait de la batterie. Si vous ne tenez pas fermement l'aspirateur et la batterie, ils peuvent vous glisser des mains, et s'abîmer ou vous blesser.

⚠ ATTENTION : Veillez à ne pas vous pincer les doigts lors de l'ouverture ou de la fermeture du couvercle de batterie. Vous risqueriez autrement de vous blesser.

Pour mettre la batterie en place, libérez d'abord le verrou, puis ouvrez le couvercle de batterie. Ceci fait, insérez la batterie.

► Fig.6: 1. Verrou 2. Couvercle de batterie

Alignez la languette sur la batterie avec la rainure sur le compartiment et insérez-la. Insérez-la à fond jusqu'à ce qu'un léger déclic se fasse entendre. Verrouillez ensuite le couvercle de batterie.

► Fig.7: 1. Batterie 2. Bouton

Pour retirer la batterie, faites-la glisser hors de l'appareil tout en faisant glisser le bouton à l'avant de la batterie.

⚠ ATTENTION : Insérez toujours complètement la batterie. Sinon, elle pourrait tomber accidentellement de l'appareil au risque de vous blesser ou de blesser quelqu'un se trouvant à proximité.

⚠ ATTENTION : N'insérez pas la batterie de force. Si elle ne glisse pas facilement, c'est que vous ne l'insérez pas correctement.

NOTE : L'aspirateur ne fonctionne pas avec une seule batterie.

Mise en place du sac-filtre

⚠ ATTENTION : N'utilisez pas un sac-filtre endommagé. Utilisez toujours l'aspirateur avec le sac-filtre correctement installé. Autrement, la poussière et les particules aspirées peuvent être expulsées de l'aspirateur, ce qui présente un risque de maladie respiratoire pour l'utilisateur.

Installez le sac-filtre avant d'utiliser l'aspirateur. Le sac-filtre est de type jetable. Jetez l'ensemble du sac-filtre sans le vider une fois qu'il est plein.

REMARQUE : Lorsque le sac-filtre est plein ou bouché, remplacez-le par un neuf. Si vous continuez à utiliser le sac-filtre plein ou bouché, la puissance d'aspiration sera réduite.

REMARQUE : Pour éviter que la poussière pénètre dans le moteur :

- Assurez-vous que le sac-filtre est installé avant utilisation.
- N'utilisez pas un sac rompu ou déchiré.

Cela risquerait d'endommager le moteur.

REMARQUE : Ne pliez pas l'ouverture en carton du sac-filtre lorsque vous l'installez.

REMARQUE : Le sac-filtre pour aspirateur est un élément important du maintien des performances de l'appareil. L'utilisation d'un autre filtre que le sac-filtre d'origine peut provoquer un dégagement de fumée ou une combustion.

NOTE : Si le sac-filtre n'est pas installé dans l'appareil, le couvercle du compartiment à poussières ne se ferme pas complètement.

1. Déverrouillez le levier et ouvrez le couvercle du compartiment à poussières.
► Fig.8: 1. Levier 2. Couvercle du compartiment à poussières
2. Dépliez complètement le sac-filtre.
► Fig.9
3. Insérez le sac-filtre dans la fente sur le support de sorte que le côté avec le repère \triangle entre en premier.
4. Rabattez le loquet du support.
► Fig.10: 1. Fente 2. Sac-filtre 3. Support 4. Loquet
5. Assurez-vous que seul le repère sur le carton soit visible par la fente du support.
► Fig.11: 1. Repère 2. Fente
6. Dépliez le sac-filtre s'il est plié.
► Fig.12
7. Verrouillez solidement le couvercle du compartiment à poussières.

ATTENTION : Veillez à ne pas vous pincer les doigts lors du rabattage du loquet et de la fermeture du couvercle du compartiment à poussières.

Retrait du sac-filtre

ATTENTION : Manipulez soigneusement le sac-filtre. Autrement des corps étrangers sont soufflés dans les yeux, ce qui présente un risque de blessure.

Remplacez le sac-filtre lorsqu'il est plein ou bouché. Ouvrez le couvercle du compartiment à poussières et dégagez le loquet, puis sortez le sac-filtre. Tirez sur la bande sur le côté de l'ouverture pour fermer le sac-filtre et jetez l'ensemble.

► Fig.13: 1. Loquet 2. Bande

REMARQUE : N'utilisez pas un sac-filtre usé. Le sac-filtre n'est pas conçu pour être réutilisé. L'utilisation répétée du sac-filtre peut boucher le filtre et endommager l'aspirateur. Si vous voulez réutiliser le sac, optez pour un sac à poussière.

DESCRIPTION DU FONCTIONNEMENT

ATTENTION : Assurez-vous toujours que l'appareil est hors tension et que sa batterie est retirée avant de l'ajuster ou de vérifier son fonctionnement.

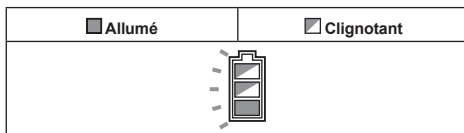
Système de protection de l'outil/la batterie

L'outil est équipé d'un système de protection de l'outil/la batterie. Ce système coupe automatiquement l'alimentation vers le moteur pour prolonger la durée de vie de l'outil et de la batterie. Si l'outil ou la batterie se trouve dans l'une des situations suivantes, l'outil cessera automatiquement de fonctionner.

Protection contre la surcharge

Lorsque l'outil est utilisé d'une manière provoquant un appel de courant anormalement élevé, l'outil s'arrête automatiquement sans indication. Dans ce cas, éteignez l'outil et arrêtez la tâche ayant provoqué la surcharge de l'outil. Puis rallumez l'outil pour reprendre la tâche.

Protection contre la surchauffe



En cas de surchauffe de l'outil, celui-ci s'arrête automatiquement et le témoin de la batterie clignote pendant 60 secondes environ. Dans ce cas, laissez l'outil refroidir avant de rallumer l'outil.

Protection contre la décharge totale de la batterie

Lorsque la charge restante de la batterie devient très faible, l'outil s'arrête automatiquement. Si le produit ne fonctionne pas même en actionnant les boutons, retirez les batteries de l'outil et chargez-les.

Indication de la charge restante de la batterie

Uniquement pour les batteries avec voyant lumineux

► Fig.14: 1. Témoins 2. Bouton de vérification

Appuyez sur le bouton de vérification sur la batterie pour indiquer la charge restante de la batterie. Les témoins s'allument pendant quelques secondes.

Témoins			Charge restante
■ Allumé	☐ Éteint	◐ Clignotant	
■ ■ ■ ■			75 % à 100 %
■ ■ ■	☐		50 % à 75 %
■ ■	☐ ☐		25 % à 50 %
■	☐ ☐ ☐		0 % à 25 %
◐	☐ ☐ ☐		Chargez la batterie.
■ ■	☐ ☐	◐	Anomalie possible de la batterie.
☐ ☐	■ ■	◐	

NOTE : Selon les conditions d'utilisation et la température ambiante, l'indication peut être légèrement différente de la capacité réelle.

NOTE : Le premier témoin (complètement à gauche) clignotera pendant le fonctionnement du système de protection de la batterie.

Tableau des témoins

► Fig.15: 1. Mode de fonctionnement 2. Excès de poussière 3. Erreur du rouleau brosse 4. Charge restante de la batterie 5. Bouton de contrôle de batterie/de voyant DEL

Mode de fonctionnement

Pour changer de mode de fonctionnement, reportez-vous à la section sur le fonctionnement des interrupteurs.

Excès de poussière

Si ce témoin s'allume, remplacez le sac-filtre.
(Reportez-vous à la section sur le retrait du sac-filtre.)

NOTE : Ce témoin est inopérant lorsque l'appareil fonctionne en mode « niveau sonore faible (1) ».

NOTE : Ce témoin peut ne pas fonctionner selon l'environnement d'utilisation.

NOTE : Le témoin s'éteint automatiquement environ une minute après avoir mis hors tension l'appareil. Si vous débouchez le sac-filtre et redémarrez l'appareil, le témoin s'éteint même dans la minute.

Erreur du rouleau brosse

Clignotant	Le rouleau brosse est soumis à une charge élevée pour un motif ou un autre.
Allumé	Le rouleau brosse est arrêté pour un motif anormal.

⚠ AVERTISSEMENT : Éteignez immédiatement l'appareil lorsque ce témoin s'allume en cours de fonctionnement. Autrement, cela pourrait provoquer un dysfonctionnement du moteur et entraîner un incendie.

Charge restante de la batterie

Pendant le fonctionnement, appuyez sur le bouton de contrôle de batterie/de voyant DEL pour indiquer la charge restante de la batterie. Les témoins de batterie correspondent à chaque batterie.

► Fig.16

Statut du témoin de la batterie			Charge restante de la batterie
Allumé	Éteint	Clignotant	
			50 % à 100 %
			20 % à 50 %
			0 % à 20 %
			Chargez la batterie

Bouton de contrôle de batterie/de voyant DEL

Pendant le fonctionnement, les opérations suivantes peuvent être effectuées.

- Il vous suffit d'appuyer sur le bouton pour vérifier la charge restante de la batterie.
- Maintenez enfoncé le bouton pour allumer/éteindre le voyant DEL.

Fonctionnement de la gâchette

► Fig.17: 1. Bouton Marche (ON)/Changement de mode 2. Bouton Arrêt

Mise sous/hors tension de l'appareil

Pour démarrer l'appareil, il suffit d'appuyer sur le bouton Marche (ON)/Changement de mode. Pour l'éteindre, appuyez sur le bouton Arrêt.

⚠ ATTENTION : Placez toujours la tête de l'appareil au sol lorsque vous mettez sous tension l'appareil. Autrement, un accident dû à un enchevêtrement pourrait survenir et provoquer des blessures.

Changement du mode de fonctionnement

Vous pouvez changer le mode de fonctionnement selon trois niveaux : « niveau sonore faible (1) », « normal (2) » et « élevé (3) ».

Si vous souhaitez changer de mode de fonctionnement, appuyez sur le bouton Marche (ON)/Changement de mode lorsque l'appareil fonctionne. Le mode de fonctionnement change dans l'ordre : « niveau sonore faible (1) », « normal (2) » et « élevé (3) ».

L'appareil démarre dans le même mode que le réglage précédent.

Allumage du voyant DEL

⚠ ATTENTION : Évitez de regarder directement le faisceau lumineux ou sa source.

L'appareil est équipé de voyants DEL. Voir le paragraphe sur le bouton de contrôle de batterie/de voyant DEL pour leur fonctionnement.

► Fig.18: 1. Voyant DEL

Pédale

⚠ ATTENTION : Verrouillez toujours l'appareil en position verticale lorsque vous relâchez la poignée. Autrement, l'appareil pourrait tomber accidentellement et provoquer des blessures.

⚠ ATTENTION : Veillez à ne pas vous pincer les doigts entre le corps principal et la tête de l'appareil.

Pour débloquer la position verticale de l'appareil, appuyez sur la pédale et tirez la poignée vers l'arrière. L'amplitude de mouvement est de 90 degrés depuis la position verticale.

► **Fig.19:** 1. Pédale

Pour verrouiller l'appareil en position verticale, soulevez la poignée vers l'avant jusqu'à ce que la pédale bloque la position avec un déclic.

► **Fig.20**

NOTE : Le rouleau brosse cesse de tourner pendant que l'appareil est en position verticale.

Réglage de la hauteur du rouleau brosse

ATTENTION : Avant l'utilisation, assurez-vous toujours que le levier de réglage se met bien en place.

La hauteur du rouleau brosse peut être ajustée en 4 étapes.

Tournez le levier de réglage à la hauteur souhaitée. Lorsque le levier de réglage est dirigé vers le repère A, le rouleau brosse est situé au point le plus bas au-dessus du sol et convient au nettoyage des sols durs et des tapis à poils ras. Lorsque le levier de réglage est dirigé vers le repère B, le rouleau brosse est situé au point le plus haut au-dessus du sol et convient au nettoyage des tapis à poils longs.

► **Fig.21:** 1. Levier de réglage

NOTE : Il est possible que le rouleau brosse ne tourne pas si sa hauteur est trop basse par rapport à la surface du tapis.

Poignée de transport

Lorsque vous transportez l'appareil, poussez-le avec les roulettes uniquement ou transportez-le en tenant la ou les poignées de transport.

► **Fig.22**

ATTENTION : Lorsque vous transportez l'appareil, verrouillez-le en position verticale. Autrement, une chute pourrait survenir.

ATTENTION : Ne transportez pas l'appareil en tenant autre chose que la poignée de transport. Autrement, une chute pourrait survenir ou un démarrage intempestif pourrait provoquer des blessures.

► **Fig.23**

UTILISATION

ATTENTION : Ne tirez pas sur la tige de la poignée de l'appareil pendant le fonctionnement. Vous risqueriez de perdre la maîtrise de l'appareil et de gravement vous blesser.

ATTENTION : Ne placez pas votre main ou votre jambe sous l'appareil pendant le fonctionnement. Autrement, vous pourriez vous pincer.

Opération de nettoyage normale

1. Tenez la poignée, puis débloquez la position verticale.
 2. Mettez l'appareil sous tension. Nettoyez le sol.
- **Fig.24**

Utilisation de la brosse latérale

La brosse latérale est pratique pour nettoyer le coin d'un mur.

Si la brosse latérale raccourcit, apportez l'appareil au centre d'entretien Makita pour remplacement.

► **Fig.25:** 1. Brosse latérale

Utilisation avec des accessoires

ATTENTION : Continuez de tenir la poignée lorsque vous utilisez des accessoires. Autrement, l'appareil pourrait tomber accidentellement et provoquer des blessures.

REMARQUE : Lorsque vous utilisez des accessoires, verrouillez l'appareil en position verticale. Autrement, la rotation du rouleau brosse peut endommager le sol.

Utilisation du tube en aluminium

Le tube en aluminium convient au nettoyage d'endroits exigus ou élevés.

► **Fig.26:** 1. Tube en aluminium

Utilisation du tuyau

Le tuyau convient au nettoyage à proximité de vos mains.

► **Fig.27:** 1. Tuyau

Pour utiliser le tuyau, sortez le tube en aluminium du tuyau tout en poussant le levier.

Pour installer le tuyau, insérez-le dans le tube en aluminium jusqu'au déclic.

► **Fig.28:** 1. Levier

Utilisation des pièces complémentaires

► **Fig.29**

Pour installer la pièce complémentaire, torsadez-la et insérez-la fermement sur le tube en aluminium ou le tuyau. Pour le déconnecter, retirez-le en tournant.

ENTRETIEN

⚠ ATTENTION : Assurez-vous toujours que l'appareil est hors tension et que la batterie est retirée avant d'y effectuer tout travail d'inspection ou d'entretien.

REMARQUE : N'utilisez jamais d'essence, benzine, diluant, alcool ou autre produit similaire. Cela risquerait de provoquer la décoloration, la déformation ou la fissuration de l'outil.

Pour assurer la SÉCURITÉ et la FIABILITÉ du produit, toute réparation, tout travail d'entretien ou de réglage doivent être effectués par un centre d'entretien Makita agréé, avec des pièces de rechange Makita.

Rangement

Lors du rangement, retirez les batteries et rangez l'appareil en position verticale dans un endroit stable.

► Fig.30

Nettoyage du corps de l'appareil

Essayez de temps à autre la surface extérieure (le corps) de l'aspirateur avec un chiffon humecté d'eau savonneuse.

► Fig.31

Nettoyage du filtre HEPA

⚠ ATTENTION : N'utilisez pas l'aspirateur sans filtre ni ne continuez à utiliser un filtre sale ou endommagé. La poussière ou les particules aspirées peuvent être expulsées de l'aspirateur, ce qui présente un risque de maladie respiratoire pour l'utilisateur.

REMARQUE : Pour conserver une puissance d'aspiration optimale et un échappement propre, nettoyez régulièrement le filtre. Si vous n'obtenez pas une puissance d'aspiration suffisante même après le nettoyage, remplacez le filtre par un neuf.

REMARQUE : Pour éviter d'endommager le filtre, n'utilisez pas les outils suivants et les articles similaires pour le nettoyage.

- Souffleur de poussières
- Nettoyeur haute pression
- Outils fabriqués en matériaux durs comme un brosse métallique

1. Ouvrez le couvercle du compartiment à poussières et sortez le sac-filtre.

Libérez les crochets sur le filtre et retirez-le du corps de l'appareil.

► Fig.32: 1. Crochet

2. Retirez la poussière du filtre. Le filtre peut être lavé à l'eau. Rincez la poussière et les particules sur le filtre tous les mois ou tous les deux mois. Puis, séchez complètement le filtre dans un endroit à l'ombre et bien aéré pour empêcher les mauvaises odeurs ou des dysfonctionnements.

3. Pour installer le filtre, insérez le côté sans les crochets dans la rainure, puis poussez le filtre jusqu'au déclic indiquant que les crochets sont fixés.

► Fig.33: 1. Rainure 2. Filtre HEPA 3. Crochet

Nettoyage du rouleau brosse

1. Retirez la plaque de base, puis déposez le rouleau brosse.

Si les poils du rouleau brosse raccourcissent, commandez-en un neuf au centre d'entretien Makita.

L'utilisation de l'appareil avec un rouleau brosse à poils courts entraîne une collecte médiocre de la poussière.

► Fig.34: 1. Plaque de base 2. Rouleau brosse

2. Retirez les fils et les cheveux du rouleau brosse avec des ciseaux.

Retirez le capuchon et nettoyez les débris.

► Fig.35: 1. Capuchon

3. Installez le capuchon, le rouleau brosse et la plaque de base dans l'ordre inverse.

► Fig.36

⚠ ATTENTION : Fixez complètement la plaque de base. Si l'appareil est utilisé sans la plaque de base, le rouleau brosse peut se détacher et vous blesser.

REMARQUE : Fixez toujours le rouleau brosse. L'utilisation de l'appareil sans rouleau brosse entraîne une collecte médiocre de la poussière.

Comment déboucher

REMARQUE : Ne faites pas fonctionner l'appareil si la voie du passage d'entrée est bouchée. Si vous continuez à l'utiliser avec la voie du passage d'entrée bouchée, la puissance d'aspiration sera réduite.

1. Retirez la plaque de base, puis déposez le rouleau brosse.

2. Retirez le tube en aluminium de l'appareil et du tuyau.

3. Tournez le tuyau dans le sens inverse des aiguilles d'une montre, puis retirez-le de l'appareil.

4. Retirez le tuyau d'aspiration en tirant sur le taquet.

► Fig.37: 1. Tuyau d'aspiration 2. Taquet

5. Inspectez la voie du passage d'entrée de l'air à l'intérieur du tube en aluminium et du tuyau, ainsi que le tuyau d'aspiration.

Nettoyez les débris à l'intérieur.

6. Alignez la languette sur le tuyau d'aspiration avec la rainure sur le logement et insérez-la.

► Fig.38: 1. Languette 2. Rainure

7. Installez le tuyau, le tube en aluminium, le rouleau brosse et la plaque de base.

⚠ ATTENTION : Installez fermement le tuyau et le tube. Autrement, une fuite de la poussière pourrait survenir et provoquer des blessures.

Sac à poussière

Accessoire en option

Le sac à poussière peut être utilisé à plusieurs reprises si vous le nettoyez correctement.

Mise en place et retrait du sac à poussière

La procédure pour mettre en place et retirer le sac à poussière est la même que pour le sac-filtre. Veuillez vous reporter aux sections Mise en place du sac-filtre et Retrait du sac-filtre.

► **Fig.39:** 1. Sac à poussière 2. Capuchon en caoutchouc

REMARQUE : Lorsque vous mettez en place le sac à poussière, ouvrez d'abord le capuchon en caoutchouc. Insérez le sac à poussière avec le capuchon en caoutchouc derrière.

Vidage du sac à poussière

1. Fermez le capuchon en caoutchouc pour empêcher la poussière de flotter.
2. Ouvrez l'embouchure du sac en sortant la barrette.
3. Videz le sac à poussière en le tapotant légèrement pour retirer les particules qui adhèrent à sa surface intérieure.

► **Fig.40:** 1. Sac à poussière 2. Capuchon en caoutchouc 3. Barrette

REMARQUE : Videz fréquemment le sac à poussière. Trop de poussière déchirera facilement le sac.

Nettoyage du sac à poussière

Nettoyez régulièrement le sac à poussière à l'eau et au savon. Retournez le sac à poussière et enlevez la poussière collante. Lavez délicatement à la main et rincez abondamment à l'eau. Séchez-le complètement avant de le placer sur l'aspirateur.

► **Fig.41**

REMARQUE : Un sac à poussière mouillé réduit les performances d'aspiration ainsi que la durée de vie du moteur.

REMARQUE : Lorsque vous fixez la barrette sur le sac à poussière, assurez-vous que l'embouchure du sac est solidement fermée.

COLLECTEUR CYCLONE

Accessoire en option

► **Fig.42:** 1. Collecteur cyclone

À propos du collecteur cyclone

L'utilisation de l'aspirateur avec le collecteur cyclone installé réduit la quantité de poussière qui pénètre dans le sac-filtre, ce qui permet d'éviter que la puissance d'aspiration faiblisse. De plus, le nettoyage après utilisation est également simple.

⚠ ATTENTION : Assurez-vous toujours que l'outil est hors tension et que sa batterie est retirée avant d'effectuer toute tâche dessus. Si la batterie est insérée, un démarrage intempestif de l'aspirateur susceptible de provoquer des blessures est possible.

⚠ ATTENTION : Nettoyez le filtre à maille du collecteur cyclone et le sac-filtre de l'aspirateur s'ils sont bouchés. L'utilisation continue dans cet état peut provoquer une émission de chaleur ou de fumée.

REMARQUE : Lorsque le collecteur cyclone est fixé, ne l'utilisez pas dans le sens horizontal ou tourné vers le haut. Le filtre à maille pourrait se boucher.

REMARQUE : Utilisez toujours l'aspirateur avec le sac-filtre installé, même lorsque vous utilisez le collecteur cyclone. Si vous utilisez l'aspirateur sans sac-filtre installé, un dysfonctionnement du moteur peut se produire.

NOTE : Vérifiez avant utilisation que le collecteur cyclone, l'aspirateur et le tuyau droit sont correctement verrouillés.

NOTE : Videz le logement à poussières du collecteur cyclone et le sac-filtre de l'aspirateur lorsque de la poussière s'est accumulée. Si vous continuez à utiliser l'aspirateur dans cet état, la puissance d'aspiration sera affaiblie.

Installation du collecteur cyclone

1. Tournez le manchon sur le tuyau dans le sens inverse des aiguilles d'une montre et retirez le tuyau, la poignée tubulaire et le tube en aluminium de l'appareil.

► **Fig.43:** 1. Manchon 2. Tuyau 3. Poignée tubulaire 4. Tube en aluminium

2. Tournez le côté de la butée sur le collecteur cyclone vers le haut, en alignant la butée sur la rainure de l'entrée d'aspiration. Verrouillez la butée en insérant le collecteur cyclone jusqu'au dé clic. Tirez légèrement sur le collecteur cyclone pour vous assurer qu'il ne se détachera pas. Installez le tuyau droit de la même façon que le collecteur cyclone.

► **Fig.44:** 1. Poignée pour collecteur cyclone
2. Entrée d'aspiration 3. Collecteur cyclone
4. Tuyau droit pour collecteur cyclone
5. Butée 6. Bouton de verrouillage

3. Installez le collecteur cyclone sur l'appareil, puis tournez le manchon sur le tuyau dans le sens des aiguilles d'une montre pour le fixer en place.

► **Fig.45**

Mise au rebut des poussières

Lorsque la poussière s'est accumulée jusqu'à la ligne Plein du logement à poussières, procédez comme indiqué ci-dessous et jetez la poussière.

1. Tenez fermement le logement à poussières, maintenez enfoncés les deux boutons et retirez le logement à poussières.

► **Fig.46:** 1. Ligne Plein 2. Logement à poussières 3. Bouton (deux emplacements) 4. Filtre à maille

2. Jetez la poussière à l'intérieur du logement à poussières et retirez la poussière ou la poudre collée à la surface du filtre à maille.

3. Insérez le logement à poussières à fond jusqu'à ce que les deux boutons se verrouillent en place avec un déclic.

► **Fig.47:** 1. Logement à poussières 2. Bouton (deux emplacements)

NOTE : Tenez fermement le collecteur cyclone lorsque vous installez le logement à poussières.

NOTE : Vérifiez avant de redémarrer que le collecteur cyclone, l'aspirateur et le tuyau droit sont correctement verrouillés.

NOTE : Si la puissance d'aspiration n'est pas rétablie même après avoir jeté la poussière et nettoyé le filtre à maille, vérifiez si la poussière ne s'est pas accumulée dans le sac-filtre de l'aspirateur ou si ce dernier n'est pas bouché.

Nettoyage

Lorsque le logement à poussières est sale ou que le filtre à maille est bouché, retirez-les et lavez-les à l'eau. (Consultez « Mise au rebut des poussières » pour la procédure de retrait.)

Séchez soigneusement les pièces avant de les remettre en place et d'utiliser l'aspirateur.

► **Fig.48:** 1. Logement à poussières 2. Filtre à maille

Lorsque le filtre à maille est très sale, nettoyez-le en procédant comme suit.

1. Tournez le filtre à maille dans le sens inverse des aiguilles d'une montre et retirez-le alors que les crochets sont déverrouillés.

► **Fig.49:** 1. Filtre à maille 2. Crochet

2. Retirez la poussière sur le filtre à maille, puis lavez-le à l'eau. Ensuite, séchez-le soigneusement.

3. Insérez le filtre à maille dans la base avec les crochets alignés sur l'orifice. Tournez le filtre à maille dans le sens des aiguilles d'une montre jusqu'à ce que les crochets se verrouillent en place avec un déclic. Assurez-vous que le filtre à maille est solidement installé.

► **Fig.50:** 1. Filtre à maille 2. Crochet 3. Orifice

GUIDE DE DÉPANNAGE

Avant de faire une demande de réparation, effectuez d'abord vous-même une inspection. Si vous rencontrez un problème non documenté dans le mode d'emploi, n'essayez pas de démonter la machine. Demandez plutôt à un centre de service après-vente Makita agréé d'effectuer la réparation au moyen de pièces de rechange Makita.

Symptôme	Cause probable	Solution
Ne fonctionne pas	Les batteries ne sont pas bien installées.	Installez les batteries comme décrit dans ce manuel.
	Les batteries sont épuisées.	Chargez les batteries.
	La poignée n'est pas bien installée.	Installez fermement la poignée comme décrit dans ce manuel.
Le rouleau brosse ne tourne pas	L'appareil est verrouillé en position verticale.	Débloquez la position verticale de l'appareil.
	Le témoin d'erreur du rouleau brosse est allumé.	Vérifiez qu'il n'y a pas d'enchevêtrement autour du rouleau brosse (corps, capuchon et joint).
Faible puissance d'aspiration	Le témoin d'excès de poussière est allumé.	Remplacez le sac-filtre. Si le sac-filtre n'est pas plein, dépliez-le et secouez-le pour le déboucher.
	⇒ Si le remplacement du sac-filtre ne résout pas le problème...	Nettoyez ou remplacez le filtre HEPA.
	Des débris sont enchevêtrés dans le rouleau brosse et la vitesse de rotation est réduite.	Vérifiez qu'il n'y a pas d'enchevêtrement autour du rouleau brosse (corps, capuchon, joint).
	La hauteur du rouleau brosse est trop élevée par rapport au sol.	Abaissez la hauteur du rouleau brosse.
	Le poil du rouleau brosse a raccourci.	Remplacez le rouleau brosse. Abaissez la hauteur du rouleau brosse.
	L'appareil fonctionne en mode faible.	Optez pour le mode de fonctionnement élevé.
	Le rouleau brosse n'est pas installé.	Installez le rouleau brosse.
	Le tube ou le tuyau n'est pas bien installé.	Installez fermement le tuyau ou le tube.
Bruit de fonctionnement élevé	L'appareil fonctionne en mode élevé.	Optez pour le mode de fonctionnement faible.
	Des débris sont enchevêtrés dans le rouleau brosse.	Vérifiez qu'il n'y a pas d'enchevêtrement autour du rouleau brosse (corps, capuchon et joint).
	Le sac-filtre est rempli de poussière.	Remplacez le sac-filtre.
	⇒ Si le remplacement du sac-filtre ne résout pas le problème...	Nettoyez ou remplacez le filtre HEPA. Vérifiez qu'il n'y a pas de débris bloqués dans le tuyau et le tube.
Le témoin d'excès de poussière clignote après une utilisation minimale	Le sac-filtre est plié.	Dépliez l'entrée du sac-filtre avant de le mettre en place.
Le voyant DEL ne s'allume pas	Le voyant DEL est réglé sur OFF.	Pendant le fonctionnement, maintenez enfoncé le bouton de contrôle de batterie/ de voyant DEL pour allumer le voyant DEL.
La roulette est difficile à déplacer	Des débris sont enchevêtrés dans la roulette.	Nettoyez les débris sur la roulette.

ACCESSOIRES EN OPTION

⚠ ATTENTION : Ces accessoires ou pièces complémentaires sont recommandés pour l'utilisation avec l'outil Makita spécifié dans ce mode d'emploi. L'utilisation de tout autre accessoire ou pièce complémentaire peut comporter un risque de blessure. N'utilisez les accessoires ou pièces complémentaires qu'aux fins auxquelles ils ont été conçus.

Pour obtenir plus de détails sur ces accessoires, contactez votre centre d'entretien local Makita.

- Suceur plat
- Brosse ronde
- Collecteur cyclone
- Filtre HEPA
- Sac-filtre
- Sac à poussière
- Batterie et chargeur Makita d'origine

NOTE : Il se peut que certains éléments de la liste soient compris dans l'emballage de l'outil en tant qu'accessoires standard. Ils peuvent varier d'un pays à l'autre.

WARNUNG

- Diese Maschine sollte nicht von Personen (einschließlich Kindern) mit reduzierten körperlichen, sensorischen oder geistigen Fähigkeiten oder mangelnder Erfahrung und Kenntnis benutzt werden.
- Kinder sollten beaufsichtigt werden, um sicherzugehen, dass sie nicht mit dem Sauggerät spielen.
- Angaben zur Typenbezeichnung des Akkus finden Sie im Kapitel „TECHNISCHE DATEN“.
- Angaben zum Demontage- oder Installationsverfahren des Akkus finden Sie im Abschnitt „Installieren oder Demontieren des Akkus“.
- Entfernen Sie den Akku zum Entsorgen vom Werkzeug, und entsorgen Sie ihn an einem sicheren Ort. Befolgen Sie die örtlichen Vorschriften bezüglich der Entsorgung von Akkus.
- Soll das Werkzeug längere Zeit nicht benutzt werden, muss der Akku vom Werkzeug entfernt werden.
- Der Akku darf nicht kurzgeschlossen werden.
- Entsprechende Details der Vorsichtsmaßnahmen während der Benutzerwartung finden Sie im Kapitel „WARTUNG“.

TECHNISCHE DATEN

Modell:	DVC560
Maximales Luftvolumen *	1,9 m ³ /min
Unterdruck *	12 kPa
Kapazität	5 L
Abmessungen (L x B x H)	326 mm × 318 mm × 1.146 mm
Nennspannung	36 V Gleichstrom
Nettogewicht	8,3 - 9,0 kg

- * Der Wert wird nach unserem Originalverfahren gemessen.
- Wir behalten uns vor, Änderungen der technischen Daten im Zuge der Entwicklung und des technischen Fortschritts ohne vorherige Ankündigung vorzunehmen.
- Die technischen Daten und der Akku können von Land zu Land unterschiedlich sein.
- Das Gewicht schließt Zubehörteile (Rundbürste, Spitzdüse) und Akku(s) ein. Das niedrigste und höchste Kombinationsgewicht des Gerätes und der Akkus sind in der Tabelle angegeben.

Zutreffende Akkus und Ladegeräte

Akku	BL1815N / BL1820B / BL1830B / BL1840B / BL1850B / BL1860B
Ladegerät	DC18RC / DC18RD / DC18RE / DC18SD / DC18SE / DC18SF / DC18SH / DC18WC

- Einige der oben aufgelisteten Akkus und Ladegeräte sind je nach Ihrem Wohngebiet eventuell nicht erhältlich.

⚠️ WARNUNG: Verwenden Sie nur die oben aufgeführten Akkus und Ladegeräte. Bei Verwendung irgendwelcher anderer Akkus und Ladegeräte besteht Verletzungs- und/oder Brandgefahr.

Symbole

Nachfolgend werden Symbole beschrieben, die für das Gerät verwendet werden können. Machen Sie sich unbedingt vor der Benutzung mit ihrer Bedeutung vertraut.



Betriebsanleitung lesen.



Besondere Umsicht und Aufmerksamkeit erforderlich.



Nur für EU-Länder
Aufgrund des Vorhandenseins gefährlicher Komponenten in der Ausrüstung können Elektro- und Elektronik-Altgeräte, Akkumulatoren und Batterien sich negativ auf die Umwelt und die menschliche Gesundheit auswirken.
Entsorgen Sie Elektro- und Elektronikgeräte oder Batterien nicht mit dem Hausmüll!
In Übereinstimmung mit der Europäischen Richtlinie über Elektro- und Elektronik-Altgeräte, Akkumulatoren und Batterien, verbrauchte Akkumulatoren und Batterien sowie ihrer Anpassung an nationales Recht sollten Elektro-Altgeräte, Batterien und Akkumulatoren gemäß den Umweltschutzbestimmungen getrennt gelagert und zu einer getrennten Sammelstelle für Siedlungsabfälle geliefert werden.
Dies wird durch das am Gerät angebrachte Symbol der durchgestrichenen Abfalltonne auf Rädern angezeigt.

Vorgesehene Verwendung

Das Gerät ist für das Absaugen von Trockenstaub vorgesehen. Das Gerät eignet sich für kommerziellen Einsatz z. B. in Hotels, Schulen, Krankenhäusern, Fabriken, Läden, Büros und Mietunternehmen.

Geräusch

Typischer A-bewerteter Geräuschpegel ermittelt gemäß IEC60335-2-69:

Schalldruckpegel (L_{pA}): 70 dB (A) oder weniger
Messunsicherheit (K): 2,5 dB (A)

Der Geräuschpegel kann während des Betriebs 80 dB (A) überschreiten.

HINWEIS: Der (Die) angegebene(n) Schallemissionswert(e) wurde(n) im Einklang mit der Standardprüfmethode gemessen und kann (können) für den Vergleich zwischen Werkzeugen herangezogen werden.

HINWEIS: Der (Die) angegebene(n) Schallemissionswert(e) kann (können) auch für eine Vorbewertung des Gefährdungsgrads verwendet werden.

⚠️ WARNUNG: Einen Gehörschutz tragen.

⚠️ WARNUNG: Die Schallemission während der tatsächlichen Benutzung des Elektrowerkzeugs kann je nach der Benutzungsweise des Werkzeugs, und speziell je nach der Art des bearbeiteten Werkstücks, von dem (den) angegebenen Wert(en) abweichen.

⚠️ WARNUNG: Identifizieren Sie Sicherheitsmaßnahmen zum Schutz des Benutzers anhand einer Schätzung des Gefährdungsgrads unter den tatsächlichen Benutzungsbedingungen (unter Berücksichtigung aller Phasen des Arbeitszyklus, wie z. B. Ausschalt- und Leerlaufzeiten des Werkzeugs zusätzlich zur Betriebszeit).

Schwingungen

Schwingungsgesamtwert (Drei-Achsen-Vektorsumme) ermittelt gemäß IEC60335-2-69:

Schwingungsemission ($a_{h,M}$): 2,5 m/s^2 oder weniger
Messunsicherheit (K): 1,5 m/s^2

HINWEIS: Der (Die) angegebene(n) Vibrationsgesamtwert(e) wurde(n) im Einklang mit der Standardprüfmethode gemessen und kann (können) für den Vergleich zwischen Werkzeugen herangezogen werden.

HINWEIS: Der (Die) angegebene(n) Vibrationsgesamtwert(e) kann (können) auch für eine Vorbewertung des Gefährdungsgrads verwendet werden.

⚠️ WARNUNG: Die Vibrationsemission während der tatsächlichen Benutzung des Elektrowerkzeugs kann je nach der Benutzungsweise des Werkzeugs, und speziell je nach der Art des bearbeiteten Werkstücks, von dem (den) angegebenen Emissionswert(en) abweichen.

⚠️ WARNUNG: Identifizieren Sie Sicherheitsmaßnahmen zum Schutz des Benutzers anhand einer Schätzung des Gefährdungsgrads unter den tatsächlichen Benutzungsbedingungen (unter Berücksichtigung aller Phasen des Arbeitszyklus, wie z. B. Ausschalt- und Leerlaufzeiten des Werkzeugs zusätzlich zur Betriebszeit).

Konformitätserklärungen

Nur für europäische Länder

Die Konformitätserklärungen sind in Anhang A dieser Betriebsanleitung enthalten.

SICHERHEITSWARNUNGEN

Sicherheitswarnungen für Akku-Sauggerät

⚠️ WARNUNG: WICHTIG! Alle Sicherheitswarnungen und Anweisungen **VOR GEBRAUCH AUFMERKSAM LESEN**. Eine Missachtung der Warnungen und Anweisungen kann zu einem elektrischen Schlag, Brand und/oder schweren Verletzungen führen.

1. Stellen Sie vor dem Gebrauch sicher, dass dieses Sauggerät nur von Personen benutzt wird, die im Gebrauch dieses Sauggerätes hinreichend unterrichtet worden sind.
2. Benutzen Sie das Gerät nicht ohne angebrachten Filterbeutel und/oder Filter. Ersetzen Sie einen beschädigten Filter unverzüglich.
3. **UNBEABSICHTIGTES EINSCHALTEN VERMEIDEN.** Vergewissern Sie sich, dass der Schalter ausgeschaltet ist, wenn Sie einen oder mehrere Akku(s) einsetzen.
4. Versuchen Sie nicht, brennbare Materialien, Feuerwerk, brennende Zigaretten, heiße Asche, heiße Metallspäne, scharfe Gegenstände, wie etwa Rasierklingen, Nadeln, Glasscherben oder dergleichen aufzusaugen.
5. **BENUTZEN SIE DAS SAUGGERÄT NIEMALS IN DER NÄHE VON BENZIN, GAS, LACK, KLEBSTOFFEN ODER ANDEREN HOCH EXPLOSIVEN SUBSTANZEN.** Der Schalter erzeugt Funken beim Ein- und Ausschalten. Ebenso der Motorkollektor während des Betriebs. Es kann zu einer gefährlichen Explosion kommen.
6. Dieser Sauger ist nicht zum Aufsaugen giftigen Staubs geeignet.
7. Saugen Sie niemals giftige, krebserregende, brennbare oder andere Gefahrstoffe wie Asbest, Arsen, Barium, Beryllium, Blei, Pestizide oder sonstige gesundheitsgefährdende Materialien auf.
8. Benutzen Sie das Gerät nicht im Freien oder auf nassen Oberflächen.
9. Für Finnland: Diese Maschine darf nicht im Freien bei niedrigen Temperaturen benutzt werden.
10. Benutzen Sie das Gerät nicht in der Nähe von Wärmequellen (Öfen usw.).
11. Blockieren Sie nicht den Saugeinlass/den Gebläseauslass/die Kühlluftöffnungen. Diese Öffnungen gestatten eine Kühlung des Motors. Blockierung ist sorgfältig zu vermeiden, weil sonst der Motor wegen mangelnder Belüftung überhitzt.
12. Vermeiden Sie Knicken, Ziehen oder Zertreten des Schlauchs.
13. Stellen Sie das Sauggerät sofort ab, wenn Sie während des Betriebs eine Leistungsver schlechterung oder etwas Ungewöhnliches bemerken.
14. **AKKU(S) ENTNEHMEN.** Bei Nichtgebrauch, vor der Wartung und beim Wechseln von Zubehör.
15. Reinigen und warten Sie den Staubsauger sofort nach jedem Gebrauch, um ihn in optimalem Betriebszustand zu halten.
16. **SAUGGERÄT SORGFÄLTIG WARTEN.** Halten Sie das Sauggerät für bessere und sicherere Leistung sauber. Befolgen Sie die Anweisungen zum Auswechseln von Zubehör. Halten Sie die Handgriffe trocken, sauber und frei von Öl und Fett.
17. **GERÄT AUF BESCHÄDIGTE TEILE ÜBERPRÜFEN.** Bevor Sie das Sauggerät weiter benutzen, sollten Sie beschädigte Schutzvorrichtungen und Teile sorgfältig auf ihre Betriebsfähigkeit und Funktionstüchtigkeit hin überprüfen. Überprüfen Sie das Gerät auf Ausrichtung und Klemmen beweglicher Teile, Beschädigung von Teilen, Befestigungszustand und sonstige Mängel von Teilen, die seinen Betrieb beeinträchtigen können. Beschädigte Schutzvorrichtungen oder Teile sollten von einem autorisierten Service-Center ordnungsgemäß repariert oder ausgewechselt werden, wenn nicht anders in dieser Bedienungsanleitung angegeben. Lassen Sie defekte Schalter von einem autorisierten Service-Center auswechseln. Benutzen Sie das Sauggerät nicht, wenn es sich nicht mit dem Schalter ein- und ausschalten lässt.
18. **ERSATZTEILE.** Verwenden Sie bei der Wartung nur identische Ersatzteile.
19. Wenn Sie den Staubsauger nicht verwenden, bewahren Sie ihn immer in einem geschlossenen Raum auf.
20. Behandeln Sie Ihr Sauggerät mit Sorgfalt. Grobe Behandlung kann eine Beschädigung des Sauggerätes verursachen, selbst wenn es noch so robust gebaut ist.
21. Versuchen Sie nicht, die Außen- oder Innenseite mit Waschbenzin, Verdüner oder Reinigungschemikalien zu reinigen. Dadurch können Risse und Verfärbung verursacht werden.
22. Benutzen Sie das Sauggerät nicht in einem geschlossenen Raum, wo brennbare, explosive oder giftige Dämpfe von Lack auf Ölbasis, Lackverdünner, Benzin, bestimmten Mittelschutzmitteln usw. abgegeben werden, oder in Bereichen, wo brennbarer Staub vorhanden ist.
23. Betreiben Sie weder dieses noch andere Werkzeuge unter dem Einfluss von Medikamenten oder Alkohol.
24. Tragen Sie abhängig von der Benutzungsumgebung entsprechende Schutzausrüstung, wie z. B. eine Maske.
25. Diese Maschine sollte nicht von Personen (einschließlich Kindern) mit reduzierten körperlichen, sensorischen oder geistigen Fähigkeiten oder mangelnder Erfahrung und Kenntnis benutzt werden.
26. Kinder sollten beaufsichtigt werden, um sicherzugehen, dass sie nicht mit dem Sauggerät spielen.

27. **Fassen Sie Akku(s) und den Staubsauger niemals mit nassen Händen an.**
28. **Lassen Sie bei der Reinigung auf Treppen äußerste Vorsicht walten.**
29. **Achten Sie bei der Arbeit stets auf sicheren Stand.**
30. **Benutzen Sie das Saugergerät nicht als Hocker oder Werkbank. Anderenfalls kann die Maschine herunterfallen und Personenschäden verursachen.**
31. **Halten Sie alle Körperteile und Kleidungsstücke von den Öffnungen und beweglichen Teilen, wie z. B. der rotierenden Bürstenrolle, fern. Anderenfalls können sie sich im Gerät verfangen und Verletzungen verursachen.**

Gebrauch und Pflege von Akkuwerkzeugen

1. **Laden Sie den Akku nur mit dem vom Hersteller vorgeschriebenen Ladegerät.** Ein Ladegerät, das für einen Akkutyp geeignet ist, kann eine Brandgefahr darstellen, wenn es mit einem anderen Akku verwendet wird.
2. **Benutzen Sie Elektrowerkzeuge nur mit den ausdrücklich vorgeschriebenen Akkus.** Bei Verwendung irgendwelcher anderer Akkus besteht Verletzungs- und Brandgefahr.
3. **Halten Sie den Akku bei Nichtgebrauch von anderen Metallgegenständen, wie z. B. Büroklammern, Münzen, Schlüsseln, Nägeln, Schrauben oder anderen kleinen Metallgegenständen, fern, welche die Kontakte kurzschließen können.** Kurzschließen der Akkukontakte kann Verbrennungen oder einen Brand verursachen.
4. **Bei Missbrauch kann Flüssigkeit aus dem Akku austreten. Vermeiden Sie Kontakt mit dieser Flüssigkeit. Falls Sie versehentlich mit der Flüssigkeit in Berührung kommen, spülen Sie die betroffenen Stellen mit Wasser ab. Falls die Flüssigkeit in die Augen gelangt, suchen Sie zusätzlich ärztliche Hilfe auf.** Die vom Akku austretende Flüssigkeit kann Hautreizungen oder Verätzungen verursachen.
5. **Verwenden Sie keinen Akku und auch kein Werkzeug, der (das) beschädigt oder modifiziert ist.** Beschädigte oder modifizierte Akkus können unvorhersehbares Verhalten zeigen, das zu einem Brand, einer Explosion oder Verletzungsgefahr führen kann.
6. **Setzen Sie einen Akku oder ein Werkzeug nicht Feuer oder übermäßigen Temperaturen aus.** Bei Einwirkung von Feuer oder Temperaturen über 130 °C kann es zu einer Explosion kommen.
7. **Befolgen Sie alle Ladeanweisungen, und laden Sie den Akku bzw. das Werkzeug nicht außerhalb des in den Anweisungen angegebenen Temperaturbereichs.** Wird der Ladevorgang unsachgemäß oder bei Temperaturen außerhalb des angegebenen Bereichs durchgeführt, kann es zu einer Beschädigung des Akkus und erhöhter Brandgefahr kommen.

DIESE ANWEISUNGEN AUFBEWAHREN.

⚠️ WARNUNG: Lassen Sie sich NICHT durch Bequemlichkeit oder Vertrautheit mit dem Produkt (durch wiederholten Gebrauch erworben) von der strikten Einhaltung der Sicherheitsregeln für das vorliegende Produkt abhalten. MISSBRAUCH oder Missachtung der Sicherheitsvorschriften in dieser Anleitung können schwere Verletzungen verursachen.

Wichtige Sicherheitsanweisungen für Akku

1. **Lesen Sie vor der Benutzung des Akkus alle Anweisungen und Warnhinweise, die an (1) Ladegerät, (2) Akku und (3) Akkuwerkzeug angebracht sind.**
2. **Unterlassen Sie Zerlegen oder Manipulieren des Akkus.** Es kann sonst zu einem Brand, übermäßiger Hitzeentwicklung oder einer Explosion kommen.
3. **Falls die Betriebszeit beträchtlich kürzer geworden ist, stellen Sie den Betrieb sofort ein. Anderenfalls besteht die Gefahr von Überhitzung, möglichen Verbrennungen und sogar einer Explosion.**
4. **Falls Elektrolyt in Ihre Augen gelangt, waschen Sie sie mit sauberem Wasser aus, und begeben Sie sich unverzüglich in ärztliche Behandlung. Anderenfalls können Sie Ihre Sehkraft verlieren.**
5. **Der Akku darf nicht kurzgeschlossen werden:**
 - (1) **Die Kontakte dürfen nicht mit leitfähigem Material berührt werden.**
 - (2) **Lagern Sie den Akku nicht in einem Behälter zusammen mit anderen Metallgegenständen, wie z. B. Nägel, Münzen usw.**
 - (3) **Setzen Sie den Akku weder Wasser noch Regen aus.**

Ein Kurzschluss des Akkus verursacht starken Stromfluss, der Überhitzung, mögliche Verbrennungen und einen Defekt zur Folge haben kann.
6. **Lagern und benutzen Sie das Werkzeug und den Akku nicht an Orten, an denen die Temperatur 50 °C erreichen oder überschreiten kann.**
7. **Versuchen Sie niemals, den Akku zu verbrennen, selbst wenn er stark beschädigt oder vollkommen verbraucht ist. Der Akku kann im Feuer explodieren.**
8. **Unterlassen Sie Nageln, Schneiden, Zerquetschen, Werfen, Fallenlassen des Akkus oder Schlagen des Akkus mit einem harten Gegenstand.** Eine solche Handlung kann zu einem Brand, übermäßiger Hitzeentwicklung oder einer Explosion führen.
9. **Benutzen Sie keine beschädigten Akkus.**
10. **Die enthaltenen Lithium-Ionen-Akkus unterliegen den Anforderungen der Gefahrgut-Gesetzgebung.**

Für kommerzielle Transporte, z. B. durch Dritte oder Spediteure, müssen besondere Anforderungen zu Verpackung und Etikettierung beachtet werden.

Zur Vorbereitung des zu transportierenden Artikels ist eine Beratung durch einen Experten für Gefahrengut erforderlich. Bitte beachten Sie möglicherweise ausführlichere nationale Vorschriften. Überkleben oder verdecken Sie offene Kontakte, und verpacken Sie den Akku so, dass er sich in der Verpackung nicht umher bewegen kann.

11. **Entfernen Sie den Akku zum Entsorgen vom Werkzeug, und entsorgen Sie ihn an einem sicheren Ort. Befolgen Sie die örtlichen Vorschriften bezüglich der Entsorgung von Akkus.**
12. **Verwenden Sie die Akkus nur mit den von Makita angegebenen Produkten.** Das Einsetzen der Akkus in nicht konforme Produkte kann zu einem Brand, übermäßiger Hitzebildung, einer Explosion oder Auslaufen von Elektrolyt führen.
13. **Soll das Werkzeug längere Zeit nicht benutzt werden, muss der Akku vom Werkzeug entfernt werden.**
14. **Bei und nach dem Gebrauch kann der Akku heiß werden, was Verbrennungen oder Niedertemperaturverbrennungen verursachen kann. Beachten Sie die Handhabung von heißen Akkus.**
15. **Berühren Sie nicht den Anschlusskontakt des Werkzeugs unmittelbar nach dem Gebrauch, da er heiß genug werden kann, um Verbrennungen zu verursachen.**
16. **Achten Sie darauf, dass sich keine Späne, Staub oder Schmutz in den Anschlusskontakten, Löchern und Nuten des Akkus absetzen.** Es könnte sonst zu Erhitzung, Brandauslösung, Bersten und Funktionsstörungen des Werkzeugs oder des Akkus kommen, was zu Verbrennungen oder Personenschäden führen kann.

17. **Wenn das Werkzeug den Einsatz in der Nähe einer Hochspannungs-Stromleitung nicht unterstützt, benutzen Sie den Akku nicht in der Nähe einer Hochspannungs-Stromleitung.** Dies kann zu einer Funktionsstörung oder Betriebsstörung des Werkzeugs oder des Akkus führen.
18. **Halten Sie die Batterie von Kindern fern.**

DIESE ANWEISUNGEN AUFBEWAHREN.

⚠ VORSICHT: Verwenden Sie nur **Original-Makita-Akkus**. Die Verwendung von Nicht-Original-Makita-Akkus oder von Akkus, die abgeändert worden sind, kann zum Bersten des Akkus und daraus resultierenden Bränden, Personenschäden und Beschädigung führen. Außerdem wird dadurch die Makita-Garantie für das Makita-Werkzeug und -Ladegerät ungültig.

Hinweise zur Aufrechterhaltung der maximalen Akku-Nutzungsdauer

1. **Laden Sie den Akku, bevor er vollkommen erschöpft ist. Schalten Sie das Werkzeug stets aus, und laden Sie den Akku, wenn Sie ein Nachlassen der Werkzeugleistung feststellen.**
2. **Unterlassen Sie erneutes Laden eines voll aufgeladenen Akkus. Überladen führt zu einer Verkürzung der Nutzungsdauer des Akkus.**
3. **Laden Sie den Akku bei Raumtemperatur zwischen 10 – 40 °C. Lassen Sie einen heißen Akku abkühlen, bevor Sie ihn laden.**
4. **Wenn Sie den Akku nicht benutzen, nehmen Sie ihn vom Werkzeug oder Ladegerät ab.**
5. **Der Akku muss geladen werden, wenn er lange Zeit (länger als sechs Monate) nicht benutzt wird.**

BEZEICHNUNG DER TEILE

► Abb.1

1	Handgriff	2	Schalterplatte	3	Rohrgriff	4	Schlauch
5	Anzeigetafel	6	Hebel (für Staubboxdeckel)	7	Staubboxdeckel	8	Tragegriff
9	Verschluss (für Akkuabdeckung)	10	Einstellhebel	11	Akkuabdeckung	12	Spitzdüse
13	Rundbürste	14	Fußhebel	15	Laufgrad	16	Seitenbürste
17	Saugschlauch	18	Verbindungsstück	19	Aluminiumrohr	20	Rohrhalter
21	LED-Lampe	22	Bürstenrolle	23	Bodenplatte	24	Einschalt (ON)/- Betriebsartumschalttaste
25	Ausschalttaste (OFF)	26	Betriebsartanzeige	27	Staubfüllstand-Warnanzeige	28	Bürstenrollen-Fehleranzeige
29	Akku-Restkapazitätsanzeige	30	Akkukontroll-/LED-Lampentaste	-	-	-	-

MONTAGE

⚠ VORSICHT: Vergewissern Sie sich vor der Ausführung von Arbeiten am Gerät stets, dass das Gerät ausgeschaltet und der Akku abgenommen ist.

⚠ VORSICHT: Tragen Sie während der Montage oder Wartung immer eine Staubmaske.

Griffanschluss

1. Führen Sie die Griffstange vollständig in den Staubsauger-Hauptteil ein, wie in der Abbildung gezeigt.
 2. Schließen Sie den Sperrriegel.
- **Abb.2:** 1. Griffstange 2. Rote Markierung 3. Sperrriegel

ANMERKUNG: Führen Sie den Griff vollständig ein, bis die rote Markierung nicht mehr sichtbar ist.

Schlauchanschluss

Führen Sie den Schlauch in die Montageöffnung des Gerätes ein, und drehen Sie ihn, bis er einrastet.

► **Abb.3**

Rohranschluss

Führen Sie das Ende des Aluminiumrohrs in das Verbindungsstück ein, und befestigen Sie dann das Aluminiumrohr am Rohrhalter.

► **Abb.4:** 1. Verbindungsstück 2. Rohrhalter

ANMERKUNG: Führen Sie das Aluminiumrohr in der korrekten Richtung ein, wie in der Abbildung gezeigt. Anderenfalls lässt sich der Rohrhalter nicht verriegeln, und das Aluminiumrohr kann sich lösen.

► **Abb.5**

Anbringen und Abnehmen des Akkus

⚠ VORSICHT: Schalten Sie stets das Gerät aus, bevor Sie den Akku anbringen oder abnehmen.

⚠ VORSICHT: Halten Sie das Sauggerät und den Akku beim Anbringen oder Abnehmen des Akkus sicher fest. Wenn Sie das Sauggerät und den Akku nicht sicher festhalten, können sie Ihnen aus der Hand rutschen, was zu einer Beschädigung des Sauggerätes und des Akkus und zu Personenschäden führen kann.

⚠ VORSICHT: Achten Sie beim Öffnen oder Schließen der Akkuabdeckung darauf, dass Sie sich nicht die Finger klemmen. Anderenfalls kann es zu Personenschäden kommen.

Zum Einsetzen des Akkus entriegeln Sie zuerst den Verschluss, und öffnen Sie dann die Akkuabdeckung. Setzen Sie danach den Akku ein.

► **Abb.6:** 1. Verschluss 2. Akkuabdeckung

Richten Sie die Führungsfeder des Akkus auf die Führungsnut im Gehäuse aus, und schieben Sie den Akku hinein. Schieben Sie ihn vollständig ein, bis er mit einem hörbaren Klicken einrastet. Verriegeln Sie dann die Akkuabdeckung.

► **Abb.7:** 1. Akku 2. Knopf

Ziehen Sie den Akku zum Abnehmen vom Gerät ab, während Sie den Knopf an der Vorderseite des Akkus verschieben.

⚠ VORSICHT: Setzen Sie den Akku immer vollständig ein. Anderenfalls kann er versehentlich aus dem Gerät herausfallen und Sie oder umstehende Personen verletzen.

⚠ VORSICHT: Unterlassen Sie Gewaltanwendung beim Anbringen des Akkus. Falls der Akku nicht reibungslos hineingleitet, ist er nicht richtig ausgerichtet.

HINWEIS: Der Staubsauger funktioniert nicht mit nur einem Akku.

Installieren des Filterbeutels

⚠ VORSICHT: Verwenden Sie keinen beschädigten Filterbeutel. Verwenden Sie das Sauggerät stets mit ordnungsgemäß montiertem Filterbeutel. Anderenfalls können aufgesaugter Staub oder Partikel vom Sauggerät entweichen und die Atemwege des Bedieners angreifen.

Installieren Sie den Filterbeutel vor Gebrauch des Staubsaugers.

Der Filterbeutel ist ein Wegwerfartikel. Werfen Sie den ganzen Filterbeutel weg, ohne ihn zu entleeren, wenn er voll geworden ist.

ANMERKUNG: Wenn der Filterbeutel bereits voll oder zugesetzt ist, tauschen Sie ihn gegen einen neuen aus. Fortgesetzter Gebrauch mit vollem oder zugesetztem Filterbeutel führt zu reduzierter Saugkraft.

ANMERKUNG: Um Eindringen von Staub in den Motor zu verhindern:

- Vergewissern Sie sich vor Gebrauch stets, dass der Filterbeutel eingesetzt ist.
- Verwenden Sie keinen beschädigten oder zerrissenen Beutel.

Anderenfalls kann der Motor beschädigt werden.

ANMERKUNG: Unterlassen Sie Falten des Kartons an seiner Öffnung, wenn Sie den Filterbeutel einsetzen.

ANMERKUNG: Der Filterbeutel für den Staubsauger ist ein wichtiges Teil zur Aufrechterhaltung der Geräteleistung. Die Verwendung eines nicht originalen Filterbeutels kann Rauchbildung oder Entflammung verursachen.

HINWEIS: Wenn der Filterbeutel nicht im Gerät eingesetzt ist, lässt sich der Staubboxdeckel nicht vollständig schließen.

1. Entriegeln Sie den Hebel, und öffnen Sie den Staubboxdeckel.
► **Abb.8:** 1. Hebel 2. Staubboxdeckel
2. Entfalten Sie den Filterbeutel vollständig.
► **Abb.9**
3. Führen Sie den Filterbeutel in den Schlitz am Halter ein, so dass die Seite mit der Markierung \triangle zuerst eintritt.
4. Haken Sie die Klinke des Halters ein.
► **Abb.10:** 1. Schlitz 2. Filterbeutel 3. Halter 4. Klinke
5. Vergewissern Sie sich, dass nur die Markierung auf dem Karton durch den Schlitz des Halters sichtbar ist.
► **Abb.11:** 1. Markierung 2. Schlitz
6. Entfalten Sie den Filterbeutel, falls er zusammengefaltet ist.
► **Abb.12**
7. Verriegeln Sie den Staubboxdeckel unbedingt.

VORSICHT: Achten Sie beim Einhaken der Klinke und beim Schließen des Staubboxdeckels darauf, dass Sie Ihre Finger nicht einklemmen.

Entfernen des Filterbeutels

VORSICHT: Behandeln Sie den Filterbeutel **sachte**. Falls Fremdkörper in die Augen geblasen werden, kann dies zu Personenschäden führen.

- Tauschen Sie den Filterbeutel aus, wenn er voll oder zugesetzt wird.
- Öffnen Sie den Staubboxdeckel, entriegeln Sie die Klinke, und nehmen Sie dann den Filterbeutel heraus. Ziehen Sie den Streifen an der Seite der Öffnung, um den Filterbeutel zu verschließen, und entsorgen Sie den ganzen Filterbeutel.
- **Abb.13:** 1. Klinke 2. Streifen

ANMERKUNG: Verwenden Sie **keinen gebrauchten Filterbeutel**. Der Filterbeutel ist für Einmalgebrauch ausgelegt. Wiederholter Gebrauch des Filterbeutels kann Verstopfung des Filters verursachen und zu einer Beschädigung des Sauggerätes führen. Verwenden Sie für wiederholten Gebrauch einen Staubsack.

FUNKTIONSBESCHREIBUNG

VORSICHT: Vergewissern Sie sich vor der Durchführung von Einstellungen oder Funktionsprüfungen des Gerätes stets, dass das Gerät ausgeschaltet und der Akku abgenommen ist.

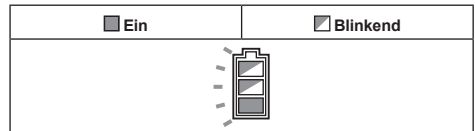
Werkzeug/Akku-Schutzsystem

Das Werkzeug ist mit einem Werkzeug/Akku-Schutzsystem ausgestattet. Dieses System schaltet die Stromversorgung des Motors automatisch ab, um die Lebensdauer von Werkzeug und Akku zu verlängern. Das Werkzeug bleibt während des Betriebs automatisch stehen, wenn das Werkzeug oder der Akku einer der folgenden Bedingungen unterliegt:

Überlastschutz

Wird das Werkzeug auf eine Weise benutzt, die eine ungewöhnlich hohe Stromaufnahme bewirkt, bleibt es ohne jegliche Anzeige automatisch stehen. Schalten Sie in dieser Situation das Werkzeug aus, und brechen Sie die Arbeit ab, die eine Überlastung des Werkzeugs verursacht hat. Schalten Sie dann das Werkzeug wieder ein, um neu zu starten.

Überhitzungsschutz



Wenn das Werkzeug überhitzt wird, bleibt es automatisch stehen, und die Akku-Anzeige blinkt etwa 60 Sekunden lang. Lassen Sie das Werkzeug in dieser Situation abkühlen, bevor Sie es wieder einschalten.

Überentladungsschutz

Wenn die Akkukapazität niedrig wird, schaltet sich das Werkzeug automatisch aus. Falls das Produkt trotz Betätigung der Schalter nicht funktioniert, entfernen Sie die Akkus vom Werkzeug, und laden Sie sie auf.

Anzeigen der Akku-Restkapazität

Nur für Akkus mit Anzeige

- **Abb.14:** 1. Anzeigelampen 2. Prüftaste

Drücken Sie die Prüftaste am Akku, um die Akku-Restkapazität anzuzeigen. Die Anzeigelampen leuchten wenige Sekunden lang auf.

Anzeigelampen			Restkapazität
Erleuchtet	Aus	Blinkend	
			75% bis 100%
			50% bis 75%
			25% bis 50%
			0% bis 25%
			Den Akku aufladen.
			Möglicherweise liegt eine Funktionsstörung im Akku vor.

HINWEIS: Abhängig von den Benutzungsbedingungen und der Umgebungstemperatur kann die Anzeige geringfügig von der tatsächlichen Kapazität abweichen.

HINWEIS: Die erste (äußerste linke) Anzeigelampe blinkt, wenn das Akku-Schutzsystem aktiv ist.

Anzeigetafel

► **Abb.15:** 1. Betriebsart 2. Staubfüllstandwarnung 3. Bürstenrollenfehler 4. Akku-Restkapazität 5. Akkukontroll-/LED-Lampentaste

Betriebsart

Angaben zum Wechseln der Betriebsart finden Sie im Abschnitt für die Schalterfunktion.

Staubfüllstandwarnung

Wenn diese Anzeige aufleuchtet, ist es an der Zeit, den Filterbeutel auszutauschen. (Siehe den Abschnitt zum Entfernen des Filterbeutels.)

HINWEIS: Diese Anzeige funktioniert nicht, wenn das Gerät in der Betriebsart „niedriger Geräuschpegel (1)“ läuft.

HINWEIS: Diese Anzeige funktioniert je nach Benutzungsumgebung eventuell nicht.

HINWEIS: Die Anzeige erlischt ungefähr eine Minute nach dem Ausschalten des Gerätes automatisch. Wenn Sie die Verstopfung des Filterbeutels beseitigen und das Gerät wieder starten, erlischt die Anzeige sogar innerhalb einer Minute.

Bürstenrollenfehler

Blinken	Die Bürstenrolle unterliegt aus irgendwelchen Gründen hoher Belastung.
Ein	Die Bürstenrolle wird aus einem ungewöhnlichen Grund gestoppt.

⚠️ WARNUNG: Schalten Sie das Gerät sofort aus, wenn diese Lampe während des Betriebs aufleuchtet. Anderenfalls kann eine Funktionsstörung des Motors auftreten, die zu einem Brand führen kann.

Akku-Restkapazität

Drücken Sie während des Betriebs die Akkukontroll-/LED-Lampentaste, um die Akku-Restkapazität anzuzeigen. Jedem Akku ist eine eigene Akku-Anzeige zugeordnet.

► **Abb.16**

Status der Akku-Anzeige			Akku-Restkapazität
Ein	Aus	Blinkend	
			50% bis 100%
			20% bis 50%
			0% bis 20%
			Akku aufladen

Akkukontroll-/LED-Lampentaste

Während des Betriebs können die folgenden Vorgänge durchgeführt werden.

- Drücken Sie einfach die Taste, um die Akku-Restkapazität zu überprüfen.
- Halten Sie die Taste gedrückt, um die LED-Lampe ein- und auszuschalten.

Schalterfunktion

► **Abb.17:** 1. Einschalt (ON)-/Betriebsartumschalttaste 2. Ausschalttaste (OFF)

Ein- und Ausschalten des Gerätes

Drücken Sie zum Einschalten des Gerätes einfach die Einschalt (ON)-/Betriebsartumschalttaste. Drücken Sie zum Ausschalten die Ausschalttaste (OFF).

⚠️ VORSICHT: Setzen Sie immer den Kopf des Gerätes auf den Boden, wenn Sie das Gerät einschalten. Anderenfalls kann ein Unfall durch Verfangen auftreten und Personenschäden verursachen.

Wechseln der Betriebsart

Sie können die Betriebsart in drei Stufen wechseln: „niedriger Geräuschpegel (1)“, „normal (2)“ und „hoch (3)“.

Um die Betriebsart zu wechseln, drücken Sie die Einschalt (ON)/Betriebsartumschalttaste, während das Gerät in Betrieb ist. Die Betriebsart wird der Reihe nach auf „niedriger Geräuschpegel (1)“, „normal (2)“ und „hoch (3)“ umgeschaltet.

Das Gerät startet beim Einschalten in derselben Betriebsart wie in der vorhergehenden Einstellung.

Einschalten der LED-Lampe

⚠ VORSICHT: Blicken Sie nicht direkt in die Lampe oder die Lichtquelle.

Das Gerät ist mit LED-Lampen ausgestattet. Angaben zum Betrieb finden Sie im Abschnitt der Akkukontrolle-/LED-Lampentaste.

► **Abb.18:** 1. LED-Lampe

Fußhebel

⚠ VORSICHT: Verriegeln Sie das Gerät immer in der Aufrechtstellung, wenn Sie den Handgriff loslassen. Andernfalls kann das Gerät versehentlich umkippen und Verletzungen verursachen.

⚠ VORSICHT: Achten Sie darauf, dass Sie Ihre Finger nicht zwischen Hauptteil und Kopf des Gerätes einklemmen.

Um das Gerät aus der Aufrechtstellung zu entriegeln, treten Sie auf den Fußhebel, und ziehen Sie den Handgriff nach hinten. Der Bewegungsbereich beträgt 90 Grad von der Aufrechtstellung.

► **Abb.19:** 1. Fußhebel

Um das Gerät in der Aufrechtstellung zu verriegeln, heben Sie den Handgriff nach vorn an, bis der Fußhebel mit einem Klicken einrastet.

► **Abb.20**

HINWEIS: Solange sich das Gerät in der Aufrechtstellung befindet, dreht sich die Bürstenrolle nicht.

Einstellen der Höhe der Bürstenrolle

⚠ VORSICHT: Vergewissern Sie sich vor dem Betrieb stets, dass sich der Einstellhebel in der korrekten Position befindet.

Die Höhe der Bürstenrolle kann in 4 Stufen eingestellt werden. Drehen Sie den Einstellhebel auf Ihre gewünschte Höhe. Wenn der Einstellhebel auf die Markierung A zeigt, befindet sich die Bürstenrolle am niedrigsten Punkt über dem Boden und eignet sich zum Saugen von harten Fußböden und kurzflorigen Teppichen. Wenn der Einstellhebel auf die Markierung B zeigt, befindet sich die Bürstenrolle am höchsten Punkt über dem Boden und eignet sich zum Saugen von langflorigen Teppichen.

► **Abb.21:** 1. Einstellhebel

HINWEIS: Die Bürstenrolle dreht sich eventuell nicht, falls sie zu tief über der Teppichoberfläche eingestellt ist.

Tragegriff

Wenn Sie das Gerät transportieren, schieben Sie es nur auf den Laufrädern, oder tragen Sie es durch Halten des Tragegriffes (der Tragegriffe).

► **Abb.22**

⚠ VORSICHT: Verriegeln Sie das Gerät zum Tragen in der Aufrechtstellung. Andernfalls kann ein Unfall durch Herunterfallen auftreten.

⚠ VORSICHT: Tragen Sie das Gerät nur am Tragegriff. Andernfalls kann ein Unfall durch Herunterfallen auftreten, oder unbeabsichtigtes Starten kann eine Verletzung verursachen.

► **Abb.23**

BETRIEB

⚠ VORSICHT: Ziehen Sie nicht die Griffstange während des Betriebs aus dem Gerät heraus. Andernfalls können Sie die Kontrolle über das Gerät verlieren, was zu ernsthaften Verletzungen führen kann.

⚠ VORSICHT: Halten Sie während des Betriebs nicht Ihre Hände oder Beine unter das Gerät. Andernfalls kann ein Unfall durch Einklemmen auftreten.

Normaler Saugbetrieb

1. Halten Sie den Handgriff, und entriegeln Sie dann das Gerät aus der Aufrechtstellung.
2. Schalten Sie das Gerät ein. Saugen Sie einen Fußboden.

► **Abb.24**

Verwendung der Seitenbürste

Die Seitenbürste ist praktisch zum Saugen der Ecke einer Wand.

Wenn die Seitenbürste kurz wird, lassen Sie sie von einer Makita-Kundendienststelle ersetzen.

► **Abb.25:** 1. Seitenbürste

Betrieb mit Zubehör

⚠ VORSICHT: Halten Sie den Handgriff fest, wenn Sie Zubehör benutzen. Andernfalls kann das Gerät versehentlich umkippen und Verletzungen verursachen.

ANMERKUNG: Wenn Sie Zubehör verwenden, verriegeln Sie das Gerät in der Aufrechtstellung. Andernfalls kann die Drehung der Bürstenrolle den Fußboden beschädigen.

Verwendung des Aluminiumrohrs

Das Aluminiumrohr eignet sich zum Saugen von engen oder hochgelegenen Stellen.

► **Abb.26:** 1. Aluminiumrohr

Verwendung des Schlauchs

Der Schlauch eignet sich zum Saugen in der Nähe Ihrer Hände.

► **Abb.27:** 1. Schlauch

Um den Schlauch zu benutzen, ziehen Sie das Aluminiumrohr vom Schlauch ab, während Sie den Hebel drücken.

Um den Schlauch zu installieren, führen Sie den Schlauch in das Aluminiumrohr ein, bis er einrastet.

► **Abb.28:** 1. Hebel

Verwendung der Anbaugeräte

► **Abb.29**

Zum Installieren eines Anbaugerätes schieben Sie es bei gleichzeitigem Drehen auf das Aluminiumrohr oder den Schlauch. Zum Trennen ziehen Sie ihn bei gleichzeitigem Drehen heraus.

WARTUNG

⚠ VORSICHT: Vergewissern Sie sich vor der Durchführung von Inspektions- oder Wartungsarbeiten stets, dass das Gerät ausgeschaltet und der Akku abgenommen ist.

ANMERKUNG: Verwenden Sie auf keinen Fall Benzin, Waschbenzin, Verdünnern, Alkohol oder dergleichen. Solche Mittel können Verfärbung, Verformung oder Rissbildung verursachen.

Um die SICHERHEIT und ZUVERLÄSSIGKEIT dieses Produkts zu gewährleisten, sollten Reparaturen und andere Wartungs- oder Einstellarbeiten nur von Makita-Vertragswerkstätten oder Makita-Kundendienstzentren unter ausschließlicher Verwendung von Makita-Originalersatzteilen ausgeführt werden.

Lagerung

Entfernen Sie die Akkus vor der Lagerung, und lagern Sie das Gerät an einem ebenen Platz in der Aufrechtstellung.

► **Abb.30**

Reinigung des Staubsauger-Hauptteils

Wischen Sie die Außenseite (Staubsauger-Hauptteil) des Staubsaugers von Zeit zu Zeit mit einem mit Seifenwasser getränkten Tuch ab.

► **Abb.31**

Reinigen des HEPA-Filters

⚠ VORSICHT: Benutzen Sie den Staubsauger nicht ohne einen Filter oder mit einem verschmutzten oder beschädigten Filter. Es besteht sonst die Gefahr, dass aufgesaugter Staub oder Partikel vom Sauggerät entweichen und die Atemwege des Bedieners angreifen.

ANMERKUNG: Um optimale Saugkraft und saubere Abluft aufrechtzuerhalten, reinigen Sie den Filter regelmäßig. Falls trotz einer Reinigung keine ausreichende Saugkraft erzielt wird, ersetzen Sie den Filter durch einen neuen.

ANMERKUNG: Um eine Beschädigung des Filters zu verhindern, verwenden Sie nicht die folgenden Werkzeuge und ähnliche Gegenstände zum Reinigen:

- Druckluftspray
- Hochdruckreiniger
- Aus harten Materialien hergestellte Werkzeuge, wie z. B. eine Metallbürste

1. Öffnen Sie den Staubboxdeckel, und nehmen Sie den Filterbeutel heraus.

Lösen Sie die Haken am Filter, und nehmen Sie den Filter aus dem Sauggeräte-Hauptteil heraus.

► **Abb.32:** 1. Haken

2. Klopfen Sie den Filter aus, um Staub zu entfernen. Der Filter kann mit Wasser gewaschen werden. Spülen Sie Staub und Partikel am Filter alle 1 oder 2 Monate ab. Lassen Sie den Filter anschließend an einem schattigen und gut belüfteten Ort vollkommen trocknen, um unangenehmen Geruch oder Funktionsstörungen zu verhindern.

3. Um den Filter einzusetzen, führen Sie die Seite ohne die Haken in die Führungsnut ein, und drücken Sie dann den Filter hinein, bis die Haken mit einem Klicken einrasten.

► **Abb.33:** 1. Nut 2. HEPA-Filter 3. Haken

Reinigung der Bürstenrolle

1. Entfernen Sie die Bodenplatte, und nehmen Sie dann die Bürstenrolle heraus.

Wenn die Borsten der Bürstenrolle kurz werden, lassen Sie sie von einer Makita-Kundendienststelle durch eine neue ersetzen.

Der Betrieb des Gerätes mit kurzen Borsten der Bürstenrolle führt zu schlechter Staubsammlung.

► **Abb.34:** 1. Bodenplatte 2. Bürstenrolle

2. Entfernen Sie Fäden und Haare mit einer Schere von der Bürstenrolle.

Nehmen Sie die Kappe ab, und entfernen Sie Fremdkörper.

► **Abb.35:** 1. Kappe

3. Bringen Sie Kappe, Bürstenrolle und Bodenplatte in umgekehrter Reihenfolge an.

► **Abb.36**

⚠ VORSICHT: Befestigen Sie die Bodenplatte vollständig. Wird das Gerät ohne die Bodenplatte betrieben, kann sich die Bürstenrolle lösen und Verletzungen verursachen.

ANMERKUNG: Setzen Sie stets die Bürstenrolle ein. Der Betrieb des Gerätes ohne die Bürstenrolle führt zu schlechter Staubsammlung.

Beseitigen einer Verstopfung

ANMERKUNG: Betreiben Sie das Gerät nicht mit verstopftem Saugluftströmungsweg. Fortgesetzter Gebrauch mit verstopftem Saugluftströmungsweg führt zu reduzierter Saugkraft.

1. Entfernen Sie die Bodenplatte, und nehmen Sie dann die Bürstenrolle heraus.
2. Entfernen Sie das Aluminiumrohr vom Gerät und vom Schlauch.
3. Drehen Sie den Schlauch entgegen dem Uhrzeigersinn, und entfernen Sie dann den Schlauch vom Gerät.
4. Entfernen Sie den Saugschlauch durch Ziehen der Lasche.
► **Abb.37:** 1. Saugschlauch 2. Lasche
5. Überprüfen Sie den Saugluftströmungsweg in Aluminiumrohr, Schlauch und Saugschlauch. Entfernen Sie Fremdkörper aus diesen Teilen.
6. Richten Sie die Lasche des Saugschlauchs auf die Nut im Gehäuse aus, und schieben Sie sie hinein.
► **Abb.38:** 1. Lasche 2. Nut
7. Installieren Sie Schlauch, Aluminiumrohr, Bürstenrolle und Bodenplatte.

⚠ VORSICHT: Installieren Sie den Schlauch und das Rohr fest. Anderenfalls kann Staub austreten und eine Verletzung verursachen.

Staubsaack

Sonderzubehör

Der Staubsaack kann durch Entleeren wiederholt verwendet werden.

Anbringen und Abnehmen des Staubsaacks

Das Verfahren zum Anbringen und Abnehmen des Staubsaacks ist dasselbe wie das des Filterbeutels. Bitte lesen Sie den Abschnitt über das Installieren des Filterbeutels und das Entfernen des Filterbeutels.

► **Abb.39:** 1. Staubsaack 2. Gummikappe

ANMERKUNG: Wenn Sie den Staubsaack anbringen, öffnen Sie zuerst die Gummikappe. Führen Sie den Staubsaack mit der Gummikappe dahinter ein.

Entleeren des Staubsaacks

1. Schließen Sie die Gummikappe, damit kein Staub aufgewirbelt wird.
2. Öffnen Sie die Sacköffnung durch Herausziehen des Verschlusses.
3. Entleeren Sie den Staubsaack, indem Sie ihn leicht abklopfen, um die an den Innenflächen haftenden Staubbpartikel zu lösen.
► **Abb.40:** 1. Staubsaack 2. Gummikappe
3. Verschluss

ANMERKUNG: Entleeren Sie den Staubsaack häufig. Zu viel Staub lässt den Sack leicht reißen.

Reinigen des Staubsaacks

Reinigen Sie den Staubsaack regelmäßig mit Seife und Wasser. Stülpen Sie den Staubsaack um, und entfernen Sie den klebrigen Staub. Waschen Sie den Staubsaack leicht von Hand aus, und spülen Sie ihn gut mit Wasser ab. Lassen Sie den Staubsaack vollkommen trocknen, bevor Sie ihn in das Sauggerät einsetzen.

► **Abb.41**

ANMERKUNG: Ein nasser Staubsaack verringert die Saugleistung sowie die Lebensdauer des Motors.

ANMERKUNG: Achten Sie beim Anbringen des Verschlusses am Staubsaack darauf, dass die Sacköffnung sicher verschlossen ist.

ZYKLONAUFSATZ

Sonderzubehör

► **Abb.42:** 1. Zyklaaufsatz

Info zum Zyklaaufsatz

Wird der Staubsauger mit installiertem Zyklaaufsatz verwendet, so wird die Staubmenge, die in den Filterbeutel gelangt, reduziert, was dazu beiträgt, eine Abschwächung der Saugkraft zu verhindern. Außerdem wird die Reinigung nach dem Gebrauch ebenfalls vereinfacht.

⚠ VORSICHT: Vergewissern Sie sich vor der Ausführung von Arbeiten am Werkzeug stets, dass das Werkzeug ausgeschaltet und der Akku abgenommen ist. Wird der Akku eingesetzt gelassen, kann der Staubsauger unerwartet anlaufen, was zu Verletzungen führen kann.

⚠ VORSICHT: Reinigen Sie den Netzfilter des Zyklaaufsatzes und den Filterbeutel der Staubsaugereinheit, wenn sie verstopft werden. Fortgesetzter Gebrauch im verstopften Zustand kann zu Erhitzung oder Rauchbildung führen.

ANMERKUNG: Wenn der Zyklaaufsatz angebracht ist, verwenden Sie ihn nicht im horizontalen oder nach oben gerichteten Zustand. Anderenfalls kann der Netzfilter verstopft werden.

ANMERKUNG: Benutzen Sie den Staubsauger selbst bei Verwendung des Zyklaaufsatzes immer mit installiertem Filterbeutel. Wird der Staubsauger ohne den Filterbeutel benutzt, kann es zu einer Funktionsstörung des Motors kommen.

HINWEIS: Stellen Sie vor Gebrauch sicher, dass Zyklaaufsatz, Staubsauger und gerades Rohr einwandfrei verriegelt sind.

HINWEIS: Entleeren Sie den Staubsammelbehälter des Zyklaaufsatzes und den Filterbeutel des Staubsaugers, wenn Staub sich angesammelt hat. Fortgesetzter Gebrauch führt zu einer Abschwächung der Saugkraft.

Installieren des Zyklonaufsatzes

1. Drehen Sie die Manschette am Schlauch entgegen dem Uhrzeigersinn und entfernen Sie den Schlauch, den Rohrgriff und das Aluminiumrohr aus dem Gerät.
► **Abb.43:** 1. Manschette 2. Schlauch 3. Rohrgriff 4. Aluminiumrohr
2. Drehen Sie die Seite des Stoppers am Zyklonaufsatz nach oben, wobei Sie den Stopper auf die Nut des Saugeinlasses ausrichten. Verriegeln Sie den Stopper, indem Sie den Zyklonaufsatz einführen, bis er einrastet. Ziehen Sie geringfügig am Zyklonaufsatz, um sicherzustellen, dass er sich nicht löst. Installieren Sie das gerade Rohr nach demselben Verfahren wie den Zyklonaufsatz.
► **Abb.44:** 1. Griff für Zyklonaufsatz 2. Saugeinlass 3. Zyklonaufsatz 4. Gerades Rohr für Zyklonaufsatz 5. Stopper 6. Verriegelungsknopf
3. Installieren Sie den Zyklonaufsatz am Gerät, und drehen Sie dann die Manschette am Schlauch im Uhrzeigersinn, um ihn zu befestigen.
► **Abb.45**

Staubentleerung

Wenn Staub sich bis zur Voll-Linie des Staubsammelbehälters angesammelt hat, entsorgen Sie den Staub nach dem folgenden Verfahren.

1. Halten Sie den Staubsammelbehälter mit festem Griff, während Sie die zwei Knöpfe gedrückt halten, und entfernen Sie den Staubsammelbehälter.
► **Abb.46:** 1. Voll-Linie 2. Staubsammelbehälter 3. Knopf (zwei Stellen) 4. Netzfilter
2. Entsorgen Sie den Staub im Staubsammelbehälter, und entfernen Sie jeglichen an der Oberfläche des Netzfilters haftenden Staub und Pulver.
3. Führen Sie den Staubsammelbehälter vollständig ein, bis die zwei Knöpfe mit einem Klicken einrasten.
► **Abb.47:** 1. Staubsammelbehälter 2. Knopf (zwei Stellen)

HINWEIS: Halten Sie den Zyklonaufsatz fest, wenn Sie den Staubsammelbehälter installieren.

HINWEIS: Stellen Sie vor dem erneuten Starten des Betriebs sicher, dass Zyklonaufsatz, Staubsauger und gerades Rohr einwandfrei verriegelt sind.

HINWEIS: Falls die Saugkraft selbst nach der Entsorgung des Staubs und der Reinigung des Netzfilters nicht wiederhergestellt wird, prüfen Sie, ob Staub sich im Filterbeutel des Staubsaugers angesammelt hat, oder ob eine Verstopfung aufgetreten ist.

Reinigen

Wenn der Staubsammelbehälter schmutzig wird oder der Netzfilter verstopft ist, entfernen Sie die Teile, und waschen Sie sie mit Wasser. (Angaben zum Demontageverfahren finden Sie unter „Staubentleerung“.)

Lassen Sie die Teile gründlich trocknen, bevor Sie sie wieder installieren und benutzen.

- **Abb.48:** 1. Staubsammelbehälter 2. Netzfilter

Wenn der Netzfilter stark verschmutzt wird, reinigen Sie ihn nach den folgenden Verfahren.

1. Drehen Sie den Netzfilter entgegen dem Uhrzeigersinn, und entfernen Sie ihn bei entriegelten Rasten.
► **Abb.49:** 1. Netzfilter 2. Raste
2. Entfernen Sie den Staub am Netzfilter, und waschen Sie ihn dann mit Wasser. Lassen Sie ihn danach gründlich trocknen.
3. Führen Sie den Netzfilter in die Basis ein, während die Rasten auf den Anschluss ausgerichtet sind. Drehen Sie den Netzfilter im Uhrzeigersinn, bis die Rasten mit einem Klicken einrasten. Vergewissern Sie sich, dass der Netzfilter sicher installiert ist.
► **Abb.50:** 1. Netzfilter 2. Raste 3. Anschluss

FEHLERSUCHE

Bevor Sie den Reparatordienst anrufen, führen Sie zunächst Ihre eigene Inspektion durch. Falls Sie ein Problem finden, das nicht in der Anleitung erläutert wird, versuchen Sie nicht, die Maschine zu zerlegen. Wenden Sie sich stattdessen an autorisierte Makita-Kundendienstzentren, und achten Sie darauf, dass stets Makita-Ersatzteile für Reparaturen verwendet werden.

Symptom	Mögliche Ursache	Abhilfemaßnahme
Gerät funktioniert nicht	Die Akkus sind falsch eingesetzt.	Setzen Sie die Akkus gemäß der Beschreibung in dieser Anleitung ein.
	Die Akkus sind erschöpft.	Laden Sie die Akkus auf.
	Der Handgriff ist falsch installiert.	Installieren Sie den Handgriff fest, wie in dieser Anleitung beschrieben.
Die Bürstenrolle dreht sich nicht.	Das Gerät ist in der Aufrechtstellung verriegelt.	Entriegeln Sie das Gerät aus der Aufrechtstellung.
	Die Bürstenrollen-Fehleranzeige leuchtet auf.	Prüfen Sie nach, ob Verwicklung um die Bürstenrolle (Hauptteil, Kappe und Verbindungsstück) aufgetreten ist.
Schwache Saugkraft	Die Staubfüllstand-Warnanzeige leuchtet auf.	Tauschen Sie den Filterbeutel aus. Falls der Filterbeutel nicht voll ist, entfalten und schütteln Sie ihn, um die Verstopfung zu beseitigen.
	⇒ Falls ein Austausch des Filterbeutels das Problem nicht löst...	Reinigen oder ersetzen Sie den HEPA-Filter.
		Prüfen Sie nach, ob Schlauch und Rohr durch Fremdkörper verstopft sind.
	Unrat hat sich an der Bürstenrolle verfangen, und die Drehzahl ist abgefallen.	Prüfen Sie nach, ob Verwicklung um die Bürstenrolle (Hauptteil, Kappe, Verbindungsstück) aufgetreten ist.
	Die Bürstenrolle ist zu hoch über dem Fußboden eingestellt.	Senken Sie die Bürstenrolle ab.
	Die Borsten der Bürstenrolle sind kurz geworden.	Tauschen Sie die Bürstenrolle aus. Senken Sie die Bürstenrolle ab.
	Das Gerät läuft in der niedrigen Betriebsart.	Schalten Sie auf eine höhere Betriebsart um.
	Die Bürstenrolle ist nicht installiert.	Installieren Sie die Bürstenrolle.
Das Rohr oder der Schlauch ist falsch installiert.	Installieren Sie das Rohr oder den Schlauch fest.	
Lautes Antriebsgeräusch	Das Gerät läuft in der hohen Betriebsart.	Schalten Sie auf eine niedrigere Betriebsart um.
	Unrat hat sich an der Bürstenrolle verfangen.	Prüfen Sie nach, ob Verwicklung um die Bürstenrolle (Hauptteil, Kappe und Verbindungsstück) aufgetreten ist.
	Der Filterbeutel ist mit Staub gefüllt.	Tauschen Sie den Filterbeutel aus.
	⇒ Falls ein Austausch des Filterbeutels das Problem nicht löst...	Reinigen oder ersetzen Sie den HEPA-Filter.
Prüfen Sie nach, ob Schlauch und Rohr durch Fremdkörper verstopft sind.		
Die Staubfüllstand-Warnanzeige blinkt nach kurzem Gebrauch.	Der Filterbeutel ist zusammengefallen.	Entfalten Sie den Eingang des Filterbeutels vor dem Einsetzen.
Die LED-Lampe leuchtet nicht.	Die LED-Lampe ist auf AUS eingestellt.	Halten Sie die Akkukontroll-/LED-Lampentaste während des Betriebs gedrückt, um die LED-Lampe einzuschalten.
Das Laufrad ist schwergängig.	Unrat hat sich am Laufrad verfangen.	Entfernen Sie den Unrat vom Laufrad.

SONDERZUBEHÖR

⚠ VORSICHT: Die folgenden Zubehörteile oder Vorrichtungen werden für den Einsatz mit dem in dieser Anleitung beschriebenen Makita-Werkzeug empfohlen. Die Verwendung anderer Zubehörteile oder Vorrichtungen kann eine Verletzungsgefahr darstellen. Verwenden Sie Zubehörteile oder Vorrichtungen nur für ihren vorgesehenen Zweck.

Wenn Sie weitere Einzelheiten bezüglich dieser Zubehörteile benötigen, wenden Sie sich bitte an Ihre Makita-Kundendienststelle.

- Spitzdüse
- Rundbürste
- Zyklonaufsatz
- HEPA-Filter
- Filterbeutel
- Staubsack
- Original-Makita-Akku und -Ladegerät

HINWEIS: Manche Teile in der Liste können als Standardzubehör im Werkzeugsatz enthalten sein. Sie können von Land zu Land unterschiedlich sein.

AVVERTENZA

- La presente macchina non è destinata all'utilizzo da parte di persone, inclusi i bambini, dalle capacità fisiche, sensoriali o mentali ridotte, o prive di esperienza e preparazione.
- I bambini vanno tenuti sotto controllo per accertarsi che non giochino con l'aspiratore.
- Per il riferimento sul tipo di batteria, vedere il capitolo "DATI TECNICI".
- Per istruzioni su come rimuovere o installare la batteria, vedere la sezione "Installazione o rimozione della cartuccia della batteria".
- Quando si intende smaltire la cartuccia della batteria, rimuoverla dall'utensile e smaltirla in un luogo sicuro. Attenersi alle normative locali relative allo smaltimento della batteria.
- Se l'utensile non viene utilizzato per un periodo di tempo prolungato, la batteria deve essere rimossa dall'utensile.
- Non cortocircuitare la cartuccia della batteria.
- Per i dettagli appropriati relativi alle precauzioni durante la manutenzione da parte dell'utente, vedere il capitolo "MANUTENZIONE".

DATI TECNICI

Modello:	DVC560
Volume d'aria massimo*	1,9 m ³ /min
Potenza in aspirazione*	12 kPa
Capacità	5 L
Dimensioni (L x P x A)	326 mm x 318 mm x 1.146 mm
Tensione nominale	36 V C.C.
Peso netto	8,3 - 9,0 kg

- * Il valore è misurato mediante il nostro metodo originale.
- A causa del nostro programma continuativo di ricerca e sviluppo, i dati tecnici sono soggetti a modifiche senza preavviso.
- I dati tecnici e la cartuccia della batteria potrebbero differire da nazione a nazione.
- Il peso comprende gli accessori (spazzola rotonda, bocchetta per angoli) e la cartuccia della batteria o le cartucce delle batterie. Nella tabella sono indicati il peso combinato minimo e massimo dell'elettrodomestico insieme alla cartuccia della batteria o alle cartucce delle batterie.

Cartuccia della batteria e caricabatterie applicabili

Cartuccia della batteria	BL1815N / BL1820B / BL1830B / BL1840B / BL1850B / BL1860B
Caricabatterie	DC18RC / DC18RD / DC18RE / DC18SD / DC18SE / DC18SF / DC18SH / DC18WC

- Alcune cartucce delle batterie e alcuni caricabatterie elencati sopra potrebbero non essere disponibili a seconda della propria area geografica di residenza.

⚠ AVVERTIMENTO: Utilizzare solo le cartucce delle batterie e i caricabatterie elencati sopra. L'utilizzo di altre cartucce delle batterie e di altri caricabatterie potrebbe causare lesioni personali e/o un incendio.

Simboli

Le figure seguenti mostrano i simboli utilizzati per l'apparecchio. Accertarsi di comprenderne il significato prima dell'uso.



Leggere il manuale d'uso.



Adottare cura e attenzione particolari.



Solo per le nazioni dell'EU
A causa della presenza di componenti pericolosi nelle apparecchiature, i rifiuti di apparecchiature elettriche ed elettroniche, accumulatori e batterie potrebbero produrre un impatto negativo sull'ambiente e sulla salute umana.

Non smaltire elettrodomestici elettrici ed elettronici o batterie insieme ai rifiuti domestici!

In conformità alla direttiva europea sui rifiuti di apparecchiature elettriche ed elettroniche (RAEE), sugli accumulatori e le batterie, nonché sui rifiuti di accumulatori e batterie, e al suo adattamento alle normative nazionali, i rifiuti di apparecchiature elettriche ed elettroniche, batterie e accumulatori vanno conservati separatamente e conferiti a un punto di raccolta separato per i rifiuti comunali, operando in conformità alle normative per la protezione dell'ambiente.

Tale requisito viene indicato mediante il simbolo del bidone della spazzatura con ruote barrato apposto sull'apparecchio.

Utilizzo previsto

Questo elettrodomestico è progettato per la raccolta delle polveri secche. L'elettrodomestico è idoneo a usi commerciali, ad esempio in hotel, scuole, ospedali, fabbriche, negozi, uffici e noleggi.

Rumore

Livello tipico di rumore pesato A determinato in base allo standard IEC60335-2-69:

Livello di pressione sonora (L_{pA}): 70 dB (A) o inferiore
Incertezza (K): 2,5 dB (A)

Il livello del rumore nelle condizioni di lavoro può superare gli 80 dB (A).

NOTA: Il valore o i valori dichiarati delle emissioni di rumori sono stati misurati in conformità a un metodo standard di verifica, e possono essere utilizzati per confrontare un utensile con un altro.

NOTA: Il valore o i valori dichiarati delle emissioni di rumori possono venire utilizzati anche per una valutazione preliminare dell'esposizione.

⚠AVVERTIMENTO: Indossare protezioni per le orecchie.

⚠AVVERTIMENTO: L'emissione di rumori durante l'utilizzo effettivo dell'utensile elettrico può variare rispetto al valore o ai valori dichiarati, a seconda dei modi in cui viene utilizzato l'utensile e specialmente a seconda di che tipo di pezzo venga lavorato.

⚠AVVERTIMENTO: Accertarsi di identificare misure di sicurezza per la protezione dell'operatore che siano basate su una stima dell'esposizione nelle condizioni effettive di utilizzo (tenendo conto di tutte le parti del ciclo operativo, ad esempio del numero di spegnimenti dell'utensile e di quando giri a vuoto, oltre al tempo di attivazione).

Vibrazioni

Valore totale delle vibrazioni (somma vettoriale triassiale) determinato in base allo standard IEC60335-2-69: Emissione di vibrazioni ($a_{h,M}$): 2,5 m/s² o inferiore
Incertezza (K): 1,5 m/s²

NOTA: Il valore o i valori complessivi delle vibrazioni dichiarati sono stati misurati in conformità a un metodo standard di verifica, e possono essere utilizzati per confrontare un utensile con un altro.

NOTA: Il valore o i valori complessivi delle vibrazioni dichiarati possono venire utilizzati anche per una valutazione preliminare dell'esposizione.

⚠AVVERTIMENTO: L'emissione delle vibrazioni durante l'utilizzo effettivo dell'utensile elettrico può variare rispetto al valore o ai valori dichiarati, a seconda dei modi in cui viene utilizzato l'utensile, specialmente a seconda di che tipo di pezzo venga lavorato.

⚠AVVERTIMENTO: Accertarsi di identificare misure di sicurezza per la protezione dell'operatore che siano basate su una stima dell'esposizione nelle condizioni effettive di utilizzo (tenendo conto di tutte le parti del ciclo operativo, ad esempio del numero di spegnimenti dell'utensile e di quando giri a vuoto, oltre al tempo di attivazione).

Dichiarazioni di conformità

Solo per i paesi europei

Le Dichiarazioni di conformità sono incluse nell'Allegato A al presente manuale d'uso.

AVVERTENZE DI SICUREZZA

Avvertenze di sicurezza dell'aspirapolvere a batteria

⚠ AVVERTIMENTO: IMPORTANTE! LEGGERE CON ATTENZIONE tutte le avvertenze di sicurezza e tutte le istruzioni PRIMA DELL'USO. La mancata osservanza delle avvertenze e delle istruzioni potrebbe risultare in scosse elettriche, incendi e/o gravi lesioni personali.

1. Prima dell'uso, accertarsi che il presente aspiratore venga utilizzato esclusivamente da personale che sia stato istruito in modo adeguato sull'utilizzo del presente aspiratore.
2. Non utilizzare senza il sacchetto filtro e/o i filtri installati. Sostituire immediatamente un filtro danneggiato.
3. EVITARE L'AVVIO ACCIDENTALE. Accertarsi che l'interruttore sia in posizione OFF (spento) durante l'installazione della/delle batteria/e.
4. Non tentare di raccogliere materiali infiammabili, fuochi d'artificio, sigarette accese, ceneri calde, schegge di metallo roventi, materiali affilati quali rasoi, aghi, vetri rotti o simili.
5. NON UTILIZZARE MAI L'ASPIRATORE IN PROSSIMITÀ DI BENZINA, GAS, VERNICI, ADESIVI O ALTRE SOSTANZE ALTAMENTE ESPLOSIVE. L'interruttore emette delle scintille quando viene attivato e disattivato. Anche il commutatore del motore emette scintille durante l'uso. Di conseguenza, potrebbe verificarsi un'esplosione pericolosa.
6. Questo aspiratore non è idoneo all'aspirazione di polveri pericolose.
7. Non aspirare mai materiali tossici, cancerogeni, combustibili o altri materiali pericolosi quali amianto, arsenico, bario, berillio, piombo, pesticidi o altri materiali nocivi.
8. Non utilizzare all'aperto o su superfici bagnate.
9. Per la Finlandia, questa macchina non va utilizzata all'aperto a basse temperature.
10. Non utilizzare l'elettrodomestico in prossimità di fonti di calore (cucine, e così via).
11. Non ostruire le feritoie della presa di aspirazione, dell'apertura di uscita o di raffreddamento. Tali feritoie consentono il raffreddamento del motore. Le ostruzioni vanno evitate con cura; in caso contrario, il motore si brucia a causa della mancanza di ventilazione.
12. Non piegare, tirare o calpestare il tubo flessibile.
13. Arrestare immediatamente l'aspiratore qualora si notino prestazioni scadenti o qualsiasi anomalia durante l'uso.
14. RIMUOVERE LA/LE BATTERIA/E quando non si utilizza l'apparecchio, prima di interventi di assistenza e quando si intende sostituire gli accessori.
15. Pulire e sottoporre a manutenzione l'aspiratore subito dopo ciascun utilizzo per mantenerlo in condizioni operative ottimali.
16. SOTTOPORRE A MANUTENZIONE L'ASPIRATORE CON CURA. Mantenere l'aspiratore pulito per prestazioni migliori e più sicure. Seguire le istruzioni per la sostituzione degli accessori. Mantenere le maniglie pulite, asciutte e prive di olio e grasso.
17. CONTROLLARE L'EVENTUALE PRESENZA DI PARTI DANNEGGIATE. Prima di utilizzare ulteriormente l'aspiratore, controllare con cura protezioni o altre parti che siano danneggiate per accertarsi che funzionino correttamente e che svolgano la funzione a cui sono destinate. Controllare l'allineamento delle parti mobili, la presenza di eventuali inceppamenti delle parti mobili o rottura dei componenti, il montaggio ed eventuali altre condizioni che potrebbero influenzare il funzionamento. Una protezione o un'altra parte che siano danneggiate vanno riparate correttamente o sostituite da un centro di assistenza autorizzato, se non diversamente indicato altrove nel presente manuale di istruzioni. Far sostituire gli interruttori difettosi da un centro di assistenza autorizzato. Non utilizzare l'aspiratore qualora l'interruttore non consenta di accenderlo e spegnerlo.
18. PEZZI DI RICAMBIO. Quando si effettuano interventi di assistenza, utilizzare esclusivamente pezzi di ricambio identici.
19. Quando l'aspirapolvere non è in uso, riporlo sempre al chiuso.
20. Maneggiare con delicatezza l'aspiratore. Anche l'aspiratore più robusto può rompersi a causa dell'incuria nel maneggiarlo.
21. Non tentare di pulire la superficie esterna o interna con benzina, solventi o prodotti chimici di pulizia. In caso contrario, si potrebbero causare spaccature e scolorimenti.
22. Non utilizzare l'aspiratore in spazi chiusi in cui siano presenti emissioni di vapori infiammabili, esplosivi o tossici dovute a vernici a olio, diluenti per vernici, benzina, alcune sostanze per trattamenti antitarmici, e così via, o in aree in cui siano presenti polveri infiammabili.
23. Non utilizzare questo utensile o altri utensili sotto l'effetto di droghe o alcolici.
24. Indossare un'attrezzatura di protezione appropriata, ad esempio una maschera, a seconda dell'ambiente di utilizzo.
25. La presente macchina non è destinata all'utilizzo da parte di persone, inclusi i bambini, dalle capacità fisiche, sensoriali o mentali ridotte, o prive di esperienza e preparazione.
26. I bambini vanno tenuti sotto controllo per accertarsi che non giochino con l'aspiratore.
27. Non maneggiare mai la/le batteria/e e l'aspiratore con le mani bagnate.
28. Adottare estrema cautela durante la pulizia delle scale.
29. Mantenere sempre un appoggio sui piedi e un equilibrio adeguati.

30. **Non utilizzare l'aspiratore come sgabello o piano di lavoro. In caso contrario, la macchina potrebbe cadere, causando lesioni personali.**
31. **Tenere tutte le parti del corpo e gli indumenti lontani dalle aperture e dalle parti mobili, ad esempio il rullo spazzola rotante.** In caso contrario, tali oggetti potrebbero restare impigliati nell'elettrodomestico e causare lesioni personali.

Uso e manutenzione degli strumenti a batterie

1. **Ricaricare solo con il caricabatterie specificato dal produttore.** Un caricabatterie appropriato per un tipo di batteria potrebbe creare un rischio di incendio, se utilizzato con un'altra batteria.
2. **Utilizzare gli utensili elettrici solo con le batterie specificamente designate.** L'uso di qualsiasi altra batteria potrebbe creare un rischio di lesioni personali e incendi.
3. **Quando la batteria non è in uso, tenerla lontana da altri oggetti metallici, quali graffette, monete, chiavi, chiodi, viti o altri piccoli oggetti metallici, che potrebbero fare contatto tra terminali diversi.** Il cortocircuito dei terminali della batteria può causare ustioni o incendi.
4. **In condizioni di uso improprio, la batteria potrebbe emettere un liquido: evitare il contatto con tale liquido. Qualora si verifichi un contatto accidentale con il liquido, lavare abbondantemente con acqua. Qualora il liquido entri in contatto con gli occhi, richiedere anche assistenza medica.** Il liquido espulso dalla batteria può causare irritazioni o ustioni.
5. **Non utilizzare una batteria o un utensile che siano danneggiati o che siano stati modificati.** Batterie danneggiate o modificate potrebbero mostrare un comportamento imprevedibile che può risultare in incendi, esplosioni o nel rischio di lesioni personali.
6. **Non esporre una batteria o un utensile al fuoco o a temperature eccessive.** L'esposizione al fuoco o a temperature superiori ai 130 °C potrebbe causare un'esplosione.
7. **Attenersi a tutte le istruzioni relative alla carica e non caricare la batteria o l'utensile al di fuori della gamma di temperature specificata nelle istruzioni.** Una carica inappropriata o a temperature al di fuori della gamma specificata potrebbe danneggiare la batteria e incrementare il rischio di incendio.

CONSERVARE LE PRESENTI ISTRUZIONI.

⚠AVVERTIMENTO: NON lasciare che la comodità o la familiarità d'uso con il prodotto (acquisita con l'uso ripetuto) sostituiscano la stretta osservanza delle norme di sicurezza. L'USO IMPROPRIO o la mancata osservanza delle norme di sicurezza riportate nel presente manuale di istruzioni potrebbero causare lesioni personali gravi.

Istruzioni di sicurezza importanti per la cartuccia della batteria

1. **Prima di utilizzare la cartuccia della batteria, leggere tutte le istruzioni e le avvertenze riportate (1) sul caricabatteria, (2) sulla batteria e (3) sul prodotto che utilizza la batteria.**
2. **Non smantellare né manomettere la cartuccia della batteria.** In caso contrario, si potrebbe causare un incendio, calore eccessivo o un'esplosione.
3. **Qualora il tempo di utilizzo si riduca eccessivamente, interrompere immediatamente l'utilizzo dell'utensile. In caso contrario, si può incorrere nel rischio di surriscaldamento, possibili ustioni e persino un'esplosione.**
4. **Qualora l'elettrolita entri in contatto con gli occhi, sciacquarli con acqua pulita e richiedere immediatamente assistenza medica.** Questa eventualità può risultare nella perdita della vista.
5. **Non cortocircuitare la cartuccia della batteria:**
 - (1) **Non toccare i terminali con alcun materiale conduttivo.**
 - (2) **Evitare di conservare la cartuccia della batteria in un contenitore insieme ad altri oggetti metallici quali chiodi, monete, e così via.**
 - (3) **Non esporre la cartuccia della batteria all'acqua o alla pioggia.**
6. **Un cortocircuito della batteria può causare un grande flusso di corrente, un surriscaldamento, possibili ustioni e persino un guasto.**
7. **Non conservare e utilizzare l'utensile e la cartuccia della batteria in ubicazioni in cui la temperatura possa raggiungere o superare i 50°C.**
8. **Non incenerire la cartuccia della batteria anche qualora sia gravemente danneggiata o completamente esaurita. La cartuccia della batteria può esplodere se a contatto con il fuoco.**
9. **Non inchiodare, tagliare, schiacciare, lanciare o far cadere la cartuccia della batteria, né farla urtare con forza contro un oggetto duro.** Questi comportamenti potrebbero risultare in un incendio, calore eccessivo o un'esplosione.
10. **Non utilizzare una batteria danneggiata.**
11. **Le batterie a ioni di litio contenute sono soggette ai requisiti del regolamento sul trasporto di merci pericolose (Dangerous Goods Legislation).** Per trasporti commerciali, ad esempio da parte di terzi o spedizionieri, è necessario osservare dei requisiti speciali sull'imballaggio e sull'etichetta. Per la preparazione dell'articolo da spedire, è richiesta la consulenza di un esperto in materiali pericolosi. Attenersi anche alle normative nazionali, che potrebbero essere più dettagliate. Nastrare o coprire i contatti aperti e imballare la batteria in modo tale che non si possa muovere liberamente all'interno dell'imballaggio.

11. **Quando si intende smaltire la cartuccia della batteria, rimuoverla dall'utensile e smaltirla in un luogo sicuro. Attenersi alle normative locali relative allo smaltimento della batteria.**
12. **Utilizzare le batterie esclusivamente con i prodotti specificati da Makita.** L'installazione delle batterie in prodotti non compatibili potrebbe risultare in incendi, calore eccessivo, esplosioni o perdite di liquido elettrolitico.
13. **Se l'utensile non viene utilizzato per un periodo di tempo prolungato, la batteria deve essere rimossa dall'utensile.**
14. **Durante e dopo l'uso, la cartuccia della batteria potrebbe assorbire calore, che può causare ustioni o ustioni a bassa temperatura. Fare attenzione a come si maneggiano le cartucce delle batterie estremamente calde.**
15. **Non toccare i terminali dell'utensile subito dopo l'uso, in quanto potrebbero diventare estremamente caldi al punto da causare ustioni.**
16. **Evitare di far incastrare schegge, polveri o terreno nei terminali, nei fori e nelle scanalature della cartuccia della batteria.** In caso contrario, l'utensile o la cartuccia della batteria potrebbero riscaldarsi, prendere fuoco, scoppiare o guastarsi, causando ustioni o lesioni personali.
17. **A meno che l'utensile supporti l'uso in prossimità di linee elettriche ad alta tensione, non utilizzare la cartuccia della batteria in prossimità di linee elettriche ad alta tensione.** In caso contrario, si potrebbe causare un malfunzionamento o la rottura dell'utensile o della cartuccia della batteria.
18. **Tenere la batteria lontana dai bambini.**

⚠ATTENZIONE: Utilizzare solo batterie originali Makita. L'utilizzo di batterie Makita non originali, o di batterie che siano state alterate, potrebbe risultare nello scoppio della batteria, causando incendi, lesioni personali e danni. Inoltre, ciò potrebbe invalidare la garanzia Makita per l'utensile e il caricabatterie Makita.

Suggerimenti per preservare la durata massima della batteria

1. **Caricare la cartuccia della batteria prima che si scarichi completamente. Smettere sempre di utilizzare l'utensile e caricare la cartuccia della batteria quando si nota che la potenza dell'utensile è diminuita.**
2. **Non ricaricare mai una cartuccia della batteria completamente carica. La sovraccarica riduce la vita utile della batteria.**
3. **Caricare la cartuccia della batteria a una temperatura ambiente compresa tra 10 °C e 40 °C. Lasciar raffreddare una cartuccia della batteria prima di caricarla.**
4. **Quando non si utilizza la cartuccia della batteria, rimuoverla dall'utensile o dal caricabatterie.**
5. **Caricare la cartuccia della batteria se non la si è utilizzata per un periodo di tempo prolungato (più di sei mesi).**

CONSERVARE LE PRESENTI ISTRUZIONI.

DESCRIZIONE DELLE PARTI

► Fig.1

1	Maniglia	2	Piastrina degli interruttori	3	Impugnatura del tubo	4	Tubo flessibile
5	Pannello degli indicatori	6	Leva (per il coperchio del contenitore polveri)	7	Coperchio del contenitore polveri	8	Maniglia da trasporto
9	Chiusura (per lo sportellino delle batterie)	10	Leva di regolazione	11	Sportellino delle batterie	12	Bocchetta per angoli
13	Spazzola rotonda	14	Leva a pedale	15	Rotella girevole	16	Spazzola laterale
17	Tubo flessibile di aspirazione	18	Giunto	19	Tubo in alluminio	20	Fermatubo
21	Lampada a LED	22	Rullo spazzola	23	Piastra inferiore	24	Pulsante di accensione/modifica della modalità
25	Pulsante di spegnimento (OFF)	26	Indicatore della modalità di funzionamento	27	Indicatore di livello eccessivo delle polveri	28	Indicatore di errore del rullo spazzola
29	Indicatore della carica residua delle batterie	30	Pulsante per controllo batterie/lampada a LED	-	-	-	-

MONTAGGIO

⚠ATTENZIONE: Prima di effettuare qualsiasi intervento sull'apparecchio, accertarsi sempre che l'apparecchio sia spento e che la cartuccia della batteria sia stata rimossa.

⚠ATTENZIONE: Indossare sempre una mascherina antipolvere durante il montaggio o la manutenzione.

Collegamento della maniglia

1. Inserire fino in fondo l'asta della maniglia nel corpo dell'aspiratore, come indicato nella figura.
 2. Chiudere il dispositivo di blocco.
- Fig.2: 1. Asta della maniglia 2. Segno rosso 3. Dispositivo di blocco

AVVISO: Inserire fino in fondo la maniglia, fino a quando il segno rosso non è più visibile.

Collegamento del tubo flessibile

Inserire il tubo flessibile nell'apertura di montaggio dell'elettrodomestico, quindi ruotare il tubo flessibile fino a bloccarlo.

► Fig.3

Collegamento del tubo

Inserire la punta del tubo in alluminio nel giunto, quindi agganciare il tubo in alluminio al fermatubo.

► Fig.4: 1. Giunto 2. Fermatubo

AVVISO: Inserire il tubo in alluminio nella direzione corretta, come indicato nella figura. In caso contrario, il fermatubo non viene bloccato e il tubo in alluminio potrebbe staccarsi.

► Fig.5

Installazione o rimozione della cartuccia della batteria

⚠ATTENZIONE: Spegnerne sempre l'elettrodomestico prima di installare o rimuovere la cartuccia della batteria.

⚠ATTENZIONE: Quando si intende installare o rimuovere la cartuccia della batteria, mantenere saldamente l'aspiratore e la cartuccia della batteria. Qualora non si mantengano saldamente l'aspiratore e la cartuccia della batteria, questi ultimi potrebbero scivolare dalle mani, con la possibilità di causare un danneggiamento dell'aspiratore e della cartuccia della batteria, nonché lesioni personali.

⚠ATTENZIONE: Fare attenzione a non far restare incastrate le dita durante l'apertura o la chiusura dello sportellino delle batterie. In caso contrario, si potrebbero causare lesioni personali.

Per installare la cartuccia della batteria, sbloccare innanzitutto la chiusura, quindi aprire lo sportellino delle batterie. Dopodiché, inserire la cartuccia della batteria.

► Fig.6: 1. Chiusura 2. Sportellino delle batterie

Allineare la linguetta sulla cartuccia della batteria con la scanalatura nell'alloggiamento, quindi far scivolare la batteria in sede. Inserirla completamente fino a quando si innesta in sede con un piccolo scatto. Quindi, bloccare lo sportellino delle batterie.

► Fig.7: 1. Cartuccia della batteria 2. Pulsante

Per rimuovere la cartuccia della batteria, farla scorrere via dall'elettrodomestico mentre si fa scorrere allo stesso tempo il pulsante sul lato anteriore della cartuccia.

⚠ATTENZIONE: Installare sempre la cartuccia della batteria fino in fondo. In caso contrario, potrebbe cadere accidentalmente dall'apparecchio, causando lesioni personali all'operatore o a chi gli è vicino.

⚠ATTENZIONE: Non installare forzatamente la cartuccia della batteria. Qualora la batteria non si inserisca scorrendo agevolmente, vuol dire che non viene inserita correttamente.

NOTA: L'aspiratore non funziona con una sola cartuccia della batteria.

Installazione del sacchetto filtro

⚠ATTENZIONE: Non utilizzare un sacchetto filtro danneggiato. Utilizzare sempre l'aspirapolvere con il sacchetto filtro installato correttamente. In caso contrario, la polvere o le particelle aspirate potrebbero venire espulse dall'aspiratore e potrebbero causare malattie respiratorie all'operatore.

Prima di utilizzare l'aspiratore, installare il sacchetto filtro.

Il sacchetto filtro è di tipo "usa-e-getta". Gettare via l'intero sacchetto filtro senza svuotarlo, quando si è riempito.

AVVISO: Quando il sacchetto filtro è già pieno o intasato, sostituirlo con uno nuovo. L'utilizzo continuato con il sacchetto filtro pieno o intasato risulta in una potenza di aspirazione ridotta.

AVVISO: Per evitare che le polveri penetrino nel motore:

- Prima dell'uso, accertarsi che il sacchetto filtro sia installato.
- Non utilizzare un sacchetto rotto o strappato.

In caso contrario, si potrebbe rompere il motore.

AVVISO: Quando si installa il sacchetto filtro, non piegare il cartone nel punto della sua apertura.

AVVISO: Il sacchetto filtro per l'aspiratore è un componente importante per preservare le prestazioni dell'elettrodomestico. L'utilizzo di un sacchetto filtro non originale potrebbe causare emissioni di fumo o combustione.

NOTA: Quando il sacchetto filtro non è installato nell'elettrodomestico, il coperchio del contenitore polveri non si chiude completamente.

1. Sbloccare la leva e aprire il coperchio del contenitore polveri.

► **Fig.8:** 1. Leva 2. Coperchio del contenitore polveri

2. Dispiegare completamente il sacchetto filtro.

► **Fig.9**

3. Inserire il sacchetto filtro nell'apertura sul supporto, in modo che il lato con il simbolo \triangle entri per primo.

4. Agganciare il dispositivo di chiusura del supporto.

► **Fig.10:** 1. Apertura 2. Sacchetto filtro 3. Supporto 4. Dispositivo di chiusura

5. Accertarsi che attraverso la fessura sul supporto sia visibile solo il segno presente sul cartone.

► **Fig.11:** 1. Segno 2. Fessura

6. Dispiegare il sacchetto filtro, se è piegato.

► **Fig.12**

7. Chiudere saldamente il coperchio del contenitore polveri.

ATTENZIONE: Fare attenzione a non far restare incastrate le dita quando si aggancia il dispositivo di chiusura e quando si chiude il coperchio del contenitore polveri.

Rimozione del sacchetto filtro

ATTENZIONE: Maneggiare il sacchetto filtro con delicatezza. In caso contrario dei corpi estranei potrebbero venire soffiati negli occhi e potrebbero causare lesioni personali.

Sostituire il sacchetto filtro quando diventa pieno o intasato.

Aprire il coperchio del contenitore polveri e aprire il dispositivo di chiusura, quindi estrarre il sacchetto filtro. Tirare la striscia sul fianco dell'apertura per chiudere il sacchetto filtro e smaltire quest'ultimo nella sua interezza.

► **Fig.13:** 1. Dispositivo di chiusura 2. Striscia

AVVISO: Non utilizzare un sacchetto filtro usato. Il sacchetto filtro è progettato come monouso. L'utilizzo ripetuto dello stesso sacchetto filtro potrebbe causare l'intasamento del filtro e risulta nel danneggiamento dell'aspiratore. Se si desidera utilizzare ripetutamente il sacchetto, utilizzare un sacchetto polveri.

DESCRIZIONE DELLE FUNZIONI

ATTENZIONE: Accertarsi sempre che l'elettrodomestico sia spento e che la cartuccia della batteria sia stata rimossa, prima di regolare o di controllare il funzionamento dell'elettrodomestico.

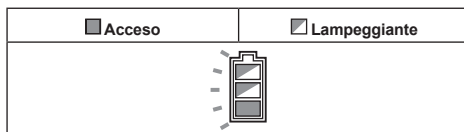
Sistema di protezione strumento/batteria

L'utensile è dotato di un sistema di protezione dell'utensile stesso e della batteria. Tale sistema interrompe automaticamente l'alimentazione al motore per prolungare la vita utile dell'utensile e della batteria. L'utensile si arresta automaticamente durante il funzionamento, qualora l'utensile o la batteria vengano a trovarsi in una delle condizioni seguenti:

Protezione dal sovraccarico

Quando l'utensile viene utilizzato in un modo che causa un assorbimento di corrente elevato in modo anomalo, lo strumento si arresta automaticamente senza alcuna indicazione. In questa situazione, spegnere l'utensile e interrompere l'applicazione che ne ha causato il sovraccarico. Quindi, accendere l'utensile per ricominciare.

Protezione dal surriscaldamento



Quando l'utensile è surriscaldato si arresta automaticamente, e l'indicatore della batteria lampeggia per circa 60 secondi. In tal caso, lasciar raffreddare l'utensile prima di riaccenderlo.

Protezione dalla sovrascarica

Quando la carica della batteria diventa bassa, l'utensile si arresta automaticamente. Qualora il prodotto non funzioni anche quando si attivano gli interruttori, rimuovere le batterie dall'utensile e caricarle.

Indicazione della carica residua della batteria

Solo per cartucce delle batterie dotate di indicatore

► **Fig.14:** 1. Indicatori luminosi 2. Pulsante di controllo

Premere il pulsante di controllo sulla cartuccia della batteria per indicare la carica residua della batteria. Gli indicatori luminosi si illuminano per alcuni secondi.

Indicatori luminosi			Carica residua
■ Illuminato	□ Spento	▣ Lampeggiante	
■ ■ ■ ■			Dal 75% al 100%
■ ■ ■ □			Dal 50% al 75%
■ ■ □ □			Dal 25% al 50%
■ □ □ □			Dallo 0% al 25%
▣ □ □ □			Caricare la batteria.
■ ■ □ □	↑ ↓	□ □ ■ ■	La batteria potrebbe essersi guastata.

NOTA: A seconda delle condizioni d'uso e della temperatura ambiente, l'indicazione potrebbe variare leggermente rispetto alla carica effettiva.

NOTA: Il primo indicatore luminoso (all'estremità sinistra) lampeggia quando il sistema di protezione della batteria è in funzione.

Pannello degli indicatori

- **Fig.15:** 1. Modalità di funzionamento 2. Livello eccessivo di polveri 3. Errore del rullo spazzola 4. Carica residua delle batterie 5. Pulsante per controllo batterie/lampada a LED

Modalità di funzionamento

Per cambiare la modalità di funzionamento, fare riferimento alla sezione relativa all'azionamento degli interruttori.

Livello eccessivo di polveri

Se si illumina questo indicatore, sostituire il sacchetto filtro. (Fare riferimento alla sezione relativa alla rimozione del sacchetto filtro).

NOTA: Questo indicatore non funziona quando l'elettrodomestico opera in modalità "livello di rumore ridotto (1)".

NOTA: Questo indicatore potrebbe non funzionare a seconda dell'ambiente di utilizzo.

NOTA: L'indicatore si spegne automaticamente circa un minuto dopo lo spegnimento dell'elettrodomestico. Se si elimina l'intasamento del sacchetto filtro e si riavvia l'elettrodomestico, l'indicatore si spegne anche entro un minuto.

Errore del rullo spazzola





Lampeggiante	Il rullo spazzola è sottoposto a un carico elevato per qualche motivo.
Acceso	Il rullo spazzola si è arrestato a causa di un motivo anomalo.

⚠AVVERTIMENTO: Spegnerne immediatamente l'elettrodomestico quando questo indicatore si illumina durante il funzionamento. In caso contrario, potrebbe verificarsi un malfunzionamento del motore e causare un incendio.

Carica residua delle batterie

Durante l'uso, premere il pulsante per controllo batterie/lampada a LED per indicare le cariche residue delle batterie. Gli indicatori delle batterie corrispondono alle rispettive batterie.

► **Fig.16**

Stato dell'indicatore della batteria			Carica residua della batteria
■ Acceso	□ Spento	▣ Lampeggiante	
			Dal 50% al 100%
			Dal 20% al 50%
			Dallo 0% al 20%
			Caricare la batteria

Pulsante per controllo batterie/lampada a LED

Durante il funzionamento, è possibile effettuare le operazioni seguenti.

- Per controllare la carica residua delle batterie, è sufficiente premere il pulsante.
- Per accendere o spegnere la lampada a LED, premere e tenere premuto il pulsante.

Funzionamento dell'interruttore

- **Fig.17:** 1. Pulsante di accensione/modifica della modalità 2. Pulsante di spegnimento

Accensione/spengimento dell'apparecchio

Per avviare l'elettrodomestico, è sufficiente premere il pulsante di accensione/modifica della modalità. Per spegnerlo, premere il pulsante di spegnimento.

⚠ATTENZIONE: Quando si intende accendere l'elettrodomestico, appoggiare sempre la testa dell'elettrodomestico sul pavimento. In caso contrario, si potrebbe verificare un incidente dovuto ad attorcigliamento che potrebbe causare lesioni personali.

Modifica della modalità di funzionamento

È possibile cambiare la modalità di funzionamento su tre livelli: "livello di rumore ridotto (1)", "normale (2)", e "alta potenza (3)". Se si desidera cambiare la modalità di funzionamento, premere il pulsante di accensione/modifica della modalità quando l'elettrodomestico è in funzione. La modalità di funzionamento viene commutata nell'ordine "livello di rumore ridotto (1)", "normale (2)" e "alta potenza (3)". L'elettrodomestico si avvia con la stessa modalità imposta precedentemente.

Accensione della lampada a LED

⚠ATTENZIONE: Non osservare né guardare direttamente la fonte di luce.

L'apparecchio è dotato di lampade a LED. Per informazioni sul funzionamento, vedere il paragrafo relativo al pulsante per controllo batterie/lampada a LED.

- **Fig.18:** 1. Lampada a LED

Leva a pedale

⚠ATTENZIONE: Bloccare sempre l'apparecchio in posizione verticale quando si lascia la maniglia. In caso contrario, l'elettrodomestico potrebbe cadere accidentalmente e causare lesioni personali.

⚠ATTENZIONE: Fare attenzione a non far restare incastrate le dita tra il corpo principale e la testa dell'elettrodomestico.

Per sbloccare la posizione verticale dell'elettrodomestico, premere con il piede la leva a pedale e tirare la maniglia all'indietro. L'escursione di movimento è di 90 gradi dalla posizione verticale.

- **Fig.19:** 1. Leva a pedale

Per bloccare l'elettrodomestico in posizione verticale, sollevare la maniglia in avanti fino a quando la leva a pedale si blocca in posizione con uno scatto.

- **Fig.20**

NOTA: Mentre l'elettrodomestico è nella posizione verticale, il rullo spazzola smette di girare.

Regolazione dell'altezza del rullo spazzola

⚠ATTENZIONE: Prima dell'uso, accertarsi sempre che la leva di regolazione venga a trovarsi correttamente in posizione.

È possibile regolare l'altezza del rullo spazzola su 4 livelli.

Ruotare la leva di regolazione sull'altezza desiderata. Quando la leva di regolazione punta verso il segno A, il rullo spazzola è situato nel punto più basso al di sopra del pavimento, idoneo per la pulizia di pavimenti duri e tappeti a pelo corto. Quando la leva di regolazione punta verso il segno B, il rullo spazzola è situato nel punto più alto al di sopra del pavimento, idoneo per la pulizia di tappeti a pelo lungo.

- **Fig.21:** 1. Leva di regolazione

NOTA: Il rullo spazzola potrebbe non girare, qualora la sua altezza sia troppo bassa rispetto alla superficie del tappeto.

Maniglia da trasporto

Quando si intende trasportare l'elettrodomestico, spingere quest'ultimo solo con le rotelle girevoli, oppure trasportarlo afferrando la maniglia o le maniglie da trasporto.

- **Fig.22**

⚠ATTENZIONE: Quando si intende trasportare l'elettrodomestico, bloccarlo in posizione verticale. In caso contrario, potrebbe verificarsi un incidente dovuto alla caduta.

⚠ATTENZIONE: Trasportare l'elettrodomestico esclusivamente con la maniglia da trasporto. In caso contrario, si potrebbe verificare un incidente dovuto alla caduta, o un avvio accidentale potrebbe causare lesioni personali.

- **Fig.23**

FUNZIONAMENTO

⚠ATTENZIONE: Non estrarre l'asta della maniglia dall'elettrodomestico durante il funzionamento. In caso contrario, si causa la perdita di controllo dell'elettrodomestico e si potrebbero causare gravi lesioni personali.

⚠ATTENZIONE: Non collocare una mano o una gamba sotto l'elettrodomestico durante l'uso. In caso contrario, potrebbe verificarsi un incidente dovuto a schiacciamento.

Funzionamento per la pulizia normale

1. Afferrare la maniglia, quindi sbloccare la posizione verticale.
2. Accendere l'elettrodomestico. Pulire un pavimento.

- **Fig.24**

Uso della spazzola laterale

La spazzola laterale è comoda per pulire l'angolo di una parete.

Qualora la spazzola laterale diventi corta, portare l'elettrodomestico a un centro di assistenza Makita per la sostituzione.

► Fig.25: 1. Spazzola laterale

Funzionamento con accessori

⚠ATTENZIONE: Quando si intende utilizzare degli accessori, continuare ad afferrare la maniglia. In caso contrario, l'elettrodomestico potrebbe cadere accidentalmente e causare lesioni personali.

AVVISO: Quando si intende utilizzare degli accessori, bloccare l'elettrodomestico in posizione verticale. In caso contrario, la rotazione del rullo spazzola potrebbe danneggiare il pavimento.

Uso del tubo in alluminio

Il tubo in alluminio è idoneo per la pulizia in spazi stretti o ubicazioni elevate.

► Fig.26: 1. Tubo in alluminio

Uso del tubo flessibile

Il tubo flessibile è idoneo per la pulizia in prossimità delle mani.

► Fig.27: 1. Tubo flessibile

Per utilizzare il tubo flessibile, estrarre il tubo in alluminio dal tubo flessibile mentre si tiene premuta la leva.

Per installare il tubo flessibile, inserirlo nel tubo in alluminio fino a sentire uno scatto.

► Fig.28: 1. Leva

Uso degli accessori

► Fig.29

Per installare l'accessorio, ruotarlo e inserirlo saldamente nel tubo in alluminio o nel tubo flessibile. Per scollegarlo, ruotarlo e rimuoverlo.

MANUTENZIONE

⚠ATTENZIONE: Prima di tentare di eseguire interventi di ispezione o manutenzione, accertarsi sempre che l'elettrodomestico sia spento e che la cartuccia della batteria sia stata rimossa.

AVVISO: Non utilizzare mai benzina, benzene, solventi, alcol o altre sostanze simili. In caso contrario, si potrebbero causare scolorimenti, deformazioni o crepe.

Per preservare la SICUREZZA e l'AFFIDABILITÀ del prodotto, le riparazioni e qualsiasi altro intervento di manutenzione e di regolazione devono essere eseguiti da un centro di assistenza autorizzato Makita, utilizzando sempre ricambi Makita.

Conservazione

Quando si intende riporre l'elettrodomestico, rimuovere le cartucce delle batterie e riporre l'elettrodomestico su una sede piana in posizione verticale.

► Fig.30

Pulizia del corpo dell'elettrodomestico

Pulire di tanto in tanto la superficie esterna dell'aspiratore (corpo dell'aspiratore) utilizzando un panno inumidito con acqua e sapone.

► Fig.31

Pulizia del filtro HEPA

⚠ATTENZIONE: Non utilizzare l'aspiratore senza un filtro o continuare a utilizzare un filtro sporco o danneggiato. In caso contrario, la polvere o le particelle aspirate potrebbero venire espulse dall'aspiratore e potrebbero causare malattie respiratorie all'operatore.

AVVISO: Per mantenere una potenza di aspirazione ottimale e uno scarico pulito, pulire a intervalli regolari il filtro. Qualora non si riesca a ottenere una potenza di aspirazione sufficiente anche dopo la pulizia, sostituire il filtro con uno nuovo.

AVVISO: Per evitare che il filtro venga danneggiato, non utilizzare gli utensili seguenti né oggetti simili per la pulizia:

- Soffiatore ad aria compressa
- Idropulitrice ad alta pressione
- Utensili fabbricati in materiali duri, ad esempio spazzole metalliche

1. Aprire il coperchio del contenitore polveri ed estrarre il sacchetto filtro.

Sbloccare i ganci sul filtro e rimuovere quest'ultimo dal corpo dell'elettrodomestico.

► Fig.32: 1. Gancio

2. Rimuovere le polveri dal filtro con dei colpetti. È possibile lavare il filtro con acqua. Sciacquare le polveri e le particelle presenti sul filtro a intervalli di 1 o 2 mesi. Dopo tale operazione, fare asciugare completamente il filtro in un'ubicazione ombreggiata e ben ventilata per evitare odori sgradevoli o malfunzionamenti.

3. Per installare il filtro, inserire il lato senza i ganci nella scanalatura, quindi spingere all'interno il filtro fino a quando i ganci si fissano con uno scatto.

► Fig.33: 1. Scanalatura 2. Filtro HEPA 3. Gancio

Pulizia del rullo spazzola

1. Rimuovere la piastra inferiore, quindi rimuovere il rullo spazzola.

Qualora le setole del rullo spazzola si accorcino, richiedere a un centro di assistenza Makita un rullo nuovo.

L'utilizzo dell'elettrodomestico con un rullo spazzola con setole corte risulta in una raccolta scadente delle polveri.

► **Fig.34:** 1. Piastra inferiore 2. Rullo spazzola

2. Rimuovere fili e capelli dal rullo spazzola utilizzando delle forbici.

Rimuovere il cappuccio e pulire i detriti.

► **Fig.35:** 1. Cappuccio

3. Installare il cappuccio, il rullo spazzola e la piastra inferiore in ordine inverso.

► **Fig.36**

ATTENZIONE: Montare completamente la piastra inferiore. Qualora si utilizzi l'elettrodomestico senza la piastra inferiore, il rullo spazzola potrebbe staccarsi e causare lesioni personali.

AVVISO: Montare sempre il rullo spazzola. L'utilizzo dell'elettrodomestico senza il rullo spazzola risulta in una raccolta scadente delle polveri.

Come rimuovere un intasamento

AVVISO: Non far funzionare l'elettrodomestico con il percorso del flusso di aspirazione intasato. L'utilizzo continuato con un percorso del flusso di aspirazione intasato risulta in una potenza di aspirazione ridotta.

1. Rimuovere la piastra inferiore, quindi rimuovere il rullo spazzola.

2. Rimuovere il tubo in alluminio dall'elettrodomestico e dal tubo flessibile.

3. Ruotare il tubo flessibile in senso antiorario, quindi rimuovere il tubo flessibile dall'elettrodomestico.

4. Rimuovere il tubo flessibile di aspirazione tirando la linguetta.

► **Fig.37:** 1. Tubo flessibile di aspirazione 2. Linguetta

5. Ispezionare il percorso del flusso di aspirazione dell'aria all'interno del tubo in alluminio e del tubo flessibile, nonché del tubo flessibile di aspirazione.

Pulire i detriti al loro interno.

6. Allineare la linguetta del tubo flessibile di aspirazione con la scanalatura nell'alloggiamento, quindi far scivolare la linguetta in sede.

► **Fig.38:** 1. Linguetta 2. Scanalatura

7. Installare il tubo flessibile, il tubo in alluminio, il rullo spazzola e la piastra inferiore.

ATTENZIONE: Installare saldamente il tubo flessibile e il tubo. In caso contrario, si potrebbe verificare una fuoriuscita di polveri, che potrebbe causare lesioni personali.

Sacchetto polveri

Accessorio opzionale

È possibile riutilizzare più volte il sacchetto polveri, pulendolo a fondo.

Installazione e rimozione del sacchetto polveri

La procedura di installazione e rimozione del sacchetto polveri è identica a quella del sacchetto filtro. Fare riferimento alle sezioni relative all'installazione del sacchetto filtro e alla rimozione del sacchetto filtro.

► **Fig.39:** 1. Sacchetto segatura 2. Tappo di gomma

AVVISO: Quando si intende installare il sacchetto polveri, aprire prima il tappo di gomma. Inserire il sacchetto polveri con il tappo di gomma dietro.

Svuotamento del sacchetto polveri

1. Chiudere il tappo di gomma, per evitare che le polveri si diffondano.

2. Aprire la bocca del sacchetto tirando verso l'esterno il dispositivo di chiusura.

3. Svuotare il sacchetto polveri del suo contenuto, dandogli dei leggeri colpetti in modo da rimuovere le particelle che aderiscono alle superfici interne.

► **Fig.40:** 1. Sacchetto segatura 2. Tappo di gomma 3. Chiusura

AVVISO: Svuotare spesso il sacchetto polveri. Una quantità eccessiva di polveri fa strappare facilmente il sacchetto.

Pulizia del sacchetto polveri

Pulire a intervalli regolari il sacchetto polveri con acqua e sapone. Rivoltare il sacchetto polveri e rimuovere le polveri che vi aderiscono. Lavarlo delicatamente a mano e sciacquarlo bene con acqua. Farlo asciugare completamente prima di installarlo nell'aspirapolvere.

► **Fig.41**

AVVISO: Un sacchetto polveri bagnato riduce le prestazioni di aspirazione, nonché la vita utile del motore.

AVVISO: Quando si intende montare il dispositivo di chiusura sul sacchetto polveri, accertarsi che la bocca del sacchetto sia chiusa saldamente.

ACCESSORIO CICLONICO

Accessorio opzionale

► Fig.42: 1. Accessorio ciclonico

Informazioni sull'accessorio ciclonico

L'utilizzo dell'aspirapolvere con l'accessorio ciclonico installato riduce la quantità di polveri che entrano nel sacchetto filtro, il che contribuisce a evitare l'indebolimento della forza di aspirazione. Inoltre, anche la pulizia dopo l'uso è semplice.

⚠ATTENZIONE: Accertarsi sempre che l'utensile sia spento e che la cartuccia della batteria sia stata rimossa, prima di effettuare qualsiasi intervento sull'utensile. Qualora la cartuccia della batteria venga lasciata inserita, l'aspiratore potrebbe avviarsi inaspettatamente e causare lesioni personali.

⚠ATTENZIONE: Pulire il filtro a rete dell'accessorio ciclonico e il sacchetto filtro dell'unità aspirapolvere quando diventano intasati. L'utilizzo continuato nella condizione di intasamento potrebbe risultare in un riscaldamento o nell'emissione di fumo.

AVVISO: Quando è montato l'accessorio ciclonico, non utilizzare l'accessorio ciclonico in direzione orizzontale o rivolto verso l'alto. In caso contrario, si potrebbe causare l'intasamento del filtro a rete.

AVVISO: Utilizzare sempre l'aspirapolvere con il sacchetto filtro installato, anche quando si utilizza l'accessorio ciclonico. L'utilizzo dell'aspirapolvere senza il sacchetto filtro installato potrebbe risultare in un malfunzionamento del motore.

NOTA: Verificare che l'accessorio ciclonico, l'aspiratore e il tubo diritto siano bloccati correttamente, prima dell'uso.

NOTA: Svuotare il contenitore polveri dell'accessorio ciclonico e il sacchetto filtro dell'aspirapolvere, quando le polveri si sono accumulate. In caso contrario, l'utilizzo continuato risulta in una forza di aspirazione ridotta.

Installazione dell'accessorio ciclonico

1. Ruotare il manicotto del tubo flessibile in senso antiorario e rimuovere il tubo flessibile, l'impugnatura del tubo e il tubo in alluminio dall'elettrodomestico.
► Fig.43: 1. Manicotto 2. Tubo flessibile
3. Impugnatura del tubo 4. Tubo in alluminio

2. Ruotare verso l'alto il lato del fermo sull'accessorio ciclonico, allineando il fermo con la scanalatura della presa di aspirazione. Bloccare il fermo inserendo l'accessorio ciclonico fino a sentire uno scatto. Tirare leggermente l'accessorio ciclonico per accertarsi che non si stacchi. Inserire il tubo diritto con la stessa procedura dell'accessorio ciclonico.

► Fig.44: 1. Impugnatura per l'accessorio ciclonico 2. Presa di aspirazione 3. Accessorio ciclonico 4. Tubo diritto per l'accessorio ciclonico 5. Fermo 6. Pulsante di blocco

3. Installare l'accessorio ciclonico sull'elettrodomestico, quindi ruotare il manicotto sul tubo flessibile in senso orario per fissarlo.

► Fig.45

Smaltimento delle polveri

Quando le polveri si sono accumulate fino alla linea di riempimento del contenitore polveri, attenersi alla procedura seguente e smaltire le polveri.

1. Mantenere saldamente il contenitore polveri, premere e tenere premuti i due pulsanti, quindi rimuovere il contenitore polveri.

► Fig.46: 1. Linea di riempimento 2. Contenitore polveri 3. Pulsante (in due ubicazioni) 4. Filtro a rete

2. Smaltire le polveri all'interno del contenitore polveri e rimuovere eventuali polveri depositate sulla superficie del filtro a rete.

3. Inserire completamente il contenitore polveri fino a quando i due pulsanti si bloccano con uno scatto.

► Fig.47: 1. Contenitore polveri 2. Pulsante (in due ubicazioni)

NOTA: Mantenere saldamente l'accessorio ciclonico quando si installa il contenitore polveri.

NOTA: Verificare che l'accessorio ciclonico, l'aspiratore e il tubo diritto siano bloccati correttamente, prima di riprendere l'utilizzo.

NOTA: Qualora la forza di aspirazione non venga recuperata anche dopo aver smaltito le polveri e aver pulito il filtro a rete, controllare se le polveri si siano accumulate nel sacchetto filtro dell'aspirapolvere o se si sia verificato un intasamento.

Pulizia

Quando il contenitore polveri diventa sporco o il filtro a rete è intasato, rimuoverli e lavarli con acqua. (Per la procedura di rimozione, fare riferimento a "Smaltimento delle polveri").

Far asciugare completamente le parti prima della reinstallazione e dell'utilizzo.

► Fig.48: 1. Contenitore polveri 2. Filtro a rete

Quando il filtro a rete si sporca notevolmente, pulirlo attenendosi alle procedure seguenti.

1. Ruotare il filtro a rete in senso antiorario e rimuoverlo mentre i ganci sono sbloccati.

► Fig.49: 1. Filtro a rete 2. Gancio

2. Rimuovere le polveri sul filtro a rete, quindi lavarlo con acqua. Dopodiché, farlo asciugare completamente.

3. Inserire il filtro a rete nella base mentre i ganci sono allineati con l'apertura. Ruotare in senso orario il filtro a rete fino a quando i ganci si bloccano con uno scatto. Accertarsi che il filtro a rete sia installato saldamente.

► Fig.50: 1. Filtro a rete 2. Gancio 3. Apertura

RISOLUZIONE DEI PROBLEMI

Prima di richiedere riparazioni, eseguire un'ispezione personalmente. Qualora si rilevi un problema che non sia illustrato nel manuale, non tentare di smontare la macchina. Rivolgersi, invece, a un centro di assistenza autorizzato Makita, utilizzando sempre pezzi di ricambio Makita per le riparazioni.

Sintomo	Causa probabile	Misura correttiva
Mancato funzionamento	Le cartucce delle batterie non sono installate correttamente.	Installare le cartucce delle batterie come descritto nel presente manuale.
	Le cartucce delle batterie sono scariche.	Caricare le cartucce delle batterie.
	La maniglia non è installata correttamente.	Installare la maniglia saldamente come descritto nel presente manuale.
Il rullo spazzola non gira	L'elettrodomestico è bloccato in posizione verticale.	Sbloccare la posizione verticale dell'elettrodomestico.
	L'indicatore di errore del rullo spazzola si è illuminato.	Verificare che non vi siano inceppamenti intorno al rullo spazzola (corpo, cappuccio e giunto).
Forza di aspirazione debole	L'indicatore del livello eccessivo di polveri si è illuminato.	Sostituire il sacchetto filtro. Se il sacchetto filtro non è pieno, dispiegarlo e scuoterlo per rimuovere l'intasamento.
	⇒Qualora la sostituzione del sacchetto filtro non risolve il problema...	Pulire o sostituire il filtro HEPA. Verificare che non vi siano detriti intasati nel tubo flessibile e nel tubo.
	Dei detriti sono incagliati nel rullo spazzola e la velocità di rotazione si è ridotta.	Verificare che non vi siano inceppamenti intorno al rullo spazzola (corpo, cappuccio, giunto).
	L'altezza del rullo spazzola è troppo elevata rispetto al pavimento.	Ridurre l'altezza del rullo spazzola.
	Le setole del rullo spazzola sono diventate corte.	Sostituire il rullo spazzola. Ridurre l'altezza del rullo spazzola.
	L'elettrodomestico sta funzionando in modalità a bassa potenza.	Passare alla modalità operativa a potenza più elevata.
	Il rullo spazzola non è installato.	Installare il rullo spazzola.
	Il tubo o il tubo flessibile non è installato correttamente.	Installare saldamente il tubo o il tubo flessibile.
Forte rumore del motore	L'elettrodomestico sta funzionando in modalità ad alta potenza.	Passare alla modalità di funzionamento a potenza più bassa.
	Dei detriti sono incagliati nel rullo spazzola.	Verificare che non vi siano inceppamenti intorno al rullo spazzola (corpo, cappuccio e giunto).
	Il sacchetto filtro è pieno di polveri.	Sostituire il sacchetto filtro.
	⇒Qualora la sostituzione del sacchetto filtro non risolve il problema...	Pulire o sostituire il filtro HEPA. Verificare che non vi siano detriti intasati nel tubo flessibile e nel tubo.
L'indicatore del livello eccessivo di detriti lampeggia dopo un breve utilizzo	Il sacchetto filtro è piegato.	Distendere l'ingresso del sacchetto filtro prima di inserirlo.
La lampada a LED non si illumina	La lampada a LED è impostata su spegnimento.	Durante l'uso, premere e tenere premuto il pulsante per controllo batterie/lampada a LED per accendere la lampada a LED.
La rotella girevole si sposta con difficoltà	Dei detriti sono incagliati nella rotella girevole.	Pulire i detriti sulla rotella girevole.

ACCESSORI OPZIONALI

⚠ATTENZIONE: Questi accessori o componenti aggiuntivi sono consigliati per l'uso con l'utensile Makita specificato nel presente manuale.

L'impiego di altri accessori o componenti aggiuntivi può costituire un rischio di lesioni alle persone.

Utilizzare gli accessori o i componenti aggiuntivi solo per il loro scopo prefissato.

Per ottenere ulteriori dettagli relativamente a questi accessori, rivolgersi a un centro di assistenza Makita.

- Bocchetta per angoli
- Spazzola rotonda
- Accessorio ciclonico
- Filtro HEPA
- Sacchetto filtro
- Sacchetto polveri
- Batteria e caricabatterie originali Makita

NOTA: Alcuni articoli nell'elenco potrebbero essere inclusi nell'imballaggio dell'utensile come accessori standard. Tali articoli potrebbero variare da nazione a nazione.

WAARSCHUWING

- Dit apparaat is niet bedoeld voor gebruik door personen, waaronder kinderen, met een verminderd lichamelijk, zintuiglijk of geestelijk vermogen, of gebrek aan kennis en ervaring.
- Kinderen dienen onder toezicht te staan om ervoor te zorgen dat zij niet met de stofzuiger spelen.
- Zie het hoofdstuk "TECHNISCHE GEGEVENS" voor de typeaanduiding van de accu.
- Zie het hoofdstuk "De accu aanbrengen en verwijderen" voor hoe u de accu kunt aanbrengen en verwijderen.
- Wanneer u de accu wilt weggooien, verwijdert u de accu vanaf het gereedschap en gooit u hem op een veilige manier weg. Volg bij het weggooien van de accu de plaatselijke voorschriften.
- Als u het gereedschap gedurende een lange tijd niet denkt te gaan gebruiken, moet de accu vanaf het gereedschap worden verwijderd.
- Voorkom kortsluiting van de accu.
- Zie het hoofdstuk "ONDERHOUD" voor de benodigde informatie over de voorzorgsmaatregelen tijdens onderhoud door de gebruiker.

TECHNISCHE GEGEVENS

Model:	DVC560
Maximaal luchtvolume*	1,9 m ³ /min
Vacuüm*	12 kPa
Inhoud	5 L
Afmetingen (l x b x h)	326 mm x 318 mm x 1.146 mm
Nominale spanning	36 V gelijkspanning
Nettogewicht	8,3 - 9,0 kg

- * De waarde is gemeten volgens onze originele methode.
- In verband met ononderbroken research en ontwikkeling, behouden wij ons het recht voor de bovenstaande technische gegevens zonder voorafgaande kennisgeving te wijzigen.
- De technische gegevens van de accu kunnen van land tot land verschillen.
- Het gewicht is inclusief accessoires (ronde borstel, hoekmondstuk) en accu('s). Het laagste en hoogste gecombineerde gewicht van het apparaat en de accu('s) wordt vermeld in de tabel.

Toepasselijke accu's en laders

Accu	BL1815N / BL1820B / BL1830B / BL1840B / BL1850B / BL1860B
Lader	DC18RC / DC18RD / DC18RE / DC18SD / DC18SE / DC18SF / DC18SH / DC18WC

- Sommige van de hierboven vermelde accu's en laders zijn mogelijk niet leverbaar afhankelijk van waar u woont.

⚠ WAARSCHUWING: Gebruik uitsluitend de accu's en laders die hierboven worden genoemd. Gebruik van enige andere accu of lader kan leiden tot letsel en/of brand.

Symbolen

Hieronder staan de symbolen die voor het gereedschap kunnen worden gebruikt. Zorg ervoor dat u de betekenis ervan kent voordat u het gereedschap gaat gebruiken.



Lees de gebruiksaanwijzing.



Wees vooral voorzichtig en let goed op.



Alleen voor EU-landen
Als gevolg van de aanwezigheid van schadelijke componenten in het apparaat, kunnen oude elektrische en elektronische apparaten, accu's en batterijen negatieve gevolgen hebben voor het milieu en de gezondheid van mensen.
Gooi elektrische en elektronische apparaten en accu's niet met het huisvuil weg!
In overeenstemming met de Europese richtlijn inzake oude elektrische en elektronische apparaten en inzake accu's en batterijen en oude accu's en batterijen, alsmede de toepassing daarvan binnen de nationale wetgeving, dienen oude elektrische apparaten, accu's en batterijen gescheiden te worden opgeslagen en te worden ingeleverd bij een apart inzamelingspunt voor huishoudelijk afval dat de milieubeschermingsvoorschriften in acht neemt.
Dit wordt op het apparaat aangegeven door het symbool van een doorgekruiste afvalcontainer.

Gebruiksdoelinden

Het apparaat is bedoeld om droog stof te verzamelen. Het apparaat is geschikt voor commercieel gebruik, bijvoorbeeld in hotels, scholen, ziekenhuizen, fabrieken, winkels, kantoren en verhuurbedrijven.

Geluidsniveau

De typische, A-gewogen geluidsniveaus zijn gemeten volgens IEC60335-2-69:
Geluidsdrukniveau (L_{pA}): 70 dB (A) of lager
Onzekerheid (K): 2,5 dB (A)

Het geluidsniveau kan tijdens gebruik hoger worden dan 80 dB (A).

OPMERKING: De opgegeven geluidsemissiewaarde(n) is/zijn gemeten volgens een standaardtestmethode en kan/kunnen worden gebruikt om dit gereedschap te vergelijken met andere gereedschappen.

OPMERKING: De opgegeven geluidsemissiewaarde(n) kan/kunnen ook worden gebruikt voor een beoordeling vooraf van de blootstelling.

⚠WAARSCHUWING: Draag gehoorbescherming.

⚠WAARSCHUWING: De geluidsemissie tijdens het gebruik van het elektrisch gereedschap in de praktijk kan verschillen van de opgegeven waarde(n) afhankelijk van de manier waarop het gereedschap wordt gebruikt, met name van het soort werkstuk waarmee wordt gewerkt.

⚠WAARSCHUWING: Zorg ervoor dat veiligheidsmaatregelen worden getroffen ter bescherming van de gebruiker die zijn gebaseerd op een schatting van de blootstelling onder praktijkomstandigheden (rekening houdend met alle fasen van de bedrijfscyclus, zoals de tijdsduur gedurende welke het gereedschap is uitgeschakeld en stationair draait, naast de ingeschakelde tijdsduur).

Trilling

De totale trillingswaarde (triaxiale vectorsom) zoals vastgesteld volgens IEC60335-2-69:
Trillingsemissie ($a_{h,M}$): 2,5 m/s² of lager
Onzekerheid (K): 1,5 m/s²

OPMERKING: De totale trillingswaarde(n) is/zijn gemeten volgens een standaardtestmethode en kan/kunnen worden gebruikt om dit gereedschap te vergelijken met andere gereedschappen.

OPMERKING: De opgegeven totale trillingswaarde(n) kan/kunnen ook worden gebruikt voor een beoordeling vooraf van de blootstelling.

⚠WAARSCHUWING: De trillingsemissie tijdens het gebruik van het elektrisch gereedschap in de praktijk kan verschillen van de opgegeven waarde(n) afhankelijk van de manier waarop het gereedschap wordt gebruikt, met name van het soort werkstuk waarmee wordt gewerkt.

⚠WAARSCHUWING: Zorg ervoor dat veiligheidsmaatregelen worden getroffen ter bescherming van de gebruiker die zijn gebaseerd op een schatting van de blootstelling onder praktijkomstandigheden (rekening houdend met alle fasen van de bedrijfscyclus, zoals de tijdsduur gedurende welke het gereedschap is uitgeschakeld en stationair draait, naast de ingeschakelde tijdsduur).

Verklaringen van conformiteit

Alleen voor Europese landen

De verklaringen van conformiteit zijn bijgevoegd in Bijlage A bij deze gebruiksaanwijzing.

VEILIGHEIDSWAARSCHUWINGEN

Veiligheidswaarschuwingen voor een accustofzuiger

⚠ WAARSCHUWING: BELANGRIJK! LEES VÓÓR GEBRUIK alle veiligheidswaarschuwingen en alle instructies **ZORGVULDIG DOOR**. Het niet volgen van de waarschuwingen en instructies kan leiden tot elektrische schokken, brand en/of ernstig letsel.

1. **Bedenk vóór gebruik dat deze stofzuiger moet worden gebruikt door mensen die goed zijn geïnstrueerd in het gebruik van deze stofzuiger.**
2. **Gebruik het apparaat niet zonder dat de filterzak en/of filters zijn aangebracht. Vervang een beschadigd filter onmiddellijk.**
3. **VOORKOM ONBEDOELD STARTEN.** Verzeker u ervan dat de schakelaar in de uit-stand staat voordat u de accu('s) aanbrengt.
4. **Probeer niet brandbare materialen, vuurwerk, brandende sigaretten, hete as, hete metaaldeeltjes, scherpe materialen, zoals scheermesjes, naalden, gebroken glas en dergelijke, op te zuigen.**
5. **GEBRUIK DE STOFZUIGER NOOIT IN DE BUURT VAN BENZINE, GAS, VERF, LIJM OF ANDERE UITERST EXPLOSIEVE STOFFEN.** De schakelaar produceert vonken bij het in- en uitschakelen. En dat doet ook de collector in de motor tijdens gebruik. Hierdoor kan een gevaarlijke explosie worden veroorzaakt.
6. **Deze stofzuiger is niet geschikt voor het opzuigen van gevaarlijk stof.**
7. **Zuig nooit giftige, kankerverwekkende, ontbrandbare of andere gevaarlijke stoffen op, zoals asbest, arsenicum, barium, beryllium, lood, pesticiden en andere gezondheidsbedreigende materialen.**
8. **Gebruik niet buitenshuis of op natte ondergronden.**
9. **In Finland mag dit apparaat niet buitenshuis worden gebruikt bij lage temperaturen.**
10. **Gebruik het apparaat niet dichtbij een warmtebron (fornuis, enz.).**
11. **Blokkeer de aanzuigopening/uitlaat/koelventilatieopeningen niet.** Deze ventilatieopeningen zorgen voor de koeling van de motor. Blokkering ervan moet zorgvuldig worden voorkomen omdat anders de motor zal doorbranden als gevolg van gebrek aan ventilatie.
12. **U mag de slang niet knikken, eraan trekken of erop gaan staan.**
13. **Schakel de stofzuiger onmiddellijk uit als u tijdens gebruik slechte prestaties of iets abnormaals opmerkt.**
14. **VERWIJDER DE ACCU('S) wanneer het gereedschap niet in gebruik is, u er onderhoud aan gaat plegen, en u accessoires verwisselt.**
15. **Reinig en onderhoud de stofzuiger onmiddellijk na elk gebruik om hem in optimale conditie te houden.**
16. **ONDERHOUD DE STOFZUIGER GOED.** Houd de stofzuiger schoon om beter en veiliger te kunnen werken. Houdt u aan de instructies voor het verwisselen van de accessoires. Houd de handgrepen droog, schoon en vrij van olie en vetten.
17. **CONTROLEER BESCHADIGDE ONDERDELEN.** Zonder de stofzuiger verder te gebruiken, moet een beschermkap of ander onderdeel dat beschadigd is eerst goed worden onderzocht om te beoordelen of het goed werkt en zijn beoogde functie kan uitvoeren. Controleer of bewegende delen goed uitgelijnd zijn en niet vastgelopen zijn, of onderdelen niet kapot zijn en stevig gemonteerd zijn, en enige andere situatie die van invloed kan zijn op de werking ervan. Een beschermkap of ander onderdeel dat beschadigd is, dient vakkundig te worden gerepareerd of vervangen door een erkend servicecentrum, behalve indien anders aangegeven elders in deze gebruiksaanwijzing. Laat een kapotte schakelaar vervangen door een erkend servicecentrum. Gebruik de stofzuiger niet als hij niet kan worden in- en uitgeschakeld met de schakelaar.
18. **VERVANGINGSONDERDELEN.** Gebruik tijdens reparaties uitsluitend identieke vervangingsonderdelen.
19. **Als de stofzuiger niet wordt gebruikt, bergt u hem binnenshuis op.**
20. **Behandel uw stofzuiger voorzichtig.** Een ruwe behandeling kan leiden tot een defect van zelfs de meest stevig gebouwde stofzuiger.
21. **Probeer niet de buitenkant of binnenkant van de stofzuiger schoon te maken met wasbenzine, thinner of schoonmaakmiddelen.** Hierdoor kunnen barsten en verkleuringen ontstaan.
22. **Gebruik de stofzuiger niet in een afgesloten ruimte waarin brandbare, explosieve of giftige dampen worden afgegeven door verf op olie-basis, thinner, benzine, bepaalde motenbestrijdingsmiddelen, enz., of op plaatsen waar brandbaar stof aanwezig is.**
23. **Gebruik dit of enig ander gereedschap niet wanneer u onder invloed bent van drugs of alcohol.**
24. **Draag geschikte beschermingsmiddelen, zoals een masker, afhankelijk van de gebruiksomgeving.**
25. **Dit apparaat is niet bedoeld voor gebruik door personen, waaronder kinderen, met een verminderd lichamelijk, zintuiglijk of geestelijk vermogen, of gebrek aan kennis en ervaring.**
26. **Kinderen dienen onder toezicht te staan om ervoor te zorgen dat zij niet met de stofzuiger spelen.**
27. **Hanteer de stofzuiger en accu('s) nooit met natte handen.**
28. **Wees bijzonder voorzichtig tijdens stofzuigen op een trap.**

29. **Zorg altijd voor een stevige stand en goede lichaamsbalans.**
30. **Gebruik de stofzuiger niet als een kruk of werkbank. Anders kan het apparaat vallen, waardoor persoonlijk letsel kan worden veroorzaakt.**
31. **Houd al uw lichaamsdelen en kleding uit de buurt van de openingen en bewegende delen, zoals de draaiende borstelrol. Anders kunnen deze verstrikt raken in het apparaat en letsel veroorzaken.**

Gebruik en verzorging van gereedschap dat op een accu werkt

1. **Laad alleen op met de acculader aanbevolen door de fabrikant.** Een acculader die geschikt is voor een bepaald type accu, kan brandgevaar opleveren indien gebruikt met een ander type accu.
2. **Gebruik elektrisch gereedschap uitsluitend met de daarvoor bestemde accu.** Gebruik van andere accu's kan gevaar voor letsel of brandgevaar opleveren.
3. **Als de accu niet wordt gebruikt, houdt u deze uit de buurt van metalen voorwerpen, zoals paperclips, muntgeld, sleutels, spijkers, schroeven en andere kleine metalen voorwerpen die een kortsluiting kunnen veroorzaken tussen de accupolen.** Kortsluiting tussen de accupolen kan leiden tot brandwonden of brand.
4. **Onder zware gebruiksomstandigheden kan vloeistof uit de accu komen. Voorkom aanraking!** Als u er per ongeluk mee in aanraking komt, spoelt u het er met water af. Als de vloeistof in uw ogen komt, raadpleegt u tevens een arts. Vloeistof uit de accu kan irritatie en brandwonden veroorzaken.
5. **Gebruik geen accu of gereedschap dat beschadigd of gewijzigd is.** Beschadigde of gewijzigde accu's kunnen onvoorspelbaar gedrag vertonen dat kan leiden tot brand, explosie of gevaar van letsel.
6. **Stel een accu of gereedschap niet bloot aan vuur of buitensporige temperaturen.** Blootstelling aan vuur of temperaturen hoger dan 130 °C kunnen een explosie veroorzaken.
7. **Volg alle oplaad instructies en laad de accu of het gereedschap niet op buiten het temperatuurbereik opgegeven in de instructies.** Verkeerd opladen of bij een temperatuur buiten het opgegeven bereik kan de accu beschadigen en de kans op brand vergroten.

BEWAAR DEZE VOORSCHRIFTEN.

⚠ WAARSCHUWING: Laat u NIET misleiden door een vals gevoel van comfort en bekendheid met het gereedschap (na veelvuldig gebruik) en neem alle veiligheidsvoorschriften van het betreffende gereedschap altijd strikt in acht. VERKEERD GEBRUIK of het niet naleven van de veiligheidsvoorschriften in deze gebruiksaanwijzing kan leiden tot ernstig letsel.

Belangrijke veiligheidsinstructies voor een accu

1. **Lees alle voorschriften en waarschuwingen op (1) de acculader, (2) de accu, en (3) het product waarvoor de accu wordt gebruikt, alvorens de accu in gebruik te nemen.**
2. **Haal de accu niet uit elkaar en saboteer hem niet.** Dit kan leiden tot brand, buitensporige hitte of een explosie.
3. **Als de gebruikstijd van een opgeladen accu aanzienlijk korter is geworden, moet u het gebruik ervan onmiddellijk stopzetten. Voortgezet gebruik kan oververhitting, brandwonden en zelfs een ontploffing veroorzaken.**
4. **Als elektrolyt in uw ogen is terechtgekomen, spoelt u uw ogen met schoon water en roept u onmiddellijk de hulp van een dokter in. Elektrolyt in de ogen kan blindheid veroorzaken.**
5. **Voorkom kortsluiting van de accu:**
 - (1) **Raak de accuklemmen nooit aan met een geleidend materiaal.**
 - (2) **Bewaar de accu niet in een bak waarin andere metalen voorwerpen zoals spijkers, munten e.d. worden bewaard.**
 - (3) **Stel de accu niet bloot aan water of regen. Kortsluiting van de accu kan oorzaak zijn van een grote stroomafgifte, oververhitting, brandwonden, en zelfs defecten.**
6. **Bewaar en gebruik het gereedschap en de accu niet op plaatsen waar de temperatuur kan oplopen tot 50 °C of hoger.**
7. **Werp de accu nooit in het vuur, ook niet wanneer hij zwaar beschadigd of volledig versleten is. De accu kan ontploffen in het vuur.**
8. **Laat de accu niet vallen, sla er geen spijker in, snijd er niet in, gooi er niet mee en stoot hem niet tegen een hard voorwerp.** Dergelijke handelingen kunnen leiden tot brand, buitensporige hitte of een explosie.
9. **Gebruik nooit een beschadigde accu.**
10. **De bijgeleverde lithium-ionbatterijen zijn onderhevig aan de vereisten in de wetgeving omtrent gevaarlijke stoffen.** Voor commercieel transport en dergelijke door derden en transporteurs moeten speciale vereisten ten aanzien van verpakking en etikettering worden nageleefd. Als voorbereiding van het artikel dat wordt getransporteerd is het noodzakelijk een expert op het gebied van gevaarlijke stoffen te raadplegen. Houd u tevens aan mogelijk strengere nationale regelgeving. Blootliggende contactpunten moeten worden afgedekt met tape en de accu moet zodanig worden verpakt dat deze niet kan bewegen in de verpakking.
11. **Wanneer u de accu wilt weggooien, verwijdert u de accu vanaf het gereedschap en gooit u hem op een veilige manier weg. Volg bij het weggooien van de accu de plaatselijke voorschriften.**

12. **Gebruik de accu's uitsluitend met de gereedschappen die door Makita zijn aanbevolen.** Als de accu's worden aangebracht in niet-compatibele gereedschappen, kan dat leiden tot brand, buitensporige warmteontwikkeling, een explosie of lekkage van elektrolyt.
13. **Als u het gereedschap gedurende een lange tijd niet denkt te gaan gebruiken, moet de accu vanaf het gereedschap worden verwijderd.**
14. **Tijdens en na gebruik, kan de accu heet worden waardoor brandwonden of koude brandwonden kunnen worden veroorzaakt. Wees voorzichtig bij het hanteren van een hete accu.**
15. **Raak de aansluitpunten van het gereedschap niet onmiddellijk na gebruik aan omdat deze heet genoeg kunnen zijn om brandwonden te veroorzaken.**
16. **Zorg ervoor dat geen steenslag, stof of grond vast komt te zitten op/in de aansluitpunten, openingen en groeven van de accu.** Hierdoor kan oververhitting, brand, een barst en een storing in het gereedschap of de accu ontstaan waardoor brandwonden of persoonlijk letsel kunnen ontstaan.
17. **Behalve indien gebruik van het gereedschap is toegestaan in de buurt van hoogspanningsleidingen, mag u de accu niet gebruiken in de buurt van een hoogspanningsleiding.** Dit kan leiden tot een storing of een defect van het gereedschap of de accu.
18. **Houd de accu uit de buurt van kinderen.**

BEWAAR DEZE INSTRUCTIES.

⚠ LET OP: Gebruik uitsluitend originele Makita accu's. Het gebruik van niet-originele accu's, of accu's die zijn gewijzigd, kan ertoe leiden dat de accu ontploft en brand, persoonlijk letsel en schade veroorzaakt. Ook vervalt daarmee de garantie van Makita op het gereedschap en de lader van Makita.

Tips voor een maximale levensduur van de accu

1. **Laad de accu op voordat hij volledig ontladen is. Stop het gebruik van het gereedschap en laad de accu op telkens wanneer u vaststelt dat het vermogen van het gereedschap is afgenomen.**
2. **Laad een volledig opgeladen accu nooit opnieuw op. Te lang opladen verkort de levensduur van de accu.**
3. **Laad de accu op bij een omgevingstemperatuur tussen 10 °C en 40 °C. Laat een warme accu afkoelen alvorens hem op te laden.**
4. **Als de accu niet wordt gebruikt, verwijderd u hem vanaf het gereedschap of de lader.**
5. **Laad de accu op als u deze gedurende een lange tijd (meer dan zes maanden) niet gaat gebruiken.**

BESCHRIJVING VAN DE ONDERDELEN

► Fig.1

1	Handgreep	2	Bedieningspaneel	3	Buishandgreep	4	Slang
5	Paneel met indicatorlampjes	6	Hendel (voor de afdekking van de filterzakkast)	7	Afdekking van de filterzakkast	8	Draaghandgreep
9	Vergrendeling (voor accudeksel)	10	Instelknop	11	Accudeksel	12	Hoekmondstuk
13	Ronde borstel	14	Voetvergrendeling	15	Zwenkwiel	16	Zijborstel
17	Aanzuigslang	18	Koppelstuk	19	Aluminium buis	20	Buishouder
21	LED-lamp	22	Borstelrol	23	Grondplaat	24	AAN-/functiekeuze knop
25	UIT-knop (OFF)	26	Indicatorlampjes voor de bedieningsfunctie	27	Indicatorlampje voor te veel stof in de filterzak	28	Indicatorlampje voor storting van de borstelrol
29	Indicatorlampjes voor de resterende acculading	30	Accucontrole/LED-lampknop	-	-	-	-

MONTAGE

⚠️ LET OP: Verzeker u er altijd van dat het apparaat is uitgeschakeld en de accu is verwijderd voordat u enige werkzaamheden aan het apparaat uitvoert.

⚠️ LET OP: Draag altijd een stofmasker tijdens montage en onderhoud.

De handgreep aanbrengen

1. Steek de handgreepbuis volledig in de behuizing van de stofzuiger, zoals aangegeven in de afbeelding.
 2. Sluit de vergrendeling.
- **Fig.2:** 1. Handgreepbuis 2. Rode markering 3. Vergrendeling

KENNISGEVING: Steek de handgreepbuis er helemaal in totdat de rode markering niet meer zichtbaar is.

De slang aanbrengen

Steek de slang in de aansluitopening van het apparaat en draai de slang tot hij wordt vergrendeld.

► **Fig.3**

De buis aanbrengen

Steek het uiteinde van de aluminium buis in het koppelstuk en bevestig daarna de aluminium buis aan de buishouder.

► **Fig.4:** 1. Koppelstuk 2. Buishouder

KENNISGEVING: Steek de aluminium buis in de juiste richting erin, zoals aangegeven in de afbeelding. Anders wordt de buishouder niet vergrendeld en kan de aluminium buis eraf vallen.

► **Fig.5**

De accu aanbrengen en verwijderen

⚠️ LET OP: Schakel het apparaat altijd uit voordat u de accu aanbrengt of verwijdert.

⚠️ LET OP: Houd de stofzuiger en de accu stevig vast tijdens het aanbrengen of verwijderen van de accu. Als u de stofzuiger en de accu niet stevig vasthoudt, kunnen deze uit uw handen glijpen en kunnen de stofzuiger of de accu worden beschadigd of kan persoonlijk letsel worden veroorzaakt.

⚠️ LET OP: Wees voorzichtig bij het sluiten of openen van het accudeksel dat uw vingers niet bekneld raken. Als u dit niet doet, kan persoonlijk letsel ontstaan.

Om de accu te plaatsen, ontgrendelt u eerst de vergrendeling en opent u daarna het accudeksel. Plaats daarna de accu.

► **Fig.6:** 1. Vergrendeling 2. Accudeksel

Lijn de lip op de accu uit met de groef in de behuizing en duw de accu op zijn plaats. Steek hem er helemaal in tot hij op zijn plaats wordt vergrendeld met een klikgeluid. Vergrendel daarna het accudeksel.

► **Fig.7:** 1. Accu 2. Knop

Om de accu te verwijderen, schuift u de knop aan de voorkant van de accu en schuift u tegelijkertijd de accu uit het apparaat.

⚠️ LET OP: Breng de accu altijd helemaal aan. Als u dit niet doet, kan de accu per ongeluk uit het apparaat vallen en u of anderen in uw omgeving verwonden.

⚠️ LET OP: Breng de accu niet met kracht aan. Als de accu niet gemakkelijk in het gereedschap kan worden geschoven, wordt deze niet goed aangebracht.

OPMERKING: De stofzuiger werkt niet met slechts één accu.

De filterzak aanbrengen

⚠️ LET OP: Gebruik nooit een beschadigde filterzak. Gebruik de stofzuiger altijd met een correct aangebrachte filterzak. Anders kan het opgezogen stof of deeltjes worden uitgeblazen door de stofzuiger en kunnen deze ademhalingsziekten veroorzaken bij de gebruiker.

Breng de filterzak aan voordat u de stofzuiger gebruikt. De filterzak is voor eenmalig gebruik. Wanneer de filterzak vol is, gooit u hem in zijn geheel weg zonder hem leeg te maken.

KENNISGEVING: Als de filterzak vol of verstopt is, vervangt u deze door een nieuwe. Als u de volle of verstopte filterzak blijft gebruiken, zal de zuigkracht afnemen.

KENNISGEVING: Om te voorkomen dat stof in de motor kan binnendringen:

- Verzeker u er vóór gebruik van dat de filterzak is aangebracht.
- Gebruik geen kapotte of gescheurde stofzak.

Anders kan de motor defect raken.

KENNISGEVING: Vouw het karton niet bij de opening wanneer u de filterzak aanbrengt.

KENNISGEVING: De filterzak is een belangrijk onderdeel voor het behouden van de prestaties van de stofzuiger. Het gebruik van een niet-originele filterzak kan leiden tot rook of ontbranding.

OPMERKING: Als de filterzak niet in het apparaat is aangebracht, kan de afdekking van de filterzakkast niet volledig worden gesloten.

1. Ontgrendel de hendel en open de afdekking van de filterzakkast.

► **Fig.8:** 1. Hendel 2. Afdekking van de filterzakkast

2. Vouw de filterzak helemaal uit.

► **Fig.9**

3. Steek de filterzak in de gleuf van de houder met de zijkant met de markering  eerst.

4. Haak de vergrendeling van de houder vast.

► **Fig.10:** 1. Gleuf 2. Filterzak 3. Houder

4. Vergrendeling

5. Verzeker u ervan dat alleen de markering op het karton zichtbaar is door de sleuf in de houder.

► **Fig.11:** 1. Markering 2. Sleuf

6. Vouw de filterzak uit als deze is opgevouwen.

► **Fig.12**

7. Verzeker u ervan dat de afdekking van de filterzakkast vergrendeld is.

⚠ LET OP: Wees voorzichtig bij het vasthaken van de vergrendeling van de filterzak en bij het vergrendelen van de afdekking van de filterzakkast dat uw vingers niet bekneld raken.

De filterzak verwijderen

⚠ LET OP: Wees voorzichtig bij het hanteren van de filterzak. Anders kunnen vreemde voorwerpen in iemands ogen worden geblazen en kan dat leiden tot persoonlijk letsel.

Vervang de filterzak wanneer deze vol of verstopt is. Open de afdekking van de filterzakkast, open de vergrendeling van de filterzak en verwijder de filterzak. Trek aan de strip aan de zijkant van de opening om de filterzak te sluiten en gooi de gehele filterzak weg.

► **Fig.13:** 1. Vergrendeling 2. Strip

KENNISGEVING: Gebruik nooit een gebruikte filterzak. De filterzak is ontworpen voor eenmalig gebruik. Als de filterzak meerdere keren wordt gebruikt, kan het filter verstopt raken en de stofzuiger worden beschadigd. Als u de zak meerdere keren wilt gebruiken, gebruikt u een stofzak.

BESCHRIJVING VAN DE FUNCTIES

⚠ LET OP: Verzeker u er altijd van dat het apparaat is uitgeschakeld en de accu is verwijderd voordat u de functies op het apparaat afstelt of controleert.

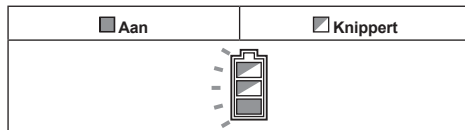
Gereedschap-/accubeveiligingssysteem

Het gereedschap is voorzien van een gereedschap-/accubeveiligingssysteem. Dit systeem schakelt automatisch de voeding naar de motor uit om de levensduur van het gereedschap en de accu te verlengen. Het gereedschap kan tijdens het gebruik automatisch stoppen als het gereedschap of de accu aan één van de volgende omstandigheden wordt blootgesteld:

Overbelastingsbeveiliging

Wanneer het gereedschap wordt gebruikt op een manier die een abnormaal hoge stroomsterkte vergt, stopt het gereedschap automatisch zonder dat een indicatorlampje gaat branden. Schakel in dat geval het gereedschap uit en stop het gebruik dat ertoe leidde dat het gereedschap overbelast raakte. Schakel daarna het gereedschap weer in om verder te gaan.

Oververhittingsbeveiliging



Wanneer het gereedschap oververhit is, stopt het gereedschap automatisch en knippert het accu-indicatorlampje gedurende ongeveer 60 seconden. In die situatie laat u het gereedschap eerst afkoelen voordat u het gereedschap opnieuw inschakelt.

Beveiliging tegen te ver ontladen

Als de acculading laag is, stopt het gereedschap automatisch. Als het gereedschap niet werkt, ook niet wanneer de schakelaars worden bediend, verwijdert u de accu's vanaf het gereedschap en laadt u de accu's op.

De resterende acculading controleren

Alleen voor accu's met indicatorlampjes

► **Fig.14:** 1. Indicatorlampjes 2. Testknop

Druk op de testknop op de accu om de resterende acculading te zien. De indicatorlampjes branden gedurende enkele seconden.

Indicatorlampjes			Resterende acculading
Brandt	Uit	Knippert	
■	□	▩	75% tot 100%
■	■	■	50% tot 75%
■	■	□	25% tot 50%
■	□	□	0% tot 25%
▩	□	□	Laad de accu op.
■	■	□	Er kan een storing zijn opgetreden in de accu.
□	□	■	

OPMERKING: Afhankelijk van de gebruiksomstandigheden en de omgevingstemperatuur, is het mogelijk dat de aangegeven acculading verschilt van de werkelijke acculading.

OPMERKING: Het eerste (meest linker) indicatorlampje knippert wanneer het accubeveiligingssysteem in werking is getreden.

Paneel met indicatorlampjes

- **Fig.15:** 1. Bedieningsfunctie 2. Te veel stof in de filterzak 3. Storing van borstelrol 4. Resterende acculading 5. Accucontrole/LED-lampknop

Bedieningsfunctie

Om de bedieningsfunctie te veranderen, raadpleegt u het tekstdeel over de werking van de schakelaar.

Te veel stof in de filterzak

Als dit indicatorlampje brandt, vervangt u de filterzak. (Raadpleeg het tekstdeel over het verwijderen van de filterzak.)

OPMERKING: Deze indicator werkt niet wanneer het apparaat in de bedieningsfunctie "lager geluidsniveau (1)" werkt.

OPMERKING: Dit indicatorlampje werkt mogelijk niet afhankelijk van de gebruiksomgeving.

OPMERKING: Het indicatorlampje gaat automatisch uit ongeveer een minuut nadat het apparaat is uitgeschakeld. Als u de verstopping van de filterzak opheft en het apparaat weer inschakelt, gaat het indicatorlampje zelfs binnen een minuut uit.

Storing van borstelrol





Knippert	De borstelrol wordt om een of andere reden zwaar belast.
Aan	De borstelrol staat stil als gevolg van een abnormale reden.

WAARSCHUWING: Schakel het apparaat onmiddellijk uit wanneer deze lamp tijdens gebruik gaat branden. Anders kan een motorstoring optreden en brand worden veroorzaakt.

Resterende acculading

Druk tijdens gebruik op de accucontrole/LED-lampknop om de resterende acculading aan te geven. De accu-indicatorlampjes geven per accu de resterende acculading aan.

► **Fig.16**

Toestand van accu-indicator			Resterende acculading
Aan	Uit	Knippert	
			50% tot 100%
			20% tot 50%
			0% tot 20%
			Laad de accu op.

Accucontrole/LED-lampknop

Tijdens gebruik kunnen de volgende bedieningen worden uitgevoerd.

- Druk gewoon op de knop om de resterende acculading te controleren.
- Houd de knop ingedrukt om de LED-lamp in/uit te schakelen.

De trekkerschakelaar gebruiken

► **Fig.17:** 1. AAN-/functiekeuzeknop 2. UIT-knop

Het apparaat in-/uitschakelen

Om het apparaat in te schakelen, drukt u gewoon op de AAN-/functiekeuzeknop. Om uit te schakelen, drukt u op de UIT-knop.

LET OP: Zorg er altijd voor dat de kop van het apparaat op de vloer staat wanneer u het apparaat inschakelt. Anders kan als gevolg van verstriking een ongeval zich voordoen en persoonlijk letsel worden veroorzaakt.

De bedieningsfunctie veranderen

U kunt de bedieningsfunctie in drie standen instellen: "lager geluidsniveau (1)", "normaal (2)" en "hoog (3)". Als u de bedieningsfunctie wilt veranderen, drukt u op de AAN-/functiekeuzeknop terwijl het apparaat is ingeschakeld. De bedieningsfunctie verandert in de volgorde "lager geluidsniveau (1)", "normaal (2)" en "hoog (3)".

Het apparaat start in de functie die het laatst werd ingesteld.

De LED-lamp gebruiken

⚠ LET OP: Kijk niet direct in het lamplicht of in de lichtbron.

Het apparaat is uitgerust met LED-lampen. Raadpleeg het tekstdeel over de accucontrole/LED-lampknop voor de bediening.

► Fig.18: 1. LED-lamp

Voetvergrendeling

⚠ LET OP: Vergrendel het apparaat altijd in de rechtopstaande stand wanneer u de handgreep loslaat. Anders kan het apparaat per ongeluk vallen en letsel veroorzaken.

⚠ LET OP: Wees voorzichtig dat uw vingers niet bekneld raken tussen het hoofddeel en de kop van het apparaat.

Om het apparaat uit de rechtopstaande stand te ontgrendelen, drukt u met uw voet op de voetvergrendeling en trekt u de handgreep naar achteren.

Het kantelbereik is 90 graden vanuit de rechtopstaande stand.

► Fig.19: 1. Voetvergrendeling

Om het apparaat in de rechtopstaande stand te vergrendelen, tilt u de handgreep naar voren op totdat de voetvergrendeling met een klik het apparaat vergrendelt.

► Fig.20

OPMERKING: Wanneer het apparaat in de rechtopstaande stand staat, draait de borstelrol niet rond.

De hoogte van de borstelrol instellen

⚠ LET OP: Verzeker u altijd vóór gebruik ervan dat de instelknop in de juiste stand staat.

De hoogte van de borstelrol kan in 4 standen worden gesteld.

Draai de instelknop naar de gewenste stand. Wanneer de instelknop naar markering A wijst, bevindt de borstelrol zich op het laagste punt boven de vloer. Dit is geschikt voor het stofzuigen van harde vloeren en laagpolige tapijt. Wanneer de instelknop naar markering B wijst, bevindt de borstelrol zich op het hoogste punt boven de vloer. Dit is geschikt voor het stofzuigen van hoogpolig tapijt.

► Fig.21: 1. Instelknop

OPMERKING: De borstelrol draait mogelijk niet rond als de hoogte van de borstelrol te laag staat op het oppervlak van het tapijt.

Draaghandgreep

Wanneer u het apparaat verplaatst, duwt u het met alleen de zwenkwielen op de vloer, of draagt u het aan de draaghandgre(e)p(en).

► Fig.22

⚠ LET OP: Voordat u het apparaat draagt, vergrendelt u het apparaat in de rechtopstaande stand. Anders kan zich door vallen een ongeval voordoen.

⚠ LET OP: Draag het apparaat niet aan iets anders dan de draaghandgreep. Anders kan zich door vallen een ongeval voordoen of kan de onbedoeld starten letsel worden veroorzaakt.

► Fig.23

BEDIENING

⚠ LET OP: Trek de handgreepbuis niet tijdens gebruik uit het apparaat. Als u dit doet, verliest u de controle over het apparaat waardoor ernstig letsel kan worden veroorzaakt.

⚠ LET OP: Plaats uw handen of voeten tijdens gebruik niet onder het apparaat. Anders kan zich door beknellen een ongeval voordoen.

Normaal stofzuigen

1. Houd de handgreep vast en ontgrendel vervolgens de rechtopstaande stand.
2. Schakel het apparaat in. Stofzuig de vloer.

► Fig.24

De zijborstel gebruiken

De zijborstel is handig om de vloer vlak naast een muur te stofzuigen.

Als de zijborstel kort wordt, brengt u het apparaat naar een Makita-servicecentrum om hem te vervangen.

► Fig.25: 1. Zijborstel

Gebruik met accessoires

⚠ LET OP: Blijf de handgreep vasthouden bij gebruik van accessoires. Anders kan het apparaat per ongeluk vallen en letsel veroorzaken.

KENNISGEVING: Bij gebruik van accessoires vergrendelt u het apparaat in de rechtopstaande stand. Anders kan door het ronddraaien van de borstelrol de vloer worden beschadigd.

De aluminium buis gebruiken

De aluminium buis is geschikt voor het stofzuigen in krappe hoeken of op hoge plaatsen.

► Fig.26: 1. Aluminium buis

De slang gebruiken

De slang is geschikt om te stofzuigen op plaatsen waar u met uw handen bij kunt komen.

► Fig.27: 1. Slang

Om de slang te gebruiken, drukt u op de hendel en trekt u de aluminium buis van de slang af.

Om de slang aan te brengen, steekt u de slang in de aluminium buis tot hij vastklikt.

► Fig.28: 1. Hendel

De hulpstukken gebruiken

► Fig.29

Om de hulpstukken aan te brengen, steekt en draait u deze stevig op de aluminium buis of de slang. Om hem los te koppelen, verdraait u hem en trekt u hem eraf.

ONDERHOUD

⚠ LET OP: Verzeker u er altijd van dat het apparaat is uitgeschakeld en de accu is verwijderd voordat u inspectie- of onderhoudswerkzaamheden uitvoert.

KENNISGEVING: Gebruik nooit benzine, wasbenzine, thinner, alcohol en dergelijke. Hierdoor kunnen verkleuring, vervormingen en barsten worden veroorzaakt.

Om de VEILIGHEID en BETROUWBAARHEID van het gereedschap te handhaven, dienen alle reparaties, onderhoud of afstellingen te worden uitgevoerd bij een erkend Makita-servicecentrum of de Makita-fabriek, en altijd met gebruik van Makita-ervangingsonderdelen.

Bewaren

Om op te bergen, verwijdert u de accu's en bewaart u het apparaat in rechtopstaande stand op een horizontale plaats.

► Fig.30

De behuizing van het apparaat schoonmaken

Veeg regelmatig de buitenkant (behuizing) van de stofzuiger schoon met een in zeepwater bevochtigde doek.

► Fig.31

Het HEPA-filter schoonmaken

⚠ LET OP: Gebruik de stofzuiger niet zonder filter en blijf een vuil of beschadigd filter niet gebruiken. Opgezogen stof of deeltjes kunnen worden uitgeblazen door de stofzuiger en deze kunnen ademhalingsziekten veroorzaken bij de gebruiker.

KENNISGEVING: Om een optimale zuigkracht en schone uitlaatlucht te behouden, moet het filter regelmatig worden schoongemaakt. Als onvoldoende zuigkracht wordt verkregen, zelfs na het schoonmaken, vervangt u het filter door een nieuwe.

KENNISGEVING: Om te voorkomen dat het filter wordt beschadigd, mag u de volgende gereedschappen en soortgelijke items niet gebruiken om het schoon te maken:

- Luchtblazer
- Hogedrukreiniger
- Gereedschappen gemaakt van harde materialen, zoals een staalborstel

1. Open de afdekking van de filterzak en haal de filterzak eruit.

Ontgrendel de haken op het filter en verwijder het uit de behuizing van het apparaat.

► Fig.32: 1. Haak

2. Sla het stof van het filter af. Het filter mag worden gewassen met water. Spoel elke 1 of 2 maanden het stof en de deeltjes van het filter af. Droog daarna het filter volledig op een goed geventileerde plaats in de schaduw om vieze luchtjes of storingen te voorkomen.

3. Om het filter aan te brengen, steekt u de zijkant zonder de haken in de groef en duwt u het filter erin totdat de haken met een klik worden vergrendeld.

► Fig.33: 1. Groef 2. HEPA-filter 3. Haak

De borstelrol schoonmaken

1. Verwijder de grondplaat en verwijder daarna de borstelrol.

Als de haren van de borstelrol kort zijn geworden, vraagt u een Makita-servicecentrum om een nieuwe.

Als het apparaat wordt gebruikt met een borstelrol met korte haren, zal het stofzuigen slecht worden uitgevoerd.

► Fig.34: 1. Grondplaat 2. Borstelrol

2. Verwijder draden en haren vanaf de borstelrol met behulp van een schaar.

Haal de dop eraf en verwijder al het vuil.

► Fig.35: 1. Dop

3. Breng de dop, de borstelrol en de grondplaat in omgekeerde volgorde aan.

► Fig.36

⚠ LET OP: Bevestig de grondplaat volledig. Als het apparaat wordt gebruikt zonder dat de grondplaat is aangebracht, kan de borstelrol eruit komen en letsel veroorzaken.

KENNISGEVING: Bevestig altijd de borstelrol. Als het apparaat wordt gebruikt zonder borstelrol, zal het stofzuigen slecht worden uitgevoerd.

Een verstopping opheffen

KENNISGEVING: Gebruik het apparaat niet terwijl het inlaatkanaal verstopt is. Als u het apparaat blijft gebruiken terwijl het luchtkanaal verstopt is, zal de zuigkracht afnemen.

1. Verwijder de grondplaat en verwijder daarna de borstelrol.
 2. Verwijder de aluminium buis vanaf het apparaat en vanaf de slang.
 3. Draai de slang linksom en verwijder vervolgens de slang vanaf het apparaat.
 4. Verwijder de aanzuigslang door aan de lip te trekken.
- **Fig.37:** 1. Aanzuigslang 2. Lip
5. Inspecteer het luchtkanaal aan de binnenkant van de aluminium buis, de slang en de aanzuigslang.

Verwijder al het vuil dat erin zit.

6. Lijn de lip op de aanzuigslang uit met de gleuf in de behuizing en duw hem op zijn plaats.

► **Fig.38:** 1. Lip 2. Gleuf

7. Breng de slang, aluminium buis, borstelrol en grondplaat aan.

⚠ LET OP: Breng de slang en buis stevig aan. Anders kan het stof eruit lekken en letsel veroorzaken.

Stofzak

Optioneel accessoire

De stofzak kan herhaaldelijk worden gebruikt door hem leeg te maken.

De stofzak aanbrengen en verwijderen

De procedure voor het aanbrengen en verwijderen van de stofzak is hetzelfde als die voor de filterzak. Raadpleeg het gedeelte De filterzak aanbrengen en het gedeelte De filterzak verwijderen.

► **Fig.39:** 1. Stofzak 2. Rubber dop

KENNISGEVING: Bij het aanbrengen van de stofzak opent u eerst de rubber dop. Steek de stofzak erin met de rubber dop aan de achterkant.

De stofzak legen

1. Sluit de rubber dop om te voorkomen dat het stof eruit dwarrelt.
 2. Open de zijkant van de stofzak door de sluitstrip eraf te trekken.
 3. Gooi de inhoud van de stofzak weg en tik er licht tegen om ook de deeltjes te verwijderen die tegen de binnenkant kleven.
- **Fig.40:** 1. Stofzak 2. Rubber dop 3. Sluitstrip

KENNISGEVING: Leeg de stofzak regelmatig. Door te veel stof kan de stofzak gemakkelijk scheuren.

De stofzak reinigen

Reinig de stofzak regelmatig met zeep en water. Keer de stofzak binnenste buiten en verwijder aanklevend stof. Was licht met de hand en spoel goed met water. Laat volledig drogen voordat u hem weer in de stofzuiger aanbrengt.

► **Fig.41**

KENNISGEVING: Een natte stofzak vermindert de prestaties van de stofzuiger en tevens de levensduur van de motor.

KENNISGEVING: Wanneer u de sluitstrip bevestigt aan de stofzak, verzekert u zich ervan dat de randen van de zijkant goed aansluiten.

CYCLOONHULPSTUK

Optioneel accessoire

► **Fig.42:** 1. Cycloonhulpstuk

Over het cycloonhulpstuk

Als u de stofzuiger gebruikt met het cycloonhulpstuk aangebracht, wordt de hoeveelheid stof verlaagd die in de filterzak terecht komt, wat helpt om de afname van de zuigkracht te voorkomen. Bovendien is het schoonmaken na gebruik ook eenvoudig.

⚠ LET OP: Zorg altijd dat het gereedschap is uitgeschakeld en de accu ervan is verwijderd alvorens enige werkzaamheden aan het gereedschap uit te voeren. Als u de accu erop laat zitten, kan de stofzuiger onverwachts starten en letsel veroorzaken.

⚠ LET OP: Reinig het gaasfilter van het cycloonhulpstuk en de filterzak van de stofzuiger wanneer deze verstopt raken. Als u hem blijft gebruiken terwijl deze verstopt zijn, kan dat leiden tot warm worden en rook.

KENNISGEVING: Wanneer het cycloonhulpstuk is aangebracht, mag u het cycloonhulpstuk niet in een horizontale of omhoog gerichte stand gebruiken. Als u dat toch doet, kan het gaasfilter verstopt raken.

KENNISGEVING: Gebruik de stofzuiger altijd met de filterzak aangebracht, ook wanneer u het cycloonhulpstuk gebruikt. Als u de stofzuiger gebruikt zonder dat de filterzak is aangebracht, kan een storing optreden in de motor.

OPMERKING: Controleer vóór gebruik of het cycloonhulpstuk, de stofzuiger en de rechte buis goed zijn vergrendeld.

OPMERKING: Maak de stofopvangdoos van het cycloonhulpstuk en de filterzak van de stofzuiger leeg wanneer stof zich heeft opgehoopt. Als u hem blijft gebruiken, zal dat leiden tot een lagere zuigkracht.

Het cycloonhulpstuk aanbrengen

1. Draai de manchet op de slang linksom en verwijder de slang, buishandgreep en aluminium buis vanaf het apparaat.

► **Fig.43:** 1. Manchet 2. Slang 3. Buishandgreep
4. Aluminium buis

2. Draai de zijkant met de aanslag op het cycloonhulpstuk omhoog en lijn de aanslag uit met de gleuf van de zuigmond. Vergrendel de aanslag door het cycloonhulpstuk erop te steken tot deze vastklikt. Trek voorzichtig aan het cycloonhulpstuk om er zeker van te zijn dat hij niet eraf komt. Breng de rechte buis aan volgens dezelfde procedure als die voor het cycloonhulpstuk.

► **Fig.44:** 1. Handgreep voor het cycloonhulpstuk
2. Zuigmond 3. Cycloonhulpstuk 4. Rechte buis voor het cycloonhulpstuk 5. Aanslag
6. Vergrendelknop

3. Breng het cycloonhulpstuk aan op het apparaat en draai daarna de manchet op de slang rechtsom om hem te bevestigen.

► **Fig.45**

Het stof weggoaien

Wanneer het stof zich heeft opgehoopt tot aan de 'vol'-lijn op de stofopvangdoos, volgt u de onderstaande procedure en gooit u het stof weg.

1. Houd de stofopvangdoos stevig vast, houd de twee knoppen ingedrukt en verwijder de stofopvangdoos.

► **Fig.46:** 1. 'Vol'-lijn 2. Stofopvangdoos 3. Knop (twee plaatsen) 4. Gaasfilter

2. Gooi het stof in de stofopvangdoos weg en verwijder alle stof en poeder die vastzit op het oppervlak van het gaasfilter.

3. Steek de stofopvangdoos helemaal erop totdat de twee knoppen met een klik vergrendelen.

► **Fig.47:** 1. Stofopvangdoos 2. Knop (twee plaatsen)

OPMERKING: Houd het cycloonhulpstuk stevig vast wanneer u de stofopvangdoos aanbrengt.

OPMERKING: Controleer vóór gebruik of het cycloonhulpstuk, de stofzuiger en de rechte buis goed zijn vergrendeld voordat u de werkzaamheden hervat.

OPMERKING: Als de zuigkracht niet is hersteld nadat het stof is weggegooid en het gaasfilter is schoongemaakt, controleert u of stof zich heeft opgehoopt in de filterzak van de stofzuiger of er een verstopping is opgetreden.

Schoonmaken

Wanneer de stofopvangdoos vuil wordt of het gaasfilter verstopt raakt, verwijdert u ze en wast u ze af met water. (Raadpleeg "Het stof weggoaien" voor de verwijderingsprocedure.)

Laat de onderdelen goed drogen voordat u ze weer aanbrengt en gebruikt.

► **Fig.48:** 1. Stofopvangdoos 2. Gaasfilter

Wanneer het gaasfilter erg vuil wordt, reinigt u het aan de hand van de volgende procedure.

1. Draai het gaasfilter linksom en verwijder het nadat de haken ontgrendeld zijn.

► **Fig.49:** 1. Gaasfilter 2. Haak

2. Verwijder het stof op het gaasfilter en was het daarna met water. Laat het vervolgens goed drogen.

3. Steek het gaasfilter in de voet terwijl de haken zijn uitgelijnd met de openingen. Draai het gaasfilter rechtsom tot de haken met een klik worden vergrendeld. Verzeker u ervan dat het gaasfilter stevig is aangebracht.

► **Fig.50:** 1. Gaasfilter 2. Haak 3. Opening

PROBLEMEN OPLOSSEN

Alvorens u verzoekt om reparatie, kunt u zelf als volgt het probleem opsporen en oplossen. Als u een probleem ondervindt dat niet in deze gebruiksaanwijzing wordt beschreven, mag u niet proberen het apparaat uit elkaar te halen. Laat reparaties over aan een erkend Makita-servicecentrum, uitsluitend met gebruik van originele Makita-vervangingsonderdelen.

Symptoom	Mogelijke oorzaak	Oplossing
Apparaat werkt niet	De accu's zijn verkeerd aangebracht.	Plaats de accu's zoals beschreven in deze gebruiksaanwijzing.
	De accu's zijn leeg.	Laad de accu's op.
	De handgreep is verkeerd aangebracht.	Breng de handgreep stevig aan zoals beschreven in deze gebruiksaanwijzing.
De borstelrol draait niet rond	Het apparaat is vergrendeld in de rechtopstaande stand.	Ontgrendel het apparaat uit de rechtopstaande stand.
	Het indicatorlampje voor storing van de borstelrol brandt.	Inspecteer of vuil gewikkeld zit rond de borstelrol (behuizing, dop en koppelstuk).
Geringe zuigkracht	Het indicatorlampje voor te veel stof in de filterzak brandt.	Vervang de filterzak. Als de filterzak niet vol is, vouwt u de filterzak uit en schudt u deze om de verstopping op te heffen.
	⇒Als vervanging van de filterzak het probleem niet oplost...	Reinig of vervang het HEPA-filter. Inspecteer of er geen vuil verstopt zit in de slang en buis.
	Er zit vuil gewikkeld rondom de borstelrol en de draaisnelheid is lager.	Inspecteer of vuil gewikkeld zit rond de borstelrol (behuizing, dop en koppelstuk).
	De hoogte van de borstelrol is te hoog boven de vloer.	Stel de hoogte van de borstelrol lager in.
	De haren van de borstelrol zijn kort geworden.	Vervang de borstelrol. Stel de hoogte van de borstelrol lager in.
	Het apparaat werkt in de lage functie.	Verander naar een hogere bedieningsfunctie.
	De borstelrol is niet aangebracht.	Breng de borstelrol aan.
	De buis of de slang is verkeerd aangebracht.	Breng de buis of de slang stevig aan.
Luid aandrijfgeluid	Het apparaat werkt in de hoge functie.	Verander naar een lagere bedieningsfunctie.
	Er zit vuil gewikkeld rondom de borstelrol.	Inspecteer of vuil gewikkeld zit rond de borstelrol (behuizing, dop en koppelstuk).
	De filterzak zit vol stof.	Vervang de filterzak.
	⇒Als vervanging van de filterzak het probleem niet oplost...	Reinig of vervang het HEPA-filter. Inspecteer of er geen vuil verstopt zit in de slang en buis.
Het indicatorlampje voor te veel stof in de filterzak knippert na kort gebruik	De filterzak is dichtgevouwen.	Vouw de ingang van de filterzak open voordat u hem aanbrengt.
De LED-lamp gaat niet aan	De instelling van de LED-lamp staat op uit.	Druk tijdens gebruik op de accucontrole/LED-lampknop om de LED-lamp in te schakelen.
Het zwenkwiel draait zwaar rond	Er zit vuil gewikkeld rondom het zwenkwiel.	Verwijder het vuil vanaf het zwenkwiel.

OPTIONELE ACCESSOIRES

⚠ LET OP: Deze accessoires of hulpstukken worden aanbevolen voor gebruik met het Makita gereedschap dat in deze gebruiksaanwijzing is beschreven. Bij gebruik van andere accessoires of hulpstukken bestaat het gevaar van persoonlijke letsel. Gebruik de accessoires of hulpstukken uitsluitend voor hun bestemde doel.

Wenst u meer bijzonderheden over deze accessoires, neem dan contact op met het plaatselijke Makita-servicecentrum.

- Hoekmondstuk
- Ronde borstel
- Cycloonhulpstuk
- HEPA-filter
- Filterzak
- Stofzak
- Originele Makita accu's en acculaders

OPMERKING: Sommige items op de lijst kunnen zijn inbegrepen in de doos van het gereedschap als standaard toebehoren. Deze kunnen van land tot land verschillen.

ADVERTENCIA

- Esta máquina no ha sido prevista para ser utilizada por personas (incluidos niños) con capacidades físicas, sensoriales o mentales reducidas, o falta de experiencia y conocimiento.
- Los niños pequeños deberán ser supervisados para asegurarse de que no juegan con la aspiradora.
- Consulte el capítulo "ESPECIFICACIONES" para ver la referencia del tipo de batería.
- Consulte la sección "Instalación o extracción del cartucho de batería" para ver cómo retirar o instalar la batería.
- Para desechar el cartucho de batería, retírelo de la herramienta y deséchelo en un lugar seguro. Siga los reglamentos locales referentes al desecho de la batería.
- Si la herramienta no va a ser utilizada durante un periodo de tiempo largo, la batería deberá ser retirada de la herramienta.
- No cortocircuite el cartucho de batería.
- Consulte el capítulo "MANTENIMIENTO" para ver los detalles apropiados de las precauciones durante el mantenimiento hecho por el usuario.

ESPECIFICACIONES

Modelo:	DVC560
Volumen máximo de aire *	1,9 m ³ /min
Aspiración *	12 kPa
Capacidad	5 L
Dimensiones (La x An x Al)	326 mm x 318 mm x 1.146 mm
Tensión nominal	CC 36 V
Peso neto	8,3 - 9,0 kg

- * El valor se ha medido empleando nuestro método original.
- Debido a nuestro continuado programa de investigación y desarrollo, las especificaciones aquí dadas están sujetas a cambios sin previo aviso.
- Las especificaciones y el cartucho de batería pueden diferir de país a país.
- El peso incluye accesorios (cepillo redondo, boquilla para esquinas) y cartucho(s) de batería. El peso de las combinaciones menos pesada y más pesada del aparato y cartucho(s) de batería se muestra en la tabla.

Cartucho de batería y cargador aplicables

Cartucho de batería	BL1815N / BL1820B / BL1830B / BL1840B / BL1850B / BL1860B
Cargador	DC18RC / DC18RD / DC18RE / DC18SD / DC18SE / DC18SF / DC18SH / DC18WC

- Algunos de los cartuchos de batería y cargadores indicados arriba puede que no estén disponibles dependiendo de su región de residencia.

⚠ ADVERTENCIA: Utilice solamente los cartuchos de batería y cargadores listados arriba. La utilización de cualquier otro cartucho de batería y cargador puede ocasionar heridas y/o un incendio.

Símbolos

A continuación se muestran los símbolos que pueden ser utilizados para el equipo. Asegúrese de que entienda su significado antes de utilizar.



Lea el manual de instrucciones.



Preste cuidado y atención especiales.



Ni-MH
Li-Ion

Sólo para países de la Unión Europea. Debido a la presencia de componentes peligrosos en el equipo, el equipo eléctrico y electrónico, los acumuladores y las baterías desechados pueden tener un impacto negativo para el medioambiente y la salud humana.

¡No tire los aparatos eléctricos y electrónicos ni las baterías junto con los residuos domésticos!

De conformidad con las Directivas Europeas sobre residuos de aparatos eléctricos y electrónicos y sobre acumuladores y baterías, así como la adaptación de las mismas a la ley nacional, el equipo eléctrico, las baterías y los acumuladores desechados deberán ser almacenados por separado y trasladados a un punto distinto de recogida de desechos municipales, que cumpla con los reglamentos sobre protección medioambiental.

Esto se indica mediante el símbolo de cubo de basura tachado colocado en el equipo.

Uso previsto

El aparato ha sido previsto para recoger polvo seco. El aparato es apropiado para uso comercial, por ejemplo, en hoteles, escuelas, hospitales, fábricas, tiendas, oficinas y negocios de alquiler.

Ruido

El nivel de ruido A-ponderado típico determinado de acuerdo con la norma IEC60335-2-69:

Nivel de presión sonora (L_{pA}) : 70 dB (A) o menos
Error (K) : 2,5 dB (A)

El nivel de ruido en situación de trabajo puede exceder 80 dB (A).

NOTA: El valor (o los valores) de emisión de ruido declarado ha sido medido de acuerdo con un método de prueba estándar y se puede utilizar para comparar una herramienta con otra.

NOTA: El valor (o valores) de emisión de ruido declarado también se puede utilizar en una valoración preliminar de exposición.

⚠ADVERTENCIA: Póngase protectores para oídos.

⚠ADVERTENCIA: La emisión de ruido durante la utilización real de la herramienta eléctrica puede variar del valor (o los valores) de emisión declarado dependiendo de las formas en las que la herramienta sea utilizada, especialmente qué tipo de pieza de trabajo se procesa.

⚠ADVERTENCIA: Asegúrese de identificar medidas de seguridad para proteger al operario que estén basadas en una estimación de la exposición en las condiciones reales de utilización (teniendo en cuenta todas las partes del ciclo operativo como las veces cuando la herramienta está apagada y cuando está funcionando en vacío además del tiempo de gatillo).

Vibración

El valor total de la vibración (suma de vectores triaxiales) determinado de acuerdo con la norma IEC60335-2-69:

Emisión de vibración ($a_{h,M}$): 2,5 m/s² o menos
Error (K) : 1,5 m/s²

NOTA: El valor (o los valores) total de emisión de vibración declarado ha sido medido de acuerdo con un método de prueba estándar y se puede utilizar para comparar una herramienta con otra.

NOTA: El valor (o los valores) total de emisión de vibración declarado también se puede utilizar en una valoración preliminar de exposición.

⚠ADVERTENCIA: La emisión de vibración durante la utilización real de la herramienta eléctrica puede variar del valor (o los valores) de emisión declarado dependiendo de las formas en las que la herramienta sea utilizada, especialmente qué tipo de pieza de trabajo se procesa.

⚠ADVERTENCIA: Asegúrese de identificar medidas de seguridad para proteger al operario que estén basadas en una estimación de la exposición en las condiciones reales de utilización (teniendo en cuenta todas las partes del ciclo operativo como las veces cuando la herramienta está apagada y cuando está funcionando en vacío además del tiempo de gatillo).

Declaraciones de conformidad

Para países europeos solamente

Las declaraciones de conformidad están incluidas como Anexo A de este manual de instrucciones.

ADVERTENCIAS DE SEGURIDAD

Advertencias de seguridad para la aspiradora a batería

⚠️ ADVERTENCIA: ¡IMPORTANTE! LEA CON ATENCIÓN todas las advertencias de seguridad y todas las instrucciones ANTES DE UTILIZAR. No seguir las advertencias e instrucciones puede resultar en una descarga eléctrica, un incendio y/o heridas graves.

1. Antes de utilizar, asegúrese de que esta aspiradora sea utilizada por personas que han sido instruidas adecuadamente sobre cómo usar esta aspiradora.
2. No utilice el aparato sin estar instalados la bolsa de filtro y/o los filtros. Reemplace un filtro dañado inmediatamente.
3. EVITE UNA PUESTA EN MARCHA INVOLUNTARIA. Asegúrese de que el interruptor está desactivado cuando instale la batería(s).
4. No intente recoger materiales inflamables, fuegos de artificio, cigarrillos encendidos, cenizas calientes, virutas metálicas calientes, materiales cortantes como cuchillas de afeitar, agujas, cristales rotos o similares.
5. NO UTILICE NUNCA LA ASPIRADORA CERCA DE GASOLINA, GAS, PINTURA, ADHESIVOS U OTRAS SUSTANCIAS ALTAMENTE EXPLOSIVAS. El interruptor emite chispas cuando se activa y desactiva. Y también lo hace el conmutador del motor durante la operación. Puede resultar en una peligrosa explosión.
6. Esta aspiradora no es apropiada para recoger polvo peligroso.
7. Nunca aspire materiales tóxicos, cancerígenos, combustibles u otros materiales peligrosos como asbestos, arsénico, bario, berilio, plomo, pesticidas, u otros materiales que puedan poner en peligro la salud.
8. No utilice en exteriores ni en superficies mojadas.
9. Para Finlandia, esta máquina no es para ser usada en exteriores con temperatura baja.
10. No utilice el aparato cerca de fuentes de calor (estufas, etc.).
11. No bloquee las aberturas de la boca de succión/salida/ventilación. Estas aberturas permiten enfriar el motor. Deberá evitarse con cuidado que no se bloqueen, de lo contrario el motor se quemará debido a la falta de ventilación.
12. No doble, pise o tire con fuerza de la manguera.
13. Detenga la aspiradora inmediatamente si nota un mal rendimiento o algo anormal durante la operación.
14. RETIRE LA BATERÍA(S). Cuando no esté siendo utilizada, antes de realizar mantenimiento, y cuando cambie accesorios.
15. Limpie y haga el mantenimiento a la aspiradora inmediatamente después de cada utilización para mantenerla en condiciones óptimas de operación.
16. MANTENGA LA ASPIRADORA CON CUIDADO. Mantenga la aspiradora limpia para obtener un mejor y más seguro rendimiento. Siga las instrucciones cuando cambie accesorios. Mantenga los asideros secos, limpios y libres de aceite y grasa.
17. **COMPRUEBE LAS PARTES DAÑADAS.** Antes de seguir utilizando la aspiradora, un protector o cualquier otra parte que se haya dañado deberá inspeccionarse cuidadosamente para determinar que funcionará debidamente y que realizará la función para la que ha sido previsto. Compruebe la alineación de las partes móviles, la unión de las partes móviles, rotura de partes, montaje, y cualquier otra condición que pueda afectar a su operación. Un protector o cualquier otra parte que se haya dañado deberá repararse o reemplazarse debidamente en un centro de servicio autorizado a menos que se indique otra cosa en algún otro sitio en este manual de instrucciones. Pida a un centro de servicio autorizado que le reemplacen los interruptores defectuosos. No utilice la aspiradora si el interruptor no la enciende y apaga.
18. **PIEZAS DE REPUESTO.** Cuando haga el mantenimiento, utilice solamente piezas de repuesto idénticas.
19. Cuando no la esté utilizando, guarde siempre la aspiradora en interiores.
20. Sea amable con su aspiradora. Un manejo brusco puede ocasionar la rotura de incluso la aspiradora más robusta.
21. No intente limpiar el interior o exterior con bencina, diluyente o productos químicos de limpieza. Podrá ocasionar grietas o decoloración.
22. No utilice la aspiradora en un espacio cerrado donde puedan desprenderse vapores inflamables, explosivos o tóxicos de pintura a base de aceite, disolventes de pintura, gasolina, algunas sustancias contra las polillas, etc., o en áreas donde haya polvo inflamable.
23. No opere esta o cualquier otra herramienta bajo la influencia de drogas o alcohol.
24. Póngase equipo de protección apropiado, como una máscara, dependiendo del entorno de utilización.
25. Esta máquina no ha sido prevista para ser utilizada por personas (incluidos niños) con capacidades físicas, sensoriales o mentales reducidas, o falta de experiencia y conocimiento.
26. Los niños pequeños deberán ser supervisados para asegurarse de que no juegan con la aspiradora.
27. No maneje nunca la batería(s) y la aspiradora con las manos mojadas.
28. Tenga mucho cuidado cuando limpie en escaleras.

29. Mantenga los pies sobre suelo firme y el equilibrio en todo momento.
30. No utilice la aspiradora como taburete o mesa de trabajo. La máquina podrá caerse y resultar en heridas personales.
31. Mantenga todas las partes de su cuerpo y ropas alejadas de las aberturas y partes en movimiento como el cepillo rotatorio cuando esté girando. De lo contrario, se podrán enganchar en el aparato y ocasionar heridas.

Utilización y cuidado de la herramienta a batería

1. **Cargue la batería solamente con el cargador especificado por el fabricante.** Un cargador que es apropiado para un tipo de batería puede crear un riesgo de incendio cuando se utiliza con otra batería.
2. **Utilice las herramientas eléctricas solamente con las baterías designadas específicamente para ellas.** La utilización de cualquier otra batería puede crear un riesgo de heridas o incendio.
3. **Cuando la batería no esté siendo utilizada, guárdela alejada de otros objetos metálicos, como sujetapapeles, monedas, llaves, clavos, tornillos u otros objetos metálicos pequeños, que puedan hacer conexión entre un terminal y el otro.** Si se cortocircuitan entre sí los terminales de la batería podrán producirse quemaduras o un incendio.
4. **En condiciones abusivas, es posible que salga expulsado líquido de la batería; evite el contacto con él.** Si se produce un contacto accidental, enjuague con agua. Si el líquido entra en los ojos, además de enjuagarlos, solicite asistencia médica. El líquido expulsado de la batería puede ocasionar irritación y quemaduras.
5. **No utilice una batería o herramienta que esté dañada o modificada.** Las baterías dañadas o modificadas pueden comportarse de forma impredecible resultando en un incendio, explosión o riesgo de heridas.
6. **No exponga una batería o herramienta al fuego o a temperatura excesiva.** La exposición al fuego o a una temperatura superior a los 130 °C puede ocasionar una explosión.
7. **Siga todas las instrucciones de carga y no cargue la batería o la herramienta fuera del rango de temperatura especificado en las instrucciones.** Cargar incorrectamente o a temperaturas fuera del rango especificado puede dañar la batería y aumentar el riesgo de incendio.

GUARDE ESTAS INSTRUCCIONES.

⚠️ ADVERTENCIA: NO deje que la comodidad o familiaridad con el producto (a base de utilizarlo repetidamente) sustituya la estricta observancia de las normas de seguridad para el producto en cuestión. El MAL USO o el no seguir las normas de seguridad establecidas en este manual de instrucciones podrá ocasionar heridas personales graves.

Instrucciones de seguridad importantes para el cartucho de batería

1. **Antes de utilizar el cartucho de batería, lea todas las instrucciones e indicaciones de precaución sobre (1) el cargador de baterías, (2) la batería, y (3) el producto con el que se utiliza la batería.**
 2. **No desensamble ni manipule el cartucho de batería.** Podrá resultar en un incendio, calor excesivo, o una explosión.
 3. **Si el tiempo de uso se acorta demasiado, cese la operación inmediatamente.** Podría resultar en un riesgo de recalentamiento, posibles quemaduras e incluso una explosión.
 4. **Si entra electrólito en sus ojos, aclárelos con agua limpia y acuda a un médico inmediatamente.** Existe el riesgo de poder perder la vista.
 5. **No cortocircuite el cartucho de batería:**
 - (1) **No toque los terminales con ningún material conductor.**
 - (2) **Evite guardar el cartucho de batería en un cajón junto con otros objetos metálicos, como clavos, monedas, etc.**
 - (3) **No exponga el cartucho de batería al agua ni a la lluvia.**
- Un cortocircuito en la batería puede producir una gran circulación de corriente, un recalentamiento, posibles quemaduras e incluso una rotura de la misma.
6. **No guarde ni utilice la herramienta y el cartucho de batería en lugares donde la temperatura pueda alcanzar o exceder los 50 °C.**
 7. **Nunca incinere el cartucho de batería incluso en el caso de que esté dañado seriamente o ya no sirva en absoluto.** El cartucho de batería puede explotar si se tira al fuego.
 8. **No clave, corte, aplaste, lance, deje caer el cartucho de batería, ni golpee contra un objeto duro el cartucho de batería.** Tal conducta podrá resultar en un incendio, calor excesivo, o una explosión.
 9. **No utilice una batería dañada.**
 10. **Las baterías de litio-ion contenidas están sujetas a los requisitos de la Legislación para Materiales Peligrosos.**

Para transportes comerciales, p.ej., por terceras personas y agentes de transportes, se deberán observar requisitos especiales para el empaquetado y etiquetado.

Para la preparación del artículo que se va a enviar, se requiere consultar con un experto en materiales peligrosos. Por favor, observe también la posibilidad de reglamentos nacionales más detallados.

Cubra con cinta aislante o enmascare los contactos expuestos y empaquete la batería de tal manera que no se pueda mover alrededor dentro del embalaje.

11. **Para desechar el cartucho de batería, retírelo de la herramienta y deséchelo en un lugar seguro. Siga los reglamentos locales referentes al desecho de la batería.**
12. **Utilice las baterías solamente con los productos especificados por Makita.** La instalación de las baterías en productos no compatibles puede resultar en un incendio, calor excesivo, explosión, o fuga de electrolito.
13. **Si la herramienta no va a ser utilizada durante un periodo de tiempo largo, la batería deberá ser retirada de la herramienta.**
14. **Durante y después de la utilización, el cartucho de batería podrá acumular calor, lo cual puede ocasionar quemaduras o quemaduras de baja temperatura. Preste atención al manejo de cartuchos de batería calientes.**
15. **No toque el terminal de la herramienta inmediatamente después de utilizar, dado que puede calentarse lo suficiente como para ocasionar quemaduras.**
16. **No permita que virutas, polvo, o tierra se adhieran dentro de los terminales, orificios, y ranuras del cartucho de batería.** Esto podría ocasionar calentamiento, que coja fuego, reviente y un mal funcionamiento de la herramienta o el cartucho de batería, resultando en quemaduras o heridas personales.
17. **A menos que la herramienta pueda utilizarse cerca de cables eléctricos de alta tensión, no utilice el cartucho de batería cerca de cables eléctricos de alta tensión.** Podrá resultar en un mal funcionamiento o rotura de la herramienta o el cartucho de batería.
18. **Mantenga la batería alejada de los niños.**

⚠PRECAUCIÓN: Utilice solamente baterías genuinas de Makita. La utilización de baterías no genuinas de Makita, o baterías que han sido alteradas, puede resultar en una explosión de la batería ocasionando incendios, heridas personales y daños. También anulará la garantía de Makita para la herramienta y el cargador de Makita.

Consejos para alargar al máximo la vida de servicio de la batería

1. **Cargue el cartucho de batería antes de que se descargue completamente. Detenga siempre la operación y cargue el cartucho de batería cuando note menos potencia en la herramienta.**
2. **No cargue nunca un cartucho de batería que esté completamente cargado. La sobrecarga acortará la vida de servicio de la batería.**
3. **Cargue el cartucho de batería a temperatura ambiente de 10 °C - 40 °C. Si un cartucho de batería está caliente, déjelo enfriar antes de cargarlo.**
4. **Cuando no esté utilizando el cartucho de batería, retírelo de la herramienta o del cargador.**
5. **Cargue el cartucho de batería si no lo utiliza durante un periodo de tiempo prolongado (más de seis meses).**

GUARDE ESTAS INSTRUCCIONES.

DESCRIPCIÓN DE LAS PARTES

► Fig.1

1	Empuñadura	2	Placa del interruptor	3	Asidero de tubo	4	Manguera
5	Panel de indicaciones	6	Palanca (para la cubierta de la caja para polvo)	7	Cubierta de la caja para polvo	8	Asa de transporte
9	Bloqueo (para la cubierta de la batería)	10	Palanca de ajuste	11	Cubierta de la batería	12	Boquilla para esquinas
13	Cepillo redondo	14	Palanca para pata	15	Rueda orientable	16	Escobilla lateral
17	Manguera de succión	18	Acoplador	19	Tubo de aluminio	20	Soporte del tubo
21	Lámpara LED	22	Cepillo rotatorio	23	Placa inferior	24	Botón de encendido / cambio de modo
25	Botón de apagado (OFF)	26	Indicador de modo de operación	27	Indicador de nivel excesivo de polvo	28	Indicador de error de cepillo rotatorio
29	Indicador de la capacidad de batería restante	30	Botón de comprobación de la batería / lámpara LED	-	-	-	-

MONTAJE

⚠ PRECAUCIÓN: Asegúrese siempre de que el aparato está apagado y el cartucho de batería ha sido retirado antes de realizar cualquier trabajo en el aparato.

⚠ PRECAUCIÓN: Póngase siempre máscara contra el polvo durante el montaje o el mantenimiento.

Conexión de la empuñadura

1. Inserte la pértiga de la empuñadura completamente en el cuerpo de la aspiradora como se muestra en la figura.

2. Cierre el seguro de bloqueo.

► **Fig.2:** 1. Pértiga de la empuñadura 2. Marca roja 3. Seguro de bloqueo

AVISO: Inserte la empuñadura completamente hasta que la marca roja no se pueda ver.

Conexión de la manguera

Inserte la manguera en la boca de montaje del aparato y gírela hasta que se bloquee.

► **Fig.3**

Conexión del tubo

Inserte el extremo del tubo de aluminio en el acoplador, y después coloque el tubo de aluminio en el soporte del tubo.

► **Fig.4:** 1. Acoplador 2. Soporte del tubo

AVISO: Inserte el tubo de aluminio en la dirección correcta como se muestra en la figura. De lo contrario, el soporte del tubo no se bloqueará y el tubo de aluminio se podrá caer.

► **Fig.5**

Instalación o extracción del cartucho de batería

⚠ PRECAUCIÓN: Apague siempre el aparato antes de instalar o retirar el cartucho de batería.

⚠ PRECAUCIÓN: Sujete la aspiradora y el cartucho de batería con firmeza cuando instale o extraiga el cartucho de batería. Si no sujeta la aspiradora y el cartucho de batería firmemente podrá ocasionar que se deslicen de sus manos y resultar en daños a la aspiradora y el cartucho de batería y heridas personales.

⚠ PRECAUCIÓN: Tenga cuidado de no pillarse los dedos cuando abra o cierre la tapa de la batería. En caso contrario podrán producirse heridas personales.

Para instalar el cartucho de batería, primero libere el bloqueo, y después abra la tapa de la batería. Después de eso, inserte el cartucho de batería.

► **Fig.6:** 1. Bloqueo 2. Tapa de la batería

Alinee la lengüeta del cartucho de batería con la acañaladura en el alojamiento y deslícelo al interior hasta encajarlo en su sitio. Insértelo a fondo hasta que se bloquee en su sitio con un leve chasquido. Después bloquee la tapa de la batería.

► **Fig.7:** 1. Cartucho de batería 2. Botón

Para retirar el cartucho de batería, deslícelo hacia afuera del aparato mientras desliza el botón de la parte delantera del cartucho.

⚠ PRECAUCIÓN: Instale siempre el cartucho de batería completamente. En caso contrario, podrá caerse accidentalmente del aparato y ocasionarle heridas a usted o a alguien que esté cerca de usted.

⚠ PRECAUCIÓN: No instale el cartucho de batería empleando fuerza. Si el cartucho no se desliza al interior fácilmente, será porque no está siendo insertado correctamente.

NOTA: La aspiradora no funciona con solamente un cartucho de batería.

Instalación de la bolsa de filtro

⚠ PRECAUCIÓN: No utilice una bolsa de filtro dañada. Utilice siempre la aspiradora con la bolsa de filtro instalada debidamente. De lo contrario el polvo o las partículas recogidos podrán escapar por la aspiradora y ocasionar afección respiratoria al operario.

Instale la bolsa de filtro antes de utilizar la aspiradora. La bolsa de filtro es de tipo desechable. Descarte la bolsa de filtro completa sin vaciarla cuando se haya llenado.

AVISO: Cuando la bolsa de filtro ya esté llena o atascada, reemplácela con una nueva. Continuar utilizando con la bolsa de filtro llena o atascada resultará en una reducción de la potencia de succión.

AVISO: Para evitar que el polvo entre en el motor:

- Asegúrese de que la bolsa de filtro está instalada antes de utilizar.
- No utilice una bolsa rota o rasgada.

De lo contrario el motor se podrá romper.

AVISO: No pliegue el cartón por su abertura cuando instale la bolsa de filtro.

AVISO: La bolsa de filtro para la aspiradora es un componente importante para mantener el rendimiento del aparato. La utilización de una bolsa de filtro no genuina puede ocasionar humos o ignición.

NOTA: Cuando la bolsa de filtro no está instalada en el aparato, la cubierta de la caja para polvo no se cierra completamente.

1. Desbloquee la palanca y abra la cubierta de la caja para polvo.

► **Fig.8:** 1. Palanca 2. Cubierta de la caja para polvo

2. Despliegue la bolsa de filtro completamente.

► **Fig.9**

3. Inserte la bolsa de filtro en la ranura del soporte de manera que el lado con la marca \triangle entre primero.

4. Enganche el seguro del soporte.

► **Fig.10:** 1. Ranura 2. Bolsa de filtro 3. Soporte
4. Seguro

5. Asegúrese de que a través de la hendidura del soporte solamente se puede ver la marca del cartón.

► **Fig.11:** 1. Marca 2. Hendidura

6. Despliegue la bolsa de filtro si está plegada.

► **Fig.12**

7. Bloquee la cubierta de la caja para polvo de forma segura.

⚠PRECAUCIÓN: Tenga cuidado de no pillarse los dedos cuando enganche el seguro, y cuando cierre la cubierta de la caja para polvo.

Desmontaje de la bolsa de filtro

⚠PRECAUCIÓN: Maneje la bolsa de filtro con delicadeza. De lo contrario, objetos extraños que saldrán despedidos entrarán en sus ojos, y podrá resultar en heridas personales.

Reemplace la bolsa de filtro cuando se llene o atasque. Abra la cubierta de la caja para polvo y abra el seguro, después extraiga la bolsa de filtro.

Tire de la tira del lado de la abertura para cerrar la bolsa de filtro y tire la bolsa de filtro en su totalidad.

► **Fig.13:** 1. Seguro 2. Tira

AVISO: No utilice una bolsa de filtro ya usada. La bolsa de filtro ha sido diseñada para ser usada una sola vez. La utilización de la bolsa de filtro repetidamente podrá ocasionar el atasco del filtro y resultar en daños a la aspiradora. Si quiere utilizar la bolsa repetidamente, utilice una bolsa de polvo.

DESCRIPCIÓN DEL FUNCIONAMIENTO

⚠PRECAUCIÓN: Asegúrese siempre de que el aparato está apagado y el cartucho de batería ha sido retirado antes de ajustar o comprobar una función en el aparato.

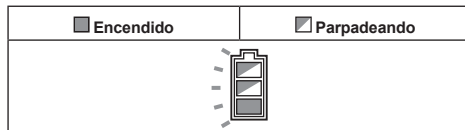
Sistema de protección de la herramienta / batería

La herramienta está equipada con un sistema de protección de la herramienta/batería. Este sistema corta automáticamente la alimentación al motor para alargar la vida de servicio de la herramienta y la batería. La herramienta se detendrá automáticamente durante la operación si la herramienta o la batería es puesta en una de las condiciones siguientes:

Protección contra sobrecarga

Cuando la herramienta es utilizada de una manera que da lugar a que tenga que absorber una corriente anormalmente alta, la herramienta se detiene automáticamente sin ninguna indicación. En esta situación, apague la herramienta y detenga la tarea que ocasiona la sobrecarga de la herramienta. Después encienda la herramienta para volver a empezar.

Protección contra el recalentamiento



Cuando la herramienta se recalienta, se detiene automáticamente, y el indicador de batería parpadea unos 60 segundos. En esta situación, deje que la herramienta se enfríe antes de encenderla otra vez.

Protección contra descarga excesiva

Cuando la capacidad de la batería sea baja, la herramienta se detendrá automáticamente. Si el producto no funciona aun cuando los interruptores sean accionados, retire las baterías de la herramienta y cárguelas.

Modo de indicar la capacidad de batería restante

Solamente para cartuchos de batería con el indicador

► **Fig.14:** 1. Lámparas indicadoras 2. Botón de comprobación

Presione el botón de comprobación en el cartucho de batería para indicar la capacidad de batería restante. Las lámparas indicadoras se iluminan durante unos pocos segundos.

Lámparas indicadoras			Capacidad restante
Iluminada	Apagada	Parpadeando	
			75% a 100%
			50% a 75%
			25% a 50%
			0% a 25%
			Cargue la batería.
			Puede que la batería no esté funcionando bien.

NOTA: Dependiendo de las condiciones de utilización y de la temperatura ambiente, la indicación podrá variar ligeramente de la capacidad real.

NOTA: La primera lámpara indicadora (extremo izquierdo) parpadeará cuando el sistema de protección de la batería esté funcionando.

Panel de indicaciones

- **Fig.15:** 1. Modo de operación 2. Nivel excesivo de polvo 3. Error de cepillo rotatorio 4. Capacidad de batería restante 5. Botón de comprobación de la batería / lámpara LED

Modo de operación

Para cambiar el modo de operación, consulte la sección de accionamiento del interruptor.

Nivel excesivo de polvo

Si este indicador se ilumina, reemplace la bolsa de filtro. (Consulte la sección de desmontaje de la bolsa de filtro).

NOTA: Este indicador no funciona cuando el aparato está funcionando en modo de "nivel de ruido bajo (1)".

NOTA: Puede que este indicador no funcione dependiendo de las condiciones de utilización.

NOTA: El indicador se apaga automáticamente aproximadamente un minuto después de que se apague el aparato. Si despeja el atasco de la bolsa de filtro y vuelve a poner en marcha el aparato, el indicador se apagará en un minuto.

Error de cepillo rotatorio

Parpadeando	El cepillo rotatorio está sometido a una carga grande por alguna razón.
Encendido	El cepillo rotatorio se ha detenido por una razón anómala.

ADVERTENCIA: Apague inmediatamente el aparato cuando esta lámpara se ilumine durante la operación. De lo contrario, podrá ocurrir un mal funcionamiento del motor y ocasionar un incendio.

Capacidad de batería restante

Durante la operación, presione el botón de comprobación de la batería / lámpara LED para indicar las capacidades de batería restantes. Los indicadores de batería corresponden a cada batería.

► **Fig.16**

Estado del indicador de batería			Capacidad de batería restante
Encendido	Apagado	Parpadeando	
			50% a 100%
			20% a 50%
			0% a 20%
			Cargue la batería

Botón de comprobación de la batería / lámpara LED

Durante la operación, se pueden realizar las operaciones siguientes.

- Simplemente presione el botón para comprobar la capacidad de batería restante.
- Mantenga presionado el botón para encender / apagar la lámpara LED.

Accionamiento del interruptor

- **Fig.17:** 1. Botón de encendido / cambio de modo
2. Botón de apagado

Para encender/apagar el aparato

Para poner en marcha el aparato, simplemente presione el botón de encendido / cambio de modo. Para apagar, presione el botón de apagado.

PRECAUCIÓN: Ponga siempre el cabezal del aparato en el suelo cuando encienda el aparato. De lo contrario, podrá ocurrir un accidente debido a un enredo y ocasionar heridas personales.

Cambio del modo de operación

Puede cambiar el modo de operación en tres pasos: "nivel de ruido bajo (1)", "normal (2)", y "alto (3)". Si quiere cambiar el modo de operación, presione el botón de encendido / cambio de modo cuando el aparato esté en marcha. El modo de operación cambia en el orden de "nivel de ruido bajo (1)", "normal (2)", y "alto (3)". El aparato se pondrá en marcha en el mismo modo que el del ajuste anterior.

Encendido de la lámpara LED

⚠ PRECAUCIÓN: No mire a la luz ni vea la fuente de luz directamente.

El aparato está equipado con lámparas LED. Consulte el párrafo del botón de comprobación de la batería / lámpara LED para ver la operación.

► Fig.18: 1. Lámpara LED

Palanca para pata

⚠ PRECAUCIÓN: Bloquee siempre el aparato en posición vertical cuando suelte la empuñadura. De lo contrario, el aparato podrá caerse accidentalmente y ocasionar heridas.

⚠ PRECAUCIÓN: Tenga cuidado de no pillarse los dedos entre el cuerpo principal y el cabezal del aparato.

Para desbloquear la posición vertical del aparato, pise la palanca para pata y tire de la empuñadura hacia atrás. El rango de movimiento es de 90 grados desde la posición vertical.

► Fig.19: 1. Palanca para pata

Para bloquear el aparato en la posición vertical, suba la empuñadura hacia adelante hasta que la palanca para pata se bloquee en la posición con un chasquido.

► Fig.20

NOTA: Mientras el aparato está en la posición vertical, el cepillo rotatorio no gira.

Ajuste de la altura del cepillo rotatorio

⚠ PRECAUCIÓN: Asegúrese siempre de que la palanca de ajuste está situada en la posición debidamente antes de la operación.

La altura del cepillo rotatorio se puede ajustar en 4 pasos.

Gire la palanca de ajuste a la altura que desee. Cuando la palanca de ajuste apunta a la marca A, el cepillo rotatorio está situado en el punto más bajo por encima del suelo y es apropiado para limpiar suelos duros y alfombras de pelo corto. Cuando la palanca de ajuste apunta a la marca B, el cepillo rotatorio está situado en el punto más alto por encima del suelo y es apropiado para limpiar alfombras de pelo largo.

► Fig.21: 1. Palanca de ajuste

NOTA: Puede que el cepillo rotatorio no gire si la altura del cepillo rotatorio es demasiado baja contra la superficie de la alfombra.

Asa de transporte

Cuando transporte el aparato, empuje el aparato con las ruedas orientables solamente, o transportélo agarrándolo por el asa o asas de transporte.

► Fig.22

⚠ PRECAUCIÓN: Cuando transporte el aparato, bloquee el aparato en posición vertical. De lo contrario, podrá caerse y ocasionar un accidente.

⚠ PRECAUCIÓN: No transporte el aparato mediante nada que no sea el asa de transporte. De lo contrario, podrá caerse y ocasionar un accidente o una puesta en marcha no intencionada podrá ocasionar heridas.

► Fig.23

OPERACIÓN

⚠ PRECAUCIÓN: No extraiga la pértiga de la empuñadura del aparato durante la operación. Si lo hace, perderá el control del aparato y podrá resultar en heridas graves.

⚠ PRECAUCIÓN: No ponga la mano ni la pierna debajo del aparato durante la operación. De lo contrario, podrá ocurrir un accidente por pinzamiento.

Operación normal de limpieza

1. Sujete la empuñadura, y después desbloquee la posición vertical.
2. Encienda el aparato. Limpie el suelo.

► Fig.24

Utilización de la escobilla lateral

La escobilla lateral es útil para limpiar la esquina de una pared.

Si la escobilla lateral se acorta, lleve el aparato al centro de servicio Makita para que se la reemplacen.

► Fig.25: 1. Escobilla lateral

Operación con accesorios

⚠ PRECAUCIÓN: Mantenga agarrada la empuñadura cuando utilice accesorios. De lo contrario, el aparato podrá caerse accidentalmente y ocasionar heridas.

AVISO: Cuando utilice accesorios, bloquee el aparato en posición vertical. De lo contrario, el giro del cepillo rotatorio podrá dañar el suelo.

Utilización del tubo de aluminio

El tubo de aluminio es apropiado para limpiar estancias pequeñas, o sitios altos.

► Fig.26: 1. Tubo de aluminio

Utilización de la manguera

La manguera es apropiada para limpiar cerca de las manos.

► Fig.27: 1. Manguera

Para utilizar la manguera, extraiga el tubo de aluminio de la manguera mientras presiona la palanca.

Para instalar la manguera, inserte la manguera en el tubo de aluminio hasta que produzca un chasquido.

► Fig.28: 1. Palanca

Utilización de los aditamentos

► Fig.29

Para instalar el aditamento, retuerza e insértelo firmemente en el tubo de aluminio o en la manguera. Para desconectarlo, retuézalo y retírelo.

MANTENIMIENTO

⚠PRECAUCIÓN: Asegúrese siempre de que el aparato está apagado y el cartucho de batería ha sido retirado antes de intentar hacer una inspección o mantenimiento.

AVISO: No utilice nunca gasolina, bencina, disolvente, alcohol o similares. Podría producir descoloración, deformación o grietas.

Para mantener la SEGURIDAD y FIABILIDAD del producto, las reparaciones, y cualquier otra tarea de mantenimiento o ajuste deberán ser realizadas en centros de servicio o de fábrica autorizados por Makita, empleando siempre repuestos Makita.

Almacenamiento

Cuando lo almacene, retire los cartuchos de batería y guarde el aparato en posición vertical en un lugar nivelado.

► Fig.30

Limpieza del cuerpo del aparato

De vez en cuando, limpie el exterior de la aspiradora (cuerpo de la aspiradora) utilizando un paño humedecido en agua jabonosa.

► Fig.31

Limpieza del filtro HEPA

⚠PRECAUCIÓN: No utilice la aspiradora sin filtro ni continúe utilizándola con un filtro sucio o dañado. El polvo o las partículas recogidos podrán escapar por la aspiradora y ocasionar afección respiratoria al operario.

AVISO: Para mantener la potencia de succión óptima y el escape limpio, limpie el filtro periódicamente. Si no se obtiene suficiente potencia de succión aun después de limpiar, reemplace el filtro con uno nuevo.

AVISO: Para evitar que el filtro se dañe, no utilice los utensilios siguientes y objetos similares para la limpieza:

- Sacudidor de polvo
- Hidrolavadora de alta presión
- Utensilios hechos de materiales duros como un cepillo de alambres

1. Abra la cubierta de la caja para polvo y extraiga la bolsa de filtro.

Libere los ganchos del filtro y retírelo del cuerpo del aparato.

► Fig.32: 1. Gancho

2. Sacuda el polvo del filtro golpeándolo suavemente. El filtro se puede lavar con agua. Retire el polvo y las partículas enjuagando el filtro cada 1 o 2 meses. Después de eso, seque el filtro completamente en un lugar a la sombra y bien ventilado para evitar olores desagradables o un mal funcionamiento.

3. Para instalar el filtro, inserte el lado sin los ganchos en la ranura y después empuje hacia dentro el filtro hasta que los ganchos se sujeten con un chasquido.

► Fig.33: 1. Ranura 2. Filtro HEPA 3. Gancho

Limpieza del cepillo rotatorio

1. Retire la placa inferior, y después retire el cepillo rotatorio.

Si las cerdas del cepillo rotatorio se acortan, pida al centro de servicio Makita uno nuevo.

La utilización del aparato con el cepillo rotatorio con cerdas cortas resultará en una recogida de polvo deficiente.

► Fig.34: 1. Placa inferior 2. Cepillo rotatorio

2. Retire las hebras y pelos del cepillo rotatorio con unas tijeras.

Retire la tapa y quite los residuos.

► Fig.35: 1. Tapa

3. Instale la tapa, el cepillo rotatorio, y la placa inferior en el orden inverso.

► Fig.36

⚠PRECAUCIÓN: Coloque la placa inferior de forma completa. Si el aparato es utilizado sin la placa inferior, el cepillo rotatorio podrá caerse y ocasionar heridas.

AVISO: Coloque siempre el cepillo rotatorio. La utilización del aparato sin el cepillo rotatorio resultará en una recogida de polvo deficiente.

Cómo despejar el atasco

AVISO: No utilice el aparato con el conducto de admisión atascado. Continuar utilizando con el conducto de admisión atascado resultará en una reducción de la potencia de succión.

1. Retire la placa inferior, y después retire el cepillo rotatorio.
2. Retire el tubo de aluminio del aparato y de la manguera.
3. Gire la manguera hacia la izquierda, y después retire la manguera del aparato.
4. Retire la manguera de succión tirando de la pestaña.
► **Fig.37:** 1. Manguera de succión 2. Pestaña
5. Inspeccione el conducto de admisión de aire para el interior del tubo de aluminio y la manguera, y la manguera de succión.

Quite los residuos dentro de ellos.

6. Alinee la lengüeta de la manguera de succión con la ranura del alojamiento y deslícela al interior hasta encajarla en su sitio.
► **Fig.38:** 1. Lengüeta 2. Ranura

7. Instale la manguera, el tubo de aluminio, el cepillo rotatorio, y la placa inferior.

⚠PRECAUCIÓN: Instale la manguera, y el tubo firmemente. De lo contrario, podrá ocurrir una fuga de polvo y ocasionar heridas.

Bolsa de polvo

Accesorios opcionales

La bolsa de polvo se puede utilizar repetidamente limpiándola.

Instalación y desmontaje de la bolsa de polvo

El procedimiento de instalación y desmontaje de la bolsa de polvo es igual que para la bolsa de filtro. Consulte la sección de instalación de la bolsa de filtro y desmontaje de la bolsa de filtro.

- **Fig.39:** 1. Bolsa de polvo 2. Tapa de goma

AVISO: Cuando vaya a instalar la bolsa de polvo, primero abra la tapa de goma. Inserte la bolsa de polvo con la tapa de goma por detrás.

Vaciado de la bolsa de polvo

1. Cierre la tapa de goma para evitar que flote polvo.
2. Abra la boca de la bolsa sacando el fijador.
3. Vacíe el contenido de la bolsa de polvo, golpeándola ligeramente para retirar las partículas adheridas en las partes interiores.
► **Fig.40:** 1. Bolsa de polvo 2. Tapa de goma 3. Cierre

AVISO: Vacíe la bolsa de polvo con frecuencia. Demasiado polvo rasgará la bolsa fácilmente.

Limpieza de la bolsa de polvo

Limpie regularmente la bolsa de polvo con jabón y agua. Vuelva la bolsa de polvo del revés y retire el polvo adherido. Lávela a mano ligeramente y aclárela bien con agua. Séquela completamente antes de instalarla en el aspirador.

► **Fig.41**

AVISO: Una bolsa de polvo mojada reduce el rendimiento de aspiración así como la vida de servicio del motor.

AVISO: Cuando monte el fijador en la bolsa de polvo, asegúrese de que la boca de la bolsa está cerrada firmemente.

COLECTOR CICLÓNICO

Accesorios opcionales

► **Fig.42:** 1. Colector ciclónico

Acerca del colector ciclónico

La utilización de la aspiradora con el colector ciclónico instalado reduce la cantidad de polvo que entra en la bolsa de filtro, lo que ayuda a evitar que la fuerza de succión se debilite. Además, la limpieza después de la utilización también se simplifica.

⚠PRECAUCIÓN: Asegúrese siempre de que la herramienta está apagada y el cartucho de batería ha sido retirado antes de realizar cualquier trabajo en la herramienta. Si el cartucho de batería se deja insertado, la aspiradora podrá ponerse en marcha inesperadamente y resultar en heridas.

⚠PRECAUCIÓN: Limpie el filtro de malla del colector ciclónico y la bolsa de filtro de la unidad de la aspiradora cuando se obstruyan. Continuar utilizando estando obstruidos podrá resultar en recalentamiento o humo.

AVISO: Cuando el colector ciclónico esté colocado, no utilice el colector ciclónico en posición horizontal ni orientado hacia arriba. Si lo hace podrá ocasionar que el filtro de malla se obstruya.

AVISO: Utilice siempre la aspiradora con la bolsa de filtro instalada, aun cuando utilice el colector ciclónico. La utilización de la aspiradora sin la bolsa de filtro instalada podrá resultar en un mal funcionamiento del motor.

NOTA: Compruebe que el colector ciclónico, la aspiradora, y el tubo recto están bloqueados debidamente antes de utilizar.

NOTA: Vacíe el recipiente para polvo del colector ciclónico y la bolsa de filtro de la aspiradora cuando se haya acumulado polvo. Continuar utilizando resultará en una debilitación de la fuerza de succión.

Instalación del colector ciclónico

1. Gire el manguito de la manguera hacia la izquierda y retire la manguera, el asidero de tubo y el tubo de aluminio del aparato.

► **Fig.43:** 1. Manguito 2. Manguera 3. Asidero de tubo 4. Tubo de aluminio

2. Gire el lateral del tope del colector ciclónico hacia arriba, alineando el tope con la ranura de la boca de succión. Bloquee el tope insertando el colector ciclónico hasta que produzca un chasquido. Tire ligeramente del colector ciclónico para asegurarse de que no se soltará. Instale el tubo recto empleando el mismo procedimiento que para el colector ciclónico.

► **Fig.44:** 1. Asidero para el colector ciclónico 2. Boca de succión 3. Colector ciclónico 4. Tubo recto para el colector ciclónico 5. Tope 6. Botón de bloqueo

3. Instale el colector ciclónico en el aparato, y después gire el manguito de la manguera hacia la derecha para fijarlo.

► **Fig.45**

Extracción del polvo

Cuando el polvo se haya acumulado hasta la línea de lleno del recipiente para polvo, siga el procedimiento de abajo y deseche el polvo.

1. Sujete el recipiente para polvo firmemente, mantenga presionados los dos botones, y retire el recipiente para polvo.

► **Fig.46:** 1. Línea de lleno 2. Recipiente para polvo 3. Botón (dos lugares) 4. Filtro de malla

2. Deseche el polvo de dentro del recipiente para polvo y retire cualquier resto de polvo adherido a la superficie del filtro de malla.

3. Inserte el recipiente para polvo a fondo hasta que los dos botones se bloqueen con un chasquido.

► **Fig.47:** 1. Recipiente para polvo 2. Botón (dos lugares)

NOTA: Sujete el colector ciclónico firmemente cuando instale el recipiente para polvo.

NOTA: Compruebe que el colector ciclónico, la aspiradora, y el tubo recto están bloqueados debidamente antes de reanudar la operación.

NOTA: Si la fuerza de succión no se recupera incluso después de desechar el polvo y limpiar el filtro de malla, compruebe si se ha acumulado polvo en la bolsa de filtro de la aspiradora o si se ha producido obturación.

Limpieza

Cuando el recipiente para polvo se ensucie o el filtro de malla se obstruya, retírelos y lávelos con agua. (Consulte "Extracción del polvo" para ver el procedimiento de extracción).

Seque las partes completamente antes de volver a instalar y utilizar.

► **Fig.48:** 1. Recipiente para polvo 2. Filtro de malla

Cuando el filtro de malla se ensucie mucho, límpielo siguiendo los procedimientos siguientes.

1. Gire el filtro de malla hacia la izquierda y retírelo mientras los ganchos están desbloqueados.

► **Fig.49:** 1. Filtro de malla 2. Gancho

2. Retire el polvo del filtro de malla y después lávelo con agua. Después de eso, séquelo completamente.

3. Inserte el filtro de malla en la base mientras los ganchos están alineados con la abertura. Gire el filtro de malla hacia la derecha hasta que los ganchos se bloqueen con un chasquido. Asegúrese de que el filtro de malla está instalado firmemente.

► **Fig.50:** 1. Filtro de malla 2. Gancho 3. Abertura

SOLUCIÓN DE PROBLEMAS

Antes de solicitar reparaciones, realice su propia inspección en primer lugar. Si encuentra un problema que no está explicado en el manual, no intente desmontar la máquina. En su lugar, pregunte en los centros de servicio autorizados Makita, utilizando siempre piezas de recambio Makita para las reparaciones.

Síntoma	Causa probable	Remedio
No funciona	Los cartuchos de batería están instalados incorrectamente.	Instale los cartuchos de batería como se describe en este manual.
	Los cartuchos de batería están agotados.	Cargue los cartuchos de batería.
	La empuñadura está instalada incorrectamente.	Instale la empuñadura firmemente como se describe en este manual.
El cepillo rotatorio no gira	El aparato está bloqueado en posición vertical.	Desbloquee la posición vertical del aparato.
	El indicador de error de cepillo rotatorio está iluminado.	Confirme que no hay enredo alrededor del cepillo rotatorio (cuerpo, tapa y acoplador).
Poca potencia de succión	El indicador de nivel excesivo de polvo está iluminado.	Reemplace la bolsa de filtro. Si la bolsa de filtro no está llena, despliegue la bolsa de filtro y sacúdala para despejar el atasco.
	⇒Si reemplazar la bolsa de filtro no resuelve el problema...	Limpie o reemplace el filtro HEPA.
	Los residuos se enredan en el cepillo rotatorio y la velocidad de giro se reduce.	Confirme que no hay enredo alrededor del cepillo rotatorio (cuerpo, tapa, acoplador).
	La altura del cepillo rotatorio es demasiado alta desde el suelo.	Reduzca la altura del cepillo rotatorio.
	Las cerdas del cepillo rotatorio se han acortado.	Reemplace el cepillo rotatorio. Reduzca la altura del cepillo rotatorio.
	El aparato está funcionando en modo bajo.	Cambie al modo de operación más alto.
	El cepillo rotatorio no está instalado.	Instale el cepillo rotatorio.
	El tubo o la manguera está instalado incorrectamente.	Instale el tubo o la manguera firmemente.
Ruido de funcionamiento fuerte	El aparato está funcionando en modo alto.	Cambie al modo de operación más bajo.
	Hay residuos enredados en el cepillo rotatorio.	Confirme que no hay enredo alrededor del cepillo rotatorio (cuerpo, tapa y acoplador).
	La bolsa de filtro está llena de polvo.	Reemplace la bolsa de filtro.
	⇒Si reemplazar la bolsa de filtro no resuelve el problema...	Limpie o reemplace el filtro HEPA. Confirme que no hay residuos atascados en la manguera y el tubo.
El indicador de nivel excesivo de polvo parpadea tras una utilización corta	La bolsa de filtro está plegada.	Despliegue la entrada de la bolsa de filtro antes de colocarla.
La lámpara LED no se enciende	El ajuste de la lámpara LED está desactivado.	Durante la operación, mantenga presionado el botón de comprobación de la batería / lámpara LED para encender la lámpara LED.
La rueda orientable resulta difícil de mover	Hay residuos enredados en la rueda orientable.	Quite los residuos de la rueda orientable.

ACCESORIOS OPCIONALES

⚠PRECAUCIÓN: Estos accesorios o aditamentos están recomendados para su uso con la herramienta Makita especificada en este manual. El uso de cualquier otro accesorio o aditamento puede suponer un riesgo de heridas personales. Utilice el accesorio o aditamento solamente con la finalidad indicada para el mismo.

Si necesita cualquier ayuda para más detalles en relación con estos accesorios, pregunte al centro de servicio Makita local.

- Boquilla para esquinas
- Cepillo redondo
- Colector ciclónico
- Filtro HEPA
- Bolsa de filtro
- Bolsa de polvo
- Batería y cargador genuinos de Makita

NOTA: Algunos elementos de la lista podrán estar incluidos en el paquete de la herramienta como accesorios estándar. Pueden variar de un país a otro.

AVISO

- Esta máquina não deve ser utilizada por pessoas com capacidades físicas, sensoriais ou mentais reduzidas nem por crianças ou pessoas com falta de experiência ou conhecimentos.
- As crianças devem ser supervisionadas, de modo a assegurar que não brincam com o aspirador.
- Consulte o capítulo "ESPECIFICAÇÕES" para ficar a saber a referência de tipo da bateria.
- Consulte a secção "Instalar ou remover a bateria" para saber como remover ou instalar a bateria.
- Quando eliminar a bateria, remova-a da ferramenta e elimine-a num local seguro. Siga os regulamentos locais relacionados com a eliminação de baterias.
- Se a ferramenta não for utilizada durante um período de tempo prolongado, a bateria deve ser removida da ferramenta.
- Não coloque a bateria em curto-circuito.
- Consulte o capítulo "MANUTENÇÃO" para obter as informações adequadas sobre as precauções a ter durante a manutenção pelo utilizador.

ESPECIFICAÇÕES

Modelo:	DVC560
Volume máximo de ar *	1,9 m ³ /min
Vácuo *	12 kPa
Capacidade	5 L
Dimensões (C x L x A)	326 mm x 318 mm x 1.146 mm
Tensão nominal	CC 36 V
Peso líquido	8,3 - 9,0 kg

- * O valor é medido pelo nosso método original.
- Devido a um programa contínuo de pesquisa e desenvolvimento, estas especificações estão sujeitas a alteração sem aviso prévio.
- As especificações e a bateria podem variar de país para país.
- O peso inclui os acessórios (escova redonda, bocal para cantos) e a(s) bateria(s). Os pesos combinados mais leve e mais pesado do aparelho e da(s) bateria(s) são indicados na tabela.

Bateria e carregador aplicável

Bateria	BL1815N / BL1820B / BL1830B / BL1840B / BL1850B / BL1860B
Carregador	DC18RC / DC18RD / DC18RE / DC18SD / DC18SE / DC18SF / DC18SH / DC18WC

- Algumas das baterias e carregadores listados acima poderão não estar disponíveis, dependendo da sua região de residência.

AVISO: Utilize apenas as baterias e carregadores listados acima. A utilização de quaisquer outras baterias e carregadores pode causar ferimentos e/ou um incêndio.

Símbolos

A seguir são apresentados os símbolos que podem ser utilizados para o equipamento. Certifique-se de que compreende o seu significado antes da utilização.



Leia o manual de instruções.



Tenha especial cuidado e atenção.



Ni-MH
Li-Ion

Apenas para países da UE
Devido à presença de componentes perigosos no equipamento, os resíduos de equipamentos elétricos e eletrônicos, acumuladores e baterias podem ter um impacto negativo no meio ambiente e na saúde humana.
Não elimine aparelhos elétricos e eletrônicos ou baterias juntamente com resíduos domésticos!

De acordo com a Diretiva europeia relativa aos resíduos de equipamentos elétricos e eletrônicos, acumuladores e baterias devem ser armazenados separadamente e entregues num ponto de recolha separado para resíduos municipais, que opere de acordo com os regulamentos de proteção ambiental.
Tal é indicado pelo símbolo de conteúdo de lixo com rodas barrado com uma cruz colocado no equipamento.

Utilização a que se destina

O aparelho serve para recolher pó seco. O aparelho é adequado para utilização comercial, por exemplo, em hotéis, escolas, hospitais, fábricas, lojas, escritórios e empresas de aluguer.

Ruído

A característica do nível de ruído A determinado de acordo com a IEC60335-2-69:
Nível de pressão acústica (L_{pA}) : 70 dB (A) ou menos
Variabilidade (K): 2,5 dB (A)

O nível de ruído durante o funcionamento pode exceder 80 dB (A).

NOTA: O(s) valor(es) da emissão de ruído indicado(s) foi medido de acordo com um método de teste padrão e pode ser utilizado para comparar duas ferramentas.

NOTA: O(s) valor(es) da emissão de ruído indicado(s) pode também ser utilizado na avaliação preliminar da exposição.

⚠AVISO: Utilize protetores auriculares.

⚠AVISO: A emissão de ruído durante a utilização real da ferramenta elétrica pode diferir do(s) valor(es) indicado(s), dependendo das formas como a ferramenta é utilizada, especialmente o tipo de peça de trabalho que é processada.

⚠AVISO: Certifique-se de identificar as medidas de segurança para proteção do operador que sejam baseadas em uma estimativa de exposição em condições reais de utilização (considerando todas as partes do ciclo de operação, tal como quando a ferramenta está desligada e quando está a funcionar em marcha lenta além do tempo de acionamento).

Vibração

Valor total da vibração (soma vetorial tri-axial) determinado de acordo com a IEC60335-2-69:
Emissão de vibração ($a_{h,M}$): 2,5 m/s² ou menos
Variabilidade (K): 1,5 m/s²

NOTA: O(s) valor(es) total(ais) de vibração indicado(s) foi medido de acordo com um método de teste padrão e pode ser utilizado para comparar duas ferramentas.

NOTA: O(s) valor(es) total(ais) de vibração indicado(s) pode também ser utilizado na avaliação preliminar da exposição.

⚠AVISO: A emissão de vibração durante a utilização real da ferramenta elétrica pode diferir do(s) valor(es) indicado(s), dependendo das formas como a ferramenta é utilizada, especialmente o tipo de peça de trabalho que é processada.

⚠AVISO: Certifique-se de identificar as medidas de segurança para proteção do operador que sejam baseadas em uma estimativa de exposição em condições reais de utilização (considerando todas as partes do ciclo de operação, tal como quando a ferramenta está desligada e quando está a funcionar em marcha lenta além do tempo de acionamento).

Declarações de conformidade

Apenas para os países europeus

As Declarações de conformidade estão incluídas no Anexo A deste manual de instruções.

AVISOS DE SEGURANÇA

Avisos de segurança do aspirador a bateria

⚠AVISO: IMPORTANTE! LEIA COM ATENÇÃO todos os avisos de segurança e todas as instruções ANTES DA UTILIZAÇÃO. Caso não siga os avisos e instruções, pode apanhar um choque elétrico, provocar um incêndio e/ou ferimentos graves.

1. Antes de utilizar, certifique-se de que este aspirador é utilizado por pessoas que tenham recebido instruções adequadas sobre a utilização deste aspirador.
 2. Não utilize sem o saco do filtro e/ou os filtros devidamente instalados. Substitua imediatamente um filtro danificado.
 3. **EVITAR O ARRANQUE INVOLUNTÁRIO.** Assegure que o interruptor está desligado (OFF) quando instalar a(s) bateria(s).
 4. Não tente aspirar materiais inflamáveis, fogo de artifício, cigarros acesos, cinzas quentes, aparas metálicas quentes, materiais aguçados como lâminas, agulhas, vidro partido ou outros do género.
 5. **NUNCA UTILIZE O ASPIRADOR JUNTO DE GASOLINA, GÁS, TINTA, COLAS OU OUTRAS SUBSTÂNCIAS ALTAMENTE EXPLOSIVAS.** O interruptor emite faíscas quando se liga e desliga. O mesmo acontece com o comutador do motor durante o funcionamento. Pode resultar em explosão perigosa.
 6. Este aspirador não é adequado para aspirar poeiras perigosas.
 7. Nunca aspire produtos tóxicos, carcinogénicos, combustíveis ou outros materiais perigosos como amianto, arsénico, bário, berílio, chumbo, pesticidas ou outros materiais que ponham a saúde em perigo.
 8. Não utilize em espaços exteriores ou em superfícies molhadas.
 9. No caso da Finlândia, esta máquina não deve ser utilizada ao ar livre a baixa temperatura.
 10. Não utilize o aparelho junto de fontes de calor (fogões, etc.).
 11. Não bloqueie o bocal de sucção/a saída/os ventiladores de arrefecimento. Estes ventiladores permitem arrefecer o motor. Os entupimentos devem ser cuidadosamente evitados, caso contrário, o motor queima por falta de ventilação.
 12. Não dobre, arraste nem pise a mangueira.
 13. Desligue imediatamente o aspirador se notar qualquer falta de desempenho ou algo fora do normal durante o funcionamento.
 14. **REMOVER A(S) BATERIA(S).** Quando não estiver a utilizar o aparelho, antes da assistência técnica e quando mudar de acessórios.
 15. Limpe e faça a assistência ao aspirador imediatamente após cada utilização para o manter em ótimas condições de funcionamento.
 16. **CONSERVE O ASPIRADOR COM CUIDADO.** Mantenha o aspirador limpo para obter um desempenho melhor e mais seguro. Siga as instruções para mudar os acessórios. Mantenha as pegas secas, limpas e sem óleo e gordura.
 17. **VERIFIQUE AS PEÇAS DANIFICADAS.** Antes de continuar a utilizar o aspirador deve verificar cuidadosamente se qualquer resguardo ou outra peça está danificado para determinar se o aspirador funcionará adequadamente e realizará a função pretendida. Verifique o alinhamento das peças móveis, a união das peças móveis, a quebra de peças, a montagem e quaisquer outras condições que possam afetar o seu funcionamento. Um resguardo ou outra peça danificado deve ser adequadamente reparado ou substituído por um centro de assistência autorizado, a menos que indicado o contrário em qualquer outro lugar neste manual. Peça a substituição de interruptores defeituosos junto de um centro de assistência autorizado. Não utilize o aspirador se o interruptor não o ligar ou desligar.
 18. **PEÇAS DE SUBSTITUIÇÃO.** Durante a assistência, utilize apenas peças de substituição idênticas.
 19. Quando não estiver a ser utilizado, guarde sempre o aspirador num local interior.
 20. Tenha cuidado com o aspirador. Um manuseamento severo pode provocar quebras até mesmo ao aspirador mais robusto.
 21. Não tente limpar o exterior ou o interior com gasolina, diluente ou produtos químicos de limpeza. Pode provocar rachas ou descoloração.
 22. Não utilize o aspirador num espaço fechado onde existam vapores inflamáveis, explosivos ou tóxicos devido a tintas à base de óleo, diluente de tinta, gasolina, algumas substâncias repelentes de traças, etc. ou em áreas onde estejam presentes poeiras inflamáveis.
 23. Não opere esta ou qualquer ferramenta sob a influência de drogas ou álcool.
 24. Utilize equipamento de proteção apropriado como uma máscara dependendo do ambiente de utilização.
 25. Esta máquina não deve ser utilizada por pessoas com capacidades físicas, sensoriais ou mentais reduzidas nem por crianças ou pessoas com falta de experiência ou conhecimentos.
 26. As crianças devem ser supervisionadas, de modo a assegurar que não brincam com o aspirador.
 27. Nunca manuseie a(s) bateria(s) e o aspirador com as mãos molhadas.
 28. Tenha extremo cuidado quando limpar escadas.
 29. Mantenha sempre os pés bem assentes e em equilíbrio.
 30. Não utilize o aspirador como banco ou bancada de trabalho. A máquina pode cair e resultar em ferimentos pessoais.
 31. Mantenha todo o seu corpo e as roupas afastados das aberturas e das peças em movimento como o rolo de escovas rotativo. Caso contrário, podem ficar presos no aparelho e causar ferimentos.
- Utilização e cuidados com a ferramenta a bateria**
1. **Recarregue apenas com o carregador especificado pelo fabricante.** Um carregador adequado para um tipo de bateria pode criar um risco de incêndio quando utilizado com outra bateria.
 2. **Utilize as ferramentas elétricas apenas com as baterias especificamente designadas.** A utilização de uma bateria diferente pode criar um risco de ferimentos e de incêndio.

3. Quando a bateria não está a ser utilizada, mantenha-a afastada de outros objetos metálicos, como cliques, moedas, chaves, pregos, parafusos ou outros objetos metálicos pequenos que possam fazer a ligação entre os dois terminais. Colocar os terminais da bateria em curto-circuito um com o outro pode provocar queimaduras ou um incêndio.
4. Em condições abusivas, o líquido pode ser ejetado da bateria; evite o contacto com o mesmo. Se ocorrer um contacto acidental, lave com água. Se o líquido entrar em contacto com os olhos, procure também assistência médica. O líquido ejetado da bateria pode provocar irritações ou queimaduras.
5. Não utilize um conjunto de baterias ou uma ferramenta que se encontrem danificados ou modificados. As baterias danificadas ou modificadas poderão exibir um comportamento imprevisível, resultando em incêndio, explosão ou risco de lesão.
6. Não exponha um conjunto de baterias ou uma ferramenta a incêndio ou temperatura excessiva. A exposição a incêndio ou a uma temperatura superior a 130 °C poderá causar uma explosão.
7. Siga todas as instruções de carregamento e não carregue o conjunto de baterias ou ferramenta fora da amplitude de temperaturas especificada nas instruções. O carregamento impróprio ou a temperaturas fora da amplitude especificada poderá danificar a bateria e aumentar o risco de incêndio.
5. Não coloque a bateria em curto-circuito:
 - (1) Não toque nos terminais com qualquer material condutor.
 - (2) Evite guardar a bateria juntamente com outros objetos metálicos tais como pregos, moedas, etc.
 - (3) Não exponha a bateria à água ou chuva. Um curto-circuito pode ocasionar um enorme fluxo de corrente, sobreaquecimento, possíveis queimaduras e mesmo estragar-se.
6. Não guarde nem utilize a ferramenta e a bateria em locais onde a temperatura pode atingir ou exceder 50 °C.
7. Não queime a bateria mesmo que esteja estragada ou completamente gasta. A bateria pode explodir no fogo.
8. Não preegue, corte, esmague, atire, deixe cair a bateria, nem bata a bateria contra um objeto rijo. Esta conduta pode resultar num incêndio, em calor excessivo ou numa explosão.
9. Não utilize uma bateria danificada.
10. As baterias de íões de lítio contidas na ferramenta são sujeitas aos requisitos da DGL (Dangerous Goods Legislation - Legislação de bens perigosos).
Para o transporte comercial, por exemplo, por terceiros ou agentes de expedição, têm de ser observados os requisitos referentes à embalagem e etiquetagem.
Para preparação do artigo a ser expedido, é necessário consultar um perito em materiais perigosos. Tenha ainda em conta a possibilidade de existirem regulamentos nacionais mais detalhados.
Coloque fita-cola ou tape os contactos abertos e embale a bateria de tal forma que não possa mover-se dentro da embalagem.

GUARDE ESTAS INSTRUÇÕES.

AVISO: NÃO permita que conforto ou familiaridade com o produto (adquirido com o uso repetido) substitua a aderência estrita às regras de segurança da ferramenta. **MÁ INTERPRETAÇÃO** ou não seguimento das regras de segurança estabelecidas neste manual de instruções pode causar danos pessoais sérios.

Instruções de segurança importantes para a bateria

1. Antes de utilizar a bateria, leia todas as instruções e etiquetas de precaução no (1) carregador de bateria (2) bateria e (3) produto que utiliza a bateria.
2. Não desmonte ou manipule a bateria. Pode resultar num incêndio, em calor excessivo ou numa explosão.
3. Se o tempo de funcionamento se tornar excessivamente curto, pare o funcionamento imediatamente. Pode resultar em sobreaquecimento, possíveis queimaduras e mesmo explosão.
4. Se entrar eletrólito nos seus olhos, lave-os com água e consulte imediatamente um médico. Pode resultar em perda de visão.
11. Quando eliminar a bateria, remova-a da ferramenta e elimine-a num local seguro. Siga os regulamentos locais relacionados com a eliminação de baterias.
12. Utilize as baterias apenas com os produtos especificados pela Makita. Instalar as baterias em produtos não-conformes poderá resultar num incêndio, calor excessivo, explosão ou fuga de eletrólito.
13. Se a ferramenta não for utilizada durante um período de tempo prolongado, a bateria deve ser removida da ferramenta.
14. Durante e após a utilização, a bateria pode aquecer, o que pode provocar queimaduras ou queimaduras a baixa temperatura. Preste atenção ao manuseamento de baterias quentes.
15. Não toque no terminal da ferramenta imediatamente após a utilização, pois pode ficar suficientemente quente para provocar queimaduras.
16. Não permita a adesão de aparas, pó ou sujidade nos terminais, nos orifícios e nas ranhuras da bateria. Poderá fazer com que a ferramenta ou a bateria aqueça, incendeie, rebente e avarie, resultando em queimaduras ou ferimentos corporais.

17. A menos que a ferramenta suporte a utilização perto de linhas elétricas de alta tensão, não utilize a bateria perto de linhas elétricas de alta tensão. Pode resultar no mau funcionamento ou na avaria da ferramenta ou bateria.
18. Mantenha a bateria afastada das crianças.

GUARDE ESTAS INSTRUÇÕES.

⚠️PRECAUÇÃO: Utilize apenas baterias genuínas da Makita. A utilização de baterias não genuínas da Makita ou de baterias que foram alteradas, pode resultar no rebentamento da bateria provocando incêndios, ferimentos pessoais e danos. Além disso, anulará da garantia da Makita no que se refere à ferramenta e ao carregador Makita.

Conselhos para manter a máxima vida útil da bateria

1. Carregue a bateria antes que esteja completamente descarregada. Pare sempre o funcionamento da ferramenta e carregue a bateria quando notar menos poder na ferramenta.
2. Nunca carregue uma bateria completamente carregada. Carregamento excessivo diminui a vida útil da bateria.
3. Carregue a bateria à temperatura ambiente de 10 °C – 40 °C. Deixe que uma bateria quente arrefeça antes de a carregar.
4. Quando não utilizar a bateria, remova-a da ferramenta ou do carregador.
5. Carregue a bateria se não a utilizar durante um longo período de tempo (mais de seis meses).

DESCRIÇÃO DAS PEÇAS

► Fig.1

1	Cabo	2	Placa de interruptores	3	Punho do tubo	4	Mangueira
5	Painel de indicações	6	Alavanca (para a tampa da caixa do pó)	7	Tampa da caixa do pó	8	Pega de transporte
9	Bloqueio (para a tampa da bateria)	10	Alavanca de ajuste	11	Tampa da bateria	12	Bocal para cantos
13	Escova redonda	14	Alavanca de pé	15	Rodízio	16	Escova lateral
17	Mangueira de sucção	18	Junta	19	Tubo de alumínio	20	Suporte do tubo
21	Lâmpada LED	22	Rolo de escovas	23	Placa inferior	24	Botão LIGAR/de mudança de modo
25	Botão DESLIGAR (OFF)	26	Indicador de modo de funcionamento	27	Indicador de nível excessivo de pó	28	Indicador de erro do rolo de escovas
29	Indicador de capacidade restante da bateria	30	Botão de verificação da bateria/lâmpada LED	-	-	-	-

MONTAGEM

⚠️PRECAUÇÃO: Certifique-se sempre de que o aparelho está desligado e que a bateria foi removida antes de efetuar qualquer trabalho no aparelho.

⚠️PRECAUÇÃO: Use sempre máscara anti-pó durante a montagem ou manutenção.

Unir o cabo

1. Insira a coluna do cabo totalmente na armação do aspirador conforme apresentado na figura.
 2. Feche o fecho de bloqueio.
- Fig.2: 1. Coluna do cabo 2. Marca vermelha 3. Fecho de bloqueio

OBSERVAÇÃO: Insira o cabo totalmente até a marca vermelha não poder ser vista.

Unir a mangueira

Insira a mangueira na abertura de montagem do aparelho e gire-a até bloquear.

► Fig.3

Unir o tubo

Insira a ponta do tubo de alumínio na junta e, em seguida, prenda o tubo de alumínio no suporte do tubo.

► Fig.4: 1. Junta 2. Suporte do tubo

OBSERVAÇÃO: Insira o tubo de alumínio na direção correta conforme apresentado na figura. Caso contrário, o suporte do tubo não bloqueia e o tubo de alumínio pode soltar-se.

► Fig.5

Instalação ou remoção da bateria

⚠️PRECAUÇÃO: Desligue sempre o aparelho antes de instalar ou remover a bateria.

⚠️PRECAUÇÃO: Segure firmemente o aspirador e a bateria quando instalar ou remover a bateria. Se não segurar firmemente o aspirador e a bateria pode fazer com que escorreguem das suas mãos resultando em danos no aspirador e na bateria e ferimentos pessoais.

⚠️PRECAUÇÃO: Tenha cuidado para não prender os dedos quando abrir ou fechar a tampa da bateria. Se não o fizer poderá causar lesões físicas.

Para instalar a bateria, solte primeiramente o bloqueio e abra a tampa da bateria. De seguida, insira a bateria.

► **Fig.6:** 1. Bloqueio 2. Tampa da bateria

Alinhe a lingueta na bateria com a ranhura no compartimento e deslize-a para a posição correta. Insira-a completamente até bloquear na posição correta com um pequeno clique. De seguida, bloqueie a tampa da bateria.

► **Fig.7:** 1. Bateria 2. Botão

Para remover a bateria, deslize-a para fora do aparelho enquanto desliza o botão na frente da bateria.

⚠PRECAUÇÃO: Instale sempre a bateria até ao fim. Caso contrário, pode cair do aparelho acidentalmente e provocar ferimentos em si ou em alguém próximo.

⚠PRECAUÇÃO: Não instale a bateria à força. Se a bateria não deslizar facilmente é porque não foi colocada corretamente.

NOTA: O aspirador não funciona com apenas uma bateria.

Instalar o saco do filtro

⚠PRECAUÇÃO: Não utilize um saco do filtro danificado. Utilize sempre o aspirador com o saco do filtro adequadamente instalado. Caso contrário, o pó ou as partículas aspiradas podem sair do aspirador e provocar doença respiratória ao operador.

Instale o saco do filtro antes de utilizar o aspirador. O saco do filtro é do tipo descartável. Deite fora o saco do filtro completo sem esvaziá-lo quando ficar cheio.

OBSERVAÇÃO: Quando o saco do filtro já estiver cheio ou estiver obstruído, substitua por um novo. A utilização contínua com o saco do filtro cheio ou obstruído resulta em potência de sucção reduzida.

OBSERVAÇÃO: Para evitar que o pó entre no motor:

- Certifique-se de que o saco do filtro está instalado antes da utilização.
- Não utilize um saco partido ou rasgado.

Caso contrário, o motor poderá estar avariado.

OBSERVAÇÃO: Não dobre o papelão na sua abertura quando instalar o saco do filtro.

OBSERVAÇÃO: O saco do filtro para o aspirador é um componente importante para manter o desempenho do aparelho. Utilizar um saco do filtro não genuíno poderá causar fumo ou ignição.

NOTA: Quando o saco do filtro não estiver instalado no aparelho, a tampa da caixa do pó não fecha completamente.

1. Desbloqueie a alavanca e abra a tampa da caixa do pó.

► **Fig.8:** 1. Alavanca 2. Tampa da caixa do pó

2. Desdobre totalmente o saco do filtro.

► **Fig.9**

3. Insira o saco do filtro dentro da ranhura no suporte de modo que o lado com a marca \triangle entre primeiro.

4. Enganche o fecho do suporte.

► **Fig.10:** 1. Ranhura 2. Saco do filtro 3. Suporte 4. Fecho

5. Certifique-se de que apenas é possível ver a marca no papelão através da fenda do suporte.

► **Fig.11:** 1. Marca 2. Fenda

6. Desdobre o saco do filtro se este estiver dobrado.

► **Fig.12**

7. Bloqueie a tampa da caixa do pó de forma segura.

⚠PRECAUÇÃO: Tenha cuidado para não prender os dedos quando enganchar o fecho e fechar a tampa da caixa do pó.

Remover o saco do filtro

⚠PRECAUÇÃO: Manuseie delicadamente o saco do filtro. Caso contrário, são soprados objetos estranhos para os olhos, o que pode provocar ferimentos pessoais.

Substitua o saco do filtro quando ficar cheio ou obstruído.

Abra a tampa da caixa do pó e abra o fecho; em seguida, retire o saco do filtro.

Puxe a tira na parte lateral da abertura para fechar o saco do filtro e eliminá-lo inteiro.

► **Fig.13:** 1. Fecho 2. Tira

OBSERVAÇÃO: Não utilize um saco do filtro usado. O saco do filtro foi concebido para uma única utilização. A utilização repetitiva do saco do filtro pode causar o entupimento do filtro e resultar em danos no aspirador. Se pretender usar o saco repetidamente, utilize um saco para pó.

DESCRIÇÃO FUNCIONAL

⚠️ PRECAUÇÃO: Certifique-se sempre de que o aparelho está desligado e que a bateria foi removida antes de ajustar ou verificar qualquer função no aparelho.

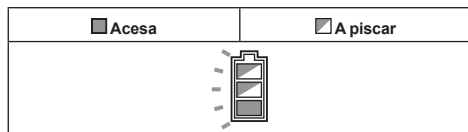
Sistema de proteção da ferramenta/bateria

A ferramenta está equipada com um sistema de proteção da ferramenta/bateria. Este sistema corta automaticamente a corrente para o motor para aumentar a vida da ferramenta e da bateria. A ferramenta para automaticamente durante o funcionamento se a ferramenta ou bateria for colocada mediante uma das seguintes condições:

Proteção contra sobrecarga

Quando a ferramenta é utilizada de tal forma que puxa uma corrente demasiado elevada, a ferramenta para automaticamente sem qualquer indicação. Nesta situação, desligue a ferramenta e pare a aplicação que provocou a sobrecarga da ferramenta. Depois, volte a ligar a ferramenta para voltar ao trabalho.

Proteção contra sobreaquecimento



Quando a ferramenta está sobreaquecida, a ferramenta para automaticamente e o indicador da bateria pisca durante cerca de 60 segundos. Nesse caso, aguarde até a ferramenta arrefecer antes de a ligar outra vez.

Proteção contra descarga excessiva

Quando a capacidade da bateria é baixa, a ferramenta para automaticamente. Se o produto não funcionar mesmo quando os interruptores são acionados, retire as baterias da ferramenta e carregue-as.

Indicação da capacidade restante da bateria

Apenas para baterias com indicador

► **Fig.14:** 1. Luzes indicadoras 2. Botão de verificação

Prima o botão de verificação na bateria para indicar a capacidade restante da bateria. As luzes indicadoras acendem durante alguns segundos.

Luzes indicadoras			Capacidade restante
Aceso	Apagado	A piscar	
■ ■ ■ ■			75% a 100%
■ ■ ■ □			50% a 75%
■ ■ □ □			25% a 50%
■ □ □ □			0% a 25%
▣ □ □ □			Carregar a bateria.
■ ■ □ □			A bateria pode estar avariada.
□ □ ■ ■		↑ ↓	

NOTA: Dependendo das condições de utilização e da temperatura ambiente, a indicação pode ser ligeiramente diferente da capacidade real.

NOTA: A primeira luz indicadora (extremo esquerdo) pisca quando o sistema de proteção da bateria funciona.

Painel de indicações

► **Fig.15:** 1. Modo de funcionamento 2. Nível excessivo de pó 3. Erro do rolo de escovas 4. Capacidade restante da bateria 5. Botão de verificação da bateria/lâmpada LED

Modo de funcionamento

Para mudar o modo de funcionamento, consulte a secção relativa à ação do interruptor.

Nível excessivo de pó

Se este indicador acender, substitua o saco do filtro. (Consulte a secção relativa à remoção do saco do filtro.)

NOTA: Este indicador não funciona quando o aparelho opera no modo de "nível de ruído inferior (1)".

NOTA: Este indicador pode não funcionar dependendo do ambiente de utilização.

NOTA: O indicador apaga-se automaticamente cerca de um minuto depois de o aparelho ser desligado. Se eliminar a obstrução do saco do filtro e reiniciar o aparelho, o indicador apaga-se mesmo no espaço de um minuto.

Erro do rolo de escovas

A piscar	O rolo de escovas encontra-se sob carga alta por alguns motivos.
Ligado	O rolo de escovas é parado por um motivo anormal.

⚠️ AVISO: Desligue imediatamente o aparelho quando esta lâmpada acender durante a operação. Caso contrário, pode ocorrer uma avaria do motor e causar um incêndio.

Capacidade restante da bateria

Durante a operação, prima o botão de verificação da bateria/lâmpada LED para indicar as capacidades restantes das baterias. Os indicadores da bateria correspondem a cada bateria.

► Fig.16

Estado dos indicadores da bateria			Capacidade restante da bateria
Aceso	Apagado	A piscar	
			50% a 100%
			20% a 50%
			0% a 20%
			Carregar a bateria

Botão de verificação da bateria/lâmpada LED

Durante a operação, é possível efetuar as seguintes operações.

- Basta premir o botão para verificar a capacidade restante da bateria.
- Prima e mantenha premido o botão para ligar/desligar a lâmpada LED.

Ação do interruptor

- Fig.17: 1. Botão LIGAR/de mudança de modo
2. Botão DESLIGAR

Ligar/desligar o aparelho

Para iniciar o aparelho, basta premir o botão LIGAR/de mudança de modo. Para desligar, prima o botão DESLIGAR.

PRECAUÇÃO: Coloque sempre a cabeça do aparelho no piso quando ligar o aparelho. Caso contrário, pode ocorrer um acidente devido a emaranhamento e causar ferimentos pessoais.

Mudar o modo de funcionamento

Pode mudar o modo de funcionamento em três passos: "nível de ruído inferior (1)", "normal (2)" e "superior (3)". Se pretender mudar o modo de funcionamento, prima o botão LIGAR/de mudança de modo quando o aparelho estiver a funcionar. O modo de funcionamento muda pela ordem: "nível de ruído inferior (1)", "normal (2)" e "superior (3)". O aparelho inicia no mesmo modo que a definição anterior.

Acender a lâmpada LED

PRECAUÇÃO: Não olhe para a luz ou para a fonte de iluminação diretamente.

O aparelho está equipado com lâmpadas LED. Consulte o parágrafo relativo ao botão de verificação da bateria/lâmpada LED para obter informações sobre a operação.

► Fig.18: 1. Lâmpada LED

Alavanca de pé

PRECAUÇÃO: Bloqueie sempre o aparelho na posição vertical quando soltar o cabo. Caso contrário, o aparelho pode cair acidentalmente e causar ferimentos.

PRECAUÇÃO: Tenha cuidado para não prender os dedos entre o corpo principal e a cabeça do aparelho.

Para desbloquear a posição vertical do aparelho, pise a alavanca de pé e puxe o cabo para trás.

A amplitude de movimento é de 90 graus a partir da posição vertical.

► Fig.19: 1. Alavanca de pé

Para bloquear o aparelho na posição vertical, levante o cabo para a frente até a alavanca de pé bloquear a posição com um clique.

► Fig.20

NOTA: Enquanto o aparelho estiver na posição vertical, o rolo de escovas deixa de rodar.

Ajustar a altura do rolo de escovas

PRECAUÇÃO: Certifique-se sempre de que a alavanca de ajuste fica devidamente na respetiva posição antes da operação.

A altura do rolo de escovas pode ser ajustada em 4 passos.

Rode a alavanca de ajuste para a altura pretendida. Quando a alavanca de ajuste apontar para a marca A, o rolo de escovas encontra-se no ponto mais baixo acima do piso e adequa-se à limpeza de pisos duros e tapetes de pelo curto. Quando a alavanca de ajuste apontar para a marca B, o rolo de escovas encontra-se no ponto mais alto acima do piso e adequa-se à limpeza de tapetes de pelo alto.

► Fig.21: 1. Alavanca de ajuste

NOTA: O rolo de escovas pode não rodar se a altura do rolo de escovas for demasiado baixa contra a superfície do tapete.

Pega de transporte

Quando transportar o aparelho, empurre o aparelho apenas com os rodízios ou transporte-o segurando pela(s) pega(s) de transporte.

► Fig.22

⚠️ PRECAUÇÃO: Quando transportar o aparelho, bloqueie o aparelho na posição vertical. Caso contrário, pode ocorrer um acidente de queda.

⚠️ PRECAUÇÃO: Não transporte o aparelho com outra coisa que não a pega de transporte. Caso contrário, pode ocorrer um acidente de queda ou o arranque não intencional pode causar ferimentos.

► Fig.23

OPERAÇÃO

⚠️ PRECAUÇÃO: Não retire a coluna do cabo do aparelho durante a operação. Se o fizer, perde o controle do aparelho e pode causar ferimentos graves.

⚠️ PRECAUÇÃO: Não coloque as mãos ou as pernas debaixo do aparelho durante a operação. Caso contrário, pode ocorrer um acidente de entaladela.

Operação de limpeza normal

1. Segure o cabo e, em seguida, desbloqueie a posição vertical.
2. Ligue o aparelho. Limpe um piso.

► Fig.24

Utilizar a escova lateral

A escova lateral é útil para limpar o canto de uma parede. Se a escova lateral ficar curta, leve o aparelho ao centro de assistência Makita para a respetiva substituição

► Fig.25: 1. Escova lateral

Operação com acessórios

⚠️ PRECAUÇÃO: Continue a segurar o cabo quando utilizar acessórios. Caso contrário, o aparelho pode cair acidentalmente e causar ferimentos.

OBSERVAÇÃO: Quando utilizar acessórios, bloqueie o aparelho na posição vertical. Caso contrário, a rotação do rolo de escovas pode danificar o piso.

Utilizar o tubo de alumínio

O tubo de alumínio é adequado para limpar lugares apertados ou lugares altos.

► Fig.26: 1. Tubo de alumínio

Utilizar a mangueira

A mangueira é adequada para limpar perto das suas mãos.

► Fig.27: 1. Mangueira

Para utilizar a mangueira, retire o tubo de alumínio da mangueira enquanto empurra a alavanca.

Para instalar a mangueira, insira-a no tubo de alumínio até encaixar.

► Fig.28: 1. Alavanca

Utilizar os acessórios

► Fig.29

Para instalar o acessório, torça e insira-o firmemente no tubo de alumínio ou na mangueira. Para retirá-lo, rode e remova-o.

MANUTENÇÃO

⚠️ PRECAUÇÃO: Certifique-se sempre de que o aparelho está desligado e que a bateria foi removida antes de tentar efetuar qualquer inspeção ou manutenção.

OBSERVAÇÃO: Nunca utilize gasolina, benzina, diluente, álcool ou produtos semelhantes. Pode ocorrer a descoloração, deformação ou rachaduras.

Para manter a SEGURANÇA e a FIABILIDADE do produto, as reparações e qualquer outra manutenção ou ajuste devem ser levados a cabo pelos centros de assistência Makita autorizados ou pelos centros de assistência de fábrica, utilizando sempre peças de substituição Makita.

Armazenamento

Quando guardar, remova as baterias e guarde o aparelho num local nivelado na posição vertical.

► Fig.30

Limpar o corpo do aparelho

Limpe periodicamente o exterior do aspirador (armação) com um pano humedecido em água e sabão.

► Fig.31

Limpar o filtro HEPA

⚠️ PRECAUÇÃO: Não utilize o aspirador sem um filtro nem continue a utilizar um filtro sujo ou danificado. O pó ou as partículas aspirados podem sair do aspirador e provocar doença respiratória ao operador.

OBSERVAÇÃO: Para manter a potência de sucção ideal e um escape limpo, limpe o filtro periodicamente. Se não obtiver a potência de sucção suficiente, mesmo depois da limpeza, substitua o filtro por um novo.

OBSERVAÇÃO: Para evitar que o filtro fique danificado, não utilize as ferramentas seguintes e itens semelhantes para limpá-lo:

- Soprador de ar
- Lavadora de alta pressão
- Ferramentas fabricadas com materiais rijos, tais como uma escova metálica

1. Abra a tampa da caixa do pó e retire o saco do filtro.

Solte os ganchos no filtro e remova-o do corpo do aparelho.

► **Fig.32:** 1. Gancho

2. Bata o filtro para sacudir o pó. O filtro pode ser lavado com água. Lave o filtro para remover o pó e as partículas a cada 1 ou 2 meses. Depois disso, seque o filtro completamente num local bem ventilado e à sombra para evitar cheiros desagradáveis ou falhas de funcionamento.

3. Para instalar o filtro, insira o lado sem os ganchos na ranhura e depois empurre o filtro até os ganchos ficarem presos com um clique.

► **Fig.33:** 1. Ranhura 2. Filtro HEPA 3. Gancho

Limpar o rolo de escovas

1. Remova a placa inferior e, em seguida, remova o rolo de escovas.

Se as cerdas do rolo de escovas ficarem curtas, solicite um novo rolo de escovas ao centro de assistência Makita.

A operação do aparelho com o rolo de escovas com cerdas curtas dá origem a uma má recolha de pó.

► **Fig.34:** 1. Placa inferior 2. Rolo de escovas

2. Remova os fios e os cabelos do rolo de escovas com tesouras.

Remova a tampa e limpe os resíduos.

► **Fig.35:** 1. Tampa

3. Instale a tampa, o rolo de escovas e a placa inferior pela ordem inversa.

► **Fig.36**

⚠PRECAUÇÃO: Prenda completamente a placa inferior. Se o aparelho for operado sem a placa inferior, o rolo de escovas pode soltar-se e causar ferimentos.

⚠OBSERVAÇÃO: Prenda sempre o rolo de escovas. A operação do aparelho sem o rolo de escovas dá origem a uma má recolha de pó.

Como eliminar o entupimento

⚠OBSERVAÇÃO: Não utilize o aparelho com o caminho do fluxo de entrada obstruído. A utilização contínua com o caminho do fluxo de entrada obstruído resulta em potência de sucção reduzida.

1. Remova a placa inferior e, em seguida, remova o rolo de escovas.

2. Remova o tubo de alumínio do aparelho e da mangueira.

3. Rode a mangueira para a esquerda e, em seguida, remova a mangueira do aparelho.

4. Remova a mangueira de sucção puxando a patilha.

► **Fig.37:** 1. Mangueira de sucção 2. Patilha

5. Inspeccione o caminho do fluxo de entrada do ar para o interior do tubo de alumínio e da mangueira, e a mangueira de sucção.

Limpe os resíduos no seu interior.

6. Alinhe a lingueta da mangueira de sucção com a ranhura no compartimento e deslize-a para a posição correta.

► **Fig.38:** 1. Lingueta 2. Ranhura

7. Instale a mangueira, o tubo de alumínio, o rolo de escovas e a placa inferior.

⚠PRECAUÇÃO: Instale firmemente a mangueira e o tubo. Caso contrário, pode ocorrer uma fuga de pó e causar ferimentos.

Saco para pó

Acessório opcional

Se limpar o saco para pó, este pode ser utilizado repetidamente.

Instalar e remover o saco para pó

O procedimento de instalação e remoção do saco para pó é o mesmo do saco do filtro. Consulte a secção relativa à instalação do saco do filtro e remoção do saco do filtro.

► **Fig.39:** 1. Saco do pó 2. Tampa de borracha

⚠OBSERVAÇÃO: Quando instalar o saco para pó, abra primeiro a tampa de borracha. Insira o saco para pó com a tampa de borracha atrás.

Esvaziar o saco para pó

1. Feche a tampa de borracha para evitar que o pó flutue.

2. Abra a boca do saco retirando o fixador.

3. Esvazie o conteúdo do saco para pó, batendo ligeiramente neste de modo a remover as partículas aderentes no interior.

► **Fig.40:** 1. Saco do pó 2. Tampa de borracha 3. Fecho

⚠OBSERVAÇÃO: Esvazie o saco para pó frequentemente. Demasiado pó irá rasgar o saco facilmente.

Limpar o saco para o pó

Limpe com regularidade o saco para o pó com sabão e água. Vire o saco para o pó do avesso e retire o pó que está colado. Lave ligeiramente à mão e passe bem por água. Seque completamente antes de instalar no aspirador.

► **Fig.41**

⚠OBSERVAÇÃO: Um saco para pó molhado reduz o desempenho de aspiração, bem como a vida do motor.

⚠OBSERVAÇÃO: Quando montar o fixador no saco para pó, certifique-se de que a boca do saco está firmemente fechada.

ACESSÓRIO DE CICLONE

Acessório opcional

► Fig.42: 1. Acessório de ciclone

Informações sobre o acessório de ciclone

A utilização do aspirador com o acessório de ciclone instalado reduz a quantidade de pó que entra no saco do filtro, o que ajuda a evitar o enfraquecimento da força de sucção. Além disso, a limpeza após a utilização também é simples.

⚠ PRECAUÇÃO: Certifique-se sempre de que a ferramenta está desligada e que a bateria foi removida antes de executar qualquer trabalho na ferramenta. Se a bateria permanecer inserida, o aspirador pode arrancar inesperadamente e provocar ferimentos.

⚠ PRECAUÇÃO: Limpe o filtro de rede do acessório de ciclone e o saco do filtro da unidade do aspirador quando ficarem obstruídos. A utilização continuada no estado obstruído pode dar origem a aquecimento ou fumo.

OBSERVAÇÃO: Quando o acessório de ciclone estiver preso, não utilize o acessório de ciclone virado na horizontal ou na vertical. Se o fizer, pode fazer com que o filtro de rede fique obstruído.

OBSERVAÇÃO: Utilize sempre o aspirador com o saco do filtro instalado, mesmo quando utilizar o acessório de ciclone. A utilização do aspirador sem o saco do filtro instalado pode dar origem a uma avaria do motor.

NOTA: Verifique se o acessório de ciclone, o aspirador e o tubo reto estão devidamente bloqueados antes da utilização.

NOTA: Esvazie a caixa do pó do acessório de ciclone e o saco do filtro do aspirador quando se tiver acumulado pó. A utilização continuada vai provocar o enfraquecimento da força de sucção.

Instalar o acessório de ciclone

1. Rode a bainha na mangueira para a esquerda e remova a mangueira, o punho do tubo e o tubo de alumínio do aparelho.

► Fig.43: 1. Bainha 2. Mangueira 3. Punho do tubo 4. Tubo de alumínio

2. Rode o lado do batente no acessório de ciclone para cima, alinhando o batente com a ranhura do bocal de sucção. Bloqueie o batente inserindo o acessório de ciclone até este clicar. Puxe ligeiramente o acessório de ciclone para se certificar de que este não será removido. Instale o tubo reto no mesmo procedimento do acessório de ciclone.

► Fig.44: 1. Punho para acessório de ciclone 2. Bocal de sucção 3. Acessório de ciclone 4. Tubo reto para acessório de ciclone 5. Batente 6. Botão de bloqueio

3. Instale o acessório de ciclone no aparelho e, em seguida, rode a bainha na mangueira para a direita para a fixar.

► Fig.45

Eliminar o pó

Quando o pó se tiver acumulado até à linha de enchimento máximo da caixa do pó, siga o procedimento seguinte e elimine o pó.

1. Segure a caixa do pó firmemente, pressione e mantenha os dois botões pressionados, e remova a caixa do pó.

► Fig.46: 1. Linha de enchimento máximo 2. Caixa do pó 3. Botão (dois locais) 4. Filtro de rede

2. Elimine o pó no interior da caixa do pó e remova quaisquer vestígios de pó e poeira que tenham aderido à superfície do filtro de rede.

3. Insira a caixa do pó completamente até os dois botões bloquearem com um clique.

► Fig.47: 1. Caixa do pó 2. Botão (dois locais)

NOTA: Segure firmemente o acessório de ciclone quando instalar a caixa do pó.

NOTA: Verifique se o acessório de ciclone, o aspirador e o tubo reto estão devidamente bloqueados antes de reiniciar a operação.

NOTA: Se a força de sucção não melhorar mesmo após eliminar o pó e limpar o filtro de rede, verifique se o pó se acumulou no saco do filtro do aspirador ou se ocorreu obstrução.

Limpeza

Quando a caixa do pó ficar suja ou o filtro de rede estiver obstruído, remova-os e lave-os com água. (Consulte “Eliminar o pó” para ficar a conhecer o procedimento de remoção.)

Seque as peças completamente antes de voltar a instalar e utilizar.

► Fig.48: 1. Caixa do pó 2. Filtro de rede

Quando o filtro de rede ficar muito sujo, limpe-o com os seguintes procedimentos.

1. Rode o filtro de rede para a esquerda e remova-o enquanto os ganchos estiverem desbloqueados.

► Fig.49: 1. Filtro de rede 2. Gancho

2. Remova o pó existente no filtro de rede e, em seguida, lave-o com água. Em seguida, seque-o completamente.

3. Insira o filtro de rede na base enquanto os ganchos estiverem alinhados com a entrada. Rode o filtro de rede para a direita até os ganchos ficarem bloqueados com um clique. Certifique-se de que o filtro de rede está firmemente instalado.

► Fig.50: 1. Filtro de rede 2. Gancho 3. Entrada

RESOLUÇÃO DE PROBLEMAS

Antes de pedir uma reparação, realize primeiro a sua própria inspeção. Se encontrar um problema que não esteja explicado no manual, não tente desmontar a máquina. Em vez disso, peça as reparações nos centros de assistência técnica autorizados da Makita, usando sempre peças de substituição da Makita.

Sintoma	Causa provável	Solução
Não funciona	As baterias não estão instaladas corretamente.	Instale as baterias conforme descrito no presente manual.
	As baterias estão descarregadas.	Carregue as baterias.
	O cabo não está instalado corretamente.	Instale o cabo firmemente conforme descrito no presente manual.
O rolo de escovas não roda	O aparelho está bloqueado na posição vertical.	Desbloqueie a posição vertical do aparelho.
	O indicador de erro do rolo de escovas está aceso.	Inspeccione se existe algum emaranhamento em torno do rolo de escovas (corpo, tampa e junta).
Potência de sucção fraca	O indicador de nível excessivo de pó está aceso.	Substitua o saco do filtro. Se o saco do filtro não estiver cheio, desdobre o saco do filtro e sacuda-o para eliminar a obstrução.
	⇒Se substituir o saco do filtro não resolver o problema...	Limpe ou substitua o filtro HEPA. Inspeccione se existem resíduos obstruídos na mangueira e no tubo.
	Os resíduos estão emaranhados no rolo de escovas e a velocidade de rotação diminuiu.	Inspeccione se existe algum emaranhamento em torno do rolo de escovas (corpo, tampa e junta).
	A altura do rolo de escovas é demasiado alta a partir do piso.	Reduza a altura do rolo de escovas.
	As cerdas do rolo de escovas ficaram curtas.	Substitua o rolo de escovas. Reduza a altura do rolo de escovas.
	O aparelho está a funcionar no modo inferior.	Mude para o modo de funcionamento superior.
	O rolo de escovas não está instalado.	Instale o rolo de escovas.
	O tubo ou a mangueira não está instalado(a) corretamente.	Instale firmemente o tubo ou a mangueira.
Ruído de acionamento elevado	O aparelho está a funcionar no modo superior.	Mude para o modo de funcionamento inferior.
	Os resíduos estão emaranhados no rolo de escovas.	Inspeccione se existe algum emaranhamento em torno do rolo de escovas (corpo, tampa e junta).
	O saco do filtro está cheio de pó.	Substitua o saco do filtro.
	⇒Se substituir o saco do filtro não resolver o problema...	Limpe ou substitua o filtro HEPA. Inspeccione se existem resíduos obstruídos na mangueira e no tubo.
O indicador de nível excessivo de pó pisca depois de pouco tempo de utilização	O saco do filtro está dobrado.	Desdobre a entrada do saco do filtro antes de colocá-lo.
A lâmpada LED não acende	A definição da lâmpada LED é desligada.	Durante a operação, prima e mantenha premido o botão de verificação da bateria/lâmpada LED para ligar a lâmpada LED.
O rodízio move-se com dificuldade	Os resíduos estão emaranhados no rodízio.	Limpe os resíduos no rodízio.

ACESSÓRIOS OPCIONAIS

⚠️ PRECAUÇÃO: Estes acessórios ou peças são recomendados para utilização com a ferramenta Makita especificada neste manual. A utilização de outros acessórios ou peças pode ser perigosa para as pessoas. Utilize apenas acessórios ou peças para os fins indicados.

Se necessitar de informações adicionais relativas a estes acessórios, solicite-as ao seu centro de assistência Makita.

- Bocal para cantos
- Escova redonda
- Acessório de ciclone
- Filtro HEPA
- Saco do filtro
- Saco para pó
- Bateria e carregador genuínos da Makita

NOTA: Alguns itens da lista podem estar incluídos na embalagem da ferramenta como acessórios padrão. Eles podem variar de país para país.

ADVARSEL

- Denne maskine er ikke beregnet til brug af personer, herunder børn, med reducerede fysiske, sensoriske eller mentale færdigheder eller manglende erfaring og viden.
- Børn skal overvåges for at sikre, at de ikke leger med støvsugeren.
- Se kapitlet "SPECIFIKATIONER" for batteriets typereference.
- Se afsnittet "Installation eller fjernelse af akkuen" for at finde ud af, hvordan man fjerner eller installerer batteriet.
- Når du bortskaffer akkuen, skal du afmontere den fra maskinen og bortskaffe den på et sikkert sted. Følg dine lokale regler vedrørende bortskaffelse af batterier.
- Hvis maskinen ikke skal bruges i en længere periode, skal batteriet fjernes fra maskinen.
- Akkuen må ikke kortsluttes.
- Se kapitlet "VEDLIGEHOLDELSE" for at få de relevante oplysninger om forholdsregler under brugervedligeholdelse.

SPECIFIKATIONER

Model:	DVC560
Maksimalt luftvolumen *	1,9 m ³ /min
Vakuum *	12 kPa
Kapacitet	5 L
Dimensioner (L x B x H)	326 mm x 318 mm x 1.146 mm
Nominal spænding	DC 36 V
Nettovægt	8,3 - 9,0 kg

- * Værdien er målt med vores originale metode.
- På grund af vores kontinuerlige forsknings- og udviklingsprogrammer kan hosstående specifikationer blive ændret uden varsel.
 - Specifikationer og akku kan variere fra land til land.
 - Vægten inkluderer tilbehør (rund børste, hjørnemundstykke) samt akku(er). Vægten af den letteste og tungeste kombination af apparat og akku(er) er vist i tabellen.

Anvendelig akku og oplader

Akku	BL1815N / BL1820B / BL1830B / BL1840B / BL1850B / BL1860B
Oplader	DC18RC / DC18RD / DC18RE / DC18SD / DC18SE / DC18SF / DC18SH / DC18WC

- Nogle af de akkuer og opladere, der er angivet ovenfor, er muligvis ikke tilgængelige, afhængigt af hvilket område du bor i.

⚠ ADVARSEL: Brug kun de akkuer og opladere, der er angivet ovenfor. Brug af andre akkuer og opladere kan medføre personskade og/eller brand.

Symboler

Følgende viser de symboler, der muligvis anvendes til udstyret. Sørg for, at du forstår deres betydning før brugen.



Læs betjeningsvejledningen.



Udvis særlig forsigtighed og opmærksomhed.



Kun for lande inden for EU
På grund af tilstedeværelsen af farlige komponenter i udstyret kan affald af elektrisk og elektronisk udstyr, akkumulatører og batterier have en negativ indvirkning på miljøet og folkesundheden.
Bortskaf ikke elektriske og elektroniske apparater eller batterier sammen med husholdningsaffald!
I overensstemmelse med EF-direktiv om affaldshåndtering af elektrisk og elektronisk udstyr og om akkumulatører og batterier og affaldsakkumulatører og -batterier, og i overensstemmelse med national lovgivning, skal brugt elektrisk udstyr, batterier og akkumulatører opbevares separat og leveres til et separat indsamlingssted for kommunalt affald, der er etableret i henhold til bestemmelserne om miljøbeskyttelse. Dette er angivet ved symbolet på den krydsede skraldespand, der er placeret på udstyret.

Tilsigtet anvendelse

Apparatet er beregnet til opslugning af tørt støv. Apparatet er egnet til kommerciel brug, for eksempel i hoteller, skoler, hospitaler, fabrikker, butikker, kontorer og udlejningsvirksomheder.

Støj

Det typiske A-vægtede støjniveau bestemt i overensstemmelse med IEC60335-2-69:
Lyddryksniveau (L_{pA}): 70 dB (A) eller derunder
Usikkerhed (K): 2,5 dB (A)

Støjniveauet under arbejdet kan overskride 80 dB (A).

BEMÆRK: De(n) angivne støjemissionsværdi(er) er målt i overensstemmelse med en standardtestmetode og kan anvendes til at sammenligne en maskine med en anden.

BEMÆRK: De(n) angivne støjemissionsværdi(er) kan også anvendes i en præliminær eksponeringsvurdering.

ADVARSEL: Bær høreværn.

ADVARSEL: Støjemissionen under den faktiske anvendelse af maskinen kan være forskellig fra de(n) angivne værdi(er), afhængigt af den måde hvorpå maskinen anvendes, især den type arbejdsemne der behandles.

ADVARSEL: Sørg for at identificere de sikkerhedsforskrifter til beskyttelse af operatøren, som er baseret på en vurdering af eksponering under de faktiske brugsforhold (med hensyntagen til alle dele i brugscyklussen, f.eks. de gange, hvor maskinen er slukket, og når den kører i tomgang i tilgift til afbrydertiden).

Vibration

Vibrationens totalværdi (tre-aksial vektorsum) bestemt i overensstemmelse med IEC60335-2-69:

Vibrationsafgivelse ($a_{h,M}$): 2,5 m/s² eller mindre
Usikkerhed (K): 1,5 m/s²

BEMÆRK: De(n) angivne totalværdi(er) for vibration er målt i overensstemmelse med en standardtestmetode og kan anvendes til at sammenligne en maskine med en anden.

BEMÆRK: De(n) angivne totalværdi(er) for vibration kan også anvendes i en præliminær eksponeringsvurdering.

ADVARSEL: Vibrationsemissionen under den faktiske anvendelse af maskinen kan være forskellig fra de(n) angivne værdi(er), afhængigt af den måde hvorpå maskinen anvendes, især den type arbejdsemne der behandles.

ADVARSEL: Sørg for at identificere de sikkerhedsforskrifter til beskyttelse af operatøren, som er baseret på en vurdering af eksponering under de faktiske brugsforhold (med hensyntagen til alle dele i brugscyklussen, f.eks. de gange, hvor maskinen er slukket, og når den kører i tomgang i tilgift til afbrydertiden).

Overensstemmelseserklæringer

Kun for lande i Europa

Overensstemmelseserklæringerne er inkluderet i Bilag A i denne brugsanvisning.

SIKKERHEDSADVARSLER

Sikkerhedsadvarsler for akku støvsuger

ADVARSEL: VIGTIGT! LÆS OMHYGGELIGT alle sikkerhedsadvarsler og alle instruktioner FØR BRUGEN. Hvis advarslerne og instruktionerne ikke overholdes, kan det medføre elektrisk stød, brand og/eller alvorlig personskade.

- Før brugen skal du sørge for, at denne støvsuger anvendes af personer, der er tilstrækkeligt oplært i brugen af støvsugeren.**
- Anvend ikke, uden at filterposen og/eller filterne er sat på plads. Udskift øjeblikkeligt et beskadiget filter.**
- UNDGÅ, AT MASKINEN STARTER VED ET UHELD.** Sørg for, at der er slukket på kontakten, ved montering af batteri(er).
- Forsøg ikke at opsuge brændbare materialer, fyrværkeri, tændte cigaretter, varm aske, varme metalspåner, skarpe genstande som f.eks. barberblade, nåle, glasskår eller lignende.**

5. **BRUG ALDRIG STØVSUGEREN I NÆRHEDEDEN AF BENZIN, GAS, MALING, LIM ELLER ANDRE STÆRKT EKSPLOSIONSFARLIGE STOFFER.** Afbryderen udsender gnister, når der tændes eller slukkes. Det samme gør motorkommutatoren under brugen. Det kan medføre farlig eksplosion.
 6. Denne støvsuger er ikke velegnet til opsamling af farligt støv.
 7. Støvsug aldrig giftstoffer, kræftfremkaldende stoffer, brændbare stoffer eller andre farlige materialer som f.eks. asbest, arsenik, barium, beryllium, bly, insektmidler eller andre sundhedsskadelige materialer.
 8. Anvend den ikke udendørs eller på våde overflader.
 9. I Finland er det ikke tilladt at benytte maskinen ved lave udendørstemperaturer.
 10. Brug ikke apparatet i nærheden af varmekilder (komfurer og lignende).
 11. Bloker ikke sugeåbningen/udløbet/ventilationsåbningerne til afkøling. Disse ventilationsåbninger muliggør afkøling af motoren. Blokering skal undgås omhyggeligt, da motoren ellers vil brænde sammen på grund af en mangel på ventilation.
 12. Undlad at sammenfolde, rykke i eller træde på slangen.
 13. Stop med det samme støvsugeren, hvis du bliver opmærksom på dårlig ydelse eller noget unormalt under brugen.
 14. **FJERN BATTERIET ELLER BATTERIERNE.** Når maskinen ikke er i brug, før service, og når der skiftes tilbehør.
 15. Rengør og servicer støvsugeren umiddelbart efter hver brug for at holde den i optimal funktionstilstand.
 16. **VEDLIGEHOOLD STØVSUGEREN OMHYGGELIGT.** Hold støvsugeren ren for at opnå bedre og sikrere ydelse. Følg instruktionerne for udskiftning af tilbehør. Hold håndtagene tørre, rene og fri for olie og fedt.
 17. **KONTROLLER BESKADIGEDE DELE.** Før støvsugeren bruges igen, skal en beskyttelseskærm eller anden del, som er beskadiget, kontrolleres omhyggeligt for at fastslå, om den vil fungere korrekt og udføre sin tilsigtede funktion. Kontroller for justeringen af bevægelige dele, binding af bevægelige dele, brud på dele, montering og alle andre forhold, der kan påvirke funktionaliteten. En beskyttelseskærm eller anden del, der er beskadiget, skal repareres korrekt eller udskiftes af et autoriseret servicecenter, medmindre andet fremgår andetsteds i denne brugsanvisning. Få defekte afbrydere udskiftet hos et autoriseret servicecenter. Brug ikke støvsugeren, hvis afbryderen ikke kan tænde eller slukke for den.
 18. **RESERVEDELE.** Brug kun identiske reserve dele i forbindelse med service.
 19. Når støvsugeren ikke er i brug, skal den altid opbevares indendørs.
 20. Behandl din støvsuger godt. Hårdhåndet behandling kan medføre, at selv den mest solidt byggede støvsuger går i stykker.
 21. Forsøg ikke at rengøre udvendigt eller indvendigt med benzen, fortynder eller kemiske rengøringsmidler. Dette kan medføre revner og misfarvning.
 22. Brug ikke støvsugeren i et aflukket lokale, hvor der afgives brændbare, eksplosive eller giftige dampe fra oliebaseeret maling, malingsfortynder, benzin, visse mølmidler osv., eller på steder med brandfarligt støv.
 23. Anvend ikke denne eller andre maskiner, hvis du er påvirket af narkotika eller alkohol.
 24. Bær passende beskyttelsesudstyr som fx en maske afhængigt af anvendelsesmiljøet.
 25. Denne maskine er ikke beregnet til brug af personer, herunder børn, med reducerede fysiske, sensoriske eller mentale færdigheder eller manglende erfaring og viden.
 26. Børn skal overvåges for at sikre, at de ikke leger med støvsugeren.
 27. Håndter aldrig batteriet eller batterierne og støvsugeren med våde hænder.
 28. Vær ekstremt forsigtig ved rengøring på trapper.
 29. Bevar til enhver tid fodfæstet og balancen.
 30. Anvend ikke støvsugeren som taburet eller arbejdsbænk. Maskinen kan falde ned og forårsage personskade.
 31. Hold alle kroppsdele og tøj væk fra åbningerne og de bevægende dele som fx den roterende børsterulle. Ellers kan de blive viklet ind i apparatet og forårsage tilskadekomst.
- Brug og vedligeholdelse af batteriet**
1. **Oplad kun med den oplader, som producenten angiver** En oplader, der passer til én type batteri, kan forårsage brand, hvis den anvendes med et andet batteri.
 2. **Brug kun el-værktøjer sammen med de tilhørende batteripakker.** Brug af andre batteripakker kan forårsage personskade og brand.
 3. **Når batteripakker ikke anvendes, skal de holdes borte fra andre metalgenstande som papirclips, mønter, nøgler, søm, skruer og andre små metalgenstande, der kan skabe forbindelse mellem terminalerne.** Hvis batteriets terminaler kortsluttes, kan det forårsage brand.
 4. **I tilfælde af misbrug kan der sprøjte væske ud fra batteriet.** Undgå kontakt. Skyl med vand, hvis De kommer i kontakt med væsken. Søg læge, hvis De får væske i øjet. Væske, der sprøjter ud fra batteriet, kan medføre irritation eller forbrændinger.
 5. **Undlad at bruge en akku eller maskine, der er beskadiget eller ændret.** Beskadigede eller ændrede batterier kan fungere uforudsigeligt og medføre brand, eksplosion eller risiko for personskade.
 6. **Undlad at udsætte en akku eller maskine for brand eller høje temperaturer.** Udsættelse for brand eller temperaturer på over 130 °C kan medføre eksplosion.
 7. **Følg alle instruktioner vedrørende opladning, og undlad at oplade akkuen eller maskinen uden for det temperaturinterval, der er angivet i instruktionerne.** Opladning, der udføres forkert eller ved temperaturer uden for det angivne temperaturinterval, kan beskadige batteriet og medføre øget risiko for brand.

GEM DENNE BRUGSANVISNING.

⚠ ADVARSEL: LAD IKKE bekvemmelighed eller kendskab til produktet (opnået gennem gentagen brug) forhindre, at sikkerhedsforskrifterne for produktet nøje overholdes. MISBRUG eller for sømmelse af at følge de i denne brugsvejledning givne sikkerhedsforskrifter kan føre til, at De kommer alvorligt til skade.

Vigtige sikkerhedsinstruktioner for akkuen

1. Læs alle instruktioner og advarselmærkater på (1) akku-opladeren, (2) akkuen og (3) produktet, som anvender akku.
2. Adskil eller ændr ikke akkuen. Det kan muligvis resultere i en brand, overdreven varme eller eksplosion.
3. Hold straks op med anvendelsen, hvis brugstiden er blevet stærkt afkortet. Fortsat anvendelse kan resultere i risiko for overophedning, forbrændinger og endog eksplosion.
4. Hvis De har fået elektrolytvæske i øjnene, skal De straks skylle den ud med rent vand og derefter øjeblikkeligt søge lægehjælp. I modsat fald kan De miste synet.
5. Vær påpasselig med ikke at komme til at kortslutte akkuen:
 - (1) Rør ikke ved terminalerne med noget ledende materiale.
 - (2) Undgå at opbevare akkuen i en beholder sammen med andre genstande af metal, for eksempel søm, mønter og lignende.
 - (3) Udsæt ikke akkuen for vand eller regn. Kortslutning af akkuen kan forårsage en kraftig øgning af strømmen, overophedning, mulige forbrændinger og endog værktøjstop.
6. Opbevar og brug ikke maskinen og akkuen på steder, hvor temperaturen muligvis kan nå eller overstige 50 °C.
7. Lad være med at brænde akkuen, selv ikke i tilfælde, hvor den har lidt alvorlig skade eller er fuldstændig udtjent. Akkuen kan eksplodere, hvis man forsøger at brænde den.
8. Slå ikke søm i, skær ikke i, knus, kast, tab ikke akkuen og stød ikke akkuen mod en hård genstand. Sådan adfærd kan muligvis resultere i en brand, overdreven varme eller eksplosion.
9. Anvend ikke en beskadiget akku.
10. De indbyggede litium-ion-batterier er underlagt lovkrav vedrørende farligt gods. Ved kommerciel transport, f.eks. af tredjeparts transportselskaber, skal særlige krav til forpakning og mærkning overholdes. Ved forberedelse af udstyret til forsendelse skal du kontakte en ekspert i farligt gods. Overhold også eventuel mere detaljeret national lovgivning. Tape eller tildæk åbne kontakter, og pak batteriet på en måde, så det ikke kan flytte sig rundt i pakningen.

11. Når akkuen bortscaffes, skal du fjerne den fra maskinen og bortscaffe den på et sikkert sted. Følg de lokale love vedrørende bortscaffelsen af batterier.
12. Brug kun batterierne med de produkter, som Makita specificerer. Hvis batterierne installeres i ikke-kompatible produkter, kan det medføre brand, kraftig varme, eksplosion eller udsivning af elektrolyt.
13. Hvis maskinen ikke skal bruges i længere tid ad gangen, skal du fjerne batteriet fra maskinen.
14. Akkuen kan muligvis under og efter brug være varm, hvilket kan forårsage forbrændinger eller lavtemperaturforbrændinger. Vær påpasselig med håndtering af varme akkuer.
15. Rør ikke terminalen på maskinen straks efter brug, da den bliver varm nok til at forårsage forbrændinger.
16. Sørg for, at spåner, støv eller jord ikke sætter sig fast i akkuens terminaler, huller og riller. Det kan forårsage opvarmning, antændelse, sprængning og funktionsfejl i maskinen eller akkuen, hvilket kan medføre forbrændinger eller personskade.
17. Medmindre maskinen understøtter brugen i nærheden af elektriske højspændingsledninger, skal du ikke anvende akkuen i nærheden af elektriske højspændingsledninger. Det kan muligvis medføre funktionsfejl på eller nedbrud af maskinen eller akkuen.
18. Opbevar batteriet utilgængeligt for børn.

GEM DENNE BRUGSANVISNING.

⚠ FORSIGTIG: Brug kun originale batterier fra Makita. Brug af uoriginale Makita-batterier, eller batterier som er blevet ændret, kan muligvis medføre brud på batteriet, hvilket kan forårsage brand, personskade eller beskadigelse. Det ugyldiggør også Makita-garantien for Makita-maskinen og opladeren.

Tips til opnåelse af maksimal akku-levetid

1. Oplad akkuen, inden den er helt afladet. Stop altid værktøjet, og oplad akkuen, hvis De bemærker, at værktøjeffekten er aftagende.
2. Genoplad aldrig en fuldt opladet akku. Overopladning vil afkorte akkuens levetid.
3. Oplad akkuen ved stuetemperatur ved 10 °C - 40 °C. Lad altid en varm akku få tid til at køle af, inden den oplades.
4. Når du ikke anvender akkuen, skal du fjerne den fra maskinen eller opladeren.
5. Oplad akkuen, hvis De ikke skal bruge den i længere tid (mere end seks måneder).

BESKRIVELSE AF DELENE

► Fig.1

1	Håndtag	2	Kontaktplade	3	Rørgreb	4	Slange
5	Indikationspanel	6	Håndtag (til støvkassedækslet)	7	Støvkassedæksel	8	Bærehåndtag
9	Lås (til batteridækslet)	10	Justeringsarm	11	Batteridæksel	12	Hjørnemundstykke
13	Rund børste	14	Fodpedal	15	Rullehjul	16	Sidebørste
17	Sugeslange	18	Samling	19	Aluminiumsrør	20	Rørholder
21	LED-lampe	22	Børsterulle	23	Bundplade	24	TIL/tilstandsskift-knap
25	FRA-knap (OFF)	26	Indikator for driftstilstand	27	Indikator for højt støvniveau	28	Indikator for børsterullefej
29	Indikator for resterende batteriladning	30	Knap for batterikontrol/LED-lampe	-	-	-	-

SAMLING

⚠FORSIGTIG: Sørg altid for, at apparatet er slukket, og akkuen er fjernet, inden der udføres arbejde på apparatet.

⚠FORSIGTIG: Bær altid støvmaske under samling eller vedligeholdelse.

Håndtagstilslutning

1. Sæt håndtagsstangen helt ind i støvsugerkabinetet som vist på figuren.
 2. Luk låsemekanismen.
- **Fig.2:** 1. Håndtagsstang 2. Rød mærkning 3. Låsemekanisme

BEMÆRKNING: Sæt håndtaget helt ind, indtil den røde mærkning ikke længere kan ses.

Slangetilslutning

Sæt slangen ind i monteringsporten på apparatet, og drej slangen indtil den låses fast.

► **Fig.3**

Rørtilslutning

Sæt spidsen af aluminiumsrøret ind i samlingen og fastgør derefter aluminiumsrøret til rørholderen.

► **Fig.4:** 1. Samling 2. Rørholder

BEMÆRKNING: Sæt aluminiumsrøret ind i den korrekte retning som vist på figuren. Ellers vil rørholderen ikke blive låst, og aluminiumsrøret kan falde af.

► **Fig.5**

Isætning eller fjernelse af akkuen

⚠FORSIGTIG: Sluk altid for apparatet før montering eller afmontering af akkuen.

⚠FORSIGTIG: Hold støvsugeren og akkuen fast ved montering eller afmontering af akkuen. Hvis du ikke holder fast på støvsugeren og akkuen, kan de glide ud af hænderne på dig og medføre beskadigelse af støvsugeren, akkuen og personskaade.

⚠FORSIGTIG: Pas på ikke at få fingrene i klemme, når du åbner eller lukker batteridækslet. Hvis du ikke gør dette, kan det medføre personskaade.

For at installere akkuen skal du først udløse låsen og derefter åbne batteridækslet. Indsæt derefter akkuen.

► **Fig.6:** 1. Lås 2. Batteridæksel

Juster tungen på akkuen med rillen i huset, og skub den på plads. Sæt den hele vejen ind, indtil den låses på plads med et lille klik. Lås derefter batteridækslet.

► **Fig.7:** 1. Akku 2. Knap

Akkuen fjernes ved at trække den ud af apparatet, mens der skydes på knappen på forsiden af akkuen.

⚠FORSIGTIG: Sæt altid akkuen helt ind. Hvis dette ikke gøres, kan den falde ud af apparatet ved et uheld og forårsage skade på dig selv eller andre omkring dig.

⚠FORSIGTIG: Brug ikke magt ved montering af akkuen. Hvis akkuen ikke glider på plads uden problemer, betyder det, at den ikke sættes i på korrekt vis.

BEMÆRK: Støvsugeren fungerer ikke med kun én akku.

Montering af filterposen

⚠FORSIGTIG: Anvend ikke en beskadiget filterpose. Anvend altid støvsugeren med filterposen monteret korrekt. Ellers kan opsuget støv eller partikler blive blæst ud af støvsugeren, hvilket kan medføre åndedrætslidelser hos operatøren.

Monter filterposen, før støvsugeren anvendes. Filterposen er en type til bortskaffelse. Smid hele filterposen ud uden at tømme den, når den er fuld.

BEMÆRKNING: Erstat filterposen med en ny, når den er fuld eller tilstoppet. Fortsat brug med fuld eller tilstoppet filterpose medfører reduceret sugestyrke.

BEMÆRKNING: Sådan forhindres det, at der kommer støv ind i motoren:


- Sørg for, at filterposen er monteret før brugen.
- Anvend ikke en beskadiget eller flået pose.

Ellers kan motoren gå i stykker.

BEMÆRKNING: Fold ikke pappet ved åbningen, når filterposen monteres.

BEMÆRKNING: Filterposen til støvsugeren er en vigtig komponent for at opretholde apparatets ydelse. Brug af uoriginal filterpose kan muligvis medføre røgudvikling eller antændelse.

BEMÆRK: Når filterposen ikke er monteret i apparatet, kan støvkassedækslet ikke lukkes helt.

1. Lås håndtaget op og åbn støvkassedækslet.
▶ Fig.8: 1. Håndtag 2. Støvkassedæksel
2. Fold filterposen helt ud.
▶ Fig.9
3. Sæt filterposen ind i åbningen på holderen, så den side med mærket  går ind først.
4. Hægt klinken på holderen.
▶ Fig.10: 1. Åbning 2. Filterpose 3. Holder 4. Klink
5. Sørg for at kun mærkningen på pappet kan ses gennem rillen på holderen.
▶ Fig.11: 1. Mærkning 2. Rille
6. Fold filterposen ud, hvis den er foldet.
▶ Fig.12
7. Lås støvkassedækslet ordentligt.

⚠FORSIGTIG: Pas på ikke at få fingrene i klemme, når du hæfter klinken på, og når du lukker støvkassedækslet.

Afmontering af filterposen

⚠FORSIGTIG: Håndter filterposen forsigtigt. Ellers kan der blæses fremmedlegemer ind i øjnene, hvilket kan det medføre personskaade.

Udskift filterposen, når den bliver fuld eller tilstoppet. Åbn støvkassedækslet og åbn klinken, og tag derefter filterposen ud.

Træk i snoren på siden af åbningen for at lukke filterposen, og bortskaf hele filterposen.

▶ Fig.13: 1. Klink 2. Snor

BEMÆRKNING: Anvend ikke en brugt filterpose. Filterposen er udviklet til brug en gang. Gentagen brug af filterpose kan medføre tilstopning af filteret og forårsage beskadigelse af støvsugeren. Hvis du vil bruge posen flere gange, skal du bruge en støvpose.

FUNKTIONSBESKRIVELSE

⚠FORSIGTIG: Sørg altid for, at apparatet er slukket, og at akkuen fjernes, før der udføres justering eller kontrol af funktioner på apparatet.

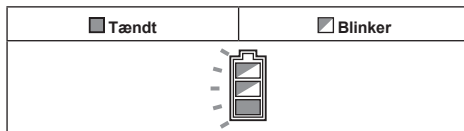
Beskyttelsessystem til værktøj/batteri

Maskinen er udstyret med et beskyttelsessystem til maskinen/batteriet. Dette system afbryder automatisk strømmen til motoren for at forlænge maskinens og batteriets levetid. Maskinen stopper automatisk under brugen, hvis maskinen eller batteriet udsættes for et af følgende forhold:

Overbelastningsbeskyttelse

Når værktøjet betjenes på en måde, der får den til at bruge unormalt meget strøm, stopper værktøjet automatisk uden indikation. Sluk i så fald for værktøjet, og stop den anvendelse, der bevirkede, at værktøjet blev overbelastet. Tænd derefter for værktøjet for at starte igen.

Beskyttelse mod overophedning



Når værktøjet bliver overophedet, stopper den automatisk, og batteriindikatoren blinker i cirka 60 sekunder. Lad i så fald værktøjet køle af, før der tændes for værktøjet igen.

Beskyttelse mod afladning

Når batteriladningen bliver for lav, stopper værktøjet automatisk. Hvis produktet ikke fungerer, selvom kontakterne betjenes, skal De tage batterierne ud af værktøjet og lade batterierne op.

Indikation af den resterende batteriladning

Kun til akuer med indikatoren

► **Fig.14:** 1. Indikatorlamper 2. Kontrolknop

Tryk på kontrolknappen på akuen for at få vist den resterende batteriladning. Indikatorlampen lyser i nogle sekunder.

Indikatorlamper			Resterende ladning
Tændt	Slukket	Blinker	
■	□	◐	75% til 100%
■	■	□	50% til 75%
■	■	□	25% til 50%
■	□	□	0% til 25%
◐	□	□	Genoplad batteriet.
■	■	□	Der er muligvis fejl i batteriet.
□	□	■	

BEMÆRK: Afhængigt af brugsforholdene og den omgivende temperatur kan indikationen afvige en smule fra den faktiske ladning.

BEMÆRK: Den første indikatorlampe (længst mod venstre) vil blinke, når batteribeskyttelsessystemet aktiveres.

Indikationspanel

► **Fig.15:** 1. Driftstilstand 2. Højt støvniveau 3. Børsterullefejl 4. Resterende batteriladning 5. Knap for batterikontrol/LED-lampe

Driftstilstand

For at ændre driftstilstanden skal du se afsnittet om afbryderbetjening.

Højt støvniveau

Hvis denne indikator lyser, skal du udskifte filterposen. (Se afsnittet om fjernelse af filterposen.)

BEMÆRK: Denne indikator fungerer ikke, når apparatet betjenes i tilstanden "lavere støjniveau (1)".

BEMÆRK: Denne indikator fungerer ikke afhængigt af anvendelsesmiljøet.

BEMÆRK: Indikatoren slukker automatisk ca. et minut efter, at apparatet er slukket. Hvis du fjerner tilstopningen af filterposen og genstarter apparatet, går indikatoren ud inden for et minut.

Børsterullefejl

Blinker	Børsterullen er under høj belastning af en eller anden grund.
Tændt	Børsterullen er stoppet pga. en unormal årsag.

⚠ADVARSEL: Sluk øjeblikkeligt for apparatet, når denne lampe lyser under anvendelse. Ellers kan muligvis der opstå motorfunktionsfejl, og det kan forårsage brand.

Resterende batteriladning

Under anvendelse skal du trykke på knappen for batterikontrol/LED-lampe for at få indikeret de resterende batteriladninger. Batteriindikatorerne svarer til hvert enkelt batteri.

► **Fig.16**

Status på batteriindikator			Resterende batteriladning
Tændt	Slukket	Blinker	
■	□	◐	50% til 100%
■	■	□	20% til 50%
■	□	□	0% til 20%
◐	□	□	Genoplad batteriet

Knap for batterikontrol/LED-lampe

Under anvendelse kan de følgende betjening udføres.

- Tryk blot på knappen for at kontrollere den resterende batteriladning.
- Tryk og hold på knappen for at tænde/slukke for LED-lampen.

Afbryderbetjening

► **Fig.17:** 1. TIL/tilstandsskift-knap 2. FRA-knap

Tænding/slukning af apparatet

For at starte apparatet skal du blot trykke på TIL/tilstandsskift-knappen. Tryk på FRA-knappen for at slukke.

⚠FORSIGTIG: Placer altid apparatets hoved på gulvet, når apparatet tændes. Ellers kan der muligvis opstå en ulykke pga. indvikling, og det kan forårsage en personskaade.

Ændring af driftstilstand

Du kan ændre driftstilstanden i tre trin: "lavere støjniveau (1)", "normal (2)" og "høj (3)". Hvis du ønsker at ændre driftstilstanden, skal du trykke på TIL/tilstandsskift-knappen, mens apparatet kører. Driftstilstanden skifter i rækkefølgen "lavere støjniveau (1)", "normal (2)" og "høj (3)". Apparatet vil starte i den samme tilstand som den forrige indstilling.

Tænding af LED-lampen

⚠FORSIGTIG: Kig aldrig direkte på lyskilden. Lad ikke lyset falde i Deres øjne.

Apparatet er udstyret med LED-lamperne. Se afsnittet om knappen for batterikontrol/LED-lampe angående betjening.

► Fig.18: 1. LED-lampe

Fodpedal

⚠FORSIGTIG: Lås altid apparatet i oprejst position, når du slipper håndtaget. Ellers kan apparatet muligvis vælte og forårsage personskade.

⚠FORSIGTIG: Pas på ikke at få fingrene i klemme mellem apparatets kabinet og hovedet på apparatet.

For at oplåse apparatets oprejste position skal du træde på fodpedalen og trække håndtaget tilbage. Bevægelsesområdet er 90 grader fra den oprejste position.

► Fig.19: 1. Fodpedal

For at låse apparatet i oprejst position skal du løfte håndtaget op og frem, indtil fodpedalen låser positionen med et klik.

► Fig.20

BEMÆRK: Mens apparatet er i den oprejste position, stopper børsterullen med at rotere.

Justering af højden på børsterulle

⚠FORSIGTIG: Sørg altid for, at justeringsarmen kommer ordentligt ind i positionen inden brugen.

Højden på børsterullen kan justeres i 4 trin.

Drej justeringsarmen hen på den ønskede højde. Når justeringsarmen peger på A-mærket, er børsterullen placeret på det laveste punkt over gulvet, og er egnet til rengøring af hårde gulve og tæpper med korte hår. Når justeringsarmen peger på B-mærket, er børsterullen placeret på det højeste punkt over gulvet, og er egnet til rengøring af tæpper med lange hår.

► Fig.21: 1. Justeringsarm

BEMÆRK: Børsterullen roterer muligvis ikke, hvis højden på børsterullen er for lav mod tæppets overflade.

Bærehåndtag

Når apparatet bæres, skal du skubbe apparatet vha. rullehjulene alene eller bære det ved at holde i bærehåndtaget/bærehåndtagene.

► Fig.22

⚠FORSIGTIG: Når du bærer apparatet, skal du låse apparatet i oprejst position. Ellers kan der ske en faldulykke.

⚠FORSIGTIG: Bær ikke apparatet med noget andet end bærehåndtaget. Ellers kan der opstå en faldulykke eller utilsigtet start kan muligvis forårsage en personskade.

► Fig.23

ANVENDELSE

⚠FORSIGTIG: Træk ikke håndtagsstangen ud fra apparatet under anvendelse. Gør du det, kan du miste kontrol over apparatet og muligvis resultere i alvorlig personskade.

⚠FORSIGTIG: Placer ikke din hånd eller dit ben under apparatet under anvendelse. Ellers kan der muligvis ske en klemmeulykke.

Normal rengøringsbetjening

1. Hold i håndtaget og oplås derefter den oprejste position.
2. Tænd for apparatet. Rengør et gulv.

► Fig.24

Brug af sidebørsten

Sidebørsten er praktisk til rengøring af hjørnet på en væg.

Hvis sidebørsten bliver kort, skal du tage apparatet til Makita-servicecenteret for reparation

► Fig.25: 1. Sidebørste

Betjening med tilbehør

⚠FORSIGTIG: Bliv ved med at holde fast i håndtaget ved brug af tilbehør. Ellers kan apparatet muligvis vælte og forårsage personskade.

BEMÆRKNING: Når du anvender tilbehør, skal du låse apparatet i oprejst position. Ellers kan rotationen af børsterullen muligvis beskadige gulvet.

Brug af aluminiumsrøret

Aluminiumsrøret er egnet til rengøring på trange steder eller høje steder.

► Fig.26: 1. Aluminiumsrør

Brug af slangen

Slangen er egnet til rengøring i nærheden af dine hænder.

► Fig.27: 1. Slange

For at anvende slangen skal du trække aluminiumsrøret ud fra slangen, mens du trykker på håndtaget.

For at montere slangen skal du sætte slangen ind i aluminiumsrøret, indtil det klikker på plads.

► **Fig.28:** 1. Håndtag

Brug af tilbehør

► **Fig.29**

For at montere tilbehøret skal du dreje og sætte det ordentligt ind i aluminiumsrøret eller slangen. For at frigøre det skal man dreje og fjerne det.

VEDLIGEHODELSE

⚠FORSIGTIG: Sørg altid for, at apparatet er slukket, og at akkuen er fjernet, før du forsøger at udføre eftersyn eller vedligeholdelse.

BEMÆRKNING: Anvend aldrig benzin, rensebenzin, fortynder, alkohol og lignende. Det kan medføre misfarvning, deformation eller revner.

For at opretholde produktets SIKKERHED og PÅLIDELIGHED må reparation, vedligeholdelse eller justering kun udføres af et autoriseret Makita servicecenter eller fabriksservicecenter med anvendelse af Makita reservedele.

Opbevaring

Ved opbevaring skal du fjerne akkuerne og opbevare apparatet på et jævnt sted i oprejst position.

► **Fig.30**

Rengøring af apparatets kabinet

Aftør fra tid til anden ydersiden (støvsugerkabinettet) af støvsugeren med en klud, som er fugtet med sæbevand.

► **Fig.31**

Rengøring af HEPA-filteret

⚠FORSIGTIG: Undlad at bruge støvsugeren uden et filter eller at fortsætte med at bruge et snavset eller beskadiget filter. Opsugt støv eller partikler kan blive blæst ud af støvsugeren, hvilket kan medføre åndedrætslidelser hos operatøren.

BEMÆRKNING: Rengør filteret regelmæssigt for at opretholde optimal sugestyrke og ren udblæsning. Udskift filteret med et nyt, hvis der ikke kan opnås tilstrækkelig sugestyrke selv efter rengøring.

BEMÆRKNING: Undlad at bruge følgende værktøjer og lignende genstande til rengøring for at undgå beskadigelse af filteret:

- Støvblæser
- Højtryksrensere
- Værktøjer, der er fremstillet af hårde materialer, f.eks. en metalbørste

1. Åbn støvkassetdækslet, og tag filterposen ud.

Frigør krogene på filteret, og tag det ud fra apparatets kabinet.

► **Fig.32:** 1. Krog

2. Bank støvet af filteret. Filteret kan vaskes med vand. Skyl støv og partikler bort fra filteret hver eller hver 2. måned. Lad derefter filteret tørre helt på et skyggefuldt og velventileret sted for at undgå ubehagelige lugte eller fejlfunktioner.

3. For at installere filteret skal du sætte siden uden krogene ind i rillen og derefter trykke filteret ind, indtil krogene fastgøres med et klik.

► **Fig.33:** 1. Rille 2. HEPA-filter 3. Krog

Rengøring af børsterullen

1. Fjern bundpladen, og fjern derefter børsterullen. Hvis håret på børsterullen bliver kort, skal du anmode Makita-servicecenteret om et nyt.

Anvendelse af apparatet med den korthårede børsterulle medfører dårlig støvsopsamling.

► **Fig.34:** 1. Bundplade 2. Børsterulle

2. Fjern tråde og hår fra børsterullen vha. en saks.

Fjern dækslet og fjern snavs.

► **Fig.35:** 1. Dæksel

3. Monter dækslet, børsterullen og bundpladen i omvendt rækkefølge.

► **Fig.36**

⚠FORSIGTIG: Monter bundpladen ordentligt. Hvis apparatet anvendes uden bundpladen, kan børsterullen muligvis falde af og forårsage personskaade.

BEMÆRKNING: Monter altid børsterullen.

Anvendelse af apparatet uden børsterullen medfører dårlig støvsopsamling.

Sådan fjernes tilstopningen

BEMÆRKNING: Undlad at betjene apparatet med tilstoppet indsuigningsstrømssti. Forsat brug med indsuigningsstrømsstien tilstoppet medfører reduceret sugestyrke.

1. Fjern bundpladen, og fjern derefter børsterullen.
2. Fjern aluminiumsrøret fra apparatet og fra slangen.
3. Drej slangen mod uret og fjern derefter slangen fra apparatet.

4. Fjern sugeslangen ved at trække i tappen.

► **Fig.37:** 1. Sugeslange 2. Tap

5. Efterse indsuigningsstrømsstien for luft inde i aluminiumsrøret, slangen og sugeslangen.

Fjern snavset inden i dem.

6. Juster tungen på sugeslangen med rillen i huset, og skub den på plads.

► **Fig.38:** 1. Tunge 2. Rille

7. Monter slange, aluminiumsrør, børsterulle og bundplade.

⚠FORSIGTIG: Monter slangen, røret ordentligt. Ellers kan der muligvis opstå støvlækage og forårsage personskaade.

Støvpose

Ekstraudstyr

Støvposen kan bruges gentagne gange ved at tømme den.

Montering og afmontering af støvpose

Proceduren for montering og afmontering af støvposen er den samme som for filterposen. Se afsnittet om montering af filterposen og afmontering af filterposen.

► **Fig.39:** 1. Støvpose 2. Gummihætte

BEMÆRKNING: Når du monterer støvposen, skal du først åbne gummihætten. Sæt støvposen i med gummihætten bag ved den.

Tømning af støvpose

1. Luk gummihætten for at forhindre støvet i at flyde.
 2. Åbn posens åbning ved at trække lukkeskinnen ud.
 3. Tøm støvposen for dens indhold, og bank let på den for at fjerne partikler, der sidder fast på indersiden.
- **Fig.40:** 1. Støvpose 2. Gummihætte 3. Lukkeskinne

BEMÆRKNING: Tømning af støvposen ofte. For meget støv vil nemt rive posen i stykker.

Rengøring af støvposen

Rengør regelmæssigt støvposen med sæbe og vand. Vend indersiden ud på støvposen, og fjern klæbrigt støv. Vask den let i hånden, og rens grundigt med vand. Tør den helt, før den sættes i støvsugeren.

► **Fig.41**

BEMÆRKNING: En våd støvpose forringer støvsugerens ydeevne og motorens levetid.

BEMÆRKNING: Når du monterer lukkeskinnen på støvposen, skal du sørge for, at posens åbning er forsvarligt lukket.

HVIRVELTILBEHØR

Ekstraudstyr

► **Fig.42:** 1. Hvirveltilbehør

Om hvirveltilbehøret

Brug af støvsugeren med hvirveltilbehøret monteret reducerer mængden af støv, der kommer ind i filterposen, hvilket er med til at forhindre, at sugekraften svækkes. Derudover er rengøring efter brug også enkel.

⚠FORSIGTIG: Sørg altid for at maskinen er slukket, og at akkuen er taget ud, før der udføres noget arbejde på maskinen. Hvis akkuen forbliver isat, kan støvsugeren muligvis starte uventet og medføre tilskadekomst.

⚠FORSIGTIG: Rengør hvirveltilbehørets trådsi og filterposen på støvsugerenheden, når de bliver tilstoppede. Fortsat brug i den tilstoppede tilstand kan resultere i opvedning eller røg.

BEMÆRKNING: Når hvirveltilbehøret er monteret, må du ikke bruge hvirveltilbehøret i den vandrette eller opadvendte tilstand. Dette kan medføre, at netfilteret bliver tilstoppet.

BEMÆRKNING: Brug altid støvsugeren med filterposen monteret, selv når du bruger hvirveltilbehøret. Brug af støvsugeren uden filterposen monteret kan resultere i en motorfunktionsfejl.

BEMÆRK: Kontroller, at hvirveltilbehøret, støvsugeren og det lige rør er ordentligt låst inden brug.

BEMÆRK: Tøm støvbakken på hvirveltilbehøret og filterposen på støvsugeren, når der er ophobet støv. Fortsat brug vil resultere i svækket sugekraft.

Montering af hvirveltilbehør

1. Drej manchetten på slangen mod uret, og afmonter slangen, rørgrebet og aluminiumsrøret fra apparatet.
- **Fig.43:** 1. Manchet 2. Slange 3. Rørgreb 4. Aluminiumsrør

2. Drej siden af stopperen på hvirveltilbehøret opad, så stopperen flugter med rillen på sugåbningen. Lås stopperen ved at sætte hvirveltilbehøret i, indtil det klikker på plads. Træk let i hvirveltilbehøret for at sikre dig, at det ikke afmonteres. Monter det lige rør på samme måde som hvirveltilbehøret.

► **Fig.44:** 1. Greb til hvirveltilbehør 2. Sugeåbning 3. Hvirveltilbehør 4. Lige rør til hvirveltilbehør 5. Stopper 6. Låseknop

3. Monter hvirveltilbehøret på apparatet, og drej derefter manchetten på slange med uret for at fastgøre den.

► **Fig.45**

Bortskaffelse af støv

Når der er ophobet støv op til fuld-linjen i støvbakken, skal du følge proceduren nedenfor og bortskaffe støvet.

1. Hold godt fast i støvbakken, tryk og hold på de to knapper og fjern støvbakken.
- **Fig.46:** 1. Fuld-linje 2. Støvbakke 3. Knap (to steder) 4. Trådsi

2. Bortskaf støvet inde i støvbakken og fjern alt støv og pulver, som sidder fast på overfladen af trådsien.
3. Sæt støvbakken helt ind indtil de to knapper låses med et klik.

► **Fig.47:** 1. Støvbakke 2. Knap (to steder)

BEMÆRK: Hold godt fast i hvirveltilbehøret, når støvbakken monteres.

BEMÆRK: Kontroller, at hvirveltilbehøret, støvsugeren og det lige rør er ordentligt låst inden genstart af betjening.

BEMÆRK: Hvis sugekraften ikke genoprettes, selv efter bortskaffelse af støvet og rengøring af trådsien, skal du kontrollere, om der er ophobet støv i filterposen på støvsugeren, eller om den er tilstoppet.

Rengøring

Når støvbakken bliver beskidt, eller trådsien er tilstoppet, skal du fjerne og vaske dem med vand. (Se "Bortskaffelse af støv" angående fjernelsesproceduren.)

Tør delene grundigt inden genmontering og ibrugtagning.

► **Fig.48:** 1. Støvbakke 2. Trådsi

Når trådsien bliver meget beskidt, skal du rengøre den vha. de følgende procedurer.

1. Drej trådsien mod uret og fjern den, mens krogene ikke er låst.
► **Fig.49:** 1. Trådsi 2. Krog
2. Fjern støvet på trådsien og vask den derefter med vand. Tør den omhyggeligt efter dette.
3. Sæt trådsien ind i basen mens krogene er rettet ind med åbningen. Drej trådsien med uret indtil krogene låses med et klik. Sørg for, at trådsien er monteret forsvarligt.
► **Fig.50:** 1. Trådsi 2. Krog 3. Åbning

FEJLFINDING

Udfør selv en inspektion, inden De anmoder om reparation. Hvis du opdager et problem, som ikke er forklaret i brugsanvisningen, må du ikke forsøge at skille maskinen ad. Rådfør Dem i stedet med et autoriseret Makita Servicecenter, og brug altid originale Makita udskiftningsdele til reparationer.

Symptom	Sandsynlig årsag	Afhjælpning
Fungerer ikke	Akkuerne er installeret forkert.	Sæt akkuerne i som beskrevet i denne brugervejledning.
	Akkuerne er afladet.	Oplad akkuerne.
	Håndtaget er ikke monteret korrekt.	Monter håndtaget ordentligt som beskrevet i denne brugsanvisning.
Børsterullen roterer ikke	Apparatet er låst i oprejst position.	Oplås apparatets oprejste position.
	Indikatoren for børsterullefejl lyser.	Efterse, at der ikke sidder noget fast omkring børsterullen (kabinet, dæksel og samling).
Svag sugekraft	Indikatoren for højt støvniveau lyser.	Udskift filterposen. Hvis filterposen ikke er fuld, skal du folde filterposen ud og ryste den for at fjerne tilstopningen.
	⇒Hvis udskifning af filterposen ikke afhjælper problemet...	Rengør eller udskift HEPA-filteret. Efterse, at der ikke sidder snavs fast i slangen og røret.
	Der sidder støv fast i børsterullen, og rotationshastigheden er reduceret.	Efterse, at der ikke sidder noget fast omkring børsterullen (kabinet, dæksel, samling).
	Højden på børsterullen er for høj fra gulvet.	Sænk højden på børsterullen.
	Håret på børsterullen er blevet kort.	Udskift børsterullen. Sænk højden på børsterullen.
	Apparatet fungerer i lav tilstand.	Skift til den højere driftstilstand.
	Børsterullen er ikke monteret.	Monter børsterullen.
	Røret eller slangen er ikke monteret korrekt.	Monter røret eller slangen ordentligt.
Høj funktionsstøj	Apparatet fungerer i høj tilstand.	Skift til den lavere driftstilstand.
	Det sidder snavs fast i børsterullen.	Efterse, at der ikke sidder noget fast omkring børsterullen (kabinet, dæksel og samling).
	Filterposen er fyldt med støv.	Udskift filterposen.
	⇒Hvis udskifning af filterposen ikke afhjælper problemet...	Rengør eller udskift HEPA-filteret. Efterse, at der ikke sidder snavs fast i slangen og røret.
Indikatoren for højt støvniveau blinker efter en lille smule brug	Filterposen er foldet.	Fold indgangen på filterposen ud, før den sættes i.
LED-lampen lyser ikke	LED-lampeindstillingen er slået fra.	Under anvendelse skal du trykke og holde på knappen for batterikontrol/LED-lampe for at tænde for LED-lampen.
Rullehjulet er svært at bevæge	Det sidder snavs fast i rullehjulet.	Fjern snavsset på rullehjulet.

EKSTRAUDSTYR

⚠️ FORSIGTIG: Det følgende tilbehør og ekstraudstyr er anbefalet til brug med Deres Makita maskine, der er beskrevet i denne brugsanvisning. Anvendelse af andet tilbehør eller ekstraudstyr kan udgøre en risiko for personskade. Anvend kun tilbehør og ekstraudstyr til det beskrevne formål.

Hvis De behøver hjælp ved valg af tilbehør eller ønsker yderligere informationer, bedes De kontakte Deres lokale Makita servicecenter.

- Hjørnemundstykke
- Rund børste
- Hvirveltilbehør
- HEPA-filter
- Filterpose
- Støvpose
- Original Makita-akku og oplader

BEMÆRK: Nogle ting på denne liste kan være inkluderet i værktøjspakken som standardtilbehør. Det kan være forskellige fra land til land.

ΠΡΟΕΙΔΟΠΟΙΗΣΗ

- Το μηχάνημα αυτό δεν προορίζεται για χρήση από άτομα, συμπεριλαμβανομένων των παιδιών, με μειωμένες σωματικές, αισθητήριες ή διανοητικές ικανότητες, ή από άτομα που δεν έχουν πείρα και γνώσεις.
- Τα παιδιά θα πρέπει να επιτηρούνται για να εξασφαλιστεί ότι δεν παίζουν με τη μηχανή.
- Για την αναφορά του τύπου της μπαταρίας, δείτε το κεφάλαιο «ΠΡΟΔΙΑΓΡΑΦΕΣ».
- Για τον τρόπο αφαίρεσης ή τοποθέτησης της μπαταρίας, δείτε την ενότητα «Τοποθέτηση ή αφαίρεση της κασέτας μπαταριών».
- Όταν απορρίπτετε την κασέτα μπαταριών, αφαιρέστε την από το εργαλείο και διαθέστε την σε ένα ασφαλές μέρος. Τηρήστε τους τοπικούς κανονισμούς που σχετίζονται με τη διάθεση της μπαταρίας.
- Αν δεν χρησιμοποιείτε το εργαλείο για μεγάλο χρονικό διάστημα, πρέπει να βγάλετε την μπαταρία από το εργαλείο.
- Μη βραχυκυκλώνετε την κασέτα μπαταριών.
- Για τις κατάλληλες λεπτομέρειες των προφυλάξεων κατά τη διάρκεια της συντήρησης από τον χρήστη, δείτε το κεφάλαιο «ΣΥΝΤΗΡΗΣΗ».

ΠΡΟΔΙΑΓΡΑΦΕΣ

Μοντέλο:	DVC560
Μέγιστος όγκος αέρα *	1,9 m ³ /min
Αναρρόφηση *	12 kPa
Χωρητικότητα	5 L
Διαστάσεις (Μ x Π x Υ)	326 mm x 318 mm x 1.146 mm
Ονομαστική τάση	D.C. 36 V
Καθαρό βάρος	8,3 - 9,0 kg

- * Η τιμή μετρείται με την αρχική μέθοδό μας.
- Λόγω του συνεχιζόμενου προγράμματος έρευνας και ανάπτυξης, οι προδιαγραφές αυτές υπόκεινται σε αλλαγές χωρίς προειδοποίηση.
- Οι προδιαγραφές και η κασέτα μπαταριών μπορεί να διαφέρουν ανάλογα με τη χώρα.
- Το βάρος περιλαμβάνει εξαρτήματα (στρογγυλή βούρτσα, ακροφύσιο γωνιών) και κασέτα(ες) μπαταριών. Το μικρότερο και μεγαλύτερο βάρος των συνδυασμών της συσκευής και της(ων) κασέτα(ών) μπαταριών απεικονίζονται στον πίνακα.

Ισχύουσα κασέτα μπαταριών και φορτιστής

Κασέτα μπαταρίας	BL1815N / BL1820B / BL1830B / BL1840B / BL1850B / BL1860B
Φορτιστής	DC18RC / DC18RD / DC18RE / DC18SD / DC18SE / DC18SF / DC18SH / DC18WC

- Ορισμένες από τις κασέτες και τους φορτιστές μπαταριών που αναγράφονται παραπάνω ίσως να μην είναι διαθέσιμοι, ανάλογα με την τοποθεσία κατοικίας σας.

⚠ ΠΡΟΕΙΔΟΠΟΙΗΣΗ: Να χρησιμοποιείτε μόνο τις κασέτες μπαταριών και τους φορτιστές που παρατίθενται ανωτέρω. Η χρήση οποιασδήποτε άλλης κασέτας μπαταριών ή φορτιστή μπορεί να προκαλέσει τραυματισμό ή/και πυρκαγιά.

Σύμβολα

Παρακάτω παρουσιάζονται τα σύμβολα που μπορούν να χρησιμοποιηθούν για τον εξοπλισμό. Βεβαιωθείτε ότι κατανοείτε τη σημασία τους πριν από τη χρήση.



Διαβάστε το εγχειρίδιο οδηγιών.



Απαιτούνται ιδιαίτερη φροντίδα και προσοχή.



Ni-MH
Li-Ion

Μόνο για τις χώρες της ΕΕ
Λόγω της παρουσίας των επικίνδυνων συστατικών μερών στον εξοπλισμό, ο απόβλητος ηλεκτρικός και ηλεκτρονικός εξοπλισμός, οι συσσωρευτές και οι μπαταρίες μπορεί να έχουν αρνητική επίδραση στο περιβάλλον και την ανθρώπινη υγεία. Μην απορρίπτετε τις ηλεκτρικές και ηλεκτρονικές συσκευές ή μπαταρίες μαζί με τα οικιακά απορρίμματα!
Σύμφωνα με την Ευρωπαϊκή Οδηγία για τον απόβλητο ηλεκτρικό και ηλεκτρονικό εξοπλισμό και για τους συσσωρευτές και μπαταρίες και τους απόβλητους συσσωρευτές και μπαταρίες, καθώς και την προσαρμογή τους στην εθνική νομοθεσία, ο απόβλητος ηλεκτρικός εξοπλισμός, οι μπαταρίες και οι συσσωρευτές θα πρέπει να αποθηκεύονται ξεχωριστά και να παραδίδονται σε ξεχωριστό σημείο συλλογής για δημοτικά απόβλητα, το οποίο λειτουργεί σύμφωνα με τους κανονισμούς για την προστασία του περιβάλλοντος. Αυτό υποδεικνύεται από το σύμβολο του διαγραμμένου τροχοφόρου κάδου που βρίσκεται αναρτημένο επάνω στον εξοπλισμό.

Προοριζόμενη χρήση

Η συσκευή προορίζεται για τη συλλογή ξηρής σκόνης. Η συσκευή είναι κατάλληλη για εμπορική χρήση, για παράδειγμα, σε ξενοδοχεία, σχολεία, νοσοκομεία, εργοστάσια, καταστήματα, γραφεία και επιχειρήσεις ενοικίασης.

Θόρυβος

Το τυπικό Α επίπεδο καταμετρημένου θορύβου καθορίζεται σύμφωνα με το IEC60335-2-69:

Στάθμη ηχητικής πίεσης (L_{pA}): 70 dB (A) ή λιγότερο
Αβεβαιότητα (K): 2,5 dB (A)

Η ένταση θορύβου υπό συνθήκες εργασίας μπορεί να υπερβεί τα 80 dB (A).

ΠΑΡΑΤΗΡΗΣΗ: Η δηλωμένη τιμή(ές) εκπομπής θορύβου έχει μετρηθεί σύμφωνα με την πρότυπη μέθοδο δοκιμής και μπορεί να χρησιμοποιηθεί για τη σύγκριση ενός εργαλείου με κάποιο άλλο.

ΠΑΡΑΤΗΡΗΣΗ: Η δηλωμένη τιμή(ές) εκπομπής θορύβου μπορεί να χρησιμοποιηθεί και στην προκαταρκτική αξιολόγηση της έκθεσης.

▲ΠΡΟΕΙΔΟΠΟΙΗΣΗ: Να φοράτε ωτοασπίδες.

▲ΠΡΟΕΙΔΟΠΟΙΗΣΗ: Η εκπομπή θορύβου κατά τη χρήση του ηλεκτρικού εργαλείου σε πραγματικές συνθήκες μπορεί να διαφέρει από τη δηλωμένη τιμή(ές) ανάλογα με τους τρόπους χρήσης του εργαλείου, ιδιαίτερα το είδος του τεμαχίου εργασίας που υπόκειται επεξεργασία.

▲ΠΡΟΕΙΔΟΠΟΙΗΣΗ: Φροντίστε να λάβετε τα κατάλληλα μέτρα προστασίας του χειριστή βάσει ενός υπολογισμού της έκθεσης σε πραγματικές συνθήκες χρήσης (λαμβάνοντας υπόψη όλες τις συνιστώσες του κύκλου λειτουργίας όπως τους χρόνους που το εργαλείο είναι εκτός λειτουργίας και όταν βρίσκεται σε αδρανή λειτουργία πέραν του χρόνου ενεργοποίησης).

Κραδασμός

Η ολική τιμή δόνησης (άθροισμα τρι-αξονικού διανύσματος) καθορίζεται σύμφωνα με το IEC60335-2-69:

Εκπομπή δόνησης ($a_{h,M}$): 2,5 m/s^2 ή λιγότερο
Αβεβαιότητα (K): 1,5 m/s^2

ΠΑΡΑΤΗΡΗΣΗ: Η δηλωμένη τιμή(ές) συνολικών κραδασμών έχει μετρηθεί σύμφωνα με την πρότυπη μέθοδο δοκιμής και μπορεί να χρησιμοποιηθεί για τη σύγκριση ενός εργαλείου με κάποιο άλλο.

ΠΑΡΑΤΗΡΗΣΗ: Η δηλωμένη τιμή(ές) συνολικών κραδασμών μπορεί να χρησιμοποιηθεί και στην προκαταρκτική αξιολόγηση της έκθεσης.

▲ΠΡΟΕΙΔΟΠΟΙΗΣΗ: Η εκπομπή κραδασμών κατά τη χρήση του ηλεκτρικού εργαλείου σε πραγματικές συνθήκες μπορεί να διαφέρει από τη δηλωμένη τιμή(ές) εκπομπής ανάλογα με τους τρόπους χρήσης του εργαλείου, ιδιαίτερα το είδος του τεμαχίου εργασίας που υπόκειται επεξεργασία.

▲ΠΡΟΕΙΔΟΠΟΙΗΣΗ: Φροντίστε να λάβετε τα κατάλληλα μέτρα προστασίας του χειριστή βάσει ενός υπολογισμού της έκθεσης σε πραγματικές συνθήκες χρήσης (λαμβάνοντας υπόψη όλες τις συνιστώσες του κύκλου λειτουργίας όπως τους χρόνους που το εργαλείο είναι εκτός λειτουργίας και όταν βρίσκεται σε αδρανή λειτουργία πέραν του χρόνου ενεργοποίησης).

Δήλωση Συμμόρφωσης

Μόνο για χώρες της Ευρώπης

Οι Δηλώσεις Συμμόρφωσης περιλαμβάνονται στο Παράρτημα Α στο παρόν εγχειρίδιο οδηγιών.

ΠΡΟΕΙΔΟΠΟΙΗΣΕΙΣ ΑΣΦΑΛΕΙΑΣ

Προειδοποιήσεις ασφάλειας για τη φορητή μηχανή αναρρόφησης

▲ ΠΡΟΕΙΔΟΠΟΙΗΣΗ: ΣΗΜΑΝΤΙΚΟΙ ΔΙΑΒΑΣΤΕ
ΠΡΟΣΕΚΤΙΚΑ όλες τις προειδοποιήσεις για την ασφάλεια και όλες τις οδηγίες ΠΡΙΝ ΑΠΟ ΤΗ ΧΡΗΣΗ. Η μη τήρηση των προειδοποιήσεων και οδηγιών μπορεί να καταλήξει σε ηλεκτροπληξία, πυρκαγιά ή/και σοβαρό τραυματισμό.

1. Πριν από τη χρήση, βεβαιωθείτε ότι αυτή η μηχανή θα χρησιμοποιηθεί από άτομα στα οποία έχουν δοθεί επαρκείς οδηγίες για τη χρήση αυτής της μηχανής.
2. Να μην χρησιμοποιείται χωρίς τη σακούλα φίλτρου ή/και τα φίλτρα. Αντικαταστήστε αμέσως ένα φίλτρο που έχει υποστεί ζημιά.
3. **ΝΑ ΑΠΟΦΕΥΓΕΤΕ ΤΗΝ ΘΘΕΛΗΤΗ ΕΝΕΡΓΟΠΟΙΗΣΗ.** Βεβαιωθείτε ότι ο διακόπτης είναι ΚΛΕΙΣΤΟΣ όταν τοποθετείτε την(τις) μπαταρία(ες).
4. Μην επιχειρήσετε να συλλέξετε εύφλεκτα υλικά, πυροτεχνήματα, αναμμένα τσιγάρα, καυτές στάχτες, ζεστά μεταλλικά θραύσματα, αιχμηρά αντικείμενα όπως ψυραφάκια, βελόνες, σπασμένο γυαλί ή παρόμοια αντικείμενα.
5. **ΜΗ ΧΡΗΣΙΜΟΠΟΙΕΙΤΕ ΠΟΤΕ ΤΗ ΜΗΧΑΝΗ ΚΟΝΤΑ ΣΕ ΒΕΝΖΙΝΗ, ΑΕΡΙΑ, ΜΠΟΓΙΑ, ΚΟΛΛΕΣ Ή ΆΛΛΕΣ ΥΨΗΛΑ ΕΚΡΗΚΤΙΚΕΣ ΟΥΣΙΕΣ.** Ο διακόπτης παράγει σπινθήρες όταν ενεργοποιείται και απενεργοποιείται. Το ίδιο και ο μετατροπέας μοτέρ κατά τη διάρκεια της λειτουργίας. Μπορεί να προκύψει επικίνδυνος έκρηξη.
6. Αυτή η σκούπα δεν είναι κατάλληλη για τη συλλογή επικίνδυνης σκόνης.
7. Μην αναρροφάτε ποτέ τοξικά, καρκινογόνα, καύσιμα ή άλλα επικίνδυνα υλικά, όπως αμίαντο, αρσενικό, βάριο, βηρύλλιο, μόλυβδο, εντομοκτόνα ή άλλα υλικά που αποτελούν κίνδυνο για την υγεία.
8. Μην χρησιμοποιείτε σε εξωτερικούς χώρους ή σε υγρές επιφάνειες.
9. Για τη Φιλανδία, αυτό το μηχάνημα δεν πρέπει να χρησιμοποιηθεί σε εξωτερικούς χώρους σε χαμηλή θερμοκρασία.
10. Μην χρησιμοποιείτε τη συσκευή κοντά σε πηγές θερμότητας (φούρνοι, κτλ.).
11. Μην φράσετε τα ανοίγματα εισόδου αναρρόφησης/εξόδου/ψύξης. Αυτά τα ανοίγματα επιτρέπουν την ψύξη του μοτέρ. Θα πρέπει να αποφευχθεί προσεκτικά το φράξιμο, διαφορετικά το μοτέρ θα καεί λόγω έλλειψης αερισμού.
12. Μη διπλώνετε, μην τραβάτε και μην πατάτε τον εύκαμπτο σωλήνα.
13. Διακόψτε αμέσως τη λειτουργία της μηχανής αν παρατηρήσετε ανεπαρκή απόδοση ή οτιδήποτε ασυνήθιστο κατά τη λειτουργία.
14. **ΒΓΑΛΤΕ ΤΗΝ(ΤΙΣ) ΜΠΑΤΑΡΙΑ(ΕΣ).** Όταν δεν χρησιμοποιείται, πριν από το σέρβις και όταν αλλάζετε αξεσουάρ.
15. Καθαρίστε τη σκούπα και εκτελέστε σέρβις σε αυτή αμέσως μετά από κάθε χρήση για να διατηρείται στη βέλτιστη λειτουργική κατάσταση.
16. **ΔΙΑΤΗΡΕΙΤΕ ΤΗ ΜΗΧΑΝΗ ΜΕ ΠΡΟΣΟΧΗ.** Να διατηρείτε τη μηχανή καθαρή για την καλύτερη και ασφαλέστερη απόδοση. Να ακολουθείτε τις οδηγίες για την αλλαγή των αξεσουάρ. Να διατηρείτε τις λαβές στεγνές, καθαρές, χωρίς λάδι και γράσο.
17. **ΝΑ ΕΛΕΓΧΕΤΕ ΤΑ ΜΕΡΗ ΜΕ ΖΗΜΙΑ.** Πριν από την περαιτέρω χρήση της μηχανής, θα πρέπει να ελέγχετε προσεκτικά τυχόν προστατευτικά εξαρτήματα ή άλλα εξάρτημα με ζημιά για να καθορίσετε αν θα λειτουργήσουν σωστά και αν θα πραγματοποιήσουν την προοριζόμενη λειτουργία τους. Ελέγξτε την ευθυγράμμιση των κινούμενων μερών, την ελεύθερη κίνηση των κινούμενων μερών, το τυχόν σπάσιμο εξαρτημάτων, τη στερέωση και οποιεσδήποτε άλλες συνθήκες που μπορεί να επηρεάσουν τη λειτουργία του εργαλείου. Ένα προστατευτικό ή άλλο εξάρτημα με ζημιά θα πρέπει να επισκευαστεί ή να αντικατασταθεί σωστά σε εξουσιοδοτημένο κέντρο σέρβις εκτός αν δηλώνεται διαφορετικά στο παρόν εγχειρίδιο οδηγιών. Οι ελαττωματικοί διακόπτες πρέπει να αντικαθίστανται σε εξουσιοδοτημένο κέντρο σέρβις. Μην χρησιμοποιείτε τη μηχανή αν ο διακόπτης δεν την ενεργοποιεί και δεν την απενεργοποιεί.
18. **ΑΝΤΑΛΛΑΚΤΙΚΑ.** Κατά το σέρβις, να χρησιμοποιείτε μόνο γνήσια ανταλλακτικά.
19. Όταν δεν χρησιμοποιείται, να αποθηκεύετε τη σκούπα σε εσωτερικό χώρο.
20. Να προσέχετε τη μηχανή. Ο σκληρός χειρισμός μπορεί να προκαλέσει το σπάσιμο ακόμη και της πιο καλοκατασκευασμένης μηχανής.
21. Μην επιχειρήσετε να καθαρίσετε το εξωτερικό ή το εσωτερικό με βενζίνη, νέφτι ή καθαριστικές χημικές ουσίες. Μπορεί να προκληθούν ρωγμές και αποχρωματισμός.
22. Μην χρησιμοποιείτε τη μηχανή σε κλειστό χώρο στον οποίο απελευθερώνονται εύφλεκτοι, εκρηκτικοί ή τοξικοί ατμοί από μπιγιές, βόσθη του λάδι, νέφτι, βενζίνη, μερικές ουσίες κατά της σκουριάς, κτλ., ή σε περιοχές όπου υπάρχει εύφλεκτη σκόνη.
23. Μην χρησιμοποιείτε αυτό το εργαλείο ή οποιοδήποτε άλλο εργαλείο υπό την επήρεια ναρκωτικών ουσιών ή αλκοόλ.
24. Φοράτε κατάλληλο προστατευτικό εξοπλισμό όπως μάσκα, ανάλογα με το περιβάλλον χρήσης.
25. Το μηχάνημα αυτό δεν προορίζεται για χρήση από άτομα, συμπεριλαμβανομένων των παιδιών, με μειωμένες σωματικές, αισθητήριες ή διανοητικές ικανότητες, ή από άτομα που δεν έχουν πείρα και γνώσεις.
26. Τα παιδιά θα πρέπει να επιτηρούνται για να εξασφαλιστεί ότι δεν παίζουν με τη μηχανή.
27. Μην χειρίζεστε ποτέ την(τις) μπαταρία(ες) και τη σκούπα με βρεγμένα χέρια.
28. Να προσέχετε ιδιαίτερα όταν καθαρίζετε σκαλοπάτια.
29. Να στέκεστε πάντα σταθερά και ισορροπημένα.

Σημαντικές οδηγίες ασφάλειας για κασέτα μπαταριών

30. Μην χρησιμοποιείτε τη μηχανή για σκαμπό ή πάγκο εργασίας. Η μηχανή σκούπα μπορεί να πέσει και να προκαλέσει προσωπικό τραυματισμό.
31. Διατηρείτε όλα τα μέρη του σώματός σας και τα ρούχα μακριά από τα ανοίγματα και τα κινούμενα μέρη, όπως η περιστρεφόμενη κυλινδρική βούρτσα. Διαφορετικά, μπορεί να πιαστούν στη συσκευή και να προκληθεί τραυματισμός.

Χρήση και φροντίδα μπαταριών

1. Να επαναφορτίζετε τις μπαταρίες μόνο με το φορτιστή που καθορίζεται από τον κατασκευαστή. Ένας φορτιστής που είναι κατάλληλος για μια συγκεκριμένη μπαταρία μπορεί να δημιουργήσει κίνδυνο πυρκαγιάς όταν χρησιμοποιείται με μια άλλη μπαταρία.
2. Να χρησιμοποιείτε ηλεκτρικά εργαλεία μόνο με ειδικά καθορισμένες μπαταρίες. Η χρήση κάθε άλλης μπαταρίας μπορεί να δημιουργήσει κίνδυνο τραυματισμού ή πυρκαγιάς.
3. Όταν δεν χρησιμοποιείται η κασέτα μπαταριών, διατηρήστε τη μακριά από άλλα μεταλλικά αντικείμενα, όπως συνδετήρες, κέρματα, κλειδιά, καρφιά, βίδες ή άλλα μικρά μεταλλικά αντικείμενα, με τα οποία μπορεί να δημιουργηθεί σύνδεση από τον έναν ακροδεκτών στον άλλον. Το βραχυκύκλωμα των ακροδεκτών της μπαταρίας μπορεί να προκαλέσει εγκαύματα ή πυρκαγιά.
4. Υπό συνθήκες κατάχρησης, μπορεί να εξαχθεί υγρό από την μπαταρία. Να αποφεύγετε την επαφή. Εάν συμβεί επαφή κατά λάθος, εκπλύνετε με νερό. Εάν το υγρό έρθει σε επαφή με τα μάτια, αναζητήστε και ιατρική βοήθεια. Το υγρό που εξάγεται από την μπαταρία μπορεί να προκαλέσει ερεθισμό ή εγκαύματα.
5. Μην χρησιμοποιείτε μια κασέτα μπαταριών ή εργαλείο που έχει καταστραφεί ή τροποποιηθεί. Οι κατεστραμμένες ή τροποποιημένες μπαταρίες μπορεί να παρουσιάσουν απρόβλεπτη συμπεριφορά που έχει ως αποτέλεσμα πυρκαγιά, έκρηξη ή κίνδυνο τραυματισμού.
6. Μην εκθέτετε την κασέτα μπαταριών ή το εργαλείο σε πυρκαγιά ή υπερβολικά υψηλή θερμοκρασία. Η έκθεση στην πυρκαγιά ή στη θερμοκρασία άνω των 130 °C μπορεί να προκαλέσει έκρηξη.
7. Ακολουθήστε όλες τις οδηγίες φόρτισης και μην φορτίσετε την κασέτα μπαταριών ή το εργαλείο εκτός του θερμοκρασιακού εύρους που καθορίζεται στις οδηγίες. Η λανθασμένη φόρτιση ή η φόρτιση σε θερμοκρασίες εκτός του καθορισμένου εύρους μπορεί να προκαλέσει ζημιά στην μπαταρία και να αυξήσει τον κίνδυνο πυρκαγιάς.

ΦΥΛΑΞΤΕ ΤΙΣ ΟΔΗΓΙΕΣ ΑΥΤΕΣ.

⚠️ ΠΡΟΕΙΔΟΠΟΙΗΣΗ: ΜΗΝ επιτρέψετε το βαθμό άνεσης ή εξοικείωσης με το προϊόν (λόγω επανειλημμένης χρήσης) να αντικαταστήσει την αυστηρή τήρηση των κανόνων ασφαλείας του παρόντος εργαλείου. Η ΛΑΝΘΑΣΜΕΝΗ ΧΡΗΣΗ ή η αμέλεια να ακολουθήσετε τους κανόνες ασφαλείας που διατυπώνονται στο παρόν εγχειρίδιο οδηγιών μπορεί να προκαλέσει σοβαρό προσωπικό τραυματισμό.

1. Πριν χρησιμοποιήσετε την κασέτα μπαταριών, διαβάστε όλες τις οδηγίες και σημειώσεις προφύλαξης (1) στον φορτιστή μπαταριών, (2) στην μπαταρία και (3) στο προϊόν που χρησιμοποιεί την μπαταρία.
2. Μην αποσυναρμολογήσετε ή παραβιάσετε την κασέτα μπαταριών. Μπορεί να έχει ως αποτέλεσμα πυρκαγιά, υπερθέρμανση ή έκρηξη.
3. Εάν ο χρόνος λειτουργίας έχει γίνει υπερβολικά βραχύς, σταματήστε τη λειτουργία αμέσως. Αλλιώς, μπορεί να έχει ως αποτέλεσμα κίνδυνο υπερθέρμανσης, πιθανά εγκαύματα ή ακόμη και έκρηξη.
4. Εάν ηλεκτρολύτης μπει στα μάτια σας, ξεπλύνετε τα με καθαρό νερό και ζητήστε ιατρική φροντίδα αμέσως. Αλλιώς, μπορεί να έχει ως αποτέλεσμα απώλεια της όρασης σας.
5. Μην βραχυκυκλώνετε την κασέτα μπαταριών:
 - (1) Μην αγγίζετε τους πόλους με οτιδήποτε αγώγιμο υλικό.
 - (2) Αποφεύγετε να αποθηκεύετε την κασέτα μπαταριών μέσα σε ένα δοχείο μαζί με άλλα μεταλλικά αντικείμενα όπως καρφιά, νομίσματα, κλπ.
 - (3) Μην εκθέτετε την κασέτα μπαταριών στο νερό ή στη βροχή.Ένα βραχυκύκλωμα μπαταρίας μπορεί να προκαλέσει μεγάλη ροή ρεύματος, υπερθέρμανση, πιθανά εγκαύματα ακόμη και σοβαρή βλάβη.
6. Μην αποθηκεύετε και μην χρησιμοποιείτε το εργαλείο και την κασέτα μπαταριών σε τοποθεσίες όπου η θερμοκρασία μπορεί να φτάσει ή να ξεπεράσει τους 50°C.
7. Μην καίτε την κασέτα μπαταριών ακόμη και εάν έχει σοβαρή ζημιά ή είναι εντελώς φθαρμένη. Η κασέτα μπαταριών μπορεί να εκραγεί στη φωτιά.
8. Μην κοφώσετε, κόψετε, συνθλίψετε, πετάξετε ή ριζέτε κάτω την κασέτα μπαταριών, ούτε να χτυπήσετε ένα σκληρό αντικείμενο επάνω στην κασέτα μπαταριών. Τέτοια συμπεριφορά μπορεί να έχει ως αποτέλεσμα πυρκαγιά, υπερθέρμανση ή έκρηξη.
9. Μην χρησιμοποιείτε μπαταρία που έχει υποστεί ζημιά.
10. Οι μπαταρίες ιόντων λιθίου που περιέχονται υπόκεινται στις απαιτήσεις της νομοθεσίας για επικίνδυνα αγαθά.

Για εμπορικές μεταφορές, για παράδειγμα από τρίτα μέρη, πρέπει να τηρούνται οι διαμεταφορές, οι ειδικές απαιτήσεις στη συσκευασία και η επισήμανση.

Για προετοιμασία του στοιχείου που αποστέλλεται, είναι απαραίτητο να συμβουλευτείτε έναν ειδικό για επικίνδυνα υλικά. Επίσης, τηρήστε τους πιθανούς, πιο αναλυτικούς εθνικούς κανονισμούς. Καλύψτε με αυτοκόλλητη ταινία ή κρύψτε τις ανοικτές επαφές και συσκευάστε την μπαταρία με τρόπο που να μην μπορεί να μετακινείται μέσα στη συσκευασία.

11. Όταν απορρίπτετε την κασέτα μπαταριών, αφαιρέστε την από το εργαλείο και διαθέστε την σε ένα ασφαλές μέρος. Τηρήστε τους τοπικούς κανονισμούς που σχετίζονται με τη διάθεση της μπαταρίας.
12. Χρησιμοποιήστε τις μπαταρίες μόνο με τα προϊόντα που καθορίζει η Makita. Αν τοποθετήσετε τις μπαταρίες σε μη συμβατά προϊόντα μπορεί να έχει ως αποτέλεσμα πυρκαγιά, υπερβολική θερμότητα, έκρηξη ή διαρροή ηλεκτρολύτη.
13. Αν δεν χρησιμοποιείτε το εργαλείο για μεγάλο χρονικό διάστημα, πρέπει να βγάλετε την μπαταρία από το εργαλείο.
14. Κατά τη διάρκεια και μετά τη χρήση, η κασέτα μπαταριών μπορεί να θερμανθεί, γεγονός που μπορεί να προκαλέσει εγκαύματα ή εγκαύματα από χαμηλή θερμοκρασία. Προσέχετε το χειρισμό των ζεστών κασετών μπαταριών.
15. Μην αγγίζετε τον ακροδέκτη του εργαλείου αμέσως μετά τη χρήση επειδή μπορεί να έχει ζεσταθεί αρκετά για να προκαλέσει εγκαύματα.
16. Μην αφήνετε θραύσματα, σκόνη ή βρομιά να κολλήσει στους ακροδέκτες, τις οπές και τις εγκοπές της κασέτας μπαταριών. Μπορεί να προκαλέσει θέρμανση, φωτιά, έκρηξη και δυσλειτουργία του εργαλείου ή της κασέτας μπαταριών, έχοντας ως αποτέλεσμα εγκαύματα ή προσωπικό τραυματισμό.
17. Εκτός αν το εργαλείο υποστηρίζει τη χρήση κοντά σε ηλεκτρικές γραμμές υψηλής τάσης, μην χρησιμοποιείτε την κασέτα μπαταριών κοντά σε ηλεκτρικές γραμμές υψηλής τάσης. Μπορεί να έχει ως αποτέλεσμα δυσλειτουργία ή σπάσιμο του εργαλείου ή της κασέτας μπαταριών.
18. ΚρΦυλάξτε την μπαταρία μακριά από παιδιά.

▲ ΠΡΟΣΟΧΗ: Να χρησιμοποιείτε μόνο γνήσιες μπαταρίες της Makita. Η χρήση μη γνήσιων μπαταριών Makita, ή μπαταριών που έχουν τροποποιηθεί, μπορεί να έχει ως αποτέλεσμα τη ρήξη της μπαταρίας, προκαλώντας πυρκαγιά, προσωπικό τραυματισμό και βλάβη. Επίσης, θα ακυρωθεί η εγγύηση της Makita για το εργαλείο και φορτιστή Makita.

Συμβουλές για τη διατήρηση της μέγιστης ζωής μπαταρίας

1. Φορτίζετε την κασέτα μπαταριών πριν από την πλήρη αποφόρτισή της. Πάντοτε να σταματάτε τη λειτουργία του εργαλείου και να φορτίζετε την κασέτα μπαταριών όταν παρατηρείτε μειωμένη ισχύ εργαλείου.
2. Ποτέ μην επαναφορτίζετε μια πλήρως φορτισμένη κασέτα μπαταριών. Η υπερφόρτιση μειώνει την ωφέλιμη ζωή της μπαταρίας.
3. Να φορτίζετε την κασέτα μπαταριών σε θερμοκρασία δωματίου, δηλαδή στους 10 °C έως 40 °C. Αφήστε μια θερμή κασέτα μπαταριών να κρυώσει πριν την φορτίσετε.
4. Όταν δεν χρησιμοποιείτε την κασέτα μπαταριών, αφαιρέστε την από το εργαλείο ή τον φορτιστή.
5. Να φορτίζετε την κασέτα μπαταριών εάν δεν τη χρησιμοποιείτε για μεγάλη χρονική περίοδο (περισσότερο από έξι μήνες).

ΦΥΛΑΞΤΕ ΤΙΣ ΟΔΗΓΙΕΣ ΑΥΤΕΣ.

ΠΕΡΙΓΡΑΦΗ ΕΞΑΡΤΗΜΑΤΩΝ

► Εικ.1

1	Λαβή	2	Πλάκα διακόπτη	3	Λαβή σωλήνα	4	Εύκαμπτος σωλήνας
5	Πίνακας ενδείξεων	6	Μοχλός (για το κάλυμμα κουτιού σκόνης)	7	Κάλυμμα κουτιού σκόνης	8	Λαβή μεταφοράς
9	Κλειδίωμα (για κάλυμμα μπαταριών)	10	Ρυθμιστικός μοχλός	11	Κάλυμμα μπαταριών	12	Ακροφύσιο γωνιών
13	Στρογγυλή βούρτσα	14	Μοχλός ποδιού	15	Κατευθυντήριος τροχός	16	Πλαϊνή βούρτσα
17	Εύκαμπτος σωλήνας αναρρόφησης	18	Σύνδεσμος	19	Αλουμιένιος σωλήνας	20	Υποδοχέας σωλήνα
21	Λυχνία LED	22	Κυλινδρική βούρτσα	23	Κάτω πλάκα	24	Κουμπί ΕΝΕΡΓΟΠΟΙΗΣΗΣ / αλλαγής τρόπου λειτουργίας
25	Κουμπί ΑΠΕΝΕΡΓΟΠΟΙΗΣΗΣ (OFF)	26	Ένδειξη του τρόπου λειτουργίας	27	Ένδειξη υπερβολικής στάθμης σκόνης	28	Ένδειξη σφάλματος κυλινδρικής βούρτσας
29	Ένδειξη για υπολειπόμενη χωρητικότητα μπαταρίας	30	Κουμπί ελέγχου μπαταρίας / λυχνίας LED	-	-	-	-

ΣΥΝΑΡΜΟΛΟΓΗΣΗ

▲ ΠΡΟΣΟΧΗ: Να βεβαιώνετε πάντα ότι η συσκευή είναι απενεργοποιημένη και η κασέτα μπαταριών έχει αφαιρεθεί πριν εκτελέσετε οποιαδήποτε εργασία στη συσκευή.

▲ ΠΡΟΣΟΧΗ: Να φοράτε πάντα μάσκα σκόνης κατά τη συναρμολόγηση ή συντήρηση.

Σύνδεση λαβής

1. Εισαγάγετε τον στύλο λαβής στο σώμα της σκούπας όπως απεικονίζεται στην εικόνα.
2. Κλείστε το μάνδαλο ασφάλισης.
▶ **Εικ.2:** 1. Στύλος λαβής 2. Κόκκινη ένδειξη 3. Μάνδαλο ασφάλισης

ΕΙΔΟΠΟΙΗΣΗ: Εισαγάγετε τη λαβή πλήρως μέχρι να μην φαίνεται η κόκκινη ένδειξη.

Σύνδεση εύκαμπτου σωλήνα

Εισαγάγετε τον εύκαμπο σωλήνα μέσα στη θύρα στερέωσης της συσκευής και περιστρέψτε τον εύκαμπο σωλήνα μέχρι να ασφαλίσει.

▶ **Εικ.3**

Σύνδεση σωλήνα

Εισαγάγετε τη μύτη του αλουμινένιου σωλήνα στον σύνδεσμο και μετά προσαρτήστε τον αλουμινένιο σωλήνα στον υποδοχέα σωλήνα.

▶ **Εικ.4:** 1. Σύνδεσμος 2. Υποδοχέας σωλήνα

ΕΙΔΟΠΟΙΗΣΗ: Εισαγάγετε τον αλουμινένιο σωλήνα στη σωστή κατεύθυνση όπως απεικονίζεται στην εικόνα. Διαφορετικά, ο υποδοχέας σωλήνα δεν θα ασφαλιστεί και ο αλουμινένιος σωλήνας μπορεί να βγει.

▶ **Εικ.5**

Τοποθέτηση ή αφαίρεση της κασέτας μπαταριών

▲ ΠΡΟΣΟΧΗ: Να απενεργοποιείτε πάντα τη συσκευή πριν τοποθετείτε ή αφαιρείτε την κασέτα μπαταριών.

▲ ΠΡΟΣΟΧΗ: Κρατήστε τη σκούπα και την κασέτα μπαταριών σταθερά κατά την τοποθέτηση ή αφαίρεση της κασέτας μπαταριών. Εάν δεν κρατάτε τη σκούπα και την κασέτα μπαταριών σταθερά μπορεί να γλιστρήσουν από τα χέρια σας και να προκληθεί βλάβη στη σκούπα και την κασέτα μπαταριών και προσωπικός τραυματισμός.

▲ ΠΡΟΣΟΧΗ: Προσέχετε να μην πιάσετε τα δάχτυλά σας όταν ανοίγετε ή κλείνετε το κάλυμμα μπαταριών. Αν δεν το κάνετε αυτό, μπορεί να προκαληθεί ατομικός τραυματισμός.

Για να τοποθετήσετε την κασέτα μπαταριών, απελευθερώστε πρώτα το κλειδώμα και μετά ανοίξτε το κάλυμμα μπαταριών. Μετά, τοποθετήστε την κασέτα μπαταριών.

▶ **Εικ.6:** 1. Κλειδώμα 2. Κάλυμμα μπαταριών

Ευθυγραμμίστε τη γλωττίδα στην κασέτα μπαταριών με την εγκοπή στο περίβλημα και σύρετέ τη στη θέση της. Να την τοποθετείτε πλήρως μέχρι να ασφαλίσει στη θέση της, γεγονός που υποδεικνύεται με ένα χαρακτηριστικό ήχο. Μετά, κλειδώστε το κάλυμμα μπαταριών.

▶ **Εικ.7:** 1. Κασέτα μπαταριών 2. Κουμπί

Για να αφαιρέσετε την κασέτα μπαταριών, σύρετέ την από τη συσκευή ενώ σύρετε το κουμπί μπροστά από την κασέτα.

▲ ΠΡΟΣΟΧΗ: Να τοποθετείτε πάντα την κασέτα μπαταριών πλήρως. Σε αντίθετη περίπτωση, μπορεί να πέσει κατά λάθος από τη συσκευή, προκαλώντας τραυματισμό σε εσάς ή κάποιον παρευρισκόμενο.

▲ ΠΡΟΣΟΧΗ: Μην τοποθετείτε την κασέτα μπαταριών με βία. Εάν η κασέτα δεν ολισθαίνει με ευκολία, τότε δεν έχει τοποθετηθεί κατάλληλα.

ΠΑΡΑΤΗΡΗΣΗ: Η σκούπα δεν λειτουργεί με μόνο μία κασέτα μπαταριών.

Τοποθέτηση της σακούλας φίλτρου

▲ ΠΡΟΣΟΧΗ: Μη χρησιμοποιείτε σακούλα φίλτρου που έχει υποστεί ζημιά. Να χρησιμοποιείτε πάντα τη μηχανή αναρρόφησης με τη σακούλα φίλτρου σωστά τοποθετημένη. Διαφορετικά, η σκόνη ή τα σωματίδια που αναρροφήθηκαν μπορούν να εξέλθουν από τη μηχανή και μπορεί να προκαλέσουν αναπνευστική ασθένεια στο χειριστή.

Τοποθετήστε τη σακούλα φίλτρου πριν χρησιμοποιήσετε τη σκούπα.

Η σακούλα φίλτρου είναι αναλώσιμη. Όταν γεμίσει, πετάξτε ολόκληρη τη σακούλα φίλτρου χωρίς να την αδειάσετε.

ΕΙΔΟΠΟΙΗΣΗ: Όταν η σακούλα φίλτρου είναι ήδη γεμάτη ή φραγμένη, αντικαταστήστε τη με μια καινούρια. Η συνεχόμενη χρήση με γεμάτη ή φραγμένη σακούλα φίλτρου έχει ως αποτέλεσμα μειωμένη ισχύ αναρρόφησης.

ΕΙΔΟΠΟΙΗΣΗ: Για να αποφευχθεί η είσοδος σκόνης στο μοτέρ:

- Πριν από τη χρήση, βεβαιωθείτε ότι η σακούλα φίλτρου έχει τοποθετηθεί.
- Μη χρησιμοποιείτε σπασμένο ή σκιασμένο σάκο.

Διαφορετικά, μπορεί να σπάσει το μοτέρ.

ΕΙΔΟΠΟΙΗΣΗ: Μην διπλώνετε το χαρτόνι στο άνοιγμά του όταν τοποθετείτε τη σακούλα φίλτρου.

ΕΙΔΟΠΟΙΗΣΗ: Η σακούλα φίλτρου για τη σκούπα είναι ένα σημαντικό συστατικό μέρος για τη διατήρηση της απόδοσης της συσκευής. Η χρήση μη γνήσιας σακούλας φίλτρου μπορεί να προκαλέσει καπνό ή ανάφλεξη.

ΠΑΡΑΤΗΡΗΣΗ: Όταν η σακούλα φίλτρου δεν είναι τοποθετημένη στη συσκευή, το κάλυμμα κουτιού σκόνης δεν κλείνει τελείως.

1. Απασφαλίστε τον μοχλό και ανοίξτε το κάλυμμα κουτιού σκόνης.
▶ **Εικ.8:** 1. Μοχλός 2. Κάλυμμα κουτιού σκόνης
2. Ξεδιπλώστε πλήρως τη σακούλα φίλτρου.
▶ **Εικ.9**
3. Εισαγάγετε τη σακούλα φίλτρου μέσα στην εγκοπή στον υποδοχέα με τρόπο ώστε η πλευρά με το σημάδι Δ να εισέλθει πρώτα.
4. Αγκιστρώστε το μάνδαλο του υποδοχέα.
▶ **Εικ.10:** 1. Σχισμή 2. Σακούλα φίλτρου 3. Υποδοχέας 4. Μάνδαλο
5. Βεβαιωθείτε ότι φαίνεται μόνο η ένδειξη στο χαρτόνι μέσα από την εγκοπή του υποδοχέα.
▶ **Εικ.11:** 1. Ένδειξη 2. Εγκοπή
6. Ξεδιπλώστε τη σακούλα φίλτρου αν είναι διπλωμένη.
▶ **Εικ.12**
7. Ασφαλίστε καλά το κάλυμμα κουτιού σκόνης.

ΠΡΟΣΟΧΗ: Προσέχετε να μην πιάσετε τα δάχτυλά σας όταν αγκιστρώνετε το μάνδαλο, καθώς και όταν κλείνετε το κάλυμμα κουτιού σκόνης.

Αφαίρεση της σακούλας φίλτρου

ΠΡΟΣΟΧΗ: Χειριστείτε τη σακούλα φίλτρου απαλά. Διαφορετικά, αν φυσήξετε ξένα αντικείμενα μέσα στα μάτια, μπορεί να έχει ως αποτέλεσμα προσωπικό τραυματισμό.

- Αντικαταστήστε τη σακούλα φίλτρου όταν γεμίσει ή φράξει.
Ανοίξτε το κάλυμμα κουτιού σκόνης και ανοίξτε το μάνδαλο και μετά βγάλτε τη σακούλα φίλτρου.
Τραβήξτε τη λωρίδα στην πλευρά του ανοίγματος για να κλείσετε τη σακούλα φίλτρου και απορρίψτε ολόκληρη τη σακούλα φίλτρου.
▶ **Εικ.13:** 1. Μάνδαλο 2. Λωρίδα

ΕΙΔΟΠΟΙΗΣΗ: Μη χρησιμοποιείτε μια χρησιμοποιημένη σακούλα φίλτρου. Η σακούλα φίλτρου έχει σχεδιαστεί για μία χρήση. Αν χρησιμοποιείτε τη σακούλα φίλτρου επανειλημμένα, μπορεί να προκληθεί φράξιμο του φίλτρου και ζημιά στη μηχανή. Αν θέλετε να χρησιμοποιήσετε τη σακούλα επανειλημμένα, να χρησιμοποιείτε σακούλα σκόνης.

ΠΕΡΙΓΡΑΦΗ ΛΕΙΤΟΥΡΓΙΑΣ

ΠΡΟΣΟΧΗ: Να φροντίζετε πάντα για την απενεργοποίηση της συσκευής και την αφαίρεση της κασέτας μπαταριών, πριν από οποιαδήποτε ρύθμιση ή έλεγχο της λειτουργίας της συσκευής.


Σύστημα προστασίας εργαλείου/ μπαταρίας

Το εργαλείο είναι εξοπλισμένο με σύστημα προστασίας εργαλείου/μπαταρίας. Αυτό το σύστημα αποκόπτει αυτόματα την ισχύ προς το μοτέρ για να παραταθεί η διάρκεια λειτουργίας του εργαλείου και της μπαταρίας. Το εργαλείο σταματάει αυτόματα κατά τη διάρκεια της λειτουργίας εάν το εργαλείο ή η μπαταρία βρεθούν κάτω από τις παρακάτω συνθήκες:

Προστασία υπερφόρτωσης

Όταν το εργαλείο λειτουργεί με τρόπο ώστε να αναγκάζεται να καταναλώνει ασυνήθιστα υψηλό ρεύμα, το εργαλείο σταματάει αυτόματα χωρίς καμία ένδειξη. Σε αυτή την κατάσταση, σβήστε το εργαλείο και διακόψτε την εφαρμογή που προκαλεί την υπερφόρτωση του εργαλείου. Μετά, ενεργοποιήστε το εργαλείο για επανεκκίνηση.

Προστασία υπερθέρμανσης

<input type="checkbox"/> Αναμμένη	<input checked="" type="checkbox"/> Αναβοσβήνει
	

Όταν το εργαλείο υπερθερμανθεί, το εργαλείο σταματάει αυτόματα και η ένδειξη μπαταρίας αναβοσβήνει για περίπου 60 δευτερόλεπτα. Σε αυτή την κατάσταση, αφήστε το εργαλείο να ψυχθεί πριν ενεργοποιήσετε ξανά το εργαλείο.

Προστασία υπερβολικής αποφόρτισης

Όταν μειωθεί η χωρητικότητα μπαταρίας, το εργαλείο σταματάει αυτόματα. Εάν το προϊόν δεν τίθεται σε λειτουργία ακόμα και όταν πραγματοποιείται χειρισμός των διακοπών, βγάλτε τις μπαταρίες από το εργαλείο και φορτίστε τις.

Εμφάνιση υπολειπόμενης χωρητικότητας μπαταρίας

Μόνο για κασέτες μπαταρίας με την ενδεικτική λυχνία

- ▶ **Εικ.14:** 1. Ενδεικτικές λυχνίες 2. Κομπι έλεγχου

Πιέστε το κομπι έλεγχου στην κασέτα μπαταριών για να υποδείξετε την υπολειπόμενη χωρητικότητα μπαταρίας. Οι ενδεικτικές λυχνίες ανάβουν για λίγα δευτερόλεπτα.

Ενδεικτικές λυχνίες			Υπολειπόμενη χωρητικότητα
Αναμμένες	Σβηστές	Αναβοσβήνουν	
■	□	▧	75% έως 100%
■ ■ ■ ■			
	□		50% έως 75%
■ ■ ■ ■	□		
	□		25% έως 50%
■ ■ ■ ■	□ □		
	□		0% έως 25%
■ ■ ■ ■	□ □ □ □		
▧	□	□	Φορτίστε την μπαταρία.
■ ■ ■ ■	□ □ □ □		Μπορεί να προέκυψε δυσλειτουργία στην μπαταρία.
	□ □ ■ ■		

ΠΑΡΑΤΗΡΗΣΗ: Ανάλογα με τις συνθήκες χρήσης και τη θερμοκρασία περιβάλλοντος, η ένδειξη μπορεί να διαφέρει λίγο από την πραγματική χωρητικότητα.

ΠΑΡΑΤΗΡΗΣΗ: Η πρώτη (τέρμα αριστερά) ενδεικτική λυχνία θα αναβοσβήνει όταν λειτουργεί το σύστημα προστασίας μπαταρίας.

Πίνακας ενδείξεων

- **Εικ.15:** 1. Τρόπος λειτουργίας 2. Υπερβολική στάθμη σκόνης 3. Σφάλμα κυλινδρικής βούρτσας 4. Υπολειπόμενη χωρητικότητα μπαταρίας 5. Κουμπί ελέγχου μπαταρίας / λυχνίας LED

Τρόπος λειτουργίας

Για αλλαγή του τρόπου λειτουργίας, ανατρέξτε στην ενότητα για τη δράση διακόπτη.

Υπερβολική στάθμη σκόνης

Αν ανάψει αυτή η ένδειξη, αντικαταστήστε τη σακούλα φίλτρου. (Ανατρέξτε στην ενότητα για την αφαίρεση της σακούλας φίλτρου).

ΠΑΡΑΤΗΡΗΣΗ: Η ένδειξη αυτή δεν λειτουργεί όταν η συσκευή λειτουργεί με τρόπο λειτουργίας «χαμηλού επιπέδου θορύβου (1)».

ΠΑΡΑΤΗΡΗΣΗ: Η ένδειξη αυτή μπορεί να μη λειτουργεί ανάλογα με το περιβάλλον χρήσης.

ΠΑΡΑΤΗΡΗΣΗ: Η ένδειξη σβήνει αυτόματα περίπου ένα λεπτό μετά την απενεργοποίηση της συσκευής. Αν καθαρίσετε το φράξιμο της σακούλας φίλτρου και επανεκκινήσετε τη συσκευή, η ένδειξη σβήνει ακόμη και πριν παρέλθει το ένα λεπτό.

Σφάλμα κυλινδρικής βούρτσας





Αναβοσβήνει	Η κυλινδρική βούρτσα βρίσκεται κάτω από υψηλό φορτίο για κάποιους λόγους.
Αναμμένο	Η κυλινδρική βούρτσα σταμάτησε για κάποιο ασυνήθιστο λόγο.

▲ ΠΡΟΕΙΔΟΠΟΙΗΣΗ: Σβήστε αμέσως τη συσκευή όταν αυτή η λυχνία ανάψει κατά τη διάρκεια της λειτουργίας. Διαφορετικά, μπορεί να συμβεί δυσλειτουργία μοτέρ και να προκληθεί φωτιά.

Υπολειπόμενη χωρητικότητα μπαταρίας

Κατά τη λειτουργία, πατήστε το κουμπί ελέγχου μπαταρίας / λυχνίας LED για να εμφανιστεί η υπολειπόμενη χωρητικότητα μπαταρίας. Οι ενδείξεις μπαταριών αντιστοιχούν σε κάθε μπαταρία.

► **Εικ.16**

Κατάσταση ένδειξης μπαταρίας			Υπολειπόμενη χωρητικότητα μπαταρίας
Αναμμένες	Σβηστές	Αναβοσβήνουν	
	□	▧	50% έως 100%
			
	□		20% έως 50%
			
	□		0% έως 20%
			
	□		Φορτίστε την μπαταρία
			

Κουμπί ελέγχου μπαταρίας / λυχνίας LED

Κατά τη λειτουργία, μπορούν να εκτελεστούν οι ακόλουθες εργασίες.

- Πατήστε απλώς το κουμπί για να ελέγξετε την υπολειπόμενη χωρητικότητα μπαταρίας.
- Πατήστε παρατεταμένα το κουμπί για να ενεργοποιήσετε / απενεργοποιήσετε τη λυχνία LED.

Δράση διακόπτη

- **Εικ.17:** 1. Κουμπί ΕΝΕΡΓΟΠΟΙΗΣΗΣ / αλλαγής τρόπου λειτουργίας 2. Κουμπί ΑΠΕΝΕΡΓΟΠΟΙΗΣΗΣ

Ενεργοποίηση / απενεργοποίηση της συσκευής

Για να ξεκινήσετε τη λειτουργία της συσκευής, απλώς πατήστε το κουμπί ΕΝΕΡΓΟΠΟΙΗΣΗΣ / αλλαγής τρόπου λειτουργίας. Για να τη σβήσετε, πατήστε το κουμπί ΑΠΕΝΕΡΓΟΠΟΙΗΣΗΣ.

▲ ΠΡΟΣΟΧΗ: Τοποθετείτε πάντα την κεφαλή της συσκευής στο πάτωμα όταν ενεργοποιείτε τη συσκευή. Διαφορετικά, μπορεί να συμβεί κάποιο ατύχημα λόγω μπλεξίματος και να προκληθεί προσωπικός τραυματισμός.

Αλλαγή του τρόπου λειτουργίας

Μπορείτε να αλλάξετε τον τρόπο λειτουργίας σε τρία βήματα: «επίπεδο χαμηλού θορύβου (1)», «κανονικός (2)» και «υψηλός (3)». Αν θέλετε να αλλάξετε τον τρόπο λειτουργίας, πατήστε το κουμπί ΕΝΕΡΓΟΠΟΙΗΣΗΣ / αλλαγής τρόπου λειτουργίας όταν η συσκευή λειτουργεί. Ο τρόπος λειτουργίας αλλάζει με τη σειρά «επίπεδο χαμηλού θορύβου (1)», «κανονικός (2)» και «υψηλός (3)». Η συσκευή θα αρχίσει με τον ίδιο τρόπο λειτουργίας όπως η προηγούμενη ρύθμιση.

Άναμμα της λυχνίας LED

ΠΡΟΣΟΧΗ: Μην κοιτάζετε κατευθείαν μέσα στο φως ή στην πηγή φωτός.

Η συσκευή είναι εξοπλισμένη με λυχνίες LED. Για τη λειτουργία, δείτε την παράγραφο για το κουμπί ελέγχου μπαταρίας / λυχνίας LED.

► **Εικ.18:** 1. Λυχνία LED

Μοχλός ποδιού

ΠΡΟΣΟΧΗ: Να ασφαρίζετε πάντα τη συσκευή σε όρθια θέση όταν αφήνετε τη λαβή. Διαφορετικά, η συσκευή μπορεί να πέσει κατά λάθος και να προκληθεί τραυματισμός.

ΠΡΟΣΟΧΗ: Προσέχετε να μην πιάσετε τα δάχτυλά σας μεταξύ του σώματος και της κεφαλής της συσκευής.

Για να απασφαλίσετε την όρθια θέση της συσκευής, πατήστε επάνω στο μοχλό ποδιού και τραβήξτε τη λαβή προς τα πίσω. Το εύρος κίνησης είναι 90 μοίρες από την όρθια θέση.

► **Εικ.19:** 1. Μοχλός ποδιού

Για να ασφαλίσετε τη συσκευή στην όρθια θέση, ανυψώστε τη λαβή προς τα μπροστά μέχρι ο μοχλός ποδιού να ασφαλίσει στη θέση με έναν χαρακτηριστικό ήχο.

► **Εικ.20**

ΠΑΡΑΤΗΡΗΣΗ: Ενώ η συσκευή βρίσκεται στην όρθια θέση, η κυλινδρική βούρτσα σταματάει να περιστρέφεται.

Ρύθμιση του ύψους της κυλινδρικής βούρτσας

ΠΡΟΣΟΧΗ: Να βεβαιώνετε πάντα ότι ο ρυθμιστικός μοχλός μπαίνει στη θέση του σωστά πριν από τη λειτουργία.

Το ύψος της κυλινδρικής βούρτσας μπορεί να ρυθμιστεί σε 4 βήματα. Θέστε τον ρυθμιστικό μοχλό στο επιθυμητό ύψος. Όταν ο ρυθμιστικός μοχλός είναι στραμμένος στην ένδειξη Α, η κυλινδρική βούρτσα βρίσκεται στο χαμηλότερο σημείο πάνω από το πάτωμα και είναι κατάλληλο για τον καθαρισμό σκληρών πατωμάτων και χαλιών με κοντό πέλος. Όταν ο ρυθμιστικός μοχλός είναι στραμμένος στην ένδειξη Β, η κυλινδρική βούρτσα βρίσκεται στο υψηλότερο σημείο πάνω από το πάτωμα και είναι κατάλληλο για τον καθαρισμό χαλιών με μακρύ πέλος.

► **Εικ.21:** 1. Ρυθμιστικός μοχλός

ΠΑΡΑΤΗΡΗΣΗ: Η κυλινδρική βούρτσα μπορεί να μην περιστρέφεται αν το ύψος της κυλινδρικής βούρτσας είναι πολύ χαμηλό επάνω από την επιφάνεια του χαλιού.

Λαβή μεταφοράς

Όταν μεταφέρετε τη συσκευή, σπρώξτε τη συσκευή μόνο με τους κατευθυντήριους τροχούς, ή μεταφέρετέ την κρατώντας τη(ις) λαβή(ές) μεταφοράς.

► **Εικ.22**

ΠΡΟΣΟΧΗ: Όταν μεταφέρετε τη συσκευή, ασφαλίστε τη συσκευή σε όρθια θέση. Διαφορετικά, μπορεί να προκληθεί ατύχημα λόγω πτώσης.

ΠΡΟΣΟΧΗ: Μην μεταφέρετε τη συσκευή από οτιδήποτε άλλο εκτός από τη λαβή μεταφοράς. Διαφορετικά, μπορεί να συμβεί κάποιο ατύχημα πτώσης ή η ακούσια εκκίνηση να προκαλέσει τραυματισμό.

► **Εικ.23**

ΛΕΙΤΟΥΡΓΙΑ

ΠΡΟΣΟΧΗ: Μην τραβάτε τον στύλο λαβής από τη συσκευή κατά τη διάρκεια της λειτουργίας. Αν το κάνετε αυτό, μπορεί να χάσετε τον έλεγχο της συσκευής και να προκληθεί σοβαρός τραυματισμός.

ΠΡΟΣΟΧΗ: Μην τοποθετείτε το χέρι ή το πόδι σας κάτω από τη συσκευή κατά τη διάρκεια της λειτουργίας. Διαφορετικά, μπορεί να προκληθεί ατύχημα λόγω σύνθλιψης.

Κανονική λειτουργία καθαρισμού

1. Κρατήστε τη λαβή και μετά απασφαλίστε την όρθια θέση.
2. Ανάψτε τη συσκευή. Καθαρίστε το πάτωμα.

► **Εικ.24**

Χρήση της πλαινής βούρτσας

Η πλαινή βούρτσα είναι βολική για τον καθαρισμό της γωνίας ενός τοίχους.

Αν η πλαινή βούρτσα κοντύνει, πηγαίνετε τη συσκευή σε ένα κέντρο εξυπηρέτησης Makita για αντικατάσταση.

► **Εικ.25:** 1. Πλαινή βούρτσα

Λειτουργία με εξαρτήματα

ΠΡΟΣΟΧΗ: Συνεχίστε να κρατάτε τη λαβή όταν χρησιμοποιείτε τα εξαρτήματα. Διαφορετικά, η συσκευή μπορεί να πέσει κατά λάθος και να προκληθεί τραυματισμός.

ΕΙΔΟΠΟΙΗΣΗ: Όταν χρησιμοποιείτε εξαρτήματα, ασφαλίστε τη συσκευή στην όρθια θέση. Διαφορετικά, η περιστροφή της κυλινδρικής βούρτσας μπορεί να προκαλέσει ζημιά στο πάτωμα.

Χρήση του αλουμινένιου σωλήνα

Ο αλουμινένιος σωλήνας είναι κατάλληλος για τον καθαρισμό στενών χώρων ή υψηλών σημείων.

► **Εικ.26:** 1. Αλουμινένιος σωλήνας

Χρήση του εύκαμπτου σωλήνα

Ο εύκαμπτος σωλήνας είναι κατάλληλος για τον καθαρισμό κοντά στα χέρια σας.

► **Εικ.27:** 1. Εύκαμπτος σωλήνας

Για να χρησιμοποιήσετε τον εύκαμπτο σωλήνα, τραβήξτε τον αλουμινένιο σωλήνα από τον εύκαμπτο σωλήνα ενώ σπρώχνετε το μοχλό.

Για να τοποθετήσετε τον εύκαμπτο σωλήνα, εισαγάγετε τον εύκαμπτο σωλήνα μέσα στον αλουμινένιο σωλήνα μέχρι να ασφαλίσει.

► **Εικ.28:** 1. Μοχλός

Χρήση των προσαρτημάτων

► **Εικ.29**

Για να τοποθετήσετε το προσάρτημα, περιστρέψτε και εισαγάγετέ το με ασφάλεια στον αλουμινένιο σωλήνα ή στον εύκαμπτο σωλήνα. Για να το αποσυνδέσετε, περιστρέψτε και αφαιρέστε το.

ΣΥΝΤΗΡΗΣΗ

▲ ΠΡΟΣΟΧΗ: Πάντα να βεβαιώνεστε ότι η συσκευή είναι απενεργοποιημένη και η κασέτα μπαταριών έχει αφαιρεθεί πριν επιχειρήσετε να εκτελέσετε εργασίες επιθεώρησης ή συντήρησης.

ΕΙΔΟΠΟΙΗΣΗ: Μην χρησιμοποιείτε ποτέ βενζίνη, πετρελαϊκό αιθέρα, διαλυτικό, αλκοόλη ή παρόμοιες ουσίες. Μπορεί να προκληθεί αποχρωματισμός, παραμόρφωση ή ρωγμές.

Για τη διατήρηση της ΑΣΦΑΛΕΙΑΣ και ΑΞΙΟΠΙΣΤΙΑΣ του προϊόντος, οι επισκευές και οποιαδήποτε άλλη εργασία συντήρησης ή ρύθμισης πρέπει να εκτελούνται από εξουσιοδοτημένα ή εργοστασιακά κέντρα εξυπηρέτησης της Makita, χρησιμοποιώντας πάντοτε ανταλλακτικά της Makita.

Αποθήκευση

Κατά την αποθήκευση, αφαιρέστε τις κασέτες μπαταριών και αποθηκεύστε τη συσκευή σε επίπεδο σημείο, στην όρθια θέση.

► **Εικ.30**

Καθαρισμός του σώματος της συσκευής

Περιστασιακά, καθαρίστε το εξωτερικό (σώμα σκούπας) της σκούπας χρησιμοποιώντας ένα πανί που έχετε υγράνει με σαπουνόνερο.

► **Εικ.31**

Καθαρισμός του φίλτρου HEPA

▲ ΠΡΟΣΟΧΗ: Μην χρησιμοποιείτε τη σκούπα χωρίς φίλτρο και μην συνεχίζετε να χρησιμοποιείτε βρόμικο ή κατεστραμμένο φίλτρο. Η σκόνη ή τα σωματίδια που αναρροφήθηκαν μπορούν να εξέλθουν από τη σκούπα και μπορεί να προκαλέσουν αναπνευστική ασθένεια στον χειριστή.

ΕΙΔΟΠΟΙΗΣΗ: Για να διατηρήσετε βέλτιστη ισχύ αναρρόφησης και καθαρή εξάτμιση, να καθαρίζετε περιοδικά το φίλτρο. Αν δεν υπάρχει αρκετή ισχύς αναρρόφησης ακόμη και μετά τον καθαρισμό, αντικαταστήστε το φίλτρο με ένα καινούριο.

ΕΙΔΟΠΟΙΗΣΗ: Για να αποφευχθεί η πρόκληση ζημιάς στο φίλτρο, μη χρησιμοποιείτε τα ακόλουθα εργαλεία και παρόμοια αντικείμενα για τον καθαρισμό:

- Φυσητήρας σκόνης
- Πλυστικό μηχάνημα υψηλής πίεσης
- Εργαλεία που είναι κατασκευασμένα από σκληρά υλικά όπως μια μεταλλική βούρτσα

1. Ανοίξτε το κάλυμμα κουτιού σκόνης και βγάλτε τη σακούλα φίλτρου.

Αποδεσμεύστε τους γάντζους στο φίλτρο και αφαιρέστε το από το σώμα της συσκευής.

► **Εικ.32:** 1. Γάντζος

2. Κτυπήστε τη σκόνη για να απομακρυνθεί από το φίλτρο. Το φίλτρο μπορεί να πλυθεί με νερό. Ξεπλύντε τη σκόνη και τα σωματίδια στο φίλτρο κάθε 1 έως 2 μήνες. Μετά από αυτό, στεγνώστε το φίλτρο εντελώς σε ένα σκιερό και καλά αεριζόμενο χώρο για να αποφευχθούν οι δυσάρεστες οσμές ή δυσλειτουργίες.

3. Για να τοποθετήσετε το φίλτρο, εισαγάγετε την πλευρά χωρίς τους γάντζους μέσα στην εγκοπή και μετά σπρώξτε μέσα το φίλτρο μέχρι οι γάντζοι να ασφαλιστούν με έναν χαρακτηριστικό ήχο ασφάλισης.

► **Εικ.33:** 1. Εγκοπή 2. Φίλτρο HEPA 3. Γάντζος

Καθαρισμός της κυλινδρικής βούρτσας

1. Αφαιρέστε την κάτω πλάκα και μετά αφαιρέστε την κυλινδρική βούρτσα.

Αν οι τρίχες στην κυλινδρική βούρτσα κοντύνουν, ζητήστε από το κέντρο εξυπηρέτησης Makita μια καινούρια.

Η λειτουργία της συσκευής με κυλινδρική βούρτσα με κοντές τρίχες έχει ως αποτέλεσμα την ανεπαρκή συλλογή της σκόνης.

► **Εικ.34:** 1. Κάτω πλάκα 2. Κυλινδρική βούρτσα

2. Αφαιρέστε τα νήματα και τις τρίχες από την κυλινδρική βούρτσα χρησιμοποιώντας ένα ψαλίδι.

Αφαιρέστε το καπάκι και καθαρίστε τα σκουπίδια.

► **Εικ.35:** 1. Καπάκι

3. Τοποθετήστε το καπάκι, την κυλινδρική βούρτσα και την κάτω πλάκα με αντίστροφη σειρά.

► **Εικ.36**

⚠ ΠΡΟΣΟΧΗ: Προσαρτήστε εντελώς την κάτω πλάκα. Αν η συσκευή λειτουργεί χωρίς την κάτω πλάκα, η κυλινδρική βούρτσα μπορεί να βγει και να προκληθεί τραυματισμός.

ΕΙΔΟΠΟΙΗΣΗ: Να προσαρτάτε πάντα την κυλινδρική βούρτσα. Η λειτουργία της συσκευής χωρίς κυλινδρική βούρτσα έχει ως αποτέλεσμα την ανεπαρκή συλλογή της σκόνης.

Τρόπος εκκαθάρισης του φραξίματος

ΕΙΔΟΠΟΙΗΣΗ: Μη θέσετε τη συσκευή σε λειτουργία με τη διαδρομή ροής εισόδου φραγμένη. Η συνεχόμενη χρήση με φραγμένη διαδρομή ροής εισόδου έχει ως αποτέλεσμα μειωμένη ισχύ αναρρόφησης.

1. Αφαιρέστε την κάτω πλάκα και μετά αφαιρέστε την κυλινδρική βούρτσα.
2. Αφαιρέστε τον αλουμινένιο σωλήνα από τη συσκευή και από τον εύκαμπτο σωλήνα.
3. Γυρίστε τον εύκαμπτο σωλήνα αριστερόστροφα και μετά αφαιρέστε τον εύκαμπτο σωλήνα από τη συσκευή.
4. Αφαιρέστε τον εύκαμπτο σωλήνα τραβώντας τη γλωττίδα.
▶ **Εικ.37:** 1. Εύκαμπτος σωλήνας αναρρόφησης
2. Γλωττίδα
5. Ελέγξτε τη διαδρομή ροής εισόδου του αέρα από το εσωτερικό του αλουμινένιου σωλήνα και του εύκαμπτου σωλήνα, καθώς και του εύκαμπτου σωλήνα αναρρόφησης. Καθαρίστε τα σκουπίδια στο εσωτερικό τους.
6. Ευθυγραμμίστε την προεξοχή του εύκαμπτου σωλήνα αναρρόφησης με την εγκοπή στο περίβλημα και σύρετέ τη στη θέση της.
▶ **Εικ.38:** 1. Προεξοχή 2. Εγκοπή
7. Τοποθετήστε τον εύκαμπτο σωλήνα, τον αλουμινένιο σωλήνα, την κυλινδρική βούρτσα και την κάτω πλάκα.

⚠ ΠΡΟΣΟΧΗ: Τοποθετήστε σταθερά τον εύκαμπτο σωλήνα και τον σωλήνα. Διαφορετικά, μπορεί να συμβεί διαρροή σκόνης και να προκληθεί τραυματισμός.

Σακούλα σκόνης

Προαιρετικό εξάρτημα

Μπορείτε να χρησιμοποιείτε τη σακούλα σκόνης επανειλημμένα αν τον καθαρίζετε.

Τοποθέτηση και αφαίρεση της σακούλας σκόνης

Η διαδικασία της τοποθέτησης και αφαίρεσης της σακούλας σκόνης είναι η ίδια με αυτή της σακούλας φίλτρου. Ανατρέξτε στην παράγραφο για την τοποθέτηση της σακούλας φίλτρου και την αφαίρεση της σακούλας φίλτρου.
▶ **Εικ.39:** 1. Σάκος σκόνης 2. Λαστιχένιο καπάκι

ΕΙΔΟΠΟΙΗΣΗ: Όταν τοποθετείτε τη σακούλα σκόνης, ανοίξτε πρώτα το λαστιχένιο καπάκι. Εισαγάγετε τη σακούλα σκόνης με το λαστιχένιο καπάκι από πίσω.

Αδειασμα της σακούλας σκόνης

1. Κλείστε το λαστιχένιο καπάκι για να εμποδίσετε την αιώρηση της σκόνης.
2. Ανοίξτε το στόμιο σάκου τραβώντας τον συνδετήρα προς τα έξω.
3. Αδειάστε τα περιεχόμενα της σακούλας σκόνης, χτυπώντας τον ελαφριά για να αφαιρέσετε τα σωματίδια που υπάρχουν προσκολλημένα στο εσωτερικό.
▶ **Εικ.40:** 1. Σάκος σκόνης 2. Λαστιχένιο καπάκι 3. Προσδετήρας

ΕΙΔΟΠΟΙΗΣΗ: Να αδειάζετε τη σακούλα σκόνης συχνά. Η υπερβολική σκόνη μπορεί να σκίσει εύκολα τον σάκο.

Καθαρισμός της σακούλας σκόνης

Να καθαρίζετε τακτικά τη σακούλα σκόνης με σαπούνι και νερό. Γυρίστε το μέσα-έξω της σακούλας σκόνης και απομακρύνετε τη σκόνη που έχει κολλήσει σε αυτή. Πλύντε ελαφρά με το χέρι και ξεβγάλετε καλά με νερό. Στεγνώστε εντελώς πριν την τοποθετήσετε στη μηχανή αναρρόφησης.

▶ **Εικ.41**

ΕΙΔΟΠΟΙΗΣΗ: Μια βρεγμένη σακούλα σκόνης μειώνει την απόδοση αναρρόφησης καθώς και τη διάρκεια ζωής του μοτέρ.

ΕΙΔΟΠΟΙΗΣΗ: Όταν προσαρτάτε τον συνδετήρα στη σακούλα σκόνης, να βεβαιώνετε ότι το στόμιο σακούλας είναι καλά κλεισμένο.

ΠΡΟΣΑΡΤΗΜΑ ΚΥΚΛΩΝΑ

Προαιρετικό εξάρτημα

▶ **Εικ.42:** 1. Προσάρτημα κυκλώνα

Πληροφορίες για το προσάρτημα κυκλώνα

Αν χρησιμοποιείτε τη σκούπα με τοποθετημένο το προσάρτημα κυκλώνα, μειώνεται η ποσότητα της σκόνης που εισέρχεται στη σακούλα φίλτρου, γεγονός που βοηθάει ώστε να μην εξασθενεί η αναρροφητική ισχύς. Επιπλέον, ο καθαρισμός μετά τη χρήση είναι επίσης απλός.

⚠ ΠΡΟΣΟΧΗ: Να βεβαιώνετε πάντα ότι το εργαλείο είναι απενεργοποιημένο και η κασέτα μπαταριών έχει αφαιρεθεί πριν εκτελέσετε οποιαδήποτε εργασία στο εργαλείο. Αν η κασέτα μπαταριών παραμείνει τοποθετημένη, η σκούπα μπορεί να εκκινήσει απρόσμενα και να προκληθεί τραυματισμός.

⚠ ΠΡΟΣΟΧΗ: Καθαρίστε το κυψελωτό φίλτρο του προσαρτήματος κυκλώνα και τη σακούλα φίλτρου της μονάδας σκούπας όταν φράξουν. Η συνεχιζόμενη χρήση σε φραγμένη κατάσταση μπορεί να έχει ως αποτέλεσμα τη θέρμανση ή τη δημιουργία καπνού.

ΕΙΔΟΠΟΙΗΣΗ: Όταν είναι τοποθετημένο το προσάρτημα κυκλώνα, μη χρησιμοποιείτε το προσάρτημα κυκλώνα σε οριζόντια ή ανοδικά στραμμένη κατάσταση. Αν το κάνετε αυτό, το κυψελωτό φίλτρο μπορεί να φράξει.

ΕΙΔΟΠΟΙΗΣΗ: Να χρησιμοποιείτε πάντα τη σκούπα με τη σακούλα φίλτρου τοποθετημένη, ακόμη και όταν χρησιμοποιείτε το προσάρτημα κυκλώνα. Αν χρησιμοποιήσετε τη σκούπα χωρίς τη σακούλα φίλτρου τοποθετημένη, μπορεί να έχει ως αποτέλεσμα δυσλειτουργία του μοτέρ.

ΠΑΡΑΤΗΡΗΣΗ: Να ελέγχετε ότι το προσάρτημα κυκλώνα, η σκούπα και ο ίσιος σωλήνας είναι σωστά ασφαλισμένα πριν από τη χρήση.

ΠΑΡΑΤΗΡΗΣΗ: Αδειάστε τη θήκη σκόνης του προσαρτήματος κυκλώνα και τη σακούλα φίλτρου της σκούπας όταν συσσωρευτεί σκόνη. Η συνεχιζόμενη χρήση θα έχει ως αποτέλεσμα εξασθενημένη αναρροφητική ισχύ.

Τοποθέτηση του προσαρτήματος κυκλώνα

1. Περιστρέψτε το περιαυχένιο στον εύκαμπτο σωλήνα αριστερόστροφα και αφαιρέστε τον εύκαμπτο σωλήνα, τη λαβή σωλήνα και τον αλουμινένιο σωλήνα από τη συσκευή.
▶ **Εικ.43:** 1. Περιαυχένιο 2. Εύκαμπτος σωλήνας 3. Λαβή σωλήνα 4. Αλουμινένιος σωλήνας
2. Γυρίστε το πλαίσιο του αναστολέα στο προσάρτημα κυκλώνα προς τα πάνω, ευθυγραμμίζοντας τον αναστολέα με την εγκοπή της εισόδου αναρρόφησης. Ασφαλίστε τον αναστολέα εισαγάγοντας το προσάρτημα κυκλώνα μέχρι να ασφαλίσει. Τραβήξτε λίγο το προσάρτημα κυκλώνα για να βεβαιωθείτε ότι δεν θα αφαιρεθεί. Τοποθετήστε τον ευθύ σωλήνα με την ίδια διαδικασία με αυτή του προσαρτήματος κυκλώνα.
▶ **Εικ.44:** 1. Λαβή για προσάρτημα κυκλώνα 2. Είσοδος αναρρόφησης 3. Προσάρτημα κυκλώνα 4. Ευθύς σωλήνας για προσάρτημα κυκλώνα 5. Αναστολέας 6. Κουμπί ασφαλίσης
3. Τοποθετήστε το προσάρτημα κυκλώνα στη συσκευή και, στη συνέχεια, γυρίστε το περιαυχένιο στον εύκαμπτο σωλήνα δεξιόστροφα για να το στερεώσετε.
▶ **Εικ.45**

Απορριψη σκόνης

Όταν έχει συσσωρευτεί σκόνη μέχρι τη γραμμή πληρότητας της θήκης σκόνης, ακολουθήστε την παρακάτω διαδικασία και απορρίψτε τη σκόνη.

1. Κρατήστε τη θήκη σκόνης καλά, πατήστε παρατεταμένα τα δύο κουμπιά και αφαιρέστε τη θήκη σκόνης.
▶ **Εικ.46:** 1. Γραμμή πληρότητας 2. Θήκη σκόνης 3. Κουμπί (δύο τοποθεσίες) 4. Κυψελωτό φίλτρο
2. Απορρίψτε τη σκόνη στο εσωτερικό της θήκης σκόνης και αφαιρέστε τυχόν σκόνη και πούδρα που έχει προσκολληθεί στην επιφάνεια του κυψελωτού φίλτρου.

3. Εισαγάγετε τη θήκη σκόνης μέχρι τέρμα μέχρι τα δύο κουμπιά να ασφαλίσουν με έναν χαρακτηριστικό ήχο «κλικ».

▶ **Εικ.47:** 1. Θήκη σκόνης 2. Κουμπί (δύο τοποθεσίες)

ΠΑΡΑΤΗΡΗΣΗ: Κρατήστε σταθερά το προσάρτημα κυκλώνα όταν τοποθετείτε τη θήκη σκόνης.

ΠΑΡΑΤΗΡΗΣΗ: Ελέγξτε ότι το προσάρτημα κυκλώνα, η σκούπα και ο ίσιος σωλήνας είναι σωστά ασφαλισμένα πριν ξεκινήσετε ξανά τη λειτουργία.

ΠΑΡΑΤΗΡΗΣΗ: Αν η αναρροφητική ισχύς δεν ανακτηθεί ακόμη και μετά την απορριψη της σκόνης και τον καθαρισμό του κυψελωτού φίλτρου, ελέγξτε αν έχει συσσωρευτεί σκόνη στη σακούλα φίλτρου της σκούπας ή αν συνέβη φράξιμο.

Καθαρισμός

Όταν η θήκη σκόνης βρομίσει ή το κυψελωτό φίλτρο φράξει, αφαιρέστε και πλύντε τα με νερό. (Ανατρέξτε στην παράγραφο «Απορριψη σκόνης» για τη διαδικασία αφαίρεσης.)

Στεγνώστε πολύ καλά τα εξαρτήματα πριν τα τοποθετήσετε ξανά και τα χρησιμοποιήσετε.

▶ **Εικ.48:** 1. Θήκη σκόνης 2. Κυψελωτό φίλτρο

Όταν το κυψελωτό φίλτρο βρομίσει πάρα πολύ, καθαρίστε το σύμφωνα με τις ακόλουθες διαδικασίες.

1. Περιστρέψτε το κυψελωτό φίλτρο αριστερόστροφα και αφαιρέστε το ενώ οι γάντζοι είναι απασφαλισμένοι.
▶ **Εικ.49:** 1. Κυψελωτό φίλτρο 2. Γάντζος
2. Αφαιρέστε τη σκόνη από το κυψελωτό φίλτρο και, στη συνέχεια, πλύντε το με νερό. Μετά, στεγνώστε το πολύ καλά.
3. Εισαγάγετε το κυψελωτό φίλτρο μέσα στη βάση ενώ οι γάντζοι είναι ευθυγραμμισμένοι με τη θύρα. Περιστρέψτε το κυψελωτό φίλτρο δεξιόστροφα μέχρι οι γάντζοι να ασφαλίσουν με έναν χαρακτηριστικό ήχο «κλικ». Βεβαιωθείτε ότι το κυψελωτό φίλτρο είναι τοποθετημένο με ασφάλεια.
▶ **Εικ.50:** 1. Κυψελωτό φίλτρο 2. Γάντζος 3. Θύρα

ΑΝΤΙΜΕΤΩΠΙΣΗ ΠΡΟΒΛΗΜΑΤΩΝ

Πριν ζητήσετε επισκευές, εκτελέστε αρχικά τη δική σας επιθεώρηση. Αν εντοπίσετε πρόβλημα που δεν επεξηγείται στο εγχειρίδιο, μην επιχειρήσετε να αποσυναρμολογήσετε το μηχάνημα. Αντ' αυτού, ζητήστε βοήθεια από εξουσιοδοτημένα κέντρα εξυπηρέτησης της Makita και πάντοτε να χρησιμοποιείτε γνήσια ανταλλακτικά της Makita.

Σύμπτωμα	Πιθανή αιτία	Αποκατάσταση	
Δεν λειτουργεί	Οι κασέτες μπαταριών δεν είναι σωστά τοποθετημένες.	Τοποθετήστε τις κασέτες μπαταριών όπως περιγράφεται στο παρόν εγχειρίδιο.	
	Οι κασέτες μπαταριών έχουν εξαντληθεί.	Φορτίστε τις κασέτες μπαταριών.	
	Η λαβή δεν είναι σωστά τοποθετημένη.	Τοποθετήστε τη λαβή σταθερά όπως περιγράφεται στο παρόν εγχειρίδιο.	
Η κυλινδρική βούρτσα δεν περιστρέφεται	Η συσκευή είναι ασφαλισμένη στην όρθια θέση.	Απασφαλίστε την όρθια θέση της συσκευής.	
	Ανάβει η ένδειξη του σφάλματος κυλινδρικής βούρτσας.	Ελέγξτε ότι δεν έχει μπλεχτεί κάτι γύρω από την κυλινδρική βούρτσα (σώμα, καπάκι και σύνδεσμος).	
Ασθενής ισχύς αναρρόφησης	Ανάβει η ένδειξη της υπερβολικής στάθμης σκόνης.	Αντικαταστήστε τη σακούλα φίλτρου. Αν η σακούλα φίλτρου δεν είναι γεμάτη, ξεδιπλώστε τη σακούλα φίλτρου και ανακινήστε την για να καθαρίσετε το φράξιμο.	
	⇒Αν η αντικατάσταση της σακούλας φίλτρου δεν επιλύσει το πρόβλημα...	Καθαρίστε ή αντικαταστήστε το φίλτρο HEPA. Ελέγξτε ότι δεν υπάρχουν σκουπίδια φραγμένα στον εύκαμπτο σωλήνα και τον σωλήνα.	
	Μπλεχτούν σκουπίδια στην κυλινδρική βούρτσα, και η ταχύτητα περιστροφής μειώνεται.	Ελέγξτε ότι δεν έχει μπλεχτεί κάτι γύρω από την κυλινδρική βούρτσα (σώμα, καπάκι, σύνδεσμος).	
	Το ύψος της κυλινδρικής βούρτσας είναι πολύ ψηλά από το πάτωμα.	Χαμηλώστε το ύψος της κυλινδρικής βούρτσας.	
	Οι τρίχες της κυλινδρικής βούρτσας είναι πολύ κοντές.	Αντικαταστήστε την κυλινδρική βούρτσα. Χαμηλώστε το ύψος της κυλινδρικής βούρτσας.	
	Η συσκευή λειτουργεί στον χαμηλό τρόπο λειτουργίας.	Αλλάξτε στον υψηλότερο τρόπο λειτουργίας.	
	Η κυλινδρική βούρτσα δεν είναι τοποθετημένη.	Τοποθετήστε την κυλινδρική βούρτσα.	
	Ο σωλήνας ή ο εύκαμπτος σωλήνας δεν είναι σωστά τοποθετημένος.	Τοποθετήστε σταθερά τον σωλήνα ή τον εύκαμπτο σωλήνα.	
	Δυνατός θόρυβος κίνησης	Η συσκευή λειτουργεί στον υψηλό τρόπο λειτουργίας.	Αλλάξτε στον χαμηλότερο τρόπο λειτουργίας.
		Έχουν μπλεχτεί σκουπίδια στην κυλινδρική βούρτσα.	Ελέγξτε ότι δεν έχει μπλεχτεί κάτι γύρω από την κυλινδρική βούρτσα (σώμα, καπάκι και σύνδεσμος).
Η σακούλα φίλτρου έχει γεμίσει με σκόνη.		Αντικαταστήστε τη σακούλα φίλτρου.	
⇒Αν η αντικατάσταση της σακούλας φίλτρου δεν επιλύσει το πρόβλημα...		Καθαρίστε ή αντικαταστήστε το φίλτρο HEPA. Ελέγξτε ότι δεν υπάρχουν σκουπίδια φραγμένα στον εύκαμπτο σωλήνα και τον σωλήνα.	
Αναβοσβήνει η ένδειξη της υπερβολικής στάθμης σκόνης μετά από ελάχιστη χρήση	Η σακούλα φίλτρου είναι διπλωμένη.	Ξεδιπλώστε την είσοδο της σακούλας φίλτρου πριν την τοποθετήσετε.	
Η λυχνία LED δεν ανάβει	Η ρύθμιση της λυχνίας LED είναι απενεργοποιημένη.	Κατά τη λειτουργία, πατήστε παρατεταμένα το κουμπί ελέγχου μπαταρίας / λυχνίας LED για να ενεργοποιήσετε τη λυχνία LED.	
Ο κατευθυντήριος τροχός κινείται δύσκολα	Έχουν μπλεχτεί σκουπίδια στον κατευθυντήριο τροχό.	Καθαρίστε τα σκουπίδια στον κατευθυντήριο τροχό.	

ΠΡΟΑΙΡΕΤΙΚΑ ΕΞΑΡΤΗΜΑΤΑ

⚠ ΠΡΟΣΟΧΗ: Αυτά τα εξαρτήματα ή προσαρτήματα συνιστώνται για χρήση με το εργαλείο Makita που περιγράφηκε στις οδηγίες αυτές. Η χρήση οποιωνδήποτε άλλων εξαρτημάτων ή προσαρτημάτων μπορεί να προκαλέσει κίνδυνο τραυματισμού σε άτομα. Να χρησιμοποιείτε τα εξαρτήματα ή προσαρτήματα μόνο για την χρήση που προορίζονται.

Εάν χρειάζεστε οποιαδήποτε βοήθεια για περισσότερες πληροφορίες σε σχέση με αυτά τα εξαρτήματα, αποστανθείτε στο τοπικό σας κέντρο εξυπηρέτησης Makita.

- Ακροφύσιο γωνιών
- Στρογγυλή βούρτσα
- Προσάρτημα κυκλώνω
- Φίλτρο HEPA
- Σακούλα φίλτρου
- Σακούλα σκόνης
- Γνήσια μπαταρία και φορτιστής της Makita

ΠΑΡΑΤΗΡΗΣΗ: Μερικά στοιχεία στη λίστα μπορεί να συμπεριλαμβάνονται στη συσκευασία εργαλείου ως στάνταρ εξαρτήματα. Μπορεί να διαφέρουν ανάλογα με τη χώρα.

TÜRKÇE (Orijinal talimatlar)

UYARI

- Bu makine fiziksel, duyuşsal ya da zihinsel yetenekleri kısıtlı olan veya deneyim ya da bilgileri olmayan kişiler ve çocuklar tarafından kullanıma uygun deęildir.
- Süpürge ile oynamadıklarından emin olmak için çocuklar kontrol altında bulundurulmalıdır.
- Bataryanın tip referansı için "TEKNİK ÖZELLİKLER" bölümüne bakın.
- Bataryanın nasıl çıkarılacağı veya takılacağı ile ilgili olarak "Batarya kartuşunun takılması veya çıkartılması" kısmına bakın.
- Batarya kartuşunu bertaraf ederken aletten çıkarın ve güvenli bir yerde bertaraf edin. Bataryanın bertaraf edilmesi ile ilgili yerel düzenlemelere uyun.
- Alet uzun süre kullanılmayacaksa batarya aletten çıkarılmalıdır.
- Batarya kartuşunu kısa devre yapmayın.
- Kullanıcı bakımı sırasındaki uygun önlem bilgileri için "BAKIM" bölümüne bakın.

TEKNİK ÖZELLİKLER

Model:	DVC560
Maksimum hava hacmi *	1,9 m ³ /min
Vakum *	12 kPa
Kapasite	5 L
Ebat (U x G x Y)	326 mm x 318 mm x 1.146 mm
Nominal voltaj	D.C. 36 V
Net ağırlık	8,3 - 9,0 kg

- * Deęer kendi orijinal yöntemimizle ölçülmüştür.
- Sürekli yapılan araştırma ve geliştirmelerden dolayı, burada belirtilen özellikler önceden bildirilmeksizin deęiştirilebilir.
- Özellikler ve batarya kartuşu ülkeden ülkeye deęişebilir.
- Ağırlık, aksesuarları (yuvarlak fırça, köşe emme başlığı) ve batarya kartuşu/kartuşlarını içerir. Cihazın ve batarya kartuşunun/kartuşlarının en hafif ve en ağır birleşik ağırlığı tabloda gösterilmiştir.

Geçerli batarya kartuşu ve şarj aleti

Batarya kartuşu	BL1815N / BL1820B / BL1830B / BL1840B / BL1850B / BL1860B
Şarj aleti	DC18RC / DC18RD / DC18RE / DC18SD / DC18SE / DC18SF / DC18SH / DC18WC

- Yukarıda listelenen batarya kartuşlarının ve şarj aletlerinin bazıları yaşadığınız bölgeye baęlı olarak mevcut olmayabilir.

⚠UYARI: Sadece yukarıda listelenen batarya kartuşlarını ve şarj aletlerini kullanın. Başka batarya kartuşlarının ve şarj aletlerinin kullanılması yaralanma ve/veya yangına neden olabilir.

Semboller

Ekipmanı için kullanılacak semboller aşağıda gösterilmiştir. Kullanmadan önce anlamlarını anladığınızdan emin olun.



El kitabını okuyun.



Çok özenli ve dikkatli kullanın.



Ni-MH
Li-ion

Sadece AB ülkeleri için
Ekipmanda tehlikeli bileşenler bulunduğundan dolayı atık elektrikli ve elektronik ekipmanlar, aküler ve bataryalar çevre ve insan sağlığı üzerinde olumsuz etkiye yol açabilir.

Elektrikli ve elektronik cihazları veya bataryaları evsel atıklarla birlikte atmayın!
Atık elektrikli ve elektronik ekipmanlar ile akümülatörler ve bataryalar hakkındaki Avrupa Direktifi ve söz konusu direktifin ulusal yasalara uyarlanması gereğince atık elektrikli ekipmanlar, bataryalar ve akümülatörler ayrı olarak depolanmalı ve çevre koruma hakkındaki mevzuata uygun olarak faaliyet gösteren ayrı bir kentsel atık toplama noktasına teslim edilmelidir.
Bu husus, ekipmanın üzerine yerleştirilmiş üzerinde çarpı işareti bulunan tekerlekli çöp kovası simgesi ile belirtilmiştir.

Kullanım amacı

Bu cihaz kuru tozları toplamak amacıyla kullanılır. Cihaz; oteller, okullar, hastaneler, fabrikalar, dükkanlar, ofisler ve kiralama hizmetleri gibi ticari kullanımlar için uygundur.

Gürültü

Tipik A-ağırlıklı gürültü düzeyi (IEC60335-2-69 standardına göre belirlenen):
Ses basınç seviyesi (L_{pA}): 70 dB (A) veya daha az
Belirsizlik (K): 2,5 dB (A)

İşlem sırasında gürültü seviyesi 80 dB (A)'yi geçebilir.

NOT: Beyan edilen gürültü emisyonu değer(ler)i bir standart test yöntemine uygun şekilde ölçülmüştür ve bir aleti bir başkasıyla karşılaştırmak için kullanılabilir.

NOT: Beyan edilen gürültü emisyonu değer(ler)i bir ön maruz kalma değerlendirmesi olarak da kullanılabilir.

UYARI: Kulak koruyucuları takın.

UYARI: Elektrikli aletin gerçek kullanımı sırasındaki gürültü emisyonu, aletin kullanım biçimlerine, özellikle işlenen iş parçasının türüne bağlı olarak beyan edilen değer(ler)den farklı olabilir.

UYARI: Gerçek kullanım koşullarındaki tahmini maruziyeti baz alan, operatörü koruyacak güvenlik önlemlerini mutlaka belirleyin (çalışma döngüsü içerisinde aletin kapalı olduğu ve aktif durumda olmasının yanı sıra boşta çalıştığı zamanlar gibi, bütün zaman dilimleri göz önünde bulundurarak).

Titreşim

Titreşim toplam değeri (üç eksenli vektör toplamı) (IEC60335-2-69 standardına göre hesaplanan):
Titreşim emisyonu (a_{hM}): 2,5 m/s² den az
Belirsizlik (K): 1,5 m/s²

NOT: Beyan edilen titreşim toplam değer(ler)i bir standart test yöntemine uygun şekilde ölçülmüştür ve bir aleti bir başkasıyla karşılaştırmak için kullanılabilir.

NOT: Beyan edilen titreşim toplam değer(ler)i bir ön maruz kalma değerlendirmesi olarak da kullanılabilir.

UYARI: Elektrikli aletin gerçek kullanımı sırasındaki titreşim emisyonu, aletin kullanım biçimlerine, özellikle işlenen iş parçasının türüne bağlı olarak beyan edilen değer(ler)den farklı olabilir.

UYARI: Gerçek kullanım koşullarındaki tahmini maruziyeti baz alan, operatörü koruyacak güvenlik önlemlerini mutlaka belirleyin (çalışma döngüsü içerisinde aletin kapalı olduğu ve aktif durumda olmasının yanı sıra boşta çalıştığı zamanlar gibi, bütün zaman dilimleri göz önünde bulundurarak).

Uygunluk Beyanları

Sadece Avrupa ülkeleri için

Uygunluk beyanları bu kullanma kılavuzuna Ek A olarak eklenmiştir.

GÜVENLİK UYARILARI

Akülü süpürgesi güvenlik uyarıları

UYARI: ÖNEMLİ! KULLANMADAN ÖNCE tüm güvenlik uyarılarını ve tüm talimatları DİKKATLE OKUYUN. Uyarılara ve talimatlara uyulmaması elektrik şoku, yangın ve/veya ciddi yaralanmalar ile sonuçlanabilir.

1. Kullanmadan önce, bu süpürgeyi kullanacak kişilerin bu süpürgeyi kullanımı konusunda yeterince bilgilendirildiğinden emin olun.
2. Filtre torbası ve/veya filtreler takılı olmadan kullanmayın. Hasarlı filtreyi hemen değiştirin.
3. İSTEM DIŞI BAŞLATMAYI ÖNLEYİN. Bataryayı/bataryaları takarken anahtarın KAPALI konumda olduğundan emin olun.
4. Yanıcı malzemeleri, havai fişekleri, yanan sigaraları, sıcak külleri, sıcak metal parçaları; jilet, iğne, kırık cam vb. keskin malzemeleri süpürgeyle çekmeye çalışmayın.
5. SÜPÜRGEYİ ASLA BENZİN, GAZ, BOYA, YAPIŞTIRICILAR YA DA DİĞER YÜKSEK ORANDA PATLAYICI ÖZELLİĞİ OLAN MADDELERİN YAKININDA KULLANMAYIN. AÇMA ve KAPAMA sırasında anahtardan kıvılcım çıkar. Kullanım sırasında motor kolektöründen de kıvılcım çıkar. Ciddi bir patlama meydana gelebilir.

6. Bu süpürge tehlikeli tozları toplamak için uygun değildir.
 7. Asbest, arsenik, baryum, berilyum, kurşun, pestisitler gibi zehirli, kanserojen, yanıcı veya diğer tehlikeli maddeleri veya sağlığa zararlı maddeleri süpürgeyle çekmeyin.
 8. Dış mekanlarda veya ıslak yüzeylerde kullanmayın.
 9. Finlandiya için bu makine düşük sıcaklıkta dış mekanlarda kullanılmamalıdır.
 10. Cihazı ısı kaynaklarının yakınında kullanmayın (ocak vb.).
 11. Emme ağız/çıkış/soğutma kanallarını kapatmayın. Bu kanallar motorun soğumasını sağlar. Kanalların kapatılmasından dikkatle kaçınılmalıdır, aksi takdirde yetersiz havalandırma nedeniyle motor yanar.
 12. Hortumu katlamayın, çekiştirmeyin veya üzerine basmayın.
 13. Kullanım sırasında performansta zayıflama ya da normal olmayan herhangi bir durum tespit ettiğinizde süpürgeyi derhal durdurun.
 14. **BATARYAYI/BATARYALARI ÇIKARIN.** Kullanılmadığında, servis işlemlerinden önce ve aksesuarları değiştirirken.
 15. Süpürgeyi ideal kullanım koşullarında tutmak için her kullanımdan sonra süpürgeyi derhal temizleyin ve bakımını yapın.
 16. **SÜPÜRGENİN BAKIMINI DİKKATLİ BİR ŞEKİLDE YAPIN.** Daha iyi ve güvenli performans için süpürgeyi temiz tutun. Aksesuarların değiştirilmesi için talimatlara uyun. Tutamakları kuru, temiz ve yağ ve gres bulaşmamış halde bulundurun.
 17. **HASARLI PARÇALARI KONTROL EDİN.** Süpürgeyi kullanmaya devam etmeden önce, hasar görmüş siper ya da başka bir parça, uygun şekilde çalışıp çalışmayacağını ve amaçlanan işlevi görüp göremeyeceğini belirlemek amacıyla, dikkatli bir şekilde kontrol edilmelidir. Hareketli parçaların hizalanmalarını, bağlantılarını, parçalardaki kırıkları, montajlarını ve işleyişi etkileyebilecek başka durumları kontrol edin. Hasar görmüş siper ya da başka bir parça, bu kullanım kılavuzunda başka bir yer belirtilmediği sürece yetkili bir servis merkezi tarafından onarılmalı ya da değiştirilmelidir. Arızalı anahtarları yetkili servis merkezinde değiştirin. Anahtar süpürgeyi açıp kapatmıyorsa süpürgeyi kullanmayın.
 18. **YEDEK PARÇALAR.** Servis için sadece aynı yedek parçaları kullanın.
 19. Kullanılmadığında süpürgeyi her zaman iç mekanlarda saklayın.
 20. Süpürgenizi özenle kullanın. Kaba kullanım en sağlam yapıli süpürgenin bile kırılmasına neden olabilir.
 21. İçini ya da dışını benzin, tiner veya temizleyici kimyasallarla temizlemeye çalışmayın. Çatlaklar ya da renk değişiklikleri oluşabilir.
 22. Yağ bazlı boya, boya inceltici, benzin, bazı güve yemez maddeler vb.den yanıcı, patlayıcı veya zehirli buharlar çıkan kapalı ortamlarda veya yanıcı tozların mevcut olduğu alanlarda süpürgeyi kullanmayın.
 23. Bu aleti ya da diğer aletleri alkol veya ilaçların etkisi altında kullanmayın.
 24. Kullanım ortamına bağlı olarak maske gibi uygun koruyucu ekipman takın.
 25. Bu makine fiziksel, duyuusal ya da zihinsel yetenekleri kısıtlı olan veya deneyim ya da bilgileri olmayan kişiler ve çocuklar tarafından kullanıma uygun değildir.
 26. Süpürge ile oynamadıklarından emin olmak için çocuklar kontrol altında bulundurulmalıdır.
 27. Bataryayı/bataryaları ve süpürgeyi asla ıslak elle ellemeyin.
 28. Merdivenlerde temizlik yaparken çok dikkatli olun.
 29. Her zaman yere sağlam basın ve dengeyi koruyun.
 30. Süpürgeyi basamak ya da çalışma tezgahı olarak kullanmayın. Makine devrilebilir ve kişisel yaralanmaya neden olabilir.
 31. Vücudunuzun tüm kısımlarını ve giysilerinizi, deliklerden ve dönen rulo fırça gibi hareketli parçalardan uzak tutun. Aksi takdirde bunlar cihaza takılarak yaralanmaya neden olabilir.
- Bataryalı aletin kullanımı ve bakımı**
1. **Sadece üretici tarafından belirtilen şarj aleti ile şarj edin.** Bir batarya kutusu için uygun olan şarj cihazı başka bir batarya kutusu ile kullanıldığında yangın riski oluşturabilir.
 2. **Elektrikli aletleri sadece özel olarak belirtilen batarya kutuları ile kullanın.** Başka batarya kutularının kullanımı yaralanma ve yangın riski oluşturabilir.
 3. **Batarya kutusu kullanılmadığında; iki terminal arasında bağlantı kurulmasına sebep olabilecek ataç, bozuk para, anahtar, çivi, vida gibi metal nesnelere ya da küçük metal objelerden uzak tutun.** Batarya terminallerine kısa devre yaptırmak yanıklara ya da yangına yol açabilir.
 4. **Kötü koşullarda bataryadan sıvı sızabilir; bu sıvıya temas etmeyin. Eğer istemeden bir temas olursa suyla yıkayın. Sıvı göze temas ederse, suyla yıkadıktan sonra tıbbi yardım alın.** Bataryadan çıkan sıvı tahrişe ya da yanıklara neden olabilir.
 5. **Batarya kutusu ya da alet hasar görmüşse ya da üzerinde değişiklik yapılmışsa batarya kutusunu kullanmayın.** Hasar görmüş ya da üzerinde değişiklik yapılmış batarya kutuları yangın, patlama ya da yaralanma riski ile sonuçlanan beklenmedik davranışlar sergileyebilir.
 6. **Batarya kutusunu veya aleti ateşe ya da aşırı sıcaklıklara maruz bırakmayın.** Ateşe ya da 130 °C'nin üzerindeki sıcaklıklara maruz bırakmak patlamaya neden olabilir.
 7. **Tüm şarj talimatlarına uyun ve batarya kutusunu ya da aleti yönergelerde belirtilen sıcaklık aralığının dışındaki sıcaklıklarda şarj etmeyin.** Uygun olmayan bir şekilde ya da belirtilen sıcaklık aralığının dışında şarj etmek bataryaya zarar verebilir ve yangın riskini artırabilir.

BU TALİMATLARI SAKLAYIN.

⚠UYARI: Ürünü kullanırken (defalarca kullanınca kazanılan) rahatlık ve tanıdıklık duygusunun ilgili ürünün güvenlik kurallarına sıkı sıkıya bağlı kalmanın yerine geçmesine İZİN VERMEYİN. YANLIŞ KULLANIM veya bu kullanma kılavuzunda belirtilen emniyet kurallarına uymama ciddi yaralanmaya neden olabilir.

Batarya kartuşu hakkında önemli güvenlik talimatları

1. Batarya kartuşunu kullanmadan önce, tüm talimatları ve (1) batarya kartuşu, (2) batarya ve (3) ürün üzerindeki tüm uyarı işaretlerini okuyun.
2. Batarya kartuşunu parçalarına ayırmayın veya kurcalamayın. Yangın, aşırı ısı veya patlamaya neden olabilir.
3. Çalışma süresi aşırı derecede kısalmışsa kullanmayı derhal bırakın. Aşırı ısınma, yanma riski hatta patlamaya neden olabilir.
4. Gözünüze elektrolit kaçarsa, gözlerinizi temiz suyla durulayın ve hemen tıbbi yardım alın. Görme kaybına yol açabilir.
5. Batarya kartuşuna kısa devre yaptırmayın:
 - (1) Terminallere herhangi bir iletken madde değdirmeyin.
 - (2) Batarya kartuşunu çiviler, madeni paralar, vb. gibi başka metal nesnelere aynı kaba koymaktan kaçınınız.
 - (3) Batarya kartuşunu yağmura ya da suya maruz bırakmayın.

Kısa devre, büyük bir akım akışına, aşırı ısınmaya, olası yanıklara hatta bataryanın bozulmasına yol açabilir.

6. Aleti ve batarya kartuşunu sıcaklığın 50°C ya da daha yükseğe ulaştığı yerlerde saklamayın ve kullanmayın.
7. Aşırı derecede hasar görmüş ya da tamamen kullanılmaz durumda olsa bile batarya kartuşunu yakmayın. Batarya kartuşu ateşe atılırsa patlayabilir.
8. Batarya kartuşunu çivilemeyin, kesmeyin, ezmeyin, fırlatmayın, düşürmeyin ya da batarya kartuşuna sert bir nesne ile vurmuyun. Bu eylemler yangın, aşırı ısı veya patlamaya neden olabilir.
9. Hasarlı bataryayı kullanmayın.
10. Aletin içerdiği lityum-iyon bataryalar Tehlikeli Eşyalar Yönetmeliğinin gereksinimlerine tabidir.

Ticari nakliye işlemleri için, örneğin üçüncü taraflar, nakliye acenteleri tarafından yapılan nakliyelerde, paketlenme ve etiketleme gereksinimlerine uyulmalıdır.

Nakliyesi yapılacak ürünün hazırlanması için, tehlikeli maddeler konusunda uzman bir kişiye danışın. Lütfen muhtemelen daha ayrıntılı olan ulusal yönetmeliklere de uyun.

Açık kontakları bantlayın ya da maskeleyin ve bataryayı paketin içinde hareket ettirmeyecek şekilde paketleyin.

11. Batarya kartuşunu bertaraf ederken aletten çıkarın ve güvenli bir yerde bertaraf edin. Bataryanın bertaraf edilmesi ile ilgili yerel düzenlemelere uyunuz.
12. Bataryaları sadece Makita tarafından belirtilen ürünlerle kullanın. Bataryaların uyumsuz ürünlere takılması; yangın, aşırı ısınma, patlama ya da elektrolit sızıntısına neden olabilir.
13. Alet uzun süre kullanılmıyacaksa batarya aletten çıkarılmalıdır.
14. Kullanma sırasında ve sonrasında batarya kartuşu ısınarak yanıklara veya düşük sıcaklık yanıklarına yol açabilir. Sıcak batarya kartuşları ile işlem yaparken dikkat edin.
15. Yanıklara neden olabilecek kadar sıcak olabileceğinden kullandıktan hemen sonra aletin terminaline dokunmayın.
16. Batarya kartuşunun terminallerine, deliklerine ve kanallarına mıcır, toz veya toprak girmesine izin vermeyin. Aletin veya batarya kartuşunun ısınmasına, alev almasına, patlamasına ve arızalanmasına neden olarak yanıklara veya yaralanmaya yol açabilir.
17. Alet yüksek gerilim elektrik güç hatlarında kullanımı desteklemediği sürece batarya kartuşunu yüksek gerilim elektrik güç hatlarının yakınında kullanmayın. Aletin veya batarya kartuşunun arızalanmasına veya bozulmasına neden olabilir.
18. Bataryayı çocuklardan uzak tutun.

BU TALİMATLARI MUHAFAZA EDİNİZ.

⚠DİKKAT: Sadece orijinal Makita bataryalarını kullanın. Orijinal olmayan Makita bataryaları ya da üzerine değişiklik yapılmış bataryaların kullanımı bataryanın patlamasına ve sonuç olarak yangın, kişisel yaralanma ve hasara neden olabilir. Ayrıca Makita aleti ve şarj aletinin Makita tarafından sunulan garantisi de geçersiz olur.

Maksimum batarya ömrü için ipuçları

1. Batarya kartuşunu tamamen boşalmadan önce şarj edin. Aletin gücünün zayıflamaya başladığını fark ettiğinizde aleti durdurun ve batarya kartuşunu şarj edin.
2. Tam dolu bir batarya kartuşunu asla yeniden şarj etmeyin. Aşırı şarj etme bataryanın hizmet ömrünü kısaltır.
3. Batarya kartuşunu 10 °C - 40 °C oda sıcaklığında şarj edin. Sıcak bir batarya kartuşunu şarj etmeden önce soğumasını bekleyin.
4. Batarya kartuşunu kullanmıyorken aletten veya şarj aletinden çıkarın.
5. Uzun bir süre (altı aydan daha fazla) kullanmadığınız durumlarda batarya kartuşunu şarj edin.

PARÇALARIN TANIMI

► Şek.1

1	Sap	2	Anahtar bölmesi	3	Boru tutamağı	4	Hortum
5	Gösterge paneli	6	Kol (toz kutusu kapağı için)	7	Toz kutusu kapağı	8	Taşıma kolu
9	Kilit (batarya kapağı için)	10	Ayarlama kolu	11	Batarya kapağı	12	Köşe emme başlığı
13	Yuvarlak fırça	14	Ayak kolu	15	Tekerlek	16	Yan fırça
17	Emme hortumu	18	Rakor	19	Alüminyum boru	20	Boru kelepçesi
21	LED lamba	22	Rulo fırça	23	Alt plaka	24	Açma / mod değiştirme düğmesi
25	Kapatma (OFF) düğmesi	26	Çalışma mod göstergesi	27	Aşırı düzeyde toz göstergesi	28	Rulo fırça hatası göstergesi
29	Kalan batarya kapasitesi göstergesi	30	Batarya kontrolü / LED lamba düğmesi	-	-	-	-

MONTAJ

⚠DİKKAT: Cihaz üzerinde herhangi bir iş yapmadan önce cihazın kapalı ve batarya kartuşunun çıkarılmış olduğundan daima emin olun.

⚠DİKKAT: Montaj veya bakım sırasında daima toz maskesi takın.

Sapın bağlanması

1. Sap dikmesini süpürge gövdesi şekilde gösterildiği gibi sonuna kadar sokun.
 2. Kilitleme mandalını kapatın.
- **Şek.2:** 1. Sap dikmesi 2. Kırmızı işaret 3. Kilitleme mandalı

ÖNEMLİ NOT: Sapı, kırmızı işaret görülemez olana dek sonuna kadar sokun.

Hortumun bağlanması

Hortumu cihazın montaj yerine takın ve kilitlenen dek hortumu çevirin.

► **Şek.3**

Borunun bağlanması

Alüminyum borunun ucunu rakora sokun ve ardından alüminyum boruyu boru kelepçesine takın.

► **Şek.4:** 1. Rakor 2. Boru kelepçesi

ÖNEMLİ NOT: Alüminyum boruyu şekilde gösterildiği gibi doğru yönde takın. Aksi takdirde boru kelepçesi kilitlemez ve alüminyum boru çıkabilir.

► **Şek.5**

Batarya kartuşunun takılması ve çıkarılması

⚠DİKKAT: Batarya kartuşunu takmadan ya da çıkarmadan önce cihazı daima kapatın.

⚠DİKKAT: Batarya kartuşunu takarken veya çıkarırken süpürgeyi ve batarya kartuşunu sıkıca tutun. Süpürge ve batarya kartuşunun sıkıca tutulmaması bunların düşürülmesine sebep olabilir; süpürge ve batarya kartuşunun zarar görmesine ya da ciddi yaralanmalara yol açabilir.

⚠DİKKAT: Batarya kapağını açıp kapatırken parmaklarınızı sıkıştırmamaya dikkat edin. Bunun yapılmaması kişisel yaralanmalara sebep olabilir.

Batarya kartuşunu takmak için önce kilidi serbest bırakın ve ardından batarya kapağını açın. Ondan sonra batarya kartuşunu sokun.

► **Şek.6:** 1. Kilit 2. Batarya kapağı

Batarya kartuşu üstündeki dili yuvadaki olukla hizalayın ve yerine kaydırın. Hafif bir tık sesi duyulana kadar itip yerine tam oturmasını sağlayın. Ardından, batarya kapağını kilitleyin.

► **Şek.7:** 1. Batarya kartuşu 2. Düğme

Batarya kartuşunu çıkarmak için, kartuşun ön tarafında bulunan düğmeyi kaydırarak batarya kartuşunu cihazdan çekerek ayırın.

⚠DİKKAT: Batarya kartuşunu her zaman tam olarak takın. Aksi takdirde, cihazın üzerinden kazara düşerek sizin ya da çevrenizdekilerin yaralanmasına neden olabilir.

⚠DİKKAT: Batarya kartuşunu zorlayarak takmayın. Kartuş kolay bir şekilde kaymıyorsa doğru yerleştirilmemiş demektir.

NOT: Süpürge sadece bir batarya kartuşu ile çalışmaz.

Filtre torbasının takılması

⚠ DİKKAT: Hasarlı bir filtre torbasını kullanmayın. Süpürgeyi daima filtre torbası düzgün bir şekilde takılmış halde kullanın. Aksi takdirde, vakumlanan toz ve parçacıklar süpürgeден dışarı çıkarak operatörde solunum yolu hastalıklarına neden olabilir.

Süpürgeyi kullanmadan önce filtre torbası takın. Filtre torbası tek kullanımlıktır. Dolduğu zaman filtre torbasını boşaltmadan olduğu gibi atın.

ÖNEMLİ NOT: Filtre torbası dolduğunda veya tıkanıldığında yenisiyle değiştirin. Filtre torbası sürekli olarak dolu veya tıkalı bir şekilde kullanılırsa emiş gücünde azalma meydana gelir.

ÖNEMLİ NOT: Motora toz kaçmasını önlemek için:

- Kullanmadan önce filtre torbasının takıldığından emin olun.
- Yırtık veya delinmiş torbaları kullanmayın.

Aksi takdirde motor arızalanabilir.

ÖNEMLİ NOT: Filtre torbasını takarken ağız kısmındaki kartonu bükmeyin.

ÖNEMLİ NOT: Süpürge nin filtre torbası, cihaz performansını sürdürmek için önemli bir parçadır. Orijinal olmayan filtre torbası kullanılması duman ya da parlamaya neden olabilir.

NOT: Cihaza filtre torbası takılı değilken toz kutusu kapağı tamamen kapanmaz.

1. Kolu kilitten kurtarın ve toz kutusu kapağını açın.
► **Şek.8:** 1. Kol 2. Toz kutusu kapağı
2. Filtre torbasını tamamen açın.
► **Şek.9**
3. Filtre torbasını, \triangle işaretli taraf önce girecek şekilde tutucudaki yuvaya sokun.
4. Tutucunun mandalını geçirin.
► **Şek.10:** 1. Yuva 2. Filtre torbası 3. Tutucu 4. Mandal
5. Tutucunun yarığından sadece kartonun üzerindeki işaretin görülebildiğinden emin olun.
► **Şek.11:** 1. İşaret 2. Yarık
6. Katlı ise filtre torbasını açın.
► **Şek.12**
7. Toz kutusu kapağını mutlaka kilitleyin.

⚠ DİKKAT: Mandalı geçirirken ve toz kutusu kapağını kapatırken parmaklarınızı sıkıştırılmaya dikkat edin.

Filtre torbasının çıkarılması

⚠ DİKKAT: Filtre torbası ile yavaşça işlem yapın. Aksi takdirde gözle yabancı maddeler girerek yaralanmaya neden olabilir.

Dolduğu veya tıkanıldığı zaman filtre torbasını değiştirin. Toz kutusu kapağını açın, mandalı açın ve ardından filtre torbasını çıkarın.

Filtre torbasını kapatmak için açıklığın olduğu taraftaki şeridi çekin ve filtre torbasını bütün olarak atın.

► **Şek.13:** 1. Mandal 2. Şerit

ÖNEMLİ NOT: Kullanılmış bir filtre torbasını yeniden kullanmayın. Filtre torbası tek kullanımlık olarak tasarlanmıştır. Filtre torbasının tekrar tekrar kullanılması filtrenin tıkanmasına neden olabilir ve süpürge nin hasar görmesine yol açar. Torbayı tekrar kullanmak isterseniz bir toz torbası kullanın.

İŞLEVSEL NİTELİKLER

⚠ DİKKAT: Cihaz üzerinde ayarlama ya da işlev kontrolü yapmadan önce cihazın kapalı ve batarya kartuşunun çıkarılmış olduğundan daima emin olun.

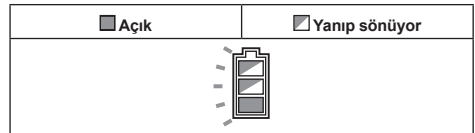
Alet/batarya koruma sistemi

Bu alet bir alet/batarya koruma sistemi ile donatılmıştır. Bu sistem motora giden gücü otomatik olarak keserek uzun alet ve batarya ömrü sağlar. Alet veya batarya için aşağıdaki durumlardan biri söz konusu olduğunda aletin işlevi otomatik olarak durur:

Aşırı yük koruması

Alet, anormal derecede yüksek akım çekmesine neden olacak şekilde kullanıldığında, alet hiçbir belirti vermeden otomatik olarak durur. Bu durumda, aleti kapatın ve aletin aşırı yüklenmesine neden olan uygulamayı durdurun. Daha sonra aleti yeniden başlaması için çalıştırın.

Aşırı ısınma koruması



Alet aşırı ısındığında otomatik olarak durur ve batarya göstergesi yaklaşık 60 saniye yanıp söner. Bu durumda, yeniden çalıştırmadan önce aletin soğumasını bekleyin.

Aşırı deşarj koruması

Batarya kapasitesi düştüğünde, alet otomatik olarak durur. Anahtarlar devredeyken bile ürün çalışmıyorsa, bataryaları aletten çıkarıp şarj edin.

Kalan batarya kapasitesinin gösterilmesi

Sadece göstergeli batarya kartuşları için

► **Şek.14:** 1. Gösterge lambaları 2. Kontrol düğmesi

Kalan batarya kapasitesini göstermesi için batarya kartuşu üzerindeki kontrol düğmesine basın. Gösterge lambaları birkaç saniye yanar.

Gösterge lambaları			Kalan kapasite
Yanıyor	Kapalı	Yanıp sönüyor	
■	□	◐	
■ ■ ■ ■			%75 ila %100
■ ■ ■ □			%50 ila %75
■ ■ □ □			%25 ila %50
■ □ □ □			%0 ila %25
◐ □ □ □			Bataryayı şarj edin.
■ ■ □ □			Batarya arızalanmış olabilir.
□ □ ■ ■			

NOT: Kullanım koşullarına ve ortam sıcaklığına bağlı olarak, gösterilen değer gerçek kapasiteden biraz farklılık gösterebilir.

NOT: İlk (en soldaki) gösterge lambası, batarya koruma sistemi çalıştığında yanıp söner.

Gösterge paneli

► **Şek.15:** 1. Çalışma modu 2. Aşırı düzeyde toz 3. Rulo fırça hatası 4. Kalan batarya kapasitesi 5. Batarya kontrolü / LED lamba düğmesi

Çalışma modu

Çalışma modunu değiştirmek için anahtar işlemi bölümüne bakın.

Aşırı düzeyde toz

Bu gösterge yanarsa filtre torbasını değiştirin. (Filtre torbasının çıkarılması bölümüne bakın.)

NOT: Cihaz "düşük gürültü düzeyi (1)" modunda çalışırken bu gösterge çalışmaz.

NOT: Bu gösterge, kullanım ortamına bağlı olarak çalışmayabilir.

NOT: Cihaz kapatıldıktan yaklaşık bir dakika sonra gösterge otomatik olarak söner. Filtre torbasının tıkanıklığını açar ve cihazı yeniden başlatırsanız gösterge, bir dakika içinde bile söner.

Rulo fırça hatası





Yanıp sönüyor	Rulo fırça bazı nedenlerle yüksek yük altında.
Açık	Rulo fırça anormal bir nedenle durduruldu.

UYARI: Çalışma sırasında bu lamba yanarsa cihazı derhal kapatın. Aksi takdirde motor arızası oluşabilir ve yangına neden olabilir.

Kalan batarya kapasitesi

Çalışma sırasında kalan batarya kapasitesini göstermesi için batarya kontrolü / LED lamba düğmesine basın. Batarya göstergelerinin her biri bir bataryaya karşılık gelir.

► **Şek.16**

Batarya göstergesi durumu			Kalan pil kapasitesi
Açık	Kapalı	Yanıp sönüyor	
■	□	◐	
			%50 ila %100
			%20 ila %50
			%0 ila %20
			Bataryayı şarj edin

Batarya kontrolü / LED lamba düğmesi

Çalışma sırasında aşağıdaki işlemler yapılabilir.

- Kalan batarya kapasitesini kontrol etmek için düğmeye basın.
- LED lambayı açmak / kapatmak için düğmeye basıp basılı tutun.

Anahtar işlemi

► **Şek.17:** 1. Açma / mod değiştirme düğmesi 2. Kapatma düğmesi

Cihazın açılması / kapatılması

Cihazı çalıştırmak için açma / mod değiştirme düğmesine basmanız yeterlidir. Kapatmak için, kapatma düğmesine basın.

DİKKAT: Cihazı açarken cihazın başlığını mutlaka zemine yerleştirin. Aksi takdirde dolaşma sonucu kaza olabilir ve yaralanmaya neden olabilir.

Çalışma modunun değiştirilmesi

Çalışma modunu üç kademeli olarak değiştirebilirsiniz: “düşük gürültü düzeyi (1)”, “normal (2)” ve “yüksek (3)”. Çalışma modunu değiştirmek isterseniz cihaz çalışırken açma / mod değiştirme düğmesine basın. Çalışma modu sırayla “düşük gürültü düzeyi (1)”, “normal (2)” ve “yüksek (3)” olarak değişir. Cihaz önceki ayarla aynı modda çalışmaya başlar.

LED lambanın yakılması

⚠ DİKKAT: Işığa bakmayın ya da ışık kaynağını doğrudan görmeyin.

Cihaz LED lambalarla donatılmıştır. Çalıştırma ile ilgili olarak batarya kontrolü / LED lamba düğmesi paragrafına bakın.
► **Şek.18:** 1. LED lamba

Ayak kolu

⚠ DİKKAT: Sapı bırakırken cihazı daima dik konumda kilitleyin. Aksi takdirde cihaz kazara düşerek yaralanmaya neden olabilir.

⚠ DİKKAT: Parmaklarınızı ana gövde ile cihazın başlığı arasında sıkıştırmamaya dikkat edin.

Cihazı dik konumdan kurtarmak için ayak koluna basın ve sapı geriye doğru çekin. Hareket aralığı dik konumdan itibaren 90 derecedir.
► **Şek.19:** 1. Ayak kolu

Cihazı dik konumda kilitlemek için ayak kolu bir tık ile yerine kilitlenene kadar sapı ileri doğru kaldırın.
► **Şek.20**

NOT: Cihaz dik konumdayken rulo fırça dönmeyi durdurur.

Rulo fırça yüksekliğinin ayarlanması

⚠ DİKKAT: Çalıştırmadan önce ayarlama kolu konumunun düzgün ayarlandığından mutlaka emin olun.

Rulo fırça yüksekliği 4 kademeye ayarlanabilir. Ayarlama kolunu istediğiniz yüksekliğe çevirin. Ayarlama kolu A işaretini gösterdiğinde rulo fırça zeminin üzerinde en alt noktaya ayarlanır ve sert yüzeyler ile kısa tüylü halıları temizlemek için uygundur. Ayarlama kolu B işaretini gösterdiğinde rulo fırça zeminin üzerinde en üst noktaya ayarlanır ve uzun tüylü halıları temizlemek için uygundur.

► **Şek.21:** 1. Ayarlama kolu

NOT: Rulo fırça yüksekliği halı yüzeyine dayanacak şekilde çok alta ise rulo fırça dönmeyebilir.

Taşıma kolu

Cihazı taşıırken cihazı sadece tekerleklerle ittirin veya taşıma kolunu(kollarını) tutarak taşıyın.
► **Şek.22**

⚠ DİKKAT: Cihazı taşıırken cihazı dik konumda kilitleyin. Aksi takdirde düşme kazası meydana gelebilir.

⚠ DİKKAT: Cihazı taşıma kolu dışında başka bir şeyle taşımayın. Aksi takdirde düşme kazası meydana gelebilir veya istemsiz çalıştırma yaralanmaya neden olabilir.

► **Şek.23**

KULLANIM

⚠ DİKKAT: Çalışma sırasında sap dikmesini çekerek cihazdan çıkarmayın. Aksi takdirde cihazın kontrolü kaybolur ve ciddi yaralanmaya yol açabilir.

⚠ DİKKAT: Çalışma sırasında elinizi veya ayağınızı cihazın altına koymayın. Aksi takdirde sıkışma kazası meydana gelebilir.

Normal temizleme işlemi

1. Sapı tutun ve ardından dik konumdan kurtarın.
 2. Cihazı açın. Zemini temizleyin.
- **Şek.24**

Yan fırçanın kullanılması

Yan fırça, duvar köşelerini temizlemek için kullanışlıdır. Yan fırça kısırlırsa değiştirilmesi için cihazı Makita servis merkezine getirin.
► **Şek.25:** 1. Yan fırça

Aksesuarlarla çalışma

⚠ DİKKAT: Aksesuarları kullanırken sapı tutmaya devam edin. Aksi takdirde cihaz kazara düşerek yaralanmaya neden olabilir.

ÖNEMLİ NOT: Aksesuarları kullanırken cihazı dik konumda kilitleyin. Aksi takdirde rulo fırçanın dönmeye zemin zarar verebilir.

Alüminyum borunun kullanılması

Alüminyum boru, dar alanları veya yüksek yerleri temizlemek için uygundur.
► **Şek.26:** 1. Alüminyum boru

Hortumun kullanılması

Hortum, ellerinize yakın yerleri temizlemek için uygundur.
► **Şek.27:** 1. Hortum
Hortumu kullanmak için kolu bastırırken alüminyum boruyu hortumdan çekip çıkarın. Hortumu takmak için tık sesi ile yerine oturana dek hortumu alüminyum boruya sokun.
► **Şek.28:** 1. Kol

Ek parçaların kullanılması

► Şek.29

Ek parçayı takmak için parçayı alüminyum boru veya hortuma çevirerek sokun. Ayırmak için, çevirerek çıkarın.

BAKIM

⚠DİKKAT: Kontrol ya da bakım yapmadan önce cihazın kapalı ve batarya kartuşunun çıkarılmış olduğundan daima emin olun.

ÖNEMLİ NOT: Benzin, tiner, alkol ve benzeri maddeleri kesinlikle kullanmayın. Renk değişimi, deformasyon veya çatlaklar oluşabilir.

Aleti EMNİYETLİ ve ÇALIŞMAYA HAZIR durumda tutmak için onarımlar, başka her türlü bakım ve ayarlamalar daima Makita yedek parçaları kullanılarak Makita yetkili servis merkezleri veya Fabrika'nın Servis Merkezleri tarafından yapılmalıdır.

Saklama

Saklarken batarya kartuşları çıkarın ve cihazı düz bir yerde dik konumda saklayın.

► Şek.30

Cihaz gövdesinin temizlenmesi

Zaman zaman sabunlu suyla ıslatılmış bir bezle süpürge'nin dış kısmını (süpürge gövdesini) silin.

► Şek.31

HEPA filtrenin temizlenmesi

⚠DİKKAT: Süpürgeyi filtresiz olarak kullanmayın ya da kirli veya hasarlı bir filtreyle kullanmaya devam etmeyin. Vakumlanan toz ve parçacıklar süpürge'den dışarı çıkarak operatörde solunum yolu hastalıklarına neden olabilir.

ÖNEMLİ NOT: En iyi emiş gücünü korumak ve temiz bir çıkış sağlamak için, filtreyi periyodik olarak temizleyin. Temizlikten sonra bile yeterli emiş gücü sağlanamıyorsa filtreyi yenisiyle değiştirin.

ÖNEMLİ NOT: Filtrenin hasar görmesini önlemek için, temizlik amacıyla aşağıdaki aletleri ve benzer eşyaları kullanmayın:

- Havalı toz üfleme aparatı
- Basınçlı yıkama makinası
- Metal fırça gibi sert materyallerden yapılan aletler

1. Toz kutusu kapağını açın ve filtre torbasını çıkarın.

Filtre üzerindeki kancaları açın ve cihaz gövdesinden çıkarın.

► Şek.32: 1. Kanca

2. Filtreye vurarak tozunun çıkmasını sağlayın. Filtre suyla yıkanabilir. 1-2 ayda bir, filtre üzerindeki toz ve parçacıkları suyla giderin. Ardından, filtreyi iyi havalandırılan gölge bir yerde kurutarak istenmeyen kokuların ya da arızaların oluşmasını engelleyin.

3. Filtreyi takmak için, kancasız tarafı oluğa sokun ve ardından kancalar tık sesi ile sabitlenene kadar filtreyi içeri ittirin.

► Şek.33: 1. Oluk 2. HEPA filtre 3. Kanca

Rulo fırçanın temizlenmesi

1. Alt plakayı çıkarın ve ardından rulo fırçayı çıkarın. Rulo fırçanın kılları kısalsırsa Makita servis merkezinden yenisini isteyin.

Cihazın kısa kıllı rulo fırça ile çalıştırılması zayıf toz toplanmasına neden olabilir.

► Şek.34: 1. Alt plaka 2. Rulo fırça

2. Rulo fırçadaki iplik ve saçları makasla çıkarın.

Başlığı çıkarın ve birikintileri temizleyin.

► Şek.35: 1. Başlık

3. Başlığı, rulo fırçayı ve alt plakayı ters sırada takın.

► Şek.36

⚠DİKKAT: Alt plakayı tümüyle takın. Cihaz alt plakasız çalıştırılırsa rulo fırça çıkarak yaralanmaya neden olabilir.

ÖNEMLİ NOT: Rulo fırçayı mutlaka takın. Cihazın rulo fırçasız çalıştırılması zayıf toz toplanmasına neden olabilir.

Tıkanıklığın açılması

ÖNEMLİ NOT: Emme akış yolu tıkalı cihazı kullanmayın. Emme akış yolu tıkalı durumda kesintisiz kullanım düşük emiş gücüne yol açar.

1. Alt plakayı çıkarın ve ardından rulo fırçayı çıkarın.

2. Alüminyum boruyu cihazdan ve hortumdan çıkarın.

3. Hortumu saatin aksi yönünde çevirin ve ardından hortumu cihazdan çıkarın.

4. Emme hortumunu tırnağı çekerek çıkarın.

► Şek.37: 1. Emme hortumu 2. Tırnak

5. Alüminyum boru ve hortumun içi ile emme hortumu için havanın emme akış yolunu kontrol edin.

Bunların içindeki birikintileri temizleyin.

6. Emme hortumunun dilini yuvadaki oyukla hizalayın ve yerine kaydırın.

► Şek.38: 1. Dil 2. Oyuk

7. Hortum, alüminyum boru, rulo fırça ve alt plakayı takın.

⚠DİKKAT: Hortumu, boruyu sıkıca takın. Aksi takdirde toz kaçağı olabilir ve yaralanmaya neden olabilir.

Toz torbası

İsteğe bağlı aksesuar

Toz torbası temizlenerek tekrar tekrar kullanılabilir.

Toz torbasının takılması ve çıkarılması

Toz torbasını takma ve çıkarma prosedürü filtre torbası ile aynıdır. Lütfen Filtre torbasının takılması ve Filtre torbasının çıkarılması kısmına bakın.

► **Şek.39:** 1. Toz torbası 2. Kauçuk kapak

ÖNEMLİ NOT: Toz torbasını takarken önce kauçuk kapağı açın. Kauçuk kapak arkada olacak şekilde toz torbasını takın.

Toz torbasının boşaltılması

1. Toz uçuşmasını engellemek için kauçuk kapağı kapatın.
 2. Bağlama elemanını dışarı çekerek torbanın ağzını açın.
 3. Torbanın içine yapışan parçacıkları çıkarmak için torbaya hafifçe vurarak toz torbasını boşaltın.
- **Şek.40:** 1. Toz torbası 2. Kauçuk kapak 3. Bağlama elemanı

ÖNEMLİ NOT: Toz torbasını sık sık boşaltın. Çok fazla toz torbayı kolayca yırtar.

Toz torbasının temizlenmesi

Toz torbasını su ve sabunla düzenli olarak temizleyin. Toz torbasının tersini çevirerek yapışan tozları gidirin. Elinizde nazikçe yıkayın ve suyla iyice durulayın. Elektrikli süpürgeye takmadan önce tamamen kurutun.

► **Şek.41**

ÖNEMLİ NOT: Islak toz torbası vakumlama performansını düşürdüğü gibi motor ömrünü de kısaltır.

ÖNEMLİ NOT: Bağlama elemanını toz torbasına takarken torbanın ağzının sıkıca kapatıldığından emin olun.

SIKLON EK PARÇASI

İsteğe bağlı aksesuar

► **Şek.42:** 1. Siklon ek parçası

Siklon ek parçası hakkında

Süpürgeyi siklon ek parçası takılı durumda kullanmak filtre torbasına giren toz miktarını azaltarak emiş gücünün zayıflamasını önlemeye yardımcı olur. Ek olarak kullanım sonrası temizleme de kolaylaşır.

⚠DİKKAT: Alet üzerinde herhangi bir işlem yapmadan önce mutlaka aletin kapalı ve batarya kartuşunun çıkarılmış olduğundan emin olun. Batarya kartuşu takılı bırakılırsa süpürge beklenmedik şekilde çalışabilir ve yaralanmaya neden olabilir.

⚠DİKKAT: Siklon ek parçasının gözenekli filtresini ve süpürge ünitesinin filtre torbasını tıkanıklarında temizleyin. Tıkalı durumda kullanmaya devam etmek ısınma veya dumana neden olabilir.

ÖNEMLİ NOT: Siklon ek parçası takılı iken siklon ek parçasını yatay veya yukarı bakar durumda kullanmayın. Bunun yapılması gözenekli filtrenin tıkanmasına neden olabilir.

ÖNEMLİ NOT: Süpürgeyi, siklon ek parçasını kullanırken bile, her zaman filtre torbası takılı olarak kullanın. Süpürgeyi filtre torbası takılı olmadan kullanılması motor arızasına neden olabilir.

NOT: Kullanmadan önce siklon ek parçası, süpürge ve düz borunun düzgün bir şekilde kilitletiğini kontrol edin.

NOT: Toz biriktiğinde siklon ek parçasının toz kutusunu ve süpürgeyi filtre torbasını boşaltın. Kullanmaya devam etmek zayıf emiş gücüne yol açar.

Siklon ek parçasının takılması

1. Hortumun üzerindeki manşonu saatin aksi yönünde çevirin; hortum, boru tutamağı ve alüminyum boruyu cihazdan çıkarın.

► **Şek.43:** 1. Manşon 2. Hortum 3. Boru tutamağı 4. Alüminyum boru

2. Siklon ek parçasının üzerindeki durdurucunun kenarını yukarı doğru çevirerek durdurucuyu emme ağzının oluşu ile hizalayın. Siklon ek parçasını tık sesliye yerine oturana dek sokarak durdurucuyu kilitleyin. Çıkmadığından emin olmak için siklon ek parçasını hafifçe çekin. Düz boruyu, siklon ek parçası ile aynı prosedürde takın.

► **Şek.44:** 1. Siklon ek parçası tutamağı 2. Emme ağzı 3. Siklon ek parçası 4. Siklon ek parçası için düz boru 5. Durdurucu 6. Kilitleme düğmesi

3. Siklon ek parçasını cihaza takın, ardından hortumun üzerindeki manşonu saat yönünde çevirerek sabitleyin.

► **Şek.45**

Tozun boşaltılması

Toz kutusunun dolu çizgisine kadar toz biriktiğinde aşağıdaki prosedürü izleyerek tozu boşaltın.

1. Toz kutusunu sıkıca tutun, iki düğmeye basarak basılı tutun ve toz kutusunu çıkarın.

► **Şek.46:** 1. Dolu çizgisi 2. Toz kutusu 3. Düğme (iki yerde) 4. Gözenekli filtre

2. Toz kutusunun içindeki tozu boşaltın ve gözenekli filtrenin yüzeyine yapışan tüm tozu temizleyin.

3. Toz kutusunu, iki düğme bir tık sesi ile kilitlene kadar sonuna dek sokun.

► **Şek.47:** 1. Toz kutusu 2. Düğme (iki yerde)

NOT: Toz kutusunu takarken siklon ek parçasını sıkıca tutun.

NOT: Yeniden çalışmaya başlamadan önce siklon ek parçası, süpürge ve düz borunun düzgün bir şekilde kilitletiğini kontrol edin.

NOT: Tozu boşalttıktan ve gözenekli filtreyi temizledikten sonra bile emiş gücü toparlanmazsa süpürgeyi filtre torbasında toz birikip birikmediğini veya tıkanma olup olmadığını kontrol edin.

Temizleme

Toz kutusu kirlendiğinde veya gözenekli filtre tıkanmış durumda bunları çıkarıp su ile yıkayın. (Çıkarma prosedürü için "Tozun boşaltılması" kısmına bakın.)

Yeniden takmadan ve kullanmadan önce parçaları tamamen kurutun.

► **Şek.48:** 1. Toz kutusu 2. Gözenekli filtre

Gözenekli filtre çok kirlendiğinde aşağıdaki prosedürleri izleyerek temizleyin.

1. Gözenekli filtreyi saatin aksi yönünde çevirin ve kancalar açıkken çıkarın.
► **Şek.49:** 1. Gözenekli filtre 2. Kanca
2. Gözenekli filtre üzerindeki tozu temizleyin ve ardından su ile yıkayın. Ondandır sonra tamamen kurutun.
3. Gözenekli filtreyi, kancalar açıklık ile hizalanmış durumda tabana sokun. Gözenekli filtreyi, kancalar bir tık sesi ile kilitlene kadar saat yönünde çevirin. Gözenekli filtrenin sıkıca takıldığından emin olun.
► **Şek.50:** 1. Gözenekli filtre 2. Kanca 3. Açıklık

SORUN GİDERME

Onarım için servise gitmeden önce kontrolleri yapın. Kılavuzda açıklanmayan bir problemle karşılaşırsanız makineyi parçalarına ayırmaya çalışmayın. Bunun yerine, Makita Yetkili Servis Merkezlerine başvurun ve daima orijinal Makita yedek parçaları kullanın.

Belirti	Olası nedeni	Çözüm
Çalışmıyor	Batarya kartuşları düzgün takılmamış.	Batarya kartuşlarını bu kılavuzda açıklandığı gibi takın.
	Batarya kartuşları bitmiş.	Batarya kartuşlarını şarj edin.
	Sap düzgün takılmamış.	Sapı bu kılavuzda açıklandığı gibi sıkıca takın.
Rulo fırça dönmüyor	Cihaz dik konumda kilitlenmış.	Cihazı dik konumdan kurtarın.
	Rulo fırça hata göstergesi yanıyor.	Rulo fırçanın etrafında (gövde, başlık ve rakor) dolaşma olmadığını kontrol edin.
Zayıf emme gücü	Aşırı düzeyde toz göstergesi yanıyor.	Filtre torbasını değiştirin. Filtre torbası dolu değilse filtre torbasını açın ve tıkanıklığı açmak için sallayın.
	⇒Filtre torbasının değiştirilmesi sorunu çözmezse...	HEPA filtreyi temizleyin veya değiştirin. Hortum ve boruda tıkalı birikinti olmadığını kontrol edin.
	Rulo fırçaya birikinti dolaşmış ve dönüş hızı düşmüştür.	Rulo fırçanın etrafında (gövde, başlık ve rakor) dolaşma olmadığını kontrol edin.
	Rulo fırça yüksekliği zeminden çok yüksek.	Rulo fırça yüksekliğini indirin.
	Rulo fırça kolları kısalmış.	Rulo fırçayı değiştirin. Rulo fırça yüksekliğini indirin.
	Cihaz düşük modda çalışıyor.	Daha yüksek çalışma moduna geçin.
	Rulo fırça takılı değil.	Rulo fırçayı takın.
	Boru veya hortum düzgün takılmamış.	Boru veya hortumu sıkıca takın.
Yüksek sürme gücü	Cihaz yüksek modda çalışıyor.	Daha düşük çalışma moduna geçin.
	Rulo fırçaya birikinti dolaşmış.	Rulo fırçanın etrafında (gövde, başlık ve rakor) dolaşma olmadığını kontrol edin.
	Filtre torbası tozla dolmuş.	Filtre torbasını değiştirin.
	⇒Filtre torbasının değiştirilmesi sorunu çözmezse...	HEPA filtreyi temizleyin veya değiştirin. Hortum ve boruda tıkalı birikinti olmadığını kontrol edin.
Aşırı düzeyde toz göstergesi az bir kullanım sonunda yanıp sönüyor	Filtre torbası katlanmış.	Yerleştirmeden önce filtre torbasının ağız kısmının katını açın.
LED lamba yanmıyor	LED lamba ayarı kapalı.	Çalışma sırasında LED lambayı açmak için batarya kontrolü / LED lamba düğmesine basın ve basılı tutun.
Tekerlek zor hareket ediyor	Tekerleğe birikinti dolaşmış.	Tekerlekteki birikintiyi temizleyin.

İSTEĞE BAĞLI AKSESUARLAR

⚠ DİKKAT: Bu aksesuarlar ve ek parçalar bu el kitabında belirtilen Makita aletiniz ile kullanılmak için tavsiye edilmektedir. Herhangi başka bir aksesuar ya da ek parça kullanılması insanlar için bir yaralanma riski getirebilir. Aksesuarları ya da ek parçaları yalnızca belirtilmiş olan kullanım amaçlarına uygun olarak kullanın.

Bu aksesuarlarla ilgili daha fazla bilgiye ihtiyaç duyar-sanız bulunduğunuz yerdeki yetkili Makita servisine başvurun.

- Köşe emme başlığı
- Yuvarlak fırça
- Siklon ek parçası
- HEPA filtre
- Filtre torbası
- Toz torbası
- Orijinal Makita batarya ve şarj aleti

NOT: Listedeki parçaların bazıları alet paketi içerisinde standart aksesuar olarak dahil edilmiş olabilir. Bunlar ülkeden ülkeye farklılık gösterebilir.

Makita Europe N.V. Jan-Baptist Vinkstraat 2,
3070 Kortenberg, Belgium

Makita Corporation 3-11-8, Sumiyoshi-cho,
Anjo, Aichi 446-8502 Japan

www.makita.com

885802B990
EN, FR, DE, IT, NL,
ES, PT, DA, EL, TR
20221201