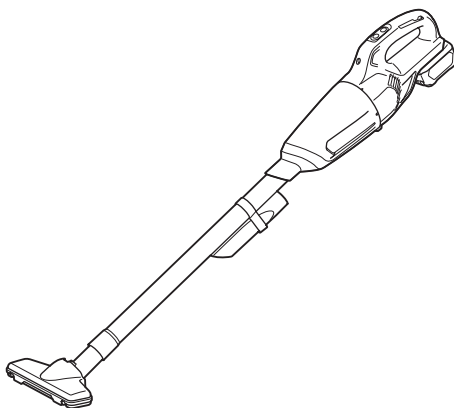
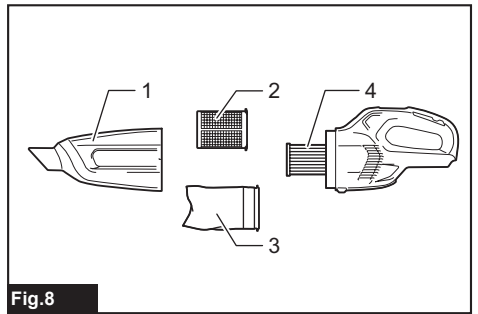
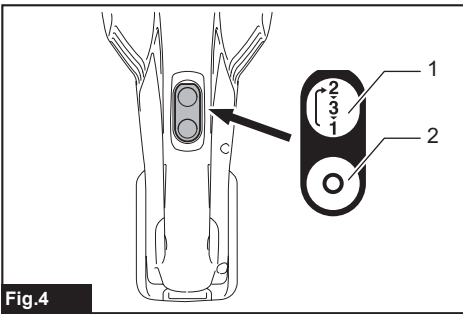
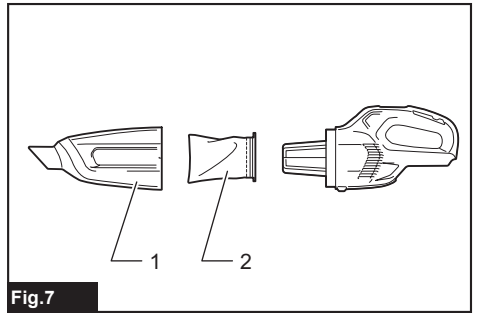
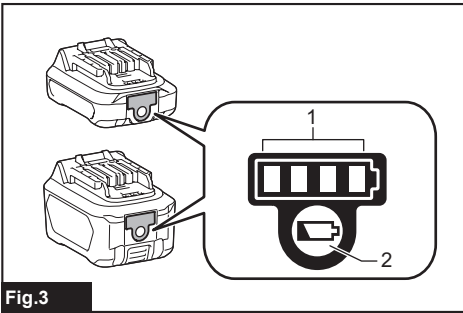
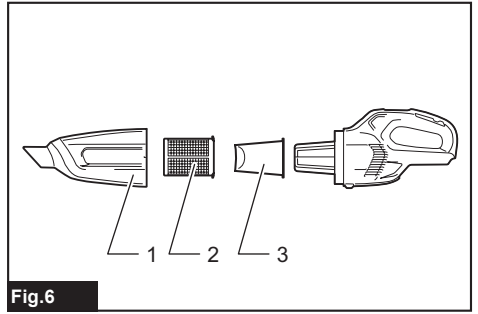
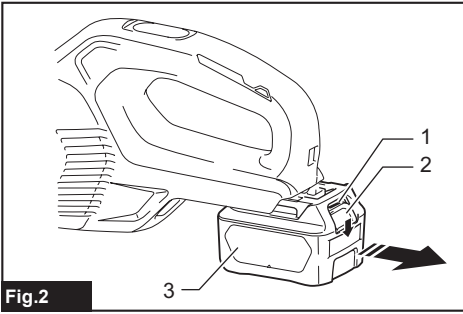
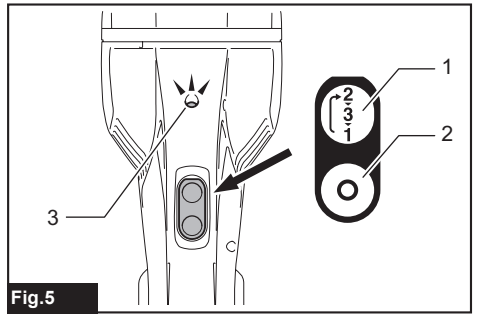
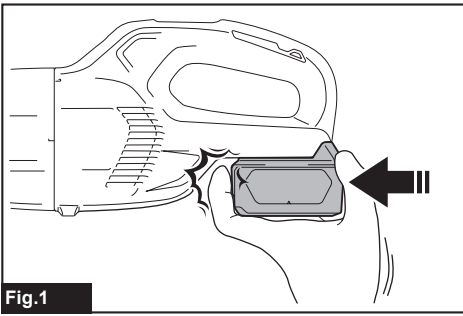


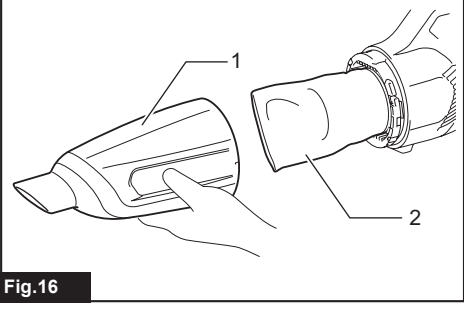
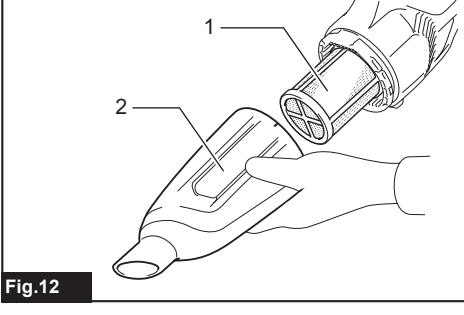
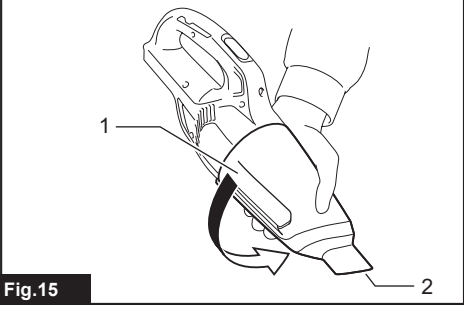
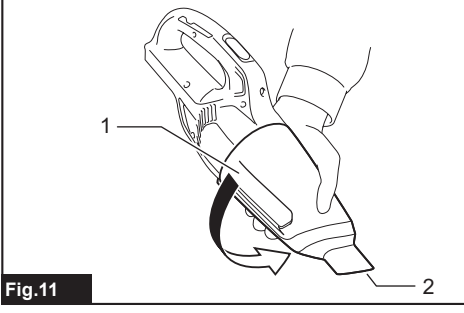
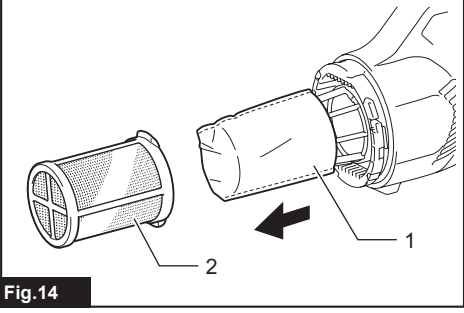
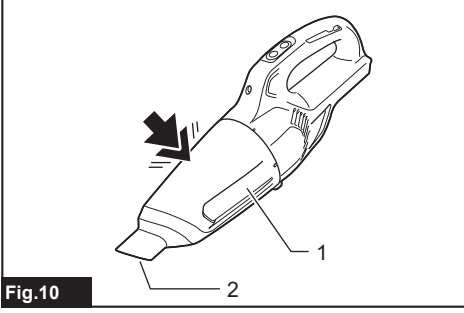
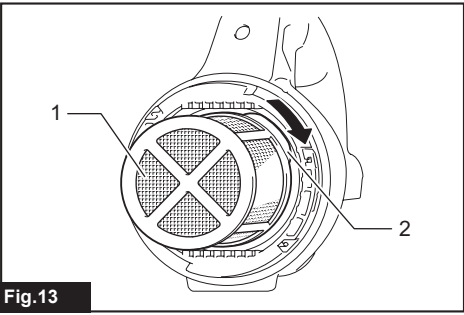
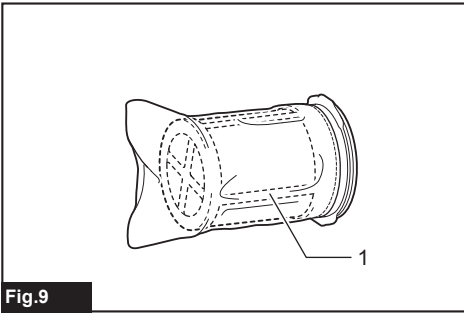


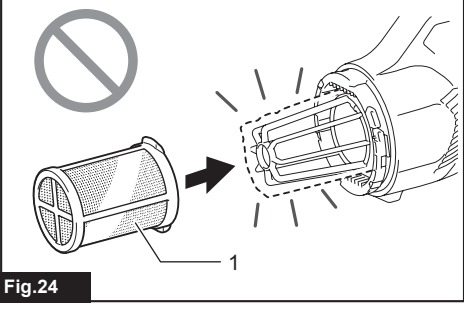
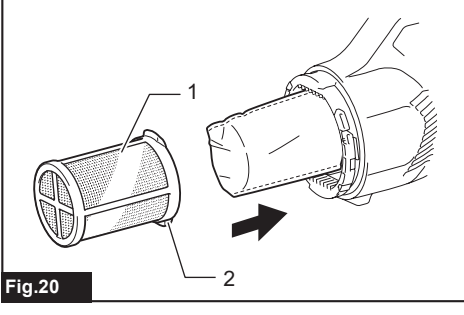
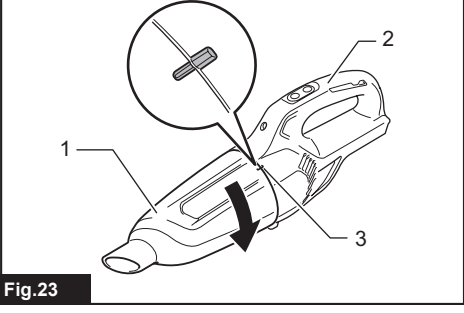
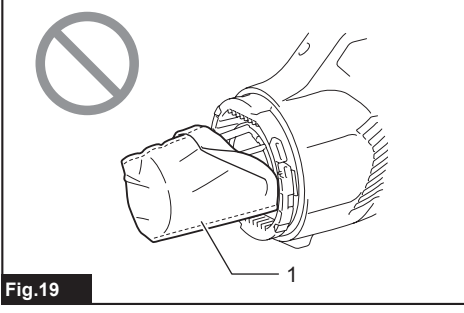
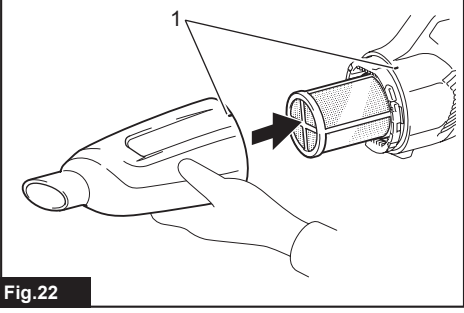
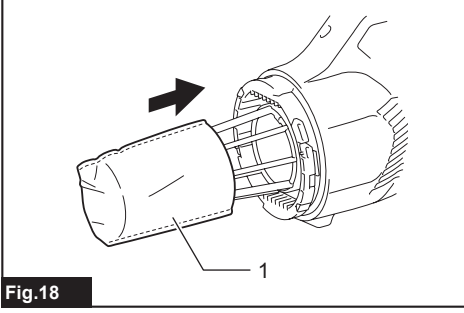
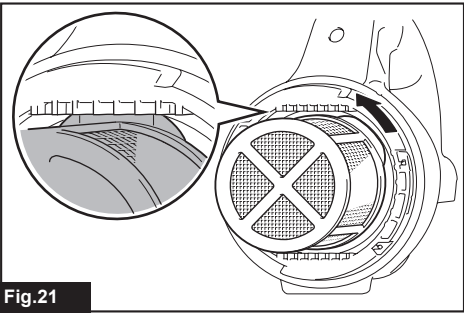
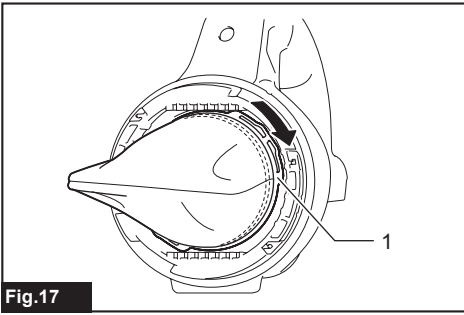
<b>EN</b>	<b>Cordless Cleaner</b>	<b>INSTRUCTION MANUAL</b>	<b>9</b>
<b>FR</b>	<b>Aspirateur sans Fil</b>	<b>MANUEL D'INSTRUCTIONS</b>	<b>17</b>
<b>DE</b>	<b>Akku-Staubsauger</b>	<b>BETRIEBSANLEITUNG</b>	<b>26</b>
<b>IT</b>	<b>Aspiratore a batteria</b>	<b>ISTRUZIONI PER L'USO</b>	<b>35</b>
<b>NL</b>	<b>Accustofzuiger</b>	<b>GEBRUIKSAANWIJZING</b>	<b>44</b>
<b>ES</b>	<b>Aspiradora Inalámbrica</b>	<b>MANUAL DE INSTRUCCIONES</b>	<b>53</b>
<b>PT</b>	<b>Aspirador de pó a bateria</b>	<b>MANUAL DE INSTRUÇÕES</b>	<b>62</b>
<b>DA</b>	<b>Akku støvsuger</b>	<b>BRUGSANVISNING</b>	<b>70</b>
<b>EL</b>	<b>Φορητή σκούπα</b>	<b>ΕΓΧΕΙΡΙΔΙΟ ΟΔΗΓΙΩΝ</b>	<b>78</b>
<b>TR</b>	<b>Akülü Süpürge</b>	<b>KULLANMA KILAVUZU</b>	<b>88</b>

## CL108FD









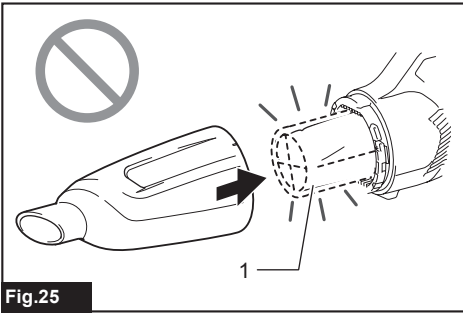


Fig.25

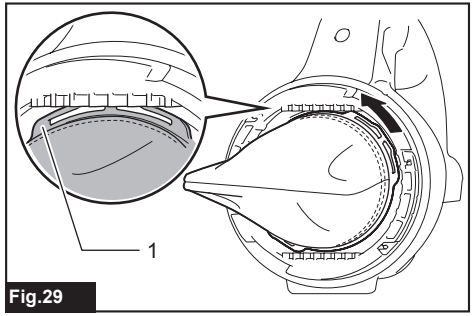


Fig.29

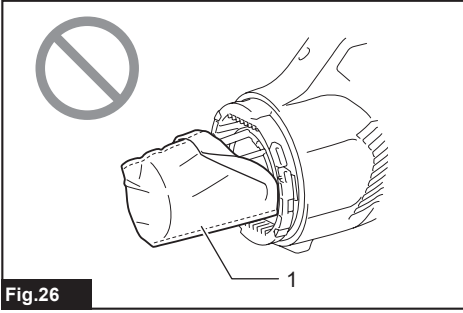


Fig.26

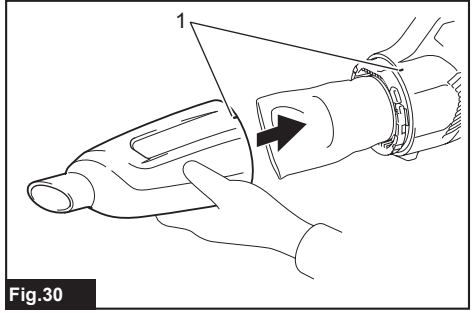


Fig.30

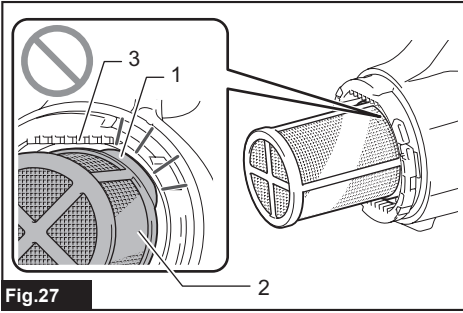


Fig.27

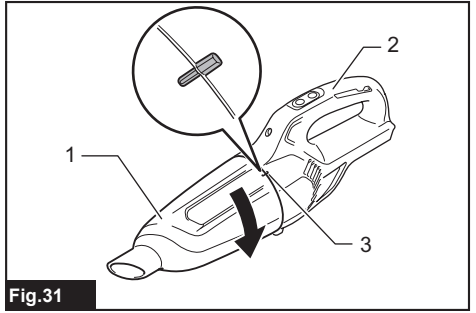


Fig.31

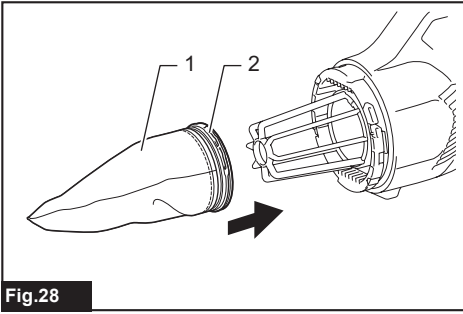


Fig.28

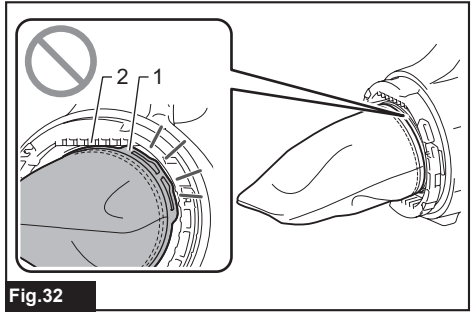


Fig.32

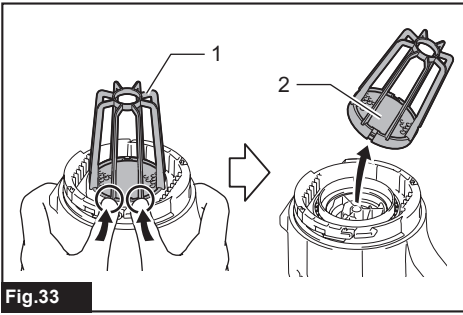


Fig.33

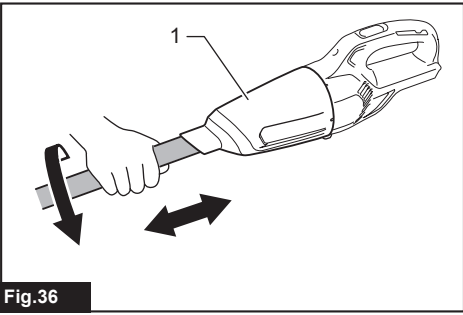


Fig.36

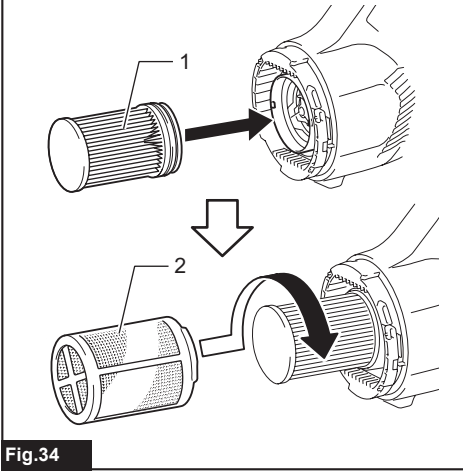


Fig.34

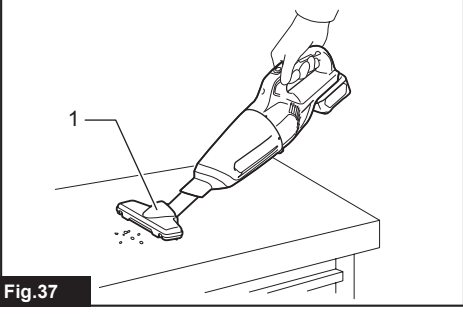


Fig.37

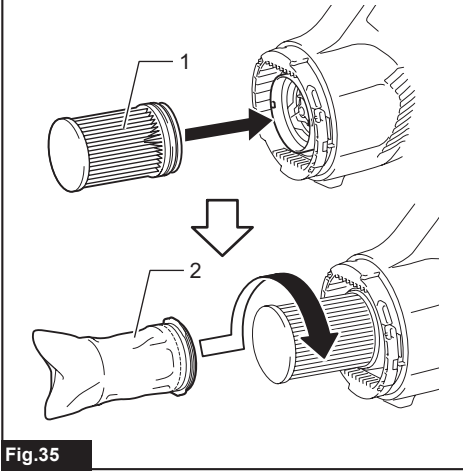


Fig.35

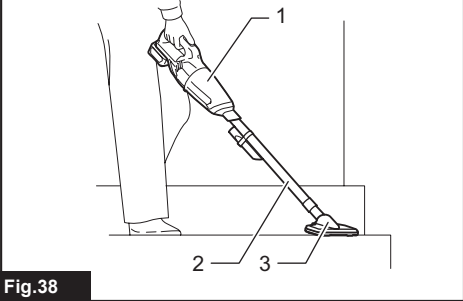


Fig.38

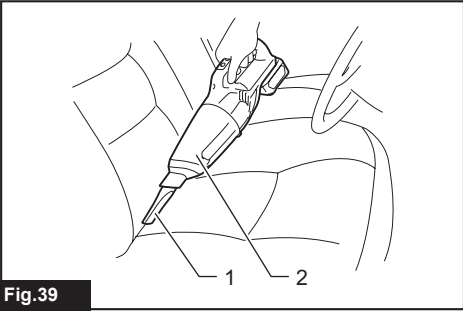
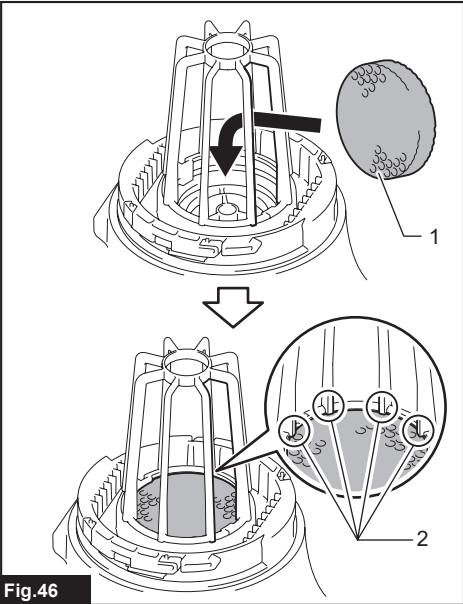
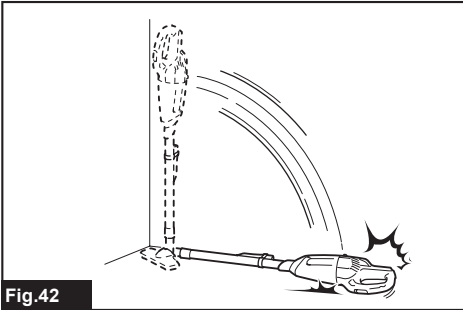
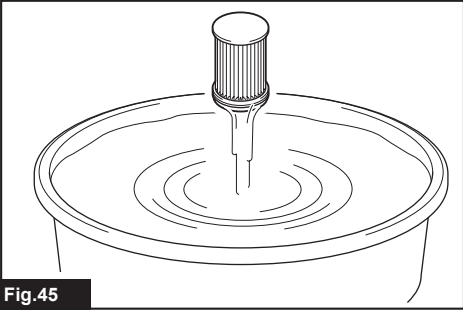
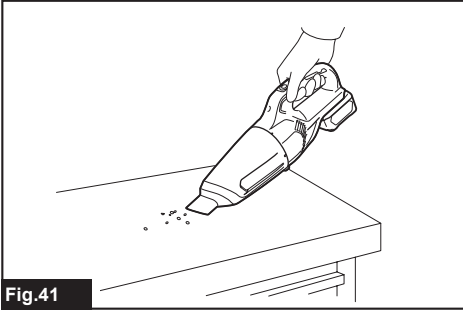
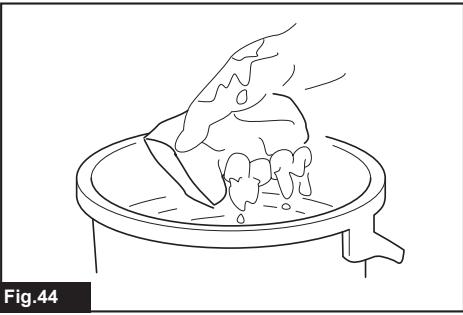
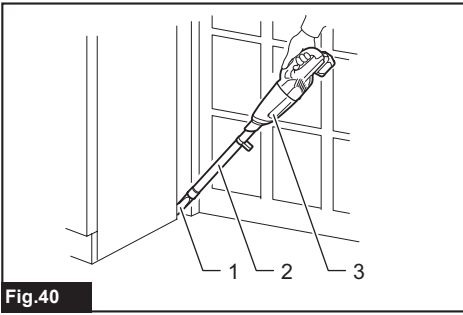


Fig.39



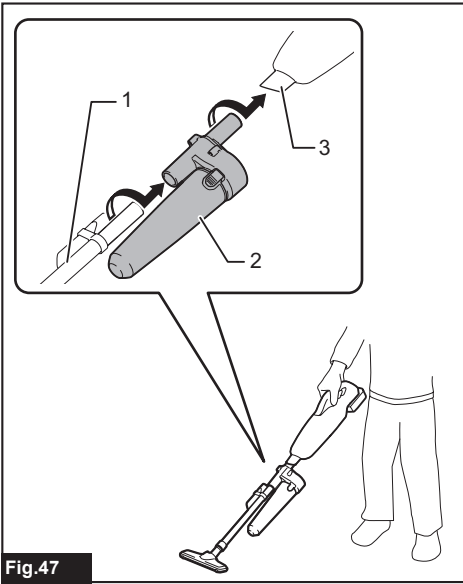


Fig.47

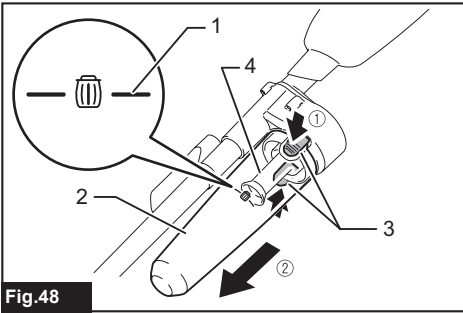


Fig.48

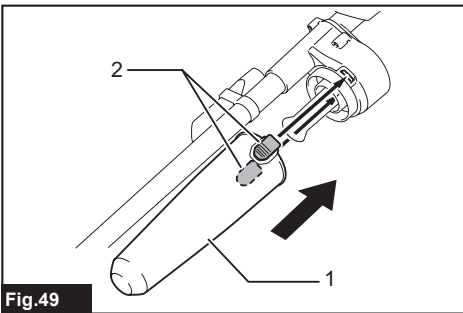


Fig.49

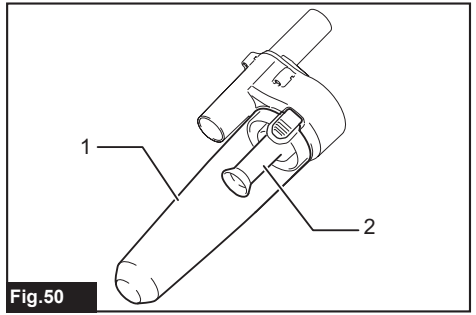


Fig.50

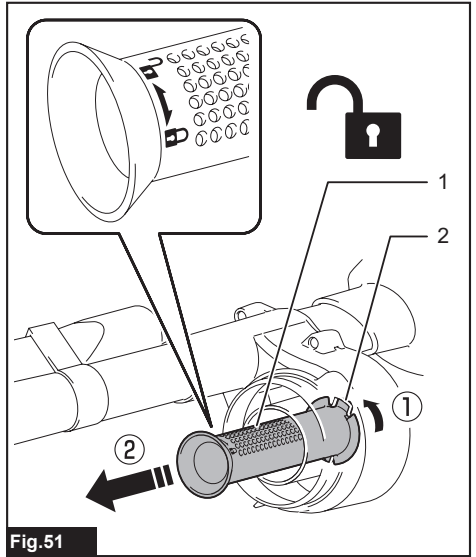


Fig.51

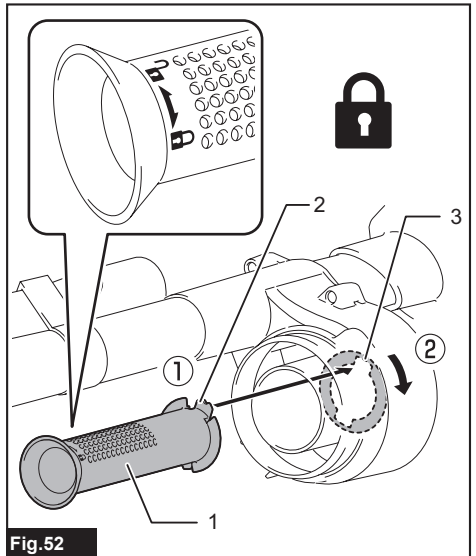


Fig.52



## WARNING

- This appliance can be used by children aged from 8 years and above and persons with reduced physical, sensory or mental capabilities or lack of experience and knowledge if they have been given supervision or instruction concerning use of the appliance in a safe way and understand the hazards involved.
- Children shall not play with the appliance. Cleaning and user maintenance shall not be made by children without supervision.
- See the chapter "SPECIFICATIONS" for the type reference of the battery.
- See the section "Installing or removing battery cartridge" for how to remove or install the battery.
- When disposing the battery cartridge, remove it from the tool and dispose of it in a safe place. Follow your local regulations relating to disposal of battery.
- If the tool is not used for a long period of time, the battery must be removed from the tool.
- Do not short the battery cartridge.
- See the chapter "MAINTENANCE" for the appropriate details of precautions during user maintenance.

## SPECIFICATIONS

<b>Model:</b>		<b>CL108FD</b>
Capacity		600 mL
Continuous use (with battery BL1016)	1 (Normal speed mode)	Approx. 25 min
	2 (High speed mode)	Approx. 12 min
	3 (Max speed mode)	Approx. 10 min
Overall length		956 mm
Rated voltage		D.C. 10.8 V - 12 V max
Net weight		1.0 - 1.2 kg

- Due to our continuing program of research and development, the specifications herein are subject to change without notice.
- Specifications may differ from country to country.
- The weight does not include accessories but battery cartridge(s). The lightest and heaviest combination weight of the appliance and battery cartridge(s) are shown in the table.

### Applicable battery cartridge and charger

Battery cartridge	BL1016 / BL1021B / BL1041B
Charger	DC10SA / DC10SB / DC10WC / DC10WD / DC18RE

- Some of the battery cartridges and chargers listed above may not be available depending on your region of residence.

**⚠ WARNING: Only use the battery cartridges and chargers listed above.** Use of any other battery cartridges and chargers may cause injury and/or fire.

## Symbols

The followings show the symbols which may be used for the equipment. Be sure that you understand their meaning before use.



Read instruction manual.



Ni-MH  
Li-ion

Only for EU countries  
Due to the presence of hazardous components in the equipment, waste electrical and electronic equipment, accumulators and batteries may have a negative impact on the environment and human health. Do not dispose of electrical and electronic appliances or batteries with household waste!  
In accordance with the European Directive on waste electrical and electronic equipment and on accumulators and batteries and waste accumulators and batteries, as well as their adaptation to national law, waste electrical equipment, batteries and accumulators should be stored separately and delivered to a separate collection point for municipal waste, operating in accordance with the regulations on environmental protection.  
This is indicated by the symbol of the crossed-out wheeled bin placed on the equipment.

## Intended use

The tool is intended for collecting dry dust.

## SAFETY WARNINGS

### Cordless cleaner safety warnings

**⚠ WARNING: IMPORTANT! READ CAREFULLY all safety warnings and all instructions BEFORE USE.** Failure to follow the warnings and instructions may result in electric shock, fire and/or serious injury.

1. Do not expose to rain. Store indoors.
2. Do not allow to be used as a toy. Close attention is necessary when used by or near children.
3. Use only as described in this manual. Use only manufacturer's recommended attachments.
4. Do not use with damaged battery. If appliance is not working as it should, has been dropped, damaged, left outdoors, or dropped into water, return it to a service center.
5. Do not handle appliance with wet hands.
6. Do not put any object into openings. Do not use with any opening blocked; keep free of dust, lint, hair, and anything that may reduce air flow.
7. Keep hair, loose clothing, fingers, and all parts of body away from openings and moving parts.
8. Turn off all controls before removing the battery.
9. Use extra care when cleaning on stairs.

10. Do not use to pick up flammable or combustible liquids, such as gasoline, or use in areas where they may be present.
11. Use only the charger supplied by the manufacturer to recharge.
12. Do not pick up anything that is burning or smoking, such as cigarettes, matches, or hot ashes.
13. Do not use without dust bag and/or filters in place.
14. Do not charge the battery outdoors.
15. Recharge only with the charger specified by the manufacturer. A charger that is suitable for one type of battery pack may create a risk of fire when used with another battery pack.
16. Use appliances only with specifically designated battery packs. Use of any other battery packs may create a risk of injury and fire.
17. When (the) battery pack is not in use, keep it away from other metal objects, like paper clips, coins, keys, nails, screws or other small metal objects, that can make a connection from one terminal to another.
18. Under abusive conditions, liquid may be ejected from the battery; avoid contact. If contact accidentally occurs, flush with water.
19. Do not use a battery pack or appliance that is damaged or modified. Damaged or modified batteries may exhibit unpredictable behaviour resulting in fire, explosion or risk of injury.
20. Do not expose a battery pack or appliance to fire or excessive temperature. Exposure to fire or temperature above 130 °C may cause explosion.
21. Follow all charging instructions and do not charge the battery pack or appliance outside the temperature range specified in the instructions. Charging improperly or at temperatures outside the specified range may damage the battery and increase the risk of fire.

## SAVE THESE INSTRUCTIONS.

### ADDITIONAL SAFETY RULES

This appliance is intended for household use.

1. Read this instruction manual and the charger instruction manual carefully before use.
2. Do not pick up the following materials:
  - Hot materials such as lit cigarettes or spark/metal dust generated by grinding/cutting metal
  - Flammable materials such as gasoline, thinner, benzene, kerosene or paint
  - Explosive materials like nitroglycerin
  - Ignitable materials such as Aluminum, zinc, magnesium, titanium, phosphorus or celluloid
  - Wet dirt, water, oil or the like
  - Hard pieces with sharp edges, such as wood chips, metals, stones, glasses, nails, pins or razors
  - Powder to clot such as cement or toner
  - Conductive dust such as metal or carbon
  - Fine particle like concrete dust

- Such action may cause fire, injury and/or property damage.
- 3. Stop operation immediately if you notice anything abnormal.
- 4. If you drop or strike the cleaner, check it carefully for cracks or damage before operation.
- 5. Do not bring close to stoves or other heat sources.
- 6. Do not block the intake hole or vent holes.

## SAVE THESE INSTRUCTIONS.

### Important safety instructions for battery cartridge

1. Before using battery cartridge, read all instructions and cautionary markings on (1) battery charger, (2) battery, and (3) product using battery.
2. Do not disassemble or tamper with the battery cartridge. It may result in a fire, excessive heat, or explosion.
3. If operating time has become excessively shorter, stop operating immediately. It may result in a risk of overheating, possible burns and even an explosion.
4. If electrolyte gets into your eyes, rinse them out with clear water and seek medical attention right away. It may result in loss of your eyesight.
5. Do not short the battery cartridge:
  - (1) Do not touch the terminals with any conductive material.
  - (2) Avoid storing battery cartridge in a container with other metal objects such as nails, coins, etc.
  - (3) Do not expose battery cartridge to water or rain.

A battery short can cause a large current flow, overheating, possible burns and even a breakdown.

6. Do not store and use the tool and battery cartridge in locations where the temperature may reach or exceed 50 °C (122 °F).
7. Do not incinerate the battery cartridge even if it is severely damaged or is completely worn out. The battery cartridge can explode in a fire.
8. Do not nail, cut, crush, throw, drop the battery cartridge, or hit against a hard object to the battery cartridge. Such conduct may result in a fire, excessive heat, or explosion.
9. Do not use a damaged battery.
10. The contained lithium-ion batteries are subject to the Dangerous Goods Legislation requirements.

For commercial transports e.g. by third parties, forwarding agents, special requirement on packaging and labeling must be observed.

For preparation of the item being shipped, consulting an expert for hazardous material is required. Please also observe possibly more detailed national regulations.

Tape or mask off open contacts and pack up the battery in such a manner that it cannot move around in the packaging.

11. When disposing the battery cartridge, remove it from the tool and dispose of it in a safe place. Follow your local regulations relating to disposal of battery.
12. Use the batteries only with the products specified by Makita. Installing the batteries to non-compliant products may result in a fire, excessive heat, explosion, or leak of electrolyte.
13. If the tool is not used for a long period of time, the battery must be removed from the tool.
14. During and after use, the battery cartridge may take on heat which can cause burns or low temperature burns. Pay attention to the handling of hot battery cartridges.
15. Do not touch the terminal of the tool immediately after use as it may get hot enough to cause burns.
16. Do not allow chips, dust, or soil stuck into the terminals, holes, and grooves of the battery cartridge. It may cause heating, catching fire, burst and malfunction of the tool or battery cartridge, resulting in burns or personal injury.
17. Unless the tool supports the use near high-voltage electrical power lines, do not use the battery cartridge near high-voltage electrical power lines. It may result in a malfunction or breakdown of the tool or battery cartridge.
18. Keep the battery away from children.

## SAVE THESE INSTRUCTIONS.

**⚠ CAUTION:** Only use genuine Makita batteries. Use of non-genuine Makita batteries, or batteries that have been altered, may result in the battery bursting causing fires, personal injury and damage. It will also void the Makita warranty for the Makita tool and charger.

## Tips for maintaining maximum battery life

1. Charge the battery cartridge before completely discharged. Always stop tool operation and charge the battery cartridge when you notice less tool power.
2. Never recharge a fully charged battery cartridge. Overcharging shortens the battery service life.
3. Charge the battery cartridge with room temperature at 10 °C - 40 °C (50 °F - 104 °F). Let a hot battery cartridge cool down before charging it.
4. When not using the battery cartridge, remove it from the tool or the charger.

## FUNCTIONAL DESCRIPTION

**CAUTION:** Always be sure that the tool is switched off and the battery cartridge is removed before adjusting or checking function on the tool.

**CAUTION:** Take care not to trap finger(s) between cleaner and battery as shown in diagram when loading battery. Trapping finger(s) may cause injury.

► Fig.1

## Installing or removing battery cartridge

**CAUTION:** Always switch off the tool before installing or removing of the battery cartridge.

**CAUTION:** Hold the tool and the battery cartridge firmly when installing or removing battery cartridge. Failure to hold the tool and the battery cartridge firmly may cause them to slip off your hands and result in damage to the tool and battery cartridge and a personal injury.

► Fig.2: 1. Red indicator 2. Button 3. Battery cartridge

To remove the battery cartridge, slide it from the tool while sliding the button on the front of the cartridge.

To install the battery cartridge, align the tongue on the battery cartridge with the groove in the housing and slip it into place. Insert it all the way until it locks in place with a little click. If you can see the red indicator as shown in the figure, it is not locked completely.

**CAUTION:** Always install the battery cartridge fully until the red indicator cannot be seen. If not, it may accidentally fall out of the tool, causing injury to you or someone around you.

**CAUTION:** Do not install the battery cartridge forcibly. If the cartridge does not slide in easily, it is not being inserted correctly.

## Battery protection system

The tool is equipped with a battery protection system. This system automatically cuts off power to the motor to extend battery life.

The tool will automatically stop during operation if the tool and/or battery are placed under one of the following conditions:

### Overloaded:

The tool is operated in a manner that causes it to draw an abnormally high current. In this situation, turn the tool off and stop the application that caused the tool to become overloaded. Then turn the tool on to restart.

### Low battery voltage:

The remaining battery capacity is too low and the tool will not operate. If you turn the tool on, the motor runs again but stops soon. In this situation, remove and recharge the battery.

## Indicating the remaining battery capacity

**Only for battery cartridges with the indicator**

► Fig.3: 1. Indicator lamps 2. Check button

Press the check button on the battery cartridge to indicate the remaining battery capacity. The indicator lamps light up for a few seconds.

Indicator lamps		Remaining capacity
Lighted	Off	
■ ■ ■ ■	□	75% to 100%
■ ■ ■ □	□	50% to 75%
■ ■ □ □	□	25% to 50%
■ □ □ □	□	0% to 25%

**NOTE:** Depending on the conditions of use and the ambient temperature, the indication may differ slightly from the actual capacity.

## Switch action

► Fig.4: 1. ON/speed change button 2. OFF button

To start the cleaner, simply push the ON/speed change button. To switch off, push the OFF button.

You can change the cleaner speed in three steps by pushing the ON/speed change button.

The first push on this button is for high speed mode, the second push for max speed mode and the third push for normal speed mode. Each push on this button repeats the high/max/normal speed cycle alternatively.

## Lighting up the lamp

**CAUTION:** Do not look in the light or see the source of light directly.

► Fig.5: 1. ON/speed change button 2. OFF button 3. Lamp

To turn on the lamp, push the ON/speed change button. Push the OFF button to turn off the lamp. During the tool actuating, the lamp turns on.

When the remaining battery capacity gets low, the lamp starts blinking.

**NOTE:** The timing, at which the lamp starts blinking, depends on the temperature at work place and the battery cartridge conditions.

# ASSEMBLY

**⚠ CAUTION:** Always be sure that the tool is switched off and the battery cartridge is removed before carrying out any work on the tool.

## Type of filter

### Normal filter

► Fig.6: 1. Capsule 2. Prefilter 3. Filter

### High performance filter

► Fig.7: 1. Capsule 2. High performance filter

### Prefilter or high performance filter and HEPA filter

► Fig.8: 1. Capsule 2. Prefilter 3. High performance filter 4. HEPA filter

**NOTICE:** Do not use the high performance filter with the filter (optional accessory). The high performance filter may become unremovable from the cleaner.

**NOTE:** When using the optional prefilter and filter with the HEPA filter, use only the prefilter over the HEPA filter. If you use prefilter and filter with the HEPA filter at the same time, the suction power may be reduced.

**NOTE:** When using the HEPA filter with the high performance filter, use the high performance filter with the stay.

► Fig.9: 1. Stay

## Disposing of dust

**⚠ CAUTION:** Empty the cleaner before it becomes too full, or the suction force weakens.

**⚠ CAUTION:** Be sure to empty the inside of the cleaner itself of dust. Failure to do so may cause the filter to be clogged or the motor to be damaged.

### Disposing of dust for normal filter

In order to drop dust sticking on the filter in the capsule, tap the capsule 4 or 5 times with your hand.

► Fig.10: 1. Capsule 2. Suction inlet

Point the suction inlet downwards, turn the capsule in direction of the arrow as illustrated, and disconnect the capsule slowly and straight.

► Fig.11: 1. Capsule 2. Suction inlet

**NOTE:** Be sure to set a garbage bag beneath the capsule, as dust may spill out when the capsule is opened.

Remove accumulated dust from inside of the capsule and off of the prefilter.

► Fig.12: 1. Prefilter 2. Capsule

Twist the prefilter in direction of the arrow to unfasten the securing lip from the cleaner unit and then pull off the prefilter.

► Fig.13: 1. Prefilter 2. Securing lip

Clean out fine dust from the prefilter. And then, pull off the filter and lightly tap it to remove dust.

► Fig.14: 1. Filter 2. Prefilter

## Disposing of dust for high performance filter

In order to drop dust sticking on the filter in the capsule, tap the capsule 4 or 5 times with your hand.

Now point suction inlet downwards, turn capsule in direction of arrow in diagram, and disconnect capsule slowly and straight.

► Fig.15: 1. Capsule 2. Suction inlet

**NOTE:** Dust may spill out when capsule is opened, so be sure to set a garbage bag beneath capsule.

Remove accumulated dust from inside of capsule and off of high performance filter.

► Fig.16: 1. Capsule 2. High performance filter

Twist high performance filter in direction of arrow to unfasten securing lip from cleaner unit and then pull off the filter.

► Fig.17: 1. Securing lip

Clean out the fine dust and lightly tap to dislodge dust from high performance filter.

## Reassembly

### Reassembly for normal filter

Put on the filter fully in position on the cleaner unit.

► Fig.18: 1. Filter

**NOTICE:** Make sure the filter is put on straight without being peeled back. If the filter is put on incorrectly as illustrated, dust will get into the motor housing, and cause a motor failure.

► Fig.19: 1. Filter

Install the prefilter. At this time, make sure to twist the prefilter so that the securing lip is firmly locked in the cleaner unit.

► Fig.20: 1. Prefilter 2. Securing lip

► Fig.21

Install the capsule. Align the mark on the capsule with the mark near the handle and then firmly twist the capsule in direction of the arrow until it is secured.

► Fig.22: 1. Mark

► Fig.23: 1. Capsule 2. Handle 3. Mark

**NOTE:** Always remove dust ahead of time, as the suction power will be reduced if there is too much dust in the cleaner.

**NOTICE:** Always be sure to check that both the filter and prefilter are loaded correctly prior to using the cleaner. If they are not loaded correctly, dust will get into the motor housing, and cause a motor failure. If the following examples occur, the filter and prefilter are not loaded correctly. Reload them correctly to rectify problem.

## Problem Examples

Example 1: Only the prefilter has been loaded (no filter)

► **Fig.24:** 1. Prefilter

Example 2: Only the filter has been loaded (no prefilter)

► **Fig.25:** 1. Filter

Example 3: The filter has been loaded in a peeled back state

► **Fig.26:** 1. Filter

Example 4: The securing lip on the prefilter is not firmly locked in the groove of cleaner housing

► **Fig.27:** 1. Securing lip 2. Prefilter 3. Groove of cleaner housing

## Reassembly for high performance filter

Connect high performance filter. At this time, make sure to twist high performance filter so that securing lip is firmly locked into cleaner unit.

► **Fig.28:** 1. High performance filter 2. Securing lip

► **Fig.29:** 1. Securing lip

Install the capsule. Align the mark on the capsule with the mark near the handle and then firmly twist the capsule in direction of the arrow until it is secured.

► **Fig.30:** 1. Mark

► **Fig.31:** 1. Capsule 2. Handle 3. Mark

**NOTE:** Always remove dust ahead of time, as suction power will be reduced if there is too much dust in cleaner.

**NOTE:** Always be sure to check that high performance filter is loaded correctly prior to using cleaner. If they are not loaded correctly, dust will get into the motor housing, and cause motor failure. If the following examples occur, high performance filter is not loaded correctly. Reload them correctly to rectify problem.

## Problem Examples

Securing lip of high performance filter is not firmly locked into groove of cleaner housing.

► **Fig.32:** 1. Securing lip 2. Groove of cleaner housing

## Installing or removing stay / HEPA filter

### Optional accessory

## For the stay and sponge filter

To remove the stay, push up the bottom part of pillars of the stay with your fingers and release its groove from the protrusion on the cleaner. After that, remove the sponge filter.

► **Fig.33:** 1. Stay 2. Sponge filter

To install, align the grooves on the stay with the protrusion on the cleaner and push until it clicks.

Insert the sponge filter between the pillars and set it in the original position.

## For the HEPA filter

When installing the HEPA filter, fit the groove of the HEPA filter with the protrusion on the cleaner. Then, put the prefilter or the high performance filter on the HEPA filter and twist it to secure. To remove, follow the installation procedure in reverse.

► **Fig.34:** 1. HEPA filter 2. Prefilter

► **Fig.35:** 1. HEPA filter 2. High performance filter

## OPERATION

**⚠ CAUTION:** To connect attachments, such as nozzle, twist and insert the attachment in direction of the arrow to secure the connection during use. To disconnect the attachments, twist and extract it also in direction of the arrow. If an attachment is twisted in the opposite direction when being connected or disconnected, the capsule may become loose.

► **Fig.36:** 1. Capsule

## Cleaning (Suction)

### Nozzle

Attach the nozzle to clean off tables, desks, furniture, etc. The nozzle slips on easily.

► **Fig.37:** 1. Nozzle

### Nozzle + Extension wand (Straight pipe)

The extension wand fits in between the nozzle and the cleaner itself. This arrangement is convenient for cleaning a floor in a standing position.

► **Fig.38:** 1. Cleaner body 2. Extension wand 3. Nozzle

### Corner nozzle

Fit on the corner nozzle for cleaning corners and crevices of a car or furniture.

► **Fig.39:** 1. Corner nozzle 2. Cleaner body

### Corner nozzle +Extension wand (Straight pipe)

In tight quarters where the cleaner itself cannot squeeze in, or in high places hard to reach, use this arrangement.

► **Fig.40:** 1. Corner nozzle 2. Extension wand 3. Cleaner body

### Cleaning without nozzle

You can pick up powder and dust without nozzle.

► **Fig.41**

# MAINTENANCE

**⚠ CAUTION:** Always be sure that the tool is switched off and the battery cartridge is removed before attempting to perform inspection or maintenance.

## After use

**⚠ CAUTION:** Putting the cleaner against the wall without any other support may cause the cleaner to fall down, resulting in personal injury or damage to the cleaner.

► Fig.42

## Cleaning

**NOTICE:** Never use gasoline, benzine, thinner, alcohol or the like. Discoloration, deformation or cracks may result.

**NOTICE:** Do not blow dust sticking on the cleaner and filters by air duster. It brings dust into the housing and causes failure.

**NOTICE:** After washing filters, dry them thoroughly before use. Insufficiently dried filters may cause poor suction and shorten the service life of the motor.

**NOTICE:** After cleaning filters and sponge filter, be sure to re-install them before use. If you use the cleaner without filters and sponge filter, dust comes into the motor housing and cause malfunction.

## Cleaner body

From time to time wipe off the outside (cleaner body) of the cleaner using a cloth dampened in soapy water. Clean out also the suction opening and filter mounting area.

► Fig.43

# Troubleshooting

Before asking for repairs, check the following points.

Symptom	Area to be investigated	Fixing method
Weak suction power	Is the capsule full of dust?	Empty the capsule of dust.
	Is the filter clogged?	Clean or wash the filter.
	Is the battery cartridge discharged?	Charge the battery cartridge.
Not working	Is the battery cartridge discharged?	Charge the battery cartridge.

**⚠ CAUTION:** Do not attempt to repair the cleaner by yourself.

To maintain product SAFETY and RELIABILITY, repairs, any other maintenance or adjustment should be performed by Makita Authorized or Factory Service Centers, always using Makita replacement parts.

## Filter

Wash the filter in soapy water when it is clogged with dust and the cleaner power becomes weak. Dry it out thoroughly before use.

► Fig.44

## HEPA filter

### Optional accessory

**NOTICE:** Do not rub or scratch the HEPA filter with hard objects such as a brush and a paddle.

Clogged HEPA filter cause poor suction performance. Clean out the filter from time to time.

Occasionally wash the HEPA filter in water, rinse and dry thoroughly in the shade before use. Never wash the filter in a washing machine.

► Fig.45

## Sponge filter

When the sponge filter becomes dirty, clean it as follows.

1. Remove the filter.
2. Pull out the sponge filter from between the pillars.
3. Clean the sponge filter by tapping or washing. If you wash it, dry it out thoroughly before use.
4. Insert the sponge filter from between the pillars and set it in the original position. Make sure that each bottom edge of the pillar holds down the sponge filter, and there is no gap between the sponge filter and suction opening.

► Fig.46: 1. Sponge filter 2. Bottom edge of pillar

# OPTIONAL ACCESSORIES

**CAUTION:** These accessories or attachments are recommended for use with your Makita tool specified in this manual. The use of any other accessories or attachments might present a risk of injury to persons. Only use accessory or attachment for its stated purpose.

If you need any assistance for more details regarding these accessories, ask your local Makita Service Center.

- Extension wand (Straight pipe)
- Nozzle
- Nozzle for carpet
- Shelf brush
- Corner nozzle
- Seat nozzle
- Free nozzle
- Crevice nozzle
- Round brush
- Flexible hose
- Filter
- Prefilter
- High performance filter
- HEPA filter
- Cyclone attachment
- Makita genuine battery and charger

**NOTE:** Some items in the list may be included in the tool package as standard accessories. They may differ from country to country.

## Cyclone attachment

- **Fig.47:** 1. Straight pipe 2. Cyclone attachment 3. Suction inlet

## About the cyclone attachment

Using the cleaner with the cyclone attachment installed reduces the amount of dust that enters the capsule, which helps to prevent the suction force from weakening. In addition, cleaning after use is also simple.

**CAUTION:** Always be sure that the tool is switched off and the battery cartridge is removed before carrying out any work on the tool. If the battery cartridge is left inserted, the cleaner may start unexpectedly and result in injury.

**CAUTION:** Clean the mesh filter of the cyclone attachment and the filters of the cleaner unit when they become clogged. Continued use in the clogged condition may result in heating or smoke.

**NOTICE:** When the cyclone attachment is attached, do not use the cleaner in the horizontal or upward facing condition. Doing so may cause the mesh filter to become clogged.

**NOTICE:** Always use the cleaner with the filters installed, even when using the cyclone attachment. Using the cleaner without the filters installed may result in a motor malfunction.

**NOTE:** Check that the cyclone attachment, cleaner, and straight pipe are locked properly before use.

**NOTE:** Empty the dust case of the cyclone attachment and the capsule of the cleaner when dust has accumulated. Continued use will result in weakened suction force.

## Disposing of dust

When dust has accumulated up to the full line of the dust case, follow the procedure below and dispose of the dust.

1. Hold the dust case firmly, press and hold the two buttons, and remove the dust case.

► **Fig.48:** 1. Full line 2. Dust case 3. Button (two locations) 4. Mesh filter

2. Dispose of the dust inside the dust case and remove any dust and powder adhered to the surface of the mesh filter.

3. Insert the dust case all the way until the two buttons lock with a click.

► **Fig.49:** 1. Dust case 2. Button (two locations)

**NOTE:** Check that the cyclone attachment, cleaner, and straight pipe are all firmly connected before restarting operation.

**NOTE:** If the suction force does not recover even after disposing of the dust and cleaning the mesh filter, check whether dust has accumulated in the capsule of the cleaner or clogging has occurred.

## Cleaning

When the dust case becomes dirty or the mesh filter is clogged, remove and wash them with water. (Refer to "Disposing of dust" for the removal procedure.)

Dry the parts thoroughly before reinstallation and use.

► **Fig.50:** 1. Dust case 2. Mesh filter

When the mesh filter gets dirty badly, clean it in the following procedures.

1. Turn the mesh filter counterclockwise and remove it while the hooks are unlocked.

► **Fig.51:** 1. Mesh filter 2. Hook

2. Remove the dust on the mesh filter and then wash it with water. After that, dry it thoroughly.

3. Insert the mesh filter into the base while the hooks are aligned with the port. Turn the mesh filter clockwise until the hooks are locked with a click. Make sure that the mesh filter is installed securely.

► **Fig.52:** 1. Mesh filter 2. Hook 3. Port



## AVERTISSEMENT

- Cet appareil peut être utilisé par des enfants de 8 ans et plus, ainsi que par des personnes aux facultés physiques, sensorielles ou mentales diminuées ou sans expérience ni expertise sous la surveillance d'un adulte ou s'ils ont reçu des instructions concernant l'utilisation en toute sécurité de l'appareil et s'ils comprennent les risques encourus.
- Ne laissez pas les enfants jouer avec l'appareil. Le nettoyage et l'entretien à la charge de l'utilisateur ne doivent pas être réalisés par des enfants sans surveillance.
- Voir le chapitre « SPÉCIFICATIONS » pour la désignation de la batterie.
- Voir la section « Insertion ou retrait de la batterie » pour la méthode de retrait ou d'insertion de la batterie.
- Une fois la batterie arrivée en fin de vie, retirez-la de l'outil et déposez-la en lieu sûr. Respectez la réglementation locale en matière de mise au rebut des batteries.
- Lorsque vous n'utilisez pas l'outil pendant une période prolongée, la batterie doit être retirée de l'outil.
- Ne court-circuitez pas la batterie.
- Voir le chapitre « ENTRETIEN » pour des précautions détaillées pendant l'entretien à la charge de l'utilisateur.

## SPÉCIFICATIONS

Modèle :		CL108FD
Capacité		600 ml
Utilisation continue (avec batterie BL1016)	1 (Mode vitesse normale)	Environ 25 minutes
	2 (Mode grande vitesse)	Environ 12 minutes
	3 (Mode vitesse maximum)	Environ 10 minutes
Longueur totale		956 mm
Tension nominale		10,8 V - 12 V CC max.
Poids net		1,0 - 1,2 kg

- Étant donné l'évolution constante de notre programme de recherche et de développement, les spécifications contenues dans ce manuel sont sujettes à modification sans préavis.
- Les spécifications peuvent varier suivant les pays.
- Le poids ne comprend pas les accessoires, mais la ou les batteries. Le poids combiné le plus léger et le plus lourd de l'appareil et de la ou des batteries est indiqué dans le tableau.

### Batterie et chargeur applicables

Batterie	BL1016 / BL1021B / BL1041B
Chargeur	DC10SA / DC10SB / DC10WC / DC10WD / DC18RE

- Certains chargeurs et batteries répertoriés ci-dessus peuvent ne pas être disponibles selon la région où vous résidez.

**▲ AVERTISSEMENT : N'utilisez que les batteries et les chargeurs répertoriés ci-dessus.** L'utilisation d'autres batteries et chargeurs peut provoquer des blessures et/ou un incendie.

## Symboles

Vous trouverez ci-dessous les symboles susceptibles d'être utilisés pour l'appareil. Veuillez à comprendre leur signification avant toute utilisation.



Lire le mode d'emploi.



Pour les pays de l'Union européenne uniquement  
En raison de la présence de composants dangereux dans l'équipement, les déchets d'équipements électriques et électroniques, les accumulateurs et les batteries peuvent avoir un impact négatif sur l'environnement et la santé humaine.  
Ne jetez pas les appareils électriques et électroniques ou les batteries avec les ordures ménagères !  
Conformément à la directive européenne relative aux déchets d'équipements électriques et électroniques et aux déchets d'accumulateurs et de batteries, ainsi qu'à son adaptation à la législation nationale, les déchets d'équipements électriques, les batteries et les accumulateurs doivent être collectés séparément et déposés dans un point de collecte distinct pour déchets urbains, conformément aux réglementations en matière de protection de l'environnement. Cela est indiqué par le symbole de la poubelle à roulettes barrée sur l'équipement.

## Utilisations

L'outil est conçu pour la collecte des poussières sèches.

## CONSIGNES DE SÉCURITÉ

### Consignes de sécurité pour aspirateur sans fil

**⚠ AVERTISSEMENT : IMPORTANT ! LIRE ATTENTIVEMENT toutes les consignes de sécurité et toutes les instructions AVANT UTILISATION.** Le non-respect des avertissements et des instructions peut entraîner une électrocution, un incendie et/ou de graves blessures.

1. **Ne pas exposer à la pluie. Ranger à l'intérieur.**
2. **Ne pas laisser utiliser comme jouet. Une surveillance étroite est requise lors de l'utilisation par un enfant ou près d'un enfant.**
3. **Utiliser uniquement de la façon décrite dans ce manuel. Utiliser uniquement les accessoires recommandés par le fabricant.**
4. **Ne pas utiliser avec une batterie endommagée. Si l'appareil ne fonctionne pas comme il devrait, s'il est tombé, s'il a été endommagé, laissé à l'extérieur ou s'il est tombé dans l'eau, le renvoyer à un centre de service après-vente.**
5. **Ne pas manipuler l'appareil avec les mains mouillées.**
6. **N'insérer aucun objet dans les ouvertures. Ne pas utiliser si l'une des ouvertures est bloquée ; toujours enlever les poussières, peluches, cheveux et autres corps étrangers pouvant affecter la circulation de l'air.**
7. **Garder les cheveux, vêtements amples, doigts et toute autre partie du corps à l'écart des ouvertures et des pièces en mouvement.**
8. **Désactiver toutes les commandes avant de retirer la batterie.**
9. **Redoubler de prudence lorsque l'on passe l'aspirateur dans un escalier.**
10. **Ne pas utiliser pour collecter des liquides inflammables ou combustibles tels que l'essence, ou dans des zones où de tels liquides peuvent être présents.**
11. **Pour charger la batterie, utiliser uniquement le chargeur fourni par le fabricant.**
12. **Ne collecter aucune substance enflammée ou qui dégage de la fumée, telles que cigarettes, allumettes ou cendres chaudes.**
13. **Ne pas utiliser sans avoir posé le sac à poussière et/ou les filtres.**
14. **Ne pas charger la batterie à l'extérieur.**
15. **Recharger la batterie uniquement avec le chargeur spécifié par le fabricant.** Un chargeur prévu pour un type de batterie peut être à l'origine d'un incendie s'il est utilisé avec une autre batterie.
16. **Utilisez un appareil uniquement avec la batterie spécifiquement indiquée.** L'utilisation de toute autre batterie peut présenter un risque de blessure et d'incendie.
17. **Lorsque la batterie n'est pas utilisée, la tenir à l'écart des objets métalliques, comme des trombones, pièces de monnaie, clés, clous, vis ou autres petits objets métalliques, susceptibles de créer une connexion entre deux bornes.**
18. **Dans des conditions d'utilisation inadéquate, il peut y avoir une fuite de l'électrolyte de la batterie. Le cas échéant, éviter tout contact avec ce liquide. En cas de contact accidentel, rincer à l'eau.**
19. **N'utilisez pas une batterie ou un appareil endommagé ou modifié.** Une batterie endommagée ou modifiée peut avoir un comportement imprévisible susceptible d'entraîner un incendie, une explosion ou des blessures.
20. **N'exposez pas la batterie ou l'appareil au feu ou à une température excessive.** L'exposition au feu ou à une température supérieure à 130 °C peut provoquer une explosion.
21. **Respectez toutes les instructions de charge et ne chargez pas la batterie ou l'appareil en dehors de la plage de température indiquée dans les instructions.** Une charge incorrecte ou à une température en dehors de la plage indiquée peut endommager la batterie et augmenter le risque d'incendie.

**CONSERVEZ CES INSTRUCTIONS.**

## CONSIGNES DE SÉCURITÉ ADDITIONNELLES

Cet appareil est conçu pour l'utilisation à l'intérieur.

1. Lire attentivement ce manuel d'instructions et celui du chargeur avant l'utilisation.
2. Ne pas collecter les matériaux suivants :
  - Matériaux chauds tels que cigarettes allumées, étincelles ou poussières de métal générées par le meulage ou la coupe du métal
  - Matériaux inflammables tels que l'essence, les diluants, la benzine, le kérosène et la peinture
  - Matériaux explosifs tels que la nitroglycérine
  - Matériaux inflammables tels que l'aluminium, le zinc, le magnésium, le titane, le phosphore ou le celluloid
  - Saletés mouillées, eau, huile, etc.
  - Pièces dures à bords tranchants, telles que copeaux de bois, pièces de métal, pierres, verres, clous, broches ou lames de rasoir
  - Poudres agglomérantes telles que ciment en poudre ou encre en poudre
  - Poussière conductrice telle que poussière de métal ou de carbone
  - Particules fines telles que la poussière de béton

La collecte de tels matériaux peut entraîner un incendie, des dommages corporels et/ou matériels.

3. Cesser immédiatement l'utilisation en cas d'anomalie.
4. Si l'aspirateur tombe ou est heurté, vérifier attentivement l'absence de fissures ou de dommages avant l'utilisation.
5. Ne pas approcher des fourneaux ou autres sources de chaleur.
6. Ne pas bloquer les orifices d'entrée ou de sortie d'air.

## CONSERVEZ CES INSTRUCTIONS.

### Consignes de sécurité importantes pour la batterie

1. Avant d'utiliser la batterie, lisez toutes les instructions et précautions relatives (1) au chargeur de batterie, (2) à la batterie, et (3) au produit utilisant la batterie.
2. Ne désassemblez pas et ne modifiez pas la batterie. Cela pourrait entraîner un incendie, une chaleur excessive ou une explosion.
3. Cessez immédiatement l'utilisation si le temps de fonctionnement devient excessivement court. Il y a risque de surchauffe, de brûlures, voire d'explosion.

4. Si l'électrolyte pénètre dans vos yeux, rincez-les à l'eau claire et consultez immédiatement un médecin. Il y a risque de perte de la vue.
5. Ne court-circuitez pas la batterie :
  - (1) Ne touchez les bornes avec aucun matériau conducteur.
  - (2) Évitez de ranger la batterie dans un conteneur avec d'autres objets métalliques, par exemple des clous, des pièces de monnaie, etc.
  - (3) N'exposez pas la batterie à l'eau ou à la pluie.

Un court-circuit de la batterie peut provoquer une intensité de courant élevée, une surchauffe, parfois des brûlures et même une panne.
6. Ne rangez ni n'utilisez l'outil et la batterie dans un endroit où la température risque d'atteindre ou de dépasser 50 °C.
7. Ne jetez pas la batterie au feu même si elle est sérieusement endommagée ou complètement épuisée. La batterie peut exploser au contact du feu.
8. Abstenez-vous de clouer, couper, écraser, jeter, laisser tomber la batterie, ou de la heurter contre un objet dur. Cela pourrait entraîner un incendie, une chaleur excessive ou une explosion.
9. N'utilisez pas la batterie si elle est endommagée.
10. Les batteries au lithium-ion contenues sont soumises aux exigences de la législation sur les marchandises dangereuses.

Lors du transport commercial par des tierces parties ou des transitaires par exemple, des exigences spécifiques en matière d'étiquetage et d'emballage doivent être respectées.

Pour la préparation de l'article expédié, il est nécessaire de consulter un expert en matériau dangereux. Veuillez également respecter les réglementations nationales susceptibles d'être plus détaillées.

Recouvrez les contacts exposés avec du ruban adhésif ou du ruban de masquage et emballez la batterie de telle sorte qu'elle ne puisse pas bouger dans l'emballage.
11. Lors de la mise au rebut de la batterie, retirez-la de l'outil et jetez-la en lieu sûr. Suivez les réglementations locales en matière de mise au rebut des batteries.
12. Utilisez les batteries uniquement avec les produits spécifiés par Makita. L'insertion de batteries dans des produits non conformes peut provoquer un incendie, une chaleur excessive, une explosion ou une fuite de l'électrolyte.
13. Lorsque vous n'utilisez pas l'outil pendant une période prolongée, la batterie doit être retirée de l'outil.
14. Pendant et après l'utilisation, la batterie peut chauffer, ce qui peut entraîner des brûlures, y compris en cas de température relativement basse. Manipulez les batteries chaudes avec précaution.

15. **Ne touchez pas la borne de l'outil immédiatement après utilisation car elle peut être assez chaude pour provoquer des brûlures.**
16. **Évitez que des copeaux, de la poussière ou du sol adhèrent aux bornes, aux trous et aux rainures de la batterie.** Cela peut provoquer un échauffement, un incendie, une explosion ou un dysfonctionnement de l'outil ou de la batterie, ce qui peut entraîner des brûlures ou des blessures.
17. **À moins que l'outil prenne en charge un tel usage, n'utilisez pas la batterie à proximité de lignes électriques haute tension.** Cela pourrait entraîner un dysfonctionnement ou casser l'outil ou la batterie.
18. **Conservez la batterie hors de portée des enfants.**

## CONSERVEZ CES INSTRUCTIONS.

**⚠ ATTENTION :** N'utilisez que des batteries Makita d'origine. L'utilisation de batteries de marque autre que Makita ou de batteries modifiées peut provoquer l'explosion des batteries, ce qui présente un risque d'incendie, de dommages matériels et corporels. Cela annulera également la garantie Makita pour l'outil et le chargeur Makita.

## Conseils pour assurer la durée de vie optimale de la batterie

1. **Chargez la batterie avant qu'elle ne soit complètement déchargée. Arrêtez toujours l'outil et rechargez la batterie quand vous remarquez que la puissance de l'outil diminue.**
2. **Ne rechargez jamais une batterie complètement chargée. La surcharge réduit la durée de service de la batterie.**
3. **Chargez la batterie à une température ambiante comprise entre 10 °C et 40 °C. Avant de charger une batterie chaude, laissez-la refroidir.**
4. **Lorsque vous n'utilisez pas la batterie, retirez-la de l'outil ou du chargeur.**

## DESCRIPTION DU FONCTIONNEMENT

**⚠ ATTENTION :** Assurez-vous toujours que l'outil est hors tension et que sa batterie est retirée avant de l'ajuster ou de vérifier son fonctionnement.

**⚠ ATTENTION :** Lors de la mise en place de la batterie, prenez garde de ne pas vous coincer les doigts entre l'aspirateur et la batterie, tel qu'illustré sur le schéma. Il y a risque de blessure si vous vous coinciez les doigts.

► Fig.1

## Insertion ou retrait de la batterie

**⚠ ATTENTION :** Éteignez toujours l'outil avant de mettre en place ou de retirer la batterie.

**⚠ ATTENTION :** Tenez fermement l'outil et la batterie lors de la mise en place ou du retrait de la batterie. Si vous ne tenez pas fermement l'outil et la batterie, ils peuvent vous glisser des mains, et s'abîmer ou vous blesser.

► Fig.2: 1. Indicateur rouge 2. Bouton 3. Batterie

Pour retirer la batterie, faites-la glisser hors de l'outil tout en faisant glisser le bouton à l'avant de la batterie.

Pour mettre la batterie en place, alignez la languette de la batterie avec la rainure du compartiment puis insérez la batterie. Insérez-la entièrement jusqu'à entendre un léger déclic indiquant qu'elle est bien en place. Si vous pouvez voir l'indicateur rouge comme illustré sur la figure, c'est qu'elle n'est pas bien verrouillée.

**⚠ ATTENTION :** Insérez toujours complètement la batterie jusqu'à ce que l'indicateur rouge ne soit plus visible. Sinon, elle pourrait tomber accidentellement de l'outil, au risque de vous blesser ou de blesser quelqu'un se trouvant près de vous.

**⚠ ATTENTION :** N'insérez pas la batterie de force. Si elle ne glisse pas facilement, c'est que vous ne l'insérez pas correctement.

## Système de protection de la batterie

L'outil est équipé d'un système de protection de la batterie. Ce système coupe automatiquement le courant de l'outil pour prolonger la durée de service de la batterie. L'outil s'arrêtera automatiquement en cours d'utilisation si l'outil et/ou la batterie se trouve dans l'une ou l'autre des situations suivantes :

### Surcharge :

L'outil est utilisé de manière telle qu'il consomme un courant anormalement élevé.

Dans ce cas, éteignez l'outil et arrêtez la tâche ayant provoqué la surcharge de l'outil. Puis rallumez l'outil pour reprendre la tâche.

### Faible tension de la batterie :









La charge restante de la batterie est trop faible et l'outil ne fonctionne pas. Si vous mettez l'outil sous tension, le moteur redémarre, mais s'arrête rapidement. Le cas échéant, retirez et rechargez la batterie.

## Indication de la charge restante de la batterie

Uniquement pour les batteries avec voyant lumineux

► Fig.3: 1. Témoins 2. Bouton de vérification

Appuyez sur le bouton de vérification sur la batterie pour indiquer la charge restante de la batterie. Les témoins s'allument pendant quelques secondes.

Témoins		Charge restante
Allumé	Éteint	
		75 % - 100 %
		50 % - 75 %
		25 % - 50 %
		0 % - 25 %

**NOTE :** Selon les conditions d'utilisation et la température ambiante, l'indication peut être légèrement différente de la capacité réelle.

## Fonctionnement de la gâchette

► Fig.4: 1. Bouton Marche/Changement de vitesse  
2. Bouton Arrêt

Pour démarrer l'aspirateur, il suffit d'appuyer sur le bouton Marche/Changement de vitesse. Pour l'éteindre, appuyez sur le bouton Arrêt.

Vous pouvez modifier la vitesse de l'aspirateur selon trois niveaux en appuyant sur le bouton Marche/Changement de vitesse.

La première pression sur ce bouton enclenche le mode grande vitesse, la deuxième pression, le mode vitesse maximum et la troisième, la vitesse normale. À chaque pression sur ce bouton, le cycle alterne entre grande vitesse/vitesse maximum/vitesse normale.

## Allumage de la lampe

**ATTENTION :** Évitez de regarder directement le faisceau lumineux ou sa source.

► Fig.5: 1. Bouton Marche/Changement de vitesse  
2. Bouton Arrêt 3. Lampe

Pour allumer la lampe, appuyez sur le bouton Marche/Changement de vitesse. Appuyez sur le bouton Arrêt pour éteindre la lampe. La lampe s'allume pendant le fonctionnement de l'outil.

Lorsque la charge restante de la batterie diminue, la lampe se met à clignoter.

**NOTE :** Le moment où la lampe se met à clignoter dépend de la température sur le lieu de travail et de l'état de la batterie.

## ASSEMBLAGE

**ATTENTION :** Assurez-vous toujours que l'outil est hors tension et que sa batterie est retirée avant d'effectuer toute tâche dessus.

## Type de filtre

### Filtre normal

► Fig.6: 1. Capsule 2. Préfiltre 3. Filtre

### Filtre haute performance

► Fig.7: 1. Capsule 2. Filtre haute performance

### Préfiltre ou filtre haute performance et filtre HEPA

► Fig.8: 1. Capsule 2. Préfiltre 3. Filtre haute performance 4. Filtre HEPA

**REMARQUE :** N'utilisez pas le filtre haute performance avec le filtre (accessoire en option). Le filtre haute performance risquerait de ne plus pouvoir être retiré de l'aspirateur.

**NOTE :** Lorsque vous utilisez le préfiltre et le filtre en option avec le filtre HEPA, utilisez uniquement le préfiltre sur le filtre HEPA. Si vous utilisez le préfiltre et le filtre avec le filtre HEPA simultanément, la puissance d'aspiration peut être réduite.

**NOTE :** Lorsque vous utilisez le filtre HEPA avec le filtre haute performance, utilisez le filtre haute performance avec le logement.

► Fig.9: 1. Logement

## Mise au rebut des poussières

**ATTENTION :** Videz l'aspirateur avant qu'il ne soit trop plein, autrement sa puissance d'aspiration sera moindre.

**ATTENTION :** Vérifiez bien qu'il n'y a plus de poussières à l'intérieur de l'aspirateur lui-même. Autrement le filtre risque de se boucher ou le moteur de subir des dommages.

## Mise au rebut des poussières du filtre normal

Pour faire tomber dans la capsule la poussière qui adhère au filtre, tapez 4 ou 5 fois sur la capsule avec la main.

► Fig.10: 1. Capsule 2. Entrée d'aspiration

Dirigez l'entrée d'aspiration vers le bas, tournez la capsule dans le sens de la flèche comme illustré et déconnectez la capsule en tirant lentement et bien droit.

► Fig.11: 1. Capsule 2. Entrée d'aspiration

**NOTE :** Pensez à placer un sac-poubelle sous la capsule, car la poussière risque de s'échapper lors de l'ouverture de la capsule.

Retirez la poussière accumulée à l'intérieur de la capsule et sur le préfiltre.

► **Fig.12:** 1. Préfiltre 2. Capsule

Tournez le préfiltre dans le sens de la flèche pour desserrer l'onglet de blocage de l'aspirateur, puis retirez le préfiltre en tirant dessus.

► **Fig.13:** 1. Préfiltre 2. Onglet de blocage

Enlevez les fines poussières du préfiltre. Retirez ensuite le filtre, puis tapez légèrement dessus pour dégager la poussière.

► **Fig.14:** 1. Filtre 2. Préfiltre

## Mise au rebut des poussières du filtre haute performance

Pour faire tomber dans la capsule la poussière qui adhère au filtre, tapez 4 ou 5 fois sur la capsule avec la main.

À présent, dirigez l'entrée d'aspiration vers le bas, tournez la capsule dans le sens de la flèche sur le schéma et déconnectez la capsule en tirant lentement et bien droit.

► **Fig.15:** 1. Capsule 2. Entrée d'aspiration

**NOTE :** La poussière risquant de s'échapper lors de l'ouverture de la capsule, pensez à placer un sac-poubelle sous la capsule.

Retirez la poussière accumulée à l'intérieur de la capsule et sur le filtre haute performance.

► **Fig.16:** 1. Capsule 2. Filtre haute performance

Tournez le filtre haute performance dans le sens de la flèche pour desserrer l'onglet de blocage de l'aspirateur, puis retirez le filtre en tirant dessus.

► **Fig.17:** 1. Onglet de blocage

Enlevez les poussières fines et tapez légèrement pour déloger la poussière du filtre haute performance.

## Remontage

### Remontage du filtre normal

Posez le filtre parfaitement en position sur l'aspirateur.

► **Fig.18:** 1. Filtre

**REMARQUE :** Assurez-vous que le filtre est posé bien droit et inséré à fond. Si le filtre est mal posé comme illustré, la poussière pénétrera dans le carter du moteur entraînant une panne de moteur.

► **Fig.19:** 1. Filtre

Installez le préfiltre. Pensez alors à tourner le préfiltre de sorte que l'onglet de blocage soit fermement verrouillé dans l'aspirateur.

► **Fig.20:** 1. Préfiltre 2. Onglet de blocage

► **Fig.21**

Installez la capsule. Alignez le repère sur la capsule avec le repère près de la poignée, puis tournez fermement la capsule dans le sens de la flèche jusqu'à ce qu'elle soit verrouillée.

► **Fig.22:** 1. Repère

► **Fig.23:** 1. Capsule 2. Poignée 3. Repère

**NOTE :** Retirez toujours la poussière à l'avance, car la puissance d'aspiration diminuera s'il y a trop de poussière dans l'aspirateur.

**REMARQUE :** Avant d'utiliser l'aspirateur, vérifiez toujours que le filtre et le préfiltre sont tous deux bien posés. S'ils ne sont pas bien posés, la poussière pénétrera dans le carter du moteur entraînant une panne de moteur. Dans les exemples suivants, le filtre et le préfiltre ne sont pas correctement posés. Reposez-les correctement pour régler le problème.

### Exemples de problème

Exemple 1 : seul le préfiltre a été posé (sans le filtre)

► **Fig.24:** 1. Préfiltre

Exemple 2 : seul le filtre a été posé (sans le préfiltre)

► **Fig.25:** 1. Filtre

Exemple 3 : le filtre est posé, mais n'est pas inséré à fond

► **Fig.26:** 1. Filtre

Exemple 4 : l'onglet de blocage du préfiltre n'est pas bien verrouillé dans la rainure du carter de l'aspirateur

► **Fig.27:** 1. Onglet de blocage 2. Préfiltre 3. Rainure du carter de l'aspirateur

### Remontage du filtre haute performance

Connectez le filtre haute performance. Pensez alors à tourner le filtre haute performance de sorte que l'onglet de blocage soit fermement verrouillé dans l'aspirateur.

► **Fig.28:** 1. Filtre haute performance 2. Onglet de blocage

► **Fig.29:** 1. Onglet de blocage

Installez la capsule. Alignez le repère sur la capsule avec le repère près de la poignée, puis tournez fermement la capsule dans le sens de la flèche jusqu'à ce qu'elle soit verrouillée.

► **Fig.30:** 1. Repère

► **Fig.31:** 1. Capsule 2. Poignée 3. Repère

**NOTE :** Retirez toujours la poussière à l'avance, car la puissance d'aspiration diminuera s'il y a trop de poussière dans l'aspirateur.

**NOTE :** Avant d'utiliser l'aspirateur, vérifiez toujours que le filtre haute performance est bien posé. S'ils ne sont pas bien posés, la poussière pénétrera dans le carter du moteur entraînant une panne du moteur. Dans les exemples suivants, le filtre haute performance n'est pas correctement posé. Reposez-les correctement pour régler le problème.

### Exemples de problème

L'onglet de blocage du filtre haute performance n'est pas bien verrouillé dans la rainure du carter de l'aspirateur.

► **Fig.32:** 1. Onglet de blocage 2. Rainure du carter de l'aspirateur

## Pose ou retrait du logement/filtre HEPA

### Accessoire en option

### Pour le logement et le filtre éponge

Pour déposer le logement, poussez vers le haut les parties inférieures des montants du logement avec les doigts et dégagez sa rainure de la partie saillante sur l'aspirateur. Après cela, retirez le filtre éponge.

► **Fig.33:** 1. Logement 2. Filtre éponge

Pour le poser, alignez les rainures sur le logement avec la partie saillante sur l'aspirateur et poussez jusqu'au dé clic. Insérez le filtre éponge entre les montants et placez-le dans la position d'origine.

### Pour le filtre HEPA

Lorsque vous installez le filtre HEPA, faites coïncider la rainure du filtre HEPA avec la partie saillante sur l'aspirateur. Ensuite, placez le préfiltre ou le filtre haute performance sur le filtre HEPA et tournez-le pour le fixer en place. Pour le retirer, effectuez la procédure de pose dans l'ordre inverse.

► **Fig.34:** 1. Filtre HEPA 2. Préfiltre

► **Fig.35:** 1. Filtre HEPA 2. Filtre haute performance

## UTILISATION

**⚠ ATTENTION :** Pour connecter un accessoire comme un suceur, insérez-le en tournant dans le sens de la flèche pour assurer une connexion sûre pendant l'utilisation. Pour déconnecter l'accessoire, tirez en tournant également dans le sens de la flèche. Si l'accessoire est tourné dans le sens contraire pour le connecter ou le déconnecter, la capsule risquera de se desserrer.

► **Fig.36:** 1. Capsule

## Nettoyage (aspiration)

### Suceur

Fixez le suceur pour nettoyer les tables, bureaux, meubles, etc. Le suceur se glisse facilement en place.

► **Fig.37:** 1. Suceur

### Suceur + Tube prolongateur (tuyau droit)

Le tube prolongateur s'installe entre le suceur et l'aspirateur. Il permet de passer l'aspirateur sur le sol tout en se tenant debout.

► **Fig.38:** 1. Corps de l'aspirateur 2. Tube prolongateur 3. Suceur

### Suceur plat

Installez le suceur plat pour passer l'aspirateur dans les coins ou dans les interstices d'un véhicule ou d'un meuble.

► **Fig.39:** 1. Suceur plat 2. Corps de l'aspirateur

## Suceur plat + Tube prolongateur (tuyau droit)

Utilisez cette combinaison pour passer l'aspirateur dans les endroits exigus où l'aspirateur seul ne peut pas se faufiler ou dans les endroits élevés difficiles à atteindre.

► **Fig.40:** 1. Suceur plat 2. Tube prolongateur 3. Corps de l'aspirateur

## Nettoyage sans suceur

Le suceur n'est pas nécessaire pour aspirer de la poudre ou des poussières.

► **Fig.41**

## ENTRETIEN

**⚠ ATTENTION :** Assurez-vous toujours que l'outil est hors tension et que la batterie est retirée avant d'y effectuer tout travail d'inspection ou d'entretien.

### Après l'utilisation

**⚠ ATTENTION :** Si vous posez l'aspirateur contre le mur sans aucun autre soutien, il risque de tomber, ce qui peut blesser quelqu'un et l'endommager.

► **Fig.42**

### Nettoyage

**REMARQUE :** N'utilisez jamais d'essence, benzine, diluant, alcool ou autre produit similaire. Cela risquerait de provoquer la décoloration, la déformation ou la fissuration de l'outil.

**REMARQUE :** Ne soufflez pas la poussière collée à l'aspirateur et aux filtres avec un dépoussiérant à air. Cela entraîne la poussière dans le carter et provoque des pannes.

**REMARQUE :** Après avoir lavé les filtres, séchez-les soigneusement avant utilisation. Des filtres pas assez secs peuvent affecter la capacité d'aspiration et la durée de vie du moteur.

**REMARQUE :** Après avoir nettoyé les filtres et le filtre éponge, veillez à les remettre en place avant utilisation. Si vous utilisez l'aspirateur sans les filtres ni le filtre éponge, la poussière pénétrera dans le carter du moteur et causera une panne.

### Corps de l'aspirateur

Essayez de temps à autre la surface extérieure (le corps) de l'aspirateur avec un chiffon humecté d'eau savonneuse.

Nettoyez également l'ouverture d'aspiration et la zone de montage du filtre.

► **Fig.43**

## Filtre

Lorsque le filtre est bouché par la poussière et que la puissance de l'aspirateur s'en trouve affaiblie, lavez-le dans de l'eau savonneuse. Laissez-le sécher complètement avant l'utilisation.

► Fig.44

## Filtre HEPA

*Accessoire en option*

**REMARQUE : Ne frottez, ni ne grattez le filtre HEPA avec des objets durs comme une brosse ou une spatule.**

Un filtre HEPA bouché est à l'origine d'une médiocre performance d'aspiration. Nettoyez de temps à autre le filtre.

Lavez à l'occasion le filtre HEPA dans l'eau, rincez-le et séchez-le bien à l'ombre avant de le réutiliser. Ne lavez jamais le filtre dans un lave-linge.

► Fig.45

## Filtre éponge

Lorsque le filtre éponge est encrassé, nettoyez-le comme suit.

1. Retirez le filtre.
2. Retirez le filtre éponge d'entre les montants.
3. Nettoyez le filtre éponge en le tapotant ou en le lavant. Si vous le lavez, séchez-le soigneusement avant utilisation.
4. Insérez le filtre éponge entre les montants et placez-le dans la position d'origine. Assurez-vous que chaque bord inférieur de montant maintient le filtre éponge et qu'il n'y a pas d'espace entre le filtre éponge et l'ouverture d'aspiration.

► Fig.46: 1. Filtre éponge 2. Bord inférieur de montant

## Guide de dépannage

Avant de solliciter une réparation, vérifiez les points suivants.

Symptôme	Point à vérifier	Méthode de réparation
Faible puissance d'aspiration	La capsule est-elle pleine de poussière ?	Videz la poussière de la capsule.
	Le filtre est-il bouché ?	Nettoyez ou lavez le filtre.
	La batterie est-elle déchargée ?	Chargez la batterie.
Ne fonctionne pas	La batterie est-elle déchargée ?	Chargez la batterie.

**⚠ ATTENTION : N'essayez pas de réparer vous-même l'aspirateur.**

Pour assurer la SÉCURITÉ et la FIABILITÉ du produit, toute réparation, tout travail d'entretien ou de réglage doivent être effectués par un centre d'entretien Makita agréé, avec des pièces de rechange Makita.

## ACCESSOIRES EN OPTION

**⚠ ATTENTION : Ces accessoires ou pièces complémentaires sont recommandés pour l'utilisation avec l'outil Makita spécifié dans ce mode d'emploi.** L'utilisation de tout autre accessoire ou pièce complémentaire peut comporter un risque de blessure. N'utilisez les accessoires ou pièces complémentaires qu'aux fins auxquelles ils ont été conçus.

Pour obtenir plus de détails sur ces accessoires, contactez votre centre d'entretien local Makita.

- Tube prolongateur (tuyau droit)
- Suceur
- Suceur pour tapis
- Brosse pour étagères
- Suceur plat
- Suceur pour siège
- Raccord libre

- Suceur pour interstice
- Brosse ronde
- Tuyau flexible
- Filtre
- Préfiltre
- Filtre haute performance
- Filtre HEPA
- Collecteur cyclone
- Batterie et chargeur Makita d'origine

**NOTE :** Il se peut que certains éléments de la liste soient compris dans l'emballage de l'outil en tant qu'accessoires standard. Ils peuvent varier d'un pays à l'autre.



## Collecteur cyclone

- **Fig.47:** 1. Tuyau droit 2. Collecteur cyclone  
3. Entrée d'aspiration

### À propos du collecteur cyclone

L'utilisation de l'aspirateur avec le collecteur cyclone installé réduit la quantité de poussière qui pénètre dans la capsule, ce qui permet d'éviter que la puissance d'aspiration faiblisse. De plus, le nettoyage après utilisation est également simple.

**⚠ ATTENTION :** Assurez-vous toujours que l'outil est hors tension et que sa batterie est retirée avant d'effectuer toute tâche dessus. Si la batterie est insérée, un démarrage intempestif de l'aspirateur susceptible de provoquer des blessures est possible.

**⚠ ATTENTION :** Nettoyez le filtre à maille du collecteur cyclone et les filtres de l'aspirateur s'ils sont bouchés. L'utilisation continue dans cet état peut provoquer une émission de chaleur ou de fumée.

**REMARQUE :** Lorsque le collecteur cyclone est fixé, n'utilisez pas l'aspirateur dans le sens horizontal ou tourné vers le haut. Le filtre à maille pourrait se boucher.

**REMARQUE :** Utilisez toujours l'aspirateur avec les filtres installés, même lorsque vous utilisez le collecteur cyclone. Si vous utilisez l'aspirateur sans filtres installés, un dysfonctionnement du moteur peut se produire.

**NOTE :** Vérifiez avant utilisation que le collecteur cyclone, l'aspirateur et le tuyau droit sont correctement verrouillés.

**NOTE :** Videz le logement à poussières du collecteur cyclone et la capsule de l'aspirateur lorsque de la poussière s'est accumulée. Si vous continuez à utiliser l'aspirateur dans cet état, la puissance d'aspiration sera affaiblie.

**NOTE :** Vérifiez avant de redémarrer que le collecteur cyclone, l'aspirateur et le tuyau droit sont solidement connectés.

**NOTE :** Si la puissance d'aspiration n'est pas rétablie même après avoir jeté la poussière et nettoyé le filtre à maille, vérifiez si la poussière ne s'est pas accumulée dans la capsule de l'aspirateur ou si ce dernier n'est pas bouché.

### Nettoyage

Lorsque le logement à poussières est sale ou que le filtre à maille est bouché, retirez-les et lavez-les à l'eau. (Consultez « Mise au rebut des poussières » pour la procédure de retrait.)

Séchez soigneusement les pièces avant de les remettre en place et d'utiliser l'aspirateur.

- **Fig.50:** 1. Logement à poussières 2. Filtre à maille

Lorsque le filtre à maille est très sale, nettoyez-le en procédant comme suit.

1. Tournez le filtre à maille dans le sens inverse des aiguilles d'une montre et retirez-le alors que les crochets sont déverrouillés.

- **Fig.51:** 1. Filtre à maille 2. Crochet

2. Retirez la poussière sur le filtre à maille, puis lavez-le à l'eau. Ensuite, séchez-le soigneusement.

3. Insérez le filtre à maille dans la base avec les crochets alignés sur l'orifice. Tournez le filtre à maille dans le sens des aiguilles d'une montre jusqu'à ce que les crochets se verrouillent en place avec un déclic. Assurez-vous que le filtre à maille est solidement installé.

- **Fig.52:** 1. Filtre à maille 2. Crochet 3. Orifice

### Mise au rebut des poussières

Lorsque la poussière s'est accumulée jusqu'à la ligne Plein du logement à poussières, procédez comme indiqué ci-dessous et jetez la poussière.

1. Tenez fermement le logement à poussières, maintenez enfoncés les deux boutons et retirez le logement à poussières.

- **Fig.48:** 1. Ligne Plein 2. Logement à poussières  
3. Bouton (deux emplacements) 4. Filtre à maille

2. Jetez la poussière à l'intérieur du logement à poussières et retirez la poussière ou la poudre collée à la surface du filtre à maille.

3. Insérez le logement à poussières à fond jusqu'à ce que les deux boutons se verrouillent en place avec un déclic.

- **Fig.49:** 1. Logement à poussières 2. Bouton (deux emplacements)

## WARNUNG

- Dieses Gerät kann von Kindern ab 8 Jahren und Personen mit verminderten körperlichen, sensorischen oder geistigen Fähigkeiten oder Mangel an Erfahrung und Kenntnissen benutzt werden, sofern sie eine Beaufsichtigung oder Anweisung bezüglich des sicheren Gebrauchs des Gerätes erhalten haben und die damit verbundenen Gefahren verstehen.
- Kinder dürfen nicht mit dem Gerät spielen. Reinigung und Benutzerwartung dürfen nicht von Kindern ohne Beaufsichtigung durchgeführt werden.
- Angaben zur Typenbezeichnung des Akkus finden Sie im Kapitel „TECHNISCHE DATEN“.
- Angaben zum Demontage- oder Installationsverfahren des Akkus finden Sie im Abschnitt „Installieren oder Demontieren des Akkus“.
- Entfernen Sie den Akku zum Entsorgen vom Werkzeug, und entsorgen Sie ihn an einem sicheren Ort. Befolgen Sie die örtlichen Vorschriften bezüglich der Entsorgung von Akkus.
- Soll das Werkzeug längere Zeit nicht benutzt werden, muss der Akku vom Werkzeug entfernt werden.
- Der Akku darf nicht kurzgeschlossen werden.
- Entsprechende Details der Vorsichtsmaßnahmen während der Benutzerwartung finden Sie im Kapitel „WARTUNG“.

## TECHNISCHE DATEN

<b>Modell:</b>	<b>CL108FD</b>	
Kapazität	600 mL	
Dauerbetrieb (mit Akku BL1016)	1 (Normaldrehzahlmodus)	Ca. 25 min
	2 (Hochdrehzahlmodus)	Ca. 12 min
	3 (Maximaldrehzahlmodus)	Ca. 10 min
Gesamtlänge	956 mm	
Nennspannung	10,8 V Gleichstrom - 12 V max.	
Nettogewicht	1,0 - 1,2 kg	

- Wir behalten uns vor, Änderungen der technischen Daten im Zuge der Entwicklung und des technischen Fortschritts ohne vorherige Ankündigung vorzunehmen.
- Die technischen Daten können von Land zu Land unterschiedlich sein.
- Das Gewicht schließt keine Zubehörteile, aber Akkus ein. Das niedrigste und höchste Kombinationsgewicht des Gerätes und der Akkus sind in der Tabelle angegeben.

## Zutreffende Akkus und Ladegeräte

Akku	BL1016 / BL1021B / BL1041B
Ladegerät	DC10SA / DC10SB / DC10WC / DC10WD / DC18RE

- Einige der oben aufgelisteten Akkus und Ladegeräte sind je nach Ihrem Wohngebiet eventuell nicht erhältlich.

**⚠️ WARNUNG:** Verwenden Sie nur die oben aufgeführten Akkus und Ladegeräte. Bei Verwendung irgendwelcher anderer Akkus und Ladegeräte besteht Verletzungs- und/oder Brandgefahr.

## Symbole

Nachfolgend werden Symbole beschrieben, die für das Gerät verwendet werden können. Machen Sie sich unbedingt vor der Benutzung mit ihrer Bedeutung vertraut.



Betriebsanleitung lesen.



Nur für EU-Länder  
Aufgrund des Vorhandenseins gefährlicher Komponenten in der Ausrüstung können Elektro- und Elektronik-Altgeräte, Akkumulatoren und Batterien sich negativ auf die Umwelt und die menschliche Gesundheit auswirken.  
Entsorgen Sie Elektro- und Elektronikgeräte oder Batterien nicht mit dem Hausmüll!  
In Übereinstimmung mit der Europäischen Richtlinie über Elektro- und Elektronik-Altgeräte, Akkumulatoren und Batterien, verbrauchte Akkumulatoren und Batterien sowie ihrer Anpassung an nationales Recht sollten Elektro-Altgeräte, Batterien und Akkumulatoren gemäß den Umweltschutzbestimmungen getrennt gelagert und zu einer getrennten Sammelstelle für Siedlungsabfälle geliefert werden.  
Dies wird durch das am Gerät angebrachte Symbol der durchgestrichenen Abfalltonne auf Rädern angezeigt.

## Vorgesehene Verwendung

Das Werkzeug ist für das Absaugen von Trockenstaub vorgesehen.

## SICHERHEITSWARNUNGEN

### Sicherheitswarnungen für Akku-Staubsauger

**⚠️ WARNUNG: WICHTIG!** Alle Sicherheitswarnungen und Anweisungen **VOR GEBRAUCH AUFMERKSAM LESEN**. Eine Missachtung der Warnungen und Anweisungen kann zu einem elektrischen Schlag, Brand und/oder schweren Verletzungen führen.

1. **Das Gerät keinem Regen aussetzen. In Innenräumen aufbewahren.**
2. **Das Gerät darf nicht als Spielzeug benutzt werden. Wenn das Gerät von Kindern oder in deren Nähe benutzt wird, ist besondere Vorsicht geboten.**
3. **Nur gemäß der Beschreibung in dieser Anleitung benutzen. Nur vom Hersteller empfohlene Zusatzvorrichtungen verwenden.**
4. **Nicht mit beschädigtem Akku benutzen. Falls das Gerät nicht ordnungsgemäß funktioniert, fallen gelassen, beschädigt, im Freien liegen gelassen wurde oder ins Wasser gefallen ist, bringen Sie es zu einem Kundenzentrum.**
5. **Fassen Sie das Gerät nicht mit nassen Händen an.**

6. **Stecken Sie keine Gegenstände in die Öffnungen. Benutzen Sie das Gerät nicht mit einer blockierten Öffnung; halten Sie es frei von Staub, Fusseln, Haaren und Fremdkörpern, die den Luftstrom behindern können.**
7. **Halten Sie Haare, lose Kleidung, Finger und alle Körperteile von den Öffnungen und beweglichen Teilen fern.**
8. **Schalten Sie sämtliche Bedienelemente aus, bevor Sie den Akku abnehmen.**
9. **Lassen Sie bei der Reinigung von Treppen besondere Vorsicht walten.**
10. **Verwenden Sie das Gerät nicht zum Aufsaugen von brennbaren oder feuergefährlichen Flüssigkeiten, wie z. B. Benzin, und benutzen Sie es auch nicht in der Nähe solcher Flüssigkeiten.**
11. **Verwenden Sie nur das vom Hersteller gelieferte Ladegerät zum Aufladen.**
12. **Saugen Sie keine brennenden oder rauchenden Gegenstände auf, wie z. B. Zigaretten, Streichhölzer oder heiße Asche.**
13. **Benutzen Sie das Gerät nicht ohne angebrachten Staubsack und/oder Filter.**
14. **Laden Sie den Akku nicht im Freien.**
15. **Laden Sie den Akku nur mit dem vom Hersteller vorgeschriebenen Ladegerät. Ein Ladegerät, das für einen Akkutyp geeignet ist, kann bei Verwendung mit einem anderen Akku eine Brandgefahr darstellen.**
16. **Benutzen Sie Geräte nur mit den ausdrücklich vorgeschriebenen Akkus. Bei Verwendung irgendwelcher anderer Akkus besteht Verletzungs- und Brandgefahr.**
17. **Bewahren Sie den Akku bei Nichtgebrauch nicht zusammen mit Metallgegenständen, wie Büroklammern, Münzen, Schlüsseln, Nägeln, Schrauben, und anderen kleinen Metallteilen auf, welche die Kontakte kurzschließen können.**
18. **Bei Missbrauch kann Flüssigkeit aus dem Akku austreten. Vermeiden Sie Kontakt mit dieser Flüssigkeit. Falls Sie versehentlich mit der Flüssigkeit in Berührung kommen, spülen Sie die betroffenen Stellen mit Wasser ab.**
19. **Verwenden Sie keine Akkus oder Geräte, die beschädigt oder modifiziert sind. Beschädigte oder modifizierte Akkus können unvorhersehbares Verhalten zeigen, das zu einem Brand, einer Explosion oder Verletzungsgefahr führen kann.**
20. **Setzen Sie einen Akku oder ein Gerät nicht Feuer oder übermäßigen Temperaturen aus. Bei Einwirkung von Feuer oder Temperaturen über 130 °C kann es zu einer Explosion kommen.**
21. **Befolgen Sie alle Ladeanweisungen, und laden Sie den Akku bzw. das Gerät nicht außerhalb des in den Anweisungen angegebenen Temperaturbereichs. Wird der Ladevorgang unsachgemäß oder bei Temperaturen außerhalb des angegebenen Bereichs durchgeführt, kann es zu einer Beschädigung des Akkus und erhöhter Brandgefahr kommen.**

## BEWAHREN SIE DIESE ANLEITUNG AUF.

## ZUSÄTZLICHE SICHERHEITSREGELN

Dieses Gerät ist für Haushaltsgebrauch vorgesehen.

1. Lesen Sie diese Gebrauchsanleitung und die Gebrauchsanleitung des Ladegerätes vor der Benutzung aufmerksam durch.
2. Unterlassen Sie das Aufsaugen der folgenden Materialien:
  - Heiße Materialien, wie z. B. brennende Zigaretten oder durch Schleifen/Schneiden von Metall erzeugte Funken/Metallstaub
  - Brennbare Materialien, wie z. B. Benzin, Verdünnern, Petroleum oder Lack
  - Explosive Materialien, wie Nitroglycerin
  - Zündfähige Materialien, wie z. B. Aluminium, Zink, Magnesium, Titan, Phosphor oder Celluloid
  - Nassen Schmutz, Wasser, Öl oder dergleichen
  - Harte Gegenstände mit scharfen Kanten, wie z. B. Holzspäne, Metalle, Steine, Glas, Nägel, Nadeln oder Rasierklingen
  - Klumpen bildendes Pulver, wie z. B. Zement oder Toner
  - Leitfähiger Staub, wie z. B. Metall- oder Kohlenstaub
  - Feine Partikel, wie z. B. BetonstaubSolche Handlungen können einen Brand, Verletzungen und/oder Sachschäden verursachen.
3. Brechen Sie den Betrieb sofort ab, wenn Sie irgendetwas Ungewöhnliches bemerken.
4. Falls Sie den Staubsauger fallen lassen oder anstoßen, überprüfen Sie ihn vor der Benutzung sorgfältig auf Risse oder Beschädigung.
5. Bringen Sie das Gerät nicht in die Nähe von Öfen oder anderen Wärmequellen.
6. Blockieren Sie nicht die Einlassöffnung oder die Belüftungsöffnungen.

## BEWAHREN SIE DIESE ANLEITUNG AUF.

### Wichtige Sicherheitsanweisungen für Akku

1. Lesen Sie vor der Benutzung des Akkus alle Anweisungen und Warnhinweise, die an (1) Ladegerät, (2) Akku und (3) Akkuwerkzeug angebracht sind.
2. Unterlassen Sie Zerlegen oder Manipulieren des Akkus. Es kann sonst zu einem Brand, übermäßiger Hitzeentwicklung oder einer Explosion kommen.
3. Falls die Betriebszeit beträchtlich kürzer geworden ist, stellen Sie den Betrieb sofort ein. Anderenfalls besteht die Gefahr von Überhitzung, möglichen Verbrennungen und sogar einer Explosion.
4. Falls Elektrolyt in Ihre Augen gelangt, waschen Sie sie mit sauberem Wasser aus, und begeben Sie sich unverzüglich in ärztliche Behandlung. Anderenfalls können Sie Ihre Sehkraft verlieren.
5. Der Akku darf nicht kurzgeschlossen werden:
  - (1) Die Kontakte dürfen nicht mit leitfähigem Material berührt werden.
  - (2) Lagern Sie den Akku nicht in einem Behälter zusammen mit anderen Metallgegenständen, wie z. B. Nägel, Münzen usw.
  - (3) Setzen Sie den Akku weder Wasser noch Regen aus.Ein Kurzschluss des Akkus verursacht starken Stromfluss, der Überhitzung, mögliche Verbrennungen und einen Defekt zur Folge haben kann.
6. Lagern und benutzen Sie das Werkzeug und den Akku nicht an Orten, an denen die Temperatur 50 °C erreichen oder überschreiten kann.
7. Versuchen Sie niemals, den Akku zu verbrennen, selbst wenn er stark beschädigt oder vollkommen verbraucht ist. Der Akku kann im Feuer explodieren.
8. Unterlassen Sie Nageln, Schneiden, Zerquetschen, Werfen, Fallenlassen des Akkus oder Schlagen des Akkus mit einem harten Gegenstand. Eine solche Handlung kann zu einem Brand, übermäßiger Hitzeentwicklung oder einer Explosion führen.
9. Benutzen Sie keine beschädigten Akkus.
10. Die enthaltenen Lithium-Ionen-Akkus unterliegen den Anforderungen der Gefahrgut-Gesetzgebung.

Für kommerzielle Transporte, z. B. durch Dritte oder Spediteure, müssen besondere Anforderungen zu Verpackung und Etikettierung beachtet werden.

Zur Vorbereitung des zu transportierenden Artikels ist eine Beratung durch einen Experten für Gefahrgut erforderlich. Bitte beachten Sie möglicherweise ausführlichere nationale Vorschriften. Überkleben oder verdecken Sie offene Kontakte, und verpacken Sie den Akku so, dass er sich in der Verpackung nicht umher bewegen kann.
11. Entfernen Sie den Akku zum Entsorgen vom Werkzeug, und entsorgen Sie ihn an einem sicheren Ort. Befolgen Sie die örtlichen Vorschriften bezüglich der Entsorgung von Akkus.
12. Verwenden Sie die Akkus nur mit den von Makita angegebenen Produkten. Das Einsetzen der Akkus in nicht konforme Produkte kann zu einem Brand, übermäßiger Hitzeentwicklung, einer Explosion oder Auslaufen von Elektrolyt führen.
13. Soll das Werkzeug längere Zeit nicht benutzt werden, muss der Akku vom Werkzeug entfernt werden.
14. Bei und nach dem Gebrauch kann der Akku heiß werden, was Verbrennungen oder Niedertemperaturverbrennungen verursachen kann. Beachten Sie die Handhabung von heißen Akkus.

15. **Berühren Sie nicht den Anschlusskontakt des Werkzeugs unmittelbar nach dem Gebrauch, da er heiß genug werden kann, um Verbrennungen zu verursachen.**
16. **Achten Sie darauf, dass sich keine Späne, Staub oder Schmutz in den Anschlusskontakten, Löchern und Nuten des Akkus absetzen.** Es könnte sonst zu Erhitzung, Brandauslösung, Bersten und Funktionsstörungen des Werkzeugs oder des Akkus kommen, was zu Verbrennungen oder Personenschäden führen kann.
17. **Wenn das Werkzeug den Einsatz in der Nähe einer Hochspannungs-Stromleitung nicht unterstützt, benutzen Sie den Akku nicht in der Nähe einer Hochspannungs-Stromleitung.** Dies kann zu einer Funktionsstörung oder Betriebsstörung des Werkzeugs oder des Akkus führen.
18. **Halten Sie die Batterie von Kindern fern.**

## **DIESE ANWEISUNGEN AUFBEWAHREN.**

**⚠ VORSICHT:** Verwenden Sie nur **Original-Makita-Akkus**. Die Verwendung von Nicht-Original-Makita-Akkus oder von Akkus, die abgeändert worden sind, kann zum Bersten des Akkus und daraus resultierenden Bränden, Personenschäden und Beschädigung führen. Außerdem wird dadurch die Makita-Garantie für das Makita-Werkzeug und -Ladegerät ungültig.

## **Hinweise zur Aufrechterhaltung der maximalen**

### **Akku-Nutzungsdauer**

1. **Laden Sie den Akku, bevor er vollkommen erschöpft ist. Schalten Sie das Werkzeug stets aus, und laden Sie den Akku, wenn Sie ein Nachlassen der Werkzeugleistung feststellen.**
2. **Unterlassen Sie erneutes Laden eines voll aufgeladenen Akkus. Überladen führt zu einer Verkürzung der Nutzungsdauer des Akkus.**
3. **Laden Sie den Akku bei Raumtemperatur zwischen 10 – 40 °C. Lassen Sie einen heißen Akku abkühlen, bevor Sie ihn laden.**
4. **Wenn Sie den Akku nicht benutzen, nehmen Sie ihn vom Werkzeug oder Ladegerät ab.**

## **FUNKTIONSBESCHREIBUNG**

**⚠ VORSICHT:** Vergewissern Sie sich vor der Durchführung von Einstellungen oder Funktionsprüfungen des Werkzeugs stets, dass das Werkzeug ausgeschaltet und der Akku abgenommen ist.

**⚠ VORSICHT:** Achten Sie beim Einsetzen des Akkus darauf, dass Sie sich nicht die Finger zwischen Staubsauger und Akku klemmen, wie in der Abbildung gezeigt. Einklemmen von Fingern kann Verletzungen verursachen.

► **Abb.1**

## **Anbringen und Abnehmen des Akkus**

**⚠ VORSICHT:** Schalten Sie das Werkzeug stets aus, bevor Sie den Akku anbringen oder abnehmen.

**⚠ VORSICHT:** Halten Sie das Werkzeug und den Akku beim Anbringen oder Abnehmen des Akkus sicher fest. Wenn Sie das Werkzeug und den Akku nicht sicher festhalten, können sie Ihnen aus der Hand rutschen, was zu einer Beschädigung des Werkzeugs und des Akkus und zu Körperverletzungen führen kann.

► **Abb.2:** 1. Rote Anzeige 2. Knopf 3. Akku

Ziehen Sie den Akku zum Abnehmen vom Werkzeug ab, während Sie den Knopf an der Vorderseite des Akkus verschieben.

Richten Sie zum Anbringen des Akkus dessen Führungsfeder auf die Nut im Gehäuse aus, und schieben Sie den Akku hinein. Schieben Sie ihn vollständig ein, bis er mit einem leisen Klicken einrastet. Wenn Sie die rote Anzeige sehen können, wie in der Abbildung gezeigt, ist der Akku nicht vollständig verriegelt.

**⚠ VORSICHT:** Schieben Sie den Akku stets bis zum Anschlag ein, bis die rote Anzeige nicht mehr sichtbar ist. Anderenfalls kann er aus dem Werkzeug herausfallen und Sie oder umstehende Personen verletzen.

**⚠ VORSICHT:** Unterlassen Sie Gewaltanwendung beim Anbringen des Akkus. Falls der Akku nicht reibungslos hineingleitet, ist er nicht richtig ausgerichtet.

## **Akku-Schutzsystem**

Das Werkzeug ist mit einem Akku-Schutzsystem ausgestattet. Dieses System schaltet die Stromversorgung des Motors automatisch ab, um die Akku-Lebensdauer zu verlängern. Das Werkzeug schaltet sich während des Betriebs automatisch ab, wenn Werkzeug und/oder Akku einer der folgenden Bedingungen unterliegen:

### **Überlastung:**

Das Werkzeug wird auf eine Weise benutzt, die eine ungewöhnlich hohe Stromaufnahme bewirkt. Schalten Sie in dieser Situation das Werkzeug aus, und brechen Sie die Arbeit ab, die eine Überlastung des Werkzeugs verursacht hat. Schalten Sie dann das Werkzeug wieder ein, um neu zu starten.

### **Niedrige Akkuspannung:**

Die Akku-Restkapazität ist zu niedrig, und das Werkzeug funktioniert nicht. Wenn Sie das Werkzeug einschalten, läuft der Motor wieder an, bleibt aber bald darauf stehen. Nehmen Sie in dieser Situation den Akku ab, und laden Sie ihn auf.

## Anzeigen der Akku-Restkapazität

### Nur für Akkus mit Anzeige

► **Abb.3:** 1. Anzeigelampen 2. Prüftaste

Drücken Sie die Prüftaste am Akku, um die Akku-Restkapazität anzuzeigen. Die Anzeigelampen leuchten wenige Sekunden lang auf.

Anzeigelampen		Restkapazität
Erleuchtet	Aus	
■ ■ ■ ■		75% bis 100%
■ ■ ■ □		50% bis 75%
■ ■ □ □		25% bis 50%
■ □ □ □		0% bis 25%

**HINWEIS:** Abhängig von den Benutzungsbedingungen und der Umgebungstemperatur kann die Anzeige geringfügig von der tatsächlichen Kapazität abweichen.

## Schalterfunktion

► **Abb.4:** 1. Einschalttaste (ON)/Drehzahl-Umschalttaste 2. Ausschalttaste (OFF)

Drücken Sie zum Einschalten des Staubsaugers einfach die Einschalttaste (ON)/Drehzahl-Umschalttaste. Drücken Sie zum Ausschalten die Ausschalttaste (OFF).

Durch Drücken der Einschalttaste (ON)/Drehzahl-Umschalttaste können Sie die Drehzahl des Staubsaugers in drei Stufen ändern. Beim ersten Drücken dieser Taste erhalten Sie den Hochdrehzahlmodus, beim zweiten Drücken den Maximaldrehzahlmodus, und beim dritten Drücken den Normaldrehzahlmodus. Mit jedem Drücken dieser Taste wird der Zyklus hohe/maximale/normale Drehzahl abwechselnd wiederholt.

## Einschalten der Lampe

**⚠ VORSICHT:** Blicken Sie nicht direkt in die Lampe oder die Lichtquelle.

► **Abb.5:** 1. Einschalttaste (ON)/Drehzahl-Umschalttaste 2. Ausschalttaste (OFF) 3. Lampe

Um die Lampe einzuschalten, drücken Sie die Einschalttaste (ON)/Drehzahl-Umschalttaste. Drücken Sie die Ausschalttaste (OFF), um die Lampe auszuschalten. Während des Betriebs des Werkzeugs leuchtet die Lampe.

Wenn die Akku-Restkapazität niedrig wird, beginnt die Lampe zu blinken.

**HINWEIS:** Der Zeitpunkt, zu dem die Lampe zu blinken beginnt, hängt von der Temperatur am Arbeitsplatz und dem Zustand des Akkus ab.

## MONTAGE

**⚠ VORSICHT:** Vergewissern Sie sich vor der Ausführung von Arbeiten am Werkzeug stets, dass das Werkzeug ausgeschaltet und der Akku abgenommen ist.

## Filtertyp

### Normaler Filter

► **Abb.6:** 1. Kapsel 2. Vorfilter 3. Filter

### Hochleistungsfilter

► **Abb.7:** 1. Kapsel 2. Hochleistungsfilter

### Vorfilter oder Hochleistungsfilter und HEPA-Filter

► **Abb.8:** 1. Kapsel 2. Vorfilter 3. Hochleistungsfilter 4. HEPA-Filter

**ANMERKUNG:** Verwenden Sie den Hochleistungsfilter nicht mit dem Filter (Sonderzubehör). Der Hochleistungsfilter lässt sich sonst möglicherweise nicht mehr vom Staubsauger entfernen.

**HINWEIS:** Wenn Sie den optionalen Vorfilter und den optionalen Filter mit dem HEPA-Filter verwenden, verwenden Sie nur den Vorfilter über dem HEPA-Filter. Falls Sie den Vorfilter und den Filter gleichzeitig mit dem HEPA-Filter verwenden, kann die Saugkraft reduziert werden.

**HINWEIS:** Wenn Sie den HEPA-Filter mit dem Hochleistungsfilter verwenden, verwenden Sie den Hochleistungsfilter mit der Strebe.

► **Abb.9:** 1. Strebe

## Staubentleerung

**⚠ VORSICHT:** Leeren Sie den Staubsauger, bevor er voll wird oder die Saugleistung nachlässt.

**⚠ VORSICHT:** Entleeren Sie auch unbedingt den Staub im Staubsauger selbst. Anderenfalls kann sich der Filter zusetzen, oder der Motor kann beschädigt werden.

### Entsorgen von Staub für normalen Filter

Um den am Filter in der Kapsel haftenden Staub abzuschütten, klopfen Sie 4- bis 5-mal mit Ihrer Hand auf die Kapsel.

► **Abb.10:** 1. Kapsel 2. Saugeinlass

Richten Sie den Saugeinlass nach unten, drehen Sie dann die Kapsel in Richtung des Pfeils in der Abbildung, und ziehen Sie sie langsam und gerade ab.

► **Abb.11:** 1. Kapsel 2. Saugeinlass

**HINWEIS:** Halten Sie unbedingt einen Müllsack unter die Kapsel, da beim Öffnen der Kapsel Staub herausfallen kann.

Entfernen Sie den angesammelten Staub aus dem Kapsel-Innenraum und vom Vorfilter.

► **Abb.12:** 1. Vorfilter 2. Kapsel

Drehen Sie den Vorfilter in Pfeilrichtung, um die Sicherungslippe von der Staubsaugereinheit zu lösen, und ziehen Sie dann den Vorfilter ab.

► **Abb.13:** 1. Vorfilter 2. Sicherungslippe

Entleeren Sie Feinstaub aus dem Vorfilter. Entfernen Sie dann den Filter, und klopfen Sie ihn leicht aus, um Staub zu lösen.

► **Abb.14:** 1. Filter 2. Vorfilter

## Entsorgen von Staub für Hochleistungsfilter

Um den am Filter in der Kapsel haftenden Staub abzuschütteln, klopfen Sie 4- bis 5-mal mit Ihrer Hand auf die Kapsel.

Richten Sie nun den Saugelass nach unten, drehen Sie die Kapsel in Richtung des Pfeils in der Abbildung, und ziehen Sie die Kapsel langsam und gerade ab.

► **Abb.15:** 1. Kapsel 2. Saugelass

**HINWEIS:** Halten Sie einen Müllsack unter die Kapsel, da beim Öffnen der Kapsel Staub herausfallen kann.

Entfernen Sie den angesammelten Staub aus dem Kapsel-Innenraum und vom Hochleistungsfilter.

► **Abb.16:** 1. Kapsel 2. Hochleistungsfilter

Drehen Sie den Hochleistungsfilter in Pfeilrichtung, um die Sicherungslippe von der Staubsaugereinheit zu lösen, und ziehen Sie dann den Filter ab.

► **Abb.17:** 1. Sicherungslippe

Entleeren Sie den Feinstaub, und klopfen Sie den Hochleistungsfilter leicht aus, um Staub abzuschütteln.

## Zusammenbau

### Zusammenbau für normalen Filter

Bringen Sie den Filter an der Staubsaugereinheit an, bis er einwandfrei sitzt.

► **Abb.18:** 1. Filter

**ANMERKUNG:** Achten Sie darauf, dass der Filter gerade aufgesetzt wird, ohne dass er zurückgezogen wird. Falls der Filter falsch aufgesetzt wird, wie in der Abbildung gezeigt, gelangt Staub in das Motorgehäuse und kann einen Motorausfall verursachen.

► **Abb.19:** 1. Filter

Installieren Sie den Vorfilter. Drehen Sie dabei den Vorfilter so, dass die Sicherungslippe fest in der Staubsaugereinheit verankert ist.

► **Abb.20:** 1. Vorfilter 2. Sicherungslippe

► **Abb.21**

Installieren Sie die Kapsel. Richten Sie die Markierung an der Kapsel auf die Markierung in der Nähe des Handgriffs aus, und drehen Sie dann die Kapsel fest in Pfeilrichtung, bis sie gesichert ist.

► **Abb.22:** 1. Markierung

► **Abb.23:** 1. Kapsel 2. Handgriff 3. Markierung

**HINWEIS:** Entfernen Sie Staub stets rechtzeitig, da die Saugleistung verringert wird, wenn sich zu viel Staub im Staubsauger befindet.

**ANMERKUNG:** Vergewissern Sie sich vor der Benutzung des Staubsaugers stets, dass Filter und Vorfilter korrekt eingesetzt sind. Falls sie nicht korrekt eingesetzt sind, gelangt Staub in das Motorgehäuse und kann einen Motorausfall verursachen. Falls die in den folgenden Beispielen genannten Fälle eintreten, sind Filter und Vorfilter nicht korrekt eingesetzt. Setzen Sie sie korrekt ein, um das Problem zu beheben.

### Problemebeispiele

Beispiel 1: Nur der Vorfilter ist eingesetzt worden (kein Filter)

► **Abb.24:** 1. Vorfilter

Beispiel 2: Nur der Filter ist eingesetzt worden (kein Vorfilter)

► **Abb.25:** 1. Filter

Beispiel 3: Der Filter ist im zurückgezogenen Zustand eingesetzt worden

► **Abb.26:** 1. Filter

Beispiel 4: Die Sicherungslippe des Vorfilters sitzt nicht fest in der Nut des Staubsaugergehäuses

► **Abb.27:** 1. Sicherungslippe 2. Vorfilter 3. Nut des Staubsaugergehäuses

### Zusammenbau für Hochleistungsfilter

Schließen Sie den Hochleistungsfilter an. Drehen Sie dabei den Hochleistungsfilter so, dass die Sicherungslippe fest in der Staubsaugereinheit verankert ist.

► **Abb.28:** 1. Hochleistungsfilter 2. Sicherungslippe

► **Abb.29:** 1. Sicherungslippe

Installieren Sie die Kapsel. Richten Sie die Markierung an der Kapsel auf die Markierung in der Nähe des Handgriffs aus, und drehen Sie dann die Kapsel fest in Pfeilrichtung, bis sie gesichert ist.

► **Abb.30:** 1. Markierung

► **Abb.31:** 1. Kapsel 2. Handgriff 3. Markierung

**HINWEIS:** Entfernen Sie den Staub stets rechtzeitig, da die Saugleistung verringert wird, wenn sich zu viel Staub im Staubsauger befindet.

**HINWEIS:** Vergewissern Sie sich vor der Benutzung des Staubsaugers stets, dass der Hochleistungsfilter korrekt eingesetzt ist. Falls sie nicht korrekt eingesetzt sind, gelangt Staub in das Motorgehäuse und kann einen Motorausfall verursachen.

Falls die in den folgenden Beispielen genannten Fälle eintreten, ist der Hochleistungsfilter nicht korrekt eingesetzt. Setzen Sie sie korrekt ein, um das Problem zu beheben.

### Problemebeispiele

Die Sicherungslippe des Hochleistungsfilters ist nicht fest in der Nut des Staubsaugergehäuses verankert.

► **Abb.32:** 1. Sicherungslippe 2. Nut des Staubsaugergehäuses

## Anbringen oder Abnehmen von Strebe/HEPA-Filter

### Sonderzubehör

#### Für Strebe und Schwammfilter

Um die Strebe zu entfernen, drücken Sie den unteren Teil der Säulen der Strebe mit Ihren Fingern hoch, und lösen Sie ihre Nut von dem Vorsprung am Staubsauger. Entfernen Sie anschließend den Schwammfilter.

► **Abb.33:** 1. Strebe 2. Schwammfilter

Zum Anbringen richten Sie die Nuten an der Strebe auf den Vorsprung am Staubsauger aus, und drücken Sie die Strebe hinein, bis sie einrastet.

Führen Sie den Schwammfilter zwischen den Säulen ein, und setzen Sie ihn in seine Ausgangsposition ein.

#### Für den HEPA-Filter

Wenn Sie den HEPA-Filter einsetzen, richten Sie die Nut des HEPA-Filters auf den Vorsprung des Staubsaugers aus. Setzen Sie dann den Vorfilter oder den Hochleistungsfilter auf den HEPA-Filter, und drehen Sie ihn, um ihn zu sichern. Zum Abnehmen ist das Anbringungsverfahren umgekehrt anzuwenden.

► **Abb.34:** 1. HEPA-Filter 2. Vorfilter

► **Abb.35:** 1. HEPA-Filter 2. Hochleistungsfilter

## BETRIEB

**⚠ VORSICHT:** Um Vorrichtungen, wie z. B. eine Düse, anzuschließen, führen Sie die Vorrichtung unter gleichzeitigem Drehen in Pfeilrichtung ein, um einwandfreie Verbindung während des Gebrauchs zu gewährleisten. Um die Vorrichtungen abzutrennen, ziehen Sie sie unter gleichzeitigem Drehen in Pfeilrichtung ab. Wird eine Vorrichtung beim Anschließen oder Abtrennen in entgegengesetzter Richtung gedreht, kann sich die Kapsel lösen.

► **Abb.36:** 1. Kapsel

## Reinigen (Saugen)

### Düse

Bringen Sie die Düse an, um Tische, Pulte, Möbelstücke usw. abzusaugen. Die Düse lässt sich leicht aufstecken.

► **Abb.37:** 1. Düse

### Düse + Verlängerungsrohr (gerades Rohr)

Das Verlängerungsrohr wird zwischen Düse und Staubsauger angebracht. Diese Anordnung ist praktisch, um den Fußboden im Stehen zu saugen.

► **Abb.38:** 1. Staubsauger-Hauptteil  
2. Verlängerungsrohr 3. Düse

### Spitzdüse

Bringen Sie die Spitzdüse an, um Ecken und Ritzen eines Autos oder Möbelstücks zu reinigen.

► **Abb.39:** 1. Spitzdüse 2. Staubsauger-Hauptteil

## Spitzdüse + Verlängerungsrohr (gerades Rohr)

Benutzen Sie diese Anordnung in engen Zwischenräumen, in die der Staubsauger selbst nicht hineinpasst, oder an schwer erreichbaren hohen Orten.

► **Abb.40:** 1. Spitzdüse 2. Verlängerungsrohr  
3. Staubsauger-Hauptteil

## Staubsaugen ohne Düse

Sie können Pulver und Staub ohne Düse aufsaugen.

► **Abb.41**

## WARTUNG

**⚠ VORSICHT:** Vergewissern Sie sich vor der Durchführung von Inspektions- oder Wartungsarbeiten stets, dass das Werkzeug ausgeschaltet und der Akku abgenommen ist.

## Nach dem Gebrauch

**⚠ VORSICHT:** Wird der Staubsauger ohne irgendeine Stütze gegen eine Wand gelehnt, kann er umkippen, was zu Personenschäden oder einer Beschädigung des Staubsaugers führen kann.

► **Abb.42**

## Reinigen

**ANMERKUNG:** Verwenden Sie auf keinen Fall Benzin, Waschbenzin, Verdünnern, Alkohol oder dergleichen. Solche Mittel können Verfärbung, Verformung oder Rissbildung verursachen.

**ANMERKUNG:** Blasen Sie am Staubsauger und an den Filtern haftenden Staub nicht mit einem Druckluftspray ab. Dadurch wird der Staub in das Gehäuse geblasen und ein Ausfall verursacht.

**ANMERKUNG:** Nachdem Sie die Filter gewaschen haben, lassen Sie sie vor Gebrauch gründlich trocknen. Unzureichend getrocknete Filter können schlechte Saugleistung verursachen und die Lebensdauer des Motors verkürzen.

**ANMERKUNG:** Nachdem Sie die Filter und den Schwammfilter gereinigt haben, setzen Sie sie vor Gebrauch unbedingt wieder ein. Wird der Staubsauger ohne Filter und Schwammfilter benutzt, kann Staub in das Motorgehäuse eindringen und eine Funktionsstörung verursachen.

## Staubsauger-Hauptteil

Wischen Sie die Außenseite (Staubsauger-Hauptteil) des Staubsaugers von Zeit zu Zeit mit einem mit Seifenwasser getränkten Tuch ab.

Putzen Sie auch die Saugöffnung und den Filtermontagebereich aus.

► **Abb.43**



## Filter

Waschen Sie den Filter in Seifenwasser aus, wenn er mit Staub zugesetzt ist und die Saugleistung nachlässt. Lassen Sie ihn vor der Benutzung gründlich trocknen.

► **Abb.44**

## HEPA-Filter

### Sonderzubehör

**ANMERKUNG:** Unterlassen Sie Abreiben oder Abkratzen des HEPA-Filters mit harten Gegenständen, wie z. B. einer Bürste und einer Kratze.

Ein verstopfter HEPA-Filter verursacht schlechte Saugleistung. Säubern Sie den Filter von Zeit zu Zeit.

Waschen Sie den HEPA-Filter gelegentlich in Wasser aus, spülen Sie ihn ab, und lassen Sie ihn vor Gebrauch im Schatten trocknen. Waschen Sie den Filter niemals in einer Waschmaschine.

► **Abb.45**

## Schwammfilter

Wenn der Schwammfilter verschmutzt wird, reinigen Sie ihn wie folgt.

1. Entfernen Sie den Filter.
2. Ziehen Sie den Schwammfilter zwischen den Säulen heraus.
3. Reinigen Sie den Schwammfilter durch Ausklopfen oder Waschen. Wenn Sie ihn waschen, lassen Sie ihn vor Gebrauch gründlich trocknen.
4. Führen Sie den Schwammfilter zwischen den Säulen ein, und setzen Sie ihn in seine Ausgangsposition ein. Vergewissern Sie sich, dass die Unterkanten der Säulen den Schwammfilter niederhalten, und dass kein Spalt zwischen dem Schwammfilter und der Saugöffnung vorhanden ist.

► **Abb.46:** 1. Schwammfilter 2. Unterkante der Säule

## Fehlersuche

Bevor Sie eine Reparatur anfordern, überprüfen Sie bitte die folgenden Punkte.

Symptom	Prüfbereich	Abhilfemaßnahmen
Schwache Saugkraft	Ist die Kapsel mit Staub gefüllt?	Entleeren Sie den Staub aus der Kapsel.
	Ist der Filter verstopft?	Reinigen oder waschen Sie den Filter.
	Ist der Akku entladen?	Laden Sie den Akku auf.
Gerät funktioniert nicht	Ist der Akku entladen?	Laden Sie den Akku auf.

**⚠ VORSICHT:** Versuchen Sie nicht, den Staubsauger selbst zu reparieren.

Um die SICHERHEIT und ZUVERLÄSSIGKEIT dieses Produkts zu gewährleisten, sollten Reparaturen und andere Wartungs- oder Einstellarbeiten nur von Makita-Vertragswerkstätten oder Makita-Kundendienstzentren unter ausschließlicher Verwendung von Makita-Originalersatzteilen ausgeführt werden.

## SONDERZUBEHÖR

**⚠ VORSICHT:** Die folgenden Zubehörteile oder Vorrichtungen werden für den Einsatz mit dem in dieser Anleitung beschriebenen Makita-Werkzeug empfohlen. Die Verwendung anderer Zubehörteile oder Vorrichtungen kann eine Verletzungsgefahr darstellen. Verwenden Sie Zubehörteile oder Vorrichtungen nur für ihren vorgesehenen Zweck.

Wenn Sie weitere Einzelheiten bezüglich dieser Zubehörteile benötigen, wenden Sie sich bitte an Ihre Makita-Kundendienststelle.

- Verlängerungsrohr (gerades Rohr)
- Düse
- Düse für Teppich
- Regalbürste
- Spitzdüse
- Sitzdüse
- Freie Düse

- Spaltendüse
- Rundbürste
- Flexibler Schlauch
- Filter
- Vorfilter
- Hochleistungsfilter
- HEPA-Filter
- Zyklonaufsatz
- Original-Makita-Akku und -Ladegerät

**HINWEIS:** Manche Teile in der Liste können als Standardzubehör im Werkzeugsatz enthalten sein. Sie können von Land zu Land unterschiedlich sein.

## Zyklonaufsatz

- **Abb.47:** 1. Gerades Rohr 2. Zyklonaufsatz  
3. Saugeinlass

### Info zum Zyklonaufsatz

Wird der Staubsauger mit installiertem Zyklonaufsatz verwendet, so wird die Staubmenge, die in die Kapsel gelangt, reduziert, was dazu beiträgt, eine Abschwächung der Saugkraft zu verhindern. Außerdem wird die Reinigung nach dem Gebrauch ebenfalls vereinfacht.

**⚠ VORSICHT:** Vergewissern Sie sich vor der Ausführung von Arbeiten am Werkzeug stets, dass das Werkzeug ausgeschaltet und der Akku abgenommen ist. Wird der Akku eingesetzt gelassen, kann der Staubsauger unerwartet anlaufen, was zu Verletzungen führen kann.

**⚠ VORSICHT:** Reinigen Sie den Netzfilter des Zyklonaufsatzes und die Filter der Staubsaugereinheit, wenn sie verstopft werden. Fortgesetzter Gebrauch im verstopften Zustand kann zu Erhitzung oder Rauchbildung führen.

**ANMERKUNG:** Verwenden Sie den Staubsauger bei angebrachtem Zyklonaufsatz nicht im horizontalen oder nach oben gerichteten Zustand. Anderenfalls kann der Netzfilter verstopft werden.

**ANMERKUNG:** Benutzen Sie den Staubsauger selbst bei Verwendung des Zyklonaufsatzes immer mit installierten Filtern. Wird der Staubsauger ohne die Filter benutzt, kann es zu einer Funktionsstörung des Motors kommen.

**HINWEIS:** Stellen Sie vor Gebrauch sicher, dass Zyklonaufsatz, Staubsauger und gerades Rohr einwandfrei verriegelt sind.

**HINWEIS:** Entleeren Sie den Staubsammelbehälter des Zyklonaufsatzes und die Kapsel des Staubsaugers, wenn Staub sich angesammelt hat. Fortgesetzter Gebrauch führt zu einer Abschwächung der Saugkraft.

### Staubentleerung

Wenn Staub sich bis zur Voll-Linie des Staubsammelbehälters angesammelt hat, entsorgen Sie den Staub nach dem folgenden Verfahren.

1. Halten Sie den Staubsammelbehälter mit festem Griff, während Sie die zwei Knöpfe gedrückt halten, und entfernen Sie den Staubsammelbehälter.

- **Abb.48:** 1. Voll-Linie 2. Staubsammelbehälter  
3. Knopf (zwei Stellen) 4. Netzfilter

2. Entsorgen Sie den Staub im Staubsammelbehälter, und entfernen Sie jeglichen an der Oberfläche des Netzfilters haftenden Staub und Pulver.

3. Führen Sie den Staubsammelbehälter vollständig ein, bis die zwei Knöpfe mit einem Klicken einrasten.

- **Abb.49:** 1. Staubsammelbehälter 2. Knopf (zwei Stellen)

**HINWEIS:** Stellen Sie vor dem erneuten Starten des Betriebs sicher, dass Zyklonaufsatz, Staubsauger und gerades Rohr alle fest verbunden sind.

**HINWEIS:** Falls die Saugkraft selbst nach der Entsorgung des Staubs und der Reinigung des Netzfilters nicht wiederhergestellt wird, prüfen Sie, ob Staub sich in der Kapsel des Staubsaugers angesammelt hat, oder ob eine Verstopfung aufgetreten ist.

### Reinigen

Wenn der Staubsammelbehälter schmutzig wird oder der Netzfilter verstopft ist, entfernen Sie die Teile, und waschen Sie sie mit Wasser. (Angaben zum Demontageverfahren finden Sie unter „Staubentleerung“.)

Lassen Sie die Teile gründlich trocknen, bevor Sie sie wieder installieren und benutzen.

- **Abb.50:** 1. Staubsammelbehälter 2. Netzfilter

Wenn der Netzfilter stark verschmutzt wird, reinigen Sie ihn nach den folgenden Verfahren.

1. Drehen Sie den Netzfilter entgegen dem Uhrzeigersinn, und entfernen Sie ihn bei entriegelten Rasten.

- **Abb.51:** 1. Netzfilter 2. Raste

2. Entfernen Sie den Staub am Netzfilter, und waschen Sie ihn dann mit Wasser. Lassen Sie ihn danach gründlich trocknen.

3. Führen Sie den Netzfilter in die Basis ein, während die Rasten auf den Anschluss ausgerichtet sind. Drehen Sie den Netzfilter im Uhrzeigersinn, bis die Rasten mit einem Klicken einrasten. Vergewissern Sie sich, dass der Netzfilter sicher installiert ist.

- **Abb.52:** 1. Netzfilter 2. Raste 3. Anschluss

## AVVERTENZA

- Questo elettrodomestico può venire utilizzato dai bambini dagli 8 anni in su, nonché da persone con capacità fisiche, sensoriali o mentali ridotte, o prive di esperienza o preparazione, qualora vengano fornite loro supervisione o istruzioni relative all'utilizzo in sicurezza dell'elettrodomestico e comprendano i pericoli che comporta.
- I bambini non devono giocare con l'elettrodomestico. La pulizia e la manutenzione da parte dell'utente non devono essere effettuate dai bambini senza supervisione.
- Per il riferimento sul tipo di batteria, vedere il capitolo "DATI TECNICI".
- Per istruzioni su come rimuovere o installare la batteria, vedere la sezione "Installazione o rimozione della cartuccia della batteria".
- Quando si intende smaltire la cartuccia della batteria, rimuoverla dall'utensile e smaltirla in un luogo sicuro. Attenersi alle normative locali relative allo smaltimento della batteria.
- Se l'utensile non viene utilizzato per un periodo di tempo prolungato, la batteria deve essere rimossa dall'utensile.
- Non cortocircuitare la cartuccia della batteria.
- Per i dettagli appropriati relativi alle precauzioni durante la manutenzione da parte dell'utente, vedere il capitolo "MANUTENZIONE".

## DATI TECNICI

<b>Modello:</b>		<b>CL108FD</b>
Capacità		600 mL
Utilizzo continuativo (con batteria BL1016)	1 (modalità a velocità normale)	Circa 25 min
	2 (modalità ad alta velocità)	Circa 12 min
	3 (modalità a velocità massima)	Circa 10 min
Lunghezza totale		956 mm
Tensione nominale		10,8 V - 12 V CC max
Peso netto		1,0 - 1,2 kg

- A causa del nostro programma continuativo di ricerca e sviluppo, i dati tecnici sono soggetti a modifiche senza preavviso.
- I dati tecnici possono variare da nazione a nazione.
- Il peso non comprende gli accessori ma comprende la cartuccia della batteria o le cartucce delle batterie. Nella tabella sono indicati il peso combinato minimo e massimo dell'apparecchio insieme alla cartuccia della batteria o alle cartucce delle batterie.

### Cartuccia della batteria e caricabatterie applicabili

Cartuccia della batteria	BL1016 / BL1021B / BL1041B
Caricabatterie	DC10SA / DC10SB / DC10WC / DC10WD / DC18RE

- Alcune cartucce delle batterie e alcuni caricabatterie elencati sopra potrebbero non essere disponibili a seconda della propria area geografica di residenza.

**⚠ AVVERTIMENTO:** Utilizzare solo le cartucce delle batterie e i caricabatterie elencati sopra. L'utilizzo di altre cartucce delle batterie e di altri caricabatterie potrebbe causare lesioni personali e/o un incendio.

## Simboli

Le figure seguenti mostrano i simboli utilizzati per l'apparecchio. Accertarsi di comprenderne il significato prima dell'uso.



Leggere il manuale d'uso.



Solo per le nazioni dell'EU  
A causa della presenza di componenti pericolosi nelle apparecchiature, i rifiuti di apparecchiature elettriche ed elettroniche, accumulatori e batterie potrebbero produrre un impatto negativo sull'ambiente e sulla salute umana.  
Non smaltire elettrodomestici elettrici ed elettronici o batterie insieme ai rifiuti domestici! In conformità alla direttiva europea sui rifiuti di apparecchiature elettriche ed elettroniche (RAEE), sugli accumulatori e le batterie, nonché sui rifiuti di accumulatori e batterie, e al suo adattamento alle normative nazionali, i rifiuti di apparecchiature elettriche ed elettroniche, batterie e accumulatori vanno conservati separatamente e conferiti a un punto di raccolta separato per i rifiuti comunali, operando in conformità alle normative per la protezione dell'ambiente.  
Tale requisito viene indicato mediante il simbolo del bidone della spazzatura con ruote barrato apposto sull'apparecchio.

## Utilizzo previsto

Questo utensile è progettato per la raccolta delle polveri asciutte.

## AVVERTENZE DI SICUREZZA

### Avvertenze relative alla sicurezza dell'aspiratore a batteria

**⚠AVVERTIMENTO: IMPORTANTE! LEGGERE CON ATTENZIONE tutte le avvertenze di sicurezza e tutte le istruzioni PRIMA DELL'USO.** La mancata osservanza delle avvertenze e delle istruzioni potrebbe risultare in scosse elettriche, incendi e/o gravi lesioni personali.

1. **Non esporlo alla pioggia. Conservarlo al chiuso.**
2. **Non consentirne l'utilizzo come giocattolo.** Qualora venga utilizzato da o in prossimità di bambini, è necessaria una stretta sorveglianza.
3. **Utilizzarlo esclusivamente nelle modalità descritte nel presente manuale. Utilizzare esclusivamente gli accessori consigliati dal produttore.**
4. **Non utilizzarlo con una batteria danneggiata.** Qualora l'elettrodomestico non funzioni come previsto, sia caduto, si sia danneggiato, sia rimasto all'aperto o sia caduto in acqua, portarlo a un centro di assistenza.

5. **Non maneggiare l'elettrodomestico con le mani bagnate.**
6. **Non inserire alcun oggetto nelle aperture.** Non utilizzarlo con alcuna apertura ostruita; tenerlo libero da polvere, lanugine, capelli e qualsiasi cosa possa ridurre il flusso dell'aria.
7. **Tenere i capelli, gli indumenti abbondanti, le dita e tutte le parti del corpo lontani dalle aperture e dalle parti mobili.**
8. **Disattivare tutti i controlli prima di rimuovere la batteria.**
9. **Fare particolarmente attenzione durante la pulizia delle scale.**
10. **Non utilizzarlo per aspirare sostanze infiammabili o combustibili, ad esempio la benzina, o in ubicazioni in cui potrebbero essere presenti.**
11. **Per la ricarica, utilizzare esclusivamente il caricabatterie fornito dal produttore.**
12. **Non aspirare oggetti che brucino o emettano fumo, quali sigarette, fiammiferi o ceneri calde.**
13. **Non utilizzarlo senza il sacchetto polveri e/o i filtri installati.**
14. **Non caricare la batteria all'aperto.**
15. **Ricaricarla esclusivamente con il caricabatterie specificato dal produttore.** Un caricabatterie idoneo a un tipo di batteria potrebbe creare un rischio di incendio, laddove venga utilizzato con una batteria di tipo diverso.
16. **Utilizzare gli elettrodomestici esclusivamente con le batterie specificamente designate.** L'utilizzo di qualsiasi altra batteria potrebbe comportare il rischio di lesioni personali e incendi.
17. **Quando la batteria non è in uso, tenerla lontana da oggetti metallici, quali graffette, monete, chiavi, chiodi, viti o altri piccoli oggetti metallici, che possono creare un contatto da un terminale all'altro.**
18. **In condizioni di uso improprio, dalla batteria potrebbe venire espulso del liquido; evitare il contatto con tale liquido. In caso di contatto accidentale con il liquido, lavare abbondantemente con acqua.**
19. **Non utilizzare una batteria o un elettrodomestico che siano danneggiati o che siano stati modificati.** Batterie danneggiate o modificate potrebbero mostrare un comportamento imprevedibile che può risultare in incendi, esplosioni o nel rischio di lesioni personali.
20. **Non esporre una batteria o un elettrodomestico al fuoco o a temperature eccessive.** L'esposizione al fuoco o a temperature superiori ai 130 °C potrebbe causare un'esplosione.
21. **Attenersi a tutte le istruzioni relative alla carica e non caricare la batteria o l'elettrodomestico al di fuori della gamma di temperature specificata nelle istruzioni.** Una carica inappropriata o a temperature al di fuori della gamma specificata potrebbe danneggiare la batteria e incrementare il rischio di incendio.

## CONSERVARE LE PRESENTI ISTRUZIONI.

## REGOLE AGGIUNTIVE PER LA SICUREZZA

Questo elettrodomestico è progettato per l'utilizzo domestico.

1. Leggere attentamente il presente manuale d'uso e il manuale d'uso del caricabatterie prima dell'uso.
2. Non aspirare i materiali seguenti:
  - Materiali caldi, quali sigarette accese e/o scintille o polveri metalliche generate dalla smerigliatura o dal taglio del metallo
  - Materiali infiammabili, quali benzina per auto, solventi, benzina per smacchiare, cherosene o vernici
  - Materiali esplosivi, ad esempio nitroglicerina
  - Materiali infiammabili, quali alluminio, zinco, magnesio, titanio, fosforo o celluloidi
  - Sporcizia bagnata, acqua, olio o simili
  - Pezzi duri con estremità affilate, quali schegge di legno, metalli, pietre, vetri, chiodi, spilli o rasi
  - Polveri che formino grumi, quali cemento o toner
  - Polveri conduttive, quali quelle metalliche o di carbonio
  - Polveri sottili, ad esempio polvere di calcestruzzo

In caso contrario, si potrebbero causare incendi, lesioni a persone e/o danni alle cose.

3. Qualora si noti una qualsiasi anomalia, interrompere immediatamente l'utilizzo.
4. Qualora si faccia cadere o si colpisca l'aspiratore, controllarlo attentamente alla ricerca di eventuali spaccature o danni, prima di utilizzarlo.
5. Non avvicinarlo a stufe/fornelli o altre fonti di calore.
6. Non ostruire il foro di aspirazione o i fori di ventilazione.

## CONSERVARE LE PRESENTI ISTRUZIONI.

### Istruzioni di sicurezza importanti per la cartuccia della batteria

1. Prima di utilizzare la cartuccia della batteria, leggere tutte le istruzioni e le avvertenze riportate (1) sul caricabatteria, (2) sulla batteria e (3) sul prodotto che utilizza la batteria.
2. Non smantellare né manomettere la cartuccia della batteria. In caso contrario, si potrebbe causare un incendio, calore eccessivo o un'esplosione.
3. Qualora il tempo di utilizzo si riduca eccessivamente, interrompere immediatamente l'utilizzo dell'utensile. In caso contrario, si può incorrere nel rischio di surriscaldamento, possibili ustioni e persino un'esplosione.

4. Qualora l'elettrolita entri in contatto con gli occhi, sciacquarli con acqua pulita e richiedere immediatamente assistenza medica. Questa eventualità può risultare nella perdita della vista.
5. Non cortocircuitare la cartuccia della batteria:
  - (1) Non toccare i terminali con alcun materiale conduttivo.
  - (2) Evitare di conservare la cartuccia della batteria in un contenitore insieme ad altri oggetti metallici quali chiodi, monete, e così via.
  - (3) Non esporre la cartuccia della batteria all'acqua o alla pioggia.Un cortocircuito della batteria può causare un grande flusso di corrente, un surriscaldamento, possibili ustioni e persino un guasto.
6. Non conservare e utilizzare l'utensile e la cartuccia della batteria in ubicazioni in cui la temperatura possa raggiungere o superare i 50°C.
7. Non incenerire la cartuccia della batteria anche qualora sia gravemente danneggiata o completamente esaurita. La cartuccia della batteria può esplodere se a contatto con il fuoco.
8. Non inchiodare, tagliare, schiacciare, lanciare o far cadere la cartuccia della batteria, né farla urtare con forza contro un oggetto duro. Questi comportamenti potrebbero risultare in un incendio, calore eccessivo o un'esplosione.
9. Non utilizzare una batteria danneggiata.
10. Le batterie a ioni di litio contenute sono soggette ai requisiti del regolamento sul trasporto di merci pericolose (Dangerous Goods Legislation). Per trasporti commerciali, ad esempio da parte di terzi o spedizionieri, è necessario osservare dei requisiti speciali sull'imballaggio e sull'etichetta. Per la preparazione dell'articolo da spedire, è richiesta la consulenza di un esperto in materiali pericolosi. Attenersi anche alle normative nazionali, che potrebbero essere più dettagliate. Nastrare o coprire i contatti aperti e imballare la batteria in modo tale che non si possa muovere liberamente all'interno dell'imballaggio.
11. Quando si intende smaltire la cartuccia della batteria, rimuoverla dall'utensile e smaltirla in un luogo sicuro. Attenersi alle normative locali relative allo smaltimento della batteria.
12. Utilizzare le batterie esclusivamente con i prodotti specificati da Makita. L'installazione delle batterie in prodotti non compatibili potrebbe risultare in incendi, calore eccessivo, esplosioni o perdite di liquido elettrolitico.
13. Se l'utensile non viene utilizzato per un periodo di tempo prolungato, la batteria deve essere rimossa dall'utensile.
14. Durante e dopo l'uso, la cartuccia della batteria potrebbe assorbire calore, che può causare ustioni o ustioni a bassa temperatura. Fare attenzione a come si maneggiano le cartucce delle batterie estremamente calde.

15. **Non toccare i terminali dell'utensile subito dopo l'uso, in quanto potrebbero diventare estremamente caldi al punto da causare ustioni.**
16. **Evitare di far incastrare schegge, polveri o terreno nei terminali, nei fori e nelle scanalature della cartuccia della batteria.** In caso contrario, l'utensile o la cartuccia della batteria potrebbero riscaldarsi, prendere fuoco, scoppiare o guastarsi, causando ustioni o lesioni personali.
17. **A meno che l'utensile supporti l'uso in prossimità di linee elettriche ad alta tensione, non utilizzare la cartuccia della batteria in prossimità di linee elettriche ad alta tensione.** In caso contrario, si potrebbe causare un malfunzionamento o la rottura dell'utensile o della cartuccia della batteria.
18. **Tenere la batteria lontana dai bambini.**

## CONSERVARE LE PRESENTI ISTRUZIONI.

**⚠ATTENZIONE:** Utilizzare solo batterie originali Makita. L'utilizzo di batterie Makita non originali, o di batterie che siano state alterate, potrebbe risultare nello scoppio della batteria, causando incendi, lesioni personali e danni. Inoltre, ciò potrebbe invalidare la garanzia Makita per l'utensile e il caricabatterie Makita.

## Suggerimenti per preservare la durata massima della batteria

1. **Caricare la cartuccia della batteria prima che si scarichi completamente. Smettere sempre di utilizzare l'utensile e caricare la cartuccia della batteria quando si nota che la potenza dell'utensile è diminuita.**
2. **Non ricaricare mai una cartuccia della batteria completamente carica. La sovraccarica riduce la vita utile della batteria.**
3. **Caricare la cartuccia della batteria a una temperatura ambiente compresa tra 10 °C e 40 °C. Lasciar raffreddare una cartuccia della batteria prima di caricarla.**
4. **Quando non si utilizza la cartuccia della batteria, rimuoverla dall'utensile o dal caricabatterie.**

## DESCRIZIONE DELLE FUNZIONI

**⚠ATTENZIONE:** Accertarsi sempre che l'utensile sia spento e che la cartuccia della batteria sia stata rimossa prima di regolare o di controllare il funzionamento dell'utensile.

**⚠ATTENZIONE:** Quando si installa la batteria, fare attenzione a non far restare incastrate le dita tra l'aspiratore e la batteria, come indicato nella figura. Qualora le dita restino incastrate, sussiste il pericolo di lesioni personali.

► Fig.1

## Installazione o rimozione della cartuccia della batteria

**⚠ATTENZIONE:** Spegnerne sempre l'utensile prima di installare o rimuovere la cartuccia della batteria.

**⚠ATTENZIONE:** Mantenere saldamente lo strumento e la batteria quando si intende installare o rimuovere la cartuccia della batteria. Qualora non si mantengano saldamente lo strumento e la cartuccia della batteria, questi ultimi potrebbero scivolare dalle mani, con la possibilità di causare un danneggiamento dello strumento e della cartuccia della batteria, nonché una lesione personale.

► Fig.2: 1. Indicatore rosso 2. Pulsante 3. Cartuccia della batteria

Per rimuovere la cartuccia della batteria, farla scorrere via dall'utensile mentre si fa scorrere allo stesso tempo il pulsante sulla parte anteriore della cartuccia.

Per installare la cartuccia della batteria, allineare la linguetta sulla cartuccia della batteria con la scanalatura nell'alloggiamento e farla scivolare in sede. Inserirla completamente fino al suo blocco in sede con un leggero scatto. Se è possibile vedere l'indicatore rosso, come indicato nella figura, non è bloccata completamente.

**⚠ATTENZIONE:** Installare sempre fino in fondo la cartuccia della batteria, fino a quando l'indicatore rosso non è più visibile. In caso contrario, la batteria potrebbe cadere accidentalmente dall'utensile, causando lesioni personali all'operatore o a chi gli è vicino.

**⚠ATTENZIONE:** Non installare forzatamente la cartuccia della batteria. Qualora la batteria non si inserisca scorrendo agevolmente, vuol dire che non viene inserita correttamente.

## Sistema di protezione della batteria

L'utensile è dotato di un sistema di protezione della batteria. Questo sistema interrompe automaticamente l'alimentazione al motore per prolungare la vita utile della batteria. L'utensile si arresta automaticamente durante il funzionamento qualora l'utensile stesso e/o la batteria vengano a trovarsi in una delle condizioni seguenti:

### Sovraccarico:

L'utensile viene utilizzato in modo tale da causare un assorbimento di corrente elevato in modo anomalo da parte dell'utensile stesso.

In questa situazione, spegnere l'utensile e interrompere l'applicazione che ha causato il sovraccarico dell'utensile. Quindi, accendere l'utensile per ricominciare.

### Bassa tensione della batteria:

La carica residua della batteria è troppo bassa e non è possibile utilizzare l'utensile. Se si accende l'utensile, il motore gira di nuovo, ma si arresta dopo poco. In tal caso, rimuovere e ricaricare la batteria.

## Indicazione della carica residua della batteria

**Solo per cartucce delle batterie dotate di indicatore**

► Fig.3: 1. Indicatori luminosi 2. Pulsante di controllo

Premere il pulsante di controllo sulla cartuccia della batteria per indicare la carica residua della batteria. Gli indicatori luminosi si illuminano per alcuni secondi.

Indicatori luminosi		Carica residua
■ Illuminato	□ Spento	
■ ■ ■ ■	□	Dal 75% al 100%
■ ■ ■ □	□	Dal 50% al 75%
■ ■ □ □	□ □	Dal 25% al 50%
■ □ □ □	□ □ □ □	Dallo 0% al 25%

**NOTA:** A seconda delle condizioni d'uso e della temperatura ambiente, l'indicazione potrebbe variare leggermente rispetto alla carica effettiva.

## Funzionamento dell'interruttore

► Fig.4: 1. Pulsante di accensione/modifica della velocità 2. Pulsante di spegnimento

Per avviare l'aspiratore, è sufficiente premere il pulsante di accensione/modifica della velocità. Per spegnerlo, premere il pulsante di spegnimento. È possibile modificare la velocità dell'aspiratore su tre livelli, premendo il pulsante di accensione/modifica della velocità. La prima pressione di questo pulsante attiva la modalità ad alta velocità, la seconda pressione attiva la modalità a velocità massima e la terza pressione attiva la velocità normale. Ciascuna pressione di questo pulsante ripete il ciclo di alternanza tra velocità alta/massima/ normale.

## Illuminazione della lampada

**ATTENZIONE:** Non osservare né guardare direttamente la fonte di luce.

► Fig.5: 1. Pulsante di accensione/modifica della velocità 2. Pulsante di spegnimento 3. Lampadina

Per accendere la lampada, premere il pulsante di accensione/modifica della velocità. Per spegnere la lampada, premere il pulsante di spegnimento. Durante l'attivazione dell'utensile, la lampada si accende. Quando la capacità residua della batteria diventa bassa, la lampada inizia a lampeggiare.

**NOTA:** La tempistica con cui la lampada inizia a lampeggiare dipende dalla temperatura della sede di lavoro e dalle condizioni della cartuccia della batteria.

## MONTAGGIO

**ATTENZIONE:** Accertarsi sempre che l'utensile sia spento e che la cartuccia della batteria sia stata rimossa, prima di effettuare qualsiasi intervento sull'utensile.

## Tipo di filtro

### Filtro normale

► Fig.6: 1. Capsula 2. Prefiltro 3. Filtro

### Filtro ad alte prestazioni

► Fig.7: 1. Capsula 2. Filtro ad alte prestazioni

### Prefiltro o filtro ad alte prestazioni e filtro HEPA

► Fig.8: 1. Capsula 2. Prefiltro 3. Filtro ad alte prestazioni 4. Filtro HEPA

**AVVISO:** Non utilizzare il filtro ad alte prestazioni insieme al filtro (accessorio opzionale). In caso contrario, potrebbe diventare impossibile rimuovere il filtro ad alte prestazioni dall'aspiratore.

**NOTA:** Quando si intende utilizzare il prefiltro e il filtro opzionali insieme al filtro HEPA, utilizzare solo il prefiltro sopra il filtro HEPA. Qualora si utilizzino il prefiltro e il filtro insieme al filtro HEPA contemporaneamente, la potenza di aspirazione potrebbe venire ridotta.

**NOTA:** Quando si intende utilizzare il filtro HEPA insieme al filtro ad alte prestazioni, utilizzare il filtro ad alte prestazioni con il supporto.

► Fig.9: 1. Supporto

## Smaltimento delle polveri

**ATTENZIONE:** Svuotare l'aspiratore prima che diventi troppo pieno; in caso contrario, la forza di aspirazione si riduce.

**ATTENZIONE:** Accertarsi di svuotare l'interno dell'aspiratore stesso dalle polveri. In caso contrario, si potrebbe causare l'intasamento del filtro o il danneggiamento del motore.

## Smaltimento delle polveri per il filtro normale

Per far cadere la polvere attaccata al filtro nella capsula, dare 4 o 5 leggeri colpetti alla capsula con la mano.

► Fig.10: 1. Capsula 2. Presa di aspirazione

Puntare verso il basso la presa di aspirazione, ruotare la capsula nella direzione della freccia come indicato nella figura e scollare la capsula lentamente e tenendola dritta.

► Fig.11: 1. Capsula 2. Presa di aspirazione

**NOTA:** Accertarsi di posizionare un sacchetto per i rifiuti al di sotto della capsula, in quanto le polveri potrebbero fuoriuscire quando si apre la capsula.

Rimuovere le polveri accumulate dall'interno della capsula e dal prefiltro.

► **Fig.12:** 1. Prefiltro 2. Capsula

Ruotare il prefiltro nella direzione della freccia per sganciare il bordo di fissaggio dall'unità aspiratore, quindi rimuovere il prefiltro tirandolo.

► **Fig.13:** 1. Prefiltro 2. Bordo di fissaggio

Pulire le polveri fini dal prefiltro. Quindi, rimuovere il filtro tirandolo e dargli dei leggeri colpetti per rimuovere le polveri.

► **Fig.14:** 1. Filtro 2. Prefiltro

## Smaltimento delle polveri per il filtro ad alte prestazioni

Per far cadere la polvere attaccata al filtro nella capsula, dare 4 o 5 leggeri colpetti alla capsula con la mano.

Ora puntare verso il basso la presa di aspirazione, ruotare la capsula nella direzione della freccia come nella figura e scollegare la capsula lentamente e tenendola dritta.

► **Fig.15:** 1. Capsula 2. Presa di aspirazione

**NOTA:** Le polveri potrebbero fuoriuscire quando si apre la capsula, pertanto accertarsi di posizionare un sacchetto dei rifiuti al di sotto della capsula.

Rimuovere le polveri accumulate dall'interno della capsula e dal filtro ad alte prestazioni.

► **Fig.16:** 1. Capsula 2. Filtro ad alte prestazioni

Ruotare il filtro ad alte prestazioni nella direzione della freccia per sganciare il bordo di fissaggio dall'unità aspiratore, quindi rimuovere il filtro tirandolo.

► **Fig.17:** 1. Bordo di fissaggio

Pulire le polveri fini e dare dei leggeri colpetti per far staccare le polveri dal filtro ad alte prestazioni.

## Rimontaggio

### Rimontaggio del filtro normale

Montare il filtro completamente in sede sull'unità aspiratore.

► **Fig.18:** 1. Filtro

**AVVISO:** Accertarsi di applicare il filtro dritto senza farlo rivoltare all'indietro. Qualora si monti il filtro in modo errato, come mostrato nella figura, le polveri penetrano nell'alloggiamento del motore, causando il guasto di quest'ultimo.

► **Fig.19:** 1. Filtro

Installare il prefiltro. A questo punto, accertarsi di ruotare il prefiltro in modo che il bordo di fissaggio sia saldamente bloccato nell'unità aspiratore.

► **Fig.20:** 1. Prefiltro 2. Bordo di fissaggio

► **Fig.21**

Installare la capsula. Allineare il segno sulla capsula con il segno in prossimità della maniglia, quindi ruotare con decisione la capsula nella direzione indicata dalla freccia fino a fissarla.

► **Fig.22:** 1. Segno

► **Fig.23:** 1. Capsula 2. Maniglia 3. Segno

**NOTA:** Rimuovere sempre tempestivamente le polveri, in quanto la forza di aspirazione si riduce, qualora nell'aspiratore sia presente un grande quantitativo di polveri.

**AVVISO:** Accertarsi sempre che sia il filtro che il prefiltro siano installati correttamente, prima di utilizzare l'aspiratore. Qualora non siano installati correttamente, le polveri penetrano nell'alloggiamento del motore, causando un guasto di quest'ultimo. L'eventuale verificarsi delle situazioni di esempio seguenti denota un'installazione errata del filtro e del prefiltro. Reinstalarli correttamente per correggere il problema.

### Esempi di problemi

Esempio 1: è stato installato solo il prefiltro (filtro assente)

► **Fig.24:** 1. Prefiltro

Esempio 2: è stato installato solo il filtro (prefiltro assente)

► **Fig.25:** 1. Filtro

Esempio 3: il filtro è stato installato rivoltato all'indietro

► **Fig.26:** 1. Filtro

Esempio 4: il bordo di fissaggio del prefiltro non è agganciato saldamente alla scanalatura dell'alloggiamento dell'aspiratore

► **Fig.27:** 1. Bordo di fissaggio 2. Prefiltro  
3. Scanalatura dell'alloggiamento dell'aspiratore

### Rimontaggio del filtro ad alte prestazioni

Collegare il filtro ad alte prestazioni. A questo punto, accertarsi di ruotare il filtro ad alte prestazioni in modo che il bordo di fissaggio sia saldamente bloccato nell'unità aspiratore.

► **Fig.28:** 1. Filtro ad alte prestazioni 2. Bordo di fissaggio

► **Fig.29:** 1. Bordo di fissaggio

Installare la capsula. Allineare il segno sulla capsula con il segno in prossimità della maniglia, quindi ruotare con decisione la capsula nella direzione indicata dalla freccia fino a fissarla.

► **Fig.30:** 1. Segno

► **Fig.31:** 1. Capsula 2. Maniglia 3. Segno

**NOTA:** Rimuovere sempre anticipatamente le polveri, in quanto la forza di aspirazione si riduce, qualora nell'aspiratore sia presente un grande quantitativo di polveri.

**NOTA:** Accertarsi sempre che il filtro ad alte prestazioni sia installato correttamente, prima di utilizzare l'aspiratore. Qualora non siano installati correttamente, le polveri penetrano nell'alloggiamento del motore, causando un guasto di quest'ultimo. L'eventuale verificarsi delle situazioni di esempio seguenti denota un'installazione errata del filtro ad alte prestazioni. Reinstalarli correttamente per correggere il problema.

### Esempi di problemi

Il bordo di fissaggio del filtro ad alte prestazioni non è agganciato saldamente alla scanalatura dell'alloggiamento dell'aspiratore.

► **Fig.32:** 1. Bordo di fissaggio 2. Scanalatura dell'alloggiamento dell'aspiratore



## Installazione o rimozione del supporto o del filtro HEPA

### Accessorio opzionale

#### Per il supporto e il filtro in spugna

Per rimuovere il supporto, premere verso l'alto la parte inferiore delle colonnine del supporto con le dita e sganciare la scanalatura di quest'ultimo dalla sporgenza sull'aspiratore. Quindi, rimuovere il filtro in spugna.

► **Fig.33:** 1. Supporto 2. Filtro in spugna

Per installarlo, allineare le scanalature sul supporto con la sporgenza sull'aspiratore, quindi premere fino a sentire uno scatto.

Inserire il filtro in spugna tra le colonnine e sistemarlo nella posizione originale.

#### Per il filtro HEPA

Quando si intende installare il filtro HEPA, inserire la scanalatura del filtro HEPA sulla sporgenza sull'aspiratore. Quindi, applicare il prefiltrò o il filtro ad alte prestazioni sul filtro HEPA e ruotarlo per fissarlo. Per rimuoverlo, seguire la procedura di installazione al contrario.

► **Fig.34:** 1. Filtro HEPA 2. Prefiltrò

► **Fig.35:** 1. Filtro HEPA 2. Filtro ad alte prestazioni

## FUNZIONAMENTO

**⚠ATTENZIONE:** Per collegare gli accessori, ad esempio la bocchetta, inserire e ruotare l'accessorio nella direzione della freccia per garantire un collegamento saldo durante l'uso. Per scollegare gli accessori, ruotarli ed estrarli analogamente nella direzione della freccia. Qualora un accessorio venga ruotato nella direzione opposta quando lo si collega o lo si scollega, la capsula potrebbe allentarsi.

► **Fig.36:** 1. Capsula

### Pulizia (aspirazione)

#### Bocchetta

Montare la bocchetta per pulire tavoli, scrivanie, mobili, e così via. La bocchetta si inserisce facilmente infilandola.

► **Fig.37:** 1. Bocchetta

#### Bocchetta + prolunga (tubo diritto)

La prolunga si inserisce tra la bocchetta e l'aspiratore stesso. Questa disposizione è comoda per pulire i pavimenti restando in posizione eretta.

► **Fig.38:** 1. Corpo dell'aspiratore 2. Prolunga 3. Bocchetta

#### Bocchetta per angoli

Montare la bocchetta per angoli per la pulizia degli angoli e degli interstizi di automobili o mobili.

► **Fig.39:** 1. Bocchetta per angoli 2. Corpo dell'aspiratore

### Bocchetta per angoli + prolunga (tubo diritto)

Utilizzare questa disposizione in spazi ristretti in cui non sia possibile infilare l'aspiratore stesso o in ubicazioni elevate difficili da raggiungere.

► **Fig.40:** 1. Bocchetta per angoli 2. Prolunga 3. Corpo dell'aspiratore

#### Pulizia senza la bocchetta

È possibile aspirare le polveri senza la bocchetta.

► **Fig.41**

## MANUTENZIONE

**⚠ATTENZIONE:** Accertarsi sempre che l'utensile sia spento e che la cartuccia della batteria sia stata rimossa prima di tentare di eseguire interventi di ispezione o manutenzione.

### Dopo l'uso

**⚠ATTENZIONE:** Se si appoggia l'aspiratore contro una parete senza alcun altro sostegno, si potrebbe causare la caduta dell'aspiratore, causando lesioni personali o danni all'aspiratore stesso.

► **Fig.42**

### Pulizia

**AVVISO:** Non utilizzare mai benzina, benzene, solventi, alcol o altre sostanze simili. In caso contrario, si potrebbero causare scolorimenti, deformazioni o crepe.

**AVVISO:** Non soffiare via la polvere che aderisce all'aspiratore e ai filtri utilizzando bombolette anti-polvere ad aria compressa. Queste ultime fanno penetrare la polvere all'interno dell'alloggiamento e causano guasti.

**AVVISO:** Dopo aver lavato i filtri, asciugarli completamente prima dell'uso. Filtri non asciugati a sufficienza potrebbero causare un'aspirazione scadente e ridurre la vita utile del motore.

**AVVISO:** Dopo la pulizia dei filtri e del filtro in spugna, accertarsi di reinstallarli prima dell'uso. Qualora si utilizzino l'aspiratore senza i filtri e il filtro in spugna, le polveri penetrano nell'alloggiamento del motore e causano guasti.

### Corpo dell'aspiratore

Pulire di tanto in tanto la superficie esterna dell'aspiratore (corpo dell'aspiratore) utilizzando un panno inumidito con acqua e sapone.

Pulire anche l'apertura di aspirazione e l'area di montaggio dei filtri.

► **Fig.43**

## Filtro

Lavare il filtro in acqua e sapone quando è intasato di polveri e la potenza dell'aspiratore si riduce. Asciugarlo completamente prima dell'uso.

► Fig.44

## Filtro HEPA

### Accessorio opzionale

**AVVISO: Non strofinare né graffiare il filtro HEPA con oggetti duri, quali spazzole o spatole.**

Un filtro HEPA ostruito causa prestazioni di aspirazione scadenti. Pulire il filtro di tanto in tanto.

Ogni tanto, lavare il filtro HEPA in acqua, risciacquarlo e farlo asciugare completamente all'ombra prima dell'uso. Non lavare mai il filtro in lavatrice.

► Fig.45

## Filtro in spugna

Quando il filtro in spugna diventa sporco, pulirlo nel modo seguente.

1. Rimuovere il filtro.
2. Estrarre il filtro in spugna facendolo passare tra le colonnine.
3. Pulire il filtro in spugna dandogli dei leggeri colpetti o lavandolo. Qualora lo si lavi, farlo asciugare completamente prima dell'uso.
4. Inserire il filtro in spugna facendolo passare tra le colonnine e sistemarlo nella posizione originale. Accertarsi che il bordo inferiore di ciascuna colonnina tenga fermo il filtro in spugna, e che non vi siano spazi vuoti tra il filtro in spugna e l'apertura di aspirazione.

► Fig.46: 1. Filtro in spugna 2. Bordo inferiore della colonnina

## Risoluzione dei problemi

Prima di richiedere riparazioni, controllare i punti seguenti.

Sintomo	Area da controllare	Metodo di correzione del problema
Forza di aspirazione debole	La capsula è piena di polveri?	Svuotare la capsula dalle polveri.
	Il filtro è intasato?	Pulire o lavare il filtro.
	La cartuccia della batteria è scarica?	Caricare la cartuccia della batteria.
Mancato funzionamento	La cartuccia della batteria è scarica?	Caricare la cartuccia della batteria.

**ATTENZIONE: Non tentare di riparare l'aspiratore da soli.**

Per preservare la SICUREZZA e l'AFFIDABILITÀ del prodotto, le riparazioni e qualsiasi altro intervento di manutenzione e di regolazione devono essere eseguiti da un centro di assistenza autorizzato Makita, utilizzando sempre ricambi Makita.

## ACCESSORI OPZIONALI

**ATTENZIONE: Questi accessori o componenti aggiuntivi sono consigliati per l'uso con l'utensile Makita specificato nel presente manuale.**

L'impiego di altri accessori o componenti aggiuntivi può costituire un rischio di lesioni alle persone. Utilizzare gli accessori o i componenti aggiuntivi solo per il loro scopo prefissato.

Per ottenere ulteriori dettagli relativamente a questi accessori, rivolgersi a un centro di assistenza Makita.

- Prolunga (tubo diritto)
- Bocchetta
- Bocchetta per tappeti
- Spazzola per scaffali
- Bocchetta per angoli
- Bocchetta per sedute
- Bocchetta staccata
- Bocchetta per fessure
- Spazzola rotonda
- Tubo flessibile
- Filtro
- Prefiltro
- Filtro ad alte prestazioni

- Filtro HEPA
- Accessorio ciclonico
- Batteria e caricabatterie originali Makita

**NOTA:** Alcuni articoli nell'elenco potrebbero essere inclusi nell'imballaggio dell'utensile come accessori standard. Tali articoli potrebbero variare da nazione a nazione.

## Accessorio ciclonico

- **Fig.47:** 1. Tubo diritto 2. Accessorio ciclonico  
3. Presa di aspirazione

### Informazioni sull'accessorio ciclonico

L'utilizzo dell'aspiratore con l'accessorio ciclonico installato riduce la quantità di polveri che entrano nella capsula, il che contribuisce a evitare l'indebolimento della forza di aspirazione. Inoltre, anche la pulizia dopo l'uso è semplice.

**⚠ATTENZIONE:** Accertarsi sempre che l'utensile sia spento e che la cartuccia della batteria sia stata rimossa, prima di effettuare qualsiasi intervento sull'utensile. Qualora la cartuccia della batteria venga lasciata inserita, l'aspiratore potrebbe avviarsi inaspettatamente e causare lesioni personali.

**⚠ATTENZIONE:** Pulire il filtro a rete dell'accessorio ciclonico e i filtri dell'unità aspiratore quando diventano intasati. L'utilizzo continuato nella condizione di intasamento potrebbe risultare in un riscaldamento o nell'emissione di fumo.

**AVVISO:** Quando è montato l'accessorio ciclonico, non utilizzare l'aspiratore in direzione orizzontale o rivolto verso l'alto. In caso contrario, si potrebbe causare l'intasamento del filtro a rete.

**AVVISO:** Utilizzare sempre l'aspiratore con i filtri installati, anche quando si utilizza l'accessorio ciclonico. L'utilizzo dell'aspiratore senza i filtri installati potrebbe risultare in un malfunzionamento del motore.

**NOTA:** Verificare che l'accessorio ciclonico, l'aspiratore e il tubo diritto siano bloccati correttamente, prima dell'uso.

**NOTA:** Svuotare il contenitore polveri dell'accessorio ciclonico e la capsula dell'aspiratore, quando le polveri si sono accumulate. In caso contrario, l'utilizzo continuato risulta in una forza di aspirazione ridotta.

### Smaltimento delle polveri

Quando le polveri si sono accumulate fino alla linea di riempimento del contenitore polveri, attenersi alla procedura seguente e smaltire le polveri.

1. Mantenere saldamente il contenitore polveri, premere e tenere premuti i due pulsanti, quindi rimuovere il contenitore polveri.

► **Fig.48:** 1. Linea di riempimento 2. Contenitore polveri 3. Pulsante (in due ubicazioni)  
4. Filtro a rete

2. Smaltire le polveri all'interno del contenitore polveri e rimuovere eventuali polveri depositate sulla superficie del filtro a rete.
3. Inserire completamente il contenitore polveri fino a quando i due pulsanti si bloccano con uno scatto.

► **Fig.49:** 1. Contenitore polveri 2. Pulsante (in due ubicazioni)

**NOTA:** Verificare che l'accessorio ciclonico, l'aspiratore e il tubo diritto siano tutti saldamente collegati, prima di riprendere l'utilizzo.

**NOTA:** Qualora la forza di aspirazione non venga recuperata anche dopo aver smaltito le polveri e aver pulito il filtro a rete, controllare se le polveri si siano accumulate nella capsula dell'aspiratore o se si sia verificato un intasamento.

### Pulizia

Quando il contenitore polveri diventa sporco o il filtro a rete è intasato, rimuoverli e lavarli con acqua. (Per la procedura di rimozione, fare riferimento a "Smaltimento delle polveri").

Far asciugare completamente le parti prima della reinstallazione e dell'utilizzo.

► **Fig.50:** 1. Contenitore polveri 2. Filtro a rete

Quando il filtro a rete si sporca notevolmente, pulirlo attenendosi alle procedure seguenti.

1. Ruotare il filtro a rete in senso antiorario e rimuoverlo mentre i ganci sono sbloccati.

► **Fig.51:** 1. Filtro a rete 2. Gancio

2. Rimuovere le polveri sul filtro a rete, quindi lavarlo con acqua. Dopodiché, farlo asciugare completamente.

3. Inserire il filtro a rete nella base mentre i ganci sono allineati con l'apertura. Ruotare in senso orario il filtro a rete fino a quando i ganci si bloccano con uno scatto. Accertarsi che il filtro a rete sia installato saldamente.

► **Fig.52:** 1. Filtro a rete 2. Gancio 3. Apertura

## WAARSCHUWING

- Dit apparaat mag worden gebruikt door kinderen van 8 jaar en ouder of door personen met beperkte fysieke, zintuiglijke of verstandelijke vermogens of gebrek aan ervaring of kennis van zaken, maar alleen onder toezicht of na instructie in veilig gebruik van het apparaat, met begrip van de eventuele risico's.
- Kinderen mogen niet met het apparaat spelen. Reinigen en onderhoud van het apparaat mag niet door kinderen worden verricht, tenzij onder toezicht.
- Zie het hoofdstuk "TECHNISCHE GEGEVENS" voor de typeaanduiding van de accu.
- Zie het hoofdstuk "De accu aanbrengen en verwijderen" voor hoe u de accu kunt aanbrengen en verwijderen.
- Wanneer u de accu wilt weggooien, verwijdert u de accu vanaf het gereedschap en gooit u hem op een veilige manier weg. Volg bij het weggooien van de accu de plaatselijke voorschriften.
- Als u het gereedschap gedurende een lange tijd niet denkt te gaan gebruiken, moet de accu vanaf het gereedschap worden verwijderd.
- Voorkom kortsluiting van de accu.
- Zie het hoofdstuk "ONDERHOUD" voor de benodigde informatie over de voorzorgsmaatregelen tijdens onderhoud door de gebruiker.

## TECHNISCHE GEGEVENS

<b>Model:</b>		<b>CL108FD</b>
Inhoud		600 ml
Continu gebruik (met accu BL1016)	1 (stand voor normale snelheid)	Ong. 25 min
	2 (stand voor hoge snelheid)	Ong. 12 min
	3 (stand voor maximale snelheid)	Ong. 10 min
Totale lengte		956 mm
Nominale spanning		Maximaal 10,8 V - 12 V gelijkspanning
Nettogewicht		1,0 - 1,2 kg

- In verband met ononderbroken research en ontwikkeling, behouden wij ons het recht voor de bovenstaande technische gegevens zonder voorafgaande kennisgeving te wijzigen.
- De technische gegevens kunnen van land tot land verschillen.
- Het gewicht is exclusief bijgeleverde accessoires, maar inclusief de accu('s). Het laagste en hoogste gecombineerde gewicht van het apparaat en de accu('s) wordt vermeld in de tabel.

### Toepasselijke accu's en laders

Accu	BL1016 / BL1021B / BL1041B
Lader	DC10SA / DC10SB / DC10WC / DC10WD / DC18RE

- Sommige van de hierboven vermelde accu's en laders zijn mogelijk niet leverbaar afhankelijk van waar u woont.

**⚠ WAARSCHUWING:** Gebruik uitsluitend de accu's en laders die hierboven worden genoemd. Gebruik van enige andere accu of lader kan leiden tot letsel en/of brand.

## Symbolen

Hieronder staan de symbolen die voor het gereedschap kunnen worden gebruikt. Zorg ervoor dat u de betekenis ervan kent voordat u het gereedschap gaat gebruiken.



Lees de gebruiksaanwijzing.



Alleen voor EU-landen  
Als gevolg van de aanwezigheid van schadelijke componenten in het apparaat, kunnen oude elektrische en elektronische apparaten, accu's en batterijen negatieve gevolgen hebben voor het milieu en de gezondheid van mensen.  
Gooi elektrische en elektronische apparaten en accu's niet met het huisvuil weg!  
In overeenstemming met de Europese richtlijn inzake oude elektrische en elektronische apparaten en inzake accu's en batterijen en oude accu's en batterijen, alsmede de toepassing daarvan binnen de nationale wetgeving, dienen oude elektrische apparaten, accu's en batterijen gescheiden te worden opgeslagen en te worden ingeleverd bij een apart inzamelingspunt voor huishoudelijk afval dat de milieubeschermingsvoorschriften in acht neemt. Dit wordt op het apparaat aangegeven door het symbool van een doorgekruiste afvalcontainer.

## Gebruiksdoeleinden

Het gereedschap is bedoeld om droog stof te verzamelen.

## VEILIGHEIDSWAARSCHUWINGEN

### Veiligheidswaarschuwingen voor accustofzuigers

**⚠ WAARSCHUWING: BELANGRIJK! LEES VOÓR GEBRUIK alle veiligheidswaarschuwingen en alle instructies ZORGVULDIG DOOR.** Het niet volgen van de waarschuwingen en instructies kan leiden tot elektrische schokken, brand en/of ernstig letsel.

1. **Stel niet bloot aan regen. Bewaar binnenshuis.**
2. **Sta niet toe dat ermee gespeeld wordt. Let goed op bij gebruik door of in de buurt van kinderen.**
3. **Gebruik uitsluitend zoals beschreven in deze gebruiksaanwijzing. Gebruik uitsluitend hulpstukken aanbevolen door de fabrikant.**
4. **Gebruik nooit met een beschadigde accu. Als het apparaat niet werkt zoals het zou moeten werken, is gevallen, is beschadigd, buiten heeft gelegen of in het water is gevallen, stuurt u het terug naar een servicecentrum.**
5. **Hanteer het apparaat niet met natte handen.**
6. **Steek geen voorwerpen in de openingen. Gebruik het apparaat niet wanneer een opening verstopt zit, houdt het apparaat vrij van stof, pluizen, haar en alles wat de luchtdoorstroming kan hinderen.**

7. **Houd haar, loshangende kleding, vingers en alle lichaamsdelen uit de buurt van de openingen en bewegende delen.**
8. **Schakel alle bedieningselementen uit alvorens de accu eraf te halen.**
9. **Wees extra voorzichtig bij het stofzuigen op een trap.**
10. **Zuig geen ontvlambare of brandbare vloeistoffen, zoals benzine, op en gebruik het apparaat niet op plaatsen waar deze aanwezig kunnen zijn.**
11. **Gebruik voor het opladen uitsluitend de acculader die door de fabrikant werd geleverd.**
12. **Zuig niets op dat brandt of rookt, zoals sigaretten, lucifers of hete as.**
13. **Gebruik het apparaat niet zonder dat de stofzak en/of filters zijn aangebracht.**
14. **Laad de accu niet buitenshuis op.**
15. **Laad uitsluitend op met de acculader die wordt gespecificeerd door de fabrikant.** Een acculader die geschikt is voor een bepaald type accu, kan brandgevaar opleveren indien gebruikt met een ander type accu.
16. **Gebruik apparaten uitsluitend met de daarvoor bestemde accu's.** Gebruik van andere accu's kan gevaar voor letsel of brandgevaar opleveren.
17. **Als de accu niet wordt gebruikt, houdt u deze uit de buurt van metalen voorwerpen zoals paperclips, muntgeld, sleutels, spijkers, schroeven en andere kleine metalen voorwerpen die een kortsluiting kunnen veroorzaken tussen de accupolen.**
18. **Onder zware gebruiksomstandigheden kan vloeistof uit de accu komen. Voorkom aanraking. Als aanraking per ongeluk zich voordoet, spoelt u met water.**
19. **Gebruik geen accu of apparaat die/dat beschadigd of gewijzigd is.** Beschadigde of gewijzigde accu's kunnen onvoorspelbaar gedrag vertonen dat kan leiden tot brand, explosie of gevaar van letsel.
20. **Stel een accu of apparaat niet bloot aan vuur of buitensporige temperaturen.** Blootstelling aan vuur of temperaturen hoger dan 130 °C kunnen een explosie veroorzaken.
21. **Volg alle oplaadinstructies en laad de accu of het apparaat niet op buiten het temperatuurbereik vermeld in de instructies.** Verkeerd opladen of bij een temperatuur buiten het vermelde bereik, kan de accu beschadigen en de kans op brand vergroten.

## BEWAAR DEZE INSTRUCTIES.

### AANVULLENDE VEILIGHEIDSVORSCHRIFTEN

Dit apparaat is bedoeld voor huishoudelijk gebruik.

1. **Lees deze gebruiksaanwijzing en die van de acculader voor gebruik aandachtig door.**
2. **Zuig de volgende stoffen niet op:**
  - Hete stoffen, zoals brandende sigaretten of gloeiende hete metaaldeeltjes veroorzaakt door het schuren/slijpen van metaal
  - Brandbare stoffen, zoals benzine, thinner, wasbenzine, kerosine of verf

- Explosieve stoffen, zoals nitroglycerine
  - Ontvlambare stoffen, zoals aluminium, zink, magnesium, titanium, fosfor of celluloid
  - Nat vuil, water, olie en dergelijk
  - Harde stukjes met scherpe randen, zoals houtsnippers, metaaldeeltjes, steentjes, glastukjes, spijkers, punaises of scheermesjes
  - Poeder dat klontert, zoals cement of toner
  - Geleidend stof, zoals metaalvijsel of koolstofpoeder
  - Zeer fijn stof, zoals cementpoeder
- Een dergelijk gebruik kan leiden tot brand, persoonlijk letsel en/of materiële schade.
3. **Stop onmiddellijk met het gebruik als u iets abnormaals opmerkt.**
  4. **Als u de stofzuiger laat vallen of ergens tegenaan stoot, controleert u zorgvuldig op barsten of beschadigingen voordat u deze weer gebruikt.**
  5. **Houd uit de buurt van fornuizen en verwarmingsbronnen.**
  6. **Blokkeer de inlaatopening en de ventilatieopeningen niet.**

## BEWAAR DEZE INSTRUCTIES.

### Belangrijke veiligheidsinstructies voor een accu

1. **Lees alle voorschriften en waarschuwingen op (1) de acculader, (2) de accu, en (3) het product waarvoor de accu wordt gebruikt, alvorens de accu in gebruik te nemen.**
2. **Haal de accu niet uit elkaar en saboteer hem niet.** Dit kan leiden tot brand, buitensporige hitte of een explosie.
3. **Als de gebruikstijd van een opgeladen accu aanzienlijk korter is geworden, moet u het gebruik ervan onmiddellijk stopzetten.** Voortgezet gebruik kan oververhitting, brandwonden en zelfs een ontploffing veroorzaken.
4. **Als elektrolyt in uw ogen is terechtgekomen, spoelt u uw ogen met schoon water en roept u onmiddellijk de hulp van een dokter in.** Elektrolyt in de ogen kan blindheid veroorzaken.
5. **Voorkom kortsluiting van de accu:**
  - (1) **Raak de accuklemmen nooit aan met een geleidend materiaal.**
  - (2) **Bewaar de accu niet in een bak waarin andere metalen voorwerpen zoals spijkers, munten e.d. worden bewaard.**
  - (3) **Stel de accu niet bloot aan water of regen.** Kortsluiting van de accu kan oorzaak zijn van een grote stroomafgifte, oververhitting, brandwonden, en zelfs defecten.
6. **Bewaar en gebruik het gereedschap en de accu niet op plaatsen waar de temperatuur kan oplopen tot 50 °C of hoger.**
7. **Werp de accu nooit in het vuur, ook niet wanneer hij zwaar beschadigd of volledig versleten is. De accu kan ontploffen in het vuur.**
8. **Laat de accu niet vallen, sla er geen spijker in, snijd er niet in, gooi er niet mee en stoot hem niet tegen een hard voorwerp.** Dergelijke handelingen kunnen leiden tot brand, buitensporige hitte of een explosie.
9. **Gebruik nooit een beschadigde accu.**
10. **De bijgeleverde lithium-ionbatterijen zijn onderhevig aan de vereisten in de wetgeving omtrent gevaarlijke stoffen.** Voor commercieel transport en dergelijke doorden en transporteurs moeten speciale vereisten ten aanzien van verpakking en etikettering worden nageleefd. Als voorbereiding van het artikel dat wordt getransporteerd is het noodzakelijk een expert op het gebied van gevaarlijke stoffen te raadplegen. Houd u tevens aan mogelijk strengere nationale regelgeving. Blootliggende contactpunten moeten worden afgedekt met tape en de accu moet zodanig worden verpakt dat deze niet kan bewegen in de verpakking.
11. **Wanneer u de accu wilt weggooien, verwijdert u de accu vanaf het gereedschap en gooit u hem op een veilige manier weg. Volg bij het weggooien van de accu de plaatselijke voorschriften.**
12. **Gebruik de accu's uitsluitend met de gereedschappen die door Makita zijn aanbevolen.** Als de accu's worden aangebracht in niet-compatibele gereedschappen, kan dat leiden tot brand, buitensporige warmteontwikkeling, een explosie of lekkage van elektrolyt.
13. **Als u het gereedschap gedurende een lange tijd niet denkt te gaan gebruiken, moet de accu vanaf het gereedschap worden verwijderd.**
14. **Tijdens en na gebruik, kan de accu heet worden waardoor brandwonden of koude brandwonden kunnen worden veroorzaakt. Wees voorzichtig bij het hanteren van een hete accu.**
15. **Raak de aansluitpunten van het gereedschap niet onmiddellijk na gebruik aan omdat deze heet genoeg kunnen zijn om brandwonden te veroorzaken.**
16. **Zorg ervoor dat geen steenslag, stof of grond vast komt te zitten op/in de aansluitpunten, openingen en groeven van de accu.** Hierdoor kan oververhitting, brand, een barst en een storing in het gereedschap of de accu ontstaan waardoor brandwonden of persoonlijk letsel kunnen ontstaan.
17. **Behalve indien gebruik van het gereedschap is toegestaan in de buurt van hoogspanningsleidingen, mag u de accu niet gebruiken in de buurt van een hoogspanningsleiding.** Dit kan leiden tot een storing of een defect van het gereedschap of de accu.
18. **Houd de accu uit de buurt van kinderen.**

## BEWAAR DEZE INSTRUCTIES.

**⚠ LET OP:** Gebruik uitsluitend originele Makita accu's. Het gebruik van niet-originele accu's, of accu's die zijn gewijzigd, kan ertoe leiden dat de accu ontploft en brand, persoonlijk letsel en schade veroorzaakt. Ook vervalt daarmee de garantie van Makita op het gereedschap en de lader van Makita.

## Tips voor een maximale levensduur van de accu

1. Laad de accu op voordat hij volledig ontladen is. Stop het gebruik van het gereedschap en laad de accu op telkens wanneer u vaststelt dat het vermogen van het gereedschap is afgenomen.
2. Laad een volledig opgeladen accu nooit opnieuw op. Te lang opladen verkort de levensduur van de accu.
3. Laad de accu op bij een omgevingstemperatuur tussen 10 °C en 40 °C. Laat een warme accu afkoelen alvorens hem op te laden.
4. Als de accu niet wordt gebruikt, verwijdert u hem vanaf het gereedschap of de lader.

## BESCHRIJVING VAN DE FUNCTIES

**▲ LET OP:** Zorg altijd dat het gereedschap is uitgeschakeld en de accu ervan is verwijderd alvorens de functies op het gereedschap af te stellen of te controleren.

**▲ LET OP:** Wees voorzichtig dat uw vinger(s) niet bekneld raken tussen de stofzuiger en de accu tijdens het aanbrengen van de accu, zoals aangegeven in de afbeelding. Beknelde vinger(s) kunnen tot letsel leiden.

► Fig.1

## De accu aanbrengen en verwijderen

**▲ LET OP:** Schakel het gereedschap altijd uit voordat u de accu aanbrengt of verwijdert.

**▲ LET OP:** Houd het gereedschap en de accu stevig vast tijdens het aanbrengen of verwijderen van de accu. Als u het gereedschap en de accu niet stevig vasthoudt, kunnen deze uit uw handen glippen en het gereedschap of de accu beschadigen, of kan persoonlijk letsel worden veroorzaakt.

► Fig.2: 1. Rood deel 2. Knop 3. Accu

Om de accu te verwijderen verschuift u de knop aan de voorkant van de accu en schuift u tegelijkertijd de accu uit het gereedschap.

Om de accu aan te brengen lijnt u de lip op de accu uit met de groef in de behuizing en duwt u de accu op zijn plaats. Steek de accu zo ver mogelijk in het gereedschap tot u een klikgeluid hoort. Wanneer het rode deel zichtbaar is, zoals aangegeven in de afbeelding, is de accu niet geheel vergrendeld.

**▲ LET OP:** Breng de accu altijd helemaal aan totdat het rode deel niet meer zichtbaar is. Als u dit niet doet, kan de accu per ongeluk uit het gereedschap vallen en u of anderen in uw omgeving verwonden.

**▲ LET OP:** Breng de accu niet met kracht aan. Als de accu niet gemakkelijk in het gereedschap kan worden geschoven, wordt deze niet goed aangebracht.

## Accubeveiligingssysteem

Het gereedschap is uitgerust met een accubeveiligingssysteem. Dit systeem sluit automatisch de voeding naar de motor af om de levensduur van de accu te verlengen.

Het gereedschap kan tijdens gebruik automatisch stoppen wanneer het gereedschap en/of de accu aan één van de volgende omstandigheden wordt blootgesteld:

### Overbelasting:

Als het gereedschap wordt gebruikt op een manier die een abnormaal hoge stroomsterkte vergt.

Schakel in dat geval het gereedschap uit en stopt u met de toepassing waardoor het gereedschap overbelast raakte. Schakel vervolgens het gereedschap in om het weer te starten.

### Onvoldoende accuspanning:

De resterende accucapaciteit is te laag en het gereedschap start niet. Als u het gereedschap inschakelt, draait de motor wel maar stopt kort daarna. In dat geval verwijdert u de accu en laadt u die opnieuw op.

## De resterende acculading controleren

### Alleen voor accu's met indicatorlampjes

► Fig.3: 1. Indicatorlampjes 2. Testknop

Druk op de testknop op de accu om de resterende acculading te zien. De indicatorlampjes branden gedurende enkele seconden.

Indicatorlampjes		Resterende capaciteit
Brandt	Uit	
■ ■ ■ ■	□	75% tot 100%
■ ■ ■ □	□	50% tot 75%
■ ■ □ □	□	25% tot 50%
■ □ □ □	□	0% tot 25%

**OPMERKING:** Afhankelijk van de gebruiksomstandigheden en de omgevingstemperatuur, is het mogelijk dat de aangegeven acculading verschilt van de werkelijke acculading.

## De trekkerschakelaar gebruiken

► Fig.4: 1. AAN-/snelheidsinstelknop 2. UIT-knop

Om de stofzuiger in te schakelen, drukt u gewoon op de AAN-/snelheidsinstelknop. Om uit te schakelen, drukt u op de UIT-knop.

U kunt de snelheid van de stofzuiger in drie standen instellen door op de AAN-/snelheidsinstelknop te drukken.

Na de eerste druk op deze knop staat de stofzuiger in de stand voor hoge snelheid, na de tweede druk staat hij in de stand voor maximale snelheid, en na de derde druk in de stand voor normale snelheid. Bij elke druk op deze knop wordt de hoog/maximaal/ normaal-cyclustapsgevijs doorlopen.

## De lamp inschakelen

**⚠ LET OP:** Kijk niet direct in het lamplicht of in de lichtbron.

- Fig.5: 1. AAN-/snelheidsinstelknop 2. UIT-knop  
3. Lamp

Om de lamp in te schakelen, drukt u op de AAN-/snelheidsinstelknop. Druk op de UIT-knop om de lamp uit te schakelen. Terwijl het gereedschap is ingeschakeld, brandt de lamp.

Als de resterende acculading laag wordt, begint de lamp te knipperen.

**OPMERKING:** Het moment waarop de lamp begint te knipperen is afhankelijk van de temperatuur op de werkplek en de staat van de accu.

## MONTAGE

**⚠ LET OP:** Zorg altijd dat het gereedschap is uitgeschakeld en de accu ervan is verwijderd alvorens enig werk aan het gereedschap uit te voeren.

### Type filter

#### Normaal filter

- Fig.6: 1. Beker 2. Voorfilter 3. Filter

#### Hoogwaardig filter

- Fig.7: 1. Beker 2. Hoogwaardig filter

#### Voorfilter of hoogwaardig filter en HEPA-filter

- Fig.8: 1. Beker 2. Voorfilter 3. Hoogwaardig filter  
4. HEPA-filter

**KENNISGEVING:** Gebruik het hoogwaardige filter niet met het filter (optioneel accessoire). Het hoogwaardige filter kan dan mogelijk niet meer vanaf de stofzuiger worden verwijderd.

**OPMERKING:** Bij gebruik van het optionele voorfilter en het optionele filter met het HEPA-filter, gebruikt u alleen het voorfilter over het HEPA-filter. Als u het voorfilter en het filter met het HEPA-filter tegelijkertijd gebruikt, kan ze zuigkracht afnemen.

**OPMERKING:** Bij gebruik van het HEPA-filter te samen met het hoogwaardige filter, gebruikt u het hoogwaardige filter met het frame.

- Fig.9: 1. Frame

## Het stof weggoien

**⚠ LET OP:** Leeg de stofzuiger voordat deze te vol raakt omdat dan de zuigkracht afneemt.

**⚠ LET OP:** Vergeet niet ook het stof binnenin de stofzuiger zelf te verwijderen. Als u dit nalaat, kan het filter verstopt raken of de motor beschadigd raken.

### Stof weggoien uit een normaal filter

Om het stof dat aan het filter kleef in de beker te laten vallen, tikt u met uw hand 4 of 5 keer tegen de beker.

- Fig.10: 1. Beker 2. Zuigmond

Richt de zuigmond omlaag, draai de beker in de richting van de pijl zoals aangegeven in de afbeelding, en haal de beker langzaam en recht eraf.

- Fig.11: 1. Beker 2. Zuigmond

**OPMERKING:** Houd de vuilniszak onder de beker aangezien stof eruit kan vallen wanneer de beker eraf wordt gehaald.

Verwijder het verzamelde stof uit de binnenkant van de beker en vanaf het voorfilter.

- Fig.12: 1. Voorfilter 2. Beker

Verdraai het voorfilter in de richting van de pijl om de bevestigingslip los te maken van de behuizing van de stofzuiger, en trek vervolgens het voorfilter eraf.

- Fig.13: 1. Voorfilter 2. Bevestigingslip

Verwijder het fijne stof uit het voorfilter. Trek vervolgens het filter eraf en tik er voorzichtig tegen om het stof te verwijderen.

- Fig.14: 1. Filter 2. Voorfilter

### Stof weggoien uit een hoogwaardig filter

Om het stof dat aan het filter kleef in de beker te laten vallen, tikt u met uw hand 4 of 5 keer tegen de beker.

Richt nu de zuigmond omlaag, draai de beker in de richting van de pijl zoals aangegeven in de afbeelding, en haal de beker langzaam en recht eraf.

- Fig.15: 1. Beker 2. Zuigmond

**OPMERKING:** Wanneer de beker eraf wordt gehaald, kan het stof eruit vallen, dus plaatst u eerst een afvalzak onder de beker.

Verwijder het verzamelde stof uit de binnenkant van de beker en vanaf het hoogwaardige filter.

- Fig.16: 1. Beker 2. Hoogwaardig filter

Verdraai het hoogwaardige filter in de richting van de pijl om de bevestigingslip los te maken van de behuizing van de stofzuiger, en trek vervolgens het hoogwaardige filter eraf.

- Fig.17: 1. Bevestigingslip

Verwijder het fijne stof en tik er voorzichtig tegen om het stof los te maken uit het hoogwaardige filter.



## In elkaar zetten

### Het normale filter aanbrengen

Breng het filter volledig op zijn plaats aan op de behuizing van de stofzuiger.

► **Fig.18:** 1. Filter

**KENNISGEVING:** Zorg ervoor dat het filter er recht op aangebracht wordt zonder dubbelgevouwen te worden. Als het filter verkeerd erop aangebracht wordt, zoals aangegeven in de afbeelding, zal het stof binnendringen in het motorhuis en tot motorstoring leiden.

► **Fig.19:** 1. Filter

Breng het voorfilter aan. Let er daarbij op het voorfilter te verdraaien zodat de bevestigingslip goed vergrendeld wordt in de behuizing van de stofzuiger.

► **Fig.20:** 1. Voorfilter 2. Bevestigingslip

► **Fig.21**

Breng de beker aan. Lijn het merkteken op de beker uit met het merkteken bij de handgreep en verdraai de beker daarna stevig in de richting van de pijl tot hij wordt vergrendeld.

► **Fig.22:** 1. Merkteken

► **Fig.23:** 1. Beker 2. Handgreep 3. Merkteken

**OPMERKING:** Verwijder het stof altijd tijdig omdat de zuigkracht lager wordt wanneer er te veel stof in de stofzuiger zit.

**KENNISGEVING:** Controleer altijd of het filter en voorfilter correct zijn aangebracht voordat u de stofzuiger gaat gebruiken. Als deze niet correct zijn aangebracht, zal het stof binnendringen in het motorhuis en tot motorstoring leiden. In het geval de volgende situaties zich voordoen, zijn het filter en/of voorfilter niet correct aangebracht. Breng deze opnieuw en correct aan om het probleem op te lossen.

### Voorbeelden van problemen

Voorbeeld 1: Alleen het voorfilter is aangebracht (geen filter)

► **Fig.24:** 1. Voorfilter

Voorbeeld 2: Alleen het filter is aangebracht (geen voorfilter)

► **Fig.25:** 1. Filter

Voorbeeld 3: Het filter is aangebracht, maar is dubbelgevouwen

► **Fig.26:** 1. Filter

Voorbeeld 4: De bevestigingslip van het voorfilter is niet goed vergrendeld in de gleuf in de behuizing van de stofzuiger

► **Fig.27:** 1. Bevestigingslip 2. Voorfilter 3. Gleuf in de behuizing van de stofzuiger

### Het hoogwaardig filter aanbrengen

Breng het hoogwaardig filter aan. Let er daarbij op het hoogwaardige filter te verdraaien zodat de bevestigingslip goed vergrendeld wordt in de behuizing van de stofzuiger.

► **Fig.28:** 1. Hoogwaardig filter 2. Bevestigingslip

► **Fig.29:** 1. Bevestigingslip

Breng de beker aan. Lijn het merkteken op de beker uit met het merkteken bij de handgreep en verdraai de beker daarna stevig in de richting van de pijl tot hij wordt vergrendeld.

► **Fig.30:** 1. Merkteken

► **Fig.31:** 1. Beker 2. Handgreep 3. Merkteken

**OPMERKING:** Verwijder het stof altijd tijdig omdat de zuigkracht lager wordt wanneer er te veel stof in de stofzuiger zit.

**OPMERKING:** Controleer altijd of het hoogwaardige filter correct is aangebracht voordat u de stofzuiger gaat gebruiken. Als deze niet correct zijn aangebracht, zal het stof binnendringen in het motorhuis en tot motorstoring leiden.

In het geval de volgende situaties zich voordoen, is het hoogwaardige filter niet correct aangebracht. Breng deze opnieuw en correct aan om het probleem op te lossen.

### Voorbeelden van problemen

De bevestigingslip van het hoogwaardige filter is niet goed vergrendeld in de gleuf in de behuizing van de stofzuiger.

► **Fig.32:** 1. Bevestigingslip 2. Gleuf in de behuizing van de stofzuiger

### Het frame/HEPA-filter aanbrengen en verwijderen

#### Optioneel accessoire

### Voor het frame en sponsfilter

Om het frame te verwijderen, duwt u de onderkant van de stangen van het frame met uw vingers omhoog zodat de gleuf ervan los komt van het uitsteeksel in de stofzuiger. Verwijder daarna het sponsfilter.

► **Fig.33:** 1. Frame 2. Sponsfilter

Om het aan te brengen, lijnt u de gleuven in het frame uit met de uitsteeksel in de stofzuiger en duwt u tot het vastklikt.

Breng het sponsfilter tussen de stangen door aan op zijn oorspronkelijke plaats.

### Voor het HEPA-filter

Bij het aanbrengen van het HEPA-filter, plaatst u de gleuven in het HEPA-filter op de uitsteeksel in de stofzuiger. Plaats daarna het voorfilter of het hoogwaardige filter over het HEPA-filter en verdraai het om het te vergrendelen. Om het te verwijderen, volgt u de procedurestappen voor het aanbrengen in de omgekeerde volgorde.

► **Fig.34:** 1. HEPA-filter 2. Voorfilter

► **Fig.35:** 1. HEPA-filter 2. Hoogwaardig filter

## BEDIENING

**⚠ LET OP:** Om een accessoire, zoals een mondstuk, aan te brengen, steekt u de accessoire in de zuigmond en verdraait u deze in de richting van de pijl voor een stevige verbinding tijdens gebruik. Om de accessoire eraf te halen, verdraait u deze ook in de richting van de pijl en trekt u hem eraf. Als u de accessoire in de tegenovergestelde richting verdraait bij het aanbrengen of eraf halen, kan de beker los raken.

► Fig.36: 1. Beker

## Schoonmaken (zuigen)

### Mondstuk

Bevestig het mondstuk voor het schoonmaken van tafels, bureaus, meubels, enz. Het mondstuk kan eenvoudig op de stofzuiger worden geplaatst.

► Fig.37: 1. Mondstuk

### Mondstuk + verlengbuis (rechte buis)

De verlengbuis past tussen het mondstuk en de stofzuigermond. Deze werkwijze is handig bij het stofzuigen van de grond terwijl u rechtop staat.

► Fig.38: 1. Behuizing van de stofzuiger  
2. Verlengbuis 3. Mondstuk

### Hoekmondstuk

Bevestig het hoekmondstuk voor het stofzuigen in hoeken en spleten van meubels of in auto's.

► Fig.39: 1. Hoekmondstuk 2. Behuizing van de stofzuiger

### Hoekmondstuk + verlengbuis (rechte buis)

In kleine ruimten waar de stofzuiger zelf niet in past, of op hoge plaatsen die moeilijk te bereiken zijn, gebruikt u deze werkwijze.

► Fig.40: 1. Hoekmondstuk 2. Verlengbuis  
3. Behuizing van de stofzuiger

### Stofzuigen zonder mondstuk

U kunt poeder en stof opzuigen zonder een mondstuk.

► Fig.41

## ONDERHOUD

**⚠ LET OP:** Zorg altijd dat het gereedschap is uitgeschakeld en de accu ervan is verwijderd alvorens te beginnen met onderhoud of inspectie.

### Na gebruik

**⚠ LET OP:** Als u de stofzuiger tegen een muur laat leunen zonder enige andere steun, kan de stofzuiger omvallen waardoor persoonlijk letsel of schade aan de stofzuiger kan ontstaan.

► Fig.42

## Schoonmaken

**KENNISGEVING:** Gebruik nooit benzine, wasbenzine, thinner, alcohol en dergelijke. Hierdoor kunnen verkleuring, vervormingen en barsten worden veroorzaakt.

**KENNISGEVING:** Blaas stof dat op de stofzuiger en filters zit er niet af met behulp van een perslucht pistool. Hierdoor kan het stof in het huis komen en een defect veroorzaken.

**KENNISGEVING:** Nadat de filters zijn gewassen, droogt u ze grondig voordat u ze gebruikt. Onvoldoende gedroogde filters kunnen leiden tot slecht zuigen en de levensduur van de motor verkorten.

**KENNISGEVING:** Nadat de filters en het sponsfilter zijn gereinigd, vergeet u niet ze weer aan te brengen vóór gebruik. Als u de stofzuiger gebruikt zonder de filters en het sponsfilter, zal het stof binnendringen in het motorhuis en een defect veroorzaken.

### Behuizing van de stofzuiger

Veeg regelmatig de buitenkant (behuizing) van de stofzuiger schoon met een in zeepwater bevochtigde doek. Maak tevens de stofzuigermond en de filterbevestigingsplaats schoon.

► Fig.43

### Filter

Was het filter in zeepwater als deze verstopt zit met stof en de zuigkracht van de stofzuiger is afgenomen. Droog het goed alvorens weer te gebruiken.

► Fig.44

### HEPA-filter

*Optioneel accessoire*

**KENNISGEVING:** Schrob of kras het HEPA-filter niet met harde voorwerpen, zoals een borstel of een schuurpons.

Een verstopt HEPA-filter veroorzaakt slechte zuigprestaties. Maak het filter regelmatig schoon.

Was af en toe het HEPA-filter in water, spoel het en laat het goed drogen in de schaduw voordat u het weer gebruikt. Was het filter nooit in een wasmachine.

► Fig.45

### Sponsfilter

Wanneer het sponsfilter vuil is geworden, maakt u het als volgt schoon.

1. Verwijder het filter.
2. Trek het sponsfilter tussen de stangen door eruit.
3. Maak het sponsfilter schoon door het te kloppen of te wassen. Als u het wast, droogt u het goed alvorens het te gebruiken.
4. Plaats het sponsfilter tussen de stangen door op zijn oorspronkelijke plaats. Zorg ervoor dat elke onderrand van een stang het sponsfilter op zijn plaats gedrukt houdt en er geen opening zit tussen het sponsfilter en de stofzuigermond.

► Fig.46: 1. Sponsfilter 2. Onderrand van stang

## Problemen oplossen

Alvorens om reparatie te verzoeken, controleert u de volgende punten.

Symptoom	Mogelijke oorzaak	Mogelijke oplossing
Geringe zuigkracht	Zit de beker vol stof?	Gooi het stof in de beker weg.
	Zit het filter verstopt?	Reinig of was het filter.
	Is de accu leeg?	Laad de accu op.
Apparaat werkt niet	Is de accu leeg?	Laad de accu op.

**⚠ LET OP:** Probeer de stofzuiger niet zelf te repareren.

Om de VEILIGHEID en BETROUWBAARHEID van het gereedschap te handhaven, dienen alle reparaties, onderhoud of afstellingen te worden uitgevoerd bij een erkend Makita-servicecentrum of de Makita-fabriek, en altijd met gebruik van Makita-ervangingsonderdelen.

## OPTIONELE ACCESSOIRES

**⚠ LET OP:** Deze accessoires of hulpstukken worden aanbevolen voor gebruik met het Makita gereedschap dat in deze gebruiksaanwijzing is beschreven. Bij gebruik van andere accessoires of hulpstukken bestaat het gevaar van persoonlijke letsel. Gebruik de accessoires of hulpstukken uitsluitend voor hun bestemde doel.

Wenst u meer bijzonderheden over deze accessoires, neem dan contact op met het plaatselijke Makita-servicecentrum.

- Verlengbuis (rechte buis)
- Mondstuk
- Mondstuk voor tapijt
- Boekenplankborstel
- Hoekmondstuk
- Stoelmondstuk
- Vrij mondstuk
- Spleetmondstuk
- Ronde borstel
- Flexibele slang
- Filter
- Voorfilter
- Hoogwaardig filter
- HEPA-filter
- Cycloonhulpstuk
- Originele Makita accu's en acculaders

**OPMERKING:** Sommige items op de lijst kunnen zijn inbegrepen in de doos van het gereedschap als standaard toebehoren. Deze kunnen van land tot land verschillen.

## Cycloonhulpstuk

- Fig.47: 1. Rechte buis 2. Cycloonhulpstuk  
3. Zuigmond

### Over het cycloonhulpstuk

Als u de stofzuiger gebruikt met het cycloonhulpstuk aangebracht, wordt de hoeveelheid stof verlaagd die in de beker terecht komt, wat helpt om de afname van de zuigkracht te voorkomen. Bovendien is het schoonmaken na gebruik ook eenvoudig.

**⚠ LET OP:** Zorg altijd dat het gereedschap is uitgeschakeld en de accu ervan is verwijderd alvorens enige werkzaamheden aan het gereedschap uit te voeren. Als u de accu erop laat zitten, kan de stofzuiger onverwachts starten en letsel veroorzaken.

**⚠ LET OP:** Reinig het gaasfilter van het cycloonhulpstuk en de filters van de stofzuiger wanneer deze verstopt raken. Als u hem blijft gebruiken terwijl deze verstopt zijn, kan dat leiden tot warm worden en rook.

**KENNISGEVING:** Wanneer het cycloonhulpstuk is aangebracht, mag u de stofzuiger niet in een horizontale of omhoog gerichte stand gebruiken. Als u dat toch doet, kan het gaasfilter verstopt raken.

**KENNISGEVING:** Gebruik de stofzuiger altijd met de filters aangebracht, ook wanneer u het cycloonhulpstuk gebruikt. Als u de stofzuiger gebruikt zonder dat de filters zijn aangebracht, kan een storing optreden in de motor.

**OPMERKING:** Controleer vóór gebruik of het cycloonhulpstuk, de stofzuiger en de rechte buis goed zijn vergrendeld.

**OPMERKING:** Maak de stofopvangdoos van het cycloonhulpstuk en de beker van de stofzuiger leeg wanneer stof zich heeft opgehoopt. Als u hem blijft gebruiken, zal dat leiden tot een lagere zuigkracht.

## Het stof weggooien

Wanneer het stof zich heeft opgehoopt tot aan de 'vol'-lijn op de stofopvangdoos, volgt u de onderstaande procedure en gooit u het stof weg.

1. Houd de stofopvangdoos stevig vast, houd de twee knoppen ingedrukt en verwijder de stofopvangdoos.

► **Fig.48:** 1. 'Vol'-lijn 2. Stofopvangdoos 3. Knop (twee plaatsen) 4. Gaasfilter

2. Gooi het stof in de stofopvangdoos weg en verwijder alle stof en poeder die vastzit op het oppervlak van het gaasfilter.

3. Steek de stofopvangdoos helemaal erop totdat de twee knoppen met een klik vergrendelen.

► **Fig.49:** 1. Stofopvangdoos 2. Knop (twee plaatsen)

**OPMERKING:** Controleer vóór gebruik of het cycloonhulpstuk, de stofzuiger en de rechte buis allemaal stevig zijn bevestigd voordat u de werkzaamheden hervat.

**OPMERKING:** Als de zuigkracht niet is hersteld nadat het stof is weggegooid en het gaasfilter is schoongemaakt, controleert u of stof zich heeft opgehoopt in de beker van de stofzuiger of er een verstopping is opgetreden.

## Schoonmaken

Wanneer de stofopvangdoos vuil wordt of het gaasfilter verstopt raakt, verwijdert u ze en wast u ze af met water. (Raadpleeg "Het stof weggooien" voor de verwijderingsprocedure.)

Laat de onderdelen goed drogen voordat u ze weer aanbrengt en gebruikt.

► **Fig.50:** 1. Stofopvangdoos 2. Gaasfilter

Wanneer het gaasfilter erg vuil wordt, reinigt u het aan de hand van de volgende procedure.

1. Draai het gaasfilter linksom en verwijder het nadat de haken ontgrendeld zijn.

► **Fig.51:** 1. Gaasfilter 2. Haak

2. Verwijder het stof op het gaasfilter en was het daarna met water. Laat het vervolgens goed drogen.

3. Steek het gaasfilter in de voet terwijl de haken zijn uitgelijnd met de openingen. Draai het gaasfilter rechtsom tot de haken met een klik worden vergrendeld. Verzeker u ervan dat het gaasfilter stevig is aangebracht.

► **Fig.52:** 1. Gaasfilter 2. Haak 3. Opening

## ADVERTENCIA

- Este aparato puede ser utilizado por niños de 8 o más años de edad y personas con capacidades físicas, sensoriales o mentales mermadas, o sin experiencia y conocimiento, si han recibido supervisión o instrucción para el uso del aparato de forma segura y son conscientes del peligro que implica.
- Los niños no deben jugar con el aparato. La limpieza y mantenimiento que debe hacer el usuario no deben ser realizados por niños sin supervisión.
- Consulte el capítulo "ESPECIFICACIONES" para ver la referencia del tipo de batería.
- Consulte la sección "Instalación o extracción del cartucho de batería" para ver cómo retirar o instalar la batería.
- Para desechar el cartucho de batería, retírelo de la herramienta y deséchelo en un lugar seguro. Siga los reglamentos locales referentes al desecho de la batería.
- Si la herramienta no va a ser utilizada durante un periodo de tiempo largo, la batería deberá ser retirada de la herramienta.
- No cortocircuite el cartucho de batería.
- Consulte el capítulo "MANTENIMIENTO" para ver los detalles apropiados de las precauciones durante el mantenimiento hecho por el usuario.

## ESPECIFICACIONES

<b>Modelo:</b>		<b>CL108FD</b>
Capacidad		600 ml
Uso continuo (con batería BL1016)	1 (Modo de velocidad normal)	Aprox. 25 min.
	2 (Modo de velocidad alta)	Aprox. 12 min.
	3 (Modo de velocidad máxima)	Aprox. 10 min.
Longitud total		956 mm
Tensión nominal		CC 10,8 V - 12 V máx
Peso neto		1,0 - 1,2 kg

- Debido a nuestro continuado programa de investigación y desarrollo, las especificaciones aquí dadas están sujetas a cambios sin previo aviso.
- Las especificaciones pueden ser diferentes de país a país.
- El peso no incluye accesorios excepto el cartucho(s) de batería. El peso de las combinaciones menos pesada y más pesada del aparato y cartucho(s) de batería se muestra en la tabla.

## Cartucho de batería y cargador aplicables

Cartucho de batería	BL1016 / BL1021B / BL1041B
Cargador	DC10SA / DC10SB / DC10WC / DC10WD / DC18RE

- Algunos de los cartuchos de batería y cargadores indicados arriba puede que no estén disponibles dependiendo de su región de residencia.

**⚠ ADVERTENCIA:** Utilice solamente los cartuchos de batería y cargadores listados arriba. La utilización de cualquier otro cartucho de batería y cargador puede ocasionar heridas y/o un incendio.

## Símbolos

A continuación se muestran los símbolos que pueden ser utilizados para el equipo. Asegúrese de que entienda su significado antes de utilizar.



Lea el manual de instrucciones.



Sólo para países de la Unión Europea  
Debido a la presencia de componentes peligrosos en el equipo, el equipo eléctrico y electrónico, los acumuladores y las baterías desechados pueden tener un impacto negativo para el medioambiente y la salud humana.  
¡No tire los aparatos eléctricos y electrónicos ni las baterías junto con los residuos domésticos!  
De conformidad con las Directivas Europeas sobre residuos de aparatos eléctricos y electrónicos y sobre acumuladores y baterías, así como la adaptación de las mismas a la ley nacional, el equipo eléctrico, las baterías y los acumuladores desechados deberán ser almacenados por separado y trasladados a un punto distinto de recogida de desechos municipales, que cumpla con los reglamentos sobre protección medioambiental. Esto se indica mediante el símbolo de cubo de basura tachado colocado en el equipo.

## Uso previsto

La herramienta ha sido prevista para recoger polvo seco.

## ADVERTENCIAS DE SEGURIDAD

### Advertencias de seguridad para la aspiradora inalámbrica

**⚠️ ADVERTENCIA: ¡IMPORTANTE! LEA CON ATENCIÓN todas las advertencias de seguridad y todas las instrucciones ANTES DE UTILIZAR.**  
No seguir las advertencias e instrucciones puede resultar en una descarga eléctrica, un incendio y/o heridas graves.

1. **No exponga el aparato a la lluvia. Almacene el aparato en interiores.**
2. **No permita que el aparato sea utilizado como juguete. Es necesario prestar mucha atención cuando el aparato sea utilizado por niños o cerca de ellos.**
3. **Utilice el aparato solamente de la forma descrita en este manual. Utilice solamente los accesorios recomendados por el fabricante.**
4. **No utilice el aparato con una batería dañada. Si el aparato no está funcionando como es debido, si se ha dejado caer, se ha dañado, se ha dejado en exteriores, o se ha caído al agua, llévelo a un centro de servicio.**

5. **No maneje el aparato con las manos mojadas.**
6. **No ponga ningún objeto dentro de las aberturas. No utilice el aparato con ninguna de sus aberturas bloqueada; manténgalo libre de polvo, hilachas, pelo, y cualquier cosa que pueda reducir el flujo de aire.**
7. **Mantenga el pelo, ropa holgada, dedos, y todas las partes del cuerpo alejadas de las aberturas y partes en movimiento.**
8. **Desactive todos los controles antes de extraer la batería.**
9. **Tenga cuidado especial cuando limpie en escaleras.**
10. **No utilice el aparato para recoger líquidos inflamables o combustibles, tal como gasolina, ni en áreas donde pueda haber tales líquidos.**
11. **Utilice para recargar solamente el cargador suministrado por el fabricante.**
12. **No recoja nada que esté quemándose o echando humo, tal como cigarrillos, cerillas, o cenizas calientes.**
13. **No utilice el aparato sin estar instalados la bolsa de polvo y/o los filtros.**
14. **No cargue la batería en exteriores.**
15. **Recargue solamente con el cargador especificado por el fabricante.** Un cargador que es apropiado para un tipo de batería puede crear un riesgo de incendio cuando se utiliza con otra batería.
16. **Utilice los aparatos solamente con las baterías designadas específicamente para ellos.** La utilización de cualquier otra batería puede crear un riesgo de heridas y de incendio.
17. **Cuando la batería no esté siendo utilizada, manténgala alejada de otros objetos metálicos, como sujetapapeles, monedas, llaves, clavos, tornillos u otros objetos metálicos pequeños, que puedan hacer conexión entre un terminal y otro.**
18. **En condiciones abusivas, es posible que salga expulsado líquido de la batería; evite el contacto con él. Si se produce un contacto accidental, enjuague con agua.**
19. **No utilice una batería ni aparato que esté dañado o modificado.** Las baterías dañadas o modificadas pueden comportarse de forma impredecible resultando en un incendio, explosión o riesgo de heridas.
20. **No exponga una batería ni aparato al fuego o a una temperatura excesiva.** La exposición al fuego o a una temperatura superior a los 130°C puede ocasionar una explosión.
21. **Siga todas las instrucciones sobre la carga y no cargue la batería ni el aparato fuera del rango de temperatura especificado en las instrucciones.** Cargar incorrectamente o a temperaturas fuera del rango especificado puede dañar la batería y aumentar el riesgo de incendio.

## GUARDE ESTAS INSTRUCCIONES.

## NORMAS DE SEGURIDAD ADICIONALES

Este aparato ha sido previsto para ser utilizado en el hogar.

1. Lea este manual de instrucciones y el manual de instrucciones del cargador atentamente antes de utilizar el aparato.
2. No recoja los materiales siguientes:
  - Materiales calientes tales como cigarrillos encendidos o polvo de chispas/metales generado al amolar/cortar metales
  - Materiales inflamables tales como gasolina, disolvente, bencina, keroseno o pintura
  - Materiales explosivos como nitroglicerina
  - Materiales que puedan prenderse como aluminio, cinc, magnesio, titanio, fósforo o celuloide
  - Suciedad mojada, agua, aceite o similares
  - Piezas duras con bordes cortantes, tales como virutas de madera, metales, piedras, cristales, clavos, alfileres o cuchillas de afeitar
  - Polvo que cuaje tal como cemento o tónor
  - Polvo conductivo tal como metal o carbón
  - Partículas finas como polvo de cementoTales acciones podrán causar un incendio, heridas y/o daños a la propiedad.
3. Detenga inmediatamente la operación si nota algo anormal.
4. Si deja caer o golpea la aspiradora, compruebe atentamente si tiene grietas o algún daño antes de iniciar la operación.
5. No lo acerque a estufas u otras fuentes de calor.
6. No bloquee el orificio de admisión ni los orificios de ventilación.

## GUARDE ESTAS INSTRUCCIONES.

### Instrucciones de seguridad importantes para el cartucho de batería

1. Antes de utilizar el cartucho de batería, lea todas las instrucciones e indicaciones de precaución sobre (1) el cargador de baterías, (2) la batería, y (3) el producto con el que se utiliza la batería.
2. No desensamble ni manipule el cartucho de batería. Podrá resultar en un incendio, calor excesivo, o una explosión.
3. Si el tiempo de uso se acorta demasiado, cese la operación inmediatamente. Podría resultar en un riesgo de recalentamiento, posibles quemaduras e incluso una explosión.

4. Si entra electrólito en sus ojos, aclárelos con agua limpia y acuda a un médico inmediatamente. Existe el riesgo de poder perder la vista.
5. No cortocircuite el cartucho de batería:
  - (1) No toque los terminales con ningún material conductor.
  - (2) Evite guardar el cartucho de batería en un cajón junto con otros objetos metálicos, como clavos, monedas, etc.
  - (3) No exponga el cartucho de batería al agua ni a la lluvia.Un cortocircuito en la batería puede producir una gran circulación de corriente, un recalentamiento, posibles quemaduras e incluso una rotura de la misma.
6. No guarde ni utilice la herramienta y el cartucho de batería en lugares donde la temperatura pueda alcanzar o exceder los 50 °C.
7. Nunca incinere el cartucho de batería incluso en el caso de que esté dañado seriamente o ya no sirva en absoluto. El cartucho de batería puede explotar si se tira al fuego.
8. No clave, corte, aplaste, lance, deje caer el cartucho de batería, ni golpee contra un objeto duro el cartucho de batería. Tal conducta podrá resultar en un incendio, calor excesivo, o una explosión.
9. No utilice una batería dañada.

### 10. Las baterías de litio-ion contenidas están sujetas a los requisitos de la Legislación para Materiales Peligrosos.

Para transportes comerciales, p.ej., por terceras personas y agentes de transportes, se deberán observar requisitos especiales para el empaquetado y etiquetado.

Para la preparación del artículo que se va a enviar, se requiere consultar con un experto en materiales peligrosos. Por favor, observe también la posibilidad de reglamentos nacionales más detallados.

Cubra con cinta aislante o enmascare los contactos expuestos y empaquete la batería de tal manera que no se pueda mover alrededor dentro del embalaje.

11. Para desechar el cartucho de batería, retírelo de la herramienta y deséchelo en un lugar seguro. Siga los reglamentos locales referentes al desecho de la batería.
12. Utilice las baterías solamente con los productos especificados por Makita. La instalación de las baterías en productos no compatibles puede resultar en un incendio, calor excesivo, explosión, o fuga de electrolito.
13. Si la herramienta no va a ser utilizada durante un periodo de tiempo largo, la batería deberá ser retirada de la herramienta.
14. Durante y después de la utilización, el cartucho de batería podrá acumular calor, lo cual puede ocasionar quemaduras o quemaduras de baja temperatura. Preste atención al manejo de cartuchos de batería calientes.

15. **No toque el terminal de la herramienta inmediatamente después de utilizar, dado que puede calentarse lo suficiente como para ocasionar quemaduras.**
16. **No permita que virutas, polvo, o tierra se adhieran dentro de los terminales, orificios, y ranuras del cartucho de batería.** Esto podría ocasionar calentamiento, que coja fuego, reviente y un mal funcionamiento de la herramienta o el cartucho de batería, resultando en quemaduras o heridas personales.
17. **A menos que la herramienta pueda utilizarse cerca de cables eléctricos de alta tensión, no utilice el cartucho de batería cerca de cables eléctricos de alta tensión.** Podrá resultar en un mal funcionamiento o rotura de la herramienta o el cartucho de batería.
18. **Mantenga la batería alejada de los niños.**

## GUARDE ESTAS INSTRUCCIONES.

**⚠PRECAUCIÓN:** Utilice solamente baterías genuinas de Makita. La utilización de baterías no genuinas de Makita, o baterías que han sido alteradas, puede resultar en una explosión de la batería ocasionando incendios, heridas personales y daños. También anulará la garantía de Makita para la herramienta y el cargador de Makita.

## Consejos para alargar al máximo la vida de servicio de la batería

1. **Cargue el cartucho de batería antes de que se descargue completamente. Detenga siempre la operación y cargue el cartucho de batería cuando note menos potencia en la herramienta.**
2. **No cargue nunca un cartucho de batería que esté completamente cargado. La sobrecarga acortará la vida de servicio de la batería.**
3. **Cargue el cartucho de batería a temperatura ambiente de 10 °C - 40 °C. Si un cartucho de batería está caliente, déjelo enfriar antes de cargarlo.**
4. **Cuando no esté utilizando el cartucho de batería, retírelo de la herramienta o del cargador.**

## DESCRIPCIÓN DEL FUNCIONAMIENTO

**⚠PRECAUCIÓN:** Asegúrese siempre de que la herramienta está apagada y el cartucho de batería retirado antes de realizar cualquier ajuste o comprobación en la herramienta.

**⚠PRECAUCIÓN:** Tenga cuidado de no pillarse el dedo(s) entre la aspiradora y la batería como se muestra en el diagrama cuando instale la batería. Si se pilla el dedo(s) podrá ocasionarse una herida.

► Fig.1

## Instalación o extracción del cartucho de batería

**⚠PRECAUCIÓN:** Apague siempre la herramienta antes de instalar o retirar el cartucho de batería.

**⚠PRECAUCIÓN:** Sujete la herramienta y el cartucho de batería firmemente cuando instale o retire el cartucho de batería. Si no sujeta la herramienta y el cartucho de batería firmemente podrán caérsele de las manos y resultar en daños a la herramienta y al cartucho de batería y heridas personales.

► Fig.2: 1. Indicador rojo 2. Botón 3. Cartucho de batería

Para retirar el cartucho de batería, deslícelo de la herramienta mientras desliza el botón de la parte frontal del cartucho.

Para instalar el cartucho de batería, alinee la lengüeta del cartucho de batería con la ranura del alojamiento y deslícelo al interior hasta encajarlo en su sitio. Insértelo por completo hasta que se bloquee en su sitio con un pequeño chasquido. Si puede ver el indicador rojo como se muestra en la figura, no estará bloqueado completamente.

**⚠PRECAUCIÓN:** Instale siempre el cartucho de batería completamente hasta que no pueda verse el indicador rojo. En caso contrario, podrá caerse accidentalmente de la herramienta y ocasionarle heridas a usted o a alguien que esté cerca de usted.

**⚠PRECAUCIÓN:** No instale el cartucho de batería empleando fuerza. Si el cartucho no se desliza al interior fácilmente, será porque no está siendo insertado correctamente.

## Sistema de protección de la batería

La herramienta está equipada con un sistema de protección de la batería. Este sistema corta automáticamente la alimentación del motor para alargar la vida útil de la batería.

La herramienta se detendrá automáticamente durante la operación si la herramienta y/o la batería son puestas en una de las condiciones siguientes:

### Sobrecargada:

La herramienta es utilizada de una manera que da lugar a que tenga que absorber una corriente anormalmente alta. En esta situación, apague la herramienta y detenga la aplicación que ocasiona que la herramienta se sobrecargue. Después encienda la herramienta para volver a empezar.

### Tensión baja en la batería:

La capacidad de batería restante es muy baja y la herramienta no funcionará. Si enciende la herramienta, el motor se pondrá en marcha otra vez pero se detendrá enseguida. En esta situación, retire la batería y vuelva a cargarla.











## Modo de indicar la capacidad de batería restante

**Solamente para cartuchos de batería con el indicador**

► **Fig.3:** 1. Lámparas indicadoras 2. Botón de comprobación

Presione el botón de comprobación en el cartucho de batería para indicar la capacidad de batería restante. Las lámparas indicadoras se iluminan durante unos pocos segundos.

Lámparas de indicación		Capacidad restante
Iluminada	Apagada	
		75% a 100%
		50% a 75%
		25% a 50%
		0% a 25%

**NOTA:** Dependiendo de las condiciones de utilización y de la temperatura ambiente, la indicación podrá variar ligeramente de la capacidad real.

## Accionamiento del interruptor

► **Fig.4:** 1. Botón de encendido/cambio de velocidad 2. Botón de apagado

Para poner en marcha la aspiradora, simplemente presione el botón de encendido/cambio de velocidad. Para apagar, presione el botón de apagado.

Puede cambiar la velocidad de la aspiradora en tres pasos presionando el botón de encendido/cambio de velocidad.

La primera vez que se presiona este botón es para el modo de velocidad alta, la segunda para el modo de velocidad máxima y la tercera para el modo de velocidad normal. Cada vez que se presiona este botón se repite el ciclo de velocidad alta/máxima/normal alternativamente.

## Encendido de la lámpara

**PRECAUCIÓN:** No mire a la luz ni vea la fuente de luz directamente.

► **Fig.5:** 1. Botón de encendido/cambio de velocidad 2. Botón de apagado 3. Lámpara

Para encender la lámpara, presione el botón de encendido/cambio de velocidad. Presione el botón de apagado para apagar la lámpara. La lámpara se enciende mientras la herramienta está activada.

Cuando la capacidad de batería restante se vuelve baja, la lámpara comienza a parpadear.

**NOTA:** El momento en el que la lámpara comienza a parpadear depende de la temperatura en el lugar de trabajo y las condiciones del cartucho de batería.

## MONTAJE

**PRECAUCIÓN:** Asegúrese siempre de que la herramienta está apagada y el cartucho de batería retirado antes de realizar cualquier trabajo en la herramienta.

## Tipo de filtro

### Filtro normal

► **Fig.6:** 1. Cápsula 2. Prefiltro 3. Filtro

### Filtro de alto rendimiento

► **Fig.7:** 1. Cápsula 2. Filtro de alto rendimiento

### Prefiltro o filtro de alto rendimiento y filtro HEPA

► **Fig.8:** 1. Cápsula 2. Prefiltro 3. Filtro de alto rendimiento 4. Filtro HEPA

**AVISO:** No utilice el filtro de alto rendimiento con el filtro (accesorio opcional). El filtro de alto rendimiento puede volverse imposible de desmontar de la aspiradora.

**NOTA:** Cuando utilice el prefiltro y el filtro opcionales con el filtro HEPA, utilice solamente el prefiltro encima del filtro HEPA. Si utiliza el prefiltro y el filtro con el filtro HEPA al mismo tiempo, puede que la fuerza de succión se reduzca.

**NOTA:** Cuando utilice el filtro HEPA con el filtro de alto rendimiento, utilice el filtro de alto rendimiento con el soporte.

► **Fig.9:** 1. Soporte

## Extracción del polvo

**PRECAUCIÓN:** Vacíe la aspiradora antes de que se llene demasiado, o la fuerza de succión se debilitará.

**PRECAUCIÓN:** Asegúrese de vaciar el polvo del interior de la propia aspiradora. De lo contrario, el filtro podrá obstruirse o dañarse el motor.

## Para retirar el polvo para filtro normal

Para que el polvo adherido en el filtro caiga en la cápsula, golpee la cápsula 4 o 5 veces con la mano.

► **Fig.10:** 1. Cápsula 2. Boca de succión

Orienté la boca de succión hacia abajo, gire la cápsula en la dirección de la flecha como se muestra en la ilustración, y desconecte la cápsula despacio y en línea recta.

► **Fig.11:** 1. Cápsula 2. Boca de succión

**NOTA:** Asegúrese de colocar una bolsa de basura debajo de la cápsula, porque el polvo se podrá desparramar cuando abra la cápsula.

Extraiga el polvo acumulado en el interior de la cápsula y del prefiltro.

► **Fig.12:** 1. Prefiltro 2. Cápsula

Gire el prefiltro en la dirección de la flecha para soltar la pestaña de sujeción de la unidad de la aspiradora y después extraiga el prefiltro.

► **Fig.13:** 1. Prefiltro 2. Pestaña de sujeción

Quite el polvo fino que quede en el prefiltro. Y después, extraiga el filtro y golpéelo ligeramente para retirar el polvo.

► **Fig.14:** 1. Filtro 2. Prefiltro

## Para retirar el polvo para filtro de alto rendimiento

Para que el polvo adherido en el filtro caiga en la cápsula, golpee la cápsula 4 o 5 veces con la mano.

Ahora oriente la boca de succión hacia abajo, gire la cápsula en la dirección de la flecha en el diagrama, y desconecte la cápsula despacio y en línea recta.

► **Fig.15:** 1. Cápsula 2. Boca de succión

**NOTA:** El polvo se puede derramar cuando se abre la cápsula, por lo que asegúrese de poner una bolsa de basura debajo de la cápsula.

Retire el polvo acumulado del interior de la cápsula y del filtro de alto rendimiento.

► **Fig.16:** 1. Cápsula 2. Filtro de alto rendimiento

Gire el filtro de alto rendimiento en la dirección de la flecha para soltar la pestaña de sujeción de la unidad de la aspiradora y después extraiga el filtro.

► **Fig.17:** 1. Pestaña de sujeción

Quite el polvo fino y golpee ligeramente para remover el polvo del filtro de alto rendimiento.

## Nuevo montaje

### Montaje de nuevo para filtro normal

Coloque el filtro completamente en su posición en la unidad de la aspiradora.

► **Fig.18:** 1. Filtro

**AVISO:** Asegúrese de poner el filtro en línea recta sin que quede desprendido hacia atrás. Si el filtro es puesto incorrectamente como se muestra en la ilustración, el polvo entrará en el alojamiento del motor, y ocasionará un fallo en el motor.

► **Fig.19:** 1. Filtro

Instale el prefiltro. Ahora, asegúrese de girar el prefiltro de forma que la pestaña de sujeción quede bloqueada firmemente en la unidad de la aspiradora.

► **Fig.20:** 1. Prefiltro 2. Pestaña de sujeción

► **Fig.21**

Instale la cápsula. Alinee la marca en la cápsula con la marca cerca de la empuñadura y después gire la cápsula firmemente en la dirección de la flecha hasta que quede sujeta.

► **Fig.22:** 1. Marca

► **Fig.23:** 1. Cápsula 2. Empuñadura 3. Marca

**NOTA:** Extraiga siempre el polvo con anticipación, ya que la potencia de succión se reducirá si hay demasiado polvo acumulado en la aspiradora.

**AVISO:** Asegúrese siempre de comprobar que tanto el filtro como el prefiltro están colocados correctamente antes de utilizar la aspiradora. Si no están colocados correctamente, el polvo entrará en el alojamiento del motor, y ocasionará un fallo en el motor. Si ocurren los ejemplos siguientes, el filtro y el prefiltro no estarán colocados correctamente. Vuelva a colocarlos correctamente para rectificar el problema.

## Ejemplos de problemas

Ejemplo 1: Solo ha sido colocado el prefiltro (no el filtro)

► **Fig.24:** 1. Prefiltro

Ejemplo 2: Solo ha sido colocado el filtro (no el prefiltro)

► **Fig.25:** 1. Filtro

Ejemplo 3: El filtro ha sido colocado quedando desprendido hacia atrás

► **Fig.26:** 1. Filtro

Ejemplo 4: La pestaña de sujeción del prefiltro no está bloqueada firmemente en la ranura de la carcasa de la aspiradora

► **Fig.27:** 1. Pestaña de sujeción 2. Prefiltro 3. Ranura de la carcasa de la aspiradora

## Montaje de nuevo para filtro de alto rendimiento

Conecte el filtro de alto rendimiento. En este momento, asegúrese de girar el filtro de alto rendimiento de forma que la pestaña de sujeción quede bloqueada firmemente dentro de la unidad de la aspiradora.

► **Fig.28:** 1. Filtro de alto rendimiento 2. Pestaña de sujeción

► **Fig.29:** 1. Pestaña de sujeción

Instale la cápsula. Alinee la marca en la cápsula con la marca cerca de la empuñadura y después gire la cápsula firmemente en la dirección de la flecha hasta que quede sujeta.

► **Fig.30:** 1. Marca

► **Fig.31:** 1. Cápsula 2. Empuñadura 3. Marca

**NOTA:** Extraiga siempre el polvo con anticipación, ya que la potencia de succión se reducirá si hay demasiado polvo en la aspiradora.

**NOTA:** Asegúrese siempre de comprobar que el filtro de alto rendimiento está colocado correctamente antes de utilizar la aspiradora. Si no están colocados correctamente, el polvo entrará en el alojamiento del motor, y ocasionará un fallo de motor.

Si ocurren los ejemplos siguientes, el filtro de alto rendimiento no estará colocado correctamente.

Vuelva a colocarlos correctamente para rectificar el problema.

## Ejemplos de problemas

La pestaña de sujeción del filtro de alto rendimiento no está bloqueada firmemente dentro de la ranura de la carcasa de la aspiradora.

► **Fig.32:** 1. Pestaña de sujeción 2. Ranura de la carcasa de la aspiradora

## Instalación o desmontaje del soporte/filtro HEPA

### Accesorios opcionales

#### Para el soporte y filtro de esponja

Para retirar el soporte, empuje hacia arriba la parte inferior de los pilares del soporte con los dedos y libere su ranura de la protuberancia de la aspiradora. Después de eso, retire el filtro de esponja.

► **Fig.33:** 1. Soporte 2. Filtro de esponja

Para instalar, alinee las ranuras del soporte con la protuberancia de la aspiradora y empuje hasta que produzca un chasquido. Inserte el filtro de esponja entre los pilares y colóquelo en la posición original.

#### Para el filtro HEPA

Cuando instale el filtro HEPA, encaje la ranura del filtro HEPA con la protuberancia de la aspiradora. Después, ponga el prefiltro o el filtro de alto rendimiento en el filtro HEPA y gírelo para sujetarlo. Para retirar, siga el procedimiento de instalación a la inversa.

► **Fig.34:** 1. Filtro HEPA 2. Prefiltro

► **Fig.35:** 1. Filtro HEPA 2. Filtro de alto rendimiento

## OPERACIÓN

**⚠PRECAUCIÓN:** Para conectar accesorios, tales como boquillas, gire e inserte el accesorio en la dirección de la flecha para que la conexión esté asegurada durante la utilización. Para desconectar los accesorios, gírelos y extráigalos también en la dirección de la flecha. Si un accesorio es girado en la dirección opuesta cuando sea conectado o desconectado, es posible que la cápsula se afloje.

► **Fig.36:** 1. Cápsula

## Limpeza (Succión)

### Boquilla

Coloque la boquilla para limpiar mesas, escritorios, muebles, etc. La boquilla se coloca fácilmente.

► **Fig.37:** 1. Boquilla

### Boquilla + Tubo de extensión (Tubo recto)

El tubo de extensión se encaja entre la boquilla y la propia aspiradora. Esta disposición resulta útil para limpiar un suelo en posición erecta.

► **Fig.38:** 1. Cuerpo de la aspiradora 2. Tubo de extensión 3. Boquilla

### Boquilla para esquinas

Encaje la boquilla para esquinas para limpiar esquinas y resquicios de un automóvil o mueble.

► **Fig.39:** 1. Boquilla para esquinas 2. Cuerpo de la aspiradora

## Boquilla para esquinas + Tubo de extensión (Tubo recto)

En espacios reducidos donde la propia aspiradora no pueda entrar, o en lugares altos difíciles de alcanzar, utilice esta disposición.

► **Fig.40:** 1. Boquilla para esquinas 2. Tubo de extensión 3. Cuerpo de la aspiradora

## Limpeza sin boquilla

Puede recoger partículas y polvo sin la boquilla.

► **Fig.41**

## MANTENIMIENTO

**⚠PRECAUCIÓN:** Asegúrese siempre de que la herramienta está apagada y de que el cartucho de batería está retirado antes de intentar hacer una inspección o mantenimiento.

## Después de la utilización

**⚠PRECAUCIÓN:** La colocación de la aspiradora contra una pared sin ningún otro soporte podrá ocasionar que la aspiradora se caiga, resultando en heridas personales o daños a la aspiradora.

► **Fig.42**

## Limpeza

**AVISO:** No utilice nunca gasolina, bencina, disolvente, alcohol o similares. Podría producir descoloración, deformación o grietas.

**AVISO:** No sople el polvo adherido a la aspiradora y los filtros con un soplador de aire. Introducirá polvo dentro del alojamiento y ocasionará fallos.

**AVISO:** Después de lavar los filtros, séquelos completamente antes de utilizar. Un secado insuficiente de los filtros puede ocasionar una mala succión y acortar la vida de servicio del motor.

**AVISO:** Después de limpiar los filtros y el filtro de esponja, asegúrese de volver a instalarlos antes de utilizar. Si utiliza la aspiradora sin los filtros y el filtro de esponja, el polvo entrará en el alojamiento del motor y ocasionará un mal funcionamiento.

## Cuerpo de la aspiradora

De vez en cuando, limpie el exterior de la aspiradora (cuerpo de la aspiradora) utilizando un paño humedecido en agua jabonosa.

Limpe también la abertura de succión y el área de montaje del filtro.

► **Fig.43**

## Filtro

Lave el filtro en agua jabonosa cuando esté obstruido con polvo y la potencia de la aspiradora se debilite.

Séquelolo completamente antes de utilizarlo.

► Fig.44

## Filtro HEPA

### Accesorios opcionales

**AVISO: No frote o rasque el filtro HEPA con objetos duros tales como un cepillo y una paleta.**

El filtro HEPA obstruido ocasionará un mal rendimiento de succión. Limpie el filtro de vez en cuando.

Lave ocasionalmente el filtro HEPA en agua, aclárelo y séquelolo completamente en la sombra antes de utilizarlo. No lave nunca el filtro en una lavadora.

► Fig.45

## Filtro de esponja

Cuando el filtro de esponja se ensucie, límpiolo de la forma siguiente.

1. Retire el filtro.
2. Extraiga el filtro de esponja pasándolo entre los pilares.
3. Limpie el filtro de esponja golpeándolo ligeramente o lavándolo. Si lo lava, séquelolo completamente antes de utilizar.
4. Inserte el filtro de esponja pasándolo entre los pilares y colóquelo en la posición original. Asegúrese de que cada borde inferior del pilar sujete el filtro de esponja, y que no haya holgura entre el filtro de esponja y la abertura de succión.

► Fig.46: 1. Filtro de esponja 2. Borde inferior del pilar

## Solución de problemas

Antes de solicitar una reparación, compruebe los puntos siguientes.

Síntoma	Área a investigar	Método de reparación
Poca potencia de succión	¿Está llena de polvo la cápsula?	Vacíe el polvo de la cápsula.
	¿Está obstruido el filtro?	Limpie o lave el filtro.
	¿Está descargado el cartucho de batería?	Cargue el cartucho de batería.
No funciona	¿Está descargado el cartucho de batería?	Cargue el cartucho de batería.

**⚠ PRECAUCIÓN: No intente reparar la aspiradora usted mismo.**

Para mantener la SEGURIDAD y FIABILIDAD del producto, las reparaciones, y cualquier otra tarea de mantenimiento o ajuste deberán ser realizadas en centros de servicio o de fábrica autorizados por Makita, empleando siempre repuestos Makita.

## ACCESORIOS OPCIONALES

**⚠ PRECAUCIÓN: Estos accesorios o aditamentos están recomendados para su uso con la herramienta Makita especificada en este manual.**

El uso de cualquier otro accesorio o aditamento puede suponer un riesgo de heridas personales. Utilice el accesorio o aditamento solamente con la finalidad indicada para el mismo.

Si necesita cualquier ayuda para más detalles en relación con estos accesorios, pregunte al centro de servicio Makita local.

- Tubo de extensión (Tubo recto)
- Boquilla
- Boquilla para alfombras
- Cepillo para estanterías
- Boquilla para esquinas
- Boquilla para asientos
- Boquilla libre
- Boquilla para resquicios
- Cepillo redondo
- Manguera flexible

- Filtro
- Prefiltro
- Filtro de alto rendimiento
- Filtro HEPA
- Colector ciclónico
- Batería y cargador genuinos de Makita

**NOTA:** Algunos elementos de la lista podrán estar incluidos en el paquete de la herramienta como accesorios estándar. Pueden variar de un país a otro.

## Colector ciclónico

- **Fig.47:** 1. Tubo recto 2. Colector ciclónico 3. Boca de succión

### Acerca del colector ciclónico

La utilización de la aspiradora con el colector ciclónico instalado reduce la cantidad de polvo que entra en la cápsula, lo que ayuda a evitar que la fuerza de succión se debilite. Además, la limpieza después de la utilización también se simplifica.

**⚠PRECAUCIÓN:** Asegúrese siempre de que la herramienta está apagada y el cartucho de batería ha sido retirado antes de realizar cualquier trabajo en la herramienta. Si el cartucho de batería se deja insertado, la aspiradora podrá ponerse en marcha inesperadamente y resultar en heridas.

**⚠PRECAUCIÓN:** Limpie el filtro de malla del colector ciclónico y los filtros de la unidad de la aspiradora cuando se obstruyan. Continuar utilizando estando obstruidos podrá resultar en recalentamiento o humo.

**AVISO:** Cuando el colector ciclónico esté colocado, no utilice la aspiradora en posición horizontal u orientada hacia arriba. Si lo hace podrá ocasionar que el filtro de malla se obstruya.

**AVISO:** Utilice siempre la aspiradora con los filtros instalados, aun cuando utilice el colector ciclónico. La utilización de la aspiradora sin los filtros instalados podrá resultar en un mal funcionamiento del motor.

**NOTA:** Compruebe que el colector ciclónico, la aspiradora, y el tubo recto están bloqueados debidamente antes de utilizar.

**NOTA:** Vacíe el recipiente para polvo del colector ciclónico y la cápsula de la aspiradora cuando se haya acumulado polvo. Continuar utilizando resultará en una debilitación de la fuerza de succión.

### Extracción del polvo

Cuando el polvo se haya acumulado hasta la línea de lleno del recipiente para polvo, siga el procedimiento de abajo y deseche el polvo.

1. Sujete el recipiente para polvo firmemente, mantenga presionados los dos botones, y retire el recipiente para polvo.

► **Fig.48:** 1. Línea de lleno 2. Recipiente para polvo 3. Botón (dos lugares) 4. Filtro de malla

2. Deseche el polvo de dentro del recipiente para polvo y retire cualquier resto de polvo adherido a la superficie del filtro de malla.

3. Inserte el recipiente para polvo a fondo hasta que los dos botones se bloqueen con un chasquido.

► **Fig.49:** 1. Recipiente para polvo 2. Botón (dos lugares)

**NOTA:** Compruebe que el colector ciclónico, la aspiradora, y el tubo recto están todos conectados firmemente antes de reiniciar la operación.

**NOTA:** Si la fuerza de succión no se recupera incluso después de desechar el polvo y limpiar el filtro de malla, compruebe si se ha acumulado polvo en la cápsula de la aspiradora o si se ha producido obturación.

### Limpieza

Cuando el recipiente para polvo se ensucie o el filtro de malla se obstruya, retírelos y lávelos con agua. (Consulte "Extracción del polvo" para ver el procedimiento de extracción).

Seque las partes completamente antes de volver a instalar y utilizar.

► **Fig.50:** 1. Recipiente para polvo 2. Filtro de malla

Cuando el filtro de malla se ensucie mucho, límpielo siguiendo los procedimientos siguientes.

1. Gire el filtro de malla hacia la izquierda y retírelo mientras los ganchos están desbloqueados.

► **Fig.51:** 1. Filtro de malla 2. Gancho

2. Retire el polvo del filtro de malla y después lávelo con agua. Después de eso, séquelo completamente.

3. Inserte el filtro de malla en la base mientras los ganchos están alineados con la abertura. Gire el filtro de malla hacia la derecha hasta que los ganchos se bloqueen con un chasquido. Asegúrese de que el filtro de malla está instalado firmemente.

► **Fig.52:** 1. Filtro de malla 2. Gancho 3. Abertura

## AVISO

- Este aparelho pode ser utilizado por crianças com idade a partir de 8 anos e por pessoas com capacidades físicas, sensoriais ou mentais reduzidas ou falta de experiência e conhecimento, se tiverem recebido supervisão ou instruções relativamente à utilização do aparelho de forma segura e tiverem compreendido os perigos envolvidos.
- As crianças não devem brincar com o aparelho. A limpeza e manutenção pelo utilizador não devem ser efetuadas por crianças sem supervisão.
- Consulte o capítulo “ESPECIFICAÇÕES” para ficar a saber a referência de tipo da bateria.
- Consulte a secção “Instalar ou remover a bateria” para saber como remover ou instalar a bateria.
- Quando eliminar a bateria, remova-a da ferramenta e elimine-a num local seguro. Siga os regulamentos locais relacionados com a eliminação de baterias.
- Se a ferramenta não for utilizada durante um período de tempo prolongado, a bateria deve ser removida da ferramenta.
- Não coloque a bateria em curto-circuito.
- Consulte o capítulo “MANUTENÇÃO” para obter as informações adequadas sobre as precauções a ter durante a manutenção pelo utilizador.

## ESPECIFICAÇÕES

Modelo:	CL108FD	
Capacidade	600 mL	
Utilização contínua (com bateria BL1016)	1 (Modo de velocidade normal)	Aprox. 25 min
	2 (Modo de velocidade alta)	Aprox. 12 min
	3 (Modo de velocidade máx.)	Aprox. 10 min
Comprimento total	956 mm	
Tensão nominal	CC 10,8 V - 12 V máx.	
Peso líquido	1,0 - 1,2 kg	

- Devido a um programa contínuo de pesquisa e desenvolvimento, estas especificações estão sujeitas a alteração sem aviso prévio.
- As especificações podem variar de país para país.
- O peso não inclui os acessórios mas a(s) bateria(s). Os pesos combinados mais leve e mais pesado do aparelho e da(s) bateria(s) são indicados na tabela.

## Bateria e carregador aplicável

Bateria	BL1016 / BL1021B / BL1041B
Carregador	DC10SA / DC10SB / DC10WC / DC10WD / DC18RE

- Algumas das baterias e carregadores listados acima poderão não estar disponíveis, dependendo da sua região de residência.

**⚠AVISO:** Utilize apenas as baterias e carregadores listados acima. A utilização de quaisquer outras baterias e carregadores pode causar ferimentos e/ou um incêndio.

## Símbolos

A seguir são apresentados os símbolos que podem ser utilizados para o equipamento. Certifique-se de que compreende o seu significado antes da utilização.



Leia o manual de instruções.



Apenas para países da UE  
Devido à presença de componentes perigosos no equipamento, os resíduos de equipamentos elétricos e eletrónicos, acumuladores e baterias podem ter um impacto negativo no meio ambiente e na saúde humana.  
Não elimine aparelhos elétricos e eletrónicos ou baterias juntamente com resíduos domésticos!  
De acordo com a Diretiva europeia relativa aos resíduos de equipamentos elétricos e eletrónicos, acumuladores e baterias, bem como a respetiva adaptação à legislação nacional, os resíduos de equipamentos elétricos e eletrónicos, acumuladores e baterias devem ser armazenados separadamente e entregues num ponto de recolha separado para resíduos municipais, que opere de acordo com os regulamentos de proteção ambiental.  
Tal é indicado pelo símbolo de contentor de lixo com rodas barrado com uma cruz colocado no equipamento.

## Utilização a que se destina

Esta ferramenta serve para recolher pó seco.

## AVISOS DE SEGURANÇA

### Avisos de segurança do aspirador de pó a bateria

**⚠ AVISO: IMPORTANTE! LEIA COM ATENÇÃO todos os avisos de segurança e todas as instruções ANTES DA UTILIZAÇÃO.** Caso não siga os avisos e instruções, pode apanhar um choque elétrico, provocar um incêndio e/ou ferimentos graves.

1. Não exponha à chuva. Guarde dentro de casa.
2. Não permita que seja utilizado como brinquedo. Tenha cuidado especialmente quando o aparelho for utilizado por crianças ou próximo delas.
3. Utilize-o somente de acordo com as instruções deste manual. Utilize somente os acessórios recomendados pelo fabricante.
4. Não utilize com uma bateria danificada. Se o aparelho não funcionar corretamente, for derrubado, danificado, deixado ao ar livre ou cair na água, leve-o ao centro de assistência.
5. Não manuseie o aparelho com as mãos molhadas.
6. Não coloque nenhum objeto nas aberturas. Não o utilize com uma abertura bloqueada; mantenha-o limpo, sem poeira, pelos, cabelos ou qualquer outra coisa que possa reduzir o fluxo de ar.
7. Mantenha os cabelos, roupas largas, dedos e outras partes do corpo afastadas das aberturas e das peças em movimento.

8. Desligue todos os controlos antes de retirar a bateria.
9. Tenha cuidado especialmente ao limpar escadas.
10. Não utilize para aspirar líquidos inflamáveis ou combustíveis, tal como gasolina, nem utilize em áreas onde esses produtos podem estar presentes.
11. Utilize somente o carregador fornecido pelo fabricante para recarregar.
12. Não utilize para aspirar algo que está a queimar ou a soltar fumo, tal como cigarros, fósforos ou cinzas quentes.
13. Não utilize sem o saco para pó e/ou os filtros devidamente instalados.
14. Não carregue a bateria ao ar livre.
15. Recarregue apenas com o carregador especificado pelo fabricante. Um carregador que é adequado para um tipo de conjunto de baterias poderá criar um risco de incêndio quando utilizado com outro conjunto de baterias.
16. Utilize aparelhos apenas com conjuntos de baterias especificamente designados. A utilização de quaisquer outros conjuntos de baterias poderá criar um risco de ferimentos e incêndio.
17. Quando (o) conjunto de baterias não estiver a ser utilizado, mantenha-o afastado de outros objetos de metal, tais como cliques de papel, moedas, chaves, pregos, parafusos ou outros objetos de metal pequenos que possam estabelecer ligação de um terminal a outro.
18. Mediante condições abusivas, o líquido poderá ser ejetado da bateria; evite o contacto. Caso ocorra o contacto acidentalmente, lavar com água.
19. Não utilize um conjunto de baterias ou um aparelho que se encontre danificado ou modificado. As baterias danificadas ou modificadas poderão exibir um comportamento imprevisível, resultando em incêndio, explosão ou risco de ferimentos.
20. Não exponha um conjunto de baterias ou um aparelho a incêndio ou temperatura excessiva. A exposição a incêndio ou a uma temperatura superior a 130 °C poderá causar uma explosão.
21. Siga todas as instruções de carregamento e não carregue o conjunto de baterias ou o aparelho fora da amplitude de temperaturas especificada nas instruções. O carregamento incorreto ou a temperaturas fora da amplitude especificada poderá danificar a bateria e aumentar o risco de incêndio.

## GUARDE ESTAS INSTRUÇÕES.

### REGRAS DE SEGURANÇA ADICIONAIS

Este aparelho destina-se à utilização doméstica.

1. Antes de utilizar o aparelho, leia cuidadosamente este manual de instruções bem como o manual do carregador.
2. Não aspire os seguintes materiais:
  - Materiais quentes, tais como cigarros acesos ou faíscas/pó de metal produzidos ao esmerilar/cortar metal
  - Materiais inflamáveis, tais como gasolina, diluentes, benzina, querosene ou tinta
  - Materiais explosivos como nitroglicerina

- Materiais inflamáveis, tais como alumínio, zinco, magnésio, titânio, fósforo ou celulósido
  - Sujidade húmida, água, óleo, etc.
  - Artigos rígidos com arestas cortantes, tais como aparas de madeira, metais, pedras, vidros, pregos, pinos e lâminas de barbear
  - Pó para solidificar, como cimento ou tónor
  - Pó condutivo, tal como metal ou carbono
  - Partículas minúsculas de betão
- Isso pode provocar incêndio, ferimentos e/ou danos à propriedade.
3. Desligue o aspirador imediatamente se notar qualquer funcionamento anormal.
  4. Se deixar cair ou bater o aspirador, inspecione cuidadosamente para ver se há rachaduras ou danos antes de utilizar.
  5. Não aproxime de fogões nem de outras fontes de calor.
  6. Não bloqueie os orifícios de entrada e saída de ar.

## GUARDE ESTAS INSTRUÇÕES.

### Instruções de segurança importantes para a bateria

1. Antes de utilizar a bateria, leia todas as instruções e etiquetas de precaução no (1) carregador de bateria (2) bateria e (3) produto que utiliza a bateria.
2. Não desmonte ou manipule a bateria. Pode resultar num incêndio, em calor excessivo ou numa explosão.
3. Se o tempo de funcionamento se tornar excessivamente curto, pare o funcionamento imediatamente. Pode resultar em sobreaquecimento, possíveis queimaduras e mesmo explosão.
4. Se entrar eletrólito nos seus olhos, lave-os com água e consulte imediatamente um médico. Pode resultar em perda de visão.
5. Não coloque a bateria em curto-circuito:
  - (1) Não toque nos terminais com qualquer material condutor.
  - (2) Evite guardar a bateria juntamente com outros objetos metálicos tais como pregos, moedas, etc.
  - (3) Não exponha a bateria à água ou chuva. Um curto-circuito pode ocasionar um enorme fluxo de corrente, sobreaquecimento, possíveis queimaduras e mesmo estragar-se.
6. Não guarde nem utilize a ferramenta e a bateria em locais onde a temperatura pode atingir ou exceder 50 °C.
7. Não queime a bateria mesmo que esteja estragada ou completamente gasta. A bateria pode explodir no fogo.
8. Não preegue, corte, esmague, atire, deixe cair a bateria, nem bata a bateria contra um objeto rijo. Esta conduta pode resultar num incêndio, em calor excessivo ou numa explosão.
9. Não utilize uma bateria danificada.

10. As baterias de íões de lítio contidas na ferramenta são sujeitas aos requisitos da DGL (Dangerous Goods Legislation - Legislação de bens perigosos). Para o transporte comercial, por exemplo, por terceiros ou agentes de expedição, têm de ser observados os requisitos referentes à embalagem e etiquetagem. Para preparação do artigo a ser expedido, é necessário consultar um perito em materiais perigosos. Tenha ainda em conta a possibilidade de existirem regulamentos nacionais mais detalhados. Coloque fita-cola ou tape os contactos abertos e embale a bateria de tal forma que não possa mover-se dentro da embalagem.
11. Quando eliminar a bateria, remova-a da ferramenta e elimine-a num local seguro. Siga os regulamentos locais relacionados com a eliminação de baterias.
12. Utilize as baterias apenas com os produtos especificados pela Makita. Instalar as baterias em produtos não-conformes poderá resultar num incêndio, calor excessivo, explosão ou fuga de eletrólito.
13. Se a ferramenta não for utilizada durante um período de tempo prolongado, a bateria deve ser removida da ferramenta.
14. Durante e após a utilização, a bateria pode aquecer, o que pode provocar queimaduras ou queimaduras a baixa temperatura. Preste atenção ao manuseamento de baterias quentes.
15. Não toque no terminal da ferramenta imediatamente após a utilização, pois pode ficar suficientemente quente para provocar queimaduras.
16. Não permita a adesão de aparas, pó ou sujidade nos terminais, nos orifícios e nas ranhuras da bateria. Poderá fazer com que a ferramenta ou a bateria aqueça, incendeie, rebente e avarie, resultando em queimaduras ou ferimentos corporais.
17. A menos que a ferramenta suporte a utilização perto de linhas elétricas de alta tensão, não utilize a bateria perto de linhas elétricas de alta tensão. Pode resultar no mau funcionamento ou na avaria da ferramenta ou bateria.
18. Mantenha a bateria afastada das crianças.

## GUARDE ESTAS INSTRUÇÕES.

**⚠PRECAUÇÃO:** Utilize apenas baterias genuínas da Makita. A utilização de baterias não genuínas da Makita ou de baterias que foram alteradas, pode resultar no rebentamento da bateria provocando incêndios, ferimentos pessoais e danos. Além disso, anulará da garantia da Makita no que se refere à ferramenta e ao carregador Makita.

## Conselhos para manter a máxima vida útil da bateria

1. Carregue a bateria antes que esteja completamente descarregada. Pare sempre o funcionamento da ferramenta e carregue a bateria quando notar menos poder na ferramenta.
2. Nunca carregue uma bateria completamente carregada. Carregamento excessivo diminui a vida útil da bateria.
3. Carregue a bateria à temperatura ambiente de 10 °C – 40 °C. Deixe que uma bateria quente arrefeça antes de a carregar.
4. Quando não utilizar a bateria, remova-a da ferramenta ou do carregador.



## DESCRIÇÃO FUNCIONAL

**⚠️ PRECAUÇÃO:** Certifique-se sempre de que a ferramenta está desligada e a bateria foi retirada antes de regular ou verificar qualquer função na ferramenta.

**⚠️ PRECAUÇÃO:** Ao colocar a bateria, tome cuidado para não prender o(s) dedo(s) entre o aspirador e a bateria, como ilustrado no diagrama. Poderá sofrer ferimentos no(s) dedo(s).

► Fig.1

## Instalação ou remoção da bateria

**⚠️ PRECAUÇÃO:** Desligue sempre a ferramenta antes de colocar ou retirar a bateria.

**⚠️ PRECAUÇÃO:** Segure firmemente a ferramenta e a bateria quando instalar ou remover a bateria. Se não segurar firmemente a ferramenta e a bateria pode fazer com que escorreguem das suas mãos resultando em danos na ferramenta e na bateria e ferimentos pessoais.

► Fig.2: 1. Indicador vermelho 2. Botão 3. Bateria

Para retirar a bateria, deslize-a para fora da ferramenta enquanto desliza o botão na frente da bateria.

Para instalar a bateria, alinhe a lingueta na bateria com a ranhura na caixa e deslize-a para a posição correta. Insira-a por completo até bloquear na posição correta com um pequeno clique. Se conseguir ver o indicador vermelho conforme apresentado na figura, não está completamente bloqueada.

**⚠️ PRECAUÇÃO:** Instale sempre a bateria até ao fim, até deixar de ver o indicador vermelho.

Caso contrário, a bateria poderá cair da ferramenta acidentalmente e provocar ferimentos em si mesmo ou em alguém próximo.

**⚠️ PRECAUÇÃO:** Não instale a bateria à força. Se a bateria não deslizar facilmente é porque não foi colocada corretamente.

## Sistema de proteção da bateria

A ferramenta está equipada com um sistema de proteção da bateria. Este sistema corta automaticamente a energia para o motor a fim de prolongar a vida útil da bateria.

A ferramenta para automaticamente durante o funcionamento se a mesma e/ou a bateria estiver numa das seguintes circunstâncias:

### Sobrecarga:

A ferramenta é utilizada de tal forma que puxa uma corrente elevada demais.

Neste caso, desligue a ferramenta e pare a aplicação que fez com que a ferramenta ficasse sobrecarregada. Depois, ligue a ferramenta para a reiniciar.

### Baixa tensão da bateria:

A carga restante da bateria está baixa demais e a ferramenta não funciona. Se ligar a ferramenta, o motor funciona novamente mas para logo a seguir. Nesse caso, retire a bateria e recarregue-a.

## Indicação da capacidade restante da bateria

*Apenas para baterias com indicador*

► Fig.3: 1. Luzes indicadoras 2. Botão de verificação

Prima o botão de verificação na bateria para indicar a capacidade restante da bateria. As luzes indicadoras acendem durante alguns segundos.

Luzes indicadoras		Carga restante
Aceso	Desligada	
■ ■ ■ ■	□	75% a 100%
■ ■ ■ □	□	50% a 75%
■ ■ □ □	□ □	25% a 50%
■ □ □ □	□ □ □	0% a 25%

**NOTA:** Dependendo das condições de utilização e da temperatura ambiente, a indicação pode ser ligeiramente diferente da capacidade real.

## Ação do interruptor

► Fig.4: 1. Botão LIGAR/mudança de velocidade 2. Botão DESLIGAR

Para iniciar o aspirador, carregue simplesmente no botão LIGAR/mudança de velocidade. Para desligar, prima o botão DESLIGAR.

Podemos mudar a velocidade do aspirador em três passos ao carregar no botão LIGAR/mudança de velocidade. A primeira vez que carregar neste botão serve para definir o modo de velocidade alta, a segunda vez serve para definir o modo de velocidade máx. e a terceira vez serve para velocidade normal. De cada vez que carregar neste botão, o ciclo de velocidade alta/máx./normal repete-se alternadamente.

## Acender a luz

**⚠️ PRECAUÇÃO:** Não olhe para a luz ou para a fonte de iluminação diretamente.

► Fig.5: 1. Botão LIGAR/mudança de velocidade 2. Botão DESLIGAR 3. Lâmpada

Para ligar a lâmpada, carregue no botão LIGAR/mudança de velocidade. Carregue no botão DESLIGAR para desligar a lâmpada. Durante o funcionamento da ferramenta, a lâmpada liga.

Quando a carga restante da bateria ficar baixa, a lâmpada começa a piscar.

**NOTA:** O período no qual a lâmpada começa a piscar depende da temperatura no local de trabalho e das condições da bateria.

# MONTAGEM

**⚠️ PRECAUÇÃO:** Certifique-se sempre de que a ferramenta está desligada e a bateria retirada antes de executar qualquer trabalho na ferramenta.

## Tipo de filtro

### Filtro normal

► Fig.6: 1. Cápsula 2. Pré-filtro 3. Filtro

### Filtro de elevado desempenho

► Fig.7: 1. Cápsula 2. Filtro de elevado desempenho

### Pré-filtro ou filtro de elevado desempenho e filtro HEPA

► Fig.8: 1. Cápsula 2. Pré-filtro 3. Filtro de elevado desempenho 4. Filtro HEPA

**OBSERVAÇÃO:** Não use o filtro de elevado desempenho com o filtro (acessório opcional). Pode não ser possível remover o filtro de elevado desempenho do aspirador.

**NOTA:** Quando utilizar o pré-filtro e o filtro opcionais com o filtro HEPA, utilize apenas o pré-filtro em vez do filtro HEPA. Se utilizar o pré-filtro e o filtro com o filtro HEPA simultaneamente, a potência de sucção pode ser reduzida.

**NOTA:** Quando utilizar o filtro HEPA com o filtro de elevado desempenho, utilize o filtro de elevado desempenho com a fixação.

► Fig.9: 1. Fixação

## Eliminar o pó

**⚠️ PRECAUÇÃO:** Esvazie o aspirador antes que fique muito cheio, caso contrário a força de sucção diminuirá.

**⚠️ PRECAUÇÃO:** Certifique-se de que esvazia o pó do interior do próprio aspirador. Se não o fizer, o filtro pode ficar obstruído ou o motor pode ser danificado.

## Eliminação de pó para o filtro normal

Para desalojar o pó grudado no filtro na cápsula, bata levemente com a mão na cápsula umas 4 ou 5 vezes.

► Fig.10: 1. Cápsula 2. Bocal de sucção

Aponte o bocal de sucção para baixo, rode a cápsula no sentido da seta mostrada no diagrama e desprenda a cápsula devagar e em linha reta.

► Fig.11: 1. Cápsula 2. Bocal de sucção

**NOTA:** Certifique-se de que coloca um saco do lixo por baixo da cápsula, dado que o pó poderá ser derramado quando a cápsula estiver aberta.

Retire o pó acumulado dentro da cápsula e no pré-filtro.

► Fig.12: 1. Pré-filtro 2. Cápsula

Rode o pré-filtro no sentido da seta para desapertar a borda de fixação da unidade do aspirador e retire o pré-filtro.

► Fig.13: 1. Pré-filtro 2. Borda de fixação

Limpe o pó fino do pré-filtro. Em seguida, remova o filtro e bata-o de leve para remover o pó.

► Fig.14: 1. Filtro 2. Pré-filtro

## Eliminação de pó para o filtro de elevado desempenho

Para desalojar o pó grudado no filtro na cápsula, bata levemente com a mão na cápsula umas 4 ou 5 vezes. Aponte agora o bocal de sucção para baixo, rode a cápsula no sentido da seta mostrada no diagrama e desprenda a cápsula devagar e em linha reta.

► Fig.15: 1. Cápsula 2. Bocal de sucção

**NOTA:** O pó poderá ser derramado quando a cápsula estiver aberta, por isso, certifique-se de que instala um saco do lixo por baixo da cápsula.

Retire o pó acumulado do interior da cápsula e para fora do filtro de elevado desempenho.

► Fig.16: 1. Cápsula 2. Filtro de elevado desempenho

Rode o filtro de elevado desempenho no sentido da seta para desapertar a borda de fixação da unidade do aspirador e retire o filtro.

► Fig.17: 1. Borda de fixação

Limpe o pó fino e bata-o de leve para desalojar o pó do filtro de elevado desempenho.

## Remontagem

### Remontagem para o filtro normal

Coloque o filtro completamente na posição na unidade do aspirador.

► Fig.18: 1. Filtro

**OBSERVAÇÃO:** Assegure-se de que o filtro está instalado direito, sem ficar dobrado para trás. Se o filtro for instalado incorretamente, como ilustrado no diagrama, o pó entrará na caixa do motor e provocará a falha do motor.

► Fig.19: 1. Filtro

Instale o pré-filtro. Agora, certifique-se de que roda o pré-filtro de forma a que a borda de fixação fique firmemente bloqueada na unidade do aspirador.

► Fig.20: 1. Pré-filtro 2. Borda de fixação

► Fig.21

Instale a cápsula. Alinhe o símbolo na cápsula com o símbolo junto do cabo e rode a cápsula com firmeza no sentido da seta até prender.

► Fig.22: 1. Símbolo

► Fig.23: 1. Cápsula 2. Cabo 3. Símbolo

**NOTA:** Limpe sempre o pó antecipadamente, pois a capacidade de sucção será reduzida se houver muito pó no aspirador.

**OBSERVAÇÃO:** Antes de utilizar o aspirador, verifique sempre se o filtro e o pré-filtro estão instalados corretamente. Se estiverem instalados incorretamente, entrará pó na caixa do motor e provocará a falha do motor. Se ocorrerem os problemas seguintes, o filtro e o pré-filtro não estão instalados corretamente. Recarregue-os corretamente para resolver o problema.

## Exemplos de problemas

Exemplo 1: Apenas o pré-filtro foi instalado (sem o filtro)

► **Fig.24:** 1. Pré-filtro

Exemplo 2: Apenas o filtro foi instalado (sem o pré-filtro)

► **Fig.25:** 1. Filtro

Exemplo 3: O filtro foi instalado dobrado para trás

► **Fig.26:** 1. Filtro

Exemplo 4: A borda de fixação do pré-filtro não está bloqueada firmemente na ranhura da caixa do aspirador

► **Fig.27:** 1. Borda de fixação 2. Pré-filtro 3. Ranhura da caixa do aspirador

## Remontagem para o filtro de elevado desempenho

Ligue o filtro de elevado desempenho. Agora, certifique-se de que roda o filtro de elevado desempenho de forma a que a borda de fixação fique firmemente bloqueada na unidade do aspirador.

► **Fig.28:** 1. Filtro de elevado desempenho 2. Borda de fixação

► **Fig.29:** 1. Borda de fixação

Instale a cápsula. Alinhe o símbolo na cápsula com o símbolo junto do cabo e rode a cápsula com firmeza no sentido da seta até prender.

► **Fig.30:** 1. Símbolo

► **Fig.31:** 1. Cápsula 2. Cabo 3. Símbolo

**NOTA:** Limpe sempre o pó antecipadamente, pois a capacidade de sucção será reduzida se houver muito pó no aspirador.

**NOTA:** Antes de utilizar o aspirador, verifique sempre se o filtro de elevado desempenho está instalado corretamente. Se estiverem instalados incorretamente, entrará pó na caixa do motor e provocará a falha do motor.

Se ocorrerem os exemplos seguintes, o filtro de elevado desempenho não está instalado corretamente. Recarregue-os corretamente para resolver o problema.

## Exemplos de problemas

A borda de fixação do filtro de elevado desempenho não está bloqueada firmemente na ranhura da caixa do aspirador.

► **Fig.32:** 1. Borda de fixação 2. Ranhura da caixa do aspirador

## Instalar ou remover a fixação/o filtro HEPA

### Acessório opcional

### Para a fixação e o filtro de esponja

Para remover a fixação, empurre a parte inferior dos pilares da fixação para cima com os dedos e solte a respetiva ranhura da saliência no aspirador. Em seguida, remova o filtro de esponja.

► **Fig.33:** 1. Fixação 2. Filtro de esponja

Para instalar, alinhe as ranhuras na fixação com a saliência no aspirador e empurre até encaixar. Insira o filtro de esponja entre os pilares e coloque-o na posição original.

### Para o filtro HEPA

Quando instalar o filtro HEPA, encaixe a ranhura do filtro HEPA com a saliência no aspirador. Em seguida, coloque o pré-filtro ou o filtro de elevado desempenho no filtro HEPA e rode-o para fixar. Para remover, siga o procedimento de instalação pela ordem inversa.

► **Fig.34:** 1. Filtro HEPA 2. Pré-filtro

► **Fig.35:** 1. Filtro HEPA 2. Filtro de elevado desempenho

## OPERAÇÃO

**⚠PRECAUÇÃO:** Para instalar os acessórios, tal como o bocal, rode e insira o acessório no sentido da seta para que fique seguro durante a utilização. Para retirar os acessórios, rode e extraia-os também no sentido da seta. Se rodar um acessório no sentido oposto ao ser instalado ou retirado, a cápsula pode se soltar.

► **Fig.36:** 1. Cápsula

## Limpeza (Sucção)

### Bocal

Instale o bocal para limpar mesas, secretárias, móveis, etc. O bocal encaixa com facilidade.

► **Fig.37:** 1. Bocal

### Bocal + Tubo extensor (tubo reto)

O tubo extensor é conectado entre o bocal e o aspirador. Esta disposição é conveniente para limpar um pavimento numa posição vertical.

► **Fig.38:** 1. Armação do aspirador 2. Tubo extensor 3. Bocal

### Bocal para cantos

Encaixe o bocal para cantos para limpeza de cantos e frestas de carros ou móveis.

► **Fig.39:** 1. Bocal para cantos 2. Armação do aspirador

## Bocal para cantos + Tubo extensor (Tubo reto)

Utilize este arranjo para limpar em locais estreitos onde o aspirador não entra ou em locais altos de difícil acesso.

- **Fig.40:** 1. Bocal para cantos 2. Tubo extensor  
3. Armação do aspirador

## Limpeza sem o bocal

É possível fazer a aspiração de poeira e pó sem o bocal.

- **Fig.41**

## MANUTENÇÃO

**⚠PRECAUÇÃO:** Certifique-se sempre de que a ferramenta se encontra desligada e de que a bateria foi retirada antes de executar qualquer inspeção ou manutenção.

### Após utilização

**⚠PRECAUÇÃO:** Colocar o aspirador contra a parede sem qualquer outro suporte pode fazer com que o aspirador caia, resultando em ferimentos corporais ou danos no aspirador.

- **Fig.42**

### Limpeza

**OBSERVAÇÃO:** Nunca utilize gasolina, benzina, diluente, álcool ou produtos semelhantes. Pode ocorrer a descoloração, deformação ou rachaduras.

**OBSERVAÇÃO:** Não sobre pó colado no aspirador e nos filtros através do espanador de pó. Traz pó para dentro do compartimento e causa avaria.

**OBSERVAÇÃO:** Após lavar os filtros, seque-os bem antes da utilização. Os filtros secos de forma insuficiente podem prejudicar a sucção e diminuir a vida útil do motor.

**OBSERVAÇÃO:** Após limpar os filtros e o filtro de esponja, certifique-se de que os instala antes de usar. Se utilizar o aspirador sem os filtros e o filtro de esponja, o pó entra na caixa do motor e provoca anomalias.

## Resolução de problemas

Antes de solicitar reparações, verifique os pontos seguintes.

Sintoma	Área a verificar	O que fazer
Potência de sucção fraca	A cápsula está cheia de pó?	Esvazie a cápsula de pó.
	O filtro está obstruído?	Limpe ou lave o filtro.
	A bateria está descarregada?	Carregue a bateria.
Não funciona	A bateria está descarregada?	Carregue a bateria.

**⚠PRECAUÇÃO:** Não tente reparar o aspirador por sua conta.

Para manter a SEGURANÇA e a FIABILIDADE do produto, as reparações e qualquer outra manutenção ou ajuste devem ser levados a cabo pelos centros de assistência Makita autorizados ou pelos centros de assistência de fábrica, utilizando sempre peças de substituição Makita.

## Armação do aspirador

Limpe periodicamente o exterior do aspirador (armação) com um pano humedecido em água e sabão. Limpe também a abertura de sucção e a área de montagem do filtro.

- **Fig.43**

## Filtro

Lave o filtro em água e sabão quando estiver obstruído com pó e quando houver redução da potência do aspirador. Seque-o completamente antes de utilizar.

- **Fig.44**

## Filtro HEPA

*Acessório opcional*

**OBSERVAÇÃO:** Não esfregue ou arranhe o filtro HEPA com objetos duros, tais como uma escova e uma palheta.

O filtro HEPA entupido causa o fraco desempenho da sucção. Limpe o filtro esporadicamente.

Lave ocasionalmente o filtro HEPA em água, enxagúe-o e deixe-o secar bem à sombra antes de usar. Nunca lave o filtro numa máquina de lavar roupa.

- **Fig.45**

## Filtro de esponja

Quando o filtro de esponja ficar sujo, limpe-o do seguinte modo.

1. Remova o filtro.
  2. Remova o filtro de esponja de entre os pilares.
  3. Limpe o filtro de esponja sacudindo-o ou lavando-o. Se o lavar, seque-o completamente antes de utilizar.
  4. Insira o filtro de esponja entre os pilares e instale-o na posição original. Certifique-se de que cada bordo inferior do pilar mantém o filtro de esponja preso e que não existe um intervalo entre o filtro de esponja e a abertura de sucção.
- **Fig.46:** 1. Filtro de esponja 2. Bordo inferior do pilar

# ACESSÓRIOS OPCIONAIS

**⚠️ PRECAUÇÃO:** Estes acessórios ou peças são recomendados para utilização com a ferramenta Makita especificada neste manual. A utilização de outros acessórios ou peças pode ser perigosa para as pessoas. Utilize apenas acessórios ou peças para os fins indicados.

Se necessitar de informações adicionais relativas a estes acessórios, solicite-as ao seu centro de assistência Makita.

- Tubo extensor (tubo reto)
- Bocal
- Bocal para carpete
- Escova para prateleiras
- Bocal para cantos
- Bocal para assentos
- Bocal livre
- Bocal para frestas
- Escova redonda
- Mangueira flexível
- Filtro
- Pré-filtro
- Filtro de elevado desempenho
- Filtro HEPA
- Acessório de ciclone
- Bateria e carregador genuínos da Makita

**NOTA:** Alguns itens da lista podem estar incluídos na embalagem da ferramenta como acessórios padrão. Eles podem variar de país para país.

## Acessório de ciclone

- **Fig.47:** 1. Tubo reto 2. Acessório de ciclone  
3. Bocal de sucção

## Informações sobre o acessório de ciclone

A utilização do aspirador com o acessório de ciclone instalado reduz a quantidade de pó que entra na cápsula, o que ajuda a evitar o enfraquecimento da força de sucção. Além disso, a limpeza após a utilização também é simples.

**⚠️ PRECAUÇÃO:** Certifique-se sempre de que a ferramenta está desligada e que a bateria foi removida antes de executar qualquer trabalho na ferramenta. Se a bateria permanecer inserida, o aspirador pode arrancar inesperadamente e provocar ferimentos.

**⚠️ PRECAUÇÃO:** Limpe o filtro de rede do acessório de ciclone e os filtros da unidade do aspirador quando ficarem obstruídos. A utilização continuada no estado obstruído pode dar origem a aquecimento ou fumo.

**OBSERVAÇÃO:** Quando o acessório de ciclone estiver preso, não utilize o aspirador virado na horizontal ou na vertical. Ao fazê-lo pode fazer com que o filtro de rede fique obstruído.

**OBSERVAÇÃO:** Utilize sempre o aspirador com os filtros instalados, mesmo quando utilizar o acessório de ciclone. A utilização do aspirador sem os filtros instalados pode dar origem a uma avaria do motor.

**NOTA:** Verifique se o acessório de ciclone, o aspirador e o tubo reto estão devidamente bloqueados antes da utilização.

**NOTA:** Esvazie a caixa do pó do acessório de ciclone e a cápsula do aspirador quando se tiver acumulado pó. A utilização continuada vai provocar o enfraquecimento da força de sucção.

## Eliminar o pó

Quando o pó se tiver acumulado até à linha de enchimento máximo da caixa do pó, siga o procedimento seguinte e elimine o pó.

1. Segure a caixa do pó firmemente, pressione e mantenha os dois botões pressionados, e remova a caixa do pó.

► **Fig.48:** 1. Linha de enchimento máximo 2. Caixa do pó 3. Botão (dois locais) 4. Filtro de rede

2. Elimine o pó no interior da caixa do pó e remova quaisquer vestígios de pó e poeira que tenham aderido à superfície do filtro de rede.

3. Insira a caixa do pó completamente até os dois botões bloquearem com um clique.

► **Fig.49:** 1. Caixa do pó 2. Botão (dois locais)

**NOTA:** Verifique se o acessório de ciclone, o aspirador e o tubo reto estão firmemente ligados antes de reiniciar a operação.

**NOTA:** Se a força de sucção não melhorar mesmo após eliminar o pó e limpar o filtro de rede, verifique se o pó se acumulou na cápsula do aspirador ou se ocorreu obstrução.

## Limpeza

Quando a caixa do pó ficar suja ou o filtro de rede estiver obstruído, remova-os e lave-os com água. (Consulte "Eliminar o pó" para ficar a conhecer o procedimento de remoção.)

Seque as peças completamente antes de voltar a instalar e utilizar.

► **Fig.50:** 1. Caixa do pó 2. Filtro de rede

Quando o filtro de rede ficar muito sujo, limpe-o com os seguintes procedimentos.

1. Rode o filtro de rede para a esquerda e remova-o enquanto os ganchos estiverem desbloqueados.

► **Fig.51:** 1. Filtro de rede 2. Gancho

2. Remova o pó existente no filtro de rede e, em seguida, lave-o com água. Em seguida, seque-o completamente.

3. Insira o filtro de rede na base enquanto os ganchos estiverem alinhados com a entrada. Rode o filtro de rede para a direita até os ganchos ficarem bloqueados com um clique. Certifique-se de que o filtro de rede está firmemente instalado.

► **Fig.52:** 1. Filtro de rede 2. Gancho 3. Entrada

## ADVARSEL

- Dette apparat kan bruges af børn fra 8 år og derover og personer med nedsatte fysiske, sensoriske eller mentale evner eller manglende erfaring og viden, hvis de er under opsyn eller har modtaget instruktioner i sikker anvendelse af apparatet og forstår de farer, der er involveret.
- Børn må ikke lege med apparatet. Rengøring og brugervedligeholdelse må ikke udføres af børn uden opsyn.
- Se kapitlet "SPECIFIKATIONER" for batteriets typereference.
- Se afsnittet "Installation eller fjernelse af akkuen" for at finde ud af, hvordan man fjerner eller installerer batteriet.
- Når du bortskaffer akkuen, skal du afmontere den fra maskinen og bortskaffe den på et sikkert sted. Følg dine lokale regler vedrørende bortskaffelse af batterier.
- Hvis maskinen ikke skal bruges i en længere periode, skal batteriet fjernes fra maskinen.
- Akkuen må ikke kortsluttes.
- Se kapitlet "VEDLIGEHOLDELSE" for at få de relevante oplysninger om forholdsregler under brugervedligeholdelse.

## SPECIFIKATIONER

<b>Model:</b>		<b>CL108FD</b>
Kapacitet		600 ml
Kontinuerlig anvendelse (med batteri BL1016)	1 (Normal hastighedstilstand)	Cirka 25 min
	2 (Høj hastighedstilstand)	Cirka 12 min
	3 (Maks. hastighedstilstand)	Cirka 10 min
Længde i alt		956 mm
Mærkespænding		D.C. 10,8 V - 12 V maks.
Nettovægt		1,0 - 1,2 kg

- På grund af vores kontinuerlige forsknings- og udviklingsprogrammer kan hosstående specifikationer blive ændret uden varsel.
- Specifikationer kan variere fra land til land.
- Vægten inkluderer akku(er), men ikke tilbehør. Vægten af den letteste og tungeste kombination af apparat og akku(er) er vist i tabellen.

## Anvendelig akku og oplader

Akku	BL1016 / BL1021B / BL1041B
Oplader	DC10SA / DC10SB / DC10WC / DC10WD / DC18RE

- Nogle af de akkuer og opladere, der er angivet ovenfor, er muligvis ikke tilgængelige, afhængigt af hvilket område du bor i.

**⚠ADVARSEL: Brug kun de akkuer og opladere, der er angivet ovenfor. Brug af andre akkuer og opladere kan medføre personskade og/eller brand.**

## Symboler

Følgende viser de symboler, der muligvis anvendes til udstyret. Sørg for, at du forstår deres betydning før brugen.



Læs betjeningsvejledningen.



Kun for lande inden for EU  
På grund af tilstedeværelsen af farlige komponenter i udstyret kan affald af elektrisk og elektronisk udstyr, akkumulatører og batterier have en negativ indvirkning på miljøet og folkesundheden.  
Bortskaf ikke elektriske og elektroniske apparater eller batterier sammen med husholdningsaffald! I overensstemmelse med EF-direktiv om affaldshåndtering af elektrisk og elektronisk udstyr og om akkumulatører og batterier og affaldsakkumulatører og -batterier, og i overensstemmelse med national lovgivning, skal brugt elektrisk udstyr, batterier og akkumulatører opbevares separat og leveres til et separat indsamlingssted for kommunalt affald, der er etableret i henhold til bestemmelserne om miljøbeskyttelse. Dette er angivet ved symbolet på den krydsede skrædespand, der er placeret på udstyret.

## Tilsigtet anvendelse

Denne maskine er beregnet til opugning af tørt støv.

## SIKKERHEDSADVARSLER

### Sikkerhedsadvarsler for akku støvsuger

**⚠ ADVARSEL: VIGTIGT! LÆS OMHYGGELIGT alle sikkerhedsadvarsler og alle instruktioner FØR BRUGEN.** Hvis advarslerne og instruktionerne ikke overholdes, kan det medføre elektrisk stød, brand og/eller alvorlig personskade.

1. Udsæt ikke for regn. Opbevares inden døre.
2. Må ikke benyttes som legetøj. Nøje overvågning er nødvendig, hvis den anvendes af eller i nærheden af børn.
3. Anvend kun som beskrevet i denne brugsvejledning. Anvend kun tilbehørsdele, som anbefales af fabrikanten.
4. Anvend ikke med et beskadiget batteri. Hvis apparatet ikke virker, som det skal, er blevet tabt, beskadiget, efterladt uden døre eller har været tabt i vand, skal det indleveres til et servicecenter.
5. Rør ikke ved apparatet med våde hænder.
6. Stik ikke nogen genstande ind i åbningerne. Anvend ikke med blokerede åbninger. Hold dem fri for støv, frug, hår og alt, hvad der kan hindre luftstrømmen.
7. Hold hår, løse beklædningsgenstande, fingre og alle kropsdele på god afstand af åbningerne og de bevægende dele.

8. Deaktiver alle kontroller, inden batteriet tages ud.
9. Udvis ekstra forsigtighed ved rengøring på trapper.
10. Anvend ikke til at opsuge brændbare eller letantændelige væsker som for eksempel benzin, og anvend ikke på steder, hvor disse væsker kan forefindes.
11. Anvend kun den oplader, som leveres af fabrikanten, til genopladning.
12. Opsug ikke noget, som brænder eller ryger, for eksempel cigaretter, tændstikker eller varm aske.
13. Anvend ikke, uden at støvposen og/eller filterne er sat på plads.
14. Oplad ikke batteriet uden døre.
15. Genoplad kun med den oplader, der er angivet af fabrikanten. En oplader, der er beregnet til én type akku, kan forårsage risiko for brand, hvis den bruges med en anden akku.
16. Brug kun apparater med specifikt udpegede akkuer. Brug af andre akkuer kan medføre risiko for personskade og brand.
17. Når akkuen ikke anvendes, skal du holde den på afstand af andre metalgenstande som f.eks. papirclips, mønter, nøgler, søm, skruer eller andre små metalgenstande, der kan skabe forbindelse fra én terminal til en anden.
18. Ved misbrug kan der sprøjte væske ud fra batteriet. Undgå kontakt. Skyl med vand i tilfælde af kontakt.
19. Undlad at bruge en akku eller et apparat, der er beskadiget eller ændret. Beskadigede eller ændrede batterier kan udvise uforudsigelig adfærd, der resulterer i brand, eksplosion eller risiko for personskade.
20. Undlad at udsætte en akku eller et apparat for brand eller for høj temperatur. Eksponering for brand eller temperatur over 130 °C kan forårsage eksplosion.
21. Følg alle opladningsinstruktioner, og undlad at oplade akkuen eller apparatet uden for det temperaturområde, der er angivet i instruktionerne. Forkert opladning eller ved temperaturer uden for det angivne område kan beskadige batteriet og øge risikoen for brand.

## GEM DENNE BRUGSANVISNING.

## SUPPLERENDE SIKKERHEDSREGLER

Dette apparat er beregnet til husholdningsbrug.

1. Læs denne brugsvejledning og instruktionerne for opladning grundigt inden brugen.
2. Undlad at samle følgende materialer op:
  - Varme materialer som for eksempel tændte cigaretter eller gnister/metalstøv, som er frembragt ved slibning/skæring af metal
  - Brændbare materialer som for eksempel benzin, fortynder, rensebenzin, petroleum og maling
  - Eksplosive materialer som for eksempel nitroglycerin
  - Antændelige materialer som for eksempel aluminium, zink, magnesium, titan, fosfor eller celluloid

- Vådt snavs, vand, olie eller lignende
- Hårde genstande med skarpe kanter som for eksempel træspåner, metal, sten, glas, søm, knappenåle og barberblade
- Pulver, der størkner, for eksempel cement og toner
- Ledende støv som for eksempel metal eller kulfiber
- Fine partikler som for eksempel betonestøv

Dette kan forårsage brand, personskade og/eller materiel skade.

3. Hold øjeblikkeligt op med brugen, hvis du registrerer noget unormalt.
4. Hvis du kommer til at tabe eller støde til støvsugeren, skal du omhyggeligt efterse den for revner eller anden beskadigelse inden brugen.
5. Hold den på god afstand af ovne og andre varmekilder.
6. Undlad at blokere indsuigningsåbningen eller ventilationshullerne.

## GEM DENNE BRUGSANVISNING.

### Vigtige sikkerhedsinstruktioner for akkuen

1. Læs alle instruktioner og advarselmærkater på (1) akku-opladeren, (2) akkuen og (3) produktet, som anvender akku.
2. Adskil eller ændr ikke akkuen. Det kan muligvis resultere i en brand, overdreven varme eller eksplosion.
3. Hold straks op med anvendelsen, hvis brugstiden er blevet stærkt afkortet. Fortsat anvendelse kan resultere i risiko for overophedning, forbrændinger og endog eksplosion.
4. Hvis De har fået elektrolytvæske i øjnene, skal De straks skylle den ud med rent vand og derefter øjeblikkeligt søge lægehjælp. I modsat fald kan De miste synet.
5. Vær påpasselig med ikke at komme til at kortslutte akkuen:
  - (1) Rør ikke ved terminalerne med noget ledende materiale.
  - (2) Undgå at opbevare akkuen i en beholder sammen med andre genstande af metal, for eksempel søm, mønter og lignende.
  - (3) Udsæt ikke akkuen for vand eller regn. Kortslutning af akkuen kan forårsage en kraftig øgning af strømmen, overophedning, mulige forbrændinger og endog værktøjstop.
6. Opbevar og brug ikke maskinen og akkuen på steder, hvor temperaturen muligvis kan nå eller overstige 50 °C.
7. Lad være med at brænde akkuen, selv ikke i tilfælde, hvor den har lidt alvorlig skade eller er fuldstændig udtjent. Akkuen kan eksplodere, hvis man forsøger at brænde den.
8. Slå ikke søm i, skær ikke i, knus, kast, tab ikke akkuen og stød ikke akkuen mod en hård genstand. Sådan adfærd kan muligvis resultere i en brand, overdreven varme eller eksplosion.
9. Anvend ikke en beskadiget akku.

10. De indbyggede litium-ion-batterier er underlagt lovkrav vedrørende farligt gods. Ved kommerciel transport, f.eks. af tredjeparts transportselskaber, skal særlige krav til forpakning og mærkning overholdes. Ved forberedelse af udstyret til forsendelse skal du kontakte en ekspert i farligt gods. Overhold også eventuel mere detaljeret national lovgivning. Tape eller tildæk åbne kontakter, og pak batteriet på en måde, så det ikke kan flytte sig rundt i pakningen.
11. Når akkuen bortskaffes, skal du fjerne den fra maskinen og bortskaffe den på et sikkert sted. Følg de lokale love vedrørende bortskaffelsen af batterier.
12. Brug kun batterierne med de produkter, som Makita specificerer. Hvis batterierne installeres i ikke-kompatible produkter, kan det medføre brand, kraftig varme, eksplosion eller udsivning af elektrolyt.
13. Hvis maskinen ikke skal bruges i længere tid ad gangen, skal du fjerne batteriet fra maskinen.
14. Akkuen kan muligvis under og efter brug være varm, hvilket kan forårsage forbrændinger eller lavtemperaturforbrændinger. Vær påpasselig med håndtering af varme akkuer.
15. Rør ikke terminalen på maskinen straks efter brug, da den bliver varm nok til at forårsage forbrændinger.
16. Sørg for, at spåner, støv eller jord ikke sætter sig fast i akkuens terminaler, huller og riller. Det kan forårsage opvarmning, antændelse, sprængning og funktionsfejl i maskinen eller akkuen, hvilket kan medføre forbrændinger eller personskade.
17. Medmindre maskinen understøtter brugen i nærheden af elektriske højspændingsledninger, skal du ikke anvende akkuen i nærheden af elektriske højspændingsledninger. Det kan muligvis medføre funktionsfejl på eller nedbrud af maskinen eller akkuen.
18. Opbevar batteriet utilgængeligt for børn.

## GEM DENNE BRUGSANVISNING.

**⚠FORSIGTIG:** Brug kun originale batterier fra Makita. Brug af uoriginale Makita-batterier, eller batterier som er blevet ændret, kan muligvis medføre brud på batteriet, hvilket kan forårsage brand, personskade eller beskadigelse. Det ugyldiggør også Makita-garantien for Makita-maskinen og opladeren.

## Tips til opnåelse af maksimal akku-levetid

1. Oplad akkuen, inden den er helt afladet. Stop altid værktøjet, og oplad akkuen, hvis De bemærker, at værktøjeffekten er aftagende.
2. Genoplad aldrig en fuldt opladet akku. Overopladning vil afkorte akkuens levetid.
3. Oplad akkuen ved stuetemperatur ved 10 °C - 40 °C. Lad altid en varm akku få tid til at køle af, inden den oplades.
4. Når du ikke anvender akkuen, skal du fjerne den fra maskinen eller opladeren.



# FUNKTIONSBESKRIVELSE

**⚠FORSIGTIG:** Sørg altid for at maskinen er slukket, og at akkuen er taget ud, før der udføres justering eller kontrol af funktioner på maskinen.

**⚠FORSIGTIG:** Vær påpasselig med ikke at få fingrene i klemme mellem støvsugeren og batteriet som vist på illustrationen, når du sætter batteriet i. Hvis du får fingrene i klemme, kan det medføre personskaade.

► Fig.1

## Isætning eller fjernelse af akkuen

**⚠FORSIGTIG:** Sluk altid for værktøjet, før De monterer eller fjerner akkuen.

**⚠FORSIGTIG:** Hold værktøjet og akkuen fast ved montering eller fjernelse af akkuen. Hvis De ikke holder værktøjet og akkuen fast, kan de glide ud af hænderne på Dem og forårsage beskadigelse af værktøjet og akkuen eller personskaade.

► Fig.2: 1. Rød indikator 2. Knap 3. Akku

Akkuen fjernes ved, at De trækker den ud af værktøjet, idet De skyder knappen på forsiden af akkuen i stilling.

For at montere akkuen skal du justere tungen på akkuen med rillen i huset og skubbe den på plads. Indsæt den hele vejen, indtil den låses på plads med et lille klik. Hvis du kan se den røde indikator, som vist i figuren, er den ikke helt låst.

**⚠FORSIGTIG:** Monter altid akkuen helt, indtil den røde indikator ikke længere er synlig. Hvis dette ikke gøres, kan den falde ud af værktøjet ved et uheld, hvorved De selv eller personer i nærheden kan komme til skade.

**⚠FORSIGTIG:** Brug ikke magt ved montering af akkuen. Hvis akkuen ikke glider på plads uden problemer, betyder det, at den ikke sættes i på korrekt vis.

## Batteribeskyttelsessystem

Maskinen er udstyret med et batteribeskyttelsessystem. Dette system afbryder automatisk strømmen til motoren for at forlænge akkulevetiden.

Maskinen stopper automatisk under anvendelsen, hvis maskinen og/eller akkuen udsættes for en af de følgende situationer:

### Overbelastet:

Maskinen anvendes på en sådan måde, at den bruger unormalt meget strøm.

Sluk i så fald for maskinen, og stop den anvendelse, der medførte, at maskinen blev overbelastet. Tænd derefter for maskinen for at starte igen.

### Lav spænding på akkuen:

Den resterende batteriladning er for lav, og maskinen vil ikke fungere. Hvis De tænder for maskinen, kører motoren igen, men stopper hurtigt. I denne situation skal De fjerne og oplade akkuen.

## Indikation af den resterende batteriladning

### Kun til akkuer med indikatoren

► Fig.3: 1. Indikatorlamper 2. Kontrolknap

Tryk på kontrolknappen på akkuen for at få vist den resterende batteriladning. Indikatorlampen lyser i nogle sekunder.

Indikatorlamper		Resterende kapacitet
Tændt	Slukket	
■ ■ ■ ■		75% til 100%
■ ■ ■ □		50% til 75%
■ ■ □ □		25% til 50%
■ □ □ □		0% til 25%

**BEMÆRK:** Afhængigt af brugsforholdene og den omgivende temperatur kan indikationen afvige en smule fra den faktiske ladning.

## Afbryderbetjening

► Fig.4: 1. TIL/hastighedsknap 2. FRA-knap

For at starte støvsugeren trykkes der blot på TIL/hastighedsknappen. Tryk på FRA-knappen for at slukke.

Du kan ændre støvsugerens hastighed i tre trin ved at trykke på TIL/hastighedsknappen.

Det første tryk på denne knap er for høj hastighedstilstand, det andet tryk er for maks. hastighedstilstand, og det tredje tryk er for normal hastighed. Hvert tryk på denne knap gentager cyklussen høj/maks./normal hastighed skiftevis.

## Tænding af lampen

**⚠FORSIGTIG:** Kig aldrig direkte på lyskilden. Lad ikke lyset falde i Deres øjne.

► Fig.5: 1. TIL/hastighedsknap 2. FRA-knap 3. Lampe

For at tænde for lampen trykkes der på TIL/hastighedsknappen. Tryk på FRA-knappen for at slukke for lampen. Lampen tændes, mens maskinen aktiveres. Lampen begynder at blinke, når den resterende batteriladning bliver lav.

**BEMÆRK:** Det tidspunkt, hvor lampen begynder at blinke, afhænger af temperaturen i arbejdsområdet og akkuens tilstand.

# SAMLING

**⚠FORSIGTIG:** Sørg altid for at maskinen er slukket, og at akkuen er taget ud, før der udføres noget arbejde på maskinen.

## Type af filter

### Normalt filter

► Fig.6: 1. Kapsel 2. Forfilter 3. Filter

### Højtydende filter

► Fig.7: 1. Kapsel 2. Højtydende filter

### Forfilter eller højtydende filter og HEPA-filter

► Fig.8: 1. Kapsel 2. Forfilter 3. Højtydende filter  
4. HEPA-filter

**BEMÆRKNING:** Undlad at bruge det højtydende filter sammen med filteret (ekstraudstyr). Det kan gøre det umuligt at fjerne det højtydende filter fra støvsugeren.

**BEMÆRK:** Når du bruger det valgfrie forfilter og filter med HEPA-filteret, skal du kun bruge forfilteret over HEPA-filteret. Hvis du bruger forfilter og filter med HEPA-filteret på samme tid, kan sugekraften blive reduceret.

**BEMÆRK:** Når du bruger HEPA-filteret med det højtydende filter, skal du bruge det højtydende filter med stiveren.

► Fig.9: 1. Stiver

## Bortskaffelse af støv

**⚠FORSIGTIG:** Tøm støvsugeren, inden den bliver for fuld, ellers formindskes sugekraften.

**⚠FORSIGTIG:** Sørg for at tømme indersiden af selve støvsugeren for støv. Hvis dette ikke gøres, kan filteret blive tilstoppet, eller motoren kan blive beskadiget.

## Fjernelse af støv for normalt filter

For at fjerne støv, der sidder fast på filteret i kapslen, skal du banke 4 eller 5 gange på den med hånden.

► Fig.10: 1. Kapsel 2. Sugeåbning

Ret sugeåbningen nedad, drej kapslen i pilens retning som vist, og tag kapslen langsomt og lige af.

► Fig.11: 1. Kapsel 2. Sugeåbning

**BEMÆRK:** Sørg for at placere en affaldspose under kapslen, da der kan komme støv ud, når kapslen åbnes.

Fjern opsamlet støv fra indersiden af kapslen og fra forfilteret.

► Fig.12: 1. Forfilter 2. Kapsel

Drej forfilteret i pilens retning for at frigøre sikkerhedskanten fra støvsugeren, og træk derefter forfilteret af.

► Fig.13: 1. Forfilter 2. Sikkerhedskant

Fjern fint støv fra forfilteret. Tag derefter filteret af, og bank let på det for at fjerne støvet.

► Fig.14: 1. Filter 2. Forfilter

## Fjernelse af støv for højtydende filter

For at fjerne støv, der sidder fast på filteret i kapslen, skal du banke 4 eller 5 gange på den med hånden.

Ret nu sugeåbningen nedad, drej kapslen i retningen af pilen i diagrammet, og tag kapslen langsomt og lige af.

► Fig.15: 1. Kapsel 2. Sugeåbning

**BEMÆRK:** Der kan falde støv ud, når kapslen åbnes, så sørg for at stille en affaldspose under kapslen.

Fjern opsamlet støv fra indersiden af kapslen og fra det højtydende filter.

► Fig.16: 1. Kapsel 2. Højtydende filter

Drej det højtydende filter i pilens retning for at frigøre sikkerhedskanten fra støvsugeren, og træk derefter filteret af.

► Fig.17: 1. Sikkerhedskant

Fjern det fine støv, og bank let for at løsne støv fra det højtydende filter.

## Genmontering

### Genmontering af normalt filter

Sæt filteret helt på plads på støvsugeren.

► Fig.18: 1. Filter

**BEMÆRKNING:** Sørg for, at filteret sættes lige på, uden at det foldes tilbage. Hvis filteret sættes forkert på som vist, vil der trænge støv ind i motorhuset og medføre motorfejl.

► Fig.19: 1. Filter

Installer forfilteret. Sørg på dette tidspunkt for at dreje forfilteret, så sikkerhedskanten låses godt fast på støvsugeren.

► Fig.20: 1. Forfilter 2. Sikkerhedskant

► Fig.21

Installer kapslen. Juster mærket på kapslen i forhold til mærket i nærheden af håndtaget, og drej derefter kapslen fast i pilens retning, indtil den sidder fast.

► Fig.22: 1. Mærke

► Fig.23: 1. Kapsel 2. Håndtag 3. Mærke

**BEMÆRK:** Fjern altid støv i tide, da sugekraften reduceres, hvis der er for meget støv i støvsugeren.

**BEMÆRKNING:** Sørg altid for at kontrollere, at både filteret og forfilteret er sat korrekt i, inden støvsugeren anvendes. Hvis de ikke er sat korrekt i, vil der trænge støv ind i motorhuset, hvilket vil medføre motorfejl. Hvis de følgende eksempler opstår, er filteret og forfilteret ikke sat korrekt i. Sæt dem korrekt i igen for at løse problemet.

## Eksempler på problemer

Eksempel 1: Kun forfilteret er sat i (intet filter)

► **Fig.24:** 1. Forfilter

Eksempel 2: Kun filteret er sat i (intet forfilter)

► **Fig.25:** 1. Filter

Eksempel 3: Filteret er isat i en tilbagefoldet tilstand

► **Fig.26:** 1. Filter

Eksempel 4: Forfilterets sikkerhedskant sidder ikke ordentlig fast i rillen på støvsugerkabinettet

► **Fig.27:** 1. Sikkerhedskant 2. Forfilter 3. Rille på støvsugerkabinet

## Genmontering af højtydende filter

Tilslut højtydende filter. Sørg på dette tidspunkt for at dreje det højtydende filter, så sikkerhedskanten låses godt fast på støvsugeren.

► **Fig.28:** 1. Højtydende filter 2. Sikkerhedskant

► **Fig.29:** 1. Sikkerhedskant

Installer kapslen. Juster mærket på kapslen i forhold til mærket i nærheden af håndtaget, og drej derefter kapslen fast i pilens retning, indtil den sidder fast.

► **Fig.30:** 1. Mærke

► **Fig.31:** 1. Kapsel 2. Håndtag 3. Mærke

**BEMÆRK:** Fjern altid støv i tide, da sugestykken reduceres, hvis der er for meget støv i støvsugeren.

**BEMÆRK:** Sørg altid for at kontrollere, at det højtydende filter er sat korrekt i, inden støvsugeren anvendes. Hvis de ikke er sat korrekt i, vil der trænge støv ind i motorhuset, hvilket vil medføre motorfejl. Hvis de følgende eksempler opstår, er det højtydende filter ikke sat korrekt i. Sæt dem korrekt i igen for at løse problemet.

## Eksempler på problemer

Det højtydende filters sikkerhedskant er ikke ordentligt låst fast i rillen på støvsugerkabinettet.

► **Fig.32:** 1. Sikkerhedskant 2. Rille på støvsugerkabinet

## Montering eller afmontering af stiver / HEPA-filter

### Ekstraudstyr

## Til stiver og svampefilter

For at afmontere stiveren, skal du trykke på den nederste del af stiveren med fingrene og udløse rillen på fremspringet på støvsugeren. Afmonter derefter svampefilteret.

► **Fig.33:** 1. Stiver 2. Svampefilter

Stiveren monteres ved at justere stiverens riller med fremspringet på støvsugeren, indtil det klikker på plads. Indsæt svampefilteret mellem stiverne, og sæt det i den oprindelige position.

## Til HEPA-filteret

Når du monterer HEPA-filteret, skal du justere HEPA-filterets rille i forhold til fremspringet på støvsugeren. Derefter sættes forfilteret eller det højtydende filter på HEPA-filteret, og drej det for at sætte det ordentligt fast. Følg installationsproceduren i omvendt rækkefølge for at fjerne det.

► **Fig.34:** 1. HEPA-filter 2. Forfilter

► **Fig.35:** 1. HEPA-filter 2. Højtydende filter

## ANVENDELSE

**⚠FORSIGTIG:** For at tilslutte tilbehørsdele som for eksempel mundstykket skal man dreje og isætte tilbehørsdelen i pilens retning for at sikre, at den sidder fast under brugen. For at frigøre tilbehørsdele skal man ligeledes dreje delen og trække den ud i pilens retning. Hvis en tilbehørsdel drejes i den modsatte retning, når den tilsluttes eller frigøres, kan kapslen gå løs.

► **Fig.36:** 1. Kapsel

## Rengøring (sugning)

### Mundstykke

Sæt mundstykket på for at rengøre borde, skriveborde, møbler og lignende. Mundstykket glider let på.

► **Fig.37:** 1. Mundstykke

### Mundstykke + Forlængerstav (lige rør)

Forlængerstaven sættes ind mellem mundstykket og selve støvsugeren. Dette arrangement er praktisk ved rengøring af et gulv i stående stilling.

► **Fig.38:** 1. Støvsugerkabinet 2. Forlængerstav 3. Mundstykke

### Hjørnemundstykke

Monter hjørnemundstykket til rengøring af hjørner og kroge i en bil eller møbler.

► **Fig.39:** 1. Hjørnemundstykke 2. Støvsugerkabinet

### Hjørnemundstykke + forlængerstav (lige rør)

Anvend dette arrangement på trange steder, hvor selve støvsugeren ikke kan komme ind, eller på højtliggende steder, hvor det er svært at nå op.

► **Fig.40:** 1. Hjørnemundstykke 2. Forlængerstav 3. Støvsugerkabinet

### Rengøring uden mundstykke

Det er muligt at opsamle pulver og støv uden et mundstykke.

► **Fig.41**

# VEDLIGEHOELDELSE

**⚠️FORSIGTIG:** Vær altid sikker på, at værktøjet er slukket, og at akkuen er taget ud, inden De begynder at udføre inspektion eller vedligeholdelse.

## Efter brugen

**⚠️FORSIGTIG:** Hvis støvsugeren stilles op ad væggen uden nogen anden støtte, kan det medføre, at støvsugeren vælter, hvilket kan medføre personskade eller beskadigelse af støvsugeren.

► Fig.42

## Rengøring

**BEMÆRKNING:** Anvend aldrig benzin, rensebenzin, fortynder, alkohol og lignende. Det kan medføre misfarvning, deformation eller revner.

**BEMÆRKNING:** Undlad at blæse støv, der sidder fast på støvsugeren og filtrene, ved hjælp af en luftblæser. Det blæser støv ind i kabinettet og forårsager fejl.

**BEMÆRKNING:** Når du har vasket filtrene, skal du tørre dem grundigt før brug. Utilstrækkeligt tørrede filtre kan medføre dårlig sugning og forkortede motorens levetid.

**BEMÆRKNING:** Efter rengøring af filtrene og svampefilteret skal du huske at montere dem inden brug. Hvis du bruger støvsugeren uden filtrene og svampefilteret, kommer der støv ind i motorkabinettet, hvilket medfører fejlfunktion.

## Støvsugerkabinettet

Aftør fra tid til anden ydersiden (støvsugerkabinettet) af støvsugeren med en klud, som er fugtet med sæbevand.

Rengør også sugeåbningen og monteringsområdet for filteret.

► Fig.43

## Fejlfinding

Tjek følgende punkter, før du beder om reparation.

Symptom	Del, der skal undersøges	Reparationsmetode
Svag sugekraft	Er kapslen fuld af støv?	Tøm kapslen for støv.
	Er filteret tilstoppet?	Rengør eller vask filteret.
	Er akkuen afladet?	Oplad akkuen.
Fungerer ikke	Er akkuen afladet?	Oplad akkuen.

**⚠️FORSIGTIG:** Forsøg ikke selv at reparere støvsugeren.

For at opretholde produktets SIKKERHED og PÅLIDELIGHED må reparation, vedligeholdelse eller justering kun udføres af et autoriseret Makita servicecenter eller fabrikkens servicecenter med anvendelse af Makita reservedele.

## Filter

Vask filteret med sæbevand, hvis det er tilstoppet af støv og støvsugerens kraft er svag. Tør det grundigt inden ibrugtagning.

► Fig.44

## HEPA-filter

### Ekstraudstyr

**BEMÆRKNING:** Undlad at gnubbe eller ridse HEPA-filteret med hårde genstande som f.eks. en børste og et banketræ.

Et tilstoppet HEPA-filter medfører dårlig sugeevne. Rengør filteret fra tid til anden.

Vask af og til HEPA-filteret i vand, skyl og tør det grundigt i skyggen før brug. Vask aldrig filteret i en vaskemaskine.

► Fig.45

## Svampefilter

Rengør svampefilteret på følgende måde, når det bliver snavset.

1. Fjern filteret.
2. Træk svampefilteret ud fra mellem stiverne.
3. Rengør svampefilteret ved at banke på det eller vaske det. Hvis du vasker det, skal du tørre det grundigt før brug.
4. Indsæt svampefilteret mellem stiverne, og placer det i den oprindelige position. Sørg for, at hver nederste kant af stiverne holder svampefilteret nede, og at der ikke er mellemrum mellem svampefilteret og sugeåbningen.

► Fig.46: 1. Svampefilter 2. Nederste kant af stiver

# EKSTRAUDSTYR

**⚠️FORSIGTIG:** Det følgende tilbehør og ekstraudstyr er anbefalet til brug med Deres Makita maskine, der er beskrevet i denne brugsanvisning. Anvendelse af andet tilbehør eller ekstraudstyr kan udgøre en risiko for personskade. Anvend kun tilbehør og ekstraudstyr til det beskrevne formål.

Hvis De behøver hjælp ved valg af tilbehør eller ønsker yderligere informationer, bedes De kontakte Deres lokale Makita servicecenter.

- Forlængerstav (lige rør)
- Mundstykke
- Tæppemundstykke
- Børste til hylder
- Hjørnemundstykke
- Møbelmundstykke
- Frit mundstykke
- Revnemundstykke
- Rund børste
- Fleksibel slange
- Filter
- Forfilter
- Højtydende filter
- HEPA-filter
- Hvirveltilbehør
- Original Makita-akku og oplader

**BEMÆRK:** Nogle ting på denne liste kan være inkluderet i værktøjspakken som standardtilbehør. Det kan være forskellige fra land til land.

## Hvirveltilbehør

► **Fig.47:** 1. Lige rør 2. Hvirveltilbehør 3. Sugeåbning

## Om hvirveltilbehøret

Brug af støvsugeren med hvirveltilbehøret monteret reducerer mængden af støv, som trænger ind i kapslen, hvilket hjælper med til at forhindre sugekraften i at svækkes. Endvidere er rengøring efter brug også nem.

**⚠️FORSIGTIG:** Sørg altid for at maskinen er slukket, og at akkuen er taget ud, før der udføres noget arbejde på maskinen. Hvis akkuen forbliver isat, kan støvsugeren muligvis starte uventet og medføre tilskadecomst.

**⚠️FORSIGTIG:** Rengør trådsien i hvirveltilbehøret og filtrene i støvsugerenheden, når de bliver tilstoppet. Fortsat brug i den tilstoppede tilstand kan muligvis resultere i ophedning eller røg.

**BEMÆRKNING:** Når hvirveltilbehøret er monteret, skal du ikke anvende støvsugeren i den vandrette eller opadvendte tilstand. Dette kan medføre, at trådsien tilstoppes.

**BEMÆRKNING:** Brug altid støvsugeren med filtrene monteret, selv når du anvender hvirveltilbehøret. Brug af støvsugeren uden filtrene monteret kan muligvis resultere i en motorfunktionsfejl.

**BEMÆRK:** Kontroller, at hvirveltilbehøret, støvsugeren og det lige rør er ordentligt låst inden brug.

**BEMÆRK:** Tøm støvbakken i hvirveltilbehøret og kapslen i støvsugeren, når der er ophobet støv. Fortsat brug vil resultere i svækket sugekraft.

## Bortskaffelse af støv

Når der er ophobet støv op til fuld-linjen i støvbakken, skal du følge proceduren nedenfor og bortskaffe støvet.

1. Hold godt fast i støvbakken, tryk og hold på de to knapper og fjern støvbakken.

► **Fig.48:** 1. Fuld-linje 2. Støvbakke 3. Knap (to steder) 4. Trådsi

2. Bortskaf støvet inde i støvbakken og fjern alt støv og pulver, som sidder fast på overfladen af trådsien.

3. Sæt støvbakken helt ind indtil de to knapper låses med et klik.

► **Fig.49:** 1. Støvbakke 2. Knap (to steder)

**BEMÆRK:** Kontroller, at hvirveltilbehøret, støvsugeren og det lige rør alle er ordentligt tilsluttet inden genstart af betjening.

**BEMÆRK:** Hvis sugekraften ikke genoprettes, selv efter bortskaffelse af støvet og rengøring af trådsien, skal du kontrollere, om der er ophobet støv i kapslen i støvsugeren, eller der er opstået tilstopning.

## Rengøring

Når støvbakken bliver beskidt, eller trådsien er tilstoppet, skal du fjerne og vaske dem med vand. (Se "Bortskaffelse af støv" angående fjernelsesproceduren.)

Tør delene grundigt inden genmontering og ibrugtagning.

► **Fig.50:** 1. Støvbakke 2. Trådsi

Når trådsien bliver meget beskidt, skal du rengøre den vha. de følgende procedurer.

1. Drej trådsien mod uret og fjern den, mens krogene ikke er låst.

► **Fig.51:** 1. Trådsi 2. Krog

2. Fjern støvet på trådsien og vask den derefter med vand. Tør den omhyggeligt efter dette.

3. Sæt trådsien ind i basen mens krogene er rettet ind med åbningen. Drej trådsien med uret indtil krogene låses med et klik. Sørg for, at trådsien er monteret forsvarligt.

► **Fig.52:** 1. Trådsi 2. Krog 3. Åbning

## ΠΡΟΕΙΔΟΠΟΙΗΣΗ

- Η συσκευή αυτή μπορεί να χρησιμοποιηθεί από παιδιά άνω των 8 ετών και άτομα με μειωμένες σωματικές, αισθητήριες ή διανοητικές ικανότητες ή που δεν έχουν πείρα και γνώσεις, αν επιτηρούνται ή τους έχουν δοθεί οδηγίες για την ασφαλή χρήση της συσκευής και κατανοούν τους κινδύνους που εμπλέκονται.
- Τα παιδιά δεν πρέπει να παίζουν με τη συσκευή. Οι εργασίες καθαρισμού και συντήρησης από τον χρήστη δεν θα πρέπει να γίνονται από παιδιά χωρίς επιτήρηση.
- Για την αναφορά του τύπου της μπαταρίας, δείτε το κεφάλαιο «ΠΡΟΔΙΑΓΡΑΦΕΣ».
- Για τον τρόπο αφαίρεσης ή τοποθέτησης της μπαταρίας, δείτε την ενότητα «Τοποθέτηση ή αφαίρεση της κασέτας μπαταριών».
- Όταν απορρίπτετε την κασέτα μπαταριών, αφαιρέστε την από το εργαλείο και διαθέστε την σε ένα ασφαλές μέρος. Τηρήστε τους τοπικούς κανονισμούς που σχετίζονται με τη διάθεση της μπαταρίας.
- Αν δεν χρησιμοποιείτε το εργαλείο για μεγάλο χρονικό διάστημα, πρέπει να βγάλετε την μπαταρία από το εργαλείο.
- Μη βραχυκυκλώνετε την κασέτα μπαταριών.
- Για τις κατάλληλες λεπτομέρειες των προφυλάξεων κατά τη διάρκεια της συντήρησης από τον χρήστη, δείτε το κεφάλαιο «ΣΥΝΤΗΡΗΣΗ».

## ΠΡΟΔΙΑΓΡΑΦΕΣ

<b>Μοντέλο:</b>		<b>CL108FD</b>
Χωρητικότητα		600 mL
Συνεχόμενη χρήση (με μπαταρία BL1016)	1 (Τρόπος λειτουργίας κανονικής ταχύτητας)	Περίπου 25 λεπτά
	2 (Τρόπος λειτουργίας υψηλής ταχύτητας)	Περίπου 12 λεπτά
	3 (Τρόπος λειτουργίας μέγιστης ταχύτητας)	Περίπου 10 λεπτά
Συνολικό μήκος		956 mm
Ονομαστική τάση		D.C. 10,8 V - 12 V max
Καθαρό βάρος		1,0 - 1,2 kg

- Λόγω του συνεχιζόμενου προγράμματος έρευνας και ανάπτυξης, οι προδιαγραφές αυτές υπόκεινται σε αλλαγές χωρίς προειδοποίηση.
- Τα τεχνικά χαρακτηριστικά μπορεί να διαφέρουν από χώρα σε χώρα.
- Το βάρος δεν περιλαμβάνει εξαρτήματα αλλά την(ις) κασέτα(ες) μπαταριών. Το μικρότερο και μεγαλύτερο βάρος των συνδυασμών της συσκευής και της(ων) κασέτας(ών) μπαταριών απεικονίζονται στον πίνακα.

## Ισχύουσα κασέτα μπαταριών και φορτιστής

Κασέτα μπαταρίας	BL1016 / BL1021B / BL1041B
Φορτιστής	DC10SA / DC10SB / DC10WC / DC10WD / DC18RE

- Ορισμένες από τις κασέτες και τους φορτιστές μπαταριών που αναγράφονται παραπάνω ίσως να μην είναι διαθέσιμοι, ανάλογα με την τοποθεσία κατοικίας σας.

**⚠️ ΠΡΟΕΙΔΟΠΟΙΗΣΗ:** Να χρησιμοποιείτε μόνο τις κασέτες μπαταριών και τους φορτιστές που παρατίθενται ανωτέρω. Η χρήση οποιασδήποτε άλλης κασέτας μπαταριών ή φορτιστή μπορεί να προκαλέσει τραυματισμό ή/και πυρκαγιά.

## Σύμβολα

Παρακάτω παρουσιάζονται τα σύμβολα που μπορούν να χρησιμοποιηθούν για τον εξοπλισμό. Βεβαιωθείτε ότι κατανοείτε τη σημασία τους πριν από τη χρήση.



Διαβάστε το εγχειρίδιο οδηγιών.



Μόνο για τις χώρες της ΕΕ  
Λόγω της παρουσίας των επικίνδυνων συστατικών μερών στον εξοπλισμό, ο απόβλητος ηλεκτρικός και ηλεκτρονικός εξοπλισμός, οι συσσωρευτές και οι μπαταρίες μπορεί να έχουν αρνητική επίδραση στο περιβάλλον και την ανθρώπινη υγεία. Μην απορρίπτετε τις ηλεκτρικές και ηλεκτρονικές συσκευές ή μπαταρίες μαζί με τα οικιακά απορρίμματα!  
Σύμφωνα με την Ευρωπαϊκή Οδηγία για τον απόβλητο ηλεκτρικό και ηλεκτρονικό εξοπλισμό και για τους συσσωρευτές και μπαταρίες και τους απόβλητους συσσωρευτές και μπαταρίες, καθώς και την προσαρμογή τους στην εθνική νομοθεσία, ο απόβλητος ηλεκτρικός εξοπλισμός, οι μπαταρίες και οι συσσωρευτές θα πρέπει να αποθηκεύονται ξεχωριστά και να παραδίδονται σε ξεχωριστό σημείο συλλογής για δημοτικά απόβλητα, το οποίο λειτουργεί σύμφωνα με τους κανονισμούς για την προστασία του περιβάλλοντος.  
Αυτό υποδεικνύεται από το σύμβολο του διαγραμμένου τροχοφόρου κάδου που βρίσκεται αναρτημένο επάνω στον εξοπλισμό.

## Προοριζόμενη χρήση

Το εργαλείο προορίζεται για τη συλλογή ξηρής σκόνης.

## ΠΡΟΕΙΔΟΠΟΙΗΣΕΙΣ ΑΣΦΑΛΕΙΑΣ

### Προειδοποιήσεις ασφάλειας για τη φορητή σκούπα

**⚠ ΠΡΟΕΙΔΟΠΟΙΗΣΗ: ΣΗΜΑΝΤΙΚΟ! ΔΙΑΒΑΣΤΕ ΠΡΟΣΕΚΤΙΚΑ** όλες τις προειδοποιήσεις για την ασφάλεια και όλες τις οδηγίες ΠΡΙΝ ΑΠΟ ΤΗ ΧΡΗΣΗ. Η μη τήρηση των προειδοποιήσεων και οδηγιών μπορεί να καταλήξει σε ηλεκτροπληξία, πυρκαγιά ή/και σοβαρό τραυματισμό.

1. **Να μην εκτίθεται σε βροχή. Να φυλάσσεται σε εσωτερικό χώρο.**
2. **Δεν επιτρέπεται η χρήση της ως παιχνίδι. Απαιτείται ιδιαίτερη προσοχή κατά τη χρήση από ή κοντά σε παιδιά.**
3. **Να χρησιμοποιείται μόνο σύμφωνα με τις οδηγίες του παρόντος εγχειριδίου. Να χρησιμοποιούνται μόνο τα εξαρτήματα που συνιστά ο κατασκευαστής.**

4. **Να μη χρησιμοποιείται με μπαταρία που έχει υποστεί βλάβη. Αν η συσκευή δεν λειτουργεί όπως θα έπρεπε, έχει υποστεί πτώση ή βλάβη, έχει αφαιρεθεί σε εξωτερικό χώρο ή έχει πέσει μέσα σε νερό, να επιστραφεί σε κέντρο σέρβις.**
5. **Μην χειρίζεστε τη συσκευή με βρεγμένα χέρια.**
6. **Μην τοποθετείτε κανένα αντικείμενο μέσα στα ανοίγματα. Να μην χρησιμοποιείται αν παρουσιαστεί φράξιμο κάποιου ανοίγματος, να διατηρείται χωρίς ίχνη σκόνης, χνούδια, τρίχες και οτιδήποτε μπορεί να προκαλέσει μείωση της ροής αέρα.**
7. **Διατηρείτε τα μαλλιά, τα φαρδιά ρούχα και όλα τα μέρη του σώματός σας μακριά από τα ανοίγματα και κινούμενα μέρη.**
8. **Να απενεργοποιείτε όλα τα στοιχεία ελέγχου πριν από την αφαίρεση της μπαταρίας.**
9. **Να προσέχετε ιδιαίτερα, όταν καθαρίζετε σκαλοπάτια.**
10. **Να μην χρησιμοποιείται για τη συλλογή εύφλεκτων ή καύσιμων υγρών, όπως βενζίνη, ή σε χώρους παρουσία αυτών.**
11. **Για επαναφόρτιση, να χρησιμοποιείται μόνο ο φορτιστής που παρέχεται από τον κατασκευαστή.**
12. **Να μην χρησιμοποιείται για τη συλλογή οποιουδήποτε αντικειμένου καίγεται ή αναδίδει καπνό, όπως τσιγάρα, στίρτα ή θερμές στάχτες.**
13. **Να μην χρησιμοποιείται χωρίς τη σακούλα σκόνης ή/και τα φίλτρα.**
14. **Μην φορτίζετε τη μπαταρία σε εξωτερικό χώρο.**
15. **Να επαναφορτίζετε μόνο με το φορτιστή που καθορίζεται από τον κατασκευαστή.** Ένας φορτιστής που είναι κατάλληλος για μια συγκεκριμένη κασέτα μπαταριών μπορεί να δημιουργήσει κίνδυνο πυρκαγιάς όταν χρησιμοποιείται με μια άλλη κασέτα μπαταριών.
16. **Να χρησιμοποιείτε συσκευές μόνο με ειδικά καθορισμένες κασέτες μπαταριών.** Η χρήση κάθε άλλης κασέτας μπαταριών μπορεί να δημιουργήσει κίνδυνο τραυματισμού ή πυρκαγιάς.
17. **Όταν δεν χρησιμοποιείται η κασέτα μπαταριών, διατηρήστε τη μακριά από άλλα μεταλλικά αντικείμενα, όπως συνδετήρες, κέρματα, κλειδιά, καρφιά, βίδες ή άλλα μικρά μεταλλικά αντικείμενα, με τα οποία μπορεί να δημιουργηθεί σύνδεση από τον έναν ακροδέκτη στον άλλον.**
18. **Υπό συνθήκες κατάχρησης, μπορεί να εξαχθεί υγρό από την μπαταρία. Να αποφεύγετε την επαφή. Αν συμβεί επαφή κατά λάθος, εκπλύετε με νερό.**
19. **Μην χρησιμοποιείτε μια κασέτα μπαταριών ή συσκευή που έχει καταστραφεί ή τροποποιηθεί.** Οι κατεστραμμένες ή τροποποιημένες μπαταρίες μπορεί να παρουσιάζουν απρόβλεπτη συμπεριφορά που έχει ως αποτέλεσμα πυρκαγιά, έκρηξη ή κίνδυνο τραυματισμού.
20. **Μην εκθέτετε την κασέτα μπαταριών ή τη συσκευή σε πυρκαγιά ή υπερβολικά υψηλή θερμοκρασία. Η έκθεση σε φωτιά ή θερμοκρασία άνω των 130 °C μπορεί να προκαλέσει έκρηξη.**

21. Ακολουθήστε όλες τις οδηγίες φόρτισης και μην φορτίσετε την κασέτα μπαταριών ή τη συσκευή εκτός του θερμοκρασιακού εύρους που καθορίζεται στις οδηγίες. Η λανθασμένη φόρτιση ή η φόρτιση σε θερμοκρασίες εκτός του καθορισμένου εύρους μπορεί να προκαλέσει ζημιά στην μπαταρία και να αυξήσει τον κίνδυνο πυρκαγιάς.
3. Εάν ο χρόνος λειτουργίας έχει γίνει υπερβολικά βραχύς, σταματήστε τη λειτουργία αμέσως. Αλλιώς, μπορεί να έχει ως αποτέλεσμα κίνδυνο υπερθέρμανσης, πιθανά εγκαύματα ή ακόμη και έκρηξη.
4. Εάν ηλεκτρολύτης μπει στα μάτια σας, ξεπλύνετε τα με καθαρό νερό και ζητήστε ιατρική φροντίδα αμέσως. Αλλιώς, μπορεί να έχει ως αποτέλεσμα απώλεια της όρασης σας.
5. Μην βραχυκυκλώνετε την κασέτα μπαταριών:
  - (1) Μην αγγίζετε τους πόλους με οτιδήποτε αγώγιμο υλικό.
  - (2) Αποφεύγετε να αποθηκεύετε την κασέτα μπαταριών μέσα σε ένα δοχείο μαζί με άλλα μεταλλικά αντικείμενα όπως καρφιά, νομίσματα, κλπ.
  - (3) Μην εκθέτετε την κασέτα μπαταριών στο νερό ή στη βροχή.

## ΦΥΛΑΞΤΕ ΤΙΣ ΟΔΗΓΙΕΣ ΑΥΤΕΣ.

### ΕΠΙΠΡΟΣΘΕΤΟΙ ΚΑΝΟΝΕΣ ΑΣΦΑΛΕΙΑΣ

Η συσκευή αυτή προορίζεται για οικιακή χρήση.

1. Διαβάστε προσεκτικά το παρόν εγχειρίδιο χρήσης όπως και το εγχειρίδιο χρήσης του φορητού πριν από τη χρήση.
2. Μην συλλέξετε τα ακόλουθα υλικά:
  - Καυτά υλικά όπως αναμμένα τσιγάρα ή μεταλλική σκόνη/ρίνισματα που παράγονται από λείανση/κοπή μετάλλων
  - Εύφλεκτα υλικά όπως βενζίνη, διαλυτικό, πετρελαϊκό αιθέρα, κηροζίνη ή χρώματα
  - Εκρηκτικά υλικά όπως νιτρογλυκερίνη
  - Αναφλέξιμα υλικά όπως αλουμίνιο, ψευδάργυρο, μαγνήσιο, τιτάνιο, φώσφορο ή κυτταρινοειδές φιλμ
  - Υγρές ακαθαρσίες, νερό, έλαιο ή παρόμοιες ουσίες
  - Αιχμηρά τεμάχια σκληρών υλικών, όπως ροκανίδια, μέταλλα, πέτρες, γυαλιά, καρφιά, πινέζες ή ξυραφάκια
  - Σκόνη η οποία σβωλιάζει όπως το σιμίεντο ή το τόνερ
  - Αγώγιμη σκόνη όπως μετάλλου ή άνθρακα
  - Μικρά σωματίδια όπως σκόνη σκυροδέματος

Αυτή η ενέργεια μπορεί να προκαλέσει πυρκαγιά, τραυματισμό ή/και ζημιά σε περιουσιακά στοιχεία.

3. Διακόψτε τη λειτουργία αμέσως, μόλις παρατηρήσετε οτιδήποτε μη φυσιολογικό.
4. Σε περίπτωση που η σκούπα υποστεί πτώση ή κτύπημα, ελέγξτε τη προσεκτικά για ρωγμές ή βλάβη πριν από τη λειτουργία.
5. Μην πλησιάζετε σε θερμάστρες ή άλλες πηγές θερμότητας.
6. Μην φράσσετε την οπή εισαγωγής ή τις οπές αερισμού.

## ΦΥΛΑΞΤΕ ΤΙΣ ΟΔΗΓΙΕΣ ΑΥΤΕΣ.

### Σημαντικές οδηγίες ασφάλειας για κασέτα μπαταριών

1. Πριν χρησιμοποιήσετε την κασέτα μπαταριών, διαβάστε όλες τις οδηγίες και σημειώσεις προφύλαξης (1) στον φορητό μπαταριών, (2) στην μπαταρία και (3) στο προϊόν που χρησιμοποιεί την μπαταρία.
  2. Μην αποσυναρμολογήσετε ή παραβιάσετε την κασέτα μπαταριών. Μπορεί να έχει ως αποτέλεσμα πυρκαγιά, υπερθέρμανση ή έκρηξη.
  3. Εάν ο χρόνος λειτουργίας έχει γίνει υπερβολικά βραχύς, σταματήστε τη λειτουργία αμέσως. Αλλιώς, μπορεί να έχει ως αποτέλεσμα κίνδυνο υπερθέρμανσης, πιθανά εγκαύματα ή ακόμη και έκρηξη.
  4. Εάν ηλεκτρολύτης μπει στα μάτια σας, ξεπλύνετε τα με καθαρό νερό και ζητήστε ιατρική φροντίδα αμέσως. Αλλιώς, μπορεί να έχει ως αποτέλεσμα απώλεια της όρασης σας.
  5. Μην βραχυκυκλώνετε την κασέτα μπαταριών:
    - (1) Μην αγγίζετε τους πόλους με οτιδήποτε αγώγιμο υλικό.
    - (2) Αποφεύγετε να αποθηκεύετε την κασέτα μπαταριών μέσα σε ένα δοχείο μαζί με άλλα μεταλλικά αντικείμενα όπως καρφιά, νομίσματα, κλπ.
    - (3) Μην εκθέτετε την κασέτα μπαταριών στο νερό ή στη βροχή.
- Ένα βραχυκύκλωμα μπαταρίας μπορεί να προκαλέσει μεγάλη ροή ρεύματος, υπερθέρμανση, πιθανά εγκαύματα ακόμη και σοβαρή βλάβη.
6. Μην αποθηκεύετε και μην χρησιμοποιείτε το εργαλείο και την κασέτα μπαταριών σε τοποθεσίες όπου η θερμοκρασία μπορεί να φτάσει ή να ξεπεράσει τους 50°C.
  7. Μην καίτε την κασέτα μπαταριών ακόμη και εάν έχει σοβαρή ζημιά ή είναι εντελώς φθαρμένη. Η κασέτα μπαταριών μπορεί να εκραγεί στη φωτιά.
  8. Μην καρφώσετε, κόψετε, συνθλίψετε, πετάξετε ή ρίξετε κάτω την κασέτα μπαταριών, ούτε να χτυπήσετε ένα σκληρό αντικείμενο επάνω στην κασέτα μπαταριών. Τέτοια συμπεριφορά μπορεί να έχει ως αποτέλεσμα πυρκαγιά, υπερθέρμανση ή έκρηξη.
  9. Μην χρησιμοποιείτε μπαταρία που έχει υποστεί ζημιά.
  10. Οι μπαταρίες ιόντων λιθίου που περιέχονται υπόκεινται στις απαιτήσεις της νομοθεσίας για επικίνδυνα αγαθά.
 

Για εμπορικές μεταφορές, για παράδειγμα από τρίτα μέρη, πρέπει να τηρούνται οι διαμεταφορές, οι ειδικές απαιτήσεις στη συσκευασία και η επισήμανση.

Για προετοιμασία του στοιχείου που αποστέλλεται, είναι απαραίτητο να συμβουλευτείτε έναν ειδικό για επικίνδυνα υλικά. Επίσης, τηρήστε τους πιθανούς, πιο αναλυτικούς εθνικούς κανονισμούς. Καλύψτε με αυτοκόλλητη ταινία ή κρύψτε τις ανοικτές επαφές και συσκευάστε την μπαταρία με τρόπο που να μην μπορεί να μετακινείται μέσα στη συσκευασία.
  11. Όταν απορρίπτετε την κασέτα μπαταριών, αφαιρέστε την από το εργαλείο και διαθέστε την σε ένα ασφαλές μέρος. Τηρήστε τους τοπικούς κανονισμούς που σχετίζονται με τη διάθεση της μπαταρίας.
  12. Χρησιμοποιήστε τις μπαταρίες μόνο με τα προϊόντα που καθορίζει η Makita. Αν τοποθετήσετε τις μπαταρίες σε μη συμβατά προϊόντα μπορεί να έχει ως αποτέλεσμα πυρκαγιά, υπερβολική θερμότητα, έκρηξη ή διαρροή ηλεκτρολύτη.



13. Αν δεν χρησιμοποιείτε το εργαλείο για μεγάλο χρονικό διάστημα, πρέπει να βγάλετε την μπαταρία από το εργαλείο.
14. Κατά τη διάρκεια και μετά τη χρήση, η κασέτα μπαταριών μπορεί να θερμανθεί, γεγονός που μπορεί να προκαλέσει εγκαύματα ή εγκαύματα από χαμηλή θερμοκρασία. Προσέχετε το χειρισμό των ζεστών κασετών μπαταριών.
15. Μην αγγίζετε τον ακροδέκτη του εργαλείου αμέσως μετά τη χρήση επειδή μπορεί να έχει ζεσταθεί αρκετά για να προκαλέσει εγκαύματα.
16. Μην αφήνετε θραύσματα, σκόνη ή βρομιά να κολλήσει στους ακροδέκτες, τις οπές και τις εγκοπές της κασέτας μπαταριών. Μπορεί να προκαλέσει θέρμανση, φωτιά, έκρηξη και δυσλειτουργία του εργαλείου ή της κασέτας μπαταριών, έχοντας ως αποτέλεσμα εγκαύματα ή προσωπικό τραυματισμό.
17. Εκτός αν το εργαλείο υποστηρίζει τη χρήση κοντά σε ηλεκτρικές γραμμές υψηλής τάσης, μην χρησιμοποιείτε την κασέτα μπαταριών κοντά σε ηλεκτρικές γραμμές υψηλής τάσης. Μπορεί να έχει ως αποτέλεσμα δυσλειτουργία ή σπάσιμο του εργαλείου ή της κασέτας μπαταριών.
18. Κραφουλάξτε την μπαταρία μακριά από παιδιά.

## ΦΥΛΑΞΤΕ ΤΙΣ ΟΔΗΓΙΕΣ ΑΥΤΕΣ.

**▲ΠΡΟΣΟΧΗ:** Να χρησιμοποιείτε μόνο γνήσιες μπαταρίες της Makita. Η χρήση μη γνήσιων μπαταριών Makita, ή μπαταριών που έχουν τροποποιηθεί, μπορεί να έχει ως αποτέλεσμα τη ρήξη της μπαταρίας, προκαλώντας πυρκαγιά, προσωπικό τραυματισμό και βλάβη. Επίσης, θα ακρωθωθεί η εγγύηση της Makita για το εργαλείο και φορτιστή Makita.

## Συμβουλές για τη διατήρηση της μέγιστης ζωής μπαταρίας

1. Φορτίζετε την κασέτα μπαταριών πριν από την πλήρη αποφόρτιση της. Πάντοτε να σταματάτε τη λειτουργία του εργαλείου και να φορτίζετε την κασέτα μπαταριών όταν παρατηρείτε μειωμένη ισχύ εργαλείου.
2. Ποτέ μην επαναφορτίζετε μια πλήρως φορτισμένη κασέτα μπαταριών. Η υπερφόρτιση μειώνει την ωφέλιμη ζωή της μπαταρίας.
3. Να φορτίζετε την κασέτα μπαταριών σε θερμοκρασία δωματίου, δηλαδή στους 10 °C έως 40 °C. Αφήστε μια θερμή κασέτα μπαταριών να κρυώσει πριν την φορτίσετε.
4. Όταν δεν χρησιμοποιείτε την κασέτα μπαταριών, αφαιρέστε την από το εργαλείο ή τον φορτιστή.

## ΠΕΡΙΓΡΑΦΗ ΛΕΙΤΟΥΡΓΙΑΣ

**▲ΠΡΟΣΟΧΗ:** Να φροντίζετε πάντα για την απενεργοποίηση του εργαλείου και την αφαίρεση της κασέτας μπαταρίας, πριν από οποιαδήποτε ρύθμιση ή έλεγχο της λειτουργίας του.

**▲ΠΡΟΣΟΧΗ:** Φροντίστε ώστε να μην παγιδεύσετε δάκτυλο(α) στο χώρο μεταξύ σκούπας και μπαταρίας, όπως απεικονίζεται στην εικόνα, κατά τη φόρτωση της μπαταρίας. Η παγίδευση δακτύλων μπορεί να προκαλέσει τραυματισμό.

► **Εικ.1**

## Τοποθέτηση ή αφαίρεση της κασέτας μπαταριών

**▲ΠΡΟΣΟΧΗ:** Να σβήνετε πάντα το εργαλείο πριν τοποθετήσετε ή αφαιρέσετε την κασέτα μπαταριών.

**▲ΠΡΟΣΟΧΗ:** Κρατήστε το εργαλείο και την κασέτα μπαταριών σταθερά κατά την τοποθέτηση ή αφαίρεση της κασέτας μπαταριών. Εάν δεν κρατάτε το εργαλείο και την κασέτα μπαταριών σταθερά μπορεί να γλιστρήσουν από τα χέρια σας και να προκληθεί βλάβη στο εργαλείο και την κασέτα μπαταριών και προσωπικός τραυματισμός.

► **Εικ.2:** 1. Κόκκινος δείκτης 2. Κομπτί 3. Κασέτα μπαταριών

Για να αφαιρέσετε την κασέτα μπαταριών, ολισθήστε την από το εργαλείο ενώ σύρετε το κομπτί στο μπροστινό μέρος της κασέτας.

Για να τοποθετήσετε την κασέτα μπαταριών, ευθυγραμμίστε τη γλώσσα στην κασέτα μπαταριών με την εγκοπή στο περιβλήμα και ολισθήστε τη στη θέση της. Τοποθετήστε την μέχρι τέρμα μέχρι να ασφαλίσει στη θέση της, γεγονός που υποδεικνύεται με ένα χαρακτηριστικό ήχο. Αν μπορείτε να δείτε τον κόκκινο δείκτη όπως απεικονίζεται στην εικόνα, δεν έχει κλειδώσει τελείως.

**▲ΠΡΟΣΟΧΗ:** Να τοποθετείτε πάντα την κασέτα μπαταριών πλήρως μέχρι να μη βλέπετε τον κόκκινο δείκτη. Εάν δεν ασφαλιστεί, μπορεί να πέσει από το εργαλείο τυχαία, προκαλώντας σωματική βλάβη σε εσάς ή κάποιον άλλο γύρω σας.

**▲ΠΡΟΣΟΧΗ:** Μην τοποθετείτε την κασέτα μπαταριών με βία. Εάν η κασέτα δεν ολισθαίνει με ευκολία, τότε δεν έχει τοποθετηθεί κατάλληλα.

## Σύστημα προστασίας μπαταρίας

Το εργαλείο είναι εξοπλισμένο με σύστημα προστασίας της μπαταρίας. Αυτό το σύστημα αποκρίνει αυτόματα την ισχύ προς το μοτέρ για να παραταθεί η διάρκεια ζωής της μπαταρίας.

Το εργαλείο σταματάει αυτόματα κατά τη διάρκεια της λειτουργίας αν το εργαλείο ή/και η μπαταρία βρεθούν κάτω από τις παρακάτω συνθήκες:

### Υπερφόρτωση:

Το εργαλείο λειτουργεί με τρόπο ώστε να αναγκάζεται να καταναλώνει ασυνήθιστα υψηλό ρεύμα.

Σε αυτή την κατάσταση, σβήστε το εργαλείο και διακόψτε την εφαρμογή που προκαλεί την υπερφόρτωση του εργαλείου. Μετά, ενεργοποιήστε το εργαλείο για επανεκκίνηση.

### Χαμηλή τάση μπαταρίας:









Η υπόλοιπη χωρητικότητα μπαταρίας είναι πολύ χαμηλή και το εργαλείο δεν λειτουργεί. Αν ενεργοποιήσετε το εργαλείο, το μοτέρ θα τειθεί ξανά σε λειτουργία αλλά θα σταματήσει σύντομα. Σε αυτή την περίπτωση, αφαιρέστε και επαναφορτίστε την μπαταρία.

## Εμφάνιση υπολειπόμενης χωρητικότητας μπαταρίας

Μόνο για κασέτες μπαταρίας με την ενδεικτική λυχνία

► **Εικ.3:** 1. Ενδεικτικές λυχνίες 2. Κομπτί ελέγχου

Πίστετε το κομπτί ελέγχου στην κασέτα μπαταριών για να υποδείξετε την υπολειπόμενη χωρητικότητα μπαταρίας. Οι ενδεικτικές λυχνίες ανάβουν για λίγα δευτερόλεπτα.

Ενδεικτικές λυχνίες		Υπόλοιπη χωρητικότητα
Αναμμένες	Σβηστές	
		75% έως 100%
		50% έως 75%
		25% έως 50%
		0% έως 25%

**ΠΑΡΑΤΗΡΗΣΗ:** Ανάλογα με τις συνθήκες χρήσης και τη θερμοκρασία περιβάλλοντος, η ένδειξη μπορεί να διαφέρει λίγο από την πραγματική χωρητικότητα.

## Δράση διακόπτη

► **Εικ.4:** 1. Κομπτί ΕΝΕΡΓΟΠΟΙΗΣΗΣ/αλλαγής ταχύτητας 2. Κομπτί ΑΠΕΝΕΡΓΟΠΟΙΗΣΗΣ

Για να ξεκινήσετε τη λειτουργία της σκούπας, πατήστε το κομπτί ΕΝΕΡΓΟΠΟΙΗΣΗΣ/αλλαγής ταχύτητας. Για να τη σβήσετε, πατήστε το κομπτί ΑΠΕΝΕΡΓΟΠΟΙΗΣΗΣ.

Μπορείτε να αλλάξετε την ταχύτητα της σκούπας με τρία βήματα εάν πατήσετε το κομπτί ΕΝΕΡΓΟΠΟΙΗΣΗΣ/αλλαγής ταχύτητας.

Το πρώτο πάτημα αυτού του κομπτιού είναι για λειτουργία υψηλής ταχύτητας, το δεύτερο πάτημα είναι για λειτουργία μέγιστης ταχύτητας και το τρίτο πάτημα είναι για κανονική ταχύτητα. Με κάθε πάτημα αυτού του κομπτιού επαναλαμβάνεται ο κύκλος υψηλής/μέγιστης/κανονικής ταχύτητας, εναλλάξ.

## Αναμμα της λάμπας

**▲ΠΡΟΣΟΧΗ:** Μην κοιτάζετε κατευθείαν μέσα στο φως ή στην πηγή φωτός.

► **Εικ.5:** 1. Κομπτί ΕΝΕΡΓΟΠΟΙΗΣΗΣ/αλλαγής ταχύτητας 2. Κομπτί ΑΠΕΝΕΡΓΟΠΟΙΗΣΗΣ 3. Λάμπα

Για να ανάψετε τη λάμπα, πατήστε το κομπτί ΕΝΕΡΓΟΠΟΙΗΣΗΣ/αλλαγής ταχύτητας. Πατήστε το κομπτί ΑΠΕΝΕΡΓΟΠΟΙΗΣΗΣ για να σβήσετε τη λάμπα. Κατά την ενεργοποίηση του εργαλείου, η λάμπα ανάβει. Όταν το υπολειπόμενο φορτίο της μπαταρίας είναι χαμηλό, η λάμπα αρχίζει να αναβοσβήνει.

**ΠΑΡΑΤΗΡΗΣΗ:** Ο χρόνος που θα αρχίσει να αναβοσβήνει η λάμπα εξαρτάται από τη θερμοκρασία στο χώρο εργασίας και τις συνθήκες τις κασέτας μπαταριών.

## ΣΥΝΑΡΜΟΛΟΓΗΣΗ

**▲ΠΡΟΣΟΧΗ:** Να βεβαιώνετε πάντα ότι το εργαλείο είναι σβηστό και η κασέτα μπαταρίας έχει αφαιρεθεί πριν εκτελέσετε κάποια εργασία στο εργαλείο.

## Τύπος φίλτρου

### Κανονικό φίλτρο

► **Εικ.6:** 1. Κάψουλα 2. Προφίλτρο 3. Φίλτρο

### Φίλτρο υψηλής απόδοσης

► **Εικ.7:** 1. Κάψουλα 2. Φίλτρο υψηλής απόδοσης

### Προφίλτρο ή φίλτρο υψηλής απόδοσης και φίλτρο HEPA

► **Εικ.8:** 1. Κάψουλα 2. Προφίλτρο 3. Φίλτρο υψηλής απόδοσης 4. Φίλτρο HEPA

**ΕΙΔΟΠΟΙΗΣΗ:** Μη χρησιμοποιείτε το φίλτρο υψηλής απόδοσης με το φίλτρο (προαιρετικό εξάρτημα). Ενδέχεται να μην μπορείτε να αφαιρέσετε το φίλτρο υψηλής απόδοσης από τη σκούπα.

**ΠΑΡΑΤΗΡΗΣΗ:** Όταν χρησιμοποιείτε το προαιρετικό προφίλτρο και το προαιρετικό φίλτρο με το φίλτρο HEPA, χρησιμοποιείτε μόνο το προφίλτρο πάνω από το φίλτρο HEPA. Αν χρησιμοποιήσετε ταυτόχρονα το προφίλτρο και φίλτρο με το φίλτρο HEPA, η ισχύς αναρρόφησης μπορεί να μειωθεί.

**ΠΑΡΑΤΗΡΗΣΗ:** Όταν χρησιμοποιήσετε το φίλτρο HEPA με το φίλτρο υψηλής απόδοσης, χρησιμοποιήστε το φίλτρο υψηλής απόδοσης με το στίρηγμα.

► **Εικ.9:** 1. Στήριγμα

## Απόρριψη σκόνης

**▲ΠΡΟΣΟΧΗ:** Να αδειάζετε τη σκούπα πριν γεμίσει πλήρως, αλλιώς θα εξασθενήσει η δύναμη αναρρόφησης.

**▲ΠΡΟΣΟΧΗ:** Να φροντίζετε να αδειάζετε τη σκόνη από το εσωτερικό της ίδιας της σκούπας. Σε περίπτωση μη συμμόρφωσης μπορεί να προκληθεί φράξιμο του φίλτρου ή βλάβη του κινητήρα.

## Απόρριψη της σκόνης για το κανονικό φίλτρο

Για να αφαιρέσετε τη σκόνη η οποία επικάθεται στο φίλτρο μέσα στην κάψουλα, κτυπήστε ελαφρά την κάψουλα 4 ή 5 φορές με το χέρι σας.

► **Εικ.10:** 1. Κάψουλα 2. Είσοδος αναρρόφησης

Στρέψτε την είσοδο αναρρόφησης προς τα κάτω, περιστρέψτε την κάψουλα προς την κατεύθυνση του βέλους, όπως απεικονίζεται στην εικόνα, και αποσπάστε την κάψουλα ωθώντας αργά και ευθεία προς τα έξω.

► **Εικ.11:** 1. Κάψουλα 2. Είσοδος αναρρόφησης

**ΠΑΡΑΤΗΡΗΣΗ:** Φροντίστε να τοποθετήσετε μια σακούλα σκουπιδιών κάτω από την κάψουλα, επειδή μπορεί να χυθεί σκόνη όταν ανοίξετε την κάψουλα.

Αφαιρέστε τη συσσωρευμένη σκόνη από το εσωτερικό της κάψουλας και το προφίλτρο.

► **Εικ.12:** 1. Προφίλτρο 2. Κάψουλα

Περιστρέψτε το προφίλτρο προς την κατεύθυνση του βέλους ώστε να απασφαλίσετε το χείλος ασφάλισης από τη μονάδα της σκούπας και στη συνέχεια αποσπάστε το προφίλτρο.

► **Εικ.13:** 1. Προφίλτρο 2. Χείλος ασφάλισης

Καθαρίστε την ψιλή σκόνη από το προφίλτρο. Στη συνέχεια, αφαιρέστε το φίλτρο και κτυπήστε το ελαφρά, ώστε να αποκολληθεί η σκόνη.

► **Εικ.14:** 1. Φίλτρο 2. Προφίλτρο

## Απόρριψη της σκόνης για το φίλτρο υψηλής απόδοσης

Για να αφαιρέσετε τη σκόνη η οποία επικαθεται στο φίλτρο μέσα στην κάψουλα, κτυπήστε ελαφρά την κάψουλα 4 ή 5 φορές με το χέρι σας.

Τώρα στρέψτε την είσοδο αναρρόφησης προς τα κάτω, περιστρέψτε την κάψουλα προς την κατεύθυνση του βέλους που απεικονίζεται στην εικόνα, και αποσπάστε την κάψουλα αργά και ευθεία.

► **Εικ.15:** 1. Κάψουλα 2. Είσοδος αναρρόφησης

**ΠΑΡΑΤΗΡΗΣΗ:** Όταν ανοίξει η κάψουλα μπορεί να χυθεί σκόνη, για το λόγο αυτό φροντίστε να τοποθετήσετε μια σακούλα απορριμάτων κάτω από την κάψουλα.

Αφαιρέστε τη συσσωρευμένη σκόνη από το εσωτερικό της κάψουλας και από το φίλτρο υψηλής απόδοσης.

► **Εικ.16:** 1. Κάψουλα 2. Φίλτρο υψηλής απόδοσης

Περιστρέψτε το φίλτρο υψηλής απόδοσης προς την κατεύθυνση του βέλους ώστε να απασφαλίσετε το χείλος ασφάλισης από τη μονάδα της σκούπας και στη συνέχεια αποσπάστε το φίλτρο.

► **Εικ.17:** 1. Χείλος ασφάλισης

Καθαρίστε την ψιλή σκόνη και κτυπήστε ελαφρά για να αποκολληθεί η σκόνη από το φίλτρο υψηλής απόδοσης.

## Επανασυναρμολόγηση

### Επανασυναρμολόγηση για το κανονικό φίλτρο

Τοποθετήστε το φίλτρο πλήρως στη θέση του επάνω στη μονάδα της σκούπας.

► **Εικ.18:** 1. Φίλτρο

**ΕΙΔΟΠΟΙΗΣΗ:** Φροντίστε ώστε το φίλτρο να τοποθετηθεί κατάλληλα χωρίς να διπλωθεί προς τα πίσω. Αν το φίλτρο τοποθετηθεί εσφαλμένα, όπως απεικονίζεται στην εικόνα, η σκόνη θα εισέλθει στο εσωτερικό του περιβλήματος του κινητήρα και θα προκαλέσει βλάβη του κινητήρα.

► **Εικ.19:** 1. Φίλτρο

Τοποθετήστε το προφίλτρο. Σε αυτή τη φάση, φροντίστε να περιστρέψετε το προφίλτρο, ώστε το χείλος ασφάλισης να ασφαλιστεί πλήρως στη μονάδα της σκούπας.

► **Εικ.20:** 1. Προφίλτρο 2. Χείλος ασφάλισης

► **Εικ.21**

Τοποθετήστε την κάψουλα. Ευθυγραμμίστε το σήμα της κάψουλας με το σήμα κοντά στη λαβή και στη συνέχεια περιστρέψτε την κάψουλα σταθερά προς την κατεύθυνση του βέλους, έως ότου ασφαλιστεί.

► **Εικ.22:** 1. Σήμα

► **Εικ.23:** 1. Κάψουλα 2. Λαβή 3. Σήμα

**ΠΑΡΑΤΗΡΗΣΗ:** Να αφαιρείτε πάντα τη σκόνη εγκαίρως, επειδή η ισχύς αναρρόφησης μειώνεται σημαντικά, αν υπάρχει υπερβολική ποσότητα σκόνης στο εσωτερικό της σκούπας.

**ΕΙΔΟΠΟΙΗΣΗ:** Να ελέγχετε πάντα, αν το φίλτρο και το προφίλτρο έχουν τοποθετηθεί κατάλληλα πριν από τη χρήση της σκούπας. Αν δεν έχουν τοποθετηθεί κατάλληλα, η σκόνη θα εισέλθει στο εσωτερικό του περιβλήματος του κινητήρα και θα προκαλέσει βλάβη του κινητήρα. Σε περίπτωση που συμβούν τα παρακάτω παραδείγματα, το φίλτρο και το προφίλτρο δεν έχουν τοποθετηθεί κατάλληλα. Τοποθετήστε τα κατάλληλα εκ νέου για να διορθώσετε το πρόβλημα.

### Παραδείγματα προβλημάτων

Παράδειγμα 1: Μόνο το προφίλτρο έχει τοποθετηθεί (χωρίς φίλτρο)

► **Εικ.24:** 1. Προφίλτρο

Παράδειγμα 2: Μόνο το φίλτρο έχει τοποθετηθεί (χωρίς προφίλτρο)

► **Εικ.25:** 1. Φίλτρο

Παράδειγμα 3: Το φίλτρο τοποθετήθηκε εσφαλμένα και έχει διπλωθεί προς τα πίσω

► **Εικ.26:** 1. Φίλτρο

Παράδειγμα 4: Το χείλος ασφάλισης του προφίλτρου δεν έχει ασφαλιστεί κατάλληλα στην αύλακα περιβλήματος της σκούπας

► **Εικ.27:** 1. Χείλος ασφάλισης 2. Προφίλτρο  
3. Αύλακα περιβλήματος σκούπας

### Επανασυναρμολόγηση για το φίλτρο υψηλής απόδοσης

Συνδέστε το φίλτρο υψηλής απόδοσης. Σε αυτή τη φάση, φροντίστε να περιστρέψετε το φίλτρο υψηλής απόδοσης, ώστε το χείλος ασφάλισης να ασφαλιστεί σταθερά μέσα στη μονάδα της σκούπας.

► **Εικ.28:** 1. Φίλτρο υψηλής απόδοσης 2. Χείλος ασφάλισης

► **Εικ.29:** 1. Χείλος ασφάλισης

Τοποθετήστε την κάψουλα. Ευθυγραμμίστε το σήμα της κάψουλας με το σήμα κοντά στη λαβή και στη συνέχεια περιστρέψτε την κάψουλα σταθερά προς την κατεύθυνση του βέλους, έως ότου ασφαλιστεί.

► **Εικ.30:** 1. Σήμα

► **Εικ.31:** 1. Κάψουλα 2. Λαβή 3. Σήμα

**ΠΑΡΑΤΗΡΗΣΗ:** Να αφαιρείτε πάντα τη σκόνη εγκαίρως, επειδή η ισχύς αναρρόφησης μειώνεται σημαντικά, αν υπάρχει υπερβολική ποσότητα σκόνης στο εσωτερικό της σκούπας.

**ΠΑΡΑΤΗΡΗΣΗ:** Να ελέγχετε πάντα αν το φίλτρο υψηλής απόδοσης έχει τοποθετηθεί σωστά πριν από τη χρήση της σκούπας. Αν δεν έχουν τοποθετηθεί κατάλληλα, θα εισέλθει σκόνη μέσα στο περιβλήμα του μοτέρ και θα προκαλέσει βλάβη του μοτέρ. Σε περίπτωση που συμβούν τα παρακάτω παραδείγματα, το φίλτρο υψηλής απόδοσης δεν έχει τοποθετηθεί σωστά. Τοποθετήστε τα κατάλληλα εκ νέου για να διορθώσετε το πρόβλημα.

### Παραδείγματα προβλημάτων

Το χείλος ασφάλισης του φίλτρο υψηλής απόδοσης δεν έχει ασφαλιστεί σταθερά μέσα στην αύλακα του περιβλήματος σκούπας.

► **Εικ.32:** 1. Χείλος ασφάλισης 2. Αύλακα περιβλήματος σκούπας

### Τοποθέτηση ή αφαίρεση στηρίγματος / φίλτρου HEPA

#### Προαιρετικό εξάρτημα

### Για το στήριγμα και το σπογγώδες φίλτρο

Για να αφαιρέσετε το στήριγμα, σπρώξτε προς τα πάνω το κάτω μέρος από τα κολονάκια του στηρίγματος με τα δάχτυλά σας και ελευθερώστε την αύλακά του από την προεξοχή της σκούπας. Στη συνέχεια, αφαιρέστε το σπογγώδες φίλτρο.

► **Εικ.33:** 1. Στήριγμα 2. Σπογγώδες φίλτρο

Για την τοποθέτηση, ευθυγραμμίστε τις αύλακες του στηρίγματος με την προεξοχή της σκούπας και σπρώξτε μέχρι να ασφαλίσει.

Περάστε το σπογγώδες φίλτρο μέσα από τα κολονάκια και τοποθετήστε το στην αρχική θέση.

### Για το φίλτρο HEPA

Όταν τοποθετείτε το φίλτρο HEPA, προσαρμόστε την αυλάκωση του φίλτρου HEPA στην προεξοχή της σκούπας. Κατόπιν, τοποθετήστε το προφίλτρο ή το φίλτρο υψηλής απόδοσης στο φίλτρο HEPA και περιστρέψτε το για να ασφαλίσει. Για την αφαίρεση, ακολουθήστε τη διαδικασία τοποθέτησης με αντίστροφη σειρά.

► **Εικ.34:** 1. Φίλτρο HEPA 2. Προφίλτρο

► **Εικ.35:** 1. Φίλτρο HEPA 2. Φίλτρο υψηλής απόδοσης

## ΛΕΙΤΟΥΡΓΙΑ

**▲ΠΡΟΣΟΧΗ:** Για να συνδέσετε διάφορα εξαρτήματα, όπως ένα ακροφύσιο, περιστρέψτε και εισάγετε το εξάρτημα προς την κατεύθυνση του βέλους, ώστε να διασφαλιστεί η ασφαλής σύνδεση στη διάρκεια της χρήσης. Για να αποσυνδέσετε τα εξαρτήματα, περιστρέψτε και αποσπάστε ξανά προς την κατεύθυνση του βέλους. Αν περιστρέψετε το εξάρτημα προς την αντίθετη κατεύθυνση, κατά τη σύνδεση ή αποσύνδεση, η κάψουλα μπορεί να αποσπαστεί.

► **Εικ.36:** 1. Κάψουλα

## Καθαρισμός (Αναρρόφηση)

### Ακροφύσιο

Προσαρμόστε το ακροφύσιο για να καθαρίσετε τραπεζία, γραφεία, έπιπλα, κ.λπ. Το ακροφύσιο τοποθετείται εύκολα σύρνοντας το.

► **Εικ.37:** 1. Ακροφύσιο

### Ακροφύσιο + Ράβδος προέκτασης (Ευθύς σωλήνας)

Η ράβδος προέκτασης τοποθετείται μεταξύ ακροφυσίου και σκούπας. Ο συνδυασμός αυτός διευκολύνει στον καθαρισμό ενός δαπέδου, ενώ ο χειριστής παραμένει σε όρθια θέση.

► **Εικ.38:** 1. Σώμα σκούπας 2. Ράβδος προέκτασης 3. Ακροφύσιο

### Ακροφύσιο γωνιών

Τοποθετήστε το ακροφύσιο γωνιών για να καθαρίσετε γωνίες και χαραμάδες σε ένα αυτοκίνητο ή έπιπλα.

► **Εικ.39:** 1. Ακροφύσιο γωνιών 2. Σώμα σκούπας

### Ακροφύσιο γωνιών + Ράβδος προέκτασης (Ευθύς σωλήνας)

Χρησιμοποιήστε αυτόν το συνδυασμό σε περιορισμένους χώρους, όπου η σκούπα δεν χωρά, ή σε υψηλά σημεία όπου η πρόσβαση είναι δύσκολη.

► **Εικ.40:** 1. Ακροφύσιο γωνιών 2. Ράβδος προέκτασης 3. Σώμα σκούπας

### Καθαρισμός χωρίς ακροφύσιο

Μπορείτε να συλλέξετε σκόνη χωρίς το ακροφύσιο.

► **Εικ.41**

## ΣΥΝΤΗΡΗΣΗ

**⚠ ΠΡΟΣΟΧΗ:** Πριν την εκτέλεση εργασιών επιθεώρησης ή συντήρησης, πάντοτε να βεβαιώνετε ότι η συσκευή απενεργοποιήθηκε και η κασέτα μπαταριών έχει αφαιρεθεί.

### Μετά από τη χρήση

**⚠ ΠΡΟΣΟΧΗ:** Αν ακουμπήσετε τη σκούπα στον τοίχο χωρίς καμία άλλη στήριξη μπορεί να προκαλέσει την πτώση της σκούπας, έχοντας ως αποτέλεσμα τον προσωπικό τραυματισμό ή την ζημιά στη σκούπα.

► Εικ.42

### Καθαρισμός

**ΕΙΔΟΠΟΙΗΣΗ:** Μην χρησιμοποιείτε ποτέ βενζίνη, πετρελαϊκό αιθέρα, διαλυτικό, αλκοόλη ή παρόμοιες ουσίες. Μπορεί να προκληθεί αποχρωματισμός, παραμόρφωση ή ρωγμές.

**ΕΙΔΟΠΟΙΗΣΗ:** Μη φυσάτε τη σκόνη που έχει κολλήσει στη σκούπα και στα φίλτρα με στρέι απομάκρυνσης σκόνης. Θα εισέλθει αέρας στο περίβλημα και θα προκληθεί βλάβη.

**ΕΙΔΟΠΟΙΗΣΗ:** Μετά το πλύσιμο των φίλτρων, στεγνώστε τα καλά πριν τα χρησιμοποιήσετε. Ένα φίλτρο που δεν έχει στεγνώσει επαρκώς μπορεί να προκαλέσει κακή αναρρόφηση και μείωση της διάρκειας ζωής του μοτέρ.

**ΕΙΔΟΠΟΙΗΣΗ:** Αφού καθαρίσετε τα φίλτρα και το σπογγώδες φίλτρο, επανατοποθετήστε τα οπωσδήποτε πριν τη χρήση. Αν χρησιμοποιήσετε τη σκούπα χωρίς τα φίλτρα και το σπογγώδες φίλτρο, θα εισέλθει σκόνη στο περίβλημα του μοτέρ και θα προκληθεί δυσλειτουργία.

### Σώμα σκούπας

Περιστασιακά, καθαρίστε το εξωτερικό (σώμα σκούπας) της σκούπας χρησιμοποιώντας ένα πανί που έχετε υγράνει με σαπουνό νερο.

Καθαρίστε, επίσης, το άνοιγμα αναρρόφησης και το χώρο τοποθέτησης των φίλτρων.

► Εικ.43

## Επίλυση προβλημάτων

Πριν ζητήσετε για επισκευές, ελέγξτε τα ακόλουθα σημεία.

Σύμπτωμα	Περιοχή διερεύνησης	Μέθοδος επιδιόρθωσης
Ασθενής ισχύς αναρρόφησης	Είναι η κάψουλα γεμάτη σκόνη;	Αδειάστε τη σκόνη από την κάψουλα.
	Είναι το φίλτρο φραγμένο;	Καθαρίστε ή πλύνετε το φίλτρο.
	Είναι η κασέτα μπαταριών αποφορτισμένη;	Φορτίστε την κασέτα μπαταρίας.
Δεν λειτουργεί	Είναι η κασέτα μπαταριών αποφορτισμένη;	Φορτίστε την κασέτα μπαταρίας.

**⚠ ΠΡΟΣΟΧΗ:** Μην επιχειρήσετε να επισκευάσετε τη σκούπα μόνοι σας.

Για τη διατήρηση της ΑΣΦΑΛΕΙΑΣ και ΑΞΙΟΠΙΣΤΙΑΣ του προϊόντος, οι επισκευές και οποιαδήποτε άλλη εργασία συντήρησης ή ρύθμισης πρέπει να εκτελούνται από εξουσιοδοτημένα ή εργοστασιακά κέντρα εξυπηρέτησης της Makita, χρησιμοποιώντας πάντοτε ανταλλακτικά της Makita.

## Φίλτρο

Πλύντε το φίλτρο σε σαπουνό νερο, όταν παρατηρηθεί φράξιμο λόγω σκόνης και μείωση της απορροφητικής ισχύος της σκούπας. Στεγνώστε πλήρως πριν από τη χρήση.

► Εικ.44

## Φίλτρο HEPA

*Προαιρετικό εξάρτημα*

**ΕΙΔΟΠΟΙΗΣΗ:** Μην τρίβετε ή γρατζουνάτε το φίλτρο HEPA με σκληρά αντικείμενα όπως βούρτσες ή σπάτουλα.

Ένα φραγμένο φίλτρο HEPA προκαλεί ανεπαρκή απόδοση αναρρόφησης. Να καθαρίζετε περιστασιακά το φίλτρο.

Να πλένετε περιστασιακά το φίλτρο HEPA σε νερό, να το ξεπλύνετε και να το στεγνώνετε πολύ καλά υπό σκιά, πριν από τη χρήση. Μην πλένετε ποτέ το φίλτρο στο πλυντήριο.

► Εικ.45

## Σπογγώδες φίλτρο

Όταν το σπογγώδες φίλτρο γεμίσει με σκόνη, καθαρίστε το ως εξής.

1. Αφαιρέστε το φίλτρο.
2. Βγάλτε το σπογγώδες φίλτρο περνώντας το μέσα από τα κολονάκια.
3. Καθαρίστε το σπογγώδες φίλτρο χτυπώντας το απαλά ή πλένοντάς το. Αν το πλύνετε, στεγνώστε το καλά πριν από τη χρήση.

4. Περάστε το σπογγώδες φίλτρο μέσα από κολονάκια και τοποθετήστε το στην αρχική θέση. Βεβαιωθείτε ότι τα κάτω άκρα σε όλα τα κολονάκια συγκρατούν το σπογγώδες φίλτρο, καθώς και ότι δεν υπάρχει κενό ανάμεσα στο σπογγώδες φίλτρο και το άνοιγμα αναρρόφησης.

► Εικ.46: 1. Σπογγώδες φίλτρο 2. Κάτω άκρο στο κολονάκι

# ΠΡΟΑΙΡΕΤΙΚΑ ΕΞΑΡΤΗΜΑΤΑ

**▲ ΠΡΟΣΟΧΗ:** Αυτά τα εξαρτήματα ή προσαρτήματα συνιστώνται για χρήση με το εργαλείο Makita που περιγράφηκε στις οδηγίες αυτές. Η χρήση οποιωνδήποτε άλλων εξαρτημάτων ή προσαρτημάτων μπορεί να προκαλέσει κίνδυνο τραυματισμού σε άτομα. Να χρησιμοποιείτε τα εξαρτήματα ή προσαρτήματα μόνο για την χρήση που προορίζονται.

Εάν χρειάζεστε οποιαδήποτε βοήθεια για περισσότερες πληροφορίες σε σχέση με αυτά τα εξαρτήματα, απευθυνθείτε στο τοπικό σας κέντρο εξυπηρέτησης Makita.

- Ράβδος προέκτασης (Ευθύς σωλήνας)
- Ακροφύσιο
- Ακροφύσιο για μοκέτα
- Βούρτσα ραφιών
- Ακροφύσιο γωνιών
- Ακροφύσιο έδρας
- Ελεύθερο ακροφύσιο
- Ακροφύσιο για στενά σημεία
- Στρογγυλή βούρτσα
- Εύκαμπτος σωλήνας
- Φίλτρο
- Προφίλτρο
- Φίλτρο υψηλής απόδοσης
- Φίλτρο HEPA
- Προσάρτημα κυκλώνα
- Γνήσια μπαταρία και φορτιστής της Makita

**ΠΑΡΑΤΗΡΗΣΗ:** Μερικά στοιχεία στη λίστα μπορεί να συμπεριλαμβάνονται στη συσκευασία εργαλείου ως στάνταρ εξαρτήματα. Μπορεί να διαφέρουν ανάλογα με τη χώρα.

## Προσάρτημα κυκλώνα

- **Εικ.47:** 1. Ευθύς σωλήνας 2. Προσάρτημα κυκλώνα 3. Είσοδος αναρρόφησης

## Πληροφορίες για το προσάρτημα κυκλώνα

Αν χρησιμοποιείτε τη σκούπα με τοποθετημένο το προσάρτημα κυκλώνα, μειώνεται η ποσότητα της σκόνης που εισέρχεται στην κάμωλα, γεγονός που βοηθάει ώστε να μην εξασθενεί η αναρροφητική ισχύς. Επιπλέον, ο καθαρισμός μετά τη χρήση είναι επίσης απλός.

**▲ ΠΡΟΣΟΧΗ:** Να βεβαιώνετε πάντα ότι το εργαλείο είναι απενεργοποιημένο και η κασέτα μπαταριών έχει αφαιρεθεί πριν εκτελέσετε οποιαδήποτε εργασία στο εργαλείο. Αν η κασέτα μπαταριών παραμένει τοποθετημένη, η σκούπα μπορεί να εκκινήσει απρόσμενα και να προκληθεί τραυματισμός.

**▲ ΠΡΟΣΟΧΗ:** Καθαρίστε το κυψελωτό φίλτρο του προσαρτήματος κυκλώνα και τα φίλτρα της σκούπας όταν φράξουν. Η συνεχιζόμενη χρήση σε φραγμένη κατάσταση μπορεί να έχει ως αποτέλεσμα τη θέρμανση ή τη δημιουργία καπνού.

**ΕΙΔΟΠΟΙΗΣΗ:** Όταν είναι τοποθετημένο το προσάρτημα κυκλώνα, μη χρησιμοποιείτε τη σκούπα σε οριζόντια ή ανοδικά στραμμένη κατάσταση. Αν το κάνετε αυτό, το κυψελωτό φίλτρο μπορεί να φράξει.

**ΕΙΔΟΠΟΙΗΣΗ:** Να χρησιμοποιείτε πάντα τη σκούπα με τα φίλτρα τοποθετημένα, ακόμη και όταν χρησιμοποιείτε το προσάρτημα κυκλώνα. Αν χρησιμοποιήσετε τη σκούπα χωρίς τα φίλτρα τοποθετημένα, μπορεί να έχει ως αποτέλεσμα δυσλειτουργία του μοτέρ.

**ΠΑΡΑΤΗΡΗΣΗ:** Να ελέγχετε ότι το προσάρτημα κυκλώνα, η σκούπα και ο ίσιος σωλήνας είναι σωστά ασφαλισμένα πριν από τη χρήση.

**ΠΑΡΑΤΗΡΗΣΗ:** Αδειάστε τη θήκη σκόνης του προσαρτήματος κυκλώνα και την κάμωλα της σκούπας όταν συσσωρευτεί σκόνη. Η συνεχιζόμενη χρήση θα έχει ως αποτέλεσμα εξασθενημένη αναρροφητική ισχύ.

## Απόρριψη σκόνης

Όταν έχει συσσωρευτεί σκόνη μέχρι τη γραμμή πληρότητας της θήκης σκόνης, ακολουθήστε την παρακάτω διαδικασία και απορρίψτε τη σκόνη.

1. Κρατήστε τη θήκη σκόνης καλά πατησέ παρατεταμένα τα δύο κουμπιά και αφαιρέστε τη θήκη σκόνης.  
► **Εικ.48:** 1. Γραμμή πληρότητας 2. Θήκη σκόνης 3. Κουμπί (δύο τοποθεσίες) 4. Κυψελωτό φίλτρο
2. Απορρίψτε τη σκόνη στο εσωτερικό της θήκης σκόνης και αφαιρέστε τυχόν σκόνη και πούδρα που έχει προσκολληθεί στην επιφάνεια του κυψελωτού φίλτρου.
3. Εισαγάγετε τη θήκη σκόνης μέχρι τέρμα μέχρι τα δύο κουμπιά να ασφαλισουν με έναν χαρακτηριστικό ήχο «κλικ».  
► **Εικ.49:** 1. Θήκη σκόνης 2. Κουμπί (δύο τοποθεσίες)

**ΠΑΡΑΤΗΡΗΣΗ:** Ελέγξτε ότι το προσάρτημα κυκλώνα, η σκούπα και ο ίσιος σωλήνας είναι όλα σταθερά συνδεδεμένα πριν ξεκινήσετε ξανά τη λειτουργία.

**ΠΑΡΑΤΗΡΗΣΗ:** Αν η αναρροφητική ισχύς δεν ανακτηθεί ακόμη και μετά την απόρριψη της σκόνης και τον καθαρισμό του κυψελωτού φίλτρου, ελέγξτε αν έχει συσσωρευτεί σκόνη στην κάμωλα της σκούπας ή αν συνέβη φράξιμο.

## Καθαρισμός

Όταν η θήκη σκόνης βρομίσει ή το κυψελωτό φίλτρο φράξει, αφαιρέστε και πλύντε τα με νερό. (Ανατρέξτε στην παράγραφο «Απόρριψη σκόνης» για τη διαδικασία αφαίρεσης.)

Στεγνώστε πολύ καλά τα εξαρτήματα πριν τα τοποθετήσετε ξανά και τα χρησιμοποιήσετε.

- **Εικ.50:** 1. Θήκη σκόνης 2. Κυψελωτό φίλτρο

Όταν το κυψελωτό φίλτρο βρομίσει πάρα πολύ, καθαρίστε το σύμφωνα με τις ακόλουθες διαδικασίες.

1. Περιστρέψτε το κυψελωτό φίλτρο αριστερόστροφα και αφαιρέστε το ενώ οι γάντζοι είναι απασφαλισμένοι.  
► **Εικ.51:** 1. Κυψελωτό φίλτρο 2. Γάντζος

**2.** Αφαιρέστε τη σκόνη από το κυψελωτό φίλτρο και, στη συνέχεια, πλύντε το με νερό. Μετά, στεγνώστε το πολύ καλά.

**3.** Εισαγάγετε το κυψελωτό φίλτρο μέσα στη βάση ενώ οι γάντζοι είναι ευθυγραμμισμένοι με τη θύρα. Περιστρέψτε το κυψελωτό φίλτρο δεξιόστροφα μέχρι οι γάντζοι να ασφαλίσουν με έναν χαρακτηριστικό ήχο «κλικ». Βεβαιωθείτε ότι το κυψελωτό φίλτρο είναι τοποθετημένο με ασφάλεια.

► **Εικ. 52:** 1. Κυψελωτό φίλτρο 2. Γάντζος 3. Θύρα

## TÜRKÇE (Orijinal talimatlar)

### UYARI

- Bu cihaz, gözetim altında bulundurulmaları veya aracın güvenli bir şekilde kullanımına ilişkin eğitim almaları ve aracın kullanımını ile ilgili tehlikeleri anlamış olmaları koşuluyla fiziksel, duyuşsal veya zihinsel engelli ya da tecrübe ve bilgisi olmayan kişiler ve 8 yaş ve üzeri çocuklar tarafından kullanılabilir.
- Çocuklar cihazla oynamamalıdır. Temizlik ve kullanıcı bakım işlemleri, gözetim altında olmadan çocuklar tarafından yapılmamalıdır.
- Bataryanın tip referansı için "TEKNİK ÖZELLİKLER" bölümüne bakın.
- Bataryanın nasıl çıkarılacağı veya takılacağı ile ilgili olarak "Batarya kartuşunun takılması veya çıkartılması" kısmına bakın.
- Batarya kartuşunu bertaraf ederken aletten çıkarın ve güvenli bir yerde bertaraf edin. Bataryanın bertaraf edilmesi ile ilgili yerel düzenlemelere uyun.
- Alet uzun süre kullanılmıyacaksa batarya aletten çıkarılmalıdır.
- Batarya kartuşunu kısa devre yapmayın.
- Kullanıcı bakımı sırasındaki uygun önlem bilgileri için "BAKIM" bölümüne bakın.

### TEKNİK ÖZELLİKLER

Model:	CL108FD	
Kapasite	600 mL	
Sürekli kullanım (BL1016 batarya ile)	1 (Normal hız modu)	Yakl. 25 dak
	2 (Yüksek hız modu)	Yakl. 12 dak
	3 (Maksimum hız modu)	Yakl. 10 dak
Toplam uzunluk	956 mm	
Anma voltajı	D.C. 10,8 V - 12 V maks	
Net ağırlık	1,0 - 1,2 kg	

- Sürekli yapılan araştırma ve geliştirmelerden dolayı, burada belirtilen özellikler önceden bildirilmeksizin değiştirilebilir.
- Özellikler ülkeden ülkeye değişebilir.
- Ağırlık, batarya kartuşu/kartuşları hariç aksesuarları içermez. Cihazın ve batarya kartuşunun/kartuşlarının en hafif ve en ağır birleşik ağırlığı tabloda gösterilmiştir.

### Geçerli batarya kartuşu ve şarj aleti

Batarya kartuşu	BL1016 / BL1021B / BL1041B
Şarj aleti	DC10SA / DC10SB / DC10WC / DC10WD / DC18RE

- Yukarıda listelenen batarya kartuşlarının ve şarj aletlerinin bazıları yaşadığınız bölgeye bağlı olarak mevcut olmayabilir.

**⚠UYARI:** Sadece yukarıda listelenen batarya kartuşlarını ve şarj aletlerini kullanın. Başka batarya kartuşlarının ve şarj aletlerinin kullanılması yaralanma ve/veya yangına neden olabilir.



## Semboller

Ekipmanı için kullanılabilecek semboller aşağıda gösterilmiştir. Kullanmadan önce anlamlarını anladığınızdan emin olun.



El kitabını okuyun.



Ni-MH  
Li-ion

Sadece AB ülkeleri için  
Ekipmanda tehlikeli bileşenler bulunduğundan dolayı atık elektrikli ve elektronik ekipmanlar, aküler ve bataryalar çevre ve insan sağlığı üzerinde olumsuz etkiye yol açabilir.  
Elektrikli ve elektronik cihazları veya bataryaları evsel atıklarla birlikte atmayın!  
Atık elektrikli ve elektronik ekipmanlar ile akümülatörler ve bataryalar hakkındaki Avrupa Direktifi ve söz konusu direktifin ulusal yasalara uyarlanması gereğince atık elektrikli ekipmanlar, bataryalar ve akümülatörler ayrı olarak depolanmalı ve çevre koruma hakkındaki mevzuata uygun olarak faaliyet gösteren ayrı bir kentsel atık toplama noktasına teslim edilmelidir.  
Bu husus, ekipmanın üzerine yerleştirilmiş üzerinde çarpı işareti bulunan tehlikeli çöp kovası simgesi ile belirtilmiştir.

## Kullanım amacı

Bu alet kuru tozları toplamak amacıyla kullanılır.

## GÜVENLİK UYARILARI

### Akülü süpürge güvenlik uyarıları

**⚠UYARI: ÖNEMLİ! KULLANMADAN ÖNCE tüm güvenlik uyarılarını ve tüm talimatları DİKKATLE OKUYUN.** Uyarılara ve talimatlara uyulmaması elektrik şoku, yangın ve/veya ciddi yaralanmalar ile sonuçlanabilir.

1. Yağmura maruz bırakmayın. Kapalı yerde saklayın.
2. Bir oyuncak gibi kullanılmasına izin vermeyin. Çocuklar tarafından veya onların yakınında kullanılırken yakın ilgi gerekir.
3. Sadece bu kılavuzda belirtilen şekilde kullanın. Sadece imalatçının tavsiye ettiği ek parçaları kullanın.
4. Bozuk batarya ile kullanmayın. Bu aygıt eğer çalışması gerektiği gibi çalışmıyorsa, yere düşürülmüşse, hasar görmüşse, açık havada bırakılmışsa veya suya düşürülmüşse, onu bir servis merkezine iade edin.
5. Cihazı ıslak elle tutmayın.
6. Deliklerin üstüne herhangi bir nesne koymayın. Delikleri tıkalıyken kullanmayın; deliklerden tozları, tiftikleri, kılları ve hava akışını engelleyebilecek her şeyi temizleyin.
7. Saçlarınızı, bol giysilerinizi ve vücudunuzun tüm kısımlarını deliklerden ve hareketli parçalardan uzak tutun.

8. Bataryayı çıkarmadan önce tüm kontrolleri kapatın.
9. Merdivenlerde temizlik yaparken daha dikkatli olun.
10. Benzin gibi çabuk tutuşan veya yanıcı sıvıları toplamak için veya onların bulunabileceği yerlerde bu aleti kullanmayın.
11. Pili şarj etmek için sadece imalatçının verdiği şarj aletini kullanın.
12. Sigaralar, kibritler veya sıcak küller gibi yanmakta veya duman çıkarmakta olan herhangi bir şeyi toplamayın.
13. Toz torbası ve/veya filtreler takılı olmadan kullanmayın.
14. Bataryayı açık alanda şarj etmeyin.
15. Sadece üretici tarafından belirtilen şarj aleti ile şarj edin. Bir batarya kutusu için uygun olan şarj cihazı başka bir batarya kutusu ile kullanıldığında yangın riski oluşturabilir.
16. Cihazları sadece özel olarak belirtilen batarya kutuları ile kullanın. Başka batarya kutularının kullanımı yaralanma ve yangın riski oluşturabilir.
17. Batarya kutusu kullanılmadığında; iki terminal arasında bağlantı kurulmasına sebep olabilecek ataç, bozuk para, anahtar, çivi, vida gibi metal nesnelere ya da küçük metal objelerden uzak tutun.
18. Kötü koşullarda bataryadan sıvı sızabilir; bu sıvıya temas etmeyin. Kaza sonucu temas ederseniz suyla durulayın.
19. Hasar görmüş ya da üzerinde değişiklik yapılmış batarya kutusu veya cihazı kullanmayın. Hasar görmüş ya da üzerinde değişiklik yapılmış bataryalar yangın, patlama ya da yaralanma riski ile sonuçlanan beklenmedik davranışlar sergileyebilir.
20. Batarya kutusunu veya cihazı ateşe ya da aşırı sıcaklıklara maruz bırakmayın. Ateşe ya da 130 °C'nin üzerindeki sıcaklıklara maruz bırakmak patlamaya neden olabilir.
21. Tüm şarj talimatlarına uyun ve batarya kutusu ya da cihazı yönergelerde belirtilen sıcaklık aralığının dışındaki sıcaklıklarda şarj etmeyin. Uygun olmayan bir şekilde ya da belirtilen sıcaklık aralığının dışında şarj etmek bataryaya zarar verebilir ve yangın riskini artırabilir.

## BU TALİMATLARI SAKLAYIN.

## EK GÜVENLİK KURALLARI

Bu aygıt ev kullanımı içindir.

1. Kullanmadan önce bu kullanma kılavuzunu ve şarj aletinin kullanma kılavuzunu dikkatle okuyun.
2. Aşağıdaki maddeleri süpürgeye çekmeyin:
  - Yanan sigaralar gibi kızgın maddeler veya metal kesme/taşlama sonucunda çıkan kıvılcımlar/metal tozları
  - Petrol, tiner, benzin, gazyağı veya boya gibi kolay tutuşan maddeler
  - Nitrogliserin gibi patlayıcı maddeler
  - Alüminyum, çinko, magnezyum, titanyum, fosfor veya selüloit gibi yanabilen maddeler
  - Islak kirler, su, yağ veya benzerleri

- Aşşap yongalar, metalller, taşlar, camlar, çiviler, iğneler veya jiletler gibi keskin kenarlı sert cisimler
  - Çimento veya toner gibi topraklaşacak tozlar
  - Metal veya karbon gibi iletken tozlar
  - Beton tozu gibi ince parçacıklar
- Bunları süpürgeye çekmeniz yangına, beden-sel ve/veya maddi hasara neden olabilir.
3. Anormal bir durum fark ederseniz çalışmayı hemen durdurun.
  4. Süpürgeyi düşürür veya çarparsanız, kullanmadan önce çatlak veya hasar kontrolü yapın.
  5. Ocaklara ve başka ısı kaynaklarına yaklaştırmayın.
  6. Giriş deliğini veya havalandırma deliklerini tıkamayın.

## BU TALİMATLARI SAKLAYIN.

### Batarya kartuşu hakkında önemli güvenlik talimatları

1. Batarya kartuşunu kullanmadan önce, tüm talimatları ve (1) batarya kartuşu, (2) batarya ve (3) ürün üzerindeki tüm uyarı işaretlerini okuyun.
2. Batarya kartuşunu parçalarına ayırmayın veya kurcalamayın. Yangın, aşırı ısı veya patlamaya neden olabilir.
3. Çalışma süresi aşırı derecede kısalmışsa kullanmayı derhal bırakın. Aşırı ısınma, yanma riski hatta patlamaya neden olabilir.
4. Gözünüze elektrolit kaçarsa, gözlerinizi temiz suyla durulayın ve hemen tıbbi yardım alın. Görme kaybına yol açabilir.
5. Batarya kartuşuna kısa devre yaptırmayın:
  - (1) Terminallere herhangi bir iletken madde deđdirmeyin.
  - (2) Batarya kartuşunu çiviler, madeni paralar, vb. gibi başka metal nesnelere aynı kaba koymaktan kaçının.
  - (3) Batarya kartuşunu yağmura ya da suya maruz bırakmayın.

Kısa devre, büyük bir akım akışına, aşırı ısınmaya, olası yanıklara hatta bataryanın bozulmasına yol açabilir.
6. Aleti ve batarya kartuşunu sıcaklığın 50°C ya da daha yükseđe ulaştığı yerlerde saklamayın ve kullanmayın.
7. Aşırı derecede hasar görmüş ya da tamamen kullanılamaz durumda olsa bile batarya kartuşunu yakmayın. Batarya kartuşu ateşe atılırsa patlayabilir.
8. Batarya kartuşunu çivilemeyin, kesmeyin, ezmeyin, fırlatmayın, düşürmeyin ya da batarya kartuşuna sert bir nesne ile vurmeyin. Bu eylemler yangın, aşırı ısı veya patlamaya neden olabilir.
9. Hasarlı bataryayı kullanmayın.
10. Aletin içerdđđi lityum-iyon bataryalar Tehlikeli Eşşalar Yönetmeliğinin gereksinimlerine tabidir. Ticari nakliye işlemleri için, örneğinin üçüncü taraflar, nakliye acenteleri tarafından yapılan nakliyelerde, paketleme ve etiketleme gereksinimlerine uyulmalıdır.

Nakliyesi yapılacak ürünün hazırlanması için, tehlikeli maddeler konusunda uzman bir kişiyi danışın. Lütfen muhtemelen daha ayrıntılı olan ulusal yönetmeliklere de uyun. Açık kontakları bantlayın ya da maskeleyin ve bataryayı paketin içinde hareket etmeyecek şekilde paketleyin.

11. Batarya kartuşunu bertaraf ederken aletten çıkarın ve güvenli bir yerde bertaraf edin. Bataryanın bertaraf edilmesi ile ilgili yerel düzenlemelere uyunuz.
12. Bataryaları sadece Makita tarafından belirtilen ürünlerle kullanın. Bataryaların uyumsuz ürünlere takılması; yangın, aşırı ısınma, patlama ya da elektrolit sızıntısına neden olabilir.
13. Alet uzun süre kullanılmıyacaksa batarya aletten çıkarılmalıdır.
14. Kullanma sırasında ve sonrasında batarya kartuşu ısınarak yanıklara veya düşük sıcaklık yanıklarına yol açabilir. Sıcak batarya kartuşları ile işlem yaparken dikkat edin.
15. Yanıklara neden olabilecek kadar sıcak olabileceğinden kullandıktan hemen sonra aletin terminaline dokunmayın.
16. Batarya kartuşunun terminallerine, deliklerine ve kanallarına micir, toz veya toprak girmesine izin vermeyin. Aletin veya batarya kartuşunun ısınmasına, alev almasına, patlamasına ve arızalanmasına neden olarak yanıklara veya yaralanmaya yol açabilir.
17. Alet yüksek gerilim elektrik güç hatları yakınında kullanımı desteklemediği sürece batarya kartuşunu yüksek gerilim elektrik güç hatlarının yakınında kullanmayın. Aletin veya batarya kartuşunun arızalanmasına veya bozulmasına neden olabilir.
18. Bataryayı çocuklardan uzak tutun.

## BU TALİMATLARI MUHAFAZA EDİNİZ.

**⚠DİKKAT:** Sadece orijinal Makita bataryalarını kullanın. Orijinal olmayan Makita bataryaları ya da üzerine değışiklik yapılmış bataryaların kullanımı bataryanın patlamasına ve sonuç olarak yangın, kişisel yaralanma ve hasara neden olabilir. Ayrıca Makita aleti ve şarj aletinin Makita tarafından sunulan garantisini de geçersiz olur.

## Maksimum batarya ömrü için ipuçları

1. Batarya kartuşunu tamamen boşalmadan önce şarj edin. Aletin gücünün zayıflamaya başladığını fark ettiğinizde aleti durdurun ve batarya kartuşunu şarj edin.
2. Tam dolu bir batarya kartuşunu asla yeniden şarj etmeyin. Aşırı şarj etme bataryanın hizmet ömrünü kısaltır.
3. Batarya kartuşunu 10 °C - 40 °C oda sıcaklığında şarj edin. Sıcak bir batarya kartuşunu şarj etmeden önce soğumasını bekleyin.
4. Batarya kartuşunu kullanmıyorken aletten veya şarj aletinden çıkarın.

## İŞLEVSEL NİTELİKLER

**⚠ DİKKAT:** Alet üzerinde ayarlama veya işleyiş kontrolü yapmadan önce aletin kapalı ve batarya kartuşunun ayrılmış olduğundan daima emin olun.

**⚠ DİKKAT:** Bataryayı takarken parmak(lar)ınızı şekilde gösterildiği gibi süpürge ve batarya arasına kısırtmamaya dikkat edin. Parmak(lar)ın kısırtilması yaralanmaya neden olabilir.

► Şek.1

## Batarya kartuşunun takılması ve çıkarılması

**⚠ DİKKAT:** Batarya kartuşunu takmadan ya da çıkarmadan önce aleti daima kapatın.

**⚠ DİKKAT:** Batarya kartuşunu takarken veya çıkarırken aleti ve batarya kartuşunu sıkıca tutun. Aletin ve batarya kartuşunun sıkıca tutulmaması bunların düşürülmesine sebep olabilir ve alet ve batarya kartuşunun zarar görmesine ya da ciddi yaralanmasına yol açabilir.

► Şek.2: 1. Kırmızı gösterge 2. Düğme 3. Batarya kartuşu

Batarya kartuşunu çıkarmak için, kartuşun ön tarafındaki düğmeyi kaydırarak kartuşu aletten çıkarın.

Batarya kartuşunu takmak için, batarya kartuşu üzerindeki dili yuvanın oluğu ile hizalayın ve kartuşu yerine oturtun. Kartuş, küçük bir tık sesi ile yerine sabitlenene dek sonuna kadar ittirin. Şekilde gösterildiği gibi kırmızı göstergeli görebiliyorsanız tam olarak kilitlenmemiştir demektir.

**⚠ DİKKAT:** Batarya kartuşunu daima kırmızı gösterge görünmeyecek şekilde tam olarak takın. Yerine tam oturmazsa, aletten yanlışlıkla düşebilir, sizin ya da çevrenizdeki kişilerin yaralanmasına neden olabilir.

**⚠ DİKKAT:** Batarya kartuşunu zorlayarak takmayın. Kartuş kolay bir şekilde kaymıyorsa doğru yerleştirilmemiş demektir.

## Batarya koruma sistemi

Bu alet bir batarya koruma sistemi ile donatılmıştır. Bu sistem motora giden gücü otomatik olarak keserek uzun batarya ömrü sağlar.

Alet ve/veya batarya için aşağıdaki durumlardan biri söz konusu olduğunda aletin işleyişi otomatik olarak durur:

### Aşırı yüklenme:

Alet, anormal derecede yüksek akım çekmesine neden olacak şekilde kullanılmaktadır.

Bu durumda, aleti kapatın ve aletin aşırı yüklenmesine neden olan uygulamayı durdurun. Daha sonra aleti yeniden başlaması için çalıştırın.

### Düşük batarya voltajı:

Kalan batarya kapasitesi çok düşüktür ve alet çalışmaz. Aleti çalıştırırsanız, motor tekrar çalışır fakat kısa zaman sonra durur. Bu durum söz konusuysa, bataryayı çıkarıp şarj edin.

## Kalan batarya kapasitesinin gösterilmesi

**Sadece göstergeli batarya kartuşları için**

► Şek.3: 1. Gösterge lambaları 2. Kontrol düğmesi

Kalan batarya kapasitesini göstermesi için batarya kartuşu üzerindeki kontrol düğmesine basın. Gösterge lambaları birkaç saniye yanar.

Gösterge lambaları		Kalan kapasite
Yanıyor	Kapalı	
■ ■ ■ ■	□	%75 ila %100
■ ■ ■ □	□	%50 ila %75
■ ■ □ □	□ □	%25 ila %50
■ □ □ □	□ □ □	%0 ila %25

**NOT:** Kullanım koşullarına ve ortam sıcaklığına bağlı olarak, gösterilen değer gerçek kapasiteden biraz farklılık gösterebilir.

## Anahtar işlemleri

► Şek.4: 1. Açma/hız değiştirme düğmesi 2. Kapatma düğmesi

Süpürgeyi çalıştırmak için açma/hız değiştirme düğmesini itmeniz yeterlidir. Kapatmak için, kapatma düğmesine basın.

Süpürge hızını, açma/hız değiştirme düğmesini iterek üç kademeli olarak değiştirebilirsiniz.

Bu düğmeyi ilk itişinizde yüksek hız geçerli olur, ikinci itişinizde maksimum hıza geçilir, üçüncü itişte ise normal hıza geçilir. Bu düğmeyi her itiş yüksek/maksimum/normal hız döngüsünde bir sonraki kademeye sırayla geçmenizi sağlar.

## Lambaların yakılması

**⚠ DİKKAT:** Işığa bakmayın ya da ışık kaynağını doğrudan görmeyin.

► Şek.5: 1. Açma/hız değiştirme düğmesi 2. Kapatma düğmesi 3. Lamba

Lambayı açmak için açma/hız değiştirme düğmesini itin. Lambayı kapatmak için kapatma düğmesini itin. Alet çalışırken, lamba yanar.

Kalan batarya kapasitesi düşük olduğunda, lamba yanıp sönmeye başlar.

**NOT:** Lambanın yanıp sönmeye başlama zamanı çalışma ortamının sıcaklığına ve batarya kartuşunun koşullarına göre değişir.

# MONTAJ

**⚠ DİKKAT:** Alet üzerinde herhangi bir iş yapmadan önce aletin kapalı ve batarya kartuşunun ayrılmış olduğundan daima emin olun.

## Filtre türü

### Normal filtre

► **Şek.6:** 1. Kapsül 2. Ön filtre 3. Filtre

### Yüksek performanslı filtre

► **Şek.7:** 1. Kapsül 2. Yüksek performanslı filtre

### Ön filtre veya yüksek performanslı filtre ve HEPA filtre

► **Şek.8:** 1. Kapsül 2. Ön filtre 3. Yüksek performanslı filtre 4. HEPA filtre

**ÖNEMLİ NOT:** Yüksek performanslı filtreyi filtre ile (isteğe bağlı aksesuar) kullanmayın. Yüksek performanslı filtre süpürgeден çıkarılamaz hale gelebilir.

**NOT:** İsteğe bağlı ön filtre ve filtreyi HEPA filtre ile kullanırken HEPA filtre üzerinde sadece ön filtreyi kullanın. Ön filtreyi ve filtreyi HEPA filtre ile aynı anda kullanırsanız emiş gücü düşebilir.

**NOT:** HEPA filtreyi yüksek performanslı filtreyle kullanırken yüksek performanslı filtreyi mesnet ile kullanın.

► **Şek.9:** 1. Mesnet

## Tozun boşaltılması

**⚠ DİKKAT:** Aşırı dolmadan veya emme kuvveti zayıflamadan önce süpürgeyi boşaltın.

**⚠ DİKKAT:** Süpürge'nin kendi içindeki tozları da boşaltmayı unutmayın. Bunun yapılmaması filtrenin tıkanmasına veya motorun hasar görmesine neden olabilir.

### Normal filtre için tozun boşaltılması

Kapsüldeki filtre üstüne yapışmış tozları silkelemek için, kapsüle elinizle 4 veya 5 kez vurun.

► **Şek.10:** 1. Kapsül 2. Emme ağız

Emme ağızını aşağı doğru yönlendirin, kapsülü şekilde gösterildiği gibi ok yönünde döndürün ve kapsülü yavaşça ve düz şekilde ayırın.

► **Şek.11:** 1. Kapsül 2. Emme ağız

**NOT:** Kapsül açıldığında tozlar dökülebileceği için kapsülün altına bir çöp torbası yerleştirdiğinizden emin olun.

Kapsülün içinde ve ön filtrede birikmiş tozları temizleyin.

► **Şek.12:** 1. Ön filtre 2. Kapsül

Emniyet dudağını süpürge ünitesinden gevşetmek için ön filtreyi ok yönünde çevirin ve sonra ön filtreyi çekip çıkarın.

► **Şek.13:** 1. Ön filtre 2. Emniyet dudağı

Ön filtreden ince tozları temizleyin. Ardından, filtreyi çıkarın ve tozları silkelemek için hafifçe vurun.

► **Şek.14:** 1. Filtre 2. Ön filtre

### Yüksek performanslı filtre için tozun boşaltılması

Kapsüldeki filtre üstüne yapışmış tozları silkelemek için, kapsüle elinizle 4 veya 5 kez vurun.

Şimdi emme ağızını aşağı doğru yönlendirin, kapsülü şekildeki ok yönünde döndürün ve kapsülü yavaşça ve düz şekilde ayırın.

► **Şek.15:** 1. Kapsül 2. Emme ağız

**NOT:** Kapsül açıldığında toz dökülebilir, bu nedenle kapsülün altına mutlaka bir çöp torbası yerleştirin.

Kapsülün içinde ve yüksek performanslı filtrede birikmiş tozları temizleyin.

► **Şek.16:** 1. Kapsül 2. Yüksek performanslı filtre

Emniyet dudağını süpürge ünitesinden gevşetmek için yüksek performanslı filtreyi ok yönünde çevirin ve sonra filtreyi çekip çıkarın.

► **Şek.17:** 1. Emniyet dudağı

İnce tozu temizleyin ve tozu yüksek performanslı filtreden atmak için hafifçe vurun.

## Tekrar montaj

### Normal filtre için tekrar montaj

Filtreyi, süpürge ünitesi üstüne tam yerleşecek şekilde takın.

► **Şek.18:** 1. Filtre

**ÖNEMLİ NOT:** Filtrenin geri soyulmadan düz şekilde takıldığından emin olun. Filtre şekilde gösterildiği gibi yanlış takılırsa motor bölmesine toz girerek, motor arızasına neden olur.

► **Şek.19:** 1. Filtre

Ön filtreyi takın. Bu sırada, emniyet dudağının süpürge ünitesi içine sıkıca kilitleneceği şekilde ön filtreyi çevirmeyi unutmayın.

► **Şek.20:** 1. Ön filtre 2. Emniyet dudağı

► **Şek.21**

Kapsülü takın. Kapsül üstündeki işareti sap üstündeki işaretle hizalayın ve sonra sabitleninceye kadar kapsülü ok yönünde çevirin.

► **Şek.22:** 1. İşaret

► **Şek.23:** 1. Kapsül 2. Sap 3. İşaret

**NOT:** Tozları daima geç olmadan temizleyin çünkü süpürge içinde çok fazla toz olursa emme gücü azalır.

**ÖNEMLİ NOT:** Süpürgeyi kullanmadan önce filtrenin ve ön filtrenin doğru şekilde takıldığını daima kontrol edin. Eğer doğru takılmazlarsa motor bölmesine toz girerek, motor arızasına neden olur. Aşağıdaki örnek durumlar ortaya çıkarsa filtre ve ön filtre doğru takılmamıştır. Problemi düzeltmek için bunları doğru şekilde yeniden takın.

## Problem Örnekleri

Örnek 1: Sadece ön filtre takılmış (filtre yok)

► **Şek.24:** 1. Ön filtre

Örnek 2: Sadece filtre takılmış (ön filtre yok)

► **Şek.25:** 1. Filtre

Örnek 3: Filtre geri soyulmuş bir şekilde takılmış

► **Şek.26:** 1. Filtre

Örnek 4: Ön filtrenin üzerindeki emniyet dudağı süpürge gövdesindeki oyuk içinde sıkıca kilitlememiş

► **Şek.27:** 1. Emniyet dudağı 2. Ön filtre 3. Süpürge gövdesindeki oyuk

## Yüksek performanslı filtre için tekrar montaj

Yüksek performanslı filtreyi bağlayın. Bu sırada, emniyet dudağı süpürge ünitesi içine sıkıca kilitlemeyecek şekilde yüksek performanslı filtreyi çevirmeyi unutmayın.

► **Şek.28:** 1. Yüksek performanslı filtre 2. Emniyet dudağı

► **Şek.29:** 1. Emniyet dudağı

Kapsülü takın. Kapsül üstündeki işareti sap üstündeki işaretle hizalayın ve sonra sabitleninceye kadar kapsülü ok yönünde çevirin.

► **Şek.30:** 1. İşaret

► **Şek.31:** 1. Kapsül 2. Sap 3. İşaret

**NOT:** Tozları daima geç olmadan temizleyin çünkü süpürge içinde çok fazla toz olursa emme gücü azalır.

**NOT:** Süpürgeyi kullanmadan önce yüksek performanslı filtrenin doğru şekilde takıldığını daima kontrol edin. Eğer doğru takılmazlarsa motor bölmesine toz girerek, motor arızasına neden olur.

Aşağıdaki örnek durumlar ortaya çıkarsa yüksek performanslı filtre doğru takılmamıştır. Problemi düzeltmek için bunları doğru şekilde yeniden takın.

## Problem Örnekleri

Yüksek performanslı filtrenin emniyet dudağı süpürge gövdesindeki oyuğa sıkıca kilitlememiş.

► **Şek.32:** 1. Emniyet dudağı 2. Süpürge gövdesindeki oyuk

## Mesnet / HEPA filtrenin takılması veya çıkarılması

### İsteğe bağlı aksesuar

## Mesnet ve sünger filtre için

Mesnede çıkarmak için mesnet ayaklarının alt kısmından parmaklarınızla yukarı doğru itirin ve oyuğunu süpürge üzerindeki çıkıntıdan kurtarın. Ondan sonra sünger filtreyi çıkarın.

► **Şek.33:** 1. Mesnet 2. Sünger filtre

Takmak için mesnet üzerindeki oyukları süpürge üzerindeki çıkıntı ile hizalayın ve tık sesi ile yerine oturana dek bastırın.

Sünger filtreyi ayakların arasına takın ve orijinal konumuna getirin.

## HEPA filtre için

HEPA filtreyi takarken HEPA filtrenin oyuğunu süpürge üzerindeki çıkıntıya geçirin. Ardından ön filtreyi veya yüksek performanslı filtreyi HEPA filtrenin üzerine yerleştirin ve sabitlemek için çevirin. Çıkarmak için, takma prosedürünü tersinden uygulayın.

► **Şek.34:** 1. HEPA filtre 2. Ön filtre

► **Şek.35:** 1. HEPA filtre 2. Yüksek performanslı filtre

## KULLANIM

**⚠DİKKAT:** Emme başlığı gibi ek parçalar takmak için, ek parçayı ok yönünde çevirip takarak, kullanım sırasında bağlantısının güvenli olmasını sağlayın. Ek parçayı ayırmak için, yine ok yönünde çevirip, dışarı çekin. Takılırken veya ayırırken, ek parça ters yönde çevrilirse kapsül gevşeyebilir.

► **Şek.36:** 1. Kapsül

## Temizlik (Emme)

### Emme başlığı

Masaları, tezgahları, mobilyaları, vb. temizlemek için emme başlığını takın. Emme başlığı kolayca takılır.

► **Şek.37:** 1. Emme başlığı

### Emme başlığı + Uzatma çubuğu (Düz boru)

Uzatma çubuğu emme başlığı ile süpürge arasına takılır. Bu tertibat, zemini ayakta durarak temizleme kolaylığı sağlar.

► **Şek.38:** 1. Süpürge gövdesi 2. Uzatma çubuğu 3. Emme başlığı

### Köşe emme başlığı

Köşeleri ve bir otomobilin veya mobilyaların kuytu yerlerini temizlemek için köşe emme başlığını takın.

► **Şek.39:** 1. Köşe emme başlığı 2. Süpürge gövdesi

### Köşe emme başlığı + Uzatma çubuğu (Düz boru)

Süpürgenin kendisinin içine giremediği sıkı yarıklarda veya ulaşılması zor yüksek yerlerde bu tertibatı kullanın.

► **Şek.40:** 1. Köşe emme başlığı 2. Uzatma çubuğu 3. Süpürge gövdesi

### Emme başlığı olmadan temizleme

Tozları emme başlığı olmadan toplayabilirsiniz.

► **Şek.41**

## BAKIM

**⚠ DİKKAT:** Muayene ya da bakım yapmadan önce aletin kapalı ve batarya kartuşunun çıkartılmış olduğundan daima emin olun.

### Kullanım sonrası

**⚠ DİKKAT:** Süpürgeyi hiçbir destek olmadan duvara dayamak süpürgeyi düşmesine neden olarak yaralanmaya veya süpürgeyi hasar görmesine yol açabilir.

► Şek.42

### Temizleme

**ÖNEMLİ NOT:** Benzin, tiner, alkol ve benzeri maddeleri kesinlikle kullanmayın. Renk değişimi, deformasyon veya çatlaklar oluşabilir.

**ÖNEMLİ NOT:** Süpürge ve filtrelere yapışan tozu, toz alıcı sprey ile temizlemeyin. Gövdenin içine toz girerek arızaya neden olur.

**ÖNEMLİ NOT:** Filtreleri yıkadıktan sonra kullanmadan önce tamamen kurutun. Yeterince kurumamış filtreler emmenin kötüleşmesine ve motorun hizmet ömrünün kısalmasına neden olabilir.

**ÖNEMLİ NOT:** Filtreleri ve sünger filtreyi temizledikten sonra kullanmadan önce bunları mutlaka yeniden takın. Süpürgeyi, filtreleri ve sünger filtre olmadan kullanırsanız motor gövdesinin içine toz girerek arızaya neden olur.

### Süpürge gövdesi

Zaman zaman sabunlu suyla ıslatılmış bir bezle süpürgeyi dış kısmını (süpürge gövdesini) silin. Emme ağzını ve filtre takma bölgesini de temizleyin.

► Şek.43

## Sorun giderme

Onarım yaptırmaya çalışmadan önce aşağıdaki hususları kontrol edin.

Belirti	Muayene edilecek bölge	Giderme yöntemi
Zayıf emme gücü	Kapsül tozla dolu mu?	Kapsüldeki tozu boşaltın.
	Filtre tıkalı mı?	Filtreyi yıkayın veya temizleyin.
	Batarya kartuşunun şarjı bitmiş mi?	Batarya kartuşunu şarj edin.
Çalışmıyor	Batarya kartuşunun şarjı bitmiş mi?	Batarya kartuşunu şarj edin.

**⚠ DİKKAT:** Süpürgeyi kendiniz onarmaya çalışmayın.

Aleti EMNİYETLİ ve ÇALIŞMAYA HAZIR durumda tutmak için onarımlar, başka her türlü bakım ve ayarlamalar daima Makita yedek parçaları kullanılarak Makita yetkili servis merkezleri veya Fabrikamızın Servis Merkezleri tarafından yapılmalıdır.

## Filtre

Filtreyi, tozla tıkanmış ve süpürgeyi temizleme gücü zayıfladığı zaman, sabunlu suyla yıkayın. Kullanmadan önce, filtreyi tamamen kurutun.

► Şek.44

### HEPA filtre

*İsteğe bağlı aksesuar*

**ÖNEMLİ NOT:** HEPA filtreyi fırça veya kürek gibi sert nesnelere ovmayın veya çizmeyin.

HEPA filtrenin tıkanması emme performansında düşüğe neden olur. Filtreyi belli aralıklarla temizleyin.

HEPA filtreyi belirli aralıklarla suyla yıkayıp durulayın ve kullanmadan önce gölgede tamamen kurutun. Filtreyi asla çamaşır makinesinde yıkamayın.

► Şek.45

### Sünger filtre

Sünger filtre kirlendiğinde şu şekilde temizleyin.

1. Filtreyi çıkarın.
2. Sünger filtreyi ayakların arasından çekerek çıkarın.
3. Sünger filtreyi vurarak veya yıkayarak temizleyin. Yıkarsanız kullanmadan önce tamamen kurutun.
4. Sünger filtreyi ayakların arasından takın ve orijinal konumuna getirin. Her bir ayak alt kenarının sünger filtreyi tuttuğundan ve sünger filtre ile emme ağzı arasında boşluk olmadığından emin olun.

► Şek.46: 1. Sünger filtre 2. Ayak alt kenarı

# İSTEĞE BAĞLI AKSESUARLAR

**⚠ DİKKAT:** Bu aksesuarlar ve ek parçalar bu el kitabında belirtilen Makita aletiniz ile kullanılmak için tavsiye edilmektedir. Herhangi başka bir aksesuar ya da ek parça kullanılması insanlar için bir yaralanma riski getirebilir. Aksesuarları ya da ek parçaları yalnızca belirtilmiş olan kullanım amaçlarına uygun olarak kullanın.

Bu aksesuarlarla ilgili daha fazla bilgiye ihtiyaç duyarsanız bulunduğunuz yerdeki yetkili Makita servisine başvurun.

- Uzatma çubuğu (Düz boru)
- Emme başlığı
- Halı ağız
- Raf fırçası
- Köşe emme başlığı
- Koltuk emme başlığı
- Serbest ağız
- Dar alan emme başlığı
- Yuvarlak fırça
- Esnek hortum
- Filtre
- Ön filtre
- Yüksek performanslı filtre
- HEPA filtre
- Siklon ek parçası
- Orijinal Makita batarya ve şarj aleti

**NOT:** Listedeki parçaların bazıları alet paketi içerisinde standart aksesuar olarak dahil edilmiş olabilir. Bunlar ülkeden ülkeye farklılık gösterebilir.

## Siklon ek parçası

- **Şek.47:** 1. Düz boru 2. Siklon ek parçası 3. Emme ağız

## Siklon ek parçası hakkında

Süpürgeyi siklon ek parçası takılı durumda kullanmak kapsüle giren toz miktarını azaltarak emiş gücünün zayıflamasını önlemeye yardımcı olur. EK olarak kullanım sonrası temizleme de kolaylaşır.

**⚠ DİKKAT:** Alet üzerinde herhangi bir işlem yapmadan önce mutlaka aletin kapalı ve batarya kartuşunun çıkarılmış olduğundan emin olun. Batarya kartuşu takılı bırakılırsa süpürge beklenmedik şekilde çalışabilir ve yaralanmaya neden olabilir.

**⚠ DİKKAT:** Siklon ek parçasının gözenekli filtresini ve süpürge ünitesinin filtrelerini tıkanıklarda temizleyin. Tıkalı durumda kullanmaya devam etmek ısınma veya dumana neden olabilir.

**ÖNEMLİ NOT:** Siklon ek parçası takılı iken süpürgeyi yatay veya yukarı bakar durumda kullanmayın. Bunun yapılması gözenekli filtrenin tıkanmasına neden olabilir.

**ÖNEMLİ NOT:** Süpürgeyi, siklon ek parçasını kullanırken bile, her zaman filtreler takılı olarak kullanın. Süpürgeyi filtreler takılı olmadan kullanması motor arızasına neden olabilir.

**NOT:** Kullanmadan önce siklon ek parçası, süpürge ve düz borunun düzgün bir şekilde kilitletiğini kontrol edin.

**NOT:** Toz biriktiğinde siklon ek parçasının toz kutusunu ve süpürgeyi kapsülünü boşaltın. Kullanmaya devam etmek zayıf emiş gücüne yol açar.

## Tozun boşaltılması

Toz kutusunun dolu çizgisine kadar toz biriktiğinde aşağıdaki prosedürü izleyerek tozu boşaltın.

1. Toz kutusunu sıkıca tutun, iki düğmeye basarak basılı tutun ve toz kutusunu çıkarın.  
► **Şek.48:** 1. Dolu çizgisi 2. Toz kutusu 3. Düğme (iki yerde) 4. Gözenekli filtre
2. Toz kutusunun içindeki tozu boşaltın ve gözenekli filtrenin yüzeyine yapışan tüm tozu temizleyin.
3. Toz kutusunu, iki düğme bir tık sesi ile kilitlene kadar sonuna dek sokun.  
► **Şek.49:** 1. Toz kutusu 2. Düğme (iki yerde)

**NOT:** Yeniden çalışmaya başlamadan önce siklon ek parçası, süpürge ve düz borunun hepsinin sıkıca bağlandığını kontrol edin.

**NOT:** Tozu boşalttıktan ve gözenekli filtreyi temizledikten sonra bile emiş gücü toparlanmazsa süpürgeyi kapsülünde toz birikip birikmediğini veya tıkanma olup olmadığını kontrol edin.

## Temizleme

Toz kutusu kirlendiğinde veya gözenekli filtre tıkanığında bunları çıkarıp su ile yıkayın. (Çıkarma prosedürü için "Tozun boşaltılması" kısmına bakın.)

Yeniden takmadan ve kullanmadan önce parçaları tamamen kurutun.

- **Şek.50:** 1. Toz kutusu 2. Gözenekli filtre

Gözenekli filtre çok kirlendiğinde aşağıdaki prosedürleri izleyerek temizleyin.

1. Gözenekli filtreyi saatin aksi yönünde çevirin ve kancalar açıkken çıkarın.  
► **Şek.51:** 1. Gözenekli filtre 2. Kanca
2. Gözenekli filtre üzerindeki tozu temizleyin ve ardından su ile yıkayın. Ondan sonra tamamen kurutun.
3. Gözenekli filtreyi, kancalar açıklık ile hizalanmış durumda tabana sokun. Gözenekli filtreyi, kancalar bir tık sesi ile kilitlene kadar saat yönünde çevirin. Gözenekli filtrenin sıkıca takıldığından emin olun.  
► **Şek.52:** 1. Gözenekli filtre 2. Kanca 3. Açıklık

**Makita Europe N.V.** Jan-Baptist Vinkstraat 2,  
3070 Kortenberg, Belgium

**Makita Corporation** 3-11-8, Sumiyoshi-cho,  
Anjo, Aichi 446-8502 Japan

[www.makita.com](http://www.makita.com)

885637C999  
EN, FR, DE, IT, NL,  
ES, PT, DA, EL, TR  
20211102