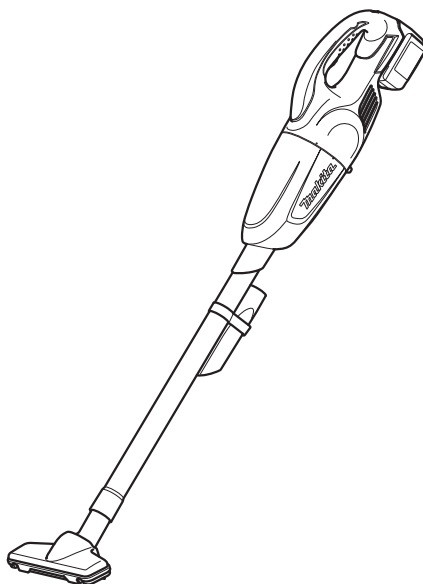
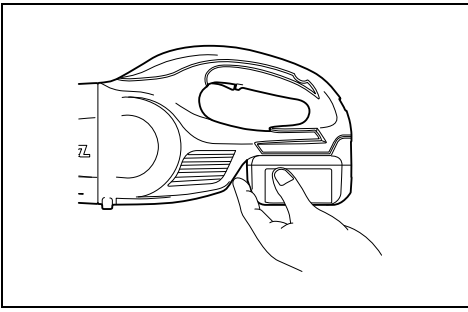




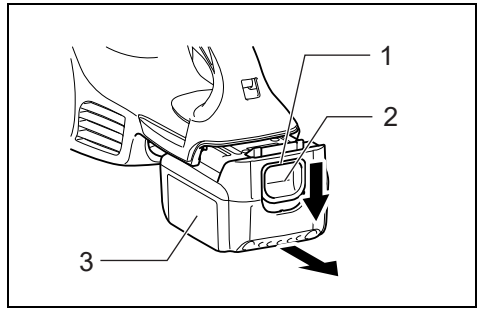
<b>GB</b>	<b>Cordless Cleaner</b>	<b>Instruction Manual</b>
<b>F</b>	<b>Aspirateur sans fil</b>	<b>Manuel d'instructions</b>
<b>D</b>	<b>Akku-Staubsauger</b>	<b>Betriebsanleitung</b>
<b>I</b>	<b>Aspiratore a batteria</b>	<b>Istruzioni per l'uso</b>
<b>NL</b>	<b>Accustofzuiger</b>	<b>Gebruiksaanwijzing</b>
<b>E</b>	<b>Aspirador Inalámbrica</b>	<b>Manual de instrucciones</b>
<b>P</b>	<b>Aspirador de Pó a Bateria</b>	<b>Manual de instruções</b>
<b>DK</b>	<b>Akku-støvsuger</b>	<b>Brugsanvisning</b>
<b>GR</b>	<b>Ηλεκτρικό σκουπάκι χωρίς καλώδιο</b>	<b>Οδηγίες χρήσεως</b>

**DCL180**  
**DCL180F**

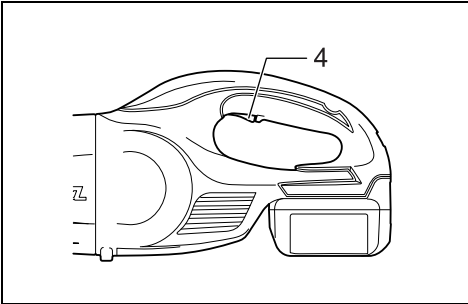




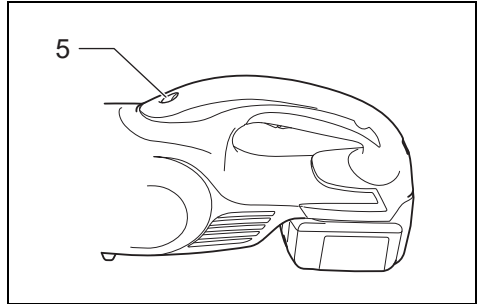
**1** 009984



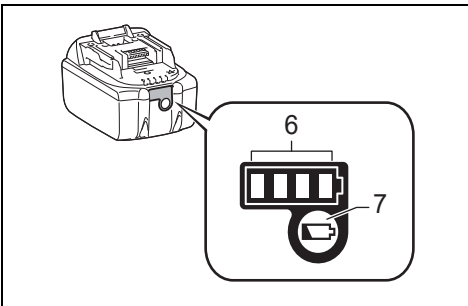
**2** 012129



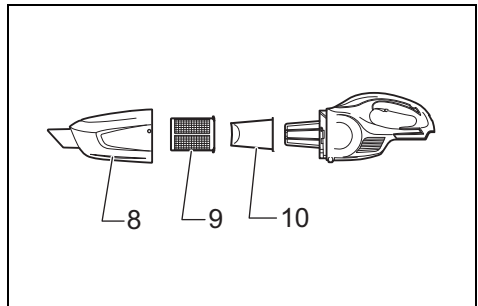
**3** 009986



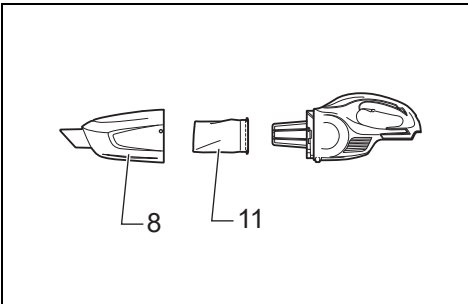
**4** 0966914



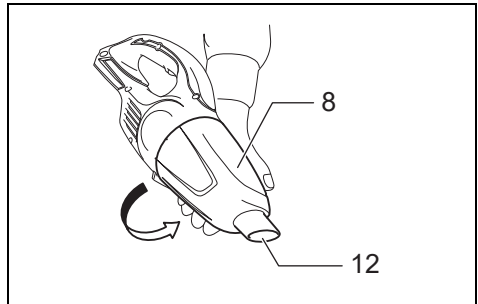
**5** 0966915



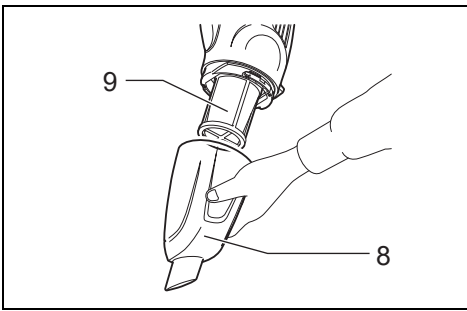
**6** 783001



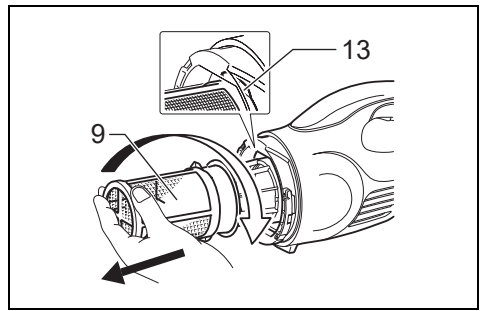
**7** 0966902



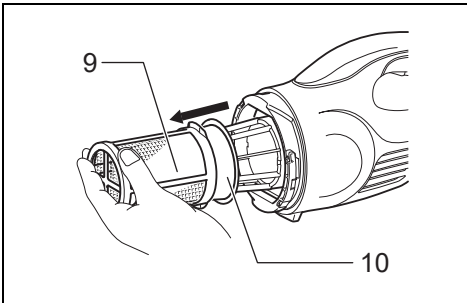
**8** 009993



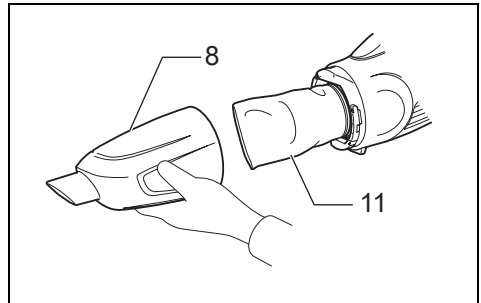
**9** 009994



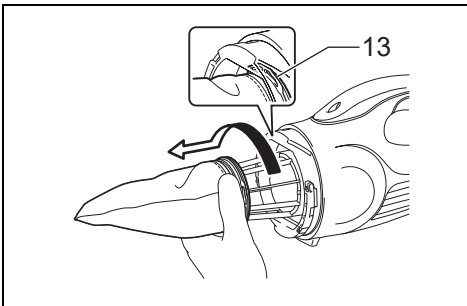
**10** 783002



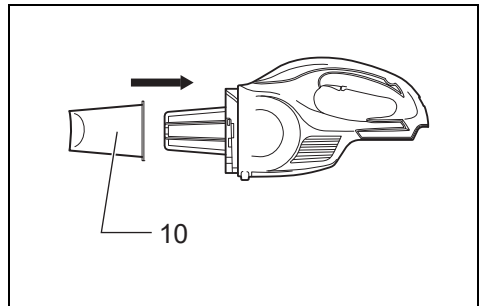
**11** 783003



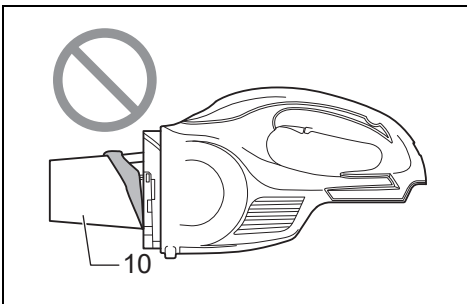
**12** 0966903



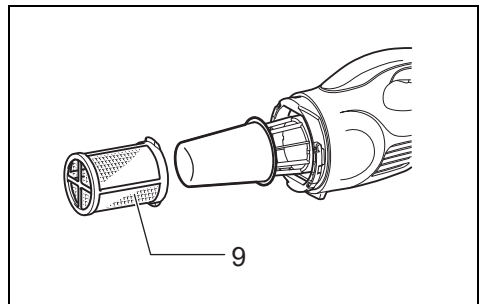
**13** 1043803



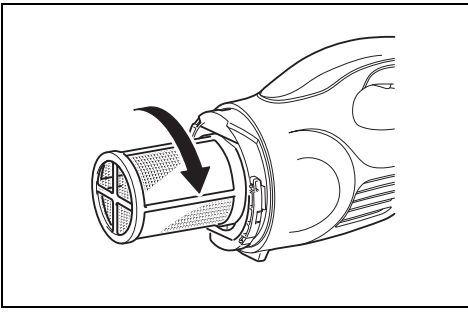
**14** 009997



**15** 0966912

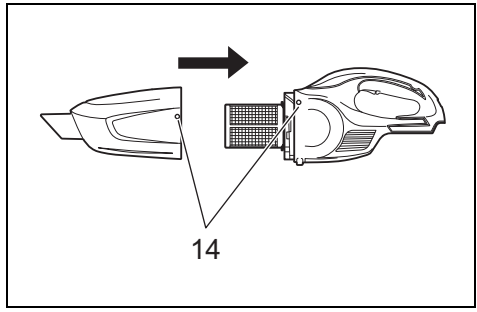


**16** 783004



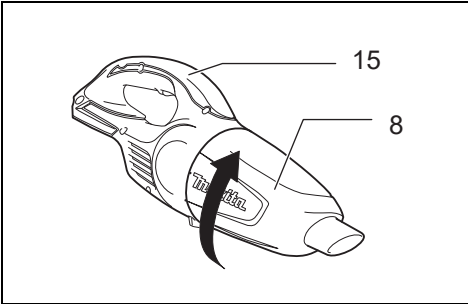
17

783005



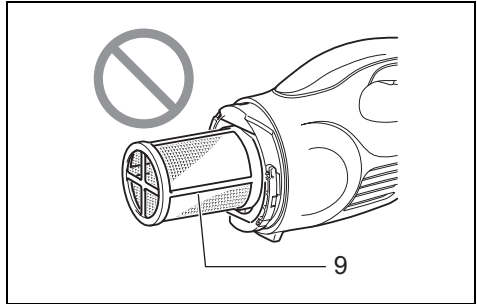
18

783006



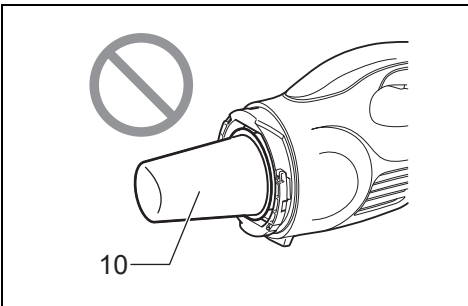
19

010002



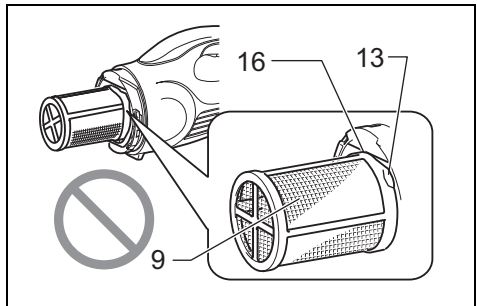
20

783007



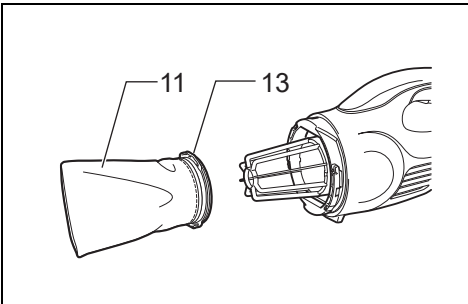
21

0966911



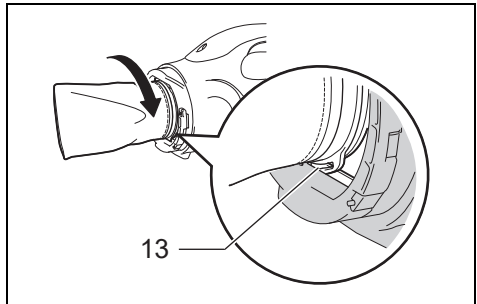
22

783008



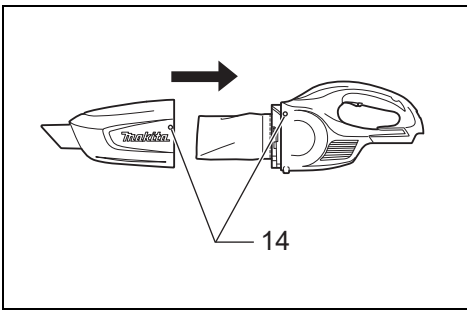
23

1043805



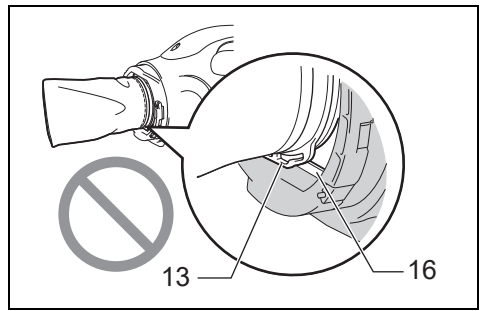
24

0966908



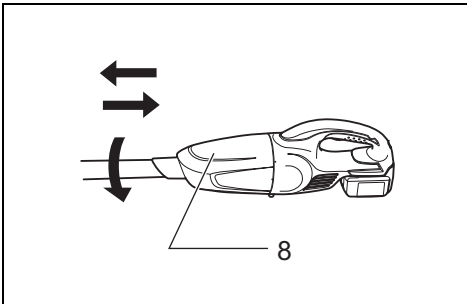
25

0966906



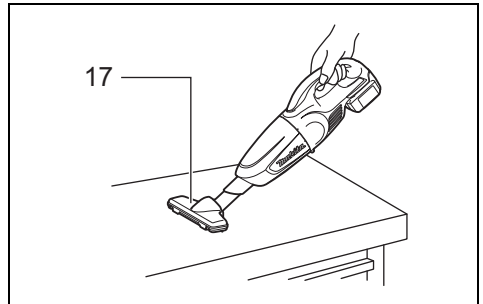
26

0966909



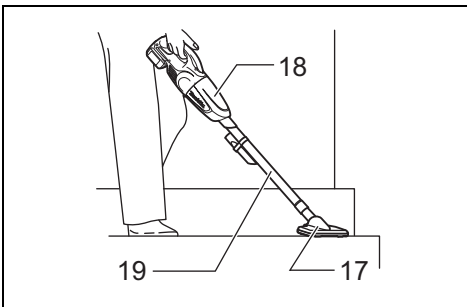
27

009987



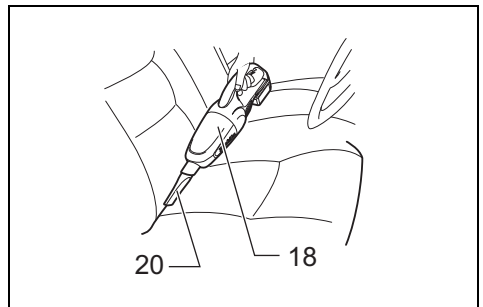
28

009988



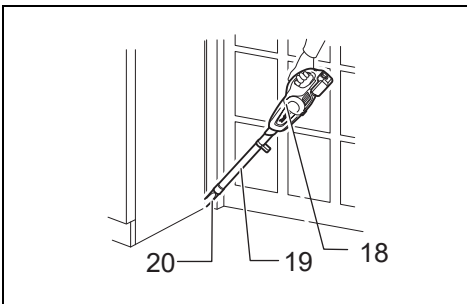
29

009989



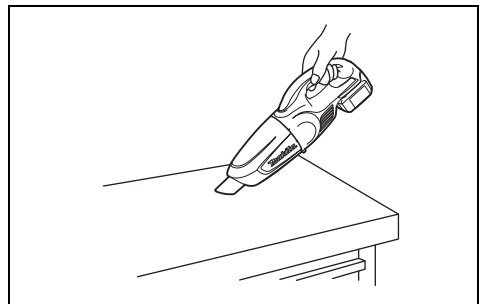
30

009990



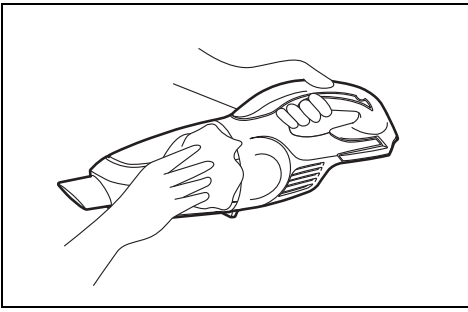
31

009991



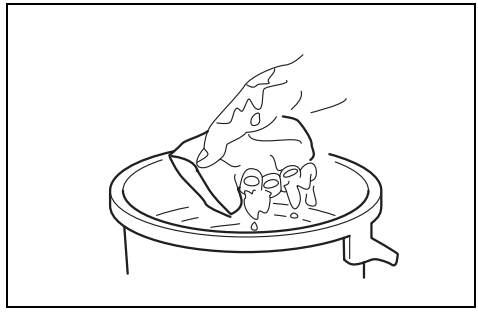
32

010052



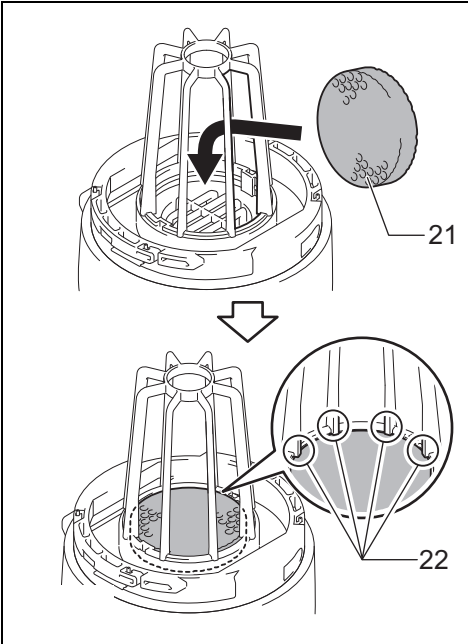
33

010008



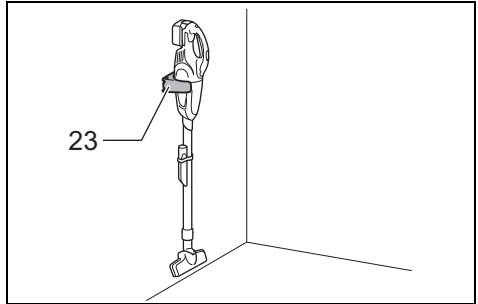
34

010009



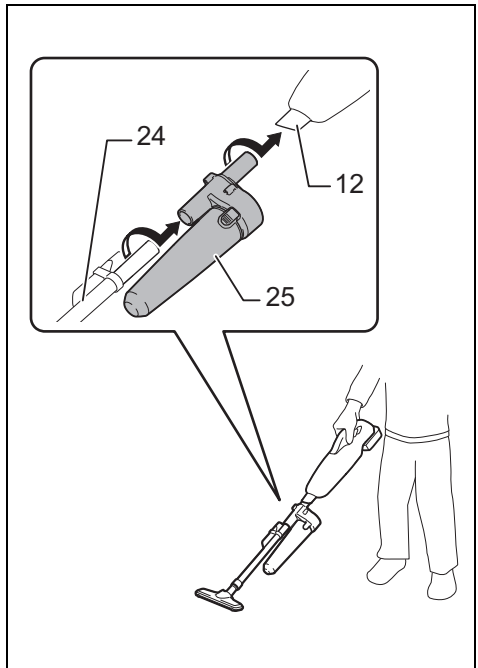
35

1043806



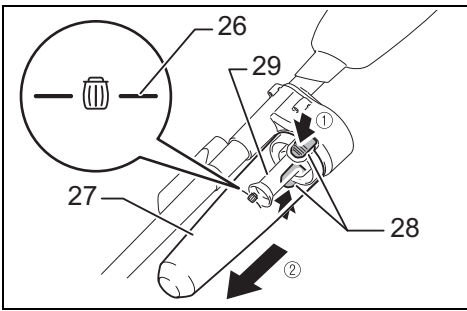
36

1050603



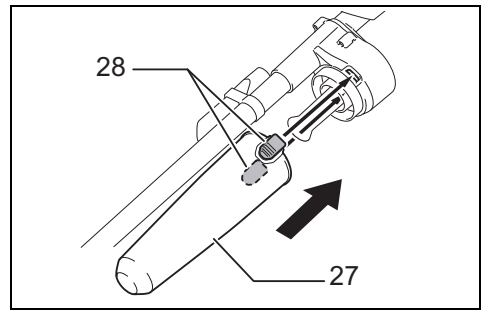
37

1206607



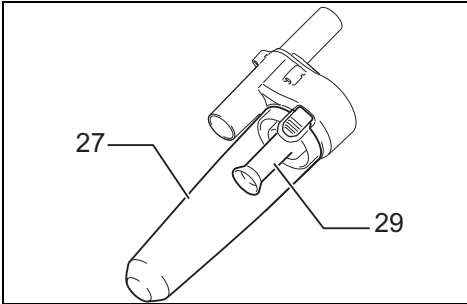
38

1206608



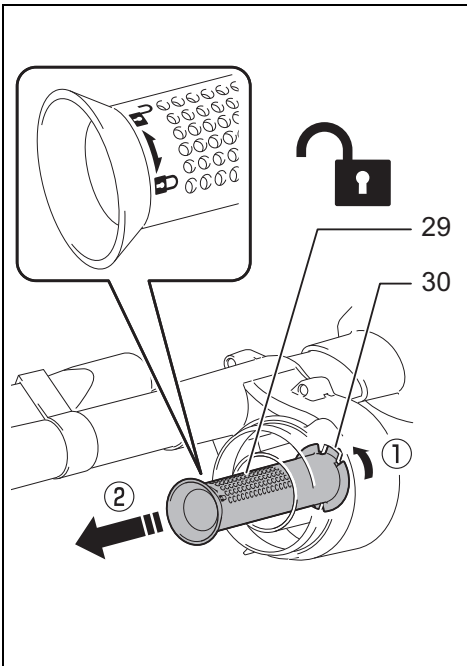
39

1206609



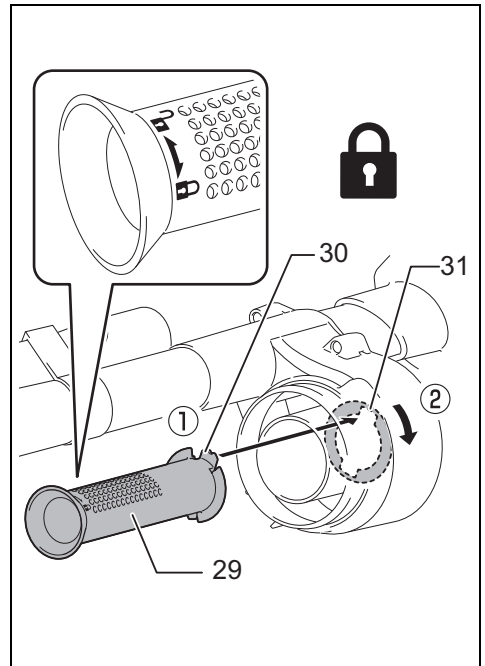
40

1206610



41

1206611



42

1206612

**WARNING**

- This appliance can be used by children aged from 8 years and above and persons with reduced physical, sensory or mental capabilities or lack of experience and knowledge if they have been given supervision or instruction concerning use of the appliance in a safe way and understand the hazards involved.
- Children shall not play with the appliance. Cleaning and user maintenance shall not be made by children without supervision.
- See the chapter "SPECIFICATIONS" for the type reference of the battery.
- See the section "Installing or removing battery cartridge" for how to remove or install the battery.
- When disposing the battery cartridge, remove it from the tool and dispose of it in a safe place. Follow your local regulations relating to disposal of battery.
- If the tool is not used for a long period of time, the battery must be removed from the tool.
- Do not short the battery cartridge.
- See the chapter "MAINTENANCE" for the appropriate details of precautions during user maintenance.

**Explanation of general view**

1 Red indicator	12 Suction inlet	23 Wall mount for cordless cleaner
2 Button	13 Securing lip	24 Straight pipe
3 Battery cartridge	14 O Mark	25 Cyclone attachment
4 Switch trigger	15 Handle	26 Full line
5 Lamp	16 Groove of cleaner housing	27 Dust case
6 Indicator lamps	17 Nozzle	28 Button (two locations)
7 Check button	18 Cleaner body	29 Mesh filter
8 Capsule	19 Extension wand	30 Hook
9 Prefilter	20 Corner nozzle	31 Port
10 Filter	21 Sponge filter	
11 High performance filter	22 Bottom edge of pillar	

**SPECIFICATIONS**

Model	DCL180	DCL180F
Capacity	650 mL	
Continuous use	Approx. 20 min.	
Overall length	999 mm	
Net weight	1.2 - 1.5 kg	1.3 - 1.6 kg
Rated voltage	D.C. 18 V	

- Due to our continuing program of research and development, the specifications herein are subject to change without notice.
- Specifications may differ from country to country.
- The weight does not include accessories but battery cartridge(s). The lightest and heaviest combination weight of the appliance and battery cartridge(s) are shown in the table.

**Applicable battery cartridge and charger**

Battery cartridge	BL1815N / BL1820B / BL1830B / BL1840B / BL1850B / BL1860B
Charger	DC18RC / DC18RD / DC18RE / DC18SD / DC18SE / DC18SF / DC18SH / DC18WC

- Some of the battery cartridges and chargers listed above may not be available depending on your region of residence.

**WARNING: Only use the battery cartridges and chargers listed above.** Use of any other battery cartridges and chargers may cause injury and/or fire.



## Symbols

The followings show the symbols which may be used for the equipment. Be sure that you understand their meaning before use.



- Read instruction manual.



- Only for EU countries

Due to the presence of hazardous components in the equipment, waste electrical and electronic equipment, accumulators and batteries may have a negative impact on the environment and human health.

Do not dispose of electrical and electronic appliances or batteries with household waste!

In accordance with the European Directive on waste electrical and electronic equipment and on accumulators and batteries and waste accumulators and batteries, as well as their adaptation to national law, waste electrical equipment, batteries and accumulators should be stored separately and delivered to a separate collection point for municipal waste, operating in accordance with the regulations on environmental protection.

This is indicated by the symbol of the crossed-out wheeled bin placed on the equipment.

ENE017-1

## Intended use

The tool is intended for collecting dry dust.

ENA007-3

## Cordless cleaner safety warnings

**WARNING – IMPORTANT! READ CAREFULLY all safety warnings and all instructions BEFORE USE.** Failure to follow the warnings and instructions may result in electric shock, fire and/or serious injury.

1. Do not expose to rain. Store indoors.
2. Do not allow to be used as a toy. Close attention is necessary when used by or near children.
3. Use only as described in this manual. Use only manufacturer's recommended attachments.
4. Do not use with damaged battery. If appliance is not working as it should, has been dropped, damaged, left outdoors, or dropped into water, return it to a service center.
5. Do not handle appliance with wet hands.
6. Do not put any object into openings. Do not use with any opening blocked; keep free of dust, lint, hair, and anything that may reduce air flow.
7. Keep hair, loose clothing, fingers, and all parts of body away from openings and moving parts.
8. Turn off all controls before removing the battery.
9. Use extra care when cleaning on stairs.
10. Do not use to pick up flammable or combustible liquids, such as gasoline, or use in areas where they may be present.
11. Use only the charger supplied by the manufacturer to recharge.

12. Do not pick up anything that is burning or smoking, such as cigarettes, matches, or hot ashes.
13. Do not use without dust bag and/or filters in place.
14. Do not charge the battery outdoors.
15. Recharge only with the charger specified by the manufacturer. A charger that is suitable for one type of battery pack may create a risk of fire when used with another battery pack.
16. Use appliances only with specifically designated battery packs. Use of any other battery packs may create a risk of injury and fire.
17. When (the) battery pack is not in use, keep it away from other metal objects, like paper clips, coins, keys, nails, screws or other small metal objects, that can make a connection from one terminal to another.
18. Under abusive conditions, liquid may be ejected from the battery; avoid contact. If contact accidentally occurs, flush with water.
19. Do not use a battery pack or appliance that is damaged or modified. Damaged or modified batteries may exhibit unpredictable behaviour resulting in fire, explosion or risk of injury.
20. Do not expose a battery pack or appliance to fire or excessive temperature. Exposure to fire or temperature above 130 °C may cause explosion.
21. Follow all charging instructions and do not charge the battery pack or appliance outside the temperature range specified in the instructions. Charging improperly or at temperatures outside the specified range may damage the battery and increase the risk of fire.

## SAVE THESE INSTRUCTIONS.

ENB127-1

## ADDITIONAL SAFETY RULES

This appliance is intended for household use.

1. Read this instruction manual and the charger instruction manual carefully before use.
2. Do not pick up the following materials:
  - Hot materials such as lit cigarettes or spark/metal dust generated by grinding/cutting metal
  - Flammable materials such as gasoline, thinner, benzene, kerosene or paint
  - Explosive materials like nitroglycerin
  - Ignitable materials such as Aluminium, zinc, magnesium, titanium, phosphorus or celluloid
  - Wet dirt, water, oil or the like
  - Hard pieces with sharp edges, such as wood chips, metals, stones, glasses, nails, pins or razors
  - Powder to clot such as cement or toner
  - Conductive dust such as metal or carbon
  - Fine particle like concrete dust

Such action may cause fire, injury and/or property damage.

3. Stop operation immediately if you notice anything abnormal.
4. If you drop or strike the cleaner, check it carefully for cracks or damage before operation.
5. Do not bring close to stoves or other heat sources.

6. Do not block the intake hole or vent holes.

## SAVE THESE INSTRUCTIONS.

ENC007-17

### IMPORTANT SAFETY INSTRUCTIONS FOR BATTERY CARTRIDGE

1. Before using battery cartridge, read all instructions and cautionary markings on (1) battery charger, (2) battery, and (3) product using battery.
2. Do not disassemble or tamper the battery cartridge. It may result in a fire, excessive heat, or explosion.
3. If operating time has become excessively shorter, stop operating immediately. It may result in a risk of overheating, possible burns and even an explosion.
4. If electrolyte gets into your eyes, rinse them out with clear water and seek medical attention right away. It may result in loss of your eyesight.
5. Do not short the battery cartridge:
  - (1) Do not touch the terminals with any conductive material.
  - (2) Avoid storing battery cartridge in a container with other metal objects such as nails, coins, etc.
  - (3) Do not expose battery cartridge to water or rain.

A battery short can cause a large current flow, overheating, possible burns and even a breakdown.

6. Do not store and use the tool and battery cartridge in locations where the temperature may reach or exceed 50°C (122°F).
7. Do not incinerate the battery cartridge even if it is severely damaged or is completely worn out. The battery cartridge can explode in a fire.
8. Do not nail, cut, crush, throw, drop the battery cartridge, or hit against a hard object to the battery cartridge. Such conduct may result in a fire, excessive heat, or explosion.
9. Do not use a damaged battery.
10. The contained lithium-ion batteries are subject to the Dangerous Goods Legislation requirements.

For commercial transports e.g. by third parties, forwarding agents, special requirement on packaging and labeling must be observed.

For preparation of the item being shipped, consulting an expert for hazardous material is required. Please also observe possibly more detailed national regulations.

Tape or mask off open contacts and pack up the battery in such a manner that it cannot move around in the packaging.

11. When disposing the battery cartridge, remove it from the tool and dispose of it in a safe place. Follow your local regulations relating to disposal of battery.
12. Use the batteries only with the products specified by Makita. Installing the batteries to non-compliant products may result in a fire, excessive heat, explosion, or leak of electrolyte.
13. If the tool is not used for a long period of time, the battery must be removed from the tool.

14. During and after use, the battery cartridge may take on heat which can cause burns or low temperature burns. Pay attention to the handling of hot battery cartridges.
15. Do not touch the terminal of the tool immediately after use as it may get hot enough to cause burns.
16. Do not allow chips, dust, or soil stuck into the terminals, holes, and grooves of the battery cartridge. It may cause heating, catching fire, burst and malfunction of the tool or battery cartridge, resulting in burns or personal injury.
17. Unless the tool supports the use near high-voltage electrical power lines, do not use the battery cartridge near a high-voltage electrical power lines. It may result in a malfunction or breakdown of the tool or battery cartridge.
18. Keep the battery away from children.

## SAVE THESE INSTRUCTIONS.

### CAUTION:

- Only use genuine Makita batteries. Use of non-genuine Makita batteries, or batteries that have been altered, may result in the battery bursting causing fires, personal injury and damage. It will also void the Makita warranty for the Makita tool and charger.

### Tips for maintaining maximum battery life

1. Charge the battery cartridge before completely discharged. Always stop tool operation and charge the battery cartridge when you notice less tool power.
2. Never recharge a fully charged battery cartridge. Overcharging shortens the battery service life.
3. Charge the battery cartridge with room temperature at 10°C – 40°C (50°F – 104°F). Let a hot battery cartridge cool down before charging it.
4. When not using the battery cartridge, remove it from the tool or the charger.
5. Charge the battery cartridge if you do not use it for a long period (more than six months).

## FUNCTIONAL DESCRIPTION

### CAUTION:

- Always be sure that the tool is switched off and the battery cartridge is removed before adjusting or checking function on the tool.
- Take care not to trap finger(s) between cleaner and battery as shown in diagram when loading battery. Trapping finger(s) may cause injury. (Fig. 1)

### Installing or removing battery cartridge (Fig. 2)

### CAUTION:

- Always switch off the tool before installing or removing of the battery cartridge.
- Hold the tool and the battery cartridge firmly when installing or removing battery cartridge. Failure to hold the tool and the battery cartridge firmly may cause them to slip off your hands and result in damage to the tool and battery cartridge and a personal injury.

To remove the battery cartridge, slide it from the tool while sliding the button on the front of the cartridge.

To install the battery cartridge, align the tongue on the battery cartridge with the groove in the housing and slip it into place. Insert it all the way until it locks in place with a little click. If you can see the red indicator on the upper side of the button, it is not locked completely.

**CAUTION:**

- Always install the battery cartridge fully until the red indicator cannot be seen. If not, it may accidentally fall out of the tool, causing injury to you or someone around you.
- Do not install the battery cartridge forcibly. If the cartridge does not slide in easily, it is not being inserted correctly.

**Battery protection system**

The tool is equipped with a tool/battery protection system. This system automatically cuts off power to the motor to extend tool and battery life. The tool will automatically stop during operation if the tool or battery is placed under one of the following conditions.

**Overloaded:**

The tool is operated in a manner that causes it to draw an abnormally high current.

In this situation, turn the tool off and stop the application that caused the tool to become overloaded. Then turn the tool on to restart.

If the tool does not start, the battery is overheated. In this situation, let the battery cool before turning the tool on again.

**Low battery voltage:**

The remaining battery capacity is too low and the tool will not operate. In this situation, remove and recharge the battery.

**Switch action (Fig. 3)****CAUTION:**

- Before inserting the battery cartridge into the tool, always check to see that the switch trigger actuates properly and returns to the "OFF" position when released.

To start the tool, simply pull the switch trigger. Release the switch trigger to stop.

**Lighting the lamp****For Model DCL180F only****CAUTION:**

- Never look into the light directly. Direct light causes damage to your eyes. (Fig. 4)

Pull the switch trigger to light up the lamp. Release the switch trigger to turn off.

**Indicating the remaining battery capacity****Only for battery cartridges with the indicator (Fig. 5)**

Press the check button on the battery cartridge to indicate the remaining battery capacity. The indicator lamps light up for few seconds.

Indicator lamps			Remaining capacity
Lighted	Off	Blinking	
■	□	◐	75% to 100%
■	■	■	
■	■	□	50% to 75%
■	■	□	25% to 50%
■	□	□	0% to 25%
◐	□	□	Charge the battery.
■	■	□	The battery may have malfunctioned.
□	□	■	

**NOTE:**

- Depending on the conditions of use and the ambient temperature, the indication may differ slightly from the actual capacity.

**ASSEMBLY****CAUTION:**

- Always be sure that the tool is switched off and the battery cartridge is removed before carrying out any work on the tool.

**Type of filter****Normal filter (Fig. 6)****High performance filter (Fig. 7)****Disposing of dust****CAUTION:**

- Empty the cleaner before it becomes too full, or the suction force weakens.
- Be sure to empty out the dust inside the cleaner itself. Failure to do so may cause the filter to be clogged or the motor to be damaged.

**Disposing of dust for normal filter**

In order to drop dust sticking on the filter in the capsule, tap the capsule 4 or 5 times with your hand.

Now point suction inlet downwards, turn capsule in direction of arrow in diagram, and disconnect capsule slowly and straight. (Fig. 8)

**NOTE:**

- Dust may spill out when capsule is opened, so be sure to set a garbage bag beneath capsule.

Remove accumulated dust from inside of capsule and off of prefilter. (Fig. 9)

Twist prefilter in direction of arrow to unfasten securing lip from cleaner unit and then pull off prefilter. (Fig. 10)

Clean out fine dust from prefilter. Next, remove filter, and lightly tap to dislodge dust. (Fig. 11)

**Disposing of dust for high performance filter**

In order to drop dust sticking on the filter in the capsule, tap the capsule 4 or 5 times with your hand.

Now point suction inlet downwards, turn capsule in direction of arrow in diagram, and disconnect capsule slowly and straight. (Fig. 8)

**NOTE:**

- Dust may spill out when capsule is opened, so be sure to set a garbage bag beneath capsule.

Remove accumulated dust from inside of capsule and off of high performance filter. (Fig. 12)

Twist high performance filter in direction of arrow to unfasten securing lip from cleaner unit and then pull off the filter. (Fig. 13)

Clean out the fine dust and lightly tap to dislodge dust from high performance filter.

**Reassembly****Reassembly for normal filter**

Put on filter until it is fully in position on the cleaner unit. (Fig. 14)

**NOTE:**

- Make sure filter is put on straight without being peeled back. If filter is put on incorrectly as shown in diagram, dust will get into motor housing, and cause motor failure. (Fig. 15)

Connect prefilter. At this time, make sure to twist prefilter so that securing lip is firmly locked into cleaner unit. (Fig. 16 & 17)

Connect capsule. Align O symbol on capsule with O symbol on handle and then firmly twist capsule in direction of arrow until it is secured. (Fig. 18 & 19)

**NOTE:**

- Always remove dust ahead of time, as suction power will be reduced if there is too much dust in cleaner.
  - Always be sure to check that both filter and prefilter are loaded correctly prior to using cleaner. If they are not loaded correctly, dust will get into the motor housing, and cause motor failure.
- If the following examples occur, filter and prefilter are not loaded correctly. Reload them correctly to rectify problem.

**Problem Examples**

Example 1: Only prefilter has been loaded (no filter) (Fig. 20)

Example 2: Only filter has been loaded (no prefilter) (Fig. 21)

Example 3: Filter has been loaded in a peeled back state (Fig. 15)

Example 4: Prefilter's securing lip is not firmly locked into groove of cleaner housing (Fig. 22)

**Reassembly for high performance filter**

Connect high performance filter. At this time, make sure to twist high performance filter so that securing lip is firmly locked into cleaner unit. (Fig. 23 & 24)

Connect capsule. Align O symbol on capsule with O symbol on handle and then firmly twist capsule in direction of arrow until it is secured. (Fig. 25 & 19)

**NOTE:**

- Always remove dust ahead of time, as suction power will be reduced if there is too much dust in cleaner.
  - Always be sure to check that high performance filter is loaded correctly prior to using cleaner. If they are not loaded correctly, dust will get into the motor housing, and cause motor failure.
- If the following examples occur, high performance filter is not loaded correctly. Reload them correctly to rectify problem.

**Problem Examples**

Securing lip of high performance filter is not firmly locked into groove of cleaner housing. (Fig. 26)

**OPERATION****CAUTION:**

- To connect attachments, such as nozzle, twist-insert attachment in direction of arrow to ensure secure connection during use. To disconnect attachment, twist-extract also in direction of arrow.
- If attachment is twisted in the opposite direction, when being connected or disconnected, capsule may become loose. (Fig. 27)

**Cleaning (Suction)****Nozzle (Fig. 28)**

Attach the nozzle to clean off tables, desks, furniture, etc. Nozzle slips on easily.

**Nozzle + Extension wand (Straight pipe) (Fig. 29)**

The extension wand fits in between the nozzle and the cleaner itself. This arrangement is convenient for cleaning a floor while standing erect.

**Corner nozzle (Fig. 30)**

Fit on the corner nozzle for cleaning corners and crevices of a car or furniture.

**Corner nozzle + Extension wand (Straight pipe) (Fig. 31)**

In tight quarters where the cleaner itself cannot squeeze in, or in high places hard to reach, use this arrangement.

**Cleaning without nozzle (Fig. 32)**

You can pick up powder and dust without nozzle.

**MAINTENANCE****CAUTION:**

- Always be sure that the tool is switched off before attempting to perform inspection or maintenance.

**Cleaning****NOTICE:**

- **Never use gasoline, benzine, thinner, alcohol or the like. Discoloration, deformation or cracks may result.**
- **Do not blow dust sticking on the cleaner and filters by air duster.** It brings dust into the housing and causes failure.
- **After washing filters, dry them thoroughly before use.** Insufficiently dried filters may cause poor suction and shorten the service life of the motor.
- **After cleaning filters and sponge filter, be sure to re-install them before use.** If you use the cleaner without filters and sponge filter, dust comes into the motor housing and cause malfunction.

**Cleaner body**

From time to time wipe off the outside (cleaner body) of the cleaner using a cloth dampened in soapy water. Clean out also the suction opening and filter mounting area. (Fig. 33)

**Filter**

Wash the filter in soapy water when it is clogged with dust and the cleaner power becomes weak. Dry it out thoroughly before use. (Fig. 34)

### Sponge filter

When the sponge filter becomes dirty, clean it as follows.

1. Remove the filter.
2. Pull out the sponge filter from between the pillars.
3. Clean the sponge filter by tapping or washing. If you wash it, dry it out thoroughly before use.
4. Insert the sponge filter from between the pillars and set it in the original position. Make sure that each bottom edge of the pillar holds down the sponge filter, and there is no gap between the sponge filter and suction opening. (Fig. 35)

### Wall mount for cordless cleaner

#### Optional accessory

#### NOTE:

- The screw to mount the holder is not included. Prepare a screw which fits with the material to screw into.

Attach the wall mount for cordless cleaner to a hard wooden wall, beam or column, where the wall mount for cordless cleaner can be firmly secured. Always be sure that the wall mount for cordless cleaner is securely attached before hanging the cleaner. (Fig. 36)

#### CAUTION:

- **Do not hang the cleaner to the wall mount violently or hang other appliances than the cleaner.**

### Things to Check Before Asking for Repairs

Symptom	Area to be investigated	Fixing method
Weak suction power	<ul style="list-style-type: none"><li>• Is capsule full of dust?</li><li>• Is filter clogged?</li><li>• Is the battery cartridge discharged?</li></ul>	<ul style="list-style-type: none"><li>• Empty dust from capsule.</li><li>• Dust down or wash filter.</li><li>• Recharge battery.</li></ul>
Not working	<ul style="list-style-type: none"><li>• Is the battery cartridge discharged?</li></ul>	<ul style="list-style-type: none"><li>• Recharge battery.</li></ul>

010051

#### NOTE:

- Do not attempt to repair cleaner by yourself.

To maintain product SAFETY and RELIABILITY, repairs, any other maintenance or adjustment should be performed by Makita Authorized Service Centers, always using Makita replacement parts.

### OPTIONAL ACCESSORIES

#### CAUTION:

- These accessories or attachments are recommended for use with your Makita tool specified in this manual. The use of any other accessories or attachments might present a risk of injury to persons. Only use accessory or attachment for its stated purpose.

If you need any assistance for more details regarding these accessories, ask your local Makita Service Center.

- Extension wand (Straight pipe)
- Nozzle
- Nozzle for carpet
- Shelf brush
- Corner nozzle
- Round brush
- Flexible hose
- Filter
- Prefilter
- High performance filter
- Wall mount for cordless cleaner
- Cyclone attachment
- Makita genuine battery and charger

#### NOTE:

- Some items in the list may be included in the tool package as standard accessories. They may differ from country to country.

### Cyclone attachment (Fig. 37)

#### About the cyclone attachment

Using the cleaner with the cyclone attachment installed reduces the amount of dust that enters the capsule, which helps to prevent the suction force from weakening. In addition, cleaning after use is also simple.

#### CAUTION:

- **Always be sure that the tool is switched off and the battery cartridge is removed before carrying out any work on the tool.** If the battery cartridge is left inserted, the cleaner may start unexpectedly and result in injury.
- **Clean the mesh filter of the cyclone attachment and the filters of the cleaner unit when they become clogged.** Continued use in the clogged condition may result in heating or smoke.

#### NOTE:

- **When the cyclone attachment is attached, do not use the cleaner in the horizontal or upward facing condition.** Doing so may cause the mesh filter to become clogged.
- **Always use the cleaner with the filters installed, even when using the cyclone attachment.** Using the cleaner without the filters installed may result in a motor malfunction.

#### NOTE:

- Check that the cyclone attachment, cleaner, and straight pipe are locked properly before use.
- Empty the dust case of the cyclone attachment and the capsule of the cleaner when dust has accumulated. Continued use will result in weakened suction force.

#### Disposing of dust

When dust has accumulated up to the full line of the dust case, follow the procedure below and dispose of the dust.

1. Hold the dust case firmly, press and hold the two buttons, and remove the dust case. (Fig. 38)

2. Dispose of the dust inside the dust case and remove any dust and powder adhered to the surface of the mesh filter.
3. Insert the dust case all the way until the two buttons lock with a click. **(Fig. 39)**

**NOTE:**

- Check that the cyclone attachment, cleaner, and straight pipe are all firmly connected before restarting operation.
- If the suction force does not recover even after disposing of the dust and cleaning the mesh filter, check whether dust has accumulated in the capsule of the cleaner or clogging has occurred.

**Cleaning**

When the dust case becomes dirty or the mesh filter is clogged, remove and wash them with water. (Refer to "Disposing of dust" for the removal procedure.)

Dry the parts thoroughly before reinstallation and use. **(Fig. 40)**

When the mesh filter gets dirty badly, clean it in the following procedures.

1. Turn the mesh filter counterclockwise and remove it while the hooks are unlocked. **(Fig. 41)**
2. Remove the dust on the mesh filter and then wash it with water. After that, dry it thoroughly.
3. Insert the mesh filter into the base while the hooks are aligned with the port. Turn the mesh filter clockwise until the hooks are locked with a click. Make sure that the mesh filter is installed securely. **(Fig. 42)**

## AVERTISSEMENT

- Cet appareil peut être utilisé par des enfants de 8 ans et plus, ainsi que par des personnes aux facultés physiques, sensorielles ou mentales diminuées ou sans expérience ni expertise sous la surveillance d'un adulte ou s'ils ont reçu des instructions concernant l'utilisation en toute sécurité de l'appareil et s'ils comprennent les risques encourus.
- Ne laissez pas les enfants jouer avec l'appareil. Le nettoyage et l'entretien à la charge de l'utilisateur ne doivent pas être réalisés par des enfants sans surveillance.
- Voir le chapitre « SPÉCIFICATIONS » pour la désignation de la batterie.
- Voir la section « Insertion ou retrait de la batterie » pour la méthode de retrait ou d'insertion de la batterie.
- Une fois la batterie arrivée en fin de vie, retirez-la de l'outil et déposez-la en lieu sûr. Respectez la réglementation locale en matière de mise au rebut des batteries.
- Lorsque vous n'utilisez pas l'outil pendant une période prolongée, la batterie doit être retirée de l'outil.
- Ne court-circuitiez pas la batterie.
- Voir le chapitre « ENTRETIEN » pour des précautions détaillées pendant l'entretien à la charge de l'utilisateur.

### Descriptif

1	Témoin rouge	12	Entrée d'aspiration	23	Fixation murale pour aspirateur sans fil
2	Bouton	13	Onglet de blocage	24	Tuyau droit
3	Batterie	14	Repère O	25	Collecteur cyclone
4	Gâchette	15	Poignée	26	Ligne Plein
5	Lampe	16	Rainure du carter de l'aspirateur	27	Logement à poussières
6	Témoins	17	Raccord	28	Bouton (deux emplacements)
7	Bouton de vérification	18	Aspirateur	29	Filtre à maille
8	Capsule	19	Tube prolongateur	30	Crochet
9	Préfiltre	20	Raccord pour coin	31	Orifice
10	Filtre	21	Filtre éponge		
11	Filtre haute performance	22	Bord inférieur de montant		

## SPÉCIFICATIONS

Modèle	DCL180	DCL180F
Capacité	650 mL	
Utilisation continue	Environ 20 min.	
Longueur totale	999 mm	
Poids net	1,2 - 1,5 kg	1,3 - 1,6 kg
Tension nominale	C.c. 18 V	

- Étant donné l'évolution constante de notre programme de recherche et de développement, les spécifications contenues dans ce manuel sont sujettes à modification sans préavis.
- Les spécifications peuvent varier suivant les pays.
- Le poids ne comprend pas les accessoires, mais la ou les batteries. Le poids combiné le plus léger et le plus lourd de l'appareil et de la ou des batteries est indiqué dans le tableau.

### Batterie et chargeur applicables

Batterie	BL1815N / BL1820B / BL1830B / BL1840B / BL1850B / BL1860B
Chargeur	DC18RC / DC18RD / DC18RE / DC18SD / DC18SE / DC18SF / DC18SH / DC18WC

- Certains chargeurs et batteries répertoriés ci-dessus peuvent ne pas être disponibles selon la région où vous résidez.

**AVERTISSEMENT : N'utilisez que les batteries et les chargeurs répertoriés ci-dessus.** L'utilisation d'autres batteries et chargeurs peut provoquer des blessures et/ou un incendie.

## Symboles

Vous trouverez ci-dessous les symboles susceptibles d'être utilisés pour l'appareil. Veuillez à comprendre leur signification avant toute utilisation.



- Lisez le manuel d'instruction.



- Pour les pays de l'Union européenne uniquement  
En raison de la présence de composants dangereux dans l'équipement, les déchets d'équipements électriques et électroniques, les accumulateurs et les batteries peuvent avoir un impact négatif sur l'environnement et la santé humaine.  
Ne jetez pas les appareils électriques et électroniques ou les batteries avec les ordures ménagères !  
Conformément à la directive européenne relative aux déchets d'équipements électriques et électroniques et aux déchets d'accumulateurs et de batteries, ainsi qu'à son adaptation à la législation nationale, les déchets d'équipements électriques, les batteries et les accumulateurs doivent être collectés séparément et déposés dans un point de collecte distinct pour déchets urbains, conformément aux réglementations en matière de protection de l'environnement.  
Cela est indiqué par le symbole de la poubelle à roulettes barrée sur l'équipement.

ENE017-1

## Usage

L'outil est conçu pour la collecte des poussières sèches.

ENA007-3

## Consignes de sécurité pour aspirateur sans fil

**AVERTISSEMENT – IMPORTANT ! LIRE ATTENTIVEMENT toutes les consignes de sécurité et toutes les instructions AVANT UTILISATION. Le non-respect des avertissements et des instructions peut entraîner une électrocution, un incendie et/ou de graves blessures.**

1. Ne pas exposer à la pluie. Ranger à l'intérieur.
2. Ne pas laisser utiliser comme jouet. Une surveillance étroite est requise lors de l'utilisation par un enfant ou près d'un enfant.
3. Utiliser uniquement de la façon décrite dans ce manuel. Utiliser uniquement les accessoires recommandés par le fabricant.
4. Ne pas utiliser avec une batterie endommagée. Si l'appareil ne fonctionne pas comme il devrait, s'il a été échappé, endommagé, laissé à l'extérieur ou échappé dans l'eau, le renvoyer à un centre de service après-vente.
5. Ne pas manipuler l'appareil avec les mains mouillées.

6. N'insérer aucun objet dans les ouvertures. Ne pas utiliser si l'une des ouvertures est bloquée ; toujours enlever les poussières, charpies, cheveux et autres corps étrangers pouvant affecter la circulation de l'air.
7. Garder les cheveux, vêtements amples, doigts et toute autre partie du corps à l'écart des ouvertures et des pièces en mouvement.
8. Désactiver toutes les commandes avant de retirer la batterie.
9. Être tout particulièrement prudent lorsque l'on passe l'aspirateur dans un escalier.
10. Ne pas utiliser pour collecter des liquides inflammables ou combustibles tels que l'essence, ou dans des zones où de tels liquides peuvent être présents.
11. Pour charger la batterie, utiliser uniquement le chargeur fourni par le fabricant.
12. Ne collecter aucune substance enflammée ou qui dégage de la fumée, telles que cigarettes, allumettes ou cendres chaudes.
13. Ne pas utiliser sans avoir posé le sac à poussière et/ou les filtres.
14. Ne pas charger la batterie à l'extérieur.
15. Recharger la batterie uniquement avec le chargeur spécifié par le fabricant. Un chargeur prévu pour un type de batterie peut être à l'origine d'un incendie s'il est utilisé avec une autre batterie.
16. Utilisez un appareil uniquement avec la batterie spécifiquement indiquée. L'utilisation de toute autre batterie peut présenter un risque de blessure et d'incendie.
17. Lorsque la batterie n'est pas utilisée, la tenir à l'écart des objets métalliques, comme des trombones, pièces de monnaie, clés, clous, vis ou autres petits objets métalliques, susceptibles de créer une connexion entre deux bornes.
18. Dans des conditions d'utilisation inadéquate, il peut y avoir une fuite de l'électrolyte de la batterie. Le cas échéant, éviter tout contact avec ce liquide. En cas de contact accidentel, rincer à l'eau.
19. N'utilisez pas une batterie ou un appareil endommagé ou modifié. Une batterie endommagée ou modifiée peut avoir un comportement imprévisible susceptible d'entraîner un incendie, une explosion ou des blessures.
20. N'exposez pas la batterie ou l'appareil au feu ou à une température excessive. L'exposition au feu ou à une température supérieure à 130 °C peut provoquer une explosion.
21. Respectez toutes les instructions de charge et ne chargez pas la batterie ou l'appareil en dehors de la plage de température indiquée dans les instructions. Une charge incorrecte ou à une température en dehors de la plage indiquée peut endommager la batterie et augmenter le risque d'incendie.

## CONSERVEZ CES INSTRUCTIONS.

ENB127-1

## CONSIGNES DE SÉCURITÉ ADDITIONNELLES

Cet appareil est conçu pour l'utilisation à l'intérieur.

1. Lire attentivement ce manuel d'instructions et celui du chargeur avant l'utilisation.



2. Ne pas collecter les matériaux suivants :
  - Matériaux chauds tels que cigarettes allumées, étincelles ou poussières de métal générées par le meulage ou la coupe du métal
  - Matériaux inflammables tels que l'essence, les diluants, la benzine, le kérosène et la peinture
  - Matériaux explosifs tels que la nitroglycérine
  - Matériaux inflammables tels que l'aluminium, le zinc, le magnésium, le titane, le phosphore et le celluloid
  - Saletés mouillées, eau, huile, etc.
  - Pièces dures à bords tranchants, telles que copeaux de bois, pièces de métal, pierres, verres, clous, broches et lames de rasoir
  - Poudres telles que ciment en poudre ou encre en poudre
  - Poussière conductrice telle que poussière de métal ou de carbone
  - Particules fines telles que la poussière de ciment

La collecte de tels matériaux peut causer un incendie, une blessure ou des dommages à la propriété.
3. Cesser immédiatement l'utilisation en cas d'anomalie.
4. Si l'aspirateur est échappé ou heurté, vérifier attentivement l'absence de fissures ou de dommages avant l'utilisation.
5. Ne pas approcher des fourneaux ou autres sources de chaleur.
6. Ne pas bloquer les orifices d'entrée ou de sortie d'air.
6. Ne rangez ni n'utilisez l'outil et la batterie dans un endroit où la température risque d'atteindre ou de dépasser 50 °C.
7. Ne jetez pas la batterie au feu même si elle est sérieusement endommagée ou complètement épuisée. La batterie peut exploser au contact du feu.
8. Abstenez-vous de clouer, couper, écraser, jeter, laisser tomber la batterie, ou de la heurter contre un objet dur. Cela pourrait entraîner un incendie, une chaleur excessive ou une explosion.
9. N'utilisez pas la batterie si elle est endommagée.
10. Les batteries au lithium-ion contenues sont soumises aux exigences de la législation sur les marchandises dangereuses.
 

Lors du transport commercial par des tiers parties ou des transitaires par exemple, des exigences spécifiques en matière d'étiquetage et d'emballage doivent être respectées.

Pour la préparation de l'article expédié, il est nécessaire de consulter un expert en matériau dangereux. Veuillez également respecter les réglementations nationales susceptibles d'être plus détaillées.

Recouvrez les contacts exposés avec du ruban adhésif ou du ruban de masquage et emballez la batterie de telle sorte qu'elle ne puisse pas bouger dans l'emballage.
11. Lors de la mise au rebut de la batterie, retirez-la de l'outil et jetez-la en lieu sûr. Suivez les réglementations locales en matière de mise au rebut des batteries.
12. Utilisez les batteries uniquement avec les produits spécifiés par Makita. L'insertion de batteries dans des produits non conformes peut provoquer un incendie, une chaleur excessive, une explosion ou une fuite de l'électrolyte.
13. Lorsque vous n'utilisez pas l'outil pendant une période prolongée, la batterie doit être retirée de l'outil.
14. Pendant et après l'utilisation, la batterie peut chauffer, ce qui peut entraîner des brûlures, y compris en cas de température relativement basse. Manipulez les batteries chaudes avec précaution.
15. Ne touchez pas la borne de l'outil immédiatement après utilisation car elle peut être assez chaude pour provoquer des brûlures.
16. Évitez que des copeaux, de la poussière ou du sol adhèrent aux bornes, aux trous et aux rainures de la batterie. Cela peut provoquer un échauffement, un incendie, une explosion ou un dysfonctionnement de l'outil ou de la batterie, ce qui peut entraîner des brûlures ou des blessures.
17. À moins que l'outil prenne en charge un tel usage, n'utilisez pas la batterie à proximité de lignes électriques haute tension. Cela pourrait entraîner un dysfonctionnement ou casser l'outil ou la batterie.
18. Conservez la batterie hors de portée des enfants.

## CONSERVEZ CES INSTRUCTIONS.

ENC007-17

## CONSIGNES DE SÉCURITÉ IMPORTANTES POUR LA BATTERIE

1. Avant d'utiliser la batterie, lisez toutes les instructions et précautions relatives (1) au chargeur de batterie, (2) à la batterie, et (3) au produit utilisant la batterie.
2. Ne désassemblez pas et ne modifiez pas la batterie. Cela pourrait entraîner un incendie, une chaleur excessive ou une explosion.
3. Cessez immédiatement l'utilisation si le temps de fonctionnement devient excessivement court. Il y a un risque de surchauffe, de brûlures, voire d'explosion.
4. Si l'électrolyte pénètre dans vos yeux, rincez-les à l'eau claire et consultez immédiatement un médecin. Il y a un risque de perte de la vue.
5. Ne court-circuitez pas la batterie :
  - (1) Ne touchez les bornes avec aucun matériau conducteur.
  - (2) Évitez de ranger la batterie dans un conteneur avec d'autres objets métalliques, par exemple des clous, des pièces de monnaie, etc.
  - (3) N'exposez pas la batterie à l'eau ou à la pluie. Un court-circuit de la batterie peut provoquer une intensité de courant élevée, une surchauffe, parfois des brûlures et même une panne.

## CONSERVEZ CES INSTRUCTIONS.

## ATTENTION :

- **N'utilisez que des batteries Makita d'origine.** L'utilisation de batteries de marque autre que Makita ou de batteries modifiées peut provoquer l'explosion des batteries, ce qui présente un risque d'incendie, de dommages matériels et corporels. Cela annulera également la garantie Makita pour l'outil et le chargeur Makita.

## Conseils pour assurer la durée de vie optimale de la batterie

1. **Chargez la batterie avant qu'elle ne soit complètement déchargée. Arrêtez toujours l'outil et rechargez la batterie quand vous remarquez que la puissance de l'outil diminue.**
2. **Ne rechargez jamais une batterie complètement chargée. La surcharge réduit la durée de service de la batterie.**
3. **Chargez la batterie à une température ambiante comprise entre 10 °C et 40 °C. Avant de charger une batterie chaude, laissez-la refroidir.**
4. **Lorsque vous n'utilisez pas la batterie, retirez-la de l'outil ou du chargeur.**
5. **Rechargez la batterie si elle est restée inutilisée pendant une période prolongée (plus de six mois).**

## DESCRIPTION DU FONCTIONNEMENT

### ATTENTION :

- Assurez-vous toujours que l'outil est hors tension et que sa batterie est retirée avant de l'ajuster ou de vérifier son fonctionnement.
- Lors de la mise en place de la batterie, prenez garde de ne pas se coincer les doigts entre l'aspirateur et la batterie, tel qu'illustré sur le schéma. Il y a un risque de blessure en se coincant les doigts. (Fig. 1)

### Installation ou retrait de la batterie (Fig. 2)

#### ATTENTION :

- Mettez toujours l'outil hors tension avant d'installer ou de retirer la batterie.
- **Lorsque vous posez ou retirez la batterie, tenez fermement l'outil et la batterie.** Si vous ne tenez pas fermement l'outil et la batterie, ils risquent de s'abîmer en vous glissant des mains, et vous courez un risque de blessure corporelle.

Pour retirer la batterie, faites-la glisser de l'outil tout en faisant glisser le bouton à l'avant de la batterie.

Pour installer la batterie, alignez la languette de la batterie avec la rainure située dans le carter, puis faites-la glisser en place. Insérez-la à fond, jusqu'à ce qu'elle se mette en place avec un léger dé clic. Si le témoin rouge est visible sur la face supérieure du bouton, cela signifie que la batterie n'est pas parfaitement verrouillée.

#### ATTENTION :

- Insérez toujours la batterie à fond, jusqu'à ce que l'indicateur rouge ne soit plus visible. Sinon, elle pourrait tomber accidentellement de l'outil, au risque de vous blesser ou de blesser quelqu'un se trouvant près de vous.
- Ne forcez pas pour insérer la batterie. Si la batterie ne glisse pas aisément, c'est qu'elle n'est pas insérée correctement.

## Système de protection de la batterie

L'outil est équipé d'un système de protection de l'outil/la batterie. Ce système coupe automatiquement l'alimentation vers le moteur pour prolonger la durée de vie de l'outil et de la batterie. Si l'outil ou la batterie se trouve dans l'une des situations suivantes, l'outil cessera automatiquement de fonctionner.

### Surcharge :

L'outil est utilisé de manière telle qu'il consomme un courant anormalement élevé.

Dans ce cas, éteignez l'outil et arrêtez la tâche ayant provoqué la surcharge de l'outil. Puis rallumez l'outil pour reprendre la tâche.

Si l'outil ne démarre pas, c'est que la batterie a surchauffé. Dans ce cas, laissez la batterie refroidir avant de rallumer l'outil.

### Faible tension de la batterie :

La capacité restante de la batterie est trop faible et l'outil ne fonctionne pas. Le cas échéant, retirez et rechargez la batterie.

### Interrupteur (Fig. 3)

#### ATTENTION :

- Avant d'insérer la batterie dans l'outil, vérifiez toujours que la gâchette fonctionne bien et revient en position d'arrêt lorsque relâchée.

Pour mettre l'outil en marche, appuyez simplement sur la gâchette. Pour l'arrêter, relâchez la gâchette.

### Allumage de la lampe

#### Pour le modèle DCL180F uniquement

#### ATTENTION :

- Ne regardez jamais directement la lumière. La lumière directe peut provoquer des lésions oculaires. (Fig. 4)

Enclenchez la gâchette pour allumer la lampe. Pour l'éteindre, relâchez la gâchette.

### Indication de la charge restante de la batterie

#### Uniquement pour les batteries avec voyant lumineux (Fig. 5)

Appuyez sur le bouton de vérification sur la batterie pour indiquer la charge restante de la batterie. Les témoins s'allument pendant quelques secondes.

Témoins			Charge restante
Allumé	Éteint	Clignotant	
■	□	▧	75 % à 100 %
■	■	■	50 % à 75 %
■	■	□	25 % à 50 %
■	□	□	0 % à 25 %
▧	□	□	Chargez la batterie.
■	■	□	Anomalie possible de la batterie.
□	□	■	

**NOTE :**

- Selon les conditions d'utilisation et la température ambiante, l'indication peut être légèrement différente de la capacité réelle.

**ASSEMBLAGE****ATTENTION :**

- Assurez-vous toujours que l'outil est hors tension et que sa batterie est retirée avant d'effectuer tout travail dessus.

**Type de filtre****Filtre normal (Fig. 6)****Filtre haute performance (Fig. 7)****Mise au rebut des poussières****ATTENTION :**

- Vider l'aspirateur avant qu'il ne soit trop plein, autrement sa puissance d'aspiration sera moindre.
- S'assurer qu'il n'y a plus de poussières à l'intérieur de l'aspirateur lui-même. Autrement le filtre risque de se boucher ou le moteur de subir des dommages.

**Mise au rebut des poussières du filtre normal**

Pour faire tomber dans la capsule la poussière qui adhère au filtre, taper 4 ou 5 fois sur la capsule avec la main.

Pointer ensuite l'entrée d'aspiration vers le bas, tourner la capsule dans le sens indiqué par la flèche sur le schéma, puis déconnecter la capsule en tirant lentement et bien droit. (Fig. 8)

**NOTE :**

- Penser à mettre un sac à ordures sous la capsule, car la poussière risque de s'échapper lors de l'ouverture de la capsule.

Retirer la poussière accumulée dans la capsule et sur le préfiltre. (Fig. 9)

Torsader le préfiltre dans le sens de la flèche pour desserrer le bec de blocage de l'aspirateur, puis retirer le préfiltre en tirant. (Fig. 10)

Enlever les fines poussières du préfiltre. Retirer ensuite le filtre, puis taper légèrement dessus pour dégager la poussière. (Fig. 11)

**Mise au rebut des poussières du filtre haute performance**

Pour faire tomber dans la capsule la poussière qui adhère au filtre, tapez 4 ou 5 fois sur la capsule avec la main.

À présent, dirigez l'entrée d'aspiration vers le bas, tournez la capsule dans le sens de la flèche sur le schéma et déconnectez la capsule en tirant lentement et bien droit. (Fig. 8)

**NOTE :**

- La poussière risquant de s'échapper lors de l'ouverture de la capsule, pensez à placer un sac-poubelle sous la capsule.

Retirez la poussière accumulée à l'intérieur de la capsule et sur le filtre haute performance. (Fig. 12)

Tournez le filtre haute performance dans le sens de la flèche pour desserrer l'onglet de blocage de l'aspirateur, puis retirez le filtre en tirant dessus. (Fig. 13)

Enlevez les poussières fines et tapez légèrement pour déloger la poussière du filtre haute performance.

**Remontage****Remontage du filtre normal**

Poser le filtre en poussant jusqu'à ce qu'il soit parfaitement en position sur l'aspirateur. (Fig. 14)

**NOTE :**

- S'assurer que le filtre est posé bien droit et inséré à fond. Si le filtre est mal posé, tel qu'illustré sur le schéma, la poussière pénétrera dans le carter du moteur et causera une panne du moteur. (Fig. 15)

Connecter le préfiltre. Penser alors à tourner le préfiltre de sorte que le bec de blocage soit parfaitement verrouillé dans l'aspirateur. (Fig. 16 et 17)

Connecter la capsule. Aligner le symbole O de la capsule sur le symbole O de la poignée, puis tourner fermement la capsule dans le sens de la flèche jusqu'à ce qu'elle s'immobilise. (Fig. 18 et 19)

**NOTE :**

- Retirer toujours la poussière à l'avance, car la puissance d'aspiration diminuera s'il y a trop de poussière dans l'aspirateur.
- Avant d'utiliser l'aspirateur, ne jamais oublier de vérifier que le filtre et le préfiltre sont bien posés. S'ils ne sont pas bien posés, la poussière pénétrera dans le carter du moteur et causera une panne du moteur. Dans les cas suivants, le filtre et le préfiltre ne sont pas correctement posés. Les reposer correctement pour régler le problème.

**Exemples de problème**

Exemple 1 : seul le préfiltre a été posé (sans le filtre) (Fig. 20)

Exemple 2 : seul le filtre a été posé (sans le préfiltre) (Fig. 21)

Exemple 3 : le filtre est posé mais n'est pas inséré à fond (Fig. 15)

Exemple 4 : le bec de blocage du préfiltre n'est pas bien verrouillé dans la rainure du carter de l'aspirateur (Fig. 22)

**Remontage du filtre haute performance**

Connectez le filtre haute performance. Pensez alors à tourner le filtre haute performance de sorte que l'onglet de blocage soit fermement verrouillé dans l'aspirateur. (Fig. 23 et 24)

Connectez la capsule. Alignez le symbole O sur la capsule avec le symbole O sur la poignée, puis tournez fermement la capsule dans le sens de la flèche jusqu'à ce qu'elle soit verrouillée. (Fig. 25 et 19)

**NOTE :**

- Retirez toujours la poussière à l'avance, car la puissance d'aspiration diminuera s'il y a trop de poussière dans l'aspirateur.
- Avant d'utiliser l'aspirateur, vérifiez toujours que le filtre haute performance est bien posé. S'ils ne sont pas bien posés, la poussière pénétrera dans le carter du moteur entraînant une panne du moteur. Dans les exemples suivants, le filtre haute performance n'est pas correctement posé. Reposez-les correctement pour régler le problème.

**Exemples de problème**

L'onglet de blocage du filtre haute performance n'est pas bien verrouillé dans la rainure du carter de l'aspirateur. (Fig. 26)

## OPERATION

### ATTENTION :

- Pour connecter des accessoires tels qu'un raccord, les insérer en tournant dans le sens de la flèche pour assurer une connexion sûre pendant l'utilisation. Pour déconnecter l'accessoire, tirer en tournant aussi dans le sens de la flèche.

Si l'accessoire est tourné dans le sens contraire pour le connecter ou le déconnecter, la capsule risquera de se desserrer. (Fig. 27)

### Nettoyage (aspiration)

#### Raccord (Fig. 28)

Fixer le raccord pour nettoyer les tables, bureaux, meubles, etc. Le raccord se glisse facilement en place.

#### Raccord + tube prolongateur (tuyau rectiligne)

##### (Fig. 29)

Le tube prolongateur s'installe entre le raccord et l'aspirateur. Il permet de passer l'aspirateur sur le plancher tout en restant debout.

#### Raccord pour coin (Fig. 30)

Installer le raccord pour coin lorsque l'on passe l'aspirateur dans les coins ou dans les interstices d'un véhicule ou d'un meuble.

#### Raccord pour coin + tube prolongateur (tuyau rectiligne) (Fig. 31)

Utiliser cette combinaison pour passer l'aspirateur dans les endroits étroits ou dans les endroits élevés difficiles à atteindre.

### Nettoyage sans raccord (Fig. 32)

Le raccord n'est pas nécessaire pour collecter de la poudre ou des poussières.

## ENTRETIEN

### ATTENTION :

- Toujours s'assurer que l'outil est éteint avant d'effectuer son inspection ou son entretien.

### Nettoyage

#### REMARQUE :

- **N'utilisez jamais d'essence, benzine, diluant, alcool ou autre produit similaire. Cela risquerait de provoquer la décoloration, la déformation ou la fissuration de l'outil.**
- **Ne soufflez pas la poussière collée à l'aspirateur et aux filtres avec un dépoussiérant à air.** Cela entraîne la poussière dans le carter et provoque des pannes.
- **Après avoir lavé les filtres, séchez-les soigneusement avant utilisation.** Des filtres pas assez secs peuvent affecter la capacité d'aspiration et la durée de vie du moteur.

- **Après avoir nettoyé les filtres et le filtre éponge, veillez à les remettre en place avant utilisation.** Si vous utilisez l'aspirateur sans les filtres ni le filtre éponge, la poussière pénétrera dans le carter du moteur et causera une panne.

### Corps de l'aspirateur

Essuyez de temps à autre la surface extérieure (le corps) de l'aspirateur avec un chiffon humecté d'eau savonneuse.

Nettoyez également l'ouverture d'aspiration et la zone de montage du filtre. (Fig. 33)

### Filtre

Lorsque le filtre est bouché par la poussière et que la puissance de l'aspirateur s'en trouve affaiblie, lavez-le dans de l'eau savonneuse. Laissez-le sécher complètement avant l'utilisation. (Fig. 34)

### Filtre éponge

Lorsque le filtre éponge est encrassé, nettoyez-le comme suit.

1. Retirez le filtre.
2. Retirez le filtre éponge d'entre les montants.
3. Nettoyez le filtre éponge en le tapotant ou en le lavant. Si vous le lavez, séchez-le soigneusement avant utilisation.
4. Insérez le filtre éponge entre les montants et placez-le dans la position d'origine. Assurez-vous que chaque bord inférieur de montant maintient le filtre éponge et qu'il n'y a pas d'espace entre le filtre éponge et l'ouverture d'aspiration. (Fig. 35)

### Fixation murale pour aspirateur sans fil

#### Accessoire en option

#### NOTE :

- La vis pour fixer le support n'est pas incluse. Prévoyez une vis adaptée au matériau dans lequel vous vissez.

Placez la fixation murale pour aspirateur sans fil sur un mur, une poutre ou une colonne en bois dur, où elle pourra être solidement fixée. Assurez-vous toujours que la fixation murale pour aspirateur sans fil est solidement fixée avant d'accrocher l'aspirateur. (Fig. 36)

#### ATTENTION :

- **N'accrochez pas violemment l'aspirateur à la fixation murale ni n'y accrochez d'autres appareils.**

## Points à vérifier avant de faire une demande de réparation

Symptôme	Point à vérifier	Méthode de réparation
Faible puissance d'aspiration	<ul style="list-style-type: none"><li>• La capsule est-elle pleine de poussière ?</li><li>• Le filtre est-il bloqué ?</li><li>• La batterie est-elle déchargée ?</li></ul>	<ul style="list-style-type: none"><li>• Enlever la poussière de la capsule.</li><li>• Faire tomber la poussière ou laver le filtre.</li><li>• Recharger la batterie.</li></ul>
Ne fonctionne pas	<ul style="list-style-type: none"><li>• La batterie est-elle déchargée ?</li></ul>	<ul style="list-style-type: none"><li>• Recharger la batterie.</li></ul>

010051

**NOTE :**

- Ne pas essayer de réparer l'aspirateur soi-même.

Pour maintenir la SÉCURITÉ et la FIABILITÉ du produit, les réparations, autres travaux d'entretien et réglages doivent être effectués dans un centre de service Makita agréé, exclusivement avec des pièces de rechange Makita.

**ACCESSOIRES EN OPTION****ATTENTION :**

- Ces accessoires ou pièces sont recommandés pour l'utilisation avec l'outil Makita spécifié dans ce manuel. L'utilisation de tout autre accessoire ou pièce peut comporter un risque de blessure. Utiliser uniquement l'accessoire ou la pièce pour le travail pour lequel il a été conçu.

Pour plus d'informations concernant ces accessoires, s'informer auprès du centre de service Makita le plus près.

- Tube prolongateur (tuyau rectiligne)
- Raccord
- Raccord pour tapis
- Brosse pour étagères
- Raccord pour coin
- Brosse ronde
- Boyau flexible
- Filtre
- Préfiltre
- Filtre haute performance
- Fixation murale pour aspirateur sans fil
- Collecteur cyclone
- Batterie et chargeur Makita authentiques

**NOTE :**

- Il se peut que certains éléments de la liste soient compris dans l'emballage de l'outil en tant qu'accessoires standard. Ils peuvent varier d'un pays à l'autre.

**Collecteur cyclone (Fig. 37)****À propos du collecteur cyclone**

L'utilisation de l'aspirateur avec le collecteur cyclone installé réduit la quantité de poussière qui pénètre dans la capsule, ce qui permet d'éviter que la puissance d'aspiration faiblisse. De plus, le nettoyage après utilisation est également simple.

**ATTENTION :**

- **Assurez-vous toujours que l'outil est hors tension et que sa batterie est retirée avant d'effectuer toute tâche dessus.** Si la batterie est insérée, un démarrage intempestif de l'aspirateur susceptible de provoquer des blessures est possible.
- **Nettoyez le filtre à maille du collecteur cyclone et les filtres de l'aspirateur s'ils sont bouchés.** L'utilisation continue dans cet état peut provoquer une émission de chaleur ou de fumée.

**REMARQUE :**

- **Lorsque le collecteur cyclone est fixé, n'utilisez pas l'aspirateur dans le sens horizontal ou tourné vers le haut.** Le filtre à maille pourrait se boucher.
- **Utilisez toujours l'aspirateur avec les filtres installés, même lorsque vous utilisez le collecteur cyclone.** Si vous utilisez l'aspirateur sans filtres installés, un dysfonctionnement du moteur peut se produire.

**NOTE :**

- Vérifiez avant utilisation que le collecteur cyclone, l'aspirateur et le tuyau droit sont correctement verrouillés.
- Videz le logement à poussières du collecteur cyclone et la capsule de l'aspirateur lorsque de la poussière s'est accumulée. Si vous continuez à utiliser l'aspirateur dans cet état, la puissance d'aspiration sera affaiblie.

**Mise au rebut des poussières**

Lorsque la poussière s'est accumulée jusqu'à la ligne Plein du logement à poussières, procédez comme indiqué ci-dessous et jetez la poussière.

1. Tenez fermement le logement à poussières, maintenez enfoncés les deux boutons et retirez le logement à poussières. (Fig. 38)
2. Jetez la poussière à l'intérieur du logement à poussières et retirez la poussière ou la poudre collée à la surface du filtre à maille.
3. Insérez le logement à poussières à fond jusqu'à ce que les deux boutons se verrouillent en place avec un déclic. (Fig. 39)

**NOTE :**

- Vérifiez avant de redémarrer que le collecteur cyclone, l'aspirateur et le tuyau droit sont solidement connectés.
- Si la puissance d'aspiration n'est pas rétablie même après avoir jeté la poussière et nettoyé le filtre à maille, vérifiez si la poussière ne s'est pas accumulée dans la capsule de l'aspirateur ou si ce dernier n'est pas bouché.

**Nettoyage**

Lorsque le logement à poussières est sale ou que le filtre à maille est bouché, retirez-les et lavez-les à l'eau. (Consultez « Mise au rebut des poussières » pour la procédure de retrait.)

Séchez soigneusement les pièces avant de les remettre en place et d'utiliser l'aspirateur. (Fig. 40)

Lorsque le filtre à maille est très sale, nettoyez-le en procédant comme suit.

1. Tournez le filtre à maille dans le sens inverse des aiguilles d'une montre et retirez-le alors que les crochets sont déverrouillés. (Fig. 41)
2. Retirez la poussière sur le filtre à maille, puis lavez-le à l'eau. Ensuite, séchez-le soigneusement.
3. Insérez le filtre à maille dans la base avec les crochets alignés sur l'orifice. Tournez le filtre à maille dans le sens des aiguilles d'une montre jusqu'à ce que les crochets se verrouillent en place avec un déclic. Assurez-vous que le filtre à maille est solidement installé. (Fig. 42)

**WARNUNG**

- Dieses Gerät kann von Kindern ab 8 Jahren und Personen mit verminderten körperlichen, sensorischen oder geistigen Fähigkeiten oder Mangel an Erfahrung und Kenntnissen benutzt werden, sofern sie eine Beaufsichtigung oder Anweisung bezüglich des sicheren Gebrauchs des Gerätes erhalten haben und die damit verbundenen Gefahren verstehen.
- Kinder dürfen nicht mit dem Gerät spielen. Reinigung und Benutzerwartung dürfen nicht von Kindern ohne Beaufsichtigung durchgeführt werden.
- Angaben zur Typenbezeichnung des Akkus finden Sie im Kapitel „TECHNISCHE DATEN“.
- Angaben zum Demontage- oder Installationsverfahren des Akkus finden Sie im Abschnitt „Installieren oder Demontieren des Akkus“.
- Entfernen Sie den Akku zum Entsorgen vom Werkzeug, und entsorgen Sie ihn an einem sicheren Ort. Befolgen Sie die örtlichen Vorschriften bezüglich der Entsorgung von Akkus.
- Soll das Werkzeug längere Zeit nicht benutzt werden, muss der Akku vom Werkzeug entfernt werden.
- Der Akku darf nicht kurzgeschlossen werden.
- Entsprechende Details der Vorsichtsmaßnahmen während der Benutzerwartung finden Sie im Kapitel „WARTUNG“.

**Übersicht**

- |                        |                                |                                       |
|------------------------|--------------------------------|---------------------------------------|
| 1 Rote Anzeige         | 12 Saugeinlass                 | 23 Wandhalterung für Akku-Staubsauger |
| 2 Knopf                | 13 Sicherungslippe             | 24 Gerades Rohr                       |
| 3 Akku                 | 14 Markierung O                | 25 Zyklonaufsatz                      |
| 4 Ein-Aus-Schalter     | 15 Handgriff                   | 26 Voll-Linie                         |
| 5 Lampe                | 16 Nut des Staubsaugergehäuses | 27 Staubsammelbehälter                |
| 6 Anzeigelampen        | 17 Stützen                     | 28 Knopf (zwei Stellen)               |
| 7 Prüftaste            | 18 Staubsauger                 | 29 Netzfilter                         |
| 8 Kapsel               | 19 Verlängerungsarm            | 30 Raste                              |
| 9 Vorfilter            | 20 Winkeldüse                  | 31 Anschluss                          |
| 10 Filter              | 21 Schwammfilter               |                                       |
| 11 Hochleistungsfilter | 22 Unterkante der Säule        |                                       |

**TECHNISCHE DATEN**

Modell	DCL180	DCL180F
Kapazität	650 mL	
Dauerbetrieb	ca. 20 Min.	
Gesamtlänge	999 mm	
Nettogewicht	1,2 - 1,5 kg	1,3 - 1,6 kg
Nennspannung	18 V Gleichstrom	

- Aufgrund unseres Dauerprogramms der Forschung und Entwicklung unterliegen die hier angegebenen technischen Daten Änderung ohne Vorankündigung.
- Die technischen Daten können von Land zu Land unterschiedlich sein.
- Das Gewicht schließt keine Zubehörteile, aber Akkus ein. Das niedrigste und höchste Kombinationsgewicht des Gerätes und der Akkus sind in der Tabelle angegeben.

**Zutreffende Akkus und Ladegeräte**

Akku	BL1815N / BL1820B / BL1830B / BL1840B / BL1850B / BL1860B
Ladegerät	DC18RC / DC18RD / DC18RE / DC18SD / DC18SE / DC18SF / DC18SH / DC18WC

- Einige der oben aufgelisteten Akkus und Ladegeräte sind je nach Ihrem Wohngebiet eventuell nicht erhältlich.

**WARNUNG: Verwenden Sie nur die oben aufgeführten Akkus und Ladegeräte.** Bei Verwendung irgendwelcher anderer Akkus und Ladegeräte besteht Verletzungs- und/oder Brandgefahr.

## Symbole

Nachfolgend werden Symbole beschrieben, die für das Gerät verwendet werden können. Machen Sie sich vor der Benutzung mit ihrer Bedeutung vertraut.



- Gebrauchsanleitung lesen.



- Nur für EU-Länder  
Aufgrund des Vorhandenseins gefährlicher Komponenten in der Ausrüstung können Elektro- und Elektronik-Altgeräte, Akkumulatoren und Batterien sich negativ auf die Umwelt und die menschliche Gesundheit auswirken.  
Entsorgen Sie Elektro- und Elektronikgeräte oder Batterien nicht mit dem Hausmüll!  
In Übereinstimmung mit der Europäischen Richtlinie über Elektro- und Elektronik-Altgeräte, Akkumulatoren und Batterien, verbrauchte Akkumulatoren und Batterien sowie ihrer Anpassung an nationales Recht sollten Elektro-Altgeräte, Batterien und Akkumulatoren gemäß den Umweltschutzbestimmungen getrennt gelagert und zu einer getrennten Sammelstelle für Siedlungsabfälle geliefert werden.  
Dies wird durch das am Gerät angebrachte Symbol der durchgestrichenen Abfalltonne auf Rädern angezeigt.

ENE017-1

## Vorgesehene Verwendung

Die Maschine ist für das Absaugen von Trockenstaub vorgesehen.

ENA007-3

## Sicherheitswarnungen für Akku-Staubsauger

**WARNUNG – WICHTIG!** Alle Sicherheitswarnungen und Anweisungen VOR GEBRAUCH AUFMERKSAM LESEN. Eine Missachtung der Warnungen und Anweisungen kann zu einem elektrischen Schlag, Brand und/oder schweren Verletzungen führen.

1. Das Gerät keinem Regen aussetzen. In Innenräumen aufbewahren.
2. Das Gerät darf nicht als Spielzeug benutzt werden. Wenn das Gerät von Kindern oder in deren Nähe benutzt wird, ist besondere Vorsicht geboten.
3. Nur gemäß der Beschreibung in dieser Anleitung benutzen. Nur vom Hersteller empfohlene Zusatzvorrichtungen verwenden.
4. Nicht mit beschädigtem Akku benutzen. Falls das Gerät nicht ordnungsgemäß funktioniert, fallen gelassen, beschädigt, im Freien liegen gelassen wurde oder ins Wasser gefallen ist, bringen Sie es zu einer Kundendienststelle.
5. Fassen Sie das Gerät nicht mit nassen Händen an.

6. Stecken Sie keine Gegenstände in die Öffnungen. Benutzen Sie das Gerät nicht mit einer blockierten Öffnung; halten Sie es frei von Staub, Fusseln, Haaren und Fremdkörpern, die den Luftstrom behindern können.
7. Halten Sie Haare, lose Kleidung, Finger und alle Körperteile von den Öffnungen und beweglichen Teilen fern.
8. Schalten Sie sämtliche Bedienelemente aus, bevor Sie den Akku abnehmen.
9. Lassen Sie bei der Reinigung von Treppen besondere Vorsicht walten.
10. Verwenden Sie das Gerät nicht zum Aufsaugen von brennbaren oder feuergefährlichen Flüssigkeiten, wie z. B. Benzin, und benutzen Sie es auch nicht in der Nähe solcher Flüssigkeiten.
11. Verwenden Sie nur das vom Hersteller gelieferte Ladegerät zum Aufladen.
12. Saugen Sie keine brennenden oder rauchenden Gegenstände auf, wie z. B. Zigaretten, Streichhölzer oder heiße Asche.
13. Benutzen Sie das Gerät nicht ohne angebrachten Staubsockel und/oder Filter.
14. Laden Sie den Akku nicht im Freien.
15. Laden Sie den Akku nur mit dem vom Hersteller vorgeschriebenen Ladegerät. Ein Ladegerät, das für einen Akkutyp geeignet ist, kann bei Verwendung mit einem anderen Akku eine Brandgefahr darstellen.
16. Benutzen Sie Geräte nur mit den ausdrücklich vorgeschriebenen Akkus. Bei Verwendung irgendwelcher anderer Akkus besteht Verletzungs- und Brandgefahr.
17. Bewahren Sie den Akku bei Nichtgebrauch nicht zusammen mit Metallgegenständen, wie Büroklammern, Münzen, Schlüsseln, Nägeln, Schrauben, und anderen kleinen Metallteilen auf, welche die Kontakte kurzschließen können.
18. Bei Missbrauch kann Flüssigkeit aus dem Akku austreten. Vermeiden Sie Kontakt mit dieser Flüssigkeit. Falls Sie versehentlich mit der Flüssigkeit in Berührung kommen, spülen Sie die betroffenen Stellen mit Wasser ab.
19. Verwenden Sie keine Akkus oder Geräte, die beschädigt oder modifiziert sind. Beschädigte oder modifizierte Akkus können unvorhersehbares Verhalten zeigen, das zu einem Brand, einer Explosion oder Verletzungsgefahr führen kann.
20. Setzen Sie einen Akku oder ein Gerät nicht Feuer oder übermäßigen Temperaturen aus. Bei Einwirkung von Feuer oder Temperaturen über 130 °C kann es zu einer Explosion kommen.
21. Befolgen Sie alle Ladeanweisungen, und laden Sie den Akku bzw. das Gerät nicht außerhalb des in den Anweisungen angegebenen Temperaturbereichs. Wird der Ladevorgang unsachgemäß oder bei Temperaturen außerhalb des angegebenen Bereichs durchgeführt, kann es zu einer Beschädigung des Akkus und erhöhter Brandgefahr kommen.

**BEWAHREN SIE DIESE HINWEISE  
SORGFÄLTIG AUF.**

## ZUSÄTZLICHE SICHERHEITSREGELN

Dieses Gerät ist für Haushaltsgebrauch vorgesehen.

1. Lesen Sie diese Gebrauchsanleitung und die Gebrauchsanleitung des Ladegerätes vor der Benutzung durch.
2. Unterlassen Sie das Aufsaugen der folgenden Materialien:
  - Heiße Materialien, wie z. B. brennende Zigaretten und/oder durch Schleifen/Schneiden von Metall erzeugte Funken/Metallstaub
  - Brennbare Materialien, wie z. B. Benzin, Verdünnung, Benzol, Petroleum oder Lack
  - Explosive Materialien, wie Nitroglycerin
  - Zündfähige Materialien, wie z. B. Aluminium, Zink, Magnesium, Titan, Phosphor oder Celluloid
  - Nassen Schmutz, Wasser, Öl o. Ä.
  - Harte Gegenstände mit scharfen Kanten, wie z. B. Holzspäne, Metalle, Steine, Glas, Nägel, Nadeln oder Rasierklingen
  - Klumpen bildendes Pulver, wie z. B. Zement oder Toner
  - Leitfähiger Staub, wie z. B. Metall- oder Kohlenstaub
  - Feine Partikel, wie z. B. Betonstaub
 Solche Handlungen können einen Brand, Verletzungen und/oder Sachschäden verursachen.
3. Brechen Sie den Betrieb sofort ab, wenn Sie irgendwas Ungewöhnliches bemerken.
4. Falls Sie den Staubsauger fallen lassen oder anstoßen, überprüfen Sie ihn vor der Benutzung sorgfältig auf Risse oder Beschädigung.
5. Bringen Sie das Gerät nicht in die Nähe von Öfen oder anderen Wärmequellen.
6. Blockieren Sie nicht die Einlassöffnung oder die Belüftungsöffnungen.

## BEWAHREN SIE DIESE HINWEISE SORGFÄLTIG AUF.

ENC007-17

## WICHTIGE SICHERHEITSANWEISUNGEN FÜR AKKU

1. Lesen Sie vor der Benutzung des Akkus alle Anweisungen und Warnhinweise, die an (1) Ladegerät, (2) Akku und (3) Akkuvorrichtung angebracht sind.
2. Unterlassen Sie Zerlegen oder Manipulieren des Akkus. Es kann sonst zu einem Brand, übermäßiger Hitzeentwicklung oder einer Explosion kommen.
3. Falls die Betriebszeit beträchtlich kürzer geworden ist, stellen Sie den Betrieb sofort ein. Andernfalls besteht die Gefahr von Überhitzung, möglichen Verbrennungen und sogar einer Explosion.
4. Falls Elektrolyt in Ihre Augen gelangt, waschen Sie sie mit sauberem Wasser aus, und begeben Sie sich unverzüglich in ärztliche Behandlung. Andernfalls können Sie Ihre Sehkraft verlieren.
5. Der Akku darf nicht kurzgeschlossen werden:
  - (1) Die Kontakte dürfen nicht mit leitfähigem Material berührt werden.
  - (2) Lagern Sie den Akku nicht in einem Behälter zusammen mit anderen Metallgegenständen, wie z. B. Nägel, Münzen usw.

- (3) Setzen Sie den Akku weder Wasser noch Regen aus.

Ein Kurzschluss des Akkus verursacht starken Stromfluss, der Überhitzung, mögliche Verbrennungen und einen Defekt zur Folge haben kann.

6. Lagern und benutzen Sie das Werkzeug und den Akku nicht an Orten, an denen die Temperatur 50°C erreichen oder überschreiten kann.
7. Versuchen Sie niemals, den Akku zu verbrennen, selbst wenn er stark beschädigt oder vollkommen verbraucht ist. Der Akku kann im Feuer explodieren.
8. Unterlassen Sie Nageln, Schneiden, Zerquetschen, Werfen, Fallenlassen des Akkus oder Schlagen des Akkus mit einem harten Gegenstand. Eine solche Handlung kann zu einem Brand, übermäßiger Hitzeentwicklung oder einer Explosion führen.
9. Benutzen Sie keine beschädigten Akkus.
10. Die enthaltenen Lithium-Ionen-Akkus unterliegen den Anforderungen der Gefahrgutgesetzgebung.

Für kommerzielle Transporte, z. B. durch Dritte oder Spediteure, müssen besondere Anforderungen zu Verpackung und Etikettierung beachtet werden.

Zur Vorbereitung des zu transportierenden Artikels ist eine Beratung durch einen Experten für Gefahrgut erforderlich. Bitte beachten Sie möglicherweise ausführlichere nationale Vorschriften.

Überkleben oder verdecken Sie offene Kontakte, und verpacken Sie den Akku so, dass er sich in der Verpackung nicht umher bewegen kann.

11. Entfernen Sie den Akku zum Entsorgen vom Werkzeug, und entsorgen Sie ihn an einem sicheren Ort. Befolgen Sie die örtlichen Vorschriften bezüglich der Entsorgung von Akkus.
12. Verwenden Sie die Akkus nur mit den von Makita angegebenen Produkten. Das Einsetzen der Akkus in nicht konforme Produkte kann zu einem Brand, übermäßiger Hitzeentwicklung, einer Explosion oder Auslaufen von Elektrolyt führen.
13. Soll das Werkzeug längere Zeit nicht benutzt werden, muss der Akku vom Werkzeug entfernt werden.
14. Bei und nach dem Gebrauch kann der Akku heiß werden, was Verbrennungen oder Niedertemperaturverbrennungen verursachen kann. Beachten Sie die Handhabung von heißen Akkus.
15. Berühren Sie nicht den Anschlusskontakt des Werkzeugs unmittelbar nach dem Gebrauch, da er heiß genug werden kann, um Verbrennungen zu verursachen.
16. Achten Sie darauf, dass sich keine Späne, Staub oder Schmutz in den Anschlusskontakten, Lötlern und Nuten des Akkus absetzen. Es könnte sonst zu Erhitzung, Brandauslösung, Bersten und Funktionsstörungen des Werkzeugs oder des Akkus kommen, was zu Verbrennungen oder Personenschäden führen kann.
17. Wenn das Werkzeug den Einsatz in der Nähe einer Hochspannungs-Stromleitung nicht unterstützt, benutzen Sie den Akku nicht in der Nähe einer Hochspannungs-Stromleitung. Dies kann zu einer Funktionsstörung oder Betriebsstörung des Werkzeugs oder des Akkus führen.
18. Halten Sie die Batterie von Kindern fern.

## DIESE ANWEISUNGEN AUFBEWAHREN.



### **VORSICHT:**

- **Verwenden Sie nur Original-Makita-Akkus.** Die Verwendung von Nicht-Original-Makita-Akkus oder von Akkus, die abgeändert worden sind, kann zum Bersten des Akkus und daraus resultierenden Bränden, Personenschäden und Beschädigung führen. Außerdem wird dadurch die Makita-Garantie für das Makita-Werkzeug und -Ladegerät ungültig.

### **Hinweise zur Aufrechterhaltung der maximalen Akku-Nutzungsdauer**

1. **Laden Sie den Akku, bevor er vollkommen erschöpft ist. Schalten Sie das Werkzeug stets aus, und laden Sie den Akku, wenn Sie ein Nachlassen der Werkzeugleistung feststellen.**
2. **Unterlassen Sie erneutes Laden eines voll aufgeladenen Akkus. Überladen führt zu einer Verkürzung der Nutzungsdauer des Akkus.**
3. **Laden Sie den Akku bei Raumtemperatur zwischen 10 – 40°C. Lassen Sie einen heißen Akku abkühlen, bevor Sie ihn laden.**
4. **Wenn Sie den Akku nicht benutzen, nehmen Sie ihn vom Werkzeug oder Ladegerät ab.**
5. **Der Akku muss geladen werden, wenn er lange Zeit (länger als sechs Monate) nicht benutzt wird.**

### **FUNKTIONSBESCHREIBUNG**

#### **VORSICHT:**

- Vergewissern Sie sich vor der Durchführung von Einstellungen oder Funktionsprüfungen der Maschine stets, dass die Maschine ausgeschaltet und der Akku abgenommen ist.
- Achten Sie beim Einsetzen des Akkus darauf, dass Sie sich nicht die Finger zwischen Staubsauger und Akku klemmen, wie in der Abbildung gezeigt. Einklemmen von Fingern kann Verletzungen verursachen. **(Abb. 1)**

#### **Anbringen und Abnehmen des Akkus (Abb. 2)**

##### **VORSICHT:**

- Schalten Sie die Maschine stets aus, bevor Sie den Akku anbringen oder abnehmen.
- **Halten Sie Maschine und Akku beim Anbringen oder Abnehmen des Akkus sicher fest.** Wenn Sie Maschine und Akku nicht sicher festhalten, können sie Ihnen aus der Hand rutschen, was zu einer Beschädigung der Maschine und des Akkus und zu Körperverletzungen führen kann.

Schieben Sie den Akku zum Abnehmen von der Maschine ab, während Sie den Knopf an der Vorderseite des Akkus drücken.

Zum Einsetzen des Akkus richten Sie die Führungsfeder des Akkus auf die Nut im Werkzeuggehäuse aus und schieben den Akku hinein. Schieben Sie ihn vollständig ein, bis er mit einem hörbaren Klicken einrastet. Falls die rote Anzeige an der Oberseite des Knopfes sichtbar ist, ist der Akku nicht vollständig verriegelt.

##### **VORSICHT:**

- Schieben Sie den Akku stets bis zum Anschlag ein, bis die rote Anzeige nicht mehr sichtbar ist. Anderenfalls kann er aus der Maschine herausfallen und Sie oder umstehende Personen verletzen.
- Unterlassen Sie Gewaltanwendung beim Anbringen des Akkus. Falls der Akku nicht reibungslos hineingleitet, ist er nicht richtig ausgerichtet.

### **Akku-Schutzsystem**

Das Werkzeug ist mit einem Werkzeug/Akku-Schutzsystem ausgestattet. Dieses System schaltet die Stromversorgung des Motors automatisch ab, um die Lebensdauer von Werkzeug und Akku zu verlängern. Das Werkzeug bleibt während des Betriebs automatisch stehen, wenn das Werkzeug oder der Akku einer der folgenden Bedingungen unterliegt.

#### **Überlastung:**

Das Werkzeug wird auf eine Weise benutzt, die eine ungewöhnlich hohe Stromaufnahme bewirkt.

Schalten Sie in dieser Situation das Werkzeug aus, und brechen Sie die Arbeit ab, die eine Überlastung des Werkzeugs verursacht hat. Schalten Sie dann das Werkzeug wieder ein, um neu zu starten.

Falls das Werkzeug nicht startet, ist der Akku überhitzt. Lassen Sie den Akku in dieser Situation abkühlen, bevor Sie das Werkzeug wieder einschalten.

#### **Niedrige Akkuspannung:**

Die Akku-Restkapazität ist zu niedrig, und das Werkzeug funktioniert nicht. Nehmen Sie in dieser Situation den Akku ab, und laden Sie ihn auf.

#### **Schalterfunktion (Abb. 3)**

##### **VORSICHT:**

- Vergewissern Sie sich vor dem Einsetzen des Akkus in die Maschine stets, dass der Ein-Aus-Schalter ordnungsgemäß funktioniert und beim Loslassen in die AUS-Stellung zurückkehrt.

Zum Einschalten der Maschine einfach den Ein-Aus-Schalter drücken. Zum Ausschalten lassen Sie den Ein-Aus-Schalter los.

#### **Einschalten der Lampe**

##### **Nur für Modell DCL180F**

##### **VORSICHT:**











- **Blicken Sie niemals direkt in das Licht. Der direkte Lichtstrahl verursacht Sehschäden. (Abb. 4)**

Betätigen Sie den Auslöseschalter, um die Lampe einzuschalten. Lassen Sie zum Ausschalten den Auslöseschalter los.

## Anzeigen der Akku-Restkapazität

### Nur für Akkus mit Anzeige (Abb. 5)

Drücken Sie die Prüftaste am Akku, um die Akku-Restkapazität anzuzeigen. Die Anzeigelampen leuchten wenige Sekunden lang auf.

Anzeigelampen			Restkapazität
 Erleuchtet	 Aus	 Blinkend	
			75% bis 100%
			50% bis 75%
			25% bis 50%
			0% bis 25%
			Den Akku aufladen.
 			Möglicherweise liegt eine Funktionsstörung im Akku vor.

#### HINWEIS:

- Abhängig von den Benutzungsbedingungen und der Umgebungstemperatur kann die Anzeige geringfügig von der tatsächlichen Kapazität abweichen.

## MONTAGE

### VORSICHT:

- Vergewissern Sie sich vor der Ausführung von Arbeiten an der Maschine stets, dass die Maschine ausgeschaltet und der Akku abgenommen ist.

### Filtertyp

#### Normaler Filter (Abb. 6)

#### Hochleistungsfilter (Abb. 7)

### Staubentleerung

#### VORSICHT:

- Leeren Sie den Staubsauger, bevor er voll wird oder die Saugleistung nachlässt.
- Entleeren Sie auch unbedingt den Staub im Staubsauger selbst. Anderenfalls kann sich der Filter zusetzen, oder der Motor kann beschädigt werden.

### Entsorgen von Staub für normalen Filter

Um den am Filter in der Kapsel haftenden Staub abzuschütteln, klopfen Sie 4- bis 5-mal mit Ihrer Hand auf die Kapsel.

Nun den Saugstutzen nach unten richten, dann die Kapsel in Richtung des Pfeils in der Abbildung drehen und langsam und gerade abziehen. (Abb. 8)

#### HINWEIS:

- Halten Sie einen Müllsack unter die Kapsel, da beim Öffnen der Kapsel Staub herausfallen kann.

Entfernen Sie den angesammelten Staub aus dem Kapsel-Innenraum und vom Vorfilter. (Abb. 9)

Drehen Sie den Vorfilter in Pfeilrichtung, um die Sicherungslippe von der Staubsaugereinheit zu lösen, und ziehen Sie dann den Vorfilter ab. (Abb. 10)

Feinstaub aus dem Vorfilter entleeren. Dann den Filter entfernen und leicht ausklopfen, um Staub zu lösen. (Abb. 11)

### Entsorgen von Staub für Hochleistungsfilter

Um den am Filter in der Kapsel haftenden Staub abzuschütteln, klopfen Sie 4- bis 5-mal mit Ihrer Hand auf die Kapsel.

Richten Sie nun den Saugeinlass nach unten, drehen Sie die Kapsel in Richtung des Pfeils in der Abbildung, und ziehen Sie die Kapsel langsam und gerade ab. (Abb. 8)

#### HINWEIS:

- Halten Sie einen Müllsack unter die Kapsel, da beim Öffnen der Kapsel Staub herausfallen kann.

Entfernen Sie den angesammelten Staub aus dem Kapsel-Innenraum und vom Hochleistungsfilter. (Abb. 12)

Drehen Sie den Hochleistungsfilter in Pfeilrichtung, um die Sicherungslippe von der Staubsaugereinheit zu lösen, und ziehen Sie dann den Filter ab. (Abb. 13)

Entleeren Sie den Feinstaub, und klopfen Sie den Hochleistungsfilter leicht aus, um Staub abzuschütteln.

### Zusammenbau

#### Zusammenbau für normalen Filter

Bringen Sie den Filter an der Staubsaugereinheit an, bis er einwandfrei sitzt. (Abb. 14)

#### HINWEIS:

- Achten Sie darauf, dass der Filter gerade aufgesetzt wird, ohne dass er zurückgezogen wird. Falls der Filter falsch aufgesetzt wird, wie in der Abbildung gezeigt, gelangt Staub in das Motorgehäuse und kann einen Motorausfall verursachen. (Abb. 15)

Den Vorfilter anschließen. Drehen Sie dabei den Vorfilter so, dass die Sicherungslippe fest in der Staubsaugereinheit verankert ist. (Abb. 16 und 17)

Die Kapsel anschließen. Richten Sie die Markierung O an der Kapsel auf die Markierung O am Griff aus, und drehen Sie dann die Kapsel fest in Pfeilrichtung, bis sie gesichert ist. (Abb. 18 und 19)

#### HINWEIS:

- Entfernen Sie den Staub stets rechtzeitig, da die Saugleistung verringert wird, wenn sich zu viel Staub im Staubsauger befindet.
- Vergewissern Sie sich vor der Benutzung des Staubsaugers stets, dass Filter und Vorfilter korrekt eingesetzt sind. Falls sie nicht korrekt eingesetzt sind, gelangt Staub in das Motorgehäuse und kann einen Motorausfall verursachen. Falls die in den folgenden Beispielen genannten Fälle eintreten, sind Filter und Vorfilter nicht korrekt eingesetzt. Setzen Sie die Filter korrekt ein, um das Problem zu beheben.

### Problemeispiele

Beispiel 1: Nur der Vorfilter ist eingesetzt worden (kein Filter) (Abb. 20)

Beispiel 2: Nur der Filter ist eingesetzt worden (kein Vorfilter) (Abb. 21)

Beispiel 3: Der Filter ist im zurückgezogenen Zustand eingesetzt worden (Abb. 15)

Beispiel 4: Die Sicherungslippe des Vorfilters sitzt nicht fest in der Staubsaugereinheit (Abb. 22)

## Zusammenbau für Hochleistungsfilter

Schließen Sie den Hochleistungsfilter an. Drehen Sie dabei den Hochleistungsfilter so, dass die Sicherungslippe fest in der Staubsaugereinheit verankert ist. (Abb. 23 und 24)

Schließen Sie die Kapsel an. Richten Sie die Markierung O an der Kapsel auf die Markierung O am Handgriff aus, und drehen Sie dann die Kapsel fest in Pfeilrichtung, bis sie gesichert ist. (Abb. 25 und 19)

### HINWEIS:

- Entfernen Sie den Staub stets rechtzeitig, da die Saugleistung verringert wird, wenn sich zu viel Staub im Staubsauger befindet.

- Vergewissern Sie sich vor der Benutzung des Staubsaugers stets, dass der Hochleistungsfilter korrekt eingesetzt ist. Falls sie nicht korrekt eingesetzt sind, gelangt Staub in das Motorgehäuse und kann einen Motorausfall verursachen.

Falls die in den folgenden Beispielen genannten Fälle eintreten, ist der Hochleistungsfilter nicht korrekt eingesetzt. Setzen Sie sie korrekt ein, um das Problem zu beheben.

### Problembeispiele

Die Sicherungslippe des Hochleistungsfilters ist nicht fest in der Nut des Staubsaugergehäuses verankert. (Abb. 26)

## BETRIEB

### VORSICHT:

- Um Vorrichtungen, wie z. B. eine Bürste, anzuschließen, führen Sie die Vorrichtung unter gleichzeitigem Drehen in Pfeilrichtung ein, um einwandfreie Verbindung während des Gebrauchs zu gewährleisten. Um die Vorrichtung abzutrennen, ziehen Sie sie unter gleichzeitigem Drehen in Pfeilrichtung ab. Wird die Vorrichtung beim Anschließen oder Abtrennen in entgegengesetzter Richtung gedreht, kann sich die Kapsel lösen. (Abb. 27)

### Reinigen (Saugen)

#### Bürste (Abb. 28)

Bringen Sie die Bürste an, um Tische, Pulte, Möbelstücke usw. abzusaugen. Die Bürste lässt sich leicht aufstecken.

#### Bürste + Verlängerungsrohr (Gerades Rohr)

##### (Abb. 29)

Das Verlängerungsrohr wird zwischen Bürste und Staubsauger angebracht. Diese Anordnung ist praktisch, um den Fußboden im Stehen zu saugen.

#### Spitzdüse (Abb. 30)

Bringen Sie die Spitzdüse an, um die Ecken und Ritzen eines Autos oder Möbelstücks zu reinigen.

#### Spitzdüse + Verlängerungsrohr (Gerades Rohr)

##### (Abb. 31)

Benutzen Sie diese Anordnung in engen Zwischenräumen, in die der Staubsauger selbst nicht hineinpasst, oder an schwer erreichbaren hohen Orten.

#### Staubsaugen ohne Düse (Abb. 32)

Sie können Pulver und Staub ohne Düse aufsaugen.

## WARTUNG

### VORSICHT:

- Denken Sie vor der Durchführung von Überprüfungen oder Wartungsarbeiten stets daran, der Maschine auszuschalten.

### Reinigen

#### ANMERKUNG:

- **Verwenden Sie auf keinen Fall Benzin, Waschbenzin, Verdünnern, Alkohol oder dergleichen. Solche Mittel können Verfärbung, Verformung oder Rissbildung verursachen.**

- **Blasen Sie am Staubsauger und an den Filtern haftenden Staub nicht mit einem Druckluftspray ab.** Dadurch wird der Staub in das Gehäuse geblasen und ein Ausfall verursacht.

- **Nachdem Sie die Filter gewaschen haben, lassen Sie sie vor Gebrauch gründlich trocknen.** Unzureichend getrocknete Filter können schlechte Saugleistung verursachen und die Lebensdauer des Motors verkürzen.

- **Nachdem Sie die Filter und den Schwammfilter gereinigt haben, setzen Sie sie vor Gebrauch unbedingt wieder ein.** Wird der Staubsauger ohne Filter und Schwammfilter benutzt, kann Staub in das Motorgehäuse eindringen und eine Funktionsstörung verursachen.

### Staubsauger-Hauptteil

Wischen Sie die Außenseite (Staubsauger-Hauptteil) des Staubsaugers von Zeit zu Zeit mit einem mit Seifenwasser getränkten Tuch ab. Putzen Sie auch die Saugöffnung und den Filtermontagebereich aus. (Abb. 33)

### Filter

Waschen Sie den Filter in Seifenwasser aus, wenn er mit Staub zugesetzt ist und die Saugleistung nachlässt. Lassen Sie ihn vor der Benutzung gründlich trocknen. (Abb. 34)

### Schwammfilter

Wenn der Schwammfilter verschmutzt wird, reinigen Sie ihn wie folgt.

1. Entfernen Sie den Filter.
2. Ziehen Sie den Schwammfilter zwischen den Säulen heraus.
3. Reinigen Sie den Schwammfilter durch Ausklopfen oder Waschen. Wenn Sie ihn waschen, lassen Sie ihn vor Gebrauch gründlich trocknen.
4. Führen Sie den Schwammfilter zwischen den Säulen ein, und setzen Sie ihn in seine Ausgangsposition ein. Vergewissern Sie sich, dass die Unterkanten der Säulen den Schwammfilter niederhalten, und dass kein Spalt zwischen dem Schwammfilter und der Saugöffnung vorhanden ist. (Abb. 35)

### Wandhalterung für Akku-Staubsauger

#### Sonderzubehör

### HINWEIS:

- Die Schraube für die Montage des Halters ist nicht im Lieferumfang enthalten. Besorgen Sie eine für das Einschraubmaterial passende Schraube.

Befestigen Sie die Wandhalterung für Akku-Staubsauger an einer festen Wand, einem Träger oder einer Säule aus Holz, an der die Wandhalterung für Akku-Staubsauger einwandfrei gesichert werden kann. Vergewissern Sie sich vor dem Aufhängen des Staubsaugers immer, dass die Wandhalterung für Akku-Staubsauger sicher befestigt ist. (Abb. 36)

### Prüfpunkte vor einer Reparaturanforderung

Symptom	Prüfbereich	Abhilfeverfahren
Schwache Saugkraft	<ul style="list-style-type: none"> <li>Ist die Kapsel mit Staub gefüllt?</li> <li>Ist der Filter verstopft?</li> <li>Ist der Akku entladen?</li> </ul>	<ul style="list-style-type: none"> <li>Staub aus der Kapsel entleeren.</li> <li>Den Filter abstauben oder waschen.</li> <li>Den Akku aufladen.</li> </ul>
Gerät funktioniert nicht	<ul style="list-style-type: none"> <li>Ist der Akku entladen?</li> </ul>	<ul style="list-style-type: none"> <li>Den Akku aufladen.</li> </ul>

010051

#### HINWEIS:

- Versuchen Sie nicht, den Staubsauger selbst zu reparieren.

Um die SICHERHEIT und ZUVERLÄSSIGKEIT dieses Produkts zu gewährleisten, sollten Reparaturen und andere Wartungs- oder Einstellarbeiten nur von Makita-Kundendienstzentren unter ausschließlicher Verwendung von Makita-Originalersatzteilen ausgeführt werden.

### SONDERZUBEHÖR

#### VORSICHT:

- Die folgenden Zubehörteile oder Vorrichtungen werden für den Einsatz mit dem in dieser Anleitung beschriebenen Makita-Gerät empfohlen. Die Verwendung anderer Zubehörteile oder Vorrichtungen kann eine Verletzungsgefahr darstellen. Verwenden Sie Zubehörteile oder Vorrichtungen nur für ihren vorgesehenen Zweck.

Wenn Sie weitere Einzelheiten bezüglich dieser Zubehörteile benötigen, wenden Sie sich bitte an Ihre Makita-Kundendienststelle.

- Verlängerungsrohr (Gerades Rohr)
- Bürste
- Düse für Teppich
- Regalbürste
- Spitzdüse
- Rundbürste
- Flexibler Schlauch
- Filter
- Vorfilter
- Hochleistungsfilter
- Wandhalterung für Akku-Staubsauger
- Zyklonaufsatz
- Original-Makita-Akku und -Ladegerät

#### HINWEIS:

- Manche Teile in der Liste können als Standardzubehör im Werkzeugsatz enthalten sein. Sie können von Land zu Land unterschiedlich sein.

### Zyklonaufsatz (Abb. 37)

#### Info zum Zyklonaufsatz

Wird der Staubsauger mit installiertem Zyklonaufsatz verwendet, so wird die Staubmenge, die in die Kapsel gelangt, reduziert, was dazu beiträgt, eine Abschwächung der Saugkraft zu verhindern. Außerdem wird die Reinigung nach dem Gebrauch ebenfalls vereinfacht.

#### VORSICHT:

- Unterlassen Sie gewaltsames Aufhängen des Staubsaugers an der Wandhalterung oder Aufhängen anderer Geräte außer dem Staubsauger.

#### VORSICHT:

- Vergewissern Sie sich vor der Ausführung von Arbeiten am Werkzeug stets, dass das Werkzeug ausgeschaltet und der Akku abgenommen ist. Wird der Akku eingesetzt gelassen, kann der Staubsauger unerwartet anlaufen, was zu Verletzungen führen kann.
- Reinigen Sie den Netzfilter des Zyklonaufsatzes und die Filter der Staubsaugereinheit, wenn sie verstopft werden. Fortgesetzter Gebrauch im verstopften Zustand kann zu Erhitzung oder Rauchbildung führen.

#### ANMERKUNG:

- Verwenden Sie den Staubsauger bei angebrachtem Zyklonaufsatz nicht im horizontalen oder nach oben gerichteten Zustand. Anderenfalls kann der Netzfilter verstopft werden.
- Benutzen Sie den Staubsauger selbst bei Verwendung des Zyklonaufsatzes immer mit installierten Filtern. Wird der Staubsauger ohne die Filter benutzt, kann es zu einer Funktionsstörung des Motors kommen.

#### HINWEIS:

- Stellen Sie vor Gebrauch sicher, dass Zyklonaufsatz, Staubsauger und gerades Rohr einwandfrei verriegelt sind.
- Entleeren Sie den Staubsammelbehälter des Zyklonaufsatzes und die Kapsel des Staubsaugers, wenn Staub sich angesammelt hat. Fortgesetzter Gebrauch führt zu einer Abschwächung der Saugkraft.

#### Staubentleerung

Wenn Staub sich bis zur Voll-Linie des Staubsammelbehälters angesammelt hat, entsorgen Sie den Staub nach dem folgenden Verfahren.

- Halten Sie den Staubsammelbehälter mit festem Griff, während Sie die zwei Knöpfe gedrückt halten, und entfernen Sie den Staubsammelbehälter. (Abb. 38)
- Entsorgen Sie den Staub im Staubsammelbehälter, und entfernen Sie jeglichen an der Oberfläche des Netzfilters haftenden Staub und Pulver.
- Führen Sie den Staubsammelbehälter vollständig ein, bis die zwei Knöpfe mit einem Klicken einrasten. (Abb. 39)

### **HINWEIS:**

- Stellen Sie vor dem erneuten Starten des Betriebs sicher, dass Zyklonaufsatz, Staubsauger und gerades Rohr alle fest verbunden sind.
- Falls die Saugkraft selbst nach der Entsorgung des Staubs und der Reinigung des Netzfilters nicht wiederhergestellt wird, prüfen Sie, ob Staub sich in der Kapsel des Staubsaugers angesammelt hat, oder ob eine Verstopfung aufgetreten ist.

### **Reinigen**

Wenn der Staubsammelbehälter schmutzig wird oder der Netzfilter verstopft ist, entfernen Sie die Teile, und waschen Sie sie mit Wasser. (Angaben zum Demontageverfahren finden Sie unter „Staubentleerung“.)

Lassen Sie die Teile gründlich trocknen, bevor Sie sie wieder installieren und benutzen. **(Abb. 40)**

Wenn der Netzfilter stark verschmutzt wird, reinigen Sie ihn nach den folgenden Verfahren.

1. Drehen Sie den Netzfilter entgegen dem Uhrzeigersinn, und entfernen Sie ihn bei entriegelten Rasten. **(Abb. 41)**
2. Entfernen Sie den Staub am Netzfilter, und waschen Sie ihn dann mit Wasser. Lassen Sie ihn danach gründlich trocknen.
3. Führen Sie den Netzfilter in die Basis ein, während die Rasten auf den Anschluss ausgerichtet sind. Drehen Sie den Netzfilter im Uhrzeigersinn, bis die Rasten mit einem Klicken einrasten. Vergewissern Sie sich, dass der Netzfilter sicher installiert ist. **(Abb. 42)**

**AVVERTENZA**

- Questo elettrodomestico può venire utilizzato dai bambini dagli 8 anni in su, nonché da persone con capacità fisiche, sensoriali o mentali ridotte, o prive di esperienza o preparazione, qualora vengano fornite loro supervisione o istruzioni relative all'utilizzo in sicurezza dell'elettrodomestico e comprendano i pericoli che comporta.
- I bambini non devono giocare con l'elettrodomestico. La pulizia e la manutenzione da parte dell'utente non devono essere effettuate dai bambini senza supervisione.
- Per il riferimento sul tipo di batteria, vedere il capitolo "DATI TECNICI".
- Per istruzioni su come rimuovere o installare la batteria, vedere la sezione "Installazione o rimozione della cartuccia della batteria".
- Quando si intende smaltire la cartuccia della batteria, rimuoverla dall'utensile e smaltirla in un luogo sicuro. Attenersi alle normative locali relative allo smaltimento della batteria.
- Se l'utensile non viene utilizzato per un periodo di tempo prolungato, la batteria deve essere rimossa dall'utensile.
- Non cortocircuitare la cartuccia della batteria.
- Per i dettagli appropriati relativi alle precauzioni durante la manutenzione da parte dell'utente, vedere il capitolo "MANUTENZIONE".

**Visione generale**

1 Indicatore rosso	13 Bordo di fissaggio	23 Supporto a muro per aspiratore a batteria
2 Bottone	14 Simbolo O	24 Tubo diritto
3 Batteria	15 Maniglia	25 Accessorio ciclonico
4 Grilletto dell'interruttore	16 Scanalatura dell'alloggiamento dell'aspiratore	26 Linea di riempimento
5 Lampada	17 Bocchetta	27 Contenitore polveri
6 Indicatori luminosi	18 Aspiratore	28 Pulsante (in due ubicazioni)
7 Pulsante di controllo	19 Prolunga	29 Filtro a rete
8 Capsula	20 Accessorio per fessure	30 Gancio
9 Prefiltro	21 Filtro in spugna	31 Apertura
10 Filtro	22 Bordo inferiore della colonnina	
11 Filtro ad alte prestazioni		
12 Presa di aspirazione		

**DATI TECNICI**

Modello	DCL180	DCL180F
Capacità	650 mL	
Utilizzo continuo	20 min. circa	
Lunghezza totale	999 mm	
Peso netto	1,2 - 1,5 kg	1,3 - 1,6 kg
Tensione nominale	C.c. 18 V	

- Per il nostro continuo programma di ricerca e sviluppo, queste specifiche sono soggette a modifiche senza avviso.
- I dati tecnici possono variare da nazione a nazione.
- Il peso non comprende gli accessori ma comprende la cartuccia della batteria o le cartucce delle batterie. Nella tabella sono indicati il peso combinato minimo e massimo dell'apparecchio insieme alla cartuccia della batteria o alle cartucce delle batterie.

**Cartuccia della batteria e caricabatterie applicabili**

Cartuccia della batteria	BL1815N / BL1820B / BL1830B / BL1840B / BL1850B / BL1860B
Caricabatterie	DC18RC / DC18RD / DC18RE / DC18SD / DC18SE / DC18SF / DC18SH / DC18WC

- Alcune cartucce delle batterie e alcuni caricabatterie elencati sopra potrebbero non essere disponibili a seconda della propria area geografica di residenza.

**AVVERTIMENTO: Utilizzare solo le cartucce delle batterie e i caricabatterie elencati sopra.** L'utilizzo di altre cartucce delle batterie e di altri caricabatterie potrebbe causare lesioni personali e/o un incendio.

## Simboli

Le figure seguenti mostrano i simboli utilizzati per l'apparecchio. Accertarsi di comprendere il loro significato prima dell'uso.



- Leggere il manuale di istruzioni.



- Solo per le nazioni dell'EU

A causa della presenza di componenti pericolosi nelle apparecchiature, i rifiuti di apparecchiature elettriche ed elettroniche, accumulatori e batterie potrebbero produrre un impatto negativo sull'ambiente e sulla salute umana.

Non smaltire elettrodomestici elettrici ed elettronici o batterie insieme ai rifiuti domestici!

In conformità alla direttiva europea sui rifiuti di apparecchiature elettriche ed elettroniche (RAEE), sugli accumulatori e le batterie, nonché sui rifiuti di accumulatori e batterie, e al suo adattamento alle normative nazionali, i rifiuti di apparecchiature elettriche ed elettroniche, batterie e accumulatori vanno conservati separatamente e conferiti a un punto di raccolta separato per i rifiuti comunali, operando in conformità alle normative per la protezione dell'ambiente.

Tale requisito viene indicato mediante il simbolo del bidone della spazzatura con ruote barrato apposto sull'apparecchio.

ENE017-1

## Utilizzo prefissato

Questo utensile è progettato per la raccolta della polvere.

ENA007-3

## Avvertenze relative alla sicurezza dell'aspiratore a batteria

**AVVERTIMENTO – IMPORTANTE! LEGGERE CON ATTENZIONE tutte le avvertenze di sicurezza e tutte le istruzioni PRIMA DELL'USO.** La mancata osservanza delle avvertenze e delle istruzioni potrebbe risultare in scosse elettriche, incendi e/o gravi lesioni personali.

1. Non esporre questo elettrodomestico alla pioggia. Conservarlo in interni.
2. Non permettere che venga usato come giocattolo. È necessaria una stretta sorveglianza se viene usato da o vicino a bambini.
3. Usarlo soltanto come descritto in questo manuale. Usare soltanto gli accessori consigliati dal produttore.
4. Non usarlo con una batteria danneggiata. Se questo elettrodomestico non funziona come dovrebbe, se è caduto, è danneggiato, è rimasto all'aperto o è caduto in acqua, portarlo a un centro di assistenza ai clienti.
5. Non maneggiare questo elettrodomestico con le mani bagnate.
6. Non inserire alcun oggetto nelle aperture. Non usarlo con una qualsiasi apertura bloccata.

7. **Mantenlo esente da polvere, filacce, capelli e tutto ciò che potrebbe ridurre il flusso dell'aria.**
7. **Tenere i capelli, gli abiti ampi e tutte le parti del corpo lontani dalle aperture e dalle parti mobili.**
8. **Disattivare tutti i comandi prima di rimuovere la batteria.**
9. **Fare particolarmente attenzione durante la pulizia delle scale.**
10. **Questo elettrodomestico non deve essere usato per aspirare sostanze infiammabili o combustibili, come la benzina, o dove esse potrebbero essere presenti.**
11. **Per la ricarica, usare soltanto il caricatore fornito dal produttore.**
12. **Questo elettrodomestico non deve essere usato per aspirare oggetti che bruciano o fumanti, come le sigarette, i fiammiferi o le ceneri calde.**
13. **Non utilizzarlo senza il sacchetto polveri e/o i filtri installati.**
14. **Non caricare la batteria all'aperto.**
15. **Ricaricarla esclusivamente con il caricabatterie specificato dal produttore. Un caricabatterie idoneo a un tipo di batteria potrebbe creare un rischio di incendio, laddove venga utilizzato con una batteria di tipo diverso.**
16. **Utilizzare gli elettrodomestici esclusivamente con le batterie specificamente designate. L'utilizzo di qualsiasi altra batteria potrebbe comportare il rischio di lesioni personali e incendi.**
17. **Quando la batteria non è in uso, tenerla lontana da oggetti metallici, quali graffette, monete, chiavi, chiodi, viti o altri piccoli oggetti metallici, che possono creare un contatto da un terminale all'altro.**
18. **In condizioni di uso improprio, dalla batteria potrebbe venire espulso del liquido; evitare il contatto con tale liquido. In caso di contatto accidentale con il liquido, lavare abbondantemente con acqua.**
19. **Non utilizzare una batteria o un elettrodomestico che siano danneggiati o che siano stati modificati. Batterie danneggiate o modificate potrebbero mostrare un comportamento imprevedibile che può risultare in incendi, esplosioni o nel rischio di lesioni personali.**
20. **Non esporre una batteria o un elettrodomestico al fuoco o a temperature eccessive. L'esposizione al fuoco o a temperature superiori ai 130 °C potrebbe causare un'esplosione.**
21. **Attenersi a tutte le istruzioni relative alla carica e non caricare la batteria o l'elettrodomestico al di fuori della gamma di temperature specificata nelle istruzioni. Una carica inappropriata o a temperature al di fuori della gamma specificata potrebbe danneggiare la batteria e incrementare il rischio di incendio.**

## CONSERVARE QUESTE ISTRUZIONI.

ENB127-1

## REGOLE ADDIZIONALI PER LA SICUREZZA

Questo elettrodomestico è progettato per l'utilizzo domestico.

1. Leggere attentamente questo manuale di istruzioni e il manuale di istruzioni del caricatore prima dell'uso.

2. **Non raccogliere i materiali seguenti:**
  - Materiali caldi, come le sigarette accese e/o scintille/polvere sprigionate dalla smerigliatura/taglio del metallo
  - Materiali infiammabili, come benzina, solventi, benzene, cherosene o vernici
  - Materiali esplosivi come nitroglicerina
  - Materiali infiammabili, come alluminio, zinco, magnesio, titanio, fosforo o celluloidi
  - Sporco bagnato, acqua, olio e simili
  - Pezzi duri con estremità affilate, come schegge di legno, metallo, pietra, vetro, chiodi, puntine o rasoi
  - Polveri da ostruire, come cemento o colorante
  - Polvere conduttiva, come quella di metallo o carbone
  - Particelle fini, come la polvere del cemento

Tale azionamento potrebbe causare un incendio, lesioni e/o danni materiali.
3. Smettere immediatamente l'uso se si nota qualcosa di anormale.
4. Se si fa cadere o si sbatte l'aspiratore, controllare attentamente se ci sono crepe o danni prima di usarlo.
5. Non avvicinarlo a stufe o altre sorgenti di calore.
6. Non bloccare il foro di aspirazione o i fori di ventilazione.

## CONSERVARE QUESTE ISTRUZIONI.

ENC007-17

### ISTRUZIONI DI SICUREZZA IMPORTANTI PER LA CARTUCCIA DELLA BATTERIA

1. Prima di utilizzare la cartuccia della batteria, leggere tutte le istruzioni e le avvertenze riportate (1) sul caricabatteria, (2) sulla batteria e (3) sul prodotto che utilizza la batteria.
2. Non smantellare né manomettere la cartuccia della batteria. In caso contrario, si potrebbe causare un incendio, calore eccessivo o un'esplosione.
3. Qualora il tempo di utilizzo si riduca eccessivamente, interrompere immediatamente l'utilizzo dell'utensile. In caso contrario, si può incorrere nel rischio di surriscaldamento, possibili ustioni e persino un'esplosione.
4. Qualora l'elettrolita entri in contatto con gli occhi, sciacquarli con acqua pulita e richiedere immediatamente assistenza medica. Questa eventualità può risultare nella perdita della vista.
5. Non cortocircuitare la cartuccia della batteria:
  - (1) Non toccare i terminali con alcun materiale conduttivo.
  - (2) Evitare di conservare la cartuccia della batteria in un contenitore insieme ad altri oggetti metallici quali chiodi, monete, e così via.
  - (3) Non esporre la cartuccia della batteria all'acqua o alla pioggia.

Un cortocircuito della batteria può causare un grande flusso di corrente, un surriscaldamento, possibili ustioni e persino un guasto.
6. Non conservare e utilizzare l'utensile e la cartuccia della batteria in ubicazioni in cui la temperatura possa raggiungere o superare i 50°C.

7. **Non incenerire la cartuccia della batteria anche qualora sia gravemente danneggiata o completamente esaurita. La cartuccia della batteria può esplodere se a contatto con il fuoco.**
8. **Non inchiodare, tagliare, schiacciare, lanciare o far cadere la cartuccia della batteria, né farla urtare con forza contro un oggetto duro.** Questi comportamenti potrebbero risultare in un incendio, calore eccessivo o un'esplosione.
9. **Non utilizzare una batteria danneggiata.**
10. **Le batterie a ioni di litio contenute sono soggette ai requisiti del regolamento sul trasporto di merci pericolose (Dangerous Goods Legislation).**

Per trasporti commerciali, ad esempio da parte di terzi o spedizionieri, è necessario osservare dei requisiti speciali sull'imballaggio e sull'etichetta. Per la preparazione dell'articolo da spedire, è richiesta la consulenza di un esperto in materiali pericolosi. Attenersi anche alle normative nazionali, che potrebbero essere più dettagliate. Nastrare o coprire i contatti aperti e imballare la batteria in modo tale che non si possa muovere liberamente all'interno dell'imballaggio.
11. **Quando si intende smaltire la cartuccia della batteria, rimuoverla dall'utensile e smaltirla in un luogo sicuro. Attenersi alle normative locali relative allo smaltimento della batteria.**
12. **Utilizzare le batterie esclusivamente con i prodotti specificati da Makita.** L'installazione delle batterie in prodotti non compatibili potrebbe risultare in incendi, calore eccessivo, esplosioni o perdite di liquido elettrolitico.
13. **Se l'utensile non viene utilizzato per un periodo di tempo prolungato, la batteria deve essere rimossa dall'utensile.**
14. **Durante e dopo l'uso, la cartuccia della batteria potrebbe assorbire calore, che può causare ustioni o ustioni a bassa temperatura. Fare attenzione a come si maneggiano le cartucce delle batterie estremamente calde.**
15. **Non toccare i terminali dell'utensile subito dopo l'uso, in quanto potrebbero diventare estremamente caldi al punto da causare ustioni.**
16. **Evitare di far incastrare schegge, polveri o terreno nei terminali, nei fori e nelle scanalature della cartuccia della batteria.** In caso contrario, l'utensile o la cartuccia della batteria potrebbero riscaldarsi, prendere fuoco, scoppiare o guastarsi, causando ustioni o lesioni personali.
17. **A meno che l'utensile supporti l'uso in prossimità di linee elettriche ad alta tensione, non utilizzare la cartuccia della batteria in prossimità di linee elettriche ad alta tensione.** In caso contrario, si potrebbe causare un malfunzionamento o la rottura dell'utensile o della cartuccia della batteria.
18. **Tenere la batteria lontana dai bambini.**

## CONSERVARE LE PRESENTI ISTRUZIONI.

### ATTENZIONE:

- **Utilizzare solo batterie originali Makita.** L'utilizzo di batterie Makita non originali, o di batterie che siano state alterate, potrebbe risultare nello scoppio della batteria, causando incendi, lesioni personali e danni. Inoltre, ciò potrebbe invalidare la garanzia Makita per l'utensile e il caricabatterie Makita.



## Suggerimenti per preservare la durata massima della batteria

1. **Caricare la cartuccia della batteria prima che si scarichi completamente. Smettere sempre di utilizzare l'utensile e caricare la cartuccia della batteria quando si nota che la potenza dell'utensile è diminuita.**
2. **Non ricaricare mai una cartuccia della batteria completamente carica. La sovraccarica riduce la vita utile della batteria.**
3. **Caricare la cartuccia della batteria a una temperatura ambiente compresa tra 10°C e 40°C. Lasciar raffreddare una cartuccia della batteria prima di caricarla.**
4. **Quando non si utilizza la cartuccia della batteria, rimuoverla dall'utensile o dal caricabatterie.**
5. **Caricare la cartuccia della batteria se non la si è utilizzata per un periodo di tempo prolungato (più di sei mesi).**

## DESCRIZIONE FUNZIONALE

### ATTENZIONE:

- Accertarsi sempre che l'utensile sia spento e che la batteria sia stata rimossa prima di regolare o di controllare il funzionamento dell'utensile.
- Montando la batteria, fare attenzione che le dita non rimangano incastrate tra l'aspiratore e la batteria, come mostrato nella illustrazione. C'è pericolo di lesioni se le dita rimangono incastrate. (Fig. 1)

### Installazione o rimozione della batteria (Fig. 2)

#### ATTENZIONE:

- Spegner sempre l'utensile prima di inserire o di rimuovere la cartuccia batteria.
- **Tenere saldamente l'utensile e la batteria quando si installa o si rimuove la batteria.** Se non si tengono saldamente l'utensile e la batteria, potrebbero sfuggire di mano con conseguente danno dell'utensile e della batteria e un incidente.

Per rimuovere la cartuccia batteria, ritrarla dall'utensile spingendo il bottone sulla parte anteriore della cartuccia batteria.

Per installare la cartuccia batteria, allineare l'appendice sulla cartuccia batteria con la scanalatura dell'alloggiamento e inserirla in posizione. Inserirli completamente finché si blocca in posizione con uno piccolo scatto. Se si vede l'indicatore rosso sulla parte superiore del bottone, vuol dire che non è bloccata completamente.

#### ATTENZIONE:

- Installare sempre completamente la batteria finché l'indicatore rosso non è più visibile. In caso contrario, potrebbe cadere dall'utensile con pericolo di ferite per l'operatore o per chi gli è vicino.
- Non installare forzatamente la batteria. Se la cartuccia batteria non entra facilmente, vuol dire che non viene inserita correttamente.

### Sistema di protezione della batteria

L'utensile è dotato di un sistema di protezione dell'utensile e della batteria. Questo sistema interrompe automaticamente l'alimentazione al motore per prolungare la vita utile dell'utensile e della batteria. L'utensile si arresta automaticamente durante il funzionamento qualora l'utensile stesso o la batteria si trovino in una delle condizioni seguenti.

### Sovraccarico:

L'utensile viene utilizzato in modo tale da causare un assorbimento di corrente elevato in modo anomalo da parte dell'utensile stesso.

In questa situazione, spegnere l'utensile e interrompere l'applicazione che ha causato il sovraccarico dell'utensile. Quindi, accendere l'utensile per ricominciare.

Qualora l'utensile non si avvii, la batteria è surriscaldata. In questa situazione, lasciar raffreddare la batteria prima di riaccendere l'utensile.

### Bassa tensione della batteria:

La carica residua della batteria è troppo bassa e non è possibile utilizzare l'utensile. In tal caso, rimuovere e ricaricare la batteria.

### Funzionamento dell'interruttore (Fig. 3)

#### ATTENZIONE:

- Prima di inserire la batteria nell'utensile, controllare sempre che il grilletto dell'interruttore funzioni correttamente e torni sulla posizione "OFF" quando viene rilasciato.

Per avviare l'utensile, schiacciare semplicemente il grilletto dell'interruttore. Rilasciare il grilletto dell'interruttore per fermarlo.

### Illuminazione della lampada

#### Solo per il modello DCL180F

#### ATTENZIONE:

- Non guardare mai la luce direttamente. La luce diretta causa danni agli occhi. (Fig. 4)

Premere l'interruttore a grilletto per far illuminare la lampada. Rilasciare l'interruttore a grilletto per spegnerla.

### Indicazione della carica residua della batteria

#### Solo per cartucce delle batterie dotate di indicatore (Fig. 5)

Premere il pulsante di controllo sulla cartuccia della batteria per indicare la carica residua della batteria. Gli indicatori luminosi si illuminano per alcuni secondi.

Indicatori luminosi			Carica residua
■ Illuminato	□ Spento	◐ Lampeggiante	
■ ■ ■ ■			Dal 75% al 100%
■ ■ ■ □			Dal 50% al 75%
■ ■ □ □			Dal 25% al 50%
■ □ □ □			Dallo 0% al 25%
◐ □ □ □			Caricare la batteria.
■ ■ □ □			La batteria potrebbe essersi guastata.
□ □ ■ ■			

#### **NOTA:**

- A seconda delle condizioni d'uso e della temperatura ambiente, l'indicazione potrebbe variare leggermente rispetto alla carica effettiva.

### **MONTAGGIO**

#### **ATTENZIONE:**

- Accertarsi sempre che l'utensile sia spento e che la batteria sia stata rimossa prima di qualsiasi intervento sull'utensile.

#### **Tipo di filtro**

##### **Filtro normale (Fig. 6)**

##### **Filtro ad alte prestazioni (Fig. 7)**

#### **Smaltimento della polvere**

#### **ATTENZIONE:**

- Svuotare l'aspiratore prima che diventi troppo pieno, perché altrimenti la forza di aspirazione si riduce.
- Svuotare l'aspiratore della polvere all'interno. In caso contrario, il filtro potrebbe diventare intasato o si potrebbe danneggiare il motore.

#### **Smaltimento delle polveri per il filtro normale**

Per togliere la polvere attaccata al filtro nella capsula, dare 4 o 5 colpi leggeri alla capsula con la mano. Rivolgere in basso l'ingresso di aspirazione, girare la capsula nella direzione della freccia nella illustrazione e staccare lentamente e dritta la capsula. (Fig. 8)

#### **NOTA:**

- Quando si apre la capsula, la polvere potrebbe cadere fuori, per cui aprire la capsula sopra il secchio della spazzatura.

Togliere la polvere accumulata dall'interno della capsula e dal prefiltro. (Fig. 9)

Girare il prefiltro nella direzione della freccia per sganciare il labbro di fissaggio dall'aspiratore, e tirare poi fuori il prefiltro. (Fig. 10)

Togliere la polvere fine dal prefiltro. Rimuovere poi il filtro e togliere la polvere dandogli dei colpetti leggeri. (Fig. 11)

#### **Smaltimento delle polveri per il filtro ad alte prestazioni**

Per far cadere la polvere attaccata al filtro nella capsula, dare 4 o 5 leggeri colpetti alla capsula con la mano. Ora puntare verso il basso la presa di aspirazione, ruotare la capsula nella direzione della freccia come nella figura e scollegare la capsula lentamente e tenendola dritta. (Fig. 8)

#### **NOTA:**

- Le polveri potrebbero fuoriuscire quando si apre la capsula, pertanto accertarsi di posizionare un sacchetto dei rifiuti al di sotto della capsula.

Rimuovere le polveri accumulate dall'interno della capsula e dal filtro ad alte prestazioni. (Fig. 12)

Ruotare il filtro ad alte prestazioni nella direzione della freccia per sganciare il bordo di fissaggio dall'unità aspiratore, quindi rimuovere il filtro tirandolo. (Fig. 13)

Pulire le polveri fini e dare dei leggeri colpetti per far staccare le polveri dal filtro ad alte prestazioni.

#### **Riasssemblaggio**

##### **Rimontaggio del filtro normale**

Montare il filtro finché è completamente in posizione nell'aspiratore. (Fig. 14)

#### **NOTA:**

- Accertarsi di inserire il filtro dritto senza che si rovesci indietro. Se si monta il filtro in modo sbagliato, come mostrato nella illustrazione, la polvere entra nell'alloggiamento del motore causando un guasto del motore. (Fig. 15)

Collegare il prefiltro. A questo punto, ruotare il prefiltro in modo che il labbro di fissaggio sia agganciato saldamente all'aspiratore. (Fig. 16 e 17)

Collegare la capsula. Allineare il simbolo O sulla capsula sul simbolo O sul manico e ruotare poi decisamente la capsula nella direzione della freccia finché è fissata saldamente. (Fig. 18 e 19)

#### **NOTA:**

- Togliere sempre tempestivamente la polvere, perché la forza di aspirazione si riduce se nell'aspiratore c'è troppa polvere.
- Controllare sempre che entrambi il filtro e il prefiltro siano installati correttamente prima di usare l'aspiratore. Se non sono installati correttamente, la polvere entra nell'alloggiamento del motore causando un guasto del motore.  
Il filtro e il prefiltro non sono installati correttamente se si verificano i problemi seguenti. Risistemarli correttamente per correggere il problema.

#### **Esempi di problemi**

Esempio 1: È stato installato soltanto il prefiltro (niente filtro) (Fig. 20)

Esempio 2: È stato installato soltanto il filtro (niente prefiltro) (Fig. 21)

Esempio 3: Il filtro è stato installato rovesciato (Fig. 15)

Esempio 4: Il labbro di fissaggio del prefiltro non è agganciato saldamente alla scanalatura dell'alloggiamento dell'aspiratore (Fig. 22)

#### **Rimontaggio del filtro ad alte prestazioni**

Collegare il filtro ad alte prestazioni. A questo punto, accertarsi di ruotare il filtro ad alte prestazioni in modo che il bordo di fissaggio sia saldamente bloccato nell'unità aspiratore. (Fig. 23 e 24)

Collegare la capsula. Allineare il simbolo O sulla capsula con il simbolo O sulla maniglia, quindi ruotare con decisione la capsula nella direzione indicata dalla freccia fino a fissarla. (Fig. 25 e 19)

#### **NOTA:**

- Rimuovere sempre anticipatamente le polveri, in quanto la forza di aspirazione si riduce, qualora nell'aspiratore sia presente un grande quantitativo di polveri.
- Accertarsi sempre che il filtro ad alte prestazioni sia installato correttamente, prima di utilizzare l'aspiratore. Qualora non siano installati correttamente, le polveri penetrano nell'alloggiamento del motore, causando un guasto di quest'ultimo.  
L'eventuale verificarsi delle situazioni di esempio seguenti denota un'installazione errata del filtro ad alte prestazioni. Reinstalarli correttamente per correggere il problema.

#### **Esempi di problemi**

Il bordo di fissaggio del filtro ad alte prestazioni non è agganciato saldamente alla scanalatura dell'alloggiamento dell'aspiratore. (Fig. 26)

## OPERAZIONI

### ATTENZIONE:

- Per collegare gli accessori, come la bocchetta, inserire l'accessorio girandolo nella direzione della freccia per accertarsi che il collegamento sia saldo durante l'utilizzo. Per scollegare l'accessorio, estrarlo ancora girandolo nella direzione della freccia. Se si gira l'accessorio nella direzione opposta quando lo si collega o lo si scollega, la capsula potrebbe aprirsi. (Fig. 27)

### Pulizia (Aspirazione)

#### Bocchetta (Fig. 28)

Attaccare la bocchetta per pulire i tavoli, le scrivanie, i mobili, ecc. La bocchetta si attacca facilmente.

#### Bocchetta + Prolunga (tubo diritto) (Fig. 29)

La prolunga va montata tra la bocchetta e l'aspiratore stesso. Questa disposizione è comoda per pulire il pavimento stando eretti.

#### Accessorio per fessure (Fig. 30)

Montare l'accessorio per fessure per la pulizia degli angoli e delle fessure di un'automobile o mobile.

#### Accessorio per fessure + Prolunga (tubo diritto) (Fig. 31)

Usare questa disposizione per la pulizia dei posti dove la bocchetta non può entrare, o di quelli alti difficili da raggiungere.

#### Pulizia senza la bocchetta (Fig. 32)

La polvere può essere aspirata senza la bocchetta.

## MANUTENZIONE

### ATTENZIONE:

- Accertarsi sempre che l'utensile sia spento prima di procedere all'ispezione o alla manutenzione.

### Pulizia

#### AVVISO:

- **Non utilizzare mai benzina, benzene, solventi, alcol o altre sostanze simili. In caso contrario, si potrebbero causare scolorimenti, deformazioni o crepe.**
- **Non soffiare via la polvere che aderisce all'aspiratore e ai filtri utilizzando bombolette antipolvere ad aria compressa.** Queste ultime fanno penetrare la polvere all'interno dell'alloggiamento e causano guasti.

- **Dopo aver lavato i filtri, asciugarli completamente prima dell'uso.** Filtri non asciugati a sufficienza potrebbero causare un'aspirazione scadente e ridurre la vita utile del motore.
- **Dopo la pulizia dei filtri e del filtro in spugna, accertarsi di reinstallarli prima dell'uso.** Qualora si utilizzi l'aspiratore senza i filtri e il filtro in spugna, le polveri penetrano nell'alloggiamento del motore e causano guasti.

### Corpo dell'aspiratore

Pulire di tanto in tanto la superficie esterna dell'aspiratore (corpo dell'aspiratore) utilizzando un panno inumidito con acqua e sapone.

Pulire anche l'apertura di aspirazione e l'area di montaggio dei filtri. (Fig. 33)

### Filtro

Lavare il filtro in acqua e sapone quando è intasato di polveri e la potenza dell'aspiratore si riduce. Asciugarlo completamente prima dell'uso. (Fig. 34)

### Filtro in spugna

Quando il filtro in spugna diventa sporco, pulirlo nel modo seguente.

1. Rimuovere il filtro.
2. Estrarre il filtro in spugna facendolo passare tra le colonnine.
3. Pulire il filtro in spugna dandogli dei leggeri colpetti o lavandolo. Qualora lo si lavi, farlo asciugare completamente prima dell'uso.
4. Inserire il filtro in spugna facendolo passare tra le colonnine e sistemarlo nella posizione originale. Accertarsi che il bordo inferiore di ciascuna colonnina tenga fermo il filtro in spugna, e che non vi siano spazi vuoti tra il filtro in spugna e l'apertura di aspirazione. (Fig. 35)

### Supporto a muro per aspiratore a batteria

#### Accessorio opzionale

#### NOTA:

- La vite per montare il supporto non è inclusa. Preparare una vite idonea al materiale in cui debba essere avvitata.

Montare il supporto a muro per l'aspiratore a batteria su una parete, una trave o una colonna in legno duro, in cui sia possibile fissare saldamente il supporto a muro dell'aspiratore a batteria. Accertarsi sempre che il supporto a muro per l'aspiratore a batteria sia fissato saldamente, prima di appendere l'aspiratore. (Fig. 36)

#### ATTENZIONE:

- **Non appendere l'aspiratore al supporto a muro con violenza né appendere altri elettrodomestici diversi dall'aspiratore.**

### Cosa controllare prima di chiamare il tecnico per la riparazione

Sintomo	Area da controllare	Metodo di correzione del problema
Forza di aspirazione debole	<ul style="list-style-type: none"><li>• La capsula è piena di polvere?</li><li>• Il filtro è intasato?</li><li>• La cartuccia della batteria è scarica?</li></ul>	<ul style="list-style-type: none"><li>• Vuotare la capsula dalla polvere.</li><li>• Togliere la polvere dal filtro o lavarlo.</li><li>• Ricaricare la batteria.</li></ul>
L'aspiratore non funziona	<ul style="list-style-type: none"><li>• La cartuccia della batteria è scarica?</li></ul>	<ul style="list-style-type: none"><li>• Ricaricare la batteria.</li></ul>

010051

#### NOTA:

- Non si deve cercare di riparare l'aspiratore da soli.

Per preservare la SICUREZZA e l'AFFIDABILITÀ del prodotto, le riparazioni, la manutenzione o la regolazione devono essere eseguite da un Centro Assistenza Makita autorizzato usando sempre ricambi Makita.

## ACCESSORI OPZIONALI

#### ATTENZIONE:

- Si consigliano questi accessori o ricambi per l'uso con l'utensile Makita specificato in questo manuale. L'utilizzo di qualsiasi altro accessorio o ricambio potrebbe comportare il rischio di incidenti. Usare soltanto gli accessori o i ricambi per questo scopo prefissato.

Per maggiori dettagli riguardo a questi accessori, rivolgersi al Centro di Assistenza Makita locale.

- Prolunga (tubo diritto)
- Bocchetta
- Bocchetta per tappeti
- Spazzola per scaffali
- Accessorio per fessure
- Spazzola rotonda
- Manicotto flessibile
- Filtro
- Prefiltro
- Filtro ad alte prestazioni
- Supporto a muro per aspiratore a batteria
- Accessorio ciclonico
- Batteria e caricatore genuini Makita

#### NOTA:

- Alcuni articoli nella lista potrebbero essere inclusi nell'imballaggio dell'utensile come accessori standard. Essi potrebbero differire da Paese a Paese.

### Accessorio ciclonico (Fig. 37)

#### Informazioni sull'accessorio ciclonico

L'utilizzo dell'aspiratore con l'accessorio ciclonico installato riduce la quantità di polveri che entrano nella capsula, il che contribuisce a evitare l'indebolimento della forza di aspirazione. Inoltre, anche la pulizia dopo l'uso è semplice.

#### ATTENZIONE:

- **Accertarsi sempre che l'utensile sia spento e che la cartuccia della batteria sia stata rimossa, prima di effettuare qualsiasi intervento sull'utensile.** Qualora la cartuccia della batteria venga lasciata inserita, l'aspiratore potrebbe avviarsi inaspettatamente e causare lesioni personali.
- **Pulire il filtro a rete dell'accessorio ciclonico e i filtri dell'unità aspiratore quando diventano intasati.** L'utilizzo continuato nella condizione di intasamento potrebbe risultare in un riscaldamento o nell'emissione di fumo.

#### AVVISO:

- **Quando è montato l'accessorio ciclonico, non utilizzare l'aspiratore in direzione orizzontale o rivolto verso l'alto.** In caso contrario, si potrebbe causare l'intasamento del filtro a rete.
- **Utilizzare sempre l'aspiratore con i filtri installati, anche quando si utilizza l'accessorio ciclonico.** L'utilizzo dell'aspiratore senza i filtri installati potrebbe risultare in un malfunzionamento del motore.

#### NOTA:

- Verificare che l'accessorio ciclonico, l'aspiratore e il tubo diritto siano bloccati correttamente, prima dell'uso.
- Svuotare il contenitore polveri dell'accessorio ciclonico e la capsula dell'aspiratore, quando le polveri si sono accumulate. In caso contrario, l'utilizzo continuato risulta in una forza di aspirazione ridotta.

#### Smaltimento delle polveri

Quando le polveri si sono accumulate fino alla linea di riempimento del contenitore polveri, attenersi alla procedura seguente e smaltire le polveri.

1. Mantenere saldamente il contenitore polveri, premere e tenere premuti i due pulsanti, quindi rimuovere il contenitore polveri. (Fig. 38)
2. Smaltire le polveri all'interno del contenitore polveri e rimuovere eventuali polveri depositate sulla superficie del filtro a rete.
3. Inserire completamente il contenitore polveri fino a quando i due pulsanti si bloccano con uno scatto. (Fig. 39)

#### NOTA:

- Verificare che l'accessorio ciclonico, l'aspiratore e il tubo diritto siano tutti saldamente collegati, prima di riprendere l'utilizzo.
- Qualora la forza di aspirazione non venga recuperata anche dopo aver smaltito le polveri e aver pulito il filtro a rete, controllare se le polveri si siano accumulate nella capsula dell'aspiratore o se si sia verificato un intasamento.

#### Pulizia

Quando il contenitore polveri diventa sporco o il filtro a rete è intasato, rimuoverli e lavarli con acqua. (Per la procedura di rimozione, fare riferimento a "Smaltimento delle polveri").

Far asciugare completamente le parti prima della reinstallazione e dell'utilizzo. (Fig. 40)

Quando il filtro a rete si sporca notevolmente, pulirlo attendendosi alle procedure seguenti.

1. Ruotare il filtro a rete in senso antiorario e rimuoverlo mentre i ganci sono sbloccati. (Fig. 41)
2. Rimuovere le polveri sul filtro a rete, quindi lavarlo con acqua. Dopodiché, farlo asciugare completamente.
3. Inserire il filtro a rete nella base mentre i ganci sono allineati con l'apertura. Ruotare in senso orario il filtro a rete fino a quando i ganci si bloccano con uno scatto. Accertarsi che il filtro a rete sia installato saldamente. (Fig. 42)

**WAARSCHUWING**

- Dit apparaat mag worden gebruikt door kinderen van 8 jaar en ouder of door personen met beperkte fysieke, zintuiglijke of verstandelijke vermogens of gebrek aan ervaring of kennis van zaken, maar alleen onder toezicht of na instructie in veilig gebruik van het apparaat, met begrip van de eventuele risico's.
- Kinderen mogen niet met het apparaat spelen. Reinigen en onderhoud van het apparaat mag niet door kinderen worden verricht, tenzij onder toezicht.
- Zie het hoofdstuk "TECHNISCHE GEGEVENS" voor de typeaanduiding van de accu.
- Zie het hoofdstuk "De accu aanbrengen en verwijderen" voor hoe u de accu kunt aanbrengen en verwijderen.
- Wanneer u de accu wilt weggooien, verwijdert u de accu vanaf het gereedschap en gooit u hem op een veilige manier weg. Volg bij het weggooien van de accu de plaatselijke voorschriften.
- Als u het gereedschap gedurende een lange tijd niet denkt te gaan gebruiken, moet de accu vanaf het gereedschap worden verwijderd.
- Voorkom kortsluiting van de accu.
- Zie het hoofdstuk "ONDERHOUD" voor de benodigde informatie over de voorzorgsmaatregelen tijdens onderhoud door de gebruiker.

**Verklaring van algemene gegevens**

1 Rood aanduiding	13 Bevestigingslip	23 Muurbevestiging voor de accustofzuiger
2 Knop	14 O-merkteken	24 Rechte buis
3 Accu	15 Handgreep	25 Cycloonhulpstuk
4 Trekschakelaar	16 Gleuf in de behuizing van de stofzuiger	26 'Vol'-lijn
5 Lamp	17 Mondstuk	27 Stofopvangdoos
6 Indicatorlampjes	18 Stofzuiger	28 Knop (twee plaatsen)
7 Testknop	19 Verlengbuis	29 Gaasfilter
8 Beker	20 Hoekmondstuk	30 Haak
9 Voorfilter	21 Sponsfilter	31 Opening
10 Filter	22 Onderrand van stang	
11 Hoogwaardig filter		
12 Zuigmond		

**TECHNISCHE GEGEVENS**

Model	DCL180	DCL180F
Inhoud	650 mL	
Ononderbroken gebruik	Ong. 20 min.	
Totale lengte	999 mm	
Netto gewicht	1,2 - 1,5 kg	1,3 - 1,6 kg
Nominale spanning	18 V gelijkstroom	

- In verband met ononderbroken research en ontwikkeling behouden wij ons het recht voor bovenstaande technische gegevens te wijzigen zonder voorafgaande kennisgeving.
- De technische gegevens kunnen van land tot land verschillen.
- Het gewicht is exclusief bijgeleverde accessoires, maar inclusief de accu(s). Het laagste en hoogste gecombineerde gewicht van het apparaat en de accu(s) wordt vermeld in de tabel.

**Toepasselijke accu's en laders**

Accu	BL1815N / BL1820B / BL1830B / BL1840B / BL1850B / BL1860B
Lader	DC18RC / DC18RD / DC18RE / DC18SD / DC18SE / DC18SF / DC18SH / DC18WC

- Sommige van de hierboven vermelde accu's en laders zijn mogelijk niet leverbaar afhankelijk van waar u woont.

**WAARSCHUWING: Gebruik uitsluitend de accu's en laders die hierboven worden genoemd.** Gebruik van enige andere accu of lader kan leiden tot letsel en/of brand.

## Symbolen

Hieronder staan de symbolen die voor het gereedschap kunnen worden gebruikt. Zorg ervoor dat u weet wat ze betekenen alvorens het gereedschap te gebruiken.



- Lees de gebruiksaanwijzing.



- Alleen voor EU-landen

Als gevolg van de aanwezigheid van schadelijke componenten in het apparaat, kunnen oude elektrische en elektronische apparaten, accu's en batterijen negatieve gevolgen hebben voor het milieu en de gezondheid van mensen.

Gooi elektrische en elektronische apparaten en accu's niet met het huisvuil weg!

In overeenstemming met de Europese richtlijn inzake oude elektrische en elektronische apparaten en inzake accu's en batterijen en oude accu's en batterijen, alsmede de toepassing daarvan binnen de nationale wetgeving, dienen oude elektrische apparaten, accu's en batterijen gescheiden te worden opgeslagen en te worden ingeleverd bij een apart inzamelingspunt voor huishoudelijk afval dat de milieubeschermingsvoorschriften in acht neemt.

Dit wordt op het apparaat aangegeven door het symbool van een doorgesluite afvalcontainer.

ENE017-1

## Gebruiksdoeleinden

Het gereedschap is bedoeld om droog stof te verzamelen.

ENA007-3

## Veiligheidswaarschuwingen voor accustofzuigers

**WAARSCHUWING – BELANGRIJK! LEES VÓÓR GEBRUIK** alle veiligheidswaarschuwingen en alle instructies **ZORGVULDIG DOOR**. Het niet volgen van de waarschuwingen en instructies kan leiden tot elektrische schokken, brand en/of ernstig letsel.

1. Stel niet bloot aan regen. Bewaar binnenshuis.
2. Sta niet toe dat ermee gespeeld wordt. Let goed op bij gebruik in de buurt van kinderen.
3. Gebruik uitsluitend zoals beschreven in deze gebruiksaanwijzing. Gebruik uitsluitend hulpstukken aanbevolen door de fabrikant.
4. Gebruik nooit met een beschadigde accu. Als het apparaat niet werkt zoals het zou moeten werken, is gevallen, is beschadigd buiten heeft gelegen of in het water is gevallen, stuurt u het terug naar een servicecentrum.
5. Hanteer het apparaat niet met natte handen.
6. Steek geen voorwerpen in de openingen. Gebruik het apparaat niet wanneer een opening verstopt zit, houd het apparaat vrij van stof, pluizen, haar en alles wat de luchtdoorstroming kan hinderen.

7. Houd haar, loshangende kleding, vingers en alle lichaamsdelen uit de buurt van de openingen en bewegende delen.
8. Schakel alle knoppen uit alvorens de accu eraf te halen.
9. Wees extra voorzichtig bij gebruik op een trap.
10. Zuig geen ontvlambare of brandbare vloeistoffen, zoals benzine, op en gebruik het niet op plaatsen waar deze aanwezig kunnen zijn.
11. Gebruik voor het opladen uitsluitend de acculader die door de fabrikant werd geleverd.
12. Zuig niets op dat brandt of rookt, zoals sigaretten, lucifers of hete as.
13. Gebruik het apparaat niet zonder dat de stofzak en/of filters zijn aangebracht.
14. Laad de accu niet buitenshuis op.
15. Laad uitsluitend op met de acculader die wordt gespecificeerd door de fabrikant. Een acculader die geschikt is voor een bepaald type accu, kan brandgevaar opleveren indien gebruikt met een ander type accu.
16. Gebruik apparaten uitsluitend met de daarvoor bestemde accu's. Gebruik van andere accu's kan gevaar voor letsel of brandgevaar opleveren.
17. Als de accu niet wordt gebruikt, houdt u deze uit de buurt van metalen voorwerpen zoals paperclips, muntgeld, sleutels, spijkers, schroeven en andere kleine metalen voorwerpen die een kortsluiting kunnen veroorzaken tussen de accupolen.
18. Onder zware gebruiksomstandigheden kan vloeistof uit de accu komen. Voorkom aanraking. Als aanraking per ongeluk zich voordoet, spoelt u met water.
19. Gebruik geen accu of apparaat die/dat beschadigd of gewijzigd is. Beschadigde of gewijzigde accu's kunnen onvoorspelbaar gedrag vertonen dat kan leiden tot brand, explosie of gevaar van letsel.
20. Stel een accu of apparaat niet bloot aan vuur of buitensporige temperaturen. Blootstelling aan vuur of temperaturen hoger dan 130 °C kunnen een explosie veroorzaken.
21. Volg alle oplaadinstructies en laad de accu of het apparaat niet op buiten het temperatuurbereik vermeld in de instructies. Verkeerd opladen of bij een temperatuur buiten het vermelde bereik, kan de accu beschadigen en de kans op brand vergroten.

## BEWAAR DEZE VOORSCHRIFTEN.

ENB127-1

## AANVULLENDE VEILIGHEIDSVORSCHRIFTEN

Dit apparaat is bedoeld voor huishoudelijk gebruik.

1. Lees deze gebruiksaanwijzing en die van de acculader voor gebruik aandachtig door.
2. Zuig de volgende stoffen niet op:
  - Hete stoffen, zoals brandende sigaretten of gloeiend hete metaaldeeltjes veroorzaakt door het schuren/slijpen van metaal
  - Brandbare stoffen, zoals benzine, thinner, wasbenzine, kerosine of verf
  - Explosieve stoffen, zoals nitroglycerine

- Ontvlambare stoffen, zoals aluminium, zink, magnesium, titanium, fosfor of celluloid
  - Nat vuil, water, olie en dergelijk
  - Harde stukjes met scherpe randen, zoals houtsnippers, metaaldeeltjes, steentjes, glasstukjes, spijkers, punaises of scheermesjes
  - Poeder dat klontert, zoals cement of toner
  - Geleidend stof, zoals metaalvizel of koolstofpoeder
  - Zeer fijn stof, zoals cementpoeder
- Een dergelijk gebruik kan leiden tot brand, persoonlijk letsel en/of materiële schade.
3. Stop onmiddellijk met het gebruik als u iets abnormaals opmerkt.
  4. Als u de stofzuiger laat vallen of ergens tegenaan stoot, controleert u zorgvuldig op barsten of beschadigingen voordat u deze weer gebruikt.
  5. Houd uit de buurt van fornuizen en verwarmingsbronnen.
  6. Blokkeer de inlaatopening en de ventilatieopeningen niet.

## BEWAAR DEZE VOORSCHRIFTEN.

ENC007-17

## BELANGRIJKE VEILIGHEIDSINSTRUCTIES VOOR EEN ACCU

1. Lees alle voorschriften en waarschuwingen op (1) de acculader, (2) de accu, en (3) het product waarvoor de accu wordt gebruikt, alvorens de accu in gebruik te nemen.
2. Haal de accu niet uit elkaar en saboteer hem niet. Dit kan leiden tot brand, buitensporige hitte of een explosie.
3. Als de gebruikstijd van een opgeladen accu aanzienlijk korter is geworden, moet u het gebruik ervan onmiddellijk stopzetten. Voortgezet gebruik kan oververhitting, brandwonden en zelfs een ontploffing veroorzaken.
4. Als elektrolyt in uw ogen is terechtgekomen, spoelt u uw ogen met schoon water en roept u onmiddellijk de hulp van een dokter in. Elektrolyt in de ogen kan blindheid veroorzaken.
5. Voorkom kortsluiting van de accu:
  - (1) Raak de accuklemmen nooit aan met een geleidend materiaal.
  - (2) Bewaar de accu niet in een bak waarin andere metalen voorwerpen zoals spijkers, munten e.d. worden bewaard.
  - (3) Stel de accu niet bloot aan water of regen. Kortsluiting van de accu kan oorzaak zijn van een grote stroomafgifte, oververhitting, brandwonden, en zelfs defecten.
6. Bewaar en gebruik het gereedschap en de accu niet op plaatsen waar de temperatuur kan oplopen tot 50°C of hoger.
7. Werp de accu nooit in het vuur, ook niet wanneer hij zwaar beschadigd of volledig versleten is. De accu kan ontploffen in het vuur.
8. Laat de accu niet vallen, sla er geen spijker in, snijd er niet in, gooi er niet mee en stoot hem niet tegen een hard voorwerp. Dergelijke handelingen kunnen leiden tot brand, buitensporige hitte of een explosie.
9. Gebruik nooit een beschadigde accu.

10. De bijgeleverde lithium-ionbatterijen zijn onderhevig aan de vereisten in de wetgeving omtrent gevaarlijke stoffen.

Voor commercieel transport en dergelijke door derden en transporteurs moeten speciale vereisten ten aanzien van verpakking en etikettering worden nageleefd.

Als voorbereiding van het artikel dat wordt getransporteerd is het noodzakelijk een expert op het gebied van gevaarlijke stoffen te raadplegen. Houd u tevens aan mogelijk strengere nationale regelgeving.

Blootliggende contactpunten moeten worden afgedekt met tape en de accu moet zodanig worden verpakt dat deze niet kan bewegen in de verpakking.

11. Wanneer u de accu wilt weggooien, verwijdert u de accu vanaf het gereedschap en gooit u hem op een veilige manier weg. Volg bij het weggooien van de accu de plaatselijke voorschriften.
12. Gebruik de accu's uitsluitend met de gereedschappen die door Makita zijn aanbevolen. Als de accu's worden aangebracht in niet-compatibele gereedschappen, kan dat leiden tot brand, buitensporige warmteontwikkeling, een explosie of lekkage van elektrolyt.
13. Als u het gereedschap gedurende een lange tijd niet denkt te gaan gebruiken, moet de accu vanaf het gereedschap worden verwijderd.
14. Tijdens en na gebruik, kan de accu heet worden waardoor brandwonden of koude brandwonden kunnen worden veroorzaakt. Wees voorzichtig bij het hanteren van een hete accu.
15. Raak de aansluitpunten van het gereedschap niet onmiddellijk na gebruik aan omdat deze heet genoeg kunnen zijn om brandwonden te veroorzaken.
16. Zorg ervoor dat geen steenslag, stof of grond vast komt te zitten op/in de aansluitpunten, openingen en groeven van de accu. Hierdoor kan oververhitting, brand, een barst en een storing in het gereedschap of de accu ontstaan waardoor brandwonden of persoonlijk letsel kunnen ontstaan.
17. Behalve indien gebruik van het gereedschap is toegestaan in de buurt van hoogspanningsleidingen, mag u de accu niet gebruiken in de buurt van een hoogspanningsleiding. Dit kan leiden tot een storing of een defect van het gereedschap of de accu.
18. Houd de accu uit de buurt van kinderen.

## BEWAAR DEZE VOORSCHRIFTEN.

### LET OP:

- Gebruik uitsluitend originele Makita accu's. Het gebruik van niet-originele accu's, of accu's die zijn gewijzigd, kan ertoe leiden dat de accu ontploft en brand, persoonlijk letsel en schade veroorzaakt. Ook vervalt daarmee de garantie van Makita op het gereedschap en de lader van Makita.

### Tips voor een maximale levensduur van de accu

1. Laad de accu op voordat hij volledig ontladen is. Stop het gebruik van het gereedschap en laad de accu op telkens wanneer u vaststelt dat het vermogen van het gereedschap is afgenomen.
2. Laad een volledig opgeladen accu nooit opnieuw op. Te lang opladen verkort de levensduur van de accu.

- Laad de accu op bij een omgevingstemperatuur tussen 10°C en 40°C. Laat een warme accu afkoelen alvorens hem op te laden.
- Als de accu niet wordt gebruikt, verwijder u hem vanaf het gereedschap of de lader.
- Laad de accu op als u deze gedurende een lange tijd (meer dan zes maanden) niet gaat gebruiken.

## BESCHRIJVING VAN DE FUNCTIES

### LET OP:

- Zorg altijd dat het gereedschap is uitgeschakeld en de accu ervan is verwijderd alvorens de functies op het gereedschap af te stellen of te controleren.
- Wees voorzichtig dat uw vinger(s) niet bekneld raken tussen de stofzuiger en de accu tijdens het aanbrengen van de accu, zoals aangegeven in de afbeelding. Beknelde vingers kunnen tot letsel leiden. (Fig. 1)

### Installeren of verwijderen van de accu (Fig. 2)

#### LET OP:

- Schakel het gereedschap altijd uit alvorens de accu te installeren of te verwijderen.
- Houd het gereedschap en de accu stevig vast wanneer u de accu aanbrengt of verwijderd. Als u het gereedschap en de accu niet stevig vasthoudt, zou er iets uit uw handen kunnen glippen, met gevaar voor schade aan het gereedschap of de accu en eventuele verwonding.

Om de accu uit het gereedschap te halen, verschuift u de knop op de voorkant van de accu en trekt u de accu eraf. Om de accu te installeren, doet u de tong op de accu overeenkomen met de groef in de behuizing en dan schuift u de accu erin. Schuif de accu er altijd volledig in totdat die op zijn plaats vast klikt. Als u de rode aanduiding boven de knop kunt zien, is ze niet volledig vergrendeld.

#### LET OP:

- Schuif de accu volledig erin totdat de rode indicator niet meer zichtbaar is. Als u dit niet doet, kan de accu per ongeluk eruit vallen en uzelf of andere personen in uw omgeving verwonden.
- Druk de accu er niet met kracht in. Als de accu er niet gemakkelijk ingaat, betekent dit dat u hem niet op de juiste wijze erin steekt.

### Accubeveiligingssysteem

Het gereedschap is uitgerust met een gereedschap-/accubeveiligingssysteem. Dit systeem sluit automatisch de voeding naar de motor af om de levensduur van het gereedschap en de accu te verlengen. Het gereedschap zal tijdens gebruik automatisch stoppen wanneer het gereedschap of de accu zich in een van de volgende omstandigheden bevindt.

#### Overbelasting:

Als het gereedschap wordt gebruikt op een manier die een abnormaal hoge stroomsterkte vergt.

Schakel in dat geval het gereedschap uit en stopt u met de toepassing waardoor het gereedschap overbelast raakte. Schakel vervolgens het gereedschap in om het weer te starten.

Als het gereedschap niet start, kan de accu oververhit zijn. In die situatie laat u de accu eerst afkoelen voordat u het gereedschap opnieuw inschakelt.

### Onvoldoende accuspanning:

De resterende acculading is te laag en het gereedschap start niet. In dat geval verwijderd u de accu en laadt u die opnieuw op.

### Werking van de trekschakelaar (Fig. 3)

#### LET OP:

- Alvorens de accu in het gereedschap te plaatsen, moet u altijd controleren of de trekschakelaar goed werkt en bij het loslaten naar de "OFF" positie terugkeert.

Om het gereedschap te starten, drukt u gewoon de trekschakelaar in. Laat de schakelaar los om het gereedschap te stoppen.

### De lamp inschakelen

#### Aleen voor model DCL180F

#### LET OP:

- Kijk nooit rechtstreeks in de lamp. Het rechtstreekse lamplicht kan schadelijk zijn voor uw ogen. (Fig. 4)

Krijp de trekkerschakelaar in om de lamp in te schakelen. Laat de trekkerschakelaar los om de lamp uit te schakelen.

### De resterende acculading controleren

#### Aleen voor accu's met indicatorlampjes (Fig. 5)

Druk op de testknop op de accu om de resterende acculading te zien. De indicatorlampjes branden gedurende enkele seconden.

Indicatorlampjes			Resterende acculading
Brandt	Uit	Knippert	
■	■	■	75% tot 100%
■	■	□	50% tot 75%
■	□	□	25% tot 50%
■	□	□	0% tot 25%
▬	□	□	Laad de accu op.
■	□	□	Er kan een storing zijn opgetreden in de accu.
□	□	■	

#### OPMERKING:

- Afhankelijk van de gebruiksomstandigheden en de omgevingstemperatuur, is het mogelijk dat de aangegeven acculading verschilt van de werkelijke acculading.

### INEENZETTEN

#### LET OP:

- Controleer altijd of het gereedschap is uitgeschakeld en de accu ervan is verwijderd alvorens enig werk aan het gereedschap uit te voeren.



## Type filter

### Normaal filter (Fig. 6)

### Hoogwaardig filter (Fig. 7)

### Het stof weggooien

#### LET OP:

- Leeg de stofzuiger voordat deze te vol raakt omdat dan de zuigkracht afneemt.
- Vergeet niet het stof in de stofzuiger zelf weg te gooien. Als u dit nalaat, kan het filter verstopt raken of de motor beschadigd raken.

#### Stof weggooien uit een normaal filter

Om het stof dat aan het filter kleeft in de beker te laten vallen, tikt u met uw hand 4 of 5 keer tegen de beker.

Richt de zuigmond vervolgens omlaag, draai de beker in de richting van de pijl in de afbeelding, en haal de beker langzaam en recht eraf. (Fig. 8)

#### OPMERKING:

- Wanneer de beker eraf gehaald wordt, kan stof eruit vallen, zodat het handig is een vuilniszak onder de beker te houden.

Verwijder het verzamelde stof uit de beker en vanaf het voorfilter. (Fig. 9)

Verdraai het voorfilter in de richting van de pijl om de bevestigingslip los te maken van de behuizing van de stofzuiger, en trek vervolgens het voorfilter eraf. (Fig. 10)

Verwijder het fijne stof uit het voorfilter. Haal vervolgens het filter eraf en tik er voorzichtig tegen om het stof los te maken. (Fig. 11)

#### Stof weggooien uit een hoogwaardig filter

Om het stof dat aan het filter kleeft in de beker te laten vallen, tikt u met uw hand 4 of 5 keer tegen de beker.

Richt nu de zuigmond omlaag, draai de beker in de richting van de pijl zoals aangegeven in de afbeelding, en haal de beker langzaam en recht eraf. (Fig. 8)

#### OPMERKING:

- Wanneer de beker eraf wordt gehaald, kan het stof eruit vallen, dus plaatst u eerst een afvalzak onder de beker.

Verwijder het verzamelde stof uit de binnenkant van de beker en vanaf het hoogwaardige filter. (Fig. 12)

Verdraai het hoogwaardige filter in de richting van de pijl om de bevestigingslip los te maken van de behuizing van de stofzuiger, en trek vervolgens het hoogwaardige filter eraf. (Fig. 13)

Verwijder het fijne stof en tik er voorzichtig tegen om het stof los te maken uit het hoogwaardige filter.

### In elkaar zetten

#### Het normale filter aanbrengen

Breng het filter aan tot deze volledig op zijn plaats zit op de behuizing van de stofzuiger. (Fig. 14)

#### OPMERKING:

- Zorg ervoor dat het filter er recht op aangebracht wordt zonder dubbelgevouwen te worden. Als het filter verkeerd erop aangebracht wordt, zoals aangegeven in de afbeelding, zal het stof binnendringen in het motorhuis en tot motorstoring leiden. (Fig. 15)

Breng het voorfilter aan. Let er daarbij op het voorfilter te verdraaien zodat de bevestigingslip goed vergrendeld wordt in de behuizing van de stofzuiger. (Fig. 16 en 17)

Breng de beker aan. Lijn het merkteken O op de beker uit met het merkteken O op de handgreep en verdraai de beker daarna stevig in de richting van de pijl tot hij wordt vergrendeld. (Fig. 18 en 19)

#### OPMERKING:

- Verwijder het stof altijd tijdig omdat de zuigkracht lager wordt wanneer er te veel stof in de stofzuiger zit.
- Controleer altijd of het filter en voorfilter correct zijn aangebracht voordat u de stofzuiger gaat gebruiken. Als deze niet correct zijn aangebracht, zal het stof binnendringen in het motorhuis en tot motorstoring leiden. In het geval de volgende situaties zich voordoen, zijn het filter en/of voorfilter niet correct aangebracht. Breng deze opnieuw en correct aan om het probleem op te lossen.

#### Voorbeelden van problemen

Voorbeeld 1: Alleen het voorfilter is aangebracht (geen filter) (Fig. 20)

Voorbeeld 2: Alleen het filter is aangebracht (geen voorfilter) (Fig. 21)

Voorbeeld 3: Het filter is aangebracht, maar is dubbelgevouwen (Fig. 15)

Voorbeeld 4: De bevestigingslip van het voorfilter is niet goed vergrendeld in de gleuf in de behuizing van de stofzuiger (Fig. 22)

#### Het hoogwaardig filter aanbrengen

Breng het hoogwaardig filter aan. Let er daarbij op het hoogwaardige filter te verdraaien zodat de bevestigingslip goed vergrendeld wordt in de behuizing van de stofzuiger. (Fig. 23 en 24)

Breng de beker aan. Lijn het O-merkteken op de beker uit met het O-merkteken op de handgreep en verdraai de beker daarna stevig in de richting van de pijl tot hij wordt vergrendeld. (Fig. 25 en 19)

#### OPMERKING:

- Verwijder het stof altijd tijdig omdat de zuigkracht lager wordt wanneer er te veel stof in de stofzuiger zit.
- Controleer altijd of het hoogwaardige filter correct is aangebracht voordat u de stofzuiger gaat gebruiken. Als deze niet correct zijn aangebracht, zal het stof binnendringen in het motorhuis en tot motorstoring leiden. In het geval de volgende situaties zich voordoen, is het hoogwaardige filter niet correct aangebracht. Breng deze opnieuw en correct aan om het probleem op te lossen.

#### Voorbeelden van problemen

De bevestigingslip van het hoogwaardige filter is niet goed vergrendeld in de gleuf in de behuizing van de stofzuiger. (Fig. 26)

## BEDIENING

### LET OP:

- Om een accessoire, zoals een mondstuk, aan te brengen, steekt u de accessoire in de zuigmond en verdraait u deze in de richting van de pijl om zeker te zijn van een stevige verbinding tijdens gebruik. Om de accessoire eraf te halen, verdraait u deze nogmaals in de richting van de pijl en trekt u de accessoire eraf. Als u de accessoire in de tegenovergestelde richting verdraait bij het aanbrengen of eraf halen, kan de beker los raken. (Fig. 27)

### Schoonmaken (zuigen)

#### Mondstuk (Fig. 28)

Bevestig het mondstuk voor het schoonmaken van tafels, bureaus, meubels, enz. Het mondstuk kan eenvoudig op de stofzuiger worden geplaatst.

#### Mondstuk + verlengbuis (rechte buis) (Fig. 29)

De verlengbuis past tussen het mondstuk en de stofzuigermond. Deze werkwijze is handig bij het schoonmaken van de grond terwijl u rechtop staat.

#### Hoekmondstuk (Fig. 30)

Bevestig het hoekmondstuk voor het schoonmaken van hoeken en spleten van meubels of in auto's.

#### Hoekmondstuk + verlengbuis (rechte buis) (Fig. 31)

In kleine ruimten waar de stofzuiger zelf niet in past, of op hoge plaatsen die moeilijk te bereiken zijn, gebruikt u deze werkwijze.

#### Stofzuigen zonder mondstuk (Fig. 32)

U kunt poeder en stof opzuigen zonder een mondstuk.

## ONDERHOUD

### LET OP:

- Zorg er altijd voor dat het gereedschap is uitgeschakeld voordat u een inspectie of onderhoud uitvoert.

### Schoonmaken

#### KENNISGEVING:

- **Gebruik nooit benzine, wasbenzine, thinner, alcohol en dergelijke. Hierdoor kunnen verkleuring, vervormingen en barsten worden veroorzaakt.**
- **Blaas stof dat op de stofzuiger en filters zit er niet af met behulp van een persluchtpistool.** Hierdoor kan het stof in het huis komen en een defect veroorzaken.
- **Nadat de filters zijn gewassen, droogt u ze grondig voordat u ze gebruikt.** Onvoldoende gedroogde filters kunnen leiden tot slecht zuigen en de levensduur van de motor verkorten.

### Controleer de onderstaande punten alvorens te laten repareren

Symptoom	Mogelijke oorzaak	Mogelijke oplossing
Geringe zuigkracht	<ul style="list-style-type: none"><li>• Zit de beker vol stof?</li><li>• Zit het filter verstopt?</li><li>• Is de accu leeg?</li></ul>	<ul style="list-style-type: none"><li>• Verwijder het stof uit de beker.</li><li>• Maak het filter leeg of was het uit.</li><li>• Laad de accu op.</li></ul>
Apparaat werkt niet	<ul style="list-style-type: none"><li>• Is de accu leeg?</li></ul>	<ul style="list-style-type: none"><li>• Laad de accu op.</li></ul>

010051

- **Nadat de filters en het sponsfilter zijn gereinigd, vergeet u niet ze weer aan te brengen vóór gebruik.** Als u de stofzuiger gebruikt zonder de filters en het sponsfilter, zal het stof binnendingen in het motorhuis en een defect veroorzaken.

### Behuizing van de stofzuiger

Veeg regelmatig de buitenkant (behuizing) van de stofzuiger schoon met een in zeepwater bevochtigde doek. Maak tevens de stofzuigermond en de filterbevestigingsplaats schoon. (Fig. 33)

### Filter

Was het filter in zeepwater als deze verstopt zit met stof en de zuigkracht van de stofzuiger is afgenomen. Droog het goed alvorens weer te gebruiken. (Fig. 34)

### Sponsfilter

Wanneer het sponsfilter vuil is geworden, maakt u het als volgt schoon.

1. Verwijder het filter.
2. Trek het sponsfilter tussen de stangen door eruit.
3. Maak het sponsfilter schoon door het te kloppen of te wassen. Als u het wast, droogt u het goed alvorens het te gebruiken.
4. Plaats het sponsfilter tussen de stangen door op zijn oorspronkelijke plaats. Zorg ervoor dat elke onderwand van een stang het sponsfilter op zijn plaats gedrukt houdt en er geen opening zit tussen het sponsfilter en de stofzuigermond. (Fig. 35)

### Muurbevestiging voor de accustofzuiger

#### Optioneel accessoire

#### OPMERKING:

- De schroef voor bevestiging van de houder is niet bijgeleverd. Bereid een schroef voor die geschikt is voor het materiaal waarin hij wordt geschroefd.

Bevestig de muurbevestiging voor de accustofzuiger op een massieve houten wand, balk of pilaar waaraan de muurbevestiging voor de accustofzuiger stevig kan worden bevestigd. Verzeker u er altijd van dat de muurbevestiging voor de accustofzuiger stevig bevestigd is voordat u de stofzuiger erin hangt. (Fig. 36)

#### LET OP:

- **Hang de stofzuiger niet met geweld in de muurbevestiging en hang er geen ander apparaat in dan de stofzuiger.**

## OPMERKING:

- Probeer de stofzuiger niet zelf te repareren.

Om de VEILIGHEID en BETROUWBAARHEID van het product te handhaven, dienen alle reparaties en alle andere onderhoudswerkzaamheden of afstellingen te worden uitgevoerd door een erkend Makita Servicecentrum, en dat uitsluitend met gebruik van Makita vervangingsonderdelen.

## OPTIONELE ACCESSOIRES

### LET OP:

- Deze accessoires of hulpstukken worden aanbevolen voor gebruik met het Makita-gereedschap dat in deze gebruiksaanwijzing wordt beschreven. Het gebruik van andere accessoires of hulpstukken kan gevaar op persoonlijk letsel opleveren. Gebruik de accessoires of hulpstukken uitsluitend voor de aangegeven gebruiksdoeleinden.

Mocht u meer informatie willen hebben over deze accessoires, dan kunt u contact opnemen met uw plaatselijke Makita-servicecentrum.

- Verlengbuis (rechte buis)
- Mondstuk
- Mondstuk voor tapijt
- Boekenplankborstel
- Hoekmondstuk
- Ronde borstel
- Flexibele slang
- Filter
- Voorfilter
- Hoogwaardig filter
- Muurbevestiging voor de accustofzuiger
- Cycloohulpstuk
- Originele Makita accu en acculader

## OPMERKING:

- Sommige van de onderdelen in deze lijst kunnen bijgeleverd zijn als standaard-accessoires. Deze accessoires kunnen per land verschillend zijn.

## Cycloohulpstuk (Fig. 37)

### Over het cycloohulpstuk

Als u de stofzuiger gebruikt met het cycloohulpstuk aangebracht, wordt de hoeveelheid stof verlaagd die in de beker terecht komt, wat helpt om de afname van de zuigkracht te voorkomen. Bovendien is het schoonmaken na gebruik ook eenvoudig.

### LET OP:

- **Zorg altijd dat het gereedschap is uitgeschakeld en de accu ervan is verwijderd alvorens enige werkzaamheden aan het gereedschap uit te voeren.** Als u de accu erop laat zitten, kan de stofzuiger onverwachts starten en letsel veroorzaken.
- **Reinig het gaasfilter van het cycloohulpstuk en de filters van de stofzuiger wanneer deze verstopt raken.** Als u hem blijft gebruiken terwijl deze verstopt zijn, kan dat leiden tot warm worden en rook.

## KENNISGEVING:

- **Wanneer het cycloohulpstuk is aangebracht, mag u de stofzuiger niet in een horizontale of omhoog gerichte stand gebruiken.** Als u dat toch doet, kan het gaasfilter verstopt raken.

- **Gebruik de stofzuiger altijd met de filters aangebracht, ook wanneer u het cycloohulpstuk gebruikt.** Als u de stofzuiger gebruikt zonder dat de filters zijn aangebracht, kan een storing optreden in de motor.

## OPMERKING:

- Controleer vóór gebruik of het cycloohulpstuk, de stofzuiger en de rechte buis goed zijn vergrendeld.
- Maak de stofopvangdoos van het cycloohulpstuk en de beker van de stofzuiger leeg wanneer stof zich heeft ophoopt. Als u hem blijft gebruiken, zal dat leiden tot een lagere zuigkracht.

### Het stof weggooien

Wanneer het stof zich heeft ophoopt tot aan de 'vol'-lijn op de stofopvangdoos, volgt u de onderstaande procedure en gooit u het stof weg.

1. Houd de stofopvangdoos stevig vast, houd de twee knoppen ingedrukt en verwijder de stofopvangdoos. (Fig. 38)
2. Gooi het stof in de stofopvangdoos weg en verwijder alle stof en poeder die vastzit op het oppervlak van het gaasfilter.
3. Steek de stofopvangdoos helemaal erop totdat de twee knoppen met een klik vergrendelen. (Fig. 39)

## OPMERKING:

- Controleer vóór gebruik of het cycloohulpstuk, de stofzuiger en de rechte buis allemaal stevig zijn bevestigd voordat u de werkzaamheden hervat.
- Als de zuigkracht niet is hersteld nadat het stof is weggegooid en het gaasfilter is schoongemaakt, controleert u of stof zich heeft ophoopt in de beker van de stofzuiger of er een verstopping is opgetreden.

### Schoonmaken

Wanneer de stofopvangdoos vuil wordt of het gaasfilter verstopt raakt, verwijdert u ze en wast u ze af met water. (Raadpleeg "Het stof weggooien" voor de verwijderingsprocedure.)

Laat de onderdelen goed drogen voordat u ze weer aanbrengt en gebruikt. (Fig. 40)

Wanneer het gaasfilter erg vuil wordt, reinigt u het aan de hand van de volgende procedure.

1. Draai het gaasfilter linksom en verwijder het nadat de haken ontgrendeld zijn. (Fig. 41)
2. Verwijder het stof op het gaasfilter en was het daarna met water. Laat het vervolgens goed drogen.
3. Steek het gaasfilter in de voet terwijl de haken zijn uitgelijnd met de openingen. Draai het gaasfilter rechtsom tot de haken met een klik worden vergrendeld. Verzeker u ervan dat het gaasfilter stevig is aangebracht. (Fig. 42)

**ADVERTENCIA**

- Este aparato puede ser utilizado por niños de 8 o más años de edad y personas con capacidades físicas, sensoriales o mentales mermadas, o sin experiencia y conocimiento, si han recibido supervisión o instrucción para el uso del aparato de forma segura y son conscientes del peligro que implica.
- Los niños no deben jugar con el aparato. La limpieza y mantenimiento que debe hacer el usuario no deben ser realizados por niños sin supervisión.
- Consulte el capítulo "ESPECIFICACIONES" para ver la referencia del tipo de batería.
- Consulte la sección "Instalación o extracción del cartucho de batería" para ver cómo retirar o instalar la batería.
- Para desechar el cartucho de batería, retírelo de la herramienta y deséchelo en un lugar seguro. Siga los reglamentos locales referentes al desecho de la batería.
- Si la herramienta no va a ser utilizada durante un periodo de tiempo largo, la batería deberá ser retirada de la herramienta.
- No cortocircuite el cartucho de batería.
- Consulte el capítulo "MANTENIMIENTO" para ver los detalles apropiados de las precauciones durante el mantenimiento hecho por el usuario.

**Explicación de los dibujos**

1 Indicador rojo	12 Boca de succión	22 Borde inferior del pilar
2 Botón	13 Pestaña de sujeción	23 Colgador de pared para la aspiradora inalámbrica
3 Cartucho de batería	14 Marca O	24 Tubo recto
4 Gatillo interruptor	15 Empuñadura	25 Colector ciclónico
5 Lámpara	16 Ranura de la carcasa de la aspiradora	26 Línea de lleno
6 Lámparas indicadoras	17 Boquilla	27 Recipiente para polvo
7 Botón de comprobación	18 Aspirador	28 Botón (dos lugares)
8 Cápsula	19 Tubo de extensión	29 Filtro de malla
9 Prefiltro	20 Boquilla para esquinas	30 Gancho
10 Filtro	21 Filtro de esponja	31 Abertura

**ESPECIFICACIONES**

Modelo	DCL180	DCL180F
Capacidad	650 mL	
Utilización continua	Aprox. 20 min.	
Longitud total	999 mm	
Peso neto	1,2 - 1,5 kg	1,3 - 1,6 kg
Tensión nominal	CC 18 V	

- Debido a nuestro continuo programa de investigación y desarrollo, las especificaciones en este manual están sujetas a cambio sin previo aviso.
- Las especificaciones pueden ser diferentes de país a país.
- El peso no incluye accesorios excepto el cartucho(s) de batería. El peso de las combinaciones menos pesada y más pesada del aparato y cartucho(s) de batería se muestra en la tabla.

**Cartucho de batería y cargador aplicables**

Cartucho de batería	BL1815N / BL1820B / BL1830B / BL1840B / BL1850B / BL1860B
Cargador	DC18RC / DC18RD / DC18RE / DC18SD / DC18SE / DC18SF / DC18SH / DC18WC

- Algunos de los cartuchos de batería y cargadores indicados arriba puede que no estén disponibles dependiendo de su región de residencia.

**ADVERTENCIA:** Utilice solamente los cartuchos de batería y cargadores listados arriba. La utilización de cualquier otro cartucho de batería y cargador puede ocasionar heridas y/o un incendio.

## Símbolos

A continuación se muestran los símbolos que pueden ser utilizados para el equipo. Asegúrese de que entiende sus significados antes de utilizar la herramienta.



- Lea el manual de instrucciones.



- Sólo para países de la Unión Europea. Debido a la presencia de componentes peligrosos en el equipo, el equipo eléctrico y electrónico, los acumuladores y las baterías desechados pueden tener un impacto negativo para el medioambiente y la salud humana. ¡No tire los aparatos eléctricos y electrónicos ni las baterías junto con los residuos domésticos!

De conformidad con las Directivas Europeas sobre residuos de aparatos eléctricos y electrónicos, los acumuladores y baterías, así como la adaptación de las mismas a la ley nacional, el equipo eléctrico, las baterías y los acumuladores desechados deberán ser almacenados por separado y trasladados a un punto distinto de recogida de desechos municipales, que cumpla con los reglamentos sobre protección medioambiental. Esto se indica mediante el símbolo de cubo de basura tachado colocado en el equipo.

ENE017-1

## Uso previsto

La herramienta ha sido prevista para recoger polvo seco.

ENA007-3

## Advertencias de seguridad para la aspiradora inalámbrica

**ADVERTENCIA – ¡IMPORTANTE! LEA CON ATENCIÓN todas las advertencias de seguridad y todas las instrucciones ANTES DE UTILIZAR. No seguir las advertencias e instrucciones puede resultar en una descarga eléctrica, un incendio y/o heridas graves.**

1. No exponga el aparato a la lluvia. Almacene el aparato en interiores.
2. No permita que el aparato sea utilizado como juguete. Es necesario prestar mucha atención cuando el aparato es utilizado cerca de niños.
3. Utilice el aparato solamente de la forma descrita en este manual. Utilice solamente los accesorios recomendados por el fabricante.
4. No utilice el aparato con una batería dañada. Si el aparato no está funcionando como es debido, si se ha dejado caer, se ha dañado, se ha dejado en exteriores, o se ha caído al agua, llévalo a un centro de servicio.
5. No maneje el aparato con las manos mojadas.
6. No ponga ningún objeto dentro de las aberturas. No utilice el aparato con ninguna de sus aberturas bloqueada; manténgalo libre de polvo, hilachas, pelo, y cualquier cosa que pueda reducir la circulación del aire.

7. Mantenga el pelo, ropa holgada, dedos, y todas las partes del cuerpo alejadas de las aberturas y partes en movimiento.
8. Desactive todos los controles antes de extraer la batería.
9. Utilice cuidado especial cuando limpie en escaleras.
10. No utilice el aparato para recoger líquidos inflamables o combustibles, tal como gasolina, ni en áreas donde pueda haber tales líquidos.
11. Utilice solamente el cargador suministrado por el fabricante para recargar.
12. No recoja nada que esté quemándose o echando humo, tal como cigarrillos, cerillas, o cenizas calientes.
13. No utilice el aparato sin estar instalados la bolsa de polvo y/o los filtros.
14. No cargue la batería en exteriores.
15. Recargue solamente con el cargador especificado por el fabricante. Un cargador que es apropiado para un tipo de batería puede crear un riesgo de incendio cuando se utiliza con otra batería.
16. Utilice los aparatos solamente con las baterías designadas específicamente para ellos. La utilización de cualquier otra batería puede crear un riesgo de heridas y de incendio.
17. Cuando la batería no esté siendo utilizada, manténgala alejada de otros objetos metálicos, como sujetapapeles, monedas, llaves, clavos, tornillos u otros objetos metálicos pequeños, que puedan hacer conexión entre un terminal y otro.
18. En condiciones abusivas, es posible que salga expulsado líquido de la batería; evite el contacto con él. Si se produce un contacto accidental, enjuague con agua.
19. No utilice una batería ni aparato que esté dañado o modificado. Las baterías dañadas o modificadas pueden comportarse de forma impredecible resultando en un incendio, explosión o riesgo de heridas.
20. No exponga una batería ni aparato al fuego o a una temperatura excesiva. La exposición al fuego o a una temperatura superior a los 130°C puede ocasionar una explosión.
21. Siga todas las instrucciones sobre la carga y no cargue la batería ni el aparato fuera del rango de temperatura especificado en las instrucciones. Cargar incorrectamente o a temperaturas fuera del rango especificado puede dañar la batería y aumentar el riesgo de incendio.

## GUARDE ESTAS INSTRUCCIONES.

ENB127-1

## NORMAS DE SEGURIDAD ADICIONALES

Este aparato ha sido previsto para ser utilizado en el hogar.

1. Lea este manual de instrucciones y el manual de instrucciones del cargador atentamente antes de utilizar el aparato.
2. No recoja los materiales siguientes:
  - Materiales calientes tales como cigarrillos encendidos o polvo de chispas/metales generado al cortar/amolar metales

- Materiales inflamables tales como gasolina, disolvente, bencina, keroseno o pintura
  - Materiales explosivos como nitroglicerina
  - Materiales que puedan prenderse como aluminio, cinc, magnesio, titanio, fósforo o celuloide
  - Suciedad mojada, agua, aceite o similares
  - Piezas duras con bordes cortantes, tales como virutas de madera, metales, piedras, cristales, clavos, alfileres o cuchillas de afeitar
  - Polvo que cuaje tales como cemento o tóner
  - Polvo conductivo como metales o carbón
  - Partículas finas como polvo de cemento
- Tales acciones podrán causar un incendio, heridas y/o daños a la propiedad.
3. Detenga inmediatamente la operación si nota algo anormal.
  4. Si deja caer o golpea el aspirador, compruebe atentamente si tiene grietas o algún daño antes de iniciar la operación.
  5. No lo acerque a estufas u otras fuentes de calor.
  6. No bloquee el orificio de admisión ni los orificios de ventilación.

## GUARDE ESTAS INSTRUCCIONES.

ENC007-17

## INSTRUCCIONES DE SEGURIDAD IMPORTANTES PARA EL CARTUCHO DE BATERÍA

1. Antes de utilizar el cartucho de batería, lea todas las instrucciones e indicaciones de precaución sobre (1) el cargador de baterías, (2) la batería, y (3) el producto con el que se utiliza la batería.
2. No desensamble ni manipule el cartucho de batería. Podrá resultar en un incendio, calor excesivo, o una explosión.
3. Si el tiempo de uso se acorta demasiado, cese la operación inmediatamente. Podría resultar en un riesgo de recalentamiento, posibles quemaduras e incluso una explosión.
4. Si entra electrólito en sus ojos, aclárelos con agua limpia y acuda a un médico inmediatamente. Existe el riesgo de poder perder la vista.
5. No cortocircuite el cartucho de batería:
  - (1) No toque los terminales con ningún material conductor.
  - (2) Evite guardar el cartucho de batería en un cajón junto con otros objetos metálicos, como clavos, monedas, etc.
  - (3) No exponga el cartucho de batería al agua ni a la lluvia.

Un cortocircuito en la batería puede producir una gran circulación de corriente, un recalentamiento, posibles quemaduras e incluso una rotura de la misma.
6. No guarde ni utilice la herramienta y el cartucho de batería en lugares donde la temperatura pueda alcanzar o exceder los 50°C.
7. Nunca incinere el cartucho de batería incluso en el caso de que esté dañado seriamente o ya no sirva en absoluto. El cartucho de batería puede explotar si se tira al fuego.

8. No clave, corte, aplaste, lance, deje caer el cartucho de batería, ni golpee contra un objeto duro el cartucho de batería. Tal conducta podrá resultar en un incendio, calor excesivo, o una explosión.
9. No utilice una batería dañada.
10. Las baterías de litio-ion contenidas están sujetas a los requisitos de la Legislación para Materiales Peligrosos.
 

Para transportes comerciales, p.ej., por terceras personas y agentes de transportes, se deberán observar requisitos especiales para el empaquetado y etiquetado.

Para la preparación del artículo que se va a enviar, se requiere consultar con un experto en materiales peligrosos. Por favor, observe también la posibilidad de reglamentos nacionales más detallados.

Cubra con cinta aislante o enmascare los contactos expuestos y empaquete la batería de tal manera que no se pueda mover alrededor dentro del empaque.
11. Para desechar el cartucho de batería, retírelo de la herramienta y deséchelo en un lugar seguro. Siga los reglamentos locales referentes al desecho de la batería.
12. Utilice las baterías solamente con los productos especificados por Makita. La instalación de las baterías en productos no compatibles puede resultar en un incendio, calor excesivo, explosión, o fuga de electrólito.
13. Si la herramienta no va a ser utilizada durante un periodo de tiempo largo, la batería deberá ser retirada de la herramienta.
14. Durante y después de la utilización, el cartucho de batería podrá acumular calor, lo cual puede ocasionar quemaduras o quemaduras de baja temperatura. Preste atención al manejo de cartuchos de batería calientes.
15. No toque el terminal de la herramienta inmediatamente después de utilizar, dado que puede calentarse lo suficiente como para ocasionar quemaduras.
16. No permita que virutas, polvo, o tierra se adhieran dentro de los terminales, orificios, y ranuras del cartucho de batería. Esto podría ocasionar calentamiento, que coja fuego, reviente y un mal funcionamiento de la herramienta o el cartucho de batería, resultando en quemaduras o heridas personales.
17. A menos que la herramienta pueda utilizarse cerca de cables eléctricos de alta tensión, no utilice el cartucho de batería cerca de cables eléctricos de alta tensión. Podrá resultar en un mal funcionamiento o rotura de la herramienta o el cartucho de batería.
18. Mantenga la batería alejada de los niños.

## GUARDE ESTAS INSTRUCCIONES.

### PRECAUCIÓN:

- Utilice solamente baterías genuinas de Makita. La utilización de baterías no genuinas de Makita, o baterías que han sido alteradas, puede resultar en una explosión de la batería ocasionando incendios, heridas personales y daños. También anulará la garantía de Makita para la herramienta y el cargador de Makita.

## Consejos para alargar al máximo la vida de servicio de la batería

1. **Cargue el cartucho de batería antes de que se descargue completamente. Detenga siempre la operación y cargue el cartucho de batería cuando note menos potencia en la herramienta.**
2. **No cargue nunca un cartucho de batería que esté completamente cargado. La sobrecarga acortará la vida de servicio de la batería.**
3. **Cargue el cartucho de batería a temperatura ambiente de 10°C – 40°C. Si un cartucho de batería está caliente, déjelo enfriar antes de cargarlo.**
4. **Cuando no esté utilizando el cartucho de batería, retírelo de la herramienta o del cargador.**
5. **Cargue el cartucho de batería si no lo utiliza durante un periodo de tiempo prolongado (más de seis meses).**

## DESCRIPCIÓN DEL FUNCIONAMIENTO

### PRECAUCIÓN:

- Asegúrese siempre de que la herramienta esté apagada y el cartucho de batería extraído antes de realizar cualquier ajuste o comprobación en la herramienta.
- Tenga cuidado de no pillarse el dedo(s) entre el aspirador y la batería como se muestra en el diagrama al instalar la batería. Si se pilla el dedo(s) podrá ocasionarse una herida. (Fig. 1)

### Instalación o desmontaje del cartucho de batería (Fig. 2)

#### PRECAUCIÓN:

- Apague siempre la herramienta antes de instalar o extraer el cartucho de batería.
- **Sujete la herramienta y el cartucho de batería firmemente cuando instale o extraiga el cartucho de batería.** Si no sujeta la herramienta y el cartucho de batería firmemente podrán caerse de las manos y resultar en daños a la herramienta y cartucho de batería y heridas personales.

Para extraer el cartucho de batería, deslícelo de la herramienta a la vez que desliza el botón de la parte frontal del cartucho.

Para instalar el cartucho de batería, alinee la lengüeta del cartucho de batería con la acanaladura del alojamiento y deslícelo hasta encajarlo en su sitio. Insértelo a tope hasta que se bloquee en su sitio produciendo un pequeño chasquido. Si puede ver el indicador rojo en el lado superior del botón, no estará bloqueado completamente.

#### PRECAUCIÓN:

- Instale siempre el cartucho de batería completamente hasta que no pueda verse el indicador rojo. De lo contrario, podrá caerse de la herramienta accidentalmente, pudiendo ocasionarle heridas a usted o a alguien cerca de usted.
- No instale el cartucho de batería empleando fuerza. Si el cartucho no se desliza al interior fácilmente, será porque no está siendo insertado correctamente.

## Sistema de protección de la batería

La herramienta está equipada con un sistema de protección de la herramienta/batería. Este sistema corta automáticamente la alimentación del motor para alargar la vida útil de la herramienta y la batería. La herramienta se detendrá automáticamente durante la operación si la herramienta o la batería es puesta en una de las condiciones siguientes.

### Sobrecargada:

La herramienta es utilizada de una manera que da lugar a que tenga que absorber una corriente anormalmente alta.

En esta situación, apague la herramienta y detenga la aplicación que ocasiona que la herramienta se sobrecargue. Después encienda la herramienta para volver a empezar.

Si la herramienta no se pone en marcha, la batería estará recalentada. En esta situación, deje que la batería se enfríe antes de encender la herramienta otra vez.

### Tensión baja en la batería:

La capacidad de batería restante es muy baja y la herramienta no funcionará. En esta situación, retire la batería y vuelva a cargarla.

## Accionamiento del interruptor (Fig. 3)

### PRECAUCIÓN:

- Antes de insertar el cartucho de batería en la herramienta, compruebe siempre para cerciorarse de que el gatillo interruptor se acciona debidamente y que vuelve a la posición "OFF" cuando lo suelta.

Para poner en marcha la herramienta, simplemente apriete el gatillo interruptor. Suelte el gatillo interruptor para parar.

## Encendido de la lámpara

### Para el modelo DCL180F solamente

#### PRECAUCIÓN:

- No mire nunca a la luz directamente. La luz directa puede ocasionar daños a sus ojos. (Fig. 4)

Apriete el gatillo interruptor para encender la lámpara. Suelte el gatillo interruptor para apagar.

## Modo de indicar la capacidad de batería restante Solamente para cartuchos de batería con el indicador (Fig. 5)

Presione el botón de comprobación en el cartucho de batería para indicar la capacidad de batería restante. Las lámparas indicadoras se iluminan durante unos pocos segundos.

Lámparas indicadoras			Capacidad restante
Iluminada	Apagada	Parpadeando	
			75% a 100%
			50% a 75%
			25% a 50%
			0% a 25%
			Cargue la batería.
			Puede que la batería no esté funcionando bien.

#### NOTA:

- Dependiendo de las condiciones de utilización y de la temperatura ambiente, la indicación podrá variar ligeramente de la capacidad real.

## MONTAJE

### PRECAUCIÓN:

- Asegúrese siempre de que la herramienta esté apagada y el cartucho de batería extraído antes de realizar cualquier trabajo en la herramienta.

### Tipo de filtro

#### Filtro normal (Fig. 6)

#### Filtro de alto rendimiento (Fig. 7)

### Eliminación del polvo

#### PRECAUCIÓN:

- Vacíe el aspirador antes de que se llene demasiado, o la fuerza de succión se debilitará.
- Asegúrese de vaciar el polvo dentro del propio aspirador. De lo contrario, el filtro podrá obstruirse o dañarse el motor.

#### Para retirar el polvo para filtro normal

Para que el polvo adherido en el filtro caiga en la cápsula, golpee la cápsula 4 ó 5 veces con la mano.

Ahora oriente la boca de succión hacia abajo, gire la cápsula en la dirección de la flecha mostrada en el diagrama, y desconecte la cápsula despacio y en línea recta. (Fig. 8)

#### NOTA:

- Es posible que el polvo se derrame al abrir la cápsula, por lo que deberá asegurarse de colocar una bolsa de basura debajo de la cápsula.

Extraiga el polvo acumulado en el interior de la cápsula y del prefiltro. (Fig. 9)

Gire el prefiltro en la dirección de la flecha para soltar la pestaña de sujeción de la unidad del aspirador y después extraiga el prefiltro. (Fig. 10)

Quite el polvo fino que quede en el prefiltro. A continuación, extraiga el filtro, y golpéelo ligeramente para desprender el polvo. (Fig. 11)

#### Para retirar el polvo para filtro de alto rendimiento

Para que el polvo adherido en el filtro caiga en la cápsula, golpee la cápsula 4 o 5 veces con la mano.

Ahora oriente la boca de succión hacia abajo, gire la cápsula en la dirección de la flecha en el diagrama, y desconecte la cápsula despacio y en línea recta. (Fig. 8)

#### NOTA:

- El polvo se puede derramar cuando se abre la cápsula, por lo que asegúrese de poner una bolsa de basura debajo de la cápsula.

Retire el polvo acumulado del interior de la cápsula y del filtro de alto rendimiento. (Fig. 12)

Gire el filtro de alto rendimiento en la dirección de la flecha para soltar la pestaña de sujeción de la unidad de la aspiradora y después extraiga el filtro. (Fig. 13)

Quite el polvo fino y golpee ligeramente para remover el polvo del filtro de alto rendimiento.

## Montaje

### Montaje de nuevo para filtro normal

Coloque el filtro hasta que quede posicionado completamente en la unidad del aspirador. (Fig. 14)

#### NOTA:

- Asegúrese de poner el filtro en línea recta sin quedar doblado hacia atrás. Si el filtro es puesto incorrectamente como se muestra en el diagrama, el polvo entrará en la carcasa del motor, y ocasionará un fallo en el motor. (Fig. 15)

Conecte el prefiltro. Ahora, asegúrese de girar el prefiltro de forma que la pestaña de sujeción quede firmemente bloqueada en la unidad del aspirador. (Fig. 16 y 17)

Conecte la cápsula. Alinee el símbolo O de la cápsula con el símbolo O de la empuñadura y después gire la cápsula firmemente en la dirección de la flecha hasta que quede sujeta. (Fig. 18 y 19)

#### NOTA:

- Extraiga siempre el polvo a tiempo, ya que la potencia de succión se reducirá si hay demasiado polvo acumulado en el aspirador.
- Asegúrese siempre de comprobar que tanto el filtro como el prefiltro están colocados correctamente antes de utilizar el aspirador. Si no están colocados correctamente, el polvo entrará en la carcasa del motor, y ocasionará un fallo en el motor. Si ocurren los ejemplos siguientes, será porque el filtro y el prefiltro no están colocados correctamente. Vuelva a colocarlos correctamente para rectificar el problema.

## Ejemplos de problemas

Ejemplo 1: Sólo ha sido colocado el prefiltro (no el filtro) (Fig. 20)

Ejemplo 2: Sólo ha sido colocado el filtro (no el prefiltro) (Fig. 21)

Ejemplo 3: El filtro ha sido colocado quedando doblado hacia atrás (Fig. 15)

Ejemplo 4: La pestaña de sujeción del prefiltro no está bloqueada firmemente dentro de la ranura de la carcasa del aspirador. (Fig. 22)

### Montaje de nuevo para filtro de alto rendimiento

Conecte el filtro de alto rendimiento. En este momento, asegúrese de girar el filtro de alto rendimiento de forma que la pestaña de sujeción quede bloqueada firmemente dentro de la unidad de la aspiradora. (Fig. 23 y 24)



Conecte la cápsula. Alinee el símbolo O de la cápsula con el símbolo O de la empuñadura y después gire la cápsula firmemente en la dirección de la flecha hasta que quede sujeta. (Fig. 25 y 19)

**NOTA:**

- Extraiga siempre el polvo con anticipación, ya que la potencia de succión se reducirá si hay demasiado polvo en la aspiradora.
- Asegúrese siempre de comprobar que el filtro de alto rendimiento está colocado correctamente antes de utilizar la aspiradora. Si no están colocados correctamente, el polvo entrará en el alojamiento del motor, y ocasionará un fallo de motor. Si ocurren los ejemplos siguientes, el filtro de alto rendimiento no estará colocado correctamente. Vuelva a colocarlos correctamente para rectificar el problema.

**Ejemplos de problemas**

La pestaña de sujeción del filtro de alto rendimiento no está bloqueada firmemente dentro de la ranura de la carcasa de la aspiradora. (Fig. 26)

**OPERACIÓN**

**PRECAUCIÓN:**

- Para conectar accesorios, tales como boquillas, gire e inserte el accesorio en la dirección mostrada por la flecha para cerciorarse de que la conexión es segura durante la utilización. Para desconectar el accesorio, gire y extraiga también en la dirección mostrada por la flecha. Si gira el accesorio en la dirección opuesta, cuando vaya a conectarlo o a desconectarlo, es posible que la cápsula se afloje. (Fig. 27)

**Limpieza (Succión)**

**Boquilla (Fig. 28)**

Coloque la boquilla para limpiar mesas, escritorios, muebles, etc. La boquilla se desliza fácilmente.

**Boquilla + Tubo de extensión (Tubo recto) (Fig. 29)**

El tubo de extensión se encaja entre la boquilla y el propio aspirador. Esta disposición resulta útil para limpiar un suelo estando de pie.

**Boquilla para esquinas (Fig. 30)**

Encaje la boquilla para esquinas para limpiar esquinas y resquicios de un automóvil o mueble.

**Boquilla para esquinas + Tubo de extensión (Tubo recto) (Fig. 31)**

En espacios reducidos donde el propio aspirador no puede entrar, o en lugares altos difíciles de alcanzar, utilice esta disposición.

**Limpieza sin boquilla (Fig. 32)**

Puede recoger partículas y polvo sin la boquilla.

**MANTENIMIENTO**

**PRECAUCIÓN:**

- Asegúrese siempre de que la herramienta está apagada antes de intentar realizar una inspección o mantenimiento.

**Limpieza**

**AVISO:**

- **No utilice nunca gasolina, bencina, disolvente, alcohol o similares. Podría producir descoloración, deformación o grietas.**

- **No sople el polvo adherido a la aspiradora y los filtros con un soplador de aire.** Introducirá polvo dentro del alojamiento y ocasionará fallos.
- **Después de lavar los filtros, séquelos completamente antes de utilizar.** Un secado insuficiente de los filtros puede ocasionar una mala succión y acortar la vida de servicio del motor.
- **Después de limpiar los filtros y el filtro de esponja, asegúrese de volver a instalarlos antes de utilizar.** Si utiliza la aspiradora sin los filtros y el filtro de esponja, el polvo entrará en el alojamiento del motor y ocasionará un mal funcionamiento.

**Cuerpo de la aspiradora**

De vez en cuando, limpie el exterior de la aspiradora (cuerpo de la aspiradora) utilizando un paño humedecido en agua jabonosa.

Limpie también la abertura de succión y el área de montaje del filtro. (Fig. 33)

**Filtro**

Lave el filtro en agua jabonosa cuando esté obstruido con polvo y la potencia de la aspiradora se debilite. Séquelo completamente antes de utilizarlo. (Fig. 34)

**Filtro de esponja**

Cuando el filtro de esponja se ensucie, límpielo de la forma siguiente.

1. Retire el filtro.
2. Extraiga el filtro de esponja pasándolo entre los pilares.
3. Limpie el filtro de esponja golpeándolo ligeramente o lavándolo. Si lo lava, séquelo completamente antes de utilizar.
4. Inserte el filtro de esponja pasándolo entre los pilares y colóquelo en la posición original. Asegúrese de que cada borde inferior del pilar sujete el filtro de esponja, y que no haya holgura entre el filtro de esponja y la abertura de succión. (Fig. 35)

**Colgador de pared para la aspiradora inalámbrica**

**Accesorios opcionales**

**NOTA:**

- El tornillo para montar el soporte no está incluido. Prepare un tornillo apropiado para el material en el que se va a atornillar.

Coloque el colgador de pared para la aspiradora inalámbrica en una pared, viga o columna de madera dura, donde el colgador de pared para la aspiradora inalámbrica se pueda sujetar firmemente. Asegúrese siempre de que el colgador de pared para la aspiradora inalámbrica está colocado firmemente antes de colgar la aspiradora. (Fig. 36)

**PRECAUCIÓN:**

- **No cuelgue la aspiradora en el colgador de pared a lo bruto ni cuelgue otro aparato aparte de la aspiradora.**

## Cosas a comprobar antes de solicitar reparación

Síntoma	Área a investigar	Método de fijación
Poca potencia de succión	<ul style="list-style-type: none"> <li>• ¿Está la cápsula llena de polvo?</li> <li>• ¿Está el filtro atascado?</li> <li>• ¿Está descargado el cartucho de batería?</li> </ul>	<ul style="list-style-type: none"> <li>• Vacíe la cápsula.</li> <li>• Retire el polvo o lave el filtro.</li> <li>• Cargue la batería.</li> </ul>
No funciona	<ul style="list-style-type: none"> <li>• ¿Está descargado el cartucho de batería?</li> </ul>	<ul style="list-style-type: none"> <li>• Cargue la batería.</li> </ul>

010051

### NOTA:

- No intente reparar el aspirador usted mismo.

Para mantener la SEGURIDAD y la FIABILIDAD del producto, las reparaciones y cualquier otro mantenimiento o ajuste deberán ser realizados por los centros de servicio autorizado de Makita, siempre con piezas de repuesto de Makita.

## ACCESORIOS OPCIONALES

### PRECAUCIÓN:

- Estos accesorios o acoplamientos están recomendados para utilizar con la herramienta Makita especificada en este manual. La utilización de cualquier otro accesorio o acoplamiento podrá suponer un riesgo de sufrir heridas personales. Utilice los accesorios o acoplamientos solamente para el propósito que han sido diseñados.

Si necesita cualquier tipo de asistencia para más detalles en relación con estos accesorios, pregunte al centro de servicio Makita local.

- Tubo de extensión (Tubo recto)
- Boquilla
- Boquilla para alfombra
- Cepillo para estanterías
- Boquilla para esquinas
- Cepillo redondo
- Manguera flexible
- Filtro
- Prefiltro
- Filtro de alto rendimiento
- Colgador de pared para la aspiradora inalámbrica
- Colector ciclónico
- Batería y cargador genuinos de Makita

### NOTA:

- Algunos elementos de la lista podrán estar incluidos en el paquete de la herramienta como accesorios estándar. Pueden variar de un país a otro.

## Colector ciclónico (Fig. 37)

### Acerca del colector ciclónico

La utilización de la aspiradora con el colector ciclónico instalado reduce la cantidad de polvo que entra en la cápsula, lo que ayuda a evitar que la fuerza de succión se debilite. Además, la limpieza después de la utilización también se simplifica.

### PRECAUCIÓN:

- **Asegúrese siempre de que la herramienta está apagada y el cartucho de batería ha sido retirado antes de realizar cualquier trabajo en la herramienta.** Si el cartucho de batería se deja insertado, la aspiradora podrá ponerse en marcha inesperadamente y resultar en heridas.

- **Limpie el filtro de malla del colector ciclónico y los filtros de la unidad de la aspiradora cuando se obstruyan.** Continuar utilizando estando obstruidos podrá resultar en recalentamiento o humo.

### AVISO:

- **Cuando el colector ciclónico esté colocado, no utilice la aspiradora en posición horizontal u orientada hacia arriba.** Si lo hace podrá ocasionar que el filtro de malla se obstruya.
- **Utilice siempre la aspiradora con los filtros instalados, aun cuando utilice el colector ciclónico.** La utilización de la aspiradora sin los filtros instalados podrá resultar en un mal funcionamiento del motor.

### NOTA:

- Compruebe que el colector ciclónico, la aspiradora, y el tubo recto están bloqueados debidamente antes de utilizar.
- Vacíe el recipiente para polvo del colector ciclónico y la cápsula de la aspiradora cuando se haya acumulado polvo. Continuar utilizando resultará en una debilitación de la fuerza de succión.

### Extracción del polvo

Cuando el polvo se haya acumulado hasta la línea de lleno del recipiente para polvo, siga el procedimiento de abajo y deseche el polvo.

1. Sujete el recipiente para polvo firmemente, mantenga presionados los dos botones, y retire el recipiente para polvo. (Fig. 38)
2. Deseche el polvo de dentro del recipiente para polvo y retire cualquier resto de polvo adherido a la superficie del filtro de malla.
3. Inserte el recipiente para polvo a fondo hasta que los dos botones se bloqueen con un chasquido. (Fig. 39)

### NOTA:

- Compruebe que el colector ciclónico, la aspiradora, y el tubo recto están todos conectados firmemente antes de reiniciar la operación.
- Si la fuerza de succión no se recupera incluso después de desechar el polvo y limpiar el filtro de malla, compruebe si se ha acumulado polvo en la cápsula de la aspiradora o si se ha producido obturación.

### Limpieza

Cuando el recipiente para polvo se ensucie o el filtro de malla se obstruya, retírelos y lávelos con agua. (Consulte "Extracción del polvo" para ver el procedimiento de extracción).

Seque las partes completamente antes de volver a instalar y utilizar. (Fig. 40)

Cuando el filtro de malla se ensucie mucho, límpielo siguiendo los procedimientos siguientes.

1. Gire el filtro de malla hacia la izquierda y retírelo mientras los ganchos están desbloqueados. **(Fig. 41)**
2. Retire el polvo del filtro de malla y después lávelo con agua. Después de eso, séquelo completamente.
3. Inserte el filtro de malla en la base mientras los ganchos están alineados con la abertura. Gire el filtro de malla hacia la derecha hasta que los ganchos se bloqueen con un chasquido. Asegúrese de que el filtro de malla está instalado firmemente. **(Fig. 42)**

**AVISO**

- Este aparelho pode ser utilizado por crianças com idade a partir de 8 anos e por pessoas com capacidades físicas, sensoriais ou mentais reduzidas ou falta de experiência e conhecimento, se tiverem recebido supervisão ou instruções relativamente à utilização do aparelho de forma segura e tiverem compreendido os perigos envolvidos.
- As crianças não devem brincar com o aparelho. A limpeza e manutenção pelo utilizador não devem ser efetuadas por crianças sem supervisão.
- Consulte o capítulo “ESPECIFICAÇÕES” para ficar a saber a referência de tipo da bateria.
- Consulte a secção “Instalar ou remover a bateria” para saber como remover ou instalar a bateria.
- Quando eliminar a bateria, remova-a da ferramenta e elimine-a num local seguro. Siga os regulamentos locais relacionados com a eliminação de baterias.
- Se a ferramenta não for utilizada durante um período de tempo prolongado, a bateria deve ser removida da ferramenta.
- Não coloque a bateria em curto-circuito.
- Consulte o capítulo “MANUTENÇÃO” para obter as informações adequadas sobre as precauções a ter durante a manutenção pelo utilizador.

**Explicação geral**

1 Indicador vermelho	12 Bocal de sucção	23 Suporte de parede para aspirador de pó a bateria
2 Botão	13 Borda de fixação	24 Tubo reto
3 Bateria	14 Símbolo O	25 Acessório de ciclone
4 Gatilho do interruptor	15 Cabo	26 Linha de enchimento máximo
5 Lâmpada	16 Ranhura da caixa do aspirador	27 Caixa do pó
6 Luzes indicadoras	17 Bocal	28 Botão (dois locais)
7 Botão de verificação	18 Aspirador	29 Filtro de rede
8 Cápsula	19 Tubo extensor	30 Gancho
9 Pré-filtro	20 Bocal para cantos	31 Entrada
10 Filtro	21 Filtro de esponja	
11 Filtro de elevado desempenho	22 Bordo inferior do pilar	

**ESPECIFICAÇÕES**

Modelo	DCL180	DCL180F
Capacidade	650 mL	
Utilização contínua	Aprox. 20 min.	
Comprimento total	999 mm	
Peso líquido	1,2 - 1,5 kg	1,3 - 1,6 kg
Tensão nominal	C.C. 18 V	

- Devido ao nosso programa contínuo de pesquisa e desenvolvimento, estas especificações podem ser alteradas sem aviso prévio.
- As especificações podem variar de país para país.
- O peso não inclui os acessórios mas a(s) bateria(s). Os pesos combinados mais leve e mais pesado do aparelho e da(s) bateria(s) são indicados na tabela.

**Bateria e carregador aplicável**

Bateria	BL1815N / BL1820B / BL1830B / BL1840B / BL1850B / BL1860B
Carregador	DC18RC / DC18RD / DC18RE / DC18SD / DC18SE / DC18SF / DC18SH / DC18WC

- Algumas das baterias e carregadores listados acima poderão não estar disponíveis, dependendo da sua região de residência.

**AVISO: Utilize apenas as baterias e carregadores listados acima.** A utilização de quaisquer outras baterias e carregadores pode causar ferimentos e/ou um incêndio.

## Símbolos

A seguir são apresentados os símbolos que podem ser utilizados para o equipamento. Certifique-se de que compreende o seu significado antes da utilização.



- Leia o manual de instruções.



- Apenas para países da UE

Devido à presença de componentes perigosos no equipamento, os resíduos de equipamentos elétricos e eletrónicos, acumuladores e baterias podem ter um impacto negativo no meio ambiente e na saúde humana. Não elimine aparelhos elétricos e eletrónicos ou baterias juntamente com resíduos domésticos!

De acordo com a Diretiva europeia relativa aos resíduos de equipamentos elétricos e eletrónicos, acumuladores e baterias, bem como a respetiva adaptação à legislação nacional, os resíduos de equipamentos elétricos e eletrónicos, acumuladores e baterias devem ser armazenados separadamente e entregues num ponto de recolha separado para resíduos municipais, que opere de acordo com os regulamentos de proteção ambiental. Tal é indicado pelo símbolo de contenedor de lixo com rodas barrado com uma cruz colocado no equipamento.

ENE017-1

### Utilização a que se destina

Este aspirador serve para coletar pó seco.

ENA007-3

### Avisos de segurança do aspirador de pó a bateria

**AVISO – IMPORTANTE! LEIA COM ATENÇÃO todos os avisos de segurança e todas as instruções ANTES DA UTILIZAÇÃO.** Caso não siga os avisos e instruções, pode apanhar um choque elétrico, provocar um incêndio e/ou ferimentos graves.

1. Não exponha à chuva. Guarde dentro de casa.
2. Não permita que seja utilizado como brinquedo. Tenha cuidado especialmente quando o aparelho for utilizado por crianças ou próximo delas.
3. Utilize-o somente de acordo com as instruções deste manual. Utilize somente os acessórios recomendados pelo fabricante.
4. Não utilize com uma bateria danificada. Se o aparelho não funcionar corretamente, for derrubado, danificado, deixado ao ar livre ou cair na água, leve-o ao centro de assistência.
5. Não manuseie o aparelho com as mãos molhadas.
6. Não coloque nenhum objeto nas aberturas. Não o utilize com uma abertura bloqueada; mantenha-o limpo, sem poeira, pelos, cabelos ou qualquer outra coisa que possa reduzir o fluxo de ar.
7. Mantenha os cabelos, roupas largas, dedos e outras partes do corpo afastadas das aberturas e das peças em movimento.

8. Desligue todos os controlos antes de retirar a bateria.
9. Tenha cuidado especialmente ao limpar escadas.
10. Não utilize para aspirar líquidos inflamáveis ou combustíveis, tal como gasolina, nem utilize em áreas onde esses produtos podem estar presentes.
11. Utilize somente o carregador fornecido pelo fabricante para recarregar.
12. Não utilize para aspirar algo que está a queimar ou a soltar fumo, tal como cigarros, fósforos ou cinzas quentes.
13. Não utilize sem o saco para pó e/ou os filtros devidamente instalados.
14. Não carregue a bateria ao ar livre.
15. Recarregue apenas com o carregador especificado pelo fabricante. Um carregador que é adequado para um tipo de conjunto de baterias poderá criar um risco de incêndio quando utilizado com outro conjunto de baterias.
16. Utilize aparelhos apenas com conjuntos de baterias especificamente designados. A utilização de quaisquer outros conjuntos de baterias poderá criar um risco de ferimentos e incêndio.
17. Quando (o) conjunto de baterias não estiver a ser utilizado, mantenha-o afastado de outros objetos de metal, tais como cliques de papel, moedas, chaves, pregos, parafusos ou outros objetos de metal pequenos que possam estabelecer ligação de um terminal a outro.
18. Mediante condições abusivas, o líquido poderá ser ejetado da bateria; evite o contacto. Caso ocorra o contacto acidentalmente, lavar com água.
19. Não utilize um conjunto de baterias ou um aparelho que se encontre danificado ou modificado. As baterias danificadas ou modificadas poderão exibir um comportamento imprevisível, resultando em incêndio, explosão ou risco de ferimentos.
20. Não exponha um conjunto de baterias ou um aparelho a incêndio ou temperatura excessiva. A exposição a incêndio ou a uma temperatura superior a 130 °C poderá causar uma explosão.
21. Siga todas as instruções de carregamento e não carregue o conjunto de baterias ou o aparelho fora da amplitude de temperaturas especificada nas instruções. O carregamento incorreto ou a temperaturas fora da amplitude especificada poderá danificar a bateria e aumentar o risco de incêndio.

### GUARDE ESTAS INSTRUÇÕES.

ENB127-1

### REGRAS DE SEGURANÇA ADICIONAIS

Este aparelho destina-se à utilização doméstica.

1. Antes de utilizar o aparelho, leia cuidadosamente este manual de instruções bem como o manual do carregador.
2. Não aspire os seguintes artigos:
  - Artigos quentes, tais como cigarros acesos ou faíscas/pó de metal produzidos ao esmerilar/cortar metal

- Materiais inflamáveis, tais como gasolina, diluentes, benzeno, querosene ou tinta
- Materiais explosivos como nitroglicerina
- Materiais inflamáveis ou de auto-ignição, tais como alumínio, zinco, magnésio, titânio, fósforo ou celuloide
- Sujidade húmida, água, óleo, etc.
- Artigos rígidos com arestas cortantes, tais como aparas de madeira, metais, pedras, vidros, pregos, pinos e lâminas de barbear
- Pó para solidificar, como cimento ou toner
- Pó condutivo, tal como metal ou carbono
- Partículas minúsculas como de betão

Isso pode provocar incêndio, ferimentos e/ou danos à propriedade.

3. Desligue o aspirador imediatamente se notar qualquer funcionamento anormal.
4. Se deixar cair ou bater o aspirador, inspecione cuidadosamente para ver se há rachaduras ou danos antes de utilizar.
5. Não aproxime de fogões nem de outras fontes de calor.
6. Não bloqueie os orifícios de entrada e saída de ar.

## GUARDE ESTAS INSTRUÇÕES.

ENC007-17

## INSTRUÇÕES DE SEGURANÇA IMPORTANTES PARA A BATERIA

1. Antes de utilizar a bateria, leia todas as instruções e etiquetas de precaução no (1) carregador de bateria (2) bateria e (3) produto que utiliza a bateria.
2. Não desmonte ou manipule a bateria. Pode resultar num incêndio, em calor excessivo ou numa explosão.
3. Se o tempo de funcionamento se tornar excessivamente curto, pare o funcionamento imediatamente. Pode resultar em sobreaquecimento, possíveis queimaduras e mesmo explosão.
4. Se entrar eletrólito nos seus olhos, lave-os com água e consulte imediatamente um médico. Pode resultar em perda de visão.
5. Não coloque a bateria em curto-circuito:
  - (1) Não toque nos terminais com qualquer material condutor.
  - (2) Evite guardar a bateria juntamente com outros objetos metálicos tais como pregos, moedas, etc.
  - (3) Não exponha a bateria à água ou chuva. Um curto-circuito pode ocasionar um enorme fluxo de corrente, sobreaquecimento, possíveis queimaduras e mesmo estragar-se.
6. Não guarde nem utilize a ferramenta e a bateria em locais onde a temperatura pode atingir ou exceder 50°C.
7. Não queime a bateria mesmo que esteja estragada ou completamente gasta. A bateria pode explodir no fogo.
8. Não pregue, corte, esmague, atire, deixe cair a bateria, nem bata a bateria contra um objeto rijo. Esta conduta pode resultar num incêndio, em calor excessivo ou numa explosão.
9. Não utilize uma bateria danificada.

10. As baterias de iões de lítio contidas na ferramenta são sujeitas aos requisitos da DGL (Dangerous Goods Legislation - Legislação de bens perigosos).

Para o transporte comercial, por exemplo, por terceiros ou agentes de expedição, têm de ser observados os requisitos referentes à embalagem e etiquetagem.

Para preparação do artigo a ser expedido, é necessário consultar um perito em materiais perigosos. Tenha ainda em conta a possibilidade de existirem regulamentos nacionais mais detalhados.

Coloque fita-cola ou tape os contactos abertos e embale a bateria de tal forma que não possa mover-se dentro da embalagem.

11. Quando eliminar a bateria, remova-a da ferramenta e elimine-a num local seguro. Siga os regulamentos locais relacionados com a eliminação de baterias.
12. Utilize as baterias apenas com os produtos especificados pela Makita. Instalar as baterias em produtos não-conformes poderá resultar num incêndio, calor excessivo, explosão ou fuga de eletrólito.
13. Se a ferramenta não for utilizada durante um período de tempo prolongado, a bateria deve ser removida da ferramenta.
14. Durante e após a utilização, a bateria pode aquecer, o que pode provocar queimaduras ou queimaduras a baixa temperatura. Preste atenção ao manuseamento de baterias quentes.
15. Não toque no terminal da ferramenta imediatamente após a utilização, pois pode ficar suficientemente quente para provocar queimaduras.
16. Não permita a adesão de aparas, pó ou sujidade nos terminais, nos orifícios e nas ranhuras da bateria. Poderá fazer com que a ferramenta ou a bateria aqueça, incendeie, rebente e avarie, resultando em queimaduras ou ferimentos corporais.
17. A menos que a ferramenta suporte a utilização perto de linhas elétricas de alta tensão, não utilize a bateria perto de linhas elétricas de alta tensão. Pode resultar no mau funcionamento ou na avaria da ferramenta ou bateria.
18. Mantenha a bateria afastada das crianças.

## GUARDE ESTAS INSTRUÇÕES.

### PRECAUÇÃO:

- Utilize apenas baterias genuínas da Makita. A utilização de baterias não genuínas da Makita ou de baterias que foram alteradas, pode resultar no rebentamento da bateria provocando incêndios, ferimentos pessoais e danos. Além disso, anulará da garantia da Makita no que se refere à ferramenta e ao carregador Makita.

### Conselhos para manter a máxima vida útil da bateria

1. Carregue a bateria antes que esteja completamente descarregada. Pare sempre o funcionamento da ferramenta e carregue a bateria quando notar menos poder na ferramenta.
2. Nunca carregue uma bateria completamente carregada. Carregamento excessivo diminui a vida útil da bateria.
3. Carregue a bateria à temperatura ambiente de 10°C – 40°C. Deixe que uma bateria quente arrefeça antes de a carregar.

- Quando não utilizar a bateria, remova-a da ferramenta ou do carregador.
- Carregue a bateria se não a utilizar durante um longo período de tempo (mais de seis meses).

## DESCRIÇÃO FUNCIONAL

### PRECAUÇÃO:

- Certifique-se sempre de que a ferramenta está desligada e a bateria retirada antes de regular ou verificar qualquer função na ferramenta.
- Ao colocar a bateria, tome cuidado para não prender o(s) dedo(s) entre o aspirador e a bateria, como ilustrado no diagrama. Poderá sofrer ferimentos no(s) dedo(s). (Fig. 1)

### Instalar ou retirar a bateria (Fig. 2)

#### PRECAUÇÃO:

- Desligue sempre a ferramenta antes de instalar ou retirar a bateria.
- Segure firmemente na ferramenta e no cartucho da bateria quando instalar ou retirar o cartucho da bateria. Se não segurar firmemente na ferramenta e no cartucho a bateria pode dar origem a que escorreguem das suas mãos e daí resultar danos para a ferramenta e para o cartucho da bateria e ferimentos corporais.

Para retirar a bateria, deslize-a da ferramenta deslizando o botão na parte da frente da bateria.

Para instalar a bateria, alinhe a lingueta na bateria com a ranhura na caixa e deslize-a para o seu lugar. Insira-o por completo até bloquear no lugar com um pequeno estalido. Se conseguir ver o indicador vermelho no lado superior do botão, não está completamente colocada.

#### PRECAUÇÃO:

- Instale sempre o cartucho da bateria por completo até o indicador vermelho não ser visto. Se assim não for, pode acidentalmente cair da ferramenta ferindo-o a si ou alguém próximo.
- Não instale o cartucho da bateria fazendo força. Se a bateria não deslizar facilmente é porque não foi colocada corretamente.

### Sistema de proteção da bateria

A ferramenta está equipada com um sistema de proteção da ferramenta/bateria. Este sistema desliga automaticamente a alimentação do motor para prolongar a vida útil da ferramenta e da bateria. A ferramenta para automaticamente durante a operação se a ferramenta ou a bateria for colocada sob uma das seguintes condições.

#### Sobrecarga:

A ferramenta é utilizada de tal forma que puxa uma corrente elevada demais.

Neste caso, desligue a ferramenta e pare a aplicação que fez com que a ferramenta ficasse sobrecarregada. Depois, ligue a ferramenta para a reiniciar. Se a ferramenta não reiniciar, a bateria está sobreaquecida. Nesta situação, deixe a bateria arrefecer antes de voltar a ligar a ferramenta.

#### Baixa tensão da bateria:

A carga restante da bateria está baixa demais e a ferramenta não funciona. Nesse caso, retire a bateria e recarregue-a.

### Ação do interruptor (Fig. 3)

#### PRECAUÇÃO:

- Antes de colocar a bateria na ferramenta, verifique que o gatilho funciona corretamente e volta para a posição "OFF" quando libertado.

Para iniciar a ferramenta, carregue simplesmente no gatilho. Liberte o gatilho para parar.

### Acender a lâmpada

#### Apenas para o modelo DCL180F

#### PRECAUÇÃO:

- Nunca olhe diretamente para a luz. A luz direta provoca danos nos seus olhos. (Fig. 4)

Puxe o interruptor de gatilho para acender a lâmpada. Solte o interruptor de gatilho para a apagar.

### Indicação da capacidade restante da bateria

#### Apenas para baterias com indicador (Fig. 5)

Prima o botão de verificação na bateria para indicar a capacidade restante da bateria. As luzes indicadoras acendem durante alguns segundos.

Luzes indicadoras			Capacidade restante
Aceso	Apagado	A piscar	
■	□	◐	
■	■	■	75% a 100%
■	■	□	50% a 75%
■	■	□	25% a 50%
■	□	□	0% a 25%
◐	□	□	Carregar a bateria.
■	■	□	A bateria pode estar avariada.
□	□	■	

#### NOTA:

- Dependendo das condições de utilização e da temperatura ambiente, a indicação pode ser ligeiramente diferente da capacidade real.

## ASSEMBLAGEM

### PRECAUÇÃO:

- Certifique-se sempre de que a ferramenta está desligada e a bateria retirada antes de executar qualquer manutenção na ferramenta.

### Tipo de filtro

#### Filtro normal (Fig. 6)

#### Filtro de elevado desempenho (Fig. 7)

### Esvaziar

#### PRECAUÇÃO:

- Esvazie o aspirador antes que fique muito cheio, pois do contrário a força de sucção diminuirá.

- Certifique-se de limpar o pó de dentro do próprio aspirador. Se não limpar, o filtro pode ficar obstruído ou o motor pode ser danificado.

### Eliminação de pó para o filtro normal

Para desalojar o pó grudado no filtro da cápsula, bata levemente com a mão na cápsula umas 4 ou 5 vezes.

Aponte o bocal de sucção para baixo, rode a cápsula no sentido da seta mostrada no diagrama e desprendia a cápsula devagar e em linha reta. (Fig. 8)

#### NOTA:

- O pó pode cair ao abrir a cápsula, lembre-se de o fazer sobre uma lata de lixo.

Retire o pó acumulado dentro da cápsula e no pré-filtro. (Fig. 9)

Rode o pré-filtro no sentido da seta para desapertar a borda de fixação do aspirador e retire o pré-filtro. (Fig. 10)

Limpe o pó fino do pré-filtro. Em seguida, remova o filtro e bata-o de leve para desalojar o pó. (Fig. 11)

### Eliminação de pó para o filtro de elevado desempenho

Para desalojar o pó grudado no filtro na cápsula, bata levemente com a mão na cápsula umas 4 ou 5 vezes. Aponte agora o bocal de sucção para baixo, rode a cápsula no sentido da seta mostrada no diagrama e desprendia a cápsula devagar e em linha reta. (Fig. 8)

#### NOTA:

- O pó poderá ser derramado quando a cápsula estiver aberta, por isso, certifique-se de que instala um saco do lixo por baixo da cápsula.

Retire o pó acumulado do interior da cápsula e para fora do filtro de elevado desempenho. (Fig. 12)

Rode o filtro de elevado desempenho no sentido da seta para desapertar a borda de fixação da unidade do aspirador e retire o filtro. (Fig. 13)

Limpe o pó fino e bata-o de leve para desalojar o pó do filtro de elevado desempenho.

## Montagem

### Remontagem para o filtro normal

Instale o filtro corretamente no aspirador de pó. (Fig. 14)

#### NOTA:

- Assegure-se de que o filtro seja instalado direito, sem ficar dobrado para trás. Se o filtro for instalado incorretamente, como ilustrado no diagrama, o pó entrará na caixa do motor e provocará a falha do motor. (Fig. 15)

Instale o pré-filtro. Rode o pré-filtro de forma que a borda de fixação se trave com firmeza no aspirador de pó. (Fig. 16 e 17)

Instale a cápsula. Alinhe o símbolo "O" na cápsula com o símbolo "O" no cabo e rode a cápsula com firmeza no sentido da seta até prender. (Fig. 18 e 19)

#### NOTA:

- Limpe o pó frequentemente, pois a capacidade de sucção será reduzida se houver muito pó no aspirador.
- Antes de utilizar o aspirador, verifique sempre se ambos o filtro e o pré-filtro estão instalados corretamente. Se forem instalados incorretamente, entrará pó na caixa do motor e provocará a falha do motor. Se ocorrer os problemas seguintes, significa que o filtro e pré-filtro não estão instalados corretamente. Instale-os corretamente para resolver o problema.

## Exemplos de problemas

Exemplo 1: Foi instalado apenas o pré-filtro (sem o filtro) (Fig. 20)

Exemplo 2: Foi instalado apenas o filtro (sem o pré-filtro) (Fig. 21)

Exemplo 3: O filtro foi instalado dobrado para trás (Fig. 15)

Exemplo 4: A borda de fixação do pré-filtro não está travada firmemente na ranhura da caixa do aspirador. (Fig. 22)

### Remontagem para o filtro de elevado desempenho

Ligue o filtro de elevado desempenho. Agora, certifique-se de que roda o filtro de elevado desempenho de forma a que a borda de fixação fique firmemente bloqueada na unidade do aspirador. (Fig. 23 e 24)

Ligue a cápsula. Alinhe o símbolo O na cápsula com o símbolo O no cabo e rode a cápsula com firmeza no sentido da seta até prender. (Fig. 25 e 19)

#### NOTA:

- Limpe sempre o pó antecipadamente, pois a capacidade de sucção será reduzida se houver muito pó no aspirador.
- Antes de utilizar o aspirador, verifique sempre se o filtro de elevado desempenho está instalado corretamente. Se estiverem instalados incorretamente, entrará pó na caixa do motor e provocará a falha do motor. Se ocorrerem os exemplos seguintes, o filtro de elevado desempenho não está instalado corretamente. Recarregue-os corretamente para resolver o problema.

## Exemplos de problemas

A borda de fixação do filtro de elevado desempenho não está bloqueada firmemente na ranhura da caixa do aspirador. (Fig. 26)

## OPERAÇÃO

### PRECAUÇÃO:

- Para instalar os acessórios, tal como o bocal, coloque e gire o acessório no sentido da seta para que fique seguro durante a utilização. Para retirar o acessório, desenrosque-o no sentido da seta. Se rodar o acessório no sentido oposto ao ser instalado ou retirado, a cápsula pode se soltar. (Fig. 27)

### Limpeza (Sucção)

#### Bocal (Fig. 28)

Instale o bocal para limpar mesas, secretárias, móveis, etc. O bocal encaixa com facilidade.

#### Bocal + Tubo extensor (Tubo reto) (Fig. 29)

O tubo extensor é conectado entre o bocal e o aspirador. Este arranjo é conveniente para manter uma boa postura ao fazer a limpeza de solos.

#### Bocal para cantos (Fig. 30)

Encaixe o bocal para cantos para limpeza de cantos e frestas de carros ou móveis.

#### Bocal para cantos + Tubo extensor (Tubo reto) (Fig. 31)

Utilize este arranjo para limpar em locais estreitos onde o aspirador não entra ou em locais altos.

#### Limpeza sem o bocal (Fig. 32)

É possível fazer a aspiração de pó sem o bocal.



## MANUTENÇÃO

### PRECAUÇÃO:

- Certifique-se sempre de que o aspirador esteja desligado antes de executar qualquer inspeção ou manutenção no mesmo.

### Limpeza

#### OBSERVAÇÃO:

- **Nunca utilize gasolina, benzina, diluente, álcool ou produtos semelhantes. Pode ocorrer a descoloração, deformação ou rachaduras.**
- **Não sobre pó colado no aspirador e nos filtros através do espanador de pó.** Traz pó para dentro do compartimento e causa avaria.
- **Após lavar os filtros, seque-os bem antes da utilização.** Os filtros secos de forma insuficiente podem prejudicar a sucção e diminuir a vida útil do motor.
- **Após limpar os filtros e o filtro de esponja, certifique-se de que os instala antes de usar.** Se utilizar o aspirador sem os filtros e o filtro de esponja, o pó entra na caixa do motor e provoca anomalias.

### Armação do aspirador

Limpe periodicamente o exterior do aspirador (armação) com um pano humedecido em água e sabão. Limpe também a abertura de sucção e a área de montagem do filtro. (Fig. 33)

#### Filtro

Lave o filtro em água e sabão quando estiver obstruído com pó e quando houver redução da potência do aspirador. Seque-o completamente antes de utilizar. (Fig. 34)

### Pontos a verificar antes de solicitar assistência técnica

Sintoma	Área a verificar	O que fazer
Potência de sucção fraca	<ul style="list-style-type: none"><li>• A cápsula está cheia de pó?</li><li>• O filtro está obstruído?</li><li>• A bateria está descarregada?</li></ul>	<ul style="list-style-type: none"><li>• Esvazie a cápsula.</li><li>• Retire o pó ou lave o filtro.</li><li>• Recarregue a bateria.</li></ul>
Não funciona	<ul style="list-style-type: none"><li>• A bateria está descarregada?</li></ul>	<ul style="list-style-type: none"><li>• Recarregue a bateria.</li></ul>

010051

#### NOTA:

- Não tente consertar o aspirador.

Para manter a SEGURANÇA e FIABILIDADE, as reparações e outras ações de manutenção ou ajustes devem ser executados pelos centros de assistência autorizados da Makita, utilizando sempre peças de substituição Makita.

## ACESSÓRIOS OPCIONAIS

### PRECAUÇÃO:

- Estes acessórios ou conectores são recomendados para a utilização com o seu aspirador Makita especificado neste manual. A utilização de qualquer outro acessório ou conector pode apresentar riscos de ferimentos pessoais. Utilize o acessório ou conector apenas para o fim a que se destina.

Se desejar informações detalhadas acerca desses acessórios, solicite ao centro de assistência técnica Makita local.

- Tubo extensor (tubo reto)
- Bocal
- Bocal para carpete
- Escova para prateleiras

### Filtro de esponja

Quando o filtro de esponja ficar sujo, limpe-o do seguinte modo.

1. Remova o filtro.
2. Remova o filtro de esponja de entre os pilares.
3. Limpe o filtro de esponja sacudindo-o ou lavando-o. Se o lavar, seque-o completamente antes de utilizar.
4. Insira o filtro de esponja entre os pilares e instale-o na posição original. Certifique-se de que cada bordo inferior do pilar mantém o filtro de esponja preso e que não existe um intervalo entre o filtro de esponja e a abertura de sucção. (Fig. 35)

### Suporte de parede para aspirador de pó a bateria

#### Acessório opcional

#### NOTA:

- O parafuso para montar o suporte não é incluído. Prepare um parafuso adaptável ao material a aparafusar.

Prenda o suporte de parede para aspirador de pó a bateria numa parede, viga ou coluna de madeira sólida, nas quais o suporte de parede para aspirador de pó a bateria possa ser fixo firmemente. Antes de pendurar o aspirador, assegure sempre que o suporte de parede para aspirador de pó a bateria está preso firmemente. (Fig. 36)

#### PRECAUÇÃO:

- **Não pendure o aspirador no suporte de parede de forma violenta nem pendure outros eletrodomésticos além do aspirador.**

- Bocal para cantos
- Escova redonda
- Mangueira flexível
- Filtro
- Pré-filtro
- Filtro de elevado desempenho
- Suporte de parede para aspirador de pó a bateria
- Acessório de ciclone
- Bateria e carregador genuínos da Makita

#### NOTA:

- Alguns itens da lista podem estar incluídos na embalagem da ferramenta como acessórios padrão. Eles podem variar de país para país.

### Acessório de ciclone (Fig. 37)

#### Informações sobre o acessório de ciclone

A utilização do aspirador com o acessório de ciclone instalado reduz a quantidade de pó que entra na cápsula, o que ajuda a evitar o enfraquecimento da força de sucção. Além disso, a limpeza após a utilização também é simples.

### PRECAUÇÃO:

- **Certifique-se sempre de que a ferramenta está desligada e que a bateria foi removida antes de executar qualquer trabalho na ferramenta.** Se a bateria permanecer inserida, o aspirador pode arrancar inesperadamente e provocar ferimentos.
- **Limpe o filtro de rede do acessório de ciclone e os filtros da unidade do aspirador quando ficarem obstruídos.** A utilização continuada no estado obstruído pode dar origem a aquecimento ou fumo.

### OBSERVAÇÃO:

- **Quando o acessório de ciclone estiver preso, não utilize o aspirador virado na horizontal ou na vertical.** Ao fazê-lo pode fazer com que o filtro de rede fique obstruído.
- **Utilize sempre o aspirador com os filtros instalados, mesmo quando utilizar o acessório de ciclone.** A utilização do aspirador sem os filtros instalados pode dar origem a uma avaria do motor.

### NOTA:

- Verifique se o acessório de ciclone, o aspirador e o tubo reto estão devidamente bloqueados antes da utilização.
- Esvazie a caixa do pó do acessório de ciclone e a cápsula do aspirador quando se tiver acumulado pó. A utilização continuada vai provocar o enfraquecimento da força de sucção.

### Eliminar o pó

Quando o pó se tiver acumulado até à linha de enchimento máximo da caixa do pó, siga o procedimento seguinte e elimine o pó.

1. Segure a caixa do pó firmemente, pressione e mantenha os dois botões pressionados, e remova a caixa do pó. **(Fig. 38)**
2. Elimine o pó no interior da caixa do pó e remova quaisquer vestígios de pó e poeira que tenham aderido à superfície do filtro de rede.
3. Insira a caixa do pó completamente até os dois botões bloquearem com um clique. **(Fig. 39)**

### NOTA:

- Verifique se o acessório de ciclone, o aspirador e o tubo reto estão firmemente ligados antes de reiniciar a operação.
- Se a força de sucção não melhorar mesmo após eliminar o pó e limpar o filtro de rede, verifique se o pó se acumulou na cápsula do aspirador ou se ocorreu obstrução.

### Limpeza

Quando a caixa do pó ficar suja ou o filtro de rede estiver obstruído, remova-os e lave-os com água. (Consulte "Eliminar o pó" para ficar a conhecer o procedimento de remoção.)

Seque as peças completamente antes de voltar a instalar e utilizar. **(Fig. 40)**

Quando o filtro de rede ficar muito sujo, limpe-o com os seguintes procedimentos.

1. Rode o filtro de rede para a esquerda e remova-o enquanto os ganchos estiverem desbloqueados. **(Fig. 41)**
2. Remova o pó existente no filtro de rede e, em seguida, lave-o com água. Em seguida, seque-o completamente.

3. Insira o filtro de rede na base enquanto os ganchos estiverem alinhados com a entrada. Rode o filtro de rede para a direita até os ganchos ficarem bloqueados com um clique. Certifique-se de que o filtro de rede está firmemente instalado. **(Fig. 42)**

**ADVARSEL**

- Dette apparat kan bruges af børn fra 8 år og derover og personer med nedsatte fysiske, sensoriske eller mentale evner eller manglende erfaring og viden, hvis de er under opsyn eller har modtaget instruktioner i sikker anvendelse af apparatet og forstår de farer, der er involveret.
- Børn må ikke lege med apparatet. Rengøring og brugervedligeholdelse må ikke udføres af børn uden opsyn.
- Se kapitlet "SPECIFIKATIONER" for batteriets typereference.
- Se afsnittet "Installation eller fjernelse af akkuen" for at finde ud af, hvordan man fjerner eller installerer batteriet.
- Når du bortskaffer akkuen, skal du afmontere den fra maskinen og bortskaffe den på et sikkert sted. Følg dine lokale regler vedrørende bortskaffelse af batterier.
- Hvis maskinen ikke skal bruges i en længere periode, skal batteriet fjernes fra maskinen.
- Akkuen må ikke kortsluttes.
- Se kapitlet "VEDLIGEHOLDELSE" for at få de relevante oplysninger om forholdsregler under brugervedligeholdelse.

**Illustrationsoversigt**

1 Rød indikator	12 Sugeåbning	23 Vægmontering til akku støvsuger
2 Knap	13 Sikkerhedskant	
3 Akku	14 O-mærke	24 Lige rør
4 Afbryderknap	15 Håndtag	25 Hvirveltilbehør
5 Lampe	16 Rille på støvsugerkabinet	26 Fuld-linje
6 Indikatorlamper	17 Mundstykke	27 Støvbakke
7 Kontrolknap	18 Støvsuger	28 Knap (to steder)
8 Kapsel	19 Forlængerstav	29 Trådsi
9 Forfilter	20 Hjørnemundstykke	30 Krog
10 Filter	21 Svampefilter	31 Åbning
11 Højtydende filter	22 Nederste kant af stiver	

**SPECIFIKATIONER**

Model	DCL180	DCL180F
Kapacitet	650 mL	
Kontinuerlig anvendelse	Ca. 20 min.	
Længde i alt	999 mm	
Nettovægt	1,2 - 1,5 kg	1,3 - 1,6 kg
Mærkespænding	D.C. 18 V	

- På grund af vores kontinuerlige forskningsprogrammer og udvikling, kan hosstående specifikationer blive ændret uden varsel.
- Specifikationer kan variere fra land til land.
- Vægten inkluderer akku(er), men ikke tilbehør. Vægten af den letteste og tungeste kombination af apparat og akku(er) er vist i tabellen.

**Anvendelig akku og oplader**

Akku	BL1815N / BL1820B / BL1830B / BL1840B / BL1850B / BL1860B
Oplader	DC18RC / DC18RD / DC18RE / DC18SD / DC18SE / DC18SF / DC18SH / DC18WC

- Nogle af de akkuer og opladere, der er angivet ovenfor, er muligvis ikke tilgængelige, afhængigt af hvilket område du bor i.

**ADVARSEL: Brug kun de akkuer og opladere, der er angivet ovenfor.** Brug af andre akkuer og opladere kan medføre personskade og/eller brand.

## Symboler

Følgende viser de symboler, der muligvis anvendes til udstyret. Vær sikker på, at De forstår betydningen af symbolerne før brugen.



- Læs brugervejledningen.



- Kun for lande inden for EU

På grund af tilstedeværelsen af farlige komponenter i udstyret kan affald af elektrisk og elektronisk udstyr, akkumulatører og batterier have en negativ indvirkning på miljøet og folkesundheden.

Bortskaf ikke elektriske og elektroniske apparater eller batterier sammen med husholdningsaffald!

I overensstemmelse med EF-direktiv om affaldshåndtering af elektrisk og elektronisk udstyr og om akkumulatører og batterier og affaldsakkumulatører og -batterier, og i overensstemmelse med national lovgivning, skal brugt elektrisk udstyr, batterier og akkumulatører opbevares separat og leveres til et separat indsamlingssted for kommunalt affald, der er etableret i henhold til bestemmelserne om miljøbeskyttelse. Dette er angivet ved symbolet på den krydsede skræddespand, der er placeret på udstyret.

ENE017-1

## Korrekt anvendelse

Denne støvsuger er beregnet til opsugning af tørt støv.

ENA007-3

## Sikkerhedsadvarsler for akku støvsuger

**ADVARSEL – VIGTIGT! LÆS OMHYGGELIGT alle sikkerhedsadvarsler og alle instruktioner FØR BRUGEN.** Hvis advarselene og instruktionerne ikke overholdes, kan det medføre elektrisk stød, brand og/eller alvorlig personskade.

1. Udsæt ikke støvsugeren for regn. Opbevar støvsugeren inden døre.
2. Støvsugeren må ikke anvendes som legetøj. Nøje overvågning er nødvendig, hvis støvsugeren anvendes af eller i nærheden af børn.
3. Anvend kun støvsugeren som beskrevet i denne brugsvejledning. Anvend kun tilbehørsdele, som anbefales af fabrikanten.
4. Anvend ikke støvsugeren med et beskadiget akku. Hvis støvsugeren ikke virker som den skal, er blevet tabt, efterladt uden døre eller har været under vand, skal den indleveres til et servicecenter til eftersyn.
5. Rør ikke ved støvsugeren med våde hænder.
6. Stik ikke nogen genstande ind i åbningerne. Anvend ikke støvsugeren med blokerede åbninger. Hold den fri for støv, fnug, hår og alt hvad der kan hindre luftstrømmen.
7. Hold hår, løse beklædningsgenstande og alle kropsdele på god afstand af åbningerne og de bevægende dele.
8. Deaktiver alle kontroller, inden akkuen tages ud.

9. Udvis ekstra forsigtighed ved rengøring på trapper.
10. Anvend ikke støvsugeren til at opsuge antændelige eller brændbare væsker, som for eksempel benzin, og anvend ikke støvsugeren på steder, hvor disse væsker kan forefindes.
11. Anvend kun den oplader, som leveres af fabrikanten til genopladning.
12. Opsug ikke noget, som brænder eller ryger, som for eksempel cigaretter, tændstikker eller varm aske.
13. Anvend ikke, uden at støvposen og/eller filtrene er sat på plads.
14. Oplad ikke akkuen uden døre.
15. Genoplad kun med den oplader, der er angivet af fabrikanten. En oplader, der er beregnet til én type akku, kan forårsage risiko for brand, hvis den bruges med en anden akku.
16. Brug kun apparater med specifikt udpegede akkuer. Brug af andre akkuer kan medføre risiko for personskade og brand.
17. Når akkuen ikke anvendes, skal du holde den på afstand af andre metalgenstande som f.eks. papirclips, mønter, nøgler, søm, skruer eller andre små metalgenstande, der kan skabe forbindelse fra én terminal til en anden.
18. Ved misbrug kan der sprøjte væske ud fra batteriet. Undgå kontakt. Skyl med vand i tilfælde af kontakt.
19. Undlad at bruge en akku eller et apparat, der er beskadiget eller ændret. Beskadigede eller ændrede batterier kan udvise uforudsigelig adfærd, der resulterer i brand, eksplosion eller risiko for personskade.
20. Undlad at udsætte en akku eller et apparat for brand eller for høj temperatur. Eksponering for brand eller temperaturer over 130 °C kan forårsage eksplosion.
21. Følg alle opladningsinstruktioner, og undlad at oplade akkuen eller apparatet uden for det temperaturområde, der er angivet i instruktionerne. Forkert opladning eller ved temperaturer uden for det angivne område kan beskadige batteriet og øge risikoen for brand.

## GEM DENNE BRUGSANVISNING.

ENB127-1

## SUPPLERENDE SIKKERHEDSREGLER

Denne støvsuger er beregnet til husholdningsbrug.

1. Læs denne brugsvejledning og instruktionerne for opladning grundigt inden brugen.
2. Undlad at samle de følgende materialer op:
  - Varme materialer, som for eksempel tændte cigaretter eller gnister/metalstøv, som er frembragt ved slibning/skæring af metal
  - Brændbare materialer som for eksempel benzin, fortynder, rensbenzin, petroleum og maling
  - Eksplosive materialer som for eksempel nitroglycerin
  - Antændelige materialer som for eksempel aluminium, zink, magnesium, titan, fosfor eller celluloid
  - Vådt snavs, vand, olie og lignende

- Hårde genstande med skarpe kanter, som for eksempel træspåner, metal, sten, glas, knappenåle søm og barberblade
  - Pulver, der stærker, som for eksempel cement og toner
  - Ledende støv som for eksempel metal eller kulfiber
  - Fine partikler som for eksempel betonstøv
- Dette kan være årsag til brand, tilskadekomst og/eller materiel skade.
3. Hold øjeblikkeligt op med at anvende støvsugeren, hvis noget unormalt registreres.
  4. Hvis De kommer til at tabe eller støde til støvsugeren, skal De omhyggeligt efterse den for revner eller anden beskadigelse inden brugen.
  5. Hold støvsugeren på god afstand af ovne og andre varmekilder.
  6. Udlad af blokere ind sugningsåbningen og ventilationshullerne.

## GEM DENNE BRUGSANVISNING.

ENC007-17

## VIGTIGE SIKKERHEDSINSTRUKTIONER FOR AKKUEN

1. Læs alle instruktioner og advarselmærkater på (1) akku-opladeren, (2) akkuen og (3) produktet, som anvender akku.
2. Adskil eller ændr ikke akkuen. Det kan muligvis resultere i en brand, overdreven varme eller eksplosion.
3. Hold straks op med anvendelsen, hvis brugstiden er blevet stærkt afkortet. Fortsat anvendelse kan resultere i risiko for overophedning, forbrændinger og endog eksplosion.
4. Hvis De har fået elektrolytvæske i øjnene, skal De straks skylle den ud med rent vand og derefter øjeblikkeligt søge lægehjælp. I modsat fald kan De miste synet.
5. Vær påpasselig med ikke at komme til at kortslutte akkuen:
  - (1) Rør ikke ved terminalerne med noget ledende materiale.
  - (2) Undgå at opbevare akkuen i en beholder sammen med andre genstande af metal, for eksempel søm, mønter og lignende.
  - (3) Udsæt ikke akkuen for vand eller regn.
 Kortslutning af akkuen kan forårsage en kraftig øgning af strømmen, overophedning, mulige forbrændinger og endog værktøjstop.
6. Opbevar og brug ikke maskinen og akkuen på steder, hvor temperaturen muligvis kan nå eller overstige 50°C.
7. Lad være med at brænde akkuen, selv ikke i tilfælde, hvor den har lidt alvorlig skade eller er fuldstændig udtjent. Akkuen kan eksplodere, hvis man forsøger at brænde den.
8. Slå ikke søm i, skær ikke i, knus, kast, tab ikke akkuen og stød ikke akkuen mod en hård genstand. Sådan adfærd kan muligvis resultere i en brand, overdreven varme eller eksplosion.
9. Anvend ikke en beskadiget akku.

10. De indbyggede litium-ion-batterier er underlagt lovkrav vedrørende farligt gods. Ved kommerciel transport, f.eks. af tredjeparts transportelskaber, skal særlige krav til forpakning og mærkning overholdes. Ved forberedelse af udstyret til forsendelse skal du kontakte en ekspert i farligt gods. Overhold også eventuel mere detaljeret national lovgivning. Tape eller tildæk åbne kontakter, og pak batteriet på en måde, så det ikke kan flytte sig rundt i pakningen.
11. Når akkuen bortskaftes, skal du fjerne den fra maskinen og bortskaft den på et sikkert sted. Følg de lokale love vedrørende bortskaftelsen af batterier.
12. Brug kun batterierne med de produkter, som Makita specificerer. Hvis batterierne installeres i ikke-kompatible produkter, kan det medføre brand, kraftig varme, eksplosion eller udsivning af elektrolyt.
13. Hvis maskinen ikke skal bruges i længere tid ad gangen, skal du fjerne batteriet fra maskinen.
14. Akkuen kan muligvis under og efter brug være varm, hvilket kan forårsage forbrændinger eller lavtemperaturforbrændinger. Vær påpasselig med håndtering af varme akkuer.
15. Rør ikke terminalen på maskinen straks efter brug, da den bliver varm nok til at forårsage forbrændinger.
16. Sørg for, at spåner, støv eller jord ikke sætter sig fast i akkuens terminaler, huller og riller. Det kan forårsage opvarmning, antændelse, sprængning og funktionsfejl i maskinen eller akkuen, hvilket kan medføre forbrændinger eller personskaade.
17. Medmindre maskinen understøtter brugen i nærheden af elektriske højspændingsledninger, skal du ikke anvende akkuen i nærheden af elektriske højspændingsledninger. Det kan muligvis medføre funktionsfejl på eller nedbrud af maskinen eller akkuen.
18. Opbevar batteriet utilgængeligt for børn.

## GEM DENNE BRUGSANVISNING.

### FORSIGTIG:

- Brug kun originale batterier fra Makita. Brug af uoriginale Makita-batterier, eller batterier som er blevet ændret, kan muligvis medføre brud på batteriet, hvilket kan forårsage brand, personskaade eller beskadigelse. Det ugyldiggør også Makita-garantien for Makita-maskinen og opladeren.

### Tips til opnåelse af maksimal akku-levetid

1. Oplad akkuen, inden den er helt afladet. Stop altid værktøjet, og oplad akkuen, hvis De bemærker, at værktøjeffekten er aftagende.
2. Genoplad aldrig en fuldt opladet akku. Overopladning vil afkorte akkuens levetid.
3. Oplad akkuen ved stuetemperatur ved 10°C – 40°C. Lad altid en varm akku få tid til at køle af, inden den oplades.
4. Når du ikke anvender akkuen, skal du fjerne den fra maskinen eller opladeren.
5. Oplad akkuen, hvis De ikke skal bruge den i længere tid (mere end seks måneder).

## FUNKTIONSBESKRIVELSE

### FORSIGTIG:

- Sørg altid for at maskinen er slukket, og at akkuen er taget ud, før der udføres justering eller kontrol af funktioner på maskinen.
- Vær påpasselig med ikke at få fingeren (fingerne) i klemme mellem støvsugerens og batteriets som vist på illustrationen, når De sætter batteriet i. Hvis De får fingeren (fingerne) i klemme, kan De komme til skade. (Fig. 1)

### Isætning og udtagning af akku (Fig. 2)

#### FORSIGTIG:

- Sluk altid for maskinen, før akkuen installeres eller tages ud.
- **Hold godt fast i maskinen og akkuen, når akkuen installeres eller fjernes.** Forsømmelse af at holde godt fast i maskinen og akkuen, kan bevirke, at disse glider ud af hænderne på Dem, hvilket kan resultere i beskadigelse af maskinen og akkuen samt tilskadekomst.

Akkuen fjernes ved at man skyder den ud af maskinen, mens man skyder knappen foran på akkuen i stilling. Installer akkuen ved at rette dens tunge ind efter rillen i huset. Sæt den hele vejen ind, så den låses på plads med et lille klik. Hvis den røde indikator kan ses på den øverste side af knappen, er den ikke helt låst.

#### FORSIGTIG:

- Sæt altid akkuen helt ind, så den røde indikator ikke kan ses. Hvis akkuen ikke sættes i på denne måde, kan den ved et uheld falde ud af maskinen, og eventuelt forvolde personskaade på Dem selv eller andre.
- Sæt ikke akkuen i med magt. Hvis ikke akkuen glider i uden besvær, er det fordi, at den vender forkert.

### Batteribeskyttelsessystem

Maskinen er forsynet med et beskyttelsessystem til maskine/batteri. Systemet afbryder automatisk strømmen til motoren for at forlænge maskinens og batteriets levetid. Maskinen stopper automatisk under drift, hvis maskinen eller batteriet udsættes for et af de følgende forhold.

#### Overbelastet:

Maskinen anvendes på en sådan måde, at den bruger unormalt meget strøm. Sluk i så fald for maskinen, og stop den anvendelse, der medførte, at maskinen blev overbelastet. Tænd derefter for maskinen for at starte igen. Hvis maskinen ikke starter, er akkuen overophedet. Lad i så fald akkuen køle af, før du tænder for maskinen igen.

#### Lav spænding på akkuen:

Den resterende batteriladning er for lav, og maskinen vil ikke fungere. I denne situation skal De fjerne og oplade akkuen.

### Afbryderbetjening (Fig. 3)

#### FORSIGTIG:

- Inden akkuen sættes i maskinen, bør De altid kontrollere, at afbryderen fungerer korrekt og returnerer til "OFF" positionen, når den slippes.

For at starte maskinen trykkes der blot på afbryderen. Slip afbryderen for at stoppe.

### Tænding af lampen

Kun for model DCL180F

### FORSIGTIG:



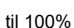


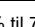


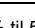

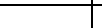
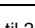

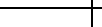
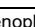

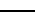

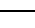
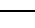
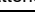
- Se aldrig direkte ind i lyset. Direkte lys skader dine øjne. (Fig. 4)

Tryk på afbryderknappen for at tænde lampen. Slip afbryderknappen for at slukke.

### Indikation af den resterende batteriladning

#### Kun til akkuer med indikatoren (Fig. 5)

Tryk på kontrolknappen på akkuen for at få vist den resterende batteriladning. Indikatorlampen lyser i nogle sekunder.

Indikatorlamper			Resterende ladning
Tændt	Slukket	Blinker	
			75% til 100%
			50% til 75%
			25% til 50%
			0% til 25%
			Genoplad batteriet.
 	 	 	Der er muligvis fejl i batteriet.

#### BEMÆRK:

- Afhængigt af brugsforholdene og den omgivende temperatur kan indikationen afvige en smule fra den faktiske ladning.

### SAMLING

#### FORSIGTIG:

- Sørg altid for at maskinen er slukket, og at akkuen er taget ud, før der udføres noget arbejde på maskinen.

#### Type af filter

##### Normalt filter (Fig. 6)

##### Højtydende filter (Fig. 7)

##### Bortskaffelse af støv

#### FORSIGTIG:

- Tøm støvsugerens, inde den bliver for fuld ellers formindskes sugekraften.
- Husk altid at fjerne støvet inden i selve støvsugerens. Hvis dette ikke gøres, kan filteret blive tilstoppet eller motoren lide skade.

##### Fjernelse af støv for normalt filter

For ikke at tabe støv, der sidder fast på filteret i kapslen, skal man banke 4 eller 5 gange på det med hånden. Ret nu indsugningen nedad, drej kapslen i retningen vist med pilen og tag kapslen langsomt og lige af. (Fig. 8)

#### BEMÆRK:

- Der kan komme støv ud, når kapslen åbnes, så sørg for at anbringe affaldsposen under kapslen.

Fjern opsamlet støv fra indersiden af kapslen og fra forfilteret. (Fig. 9)

Drej forfilteret i retningen vist med pilen for at frigøre sikkerhedskanten fra støvsugeren og træk derefter forfilteret af. (Fig. 10)

Fjern det fine støv fra forfilteret. Tag derefter filteret af og bank let for at frigøre støvet. (Fig. 11)

### Fjernelse af støv for højtydende filter

For at fjerne støv, der sidder fast på filteret i kapslen, skal du banke 4 eller 5 gange på den med hånden.

Ret nu sugeåbningen nedad, drej kapslen i retningen af pilen i diagrammet, og tag kapslen langsomt og lige af. (Fig. 8)

### BEMÆRK:

- Der kan falde støv ud, når kapslen åbnes, så sørg for at stille en affaldspose under kapslen.

Fjern opsamlet støv fra indersiden af kapslen og fra det højtydende filter. (Fig. 12)

Drej det højtydende filter i pilens retning for at frigøre sikkerhedskanten fra støvsugeren, og træk derefter filteret af. (Fig. 13)

Fjern det fine støv, og bank let for at løsne støv fra det højtydende filter.

## Genmontering

### Genmontering af normalt filter

Sæt filteret på, så det sidder helt på plads på støvsugeren. (Fig. 14)

### BEMÆRK:

- Sørg for, at filteret sættes lige på uden at det foldes tilbage. Hvis filteret sættes forkert på som vist på illustrationen, vil der trænge støv ind i motorhuset, hvilket vil bevirke, at motoren ikke fungerer. (Fig. 15)

Sæt forfilteret på. Sørg på dette tidspunkt for dreje forfilteret, så dets sikkerhedskant sidder godt fast på støvsugeren. (Fig. 16 og 17)

Sæt kapslen på. Sæt symbolet O på kapslen ud for symbolet O på håndtaget og drej derefter kapslen godt i retningen vist med pilen, indtil den sidder fast. (Fig. 18 og 19)

### BEMÆRK:

- Fjern altid støv i tide, da sugekraften vil blive reduceret, hvis der er for meget støv i støvsugeren.
- Sørg altid for at kontrollere, at både filter og forfilter er sat korrekt i inden støvsugeren anvendes. Hvis filtrene ikke er sat korrekt i, vil der trænge støv ind i motorhuset, hvilket vil bevirke, at motoren ikke fungerer. Hvis de følgende eksempler opstår, er filteret og forfilteret ikke sat korrekt i. Sæt dem korrekt i for at udbedre problemet.

## Eksempler på problemer

Eksempel 1: Kun forfilteret er sat i (intet filter) (Fig. 20)

Eksempel 2: Kun filteret er sat i (intet forfilter) (Fig. 21)

Eksempel 3: Filteret er isat i en tilbagefoldet tilstand. (Fig. 15)

Eksempel 4: Forfilterets sikkerhedskant sidder ikke ordentlig fast i rillen på støvsugeren. (Fig. 22)

### Genmontering af højtydende filter

Tilslut højtydende filter. Sørg på dette tidspunkt for at dreje det højtydende filter, så sikkerhedskanten låses godt fast på støvsugeren. (Fig. 23 og 24)

Monter kapsel. Juster O-symbolet på kapslen i forhold til O-symbolet på håndtaget, og drej derefter kapslen fast i pilens retning, indtil den sidder fast. (Fig. 25 og 19)

### BEMÆRK:

- Fjern altid støv i tide, da sugestykken reduceres, hvis der er for meget støv i støvsugeren.
- Sørg altid for at kontrollere, at det højtydende filter er sat korrekt i, inden støvsugeren anvendes. Hvis de ikke er sat korrekt i, vil der trænge støv ind i motorhuset, hvilket vil medføre motorfejl. Hvis de følgende eksempler opstår, er det højtydende filter ikke sat korrekt i. Sæt dem korrekt i igen for at løse problemet.

### Eksempler på problemer

Det højtydende filters sikkerhedskant er ikke ordentlig låst fast i rillen på støvsugerkabinettet. (Fig. 26)

## ANVENDELSE

### FORSIGTIG:

- For at tilslutte tilbehørsdele, som for eksempel mundstykket, skal man dreje og isætte tilbehørsdelen i retningen vist med pilen for at sikre, at den sidder fast under brugen. For at frigøre tilbehørsdelen, skal man ligeledes dreje og udtrække delen i retningen vist med pilen.

Hvis tilbehørsdelen drejes i den modsatte retning, når den tilsluttes eller frigøres, kan kapslen gå løs. (Fig. 27)

### Rengøring (sugning)

#### Mundstykke (Fig. 28)

Sæt mundstykket på, når De vil rengøre borde, skriveborde, møbler og lignende. Mundstykket sættes nemt på.

#### Mundstykke + forlængerstav (lige rør) (Fig. 29)

Forlængerstaven kan sættes ind mellem mundstykket og selve støvsugeren. Dette arrangement er bekvemt ved rengøring af et gulv, så man ikke behøver bøje sig under støvsugning.

#### Hjørnemundstykke (Fig. 30)

Monter hjørnemundstykket til rengøring af hjørner og sprækker i en bil eller møbler.

#### Hjørnemundstykke + forlængerstav (lige rør) (Fig. 31)

Anvend dette arrangement på trange steder, hvor selve støvsugeren ikke kan komme ind, eller i højden, hvor det er svært at nå op.

#### Rengøring uden mundstykke (Fig. 32)

Det er muligt at opsamle pulver og støv uden anvendelse af et mundstykke.

## VEDLIGEHOLDELSE

### FORSIGTIG:

- Sørg altid for, at der er slukket for støvsugeren, inden inspektion eller vedligeholdelse påbegyndes.

### Rengøring

#### BEMÆRKNING:

- **Anvend aldrig benzin, rensebenzin, fortynder, alkohol og lignende.** Det kan medføre misfarvning, deformation eller revner.
- **Undlad at blæse støv, der sidder fast på støvsugeren og filtrene, ved hjælp af en luftblæser.** Det blæser støv ind i kabinettet og forårsager fejl.
- **Når du har vasket filtrene, skal du tørre dem grundigt før brug.** Utilstrækkeligt tørrede filtre kan medføre dårlig sugning og forkorte motorens levetid.

- **Efter rengøring af filtrene og svampefilteret skal du huske at montere dem inden brug.** Hvis du bruger støvsugeren uden filtrene og svampefilteret, kommer der støv ind i motorkabinettet, hvilket medfører fejlfunktion.

### Støvsugerkabinnet

Aftør fra tid til anden ydersiden (støvsugerkabinettet) af støvsugeren med en klud, som er fugtet med sæbevand. Rengør også sugeåbningen og monteringsområdet for filteret. (Fig. 33)

### Filter

Vask filteret med sæbevand, hvis det er tilstoppet af støv og støvsugerens kraft er svag. Tør det grundigt inden ibrugtagning. (Fig. 34)

### Svampefilter

Rengør svampefilteret på følgende måde, når det bliver snavset.

1. Fjern filteret.
2. Træk svampefilteret ud fra mellem stiverne.
3. Rengør svampefilteret ved at banke på det eller vaske det. Hvis du vasker det, skal du tørre det grundigt før brug.

### Ting, der skal kontrolleres, inden man bestiller reparation

Symptom	Del, der skal undersøges	Fastgørelsesmetode
Svag sugekraft	<ul style="list-style-type: none"> <li>• Er kapslen fuld af støv?</li> <li>• Er filteret tilstoppet?</li> <li>• Er akkuen afladet?</li> </ul>	<ul style="list-style-type: none"> <li>• Udtøm støv fra kapslen.</li> <li>• Støv filteret af eller vask det.</li> <li>• Oplad batteriet.</li> </ul>
Fungerer ikke	<ul style="list-style-type: none"> <li>• Er akkuen afladet?</li> </ul>	<ul style="list-style-type: none"> <li>• Oplad batteriet.</li> </ul>

010051

### BEMÆRK:

- Forsøg ikke selv at reparere støvsugeren.

For at opretholde produktets SIKKERHED og PÅLIDELIGHED bør reparation, vedligeholdelse og justering kun udføres af et Makita Service Center med anvendelse af originale Makita udskiftningsdele.

### EKSTRAUDSTYR

#### FORSIGTIG:

- Dette ekstraudstyr eller tilbehør anbefales til brug med Deres Makita-maskine, som specificeret i denne manual. Anvendelse af andet ekstraudstyr eller andre tilbehørsdele kan udgøre en risiko for personskade. Anvend kun ekstraudstyr eller tilbehørsdele til det beregnede formål.

Henvend Dem gerne til det lokale Makita-servicecenter, hvis De har behov for hjælp med hensyn til flere detaljer om disse tilbehørsdele.

- Forlængerstav (lige rør)
- Mundstykke
- Mundstykke til støvsugning af tæppe
- Børste til støvsugning af hulder
- Hjørnemundstykke
- Rund børste
- Fleksibel slange
- Filter
- Forfilter
- Højtydende filter
- Vægmontering til akku støvsuger
- Hvirveltilbehør

4. Indsæt svampefilteret mellem stiverne, og placer det i den oprindelige position. Sørg for, at hver nederste kant af stiverne holder svampefilteret nede, og at der ikke er mellemrum mellem svampefilteret og sugeåbningen. (Fig. 35)

### Vægmontering til akku støvsuger

#### Ekstraudstyr

#### BEMÆRK:

- Skruen til montering af holderen medfølger ikke. Hav en skrue klar, der passer til det materiale, den skal skrues ind i.

Fastgør vægmonteringen til akku støvsugeren på en hård trævæg, en bjælke eller søjle, hvor vægmonteringen til akku støvsugeren kan fastgøres forsvarligt. Sørg altid for, at vægmonteringen til akku støvsugeren er fastgjort forsvarligt, før du hænger støvsugeren op. (Fig. 36)

#### FORSIGTIG:

- **Undlad at hænge støvsugeren voldsomt op på vægmonteringen eller at ophænge andre apparater end støvsugeren.**

- Original Makita-akku og oplader

### BEMÆRK:

- Nogle ting på denne liste kan være inkluderet i værktøjspakken som standardtilbehør. Det kan være forskellige fra land til land.

### Hvirveltilbehør (Fig. 37)

#### Om hvirveltilbehøret

Brug af støvsugeren med hvirveltilbehøret monteret reducerer mængden af støv, som trænger ind i kapslen, hvilket hjælper med til at forhindre sugekraften i at svækkes. Endvidere er rengøring efter brug også nem.

#### FORSIGTIG:

- **Sørg altid for at maskinen er slukket, og at akkuen er taget ud, før der udføres noget arbejde på maskinen.** Hvis akkuen forbliver isat, kan støvsugeren muligvis starte uventet og medføre tilskadekomst.
- **Rengør trædsien i hvirveltilbehøret og filtrene i støvsugerenheden, når de bliver tilstoppet.** Fortsat brug i den tilstoppede tilstand kan muligvis resultere i ophedning eller røg.

#### BEMÆRKNING:

- **Når hvirveltilbehøret er monteret, skal du ikke anvende støvsugeren i den vandrete eller opadvendte tilstand.** Dette kan medføre, at trædsien tilstoppes.
- **Brug altid støvsugeren med filtrene monteret, selv når du anvender hvirveltilbehøret.** Brug af støvsugeren uden filtrene monteret kan muligvis resultere i en motorfunktionsfejl.



**BEMÆRK:**

- Kontroller, at hvirveltilbehøret, støvsugeren og det lige rør er ordentligt låst inden brug.
- Tøm støvbakken i hvirveltilbehøret og kapslen i støvsugeren, når der er ophobet støv. Fortsat brug vil resultere i svækket sugekraft.

**Bortskaffelse af støv**

Når der er ophobet støv op til fuld-linjen i støvbakken, skal du følge proceduren nedenfor og bortskaffe støvet.

1. Hold godt fast i støvbakken, tryk og hold på de to knapper og fjern støvbakken. (Fig. 38)
2. Bortskaf støvet inde i støvbakken og fjern alt støv og pulver, som sidder fast på overfladen af trådsien.
3. Sæt støvbakken helt ind indtil de to knapper låses med et klik. (Fig. 39)

**BEMÆRK:**

- Kontroller, at hvirveltilbehøret, støvsugeren og det lige rør alle er ordentligt tilsluttet inden genstart af betjening.
- Hvis sugekraften ikke genoprettes, selv efter bortskaffelse af støvet og rengøring af trådsien, skal du kontrollere, om der er ophobet støv i kapslen i støvsugeren, eller der er opstået tilstopning.

**Rengøring**

Når støvbakken bliver beskidt, eller trådsien er tilstoppet, skal du fjerne og vaske dem med vand. (Se "Bortskaffelse af støv" angående fjernelsesproceduren.)

Tør delene grundigt inden genmontering og ibrugtagning. (Fig. 40)

Når trådsien bliver meget beskidt, skal du rengøre den vha. de følgende procedurer.

1. Drej trådsien mod uret og fjern den, mens krogene ikke er låst. (Fig. 41)
2. Fjern støvet på trådsien og vask den derefter med vand. Tør den omhyggeligt efter dette.
3. Sæt trådsien ind i basen mens krogene er rettet ind med åbningen. Drej trådsien med uret indtil krogene låses med et klik. Sørg for, at trådsien er monteret forsvarligt. (Fig. 42)

**ΠΡΟΕΙΔΟΠΟΙΗΣΗ**

- Η συσκευή αυτή μπορεί να χρησιμοποιηθεί από παιδιά άνω των 8 ετών και άτομα με μειωμένες σωματικές, αισθητήριες ή διανοητικές ικανότητες ή που δεν έχουν πείρα και γνώσεις, αν επιτηρούνται ή τους έχουν δοθεί οδηγίες για την ασφαλή χρήση της συσκευής και κατανοούν τους κινδύνους που εμπλέκονται.
- Τα παιδιά δεν πρέπει να παίζουν με τη συσκευή. Οι εργασίες καθαρισμού και συντήρησης από το χρήστη δεν θα πρέπει να γίνονται από παιδιά χωρίς επίτηρηση.
- Για την αναφορά του τύπου της μπαταρίας, δείτε το κεφάλαιο «ΠΡΟΔΙΑΓΡΑΦΕΣ».
- Για τον τρόπο αφαίρεσης ή τοποθέτησης της μπαταρίας, δείτε την ενότητα «Τοποθέτηση ή αφαίρεση της κασέτας μπαταριών».
- Όταν απορρίπτετε την κασέτα μπαταριών, αφαιρέστε την από το εργαλείο και διαθέστε την σε ένα ασφαλές μέρος. Τηρήστε τους τοπικούς κανονισμούς που σχετίζονται με τη διάθεση της μπαταρίας.
- Αν δεν χρησιμοποιείτε το εργαλείο για μεγάλο χρονικό διάστημα, πρέπει να βγάλετε την μπαταρία από το εργαλείο.
- Μη βραχυκυκλώνετε την κασέτα μπαταριών.
- Για τις κατάλληλες λεπτομέρειες των προφυλάξεων κατά τη διάρκεια της συντήρησης από τον χρήστη, δείτε το κεφάλαιο «ΣΥΝΤΗΡΗΣΗ».

**Περιγραφή γενικής άποψης**

1 Κόκκινη ένδειξη	12 Εισαγωγή αναρρόφησης	23 Επιτοίχια στερέωση για φορητή σκούπα
2 Κουμπί	13 Χείλος ασφάλισης	24 Ευθύς σωλήνας
3 Κασέτα μπαταρίας	14 Ένδειξη Ο	25 Προσάρτημα κυκλών
4 Σκανδάλη διακόπτης	15 Λαβή	26 Γραμμή πληρότητας
5 Λάμπα	16 Αύλακα περιβλήματος σκούπας	27 Θήκη σκόνης
6 Ενδεικτικές λυχνίες	17 Ακροφύσιο	28 Κουμπί (δύο τοποθεσίες)
7 Κουμπί ελέγχου	18 Ηλεκτρικό σκουπάκι	29 Κυψελωτό φίλτρο
8 Κάψουλα	19 Ράβδος προέκτασης	30 Γάντζος
9 Προφίλτρο	20 Ακροφύσιο γωνιών	31 Θύρα
10 Φίλτρο	21 Σπογγώδες φίλτρο	
11 Φίλτρο υψηλής απόδοσης	22 Κάτω άκρο στο κολονάκι	

**ΤΕΧΝΙΚΑ ΧΑΡΑΚΤΗΡΙΣΤΙΚΑ**

Μοντέλο	DCL180	DCL180F
Χωρητικότητα	650 mL	
Συνεχής χρήση	Περίπου 20 λεπτά	
Συνολικό μήκος	999 χιλ.	
Καθαρό βάρος	1,2 - 1,5 Χγρ	1,3 - 1,6 Χγρ
Ονομαστική τάση	DC 18 V	

- Λόγω της συνέχισης του προγράμματός μας έρευνας και ανάπτυξης, οι εν λόγω προδιαγραφές υπόκεινται σε αλλαγές χωρίς προειδοποίηση.
- Τα τεχνικά χαρακτηριστικά μπορεί να διαφέρουν από χώρα σε χώρα.
- Το βάρος δεν περιλαμβάνει εξαρτήματα αλλά την(ις) κασέτα(ες) μπαταριών. Το μικρότερο και μεγαλύτερο βάρος των συνδυασμών της συσκευής και της(ων) κασέτας(ων) μπαταριών απεικονίζονται στον πίνακα.

**Ισχύουσα κασέτα μπαταριών και φορτιστής**

Κασέτα μπαταρίας	BL1815N / BL1820B / BL1830B / BL1840B / BL1850B / BL1860B
Φορτιστής	DC18RC / DC18RD / DC18RE / DC18SD / DC18SE / DC18SF / DC18SH / DC18WC

- Ορισμένες από τις κασέτες και τους φορτιστές μπαταριών που αναγράφονται παραπάνω ίσως να μην είναι διαθέσιμοι, ανάλογα με την τοποθεσία κατοικίας σας.

**ΠΡΟΕΙΔΟΠΟΙΗΣΗ: Να χρησιμοποιείτε μόνο τις κασέτες μπαταριών και τους φορτιστές που παρατίθενται ανωτέρω.** Η χρήση οποιασδήποτε άλλης κασέτας μπαταριών ή φορτιστή μπορεί να προκαλέσει τραυματισμό ή/και πυρκαγιά.

## Σύμβολα

Παρακάτω παρουσιάζονται τα σύμβολα που μπορούν να χρησιμοποιηθούν για τον εξοπλισμό. Βεβαιωθείτε ότι κατανοείτε τη σημασία τους πριν από τη χρήση.



- Διαβάστε το εγχειρίδιο οδηγιών.



- Μόνο για τις χώρες της ΕΕ

Λόγω της παρουσίας των επικίνδυνων συστατικών μερών στον εξοπλισμό, ο απόβλητος ηλεκτρικός και ηλεκτρονικός εξοπλισμός, οι συσσωρευτές και οι μπαταρίες μπορεί να έχουν αρνητική επίδραση στο περιβάλλον και την ανθρώπινη υγεία. Μην απορρίπτετε τις ηλεκτρικές και ηλεκτρονικές συσκευές ή μπαταρίες μαζί με τα οικιακά απορρίμματα!

Σύμφωνα με την Ευρωπαϊκή Οδηγία για τον απόβλητο ηλεκτρικό και ηλεκτρονικό εξοπλισμό και για τους συσσωρευτές και μπαταρίες και τους απόβλητους συσσωρευτές και μπαταρίες, καθώς και την προσαρμογή τους στην εθνική νομοθεσία, ο απόβλητος ηλεκτρικός εξοπλισμός, οι μπαταρίες και οι συσσωρευτές θα πρέπει να αποθηκεύονται ξεχωριστά και να παραδίδονται σε ξεχωριστό σημείο συλλογής για δημοτικά απόβλητα, το οποίο λειτουργεί σύμφωνα με τους κανονισμούς για την προστασία του περιβάλλοντος.

Αυτό υποδεικνύεται από το σύμβολο του διαγραμμένου τροχοφόρου κάδου που βρίσκεται ανατημένο επάνω στον εξοπλισμό.

ENE017-1

## Προοριζόμενη χρήση

Το εργαλείο προορίζεται για τη συλλογή ξηρής σκόνης.

ENA007-3

## Προειδοποιήσεις ασφάλειας για τη φορητή σκούπα

**ΠΡΟΕΙΔΟΠΟΙΗΣΗ – ΣΗΜΑΝΤΙΚΟ! ΔΙΑΒΑΣΤΕ ΠΡΟΣΕΚΤΙΚΑ** όλες τις προειδοποιήσεις για την ασφάλεια και όλες τις οδηγίες ΠΡΙΝ ΑΠΟ ΤΗ ΧΡΗΣΗ. Η μη τήρηση των προειδοποιήσεων και οδηγιών μπορεί να καταλήξει σε ηλεκτροπληξία, πυρκαγιά ή/και σοβαρό τραυματισμό.

1. Να μην εκτίθεται σε βροχή. Να φυλάσσεται σε εσωτερικό χώρο.
2. Δεν επιτρέπεται η χρήση της ως παιχνίδι. Απαιτείται ιδιαίτερη προσοχή κατά τη χρήση από ή κοντά σε παιδιά.
3. Να χρησιμοποιείται μόνο σύμφωνα με τις οδηγίες του παρόντος εγχειριδίου. Να χρησιμοποιούνται μόνο τα παρελκόμενα που συνιστά ο κατασκευαστής.
4. Να μη χρησιμοποιείται με μπαταρία που έχει υποστεί βλάβη. Εάν η συσκευή δεν λειτουργεί όπως θα έπρεπε, έχει υποστεί πτώση ή βλάβη, έχει αφεθεί σε εξωτερικό χώρο ή έχει πέσει μέσα σε νερό, να επιστραφεί σε κέντρο σέρβις.
5. Μη χειρίζεστε τη συσκευή με βρεγμένα χέρια.

6. Μην τοποθετείτε κανένα αντικείμενο μέσα στις οπές. Μη την χρησιμοποιείτε εάν παρουσιαστεί έμφραξη κάποιου ανοίγματος, να την διατηρείτε χωρίς ίχνη σκόνης, χνούδια, τρίχες και σπιδήποτε ενδέχεται να προκαλέσει μείωση της ροής του αέρα.
7. Φροντίστε ώστε να μην πλησιάζετε τις οπές και τα κινούμενα εξαρτήματα της συσκευής σε μαλλιά, χαλαρά είδη ρουχισμού, δάχτυλα και όλα τα μέρη του σώματος.
8. Να απενεργοποιείτε όλα τα στοιχεία ελέγχου πριν από την αφαίρεση της μπαταρίας.
9. Να προσέχετε ιδιαίτερα, όταν καθαρίζετε σκαλοπάτια.
10. Να μη χρησιμοποιείται για τη συλλογή εύφλεκτων ή καύσιμων υγρών, όπως βενζίνη, ή να χρησιμοποιείται σε χώρους παρουσία αυτών.
11. Για επαναφόρτιση, να χρησιμοποιείται μόνο ο φορτιστής που παρέχεται από τον κατασκευαστή.
12. Να μη χρησιμοποιείται για τη συλλογή οποιουδήποτε αντικειμένου καίγεται ή αναδίδει καπνό, όπως τσιγάρα, σπρίττα ή θερμές στάχτες.
13. Να μην χρησιμοποιείται χωρίς τη σακούλα σκόνης ή/και τα φίλτρα.
14. Μη φορτίστε τη μπαταρία σε εξωτερικό χώρο.
15. Να επαναφορτίζετε μόνο με το φορτιστή που καθορίζεται από τον κατασκευαστή. Ένας φορτιστής που είναι κατάλληλος για μια συγκεκριμένη κασέτα μπαταριών μπορεί να δημιουργήσει κίνδυνο πυρκαγιάς όταν χρησιμοποιείται με μια άλλη κασέτα μπαταριών.
16. Να χρησιμοποιείτε συσκευές μόνο με ειδικά καθορισμένες κασέτες μπαταριών. Η χρήση κάθε άλλης κασέτας μπαταριών μπορεί να δημιουργήσει κίνδυνο τραυματισμού ή πυρκαγιάς.
17. Όταν δεν χρησιμοποιείται η κασέτα μπαταριών, διατηρήστε τη μακριά από άλλα μεταλλικά αντικείμενα, όπως συνδετήρες, κέρματα, κλειδιά, καρφιά, βίδες ή άλλα μικρά μεταλλικά αντικείμενα, με τα οποία μπορεί να δημιουργηθεί σύνδεση από τον έναν ακροδέκτη στον άλλον.
18. Υπό συνθήκες κατάχρησης, μπορεί να εξαχθεί υγρό από την μπαταρία. Να αποφεύγετε την επαφή. Αν συμβεί επαφή κατά λάθος, εκπλύνετε με νερό.
19. Μην χρησιμοποιείτε μια κασέτα μπαταριών ή συσκευή που έχει καταστραφεί ή τροποποιηθεί. Οι κατεστραμμένες ή τροποποιημένες μπαταρίες μπορεί να παρουσιάζουν απρόβλεπτη συμπεριφορά που έχει ως αποτέλεσμα πυρκαγιά, έκρηξη ή κίνδυνο τραυματισμού.
20. Μην εκθέτετε την κασέτα μπαταριών ή τη συσκευή σε πυρκαγιά ή υπερβολικά υψηλή θερμοκρασία. Η έκθεση σε φωτιά ή θερμοκρασία άνω των 130 °C μπορεί να προκαλέσει έκρηξη.
21. Ακολουθήστε όλες τις οδηγίες φόρτισης και μην φορτίστε την κασέτα μπαταριών ή τη συσκευή εκτός του θερμοκρασιακού εύρους που καθορίζεται στις οδηγίες. Η λανθασμένη φόρτιση ή η φόρτιση σε θερμοκρασίες εκτός του καθορισμένου εύρους μπορεί να προκαλέσει ζημιά στην μπαταρία και να αυξήσει τον κίνδυνο πυρκαγιάς.

## ΦΥΛΑΞΤΕ ΤΙΣ ΟΔΗΓΙΕΣ ΑΥΤΕΣ.

## ΕΠΙΠΛΕΟΝ ΚΑΝΟΝΕΣ ΑΣΦΑΛΕΙΑΣ

Η συσκευή αυτή προορίζεται για οικιακή χρήση.

1. Διαβάστε προσεκτικά το παρόν χειριρίδιο χρήσης όπως και το χειριρίδιο χρήσης του φορτιστή πριν από τη χρήση.
2. Μην τα ακόλουθα υλικά:
  - Καυτά υλικά όπως αναμμένα τσιγάρα ή μεταλλική σκόνη/ρίνισμα που παράγονται από λείανση/κοπή μέταλλων
  - Εύφλεκτα υλικά όπως βενζίνη, διαλυτικό, πετρελαϊκό αιθέρα, κηροζίνη ή χρώματα
  - Εκρηκτικά υλικά όπως νιτρογλυκερίνη
  - Αναφλέξιμα υλικά όπως αλουμίνιο, ψευδάργυρο, μαγνήσιο, τιτάνιο, φώσφορο ή κινηματογραφικό φιλμ
  - Υγρές ακαθαρσίες, νερό, έλαιο ή παρόμοιες ουσίες
  - Αιχμηρά τεμάχια σκληρών υλικών, όπως ροκανίδια, μέταλλα, πέτρες, γυαλιά, καρφιά, πινέζες ή ζυραφάκια
  - Σκόνη η οποία σβωλιάζει όπως το τσιμέντο ή το τόνερ
  - Αγώγιμη σκόνη όπως μέταλλου ή άνθρακα
  - Μικρά σωματίδια όπως σκόνη σκυροδέματος

Αυτή η ενέργεια ενδέχεται να προκαλέσει πυρκαγιά, τραυματισμό ή/και ζημία σην σε περιουσιακά στοιχεία.

3. Διακόψτε τη λειτουργία αμέσως, μόλις παρατηρήσετε οτιδήποτε μη φυσιολογικό.
4. Σε περίπτωση που το ηλεκτρικό σκουπάκι υποστεί πτώση ή κτύπημα, ελέγξτε το προσεκτικά για ρωγμές ή βλάβη πριν από τη λειτουργία.
5. Μην πλησιάζετε σε θερμάστρες ή άλλες πηγές θερμότητας.
6. Μη φράσσετε την οπή εισαγωγής ή τις οπές αερισμού.

## ΦΥΛΑΞΤΕ ΤΙΣ ΟΔΗΓΙΕΣ ΑΥΤΕΣ.

ENC007-17

## ΣΗΜΑΝΤΙΚΕΣ ΟΔΗΓΙΕΣ ΑΣΦΑΛΕΙΑΣ ΓΙΑ ΚΑΣΕΤΑ ΜΠΑΤΑΡΙΩΝ

1. Πριν χρησιμοποιήσετε την κασέτα μπαταριών, διαβάστε όλες τις οδηγίες και σημειώσεις προφύλαξης (1) στον φορτιστή μπαταριών, (2) στην μπαταρία και (3) στο προϊόν που χρησιμοποιεί την μπαταρία.
2. Μην αποσυναρμολογήσετε ή παραβιάσετε την κασέτα μπαταριών. Μπορεί να έχει ως αποτέλεσμα πυρκαγιά, υπερθέρμανση ή έκρηξη.
3. Εάν ο χρόνος λειτουργίας έχει γίνει υπερβολικά βραχύς, σταματήστε τη λειτουργία αμέσως. Αλλιώς, μπορεί να έχει ως αποτέλεσμα κίνδυνο υπερθέρμανσης, πιθανά εγκαύματα ή ακόμη και έκρηξη.
4. Εάν ηλεκτρολύτης μπει στα μάτια σας, ξεπλύνετε τα με καθαρό νερό και ζητήστε ιατρική φροντίδα αμέσως. Αλλιώς, μπορεί να έχει ως αποτέλεσμα απώλεια της όρασης σας.
5. Μη βραχυκυκλώνετε την κασέτα μπαταριών:
  - (1) Μην αγγίζετε τους πόλους με οτιδήποτε αγώγιμο υλικό.

(2) Αποφεύγετε να αποθηκεύετε την κασέτα μπαταριών μέσα σε ένα δοχείο μαζί με άλλα μεταλλικά αντικείμενα όπως καρφιά, νομίσματα, κλπ.

(3) Μην εκθέτετε την κασέτα μπαταριών στο νερό ή στη βροχή.

Ένα βραχυκύκλωμα μπαταρίας μπορεί να προκαλέσει μεγάλη ροή ρεύματος, υπερθέρμανση, πιθανά εγκαύματα ακόμη και σοβαρή βλάβη.

6. Μην αποθηκεύετε και μην χρησιμοποιείτε το εργαλείο και την κασέτα μπαταριών σε τοποθεσίες όπου η θερμοκρασία μπορεί να φτάσει ή να ξεπεράσει τους 50°C.
7. Μην καίτε την κασέτα μπαταριών ακόμη και εάν έχει σοβαρή ζημιά ή είναι εντελώς φθαρμένη. Η κασέτα μπαταριών μπορεί να εκραγεί στη φωτιά.
8. Μην καρφώσετε, κόψετε, συνθλίψετε, πετάξετε ή ρίξετε κάτω την κασέτα μπαταριών, ούτε να χτυπήσετε ένα σκληρό αντικείμενο επάνω στην κασέτα μπαταριών. Τέτοια συμπεριφορά μπορεί να έχει ως αποτέλεσμα πυρκαγιά, υπερθέρμανση ή έκρηξη.
9. Μη χρησιμοποιείτε μπαταρία που έχει υποστεί ζημία.
10. Οι μπαταρίες ιόντων λιθίου που περιέχονται υπόκεινται στις απαιτήσεις της νομοθεσίας για επικίνδυνα αγαθά.

Για εμπορικές μεταφορές, για παράδειγμα από τρίτα μέρη, πρέπει να τηρούνται οι διαμεταφορές, οι ειδικές απαιτήσεις στη συσκευασία και η επισήμανση.

Για προετοιμασία του στοιχείου που αποστέλλεται, είναι απαραίτητο να συμβουλευτείτε έναν ειδικό για επικίνδυνα υλικά. Επίσης, τηρήστε τους πιθανούς, πιο αναλυτικούς εθνικούς κανονισμούς.

Καλύψτε με αυτοκόλλητη ταινία ή κρύψτε τις ανοικτές επαφές και συσκευάστε την μπαταρία με τρόπο που να μην μπορεί να μετακινείται μέσα στη συσκευασία.

11. Όταν απορρίπτετε την κασέτα μπαταριών, αφαιρέστε την από το εργαλείο και διαθέστε την σε ένα ασφαλές μέρος. Τηρήστε τους τοπικούς κανονισμούς που σχετίζονται με τη διάθεση της μπαταρίας.
12. Χρησιμοποιήστε τις μπαταρίες μόνο με τα προϊόντα που καθορίζει η Makita. Αν τοποθετήσετε τις μπαταρίες σε μη συμβατά προϊόντα μπορεί να έχει ως αποτέλεσμα πυρκαγιά, υπερβολική θερμότητα, έκρηξη ή διαρροή ηλεκτρολύτη.
13. Αν δεν χρησιμοποιείτε το εργαλείο για μεγάλο χρονικό διάστημα, πρέπει να βγάλετε την μπαταρία από το εργαλείο.
14. Κατά την διάρκεια και μετά τη χρήση, η κασέτα μπαταριών μπορεί να θερμανθεί, γεγονός που μπορεί να προκαλέσει εγκαύματα ή εγκαύματα από χαμηλή θερμοκρασία. Προσέχετε το χειρισμό των ζεστών κασετών μπαταριών.
15. Μην αγγίζετε τον ακροδέκτη του εργαλείου αμέσως μετά τη χρήση επειδή μπορεί να έχει ζεσταθεί αρκετά για να προκαλέσει εγκαύματα.
16. Μην αφήνετε θραύσματα, σκόνη ή βρομιά να κολλήσει στους ακροδέκτες, τις οπές και τις εγχοπές της κασέτας μπαταριών. Μπορεί να προκαλέσει θέρμανση, φωτιά, έκρηξη και δυσλειτουργία του εργαλείου ή της κασέτας μπαταριών, έχοντας ως αποτέλεσμα εγκαύματα ή προστωπικό τραυματισμό.

- Εκτός αν το εργαλείο υποστηρίζει τη χρήση κοντά σε ηλεκτρικές γραμμές υψηλής τάσης, μην χρησιμοποιείτε την κασέτα μπαταριών κοντά σε ηλεκτρικές γραμμές υψηλής τάσης. Μπορεί να έχει ως αποτέλεσμα δυσλειτουργία ή σπάσιμο του εργαλείου ή της κασέτας μπαταριών.
- ΚρΦυλάξτε την μπαταρία μακριά από παιδιά.

## ΦΥΛΑΞΤΕ ΤΙΣ ΟΔΗΓΙΕΣ ΑΥΤΕΣ.

### ΠΡΟΣΟΧΗ:

- Να χρησιμοποιείτε μόνο γνήσιες μπαταρίες της Makita. Η χρήση μη γνήσιων μπαταριών Makita, ή μπαταριών που έχουν τροποποιηθεί, μπορεί να έχει ως αποτέλεσμα τη ρήξη της κασέτας μπαταρίας, προκαλώντας πυρκαγιά, προσωπικό τραυματισμό και βλάβη. Επίσης, θα ακυρωθεί η εγγύηση της Makita για το εργαλείο και φορτιστή Makita.

### Συμβουλές για τη διατήρηση της μέγιστης ζωής μπαταρίας

- Φορτίζετε την κασέτα μπαταριών πριν από την πλήρη αποφόρτιση της. Πάντοτε να σταματάτε τη λειτουργία του εργαλείου και να φορτίζετε την κασέτα μπαταριών όταν παρατηρείτε μειωμένη ισχύ εργαλείου.
- Ποτέ μην επαναφορτίζετε μια πλήρως φορτισμένη κασέτα μπαταριών. Η υπερφόρτιση μειώνει την ωφέλιμη ζωή της μπαταρίας.
- Να φορτίζετε την κασέτα μπαταριών σε θερμοκρασία δωματίου, δηλαδή στους 10°C έως 40°C. Αφήστε μια θερμή κασέτα μπαταριών να κρυώσει πριν την φορτίσετε.
- Όταν δεν χρησιμοποιείτε την κασέτα μπαταριών, αφαιρέστε την από το εργαλείο ή τον φορτιστή.
- Να φορτίζετε την κασέτα μπαταριών εάν δεν τη χρησιμοποιείτε για μεγάλη χρονική περίοδο (περισσότερο από έξι μήνες).

## ΠΕΡΙΓΡΑΦΗ ΛΕΙΤΟΥΡΓΙΑΣ

### ΠΡΟΣΟΧΗ:

- Πάντοτε βεβαιώνετε ότι το εργαλείο είναι σβηστό και η κασέτα μπαταρίας έχει αφαιρεθεί πριν ρυθμίσετε ή ελέγξετε κάποια λειτουργία στο εργαλείο.
- Φροντίστε ώστε να μην παγιδεύσετε δάκτυλο(α) στο χώρο μεταξύ σκούπας και μπαταρίας, όπως υποδεικνύεται στο διάγραμμα, κατά τη φόρτωση της μπαταρίας. Η παγίδευση δακτύλων ενδέχεται να προκαλέσει τραυματισμό. (Εικ. 1)

### Τοποθέτηση ή αφαίρεση της κασέτας μπαταρίας (Εικ. 2)

#### ΠΡΟΣΟΧΗ:

- Πάντοτε σβήνετε το εργαλείο πριν εγκαταστήσετε ή βγάλετε την κασέτα μπαταρίας.
- Κρατήστε το εργαλείο και την κασέτα μπαταρίας σταθερά κατά την τοποθέτηση ή αφαίρεση της κασέτας μπαταρίας. Αν δεν κρατάτε το εργαλείο και την κασέτα μπαταρίας σταθερά, μπορεί γλιστρήσουν από τα χέρια σας και να προκληθεί βλάβη στο εργαλείο και την κασέτα μπαταρίας και προσωπικός τραυματισμός.

Για να αφαιρέσετε την κασέτα μπαταρίας, βγάλτε την από το εργαλείο ενώ σύρετε το κουμπί στο εμπρόσθιο μέρος της κασέτας.

Για να εγκαταστήσετε την κασέτα μπαταρίας, ευθυγραμμίστε την γλώσσα στην κασέτα μπαταρίας με την αυλακία στην υποδοχή και τοποθετήστε την. Να την τοποθετείτε πλήρως μέχρι να ασφαλίσει στη θέση της, γεγονός που υποδεικνύεται με ένα χαρακτηριστικό ήχο. Εάν μπορείτε να δείτε την κόκκινη ένδειξη στην επάνω πλευρά του κουμπιού, δεν έχει κλειδώσει τελείως.

### ΠΡΟΣΟΧΗ:

- Να τοποθετείτε πάντα την κασέτα μπαταρίας πλήρως μέχρι να μην βλέπτε την κόκκινη ένδειξη. Σε αντίθετη περίπτωση, ίσως πέσει κατά λάθος από το μηχανήμα, τραυματίζοντας εσάς ή κάποιον τριγύρω σας.
- Μην τοποθετείτε την κασέτα μπαταρίας με βία. Εάν η κασέτα δεν γλιστράει μέσα εύκολα, δεν εισάγεται με τον σωστό τρόπο.

### Σύστημα προστασίας μπαταρίας

Το εργαλείο είναι εξοπλισμένο με σύστημα προστασίας εργαλείου/μπαταρίας. Αυτό το σύστημα αποκόπτει αυτόματα την ισχύ προς το μοτέρ για να παραταθεί η διάρκεια λειτουργίας του εργαλείου και της μπαταρίας. Το εργαλείο σταματάει αυτόματα κατά τη διάρκεια της λειτουργίας αν το εργαλείο ή η μπαταρία βρεθούν κάτω από τις παρακάτω συνθήκες.

#### Υπερφόρτωση:

Το εργαλείο λειτουργεί με τρόπο ώστε να αναγκάζεται να καταναλώνει ασυνήθιστα υψηλό ρεύμα.

Σε αυτή την κατάσταση, σβήστε το εργαλείο και διακόψτε την εφαρμογή που προκαλεί την υπερφόρτωση του εργαλείου. Μετά, ενεργοποιήστε το εργαλείο για επανεκκίνηση.

Αν το εργαλείο δεν ξεκινάει, η μπαταρία έχει υπερθερμανθεί. Σε αυτή την κατάσταση, αφήστε την μπαταρία να κρυώσει πριν ενεργοποιήσετε ξανά το εργαλείο.

#### Χαμηλή τάση μπαταρίας:

Η υπόλοιπη χωρητικότητα μπαταρίας είναι πολύ χαμηλή και το εργαλείο δεν λειτουργεί. Σε αυτή την περίπτωση, αφαιρέστε και επαναφορτίστε την μπαταρία.

### Λειτουργία διακόπτη (Εικ. 3)

#### ΠΡΟΣΟΧΗ:

- Πριν βάλετε την κασέτα μπαταρίας μέσα στο εργαλείο, πάντοτε ελέγχετε να δείτε ότι η σκανδάλη διακόπτης ενεργοποιείται κανονικά και επιστρέφει στην θέση "OFF" όταν ελευθερώνεται.

Για να ξεκινήσετε το εργαλείο, απλώς τραβήχτε την σκανδάλη διακόπτη. Ελευθερώστε την σκανδάλη διακόπτη για να σταματήσει.

### Άναμμα λάμπας

#### Μόνο για το μοντέλο DCL180F

#### ΠΡΟΣΟΧΗ:

- Μην κοιτάζετε ποτέ κατευθείαν στο φως. Το άμεσο φως προκαλεί βλάβη στα μάτια σας. (Εικ. 4)

Τραβήξτε τη σκανδάλη διακόπτη για να ανάψετε τη λάμπα. Ελευθερώστε τη σκανδάλη διακόπτη για να τη σβήσετε.

### Εμφάνιση υπολειπόμενης χωρητικότητας μπαταρίας

Μόνο για κασέτες μπαταρίας με την ενδεικτική λυχνία (Εικ. 5)

Πιέστε το κουμπί ελέγχου στην κασέτα μπαταριών για να υποδείξετε την υπολειπόμενη χωρητικότητα μπαταρίας. Οι ενδεικτικές λυχνίες ανάβουν για λίγα δευτερόλεπτα.

Ενδεικτικές λυχνίες			Υπόλοιπη χωρητικότητα
Αναμμένες	Σβηστές	Αναβοσβήνουν	
■ ■ ■ ■			75% έως 100%
■ ■ ■ □			50% έως 75%
■ ■ □ □			25% έως 50%
■ □ □ □			0% έως 25%
	▤ □ □ □		Φορτίστε την μπαταρία.
■ ■ □ □			Μπορεί να προέκυψε δυσλειτουργία στην μπαταρία.
□ □ ■ ■		↑ ↓	

#### ΠΑΡΑΤΗΡΗΣΗ:

- Ανάλογα με τις συνθήκες χρήσης και τη θερμοκρασία περιβάλλοντος, η ένδειξη μπορεί να διαφέρει λίγο από την πραγματική χωρητικότητα.

## ΣΥΝΑΡΜΟΛΟΓΗΣΗ

### ΠΡΟΣΟΧΗ:

- Πάντοτε βεβαιώνεστε ότι το εργαλείο είναι σβηστό και η κασέτα μπαταρίας έχει αφαιρεθεί πριν εκτελέσετε κάποια εργασία στο εργαλείο.

### Τύπος φίλτρου

#### Κανονικό φίλτρο (Εικ. 6)

#### Φίλτρο υψηλής απόδοσης (Εικ. 7)

#### Απόρριψη σκόνης

### ΠΡΟΣΟΧΗ:

- Να αδειάζετε το ηλεκτρικό σκουπάκι πριν γεμίσει πλήρως, ή εξασθενήσει η δύναμη αναρρόφησης.
- Να φροντίζετε για το άδειασμα της σκόνης από το εσωτερικό της ίδιας της ηλεκτρικής σκούπας. Σε περίπτωση μη συμμόρφωσης ενδέχεται να προκληθεί έμφραξη του φίλτρου ή βλάβη του κινητήρα.

#### Απόρριψη της σκόνης για το κανονικό φίλτρο

Για να αφαιρέσετε τη σκόνη η οποία επικάθεται στο φίλτρο μέσα στην κάψουλα, κτυπήστε ελαφρά την κάψουλα 4 ή 5 φορές με το χέρι σας.

Τώρα στρέψτε την εισαγωγή αναρρόφησης προς τα κάτω, περιστρέψτε την κάψουλα προς την κατεύθυνση του βέλους στο διάγραμμα και αποσπάστε την κάψουλα με προσοχή ωθώντας ευθέως προς τα έξω. (Εικ. 8)

### ΠΑΡΑΤΗΡΗΣΗ:

- Η σκόνη ενδέχεται να σκορπιστεί κατά το άνοιγμα της κάψουλας, για το λόγο αυτό φροντίστε να τοποθετήσετε μια σακούλα σκουπιδιών κάτω από την κάψουλα.

Αφαιρέστε τη συσσωρευμένη σκόνη από το εσωτερικό της κάψουλας και το προφίλτρο. (Εικ. 9)

Περιστρέψτε το προφίλτρο προς την κατεύθυνση του βέλους ώστε να απασφαλίσετε το χείλος ασφάλισης από την μονάδα της σκούπας και στη συνέχεια αποσπάστε το προφίλτρο. (Εικ. 10)

Καθαρίστε την ψιλή σκόνη από το προφίλτρο. Στη συνέχεια, αφαιρέστε το φίλτρο και κτυπήστε το ελαφρά, ώστε να αποκολληθεί η σκόνη. (Εικ. 11)

#### Απόρριψη της σκόνης για το φίλτρο υψηλής απόδοσης

Για να αφαιρέσετε τη σκόνη η οποία επικάθεται στο φίλτρο μέσα στην κάψουλα, κτυπήστε ελαφρά την κάψουλα 4 ή 5 φορές με το χέρι σας.

Τώρα στρέψτε την είσοδο αναρρόφησης προς τα κάτω, περιστρέψτε την κάψουλα προς την κατεύθυνση του βέλους που απεικονίζεται στην εικόνα, και αποσπάστε την κάψουλα αργά και ευθεία. (Εικ. 8)

### ΠΑΡΑΤΗΡΗΣΗ:

- Όταν ανοίξει η κάψουλα μπορεί να χυθεί σκόνη, για το λόγο αυτό φροντίστε να τοποθετήσετε μια σακούλα απορριμάτων κάτω από την κάψουλα.

Αφαιρέστε τη συσσωρευμένη σκόνη από το εσωτερικό της κάψουλας και από το φίλτρο υψηλής απόδοσης. (Εικ. 12)

Περιστρέψτε το φίλτρο υψηλής απόδοσης προς την κατεύθυνση του βέλους ώστε να απασφαλίσετε το χείλος ασφάλισης από τη μονάδα της σκούπας και στη συνέχεια αποσπάστε το φίλτρο. (Εικ. 13)

Καθαρίστε την ψιλή σκόνη και κτυπήστε ελαφρά για να αποκολληθεί η σκόνη από το φίλτρο υψηλής απόδοσης.

## Επανασυναρμολόγηση

### Επανασυναρμολόγηση για το κανονικό φίλτρο

Τοποθετήστε το φίλτρο έως ότου επιτευχθεί πλήρης εφαρμογή στη μονάδα της σκούπας. (Εικ. 14)

### ΠΑΡΑΤΗΡΗΣΗ:

- Φροντίστε ώστε το φίλτρο να τοποθετηθεί κατάλληλα χωρίς να διπλωθεί προς τα πίσω. Εάν το φίλτρο τοποθετηθεί εσφαλμένα όπως φαίνεται στο διάγραμμα, η σκόνη θα εισέλθει στο εσωτερικό του περιβλήματος του κινητήρα και θα προκαλέσει βλάβη του κινητήρα. (Εικ. 15)

Τοποθετήστε το προφίλτρο. Σε αυτήν τη φάση, φροντίστε να περιστρέψετε το προφίλτρο, ώστε το χείλος ασφάλισης να ασφαλιστεί πλήρως στη μονάδα της σκούπας. (Εικ. 16 και 17)

Τοποθετήστε την κάψουλα. Ευθυγραμμίστε το σύμβολο Ο της κάψουλας με το σύμβολο Ο της λαβής και στη συνέχεια περιστρέψτε την κάψουλα σταθερά προς την κατεύθυνση του βέλους, έως ότου ασφαλιστεί. (Εικ. 18 και 19)

### ΠΑΡΑΤΗΡΗΣΗ:

- Να αφαιρείτε πάντα τη σκόνη εγκαίρως, διότι η ισχύς αναρρόφησης μειώνεται σημαντικά, εάν υπάρχει υπερβολική ποσότητα σκόνης στο εσωτερικό της σκούπας.
- Να ελέγχετε πάντα, εάν το φίλτρο και το προφίλτρο έχουν τοποθετηθεί κατάλληλα πριν από τη χρήση της σκούπας. Εάν δεν έχουν τοποθετηθεί κατάλληλα, η σκόνη θα εισέλθει στο εσωτερικό του περιβλήματος του κινητήρα και θα προκαλέσει βλάβη του κινητήρα. Σε περίπτωση που συμβούν τα κάτωθι, το φίλτρο και το προφίλτρο δεν έχουν τοποθετηθεί κατάλληλα. Τοποθετήστε τα κατάλληλα εκ νέου για να διορθώσετε το πρόβλημα.

## Παραδείγματα προβλημάτων

Παράδειγμα 1: Μόνον το προφίλτρο έχει τοποθετηθεί (χωρίς φίλτρο) **(Εικ. 20)**

Παράδειγμα 2: Μόνον το φίλτρο έχει τοποθετηθεί (χωρίς προφίλτρο) **(Εικ. 21)**

Παράδειγμα 3: Το φίλτρο τοποθετήθηκε εσφαλμένα και έχει διπλωθεί προς τα πίσω **(Εικ. 15)**

Παράδειγμα 4: Το χείλος ασφάλισης του προφίλτρου δεν έχει ασφαλιστεί κατάλληλα στην αύλακα του περιβλήματος της σκούπας **(Εικ. 22)**

## Επανασυναρμολόγηση για το φίλτρο υψηλής απόδοσης

Συνδέστε το φίλτρο υψηλής απόδοσης. Σε αυτή τη φάση, φροντίστε να περιστρέψετε το φίλτρο υψηλής απόδοσης, ώστε το χείλος ασφάλισης να ασφαλιστεί σταθερά μέσα στη μονάδα της σκούπας. **(Εικ. 23 και 24)**

Συνδέστε την κάψουλα. Ευθυγραμμίστε το σύμβολο O στην κάψουλα με το σύμβολο O στη λαβή και στη συνέχεια περιστρέψτε σταθερά την κάψουλα προς την κατεύθυνση του βέλους, έως ότου ασφαλιστεί. **(Εικ. 25 και 19)**

## ΠΑΡΑΤΗΡΗΣΗ:

- Να αφαιρέτε πάντα τη σκόνη εγκαίρως, επειδή η ισχύς αναρρόφησης μειώνεται σημαντικά, αν υπάρχει υπερβολική ποσότητα σκόνης στο εσωτερικό της σκούπας.

- Να ελέγχετε πάντα αν το φίλτρο υψηλής απόδοσης έχει τοποθετηθεί σωστά πριν από τη χρήση της σκούπας. Αν δεν έχουν τοποθετηθεί κατάλληλα, θα εισέλθει σκόνη μέσα στο περιβλήμα του μοτέρ και θα προκαλέσει βλάβη του μοτέρ.

Σε περίπτωση που συμβούν τα παρακάτω παραδείγματα, το φίλτρο υψηλής απόδοσης δεν έχει τοποθετηθεί σωστά. Τοποθετήστε τα κατάλληλα εκ νέου για να διορθώσετε το πρόβλημα.

## Παραδείγματα προβλημάτων

Το χείλος ασφάλισης του φίλτρου υψηλής απόδοσης δεν έχει ασφαλιστεί σταθερά μέσα στην αύλακα του περιβλήματος σκούπας. **(Εικ. 26)**

## ΛΕΙΤΟΥΡΓΙΑ

### ΠΡΟΣΟΧΗ:

- Για να τοποθετήσετε διάφορα εξαρτήματα, όπως ένα ακροφύσιο, περιστρέψτε και εισάγετε το εξάρτημα προς την κατεύθυνση του βέλους, ώστε να διασφαλιστεί η ασφαλής σύνδεση στη διάρκεια της χρήσης. Για να αφαιρέσετε το εξάρτημα, περιστρέψτε και αποσπάστε πάλι προς την κατεύθυνση του βέλους. Εάν περιστρέψετε το εξάρτημα προς την αντίθετη κατεύθυνση, κατά την τοποθέτηση ή αφαίρεση, η κάψουλα ενδέχεται να αποσπαστεί. **(Εικ. 27)**

## Καθαρισμός (Αναρρόφηση)

### Ακροφύσιο (Εικ. 28)

Προσαρμόστε το ακροφύσιο για να καθαρίσετε τραπέζια, γραφεία, έπιπλα, κ.λ.π. Το ακροφύσιο τοποθετείται εύκολα σύροντάς το.

### Ακροφύσιο + Ράβδος προέκτασης (Ευθύς σωλήνας) (Εικ. 29)

Η ράβδος προέκτασης τοποθετείται μεταξύ ακροφυσίου και ηλεκτρικής σκούπας. Ο συνδυασμός αυτός διευκολύνει στον καθαρισμό ενός δαπέδου, ενώ ο χειριστής παραμένει σε όρθια θέση.

### Ακροφύσιο γωνιών (Εικ. 30)

Τοποθετήστε το ακροφύσιο γωνιών για να καθαρίσετε γωνίες και χαραμάδες σε ένα αυτοκίνητο ή έπιπλα.

### Ακροφύσιο γωνιών + Ράβδος προέκτασης (Ευθύς σωλήνας) (Εικ. 31)

Χρησιμοποιήστε αυτόν το συνδυασμό σε περιορισμένους χώρους, όπου η ηλεκτρική σκούπα δεν χωρά, ή σε υψηλά σημεία όπου η πρόσβαση είναι δύσκολη.

### Καθαρισμός χωρίς ακροφύσιο (Εικ. 32)

Μπορείτε να συλλέξετε σκόνη χωρίς το ακροφύσιο.

## ΣΥΝΤΗΡΗΣΗ

### ΠΡΟΣΟΧΗ:

- Να φροντίζετε πάντα για την απενεργοποίηση του εργαλείου πριν επιχειρήσετε οποιοδήποτε έλεγχο ή συντήρηση του εργαλείου.

## Καθαρισμός

### ΕΙΔΟΠΟΙΗΣΗ:

- **Μην χρησιμοποιείτε ποτέ βενζίνη, πετρελαϊκό αιθέρα, διαλυτικό, αλκοόλη ή παρόμοιες ουσίες. Μπορεί να προκληθεί αποχρωματισμός, παραμόρφωση ή ρωγμές.**

- **Μη φυσάτε τη σκόνη που έχει κολλήσει στη σκούπα και στα φίλτρα με σπρέι απομάκρυνσης σκόνης.** Θα εισέλθει αέρας στο περιβλήμα και θα προκληθεί βλάβη.

- **Μετά το πλύσιμο των φίλτρων, στεγνώστε τα καλά πριν τα χρησιμοποιήσετε.** Ένα φίλτρο που δεν έχει στεγνώσει επαρκώς μπορεί να προκαλέσει κακή αναρρόφηση και μείωση της διάρκειας ζωής του μοτέρ.

- **Αφού καθαρίσετε τα φίλτρα και το σπογγώδες φίλτρο, επανατοποθετήστε τα οπωσδήποτε πριν τη χρήση.** Αν χρησιμοποιήσετε τη σκούπα χωρίς τα φίλτρα και το σπογγώδες φίλτρο, θα εισέλθει σκόνη στο περιβλήμα του μοτέρ και θα προκληθεί δυσλειτουργία.

## Σώμα σκούπας

Περιστρεφόμενα, καθαρίστε το εξωτερικό (σώμα σκούπας) της σκούπας χρησιμοποιώντας ένα πανί που έχετε υγράνει με σαπουνόνερο.

Καθαρίστε, επίσης, το άνοιγμα αναρρόφησης και το χώρο τοποθέτησης των φίλτρων. **(Εικ. 33)**

### Φίλτρο

Πλύντε το φίλτρο σε σαπουνόνερο, όταν παρατηρηθεί φράξιμο λόγω σκόνης και μείωση της απορροφητικής ισχύος της σκούπας. Στεγνώστε πλήρως πριν από τη χρήση. **(Εικ. 34)**

### Σπογγώδες φίλτρο

Όταν το σπογγώδες φίλτρο γεμίσει με σκόνη, καθαρίστε το ως εξής:

1. Αφαιρέστε το φίλτρο.
2. Βγάλτε το σπογγώδες φίλτρο περνώντας το μέσα από τα κολονάκια.
3. Καθαρίστε το σπογγώδες φίλτρο χτυπώντας το απαλά ή πλένοντάς το. Αν το πλύνετε, στεγνώστε το καλά πριν από τη χρήση.
4. Περάστε το σπογγώδες φίλτρο μέσα από κολονάκια και τοποθετήστε το στην αρχική θέση. Βεβαιωθείτε ότι τα κάτω άκρα σε όλα τα κολονάκια συγκρατούν το σπογγώδες φίλτρο, καθώς και ότι δεν υπάρχει κενό ανάμεσα στο σπογγώδες φίλτρο και το άνοιγμα αναρρόφησης. **(Εικ. 35)**

## Επιτοίχια στερέωση για φορητή σκούπα

### Προαιρετικό εξάρτημα

#### ΠΑΡΑΤΗΡΗΣΗ:

- Η βίδα για τη στερέωση της υποδοχής δεν περιλαμβάνεται. Προετοιμάστε μια βίδα που ταιριάζει με το υλικό στο οποίο θα τη βιδώσετε.

### Τι θα πρέπει να ελέγξετε πριν ζητήσετε επισκευή

Σύμπτωμα	Περιοχή διερεύνησης	Μέθοδος επιδιόρθωσης
Ασθενής ισχύς αναρρόφησης	<ul style="list-style-type: none"><li>• Είναι η κάψουλα γεμάτη σκόνη;</li><li>• Είναι το φίλτρο φραγμένο;</li><li>• Είναι η κασέτα μπαταριών αποφορτισμένη;</li></ul>	<ul style="list-style-type: none"><li>• Αδειάστε τη σκόνη από την κάψουλα.</li><li>• Ξεσκονίστε ή πλύνετε το φίλτρο.</li><li>• Επαναφορτίστε τη μπαταρία.</li></ul>
Δεν λειτουργεί	<ul style="list-style-type: none"><li>• Είναι η κασέτα μπαταριών αποφορτισμένη;</li></ul>	<ul style="list-style-type: none"><li>• Επαναφορτίστε τη μπαταρία.</li></ul>

010051

#### ΠΑΡΑΤΗΡΗΣΗ:

- Μην επιχειρήσετε να επισκευάσετε τη σκούπα μόνοι σας.

Για την διατήρηση της ΑΣΦΑΛΕΙΑΣ και ΑΞΙΟΠΙΣΤΙΑΣ του προϊόντος, επισκευές, οποιαδήποτε άλλη συντήρηση ή ρύθμιση πρέπει να εκτελούνται από τα εξουσιοδοτημένα κέντρα εξυπηρέτησης της Makita, με χρήση πάντοτε ανταλλακτικών Makita.

### ΠΡΟΑΙΡΕΤΙΚΑ ΕΞΑΡΤΗΜΑΤΑ

#### ΠΡΟΣΟΧΗ:

- Αυτά τα παρελκόμενα ή προσαρτήματα συνιστώνται για χρήση με το εργαλείο της Makita που περιγράφεται στο παρόν εγχειρίδιο. Η χρήση οποιουδήποτε άλλου παρελκόμενου ή προσαρτήματος ενέχει κίνδυνο τραυματισμού ατόμων. Το παρελκόμενο ή προσάρτημα να χρησιμοποιείται μόνο για την προοριζόμενη χρήση του.

Εάν χρειάζεστε βοήθεια όσον αφορά περαιτέρω λεπτομέρειες σχετικά με τα εν λόγω παρελκόμενα, απευθυνθείτε στο τοπικό κέντρο σέρβις της Makita.

- Ράβδος προέκτασης (Ευθύς σωλήνας)
- Ακροφύσιο
- Ακροφύσιο για μοκέτα
- Βούρτσα ραφιών
- Ακροφύσιο γωνιών
- Στρογγυλή βούρτσα
- Εύκαμπτος σωλήνας
- Φίλτρο
- Προφίλτρο
- Φίλτρο υψηλής απόδοσης
- Επιτοίχια στερέωση για φορητή σκούπα
- Προσάρτημα κυκλώνα
- Γνήσια μπαταρία και φορτιστής της Makita

#### ΠΑΡΑΤΗΡΗΣΗ:

- Μερικά στοιχεία στη λίστα μπορεί να συμπεριλαμβάνονται στη συσκευασία εργαλείου ως στάνταρ εξαρτήματα. Μπορεί να διαφέρουν ανάλογα με τη χώρα.

Προσαρτήστε την επιτοίχια στερέωση για φορητή σκούπα σε έναν σκληρό ξύλινο τοίχο, δοκό ή στήλη, όπου η επιτοίχια στερέωση για φορητή σκούπα μπορεί να στερεωθεί καλά. Να ελέγχετε πάντα ότι η επιτοίχια στερέωση για φορητή σκούπα είναι καλά συνδεδεμένη πριν κρεμάσετε τη σκούπα. (Εικ. 36)

#### ΠΡΟΣΟΧΗ:

- Μην κρεμάτε βίαια τη σκούπα στην επιτοίχια στερέωση και μην κρεμάτε συσκευές εκτός από τη σκούπα.

### Προσάρτημα κυκλώνα (Εικ. 37)

#### Πληροφορίες για το προσάρτημα κυκλώνα

Αν χρησιμοποιείτε τη σκούπα με τοποθετημένο το προσάρτημα κυκλώνα, μειώνεται η ποσότητα της σκόνης που εισέρχεται στην κάψουλα, γεγονός που βοηθάει ώστε να μην εξασθενεί η αναρροφητική ισχύς. Επιπλέον, ο καθαρισμός μετά τη χρήση είναι επίσης απλός.

#### ΠΡΟΣΟΧΗ:

- **Να βεβαιώνετε πάντα ότι το εργαλείο είναι απενεργοποιημένο και η κασέτα μπαταριών έχει αφαιρεθεί πριν εκτελέσετε οποιαδήποτε εργασία στο εργαλείο.** Αν η κασέτα μπαταριών παραμένει τοποθετημένη, η σκούπα μπορεί να εκκινηθεί απρόσμενα και να προκληθεί τραυματισμός.
- **Καθαρίστε το κυψελωτό φίλτρο του προσαρτήματος κυκλώνα και τα φίλτρα της σκούπας όταν φράξουν.** Η συνεχιζόμενη χρήση σε φραγμένη κατάσταση μπορεί να έχει ως αποτέλεσμα τη θέρμανση ή τη δημιουργία καπνού.

#### ΕΙΔΟΠΟΙΗΣΗ:

- **Όταν είναι τοποθετημένο το προσάρτημα κυκλώνα, μη χρησιμοποιείτε τη σκούπα σε οριζόντια ή ανοδικά στραμμένη κατάσταση.** Αν το κάνετε αυτό, το κυψελωτό φίλτρο μπορεί να φράξει.
- **Να χρησιμοποιείτε πάντα τη σκούπα με τα φίλτρα τοποθετημένα, ακόμη και όταν χρησιμοποιείτε το προσάρτημα κυκλώνα.** Αν χρησιμοποιήσετε τη σκούπα χωρίς τα φίλτρα τοποθετημένα, μπορεί να έχει ως αποτέλεσμα δυσλειτουργία του μοτέρ.

#### ΠΑΡΑΤΗΡΗΣΗ:

- Να ελέγχετε ότι το προσάρτημα κυκλώνα, η σκούπα και ο ίσιος σωλήνας είναι σωστά ασφαλισμένα πριν από τη χρήση.
- Αδειάστε τη θήκη σκόνης του προσαρτήματος κυκλώνα και την κάψουλα της σκούπας όταν συσσωρευτεί σκόνη. Η συνεχιζόμενη χρήση θα έχει ως αποτέλεσμα εξασθενημένη αναρροφητική ισχύ.

#### Απόρριψη σκόνης

Όταν έχει συσσωρευτεί σκόνη μέχρι τη γραμμή πληρότητας της θήκης σκόνης, ακολουθήστε την παρακάτω διαδικασία και απορρίψτε τη σκόνη.



1. Κρατήστε τη θήκη σκόνης καλά, πατήστε παρατεταμένα τα δύο κουμπιά και αφαιρέστε τη θήκη σκόνης. **(Εικ. 38)**
2. Απορρίψτε τη σκόνη στο εσωτερικό της θήκης σκόνης και αφαιρέστε τυχόν σκόνη και πούδρα που έχει προσκολληθεί στην επιφάνεια του κυψελωτού φίλτρου.
3. Εισαγάγετε τη θήκη σκόνης μέχρι τέρμα μέχρι τα δύο κουμπιά να ασφαλίσουν με έναν χαρακτηριστικό ήχο «κλικ». **(Εικ. 39)**

#### **ΠΑΡΑΤΗΡΗΣΗ:**

- Ελέγξτε ότι το προσάρτημα κυκλώνα, η σκούπα και ο ίσιος σωλήνας είναι όλα σταθερά συνδεδεμένα πριν ξεκινήσετε ξανά τη λειτουργία.
- Αν η αναρροφητική ισχύς δεν ανακτηθεί ακόμη και μετά την απόρριψη της σκόνης και τον καθαρισμό του κυψελωτού φίλτρου, ελέγξτε αν έχει συσσωρευτεί σκόνη στην κάψουλα της σκούπας ή αν συνέβη φράξιμο.

#### **Καθαρισμός**

Όταν η θήκη σκόνης βρομίσει ή το κυψελωτό φίλτρο φράξει, αφαιρέστε και πλύντε τα με νερό. (Ανατρέξτε στην παράγραφο «Απόρριψη σκόνης» για τη διαδικασία αφαίρεσης.)

Στεγνώστε πολύ καλά τα εξαρτήματα πριν τα τοποθετήσετε ξανά και τα χρησιμοποιήσετε. **(Εικ. 40)**

Όταν το κυψελωτό φίλτρο βρομίσει πάρα πολύ, καθαρίστε το σύμφωνα με τις ακόλουθες διαδικασίες.

1. Περιστρέψτε το κυψελωτό φίλτρο αριστερόστροφα και αφαιρέστε το ενώ οι γάντζοι είναι απασφαλισμένοι. **(Εικ. 41)**
2. Αφαιρέστε τη σκόνη από το κυψελωτό φίλτρο και, στη συνέχεια, πλύντε το με νερό. Μετά, στεγνώστε το πολύ καλά.
3. Εισαγάγετε το κυψελωτό φίλτρο μέσα στη βάση ενώ οι γάντζοι είναι ευθυγραμμισμένοι με τη θύρα. Περιστρέψτε το κυψελωτό φίλτρο δεξιόστροφα μέχρι οι γάντζοι να ασφαλίσουν με έναν χαρακτηριστικό ήχο «κλικ». Βεβαιωθείτε ότι το κυψελωτό φίλτρο είναι τοποθετημένο με ασφάλεια. **(Εικ. 42)**





# Makita Europe N.V.

Jan-Baptist Vinkstraat 2, 3070 Kortenberg, Belgium

# Makita Corporation

3-11-8, Sumiyoshi-cho, Anjo, Aichi 446-8502 Japan

[www.makita.com](http://www.makita.com)



885261J998

IDE