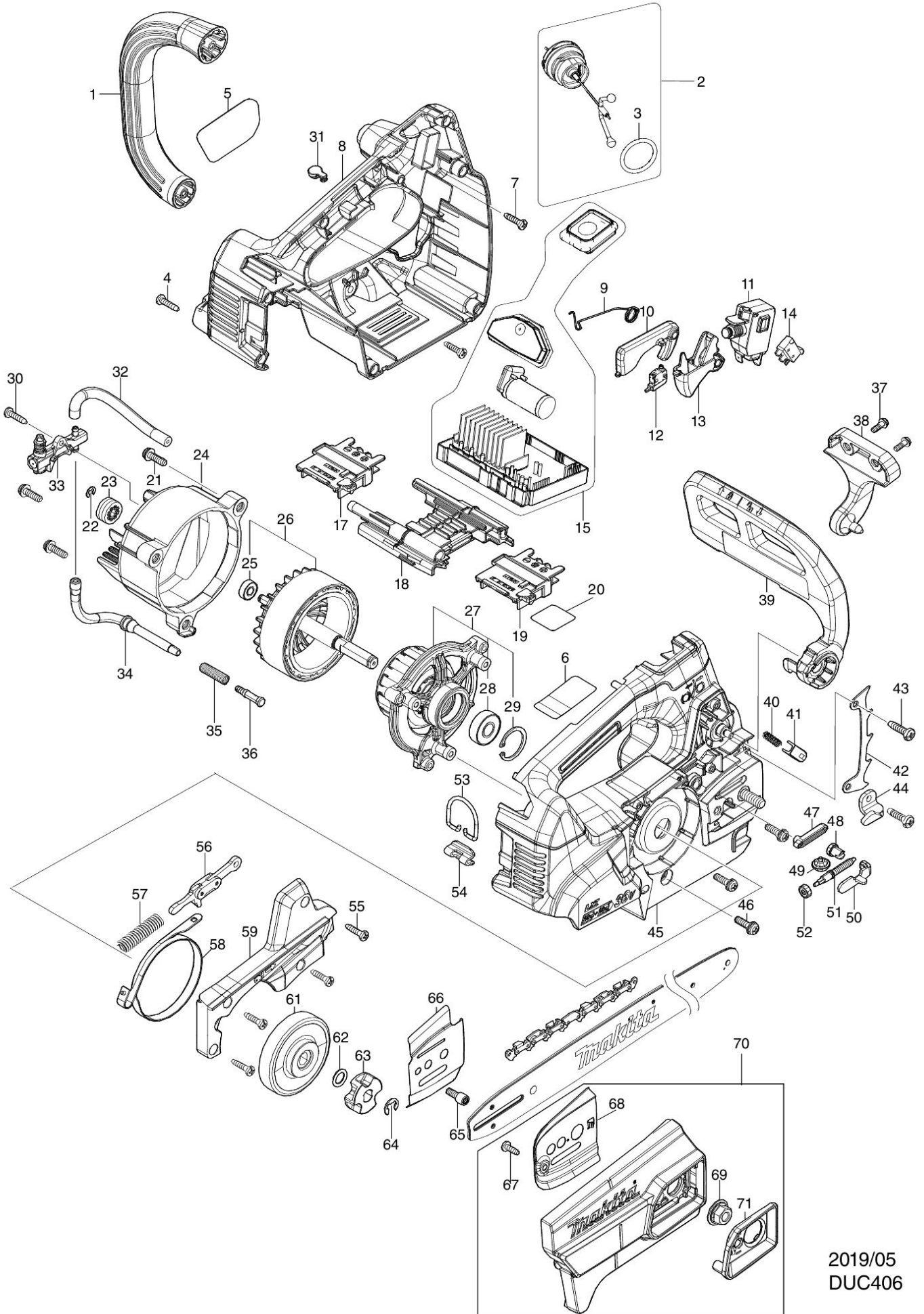


Partdrawing for DUC406Z - Kettingzaag



2019/05
DUC406