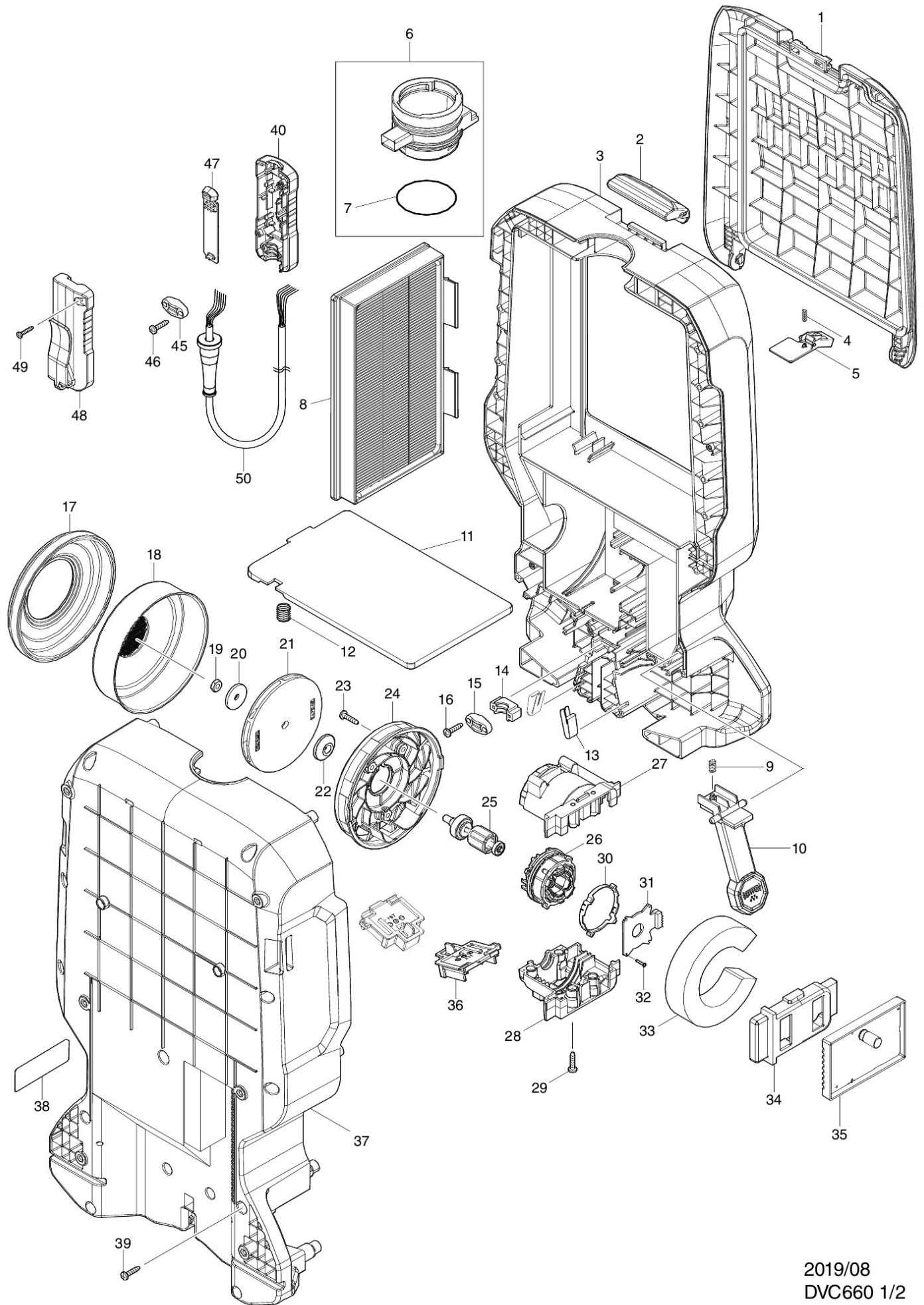


Partdrawing for DVC660PT2 - Machine



2019/08
DVC660 1/2