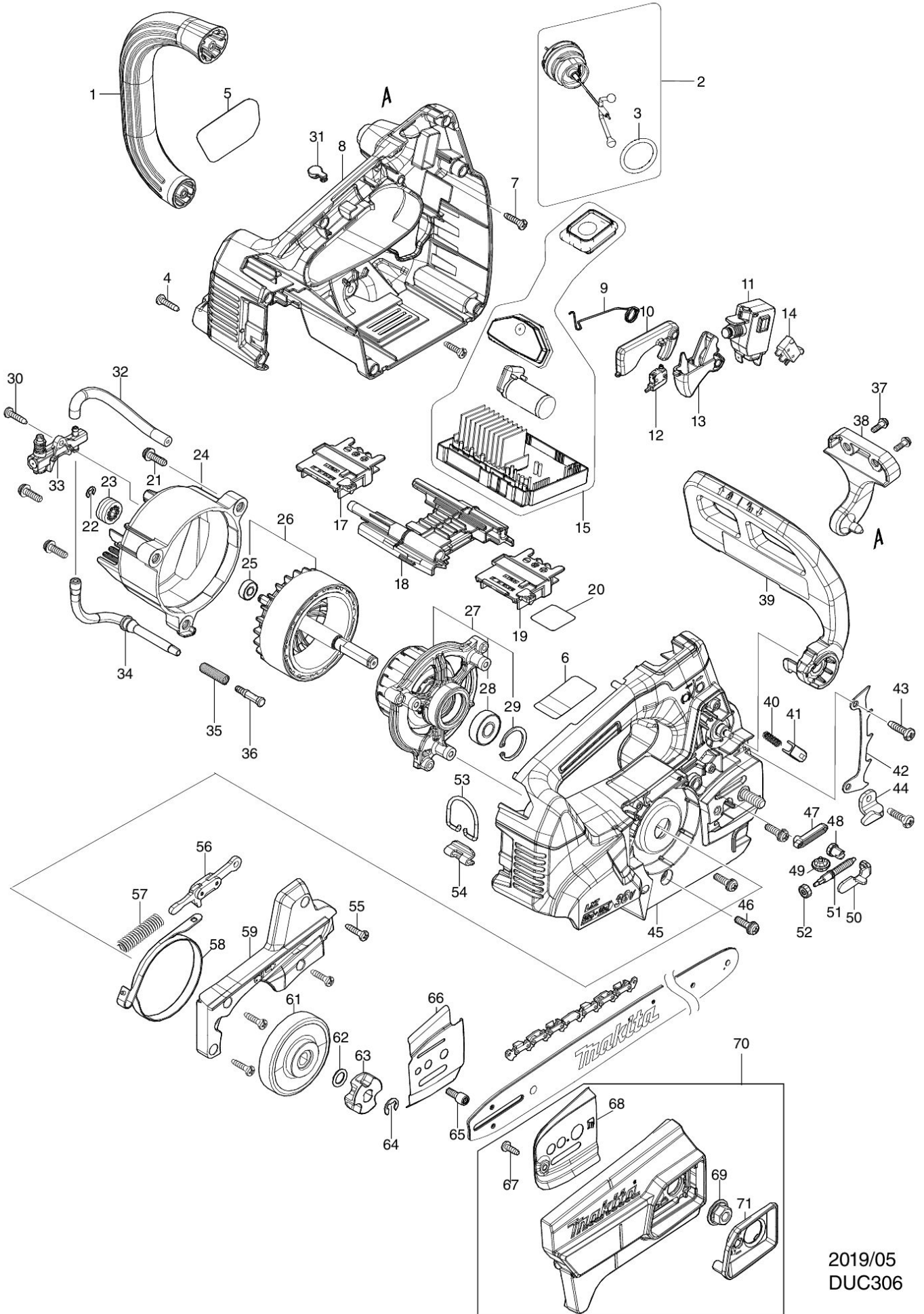


Partdrawing for DUC306PT2 - Kettingzaag 30cm 2X18V



2019/05
DUC306