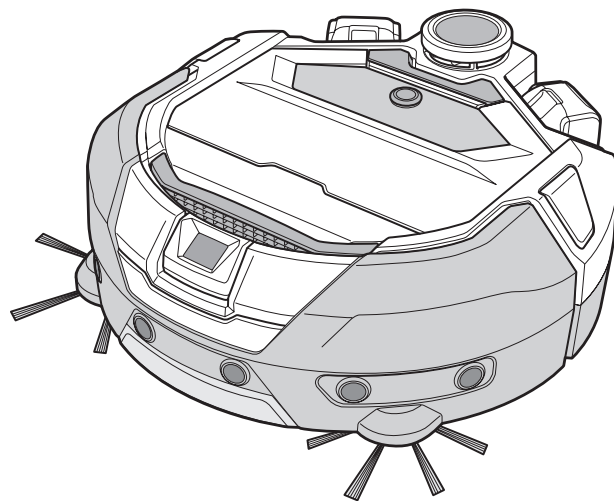




EN	Robotic Cleaner	INSTRUCTION MANUAL
FR	Aspirateur Robot	MANUEL D'INSTRUCTIONS
DE	Akku- Saugroboter	BETRIEBSANLEITUNG
IT	Robot aspirapolvere	ISTRUZIONI PER L'USO
NL	Robotstofzuiger	GEBRUIKSAANWIJZING
ES	Robot Limpiador	MANUAL DE INSTRUCCIONES
PT	Aspirador de Pó Robotizado	MANUAL DE INSTRUÇÕES
DA	Robotstøvsuger	BRUGSANVISNING
EL	Ρομποτική Ηλεκτρική Σκούπα	ΕΓΧΕΙΡΙΔΙΟ ΟΔΗΓΙΩΝ
TR	Robot süpürge	KULLANMA KILAVUZU

## DRC300





**ENGLISH**

# Table of Contents

- Warning ----- 2
- About the Robotic Cleaner----- 2
  - Major features----- 2
  - Applicable battery cartridge and charger ----- 2
  - Intended use----- 3
  - Symbols----- 3
  - Declarations of Conformity----- 3
  - Safety precautions ----- 3
  - Safety precautions for use of the robotic cleaner ----- 4
  - Precautions regarding radio waves ----- 7
  - Respective trademarks and registered trademarks----- 7
  - Names of parts ----- 8
  - Standard accessories ----- 9
- Prepare Before Cleaning ----- 10
  - About carrying the robotic cleaner----- 10
  - About cleaning by the robotic cleaner ----- 10
  - To prevent the robotic cleaner from falling ----- 10
  - Tidying up a place to clean----- 11
- Preparation For Use ----- 13
  - Attaching the side brushes----- 13
  - Unpacking the dust box ----- 13
  - Installing batteries in the remote control ----- 13
  - Indicating the remaining battery capacity----- 14
  - Installing and removing batteries (sold separately) ----- 14
  - Turning the power on/off ----- 15
  - What to set up before cleaning ----- 15
- How To Use----- 16
  - Cleaning----- 16
  - Cleaning a room with mapping ----- 16
  - Deleting mapping information ----- 17
  - Suspending or ending cleaning----- 18
  - Switching the vacuum fan on/off ----- 18
  - Using the location beacon function ----- 18
  - Using the ON timer/OFF timer ----- 18
  - Controlling the cleaning range ----- 20
  - How to attach, remove, and use separately sold items ----- 21
  - How to dispose of garbage----- 21
- Setting the Robotic Cleaner----- 22
  - Setting the time of day ----- 22
  - Setting up Wi-Fi® (robotic cleaner and smartphone)----- 22
  - Making a sound setting ----- 22
  - Resetting the settings ----- 23
- Care ----- 24
  - Maintenance----- 24
  - About repair ----- 27
- Notification and Error Indication ----- 28
  - Canceling a notification and error indication----- 28
  - Notification of a need of care, etc.----- 28
  - Error notification ----- 28
- Troubleshooting ----- 29
- Storage----- 32
- Optional Accessories----- 32
- Smartphone App (For the DRC300)----- 33
  - Table of contents----- 33
  - What you can do with the app ----- 33
  - How to install the app ----- 33
  - Home screen ----- 34
  - Cleaning with the app ----- 34
  - Checking the history of cleaning----- 36
  - Adding, changing, or deleting mapping information----- 38
  - Changing and checking settings----- 41
  - Error message/dialogue----- 44
- Appendix ----- 45
  - Notice Regarding Open Source Software ----- 45
  - For European countries ----- 45

## Warning

This appliance can be used by children aged from 8 years and above and persons with reduced physical, sensory or mental capabilities or lack of experience and knowledge if they have been given supervision or instruction concerning use of the appliance in a safe way and understand the hazards involved. Children shall not play with the appliance. Cleaning and user maintenance shall not be made by children without supervision.

## About the Robotic Cleaner

### Major features

Major feature		Model:DRC300
Voltage		D.C. 18 V
Continuous run time*1 *2		Approx. 240 minutes
Dust collection volume		3.0 L
Dimensions		500 mm (L) × 500 mm (W) × 204 mm (H)
Weight*2		10.6 kg
Wireless communication	Communication system	1. Robotic cleaner-to-remote control :Bluetooth 2. Robotic cleaner-to-smartphone: Wi-Fi® (SoftAP)
	Estimated communication distance	1. 20 m or less 2. 10 m or less
Wireless LAN	Frequency band	2.4 GHz
	Maximum radio-frequency power	17.48 dBm (EIRP)
	Wireless LAN standards	IEEE 802.11 b/g/n
	Encryption method	WPA/WPA2
	WPS version	Version 2.0
Bluetooth	Frequency band	2402.0 - 2480.0 MHz
	Maximum radio-frequency power	Remote controller: -4 dBm (EIRP)
	Transmission range	Approximately 10 m
	Bluetooth® version	4.2 (Bluetooth low energy)
Laser output	Wave length	LiDAR sensor: 775 - 800 nm Cliff sensor: 845 - 850 nm
	Output	1 mW or less (IEC 60825-1:2014 Laser Class 1)

- Please note that the major features, shape, and other characteristics are subject to change for improvement.
- The laser distance sensors of this product are Class 1 laser products as defined by international standard IEC 60825-1:2014 on the safety of laser products.

- \*1. When used on smooth flooring such as vinyl floor tiles with the vacuum fan turned on. The run time varies depending on the conditions of the running location, the kind of the floor, the battery conditions, the room temperature, etc. In addition, the run time can be shorter in low-temperature environments because of the characteristics of a lithium-ion battery.
- \*2. When equipped with two BL1860B batteries.

### Applicable battery cartridge and charger

Battery cartridge	BL1815N / BL1820B / BL1830B / BL1840B / BL1850B / BL1860B
Charger	DC18RC / DC18RD / DC18RE / DC18SD / DC18SE / DC18SF / DC18SH / DC18WC

- Some of the battery cartridges and chargers listed above may not be available depending on your region of residence.

### WARNING

Only use the battery cartridges and chargers listed above. Use of any other battery cartridges and chargers may cause injury and/or fire.

### About cord connected power sources








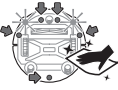

Cord connected power sources cannot be used for this product. If used, they may cause injury or an accident.

## Intended use

This product is a robot vacuum cleaner intended for cleaning indoor floors. Some operations and settings can be performed with the remote control and the dedicated app.

## Symbols

The followings show the symbols which may be used for the equipment. Be sure that you understand their meaning before use.

	Read the instruction manual.
	Take particular care and attention.
	A representative battery applicable to this product.
	Only for EU countries Due to the presence of hazardous components in the equipment, waste electrical and electronic equipment, accumulators and batteries may have a negative impact on the environment and human health. Do not dispose of electrical and electronic appliances or batteries with household waste!
	Ni-MH Li-ion In accordance with the European Directive on waste electrical and electronic equipment and on accumulators and batteries, as well as their adaptation to national law, waste electrical equipment, batteries and accumulators should be stored separately and delivered to a separate collection point for municipal waste, operating in accordance with the regulations on environmental protection. This is indicated by the symbol of the crossed-out wheeled bin placed on the equipment.
	Do not step or put objects on the robotic cleaner.
	Do not use the robotic cleaner near an open flame or flammable and/or dangerous materials.
	Clean the cliff sensors on the bottom face if they are dirty or wet.
	<b>CLASS 1 LASER PRODUCT</b> <b>CONSUMER LASER PRODUCT</b> EN 50689:2021
CONSUMER LASER PRODUCT EN 50689 : 2021	




## Declarations of Conformity

### For European countries only


The Declarations of conformity are included in Annex A to this instruction manual.


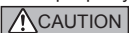
## Safety precautions


About the meaning of  **WARNING**,  **CAUTION**, and  **NOTICE** in precautions

Considerations for using this product are classified into  **WARNING**,  **CAUTION**, and  **NOTICE**.

Their respective meanings are as follows.

 **WARNING** : A precaution to indicate a risk of death or serious injury of the user when the product is handled improperly.

 **CAUTION** : A precaution to indicate a risk of injury of the user or a risk of property damage when the product is handled improperly. Note that a matter described as  **CAUTION** may possibly lead to serious consequences depending on the situation.  
Be sure to observe these precautions as all of them are important for safety.

 **NOTICE** : Important precautions for handling of the product and its accessories.

- Be sure to observe the "Safety precautions" in order to prevent an accident such as fire, electric shock, and injury before it happens.
- Before using the product, read all of this "Safety precautions" thoroughly to ensure proper use of the product.
- After reading it, be sure to place it in safekeeping for use at any time by those who use the product.
- When lending the product to another person, give it together with the user's manual.
- The following pictorial signs are used to classify and explain things to observe.

## Examples of pictorial signs







This pictorial sign indicates a "prohibited" thing, that is, what you must not do.







This pictorial sign indicates a "mandatory" thing, that is, what you must always do.



These illustrations are for reference purposes. Note that their design varies depending on the product.

 <b>WARNING</b>	
<b>Do not wash the product in water. Do not use this product in a moist or wet place such as a bathroom.</b>	
<ul style="list-style-type: none"> <li>• Entry of water into the motor can cause a short, heat generation, or ignition.</li> <li>• Some components can be washed in water. Refer to "Care" on page 24.</li> </ul>	
<b>Never disassemble, repair, or modify the product.</b>	
<ul style="list-style-type: none"> <li>• Doing so can cause ignition or abnormal operation, resulting in injury.</li> </ul>	
<b>Do not let children play with this product or the charger.</b>	
<ul style="list-style-type: none"> <li>• A moment's carelessness can result in serious injury.</li> </ul>	
<b>Do not use this product outdoors.</b>	
<b>Do not use this product in an unstable place such as stairs or a steep slope.</b>	
<ul style="list-style-type: none"> <li>• This product may tip over or fall, causing injury.</li> </ul>	
<b>Do not use items other than Makita-specified accessories and separately sold items.</b>	
<ul style="list-style-type: none"> <li>• Using an item other than the accessories and separately sold items given in this user's manual and our catalog may cause an accident or injury.</li> </ul>	
<b>Do not place this product near flames, heating devices, etc.</b>	
<ul style="list-style-type: none"> <li>• Doing so may cause a short circuit or ignition due to deformation of the product.</li> </ul>	
<b>Do not use the product or charge the battery near flammable substances (gasoline, benzene, thinner, gas, etc.).</b>	
<ul style="list-style-type: none"> <li>• Doing so can cause explosion or fire.</li> </ul>	
<b>Do not store this product in a place where the temperature can reach 50 °C (122 °F) (metallic box, the inside of a car in summer, etc.).</b>	
<ul style="list-style-type: none"> <li>• Doing so can cause a short circuit or ignition due to deformation of this product.</li> <li>• The battery may deteriorate, causing smoking or ignition.</li> </ul>	
<b>Do not charge in the following conditions, as doing so may cause fire.</b>	
<ul style="list-style-type: none"> <li>• On paper such as corrugated cardboard, cloth such as a cushion, a carpet, vinyl, etc.</li> <li>• A charger with air holes is used but the air holes are blocked during charging. Or, metals or combustible things are inserted into air holes.</li> <li>• In a dusty place, for example, with cotton dust.</li> </ul>	
<b>Do not charge in the rain, or remove or insert the power plug or battery with wet hands.</b>	
<b>Do not allow foreign matter such as pieces of metal or water near the terminal of the charger.</b>	
<ul style="list-style-type: none"> <li>• Doing so may cause electric shock or injury.</li> </ul>	
<b>Do not use a charger other than the dedicated charger.</b>	
<ul style="list-style-type: none"> <li>• Doing so can cause leakage, heating, or rupture of the battery.</li> <li>• Do not use the charger for purposes other than charging.</li> </ul>	
<b>Do not use the charger for purposes other than charging. Do not use the battery and charger for equipment other than specified by Makita.</b>	



 <b>WARNING</b>	
<p><b>Do not abuse the cord of the charger.</b></p> <ul style="list-style-type: none"> <li>Do not carry the charger while holding the cord or do not yank the plug cord to disconnect from the power receptacle.</li> <li>Keep the cord away from heat, oil, chemicals, and sharp corners.</li> <li>Be careful with the place for charging to prevent the cord from being stepped on, being caught, or being damaged due to excessive force. Electric shock or a short circuit may result, causing ignition.</li> </ul>	
<p><b>Do not use if the cord of the charger is damaged or if the power plug is not firmly inserted.</b></p> <ul style="list-style-type: none"> <li>Electric shock, a short circuit, or ignition may result.</li> </ul>	
<p><b>The battery mounting part of the charger has a charging terminal. Do not allow foreign matter such as pieces of metal or water near the charging terminal.</b></p>	
<p><b>Do not cover the battery and the charger with a cloth or something during charging.</b></p> <ul style="list-style-type: none"> <li>Charge the battery in a well-ventilated place. Otherwise, heating, rupture, or ignition may result.</li> </ul>	



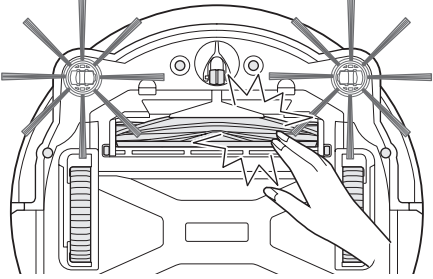
 <b>WARNING</b>	
<p><b>Be sure to turn off the power and remove the batteries before care and inspection to prevent this product from starting accidentally.</b></p>	
<p><b>When inserting the battery into this product, be careful not to turn on the power.</b></p> <ul style="list-style-type: none"> <li>When you install the battery in conditions where the power can possibly be turned on (for example, when your finger is rested on the start/stop button), this product may begin to move suddenly, causing an accident.</li> </ul>	
<p><b>In the event of an inadvertent drop or collision, carefully check this product, etc. for damage, cracks, and deformation.</b></p> <ul style="list-style-type: none"> <li>Damage, cracks, and deformation can be a cause of injury.</li> </ul>	
<p><b>Move this product gently to prevent the product from being deformed and damaged.</b></p> <ul style="list-style-type: none"> <li>Damage, cracks, and deformation can be a cause of injury.</li> </ul>	
<p><b>If this product is not working properly or an abnormal sound is produced when you use the product, turn off the power immediately and stop using the product. Then, ask the shop from which you made a purchase or our sales office to do inspection and repair.</b></p> <ul style="list-style-type: none"> <li>If you continue to use the product, injury or an accident may result.</li> </ul>	
<p><b>Check for damaged parts.</b></p> <ul style="list-style-type: none"> <li>Before using the product, thoroughly inspect for damage on components and check that the product works properly and provides predetermined functionality.</li> <li>Check movable parts for proper positioning and tightening, and check components for damage and proper fitting. Then, check all other areas that can influence the operation to see if there is any abnormality.</li> <li>For replacement and repair of damaged components, follow the user's manual. If no description is given in the user's manual, ask the shop from which you made a purchase or our sales office to do repair.</li> </ul>	
<p><b>Carefully keep this product in good condition.</b></p> <ul style="list-style-type: none"> <li>For replacement of accessories, follow the user's manual.</li> <li>Periodically inspect the cord of the charger, and if it is damaged, ask the shop from which you made a purchase or our sales office to do repair. Electric shock or a short circuit may result, causing ignition.</li> <li>When an extension cord is used for charging, inspect it periodically, and if it is damaged, replace it. Electric shock or a short circuit may result, causing ignition.</li> <li>Always keep the carrying handle dry and clean and do not allow it to come into contact with oil, grease, etc.</li> </ul>	
<p><b>When this product is not used, keep it in proper storage.</b></p> <ul style="list-style-type: none"> <li>Keep it in a dry, safe place out of the reach of children or in a dry place that can be locked. An accident may result.</li> </ul>	
<p><b>Pull out the charger from a power outlet when it is not used for charging.</b></p> <ul style="list-style-type: none"> <li>Not doing so can cause electric shock, current leakage, or fire due to insulation deterioration.</li> </ul>	



 <b>WARNING</b>	
<p><b>If you notice abnormal heat or other abnormal conditions during charging, pull out the power plug of the charger immediately to stop charging.</b></p> <ul style="list-style-type: none"> <li>If you let charging continue, smoke, ignition, or rupture may result.</li> </ul>	



 <b>CAUTION</b>	
<p><b>Attach accessories securely in accordance with the user's manual.</b></p> <ul style="list-style-type: none"> <li>If they are not attached securely, it can cause injury, damage, or an accident.</li> </ul>	
<p><b>When carrying this product, always hold its carrying handle.</b></p> <ul style="list-style-type: none"> <li>Carrying the product while holding other than the carrying handle can cause failure or injury.</li> </ul>	

## Safety precautions for use of the robotic cleaner

 <b>WARNING</b>	
<p><b>Do not use this product in a high place with no enclosure or in a place with a narrow width such as stairs.</b></p> <ul style="list-style-type: none"> <li>Doing so can cause injury or failure due to a fall of this product.</li> </ul>	
<p><b>Do not use this product in a place where oil components such as edible oil are floating, in a place where sprays and chemicals are used, such as a barber shop, a beauty salon, a cleaning shop, or outdoors.</b></p> <ul style="list-style-type: none"> <li>Doing so can cause failure.</li> </ul>	
<p><b>Do not use this product in a place with a person who cannot operate this product properly, a young child, or an infant.</b></p> <ul style="list-style-type: none"> <li>Doing so can cause electric shock, an accident, or injury.</li> </ul>	
<p><b>Do not use this product in a place with an animal, etc.</b></p> <ul style="list-style-type: none"> <li>Doing so can cause electric shock, an accident, or injury.</li> </ul>	
<p><b>Do not use this product in a place with many people or with people coming and going constantly.</b></p> <ul style="list-style-type: none"> <li>Doing so can cause electric shock, an accident, or injury.</li> </ul>	
<p><b>Do not block the exhaust opening and suction opening or put in metals, flammable foreign objects, etc.</b></p> <ul style="list-style-type: none"> <li>Doing so can cause electric shock, ignition, or failure.</li> </ul>	
<p><b>Do not use this product near an object that may possibly block the suction opening.</b></p> <ul style="list-style-type: none"> <li>Doing so can cause electric shock, ignition, or failure.</li> </ul>	
<p><b>Do not throw this product into fire or heat it.</b></p> <ul style="list-style-type: none"> <li>Doing so can cause a short circuit, ignition, liquid leakage, or explosion.</li> </ul>	
<p><b>Do not place this product in a high-temperature place, such as near fire or a space heater, a place exposed to direct sunlight, and the inside of a car under the blazing sun.</b></p> <ul style="list-style-type: none"> <li>Doing so can cause a short circuit, ignition, liquid leakage, or explosion.</li> </ul>	
<p><b>Do not put objects over this product.</b></p> <ul style="list-style-type: none"> <li>Doing so can cause overheating, resulting in ignition.</li> </ul>	
<p><b>Do not place this product in direct sunlight.</b></p> <ul style="list-style-type: none"> <li>Doing so may cause incorrect response of the LiDAR sensor and infrared sensor, resulting in malfunction or failure.</li> </ul>	
<p><b>Do not block sensors of this product or put in foreign objects.</b></p> <ul style="list-style-type: none"> <li>Doing so can cause faulty operation, malfunction, or failure.</li> </ul>	
<p><b>Do not affix a sticker or tape on sensors and wheels.</b></p> <ul style="list-style-type: none"> <li>Doing so can cause malfunction or failure.</li> </ul>	
<p><b>Do not sit on this product, place a heavy object on it, or give a strong shock to it.</b></p> <ul style="list-style-type: none"> <li>Doing so can cause damage or failure of this product or injury. Pay special attention when children are nearby.</li> </ul>	


 <b>WARNING</b>	
<p><b>During operation, do not touch drive wheels or put your hand or foot under this product.</b></p> <ul style="list-style-type: none"> <li>Doing so can cause injury to a hand, etc. Pay special attention when children are nearby.</li> </ul>	
	
<p><b>Do not allow the product to be used by a child alone. People who cannot express their will and people who cannot operate the product independently should not use this product.</b></p> <ul style="list-style-type: none"> <li>Doing so can cause electric shock, an accident, or injury.</li> </ul>	
<p><b>Do not pour water or a detergent on this product or wash this product (except the main brush, side brush, dust box, and filter).</b></p> <ul style="list-style-type: none"> <li>Doing so can cause electric shock, a short circuit, or ignition.</li> </ul>	
<p><b>Do not touch the product with wet hands.</b></p> <ul style="list-style-type: none"> <li>Doing so can cause electric shock.</li> </ul>	
<p><b>Do not use magnetic boundary line that is torn or deformed or appears to have lost its magnetic force.</b></p> <ul style="list-style-type: none"> <li>Doing so can cause an accident or injury.</li> </ul>	
<p><b>Your body parts such as hands and hair and what you are wearing should not be put in the suction opening and exhaust opening of this product.</b></p> <ul style="list-style-type: none"> <li>Doing so can cause injury.</li> </ul>	
<p><b>Your body parts such as hands and hair and what you are wearing should not be allowed to come into contact with a brush that is rotating.</b></p> <ul style="list-style-type: none"> <li>Doing so may cause injury.</li> </ul>	
<p><b>Do not allow this product to suck in the following. Doing so can cause fire, injury, or motor failure.</b></p> <p><b>Flammable substances</b></p> <ul style="list-style-type: none"> <li>Oils (kerosene, gasoline, etc.)</li> <li>Solvents (benzine, thinner, etc.)</li> <li>Burning things such as matches, incense, candles, and hot ash; things that emit smoke such as cigarettes; things with high temperatures.</li> <li>Combustibles such as toner</li> <li>Paints</li> <li>Grinding sparks, metal dust, etc. that are generated in metal cutting and grinding .</li> <li>Flammable gas (spray, etc.)</li> </ul> <p><b>Explosive substances</b></p> <ul style="list-style-type: none"> <li>Nitroglycerin, etc.</li> <li>Combustible substances</li> <li>Aluminum, magnesium, titanium, zinc, red phosphorus, yellow phosphorus, celluloid, and other chemical substances; dust, gas, and vapor thereof</li> </ul> <p><b>Sharp objects</b></p> <ul style="list-style-type: none"> <li>Glass, edged tools, wood chips, metal, stones, nails, razors, pushpins, needles, etc.</li> </ul> <p><b>Bubbly things such as carpet detergents</b></p> <p><b>Things that solidify and conductive fine powder (metal powder, carbon)</b></p> <p><b>Dehumidifying agents</b></p> <p><b>A large amount of powder (flour, ash, powder in a fire extinguisher, etc.)</b></p> <p><b>Substances that cause symptoms of poisoning</b></p> <p><b>Medicines</b></p> <p><b>Liquid and wet garbage</b></p> <p><b>Excrement and vomit of animals, etc.</b></p> <p><b>Large paper waste, plastic waste, strings</b></p>	

 <b>WARNING</b>	
<p><b>Do not use the product in the following conditions, which can be a cause of fire.</b></p> <ul style="list-style-type: none"> <li>Large volume of combustibles are drifting.</li> <li>The exhaust opening is blocked.</li> <li>The dust box and filter are not attached.</li> <li>Trash gets caught in the main brush, which is locked.</li> <li>There are holes and tears in the filter.</li> <li>The battery is not fully inserted.</li> </ul>	
<p><b>Do not cause a short circuit between the terminals of the USB power supply section (for repair).</b></p> <ul style="list-style-type: none"> <li>Inserting needles or wire into the USB terminal section may result in a short circuit, causing ignition or emission of smoke.</li> </ul>	
<p><b>Do not look directly into the laser light (beam).</b></p> <ul style="list-style-type: none"> <li>Doing so may cause injury to the eyes.</li> </ul>	
<p><b>This product complies with the applicable safety regulations, so do not modify this product.</b></p> <ul style="list-style-type: none"> <li>Performing repairs without the knowledge or skill to perform repairs may cause inadequate performance of the laser, as well as accidents or injury.</li> </ul>	
<p><b>Do not use rechargeable products near high-voltage power lines.</b></p> <ul style="list-style-type: none"> <li>There is a risk of malfunction or failure.</li> </ul>	

 <b>WARNING</b>	
<p><b>Stop using the product if it sometimes fails to operate even though the power is turned on.</b></p> <ul style="list-style-type: none"> <li>Not doing so can cause smoking, ignition, or electric shock.</li> </ul>	
<p><b>Stop using the product immediately when it is deformed or is abnormally hot.</b></p> <ul style="list-style-type: none"> <li>Not doing so can cause smoking, ignition, or electric shock.</li> </ul>	
<p><b>Stop using the product when it sometimes stops during operation.</b></p> <ul style="list-style-type: none"> <li>Not doing so can cause smoking, ignition, or electric shock.</li> </ul>	
<p><b>Stop using the product immediately when an abnormal sound is heard during operation.</b></p> <ul style="list-style-type: none"> <li>Not doing so can cause smoking, ignition, or electric shock.</li> </ul>	
<p><b>Stop using the product immediately when it smells like something is burning.</b></p> <ul style="list-style-type: none"> <li>Not doing so can cause smoking, ignition, or electric shock.</li> </ul>	
<p><b>Before use and maintenance, move lighted candles, vases, etc. on tables and shelves.</b></p> <ul style="list-style-type: none"> <li>Not doing so can cause them to fall due to a shock when hit by this product, possibly resulting in an accident.</li> </ul>	
<p><b>Before use and maintenance, move rubber bands and other objects that may possibly be dragged by this product.</b></p> <ul style="list-style-type: none"> <li>Not doing so can cause this product to drag a rubber band, etc. possibly resulting in an accident.</li> </ul>	
<p><b>Before use and maintenance, move equipment and devices with a controller located on the same level as this product.</b></p> <ul style="list-style-type: none"> <li>Not doing so can cause this product to hit and press a controller, possibly resulting in fire, injury, or an accident.</li> </ul>	
<p><b>Before maintenance and inspection, be sure to turn off the power of this product and remove the batteries.</b></p> <ul style="list-style-type: none"> <li>Not doing so can cause electric shock or injury.</li> </ul>	
<p><b>During maintenance, be careful not to get your fingers caught.</b></p> <ul style="list-style-type: none"> <li>Doing so can cause injury.</li> </ul>	
<p><b>If you have an implantable cardiac pacemaker or an implantable defibrillator, use this product more than 15 cm away from the implantation site.</b></p> <ul style="list-style-type: none"> <li>Radio waves may affect the operation of a medical device and can cause malfunction of the medical device.</li> </ul>	



<b>⚠ WARNING</b>	<b>!</b>
<p><b>When you use equipment that emits radio waves in a medical institution, follow the instructions by the medical institution. In an area where use is prohibited, turn off the power of this product.</b></p> <ul style="list-style-type: none"> <li>• Not doing so can cause malfunction of medical devices.</li> </ul>	

<b>⚠ CAUTION</b>	<b>⊘</b>
<p><b>During use and maintenance, do not put foreign objects in gaps and openings.</b></p> <ul style="list-style-type: none"> <li>• Doing so can cause electric shock, fire, or failure of this product.</li> </ul>	
<p><b>Do not use this product on a long-pile (exceeds 7 mm) carpet or other rugs.</b></p> <ul style="list-style-type: none"> <li>• Doing so can cause the side brushes to get caught, resulting in damage to the carpet and side brushes.</li> </ul>	
<p><b>Do not use this product on a delicate rug (mouton, felt, etc.), a delicate floor (a plain wood floor, a marble floor, etc.), and a freshly waxed floor.</b></p> <ul style="list-style-type: none"> <li>• Doing so can cause damage or scratches. If damage is caused, stop using the product.</li> </ul>	
<p><b>Do not stand or sit on the top surface of this product.</b></p> <ul style="list-style-type: none"> <li>• Doing so can cause this product to move suddenly, resulting in injury such as falling down.</li> </ul>	
<p><b>Do not operate this product for long hours with the suction opening blocked.</b></p> <ul style="list-style-type: none"> <li>• Doing so can cause deformation or ignition of this product due to overheating.</li> </ul>	
<p><b>Do not put your hand or foot under this product.</b></p> <ul style="list-style-type: none"> <li>• There is a risk that your fingers or toes will get caught, resulting in injury.</li> </ul>	
<p><b>Do not continue using this product with the filter being dirty or with dust accumulated.</b></p> <ul style="list-style-type: none"> <li>• Doing so can cause reduction in suction power.</li> </ul>	
<p><b>Do not hold this product with its front facing downward.</b></p> <ul style="list-style-type: none"> <li>• Dust can fall from the suction opening.</li> </ul>	
	

<b>⚠ CAUTION</b>	<b>!</b>
<p><b>To prevent malfunctions, ensure that each sensor is well maintained.</b></p> <ul style="list-style-type: none"> <li>• An incorrect response of a sensor can cause injury or failure due to a malfunction or a fall of this product.</li> </ul>	
<p><b>Make sure that the long tassels of rugs such as a carpet and a mat are tucked inside.</b></p> <ul style="list-style-type: none"> <li>• The tassels may get caught in the drive wheels and/or main brush, causing damage to rugs and this product.</li> </ul>	
<p><b>When you carry this product, stop the operation first, then turn off the power. Hold the carrying handle firmly so as not to get your hands caught.</b></p> <ul style="list-style-type: none"> <li>• Lifting this product inadvertently can cause injury or failure.</li> </ul>	
<p><b>Put away cords and strings to ensure that they do not get caught in this product.</b></p> <ul style="list-style-type: none"> <li>• Not doing so can cause failure or faulty operation due to entanglement of the power cord.</li> </ul>	
<p><b>Before cleaning, move objects that break easily, objects that fall down easily, and objects that should not be sucked in. Put away long strings and cords.</b></p> <ul style="list-style-type: none"> <li>• Not doing so can cause damage, scratches, or failure of this product.</li> </ul>	

<b>⚠ CAUTION</b>	<b>!</b>
<p><b>Use this product with the filter set correctly. Do not use this product with the filter removed, set in a wrong position, or torn.</b></p> <ul style="list-style-type: none"> <li>• Doing so can cause failure such as motor burnout.</li> <li>• Dust may escape and become harmful to health.</li> </ul>	
<p><b>Be careful not to get your fingers caught when opening and closing the top cover of the body and the top cover of the dust box, attaching the filter, and connecting and disconnecting the battery.</b></p> <ul style="list-style-type: none"> <li>• There is a risk that your fingers will get caught, resulting in injury.</li> </ul>	

## About handling

1. Use this product indoors. Do not clean a place with a large amount of dust even if it is indoors.
2. Do not clean a floor whose surface is hard and bumpy. Doing so can cause brushes and wheels to wear out early.
3. After cleaning, remove sand dust stuck on the main brush, side brushes, and wheels. If they are left uncleaned, the floor surface may be damaged.
4. Always attach the main brush and its cover when using this product.
5. Do not lubricate the movable parts of the main brush, etc. Doing so can cause plastic parts to break.
6. For use on a delicate floor surface, it is recommended to replace with the separately sold items "soft main brush" and "soft side brush." However, scratches may be made depending on the floor surface conditions. In such a case, stop using the product.
7. Do not drag this product. Lift this product when moving it.
8. Do not affix a sticker or tape to sensor parts and wheels, deform the bumper and wheels, or allow the bumper to be pressed forcefully. Doing so can cause malfunction.
9. If fine powder (such as plaster, cement, and chalk) is sucked in, care for the filter, cliff sensor, and LiDAR sensor.
10. Do not allow this product to suck in the following, which can cause scratches on the inside of this product, clogging of dust, or failure. If any of them is sucked in accidentally, stop the operation and discard the dust.
  - (1) Wet waste (liquid and moist waste)
  - (2) Excrement of animals, etc.
  - (3) Large volume of sand and powder
  - (4) Strings
  - (5) Sharp-edged objects (glass, cutting tools, pins, etc.)
  - (6) Large size of rubbish and large volume of rubbish
  - (7) Objects with poor air permeability (food plastic wrap, vinyl, wrapping film, etc.)
11. If the bottom brush of the suction opening, casters, drive wheels, or the roller part of the main brush cover wears out, stop using this product and consult the shop from which you made a purchase or our sales office. Using the robotic cleaner with worn out parts can cause damage to the floor surface.
12. During operation, noise may occur on a TV screen but does not affect the TV itself.
13. Be careful when operating this product in a place where a security system works. This product may be wrongly detected as an intruder by the security system.
14. Do not do the following.
  - (1) Non-use for a long period of time with the battery installed
  - (2) Use with the sensor being dirty or with the filter clogged
  - (3) Use when you notice a battery error (a strange smell, liquid leakage, heating, deformation, or other abnormal things)
  - (4) Use without removing sand dust and other foreign matter stuck on the main brush, side brushes, and wheels
  - (5) Use with some components worn out or exhausted
  - (6) Use without reading the user's manual
  - (7) Turning the product upside down and performing maintenance with the battery installed
  - (8) Use without doing maintenance on the magnetic boundary line

## Battery tool use and care

<b>⚠ WARNING</b>
<p><b>Read all safety warnings and instructions. Failure to follow the warnings and instructions may result in electric shock, fire and/or serious injury.</b></p>

1. Recharge only with the charger specified by the manufacturer. A charger that is suitable for one type of battery cartridge may create a risk of fire when used with another battery cartridge.
2. Use appliances only with specifically designated battery cartridges. Use of any other battery cartridges may create a risk of injury and fire.
3. When battery cartridge is not in use, keep it away from other metal objects, like paper clips, coins, keys, nails, screws or other small metal objects, that can make a connection from one terminal to another. Shorting the battery terminals together may cause burns or a fire.

4. Under abusive conditions, liquid may be ejected from the battery; avoid contact. If contact accidentally occurs, flush with water. If liquid contacts eyes, additionally seek medical help. Liquid ejected from the battery may cause irritation or burns.
5. Do not use a battery cartridge or tool that is damaged or modified. Damaged or modified batteries may exhibit unpredictable behaviour resulting in fire, explosion or risk of injury.
6. Do not expose a battery cartridge or tool to fire or excessive temperature. Exposure to fire or temperature above 130 °C (265 °F) may cause explosion.
7. Follow all charging instructions and do not charge the battery cartridge or tool outside the temperature range specified in the instructions. Charging improperly or at temperatures outside the specified range may damage the battery and increase the risk of fire.
8. Have servicing performed by a qualified repair person using only identical replacement parts. This will ensure that the safety of the product is maintained.
9. Do not modify or attempt to repair the appliance or the battery cartridge except as indicated in the instructions for use and care.
10. Prevent unintentional starting. Ensure the switch is in the off position before connecting to the battery cartridge, or picking up or carrying the robotic cleaner. Carrying the robotic cleaner with your finger on the switch or energizing the robotic cleaner with the switch on may cause accidents.
11. Disconnect the battery cartridge from the robotic cleaner before making any adjustments, changing accessories, or storing the robotic cleaner. Such preventive safety measures reduces the risk of starting the robotic cleaner accidentally.
12. The battery cartridge is not charged sufficiently when factory-shipped. Charge the battery before use.
13. When not using the battery cartridge, always put the cover on it.

### Important safety instructions for battery cartridge

1. Before using battery cartridge, read all instructions and cautionary markings on (1) battery charger, (2) battery, and (3) product using battery.
2. Do not disassemble or tamper with the battery cartridge. It may result in a fire, excessive heat, or explosion.
3. If operating time has become excessively shorter, stop operating immediately. It may result in a risk of overheating, possible burns and even an explosion.
4. If electrolyte gets into your eyes, rinse them out with clear water and seek medical attention right away. It may result in loss of your eyesight.
5. Do not short the battery cartridge:
  - (1) Do not touch the terminals with any conductive material.
  - (2) Avoid storing battery cartridge in a container with other metal objects such as nails, coins, etc.
  - (3) Do not expose battery cartridge to water or rain. A battery short can cause a large current flow, overheating, possible burns and even a breakdown.
6. Do not store and use the tool and battery cartridge in locations where the temperature may reach or exceed 50 °C (122 °F).
7. Do not incinerate the battery cartridge even if it is severely damaged or is completely worn out. The battery cartridge can explode in a fire.
8. Do not nail, cut, crush, throw, drop the battery cartridge, or hit against a hard object to the battery cartridge. Such conduct may result in a fire, excessive heat, or explosion.
9. Do not use a damaged battery.
10. The contained lithium-ion batteries are subject to the Dangerous Goods Legislation requirements. For commercial transports e.g. by third parties, forwarding agents, special requirement on packaging and labeling must be observed.  
For preparation of the item being shipped, consulting an expert for hazardous material is required. Please also observe possibly more detailed national regulations.  
Tape or mask off open contacts and pack up the battery in such a manner that it cannot move around in the packaging.
11. When disposing the battery cartridge, remove it from the tool and dispose of it in a safe place. Follow your local regulations relating to disposal of battery.
12. Use the batteries only with the products specified by Makita. Installing the batteries to non-compliant products may result in a fire, excessive heat, explosion, or leak of electrolyte.
13. If the tool is not used for a long period of time, the battery must be removed from the tool.
14. During and after use, the battery cartridge may take on heat which can cause burns or low temperature burns. Pay attention to the handling of hot battery cartridges.
15. Do not touch the terminal of the tool immediately after use as it may get hot enough to cause burns.
16. Do not allow chips, dust, or soil stuck into the terminals, holes, and grooves of the battery cartridge. It may result in poor performance or breakdown of the tool or battery cartridge.
17. Unless the tool supports the use near high-voltage electrical power lines, do not use the battery cartridge near high-voltage electrical power lines. It may result in a malfunction or breakdown of the tool or battery cartridge.
18. Keep the battery away from children.

## SAVE THESE INSTRUCTIONS.

### CAUTION

**Only use genuine Makita batteries. Use of non-genuine Makita batteries, or batteries that have been altered, may result in the battery bursting causing fires, personal injury and damage. It will also void the Makita warranty for the Makita tool and charger.**

#### Tips for maintaining maximum battery life

1. Charge the battery cartridge before completely discharged. Always stop tool operation and charge the battery cartridge when you notice less tool power.
2. Never recharge a fully charged battery cartridge. Overcharging shortens the battery service life.
3. Charge the battery cartridge with room temperature at 10 °C - 40 °C (50 °F - 104 °F). Let a hot battery cartridge cool down before charging it.
4. When not using the battery cartridge, remove it from the tool or the charger.
5. Charge the battery cartridge if you do not use it for a long period (more than six months).

### Precautions regarding radio waves

- Do not use this product in the following locations.
  - In or near locations with medical equipment
  - Near electronic devices with high precision control or faint signals (Examples of electronic devices that require caution: hearing aids, pacemakers and other medical equipment, fire alarms, automatic doors and other automatically controlled equipment)
  - Inside of a hospital or aircraft (Follow the instructions of the hospital or airline and do not use the product in prohibited areas)
- Wireless connection and performance are not guaranteed in all environments. The radio waves may not be received or may be interrupted in the following cases.
  - Use in buildings constructed with concrete, rebar, and metal
  - Installation near obstacles
  - Use in locations where interference occurs with wireless communication devices that use the same frequency
  - Use in locations with equipment that produces magnetic fields, static electricity, or radio interference, such as microwave ovens

### Respective trademarks and registered trademarks

#### Trademark notice

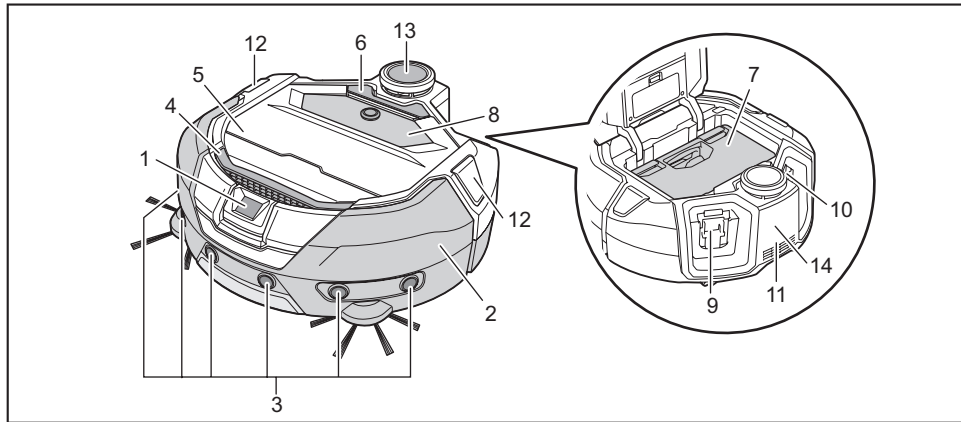
- Android and Google Play are trademarks or registered trademarks of Google LLC.
- iPhone is a trademark of Apple Inc., registered in the U.S. and other countries.
- The iPhone trademark is used under license from Aiphone Co., Ltd.
- App Store is a service mark of Apple Inc.
- Wi-Fi is a trademark and registered trademark of Wi-Fi Alliance.
- The Bluetooth® word mark and logos are registered trademarks owned by the Bluetooth SIG, Inc. and any use of such marks by Makita is under license. Other trademarks and trade names are those of their respective owners.



- All other trademarks in this document are the property of their respective owners.  
Note that ™ and ® marks are omitted in some of the main text.

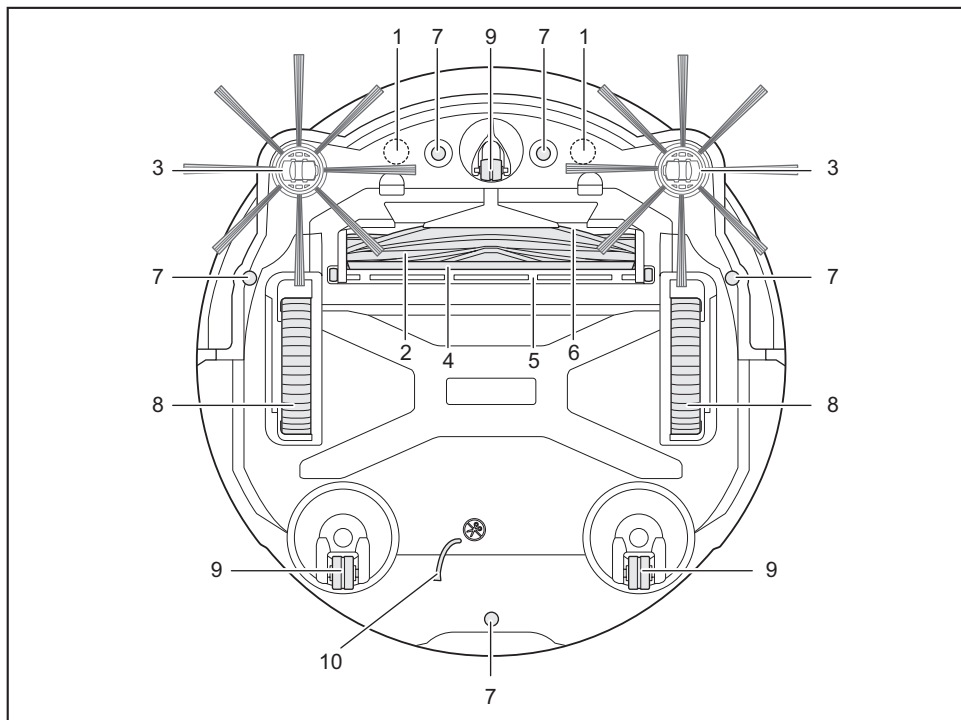
## Names of parts

### Main unit (top view, lateral view, interior)



- |                                   |                                            |
|-----------------------------------|--------------------------------------------|
| 1. Camera sensor                  | 8. Operation panel (display) (See page 9.) |
| 2. Bumper                         | 9. Left-battery insertion slot             |
| 3. Ultrasonic sensor              | 10. Right-battery insertion slot           |
| 4. Carrying handle (See page 10.) | 11. Exhaust opening                        |
| 5. Top cover                      | 12. Position LED                           |
| 6. Open button                    | 13. LiDAR sensor                           |
| 7. Dust box (See page 13.)        | 14. CLASS1 LASER mark                      |

### Main unit (bottom view)



- |                                                  |                    |
|--------------------------------------------------|--------------------|
| 1. Magnet sensor for boundary sensing (built-in) | 6. Suction opening |
| 2. Main brush                                    | 7. Cliff sensor    |
| 3. Side brush                                    | 8. Drive wheel     |
| 4. Bottom brush                                  | 9. Caster          |
| 5. Main brush cover                              | 10. Earthing line  |

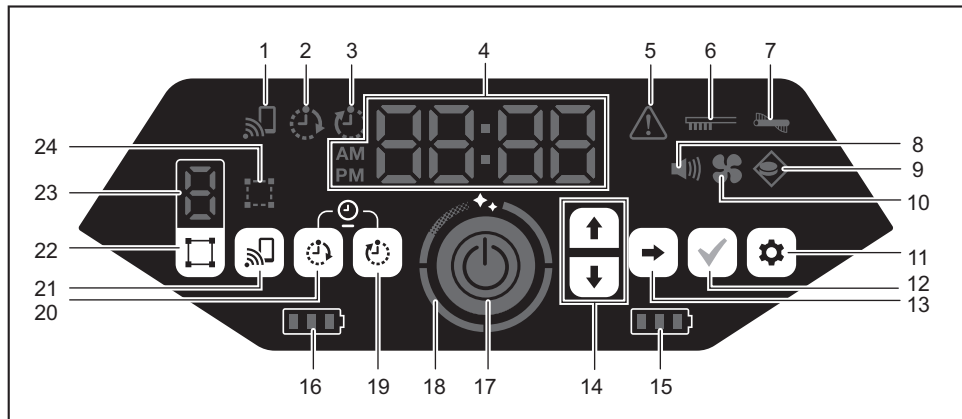
#### NOTICE

- The earthing line reduces the electrical charge on the sensor.



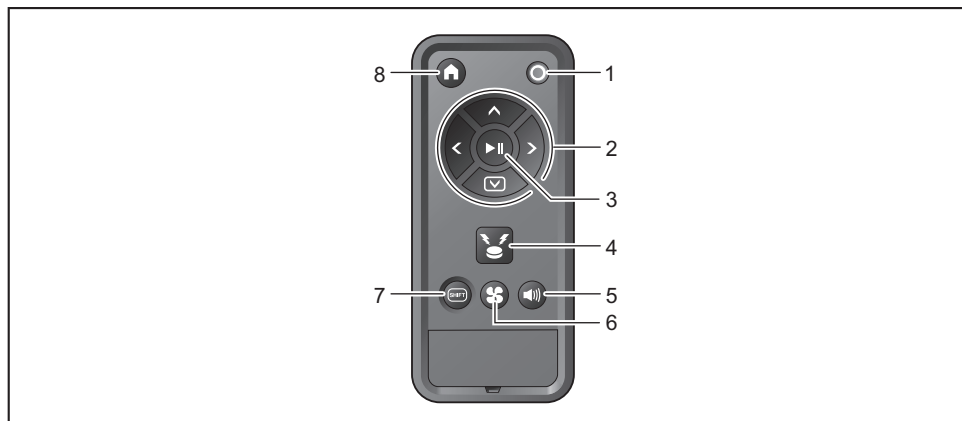
: Do not accidentally pull or cut the earthing line.

## Main unit (operation panel (display))



- |                                                 |                                                     |
|-------------------------------------------------|-----------------------------------------------------|
| 1. Smartphone connection lamp (green)           | 13. Next button                                     |
| 2. ON timer lamp (green) (See page 19.)         | 14. Up button, down button                          |
| 3. OFF timer lamp (green) (See page 19.)        | 15. Right-battery power lamp (green) (See page 15.) |
| 4. Time indicator (green)                       | 16. Left-battery power lamp (green) (See page 15.)  |
| 5. Error lamp (red) (See page 28.)              | 17. Start/stop button (See page 15.)                |
| 6. Filter care lamp (red) (See page 28.)        | 18. Clean level lamp (white) (See page 17.)         |
| 7. Brush error lamp (red) (See page 28.)        | 19. OFF timer button (See page 19.)                 |
| 8. Sound lamp (green) (See page 22.)            | 20. ON timer button (See page 18.)                  |
| 9. Boundary-sensing lamp (green) (See page 20.) | 21. Smartphone connection button                    |
| 10. Vacuum fan lamp (green) (See page 18.)      | 22. Mode switch button (See page 16.)               |
| 11. Setting button                              | 23. Mode/room number display (See page 16.)         |
| 12. Confirmation button                         | 24. Room register lamp (green) (See page 16.)       |

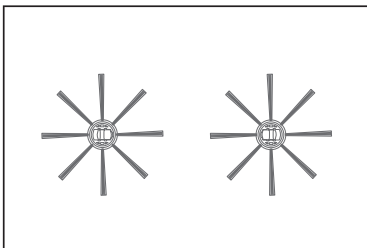
## Remote control



- |                                        |                             |
|----------------------------------------|-----------------------------|
| 1. Power OFF button                    | 5. Sound ON/OFF button      |
| 2. Action buttons                      | 6. Vacuum fan ON/OFF button |
| 3. Start/stop button                   | 7. Shift button             |
| 4. Location beacon buzzer/light button | 8. Start point button       |

## Standard accessories

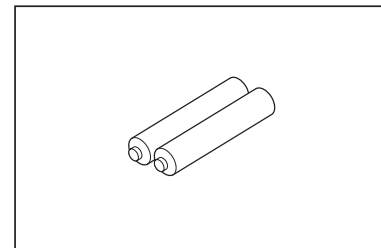
- Side brushes (four)  
Two are for replacement. Attach two to the robotic cleaner. (See page 13.)



- Remote control



- AAA dry batteries (two) \* Country specific  
Install them in the remote control. (See page 13.)



## Prepare Before Cleaning

### About carrying the robotic cleaner

#### ⚠ CAUTION

When you carry the robotic cleaner, stop the operation, then turn the power off, and then hold the carrying handle firmly so as not to get your hand caught.

- Not doing so can cause your hand to be caught in the handle.

Keep proper footing and balance at all times when lifting the robotic cleaner.

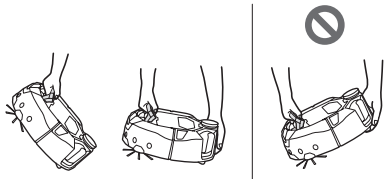
- Not doing so can cause injury or failure.

Do not lift the robotic cleaner carelessly.

- Doing so can cause injury or failure.

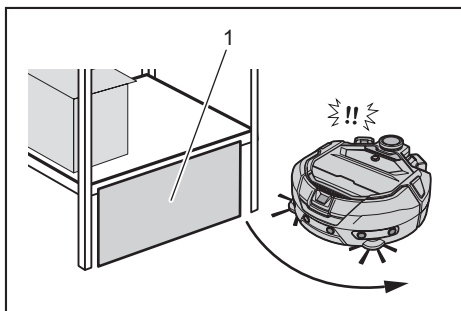
Do not hold the robotic cleaner with its front facing downward.

- Dust can fall from the suction opening.



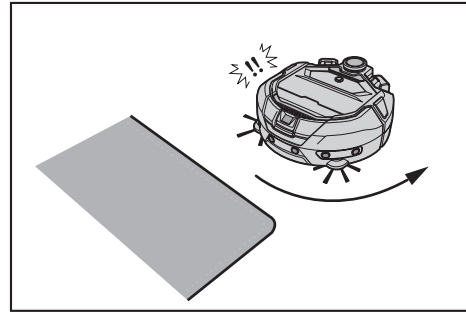
### About cleaning by the robotic cleaner

- The robotic cleaner detects obstacles by its LiDAR sensor and ultrasonic sensor and runs while avoiding those obstacles. It collects and sucks dust with its side brushes and main brush. It may fail to recognize an obstacle depending on the conditions. When it hits an obstacle, the bumper detects the contact and avoid the obstacle.
- The robotic cleaner can climb over a step of up to about 2.0 cm. If it is less than 2.0 cm, however, the robotic cleaner sometimes fails to climb over it depending on the conditions such as the shape of the step.
- On a slope or an uneven place, the undersurface of the robotic cleaner may be caught and a drive wheel may be lifted, which causes the robotic cleaner to stop due to an error. If the robotic cleaner stops often, do not allow it to enter that place. (See page 20.)
- Where there is an obstacle near a wall, the robotic cleaner may run up onto the wall while trying to avoid the obstacle.
- The LiDAR sensor may not be able to recognize obstacles with the following characteristics, which may result in inaccurate mapping or bumping into obstacles.
  - Highly reflective obstacles such as mirrors
  - Highly transparent obstacles such as glass
  - Obstacles made of black, glossy material
  - Slim obstacles such as the legs of a chair or desk
- When the robotic cleaner enters a narrow space lower than the height of the robotic cleaner, it can get caught and stuck. In such a case, place a screen or something.



- ▶ 1. Block a gap with a screen or something.

- A black floor, a transparent floor such as a glass floor, or black areas on the grain of wood flooring may be determined to be a step by the robotic cleaner, which then tries to avoid it.

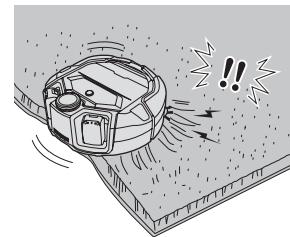


- The robotic cleaner may not be able to suck dust in an area around a step over which the robotic cleaner can climb, a secluded or narrow space that the robotic cleaner cannot enter, or a place that the side brushes cannot reach.
- The robotic cleaner may kick away a small, hard object such as a small stone.
- The robotic cleaner may climb over a step accidentally if there is an object which can help it climbing up (for example, a board or carpet). Keep such objects away from the steps.

#### ⚠ CAUTION

Do not use the robotic cleaner in the following places.

- Do not use the robotic cleaner on places such as a carpet with a pile height of more than 7 mm, a rug with piles that fall out easily, and an uneven rug. On such a rug, the robotic cleaner may stop operating, piles may be caught in the side brushes, or the rug or the side brushes may be damaged. If the robotic cleaner cannot run well on a rug other than described above, avoid use on that rug.



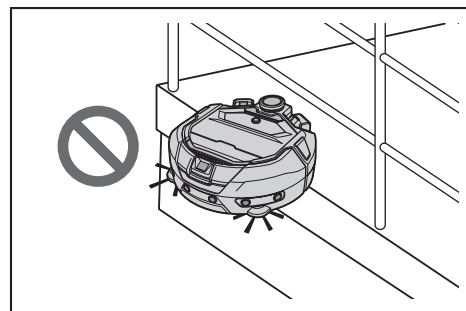
- Do not use the robotic cleaner on a mattress, a blanket, a floor cushion, etc.
- Do not use the robotic cleaner in a wet area, a toilet, a bathroom, an attic, outdoors, etc.
- Do not use the robotic cleaner in a wet place, a place that may become wet, or in a hot, humid place.

### To prevent the robotic cleaner from falling

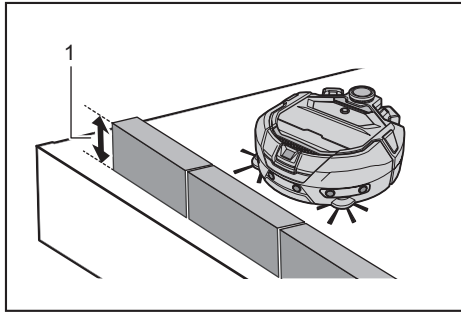
#### ⚠ WARNING

Ensure that the robotic cleaner does not fall.

- If it falls, it may cause breakage or injury.
- Do not use the robotic cleaner in a mezzanine floor, a loft, a stairwell, a place without walls, or a place with a slope of 10° or more.

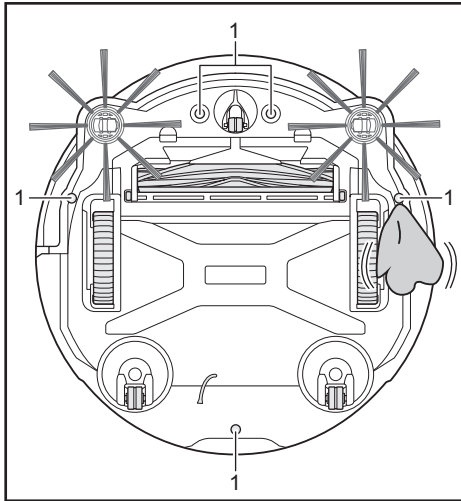


- In a place where an accident or other dangerous situation may occur due to a fall, place an object that has a height of 25 cm or more and can serve as a wall (object that does not move or topple over when hit by the robotic cleaner).



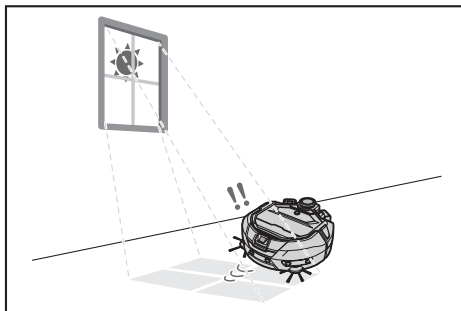
- ▶ 1. Height of 25 cm or higher

- If dirt or water droplets due to condensation are formed on the cliff sensor on the undersurface of the robotic cleaner, wipe them off with a dry, soft cloth, a cotton swab, etc.

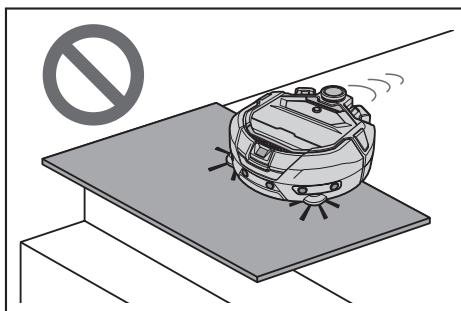


- ▶ 1. Cliff sensor (five places)

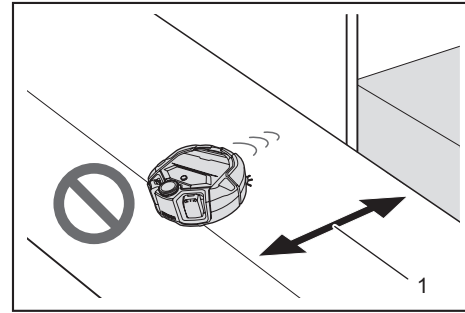
- The robotic cleaner may fail to operate properly when exposed to sunlight or infrared light from other equipment. Ensure that the robotic cleaner is not exposed to infrared light from a halogen heater, a remote control, a sensor, and other equipment and sunlight coming from frosted glass, etc.



- Do not use when there are objects such as carpets, mats, or plates near a step. If an object such as a carpet, mat, or plate is covering the step, the cliff sensor may not recognize the step correctly.

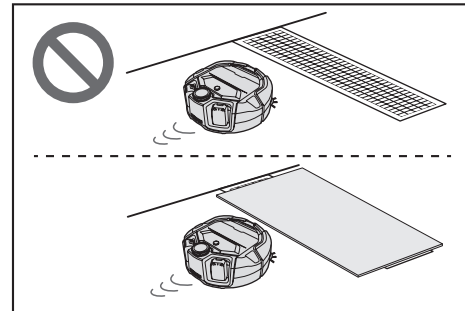


- In such a place that the distance from a wall to a step is less than about 1 m, the robotic cleaner may fall while moving backward. Do not use the robotic cleaner where the distance from a wall to a step is less than about 1 m.



- ▶ 1. Less than about 1 m

- Where there is a drain cover (grating cover), the cliff sensor may recognize it as a step and the robotic cleaner may not be able to pass over it. If it is necessary to pass over it, cover the grating with a plate or something.



- A step of about 3.0 cm or less may not be recognized as a step by the cliff sensor, resulting in the robotic cleaner climbing down the step while going straight. Where there is a step of from about 2.0 to 3.0 cm, refrain from using the robotic cleaner.
- Shut any sliding doors, screens, or windows because the level difference of their frames or rails may not be recognized as a step by the bumper sensors.
- Do not use the robotic cleaner on a breakable flooring surface such as glass.

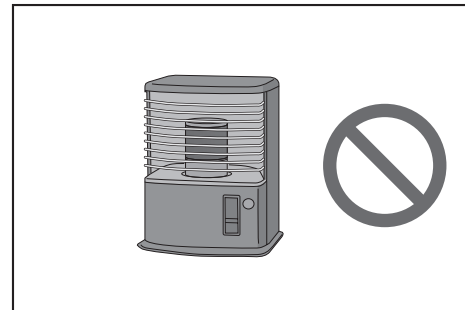
## Tidying up a place to clean

### ⚠ WARNING

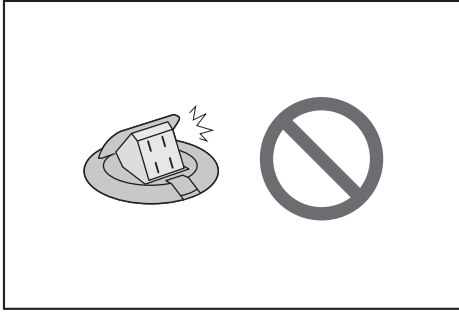
Move objects that may cause damage or an accident when the robotic cleaner comes into contact with them. Put away objects that should not be sucked in, objects that hinder the movement of the robotic cleaner, and objects that are likely to get caught in the main brush, wheels, and side brushes.

- If you leave an object that will obstruct the movement of the robotic cleaner during cleaning, it may cause an accident or injury.

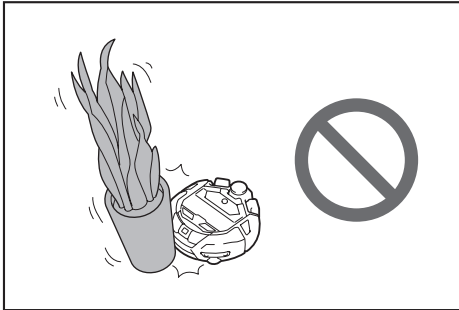
- Do not use the robotic cleaner near objects that get hot, such as a heating apparatus (space heater). Doing so can cause an accident, ignition, or failure. (Do not use a heating apparatus during operation.)



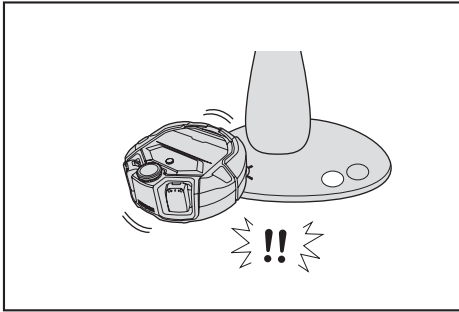
- Do not use the robotic cleaner in a place equipped with a retractable outlet. A retractable outlet should be always retracted.



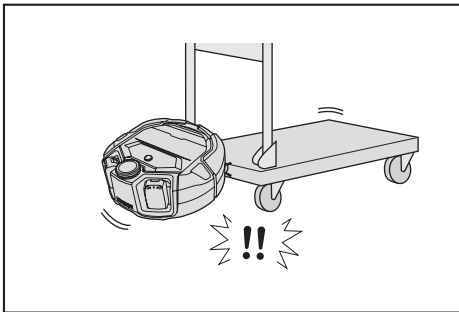
- For walls made of fragile material (e.g., a mud wall, a decorated door or sliding door, or a folding screen), place objects that serve as a wall in front of them so that they will not be damaged.
- Do not use in locations where unstable objects or objects that fall down easily are placed. Unstable objects and objects that fall down easily should be moved to another room.



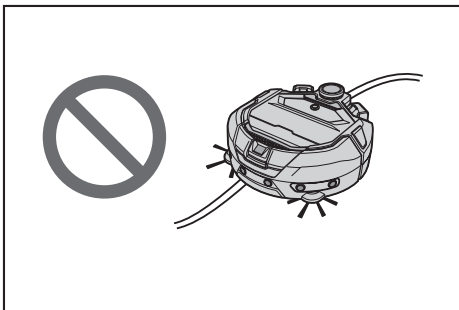
- Move equipment and devices with a controller located on the same level as the robotic cleaner.



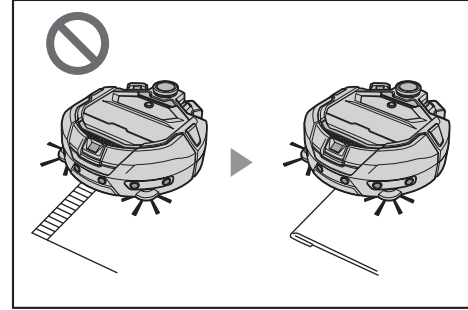
- Put away burning candles and easily breakable objects.
- For objects with casters such as a truck and a wheelchair, and light chairs that move easily, lock the casters or put them away.



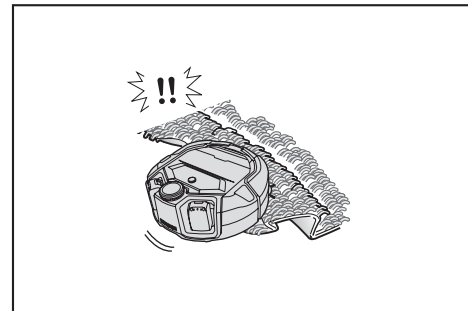
- Do not use with stray cords that may get caught or tangled. Make sure that power cables are laid alongside a wall so that the robotic cleaner will not be caught in them.



- Put away long, thin objects such as a cord and a belt.
- Put away small goods that are easily sucked in and valuable goods.
- Put away objects that block the passage of the robotic cleaner, such as a work table, a chair, a tool, and a plate.
- If animal excrement or other liquid wastes are sucked in, the robotic cleaner may malfunction. Clean them up.
- Make sure that the tassels of a mat or other coverings are tucked inside.



- Lift the hem of a curtain, etc. that hangs down on the floor. The hem may get caught in the main brush, etc.
- Put away thin, slippery rugs, such as a mat and a carpet. The rugs and side brushes may be damaged.



- Put away thin paper and cloth, plastic bags, etc.
- In a place leading to outside, close the doors to prevent the robotic cleaner from going to outside. If the doors cannot be closed, do not use the robotic cleaner. In addition, close the doors of rooms that the robotic cleaner should not enter.
- The robotic cleaner may not be able to run properly on a slippery floor surface. Check the condition of the floor before use.
- Ensure a pathway of 80 cm or more for cleaning.

## Preparation For Use


### Attaching the side brushes

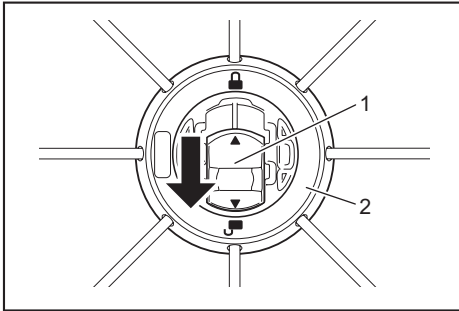
#### ⚠ WARNING

Before attaching the side brushes, make sure that the batteries are removed from the robotic cleaner.

- If a battery is left inserted in the robotic cleaner, electric shock or injury may result.

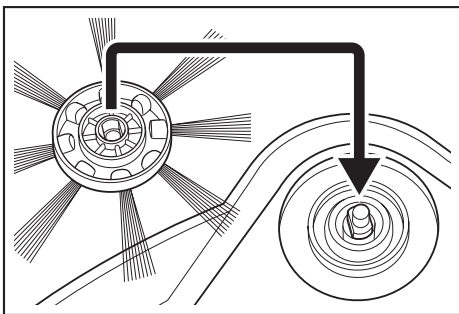
When attaching the side brushes, lay down a mat or something so that the robotic cleaner and the floor surface will not be damaged.


1. Turn the robotic cleaner upside down.
2. Slide the side brush lock lever to  (release mark).

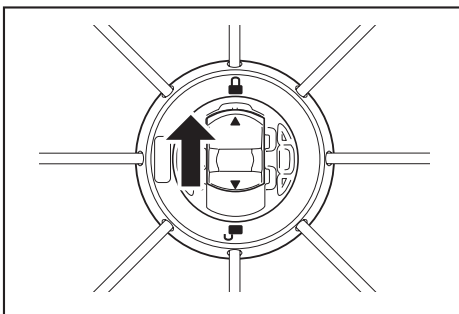


- 1. Lock lever 2. Side brush

3. Attach the side brush so that the shaft on the underside of the robotic cleaner fits the shape of the hole of the side brush.



4. Push the lock lever of the side brush toward  (lock mark) until it clicks. (Push in properly until it reaches the point shown in the drawing.)
- After installation, lift the side brush slightly to see that it does not detach from the robotic cleaner.
  - Attach two side brushes, one on the left and one on the right.

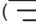


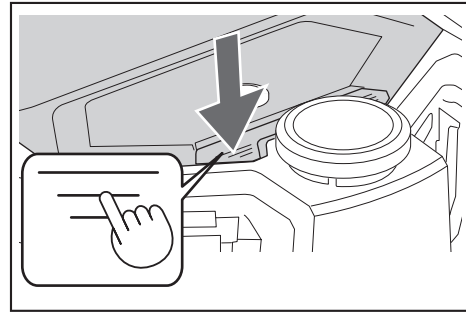
### Unpacking the dust box

#### ⚠ WARNING

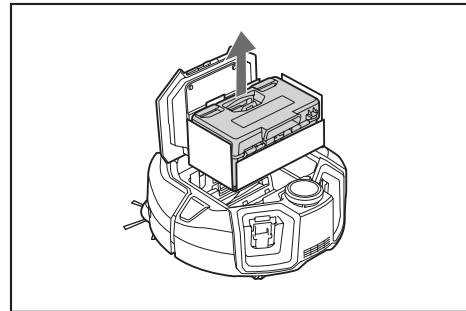
When you open the top cover of the robotic cleaner, make sure that the batteries are removed from the robotic cleaner.

- If a battery is left inserted in the robotic cleaner, electric shock or injury may result.

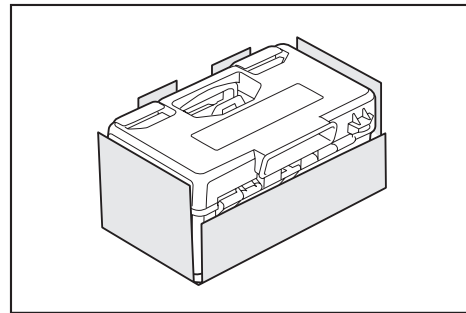
1. Press the open button (  ) to open the top cover. Be careful because the top cover opens quickly.



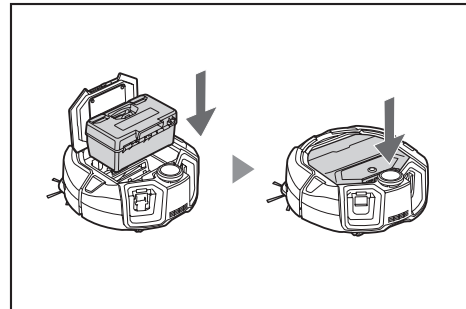
2. Remove the dust box.




3. Remove the packing material.

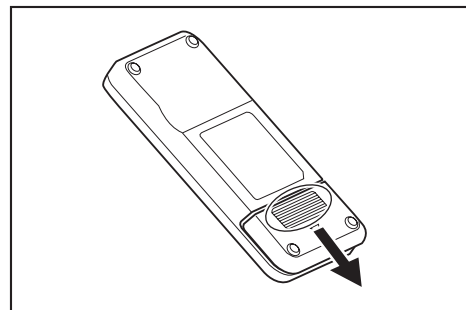


4. Put the dust box back in the robotic cleaner and push the top cover to close until it clicks. When closing the top cover, be careful not to get your fingers caught.



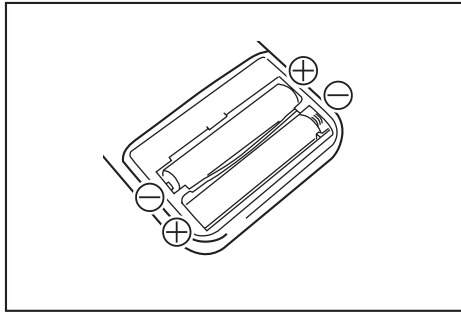
### Installing batteries in the remote control

1. While pressing  on the lid of the remote control, slide the lid in the direction shown by the arrow and remove it.

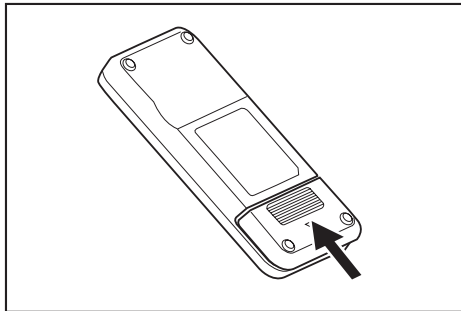




2. Insert the batteries in the correct direction.



3. Attach the lid.

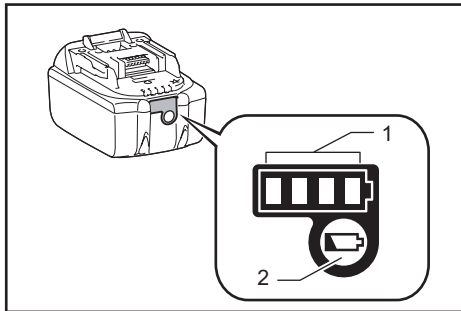


**NOTICE**

- Be sure to align the polarity of the batteries correctly.
- Two AAA dry batteries are required. The two batteries should be new and of the same type.
- Take out the batteries when you do not use them for a long period of time in order to prevent failure due to liquid leakage and rupture.
- If the solution in a battery gets into your eyes or contacts your skin or clothing, wash it away immediately with clean water.
- Do not subject the remote control to shocks or allow it to get wet with water. Do not place it in a place under direct sunlight or near a space heater, etc. Doing so can cause failure.

**Indicating the remaining battery capacity**

Only for battery cartridges with the indicator



► 1. Indicator lamps 2. Check button

Press the check button on the battery cartridge to indicate the remaining battery capacity. The indicator lamps light up for a few seconds.

Indicator lamps			Remaining capacity
Lighted	Off	Blinking	
■ ■ ■ ■			75 % to 100 %
■ ■ ■ □			50 % to 75 %
■ ■ □ □			25 % to 50 %
■ □ □ □			0 % to 25 %
▣ □ □ □			Charge the battery.
■ ■ □ □			The battery may have malfunctioned.
□ □ ■ ■			

**NOTICE**

- Depending on the conditions of use and the ambient temperature, the indication may differ slightly from the actual capacity.
- The first (far left) indicator lamp will blink when the battery protection system works.

**Installing and removing batteries (sold separately)**

- The robotic cleaner works even with only one battery.
- With two batteries, it can be run for a long period of time.

**How to install**

**WARNING**

A battery should be securely inserted as far as it will go. When the red part in the upper section of the button is visible, it means that locking is not complete. Insert a battery fully until the red part becomes invisible.

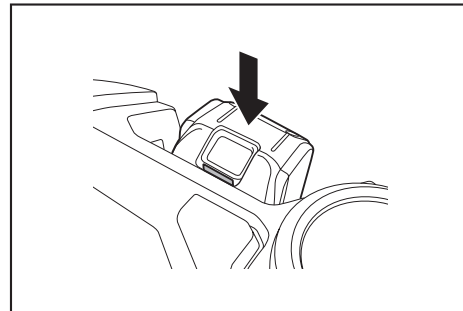
- If the insertion is not sufficient, the battery may come out, causing an accident or failure.

**Do not install the battery cartridge forcibly.**

- If the cartridge does not slide in easily, it is not being inserted correctly.

**Hold the tool and the battery cartridge firmly when installing the battery cartridge.**

Insert a battery securely along the groove of the robotic cleaner as far as it will go. As the battery is locked completely, it clicks.



**NOTICE**

When installing a battery, be careful not to get your fingers caught in between the robotic cleaner and the battery.

**How to remove**

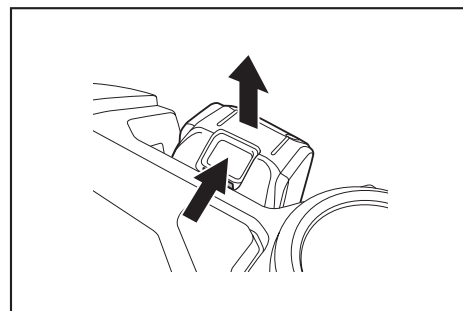
**WARNING**

When you remove a battery, be sure that the power of the robotic cleaner is off. Do not remove a battery when the robotic cleaner is in the stand-by state. (See "Turning the power on/off" on page 15.)

- Removing a battery with the power on can cause failure.

**Hold the tool and the battery cartridge firmly when removing the battery cartridge.**

Lift the battery while operating the button of the battery.

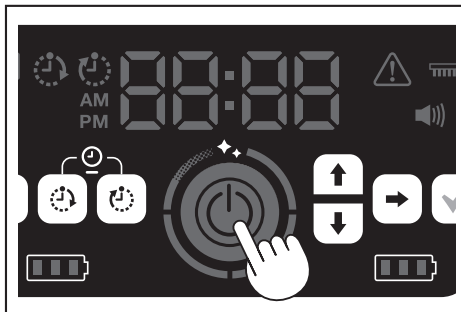


## Turning the power on/off

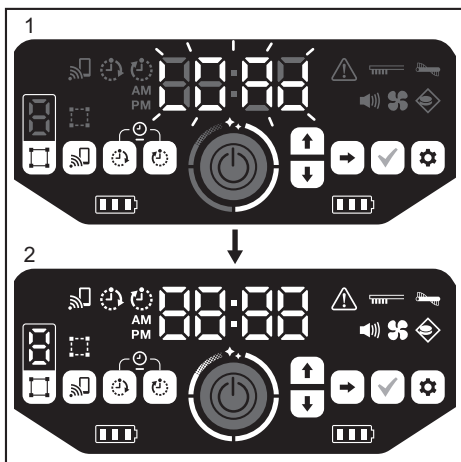
- As the power is turned on, the robotic cleaner enters the stand-by state. In the stand-by state, it is possible to do cleaning, change settings, and establish connection to the app.
- If the robotic cleaner, remote control, or the app have not been operated for approximately 30 minutes in the standby state, the power will shut off. (If the smartphone connection lamp is lit in the above case, the power will not shut off.)
- Turn off the power at the end of operation and at the time of storage.
- When the robotic cleaner is in the sleep state, communication from the app is not possible.
- When the power of the robotic cleaner is off, the robotic cleaner cannot be operated from the remote control or the app.

### How to turn on the power

- With the power of the robotic cleaner off, press the start/stop button of the robotic cleaner.



- Wait without operating until the time is displayed. When the robotic cleaner is used for the first time, time setting is necessary first. Set the time of day. (See page 22.)



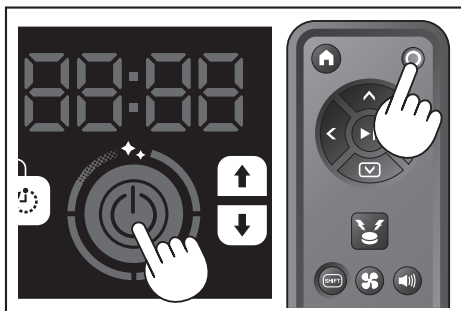
- [LOAD] flashes in the time indicator, and the four clean level lamps turn on and off clockwise. The switching speed of the lamps increases as the startup progresses.
- After all the lamps are lit, the robotic cleaner startup is complete (standby state).

### How to turn off the power

Hold down the start/stop button of the robotic cleaner, or press the power OFF button of the remote control.

As the power is turned off completely, the display and lamps of the robotic cleaner turn off. Therefore, wait without removing the batteries.

When finished using the robotic cleaner, or when storing it, turn off the power and remove the batteries.



## NOTICE

Do not remove the batteries before the power is turned off completely (before the display and lamps turn off). The saved map information and cleaning history may be deleted.

### How to read the battery power lamp of the robotic cleaner

State of the battery power lamp	Remaining battery capacity
	About 60 % or more
	About 20 to 60 %
	Less than about 20 %
	No remaining capacity No battery installed

The remaining capacity is a rough indication and can vary depending on the operating conditions, room temperature, battery type, and battery power consumption, etc.

## What to set up before cleaning

Before cleaning, make settings for the robotic cleaner as required.

### Switching the vacuum fan on/off

In the case of cleaning of visible large dust only, turning off the vacuum fan allows the running time to be longer. For how to switch the vacuum fan on/off, refer to page 18.

### Switching the sound setting on/off

When the sound setting of the robotic cleaner is off, the robotic cleaner cleans silently. (See page 22.)

### Setting the boundary-sensing feature

With the boundary-sensing feature on, the robotic cleaner recognizes magnetic boundary line set up on a floor surface. Magnetic boundary line serves as a boundary line, and the robotic cleaner does not go beyond the magnetic boundary line; that is, the running area can be limited. For how to set the boundary-sensing feature, refer to page 20.

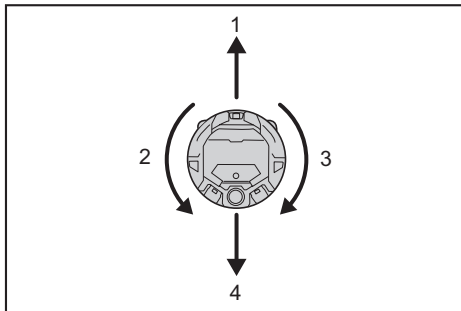
# How To Use

## Cleaning

- The robotic cleaner works in three ways:
  - free cleaning mode, which does not require map registration,
  - mapping cleaning mode (see "Cleaning a room with mapping" on this page), which requires room information to be registered for cleaning, and
  - manual operation using the remote control.
- Free cleaning mode is recommended for cleaning in various rooms or in an environment that involves frequent, significant layout changes.
- For a room that cannot be adequately lighted at the time of mapping, use free cleaning mode.
- If the remaining battery charge of the robotic cleaner gets low, the robotic cleaner suspends cleaning and returns to the location cleaning started.

### Cleaning a room with the remote control

The robotic cleaner can be operated for cleaning by pressing the action buttons of the remote control.



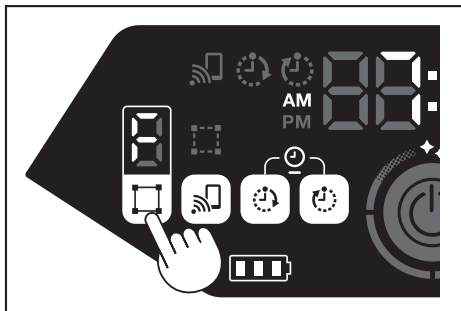
1. Move forward: Press
2. Turn left: Press
3. Turn right: Press
4. Move backward: While holding down , press

### NOTICE

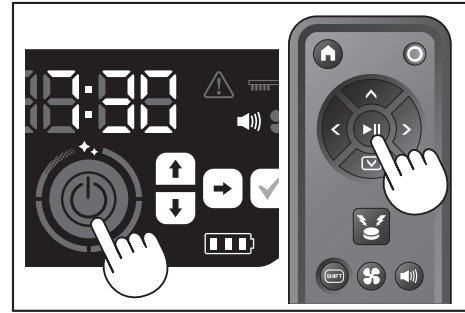
- Do not operate the robotic cleaner in a narrow or uneven place.
- When operating the robotic cleaner with the remote control, be careful to avoid collisions or falls.
- If there is an obstacle in front of the moving robotic cleaner, the robotic cleaner reverses to avoid it.

### Cleaning a room without mapping (free cleaning mode)

1. Place the robotic cleaner beside a wall of the place that you want to clean.
2. Put the robotic cleaner into the stand-by state. (See page 15.)
3. Press the mode switch button to select [F] (free cleaning mode). Each time the mode switch button is pressed, the displayed character is changed in the order "F, 1, 2, 3, 4, 5, F, ..." (each number represents a room number).



4. As the start/stop button is pressed, the robotic cleaner produces a sound and starts cleaning. (When the sound setting is on)



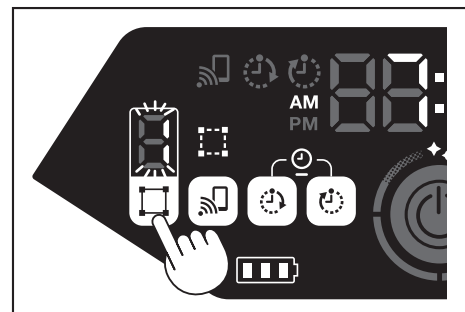
5. As the robotic cleaner determines that cleaning is finished, the robotic cleaner returns back to the place from which it started cleaning.
  - When the sound setting is on, completion of cleaning is informed with a sound. (See page 22.)
  - The robotic cleaner calculates its own position using the LiDAR sensor and camera sensor. For the camera sensor to function fully, it is recommended to make the room brighter for cleaning. If the room is dark, the robotic cleaner may not be able to clean some area or may fail to return back to the place from which it started cleaning.

## Cleaning a room with mapping

### Registering room information (mapping)

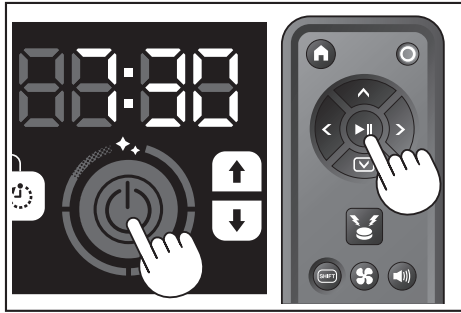
- When the rooms to clean are already determined, registering room information (registration of mapping information) in the robotic cleaner allows the cleaning to be more efficient. After completion of mapping, it becomes possible to check the cleaning result and set prohibited areas from the app.
- The number of rooms that can be registered is five.
- Make the room brighter during mapping.
- Keep away from the robotic cleaner during mapping.
- Do not pick up the robotic cleaner during mapping.
- The mapping fails if there are no obstacles with a height of 25 cm or more within a radius of about 11 m of the robotic cleaner. In this case, cleaning in free cleaning mode is recommended. (See "Cleaning a room without mapping (free cleaning mode)" on this page)

1. Place the robotic cleaner in the place from which you want the robotic cleaner to start cleaning.
  - This starting location will be a location for cleaning to start.
  - It is recommended to set the starting location near a wall, a corner of the room, or other point that is easy to identify.
  - Keep a distance of about 30 cm from a wall.
2. Put the robotic cleaner into the stand-by state. (See page 15.)
3. Select an unmapped room number by pressing the mode switch button.
  - [F] is free cleaning mode. (See "Cleaning a room without mapping (free cleaning mode)" on this page.)
  - Unmapped room numbers will be displayed blinking, and the room register lamp will be on.
  - Mapped room numbers will be displayed lit, and the room register lamp will be off.



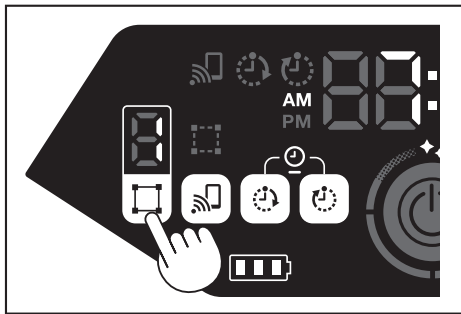
4. As the start/stop button is pressed, the robotic cleaner starts mapping. After mapping, the robotic cleaner goes back to where mapping began (starting point of cleaning) and then completes room registration.
  - Upon completion of mapping, the robotic cleaner enters the stand-by state. It may take time for the robot cleaner to enter the stand-by state. Do not turn off the power in this case.
  - When the sound setting is on, completion of mapping is informed with a sound.

- If the mapping is unsuccessful, add the mapping information manually using the app. (See page 39.)

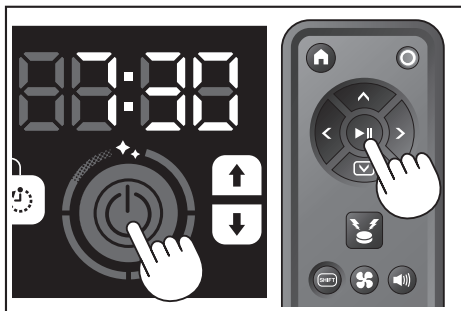


## Cleaning mapped rooms

- In mapping cleaning mode, the robotic cleaner works so that mapped rooms are cleaned more efficiently.
  - The use of mapping cleaning mode requires mapping information to be registered. (See "Cleaning a room with mapping" on page 16.)
1. Place the robotic cleaner at the starting point for mapping.  
Place the robotic cleaner with the same orientation as at the start of mapping as much as possible. This allows the robotic cleaner to start cleaning more smoothly.
  2. Put the robotic cleaner into the stand-by state. (See page 15.)
  3. Select a mapped room number by pressing the mode switch button.
    - [F] is free cleaning mode. (See page 16.)
    - Unmapped room numbers will be displayed blinking, and the room register lamp will be on.
    - Mapped room numbers will be displayed lit, and the room register lamp will be off.



4. Press the start/stop button to begin cleaning.



5. As cleaning ends, the robotic cleaner goes back to where it started cleaning.
  - The clean level lamp indicates what proportion of the whole room has been cleaned.
  - When the sound setting is on, completion of cleaning is informed with a sound. (See page 22.)
  - If the target cleaning area is too wide to clean all at once, we recommend using the [Continuous Cleaning] setting. (See page 42.)

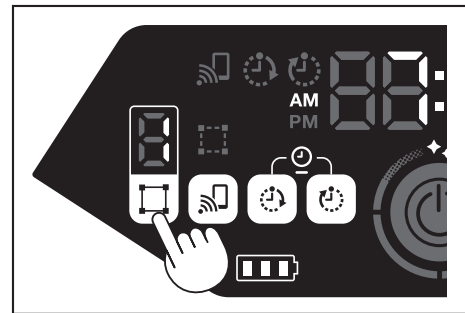
## How to read the clean level lamp

The clean level lamp informs you of the percentage cleaned area in the surface area of the mapped room.

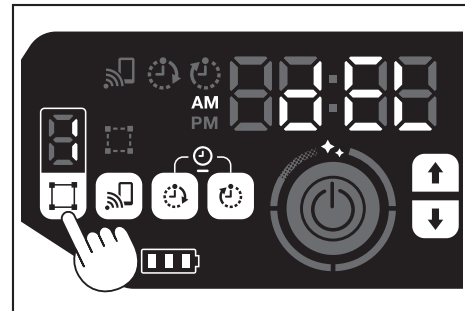
Clean level lamp status	Percentage of completed cleaning area
	90 % or more
	75 % to less than 90 %
	50 % to less than 75 %
	25 % to less than 50 %

## Deleting mapping information

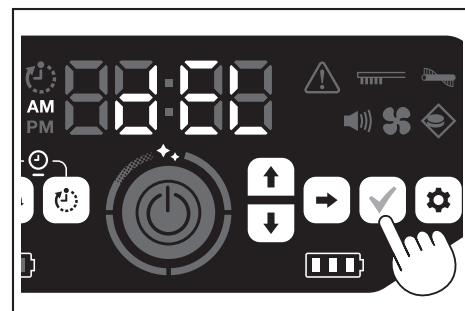
1. Put the robotic cleaner into the stand-by state. (See page 15.)
2. Select the room number for which you want to delete mapping information by pressing the mode switch button.
  - Each time the mode switch button is pressed, the room number is changed in the order "F, 1, 2, 3, 4, 5, F, ...". (For [F], deletion of mapping information is not possible since [F] is free cleaning mode.)
  - A mapped room number will illuminate on the display.



3. When the mode switch button is held down, [dEL] is shown for about 10 seconds in the time indicator.



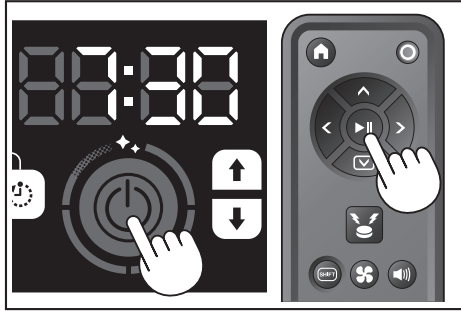
4. Press the confirmation button while [dEL] is shown.



- If the confirmation button is not pressed while [dEL] is shown, the robotic cleaner goes back to the stand-by state.
- When mapping information is deleted, the selected room number will blink and become unregistered.

## Suspending or ending cleaning

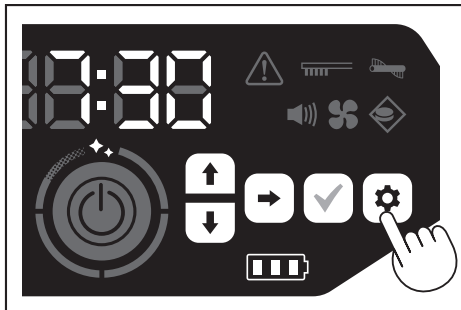
1. If the start/stop button is pressed during operation, the robotic cleaner comes to a temporary stop.  
If the start/stop button is pressed again, the robotic cleaner starts operating again in the same operating mode as before stopping.



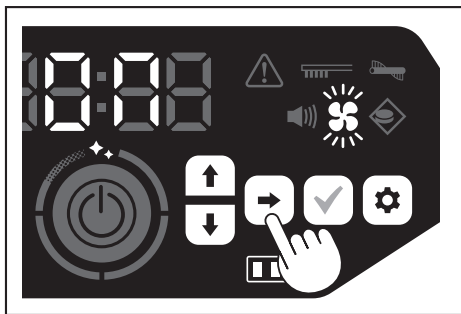
2. To quit cleaning during cleaning, press the starting point button of the remote control when the robotic cleaner is in operation or in a temporarily stopped state. The robotic cleaner goes back to where it started cleaning and then enters the stand-by state.
  - To quit cleaning immediately, press the mode switch button while the robotic cleaner is in a temporarily stopped state. Then, the robotic cleaner enters the stand-by state.
  - When cleaning is ended without going back to the starting point, the cleaning history may not be saved correctly.

## Switching the vacuum fan on/off

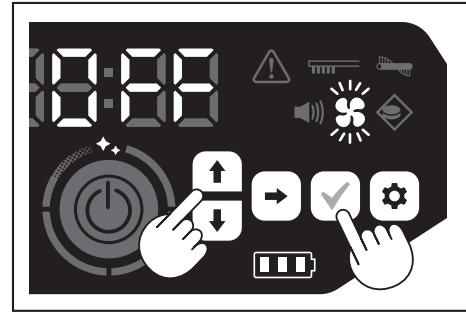
- When cleaning visible, large dust only, turning off the vacuum fan makes the running time about twice as long.
  - The vacuum fan can be set also from the remote control or the app. (See "Switching the vacuum fan on/off" on this page and "Operating the robotic cleaner with the app" on page 36.)
1. With the robotic cleaner set in the stand-by state, press the setting button to enter the setting selection mode.



2. Press the next button to make the vacuum fan lamp blink.



3. The up/down button can be used to switch between On and Off. After selecting On or Off, press the confirmation button to finalize the setting.
  - On: Vacuum fan lamp turns on.
  - Off: Vacuum fan lamp turns off.



### NOTICE

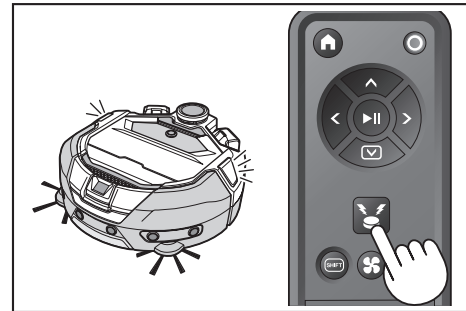
With the vacuum fan setting off, the filter care lamp does not light up even when the filter is clogged.

## Switching the vacuum fan on/off with the remote control

With the robotic cleaner set in the stand-by state, the vacuum fan can be switched on or off by pressing the vacuum fan ON/OFF button of the remote control. Even during cleaning, the fan can be switched on or off from the remote control.

## Using the location beacon function

- The robotic cleaner notifies of its own location with a buzzer sound and light. This function is used when the robotic cleaner cannot be found because it is cleaning a wide area or has entered a place where it cannot be found.
- As the location beacon buzzer/light button of the remote control is pressed, a buzzer sounds for about 10 seconds, with the position LED blinking.
- To stop the location beacon function halfway, press the location beacon buzzer/light button again.



### NOTICE

- The location beacon function cannot be used in the following cases.
  - When the power of the robotic cleaner is off.
  - When no battery capacity remains.
  - When the robotic cleaner is in a position where radio waves do not reach.
  - When the battery in the remote control is exhausted.
- Although the location beacon function can be used also from the app, your smartphone and the robotic cleaner must be connected in advance. When the robotic cleaner is in the sleep state, the function cannot be used from the app.

## Using the ON timer/OFF timer

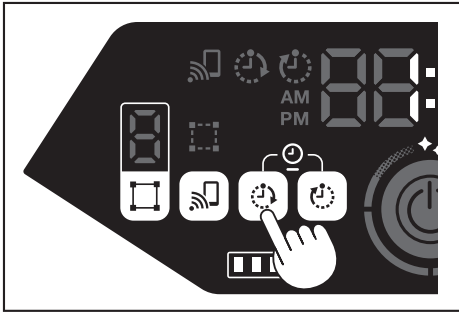
The ON timer and OFF timer can be used at the same time.

### Setting the ON timer

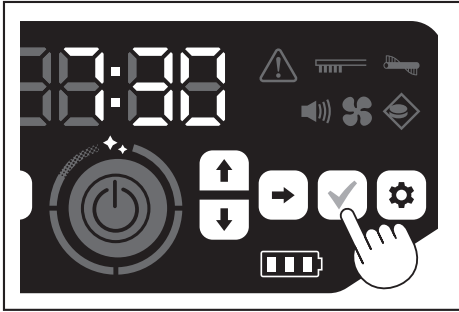
When a preselected time comes, the robotic cleaner starts cleaning in the selected cleaning mode. Before setting the timer, set the time of day. (See page 22.)

1. Put the robotic cleaner into the stand-by state. (See page 15.)

- Hold down the ON timer button to change the time setting of the ON timer.
  - The changing procedure is the same as the time setting procedure (See page 22).
  - The ON timer can be configured in increments of 10 minutes.

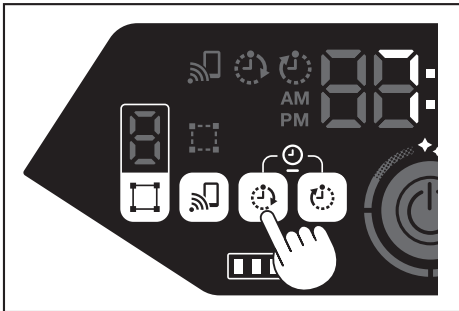


- Press the confirmation button to finalize the time of day.

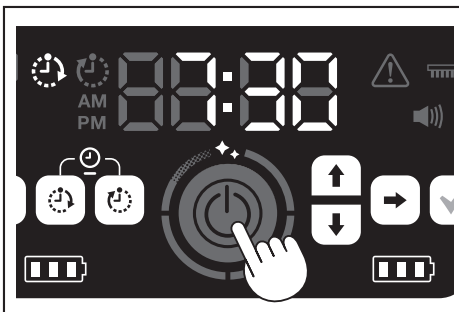


### Using the ON timer

- Press the ON timer button to enable the ON timer function. The ON timer lamp lights up and the setting time blinks twice.
  - To cancel the ON timer function, press the ON timer button again to turn off the ON timer lamp.



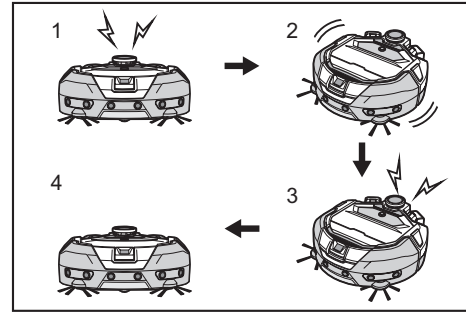
- Select the operating mode of the robotic cleaner. (See pages 16 and 17.)
  - As the start/stop button is pressed, cleaning by the ON timer function is reserved. (Sleep state)
- To cancel the ON timer function in the sleep state, press the start/stop button again to put the robotic cleaner into the stand-by state. To see the setting time after reservation, press any button except the start/stop button. Then, the setting time will light up for 3 seconds.



### NOTICE

- The reserved information is canceled when the power is turned off or the remaining battery capacity is completely lost.
- When the batteries are low, the robotic cleaner cannot wait for operation by ON timer reservation. For operation by ON timer reservation, it is recommended to bring the batteries to full charge.
- Operation by ON timer reservation is not possible when the power is turned off.
- When the ON timer is set, the operable time will be somewhat reduced because the robotic cleaner consumes the battery during the sleep state.

- Example of use: Make the robotic cleaner clean automatically in the morning. (Set the ON timer at 7:30. and the OFF timer at 9:00.)



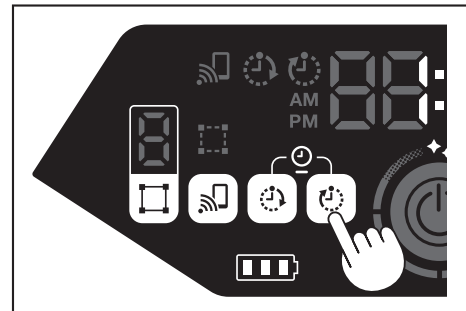
- 1. Starts up at 7:30. (ON timer) 2. Cleaning 3. Finishes cleaning at 9:00. (OFF timer) 4. Returns to the starting point.

- During adjustment of the hours/minutes, holding down the up/down button results in the hours/minutes changing quickly.
- When the time setting of the timer is already completed, you only have to follow the procedure for "Using the ON timer" on this page.

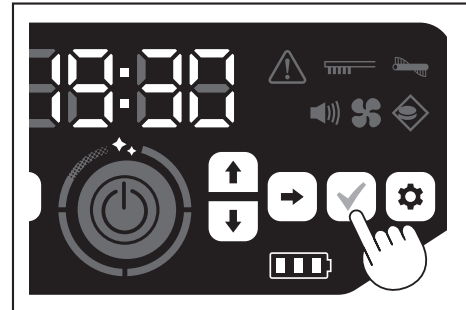
### Setting the OFF timer

As a preselected time comes after the start of cleaning, the robotic cleaner ends cleaning and goes back to the starting point. Before setting the timer, set the time of day. (See page 22.)

- Put the robotic cleaner into the stand-by state. (See page 15.)
- Hold down the OFF timer button to change the time setting of the OFF timer.
  - The changing procedure is the same as the time setting procedure (See page 22).
  - The OFF timer can be configured in increments of 10 minutes.



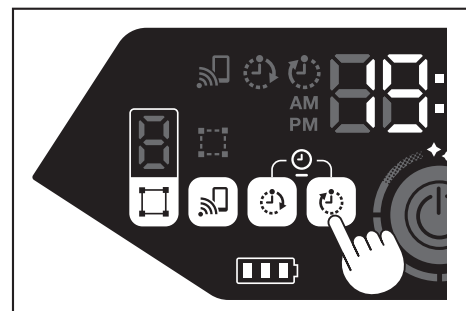
- Press the confirmation button to finalize the time of day.



### Using the OFF timer

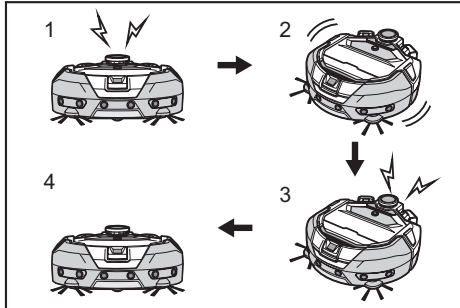
Press the OFF timer button to enable the OFF timer function. The OFF timer lamp lights up and the setting time blinks twice.

- To immediately start cleaning and use the OFF timer, select the cleaning mode and start cleaning.
- To use the OFF timer in combination with the ON timer, refer to page 18.
- To cancel the OFF timer, press the OFF timer button again when the robotic cleaner is in the stand-by state.



## NOTICE

- The OFF timer setting is disabled when the power is turned off or the remaining battery capacity is completely lost.
- When the remaining battery capacity is low, the robotic cleaner may stop operating before the setting time of the OFF timer.
- Depending on the cleaning environment, it can take time for the robotic cleaner to return back to the starting point. In this case, set an earlier time for the OFF timer.
- Example of use: Make the robotic cleaner clean automatically only for 30 minutes in the evening. (Set the ON timer at 19:00. and the OFF timer at 19:30.)



- ▶ 1. Starts up at 19:00. (ON timer) 2. Cleaning 3. Finishes cleaning at 19:30. (OFF timer) 4. Returns to the starting point.
- When adjusting the hours/minutes, holding down the up/down button results in the hours/minutes changing quickly.
- When the time setting of the timer is already completed, you only have to follow the procedure for "Using the OFF timer" on page 19.

## Controlling the cleaning range

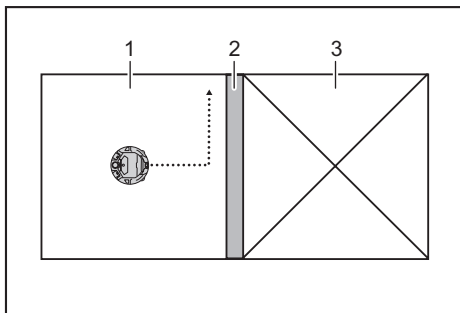
### ⚠ WARNING

**Do not use magnetic boundary line as a boundary line of an area where an accident can possibly happen due to intrusion or fall.**

- Doing so can cause an accident or injury due to intrusion or fall of the robotic cleaner.

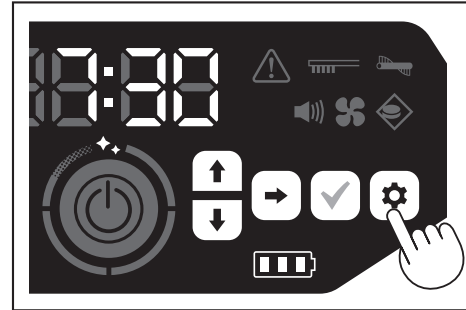
**For an area with a risk of intrusion or fall of the robotic cleaner, place an object serving as a wall with a height of 25 cm or more (an object that does not move or fall over when hit by the robotic cleaner) on a flat surface.**

- The cleaning range can be limited by attaching magnetic boundary line (sold separately) on a floor surface to make a boundary line. The robotic cleaner detects and avoids magnetic boundary line.
- Set the cleaning range for the robotic cleaner in the following cases.

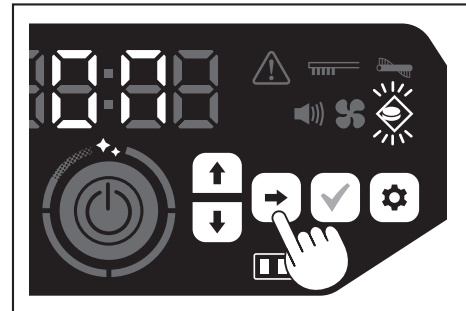


- ▶ 1. Cleaning area 2. Magnetic boundary line 3. Area in which you do not want the robotic cleaner to run
  - When you want to divide a space that is too large to clean at one time into multiple areas for cleaning.
  - When there is an area that you do not want the robotic cleaner to enter.
  - When there is an area that the robotic cleaner can enter but cannot leave.
  - When the robotic cleaner climbs over a low step but falls from it.
  - When the robotic cleaner gets caught in the middle of a step.
1. Lay magnetic boundary line with the following points in mind.
    - Be sure to lay the magnetic boundary line without any gap between it and the floor surface.
    - Lay the magnetic boundary line about 15 cm away from the area that you do not want the robotic cleaner to enter.
    - Place the magnetic boundary line on a floor surface that is as flat as possible so that it does not become unsteady. Not doing so can cause the robotic cleaner to displace the line and fail to recognize the line correctly.
    - The robotic cleaner may not recognize a magnetic boundary line placed on a concave or stepped surface.
    - Make sure that the magnetic boundary line is a genuine product. If it is not a genuine product, performance and safety cannot be guaranteed.

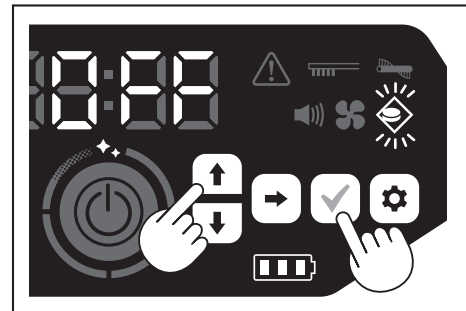
- Some floor surfaces may become dirty. Check the suitability properly before use.
  - Depending on the floor surface and operating environment, the magnet sensor for boundary sensing is likely to fail to recognize magnetic boundary line, or magnetic boundary line is likely to become dirty or torn. Check the suitability properly before use.
2. With the robotic cleaner set in the stand-by state, press the setting button to enter the setting selection mode.



3. Press the next button to make the boundary-sensing lamp blink.



4. The up/down button can be used to switch between On and Off. After selecting On or Off, press the confirmation button to finalize the setting.
  - On: Boundary-sensing lamp turns on.
  - Off: Boundary-sensing lamp turns off.



## NOTICE

- The boundary-sensing feature is based on recognition of magnetic boundary line by a magnetic sensor. If there is tearing, lifting, etc. on the magnetic boundary line, the line may not be recognized.
- Periodically check for tears, positional deviation, and other problems of magnetic boundary line. If there is a problem such as tears, replace the line with new line.
- The boundary-sensing feature may activate near a magnetic object. When you do not want the boundary-sensing feature to work, disable the boundary-sensing feature.
- In a place where people and things come and go frequently, magnetic boundary line is stepped on and damaged. If the line deteriorates, replace it with a new line.
- Depending on the floor material, it is recommend to paste the magnetic boundary line onto the floor because the robotic cleaner may move the magnetic boundary line when detecting it.
- The magnetic boundary line can be cut with scissors.

## How to attach, remove, and use separately sold items

Refer to the pages listed below for how to attach, remove, and use separately sold items.

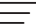
Separately sold items	Reference page	Remarks
Magnetic boundary line	20	–
Main brush Soft main brush	25	The handling procedure is the same as for the supplied main brush.
HEPA filter	24	Same as the supplied HEPA filter.
Side brush Soft side brush	25	The handling procedure is the same as for the supplied side brushes.
Battery	14	–
Main brush cover	25	Same as the supplied main brush cover.
Bumper cushion	–	An anti-scratch cushion to be attached to the robotic cleaner to protect the objects.

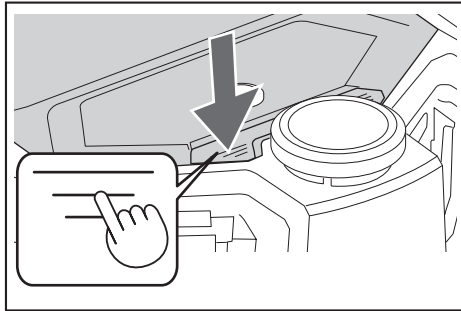
## How to dispose of garbage

### ⚠ WARNING

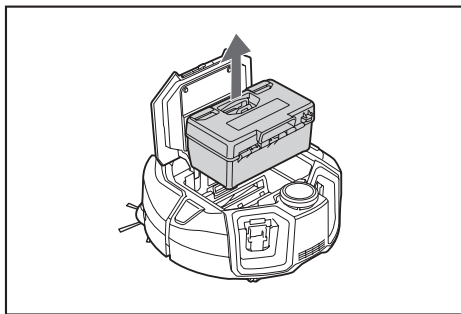
**Be sure to turn off the power and remove the batteries from the robotic cleaner before opening the top cover of the robotic cleaner.**

- If a battery is left inserted in the robotic cleaner, electric shock or injury may result.

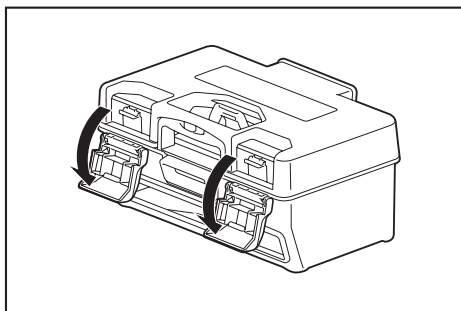
1. Pressing the open button (  ) opens the top cover. Be careful because the top cover opens quickly.



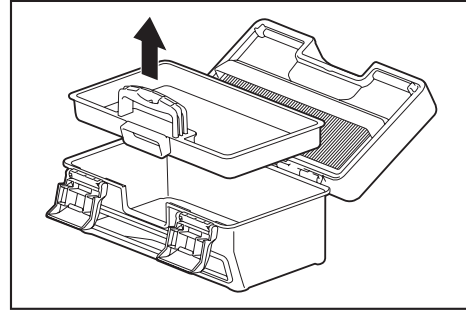
2. Remove the dust box. Do not hold the dust box with its opening facing downward. Doing so can cause dust to fall from the opening.



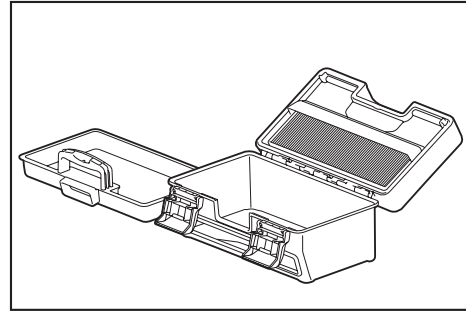
3. Release the two locked parts to open the top cover.



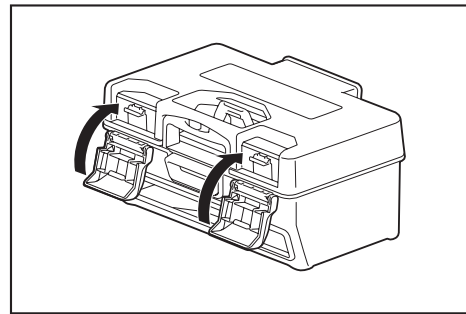
4. Take out the dust case. Be careful not to open the top cover on the filter side.



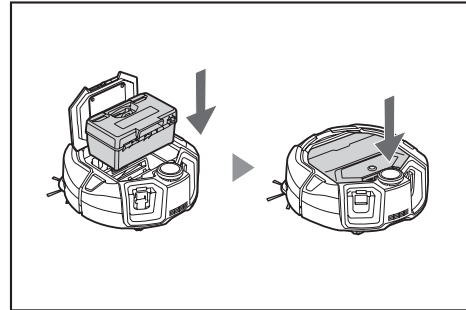
5. Dispose of garbage in the dust case and dust box, then remove dirt and dust in the filter. If the filter is too dirty, remove the filter and wash it with water. (See page 24.)



6. Put the dust case back in the dust box. Then, close the top cover and lock the two locking parts.



7. Put the dust box back in the robotic cleaner and push the top cover to close until it clicks. When closing the top cover, be careful not to get your fingers caught.



### NOTICE

- At the end of every cleaning, discard the garbage and care for the filter. If you continue cleaning without discarding garbage, the filter will get clogged and the suction power decreases.
- Correctly attach the dust box and the filter.

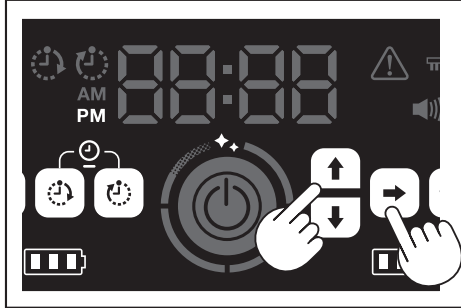


## Setting the Robotic Cleaner

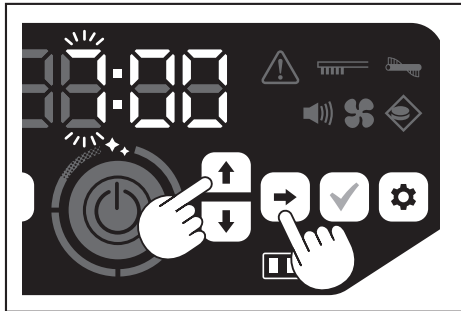
### Setting the time of day

When using for the first time, start by setting the time of day.

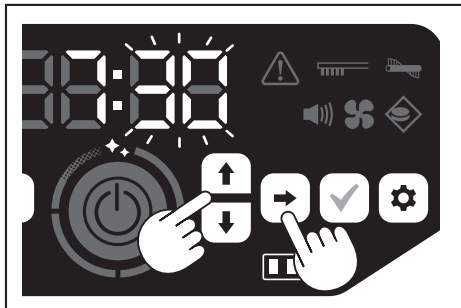
1. Using the up/down buttons, select the display format from [AM], [PM], or no distinction (in 24-hour notation), then press the next button to accept the selection.  
As the next button is pressed, the hours will blink.



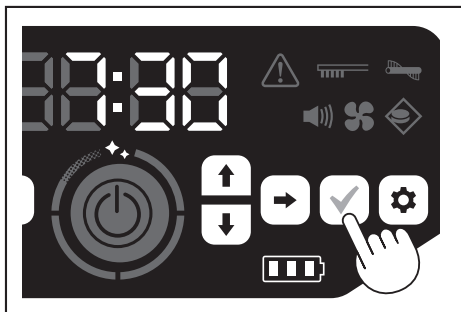
2. Select the hours using the up/down buttons, then press the next button to accept the selection.  
As the next button is pressed, the minutes will blink.



3. Select the minutes using the up/down buttons, then press the next button to accept the selection.



4. Press the confirmation button to finalize the time of day.



#### NOTICE

- During adjustment of the hours/minutes, holding down the up/down button results in the hours/minutes changing quickly.
- When the robotic cleaner is not used for a long period of time, the time setting may become inaccurate due to the storage temperature or may be reset if the built-in battery power loses its charge.

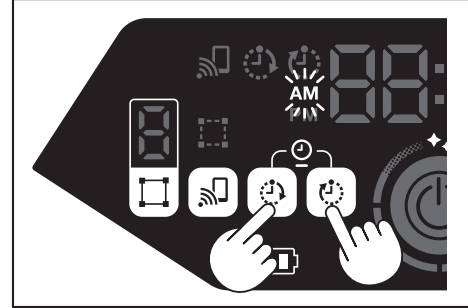
### Setting the time of day again

When the robotic cleaner is not used for a long period of time, the time setting will be inaccurate or reset.

When you connect the robotic cleaner to a smartphone using the app, the time of day on the smartphone is automatically set on the robotic cleaner.

If you want to set the time of day manually, perform the following procedure.

1. Put the robotic cleaner into the stand-by state. (See page 15.)
2. Hold down the ON timer button and OFF timer button simultaneously to make the time format [AM] or [PM] blink (does not blink when the previous setting was 24-hour notation).



3. Set the time of day by following the "Setting the time of day" on this page from step 1.

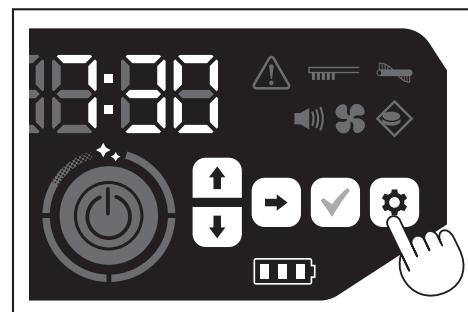
### Setting up Wi-Fi® (robotic cleaner and smartphone)

- To operate the robotic cleaner from the app, make Wi-Fi® settings for the app and robotic cleaner. (See page 33.)
- Install the app in your smartphone in advance.
- The robotic cleaner serves as the access point for the smartphone. When a smartphone is connected to the robotic cleaner, the smartphone will not be connected to any network other than the robotic cleaner.
- To connect a smartphone to the robotic cleaner, press the smartphone connection button to enable the Wi-Fi.
- When not using Wi-Fi, press the smartphone connection button to turn off the smartphone connection lamp.
- Multiple robotic cleaner can be managed with one app. In this case, establish wireless connection with the app one by one.

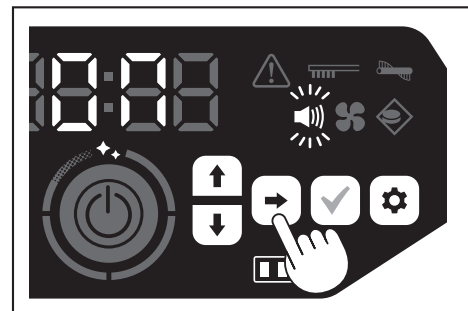
### Making a sound setting

- You can select whether the robotic cleaner makes sounds or not.
- This sound setting is also possible from the remote control.

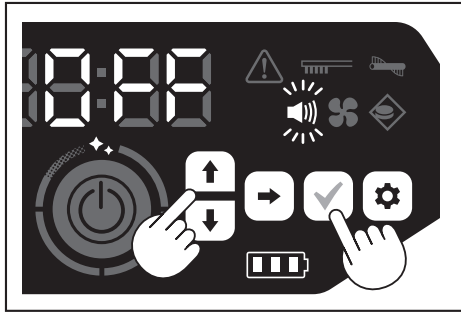
1. With the robotic cleaner set in the stand-by state, press the setting button to enter the setting selection mode.



2. Press the next button to make the sound lamp blink.



- The up/down buttons can be used to switch between On and Off. After selecting On or Off, press the confirmation button to finalize the selection.
  - On: Sound lamp turns on (sound enabled).
  - Off: Sound lamp turns off (sound disabled).



#### NOTICE

Even if the sound setting is off, the robotic cleaner can sound to notify of an error, etc.

### Switching the sound setting on and off with the remote control

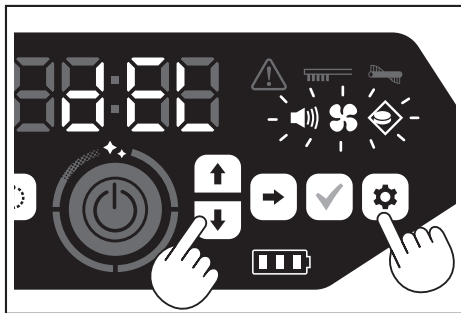
With the robotic cleaner set in the stand-by state, pressing the sound ON/OFF button of the remote control allows the sound setting to be switched between on and off.

The sound setting can be switched on and off even during cleaning if it is set from the remote control.

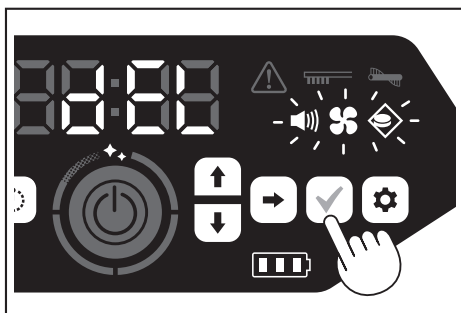
### Resetting the settings

You can reset the settings of the robotic cleaner to the factory defaults.

- Put the robotic cleaner into the stand-by state. (See page 15.)
- Hold down the down button and the setting button. [dEL] is displayed on the time indicator, and the icons and lamps other than the error lamp blink.



- Press the confirmation button while [dEL] is displayed (about 10 seconds).
  - If the confirmation button is not pressed while [dEL] is displayed, the robotic cleaner goes back to the stand-by state.
  - When the robotic cleaner is executing the reset process, the icons and lamps other than the battery power lamp turn off. Although the robotic cleaner will not work at this time even if you press the buttons on the operation panel, do not touch the buttons. In addition, do not remove the batteries.

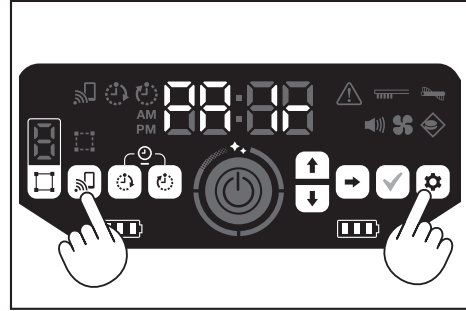


- Upon completion of the reset process, a restart is performed and then the time-of-day setting screen appears.

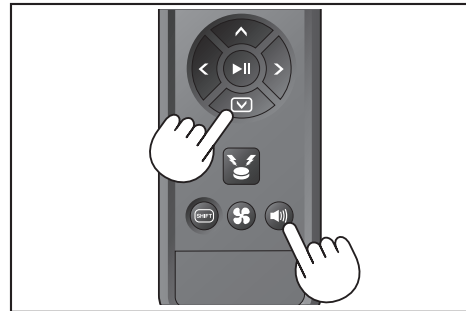
### Pairing the robotic cleaner and the remote control

When the remote control is replaced with a new one, establish a pairing of the robotic cleaner and the remote control.

- Hold down the smartphone connection button and the setting button simultaneously to make [PAIr] appear on the time indicator. [PAIr] is displayed for 10 seconds.



- During the period when [PAIr] is displayed, simultaneously press the action button (down) and the sound ON/OFF button of the remote control. When pairing is successful, the robotic cleaner issues two short beeps and returns to the standby state.



#### NOTICE

- If pairing fails, an error sound is made.
- If the robotic cleaner cannot receive a signal from the remote control during the period when [PAIr] is displayed, the robotic cleaner goes back to the stand-by state.

## Care

### ⚠ WARNING

Be sure to turn off the power and remove the batteries from the robotic cleaner before caring for the robotic cleaner.

- If a battery is left inserted in the robotic cleaner, electric shock or injury may result.

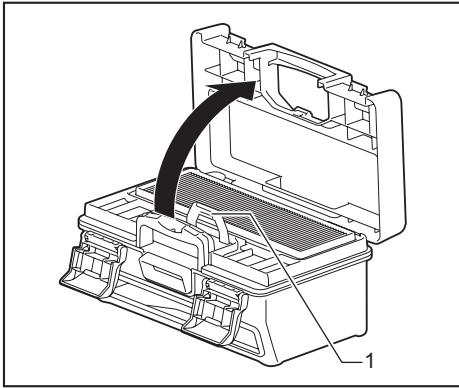
### ⚠ CAUTION

To keep optimum performance, periodically perform the maintenance mentioned in this section. If there is a problem, stop using the robotic cleaner and ask the shop from which you made a purchase or our sales office to do inspection and repair.

## Maintenance

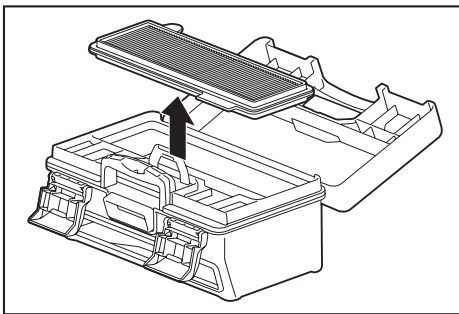
### Caring for and replacing the dust box and the filter

- When the suction power of the robotic cleaner goes down, when the dirt is noticeable, or when the filter care lamp lights up, remove the filter and wash it with water.
  - Lay down newspaper or something before caring.
  - Do not use chemicals or hot water with a temperature of 40 °C (104 °F) or more.
1. Dispose of garbage following steps 1 to 5 of "How to dispose of garbage". (See page 21).
  2. Put the dust case back in the dust box and close the top cover of the dust box.
  3. Unhook the hook and open the filter-side top cover.

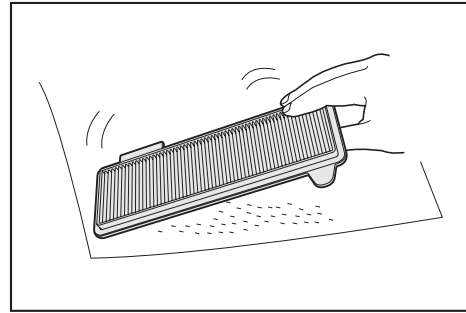


► 1. Hook

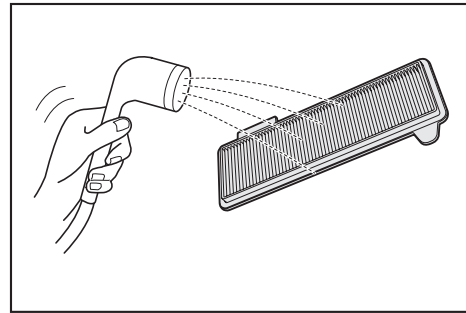
4. Remove the filter from the dust box.  
When removing the filter, do so slowly to avoid raising dust.



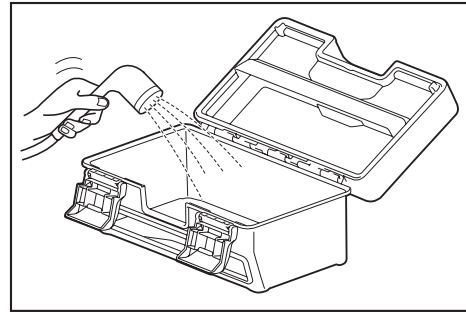
5. Let dirt and dust fall with light taps on the filter.
  - Do not scrub the filter hard or press it down with fingers.
  - Do not use a sharp-pointed object (such as a toothpick), which can be a cause of breakage.



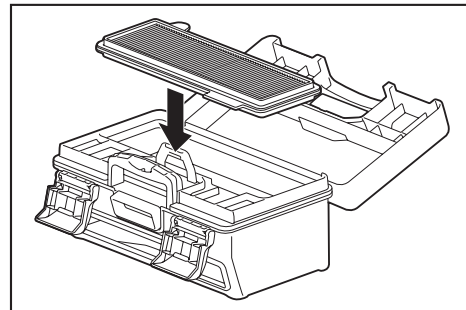
6. When the suction power of the robotic cleaner is weak, wash the filter with water.  
If the smell bothers you, let the filter stand in diluted neutral detergent for about three hours and then wash it with water.



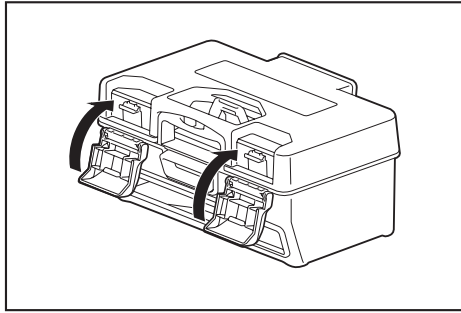
7. When the dirt of the dust box is noticeable, wash it with water or diluted neutral detergent.



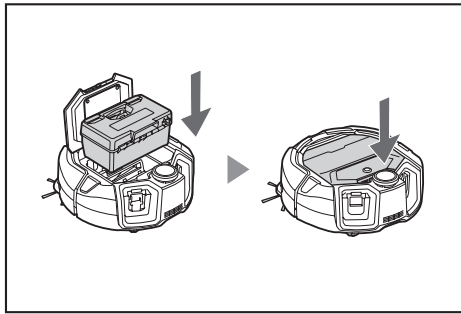
8. When you have washed the filter or the dust box with water, dry it sufficiently in a well-ventilated place out of direct sunlight.
  - Using parts without drying them properly may cause a reduction in suction power, as well as a reduction in motor life.
  - Using parts while moisture remains on them may cause an odor or failure.
  - The drying time should be about one day.
  - Avoid drying with a dryer, a blower, etc.
9. Attach the filter to the dust box.



- Close the filter-side top cover and make sure that the hook is hooked. Then, lock the two locking parts.



- Put the dust box back in the robotic cleaner and push the top cover to close until it clicks. When closing the top cover, be careful not to get your fingers caught.

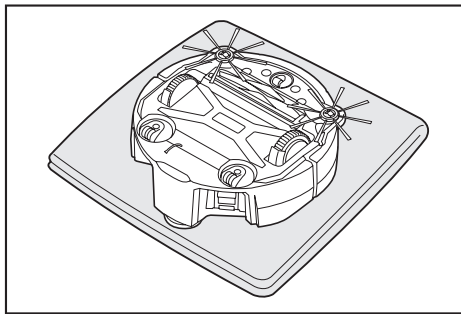


#### NOTICE

- Do not use the robotic cleaner with the filter removed. Do not use the robotic cleaner with the filter damaged or dirty.
- The filter can be washed with water. Wash away the dust with water at regular intervals (every one to two months).
- When the filter deteriorates, replace it with a new filter.
- The filter is a consumable and thus it is recommended to prepare a spare.
- Do not damage the filter by scouring it with a hard object such as a brush or a spatula.
- Do not clean the HEPA filter with an air blower or a pressure washer because it is easily damaged.

#### Precautions to take when caring for the underside of the robotic cleaner

- Take out the dust box before performing maintenance. (See page 21.) Not doing so can cause dust to fall from the opening.
- Turn the robotic cleaner upside down before caring for the side brushes, main brush, underside of the robotic cleaner, and wheels.
- During maintenance, lay a thick mat or something so that the robotic cleaner and the floor surface are not damaged and so that the LiDAR sensor is not subjected to pressure.




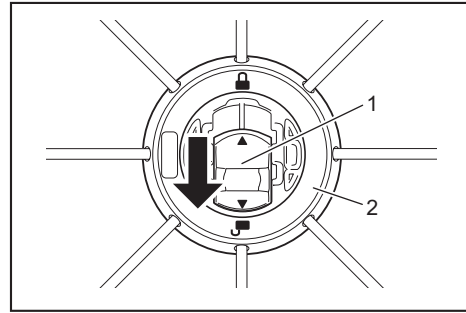
- Do not press the undersurface of the robotic cleaner hard with the robotic cleaner turned upside down. Pressing it hard can cause damage to the robotic cleaner.

#### Caring for and replacing the side brushes

- If an error indication (see page 28) is made, or dust and hair are caught in a side brush, care for the side brush.
- When the bristles of a side brush are bent or fall out, replace it with a new one.
- When a side brush does not rotate or is hard to rotate, remove the side brush and then care for it.

- Turn the robotic cleaner upside down on a mat, etc.

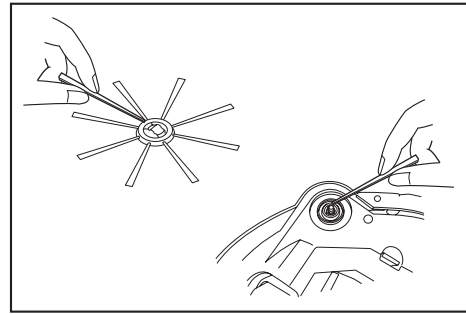
- Slide the lock lever of the side brush to  (release mark).



- 1. Lock lever 2. Side brush

- Remove the side brush.

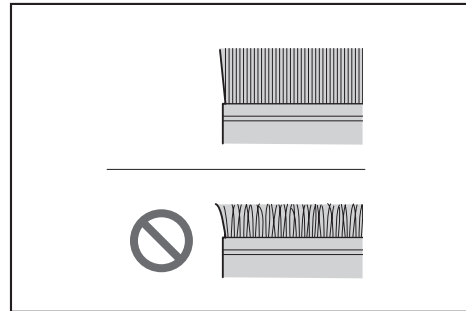
- Remove hair and dust caught in the side brush using tweezers or other tools.



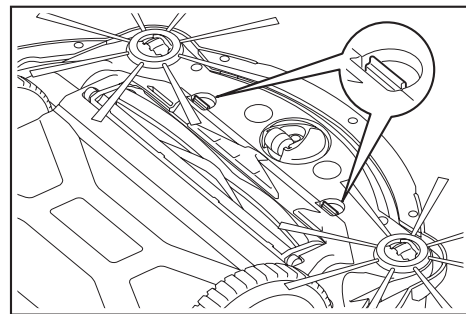
- Attach the side brush to the robotic cleaner. (See page 13.)

#### Caring for and replacing the main brush

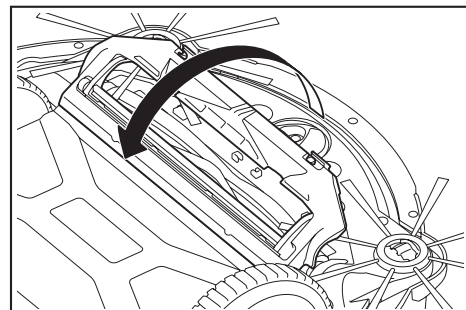
- If an error indication (see page 28) is made, or dust and hair are caught in the main brush, care for the main brush.
- If the bristles of the main brush wear and are becoming shorter, replace the main brush.



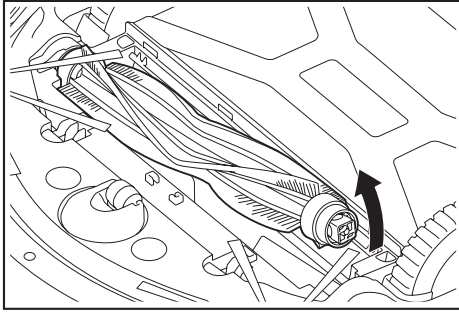
- Turn the robotic cleaner upside down on a mat, etc.
- Unhook the hooks of the main brush cover.



- Remove the main brush cover. Do not disassemble the main brush cover.



4. Remove the main brush.



5. Care for the main brush, main brush cover, main brush housing, and joints as described below.

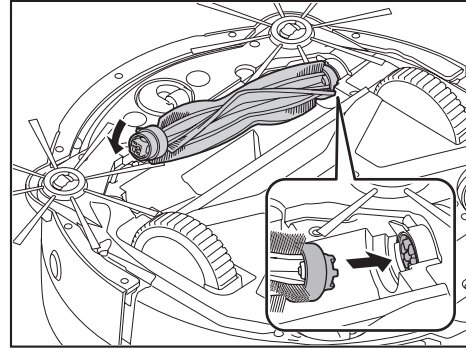
Part	How to care
Main brush	<p>Remove the bearing cap attached to the main brush and get rid of the trapped dust. For trapped hair and lint, cut them short along the bristles of the brush with scissors and then remove them. For clinging dust, wash it away with water.</p> <p>1. Bearing cap</p>
Main brush cover	<p>Wipe it clean with a cloth dampened with water or diluted neutral detergent. If the dirt is noticeable, wash it away with water.</p>
Main brush housing	<p>Wipe it clean with a cloth dampened with water or diluted neutral detergent. It cannot be washed with water.</p>
Joints	<p>For the joints attached to the robotic cleaner, loosen the screw with a screwdriver while holding the joint by hand. After that, pick the joint up. Remove dust caught inside the robotic cleaner.</p> <p>1. Joint 2. Screw</p>

**NOTICE**

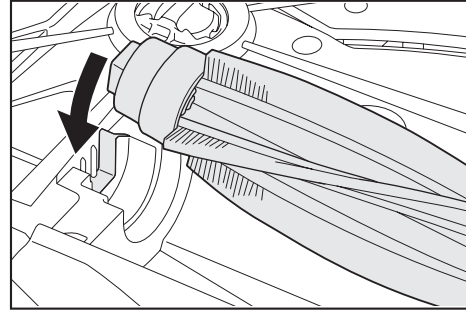
Do not use thinner, benzine, alcohol, etc. because they can be a cause of deterioration or discoloration.

6. Parts washed with water should be dried sufficiently in a well-ventilated place out of direct sunlight.
- Using parts without drying them properly may cause a reduction in suction power, as well as a reduction in motor life.
  - Using parts while moisture remains on them may cause an odor or failure.
  - The drying time should be about one day.
  - Avoid drying with a dryer, a blower, etc.
7. Put the bearing cap back to the original position in the main brush.
8. Fasten the joints to the robotic cleaner using screws.

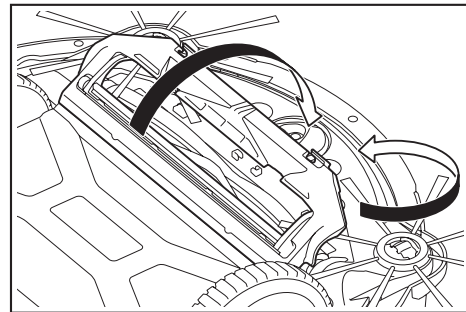
9. Attach the main brush so that the shape of the main brush holder fits the groove of the joints of the robotic cleaner.



10. Rotate the bearing cap to align the orientation, then insert it into the robotic cleaner.

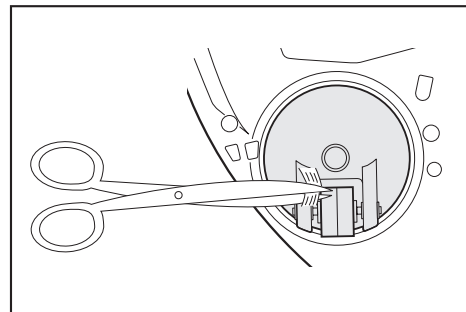


11. Attach the main brush cover (push the hook in until it clicks).
- Be careful not to get a side brush caught in the main brush cover.
  - Make it easier to avoid catching the side brushes by removing the side brushes temporarily or by attaching the main brush cover while rotating the side brush in the direction shown in the figure.

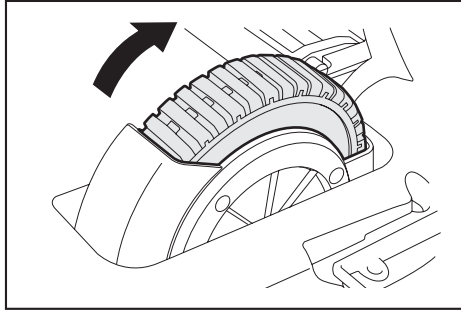


**Caring for wheels**

- Care for wheels when dust and hair get caught in them.
- Do not remove wheels from the robotic cleaner.
- Get rid of dust caught in the casters. If it is hard to get rid of, use fine-tipped scissors, tweezers, etc.



- Remove dirt on both drive wheels while rotating them. In this time, be careful not to get your hand caught.

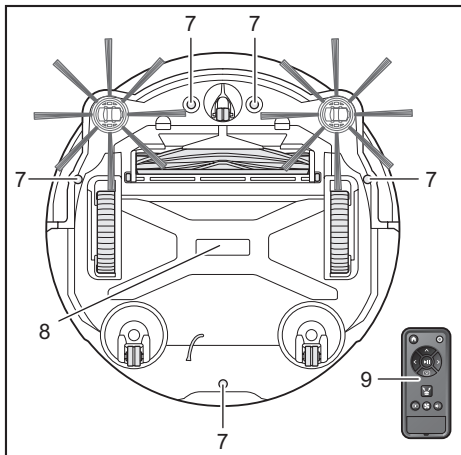
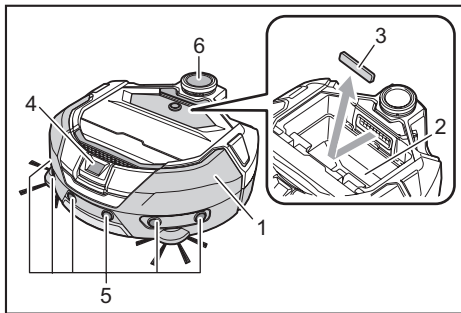


## Caring for the robotic cleaner

### NOTICE

- Do not use thinner, benzine, alcohol, etc. because they can be a cause of deterioration or discoloration.
- Do not use a sharp-pointed object (such as a toothpick) because it can be a cause of breakage or damage.

Follow the table below in caring for parts of the robotic cleaner.



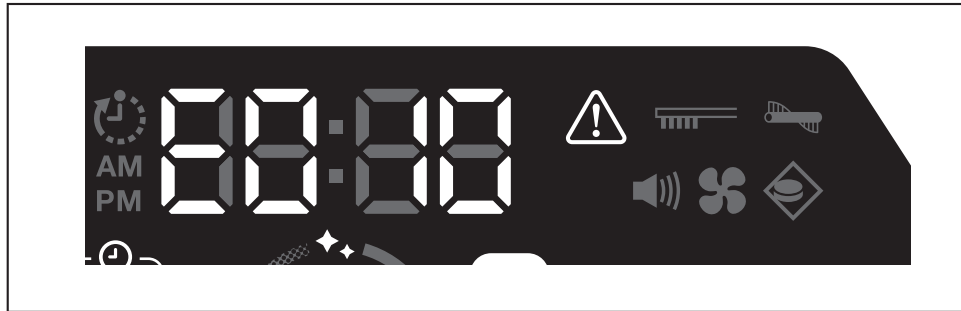
Number	Part	How to care
1.	Robotic cleaner surface	Wipe it clean with a cloth dampened with water or diluted neutral detergent.
2.	Interior of the robotic cleaner (dust box housing)	Wipe it clean with a cloth dampened with water or diluted neutral detergent.
3.	Suction opening sponge inside the robotic cleaner	Take out the sponge and wash away the dust on the sponge with water.
4.	Camera sensor	Wipe dirt off with a soft cloth or a cotton swab while being careful not to cause damage.
5.	Ultrasonic sensor	Wipe it clean with a cloth dampened with water or diluted neutral detergent.
6.	LiDAR sensor	Remove dust and dirt inside the cover of the LiDAR sensor.
7.	Cliff sensor (5 locations)	Wipe dirt off with a soft cloth or a cotton swab while being careful not to cause damage.
8.	Underside of the robotic cleaner	Wipe it clean with a cloth dampened with water or diluted neutral detergent.
9.	Front face of the remote control and its buttons	Wipe dirt off with a dry cloth.

## About repair

- If it is not possible to resume operation after removing the cause of a notification or error indication (see page 28), turn the power off and then on again.
- If the same notification or error is displayed repeatedly, ask the shop from which you made a purchase or our sales office to do repair.
- Do not do repair by yourself. Be sure to ask the shop from which you made a purchase or our sales office.
- When you ask for repair, bring the robotic cleaner together with the batteries and charger.

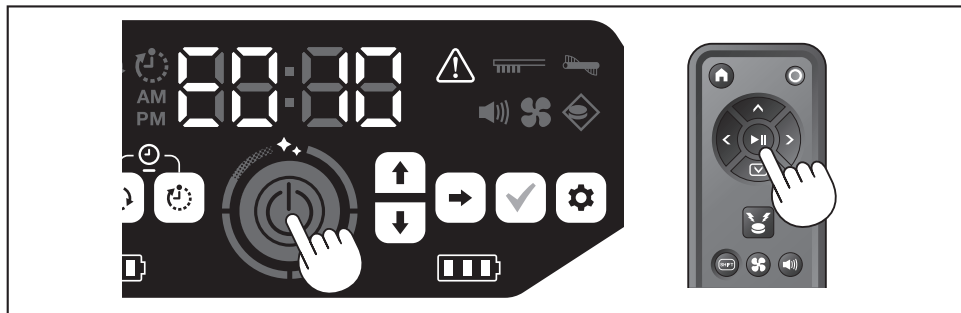
## Notification and Error Indication

When care is required or an error occurs, a red lamp lights up on the operation panel of the robotic cleaner, with the error number displayed. In addition, there can be a notification with a sound.



### Canceling a notification and error indication

- When a notification for filter care appears, the robotic cleaner can be operated but may not work properly. Remove the cause before using the robotic cleaner.
  - When an error notification appears, the robotic cleaner stops operating. Take action as follows.
1. Check the error number and remove the cause of the error. (See "Notification of a need of care, etc." on this page.)
  - If you turn off the power or the power runs out due to loss of the battery capacity before removal of the error cause, the robotic cleaner cancels the error temporarily.
  2. Pressing the start/stop button of the robotic cleaner or the remote control cancels the error indication, and the robotic cleaner enters the stand-by state.




3. Check that the error is cleared before using the robotic cleaner.

#### NOTICE

- Restart the robotic cleaner if you cannot operate the robotic cleaner after removing the cause.
- If the same error appears repeatedly, ask the shop from which you made a purchase or our sales office to do repair.





### Notification of a need of care, etc.













If the lamp lights up, turn off the power and remove the batteries. Then, take action as described below.

Notified problem	Cause	Action
<ul style="list-style-type: none"> <li>• Filter care is necessary.</li> </ul> 	Dust is accumulated or the filter is clogged.	Discard the dust and care for the filter. → See pages 21 and 24.  Check to see if dust is accumulated inside the robotic cleaner and at the exhaust opening.

### Error notification

- Take action according to the error lamp and number on the indicator.
- For the error codes in the list, a specific number will be displayed in place of the "X" depending on the error type. Report the error code when contacting the dealer or our sales office.
- When you check the cause or take action, turn off the power and remove the batteries as necessary before taking action.
- If an error number other than those listed below is displayed, ask the shop from which you made a purchase or our sales office.

Number	Cause	Action
E01X Error of drive wheels	 Is foreign matter such as lint or hair caught in the drive wheels?  When the robotic cleaner goes through a low gap, the robotic cleaner may get caught in the gap, displaying this notification.	Remove foreign matter. → See page 26.  It is not failure.
E02X Error due to loss of a wheel or uplift of the robotic cleaner	 Is a drive wheel derailed, or is a wheel separated from the ground?	Move the robotic cleaner to another place. → See page 10.
E030 Error of the main brush	  Is foreign matter such as lint or hair caught in the main brush?	Remove foreign matter. → See page 25.

Number		Cause	Action
Notified problem			
E04X Error of the side brushes	 	Is foreign matter such as lint or hair caught in the side brushes?	Remove foreign matter. → See pages 13 and 25.
E060 Non-detection of the dust box or the filter	 	The dust box or the filter is not attached.	Check that they are attached properly. → See pages 21 and 24.
E09X Cliff sensor error		Is the robotic cleaner exposed to direct sunlight? Is the robotic cleaner on a black floor surface? Are the cliff sensor dirty?	Move the robotic cleaner to another place. → See page 10.  • Gently wipe off the dirt on the cliff sensor with a dry, soft cloth, a cotton swab, etc. • Check if the earthing line contacts to the ground. → See pages 8 and 10 and 27.
E10X Bumper sensor error		It is a malfunction of the bumper sensor.	Press the bumper with your hand about 10 times. → See page 8.
E110 Motion error		Does the robotic cleaner run on a step, etc. and get stuck there?	Move the robotic cleaner to another place. → See page 10.
E12X Decrease in the remaining battery capacity Timer setting error		Is the robotic cleaner unable to start operating by ON timer reservation because the remaining battery capacity is insufficient?	When starting operation by ON timer reservation, make sure that the batteries are fully charged.
E140 Room setting error Location information error		Is the room different from the mapped room, or is the starting point of cleaning different? Is the layout of the mapped room changed? Is the LiDAR sensor blocked by a cloth or dirty? Are there any obstacles with a height of 25 cm or more that the LiDAR sensor can detect around the robotic cleaner?	Check the mapped room and the starting point of cleaning. → See page 17. Perform mapping again. → See page 16. Remove the cloth, etc., and care for the LiDAR sensor. → See page 27. The LiDAR sensor requires obstacles taller than 25 cm within the following ranges: • 11 m radius from the robotic cleaner for mapping and mapping cleaning mode. • 18 m radius from the robotic cleaner for free cleaning mode. Please place some obstacles taller than 25 cm in the area.
E170 Error of the robotic cleaner top cover		Is the top cover of the robotic cleaner open?	Close the top cover of the robotic cleaner.
E190 Error due to loss of a wheel or uplift of the robotic cleaner		Is a drive wheel derailed, or is a wheel separated from the ground?	Move the robotic cleaner to another place. → See page 10.
E200 Error due to failure to return back to the starting point Error due to failure to go to the destination		The robotic cleaner failed to return back to the starting point of cleaning.  The robotic cleaner failed to proceed to the next destination because it is entered a narrow passage.	• If there are objects that obstruct the running of the robotic cleaner, put the objects away or keep the robotic cleaner away from those objects. → See page 20. • If robotic cleaner frequently fails to return to the starting point, turn on [Prioritize Homing] on the app. The time taken to go back to the starting point can be longer. → See page 42. • Check if there is a pathway of 80 cm or more for cleaning.

## Troubleshooting

Before asking for repair or making an inquiry, check whether the following apply.

### Power supply

Symptom	Cause	Action
<ul style="list-style-type: none"> <li>Pressing the start/stop button does not turn on the power.</li> <li>The lamp does not light up.</li> <li>Pressing buttons on the robotic cleaner and the remote control results in no response.</li> </ul>	Are the batteries installed correctly?	Check for proper installation of the batteries. → See page 14.
	Is the battery capacity lost?	Check the remaining capacity.
	Is the power of the robotic cleaner turned off?	Press the start/stop button of the robotic cleaner to turn on the power. → See page 15.



## Running operation

Symptom	Cause	Action
The robotic cleaner does not run.	Is the error lamp blinking?	The robotic cleaner does not run during an error. → See page 28.
	Is the robotic cleaner in the waiting mode for operation by ON timer reservation?	When the waiting mode for reserved operation is in effect, the operations other than turning off the power and location notification are not possible. → See page 19.
The robotic cleaner starts moving suddenly even though you perform no operation.	Is the ON timer reservation enabled?	→ See page 19.
The robotic cleaner stops when running.	Is the robotic cleaner caught in a cord or other object? Is a cloth or a string (for example, a thin towel) entangled around the wheels?	Turn off the power of the robotic cleaner and remove objects that are caught in the robotic cleaner and entangled around the wheels. → See page 26.
	Is the robotic cleaner stopped without climbing over a step?	Turn off the power of the robotic cleaner, and relocate the robotic cleaner to another place. → See page 10.
	Is the OFF timer set up?	→ See page 19.
	Are there any obstacles with a height of 25 cm or more that the LiDAR sensor can detect around the robotic cleaner?	The LiDAR sensor requires obstacles taller than 25 cm within the following ranges: • 11 m radius from the robotic cleaner for mapping and mapping cleaning mode. • 18 m radius from the robotic cleaner for free cleaning mode. Please place some obstacles taller than 25 cm in the area.
The speed changes.	The robotic cleaner can slow down when a sensor detects an obstacle or determines the running direction.	It is not abnormal.
The robotic cleaner does not go straight.	Is foreign matter caught in the wheels?	Turn off the power of the robotic cleaner and remove foreign matter on the wheels. → See page 26.
	Are any of the wheels damaged?	Request service from the shop from which you made a purchase or our sales office.
	Are the ultrasonic sensor and the LiDAR sensor dirty?	Care for them. → See page 27.
The robotic cleaner collides with an obstacle more often than before.	Are the ultrasonic sensor and the LiDAR sensor dirty?	Care for them. → See page 27.
The robotic cleaner fails to avoid a step and then falls.	Are the cliff sensor dirty?	Care for them. → See page 27.
	The robotic cleaner sometimes climbs down a step with a height of 3.0 cm or less.	It is not failure. → See page 10.
The robotic cleaner continues to perform avoidance behavior even though there are no obstacles or steps.	Are the cliff sensors or LiDAR sensor dirty?	Care for them. → See page 27.
Cliff sensor gets dirty quickly.	Is the earthing line cut and not making contact with the ground anymore?	Request service from the shop from which you made a purchase or our sales office.
The driving sound is louder than usual.	Is the dust box filled with dust? Is the filter clogged?	Dispose of the dust and care for the filter. → See pages 21 and 24.
	Is dust caught in the main brush and the side brushes?	Care for them. In addition, check for proper installation of the brushes. → See page 25.
The sound of the vacuum fan becomes louder during operation.	It becomes louder when the robotic cleaner switches the battery cartridge to use.	This is normal.
• The suction power is weak. • Dust is not sucked in.	Is the dust box filled with dust? Is the filter clogged?	Dispose of the dust and care for the filter. → See pages 21 and 24.
	Is the vacuum fan turned off?	Check the setting. → See page 18.
A side brush comes off.	Is the side brush installed correctly?	Check for proper installation. → See page 13.
A side brush or main brush does not rotate, is hard to rotate, or is tangled.	Is foreign matter (such as lint and hair) caught in the side brushes or the main brush?	Care for them. In addition, check for proper installation of the main brush and the main brush cover. → See page 25.
	The robotic cleaner cannot be used on a rug with a pile length of more than 7 mm. Even if the pile length is 7 mm or less, the robotic cleaner may stop operating or the pile may get caught in the side brushes depending on the pile material or other properties.	→ See page 10.
The exhausted air smells.	Is wet garbage or smelly garbage sucked in?	Discard the garbage. → See page 21.
	Is the filter clogged?	Care for the filter. When you have washed the filter with water, dry it sufficiently before using it. → See page 24.

## Remote control operation

Symptom	Cause	Action
The remote control does not work.	Are the batteries correctly placed in the remote control?	Check the battery orientation. → See page 13.
	If the robotic cleaner sometimes does not react when operated with the remote control, a possible cause is that the batteries are at the end of their life. (The criterion for replacement is about one year. A battery can become exhausted in less than one year depending on the battery used and the conditions.)	Replace the batteries with new ones. → See page 13.
	Is the power of the robotic cleaner turned off?	Press the start/stop button of the robotic cleaner to turn on the power. → See page 15.
	There is a possibility that the distance between the remote control and the robotic cleaner is too long for radio waves to reach properly.	Secure an unobstructed view by narrowing the distance between the remote control and the robotic cleaner and by relocating obstacles. → See page 11.
Operation with the remote control is not possible.	The following equipment that uses 2.4 GHz-band radio waves may possibly be in operation nearby. <ul style="list-style-type: none"> <li>• Microwave oven</li> <li>• Bluetooth®-capable devices</li> <li>• Wireless LAN devices</li> <li>• Other equipment that uses 2.4 GHz-band radio waves (such as digital cordless phones and game machines)</li> </ul>	Provide a longer distance between the robotic cleaner and the remote control, or discontinue the use of these devices temporarily.
	When you have replaced the remote control with a new one, establish a pairing with the robotic cleaner.	→ See page 23.
	If you cannot operate the robotic cleaner with the remote control after examining the possible causes listed above, turn the power of the robotic cleaner off and then on again.	→ See page 15.

## Operation panel

Symptom	Cause	Action
The set time is frequently reset.	The built-in battery is almost depleted because the robotic cleaner is not used for a long period of time.	Run the robotic cleaner for more than 1 hour, or set it in standby state. (The built-in battery will be recharged.)

## Timer function

Symptom	Cause	Action
Operation by ON timer reservation does not start at the time specified.	The robotic cleaner does not start operating according to ON timer reservation if any of the following conditions applies at the start of operation by ON timer reservation. <ul style="list-style-type: none"> <li>• The power is turned off.</li> <li>• When the battery capacity is insufficient</li> </ul>	→ See page 19.
	Does the timer lamp light up?	If the power is turned off or the battery capacity is used up after reservation is set, the timer lamp turns off. → See page 9.

## Mapping

Symptom	Cause	Action
<ul style="list-style-type: none"> <li>• The robotic cleaner stops during mapping.</li> <li>• Mapping fails.</li> </ul>	Is the room dark during mapping?	Make the room brighter until completion of mapping.
	There are no obstacles with a height of 25 cm or more within a radius of about 11 m of the robotic cleaner.	The environment may not be suitable for mapping. Cleaning in free cleaning mode is recommended. → See page 16.
The robotic cleaner starts cleaning instead of mapping.	Is an already registered room number selected?	Select an unregistered room number or delete the already registered map. → See pages 16 and 17.
<ul style="list-style-type: none"> <li>• A map is not registered.</li> <li>• The map is incomplete. (There is an area that is not registered.)</li> </ul>	The shape of the room, the layout of obstacles or other characteristics may be too complex.	Check if there is a pathway of 80 cm or more for cleaning. Tidy up the room. → See page 11.
		The battery capacity may be insufficient. Make the batteries fully charged and then do mapping.
	You can add the mapping information manually. → See page 39.	
	The robotic cleaner was picked up during mapping.	Do not pick up the robotic cleaner during mapping. The room information may not be registered correctly.

## App

Symptom	Cause	Action
It is not possible to establish connection to the app.	Was the smartphone connection button of the robotic cleaner pressed?	Press the smartphone connection button to connect to the app. → See page 33.
	Was the Wi-Fi® setting of the smartphone enabled?	Enable the Wi-Fi® setting of the smartphone.
	There is a possibility that the distance between the smartphone and the robotic cleaner is too long for radio waves to reach properly.	Secure an unobstructed view by narrowing the distance between the smartphone and the robotic cleaner and by relocating obstacles. → See page 11.
	The connection to the robotic cleaner failed.	For iPhone: Go to the iOS setting menu and enable the local network setting for Makita Robotic Cleaner DRC300.  For Android: If a pop-up appears to decide whether to keep the connection after establishing the Wi-Fi connection, allow it.
	The robotic cleaner may have failed to acquire the location information. (The robot cleaner's name is displayed as "null" in the PIN code entry screen.)	Enable the location information setting of your smartphone.

## Protection function

When any of the following conditions is established while the robotic cleaner is in operation, the motor stops automatically. This is due to the protection function, not failure.

Protection function
The motor stops automatically if the battery reaches a high temperature. <ul style="list-style-type: none"> <li>Stop cleaning and remove the batteries from the robotic cleaner. Then, charge and cool the batteries using a charger with cooling system or wait until the batteries have cooled.</li> <li>If the robotic cleaner does not work even with the batteries cooled, cool the robotic cleaner.</li> <li>If an error number is displayed on the robotic cleaner, remove the cause of the error. (See page 28.)</li> </ul>
The robotic cleaner stops automatically if the battery charge becomes weak, enters the sleep mode, and the power turns off completely if the remaining charge runs out. <ul style="list-style-type: none"> <li>Remove the batteries from the robotic cleaner and charge the batteries.</li> </ul>
The robotic cleaner stops automatically if an error is detected. <ul style="list-style-type: none"> <li>Check the error number and remove the cause of the error. After removal of the cause, the robotic cleaner can be used again. (See page 28.)</li> </ul>

## Storage

Turn off the power and remove the batteries before keeping the robotic cleaner in storage.

Do not store the robotic cleaner in the following places because it is a precision machine. Doing so can cause heating, ignition, failure, deterioration of rubber parts, etc.

- Places where the temperature rises suddenly
- Places where the temperature drops suddenly
- Places where the temperature changes suddenly
- Near a flame, a heater, cooling and heating equipment, etc.
- Outdoors
- Places exposed to direct sunlight
- Places exposed to moisture or vapor
- Places with much dust and sand
- Smoky places
- Places with poor ventilation

If the robotic cleaner is kept in storage without being used for a long time, its performance may be impaired. To use the robotic cleaner for many years, occasionally turn on the power of the robotic cleaner and use it.

## Optional Accessories

### ⚠ CAUTION

**These accessories or attachments are recommended for use with your Makita tool specified in this manual. The use of any other accessories or attachments might present a risk of injury to persons. Only use accessory or attachment for its stated purpose.**

If you need any assistance for more details regarding these accessories, ask your local Makita Service Center.

- Magnetic boundary line
- Main brush
- Soft main brush
- Side brush
- Soft side brush
- HEPA filter
- Main brush cover
- Bumper cushion
- Makita genuine battery and charger

### NOTICE

- Some items in the list may be included in the tool package as standard accessories. They may differ from country to country.
- To avoid false recognition when using the bumper cushion, do not attach the bumper cushion to the following areas: The area in the lateral extension of the ultrasonic sensors, and the upper and lower areas within 28 mm of the ultrasonic sensors.

# Smartphone App (For the DRC300)

## Table of contents

- What you can do with the app ----- 33
- How to install the app ----- 33
  - Preparations in advance ----- 33
  - Installing the app on a smartphone ----- 33
  - Initial setting ----- 33
- Home screen ----- 34
- Cleaning with the app ----- 34
  - Cleaning a room without mapping (free cleaning mode) ----- 34
  - Cleaning mapped rooms ----- 35
  - Operating the robotic cleaner with the app ----- 36
- Checking the history of cleaning ----- 36
  - Checking the latest history ----- 36
  - Checking the past histories ----- 37
  - Checking the error histories ----- 37
- Adding, changing, or deleting mapping information --- 38
  - Adding mapping information ----- 38
  - Adding mapping information manually (manual mapping) ----- 39
  - Changing the name of mapping information ----- 39
  - Limiting the range of cleaning ----- 40
  - Deleting mapping information ----- 41
- Changing and checking settings ----- 41
  - Changing the name of a registered robotic cleaner ----- 42
  - Setting cleaning options ----- 42
  - Changing the PIN code ----- 42
  - Deleting a registered robotic cleaner's information ----- 43
  - Checking the app information ----- 43
- Error message/dialogue ----- 44

## What you can do with the app

Using a smartphone with the robotic cleaner-specific app installed, you can do the following things:

- Cleaning
- Remote control operation
- Adding, changing, or deleting mapping information
- Checking the history of cleaning
- Changing robotic cleaner settings

## NOTICE

- This app is for use on a smartphone and does not run on tablet-type devices, PCs.
- A smartphone and the robotic cleaner are directly connected using the Wi-Fi® function. Note that the Internet is not available during the connection to the robotic cleaner. After using the app, remember to disconnect from the robotic cleaner by pressing the smartphone connection button.
- To use this app, you must give permission to get location information and agree to the terms of use. The user must judge whether to give permission to get location information and to agree to the terms of use.
- The application screen images are subject to change without notice.

## How to install the app

### Preparations in advance

A smartphone (Android or iOS) is necessary to use the app.

- Android: Android Version 6.0 or later is required.
- iOS (iPhone): iOS 12 or later is required.

### Installing the app on a smartphone

1. Using your smartphone, search for "Makita Robotic Cleaner DRC300" in Google Play™ or App Store.  
You can also access from the QR code.

Google Play™



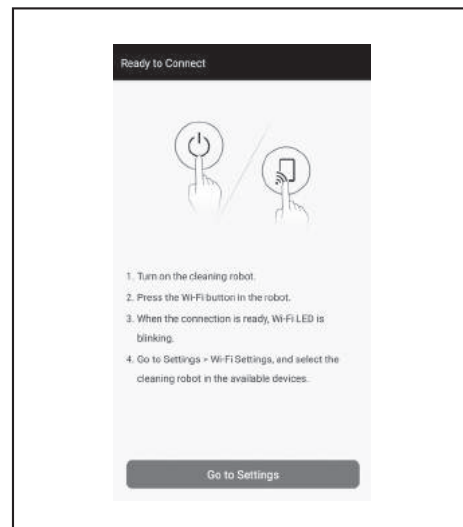
App Store



2. Install "Makita Robotic Cleaner DRC300"
3. After installation, start up "Makita Robotic Cleaner DRC300"

### Initial setting

1. As a screen appears to ask whether to permit the acquisition of location information, tap on [OK].
2. In the terms of use screen, tap on [Agree].
3. Follow the instructions on the screen:
  - Turn on the robotic cleaner and then press the smartphone connection button on the cleaner. After pushing the smartphone connection button, it takes about 8 seconds for the robotic cleaner to be ready for connection. When the connection is ready, the Wi-Fi LED will blink.
  - After that, tap on [Go to Settings] to display the Wi-Fi® setting screen of the smartphone.



Depending on your device, the following procedures may be required.

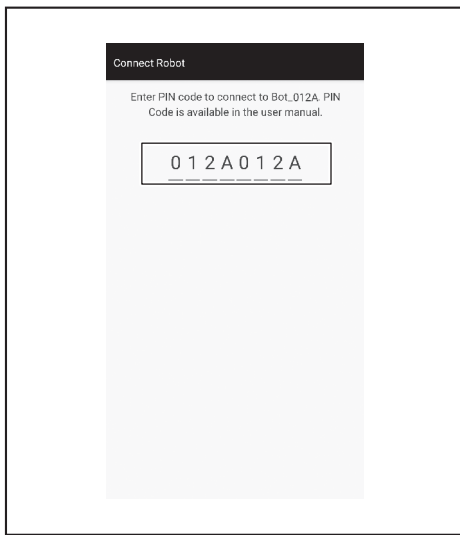
For iPhone:

Go to the iOS setting menu and enable the local network setting for Makita Robotic Cleaner DRC300.

For Android:

If a pop-up to decide whether to keep the connection after establishing the Wi-Fi connection is displayed, allow it.

4. Connect the smartphone to the robotic cleaner via Wi-Fi®. (This connection is NOT Bluetooth.)
  - Wi-Fi® connection setting (password entry) is required only when connecting to the robotic cleaner for the first time.
  - The initial password of the Wi-Fi® connection is set to alphanumeric characters that repeat the last four digits under the robotic cleaner's SSID twice. For example, if the SSID "Robotic\_Cleaner\_012A" is displayed, the password will be "012A012A".
  - Be sure that the smartphone cannot access other Wi-Fi® networks during the connection with the robotic cleaner.
5. Exit from the Wi-Fi® setting screen and display the app screen. After that, enter the PIN code to authenticate the connection.
  - The factory set PIN code is set to alphanumeric characters that repeat the last four digits under the SSID twice.
  - If the SSID is "Robotic\_Cleaner\_012A", the factory set PIN code will be "012A012A."
  - The home screen of the app will be displayed when the PIN code is successfully authenticated.

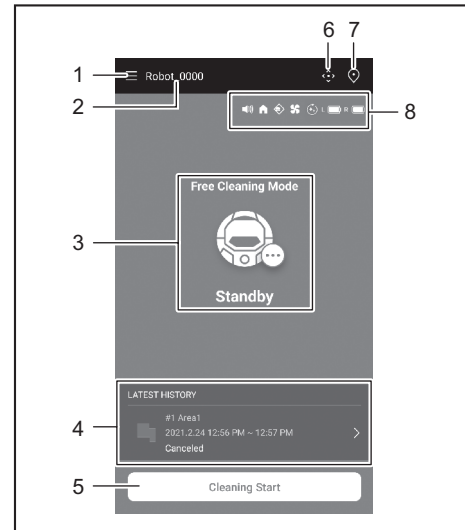


6. Change the PIN code.
    - Be sure to change the PIN code. Do not use the default PIN code. See page 42 for how to change the PIN code.
    - Do not forget the new PIN code you created.
  7. Initial setting is complete when "PIN code changed" is displayed. Return to the home screen to use the app.
- To disconnect the Wi-Fi connection, press the smartphone connection button on the robotic cleaner to turn off the smartphone connection lamp.

#### NOTICE

If your connection is suddenly disconnected, close the app once and then try to establish connection again.

## Home screen



1. Menu button (various settings, history check)
2. Robotic cleaner name
3. Operating state of the robotic cleaner
4. Latest record of cleaning (displayed only when there is a record)
5. Cleaning (or Mapping) start button
6. Remote control button
7. Mode switch button
8. Robotic cleaner settings and the remaining battery capacity
  - : The sound setting is on.
  - : The prioritize homing function setting is on.
  - : Boundary-sensing feature is on.
  - : The vacuum fan setting is on.
  - : The continuous cleaning setting is on.
  - : Left-battery's remaining capacity
  - : Right-battery's remaining capacity

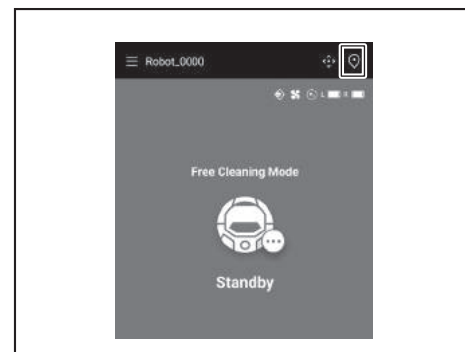
## Cleaning with the app

The robotic cleaner works in two modes: free cleaning mode, which does not require map registration, and mapping cleaning mode (see "Cleaning mapped rooms" on page 35), which requires room information to be registered for cleaning.

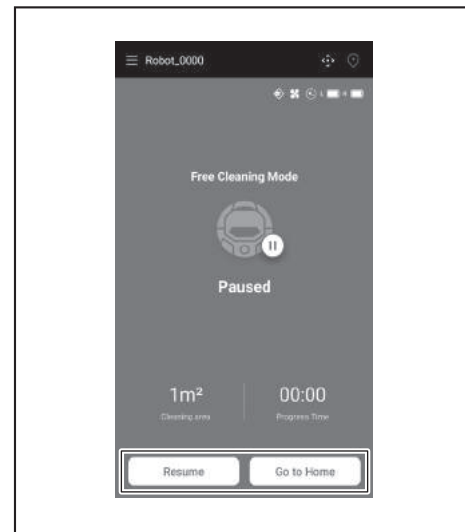
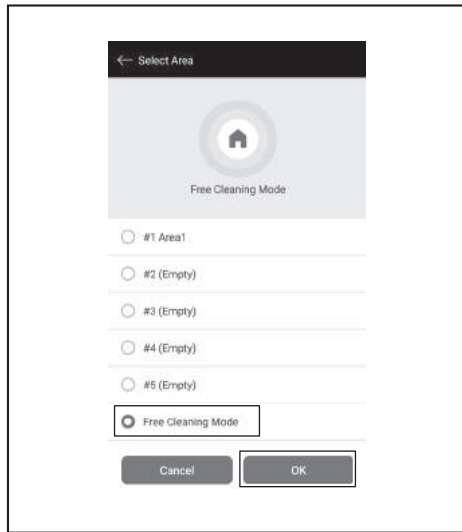
### Cleaning a room without mapping (free cleaning mode)

- Free cleaning mode is recommended for cleaning in various rooms or in an environment that involves frequent, significant layout changes.
- Free cleaning mode is also recommended for a room that cannot be adequately lighted.
- For cleaning, mapping, and the location to start the robotic cleaner, see page 16.

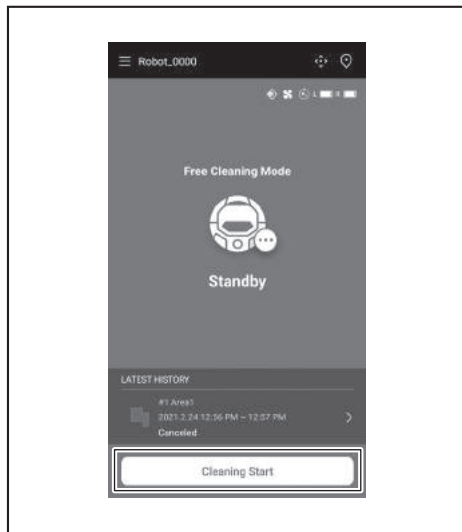
1. On the home screen, tap on



2. Tap on [Free Cleaning Mode], then tap on [OK].




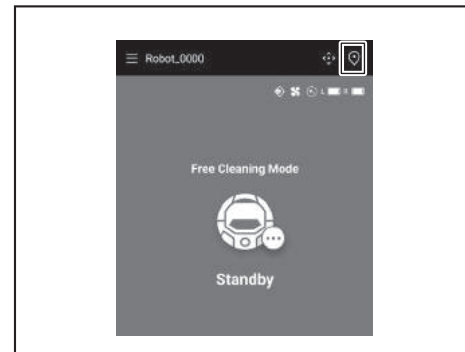
3. On the home screen, tap on [Cleaning Start] for the robotic cleaner to start cleaning.



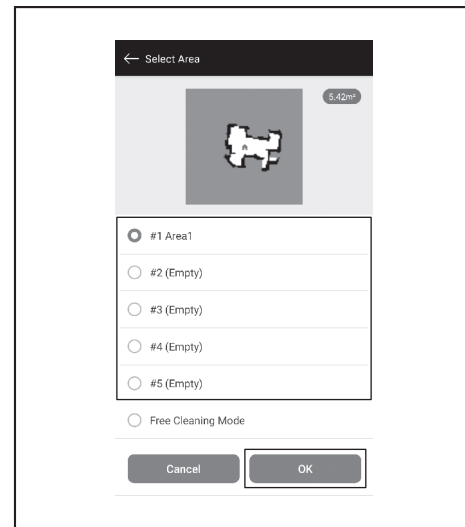
### Cleaning mapped rooms

- In mapping cleaning mode, the robotic cleaner works so that a mapped room is cleaned efficiently.
- The use of mapping cleaning mode requires mapping information to be registered. (See page 38.)

1. On the home screen, tap on .



2. Tap on the room you want to clean, then tap on [OK].
  - You can add, change, and delete a map. (See page 38)

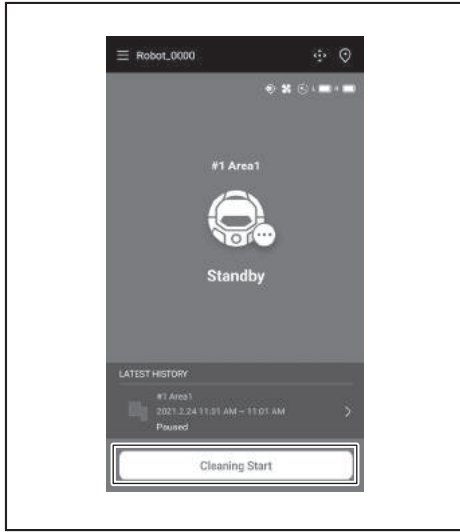


4. You can control the robotic cleaner with the following operations.
  - Tapping on [Pause] results in the robotic cleaner stopping cleaning temporarily.
  - Tapping on [Resume] while paused restarts the robotic cleaner.
  - Tapping on [Go to Home] while paused results in the robotic cleaner going back to the point where it started cleaning. As the robotic cleaner goes back to the starting point, the app goes to the home screen. This operation can be performed while the cleaning is paused.

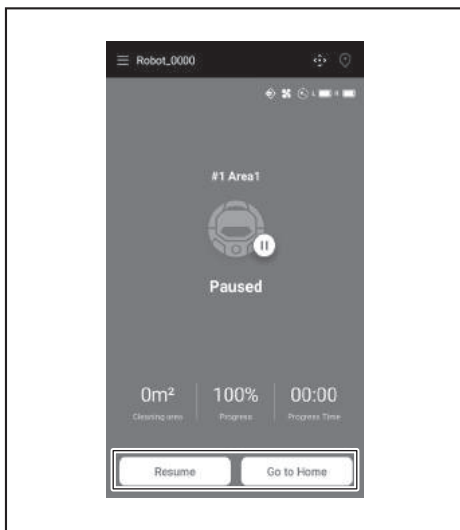
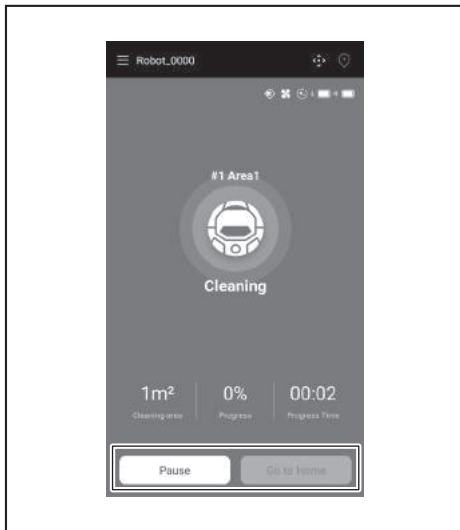


3. Place the robotic cleaner as close as possible to the same orientation as at the start of mapping.  
This allows the robotic cleaner to start cleaning smoothly.

- Tap on [Cleaning Start] for the robotic cleaner to start cleaning.



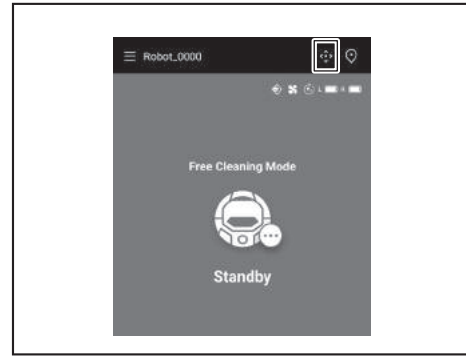
- You can control the robotic cleaner with the following operations.
  - Tapping on [Pause] results in the robotic cleaner stopping cleaning temporarily.
  - Tapping on [Resume] while paused restarts the robotic cleaner.
  - Tapping on [Go to Home] while paused results in the robotic cleaner going back to the point where it started cleaning. As the robotic cleaner goes back to the starting point, the app goes to the home screen. This operation can be performed while the cleaning is paused.
  - If the shape of the room does not match with the map information, the error screen is displayed and the robotic cleaner stops cleaning. Check if the selected room is correct and place the robotic cleaner at the starting point.
  - If the robotic cleaner is placed away from the starting point on the mapping information, the error screen is displayed.



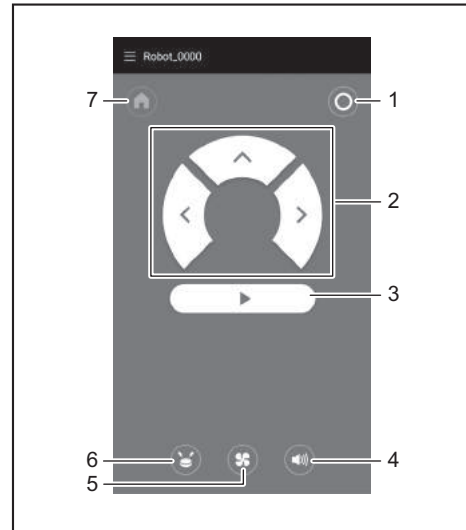
## Operating the robotic cleaner with the app

You can operate the robotic cleaner with the app as is the case with the remote control included with the robotic cleaner.

- On the home screen, tap on



- Tapping on buttons, operate the robotic cleaner.
  - You cannot make the robotic cleaner move backward from the app.



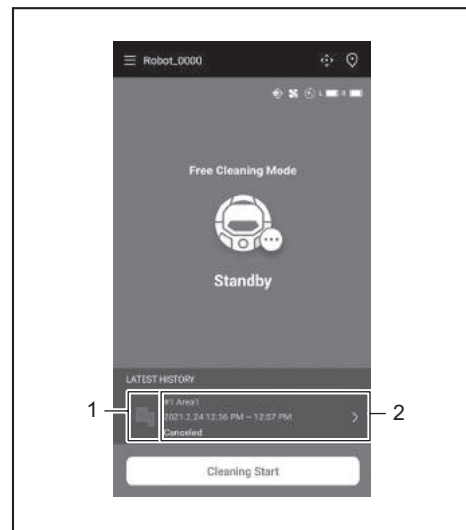
- ▶ 1. Power OFF button 2. Action buttons 3. Start/stop button 4. Sound ON/OFF button 5. Vacuum fan ON/OFF button 6. Location beacon buzzer/light button 7. Start point button

## Checking the history of cleaning

From the app, you can check the history of cleaning in detail.

### Checking the latest history



On the home screen, tap on the icon in [LATEST HISTORY].

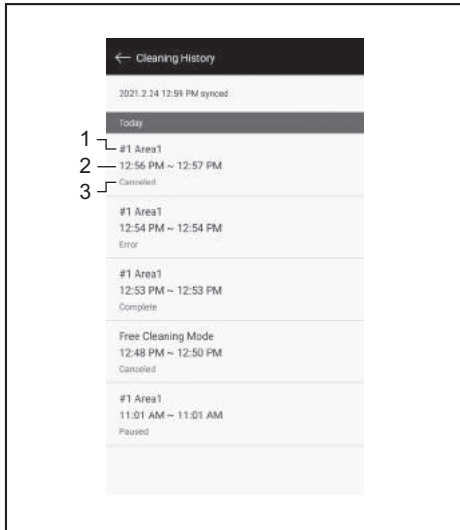


- ▶ 1. Icon to show the latest history 2. Article to show the list of histories

## Checking the past histories

Up to 15 histories can be recorded. If 15 histories have already been recorded, the oldest history will be erased when a new history is recorded.

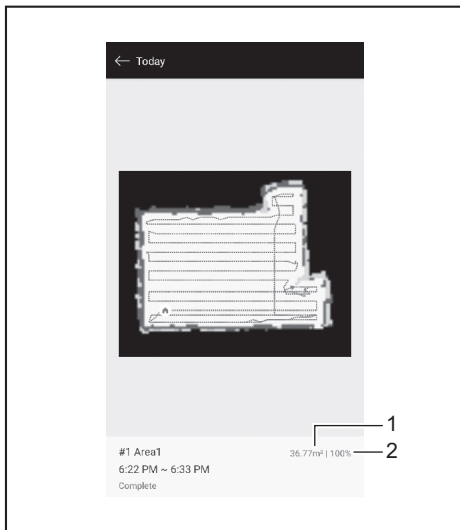
- On the home screen, tap on  in [LATEST HISTORY].  
You can tap on  on the home screen and then tap on [Cleaning History] to see the past records.
- Tap on the record you want to check.



- 1. Cleaned room or cleaning mode 2. Time during which the room was cleaned 3. Cleaning status (complete, stopped, error, etc.)

Tapping on an article shows the detail information of each history.


- Blue-green dash line: The trajectory of the robotic cleaner
- Yellow: The area that the robotic cleaner has cleaned
- Blue: Obstacles detected by bumper sensor
- Green: Obstacles detected by the ultra-sonic sensor
- Pink: Steps detected by the cliff sensor
- Purple: The area that the robotic cleaner has detected the magnetic boundary line
- White: The area that the robotic cleaner has not cleaned
- Gray: The walls or obstacles detected by LiDAR sensor

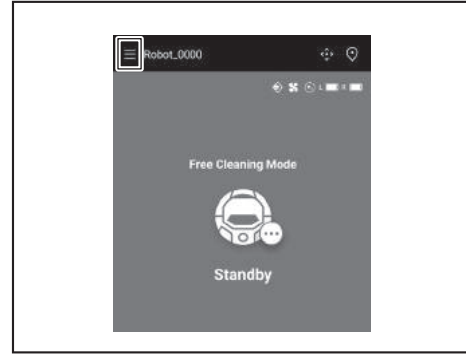


- 1. Cleaned area size 2. Cleaning coverage (mapping cleaning only)

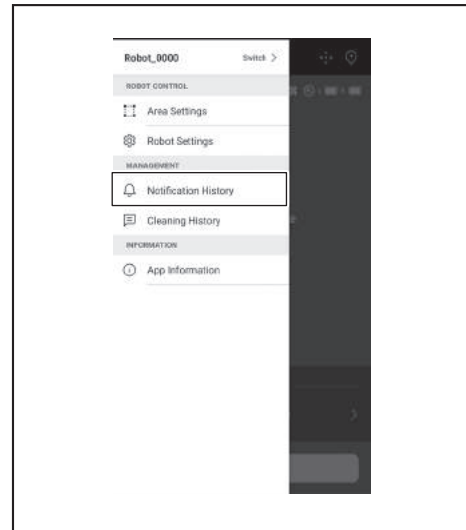
- The size and coverage of the cleaned area are not precise values. Use this information as a rough guide.

## Checking the error histories

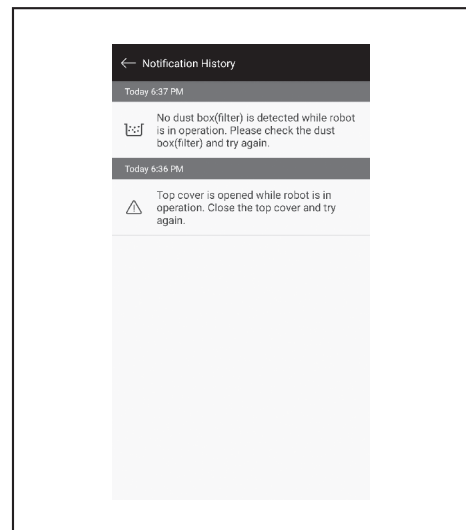
- On the home screen, tap on .



- Tap on [Notification History].




The date, time, and content of the error will be displayed. Up to 10 histories can be recorded. If 10 histories have already been recorded, the oldest history will be erased when a new history is recorded.

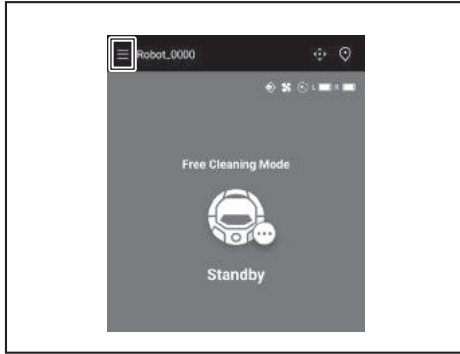




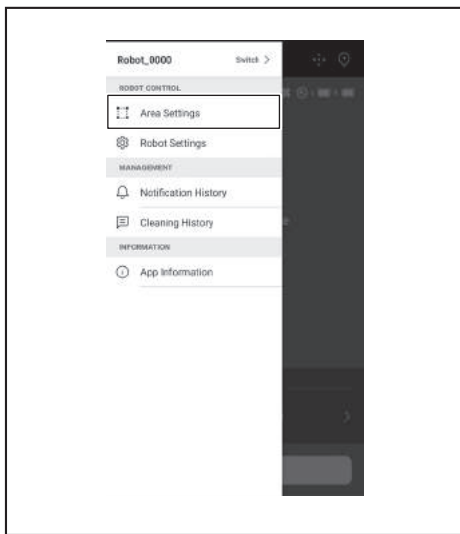
## Adding, changing, or deleting mapping information

You can add, change, or delete mapping information from [Area Settings] on the menu window.

1. On the home screen, tap on .



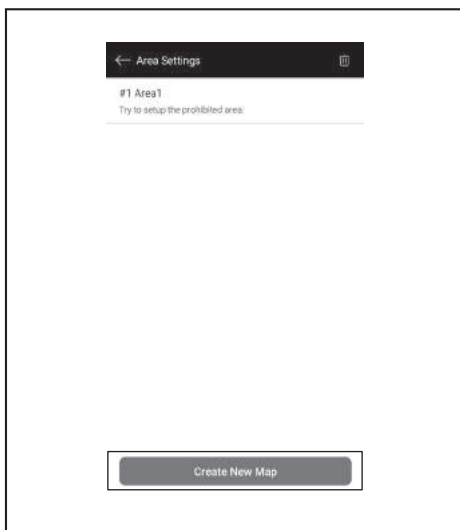
2. Tap on [Area Settings].



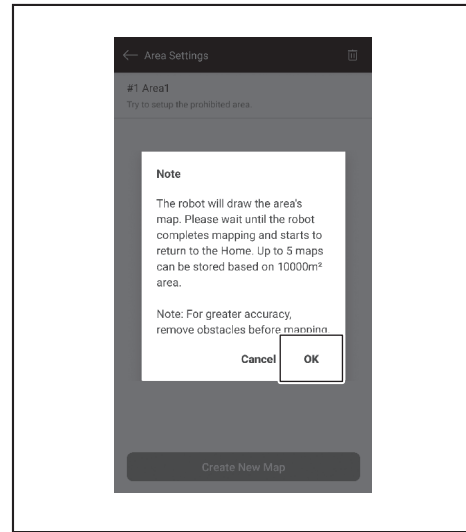
### Adding mapping information

You can save information for up to 5 maps with an area size up to 10,000 m<sup>2</sup>. The area size does not indicate the actual size of a mapped area but the rectangle area which covers the whole mapped area.

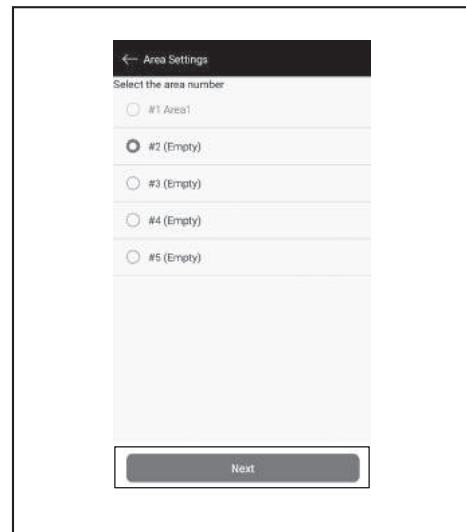
1. On the [Area Settings] screen, tap on [Create New Map].



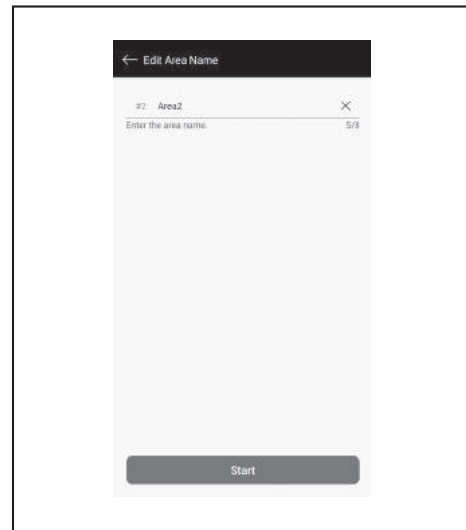
2. A notice is displayed. Tap on [OK].



3. Select an empty slot in which to save mapping information, then tap on [Next].

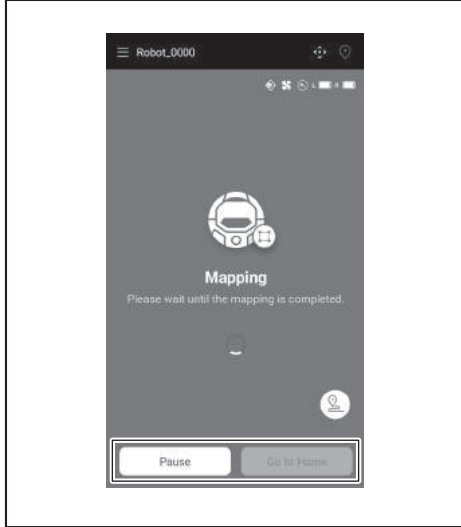


4. Enter an area name (Up to 8 characters).

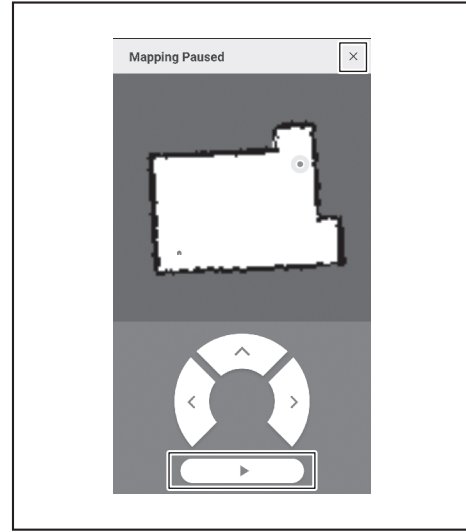


5. Tap on [Start].

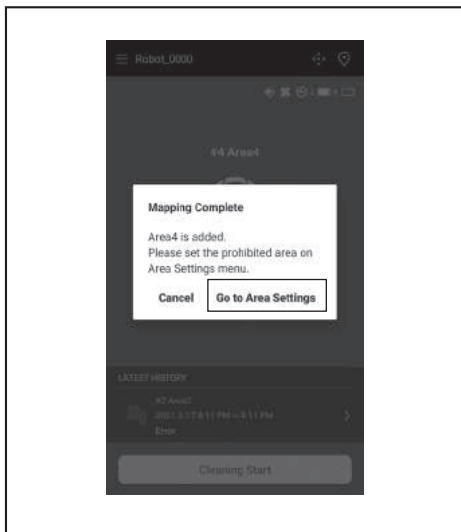
- The robotic cleaner starts mapping.
  - Tapping on [Pause] results in the robotic cleaner stopping mapping temporarily.
  - Tapping on [Go to Home] while paused results in the robotic cleaner going back to the point where it started mapping. The mapping information created up to when you tapped is registered. As the robotic cleaner goes back to the starting point, the app goes to the home screen.



- Move the robotic cleaner to trace the floor layout using the remote control buttons of the app or the remote controller.
  - After manually adding the mapping information, tap on ▶ to resume automatic mapping.
  - If you want to quit mapping, tap on [x] and then [Go to Home] or press the start point button on the remote controller.



- After the mapping is completed, the dialogue whether to perform area settings is displayed.
  - If you want to limit the range of cleaning, tap on [Go to Area Settings]. (See page 40.)

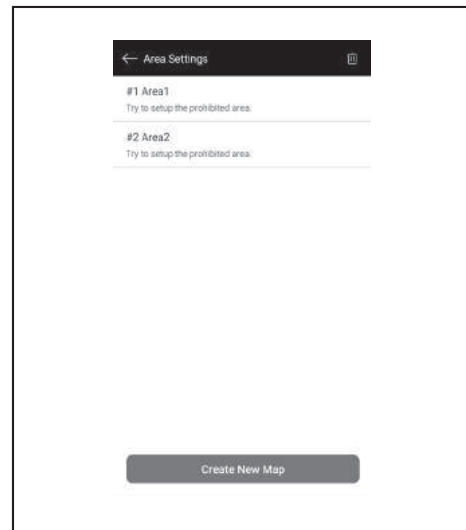


### Changing the name of mapping information

On the [Area Settings] screen, tap on the mapping information you want to change.

You can tap on a name to go to the settings screen.

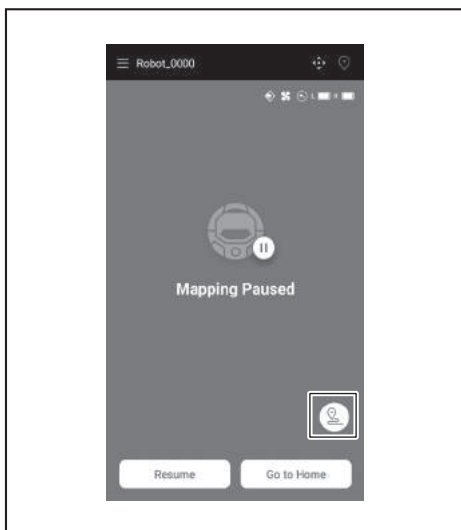
- On the [Area Settings] screen, tap on the mapping information you want to change.



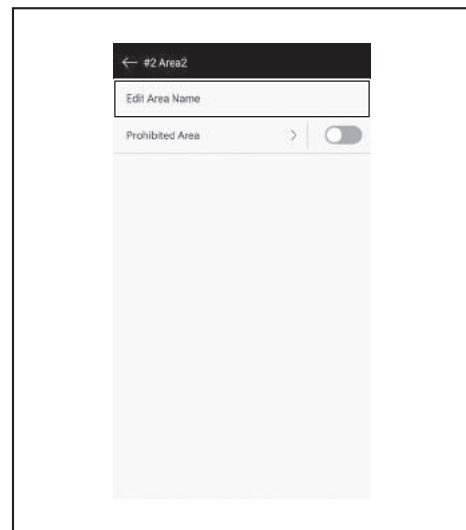
### Adding mapping information manually (manual mapping)

During mapping, you can manually add the mapping information with the app. It is recommended when mapping an intricate floor layout.

- Tap on [Pause] and then [Remote Control] to display remote control buttons.



- Tap on [Edit Area Name].



3. Edit the name (Up to 8 characters).



4. Tap on [Save] to finalize the name.

### Limiting the range of cleaning

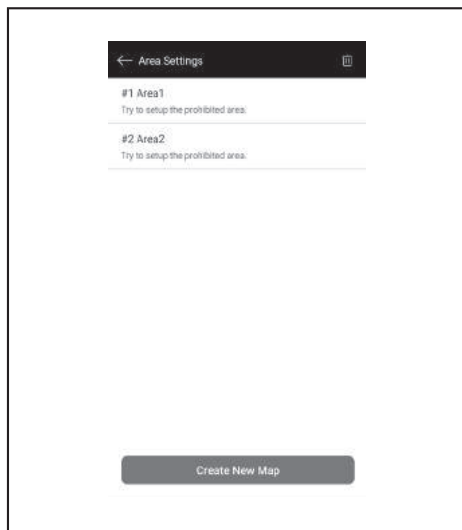
**⚠ WARNING**

**Do not use the cleaning prohibited area configured by the app as a boundary line of an area where an accident can possibly happen due to intrusion or fall.**

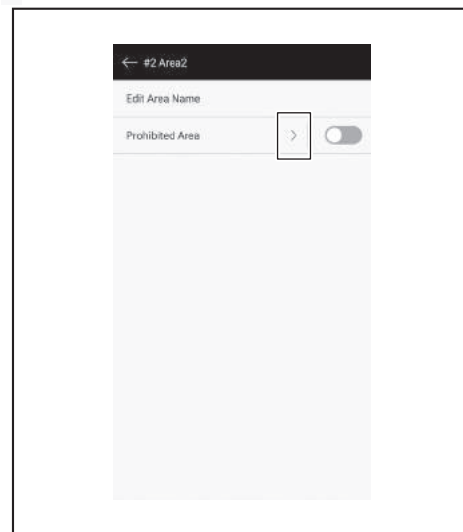
- Doing so can cause an accident or injury due to intrusion or fall of the robotic cleaner. The actual trajectory of the robotic cleaner may be slightly different from the cleaning prohibited area setting.

**For an area with a risk of intrusion or fall of the robotic cleaner, place an object serving as a wall with a height of 25 cm or more (an object that does not move or fall over when hit by the robotic cleaner) on a flat surface. (See page 10.)**

1. On the [Area Settings] screen, tap on the mapping information you want to change.

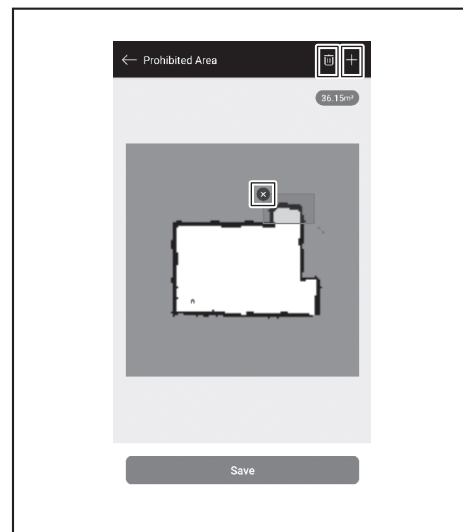


2. Tap on > at the side of [Prohibited Area].



3. Set a cleaning prohibited area.

- You can tap on **+** at the upper right corner of the screen to add a cleaning prohibited area (up to 100 areas).
- You can drag a cleaning prohibited area to move it.
- You can drag the lower right corner of a cleaning prohibited area to adjust the size.
- You can tap on **x** at the upper left corner of a cleaning prohibited area to delete the cleaning prohibited area.
- You can tap on **☒** at the upper right corner of the screen to delete all of the cleaning prohibited areas.
- You cannot set a cleaning prohibited area within a 2 m range around the starting point.
- Depending on the environment near a cleaning prohibited area you set, it may not be possible to clean an area around the specified area.



4. Tapping on [Save] results in the modified mapping information being registered.

- To enable registered cleaning prohibited area, tap on On/Off (colored green when it is On) at the side of [Prohibited Area].

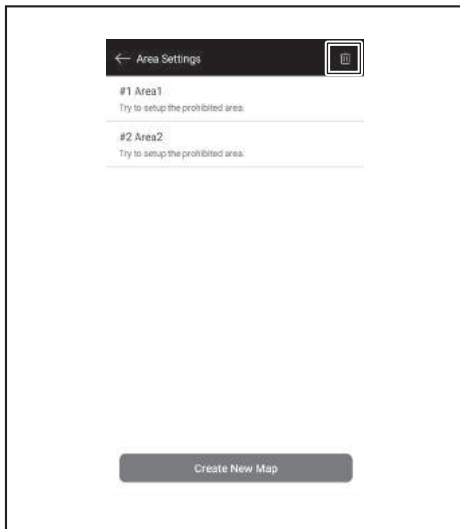


- A notice is displayed. Tap on [OK].

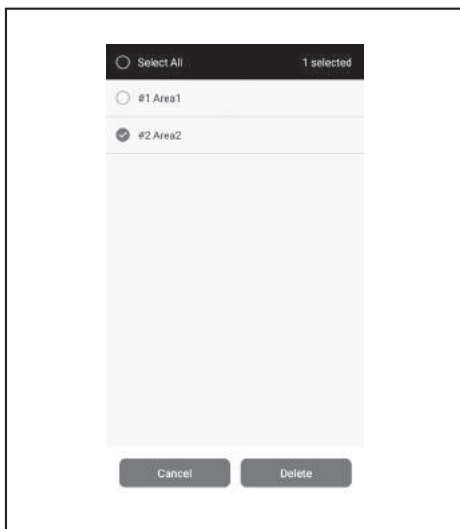


### Deleting mapping information

- On the [Area Settings] screen, tap on



- Select the mapping information you want to delete.
  - The circle at the head of mapping information is colored when that mapping information is selected.
  - You can tap on [Select All] to select all items.

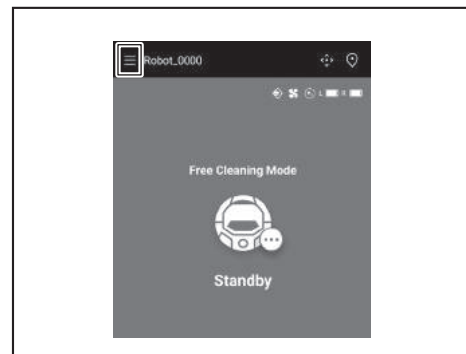


- Tap on [Delete].

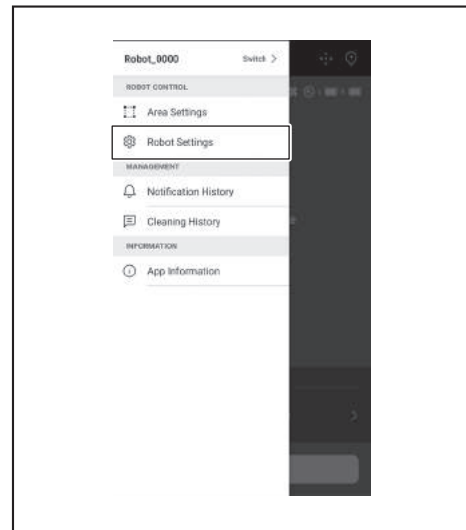
### Changing and checking settings

Settings can be changed and checked from [Robot Settings] on the menu window.

- On the home screen, tap on



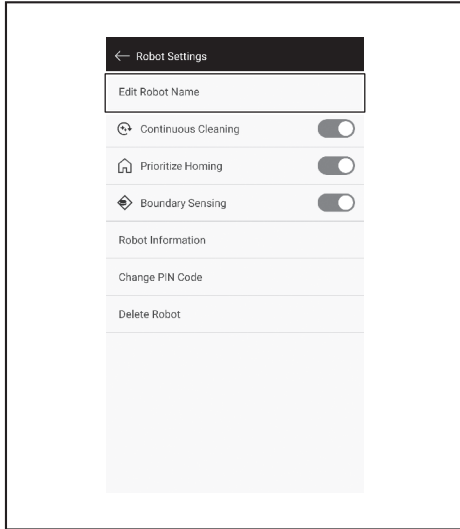
- Tap on [Robot Settings].



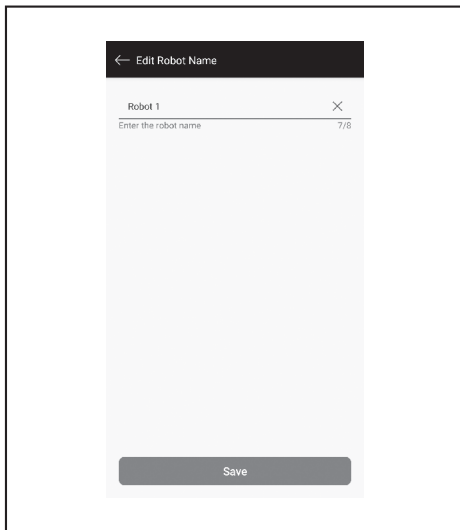
## Changing the name of a registered robotic cleaner

This setting only changes the robotic cleaner name in the App. The SSID for Wi-Fi® will not be changed.

1. On the [Robot Settings] screen, tap on [Edit Robot Name].



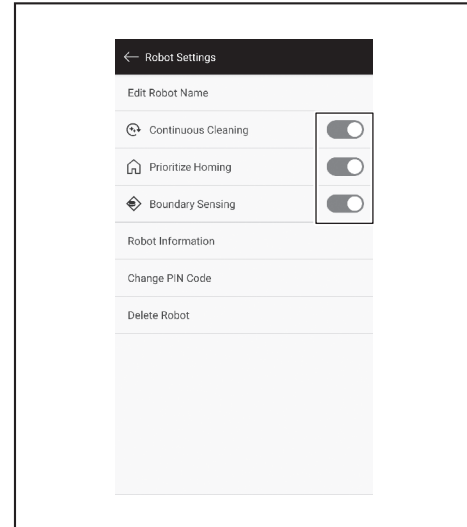
2. Enter a new name (Up to 8 characters).



3. When you have finished entering the name, tap on [Save].

## Setting cleaning options

1. On the [Robot Settings] screen, tap on On/Off (colored green when it is On) at the side of [Continuous Cleaning] or [Prioritize Homing] if needed.
  - [Continuous Cleaning]: Select this option when the battery capacity is lost before the robotic cleaner cleans all of the cleaning area and you want to resume cleaning the area left uncleaned the next time.
  - [Prioritize Homing]: This setting is recommended when the robotic cleaner often fails to go back to the starting point of cleaning. The robotic cleaner begins to return to the starting point of cleaning, provided that there is more remaining battery capacity than usual.
  - [Boundary Sensing]: Select this option when using the magnetic boundary line. The robotic cleaner detects the magnetic boundary line as the boundary. (See page 20.)

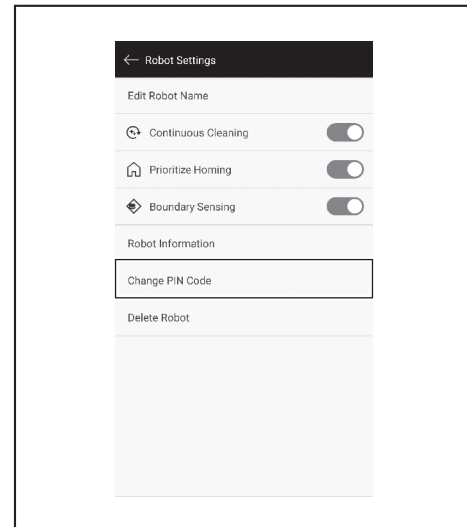


## Changing the PIN code

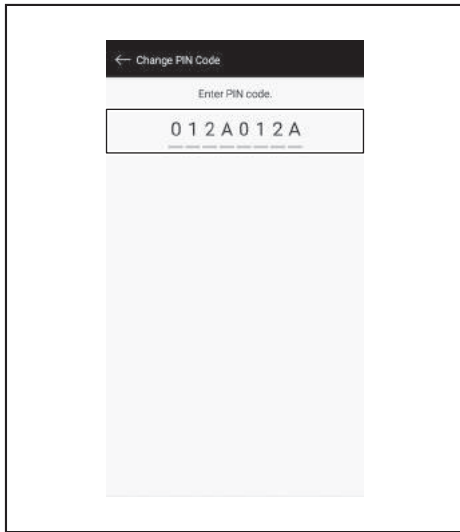
The PIN code of the robotic cleaner can be changed. If you forget the PIN code you set, refer to “Resetting the settings” on page 23 for resetting the robotic cleaner to the factory defaults.

To check the factory default PIN code, refer to “Initial setting” on page 33.

1. On the [Robot Settings] screen, tap on [Change PIN Code].



2. Enter the current PIN code (eight digits).

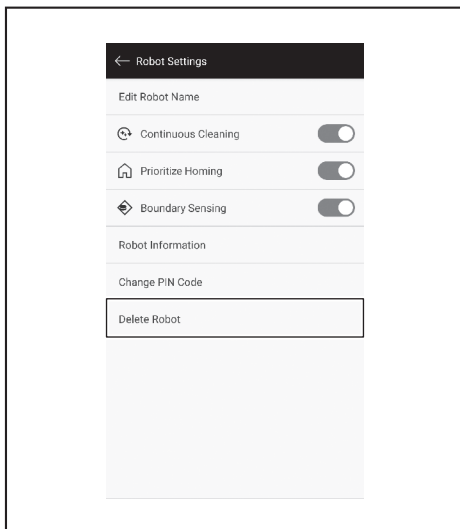


3. Enter the new PIN code (eight digits) you want to set. Enter the new PIN code two times in a row.

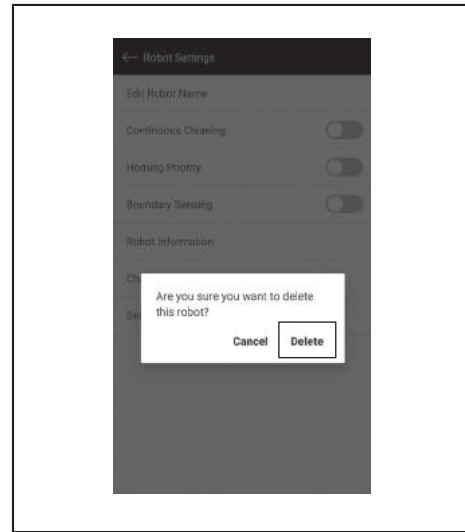


### Deleting a registered robotic cleaner's information


1. On the [Robot Settings] screen, tap on [Delete Robot].

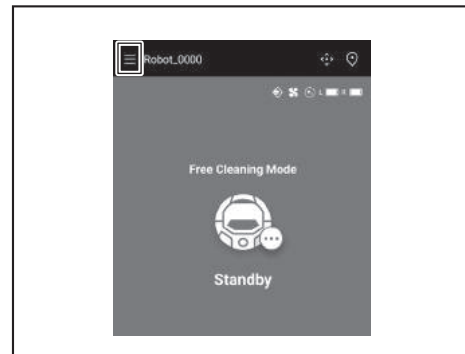


2. A dialog appears to confirm the deletion. Tap on [Delete] to finalize the deletion.

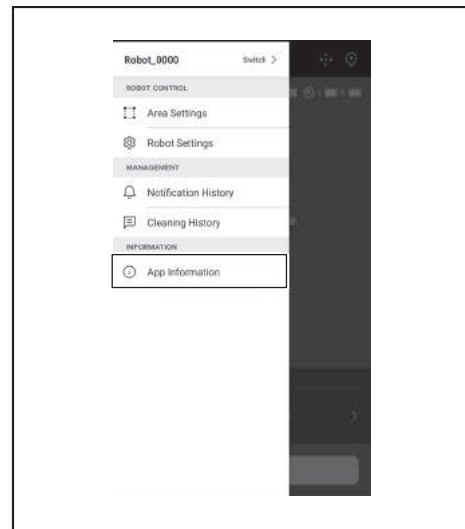


### Checking the app information

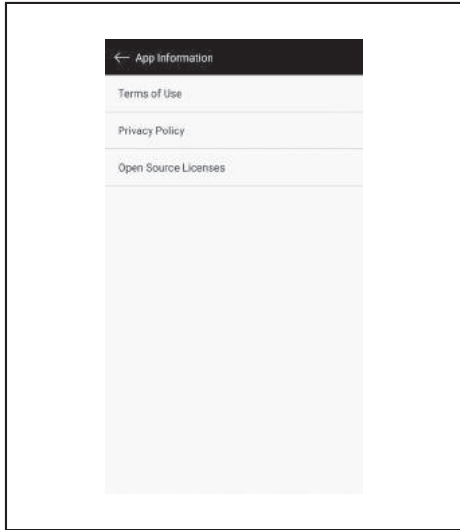
1. On the home screen, tap on .



2. Tap on [App Information].

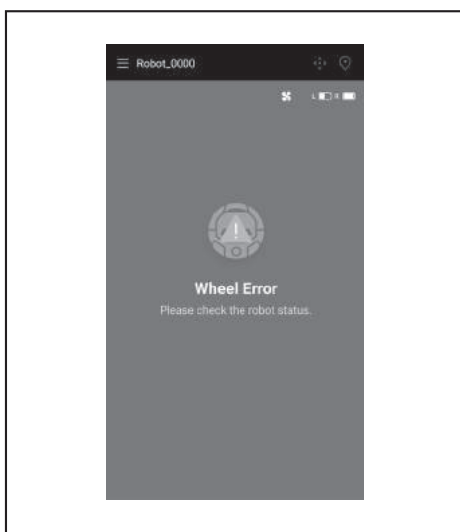
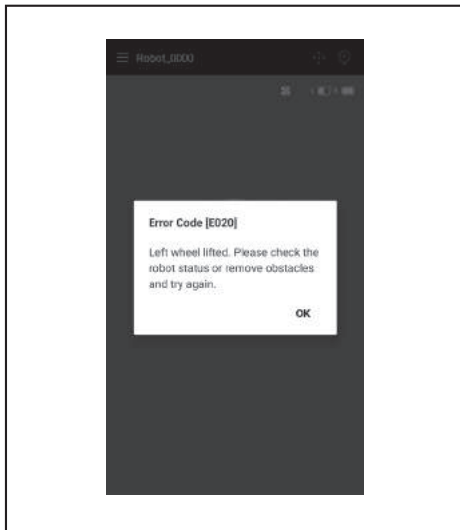


3. Tap on the information you want to check.



## Error message/dialogue

When an error has occurred, an error message or dialogue is displayed. Follow the instruction in the message or dialogue in this case.



## Appendix

### Notice Regarding Open Source Software

This product includes open source software (hereinafter referred to as "Open Source Software") under the GNU General Public License (GPL), the GNU Lesser General Public License (LGPL), and other licenses.

Details regarding licenses for the Open Source Software (notification of copyright holders and licenses) are disclosed free of charge on the following website. In addition, the source code for the Open Source Software released by us under these licenses is also disclosed free of charge on the following website.

<https://oss.makita.biz/index.html>

- Please refrain from making inquiries regarding the source code for the Open Source Software.
- We make no warranties of any kind with respect to the Open Source Software. However, this notice does not limit our warranty coverage for product defects (including defects caused by the Open Source Software).

### For European countries

Wi-Fi module	Module Name	LCW-006
	Frequency Range/Power	2412.0 - 2462.0 MHz/17.48 dBm (EIRP) 2422.0 - 2452.0 MHz/13.75 dBm (EIRP)
	S/W Version	V1.0
Bluetooth module	Module Name	T007-MA-MD
	Frequency Range/Power	2402.0 - 2480.0 MHz/7 dBm(EIRP)
	S/W Version	V01.03
Remote controller	Module Name	C011
	Frequency Range/Power	2402.0 - 2480.0 MHz/-4 dBm(EIRP)
	S/W Version	V01.04

This device must be installed and operated to provide a separation distance of at least 20 cm from all persons.



**FRANÇAIS**

## Table des matières

• Avertissement	2	• Annexe	47
• À propos de l'aspirateur robot	2	• Avis concernant les logiciels à source ouverte	47
• Caractéristiques principales	2	• Pour les pays européens	47
• Batterie et chargeur applicables	2		
• Utilisation prévue	3		
• Symboles	3		
• Déclarations de conformité	3		
• Mesures de sécurité	3		
• Mesures de sécurité pour l'utilisation de l'aspirateur robot	4		
• Précautions concernant les ondes radio	8		
• Marques et marques déposées	8		
• Noms des pièces	9		
• Accessoires standards	10		
• Préparation avant le nettoyage	11		
• À propos du transport de l'aspirateur robot	11		
• À propos du nettoyage de l'aspirateur robot	11		
• Pour empêcher l'aspirateur robot de tomber	11		
• Rangement de l'endroit à nettoyer	12		
• Préparation pour l'utilisation	14		
• Fixation des brosses latérales	14		
• Déballage de la boîte à poussière	14		
• Installations des piles dans la télécommande	14		
• Indication de la capacité de la batterie restante	15		
• Installation et retrait des batteries (vendues séparément)	15		
• Allumer/éteindre l'alimentation	16		
• Réglages avant le nettoyage	16		
• Utilisation	17		
• Nettoyage	17		
• Nettoyage une pièce avec la cartographie	17		
• Suppression des informations de cartographie	18		
• Suspension ou arrêt du nettoyage	19		
• Activation/désactivation du ventilateur d'aspiration	19		
• Utilisation de la fonction de localisation	19		
• Utilisation de la minuterie ON/minuterie OFF	19		
• Contrôle de la plage de nettoyage	21		
• Comment fixer, retirer et utiliser les éléments vendus séparément	22		
• Comment jeter les déchets	22		
• Réglage de l'aspirateur robot	23		
• Réglage de l'heure du jour	23		
• Configuration du Wi-Fi® (aspirateur robot et smartphone)	23		
• Réglage de son	23		
• Réinitialisation des réglages	24		
• Entretien	25		
• Maintenance	25		
• Concernant la réparation	28		
• Notification et indication des erreurs	29		
• Annulation d'une notification et d'une indication d'erreur	29		
• Notification d'un besoin d'entretien, etc.	29		
• Notification d'erreur	29		
• Dépannage	31		
• Rangement	33		
• Accessoires en option	34		
• Application pour smartphone (pour le DRC300)	35		
• Table des matières	35		
• Ce que vous pouvez faire avec l'application	35		
• Comment installer l'application	35		
• Écran d'accueil	36		
• Nettoyage avec l'application	36		
• Vérification de l'historique du nettoyage	38		
• Ajout, modification ou suppression des informations de cartographie	40		
• Modification et vérification des réglages	44		
• Message/boîte de dialogue d'erreur	46		

## Avertissement

Cet appareil peut être utilisé par des enfants âgés d'au moins 8 ans et par des personnes ayant des capacités physiques, sensorielles ou mentales réduites, ou dénuées d'expérience ou de connaissance, si elles sont correctement surveillées ou si des instructions relatives à l'utilisation de l'appareil en toute sécurité leur ont été données et si elle comprennent les risques appréhendés. Les enfants ne doivent pas jouer avec l'appareil. Le nettoyage et la maintenance par l'utilisateur ne doivent pas être effectués par des enfants sans surveillance.

## À propos de l'aspirateur robot

### Caractéristiques principales

Caractéristique principale		Modèle : DRC300
Tension		18 V CC
Autonomie*1 *2		Environ 240 minutes
Volume du collecteur de poussières		3,0 L
Dimensions		500 mm (L) × 500 mm (l) × 204 mm (h)
Poids*2		10,6 kg
Communication sans fil	Système de communication	1. Aspirateur robot-télécommande : Bluetooth 2. Aspirateur robot-smartphone : Wi-Fi® (SoftAP)
	Distance de communication estimée	1. 20 m ou moins 2. 10 m ou moins
Réseau sans fil	Bande de fréquence	2,4 GHz
	Puissance radioélectrique maximale	17,48 dBm (PIRE)
	Normes de réseau sans fil	IEEE 802.11 b/g/n
	Méthode de cryptage	WPA/WPA2
	Version WPS	Version 2.0
Bluetooth	Bande de fréquence	2402,0 - 2480,0 MHz
	Puissance radioélectrique maximale	Télécommande : -4 dBm (PIRE)
	Portée de transmission	Environ 10 m
	Version du Bluetooth®	4.2 (Bluetooth à basse consommation)
Sortie laser	Longueur d'onde	Capteur LiDAR : 775 - 800 nm Capteur d'obstacles verticaux : 845 - 850 nm
	Sortie	1 mW ou moins (IEC 60825-1:2014 Laser de Classe 1)

- Veuillez noter que les caractéristiques principales, la forme ou d'autres caractéristiques sont susceptibles d'être modifiées en vue d'une amélioration.
  - Les capteurs de distance laser de ce produit sont des produits laser de Classe 1 tels que définis dans la norme internationale IEC 60825-1:2014 sur la sécurité des appareils à laser.
- \*1. Lorsqu'il est utilisé sur un sol lisse tel que les carreaux en vinyle et que le ventilateur de l'aspirateur est allumé. L'autonomie varie selon les conditions de l'utilisation, la nature du sol, l'état de la batterie, la température ambiante, etc. En outre, l'autonomie peut être plus courte dans les environnements à basse température en raison des caractéristiques de la batterie lithium-ion.
- \*2. Lorsqu'il est équipé de deux batteries BL1860B.

### Batterie et chargeur applicables

Batterie	BL1815N / BL1820B / BL1830B / BL1840B / BL1850B / BL1860B
Chargeur	DC18RC / DC18RD / DC18RE / DC18SD / DC18SE / DC18SF / DC18SH / DC18WC

- Certains types de batteries ou chargeurs mentionnés ci-dessus peuvent ne pas être disponibles selon votre région de résidence.

### AVERTISSEMENT

Utiliser uniquement que les batteries et chargeurs mentionnés ci-dessus. L'utilisation d'un autre type de batterie ou chargeur pourrait provoquer des blessures et/ou incendies.

### À propos des sources d'alimentation connectées par cordon

Les sources d'alimentation connectées par cordon ne peuvent pas être utilisées pour ce produit. Cela pourrait provoquer des blessures ou un accident.

## Utilisation prévue

Ce produit est un aspirateur robot conçu pour le nettoyage des sols en intérieur. Certaines utilisations et réglages peuvent être effectués avec la télécommande et l'application dédiée.

## Symboles

Les informations suivantes vous indiquent les symboles utilisés pour l'équipement. Assurez-vous de comprendre leur signification avant toute utilisation.



Lisez le manuel d'instructions.



Faites preuve d'une attention particulière.



Représentation d'une batterie utilisable avec ce produit.



Uniquement pour les pays de l'Union européenne  
En raison de la présence de composants dangereux dans les équipements, les déchets d'équipements électriques et électroniques, d'accumulateurs et de batteries peuvent avoir un impact négatif sur l'environnement et la santé humaine. Ne jetez pas les appareils électriques ou électroniques ainsi que les batteries avec vos déchets ménagers !



Ni-MH  
Li-ion

Conformément à la directive européenne relative aux déchets d'équipements électriques et électroniques, de batteries et d'accumulateurs doivent être stockés séparément et déposés dans un point de collecte séparé pour les déchets municipaux, fonctionnant conformément à la réglementation sur la protection de l'environnement. Cela est indiqué par le symbole de la poubelle sur roues barrée d'une croix situé sur l'équipement.



Ne marchez pas sur l'aspirateur robot et ne placez pas d'objets dessus.



N'utilisez pas l'aspirateur robot près d'une flamme nue ou de matériaux inflammables et/ou dangereux.



Nettoyez la face inférieure des capteurs d'obstacles verticaux s'ils sont sales ou mouillés.



PRODUIT LASER DE CLASSE 1  
PRODUIT LASER GRAND PUBLIC  
EN 50689:2021

CONSUMER LASER PRODUCT  
EN 50689 : 2021

## Déclarations de conformité

Uniquement pour les pays européens

Les Déclarations de conformité se trouvent à l'Annexe A de ce manuel d'instructions.

## Mesures de sécurité

À propos de la signification de **AVERTISSEMENT**, **ATTENTION**, et **REMARQUE** dans les précautions

Les précautions à prendre lors de l'utilisation de ce produit sont classées dans **AVERTISSEMENT**, **ATTENTION**, et **REMARQUE**.

Leurs significations respectives sont les suivantes.

**AVERTISSEMENT** : Une précaution pour indiquer un risque de décès ou de blessure grave pour l'utilisateur, lorsque le produit n'est pas correctement utilisé.

## ATTENTION :

Une précaution pour indiquer un risque de blessure pour l'utilisateur ou un risque de dommage matériel, lorsque le produit n'est pas correctement utilisé. Veuillez noter qu'une situation classée dans **ATTENTION** peut entraîner de graves conséquences selon le cas.

Assurez-vous de respecter ces précautions car elles sont toutes importantes pour votre sécurité.

Précautions importantes pour la manipulation du produit et de ses accessoires.

## REMARQUE :

- Assurez-vous de respecter les « Mesures de sécurité » afin d'éviter tout accident tel qu'un incendie, choc électrique ou blessure.
- Avant toute utilisation du produit, lisez l'intégralité des « Mesures de sécurité » avec attention afin de garantir une utilisation correcte du produit.
- Après la lecture, assurez-vous de ranger le manuel dans un lieu sûr afin qu'il puisse être utilisé par tout utilisateur du produit.
- Si vous prêtez le produit à une autre personne, assurez-vous de lui donner également le manuel d'instructions.
- Les symboles graphiques suivants sont utilisés pour classer et expliquer les précautions à respecter.

## Exemples de symboles graphiques



Ce symbole graphique indique une action « interdite », vous ne devez pas l'effectuer.



Ce symbole graphique indique une action « obligatoire », vous devez obligatoirement l'effectuer.

Ces illustrations font office de référence. Veuillez noter que le design peut varier selon le produit.

## AVERTISSEMENT



**Ne pas laver le produit dans l'eau. Ne pas utiliser ce produit dans un endroit humide tel qu'une salle de bains.**

- La pénétration d'eau dans le moteur peut provoquer un court-circuit, un dégagement de chaleur ou un départ de feu.
- Certains composants peuvent être lavés dans l'eau. Reportez-vous à « Entretien » à la page 25.

**Ne jamais démonter, réparer ou modifier le produit.**

- Cela pourrait provoquer un départ de feu ou une utilisation anormale, entraînant des blessures.

**Ne pas laisser les enfants jouer avec ce produit ou le chargeur.**

- Un moment d'inattention peut entraîner des blessures graves.

**Ne pas utiliser ce produit en extérieur.**

**Ne pas utiliser ce produit dans un endroit instable tel que des escaliers ou une pente raide.**

- Ce produit pourrait basculer ou tomber, entraînant des blessures.

**Ne pas utiliser d'éléments autres que les accessoires Makita dédiés et les éléments vendus séparément.**

- L'utilisation d'un élément autre que les accessoires et éléments vendus séparément mentionnés dans le manuel d'instructions et notre catalogue pourrait provoquer un accident ou des blessures.

**Ne pas placer ce produit près de flammes, d'appareils de chauffage, etc.**



- Cela pourrait provoquer un court-circuit ou un départ de feu suite à la déformation du produit.



**Ne pas utiliser le produit ni charger la batterie près d'une substance inflammable (essence, benzène, diluant, gaz, etc.).**



- Cela pourrait provoquer une explosion ou un incendie.



**Ne pas stocker ce produit dans un endroit où la température peut atteindre 50 °C (122 °F) (boîte métallique, l'intérieur d'une voiture en été, etc.).**

- Cela pourrait provoquer un court-circuit ou un départ de feu suite à la déformation de ce produit.
- La batterie pourrait se détériorer, provoquant de la fumée ou un départ de feu.



 <b>AVERTISSEMENT</b>	
<p><b>Ne pas charger le produit dans les conditions suivantes, car cela pourrait provoquer un incendie.</b></p> <ul style="list-style-type: none"> <li>• Sur du papier tel que du carton ondulé, du tissu tel qu'un coussin, un tapis, du vinyle, etc.</li> <li>• Le chargeur utilise des trous d'aération mais ils sont bloqués durant le chargement. Si des objets combustibles ou en métal sont insérés dans les trous d'aération.</li> <li>• Dans un endroit poussiéreux, par exemple, avec de la poussière de coton.</li> </ul>	
<p><b>Ne pas charger le produit sous la pluie et ne pas retirer ni insérer la fiche d'alimentation ou la batterie avec les mains mouillées.</b>  <b>Ne pas laisser la borne du chargeur près de pièces de métal ou de l'eau.</b></p> <ul style="list-style-type: none"> <li>• Cela pourrait provoquer un choc électrique ou des blessures.</li> </ul>	
<p><b>Ne pas utiliser un chargeur autre que le chargeur dédié.</b></p> <ul style="list-style-type: none"> <li>• Cela pourrait provoquer une fuite, une surchauffe ou une rupture de la batterie.</li> <li>• N'utilisez pas le chargeur à d'autres fins que le chargement.</li> </ul>	
<p><b>Ne pas utiliser le chargeur à d'autres fins que le chargement. Ne pas utiliser la batterie et le chargeur pour des équipements autres que ceux spécifiés par Makita.</b></p>	
<p><b>Ne pas endommager le cordon du chargeur.</b></p> <ul style="list-style-type: none"> <li>• Ne transportez pas le chargeur en le tenant par le cordon ou ne tirez pas sur le cordon pour le déconnecter de la prise de courant.</li> <li>• N'approchez pas le cordon d'une source de chaleur, d'huile, de produits chimiques ou d'arêtes tranchantes.</li> <li>• Faites attention à l'endroit que vous choisissez pour le chargement afin d'éviter que le cordon ne soit écrasé, bloqué ou endommagé en raison d'une force excessive. Cela pourrait provoquer un choc électrique ou un court-circuit, entraînant un départ de feu.</li> </ul>	
<p><b>Ne pas utiliser si le cordon du chargeur est endommagé ou si la fiche d'alimentation n'est pas correctement insérée.</b></p> <ul style="list-style-type: none"> <li>• Cela pourrait provoquer un court-circuit ou un départ de feu.</li> </ul>	
<p><b>La pièce de fixation de la batterie sur le chargeur possède une borne de charge. Ne pas laisser la borne du chargeur près de pièces de métal ou de l'eau.</b></p>	
<p><b>Ne pas couvrir le chargeur ou la batterie avec un vêtement ou tout autre objet pendant le chargement.</b></p> <ul style="list-style-type: none"> <li>• Chargez la batterie dans un endroit bien ventilé. Sinon, cela pourrait provoquer une surchauffe, une rupture ou un départ de feu.</li> </ul>	


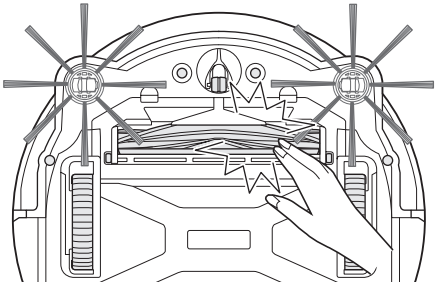
 <b>AVERTISSEMENT</b>	
<p><b>Veiller à éteindre l'alimentation et à retirer les batteries avant l'entretien ou l'inspection afin d'éviter que ce produit ne démarre accidentellement.</b></p>	
<p><b>Lors de l'insertion la batterie dans ce produit, faire attention de ne pas éteindre l'alimentation.</b></p> <ul style="list-style-type: none"> <li>• Lorsque vous installez la batterie et que l'appareil peut être mis sous tension (par exemple, si votre doigt se trouve sur le bouton marche/arrêt), ce produit peut soudainement se déplacer et provoquer un accident.</li> </ul>	
<p><b>Si ce produit vient à tomber ou se cogner, vérifier attentivement qu'il n'y a pas de dommage, fissure ou déformation.</b></p> <ul style="list-style-type: none"> <li>• Les dommages, fissures ou déformations peuvent provoquer des blessures.</li> </ul>	
<p><b>Déplacer ce produit avec délicatesse afin d'éviter toute déformation ou dommage.</b></p> <ul style="list-style-type: none"> <li>• Les dommages, fissures ou déformations peuvent provoquer des blessures.</li> </ul>	
<p><b>Si ce produit ne fonctionne pas correctement ou produit un bruit anormal lorsqu'il est utilisé, éteindre immédiatement l'alimentation et arrêter d'utiliser le produit. Ensuite, demander au magasin dans lequel vous l'avez acheté ou à notre bureau de vente d'effectuer une vérification et une réparation.</b></p> <ul style="list-style-type: none"> <li>• Si vous continuez d'utiliser le produit, cela pourrait provoquer des blessures ou un accident.</li> </ul>	


 <b>AVERTISSEMENT</b>	
<p><b>Vérifier les pièces endommagées.</b></p> <ul style="list-style-type: none"> <li>• Avant toute utilisation du produit, inspectez-le attentivement pour vérifier que les composants ne sont pas endommagés, que le produit fonctionne correctement et qu'il fonctionne selon les réglages prédéterminés.</li> <li>• Vérifiez que les pièces amovibles sont bien positionnées et bien serrées, et vérifiez que les composants ne sont pas endommagés et bien ajustés. Ensuite, vérifiez toutes les autres zones pouvant influencer l'utilisation afin de garantir qu'il n'y a aucune anomalie.</li> <li>• Pour le remplacement ou la réparation des composants endommagés, référez-vous au manuel d'utilisateur. Si aucune information n'est donnée dans le manuel d'utilisateur, demandez au magasin dans lequel vous l'avez acheté ou à notre bureau de vente d'effectuer la réparation.</li> </ul>	
<p><b>S'assurer de garder ce produit en bon état.</b></p> <ul style="list-style-type: none"> <li>• Pour le remplacement des accessoires, référez-vous au manuel d'utilisateur.</li> <li>• Vérifiez périodiquement le cordon du chargeur et s'il est endommagé, demandez au magasin dans lequel vous l'avez acheté ou à notre bureau de vente d'effectuer la réparation. Cela pourrait provoquer un choc électrique ou un court-circuit, entraînant un départ de feu.</li> <li>• Lorsqu'un cordon de rallonge est utilisé pour le chargement, vérifiez-le périodiquement et s'il est endommagé, remplacez-le. Cela pourrait provoquer un choc électrique ou un court-circuit, entraînant un départ de feu.</li> <li>• Assurez-vous que la poignée de transport est toujours sèche et propre et ne la mettez pas en contact avec de l'huile, de la graisse, etc.</li> </ul>	
<p><b>Lorsque ce produit n'est pas utilisé, le ranger convenablement.</b></p> <ul style="list-style-type: none"> <li>• Rangez-le dans un endroit sûr et sec, hors de la portée des enfants ou dans un endroit pouvant être verrouillé. Sinon, cela pourrait provoquer un accident.</li> </ul>	
<p><b>Retirer le chargeur de la prise d'alimentation lorsqu'il n'est pas utilisé pour le chargement.</b></p> <ul style="list-style-type: none"> <li>• Sinon, cela pourrait provoquer un choc électrique, une fuite de courant ou un incendie suite à la détérioration de l'isolation.</li> </ul>	
<p><b>En cas de chaleur anormale ou toute autre anomalie pendant le chargement, retirer immédiatement la fiche d'alimentation du chargeur pour arrêter le chargement.</b></p> <ul style="list-style-type: none"> <li>• Si vous laissez le chargement en cours, cela pourrait provoquer de la fumée, un départ de feu ou une rupture.</li> </ul>	


 <b>ATTENTION</b>	
<p><b>Fixer fermement les accessoires conformément au manuel d'utilisateur.</b></p> <ul style="list-style-type: none"> <li>• S'ils ne sont pas fermement fixés, cela pourrait provoquer des blessures, des dommages ou un accident.</li> </ul>	
<p><b>Lors du transport ce produit, toujours tenir la poignée de transport.</b></p> <ul style="list-style-type: none"> <li>• Si vous transportez le produit en tenant autre chose que la poignée de transport, cela pourrait provoquer une défaillance ou des blessures.</li> </ul>	


## Mesures de sécurité pour l'utilisation de l'aspirateur robot

 <b>AVERTISSEMENT</b>	
<p><b>Ne pas utiliser ce produit dans un endroit en hauteur sans protection ou dans un endroit étroit tel que des escaliers.</b></p> <ul style="list-style-type: none"> <li>• Cela pourrait entraîner des blessures ou une défaillance suite à une chute de ce produit.</li> </ul>	
<p><b>Ne pas utiliser ce produit dans un endroit où flottent des composants huileux tels que de l'huile comestible, dans un endroit où des sprays et des produits chimiques sont utilisés, comme un salon de coiffure, un salon de beauté, un atelier de nettoyage, ou à l'extérieur.</b></p> <ul style="list-style-type: none"> <li>• Cela pourrait entraîner une défaillance.</li> </ul>	


<b>⚠ AVERTISSEMENT</b>	
<p><b>Ne pas utiliser ce produit dans un endroit avec une personne qui ne pourrait pas utiliser ce produit correctement, un enfant ou un nourrisson.</b></p> <ul style="list-style-type: none"> <li>Cela pourrait provoquer un choc électrique, un accident ou des blessures.</li> </ul>	
<p><b>Ne pas utiliser ce produit dans un endroit avec un animal, etc.</b></p> <ul style="list-style-type: none"> <li>Cela pourrait provoquer un choc électrique, un accident ou des blessures.</li> </ul>	
<p><b>Ne pas utiliser ce produit dans un endroit rempli de personnes ou de personnes en déplacement constant.</b></p> <ul style="list-style-type: none"> <li>Cela pourrait provoquer un choc électrique, un accident ou des blessures.</li> </ul>	
<p><b>Ne pas bloquer la bouche d'évacuation et l'ouverture d'aspiration et ne pas placer d'objets en métal ou inflammables à l'intérieur, etc.</b></p> <ul style="list-style-type: none"> <li>Cela pourrait provoquer un choc électrique, un départ de feu ou une défaillance.</li> </ul>	
<p><b>Ne pas utiliser ce produit près d'un objet qui pourrait bloquer l'ouverture d'aspiration.</b></p> <ul style="list-style-type: none"> <li>Cela pourrait provoquer un choc électrique, un départ de feu ou une défaillance.</li> </ul>	
<p><b>Ne pas jeter ce produit dans le feu et ne pas surchauffer.</b></p> <ul style="list-style-type: none"> <li>Cela pourrait provoquer un court-circuit, un départ de feu, une fuite de liquide ou une explosion.</li> </ul>	
<p><b>Ne pas placer ce produit dans un endroit à température élevée, comme près d'un feu ou d'un chauffage, un endroit directement exposé au soleil et à l'intérieur d'une voiture en plein soleil.</b></p> <ul style="list-style-type: none"> <li>Cela pourrait provoquer un court-circuit, un départ de feu, une fuite de liquide ou une explosion.</li> </ul>	
<p><b>Ne pas placer d'objets sur ce produit.</b></p> <ul style="list-style-type: none"> <li>Cela pourrait provoquer une surchauffe, entraînant un départ de feu.</li> </ul>	
<p><b>Ne pas placer ce produit à la lumière directe du soleil.</b></p> <ul style="list-style-type: none"> <li>Cela pourrait entraîner une réponse incorrecte du capteur LiDAR et du capteur infrarouge, provoquant un dysfonctionnement ou une défaillance.</li> </ul>	
<p><b>Ne pas bloquer les capteurs de ce produit et ne pas y introduire d'objets étrangers.</b></p> <ul style="list-style-type: none"> <li>Cela pourrait provoquer un problème d'utilisation, un dysfonctionnement ou une défaillance.</li> </ul>	
<p><b>Ne pas coller d'autocollant ou de ruban adhésif sur les capteurs ou les roues.</b></p> <ul style="list-style-type: none"> <li>Cela pourrait provoquer un dysfonctionnement ou une défaillance.</li> </ul>	
<p><b>Ne pas s'asseoir sur ce produit, ne pas placer d'objets lourds dessus et ne pas le soumettre à un choc violent.</b></p> <ul style="list-style-type: none"> <li>Cela pourrait provoquer des dommages, une défaillance de ce produit ou des blessures. Faites attention lorsque le produit est à la portée des enfants.</li> </ul>	
<p><b>Lors de l'utilisation, ne pas toucher les roues motrices et ne pas mettre les mains ou les pieds sous ce produit.</b></p> <ul style="list-style-type: none"> <li>Cela pourrait entraîner des blessures au niveau des mains, etc. Faites attention lorsque le produit est à la portée des enfants.</li> </ul>	
	
<p><b>Ne pas laisser un enfant seul utiliser ce produit. Les personnes qui ne peuvent pas exprimer leur volonté et celles qui ne peuvent pas utiliser le produit de manière autonome ne doivent pas utiliser ce produit.</b></p> <ul style="list-style-type: none"> <li>Cela pourrait provoquer un choc électrique, un accident ou des blessures.</li> </ul>	



<b>⚠ AVERTISSEMENT</b>	
<p><b>Ne pas verser d'eau ou de détergent sur ce produit et ne pas laver ce produit (à l'exception de la brosse principale, brosse latérale, boîte à poussière et du filtre).</b></p> <ul style="list-style-type: none"> <li>Cela pourrait provoquer un choc électrique, un court-circuit ou un départ de feu.</li> </ul>	
<p><b>Ne pas toucher le produit avec les mains mouillées.</b></p> <ul style="list-style-type: none"> <li>Cela pourrait provoquer un choc électrique.</li> </ul>	
<p><b>Ne pas utiliser de ligne de limite magnétique déchirée, déformée ou ayant perdu sa force magnétique.</b></p> <ul style="list-style-type: none"> <li>Cela pourrait provoquer un accident ou des blessures.</li> </ul>	
<p><b>Les parties du corps comme les mains ou les cheveux et les vêtements que vous portez ne doivent pas être insérés dans l'ouverture d'aspiration et la bouche d'évacuation de ce produit.</b></p> <ul style="list-style-type: none"> <li>Cela pourrait entraîner des blessures.</li> </ul>	
<p><b>Les parties du corps comme les mains ou les cheveux et les vêtements portés ne doivent pas entrer en contact avec une brosse en rotation.</b></p> <ul style="list-style-type: none"> <li>Cela pourrait entraîner des blessures.</li> </ul>	
<p><b>Ne pas laisser ce produit aspirer dans les conditions suivantes. Cela pourrait provoquer un incendie, des blessures ou une défaillance du moteur.</b></p> <p><b>Substances inflammables</b></p> <ul style="list-style-type: none"> <li>Huiles (kérosène, essence, etc.)</li> <li>Solvants (benzène, diluant, etc.)</li> <li>Objets brûlants comme les allumettes, l'encens, les bougies et les cendres chaudes ; les objets qui produisent de la fumée comme les cigarettes ; les objets à haute température.</li> <li>Combustibles tels que le toner</li> <li>Peintures</li> <li>Étincelles de meulage, poussière métallique, etc. qui sont générées lors de la coupe et du meulage des métaux.</li> <li>Gaz inflammables (spray, etc.)</li> </ul> <p><b>Substances explosives</b></p> <ul style="list-style-type: none"> <li>Nitroglycérine, etc.</li> <li>Substances combustibles</li> <li>Aluminium, magnésium, titane, zinc, phosphore rouge, phosphore jaune, celluloïd et autres substances chimiques ; poussières, gaz et vapeurs de ces substances</li> </ul> <p><b>Objets tranchants</b></p> <ul style="list-style-type: none"> <li>Verre, outils tranchants, copeaux de bois, métal, pierres, clous, rasoirs, punaises, aiguilles, etc.</li> </ul> <p><b>Les produits à bulles comme les détergents pour tapis</b></p> <p><b>Objets qui se solidifient et poudre fine conductrice (poudre de métal, carbone)</b></p> <p><b>Agents déshumidifiants</b></p> <p><b>Grande quantité de poudre (farine, cendres, poudre dans un extincteur, etc.)</b></p> <p><b>Substances qui provoquent des symptômes d'empoisonnement</b></p> <p><b>Médicaments</b></p> <p><b>Déchets liquides et humides</b></p> <p><b>Excréments et vomissements d'animaux, etc.</b></p> <p><b>Gros volume de déchets de papier, déchets de plastique, ficelles</b></p>	
<p><b>Ne pas utiliser ce produit dans les conditions suivantes, car cela pourrait provoquer un incendie.</b></p> <ul style="list-style-type: none"> <li>Un volume important de combustibles est en train de dériver.</li> <li>La bouche d'évacuation est bloquée.</li> <li>La boîte à poussière et le filtre ne sont pas fixés.</li> <li>Des déchets sont bloqués dans la brosse principale qui est verrouillée.</li> <li>Il y a des trous et déchirures dans le filtre.</li> <li>La batterie n'est pas correctement insérée.</li> </ul>	
<p><b>Ne pas provoquer de court-circuit entre les bornes de la section d'alimentation USB (pour la réparation).</b></p> <ul style="list-style-type: none"> <li>Si vous insérez des aiguilles ou des fils dans la section des bornes USB, cela pourrait provoquer un court-circuit, un départ de feu ou de la fumée.</li> </ul>	
<p><b>Ne pas regarder directement la lumière du laser (faisceau).</b></p> <ul style="list-style-type: none"> <li>Cela pourrait entraîner des blessures au niveau des yeux.</li> </ul>	
<p><b>Ce produit est conforme aux réglementations de sécurité applicables, ne pas modifier ce produit.</b></p> <ul style="list-style-type: none"> <li>Si vous effectuez des réparations sans les connaissances ou compétences nécessaires, cela pourrait entraîner une performance inadéquate du laser, des accidents ou des blessures.</li> </ul>	


<b>⚠ AVERTISSEMENT</b>	
<p><b>Ne pas utiliser de produits rechargeables près des lignes électriques à haute tension.</b></p> <ul style="list-style-type: none"> <li>• Il y a un risque de dysfonctionnement ou de défaillance.</li> </ul>	

<b>⚠ AVERTISSEMENT</b>	
<p><b>Arrêter d'utiliser le produit s'il ne fonctionne pas correctement alors que l'alimentation est allumée.</b></p> <ul style="list-style-type: none"> <li>• Cela pourrait provoquer de la fumée, un départ de feu ou un choc électrique.</li> </ul>	
<p><b>Arrêter immédiatement d'utiliser le produit lorsqu'il est déformé ou anormalement chaud.</b></p> <ul style="list-style-type: none"> <li>• Cela pourrait provoquer de la fumée, un départ de feu ou un choc électrique.</li> </ul>	
<p><b>Arrêter d'utiliser le produit lorsqu'il s'arrête pendant l'utilisation.</b></p> <ul style="list-style-type: none"> <li>• Cela pourrait provoquer de la fumée, un départ de feu ou un choc électrique.</li> </ul>	
<p><b>Arrêter immédiatement d'utiliser le produit lorsqu'un son anormal se produit pendant l'utilisation.</b></p> <ul style="list-style-type: none"> <li>• Cela pourrait provoquer de la fumée, un départ de feu ou un choc électrique.</li> </ul>	
<p><b>Arrêter immédiatement d'utiliser le produit lorsqu'une odeur de brûlé survient.</b></p> <ul style="list-style-type: none"> <li>• Cela pourrait provoquer de la fumée, un départ de feu ou un choc électrique.</li> </ul>	
<p><b>Avant toute utilisation ou maintenance, enlever les bougies allumées, vases etc. des tables et étagères.</b></p> <ul style="list-style-type: none"> <li>• Sinon, les objets pourraient tomber en raison d'un choc avec ce produit, pouvant entraîner un accident.</li> </ul>	
<p><b>Avant toute utilisation ou maintenance, retirer les bandes élastiques ou autres objets pouvant être entraînés par ce produit.</b></p> <ul style="list-style-type: none"> <li>• Sinon, ce produit peut entraîner les bandes élastiques etc., pouvant provoquer un accident.</li> </ul>	

<p><b>Avant toute utilisation ou maintenance, déplacer les équipements et appareils avec une télécommande situés au même niveau que ce produit.</b></p> <ul style="list-style-type: none"> <li>• Sinon, ce produit peut actionner une télécommande, pouvant provoquer un incendie, des blessures ou un accident.</li> </ul>	
<p><b>Avant toute utilisation ou maintenance, veiller à éteindre l'alimentation de ce produit et à retirer les batteries.</b></p> <ul style="list-style-type: none"> <li>• Sinon, cela pourrait provoquer un choc électrique ou des blessures.</li> </ul>	
<p><b>Pendant la maintenance, faire attention de ne pas se coincer les doigts.</b></p> <ul style="list-style-type: none"> <li>• Cela pourrait entraîner des blessures.</li> </ul>	
<p><b>Les porteurs d'un stimulateur cardiaque implantable ou d'un défibrillateur implantable doivent utiliser ce produit à plus de 15 cm du site d'implantation.</b></p> <ul style="list-style-type: none"> <li>• Les ondes radios peuvent affecter l'utilisation de votre appareil médical et peuvent provoquer des dysfonctionnements.</li> </ul>	
<p><b>Si un équipement qui émet des ondes radio est utilisé dans un établissement médical, suivre les instructions de cet établissement médical. Éteindre l'alimentation de ce produit dans une zone où son utilisation est interdite.</b></p> <ul style="list-style-type: none"> <li>• Sinon, cela pourrait provoquer un dysfonctionnement des appareils médicaux.</li> </ul>	

<b>⚠ ATTENTION</b>	
<p><b>Pendant l'utilisation et la maintenance, ne pas placer d'objets étrangers dans les espaces et les ouvertures.</b></p> <ul style="list-style-type: none"> <li>• Cela pourrait provoquer un choc électrique, un incendie ou une défaillance de ce produit.</li> </ul>	

<b>⚠ ATTENTION</b>	
<p><b>Ne pas utiliser ce produit sur une moquette à poils longs (plus de 7 mm) ou autres tapis.</b></p> <ul style="list-style-type: none"> <li>• Les brosses latérales pourraient se coincer, entraînant des dommages pour le tapis et les brosses latérales.</li> </ul>	
<p><b>Ne pas utiliser ce produit sur un tapis délicat (mouton, feutre, etc.), un sol délicat (sol en bois, en marbre, etc.) ou sur un sol récemment ciré.</b></p> <ul style="list-style-type: none"> <li>• Cela pourrait provoquer des dommages ou rayures. Si cela provoque des dommages, arrêtez d'utiliser le produit.</li> </ul>	
<p><b>Ne pas se mettre debout ou assis sur ce produit.</b></p> <ul style="list-style-type: none"> <li>• Ce produit pourrait soudainement se déplacer, entraînant des blessures suite à une chute.</li> </ul>	
<p><b>Ne pas utiliser ce produit pendant de longues heures lorsque l'ouverture d'aspiration est bloquée.</b></p> <ul style="list-style-type: none"> <li>• Cela pourrait provoquer une déformation ou un départ de feu de ce produit suite à une surchauffe.</li> </ul>	
<p><b>Ne pas placer les mains ou les pieds sous ce produit.</b></p> <ul style="list-style-type: none"> <li>• Il y a un risque que vos doigts ou vos orteils se coincent, ce qui pourrait entraîner des blessures.</li> </ul>	
<p><b>Ne pas utiliser ce produit lorsque le filtre est sale ou si de la poussière s'est accumulée.</b></p> <ul style="list-style-type: none"> <li>• Cela pourrait provoquer une réduction de la puissance d'aspiration.</li> </ul>	
<p><b>Ne pas tenir ce produit avec la face avant vers le bas.</b></p> <ul style="list-style-type: none"> <li>• De la poussière pourrait tomber de l'ouverture d'aspiration.</li> </ul>	
	

<b>⚠ ATTENTION</b>	
<p><b>Afin d'éviter tout dysfonctionnement, assurez-vous que chaque capteur est correctement entretenu.</b></p> <ul style="list-style-type: none"> <li>• Une réponse incorrecte d'un capteur pourrait provoquer des blessures ou une défaillance suite à un dysfonctionnement ou une chute de ce produit.</li> </ul>	
<p><b>S'assurer de rentrer les longues franges des tapis tels que des matelas ou moquettes.</b></p> <ul style="list-style-type: none"> <li>• Les franges pourraient se coincer dans les roues motrices et/ou la brosse principale, provoquant des dommages au tapis ou à ce produit.</li> </ul>	
<p><b>Lors du transport ce produit, arrêter l'utilisation en premier lieu puis éteindre l'alimentation. Tenir la poignée de transport fermement pour ne pas se coincer les mains.</b></p> <ul style="list-style-type: none"> <li>• Levez ce produit avec inadvertance pourrait provoquer des blessures ou une défaillance.</li> </ul>	
<p><b>Ranger les ficelles et cordons afin qu'ils ne se coincent pas dans ce produit.</b></p> <ul style="list-style-type: none"> <li>• Sinon, cela pourrait provoquer une défaillance ou un problème d'utilisation suite à l'emmêlement du cordon d'alimentation.</li> </ul>	
<p><b>Avant tout nettoyage, retirer les objets qui se cassent facilement, les objets qui peuvent facilement tomber et les objets qui pourraient être aspirés. Ranger les longues ficelles et cordons.</b></p> <ul style="list-style-type: none"> <li>• Sinon, cela pourrait provoquer des dommages, des rayures ou une défaillance de ce produit.</li> </ul>	
<p><b>Utiliser ce produit lorsque le filtre est correctement fixé. Ne pas utiliser ce produit si le filtre est retiré, mal positionné ou déchiré.</b></p> <ul style="list-style-type: none"> <li>• Cela pourrait provoquer une défaillance par exemple, le moteur pourrait griller.</li> <li>• De la poussière pourrait s'échapper et être dangereuse pour votre santé.</li> </ul>	

**ATTENTION**

Faire attention de ne pas se coincer les doigts lors de l'ouverture et la fermeture du couvercle supérieur du corps et de la boîte à poussière, d'attacher le filtre et de connecter et déconnecter la batterie.

- Il y a un risque que vos doigts se coincent, ce qui pourrait entraîner des blessures.

**À propos de la manipulation**

1. Utilisez ce produit à l'intérieur. Ne nettoyez pas un endroit avec une grosse quantité de poussière, même à l'intérieur.
2. Ne nettoyez pas de sol dont la surface est dure ou bosselée. Cela pourrait provoquer une usure rapide des brosses et des roues.
3. Après le nettoyage, retirez la poussière coincée dans la brosse principale, les brosses latérales et les roues. Si elles ne sont pas nettoyées, cela pourrait endommager le sol.
4. Fixez toujours la brosse principale et son couvercle lors de l'utilisation de ce produit.
5. Ne lubrifiez pas les pièces amovibles de la brosse principale, etc. Les pièces en plastique pourraient se casser.
6. Pour une utilisation sur un sol délicat, il est recommandé de les remplacer avec la « brosse principale souple » et le « brosse latérale souple », vendues séparément. Cependant, des rayures peuvent apparaître selon les conditions du sol. Dans ce cas, arrêtez d'utiliser le produit.
7. Ne traînez pas ce produit. Soulevez ce produit lorsque vous le déplacez.
8. Ne collez pas d'autocollants ou de ruban adhésif sur les pièces du capteur ou les roues, ne déformez pas le pare-chocs ni les roues et n'appuyez pas sur le pare-chocs avec force. Cela pourrait provoquer un dysfonctionnement.
9. Si de la poudre fine (plâtre, ciment ou craie) est aspirée, faites attention au filtre, au capteur d'obstacles verticaux et au capteur LiDAR.
10. Ne laissez pas ce produit aspirer dans les conditions suivantes, cela pourrait provoquer des rayures à l'intérieur de ce produit, des bouchons de poussières ou une défaillance. Si l'un des éléments suivants est accidentellement aspiré, arrêtez l'utilisation et éliminez la poussière.
  - (1) Déchets humides (liquide et éléments humides)
  - (2) Excréments d'animaux, etc.
  - (3) Grosse quantité de sable et de poudre
  - (4) Ficelles
  - (5) Objets tranchants (verre, outils de coupe, broches, etc.)
  - (6) Déchets en grandes quantités et de grandes dimensions
  - (7) Objets avec une faible perméabilité à l'air (emballage alimentaire en plastique, vinyle, film d'emballage, etc.)
11. Si la brosse de fond de l'ouverture d'aspiration, la roulette, les roues motrices ou la pièce rotative du couvercle de brosse principale se détachent, arrêtez d'utiliser ce produit et consultez le magasin dans lequel vous l'avez acheté ou notre bureaux de vente. Si vous utilisez l'aspirateur robot avec des pièces usées, cela pourrait provoquer des dommages sur la surface du sol.
12. Lors de l'utilisation, des bruits peuvent survenir sur l'écran du téléviseur mais n'affectent pas la téléviseur en lui-même.
13. Faites attention lorsque vous utilisez ce produit dans un endroit dans lequel fonctionne un système de sécurité. Ce produit pourrait être détecté comme un intrus par le système de sécurité.
14. N'effectuez pas les actions suivantes.
  - (1) Longue période sans aucune utilisation alors que la batterie est installée
  - (2) Utilisation avec un capteur sale ou un filtre encrassé
  - (3) Utilisation alors que vous remarquez une erreur de la batterie (odeur étrange, fuite de liquide, surchauffe, déformation ou autres anomalies)
  - (4) Utilisation sans nettoyer la poussière ou toute autre matière coincée dans la brosse principale, les brosses latérales et les roues
  - (5) Utilisation avec des composants usés ou en fin de vie
  - (6) Utilisation sans lire le manuel d'utilisateur
  - (7) Mettre le produit à l'envers et effectuer la maintenance lorsque la batterie est installée
  - (8) Utilisation sans aucune maintenance de la ligne de limite magnétique

**Utilisation et entretien de la batterie****AVERTISSEMENT**

Lire tous les avertissements de sécurité et les instructions. En cas de non-respect des avertissements et les instructions, cela pourrait entraîner un choc électrique, un incendie et/ou de graves blessures.

1. Ne chargez le produit qu'avec le chargeur spécifié par le fabricant. Un chargeur compatible avec un type de batterie peut engendrer un risque d'incendie lorsqu'il est utilisé avec une autre batterie.
2. Utilisez l'appareil uniquement avec les batteries spécifiées. L'utilisation d'un autre type de batterie pourrait engendrer un risque de blessures et d'incendie.
3. Lorsque la batterie n'est pas utilisée, ne l'approchez pas d'objets en métal, comme des trombones, des pièces de monnaie, des clés, des clous, des vis ou d'autres petits objets métalliques, qui peuvent établir une connexion d'une borne à l'autre. La mise en court-circuit des bornes de la batterie pourrait provoquer des brûlures ou un incendie.
4. Dans des conditions adverses, du liquide peut être éjecté de la batterie ; évitez tout contact. Si vous entrez accidentellement en contact avec la batterie, rincez avec de l'eau. Si le liquide entre en contact avec vos yeux, consultez un médecin. Le liquide éjecté de la batterie pourrait provoquer des irritations ou des brûlures.
5. N'utilisez pas une batterie ou un outil endommagé ou modifié. Les batteries endommagées ou modifiées peuvent avoir un comportement imprévisible provoquant un incendie, une explosion ou un risque de blessure.
6. N'exposez pas de batterie ou d'outil à un incendie ou une température excessive. Une exposition à un incendie ou une température supérieure à 130 °C (265 °F) pourrait provoquer une explosion.
7. Suivez toutes les informations de chargement et ne chargez pas la batterie ou outil en dehors de la plage de température spécifiée dans les instructions. Si vous ne chargez pas le produit correctement ou s'il est chargé en dehors de la plage de température spécifiée, cela pourrait endommager la batterie et augmenter le risque d'incendie.
8. Les réparations doivent être effectuées par une personne qualifiée et uniquement avec des pièces de remplacement identiques. Cela permet de garantir la sécurité du produit.
9. Ne modifiez pas et n'essayez pas de réparer l'appareil ou la batterie, sauf si cela est indiqué dans les instructions d'utilisation et d'entretien.
10. Évitez tout démarrage involontaire. Assurez-vous que le commutateur est en position d'arrêt avant de connecter la batterie, de soulever ou de transporter l'aspirateur robot. Si vous transportez l'aspirateur robot alors que vos doigts se trouvent sur le commutateur ou si vous allumez l'alimentation de l'aspirateur robot, cela pourrait provoquer des accidents.
11. Déconnectez la batterie de l'aspirateur robot avant de procéder à des réglages, un changement d'accessoires ou avant de ranger l'aspirateur robot. Ces mesures de sécurité réduisent le risque de démarrage involontaire de l'aspirateur robot.
12. La batterie n'est pas entièrement chargée au moment de l'expédition d'usine. Chargez la batterie avant toute utilisation.
13. Lorsque vous n'utilisez pas la batterie, placez toujours le couvercle par-dessus.



## Instructions de sécurité importantes pour la batterie

1. Avant toute utilisation de la batterie, lisez les instructions et recommandations sur (1) le chargeur de batterie, (2) la batterie et (3) le produit utilisant la batterie.
2. Ne démontez pas et ne modifiez pas la batterie. Cela pourrait entraîner un incendie, une surchauffe ou une explosion.
3. Si le temps d'utilisation est extrêmement court, arrêtez immédiatement d'utiliser le produit. Cela pourrait provoquer un risque de surchauffe, de possibles brûlures et même une explosion.
4. Si l'électrolyte pénètre dans vos yeux, rincez-les à l'eau claire et consultez immédiatement un médecin. Cela pourrait entraîner une perte de la vue.
5. Ne court-circuitez pas la batterie :
  - (1) Ne touchez pas les bornes avec une matière conductrice.
  - (2) Évitez de ranger la batterie dans un conteneur avec d'autres objets métalliques tels que des clous, des pièces de monnaie, etc.
  - (3) N'exposez pas la batterie à de l'eau ou à la pluie. Un court-circuit de la batterie pourrait provoquer un flux de courant important, une surchauffe, de possibles brûlures et même une panne.
6. Ne rangez pas et n'utilisez pas la batterie et l'outil dans des endroits où la température peut atteindre ou dépasser 50 °C (122 °F).
7. N'incinerez pas la batterie même si elle est sévèrement endommagée ou complètement usée. La batterie peut exploser au contact du feu.
8. Ne clouez pas, ne coupez pas, n'écrasez pas, ne jetez pas, ne laissez pas tomber la batterie et ne frappez pas la batterie avec un objet dur. Un tel comportement pourrait entraîner un incendie, une surchauffe ou une explosion.
9. N'utilisez pas de batterie endommagée.
10. Les batteries lithium-ion sont soumises aux exigences de la législation sur les matières dangereuses. Pour les transports commerciaux, par exemple par des tiers ou des transitaires, des exigences particulières en matière d'emballage et d'étiquetage doivent être respectées.  
Pour la préparation du produit avant la livraison, consultez un expert en matériaux dangereux si nécessaire. Veuillez également respecter les réglementations nationales plus détaillées.  
Masquez les informations de contact et emballez la batterie afin qu'elle ne puisse pas bouger dans l'emballage.
11. Lorsque vous jetez la batterie, retirez-la de l'outil et jetez-la dans un endroit sûr. Respectez les réglementations locales concernant l'évacuation des déchets de batterie.
12. N'utilisez les batteries qu'avec les produits spécifiés par Makita. Si vous installez les batteries dans des produits non conformes, cela pourrait entraîner un incendie, une surchauffe ou une fuite d'électrolyte.
13. Si vous n'utilisez pas le produit pendant une longue période, retirez la batterie du produit.
14. Pendant et après l'utilisation, la batterie pourrait chauffer et provoquer des brûlures ou des brûlures à basse température. Faites attention à la manipulation avec des batteries chaudes.
15. Ne touchez pas la borne de l'outil immédiatement après l'utilisation, elle pourrait être encore chaude et provoquer des brûlures.
16. Ne laissez pas de copeaux, de poussière ou de terre se coincer dans les bornes, les trous et les rainures de la batterie. Cela pourrait entraîner une baisse de performance ou une panne de l'outil ou de la batterie.
17. À moins que l'outil ne permette l'utilisation à proximité de lignes électriques à haute tension, n'utilisez pas la batterie à proximité de lignes électriques à haute tension. Cela pourrait entraîner un dysfonctionnement ou une panne de l'outil ou de la batterie.
18. Laissez la batterie hors de portée des enfants.

## CONSERVEZ CES INSTRUCTIONS.

### ATTENTION

Utiliser uniquement des batteries Makita d'origine. L'utilisation de batteries autres que des batteries Makita d'origine ou de batteries altérées, pourrait entraîner une explosion de la batterie provoquant un incendie, des blessures et des dommages. De plus, cela annule la garantie Makita pour l'outil Makita et le chargeur.

### Conseils pour maintenir une durée de vie maximale pour la batterie

1. Chargez la batterie avant qu'elle ne soit complètement déchargée. Arrêtez toujours l'utilisation et chargez la batterie lorsque vous remarquez une baisse de puissance.
2. Ne chargez jamais une batterie entièrement chargée. Une surcharge réduit la durée de vie de la batterie.
3. Chargez la batterie dans une pièce avec une température entre 10 °C et 40 °C (50 °F - 104 °F). Laissez une batterie chaude se refroidir avant de la charger à nouveau.
4. Lorsque vous n'utilisez pas la batterie, retirez-la de l'outil ou du chargeur.
5. Chargez la batterie si vous ne l'utilisez pas pendant un long moment (plus de six mois).

### Précautions concernant les ondes radio

- N'utilisez pas ce produit dans les endroits suivants.
  - Dans ou à proximité des endroits avec des équipements médicaux
  - À proximité d'appareils électroniques avec un contrôle de haute précision ou des signaux faibles (exemple d'appareils électroniques nécessitant une attention particulière : des prothèses auditives, des stimulateurs cardiaques, d'autres équipements médicaux, des alarmes incendie, des portes automatiques et d'autres équipements de contrôle automatique)
  - À l'intérieur d'un hôpital ou d'un avion (suivez les instructions de l'hôpital ou de la compagnie aérienne, et n'utilisez pas le produit dans des zones interdites)
- La connexion sans fil et les performances ne sont pas garanties dans tous les environnements. Il se peut que les ondes radio ne soient pas reçues ou qu'elles soient perturbées dans les cas suivants.
  - Utilisation du produit dans des bâtiments construits avec du béton, des barres d'armature et du métal
  - Installation à proximité d'obstacles
  - Utilisation du produit dans des endroits où des interférences se produisent avec des appareils de communication sans fil qui utilisent la même fréquence
  - Utilisation du produit dans des endroits avec un équipement qui produit des champs magnétiques, de l'électricité statique ou des interférences radio, comme des fours à micro-ondes

### Marques et marques déposées

#### Remarque à propos des marques

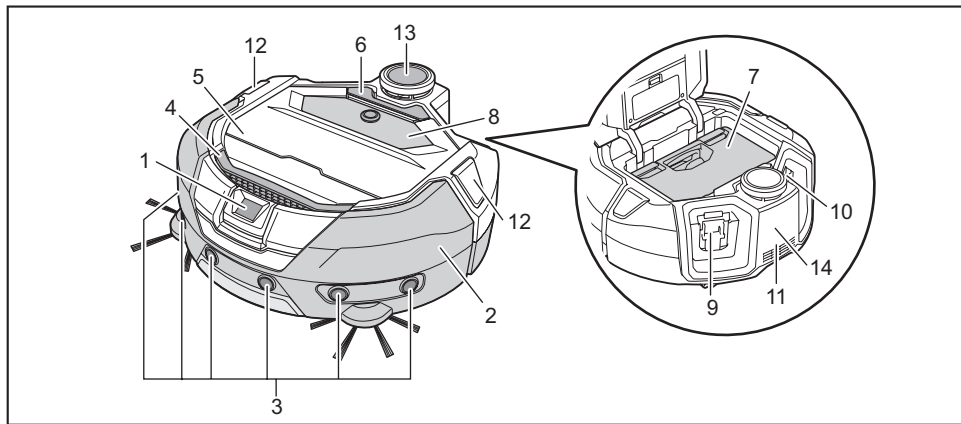
- Android et Google Play sont des marques commerciales ou marques déposées de Google LLC.
- iPhone est une marque commerciale d'Apple Inc., déposée aux États-Unis et dans d'autres pays.
- La marque commerciale iPhone est utilisée sous la licence d'Apple Co., Ltd.
- App Store est une marque de service d'Apple Inc.
- Wi-Fi est une marque commerciale et un marque déposée de Wi-Fi Alliance.
- La marque Bluetooth® et son logo sont des marques déposées appartenant à Bluetooth SIG, Inc. et toute utilisation de ces marques par Makita se fait sous licence. Les autres marques et noms commerciaux sont ceux de leurs propriétaires respectifs.



- Toutes les autres marques commerciales figurant dans ce document appartiennent à leurs propriétaires respectifs. Notez que les marques ™ et ® sont omises dans certaines parties du texte principal.

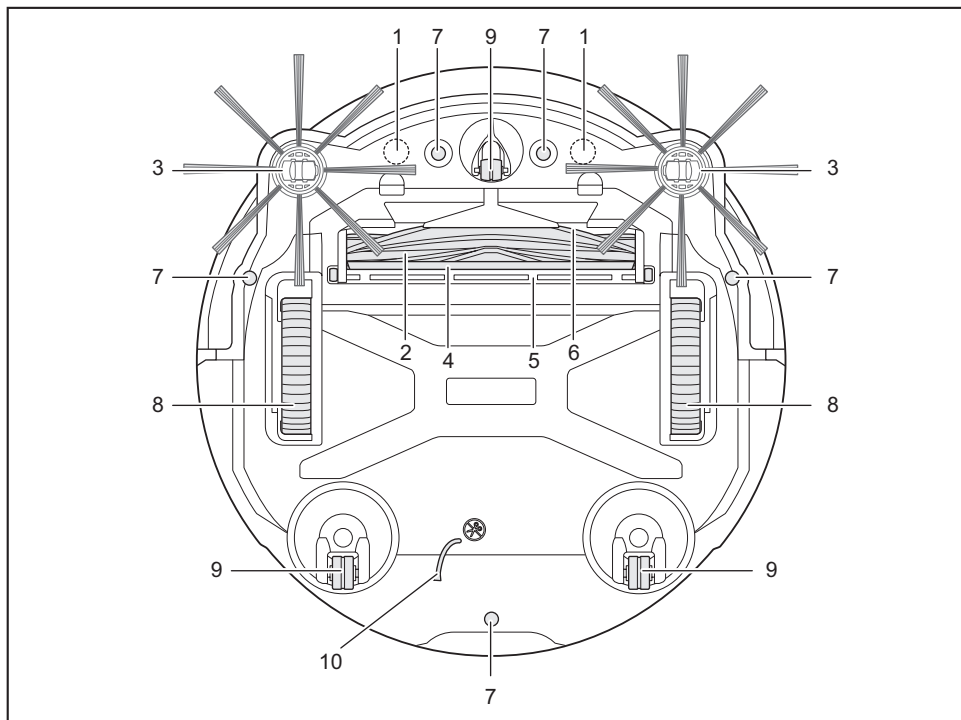
## Noms des pièces

### Unité principale (vue du dessus, vue latérale, intérieur)



- |                                                 |                                                              |
|-------------------------------------------------|--------------------------------------------------------------|
| 1. Capteur de caméra                            | 8. Panneau d'utilisation (affichage) (Consultez la page 10.) |
| 2. Pare-chocs                                   | 9. Fente d'insertion de la batterie gauche                   |
| 3. Capteur à ultrasons                          | 10. Fente d'insertion de la batterie droite                  |
| 4. Poignée de transport (Consultez la page 11.) | 11. Bouche d'évacuation                                      |
| 5. Couvercle supérieur                          | 12. LED de position                                          |
| 6. Bouton d'ouverture                           | 13. Capteur LiDAR                                            |
| 7. Boîte à poussière (Consultez la page 14.)    | 14. Marque LASER DE CLASSE 1                                 |

### Unité principale (vie du dessous)



- |                                                               |                                  |
|---------------------------------------------------------------|----------------------------------|
| 1. Capteur magnétique pour la détection des limites (intégré) | 6. Ouverture d'aspiration        |
| 2. Brosse principale                                          | 7. Capteur d'obstacles verticaux |
| 3. Brosse latérale                                            | 8. Roue motrice                  |
| 4. Brosse de fond                                             | 9. Roulette                      |
| 5. Couvercle de brosse principale                             | 10. Ligne de mise à la terre     |

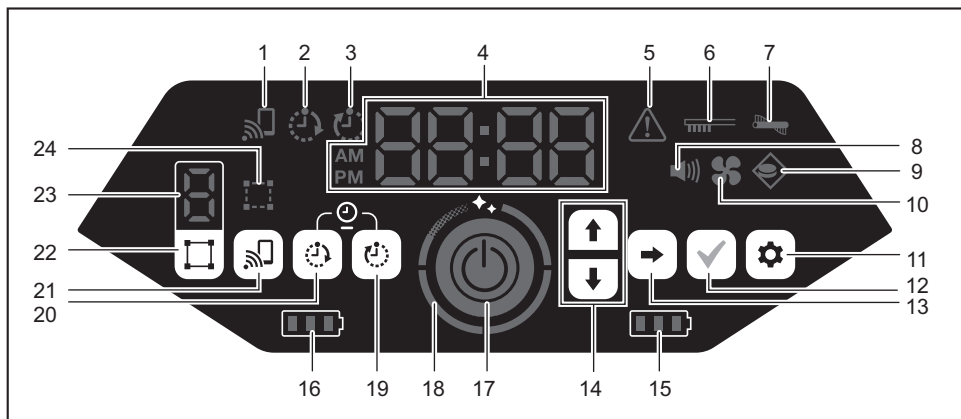
### REMARQUE

- La ligne de mise à la terre réduit la charge électrique du capteur.



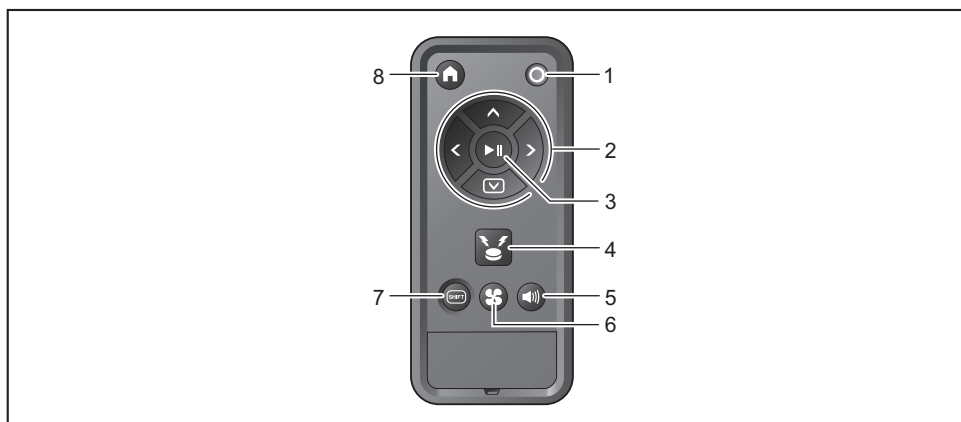
: Ne tirez pas et ne coupez pas accidentellement la ligne de mise à la terre.

## Unité principale (panneau d'utilisation (affichage))



- |                                                                       |                                                                                |
|-----------------------------------------------------------------------|--------------------------------------------------------------------------------|
| 1. Voyant de raccordement de smartphone (vert)                        | 13. Bouton suivant                                                             |
| 2. Voyant de minuterie ON (vert) (Consultez la page 20.)              | 14. Bouton haut, bouton bas                                                    |
| 3. Voyant de minuterie OFF (vert) (Consultez la page 20.)             | 15. Voyant d'alimentation de la batterie droite (vert) (Consultez la page 16.) |
| 4. Indicateur temporel (vert)                                         | 16. Voyant d'alimentation de la batterie gauche (vert) (Consultez la page 16.) |
| 5. Voyant d'erreur (rouge) (Consultez la page 29.)                    | 17. Bouton marche/arrêt (Consultez la page 16.)                                |
| 6. Voyant d'entretien du filtre (rouge) (Consultez la page 29.)       | 18. Bouton de niveau de propreté (blanc) (Consultez la page 18.)               |
| 7. Voyant d'erreur de la brosse (rouge) (Consultez la page 29.)       | 19. Bouton de minuterie OFF (Consultez la page 20.)                            |
| 8. Voyant de son (vert) (Consultez la page 23.)                       | 20. Bouton de minuterie ON (Consultez la page 19.)                             |
| 9. Voyant de détection des limites (vert) (Consultez la page 21.)     | 21. Bouton de raccordement de smartphone                                       |
| 10. Voyant de ventilateur d'aspiration (vert) (Consultez la page 19.) | 22. Bouton de commutation de mode (Consultez la page 17.)                      |
| 11. Bouton de réglage                                                 | 23. Affichage du mode/numéro de pièce (Consultez la page 17.)                  |
| 12. Bouton de confirmation                                            | 24. Voyant d'enregistrement de pièce (vert) (Consultez la page 17.)            |

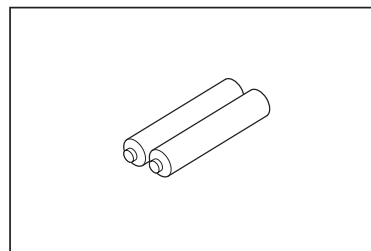
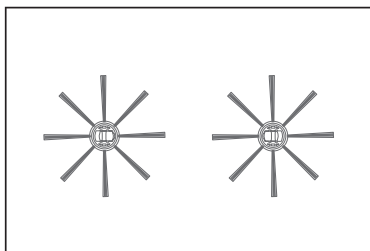
## Télécommande



- |                                                        |                                                                           |
|--------------------------------------------------------|---------------------------------------------------------------------------|
| 1. Bouton de coupure d'alimentation (OFF)              | 5. Bouton d'activation/désactivation de son (ON/OFF)                      |
| 2. Boutons d'action                                    | 6. Bouton d'activation/désactivation du ventilateur d'aspiration (ON/OFF) |
| 3. Bouton marche/arrêt                                 | 7. Bouton de changement de position                                       |
| 4. Bouton de localisation par signal lumineux/bruiteur | 8. Bouton de point de départ                                              |

## Accessoires standards

- Brosses latérales (quatre)  
Deux brosses sont des brosses de rechange. Fixez-en deux à l'aspirateur robot. (Consultez la page 14.)
- Télécommande
- Piles sèches AAA (deux) \* Propre au pays  
Installez-les dans la télécommande. (Consultez la page 14.)



## Préparation avant le nettoyage

### À propos du transport de l'aspirateur robot

#### ⚠ ATTENTION

Lorsque vous transportez l'aspirateur robot, arrêtez l'utilisation, puis éteignez l'alimentation et tenez la poignée de transport fermement afin de ne pas vous coincer la main.

- Sinon, vous pourriez vous coincer la main dans la poignée.

**Gardez toujours un bon équilibre lorsque vous soulevez l'aspirateur robot.**

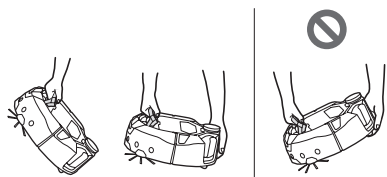
- Sinon, cela pourrait provoquer des blessures ou une défaillance.

**Soulevez l'aspirateur robot avec précaution.**

- Cela pourrait provoquer des blessures ou une défaillance.

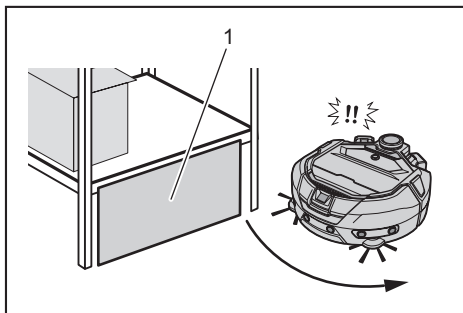
**Ne tenez pas l'aspirateur robot avec la face avant vers le bas.**

- De la poussière pourrait tomber de l'ouverture d'aspiration.



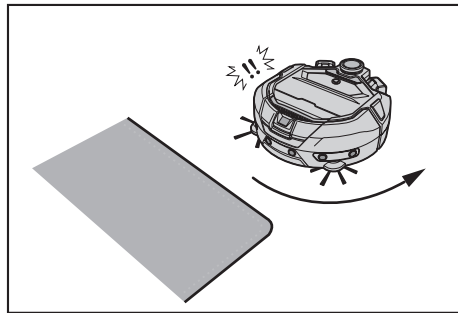
### À propos du nettoyage de l'aspirateur robot

- L'aspirateur robot détecte les obstacles grâce au capteur LiDAR et au capteur à ultrasons et fonctionne tout en évitant ces obstacles. Il collecte et aspire la poussière grâce à ses brosses latérales et sa brosse principale. Il se peut qu'il ne reconnaisse pas un obstacle selon les conditions. Lorsqu'il heurte un obstacle, le pare-chocs détecte le contact et évite l'obstacle.
- L'aspirateur robot peut grimper sur une marche d'environ 2,0 cm. Cependant, si elle mesure moins de 2,0 cm, l'aspirateur robot peut ne pas réussir à grimper selon la forme de la marche.
- Sur une pente ou surface irrégulière, la partie inférieure de l'aspirateur robot peut se coincer et une roue motrice peut être soulevée, ce qui provoquerait un arrêt de l'aspirateur robot en raison d'une erreur. Si l'aspirateur robot s'arrête à de nombreuses reprises, ne le laissez pas fonctionner dans cette pièce. (Consultez la page 21.)
- Si un obstacle se trouve à proximité d'un mur, l'aspirateur robot peut se diriger vers le mur afin d'éviter l'obstacle.
- Il se peut que le capteur LiDAR ne puisse pas reconnaître les obstacles avec les caractéristiques suivantes, ce qui peut provoquer une cartographie inexacte ou la collision avec des obstacles.
  - Des obstacles très réfléchissants, comme les miroirs
  - Des obstacles très transparents, comme le verre
  - Des obstacles en matériau sombre brillant
  - Des obstacles fins, comme les pieds d'une chaise ou d'un bureau
- Lorsque l'aspirateur robot entre dans un endroit étroit et bas, il peut se retrouver coincé. Dans ce cas, placez un écran ou un objet devant.



- 1. Bloquez le trou avec un écran ou un objet.

- Un sol sombre, transparent par exemple en verre, ou une zone sombre sur un sol en bois peut être déterminée comme une marche par l'aspirateur robot, qui peut ensuite essayer de l'éviter.



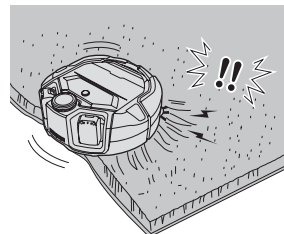
- L'aspirateur robot peut ne pas être en mesure d'aspirer la poussière dans une zone située autour d'une marche qu'il peut franchir, dans un espace isolé ou étroit dans lequel l'aspirateur robot ne peut pas pénétrer ou dans un endroit que les brosses latérales ne peuvent pas atteindre.
- L'aspirateur robot peut repousser un petit objet dur comme une petite pierre.
- L'aspirateur robot peut franchir une marche accidentellement si un objet l'aide à grimper (tel qu'une planche ou un tapis). Éloignez ce type d'objets des marches.

#### ⚠ ATTENTION

**N'utilisez pas l'aspirateur robot dans les endroits suivants.**

- N'utilisez pas l'aspirateur robot sur des tapis d'une épaisseur de plus de 7 mm, ayant des poils qui se détachent facilement ou un tapis irrégulier.

Sur ce type de tapis, l'aspirateur robot peut s'arrêter de fonctionner, les poils peuvent se coincer dans les brosses latérales ou le tapis et les brosses latérales peuvent être endommagées. Si l'aspirateur robot ne peut pas être utilisé sur un tapis autre que celui indiqué ci-dessus, évitez d'utiliser le produit sur ce tapis.



- N'utilisez pas l'aspirateur robot sur un matelas, une couverture, un coussin, etc.
- N'utilisez pas l'aspirateur robot dans une zone humide, des toilettes, une salle de bains, un grenier, à l'extérieur, etc.
- N'utilisez pas l'aspirateur robot dans un endroit humide, un endroit qui peut devenir humide, ou un endroit chaud.

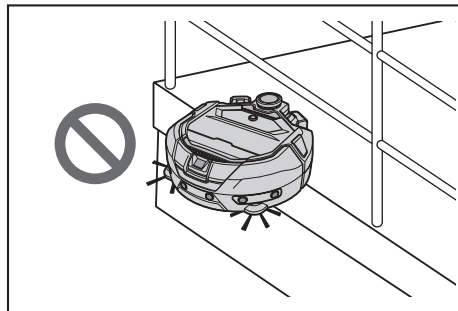
### Pour empêcher l'aspirateur robot de tomber

#### ⚠ AVERTISSEMENT

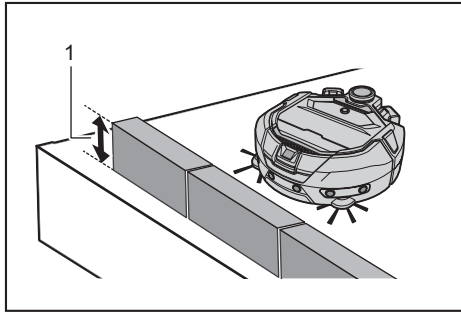
**Assurez-vous que l'aspirateur robot ne tombe pas.**

- S'il tombe, cela pourrait provoquer une défaillance ou des blessures.

- N'utilisez pas l'aspirateur robot sur la surface d'une mezzanine, d'un loft, dans une cage d'escalier, dans un endroit sans murs ou dans un endroit qui présente une pente de 10° ou plus.

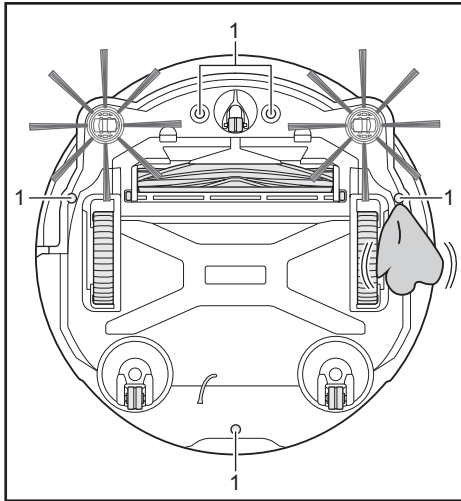


- Dans un endroit où un accident ou une autre situation dangereuse peut se produire en raison d'une chute, placez un objet d'une hauteur de 25 cm ou plus qui peut servir de mur (objet qui ne bouge pas ou ne se renverse pas lorsqu'il est percuté par l'aspirateur robot).



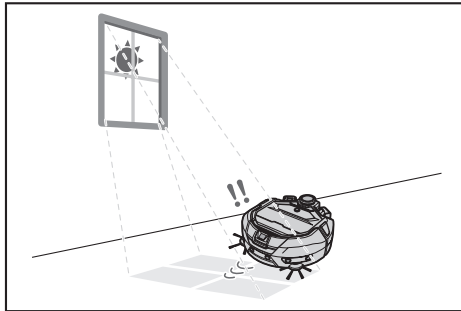
- ▶ 1. Hauteur de 25 cm ou plus

- Si de la saleté ou des gouttelettes d'eau dues à la condensation, adhèrent au capteur d'obstacles verticaux sur le dessous de l'aspirateur robot, essuyez-les avec un chiffon doux et sec, un coton-tige, etc.

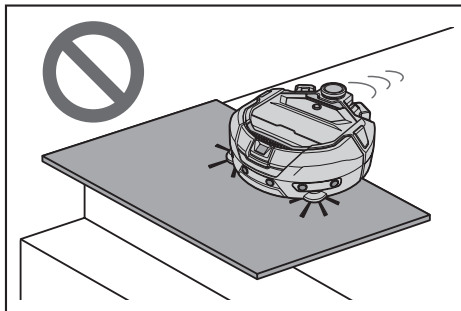


- ▶ 1. Capteur d'obstacles verticaux (cinq emplacements)

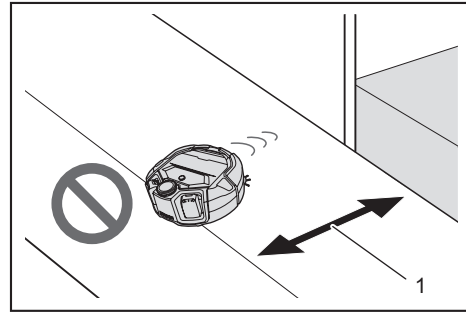
- L'aspirateur robot peut ne pas fonctionner correctement lorsqu'il est exposé à la lumière du soleil ou à une lumière infrarouge provenant d'un autre équipement. Assurez-vous que l'aspirateur robot n'est pas exposé à une lumière infrarouge d'un radiateur halogène, d'une télécommande, d'un capteur et d'autres équipements, ni à la lumière du soleil provenant d'un verre dépoli, etc.



- N'utilisez pas le produit lorsque des objets comme des tapis, des matelas ou des planches sont à proximité d'une marche. Si un objet tel qu'un tapis, un matelas ou une planche couvre la marche, le capteur d'obstacles verticaux peut ne pas reconnaître la marche correctement.

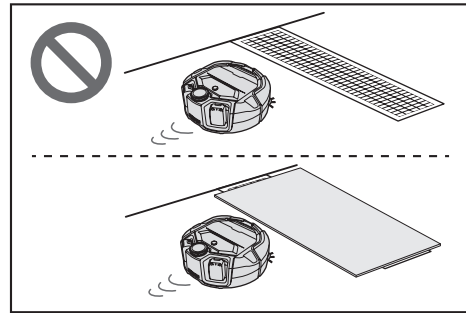


- Lorsque la distance entre un mur et une marche est de moins de 1 m environ, l'aspirateur robot peut tomber en se déplaçant en arrière. N'utilisez pas l'aspirateur robot lorsque la distance entre un mur et une marche est de moins de 1 m environ.



- ▶ 1. Moins de 1 m environ

- Lorsqu'il y a une plaque d'égout (grillage), le capteur d'obstacles verticaux peut la reconnaître comme étant une marche et il se peut que l'aspirateur robot ne puisse pas la franchir. S'il est nécessaire de la franchir, recouvrez la plaque d'une planche ou tout autre objet similaire.



- Une marche d'environ 3,0 cm ou moins peut ne pas être identifiée comme une marche par le capteur d'obstacles verticaux, l'aspirateur robot risque alors de descendre de la marche en allant tout droit. Lorsqu'il y a une marche de 2,0 à 3,0 cm, n'utilisez pas l'aspirateur robot.
- Fermez les portes coulissantes, les portes ou les fenêtres car la différence de niveau de leurs cadres ou de leurs rails peut ne pas être identifiée comme une marche par les capteurs du pare-chocs.
- N'utilisez pas l'aspirateur robot sur une surface fragile telle que le verre.

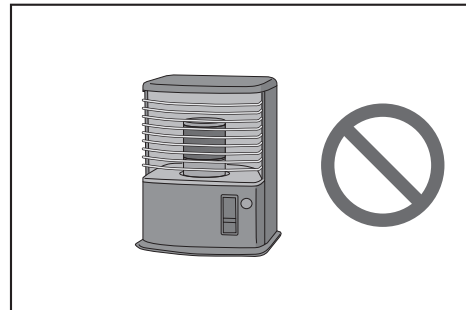
## Rangement de l'endroit à nettoyer

### ⚠ AVERTISSEMENT

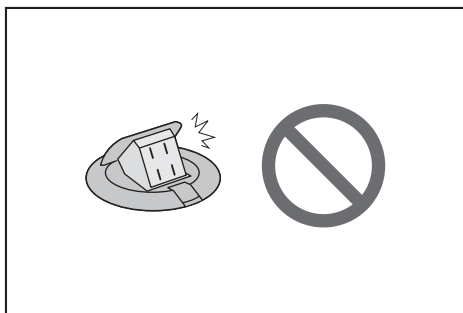
Déplacez les objets pouvant provoquer des dommages ou un accident lorsque l'aspirateur robot entre en contact avec eux. Rangez les objets qui ne doivent pas être aspirés, ceux qui gênent le mouvement de l'aspirateur robot et ceux qui risquent de se prendre dans la brosse principale, les roues et les brosses latérales.

- Si vous laissez un objet obstruer le mouvement de l'aspirateur robot pendant le nettoyage, cela pourrait provoquer un accident ou des blessures.

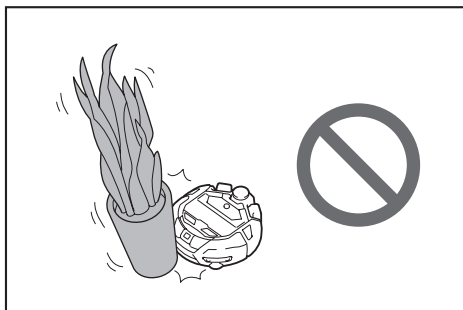
- N'utilisez pas l'aspirateur robot à proximité d'objets qui deviennent chauds, tels qu'un appareil chauffant (chauffage). Cela pourrait provoquer un accident, un départ de feu ou une défaillance. (N'utilisez pas d'appareil chauffant pendant l'utilisation du produit.)



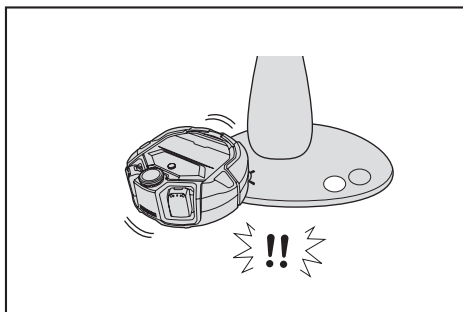
- N'utilisez pas l'aspirateur robot dans un endroit équipé d'une prise escamotable. La prise escamotable doit toujours être rétractée.



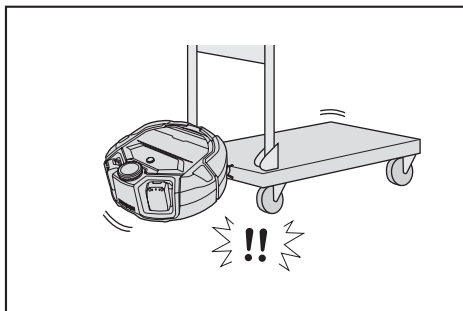
- Pour les murs en matériaux fragiles (mur de terre, porte décorée, porte coulissante, ou paravent), placez les objets qui servent de mur devant eux afin qu'ils ne soient pas endommagés.
- N'utilisez pas le produit dans des endroits où des objets instables ou qui peuvent facilement tomber sont placés. Les objets instables et qui peuvent facilement tomber doivent être déplacés dans une autre pièce.



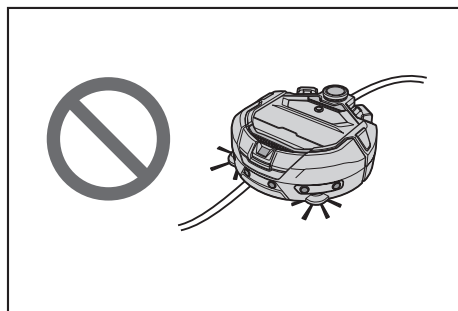
- Déplacez les équipements et les appareils avec une télécommande situés au même niveau que l'aspirateur robot.



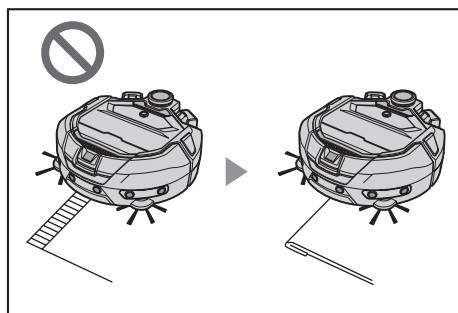
- Retirez les bougies allumées et les objets pouvant facilement se casser.
- Pour les objets sur roulettes comme un camion ou une chaise roulante, ainsi que les chaises légères faciles à déplacer, verrouillez les roulettes ou enlevez-les.



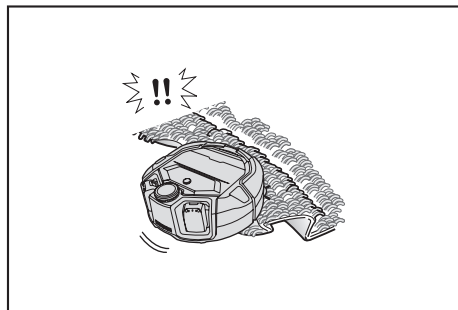
- N'utilisez pas le produit avec des câbles qui traînent et qui pourraient s'accrocher ou s'emmêler. Assurez-vous que les câbles d'alimentation sont posés le long d'un mur afin que l'aspirateur robot ne se coince pas dedans.



- Retirez les objets longs et fins tels que les cordons ou ceintures.
- Retirez les petits objets pouvant être facilement aspirés, ainsi que les objets de valeur.
- Retirez les objets pouvant bloquer le passage de l'aspirateur robot, tels qu'une table, une chaise, un outil ou une planche.
- Si des excréments d'animaux ou d'autres liquides sont aspirés, l'aspirateur robot peut connaître un dysfonctionnement. Nettoyez-les.
- Assurez-vous de rentrer les franges d'un tapis ou autres couvertures.



- Soulevez l'ourlet d'un rideau, etc. qui pend sur le sol. L'ourlet pourrait se coincer dans la brosse principale, etc.
- Retirez les tapis fins et glissants, tels que les matelas ou moquettes. Les tapis ou les brosses latérales pourraient être endommagés.



- Retirez les papiers fins, vêtements, sacs plastiques, etc.
- Dans une pièce avec un accès vers l'extérieur, fermez les portes afin que l'aspirateur robot ne puisse pas aller dehors. Si les portes ne peuvent pas être fermées, n'utilisez pas l'aspirateur robot. De plus, fermez les portes des pièces dans lesquelles l'aspirateur robot ne doit pas entrer.
- L'aspirateur robot peut ne pas fonctionner correctement sur une surface glissante. Vérifiez les conditions du sol avant toute utilisation.
- Assurez un passage d'au moins 80 cm pour le nettoyage.

## Préparation pour l'utilisation


### Fixation des brosses latérales

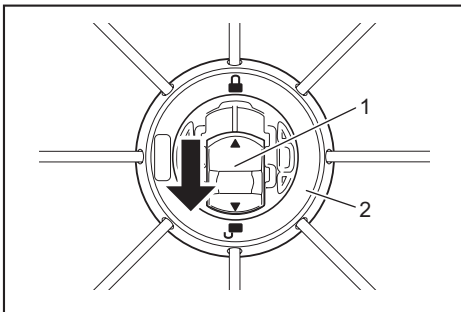
#### ⚠ AVERTISSEMENT

Avant de fixer les brosses latérales, assurez-vous de retirer les batteries de l'aspirateur robot.

- Si une batterie est insérée dans l'aspirateur robot, cela pourrait entraîner un choc électrique ou des blessures.

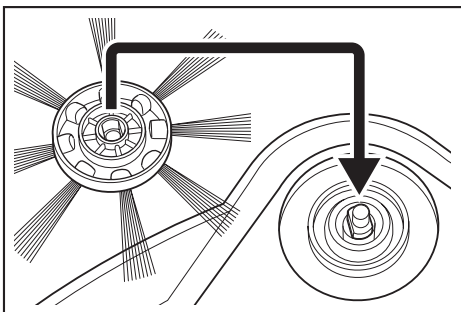
Lorsque vous fixez les brosses latérales, posez un tapis afin que l'aspirateur robot et le sol ne soient pas endommagés.


1. Retournez l'aspirateur robot.
2. Faites glisser le levier de verrouillage de la brosse latérale sur  (marque de déverrouillage).

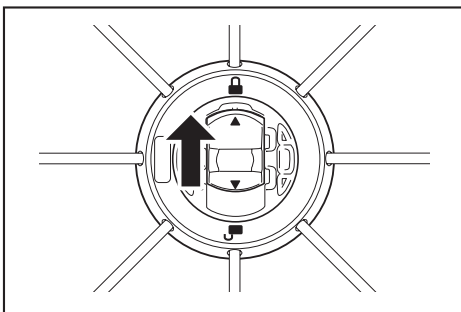


- 1. Levier de verrouillage 2. Brosse latérale

3. Fixez la brosse latérale afin que l'arbre situé sous l'aspirateur robot épouse la forme du trou de la brosse latérale.



4. Poussez le levier de verrouillage de la brosse latérale vers  (marque de verrouillage) jusqu'à ce qu'il s'enclenche. (Poussez-le jusqu'à ce qu'il atteigne le point comme indiqué sur l'illustration.)
  - Après l'installation, soulevez doucement la brosse latérale pour vérifier qu'elle ne se détache pas de l'aspirateur robot.
  - Fixez deux brosses latérales, l'une à gauche et l'autre à droite.

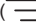


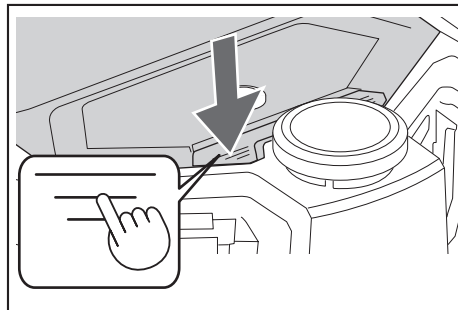
### Déballage de la boîte à poussière

#### ⚠ AVERTISSEMENT

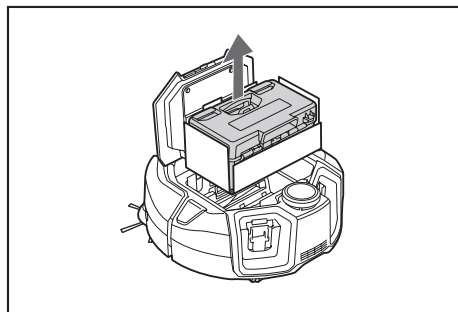
Lorsque vous ouvrez le couvercle supérieur de l'aspirateur robot, assurez-vous que les batteries sont retirées de l'aspirateur robot.

- Si une batterie est insérée dans l'aspirateur robot, cela pourrait entraîner un choc électrique ou des blessures.

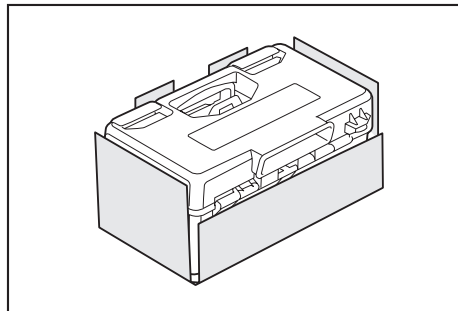
1. Appuyez sur le bouton d'ouverture () pour ouvrir le couvercle supérieur. Faites attention car le couvercle supérieur s'ouvre rapidement.



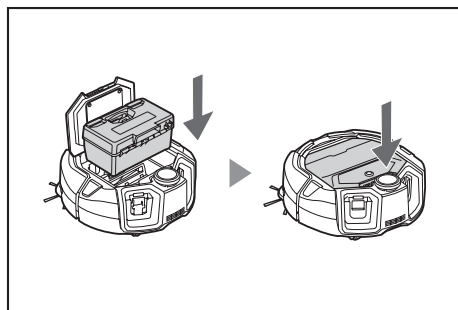
2. Retirez la boîte à poussière.




3. Retirez l'emballage.

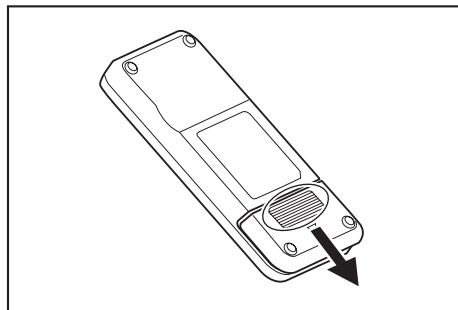


4. Remettez la boîte à poussière dans l'aspirateur robot et poussez le couvercle supérieur pour le fermer jusqu'à ce qu'il s'enclenche. Lorsque vous fermez le couvercle supérieur, assurez-vous de ne pas coincer vos doigts.

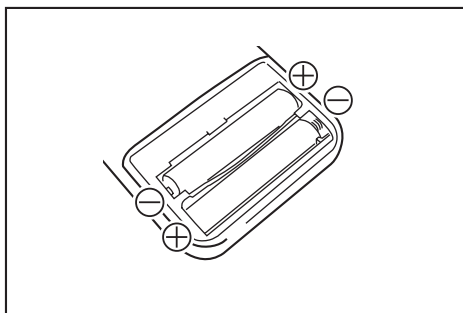


### Installations des piles dans la télécommande

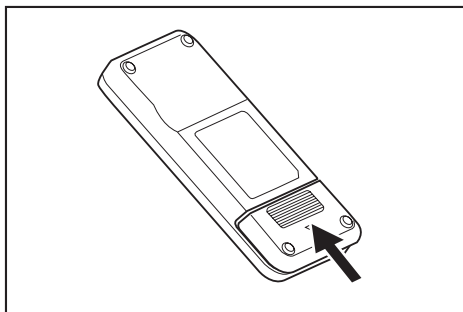
1. Lorsque vous appuyez sur  sur le couvercle de la télécommande, faites glisser le couvercle dans la direction indiquée par les flèches et retirez-le.



2. Insérez les piles dans le bon sens.



3. Fixez à nouveau le couvercle.

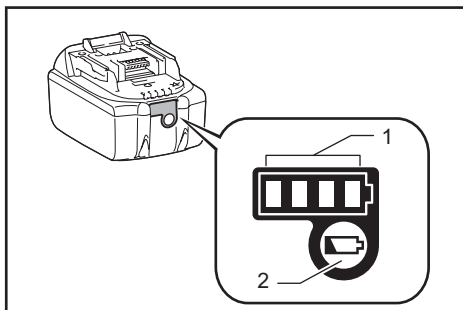


### REMARQUE

- Assurez-vous de correctement aligner les polarités des piles.
- Deux piles sèches AAA sont nécessaires. Les deux piles doivent être neuves et identiques.
- Retirez les piles lorsque vous ne les utilisez pas pendant une longue période afin d'éviter toute défaillance suite à une fuite de liquide ou une rupture.
- Si la solution contenue dans la pile entre en contact avec vos yeux, votre peau ou vos vêtements, rincez-les immédiatement avec de l'eau claire.
- Ne cognez pas la télécommande et ne la mettez pas dans l'eau. Ne la placez pas directement sous la lumière du soleil ou à proximité d'un chauffage, etc. Cela pourrait provoquer une défaillance.

## Indication de la capacité de la batterie restante

Uniquement pour les batteries avec un indicateur



► 1. Voyants lumineux 2. Bouton de vérification

Appuyez sur le bouton de vérification de la batterie pour indiquer la capacité de la batterie restante. Le voyant lumineux s'allume pendant quelques secondes.

Voyants lumineux			Capacité restante
Allumé	Éteint	Clignote	
■ ■ ■ ■	□ □ □ □	□ □ □ □	75 % à 100 %
■ ■ ■ □	□ □ □ □	□ □ □ □	50 % à 75 %
■ ■ □ □	□ □ □ □	□ □ □ □	25 % à 50 %
■ □ □ □	□ □ □ □	□ □ □ □	0 % à 25 %
▬ □ □ □	□ □ □ □	□ □ □ □	Chargez la batterie.
■ ■ □ □	□ □ □ □	□ □ □ □	La batterie connaît peut-être un dysfonctionnement.

### REMARQUE

- Selon les conditions d'utilisation et la température ambiante, l'indication peut légèrement varier de la capacité réelle.
- Le premier voyant lumineux (à gauche) clignote lorsque le système de protection de la batterie fonctionne.

## Installation et retrait des batteries (vendues séparément)

- L'aspirateur robot fonctionne même avec une seule batterie.
- Avec deux batteries, il peut fonctionner pendant une longue période.

### Comment les installer

#### ⚠ AVERTISSEMENT

Une batterie doit être insérée en toute sécurité jusqu'au fond de la rainure. Lorsque la partie rouge de la section supérieure du bouton est visible, le verrouillage n'est pas terminé. Insérez entièrement une batterie jusqu'à ce que la partie rouge soit invisible.

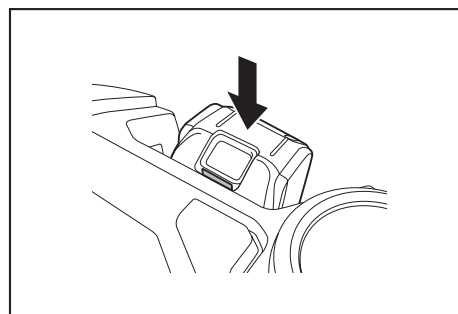
- Si elle n'est pas correctement insérée, la batterie pourrait sortir de son emplacement et provoquer un accident ou une défaillance.

**Ne forcez pas sur la batterie pour l'insérer.**

- Si la batterie ne s'insère pas facilement, elle n'est pas insérée correctement.

**Tenez fermement le produit et la batterie lorsque vous installez la batterie.**

Insérez une batterie en toute sécurité jusqu'au fond de la rainure de l'aspirateur robot. Lorsque la batterie est entièrement enfoncée, vous entendrez un clic.



### REMARQUE

Lorsque vous installez une batterie, faites attention de ne pas coincer vos doigts entre l'aspirateur robot et la batterie.



## Comment les retirer

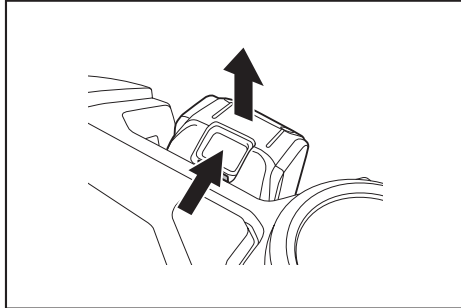
### ⚠ AVERTISSEMENT

Lorsque vous retirez une batterie, veillez à ce que l'aspirateur robot soit réglé sur arrêt. Ne retirez pas de batterie lorsque l'aspirateur robot est en état de veille. (Consultez « Allumer/éteindre l'alimentation » sur cette page.)

- Si vous retirez une batterie lorsque le produit est sous tension, cela pourrait provoquer une défaillance.

Tenez fermement le produit et la batterie lorsque vous retirez la batterie.

Soulevez la batterie en appuyant sur le bouton de la batterie.

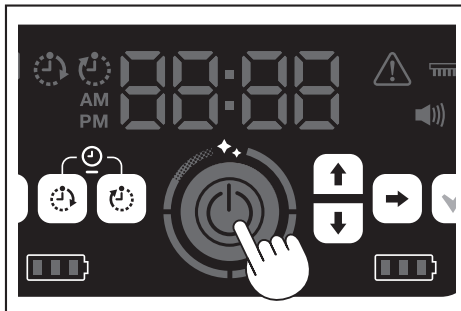


## Allumer/éteindre l'alimentation

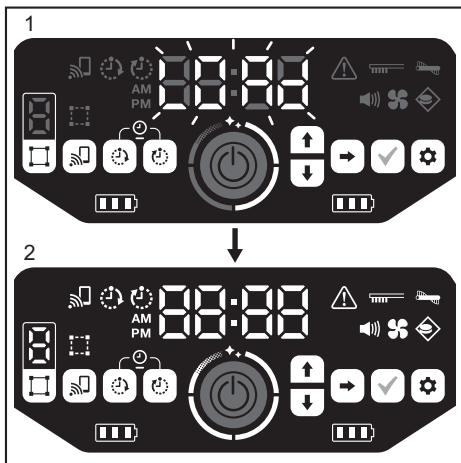
- Lorsque l'alimentation est allumée, l'aspirateur robot entre en état de veille. En état de veille, il est possible de nettoyer, modifier des réglages et établir une connexion avec l'application.
- Si l'aspirateur robot, la télécommande ou l'application n'ont pas été utilisés depuis environ 30 minutes en état de veille, l'alimentation est coupée. (Dans ce cas, si le voyant de raccordement de smartphone est allumé, l'alimentation n'est pas mise hors tension.)
- Éteignez l'alimentation à la fin de l'utilisation et lorsque vous le rangez.
- Lorsque l'aspirateur robot est en état d'hibernation, la communication avec l'application n'est pas possible.
- Lorsque l'aspirateur robot est réglé sur arrêt, il ne peut pas être utilisé avec la télécommande ou l'application.

## Comment allumer l'alimentation

1. Lorsque l'aspirateur robot est sur arrêt, appuyez sur le bouton marche/arrêt de l'aspirateur robot.



2. Attendez sans utiliser l'aspirateur robot jusqu'à ce que l'heure s'affiche. Lorsque l'aspirateur robot est utilisé pour la première fois, il est nécessaire de régler l'heure. Réglez l'heure. (Consultez la page 23.)



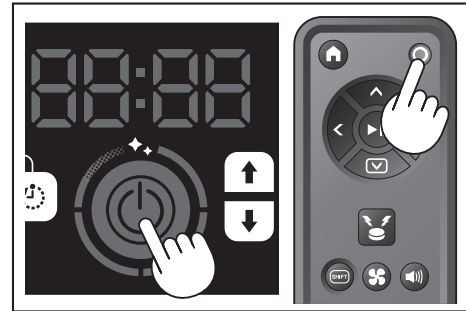
- 1. [LOAD] clignote sur l'indicateur temporel, et quatre boutons de niveau de propreté s'allument et s'éteignent dans le sens des aiguilles d'une montre. La vitesse de commutation des voyants augmente à mesure que le démarrage progresse.
- 2. Lorsque tous les voyants sont allumés, le démarrage de l'aspirateur robot est terminé (état de veille).

## Comment éteindre l'alimentation

Maintenez le bouton marche/arrêt de l'aspirateur robot enfoncé, ou appuyez sur le bouton de coupure d'alimentation (OFF) de la télécommande.

Lorsque l'alimentation est complètement éteinte, l'affichage et les voyants de l'aspirateur robot s'éteignent. Attendez et ne retirez pas les batteries.

Lorsque vous avez terminé d'utiliser l'aspirateur robot ou lorsque vous le rangez, éteignez l'alimentation et retirez les batteries.



### REMARQUE

Ne retirez pas les batteries avant que l'alimentation soit complètement éteinte (avant que l'affichage et les voyants ne s'éteignent). Les informations de la carte enregistrées et l'historique de nettoyage peuvent être supprimés.

## Comment lire le voyant d'alimentation de la batterie de l'aspirateur robot

État du voyant d'alimentation de la batterie	Capacité de la batterie restante
	Environ 60 % ou plus
	Entre 20 et 60 %
	Moins de 20 %
	Aucune capacité restante Aucune batterie installée

La capacité restante est une indication approximative et peut varier selon les conditions d'utilisation, la température de la pièce, le type de batterie, la consommation de la batterie, etc.

## Réglages avant le nettoyage

Avant le nettoyage, effectuez les réglages nécessaires pour l'aspirateur robot.

### Activation/désactivation du ventilateur d'aspiration

Uniquement lors du nettoyage d'une grande quantité de poussière visible, la désactivation du ventilateur d'aspiration permet de prolonger la durée d'exécution. Pour savoir comment activer/désactiver le ventilateur d'aspiration, consultez la page 19.

### Activation/désactivation du réglage de son

Lorsque le réglage de son de l'aspirateur robot est réglé sur arrêt, l'aspirateur robot nettoie en silence. (Consultez la page 23.)

### Réglage de la fonction de détection des limites

Avec la fonction de détection des limites, l'aspirateur robot reconnaît la ligne de limite magnétique réglée sur la surface du sol. La ligne de limite magnétique sert de limite et l'aspirateur robot ne franchit pas, la zone de nettoyage peut donc être délimitée. Pour savoir comment régler la fonction de détection des limites, consultez la page 21.

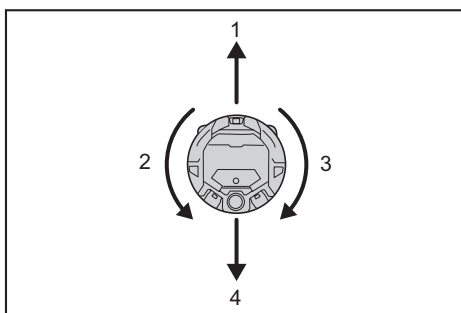
## Utilisation

### Nettoyage

- L'aspirateur robot fonctionne de trois manières différentes :
  - en mode nettoyage libre, qui ne nécessite pas de cartographie,
  - en mode nettoyage par cartographie ( consultez « Nettoyage une pièce avec la cartographie » sur cette page), qui nécessite des informations sur la pièce à enregistrer pour le nettoyage, et
  - en utilisation manuelle, grâce à la télécommande.
- Le mode nettoyage libre est recommandé pour le nettoyage de différentes pièces ou dans un environnement impliquant des changements fréquents et importants de la disposition.
- Pour une pièce qui ne peut pas être correctement éclairée lors de la cartographie, utilisez le mode nettoyage libre.
- Si la batterie restante de l'aspirateur robot est faible, l'aspirateur robot suspend le nettoyage et retourne à la position de démarrage du nettoyage.

### Nettoyage d'une pièce avec la télécommande

L'aspirateur robot peut être utilisé pour le nettoyage en appuyant sur les boutons d'action de la télécommande.



- Avancer : Appuyez sur
- Tourner à gauche : Appuyez sur
- Tourner à droite : Appuyez sur
- Marche arrière : Maintenez enfoncé et appuyez sur

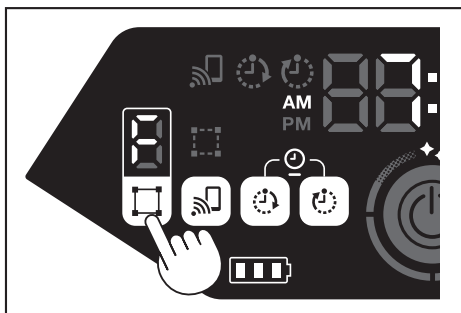
#### REMARQUE

- N'utilisez pas l'aspirateur robot dans un endroit étroit ou irrégulier.
- Lorsque vous utilisez l'aspirateur robot avec la télécommande, veillez à éviter toute collision ou chute.
- S'il y a un obstacle devant l'aspirateur robot en marche, l'aspirateur robot fait marche arrière afin de l'éviter.

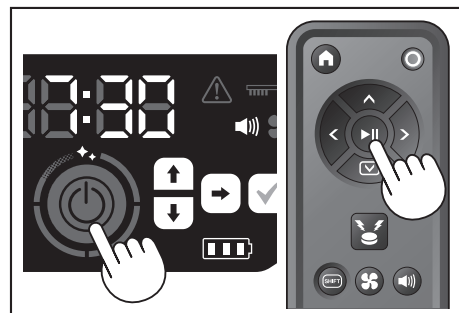
### Nettoyage d'une pièce sans cartographie (mode nettoyage libre)

- Placez l'aspirateur robot à proximité d'un mur de la pièce que vous souhaitez nettoyer.
- Mettez l'aspirateur robot en état de veille. (Consultez la page 16.)
- Appuyez sur le bouton de commutation de mode et sélectionnez [F] (mode nettoyage libre).

Chaque fois que vous appuyez sur le bouton de commutation de mode, le caractère affiché change dans l'ordre suivant : « F, 1, 2, 3, 4, 5, F, ... » (chaque numéro représente le numéro d'une pièce).



- Lorsque vous appuyez sur le bouton marche/arrêt, l'aspirateur robot émet un son et démarre le nettoyage. (Lorsque le réglage de son est activé)



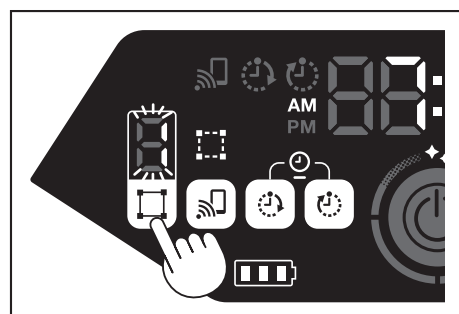
- Une fois que l'aspirateur robot a déterminé que le nettoyage est terminé, il retourne à la position de démarrage du nettoyage.
  - Lorsque le réglage de son est activé, la fin du nettoyage est indiquée par un son. (Consultez la page 23.)
  - L'aspirateur robot calcule sa propre position grâce au capteur LiDAR et capteur de caméra. Afin que le capteur de caméra fonctionne correctement, il est recommandé d'éclairer la pièce pour le nettoyage. Si la pièce est sombre, il se peut que l'aspirateur robot ne soit pas capable de nettoyer certaines zones ou ne revienne pas à la position de démarrage du nettoyage.

### Nettoyage une pièce avec la cartographie

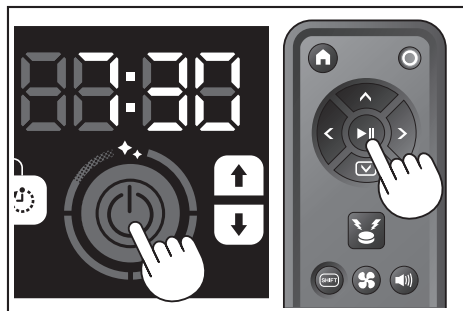
#### Enregistrement d'informations sur la pièce (cartographie)

- Lorsque les pièces à nettoyer sont déjà déterminées, les informations sur la pièce (enregistrement des informations de cartographie) enregistrées dans l'aspirateur robot permettent un nettoyage plus efficace. Lorsque la cartographie est terminée, il est possible de vérifier le résultat du nettoyage et de régler des zones interdites depuis l'application.
- Vous pouvez enregistrer jusqu'à cinq pièces.
- Éclairez la pièce pendant la cartographie.
- Ne vous approchez pas de l'aspirateur robot pendant la cartographie.
- Ne soulevez pas l'aspirateur robot pendant la cartographie.
- La cartographie échoue s'il n'y a pas d'obstacles de 25 cm ou plus dans un rayon de 11 m autour de l'aspirateur robot. Dans ce cas, le nettoyage avec le mode nettoyage libre est recommandé. (Consultez « Nettoyage d'une pièce sans cartographie (mode nettoyage libre) » sur cette page)

- Placez l'aspirateur robot à l'endroit où vous souhaitez démarrer le nettoyage.
  - Cet emplacement est l'endroit où le nettoyage démarre.
  - Il est recommandé de régler cet endroit près d'un mur, un coin dans une pièce ou un autre point facile à identifier.
  - Gardez une distance d'environ 30 cm avec le mur.
- Mettez l'aspirateur robot en état de veille. (Consultez la page 16.)
- Sélectionnez un numéro de pièce non cartographiée en appuyant sur le bouton de commutation de mode.
  - [F] correspond au mode nettoyage libre. (Consultez « Nettoyage d'une pièce sans cartographie (mode nettoyage libre) » sur cette page.)
  - Le numéro de la pièce non cartographiée s'affiche en clignotant et le voyant d'enregistrement de pièce s'allume.
  - Les numéros des pièces cartographiées s'affichent et le voyant d'enregistrement de pièce s'éteint.

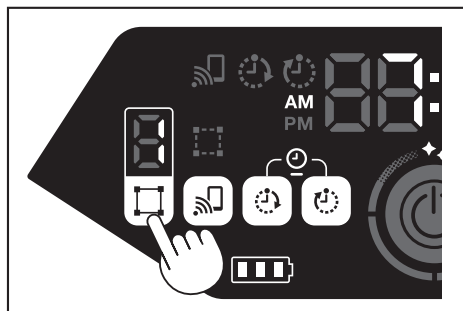


4. Lorsque vous appuyez sur le bouton marche/arrêt, l'aspirateur robot démarre la cartographie. Après la cartographie, l'aspirateur robot revient à l'endroit où la cartographie a démarré (point de départ du nettoyage) et termine l'enregistrement de la pièce.
  - Lorsque la cartographie est terminée, l'aspirateur robot entre en état de veille. L'aspirateur robot peut mettre un moment pour entrer en état de veille. Dans ce cas, n'éteignez pas l'alimentation de l'appareil.
  - Lorsque le réglage de son est activé, la fin de la cartographie est indiquée par un son.
  - Si la cartographie échoue, ajoutez les informations de cartographie manuellement grâce à l'application. (Consultez la page 41.)

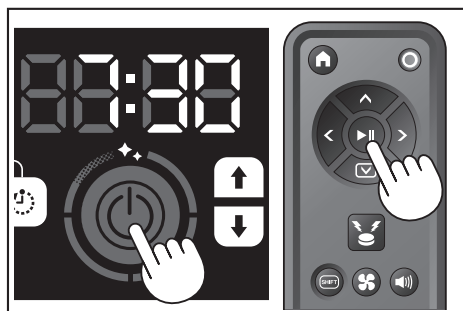


### Nettoyage des pièces cartographiées

- En mode nettoyage par cartographie, l'aspirateur robot fonctionne de sorte que les pièces cartographiées soient nettoyées plus efficacement.
  - L'utilisation du mode nettoyage par cartographie nécessite d'enregistrer des informations de cartographie. (Consultez « Nettoyage une pièce avec la cartographie » à la page 17.)
1. Placez l'aspirateur robot au point de démarrage de la cartographie. Placez l'aspirateur robot dans le même sens que lors du démarrage de la cartographie. Cela permet à l'aspirateur robot de démarrer le nettoyage plus facilement.
  2. Mettez l'aspirateur robot en état de veille. (Consultez la page 16.)
  3. Sélectionnez un numéro de pièce cartographiée en appuyant sur le bouton de commutation de mode.
    - [F] correspond au mode nettoyage libre. (Consultez la page 17.)
    - Le numéro de la pièce non cartographiée s'affiche en clignotant et le voyant d'enregistrement de pièce s'allume.
    - Les numéros des pièces cartographiées s'affichent et le voyant d'enregistrement de pièce s'éteint.



4. Appuyez sur le bouton marche/arrêt pour démarrer le nettoyage.



5. Lorsque le nettoyage est terminé, l'aspirateur robot retourne à la position de démarrage du nettoyage.
  - Le bouton de niveau de propreté indique la proportion de la pièce qui a été nettoyée.
  - Lorsque le réglage de son est activé, la fin du nettoyage est indiquée par un son. (Consultez la page 23.)
  - Si la zone à nettoyer est trop importante pour être nettoyée en une seule fois, nous recommandons d'utiliser le réglage [Nettoyage continu]. (Consultez la page 44.)

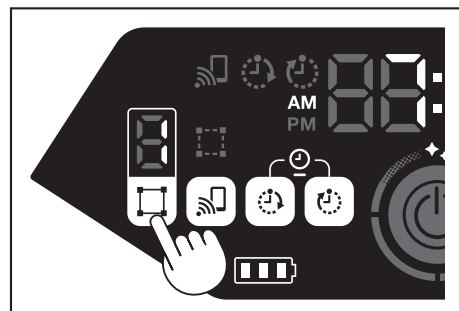
### Comment lire le bouton de niveau de propreté

Le bouton de niveau de propreté vous informe du pourcentage de la zone qui a été nettoyé dans la pièce cartographiée.

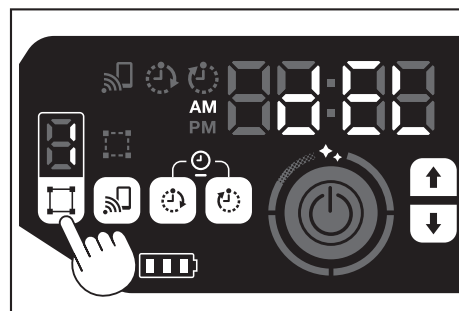
État du bouton de niveau de propreté	Pourcentage de la zone nettoyée
	90 % ou plus
	75 % à moins de 90 %
	50 % à moins de 75 %
	25 % à moins de 50 %

### Suppression des informations de cartographie

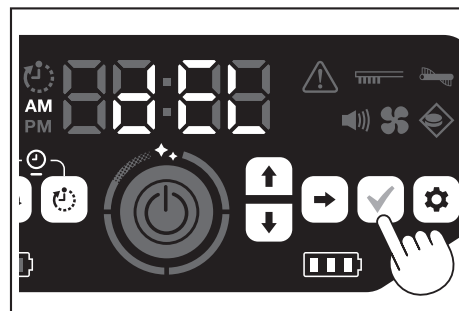
1. Mettez l'aspirateur robot en état de veille. (Consultez la page 16.)
2. Sélectionnez le numéro de la pièce pour laquelle vous souhaitez supprimer les informations de cartographie en appuyant sur le bouton de commutation de mode.
  - Chaque fois que vous appuyez sur le bouton de commutation de mode, le numéro de pièce change dans l'ordre suivant : « F, 1, 2, 3, 4, 5, F, ... » (Pour [F], la suppression des informations de cartographie n'est pas possible car [F] représente le mode nettoyage libre.)
  - Le numéro de la pièce cartographiée s'allume sur l'affichage.



3. Lorsque le bouton de commutation de mode est maintenu enfoncé, [dEL] s'affiche pendant environ 10 secondes sur l'indicateur temporel.



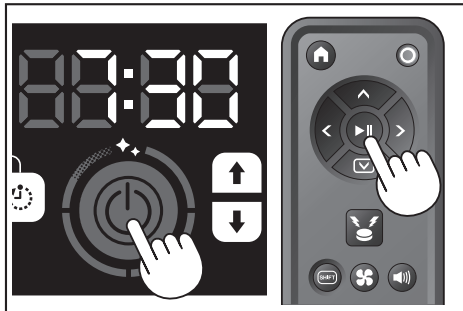
4. Appuyez sur le bouton de confirmation pendant que [dEL] est affiché.



- Si vous n'appuyez pas sur le bouton de confirmation pendant que [dEL] est affiché, l'aspirateur robot se remet en état de veille.
- Lorsque les informations de cartographie sont supprimées, le numéro de pièce sélectionné clignote et passe à l'état non enregistré.

## Suspension ou arrêt du nettoyage

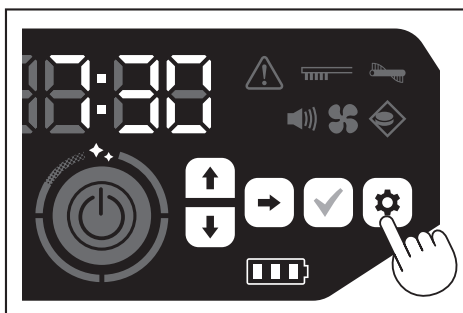
1. Si vous appuyez sur le bouton marche/arrêt pendant son utilisation, l'aspirateur robot s'arrête temporairement.  
Si vous appuyez à nouveau sur le bouton marche/arrêt, l'aspirateur robot redémarre dans le même mode d'utilisation qu'avant son arrêt.



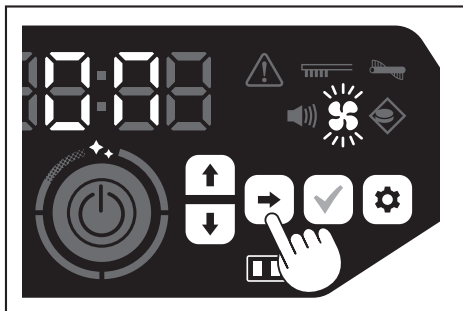
2. Pour arrêter le nettoyage, appuyez sur le bouton de point de départ de la télécommande lorsque l'aspirateur robot est utilisé ou en état d'arrêt temporaire. L'aspirateur robot revient au point de démarrage du nettoyage et entre en état de veille.
  - Afin d'arrêter immédiatement le nettoyage, appuyez sur le bouton de commutation de mode pendant que l'aspirateur robot est en état d'arrêt temporaire. Ensuite, l'aspirateur robot entre en état de veille.
  - Lorsque le nettoyage est terminé et que l'appareil ne revient à son point de départ, l'historique de nettoyage peut ne pas avoir été correctement enregistré.

## Activation/désactivation du ventilateur d'aspiration d'aspiration

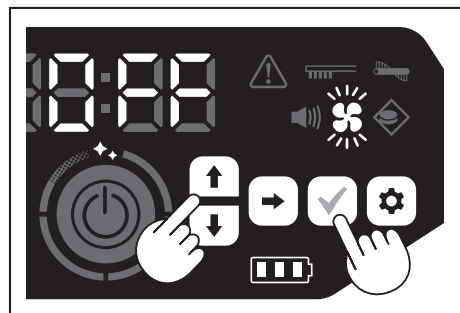
- Uniquement lors du nettoyage d'une grande quantité de poussière visible, la désactivation du ventilateur d'aspiration permet de doubler la durée d'exécution.
  - Le ventilateur d'aspiration peut également être réglé depuis la télécommande ou l'application. (Consultez « Activation/désactivation du ventilateur d'aspiration » sur cette page et « Utilisation de l'aspirateur robot à partir de l'application » à la page 38.)
1. Lorsque l'aspirateur robot est réglé en état de veille, appuyez sur le bouton de réglage pour entrer en mode de sélection des réglages.



2. Appuyez sur le bouton suivant pour faire clignoter le voyant de ventilateur d'aspiration.



3. Le bouton haut/bas peut être utilisé pour basculer entre marche et arrêt. Après avoir sélectionné Marche ou Arrêt, appuyez sur le bouton de confirmation pour confirmer le réglage.
  - Marche : Le voyant de ventilateur d'aspiration s'active.
  - Arrêt : Le voyant de ventilateur d'aspiration se désactive.



### REMARQUE

Lorsque le réglage du ventilateur d'aspiration est sur arrêt, le voyant d'entretien du filtre ne s'allume pas même si le filtre est encrassé.

## Activation/désactivation du ventilateur d'aspiration avec la télécommande

Lorsque l'aspirateur robot est réglé en état de veille, le ventilateur d'aspiration peut être activé ou désactivé en appuyant sur le bouton d'activation/désactivation du ventilateur d'aspiration (ON/OFF) de la télécommande. Même pendant le nettoyage, le ventilateur peut être activé ou désactivé depuis la télécommande.

## Utilisation de la fonction de localisation

- L'aspirateur robot vous indique sa propre localisation avec un signal lumineux et bruiteur. Cette fonction est utilisée lorsque l'aspirateur robot ne peut pas être trouvé car il nettoie une zone large ou est entré dans un endroit où il est introuvable.
- Lorsque vous appuyez sur le bouton de localisation par signal lumineux/bruiteur de la télécommande, un avertisseur émet un son pendant environ 10 secondes et la LED de position clignote.
- Pour arrêter la fonction de localisation, appuyez de nouveau sur le bouton de localisation par signal lumineux/bruiteur.



### REMARQUE

- La fonction de localisation ne peut pas être utilisée dans les cas suivants.
  - Lorsque l'alimentation de l'aspirateur robot est réglée sur arrêt.
  - Lorsqu'il ne reste plus de capacité de la batterie.
  - Lorsque l'aspirateur robot est dans une position que les ondes radio n'atteignent pas.
  - Lorsque la pile de télécommande est épuisée.
- Même si la fonction de localisation peut être utilisée depuis l'application, votre smartphone et l'aspirateur robot doivent être connectés au préalable. Lorsque l'aspirateur robot est en état d'hibernation, la fonction ne peut pas être utilisée depuis l'application.

## Utilisation de la minuterie ON/minuterie OFF

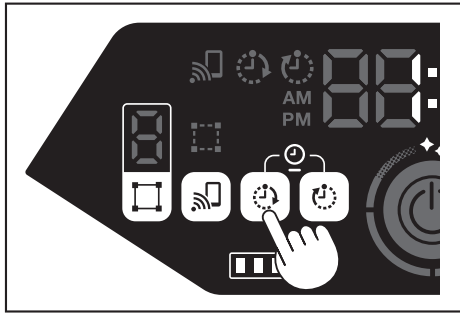
Les minuterie ON et minuterie OFF peuvent être utilisées au même moment.

### Réglage de la minuterie ON

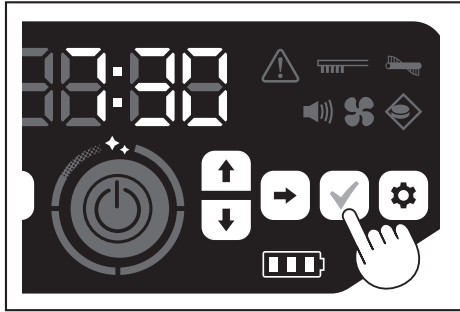
Lorsqu'une heure présélectionnée arrive, l'aspirateur robot démarre le nettoyage dans le mode de nettoyage sélectionné. Avant de régler la minuterie, réglez l'heure. (Consultez la page 23.)

1. Mettez l'aspirateur robot en état de veille. (Consultez la page 16.)

- Maintenez le bouton de la minuterie ON enfoncé pour modifier le réglage de l'heure de la minuterie ON.
  - La procédure de modification est la même que celle du réglage de l'heure (Consultez la page 23).
  - La minuterie ON peut être configurée par incréments de 10 minutes.

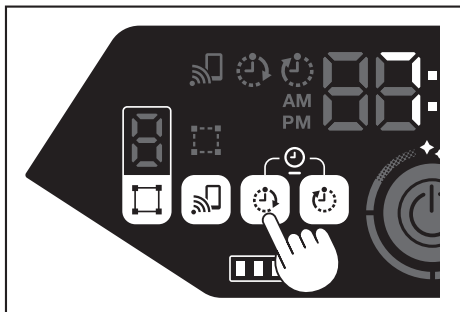


- Appuyez sur le bouton de confirmation pour confirmer l'heure.



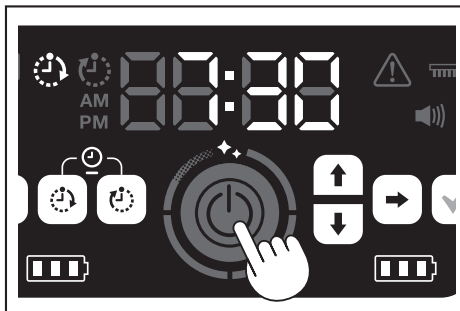
### Utilisation de la minuterie ON

- Appuyez sur le bouton de minuterie ON pour activer la fonction de la minuterie ON. Le voyant de minuterie ON s'allume et l'heure du réglage clignote deux fois.
  - Pour annuler la fonction de minuterie ON, appuyez de nouveau sur le bouton de minuterie ON et réglez le voyant de minuterie ON sur arrêt.



- Sélectionnez le mode d'utilisation de l'aspirateur robot. (Consultez les pages 17 et 18.)
- Lorsque vous appuyez sur le bouton marche/arrêt, le nettoyage par la fonction de minuterie ON est réservé. (État d'hibernation)
 

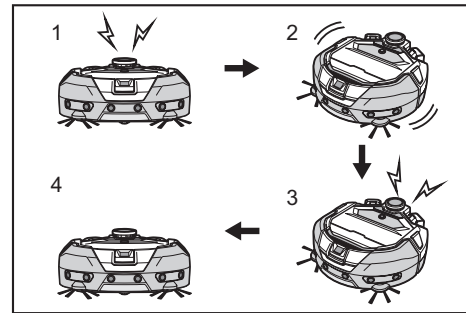
Pour annuler la fonction de minuterie ON lorsque l'appareil est en état d'hibernation, appuyez de nouveau sur le bouton marche/arrêt pour mettre l'aspirateur robot en état de veille. Pour voir l'heure réglée après la programmation, appuyez sur n'importe quel bouton autre que le bouton marche/arrêt. Ensuite, l'heure réglée s'allume pendant 3 secondes.



### REMARQUE

- L'information réservée est annulée lorsque l'appareil est sur arrêt ou que la capacité de la batterie restante est nulle.
- Lorsque la batterie est faible, l'aspirateur robot ne peut pas attendre l'utilisation par programmation de la minuterie ON. Pour une utilisation par programmation de la minuterie ON, il est recommandé de charger entièrement les batteries.
- L'utilisation par programmation de la minuterie ON n'est pas possible lorsque l'alimentation est éteinte.
- Lorsque la minuterie ON est réglée, le temps d'utilisation sera quelque peu réduit car l'aspirateur robot consomme la batterie pendant l'état d'hibernation.

- Exemple d'utilisation : Lancez l'aspirateur robot pour un nettoyage automatique, le matin. (Réglez la minuterie ON à 7h30 et la minuterie OFF à 9h00.)



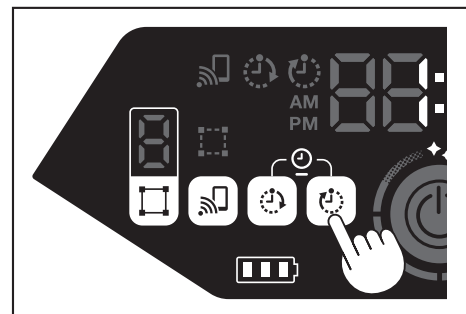
- Démarré à 7h30. (Minuterie ON) 2. Nettoyage 3. Termine le nettoyage à 9h00. (Minuterie OFF) 4. Retourne au point de départ.

- Lors du réglage des heures/minutes, si vous maintenez le bouton haut/bas enfoncé, les heures et les minutes changent rapidement.
- Lorsque le réglage de l'heure de la minuterie est déjà terminé, vous n'avez plus qu'à suivre la procédure dans « Utilisation de la minuterie ON » sur cette page.

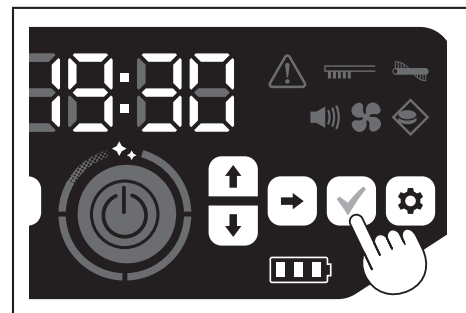
### Réglage de la minuterie OFF

Lorsqu'une heure présélectionnée arrive après le démarrage du nettoyage, l'aspirateur robot termine le nettoyage et retourne au point de départ. Avant de régler la minuterie, réglez l'heure. (Consultez la page 23.)

- Mettez l'aspirateur robot en état de veille. (Consultez la page 16.)
- Maintenez le bouton de la minuterie OFF enfoncé pour modifier le réglage de l'heure de la minuterie OFF.
  - La procédure de modification est la même que celle du réglage de l'heure (Consultez la page 23).
  - La minuterie OFF peut être configurée par incréments de 10 minutes.



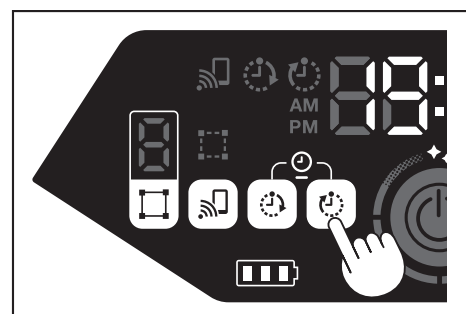
- Appuyez sur le bouton de confirmation pour confirmer l'heure.



### Utilisation de la minuterie OFF

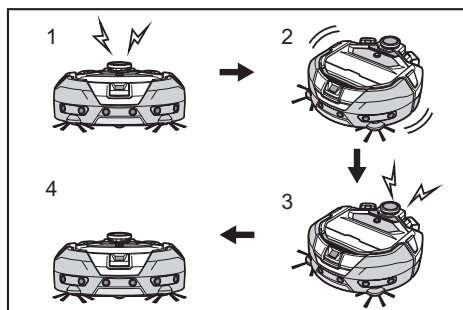
Appuyez sur le bouton de minuterie OFF pour activer la fonction de la minuterie OFF. Le voyant de minuterie OFF s'allume et l'heure du réglage clignote deux fois.

- Pour démarrer immédiatement le nettoyage et utiliser la minuterie OFF, sélectionnez le mode de nettoyage et démarrez le nettoyage.
- Pour utiliser la minuterie OFF en même temps que la minuterie ON, consultez la page 19.
- Pour annuler la minuterie OFF, appuyez à nouveau sur le bouton de minuterie OFF lorsque l'aspirateur robot est en état de veille.



## REMARQUE

- Le réglage de la minuterie OFF est désactivé lorsque l'appareil est éteint ou que la capacité de la batterie restante est nulle.
- Lorsque la capacité de la batterie restante est faible, l'aspirateur robot peut arrêter l'utilisation avant l'heure réglée par la minuterie OFF.
- Selon l'environnement de nettoyage, l'aspirateur robot peut nécessiter plus ou moins de temps pour revenir à son point de départ. Dans ce cas, réglez une heure antérieure pour la minuterie OFF.
- Exemple d'utilisation : Lancez l'aspirateur robot pour un nettoyage automatique uniquement pendant 30 minutes le soir. (Réglez la minuterie ON à 19h00 et la minuterie OFF à 19h30.)



- 1. Démarre à 19h00. (Minuterie ON) 2. Nettoyage 3. Termine le nettoyage à 19h30. (Minuterie OFF) 4. Retourne au point de départ.

- Lors du réglage des heures/minutes, si vous maintenez le bouton haut/bas enfoncé, les heures et les minutes changent rapidement.
- Lorsque le réglage de l'heure de la minuterie est déjà terminé, vous n'avez plus qu'à suivre la procédure dans « Utilisation de la minuterie OFF » à la page 20.

## Contrôle de la plage de nettoyage

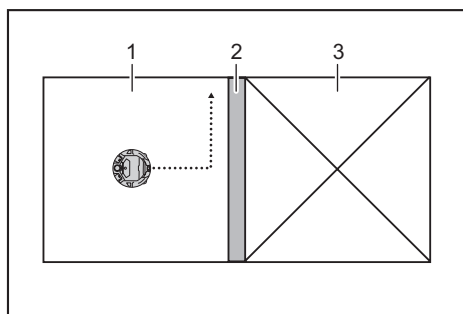
### ⚠ AVERTISSEMENT

**N'utilisez pas la ligne de limite magnétique comme ligne de limite pour une zone où un accident peut éventuellement se produire en raison d'une intrusion ou d'une chute.**

- Cela pourrait provoquer un accident ou des blessures suite à l'intrusion ou la chute de l'aspirateur robot.

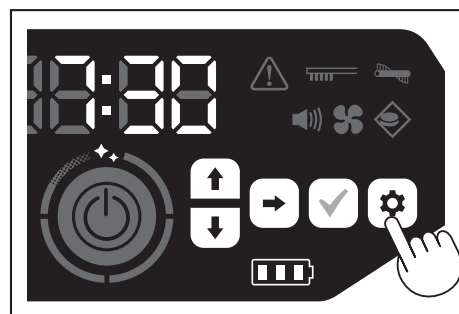
**Pour une zone avec un risque d'intrusion ou de chute de l'aspirateur robot, placez un objet faisant office de mur d'une hauteur d'au moins 25 cm (un objet qui ne se déplace pas ou ne tombe pas lorsqu'il est heurté par l'aspirateur robot) sur une surface plane.**

- La plage de nettoyage peut être délimitée en fixant une ligne de limite magnétique (vendue séparément) sur une surface du sol pour créer une ligne de délimitation. L'aspirateur robot détecte et évite la ligne de limite magnétique.
- Réglez la plage de nettoyage pour l'aspirateur robot pour les cas suivants.

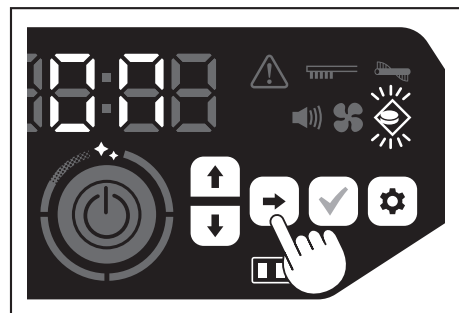


- 1. Zone de nettoyage 2. Ligne de limite magnétique 3. Zone dans laquelle l'aspirateur robot ne doit pas être utilisé
- Lorsque vous souhaitez diviser un espace trop grand à nettoyer en plusieurs zones de nettoyage.
  - Lorsqu'il y a une zone dans laquelle l'aspirateur robot ne doit pas entrer.
  - Lorsqu'il y a une zone dans laquelle l'aspirateur robot peut entrer mais ne pas sortir.
  - Lorsque l'aspirateur robot franchit une petite marche mais chute.
  - Lorsque l'aspirateur robot est coincé au milieu d'une marche.
- Posez la ligne de limite magnétique sans oublier les points suivants.
  - Veillez à poser la ligne de limite magnétique sans aucun espace entre la ligne et le sol.
  - Posez la ligne de limite magnétique environ 15 cm autour de la zone dans laquelle l'aspirateur robot ne doit pas entrer.

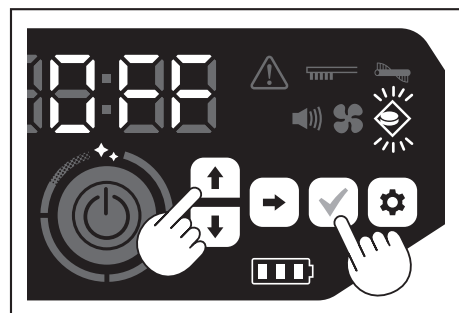
- Placez la ligne de limite magnétique sur une surface aussi plane que possible afin qu'elle ne devienne pas instable. Sinon, l'aspirateur robot pourrait déplacer la ligne et ne pas la reconnaître correctement.
  - L'aspirateur robot peut ne pas reconnaître la ligne de limite magnétique si elle est placée sur une surface concave ou en escalier.
  - Assurez-vous que la ligne de limite magnétique est un produit d'origine. S'il ne s'agit pas d'un produit d'origine, sa performance et sécurité ne peuvent pas être garanties.
  - Certaines surfaces de sol peuvent se salir. Vérifiez la compatibilité avant toute utilisation.
  - Selon la surface du sol et l'environnement d'utilisation, le capteur magnétique pour la détection des limites peut ne pas reconnaître la ligne de limite magnétique ou la ligne de limite magnétique peut se salir ou se déchirer. Vérifiez la compatibilité avant toute utilisation.
- Lorsque l'aspirateur robot est réglé en état de veille, appuyez sur le bouton de réglage pour entrer en mode de sélection des réglages.



- Appuyez sur le bouton suivant pour faire clignoter le voyant de détection des limites.



- Le bouton haut/bas peut être utilisé pour basculer entre marche et arrêt. Après avoir sélectionné Marche ou Arrêt, appuyez sur le bouton de confirmation pour confirmer le réglage.
- Marche : Le voyant de détection des limites s'allume.
- Arrêt : Le voyant de détection des limites s'éteint.



## REMARQUE

- La fonction de détection des limites est basée sur la reconnaissance de la ligne de limite magnétique par un capteur magnétique. Si la ligne de limite magnétique est soulevée, déchirée, etc. elle pourrait ne pas être reconnue.
- Vérifiez périodiquement toute déchirure, écart de position ou autre problème de la ligne de limite magnétique. S'il y a un problème tel qu'une déchirure, remplacez la ligne par une neuve.
- La fonction de détection des limites peut s'activer à proximité d'un objet magnétique. Désactivez la fonction de détection des limites là où vous ne souhaitez pas qu'elle fonctionne.
- Dans un lieu où les personnes et les choses vont et viennent fréquemment, la ligne de limite magnétique peut être piétinée et endommagée. Si la ligne est détériorée, remplacez-la par une neuve.
- Selon la matière du sol, il est recommandé de coller la ligne de limite magnétique au sol car l'aspirateur robot pourrait la déplacer en la détectant.
- La ligne de limite magnétique peut être coupée avec une paire de ciseaux.

## Comment fixer, retirer et utiliser les éléments vendus séparément

Consultez les pages mentionnées ci-dessous pour savoir comment fixer, retirer et utiliser les éléments vendus séparément.

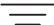
Éléments vendus séparément	Page de référence	Remarques
Ligne de limite magnétique	21	–
Brosse principale Brosse principale souple	26	La procédure de manipulation est la même que celle pour la brosse principale fournie.
Filtre HEPA	25	Même procédure que pour le filtre HEPA fourni.
Brosse latérale Brosse latérale souple	26	La procédure de manipulation est la même que celle pour les brosses latérales fournies.
Batterie	15	–
Couvercle de brosse principale	26	Même procédure que celle du couvercle de brosse principale fourni.
Coussin de pare-chocs	–	Un coussin antirayure est fixé à l'aspirateur robot pour protéger les objets.

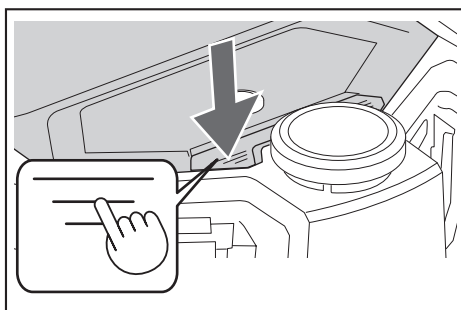
## Comment jeter les déchets

### ⚠ AVERTISSEMENT

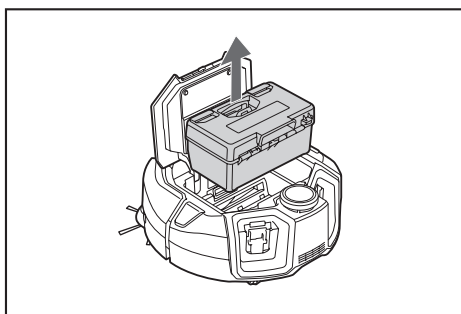
**Veillez à éteindre l'alimentation et à retirer les batteries de l'aspirateur robot avant d'ouvrir le couvercle supérieur de l'aspirateur robot.**

- Si une batterie est insérée dans l'aspirateur robot, cela pourrait entraîner un choc électrique ou des blessures.

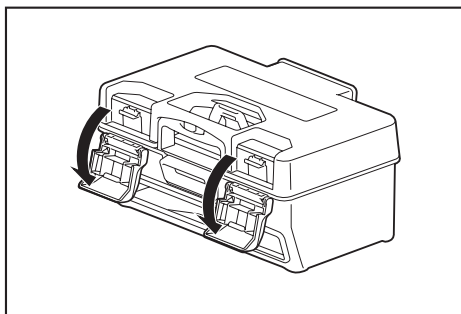
- Appuyer sur le bouton d'ouverture (  ) permet d'ouvrir le couvercle supérieur. Faites attention car le couvercle supérieur s'ouvre rapidement.



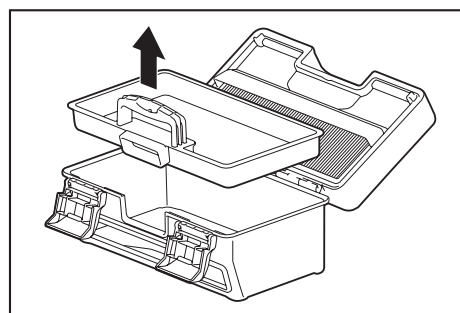
- Retirez la boîte à poussière. Ne tenez pas la boîte à poussière avec l'ouverture vers le bas. Sinon, la poussière pourrait tomber par l'ouverture.



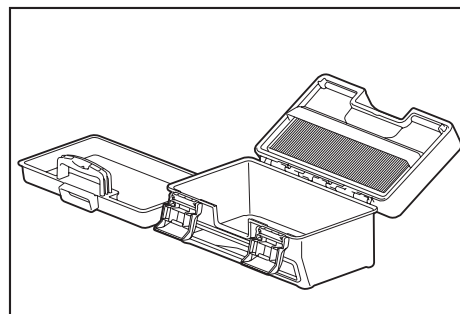
- Libérez les deux parties verrouillées pour ouvrir le couvercle supérieur.



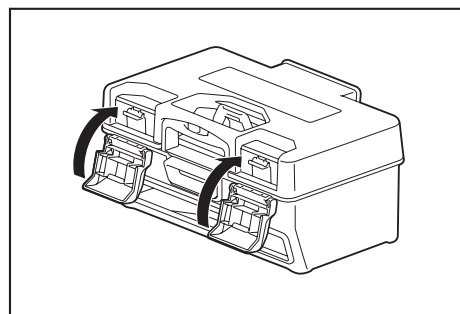
- Retirez le bac à poussière. Faites attention de ne pas ouvrir le couvercle supérieur du côté du filtre.



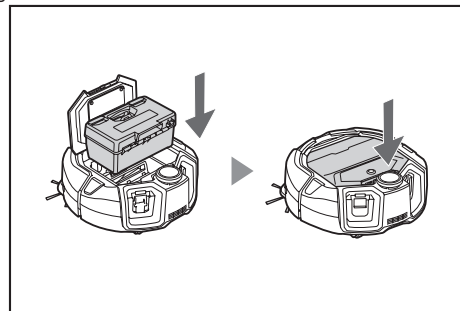
- Jetez les déchets dans le bac à poussière et la boîte à poussière, puis retirez la poussière et la saleté du filtre. Si le filtre est trop sale, retirez-le et lavez-le avec de l'eau. (Consultez la page 25.)



- Remettez le bac à poussière dans la boîte à poussière. Ensuite, fermez le couvercle supérieur et verrouillez les deux parties de verrouillage.



- Remettez la boîte à poussière dans l'aspirateur robot et poussez le couvercle supérieur pour le fermer jusqu'à ce qu'il s'enclenche. Lorsque vous fermez le couvercle supérieur, assurez-vous de ne pas coincer vos doigts.



### REMARQUE

- Après chaque nettoyage, jetez les déchets et vérifiez le filtre. Si vous continuez de nettoyer sans jeter les déchets, le filtre va s'encrasser et la puissance d'aspiration va diminuer.
- Fixez correctement la boîte à poussière et le filtre.

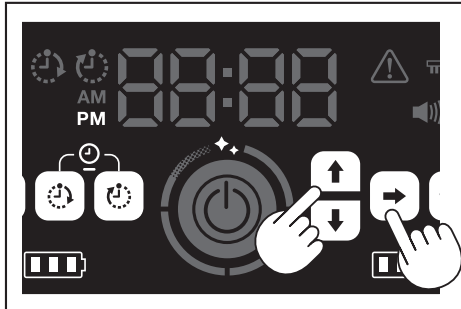
## Réglage de l'aspirateur robot

### Réglage de l'heure du jour

Lors de la première utilisation, commencez par régler l'heure du jour.

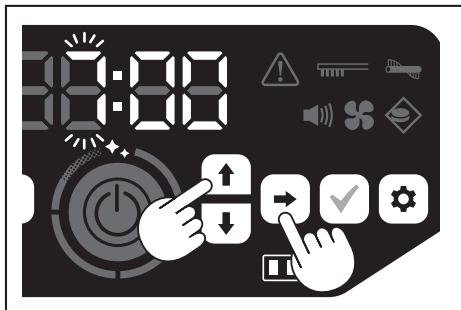
1. À l'aide des boutons haut/bas, sélectionnez le format d'affichage parmi [AM], [PM] ou aucune distinction (en format 24 heures), puis appuyez sur le bouton suivant pour valider la sélection.

Lorsque vous appuyez sur le bouton suivant, les heures clignotent.

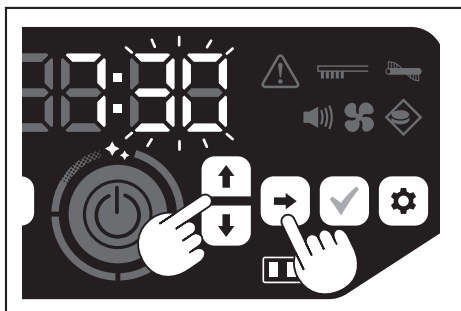


2. Sélectionnez les heures à l'aide des boutons haut/bas, puis appuyez sur le bouton suivant pour valider la sélection.

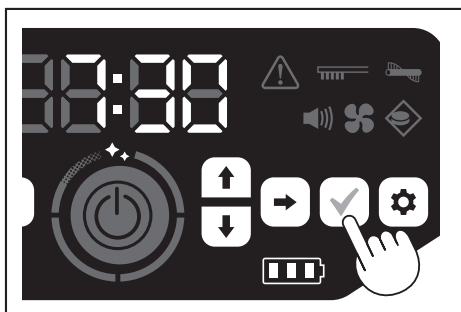
Lorsque vous appuyez sur le bouton suivant, les minutes clignotent.



3. Sélectionnez les minutes à l'aide des boutons haut/bas, puis appuyez sur le bouton suivant pour valider la sélection.



4. Appuyez sur le bouton de confirmation pour confirmer l'heure.



#### REMARQUE

- Lors du réglage des heures/minutes, si vous maintenez le bouton haut/bas enfoncé, les heures et les minutes changent rapidement.
- Lorsque l'aspirateur robot n'est pas utilisé pendant une longue période, le réglage de l'heure peut devenir inexact en raison de la température de stockage ou peut être réinitialisé si la batterie intégrée perd sa charge.

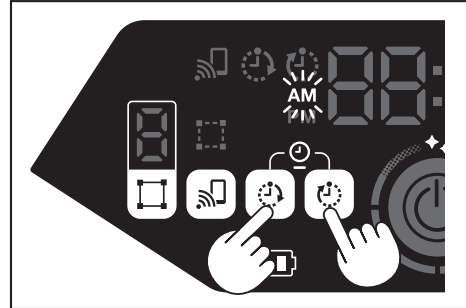
### Régler à nouveau l'heure du jour

Lorsque l'aspirateur robot n'est pas utilisé pendant une longue période, le réglage de l'heure sera inexact ou remis à zéro.

Lorsque vous connectez l'aspirateur robot à un smartphone en utilisant l'application, l'heure de la journée du smartphone est automatiquement réglée sur l'aspirateur robot.

Si vous voulez régler l'heure du jour manuellement, effectuez la procédure suivante.

1. Mettez l'aspirateur robot en état de veille. (Consultez la page 16.)
2. Maintenez simultanément enfoncés le bouton de minuterie ON et le bouton de minuterie OFF pour faire clignoter le format de l'heure [AM] ou [PM] (ne clignote pas si le réglage précédent était le format 24 heures).



3. Réglez l'heure du jour en suivant le « Réglage de l'heure du jour » sur cette page de l'étape 1.

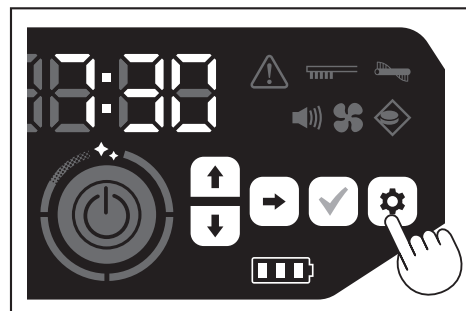
### Configuration du Wi-Fi® (aspirateur robot et smartphone)

- Pour utiliser l'aspirateur robot à partir de l'application, effectuez les réglages Wi-Fi® pour l'application et l'aspirateur robot. (Consultez la page 35.)
- Installez l'application sur votre smartphone au préalable.
- L'aspirateur robot sert de point d'accès au smartphone. Lorsqu'un smartphone est connecté à l'aspirateur robot, le smartphone ne sera connecté à aucun autre réseau que celui de l'aspirateur robot.
- Pour connecter un smartphone à l'aspirateur robot, appuyez sur le bouton de raccordement de smartphone pour activer le Wi-Fi.
- Lorsque vous n'utilisez pas le Wi-Fi, appuyez sur le bouton de raccordement de smartphone pour éteindre le voyant de raccordement de smartphone.
- Plusieurs aspirateurs robots peuvent être gérés par une seule application. Dans ce cas, établissez une connexion sans fil avec l'application, un par un.

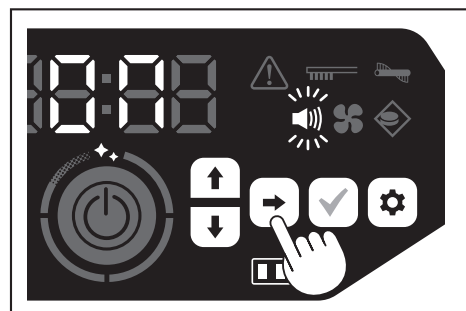
### Réglage de son

- Vous pouvez choisir si l'aspirateur robot émet des sons ou non.
- Ce réglage de son est également possible à partir de la télécommande.

1. Lorsque l'aspirateur robot est réglé en état de veille, appuyez sur le bouton de réglage pour entrer en mode de sélection des réglages.

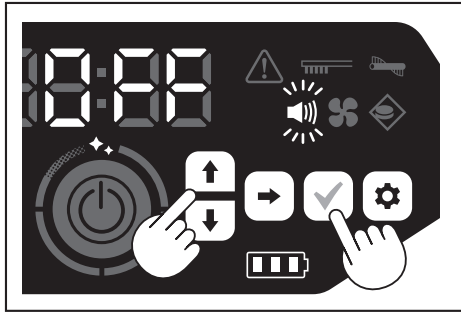


2. Appuyez sur le bouton suivant pour faire clignoter le voyant de son.





- Les boutons haut/bas peuvent être utilisés pour basculer entre marche et arrêt. Après avoir sélectionné Marche ou Arrêt, appuyez sur le bouton de confirmation pour finaliser la sélection.
  - Marche : Le voyant de son s'allume (son activé).
  - Arrêt : Le voyant de son s'éteint (son désactivé).



#### REMARQUE

Même si le réglage de son est réglé sur arrêt, l'aspirateur robot peut émettre un son pour signaler une erreur, etc.

### Activation et désactivation du réglage de son avec la télécommande

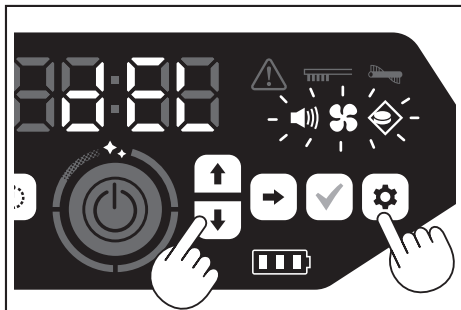
Lorsque l'aspirateur robot est en état de veille, appuyer sur le bouton d'activation/désactivation de son (ON/OFF) de la télécommande permet d'activer et de désactiver le son.

Le réglage de son peut être basculé sur marche et arrêt même pendant le nettoyage s'il est réglé à partir de la télécommande.

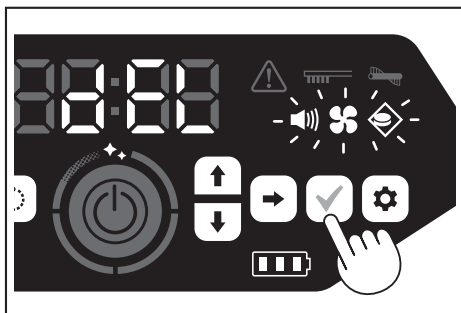
### Réinitialisation des réglages

Vous pouvez réinitialiser les réglages de l'aspirateur robot à ceux d'usine par défaut.

- Mettez l'aspirateur robot en état de veille. (Consultez la page 16.)
- Maintenez le bouton bas et le bouton de réglage enfoncés. [dEL] s'affiche sur l'indicateur temporel, et les icônes et les voyants autres que le voyant d'erreur clignotent.



- Appuyez sur le bouton de confirmation pendant que [dEL] est affiché (environ 10 secondes).
  - Si vous n'appuyez pas sur le bouton de confirmation lorsque [dEL] est affiché, l'aspirateur robot retourne en état de veille.
  - Lorsque l'aspirateur robot exécute le processus de réinitialisation, les icônes et les voyants autres que celui du voyant d'alimentation de la batterie s'éteignent. Bien que l'aspirateur robot ne fonctionne pas à ce moment-là même si vous appuyez sur les boutons du panneau d'utilisation, ne touchez pas les boutons. En outre, ne retirez pas les batteries.

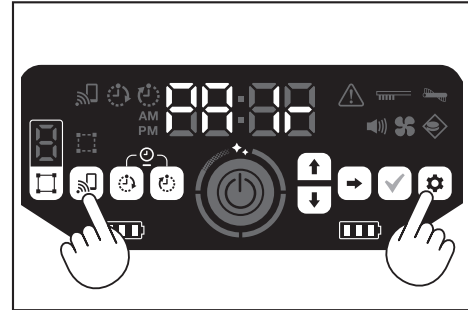


- Une fois le processus de réinitialisation terminé, un redémarrage est effectué, puis l'écran de réglage de l'heure du jour apparaît.

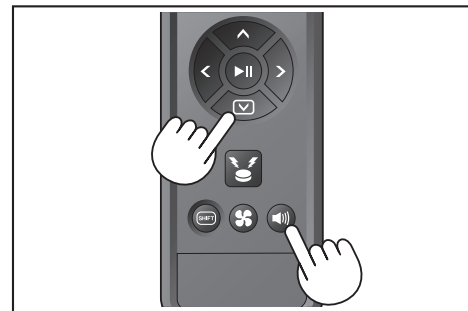
### Couplage de l'aspirateur robot et de la télécommande

Quand la télécommande est remplacée par une nouvelle, établissez un couplage entre l'aspirateur robot et la télécommande.

- Maintenez simultanément le bouton de raccordement de smartphone et le bouton de réglage pour faire apparaître [PAIr] sur l'indicateur temporel. [PAIr] s'affiche pendant 10 secondes.



- Pendant la période où [PAIr] est affiché, appuyez simultanément sur le bouton d'action (bas) et sur le bouton d'activation/désactivation de son (ON/OFF) de la télécommande. Lorsque le couplage est réussi, l'aspirateur robot émet deux bips courts et retourne en état de veille.



#### REMARQUE

- Si le couplage échoue, un son d'erreur est émis.
- Si l'aspirateur robot ne peut pas recevoir de signal de la télécommande pendant la période où [PAIr] est affiché, l'aspirateur robot retourne en état de veille.

## Entretien

### ⚠ AVERTISSEMENT

Veillez à éteindre l'alimentation et à retirer les batteries de l'aspirateur robot avant d'effectuer une opération d'entretien de l'aspirateur robot.

- Si une batterie est insérée dans l'aspirateur robot, cela pourrait entraîner un choc électrique ou des blessures.

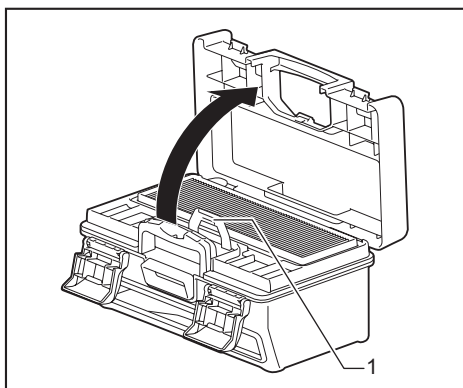
### ⚠ ATTENTION

Pour conserver des performances optimales, effectuez périodiquement la maintenance mentionnée dans cette section. En cas de problème, cessez d'utiliser l'aspirateur robot et demandez au magasin dans lequel vous l'avez acheté ou à notre bureau de vente d'effectuer une inspection et une réparation.

## Maintenance

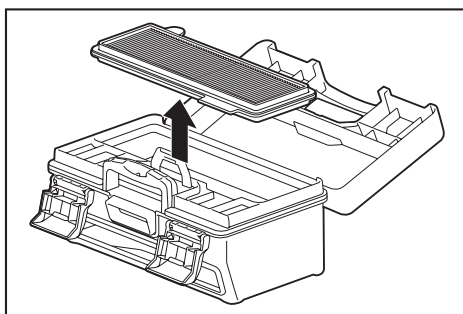
### Entretien et remplacement de la boîte à poussière et du filtre

- Lorsque la puissance d'aspiration de l'aspirateur robot diminue, lorsque la saleté est visible ou lorsque le voyant d'entretien du filtre s'allume, retirez le filtre et lavez-le à l'eau.
  - Posez un journal ou similaire avant d'effectuer une opération d'entretien.
  - N'utilisez pas de produits chimiques ou d'eau chaude dont la température est égale ou supérieure à 40 °C (104 °F).
1. Jetez les déchets en suivant les étapes 1 à 5 de « Comment jeter les déchets ». (Consultez la page 22).
  2. Remettez le bac à poussière dans la boîte à poussière et fermez le couvercle supérieur de la boîte à poussière.
  3. Décrochez le crochet et ouvrez le couvercle supérieur du côté du filtre.

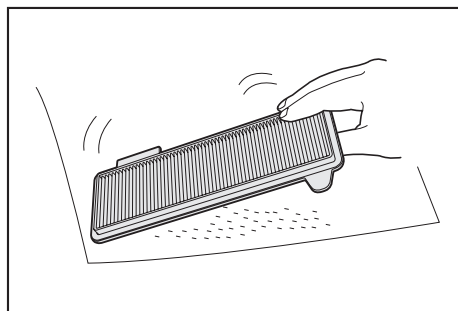


► 1. Crochet

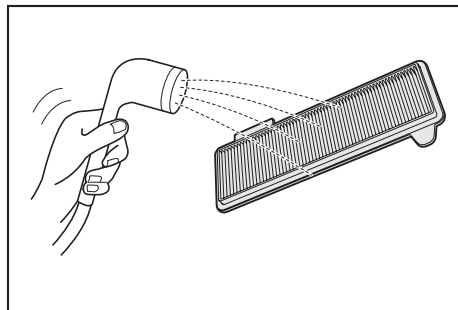
4. Retirez le filtre de la boîte à poussière.  
Lorsque vous retirez le filtre, faites-le lentement pour éviter de soulever de la poussière.



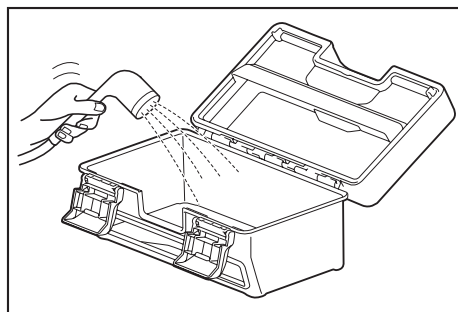
5. Faites tomber la saleté et la poussière en tapant légèrement sur le filtre.
  - Ne frottez pas le filtre à fond et n'appuyez pas dessus avec les doigts.
  - N'utilisez pas d'objet pointu (comme un cure-dent), qui pourrait provoquer une rupture.



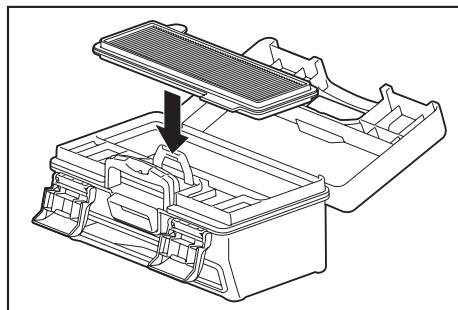
6. Lorsque la puissance d'aspiration de l'aspirateur robot est faible, nettoyez le filtre à l'eau.  
Si l'odeur vous dérange, laissez le filtre reposer dans un détergent neutre dilué pendant environ trois heures, puis lavez-le à l'eau.



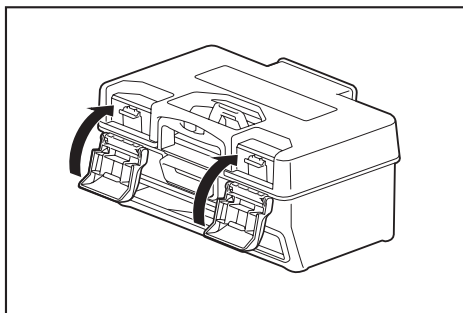
7. Lorsque la saleté de la boîte à poussière est visible, lavez-la avec de l'eau ou un détergent neutre dilué.



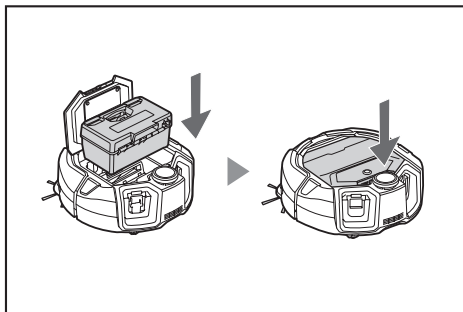
8. Après avoir lavé le filtre ou la boîte à poussière à l'eau, séchez-les suffisamment dans un endroit bien ventilé, à l'abri de la lumière directe du soleil.
  - Utiliser des pièces sans les sécher correctement peut provoquer une réduction de la puissance d'aspiration, ainsi qu'une réduction de la durée de vie du moteur.
  - L'utilisation de pièces alors qu'il reste de l'humidité sur celles-ci peut provoquer une odeur ou une panne.
  - Le temps de séchage doit être d'environ un jour.
  - Évitez le séchage avec un sèche-cheveux, une soufflerie, etc.
9. Fixez le filtre à la boîte à poussière.



10. Fermez le couvercle supérieur du côté du filtre et assurez-vous que le crochet est bien accroché. Ensuite, verrouillez les deux pièces de verrouillage.



11. Remettez la boîte à poussière dans l'aspirateur robot et poussez le couvercle supérieur pour le fermer jusqu'à ce qu'il s'enclenche. Lorsque vous fermez le couvercle supérieur, assurez-vous de ne pas coincer vos doigts.

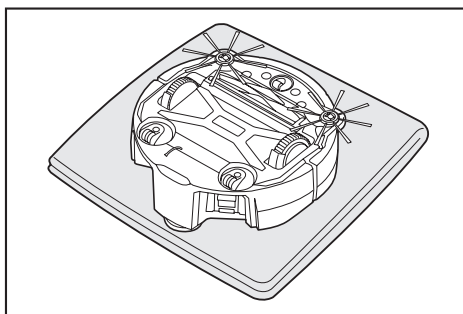


#### REMARQUE

- N'utilisez pas l'aspirateur robot si le filtre est retiré. N'utilisez pas l'aspirateur robot si le filtre est endommagé ou sale.
- Le filtre peut être lavé à l'eau. Lavez la poussière à l'eau à intervalles réguliers (tous les un à deux mois).
- Lorsque le filtre se détériore, remplacez-le par un filtre neuf.
- Le filtre est un consommable et il est donc recommandé d'en préparer un de rechange.
- N'endommagez pas le filtre en le frottant avec un objet dur tel qu'une brosse ou une spatule.
- Ne nettoyez pas le filtre HEPA à l'aide d'une soufflerie ou d'un nettoyeur haute pression, car il s'endommage facilement.

#### Précautions à prendre pour l'entretien du dessous de l'aspirateur robot


- Retirez la boîte à poussière avant d'effectuer la maintenance. (Consultez la page 22.) Sinon, de la poussière pourrait tomber de l'ouverture.
- Retournez l'aspirateur robot avant d'entretenir les brosses latérales, la brosse principale, le dessous de l'aspirateur robot et les roues.
- Pendant la maintenance, posez un tapis épais ou similaire pour ne pas endommager l'aspirateur robot et la surface du sol et pour que le capteur LiDAR ne soit pas soumis à une pression.

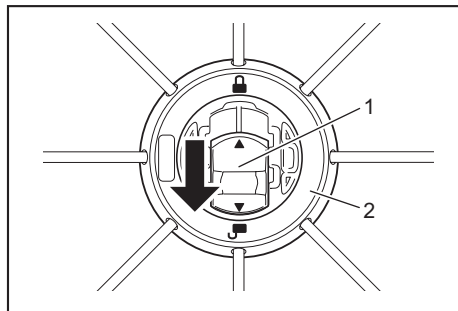


- N'appuyez pas fortement sur la surface inférieure de l'aspirateur robot lorsque celui-ci est retourné. Une pression trop forte peut endommager l'aspirateur robot.

#### Entretien et remplacement des brosses latérales

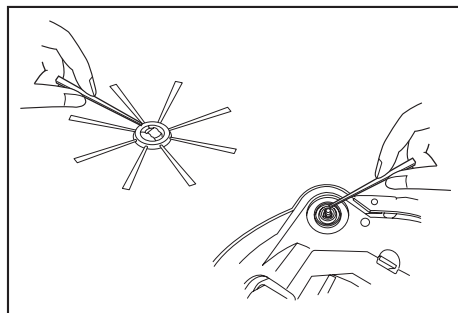
- Si l'indication d'une erreur (consultez la page 29) apparaît, ou que de la poussière et des cheveux sont pris dans une brosse latérale, effectuez une opération d'entretien de la brosse latérale.
- Lorsque les poils d'une brosse latérale sont déformés ou tombent, remplacez-la par une neuve.
- Lorsqu'une brosse latérale ne tourne pas ou est difficile à faire tourner, retirez-la et effectuez une opération d'entretien de celle-ci.

1. Mettez l'aspirateur robot à l'envers sur un tapis, etc.
2. Faites glisser le levier de verrouillage de la brosse latérale sur  (marque de déverrouillage).



- 1. Levier de verrouillage 2. Brosse latérale

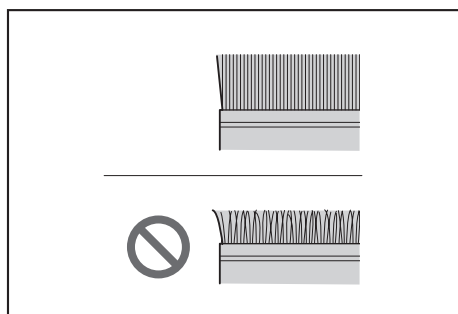
3. Retirez la brosse latérale.
4. Retirez les cheveux et la poussière coincés dans la brosse latérale à l'aide d'une pince à épiler ou d'autres outils.



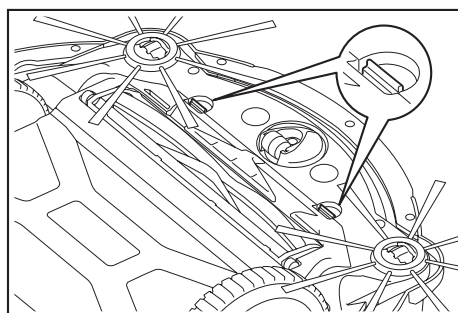
5. Fixez la brosse latérale à l'aspirateur robot. (Consultez la page 14.)

#### Entretien et remplacement de la brosse principale

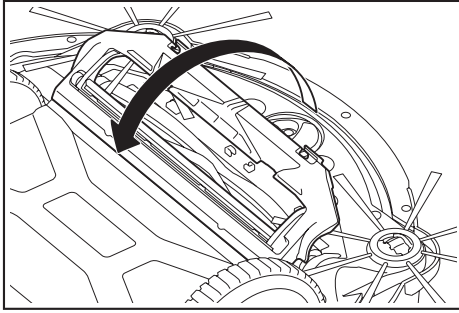
- Si l'indication d'une erreur (consultez la page 29) apparaît, ou que de la poussière et des cheveux sont pris dans la brosse principale, effectuez une opération d'entretien de la brosse principale.
- Si les poils de la brosse principale s'usent et raccourcissent, remplacez la brosse principale.



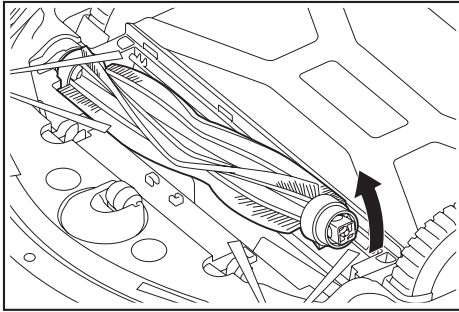
1. Mettez l'aspirateur robot à l'envers sur un tapis, etc.
2. Décrochez les crochets du couvercle de brosse principale.



3. Retirez le couvercle de brosse principale.  
Ne démontez pas le couvercle de brosse principale.



4. Retirez la brosse principale.



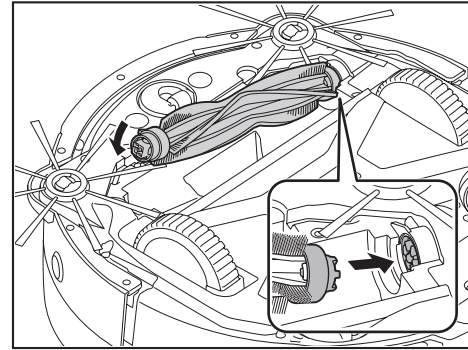
5. Effectuez une opération d'entretien de la brosse principale, du couvercle de brosse principale, du logement de la brosse principale et des joints comme décrit ci-dessous.

Pièce	Comment entretenir
Brosse principale	Retirez le capuchon de roulement fixé à la brosse principale et débarrassez-vous de la poussière emprisonnée. Pour les cheveux coincés et les peluches, coupez-les à ras le long des poils de la brosse avec des ciseaux, puis retirez-les. Si la poussière s'accroche, lavez-la avec de l'eau.
	<p>1</p> <p>► 1. Capuchon de roulement</p>
Couvercle de brosse principale	Nettoyez-le à l'aide d'un chiffon humecté d'eau ou de détergent neutre dilué. Si la saleté est visible, lavez-la à l'eau.
Logement de la brosse principale	Nettoyez-le à l'aide d'un chiffon humecté d'eau ou de détergent neutre dilué. Il ne peut pas être lavé à l'eau.
Joints	Pour les joints fixés à l'aspirateur robot, desserrez la vis avec un tournevis tout en tenant le joint à la main. Ensuite, ramassez le joint. Enlevez la poussière emprisonnée à l'intérieur de l'aspirateur robot.
	<p>1 2</p> <p>► 1. Joint 2. Vis</p>

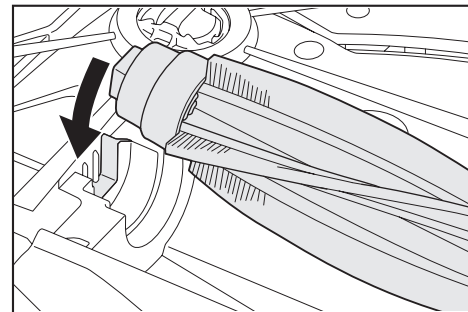
#### REMARQUE

N'utilisez pas de diluant, de benzène, d'alcool, etc. car ils peuvent être une cause de détérioration ou de décoloration.

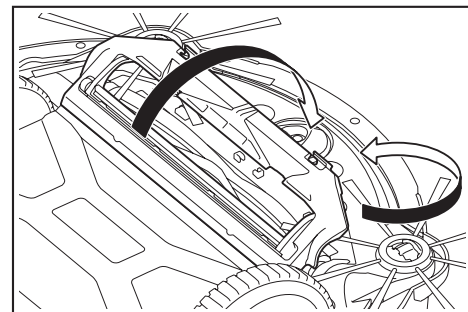
6. Les pièces lavées à l'eau doivent être suffisamment séchées dans un endroit bien ventilé, à l'abri de la lumière directe du soleil.
- Utiliser des pièces sans les sécher correctement peut provoquer une réduction de la puissance d'aspiration, ainsi qu'une réduction de la durée de vie du moteur.
  - L'utilisation de pièces alors qu'il reste de l'humidité sur celles-ci peut provoquer une odeur ou une panne.
  - Le temps de séchage doit être d'environ un jour.
  - Évitez le séchage avec un sèche-cheveux, une soufflerie, etc.
7. Remettez le capuchon de roulement dans sa position originale dans la brosse principale.
8. Fixez les joints à l'aspirateur robot à l'aide de vis.
9. Fixez la brosse principale de façon à ce que la forme du porte-brosse principale rentre dans la rainure des joints de l'aspirateur robot.



10. Tournez le capuchon de roulement pour aligner l'orientation, puis insérez-le dans l'aspirateur robot.

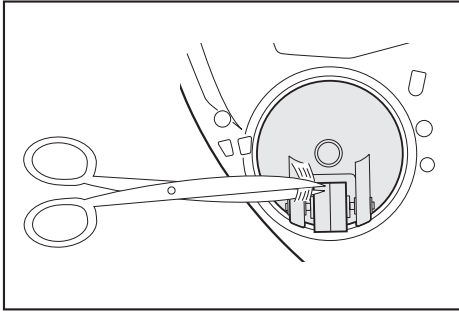


11. Fixez le couvercle de brosse principale (appuyez sur le crochet jusqu'à ce qu'il s'enclenche).
- Faites attention à ne pas coincer une brosse latérale dans le couvercle de brosse principale.
  - Pour éviter d'attraper les brosses latérales, retirez-les temporairement ou fixez le couvercle de brosse principale tout en faisant tourner la brosse latérale dans le sens indiqué sur la figure.

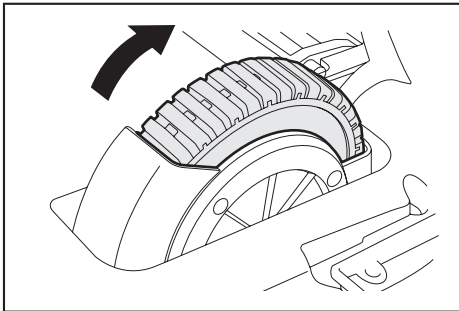


## Entretien des roues

- Effectuez une opération d'entretien lorsque la poussière et les cheveux s'y accrochent.
- Ne retirez pas les roues de l'aspirateur robot.
- Débarrassez-vous de la poussière coincée dans les roulettes. S'il est difficile de s'en débarrasser, utilisez des ciseaux à bouts fins, une pince à épiler, etc.



- Enlevez la saleté sur les deux roues motrices tout en les faisant tourner. Pendant que vous effectuez ce geste, faites attention de ne pas coincer votre main.

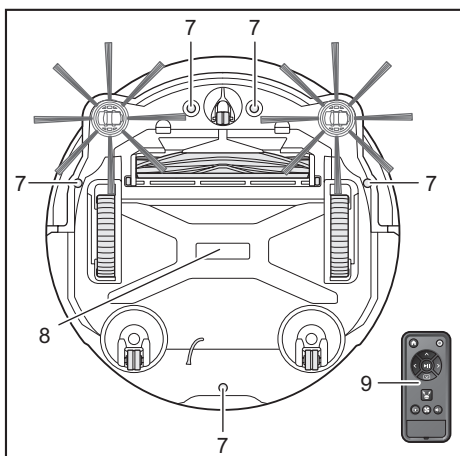
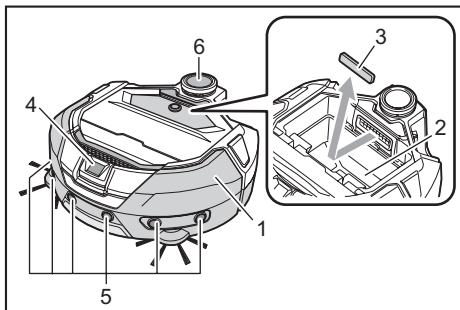


## Entretien de l'aspirateur robot

### REMARQUE

- N'utilisez pas de diluant, de benzène, d'alcool, etc. car ils peuvent être une cause de détérioration ou de décoloration.
- N'utilisez pas d'objet pointu (comme un cure-dent) car il peut provoquer une rupture ou des dommages.

Suivez le tableau ci-dessous pour l'entretien des pièces de l'aspirateur robot.



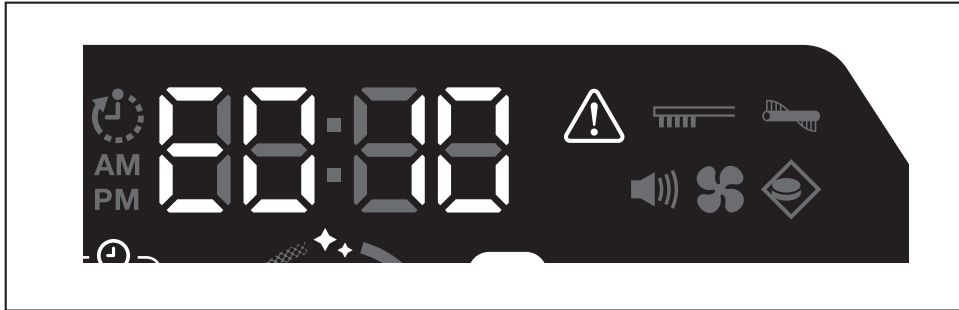
Numéro	Pièce	Comment entretenir
1.	Surface de l'aspirateur robot	Nettoyez-le à l'aide d'un chiffon humecté d'eau ou de détergent neutre dilué.
2.	Intérieur de l'aspirateur robot (logement de la boîte à poussière)	Nettoyez-le à l'aide d'un chiffon humecté d'eau ou de détergent neutre dilué.
3.	Éponge d'ouverture d'aspiration à l'intérieur de l'aspirateur robot	Retirez l'éponge et nettoyez la poussière sur l'éponge avec de l'eau.
4.	Capteur de caméra	Essuyez la saleté avec un chiffon doux ou un coton-tige en veillant à ne pas l'endommager.
5.	Capteur à ultrasons	Nettoyez-le à l'aide d'un chiffon humecté d'eau ou de détergent neutre dilué.
6.	Capteur LiDAR	Retirez la poussière et la saleté à l'intérieur du couvercle du capteur LiDAR.
7.	Capteur d'obstacles verticaux (5 emplacements)	Essuyez la saleté avec un chiffon doux ou un coton-tige en veillant à ne pas l'endommager.
8.	Dessous de l'aspirateur robot	Nettoyez-le à l'aide d'un chiffon humecté d'eau ou de détergent neutre dilué.
9.	Face avant de la télécommande et ses boutons	Essuyez la saleté avec un chiffon sec.

## Concernant la réparation

- S'il n'est pas possible de reprendre l'utilisation après avoir résolu la cause d'une notification ou d'une indication d'erreur (consultez la page 29), éteignez l'alimentation puis rallumez-la.
- Si la même notification ou erreur s'affiche à plusieurs reprises, demandez au magasin dans lequel vous l'avez acheté ou à notre bureau de vente d'effectuer la réparation.
- Ne faites pas de réparation par vous-même. Renseignez-vous auprès du magasin dans lequel vous l'avez acheté ou à notre bureau de vente.
- Lorsque vous demandez une réparation, apportez l'aspirateur robot ainsi que les batteries et le chargeur.

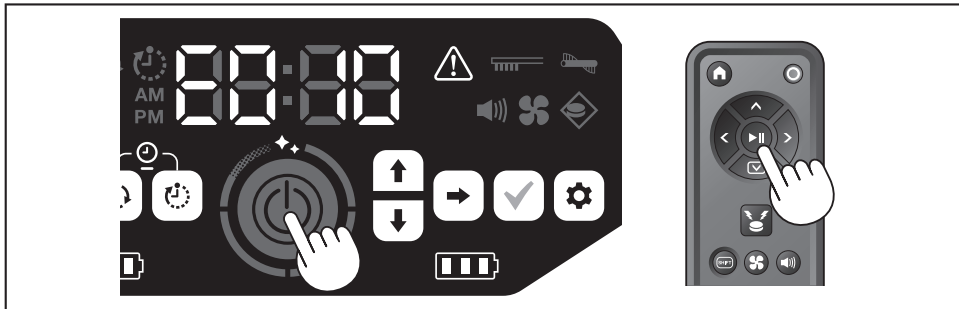
## Notification et indication des erreurs

Lorsqu'un entretien est nécessaire ou qu'une erreur se produit, un voyant lumineux rouge s'allume sur le panneau d'utilisation de l'aspirateur robot, et le numéro de l'erreur s'affiche. De plus, il peut y avoir une notification accompagnée d'un son.



### Annulation d'une notification et d'une indication d'erreur

- Lorsqu'une notification d'entretien du filtre apparaît, l'aspirateur robot peut être utilisé mais risque de ne pas fonctionner correctement. Éliminez la cause avant d'utiliser l'aspirateur robot.
  - Lorsqu'une notification d'erreur apparaît, l'aspirateur robot s'arrête de fonctionner. Prenez les mesures suivantes.
- Vérifiez le numéro d'erreur et éliminez la cause de l'erreur. (Consultez « Notification d'un besoin d'entretien, etc. » sur cette page.)
  - Si vous éteignez l'alimentation ou si l'alimentation s'épuise en raison de la perte de capacité de la batterie avant l'élimination de la cause de l'erreur, l'aspirateur robot annule temporairement l'erreur.
  - Une pression sur le bouton marche/arrêt de l'aspirateur robot ou de la télécommande annule l'indication d'erreur et l'aspirateur robot passe en état de veille.




- Vérifiez que l'erreur a été corrigée avant d'utiliser l'aspirateur robot.

### REMARQUE

- Redémarrez l'aspirateur robot si vous ne pouvez pas faire fonctionner l'aspirateur robot après avoir éliminé la cause.
- Si la même erreur apparaît à plusieurs reprises, demandez au magasin dans lequel vous l'avez acheté ou à notre bureau de vente d'effectuer la réparation.





### Notification d'un besoin d'entretien, etc.













Si le voyant lumineux s'allume, éteignez l'alimentation et retirez les batteries. Ensuite, prenez les mesures décrites ci-dessous.

Problème notifié	Cause	Action
L'entretien du filtre est nécessaire. 	De la poussière s'est accumulée ou le filtre est encrassé.	Jetez la poussière et entretenez le filtre. → Consultez les pages 22 et 25.
		Vérifiez si de la poussière s'est accumulée à l'intérieur de l'aspirateur robot et au niveau de la bouche d'évacuation.

### Notification d'erreur

- Prenez des mesures en fonction du voyant d'erreur et du numéro figurant sur l'indicateur.
- Pour les codes d'erreur de la liste, un numéro spécifique sera affiché à la place du « X » en fonction du type d'erreur. Signalez le code d'erreur en contactant le revendeur ou notre bureau de vente.
- Lorsque vous vérifiez la cause ou prenez des mesures, éteignez l'alimentation et retirez les batteries si nécessaire avant de prendre des mesures.
- Si un numéro d'erreur autre que ceux indiqués ci-dessous s'affiche, demandez au magasin dans lequel vous l'avez acheté ou à notre bureau de vente.

Numéro	Cause	Action
<b>Problème notifié</b>		
E01X Erreur des roues motrices 	Des corps étrangers tels que des peluches ou des cheveux sont-ils coincés dans les roues motrices ?	Retirez les corps étrangers. → Consultez la page 28.
	Lorsque l'aspirateur robot traverse un espace restreint, il peut s'y coincer et afficher cette notification.	Ce n'est pas une défaillance.
E02X Erreur due à la perte d'une roue ou au soulèvement de l'aspirateur robot 	Une roue motrice déraile-t-elle, ou y a-t-il un espace entre une roue et le sol ?	Déplacez l'aspirateur robot dans un autre endroit. → Consultez la page 11.
E030 Erreur de la brosse principale  	Des corps étrangers tels que des peluches ou des cheveux sont-ils coincés dans la brosse principale ?	Retirez les corps étrangers. → Consultez la page 26.

Numéro		Cause	Action
Problème notifié			
E04X Erreur des brosses latérales	 	Des corps étrangers tels que des peluches ou des cheveux sont-ils coincés dans les brosses latérales ?	Retirez les corps étrangers. → Consultez les pages 14 et 26.
E060 Non-détection de la boîte à poussière ou du filtre	 	La boîte à poussière ou le filtre n'est pas fixé.	Vérifiez qu'ils sont fixés correctement. → Consultez les pages 22 et 25.
E09X Erreur des capteurs d'obstacles verticaux		L'aspirateur robot est-il exposé à la lumière directe du soleil ?	Déplacez l'aspirateur robot dans un autre endroit. → Consultez la page 11.
		L'aspirateur robot se trouve-t-il sur une surface de sol noir ?	
		Les capteurs d'obstacles verticaux sont-ils sales ?	<ul style="list-style-type: none"> <li>• Essayez délicatement la saleté sur les capteurs d'obstacles verticaux avec un chiffon doux et sec, un coton-tige, etc.</li> <li>• Vérifiez si la ligne de mise à la terre est en contact avec le sol.</li> </ul> → Consultez les pages 9 et 11 et 28.
E10X Erreur de capteur de pare-chocs		Il s'agit d'un dysfonctionnement du capteur de pare-chocs.	Appuyez sur le pare-chocs avec votre main environ 10 fois. → Consultez la page 9.
E110 Erreur de mouvement		L'aspirateur robot roule-t-il sur une marche, etc. et reste-t-il coincé à cet endroit ?	Déplacez l'aspirateur robot dans un autre endroit. → Consultez la page 11.
E12X Diminution de la capacité de la batterie restante Erreur du réglage de la minuterie		L'aspirateur robot ne peut-il pas démarrer l'utilisation par programmation de la minuterie ON parce que la capacité de la batterie restante est insuffisante ?	Lors du démarrage de l'utilisation par programmation de la minuterie ON, assurez-vous que les batteries sont complètement chargées.
E140 Erreur du réglage de la pièce Erreur d'information sur l'endroit		La pièce est-elle différente de la pièce cartographiée, ou le point de départ du nettoyage est-il différent ?	Vérifiez la pièce cartographiée et le point de départ du nettoyage. → Consultez la page 18.
		La disposition de la pièce cartographiée a-t-elle été modifiée ?	Effectuez à nouveau la cartographie. → Consultez la page 17.
		Le capteur LiDAR est-il bloqué par un tissu ou sale ?	Retirez le tissu, etc., et entretenez le capteur LiDAR. → Consultez la page 28.
		Y a-t-il des obstacles d'une hauteur de 25 cm ou plus que le capteur LiDAR peut détecter autour de l'aspirateur robot ?	Le capteur LiDAR a besoin d'obstacles d'une hauteur supérieure à 25 cm dans les plages suivantes : <ul style="list-style-type: none"> <li>• Rayon de 11 m autour de l'aspirateur robot pour le mode nettoyage par cartographie.</li> <li>• Rayon de 18 m autour de l'aspirateur robot pour le mode nettoyage libre.</li> </ul> Veillez placer des obstacles d'une hauteur supérieure à 25 cm dans la zone.
E170 Erreur du couvercle supérieur de l'aspirateur robot		Le couvercle supérieur de l'aspirateur robot est-il ouvert ?	Fermez le couvercle supérieur de l'aspirateur robot.
E190 Erreur due à la perte d'une roue ou au soulèvement de l'aspirateur robot		Une roue motrice déraile-t-elle, ou y a-t-il un espace entre une roue et le sol ?	Déplacez l'aspirateur robot dans un autre endroit. → Consultez la page 11.
E200 Erreur due à l'impossibilité de revenir au point de départ Erreur due à l'impossibilité d'aller à la destination		L'aspirateur robot n'a pas pu revenir au point de départ du nettoyage.	<ul style="list-style-type: none"> <li>• Si des objets gênent le fonctionnement de l'aspirateur robot, rangez-les ou gardez l'aspirateur robot à l'écart de ces objets.</li> </ul> → Consultez la page 21.
		L'aspirateur robot n'a pas pu aller à la destination suivante car elle est saisie dans un passage étroit.	<ul style="list-style-type: none"> <li>• Si l'aspirateur robot est souvent dans l'impossibilité de revenir au point de départ, activez [Prioriser le retour à la base] de l'application. Le temps nécessaire pour revenir au point de départ peut être plus long.</li> </ul> → Consultez la page 44. <ul style="list-style-type: none"> <li>• Vérifiez s'il existe un passage de 80 cm ou plus pour le nettoyage.</li> </ul>

# Dépannage

Avant de demander une réparation ou de demander des renseignements, vérifiez si les éléments suivants s'appliquent.

## Source d'alimentation

Symptôme	Cause	Action
<ul style="list-style-type: none"> <li>En appuyant sur le bouton marche/arrêt l'alimentation s'allume.</li> <li>Le voyant ne s'allume pas.</li> <li>En appuyant sur les boutons de l'aspirateur robot et de la télécommande, vous n'obtenez aucune réponse.</li> </ul>	Les batteries sont-elles installées correctement ?	Vérifiez l'installation correcte des batteries. → Consultez la page 15.
	La capacité de la batterie est-elle épuisée ?	Vérifiez la capacité restante.
	L'alimentation de l'aspirateur robot est-elle éteinte ?	Appuyez sur le bouton marche/arrêt de l'aspirateur robot pour allumer l'alimentation. → Consultez la page 16.

## Fonctionnement

Symptôme	Cause	Action
L'aspirateur robot ne fonctionne pas.	Le voyant d'erreur clignote-t-il ?	L'aspirateur robot ne fonctionne pas quand il y a une erreur. → Consultez la page 29.
	L'aspirateur robot est-il en mode d'attente d'utilisation par programmation de la minuterie ON ?	Lorsque le mode d'attente de l'opération programmée est en vigueur, les utilisations autres qu'éteindre l'alimentation et visualiser la notification de l'emplacement ne sont pas possibles. → Consultez la page 20.
L'aspirateur robot se met soudainement en mouvement alors que vous n'effectuez aucune opération.	La programmation de la minuterie ON est-elle activée ?	→ Consultez la page 20.
L'aspirateur robot s'arrête lorsqu'il est en marche.	L'aspirateur robot est-il pris dans un cordon ou un autre objet ? Est-ce qu'un tissu ou une ficelle (par exemple, une serviette fine) s'est emmêlé autour des roues ?	Éteignez l'alimentation de l'aspirateur robot et retirez les objets coincés dans l'aspirateur robot et emmêlés autour des roues. → Consultez la page 28.
	L'aspirateur robot s'arrête-t-il sans franchir une marche ?	Éteignez l'alimentation de l'aspirateur robot et déplacez-le dans un autre endroit. → Consultez la page 11.
	La minuterie OFF est-elle réglée ?	→ Consultez la page 20.
	Y a-t-il des obstacles d'une hauteur de 25 cm ou plus que le capteur LiDAR peut détecter autour de l'aspirateur robot ?	Le capteur LiDAR a besoin d'obstacles d'une hauteur supérieure à 25 cm dans les plages suivantes : <ul style="list-style-type: none"> <li>Rayon de 11 m autour de l'aspirateur robot pour le mode nettoyage par cartographie.</li> <li>Rayon de 18 m autour de l'aspirateur robot pour le mode nettoyage libre.</li> </ul> Veuillez placer des obstacles d'une hauteur supérieure à 25 cm dans la zone.
La vitesse change.	L'aspirateur robot peut ralentir lorsqu'un capteur détecte un obstacle ou détermine la direction dans laquelle il se déplace.	Ce n'est pas anormal.
L'aspirateur robot ne va pas tout droit.	Des corps étrangers sont-ils coincés dans les roues ?	Éteignez l'alimentation de l'aspirateur robot et retirez les corps étrangers des roues. → Consultez la page 28.
	Les roues sont-elles endommagées ?	Demandez une réparation auprès du magasin dans lequel vous l'avez acheté ou à notre bureau de vente.
	Le capteur à ultrasons et le capteur LiDAR sont-ils sales ?	Entretenez-les. → Consultez la page 28.
L'aspirateur robot entre en collision avec un obstacle plus souvent qu'avant.	Le capteur à ultrasons et le capteur LiDAR sont-ils sales ?	Entretenez-les. → Consultez la page 28.
L'aspirateur robot ne parvient pas à éviter une marche et tombe.	Les capteurs d'obstacles verticaux sont-ils sales ?	Entretenez-les. → Consultez la page 28.
	L'aspirateur robot descend parfois une marche d'une hauteur de 3,0 cm ou moins.	Ce n'est pas une défaillance. → Consultez la page 11.
L'aspirateur robot continue à avoir un comportement d'évitement même s'il n'y a pas d'obstacles ou de marches.	Les capteurs d'obstacles verticaux et le capteur LiDAR sont-ils sales ?	Entretenez-les. → Consultez la page 28.
Les capteurs d'obstacles verticaux se salissent rapidement.	La ligne de mise à la terre est coupée et n'est plus en contact avec le sol ?	Demandez une réparation auprès du magasin dans lequel vous l'avez acheté ou à notre bureau de vente.
Le bruit de l'aspirateur robot en marche est plus fort que d'habitude.	La boîte à poussière est-elle remplie de poussière ? Le filtre est-il encrassé ?	Jetez la poussière et entretenez le filtre. → Consultez les pages 22 et 25.
	De la poussière est-elle coincée dans la brosse principale et les brosses latérales ?	Entretenez-les. De plus, vérifiez l'installation correcte des brosses. → Consultez la page 26.
Le bruit du ventilateur d'aspiration devient plus fort pendant son utilisation.	Il devient plus fort lorsque l'aspirateur robot change de batterie à utiliser.	C'est normal.
<ul style="list-style-type: none"> <li>La puissance d'aspiration est faible.</li> <li>La poussière n'est pas aspirée.</li> </ul>	La boîte à poussière est-elle remplie de poussière ? Le filtre est-il encrassé ?	Jetez la poussière et entretenez le filtre. → Consultez les pages 22 et 25.
	Le ventilateur d'aspiration est-il éteint ?	Vérifiez le réglage. → Consultez la page 19.
Une brosse latérale se détache.	La brosse latérale est-elle installée correctement ?	Vérifiez si l'installation est correcte. → Consultez la page 14.





Symptôme	Cause	Action
Une brosse latérale ou la brosse principale ne tourne pas, tourne avec difficulté ou est emmêlée.	Des corps étrangers (tels que des peluches et des cheveux) sont-ils coincés dans les brosses latérales ou dans la brosse principale ?	Entretenez-les. De plus, vérifiez l'installation correcte de la brosse principale et du couvercle de brosse principale. → Consultez la page 26.
	L'aspirateur robot ne peut pas être utilisé sur un tapis dont la longueur des poils est supérieure à 7 mm. Même si la longueur des poils est inférieure ou égale à 7 mm, l'aspirateur robot peut s'arrêter de fonctionner ou les poils peuvent se coincer dans les brosses latérales selon le matériau des poils ou d'autres propriétés.	→ Consultez la page 11.
L'air évacué sent mauvais.	Des déchets humides ou malodorants ont-ils été aspirés ?	Jetez les déchets. → Consultez la page 22.
	Le filtre est-il encrassé ?	Entretenez le filtre. Lorsque vous avez lavé le filtre à l'eau, séchez-le suffisamment avant de l'utiliser. → Consultez la page 25.

## Utilisation de la télécommande

Symptôme	Cause	Action
La télécommande ne fonctionne pas.	Les piles sont-elles correctement placées dans la télécommande ?	Vérifiez l'orientation des piles. → Consultez la page 14.
	Si l'aspirateur robot ne réagit pas toujours lorsqu'il est commandé par la télécommande, il se peut que les piles soient en fin de vie. (Le critère de remplacement est d'environ un an. Les piles peuvent s'épuiser en moins d'un an selon les piles utilisées et les conditions d'utilisation.)	Remplacez les piles usagées par des piles neuves. → Consultez la page 14.
	L'alimentation de l'aspirateur robot est-elle éteinte ?	Appuyez sur le bouton marche/arrêt de l'aspirateur robot pour allumer l'alimentation. → Consultez la page 16.
	Il est possible que la distance entre la télécommande et l'aspirateur robot soit trop grande pour que les ondes radio l'atteignent correctement.	Assurez-vous d'avoir une vue dégagée en réduisant la distance entre la télécommande et l'aspirateur robot et en déplaçant les obstacles. → Consultez la page 12.
L'utilisation avec la télécommande n'est pas possible.	Les équipements suivants, qui utilisent des fréquences radio dans la bande de 2,4 GHz, sont peut-être en fonctionnement à proximité. <ul style="list-style-type: none"> <li>• Four à micro-ondes</li> <li>• Dispositifs Bluetooth®</li> <li>• Dispositifs de réseau sans fil</li> <li>• Autres équipements utilisant des fréquences radio dans la bande de 2,4 GHz (tels que les téléphones numériques sans fil et les consoles de jeux)</li> </ul>	Prévoyez une plus grande distance entre l'aspirateur robot et la télécommande, ou cessez temporairement d'utiliser ces dispositifs.
	Lorsque vous avez remplacé la télécommande par une neuve, établissez un couplage avec l'aspirateur robot.	→ Consultez la page 24.
	Si vous ne pouvez pas faire fonctionner l'aspirateur robot avec la télécommande après avoir examiné les causes possibles énumérées ci-dessus, éteignez l'alimentation de l'aspirateur robot puis rallumez-la.	→ Consultez la page 16.

## Panneau d'utilisation

Symptôme	Cause	Action
L'heure définie est fréquemment remise à zéro.	La batterie intégrée est presque épuisée car l'aspirateur robot n'a pas été utilisé pendant une longue période.	Faites fonctionner l'aspirateur robot pendant plus de 1 heure ou mettez-le en veille. (La batterie intégrée sera rechargée.)

## Fonction de minuterie

Symptôme	Cause	Action
L'utilisation par programmation de la minuterie ON ne démarre pas à l'heure spécifiée.	L'aspirateur robot ne démarre pas l'utilisation par programmation de la minuterie ON si l'une des conditions suivantes s'applique au démarrage de l'utilisation par programmation de la minuterie ON. <ul style="list-style-type: none"> <li>• L'alimentation est éteinte.</li> <li>• Lorsque la capacité de la batterie est insuffisante</li> </ul>	→ Consultez la page 20.
	Le voyant de la minuterie s'allume-t-il ?	Si l'alimentation est éteinte ou si la capacité de la batterie est épuisée après le réglage de la programmation, le voyant de la minuterie s'éteint. → Consultez la page 10.

## Cartographie

Symptôme	Cause	Action
<ul style="list-style-type: none"> <li>• L'aspirateur robot s'arrête durant la cartographie.</li> <li>• La cartographie a échoué.</li> </ul>	La pièce est-elle dans la pénombre durant la cartographie ?	Éclairer la pièce jusqu'à ce que la cartographie soit terminée.
	Il n'y a aucun obstacle d'une hauteur de 25 cm ou plus dans un rayon d'environ 11 m de l'aspirateur robot.	L'environnement peut ne pas être adapté à la cartographie. Le nettoyage en mode nettoyage libre est recommandé. → Consultez la page 17.





Symptôme	Cause	Action
L'aspirateur robot commence à nettoyer au lieu de cartographier.	Un numéro de pièce déjà enregistré est-il sélectionné ?	Sélectionnez un numéro de pièce non enregistré ou supprimez la carte déjà enregistrée. → Consultez les pages 17 et 18.
<ul style="list-style-type: none"> <li>Aucune carte n'est enregistrée.</li> <li>La carte est incomplète. (Il y a une zone qui n'est pas enregistrée.)</li> </ul>	La forme de la pièce, la disposition des obstacles ou d'autres caractéristiques peuvent être trop complexes.	Vérifiez s'il existe un passage de 80 cm ou plus pour le nettoyage. Rangez la pièce. → Consultez la page 12.
		La capacité de la batterie est peut-être insuffisante. Faites en sorte que les batteries soient complètement chargées, puis procédez à la cartographie.
		Vous pouvez ajouter des informations de cartographie manuellement. → Consultez la page 41.
	L'aspirateur robot a été soulevé pendant la cartographie.	Ne soulevez pas l'aspirateur robot pendant la cartographie. Les informations sur la pièce ne sont peut-être pas enregistrées correctement.

## Application

Symptôme	Cause	Action
Il n'est pas possible d'établir une connexion avec l'application.	Avez-vous appuyé sur le bouton de raccordement de smartphone de l'aspirateur robot ?	Appuyez sur le bouton de raccordement de smartphone pour vous connecter à l'application. → Consultez la page 35.
	Les réglages Wi-Fi® du smartphone étaient-ils activés ?	Activez les réglages Wi-Fi® du smartphone.
	Il est possible que la distance entre le smartphone et l'aspirateur robot soit trop grande pour que les ondes radio l'atteignent correctement.	Assurez-vous d'avoir une vue dégagée en réduisant la distance entre le smartphone et l'aspirateur robot et en déplaçant les obstacles. → Consultez la page 12.
	La connexion avec l'aspirateur robot a échoué.	Pour iPhone : Allez dans le menu des réglages iOS et activez les réglages de réseau local pour Makita Robotic Cleaner DRC300.  Pour Android : Si une fenêtre pop-up s'affiche pour décider de conserver la connexion après avoir établi la connexion Wi-Fi, autorisez-la.
	L'aspirateur robot n'a peut-être pas réussi à acquérir les informations de localisation. (Le nom de l'aspirateur robot est affiché comme « null » dans l'écran de saisie du code PIN.)	Activez les réglages d'informations de localisation du smartphone.

## Fonction de protection

Lorsque l'une des conditions suivantes est établie pendant l'utilisation de l'aspirateur robot, le moteur s'arrête automatiquement. Cela est dû à la fonction de protection, et non à une défaillance.

Fonction de protection
Le moteur s'arrête automatiquement si la batterie atteint une température élevée. <ul style="list-style-type: none"> <li>Arrêtez le nettoyage et retirez les batteries de l'aspirateur robot. Ensuite, chargez et refroidissez les batteries en utilisant un chargeur avec système de refroidissement ou attendez que les batteries aient refroidi.</li> <li>Si l'aspirateur robot ne fonctionne pas même si les batteries ont refroidi, refroidissez l'aspirateur robot.</li> <li>Si un numéro d'erreur s'affiche sur l'aspirateur robot, éliminez la cause de l'erreur. (Consultez la page 29.)</li> </ul>
L'aspirateur robot s'arrête automatiquement si la charge de la batterie devient faible, passe en état d'hibernation et s'éteint complètement si la charge restante est épuisée. <ul style="list-style-type: none"> <li>Retirez les batteries de l'aspirateur robot et chargez-les.</li> </ul>
L'aspirateur robot s'arrête automatiquement si une erreur est détectée. <ul style="list-style-type: none"> <li>Vérifiez le numéro d'erreur et éliminez la cause de l'erreur. Une fois la cause éliminée, l'aspirateur robot peut être utilisé à nouveau. (Consultez la page 29.)</li> </ul>

## Rangement

Éteignez l'alimentation et retirez les batteries avant de ranger l'aspirateur robot.

Ne rangez pas l'aspirateur robot dans les endroits suivants car il s'agit d'une machine de précision. Cela peut provoquer de la chaleur, un départ de feu, une défaillance, une détérioration des pièces en caoutchouc, etc.

- Endroits où la température augmente soudainement
- Endroits où la température diminue soudainement
- Endroits où la température change soudainement
- Près d'une flamme, d'un radiateur, d'un appareil de refroidissement et de chauffage, etc.
- À l'extérieur
- Endroits exposés à la lumière directe du soleil
- Endroits exposés à l'humidité ou à la vapeur
- Endroits avec beaucoup de poussière et de sable
- Lieux enfumés
- Endroits mal ventilés

Si l'aspirateur robot est rangé sans être utilisé pendant une longue période, ses performances peuvent être altérées. Pour que la durée de vie de l'aspirateur robot soit la plus longue possible, allumez de temps en temps l'alimentation et utilisez-le.



## Accessoires en option

### ATTENTION

Ces accessoires ou équipements sont recommandés pour être utilisés avec l'outil Makita spécifié dans ce manuel. L'utilisation d'autres accessoires ou équipements peut présenter un risque de blessure. Utilisez l'accessoire ou l'équipement uniquement pour l'usage prévu.

Si vous avez besoin d'aide pour plus de détails concernant ces accessoires, demandez à votre centre de réparation Makita local.

- Ligne de limite magnétique
- Brosse principale
- Brosse principale souple
- Brosse latérale
- Brosse latérale souple
- Filtre HEPA
- Couvercle de brosse principale
- Coussin de pare-chocs
- Batterie et chargeur Makita d'origine

### REMARQUE

- Certains éléments de la liste peuvent être inclus dans la boîte de l'outil comme accessoires standards. Ils peuvent changer d'un pays à l'autre.
- Pour éviter une reconnaissance erronée lors de l'utilisation du coussin de pare-chocs, ne fixez pas de coussin de pare-chocs sur les zones suivantes : La zone dans l'extension latérale des capteurs à ultrasons, ainsi que les zones inférieures et supérieures situées à une distance de 28 mm maximum par rapport aux capteurs à ultrasons.

# Application pour smartphone (pour le DRC300)

## Table des matières

• Ce que vous pouvez faire avec l'application	35
• Comment installer l'application	35
• Préparatifs préalables	35
• Installation de l'application sur un smartphone	35
• Paramétrage initial	35
• Écran d'accueil	36
• Nettoyage avec l'application	36
• Nettoyage d'une pièce sans cartographie (mode nettoyage libre)	36
• Nettoyage des pièces cartographiées	37
• Utilisation de l'aspirateur robot à partir de l'application	38
• Vérification de l'historique du nettoyage	38
• Vérification du dernier historique	38
• Vérification des anciens historiques	39
• Vérification des historiques d'erreur	39
• Ajout, modification ou suppression des informations de cartographie	40
• Ajout d'informations de cartographie	40
• Ajout manuel d'informations de cartographie (cartographie manuelle)	41
• Changement du nom des informations de cartographie	42
• Limitation de la portée de nettoyage	42
• Suppression des informations de cartographie	43
• Modification et vérification des réglages	44
• Modification du nom d'un aspirateur robot enregistré	44
• Réglage des options de nettoyage	44
• Modification du code PIN	45
• Suppression des informations relatives à l'aspirateur robot	45
• Vérification des informations sur l'application	46
• Message/boîte de dialogue d'erreur	46

## Ce que vous pouvez faire avec l'application

En utilisant un smartphone avec l'application spécifique à l'aspirateur robot installée, vous pouvez faire les choses suivantes :

- Nettoyage
- Utilisation de la télécommande
- Ajout, modification ou suppression des informations de cartographie
- Vérification de l'historique du nettoyage
- Modification des réglages de l'aspirateur robot

## REMARQUE

- Cette application est destinée à être utilisée sur un smartphone et ne fonctionne pas sur les dispositifs de type tablette, PC.
- Un smartphone et l'aspirateur robot sont directement connectés grâce à la fonction Wi-Fi®. Veuillez noter qu'Internet n'est pas disponible pendant la connexion à l'aspirateur robot. Après avoir utilisé l'application, n'oubliez pas de vous déconnecter de l'aspirateur robot en appuyant sur le bouton de raccordement de smartphone.
- Pour utiliser cette application, vous devez donner l'autorisation afin d'obtenir les informations de localisation et accepter les conditions d'utilisation. L'utilisateur doit juger s'il donne l'autorisation d'obtenir les informations de localisation et s'il accepte les conditions d'utilisation.
- Les images d'écran de l'application peuvent être modifiées sans préavis.

## Comment installer l'application

### Préparatifs préalables

Un smartphone (Android ou iOS) est nécessaire pour utiliser l'application.

- Android : La version 6.0 ou ultérieure d'Android est requise.
- iOS (iPhone) : iOS 12 ou une version ultérieure est nécessaire.

### Installation de l'application sur un smartphone

1. À l'aide de votre smartphone, recherchez « Makita Robotic Cleaner DRC300 » sur Google Play™ ou sur l'App Store. Vous pouvez également y accéder à partir du code QR.

Google Play™

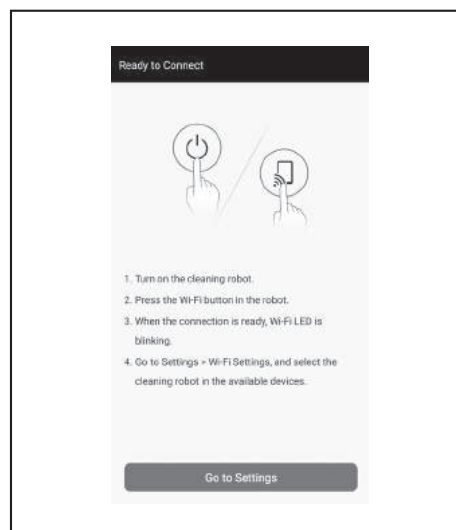
App Store



2. Installez « Makita Robotic Cleaner DRC300 »
3. Après l'installation, démarrez l'« Makita Robotic Cleaner DRC300 »

### Paramétrage initial

1. Lorsqu'un écran s'affiche pour demander si vous autorisez l'obtention d'informations de localisation, appuyez sur [OK].
2. Sur l'écran des conditions d'utilisation, appuyez sur [Accepter].
3. Suivez les instructions à l'écran :
  - Allumez l'aspirateur robot puis appuyez sur le bouton de raccordement de smartphone sur l'aspirateur nettoyeur. Après avoir appuyé sur le bouton de raccordement de smartphone, il faut environ 8 secondes pour que l'aspirateur robot soit prêt à être connecté. Lorsque la connexion est prête, la LED de Wi-Fi clignote.
  - Après cela, appuyez sur [Aller dans Paramètres] pour afficher l'écran de réglage Wi-Fi® du smartphone.



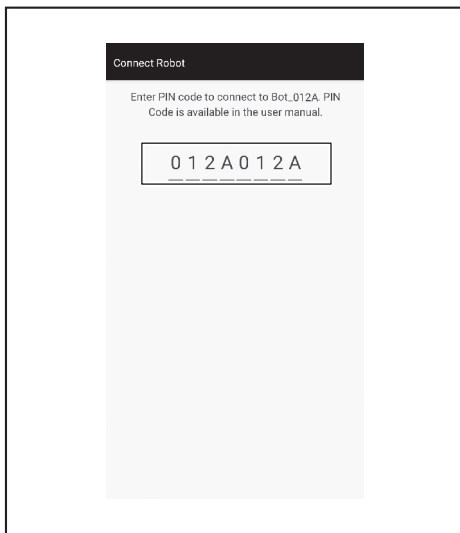
En fonction de votre appareil, les procédures suivantes peuvent être nécessaires.  
Pour iPhone :

Allez dans le menu des réglages iOS et activez les réglages de réseau local pour Makita Robotic Cleaner DRC300.

Pour Android :

Si une fenêtre pop-up permettant de décider si la connexion doit être maintenue après l'établissement de la connexion Wi-Fi s'affiche, autorisez-la.

4. Connectez le smartphone à l'aspirateur robot via le Wi-Fi®. (Cette connexion n'est PAS Bluetooth).
  - Le paramétrage de la connexion Wi-Fi® (saisie du mot de passe) n'est nécessaire que lors de la première connexion à l'aspirateur robot.
  - Le mot de passe initial de la connexion Wi-Fi® est défini par des caractères alphanumériques qui répètent deux fois les quatre derniers chiffres du SSID de l'aspirateur robot. Par exemple, si le SSID « Robotic\_Cleaner\_012A » est affiché, le mot de passe sera « 012A012A ».
  - Assurez-vous que le smartphone ne peut pas accéder à d'autres réseaux Wi-Fi® pendant la connexion avec l'aspirateur robot.
5. Quittez l'écran de réglage Wi-Fi® et affichez l'écran de l'application. Ensuite, saisissez le code PIN pour authentifier la connexion.
  - Le code PIN défini en usine est défini par des caractères alphanumériques qui répètent deux fois les quatre derniers chiffres du SSID de l'aspirateur robot.
  - Si le SSID « Robotic\_Cleaner\_012A » est affiché, le mot de passe sera « 012A012A ».
  - L'écran d'accueil de l'application s'affiche lorsque le code PIN est authentifié avec succès.

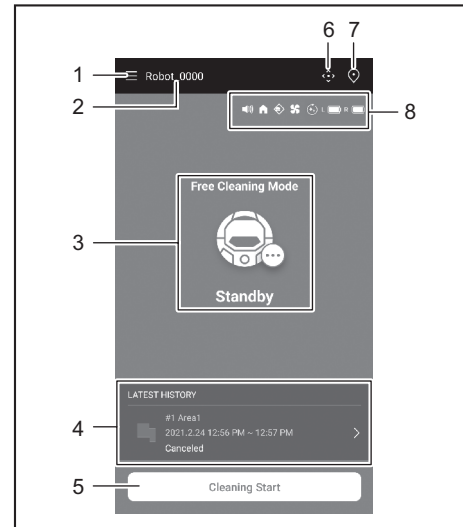


6. Modifiez le code PIN.
    - Veillez à modifier le code PIN. N'utilisez pas le code PIN par défaut. Consultez la page 45 pour savoir comment modifier le code PIN.
    - N'oubliez pas le nouveau code PIN que vous avez créé.
  7. Le paramétrage initial est terminé lorsque « Code PIN modifié » s'affiche. Revenez à l'écran d'accueil pour utiliser l'application.
- Pour déconnecter la connexion Wi-Fi, appuyez sur le bouton de raccordement de smartphone de l'aspirateur robot pour éteindre le voyant de raccordement de smartphone.

#### REMARQUE

Si votre connexion est soudainement déconnectée, fermez l'application une fois, puis essayez d'établir la connexion à nouveau.

## Écran d'accueil



1. Bouton de menu (divers réglages, vérification de l'historique)
2. Nom de l'aspirateur robot
3. État d'utilisation de l'aspirateur robot
4. Dernier enregistrement du nettoyage (affiché uniquement s'il existe un enregistrement)
5. Bouton de démarrage du nettoyage (ou de la cartographie)
6. Bouton de la télécommande
7. Bouton de commutation de mode
8. Réglages de l'aspirateur robot et capacité restante de la batterie
  - : Le réglage de son est activé.
  - : Le réglage de la fonction Prioriser le retour à la base est activé.
  - : La fonction de détection des limites est activée.
  - : Le réglage du ventilateur d'aspiration est activé.
  - : Le réglage du nettoyage continu est activé.
  - : Capacité restante de la batterie gauche
  - : Capacité restante de la batterie droite

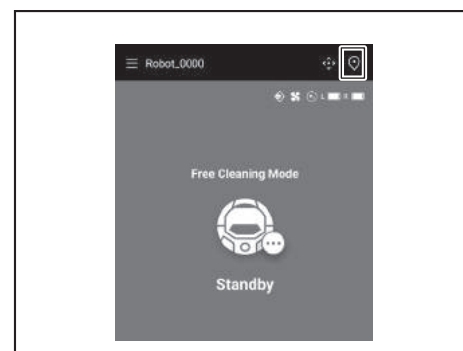
## Nettoyage avec l'application

L'aspirateur robot fonctionne selon deux modes : mode nettoyage libre, qui ne nécessite pas l'enregistrement de la carte, et le mode de nettoyage par cartographie (consultez « Nettoyage des pièces cartographiées » à la page 37), qui nécessite l'enregistrement des informations sur la pièce pour le nettoyage.

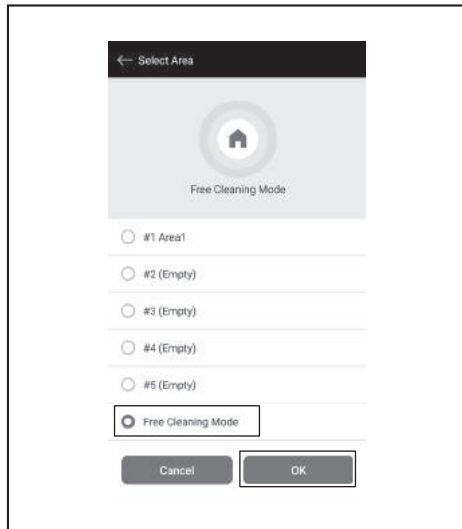
### Nettoyage d'une pièce sans cartographie (mode nettoyage libre)

- Le mode nettoyage libre est recommandé pour le nettoyage de différentes pièces ou dans un environnement impliquant des changements fréquents et importants de la disposition.
- Le mode nettoyage libre est également recommandé pour une pièce qui ne peut être éclairée de manière adéquate.
- Pour le nettoyage, la cartographie, et l'endroit où démarrer l'aspirateur robot, consultez la page 17.

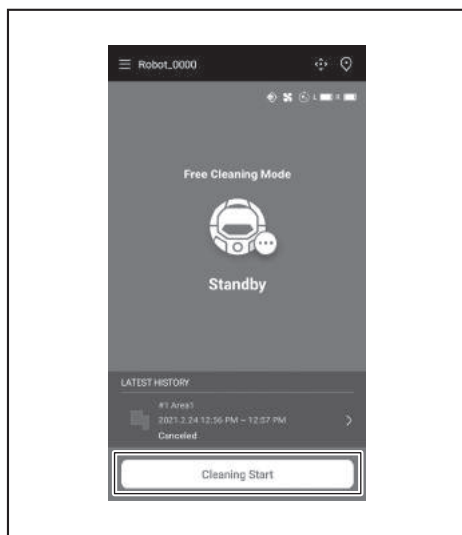
1. Sur l'écran d'accueil, appuyez sur



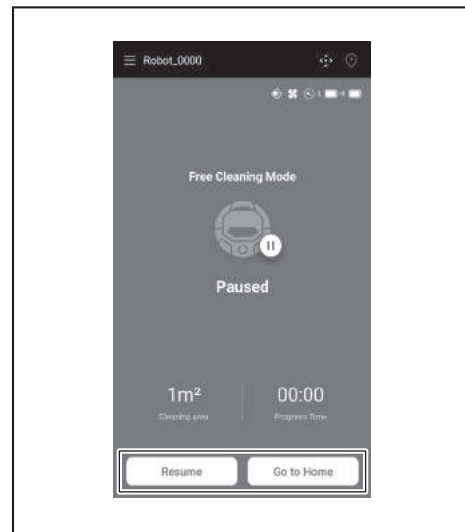
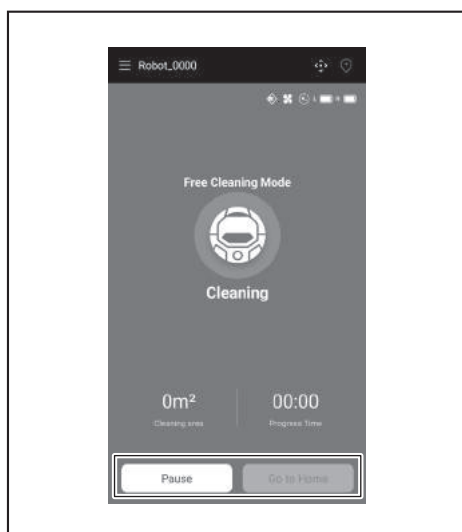
- Appuyez sur [Mode nettoyage libre], puis appuyez sur [OK].



- Sur l'écran d'accueil, appuyez sur [Démarrage du nettoyage] pour que l'aspirateur robot commence à nettoyer.




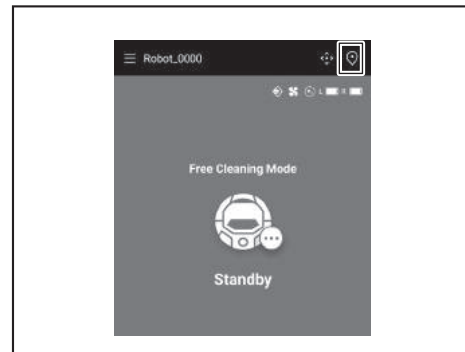
- Vous pouvez contrôler l'aspirateur robot avec les utilisations suivantes.
  - Si vous appuyez sur [Pause], l'aspirateur robot arrête temporairement le nettoyage.
  - Si vous appuyez sur [Reprendre] pendant que l'aspirateur robot est en pause, il redémarre.
  - Si vous appuyez sur [Retourner à la base] pendant que l'aspirateur robot est en pause, il revient à l'endroit où il a commencé à nettoyer. Lorsque l'aspirateur robot revient au point de départ, l'application passe à l'écran d'accueil. Cette opération peut être effectuée pendant que le nettoyage est en pause.



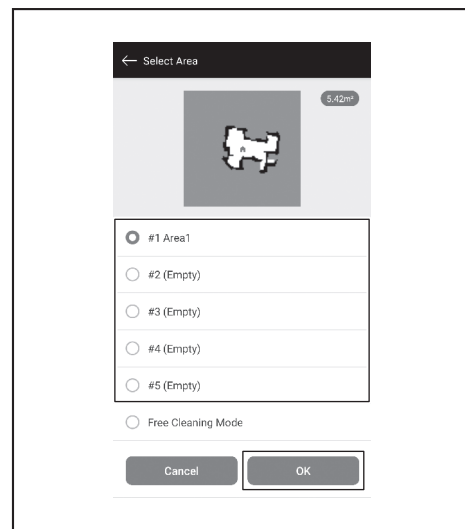
## Nettoyage des pièces cartographiées

- Dans le mode de nettoyage par cartographie, l'aspirateur robot fonctionne de manière à nettoyer efficacement une pièce cartographiée.
- L'utilisation du mode nettoyage par cartographie nécessite d'enregistrer des informations de cartographie. (Consultez la page 40.)

- Sur l'écran d'accueil, appuyez sur .

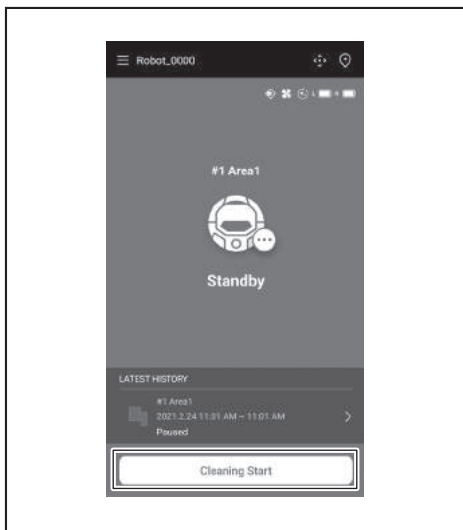


- Appuyez sur la pièce que vous souhaitez nettoyer, puis appuyez sur [OK].
  - Vous pouvez ajouter, modifier et supprimer une carte. (Consultez la page 40)

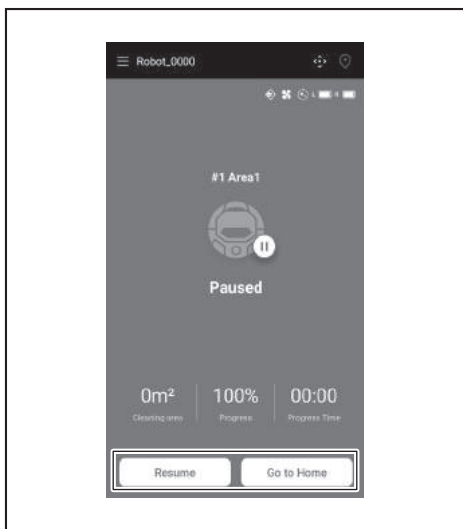
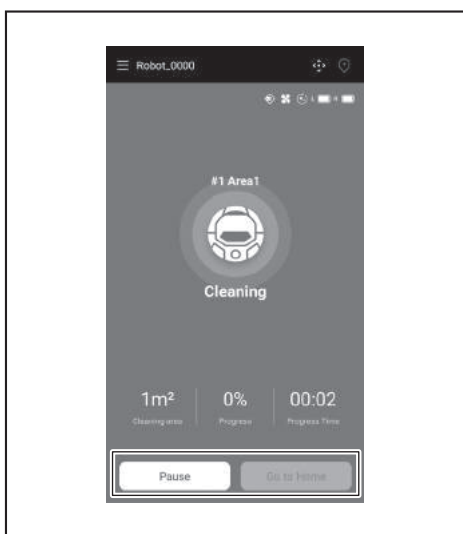


- Placez l'aspirateur robot aussi près que possible de la même orientation qu'au démarrage de la cartographie. Cela permet à l'aspirateur robot de démarrer le nettoyage en douceur.

- Appuyez sur [Démarrage du nettoyage] pour que l'aspirateur robot démarre le nettoyage.



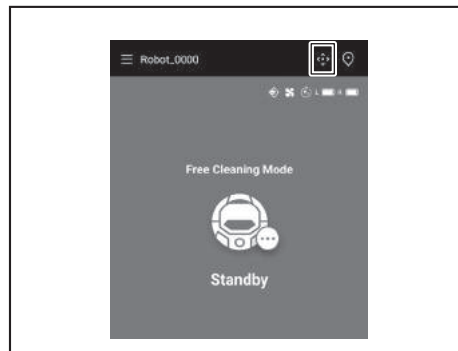
- Vous pouvez contrôler l'aspirateur robot avec les utilisations suivantes.
  - Si vous appuyez sur [Pause], l'aspirateur robot arrête temporairement le nettoyage.
  - Si vous appuyez sur [Reprendre] pendant que l'aspirateur robot est en pause, il redémarre.
  - Si vous appuyez sur [Retourner à la base] pendant que l'aspirateur robot est en pause, il revient à l'endroit où il a commencé à nettoyer. Lorsque l'aspirateur robot revient au point de départ, l'application passe à l'écran d'accueil. Cette opération peut être effectuée pendant que le nettoyage est en pause.
  - Si la forme de la pièce ne correspond pas aux informations de la carte, l'écran d'erreur s'affiche et l'aspirateur robot arrête de nettoyer. Vérifiez si la pièce sélectionnée est correcte et placez l'aspirateur robot au point de départ.
  - Si l'aspirateur robot est placé loin du point de départ sur les informations de cartographie, l'écran d'erreur s'affiche.



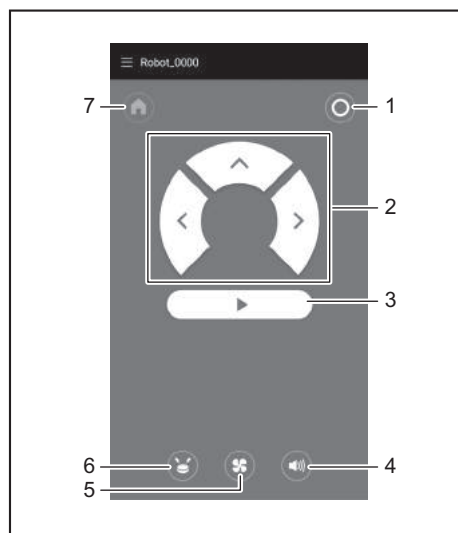
## Utilisation de l'aspirateur robot à partir de l'application

Vous pouvez utiliser l'aspirateur robot avec l'application comme c'est le cas avec la télécommande fournie avec l'aspirateur robot.

- Sur l'écran d'accueil, appuyez sur



- Utilisez l'aspirateur robot en appuyant sur les boutons.
  - Vous ne pouvez pas faire reculer l'aspirateur robot depuis l'application.



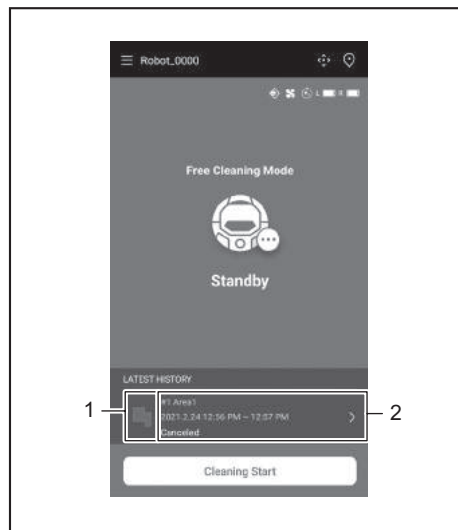
1. Bouton de coupure d'alimentation (OFF) 2. Boutons d'action 3. Bouton marche/arrêt 4. Bouton d'activation/désactivation de son (ON/OFF) 5. Bouton d'activation/désactivation du ventilateur d'aspiration (ON/OFF) 6. Bouton de localisation par signal lumineux/bruiteur 7. Bouton de point de départ

## Vérification de l'historique du nettoyage

Depuis l'application, vous pouvez vérifier l'historique du nettoyage en détail.

### Vérification du dernier historique



Sur l'écran d'accueil, appuyez sur l'icône dans [DERNIER HISTORIQUE].

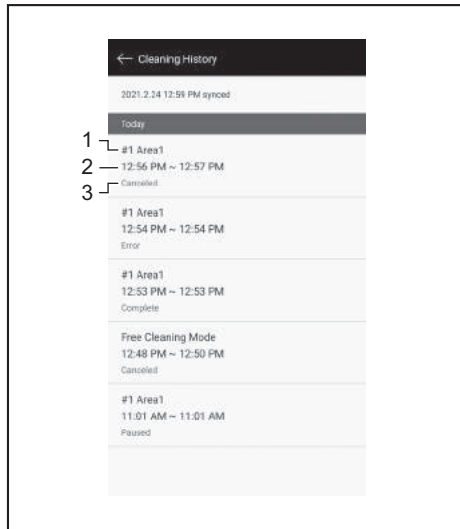


1. Icône pour afficher le dernier historique 2. Objet pour afficher la liste des historiques

## Vérification des anciens historiques

15 historiques maximum peuvent être enregistrés. Si 15 historiques ont déjà été enregistrés, l'historique le plus ancien sera effacé lorsqu'un nouvel historique sera enregistré.

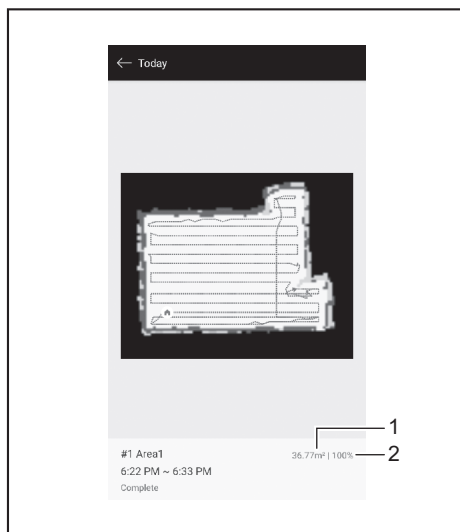
1. Sur l'écran d'accueil, appuyez sur  dans [DERNIER HISTORIQUE]. Vous pouvez appuyer sur  sur l'écran d'accueil, puis appuyez sur [Historique de nettoyage] pour voir les enregistrements précédents.
2. Appuyez sur l'enregistrement que vous souhaitez vérifier.



- 1. Pièce nettoyée ou mode de nettoyage 2. Temps pendant lequel la pièce a été nettoyée 3. État du nettoyage (terminé, arrêté, erreur, etc.)

En cliquant sur un objet, vous obtenez des informations détaillées sur chaque historique.

- Ligne de démarcation bleu-vert : La trajectoire de l'aspirateur robot
- Jaune : La zone que l'aspirateur robot a nettoyée
- Bleu : Obstacles détectés par le capteur de pare-chocs
- Vert : Obstacles détectés par le capteur ultrasonique
- Rose : Marches détectées par le capteur d'obstacles verticaux
- Violet : La zone que l'aspirateur robot a détectée en tant que ligne de limite magnétique
- Blanc : La zone que l'aspirateur robot n'a pas nettoyée
- Gris : Les murs ou obstacles détectés par le capteur LiDAR

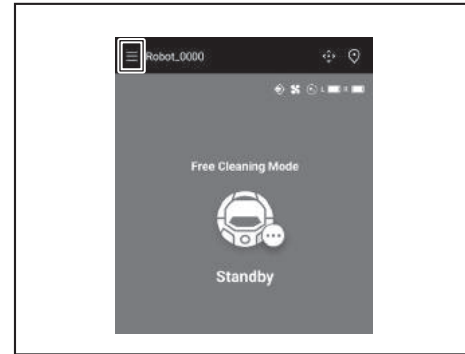


- 1. Taille de la zone nettoyée 2. Couverture de nettoyage (nettoyage par cartographie uniquement)

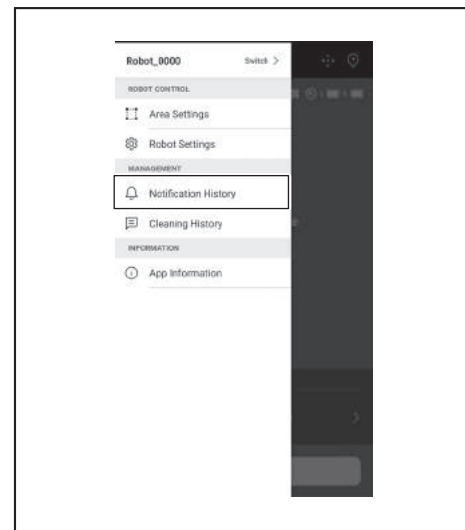
- La superficie et la couverture de la zone nettoyée ne sont pas des valeurs précises. Utilisez ces informations comme un guide approximatif.

## Vérification des historiques d'erreur

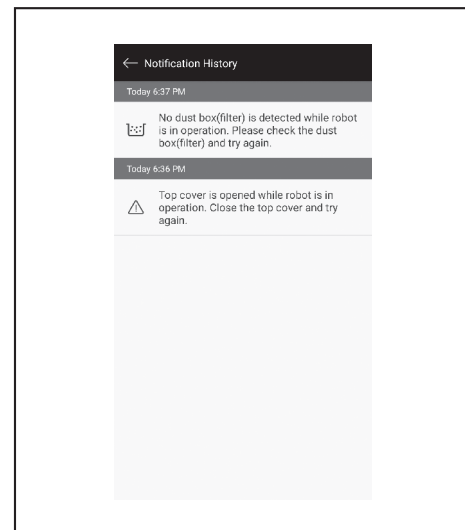
1. Sur l'écran d'accueil, appuyez sur .



2. Appuyez sur [Historique des notifications].




La date, l'heure, et le contenu de l'erreur s'affichent. 10 historiques maximum peuvent être enregistrés. Si 10 historiques ont déjà été enregistrés, l'historique le plus ancien sera effacé lorsqu'un nouvel historique sera enregistré.

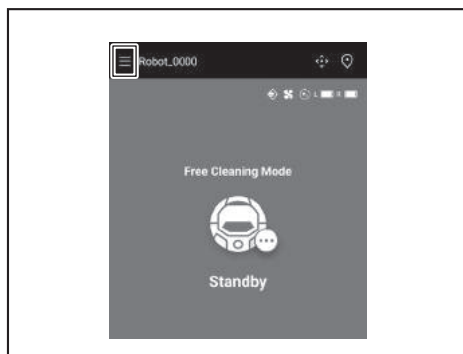




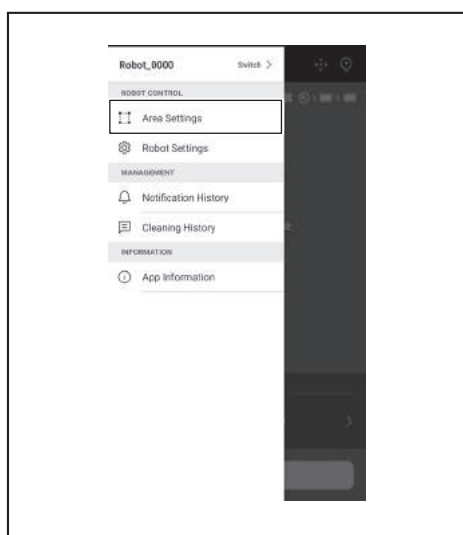
## Ajout, modification ou suppression des informations de cartographie

Vous pouvez ajouter, modifier, ou supprimer des informations de cartographie à partir de [Paramètres de la zone] dans la fenêtre de menu.

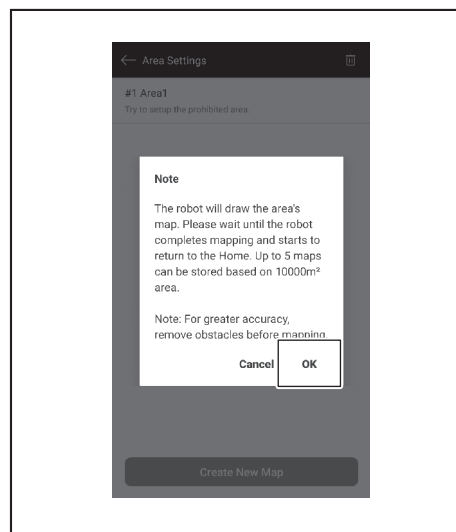
1. Sur l'écran d'accueil, appuyez sur .



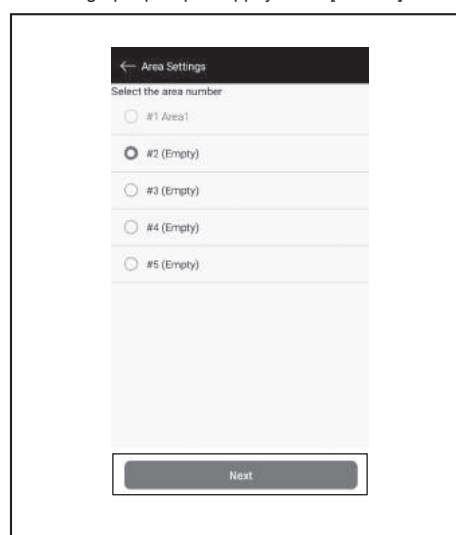
2. Appuyez sur [Paramètres de la zone].



2. Un avis s'affiche. Appuyez sur [OK].



3. Sélectionnez un emplacement vide dans lequel vous souhaitez enregistrer les informations cartographiques puis appuyez sur [Suivant].

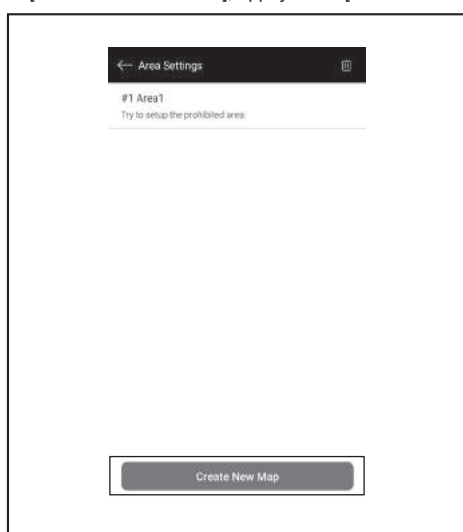


## Ajout d'informations de cartographie

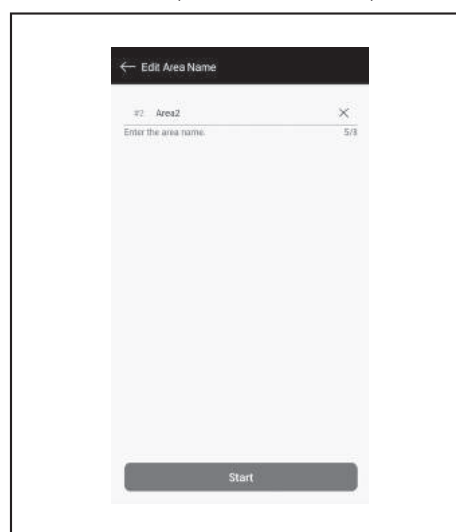
Vous pouvez enregistrer des informations pour un maximum de 5 cartes d'une superficie allant jusqu'à 10 000 m<sup>2</sup>.

La superficie de la zone n'indique pas la taille réelle d'une zone cartographiée mais la zone rectangulaire qui couvre l'ensemble de la zone cartographiée.

1. Sur l'écran [Paramètres de la zone], appuyez sur [Créer une nouvelle carte].

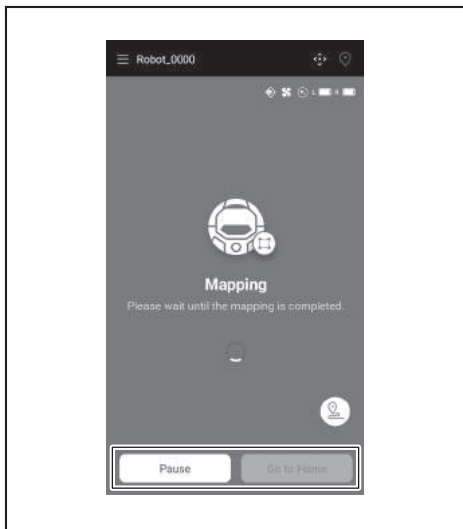


4. Saisissez le nom de la zone (8 caractères maximum).

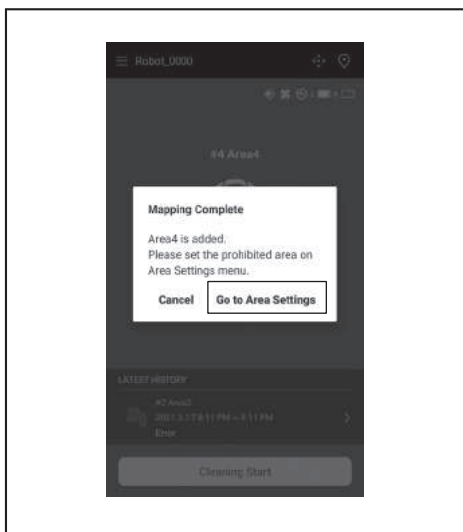


5. Appuyez sur [Démarrer].

6. L'aspirateur robot commence à cartographier.
  - Si vous appuyez sur [Pause], l'aspirateur robot arrête temporairement la cartographie.
  - Si vous appuyez sur [Retourner à la base] pendant que l'aspirateur robot est en pause, il revient à l'endroit où il a commencé à cartographier. Les informations de cartographie créées jusqu'au moment où vous avez appuyé sont enregistrées. Lorsque l'aspirateur robot revient au point de départ, l'application passe à l'écran d'accueil.




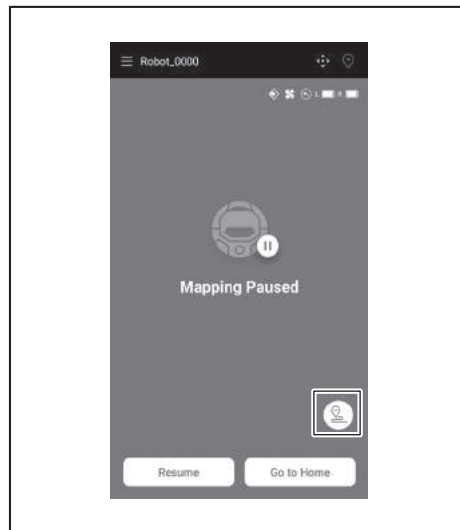
7. Une fois la cartographie terminée, la boîte de dialogue permettant d'effectuer les réglages de la zone s'affiche.
  - Si vous souhaitez limiter la portée du nettoyage, appuyez sur [Aller aux paramètres de la zone]. (Consultez la page 42.)




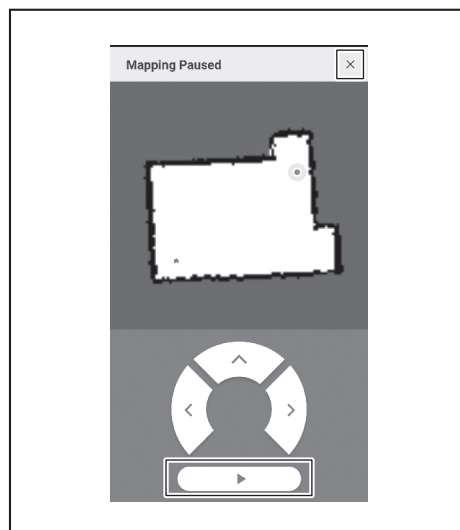
## Ajout manuel d'informations de cartographie (cartographie manuelle)

Pendant la cartographie, vous pouvez ajouter manuellement les informations de cartographie avec l'application. Il est recommandé de l'utiliser pour cartographier une disposition des lieux complexe.

1. Appuyez sur [Pause], puis  pour afficher les boutons de la télécommande.



2. Déplacez l'aspirateur robot pour tracer la disposition des lieux à l'aide des boutons de l'application ou de la télécommande.
  - Après avoir ajouté manuellement les informations de cartographie, appuyez sur  pour reprendre la cartographie automatique.
  - Si vous souhaitez quitter la cartographie, appuyez sur [x] puis sur [Retourner à la base] ou appuyez sur le bouton de point de départ de la télécommande.

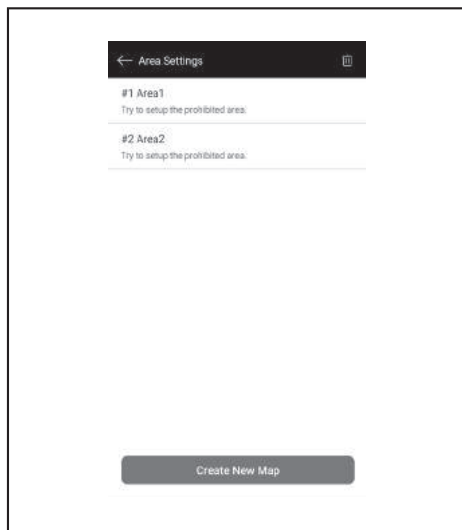


## Changement du nom des informations de cartographie

Sur l'écran [Paramètres de la zone], appuyez sur les informations de cartographie que vous souhaitez modifier.

Vous pouvez appuyer sur un nom pour aller dans l'écran des paramètres.

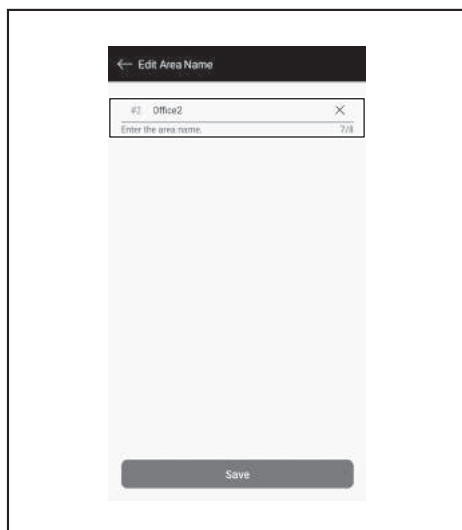
1. Sur l'écran [Paramètres de la zone], appuyez sur les informations de cartographie que vous souhaitez modifier.



2. Appuyez sur [Modifier le nom de la zone].



3. Modifiez le nom (8 caractères maximum).



4. Appuyez sur [Enregistrer] pour finaliser le nom.

## Limitation de la portée de nettoyage

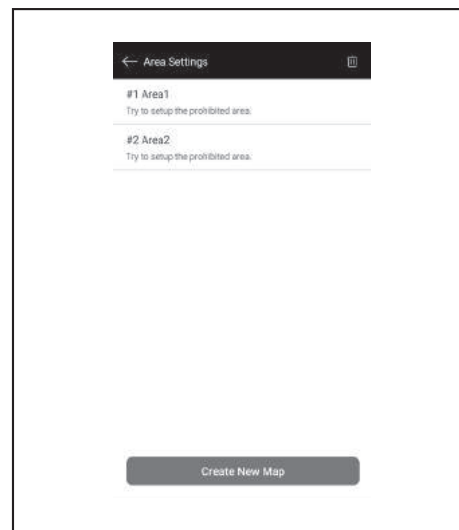
### ⚠ AVERTISSEMENT

**N'utilisez pas la zone interdite de nettoyage configurée par l'application comme une ligne de limite d'une zone où un accident peut éventuellement se produire en raison d'une intrusion ou d'une chute.**

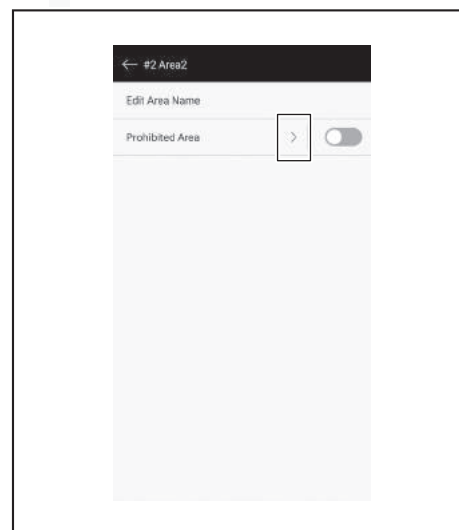
- Cela pourrait provoquer un accident ou des blessures suite à l'intrusion ou la chute de l'aspirateur robot. La trajectoire réelle de l'aspirateur robot peut être légèrement différente du réglage de la zone interdite de nettoyage.

**Pour une zone avec un risque d'intrusion ou de chute de l'aspirateur robot, placez un objet faisant office de mur d'une hauteur d'au moins 25 cm (un objet qui ne se déplace pas ou ne tombe pas lorsqu'il est heurté par l'aspirateur robot) sur une surface plane. (Consultez la page 11.)**

1. Sur l'écran [Paramètres de la zone], appuyez sur les informations de cartographie que vous souhaitez modifier.

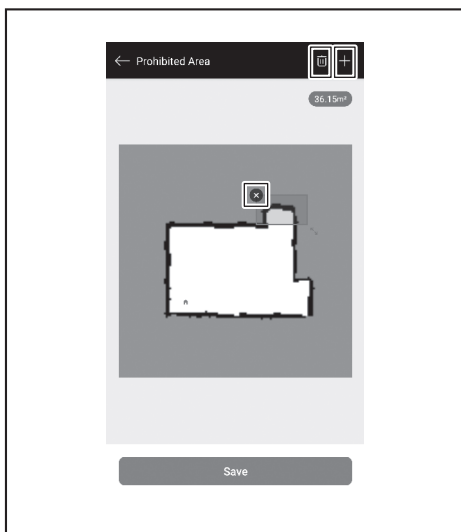


2. Appuyez sur > à côté de la [Zone interdite].



3. Définissez une zone interdite de nettoyage.

- Vous pouvez appuyer sur **+** dans le coin supérieur droit de l'écran pour ajouter une zone interdite de nettoyage (100 zones maximum).
- Vous pouvez faire glisser une zone interdite de nettoyage pour la déplacer.
- Vous pouvez faire glisser le coin inférieur droit d'une zone interdite de nettoyage pour en ajuster la superficie.
- Vous pouvez appuyer sur **x** dans le coin supérieur gauche d'une zone interdite de nettoyage pour supprimer la zone interdite de nettoyage.
- Vous pouvez appuyer sur **☒** dans le coin supérieur droit de l'écran pour supprimer toutes les zones interdites de nettoyage.
- Vous ne pouvez pas définir une zone interdite de nettoyage dans un rayon de 2 m autour du point de départ.
- Selon l'environnement à proximité d'une zone interdite de nettoyage que vous avez définie, il se peut qu'il ne soit pas possible de nettoyer une zone autour de la zone spécifiée.

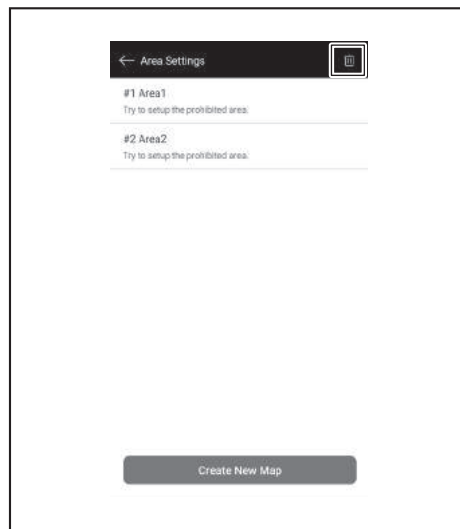


4. En appuyant sur [Enregistrer], les informations de cartographie modifiées sont enregistrées.
5. Pour activer le nettoyage enregistré des zones interdites, appuyez sur marche/arrêt (coloré en vert lorsqu'il est sur marche) sur le côté de [Zone interdite].

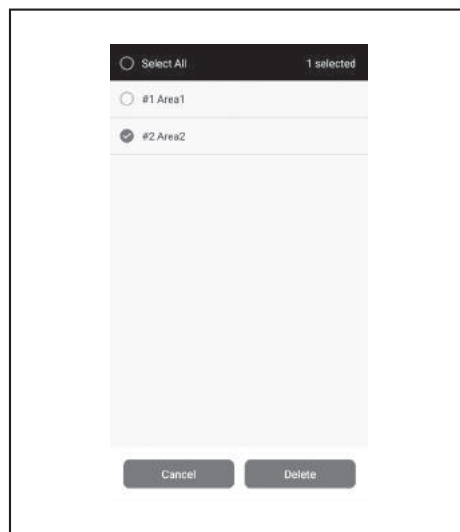


## Suppression des informations de cartographie

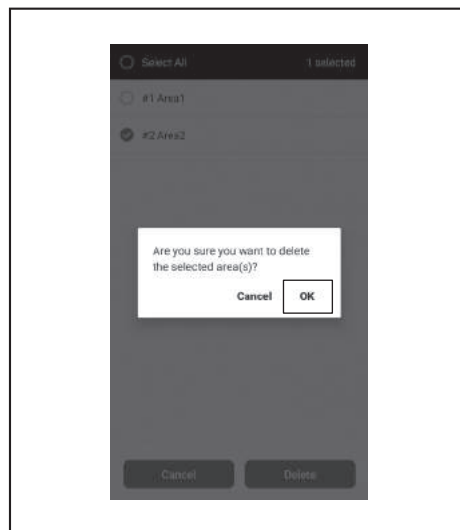
1. Sur l'écran [Paramètres de la zone] appuyez sur **☒**.



2. Sélectionnez l'information de cartographie que vous souhaitez supprimer.
- Le cercle situé en tête des informations de cartographie est coloré lorsque cette information de cartographie est sélectionnée.
  - Vous pouvez appuyer sur [Sélectionner tout] pour sélectionner tous les éléments.




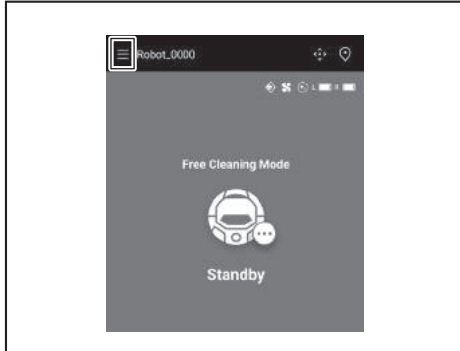
3. Appuyez sur [Supprimer].
4. Un avis s'affiche. Appuyez sur [OK].



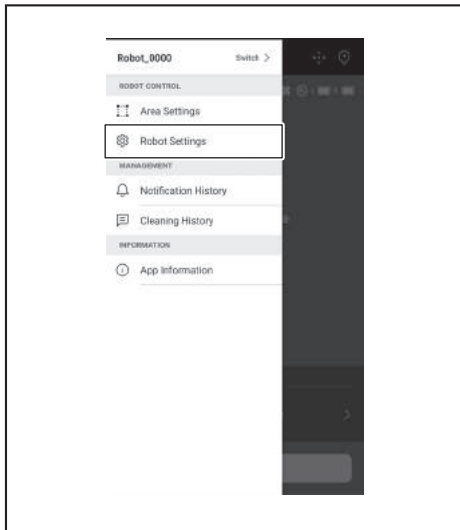
## Modification et vérification des réglages

Les réglages peuvent être modifiés et vérifiés à partir de [Paramètres du robot] dans la fenêtre de menu.

1. Sur l'écran d'accueil, appuyez sur .



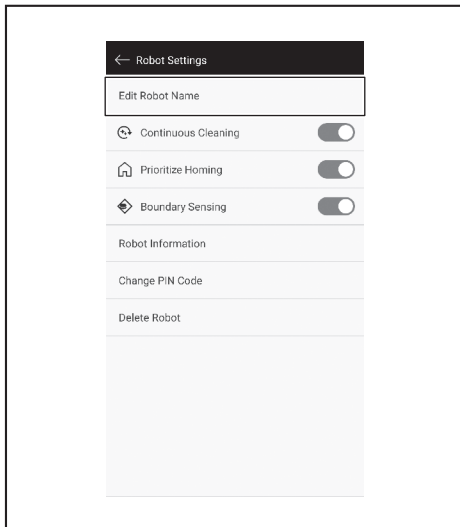
2. Appuyez sur [Paramètres du robot].



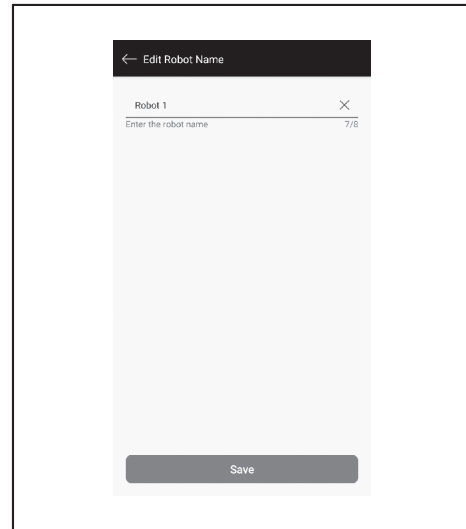
### Modification du nom d'un aspirateur robot enregistré

Ce réglage ne modifie que le nom de l'aspirateur robot dans l'application. Le SSID pour le Wi-Fi® ne sera pas modifié.

1. Sur l'écran [Paramètres du robot], appuyez sur [Modifier le nom du robot].



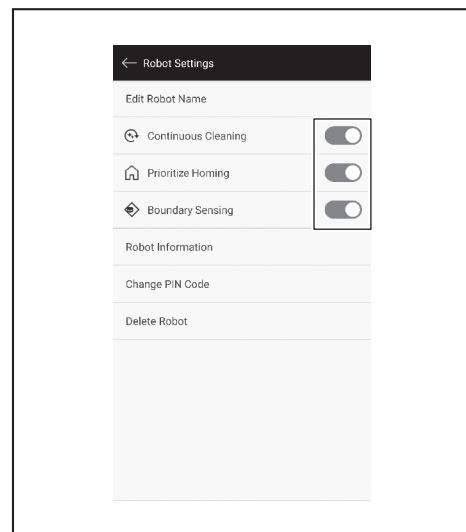
2. Saisissez un nouveau nom (8 caractères maximum).



3. Lorsque vous avez fini de saisir le nom, appuyez sur [Enregistrer].

### Réglage des options de nettoyage

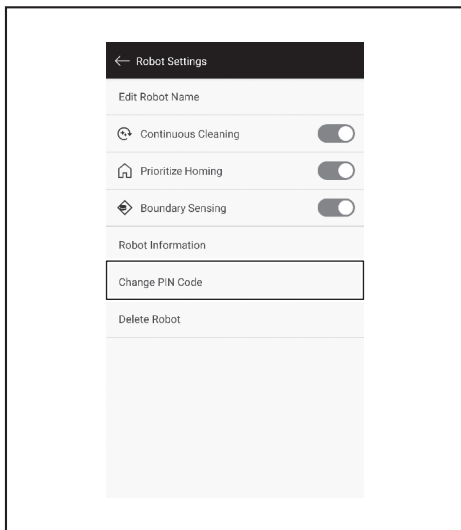
1. Sur l'écran [Paramètres du robot], appuyez sur marche/arrêt (coloré en vert lorsqu'il est sur marche) à côté de [Nettoyage continu] ou [Prioriser le retour à la base] si nécessaire.
  - [Nettoyage continu] : Sélectionnez cette option lorsque la capacité de la batterie est épuisée avant que l'aspirateur robot ne nettoie toute la zone et que vous souhaitez reprendre le nettoyage de la zone non nettoyée la fois suivante.
  - [Prioriser le retour à la base] : Ce réglage est recommandé lorsque l'aspirateur robot ne parvient pas toujours à revenir au point de départ du nettoyage. L'aspirateur robot commence à revenir au point de départ du nettoyage, à condition qu'il reste plus de capacité de la batterie que d'habitude.
  - [Détection des limites] : Sélectionnez cette option lorsque vous utilisez la ligne de limite magnétique. L'aspirateur robot détecte la ligne de limite magnétique comme étant la limite. (Consultez la page 21.)



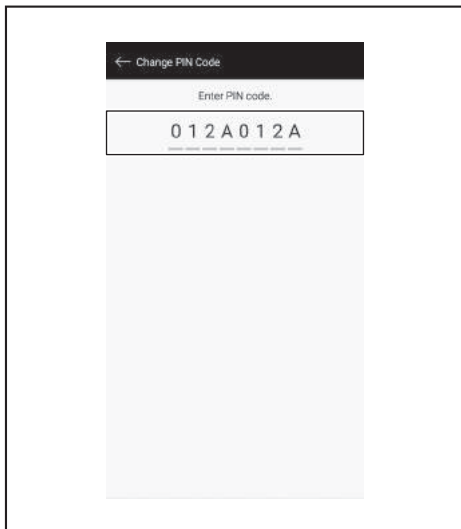
## Modification du code PIN

Le code PIN de l'aspirateur robot peut être modifié. Si vous oubliez le code PIN que vous avez défini, reportez-vous à « Réinitialisation des réglages » à la page 24 pour réinitialiser l'aspirateur robot aux réglages d'usine par défaut. Pour vérifier le code PIN par défaut, reportez-vous à « Paramétrage initial » à la page 35.

1. Sur l'écran [Paramètres du robot], appuyez sur [Modifier le code PIN].



2. Saisissez le code PIN actuel (huit chiffres).

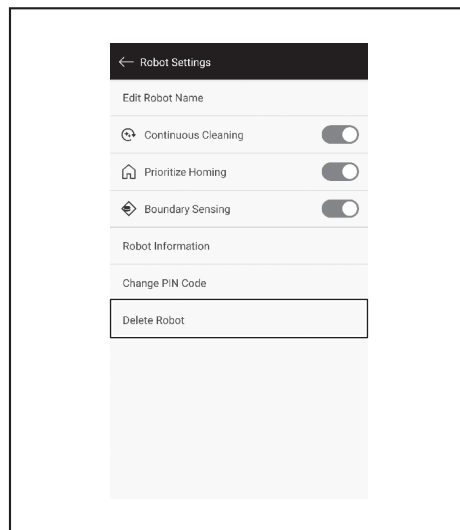


3. Saisissez le nouveau code PIN (huit chiffres) que vous souhaitez définir. Saisissez le nouveau code PIN deux fois de suite.

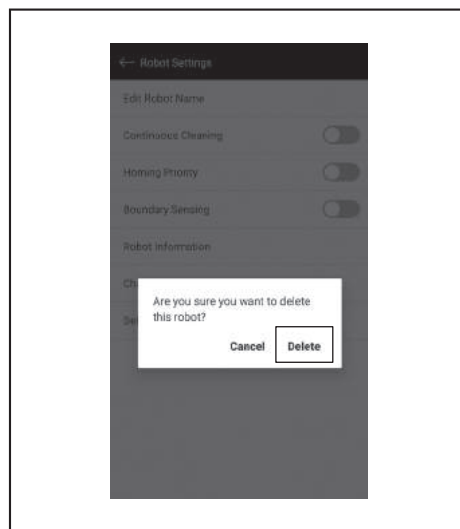


## Suppression des informations relatives à l'aspirateur robot

1. Sur l'écran [Paramètres du robot], appuyez sur [Supprimer le robot].

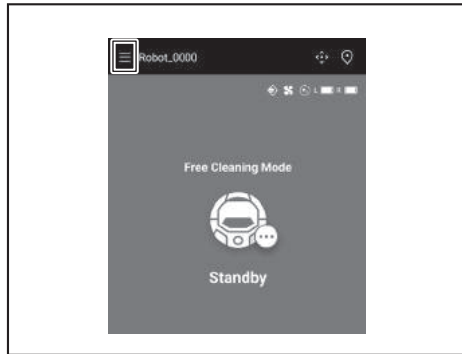


2. Une boîte de dialogue apparaît pour confirmer la suppression. Appuyez sur [Supprimer] pour finaliser la suppression.

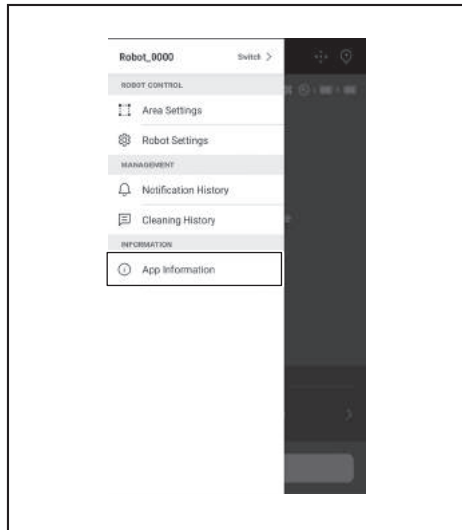


## Vérification des informations sur l'application

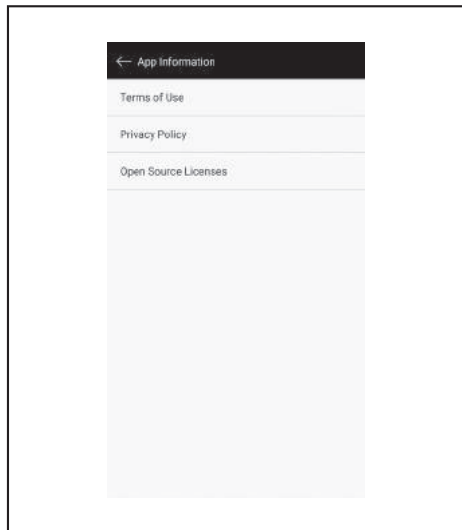
1. Sur l'écran d'accueil, appuyez sur .



2. Appuyez sur [Informations sur l'application].

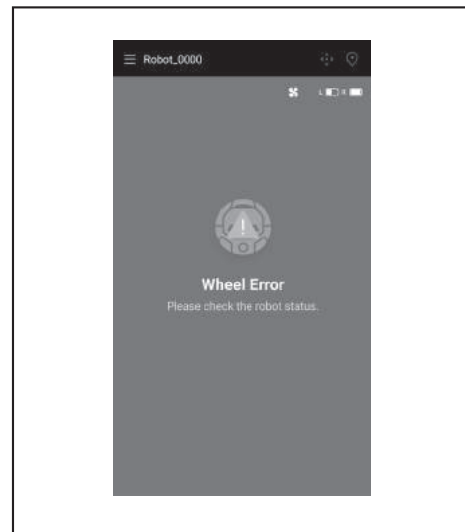
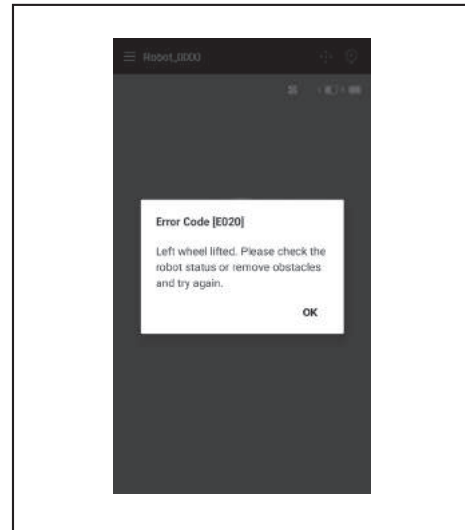


3. Appuyez sur les informations que vous souhaitez vérifier.



## Message/boîte de dialogue d'erreur

Lorsqu'une erreur s'est produite, un message ou une boîte de dialogue d'erreur s'affiche. Dans ce cas, suivez les instructions du message ou de la boîte de dialogue.



## Annexe

### Avis concernant les logiciels à source ouverte

Ce produit comprend des logiciels à source ouverte (ci-après dénommés « Logiciels à source ouverte ») soumis à la licence publique générale (GPL) GNU, la licence publique générale limitée (LGPL) GNU et d'autres licences.

Les détails concernant les licences de logiciels à source ouverte (notification de détenteurs de droits d'auteur et concernant les licences) sont mis à disposition gratuitement sur le site Web suivant. De plus, le code source des Logiciels à source ouverte publiés par nous est mis à disposition gratuitement sur le site Web suivant.

<https://oss.makita.biz/index.html>

- Veuillez éviter de demander des renseignements sur le code source des Logiciels à source ouverte.
- Nous ne proposons aucune garantie d'aucune sorte concernant les Logiciels à source ouverte. Cependant, cet avis ne limite pas notre couverture de garantie pour les défauts du produit (y compris les défauts causés par les Logiciels à source ouverte).

### Pour les pays européens

Module Wi-Fi	Nom du module	LCW-006
	Gamme de fréquence/Puissance	2412,0 - 2462,0 MHz/17,48 dBm (PIRE) 2422,0 - 2452,0 MHz/13,75 dBm (PIRE)
	Version S/W	V1.0
Module Bluetooth	Nom du module	T007-MA-MD
	Gamme de fréquence/Puissance	2402,0 - 2480,0 MHz/7 dBm (PIRE)
	Version S/W	V01.03
Télécommande	Nom du module	C011
	Gamme de fréquence/Puissance	2402,0 - 2480,0 MHz/-4 dBm (PIRE)
	Version S/W	V01.04

Cet appareil doit être installé et utilisé de manière à assurer une distance de séparation d'au moins 20 cm de toute personne.



**DEUTSCH**

# Inhaltsverzeichnis

- **Warnung**----- 2
- **Über den Akku-Saugroboter** ----- 2
  - Hauptmerkmale ----- 2
  - Passender Akku und Ladegerät ----- 2
  - Bestimmungsgemäße Verwendung----- 3
  - Symbole----- 3
  - Konformitätserklärung ----- 3
  - Sicherheitshinweise----- 3
  - Sicherheitshinweise für den Gebrauch des Akku-Saugroboters--- 4
  - Sicherheitshinweise in Bezug auf Funkwellen ----- 8
  - Jeweilige Marken und eingetragene Marken ----- 8
  - Namen der Teile ----- 9
  - Standardzubehör ----- 10
- **Vorbereiten vor der Reinigung**----- 11
  - Über das Tragen des Akku-Saugroboters ----- 11
  - Über die Reinigung mit dem Akku-Saugroboter ----- 11
  - Zum Verhindern des Herunterfallens des Akku-Saugroboters--- 11
  - Aufräumen eines Orts für die Reinigung ----- 12
- **Vorbereitung für den Gebrauch**----- 14
  - Anbringen der seitlichen Bürsten ----- 14
  - Auspacken des Staubsammelbehälters----- 14
  - Einsetzen von Batterien in die Fernbedienung ----- 14
  - Anzeigen der verbleibenden Akkukapazität ----- 15
  - Einsetzen und Entfernen von Akkus (separat erhältlich) ----- 15
  - Ein-/Ausschalten der Stromversorgung ----- 16
  - Was Sie vor der Reinigung einrichten müssen ----- 16
- **Verwendung** ----- 17
  - Reinigung----- 17
  - Reinigung eines Raums mit Kartenerstellung----- 17
  - Löschen von Kartenerstellungsinformationen----- 18
  - Unterbrechung oder Beendigung der Reinigung----- 19
  - Ein-/Ausschalten des Vakuumbelüfters----- 19
  - Verwenden der Ortungs-Funksignalfunktion----- 19
  - Verwenden des EIN-Timers/AUS-Timers----- 19
  - Steuern des Reinigungsbereichs ----- 21
  - Anbringen, Entfernen und Verwenden von separat erhältlichen  
Artikeln----- 22
  - So entsorgen Sie den Abfall ----- 22
- **Einstellen des Akku-Saugroboters** ----- 23
  - Einstellung der Tageszeit ----- 23
  - Einstellen des Wi-Fi® (Akku-Saugroboter und Smartphone) --- 23
  - Vornehmen einer Toneinstellung----- 23
  - Zurücksetzen der Einstellungen ----- 24
- **Pflege** ----- 25
  - Wartung ----- 25
  - Zur Reparatur ----- 28
- **Benachrichtigung und Fehleranzeige** ----- 29
  - Abbrechen einer Benachrichtigung und Fehleranzeige ----- 29
  - Benachrichtigung über die Notwendigkeit einer Pflege, etc.---- 29
  - Fehlerbenachrichtigung ----- 29
- **Fehlerbehebung**----- 31
- **Lagerung** ----- 34
- **Optionales Zubehör**----- 34
- **Smartphone-App (Für den DRC300)**----- 35
  - Inhaltsverzeichnis ----- 35
  - Was Sie mit der App tun können----- 35
  - So installieren Sie die App ----- 35
  - Startbildschirm ----- 36
  - Reinigung mit der App ----- 36
  - Überprüfen des Reinigungsverlaufs ----- 38
  - Hinzufügen, Ändern oder Löschen von  
Kartenerstellungsinformationen ----- 40
  - Ändern und Prüfen von Einstellungen ----- 44
  - Fehlermeldung/Dialog ----- 46
- **Anhang**----- 47
  - Hinweis zu Open-Source-Software ----- 47
  - Für europäische Länder----- 47

## Warnung

Dieses Gerät kann von Kindern ab 8 Jahren und darüber sowie von Personen mit verringerten physischen, sensorischen oder mentalen Fähigkeiten oder Mangel an Erfahrung und Wissen benutzt werden, wenn sie beaufsichtigt oder bezüglich des sicheren Gebrauchs des Geräts unterwiesen wurden und die daraus resultierenden Gefahren verstehen. Kinder dürfen nicht mit dem Gerät spielen. Die Reinigung und Benutzerwartung darf nicht von Kindern ohne Aufsicht durchgeführt werden.

## Über den Akku-Saugroboter

### Hauptmerkmale

Hauptmerkmal		Modell:DRC300
Spannung		D.C. 18 V
Kontinuierliche Betriebszeit*1 *2		Ca. 240 Minuten
Volumen des Staubsammlers		3,0 L
Abmessungen		500 mm (L) × 500 mm (B) × 204 mm (H)
Gewicht*2		10,6 kg
Drahtlose Kommunikation	Kommunikationssystem	1. Akku-Saugroboter-zu-Fernbedienung: Bluetooth 2. Akku-Saugroboter-zu-Smartphone: Wi-Fi® (SoftAP)
	Geschätzte Kommunikationsentfernung	1. 20 m oder weniger 2. 10 m oder weniger
Wireless-LAN	Frequenzband	2,4 GHz
	Maximale Radiofrequenzleistung	17,48 dBm (EIRP)
	Wireless LAN-Standards	IEEE 802.11 b/g/n
	Verschlüsselungsmethode	WPA/WPA2
	WPS-Version	Version 2.0
Bluetooth	Frequenzband	2402,0 - 2480,0 MHz
	Maximale Radiofrequenzleistung	Fernbedienung: -4 dBm (EIRP)
	Übertragungsbereich	Ca. 10 m
	Bluetooth®-Version	4.2 (Bluetooth Low Energy)
Laser-Ausgang	Wellenlänge	LiDAR-Sensor: 775 - 800 nm Klippensensor: 845 - 850 nm
	Ausgang	1 mW oder weniger (IEC 60825-1:2014 Laser Class 1)

- Bitte beachten Sie, dass die Hauptmerkmale, die Form und andere Eigenschaften zur Verbesserung geändert werden können.
  - Die Laser-Abstandssensoren dieses Produkts sind Laserprodukte der Klasse 1 im Sinne der internationalen Norm IEC 60825-1:2014 zur Sicherheit von Laserprodukten.
- \*1. Bei Verwendung auf glatten Böden, wie z. B. Vinylbodenfliesen, mit eingeschaltetem Vakuumbelüftung. Die Laufzeit variiert je nach den Bedingungen des Betriebsortes, der Art des Bodens, dem Zustand der Akkus, der Raumtemperatur usw. Darüber hinaus kann die Laufzeit in Umgebungen mit niedrigen Temperaturen aufgrund der Eigenschaften eines Lithium-Ionen-Akkus kürzer sein.
- \*2. Bei Ausstattung mit zwei BL1860B-Akkus.

### Passender Akku und Ladegerät

Akku	BL1815N / BL1820B / BL1830B / BL1840B / BL1850B / BL1860B
Ladegerät	DC18RC / DC18RD / DC18RE / DC18SD / DC18SE / DC18SF / DC18SH / DC18WC

- Einige der oben aufgelisteten Akkus und Ladegeräte sind je nach Region Ihres Wohnsitzes möglicherweise nicht verfügbar.

### WARNUNG

Verwenden Sie nur die oben aufgeführten Akkus und Ladegeräte. Die Verwendung anderer Akkus und Ladegeräte kann zu Verletzungen und/oder Bränden führen.

### Über kabelgebundene Stromquellen

Kabelgebundene Stromquellen können für dieses Produkt nicht verwendet werden. Wenn sie verwendet werden, können sie Verletzungen oder einen Unfall verursachen.

## Bestimmungsgemäße Verwendung

Dieses Produkt ist ein Roboter-Absauggerät für die Reinigung von Böden in Innenräumen.  
Einige Bedienvorgänge und Einstellungen können mit der Fernbedienung und der speziellen App durchgeführt werden.

## Symbole

Nachfolgend sind die Symbole aufgeführt, die für die Geräte verwendet werden können. Vergewissern Sie sich vor der Verwendung, dass Sie ihre Bedeutung verstehen.



Lesen Sie die Betriebsanleitung.



Seien Sie besonders vorsichtig und aufmerksam.



Ein repräsentativer Akku, der für dieses Produkt geeignet ist.



Nur für EU-Länder  
Aufgrund des Vorhandenseins von gefährlichen Bestandteilen in den Geräten können Elektro- und Elektronik-Altgeräte, Akkus und Batterien negative Auswirkungen auf die Umwelt und die menschliche Gesundheit haben.



Ni-MH  
Li-ion

Entsorgen Sie elektrische und elektronische Geräte sowie Batterien nicht über den Hausmüll!  
Gemäß der Europäischen Richtlinie über Elektro- und Elektronik-Altgeräte und über Akkumulatoren und Batterien sowie Altakkumulatoren und Altbatterien sowie deren Anpassung an nationales Recht sind Elektro-Altgeräte, Altbatterien und Altakkumulatoren getrennt zu lagern und bei einer separaten Sammelstelle für Haushaltsabfälle abzugeben, die nach den Vorschriften des Umweltschutzes arbeitet. Dies wird durch das Symbol der durchgestrichenen Abfalltonne auf Rädern auf dem Gerät angezeigt.



Treten Sie nicht auf den Akku-Saugroboter und stellen Sie keine Gegenstände darauf ab.



Verwenden Sie den Akku-Saugroboter nicht in der Nähe einer offenen Flamme oder brennbarer und/oder gefährlicher Materialien.



Reinigen Sie die Klippensensoren an der Unterseite, wenn sie verschmutzt oder nass sind.



LASER  
1

LASERPRODUKT DER KLASSE 1  
VERBRAUCHER-LASERPRODUKT  
EN 50689:2021

CONSUMER LASER PRODUCT  
EN 50689 : 2021

## Konformitätserklärung

Nur für europäische Länder

Die Konformitätserklärungen befinden sich im Anhang A dieser Betriebsanleitung.

## Sicherheitshinweise

Über die Bedeutung von **⚠️ WARNUNG**, **⚠️ VORSICHT**, und **ANMERKUNG** in den Sicherheitshinweisen

Hinweise zur Verwendung dieses Produkts sind in **⚠️ WARNUNG**,

**⚠️ VORSICHT** und **ANMERKUNG** unterteilt.

Ihre jeweilige Bedeutung ist wie folgt.



Ein Sicherheitshinweis, der auf die Gefahr von Tod oder schwerer Verletzung des Benutzers bei unsachgemäßer Handhabung des Produkts hinweist.



Ein Sicherheitshinweis, der auf eine Verletzungsgefahr für den Benutzer oder auf eine Gefahr von Sachschäden bei unsachgemäßer Handhabung des Produkts hinweist. Beachten Sie, dass ein als **⚠️ VORSICHT** beschriebener Sachverhalt je nach Situation möglicherweise zu schwerwiegenden Konsequenzen führen kann. Beachten Sie unbedingt diese Sicherheitshinweise, da sie alle für die Sicherheit wichtig sind.

## ANMERKUNG

Wichtige Sicherheitshinweise für den Umgang mit dem Produkt und seinen Zubehörteilen.

- Beachten Sie unbedingt die „Sicherheitshinweise“, um Unfälle wie Brände, Stromschläge und Verletzungen zu vermeiden, bevor sie passieren.
- Lesen Sie vor der Verwendung des Produkts diese „Sicherheitshinweise“ gründlich durch, um die ordnungsgemäße Verwendung des Produkts sicherzustellen.
- Bewahren Sie sie nach dem Lesen sorgfältig auf, damit sie jederzeit von den Benutzern des Produkts verwendet werden können.
- Wenn Sie das Produkt an eine andere Person weitergeben, geben Sie es zusammen mit der Benutzeranleitung weiter.
- Die folgenden Bildzeichen werden verwendet, um beobachtbare Dinge zu klassifizieren und zu erklären.

## Beispiele für Bildzeichen





Dieses Bildzeichen zeigt eine „verbotene“ Sache an, d. h. etwas, das Sie nicht tun dürfen.







Dieses Bildzeichen zeigt eine „obligatorische“ Sache an, d. h. etwas, das Sie stets tun müssen.



Diese Abbildungen dienen zu Referenzzwecken. Beachten Sie, dass ihre Ausführung je nach Produkt unterschiedlich ist.

<b>⚠️ WARNUNG</b>	<b>⊘</b>
<p><b>Waschen Sie das Produkt nicht in Wasser. Verwenden Sie dieses Produkt nicht an einem feuchten oder nassen Ort, wie z. B. einem Badezimmer.</b></p> <ul style="list-style-type: none"> <li>• Das Eindringen von Wasser in den Motor kann einen Kurzschluss, Wärmeentwicklung oder eine Entzündung verursachen.</li> <li>• Einige Komponenten können mit Wasser gewaschen werden. Siehe „Pflege“ auf Seite 25.</li> </ul>	
<p><b>Zerlegen, reparieren oder modifizieren Sie das Produkt niemals.</b></p> <ul style="list-style-type: none"> <li>• Dies kann zu einer Entzündung oder einem abnormalen Betrieb führen, was Verletzungen verursachen kann.</li> </ul>	
<p><b>Lassen Sie keine Kinder mit diesem Produkt oder dem Ladegerät spielen.</b></p> <ul style="list-style-type: none"> <li>• Ein Moment der Unachtsamkeit kann zu schweren Verletzungen führen.</li> </ul>	
<p><b>Verwenden Sie dieses Produkt nicht im Freien.</b></p>	
<p><b>Verwenden Sie dieses Produkt nicht an einem instabilen Ort wie einer Treppe oder einem steilen Gefälle.</b></p> <ul style="list-style-type: none"> <li>• Dieses Produkt könnte umkippen oder herunterfallen und Verletzungen verursachen.</li> </ul>	
<p><b>Verwenden Sie nur von Makita spezifizierte Zubehörteile und separat erhältliche Artikel.</b></p> <ul style="list-style-type: none"> <li>• Die Verwendung eines anderen Artikels als der in dieser Benutzeranleitung und in unserem Katalog angegebenen Zubehörteile und separat verkauften Artikel kann zu Unfällen oder Verletzungen führen.</li> </ul>	
<p><b>Stellen Sie dieses Produkt nicht in der Nähe von Flammen, Heizgeräten usw. auf.</b></p> <ul style="list-style-type: none"> <li>• Dies kann zu einem Kurzschluss oder einer Entzündung aufgrund einer Verformung des Produkts führen.</li> </ul>	
<p><b>Verwenden Sie das Produkt nicht bzw. laden Sie den Akku nicht in der Nähe von entflammaren Stoffen (Kraftstoff, Benzin, Verdünner, Gas usw.).</b></p> <ul style="list-style-type: none"> <li>• Dies kann zu einer Explosion oder einem Brand führen.</li> </ul>	
<p><b>Lagern Sie dieses Produkt nicht an einem Ort, an dem die Temperatur 50 °C erreichen kann (Metallbox, das Innere eines Autos im Sommer, usw.).</b></p> <ul style="list-style-type: none"> <li>• Dies kann zu einem Kurzschluss oder einer Entzündung aufgrund einer Verformung dieses Produkts führen.</li> <li>• Der Akku kann beschädigt werden, was zu Rauchentwicklung oder Entzündung führen kann.</li> </ul>	
<p><b>Laden Sie nicht unter den folgenden Bedingungen, da dies zu einem Brand führen kann.</b></p> <ul style="list-style-type: none"> <li>• Auf Papier, wie z. B. Wellpappe, Stoff, wie z. B. einem Kissen, einem Teppich, Vinyl, usw.</li> <li>• Es wird ein Ladegerät mit Luftlöchern verwendet, aber die Luftlöcher sind während des Ladevorgangs blockiert. Oder es werden Metalle oder brennbare Objekte in die Luftlöcher gesteckt.</li> <li>• An einem staubigen Ort, z. B. mit Wattestaub.</li> </ul>	



 <b>WARNUNG</b>	
<p><b>Laden Sie das Gerät nicht im Regen auf, und ziehen Sie den Netzstecker oder den Akku nicht mit nassen Händen heraus bzw. stecken Sie ihn nicht mit nassen Händen ein.</b>  <b>Achten Sie darauf, dass keine Fremdkörper wie Metallstücke oder Wasser in die Nähe des Anschlusses des Ladegeräts gelangen.</b></p> <ul style="list-style-type: none"> <li>• Dies kann zu einem elektrischen Schlag oder zu Verletzungen führen.</li> </ul>	
<p><b>Verwenden Sie kein anderes Ladegerät als das vorgesehene Ladegerät.</b></p> <ul style="list-style-type: none"> <li>• Dies kann zu einem Auslaufen, Erhitzen oder Zerbersten des Akkus führen.</li> <li>• Verwenden Sie das Ladegerät nicht für andere Zwecke als zum Laden.</li> </ul>	
<p><b>Verwenden Sie das Ladegerät nicht für andere Zwecke als zum Laden. Verwenden Sie den Akku und das Ladegerät nicht für andere als die von Makita angegebenen Geräte.</b></p>	
<p><b>Verwenden Sie das Kabel des Ladegeräts nicht missbräuchlich.</b></p> <ul style="list-style-type: none"> <li>• Tragen Sie das Ladegerät nicht, während Sie das Kabel festhalten, und ziehen Sie nicht am Steckerkabel, um es von der Steckdose zu trennen.</li> <li>• Halten Sie das Kabel von Hitze, Öl, Chemikalien und scharfen Ecken fern.</li> <li>• Seien Sie vorsichtig bei der Wahl des Ladeplatzes, um zu verhindern, dass das Kabel mit Füßen getreten, eingeklemmt oder durch übermäßige Krafteinwirkung beschädigt wird. Ein elektrischer Schlag oder ein Kurzschluss kann die Folge sein und eine Entzündung verursachen.</li> </ul>	
<p><b>Verwenden Sie das Gerät nicht, wenn das Kabel des Ladegeräts beschädigt ist oder wenn der Netzstecker nicht fest eingesteckt ist.</b></p> <ul style="list-style-type: none"> <li>• Ein elektrischer Schlag, ein Kurzschluss oder eine Entzündung können die Folge sein.</li> </ul>	
<p><b>Das Akku-Montageteil des Ladegeräts verfügt über einen Ladeanschluss. Achten Sie darauf, dass sich keine Fremdkörper wie Metallstücke oder Wasser in der Nähe des Ladeanschlusses befinden.</b></p>	
<p><b>Decken Sie den Akku und das Ladegerät während des Ladevorgangs nicht mit einem Tuch oder Ähnlichem ab.</b></p> <ul style="list-style-type: none"> <li>• Laden Sie den Akku an einem gut belüfteten Ort auf. Andernfalls kann es zu Erhitzung, Zerbersten oder Entzündung kommen.</li> </ul>	

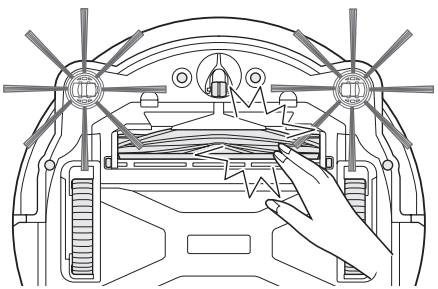
 <b>WARNUNG</b>	
<p><b>Schalten Sie vor der Pflege und Inspektion unbedingt den Strom aus und entfernen Sie die Akkus, um ein versehentliches Starten dieses Produkts zu verhindern.</b></p>	
<p><b>Achten Sie beim Einsetzen des Akkus in dieses Produkt darauf, dass die Stromversorgung nicht eingeschaltet wird.</b></p> <ul style="list-style-type: none"> <li>• Wenn Sie den Akku unter Bedingungen einsetzen, bei denen die Stromversorgung möglicherweise eingeschaltet werden kann (z. B. wenn Ihr Finger auf der Start/Stop-Taste ruht), kann sich dieses Produkt plötzlich bewegen und einen Unfall verursachen.</li> </ul>	
<p><b>Im Falle eines versehentlichen Sturzes oder Zusammenstoßes überprüfen Sie dieses Produkt usw. sorgfältig auf Schäden, Risse und Verformungen.</b></p> <ul style="list-style-type: none"> <li>• Beschädigungen, Risse und Verformungen können zu Verletzungen führen.</li> </ul>	
<p><b>Bewegen Sie dieses Produkt vorsichtig, um zu verhindern, dass das Produkt verformt und beschädigt wird.</b></p> <ul style="list-style-type: none"> <li>• Beschädigungen, Risse und Verformungen können zu Verletzungen führen.</li> </ul>	
<p><b>Wenn dieses Produkt nicht richtig funktioniert oder ein abnormales Geräusch erzeugt wird, wenn Sie das Produkt verwenden, schalten Sie die Stromversorgung sofort aus und verwenden Sie das Produkt nicht mehr. Biten Sie das Geschäft, bei dem Sie den Akku-Saugroboter gekauft haben, oder unser Verkaufsbüro, eine Inspektion und Reparatur durchzuführen.</b></p> <ul style="list-style-type: none"> <li>• Wenn Sie das Produkt weiter verwenden, kann es zu Verletzungen oder Unfällen kommen.</li> </ul>	

 <b>WARNUNG</b>	
<p><b>Prüfen Sie auf beschädigte Teile.</b></p> <ul style="list-style-type: none"> <li>• Untersuchen Sie das Produkt vor der Verwendung sorgfältig auf Schäden an Bauteilen und prüfen Sie, ob das Produkt ordnungsgemäß funktioniert und die vorgegebene Funktionalität aufweist.</li> <li>• Prüfen Sie bewegliche Teile auf korrekte Positionierung und Festigkeit und prüfen Sie Komponenten auf Beschädigung und korrekten Sitz. Überprüfen Sie dann alle anderen Bereiche, die den Betrieb beeinflussen können, um festzustellen, ob eine Abnormalität vorliegt.</li> <li>• Für den Austausch und die Reparatur von beschädigten Komponenten richten Sie sich nach der Benutzeranleitung. Falls in der Benutzeranleitung keine Beschreibung enthalten ist, wenden Sie sich an das Geschäft, bei dem Sie den Kauf getätigt haben, oder an unser Vertriebsbüro, um eine Reparatur durchzuführen.</li> </ul>	
<p><b>Bewahren Sie dieses Produkt sorgfältig in gutem Zustand auf.</b></p> <ul style="list-style-type: none"> <li>• Beachten Sie zum Austausch von Zubehörteilen die Benutzeranleitung.</li> <li>• Überprüfen Sie regelmäßig das Kabel des Ladegeräts, und wenn es beschädigt ist, wenden Sie sich an das Geschäft, bei dem Sie den Kauf getätigt haben, oder an unser Vertriebsbüro, um eine Reparatur durchzuführen. Ein elektrischer Schlag oder ein Kurzschluss kann die Folge sein und eine Entzündung verursachen.</li> <li>• Wenn ein Verlängerungskabel zum Laden verwendet wird, überprüfen Sie es regelmäßig, und wenn es beschädigt ist, ersetzen Sie es. Ein elektrischer Schlag oder ein Kurzschluss kann die Folge sein und eine Entzündung verursachen.</li> <li>• Halten Sie den Tragegriff immer trocken und sauber und lassen Sie ihn nicht mit Öl, Fett etc. in Berührung kommen.</li> </ul>	
<p><b>Wenn dieses Produkt nicht verwendet wird, bewahren Sie es ordnungsgemäß auf.</b></p> <ul style="list-style-type: none"> <li>• Bewahren Sie es an einem trockenen, sicheren Ort außerhalb der Reichweite von Kindern oder an einem trockenen, verschleißbaren Ort auf. Ein Unfall kann die Folge sein.</li> </ul>	
<p><b>Ziehen Sie das Ladegerät aus der Steckdose, wenn es nicht zum Laden verwendet wird.</b></p> <ul style="list-style-type: none"> <li>• Andernfalls kann es zu Stromschlägen, Leckströmen oder Bränden aufgrund einer Verschlechterung der Isolierung kommen.</li> </ul>	
<p><b>Wenn Sie während des Ladevorgangs abnormale Hitze oder andere abnormale Bedingungen feststellen, ziehen Sie sofort den Netzstecker des Ladegeräts, um den Ladevorgang zu beenden.</b></p> <ul style="list-style-type: none"> <li>• Wenn Sie den Ladevorgang fortsetzen, kann es zu Rauch, Entzündung oder Zerbersten kommen.</li> </ul>	

 <b>VORSICHT</b>	
<p><b>Befestigen Sie die Zubehörteile sicher gemäß der Benutzeranleitung.</b></p> <ul style="list-style-type: none"> <li>• Wenn sie nicht sicher befestigt sind, kann dies zu Verletzungen, Schäden oder Unfällen führen.</li> </ul>	
<p><b>Halten Sie dieses Produkt beim Tragen immer an seinem Tragegriff fest.</b></p> <ul style="list-style-type: none"> <li>• Wenn Sie das Produkt beim Tragen an einer anderen Stelle als dem Tragegriff halten, kann dies zu Fehlfunktionen oder Verletzungen führen.</li> </ul>	

## Sicherheitshinweise für den Gebrauch des Akku-Saugroboters

 <b>WARNUNG</b>	
<p><b>Verwenden Sie dieses Produkt nicht an einem hohen Ort ohne Begrenzung oder an einem Ort mit geringer Breite, wie z. B. einer Treppe.</b></p> <ul style="list-style-type: none"> <li>• Dies kann zu Verletzungen oder zu einem Ausfall dieses Produkts führen, wenn es herunterfällt.</li> </ul>	
<p><b>Verwenden Sie dieses Produkt nicht an einem Ort, an dem Ölbestandteile wie z. B. Speiseöl vorhanden sind, an einem Ort, an dem Sprays und Chemikalien verwendet werden, wie z. B. in einem Friseursalon, einem Schönheitssalon, einem Reinigungsgeschäft oder im Freien.</b></p> <ul style="list-style-type: none"> <li>• Dies kann zu Fehlfunktionen führen.</li> </ul>	

⚠ <b>WARNUNG</b>	⊘
<p><b>Verwenden Sie dieses Produkt nicht an einem Ort, an dem sich eine Person aufhält, die dieses Produkt nicht richtig bedienen kann, wie ein kleines Kind oder ein Säugling.</b></p> <ul style="list-style-type: none"> <li>• Dies kann zu einem elektrischen Schlag, einem Unfall oder zu Verletzungen führen.</li> </ul>	
<p><b>Verwenden Sie dieses Produkt nicht an einem Ort, an dem sich ein Tier usw. aufhält.</b></p> <ul style="list-style-type: none"> <li>• Dies kann zu einem elektrischen Schlag, einem Unfall oder zu Verletzungen führen.</li> </ul>	
<p><b>Verwenden Sie dieses Produkt nicht an einem Ort mit vielen Menschen oder mit Personen, die ständig kommen und gehen.</b></p> <ul style="list-style-type: none"> <li>• Dies kann zu einem elektrischen Schlag, einem Unfall oder zu Verletzungen führen.</li> </ul>	
<p><b>Blockieren Sie nicht die Auslassöffnung und die Ansaugöffnung und legen Sie keine Metalle, brennbare Fremdkörper usw. hinein.</b></p> <ul style="list-style-type: none"> <li>• Dies kann zu einem Unfall, einer Entzündung oder einer Fehlfunktion führen.</li> </ul>	
<p><b>Verwenden Sie dieses Produkt nicht in der Nähe eines Objekts, das möglicherweise die Ansaugöffnung blockieren könnte.</b></p> <ul style="list-style-type: none"> <li>• Dies kann zu einem Unfall, einer Entzündung oder einer Fehlfunktion führen.</li> </ul>	
<p><b>Werfen Sie dieses Produkt nicht ins Feuer und erhitzen Sie es nicht.</b></p> <ul style="list-style-type: none"> <li>• Dies kann zu einem Kurzschluss, einer Entzündung, einem Flüssigkeitsaustritt oder einer Explosion führen.</li> </ul>	
<p><b>Stellen Sie dieses Produkt nicht an einem Ort mit hohen Temperaturen auf, wie z. B. in der Nähe von Feuer oder einem Heizgerät, an einem Ort mit direkter Sonneneinstrahlung oder im Inneren eines Autos in der prallen Sonne.</b></p> <ul style="list-style-type: none"> <li>• Dies kann zu einem Kurzschluss, einer Entzündung, einem Flüssigkeitsaustritt oder einer Explosion führen.</li> </ul>	
<p><b>Legen Sie keine Gegenstände auf dieses Produkt.</b></p> <ul style="list-style-type: none"> <li>• Dies kann zu einer Überhitzung führen, die eine Entzündung zur Folge hat.</li> </ul>	
<p><b>Setzen Sie dieses Produkt nicht der direkten Sonneneinstrahlung aus.</b></p> <ul style="list-style-type: none"> <li>• Dies kann zu einer fehlerhaften Reaktion des LiDAR-Sensors und des Infrarotsensors führen, was eine Fehlfunktion oder einen Ausfall zur Folge hat.</li> </ul>	
<p><b>Blockieren Sie nicht die Sensoren dieses Produkts und stecken Sie keine Fremdkörper hinein.</b></p> <ul style="list-style-type: none"> <li>• Dies kann zu fehlerhaftem Betrieb, Fehlfunktionen oder Ausfällen führen.</li> </ul>	
<p><b>Bringen Sie keinen Aufkleber oder Klebeband an den Sensoren und Rädern an.</b></p> <ul style="list-style-type: none"> <li>• Dies kann zu Fehlfunktionen oder Ausfällen führen.</li> </ul>	
<p><b>Setzen Sie sich nicht auf dieses Produkt, stellen Sie keine schweren Gegenstände darauf, und setzen Sie es keinen starken Stößen aus.</b></p> <ul style="list-style-type: none"> <li>• Dies kann zu einer Beschädigung oder einem Ausfall dieses Produkts oder zu Verletzungen führen. Achten Sie besonders darauf, wenn Kinder in der Nähe sind.</li> </ul>	
<p><b>Berühren Sie während des Betriebs nicht die Antriebsräder und bringen Sie nicht Ihre Hand oder Ihren Fuß unter dieses Produkt.</b></p> <ul style="list-style-type: none"> <li>• Dies kann zu Verletzungen an einer Hand etc. führen. Achten Sie besonders darauf, wenn Kinder in der Nähe sind.</li> </ul>	
	

⚠ <b>WARNUNG</b>	⊘
<p><b>Lassen Sie nicht zu, dass das Produkt von einem Kind allein benutzt wird. Personen, die ihren Willen nicht äußern können und Personen, die das Produkt nicht selbstständig bedienen können, sollten dieses Produkt nicht verwenden.</b></p> <ul style="list-style-type: none"> <li>• Dies kann zu einem elektrischen Schlag, einem Unfall oder zu Verletzungen führen.</li> </ul>	
<p><b>Schütten Sie kein Wasser oder Reinigungsmittel auf dieses Produkt und waschen Sie es nicht (außer der Hauptbürste, der seitlichen Bürste, dem Staubsammelbehälter und dem Filter).</b></p> <ul style="list-style-type: none"> <li>• Dies kann zu einem elektrischen Schlag, einem Kurzschluss oder einer Entzündung führen.</li> </ul>	
<p><b>Berühren Sie das Produkt nicht mit nassen Händen.</b></p> <ul style="list-style-type: none"> <li>• Dies kann zu einem elektrischen Schlag führen.</li> </ul>	
<p><b>Verwenden Sie keine magnetische Grenzlinie, die gerissen oder verformt ist oder ihre Magnetkraft verloren zu haben scheint.</b></p> <ul style="list-style-type: none"> <li>• Dies kann zu einem Unfall oder einer Verletzung führen.</li> </ul>	
<p><b>Ihre Körperteile wie Hände und Haare sowie das, was Sie tragen, sollten nicht in die Ansaug- und Auslassöffnung dieses Produkts gesteckt werden.</b></p> <ul style="list-style-type: none"> <li>• Dies kann zu Verletzungen führen.</li> </ul>	
<p><b>Ihre Körperteile wie Hände und Haare sowie das, was Sie tragen, dürfen nicht mit einer rotierenden Bürste in Berührung kommen.</b></p> <ul style="list-style-type: none"> <li>• Dies kann zu Verletzungen führen.</li> </ul>	
<p><b>Lassen Sie dieses Produkt nicht Folgendes einsaugen. Dies kann zu Bränden, Verletzungen oder Motorausfällen führen.</b></p> <p><b>Entflammbare Stoffe</b></p> <ul style="list-style-type: none"> <li>• Öle (Kerosin, Benzin, etc.)</li> <li>• Lösungsmittel (Benzin, Verdünner, etc.)</li> <li>• Brennende Objekte wie Streichhölzer, Duftstäbchen, Kerzen und heiße Asche; Objekte, die Rauch abgeben, wie Zigaretten; Objekte mit hohen Temperaturen.</li> <li>• Brennbare Stoffe wie z. B. Toner</li> <li>• Lacke</li> <li>• Schleiffunken, Metallstaub usw., die beim Trennen und Schleifen von Metallen entstehen.</li> <li>• Entflammbares Gas (Spray, etc.)</li> </ul> <p><b>Explosive Stoffe</b></p> <ul style="list-style-type: none"> <li>• Nitroglyzerin, etc.</li> <li>• Brennbare Stoffe</li> <li>• Aluminium, Magnesium, Titan, Zink, roter Phosphor, gelber Phosphor, Zelluloid und andere chemische Stoffe; Staub, Gas und Dämpfe davon</li> </ul> <p><b>Scharfe Gegenstände</b></p> <ul style="list-style-type: none"> <li>• Glas, kantige Werkzeuge, Holzspäne, Metall, Steine, Nägel, Rasierklingen, Stecknadeln, Nadeln, etc.</li> </ul> <p><b>Blasenbildende Substanzen wie Teppichreinigungsmittel</b></p> <p><b>Substanzen, die aushärten und leitfähiges feines Pulver (Metallpulver, Kohlenstoff)</b></p> <p><b>Entfeuchtungsmittel</b></p> <p><b>Eine große Menge an Pulver (Mehl, Asche, Pulver in einem Feuerlöscher, etc.)</b></p> <p><b>Substanzen, die Vergiftungserscheinungen hervorrufen</b></p> <p><b>Medikamente</b></p> <p><b>Flüssige und nasse Abfälle</b></p> <p><b>Exkrememente und Erbrochenes von Tieren, etc.</b></p> <p><b>Grober Papierabfall, Kunststoffabfall, Schnüre</b></p>	
<p><b>Verwenden Sie das Produkt nicht unter den folgenden Bedingungen, die eine Brandursache darstellen können.</b></p> <ul style="list-style-type: none"> <li>• Große Mengen an brennbaren Stoffen werden verweht.</li> <li>• Die Auslassöffnung ist blockiert.</li> <li>• Der Staubsammelbehälter und der Filter sind nicht angebracht.</li> <li>• Müll verfängt sich in der Hauptbürste, die blockiert ist.</li> <li>• Es sind Löcher und Risse im Filter vorhanden.</li> <li>• Der Akku ist nicht vollständig eingesetzt.</li> </ul>	
<p><b>Verursachen Sie keinen Kurzschluss zwischen den Klemmen des USB-Netzteils (zur Reparatur).</b></p> <ul style="list-style-type: none"> <li>• Das Einführen von Nadeln oder Drähten in den USB-Klemmenbereich kann zu einem Kurzschluss führen, der eine Entzündung oder Rauchentwicklung verursacht.</li> </ul>	
<p><b>Schauen Sie nicht direkt in das Laserlicht (Strahl).</b></p> <ul style="list-style-type: none"> <li>• Dies kann zu Verletzungen der Augen führen.</li> </ul>	

<b>⚠️ WARNUNG</b>	
<p><b>Dieses Produkt entspricht den geltenden Sicherheitsvorschriften, deshalb dürfen Sie es nicht verändern.</b></p> <ul style="list-style-type: none"> <li>Die Durchführung von Reparaturen ohne die erforderlichen Kenntnisse und Fähigkeiten kann zu einer unzureichenden Leistung des Lasers sowie zu Unfällen oder Verletzungen führen.</li> </ul>	
<p><b>Betreiben Sie keine wiederaufladbaren Produkte in der Nähe von Hochspannungsleitungen.</b></p> <ul style="list-style-type: none"> <li>Es besteht die Gefahr einer Fehlfunktion oder eines Ausfalls.</li> </ul>	

<b>⚠️ WARNUNG</b>	
<p><b>Verwenden Sie das Produkt nicht mehr, wenn es gelegentlich nicht funktioniert, obwohl die Stromversorgung eingeschaltet ist.</b></p> <ul style="list-style-type: none"> <li>Andernfalls kann es zu Rauchentwicklung, Entzündung oder Stromschlag kommen.</li> </ul>	
<p><b>Stellen Sie die Verwendung des Produkts sofort ein, wenn es verformt oder ungewöhnlich heiß ist.</b></p> <ul style="list-style-type: none"> <li>Andernfalls kann es zu Rauchentwicklung, Entzündung oder Stromschlag kommen.</li> </ul>	
<p><b>Stellen Sie die Verwendung des Produkts ein, wenn es gelegentlich während des Betriebs stehen bleibt.</b></p> <ul style="list-style-type: none"> <li>Andernfalls kann es zu Rauchentwicklung, Entzündung oder Stromschlag kommen.</li> </ul>	
<p><b>Stellen Sie die Verwendung des Produkts sofort ein, wenn während des Betriebs ein abnormales Geräusch zu hören ist.</b></p> <ul style="list-style-type: none"> <li>Andernfalls kann es zu Rauchentwicklung, Entzündung oder Stromschlag kommen.</li> </ul>	
<p><b>Stellen Sie die Verwendung des Produkts sofort ein, wenn es so riecht, als ob etwas brennen würde.</b></p> <ul style="list-style-type: none"> <li>Andernfalls kann es zu Rauchentwicklung, Entzündung oder Stromschlag kommen.</li> </ul>	
<p><b>Verschieben Sie vor der Benutzung und Wartung brennende Kerzen, Vasen usw. auf Tischen und Regalen.</b></p> <ul style="list-style-type: none"> <li>Andernfalls können sie durch einen Stoß beim Aufprall dieses Produkts herunterfallen, was zu einem Unfall führen kann.</li> </ul>	
<p><b>Verschieben Sie vor der Verwendung und Wartung Gummibänder und andere Gegenstände, die möglicherweise von diesem Produkt mitgeschleift werden könnten.</b></p> <ul style="list-style-type: none"> <li>Andernfalls kann es dazu kommen, dass dieses Produkt ein Gummiband usw. mitschleift, was zu einem Unfall führen kann.</li> </ul>	
<p><b>Verschieben Sie vor der Verwendung und Wartung Geräte und Anlagen mit einer Steuerung, die sich auf der gleichen Ebene wie dieses Produkt befindet.</b></p> <ul style="list-style-type: none"> <li>Andernfalls kann es dazu kommen, dass dieses Produkt eine Steuerung trifft und drückt, was zu einem Brand, Verletzungen oder einem Unfall führen kann.</li> </ul>	
<p><b>Schalten Sie dieses Produkt vor der Wartung und Inspektion unbedingt aus und entfernen Sie die Akkus.</b></p> <ul style="list-style-type: none"> <li>Andernfalls kann es zu einem elektrischen Schlag oder zu Verletzungen kommen.</li> </ul>	
<p><b>Achten Sie bei der Wartung darauf, dass Sie sich nicht die Finger einklemmen.</b></p> <ul style="list-style-type: none"> <li>Dies kann zu Verletzungen führen.</li> </ul>	
<p><b>Wenn Sie einen implantierbaren Herzschrittmacher oder einen implantierbaren Defibrillator tragen, verwenden Sie dieses Produkt mehr als 15 cm von der Implantationsstelle entfernt.</b></p> <ul style="list-style-type: none"> <li>Funkwellen könnten den Betrieb eines medizinischen Geräts beeinträchtigen und eine Fehlfunktion des medizinischen Geräts verursachen.</li> </ul>	
<p><b>Wenn Sie Geräte, die Funkwellen aussenden, in einer medizinischen Einrichtung verwenden, befolgen Sie die Anweisungen der medizinischen Einrichtung. Schalten Sie dieses Produkt in einem Bereich, in dem die Verwendung verboten ist, aus.</b></p> <ul style="list-style-type: none"> <li>Bei Nichtbeachtung kann es zu Fehlfunktionen von medizinischen Geräten kommen.</li> </ul>	

<b>⚠️ VORSICHT</b>	
<p><b>Stecken Sie bei Gebrauch und Wartung keine Fremdkörper in Spalten und Öffnungen.</b></p> <ul style="list-style-type: none"> <li>Dies kann zu einem elektrischen Schlag, Brand oder Ausfall dieses Produkts führen.</li> </ul>	
<p><b>Verwenden Sie dieses Produkt nicht auf einem langflorigen (über 7 mm) Teppich oder anderen Teppichen.</b></p> <ul style="list-style-type: none"> <li>Dies kann dazu führen, dass sich die seitlichen Bürsten verfangen, was zu Schäden am Teppich und an den seitlichen Bürsten führen kann.</li> </ul>	
<p><b>Verwenden Sie dieses Produkt nicht auf einem empfindlichen Teppich (Mouton, Filz usw.), einem empfindlichen Boden (glatter Holzboden, Marmorboden usw.) und einem frisch gewachsenen Boden.</b></p> <ul style="list-style-type: none"> <li>Dies kann zu Beschädigungen oder Kratzern führen. Wenn Schäden auftreten, verwenden Sie das Produkt nicht mehr.</li> </ul>	
<p><b>Stellen oder setzen Sie sich nicht auf die Oberseite dieses Produkts.</b></p> <ul style="list-style-type: none"> <li>Dies kann zu einer plötzlichen Bewegung dieses Produkts führen, was zu Verletzungen, z. B. durch Herunterfallen, führen kann.</li> </ul>	
<p><b>Betreiben Sie dieses Produkt nicht über längere Zeit mit blockierter Ansaugöffnung.</b></p> <ul style="list-style-type: none"> <li>Dies kann zu einer Verformung oder Entzündung dieses Produkts aufgrund von Überhitzung führen.</li> </ul>	
<p><b>Bringen Sie nicht Ihre Hand oder Ihren Fuß unter dieses Produkt.</b></p> <ul style="list-style-type: none"> <li>Es besteht die Gefahr, dass Ihre Finger oder Zehen eingeklemmt werden, was zu Verletzungen führen kann.</li> </ul>	
<p><b>Verwenden Sie dieses Produkt nicht weiter, wenn der Filter verschmutzt ist oder sich Staub angesammelt hat.</b></p> <ul style="list-style-type: none"> <li>Dies kann zu einer Verringerung der Saugleistung führen.</li> </ul>	
<p><b>Halten Sie dieses Produkt nicht so, dass die Vorderseite nach unten gerichtet ist.</b></p> <ul style="list-style-type: none"> <li>Staub kann aus der Ansaugöffnung fallen.</li> </ul>	

<b>⚠️ VORSICHT</b>	
<p><b>Um Fehlfunktionen zu vermeiden, stellen Sie sicher, dass jeder Sensor gut gewartet ist.</b></p> <ul style="list-style-type: none"> <li>Eine falsche Reaktion eines Sensors kann zu Verletzungen oder einem Ausfall durch eine Fehlfunktion oder einen Sturz dieses Produkts führen.</li> </ul>	
<p><b>Achten Sie darauf, dass die langen Quasten von Teppichen, wie z. B. einem Teppich und einer Matte, nach innen gesteckt sind.</b></p> <ul style="list-style-type: none"> <li>Die Quasten können sich in den Antriebsrädern und/oder der Hauptbürste verfangen, was zu Schäden an Teppichen und diesem Produkt führen kann.</li> </ul>	
<p><b>Wenn Sie dieses Produkt tragen, halten Sie zuerst den Betrieb an und schalten Sie dann die Stromversorgung aus. Halten Sie den Tragegriff gut fest, um sich nicht die Hände einzuklemmen.</b></p> <ul style="list-style-type: none"> <li>Das versehentliche Anheben dieses Produkts kann zu Verletzungen oder Ausfällen führen.</li> </ul>	
<p><b>Räumen Sie Kabel und Schnüre weg, um sicherzustellen, dass sie sich nicht in diesem Produkt verfangen.</b></p> <ul style="list-style-type: none"> <li>Andernfalls kann es zu Ausfällen oder fehlerhaftem Betrieb aufgrund von Verwicklungen des Netzkabels kommen.</li> </ul>	
<p><b>Verschieben Sie vor der Reinigung Gegenstände, die leicht zerbrechen, die leicht herunterfallen und die nicht angesaugt werden sollen. Räumen Sie lange Schnüre und Kabel weg.</b></p> <ul style="list-style-type: none"> <li>Andernfalls kann es zu Schäden, Kratzern oder Ausfällen dieses Produkts kommen.</li> </ul>	




 <b>VORSICHT</b>	
<p><b>Verwenden Sie dieses Produkt mit korrekt eingestelltem Filter. Verwenden Sie dieses Produkt nicht, wenn der Filter entfernt, in einer falschen Position eingesetzt oder gerissen ist.</b></p> <ul style="list-style-type: none"> <li>• Dies kann zu Fehlern wie z. B. zu einem Motorbrand führen.</li> <li>• Es könnte Staub austreten und die Gesundheit gefährden.</li> </ul>	
<p><b>Achten Sie darauf, dass Sie sich nicht die Finger einklemmen, wenn Sie die obere Abdeckung des Gehäuses und die obere Abdeckung des Staubsammelbehälters öffnen und schließen, den Filter anbringen und den Akku verbinden bzw. trennen.</b></p> <ul style="list-style-type: none"> <li>• Es besteht die Gefahr, dass Ihre Finger eingeklemmt werden, was zu Verletzungen führen kann.</li> </ul>	

## Zur Handhabung

1. Verwenden Sie dieses Produkt im Innenbereich. Reinigen Sie keinen Ort mit viel Staub, auch wenn es sich um einen Innenraum handelt.
2. Reinigen Sie keinen Boden, dessen Oberfläche hart und holprig ist. Dies kann zu einem vorzeitigen Verschleiß von Bürsten und Rädern führen.
3. Entfernen Sie nach der Reinigung den Sandstaub, der sich an der Hauptbürste, den seitlichen Bürsten und den Rädern festgesetzt hat. Wenn sie nicht gereinigt werden, kann die Bodenoberfläche beschädigt werden.
4. Bringen Sie immer die Hauptbürste und ihre Abdeckung an, wenn Sie dieses Produkt verwenden.
5. Schmieren Sie die beweglichen Teile der Hauptbürste usw. nicht. Dies kann zum Bruch von Kunststoffteilen führen.
6. Für den Einsatz auf einer empfindlichen Bodenoberfläche wird empfohlen, diese durch die separat erhältlichen Artikel „weiche Hauptbürste“ und „weiche seitliche Bürste“ zu ersetzen. Je nach Beschaffenheit der Bodenoberfläche können jedoch Kratzer entstehen. Verwenden Sie in einem solchen Fall das Produkt nicht mehr.
7. Ziehen Sie dieses Produkt nicht. Heben Sie dieses Produkt an, wenn Sie es bewegen.
8. Kleben Sie keine Aufkleber oder Klebebänder auf Sensorteile und Räder, verformen Sie den Puffer und die Räder nicht und lassen Sie nicht zu, dass der Puffer gewaltsam gedrückt wird. Dies kann zu Fehlfunktionen führen.
9. Wenn feines Pulver (wie Gips, Zement und Kreide) angesaugt wird, achten Sie auf den Filter, den Klippensensor und den LiDAR-Sensor.
10. Achten Sie darauf, dass dieses Produkt nicht die folgenden Dinge ansaugt, da dies zu Kratzern im Inneren des Geräts, Verstopfung durch Staub oder zu einem Ausfall führen kann. Wenn eines dieser Dinge versehentlich angesaugt wird, stoppen Sie den Betrieb und entsorgen Sie den Staub.
  - (1) Nassabfälle (flüssige und feuchte Abfälle)
  - (2) Exkremente von Tieren, etc.
  - (3) Große Mengen an Sand und Pulver
  - (4) Schnüre
  - (5) Scharfkantige Gegenstände (Glas, Schneidwerkzeuge, Nadeln usw.)
  - (6) Großformatiger Müll und große Müllmengen
  - (7) Gegenstände mit schlechter Luftdurchlässigkeit (Lebensmittelfolien, Vinyl, Wickelfolie usw.)
11. Wenn die untere Bürste der Ansaugöffnung, die Lenkrollen, die Antriebsräder oder der Rollenteil der Abdeckung der Hauptbürste verschlissen sind, verwenden Sie dieses Produkt nicht mehr und wenden Sie sich an das Geschäft, bei dem Sie den Kauf getätigt haben, oder an unser Vertriebsbüro. Die Verwendung des Akku-Saugroboters mit verschlissenen Teilen kann zu Schäden an der Bodenoberfläche führen.
12. Während des Betriebs können Störungen auf einem Fernsehbildschirm auftreten, die jedoch das Fernsehgerät selbst nicht beeinträchtigen.
13. Seien Sie vorsichtig, wenn Sie dieses Produkt an einem Ort betreiben, an dem ein Sicherheitssystem betrieben wird. Dieses Produkt könnte vom Sicherheitssystem fälschlicherweise als Eindringling erkannt werden.
14. Vermeiden Sie folgende Handlungen.
  - (1) Nichtbenutzung über einen längeren Zeitraum bei eingesetztem Akku
  - (2) Verwendung bei verschmutztem Sensor oder bei verstopfem Filter
  - (3) Verwendung, wenn Sie einen Akkufehler bemerken (seltsamer Geruch, Flüssigkeitsaustritt, Erhitzung, Verformung oder andere abnormale Dinge)
  - (4) Verwendung ohne Entfernen von Sandstaub und anderen Fremdkörpern, die an der Hauptbürste, den seitlichen Bürsten und den Rädern haften
  - (5) Verwendung mit einigen verschlissenen oder abgenutzten Komponenten
  - (6) Verwendung ohne Lesen der Benutzeranleitung
  - (7) Das Produkt auf den Kopf stellen und die Wartung bei eingesetztem Akku durchführen
  - (8) Verwendung ohne Wartung der magnetischen Grenzlinie

## Verwendung und Pflege des Akkugeräts

 <b>WARNUNG</b>
<p><b>Lesen Sie alle Sicherheitshinweise und Anweisungen. Die Nichtbeachtung der Warnungen und Anweisungen kann zu einem elektrischen Schlag, Brand und/oder schweren Verletzungen führen.</b></p>

1. Laden Sie nur mit dem vom Hersteller angegebenen Ladegerät auf. Ein Ladegerät, das für einen Typ von Akku geeignet ist, kann bei Verwendung mit einem anderen Akku eine Brandgefahr darstellen.
2. Verwenden Sie Geräte nur mit speziell dafür vorgesehenen Akkus. Bei Verwendung anderer Akkus besteht Verletzungs- und Brandgefahr.
3. Wenn der Akku nicht in Gebrauch ist, halten Sie ihn von anderen Metallgegenständen wie Büroklammern, Münzen, Schlüsseln, Nägeln, Schrauben oder anderen kleinen Metallgegenständen fern, die eine Verbindung von einer Klemme zur anderen herstellen können. Das Kurzschließen der Akkuklemmen kann zu Verbrennungen oder einem Brand führen.
4. Unter missbräuchlichen Bedingungen kann Flüssigkeit aus dem Akku austreten; vermeiden Sie den Kontakt. Bei versehentlichem Kontakt mit Wasser spülen. Wenn die Flüssigkeit in die Augen gelangt, suchen Sie zusätzlich einen Arzt auf. Aus dem Akku austretende Flüssigkeit kann Reizungen oder Verbrennungen verursachen.
5. Verwenden Sie keine beschädigten oder modifizierten Akkus oder Geräte. Beschädigte oder modifizierte Akkus können ein unvorhersehbares Verhalten zeigen, was zu Feuer, Explosion oder Verletzungsgefahr führen kann.
6. Setzen Sie einen Akku oder ein Gerät nicht Feuer oder übermäßigen Temperaturen aus. Wird er/es Feuer oder Temperaturen über 130 °C ausgesetzt, besteht Explosionsgefahr.
7. Befolgen Sie alle Ladeanweisungen und laden Sie den Akku oder das Gerät nicht außerhalb des in der Anleitung angegebenen Temperaturbereichs. Unsachgemäßes Laden oder Laden bei Temperaturen außerhalb des angegebenen Bereichs kann den Akku beschädigen und die Brandgefahr erhöhen.
8. Lassen Sie die Wartung von einer qualifizierten Fachkraft durchführen, die nur identische Ersatzteile verwendet. Dadurch wird sichergestellt, dass die Sicherheit des Produkts erhalten bleibt.
9. Verändern Sie das Gerät oder den Akku nicht und versuchen Sie nicht, sie zu reparieren, außer wie in der Gebrauchs- und Pflegeanleitung angegeben.
10. Verhindern Sie unbeabsichtigtes Starten. Stellen Sie sicher, dass sich der Schalter in der ausgeschalteten Position befindet, bevor Sie den Akku anschließen oder den Akku-Saugroboter in die Hand nehmen oder tragen. Das Tragen des Akku-Saugroboters mit dem Finger auf dem Schalter oder die Inbetriebnahme des Akku-Saugroboters bei eingeschaltetem Schalter kann zu Unfällen führen.
11. Trennen Sie den Akku vom Akku-Saugroboter, bevor Sie Einstellungen vornehmen, Zubehörteile wechseln oder den Saugroboter lagern. Solche vorbeugenden Sicherheitsmaßnahmen verringern das Risiko eines unbeabsichtigten Starts des Akku-Saugroboters.
12. Der Akku ist bei der Auslieferung nicht ausreichend geladen. Laden Sie den Akku vor der Verwendung auf.
13. Wenn Sie den Akku nicht verwenden, setzen Sie immer die Abdeckung darauf.

## Wichtige Sicherheitshinweise für den Akku

1. Lesen Sie vor der Verwendung des Akkus alle Anweisungen und Warnhinweise auf (1) dem Akkuladegerät, (2) dem Akku und (3) dem Produkt, das den Akku verwendet.
2. Zerlegen Sie den Akku nicht und nehmen Sie keine Manipulationen an ihm vor. Dies kann zu einem Brand, übermäßiger Hitze oder einer Explosion führen.
3. Wenn sich die Betriebszeit zu stark verkürzt hat, stellen Sie den Betrieb sofort ein. Es besteht die Gefahr von Überhitzung, möglichen Verbrennungen und sogar einer Explosion.
4. Wenn Elektrolyt in Ihre Augen gelangt, spülen Sie diese mit klarem Wasser aus und suchen Sie sofort einen Arzt auf. Es kann zum Verlust Ihres Augenlichts führen.
5. Schließen Sie den Akku nicht kurz:
  - (1) Berühren Sie die Klemmen nicht mit leitendem Material.
  - (2) Vermeiden Sie es, den Akku einem Behälter mit anderen Metallgegenständen wie Nägeln, Münzen usw. aufzubewahren.
  - (3) Setzen Sie den Akku nicht Wasser oder Regen aus. Ein Kurzschluss des Akkus kann einen großen Stromfluss, Überhitzung, mögliche Verbrennungen und sogar einen Ausfall verursachen.
6. Lagern und verwenden Sie das Gerät und den Akku nicht an Orten, an denen die Temperatur 50 °C erreichen oder überschreiten kann.
7. Verbrennen Sie den Akku nicht, auch wenn er stark beschädigt oder völlig abgenutzt ist. Der Akku kann bei einem Brand explodieren.
8. Treiben Sie keine Nägel in den Akku, schneiden, quetschen, werfen Sie ihn nicht, lassen Sie ihn nicht fallen und schlagen Sie nicht mit einem harten Gegenstand auf den Akku. Ein solches Verhalten kann zu einem Brand, übermäßiger Hitze oder einer Explosion führen.





9. Verwenden Sie keinen beschädigten Akku.
10. Die enthaltenen Lithium-Ionen-Akkus unterliegen den Anforderungen des Gefahrgutrechts. Bei gewerblichen Transporten z.B. durch Dritte, Spediteure, etc. sind besondere Anforderungen an Verpackung und Kennzeichnung zu beachten.  
Zur Vorbereitung des Versandgutes ist die Hinzuziehung eines Sachverständigen für Gefahrgut erforderlich. Beachten Sie auch eventuell weitergehende nationale Vorschriften.  
Kleben oder decken Sie offene Kontakte ab und verpacken Sie den Akku so, dass er sich nicht in der Verpackung bewegen kann.
11. Wenn Sie den Akku entsorgen, nehmen Sie ihn aus dem Gerät und entsorgen Sie ihn an einem sicheren Ort. Befolgen Sie die örtlichen Vorschriften für die Entsorgung des Akkus.
12. Verwenden Sie die Akkus nur mit den von Makita angegebenen Produkten. Das Einsetzen der Akkus in nicht konforme Produkte kann zu Feuer, übermäßiger Hitze, Explosion oder Auslaufen von Elektrolyt führen.
13. Wenn das Gerät über einen längeren Zeitraum nicht benutzt wird, muss der Akku aus dem Gerät entfernt werden.
14. Während und nach der Verwendung kann der Akku Wärme entwickeln, die Verbrennungen oder Verbrennungen bei niedrigen Temperaturen verursachen kann. Achten Sie auf die Handhabung von heißen Akkus.
15. Berühren Sie die Klemme des Geräts nicht unmittelbar nach der Verwendung, da sie so heiß werden kann, dass sie Verbrennungen verursacht.
16. Achten Sie darauf, dass keine Späne, Staub oder Erde in die Klemmen, Löcher und Nuten des Akkus gelangen. Dies kann zu einer schlechten Leistung oder einem Ausfall des Geräts oder des Akkus führen.
17. Verwenden Sie den Akku nicht in der Nähe von Hochspannungsleitungen, es sei denn, das Gerät unterstützt den Einsatz in der Nähe von Hochspannungsleitungen. Dies kann zu einer Fehlfunktion oder einem Ausfall des Geräts oder des Akkus führen.
18. Halten Sie den Akku von Kindern fern.

## Jeweilige Marken und eingetragene Marken

### Hinweis zu Marken

- Android und Google Play sind Marken oder eingetragene Marken von Google LLC.
- iPhone ist eine in den USA und anderen Ländern eingetragene Marke von Apple Inc.
- Die Marke iPhone wird unter Lizenz von Aiphone Co., Ltd. verwendet.
- App Store ist eine Service-Marke von Apple Inc.
- Wi-Fi ist eine Marke und eingetragene Marke der Wi-Fi Alliance.
- Die Bluetooth®-Wortmarke und -Logos sind eingetragene Marken im Besitz der Bluetooth SIG, Inc. und jede Verwendung dieser Marken durch Makita erfolgt unter Lizenz. Andere Marken und Markennamen sind Eigentum der jeweiligen Inhaber.



- Alle anderen Marken in diesem Dokument sind das Eigentum der jeweiligen Inhaber.  
Beachten Sie, dass ™- und ®-Zeichen in einigen Teilen des Haupttextes weggelassen werden.

## BEWAHREN SIE DIESE ANLEITUNG AUF.

### ⚠ VORSICHT

**Verwenden Sie nur Original-Makita-Akkus. Die Verwendung von nicht originalen Makita-Akkus oder von Akkus, die verändert wurden, kann dazu führen, dass der Akku platzt und Brände, Verletzungen und Schäden verursacht. Außerdem wird dadurch die Makita-Garantie für das Makita-Gerät und das Ladegerät ungültig.**

### Tipps zur Erhaltung der maximalen Akkulebensdauer

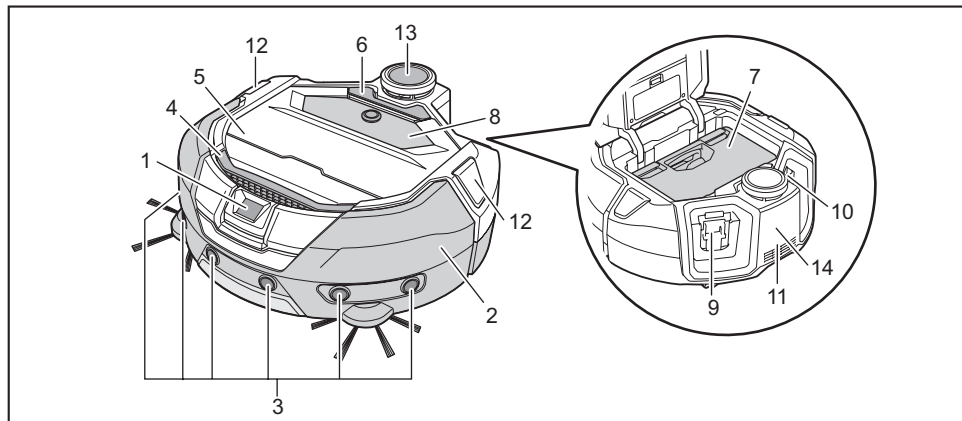
1. Laden Sie den Akku auf, bevor er vollständig entladen ist. Stellen Sie immer den Betrieb des Geräts ein und laden Sie den Akku auf, wenn Sie eine geringere Leistung des Geräts feststellen.
2. Laden Sie niemals einen vollständig geladenen Akku auf. Eine Überladung verkürzt die Lebensdauer des Akkus.
3. Laden Sie den Akku bei einer Raumtemperatur von 10 °C - 40 °C. Lassen Sie einen heißen Akku abkühlen, bevor Sie ihn laden.
4. Wenn Sie den Akku nicht verwenden, nehmen Sie ihn aus dem Gerät oder dem Ladegerät heraus.
5. Laden Sie den Akku auf, wenn Sie ihn über einen längeren Zeitraum (mehr als sechs Monate) nicht verwenden.

## Sicherheitshinweise in Bezug auf Funkwellen

- Verwenden Sie dieses Produkt nicht an den folgenden Orten.
  - An oder in der Nähe von Orten mit medizinischen Geräten
  - In der Nähe von Geräten mit hochpräziser Steuerung oder schwachen Signalen (Beispiele für elektronische Geräte, bei denen Vorsicht geboten ist: Hörgeräte, Herzschrittmacher und andere medizinische Geräte, Feueralarme, automatische Türen und andere automatische Steuergeräte)
  - In einem Krankenhaus oder Flugzeug (befolgen Sie die Anweisungen des Krankenhauses oder Flugzeuges und verwenden Sie das Produkt nicht in verbotenen Bereichen)
- Eine Drahtlosverbindung und Leistung wird nicht in allen Umgebungen garantiert. In den folgenden Fällen werden die Funkwellen möglicherweise nicht empfangen oder unterbrochen.
  - Verwendung in Gebäuden aus Beton, Betonstahl und Metall
  - Installation in der Nähe von Hindernissen
  - Verwendung an Orten, an denen Störungen mit drahtlosen Kommunikationsgeräten auftreten, die dieselbe Frequenz verwenden
  - Verwendung an Orten mit Geräten, die Magnetfelder, statische Elektrizität oder Funkstörungen erzeugen, wie z. B. Mikrowellenherde

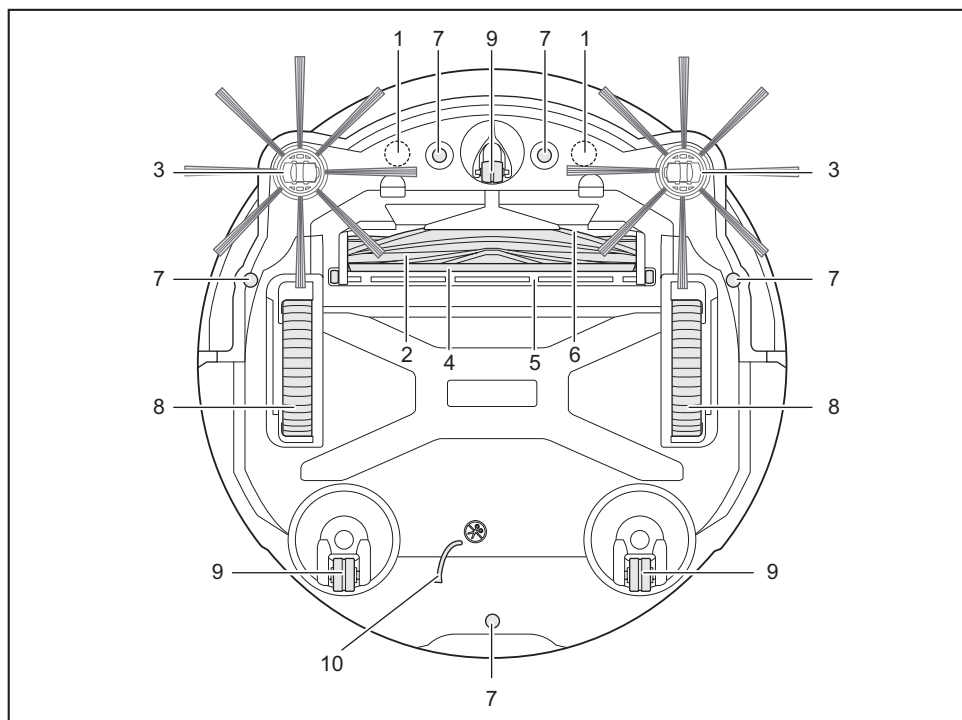
## Namen der Teile

### Hauptgerät (Ansicht oben, seitliche Ansicht, Inneres)



- |                                          |                                           |
|------------------------------------------|-------------------------------------------|
| 1. Kamerasensor                          | 8. Bedienfeld (Anzeige) (Siehe Seite 10.) |
| 2. Puffer                                | 9. Einschuböffnung linker Akku            |
| 3. Ultraschallsensor                     | 10. Einschuböffnung rechter Akku          |
| 4. Tragegriff (Siehe Seite 11.)          | 11. Auslassöffnung                        |
| 5. Obere Abdeckung                       | 12. Positions-LED                         |
| 6. Taste zum Öffnen                      | 13. LiDAR-Sensor                          |
| 7. Staubsammelbehälter (Siehe Seite 14.) | 14. Markierung LASER KLASSE 1             |


### Hauptgerät (Ansicht von unten)



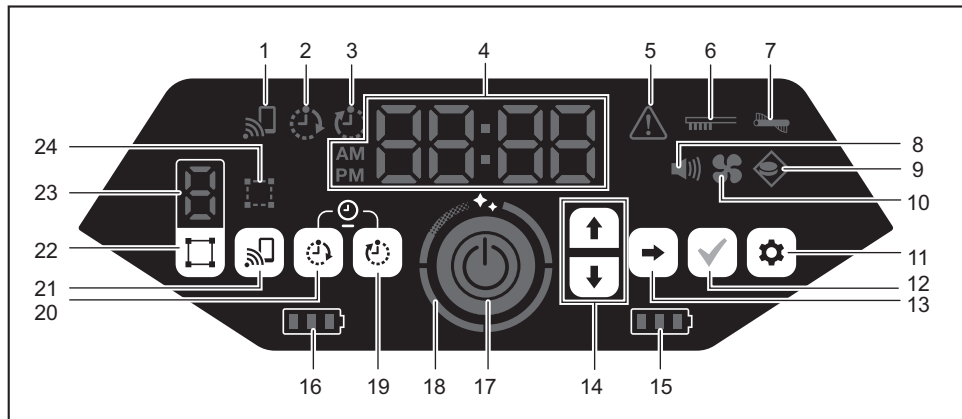
- |                                                |                    |
|------------------------------------------------|--------------------|
| 1. Magnetsensor für Grenzerkennung (eingebaut) | 6. Ansaugöffnung   |
| 2. Hauptbürste                                 | 7. Klippensensor   |
| 3. Seitliche Bürste                            | 8. Antriebsrad     |
| 4. Untere Bürste                               | 9. Lenkrolle       |
| 5. Abdeckung der Hauptbürste                   | 10. Erdungsleitung |

#### ANMERKUNG

- Die Erdungsleitung reduziert die elektrische Aufladung des Sensors.

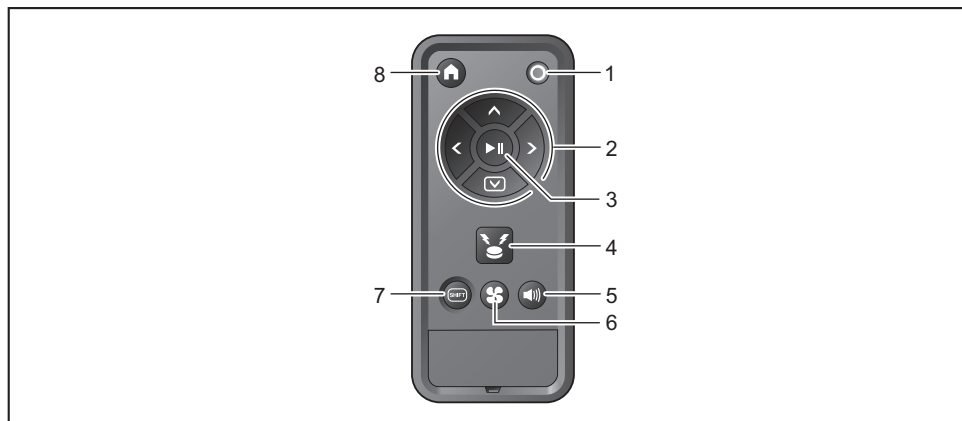
 : Ziehen oder schneiden Sie nicht versehentlich die Erdungsleitung.

## Hauptgerät (Bedienfeld (Anzeige))



- |                                                  |                                                                 |
|--------------------------------------------------|-----------------------------------------------------------------|
| 1. Smartphone-Verbindungs-lampe (grün)           | 13. Weiter-Taste                                                |
| 2. Timerlampe EIN (grün) (Siehe Seite 20.)       | 14. Oben-Taste, Runter-Taste                                    |
| 3. Timerlampe AUS (grün) (Siehe Seite 20.)       | 15. Stromversorgungslampe rechter Akku (grün) (Siehe Seite 16.) |
| 4. Zeitanzeige (grün)                            | 16. Stromversorgungslampe linker Akku (grün) (Siehe Seite 16.)  |
| 5. Fehlerlampe (rot) (Siehe Seite 29.)           | 17. Start/Stopp-Taste (Siehe Seite 16.)                         |
| 6. Filterpfege-lampe (rot) (Siehe Seite 29.)     | 18. Reinigungsstufen-Lampe (weiß) (Siehe Seite 18.)             |
| 7. Bürstenfehlerlampe (rot) (Siehe Seite 29.)    | 19. Taste AUS-Timer (Siehe Seite 20.)                           |
| 8. Tonlampe (grün) (Siehe Seite 23.)             | 20. Taste EIN-Timer (Siehe Seite 19.)                           |
| 9. Grenzerkennungslampe (grün) (Siehe Seite 21.) | 21. Smartphone-Verbindungstaste                                 |
| 10. Vakuumgebläselampe (grün) (Siehe Seite 19.)  | 22. Modus-Umschalttaste (Siehe Seite 17.)                       |
| 11. Einstellungstaste                            | 23. Modus/Raumnummern-Anzeige (Siehe Seite 17.)                 |
| 12. Bestätigungstaste                            | 24. Raum-Registrierungslampe (grün) (Siehe Seite 17.)           |

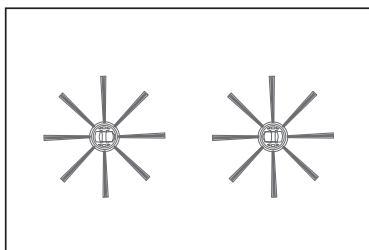
## Fernbedienung



- |                                          |                                |
|------------------------------------------|--------------------------------|
| 1. Strom AUS-Taste                       | 5. Ton EIN/AUS-Taste           |
| 2. Aktionstasten                         | 6. Vakuumgebläse EIN/AUS-Taste |
| 3. Start/Stopp-Taste                     | 7. Umschalttaste               |
| 4. Ortungs-Funksignal-Summer/Licht-Taste | 8. Startpunkt-Taste            |

## Standardzubehör

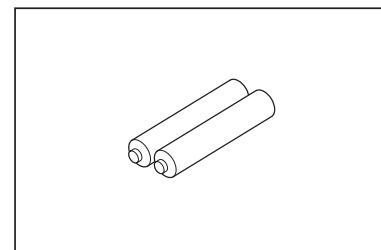
- Seitliche Bürsten (vier)  
Zwei sind für den Austausch. Bringen Sie zwei an dem Akku-Saugroboter an. (Siehe Seite 14.)



- Fernbedienung



- AAA-Trockenbatterien (zwei) \* Länderspezifisch  
Setzen Sie sie in die Fernbedienung ein. (Siehe Seite 14.)



## Vorbereiten vor der Reinigung

### Über das Tragen des Akku-Saugroboters

#### ⚠ VORSICHT

Wenn Sie den Akku-Saugroboter tragen, stoppen Sie den Betrieb, schalten Sie die Stromversorgung aus und halten Sie dann den Tragegriff gut fest, damit Sie sich nicht die Hand einklemmen.

- Andernfalls kann es passieren, dass sich Ihre Hand im Griff verfängt.

Achten Sie beim Anheben des Akku-Saugroboters stets auf sicheren Stand und Gleichgewicht.

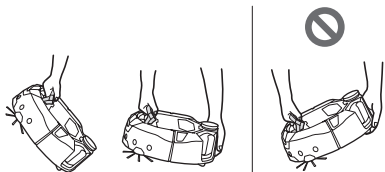
- Nichtbeachtung kann zu Verletzungen oder Fehlfunktionen führen.

Heben Sie den Akku-Saugroboter nicht unvorsichtig an.

- Dies kann zu Verletzungen oder Fehlfunktionen führen.

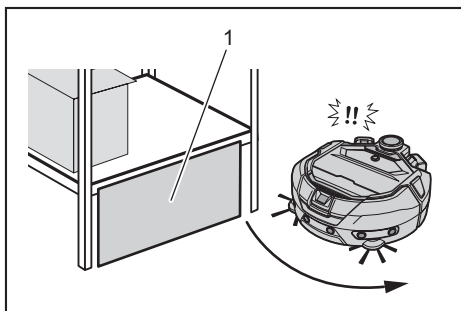
Halten Sie den Akku-Saugroboter nicht so, dass die Vorderseite nach unten gerichtet ist.

- Staub kann aus der Ansaugöffnung fallen.



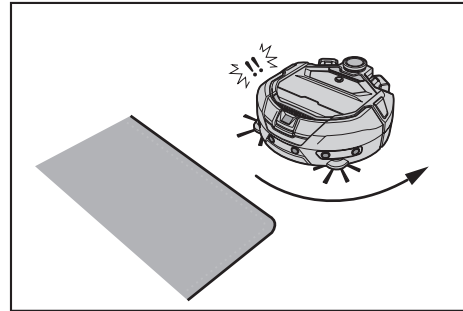
### Über die Reinigung mit dem Akku-Saugroboter

- Der Akku-Saugroboter erkennt Hindernisse durch seinen LiDAR-Sensor und Ultraschallsensor und bewegt sich so, dass er diesen Hindernissen ausweicht. Er sammelt und saugt Staub mit seinen seitlichen Bürsten und der Hauptbürste. Je nach den Bedingungen könnte er ein Hindernis nicht erkennen. Wenn er auf ein Hindernis trifft, erkennt der Puffer den Kontakt und er weicht dem Hindernis aus.
- Der Akku-Saugroboter kann über eine Stufe von bis zu ca. 2,0 cm fahren. Wenn sie jedoch kleiner als 2,0 cm ist, kann der Akku-Saugroboter manchmal nicht über sie fahren, abhängig von den Bedingungen wie der Form der Stufe.
- An einem Gefälle oder einer unebenen Stelle können die Unterseite des Akku-Saugroboters eingeklemmt und ein Antriebsrad angehoben werden, wodurch der Akku-Saugroboter aufgrund eines Fehlers zum Stillstand kommt. Wenn der Akku-Saugroboter häufig anhält, lassen Sie ihn nicht an diese Stelle fahren. (Siehe Seite 21.)
- Wenn sich ein Hindernis in der Nähe einer Wand befindet, kann der Akku-Saugroboter auf die Wand auffahren, während er versucht, dem Hindernis auszuweichen.
- Der LiDAR-Sensor ist möglicherweise nicht in der Lage, Hindernisse mit den folgenden Merkmalen zu erkennen, was zu einer ungenauen Kartenerstellung oder zum Aufprallen auf Hindernisse führen kann.
  - Stark reflektierende Hindernisse wie Spiegel
  - Hochtransparente Hindernisse wie Glas
  - Hindernisse aus schwarzem, glänzendem Material
  - Schmale Hindernisse wie Stuhl- oder Schreibtischbeine
- Wenn der Akku-Saugroboter einen engen Raum betritt, der niedriger als die Höhe des Saugroboters ist, kann er sich verfangen und stecken bleiben. Platzieren Sie in einem solchen Fall einen Schutz oder etwas Ähnliches.



- 1. Blockieren Sie eine Lücke mit einem Schutz oder etwas Ähnlichem.

- Ein schwarzer Boden, ein transparenter Boden, wie z. B. ein Glasboden, oder schwarze Bereiche auf der Maserung eines Holzbodens können vom Akku-Saugroboter als Stufe erkannt werden, die er dann zu vermeiden versucht.



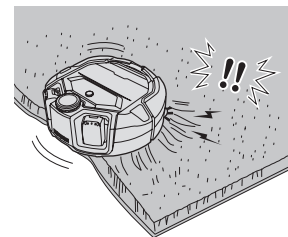
- Der Akku-Saugroboter kann möglicherweise in einem Bereich rund um eine Stufe, über die der Saugroboter fahren kann, in einem abgelegenen oder engen Raum, den der Saugroboter nicht betreten kann, oder an einer Stelle, die die seitlichen Bürsten nicht erreichen können, keinen Staub saugen.
- Der Akku-Saugroboter könnte einen kleinen, harten Gegenstand, wie z. B. einen kleinen Stein, wegstoßen.
- Der Akku-Saugroboter kann versehentlich über eine Stufe fahren, wenn es einen Gegenstand gibt, der ihn beim Darüberfahren unterstützen kann (z. B. ein Brett oder ein Teppich). Halten Sie solche Gegenstände von den Stufen fern.

#### ⚠ VORSICHT

Verwenden Sie den Akku-Saugroboter nicht an den folgenden Orten.

- Verwenden Sie den Akku-Saugroboter nicht an Orten wie einem Teppich mit einer Florhöhe von mehr als 7 mm, einem Teppich mit leicht herausfallenden Floren und einem unebenen Teppich.

Auf einem solchen Teppich kann der Akku-Saugroboter aufhören zu arbeiten, Floren können sich in den seitlichen Bürsten verfangen, oder der Teppich oder die seitlichen Bürsten können beschädigt werden. Wenn der Akku-Saugroboter auf einem anderen Teppich als oben beschrieben nicht gut läuft, vermeiden Sie den Einsatz auf diesem Teppich.



- Verwenden Sie den Akku-Saugroboter nicht auf einer Matratze, einer Decke, einem Bodenkissen usw.
- Verwenden Sie den Akku-Saugroboter nicht in einem Nassbereich, einer Toilette, einem Badezimmer, auf einem Dachboden, im Freien usw.
- Verwenden Sie den Akku-Saugroboter nicht an einem nassen Ort, an einem Ort, der nass werden kann, oder an einem heißen, feuchten Ort.

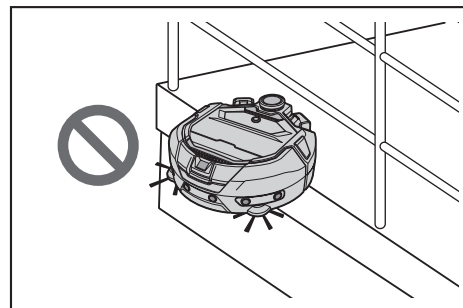
### Zum Verhindern des Herunterfallens des Akku-Saugroboters

#### ⚠ WARNUNG

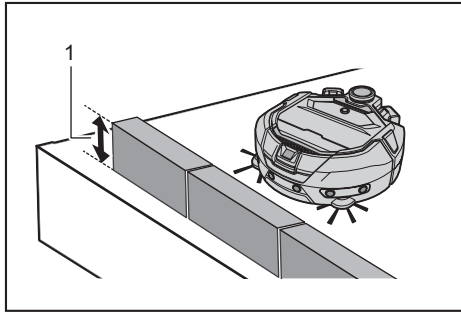
Stellen Sie sicher, dass der Akku-Saugroboter nicht herunterfällt.

- Wenn er herunterfällt, kann es zu Brüchen oder Verletzungen führen.

- Verwenden Sie den Akku-Saugroboter nicht in Zwischengeschossen, Dachgeschossen, Treppen, Orten ohne Wände oder Orten mit einer Neigung von 10° oder mehr.

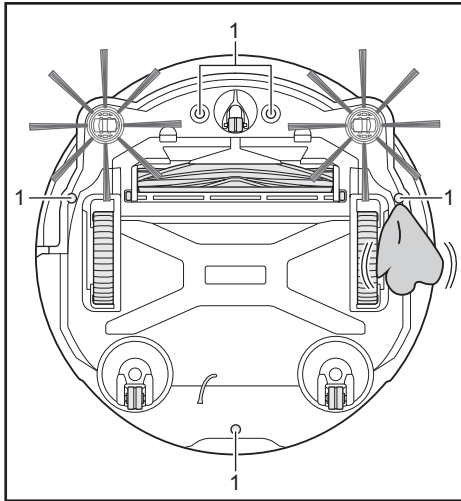


- Stellen Sie an einem Ort, an dem es zu einem Unfall oder einer anderen gefährlichen Situation aufgrund eines Sturzes kommen kann, ein Objekt auf, das mindestens 25 cm hoch ist und als Wand dienen kann (Objekt, das sich nicht bewegt oder umkippt, wenn es vom Akku-Saugroboter angestoßen wird).



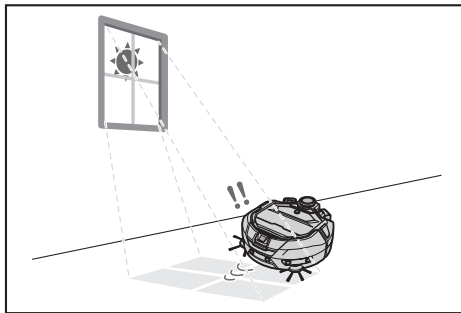
- ▶ 1. Höhe von 25 cm oder höher

- Wenn sich am Klippensensor auf der Unterseite des Akku-Saugroboters Schmutz oder Wassertropfen durch Kondensation gebildet haben, wischen Sie es mit einem trockenen, weichen Tuch, einem Wattestäbchen usw. ab.

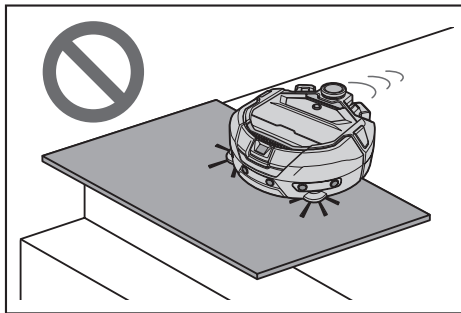


- ▶ 1. Klippensensor (fünf Stellen)

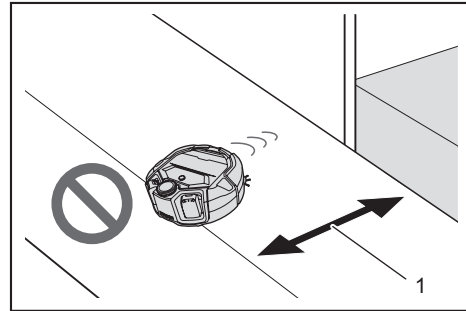
- Der Akku-Saugroboter funktioniert möglicherweise nicht richtig, wenn er Sonnenlicht oder Infrarotlicht von anderen Geräten ausgesetzt ist. Stellen Sie sicher, dass der Akku-Saugroboter nicht dem Infrarotlicht einer Halogenheizung, einer Fernbedienung, eines Sensors und anderer Geräte sowie dem Sonnenlicht von Milchglas usw. ausgesetzt ist.



- Nicht verwenden, wenn sich Gegenstände wie Teppiche, Matten oder Platten in der Nähe einer Stufe befinden. Wenn ein Objekt wie ein Teppich, eine Matte oder eine Platte die Stufe bedeckt, erkennt der Klippensensor die Stufe möglicherweise nicht richtig.

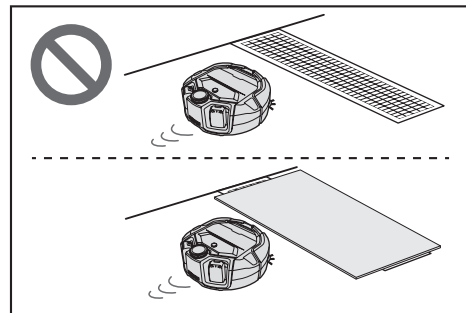


- An einem Ort, an dem der Abstand von einer Wand zu einer Stufe weniger als ca. 1 m beträgt, kann der Akku-Saugroboter während der Rückwärtsbewegung herunterfallen. Verwenden Sie den Akku-Saugroboter nicht, wenn der Abstand zwischen einer Wand und einer Stufe weniger als ca. 1 m beträgt.



- ▶ 1. Weniger als etwa 1 m

- Wenn eine Ablaufabdeckung (Gitterrostabdeckung) vorhanden ist, erkennt der Klippensensor diese möglicherweise als Stufe und der Akku-Saugroboter könnte nicht in der Lage sein, darüber zu fahren. Wenn es notwendig ist, darüber zu fahren, decken Sie das Gitter mit einer Platte oder etwas Ähnlichem ab.



- Eine Stufe von etwa 3,0 cm oder weniger wird vom Klippensensor möglicherweise nicht als Stufe erkannt, was dazu führt, dass der Akku-Saugroboter die Stufe hinunterfährt, während er geradeaus fährt. Bei einer Stufe von etwa 2,0 bis 3,0 cm sollten Sie den Akku-Saugroboter nicht verwenden.
- Schließen Sie alle Schiebetüren, Fliegengitter oder Fenster, da der Höhenunterschied ihrer Rahmen oder Schienen von den Puffersensoren möglicherweise nicht als Stufe erkannt wird.
- Verwenden Sie den Akku-Saugroboter nicht auf einem zerbrechlichen Bodenbelag wie z. B. Glas.

## Aufräumen eines Orts für die Reinigung

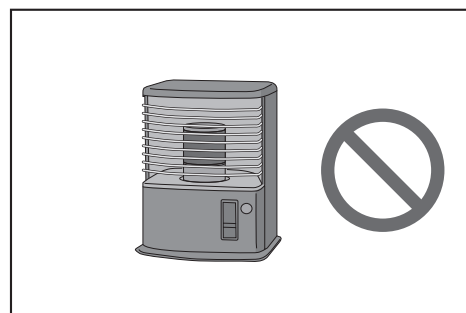
### ⚠ WARNUNG

**Verschieben Sie Gegenstände, die bei Kontakt mit dem Akku-Saugroboter Schäden oder Unfälle verursachen können.**

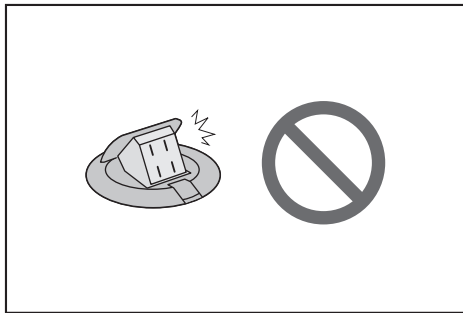
**Räumen Sie Gegenstände weg, die nicht angesaugt werden sollen, die die Bewegung des Akku-Saugroboters behindern und die sich in der Hauptbürste, den Rädern und den seitlichen Bürsten verfangen können.**

- Wenn Sie einen Gegenstand zurücklassen, der die Bewegung des Akku-Saugroboters während der Reinigung behindert, kann dies zu einem Unfall oder einer Verletzung führen.

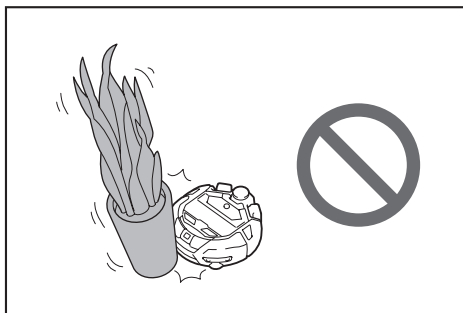
- Verwenden Sie den Akku-Saugroboter nicht in der Nähe von Gegenständen, die heiß werden, wie z. B. einem Heizgerät (Raumheizung). Dies kann zu einem Unfall, einer Entflammung oder einem Ausfall führen. (Verwenden Sie während des Betriebs kein Heizgerät.)



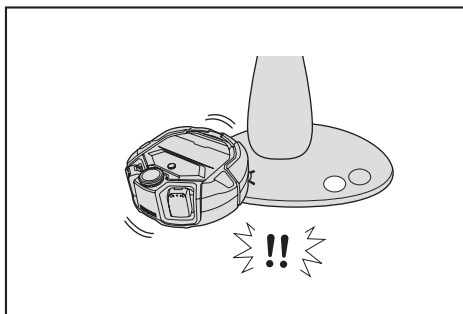
- Verwenden Sie den Akku-Saugroboter nicht an einem Ort, der mit einer versenkbaren Steckdose ausgestattet ist. Eine versenkbare Steckdose sollte stets versenkt werden.



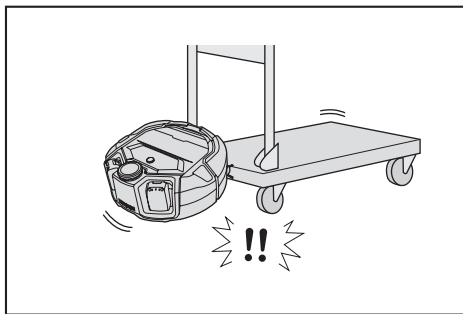
- Stellen Sie bei Wänden aus zerbrechlichem Material (z. B. einer Lehmwand, einer verzierten Tür oder Schiebetür oder einem Paravent) Gegenstände davor, die als Wand dienen, damit sie nicht beschädigt werden.
- Verwenden Sie das Gerät nicht an Orten, an denen sich instabile oder leicht umfallende Gegenstände befinden. Instabile Gegenstände und solche, die leicht umfallen, sollten in einen anderen Raum gebracht werden.



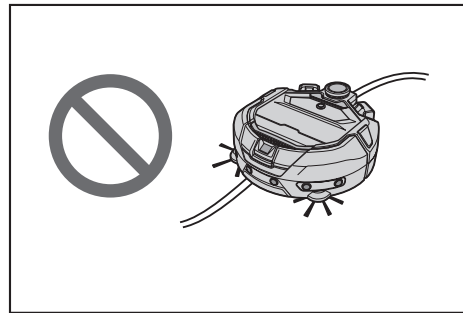
- Verschieben Sie Anlagen und Geräte mit einer Steuerung, die sich auf der gleichen Ebene wie der Akku-Saugroboter befindet.



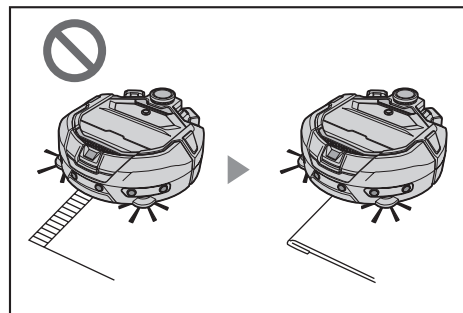
- Räumen Sie brennende Kerzen und leicht zerbrechliche Gegenstände weg.
- Bei Gegenständen mit Lenkrollen, wie z. B. einem Karren und einem Rollstuhl, sowie bei leichten Stühlen, die sich leicht bewegen, sollten Sie die Lenkrollen arretieren oder sie wegstellen.



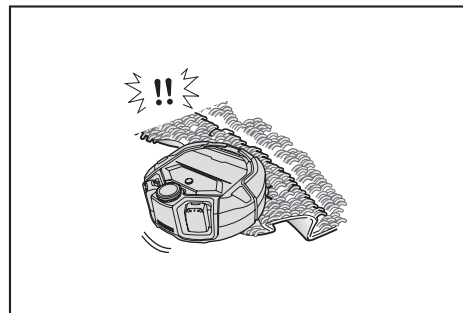
- Verwenden Sie keine Kabel, die sich verfangen oder verheddern können. Stellen Sie sicher, dass Stromkabel so entlang einer Wand verlegt werden, dass sich der Akku-Saugroboter nicht darin verfangen kann.



- Räumen Sie lange, dünne Gegenstände, wie z. B. Kordeln und Gürtel weg.
- Räumen Sie kleine Gegenstände, die leicht angesaugt werden, und wertvolle Gegenstände weg.
- Räumen Sie Gegenstände weg, die den Durchgang des Akku-Saugroboters blockieren, wie z. B. Arbeitstische, Stühle und Platten.
- Wenn tierische Exkremente oder andere flüssige Abfälle angesaugt werden, kann es zu Fehlfunktionen des Akku-Saugroboters kommen. Reinigen Sie sie.
- Achten Sie darauf, dass die Quasten einer Matte oder eines anderen Belags nach innen gesteckt werden.



- Heben Sie den Saum eines Vorhangs usw. an, der bis auf den Boden herabhängt. Der Saum kann sich in der Hauptbürste verfangen, usw.
- Räumen Sie dünne, rutschige Teppiche wie z. B. Matten und Läufer weg. Die Teppiche und seitlichen Bürsten könnten beschädigt werden.



- Räumen Sie dünnes Papier und Stoff, Plastiktüten etc. weg.
- Schließen Sie an einer Stelle, die nach draußen führt, die Türen, um zu verhindern, dass der Akku-Saugroboter nach draußen gelangt. Wenn sich die Türen nicht schließen lassen, verwenden Sie den Akku-Saugroboter nicht. Schließen Sie außerdem die Türen von Räumen, die der Akku-Saugroboter nicht betreten soll.
- Der Akku-Saugroboter kann auf einer rutschigen Bodenoberfläche möglicherweise nicht richtig laufen. Prüfen Sie vor der Benutzung den Zustand des Bodens.
- Stellen Sie sicher, dass ein Durchgang von 80 cm oder mehr für die Reinigung vorhanden ist.

## Vorbereitung für den Gebrauch

### Anbringen der seitlichen Bürsten

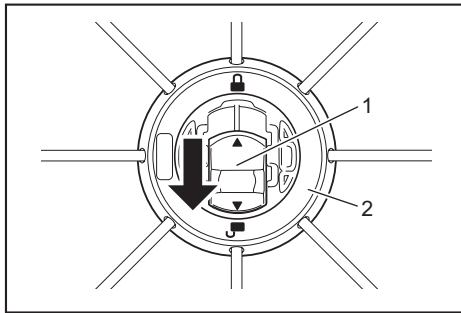
#### ! WARNUNG

Stellen Sie vor dem Anbringen der seitlichen Bürsten sicher, dass die Akkus aus dem Akku-Saugroboter entfernt sind.

- Wenn ein Akku im Akku-Saugroboter eingesetzt bleibt, kann es zu einem elektrischen Schlag oder zu Verletzungen kommen.

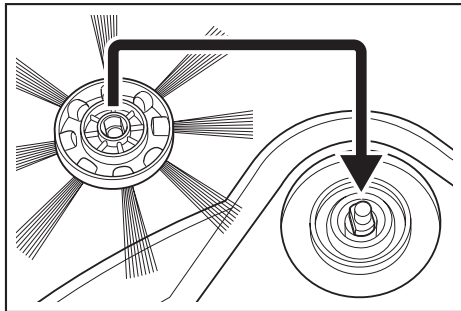
Legen Sie beim Anbringen der seitlichen Bürsten eine Matte oder etwas anderes unter, damit der Akku-Saugroboter und die Bodenoberfläche nicht beschädigt werden.

1. Stellen Sie den Akku-Saugroboter auf den Kopf.
2. Schieben Sie den Verschlusshebel der seitlichen Bürste auf (Freigabemarkierung).

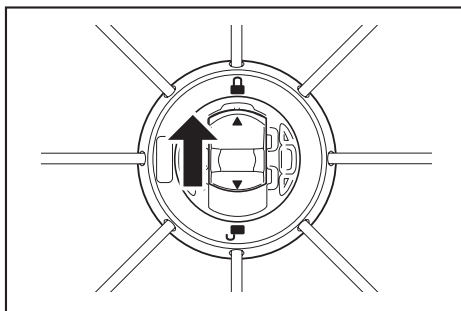


- 1. Verschlusshebel 2. Seitliche Bürste

3. Bringen Sie die seitliche Bürste so an, dass der Schaft an der Unterseite des Akku-Saugroboters in die Form des Lochs der seitlichen Bürste passt.



4. Drücken Sie den Verschlusshebel der seitlichen Bürste nach (Verriegelungsmarkierung), bis er einrastet. (Richtig hineinschieben, bis er den in der Zeichnung dargestellten Punkt erreicht.)
  - Heben Sie die seitliche Bürste nach der Installation leicht an, um sicherzustellen, dass sie sich nicht vom Akku-Saugroboter löst.
  - Bringen Sie zwei seitliche Bürsten an, eine auf der linken und eine auf der rechten Seite.



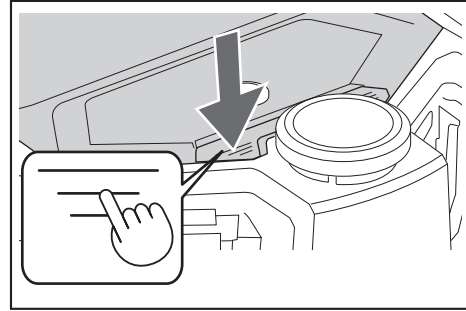
### Auspacken des Staubsammelbehälters

#### ! WARNUNG

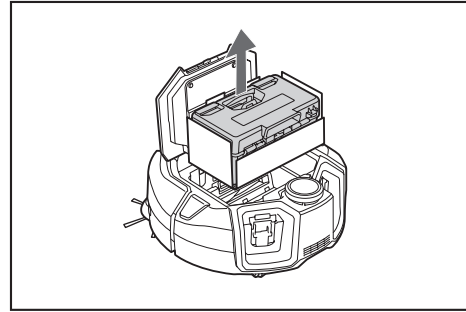
Wenn Sie die obere Abdeckung des Akku-Saugroboters öffnen, stellen Sie sicher, dass die Akkus aus dem Akku-Saugroboter entfernt sind.

- Wenn ein Akku im Akku-Saugroboter eingesetzt bleibt, kann es zu einem elektrischen Schlag oder zu Verletzungen kommen.

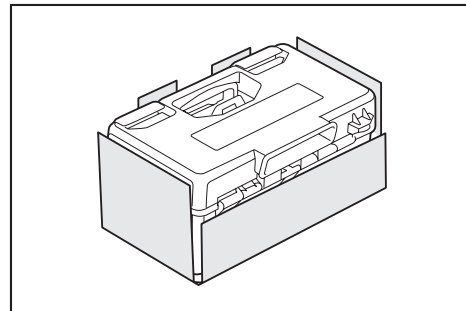
1. Drücken Sie die Taste zum Öffnen (☰), um die obere Abdeckung zu öffnen. Seien Sie vorsichtig, da sich die obere Abdeckung schnell öffnet.



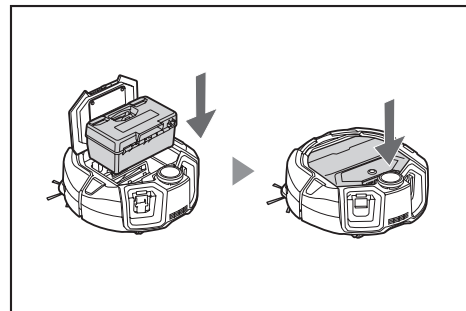
2. Entfernen Sie den Staubsammelbehälter.



3. Entfernen Sie das Verpackungsmaterial.

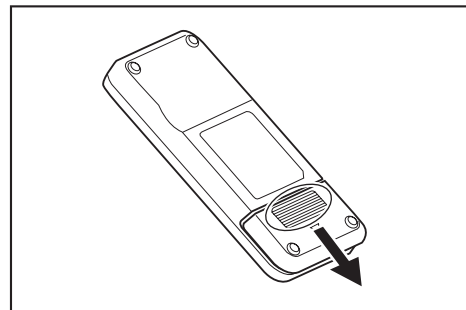


4. Setzen Sie den Staubsammelbehälter wieder in den Akku-Saugroboter ein und drücken Sie die obere Abdeckung zum Schließen, bis sie einrastet. Achten Sie beim Schließen der oberen Abdeckung darauf, dass Sie sich nicht die Finger einklemmen.

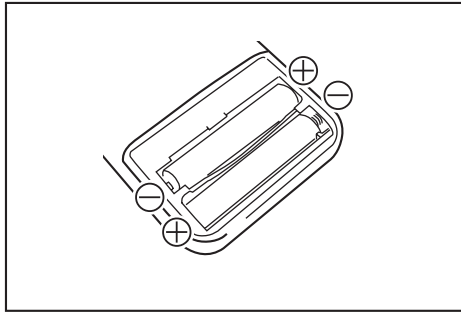


### Einsetzen von Batterien in die Fernbedienung

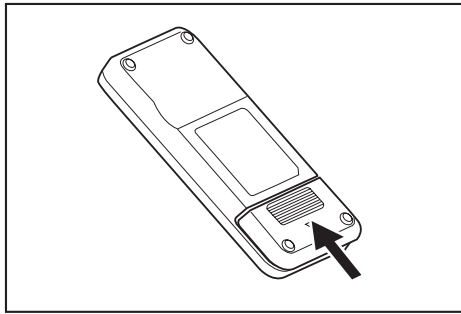
1. Halten Sie (☰) auf dem Deckel der Fernbedienung gedrückt und schieben Sie den Deckel in Pfeilrichtung und nehmen ihn ab.



2. Legen Sie die Batterien in der richtigen Richtung ein.



3. Bringen Sie den Deckel an.

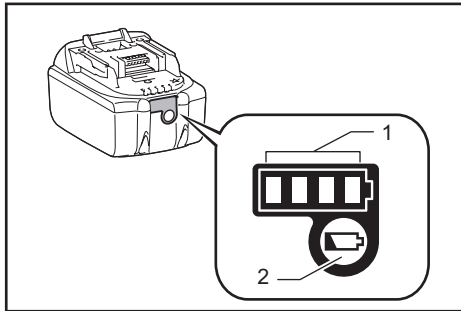


**ANMERKUNG**

- Achten Sie auf die richtige Polung der Batterien.
- Es werden zwei AAA-Trockenbatterien benötigt. Die beiden Batterien sollten neu und vom gleichen Typ sein.
- Nehmen Sie die Batterien heraus, wenn Sie sie über einen längeren Zeitraum nicht benutzen, um einen Ausfall durch auslaufende Flüssigkeit und ein Zerbersten zu vermeiden.
- Wenn die Lösung einer Batterie in Ihre Augen gelangt oder mit Ihrer Haut oder Kleidung in Berührung kommt, waschen Sie sie sofort mit sauberem Wasser ab.
- Setzen Sie die Fernbedienung keinen Stößen aus und lassen Sie sie nicht mit Wasser nass werden. Platzieren Sie sie nicht an einem Ort mit direkter Sonneneinstrahlung oder in der Nähe eines Heizkörpers usw.

**Anzeigen der verbleibenden Akkukapazität**

Nur für Akkus mit der Anzeige



► 1. Anzeigelampen 2. Prüf-Schaltfläche

Drücken Sie die Prüf-Schaltfläche am Akku, um die verbleibende Akkukapazität anzuzeigen. Die Anzeigelampe leuchtet für ein paar Sekunden auf.

Anzeigelampen			Verbleibende Kapazität
Leuchtend	Aus	Blinkend	
■	□	▬	75 % bis 100 %
■ ■ ■ ■			
■ ■ ■ □			50 % bis 75 %
■ ■ □ □			25 % bis 50 %
■ □ □ □			0 % bis 25 %
▬ □ □ □			Laden Sie den Akku auf.
■ ■ □ □			Der Akku hatte möglicherweise eine Fehlfunktion.
□ □ ■ ■			

**ANMERKUNG**

- Abhängig von den Einsatzbedingungen und der Umgebungstemperatur kann die Anzeige geringfügig von der tatsächlichen Kapazität abweichen.
- Die erste Anzeigelampe (ganz links) blinkt, wenn das Akkuschutzsystem funktioniert.

**Einsetzen und Entfernen von Akkus (separat erhältlich)**

- Der Akku-Saugroboter funktioniert auch mit nur einem Akku.
- Mit zwei Akkus kann er über einen langen Zeitraum betrieben werden.

**Einsetzen**

**⚠ WARNUNG**

Ein Akku sollte sicher bis zum Anschlag eingesetzt werden. Wenn der rote Teil im oberen Bereich der Schaltfläche sichtbar ist, bedeutet dies, dass die Verriegelung nicht vollständig ist. Setzen Sie einen Akku vollständig ein, bis der rote Teil nicht mehr sichtbar ist.

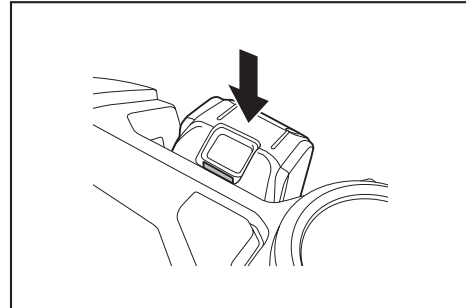
- Wenn er nicht ausreichend eingesetzt ist, kann der Akku herausfallen und einen Unfall oder Ausfall verursachen.

Setzen Sie den Akku nicht mit Gewalt ein.

- Wenn sich der Akku nicht leicht einschieben lässt, wird er nicht richtig eingesetzt.

Halten Sie das Gerät und den Akku beim Einsetzen des Akkus gut fest.

Setzen Sie einen Akku sicher entlang der Nut des Akku-Saugroboters bis zum Anschlag ein. Wenn der Akku vollständig verriegelt ist, rastet er ein.



**ANMERKUNG**

Achten Sie beim Einsetzen eines Akkus darauf, dass Sie sich nicht die Finger zwischen dem Akku-Saugroboter und dem Akku einklemmen.

**Entfernen**

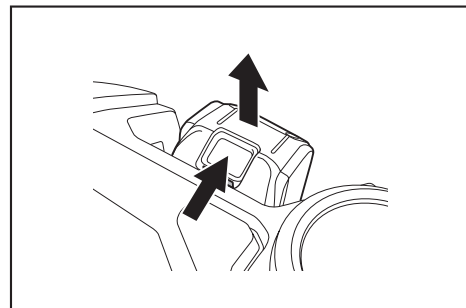
**⚠ WARNUNG**

Wenn Sie einen Akku entfernen, stellen Sie sicher, dass der Akku-Saugroboter ausgeschaltet ist. Entfernen Sie einen Akku nicht, wenn sich der Akku-Saugroboter im Standby-Zustand befindet. (Siehe „Ein-/Ausschalten der Stromversorgung“ auf Seite 16.)

- Das Entfernen eines Akkus bei eingeschalteter Stromversorgung kann zu einem Fehler führen.

Halten Sie das Gerät und den Akku beim Entfernen des Akkus fest.

Heben Sie den Akku an, während Sie den Knopf des Akkus betätigen.



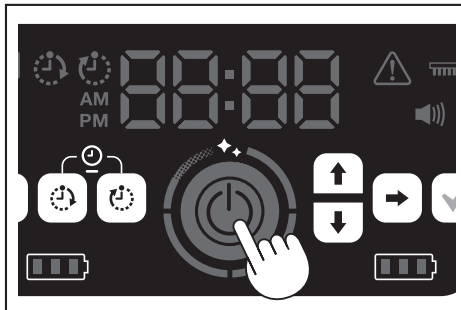


## Ein-/Ausschalten der Stromversorgung

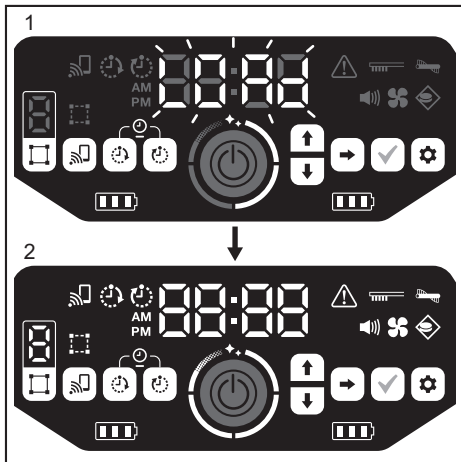
- Beim Einschalten der Stromversorgung geht der Akku-Saugroboter in den Standby-Zustand über. Im Standby-Zustand ist es möglich, eine Reinigung durchzuführen, Einstellungen zu ändern und eine Verbindung zur App herzustellen.
- Wenn der Akku-Saugroboter, die Fernbedienung oder die App im Standby-Zustand ca. 30 Minuten lang nicht bedient wurden, schaltet sich die Stromversorgung aus. (Wenn die Smartphone-Verbindungsleuchte im obigen Fall leuchtet, schaltet sich die Stromversorgung nicht aus.)
- Schalten Sie die Stromversorgung am Ende des Betriebs und bei der Lagerung aus.
- Wenn sich der Akku-Saugroboter im Ruhezustand befindet, ist keine Kommunikation über die App möglich.
- Wenn die Stromversorgung des Akku-Saugroboters ausgeschaltet ist, kann der Akku-Saugroboter nicht über die Fernbedienung oder die App bedient werden.

### So schalten Sie die Stromversorgung ein

1. Drücken Sie bei ausgeschalteter Stromversorgung des Akku-Saugroboters die Start/Stopp-Taste des Saugroboters.



2. Warten Sie ohne Bedienung, bis die Uhrzeit angezeigt wird. Wenn der Akku-Saugroboter zum ersten Mal verwendet wird, ist zunächst eine Zeiteinstellung erforderlich. Stellen Sie die Tageszeit ein. (Siehe Seite 23.)



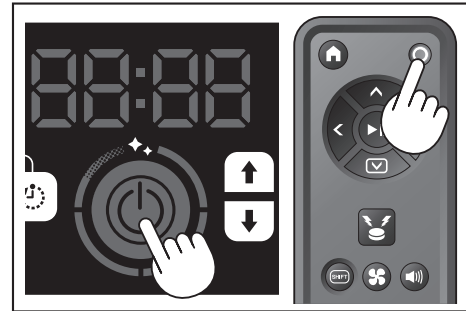
- 1. In der Zeitanzeige blinkt [LOAd], und die vier Reinigungsstufen-Lampen schalten sich im Uhrzeigersinn ein und aus. Die Umschaltgeschwindigkeit der Lampen nimmt mit fortschreitender Inbetriebnahme zu.
- 2. Wenn alle Lampen leuchten, ist die Inbetriebnahme des Akku-Saugroboters abgeschlossen (Standby-Zustand).

### So schalten Sie die Stromversorgung aus

Halten Sie die Start/Stopp-Taste des Akku-Saugroboters gedrückt oder drücken Sie die Strom AUS-Taste der Fernbedienung.

Wenn die Stromversorgung vollständig ausgeschaltet wird, schalten sich die Anzeige und die Lampen des Akku-Saugroboters aus. Warten Sie daher, ohne die Akkus zu entfernen.

Wenn Sie den Akku-Saugroboter nicht mehr verwenden oder ihn lagern möchten, schalten Sie die Stromversorgung aus und nehmen Sie die Akkus heraus.



### ANMERKUNG

Entfernen Sie die Akkus nicht, bevor das Gerät vollständig ausgeschaltet ist (bevor sich die Anzeige und die Lampen ausschalten). Die gespeicherten Karteninformationen und der Reinigungsverlauf können gelöscht werden.

### So lesen Sie die Stromversorgungslampe des Akku-Saugroboters ab

Status der Akku-Stromversorgungslampe	Verbleibende Akkukapazität
	Über 60 % oder mehr
	Über 20 bis 60 %
	Weniger als 20 %
	Keine verbleibende Kapazität Kein Akku eingesetzt

Die verbleibende Kapazität ist eine grobe Angabe und kann je nach Betriebsbedingungen, Raumtemperatur, Akkutyp und Stromverbrauch des Akkus usw. variieren.

### Was Sie vor der Reinigung einrichten müssen

Nehmen Sie vor der Reinigung die erforderlichen Einstellungen für den Akku-Saugroboter vor.

### Ein-/Ausschalten des Vakuumbelüfters

Bei der ausschließlichen Reinigung von sichtbarem Großstaub kann durch Abschalten des Vakuumbelüfters die Laufzeit verlängert werden. Wie Sie das Vakuumbelüfter ein- und ausschalten, erfahren Sie auf Seite 19.

### Ein-/Ausschalten der Toneinstellung

Wenn die Toneinstellung des Akku-Saugroboters ausgeschaltet ist, reinigt der Akku-Saugroboter geräuschlos. (Siehe Seite 23.)

### Einstellen der Grenzerkennungsfunktion

Bei eingeschalteter Grenzerkennungsfunktion erkennt der Akku-Saugroboter die auf einer Bodenfläche eingerichtete magnetische Grenzlinie. Die magnetische Grenzlinie dient als Grenzlinie und der Akku-Saugroboter bewegt sich nicht über die magnetische Grenzlinie hinaus, d. h. der Laufbereich kann begrenzt werden. Wie Sie die Grenzerkennungsfunktion einstellen, erfahren Sie auf Seite 21.

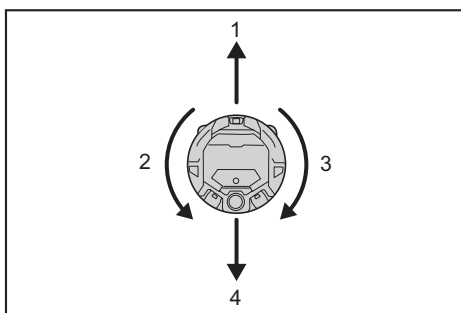
# Verwendung

## Reinigung

- Der Akku-Saugroboter arbeitet auf drei Arten:
  - Freier Reinigungsmodus, der keine Kartenregistrierung erfordert,
  - Kartenerstellungs-Reinigungsmodus (siehe „Reinigung eines Raums mit Kartenerstellung“ auf dieser Seite), der die Registrierung von Rauminformationen für die Reinigung erfordert, und
  - Manueller Betrieb über die Fernbedienung.
- Der freie Reinigungsmodus wird für die Reinigung in mehreren Räumen oder in einer Umgebung mit häufigen, erheblichen Änderungen der Anordnung empfohlen.
- Für einen Raum, der zum Zeitpunkt der Kartenerstellung nicht ausreichend beleuchtet werden kann, verwenden Sie den freien Reinigungsmodus.
- Wenn die verbleibende Akkuladung des Akku-Saugroboters schwach wird, unterbricht der Saugroboter die Reinigung und kehrt zu dem Ort zurück, an dem die Reinigung begonnen wurde.

## Reinigung eines Raums mit der Fernbedienung

Der Akku-Saugroboter kann durch Drücken der Aktionstasten der Fernbedienung zur Reinigung bedient werden.



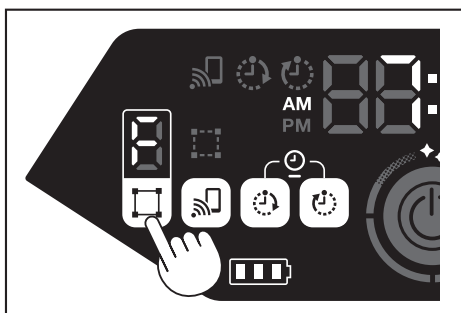
1. Vorwärts bewegen: Drücken Sie .
2. Nach links bewegen: Drücken Sie .
3. Nach rechts bewegen: Drücken Sie .
4. Rückwärts bewegen: Halten Sie  gedrückt und drücken Sie .

### ANMERKUNG

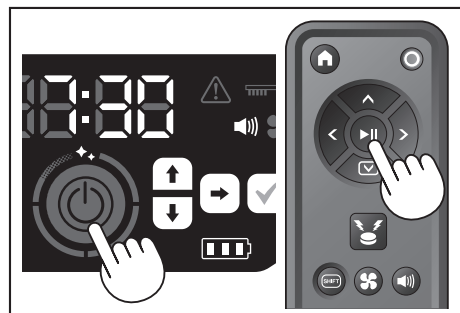
- Betreiben Sie den Akku-Saugroboter nicht an einem engen oder unebenen Ort.
- Seien Sie beim Betreiben des Akku-Saugroboters mit der Fernbedienung vorsichtig, um Kollisionen oder Stürze zu vermeiden.
- Wenn sich ein Hindernis vor dem sich bewegenden Akku-Saugroboter befindet, fährt der Akku-Saugroboter zurück, um diesem auszuweichen.

## Reinigung eines Raums ohne Kartenerstellung (freier Reinigungsmodus)

1. Positionieren Sie den Akku-Saugroboter an einer Wand des Ortes, den Sie reinigen möchten.
2. Versetzen Sie den Akku-Saugroboter in den Standby-Zustand. (Siehe Seite 16.)
3. Drücken Sie die Modus-Umschalttaste, um [F] (freier Reinigungsmodus) auszuwählen.  
Bei jedem Drücken der Modus-Umschalttaste wird das angezeigte Zeichen in der Reihenfolge „F, 1, 2, 3, 4, 5, F, ...“ geändert (jede Zahl steht für eine Raumnummer).



4. Wenn die Start/Stopp-Taste gedrückt wird, gibt der Akku-Saugroboter einen Ton von sich und beginnt mit der Reinigung. (Wenn die Toneinstellung aktiviert ist)



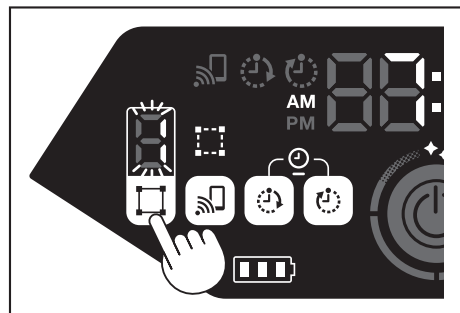
5. Wenn der Akku-Saugroboter feststellt, dass die Reinigung beendet ist, kehrt er an die Stelle zurück, an der er mit der Reinigung begonnen hat.
  - Wenn die Toneinstellung aktiviert ist, wird der Abschluss der Reinigung mit einem Ton gemeldet. (Siehe Seite 23.)
  - Der Akku-Saugroboter errechnet seine eigene Position mit Hilfe des LiDAR-Sensors und des Kamerasensors. Damit der Kamerasensor voll funktionsfähig ist, empfiehlt es sich, den Raum für die Reinigung heller zu machen. Wenn der Raum dunkel ist, kann der Akku-Saugroboter möglicherweise einige Bereiche nicht reinigen oder nicht zu der Stelle zurückkehren, an der er die Reinigung begonnen hat.

## Reinigung eines Raums mit Kartenerstellung

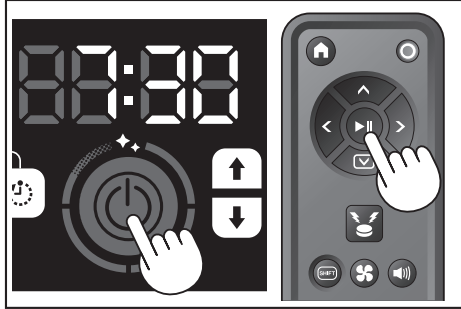
### Registrieren von Rauminformationen (Kartenerstellung)

- Wenn die zu reinigenden Räume bereits festgelegt sind, kann durch die Registrierung von Rauminformationen (Registrierung von Kartenerstellungsinformationen) im Akku-Saugroboter die Reinigung effizienter gestaltet werden. Nach Abschluss der Kartenerstellung ist es möglich, das Reinigungsergebnis zu überprüfen und verbotene Bereiche in der App festzulegen.
- Die Anzahl der Räume, die registriert werden können, beträgt fünf.
- Machen Sie den Raum während der Kartenerstellung heller.
- Halten Sie sich während der Kartenerstellung vom Akku-Saugroboter fern.
- Heben Sie den Akku-Saugroboter nicht während der Kartenerstellung hoch.
- Die Kartenerstellung schlägt fehl, wenn sich in einem Radius von ca. 11 m um den Akku-Saugroboter keine Hindernisse mit einer Höhe von 25 cm oder mehr befinden. In diesem Fall wird die Reinigung im freien Reinigungsmodus empfohlen. (Siehe „Reinigung eines Raums ohne Kartenerstellung (freier Reinigungsmodus)“ auf dieser Seite)

1. Platzieren Sie den Akku-Saugroboter an der Stelle, von der aus der Saugroboter mit der Reinigung beginnen soll.
  - An diesem Startort wird die Reinigung beginnen.
  - Es wird empfohlen, den Startort in der Nähe einer Wand, in einer Ecke des Raums oder an einem anderen leicht zu identifizierenden Punkt festzulegen.
  - Halten Sie einen Abstand von ca. 30 cm zu einer Wand ein.
2. Versetzen Sie den Akku-Saugroboter in den Standby-Zustand. (Siehe Seite 16.)
3. Wählen Sie die Nummer eines nicht kartierten Raums durch Drücken der Modus-Umschalttaste.
  - [F] ist der freie Reinigungsmodus. (Siehe „Reinigung eines Raums ohne Kartenerstellung (freier Reinigungsmodus)“ auf dieser Seite.)
  - Nummern von nicht kartierten Räumen werden blinkend angezeigt und die Raum-Registrierungslampe ist eingeschaltet.
  - Nummern von kartierten Räumen werden leuchtend angezeigt und die Raum-Registrierungslampe ist ausgeschaltet.

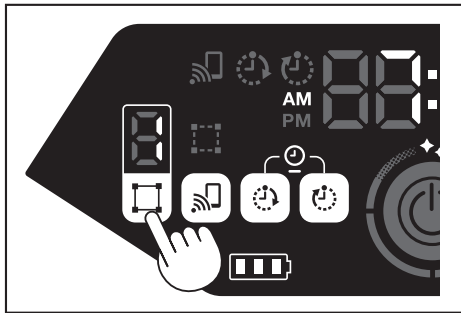


- Wenn die Start/Stopp-Taste gedrückt wird, beginnt der Akku-Saugroboter mit der Kartenerstellung. Nach der Kartenerstellung kehrt der Akku-Saugroboter zurück zu dem Punkt, an dem die Kartenerstellung begann (Startpunkt der Reinigung) und schließt dann die Raumregistrierung ab.
- Nach Abschluss der Kartenerstellung geht der Akku-Saugroboter in den Standby-Zustand über. Es kann einige Zeit dauern, bis der Akku-Saugroboter in den Standby-Zustand übergeht. Schalten Sie in diesem Fall die Stromversorgung nicht aus.
- Wenn die Toneinstellung aktiviert ist, wird der Abschluss der Kartenerstellung mit einem Ton gemeldet.
- Wenn die Kartenerstellung nicht erfolgreich ist, fügen Sie die Kartenerstellungsinformationen manuell über die App hinzu. (Siehe Seite 41.)

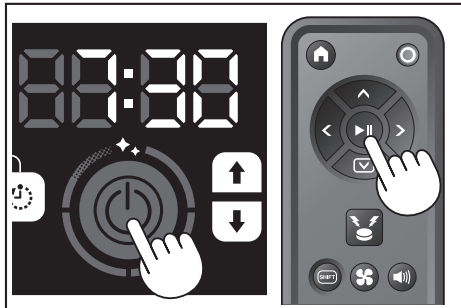


### Reinigung von kartierten Räumen

- Im Kartenerstellungs-Reinigungsmodus arbeitet der Akku-Saugroboter so, dass kartierte Räume effizienter gereinigt werden.
  - Die Verwendung des Kartenerstellungs-Reinigungsmodus erfordert, dass Kartenerstellungsinformationen registriert werden. (Siehe „Reinigung eines Raums mit Kartenerstellung“ auf Seite 17.)
- Platzieren Sie den Akku-Saugroboter am Startpunkt für die Kartenerstellung. Platzieren Sie den Akku-Saugroboter so weit wie möglich mit der gleichen Ausrichtung wie zu Beginn der Kartenerstellung. Dadurch kann der Akku-Saugroboter reibungsloser mit der Reinigung beginnen.
  - Versetzen Sie den Akku-Saugroboter in den Standby-Zustand. (Siehe Seite 16.)
  - Wählen Sie eine Nummer eines kartierten Raums durch Drücken der Modus-Umschalttaste.
    - [F] ist der freie Reinigungsmodus. (Siehe Seite 17.)
    - Nummern von nicht kartierten Räumen werden blinkend angezeigt und die Raum-Registrierungslampe ist eingeschaltet.
    - Nummern von kartierten Räumen werden leuchtend angezeigt und die Raum-Registrierungslampe ist ausgeschaltet.



- Drücken Sie die Start/Stopp-Taste, um mit der Reinigung zu beginnen.



- Wenn die Reinigung beendet ist, fährt der Akku-Saugroboter wieder dorthin zurück, wo er mit der Reinigung begonnen hat.
  - Die Reinigungsstufen-Lampe zeigt an, welcher Anteil des gesamten Raums gereinigt wurde.
  - Wenn die Toneinstellung aktiviert ist, wird der Abschluss der Reinigung mit einem Ton gemeldet. (Siehe Seite 23.)
  - Wenn der Ziel-Reinigungsbereich zu groß ist, um alles auf einmal zu reinigen, empfehlen wir, die Einstellung [Dauerhaftes Reinigen] zu verwenden. (Siehe Seite 44.)

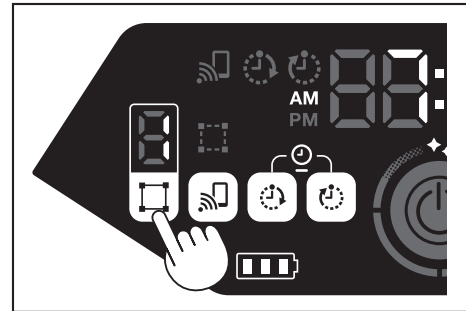
### Ablezen der Reinigungsstufen-Lampe

Die Reinigungsstufen-Lampe informiert Sie über den prozentualen Anteil des gereinigten Bereichs im Oberflächenbereich des kartierten Raums.

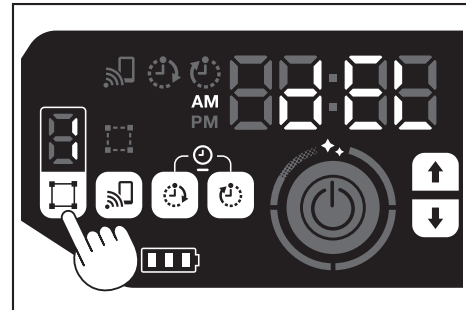
Status der Reinigungsstufen-Lampe	Prozentsatz des abgeschlossenen Reinigungsbereichs
	90 % oder mehr
	75 % weniger als 90 %
	50 % weniger als 75 %
	25 % weniger als 50 %

### Löschen von Kartenerstellungsinformationen

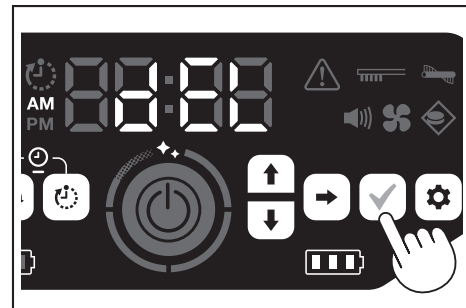
- Versetzen Sie den Akku-Saugroboter in den Standby-Zustand. (Siehe Seite 16.)
- Wählen Sie die Raumnummer aus, für die Sie die Kartenerstellungsinformationen löschen möchten, indem Sie die Modus-Umschalttaste drücken.
  - Bei jedem Drücken der Modus-Umschalttaste wird die Raumnummer in der Reihenfolge „F, 1, 2, 3, 4, 5, F, ...“ geändert. (Bei [F] ist das Löschen von Kartenerstellungsinformationen nicht möglich, da [F] der freie Reinigungsmodus ist.)
  - Eine Nummer eines kartierten Raums leuchtet in der Anzeige auf.



- Wenn die Modus-Umschalttaste gedrückt gehalten wird, wird [dEL] ca. 10 Sekunden lang in der Zeitanzeige angezeigt.



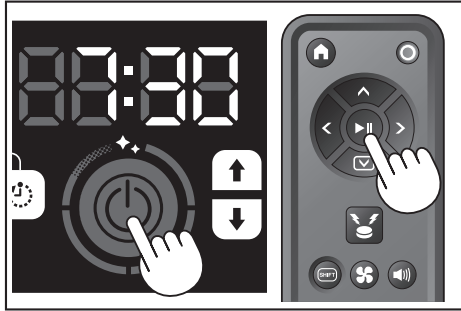
- Drücken Sie die Bestätigungstaste, während [dEL] angezeigt wird.



- Wenn die Bestätigungstaste nicht gedrückt wird, während [dEL] angezeigt wird, kehrt der Akku-Saugroboter wieder in den Standby-Zustand zurück.
- Wenn die Kartenerstellungsinformationen gelöscht werden, blinkt die ausgewählte Raumnummer und ihre Registrierung wird aufgehoben.

## Unterbrechung oder Beendigung der Reinigung

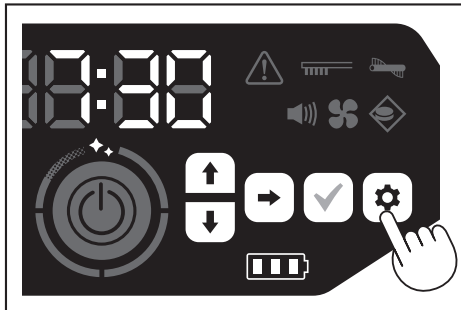
1. Wenn die Start/Stopp-Taste während des Betriebs gedrückt wird, wird der Akku-Saugroboter vorübergehend angehalten. Wenn die Start/Stopp-Taste erneut gedrückt wird, nimmt der Akku-Saugroboter den Betrieb im gleichen Betriebsmodus wie vor dem Anhalten wieder auf.



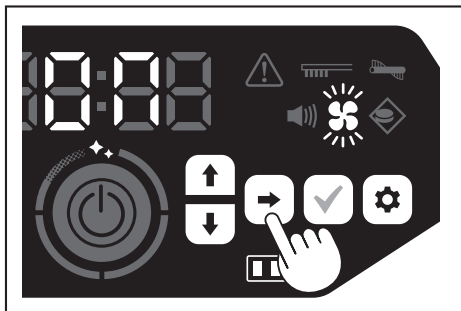
2. Um die Reinigung während der Reinigung zu beenden, drücken Sie die Startpunkt-Taste der Fernbedienung, wenn der Akku-Saugroboter in Betrieb oder in einem vorübergehend angehaltenem Zustand ist. Der Akku-Saugroboter kehrt an die Stelle zurück, an der er mit der Reinigung begonnen hat, und geht dann in den Standby-Zustand über.
  - Um die Reinigung sofort zu beenden, drücken Sie die Modus-Umschalttaste, während sich der Akku-Saugroboter im vorübergehend angehaltenem Zustand befindet. Der Akku-Saugroboter wird dann in den Standby-Zustand versetzt.
  - Wenn die Reinigung beendet wird, ohne zum Startpunkt zurückzukehren, wird der Reinigungsverlauf möglicherweise nicht korrekt gespeichert.

## Ein-/Ausschalten des Vakuumbelüfters

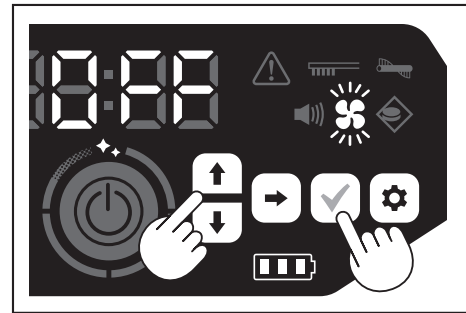
- Wenn nur sichtbarer, großer Staub gereinigt wird, führt das Abschalten des Vakuumbelüfters zu einer etwa doppelt so langen Laufzeit.
  - Das Vakuumbelüfter kann auch über die Fernbedienung oder die App eingestellt werden. (Siehe „Ein-/Ausschalten des Vakuumbelüfters“ auf dieser Seite und „Betreiben des Akku-Saugroboters mit der App“ auf Seite 38.)
1. Wenn sich der Akku-Saugroboter im Standby-Zustand befindet, drücken Sie die Einstellungstaste, um den Einstellungsauswahlmodus aufzurufen.



2. Drücken Sie die Weiter-Taste, um die Vakuumbelüfterlampe blinken zu lassen.



3. Die Oben-/Runter-Tasten können zum Umschalten zwischen Ein und Aus verwendet werden. Nach der Auswahl von Ein oder Aus drücken Sie die Bestätigungstaste, um die Einstellung abzuschließen.
  - Ein: Die Vakuumbelüfterlampe wird eingeschaltet.
  - Aus: Die Vakuumbelüfterlampe wird ausgeschaltet.



### ANMERKUNG

Bei ausgeschalteter Einstellung des Vakuumbelüfters leuchtet die Filterpflegelampe auch bei verstopftem Filter nicht auf.

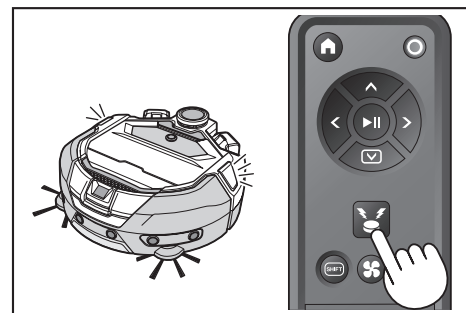
## Ein- und Ausschalten des Vakuumbelüfters mit der Fernbedienung

Wenn sich der Akku-Saugroboter im Standby-Zustand befindet, kann das Vakuumbelüfter durch Drücken der Vakuumbelüfter EIN/AUS-Taste auf der Fernbedienung ein- und ausgeschaltet werden.

Auch während der Reinigung kann das Gebläse über die Fernbedienung ein- oder ausgeschaltet werden.

## Verwenden der Ortungs-Funksignalfunktion

- Der Akku-Saugroboter meldet seinen eigenen Standort mit einem Summertone und Licht. Diese Funktion wird verwendet, wenn der Akku-Saugroboter nicht gefunden werden kann, weil er einen großen Bereich reinigt oder einen Ort betreten hat, an dem er nicht gefunden werden kann.
- Wenn die Ortungs-Funksignal-Summer/Licht-Taste der Fernbedienung gedrückt wird, ertönt ein Summer für ca. 10 Sekunden, während die Positions-LED blinkt.
- Um die Ortungs-Funksignal-Funktion auf halbem Weg zu stoppen, drücken Sie die Ortungs-Funksignal-Summer/Licht-Taste erneut.



### ANMERKUNG

- Die Ortungs-Funksignal-Funktion kann in den folgenden Fällen nicht verwendet werden.
  - Wenn die Stromversorgung des Akku-Saugroboters ausgeschaltet ist.
  - Wenn keine Akkukapazität mehr vorhanden ist.
  - Wenn sich der Akku-Saugroboter in einer Position befindet, in der ihn die Funkwellen nicht erreichen.
  - Wenn die Batterie in der Fernbedienung erschöpft ist.
- Obwohl die Ortungs-Funksignal-Funktion auch über die App verwendet werden kann, müssen Ihr Smartphone und der Akku-Saugroboter im Voraus verbunden werden. Wenn sich der Akku-Saugroboter im Ruhezustand befindet, kann die Funktion nicht über die App verwendet werden.

## Verwenden des EIN-Timers/AUS-Timers

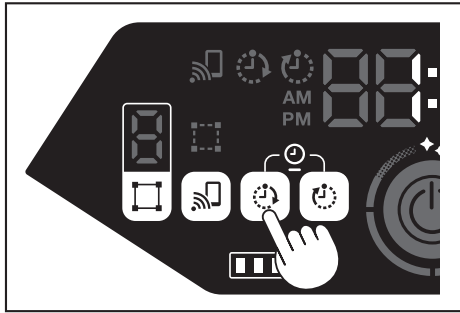
Der EIN-Timer und der AUS-Timer können gleichzeitig verwendet werden.

### Einstellen des EIN-Timers

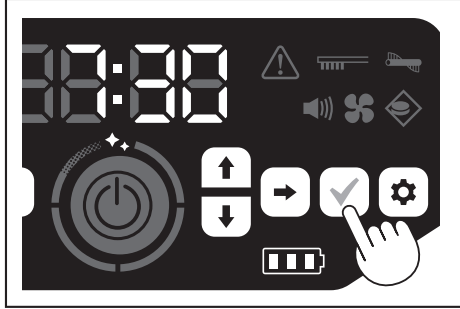
Zu einem vorgewählten Zeitpunkt beginnt der Akku-Saugroboter mit der Reinigung im ausgewählten Reinigungsmodus. Stellen Sie vor dem Einstellen des Timers die Tageszeit ein. (Siehe Seite 23.)

1. Versetzen Sie den Akku-Saugroboter in den Standby-Zustand. (Siehe Seite 16.)

- Halten Sie die Taste EIN-Timer gedrückt, um die Zeiteinstellung des EIN-Timers zu ändern.
  - Die Vorgehensweise beim Ändern ist die gleiche wie bei der Zeiteinstellung (Siehe Seite 23).
  - Der EIN-Timer kann in Schritten von 10 Minuten konfiguriert werden.

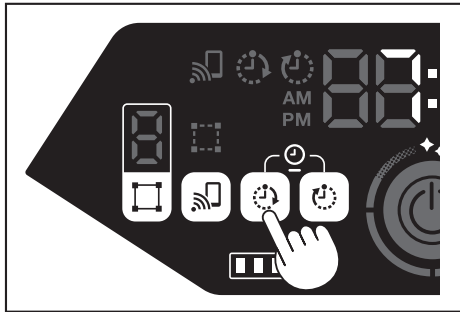


- Drücken Sie die Bestätigungstaste, um die Tageszeit fertigzustellen.

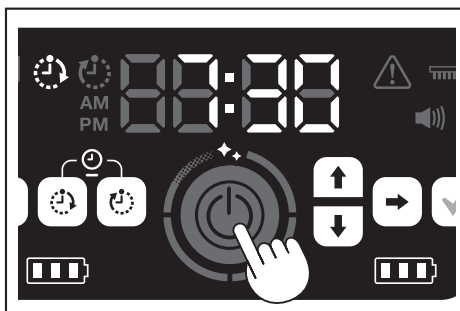


### Verwenden des EIN-Timers

- Drücken Sie die Taste EIN-Timer, um die EIN-Timer-Funktion zu aktivieren. Die Timerlampe EIN leuchtet auf und die Einstellzeit blinkt zweimal.
  - Zum Abbrechen der EIN-Timer-Funktion drücken Sie erneut die Taste EIN-Timer, um die Timerlampe EIN auszuschalten.



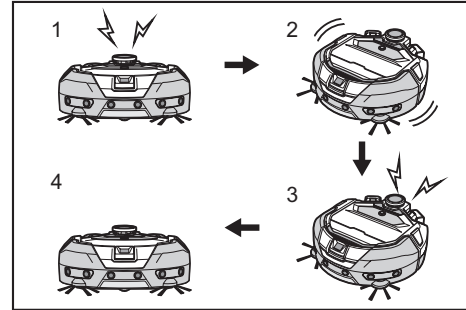
- Wählen Sie den Betriebsmodus des Akku-Saugroboters. (Siehe Seiten 17 und 18.)
- Beim Drücken der Start/Stopp-Taste wird die Reinigung durch die EIN-Timer-Funktion reserviert. (Ruhezustand)  
Zum Abbrechen der EIN-Timer-Funktion im Ruhezustand drücken Sie die Start/Stopp-Taste erneut, um den Akku-Saugroboter in den Standby-Zustand zu versetzen. Um die Einstellzeit nach der Reservierung zu sehen, drücken Sie eine beliebige Taste außer der Start/Stopp-Taste. Danach leuchtet die Einstellzeit für 3 Sekunden auf.



### ANMERKUNG

- Die reservierten Informationen werden abgebrochen, wenn die Stromversorgung ausgeschaltet wird oder wenn die verbleibende Akkukapazität komplett aufgebraucht ist.
- Wenn die Akkus entladen sind, kann der Akku-Saugroboter nicht auf den Betrieb durch die EIN-Timer-Reservierung warten. Für den Betrieb durch die EIN-Timer-Reservierung wird empfohlen, die Akkus voll aufzuladen.
- Der Betrieb durch die EIN-Timer-Reservierung ist nicht möglich, wenn die Stromversorgung ausgeschaltet ist.
- Wenn der EIN-Timer eingestellt ist, wird die Betriebszeit etwas verkürzt, da der Akku-Saugroboter im Ruhezustand den Akku verbraucht.

- Beispiel für die Verwendung: Lassen Sie den Akku-Saugroboter morgens automatisch reinigen. (Stellen Sie den EIN-Timer auf 7:30 und den AUS-Timer auf 9:00.)



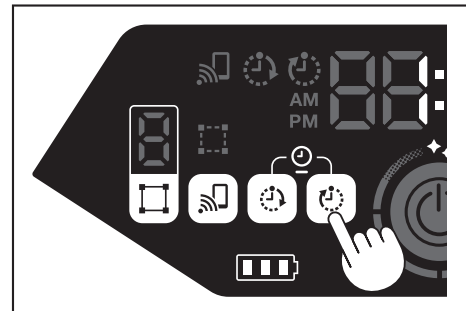
- ▶ 1. Startet um 07:30. (EIN-Timer) 2. Reinigung 3. Beendet Reinigung um 09:00. (AUS-Timer) 4. Kehrt zum Startpunkt zurück.

- Wenn Sie während der Einstellung der Stunden/Minuten die Oben-/Runter-Tasten gedrückt halten, ändern sich die Stunden/Minuten schnell.
- Wenn die Zeiteinstellung des Timers bereits abgeschlossen ist, müssen Sie nur noch die Prozedur für „Verwenden des EIN-Timers“ auf dieser Seite befolgen.

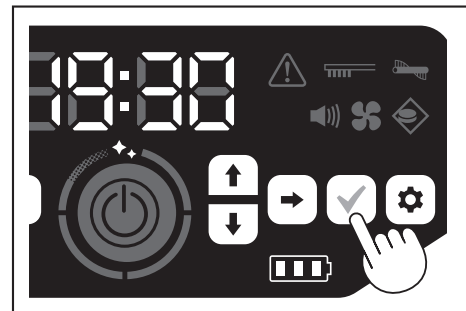
### Einstellen des AUS-Timers

Wenn nach dem Start der Reinigung eine vorgewählte Zeit verstrichen ist, beendet der Akku-Saugroboter die Reinigung und fährt zum Ausgangspunkt zurück. Stellen Sie vor dem Einstellen des Timers die Tageszeit ein. (Siehe Seite 23.)

- Versetzen Sie den Akku-Saugroboter in den Standby-Zustand. (Siehe Seite 16.)
- Halten Sie die Taste AUS-Timer gedrückt, um die Zeiteinstellung des AUS-Timers zu ändern.
  - Die Vorgehensweise beim Ändern ist die gleiche wie bei der Zeiteinstellung (Siehe Seite 23).
  - Der AUS-Timer kann in Schritten von 10 Minuten konfiguriert werden.



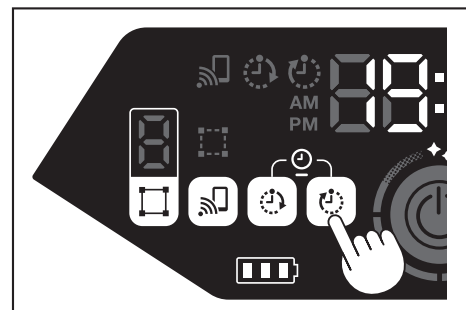
- Drücken Sie die Bestätigungstaste, um die Tageszeit fertigzustellen.



### Verwenden des AUS-Timers

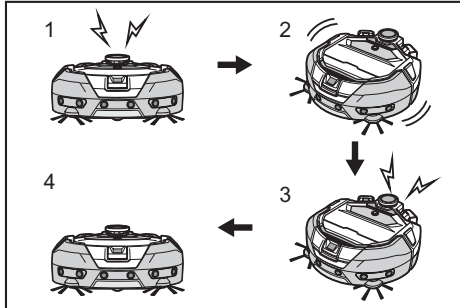
Drücken Sie die Taste AUS-Timer, um die AUS-Timer-Funktion zu aktivieren. Die Timerlampe AUS leuchtet auf und die Einstellzeit blinkt zweimal.

- Um die Reinigung sofort zu starten und den AUS-Timer zu verwenden, wählen Sie den Reinigungsmodus und starten Sie die Reinigung.
- Zur Verwendung des AUS-Timers in Kombination mit dem EIN-Timer siehe Seite 19.
- Zum Abbrechen des AUS-Timers drücken Sie erneut die Taste AUS-Timer, wenn sich der Akku-Saugroboter im Standby-Zustand befindet.



## ANMERKUNG

- Die Einstellung des AUS-Timers wird deaktiviert, wenn die Stromversorgung ausgeschaltet wird oder wenn die verbleibende Akkukapazität komplett aufgebraucht ist.
- Wenn die verbleibende Akkukapazität niedrig ist, könnte der Betrieb des Akku-Saugroboters vor der eingestellten Zeit des AUS-Timers stoppen.
- Je nach Reinigungsumgebung kann es einige Zeit dauern, bis der Akku-Saugroboter wieder zum Ausgangspunkt zurückkehrt. Stellen Sie in diesem Fall eine frühere Zeit für den AUS-Timer ein.
- Beispiel für die Verwendung: Lassen Sie den Akku-Saugroboter abends nur 30 Minuten lang automatisch reinigen. (Stellen Sie den EIN-Timer auf 19:00 und den AUS-Timer auf 19:30.)



- 1. Startet um 19:00. (EIN-Timer) 2. Reinigung 3. Beendet Reinigung um 19:30. (AUS-Timer) 4. Kehrt zum Startpunkt zurück.

- Wenn Sie während der Einstellung der Stunden/Minuten die Oben-/Runter-Taste gedrückt halten, ändern sich die Stunden/Minuten schnell.
- Wenn die Zeiteinstellung des Timers bereits abgeschlossen ist, müssen Sie nur noch die Prozedur für „Verwenden des AUS-Timers“ auf Seite 20 befolgen.

## Steuern des Reinigungsbereichs

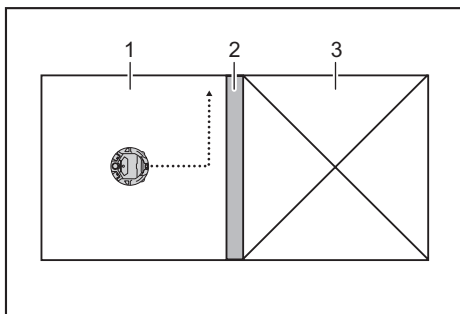
### ⚠ WARNUNG

Verwenden Sie die magnetische Grenzlinie nicht als Grenzlinie eines Bereichs, in dem möglicherweise ein Unfall durch Eindringen oder Herunterfallen geschehen kann.

- Andernfalls kann es zu einem Unfall oder einer Verletzung durch Eindringen oder Herunterfallen des Akku-Saugroboters kommen.

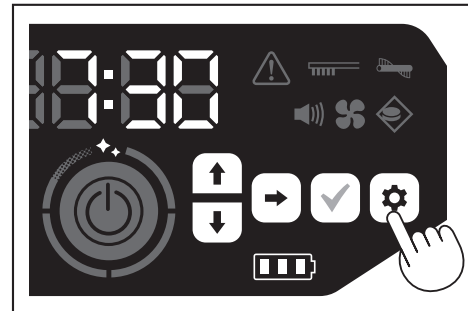
Stellen Sie bei einem Bereich, in dem die Gefahr des Eindringens oder Herunterfallens des Akku-Saugroboters besteht, ein als Wand dienendes Objekt mit einer Höhe von 25 cm oder mehr (ein Objekt, das sich nicht bewegt oder umkippt, wenn es vom Akku-Saugroboter angestoßen wird) auf eine ebene Fläche.

- Der Reinigungsbereich kann begrenzt werden, indem eine magnetische Grenzlinie (separat erhältlich) auf einer Bodenfläche angebracht wird, um eine Grenzlinie zu bilden. Der Akku-Saugroboter erkennt die magnetische Grenzlinie und meidet sie.
- Stellen Sie den Reinigungsbereich für den Akku-Saugroboter in den folgenden Fällen ein.

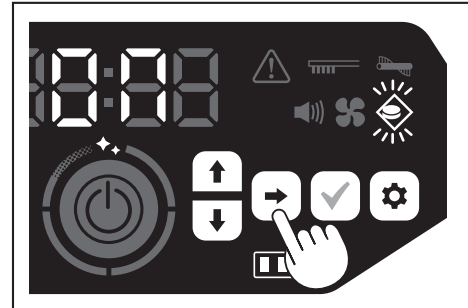


- 1. Reinigungsbereich 2. Magnetische Grenzlinie 3. Bereich, in dem der Akku-Saugroboter nicht laufen soll
- Wenn Sie einen Raum, der zu groß ist, um ihn auf einmal zu reinigen, in mehrere zu reinigende Bereiche unterteilen möchten.
  - Wenn es einen Bereich gibt, den der Akku-Saugroboter nicht betreten soll.
  - Wenn es einen Bereich gibt, den der Akku-Saugroboter betreten, aber nicht verlassen kann.
  - Wenn der Akku-Saugroboter über eine niedrige Stufe fährt, aber von ihr herunterfällt.
  - Wenn der Akku-Saugroboter in der Mitte einer Stufe hängen bleibt.
- Verlegen Sie die magnetische Grenzlinie unter Berücksichtigung der folgenden Punkte.
  - Achten Sie darauf, die magnetische Grenzlinie ohne Zwischenraum zur Bodenoberfläche zu verlegen.

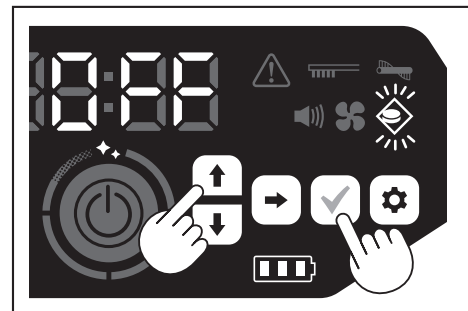
- Verlegen Sie die magnetische Grenzlinie in einem Abstand von ca. 15 cm zu dem Bereich, den der Akku-Saugroboter nicht betreten soll.
  - Legen Sie die magnetische Grenzlinie auf eine möglichst ebene Bodenfläche, damit sie nicht instabil wird. Andernfalls kann es dazu kommen, dass der Akku-Saugroboter die Linie verschiebt und die Linie nicht richtig erkennt.
  - Der Akku-Saugroboter erkennt möglicherweise eine magnetische Grenzlinie nicht, die sich auf einer konkaven oder abgestuften Oberfläche befindet.
  - Stellen Sie sicher, dass die magnetische Grenzlinie ein Originalprodukt ist. Wenn es sich nicht um ein Originalprodukt handelt, können Leistung und Sicherheit nicht garantiert werden.
  - Einige Bodenflächen können verschmutzt werden. Prüfen Sie die Eignung vor der Verwendung genau.
  - Je nach Bodenoberfläche und Betriebsumgebung ist es wahrscheinlich, dass der Magnetsensor für Grenzerkennung die magnetische Grenzlinie nicht erkennt oder dass die magnetische Grenzlinie verschmutzt oder eingerissen ist. Prüfen Sie die Eignung vor der Verwendung genau.
- Wenn sich der Akku-Saugroboter im Standby-Zustand befindet, drücken Sie die Einstellungstaste, um den Einstellungsauswahlmodus aufzurufen.



- Drücken Sie die Weiter-Taste, um die Grenzerkennungslampe blinken zu lassen.



- Die Oben-/Runter-Tasten können zum Umschalten zwischen Ein und Aus verwendet werden. Nach der Auswahl von Ein oder Aus drücken Sie die Bestätigungstaste, um die Einstellung abzuschließen.
- Ein: Die Grenzerkennungslampe wird eingeschaltet.
- Aus: Die Grenzerkennungslampe wird ausgeschaltet.



## ANMERKUNG

- Die Grenzerkennungsfunktion basiert auf der Erkennung der magnetischen Grenzlinie durch einen Magnetsensor. Wenn an der magnetischen Grenzlinie Risse, Erhebungen usw. vorhanden sind, wird die Linie möglicherweise nicht erkannt.
- Prüfen Sie die magnetische Grenzlinie regelmäßig auf Risse, Positionsabweichungen und andere Probleme. Wenn ein Problem wie z. B. ein Riss vorliegt, ersetzen Sie die Linie durch eine neue Linie.
- Die Grenzerkennungsfunktion könnte in der Nähe eines magnetischen Gegenstands aktiviert werden. Wenn Sie nicht möchten, dass die Grenzerkennungsfunktion funktioniert, deaktivieren Sie die Grenzerkennungsfunktion.
- An einem Ort, an dem Menschen und Dinge häufig kommen und gehen, wird auf die magnetische Grenzlinie getreten und sie wird beschädigt. Wenn sich die Linie verschlechtert, ersetzen Sie sie durch eine neue Linie.
- Je nach Bodenmaterial ist es empfehlenswert, die magnetische Grenzlinie auf den Boden zu kleben, da der Akku-Saugroboter die magnetische Grenzlinie bei der Erkennung möglicherweise verschiebt.
- Die magnetische Grenzlinie kann mit einer Schere geschnitten werden.

## Anbringen, Entfernen und Verwenden von separat erhältlichen Artikeln

Auf den unten aufgeführten Seiten finden Sie Informationen zum Anbringen, Entfernen und Verwenden von separat erhältlichen Artikeln.

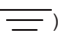
Separat erhältliche Artikel	Referenzseite	Anmerkungen
Magnetische Grenzlinie	21	–
Hauptbürste Weiche Hauptbürste	26	Die Handhabung ist die gleiche wie bei der mitgelieferten Hauptbürste.
HEPA-Filter	25	Entspricht dem mitgelieferten HEPA-Filter.
Seitliche Bürste Weiche seitliche Bürste	26	Die Handhabung ist die gleiche wie bei den mitgelieferten seitlichen Bürsten.
Akku	15	–
Abdeckung der Hauptbürste	26	Gleich wie die mitgelieferte Abdeckung der Hauptbürste.
Pufferkissen	–	Ein am Akku-Saugroboter zu befestigendes Anti-Kratz-Kissen zum Schutz der Objekte.

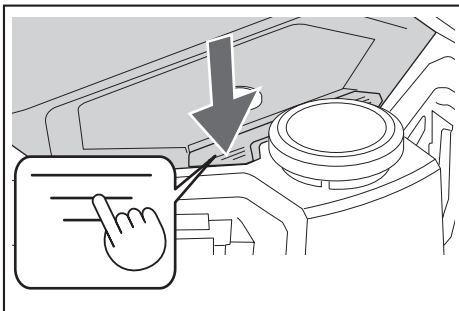
## So entsorgen Sie den Abfall

### ! WARNUNG

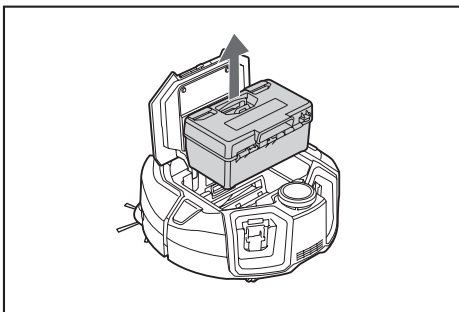
**Schalten Sie unbedingt die Stromversorgung aus und entfernen Sie die Akkus aus dem Akku-Saugroboter, bevor Sie die obere Abdeckung des Akku-Saugroboters öffnen.**

- Wenn ein Akku im Akku-Saugroboter eingesetzt bleibt, kann es zu einem elektrischen Schlag oder zu Verletzungen kommen.

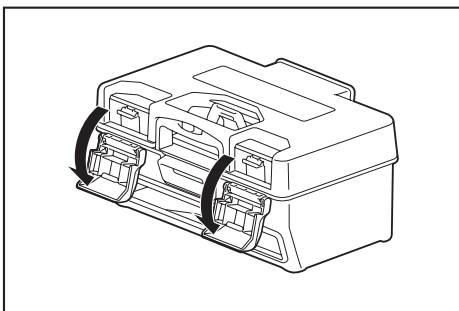
1. Die obere Abdeckung wird durch Drücken der Taste zum Öffnen (  ) geöffnet.  
Seien Sie vorsichtig, da sich die obere Abdeckung schnell öffnet.



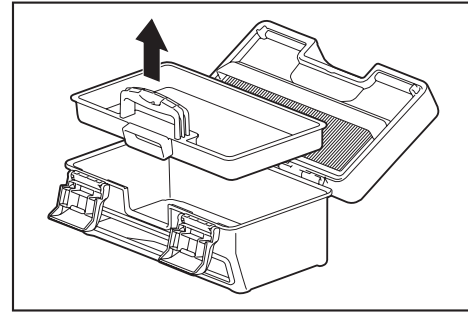
2. Entfernen Sie den Staubsammelbehälter.  
Halten Sie den Staubsammelbehälter nicht mit seiner Öffnung nach unten gerichtet. Dadurch kann Staub aus der Öffnung fallen.



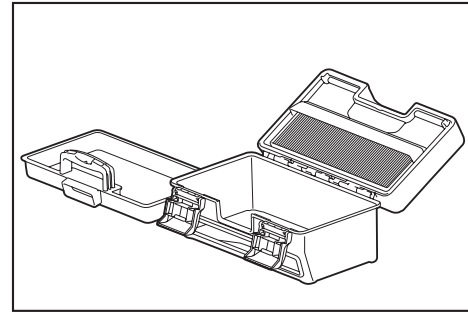
3. Lösen Sie die beiden verriegelten Teile, um die obere Abdeckung zu öffnen.



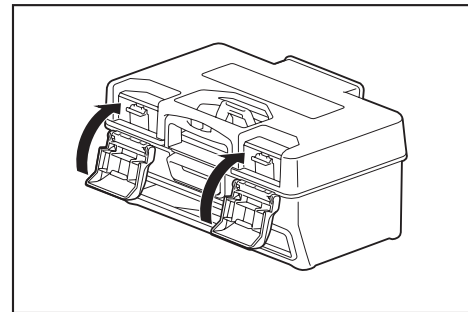
4. Nehmen Sie das Staubgehäuse heraus.  
Achten Sie darauf, nicht die obere Abdeckung auf der Filterseite zu öffnen.



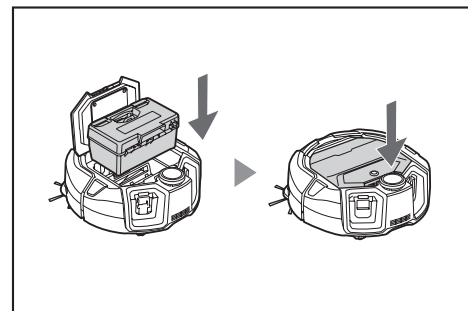
5. Entsorgen Sie den Abfall im Staubgehäuse und im Staubsammelbehälter und entfernen Sie dann Schmutz und Staub im Filter.  
Wenn der Filter zu stark verschmutzt ist, nehmen Sie den Filter heraus und waschen Sie ihn mit Wasser. (Siehe Seite 25.)



6. Setzen Sie das Staubgehäuse wieder in den Staubsammelbehälter ein. Schließen Sie dann die obere Abdeckung und verriegeln Sie die beiden Verriegelungsteile.



7. Setzen Sie den Staubsammelbehälter wieder in den Akku-Saugroboter ein und drücken Sie die obere Abdeckung zum Schließen, bis sie einrastet.  
Achten Sie beim Schließen der oberen Abdeckung darauf, dass Sie sich nicht die Finger einklemmen.



### ANMERKUNG

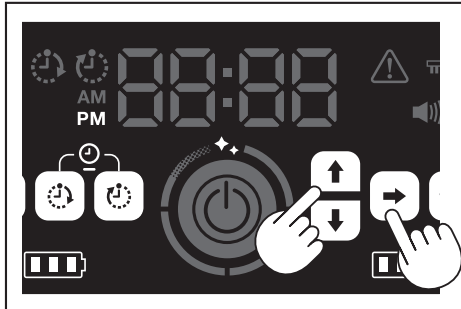
- Entsorgen Sie am Ende jeder Reinigung den Abfall und pflegen Sie den Filter. Wenn Sie die Reinigung fortsetzen, ohne den Abfall zu entsorgen, wird der Filter verstopft und die Saugleistung nimmt ab.
- Bringen Sie den Staubsammelbehälter und den Filter richtig an.

## Einstellen des Akku-Saugroboters

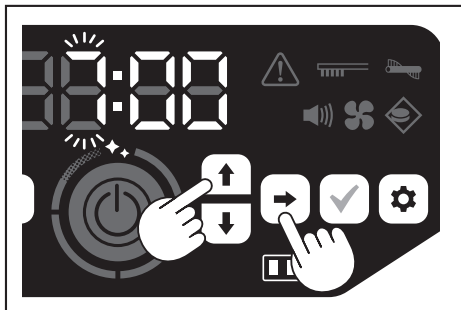
### Einstellung der Tageszeit

Beginnen Sie bei der ersten Verwendung mit der Einstellung der Tageszeit.

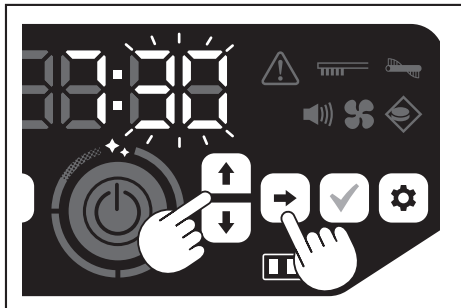
1. Wählen Sie mit den Oben-/Runter-Tasten das Anzeigeformat unter [AM], [PM] oder ohne Unterscheidung (in 24-Stunden-Darstellung) und drücken Sie dann die Weiter-Taste, um die Auswahl zu übernehmen.  
Wenn die Weiter-Taste gedrückt wird, blinken die Stunden.



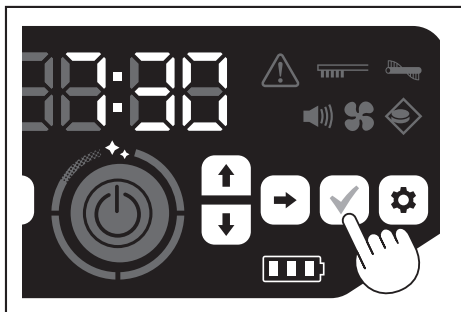
2. Wählen Sie die Stunden mit den Oben-/Runter-Tasten aus und drücken Sie dann die Weiter-Taste, um die Auswahl zu übernehmen.  
Wenn die Weiter-Taste gedrückt wird, blinken die Minuten.



3. Wählen Sie die Minuten mit den Oben-/Runter-Tasten aus und drücken Sie dann die Weiter-Taste, um die Auswahl zu übernehmen.



4. Drücken Sie die Bestätigungstaste, um die Tageszeit fertigzustellen.



#### ANMERKUNG

- Wenn Sie während der Einstellung der Stunden/Minuten die Oben-/Runter-Tasten gedrückt halten, ändern sich die Stunden/Minuten schnell.
- Wenn der Akku-Saugroboter über einen längeren Zeitraum nicht verwendet wird, kann die Zeiteinstellung aufgrund der Lagertemperatur ungenau werden oder zurückgesetzt werden, wenn der eingebaute Akku seine Ladung verliert.

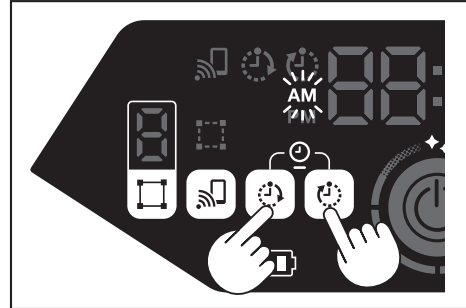
### Erneute Einstellung der Tageszeit

Wenn der Akku-Saugroboter über einen längeren Zeitraum nicht verwendet wird, wird die Zeiteinstellung ungenau oder zurückgesetzt.

Wenn Sie den Akku-Saugroboter über die App mit einem Smartphone verbinden, wird die Tageszeit auf dem Smartphone automatisch auf dem Akku-Saugroboter eingestellt.

Wenn Sie die Tageszeit manuell einstellen möchten, gehen Sie wie folgt vor.

1. Versetzen Sie den Akku-Saugroboter in den Standby-Zustand. (Siehe Seite 16.)
2. Halten Sie die Taste EIN-Timer und die Taste AUS-Timer gleichzeitig gedrückt, um das Zeitformat [AM] oder [PM] blinken zu lassen (blinkt nicht, wenn die vorherige Einstellung die 24-Stunden-Darstellung war).



3. Stellen Sie die Tageszeit ein, indem Sie „Einstellung der Tageszeit“ auf dieser Seite ab Schritt 1 befolgen.

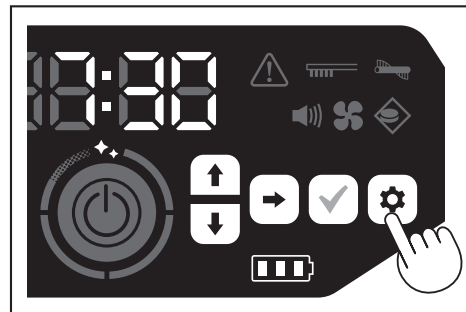
### Einstellen des Wi-Fi® (Akku-Saugroboter und Smartphone)

- Um den Akku-Saugroboter über die App zu bedienen, nehmen Sie die Wi-Fi®-Einstellungen für die App und den Akku-Saugroboter vor. (Siehe Seite 35.)
- Installieren Sie die App vorab auf Ihrem Smartphone.
- Der Akku-Saugroboter dient als Zugangspunkt für das Smartphone. Wenn ein Smartphone mit dem Akku-Saugroboter verbunden ist, wird das Smartphone nicht mit einem anderen Netzwerk als dem des Akku-Saugroboters verbunden.
- Zum Verbinden eines Smartphones mit dem Akku-Saugroboter drücken Sie die Smartphone-Verbindungstaste, um das Wi-Fi zu aktivieren.
- Wenn Sie kein Wi-Fi verwenden, drücken Sie die Smartphone-Verbindungstaste, um die Smartphone-Verbindungsleuchte auszuschalten.
- Es können mehrere Akku-Saugroboter mit einer App verwaltet werden. Stellen Sie in diesem Fall nacheinander eine Drahtlosverbindung mit der App her.

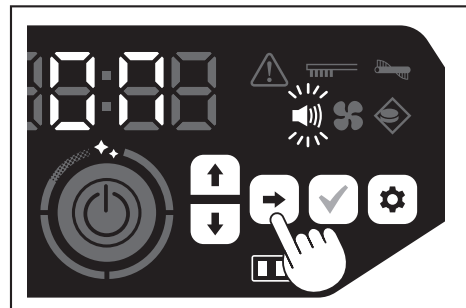
### Vornehmen einer Toneinstellung

- Sie können auswählen, ob der Akku-Saugroboter Töne von sich gibt oder nicht.
- Diese Toneinstellung ist auch über die Fernbedienung möglich.

1. Wenn sich der Akku-Saugroboter im Standby-Zustand befindet, drücken Sie die Einstellungstaste, um den Einstellungsauswahlmodus aufzurufen.

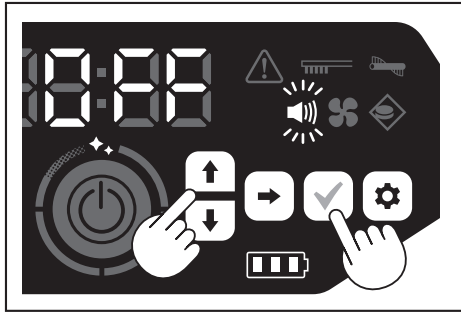


2. Drücken Sie die Weiter-Taste, um die Tonlampe blinken zu lassen.





- Die Oben-/Runter-Tasten können zum Umschalten zwischen Ein und Aus verwendet werden. Nach der Auswahl von Ein oder Aus drücken Sie die Bestätigungstaste, um die Auswahl abzuschließen.
  - Ein: Tonlampe wird eingeschaltet (Ton aktiviert).
  - Aus: Tonlampe wird ausgeschaltet (Ton deaktiviert).



#### ANMERKUNG

Der Akku-Saugroboter kann auch bei ausgeschalteter Toneinstellung einen Ton ausgeben, um auf einen Fehler etc. hinzuweisen.

### Ein- und Ausschalten der Toneinstellung mit der Fernbedienung

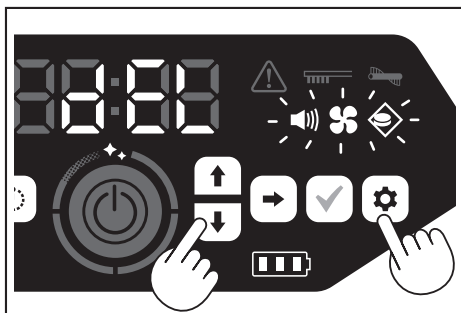
Wenn sich der Akku-Saugroboter im Standby-Zustand befindet, kann durch Drücken der Ton EIN/AUS-Taste auf der Fernbedienung die Toneinstellung zwischen Ein und Aus umgeschaltet werden.

Die Toneinstellung kann auch während der Reinigung ein- und ausgeschaltet werden, wenn sie über die Fernbedienung eingestellt wird.

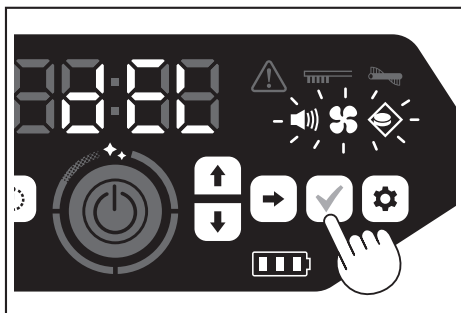
### Zurücksetzen der Einstellungen

Sie können die Einstellungen des Akku-Saugroboters auf die Werkseinstellungen zurücksetzen.

- Versetzen Sie den Akku-Saugroboter in den Standby-Zustand. (Siehe Seite 16.)
- Halten Sie die Runter-Taste und die Einstellungstaste gedrückt. [dEL] wird in der Zeitanzeige angezeigt und die Symbole und Lampen mit Ausnahme der Fehlerlampe blinken.



- Drücken Sie die Bestätigungstaste, während [dEL] angezeigt wird (ca 10 Sekunden).
  - Wenn die Bestätigungstaste nicht gedrückt wird, während [dEL] angezeigt wird, kehrt der Akku-Saugroboter wieder in den Standby-Zustand zurück.
  - Wenn der Akku-Saugroboter den Zurücksetzungsvorgang durchführt, erlöschen die Symbole und Lampen mit Ausnahme der Stromversorgungslampe. Obwohl der Akku-Saugroboter zu diesem Zeitpunkt nicht funktioniert, auch wenn Sie die Tasten auf dem Bedienfeld drücken, berühren Sie die Tasten nicht. Entfernen Sie außerdem nicht die Akkus.

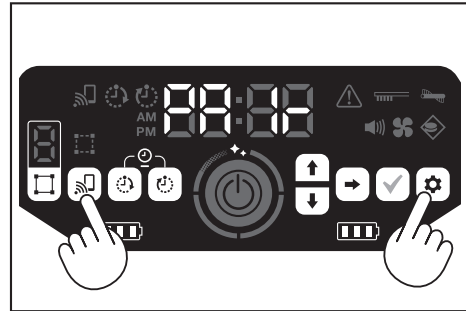


- Nach Abschluss des Zurücksetzungsvorgangs wird ein Neustart durchgeführt und anschließend wird der Bildschirm zur Einstellung der Tageszeit angezeigt.

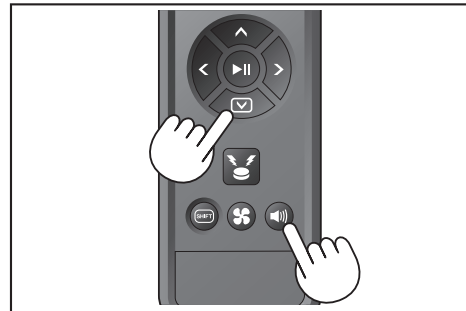
### Koppeln des Akku-Saugroboters mit der Fernbedienung

Wenn die Fernbedienung durch eine neue ersetzt wird, stellen Sie eine Kopplung zwischen dem Akku-Saugroboter und der Fernbedienung her.

- Halten Sie die Smartphone-Verbindungstaste und die Einstellungstaste gleichzeitig gedrückt, damit [PAIr] in der Zeitanzeige erscheint. [PAIr] wird 10 Sekunden lang angezeigt.



- Drücken Sie während des Zeitraums, in dem [PAIr] angezeigt wird, gleichzeitig die Aktionstaste (nach unten) und die Ton EIN/AUS-Taste auf der Fernbedienung. Wenn die Kopplung erfolgreich war, gibt der Akku-Saugroboter zwei kurze Pieptöne aus und kehrt in den Standby-Modus zurück.



#### ANMERKUNG

- Wenn die Kopplung fehlschlägt, wird ein Fehlerton ausgegeben.
- Wenn der Akku-Saugroboter während des Zeitraums, in dem [PAIr] angezeigt wird, kein Signal von der Fernbedienung empfangen kann, kehrt der Akku-Saugroboter in den Standby-Zustand zurück.

## Pflege

### ⚠️ WARNUNG

Schalten Sie unbedingt den Strom aus und entfernen Sie die Akkus aus dem Akku-Saugroboter, bevor Sie den Akku-Saugroboter pflegen.

- Wenn ein Akku im Akku-Saugroboter eingesetzt bleibt, kann es zu einem elektrischen Schlag oder zu Verletzungen kommen.

### ⚠️ VORSICHT

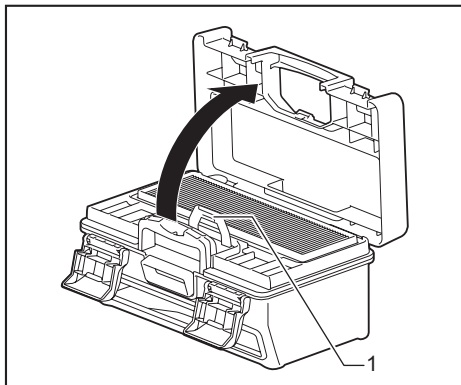
Um eine optimale Leistung zu erhalten, führen Sie regelmäßig die in diesem Abschnitt erwähnten Wartungsarbeiten durch. Wenn ein Problem auftritt, stellen Sie die Verwendung des Akku-Saugroboters ein und wenden Sie sich an das Geschäft, bei dem Sie den Kauf getätigt haben, oder an unser Vertriebsbüro, um eine Reparatur durchzuführen.

## Wartung

### Pflegen und Austauschen der Staubsammelbehälter und des Filters

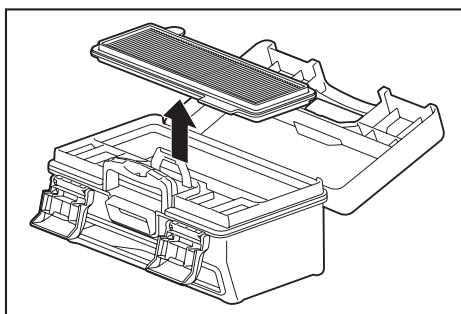
- Wenn die Saugleistung des Akku-Saugroboters nachlässt, wenn Schmutz sichtbar ist oder wenn die Filterpfelegelampe aufleuchtet, nehmen Sie den Filter heraus und waschen Sie ihn mit Wasser aus.
- Legen Sie vor der Pflege Zeitungspapier oder ähnliches aus.
- Verwenden Sie keine Chemikalien oder heißes Wasser mit einer Temperatur von 40 °C oder mehr.

1. Entsorgen Sie den Müll gemäß den Schritten 1 bis 5 von „So entsorgen Sie den Abfall“. (Siehe Seite 22).
2. Setzen Sie das Staubgehäuse wieder in den Staubsammelbehälter ein und schließen Sie die obere Abdeckung des Staubsammelbehälters.
3. Haken Sie den Haken aus und öffnen Sie die filterseitige obere Abdeckung.

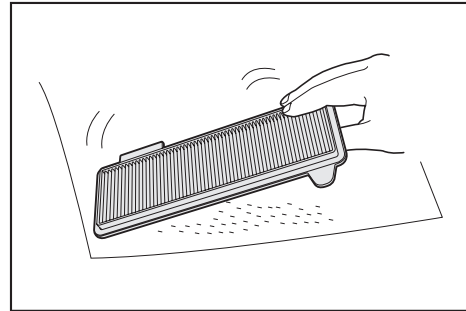


#### ► 1. Haken

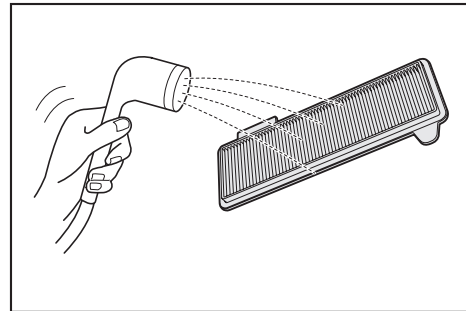
4. Entfernen Sie den Filter aus dem Staubsammelbehälter. Wenn Sie den Filter entfernen, tun Sie dies langsam, um eine Staubaufwirbelung zu vermeiden.



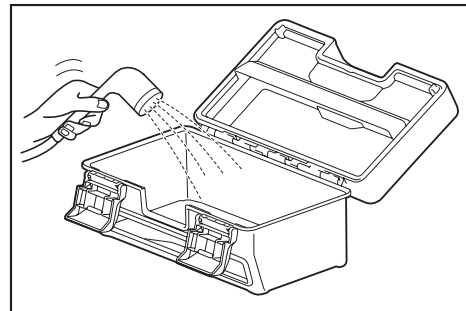
5. Lassen Sie Schmutz und Staub durch leichtes Klopfen auf den Filter abfallen.
  - Reiben Sie den Filter nicht fest und drücken Sie ihn nicht mit den Fingern herunter.
  - Verwenden Sie keinen scharfkantigen Gegenstand (z. B. einen Zahnstocher), da dies zu einem Bruch führen kann.



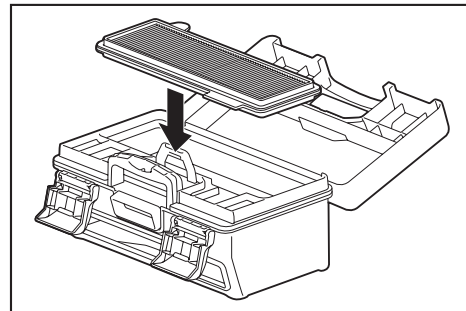
6. Wenn die Saugleistung des Akku-Saugroboters schwach ist, waschen Sie den Filter mit Wasser aus. Wenn Sie der Geruch stört, lassen Sie den Filter etwa drei Stunden in verdünntem Neutralreiniger stehen und waschen Sie ihn dann mit Wasser aus.



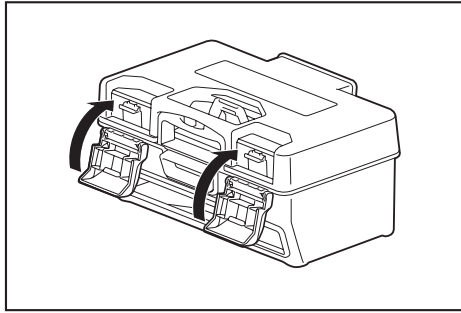
7. Wenn der Schmutz des Staubsammelbehälters sichtbar ist, waschen Sie ihn mit Wasser oder verdünntem Neutralreiniger aus.



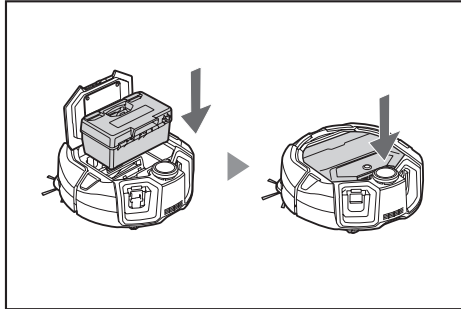
8. Wenn Sie den Filter oder den Staubsammelbehälter mit Wasser ausgewaschen haben, trocknen Sie ihn ausreichend an einem gut belüfteten Ort ohne direkte Sonneneinstrahlung.
  - Die Verwendung von Teilen, die nicht ordnungsgemäß getrocknet wurden, kann zu einer Verringerung der Saugleistung sowie zu einer Verkürzung der Motorlebensdauer führen.
  - Die Verwendung von Teilen, auf denen Feuchtigkeit verbleibt, kann zu Geruch oder einer Fehlfunktion führen.
  - Die Trocknungszeit sollte etwa einen Tag betragen.
  - Vermeiden Sie das Trocknen mit einem Trockner, einem Gebläse usw.
9. Bringen Sie den Filter an dem Staubsammelbehälter an.



10. Schließen Sie die filterseitige obere Abdeckung und stellen Sie sicher, dass der Haken eingehakt ist. Verriegeln Sie anschließend die beiden Verriegelungsteile.



11. Setzen Sie den Staubsammelbehälter wieder in den Akku-Saugroboter ein und drücken Sie die obere Abdeckung zum Schließen, bis sie einrastet. Achten Sie beim Schließen der oberen Abdeckung darauf, dass Sie sich nicht die Finger einklemmen.

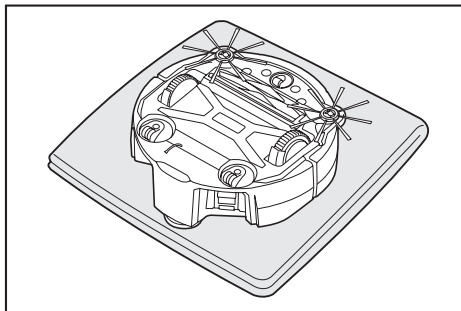


#### ANMERKUNG

- Verwenden Sie den Akku-Saugroboter nicht mit entferntem Filter. Verwenden Sie den Akku-Saugroboter nicht mit beschädigtem oder schmutzigem Filter.
- Der Filter kann mit Wasser gewaschen werden. Waschen Sie den Staub regelmäßig mit Wasser ab (alle ein bis zwei Monate).
- Wenn sich der Filter verschlechtert, ersetzen Sie ihn durch einen neuen Filter.
- Der Filter ist ein Verbrauchsmaterial und es wird daher empfohlen, einen Ersatz vorzubereiten.
- Beschädigen Sie den Filter nicht, indem Sie ihn mit einem harten Gegenstand wie z. B. einer Bürste oder einem Spatel bearbeiten.
- Reinigen Sie den HEPA-Filter nicht mit einem Luftgebläse oder einem Hochdruckreiniger, da er leicht beschädigt werden kann.

#### Vorsichtsmaßnahmen für die Pflege der Unterseite des Akku-Saugroboters

- Nehmen Sie den Staubsammelbehälter heraus, bevor Sie Wartungsarbeiten durchführen. (Siehe Seite 22.) Andernfalls kann Staub aus der Öffnung fallen.
- Drehen Sie den Akku-Saugroboter auf den Kopf, bevor Sie die seitlichen Bürsten, die Hauptbürste, die Unterseite des Akku-Saugroboters und die Räder pflegen.
- Legen Sie während der Wartung eine dicke Matte oder etwas anderes aus, damit der Akku-Saugroboter und die Bodenoberfläche nicht beschädigt werden und der LiDAR-Sensor keinem Druck ausgesetzt wird.

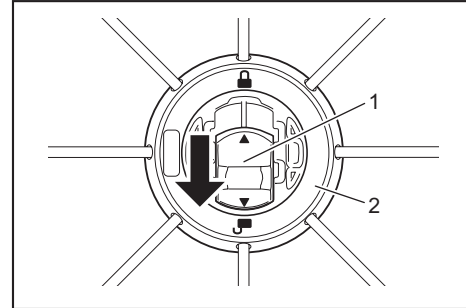


- Drücken Sie nicht fest auf die Unterseite des Akku-Saugroboters, wenn der Akku-Saugroboter auf den Kopf gestellt ist. Festes Drücken kann zu Schäden am Akku-Saugroboter führen.

#### Pflegen und Austauschen der seitlichen Bürsten

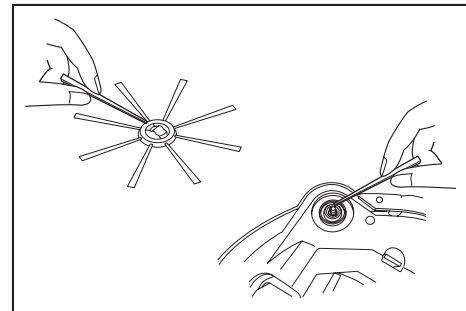
- Falls eine Fehleranzeige (siehe Seite 29) erscheint oder sich Staub und Haare in einer seitlichen Bürste verfangen haben, pflegen Sie die seitliche Bürste.
- Wenn die Borsten einer seitlichen Bürste verbogen sind oder herausfallen, ersetzen Sie sie durch eine neue.
- Wenn sich eine seitliche Bürste nicht oder nur schwer drehen lässt, entfernen Sie die seitliche Bürste und pflegen Sie sie anschließend.

1. Stellen Sie den Akku-Saugroboter auf einer Matte usw. auf den Kopf.
2. Schieben Sie den Verschlusshebel der seitlichen Bürste auf (Freigabemarkierung).



- 1. Verschlusshebel 2. Seitliche Bürste

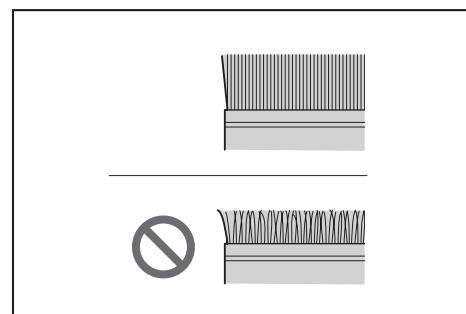
3. Entfernen Sie die seitliche Bürste.
4. Entfernen Sie Haare und Staub, die sich in der seitlichen Bürste verfangen haben, mit einer Pinzette oder anderen Werkzeugen.



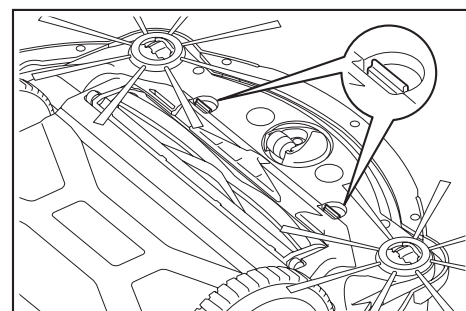
5. Bringen Sie die seitliche Bürste an dem Akku-Saugroboter an. (Siehe Seite 14.)

#### Pflegen und Austauschen der Hauptbürste

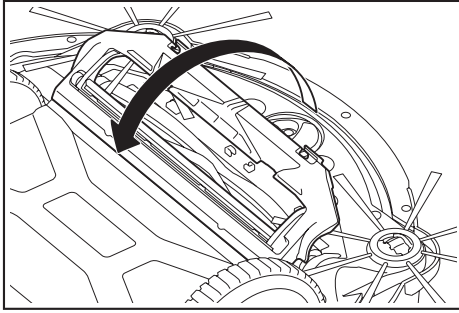
- Falls eine Fehleranzeige (siehe Seite 29) erscheint oder sich Staub und Haare in der Hauptbürste verfangen haben, pflegen Sie die Hauptbürste.
- Wenn die Borsten der Hauptbürste verschleifen und kürzer werden, ersetzen Sie die Hauptbürste.



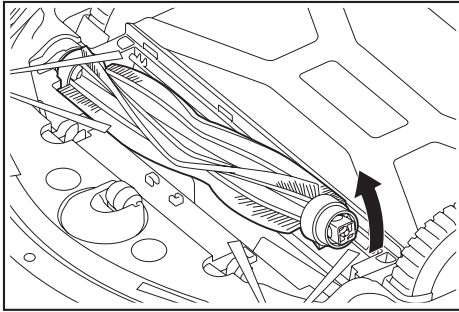
1. Stellen Sie den Akku-Saugroboter auf einer Matte usw. auf den Kopf.
2. Haken Sie die Haken der Abdeckung der Hauptbürste aus.



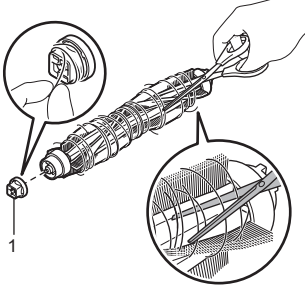
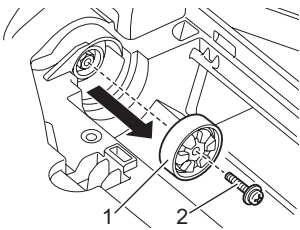
3. Entfernen Sie die Abdeckung der Hauptbürste.  
Zerlegen Sie die Abdeckung der Hauptbürste nicht.



4. Entfernen Sie die Hauptbürste.



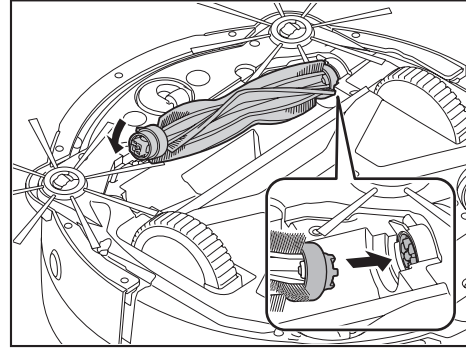
5. Pflegen Sie die Hauptbürste, die Abdeckung der Hauptbürste, das Hauptbürstengehäuse und die Verbindungsstücke wie unten beschrieben.

Teil	So wird es gepflegt
Hauptbürste	Entfernen Sie die an der Hauptbürste angebrachte Lagerkappe und entfernen Sie den eingeschlossenen Staub. Bei eingeklemmten Haaren und Fusseln schneiden Sie diese mit einer Schere entlang der Borsten der Bürste kurz ab und entfernen Sie sie dann. Bei anhaftendem Staub waschen Sie ihn mit Wasser ab.   <b>1. Lagerkappe</b>
Abdeckung der Hauptbürste	Mit einem mit Wasser oder verdünntem Neutralreinigungsmittel angefeuchteten Tuch sauber wischen. Wenn der Schmutz sichtbar ist, waschen Sie ihn mit Wasser ab.
Gehäuse der Hauptbürste	Mit einem mit Wasser oder verdünntem Neutralreinigungsmittel angefeuchteten Tuch sauber wischen. Es kann nicht mit Wasser gewaschen werden.
Verbindungsstücke	Bei den Verbindungsstücken, die am Akku-Saugroboter befestigt sind, lösen Sie die Schraube mit einem Schraubendreher, während Sie das Verbindungsstück mit der Hand festhalten. Heben Sie danach das Verbindungsstück ab. Entfernen Sie Staub, der sich im Inneren des Akku-Saugroboters verfangen hat.   <b>1. Verbindungsstück 2. Schraube</b>

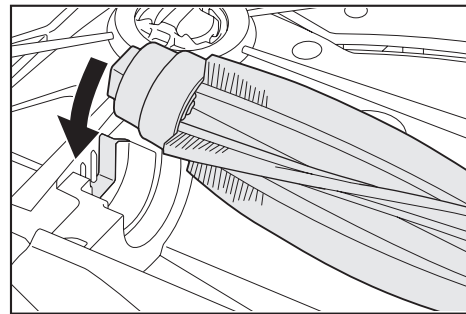
#### ANMERKUNG

Verwenden Sie keine Verdüner, Benzin, Alkohol usw., da diese eine Ursache für Beschädigung oder Verfärbung sein können.

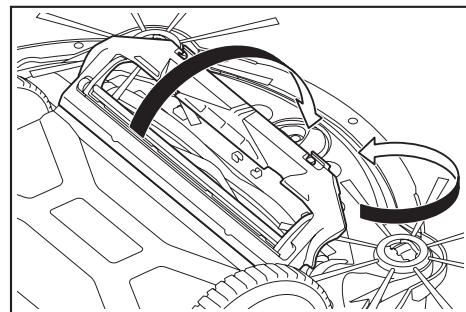
6. Mit Wasser gewaschene Teile sollten an einem gut belüfteten Ort ohne direkte Sonneneinstrahlung ausreichend getrocknet werden.
- Die Verwendung von Teilen, die nicht ordnungsgemäß getrocknet wurden, kann zu einer Verringerung der Saugleistung sowie zu einer Verkürzung der Motorlebensdauer führen.
  - Die Verwendung von Teilen, auf denen Feuchtigkeit verbleibt, kann zu Geruch oder einer Fehlfunktion führen.
  - Die Trocknungszeit sollte etwa einen Tag betragen.
  - Vermeiden Sie das Trocknen mit einem Trockner, einem Gebläse usw.
7. Setzen Sie die Lagerkappe wieder in die ursprüngliche Position in der Hauptbürste ein.
8. Befestigen Sie die Verbindungsstücke mit Schrauben an dem Akku-Saugroboter.
9. Bringen Sie die Hauptbürste so an, dass die Form des Hauptbürstenhalters in die Nut der Verbindungsstücke des Akku-Saugroboters passt.



10. Drehen Sie die Lagerkappe, um die Ausrichtung einzustellen, und setzen Sie sie dann in den Akku-Saugroboter ein.

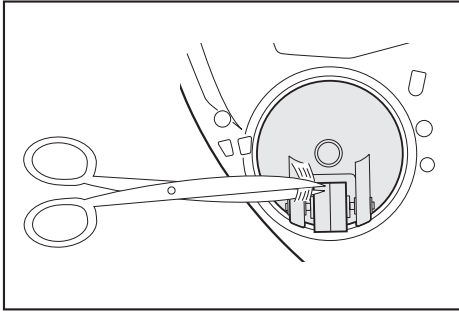


11. Bringen Sie die Abdeckung der Hauptbürste an (drücken Sie den Haken hinein, bis er einrastet).
- Achten Sie darauf, dass sich keine seitliche Bürste in der Hauptbürstenabdeckung verfängt.
  - Vermeiden Sie das Verfangen der seitlichen Bürsten auf einfache Weise, indem Sie die seitlichen Bürsten vorübergehend entfernen oder indem Sie die Abdeckung der Hauptbürste anbringen, während Sie die seitliche Bürste in die in der Abbildung gezeigte Richtung drehen.

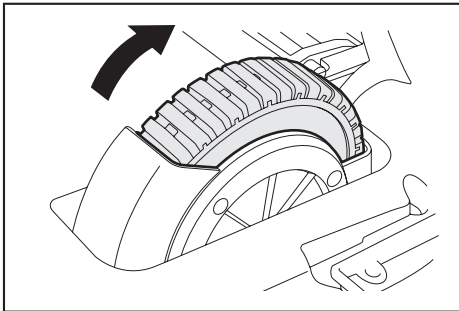


## Pflege der Räder

- Pflegen Sie die Räder, wenn sich Staub und Haare darin verfangen.
- Entfernen Sie keine Räder vom Akku-Saugroboter.
- Beseitigen Sie Staub, der sich in den Lenkrollen verfangen hat. Wenn er schwer zu entfernen ist, verwenden Sie eine feinspitzige Schere, Pinzette usw.



- Entfernen Sie Schmutz an beiden Antriebsrädern, während Sie diese drehen. Achten Sie dabei darauf, dass Sie sich nicht die Hand einklemmen.

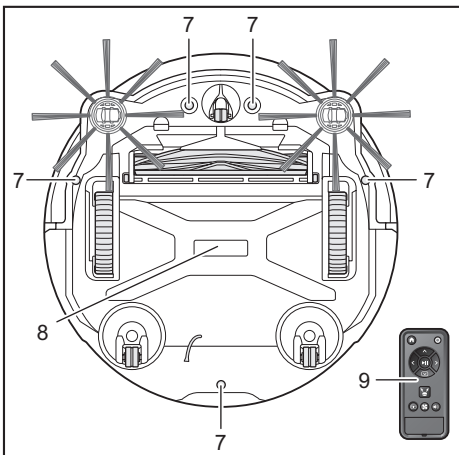
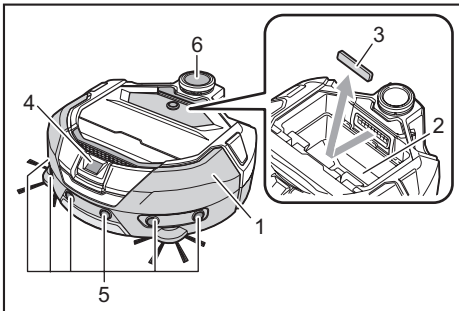


## Pflege des Akku-Saugroboters

### ANMERKUNG

- Verwenden Sie keine Verdüner, Benzin, Alkohol usw., da diese eine Ursache für Beschädigung oder Verfärbung sein können.
- Verwenden Sie keinen scharfkantigen Gegenstand (z. B. einen Zahnstocher), da dies zu einem Bruch oder einer Beschädigung führen kann.

Befolgen Sie bei der Pflege von Teilen des Akku-Saugroboters die nachstehende Tabelle.



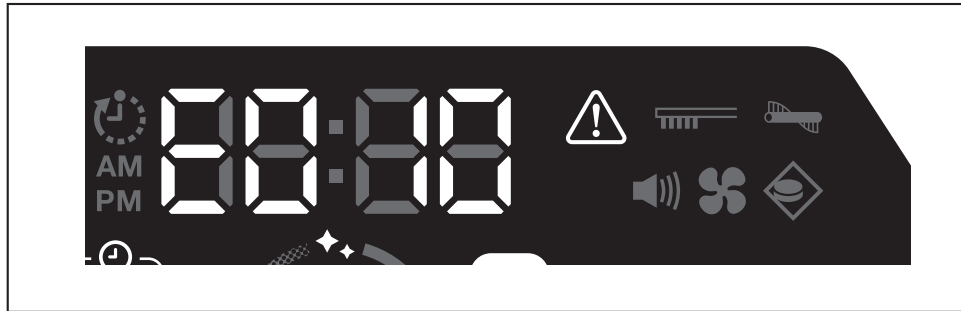
Nummer	Teil	So wird es gepflegt
1.	Oberfläche des Akku-Saugroboters	Mit einem mit Wasser oder verdünntem Neutralreinigungsmittel angefeuchteten Tuch sauber wischen.
2.	Inneres des Akku-Saugroboters (Gehäuse des Staubsammelbehälters)	Mit einem mit Wasser oder verdünntem Neutralreinigungsmittel angefeuchteten Tuch sauber wischen.
3.	Ansaugöffnungs-Schwamm im Inneren des Akku-Saugroboters	Nehmen Sie den Schwamm heraus und waschen Sie den Staub auf dem Schwamm mit Wasser ab.
4.	Kamerasensor	Wischen Sie den Schmutz mit einem weichen Tuch oder einem Wattestäbchen ab und achten Sie dabei darauf, keine Schäden zu verursachen.
5.	Ultraschallsensor	Mit einem mit Wasser oder verdünntem Neutralreinigungsmittel angefeuchteten Tuch sauber wischen.
6.	LiDAR-Sensor	Entfernen Sie Staub und Schmutz im Inneren der Abdeckung des LiDAR-Sensors.
7.	Klippensensor (5 Stellen)	Wischen Sie den Schmutz mit einem weichen Tuch oder einem Wattestäbchen ab und achten Sie dabei darauf, keine Schäden zu verursachen.
8.	Unterseite des Akku-Saugroboters	Mit einem mit Wasser oder verdünntem Neutralreinigungsmittel angefeuchteten Tuch sauber wischen.
9.	Vorderseite der Fernbedienung und ihre Tasten	Wischen Sie den Schmutz mit einem trockenen Tuch ab.

## Zur Reparatur

- Wenn es nicht möglich ist, den Betrieb nach Beseitigung der Ursache einer Benachrichtigung oder Fehleranzeige (siehe Seite 29) wieder aufzunehmen, schalten Sie die Stromversorgung aus und wieder ein.
- Wenn die gleiche Benachrichtigung oder der gleiche Fehler wiederholt angezeigt wird, wenden Sie sich an das Geschäft, bei dem Sie den Kauf getätigt haben, oder an unser Vertriebsbüro, um eine Reparatur durchzuführen.
- Führen Sie die Reparatur nicht selbst durch. Wenden Sie sich an das Geschäft, bei dem Sie den Kauf getätigt haben, oder an unser Vertriebsbüro.
- Bringen Sie den Akku-Saugroboter zusammen mit den Akkus und dem Ladegerät mit, wenn Sie eine Reparatur beantragen.

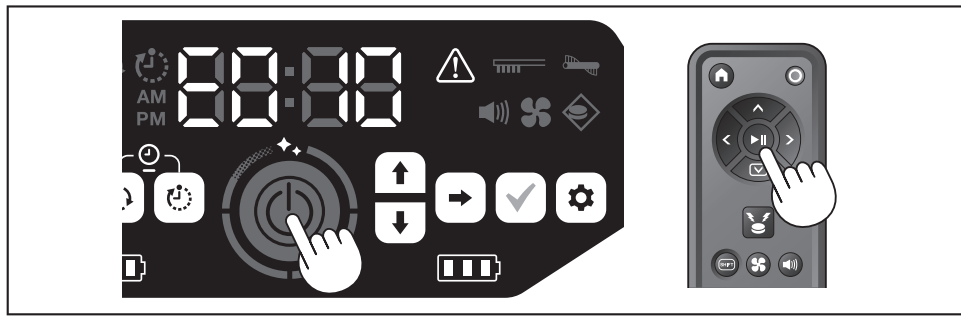
## Benachrichtigung und Fehleranzeige

Wenn Vorsicht geboten ist oder ein Fehler auftritt, leuchtet eine rote Lampe auf dem Bedienfeld des Akku-Saugroboters auf und die Fehlernummer wird angezeigt. Zusätzlich kann es eine Benachrichtigung mit einem Ton geben.



### Abbrechen einer Benachrichtigung und Fehleranzeige

- Wenn eine Benachrichtigung zur Filterpflege erscheint, kann der Akku-Saugroboter zwar bedient werden, funktioniert aber möglicherweise nicht richtig. Beseitigen Sie die Ursache, bevor Sie den Akku-Saugroboter verwenden.
  - Wenn eine Fehlerbenachrichtigung erscheint, stellt der Akku-Saugroboter den Betrieb ein. Gehen Sie wie folgt vor.
1. Überprüfen Sie die Fehlernummer und beheben Sie die Fehlerursache. (Siehe „Benachrichtigung über die Notwendigkeit einer Pflege, etc.“ auf dieser Seite.)
  - Wenn Sie die Stromversorgung ausschalten oder die Stromversorgung aufgrund des Verlusts der Akkukapazität erschöpft wird, bevor die Fehlerursache beseitigt ist, löscht der Akku-Saugroboter den Fehler vorübergehend.
  2. Durch Drücken der Start/Stopp-Taste des Akku-Saugroboters oder der Fernbedienung wird die Fehleranzeige gelöscht und der Akku-Saugroboter geht in den Standby-Zustand über.




3. Prüfen Sie, ob der Fehler behoben ist, bevor Sie den Akku-Saugroboter verwenden.

#### ANMERKUNG

- Starten Sie den Akku-Saugroboter neu, wenn Sie den Akku-Saugroboter nach der Beseitigung der Ursache nicht bedienen können.
- Wenn der gleiche Fehler wiederholt auftritt, wenden Sie sich an das Geschäft, bei dem Sie den Kauf getätigt haben, oder an unser Vertriebsbüro, um eine Reparatur durchzuführen.



### Benachrichtigung über die Notwendigkeit einer Pflege, etc.















Wenn die Lampe leuchtet, schalten Sie die Stromversorgung aus und entnehmen Sie die Akkus. Ergreifen Sie dann die im Folgenden beschriebenen Maßnahmen.

Angezeigtes Problem	Ursache	Aktion
<ul style="list-style-type: none"> <li>• Filterpflege ist erforderlich.</li> </ul> 	Es hat sich Staub angesammelt oder der Filter ist verstopft.	Entsorgen Sie den Staub und pflegen Sie den Filter. → Siehe Seiten 22 und 25.
		Prüfen Sie, ob sich im Inneren des Akku-Saugroboters und an der Auslassöffnung Staub angesammelt hat.

### Fehlerbenachrichtigung

- Ergreifen Sie Maßnahmen entsprechend der Fehlerlampe und der Nummer auf der Anzeige.
- Bei den Fehlercodes in der Liste wird je nach Fehlertyp anstelle des „X“ eine bestimmte Zahl angezeigt. Geben Sie den Fehlercode an, wenn Sie sich an den Händler oder unser Vertriebsbüro wenden.
- Wenn Sie die Ursache überprüfen oder Maßnahmen ergreifen, schalten Sie das Gerät aus und entfernen Sie gegebenenfalls die Akkus, bevor Sie Maßnahmen ergreifen.
- Wenn eine andere als eine der unten aufgeführten Fehlernummern angezeigt wird, wenden Sie sich an das Geschäft, bei dem Sie den Kauf getätigt haben, oder an unser Vertriebsbüro.

Nummer	Ursache	Aktion
E01X Fehler der Antriebsräder		Entfernen Sie die Fremdkörper. → Siehe Seite 28.
	Haben sich Fremdkörper wie z. B. Fusseln oder Haare in den Antriebsrädern verfangen?  Wenn der Akku-Saugroboter durch eine niedrige Öffnung fährt, kann der Akku-Saugroboter im der Öffnung hängen bleiben und diese Benachrichtigung wird angezeigt.	Es handelt sich dabei nicht um einen Fehler.
E02X Fehler durch den Verlust eines Rades oder das Anheben des Akku-Saugroboters		Bewegen Sie den Akku-Saugroboter an einen anderen Ort. → Siehe Seite 11.

Nummer		Ursache	Aktion
Angezeigtes Problem			
E030 Fehler der Hauptbürste	 	Haben sich Fremdkörper wie z. B. Fusseln oder Haare in der Hauptbürste verfangen?	Entfernen Sie die Fremdkörper. → Siehe Seite 26.
E04X Fehler der seitlichen Bürsten	 	Haben sich Fremdkörper wie z. B. Fusseln oder Haare in den seitlichen Bürsten verfangen?	Entfernen Sie die Fremdkörper. → Siehe Seiten 14 und 26.
E060 Nicht-Erkennung des Staubsammelbehälters oder des Filters	 	Der Staubsammelbehälter oder der Filter ist nicht angebracht.	Prüfen Sie, ob sie richtig angebracht sind. → Siehe Seiten 22 und 25.
E09X Klippensensorfehler		Ist der Akku-Saugroboter direktem Sonnenlicht ausgesetzt?	Bewegen Sie den Akku-Saugroboter an einen anderen Ort. → Siehe Seite 11.
		Befindet sich der Akku-Saugroboter auf einer schwarzen Bodenfläche?	
		Sind die Klippensensoren verschmutzt?	<ul style="list-style-type: none"> <li>• Wischen Sie den Schmutz auf dem Klippensensor vorsichtig mit einem trockenen, weichen Tuch, einem Wattestäbchen o. Ä. ab.</li> <li>• Prüfen Sie, ob die Erdungsleitung Kontakt zur Erde hat.</li> </ul> → Siehe Seiten 9 und 11 und 28.
E10X Puffersensorfehler		Es handelt sich um eine Fehlfunktion des Puffersensors.	Drücken Sie mit der Hand etwa 10 Mal auf den Puffer. → Siehe Seite 9.
E110 Bewegungsfehler		Fährt der Akku-Saugroboter auf eine Stufe o.ä. und bleibt dort stecken?	Bewegen Sie den Akku-Saugroboter an einen anderen Ort. → Siehe Seite 11.
E12X Verringerung der verbleibenden Akkukapazität Timer-Einstellungsfehler		Ist der Akku-Saugroboter nicht in der Lage, den Betrieb durch die EIN-Timer-Reservierung zu starten, weil die verbleibende Akkukapazität nicht ausreicht?	Achten Sie beim Betrieb durch die EIN-Timer-Reservierung darauf, dass die Akkus vollständig geladen sind.
E140 Raumeinstellungsfehler Ortsinformationsfehler		Unterscheidet sich der Raum vom kartierten Raum, oder ist der Ausgangspunkt der Reinigung ein anderer?	Überprüfen Sie den kartierten Raum und den Startpunkt der Reinigung. → Siehe Seite 18.
		Hat sich das Layout des kartierten Raums geändert?	Führen Sie die Kartenerstellung erneut durch. → Siehe Seite 17.
		Wird der LiDAR-Sensor durch ein Tuch verdeckt oder ist er verschmutzt?	Entfernen Sie das Tuch, etc. und pflegen Sie den LiDAR-Sensor. → Siehe Seite 28.
		Gibt es Hindernisse mit einer Höhe von 25 cm oder mehr, die der LiDAR-Sensor rund um den Akku-Saugroboter erkennen kann?	Der LiDAR-Sensor erfordert Hindernisse, die größer als 25 cm sind, innerhalb der folgenden Bereiche: <ul style="list-style-type: none"> <li>• 11 m Radius um den Akku-Saugroboter für den Kartenerstellungs- und Kartenerstellungs-Reinigungsmodus.</li> <li>• 18 m Radius um den Akku-Saugroboter für den freien Reinigungsmodus.</li> </ul> Bitte stellen Sie einige Hindernisse in den Bereich, die höher als 25 cm sind.
E170 Fehler der oberen Abdeckung des Akku-Saugroboters		Ist die obere Abdeckung des Akku-Saugroboters geöffnet?	Schließen Sie die obere Abdeckung des Akku-Saugroboters.
E190 Fehler durch den Verlust eines Rades oder das Anheben des Akku-Saugroboters		Ist ein Antriebsrad entgleist oder ist ein Rad vom Boden getrennt?	Bewegen Sie den Akku-Saugroboter an einen anderen Ort. → Siehe Seite 11.
E200 Fehler wegen fehlgeschlagenem Zurückkehren zum Startpunkt Fehler, weil das Ziel nicht erreicht wurde		Das Zurückkehren des Akku-Saugroboters zum Startpunkt der Reinigung ist fehlgeschlagen.	<ul style="list-style-type: none"> <li>• Wenn es Gegenstände gibt, die das Bewegen des Akku-Saugroboters behindern, räumen Sie die Gegenstände weg oder halten Sie den Akku-Saugroboter fern von diesen Gegenständen.</li> </ul> → Siehe Seite 21.
		Der Akku-Saugroboter konnte das nächste Ziel nicht erreichen, weil er in eine enge Durchgangsstelle geraten ist.	<ul style="list-style-type: none"> <li>• Falls der Akku-Saugroboter häufig nicht zum Startpunkt zurückkehrt, aktivieren Sie [Homing priorisieren] in der App. Die Zeit für die Rückkehr zum Startpunkt kann länger sein.</li> </ul> → Siehe Seite 44. <ul style="list-style-type: none"> <li>• Prüfen Sie, ob ein Durchgang von 80 cm oder mehr für die Reinigung vorhanden ist.</li> </ul>

# Fehlerbehebung

Überprüfen Sie vor einer Reparaturanfrage oder einer Nachfrage, ob die folgenden Punkte zutreffen.

## Stromversorgung

Symptom	Ursache	Aktion
<ul style="list-style-type: none"> <li>Durch Drücken der Start/Stopp-Taste wird die Stromversorgung nicht eingeschaltet.</li> <li>Die Lampe leuchtet nicht auf.</li> <li>Das Drücken von Tasten am Akku-Saugroboter und auf der Fernbedienung führt zu keiner Reaktion.</li> </ul>	Sind die Akkus richtig eingesetzt?	Überprüfen Sie den ordnungsgemäßen Einbau der Akkus. → Siehe Seite 15.
	Ist die Akkukapazität verbraucht?	Überprüfen Sie die verbleibende Kapazität.
	Ist die Stromversorgung des Akku-Saugroboters ausgeschaltet?	Drücken Sie die Start/Stopp-Taste des Akku-Saugroboters, um die Stromversorgung einzuschalten. → Siehe Seite 16.

## Laufbetrieb

Symptom	Ursache	Aktion
Der Akku-Saugroboter läuft nicht.	Blinkt die Fehlerlampe?	Der Akku-Saugroboter läuft während eines Fehlers nicht. → Siehe Seite 29.
	Befindet sich der Akku-Saugroboter im Wartemodus für den Betrieb durch die EIN-Timer-Reservierung?	Wenn der Wartemodus für den reservierten Betrieb in Kraft ist, sind keine anderen Vorgänge als das Ausschalten der Stromversorgung und die Standortbenachrichtigung möglich. → Siehe Seite 20.
Der Akku-Saugroboter setzt sich plötzlich in Bewegung, obwohl Sie keine Bedienung vornehmen.	Ist die EIN-Timer-Reservierung aktiviert?	→ Siehe Seite 20.
Der Akku-Saugroboter hält während des Betriebs an.	Hat sich der Akku-Saugroboter in einem Kabel oder einem anderen Gegenstand verfangen? Hat sich ein Tuch oder eine Schnur (z. B. ein dünnes Handtuch) um die Räder gewickelt?	Schalten Sie die Stromversorgung des Akku-Saugroboters aus und entfernen Sie Gegenstände, die sich im Akku-Saugroboter verfangen und um die Räder gewickelt haben. → Siehe Seite 28.
	Wird der Akku-Saugroboter angehalten, ohne über eine Stufe zu fahren?	Schalten Sie die Stromversorgung des Akku-Saugroboters aus und bringen Sie den Akku-Saugroboter an einen anderen Ort. → Siehe Seite 11.
	Ist der AUS-Timer eingestellt?	→ Siehe Seite 20.
	Gibt es Hindernisse mit einer Höhe von 25 cm oder mehr, die der LiDAR-Sensor rund um den Akku-Saugroboter erkennen kann?	Der LiDAR-Sensor erfordert Hindernisse, die größer als 25 cm sind, innerhalb der folgenden Bereiche: <ul style="list-style-type: none"> <li>• 11 m Radius um den Akku-Saugroboter für den Kartenerstellungs- und Kartenerstellungs-Reinigungsmodus.</li> <li>• 18 m Radius um den Akku-Saugroboter für den freien Reinigungsmodus.</li> </ul> Bitte stellen Sie einige Hindernisse in den Bereich, die höher als 25 cm sind.
Die Geschwindigkeit ändert sich.	Der Akku-Saugroboter kann langsamer werden, wenn ein Sensor ein Hindernis erkennt oder die Laufrichtung bestimmt.	Das ist nicht ungewöhnlich.
Der Akku-Saugroboter bewegt sich nicht geradeaus.	Haben sich Fremdkörper in den Rädern verfangen?	Schalten Sie den Strom des Akku-Saugroboters aus und entfernen Sie Fremdkörper an den Rädern. → Siehe Seite 28.
	Sind einige der Räder beschädigt?	Wenden Sie sich an das Geschäft, in dem Sie den Kauf getätigt haben, oder an unser Vertriebsbüro.
	Sind der Ultraschallsensor und der LiDAR-Sensor verschmutzt?	Pflegen Sie sie. → Siehe Seite 28.
Der Akku-Saugroboter kollidiert häufiger mit einem Hindernis als zuvor.	Sind der Ultraschallsensor und der LiDAR-Sensor verschmutzt?	Pflegen Sie sie. → Siehe Seite 28.
Der Akku-Saugroboter kann einer Stufe nicht ausweichen und fällt dann herunter.	Sind die Klippensensoren verschmutzt?	Pflegen Sie sie. → Siehe Seite 28.
	Der Akku-Saugroboter fährt manchmal eine Stufe mit einer Höhe von 3,0 cm oder weniger herunter.	Es handelt sich dabei nicht um einen Fehler. → Siehe Seite 11.
Der Akku-Saugroboter weist weiterhin ein Ausweichverhalten auf, obwohl keine Hindernisse oder Stufen vorhanden sind.	Sind die Klippensensoren oder der LiDAR-Sensor verschmutzt?	Pflegen Sie sie. → Siehe Seite 28.
Der Klippensensor wird schnell schmutzig.	Ist die Erdungsleitung durchtrennt und hat keinen Kontakt mehr zur Erde?	Wenden Sie sich an das Geschäft, in dem Sie den Kauf getätigt haben, oder an unser Vertriebsbüro.
Das Fahrgeräusch ist lauter als sonst.	Ist der Staubsammelbehälter mit Staub gefüllt? Ist der Filter verstopft?	Entsorgen Sie den Staub und pflegen Sie den Filter. → Siehe Seiten 22 und 25.
	Hat sich Staub in der Hauptbürste und den seitlichen Bürsten verfangen?	Pflegen Sie sie. Überprüfen Sie zusätzlich den korrekten Einbau der Bürsten. → Siehe Seite 26.
Das Geräusch des Vakuumgebläses wird während des Betriebs lauter.	Es wird lauter, wenn der Akku-Saugroboter den zu verwendenden Akku wechselt.	Dies ist normal.
<ul style="list-style-type: none"> <li>Die Saugleistung ist schwach.</li> <li>Staub wird nicht angesaugt.</li> </ul>	Ist der Staubsammelbehälter mit Staub gefüllt? Ist der Filter verstopft?	Entsorgen Sie den Staub und pflegen Sie den Filter. → Siehe Seiten 22 und 25.
	Ist das Vakuumgebläse ausgeschaltet?	Überprüfen Sie die Einstellung. → Siehe Seite 19.





Symptom	Ursache	Aktion
Eine seitliche Bürste löst sich.	Ist die seitliche Bürste richtig eingebaut?	Überprüfen Sie den korrekten Einbau. → Siehe Seite 14.
Eine seitliche Bürste oder eine Hauptbürste dreht sich nicht, lässt sich nur schwer drehen oder ist verheddert.	Haben sich Fremdkörper (wie z. B. Fusseln und Haare) in den seitlichen Bürsten oder in der Hauptbürste verfangen?	Pflegen Sie sie. Überprüfen Sie zusätzlich den korrekten Einbau der Hauptbürste und der Abdeckung der Hauptbürste. → Siehe Seite 26.
	Der Akku-Saugroboter kann nicht auf Teppichen mit einer Florlänge von mehr als 7 mm verwendet werden. Auch wenn die Florlänge 7 mm oder weniger beträgt, kann der Akku-Saugroboter den Betrieb einstellen oder der Flor kann sich je nach Flormaterial oder anderen Eigenschaften in den seitlichen Bürsten verfangen.	→ Siehe Seite 11.
Die verbrauchte Luft riecht schlecht.	Wird nasser Müll oder stinkender Müll eingesaugt?	Entsorgen Sie den Müll. → Siehe Seite 22.
	Ist der Filter verstopft?	Pflegen Sie den Filter. Wenn Sie den Filter mit Wasser gewaschen haben, trocknen Sie ihn ausreichend, bevor Sie ihn verwenden. → Siehe Seite 25.

## Fernbedienungsbetrieb

Symptom	Ursache	Aktion
Die Fernbedienung funktioniert nicht.	Sind die Batterien richtig in die Fernbedienung eingelegt?	Überprüfen Sie die Ausrichtung der Batterien. → Siehe Seite 14.
	Wenn der Akku-Saugroboter bei der Bedienung mit der Fernbedienung manchmal nicht reagiert, ist eine mögliche Ursache, dass die Batterien das Ende ihrer Lebensdauer erreicht haben. (Das Kriterium für den Austausch ist etwa ein Jahr. Eine Batterie kann nach weniger als einem Jahr erschöpft sein, abhängig von der verwendeten Batterie und den Bedingungen.)	Ersetzen Sie die Batterien durch neue. → Siehe Seite 14.
	Ist die Stromversorgung des Akku-Saugroboters ausgeschaltet?	Drücken Sie die Start/Stop-Taste des Akku-Saugroboters, um die Stromversorgung einzuschalten. → Siehe Seite 16.
	Es besteht die Möglichkeit, dass der Abstand zwischen der Fernbedienung und dem Akku-Saugroboter zu groß ist, sodass die Funkwellen nicht richtig ankommen.	Sorgen Sie für eine ungehinderte Sicht, indem Sie den Abstand zwischen der Fernbedienung und dem Akku-Saugroboter verringern und Hindernisse umstellen. → Siehe Seite 12.
Der Betrieb mit der Fernbedienung ist nicht möglich.	Die folgenden Geräte, die Funkwellen im 2,4-GHz-Band verwenden, können möglicherweise in der Nähe in Betrieb sein. <ul style="list-style-type: none"> <li>• Mikrowellenherd</li> <li>• Bluetooth®-fähige Geräte</li> <li>• Wireless-LAN-Geräte</li> <li>• Andere Geräte, die Funkwellen im 2,4-GHz-Band verwenden (z. B. digitale schnurlose Telefone und Spielautomaten)</li> </ul>	Sorgen Sie für einen größeren Abstand zwischen dem Akku-Saugroboter und der Fernbedienung, oder stellen Sie die Verwendung dieser Geräte vorübergehend ein.
	Wenn Sie die Fernbedienung durch eine neue ersetzt haben, stellen Sie eine Kopplung mit dem Akku-Saugroboter her.	→ Siehe Seite 24.
	Wenn Sie den Akku-Saugroboter nicht mit der Fernbedienung bedienen können, schalten Sie die Stromversorgung des Akku-Saugroboters aus und dann wieder ein, nachdem Sie die oben aufgeführten möglichen Ursachen untersucht haben.	→ Siehe Seite 16.

## Bedienfeld

Symptom	Ursache	Aktion
Die eingestellte Zeit wird häufig zurückgesetzt.	Der eingebaute Akku ist fast leer, weil der Akku-Saugroboter über einen längeren Zeitraum nicht benutzt wird.	Lassen Sie den Akku-Saugroboter länger als 1 Stunde laufen, oder versetzen Sie ihn in den Standby-Modus. (Der eingebaute Akku wird wieder aufgeladen.)

## Timer-Funktion

Symptom	Ursache	Aktion
Der Betrieb durch die EIN-Timer-Reservierung startet nicht zum angegebenen Zeitpunkt.	Der Akku-Saugroboter beginnt nicht mit dem Betrieb gemäß der EIN-Timer-Reservierung, wenn eine der folgenden Bedingungen beim Start des Betriebs durch die EIN-Timer-Reservierung zutrifft. <ul style="list-style-type: none"> <li>• Die Stromversorgung ist ausgeschaltet.</li> <li>• Wenn die Akkukapazität nicht ausreichend ist</li> </ul>	→ Siehe Seite 20.
	Leuchtet die Timer-Lampe auf?	Wenn die Stromversorgung ausgeschaltet wird oder die Akkukapazität nach dem Einstellen der Reservierung aufgebraucht ist, erlischt die Timer-Lampe. → Siehe Seite 10.



## Kartenerstellung

Symptom	Ursache	Aktion
<ul style="list-style-type: none"> <li>• Der Akku-Saugroboter hält während der Kartenerstellung an.</li> <li>• Die Kartenerstellung schlägt fehl.</li> </ul>	Ist der Raum während der Kartenerstellung dunkel?	Machen Sie den Raum bis zur Fertigstellung der Kartenerstellung heller.
	In einem Radius von ca. 11 m um den Akku-Saugroboter befinden sich keine Hindernisse mit einer Höhe von 25 cm oder mehr.	Die Umgebung ist möglicherweise nicht für die Kartenerstellung geeignet. Die Reinigung im freien Reinigungsmodus wird empfohlen. → Siehe Seite 17.
Der Akku-Saugroboter beginnt mit der Reinigung anstelle der Kartenerstellung.	Ist eine bereits registrierte Raumnummer ausgewählt?	Wählen Sie eine nicht registrierte Raumnummer oder löschen Sie die bereits registrierte Karte. → Siehe Seiten 17 und 18.
<ul style="list-style-type: none"> <li>• Eine Karte ist nicht registriert.</li> <li>• Die Karte ist unvollständig. (Es gibt einen Bereich, der nicht registriert ist.)</li> </ul>	Die Form des Raums, die Anordnung von Hindernissen oder andere Merkmale können zu komplex sein.	Prüfen Sie, ob ein Durchgang von 80 cm oder mehr für die Reinigung vorhanden ist. Räumen Sie das Zimmer auf. → Siehe Seite 12.
		Die Akkukapazität ist möglicherweise nicht ausreichend. Stellen Sie sicher, dass die Akkus vollständig geladen sind, und führen Sie dann die Kartenerstellung durch.
	Sie können die Kartenerstellungsinformationen manuell hinzufügen. → Siehe Seite 41.	
	Der Akku-Saugroboter wurde während der Kartenerstellung hochgehoben.	Heben Sie den Akku-Saugroboter nicht während der Kartenerstellung hoch. Die Rauminformationen wurden möglicherweise nicht korrekt registriert.

## App

Symptom	Ursache	Aktion
Es ist nicht möglich, eine Verbindung mit der App herzustellen.	Wurde die Smartphone-Verbindungstaste des Akku-Saugroboters gedrückt?	Drücken Sie die Smartphone-Verbindungstaste, um die Verbindung mit der App herzustellen. → Siehe Seite 35.
	Wurde die Wi-Fi®-Einstellung des Smartphones aktiviert?	Aktivieren Sie die Wi-Fi®-Einstellung des Smartphones.
	Es besteht die Möglichkeit, dass der Abstand zwischen dem Smartphone und dem Akku-Saugroboter zu groß ist, sodass die Funkwellen nicht richtig ankommen.	Sorgen Sie für eine ungehinderte Sicht, indem Sie den Abstand zwischen dem Smartphone und dem Akku-Saugroboter verringern und Hindernisse umstellen. → Siehe Seite 12.
	Die Verbindung mit dem Akku-Saugroboter ist fehlgeschlagen.	Für iPhone: Gehen Sie zum iOS-Einstellungsmenü und aktivieren Sie die lokale Netzwerkeinstellung für den Makita Robotic Cleaner DRC300.  Für Android: Wenn nach dem Herstellen der Wi-Fi-Verbindung ein Pop-up-Fenster angezeigt wird, in dem Sie entscheiden können, ob die Verbindung bestehen bleiben soll, erlauben Sie es.
	Das Erfassen der Ortsinformationen durch den Akku-Saugroboter ist möglicherweise fehlgeschlagen. (Der Name des Akku-Saugroboters wird im Bildschirm zur Eingabe des PIN-Codes als „null“ dargestellt.)	Aktivieren Sie die Ortsinformationseinstellung Ihres Smartphones.

## Schutzfunktion

Wenn eine der folgenden Bedingungen eintritt, während der Akku-Saugroboter in Betrieb ist, stoppt der Motor automatisch. Dies ist auf die Schutzfunktion zurückzuführen, nicht auf einen Fehler.

Schutzfunktion
Der Motor stoppt automatisch, wenn der Akku eine hohe Temperatur erreicht. <ul style="list-style-type: none"> <li>• Beenden Sie die Reinigung und entfernen Sie die Akkus aus dem Akku-Saugroboter. Laden und kühlen Sie die Akkus anschließend mit einem Ladegerät mit Kühlsystem oder warten Sie, bis die Akkus abgekühlt sind.</li> <li>• Wenn der Akku-Saugroboter auch mit gekühlten Akkus nicht funktioniert, kühlen Sie den Akku-Saugroboter.</li> <li>• Falls eine Fehlernummer am Akku-Saugroboter angezeigt wird, entfernen Sie die Fehlerursache. (Siehe Seite 29.)</li> </ul>
Der Akku-Saugroboter stoppt automatisch, wenn die Akkuladung schwach wird, geht in den Ruhemodus über und schaltet sich komplett aus, wenn die verbleibende Ladung zu Ende geht. <ul style="list-style-type: none"> <li>• Entfernen Sie die Akkus aus dem Akku-Saugroboter und laden Sie die Akkus auf.</li> </ul>
Der Akku-Saugroboter hält automatisch an, wenn ein Fehler erkannt wird. <ul style="list-style-type: none"> <li>• Überprüfen Sie die Fehlernummer und beheben Sie die Fehlerursache. Nach Beseitigung der Ursache kann der Akku-Saugroboter wiederverwendet werden. (Siehe Seite 29.)</li> </ul>

## Lagerung

Schalten Sie die Stromversorgung aus und entfernen Sie die Akkus, bevor Sie den Akku-Saugroboter aufbewahren.

Lagern Sie den Akku-Saugroboter nicht an den folgenden Orten, da es sich um ein Präzisionsgerät handelt. Andernfalls kann es zu Erhitzung, Entzündung, Ausfall, Beschädigung von Gummiteilen usw. kommen.

- Orte, an denen die Temperatur plötzlich ansteigt
- Orte, an denen die Temperatur plötzlich absinkt
- Orte, an denen die sich die Temperatur plötzlich ändert
- In der Nähe einer Flamme, einer Heizung, von Kühl- und Heizgeräten usw.
- Außenbereich
- Orte, die direktem Sonnenlicht ausgesetzt sind
- Orte, die Feuchtigkeit oder Dämpfen ausgesetzt sind
- Orte mit viel Staub und Sand
- Verrauchte Orte
- Orte mit schlechter Belüftung

Wenn der Akku-Saugroboter über einen längeren Zeitraum gelagert wird, ohne dass er benutzt wird, kann seine Leistung beeinträchtigt werden. Um den Akku-Saugroboter viele Jahre lang zu verwenden, schalten Sie ihn gelegentlich ein und verwenden Sie ihn.

## Optionales Zubehör

### VORSICHT

**Die folgenden Zubehörteile oder Vorrichtungen werden für den Einsatz mit dem in dieser Anleitung beschriebenen Makita-Gerät empfohlen. Die Verwendung anderer Zubehörteile oder Vorrichtungen kann eine Verletzungsgefahr darstellen. Verwenden Sie die Zubehörteile oder Vorrichtungen nur für ihren vorgesehenen Zweck.**

Wenn Sie Hilfe für weitere Details zu diesen Zubehörteilen benötigen, wenden Sie sich an Ihre nächstgelegene Makita-Kundendienststelle.

- Magnetische Grenzlinie
- Hauptbürste
- Weiche Hauptbürste
- Seitliche Bürste
- Weiche seitliche Bürste
- HEPA-Filter
- Abdeckung der Hauptbürste
- Pufferkissen
- Original-Makita-Akku und -Ladegerät

### ANMERKUNG

- Manche Teile in der Liste können als Standardzubehör im Gerätepaket enthalten sein. Sie können von Land zu Land unterschiedlich sein.
- Um eine falsche Erkennung bei der Verwendung des Pufferkissens zu vermeiden, bringen Sie das Pufferkissen nicht an den folgenden Bereichen an: Der Bereich an der seitlichen Verlängerung der Ultraschallsensoren und die oberen und unteren Bereiche innerhalb von 28 mm von den Ultraschallsensoren.

# Smartphone-App (Für den DRC300)

## Inhaltsverzeichnis

• Was Sie mit der App tun können	35
• So installieren Sie die App	35
• Vorbereitungen im Vorfeld	35
• Installieren der App auf einem Smartphone	35
• Anfängliche Einstellung	35
• Startbildschirm	36
• Reinigung mit der App	36
• Reinigung eines Raums ohne Kartenerstellung (freier Reinigungsmodus)	36
• Reinigung von kartierten Räumen	37
• Betreiben des Akku-Saugroboters mit der App	38
• Überprüfen des Reinigungsverlaufs	38
• Überprüfen des neuesten Verlaufs	38
• Überprüfen der vergangenen Verläufe	39
• Überprüfen der Fehlerverläufe	39
• Hinzufügen, Ändern oder Löschen von Kartenerstellungsinformationen	40
• Hinzufügen von Kartenerstellungsinformationen	40
• Manuelles Hinzufügen von Kartenerstellungsinformationen (manuelle Kartenerstellung)	41
• Ändern des Namens der Kartenerstellungsinformationen	42
• Begrenzen des Reinigungsbereichs	42
• Löschen von Kartenerstellungsinformationen	43
• Ändern und Prüfen von Einstellungen	44
• Ändern des Namens eines registrierten Akku-Saugroboters	44
• Einstellen von Reinigungsoptionen	44
• Ändern des PIN-Codes	45
• Löschen der Informationen eines registrierten Akku-Saugroboters	45
• Überprüfen der App-Informationen	46
• Fehlermeldung/Dialog	46

## Was Sie mit der App tun können

Mit einem Smartphone, auf dem die App für den Akku-Saugroboter installiert ist, können Sie folgende Dinge tun:

- Reinigung
- Fernbedienungsbetrieb
- Hinzufügen, Ändern oder Löschen von Kartenerstellungsinformationen
- Überprüfen des Reinigungsverlaufs
- Ändern der Einstellungen des Akku-Saugroboters

## ANMERKUNG

- Diese App ist für die Verwendung auf einem Smartphone vorgesehen und läuft nicht auf Tablet-Geräten und PCs.
- Ein Smartphone und der Akku-Saugroboter sind über die Wi-Fi®-Funktion direkt miteinander verbunden. Beachten Sie, dass das Internet während der Verbindung mit dem Akku-Saugroboter nicht verfügbar ist. Denken Sie daran, nach der Verwendung der App die Verbindung zum Akku-Saugroboter zu trennen, indem Sie die Smartphone-Verbindungstaste drücken.
- Um diese App zu verwenden, müssen Sie die Berechtigung zum Abrufen von Standortinformationen erteilen und den Benutzungsbedingungen zustimmen. Der Benutzer muss entscheiden, ob er die Erlaubnis zum Abrufen von Standortinformationen erteilt und den Benutzungsbedingungen zustimmt.
- Die Bilder des Anwendungsbildschirms können ohne vorherige Ankündigung geändert werden.

## So installieren Sie die App

### Vorbereitungen im Vorfeld

Für die Nutzung der App ist ein Smartphone (Android oder iOS) erforderlich.

- Android: Android Version 6.0 oder höher ist erforderlich.
- iOS (iPhone): iOS 12 oder höher ist erforderlich.

### Installieren der App auf einem Smartphone

1. Suchen Sie mit Ihrem Smartphone in Google Play™ oder im App Store nach „Makita Robotic Cleaner DRC300“.  
Sie können den Zugang auch über den QR-Code herstellen.

Google Play™



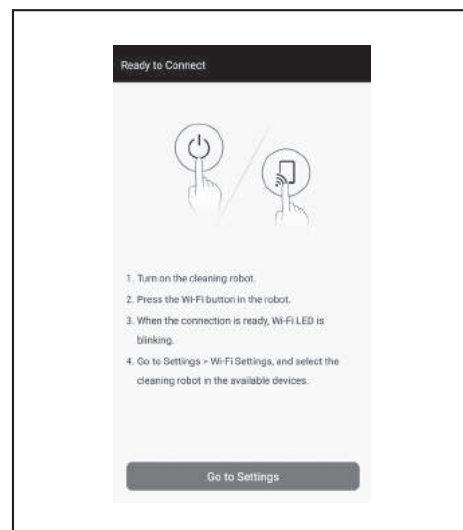
App Store



2. Installieren Sie „Makita Robotic Cleaner DRC300“
3. Nach der Installation starten Sie „Makita Robotic Cleaner DRC300“

### Anfängliche Einstellung

1. Wenn ein Bildschirm mit der Frage erscheint, ob Sie die Erfassung von Standortinformationen zulassen möchten, tippen Sie auf [OK].
2. Tippen Sie auf dem Bildschirm mit den Benutzungsbedingungen auf [Zustimmen].
3. Folgen Sie den Anweisungen auf dem Bildschirm:
  - Schalten Sie den Akku-Saugroboter ein und drücken Sie dann die Smartphone-Verbindungstaste an dem Saugroboter. Nach dem Drücken der Smartphone-Verbindungstaste dauert es etwa 8 Sekunden, bis der Akku-Saugroboter für die Verbindung bereit ist. Wenn die Verbindung bereit ist, blinkt die Wi-Fi-LED.
  - Tippen Sie anschließend auf [Zu Einst gehen], um den Wi-Fi®-Einstellungsbildschirm des Smartphones anzuzeigen.



Abhängig von Ihrem Gerät können die folgenden Verfahren erforderlich sein.

Für iPhone:

Gehen Sie zum iOS-Einstellungsmenü und aktivieren Sie die lokale Netzwerkeinstellung für den Makita Robotic Cleaner DRC300.

Für Android:

Wenn nach dem Herstellen der Wi-Fi-Verbindung ein Pop-up-Fenster angezeigt wird, in dem Sie entscheiden können, ob die Verbindung bestehen bleiben soll, erlauben Sie es.

4. Verbinden Sie das Smartphone über Wi-Fi® mit dem Akku-Saugroboter. (Diese Verbindung ist NICHT Bluetooth.)
  - Die Wi-Fi®-Verbindungseinstellung (Passworteingabe) ist nur erforderlich, wenn die Verbindung zum Akku-Saugroboter zum ersten Mal hergestellt wird.
  - Das ursprüngliche Passwort der Wi-Fi®-Verbindung ist auf alphanumerische Zeichen eingestellt, die die letzten vier Ziffern der SSID des Akku-Saugroboters zweimal wiederholen. Wenn zum Beispiel die SSID „Robotic\_Cleaner\_012A“ angezeigt wird, ist das Passwort „012A012A“.
  - Stellen Sie sicher, dass das Smartphone während der Verbindung mit dem Akku-Saugroboter nicht auf andere Wi-Fi®-Netzwerke zugreifen kann.
5. Verlassen Sie den Wi-Fi®-Einstellungsbildschirm und zeigen Sie den App-Bildschirm an. Geben Sie anschließend den PIN-Code ein, um die Verbindung zu authentifizieren.
  - Der werkseitig eingestellte PIN-Code ist auf alphanumerische Zeichen eingestellt, die die letzten vier Ziffern der SSID zweimal wiederholen.
  - Wenn die SSID „Robotic\_Cleaner\_012A“ ist, ist der werkseitig eingestellte PIN-Code „012A012A“.
  - Der Startbildschirm der App wird angezeigt, wenn der PIN-Code erfolgreich authentifiziert wurde.

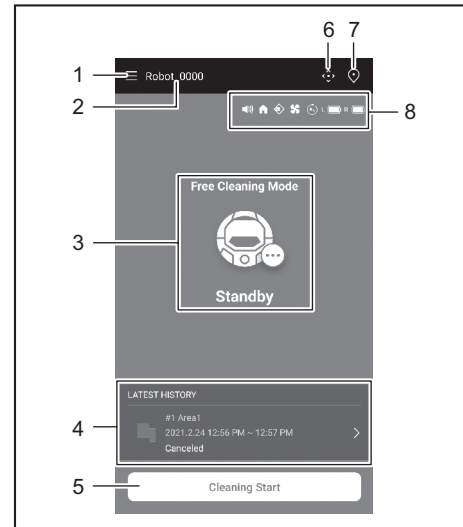


6. Ändern Sie den PIN-Code.
  - Achten Sie darauf, den PIN-Code zu ändern. Verwenden Sie nicht den Standard-PIN-Code. Siehe Seite 45 zum Ändern des PIN-Codes.
  - Vergessen Sie den neu erstellten PIN-Code nicht.
7. Die Ersteinstellung ist abgeschlossen, wenn „PIN-Code geändert“ angezeigt wird. Kehren Sie zum Startbildschirm zurück, um die App zu verwenden. Um die Wi-Fi-Verbindung zu trennen, drücken Sie die Smartphone-Verbindungstaste am Akku-Saugroboter, um die Smartphone-Verbindungslampe auszuschalten.

#### ANMERKUNG

Wenn Ihre Verbindung plötzlich unterbrochen wird, schließen Sie die App einmal und versuchen Sie dann erneut, eine Verbindung herzustellen.

## Startbildschirm



1. Menütaste (verschiedene Einstellungen, Überprüfung des Verlaufs)
2. Name des Akku-Saugroboters
3. Betriebszustand des Akku-Saugroboters
4. Letzte Aufzeichnung einer Reinigung (wird nur bei Vorhandensein einer Aufzeichnung angezeigt)
5. Taste für Start der Reinigung (oder der Kartenerstellung)
6. Fernbedienungs-Taste
7. Modus-Umschalttaste
8. Einstellungen des Akku-Saugroboters und die verbleibende Akkukapazität
  - : Die Toneinstellung ist aktiviert.
  - : Die Einstellung „Homing-Funktion priorisieren“ ist aktiviert.
  - : Die Grenzerkennungsfunktion ist aktiviert.
  - : Die Einstellung des Vakuumgebläses ist aktiviert.
  - : Die Einstellung für dauerhaftes Reinigen ist aktiviert.
  - : Verbleibende Kapazität des linken Akkus
  - : Verbleibende Kapazität des rechten Akkus

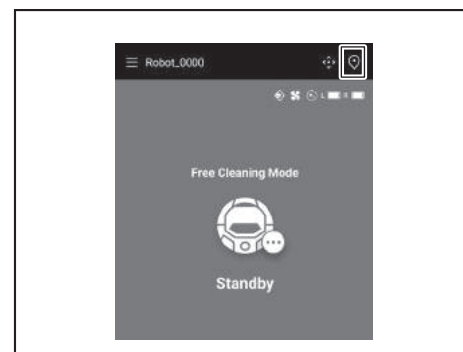
## Reinigung mit der App

Der Akku-Saugroboter arbeitet in zwei Modi: freier Reinigungsmodus, der keine Kartenregistrierung erfordert, und Kartenerstellungs-Reinigungsmodus (siehe „Reinigung von kartierten Räumen“ auf Seite 37), der erfordert, dass Rauminformationen für die Reinigung registriert werden.

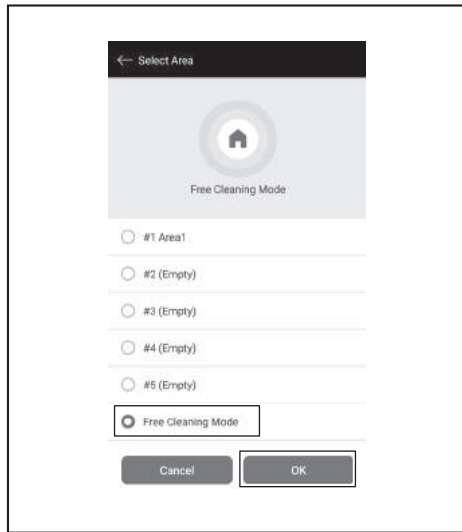
### Reinigung eines Raums ohne Kartenerstellung (freier Reinigungsmodus)

- Der freie Reinigungsmodus wird für die Reinigung in mehreren Räumen oder in einer Umgebung mit häufigen, erheblichen Änderungen der Anordnung empfohlen.
- Der freie Reinigungsmodus wird auch für einen Raum empfohlen, der nicht ausreichend beleuchtet werden kann.
- Zur Reinigung, Kartenerstellung und dem Ort für den Start des Akku-Saugroboters siehe Seite 17.

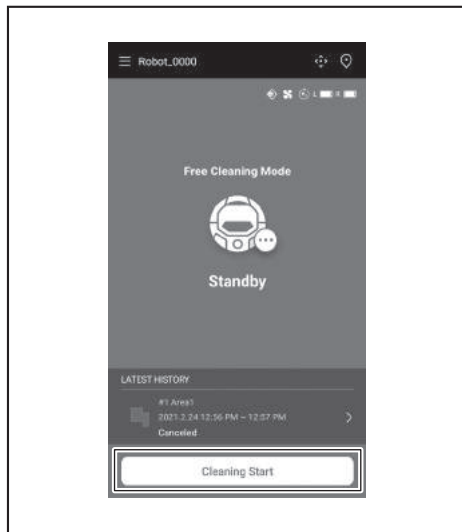
1. Tippen Sie auf dem Startbildschirm auf



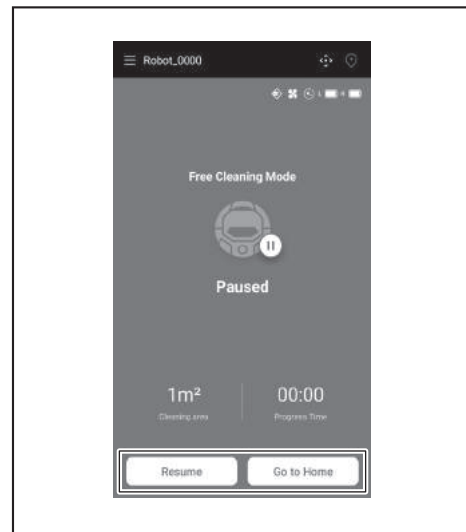
- Tippen Sie auf [Freier Rein.mod.] und tippen Sie dann auf [OK].



- Tippen Sie auf dem Startbildschirm auf [Reinigungsstart], damit der Akku-Saugroboter mit der Reinigung beginnt.




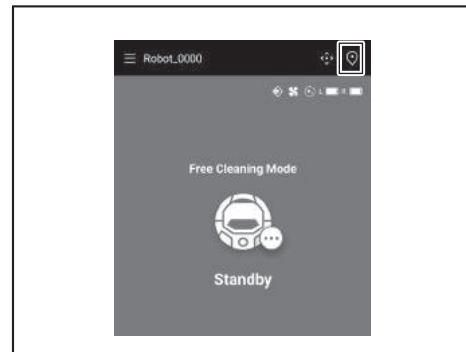
- Sie können den Akku-Saugroboter mit den folgenden Bedienvorgängen steuern.
  - Das Tippen auf [Pausieren] führt dazu, dass der Akku-Saugroboter die Reinigung vorübergehend stoppt.
  - Das Tippen auf [Fortfahren] im pausierten Zustand startet den Akku-Saugroboter erneut.
  - Das Tippen auf [Zu Home gehen] im pausierten Zustand bewirkt, dass der Akku-Saugroboter zu dem Punkt zurückkehrt, an dem er die Reinigung begonnen hat. Wenn der Akku-Saugroboter zum Startpunkt zurückkehrt, wechselt die App zum Startbildschirm. Dieser Vorgang kann durchgeführt werden, während die Reinigung pausiert ist.



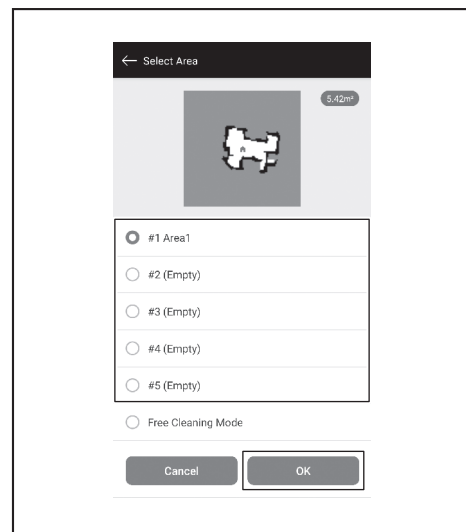
## Reinigung von kartierten Räumen

- Im Kartenerstellungs-Reinigungsmodus arbeitet der Akku-Saugroboter so, dass ein kartierter Raum effizient gereinigt wird.
- Die Verwendung des Kartenerstellungs-Reinigungsmodus erfordert, dass Kartenerstellungsinformationen registriert werden. (Siehe Seite 40.)

- Tippen Sie auf dem Startbildschirm auf .

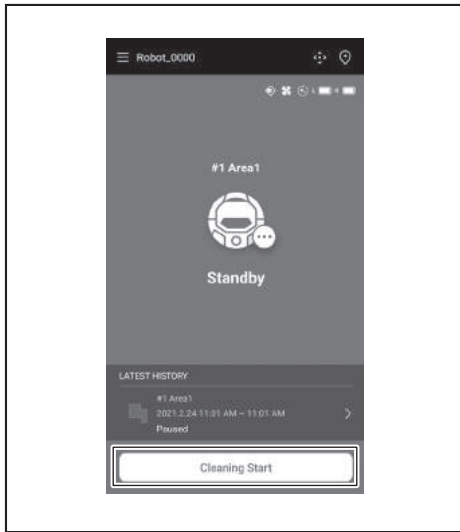


- Tippen Sie auf den Raum, den Sie reinigen möchten, und tippen Sie dann auf [OK].
  - Sie können eine Karte hinzufügen, ändern und löschen. (Siehe Seite 40)

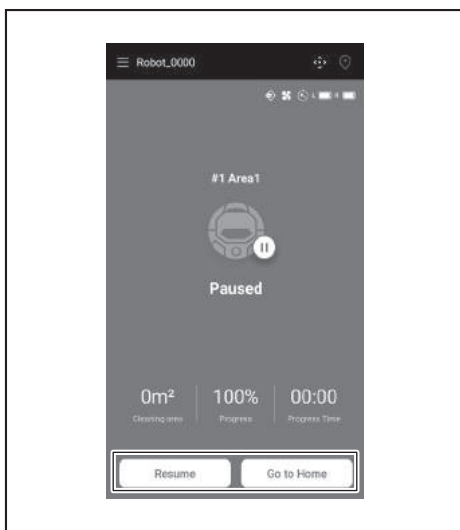
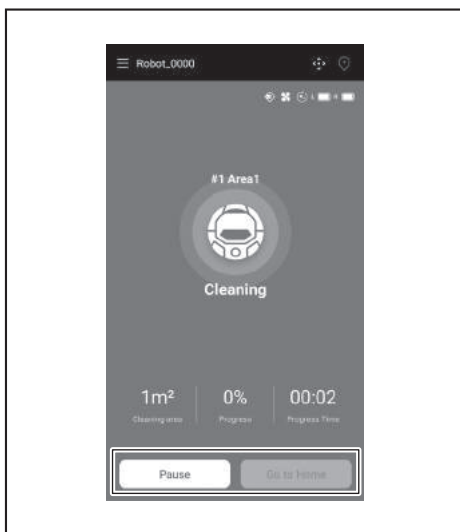


- Platzieren Sie den Akku-Saugroboter so nah wie möglich an der gleichen Ausrichtung wie zu Beginn der Kartenerstellung. Dadurch kann der Akku-Saugroboter reibungslos mit der Reinigung beginnen.

4. Tippen Sie auf [Reinigungsstart], damit der Akku-Saugroboter mit der Reinigung beginnt.




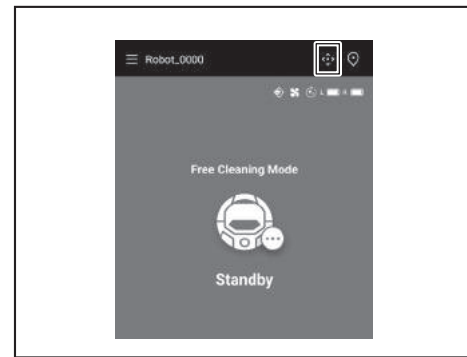
5. Sie können den Akku-Saugroboter mit den folgenden Bedienvorgängen steuern.
  - Das Tippen auf [Pausieren] führt dazu, dass der Akku-Saugroboter die Reinigung vorübergehend stoppt.
  - Das Tippen auf [Fortfahren] im pausierten Zustand startet den Akku-Saugroboter erneut.
  - Das Tippen auf [Zu Home gehen] im pausierten Zustand bewirkt, dass der Akku-Saugroboter zu dem Punkt zurückkehrt, an dem er die Reinigung begonnen hat. Wenn der Akku-Saugroboter zum Startpunkt zurückkehrt, wechselt die App zum Startbildschirm. Dieser Vorgang kann durchgeführt werden, während die Reinigung pausiert ist.
  - Wenn die Form des Raums nicht mit den Karteninformationen übereinstimmt, wird der Fehlerbildschirm angezeigt und der Akku-Saugroboter stoppt die Reinigung. Prüfen Sie, ob der ausgewählte Raum korrekt ist, und platzieren Sie den Akku-Saugroboter am Startpunkt.
  - Wenn der Akku-Saugroboter abseits vom Startpunkt in den Kartenerstellungsinformationen platziert wird, wird der Fehlerbildschirm angezeigt.



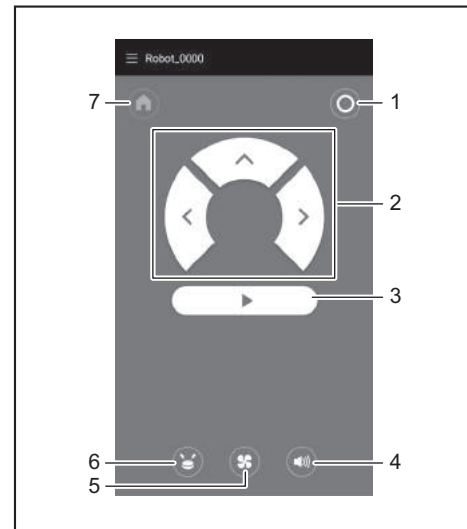
## Betreiben des Akku-Saugroboters mit der App

Sie können den Akku-Saugroboter mit der App genauso bedienen wie mit der im Lieferumfang des Akku-Saugroboters enthaltenen Fernbedienung.

1. Tippen Sie auf dem Startbildschirm auf .



2. Bedienen Sie den Akku-Saugroboter durch Tippen auf die Tasten.
  - Sie können den Akku-Saugroboter über die App nicht rückwärts bewegen lassen.



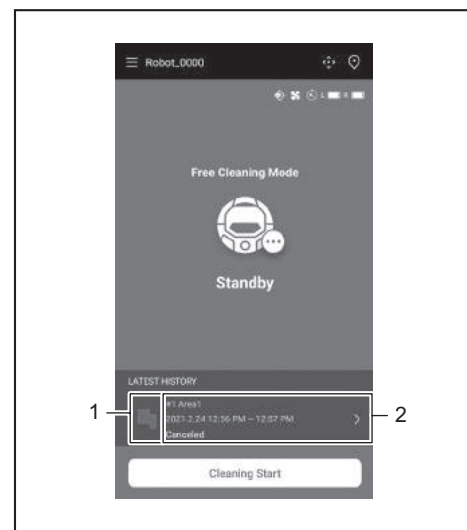
- 1. Strom AUS-Taste 2. Aktionstasten 3. Start/Stopp-Taste 4. Ton EIN/AUS-Taste 5. Vakuumgebläse EIN/AUS-Taste 6. Ortungs-Funksignal-Summer/Licht-Taste 7. Startpunkt-Taste

## Überprüfen des Reinigungsverlaufs

In der App können Sie den Verlauf der Reinigung im Detail überprüfen.

### Überprüfen des neuesten Verlaufs


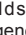
Tippen Sie auf dem Startbildschirm auf das Symbol in [NEUESTER VERLAUF].

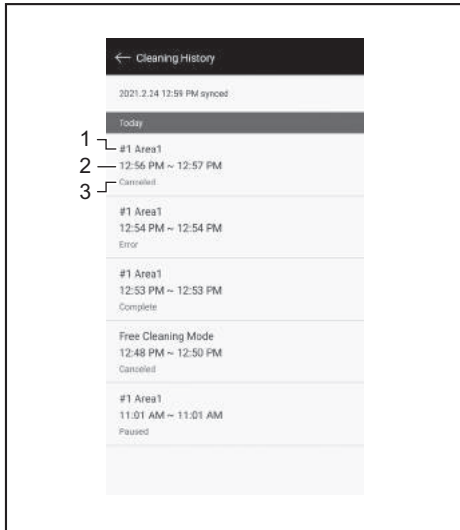


- 1. Symbol zum Anzeigen des neuesten Verlaufs 2. Artikel zum Anzeigen der Liste der Verläufe

## Überprüfen der vergangenen Verläufe

Es können bis zu 15 Verläufe aufgezeichnet werden. Wenn bereits 15 Verläufe aufgezeichnet wurden, wird der älteste Verlauf gelöscht, wenn ein neuer Verlauf aufgezeichnet wird.

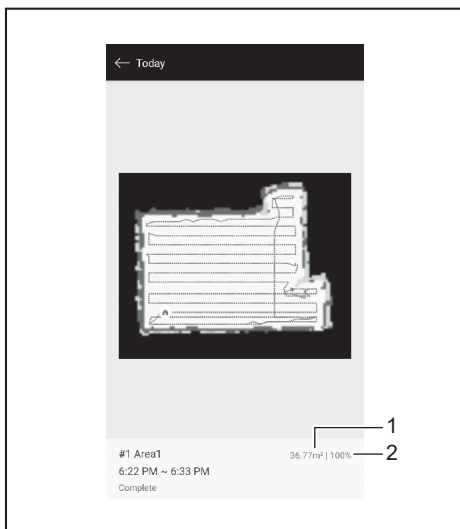
1. Tippen Sie auf dem Startbildschirm auf  in [NEUESTER VERLAUF]. Sie können auf  auf dem Startbildschirm tippen und dann auf [Reinigungsverlauf] tippen, um die vergangenen Aufzeichnungen zu sehen.
2. Tippen Sie auf die Aufzeichnung, die Sie überprüfen wollen.



- 1. Gereinigter Raum oder Reinigungsmodus 2. Zeit, in der der Raum gereinigt wurde 3. Reinigungsstatus (abgeschlossen, angehalten, Fehler, etc.)

Durch Antippen eines Artikels werden die Detailinformationen des jeweiligen Verlaufs angezeigt.


- Blau-grün gestrichelte Linie: Der Bewegungsablauf des Akku-Saugroboters
- Gelb: Der Bereich, den der Akku-Saugroboter gereinigt hat
- Blau: Vom Puffersensor erkannte Hindernisse
- Grün: Vom Ultraschallsensor erkannte Hindernisse
- Rosa: Durch den Klippensensor erkannte Stufen
- Lila: Der Bereich, den der Akku-Saugroboter anhand der magnetischen Grenzlinie erkannt hat
- Weiß: Der Bereich, den der Akku-Saugroboter nicht gereinigt hat
- Grau: Die vom LiDAR-Sensor erkannten Wände oder Hindernisse

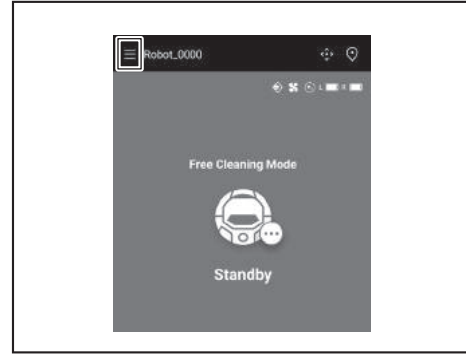


- 1. Größe des gereinigten Bereichs 2. Reinigungsabdeckung (nur Kartenerstellungs-Reinigung)

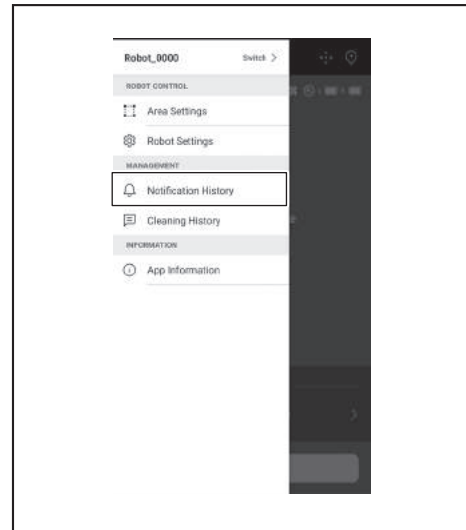
- Die Größe und Abdeckung des gereinigten Bereichs sind keine exakten Werte. Verwenden Sie diese Informationen als grobe Richtlinie.

## Überprüfen der Fehlerverläufe

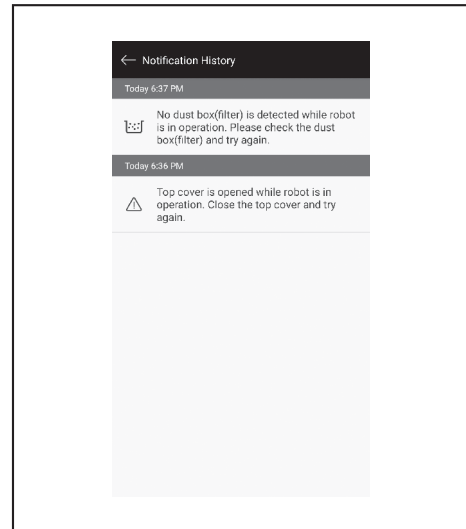
1. Tippen Sie auf dem Startbildschirm auf .



2. Tippen Sie auf [Benachrichtigungsverlauf].




Das Datum, die Uhrzeit und der Inhalt des Fehlers werden angezeigt. Es können bis zu 10 Verläufe aufgezeichnet werden. Wenn bereits 10 Verläufe aufgezeichnet wurden, wird der älteste Verlauf gelöscht, wenn ein neuer Verlauf aufgezeichnet wird.

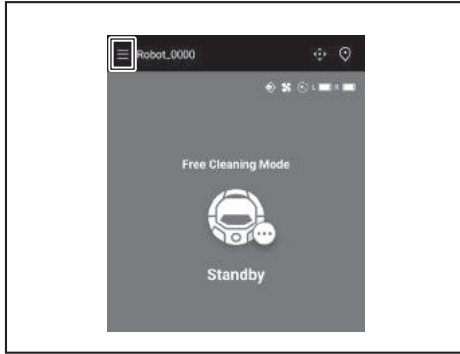




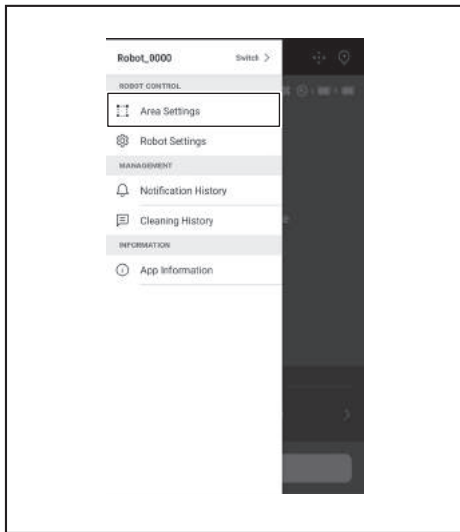
## Hinzufügen, Ändern oder Löschen von Kartenerstellungsinformationen

Sie können Kartenerstellungsinformationen unter [Bereichseinstellungen] im Menüfenster hinzufügen, ändern oder löschen.

1. Tippen Sie auf dem Startbildschirm auf .



2. Tippen Sie auf [Bereichseinstellungen].

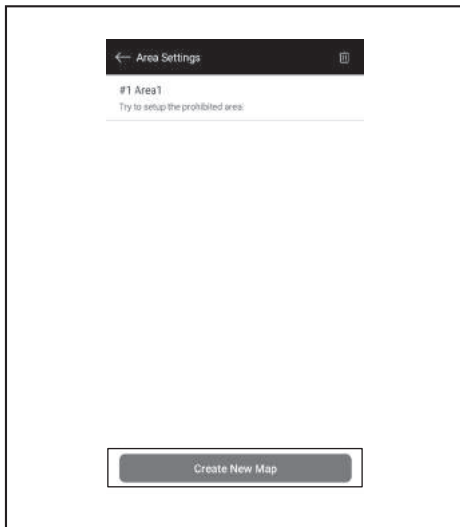


### Hinzufügen von Kartenerstellungsinformationen

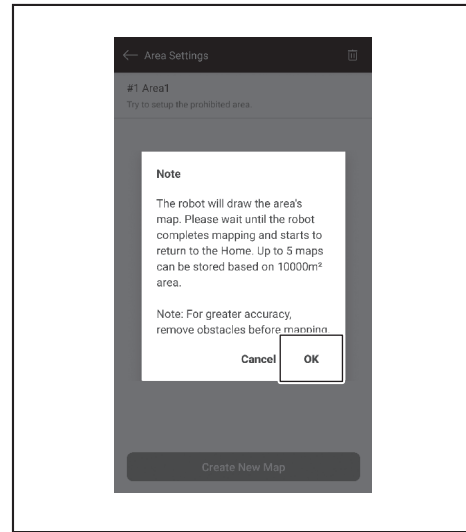
Sie können Informationen für bis zu 5 Karten mit einer Bereichsgröße von bis zu 10000 m<sup>2</sup> speichern.

Die Bereichsgröße gibt nicht die tatsächliche Größe eines kartierten Bereichs an, sondern die rechteckige Fläche, die den gesamten kartierten Bereich abdeckt.

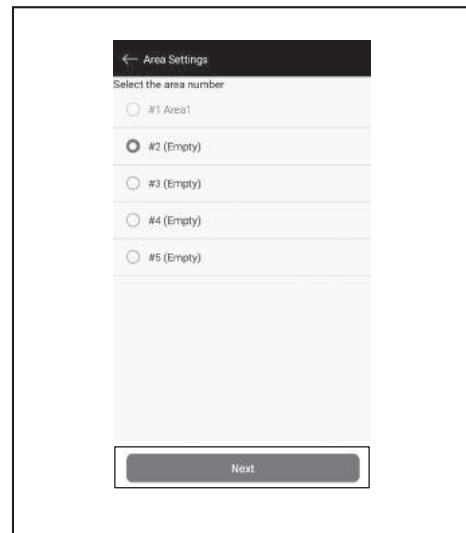
1. Tippen Sie auf dem [Bereichseinstellungen]-Bildschirm auf [Neue Karte erstellen].



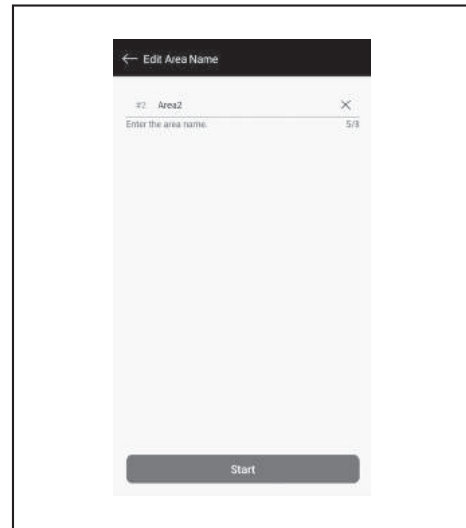
2. Eine Anmerkung wird angezeigt. Tippen Sie auf [OK].



3. Wählen Sie einen leeren Speicherplatz, auf dem die Kartenerstellungsinformationen gespeichert werden sollen und tippen Sie dann auf [Weiter].

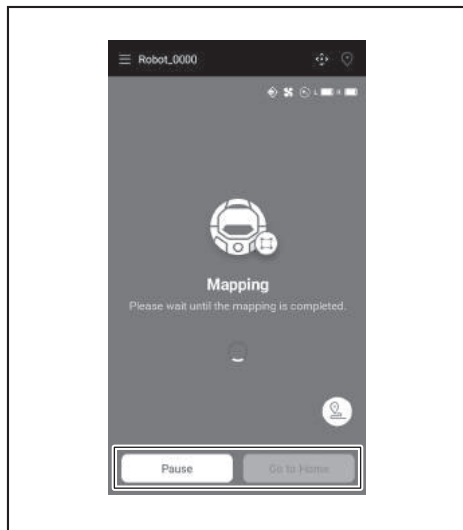


4. Geben Sie einen Bereichsnamen ein (bis zu 8 Zeichen).

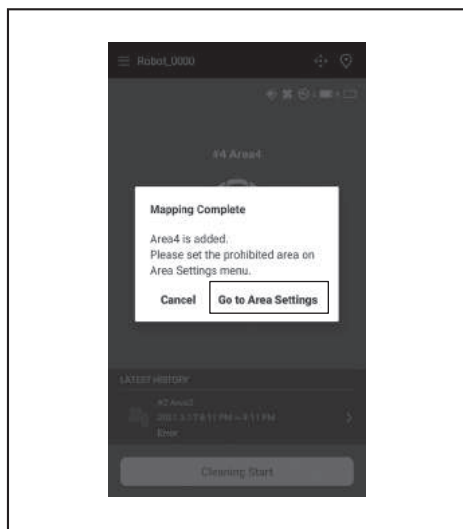


5. Tippen Sie auf [Starten].

- Der Akku-Saugroboter beginnt mit der Kartenerstellung.
  - Das Tippen auf [Pausieren] führt dazu, dass der Akku-Saugroboter die Kartenerstellung vorübergehend stoppt.
  - Das Tippen auf [Zu Home gehen] im pausierten Zustand bewirkt, dass der Akku-Saugroboter zu dem Punkt zurückkehrt, an dem er die Kartenerstellung begonnen hat. Die bis zum Zeitpunkt des Antippens erstellten Kartenerstellungsinformationen werden registriert. Wenn der Akku-Saugroboter zum Startpunkt zurückkehrt, wechselt die App zum Startbildschirm.




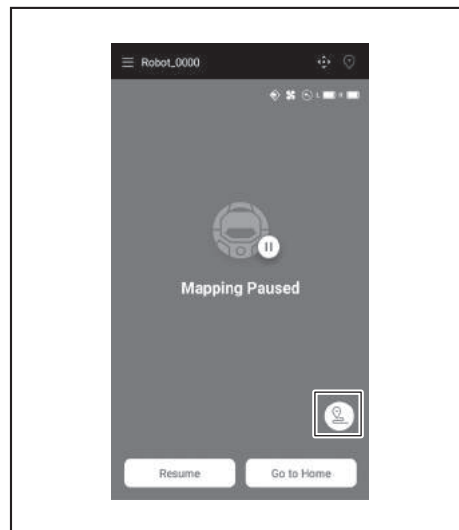
- Nach Abschluss der Kartenerstellung wird der Dialog angezeigt, ob die Bereichseinstellungen durchgeführt werden sollen.
  - Wenn Sie den Bereich der Reinigung einschränken wollen, tippen Sie auf [Zu Bereichseinstellungen gehen]. (Siehe Seite 42.)




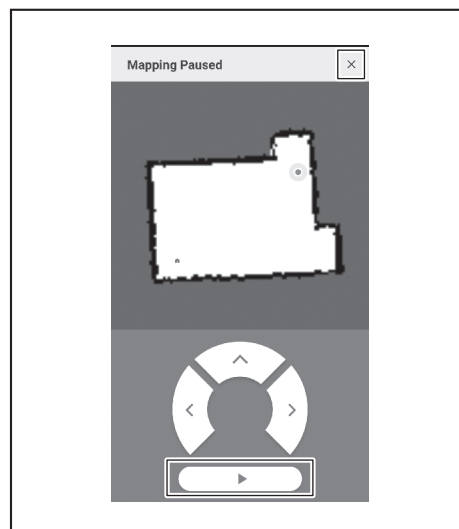
## Manuelles Hinzufügen von Kartenerstellungsinformationen (manuelle Kartenerstellung)

Während der Kartenerstellung können Sie die Kartenerstellungsinformationen mit der App manuell hinzufügen. Dies wird empfohlen, wenn eine komplizierte Bodenordnung kartiert werden soll.

- Tippen Sie auf [Pausieren] und dann auf , um die Fernbedienungstasten anzuzeigen.



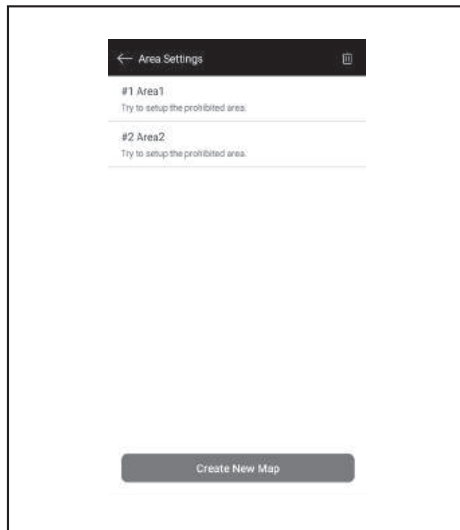
- Bewegen Sie den Akku-Saugroboter mithilfe der Fernbedienungstasten der App oder der Fernbedienung, um die Bodenordnung zu verfolgen.
  - Nachdem Sie die Kartenerstellungsinformationen manuell hinzugefügt haben, tippen Sie auf  zum Fortfahren mit der automatischen Kartenerstellung.
  - Wenn Sie die Kartenerstellung beenden wollen, tippen Sie auf [x] und dann auf [Zu Home gehen] oder drücken Sie die Startpunkt-Taste auf der Fernbedienung.



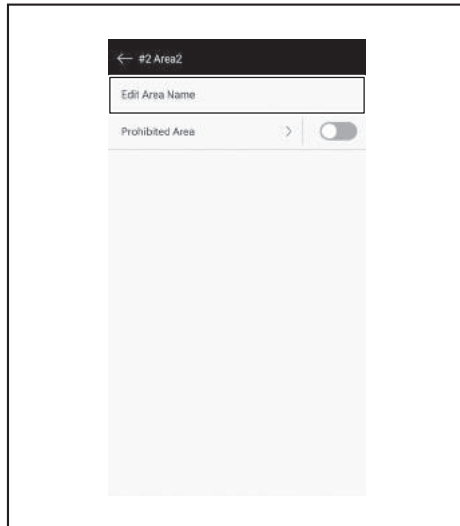
## Ändern des Namens der Kartenerstellungsinformationen

Tippen Sie auf dem [Bereichseinstellungen]-Bildschirm auf die Kartenerstellungsinformationen, die Sie ändern wollen. Sie können auf einen Namen tippen, um zum Einstellungsbildschirm zu gelangen.

1. Tippen Sie auf dem [Bereichseinstellungen]-Bildschirm auf die Kartenerstellungsinformationen, die Sie ändern wollen.



2. Tippen Sie auf [Bereichsname bearbeiten].



3. Bearbeiten Sie den Namen (Bis zu 8 Zeichen).



4. Tippen Sie auf [Speichern], um den Namen fertigzustellen.

## Begrenzen des Reinigungsbereichs

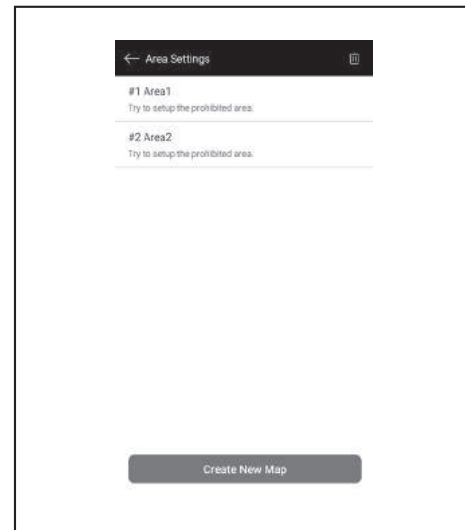
### ⚠️ WARNUNG

Verwenden Sie den von der App konfigurierten für die Reinigung verbotenen Bereich nicht als Grenzlinie eines Bereichs, in dem möglicherweise ein Unfall durch Eindringen oder Herunterfallen geschehen kann.

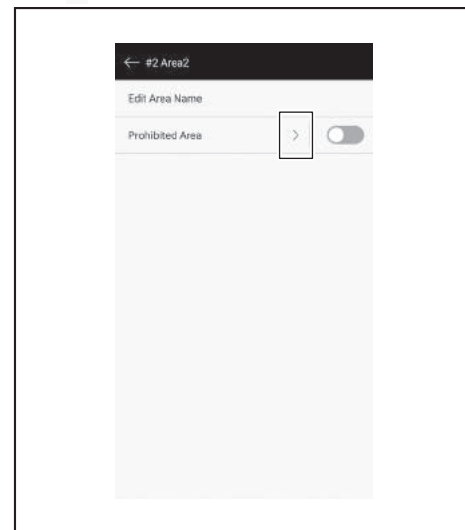
- Andernfalls kann es zu einem Unfall oder einer Verletzung durch Eindringen oder Herunterfallen des Akku-Saugroboters kommen. Der tatsächliche Bewegungsablauf des Akku-Saugroboters kann sich geringfügig von der Einstellung des für die Reinigung verbotenen Bereichs unterscheiden.

**Stellen Sie bei einem Bereich, in dem die Gefahr des Eindringens oder Herunterfallens des Akku-Saugroboters besteht, ein als Wand dienendes Objekt mit einer Höhe von 25 cm oder mehr (ein Objekt, das sich nicht bewegt oder umkippt, wenn es vom Akku-Saugroboter angestoßen wird) auf eine ebene Fläche. (Siehe Seite 11.)**




1. Tippen Sie auf dem [Bereichseinstellungen]-Bildschirm auf die Kartenerstellungsinformationen, die Sie ändern wollen.

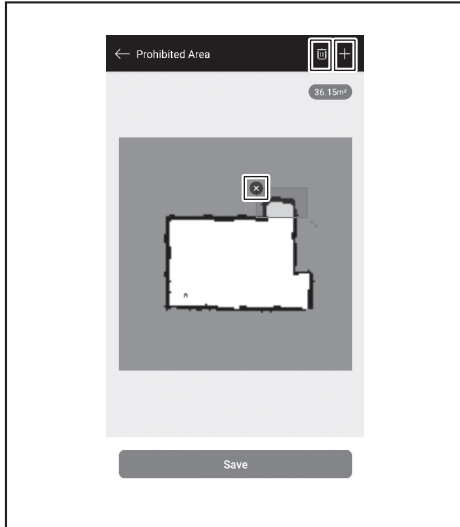


2. Tippen Sie auf > an der Seite von [Verbotener Bereich].



3. Stellen Sie einen für die Reinigung verbotenen Bereich ein.

- Sie können in der oberen rechten Ecke des Bildschirms auf  tippen, um einen für die Reinigung verbotenen Bereich hinzuzufügen (bis zu 100 Bereiche).
- Sie können einen für die Reinigung verbotenen Bereich ziehen, um ihn zu verschieben.
- Sie können die untere rechte Ecke eines für die Reinigung verbotenen Bereichs ziehen, um die Größe anzupassen.
- Sie können in der oberen linken Ecke eines für die Reinigung verbotenen Bereichs auf  tippen, um den für die Reinigung verbotenen Bereich zu löschen.
- Sie können in der oberen rechten Ecke des Bildschirms auf  tippen, um alle für die Reinigung verbotenen Bereiche zu löschen.
- Sie können innerhalb eines Bereichs von 2 m rund um den Startpunkt keinen für die Reinigung verbotenen Bereich einstellen.
- Je nach der Umgebung in der Nähe eines von Ihnen eingestellten für die Reinigung verbotenen Bereichs ist es möglicherweise nicht möglich, einen Bereich um den festgelegten Bereich herum zu reinigen.

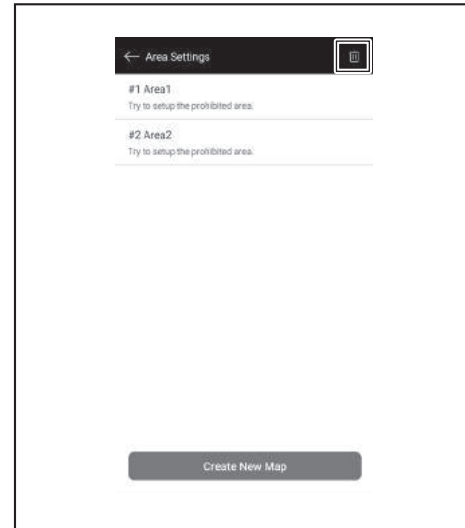


4. Das Tippen auf [Speichern] bewirkt die Registrierung der veränderten Kartenerstellungsinformationen.
5. Um einen registrierten für die Reinigung verbotenen Bereich zu aktivieren, tippen Sie an der Seite von [Verbotener Bereich] auf Ein/Aus (bei Ein grün gefärbt).

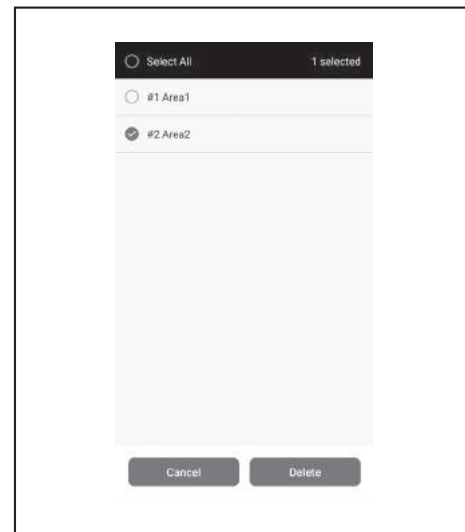


## Löschen von Kartenerstellungsinformationen

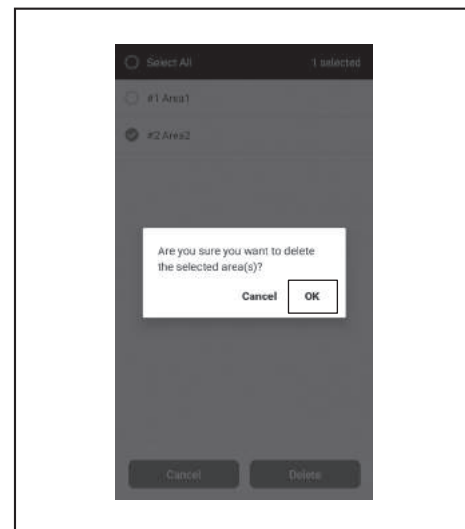
1. Tippen Sie auf dem [Bereichseinstellungen]-Bildschirm auf .



2. Wählen Sie die Kartenerstellungsinformationen, die Sie löschen wollen.
- Der Kreis am Anfang der Kartenerstellungsinformationen ist gefärbt, wenn die Kartenerstellungsinformationen ausgewählt sind.
  - Sie können auf [Alle auswählen] tippen, um alle Elemente auszuwählen.




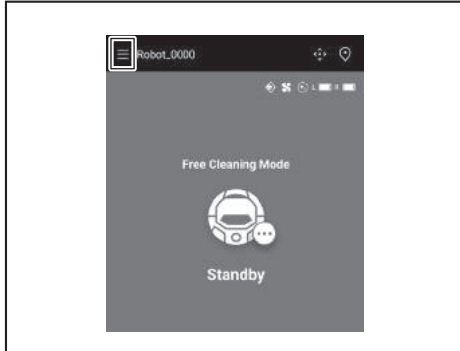
3. Tippen Sie auf [Löschen].
4. Eine Anmerkung wird angezeigt. Tippen Sie auf [OK].



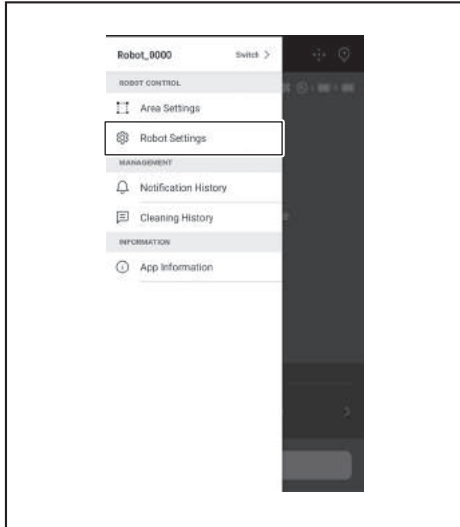
## Ändern und Prüfen von Einstellungen

Die Einstellungen können unter [Robotereinstellungen] im Menüfenster geändert und geprüft werden.

1. Tippen Sie auf dem Startbildschirm auf .



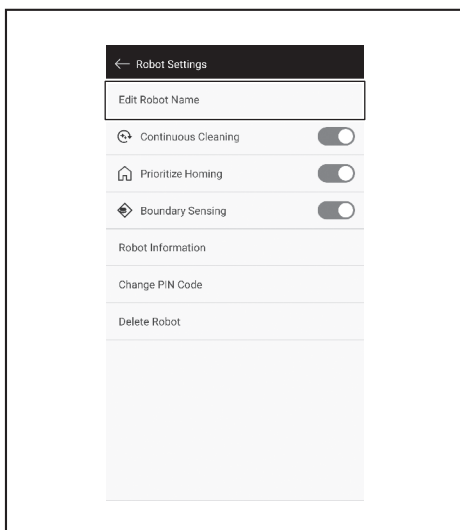
2. Tippen Sie auf [Robotereinstellungen].



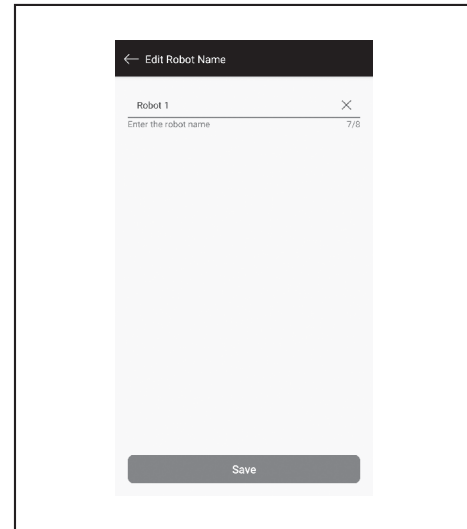
## Ändern des Namens eines registrierten Akku-Saugroboters

Diese Einstellung ändert nur den Namen des Akku-Saugroboters in der App. Die SSID für Wi-Fi® wird nicht geändert.

1. Tippen Sie auf dem [Robotereinstellungen]-Bildschirm auf [Roboternamen bearbeiten].



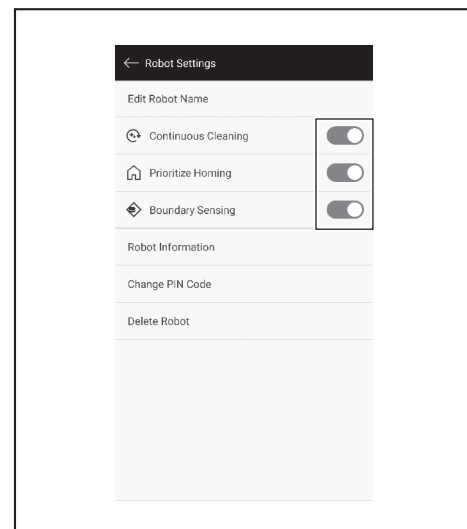
2. Geben Sie einen neuen Namen (bis zu 8 Zeichen) ein.



3. Wenn Sie die Eingabe des Namens beendet haben, tippen Sie auf [Speichern].

## Einstellen von Reinigungsoptionen

1. Tippen Sie bei Bedarf auf dem [Robotereinstellungen]-Bildschirm auf Ein/Aus (bei Ein grün gefärbt) an der Seite von [Dauerhaftes Reinigen] oder [Homing priorisieren].
  - [Dauerhaftes Reinigen]: Wählen Sie diese Option, wenn die Akkukapazität verloren geht, bevor der Akku-Saugroboter den gesamten Reinigungsbereich gereinigt hat, und Sie mit der Reinigung des ungereinigten Bereichs beim nächsten Mal fortfahren möchten.
  - [Homing priorisieren]: Diese Einstellung wird empfohlen, wenn der Akku-Saugroboter häufig nicht zum Startpunkt der Reinigung zurückkehrt. Der Akku-Saugroboter beginnt, zum Startpunkt der Reinigung zurückzukehren, vorausgesetzt, die verbleibende Akkukapazität ist größer als üblich.
  - [Erfassen der Grenzen]: Wählen Sie diese Option, wenn Sie die magnetische Grenzlinie verwenden. Der Akku-Saugroboter erkennt die magnetische Grenzlinie als Begrenzung. (Siehe Seite 21.)

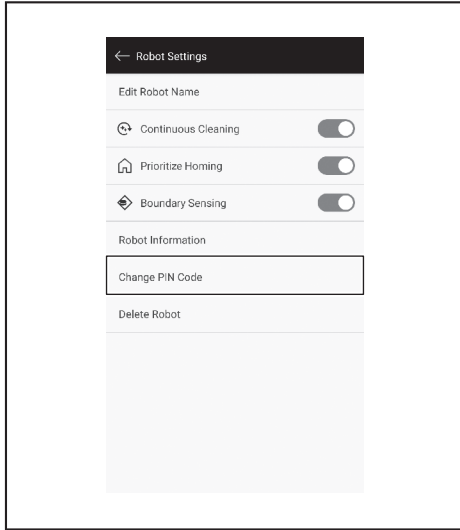


## Ändern des PIN-Codes

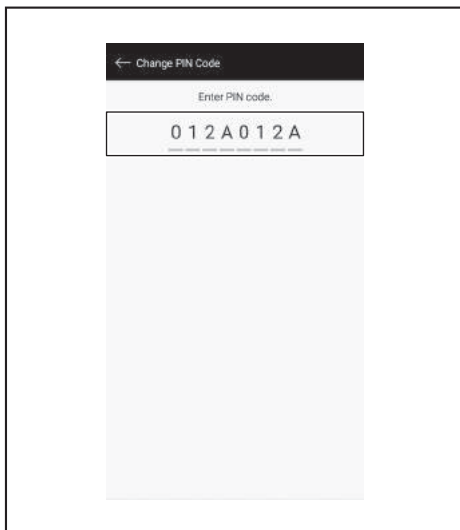
Der PIN-Code des Akku-Saugroboters kann geändert werden. Wenn Sie den von Ihnen eingestellten PIN-Code vergessen haben, siehe „Zurücksetzen der Einstellungen“ auf Seite 24 zum Zurücksetzen des Akku-Saugroboters auf die Werkseinstellungen.

Zum Prüfen des werkseitig voreingestellten PIN-Codes siehe „Anfängliche Einstellung“ auf Seite 35.

1. Tippen Sie auf dem [Robotereinstellungen]-Bildschirm auf [PIN-Code ändern].



2. Geben Sie den aktuellen PIN-Code (acht Stellen) ein.

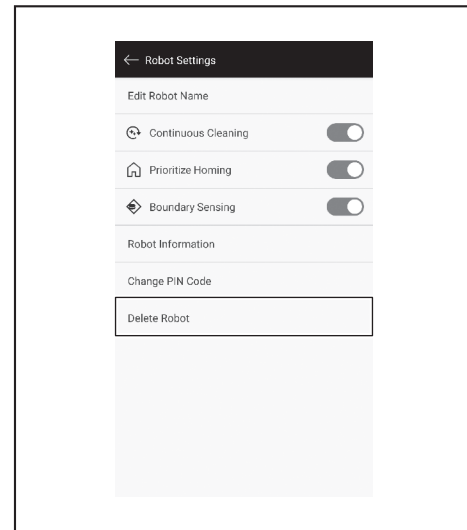


3. Geben Sie den neuen PIN-Code (acht Stellen) ein, den Sie einstellen wollen. Geben Sie den neuen PIN-Code zweimal hintereinander ein.

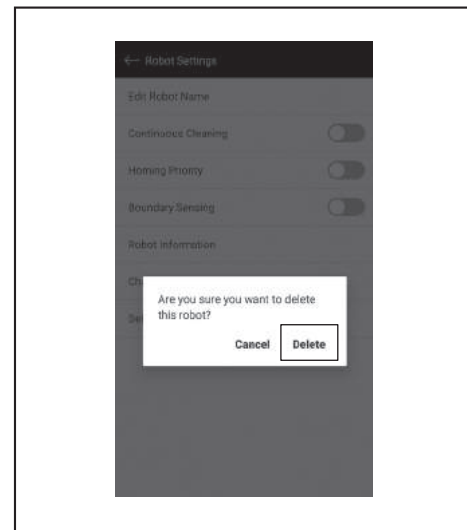


## Löschen der Informationen eines registrierten Akku-Saugroboters


1. Tippen Sie auf dem [Robotereinstellungen]-Bildschirm auf [Roboter löschen].

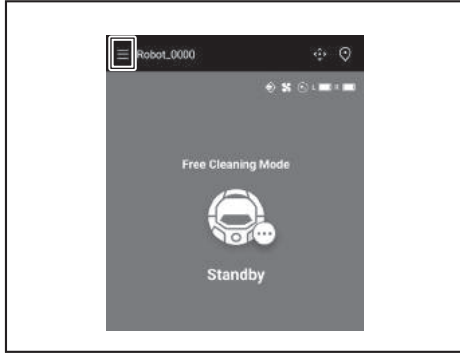


2. Es erscheint ein Dialog zur Bestätigung des Löschens. Tippen Sie auf [Löschen], um das Löschen abzuschließen.

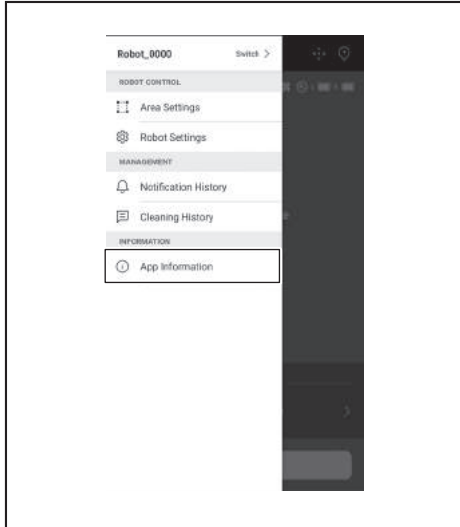


## Überprüfen der App-Informationen

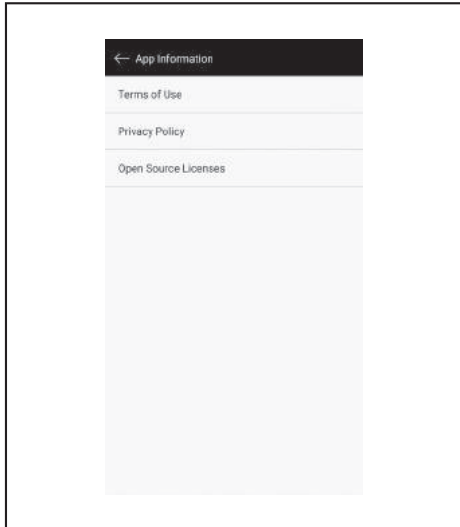
1. Tippen Sie auf dem Startbildschirm auf .



2. Tippen Sie auf [App-Infos hinzufügen].

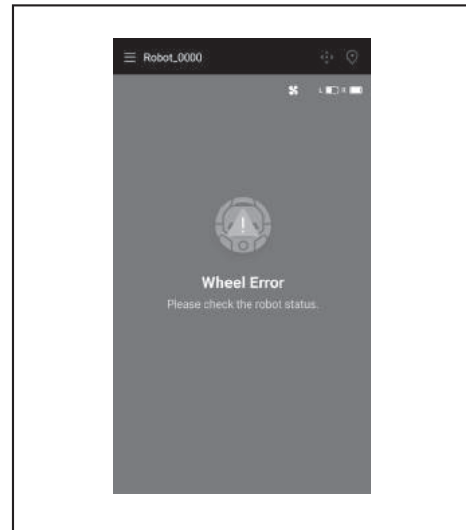
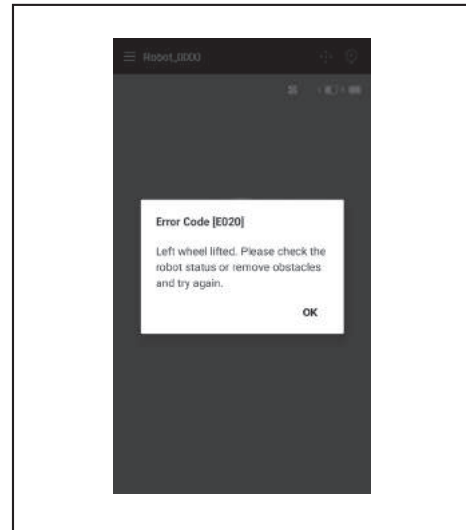


3. Tippen Sie auf die Informationen, die Sie prüfen wollen.



## Fehlermeldung/Dialog

Wenn ein Fehler aufgetreten ist, wird eine Fehlermeldung oder ein Dialog angezeigt. Befolgen Sie in diesem Fall die Anweisungen in der Fehlermeldung oder in dem Dialog.



# Anhang

## Hinweis zu Open-Source-Software

Dieses Produkt enthält Open-Source-Software (nachstehend bezeichnet als „Open-Source-Software“) unter der GNU General Public License (GPL), der GNU Lesser General Public License (LGPL) und anderen Lizenzen.

Einzelheiten zu den Lizenzen für die Open-Source-Software (Benachrichtigung der Urheberrechtsinhaber und Lizenzen) werden auf der folgenden Website kostenlos veröffentlicht. Darüber hinaus wird der Quellcode für die von uns unter diesen Lizenzen freigegebene Open-Source-Software auf der folgenden Website kostenlos offengelegt.

<https://oss.makita.biz/index.html>

- Bitte sehen Sie von Anfragen zum Quellcode der Open-Source-Software ab.
- Wir gewähren keinerlei Garantien in Bezug auf die Open-Source-Software. Dieser Hinweis schränkt jedoch unsere Garantieabdeckung für Produktfehler (einschließlich der durch die Open-Source-Software verursachten Fehler) nicht ein.

## Für europäische Länder

Wi-Fi-Modul	Modulname	LCW-006
	Frequenzbereich/Leistung	2412,0 - 2462,0 MHz/17,48 dBm(EIRP) 2422,0 - 2452,0 MHz/13,75 dBm(EIRP)
	S/W-Version	V1.0
Bluetooth-Modul	Modulname	T007-MA-MD
	Frequenzbereich/Leistung	2402,0 - 2480,0 MHz/7 dBm(EIRP)
	S/W-Version	V01.03
Fernbedienung	Modulname	C011
	Frequenzbereich/Leistung	2402,0 - 2480,0 MHz/-4 dBm(EIRP)
	S/W-Version	V01.04

Dieses Gerät muss so installiert und betrieben werden, dass ein Sicherheitsabstand von mindestens 20 cm zu allen Personen eingehalten wird.



**ITALIANO**

## Sommario

• Avvertimento	2	• Appendice	47
• Informazioni sul Robot aspirapolvere	2	• Avviso relativo al Software Open Source	47
• Funzioni principali	2	• Per le nazioni europee	47
• Cartuccia della batteria e caricatore utilizzabili	2		
• Uso previsto	3		
• Simboli	3		
• Dichiarazioni di conformità	3		
• Precauzioni di sicurezza	3		
• Precauzioni di sicurezza per l'uso del robot aspirapolvere	4		
• Precauzioni relative alle onde radio	8		
• Relativi marchi e marchi registrati	8		
• Nomi dei componenti	9		
• Accessori standard	10		
• Preparazione prima della pulizia	11		
• Informazioni sul trasporto del robot aspirapolvere	11		
• Informazioni sulla pulizia con il robot aspirapolvere	11		
• Per impedire la caduta del robot aspirapolvere	11		
• Sistemazione del luogo da pulire	12		
• Preparazione per l'uso	14		
• Montaggio delle spazzole laterali	14		
• Disimballaggio del contenitore polveri	14		
• Installazione delle batterie nel telecomando	14		
• Indicazione della carica residua della batteria	15		
• Installazione e rimozione delle batterie (vendute separatamente)	15		
• Accensione/Spengimento	16		
• Cosa impostare prima della pulizia	16		
• Guida all'uso	17		
• Pulizia	17		
• Pulizia di una stanza con mappatura	17		
• Eliminazione delle informazioni di mappatura	18		
• Sospensione o termine della pulizia	19		
• Attivazione/disattivazione della ventola di aspirazione	19		
• Utilizzo della funzione di segnalazione della posizione	19		
• Utilizzo del timer di accensione/timer di spegnimento	19		
• Controllo dell'intervallo di pulizia	21		
• Come montare, rimuovere e utilizzare gli articoli venduti separatamente	22		
• Come smaltire i rifiuti	22		
• Impostazione del Robot aspirapolvere	23		
• Impostazione dell'ora corrente	23		
• Configurazione Wi-Fi® (robot aspirapolvere e smartphone)	23		
• Definizione di un'impostazione audio	23		
• Ripristino delle impostazioni	24		
• Cura	25		
• Manutenzione	25		
• Informazioni sulla riparazione	28		
• Notifica e indicazione di errore	29		
• Annullamento di una notifica e di un'indicazione di errore	29		
• Notifica di richiesta di manutenzione, ecc.	29		
• Notifica di errore	29		
• Risoluzione dei problemi	31		
• Conservazione	33		
• Accessori opzionali	34		
• App smartphone (per DRC300)	35		
• Sommario	35		
• Cosa si può fare con l'app	35		
• Come installare l'app	35		
• Schermata iniziale	36		
• Pulizia con l'app	36		
• Controllo della cronologia di pulizia	38		
• Aggiunta, modifica o eliminazione delle informazioni di mappatura	40		
• Modifica e controllo delle impostazioni	44		
• Finestra di dialogo/messaggio di errore	46		

## Avvertimento

Questo apparecchio può essere utilizzato da bambini di età pari o superiore a 8 anni e da persone con ridotte capacità fisiche, sensoriali o mentali o senza la dovuta esperienza e conoscenza, purché siano supervisionati o istruiti sull'uso dell'apparecchio in modo sicuro e ne comprendano i pericoli coinvolti. I bambini non devono giocare con l'apparecchio. La pulizia e la manutenzione da parte dell'utente non devono essere eseguite da bambini senza supervisione.

## Informazioni sul Robot aspirapolvere

### Funzioni principali

Funzione principale		Modello:DRC300
Tensione		C.C. 18 V
Tempo di funzionamento continuo*1 *2		Ca. 240 minuti
Volume di raccolta polveri		3,0 L
Dimensioni		500 mm (L) × 500 mm (P) × 204 mm (A)
Peso*2		10,6 kg
Comunicazione wireless	Sistema di comunicazione	1. Da robot aspirapolvere a telecomando: Bluetooth 2. Da robot aspirapolvere a smartphone: Wi-Fi® (SoftAP)
	Distanza di comunicazione stimata	1. 20 m o inferiore 2. 10 m o inferiore
LAN wireless	Banda di frequenza	2,4 GHz
	Potenza massima a radiofrequenza	17,48 dBm (EIRP)
	Standard LAN wireless	IEEE 802.11 b/g/n
	Metodo di crittografia	WPA/WPA2
	Versione WPS	Versione 2.0
Bluetooth	Banda di frequenza	2402,0 - 2480,0 MHz
	Potenza massima a radiofrequenza	Telecomando: -4 dBm (EIRP)
	Raggio di trasmissione	Circa 10 m
	Versione Bluetooth®	4.2 (Bluetooth a bassa energia)
Uscita laser	Lunghezza d'onda	Sensore LiDAR: 775 - 800 nm Sensore di dislivello: 845 - 850 nm
	Uscita	1 mW o inferiore (IEC 60825-1:2014 Classe Laser 1)

- Si noti che le funzioni principali, la forma e altre caratteristiche sono soggette a modifiche per miglioramenti.
  - I sensori di distanza laser di questo prodotto sono prodotti laser di Classe 1 come definito dallo standard internazionale IEC 60825-1:2014 sulla sicurezza dei prodotti laser.
- \*1. Se utilizzato su pavimenti lisci come piastrelle viniliche con la ventola di aspirazione accesa. Il tempo di funzionamento varia a seconda delle condizioni del luogo di utilizzo, del tipo di pavimento, delle condizioni della batteria, della temperatura ambiente, ecc. Inoltre, il tempo di funzionamento può essere ridotto in ambienti a bassa temperatura a causa delle caratteristiche di una batteria agli ioni di litio.
- \*2. Se dotato di due batterie BL1860B.

### Cartuccia della batteria e caricatore utilizzabili

Cartuccia della batteria	BL1815N / BL1820B / BL1830B / BL1840B / BL1850B / BL1860B
Caricatore	DC18RC / DC18RD / DC18RE / DC18SD / DC18SE / DC18SF / DC18SH / DC18WC

- Alcune delle cartucce della batteria e dei caricatori sopra elencati potrebbero non essere disponibili a seconda della regione di residenza.

### AVVERTIMENTO

Utilizzare esclusivamente le cartucce della batteria e i caricatori sopra elencati. L'utilizzo di qualsiasi altra cartuccia della batteria o caricatore può causare lesioni e/o incendi.

### Informazioni sulle fonti di alimentazione collegate tramite cavo

Non è possibile utilizzare fonti di alimentazione collegate tramite cavo per questo prodotto. Se utilizzate, possono causare lesioni o incidenti.

## Usò previsto

Questo prodotto è un aspirapolvere robot progettato per la pulizia di pavimenti in ambienti interni. Alcune operazioni e impostazioni possono essere eseguite con il telecomando e con l'app dedicata.

## Simboli

Di seguito sono riportati i simboli che possono essere utilizzati per l'apparecchiatura. Accertarsi di averne compreso il significato prima dell'uso.



Leggere le istruzioni per l'uso.



Prestare particolare cura e attenzione.



Una batteria rappresentativa idonea per questo prodotto.



Solo per le nazioni UE

A causa della presenza di componenti pericolosi nell'apparecchiatura, i rifiuti di apparecchiature elettriche ed elettroniche, accumulatori e batterie possono avere un impatto negativo sull'ambiente e sulla salute umana.

Non smaltire apparecchi elettrici ed elettronici o batterie insieme ai rifiuti domestici!



Ni-MH  
Li-ion

In conformità con la direttiva europea sui rifiuti di apparecchiature elettriche ed elettroniche e relativa ad accumulatori e batterie e ai rifiuti di accumulatori e batterie, nonché il loro adeguamento alla legislazione nazionale, i rifiuti di apparecchiature elettriche, batterie e accumulatori devono essere depositati separatamente e consegnati a un punto di raccolta differenziata per i rifiuti urbani, operante nel rispetto delle normative in materia di tutela ambientale. Ciò è indicato dal simbolo del cassonetto barrato posto sull'apparecchiatura.



Non calpestare il robot aspirapolvere né collocare oggetti sopra di esso.



Non utilizzare il robot aspirapolvere in prossimità di fiamme libere, materiali infiammabili e/o pericolosi.



Pulire i sensori di dislivello sulla parte inferiore se sono sporchi o bagnati.



PRODOTTO LASER DI CLASSE 1  
PRODOTTO LASER DI CONSUMO  
EN 50689:2021

CONSUMER LASER PRODUCT  
EN 50689 : 2021

## Dichiarazioni di conformità

### Solo per le nazioni europee

Le dichiarazioni di conformità sono incluse nell'Allegato A delle presenti istruzioni per l'uso.

## Precauzioni di sicurezza

Informazioni sul significato di **AVVERTIMENTO**, **ATTENZIONE** e **AVVISO** nelle precauzioni

Le considerazioni per l'utilizzo di questo prodotto sono classificate in

**AVVERTIMENTO**, **ATTENZIONE** e **AVVISO**.

I loro rispettivi significati sono i seguenti.

**AVVERTIMENTO** : Una precauzione che indica un rischio di morte o di lesioni gravi per l'utente quando il prodotto viene maneggiato in modo improprio.

## ATTENZIONE :

Una precauzione che indica un rischio di lesioni per l'utente o un rischio di danni alla proprietà quando il prodotto viene maneggiato in modo improprio. Si noti che un problema descritto come **ATTENZIONE** può portare a conseguenze gravi a seconda della situazione.

Assicurarsi di osservare queste precauzioni poiché sono tutte importanti per la sicurezza. Precauzioni importanti per la manipolazione del prodotto e dei suoi accessori.

## AVVISO :

- Assicurarsi di osservare le "Precauzioni di sicurezza" per prevenire incidenti quali incendi, scosse elettriche e lesioni prima che si verifichino.
- Prima di utilizzare il prodotto, leggere attentamente tutte le presenti "Precauzioni di sicurezza" per garantire il corretto utilizzo del prodotto.
- Dopo averle lette, assicurarsi di conservarle in un luogo accessibile per l'uso in qualsiasi momento da parte di coloro che utilizzano il prodotto.
- Quando il prodotto viene dato in prestito ad un'altra persona, consegnarlo insieme al manuale dell'utente.
- I seguenti pittogrammi sono usati per classificare e spiegare il comportamento da adottare.

## Esempi di pittogrammi





Questo pittogramma indica un'azione "proibita", ossia ciò che non si deve fare.







Questo pittogramma indica un'azione "obbligatoria", ossia ciò che si deve sempre fare.



Queste illustrazioni hanno solo scopo di riferimento. Si noti che la loro grafica varia a seconda del prodotto.

<b>AVVERTIMENTO</b>	
<b>Non lavare il prodotto in acqua. Non utilizzare questo prodotto in un luogo umido o bagnato, ad esempio un bagno.</b> <ul style="list-style-type: none"><li>• L'ingresso di acqua nel motore può causare un cortocircuito, generazione di calore o ignizione.</li><li>• Alcuni componenti possono essere lavati in acqua. Consultare "Cura" a pagina 25.</li></ul>	
<b>Non smontare, riparare o modificare mai il prodotto.</b> <ul style="list-style-type: none"><li>• Ciò potrebbe causare un'ignizione o un funzionamento anomalo, con conseguenti lesioni.</li></ul>	
<b>Non lasciar giocare i bambini con questo prodotto o con il caricatore.</b> <ul style="list-style-type: none"><li>• Un momento di disattenzione può provocare lesioni gravi.</li></ul>	
<b>Non utilizzare questo prodotto in spazi esterni.</b>	
<b>Non utilizzare questo prodotto in un luogo instabile, ad esempio scale o pendenze ripide.</b> <ul style="list-style-type: none"><li>• Questo prodotto potrebbe ribaltarsi o cadere, causando lesioni.</li></ul>	
<b>Non utilizzare articoli diversi dagli accessori specificati da Makita e dagli articoli venduti separatamente.</b> <ul style="list-style-type: none"><li>• L'utilizzo di un articolo diverso dagli accessori e dagli articoli venduti separatamente indicati in questo manuale dell'utente e nel nostro catalogo può causare incidenti o lesioni.</li></ul>	
<b>Non posizionare questo prodotto in prossimità di fiamme, dispositivi di riscaldamento, ecc.</b> <ul style="list-style-type: none"><li>• Ciò potrebbe causare un cortocircuito o un'ignizione dovuti alla deformazione del prodotto.</li></ul>	
<b>Non utilizzare il prodotto né caricare la batteria in prossimità di sostanze infiammabili (benzina, benzene, diluente, gas, ecc.).</b> <ul style="list-style-type: none"><li>• Ciò potrebbe causare esplosioni o incendi.</li></ul>	
<b>Non conservare questo prodotto in un luogo in cui la temperatura può raggiungere i 50°C (122°F) (scatola metallica, interno di un'auto in estate, ecc.).</b> <ul style="list-style-type: none"><li>• Ciò potrebbe causare un cortocircuito o un'ignizione dovuti alla deformazione di questo prodotto.</li><li>• La batteria potrebbe deteriorarsi, causando fumo o ignizione.</li></ul>	



 <b>AVVERTIMENTO</b>	
<p><b>Non caricare nelle seguenti condizioni, poiché ciò potrebbe causare un incendio.</b></p> <ul style="list-style-type: none"> <li>• Su carta, ad esempio un cartone ondulato, su stoffa, ad esempio un cuscino o un tappeto, su materiale vinilico, ecc.</li> <li>• Viene utilizzato un caricatore con fori per l'aria, ma questi sono bloccati durante la ricarica. Oppure, sono inseriti metalli o oggetti combustibili nei fori per l'aria.</li> <li>• In un luogo polveroso, ad esempio con polvere di cotone.</li> </ul>	
<p><b>Non caricare sotto la pioggia, né rimuovere o inserire la spina di alimentazione o la batteria con le mani bagnate.</b>  <b>Non lasciare corpi estranei come pezzi di metallo o acqua in prossimità del terminale del caricatore.</b></p> <ul style="list-style-type: none"> <li>• Ciò potrebbe causare scosse elettriche o lesioni.</li> </ul>	
<p><b>Non utilizzare un caricatore diverso dal caricatore dedicato.</b></p> <ul style="list-style-type: none"> <li>• Ciò potrebbe causare perdite, surriscaldamento o rottura della batteria.</li> <li>• Non utilizzare il caricatore per scopi diversi dalla ricarica.</li> </ul>	
<p><b>Non utilizzare il caricatore per scopi diversi dalla ricarica. Non utilizzare la batteria e il caricatore per apparecchiature diverse da quelle specificate da Makita.</b></p>	
<p><b>Non maneggiare il cavo del caricatore in modo improprio.</b></p> <ul style="list-style-type: none"> <li>• Non trasportare il caricatore tenendo il cavo o non tirare il cavo della spina per scollegarlo dalla presa di corrente.</li> <li>• Tenere il cavo lontano da fonti di calore, olio, prodotti chimici e spigoli vivi.</li> <li>• Prestare attenzione al luogo di ricarica per evitare che il cavo venga calpestato, che si impigli o che venga danneggiato a causa di una forza eccessiva. Potrebbero verificarsi scosse elettriche o cortocircuiti, provocando un'ignizione.</li> </ul>	
<p><b>Non utilizzare se il cavo del caricatore è danneggiato o se la spina di alimentazione non è inserita saldamente.</b></p> <ul style="list-style-type: none"> <li>• Potrebbero verificarsi scosse elettriche, cortocircuiti o ignizione.</li> </ul>	
<p><b>La parte di montaggio della batteria del caricatore ha un terminale di ricarica. Non lasciare corpi estranei come pezzi di metallo o acqua in prossimità del terminale di ricarica.</b></p>	
<p><b>Non coprire la batteria e il caricatore con un panno o altro durante la ricarica.</b></p> <ul style="list-style-type: none"> <li>• Caricare la batteria in un luogo ben ventilato. In caso contrario, potrebbero verificarsi surriscaldamento, rottura o ignizione.</li> </ul>	


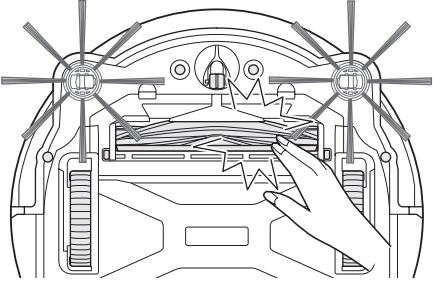
 <b>AVVERTIMENTO</b>	
<p><b>Assicurarsi di spegnere l'alimentazione e rimuovere le batterie prima della manutenzione e dell'ispezione per evitare che questo prodotto venga avviato accidentalmente.</b></p>	
<p><b>Quando si inserisce la batteria in questo prodotto, fare attenzione a non accenderlo.</b></p> <ul style="list-style-type: none"> <li>• Quando si installa la batteria in condizioni in cui è possibile che l'alimentazione venga attivata (ad esempio, quando il dito è appoggiato sul pulsante avvio/arresto), questo prodotto potrebbe iniziare a muoversi improvvisamente, causando un incidente.</li> </ul>	
<p><b>In caso di caduta o urto accidentale, controllare attentamente questo prodotto, ecc. per verificare la presenza di eventuali danni, crepe e deformazioni.</b></p> <ul style="list-style-type: none"> <li>• Danni, crepe e deformazioni possono essere causa di lesioni.</li> </ul>	
<p><b>Maneggiare questo prodotto delicatamente per evitare che si deformi e si danneggi.</b></p> <ul style="list-style-type: none"> <li>• Danni, crepe e deformazioni possono essere causa di lesioni.</li> </ul>	
<p><b>Se questo prodotto non funziona correttamente oppure se viene emesso un suono anomalo quando lo si utilizza, spegnere immediatamente l'alimentazione e interrompere l'utilizzo del prodotto. Quindi, rivolgersi al negozio presso cui si è effettuato l'acquisto o al nostro ufficio vendite per effettuare l'ispezione e la riparazione.</b></p> <ul style="list-style-type: none"> <li>• Qualora si continuasse ad utilizzare il prodotto, potrebbero verificarsi lesioni o incidenti.</li> </ul>	


 <b>AVVERTIMENTO</b>	
<p><b>Verificare l'eventuale presenza di parti danneggiate.</b></p> <ul style="list-style-type: none"> <li>• Prima di utilizzare il prodotto, ispezionarlo accuratamente per confermare che non vi siano danni ai componenti e verificare che il prodotto funzioni correttamente e fornisca funzionalità predeterminate.</li> <li>• Controllare che le parti mobili siano posizionate e serrate correttamente e verificare che i componenti non presentino danni e siano montati correttamente. Quindi, controllare tutte le altre aree che possono influenzare il funzionamento per verificare la presenza di eventuali anomalie.</li> <li>• Per la sostituzione e la riparazione di componenti danneggiati, attenersi al manuale dell'utente. Se non viene fornita alcuna descrizione nel manuale dell'utente, rivolgersi al negozio presso cui si è effettuato l'acquisto o al nostro ufficio vendite per effettuare la riparazione.</li> </ul>	
<p><b>Conservare con cura questo prodotto in buone condizioni.</b></p> <ul style="list-style-type: none"> <li>• Per la sostituzione degli accessori, attenersi al manuale dell'utente.</li> <li>• Ispezionare periodicamente il cavo del caricatore e, qualora fosse danneggiato, rivolgersi al negozio presso cui si è effettuato l'acquisto o al nostro ufficio vendite per effettuare la riparazione. Potrebbero verificarsi scosse elettriche o cortocircuiti, provocando un'ignizione.</li> <li>• Quando si utilizza un cavo di prolunga per la ricarica, ispezionarlo periodicamente e, se danneggiato, sostituirlo. Potrebbero verificarsi scosse elettriche o cortocircuiti, provocando un'ignizione.</li> <li>• Tenere sempre l'impugnatura di trasporto asciutta e pulita ed evitare che venga a contatto con olio, grasso, ecc.</li> </ul>	
<p><b>Quando questo prodotto non viene utilizzato, conservarlo in un luogo di conservazione adeguato.</b></p> <ul style="list-style-type: none"> <li>• Conservarlo in un luogo asciutto e sicuro fuori dalla portata dei bambini o in un luogo asciutto che possa essere chiuso a chiave. Altrimenti, potrebbe verificarsi un incidente.</li> </ul>	
<p><b>Estrarre il caricatore dalla presa di corrente quando non viene utilizzato per la ricarica.</b></p> <ul style="list-style-type: none"> <li>• La mancata osservanza di questa precauzione può causare scosse elettriche, dispersione di corrente o incendi dovuti al deterioramento dell'isolamento.</li> </ul>	
<p><b>Se si nota un calore anomalo o altre condizioni anomale durante la ricarica, estrarre immediatamente la spina di alimentazione del caricatore per interrompere la ricarica.</b></p> <ul style="list-style-type: none"> <li>• Qualora si proseguisse con la carica, potrebbero verificarsi fumo, ignizione o rottura.</li> </ul>	


 <b>ATTENZIONE</b>	
<p><b>Montare gli accessori in modo sicuro attenendosi al manuale dell'utente.</b></p> <ul style="list-style-type: none"> <li>• Se non sono fissati saldamente, possono causare lesioni, danni o incidenti.</li> </ul>	
<p><b>Quando si trasporta questo prodotto, tenere sempre l'impugnatura di trasporto.</b></p> <ul style="list-style-type: none"> <li>• Se il prodotto viene trasportato tenendolo in una posizione diversa dall'impugnatura di trasporto, potrebbero verificarsi guasti o lesioni.</li> </ul>	



## Precauzioni di sicurezza per l'uso del robot aspirapolvere



 <b>AVVERTIMENTO</b>	
<p><b>Non utilizzare questo prodotto in un luogo sopraelevato senza recinzione o in un luogo con una larghezza ridotta come le scale.</b></p> <ul style="list-style-type: none"> <li>• Ciò potrebbe causare lesioni o guasti dovuti alla caduta di questo prodotto.</li> </ul>	
<p><b>Non utilizzare questo prodotto in un luogo in cui fluttuano componenti oleosi come l'olio commestibile, in un luogo in cui vengono utilizzati spray e prodotti chimici, come un salone da barbiere, un centro estetico, una lavanderia o in spazi esterni.</b></p> <ul style="list-style-type: none"> <li>• Ciò potrebbe causare un guasto.</li> </ul>	



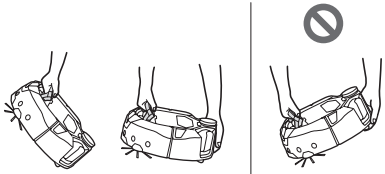
<b>AVVERTIMENTO</b>	
<b>Non utilizzare questo prodotto in un luogo con persone che non possono utilizzare questo prodotto correttamente, bambini o neonati.</b>	
<ul style="list-style-type: none"> <li>• Ciò potrebbe causare scosse elettriche, incidenti o lesioni.</li> </ul>	
<b>Non utilizzare questo prodotto in un luogo con animali, ecc.</b>	
<ul style="list-style-type: none"> <li>• Ciò potrebbe causare scosse elettriche, incidenti o lesioni.</li> </ul>	
<b>Non utilizzare questo prodotto in un luogo con molte persone o con persone che vanno e vengono costantemente.</b>	
<ul style="list-style-type: none"> <li>• Ciò potrebbe causare scosse elettriche, incidenti o lesioni.</li> </ul>	
<b>Non bloccare l'apertura di scarico e l'apertura di aspirazione né inserirvi metalli, oggetti estranei infiammabili, ecc.</b>	
<ul style="list-style-type: none"> <li>• Ciò potrebbe causare scosse elettriche, ignizioni o guasti.</li> </ul>	
<b>Non utilizzare questo prodotto in prossimità di un oggetto che potrebbe bloccare l'apertura di aspirazione.</b>	
<ul style="list-style-type: none"> <li>• Ciò potrebbe causare scosse elettriche, ignizioni o guasti.</li> </ul>	
<b>Non gettare questo prodotto nel fuoco né riscaldarlo.</b>	
<ul style="list-style-type: none"> <li>• Ciò potrebbe causare cortocircuiti, ignizioni, perdite di liquidi o esplosioni.</li> </ul>	
<b>Non posizionare questo prodotto in un luogo esposto ad alte temperature, come vicino a un camino o a una stufa, un luogo esposto alla luce solare diretta e all'interno di un'auto esposta al sole.</b>	
<ul style="list-style-type: none"> <li>• Ciò potrebbe causare cortocircuiti, ignizioni, perdite di liquidi o esplosioni.</li> </ul>	
<b>Non collocare oggetti sopra questo prodotto.</b>	
<ul style="list-style-type: none"> <li>• Ciò può causare un surriscaldamento, con conseguente ignizione.</li> </ul>	
<b>Non esporre questo prodotto alla luce solare diretta.</b>	
<ul style="list-style-type: none"> <li>• Ciò potrebbe causare una risposta errata del sensore LiDAR e del sensore a infrarossi, con conseguenti malfunzionamenti o guasti.</li> </ul>	
<b>Non bloccare i sensori di questo prodotto né inserirvi oggetti estranei.</b>	
<ul style="list-style-type: none"> <li>• Ciò potrebbe causare un funzionamento errato, malfunzionamenti o guasti.</li> </ul>	
<b>Non applicare adesivi o del nastro sui sensori e sulle ruote.</b>	
<ul style="list-style-type: none"> <li>• Ciò potrebbe causare malfunzionamenti o guasti.</li> </ul>	
<b>Non sedersi su questo prodotto, non posizionare oggetti pesanti su di esso né urtarlo con forza.</b>	
<ul style="list-style-type: none"> <li>• Ciò potrebbe causare danni o guasti a questo prodotto o lesioni. Prestare particolare attenzione in presenza di bambini nelle vicinanze.</li> </ul>	
<b>Durante il funzionamento, non toccare le ruote di guida e non posizionare le mani o i piedi sotto questo prodotto.</b>	
<ul style="list-style-type: none"> <li>• Ciò potrebbe causare lesioni alla mano, ecc. Prestare particolare attenzione in presenza di bambini nelle vicinanze.</li> </ul>	
	
<b>Non consentire l'utilizzo del prodotto da parte di un bambino da solo. Questo prodotto non deve essere utilizzato da persone che non siano in grado di esprimere la propria volontà e da persone che non siano in grado di utilizzare il prodotto in modo indipendente.</b>	
<ul style="list-style-type: none"> <li>• Ciò potrebbe causare scosse elettriche, incidenti o lesioni.</li> </ul>	
<b>Non versare acqua o un detergente su questo prodotto né lavarlo (eccetto la spazzola principale, la spazzola laterale, il contenitore polveri e il filtro).</b>	
<ul style="list-style-type: none"> <li>• Ciò potrebbe causare scosse elettriche, cortocircuiti o ignizioni.</li> </ul>	
<b>Non toccare il prodotto con le mani bagnate.</b>	
<ul style="list-style-type: none"> <li>• Ciò potrebbe causare scosse elettriche.</li> </ul>	
<b>Non utilizzare una linea di confine magnetica strappata o deformata o che sembra aver perso la sua forza magnetica.</b>	
<ul style="list-style-type: none"> <li>• Ciò potrebbe causare incidenti o lesioni.</li> </ul>	



<b>AVVERTIMENTO</b>	
<b>Le parti del corpo come mani e capelli e gli abiti che si indossano non devono essere inseriti nell'apertura di aspirazione e nell'apertura di scarico di questo prodotto.</b>	
<ul style="list-style-type: none"> <li>• Ciò potrebbe causare lesioni.</li> </ul>	
<b>Le parti del corpo come mani e capelli e gli abiti che si indossano non devono entrare in contatto con una spazzola in rotazione.</b>	
<ul style="list-style-type: none"> <li>• Ciò potrebbe causare lesioni.</li> </ul>	
<b>Evitare che questo prodotto aspiri quanto segue. Ciò potrebbe causare incendi, lesioni o guasti al motore.</b>	
<b>Sostanze infiammabili</b>	
<ul style="list-style-type: none"> <li>• Oli (cherosene, benzina, ecc.)</li> <li>• Solventi (benzene, diluente, ecc.)</li> <li>• Oggetti che bruciano come fiammiferi, incenso, candele e cenere calda; oggetti che emettono fumo come le sigarette; oggetti con temperature elevate.</li> <li>• Combustibili come il toner</li> <li>• Vernici</li> <li>• Scintille di molatura, polvere di metallo, ecc. che si generano durante il taglio e la molatura dei metalli.</li> <li>• Gas infiammabili (spray, ecc.)</li> </ul>	
<b>Sostanze esplosive</b>	
<ul style="list-style-type: none"> <li>• Nitroglicerina, ecc.</li> <li>• Sostanze combustibili</li> <li>• Alluminio, magnesio, titanio, zinco, fosforo rosso, fosforo giallo, celluloidi e altre sostanze chimiche; relative polveri, gas e vapori</li> </ul>	
<b>Oggetti taglienti</b>	
<ul style="list-style-type: none"> <li>• Vetro, utensili da taglio, trucioli di legno, metallo, pietre, chiodi, rasoi, puntine, aghi, ecc.</li> </ul>	
<b>Sostanze spumose come i detersivi per tappeti</b>	
<b>Oggetti che solidificano e polvere fine conduttiva (polvere metallica, carbonio)</b>	
<b>Agenti deumidificanti</b>	
<b>Una grande quantità di polvere (farina, cenere, polvere di un estintore, ecc.)</b>	
<b>Sostanze che causano sintomi di avvelenamento</b>	
<b>Medicinali</b>	
<b>Liquidi e rifiuti umidi</b>	
<b>Escrementi e vomito di animali, ecc.</b>	
<b>Grandi scarti di carta, rifiuti di plastica, fili</b>	
<b>Non utilizzare il prodotto nelle seguenti condizioni, che possono essere causa di incendio.</b>	
<ul style="list-style-type: none"> <li>• C'è un accumulo di grandi volumi di combustibili.</li> <li>• L'apertura di scarico è bloccata.</li> <li>• Il contenitore polveri e il filtro non sono fissati.</li> <li>• I rifiuti rimangono incastrati nella spazzola principale, che è bloccata.</li> <li>• Sono presenti fori e strappi nel filtro.</li> <li>• La batteria non è completamente inserita.</li> </ul>	
<b>Non provocare un cortocircuito tra i terminali della sezione di alimentazione USB (per la riparazione).</b>	
<ul style="list-style-type: none"> <li>• L'inserimento di aghi o cavi nella sezione del terminale USB può provocare un cortocircuito, provocando ignizioni o emissioni di fumo.</li> </ul>	
<b>Non guardare direttamente la luce laser (raggio).</b>	
<ul style="list-style-type: none"> <li>• Ciò potrebbe causare lesioni agli occhi.</li> </ul>	
<b>Questo prodotto è conforme alle normative di sicurezza applicabili, pertanto non modificare questo prodotto.</b>	
<ul style="list-style-type: none"> <li>• L'esecuzione di riparazioni senza la conoscenza o l'abilità necessaria per eseguire le riparazioni può provocare prestazioni inadeguate del laser, nonché incidenti o lesioni.</li> </ul>	
<b>Non utilizzare prodotti ricaricabili in prossimità di linee elettriche ad alta tensione.</b>	
<ul style="list-style-type: none"> <li>• Esiste il rischio di malfunzionamenti o guasti.</li> </ul>	

<b>AVVERTIMENTO</b>	
<b>Interrompere l'utilizzo del prodotto se talvolta non funziona nonostante l'alimentazione sia accesa.</b>	
<ul style="list-style-type: none"> <li>• La mancata osservanza di questa precauzione può causare fumo, ignizione o scosse elettriche.</li> </ul>	

 <b>AVVERTIMENTO</b>	
<b>Interrompere immediatamente l'utilizzo del prodotto quando presenta deformazioni o è eccessivamente caldo.</b>	
<ul style="list-style-type: none"> <li>La mancata osservanza di questa precauzione può causare fumo, ignizione o scosse elettriche.</li> </ul>	
<b>Interrompere l'utilizzo del prodotto se talvolta si interrompe durante il funzionamento.</b>	
<ul style="list-style-type: none"> <li>La mancata osservanza di questa precauzione può causare fumo, ignizione o scosse elettriche.</li> </ul>	
<b>Interrompere immediatamente l'utilizzo del prodotto quando produce un suono anomalo durante il funzionamento.</b>	
<ul style="list-style-type: none"> <li>La mancata osservanza di questa precauzione può causare fumo, ignizione o scosse elettriche.</li> </ul>	
<b>Interrompere immediatamente l'utilizzo del prodotto quando emette odore di bruciato.</b>	
<ul style="list-style-type: none"> <li>La mancata osservanza di questa precauzione può causare fumo, ignizione o scosse elettriche.</li> </ul>	
<b>Prima dell'uso e della manutenzione, spostare candele accese, vasi, ecc. su tavoli e scaffali.</b>	
<ul style="list-style-type: none"> <li>In caso contrario, potrebbero cadere a causa di un urto quando vengono colpiti da questo prodotto, con il rischio di provocare un incidente.</li> </ul>	
<b>Prima dell'uso e della manutenzione, spostare elastici e altri oggetti che potrebbero essere trascinati da questo prodotto.</b>	
<ul style="list-style-type: none"> <li>In caso contrario, il prodotto potrebbe trascinare un elastico, ecc., con il rischio di provocare un incidente.</li> </ul>	
<b>Prima dell'uso e della manutenzione, spostare apparecchiature e dispositivi con un controller posizionato sullo stesso livello di questo prodotto.</b>	
<ul style="list-style-type: none"> <li>In caso contrario, il prodotto potrebbe colpire e premere un controller, con il rischio di provocare incendi, lesioni o incidenti.</li> </ul>	
<b>Prima della manutenzione e dell'ispezione, assicurarsi di spegnere l'alimentazione di questo prodotto e rimuovere le batterie.</b>	
<ul style="list-style-type: none"> <li>La mancata osservanza di questa precauzione può causare scosse elettriche o lesioni.</li> </ul>	
<b>Durante la manutenzione, prestare attenzione affinché le dita non restino intrappolate.</b>	
<ul style="list-style-type: none"> <li>Ciò potrebbe causare lesioni.</li> </ul>	
<b>Se si è portatori di un pacemaker cardiaco impiantabile o di un defibrillatore impiantabile, utilizzare questo prodotto a una distanza di oltre 15 cm dal sito implantare.</b>	
<ul style="list-style-type: none"> <li>Le onde radio possono influenzare il funzionamento di un dispositivo medico e possono causarne il malfunzionamento.</li> </ul>	
<b>Quando si utilizzano apparecchiature che emettono onde radio in una struttura medica, attenersi alle istruzioni della struttura medica. Spegnerne l'alimentazione di questo prodotto in un'area in cui l'utilizzo sia vietato.</b>	
<ul style="list-style-type: none"> <li>La mancata osservanza di questa precauzione può causare il malfunzionamento dei dispositivi medici.</li> </ul>	

 <b>ATTENZIONE</b>	
<b>Durante l'uso e la manutenzione, non inserire oggetti estranei nelle fessure e nelle aperture.</b>	
<ul style="list-style-type: none"> <li>Ciò potrebbe causare scosse elettriche, incendi o guasti di questo prodotto.</li> </ul>	
<b>Non utilizzare questo prodotto su un tappeto a pelo lungo (superiore a 7 mm) o su altri tappeti.</b>	
<ul style="list-style-type: none"> <li>In caso contrario, le spazzole laterali potrebbero impigliarsi, con conseguenti danni al tappeto e alle spazzole laterali.</li> </ul>	
<b>Non utilizzare questo prodotto su un tappeto delicato (mouton, feltro, ecc.), un pavimento delicato (un pavimento in legno semplice, un pavimento in marmo, ecc.) e un pavimento appena cerato.</b>	
<ul style="list-style-type: none"> <li>Ciò potrebbe causare danni o graffi. Qualora venga causato un danno, interrompere l'utilizzo del prodotto.</li> </ul>	

 <b>ATTENZIONE</b>	
<b>Non stare in piedi né sedersi sulla superficie superiore di questo prodotto.</b>	
<ul style="list-style-type: none"> <li>Ciò potrebbe causare il movimento improvviso del prodotto, provocando lesioni dovute, ad esempio, alla caduta.</li> </ul>	
<b>Non utilizzare questo prodotto per svariate ore con l'apertura di aspirazione bloccata.</b>	
<ul style="list-style-type: none"> <li>Ciò potrebbe causare la deformazione o l'ignizione di questo prodotto a causa del surriscaldamento.</li> </ul>	
<b>Non posizionare le mani o i piedi sotto questo prodotto.</b>	
<ul style="list-style-type: none"> <li>C'è il rischio che le dita delle mani o dei piedi rimangano incastrate, causando lesioni.</li> </ul>	
<b>Non continuare a utilizzare questo prodotto con il filtro sporco o con polvere accumulata.</b>	
<ul style="list-style-type: none"> <li>Ciò può causare una riduzione della potenza di aspirazione.</li> </ul>	
<b>Non tenere questo prodotto con la parte anteriore rivolta verso il basso.</b>	
<ul style="list-style-type: none"> <li>La polvere può cadere dall'apertura di aspirazione.</li> </ul>	
	

 <b>ATTENZIONE</b>	
<b>Per prevenire malfunzionamenti, assicurarsi di eseguire la corretta manutenzione di ciascun sensore.</b>	
<ul style="list-style-type: none"> <li>Una risposta errata di un sensore può causare lesioni o guasti dovuti a un malfunzionamento o alla caduta di questo prodotto.</li> </ul>	
<b>Assicurarsi che le lunghe nappe dei tappeti siano inserite all'interno.</b>	
<ul style="list-style-type: none"> <li>Le nappe potrebbero rimanere impigliate nelle ruote di guida e/o nella spazzola principale, causando danni ai tappeti e a questo prodotto.</li> </ul>	
<b>Quando si trasporta questo prodotto, interrompere prima il funzionamento, quindi spegnere l'alimentazione. Afferrare saldamente l'impugnatura di trasporto in modo che le mani non rimangano incastrate.</b>	
<ul style="list-style-type: none"> <li>Il sollevamento involontario di questo prodotto può causare lesioni o guasti.</li> </ul>	
<b>Riporre cavi e fili per assicurarsi che non rimangano impigliati in questo prodotto.</b>	
<ul style="list-style-type: none"> <li>La mancata osservanza di questa precauzione può causare guasti o malfunzionamenti dovuti all'intreccio del cavo di alimentazione.</li> </ul>	
<b>Prima della pulizia, spostare gli oggetti che si rompono facilmente, gli oggetti che cadono facilmente e gli oggetti che non devono essere aspirati. Riporre i fili e i cavi lunghi.</b>	
<ul style="list-style-type: none"> <li>La mancata osservanza di questa precauzione può causare danni, graffi o guasti a questo prodotto.</li> </ul>	
<b>Utilizzare questo prodotto con il filtro installato correttamente. Non utilizzare questo prodotto se il filtro è stato rimosso, installato in una posizione errata o se è strappato.</b>	
<ul style="list-style-type: none"> <li>Ciò può causare guasti come il surriscaldamento del motore.</li> <li>La polvere può fuoriuscire e risultare dannosa per la salute.</li> </ul>	
<b>Prestare attenzione affinché le dita non restino intrappolate quando si aprono e si chiudono la copertura superiore del corpo e la copertura superiore del contenitore polveri, quando si installa il filtro e quando si collega e si scollega la batteria.</b>	
<ul style="list-style-type: none"> <li>C'è il rischio che le dita rimangano incastrate, causando lesioni.</li> </ul>	

### Informazioni sulla gestione

- Utilizzare questo prodotto in ambienti interni. Non pulire un luogo con una grande quantità di polvere anche se è al chiuso.
- Non pulire un pavimento la cui superficie è dura e irregolare. Ciò può causare l'usura precoce delle spazzole e delle ruote.
- Dopo la pulizia, rimuovere la polvere di sabbia rimasta attaccata alla spazzola principale, alle spazzole laterali e alle ruote. Se queste non vengono pulite, la superficie del pavimento potrebbe danneggiarsi.



4. Fissare sempre la spazzola principale e la relativa copertura quando si utilizza questo prodotto.
5. Non lubrificare le parti mobili della spazzola principale, ecc. Ciò potrebbe causare la rottura delle parti in plastica.
6. Per l'uso su una superficie del pavimento delicata, si consiglia di sostituire con gli articoli "spazzola principale morbida" e "spazzola laterale morbida" venduti separatamente. Tuttavia, possono verificarsi graffi a seconda delle condizioni della superficie del pavimento. In tal caso, interrompere l'utilizzo del prodotto.
7. Non trascinare questo prodotto. Quando lo si sposta, sollevare questo prodotto.
8. Non applicare adesivi o del nastro sulle parti dei sensori e sulle ruote, non deformare il paraurti e le ruote né lasciare che il paraurti venga premuto con forza. Ciò potrebbe causare malfunzionamenti.
9. Se viene aspirata polvere molto sottile (come intonaco, cemento e gesso), occuparsi della cura del filtro, del sensore di dislivello e del sensore LiDAR.
10. Evitare che questo prodotto aspiri quanto segue, poiché ciò potrebbe causare graffi all'interno del prodotto, intasamento di polvere o guasti. Qualora uno di questi elementi venisse aspirato accidentalmente, interrompere il funzionamento ed eliminare la polvere.
  - (1) Rifiuti umidi organici (liquidi e rifiuti umidi)
  - (2) Escrementi di animali, ecc.
  - (3) Grandi volumi di sabbia e polvere
  - (4) Corde
  - (5) Oggetti con bordi taglienti (vetro, utensili da taglio, spilli, ecc.)
  - (6) Rifiuti di grandi dimensioni e volumi elevati di rifiuti
  - (7) Oggetti con scarsa permeabilità all'aria (involucro di plastica per alimenti, vinile, pellicola da imballaggio, ecc.)
11. Se la spazzola inferiore dell'apertura di aspirazione, le ruote orientabili, le ruote di guida o la parte del rullo della copertura della spazzola principale risultano usurate, interrompere l'utilizzo di questo prodotto e consultare il negozio presso cui si è effettuato l'acquisto o il nostro ufficio vendite. L'utilizzo del robot aspirapolvere con parti usurate può causare danni alla superficie del pavimento.
12. Durante il funzionamento, è possibile che vengano generati rumori su uno schermo TV, ma ciò non influirà sul televisore stesso.
13. Prestare attenzione quando si utilizza questo prodotto in un luogo in cui è in funzione un sistema di sicurezza. Questo prodotto potrebbe essere erroneamente rilevato come intruso dal sistema di sicurezza.
14. Evitare quanto segue.
  - (1) L'uso per un lungo periodo di tempo con la batteria installata
  - (2) L'uso con il sensore sporco o con il filtro intasato
  - (3) L'uso quando si nota un problema con la batteria (strano odore, perdita di liquido, riscaldamento, deformazione o altre circostanze anomale)
  - (4) L'uso senza rimuovere la polvere di sabbia e altri corpi estranei bloccati sulla spazzola principale, sulle spazzole laterali e sulle ruote
  - (5) L'uso con alcuni componenti usurati o esauriti
  - (6) L'uso senza aver letto il manuale dell'utente
  - (7) Il capovolgimento del prodotto e l'esecuzione della manutenzione con la batteria installata
  - (8) L'uso senza aver eseguito la manutenzione sulla linea di confine magnetica

8. Far eseguire la manutenzione da un tecnico di riparazione qualificato utilizzando solo parti di ricambio identiche. Ciò garantirà il mantenimento della sicurezza del prodotto.
9. Non modificare o tentare di riparare l'apparecchio o la cartuccia della batteria, se non come indicato nelle istruzioni per l'uso e la manutenzione.
10. Prevenire l'avvio involontario. Assicurarsi che l'interruttore sia in posizione di spento prima di collegare la cartuccia della batteria o di sollevare o trasportare il robot aspirapolvere. Possono verificarsi incidenti qualora il robot aspirapolvere venga trasportato tenendo il dito sull'interruttore o qualora venga alimentato con l'interruttore acceso.
11. Scollegare la cartuccia della batteria dal robot aspirapolvere prima di effettuare qualsiasi regolazione, modificare gli accessori o conservare il robot aspirapolvere. Tali misure di sicurezza preventive riducono il rischio di un avvio accidentale del robot aspirapolvere.
12. La cartuccia della batteria non è sufficientemente carica al momento della spedizione dalla fabbrica. Caricare la batteria prima dell'uso.
13. Quando non si utilizza la cartuccia della batteria, posizionare sempre la copertura su di essa.

### Importanti istruzioni di sicurezza per la cartuccia della batteria

1. Prima di utilizzare la cartuccia della batteria, leggere tutte le istruzioni e gli avvisi di sicurezza relativi a (1) caricabatteria, (2) batteria e (3) prodotto utilizzato con la batteria.
2. Non smontare o manomettere la cartuccia della batteria. Potrebbero verificarsi incendi, calore eccessivo o esplosioni.
3. Se il tempo di funzionamento si è ridotto eccessivamente, interrompere immediatamente l'utilizzo dell'apparecchio. Potrebbero verificarsi surriscaldamenti, ustioni o esplosioni.
4. In caso di contatto dell'elettrolita della batteria con gli occhi, sciacquare con acqua fresca e rivolgersi immediatamente a un medico. Potrebbero verificarsi danni permanenti alla funzionalità visiva.
5. Non cortocircuitare la cartuccia della batteria:
  - (1) Non toccare i terminali con materiale in grado di condurre elettricità.
  - (2) Evitare di riporre la cartuccia della batteria a contatto con oggetti metallici quali chiodi, monete, ecc.
  - (3) Non esporre la cartuccia della batteria all'acqua o alla pioggia. Un cortocircuito della batteria può provocare un elevato flusso di corrente, surriscaldamento, ustioni o rotture.
6. Non conservare e utilizzare l'apparecchio e la cartuccia della batteria in luoghi dove la temperatura può raggiungere oppure superare i 50°C (122°F).
7. Evitare di bruciare la cartuccia della batteria anche se è estremamente danneggiata oppure completamente esaurita. Se esposta al fuoco, la cartuccia della batteria può esplodere.
8. Non inchiodare, tagliare, schiacciare, lanciare o far cadere la cartuccia della batteria né urtarla con un oggetto duro. Tali azioni possono provocare incendi, calore eccessivo o esplosioni.
9. Non utilizzare una batteria danneggiata.
10. Le batterie agli ioni di litio contenute sono soggette ai requisiti della legislazione sulle merci pericolose. Per i trasporti commerciali, ad esempio da parte di terzi e spedizionieri, devono essere osservati requisiti speciali relativi all'imballaggio e all'etichettatura. Per la preparazione dell'oggetto da spedire, è necessaria la consulenza di un esperto in merito ai materiali pericolosi. Si prega di osservare anche le normative nazionali eventualmente più dettagliate. Coprire con nastro adesivo i contatti scoperti e imballare la batteria in modo tale che non possa muoversi all'interno dell'imballaggio.
11. Quando si smaltisce la cartuccia della batteria, rimuoverla dall'apparecchio e smaltirla in un luogo sicuro. Per lo smaltimento della batteria, attenersi alle disposizioni delle normative locali.
12. Utilizzare le batterie esclusivamente con i prodotti specificati da Makita. L'installazione delle batterie su prodotti non conformi può provocare incendi, calore eccessivo, esplosioni o perdite di elettrolita.
13. Se l'apparecchio non viene utilizzato per un lungo periodo di tempo, la batteria deve essere rimossa dall'apparecchio.
14. Durante e dopo l'uso, la cartuccia della batteria può assumere calore che può causare ustioni o ustioni da basse temperature. Prestare attenzione alla manipolazione delle cartucce della batteria calde.
15. Non toccare il terminale dell'apparecchio subito dopo l'uso poiché potrebbe diventare abbastanza caldo da provocare ustioni.
16. Non lasciare che schegge, polvere o sporcizia si incastrino nei terminali, nei fori e nelle scanalature della cartuccia della batteria. Ciò può comportare prestazioni scadenti o la rottura dell'apparecchio o della cartuccia della batteria.
17. A meno che l'apparecchio non supporti l'uso in prossimità di linee elettriche ad alta tensione, non utilizzare la cartuccia della batteria in prossimità di linee elettriche ad alta tensione. Ciò può comportare un malfunzionamento o la rottura dell'apparecchio o della cartuccia della batteria.
18. Tenere la batteria lontano dai bambini.

### Uso e manutenzione della batteria dell'apparecchio

#### AVVERTIMENTO

**Leggere tutte le istruzioni e gli avvertimenti di sicurezza. La mancata osservanza degli avvertimenti e delle istruzioni può provocare scosse elettriche, incendi e/o lesioni gravi.**

1. Ricaricare solo con il caricatore indicato dal costruttore. Un caricatore adatto per un tipo di cartuccia della batteria può causare il rischio di incendio quando utilizzato su una cartuccia della batteria di tipo diverso.
2. Usare gli apparecchi esclusivamente con le cartucce della batteria prescritte. L'uso di cartucce della batteria di tipo diverso può causare il rischio di lesioni o incendio.
3. Quando non si utilizza la cartuccia della batteria, tenerla a distanza di sicurezza da altri oggetti metallici quali graffette, monete, chiavi, chiodi, viti e altri piccoli oggetti metallici, che possono collegare fra loro i terminali. Il cortocircuito tra i terminali della batteria può causare ustioni o incendi.
4. In condizioni improprie, si potrebbero verificare fuoriuscite di liquido dalla batteria; evitare il contatto. In caso di contatto accidentale, lavare con acqua. Se il liquido entra a contatto con gli occhi, consultare anche un medico. Il liquido fuoriuscito dalla batteria può causare irritazioni o ustioni.
5. Non utilizzare una cartuccia della batteria o un apparecchio danneggiati o modificati. Le batterie danneggiate o modificate possono presentare un comportamento imprevedibile, che può provocare incendi, esplosioni o rischio di lesioni.
6. Non esporre una cartuccia della batteria o un apparecchio al fuoco o a temperature eccessive. L'esposizione al fuoco o a temperature superiori ai 130°C (265°F) può causare esplosioni.
7. Attenersi a tutte le istruzioni di ricarica e non caricare la cartuccia della batteria o l'apparecchio al di fuori dell'intervallo di temperatura specificato nelle istruzioni. Una ricarica impropria o eseguita a temperature che non rientrano nell'intervallo specificato può danneggiare la batteria e aumentare il rischio di incendio.





## CONSERVARE QUESTE ISTRUZIONI.

### ATTENZIONE

Utilizzare esclusivamente batterie Makita originali. L'utilizzo di batterie Makita non originali o batterie che sono state modificate può causare l'esplosione delle batterie, con conseguente rischio di incendio, lesioni personali e danni. Inoltre, la garanzia Makita per l'apparecchio e il caricatore Makita verrà invalidata.

#### Suggerimenti per il prolungamento della durata della batteria

1. Caricare la cartuccia della batteria prima di scaricarla completamente. Se si nota una diminuzione di potenza dell'apparecchio, interrompere il funzionamento e ricaricare la cartuccia della batteria.
2. Non ricaricare mai una cartuccia della batteria già completamente carica. In caso contrario, la durata operativa della batteria potrebbe ridursi.
3. Caricare la cartuccia della batteria in ambienti con una temperatura tra 10°C e 40°C (50°F - 104°F). Prima di caricare una cartuccia della batteria surriscaldata, lasciarla raffreddare.
4. Quando non si utilizza la cartuccia della batteria, rimuoverla dall'apparecchio o dal caricatore.
5. Caricare la cartuccia della batteria se non viene utilizzata per un lungo periodo (più di sei mesi).

### Precauzioni relative alle onde radio

- Non utilizzare questo prodotto nei seguenti luoghi.
  - In ambienti con apparecchiature mediche o in prossimità delle stesse
  - In prossimità di dispositivi elettronici con controllo ad alta precisione e segnali deboli (Esempi di dispositivi elettronici che richiedono cautela: apparecchi acustici, pacemaker e altre apparecchiature mediche, allarmi antincendio, porte automatiche e altre apparecchiature a controllo automatico)
  - All'interno di un ospedale o di un velivolo (Attenersi alle istruzioni dell'ospedale o della compagnia aerea e non utilizzare il prodotto in aree proibite)
- La connessione wireless e le prestazioni non sono garantite in tutti gli ambienti. Nei seguenti casi, le onde radio potrebbero non essere ricevute o potrebbero essere interrotte.
  - Utilizzo all'interno di edifici costruiti in cemento, armatura e metallo
  - Installazione in prossimità di ostacoli
  - Utilizzo in ambienti in cui si verifica un'interferenza con i dispositivi di comunicazione wireless che usano la stessa frequenza
  - Utilizzo in ambienti in cui sono presenti apparecchiature che producono campi magnetici, elettricità statica o interferenze radio, come i forni a microonde

### Relativi marchi e marchi registrati

#### Avviso relativo ai marchi

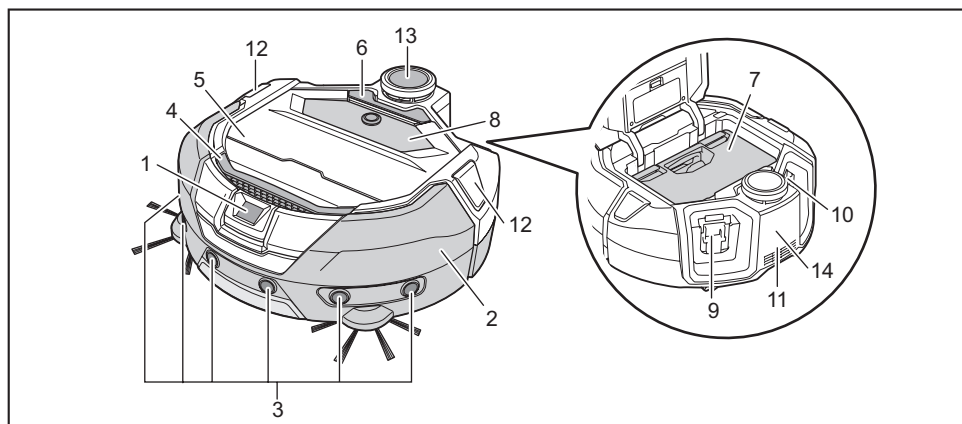
- Android e Google Play sono marchi o marchi registrati di Google LLC.
- iPhone è un marchio di Apple Inc., registrato negli Stati Uniti e in altri paesi.
- Il marchio iPhone è utilizzato su licenza di Aiphone Co., Ltd.
- App Store è un marchio di servizio di Apple Inc.
- Wi-Fi è un marchio e un marchio registrato di Wi-Fi Alliance.
- Il marchio denominativo e i loghi Bluetooth® sono marchi registrati di proprietà di Bluetooth SIG, Inc. e qualsiasi utilizzo di tali marchi da parte di Makita è concesso in licenza. Altri marchi e denominazioni commerciali appartengono ai rispettivi proprietari.



- Tutti gli altri marchi in questo documento sono di proprietà dei rispettivi proprietari.  
Notare che i simboli ™ e © sono omessi in parte del testo principale.

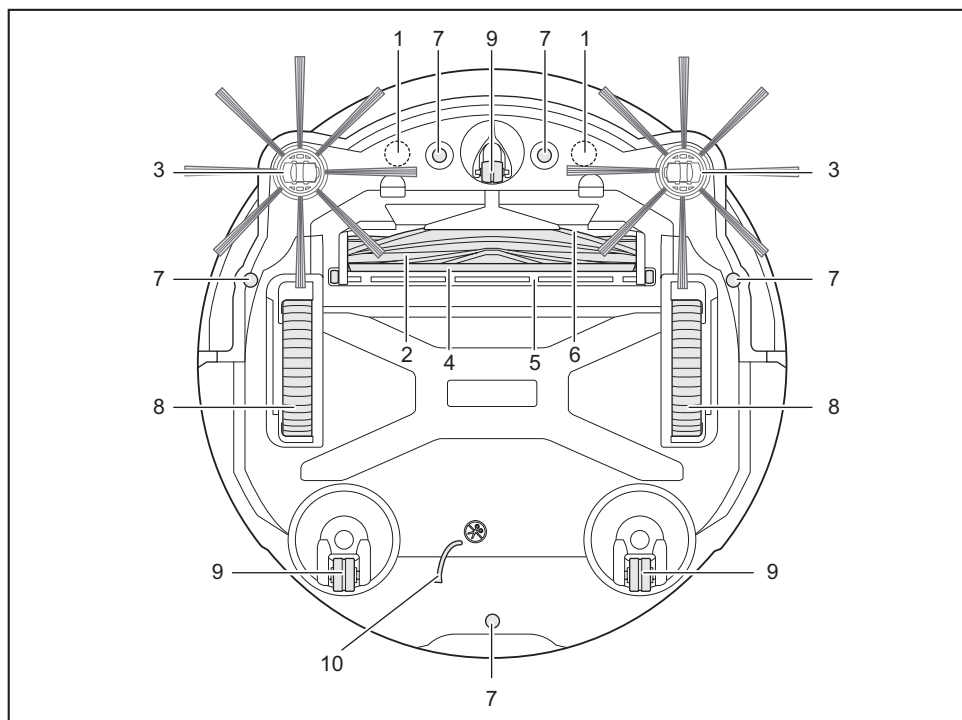
## Nomi dei componenti

### Unità principale (vista dall'alto, vista laterale, interno)



- |                                                |                                                    |
|------------------------------------------------|----------------------------------------------------|
| 1. Sensore video                               | 8. Pannello operativo (schermo) (vedere pagina 10) |
| 2. Paraurti                                    | 9. Slot di inserimento batteria sinistra           |
| 3. Sensore a ultrasuoni                        | 10. Slot di inserimento batteria destra            |
| 4. Impugnatura di trasporto (vedere pagina 11) | 11. Apertura di scarico                            |
| 5. Copertura superiore                         | 12. LED di posizione                               |
| 6. Pulsante di apertura                        | 13. Sensore LiDAR                                  |
| 7. Contenitore polveri (vedere pagina 14)      | 14. Marchio LASER CLASSE1                          |

### Unità principale (vista dal basso)



- |                                                             |                            |
|-------------------------------------------------------------|----------------------------|
| 1. Sensore magnetico per rilevamento di confine (integrato) | 6. Apertura di aspirazione |
| 2. Spazzola principale                                      | 7. Sensore di dislivello   |
| 3. Spazzola laterale                                        | 8. Ruota di guida          |
| 4. Spazzola inferiore                                       | 9. Ruota orientabile       |
| 5. Copertura spazzola principale                            | 10. Linea di messa a terra |

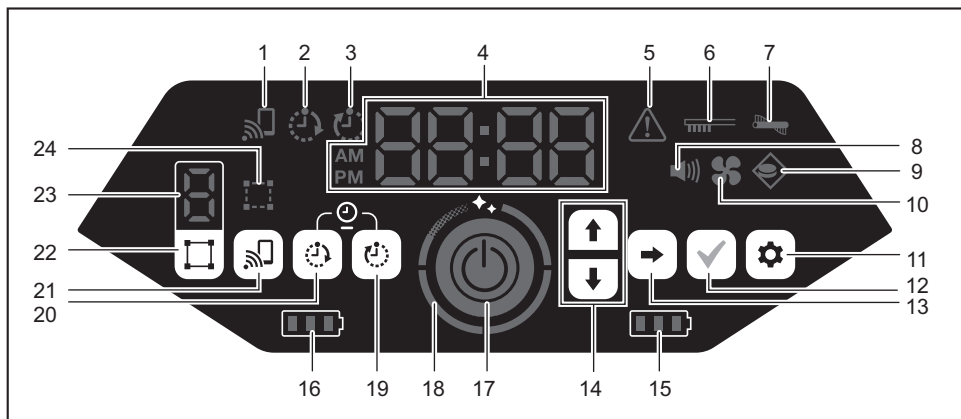
#### AVVISO

- La linea di messa a terra riduce la carica elettrica sul sensore.



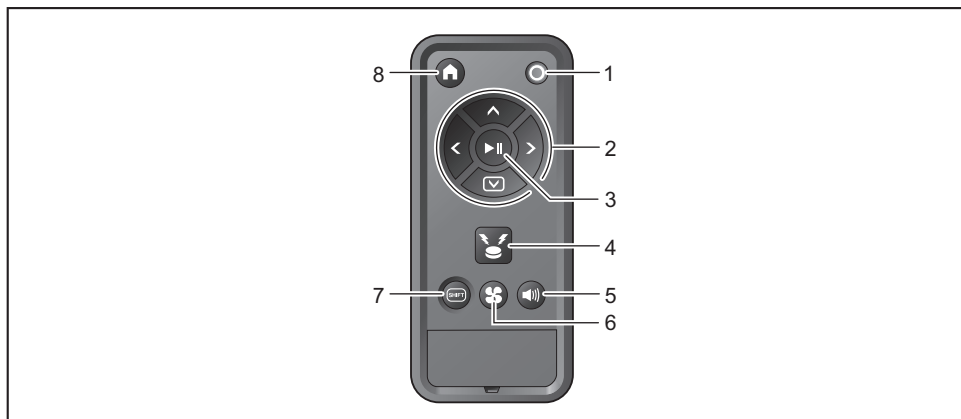
: Non tirare o tagliare accidentalmente la linea di messa a terra.

## Unità principale (pannello operativo (schermo))



- |                                                              |                                                                        |
|--------------------------------------------------------------|------------------------------------------------------------------------|
| 1. Spia di connessione smartphone (verde)                    | 13. Pulsante avanti                                                    |
| 2. Spia timer di accensione (verde) (vedere pagina 20)       | 14. Pulsante su, pulsante giù                                          |
| 3. Spia timer di spegnimento (verde) (vedere pagina 20)      | 15. Spia di alimentazione batteria destra (verde) (vedere pagina 16)   |
| 4. Indicatore ora (verde)                                    | 16. Spia di alimentazione batteria sinistra (verde) (vedere pagina 16) |
| 5. Spia di errore (rossa) (vedere pagina 29)                 | 17. Pulsante avvio/arresto (vedere pagina 16)                          |
| 6. Spia di manutenzione filtro (rossa) (vedere pagina 29)    | 18. Spia livello di pulizia (bianca) (vedere pagina 18)                |
| 7. Spia di errore spazzola (rossa) (vedere pagina 29)        | 19. Pulsante timer di spegnimento (vedere pagina 20)                   |
| 8. Spia audio (verde) (vedere pagina 23)                     | 20. Pulsante timer di accensione (vedere pagina 19)                    |
| 9. Spia di rilevamento di confine (verde) (vedere pagina 21) | 21. Pulsante di connessione smartphone                                 |
| 10. Spia ventola di aspirazione (verde) (vedere pagina 19)   | 22. Pulsante di cambio modalità (vedere pagina 17)                     |
| 11. Pulsante di impostazione                                 | 23. Visualizzazione modalità/numero stanze (vedere pagina 17)          |
| 12. Pulsante di conferma                                     | 24. Spia di registrazione stanza (verde) (vedere pagina 17)            |

## Telecomando

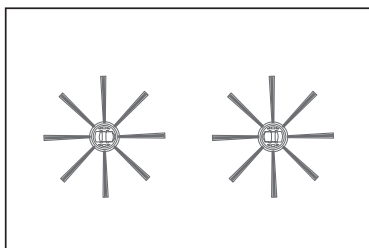


- |                                                        |                                           |
|--------------------------------------------------------|-------------------------------------------|
| 1. Pulsante di spegnimento                             | 5. Pulsante audio ON/OFF                  |
| 2. Pulsanti delle operazioni                           | 6. Pulsante ventola di aspirazione ON/OFF |
| 3. Pulsante avvio/arresto                              | 7. Pulsante di spostamento                |
| 4. Pulsante del segnale luminoso/acustico di posizione | 8. Pulsante punto di partenza             |

## Accessori standard

- Spazzole laterali (quattro)

Due sono di ricambio. Montarne due sul robot aspirapolvere. (Vedere pagina 14).

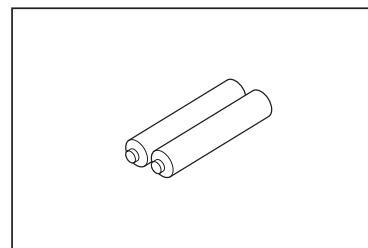


- Telecomando



- Batterie a secco AAA (due) \* Specifica in base alla nazione

Installarle nel telecomando. (Vedere pagina 14).



## Preparazione prima della pulizia

### Informazioni sul trasporto del robot aspirapolvere

#### ATTENZIONE

Quando si trasporta il robot aspirapolvere, interrompere il funzionamento e spegnere l'alimentazione, quindi afferrare saldamente l'impugnatura di trasporto in modo che le mani non rimangano incastrate.

- In caso contrario, la mano potrebbe rimanere incastrata nell'impugnatura.

Mantenere sempre una posizione e un equilibrio adeguati quando si solleva il robot aspirapolvere.

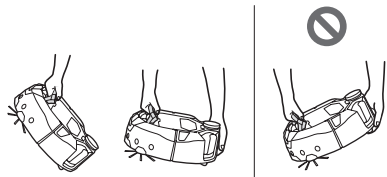
- In caso contrario, possono verificarsi lesioni o guasti.

Non sollevare il robot aspirapolvere in modo incauto.

- Ciò può causare lesioni o guasti.

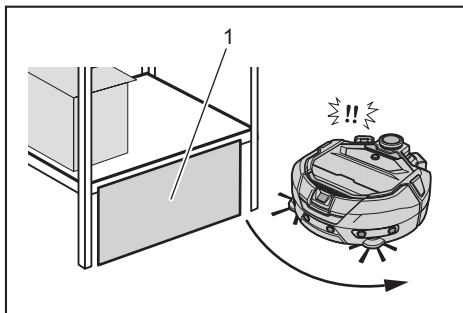
Non tenere il robot aspirapolvere con la parte anteriore rivolta verso il basso.

- La polvere può cadere dall'apertura di aspirazione.



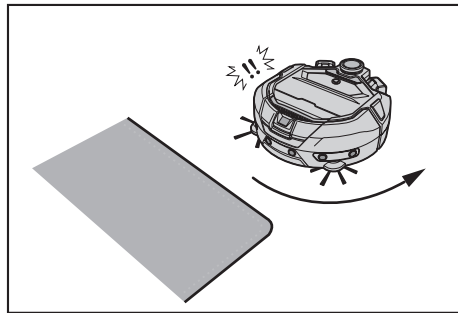
### Informazioni sulla pulizia con il robot aspirapolvere

- Il robot aspirapolvere rileva gli ostacoli tramite il sensore LiDAR e il sensore a ultrasuoni e funziona evitando quegli ostacoli. Raccoglie e aspira la polvere con le spazzole laterali e la spazzola principale. Il robot potrebbe non riconoscere un ostacolo a seconda delle condizioni. Quando colpisce un ostacolo, il paraurti rileva il contatto ed evita l'ostacolo.
- Il robot aspirapolvere è in grado di scavalcare un gradino alto fino a circa 2,0 cm. Se è inferiore a 2,0 cm, tuttavia, il robot aspirapolvere a volte può non riuscire a scavalcarlo a seconda di condizioni quali la forma del gradino.
- Su una pendenza o una superficie irregolare, la superficie inferiore del robot aspirapolvere potrebbe rimanere incastrata e una ruota di guida potrebbe sollevarsi, provocando l'arresto del robot aspirapolvere a causa di un errore. Se il robot aspirapolvere si arresta spesso, non consentirgli il passaggio in quel punto. (Vedere pagina 21).
- In presenza di un ostacolo in prossimità di un muro, il robot aspirapolvere potrebbe urtare il muro nel tentativo di evitare l'ostacolo.
- Il sensore LiDAR potrebbe non essere in grado di riconoscere ostacoli con le seguenti caratteristiche, ciò potrebbe comportare una mappatura imprecisa o l'urto con gli ostacoli.
  - Ostacoli altamente riflettenti come gli specchi
  - Ostacoli altamente trasparenti come il vetro
  - Ostacoli in materiale nero lucido
  - Ostacoli sottili come le gambe di una sedia o di una scrivania
- Quando il robot aspirapolvere entra in uno spazio ristretto con un'altezza inferiore rispetto a quella del robot aspirapolvere, può rimanere incastrato e bloccato. In tal caso, posizionare una barriera o simili.



- 1. Bloccare uno spazio vuoto con una barriera o simili.

- Un pavimento nero, un pavimento trasparente, ad esempio in vetro, o aree nere sulla venatura di un pavimento in legno possono essere rilevati come gradini dal robot aspirapolvere, che cercherà quindi di evitarli.



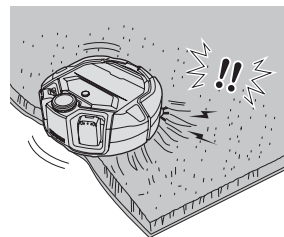
- Il robot aspirapolvere potrebbe non essere in grado di aspirare la polvere in un'area intorno a un gradino sul quale il robot aspirapolvere può salire, in uno spazio isolato o stretto in cui il robot aspirapolvere non può entrare o in un punto non raggiungibile dalle spazzole laterali.
- Il robot aspirapolvere potrebbe spingere via un oggetto piccolo e solido, ad esempio un sassolino.
- Il robot aspirapolvere potrebbe scavalcare accidentalmente un gradino se è presente un oggetto che può aiutarlo a salire (ad esempio, un'asse o un tappeto). Tenere tali oggetti lontani dai gradini.

#### ATTENZIONE

Non utilizzare il robot aspirapolvere nei seguenti luoghi.

- Non utilizzare il robot aspirapolvere su superfici come tappeti con un'altezza del pelo superiore a 7 mm, tappeti con un pelo che cade facilmente e tappeti irregolari.

Su tappeti di questo tipo, il robot aspirapolvere potrebbe arrestarsi, il pelo potrebbe rimanere impigliato nelle spazzole laterali oppure il tappeto o le spazzole laterali potrebbero danneggiarsi. Se il robot aspirapolvere non risulta in grado di funzionare correttamente su un tappeto diverso da quelli descritti sopra, evitare l'uso su quel tappeto.



- Non utilizzare il robot aspirapolvere su un materasso, una coperta, un cuscino da pavimento, ecc.
- Non utilizzare il robot aspirapolvere in ambienti umidi, bagni, soffitte, spazi esterni, ecc.
- Non utilizzare il robot aspirapolvere in luoghi umidi, luoghi che potrebbero bagnarsi o luoghi caldi e umidi.

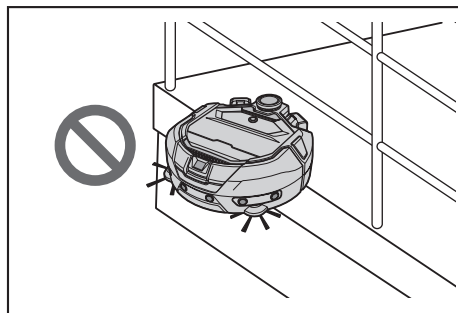
### Per impedire la caduta del robot aspirapolvere

#### AVVERTIMENTO

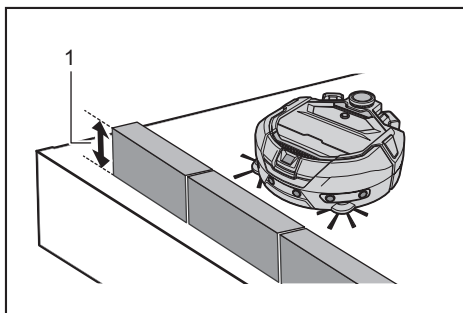
Assicurarsi che il robot aspirapolvere non cada.

- In caso di caduta, potrebbe causare lesioni o provocarne la rottura.

- Non utilizzare il robot aspirapolvere su un soppalco, una soffitta, una tromba delle scale, un luogo senza pareti oppure un luogo con una pendenza di 10° o superiore.

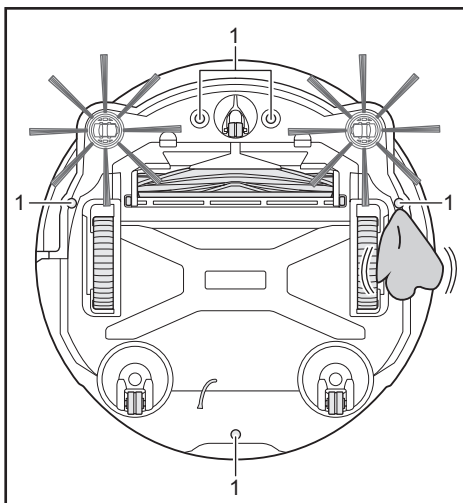


- In un luogo in cui potrebbero verificarsi incidenti o altre situazioni pericolose dovute a una caduta, posizionare un oggetto che abbia un'altezza di almeno 25 cm e possa fungere da parete (oggetto che non si muova o non si ribalti quando viene colpito dal robot aspirapolvere).



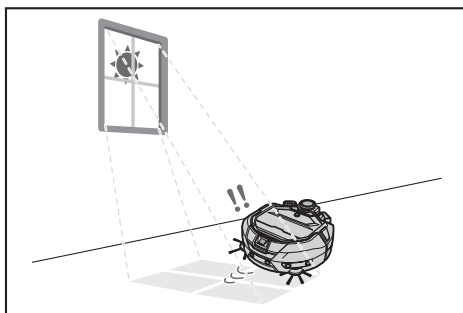
- ▶ 1. Altezza di 25 cm o superiore

- Qualora fossero presenti delle tracce di sporco o delle gocce d'acqua dovute alla condensa sul sensore di dislivello sulla superficie inferiore del robot aspirapolvere, pulirle con un panno morbido e asciutto, un batuffolo di cotone, ecc.

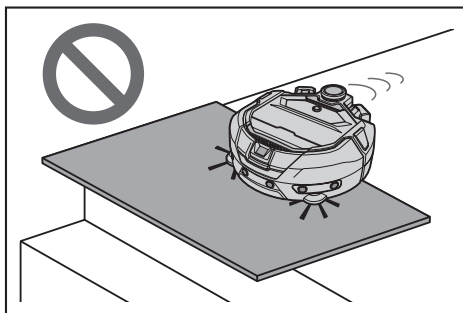


- ▶ 1. Sensore di dislivello (cinque punti)

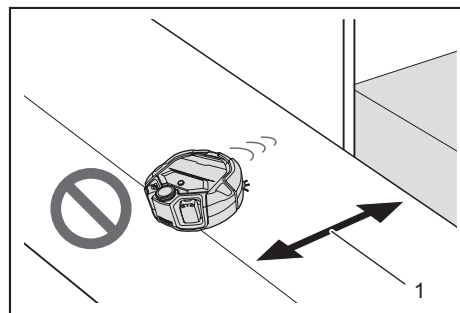
- Il robot aspirapolvere potrebbe non funzionare correttamente se esposto alla luce solare o alla luce infrarossa di altre apparecchiature. Assicurarsi che il robot aspirapolvere non sia esposto alla luce infrarossa di un riscaldatore alogeno, un telecomando, un sensore e altre apparecchiature e alla luce del sole proveniente da vetri smerigliati, ecc.



- Non utilizzare in presenza di oggetti come tappeti, tappetini o lastre in prossimità di un gradino. Se un oggetto come un tappeto, un tappetino o una lastra copre il gradino, il sensore di dislivello potrebbe non riconoscere correttamente il gradino.

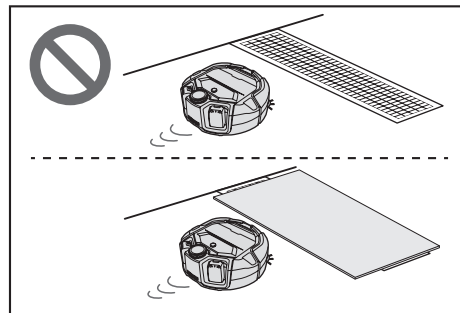


- In luoghi in cui la distanza tra un muro e un gradino è inferiore a circa 1 m, il robot aspirapolvere potrebbe cadere mentre si sposta all'indietro. Non utilizzare il robot aspirapolvere in punti in cui la distanza da una parete a un gradino è inferiore a 1 m circa.



- ▶ 1. Inferiore a circa 1 m

- In presenza di una copertura di scarico (copertura a griglia), il sensore di dislivello potrebbe riconoscerla come un gradino e il robot aspirapolvere potrebbe non essere in grado di passarci sopra. Se è necessario passarci sopra, coprire la griglia con una lastra o simili.



- Un gradino di circa 3,0 cm o inferiore potrebbe non essere riconosciuto come gradino dal sensore di dislivello, di conseguenza è possibile che il robot aspirapolvere scenda dal gradino mentre procede dritto. Astenersi dall'utilizzare il robot aspirapolvere nei punti in cui è presente un gradino tra i 2,0 e i 3,0 cm circa.
- Chiudere tutte le porte scorrevoli, le zanzariere o le finestre poiché il dislivello dei loro telai o binari potrebbe non essere riconosciuto come un gradino dai sensori del paraurti.
- Non utilizzare il robot aspirapolvere su una superficie del pavimento fragile come il vetro.

## Sistemazione del luogo da pulire

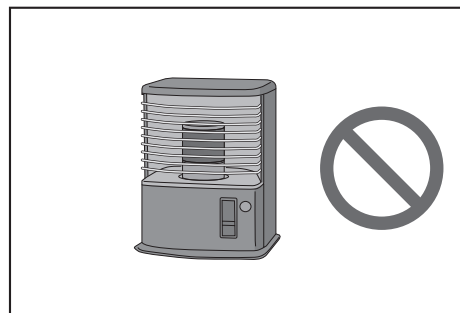
### ⚠ AVVERTIMENTO

**Spostare gli oggetti che potrebbero causare danni o incidenti qualora il robot aspirapolvere venisse a contatto con essi.**

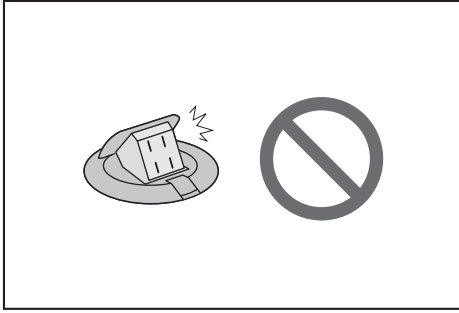
**Riporre gli oggetti che non devono essere aspirati, gli oggetti che ostacolano il movimento del robot aspirapolvere e gli oggetti che potrebbero rimanere impigliati nella spazzola principale, nelle ruote e nelle spazzole laterali.**

- Potrebbero verificarsi incidenti o lesioni qualora venisse lasciato un oggetto che ostacola il movimento del robot aspirapolvere durante la pulizia.

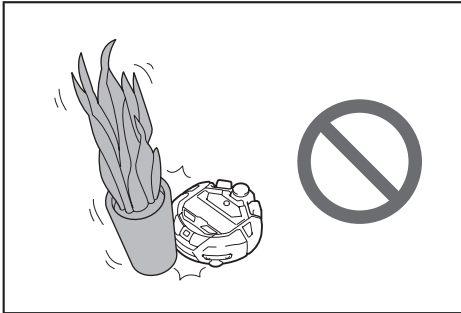
- Non utilizzare il robot aspirapolvere in prossimità di oggetti che si surriscaldano, come un dispositivo di riscaldamento. Ciò potrebbe causare incidenti, ignizioni o guasti. (Non utilizzare un dispositivo di riscaldamento durante il funzionamento).



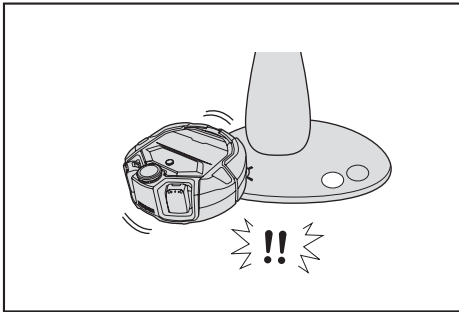
- Non utilizzare il robot aspirapolvere in un luogo dotato di presa retrattile. Una presa retrattile deve essere sempre retratta.



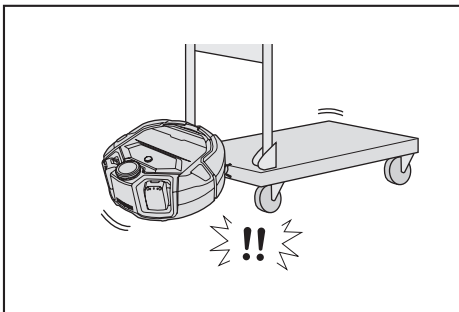
- Per le pareti in materiale fragile (ad esempio una parete in fango, una porta decorata o scorrevole oppure un paravento), posizionare davanti ad esse degli oggetti che fungano da muro in modo da non danneggiarle.
- Non utilizzare in luoghi in cui sono collocati oggetti instabili o che cadono facilmente. Gli oggetti instabili e che cadono facilmente dovrebbero essere spostati in un'altra stanza.



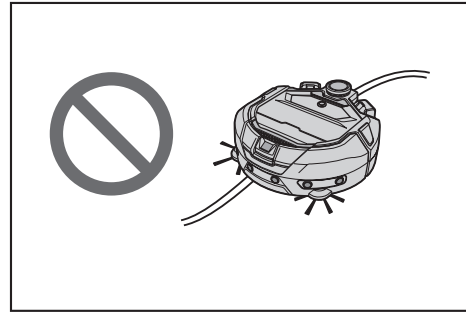
- Spostare le apparecchiature e i dispositivi con un controller posizionato sullo stesso livello del robot aspirapolvere.



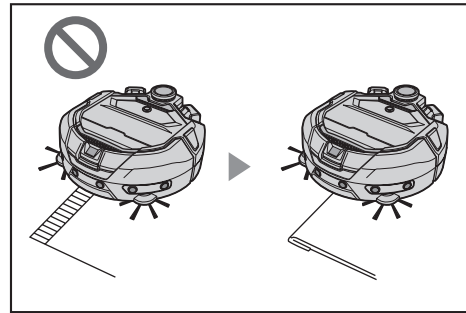
- Riporre le candele accese e gli oggetti che possono rompersi facilmente.
- Se sono presenti oggetti con rotelle, ad esempio carrelli e sedie a rotelle e sedie leggere che si muovono facilmente, bloccare le rotelle o riporli.



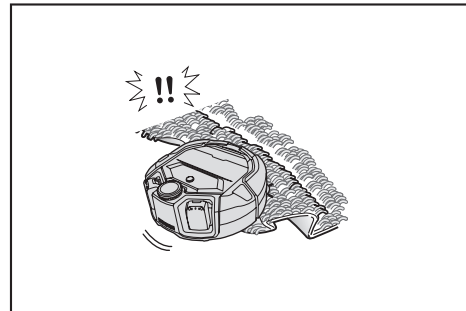
- Non utilizzare in presenza di cavi slegati che potrebbero restare impigliati o aggrovigliati. Assicurarsi che i cavi di alimentazione siano posati lungo una parete in modo che il robot aspirapolvere non vi rimanga impigliato.



- Riporre gli oggetti lunghi e sottili come una corda e una cinghia.
- Riporre piccoli oggetti e beni di valore che possono essere facilmente aspirati.
- Riporre gli oggetti che bloccano il passaggio del robot aspirapolvere, ad esempio piani da lavoro, sedie, utensili e lastre.
- Qualora venissero aspirati escrementi di animali o altri rifiuti liquidi, il robot aspirapolvere potrebbe non funzionare correttamente. Pulirli.
- Assicurarsi che le nappe di un tappeto o di altri rivestimenti siano nascoste all'interno.



- Sollevare l'orlo di una tenda, ecc. che ricade sul pavimento. L'orlo potrebbe rimanere impigliato nella spazzola principale, ecc.
- Riporre i tappeti sottili e scivolosi, ad esempio un tappetino. I tappeti e le spazzole laterali potrebbero danneggiarsi.



- Riporre carta e stoffa sottili, sacchetti di plastica, ecc.
- In luoghi che portano all'esterno, chiudere le porte per evitare che il robot aspirapolvere si sposti all'esterno. Se non è possibile chiudere le porte, non utilizzare il robot aspirapolvere. Inoltre, chiudere le porte delle stanze in cui il robot aspirapolvere non deve entrare.
- Il robot aspirapolvere potrebbe non funzionare correttamente su una superficie del pavimento scivolosa. Controllare le condizioni del pavimento prima dell'uso.
- Garantire un percorso di almeno 80 cm per la pulizia.

## Preparazione per l'uso


### Montaggio delle spazzole laterali

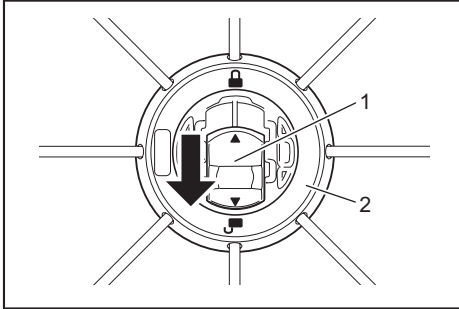
#### ⚠ AVVERTIMENTO

Prima di montare le spazzole laterali, assicurarsi che le batterie siano state rimosse dal robot aspirapolvere.

- Se una batteria viene lasciata inserita nel robot aspirapolvere, potrebbero verificarsi scosse elettriche o lesioni.

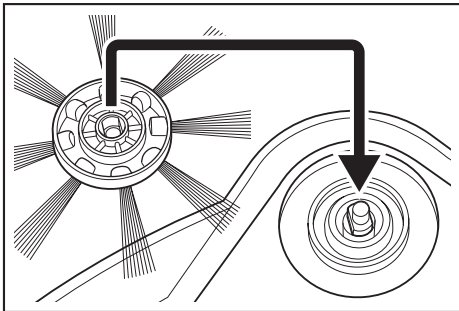
Durante il montaggio delle spazzole laterali, collocare un tappetino o simili in modo che il robot aspirapolvere e la superficie del pavimento non vengano danneggiati.


1. Capovolgere il robot aspirapolvere.
2. Far scorrere la leva di blocco della spazzola laterale su  (segno di rilascio).

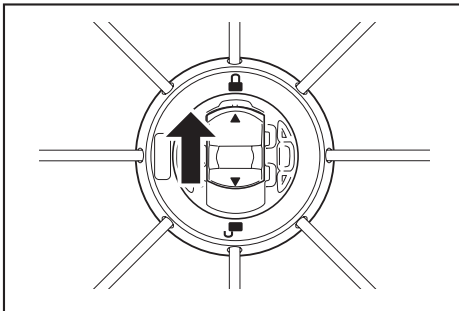


- 1. Leva di blocco 2. Spazzola laterale

3. Fissare la spazzola laterale in modo che l'asse sul lato inferiore del robot aspirapolvere si adatti alla forma del foro della spazzola laterale.



4. Spingere la leva di blocco della spazzola laterale verso  (segno di blocco) finché non scatta. (Spingerla correttamente fino al raggiungimento del punto mostrato nel disegno).
- Dopo l'installazione, sollevare leggermente la spazzola laterale per verificare che non si stacchi dal robot aspirapolvere.
- Montare due spazzole laterali, una a sinistra e una a destra.




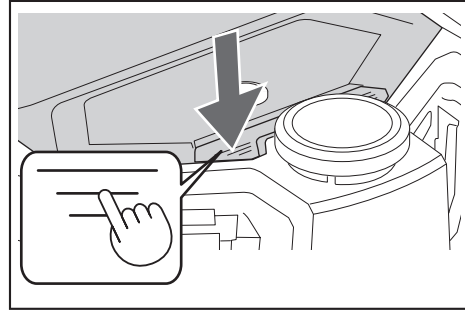
### Disimballaggio del contenitore polveri

#### ⚠ AVVERTIMENTO

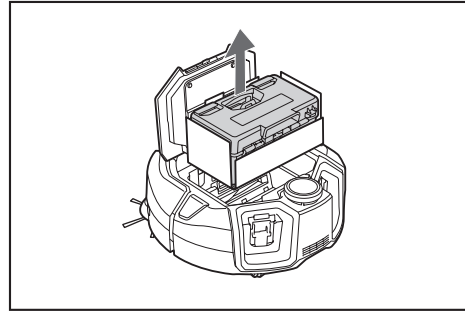
Quando si apre la copertura superiore del robot aspirapolvere, assicurarsi che le batterie siano state rimosse dal robot aspirapolvere.

- Se una batteria viene lasciata inserita nel robot aspirapolvere, potrebbero verificarsi scosse elettriche o lesioni.

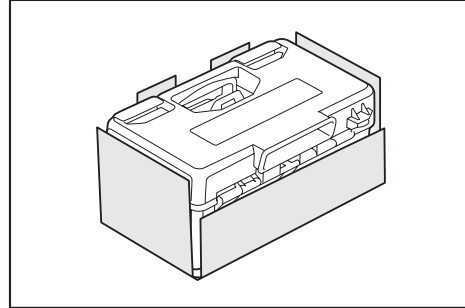
1. Premere il pulsante di apertura  per aprire la copertura superiore. Prestare attenzione poiché la copertura superiore si apre rapidamente.



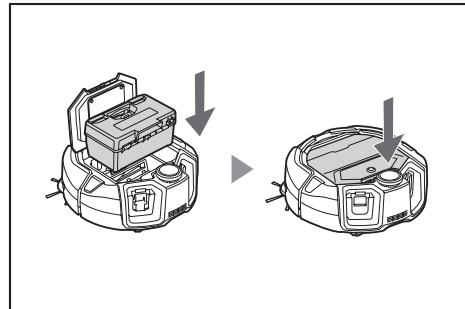
2. Rimuovere il contenitore polveri.




3. Rimuovere il materiale di imballaggio.

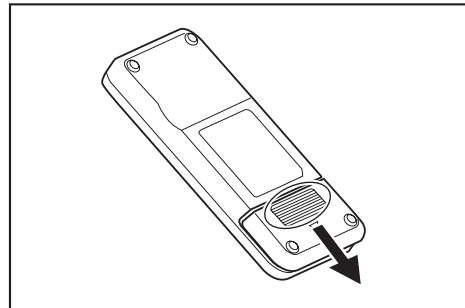


4. Reinscrivere il contenitore polveri nel robot aspirapolvere e spingere la copertura superiore per chiuderla finché non scatta. Quando si chiude la copertura superiore, prestare attenzione affinché le dita non restino intrappolate.

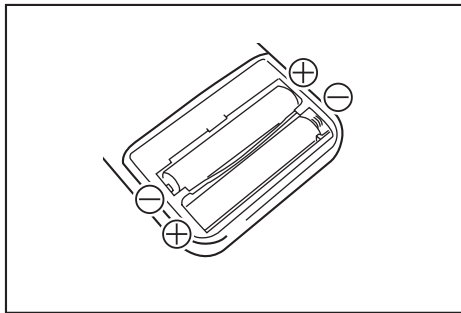


### Installazione delle batterie nel telecomando

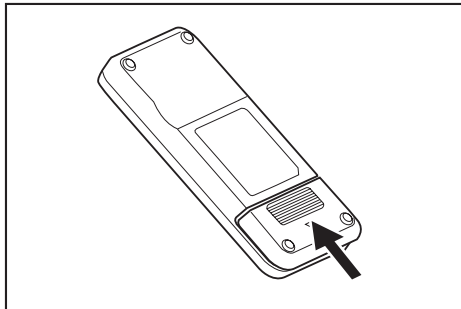
1. Tenendo premuto  sul coperchio del telecomando, far scorrere il coperchio nella direzione mostrata dalla freccia e rimuoverlo.



2. Inserire le batterie nella direzione corretta.



3. Fissare il coperchio.

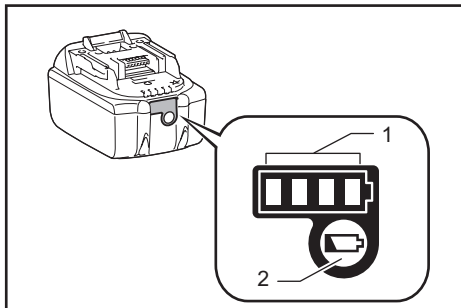


#### AVVISO

- Assicurarsi di allineare correttamente la polarità delle batterie.
- Sono necessarie due batterie a secco AAA. Le due batterie devono essere nuove e dello stesso tipo.
- Al fine di evitare guasti dovuti a perdite di liquidi e rotture, estrarre le batterie quando non vengono utilizzate per un lungo periodo di tempo.
- Se la soluzione contenuta in una batteria entra a contatto con gli occhi, la pelle o i vestiti, lavarla via immediatamente con acqua pulita.
- Non sottoporre il telecomando a urti e non lasciare che si bagni con acqua. Non posizionarlo in un luogo esposto alla luce solare diretta o in prossimità di stufe, ecc. Ciò potrebbe causare guasti.

### Indicazione della carica residua della batteria

Solo per cartucce della batteria con indicatore



► 1. Indicatori luminosi 2. Pulsante di controllo

Premere il pulsante di controllo sulla cartuccia della batteria per indicare la carica residua della batteria. Gli indicatori luminosi si accendono per alcuni secondi.

Indicatori luminosi			Carica residua
Acceso	Spento	Lampeggiante	
■ ■ ■ ■			Dal 75% al 100%
■ ■ ■ □			Dal 50% al 75%
■ ■ □ □			Dal 25% al 50%
■ □ □ □			Dallo 0% al 25%
▬ □ □ □			Caricare la batteria.
■ ■ □ □			La batteria potrebbe non funzionare correttamente.
□ □ ■ ■			

#### AVVISO

- A seconda delle condizioni di utilizzo e della temperatura ambiente, l'indicazione può variare leggermente rispetto alla carica effettiva.
- Il primo (all'estrema sinistra) indicatore luminoso lampeggerà quando il sistema di protezione della batteria è in funzione.

### Installazione e rimozione delle batterie (vendute separatamente)

- Il robot aspirapolvere funziona anche con una sola batteria.
- Con due batterie, può essere utilizzato per un lungo periodo di tempo.

#### Guida all'installazione

#### ⚠ AVVERTIMENTO

Una batteria deve essere inserita saldamente fino in fondo. Quando è visibile la parte rossa nella sezione superiore del pulsante, significa che il bloccaggio non è completo. Inserire completamente una batteria finché la parte rossa diventa invisibile.

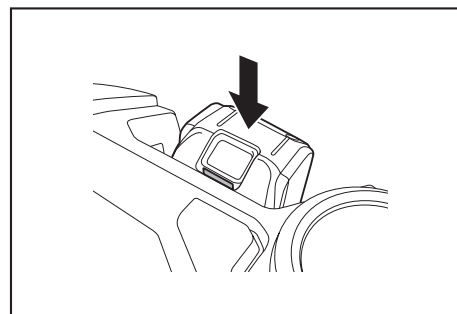
- Se l'inserimento non è completo, la batteria potrebbe fuoriuscire causando un incidente o un guasto.

**Non installare la cartuccia della batteria con la forza.**

- Se la cartuccia non scorre facilmente, non è stata inserita correttamente.

**Tenere saldamente l'apparecchio e la cartuccia della batteria durante l'installazione della cartuccia della batteria.**

Inserire saldamente e fino in fondo una batteria lungo la scanalatura del robot aspirapolvere. La batteria scatta quando è completamente bloccata.



#### AVVISO

Quando si installa una batteria, fare attenzione affinché le dita non rimangano incastrate tra il robot aspirapolvere e la batteria.



## Guida alla rimozione

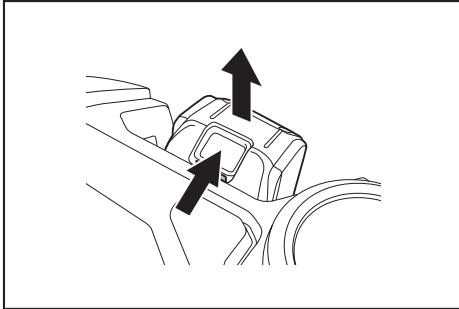
### ⚠ AVVERTIMENTO

Quando si rimuove una batteria, assicurarsi che l'alimentazione del robot aspirapolvere sia disattivata. Non rimuovere una batteria quando il robot aspirapolvere è in stato di standby. (Vedere "Accensione/Spegnimento" in questa pagina).

- La rimozione di una batteria con l'alimentazione accesa può causare guasti.

**Tenere saldamente l'apparecchio e la cartuccia della batteria durante la rimozione della cartuccia della batteria.**

Sollevarla la batteria mentre si aziona il pulsante della batteria.

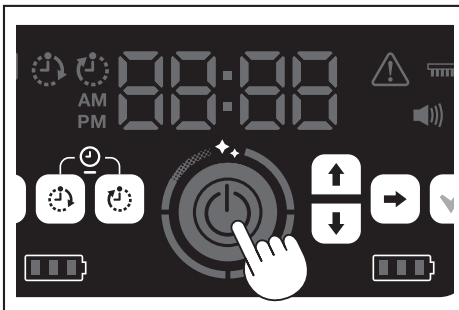


## Accensione/Spegnimento

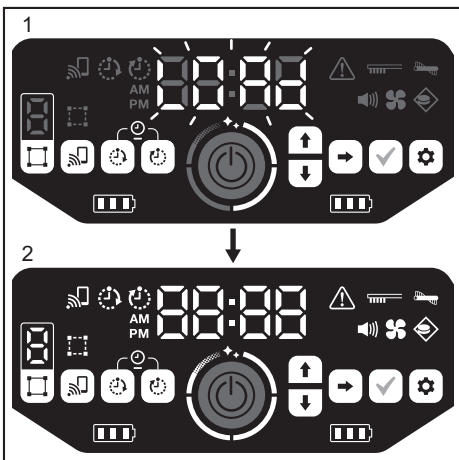
- All'accensione, il robot aspirapolvere entra in stato di standby. Nello stato di standby è possibile effettuare la pulizia, modificare le impostazioni e stabilire la connessione con l'app.
- Se il robot aspirapolvere, il telecomando o l'app non vengono utilizzati per circa 30 minuti in stato di standby, l'alimentazione si spegne. (Se nel caso indicato sopra la spia di connessione smartphone è accesa, l'alimentazione non si spegne).
- Spegnerne l'alimentazione al termine dell'operazione e al momento del deposito.
- Quando il robot aspirapolvere è in stato di sospensione, non è possibile la comunicazione dall'app.
- Quando l'alimentazione del robot aspirapolvere è disattivata, il robot aspirapolvere non può essere azionato dal telecomando o dall'app.

## Guida all'accensione

1. Con il robot aspirapolvere spento, premere il pulsante avvio/arresto del robot aspirapolvere.



2. Attendere senza eseguire alcuna operazione fino alla visualizzazione dell'ora. Quando si utilizza il robot aspirapolvere per la prima volta, è necessario prima impostare l'ora. Impostare l'ora corrente. (Vedere pagina 23).



- 1. [LOAD] lampeggia nell'indicatore ora e le quattro spie del livello di pulizia si accendono e si spengono in senso orario. La velocità di commutazione delle spie aumenta con l'avanzare dell'avvio.

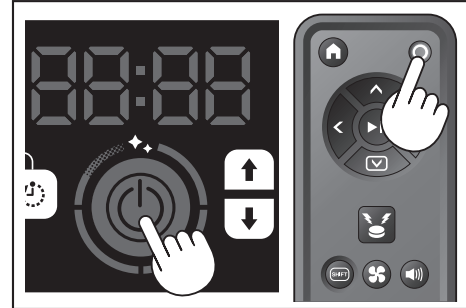
2. Quando tutte le spie sono accese, l'avvio del robot aspirapolvere è completo (stato di standby).

## Guida allo spegnimento

Tenere premuto il pulsante avvio/arresto del robot aspirapolvere o premere il pulsante di spegnimento del telecomando.

Quando l'alimentazione si spegne completamente, lo schermo e le spie del robot aspirapolvere si spengono. Pertanto, attendere senza rimuovere le batterie.

Al termine dell'utilizzo del robot aspirapolvere o quando lo si ripone, spegnere l'alimentazione e rimuovere le batterie.



### AVVISO

Non rimuovere le batterie prima che l'alimentazione sia completamente spenta (prima che lo schermo e le spie si spengano). Le informazioni di mappatura salvate e la cronologia di pulizia potrebbero essere eliminate.

## Come leggere la spia di alimentazione batteria del robot aspirapolvere

Stato della spia di alimentazione batteria	Carica residua della batteria
	Circa il 60% o più
	Dal 20% al 60% circa
	Meno di circa il 20%
	Nessuna carica residua Nessuna batteria installata

La carica residua è un'indicazione approssimativa e può variare a seconda delle condizioni operative, della temperatura ambiente, del tipo di batteria e del consumo energetico della batteria, ecc.

## Cosa impostare prima della pulizia

Prima della pulizia, effettuare le impostazioni per il robot aspirapolvere come necessario.

### Attivazione/disattivazione della ventola di aspirazione

Quando si deve pulire solo polvere grande e visibile, lo spegnimento della ventola di aspirazione consente di prolungare il tempo di funzionamento. Per informazioni sull'attivazione/disattivazione della ventola di aspirazione, fare riferimento a pagina 19.

### Attivazione/disattivazione dell'impostazione audio

Quando l'impostazione audio del robot aspirapolvere è spenta, il robot aspirapolvere pulisce silenziosamente. (Vedere pagina 23).

### Impostazione della funzione di rilevamento di confine

Con la funzione di rilevamento di confine attivata, il robot aspirapolvere riconosce la linea di confine magnetica impostata su una superficie del pavimento. La linea di confine magnetica funge da linea di confine e il robot aspirapolvere non oltrepassa la linea di confine magnetica; ossia, l'area di esecuzione può essere limitata. Per informazioni sull'impostazione della funzione di rilevamento di confine, fare riferimento a pagina 21.

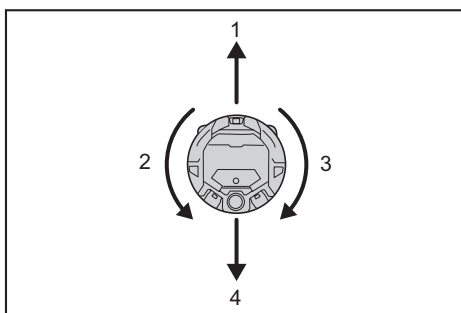
## Guida all'uso






### Pulizia

- Il robot aspirapolvere funziona in tre modi:
  - modalità di pulizia libera, che non richiede la registrazione della mappa,
  - modalità di pulizia con mappatura (vedere "Pulizia di una stanza con mappatura" in questa pagina), che richiede la registrazione delle informazioni sulla stanza per la pulizia, e
  - funzionamento manuale tramite telecomando.
- La modalità di pulizia libera è consigliata per la pulizia in più stanze o in un ambiente che comporta frequenti e significativi cambiamenti nella disposizione.
- Per una stanza che non può essere adeguatamente illuminata al momento della mappatura, utilizzare la modalità di pulizia libera.
- Se la carica residua della batteria del robot aspirapolvere si sta esaurendo, il robot aspirapolvere sospende la pulizia e torna alla posizione in cui è iniziata la pulizia.

### Pulizia di una stanza con il telecomando

Il robot aspirapolvere può essere azionato per la pulizia premendo i pulsanti delle operazioni del telecomando.



1. Avanti: premere .
2. Sinistra: premere .
3. Destra: premere .
4. Indietro: tenendo premuto , premere .

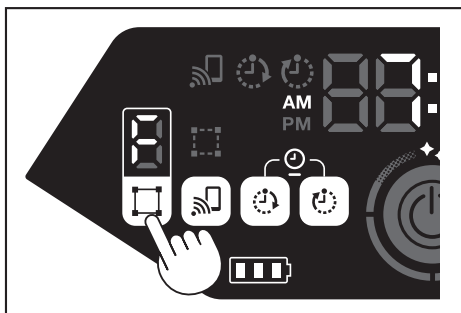
### AVVISO

- Non utilizzare il robot aspirapolvere in un luogo stretto o irregolare.
- Quando si aziona il robot aspirapolvere con il telecomando, prestare attenzione a evitare impatti o cadute.
- Se è presente un ostacolo davanti al robot aspirapolvere in movimento, il robot fa marcia indietro per evitarlo.

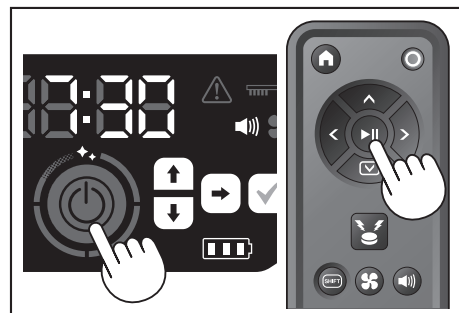
### Pulizia di una stanza senza mappatura (modalità pulizia libera)

1. Posizionare il robot aspirapolvere accanto a una parete del luogo che si desidera pulire.
2. Mettere il robot aspirapolvere in stato di standby. (Vedere pagina 16).
3. Premere il pulsante di cambio modalità per selezionare [F] (modalità pulizia libera).

Ogni volta che si preme il pulsante di cambio modalità, il carattere visualizzato viene modificato nell'ordine "F, 1, 2, 3, 4, 5, F, ..." (ogni numero rappresenta un numero di stanza).



4. Quando si preme il pulsante avvio/arresto, il robot aspirapolvere emette un suono e inizia la pulizia. (Quando l'impostazione audio è attiva)



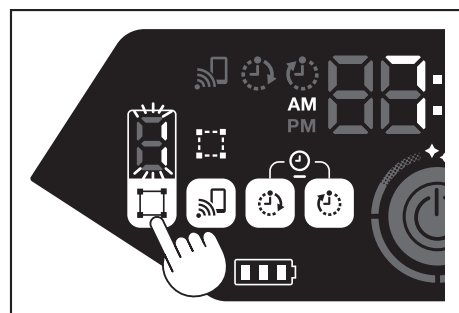
5. Quando il robot aspirapolvere determina che la pulizia è terminata, torna al punto da cui ha iniziato la pulizia.
  - Quando l'impostazione audio è attiva, il completamento della pulizia viene segnalato con un suono. (Vedere pagina 23).
  - Il robot aspirapolvere calcola la propria posizione utilizzando il sensore LiDAR e il sensore video. Affinché il sensore video funzioni completamente, si consiglia di rendere la stanza più luminosa per la pulizia. Se la stanza è buia, il robot aspirapolvere potrebbe non essere in grado di pulire alcune aree o potrebbe non riuscire a tornare al punto da cui ha iniziato la pulizia.

### Pulizia di una stanza con mappatura

#### Registrazione delle informazioni sulla stanza (mappatura)

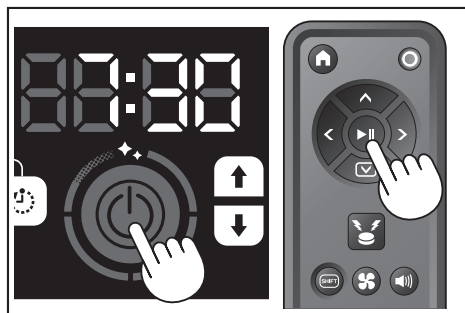
- Quando le stanze da pulire sono già determinate, la registrazione delle informazioni sulla stanza (registrazione delle informazioni di mappatura) nel robot aspirapolvere consente di rendere più efficiente la pulizia. Al completamento della mappatura, sarà possibile controllare il risultato della pulizia e impostare le aree proibite tramite l'app.
- Il numero di stanze che possono essere registrate è pari a cinque.
- Rendere la stanza più luminosa durante la mappatura.
- Mantenersi lontani dal robot aspirapolvere durante la mappatura.
- Non sollevare il robot aspirapolvere durante la mappatura.
- Non sarà possibile completare la mappatura se non sono presenti ostacoli con un'altezza di almeno 25 cm entro un raggio di circa 11 m dal robot aspirapolvere. In tal caso, si consiglia la pulizia in modalità pulizia libera. (Vedere "Pulizia di una stanza senza mappatura (modalità pulizia libera)" in questa pagina)

1. Posizionare il robot aspirapolvere nel punto da cui si desidera che inizi la pulizia.
  - Questa posizione iniziale sarà una posizione per l'avvio della pulizia.
  - Si consiglia di impostare la posizione iniziale in prossimità di una parete, un angolo della stanza o un altro punto facile da identificare.
  - Mantenere una distanza di circa 30 cm da una parete.
2. Mettere il robot aspirapolvere in stato di standby. (Vedere pagina 16).
3. Selezionare un numero di stanza non mappata premendo il pulsante di cambio modalità.
  - [F] è la modalità di pulizia libera. (Vedere "Pulizia di una stanza senza mappatura (modalità pulizia libera)" in questa pagina).
  - I numeri delle stanze non mappate verranno visualizzati come lampeggianti e la spia di registrazione stanza sarà accesa.
  - I numeri delle stanze mappate verranno visualizzati come accesi e la spia di registrazione stanza sarà spenta.



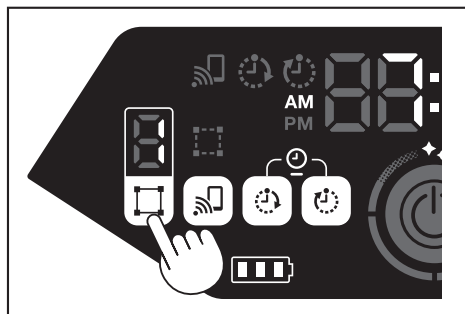
4. Quando si preme il pulsante avvio/arresto, il robot aspirapolvere avvia la mappatura. Dopo la mappatura, il robot aspirapolvere torna al punto in cui è iniziata la mappatura (punto di partenza della pulizia) e quindi completa la registrazione della stanza.
  - Al completamento della mappatura, il robot aspirapolvere entra in stato di standby. Potrebbe essere necessario un po' di tempo prima che il robot aspirapolvere entri in stato di standby. In tal caso, non spegnere l'alimentazione.
  - Quando l'impostazione audio è attiva, il completamento della mappatura viene segnalato con un suono.

- Se non è possibile completare la mappatura, aggiungere manualmente le informazioni di mappatura utilizzando l'app. (Vedere pagina 41).

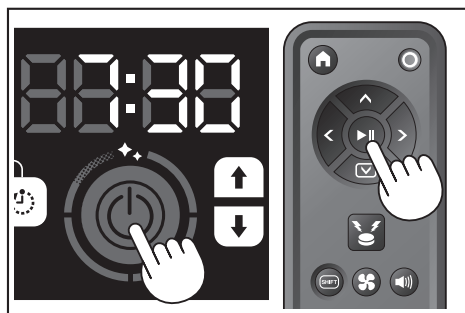


### Pulizia delle stanze mappate

- In modalità di pulizia con mappatura, il robot aspirapolvere funziona in modo che le stanze mappate vengano pulite in modo più efficiente.
  - L'utilizzo della modalità di pulizia con mappatura richiede la registrazione delle informazioni di mappatura. (Vedere "Pulizia di una stanza con mappatura" a pagina 17).
1. Posizionare il robot aspirapolvere nel punto di partenza della mappatura. Posizionare il robot aspirapolvere in modo che abbia il più possibile lo stesso orientamento che aveva all'inizio della mappatura. Ciò consente al robot aspirapolvere di iniziare la pulizia in modo più uniforme.
  2. Mettere il robot aspirapolvere in stato di standby. (Vedere pagina 16).
  3. Selezionare un numero di stanza mappata premendo il pulsante di cambio modalità.
    - [F] è la modalità di pulizia libera. (Vedere pagina 17).
    - I numeri delle stanze non mappate verranno visualizzati come lampeggianti e la spia di registrazione stanza sarà accesa.
    - I numeri delle stanze mappate verranno visualizzati come accesi e la spia di registrazione stanza sarà spenta.



4. Premere il pulsante avvio/arresto per iniziare la pulizia.



5. Al termine della pulizia, il robot aspirapolvere torna al punto da cui ha iniziato la pulizia.
  - La spia del livello di pulizia indica quale percentuale dell'intera stanza è stata pulita.
  - Quando l'impostazione audio è attiva, il completamento della pulizia viene segnalato con un suono. (Vedere pagina 23).
  - Se l'area interessata per la pulizia è troppo ampia per essere pulita in una sola volta, si consiglia di utilizzare l'impostazione [Pulizia continua]. (Vedere pagina 44).

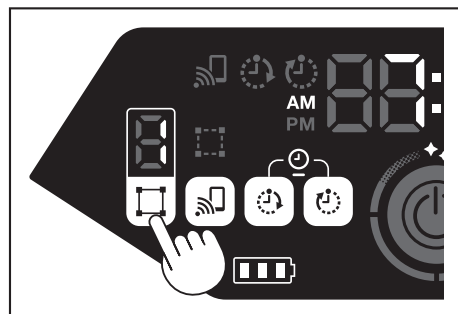
### Come leggere la spia del livello di pulizia

La spia del livello di pulizia dà informazioni sulla percentuale di area pulita nella superficie della stanza mappata.

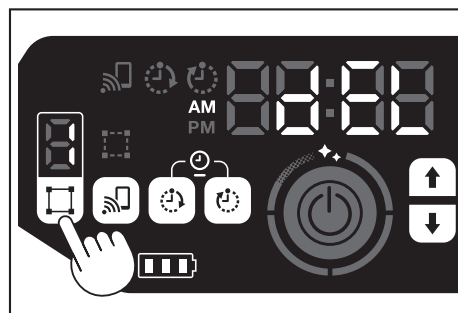
Stato della spia livello di pulizia	Percentuale di area di pulizia completata
	90% o più
	Dal 75% a meno del 90%
	Dal 50% a meno del 75%
	Dal 25% a meno del 50%

### Eliminazione delle informazioni di mappatura

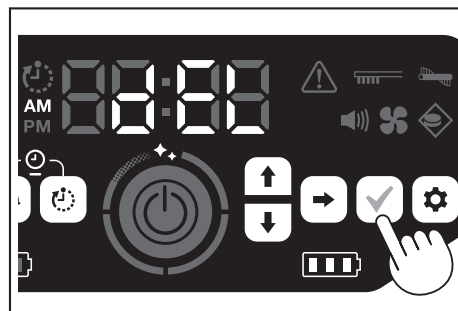
1. Mettere il robot aspirapolvere in stato di standby. (Vedere pagina 16).
2. Premendo il pulsante di cambio modalità, selezionare il numero di stanza per cui si desidera eliminare le informazioni di mappatura.
  - Ogni volta che si preme il pulsante di cambio modalità, il numero di stanza viene modificato nell'ordine "F, 1, 2, 3, 4, 5, F, ..." (Per [F], non è possibile eseguire l'eliminazione delle informazioni di mappatura poiché [F] è la modalità di pulizia libera).
  - Si illuminerà sullo schermo un numero di stanza mappata.



3. Quando si tiene premuto il pulsante di cambio modalità, viene visualizzato [dEL] per circa 10 secondi nell'indicatore ora.



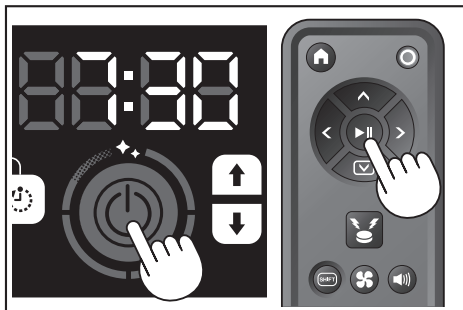
4. Premere il pulsante di conferma mentre viene visualizzato [dEL].



- Se il pulsante di conferma non viene premuto mentre viene visualizzato [dEL], il robot aspirapolvere torna allo stato di standby.
- Quando si eliminano le informazioni di mappatura, il numero di stanza selezionato lampeggerà e non sarà più registrato.

## Sospensione o termine della pulizia

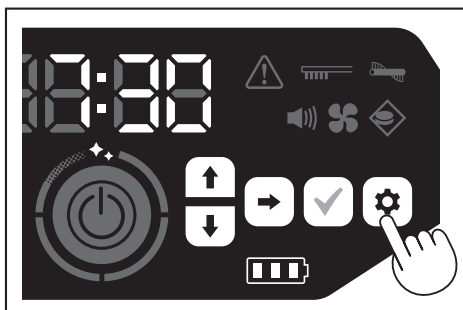
1. Se si preme il pulsante avvio/arresto durante il funzionamento, il robot aspirapolvere si arresta temporaneamente. Se si preme nuovamente il pulsante avvio/arresto, il robot aspirapolvere riprende il funzionamento nella stessa modalità utilizzata prima dell'arresto.



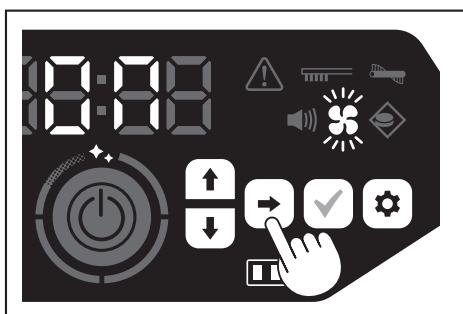
2. Per interrompere la pulizia durante il funzionamento, premere il pulsante punto di partenza del telecomando quando il robot aspirapolvere è in funzione o in uno stato di arresto temporaneo. Il robot aspirapolvere torna al punto da cui ha iniziato la pulizia e quindi entra in stato di standby.
  - Per interrompere immediatamente la pulizia, premere il pulsante di cambio modalità mentre il robot aspirapolvere è in uno stato di arresto temporaneo. Quindi, il robot aspirapolvere entra in stato di standby.
  - Quando la pulizia viene terminata senza tornare al punto di partenza, la cronologia di pulizia potrebbe non essere salvata correttamente.

## Attivazione/disattivazione della ventola di aspirazione

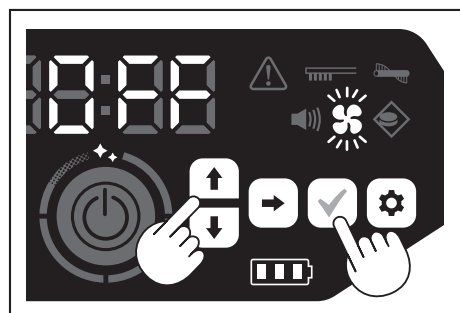
- Quando si deve pulire solo polvere visibile e grande, lo spegnimento della ventola di aspirazione raddoppia grossomodo il tempo di funzionamento.
  - La ventola di aspirazione può essere impostata anche dal telecomando o dall'app. (Vedere "Attivazione/disattivazione della ventola di aspirazione" in questa pagina e "Utilizzo del robot aspirapolvere tramite l'app" a pagina 38).
1. Con il robot aspirapolvere impostato in stato di standby, premere il pulsante di impostazione per accedere alla modalità di selezione delle impostazioni.



2. Premere il pulsante avanti per far lampeggiare la spia della ventola di aspirazione.



3. Il pulsante su/giù può essere utilizzato per commutare tra On e Off. Dopo aver selezionato On o Off, premere il pulsante di conferma per finalizzare l'impostazione.
  - On: la spia ventola di aspirazione si accende.
  - Off: la spia ventola di aspirazione si spegne.



### AVVISO

Con l'impostazione della ventola di aspirazione disattivata, la spia di manutenzione filtro non si accende nemmeno quando il filtro è intasato.

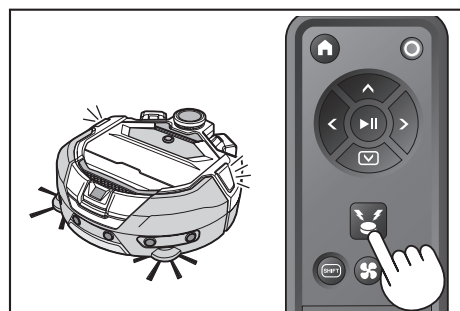
## Attivazione/disattivazione della ventola di aspirazione con il telecomando

Con il robot aspirapolvere impostato in stato di standby, è possibile attivare o disattivare la ventola di aspirazione premendo il pulsante ventola di aspirazione ON/OFF del telecomando.

Anche durante la pulizia è possibile attivare o disattivare la ventola dal telecomando.

## Utilizzo della funzione di segnalazione della posizione

- Il robot aspirapolvere segnala la propria posizione con un segnale acustico e luminoso. Questa funzione viene utilizzata quando non è possibile trovare il robot aspirapolvere perché sta pulendo un'area ampia o perché è entrato in un luogo in cui non è possibile trovarlo.
- Premendo il pulsante del segnale luminoso/acustico di posizione del telecomando, viene emesso un segnale acustico per circa 10 secondi, con il LED di posizione lampeggiante.
- Per interrompere la funzione di segnalazione della posizione, premere nuovamente il pulsante del segnale luminoso/acustico di posizione.



### AVVISO

- La funzione di segnalazione della posizione non può essere utilizzata nei casi seguenti.
  - Quando il robot aspirapolvere è spento.
  - Quando la carica della batteria è esaurita.
  - Quando il robot aspirapolvere si trova in una posizione non raggiungibile dalle onde radio.
  - Quando la batteria del telecomando è scarica.
- Sebbene la funzione di segnalazione della posizione possa essere utilizzata anche dall'app, è necessario che lo smartphone e il robot aspirapolvere siano stati collegati in anticipo. Quando il robot aspirapolvere è in stato di sospensione, non è possibile utilizzare la funzione dall'app.

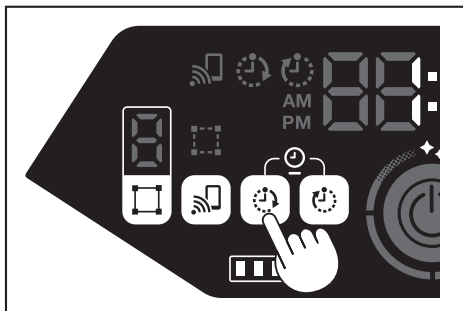
## Utilizzo del timer di accensione/timer di spegnimento

Il timer di accensione e il timer di spegnimento possono essere utilizzati contemporaneamente.

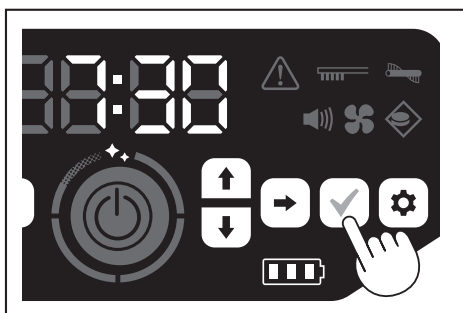
### Impostazione del timer di accensione

Al raggiungimento dell'orario preselezionato, il robot aspirapolvere inizia a pulire nella modalità di pulizia selezionata. Prima di impostare il timer, impostare l'ora corrente. (Vedere pagina 23).

1. Mettere il robot aspirapolvere in stato di standby. (Vedere pagina 16).
2. Tenere premuto il pulsante timer di accensione per modificare l'impostazione dell'ora del timer di accensione.
  - La procedura di modifica è uguale alla procedura di impostazione dell'ora (Vedere pagina 23).
  - Il timer di accensione può essere configurato con incrementi di 10 minuti.

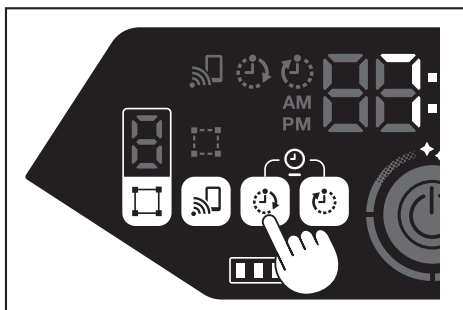


3. Premere il pulsante di conferma per finalizzare l'impostazione dell'ora.

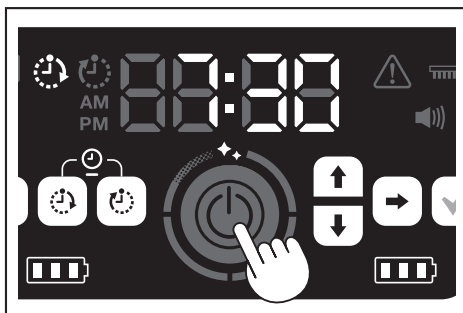


### Utilizzo del timer di accensione

1. Premere il pulsante timer di accensione per abilitare la funzione del timer di accensione. La spia timer di accensione si accende e l'ora impostata lampeggia due volte.
  - Per annullare la funzione del timer di accensione, premere nuovamente il pulsante timer di accensione per spegnere la spia del timer di accensione.



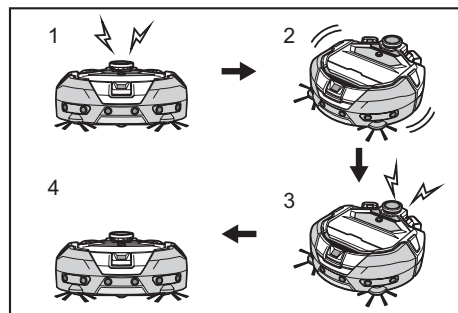
2. Selezionare la modalità operativa del robot aspirapolvere. (Vedere pagine 17 e 18).
3. Quando si preme il pulsante avvio/arresto, viene prenotata la pulizia tramite la funzione timer di accensione. (Stato di sospensione)  
Per annullare la funzione del timer di accensione in stato di sospensione, premere nuovamente il pulsante avvio/arresto per mettere il robot aspirapolvere in stato di standby. Per rivedere l'ora impostata dopo la prenotazione, premere un pulsante qualsiasi ad eccezione del pulsante avvio/arresto. Quindi, l'ora impostata si illuminerà per 3 secondi.



### AVVISO

- Le informazioni di prenotazione vengono annullate quando si spegne l'alimentazione o quando la carica residua della batteria è completamente esaurita.
- Se le batterie sono scariche, il robot aspirapolvere non può attendere per il funzionamento mediante prenotazione del timer di accensione. Per il funzionamento mediante prenotazione del timer di accensione, si consiglia di caricare completamente le batterie.

- Il funzionamento mediante prenotazione del timer di accensione non è possibile se l'alimentazione è spenta.
- Quando è impostato il timer di accensione, il tempo di funzionamento sarà leggermente ridotto poiché il robot aspirapolvere consuma la batteria durante lo stato di sospensione.
- Esempio di utilizzo: impostare il robot aspirapolvere in modo che pulisca automaticamente al mattino. (Impostare il timer di accensione alle 7:30 e il timer di spegnimento alle 9:00).

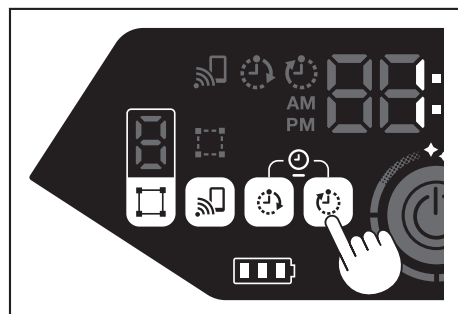


- ▶ 1. Avvio alle 7:30. (Timer di accensione) 2. Pulizia 3. Termine della pulizia alle 9:00. (Timer di spegnimento) 4. Ritorno al punto di partenza.
- Durante la regolazione delle ore/minuti, tenendo premuto il pulsante su/giù, le ore/minuti cambiano rapidamente.
- Quando l'impostazione dell'ora del timer è già stata completata, è sufficiente seguire la procedura di "Utilizzo del timer di accensione" in questa pagina.

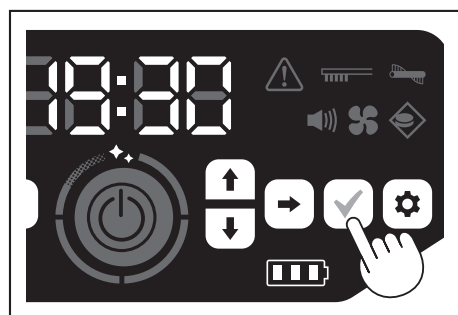
### Impostazione del timer di spegnimento

Al raggiungimento del tempo preselezionato dopo l'inizio della pulizia, il robot aspirapolvere termina la pulizia e torna al punto di partenza. Prima di impostare il timer, impostare l'ora corrente. (Vedere pagina 23).

1. Mettere il robot aspirapolvere in stato di standby. (Vedere pagina 16).
2. Tenere premuto il pulsante timer di spegnimento per modificare l'impostazione dell'ora del timer di spegnimento.
  - La procedura di modifica è uguale alla procedura di impostazione dell'ora (Vedere pagina 23).
  - Il timer di spegnimento può essere configurato con incrementi di 10 minuti.



3. Premere il pulsante di conferma per finalizzare l'impostazione dell'ora.

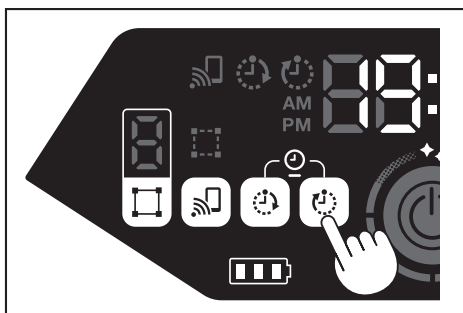


### Utilizzo del timer di spegnimento

Premere il pulsante timer di spegnimento per abilitare la funzione del timer di spegnimento.

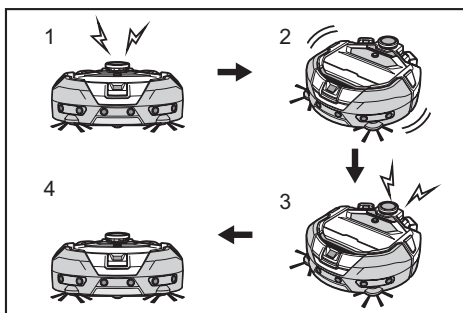
- La spia timer di spegnimento si accende e l'ora impostata lampeggia due volte.
- Per avviare immediatamente la pulizia e utilizzare il timer di spegnimento, selezionare la modalità di pulizia e avviare la pulizia.
- Per utilizzare il timer di spegnimento in combinazione con il timer di accensione, fare riferimento a pagina 19.

- Per annullare il timer di spegnimento, premere nuovamente il pulsante timer di spegnimento quando il robot aspirapolvere è in stato di standby.



### AVVISO

- L'impostazione del timer di spegnimento viene disabilitata quando si spegne l'alimentazione o quando la carica residua della batteria è completamente esaurita.
- Quando la carica residua della batteria è bassa, il robot aspirapolvere potrebbe smettere di funzionare prima dell'ora impostata per il timer di spegnimento.
- A seconda dell'ambiente di pulizia, può essere necessario del tempo prima che il robot aspirapolvere torni al punto di partenza. In questo caso, impostare un orario anticipato per il timer di spegnimento.
- Esempio di utilizzo: impostare il robot aspirapolvere in modo che pulisca automaticamente solo per 30 minuti la sera. (Impostare il timer di accensione alle 19:00 e il timer di spegnimento alle 19:30).



- 1. Avvio alle 19:00. (Timer di accensione) 2. Pulizia 3. Termine della pulizia alle 19:30. (Timer di spegnimento) 4. Ritorno al punto di partenza.

- Quando si regolano le ore/minuti, tenendo premuto il pulsante su/giù, le ore/minuti cambiano rapidamente.
- Quando l'impostazione dell'ora del timer è già stata completata, è sufficiente seguire la procedura di "Utilizzo del timer di spegnimento" a pagina 20.

## Controllo dell'intervallo di pulizia

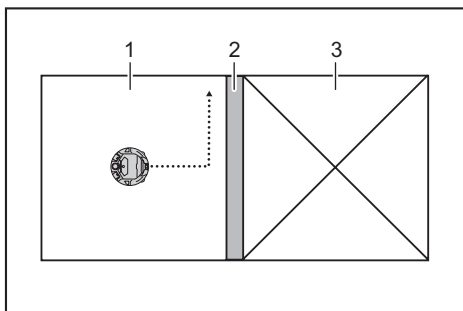
### ⚠ AVVERTIMENTO

**Non utilizzare la linea di confine magnetica come linea di confine di un'area in cui potrebbe verificarsi un incidente a causa di un'intrusione o di una caduta.**

- Ciò potrebbe causare incidenti o lesioni a causa dell'intrusione o della caduta del robot aspirapolvere.

**Per un'area a rischio di intrusione o caduta del robot aspirapolvere, posizionare un oggetto che funga da parete con un'altezza di almeno 25 cm (un oggetto che non si muova o non cada quando viene colpito dal robot aspirapolvere) su una superficie piana.**

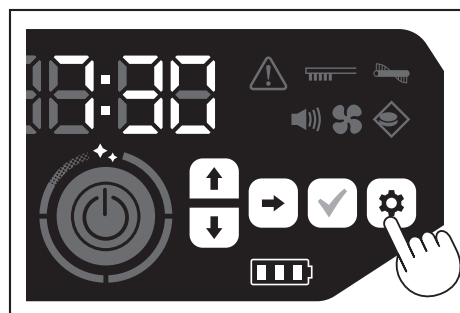
- L'intervallo di pulizia può essere limitato applicando la linea di confine magnetica (venduta separatamente) su una superficie del pavimento per creare una linea di delimitazione. Il robot aspirapolvere rileva ed evita la linea di confine magnetica.
- Impostare l'intervallo di pulizia per il robot aspirapolvere nei seguenti casi.



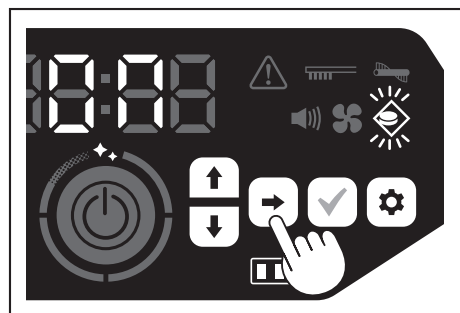
- 1. Area di pulizia 2. Linea di confine magnetica 3. Area in cui non si desidera utilizzare il robot aspirapolvere

- Quando si desidera dividere in più aree di pulizia uno spazio troppo grande per essere pulito in una sola volta.
- Quando c'è un'area in cui non si desidera far entrare il robot aspirapolvere.
- Quando c'è un'area in cui il robot aspirapolvere può entrare ma da cui non può uscire.
- Quando il robot aspirapolvere scavalca un gradino basso ma cade da esso.
- Quando il robot aspirapolvere rimane incastrato in mezzo a un gradino.

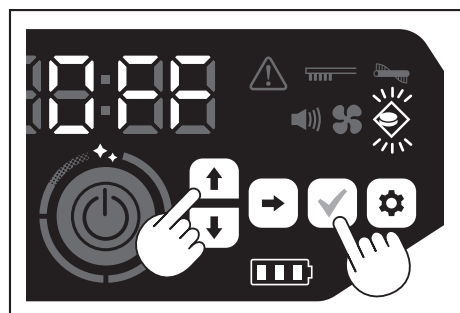
1. Posare la linea di confine magnetica tenendo presenti i seguenti punti.
  - Assicurarsi di posare la linea di confine magnetica senza alcuno spazio vuoto tra essa e la superficie del pavimento.
  - Posare la linea di confine magnetica a circa 15 cm di distanza dall'area in cui non si desidera far entrare il robot aspirapolvere.
  - Posizionare la linea di confine magnetica su una superficie del pavimento che sia il più piana possibile in modo che non diventi irregolare. In caso contrario, il robot aspirapolvere potrebbe spostare la linea e non riconoscerla correttamente.
  - Il robot aspirapolvere potrebbe non riconoscere una linea di confine magnetica posizionata su una superficie concava o non piana.
  - Assicurarsi che la linea di confine magnetica sia un prodotto originale. Se non è un prodotto originale, le prestazioni e la sicurezza non possono essere garantite.
  - Alcune superfici del pavimento potrebbero sporcarsi. Verificare adeguatamente l'idoneità prima dell'uso.
  - A seconda della superficie del pavimento e dell'ambiente di utilizzo, è possibile che il sensore magnetico per il rilevamento di confine non riconosca la linea di confine magnetica, oppure che la linea di confine magnetica si sporchi o si strappi. Verificare adeguatamente l'idoneità prima dell'uso.
2. Con il robot aspirapolvere impostato in stato di standby, premere il pulsante di impostazione per accedere alla modalità di selezione delle impostazioni.



3. Premere il pulsante avanti per far lampeggiare la spia di rilevamento di confine.



4. Il pulsante su/giù può essere utilizzato per commutare tra On e Off. Dopo aver selezionato On o Off, premere il pulsante di conferma per finalizzare l'impostazione.
  - On: la spia di rilevamento di confine si accende.
  - Off: la spia di rilevamento di confine si spegne.



### AVVISO

- La funzione di rilevamento di confine si basa sul riconoscimento della linea di confine magnetica da parte di un sensore magnetico. In caso di strappi, sollevamenti, ecc. sulla linea di confine magnetica, la linea potrebbe non essere riconosciuta.
- Controllare periodicamente l'eventuale presenza di strappi, deviazioni di posizione e altri problemi sulla linea di confine magnetica. In presenza di un problema come uno strappo, sostituire la linea con una linea nuova.

- La funzione di rilevamento di confine potrebbe attivarsi in prossimità di un oggetto magnetico. Quando non si desidera utilizzare la funzione di rilevamento di confine, disabilitare la funzione di rilevamento di confine.
- In un luogo in cui persone e cose vanno e vengono frequentemente, la linea di confine magnetica viene calpestata e danneggiata. Se la linea si deteriora, sostituirla con una linea nuova.
- A seconda del materiale del pavimento, si consiglia di incollare la linea di confine magnetica sul pavimento perché il robot aspirapolvere potrebbe spostare la linea di confine magnetica quando la rileva.
- La linea di confine magnetica può essere tagliata con le forbici.

## Come montare, rimuovere e utilizzare gli articoli venduti separatamente

Fare riferimento alle pagine elencate di seguito per informazioni sul montaggio, la rimozione e l'utilizzo degli articoli venduti separatamente.


Articoli venduti separatamente	Pagina di riferimento	Osservazioni
Linea di confine magnetica	21	–
Spazzola principale Spazzola principale morbida	26	La procedura di trattamento è uguale a quella per la spazzola principale in dotazione.
Filtro HEPA	25	Uguale al filtro HEPA in dotazione.
Spazzola laterale Spazzola laterale morbida	26	La procedura di trattamento è uguale a quella per le spazzole laterali in dotazione.
Batteria	15	–
Copertura spazzola principale	26	Uguale alla copertura spazzola principale in dotazione.
Cuscino paraurti	–	Un cuscino antigraffio da fissare al robot aspirapolvere per proteggere gli oggetti.

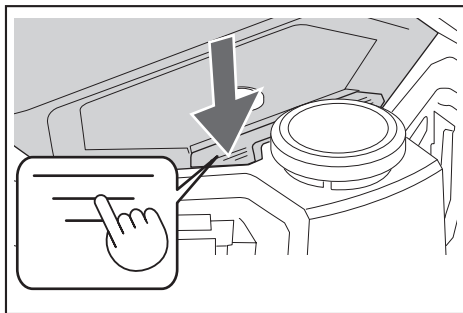
## Come smaltire i rifiuti

### ⚠ AVVERTIMENTO

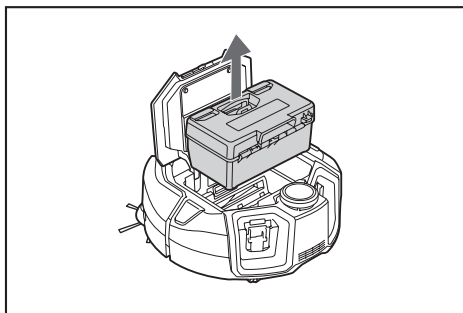
**Assicurarsi di spegnere l'alimentazione e rimuovere le batterie dal robot aspirapolvere prima di aprire la copertura superiore del robot aspirapolvere.**

- Se una batteria viene lasciata inserita nel robot aspirapolvere, potrebbero verificarsi scosse elettriche o lesioni.

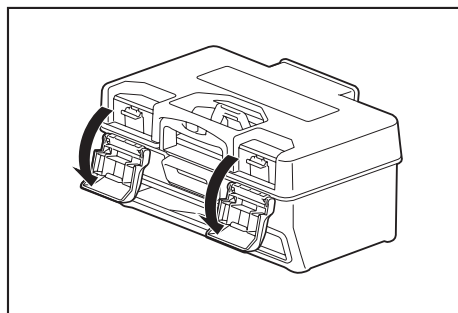
1. Premendo il pulsante di apertura (  ) si apre la copertura superiore. Prestare attenzione poiché la copertura superiore si apre rapidamente.



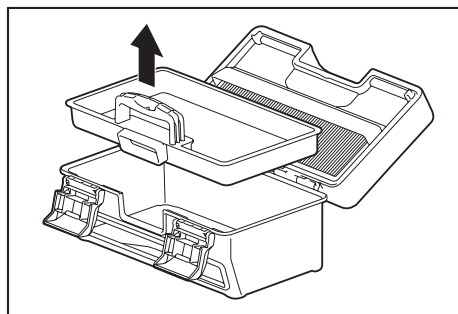
2. Rimuovere il contenitore polveri.  
Non tenere il contenitore polveri con l'apertura rivolta verso il basso. Altrimenti, la polvere potrebbe cadere dall'apertura.



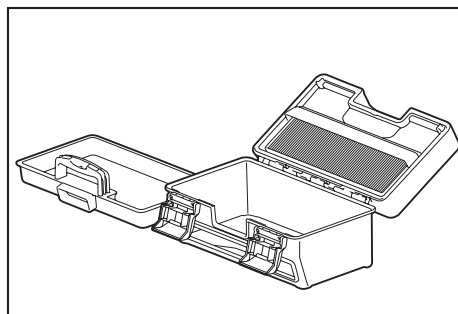
3. Rilasciare le due parti bloccate per aprire la copertura superiore.



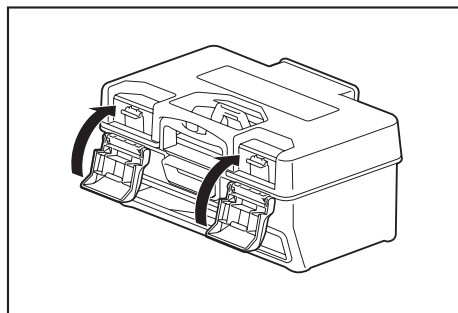
4. Estrarre la scatola per la polvere.  
Prestare attenzione a non aprire la copertura superiore sul lato del filtro.



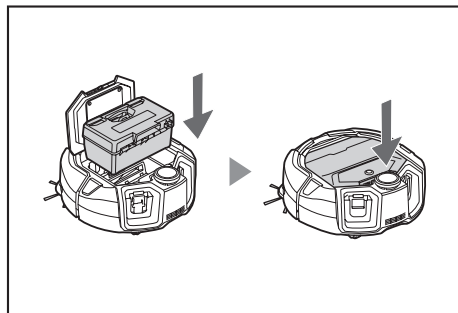
5. Smaltire i rifiuti presenti nella scatola per la polvere e nel contenitore polveri, quindi rimuovere lo sporco e la polvere dal filtro.  
Se il filtro è troppo sporco, rimuovere il filtro e lavarlo con acqua. (Vedere pagina 25).



6. Riposizionare la scatola per la polvere nel contenitore polveri. Quindi, chiudere la copertura superiore e bloccare le due parti di bloccaggio.



7. Reinscrivere il contenitore polveri nel robot aspirapolvere e spingere la copertura superiore per chiuderla finché non scatta.  
Quando si chiude la copertura superiore, prestare attenzione affinché le dita non restino intrappolate.



### AVVISO

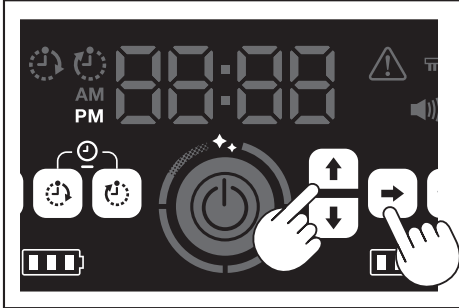
- Al termine di ogni pulizia, gettare i rifiuti e occuparsi della cura del filtro. Se si continua a pulire senza gettare i rifiuti, il filtro si ostruisce e la potenza di aspirazione diminuisce.
- Fissare correttamente il contenitore polveri e il filtro.

## Impostazione del Robot aspirapolvere

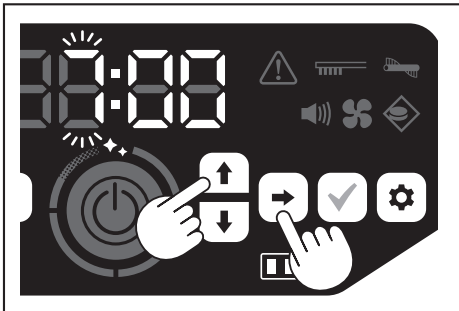
### Impostazione dell'ora corrente

Al primo utilizzo, iniziare impostando l'ora corrente.

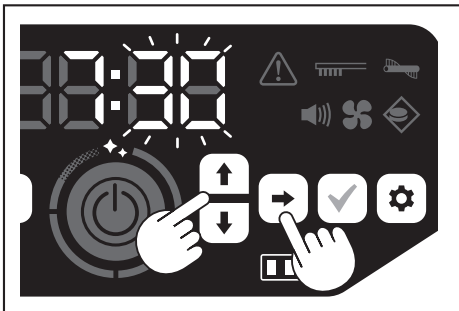
1. Utilizzando i pulsanti su/giù, selezionare il formato di visualizzazione tra [AM], [PM] o nessuna distinzione (nella notazione di 24 ore), quindi premere il pulsante avanti per confermare la selezione. Una volta premuto il pulsante avanti, le ore lampeggiano.



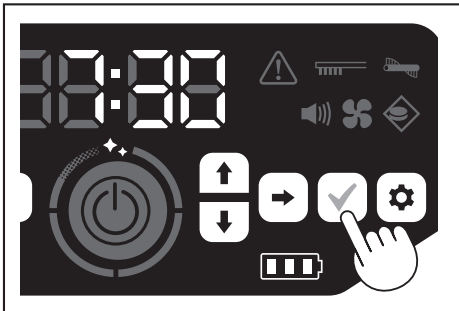
2. Selezionare l'ora utilizzando i pulsanti su/giù, quindi premere il pulsante avanti per confermare la selezione. Una volta premuto il pulsante avanti, i minuti lampeggiano.



3. Selezionare i minuti utilizzando i pulsanti su/giù, quindi premere il pulsante avanti per confermare la selezione.



4. Premere il pulsante di conferma per finalizzare l'impostazione dell'ora.



#### AVVISO

- Durante la regolazione delle ore/minuti, tenendo premuto il pulsante su/giù, le ore/minuti cambiano rapidamente.
- Quando il robot aspirapolvere non viene utilizzato per un lungo periodo di tempo, l'impostazione dell'ora potrebbe diventare imprecisa a causa della temperatura di conservazione o potrebbe essere ripristinata se la batteria incorporata si scarica.

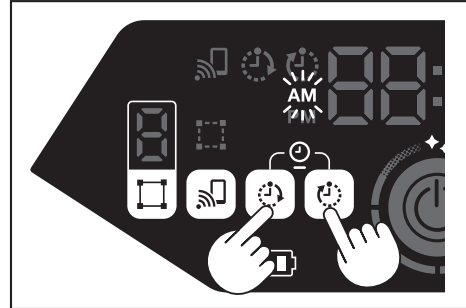
### Reimpostazione dell'ora corrente

Quando il robot aspirapolvere non viene utilizzato per un lungo periodo di tempo, l'impostazione dell'ora sarà imprecisa o verrà ripristinata.

Quando si collega il robot aspirapolvere a uno smartphone tramite l'app, l'ora impostata sullo smartphone viene impostata automaticamente sul robot aspirapolvere.

Se si desidera impostare manualmente l'ora, eseguire la procedura seguente.

1. Mettere il robot aspirapolvere in stato di standby. (Vedere pagina 16).
2. Tenere premuti contemporaneamente il pulsante timer di accensione e il pulsante timer di spegnimento per far lampeggiare il formato dell'ora [AM] o [PM] (non lampeggia quando l'impostazione precedente era la notazione di 24 ore).



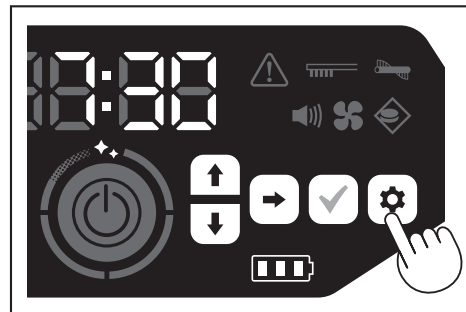
3. Impostare l'ora corrente seguendo l'"Impostazione dell'ora corrente" in questa pagina dal passaggio 1.

### Configurazione Wi-Fi® (robot aspirapolvere e smartphone)

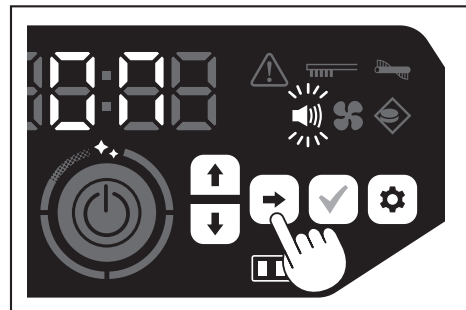
- Per utilizzare il robot aspirapolvere dall'app, definire le impostazioni Wi-Fi® per l'app e il robot aspirapolvere. (Vedere pagina 35).
- Installare in anticipo l'app sullo smartphone.
- Il robot aspirapolvere funge da punto di accesso per lo smartphone. Quando uno smartphone è connesso al robot aspirapolvere, lo smartphone non sarà connesso a nessuna rete diversa da quella del robot aspirapolvere.
- Per connettere uno smartphone al robot aspirapolvere, premere il pulsante di connessione smartphone per abilitare il Wi-Fi.
- Quando non si utilizza il Wi-Fi, premere il pulsante di connessione smartphone per spegnere la spia di connessione smartphone.
- È possibile gestire più robot aspirapolvere con un'unica app. In questo caso, stabilire la connessione wireless con l'app una alla volta.

### Definizione di un'impostazione audio

- È possibile definire se il robot aspirapolvere debba emettere suoni o meno.
  - Questa impostazione audio può essere definita anche dal telecomando.
1. Con il robot aspirapolvere impostato in stato di standby, premere il pulsante di impostazione per accedere alla modalità di selezione delle impostazioni.

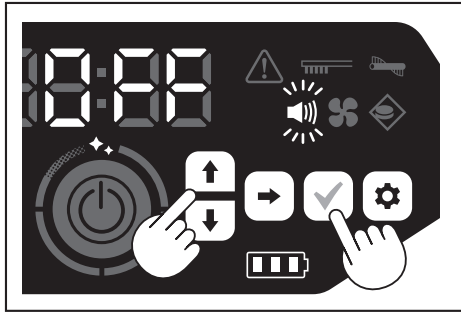


2. Premere il pulsante avanti per far lampeggiare la spia audio.





- I pulsanti su/giù possono essere utilizzati per commutare tra On e Off. Dopo aver selezionato On o Off, premere il pulsante di conferma per finalizzare la selezione.
  - On: la spia audio si accende (audio abilitato).
  - Off: la spia audio si spegne (audio disabilitato).



#### AVVISO

Anche se l'impostazione audio è disattivata, il robot aspirapolvere può emettere suoni per notificare un errore, ecc.

### Attivazione e disattivazione dell'impostazione audio con il telecomando

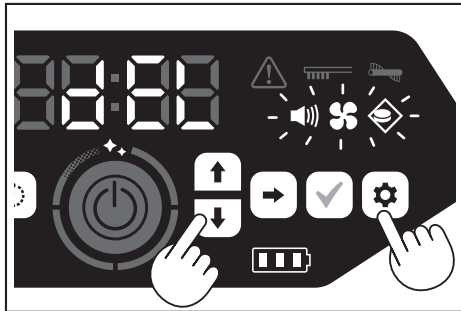
Con il robot aspirapolvere impostato in stato di standby, premendo il pulsante audio ON/OFF del telecomando è possibile attivare e disattivare l'impostazione audio.

L'impostazione audio può essere attivata e disattivata anche durante la pulizia se viene impostata dal telecomando.

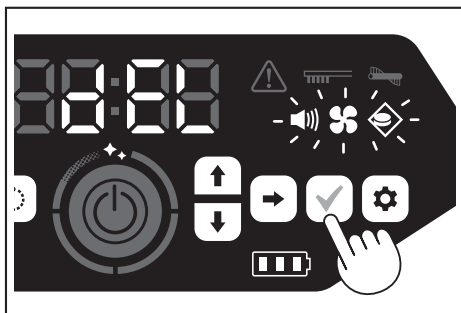
### Ripristino delle impostazioni

È possibile ripristinare le impostazioni del robot aspirapolvere ai valori predefiniti di fabbrica.

- Mettere il robot aspirapolvere in stato di standby. (Vedere pagina 16).
- Tenere premuti il pulsante giù e il pulsante di impostazione. [dEL] viene visualizzato nell'indicatore ora e le icone e le spie diverse dalla spia di errore lampeggiano.



- Premere il pulsante di conferma mentre viene visualizzato [dEL] (circa 10 secondi).
    - Se il pulsante di conferma non viene premuto mentre viene visualizzato [dEL], il robot aspirapolvere torna allo stato di standby.
    - Quando il robot aspirapolvere sta eseguendo il processo di ripristino, le icone e le spie diverse dalla spia di alimentazione batteria si spengono. Sebbene il robot aspirapolvere non funzioni in questo momento anche se si premono i pulsanti sul pannello operativo, non toccare i pulsanti. Inoltre, non rimuovere le batterie.

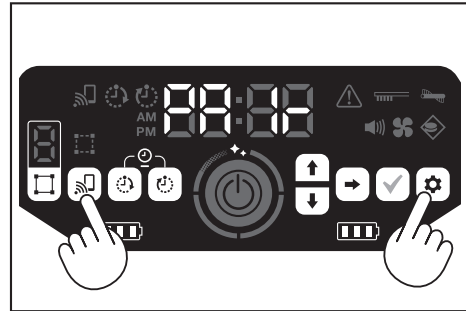


- Al completamento del processo di ripristino, viene eseguito un riavvio e quindi viene visualizzata la schermata di impostazione dell'ora corrente.

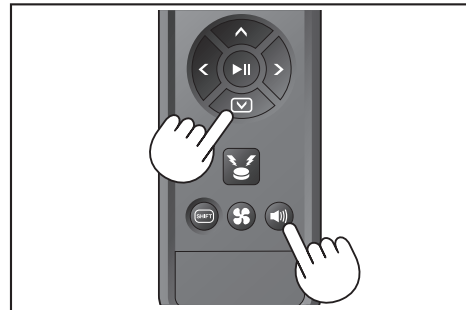
### Associazione del robot aspirapolvere e del telecomando

Quando il telecomando viene sostituito con uno nuovo, stabilire un'associazione tra il robot aspirapolvere e il telecomando.

- Tenere premuti contemporaneamente il pulsante di connessione smartphone e il pulsante di impostazione per visualizzare [PAIr] sull'indicatore ora. [PAIr] viene visualizzato per 10 secondi.



- Mentre viene visualizzato [PAIr], premere contemporaneamente il pulsante delle operazioni (giù) e il pulsante audio ON/OFF del telecomando. Quando l'associazione viene completata, il robot aspirapolvere emette due brevi segnali acustici e torna allo stato di standby.



#### AVVISO

- Se l'associazione fallisce, viene emesso un suono di errore.
- Se il robot aspirapolvere non riceve un segnale dal telecomando mentre viene visualizzato [PAIr], il robot aspirapolvere torna allo stato di standby.

## Cura

### ⚠ AVVERTIMENTO

Assicurarsi di spegnere l'alimentazione e rimuovere le batterie dal robot aspirapolvere prima di occuparsi della cura del robot aspirapolvere.

- Se una batteria viene lasciata inserita nel robot aspirapolvere, potrebbero verificarsi scosse elettriche o lesioni.

### ⚠ ATTENZIONE

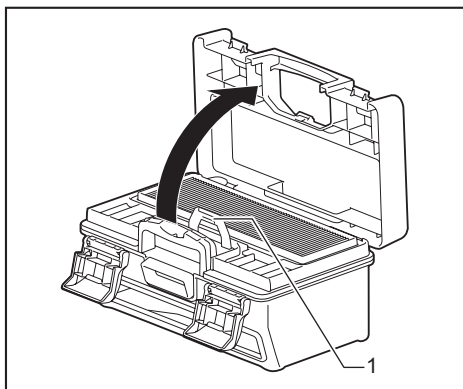
Per mantenere prestazioni ottimali, eseguire periodicamente la manutenzione menzionata in questa sezione. Qualora dovessero presentarsi problemi, interrompere l'utilizzo del robot aspirapolvere e rivolgersi al negozio presso cui si è effettuato l'acquisto o al nostro ufficio vendite per effettuare l'ispezione e la riparazione.

## Manutenzione

### Cura e sostituzione del contenitore polveri e del filtro

- Quando la potenza di aspirazione del robot aspirapolvere diminuisce, quando lo sporco è visibile o quando la spia di manutenzione filtro si accende, rimuovere il filtro e lavarlo con acqua.
- Stendere un giornale o qualcosa di simile prima della manutenzione.
- Non utilizzare prodotti chimici o acqua calda con una temperatura di 40°C (104°F) o superiore.

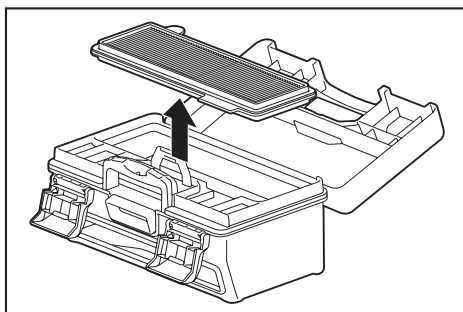
1. Smaltire i rifiuti seguendo i passaggi da 1 a 5 di "Come smaltire i rifiuti". (Vedere pagina 22).
2. Riposizionare la scatola per la polvere nel contenitore polveri e chiudere la copertura superiore del contenitore polveri.
3. Sganciare il gancio e aprire la copertura superiore sul lato del filtro.



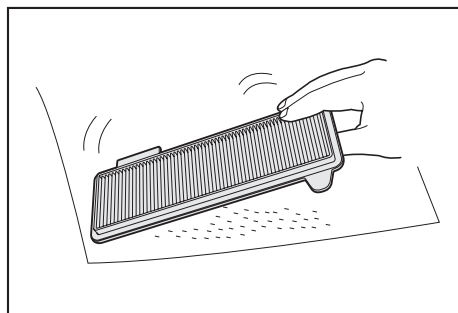
► 1. Gancio

4. Rimuovere il filtro dal contenitore polveri.

Quando si rimuove il filtro, procedere lentamente per evitare di sollevare polvere.

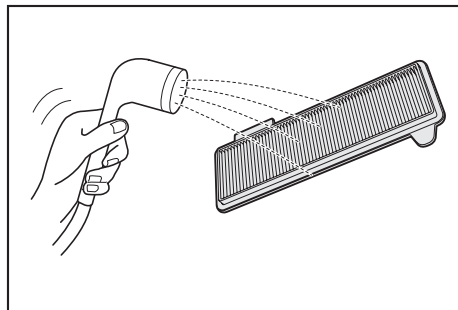


5. Lasciar cadere lo sporco e la polvere picchiettando leggermente il filtro.
  - Non strofinare con forza il filtro né premerlo con le dita.
  - Non utilizzare un oggetto appuntito (come uno stuzzicadenti), che può essere causa di rottura.

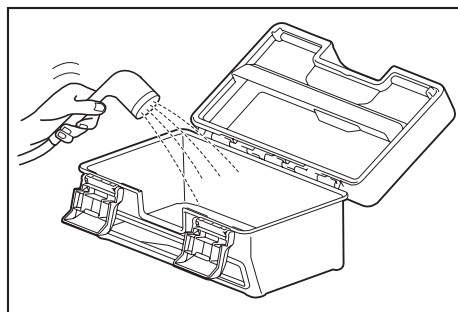


6. Quando la potenza di aspirazione del robot aspirapolvere è debole, lavare il filtro con acqua.

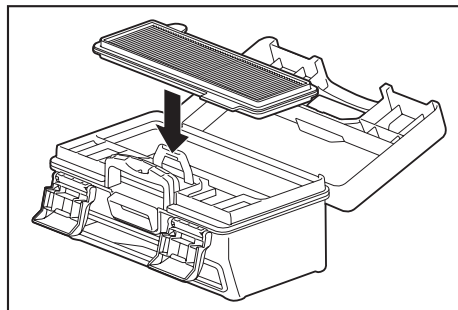
Se l'odore è fastidioso, lasciar riposare il filtro in del detergente neutro diluito per circa tre ore, quindi lavarlo con acqua.



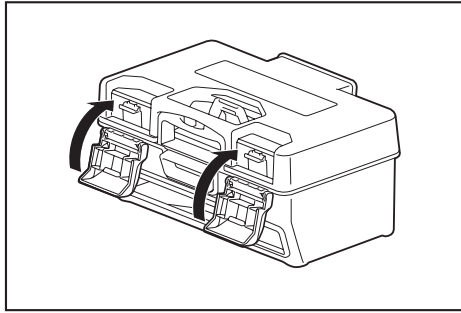
7. Quando lo sporco del contenitore polveri è visibile, lavarlo con acqua o detergente neutro diluito.



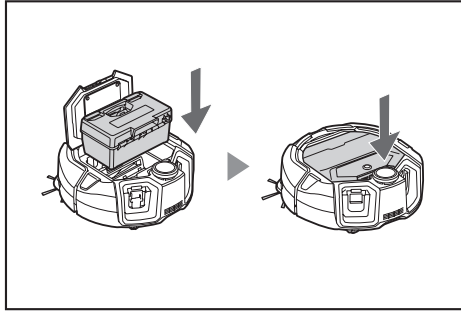
8. Dopo aver lavato con acqua il filtro o il contenitore polveri, asciugarlo sufficientemente in un luogo ben ventilato e al riparo dalla luce solare diretta.
  - L'utilizzo dei componenti senza averli asciugati correttamente può comportare una riduzione della potenza di aspirazione, nonché una riduzione della vita utile del motore.
  - L'utilizzo dei componenti rimasti umidi può causare cattivi odori o guasti.
  - Il tempo di asciugatura dovrebbe essere di circa un giorno.
  - Evitare l'asciugatura con asciugatrice, soffiatore, ecc.
9. Fissare il filtro al contenitore polveri.



10. Chiudere la copertura superiore sul lato del filtro e assicurarsi che il gancio sia agganciato. Quindi, bloccare le due parti di bloccaggio.



11. Reinscrivere il contenitore polveri nel robot aspirapolvere e spingere la copertura superiore per chiuderla finché non scatta. Quando si chiude la copertura superiore, prestare attenzione affinché le dita non restino intrappolate.

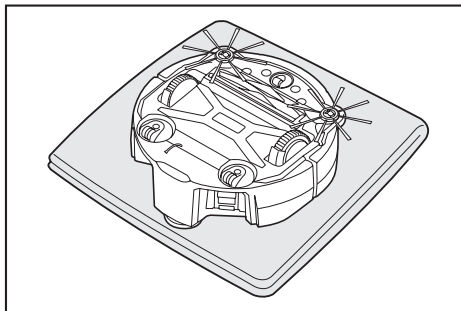


#### AVVISO

- Non utilizzare il robot aspirapolvere senza il filtro. Non utilizzare il robot aspirapolvere con il filtro danneggiato o sporco.
- Il filtro può essere lavato con acqua. Lavare via la polvere con acqua a intervalli regolari (ogni uno o due mesi).
- Quando il filtro si deteriora, sostituirlo con un filtro nuovo.
- Il filtro è soggetto a usura, pertanto si consiglia di tenerne a disposizione uno di ricambio.
- Non danneggiare il filtro strofinandolo con un oggetto rigido come una spazzola o una spatola.
- Non pulire il filtro HEPA con un soffiatore d'aria o un'idropulitrice poiché può danneggiarsi facilmente.

#### Precauzioni da adottare per la cura della parte inferiore del robot aspirapolvere


- Estrarre il contenitore polveri prima di eseguire la manutenzione. (Vedere pagina 22). In caso contrario, la polvere potrebbe cadere dall'apertura.
- Capovolgere il robot aspirapolvere prima di occuparsi della cura delle spazzole laterali, della spazzola principale, della parte inferiore del robot aspirapolvere e delle ruote.
- Durante la manutenzione, collocare un tappetino spesso o simili in modo che il robot aspirapolvere e la superficie del pavimento non vengano danneggiati e che il sensore LiDAR non sia sottoposto a pressione.

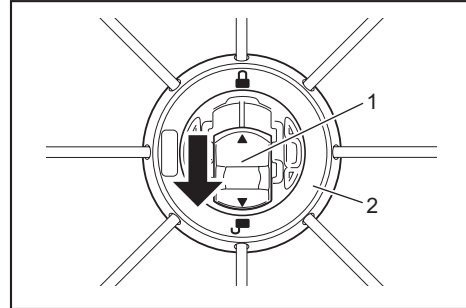


- Non premere con forza la superficie inferiore del robot aspirapolvere con il robot aspirapolvere capovolto. Una forte pressione può causare danni al robot aspirapolvere.

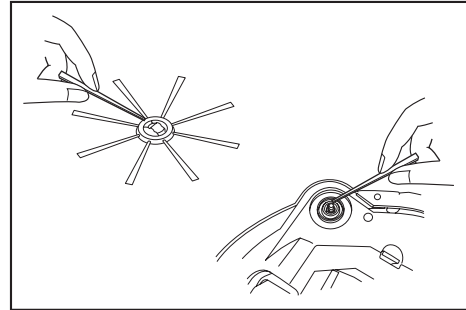
#### Cura e sostituzione delle spazzole laterali

- Se viene visualizzata un'indicazione di errore (vedere pagina 29), o se polvere e capelli rimangono impigliati in una spazzola laterale, occuparsi della cura della spazzola laterale.
- Quando le setole di una spazzola laterale sono piegate o cadono, sostituirla con una nuova.
- Quando una spazzola laterale non ruota o ha difficoltà a ruotare, rimuovere la spazzola laterale ed eseguire la manutenzione.

1. Capovolgere il robot aspirapolvere su un tappetino, ecc.
2. Far scorrere la leva di blocco della spazzola laterale su  (segno di rilascio).



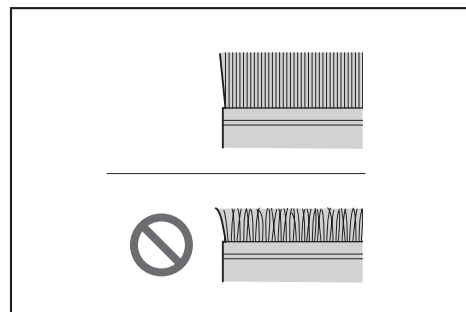
- ▶ 1. Leva di blocco 2. Spazzola laterale
3. Rimuovere la spazzola laterale.
4. Rimuovere i capelli e la polvere rimasti impigliati nella spazzola laterale utilizzando delle pinzette o altri strumenti.



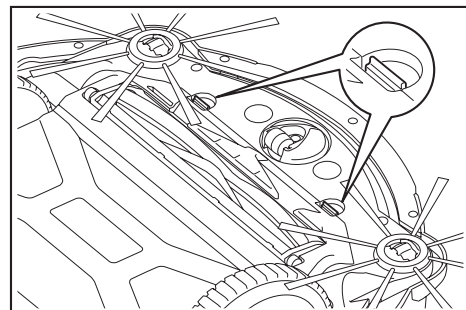
5. Montare la spazzola laterale al robot aspirapolvere. (Vedere pagina 14).

#### Cura e sostituzione della spazzola principale

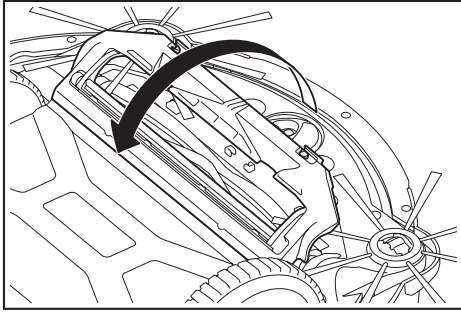
- Se viene visualizzata un'indicazione di errore (vedere pagina 29), o se polvere e capelli rimangono impigliati nella spazzola principale, occuparsi della cura della spazzola principale.
- Se le setole della spazzola principale si consumano e si accorciano, sostituire la spazzola principale.



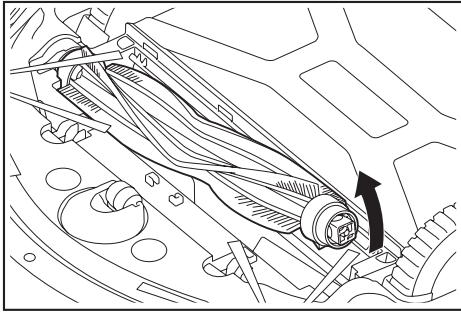
1. Capovolgere il robot aspirapolvere su un tappetino, ecc.
2. Sganciare i ganci della copertura della spazzola principale.



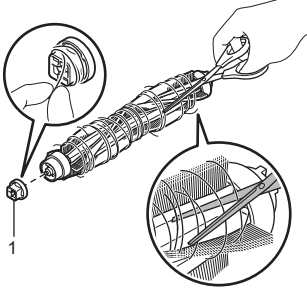
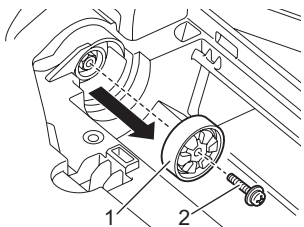
3. Rimuovere la copertura della spazzola principale.  
Non smontare la copertura della spazzola principale.



4. Rimuovere la spazzola principale.



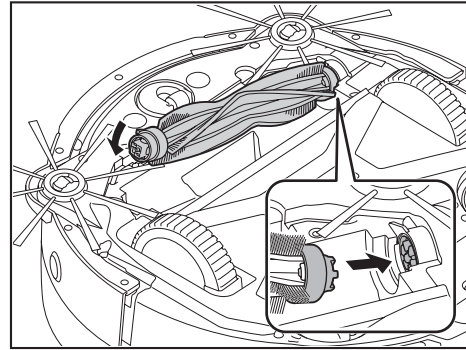
5. Eseguire la manutenzione della spazzola principale, della copertura della spazzola principale, dell'alloggiamento della spazzola principale e dei giunti come descritto di seguito.

Componente	Come eseguire la manutenzione
Spazzola principale	<p>Rimuovere il tappo del cuscinetto fissato sulla spazzola principale ed eliminare la polvere intrappolata. Se sono presenti capelli e lanugine intrappolati, tagliarli lungo le setole della spazzola con le forbici e poi rimuoverli. Se è presente della polvere attaccata, lavarla via con acqua.</p>  <p>► 1. Tappo del cuscinetto</p>
Copertura spazzola principale	<p>Pulire con un panno inumidito con acqua o detergente neutro diluito. Se lo sporco è visibile, lavarlo via con acqua.</p>
Alloggiamento spazzola principale	<p>Pulire con un panno inumidito con acqua o detergente neutro diluito. Non può essere lavato con acqua.</p>
Giunti	<p>Per i giunti fissati al robot aspirapolvere, allentare la vite con un cacciavite tenendo il giunto con la mano. Dopodiché, raccogliere il giunto. Rimuovere la polvere intrappolata all'interno del robot aspirapolvere.</p>  <p>► 1. Giunto 2. Vite</p>

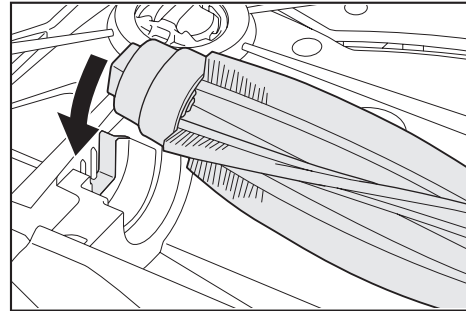
### AVVISO

Non utilizzare diluenti, benzene, alcol, ecc. perché possono causare deterioramento o scolorimento.

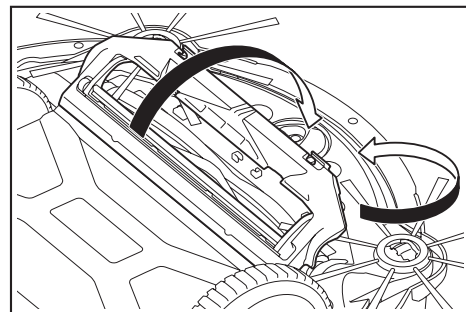
6. Le parti lavate con acqua devono essere asciugate a sufficienza in un luogo ben ventilato e al riparo dalla luce solare diretta.
- L'utilizzo dei componenti senza averli asciugati correttamente può comportare una riduzione della potenza di aspirazione, nonché una riduzione della vita utile del motore.
  - L'utilizzo dei componenti rimasti umidi può causare cattivi odori o guasti.
  - Il tempo di asciugatura dovrebbe essere di circa un giorno.
  - Evitare l'asciugatura con asciugatrice, soffiatore, ecc.
7. Riposizionare il tappo del cuscinetto nella sua posizione originale nella spazzola principale.
8. Fissare i giunti al robot aspirapolvere utilizzando le viti.
9. Montare la spazzola principale in modo che la forma del supporto della spazzola principale si adatti alla scanalatura dei giunti del robot aspirapolvere.



10. Ruotare il tappo del cuscinetto per allineare l'orientamento, quindi inserirlo nel robot aspirapolvere.

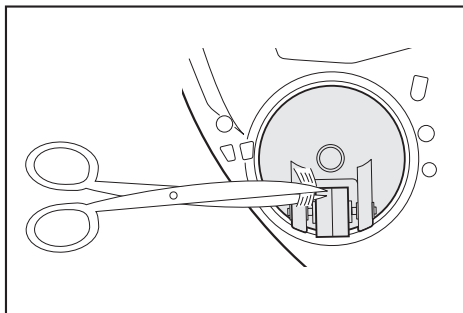


11. Montare la copertura della spazzola principale (spingere il gancio finché non scatta).
- Fare attenzione a non far impigliare una spazzola laterale nella copertura della spazzola principale.
  - Per evitare di incastrare le spazzole laterali, rimuovere temporaneamente le spazzole laterali oppure montare la copertura della spazzola principale mentre si ruota la spazzola laterale nella direzione mostrata nella figura.

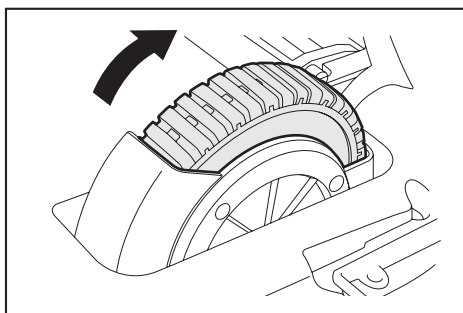


## Cura delle ruote

- Occuparsi della cura delle ruote quando polvere e capelli vi rimangono impigliati.
- Non rimuovere le ruote dal robot aspirapolvere.
- Rimuovere la polvere intrappolata nelle ruote orientabili. Qualora fosse difficile da eliminare, utilizzare forbici a punta sottile, pinzette, ecc.



- Rimuovere lo sporco da entrambe le ruote di guida mentre le si ruota. In questa fase, prestare attenzione affinché la mano non rimanga intrappolata.

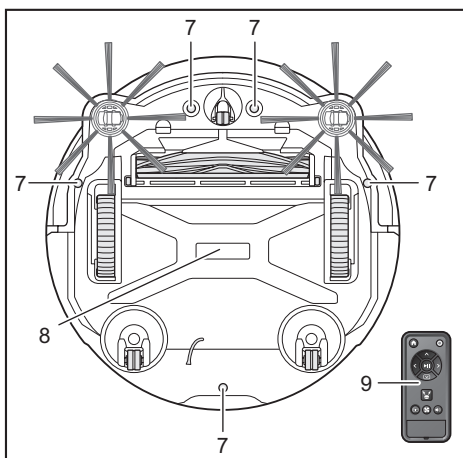
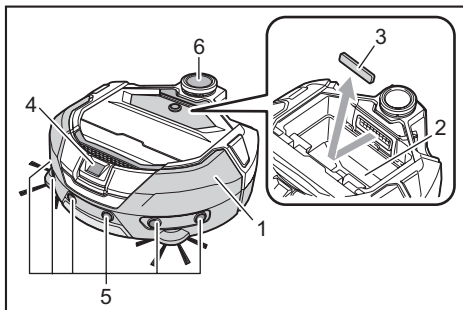


## Cura del robot aspirapolvere

### AVVISO

- Non utilizzare diluenti, benzene, alcol, ecc. perché possono causare deterioramento o scolorimento.
- Non utilizzare un oggetto appuntito (come uno stuzzicadenti), poiché può essere causa di rottura o danni.

Attenersi alla tabella seguente per la cura delle parti del robot aspirapolvere.



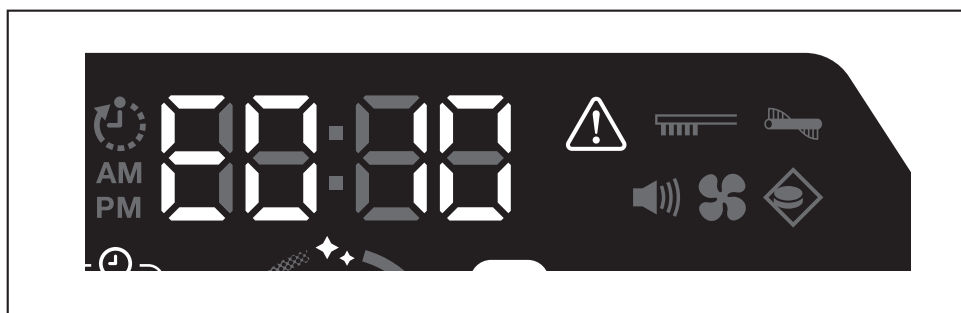
Numero	Componente	Come eseguire la manutenzione
1.	Superficie del robot aspirapolvere	Pulire con un panno inumidito con acqua o detergente neutro diluito.
2.	Interno del robot aspirapolvere (alloggiamento del contenitore polveri)	Pulire con un panno inumidito con acqua o detergente neutro diluito.
3.	Spugna dell'apertura di aspirazione all'interno del robot aspirapolvere	Estrarre la spugna e lavare via la polvere presente sulla spugna con dell'acqua.
4.	Sensore video	Rimuovere lo sporco con un panno morbido o un batuffolo di cotone facendo attenzione a non causare danni.
5.	Sensore a ultrasuoni	Pulire con un panno inumidito con acqua o detergente neutro diluito.
6.	Sensore LiDAR	Rimuovere la polvere e lo sporco all'interno della copertura del sensore LiDAR.
7.	Sensore di dislivello (5 posizioni)	Rimuovere lo sporco con un panno morbido o un batuffolo di cotone facendo attenzione a non causare danni.
8.	Parte inferiore del robot aspirapolvere	Pulire con un panno inumidito con acqua o detergente neutro diluito.
9.	Lato anteriore del telecomando e relativi pulsanti	Rimuovere lo sporco con un panno asciutto.

## Informazioni sulla riparazione

- Se non è possibile riprendere il funzionamento dopo aver rimosso la causa di una notifica o di un'indicazione di errore (vedere pagina 29), spegnere e riaccendere l'apparecchio.
- Se viene visualizzata ripetutamente la stessa notifica o lo stesso errore, rivolgersi al negozio presso cui si è effettuato l'acquisto o al nostro ufficio vendite per effettuare la riparazione.
- Non riparare da soli. Assicurarsi di rivolgersi al negozio presso cui si è effettuato l'acquisto o al nostro ufficio vendite.
- Quando si richiede la riparazione, portare il robot aspirapolvere insieme alle batterie e al caricatore.

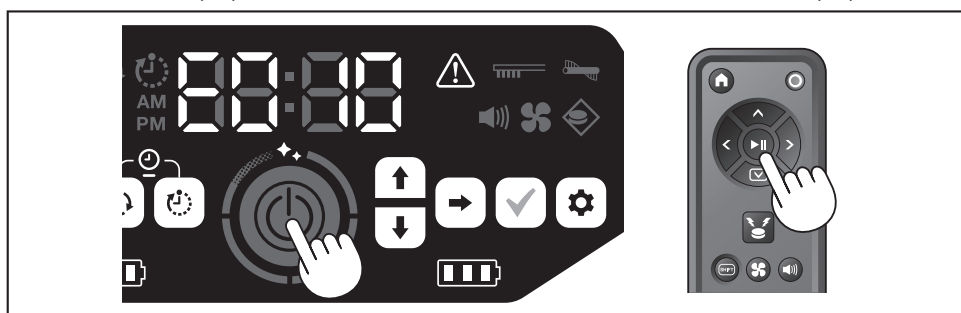
## Notifica e indicazione di errore

Se si rende necessario un intervento di manutenzione o se si verifica un errore, si accende una spia rossa sul pannello operativo del robot aspirapolvere e viene visualizzato il numero di errore. Inoltre, potrebbe esserci una notifica audio.



### Annullamento di una notifica e di un'indicazione di errore

- Quando viene visualizzata una notifica per la manutenzione del filtro, il robot aspirapolvere può essere utilizzato ma potrebbe non funzionare correttamente. Rimuovere la causa prima di utilizzare il robot aspirapolvere.
  - Quando viene visualizzata una notifica di errore, il robot aspirapolvere interrompe il funzionamento. Intervenire come segue.
1. Controllare il numero di errore e rimuovere la causa dell'errore. (Vedere "Notifica di richiesta di manutenzione, ecc." in questa pagina).
  - Se si spegne l'alimentazione o se l'alimentazione si esaurisce a causa della perdita di carica della batteria prima della rimozione della causa dell'errore, il robot aspirapolvere annulla temporaneamente l'errore.
  2. Premendo il pulsante avvio/arresto del robot aspirapolvere o del telecomando si annulla l'indicazione di errore e il robot aspirapolvere entra in stato di standby.




3. Verificare che l'errore sia stato eliminato prima di utilizzare il robot aspirapolvere.

### AVVISO

- Riavviare il robot aspirapolvere se non è possibile utilizzarlo dopo aver rimosso la causa.
- Se compare ripetutamente lo stesso errore, rivolgersi al negozio presso cui si è effettuato l'acquisto o al nostro ufficio vendite per effettuare la riparazione.





### Notifica di richiesta di manutenzione, ecc.













Se la spia si accende, spegnere l'alimentazione e rimuovere le batterie. Quindi, intervenire come descritto di seguito.

Problema notificato	Causa	Azione
<ul style="list-style-type: none"> <li>• È necessario eseguire la manutenzione del filtro.</li> </ul> 	Si è accumulata polvere o il filtro è intasato.	Eliminare la polvere e provvedere alla manutenzione del filtro. → Vedere pagine 22 e 25.  Controllare se si è accumulata della polvere all'interno del robot aspirapolvere e nell'apertura di scarico.

### Notifica di errore

- Intervenire in base alla spia di errore e al numero sull'indicatore.
- Per i codici di errore nell'elenco, verrà visualizzato un numero specifico al posto della "X" a seconda del tipo di errore. Segnalare il codice di errore quando si contatta il rivenditore o il nostro ufficio vendite.
- Quando si controlla la causa o si prendono provvedimenti, spegnere l'alimentazione e rimuovere le batterie come necessario prima di procedere.
- Se viene visualizzato un numero di errore diverso da quelli elencati di seguito, rivolgersi al negozio presso cui si è effettuato l'acquisto o al nostro ufficio vendite.

Numero	Causa	Azione
<b>Problema notificato</b> E01X Errore delle ruote di guida 	Sono rimasti impigliati corpi estranei come lanugine o capelli nelle ruote di guida?  Quando il robot aspirapolvere passa attraverso uno spazio basso, potrebbe rimanere incastrato nello spazio e mostrare questa notifica.	Rimuovere i corpi estranei. → Vedere pagina 28.  Non si tratta di un guasto.
E02X Errore dovuto alla perdita di una ruota o al sollevamento del robot aspirapolvere 	Una ruota di guida è fuori asse oppure si è staccata dal suolo?	Spostare il robot aspirapolvere in un altro luogo. → Vedere pagina 11.
E030 Errore della spazzola principale  	Sono rimasti impigliati corpi estranei come lanugine o capelli nella spazzola principale?	Rimuovere i corpi estranei. → Vedere pagina 26.

Numero	Causa	Azione
<b>Problema notificato</b>		
E04X Errore delle spazzole laterali	 	Sono rimasti impigliati corpi estranei come lanugine o capelli nelle spazzole laterali? Rimuovere i corpi estranei. → Vedere pagine 14 e 26.
E060 Mancato rilevamento del contenitore polveri o del filtro	 	Il contenitore polveri o il filtro non sono fissati. Verificare che siano fissati correttamente. → Vedere pagine 22 e 25.
E09X Errore sensore di dislivello		Il robot aspirapolvere è esposto alla luce solare diretta? Il robot aspirapolvere si trova su una superficie del pavimento nera? I sensori di dislivello sono sporchi? Spostare il robot aspirapolvere in un altro luogo. → Vedere pagina 11. • Eliminare delicatamente lo sporco dai sensori di dislivello con un panno morbido e asciutto, un batuffolo di cotone, ecc. • Verificare se la linea di messa a terra è a contatto con il suolo. → Vedere pagine 9 e 11 e 28.
E10X Errore sensore paraurti		Si tratta di un malfunzionamento del sensore del paraurti. Premere il paraurti con la mano per circa 10 volte. → Vedere pagina 9.
E110 Errore di movimento		Il robot aspirapolvere passa su un gradino, ecc. e vi rimane bloccato? Spostare il robot aspirapolvere in un altro luogo. → Vedere pagina 11.
E12X Diminuzione della carica residua della batteria Errore impostazione timer		Il robot aspirapolvere non può iniziare il funzionamento mediante prenotazione del timer di accensione perché la carica residua della batteria è insufficiente? Quando si avvia il funzionamento mediante prenotazione del timer di accensione, assicurarsi che le batterie siano completamente cariche.
E140 Errore impostazione stanza Errore informazioni di posizione		La stanza è diversa dalla stanza mappata oppure il punto di partenza della pulizia è diverso? La disposizione della stanza mappata è stata modificata? Il sensore LiDAR è bloccato da un panno oppure è sporco? Sono presenti ostacoli con un'altezza di 25 cm o superiore che il sensore LiDAR può rilevare intorno al robot aspirapolvere? Controllare la stanza mappata e il punto di partenza della pulizia. → Vedere pagina 18. Eseguire nuovamente la mappatura. → Vedere pagina 17. Rimuovere il panno, ecc. ed eseguire la manutenzione del sensore LiDAR. → Vedere pagina 28. Il sensore LiDAR richiede ostacoli di altezza superiore a 25 cm entro i seguenti intervalli: • Raggio di 11 m dal robot aspirapolvere per la mappatura e la modalità di pulizia con mappatura. • Raggio di 18 m dal robot aspirapolvere per la modalità di pulizia libera. Posizionare nell'area degli ostacoli con un'altezza superiore a 25 cm.
E170 Errore della copertura superiore del robot aspirapolvere		La copertura superiore del robot aspirapolvere è aperta? Chiudere la copertura superiore del robot aspirapolvere.
E190 Errore dovuto alla perdita di una ruota o al sollevamento del robot aspirapolvere		Una ruota di guida è fuori asse oppure si è staccata dal suolo? Spostare il robot aspirapolvere in un altro luogo. → Vedere pagina 11.
E200 Errore dovuto al mancato ritorno al punto di partenza Errore dovuto al mancato raggiungimento della destinazione		Il robot aspirapolvere non è riuscito a tornare al punto di partenza della pulizia. Il robot aspirapolvere non è riuscito a procedere verso la destinazione successiva perché è entrato in un passaggio ristretto. • Se sono presenti oggetti che ostacolano il passaggio del robot aspirapolvere, riporli oppure tenere il robot aspirapolvere lontano da questi oggetti. → Vedere pagina 21. • Se il robot aspirapolvere spesso non riesce a tornare al punto di partenza, attivare [Dare priorità al ritorno alla base] sull'app. Il tempo impiegato per tornare al punto di partenza può essere maggiore. → Vedere pagina 44. • Controllare che ci sia un percorso di almeno 80 cm per la pulizia.

# Risoluzione dei problemi

Prima di richiedere la riparazione o di fare una richiesta, verificare se si applica quanto segue.

## Alimentazione

Sintomo	Causa	Azione
<ul style="list-style-type: none"> <li>• Premendo il pulsante di avvio/arresto l'apparecchio non si accende.</li> <li>• La spia non si accende.</li> <li>• Premendo i pulsanti sul robot aspirapolvere e sul telecomando non si ottiene alcuna risposta.</li> </ul>	Le batterie sono installate correttamente?	Controllare che le batterie siano installate in modo appropriato. → Vedere pagina 15.
	La carica della batteria è esaurita?	Controllare la carica residua.
	L'alimentazione del robot aspirapolvere è spenta?	Premere il pulsante avvio/arresto del robot aspirapolvere per accenderlo. → Vedere pagina 16.

## Funzionamento di esercizio

Sintomo	Causa	Azione
Il robot aspirapolvere non funziona.	La spia di errore lampeggia?	Il robot aspirapolvere non funziona se c'è un errore. → Vedere pagina 29.
	Il robot aspirapolvere è in modalità di attesa per il funzionamento mediante prenotazione del timer di accensione?	Quando è attiva la modalità di attesa per l'operazione prenotata, le operazioni diverse dallo spegnimento dell'alimentazione e dalla notifica della posizione non sono possibili. → Vedere pagina 20.
Il robot aspirapolvere inizia a muoversi improvvisamente anche se non si esegue alcuna operazione.	La prenotazione del timer di accensione è abilitata?	→ Vedere pagina 20.
Il robot aspirapolvere si arresta durante il funzionamento.	Il robot aspirapolvere è impigliato in un cavo o in un altro oggetto? Un panno o una corda (ad esempio un asciugamano sottile) sono rimasti impigliati attorno alle ruote?	Spegnere il robot aspirapolvere e rimuovere gli oggetti intrappolati nel robot aspirapolvere e impigliati attorno alle ruote. → Vedere pagina 28.
	Il robot aspirapolvere si è fermato senza salire su un gradino?	Spegnere il robot aspirapolvere e riposizionarlo in un altro punto. → Vedere pagina 11.
	È impostato il timer di spegnimento?	→ Vedere pagina 20.
	Sono presenti ostacoli con un'altezza di 25 cm o superiore che il sensore LiDAR può rilevare intorno al robot aspirapolvere?	Il sensore LiDAR richiede ostacoli di altezza superiore a 25 cm entro i seguenti intervalli: <ul style="list-style-type: none"> <li>• Raggio di 11 m dal robot aspirapolvere per la mappatura e la modalità di pulizia con mappatura.</li> <li>• Raggio di 18 m dal robot aspirapolvere per la modalità di pulizia libera.</li> </ul> Posizionare nell'area degli ostacoli con un'altezza superiore a 25 cm.
La velocità cambia.	Il robot aspirapolvere può rallentare quando un sensore rileva un ostacolo o determina la direzione di marcia.	Non si tratta di un'anomalia.
Il robot aspirapolvere non procede dritto.	Sono rimasti impigliati corpi estranei nelle ruote?	Spegnere il robot aspirapolvere e rimuovere i corpi estranei dalle ruote. → Vedere pagina 28.
	Una delle ruote è danneggiata?	Richiedere assistenza al negozio presso cui si è effettuato l'acquisto o al nostro ufficio vendite.
	Il sensore a ultrasuoni e il sensore LiDAR sono sporchi?	Provvedere alla manutenzione. → Vedere pagina 28.
Il robot aspirapolvere si scontra con un ostacolo più frequentemente rispetto a prima.	Il sensore a ultrasuoni e il sensore LiDAR sono sporchi?	Provvedere alla manutenzione. → Vedere pagina 28.
Il robot aspirapolvere non riesce ad evitare un gradino e quindi cade.	I sensori di dislivello sono sporchi?	Provvedere alla manutenzione. → Vedere pagina 28.
	A volte il robot aspirapolvere scende da un gradino con un'altezza di 3,0 cm o inferiore.	Non si tratta di un guasto. → Vedere pagina 11.
Il robot aspirapolvere continua ad evitare dei punti nonostante non siano presenti ostacoli o gradini.	I sensori di dislivello o il sensore LiDAR sono sporchi?	Provvedere alla manutenzione. → Vedere pagina 28.
Il sensore di dislivello si sporca rapidamente.	La linea di messa a terra è tagliata e non è più a contatto con il suolo?	Richiedere assistenza al negozio presso cui si è effettuato l'acquisto o al nostro ufficio vendite.
Il rumore durante il funzionamento è più forte del solito.	Il contenitore polveri è pieno di polvere? Il filtro è intasato?	Smaltire la polvere e provvedere alla manutenzione del filtro. → Vedere pagine 22 e 25.
	Della polvere è rimasta intrappolata nella spazzola principale e nelle spazzole laterali?	Provvedere alla manutenzione. Inoltre, controllare che le spazzole siano installate in modo appropriato. → Vedere pagina 26.
Il suono della ventola di aspirazione diventa più forte durante il funzionamento.	Diventa più rumoroso quando il robot aspirapolvere cambia la cartuccia della batteria in uso.	Ciò è normale.
<ul style="list-style-type: none"> <li>• La potenza di aspirazione è debole.</li> <li>• La polvere non viene aspirata.</li> </ul>	Il contenitore polveri è pieno di polvere? Il filtro è intasato?	Smaltire la polvere e provvedere alla manutenzione del filtro. → Vedere pagine 22 e 25.
	La ventola di aspirazione è disattivata?	Controllare l'impostazione. → Vedere pagina 19.





Sintomo	Causa	Azione
Una spazzola laterale si stacca.	La spazzola laterale è installata correttamente?	Controllare che sia installata in modo appropriato. → Vedere pagina 14.
Una spazzola laterale o la spazzola principale non ruota, è difficile da ruotare o è aggrovigliata.	Sono rimasti impigliati corpi estranei (come lanugine e capelli) nelle spazzole laterali o nella spazzola principale?	Provvedere alla manutenzione. Inoltre, controllare che la spazzola principale e la copertura della spazzola principale siano installate in modo appropriato. → Vedere pagina 26.
	Il robot aspirapolvere non può essere utilizzato su un tappeto con una lunghezza del pelo superiore a 7 mm. Anche se la lunghezza del pelo è pari a 7 mm o inferiore, il robot aspirapolvere potrebbe smettere di funzionare o il pelo potrebbe rimanere impigliato nelle spazzole laterali a seconda del materiale del pelo o di altre proprietà.	→ Vedere pagina 11.
L'aria di scarico ha un cattivo odore.	Sono stati aspirati rifiuti umidi o maleodoranti?	Gettare via i rifiuti. → Vedere pagina 22.
	Il filtro è intasato?	Provvedere alla manutenzione del filtro. Dopo aver lavato il filtro con acqua, asciugarlo sufficientemente prima di utilizzarlo. → Vedere pagina 25.

## Funzionamento del telecomando

Sintomo	Causa	Azione
Il telecomando non funziona.	Le batterie sono posizionate correttamente nel telecomando?	Controllare l'orientamento delle batterie. → Vedere pagina 14.
	Se a volte il robot aspirapolvere non reagisce quando viene azionato con il telecomando, una possibile causa è che le batterie siano esaurite. (Lo standard per la sostituzione è di circa un anno. Una batteria può esaurirsi in meno di un anno a seconda della batteria utilizzata e delle condizioni).	Sostituire le batterie. → Vedere pagina 14.
	L'alimentazione del robot aspirapolvere è spenta?	Premere il pulsante avvio/arresto del robot aspirapolvere per accenderlo. → Vedere pagina 16.
	È possibile che la distanza tra il telecomando e il robot aspirapolvere sia troppo elevata per consentire il corretto raggiungimento delle onde radio.	Assicurare una visuale senza ostacoli riducendo la distanza tra il telecomando e il robot aspirapolvere e riposizionando gli ostacoli. → Vedere pagina 12.
Non è possibile eseguire le operazioni con il telecomando.	Le seguenti apparecchiature che utilizzano onde radio nella banda 2,4 GHz potrebbero essere in funzione nelle vicinanze. <ul style="list-style-type: none"> <li>• Forno a microonde</li> <li>• Dispositivi compatibili Bluetooth®</li> <li>• Dispositivi LAN wireless</li> <li>• Altre apparecchiature che utilizzano onde radio nella banda 2,4 GHz (come telefoni cordless digitali e console per videogiochi)</li> </ul>	Fornire una distanza maggiore tra il robot aspirapolvere e il telecomando o interrompere temporaneamente l'uso di questi dispositivi.
	Quando si sostituisce il telecomando, stabilire un'associazione con il robot aspirapolvere.	→ Vedere pagina 24.
	Se non è possibile utilizzare il robot aspirapolvere con il telecomando dopo aver esaminato le possibili cause sopra elencate, spegnere e riaccendere il robot aspirapolvere.	→ Vedere pagina 16.

## Pannello operativo

Sintomo	Causa	Azione
L'ora impostata viene ripristinata frequentemente.	La batteria integrata è quasi scarica perché il robot aspirapolvere non viene utilizzato per un lungo periodo di tempo.	Azionare il robot aspirapolvere per più di 1 ora o impostarlo in stato di standby. (La batteria integrata verrà ricaricata).

## Funzione timer

Sintomo	Causa	Azione
Il funzionamento mediante prenotazione del timer di accensione non si avvia all'ora specificata.	Il robot aspirapolvere non inizia l'operazione secondo la prenotazione del timer di accensione se si verifica una delle seguenti condizioni all'inizio del funzionamento mediante prenotazione del timer di accensione. <ul style="list-style-type: none"> <li>• L'alimentazione è disattivata.</li> <li>• Quando la carica della batteria è insufficiente</li> </ul>	→ Vedere pagina 20.
	La spia timer si accende?	Se l'alimentazione viene disattivata o la carica della batteria si esaurisce dopo aver impostato la prenotazione, la spia timer si spegne. → Vedere pagina 10.

## Mappatura

Sintomo	Causa	Azione
<ul style="list-style-type: none"> <li>• Il robot aspirapolvere si arresta durante la mappatura.</li> <li>• La mappatura non viene completata.</li> </ul>	La stanza è buia durante la mappatura?	Rendere la stanza più luminosa fino al completamento della mappatura.
	Non sono presenti ostacoli con un'altezza di almeno 25 cm entro un raggio di circa 11 m dal robot aspirapolvere.	L'ambiente potrebbe non essere adatto per la mappatura. Si consiglia la pulizia in modalità pulizia libera. → Vedere pagina 17.





Sintomo	Causa	Azione
Il robot aspirapolvere avvia la pulizia invece della mappatura.	È stato selezionato un numero di stanza già registrato?	Selezionare un numero di stanza non registrato o eliminare la mappa già registrata. → Vedere pagine 17 e 18.
<ul style="list-style-type: none"> <li>Una mappa non è registrata.</li> <li>La mappa è incompleta. (È presente un'area che non è registrata).</li> </ul>	La forma della stanza, la disposizione degli ostacoli o altre caratteristiche potrebbero essere troppo complesse.	Controllare che ci sia un percorso di almeno 80 cm per la pulizia. Sistemare la stanza. → Vedere pagina 12.
		La carica della batteria potrebbe essere insufficiente. Caricare completamente le batterie, quindi eseguire la mappatura.
		È possibile aggiungere le informazioni di mappatura manualmente. → Vedere pagina 41.
	Il robot aspirapolvere è stato sollevato durante la mappatura.	Non sollevare il robot aspirapolvere durante la mappatura. Le informazioni sulla stanza potrebbero non essere registrate correttamente.

## App

Sintomo	Causa	Azione
Non è possibile stabilire la connessione con l'app.	È stato premuto il pulsante di connessione smartphone del robot aspirapolvere?	Premere il pulsante di connessione smartphone per connettersi all'app. → Vedere pagina 35.
	L'impostazione Wi-Fi® dello smartphone è stata abilitata?	Abilitare l'impostazione Wi-Fi® dello smartphone.
	È possibile che la distanza tra lo smartphone e il robot aspirapolvere sia troppo elevata per consentire il corretto raggiungimento delle onde radio.	Assicurare una visuale senza ostacoli riducendo la distanza tra lo smartphone e il robot aspirapolvere e riposizionando gli ostacoli. → Vedere pagina 12.
	La connessione al robot aspirapolvere non è riuscita.	Per iPhone: Andare al menu delle impostazioni iOS e abilitare l'impostazione della rete locale per Makita Robotic Cleaner DRC300.  Per Android: Se viene visualizzato un popup per decidere se mantenere la connessione dopo aver stabilito la connessione Wi-Fi, consentire.
	Il robot aspirapolvere potrebbe non essere riuscito ad acquisire le informazioni sulla posizione. (Il nome del robot aspirapolvere viene visualizzato come "null" nella schermata di immissione del codice PIN).	Abilitare l'impostazione delle informazioni sulla posizione dello smartphone.

## Funzione di protezione

Quando si verifica una delle seguenti condizioni mentre il robot aspirapolvere è in funzione, il motore si arresta automaticamente. Ciò è dovuto alla funzione di protezione, non a un guasto.

Funzione di protezione
<p>Il motore si arresta automaticamente se la batteria raggiunge una temperatura elevata.</p> <ul style="list-style-type: none"> <li>Interrompere la pulizia e rimuovere le batterie dal robot aspirapolvere. Quindi, caricare e raffreddare le batterie utilizzando un caricatore con sistema di raffreddamento oppure attendere che le batterie si siano raffreddate.</li> <li>Se il robot aspirapolvere continua a non funzionare anche con le batterie raffreddate, far raffreddare il robot aspirapolvere.</li> <li>Se viene visualizzato un numero di errore sul robot aspirapolvere, rimuovere la causa dell'errore. (Vedere pagina 29).</li> </ul>
<p>Il robot aspirapolvere si arresta automaticamente se la carica della batteria diventa debole, entra in modalità di sospensione e l'alimentazione si spegne completamente se la carica residua si esaurisce.</p> <ul style="list-style-type: none"> <li>Rimuovere le batterie dal robot aspirapolvere e caricarle.</li> </ul>
<p>Il robot aspirapolvere si arresta automaticamente se viene rilevato un errore.</p> <ul style="list-style-type: none"> <li>Controllare il numero di errore e rimuovere la causa dell'errore. Dopo aver rimosso la causa, il robot aspirapolvere può essere utilizzato nuovamente. (Vedere pagina 29).</li> </ul>

## Conservazione

Spegnerne l'alimentazione e rimuovere le batterie prima di riporre il robot aspirapolvere.

Non riporre il robot aspirapolvere nei seguenti luoghi poiché si tratta di una macchina di precisione. Ciò può causare surriscaldamento, ignizione, guasto, deterioramento delle parti in gomma, ecc.

- Luoghi in cui la temperatura aumenta improvvisamente
- Luoghi in cui la temperatura diminuisce improvvisamente
- Luoghi in cui la temperatura cambia improvvisamente
- In prossimità di una fiamma, una stufa, apparecchiature di raffreddamento e riscaldamento, ecc.
- In spazi esterni
- Luoghi esposti alla luce solare diretta
- Luoghi esposti a umidità o vapore
- Luoghi con molta polvere e sabbia
- Posti con molto fumo
- Luoghi con scarsa ventilazione

Se il robot aspirapolvere viene conservato senza essere utilizzato per lungo tempo, le sue prestazioni potrebbero risultare compromesse. Per poter utilizzare il robot aspirapolvere per molti anni, accenderlo di tanto in tanto e utilizzarlo.



## Accessori opzionali

### ATTENZIONE

Questi accessori sono consigliati per l'uso con l'apparecchio Makita specificato in questo manuale. L'uso di altri accessori potrebbe comportare il rischio di lesioni alle persone. Utilizzare l'accessorio esclusivamente per lo scopo dichiarato.

Se si necessita di assistenza per maggiori dettagli su questi accessori, rivolgersi al centro di assistenza Makita locale.

- Linea di confine magnetica
- Spazzola principale
- Spazzola principale morbida
- Spazzola laterale
- Spazzola laterale morbida
- Filtro HEPA
- Copertura spazzola principale
- Cuscino paraurti
- Batteria e caricatore originali Makita

### AVVISO

- Alcuni articoli nell'elenco potrebbero essere inclusi nella confezione dell'apparecchio come accessori standard. Possono variare da paese a paese.
- Per evitare un falso riconoscimento quando si utilizza il cuscino paraurti, non fissare il cuscino paraurti alle aree seguenti: l'area nell'estensione laterale dei sensori a ultrasuoni e le aree superiore e inferiore entro 28 mm dai sensori a ultrasuoni.

## App smartphone (per DRC300)

### Sommario

• Cosa si può fare con l'app	35
• Come installare l'app	35
• Preparazione in anticipo	35
• Installazione dell'app su uno smartphone	35
• Impostazione iniziale	35
• Schermata iniziale	36
• Pulizia con l'app	36
• Pulizia di una stanza senza mappatura (modalità pulizia libera)	36
• Pulizia delle stanze mappate	37
• Utilizzo del robot aspirapolvere tramite l'app	38
• Controllo della cronologia di pulizia	38
• Controllo della cronologia recente	38
• Controllo della cronologia passata	39
• Controllo della cronologia degli errori	39
• Aggiunta, modifica o eliminazione delle informazioni di mappatura	40
• Aggiunta delle informazioni di mappatura	40
• Aggiunta manuale delle informazioni di mappatura (mappatura manuale)	41
• Modifica del nome delle informazioni di mappatura	42
• Limitazione dell'intervallo di pulizia	42
• Eliminazione delle informazioni di mappatura	43
• Modifica e controllo delle impostazioni	44
• Modifica del nome di un robot aspirapolvere registrato	44
• Impostazione delle opzioni di pulizia	44
• Modifica del codice PIN	45
• Eliminazione delle informazioni di un robot aspirapolvere registrato	45
• Controllo delle informazioni dell'app	46
• Finestra di dialogo/messaggio di errore	46

### Cosa si può fare con l'app

Utilizzando uno smartphone con installata l'app specifica per il robot aspirapolvere, è possibile eseguire le seguenti operazioni:

- Pulizia
- Funzionamento del telecomando
- Aggiunta, modifica o eliminazione delle informazioni di mappatura
- Controllo della cronologia di pulizia
- Modifica delle impostazioni del robot aspirapolvere

### AVVISO

- Quest'app è per l'uso su uno smartphone e non funziona su dispositivi quali tablet, PC.
- Uno smartphone e il robot aspirapolvere sono connessi direttamente tramite la funzione Wi-Fi®. Si noti che Internet non è disponibile durante la connessione al robot aspirapolvere. Dopo aver utilizzato l'app, ricordarsi di disconnettersi dal robot aspirapolvere premendo il pulsante di connessione smartphone.
- Per utilizzare quest'app, è necessario concedere l'autorizzazione per ottenere le informazioni sulla posizione e accettare i termini d'uso. L'utente deve valutare se concedere l'autorizzazione per ottenere le informazioni sulla posizione e accettare i termini d'uso.
- Le immagini della schermata dell'applicazione sono soggette a modifiche senza preavviso.

### Come installare l'app

#### Preparazione in anticipo

Per utilizzare l'app è necessario uno smartphone (Android o iOS).

- Android: è necessaria la versione Android 6.0 o successiva.
- iOS (iPhone): è necessario iOS 12 o successivo.

#### Installazione dell'app su uno smartphone

1. Utilizzando lo smartphone, cercare "Makita Robotic Cleaner DRC300" su Google Play™ o App Store.  
È possibile accedere anche dal codice QR.

Google Play™



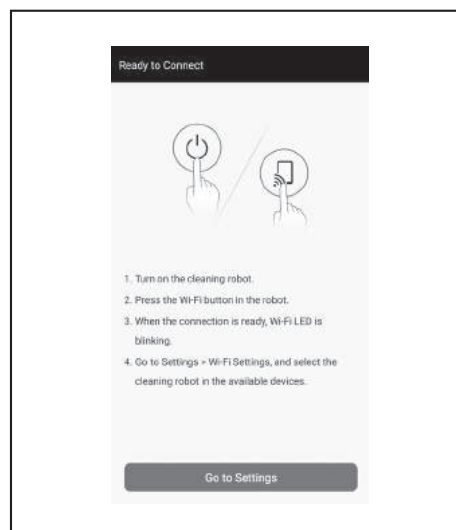
App Store



2. Installare "Makita Robotic Cleaner DRC300"
3. Dopo l'installazione, avviare "Makita Robotic Cleaner DRC300"

#### Impostazione iniziale

1. Quando compare una schermata che richiede se consentire l'acquisizione delle informazioni sulla posizione, toccare [OK].
2. Nella schermata dei termini d'uso, toccare [Accetto].
3. Seguire le istruzioni sullo schermo:
  - Accendere il robot aspirapolvere, quindi premere il pulsante di connessione smartphone sull'aspirapolvere. Dopo aver premuto il pulsante di connessione smartphone, sono necessari circa 8 secondi affinché il robot aspirapolvere sia pronto per la connessione. Quando la connessione è stabilita, il LED del Wi-Fi lampeggia.
  - Successivamente, toccare [Vai alle Impostazioni] per visualizzare la schermata delle impostazioni Wi-Fi® dello smartphone.



A seconda del dispositivo, potrebbero essere necessarie le seguenti procedure.

Per iPhone:

Andare al menu delle impostazioni iOS e abilitare l'impostazione della rete locale per Makita Robotic Cleaner DRC300.

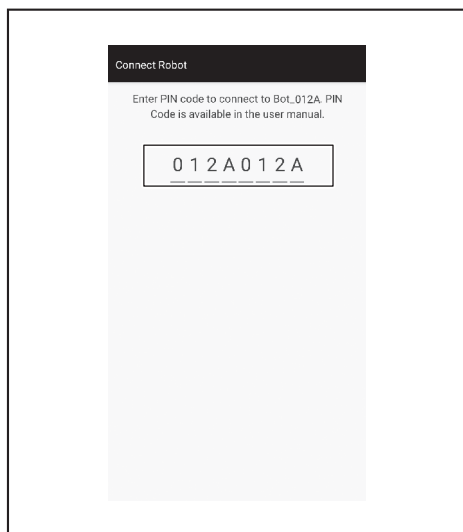
Per Android:

Se viene visualizzato un popup per decidere se mantenere la connessione dopo aver stabilito la connessione Wi-Fi, consentire.

4. Collegare lo smartphone al robot aspirapolvere tramite Wi-Fi®.

(Questa connessione NON è Bluetooth).

- L'impostazione della connessione Wi-Fi® (immissione della password) è necessaria solo quando ci si connette al robot aspirapolvere per la prima volta.
  - La password iniziale della connessione Wi-Fi® è impostata su caratteri alfanumerici che ripetono due volte le ultime quattro cifre nell'SSID del robot aspirapolvere. Ad esempio, se viene visualizzato l'SSID "Robotic\_Cleaner\_012A", la password sarà "012A012A".
  - Assicurarsi che lo smartphone non possa accedere ad altre reti Wi-Fi® durante la connessione con il robot aspirapolvere.
5. Uscire dalla schermata delle impostazioni Wi-Fi® e visualizzare la schermata dell'app. Successivamente, inserire il codice PIN per autenticare la connessione.
- Il codice PIN di fabbrica è impostato su caratteri alfanumerici che ripetono due volte le ultime quattro cifre nell'SSID.
  - Se l'SSID è "Robotic\_Cleaner\_012A", il codice PIN impostato di fabbrica sarà "012A012A".
  - La schermata iniziale dell'app viene visualizzata quando il codice PIN è autenticato con successo.



6. Cambiare il codice PIN.

- Assicurarsi di cambiare il codice PIN. Non utilizzare il codice PIN predefinito. Vedere pagina 45 per informazioni sulla modifica del codice PIN.
- Non dimenticare il nuovo codice PIN creato.

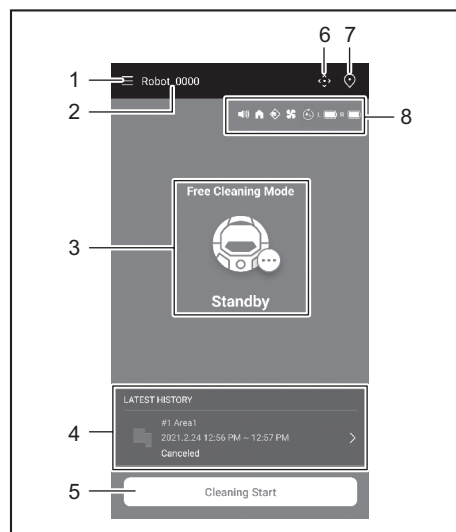
7. L'impostazione iniziale è completa quando viene visualizzato "Codice PIN modificato". Tornare alla schermata iniziale per utilizzare l'app.

Per disconnettere la connessione Wi-Fi, premere il pulsante di connessione smartphone sul robot aspirapolvere per spegnere la spia di connessione smartphone.

### AVVISO

Se la connessione cade improvvisamente, chiudere l'app una volta e quindi provare nuovamente a stabilire la connessione.

## Schermata iniziale



1. Pulsante menu (impostazioni varie, controllo della cronologia)
2. Nome del robot aspirapolvere
3. Stato operativo del robot aspirapolvere
4. Ultimo registro di pulizia (visualizzato solo quando è presente un registro)
5. Pulsante di avvio pulizia (o mappatura)
6. Pulsante telecomando
7. Pulsante di cambio modalità
8. Impostazioni del robot aspirapolvere e carica residua della batteria

- : L'impostazione audio è attiva.
- : La funzione di dare priorità al ritorno alla base è attiva.
- : La funzione di rilevamento di confine è attiva.
- : L'impostazione della ventola di aspirazione è attiva.
- : L'impostazione di pulizia continua è attiva.
- : Carica residua della batteria sinistra
- : Carica residua della batteria destra

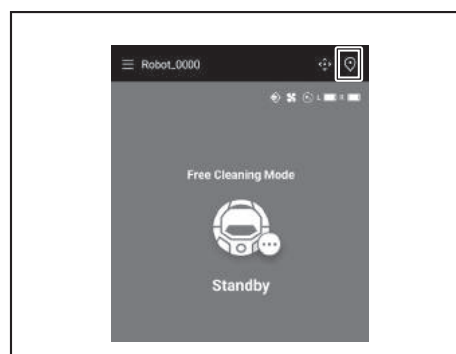
## Pulizia con l'app

Il robot aspirapolvere funziona in due modalità: modalità di pulizia libera, che non richiede la registrazione della mappa, e modalità di pulizia con mappatura (vedere "Pulizia delle stanze mappate" a pagina 37), che richiede la registrazione delle informazioni sulla stanza per la pulizia.

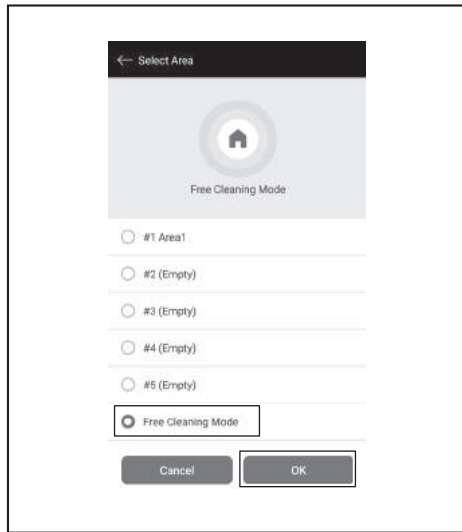
### Pulizia di una stanza senza mappatura (modalità pulizia libera)

- La modalità di pulizia libera è consigliata per la pulizia in più stanze o in un ambiente che comporta frequenti e significativi cambiamenti nella disposizione.
- Si consiglia la modalità pulizia libera anche per una stanza che non può essere illuminata adeguatamente.
- Per la pulizia, la mappatura e la posizione in cui avviare il robot aspirapolvere, vedere pagina 17.

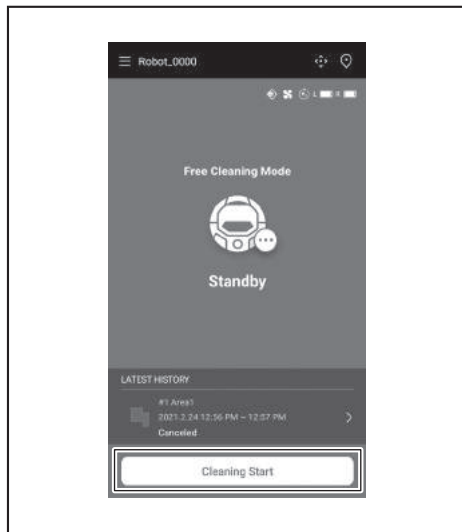
1. Nella schermata iniziale, toccare



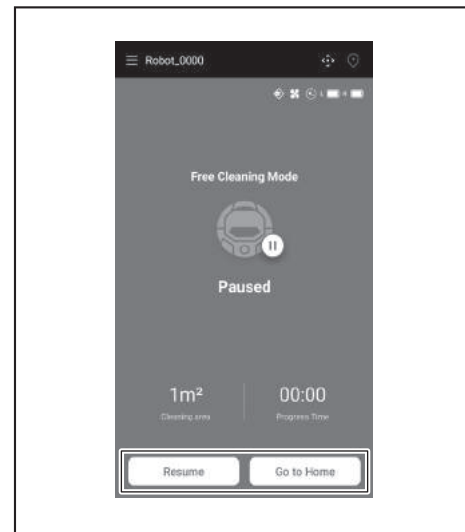
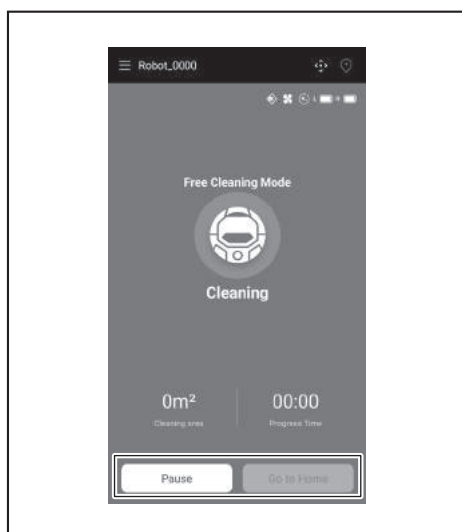
2. Toccare [Modalità pulizia libera], quindi toccare [OK].



3. Nella schermata iniziale, toccare [Avvio pulizia] per far iniziare la pulizia al robot aspirapolvere.



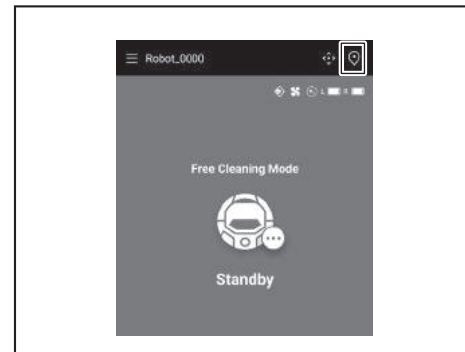
4. È possibile controllare il robot aspirapolvere con le seguenti operazioni.
  - Toccando [Sospendi], il robot aspirapolvere interrompe temporaneamente la pulizia.
  - Toccando [Riprendi] in fase di sospensione, il robot aspirapolvere si riavvia.
  - Toccando [Vai alla base] in fase di sospensione, il robot aspirapolvere torna al punto in cui aveva iniziato la pulizia. Quando il robot aspirapolvere torna al punto di partenza, l'app torna alla schermata iniziale. Questa operazione può essere eseguita mentre la pulizia è sospesa.



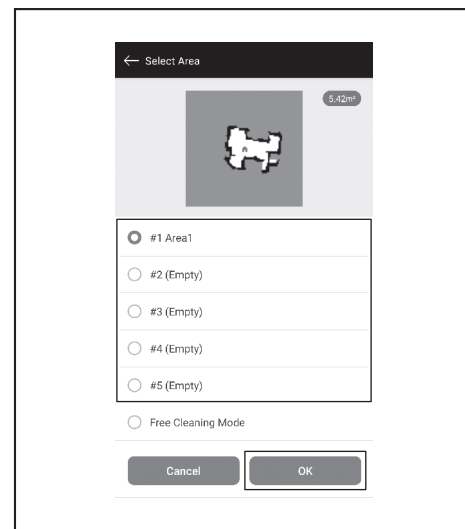
## Pulizia delle stanze mappate

- In modalità di pulizia con mappatura, il robot aspirapolvere funziona in modo che una stanza mappata venga pulita in modo efficiente.
- L'utilizzo della modalità di pulizia con mappatura richiede la registrazione delle informazioni di mappatura. (Vedere pagina 40).

1. Nella schermata iniziale, toccare .

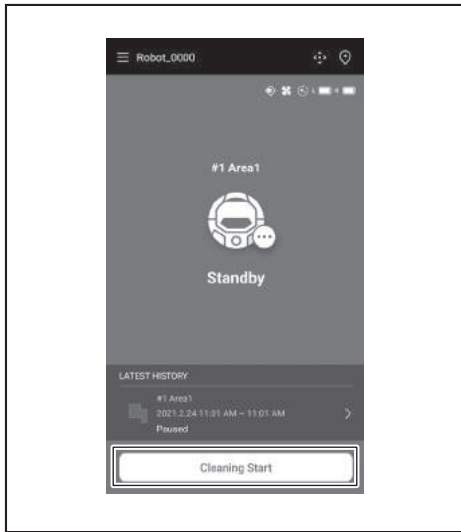


2. Toccare sulla stanza che si desidera pulire, quindi toccare [OK].
  - È possibile aggiungere, modificare ed eliminare una mappa. (Vedere pagina 40)

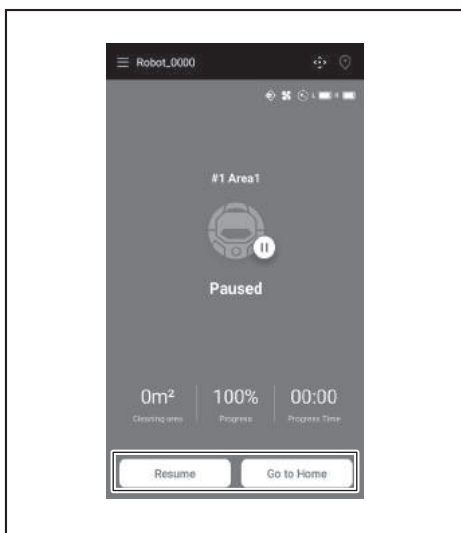
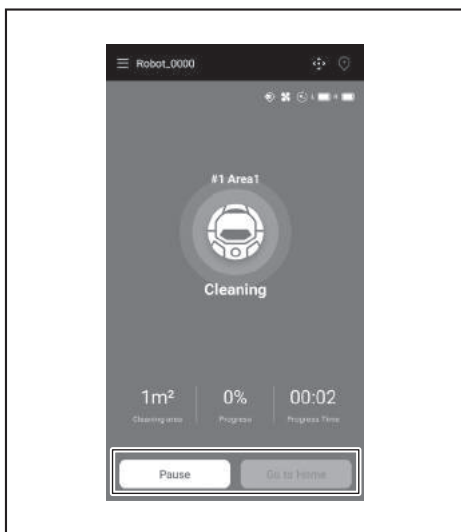


3. Posizionare il robot aspirapolvere in modo che abbia un orientamento il più simile possibile a quello dell'inizio della mappatura. Ciò consente al robot aspirapolvere di iniziare la pulizia in modo uniforme.

4. Toccare [Avvio pulizia] per far iniziare la pulizia al robot aspirapolvere.



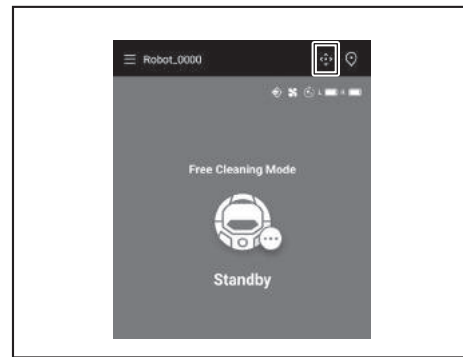
5. È possibile controllare il robot aspirapolvere con le seguenti operazioni.
  - Toccando [Sospendi], il robot aspirapolvere interrompe temporaneamente la pulizia.
  - Toccando [Riprendi] in fase di sospensione, il robot aspirapolvere si riavvia.
  - Toccando [Vai alla base] in fase di sospensione, il robot aspirapolvere torna al punto in cui aveva iniziato la pulizia. Quando il robot aspirapolvere torna al punto di partenza, l'app torna alla schermata iniziale. Questa operazione può essere eseguita mentre la pulizia è sospesa.
  - Se la forma della stanza non corrisponde alle informazioni sulla mappa, viene visualizzata la schermata di errore e il robot aspirapolvere interrompe la pulizia. Controllare che la stanza selezionata sia corretta e posizionare il robot aspirapolvere al punto di partenza.
  - Se il robot aspirapolvere viene posizionato lontano dal punto di partenza delle informazioni di mappatura, viene visualizzata la schermata di errore.



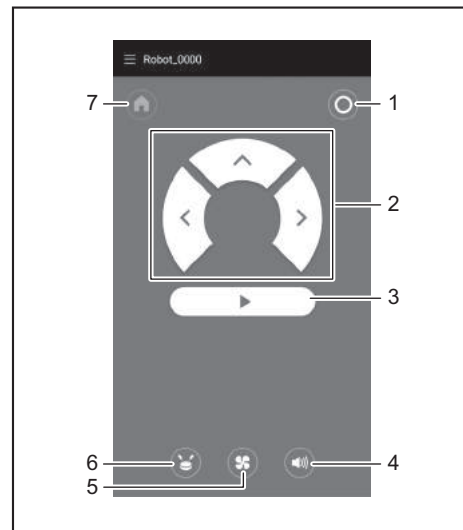
## Utilizzo del robot aspirapolvere tramite l'app

Il robot aspirapolvere può essere azionato tramite l'app come nel caso del telecomando incluso con il robot aspirapolvere.

1. Nella schermata iniziale, toccare .



2. Toccando i pulsanti, il robot aspirapolvere viene azionato.
  - Non è possibile far retrocedere il robot aspirapolvere dall'app.



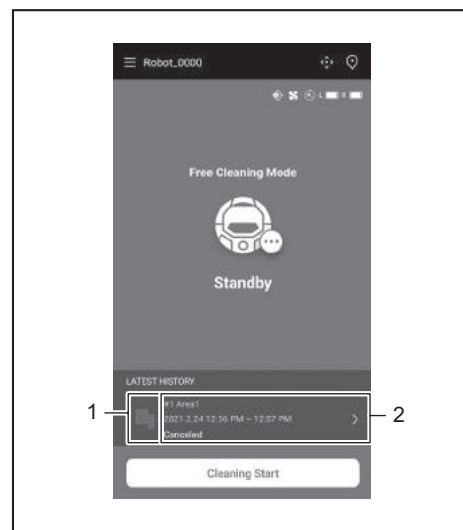
- 1. Pulsante di spegnimento 2. Pulsanti delle operazioni 3. Pulsante avvio/arresto 4. Pulsante audio ON/OFF 5. Pulsante ventola di aspirazione ON/OFF 6. Pulsante del segnale luminoso/acustico di posizione 7. Pulsante punto di partenza

## Controllo della cronologia di pulizia

Dall'app, è possibile controllare la cronologia di pulizia nel dettaglio.

### Controllo della cronologia recente



Nella schermata iniziale, toccare sull'icona nella [CRONOLOGIA RECENTE].

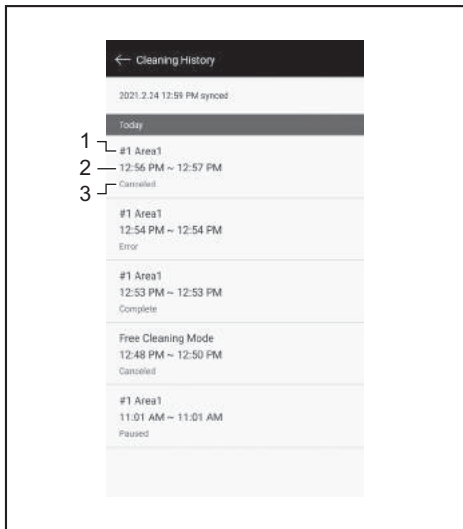


- 1. Icona per mostrare la cronologia recente 2. Articolo per mostrare l'elenco della cronologia

## Controllo della cronologia passata

È possibile registrare fino a 15 voci nella cronologia. Se sono già state registrate 15 voci, la voce meno recente verrà eliminata quando viene registrata una nuova voce.

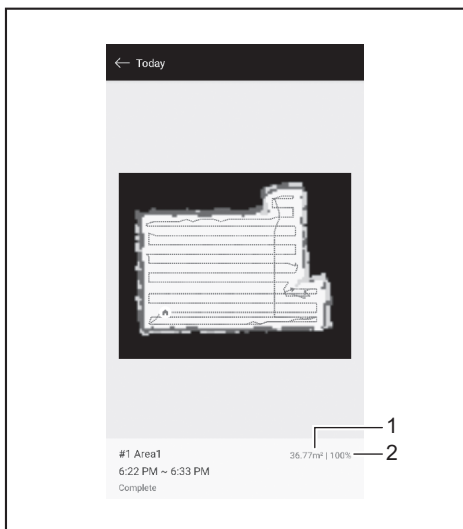
1. Nella schermata iniziale, toccare  nella [CRONOLOGIA RECENTE].  
È possibile toccare  nella schermata iniziale e quindi toccare [Cronologia di pulizia] per vedere i registri passati.
2. Toccare il registro che si desidera controllare.



- 1. Stanza pulita o modalità di pulizia 2. Tempo durante il quale la stanza è stata pulita 3. Stato della pulizia (completata, arrestata, errore, ecc.)

Toccando un articolo vengono mostrate le informazioni dettagliate di ogni voce della cronologia.

- Linea tratteggiata blu-verde: la traiettoria del robot aspirapolvere
- Giallo: l'area che il robot aspirapolvere ha pulito
- Blu: ostacoli rilevati dal sensore paraurti
- Verde: ostacoli rilevati dal sensore a ultrasuoni
- Rosa: gradini rilevati dal sensore di dislivello
- Viola: area in cui il robot aspirapolvere ha rilevato la linea di confine magnetica
- Bianco: area che il robot aspirapolvere non ha pulito
- Grigio: pareti od ostacoli rilevati dal sensore LiDAR

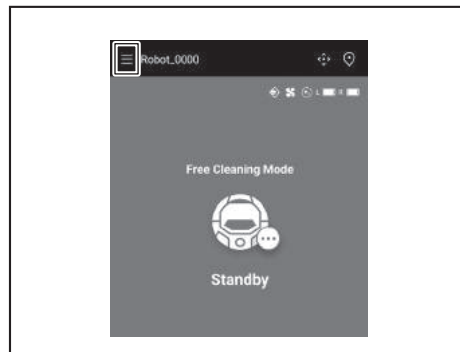


- 1. Dimensione dell'area pulita 2. Copertura della pulizia (solo pulizia con mappatura)

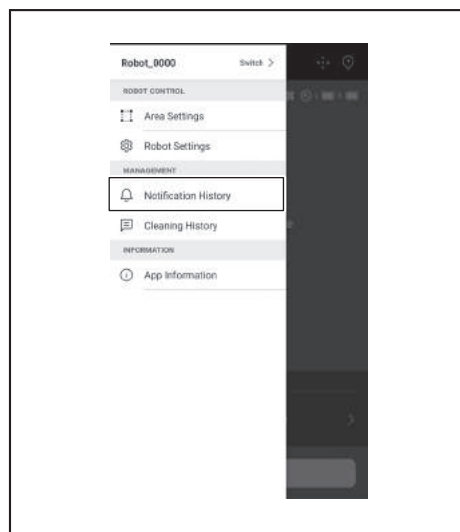
- Le dimensioni e la copertura dell'area pulita non sono valori precisi. Usare queste informazioni come una guida approssimativa.

## Controllo della cronologia degli errori

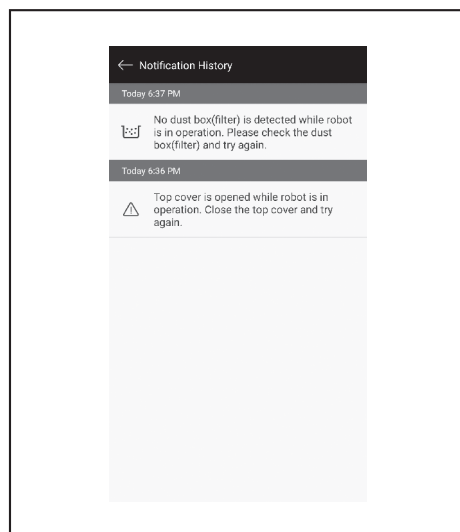
1. Nella schermata iniziale, toccare .



2. Toccare [Cronologia notifiche].



Verranno visualizzati la data, l'ora e il contenuto dell'errore. È possibile registrare fino a 10 voci nella cronologia. Se sono già state registrate 10 voci, la voce meno recente verrà eliminata quando viene registrata una nuova voce.

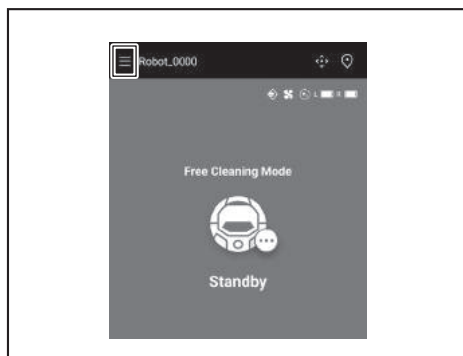




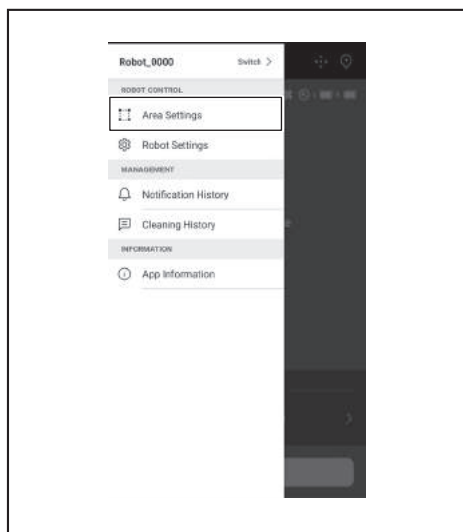
## Aggiunta, modifica o eliminazione delle informazioni di mappatura

È possibile aggiungere, modificare o eliminare le informazioni da [Impostazioni area] nella finestra del menu.

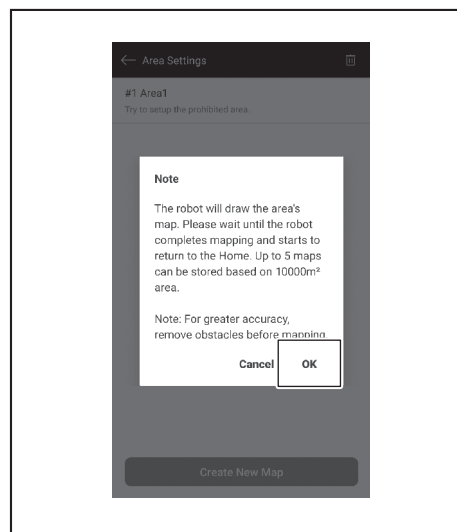
1. Nella schermata iniziale, toccare .



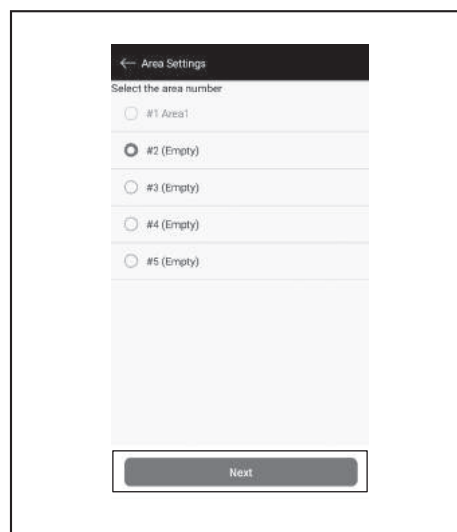
2. Toccare [Impostazioni area].



2. Viene visualizzato un avviso. Toccare [OK].



3. Selezionare una collocazione vuota in cui salvare le informazioni di mappatura, quindi toccare [Avanti].

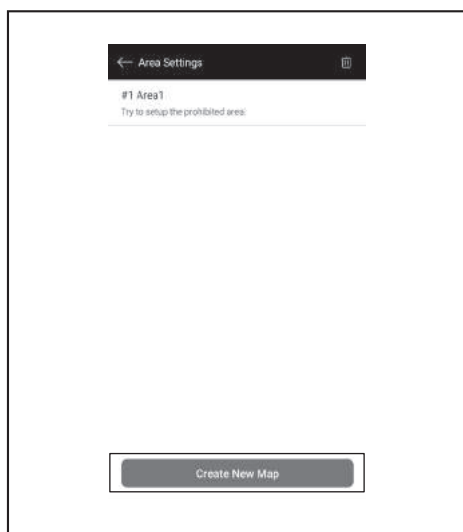


## Aggiunta delle informazioni di mappatura

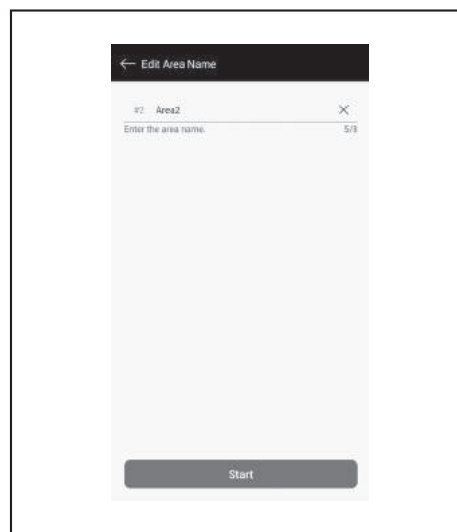
È possibile salvare le informazioni per un massimo di 5 mappe con una dimensione dell'area fino a 10000 m<sup>2</sup>.

La dimensione dell'area non indica la dimensione effettiva di un'area mappata ma l'area rettangolare che copre l'intera area mappata.

1. Nella schermata [Impostazioni area], toccare [Crea nuova mappa].

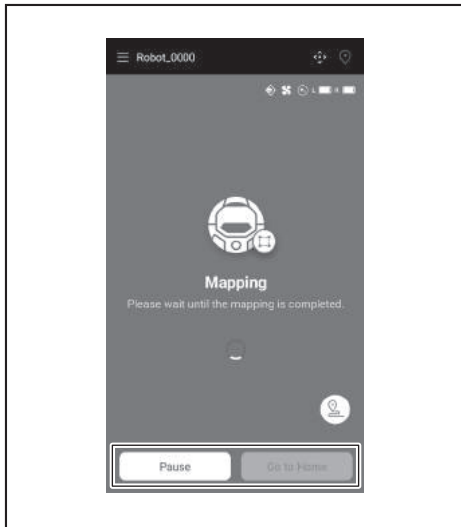


4. Immettere un nome area (fino a 8 caratteri).

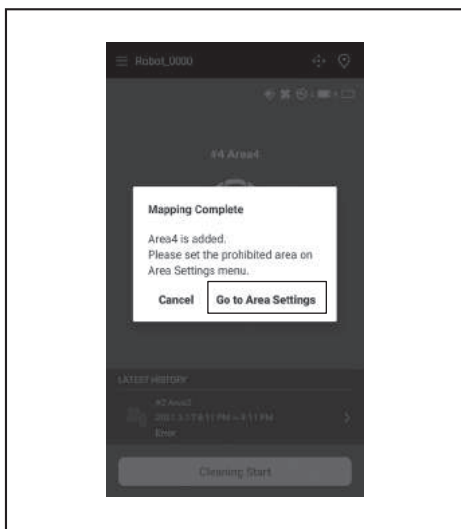


5. Toccare [Avvia].

6. Il robot aspirapolvere avvia la mappatura.
  - Toccando [Sospendi], il robot aspirapolvere interrompe temporaneamente la mappatura.
  - Toccando [Vai alla base] in fase di sospensione, il robot aspirapolvere torna al punto in cui aveva iniziato la mappatura. Le informazioni di mappatura create fino a quel momento vengono registrate. Quando il robot aspirapolvere torna al punto di partenza, l'app torna alla schermata iniziale.




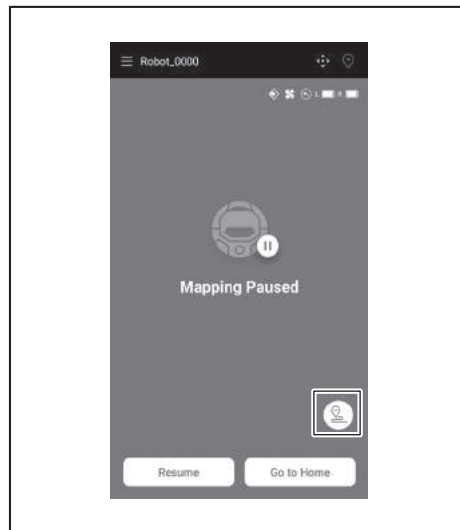
7. Al termine della mappatura, viene visualizzata la finestra di dialogo che richiede se passare alle impostazioni dell'area.
  - Se si desidera limitare l'intervallo di pulizia, toccare [Vai alle Impostazioni area]. (Vedere pagina 42).




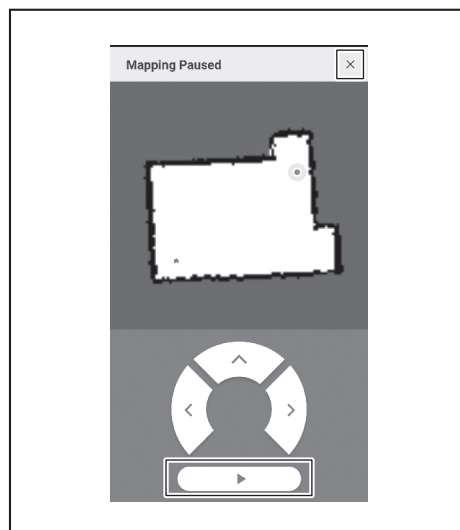
## Aggiunta manuale delle informazioni di mappatura (mappatura manuale)

Durante la mappatura, è possibile aggiungere manualmente le informazioni di mappatura con l'app. È consigliato quando si deve mappare una disposizione del pavimento complessa.

1. Toccare [Sospendi] e quindi  per visualizzare i pulsanti del telecomando.



2. Spostare il robot aspirapolvere per tracciare la disposizione del pavimento utilizzando i pulsanti del telecomando dell'app o il telecomando.
  - Dopo aver aggiunto manualmente le informazioni di mappatura, toccare  per riprendere la mappatura automatica.
  - Se si desidera uscire dalla mappatura, toccare [x] e quindi [Vai alla base] oppure premere il pulsante punto di partenza sul telecomando.

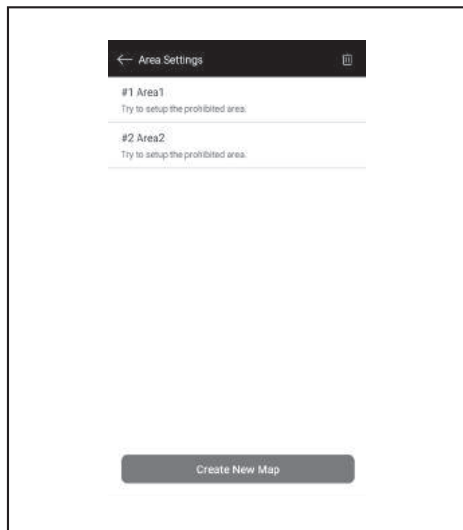


## Modifica del nome delle informazioni di mappatura

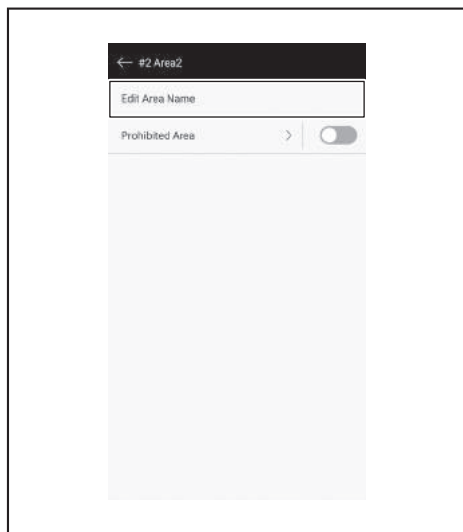
Nella schermata [Impostazioni area], toccare le informazioni di mappatura che si desidera modificare.

È possibile toccare un nome per andare alla schermata delle impostazioni.

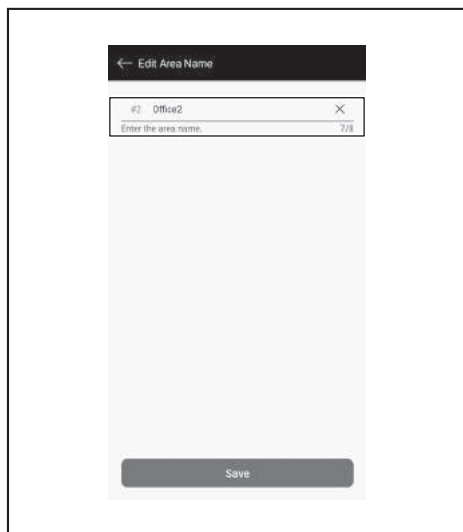
1. Nella schermata [Impostazioni area], toccare le informazioni di mappatura che si desidera modificare.



2. Toccare [Modifica nome area].



3. Modificare il nome (fino a 8 caratteri).



4. Toccare [Salva] per finalizzare il nome.

## Limitazione dell'intervallo di pulizia

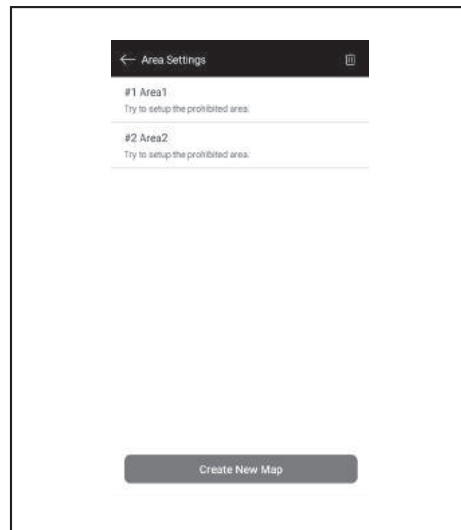
### ⚠ AVVERTIMENTO

**Non utilizzare l'area proibita alla pulizia configurata dall'app come linea di confine di un'area in cui potrebbe verificarsi un incidente a causa di un'intrusione o di una caduta.**

- Ciò potrebbe causare incidenti o lesioni a causa dell'intrusione o della caduta del robot aspirapolvere. La traiettoria effettiva del robot aspirapolvere potrebbe essere leggermente diversa dall'impostazione dell'area proibita per la pulizia.

**Per un'area a rischio di intrusione o caduta del robot aspirapolvere, posizionare un oggetto che funga da parete con un'altezza di almeno 25 cm (un oggetto che non si muova o non cada quando viene colpito dal robot aspirapolvere) su una superficie piana. (Vedere pagina 11).**




1. Nella schermata [Impostazioni area], toccare le informazioni di mappatura che si desidera modificare.

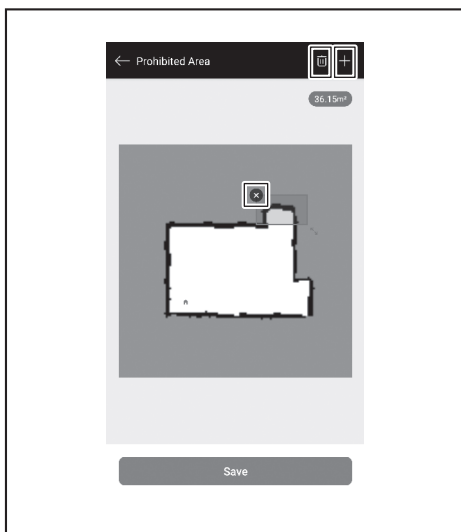


2. Toccare > al lato di [Area proibita].



3. Impostare un'area proibita per la pulizia.

- È possibile toccare  nell'angolo in alto a destra della schermata per aggiungere un'area proibita alla pulizia (fino a 100 aree).
- È possibile trascinare un'area proibita per la pulizia per spostarla.
- È possibile trascinare l'angolo inferiore destro di un'area proibita per la pulizia per regolarne le dimensioni.
- È possibile toccare  nell'angolo in alto a sinistra di un'area proibita per la pulizia per eliminare l'area proibita per la pulizia.
- È possibile toccare  nell'angolo in alto a destra della schermata per eliminare tutte le aree proibite per la pulizia.
- Non è possibile impostare un'area proibita per la pulizia entro un raggio di 2 m intorno al punto di partenza.
- A seconda dell'ambiente nei pressi di un'area impostata come proibita per la pulizia, potrebbe non essere possibile pulire una zona intorno all'area specificata.

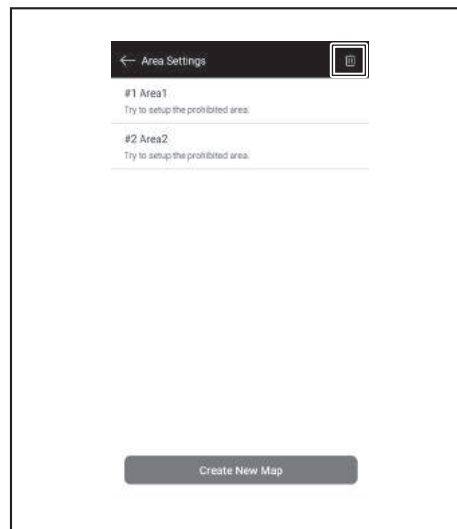


4. Toccando [Salva] si registrano le informazioni di mappatura modificate.
5. Per abilitare l'area proibita per la pulizia registrata, toccare On/Off (di colore verde quando è attiva) a lato di [Area proibita].

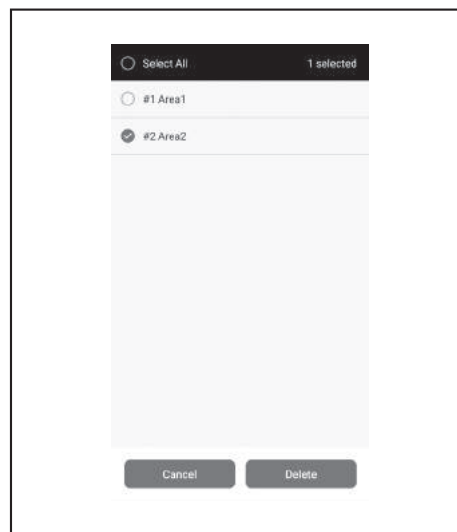


## Eliminazione delle informazioni di mappatura

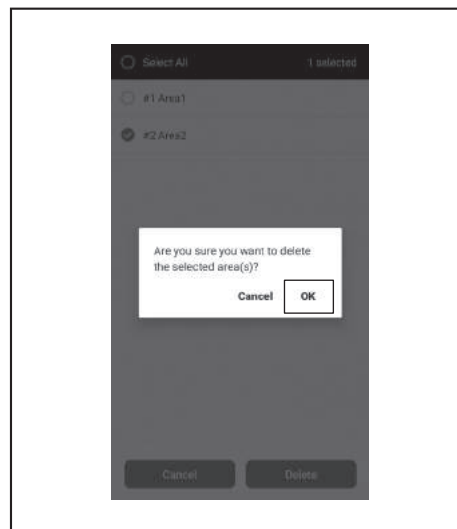
1. Nella schermata [Impostazioni area], toccare .



2. Selezionare le informazioni di mappatura che si desidera eliminare.
- Il cerchio all'inizio delle informazioni di mappatura è colorato quando tali informazioni di mappatura sono selezionate.
  - È possibile toccare [Seleziona tutto] per selezionare tutte le voci.



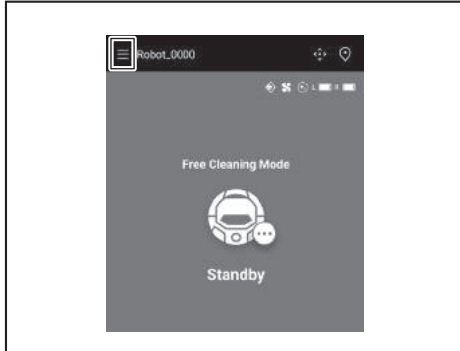
3. Toccare [Elimina].
4. Viene visualizzato un avviso. Toccare [OK].



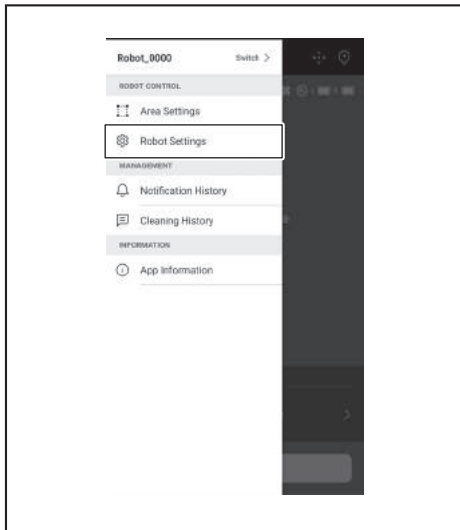
## Modifica e controllo delle impostazioni

Le impostazioni possono essere modificate e controllate dalle [Impostazioni robot] nella finestra del menu.

1. Nella schermata iniziale, toccare .



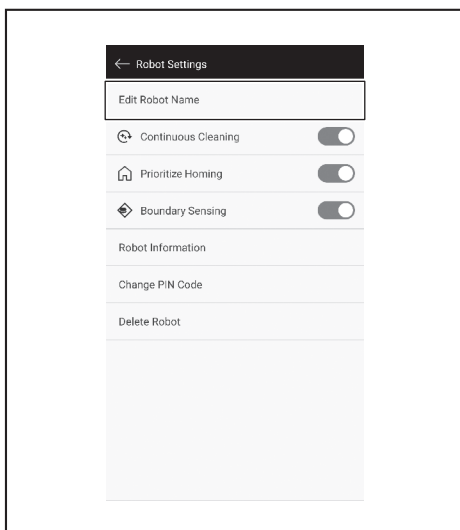
2. Toccare [Impostazioni robot].



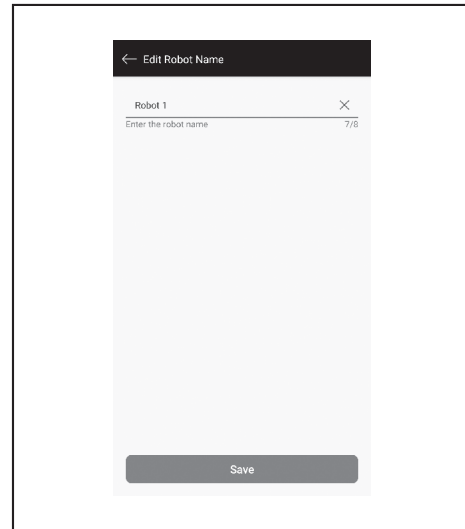
### Modifica del nome di un robot aspirapolvere registrato

Questa impostazione modifica solo il nome del robot aspirapolvere nell'app. L'SSID per il Wi-Fi® non verrà modificato.

1. Nella schermata [Impostazioni robot], toccare [Modifica nome robot].



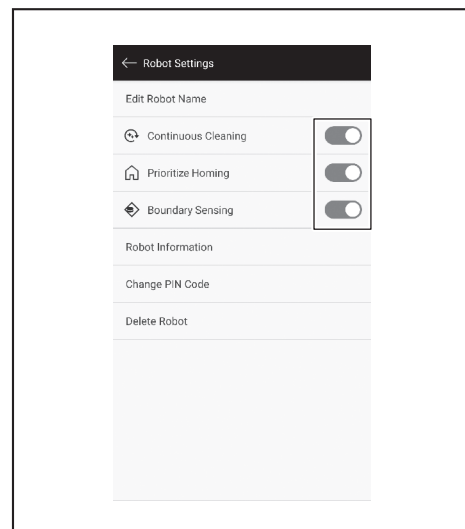
2. Immettere un nuovo nome (fino a 8 caratteri).



3. Una volta immesso il nome, toccare [Salva].

### Impostazione delle opzioni di pulizia

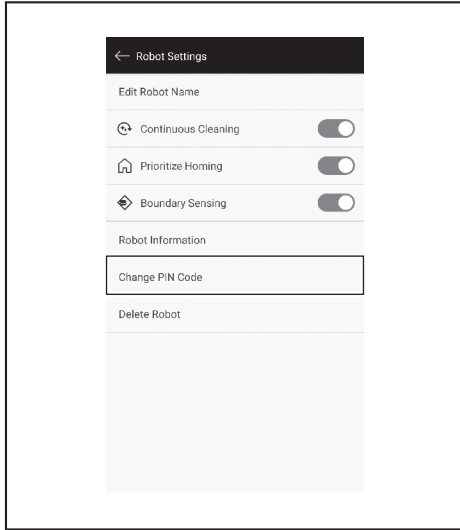
1. Nella schermata [Impostazioni robot], toccare On/Off (di colore verde quando attivo) al lato di [Pulizia continua] o [Dare priorità al ritorno alla base] se necessario.
  - [Pulizia continua]: Selezionare questa opzione quando la carica della batteria si esaurisce prima che il robot aspirapolvere pulisca tutta l'area di pulizia e si desidera riprendere la pulizia dell'area rimasta non pulita al prossimo utilizzo.
  - [Dare priorità al ritorno alla base]: Questa impostazione è consigliata quando il robot aspirapolvere spesso non riesce a tornare al punto di partenza della pulizia. Il robot aspirapolvere inizia a tornare al punto di partenza della pulizia, a condizione che la carica residua della batteria sia maggiore rispetto al solito.
  - [Rilevamento di confine]: Selezionare questa opzione quando si utilizza la linea di confine magnetica. Il robot aspirapolvere rileva la linea di confine magnetica come confine. (Vedere pagina 21).



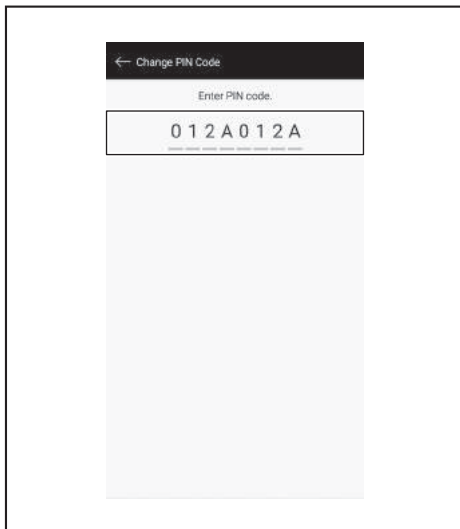
## Modifica del codice PIN

È possibile modificare il codice PIN del robot aspirapolvere. Se si dimentica il codice PIN impostato, fare riferimento a "Ripristino delle impostazioni" a pagina 24 per ripristinare le impostazioni di fabbrica del robot aspirapolvere. Per controllare il codice PIN predefinito di fabbrica, fare riferimento a "Impostazione iniziale" a pagina 35.

1. Nella schermata [Impostazioni robot], toccare [Cambia codice PIN].



2. Immettere il codice PIN attuale (otto cifre).

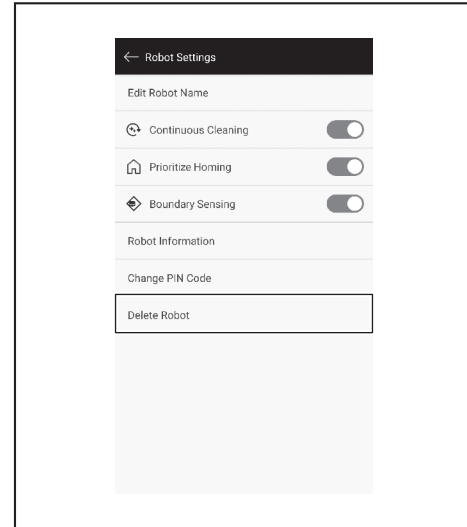


3. Immettere il nuovo codice PIN (otto cifre) che si desidera impostare. Immettere il nuovo codice PIN due volte di seguito.

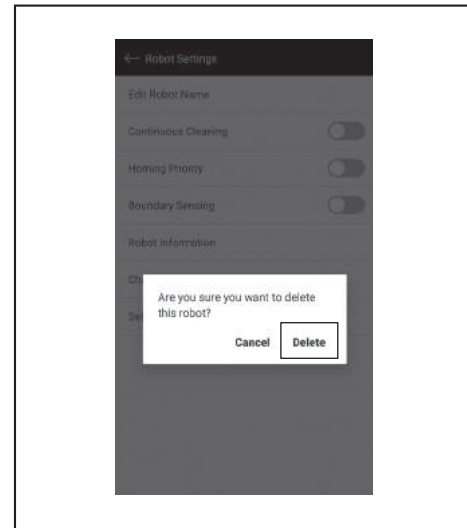


## Eliminazione delle informazioni di un robot aspirapolvere registrato

1. Nella schermata [Impostazioni robot], toccare [Elimina robot].

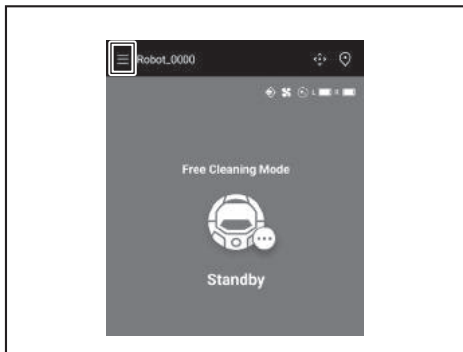


2. Compare una finestra di dialogo per confermare l'eliminazione. Toccare [Elimina] per finalizzare l'eliminazione.

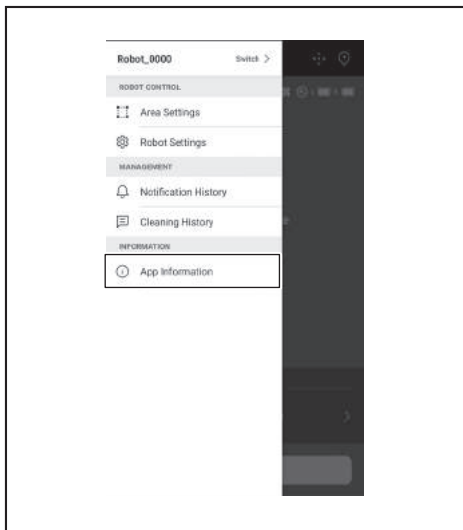


## Controllo delle informazioni dell'app

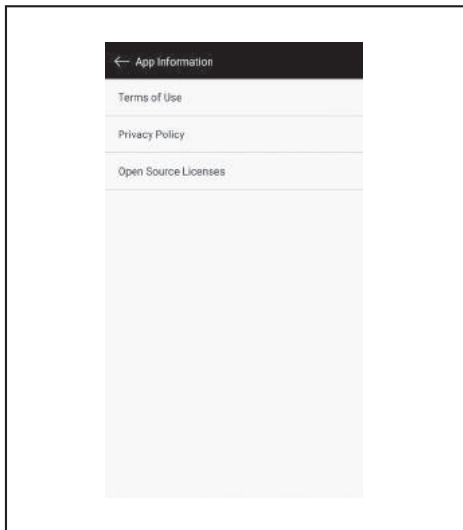
1. Nella schermata iniziale, toccare .



2. Toccare [Informazioni App].

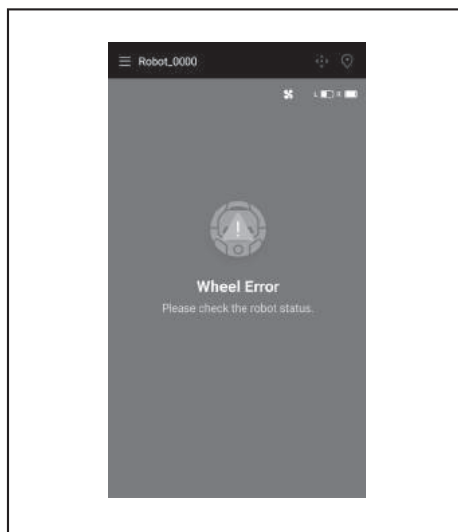
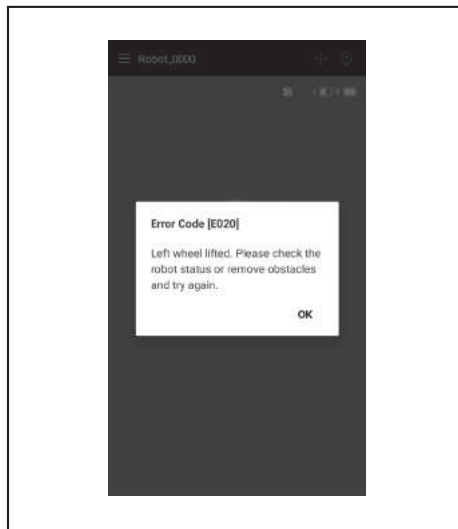


3. Toccare l'informazione che si desidera controllare.



## Finestra di dialogo/messaggio di errore

Se si è verificato un errore, viene visualizzato un messaggio o una finestra di dialogo di errore. In questo caso, seguire le istruzioni presenti nel messaggio o nella finestra di dialogo.



## Appendice

### Avviso relativo al Software Open Source

Questo prodotto include un Software Open Source (di seguito denominato "Software Open Source") sotto la GNU General Public License (GPL), la GNU Lesser General Public License (LGPL) e altre licenze.

I dettagli riguardanti le licenze per il Software Open Source (notifica dei detentori di copyright e delle licenze) sono divulgati gratuitamente sul seguente sito web. Inoltre, il codice sorgente per il Software Open Source rilasciato da noi sotto queste licenze è anche divulgato gratuitamente sul seguente sito web.

<https://oss.makita.biz/index.html>

- Si prega di astenersi dal fare richieste relative al codice sorgente del Software Open Source.
- Non forniamo garanzie di alcun tipo in relazione al Software Open Source. Tuttavia, questo avviso non limita la copertura della nostra garanzia per i difetti del prodotto (inclusi i difetti causati dal Software Open Source).

### Per le nazioni europee

Modulo Wi-Fi	Nome modulo	LCW-006
	Banda di frequenza/potenza	2412,0 - 2462,0 MHz/17,48 dBm(EIRP) 2422,0 - 2452,0 MHz/13,75 dBm(EIRP)
	Versione S/W	V1.0
Modulo Bluetooth	Nome modulo	T007-MA-MD
	Banda di frequenza/potenza	2402,0 - 2480,0 MHz/7 dBm(EIRP)
	Versione S/W	V01.03
Telecomando	Nome modulo	C011
	Banda di frequenza/potenza	2402,0 - 2480,0 MHz/-4 dBm(EIRP)
	Versione S/W	V01.04

Questo dispositivo deve essere installato e utilizzato per fornire una distanza di separazione di almeno 20 cm da tutte le persone.



**NEDERLANDS**

## Inhoudsopgave

• Waarschuwing	2	• Appendix	46
• Over de robotstofzuiger	2	• Kennisgeving met betrekking tot open source-software	46
• Belangrijkste functies	2	• Voor Europese landen	46
• Toepasselijke accu en lader	2		
• Gebruiksdoeleinden	3		
• Symbolen	3		
• Verklaringen van overeenstemming	3		
• Veiligheidsmaatregelen	3		
• Veiligheidsmaatregelen voor het gebruik van de robotstofzuiger	4		
• Voorzorgsmaatregelen met betrekking tot radiogolven	8		
• Respectieve handelsmerken en geregistreerde handelsmerken	8		
• Namen van onderdelen	9		
• Standaardaccessoires	10		
• Voorbereiden voor reiniging	11		
• De robotstofzuiger dragen	11		
• Reinigen met de robotstofzuiger	11		
• Voorkomen dat de robotstofzuiger valt	11		
• Een te reinigen plaats opruimen	12		
• Voorbereiding voor gebruik	14		
• Bevestigen van de zijborstels	14		
• De stofopvangdoos uitpakken	14		
• Batterijen in de afstandsbediening plaatsen	14		
• De resterende accucapaciteit aanduiden	15		
• Accu's installeren en verwijderen (apart verkrijgbaar)	15		
• De stroom in-/uitschakelen	16		
• Wat instellen voor het reinigen	16		
• Gebruik	17		
• Reiniging	17		
• Een kamer reinigen met in kaart brengen	17		
• Kaartgegevens verwijderen	18		
• Reinigen onderbreken of beëindigen	19		
• De vacuümventilator in-/uitschakelen	19		
• De functie locatiebaken gebruiken	19		
• De timer AAN/timer UIT gebruiken	19		
• Het reinigingsbereik controleren	21		
• Apart verkrijgbare onderdelen bevestigen, verwijderen en gebruiken	22		
• Hoe afval verwijderen	22		
• De robotstofzuiger instellen	23		
• De tijd instellen	23		
• Wi-Fi® instellen (robotstofzuiger en smartphone)	23		
• Het geluid instellen	23		
• De instellingen opnieuw instellen	24		
• Onderhoudswerkzaamheden	25		
• Onderhoud	25		
• Reparatie	28		
• Melding en foutweergave	29		
• Een melding en foutweergave annuleren	29		
• Melding voor onderhoud, enz.	29		
• Foutmelding	29		
• Probleemoplossing	30		
• Opslag	33		
• Optionele accessoires	33		
• Smartphone-app (voor de DRC300)	34		
• Inhoudsopgave	34		
• Wat je met de app kunt doen	34		
• De app installeren	34		
• Start scherm	35		
• Reinigen met de app	35		
• De reinigingsgeschiedenis controleren	37		
• Kaartgegevens toevoegen, wijzigen of verwijderen	39		
• Instellingen wijzigen en controleren	43		
• Foutmelding/dialogvenster	45		

## Waarschuwing

Dit apparaat kan worden gebruikt door kinderen van 8 jaar of ouder en door personen met lichamelijke, zintuiglijke of verstandelijke beperkingen of met onvoldoende ervaring of kennis. Dit geldt onder de voorwaarde dat ze het apparaat onder toezicht gebruiken of als ze instructies over het veilig gebruik van het apparaat hebben gekregen en zij de hieraan verbonden risico's hebben begrepen. Zorg ervoor dat kinderen niet met het apparaat spelen. Reiniging en onderhoud door de gebruiker mag niet door kinderen uitgevoerd worden, tenzij ze onder toezicht staan.

## Over de robotstofzuiger

### Belangrijkste functies

Belangrijkste functie		Model:DRC300
Spanning		DC 18 V
Continue looptijd*1 *2		Ca. 240 minuten
Stofvangvolume		3,0 L
Afmetingen		500 mm (L) × 500 mm (B) × 204 mm (H)
Gewicht*2		10,6 kg
Draadloze communicatie	Communicatiesysteem	1. Robotstofzuiger-naar-afstandsbediening: Bluetooth 2. Robotstofzuiger-naar-smartphone: Wi-Fi® (SoftAP)
	Geschatte communicatieafstand	1. 20 m of minder 2. 10 m of minder
Draadloos LAN	Frequentieband	2,4 GHz
	Maximaal radiofrequentievermogen	17,48 dBm (EIRP)
	Draadloos LAN-normen	IEEE 802.11 b/g/n
	Versleutelingsmethode	WPA/WPA2
	WPS-versie	Versie 2.0
Bluetooth	Frequentieband	2402,0 - 2480,0 MHz
	Maximaal radiofrequentievermogen	Afstandsbediening: -4 dBm (EIRP)
	Zendbereik	Ongeveer 10 m
	Bluetooth®-versie	4.2 (Bluetooth lage energie)
Laservermogen	Golflengte	LiDAR-sensor: 775 - 800 nm Afgroondsensor: 845 - 850 nm
	Vermogen	1 mW of minder (IEC 60825-1:2014 laser klasse 1)

- Houd er rekening mee dat de belangrijkste functies, vorm en andere kenmerken ter verbetering kunnen worden gewijzigd.
  - De laserafstandssensoren van dit product zijn laserproducten van klasse 1 zoals gedefinieerd door de internationale norm IEC 60825-1:2014 over de veiligheid van laserproducten.
- \*1. Bij gebruik op gladde vloeren zoals vinylvloertegels met de vacuümventilator ingeschakeld. De looptijd varieert afhankelijk van de omstandigheden van de locatie, het soort vloer, de staat van de accu, de kamertemperatuur, enz. Bovendien kan de looptijd korter zijn in omgevingen met lage temperaturen vanwege de eigenschappen van een lithium-ion accu.
- \*2. Indien uitgerust met twee BL1860B-accu's.

### Toepasselijke accu en lader

Accu	BL1815N / BL1820B / BL1830B / BL1840B / BL1850B / BL1860B
Lader	DC18RC / DC18RD / DC18RE / DC18SD / DC18SE / DC18SF / DC18SH / DC18WC

- Sommige van de hierboven vermelde accu's en laders zijn mogelijk niet beschikbaar, afhankelijk van uw woonplaats.

### WAARSCHUWING

Gebruik alleen de hierboven genoemde accu's en laders. Het gebruik van andere accu's en laders kan letsel en/of brand veroorzaken.

### Over met snoer aangesloten stroombronnen

Stroombronnen met snoer kunnen niet worden gebruikt voor dit product. Als ze worden gebruikt, kunnen ze letsel of een ongeval veroorzaken.

## Gebruiksdoeleinden

Dit product is een robotstofzuiger bedoeld voor het reinigen van vloeren binnenshuis. Sommige bedieningen en instellingen kunnen met de afstandsbediening en de specifieke app worden uitgevoerd.

## Symbolen

Hieronder worden de symbolen weergegeven die voor de apparatuur kunnen worden gebruikt. Zorg ervoor dat u hun betekenis begrijpt voor gebruik.



Lees de gebruiksaanwijzing.



Wees voorzichtig en let goed op.



Een representatieve accu geschikt voor dit product.



Alleen voor EU-landen  
Door de aanwezigheid van gevaarlijke componenten in de apparatuur, kunnen afgedankte elektrische en elektronische apparatuur, accu's en batterijen een negatieve invloed hebben op het milieu en de menselijke gezondheid.



Ni-MH  
Li-ion

Gooi elektrische en elektronische apparatuur of accu's niet met het gewone huishoudafval weg!  
In overeenstemming met de Europese richtlijn betreffende afgedankte elektrische en elektronische apparatuur en betreffende accu's en batterijen en afgedankte accu's en batterijen, evenals hun aanpassing aan de nationale wetgeving, moeten afgedankte elektrische apparatuur, batterijen en accu's afzonderlijk worden opgeslagen en bij een afzonderlijk inzamelpunt voor gemeentelijk afval worden afgeleverd, in overeenstemming met de voorschriften inzake milieubescherming.  
Dit wordt aangegeven door het symbool van de doorgekruste verwijfbare afvalbak die op het apparaat is aangebracht.



Stap niet op de robotstofzuiger en plaats er geen voorwerpen op.



Gebruik de robotstofzuiger niet in de buurt van open vuur of ontvlambare en/of gevaarlijke materialen.



Reinig de afgrondsensoren aan de onderkant als deze vuil of nat zijn.



LASER  
1

LASERPRODUCT VAN KLASSE 1  
LASERPRODUCT VOOR CONSUMENTEN  
EN 50689:2021

CONSUMER LASER PRODUCT  
EN 50689 : 2021

## Verklaringen van overeenstemming

### Alleen voor Europese landen

De verklaringen van overeenstemming zijn als bijlage A bij deze gebruiksaanwijzing gevoegd.

## Veiligheidsmaatregelen

Over de betekenis van **WAARSCHUWING**, **LET OP** en **KENNISGEVING** in voorzorgsmaatregelen

Overwegingen bij het gebruik van dit product zijn ingedeeld in

**WAARSCHUWING**, **LET OP** en **KENNISGEVING**.

Hun respectieve betekenis is als volgt.

**WAARSCHUWING** Een voorzorgsmaatregel om een risico op overlijden of ernstig letsel van de gebruiker aan te geven, als er onjuist met het product wordt omgegaan.

## LET OP :

Een voorzorgsmaatregel om een risico op letsel van de gebruiker of een risico op materiële schade aan te geven, als er onjuist met het product wordt omgegaan. Houd er rekening mee dat een onderwerp dat als **LET OP** wordt beschreven mogelijk ernstige gevolgen kan hebben, afhankelijk van de situatie.

Zorg ervoor dat u deze voorzorgsmaatregelen in acht neemt, aangezien ze allemaal belangrijk zijn voor de veiligheid.

Belangrijke voorzorgsmaatregelen voor het omgaan met het product en de accessoires.

## KENNISGEVING :

- Zorg ervoor dat u de "Veiligheidsmaatregelen" in acht neemt om een ongeval zoals brand, elektrische schok en letsel te voorkomen.
- Lees al deze "Veiligheidsmaatregelen" grondig door voordat u het product gebruikt om een correct gebruik van het product te garanderen.
- Bewaar deze op een veilige plaats na het lezen zodat degenen die het product gebruiken ze ook kunnen lezen.
- Als u het product aan iemand uitleent, geef deze dan samen met de gebruikershandleiding mee.
- De volgende pictogrammen worden gebruikt om zaken te classificeren en uit te leggen.

## Voorbeelden van pictogrammen






Dit pictogram geeft een "verboden" zaak aan, dat wil zeggen, wat je niet mag doen.






Dit pictogram geeft een "verplichte" zaak aan, dat wil zeggen, wat je altijd moet doen.

Deze illustraties zijn als referentie bedoeld. Merk op dat hun ontwerp varieert afhankelijk van het product.

<b>WAARSCHUWING</b> 
<b>Was het product niet in water. Gebruik dit product niet op een vochtige of natte plaats zoals een badkamer.</b> <ul style="list-style-type: none"><li>• Het binnendringen van water in de motor kan kortsluiting, warmteontwikkeling of ontsteking veroorzaken.</li><li>• Sommige onderdelen kunnen met water worden gewassen. Raadpleeg "Onderhoudswerkzaamheden" op pagina 25.</li></ul>
<b>Demonteer, repareer of wijzig het product nooit.</b> <ul style="list-style-type: none"><li>• Dat kan ontsteking of een abnormale werking veroorzaken en tot letsel leiden.</li></ul>
<b>Laat kinderen niet met dit product of de lader spelen.</b> <ul style="list-style-type: none"><li>• Een moment van onvoorzichtigheid kan ernstig letsel veroorzaken.</li></ul>
<b>Gebruik dit product niet buiten.</b>
<b>Gebruik dit product niet op een onstabiele plaats zoals trappen of een steile helling.</b> <ul style="list-style-type: none"><li>• Dit product kan kantelen of vallen en letsel veroorzaken.</li></ul>
<b>Gebruik geen andere onderdelen dan door Makita gespecificeerde accessoires en apart verkrijgbare onderdelen.</b> <ul style="list-style-type: none"><li>• Het gebruik van een ander onderdeel dan de accessoires en apart verkrijgbare onderdelen die in deze gebruikershandleiding en onze catalogus worden aangegeven, kan een ongeval of letsel veroorzaken.</li></ul>
<b>Plaats dit product niet in de buurt van vlammen, verwarmingstoestellen, enz.</b> <ul style="list-style-type: none"><li>• Dit kan kortsluiting of ontsteking veroorzaken als gevolg van vervorming van het product.</li></ul>
<b>Gebruik het product niet en laad de accu niet op in de buurt van ontvlambare stoffen (benzine, wasbenzine, verdunner, gas, enz.).</b> <ul style="list-style-type: none"><li>• Dit kan een explosie of brand veroorzaken.</li></ul>
<b>Bewaar dit product niet op een plaats waar de temperatuur 50 °C (122 °F) kan bereiken (metalen doos, binnenin een auto in de zomer, enz.).</b> <ul style="list-style-type: none"><li>• Dit kan kortsluiting of ontsteking veroorzaken als gevolg van vervorming van dit product.</li><li>• De accu kan verslechteren, wat rook of ontsteking kan veroorzaken.</li></ul>



 <b>WAARSCHUWING</b>	
<p><b>Laad niet op in de volgende omstandigheden, omdat dit brand kan veroorzaken.</b></p> <ul style="list-style-type: none"> <li>• Op papier zoals golfkarton, op stof zoals een kussen, een tapijt, vinyl, enz.</li> <li>• Er wordt een lader met luchtgaten gebruikt, maar de luchtgaten worden tijdens het opladen geblokkeerd. Of er worden metalen of ontvlambare voorwerpen in luchtgaten gestoken.</li> <li>• Op een stoffige plaats, bijvoorbeeld met katoenstof.</li> </ul>	
<p><b>Laad niet op in de regen en verwijder of plaats de stekker of accu niet met natte handen. Zorg dat er geen vreemde materie, zoals stukjes metaal of water, in de buurt van de aansluiting van de lader komt.</b></p> <ul style="list-style-type: none"> <li>• Dit kan een elektrische schok of letsel veroorzaken.</li> </ul>	
<p><b>Gebruik geen andere lader dan de aangegeven lader.</b></p> <ul style="list-style-type: none"> <li>• Dit kan lekkage, verhitting of scheuren van de accu veroorzaken.</li> <li>• Gebruik de lader niet voor andere doeleinden dan opladen.</li> </ul>	
<p><b>Gebruik de lader niet voor andere doeleinden dan opladen. Gebruik de accu en de lader niet voor andere apparatuur dan door Makita gespecificeerd.</b></p>	
<p><b>Gebruik het snoer van de lader niet op een verkeerde manier.</b></p> <ul style="list-style-type: none"> <li>• Draag de lader niet bij het snoer of trek niet aan het snoer om de stekker uit het stopcontact te halen.</li> <li>• Houd het snoer uit de buurt van hitte, olie, chemicaliën en scherpe randen.</li> <li>• Kijk uit waar u laadt om te voorkomen dat er op het snoer wordt getrapt, dat het klem raakt of beschadigd raakt door overmatige druk. Dit kan een elektrische schok of kortsluiting veroorzaken, waardoor ontsteking kan ontstaan.</li> </ul>	
<p><b>Niet gebruiken als het snoer van de lader beschadigd is of als de stekker niet stevig in het stopcontact zit.</b></p> <ul style="list-style-type: none"> <li>• Dit kan een elektrische schok, kortsluiting of ontsteking veroorzaken.</li> </ul>	
<p><b>Het bevestigingsgedeelte van de accu van de lader heeft een laadaansluiting. Zorg dat er geen vreemde materie, zoals stukjes metaal of water, in de buurt van de laadaansluiting komt.</b></p>	
<p><b>Bedek de accu en de lader niet met een doek of iets dergelijks tijdens het opladen.</b></p> <ul style="list-style-type: none"> <li>• Laad de accu op in een goed geventileerde ruimte. Anders kan dit verhitting, scheuren of ontsteking veroorzaken.</li> </ul>	


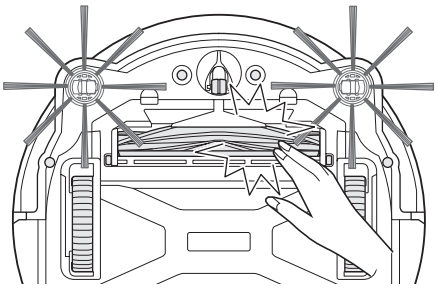
 <b>WAARSCHUWING</b>	
<p><b>Zorg ervoor dat u de stroom uitschakelt en de accu's verwijdert voor onderhoud en inspectie om te voorkomen dat dit product per ongeluk start.</b></p>	
<p><b>Let er bij het plaatsen van de accu in dit product op dat u de stroom niet inschakelt.</b></p> <ul style="list-style-type: none"> <li>• Als u de accu plaatst in omstandigheden waarin de stroom mogelijk kan worden ingeschakeld (bijvoorbeeld als uw vinger op de start/stop-knop rust), kan dit product plots beginnen te bewegen, wat een ongeval kan veroorzaken.</li> </ul>	
<p><b>In het geval van een onopzettelijke val of botsing, controleer dit product, enz. zorgvuldig op schade, scheuren en vervorming.</b></p> <ul style="list-style-type: none"> <li>• Beschadigingen, scheuren en vervormingen kunnen letsel veroorzaken.</li> </ul>	
<p><b>Verplaats dit product voorzichtig om te voorkomen dat het product vervormd en beschadigd raakt.</b></p> <ul style="list-style-type: none"> <li>• Beschadigingen, scheuren en vervormingen kunnen letsel veroorzaken.</li> </ul>	
<p><b>Als dit product niet goed werkt of er een abnormaal geluid wordt geproduceerd, als u het product gebruikt, schakel dan onmiddellijk de stroom uit en gebruik het product niet langer. Vraag dan bij de winkel waar u het product hebt gekocht of bij ons verkoopkantoor om inspectie en reparatie uit te voeren.</b></p> <ul style="list-style-type: none"> <li>• Als u het product blijft gebruiken, kan dit letsel of een ongeval veroorzaken.</li> </ul>	


 <b>WAARSCHUWING</b>	
<p><b>Controleer of er beschadigde onderdelen zijn.</b></p> <ul style="list-style-type: none"> <li>• Inspecteer voor gebruik van het product grondig op schade aan onderdelen en controleer of het product goed werkt en vooraf bepaalde functies biedt.</li> <li>• Controleer of beweegbare delen juist zijn geplaatst en goed zijn vastgedraaid, en controleer of de onderdelen niet beschadigd en goed gemonteerd zijn. Controleer vervolgens alle andere delen die de werking kunnen beïnvloeden om te zien of er afwijkingen zijn.</li> <li>• Volg de gebruikershandleiding om beschadigde onderdelen te vervangen en te repareren. Als er in de gebruikershandleiding geen beschrijving wordt gegeven, vraag dan de winkel waar u het product hebt gekocht of ons verkoopkantoor om reparatie uit te voeren.</li> </ul>	
<p><b>Onderhoud dit product zorgvuldig.</b></p> <ul style="list-style-type: none"> <li>• Volg de gebruikershandleiding om accessoires te vervangen.</li> <li>• Inspecteer regelmatig het snoer van de lader, en als het beschadigd is, vraag dan de winkel waar u het product hebt gekocht of ons verkoopkantoor om reparatie uit te voeren. Dit kan een elektrische schok of kortsluiting veroorzaken, waardoor ontsteking kan ontstaan.</li> <li>• Als een verlengsnoer wordt gebruikt om op te laden, inspecteer het dan regelmatig en vervang het als het beschadigd is. Dit kan een elektrische schok of kortsluiting veroorzaken, waardoor ontsteking kan ontstaan.</li> <li>• Houd de handgreep altijd droog en schoon en laat deze niet in contact komen met olie, vet, enz.</li> </ul>	
<p><b>Wanneer u dit product niet gebruikt, berg het dan correct op.</b></p> <ul style="list-style-type: none"> <li>• Berg het op een droge, veilige plaats buiten bereik van kinderen op of op een droge plaats die kan worden afgesloten. Dit kan een ongeval veroorzaken.</li> </ul>	
<p><b>Haal de lader uit het stopcontact, als deze niet wordt gebruikt om op te laden.</b></p> <ul style="list-style-type: none"> <li>• Als u dit niet doet, kan dit een elektrische schok, stroomlekkage of brand veroorzaken als gevolg van verslechtering van de isolatie.</li> </ul>	
<p><b>Als u tijdens het opladen abnormale hitte of andere abnormale omstandigheden opmerkt, haal dan onmiddellijk de stekker van de lader uit het stopcontact om het opladen te stoppen.</b></p> <ul style="list-style-type: none"> <li>• Als u het opladen laat doorgaan, kan dit rook, ontsteking of scheuren veroorzaken.</li> </ul>	


 <b>LET OP</b>	
<p><b>Bevestig accessoires stevig volgens de gebruikershandleiding.</b></p> <ul style="list-style-type: none"> <li>• Als ze niet stevig zijn bevestigd, kan dit letsel, schade of een ongeval veroorzaken.</li> </ul>	
<p><b>Draag dit product altijd bij de handgreep.</b></p> <ul style="list-style-type: none"> <li>• Als u het product niet bij de handgreep draagt, kan dit storingen of letsel veroorzaken.</li> </ul>	

## Veiligheidsmaatregelen voor het gebruik van de robotstofzuiger

 <b>WAARSCHUWING</b>	
<p><b>Gebruik dit product niet op een hoge plaats zonder omheining of op een plaats met een smalle doorgang zoals trappen.</b></p> <ul style="list-style-type: none"> <li>• Dit kan dit letsel of storing veroorzaken als gevolg van een val van dit product.</li> </ul>	
<p><b>Gebruik dit product niet op een plaats waar oliecomponenten, zoals eetbare olie, aanwezig zijn, op een plaats waar sprays en chemicaliën worden gebruikt, zoals een kapperszaak, een schoonheidssalon, een schoonmaakwinkel of buitenshuis.</b></p> <ul style="list-style-type: none"> <li>• Dit kan een storing veroorzaken.</li> </ul>	
<p><b>Gebruik dit product niet in de buurt van een persoon die dit product niet goed kan bedienen, een jong kind of een baby.</b></p> <ul style="list-style-type: none"> <li>• Dit kan een elektrische schok, een ongeval of letsel veroorzaken.</li> </ul>	

<b>⚠ WAARSCHUWING</b>	
<b>Gebruik dit product niet op een plaats met een dier, enz.</b>	
<ul style="list-style-type: none"> <li>Dit kan een elektrische schok, een ongeval of letsel veroorzaken.</li> </ul>	
<b>Gebruik dit product niet op een plaats met veel mensen of waar mensen constant komen en gaan.</b>	
<ul style="list-style-type: none"> <li>Dit kan een elektrische schok, een ongeval of letsel veroorzaken.</li> </ul>	
<b>Blokkeer de uitlaatopening en zuigopening niet en breng er geen metalen, ontvlambare vreemde voorwerpen, enz. in.</b>	
<ul style="list-style-type: none"> <li>Dit kan een elektrische schok, ontsteking of storing veroorzaken.</li> </ul>	
<b>Gebruik dit product niet in de buurt van een voorwerp dat de zuigopening mogelijk kan blokkeren.</b>	
<ul style="list-style-type: none"> <li>Dit kan een elektrische schok, ontsteking of storing veroorzaken.</li> </ul>	
<b>Gooi dit product niet in vuur en verwarm het niet.</b>	
<ul style="list-style-type: none"> <li>Dit kan kortsluiting, ontsteking, vloeistoflekage of explosie veroorzaken.</li> </ul>	
<b>Plaats dit product niet op een plaats met hoge temperaturen, zoals in de buurt van vuur of een verwarmingstoestel, op een plaats die aan direct zonlicht is blootgesteld en in de auto onder de brandende zon.</b>	
<ul style="list-style-type: none"> <li>Dit kan kortsluiting, ontsteking, vloeistoflekage of explosie veroorzaken.</li> </ul>	
<b>Plaats geen voorwerpen over dit product.</b>	
<ul style="list-style-type: none"> <li>Dit kan oververhitting veroorzaken, wat tot ontsteking kan leiden.</li> </ul>	
<b>Plaats dit product niet in direct zonlicht.</b>	
<ul style="list-style-type: none"> <li>Dit kan een onjuiste reactie van de LiDAR-sensor en de infraroodsensor veroorzaken, wat tot storingen kan leiden.</li> </ul>	
<b>Blokkeer de sensoren van dit product niet en plaats er geen vreemde voorwerpen in.</b>	
<ul style="list-style-type: none"> <li>Dit kan een verkeerde bediening of storingen veroorzaken.</li> </ul>	
<b>Plak geen sticker of tape op sensoren en wielen.</b>	
<ul style="list-style-type: none"> <li>Dit kan storingen veroorzaken.</li> </ul>	
<b>Zit niet op dit product, plaats er geen zware voorwerpen op en duw er niet hard tegen.</b>	
<ul style="list-style-type: none"> <li>Dat kan schade of storing aan dit product of letsel veroorzaken. Let bijzonder goed op als er kinderen in de buurt zijn.</li> </ul>	
<b>Raak tijdens het bedienen de aandrijfwielen niet aan en plaats uw hand of voet niet onder dit product.</b>	
<ul style="list-style-type: none"> <li>Dit kan letsel aan een hand, enz. veroorzaken. Let bijzonder goed op als er kinderen in de buurt zijn.</li> </ul>	
	
<b>Laat een kind het product niet alleen gebruiken. Mensen die hun wil niet kunnen uiten en mensen die het product niet zelfstandig kunnen bedienen, mogen dit product niet gebruiken.</b>	
<ul style="list-style-type: none"> <li>Dit kan een elektrische schok, een ongeval of letsel veroorzaken.</li> </ul>	
<b>Giet geen water of wasmiddel op dit product en was dit product niet (behalve de hoofdborstel, de zijborstel, de stofopvangdoos en het filter).</b>	
<ul style="list-style-type: none"> <li>Dit kan een elektrische schok, kortsluiting of ontsteking veroorzaken.</li> </ul>	
<b>Raak het product niet met natte handen aan.</b>	
<ul style="list-style-type: none"> <li>Dit kan een elektrische schok veroorzaken.</li> </ul>	
<b>Gebruik geen magnetische grenslijn die gescheurd of vervormd is of die zijn magnetische kracht lijkt te hebben verloren.</b>	
<ul style="list-style-type: none"> <li>Dit kan een ongeval of letsel veroorzaken.</li> </ul>	
<b>Breng geen lichaamsdelen, zoals handen en haar, en wat u draagt in de zuigopening en uitlaatopening van dit product.</b>	
<ul style="list-style-type: none"> <li>Dit kan een letsel veroorzaken.</li> </ul>	

<b>⚠ WAARSCHUWING</b>	
<b>Zorg ervoor dat geen lichaamsdelen, zoals handen en haar, en wat u draagt met een draaiende borstel in contact komen.</b>	
<ul style="list-style-type: none"> <li>Dit kan een letsel veroorzaken.</li> </ul>	
<b>Laat dit product het volgende niet opzuigen. Dit kan brand, letsel of een motorstoring veroorzaken.</b>	
<b>Ontvlambare stoffen</b>	
<ul style="list-style-type: none"> <li>Oliën (kerosine, benzine, enz.)</li> <li>Oplosmiddelen (wasbenzine, verdunner, enz.)</li> <li>Brandende voorwerpen, zoals lucifers, wierook, kaarsen en hete as; voorwerpen die rook afgeven, zoals sigaretten; voorwerpen met hoge temperaturen.</li> <li>Ontvlambare voorwerpen zoals een toner</li> <li>Verf</li> <li>Slijpvonken, metaalstof, enz. die ontstaan bij het snijden en slijpen van metaal.</li> <li>Ontvlambaar gas (spray, enz.)</li> </ul>	
<b>Explosieve stoffen</b>	
<ul style="list-style-type: none"> <li>Nitroglycerine, enz.</li> <li>Ontvlambare stoffen</li> <li>Aluminium, magnesium, titanium, zink, rode fosfor, gele fosfor, celluloid en andere chemische stoffen; stof, gas en damp ervan</li> </ul>	
<b>Scherpe voorwerpen</b>	
<ul style="list-style-type: none"> <li>Glas, gereedschap met scherpe randen, houtsnippers, metaal, stenen, spijkers, scheermessen, duimspijkers, naalden, enz.</li> </ul>	
<b>Schuimende zaken zoals tapijtreiniger</b>	
<b>Zaken die stollen en geleidend fijn poeder (metaalpoeder, koolstof)</b>	
<b>Ontvochtigmiddelen</b>	
<b>Een grote hoeveelheid poeder (meel, as, poeder in een brandblusser, enz.)</b>	
<b>Stoffen die vergiftigingsverschijnselen veroorzaken</b>	
<b>Geneesmiddelen</b>	
<b>Vloeibaar en nat afval</b>	
<b>Uitwerpselen en braaksel van dieren, enz.</b>	
<b>Grote stukken papierafval, plastic afval, touwtjes</b>	
<b>Gebruik het product niet in de volgende omstandigheden, die brand kunnen veroorzaken.</b>	
<ul style="list-style-type: none"> <li>Er ligt een grote hoeveelheid ontvlambare stoffen.</li> <li>De uitlaatopening is geblokkeerd.</li> <li>De stofopvangdoos en het filter zijn niet geplaatst.</li> <li>Afval komt vast te zitten in de hoofdborstel, die vergrendeld is.</li> <li>Er zitten gaten en scheuren in het filter.</li> <li>De accu is niet volledig geplaatst.</li> </ul>	
<b>Veroorzaak geen kortsluiting tussen de accupolen van het USB-voedingsgedeelte (voor reparatie).</b>	
<ul style="list-style-type: none"> <li>Als u naalden of draden in het USB-aansluitpunt steekt, kan dit kortsluiting veroorzaken, waardoor ontsteking of rookontwikkeling kan ontstaan.</li> </ul>	
<b>Kijk niet direct in het laserlicht (straal).</b>	
<ul style="list-style-type: none"> <li>Dit kan letsel aan de ogen veroorzaken.</li> </ul>	
<b>Dit product voldoet aan de geldende veiligheidsvoorschriften. Breng dus geen wijzigingen aan dit product aan.</b>	
<ul style="list-style-type: none"> <li>Het uitvoeren van reparaties zonder de kennis of vaardigheid om reparaties uit te voeren, kan leiden tot onvoldoende prestaties van de laser, evenals ongevallen of letsel.</li> </ul>	
<b>Gebruik geen oplaadbare producten in de buurt van hoogspanningsleidingen.</b>	
<ul style="list-style-type: none"> <li>Dit kan storingen veroorzaken.</li> </ul>	

<b>⚠ WAARSCHUWING</b>	
<b>Stop met het gebruik van het product, als het soms niet werkt, ook al is het ingeschakeld.</b>	
<ul style="list-style-type: none"> <li>Als u dit niet doet, kan dit rook, ontsteking of een elektrische schok veroorzaken.</li> </ul>	
<b>Stop onmiddellijk met het gebruik van het product, als het vervormd is of abnormaal heet is.</b>	
<ul style="list-style-type: none"> <li>Als u dit niet doet, kan dit rook, ontsteking of een elektrische schok veroorzaken.</li> </ul>	

<b>⚠ WAARSCHUWING</b>	<b>!</b>
<b>Stop met het gebruik van het product, als het soms stopt tijdens het gebruik.</b>	
<ul style="list-style-type: none"> <li>Als u dit niet doet, kan dit rook, ontsteking of een elektrische schok veroorzaken.</li> </ul>	
<b>Stop onmiddellijk met het gebruik van het product, als u tijdens het gebruik een ongewoon geluid hoort.</b>	
<ul style="list-style-type: none"> <li>Als u dit niet doet, kan dit rook, ontsteking of een elektrische schok veroorzaken.</li> </ul>	
<b>Stop onmiddellijk met het gebruik van het product, als het ruikt alsof er iets verbrandt.</b>	
<ul style="list-style-type: none"> <li>Als u dit niet doet, kan dit rook, ontsteking of een elektrische schok veroorzaken.</li> </ul>	
<b>Plaats voor gebruik en onderhoud brandende kaarsen, vazen, enz. op tafels en schappen.</b>	
<ul style="list-style-type: none"> <li>Als u dit niet doet, kunnen ze vallen als gevolg van een schok, als ze door dit product worden geraakt, wat mogelijk een ongeval kan veroorzaken.</li> </ul>	
<b>Verplaats voor gebruik en onderhoud elastieken en andere voorwerpen die door dit product kunnen worden meegesleept.</b>	
<ul style="list-style-type: none"> <li>Als u dit niet doet, kan dit product een elastiek, enz. meeslepen, wat een ongeval kan veroorzaken.</li> </ul>	
<b>Verplaats voor gebruik en onderhoud apparatuur en apparaten met bedieningstoetsen die zich op hetzelfde niveau als dit product bevinden.</b>	
<ul style="list-style-type: none"> <li>Als u dit niet doet, kan dit product een bedieningstoets raken en indrukken, wat een ongeval kan veroorzaken.</li> </ul>	
<b>Schakel vóór onderhoud en inspectie de stroom van dit product uit en verwijder de accu's.</b>	
<ul style="list-style-type: none"> <li>Als u dit niet doet, kan dit een elektrische schok of letsel veroorzaken.</li> </ul>	
<b>Let er tijdens het onderhoud op dat uw vingers niet gekneld raken.</b>	
<ul style="list-style-type: none"> <li>Dit kan een letsel veroorzaken.</li> </ul>	
<b>Als u een implanteerbare pacemaker of een implanteerbare defibrillator hebt, gebruik dit product dan op meer dan 15 cm afstand van de implantatieplaats.</b>	
<ul style="list-style-type: none"> <li>Radiogolven kunnen de werking van een medisch apparaat beïnvloeden en storingen van het medische apparaat veroorzaken.</li> </ul>	
<b>Als u in een medische instelling apparatuur gebruikt die radiogolven uitzendt, volg dan de instructies van de medische instelling. Schakel de stroom van dit product uit op een plaats waar het gebruik verboden is.</b>	
<ul style="list-style-type: none"> <li>Als u dit niet doet, kan dit een storing aan medische apparaten veroorzaken.</li> </ul>	

<b>⚠ LET OP</b>	<b>⊘</b>
<b>Plaats tijdens gebruik en onderhoud geen vreemde voorwerpen in gaten en openingen.</b>	
<ul style="list-style-type: none"> <li>Dit kan een elektrische schok, brand of storing in het product veroorzaken.</li> </ul>	
<b>Gebruik dit product niet op een hoogpolig (meer dan 7 mm) vloerkleed of andere tapijten.</b>	
<ul style="list-style-type: none"> <li>De zijborstels kunnen vast komen te zitten, wat schade aan het tapijt en de zijborstels kan veroorzaken.</li> </ul>	
<b>Gebruik dit product niet op een delicaat tapijt (schaap, vilt, enz.), een delicate vloer (een massief houten vloer, een marmeren vloer, enz.) en een pas in de was gezette vloer.</b>	
<ul style="list-style-type: none"> <li>Dit kan schade of krassen veroorzaken. Als er schade wordt veroorzaakt, stop dan met het gebruik van het product.</li> </ul>	
<b>Ga niet op het bovenoppervlak van dit product staan of zitten.</b>	
<ul style="list-style-type: none"> <li>Dit kan ertoe leiden dat dit product plots gaat bewegen, wat letsel kan veroorzaken, bijvoorbeeld door te vallen.</li> </ul>	
<b>Gebruik dit product niet gedurende lange tijd als de zuigopening is geblokkeerd.</b>	
<ul style="list-style-type: none"> <li>Dit kan vervorming of ontsteking van dit product veroorzaken als gevolg van oververhitting.</li> </ul>	
<b>Plaats uw hand of voet niet onder dit product.</b>	
<ul style="list-style-type: none"> <li>Uw vingers of tenen kunnen gekneld raken, wat letsel kan veroorzaken.</li> </ul>	

<b>⚠ LET OP</b>	<b>⊘</b>
<b>Gebruik dit product niet verder, als het filter vuil is of vol zit met stof.</b>	
<ul style="list-style-type: none"> <li>Hierdoor kan de zuigkracht afnemen.</li> </ul>	
<b>Houd dit product niet vast met de voorkant naar beneden gericht.</b>	
<ul style="list-style-type: none"> <li>Er kan stof uit de zuigopening vallen.</li> </ul>	
	

<b>⚠ LET OP</b>	<b>!</b>
<b>Zorg ervoor dat elke sensor goed wordt onderhouden om storingen te voorkomen.</b>	
<ul style="list-style-type: none"> <li>Een onjuiste reactie van een sensor kan letsel of storing veroorzaken als gevolg van een verkeerde werking of een val van dit product.</li> </ul>	
<b>Zorg ervoor dat de lange kwastjes van vloerkleden, zoals een tapijt en een mat, weggestopt zitten.</b>	
<ul style="list-style-type: none"> <li>De kwastjes kunnen in de aandrijfwielen en/of de hoofdborstel vast komen te zitten, wat schade aan de vloerkleden en dit product kan veroorzaken.</li> </ul>	
<b>Als u dit product wilt opnemen, stop dan eerst de werking en schakel vervolgens de stroom uit. Houd de handgreep stevig vast, zodat uw handen niet gekneld raken.</b>	
<ul style="list-style-type: none"> <li>Als u dit product achteloos optilt, kan dit letsel of storing veroorzaken.</li> </ul>	
<b>Berg snoeren en touwtjes op, zodat deze niet in dit product verstrikt raken.</b>	
<ul style="list-style-type: none"> <li>Als u dit niet doet, kan dit storing of een foutieve bediening veroorzaken doordat het netsnoer verstrikt raakt.</li> </ul>	
<b>Verplaats voor het reinigen voorwerpen die gemakkelijk breken, voorwerpen die gemakkelijk vallen en voorwerpen die niet opgezogen mogen worden. Berg lange touwen en snoeren op.</b>	
<ul style="list-style-type: none"> <li>Als u dit niet doet, kan dit schade, krassen of storing van dit product veroorzaken.</li> </ul>	
<b>Gebruik dit product met het filter juist geplaatst. Gebruik dit product niet als het filter is verwijderd, verkeerd is geplaatst of is gescheurd.</b>	
<ul style="list-style-type: none"> <li>Dit kan een storing zoals een motorbrand veroorzaken.</li> <li>Er kan stof ontsnappen en dat kan schadelijk zijn voor de gezondheid.</li> </ul>	
<b>Pas op dat uw vingers niet gekneld raken bij het openen en sluiten van het bovendeksel van de behuizing en het bovendeksel van de stofopvangdoos, bij het bevestigen van het filter en bij het aan- en loskoppelen van de accu.</b>	
<ul style="list-style-type: none"> <li>Uw vingers kunnen gekneld raken, wat letsel kan veroorzaken.</li> </ul>	

## Over het gebruik

- Gebruik dit product binnenshuis. Reinig een ruimte met veel stof niet, ook niet binnenshuis.
- Reinig geen vloer met een hard en hobbelig oppervlak. Hierdoor kunnen borstels en wielen sneller verslijten.
- Verwijder na het reinigen zandstof dat op de hoofdborstel, zijborstels en wielen vastzit. Als deze niet worden schoongemaakt, kan dat schade aan het vloeroppervlak veroorzaken.
- Bevestig bij gebruik van dit product altijd de hoofdborstel en het deksel.
- Smeer de beweegbare delen van de hoofdborstel, enz. niet. Hierdoor kunnen plastic onderdelen stuk raken.
- Voor gebruik op een delicaat vloeroppervlak wordt aanbevolen om door de apart verkrijgbare onderdelen "zachte hoofdborstel" en "zachte zijborstel" te vervangen. Afhankelijk van de staat van het vloeroppervlak kunnen er echter krassen ontstaan. Stop in dat geval met het gebruik van het product.
- Sleep dit product niet. Til dit product op om te verplaatsen.
- Kleef geen sticker of tape op sensoronderdelen en wielen, vervorm de bumper en wielen niet en zorg ervoor dat de bumper niet met kracht wordt ingedrukt. Dit kan een storing veroorzaken.
- Als fijn poeder (zoals kalk, cement en krijt) wordt opgezogen, voer dan onderhoud uit aan het filter, de afgrondsensoren en de LiDAR-sensoren.

10. Zorg ervoor dat dit product het volgende niet opzuigt. Dit kan krassen aan de binnenkant van dit product veroorzaken, of verstopping door stof of storing. Als een van deze per ongeluk wordt opgezogen, stop dan met het gebruik en verwijder het stof.
  - (1) Nat afval (vloeibaar en vochtig afval)
  - (2) Uitwerpselen van dieren, enz.
  - (3) Grote hoeveelheid zand en poeder
  - (4) Draden
  - (5) Voorwerpen met scherpe randen (glas, snijgereedschap, pinnen, enz.)
  - (6) Grote stukken afval en grote hoeveelheid afval
  - (7) Voorwerpen met een slechte luchtdoorlaatbaarheid (plastic folie voor voedsel, vinyl, verpakkingsfolie, enz.)
11. Als de bodemborstel van de zuigopening, zwenkwielen, aandrijfwielen of het rolgedeelte van het deksel van de hoofdborstel versleten raakt, stop dan met het gebruik van dit product en raadpleeg de winkel waar u het product hebt gekocht of ons verkoopkantoor. Het gebruik van de robotstofzuiger met versleten onderdelen kan schade aan het vloeroppervlak veroorzaken.
12. Tijdens het gebruik kan er ruis op een tv-scherm optreden, maar dit heeft geen invloed op de tv zelf.
13. Wees voorzichtig als u dit product gebruikt op een plaats waar een beveiligingssysteem is geïnstalleerd. Dit product kan door het beveiligingssysteem ten onrechte als indringer worden gedetecteerd.
14. Doe het volgende niet.
  - (1) Lange tijd niet gebruiken met de accu geïnstalleerd
  - (2) Gebruiken als de sensor vuil is of als het filter verstopt is
  - (3) Gebruiken als er een batterijfout optreedt (een vreemde geur, vloeistoflekkage, verhitting, vervorming of andere ongewone zaken)
  - (4) Gebruiken zonder zandstof en ander vreemd materiaal op de hoofdborstel, zijborstels en wielen te verwijderen
  - (5) Gebruiken met onderdelen die versleten of uitgewerkt zijn
  - (6) Gebruiken zonder de gebruikershandleiding te lezen
  - (7) Het product ondersteboven houden en onderhoud uitvoeren, terwijl de accu is geïnstalleerd
  - (8) Gebruiken zonder onderhoud aan de magnetische grenslijn uit te voeren

## Gebruik en onderhoud van accu

### WAARSCHUWING

**Lees alle veiligheidswaarschuwingen en instructies. Als de waarschuwingen en instructies niet worden nageleefd, kan dat een elektrische schok, brand en/of ernstig letsel veroorzaken.**

1. Laad alleen op met de lader die door de fabrikant is gespecificeerd. Een lader die geschikt is voor een bepaald type accu, kan brandgevaar opleveren indien gebruikt met een ander type accu.
2. Gebruik apparatuur uitsluitend met de specifiek voorgeschreven accu's. Het gebruik van andere accu's kan letsel of brand veroorzaken.
3. Als de accu niet wordt gebruikt, houd deze dan uit de buurt van metalen voorwerpen, zoals paperclips, munten, sleutels, spijkers, schroeven en andere kleine metalen voorwerpen die voor een verbinding tussen de accupolen kunnen zorgen. Kortsluiting tussen de accupolen kan brandwonden of brand veroorzaken.
4. Onder verkeerde gebruiksomstandigheden kan vloeistof uit de accu komen. Raak deze niet aan. Als u er per ongeluk mee in aanraking komt, spoel dan met water. Als er vloeistof in uw ogen komt, raadpleeg dan ook een arts. Vloeistof uit de accu kan irritatie en brandwonden veroorzaken.
5. Gebruik de accu of het gereedschap niet als het beschadigd of gewijzigd is. Beschadigde of gewijzigde accu's kunnen onverwacht gedrag vertonen en brand, explosie of risico op letsel veroorzaken.
6. Stel de accu of het gereedschap niet bloot aan vuur of extreme temperaturen. Blootstelling aan vuur of een temperatuur boven 130 °C (265 °F) kan een explosie veroorzaken.
7. Volg alle instructies voor het opladen en laad de accu of het gereedschap niet op bij een temperatuur buiten het bereik dat in de instructies gespecificeerd is. Onjuist opladen of opladen bij een temperatuur buiten het gespecificeerde bereik kan schade aan de accu veroorzaken en het risico op brand vergroten.
8. Laat het product onderhouden door een gekwalificeerde reparateur die uitsluitend identieke onderdelen gebruikt om te vervangen. Dit verzekert de veiligheid van het product.
9. Wijzig het apparaat of de accu niet of probeer deze niet te repareren, behalve zoals aangegeven in de instructies voor gebruik en onderhoud.
10. Voorkom per ongeluk inschakelen. Zorg ervoor dat de schakelaar in de uit-stand staat voordat u de accu aansluit of de robotstofzuiger oppakt of draagt. De robotstofzuiger dragen met uw vinger op de schakelaar of de robotstofzuiger opladen met de schakelaar aan kan ongevallen veroorzaken.
11. Koppel de accu los van de robotstofzuiger voordat u aanpassingen uitvoert, accessoires vervangt of de robotstofzuiger opbergt. Dergelijke preventieve veiligheidsmaatregelen verminderen het risico dat de robotstofzuiger per ongeluk wordt gestart.
12. De accu is niet voldoende opgeladen, wanneer deze de fabriek verlaat. Laad de accu op voor gebruik.
13. Plaats altijd het deksel erop, als u de accu niet gebruikt.

## Belangrijke veiligheidsinstructies voor een accu

1. Alvorens de accu in gebruik te nemen, leest u eerst alle instructies en waarschuwingsvoorschriften op (1) de lader, (2) de accu en (3) het apparaat waarin de accu wordt geplaatst.
2. Haal de accu niet uit elkaar en knoei er niet mee. Dit kan brand, overmatige hitte of een explosie veroorzaken.
3. Als de gebruikstijd aanzienlijk korter is geworden, stopt u onmiddellijk met het gebruik. Dit kan oververhitting, brandwonden en zelfs een explosie veroorzaken.
4. Als elektrolyt in uw ogen terechtkomt, spoelt u uw ogen met schoon water en roept u onmiddellijk de hulp van een dokter in. Dit kan blindheid veroorzaken.
5. Sluit de accu niet kort:
  - (1) Raak de accupolen niet met geleidend materiaal aan.
  - (2) Berg de accu niet op een plaats op waar deze in aanraking kan komen met andere metalen voorwerpen zoals spijkers, munten, enz.
  - (3) Stel de accu niet aan water of regen bloot. Kortsluiting van de accu kan een hoge stroomsterkte, oververhitting, mogelijke brandwonden en zelfs een defect veroorzaken.
6. Berg het gereedschap en de accu niet op plaatsen op waar de temperatuur kan oplopen tot 50 °C (122 °F) of hoger.
7. Werp de accu nooit in het vuur, ook niet wanneer deze zwaar beschadigd of volledig versleten is. De accu kan in een vuur exploderen.
8. Nagel de accu niet vast, snijd, plet deze niet en gooi er niet mee; en sla de accu niet tegen een hard voorwerp. Dit kan brand, overmatige hitte of een explosie veroorzaken.
9. Gebruik een beschadigde accu niet.
10. De bijgeleverde lithium-ion accu's zijn onderhevig aan de vereisten van de wetgeving inzake gevaarlijke goederen. Voor commercieel transport, bijvoorbeeld door derden, transporteurs, moeten speciale vereisten met betrekking tot verpakking en etikettering worden nageleefd. Om een item klaar te maken voor transport moet een expert op het gebied van gevaarlijke stoffen worden geraadpleegd. Houd u ook aan mogelijk strengere nationale regelgeving. Bedek blootliggende contactpunten, bijvoorbeeld met tape, pak de accu zodanig in dat deze niet kan bewegen in de verpakking.
11. Wanneer u de accu weggooit, verwijder deze dan uit het gereedschap en gooi ze op een veilige plaats weg. Volg bij het weggooien van de accu de plaatselijke regelgeving.
12. Gebruik de accu's alleen voor de producten die door Makita zijn gespecificeerd. De accu's in andere producten plaatsen, kan brand, overmatige hitte, explosie of lekkage van elektrolyt veroorzaken.
13. Verwijder de accu, als het gereedschap gedurende langere tijd niet gebruikt zal worden.
14. Tijdens en na gebruik kan de accu warm worden, wat brandwonden of brandwonden bij lage temperatuur kan veroorzaken. Let goed op als u met hete accu's werkt.
15. Raak de aansluiting van het gereedschap niet direct na gebruik aan. Deze kan namelijk heet worden, wat brandwonden kan veroorzaken.
16. Zorg ervoor dat er geen spaanders, stof of vuil in de aansluitingen, gaten en groeven van de accu terechtkomen. Dit kan leiden tot slechte prestaties of defect van het gereedschap of de accu.
17. Gebruik de accu niet in de buurt van hoogspanningsleidingen, tenzij het gereedschap het gebruik in de buurt van hoogspanningsleidingen ondersteunt. Dit kan een storing of defect van het gereedschap of de accu veroorzaken.
18. Houd de accu uit de buurt van kinderen.

## BEWAAR DEZE INSTRUCTIES.

### LET OP

**Gebruik uitsluitend originele Makita accu's. Het gebruik van niet-originele Makita-accu's, of accu's die zijn gewijzigd, kan ertoe leiden dat de accu's barsten waardoor brand, persoonlijk letsel en schade kan worden veroorzaakt. Hierdoor vervalt de Makita-garantie op het Makita-gereedschap en de Makita-lader.**

### Tips voor een maximale levensduur van de accu

1. Laad de accu op voordat deze volledig leeg is. Als u merkt dat het gereedschap minder vermogen heeft, stopt u met het gebruik ervan en laadt u eerst de accu op.
2. Laad een volledig opgeladen accu nooit opnieuw op. Te lang opladen verkort de levensduur van de accu.
3. Laad de accu op bij een omgevingstemperatuur tussen 10 °C en 40 °C (50 °F - 104 °F). Laat een warme accu afkoelen alvorens deze op te laden.
4. Als u de accu niet gebruikt, verwijdert u deze uit het gereedschap of de lader.
5. Laad de accu op, als u deze voor langere tijd niet gebruikt (langer dan zes maanden).



## Voorzorgsmaatregelen met betrekking tot radiogolven

- Gebruik dit product niet op de volgende plaatsen.
  - Op of in de buurt van plaatsen met medische apparatuur
  - In de buurt van elektronische apparaten met zeer nauwkeurige bediening of zwakke signalen (Voorbeelden van elektronische apparaten die voorzichtigheid vereisen: een hoorapparaat, een pacemaker en andere medische apparatuur, een brandalarm, een automatische deur en andere automatische bedieningsapparatuur)
  - In een ziekenhuis of een vliegtuig (Volg de instructies van het ziekenhuis of de luchtvaartmaatschappij en gebruik het product niet in verboden zones)
- Draadloze verbinding en prestaties kunnen niet in alle omgevingen worden gegarandeerd. De radiogolven worden mogelijk niet ontvangen of kunnen onderbroken worden in volgende gevallen.
  - Gebruik in gebouwen met beton, betonstaal en metaal
  - Installatie in de buurt van obstakels
  - Gebruik op plaatsen waar er interferentie is met apparaten met draadloze communicatie die dezelfde frequentie gebruiken
  - Gebruik op plaatsen met apparatuur die magnetische velden, statische elektriciteit of radio-interferentie produceert, zoals microgolfovens

## Respectieve handelsmerken en geregistreerde handelsmerken

### Handelsmerkverklaring

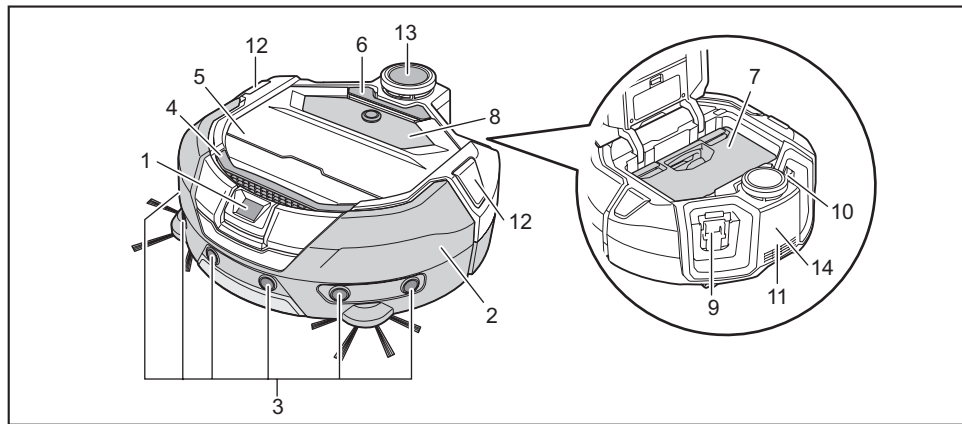
- Android en Google Play zijn handelsmerken of geregistreerde handelsmerken van Google LLC.
- iPhone is een handelsmerk van Apple Inc., geregistreerd in de VS en andere landen.
- Het iPhone-handelsmerk wordt gebruikt onder licentie van Aiphone Co., Ltd.
- App Store is een handelsmerk van Apple Inc.
- Wi-Fi is een handelsmerk en een geregistreerd handelsmerk van Wi-Fi Alliance.
- Het Bluetooth®-woordmerk en de Bluetooth-logo's zijn geregistreerde handelsmerken van Bluetooth SIG, Inc., waarvoor een gebruikslicentie is verleend aan Makita. Andere handelsmerken en handelsnamen zijn eigendom van hun respectieve eigenaars.



- Alle andere handelsmerken in dit document zijn de eigendom van hun respectieve eigenaars.  
Merk op dat de tekens ™ en ® in bepaalde delen van de tekst zijn weggelaten.

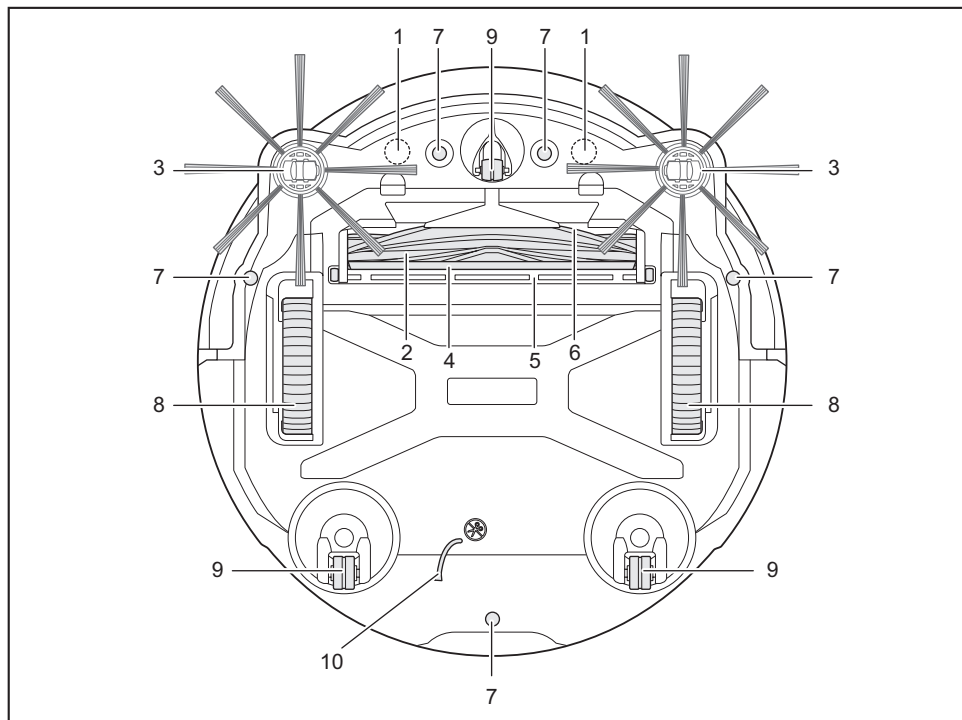
## Namen van onderdelen

### Hoofdeenheid (bovenaanzicht, zijaanzicht, binnenaanzicht)



- |                                    |                                                |
|------------------------------------|------------------------------------------------|
| 1. Camerasensor                    | 8. Bedieningspaneel (display) (zie pagina 10.) |
| 2. Bumper                          | 9. Vak linkeraccu                              |
| 3. Ultrasoonsensor                 | 10. Vak rechteraccu                            |
| 4. Handgreep (zie pagina 11.)      | 11. Uitlaatopening                             |
| 5. Bovendeksel                     | 12. Positie-LED                                |
| 6. Knop open                       | 13. LiDAR-sensor                               |
| 7. Stofopvangdoos (zie pagina 14.) | 14. LASER VAN KLASSE 1 merk                    |


### Hoofdeenheid (onderaanzicht)



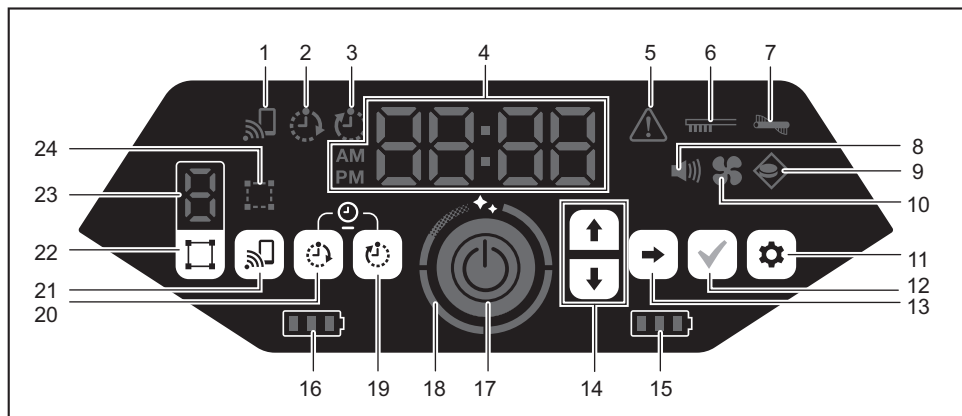
- |                                                      |                   |
|------------------------------------------------------|-------------------|
| 1. Magnetische sensor voor grensdetectie (ingebouwd) | 6. Zuigopening    |
| 2. Hoofdborstel                                      | 7. Afgroundsensor |
| 3. Zijborstel                                        | 8. Aandrijf wiel  |
| 4. Bodemborstel                                      | 9. Zwenkwiel      |
| 5. Deksel hoofdborstel                               | 10. Aardleiding   |

### KENNISGEVING

- De aardleiding vermindert de elektrische lading op de sensor.

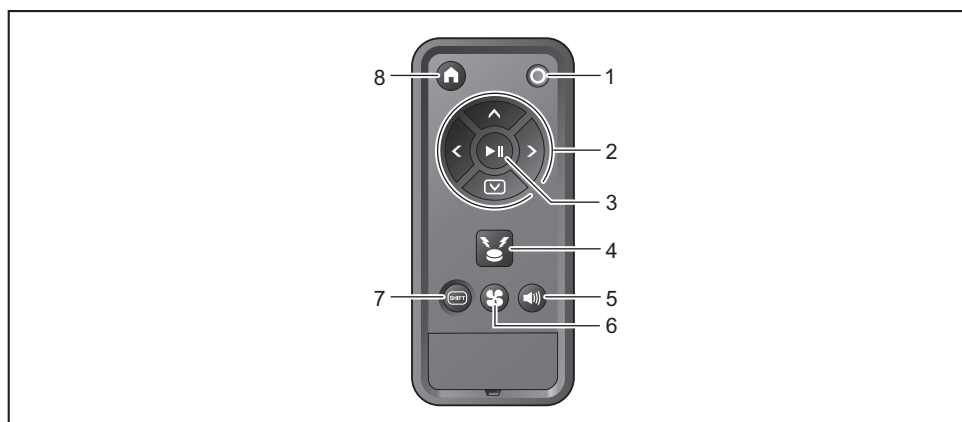
 : Zorg ervoor dat u niet per ongeluk de aardleiding uittrekt of snijdt.

## Hoofdeendheid (bedieningspaneel (display))



- |                                                      |                                                       |
|------------------------------------------------------|-------------------------------------------------------|
| 1. Lamp smartphoneverbinding (groen)                 | 13. Knop Volgende                                     |
| 2. Timerlampje AAN (groen) (zie pagina 20.)          | 14. Knop Omhoog, knop Omlaag                          |
| 3. Timerlampje UIT (groen) (zie pagina 20.)          | 15. Stroomlampje rechteraccu (groen) (zie pagina 16.) |
| 4. Tijdsindicator (groen)                            | 16. Stroomlampje linkeraccu (groen) (zie pagina 16.)  |
| 5. Foutlampje (rood) (zie pagina 29.)                | 17. Start/stop-knop (zie pagina 16.)                  |
| 6. Lampje filteronderhoud (rood) (zie pagina 29.)    | 18. Lampje reinigingsniveau (wit) (zie pagina 18.)    |
| 7. Foutlampje borstel (rood) (zie pagina 29.)        | 19. Knop timer UIT (zie pagina 20.)                   |
| 8. Geluidslampje (groen) (zie pagina 23.)            | 20. Knop timer AAN (zie pagina 19.)                   |
| 9. Lampje grensdetectie (groen) (zie pagina 21.)     | 21. Knop smartphoneverbinding                         |
| 10. Lampje vacuümventilator (groen) (zie pagina 19.) | 22. Knop wisselen modus (zie pagina 17.)              |
| 11. Instellingenknop                                 | 23. Weergave modus/kamernummer (zie pagina 17.)       |
| 12. Bevestigingsknop                                 | 24. Registratielampje kamer (groen) (zie pagina 17.)  |

## Afstandsbediening

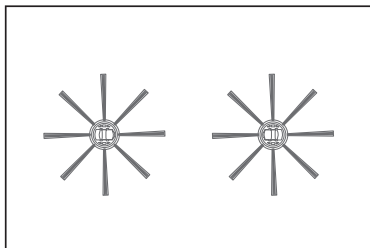


- |                                    |                                  |
|------------------------------------|----------------------------------|
| 1. UIT-knop                        | 5. Knop geluid AAN/UIT           |
| 2. Actieknoppen                    | 6. Knop vacuümventilator AAN/UIT |
| 3. Start/stop-knop                 | 7. Knop wijzigen                 |
| 4. Knop zoemer/lampje locatiebaken | 8. Knop startpunt                |

## Standaardaccessoires

### • Zijborstels (vier)

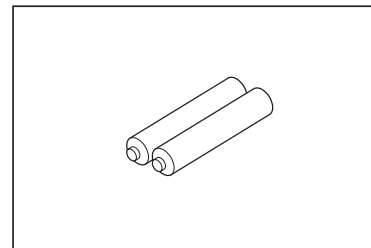
Twee zijn reserveonderdelen. Bevestig er twee op de robotstofzuiger. (Zie pagina 14.)



### • Afstandsbediening



### • AAA droge batterijen (twee) \* Afhankelijk van het land Plaats ze in de afstandsbediening. (Zie pagina 14.)



## Vorbereiden voor reiniging

### De robotstofzuiger dragen

#### ⚠ LET OP

Als u de robotstofzuiger wilt dragen, stop de bediening, schakel de stroom uit en houd de handgreep stevig vast, zodat uw handen niet gekneld raken.

- Als u dit niet doet, kan uw hand in de handgreep gekneld raken.

Zorg ervoor dat u altijd stevig en in evenwicht op de grond staat, als u de robotstofzuiger optilt.

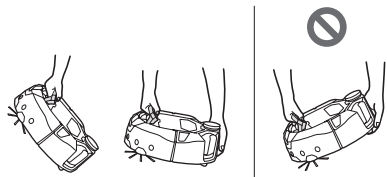
- Als u dit niet doet, kan dit een letsel of een storing veroorzaken.

Til de robotstofzuiger niet achteloos op.

- Dit kan een letsel of een storing veroorzaken.

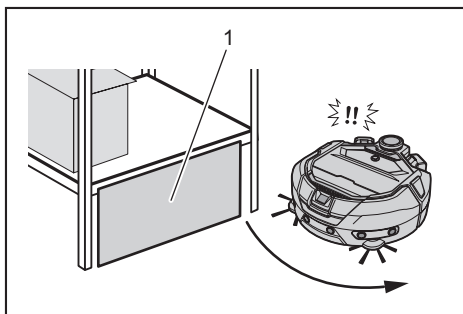
Houd de robotstofzuiger niet vast met de voorkant naar beneden gericht.

- Er kan stof uit de zuigopening vallen.



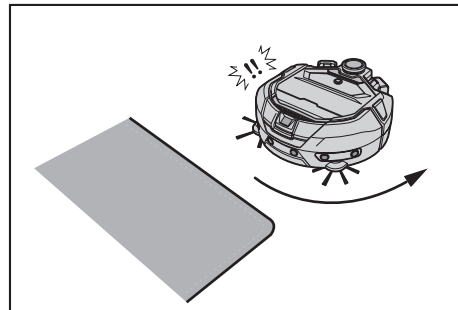
### Reinigen met de robotstofzuiger

- De robotstofzuiger detecteert obstakels met de LiDAR-sensor en de ultrasoonsensor en ontwijkt deze obstakels. Hij verzamelt stof en zuigt het op via de zijborstels en de hoofdborstel. Afhankelijk van de omstandigheden wordt een obstakel mogelijk niet herkend. Als een obstakel wordt geraakt, detecteert de bumper het contact en wordt het obstakel vermeden.
- De robotstofzuiger kan over een trede van ongeveer 2,0 cm klimmen. Als deze echter minder dan 2,0 cm is, kan de robotstofzuiger er mogelijk niet overheen klimmen, afhankelijk van de omstandigheden, zoals de vorm van de trede.
- Op een helling of op een oneffen plaats kan de onderkant van de robotstofzuiger vast komen te zitten en kan een aandrijf wiel van de grond worden getild, waardoor de robotstofzuiger door een fout stopt. Als de robotstofzuiger vaak stopt, laat deze dan niet op die plaats werken. (Zie pagina 21.)
- Als er een obstakel in de buurt van een muur is, kan de robotstofzuiger tegen de muur rijden, terwijl deze probeert het obstakel te ontwijken.
- De LiDAR-sensor is mogelijk niet in staat om obstakels met de volgende kenmerken te herkennen, wat kan leiden tot onnauwkeurig in kaart brengen of botsen tegen obstakels.
  - Zeer reflecterende obstakels zoals spiegels
  - Zeer transparante obstakels zoals glas
  - Obstakels van zwart, glanzend materiaal
  - Dunne obstakels zoals de poten van een stoel of tafel
- Als de robotstofzuiger in een nauwe ruimte komt die lager is dan de hoogte van de robotstofzuiger, kan deze vast komen te zitten. Plaats in zo'n geval een scherm of iets dergelijks.



- 1. Plaats een scherm of iets dergelijks voor een opening.

- Een zwarte vloer, een transparante vloer, zoals een glazen vloer, of zwarte delen op de nerven van een houten vloer kunnen door de robotstofzuiger als een trede worden beschouwd, die deze dan probeert te vermijden.



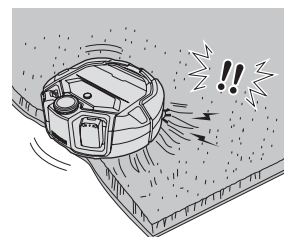
- De robotstofzuiger kan mogelijk geen stof opzuigen op een plaats rond een trede waarover de robotstofzuiger kan klimmen, een afgesloten of smalle ruimte waar de robotstofzuiger niet in kan, of een plaats die de zijborstels niet kunnen bereiken.
- De robotstofzuiger kan een klein, hard voorwerp, zoals een kleine steentje, wegslaan.
- De robotstofzuiger kan per ongeluk over een trede klimmen, als er een voorwerp is dat kan helpen om omhoog te klimmen (bijvoorbeeld een plank of een tapijt). Houd dergelijke voorwerpen uit de buurt van de treden.

#### ⚠ LET OP

Gebruik de robotstofzuiger niet op de volgende plaatsen.

- Gebruik de robotstofzuiger niet op plaatsen zoals een tapijt met een poolhoogte van meer dan 7 mm, een vloerkleed met gemakkelijk uitvallende polen en een oneffen vloerkleed.

Op een dergelijk vloerkleed stopt de robotstofzuiger mogelijk met werken, kunnen er polen in de zijborstels vast komen te zitten of het vloerkleed of de zijborstels kunnen beschadigd raken. Als de robotstofzuiger niet goed kan werken op een ander vloerkleed dan hierboven beschreven, vermijd dan gebruik op dat vloerkleed.



- Gebruik de robotstofzuiger niet op een matras, een deken, een vloerkussen, enz.
- Gebruik de robotstofzuiger niet in een natte ruimte, een toilet, een badkamer, een zolder, buitenshuis, enz.
- Gebruik de robotstofzuiger niet op een natte plaats, een plaats die nat kan worden of op een warme, vochtige plaats.

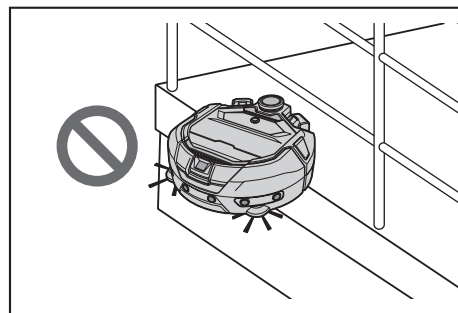
### Vorkomen dat de robotstofzuiger valt

#### ⚠ WAARSCHUWING

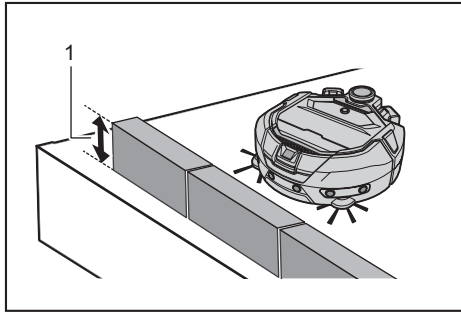
Zorg ervoor dat de robotstofzuiger niet valt.

- Als deze valt, kan dit breuk of letsel veroorzaken.

- Gebruik de robotstofzuiger niet op een tussenverdieping, op een loft, in een trappenhuis, op een plaats zonder muren, of een plaats met een helling van 10° of meer.

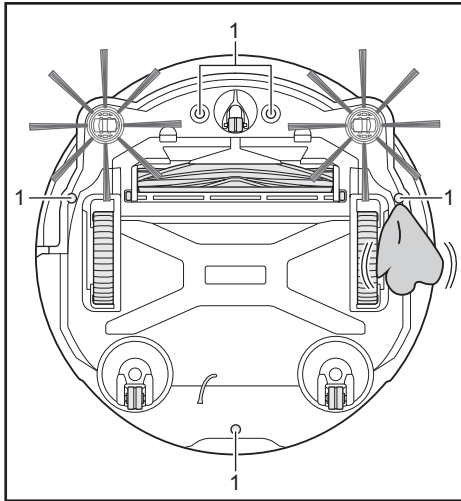


- Op een plaats waar zich een ongeval of een andere gevaarlijke situatie kan voordoen als gevolg van een val, plaatst u een voorwerp met een hoogte van 25 cm of hoger, dat als muur kan dienen (een voorwerp dat niet beweegt of omvalt, als het door de robotstofzuiger wordt geraakt).



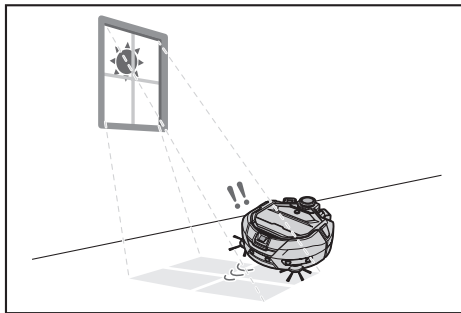
- ▶ 1. Hoogte van 25 cm of hoger

- Als er zich als gevolg van condensatie vuil of waterdruppels vormen op de afgrondsensoren aan de onderkant van de robotstofzuiger, veeg ze er dan af met een droge, zachte doek, een wattenstaafje, enz.

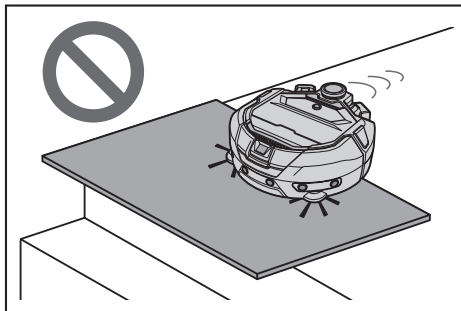


- ▶ 1. Afgrondsensoren (5 plaatsen)

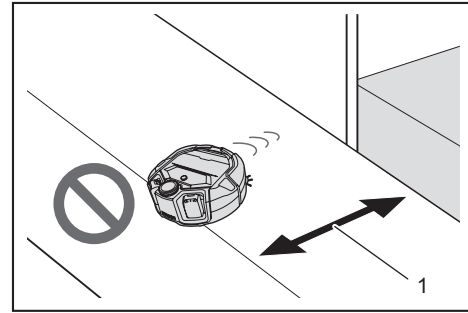
- De robotstofzuiger werkt mogelijk niet goed, als deze aan zonlicht of infraroodlicht van andere apparatuur wordt blootgesteld. Stel de robotstofzuiger niet bloot aan infraroodlicht van een halogeenverwarming, een afstandsbediening, een sensor en andere apparatuur en zonlicht dat door matglas schijnt, enz.



- Niet gebruiken als er zich voorwerpen dicht bij een trap bevinden, zoals tapijten, matten of borden. Als een voorwerp, zoals een tapijt, mat of bord de trap bedekt, herkent de afgrondsensoren de trap mogelijk niet correct.

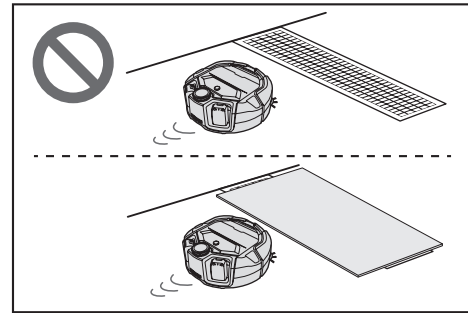


- Op een plaats waar de afstand van een muur tot een trede minder is dan ongeveer 1 m kan de robotstofzuiger vallen, terwijl hij achteruit beweegt. Gebruik de robotstofzuiger niet op een plaats waar de afstand van een muur tot een trede minder is dan ongeveer 1 m.



- ▶ 1. Minder dan ongeveer 1 m.

- Als er ergens een afvoerdekse (afvoerrooster) ligt, herkent de afgrondsensoren dit mogelijk als een trede en kan de robotstofzuiger er mogelijk niet overheen gaan. Als er overheen moet worden gegaan, bedek het rooster dan met een bord of iets dergelijks.



- Een trede van ongeveer 3,0 cm of minder wordt door de afgrondsensoren mogelijk niet als een trede herkend, waardoor de robotstofzuiger de trede afgaat, terwijl deze rechtdoor gaat. Gebruik de robotstofzuiger niet bij een trede van ongeveer 2,0 tot 3,0 cm.
- Sluit alle schuifdeuren, schermen of ramen. Het niveauverschil van hun frames of rails wordt door de bumpersensoren mogelijk niet als een trede herkend.
- Gebruik de robotstofzuiger niet op een breekbaar vloeroppervlak, zoals glas.

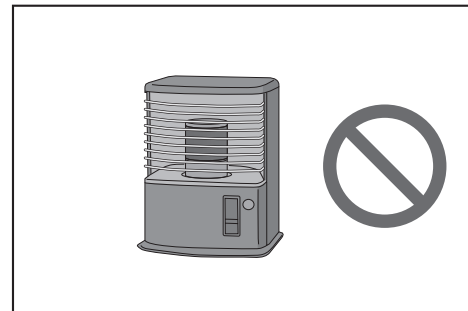
## Een te reinigen plaats opruimen

### ⚠ WAARSCHUWING

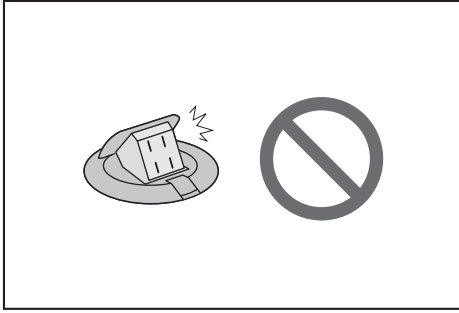
Verplaats voorwerpen die schade of een ongeval kunnen veroorzaken, als de robotstofzuiger ermee in contact komt. Berg voorwerpen op die niet mogen worden opgezogen, voorwerpen die het voortbewegen van de robotstofzuiger belemmeren en voorwerpen die in de hoofdborstel, wielen en zijborstels vast kunnen komen te zitten.

- Als u een voorwerp achterlaat dat het voortbewegen van de robotstofzuiger tijdens het reinigen hindert, kan dit een ongeval of letsel veroorzaken.

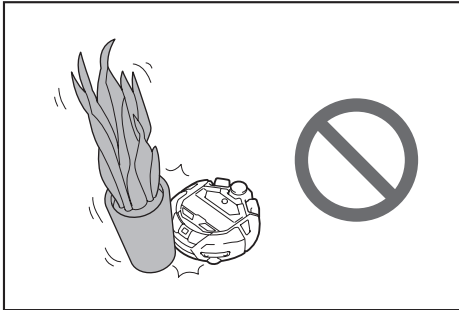
- Gebruik de robotstofzuiger niet in de buurt van voorwerpen die heet worden, zoals een verwarmingsapparaat (kachel). Dit kan een ongeval, ontsteking of storing veroorzaken. (Gebruik geen verwarmingsapparaat tijdens het gebruik.)



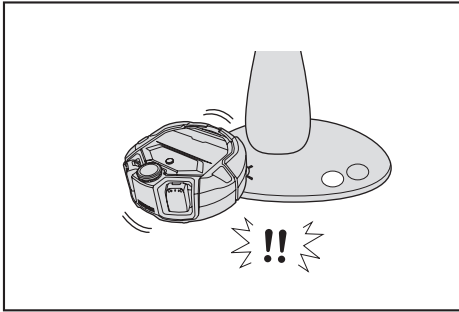
- Gebruik de robotstofzuiger niet op een plaats die met een intrekbare uitlaat is uitgerust. Een intrekbare uitlaat moet altijd worden ingetrokken.



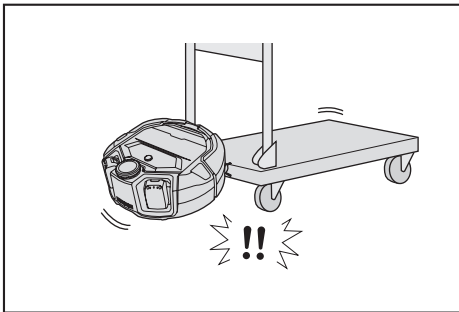
- Voor muren van breekbaar materiaal (bijvoorbeeld een lemen muur, een versierde deur of schuifdeur, of een kamerscherm) plaatst u voorwerpen die als muur dienen, zodat deze niet beschadigd raken.
- Niet gebruiken op plaatsen met onstabiele voorwerpen of voorwerpen die makkelijk kunnen vallen. Onstabiele voorwerpen en voorwerpen die gemakkelijk vallen, moeten in een andere ruimte worden verplaatst.



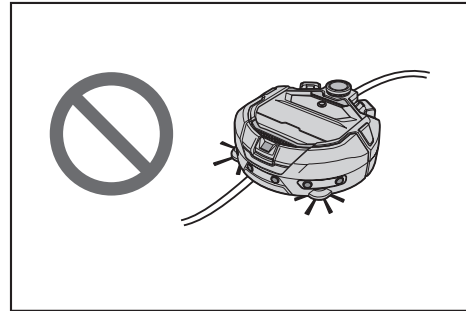
- Verplaats apparatuur en apparaten met bedieningstoetsen die zich op hetzelfde niveau als de robotstofzuiger bevinden.



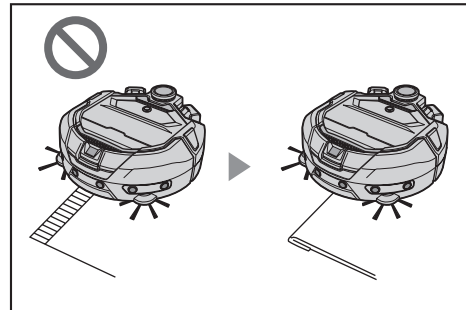
- Verwijder brandende kaarsen en gemakkelijk breekbare voorwerpen.
- Voor voorwerpen met wielen, zoals een transportwagentje en een rolstoel, en lichte stoelen die gemakkelijk kunnen bewegen, vergrendelt u de wielen of bergt u ze op.



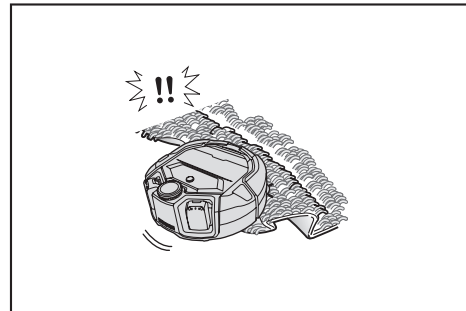
- Niet gebruiken met losse snoeren die vast kunnen komen te zitten of verstrikt kunnen raken. Leg voedingskabels langs een muur, zodat de robotstofzuiger er niet in verstrikt raakt.



- Berg lange, dunne voorwerpen, zoals een koord en een riem, op.
- Berg kleine voorwerpen die gemakkelijk worden opgezogen en waardevolle voorwerpen op.
- Berg voorwerpen op die de doorgang van de robotstofzuiger blokkeren, zoals een werktafel, een stoel, gereedschap en een bord.
- Als dierlijke uitwerpselen of andere vloeibare afvalstoffen worden opgezogen, kan dit een storing in de robotstofzuiger veroorzaken. Ruim deze op.
- Zorg ervoor dat de kwastjes van een mat of andere bekleding zijn weggestopt.



- Til de zoom van een gordijn, enz. dat op de grond hangt op. De zoom kan in de hoofdborstel, enz. vast komen te zitten.
- Berg dunne, gladde vloerkleden, zoals een mat en een tapijt, op. De vloerkleden en zijborstels kunnen beschadigd raken.



- Berg dun papier en stof, plastic zakken, enz. op.
- Sluit op een plaats die naar buiten leidt de deuren om te voorkomen dat de robotstofzuiger naar buiten gaat. Gebruik de robotstofzuiger niet, als de deuren niet kunnen worden gesloten. Sluit bovendien ook de deuren van ruimtes waar de robotstofzuiger niet mag komen.
- De robotstofzuiger kan mogelijk niet goed bewegen op een gladde vloer. Controleer voor gebruik de staat van de vloer.
- Zorg ervoor dat er een doorgang van 80 cm of meer is om te reinigen.

## Vorbereiding voor gebruik


### Bevestigen van de zijborstels

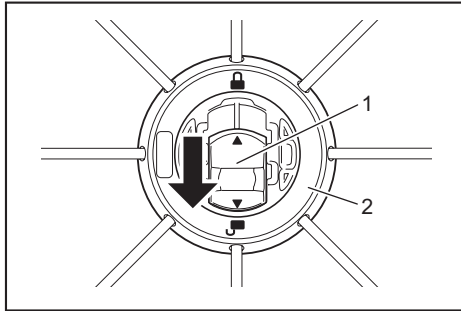
#### ⚠ WAARSCHUWING

Verwijder de accu's uit de robotstofzuiger voordat u de zijborstels bevestigt.

- Als er een accu in de robotstofzuiger blijft zitten, kan dit een elektrische schok of letsel veroorzaken.

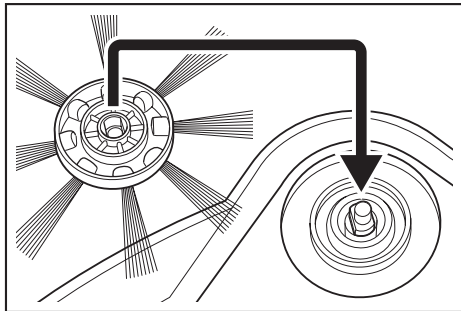
Plaats de robotstofzuiger voor het bevestigen van de zijborstels op een mat of iets dergelijks, zodat de robotstofzuiger en de vloer niet beschadigd raken.


- Plaats de robotstofzuiger ondersteboven.
- Schuif de vergrendelingshendel van de zijborstel naar  (ontgrendelingsteken).

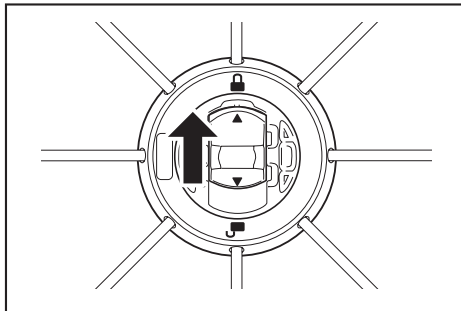


- 1. Vergrendelingshendel 2. Zijborstel

- Bevestig de zijborstel zodanig dat de as aan de onderkant van de robotstofzuiger met het gat van de zijborstel is uitgelijnd.



- Duw de vergrendelingshendel van de zijborstel naar  (vergrendelingsteken) totdat deze klikt. (Duw zolang totdat het punt dat in de afbeelding wordt weergegeven, wordt bereikt.)
  - Til de zijborstel na installatie iets op om te controleren of deze niet van de robotstofzuiger loskomt.
  - Bevestig twee zijborstels, één aan de linkerkant en één aan de rechterkant.

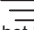


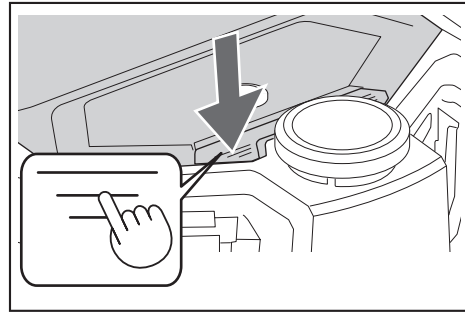
### De stofopvangdoos uitpakken

#### ⚠ WAARSCHUWING

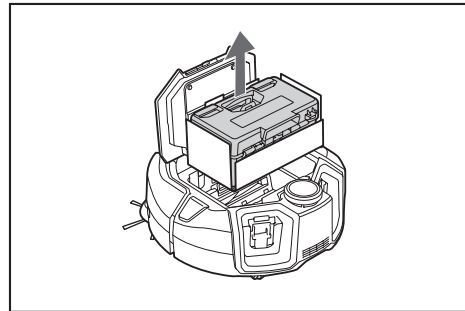
Als u het bovendeksel van de robotstofzuiger opent, zorg er dan voor dat de accu's uit de robotstofzuiger zijn verwijderd.

- Als er een accu in de robotstofzuiger blijft zitten, kan dit een elektrische schok of letsel veroorzaken.

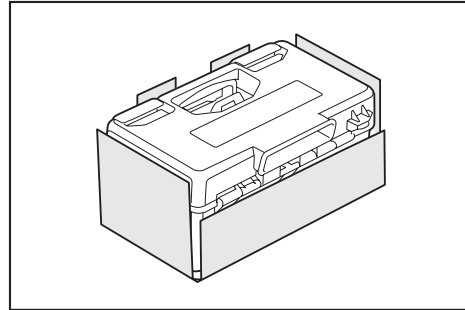
- Druk op de knop open () om het bovendeksel te openen. Wees voorzichtig, want het bovendeksel gaat snel open.



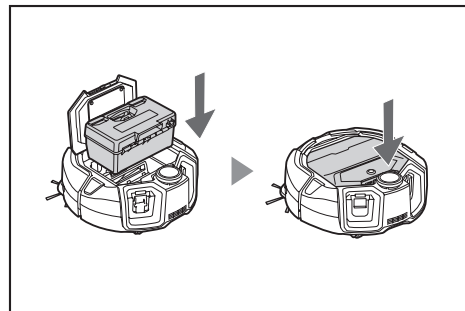
- Verwijder de stofopvangdoos.




- Verwijder het verpakkingsmateriaal.

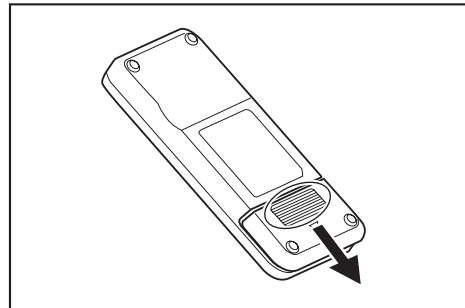


- Plaats de stofopvangdoos terug in de robotstofzuiger en duw het bovendeksel dicht totdat het vastklikt. Let er bij het sluiten van het bovendeksel op dat uw vingers niet gekneld raken.

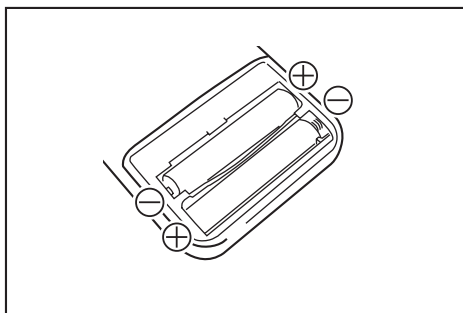


### Batterijen in de afstandsbediening plaatsen

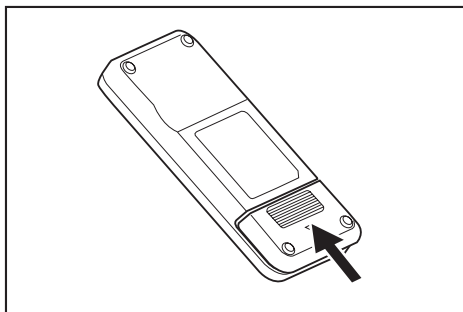
- Schuif het deksel van de afstandsbediening in de richting van de pijl, terwijl u  op het deksel van de afstandsbediening drukt en verwijder het.



2. Plaats de batterijen in de juiste richting.



3. Plaats het deksel terug.

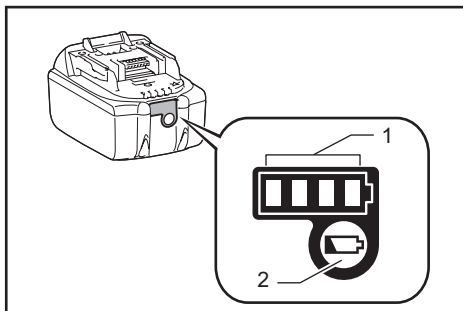


### KENNISGEVING

- Zorg ervoor dat de polen van de batterijen correct geplaatst zijn.
- Er zijn twee droge AAA-batterijen nodig. De twee batterijen moeten nieuw en van hetzelfde type zijn.
- Haal de batterijen eruit, als u ze lange tijd niet gebruikt om storing door vloeistoflekkage en scheuren te voorkomen.
- Als de batterijvloeistof in uw ogen komt of in contact komt met uw huid of kleding, was dat dan onmiddellijk met proper water weg.
- Stel de afstandsbediening niet aan schokken bloot en laat deze niet met water nat worden. Leg deze niet in direct zonlicht of in de buurt van een kachel, enz. Dit kan storingen veroorzaken.

### De resterende accucapaciteit aanduiden

Alleen voor accu's met indicator



► 1. Indicatorlampjes 2. Controleknop

Druk op de controleknop op de accu om de resterende accucapaciteit aan te geven. De indicatorlampjes lichten enkele seconden op.

Indicatorlampjes			Resterende capaciteit
Opgelicht	Uit	Knipperen	
■ ■ ■ ■			75% tot 100%
■ ■ ■ □			50% tot 75%
■ ■ □ □			25% tot 50%
■ □ □ □			0% tot 25%
▣ □ □ □			Laad de accu op.
■ ■ □ □			Er is mogelijk een storing in de accu opgetreden.
□ □ ■ ■			

### KENNISGEVING

- Afhankelijk van de gebruiksomstandigheden en de omgevingstemperatuur kan de indicatie enigszins van de werkelijke capaciteit afwijken.
- Het eerste (uiterst linkse) indicatorlampje knippert, als het accubeveiligingssysteem werkt.

### Accu's installeren en verwijderen (apart verkrijgbaar)

- De robotstofzuiger werkt zelfs met slechts één accu.
- Met twee accu's kan hij lange tijd werken.

### Hoe te installeren

#### ⚠ WAARSCHUWING

Een accu moet goed en zo ver mogelijk worden geplaatst. Als het rode gedeelte in het bovenste deel van de knop nog zichtbaar is, dan is de accu nog niet volledig vergrendeld. Plaats een accu volledig totdat het rode gedeelte niet meer zichtbaar is.

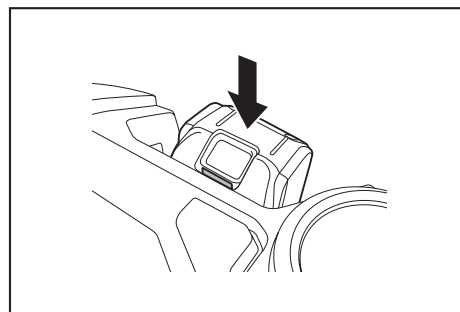
- Als een accu niet goed geplaatst is, kan de accu losraken, wat een ongeval of storing kan veroorzaken.

Plaats de accu niet met kracht.

- Als de batterij niet gemakkelijk op zijn plaats kan worden geschoven, wordt deze niet goed geplaatst.

Houd het gereedschap en de accu stevig vast tijdens het plaatsen van de accu.

Plaats een batterij goed en zo ver mogelijk langs de groef van de robotstofzuiger. De accu klikt, als ze volledig vergrendeld is.



### KENNISGEVING

Zorg er bij het plaatsen van een accu voor dat uw vingers niet tussen de robotstofzuiger en de accu gekneld raken.

### Hoe te verwijderen

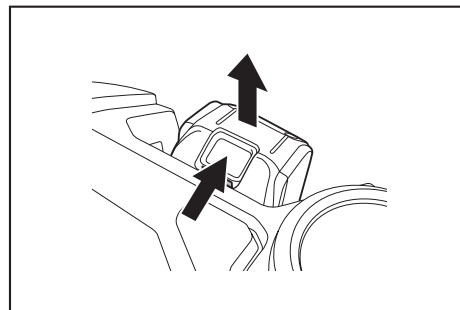
#### ⚠ WAARSCHUWING

Zorg ervoor dat de robotstofzuiger is uitgeschakeld, als u een accu verwijderd. Verwijder geen accu, als de robotstofzuiger in stand-by staat. (Zie "De stroom in-/uitschakelen" op pagina 16.)

- Als u een accu verwijderd, terwijl de stroom is ingeschakeld, kan dit storing veroorzaken.

Houd het gereedschap en de accu stevig vast tijdens het verwijderen van de accu.

Breng de batterij omhoog, terwijl u de knop van de batterij bedient.



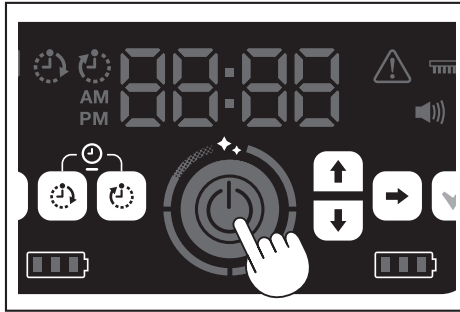


## De stroom in-/uitschakelen

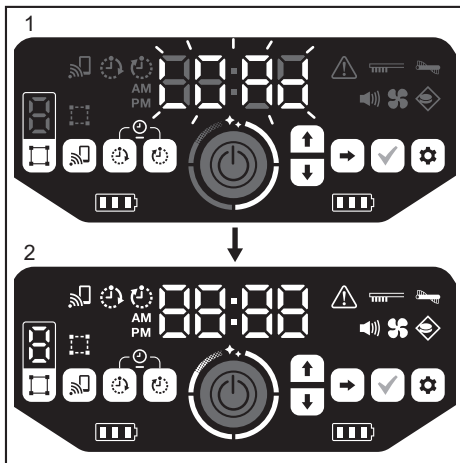
- Als de stroom wordt ingeschakeld, gaat de robotstofzuiger in stand-by. In stand-by is het mogelijk om te reinigen, instellingen te wijzigen en verbinding met de app te maken.
- Als de robotstofzuiger, de afstandsbediening of de app ongeveer 30 minuten niet is bediend in de stand-bystand, wordt de stroom uitgeschakeld. (Als de lamp smartphoneverbinding in het bovenstaande geval brandt, wordt de stroom niet uitgeschakeld.)
- Schakel de stroom uit aan het einde van de bediening en om op te bergen.
- Als de robotstofzuiger in slaapstand staat, is er geen communicatie met de app mogelijk.
- Als de robotstofzuiger is uitgeschakeld, kan de robotstofzuiger niet met de afstandsbediening of de app worden bediend.

### Hoe inschakelen

1. Als de robotstofzuiger is uitgeschakeld, drukt u op de start/stop-knop van de robotstofzuiger.



2. Wacht totdat de tijd wordt weergegeven zonder te bedienen. Als u de robotstofzuiger voor het eerst gebruikt, moet u eerst de tijd instellen. Stel de tijd in. (Zie pagina 23.)



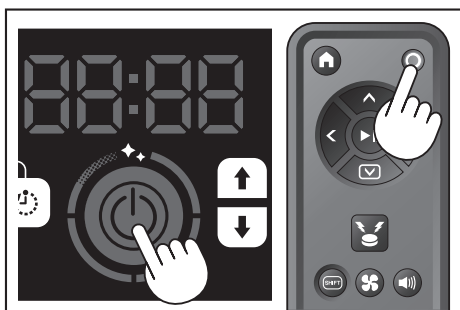
- ▶ 1. [LOAD] knippert in de tijdsindicator en de vier lampjes reinigingsniveau gaan met de klok mee aan en uit. De lampjes gaan sneller knipperen naarmate het opstarten vordert.
- 2. Als alle lampjes branden, is het opstarten van de robotstofzuiger voltooid (stand-by).

### Hoe uitschakelen

Houd de start/stop-knop van de robotstofzuiger ingedrukt of druk op de UIT-knop van de afstandsbediening.

Als de stroom volledig is uitgeschakeld, gaan het display en de lampjes van de robotstofzuiger uit. Wacht en verwijder de accu's niet.

Als u klaar bent met het gebruik van de robotstofzuiger of als u deze opbergt, schakel dan de stroom uit en verwijder de accu's.



## KENNISGEVING

Verwijder de batterijen niet voordat de stroom volledig is uitgeschakeld (voordat het display en de lampjes uitgaan). De opgeslagen in kaart gebrachte gegevens en de reinigingsgeschiedenis worden mogelijk verwijderd.

### Hoe het stroomlampje accu van de robotstofzuiger lezen

Status stroomlampje van de accu	Resterende accucapaciteit
	Ongeveer 60% of meer
	Ongeveer 20 tot 60%
	Minder dan 20%
	Geen resterende capaciteit Geen accu geplaatst

De resterende capaciteit is een ruwe indicatie en kan variëren afhankelijk van de gebruiksomstandigheden, de kamertemperatuur, het accutype en het stroomverbruik van de accu, enz.

## Wat instellen voor het reinigen

Stel voor het reinigen de nodige instellingen voor de robotstofzuiger in.

### De vacuümventilator in-/uitschakelen

Als alleen zichtbaar, groot stof wordt gereinigd, kan door het uitschakelen van de vacuümventilator de looptijd langer zijn. Raadpleeg pagina 19 voor het in- en uitschakelen van de vacuümventilator.

### De geluidinstelling in-/uitschakelen

Als de geluidinstelling van de robotstofzuiger is uitgeschakeld, reinigt de robotstofzuiger geruisloos. (Zie pagina 23.)

### De grensdetectiefunctie instellen

Als de grensdetectiefunctie is ingeschakeld, herkent de robotstofzuiger magnetische grenslijnen die op een vloeroppervlak zijn ingesteld. Een magnetische grenslijn dient als grenslijn en de robotstofzuiger gaat niet verder dan de magnetische grenslijn; dat wil zeggen, het bewegingsgebied kan worden beperkt. Raadpleeg pagina 21 voor het instellen van de grensdetectiefunctie.

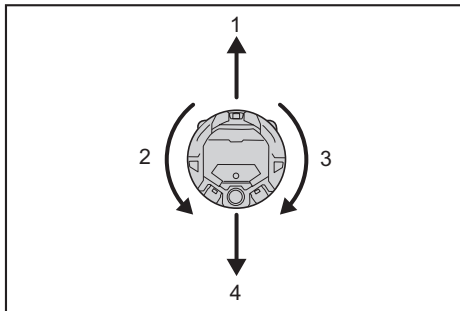
# Gebruik

## Reiniging

- De robotstofzuiger werkt op drie manieren:
  - modus vrij reinigen, waarvoor geen kaartregistratie vereist is,
  - modus reinigen in kaart brengen (zie "Een kamer reinigen met in kaart brengen" op deze pagina), waarvoor kamergegevens moeten worden geregistreerd voor het reinigen, en
  - handmatige bediening met de afstandsbediening.
- De modus vrij reinigen wordt aanbevolen voor het reinigen in verschillende kamers of in een omgeving waarvan de indeling frequent en significant wijzigt.
- Gebruik de modus vrij reinigen voor een kamer die niet voldoende verlicht kan worden op het moment van het in kaart brengen.
- Als de resterende acculading van de robotstofzuiger laag wordt, onderbreekt de robotstofzuiger het reinigen en keert terug naar de plaats waar het reinigen is gestart.

## Een kamer reinigen met de afstandsbediening

De robotstofzuiger kan met de actieknoppen van de afstandsbediening worden bediend om te reinigen.



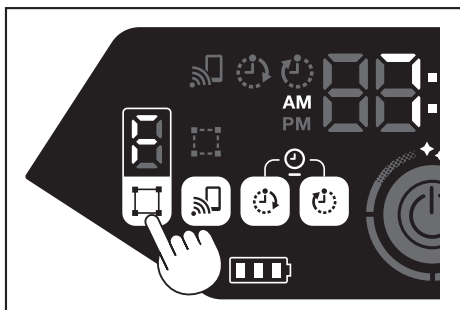
1. Vooruit bewegen: Druk op .
2. Naar links draaien: Druk op .
3. Naar rechts draaien: Druk op .
4. Achteruit bewegen: Druk op  terwijl u  ingedrukt houdt.

## KENNISGEVING

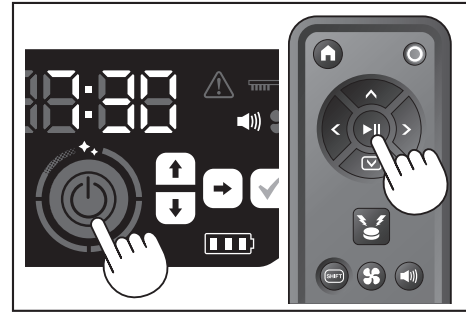
- Gebruik de robotstofzuiger niet op een smalle of oneffen plek.
- Als u de robotstofzuiger met de afstandsbediening bedient, moet u voorzichtig zijn om botsingen of vallen te voorkomen.
- Als er zich een obstakel voor de bewegende robotstofzuiger bevindt, beweegt de robotstofzuiger achteruit om dit te vermijden.

## Een kamer reinigen zonder in kaart te brengen (modus vrij reinigen)

1. Plaats de robotstofzuiger langs een muur van de ruimte die u wilt reinigen.
2. Zet de robotstofzuiger in de stand-bystand. (Zie pagina 16.)
3. Druk op de knop wisselen modus om [F] (modus vrij reinigen) te selecteren. Elke keer dat de knop wisselen modus wordt ingedrukt, verandert het weergegeven teken in de volgende volgorde "F, 1, 2, 3, 4, 5, F, ..." (elk nummer staat voor een kamernummer).



4. Nadat op de start/stop-knop is gedrukt, maakt de robotstofzuiger een geluid en begint te reinigen. (Als de geluidsinstelling is ingeschakeld)



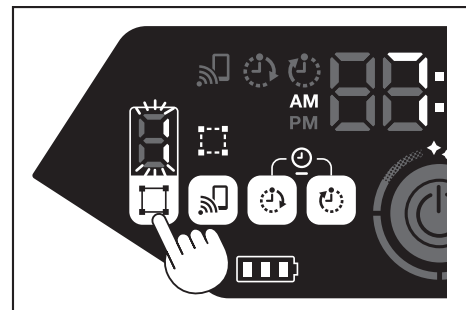
5. Als de robotstofzuiger vaststelt dat het reinigen is voltooid, keert de robotstofzuiger terug naar de plaats waar het reinigen is gestart.
  - Als de geluidsinstelling is ingeschakeld, wordt met een geluid aangegeven dat het reinigen voltooid is. (Zie pagina 23.)
  - De robotstofzuiger berekent zijn eigen positie met behulp van de LiDAR-sensor en de camerasensor. Om de camerasensor volledig te laten functioneren, is het aan te bevelen om de kamer tijdens het reinigen helderder te maken. Als de kamer donker is, kan de robotstofzuiger mogelijk een bepaald gebied niet reinigen of keert deze niet naar de plaats terug van waar het reinigen begonnen is.

## Een kamer reinigen met in kaart brengen

### Kamergegevens registreren (in kaart brengen)

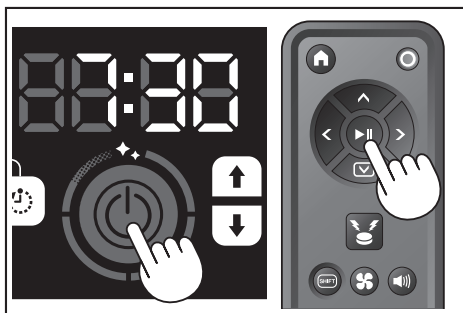
- Als de te reinigen kamers al zijn bepaald, kan het reinigen efficiënter worden gemaakt door de kamergegevens in de robotstofzuiger te registreren (registreren van kaartgegevens). Als het in kaart brengen is voltooid, is het mogelijk om het reinigingsresultaat te controleren en om in de app verboden zones in te stellen.
- Het aantal kamers dat kan worden geregistreerd, is vijf.
- Verlicht de kamer tijdens het in kaart brengen.
- Blijf uit de buurt van de robotstofzuiger tijdens het in kaart brengen.
- Pak de robotstofzuiger niet op tijdens het in kaart brengen.
- Het in kaart brengen lukt niet, als er geen obstakels zijn met een hoogte van 25 cm of meer binnen een straal van ongeveer 11 m van de robotstofzuiger. In dit geval wordt vrij reinigen aanbevolen. (Zie "Een kamer reinigen zonder in kaart te brengen (modus vrij reinigen)" op deze pagina)

1. Plaats de robotstofzuiger op de plaats waar u wilt dat de robotstofzuiger begint met reinigen.
  - Deze startplaats zal de plaats zijn waar het reinigen start.
  - Het wordt aanbevolen om de startplaats in de buurt van een muur, een hoek van de kamer of een ander gemakkelijk te identificeren punt in te stellen.
  - Houd een afstand van ongeveer 30 cm van een muur.
2. Zet de robotstofzuiger in de stand-bystand. (Zie pagina 16.)
3. Druk op de knop wisselen modus om een niet in kaart gebracht kamernummer te selecteren.
  - [F] is de modus vrij reinigen. (Zie "Een kamer reinigen zonder in kaart te brengen (modus vrij reinigen)" op deze pagina.)
  - Niet in kaart gebrachte kamernummers worden knipperend weergegeven en het registratielampje kamer brandt.
  - In kaart gebrachte kamernummers worden verlicht weergegeven en het registratielampje kamer is uit.



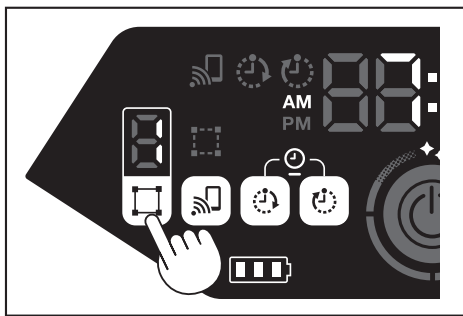
4. Nadat op de start/stop-knop is gedrukt, start de robotstofzuiger met het in kaart brengen. Na het in kaart brengen keert de robotstofzuiger terug naar de plaats waar het in kaart brengen begon (startpunt van het reinigen) en voltooit vervolgens de kamerregistratie.
  - Nadat het in kaart brengen is voltooid, gaat de robotstofzuiger in stand-by. Het kan even duren voordat de robotstofzuiger in stand-by gaat. Schakel in dat geval de stroom niet uit.
  - Als de geluidsinstelling is ingeschakeld, wordt met een geluid aangegeven dat het in kaart brengen voltooid is.

- Als het in kaart brengen niet lukt, voeg de kaartgegevens handmatig met behulp van de app toe. (Zie pagina 40.)

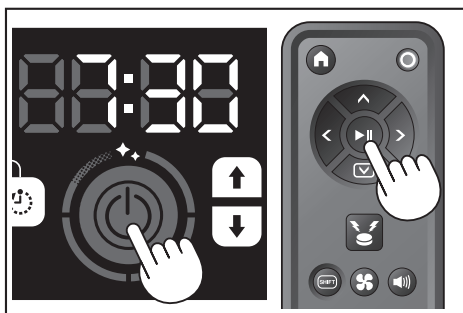


### In kaart gebrachte kamers reinigen

- In de modus reinigen in kaart brengen werkt de robotstofzuiger zo dat de in kaart gebrachte kamers efficiënter worden gereinigd.
  - Om de modus reinigen in kaart brengen te gebruiken, moeten kaartgegevens geregistreerd worden. (Zie "Een kamer reinigen met in kaart brengen" op pagina 17.)
- Plaats de robotstofzuiger op het startpunt van het in kaart brengen. Plaats de robotstofzuiger zoveel mogelijk in dezelfde richting als aan het begin van het in kaart brengen. Hierdoor kan de robotstofzuiger gemakkelijker beginnen met reinigen.
  - Zet de robotstofzuiger in de stand-bystand. (Zie pagina 16.)
  - Druk op de knop wisselen modus om een in kaart gebracht kamernummer te selecteren.
    - [F] is de modus vrij reinigen. (Zie pagina 17.)
    - Niet in kaart gebrachte kamernummers worden knipperend weergegeven en het registratielampje kamer brandt.
    - In kaart gebrachte kamernummers worden verlicht weergegeven en het registratielampje kamer is uit.



- Druk op de start/stop-knop van de robotstofzuiger om het reinigen te starten.



- Als het reinigen is voltooid, keert de robotstofzuiger naar het startpunt van het reinigen terug.
  - Het lampje reinigingsniveau geeft aan welk gedeelte van de hele kamer gereinigd is.
  - Als de geluidsinstelling is ingeschakeld, wordt met een geluid aangegeven dat het reinigen voltooid is. (Zie pagina 23.)
  - Als de beoogde reinigingszone te breed is om alles in één keer te reinigen, raden wij aan om de instelling [Continuous Cleaning] te gebruiken. (Zie pagina 43.)

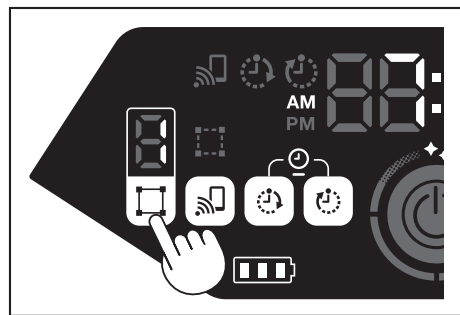
### Hoe het lampje reinigingsniveau lezen

Het lampje reinigingsniveau geeft het percentage gereinigde oppervlakte aan van de oppervlakte van de in kaart gebrachte kamer.

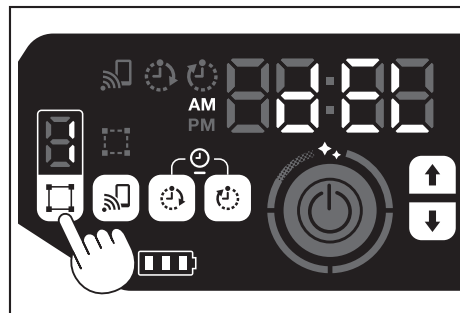
Status lampje reinigingsniveau	Percentage voltooide gereinigde zone
	90% of meer
	75% tot minder dan 90%
	50% tot minder dan 75%
	25% tot minder dan 50%

### Kaartgegevens verwijderen

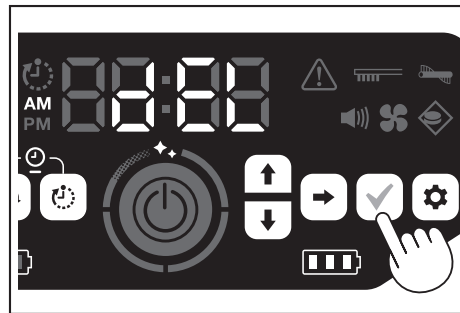
- Zet de robotstofzuiger in de stand-bystand. (Zie pagina 16.)
- Druk op de knop wisselen modus om het nummer van de kamer te selecteren waarvan u de kaartgegevens wilt verwijderen.
  - Elke keer dat de knop wisselen modus wordt ingedrukt, verandert het kamernummer in de volgende volgorde "F, 1, 2, 3, 4, 5, F, ..." (Voor [F] kunnen kaartgegevens niet worden verwijderd, omdat [F] de modus vrij reinigen is.)
  - Een in kaart gebracht kamernummer zal op het display oplichten.



- Als de knop wisselen modus ingedrukt wordt gehouden, wordt [dEL] ongeveer 10 seconden in de tijdsindicator weergegeven.



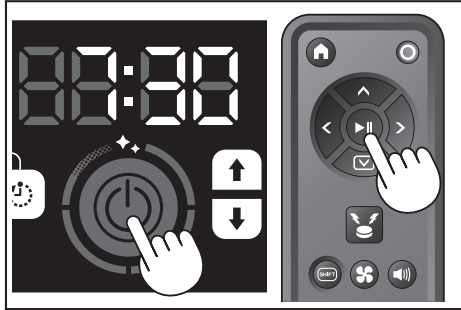
- Druk op de bevestigingsknop, terwijl [dEL] wordt weergegeven.



- Als de bevestigingsknop niet wordt ingedrukt, terwijl [dEL] wordt weergegeven, gaat de robotstofzuiger terug in stand-by.
- Wanneer kaartgegevens worden verwijderd, knippert het geselecteerde kamernummer en wordt het niet langer geregistreerd.

## Reinigen onderbreken of beëindigen

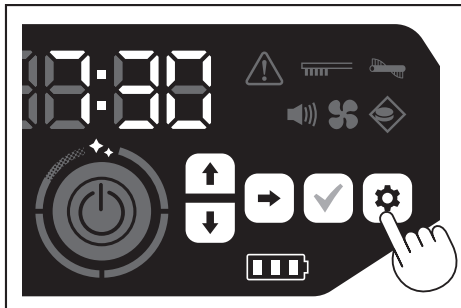
1. Als de start/stop-knop tijdens werking wordt ingedrukt, komt de robotstofzuiger tijdelijk tot stilstand.  
Als de start/stop-knop opnieuw wordt ingedrukt, begint de robotstofzuiger opnieuw te werken in dezelfde bedrijfsmodus als voor het stoppen.



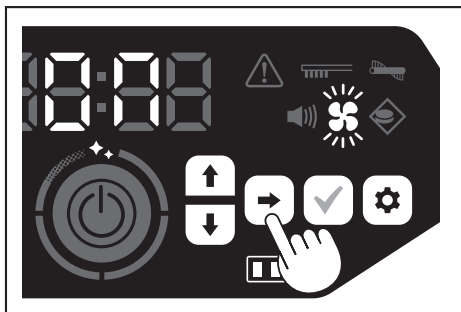
2. Om het reinigen tijdens het reinigen te stoppen, drukt u op de knop startpunt van de afstandsbediening, als de robotstofzuiger in werking is of tijdelijk gestopt is. De robotstofzuiger keert terug naar het startpunt van het reinigen en gaat dan in stand-by.
  - Om onmiddellijk met reinigen te stoppen, drukt u op de knop wisselen modus, terwijl de robotstofzuiger tijdelijk is gestopt. Dan gaat de robotstofzuiger in de stand-bystand.
  - Als het reinigen wordt beëindigd zonder naar het startpunt terug te gaan, wordt de reinigingsgeschiedenis mogelijk niet correct opgeslagen.

## De vacuümventilator in-/uitschakelen

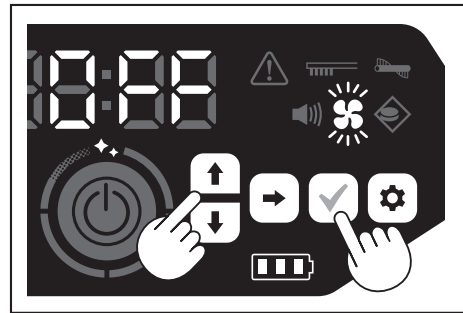
- Wanneer alleen zichtbaar, groot stof wordt gereinigd, wordt door het uitschakelen van de vacuümventilator de looptijd ongeveer dubbel zo lang.
  - De vacuümventilator kan ook via de afstandsbediening of de app worden ingesteld. (Zie "De vacuümventilator in-/uitschakelen" op deze pagina en "De robotstofzuiger vanaf de app bedienen" op pagina 37.)
1. Terwijl de robotstofzuiger in stand-by staat, drukt u op de instellingenknop om de modus instellingen selecteren te openen.



2. Druk op de knop Volgende om het lampje vacuümventilator te laten knipperen.



3. Met de knop Omhoog/Omlaag kan tussen Aan en Uit worden gewisseld. Nadat u Aan of Uit hebt geselecteerd, drukt u op de bevestigingsknop om de instelling vast te leggen.
  - Aan: Lampje vacuümventilator gaat aan.
  - Uit: Lampje vacuümventilator gaat uit.



## KENNISGEVING

Als de vacuümventilator is uitgeschakeld, gaat het lampje filteronderhoud niet branden, ook niet als het filter verstopt is.

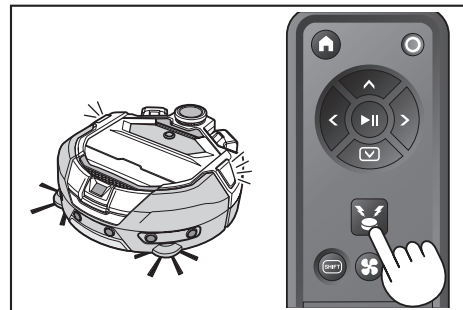
## De vacuümventilator met de afstandsbediening in-/uitschakelen

Als de robotstofzuiger in stand-by staat, kan de vacuümventilator worden in- of uitgeschakeld door op de knop vacuümventilator AAN/UIT op de afstandsbediening te drukken.

Ook tijdens het reinigen kan de ventilator met de afstandsbediening in- of uitgeschakeld worden.

## De functie locatiebaken gebruiken

- De robotstofzuiger meldt zijn eigen locatie met een zoemgeluid en een licht. Deze functie wordt gebruikt, als de robotstofzuiger niet kan worden gevonden, omdat deze een groot zone reinigt of een plaats is binnengegaan waar hij niet kan worden gevonden.
- Als de knop zoemer/lampje locatiebaken op de afstandsbediening wordt ingedrukt, klinkt er ongeveer 10 seconden een zoemgeluid, waarbij de positie-LED knippert.
- Om de functie locatiebaken halverwege te stoppen, drukt u nogmaals op de knop zoemer/lampje locatiebaken.



## KENNISGEVING

- De functie locatiebaken kan in de volgende gevallen niet worden gebruikt.
  - Als de robotstofzuiger is uitgeschakeld.
  - Als er geen accucapaciteit meer is.
  - Als de robotstofzuiger zich op een plaats bevindt waar radiogolven niet kunnen komen.
  - Als de batterij in de afstandsbediening leeg is.
- De functie locatiebaken kan ook vanuit de app worden gebruikt, maar dan moeten uw smartphone en de robotstofzuiger vooraf gekoppeld zijn. Als de robotstofzuiger in de slaapstand staat, kan de functie niet vanuit de app worden gebruikt.

## De timer AAN/timer UIT gebruiken

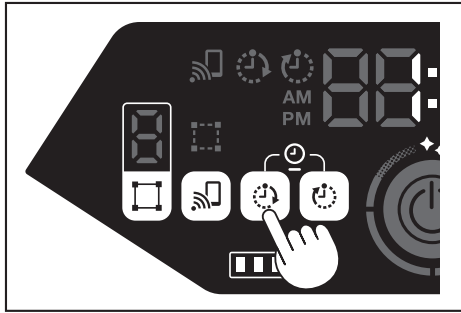
De timer AAN en de timer UIT kunnen tegelijkertijd worden gebruikt.

### De timer AAN instellen

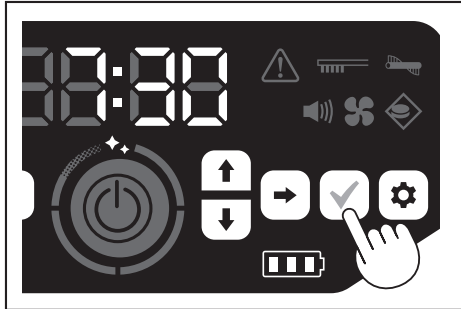
Wanneer een vooraf geselecteerde tijd aanbreekt, begint de robotstofzuiger in de geselecteerde reinigingsmodus te reinigen. Stel de tijd in voordat u de timer instelt. (Zie pagina 23.)

1. Zet de robotstofzuiger in de stand-bystand. (Zie pagina 16.)

- Houd de knop timer AAN ingedrukt om de tijdsinstelling van de timer AAN te wijzigen.
  - De wijzigingsprocedure is dezelfde als de procedure voor het instellen van de tijd (zie pagina 23).
  - De timer AAN kan in intervallen van 10 minuten worden geconfigureerd.

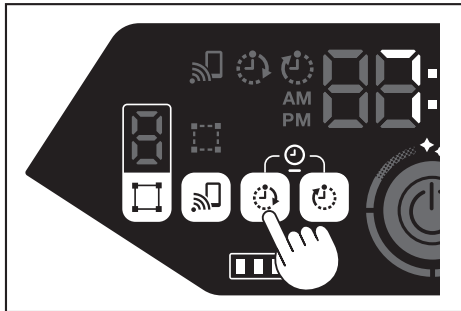


- Druk op de bevestigingsknop om de tijd vast te leggen.



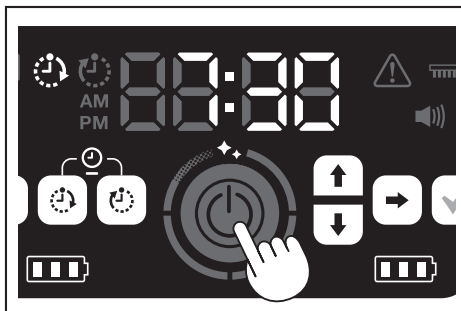
### De timer AAN gebruiken

- Druk op de knop timer AAN om de functie timer AAN in te schakelen. Het timerlampje AAN gaat branden en de ingestelde tijd knippert twee keer.
  - Om de functie timer AAN te annuleren, drukt u nogmaals op de knop timer AAN om het timerlampje AAN uit te schakelen.



- Selecteer de bedrijfsmodus van de robotstofzuiger. (Zie pagina 17 en 18.)
- Als de start/stop-knop wordt ingedrukt, wordt reinigen met de functie timer AAN gereserveerd. (Slaapstand)
 

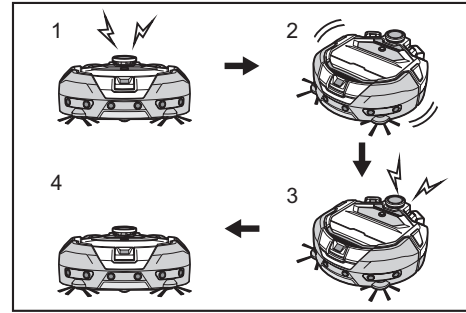
Om de functie timer AAN in de slaapstand te annuleren, drukt u nogmaals op de start/stop-knop om de robotstofzuiger in de stand-bystand te zetten. Om de ingestelde tijd na reservering te zien, drukt u op een willekeurige knop behalve de start/stop-knop. Daarna licht de ingestelde tijd 3 seconden op.



### KENNISGEVING

- De gereserveerde gegevens worden geannuleerd, als de stroom wordt uitgeschakeld of als er helemaal geen resterende accucapaciteit meer is.
- Als de accu's bijna leeg zijn, kan de robotstofzuiger niet wachten op bediening via de reservering timer AAN. Het is aan te bevelen om de accu's volledig op te laden om via de reservering timer AAN te bedienen.
- Bedienen via de reservering timer AAN is niet mogelijk als de stroom is uitgeschakeld.
- Als de timer AAN is ingesteld, wordt de bedrijfstijd iets korter, omdat de robotstofzuiger de accu verbruikt tijdens de slaapstand.

- Een voorbeeld van gebruik: Laat de robotstofzuiger 's ochtends automatisch reinigen. (Stel de timer AAN in op 7:30 en de timer UIT op 9:00.)



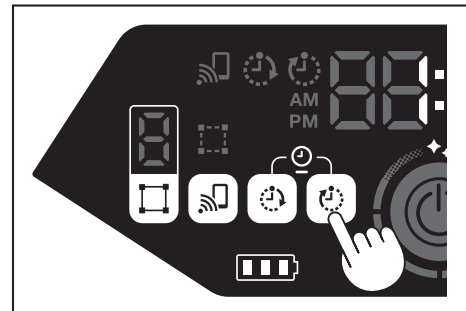
- Start om 7.30 uur. (timer AAN) 2. Reiniging 3. Stopt met reinigen om 9.00 uur. (timer UIT) 4. Keert naar het startpunt terug.

- Als u tijdens het wijzigen van de uren/minuten de knop Omhoog/Omlaag ingedrukt houdt, dan wijzigen de uren/minuten snel.
- Als de tijd van de timer al ingesteld is, hoeft u alleen de procedure te volgen voor "De timer AAN gebruiken" op deze pagina.

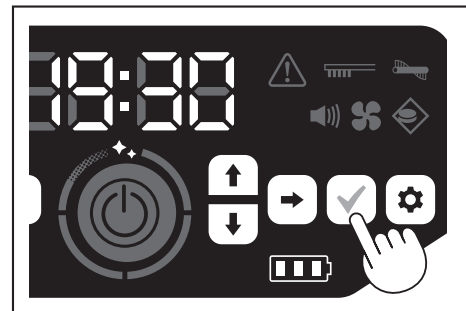
### De timer UIT instellen

Als een vooraf geselecteerde tijd wordt bereikt na de start van het reinigen, beëindigt de robotstofzuiger het reinigen en gaat terug naar het startpunt. Stel de tijd in voordat u de timer instelt. (Zie pagina 23.)

- Zet de robotstofzuiger in de stand-bystand. (Zie pagina 16.)
- Houd de knop timer UIT ingedrukt om de tijdsinstelling van de timer UIT te wijzigen.
  - De wijzigingsprocedure is dezelfde als de procedure voor het instellen van de tijd (zie pagina 23).
  - De timer UIT kan in intervallen van 10 minuten worden geconfigureerd.



- Druk op de bevestigingsknop om de tijd vast te leggen.

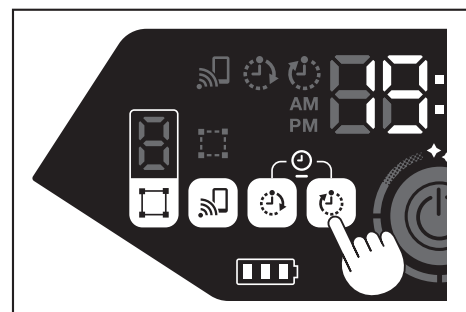


### De timer UIT gebruiken

Druk op de knop timer UIT om de functie timer UIT in te schakelen.

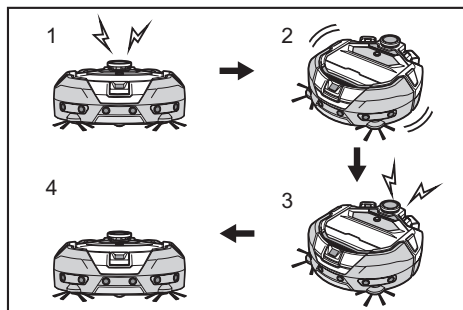
Het timerlampje UIT gaat branden en de ingestelde tijd knippert twee keer.

- Om direct te starten met reinigen en de timer UIT te gebruiken, selecteert u de reinigingsmodus en start u het reinigen.
- Raadpleeg pagina 19 om de timer UIT in combinatie met de timer AAN te gebruiken.
- Om de timer UIT te annuleren, drukt u nogmaals op de knop timer UIT, als de robotstofzuiger in stand-by staat.



## KENNISGEVING

- De instelling timer UIT wordt uitgeschakeld, als de stroom wordt uitgeschakeld of als er helemaal geen resterende accucapaciteit meer is.
- Als de resterende accucapaciteit laag is, stopt de robotstofzuiger mogelijk met werken voordat de ingestelde tijd van de timer UIT is bereikt.
- Afhankelijk van de reinigingsomgeving kan het even duren voordat de robotstofzuiger naar het startpunt is teruggekeerd. Stel in dit geval een eerdere tijd in voor de timer UIT.
- Een voorbeeld van gebruik: Laat de robotstofzuiger 's avonds automatisch slechts 30 minuten reinigen. (Stel de timer AAN in op 19:00 en de timer UIT op 19:30.)



- ▶ 1. Start om 19:00. (timer AAN) 2. Reiniging 3. Stopt met reinigen om 19:30. (timer UIT) 4. Keert naar het startpunt terug.
- Als u tijdens het wijzigen van de uren/minuten de knop Omhoog/Omlaag ingedrukt houdt, dan wijzigen de uren/minuten snel.
- Als de tijd van de timer al ingesteld is, hoeft u alleen de procedure te volgen voor "De timer UIT gebruiken" op pagina 20.

## Het reinigingsbereik controleren

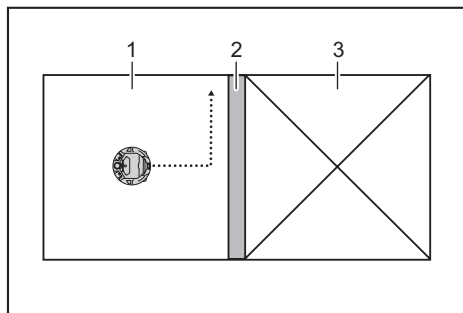
### ⚠ WAARSCHUWING

Gebruik de magnetische grenslijn niet als grenslijn van een zone waar mogelijk een ongeval kan gebeuren door binnendringen of vallen.

- Dit kan een ongeval of letsel veroorzaken als gevolg van het binnendringen of vallen van de robotstofzuiger.

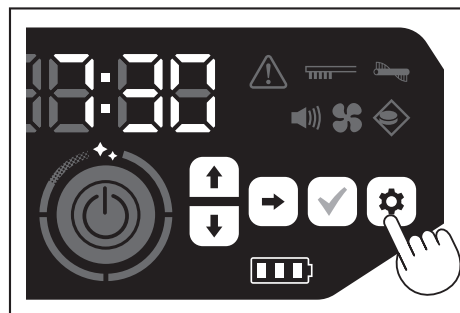
Voor een plaats met een risico op binnendringen of vallen van de robotstofzuiger, plaats een voorwerp dat als wand kan dienen met een hoogte van 25 cm of meer (een voorwerp dat niet beweegt of omvalt wanneer het door de robotstofzuiger wordt geraakt) op een vlakke ondergrond.

- Het reinigingsbereik kan worden beperkt door een magnetische grenslijn (apart verkrijgbaar) op een vloeroppervlak te bevestigen om een grenslijn te maken. De robotstofzuiger detecteert en vermijdt de magnetische grenslijn.
- Stel het reinigingsbereik voor de robotstofzuiger in de volgende gevallen in.

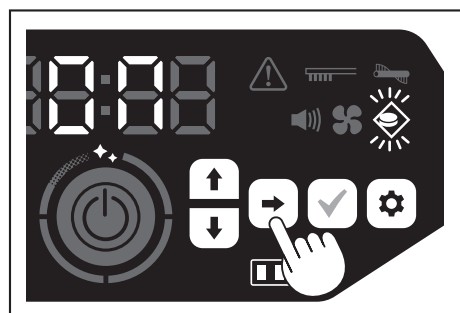


- ▶ 1. Reinigingszone 2. Magnetische grenslijn 3. Zone waarin u niet wilt dat de robotstofzuiger werkt
  - Als u een kamer die te groot is om in één keer te reinigen, wilt opdelen in meerdere zones om te reinigen.
  - Als er een zone is waar u niet wilt dat de robotstofzuiger komt.
  - Als er een zone is waar de robotstofzuiger in kan, maar die deze niet kan verlaten.
  - Als de robotstofzuiger over een lage trede klimt, maar er af valt.
  - Als de robotstofzuiger vast komt te zitten in het midden van een trede.
1. Let op de volgende punten als u een magnetische grenslijn legt.
    - Leg de magnetische grenslijn zonder enige opening tussen de lijn en het vloeroppervlak.
    - Leg de magnetische grenslijn op ongeveer 15 cm afstand van de zone waar u niet wilt dat de robotstofzuiger komt.
    - Plaats de magnetische grenslijn op een zo vlak mogelijk vloeroppervlak, zodat deze niet onstabiel wordt. Als u dit niet doet, kan de robotstofzuiger de lijn verplaatsen en de lijn niet correct herkennen.
    - De robotstofzuiger herkent mogelijk de magnetische grenslijn niet op een hol oppervlak of een oppervlak met treden.

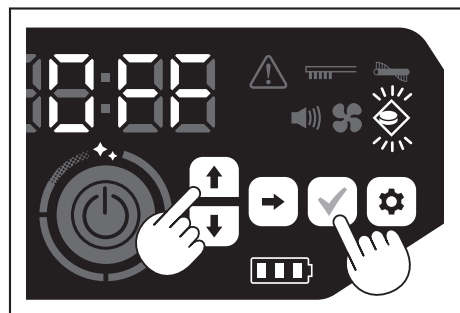
- Zorg ervoor dat de magnetische grenslijn een origineel product is. Als het geen origineel product is, kunnen de prestaties en veiligheid niet worden gegarandeerd.
  - Sommige vloeroppervlakken kunnen vuil worden. Controleer de geschiktheid goed voor gebruik.
  - Afhankelijk van het vloeroppervlak en de gebruiksomgeving herkent de magnetische sensor voor grensdetectie de magnetische grenslijn mogelijk niet of de magnetische grenslijn wordt mogelijk vuil of raakt gescheurd. Controleer de geschiktheid goed voor gebruik.
2. Terwijl de robotstofzuiger in stand-by staat, drukt u op de instellingenknop om de modus instellingen selecteren te openen.



3. Druk op de knop Volgende om het lampje grensdetectie te laten knipperen.



4. Met de knop Omhoog/Omlaag kan tussen Aan en Uit worden gewisseld. Nadat u Aan of Uit hebt geselecteerd, drukt u op de bevestigingsknop om de instelling vast te leggen.
  - Aan: Lampje grensdetectie gaat aan.
  - Uit: Lampje grensdetectie gaat uit.



## KENNISGEVING

- De grensdetectiefunctie is gebaseerd op herkenning van magnetische grenslijnen door een magnetische sensor. Als de magnetische grenslijn gescheurd is, omhoog staat, enz., wordt de lijn mogelijk niet herkend.
- Controleer regelmatig op scheuren, positieafwijkingen en andere problemen met de magnetische grenslijn. Als er een probleem optreedt, zoals scheuren, vervang de lijn dan door een nieuwe lijn.
- De grensdetectiefunctie kan in de buurt van een magnetisch voorwerp worden geactiveerd. Als u niet wilt dat de grensdetectiefunctie werkt, schakel dan de grensdetectiefunctie uit.
- Op een plaats waar mensen en zaken vaak komen en gaan, wordt er op de magnetische grenslijn gestapt en raakt deze beschadigd. Als de lijn verslechtert, vervangt u deze door een nieuwe lijn.
- Afhankelijk van het vloermateriaal is het aan te bevelen om de magnetische grenslijn op de vloer te vast te kleven, omdat de robotstofzuiger de magnetische grenslijn kan verplaatsen, als deze wordt gedetecteerd.
- De magnetische grenslijn kan met een schaar worden geknipt.

## Apart verkrijgbare onderdelen bevestigen, verwijderen en gebruiken

Raadpleeg de onderstaande pagina's voor informatie over het bevestigen, verwijderen en gebruiken van apart verkrijgbare onderdelen.


Apart verkrijgbare onderdelen	Referentiepagina	Opmerkingen
Magnetische grenslijn	21	–
Hoofdborstel Zachte hoofdborstel	26	De werkwijze is dezelfde als voor de meegeleverde hoofdborstel.
HEPA-filter	25	Zelfde als voor de meegeleverde HEPA-filter.
Zijborstel Zachte zijborstel	26	De werkwijze is dezelfde als voor de meegeleverde zijborstels.
Accu	15	–
Deksel hoofdborstel	26	Zelfde als voor het meegeleverde deksel hoofdborstel.
Bumperkussen	–	Een anti-kraskussen dat aan de robotstofzuiger moet worden bevestigd om de voorwerpen te beschermen.

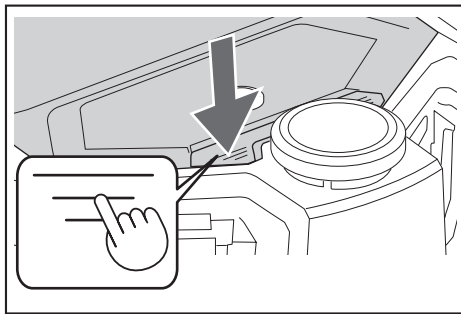
## Hoe afval verwijderen

### ⚠ WAARSCHUWING

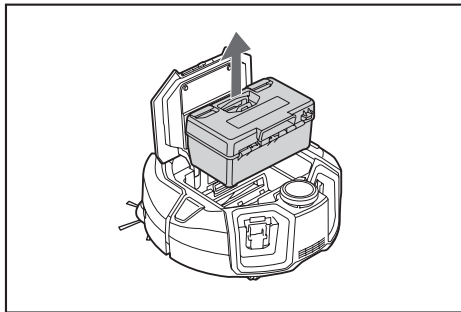
Schakel de stroom uit en verwijder de accu's uit de robotstofzuiger voordat u het bovendeksel van de robotstofzuiger opent.

- Als er een accu in de robotstofzuiger blijft zitten, kan dit een elektrische schok of letsel veroorzaken.

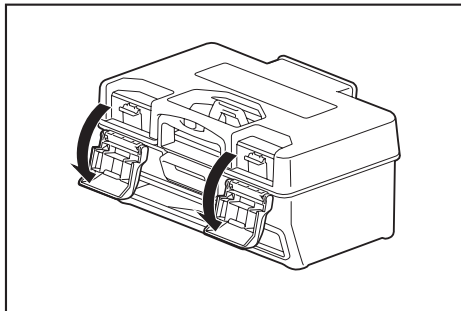
- Druk op de knop open (  ) om het bovendeksel te openen. Wees voorzichtig, want het bovendeksel gaat snel open.



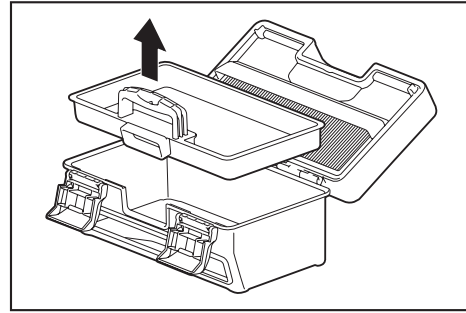
- Verwijder de stofopvangdoos. Houd de stofopvangdoos niet met de opening naar beneden gericht. Hierdoor kan er stof uit de opening vallen.



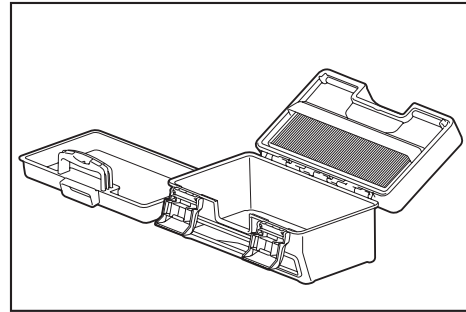
- Ontgrendel de twee vergrendelingshendels om het bovendeksel te openen.



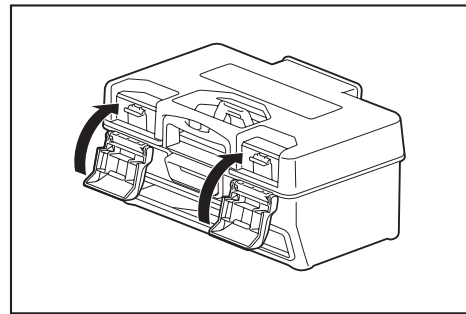
- Haal de stofbak eruit. Open het bovendeksel niet aan de filterzijde.



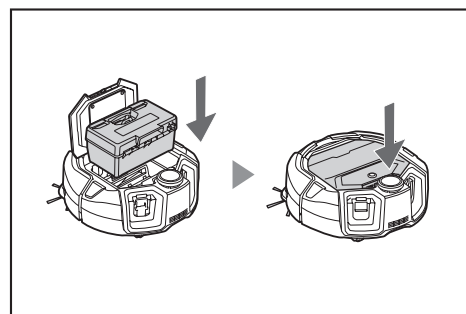
- Gooi het afval in de stofbak en de stofopvangdoos weg en verwijder vervolgens vuil en stof uit het filter. Als het filter te vuil is, verwijdert u het filter en wast u het met water. (Zie pagina 25.)



- Plaats de stofbak terug in de stofopvangdoos. Sluit vervolgens het bovendeksel en vergrendel de twee vergrendelingshendels.



- Plaats de stofopvangdoos terug in de robotstofzuiger en duw het bovendeksel dicht totdat het vastklikt. Let er bij het sluiten van het bovendeksel op dat uw vingers niet gekneld raken.



### KENNISGEVING

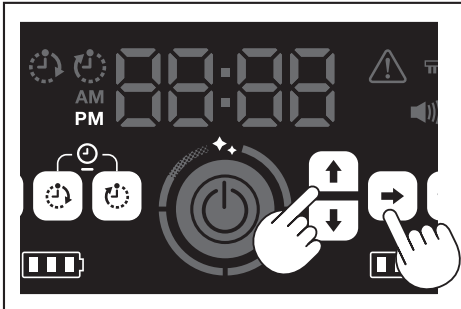
- Gooi aan het einde van elke reiniging het afval weg en onderhoud het filter. Als u verder reinigt zonder het afval weg te gooien, raakt het filter verstopt en neemt de zuigkracht af.
- Zorg ervoor dat u de stofopvangdoos en het filter correct plaatst.

## De robotstofzuiger instellen

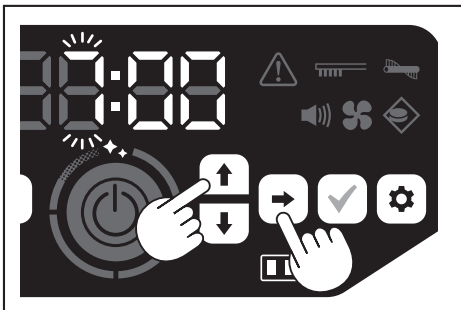
### De tijd instellen

Stel bij het eerste gebruik de tijd in.

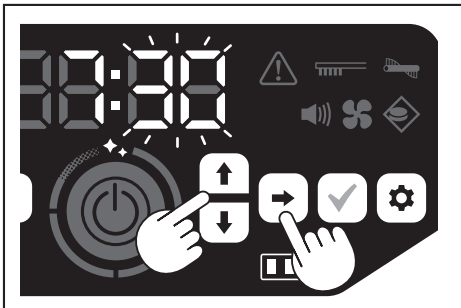
1. Gebruik de knoppen Omhoog/Omlaag om het weergaveformaat te selecteren uit [AM], [PM] of geen onderscheid (in 24-uursnotatie), en druk vervolgens op de knop Volgende om de selectie te accepteren. Als u de knop Volgende indrukt, knippert het uur.



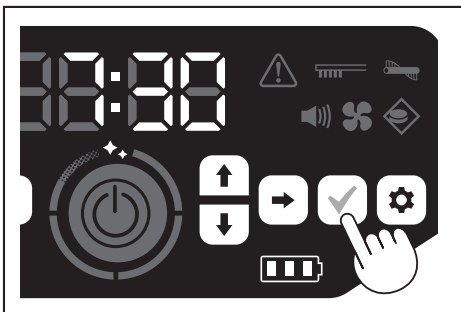
2. Selecteer met de knoppen Omhoog/Omlaag het uur en druk vervolgens op de knop Volgende om de selectie te accepteren. Als u de knop Volgende indrukt, knipperen de minuten.



3. Selecteer met de knoppen Omhoog/Omlaag de minuten en druk vervolgens op de knop Volgende om de selectie te accepteren.



4. Druk op de bevestigingsknop om de tijd vast te leggen.



### KENNISGEVING

- Als u tijdens het wijzigen van de uren/minuten de knop Omhoog/Omlaag ingedrukt houdt, dan wijzigen de uren/minuten snel.
- Als de robotstofzuiger gedurende een lange periode niet wordt gebruikt, kan de tijdsinstelling onnauwkeurig worden door de temperatuur in de opbergruimte of wordt deze opnieuw ingesteld, als de ingebouwde accu leeg raakt.

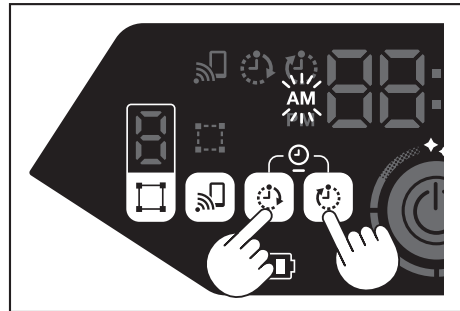
### De tijd opnieuw instellen

Als de robotstofzuiger gedurende een lange periode niet wordt gebruikt, is de tijdsinstelling onnauwkeurig of is deze opnieuw ingesteld.

Als u de robotstofzuiger via de app met een smartphone verbindt, wordt de tijd op de smartphone automatisch op de robotstofzuiger ingesteld.

Als u de tijd handmatig wilt instellen, volgt u de volgende procedure.

1. Zet de robotstofzuiger in de stand-bystand. (Zie pagina 16.)
2. Houd de knop timer AAN en de knop timer UIT tegelijkertijd ingedrukt om de tijdsnotatie [AM] of [PM] te laten knipperen (knippert niet, als de vorige instelling de 24-uursnotatie was).



3. Stel de tijd in door "De tijd instellen" op deze pagina vanaf stap 1 te volgen.

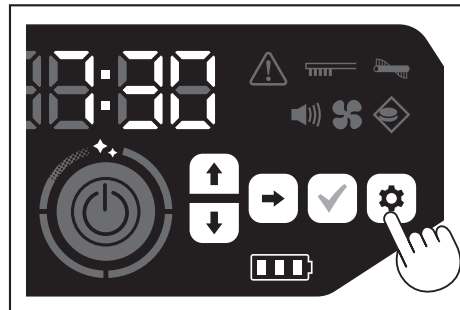
### Wi-Fi® instellen (robotstofzuiger en smartphone)

- Om de robotstofzuiger met de app te bedienen, stelt u Wi-Fi®-instellingen voor de app en de robotstofzuiger in. (Zie pagina 34.)
- Installeer eerst de app op uw smartphone.
- De robotstofzuiger dient als toegangspunt voor de smartphone. Als een smartphone met de robotstofzuiger is verbonden, wordt de smartphone niet met een ander netwerk dan de robotstofzuiger verbonden.
- Druk op de knop smartphoneverbinding om Wi-Fi in te schakelen om een smartphone met de robotstofzuiger te verbinden.
- Druk op de knop smartphoneverbinding om de lamp smartphoneverbinding uit te schakelen, als u geen Wi-Fi gebruikt.
- Er kunnen verschillende robotstofzuigers met één app worden beheerd. Maak in dat geval één voor één een draadloze verbinding met de app.

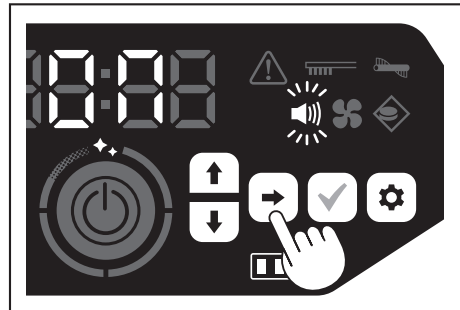
### Het geluid instellen

- U kunt kiezen of de robotstofzuiger geluiden maakt of niet.
- Het geluid kan ook met de afstandsbediening worden ingesteld.

1. Terwijl de robotstofzuiger in stand-by staat, drukt u op de instellingenknop om de modus instellingen selecteren te openen.

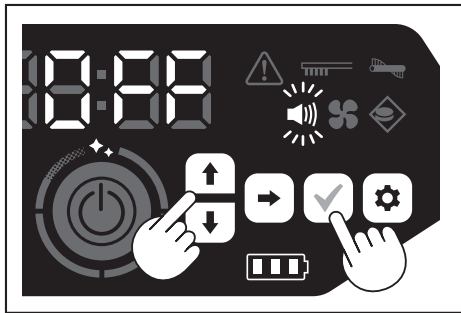


2. Druk op de knop Volgende om het geluidslampje te laten knipperen.





- Met de knoppen Omhoog/Omlaag kan tussen Aan en Uit worden gewisseld. Nadat u Aan of Uit hebt geselecteerd, drukt u op de bevestigingsknop om de selectie vast te leggen.
  - Aan: Geluidslampje gaat aan (geluid ingeschakeld).
  - Uit: Geluidslampje gaat uit (geluid uitgeschakeld).



### KENNISGEVING

Zelfs als het geluid is uitgeschakeld, kan de robotstofzuiger een geluid laten horen om een fout te melden, enz.

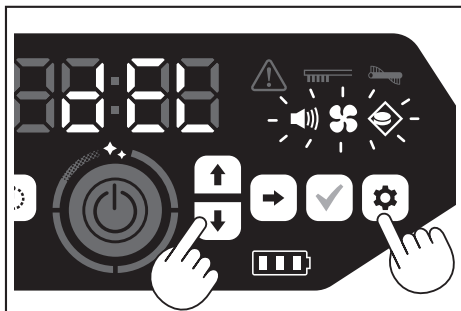
### Het geluid met de afstandsbediening in-/uitschakelen

Als de robotstofzuiger in stand-by staat, kunt u het geluid in- of uitschakelen door op de knop geluid AAN/UIT van de afstandsbediening te drukken. Het geluid kan zelfs tijdens het reinigen worden in- en uitgeschakeld, als het met de afstandsbediening wordt ingesteld.

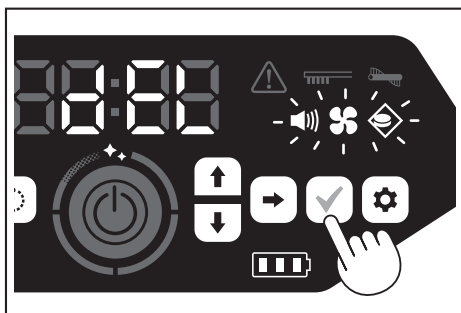
### De instellingen opnieuw instellen

U kunt de instellingen van de robotstofzuiger naar de fabrieksinstellingen terugzetten.

- Zet de robotstofzuiger in de stand-bystand. (Zie pagina 16.)
- Houd de knop Omlaag en de instellingenknop ingedrukt. [dEL] wordt op de tijdsindicator weergegeven en de pictogrammen en lampjes, behalve het foutlampje, knipperen.



- Druk op de bevestigingsknop, terwijl [dEL] wordt weergegeven (ongeveer 10 seconden).
  - Als de bevestigingsknop niet wordt ingedrukt, terwijl [dEL] wordt weergegeven, gaat de robotstofzuiger terug in stand-by.
  - Als de robotstofzuiger de instellingen opnieuw aan het instellen is, gaan alle pictogrammen en lampjes, behalve het batterijvoedingslampje, uit. Raak de knoppen niet aan, ook al werkt de robotstofzuiger op dit moment niet, zelfs niet als u op de knoppen op het bedieningspaneel drukt. Verwijder ook de accu's niet.

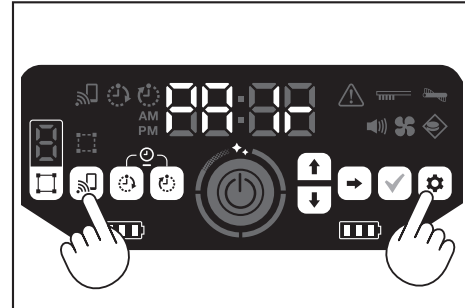


- Nadat het opnieuw instellen is voltooid, wordt een herstart uitgevoerd en verschijnt het scherm om de tijd in te stellen.

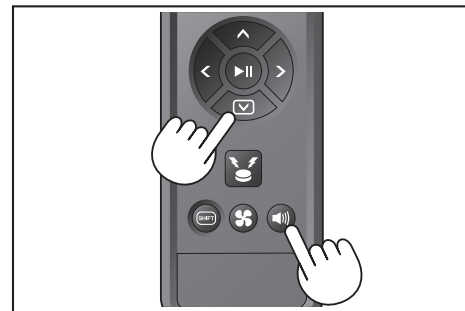
### De robotstofzuiger en de afstandsbediening koppelen

Als de afstandsbediening door een nieuwe wordt vervangen, moet u de robotstofzuiger en de afstandsbediening koppelen.

- Houd de knop smartphoneverbinding en de instellingenknop tegelijkertijd ingedrukt. [PAIr] wordt op de tijdsindicator weergegeven. [PAIr] wordt gedurende 10 seconden weergegeven.



- Terwijl [PAIr] wordt weergegeven, drukt u op de afstandsbediening tegelijkertijd op de actieknop (omlaag) en de knop geluid AAN/UIT. Als het koppelen is voltooid, geeft de robotstofzuiger twee korte pieptonen en keert terug naar de stand-bystand.



### KENNISGEVING

- Als het koppelen mislukt, weerklinkt er een foutgeluid.
- Als de robotstofzuiger geen signaal van de afstandsbediening ontvangt, terwijl [PAIr] wordt weergegeven, gaat de robotstofzuiger terug naar de stand-bystand.

## Onderhoudswerkzaamheden

### ⚠ WAARSCHUWING

Schakel de stroom uit en verwijder de accu's uit de robotstofzuiger voordat u onderhoud van de robotstofzuiger uitvoert.

- Als er een accu in de robotstofzuiger blijft zitten, kan dit een elektrische schok of letsel veroorzaken.

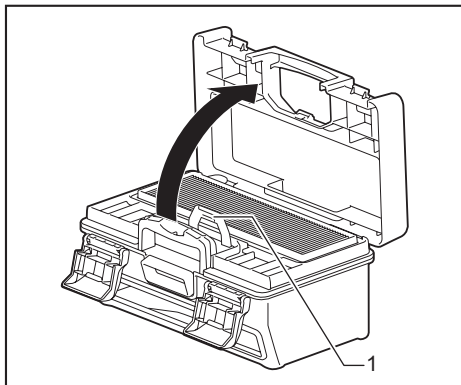
### ⚠ LET OP

Om optimale prestaties te behouden, moet u periodiek het onderhoud uitvoeren dat in dit hoofdstuk wordt beschreven. Als er een probleem optreedt, stop dan met het gebruik van de robotstofzuiger en vraag bij de winkel waar u het product hebt gekocht of bij ons verkoopkantoor om inspectie en reparatie uit te voeren.

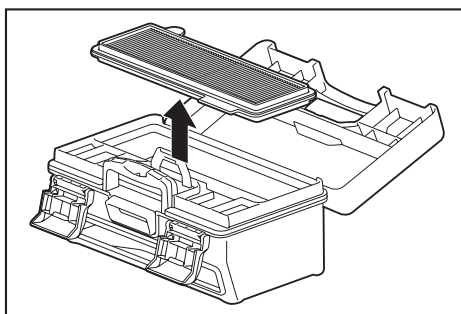
## Onderhoud

### De stofopvangdoos en het filter onderhouden en vervangen

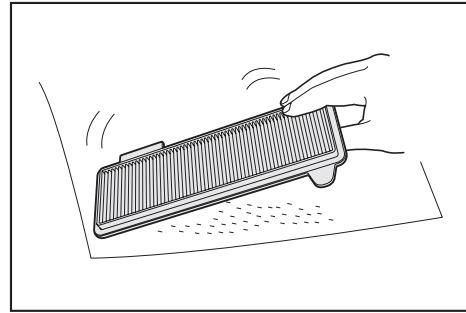
- Als de zuigkracht van de robotstofzuiger afneemt, als er vuil zichtbaar is of als het lampje filteronderhoud gaat branden, verwijder dan het filter en was het met water.
  - Neem een krant of iets dergelijks om onderhoud op uit te voeren.
  - Gebruik geen chemicaliën of heet water met een temperatuur van 40 °C (104 °F) of hoger.
1. Verwijder afval volgens stappen 1 tot 5 van "Hoe afval verwijderen". (Zie pagina 22).
  2. Plaats de stofbak terug in de stofopvangdoos en sluit het bovendeksel van de stofopvangdoos.
  3. Maak de haak los en open het bovendeksel aan de filterzijde.



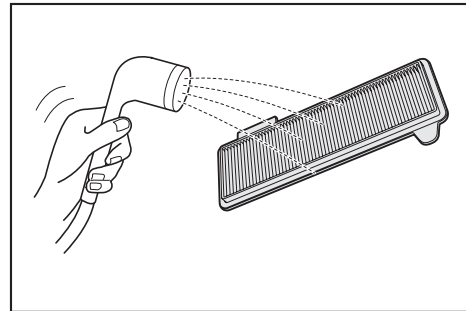
- 1. Haak
4. Haal het filter uit de stofopvangdoos.  
Haal het filter langzaam uit, om te voorkomen dat stof rondwarrelt.



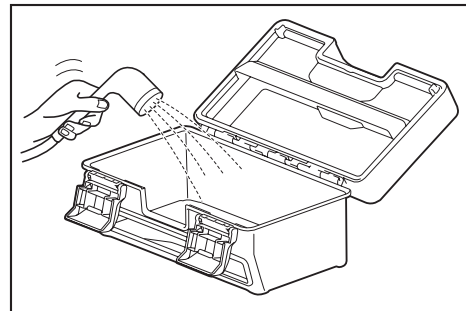
5. Tik zachtjes op het filter om vuil en stof te verwijderen.
  - Schrob het filter niet hard en druk het niet met de vingers naar beneden.
  - Gebruik geen scherp voorwerp (zoals een tandenstoker). Dit kan breuk veroorzaken.



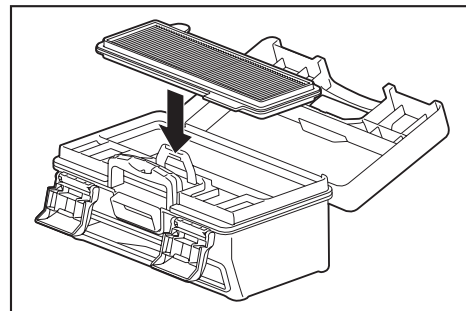
6. Was het filter met water, als de zuigkracht van de robotstofzuiger laag is. Als er een storende geur optreedt, laat het filter dan ongeveer drie uur in een verdund, neutraal reinigingsmiddel weken en was het dan met water.



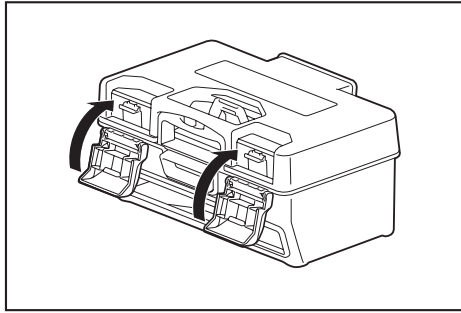
7. Als er zichtbaar vuil op de stofopvangdoos zit, was deze dan met water of een verdund neutraal reinigingsmiddel.



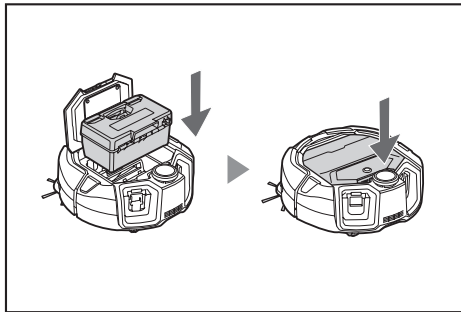
8. Nadat u het filter of de stofopvangdoos met water hebt gewassen, laat u deze drogen op een goed geventileerde plaats buiten direct zonlicht.
  - Het gebruik van onderdelen zonder ze goed te drogen kan leiden tot een verminderde zuigkracht en een kortere levensduur van de motor.
  - Het gebruik van onderdelen terwijl er vocht op achterblijft, kan een geur of een storing veroorzaken.
  - De droogtijd is ongeveer een dag.
  - Vermijd drogen met een droger, een blazer, enz.
9. Plaats het filter in de stofopvangdoos.



10. Sluit het bovendeksel aan de filterzijde en maak de haak opnieuw vast. Vergrendel daarna de twee vergrendelingshendels.



11. Plaats de stofopvangdoos terug in de robotstofzuiger en duw het bovendeksel dicht totdat het vastklikt. Let er bij het sluiten van het bovendeksel op dat uw vingers niet gekneld raken.

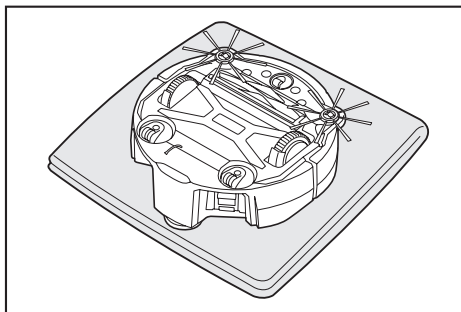


## KENNISGEVING

- Gebruik de robotstofzuiger niet als het filter is verwijderd. Gebruik de robotstofzuiger niet als het filter beschadigd of vuil is.
- Het filter kan met water worden gewassen. Was het stof met regelmatig (elke één tot twee maanden) weg met water.
- Als het filter verslechtert, vervang het dan door een nieuw filter.
- Het filter is een verbruiksartikel. Daarom is het aan te bevelen om een reserve te hebben.
- Beschadig het filter niet door het met een hard voorwerp, zoals een borstel of een spatel, te schuren.
- Reinig het HEPA-filter niet met een luchtblazer of een hogedrukreiniger, omdat dit gemakkelijk kan worden beschadigd.

## Voorzorgsmaatregelen bij het onderhouden van de onderkant van de robotstofzuiger


- Haal de stofopvangdoos eruit voordat u onderhoud uitvoert. (Zie pagina 22.) Als u dat niet doet, kan er stof uit de opening vallen.
- Plaats de robotstofzuiger ondersteboven voordat u onderhoud uitvoert op de zijborstels, de hoofdborstel, de onderkant van de robotstofzuiger en de wielen.
- Leg tijdens het onderhoud een dikke mat of iets dergelijks op de vloer, zodat de robotstofzuiger en het vloeroppervlak niet worden beschadigd en zodat de LiDAR-sensor niet onder druk komt te staan.

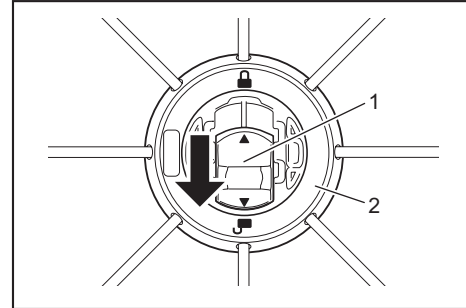


- Druk niet hard op de onderkant van de robotstofzuiger als de robotstofzuiger ondersteboven is gekeerd. Als u er hard op drukt, kan de robotstofzuiger beschadigd raken.

## De zijborstels onderhouden en vervangen

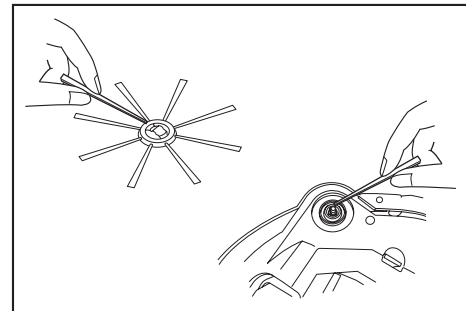
- Als een fout (zie pagina 29) wordt weergegeven of als er stof en haar in een zijborstel vast komen te zitten, voer dan onderhoud van de zijborstel uit.
- Als de borstelharen van een zijborstel gebogen zijn of uit vallen, vervang de zijborstel dan door een nieuwe.
- Als een zijborstel niet draait of moeilijk draait, verwijder dan de zijborstel en voer onderhoud uit.

1. Plaats de robotstofzuiger ondersteboven op een mat, enz.
2. Schuif de vergrendelingshendel van de zijborstel naar  (ontgrendelingstekens).



- 1. Vergrendelingshendel 2. Zijborstel

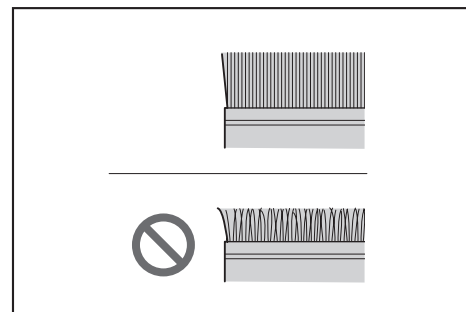
3. Verwijder de zijborstel.
4. Verwijder haar en stof die in de zijborstel vastzitten met een pincet of ander gereedschap.



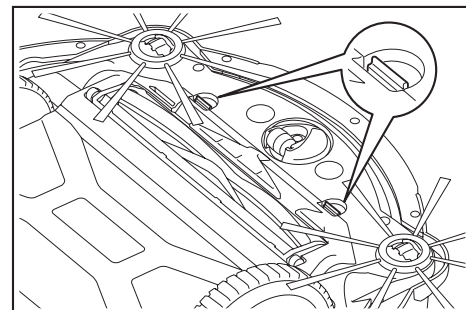
5. Bevestig de zijborstels op de robotstofzuiger. (Zie pagina 14.)

## De hoofdborstel onderhouden en vervangen

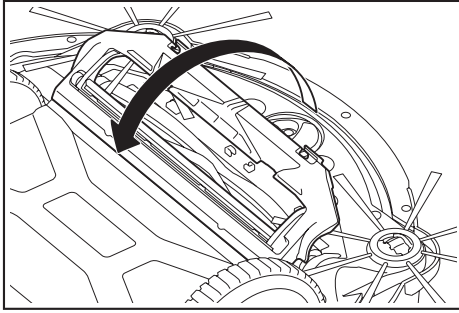
- Als een fout (zie pagina 29) wordt weergegeven of als er stof en haar in de hoofdborstel vast komen te zitten, voer dan onderhoud van de hoofdborstel uit.
- Als de borstelharen van de hoofdborstel versleten raken en korter worden, vervang dan de hoofdborstel.



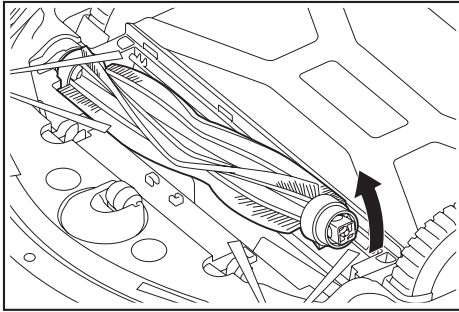
1. Plaats de robotstofzuiger ondersteboven op een mat, enz.
2. Maak de haken van het deksel van de hoofdborstel los.



3. Verwijder het deksel van de hoofdborstel.  
Haal het deksel van de hoofdborstel niet uit elkaar.



4. Verwijder de hoofdborstel.



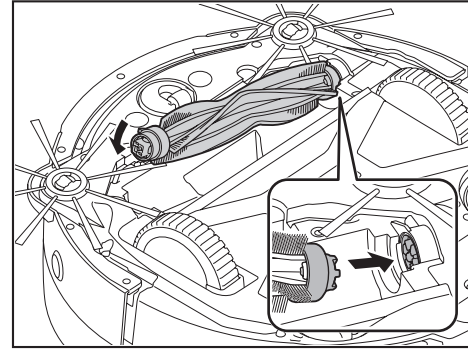
5. Voer onderhoud uit op de hoofdborstel, het deksel van de hoofdborstel, de behuizing van de hoofdborstel en de lagers zoals hieronder beschreven.

Onderdeel	Hoe onderhouden
Hoofdborstel	<p>Verwijder de lagerkap die aan de hoofdborstel is bevestigd en verwijder het opgehoopte stof. Knip vastzittende haren en pluïsjes langs de borstelharen met een schaar los en verwijder ze vervolgens. Was vastzittend stof met water weg.</p> <p>► 1. Lagerkap</p>
Deksel hoofdborstel	<p>Veeg schoon met een doek die is bevochtigd met water of een verdund neutraal reinigingsmiddel. Was zichtbaar stof met water weg.</p>
Behuizing hoofdborstel	<p>Veeg schoon met een doek die is bevochtigd met water of een verdund neutraal reinigingsmiddel. Deze mag niet met water worden gewassen.</p>
Lagers	<p>Voor lagers die aan de robotstofzuiger zijn bevestigd, draait u de schroef met een schroevendraaier los, terwijl u de lager met de hand vasthoudt. Verwijder vervolgens de lager. Verwijder stof dat in de robotstofzuiger vastzit.</p> <p>► 1. Lager 2. Schroef</p>

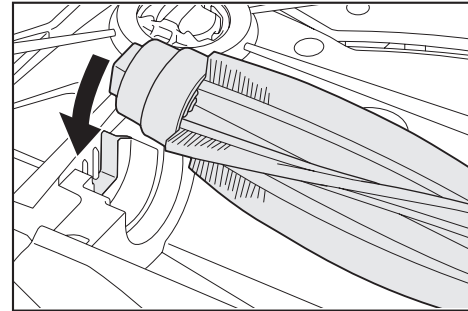
### KENNISGEVING

Gebruik geen verdunner, wasbenzine, alcohol, enz. omdat deze slijtage of verkleuring kunnen veroorzaken.

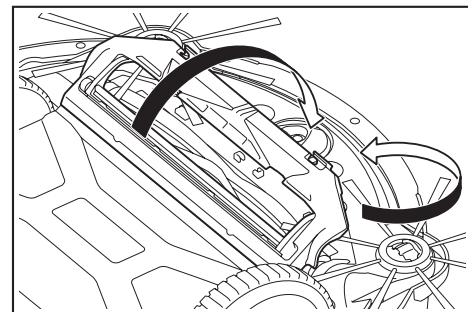
6. Onderdelen die met water zijn gewassen, moeten voldoende drogen op een goed geventileerde plaats buiten direct zonlicht.
- Het gebruik van onderdelen zonder ze goed te drogen kan leiden tot een verminderde zuigkracht en een kortere levensduur van de motor.
  - Het gebruik van onderdelen terwijl er vocht op achterblijft, kan een geur of een storing veroorzaken.
  - De droogtijd is ongeveer een dag.
  - Vermijd drogen met een droger, een blazer, enz.
7. Plaats de lagerkap terug in de oorspronkelijke positie in de hoofdborstel.
8. Maak de lagers met schroeven aan de robotstofzuiger vast.
9. Plaats de hoofdborstel zodanig dat de vorm van de hoofdborstelhouder past op de groef van de lagers van de robotstofzuiger.



10. Draai de lagerkap om de richting uit te lijnen en plaats deze vervolgens in de robotstofzuiger.

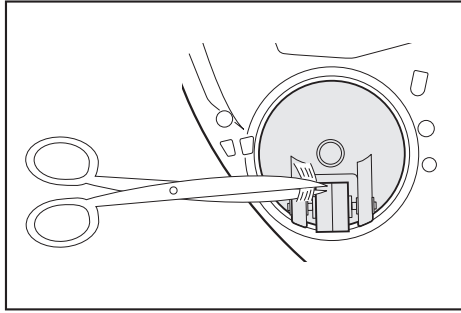


11. Bevestig het deksel van de hoofdborstel (duw de haak naar binnen totdat deze vastklikt).
- Zorg ervoor dat er geen zijborstel vast komt te zitten in het deksel van de hoofdborstel.
  - Om te voorkomen dat de zijborstels vast komen te zitten, kunt u beter de zijborstels tijdelijk verwijderen of het deksel van de hoofdborstel vastmaken, terwijl u de zijborstel draait in de richting die in de afbeelding wordt weergegeven.

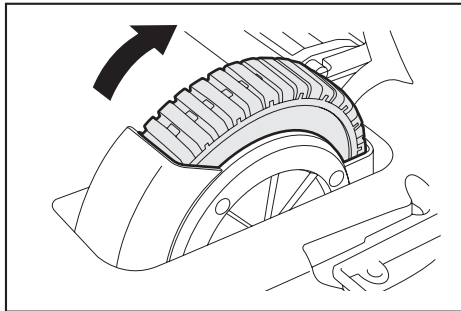


## Wielen onderhouden

- Als er stof en haar in de wielen vast komen te zitten, voer dan onderhoud uit.
- Verwijder de wielen niet van de robotstofzuiger.
- Verwijder het stof dat op de zwenkwielen vastzit. Als het moeilijk is om het stof te verwijderen, gebruik dan een schaar met fijne punt, een pincet, enz.



- Verwijder vuil op beide aandrijfwielen, terwijl u deze draait. Let er hierbij op dat uw hand niet gekneld raken.

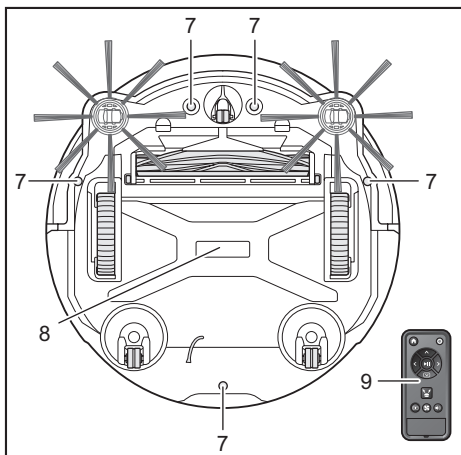
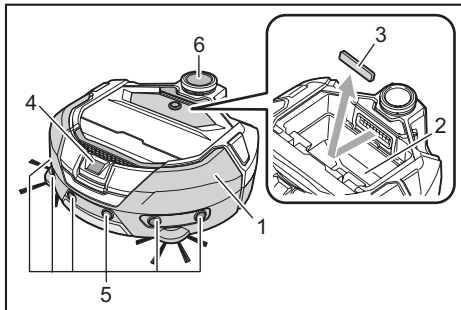


## De robotstofzuiger onderhouden

### KENNISGEVING

- Gebruik geen verdunner, wasbenzine, alcohol, enz. omdat deze slijtage of verkleuring kunnen veroorzaken.
- Gebruik geen scherp voorwerp (zoals een tandenstoker). Dit kan breuk of schade veroorzaken.

Volg de onderstaande tabel bij het onderhoud van onderdelen van de robotstofzuiger.



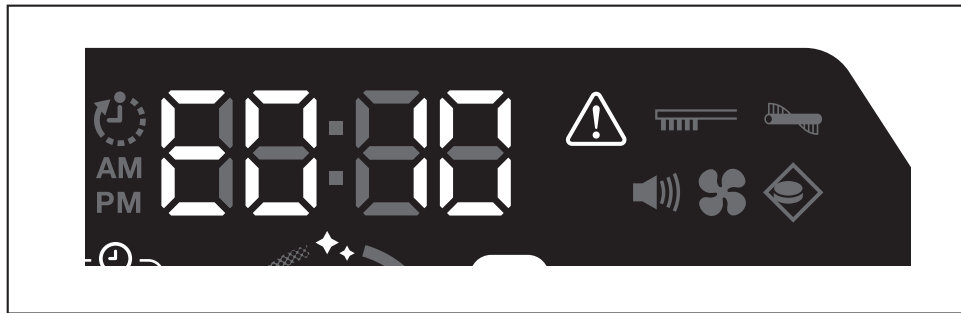
Nummer	Onderdeel	Hoe onderhouden
1.	Oppervlak robotstofzuiger	Veeg schoon met een doek die is bevochtigd met water of een verdund neutraal reinigingsmiddel.
2.	Binnenkant van de robotstofzuiger (behuizing stofopvangdoos)	Veeg schoon met een doek die is bevochtigd met water of een verdund neutraal reinigingsmiddel.
3.	Spons zuigopening in de robotstofzuiger	Haal de spons eruit en was het stof op de spons weg met water.
4.	Camerasensor	Veeg vuil weg met een zachte doek of een wattenstaafje en zorg ervoor dat u geen schade veroorzaakt.
5.	Ultrasoonsensor	Veeg schoon met een doek die is bevochtigd met water of een verdund neutraal reinigingsmiddel.
6.	LiDAR-sensor	Verwijder stof en vuil aan de binnenkant van de afdekking van de LiDAR-sensor.
7.	Afgrondsensoren (5 plaatsen)	Veeg vuil weg met een zachte doek of een wattenstaafje en zorg ervoor dat u geen schade veroorzaakt.
8.	Onderkant van de robotstofzuiger	Veeg schoon met een doek die is bevochtigd met water of een verdund neutraal reinigingsmiddel.
9.	Voorant van de afstandsbediening en de knoppen ervan	Veeg vuil met een droge doek weg.

## Reparatie

- Als het niet mogelijk is om opnieuw op te starten, nadat de oorzaak van een melding of fout is weggenomen (zie pagina 29), zet u de stroom uit en vervolgens weer aan.
- Als dezelfde melding of fout herhaaldelijk wordt weergegeven, vraag dan de winkel waar u het product hebt gekocht of ons verkoopkantoor om reparatie uit te voeren.
- Voer zelf geen reparatie uit. Vraag dit bij de winkel waar u het product hebt gekocht of bij ons verkoopkantoor.
- Als u reparatie aanvraagt, breng dan ook de accu's en de lader met de robotstofzuiger mee.

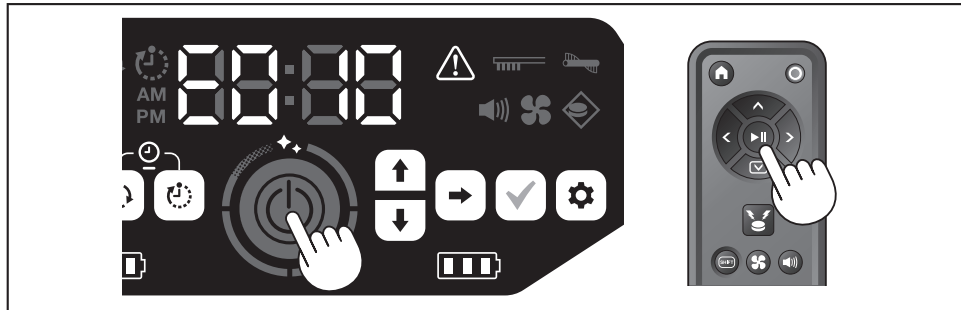
## Melding en foutweergave

Als onderhoud nodig is of er een fout optreedt, gaat een rood lampje branden op het bedieningspaneel van de robotstofzuiger en het foutnummer wordt weergegeven. Daarnaast kan er een geluidsmelding zijn.



### Een melding en foutweergave annuleren

- Als een melding voor filteronderhoud verschijnt, kan de robotstofzuiger nog worden bediend, maar deze werkt mogelijk niet goed. Verwijder de oorzaak voordat u de robotstofzuiger gebruikt.
  - Als er een foutweergave verschijnt, stopt de robotstofzuiger met werken. Onderneem volgende stappen.
- Controleer het foutnummer en verwijder de oorzaak van de fout. (Zie "Melding voor onderhoud, enz." op deze pagina.)
  - Als u de stroom uitschakelt of als de stroom uitvalt door verlies van de accucapaciteit voordat de oorzaak van de fout is weggenomen, annuleert de robotstofzuiger de fout tijdelijk.
  - Als u op de start/stop-knop van de robotstofzuiger of de afstandsbediening drukt, wordt de foutweergave geannuleerd en gaat de robotstofzuiger in stand-by.




- Controleer of de fout is verholpen voordat u de robotstofzuiger gebruikt.

### KENNISGEVING

- Start de robotstofzuiger opnieuw, als u de robotstofzuiger niet kunt bedienen, nadat u de oorzaak hebt weggenomen.
- Als dezelfde fout herhaaldelijk wordt weergegeven, vraag dan de winkel waar u het product hebt gekocht of ons verkoopkantoor om reparatie uit te voeren.





### Melding voor onderhoud, enz.

Als het lampje gaat branden, schakelt u de stroom uit en verwijdert u de accu's. Ga daarna als volgt te werk.

Probleem	Oorzaak	Actie
<ul style="list-style-type: none"> <li>Filteronderhoud is vereist.</li> </ul> 	Er hoopt zich stof op of het filter is verstopt.	Verwijder het stof en onderhoud het filter. → Zie pagina 22 en 25.  Controleer of er stof in de robotstofzuiger en bij de uitlaatopening is opgehoopt.

### Foutmelding

- Onderneem actie volgens het foutlampje en het nummer op de indicator.
- Voor de foutcodes in de lijst wordt een specifiek nummer weergegeven in plaats van de "X", afhankelijk van het fouttype. Geef de foutcode mee als u contact opneemt met de dealer of ons verkoopkantoor.
- Als u de oorzaak controleert of actie onderneemt, schakel dan de stroom uit en verwijder de accu's, indien nodig, voordat u actie onderneemt.
- Als er een ander foutnummer wordt weergegeven dan hieronder vermeld, neem dan contact op met de winkel waar u het product hebt gekocht of met ons verkoopkantoor.

Nummer	Oorzaak	Actie
<b>Probleem</b> E01X Fout van aandrijfwielen 	Zit er vreemd materiaal, zoals pluusjes of haren, in de aandrijfwielen?  Als de robotstofzuiger door een lage opening gaat, kan de robotstofzuiger in de opening vast komen te zitten en deze melding weergegeven.	Verwijder vreemd materiaal. → Zie pagina 28.  Het is geen storing.
E02X Fout door verlies van een wiel of optillen van de robotstofzuiger 	Is een aandrijfwiel losgekomen of staat een wiel los van de grond?	Verplaats de robotstofzuiger naar een andere plaats. → Zie pagina 11.
E030 Fout van de hoofdborstel  	Zit er vreemd materiaal, zoals pluusjes of haren, in de hoofdborstel?	Verwijder vreemd materiaal. → Zie pagina 26.

Nummer	Oorzaak	Actie
E04X Fout van de zijborstels	Zitten er vreemd materiaal, zoals pluiscjes of haren, in de zijborstels?	Verwijder vreemd materiaal. → Zie pagina 14 en 26.
E060 De stofopvangdoos of het filter wordt niet gedetecteerd	De stofopvangdoos of het filter is niet geplaatst.	Controleer of ze goed geplaatst zijn. → Zie pagina 22 en 25.
E09X Fout van afgrondsensoren	Wordt de robotstofzuiger aan direct zonlicht blootgesteld? Staat de robotstofzuiger op een zwart vloeroppervlak? Is de afgrondsensoren vuil?	Verplaats de robotstofzuiger naar een andere plaats. → Zie pagina 11. • Veeg het vuil voorzichtig van de afgrondsensoren af met een droge, zachte doek, een wattenstaafje, enz. • Controleer of de aardleiding met de grond contact maakt. → Zie pagina 9 en 11 en 28.
E10X Fout in bumpersensoren	Er treedt een storing in de bumpersensoren op.	Druk zo'n 10 keer met uw hand op de bumper. → Zie pagina 9.
E110 Bewegingsfout	Beweegt de robotstofzuiger op een trede enz. en blijft deze daar steken?	Verplaats de robotstofzuiger naar een andere plaats. → Zie pagina 11.
E12X De resterende accucapaciteit verlaagt Fout in instelling timer	Kan de robotstofzuiger niet starten op het ingestelde tijdstip op de timer AAN, omdat de resterende accucapaciteit onvoldoende is?	Zorg ervoor dat de accu's volledig zijn opgeladen, wanneer u de werking start via het ingestelde tijdstip op de timer AAN.
E140 Fout in instelling kamer Fout in locatiegegevens	Is het een andere kamer dan de in kaart gebrachte kamer of is het een ander startpunt voor het reinigen? Is de indeling van de in kaart gebrachte kamer gewijzigd? Is de LiDAR-sensoren geblokkeerd door een doek of vuil? Zijn er voorwerpen met een hoogte van 25 cm of meer die de LiDAR-sensoren rond de robotstofzuiger kan detecteren?	Controleer de in kaart gebrachte kamer en het startpunt van het reinigen. → Zie pagina 18. Voer het in kaart brengen opnieuw uit. → Zie pagina 17. Verwijder de doek, enz. en voer onderhoud op de LiDAR-sensoren uit. → Zie pagina 28. De LiDAR-sensoren vereist voorwerpen groter dan 25 cm binnen de volgende bereiken: • Een straal van 11 m vanaf de robotstofzuiger voor het in kaart brengen en de modus reinigen in kaart brengen. • Een straal van 18 m van de robotstofzuiger voor de modus vrij reinigen. Plaats enkele voorwerpen hoger dan 25 cm in de ruimte.
E170 Fout van het bovendeksel van de robotstofzuiger	Staat het bovendeksel van de robotstofzuiger open?	Sluit het bovendeksel van de robotstofzuiger.
E190 Fout door verlies van een wiel of optillen van de robotstofzuiger	Is een aandrijfwiel losgekomen of staat een wiel los van de grond?	Verplaats de robotstofzuiger naar een andere plaats. → Zie pagina 11.
E200 Fout vanwege het niet terugkeren naar het startpunt Fout vanwege het niet naar de bestemming gaan	De robotstofzuiger keerde niet naar het startpunt van het reinigen terug. De robotstofzuiger kon niet verder naar de volgende bestemming, omdat hij in een nauwe doorgang is terechtgekomen.	• Als er objecten zijn die de werking van de robotstofzuiger belemmeren, berg deze dan op of houd de robotstofzuiger uit de buurt van die objecten. → Zie pagina 21. • Als de robotstofzuiger vaak niet naar het startpunt terugkeert, schakel dan [Prioritize Homing] in de app in. De tijd die nodig is om naar het startpunt terug te gaan, kan langer zijn. → Zie pagina 43. • Zorg ervoor dat er een doorgang van 80 cm of meer is om te reinigen.

## Probleemoplossing

Voordat u om reparatie vraagt of navraag doet, controleer of het volgende van toepassing is.

### Voeding

Symptoom	Oorzaak	Actie
• Drukken op de start/stop-knop schakelt de stroom niet in. • De lamp brandt niet. • Drukken op knoppen op de robotstofzuiger en de afstandsbediening geven geen reactie.	Zijn de accu's correct geplaatst?	Controleer of de accu's correct geplaatst zijn. → Zie pagina 15.
	Is er geen accucapaciteit meer?	Controleer de resterende capaciteit.
	Is de robotstofzuiger uitgeschakeld?	Druk op de start/stop-knop van de robotstofzuiger om deze in te schakelen. → Zie pagina 16.

## Voortbewegen

Symptoom	Oorzaak	Actie
De robotstofzuiger beweegt niet voort.	Knippert het foutlampje?	De robotstofzuiger beweegt niet voort, als er een fout optreedt. → Zie pagina 29.
	Staat de robotstofzuiger in de wachtmodus voor gebruik vanaf de ingestelde tijd voor timer AAN?	Als de wachtmodus voor gebruik vanaf de ingestelde tijd actief is, is er geen andere bediening mogelijk dan het uitschakelen van de stroom en de locatiemelding. → Zie pagina 20.
De robotstofzuiger begint plotseling te bewegen, ook al bedient u deze niet.	Is de reservering timer AAN ingeschakeld?	→ Zie pagina 20.
De robotstofzuiger beweegt niet meer voort.	Zit de robotstofzuiger vast aan een snoer of ander voorwerp? Zit er een doek of een touwtje (bijvoorbeeld een dunne handdoek) rond de wielen verstrikt?	Schakel de robotstofzuiger uit en verwijder voorwerpen die in de robotstofzuiger vastzitten en rond de wielen verstrikt zijn. → Zie pagina 28.
	Is de robotstofzuiger gestopt zonder over een trede te klimmen?	Schakel de robotstofzuiger uit en verplaats de robotstofzuiger naar een andere plaats. → Zie pagina 11.
	Is de timer UIT ingesteld?	→ Zie pagina 20.
	Zijn er voorwerpen met een hoogte van 25 cm of meer die de LiDAR-sensor rond de robotstofzuiger kan detecteren?	De LiDAR-sensor vereist voorwerpen groter dan 25 cm binnen de volgende bereiken: • Een straal van 11 m vanaf de robotstofzuiger voor het in kaart brengen en de modus reinigen in kaart brengen. • Een straal van 18 m van de robotstofzuiger voor de modus vrij reinigen. Plaats enkele voorwerpen hoger dan 25 cm in de ruimte.
De snelheid wijzigt.	De robotstofzuiger kan vertragen, als een sensor een voorwerp detecteert of de beweegrichting bepaalt.	Dit is niet abnormaal.
De robotstofzuiger gaat niet rechtdoor.	Zit er vreemd materiaal tussen de wielen?	Schakel de robotstofzuiger uit en verwijder het vreemde materiaal van tussen de wielen. → Zie pagina 28.
	Zijn er wielen beschadigd?	Vraag hulp bij de winkel waar u het product hebt gekocht of bij ons verkoopkantoor.
	Zijn de ultrasoonsensor en de LiDAR-sensor vuil?	Onderhoud deze. → Zie pagina 28.
De robotstofzuiger botst vaker dan voorheen tegen een voorwerp.	Zijn de ultrasoonsensor en de LiDAR-sensor vuil?	Onderhoud deze. → Zie pagina 28.
De robotstofzuiger ontwijkt een trede niet en valt.	Is de afgrondsensoren vuil?	Onderhoud deze. → Zie pagina 28.
	De robotstofzuiger rijdt soms van een trede met een hoogte van 3,0 cm of minder af.	Het is geen storing. → Zie pagina 11.
De robotstofzuiger wil steeds zaken vermijden, alhoewel er geen voorwerpen of treden zijn.	Zijn de afgrondsensoren of de LiDAR-sensor vuil?	Onderhoud deze. → Zie pagina 28.
De afgrondsensoren worden snel vuil.	Is de aardleiding doorgesneden en maakt deze geen contact meer met de grond?	Vraag hulp bij de winkel waar u het product hebt gekocht of bij ons verkoopkantoor.
Het rijgeluid is luider dan normaal.	Is de stofopvangdoos gevuld met stof? Is het filter verstopt?	Verwijder het stof en onderhoud het filter. → Zie pagina 22 en 25.
	Zit er stof in de hoofdborstel en de zijborstels?	Onderhoud deze. Controleer bovendien of de borstels correct geplaatst zijn. → Zie pagina 26.
Het geluid van de vacuümventilator wordt luider tijdens het gebruik.	Het wordt luider, als de robotstofzuiger op een andere accu overschakelt.	Dit is normaal.
• De zuigkracht is laag. • Stof wordt niet opgezogen.	Is de stofopvangdoos gevuld met stof? Is het filter verstopt?	Verwijder het stof en onderhoud het filter. → Zie pagina 22 en 25.
	Is de vacuümventilator uitgeschakeld?	Controleer de instelling. → Zie pagina 19.
Er komt een zijborstel los.	Is de zijborstel correct geïnstalleerd?	Controleer of de installatie correct is. → Zie pagina 14.
Een zijborstel of de hoofdborstel draait niet, draait moeilijk of zit verstrikt.	Zit er vreemd materiaal (zoals pluïsjes of haren) in de zijborstels of de hoofdborstel?	Onderhoud deze. Controleer bovendien of de hoofdborstel en het deksel van de hoofdborstel correct geïnstalleerd zijn. → Zie pagina 26.
	De robotstofzuiger mag niet worden gebruikt op een vloerkleed met een poollengte van meer dan 7 mm. Zelfs als de poollengte 7 mm of minder is, stopt de robotstofzuiger mogelijk met werken of kunnen de polen in de zijborstels vast komen te zitten, afhankelijk van het poolmateriaal of andere eigenschappen.	→ Zie pagina 11.
De uitlaatlucht stinkt.	Is nat afval of stinkend afval opgezogen?	Verwijder het afval. → Zie pagina 22.
	Is het filter verstopt?	Onderhoud het filter. Als u het filter met water hebt gewassen, laat het dan voldoende drogen voordat u het gebruikt. → Zie pagina 25.



## Bedienen op afstand

Symptoom	Oorzaak	Actie
De afstandsbediening werkt niet.	Zijn de batterijen correct in de afstandsbediening geplaatst?	Controleer de richting van de batterij. → Zie pagina 14.
	Als de robotstofzuiger soms niet reageert bij bediening met de afstandsbediening, is een mogelijke oorzaak dat de batterijen aan het einde van hun levensduur zijn. (Het criterium voor vervanging is ongeveer een jaar. Een batterij kan in minder dan een jaar leeg raken, afhankelijk van de gebruikte batterij en de omstandigheden.)	Vervang de batterijen door nieuwe. → Zie pagina 14.
	Is de robotstofzuiger uitgeschakeld?	Druk op de start/stop-knop van de robotstofzuiger om deze in te schakelen. → Zie pagina 16.
	Mogelijk is de afstand tussen de afstandsbediening en de robotstofzuiger te groot, zodat de radiogolven deze niet goed kunnen bereiken.	Zorg voor een onbelemmerd zicht door de afstand tussen de afstandsbediening en de robotstofzuiger te verkleinen en door voorwerpen te verplaatsen. → Zie pagina 12.
Bedienen met de afstandsbediening is niet mogelijk.	Mogelijk wordt de volgende apparatuur die 2,4 GHz-band radiogolven gebruikt, in de buurt gebruikt. <ul style="list-style-type: none"> <li>• Microgolfoven</li> <li>• Bluetooth®-compatibele apparaten</li> <li>• Draadloze LAN-apparaten</li> <li>• Andere apparatuur die van 2,4 GHz-band radiogolven gebruikmaakt (zoals digitale draadloze telefoons en spelcomputers)</li> </ul>	Zorg voor een grotere afstand tussen de robotstofzuiger en de afstandsbediening of gebruik deze apparaten tijdelijk niet.
	Als u de afstandsbediening door een nieuwe hebt vervangen, koppel deze dan met de robotstofzuiger.	→ Zie pagina 24.
	Als u de robotstofzuiger niet met de afstandsbediening kunt bedienen, nadat u de bovengenoemde mogelijke oorzaken heeft onderzocht, schakel dan de robotstofzuiger uit en weer in.	→ Zie pagina 16.

## Bedieningspaneel

Symptoom	Oorzaak	Actie
De ingestelde tijd wordt geregeld opnieuw ingesteld.	De ingebouwde accu is bijna leeg, omdat de robotstofzuiger lange tijd niet wordt gebruikt.	Laat de robotstofzuiger langer dan 1 uur draaien of zet deze in de stand-bystand. (De ingebouwde accu wordt opgeladen.)

## Timerfunctie

Symptoom	Oorzaak	Actie
Werking met reservering timer AAN start niet op het opgegeven tijdstip.	De robotstofzuiger begint niet te werken volgens de reservering timer AAN, als een van de volgende voorwaarden van toepassing is bij de start van de werking op het tijdstip van de reservering timer AAN. <ul style="list-style-type: none"> <li>• De stroom is uitgeschakeld.</li> <li>• Als er niet voldoende accucapaciteit is</li> </ul>	→ Zie pagina 20.
	Brandt het timerlampje?	Als de stroom wordt uitgeschakeld of er geen accucapaciteit meer is, nadat de reservering wordt ingesteld, gaat het timerlampje uit. → Zie pagina 10.

## In kaart brengen

Symptoom	Oorzaak	Actie
<ul style="list-style-type: none"> <li>• De robotstofzuiger stopt tijdens het in kaart brengen.</li> <li>• Het in kaart brengen mislukt.</li> </ul>	Is de kamer donker tijdens het in kaart brengen?	Maak de kamer helderder tot het in kaart brengen is voltooid.
	Er zijn geen voorwerpen met een hoogte van 25 cm of meer binnen een straal van ongeveer 11 m van de robotstofzuiger.	De omgeving is mogelijk niet geschikt om in kaart te brengen. Reinigen in modus vrij reinigen wordt aanbevolen. → Zie pagina 17.
De robotstofzuiger begint te reinigen in plaats van in kaart te brengen.	Is een reeds geregistreerd kamernummer geselecteerd?	Selecteer een niet-geregistreerd kamernummer of verwijder de reeds geregistreerde kaart. → Zie pagina 17 en 18.
<ul style="list-style-type: none"> <li>• Een kaart is niet geregistreerd.</li> <li>• De kaart is onvolledig. (Er is een zone die niet is geregistreerd.)</li> </ul>	De vorm van de kamer, de indeling van voorwerpen of andere kenmerken kunnen te complex zijn.	Zorg ervoor dat er een doorgang van 80 cm of meer is om te reinigen. Ruim de kamer op. → Zie pagina 12.
		Er is mogelijk onvoldoende accucapaciteit. Laad de accu's volledig op en voer daarna het in kaart brengen uit.
		U kunt de kaartgegevens handmatig toevoegen. → Zie pagina 40.
	De robotstofzuiger is tijdens het in kaart brengen opgetild.	Pak de robotstofzuiger niet op tijdens het in kaart brengen. De kamergegevens zijn mogelijk niet correct geregistreerd.

## App

Symptoom	Oorzaak	Actie
Er kan geen verbinding met de app worden gemaakt.	Werd de knop smartphoneverbinding van de robotstofzuiger ingedrukt?	Druk op de knop smartphoneverbinding om verbinding met de app te maken. → Zie pagina 34.
	Was de Wi-Fi®-instelling van de smartphone ingeschakeld?	Schakel de Wi-Fi®-instelling van de smartphone in.
	Mogelijk is de afstand tussen de smartphone en de robotstofzuiger te groot, zodat de radiogolven deze niet goed kunnen bereiken.	Zorg voor een onbelemmerd zicht door de afstand tussen de smartphone en de robotstofzuiger te verkleinen en door voorwerpen te verplaatsen. → Zie pagina 12.
	De verbinding met de robotstofzuiger is mislukt.	Voor iPhone: Ga naar het iOS-instellingenmenu en schakel de lokale netwerkinstelling voor Makita Robotic Cleaner DRC300 in.  Voor Android: Als een pop-up verschijnt om de verbinding te behouden, nadat de Wi-Fi-verbinding tot stand is gebracht, sta dit dan toe.
	De robotstofzuiger heeft mogelijk de locatiegegevens niet ontvangen. (De naam van de robotstofzuiger wordt in het invoerscherm voor de pincode als "null" weergegeven.)	Schakel de instelling voor locatiegegevens van uw smartphone in.

## Beveiligingsfunctie

Als er zich een van de volgende omstandigheden voordoet, terwijl de robotstofzuiger in werking is, stopt de motor automatisch. Dit komt door de beveiligingsfunctie. Het is geen storing.

Beveiligingsfunctie
De motor stopt automatisch, als de accu een hoge temperatuur bereikt. <ul style="list-style-type: none"><li>• Stop met reinigen en verwijder de accu's uit de robotstofzuiger. Laad en koel vervolgens de accu's met een lader met koelsysteem of wacht tot de accu's zijn afgekoeld.</li><li>• Als de robotstofzuiger zelfs niet werkt, als de accu's zijn afgekoeld, laat dan de robotstofzuiger afkoelen.</li><li>• Als er een foutnummer op de robotstofzuiger wordt weergegeven, neem dan de oorzaak van de fout weg. (Zie pagina 29.)</li></ul>
De robotstofzuiger stopt automatisch, als de accu bijna leeg is, gaat in slaapstand en de stroom wordt volledig uitgeschakeld, als de resterende lading opdraakt. <ul style="list-style-type: none"><li>• Verwijder de accu's uit de robotstofzuiger en laad de accu's op.</li></ul>
De robotstofzuiger stopt automatisch, als er een fout wordt gedetecteerd. <ul style="list-style-type: none"><li>• Controleer het foutnummer en verwijder de oorzaak van de fout. De robotstofzuiger kan opnieuw gebruikt worden, als de oorzaak is weggenomen. (Zie pagina 29.)</li></ul>

## Opslag

Schakel de stroom uit en verwijder de accu's voordat u de robotstofzuiger opbergt.

Berg de robotstofzuiger niet op de volgende plaatsen op, omdat dit een precisiemachine is. Dit kan verhitting, ontsteking, storing, verslechtering van rubberen onderdelen, enz. veroorzaken.

- Plaatsen waar de temperatuur plotseling stijgt
- Plaatsen waar de temperatuur plotseling daalt
- Plaatsen waar de temperatuur plotseling wijzigt
- In de buurt van een vlam, een verwarming, koel- en verwarmingsapparatuur, enz.
- Buitenshuis
- Plaatsen die aan direct zonlicht zijn blootgesteld
- Plaatsen die aan vocht of damp zijn blootgesteld
- Plaatsen met veel stof en zand
- Rokerige plaatsen
- Plaatsen met slechte ventilatie

Als de robotstofzuiger gedurende lange tijd wordt opgeborgen zonder te worden gebruikt, kunnen de prestaties verminderen. Als u de robotstofzuiger jarenlang wilt gebruiken, schakel de robotstofzuiger af en toe in en gebruik deze.

## Optionele accessoires

### ⚠ LET OP

**Deze accessoires of hulpstukken worden aanbevolen voor gebruik met uw Makita gereedschap in deze handleiding. Het gebruik van andere accessoires of hulpstukken houdt een risico op letsel in. Gebruik een accessoire of hulpstuk uitsluitend voor het aangegeven doel.**

Als u hulp wenst voor meer gegevens over deze accessoires, neem dan contact op met uw plaatselijke Makita Service Center.

- Magnetische grenslijn
- Hoofdborstel
- Zachte hoofdborstel
- Zijborstel
- Zachte zijborstel
- HEPA-filter
- Deksel hoofdborstel
- Bumperkussen
- Originele accu en lader van Makita

### KENNISGEVING

- Sommige onderdelen in de lijst kunnen als standaardaccessoires in de verpakking aanwezig zijn. Dit kan van land tot land verschillen.
- Om valse herkenning bij het gebruik van het bumperkussen te voorkomen, mag u het bumperkussen niet op de volgende plaatsen bevestigen: Het gebied op het laterale verlengstuk van de ultrasoonsensoren en de bovenste en onderste gebieden binnen 28 mm van de ultrasoonsensoren.

# Smartphone-app (voor de DRC300)

## Inhoudsopgave

• Wat je met de app kunt doen	34
• De app installeren	34
• Voorbereidingen vooraf	34
• De app op een smartphone installeren	34
• Initiële instelling	34
• Startscherm	35
• Reinigen met de app	35
• Een kamer reinigen zonder in kaart te brengen (modus vrij reinigen)	35
• In kaart gebrachte kamers reinigen	36
• De robotstofzuiger vanaf de app bedienen	37
• De reinigingsgeschiedenis controleren	37
• De meest recente geschiedenis controleren	37
• Eerdere geschiedenissen controleren	38
• De foutgeschiedenissen controleren	38
• Kaartgegevens toevoegen, wijzigen of verwijderen	39
• Kaartgegevens toevoegen	39
• Kaartgegevens toevoegen (handmatig in kaart brengen)	40
• De naam van kaartgegevens wijzigen	41
• Het reinigingsbereik beperken	41
• Kaartgegevens verwijderen	42
• Instellingen wijzigen en controleren	43
• De naam van een geregistreeerde robotstofzuiger wijzigen	43
• Reinigingsopties instellen	43
• De pincode wijzigen	44
• Gegevens van een geregistreeerde robotstofzuiger verwijderen	44
• De appgegevens controleren	45
• Foutmelding/dialogovenster	45

## Wat je met de app kunt doen

Als u een smartphone gebruikt waarop de specifieke robotstofzuiger-app is geïnstalleerd, kunt u het volgende doen:

- Reiniging
- Bedienen op afstand
- Kaartgegevens toevoegen, wijzigen of verwijderen
- De reinigingsgeschiedenis controleren
- Instellingen voor de robotstofzuiger wijzigen

## KENNISGEVING

- Deze app is bedoeld voor gebruik op een smartphone en werkt niet op tablets of gelijkaardige apparaten, pc's.
- Een smartphone en de robotstofzuiger zijn via de Wi-Fi®-functie direct met elkaar verbonden. Houd er rekening mee dat internet niet beschikbaar is tijdens de verbinding met de robotstofzuiger. Vergeet niet om na gebruik van de app de verbinding met de robotstofzuiger te verbreken door op de knop smartphoneverbinding te drukken.
- Om deze app te gebruiken, moet u toestemming geven om locatiegegevens te verkrijgen en moet u met de gebruiksvoorwaarden akkoord gaan. De gebruiker beslist of hij toestemming geeft voor het verkrijgen van locatiegegevens en of hij met de gebruiksvoorwaarden akkoord gaat.
- De afbeeldingen op het applicatiescherm kunnen zonder voorafgaande kennisgeving worden gewijzigd.

## De app installeren

### Voorbereidingen vooraf

Voor het gebruik van de app is een smartphone (Android of iOS) nodig.

- Android: Android versie 6.0 of hoger is vereist.
- iOS (iPhone): iOS 12 of hoger is vereist.

### De app op een smartphone installeren

1. Zoek met uw smartphone naar "Makita Robotic Cleaner DRC300" in Google Play™ of App Store.  
U kunt ook toegang krijgen via de QR-code.

Google Play™



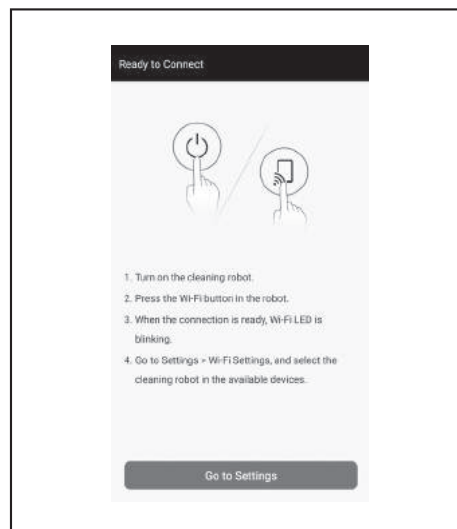
App Store



2. Installeer de "Makita Robotic Cleaner DRC300".
3. Start na installatie de "Makita Robotic Cleaner DRC300" op.

### Initiële instelling

1. Als er een scherm verschijnt met de vraag of het verkrijgen van locatiegegevens moet worden toegestaan, tikt u op [OK].
2. Tik in het scherm met de gebruiksvoorwaarden op [Agree].
3. Volg de instructies op het scherm:
  - Schakel de robotstofzuiger in en druk vervolgens op de knop smartphoneverbinding op de stofzuiger. Na het indrukken van de knop smartphoneverbinding duurt het ongeveer 8 seconden voordat de robotstofzuiger klaar is om te verbinden. Als de verbinding voltooid is, knippert het Wi-Fi-ledlampje.
  - Tik daarna op [Go to Settings] om het Wi-Fi®-instellingenscherm van de smartphone weer te geven.



Afhankelijk van uw apparaat zijn mogelijk de volgende procedures vereist.

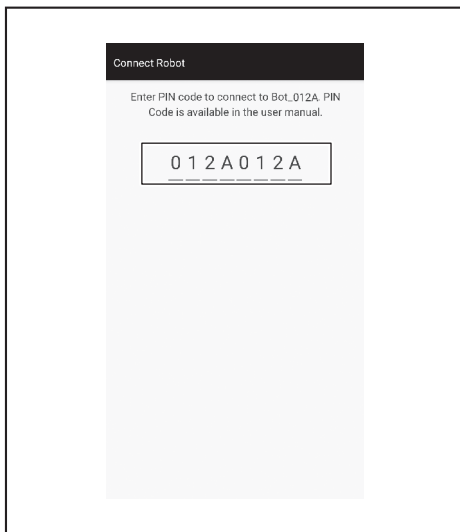
Voor iPhone:

Ga naar het iOS-instellingenmenu en schakel de lokale netwerkinstelling voor Makita Robotic Cleaner DRC300 in.

Voor Android:

Als een pop-up wordt weergegeven om de verbinding te behouden, nadat de Wi-Fi-verbinding tot stand is gebracht, sta dit dan toe.

- Verbind de smartphone via Wi-Fi® met de robotstofzuiger. (Dit is GEEN verbinding via Bluetooth.)
  - Wi-Fi®-verbindingsoptie (wachtwoord invoeren) is alleen vereist, als u voor de eerste keer met de robotstofzuiger verbinding maakt.
  - Het initiële wachtwoord van de Wi-Fi®-verbinding is ingesteld op alfanumerieke tekens die de laatste vier cijfers onder de SSID van de robotstofzuiger tweemaal herhalen. Bijvoorbeeld, als de SSID "Robotic\_Cleaner\_012A" wordt weergegeven, is het wachtwoord "012A012A".
  - Zorg ervoor dat de smartphone niet met andere Wi-Fi®-netwerken kan verbinden, als deze met de robotstofzuiger is verbonden.
- Verlaat het Wi-Fi®-instellingenschermb en geef het app-schermb weer. Voer daarna de pincode in om de verbinding te verifiëren.
  - De pincode die in de fabriek wordt ingesteld, is ingesteld op alfanumerieke tekens die de laatste vier tekens onder de SSID tweemaal herhalen.
  - Als de SSID "Robotic\_Cleaner\_012A" is, is pincode die in de fabriek is ingesteld "012A012A".
  - Het startscherm van de app wordt weergegeven, als de pincode met succes is geverifieerd.

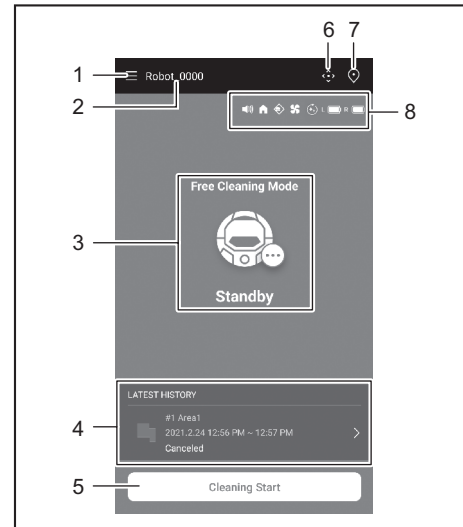


- Wijzig de pincode.
    - Zorg ervoor dat u de pincode wijzigt. Gebruik niet de standaardpincode. Zie pagina 44 voor het wijzigen van de pincode.
    - Vergeet de nieuwe pincode, die u heeft aangemaakt, niet.
  - De initiële instelling is voltooid, als "PIN code changed" wordt weergegeven. Keer terug naar het startscherm om de app te gebruiken.
- Om de Wi-Fi-verbinding te verbreken, drukt u op de knop smartphoneverbinding op de robotstofzuiger om de lamp smartphoneverbinding uit te schakelen.

## KENNISGEVING

Als uw verbinding plotseling wordt verbroken, sluit u de app en probeert u opnieuw verbinding te maken.

## Startscherm



- Menuknop (diverse instellingen, geschiedenis controleren)
- Naam robotstofzuiger
- Bedrijfsstoestand van de robotstofzuiger
- Laatste registratie van reinigen (alleen weergegeven als er een registratie is)
- Startknop reinigen (of in kaart brengen)
- Knop afstandsbediening
- Knop wisselen modus
- Instellingen robotstofzuiger en de resterende accucapaciteit

- : De geluidsinstelling is ingeschakeld.
- : De instelling om voorrang te geven aan terugkeren is ingeschakeld.
- : De grensdetectiefunctie is ingeschakeld.
- : De vacuümventilator is ingeschakeld.
- : De instelling voor continu reinigen is ingeschakeld.
- : Resterende capaciteit linkeraccu
- : Resterende capaciteit rechteraccu

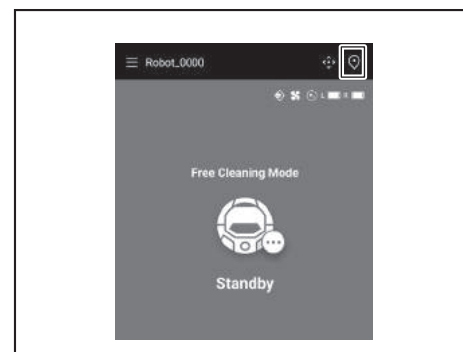
## Reinigen met de app

De robotstofzuiger werkt in twee modi: modus vrij reinigen, waarvoor het in kaart brengen niet geregistreerd moet worden, en modus reinigen in kaart brengen (zie "In kaart gebrachte kamers reinigen" op pagina 36), waarvoor kamergegevens moeten worden geregistreerd om te reinigen.

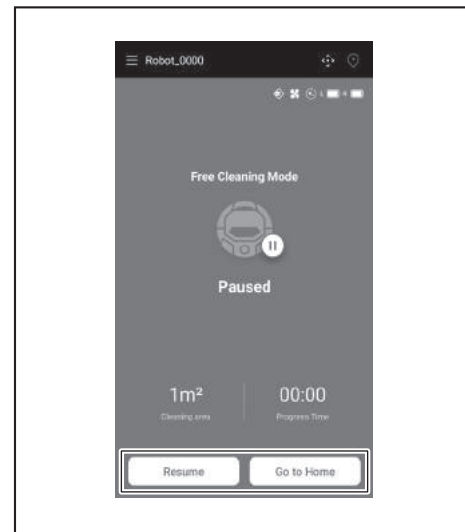
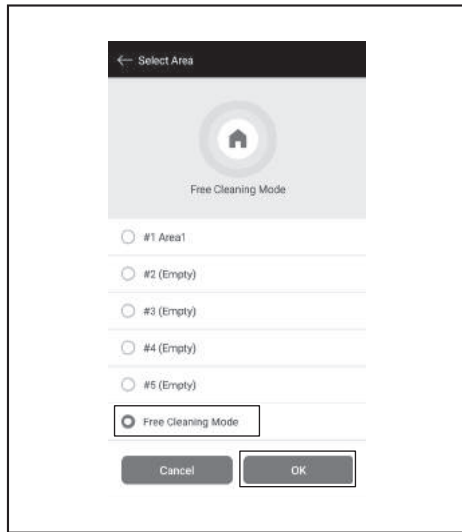
### Een kamer reinigen zonder in kaart te brengen (modus vrij reinigen)

- De modus vrij reinigen wordt aanbevolen voor het reinigen in verschillende kamers of in een omgeving waarvan de indeling frequent en significant wijzigt.
- De modus vrij reinigen wordt ook aanbevolen voor een kamer die niet voldoende verlicht kan worden.
- Zie pagina 17 voor reinigen, in kaart brengen en het startpunt van de robotstofzuiger.

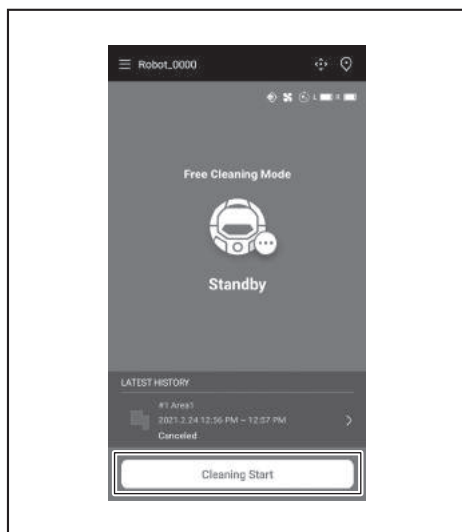
- Tik op het startscherm op



2. Tik op [Free Cleaning Mode] en tik vervolgens op [OK].




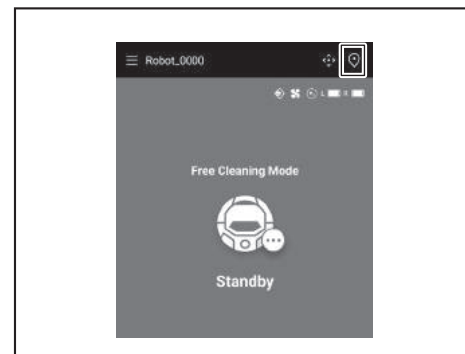
3. Tik op het startscherm op [Cleaning Start] om de robotstofzuiger met reinigen te laten beginnen.



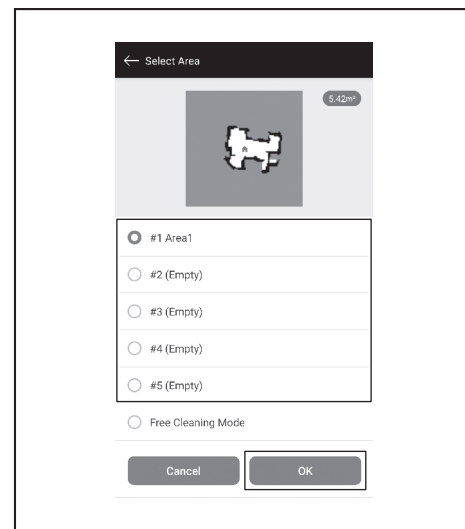
### In kaart gebrachte kamers reinigen

- In de modus reinigen in kaart brengen werkt de robotstofzuiger zo dat de in kaart gebrachte kamer efficiënter wordt gereinigd.
- Om de modus reinigen in kaart brengen te gebruiken, moeten kaartgegevens geregistreerd worden. (Zie pagina 39.)

1. Tik op het startscherm op .



2. Tik op de kamer die u wilt reinigen en tik vervolgens op [OK].
  - U kunt een kaart toevoegen, wijzigen en verwijderen. (Zie pagina 39.)

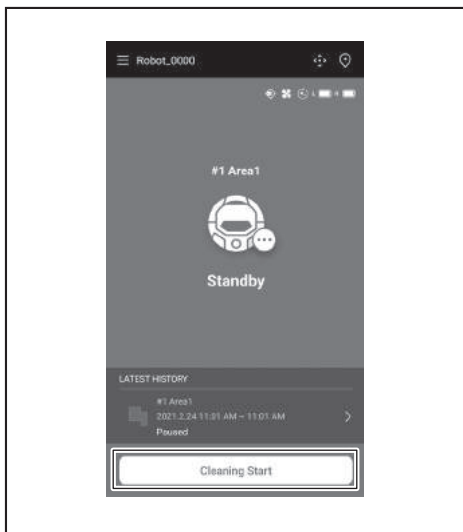


4. U kunt de robotstofzuiger met de volgende handelingen bedienen.
  - Als u op [Pause] tikt, stopt de robotstofzuiger tijdelijk met reinigen.
  - Als u op [Resume] tikt, terwijl de robotstofzuiger gepauzeerd is, start deze opnieuw op.
  - Als u op [Go to Home] tikt, terwijl de robotstofzuiger gepauzeerd is, keert de robotstofzuiger terug naar het punt waar deze met reinigen is gestart. De robotstofzuiger keert naar het startpunt terug en de app keert naar het startscherm terug. Deze bediening kan worden uitgevoerd, terwijl het reinigen is gepauzeerd.

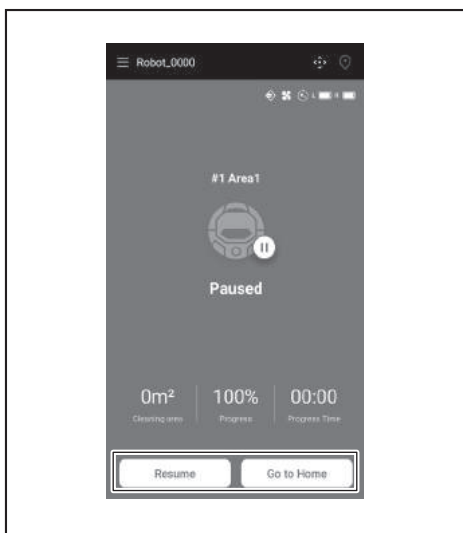
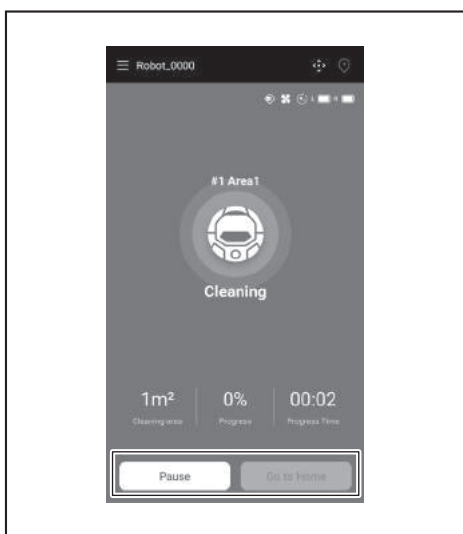


3. Plaats de robotstofzuiger zo dicht mogelijk bij en in dezelfde richting als aan het begin van het in kaart brengen. Hierdoor kan de robotstofzuiger gemakkelijk beginnen met reinigen.

- Tik op [Cleaning Start] om de robotstofzuiger met reinigen te laten beginnen.



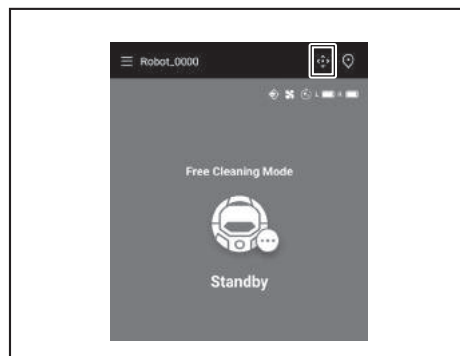
- U kunt de robotstofzuiger met de volgende handelingen bedienen.
  - Als u op [Pause] tikt, stopt de robotstofzuiger tijdelijk met reinigen.
  - Als u op [Resume] tikt, terwijl de robotstofzuiger gepauzeerd is, start deze opnieuw op.
  - Als u op [Go to Home] tikt, terwijl de robotstofzuiger gepauzeerd is, keert de robotstofzuiger terug naar het punt waar deze met reinigen is gestart. De robotstofzuiger keert naar het startpunt terug en de app keert naar het startscherm terug. Deze bediening kan worden uitgevoerd, terwijl het reinigen is gepauzeerd.
  - Als de vorm van de kamer niet met de kaartgegevens overeenkomt, wordt het foutschermdisplay weergegeven en stopt de robotstofzuiger met reinigen. Controleer of de geselecteerde kamer correct is en plaats de robotstofzuiger op het startpunt.
  - Als de robotstofzuiger niet in de buurt van het startpunt op de kaartgegevens wordt geplaatst, wordt het foutschermdisplay weergegeven.



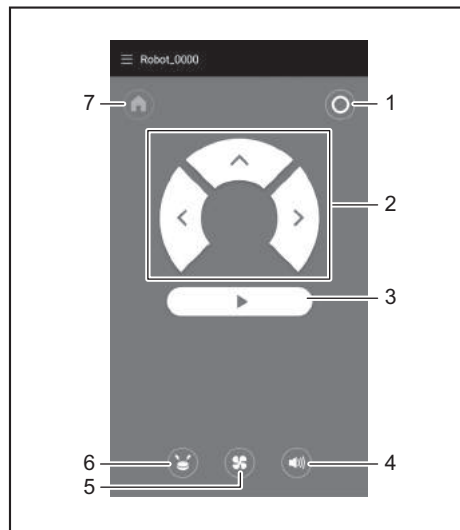
## De robotstofzuiger vanaf de app bedienen

U kunt de robotstofzuiger met de app bedienen zoals met de afstandsbediening die bij de robotstofzuiger wordt geleverd.

- Tik op het startscherm op .



- U kunt de robotstofzuiger bedienen door op de knoppen te tikken.
  - U kunt de robotstofzuiger niet achteruit laten bewegen vanuit de app.



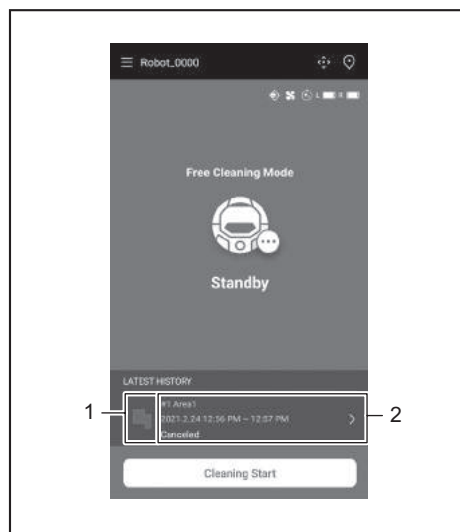
- 1. UIT-knop 2. Actieknoppen 3. Start/stop-knop 4. Knop geluid AAN/UIT 5. Knop vacuümventilator AAN/UIT 6. Knop zoemer/lampje locatiebaken 7. Knop startpunt

## De reinigingsgeschiedenis controleren

In de app kunt u de geschiedenis van het reinigen in detail bekijken.

### De meest recente geschiedenis controleren



Tik op het startscherm op het pictogram in [LATEST HISTORY].

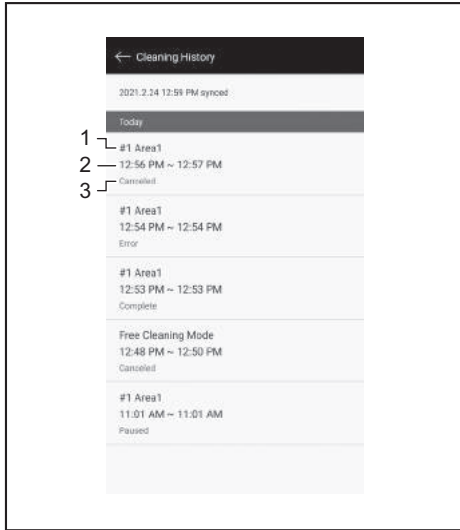


- 1. Pictogram om de meest recente geschiedenis te tonen 2. Artikel om de lijst met geschiedenissen te tonen

## Eerdere geschiedenissen controleren

Er kunnen maximaal 15 geschiedenissen worden geregistreerd. Als er al 15 geschiedenissen zijn geregistreerd, zal de oudste geschiedenis worden gewist, als een nieuwe geschiedenis wordt geregistreerd.

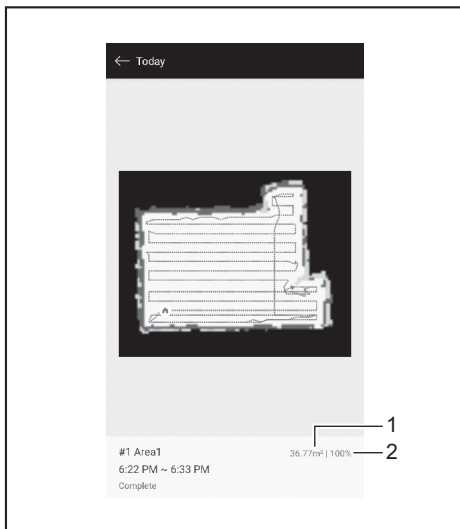
1. Tik op het startscherm op  in [LATEST HISTORY].  
Op het startscherm kunt u op  tikken en vervolgens op [Cleaning History] om eerdere registraties weer te geven.
2. Tik op de registratie die u wilt controleren.



- 1. Gerekende kamer of reinigingsmodus 2. Tijd waarin de kamer is gereinigd 3. Reinigingsstatus (voltooid, gestopt, fout, enz.)


Als u op een artikel tikt, worden de gedetailleerde gegevens van elke geschiedenis weergegeven.

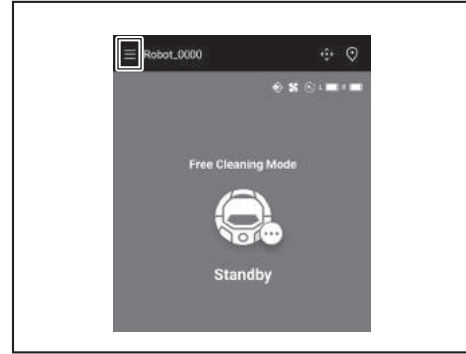
- Blauw-groene streepjeslijn: Het traject van de robotstofzuiger
- Geel: De zone die de robotstofzuiger heeft gereinigd
- Blauw: Obstakels die door de bumpersensor zijn gedetecteerd
- Groen: Obstakels die door de ultrasoonsensor zijn gedetecteerd
- Roze: Trappen gedetecteerd door de afgrondsensoren
- Paars: Het gebied waar de robotstofzuiger de magnetische grenslijn heeft gedetecteerd
- Wit: Het gebied dat de robotstofzuiger niet heeft gereinigd
- Grijs: De muren of obstakels gedetecteerd door de LIDAR-sensor



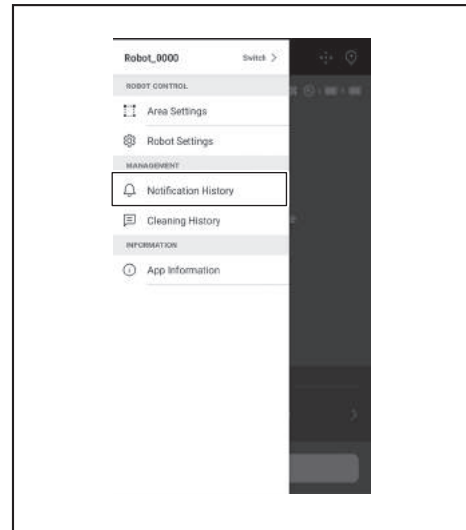
- 1. Grootte gereinigde zone 2. Reinigingsdekking (alleen in kaart gebracht reinigen)
- De grootte en de dekking van de gereinigde zone zijn geen exacte waarden. Gebruik deze gegevens als een ruwe indicatie.

## De foutgeschiedenissen controleren

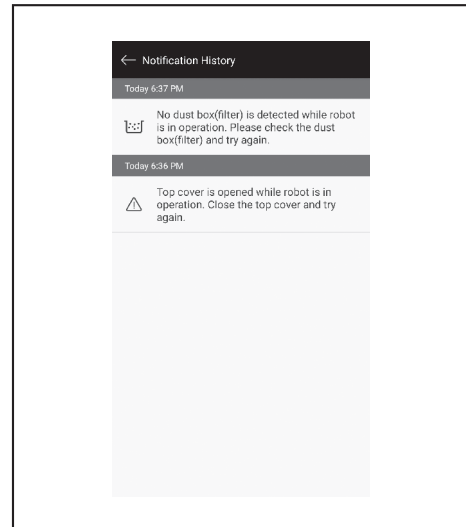
1. Tik op het startscherm op .



2. Tik op [Notification History].




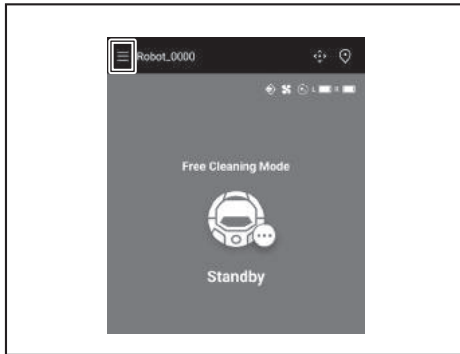
De datum, tijd en inhoud van de fout worden weergegeven. Er kunnen maximaal 10 geschiedenissen worden geregistreerd. Als er al 10 geschiedenissen zijn geregistreerd, zal de oudste geschiedenis worden gewist, als een nieuwe geschiedenis wordt geregistreerd.



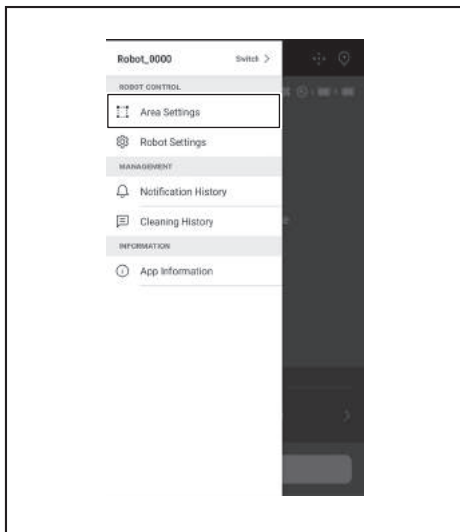
## Kaartgegevens toevoegen, wijzigen of verwijderen

In het menuvenster [Area Settings] kunt u kaartgegevens toevoegen, wijzigen of verwijderen.

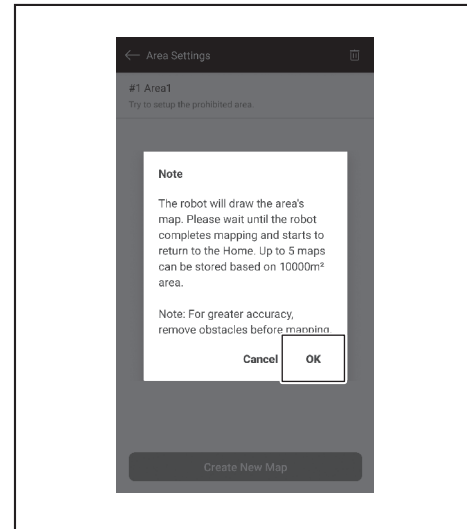
1. Tik op het startscherm op .



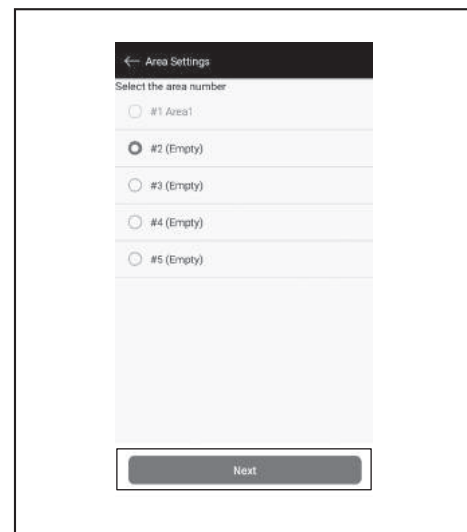
2. Tik op [Area Settings].



2. Er wordt een melding weergegeven. Tik op [OK].



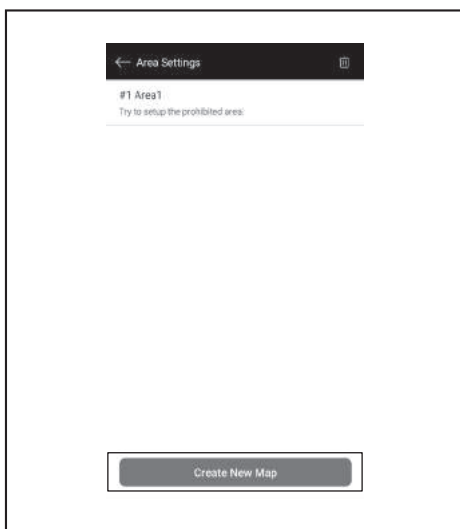
3. Selecteer een leeg slot waarin u de kaartgegevens wilt opslaan en tik vervolgens op [Next].



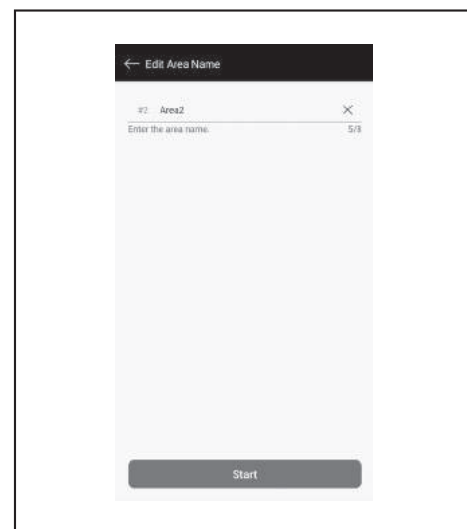
## Kaartgegevens toevoegen

U kunt gegevens opslaan voor maximaal 5 kaarten met een oppervlakte tot 10000 m<sup>2</sup>. De grootte van de zone geeft niet de werkelijke grootte van een in kaart gebrachte zone aan, maar de rechthoekige zone die de hele in kaart gebrachte zone beslaat.

1. Tik in het scherm [Area Settings] op [Create New Map].



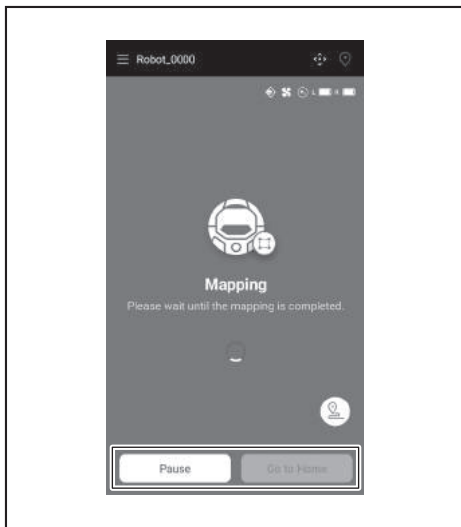
4. Voer een gebiedsnaam in (maximaal 8 tekens).



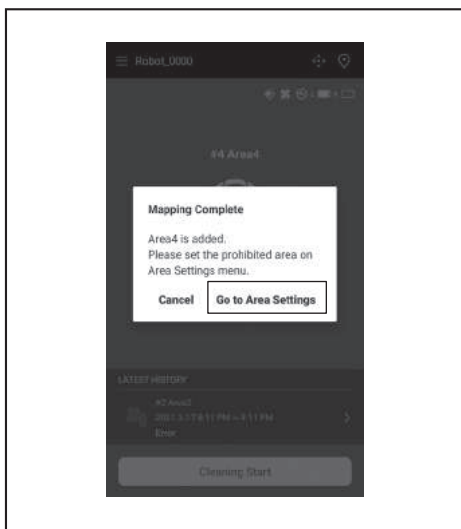
5. Tik op [Start].



- De robotstofzuiger begint met het in kaart brengen.
  - Als u op [Pause] tikt, stopt de robotstofzuiger tijdelijk met in kaart brengen.
  - Als u op [Go to Home] tikt, terwijl de robotstofzuiger gepauzeerd is, keert de robotstofzuiger terug naar het punt waar deze met in kaart brengen is gestart. De kaartgegevens die zijn gemaakt tot op het moment dat u tikte, worden geregistreerd. De robotstofzuiger keert naar het startpunt terug en de app keert naar het startscherm terug.




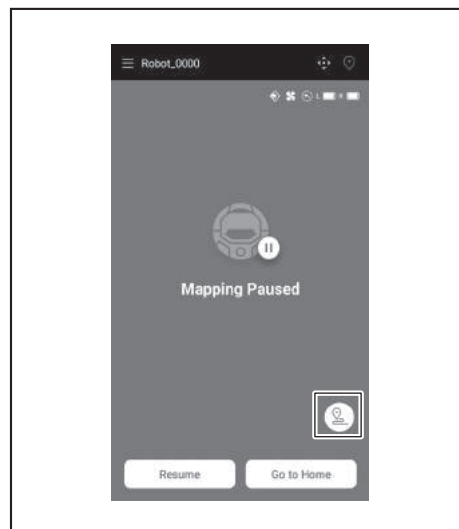
- Nadat het in kaart brengen is voltooid, wordt het dialoogvenster weergegeven met de vraag of zone-instellingen moeten worden uitgevoerd.
  - Als u het reinigingsbereik wilt beperken, tikt u op [Go to Area Settings]. (Zie pagina 41.)




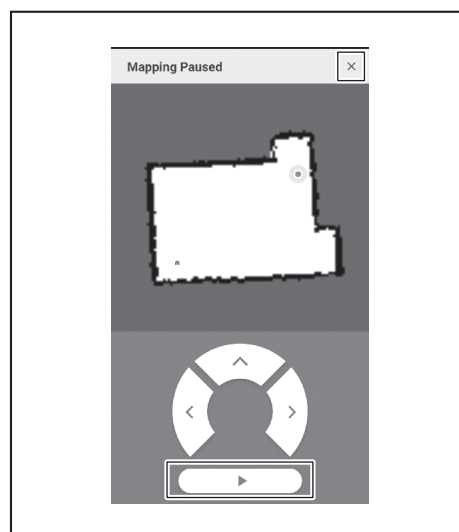
## Kaartgegevens toevoegen (handmatig in kaart brengen)

Tijdens het in kaart brengen kunt u met de app de kaartgegevens handmatig toevoegen. Dit wordt aanbevolen bij het in kaart brengen van een ingewikkelde vloerindeling.

- Tik op [Pause] en vervolgens op  om afstandsbedieningsknoppen weer te geven.



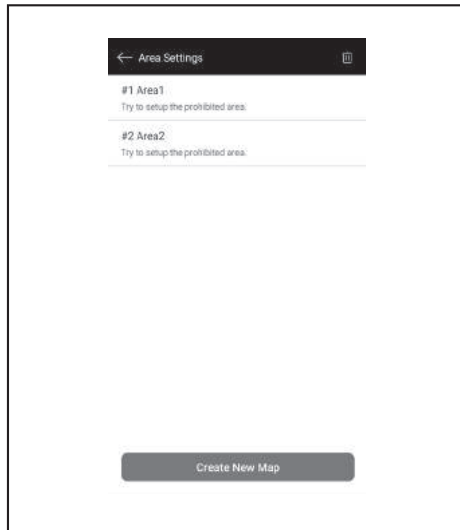
- Verplaats de robotstofzuiger met behulp van de afstandsbedieningsknoppen van de app of de afstandsbediening om de vloerindeling te volgen.
  - Nadat u de kaartgegevens handmatig hebt toegevoegd, tikt u op  om automatisch in kaart brengen te hervatten.
  - Als u het in kaart brengen wilt stoppen, tikt u op [x] en vervolgens op [Go to Home] of drukt u op de knop startpunt op de afstandsbediening.



## De naam van kaartgegevens wijzigen

Tik op het scherm [Area Settings] op de kaartgegevens die u wilt wijzigen. U kunt op een naam tikken om naar het instellingenscherf te gaan.

1. Tik op het scherm [Area Settings] op de kaartgegevens die u wilt wijzigen.



2. Tik op [Edit Area Name].



3. Wijzig de naam (maximaal 8 tekens).



4. Tik op [Save] om de naam op te slaan.

## Het reinigingsbereik beperken

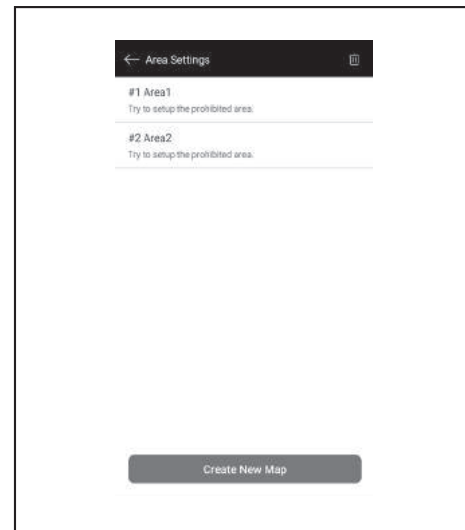
### ⚠ WAARSCHUWING

Gebruik de met de app geconfigureerde zone waarin reinigen verboden is niet als grenslijn van een zone waar mogelijk een ongeluk kan gebeuren door binnendringen of vallen.

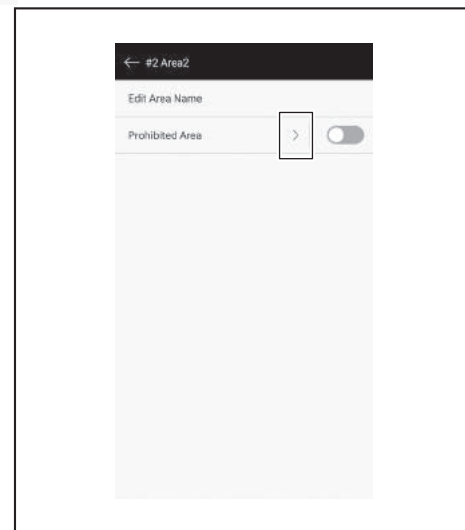
- Dit kan een ongeval of letsel veroorzaken als gevolg van het binnendringen of vallen van de robotstofzuiger. Het werkelijke traject van de robotstofzuiger kan enigszins afwijken van de instelling voor de zone waarin reinigen verboden is.

Voor een plaats met een risico op binnendringen of vallen van de robotstofzuiger, plaats een voorwerp dat als wand kan dienen met een hoogte van 25 cm of meer (een voorwerp dat niet beweegt of omvalt wanneer het door de robotstofzuiger wordt geraakt) op een vlakke ondergrond. (Zie pagina 11.)




1. Tik op het scherm [Area Settings] op de kaartgegevens die u wilt wijzigen.

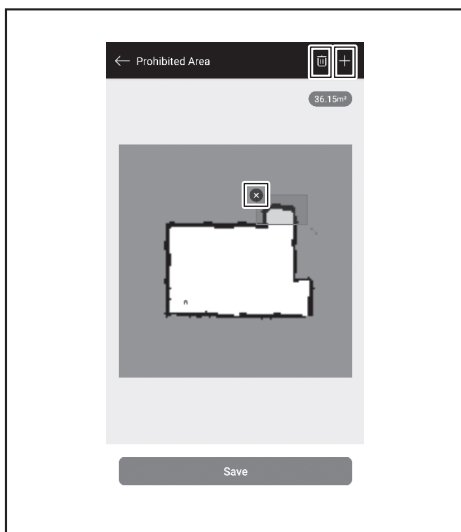


2. Tik op > naast [Prohibited Area].



3. Stel een verboden zone om te reinigen in.

- U kunt in de rechterbovenhoek van het scherm op  tikken om een verboden zone om te reinigen toe te voegen (maximaal 100 zones).
- U kunt een verboden zone slepen om deze te verplaatsen.
- U kunt de rechterbenedenhoek van een verboden zone slepen om de grootte aan te passen.
- U kunt in de linkerbovenhoek van een verboden zone om te reinigen op  tikken om de verboden zone om te reinigen te verwijderen.
- U kunt in de rechterbovenhoek van het scherm op  tikken om alle verboden zones om te reinigen te verwijderen.
- U kunt binnen een straal van 2 m rond het startpunt geen verboden zone om te reinigen instellen.
- Afhankelijk van de omgeving in de buurt van een zone waar het verboden is om te reinigen, is het misschien niet mogelijk om een zone rond de gespecificeerde zone te reinigen.

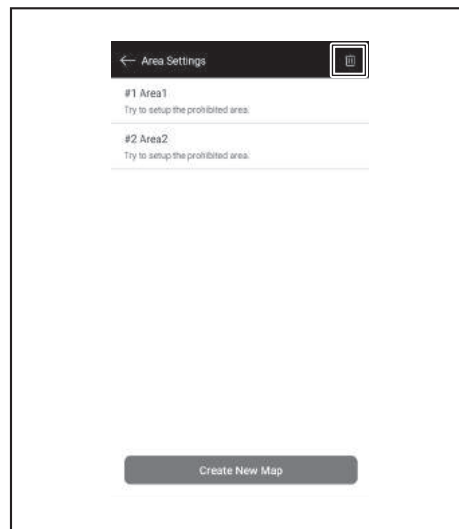


4. Als u op [Save] tikt, worden de gewijzigde kaartgegevens opgeslagen.
5. Om een opgeslagen verboden zone om te reinigen in te schakelen, tikt u op Aan/Uit (groen gekleurd, als het Aan is) naast [Prohibited Area].

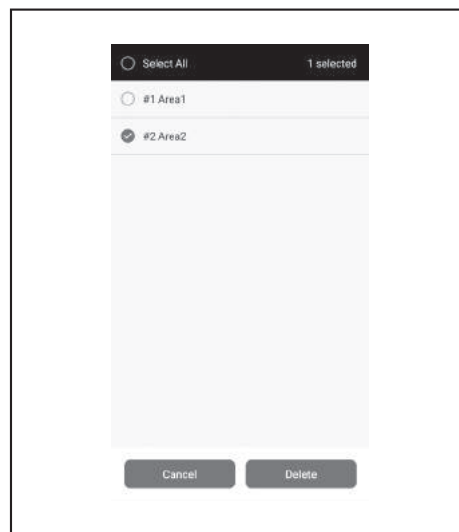


## Kaartgegevens verwijderen

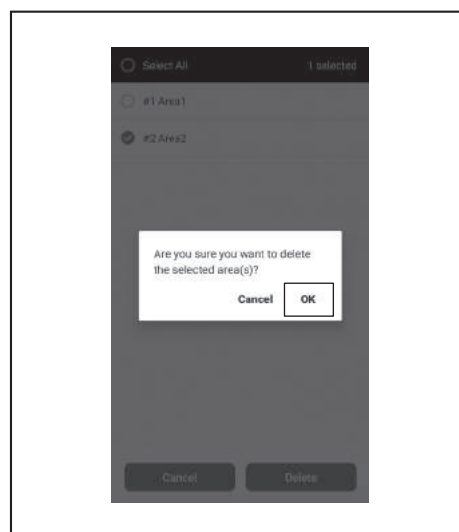
1. Tik op het scherm [Area Settings] op .



2. Selecteer de kaartgegevens die u wilt verwijderen.
- De keuzerondje voor de kaartgegevens is ingekleurd, als die gegevens zijn geselecteerd.
  - Tik op [Select All] om alle items te selecteren.




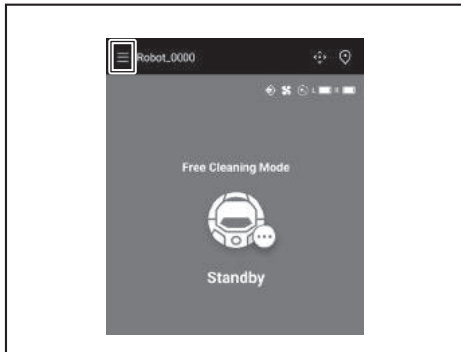
3. Tik op [Delete].
4. Er wordt een melding weergegeven. Tik op [OK].



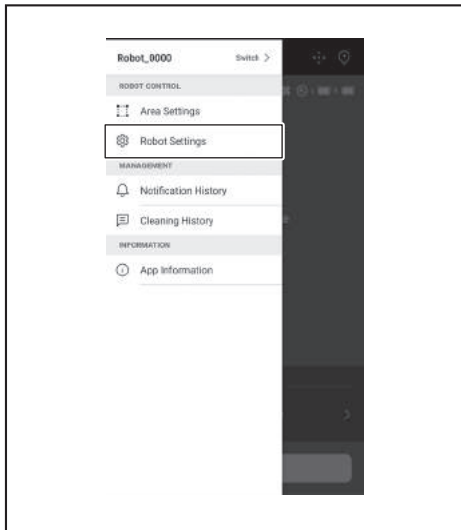
## Instellingen wijzigen en controleren

Instellingen kunnen via [Robot Settings] in het menuvenster worden gewijzigd en gecontroleerd.

1. Tik op het startscherm op .



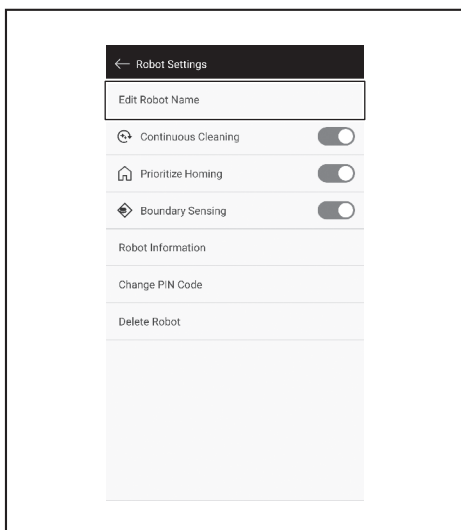
2. Tik op [Robot Settings].



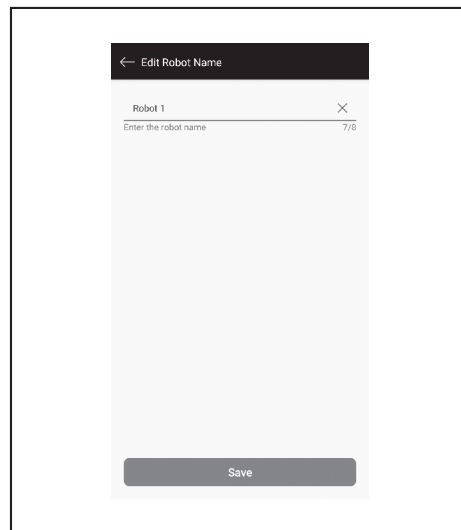
### De naam van een geregistreerde robotstofzuiger wijzigen

Deze instelling verandert alleen de naam van de robotstofzuiger in de app. De SSID voor Wi-Fi® wordt niet gewijzigd.

1. Tik op [Edit Robot Name] in het scherm [Robot Settings].



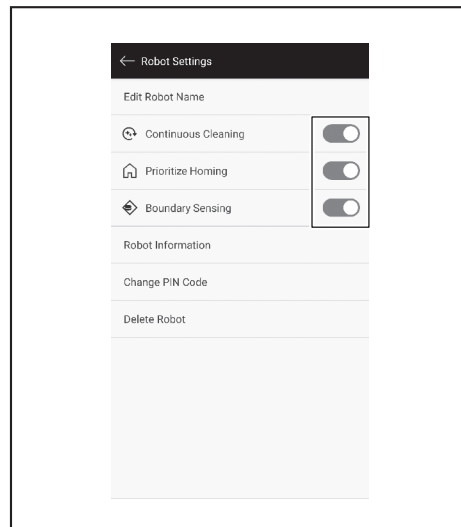
2. Voer een nieuwe naam in (maximaal 8 tekens).



3. Als u de naam hebt ingevoerd, tikt u op [Save].

### Reinigingsopties instellen

1. Tik in het scherm [Robot Settings] op Aan/Uit (groen gekleurd, als het Aan is) naast [Continuous Cleaning] of [Prioritize Homing], indien nodig.
  - [Continuous Cleaning]: Selecteer deze optie als er geen accupaciteit meer is voordat de robotstofzuiger de hele reinigingszone heeft gereinigd en u wilt dat het reinigen de volgende keer start met de zone die nu niet gereinigd is.
  - [Prioritize Homing]: Deze instelling wordt aanbevolen, als de robotstofzuiger vaak niet naar het startpunt van het reinigen terugkeert. De robotstofzuiger begint naar het startpunt van het reinigen terug te keren, op voorwaarde dat er meer accupaciteit dan normaal over is.
  - [Boundary Sensing]: Selecteer deze optie bij gebruik van de magnetische grenslijn. De robotstofzuiger detecteert de magnetische grenslijn als de grens. (Zie pagina 21.)

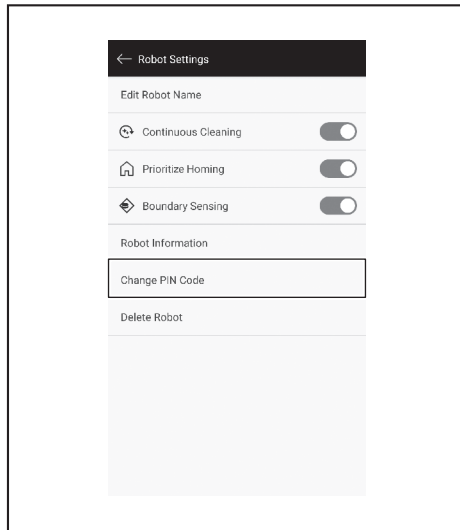


## De pincode wijzigen

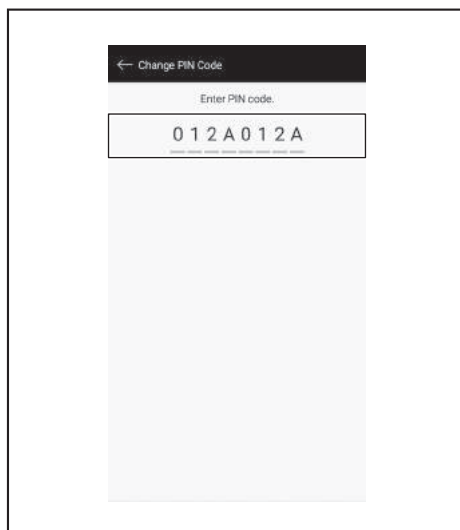
De pincode van de robotstofzuiger kan worden gewijzigd. Als u de pincode die u hebt ingesteld, bent vergeten, raadpleeg dan "De instellingen opnieuw instellen" op pagina 24 om de robotstofzuiger opnieuw naar de fabrieksinstellingen in te stellen.

Raadpleeg "Initiële instelling" op pagina 34 om de standaardfabriekspincode te controleren.

1. Tik in het scherm [Robot Settings] op [Change PIN Code].



2. Voer de huidige pincode in (acht tekens).

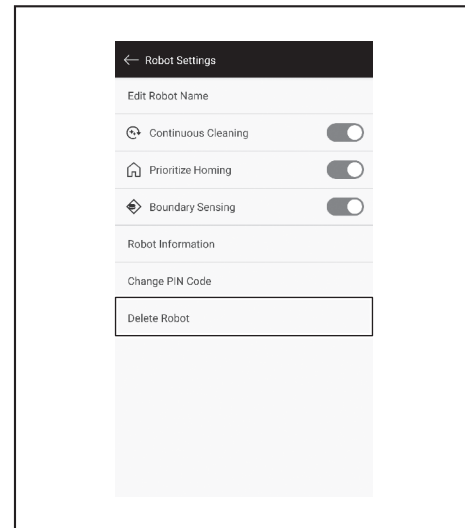


3. Voer de nieuwe pincode (acht tekens) in die u wilt instellen.  
Voer de nieuwe pincode tweemaal na elkaar in.

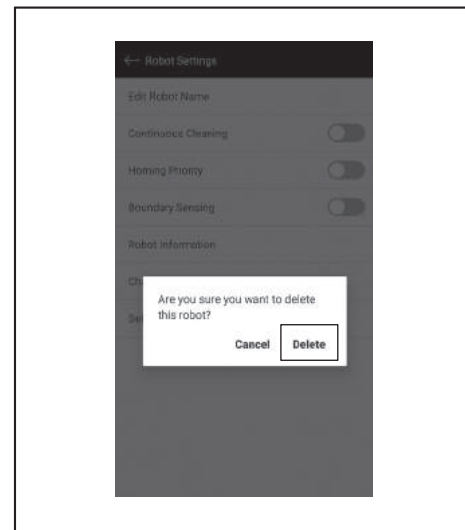


## Gegevens van een geregistreeerde robotstofzuiger verwijderen


1. Tik in het scherm [Robot Settings] op [Delete Robot].

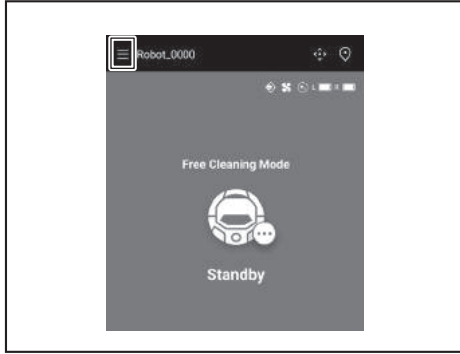


2. Er verschijnt een dialoogvenster om het verwijderen te bevestigen. Tik op [Delete] om het verwijderen te voltooien.

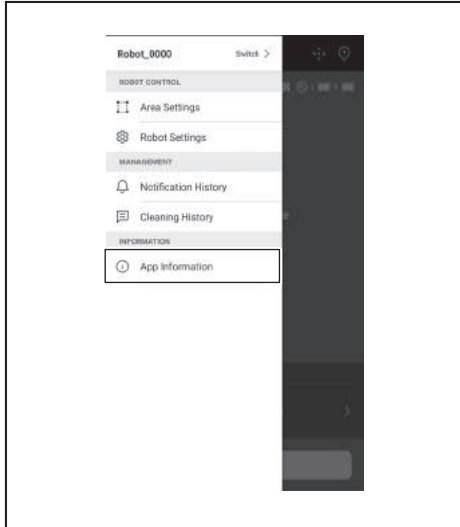


## De appgegevens controleren

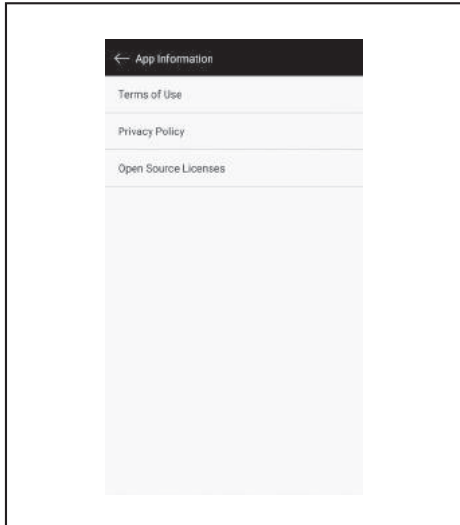
1. Tik op het startscherm op .



2. Tik op [App Information].

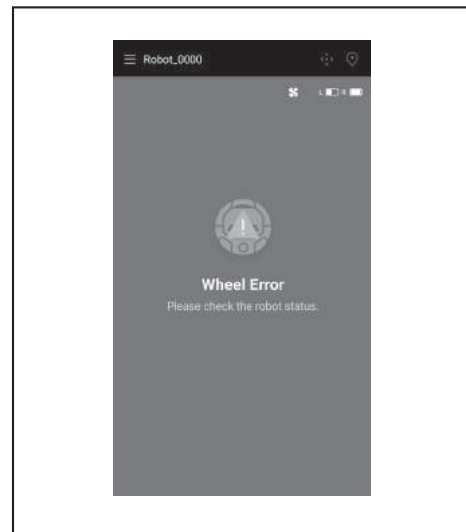
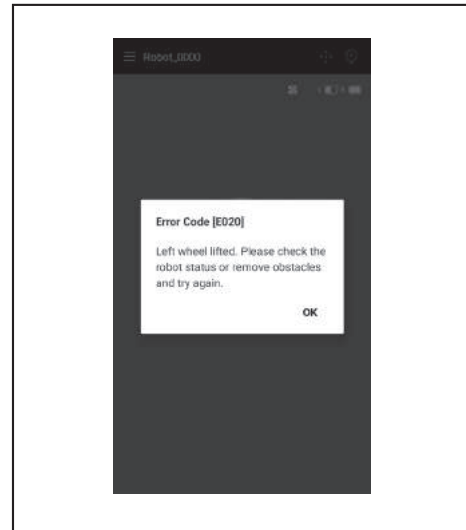


3. Tik op de gegevens die u wilt controleren.



## Foutmelding/dialogvenster

Als er een fout optreedt, wordt er een foutmelding of een dialoogvenster weergegeven. Volg in dat geval de instructie in de melding of het dialoogvenster.



## Appendix

### Kennisgeving met betrekking tot open source-software

Dit product bevat open source-software (hierna "Open Source Software" genoemd) onder de GNU General Public License (GPL), de GNU Lesser General Public License (LGPL) en andere licenties.

Informatie met betrekking tot licenties voor de Open Source Software (kennisgeving van auteursrechtelijken en licenties) wordt gratis op de volgende website bekendgemaakt. Bovendien wordt de broncode voor de Open Source Software die door ons onder deze licenties is uitgegeven ook gratis bekendgemaakt op de volgende website.

<https://oss.makita.biz/index.html>

- Gelieve geen vragen te stellen over de broncode voor de Open Source Software.
- We geven geen enkele garantie met betrekking tot de Open Source Software. Deze kennisgeving vormt echter geen beperking voor onze garantie op productdefecten (inclusief defecten veroorzaakt door de Open Source Software).

### Voor Europese landen

Wi-Fi-module	Modulenaam	LCW-006
	Frequentiebereik/vermogen	2412,0 - 2462,0 MHz/17,48 dBm(EIRP) 2422,0 - 2452,0 MHz/13,75 dBm(EIRP)
	S/W-versie	V1.0
Bluetooth-module	Modulenaam	T007-MA-MD
	Frequentiebereik/vermogen	2402,0 - 2480,0 MHz/7 dBm(EIRP)
	S/W-versie	V01.03
Afstandsbediening	Modulenaam	C011
	Frequentiebereik/vermogen	2402,0 - 2480,0 MHz/-4 dBm(EIRP)
	S/W-versie	V01.04

Dit apparaat moet zodanig worden geïnstalleerd en gebruikt dat er een afstand van minimaal 20 cm tot alle personen is.





**ESPAÑOL**

## Índice

• Advertencia	2	• Apéndice	46
• Acerca del robot limpiador	2	• Aviso sobre el software de código abierto	46
• Características principales	2	• Para los países europeos	46
• Cartucho de batería y cargador aplicables	2		
• Uso previsto	3		
• Símbolos	3		
• Declaraciones de conformidad	3		
• Precauciones de seguridad	3		
• Precauciones de seguridad para el uso del robot limpiador	4		
• Precauciones relativas a las ondas radioeléctricas	8		
• Marcas y marcas registradas respectivas	8		
• Nombre de las piezas	9		
• Accesorios estándar	10		
• Preparación antes de la limpieza	11		
• Transporte del robot limpiador	11		
• Limpieza con el robot limpiador	11		
• Cómo evitar que el robot limpiador se caiga	11		
• Recoger antes de limpiar	12		
• Preparación para el uso	14		
• Instalación de los cepillos laterales	14		
• Desembalaje de la caja de polvo	14		
• Colocación de las pilas en el mando a distancia	14		
• Indicación de la capacidad de batería restante	15		
• Colocación y extracción de las baterías (vendidas por separado)	15		
• Encendido y apagado	16		
• Ajustes previos a la limpieza	16		
• Uso	17		
• Limpieza	17		
• Limpieza de habitaciones con mapeo	17		
• Eliminación de la información de mapeo	18		
• Suspensión o finalización de la limpieza	19		
• Encendido y apagado del ventilador extractor	19		
• Uso de la función de baliza de localización	19		
• Uso de los temporizadores de encendido y apagado	19		
• Control del alcance de la limpieza	21		
• Cómo colocar, retirar y usar los elementos vendidos por separado	22		
• Cómo eliminar la basura	22		
• Configuración del robot limpiador	23		
• Configuración de la hora	23		
• Configuración de Wi-Fi® (robot limpiador y smartphone)	23		
• Configuración del ajuste de sonido	23		
• Restablecimiento de la configuración	24		
• Cuidados	25		
• Mantenimiento	25		
• Reparaciones	28		
• Notificación e indicación de errores	29		
• Cancelación de notificaciones e indicaciones de error	29		
• Notificación relativa al mantenimiento, etc.	29		
• Notificación de errores	29		
• Solución de problemas	30		
• Almacenamiento	33		
• Accesorios opcionales	33		
• Aplicación para smartphone (para el DRC300)	34		
• Índice	34		
• Prestaciones de la aplicación	34		
• Instalación de la aplicación	34		
• Pantalla de inicio	35		
• Limpieza con la aplicación	35		
• Consulta del historial de limpieza	37		
• Adición, cambio o eliminación de la información de mapeo	39		
• Cambio y consulta de la configuración	43		
• Mensaje o cuadro de diálogo de error	45		

## Advertencia

Este electrodoméstico lo pueden usar niños de 8 años en adelante y personas con facultades físicas, sensoriales o mentales reducidas, o con falta de experiencia y conocimiento, siempre que sea bajo supervisión o que sigan las instrucciones relativas al uso del aparato de forma segura y conozcan los riesgos que entraña. Los niños no deben jugar con el aparato. Las tareas de limpieza y mantenimiento de usuario no las deben llevar a cabo niños sin supervisión.

## Acerca del robot limpiador

### Características principales

Característica principal		Modelo: DRC300
Tensión		18 V CC
Tiempo de funcionamiento continuo*1 *2		Aprox. 240 minutos
Volumen del colector de polvo		3,0 l
Dimensiones		500 mm (largo) × 500 mm (ancho) × 204 mm (alto)
Peso*2		10,6 kg
Comunicación inalámbrica	Sistema de comunicación	1. Del robot limpiador al mando a distancia: Bluetooth 2. Del robot limpiador al smartphone: Wi-Fi® (SoftAP)
	Distancia de comunicación estimada	1. 20 m o menos 2. 10 m o menos
LAN inalámbrica	Banda de frecuencia	2,4 GHz
	Potencia máxima de radiofrecuencia	17,48 dBm (PIRE)
	Estándares de LAN inalámbrica	IEEE 802.11 b/g/n
	Método de cifrado	WPA/WPA2
	Versión WPS	Versión 2.0
Bluetooth	Banda de frecuencia	2402,0 - 2480,0 MHz
	Potencia máxima de radiofrecuencia	Mando a distancia: -4 dBm (PIRE)
	Alcance de transmisión	Aproximadamente 10 m
	Versión de Bluetooth®	4.2 (Bluetooth de baja energía)
Salida del láser	Longitud de onda	Sensor LiDAR: 775 - 800 nm Sensor de precipicio: 845 - 850 nm
	Salida	1 mW o menos (IEC 60825-1:2014, láser de clase 1)

- Tenga en cuenta que el fabricante puede cambiar las características principales, la forma y otros aspectos sin previo aviso para introducir mejoras.
- Los sensores láser de distancia de este producto son productos láser de clase 1, que se definen en la norma internacional IEC 60825-1:2014 sobre la seguridad de los productos láser.

- \*1. Al usarse en suelos lisos, como los de vinilo, con el ventilador extractor encendido. El tiempo de funcionamiento depende de las condiciones del lugar donde se utilice el aparato, el tipo de suelo, el estado de la batería, la temperatura de la estancia, etc. Además, se puede reducir en entornos de baja temperatura debido a las características de la batería de iones de litio.
- \*2. Al estar equipado con dos baterías BL1860B.

### Cartucho de batería y cargador aplicables

Cartucho de batería	BL1815N / BL1820B / BL1830B / BL1840B / BL1850B / BL1860B
Cargador	DC18RC / DC18RD / DC18RE / DC18SD / DC18SE / DC18SF / DC18SH / DC18WC

- Es posible que algunos de los cartuchos de batería y cargadores indicados anteriormente no estén disponibles (depende de la región donde reside).

### ADVERTENCIA

Utilice únicamente los cartuchos de batería y los cargadores indicados anteriormente. El uso de cualquier otro cartucho de batería y cargador puede causar lesiones y/o incendios.

### Información sobre las fuentes de alimentación conectadas por cable










Con este producto no se pueden usar fuentes de alimentación conectadas por cable. De hacerlo, podrían producirse lesiones o un accidente.

## Uso previsto

Este producto es un robot aspirador diseñado para la limpieza de suelos interiores. Algunas operaciones y ajustes se pueden llevar a cabo mediante el mando a distancia y la aplicación del aparato.

## Símbolos

A continuación, se detallan los símbolos que pueden usarse en relación con este electrodoméstico. Antes de usarlo, es importante que los conozca.

	Lea el manual de instrucciones.
	Tenga especial cuidado y atención.
	Una batería representativa aplicable a este producto.
	Solo para los países de la Unión Europea Debido a la presencia de componentes peligrosos en el aparato, los residuos de equipos eléctricos y electrónicos, baterías y acumuladores pueden tener un efecto nocivo sobre el medio ambiente y la salud humana. ¡No tire los aparatos eléctricos y electrónicos ni las baterías junto con la basura doméstica!
	De conformidad con la Directiva Europea sobre residuos de aparatos eléctricos y electrónicos, acumuladores, pilas y sus residuos, así como con su adaptación a la legislación nacional, los residuos de aparatos eléctricos, las pilas y los acumuladores se deben almacenar por separado y enviar a un punto de recogida designado para los residuos municipales que se adecue a las disposiciones en materia de protección del medio ambiente. Esto se indica en el aparato con el símbolo de un contenedor de basura tachado.
	No pise el robot limpiador ni le ponga objetos encima.
	No use el robot limpiador cerca de llamas expuestas ni junto a materiales inflamables y/o peligrosos.
	Limpie los sensores de precipicio situados en la cara inferior si están sucios o mojados.
	PRODUCTO LÁSER DE CLASE 1 PRODUCTO LÁSER DE CONSUMO EN 50689:2021
CONSUMER LASER PRODUCT EN 50689 : 2021	




## Declaraciones de conformidad

### Solo para los países europeos


Las declaraciones de conformidad se recogen en el Anexo A de este manual de instrucciones.



## Precauciones de seguridad

Significado de  ADVERTENCIA,  PRECAUCIÓN y  AVISO en las precauciones


Las consideraciones de uso de este producto se agrupan en  ADVERTENCIA,  PRECAUCIÓN y .

Sus significados son los siguientes:

 **ADVERTENCIA** : precaución que indica riesgo de muerte o lesión grave al usuario si el producto se manipula de forma indebida.


 **PRECAUCIÓN** : precaución que indica riesgo de lesión grave al usuario o de daños materiales si el producto se manipula de forma indebida. Es importante tener en cuenta que un incidente descrito con la palabra  **PRECAUCIÓN** podría conllevar consecuencias graves en función de la situación.


Siga siempre estas precauciones, pues todas son importantes para la seguridad.

 **AVISO** : precauciones importantes para manipular el producto y sus accesorios.



- Siga las "Precauciones de seguridad" para prevenir accidentes, como incendios, descargas eléctricas y lesiones.
- Antes de usar el producto, lea todas las "Precauciones de seguridad" detenidamente para manipularlo correctamente.
- Cuando haya leído el manual, guárdelo en un lugar seguro para que las personas que utilicen el producto puedan consultarlo en cualquier momento.
- Si le presta el producto a alguien, acompañe siempre el manual de usuario.
- Los pictogramas siguientes se utilizan para clasificar y explicar las medidas que deben adoptarse.



## Ejemplos de pictogramas



 Este pictograma indica que algo está "prohibido", por lo tanto, no se debe hacer.



 Este pictograma indica que algo es "obligatorio", por lo tanto, siempre se debe hacer.



Estas ilustraciones se exponen a título de referencia. El diseño varía según el producto.

 <b>ADVERTENCIA</b>	
<b>No sumerja el producto en agua para lavarlo. No use este producto en un sitio húmedo o con agua, como el cuarto de baño.</b> <ul style="list-style-type: none"><li>• La entrada de agua en el motor puede generar calor u ocasionar un cortocircuito o una ignición.</li><li>• Algunos componentes pueden lavarse en agua. Consulte "Cuidados" en la página 25.</li></ul>	
<b>Nunca desmonte, repare ni modifique el producto.</b> <ul style="list-style-type: none"><li>• Hacerlo puede provocar una ignición o un funcionamiento anómalo y, como consecuencia, lesiones.</li></ul>	
<b>No deje que los niños jueguen con este producto ni con el cargador.</b> <ul style="list-style-type: none"><li>• Un momento de descuido puede desembocar en lesiones graves.</li></ul>	
<b>No utilice este producto al aire libre.</b>	
<b>No utilice este producto en superficies inestables, como escaleras o pendientes pronunciadas.</b> <ul style="list-style-type: none"><li>• El producto podría volcar o caerse y provocar lesiones.</li></ul>	
<b>No utilice accesorios que no sean los especificados por Makita o elementos vendidos por separado.</b> <ul style="list-style-type: none"><li>• Usar elementos que no sean los accesorios y los elementos vendidos por separado que se detallan en este manual de usuario y en nuestro catálogo puede causar accidentes o lesiones.</li></ul>	
<b>No coloque este producto junto a llamas, aparatos de calefacción, etc.</b> <ul style="list-style-type: none"><li>• Hacerlo puede provocar un cortocircuito o una ignición por la deformación del producto.</li></ul>	
<b>No utilice el producto ni cargue la batería cerca de sustancias inflamables (gasolina, bencina, disolvente, gas, etc.).</b> <ul style="list-style-type: none"><li>• Hacerlo puede producir un incendio o una explosión.</li></ul>	
<b>No almacene este producto en un lugar donde puedan alcanzarse los 50 °C (122 °F) (en cajas metálicas, dentro de un coche en verano, etc.).</b> <ul style="list-style-type: none"><li>• Hacerlo puede provocar un cortocircuito o una ignición debido a la deformación de este producto.</li><li>• La batería puede deteriorarse y provocar humo o una ignición.</li></ul>	



 <b>ADVERTENCIA</b>	
<p><b>No cargue el producto en las condiciones siguientes, ya que podría producirse un incendio.</b></p> <ul style="list-style-type: none"> <li>Encima de papel, cartón ondulado, telas (p. ej., cojines), alfombras, vinilo, etc.</li> <li>Con un cargador que disponga de orificios de ventilación y que los tenga tapados durante la carga o donde se hayan introducido metales u objetos inflamables.</li> <li>En sitios donde haya mucho polvo, por ejemplo, el procedente del algodón.</li> </ul>	
<p><b>No cargue el producto bajo la lluvia; no saque ni meta el enchufe ni la batería con las manos mojadas.</b>  <b>No deje que cerca del terminal del cargador haya agua o sustancias extrañas, como piezas metálicas.</b></p> <ul style="list-style-type: none"> <li>De lo contrario, pueden producirse una descarga eléctrica o lesiones.</li> </ul>	
<p><b>No utilice un cargador que no sea el indicado por el fabricante.</b></p> <ul style="list-style-type: none"> <li>De lo contrario, puede producirse la fuga de líquido, calentamiento o la rotura de la batería.</li> <li>No utilice el cargador para otros fines que no sean la carga.</li> </ul>	
<p><b>No utilice el cargador para otros fines que no sean la carga. No utilice la batería ni el cargador con otros aparatos que no sean los especificados por Makita.</b></p>	
<p><b>No estropee el cable del cargador.</b></p> <ul style="list-style-type: none"> <li>No transporte el cargador tirando del cable ni tire de este para desconectar el aparato del enchufe.</li> <li>Mantenga el cable alejado del calor, aceites, sustancias químicas y esquinas afiladas.</li> <li>Al elegir un lugar para la carga, procure que nadie pueda pisar el cable y que este no pueda quedar atrapado ni resultar dañado a consecuencia de una tensión excesiva. De lo contrario, puede producirse una descarga eléctrica o un cortocircuito que provoque una ignición.</li> </ul>	
<p><b>No utilice el producto si el cable del cargador está dañado o si el enchufe no está bien introducido.</b></p> <ul style="list-style-type: none"> <li>Puede producirse una descarga eléctrica, un cortocircuito o una ignición.</li> </ul>	
<p><b>La pieza de montaje de la batería del cargador cuenta con un terminal de carga. No deje que, haya agua o sustancias extrañas, como piezas metálicas, cerca del terminal de carga.</b></p>	
<p><b>No cubra ni la batería ni el cargador con telas ni ningún otro elemento durante la carga.</b></p> <ul style="list-style-type: none"> <li>Cargue la batería en un lugar bien ventilado. De lo contrario, puede producirse calentamiento, rotura o ignición.</li> </ul>	


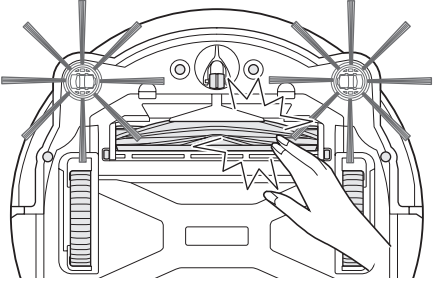
 <b>ADVERTENCIA</b>	
<p><b>Apague este producto y retire las baterías antes de proceder a su mantenimiento e inspección para evitar que se encienda accidentalmente.</b></p>	
<p><b>Al colocar la batería en este producto, tenga cuidado de no encenderlo.</b></p> <ul style="list-style-type: none"> <li>Al introducir la batería en condiciones en que pudiera llegar a encenderse (por ejemplo, si el dedo se pone encima del botón de inicio/parada), el producto puede empezar a moverse de repente y ocasionar un accidente.</li> </ul>	
<p><b>En caso de caída o impacto accidentales de este producto, inspecciónelo exhaustivamente para descartar la presencia de daños, grietas y deformación.</b></p> <ul style="list-style-type: none"> <li>Los daños, las grietas y las deformaciones pueden causar lesiones.</li> </ul>	
<p><b>Mueva este producto con cuidado para evitar que se deforme o se deteriore.</b></p> <ul style="list-style-type: none"> <li>Los daños, las grietas y las deformaciones pueden causar lesiones.</li> </ul>	
<p><b>Si este producto no funciona bien o se oye un ruido anormal al usarlo, apáguelo inmediatamente y no vuelva a utilizarlo. Comuníquese con la tienda donde lo compró o con nuestra oficina de ventas para solicitar su inspección y reparación.</b></p> <ul style="list-style-type: none"> <li>Si sigue utilizado el producto, pueden producirse accidentes o lesiones.</li> </ul>	


 <b>ADVERTENCIA</b>	
<p><b>Asegúrese de que ninguna pieza esté dañada.</b></p> <ul style="list-style-type: none"> <li>Antes de usar el producto, inspecciónelo minuciosamente para comprobar que sus componentes no presenten daños, que funcione correctamente y que proporcione las funciones predeterminadas.</li> <li>Cerchiórese de que las piezas móviles estén bien colocadas y apretadas, y compruebe también que los componentes se encuentren en buen estado y bien acoplados. A continuación, revise todas las demás áreas que puedan influir en el funcionamiento para descartar anomalías.</li> <li>Para la sustitución y reparación de los componentes dañados, consulte el manual de usuario. Si no se facilita ninguna descripción en el manual de usuario, solicite la reparación en la tienda donde efectuó la compra o en nuestra oficina de ventas.</li> </ul>	
<p><b>Mantenga este producto en buen estado.</b></p> <ul style="list-style-type: none"> <li>Para la sustitución y reparación de los accesorios, consulte el manual de usuario.</li> <li>Inspeccione regularmente el cable del cargador y, si está deteriorado, solicite la reparación en la tienda donde efectuó la compra o en nuestra oficina de ventas. De lo contrario, puede producirse una descarga eléctrica o un cortocircuito que provoque una ignición.</li> <li>Al emplear un cable alargador para la carga, inspecciónelo periódicamente y, si está deteriorado, sustitúyalo. De lo contrario, puede producirse una descarga eléctrica o un cortocircuito que provoque una ignición.</li> <li>Mantenga siempre el asa de transporte seca y limpia, y no permita que entre en contacto con aceites, grasas, etc.</li> </ul>	
<p><b>Cuando este producto no se utilice, guárdelo en un lugar adecuado.</b></p> <ul style="list-style-type: none"> <li>Manténgalo en un lugar seguro y seco, fuera del alcance de los niños, o en un lugar seco que pueda cerrarse con llave. De lo contrario, puede producirse un accidente.</li> </ul>	
<p><b>Desenchufe el cargador de la toma de corriente cuando no se esté cargando el producto.</b></p> <ul style="list-style-type: none"> <li>Si no lo hace, puede ocasionar una descarga eléctrica, una fuga de corriente o un incendio debido al deterioro del aislamiento.</li> </ul>	
<p><b>Si observa que la temperatura no es normal u otras condiciones anómalas durante la carga, desenchufe el cargador de la toma de corriente de inmediato y deje de cargar.</b></p> <ul style="list-style-type: none"> <li>Si continúa cargando el aparato, puede producirse calentamiento, rotura o ignición.</li> </ul>	



 <b>PRECAUCIÓN</b>	
<p><b>Instale los accesorios de forma segura siguiendo el manual de usuario.</b></p> <ul style="list-style-type: none"> <li>Si no están bien instalados, pueden producirse lesiones, daños o accidentes.</li> </ul>	
<p><b>Al transportar este producto, sosténgalo siempre por el asa de transporte.</b></p> <ul style="list-style-type: none"> <li>Trasladar el producto sujetándolo de otra parte que no sea el asa de transporte puede provocar averías o lesiones.</li> </ul>	



## Precauciones de seguridad para el uso del robot limpiador



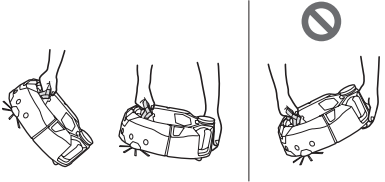
 <b>ADVERTENCIA</b>	
<p><b>No utilice este producto en lugares elevados sin acotar ni en zonas estrechas, como escaleras.</b></p> <ul style="list-style-type: none"> <li>Hacerlo puede provocar lesiones o averías debido a la caída del producto.</li> </ul>	
<p><b>No utilice este producto en zonas donde haya aceite flotando (p. ej., aceite comestible), en lugares donde se empleen espráis y productos químicos (peluquerías, salones de belleza, tintorerías...) ni en exteriores.</b></p> <ul style="list-style-type: none"> <li>Hacerlo puede provocar averías.</li> </ul>	
<p><b>No utilice este producto en lugares donde haya personas que no sepan manipularlo correctamente, como bebés o niños pequeños.</b></p> <ul style="list-style-type: none"> <li>Hacerlo puede provocar descargas eléctricas, accidentes o lesiones.</li> </ul>	



<b>⚠ ADVERTENCIA</b>	
<b>No utilice este producto en lugares donde haya mascotas u otros animales.</b> • Hacerlo puede provocar descargas eléctricas, accidentes o lesiones.	
<b>No utilice este producto en lugares muy concurridos o donde exista un flujo constante de personas.</b> • Hacerlo puede provocar descargas eléctricas, accidentes o lesiones.	
<b>No tapone la abertura de escape ni la de succión; no inserte en ellas metales, objetos extraños inflamables, etc.</b> • Hacerlo puede provocar una descarga eléctrica, una ignición o una avería.	
<b>No utilice este producto junto a objetos que pudieran taponar la abertura de succión.</b> • Hacerlo puede provocar una descarga eléctrica, una ignición o una avería.	
<b>No arroje este producto al fuego ni lo caliente.</b> • Hacerlo puede provocar un cortocircuito, una ignición, una fuga de líquido o una explosión.	
<b>No coloque este producto en lugares con temperaturas elevadas, como puede ser cerca del fuego o de un calefactor, en lugares expuestos a la luz solar directa ni en el interior de un vehículo a pleno sol.</b> • Hacerlo puede provocar un cortocircuito, una ignición, una fuga de líquido o una explosión.	
<b>No ponga objetos encima de este producto.</b> • Hacerlo puede provocar sobrecalentamiento y, como resultado, una ignición.	
<b>No deje este producto expuesto directamente a la luz solar.</b> • Hacerlo puede provocar una respuesta incorrecta del sensor LiDAR y del sensor de infrarrojos y, como consecuencia, fallos o averías.	
<b>No bloquee los sensores de este producto ni ponga objetos extraños en ellos.</b> • Hacerlo puede causar un mal funcionamiento o averías.	
<b>No adhiera pegatinas ni cinta adhesiva en los sensores ni en las ruedas.</b> • Hacerlo puede causar fallos o un mal funcionamiento.	
<b>No se siente en este producto, no le coloque encima objetos pesados ni lo someta a impactos fuertes.</b> • Hacerlo puede ocasionar daños o averías en el producto, así como lesiones personales. Preste especial atención cuando haya niños cerca.	
<b>Durante el funcionamiento, no toque las ruedas motrices ni ponga las manos o los pies debajo del producto.</b> • Hacerlo puede causar lesiones en las manos, etc. Preste especial atención cuando haya niños cerca.	
	
<b>No deje que un niño solo utilice el producto. Las personas que no sean capaces de expresar su voluntad y aquellas incapaces de utilizar el producto de forma autónoma no deben manipularlo.</b> • Hacerlo puede provocar descargas eléctricas, accidentes o lesiones.	
<b>No vierta agua ni detergente sobre este producto ni lo lave (excepto el cepillo principal, el cepillo lateral, la caja de polvo y el filtro).</b> • Hacerlo puede provocar una descarga eléctrica, un cortocircuito o una ignición.	
<b>No toque el producto con las manos mojadas.</b> • Hacerlo puede producir una descarga eléctrica.	

<b>⚠ ADVERTENCIA</b>	
<b>No emplee una línea de demarcación magnética rota, deformada o que parezca haber perdido su fuerza magnética.</b> • Hacerlo puede provocar accidentes o lesiones.	
<b>No acerque ninguna parte del cuerpo (como las manos o el pelo) ni su ropa a la abertura de succión ni a la abertura de escape de este producto.</b> • Hacerlo puede provocar lesiones.	
<b>Ninguna parte del cuerpo (como las manos o el pelo) ni su ropa deben entrar en contacto con un cepillo que esté girando.</b> • Hacerlo puede causar lesiones.	
<b>No permita que este producto aspire nada de lo detallado a continuación. Hacerlo puede causar un incendio, lesiones o la avería del motor.</b> <b>Sustancias inflamables</b> • Combustibles (queroseno, gasolina, etc.) • Disolventes (bencina, diluyente, etc.) • Objetos en combustión, como cerillas, incienso, velas y ceniza caliente; objetos que desprendan humo, como cigarrillos; y objetos a altas temperaturas. • Materiales combustibles, como el tóner de impresora • Pinturas • Chispas, polvo metálico y sustancias semejantes generadas al cortar o esmerilar metal • Gases inflamables (aerosoles, etc.) <b>Sustancias explosivas</b> • Nitroglicerina, etc. • Sustancias combustibles • Aluminio, magnesio, titanio, zinc, fósforo rojo, fósforo amarillo, celuloide y otras sustancias químicas, así como el polvo, el gas y el vapor producto de ellas <b>Objetos punzantes</b> • Cristal, herramientas afiladas, virutas de madera, metal, piedras, clavos, navajas, cuchillas de afeitar, chinchetas, agujas, etc. <b>Productos que generen espuma, como detergente para alfombras</b> <b>Sustancias que se solidifiquen y polvo fino conductor (polvo metálico o carbón)</b> <b>Agentes de deshumidificación</b> <b>Polvo en grandes cantidades (harina, ceniza, polvo de extintores de incendios, etc.)</b> <b>Sustancias que produzcan síntomas de intoxicación</b> <b>Medicamentos</b> <b>Residuos líquidos y basura húmeda</b> <b>Excrementos y vómito de animales, etc.</b> <b>Grandes cantidades de residuos de papel, desechos plásticos y cuerdas</b>	
<b>No utilice el producto en las condiciones siguientes, ya que podría producirse un incendio.</b> • Cuando haya un gran volumen de sustancias combustibles esparcidas en la zona. • Cuando la abertura de escape esté taponada. • Cuando la caja de polvo y el filtro no estén instalados. • Si se queda basura atrapada en el cepillo principal y este se bloquea. • Si el filtro presenta agujeros y roturas. • Si la batería no está insertada completamente.	
<b>No provoque un cortocircuito entre los terminales de la zona de la fuente de alimentación USB (para reparaciones).</b> • Introducir agujas o alambres en la zona de los terminales USB puede ocasionar un cortocircuito y, como resultado, una ignición o la emisión de humo.	
<b>No mire directamente a la luz o haz de láser.</b> • Hacerlo puede ocasionar lesiones en los ojos.	
<b>Este producto cumple las normas de seguridad aplicables: no lo modifique.</b> • Llevar a cabo reparaciones sin los conocimientos o las aptitudes para ello puede alterar el correcto funcionamiento del láser y provocar accidentes o lesiones.	
<b>No utilice productos recargables cerca de líneas de alta tensión.</b> • Existe riesgo de fallo o avería.	

 <b>ADVERTENCIA</b>	
<b>Deje de usar el producto si, en ocasiones, no funciona aun estando encendido.</b>	
<ul style="list-style-type: none"> <li>• Si no lo hace, puede provocar la aparición de humo, una ignición o una descarga eléctrica.</li> </ul>	
<b>Deje de usar el producto inmediatamente si está deformado o excesivamente caliente.</b>	
<ul style="list-style-type: none"> <li>• Si no lo hace, puede provocar la aparición de humo, una ignición o una descarga eléctrica.</li> </ul>	
<b>Deje de usar el producto si a veces se para estando encendido.</b>	
<ul style="list-style-type: none"> <li>• Si no lo hace, puede provocar la aparición de humo, una ignición o una descarga eléctrica.</li> </ul>	
<b>Deje de usar el producto inmediatamente si se oye un ruido anormal durante el funcionamiento.</b>	
<ul style="list-style-type: none"> <li>• Si no lo hace, puede provocar la aparición de humo, una ignición o una descarga eléctrica.</li> </ul>	
<b>Deje de usar el producto inmediatamente si empieza a oler a quemado.</b>	
<ul style="list-style-type: none"> <li>• Si no lo hace, puede provocar la aparición de humo, una ignición o una descarga eléctrica.</li> </ul>	
<b>Antes del uso y el mantenimiento, retire las velas encendidas, los floreros, etc., que pueda haber en mesas y estanterías.</b>	
<ul style="list-style-type: none"> <li>• Si no lo hace, podrían caerse al golpear este producto el mobiliario y provocar un accidente.</li> </ul>	
<b>Antes del uso y el mantenimiento, retire las bandas elásticas y otros objetos que pudieran llegar a ser arrastrados por este producto.</b>	
<ul style="list-style-type: none"> <li>• Si no lo hace, el producto podría arrastrar una banda elástica o algún otro objeto y provocar un accidente.</li> </ul>	
<b>Antes del uso y el mantenimiento, retire otros equipos y aparatos cuyo controlador se encuentre al mismo nivel que este producto.</b>	
<ul style="list-style-type: none"> <li>• Si no lo hace, el producto podría golpear un controlador, pulsarlo y provocar un incendio, un accidente o lesiones personales.</li> </ul>	
<b>Antes del mantenimiento y la inspección, apague este producto y retire las baterías.</b>	
<ul style="list-style-type: none"> <li>• Si no lo hace, pueden producirse una descarga eléctrica o lesiones.</li> </ul>	
<b>Durante el mantenimiento, tenga cuidado de no pillarse los dedos.</b>	
<ul style="list-style-type: none"> <li>• Hacerlo puede provocar lesiones.</li> </ul>	
<b>Si lleva un marcapasos o un desfibrilador, utilice este producto a una distancia superior a 15 cm del lugar de implantación.</b>	
<ul style="list-style-type: none"> <li>• Las ondas radioeléctricas pueden alterar el correcto funcionamiento de un dispositivo médico.</li> </ul>	
<b>Al usar equipos que emitan ondas radioeléctricas en un centro médico, siga las instrucciones que dicte el centro. En zonas donde el uso esté prohibido, apague este producto.</b>	
<ul style="list-style-type: none"> <li>• Si no lo hace, podrían producirse fallos en el funcionamiento de los dispositivos médicos.</li> </ul>	

 <b>PRECAUCIÓN</b>	
<b>Durante el uso y el mantenimiento, no ponga objetos extraños en los huecos ni en las aberturas.</b>	
<ul style="list-style-type: none"> <li>• Hacerlo puede provocar una descarga eléctrica, un incendio o la avería de este producto.</li> </ul>	
<b>No utilice este producto en alfombras de pelo largo (más de 7 mm) ni en tapetes.</b>	
<ul style="list-style-type: none"> <li>• Hacerlo puede causar que los cepillos laterales se queden atrapados, lo cual podría provocar daños en la alfombra y en los cepillos.</li> </ul>	
<b>No utilice este producto en alfombras delicadas (de piel de cordero, de fieltro, etc.), en suelos delicados (de madera lisa, de mármol, etc.) ni en suelos recién encerados.</b>	
<ul style="list-style-type: none"> <li>• Hacerlo puede causar daños o arañazos. Si se causan daños, deje de usar el producto.</li> </ul>	

 <b>PRECAUCIÓN</b>	
<b>No se suba a este producto ni se siente en él.</b>	
<ul style="list-style-type: none"> <li>• Hacerlo puede provocar que se mueva repentinamente y ocasionarle lesiones, ya que podría caerse.</li> </ul>	
<b>No deje en funcionamiento este producto durante muchas horas con la abertura de succión taponada.</b>	
<ul style="list-style-type: none"> <li>• Hacerlo puede producir deformaciones o una ignición en el producto por sobrecalentamiento.</li> </ul>	
<b>No ponga la mano ni el pie debajo de este producto.</b>	
<ul style="list-style-type: none"> <li>• Existe el riesgo de que los dedos queden atrapados, de modo que podría sufrir lesiones.</li> </ul>	
<b>No continúe usando este producto con el filtro sucio o si tiene mucho polvo acumulado.</b>	
<ul style="list-style-type: none"> <li>• Hacerlo puede reducir la potencia de aspiración.</li> </ul>	
<b>No sostenga este producto con la parte delantera inclinada hacia abajo.</b>	
<ul style="list-style-type: none"> <li>• Puede caer polvo por la abertura de succión.</li> </ul>	
	

 <b>PRECAUCIÓN</b>	
<b>Para evitar fallos en el funcionamiento, garantice el buen mantenimiento de los sensores.</b>	
<ul style="list-style-type: none"> <li>• La respuesta incorrecta de un sensor puede provocar lesiones o averías debido a fallos en el funcionamiento o a la caída del producto.</li> </ul>	
<b>Asegúrese de remeter los flecos largos de alfombras, tapetes, etc., por debajo.</b>	
<ul style="list-style-type: none"> <li>• Los flecos pueden quedar atrapados en las ruedas motrices y/o en el cepillo principal, lo cual puede dañar las alfombras y este producto.</li> </ul>	
<b>Antes de transportar este producto, interrumpa su funcionamiento y luego apáguelo. Sujételo con firmeza del asa de transporte para no pillarse las manos.</b>	
<ul style="list-style-type: none"> <li>• Levantar este producto de forma descuidada puede ocasionar lesiones o averías.</li> </ul>	
<b>Retire cables y cuerdas para que no se queden pilladas en este producto.</b>	
<ul style="list-style-type: none"> <li>• Si no lo hace, pueden producirse fallos en el funcionamiento o una avería al enredarse el cable de alimentación.</li> </ul>	
<b>Antes de la limpieza, quite los objetos que se rompan con facilidad, los que puedan caerse y los que el aparato no deba aspirar. Retire también las cuerdas y los cables largos.</b>	
<ul style="list-style-type: none"> <li>• Si no lo hace, pueden producirse daños, arañazos o la avería de este producto.</li> </ul>	
<b>Utilice este producto con el filtro bien puesto. No lo utilice sin filtro ni con el filtro mal colocado o roto.</b>	
<ul style="list-style-type: none"> <li>• Hacerlo puede causar una avería, como el recalentamiento del motor.</li> <li>• El polvo podría salirse y provocar daños en la salud.</li> </ul>	
<b>Tenga cuidado de no pillarse los dedos al abrir y cerrar la tapa superior del aparato y la de la caja de polvo, al poner el filtro y al conectar y desconectar la batería.</b>	
<ul style="list-style-type: none"> <li>• Existe el riesgo de que los dedos queden atrapados, de modo que podría sufrir lesiones.</li> </ul>	

## Manipulación

1. Use este producto en interiores. No lo use para limpiar lugares donde haya mucho polvo (ni siquiera en interiores).
2. No lo use para limpiar suelos que tengan una superficie dura e irregular. Hacerlo puede causar que los cepillos y las ruedas se desgasten rápido.
3. Tras la limpieza, retire la arena o el polvo pegados al cepillo principal, a los cepillos laterales y a las ruedas. Si no se limpian, la superficie del suelo podría resultar dañada.

4. Instale siempre el cepillo principal y su tapa al usar este producto.
5. No lubrique las piezas móviles del cepillo principal, etc. Hacerlo puede ocasionar la rotura de las piezas de plástico.
6. Si se va a usar en un suelo delicado, se recomienda sustituir los cepillos normales por el cepillo suave principal y el cepillo suave lateral (vendidos por separado). No obstante, pueden hacer rayas dependiendo de la condición de la superficie del suelo. Si se da el caso, deje de usar el producto.
7. No arrastre este producto. Para moverlo, levántelo del suelo.
8. No ponga pegatinas ni cinta adhesiva en las piezas de los sensores ni en las ruedas, no deforme el parachoques ni las ruedas, y evite aplicar una fuerza excesiva sobre el parachoques. Hacerlo puede provocar un mal funcionamiento.
9. Si el producto aspira polvo fino (como yeso, cemento y tiza), realice el mantenimiento del filtro, el sensor de precipicio y el sensor LIDAR.
10. No permita que este producto aspire los elementos indicados a continuación, pues podrían producirse arañazos en su interior, obstrucciones de polvo o averías. Si el producto aspira alguno de ellos por accidente, interrumpa el funcionamiento y tire el polvo.
  - (1) Residuos húmedos (líquidos y basura húmeda)
  - (2) Excrementos de animales, etc.
  - (3) Grandes volúmenes de arena y polvo
  - (4) Cuerdas
  - (5) Objetos punzantes (cristal, herramientas cortantes, alfileres, etc.)
  - (6) Desechos de gran tamaño y grandes volúmenes de basura
  - (7) Objetos con poca permeabilidad al aire (film de cocina transparente, vinilo, etc.)
11. Si el cepillo inferior de la abertura de succión, las ruedas, las ruedas motrices o la parte del rodillo de la tapa del cepillo principal están gastados, deje de usar este producto y consulte en la tienda donde lo compró o en nuestra oficina de ventas. Utilizar el robot limpiador cuando las piezas están desgastadas puede dañar la superficie del suelo.
12. Durante el funcionamiento, pueden producirse interferencias en la pantalla de televisión, pero no afectan a la televisión en sí.
13. Tenga cuidado al usar este producto en lugares donde haya instalado un sistema de seguridad. El sistema de seguridad podría detectar que este producto es un intruso por equivocación.
14. Siga estas pautas:
  - (1) No deje el aparato sin usar durante periodos prolongados con la batería instalada.
  - (2) No lo use con el sensor sucio ni con el filtro obstruido.
  - (3) No lo use si observa algún error de la batería (un olor raro, fuga de líquido, calentamiento, deformación u otros indicios inusuales).
  - (4) No lo use sin retirar la arena, el polvo u otras impurezas del cepillo principal, los cepillos laterales y las ruedas.
  - (5) No use componentes gastados o deteriorados.
  - (6) No lo use sin leer el manual de usuario.
  - (7) No ponga el producto del revés ni realice labores de mantenimiento con la batería instalada.
  - (8) No lo use sin realizar el debido mantenimiento de la línea de demarcación magnética.

## Uso y mantenimiento del dispositivo de batería

### ADVERTENCIA

**Lea todas las instrucciones y advertencias de seguridad. Si no se siguen las instrucciones y advertencias, pueden producirse descargas eléctricas, incendios y/o lesiones graves.**

1. Recargue la batería solamente con el cargador especificado por el fabricante. Un cargador apto para un tipo de cartucho de batería puede crear riesgo de incendio si se emplea con otro tipo de cartucho.
2. Use los electrodomésticos únicamente con los cartuchos de batería específicamente indicados. La utilización de otros cartuchos de batería puede crear el riesgo de lesiones e incendio.
3. Cuando el cartucho de batería no se usa, manténgalo alejado de otros objetos metálicos, como clips para papeles, monedas, llaves, clavos, tornillos y otros objetos pequeños de metal que pudieran establecer una conexión entre un terminal y otro. Cortocircuitar los terminales de la batería puede ocasionar quemaduras o un incendio.
4. En condiciones adversas, puede salir líquido de la batería; si sucede, evite el contacto. En caso de contacto accidental, enjuague con agua. Si el líquido entra en contacto con los ojos, busque también asistencia médica. El líquido expulsado por la batería puede causar irritación o quemaduras.
5. No utilice un dispositivo o un cartucho de batería dañados o modificados. Las baterías dañadas o modificadas pueden mostrar un comportamiento impredecible y provocar un incendio, una explosión o riesgo de lesiones.
6. No exponga el dispositivo ni el cartucho de batería al fuego ni a temperaturas muy elevadas. La exposición al fuego o una temperatura superior a los 130 °C (265 °F) puede ocasionar una explosión.
7. Siga todas las instrucciones de carga y no cargue el cartucho de batería o el dispositivo fuera del intervalo de temperaturas que se especifica en ellas. Una carga inadecuada o a temperaturas que excedan el intervalo indicado puede dañar la batería y aumentar el riesgo de incendio.

8. El mantenimiento lo debe llevar a cabo un técnico de reparación cualificado y deben usarse únicamente piezas de repuesto idénticas. De este modo, se garantiza la seguridad del producto.
9. No modifique ni intente reparar este electrodoméstico ni el cartucho de batería al margen de lo indicado en las instrucciones de uso y mantenimiento.
10. Evite la puesta en marcha involuntaria. Compruebe que el interruptor esté en la posición de apagado antes de conectar el cartucho de batería, coger el robot limpiador o transportarlo. Transportar el robot limpiador con el dedo en el interruptor o energizarlo con el interruptor en la posición de encendido puede provocar accidentes.
11. Desconecte el cartucho de batería del robot limpiador antes de hacer cualquier ajuste, cambiar accesorios o guardar el robot. Estas medidas de seguridad preventivas reducen el riesgo de que el robot limpiador se ponga en marcha por accidente.
12. El cartucho de batería no dispone de carga suficiente cuando sale de la fábrica. Cargue la batería antes del uso.
13. Siempre que no utilice el cartucho de batería, póngale la tapa.

## Instrucciones de seguridad importantes sobre el cartucho de batería

1. Antes de usar el cartucho de batería, lea todas las instrucciones y señales de advertencia que figuran en (1) el cargador de la batería, (2) la batería y (3) el producto donde se va a instalar la batería.
2. No desmonte ni manipule el cartucho de batería. Podría producirse un incendio, un sobrecalentamiento o una explosión.
3. Si el tiempo de funcionamiento del producto se ha reducido de forma exagerada, deje de usarlo inmediatamente. De lo contrario, puede haber riesgo de sobrecalentamiento, quemaduras o incluso de explosión.
4. Si le salpica electrolito a los ojos, enjuáguelos con agua limpia y busque asistencia médica enseguida. Existe el riesgo de pérdida de visión.
5. No cortocircuite el cartucho de batería:
  - (1) No toque los terminales con materiales conductores.
  - (2) Procure no guardar el cartucho de batería en un recipiente con otros objetos metálicos, como clavos, monedas, etc.
  - (3) No exponga el cartucho de batería al agua ni a la lluvia. El cortocircuito de la batería puede provocar un gran flujo de corriente, sobrecalentamiento, quemaduras e incluso una avería.
6. No almacene ni use el dispositivo y el cartucho de batería en lugares donde se puedan alcanzar o superar los 50 °C (122 °F).
7. No incinere el cartucho de batería aunque esté muy deteriorado o completamente gastado. El cartucho de batería puede explotar en el fuego.
8. No inserte clavos en el cartucho de batería; no lo corte, aplaste, ni deje que caiga; y no lo golpee contra objetos duros. Esta conducta podría provocar un incendio, un sobrecalentamiento o una explosión.
9. No utilice una batería dañada.
10. Las baterías de iones de litio contenidas están sujetas a los requisitos de la legislación sobre mercancías peligrosas. En el tránsito comercial, por ejemplo, por parte de terceros o empresas de transporte, se deben observar exigencias especiales en cuanto a embalaje y etiquetado. Para preparar el envío del artículo, es necesario consultar con un experto en materiales peligrosos. También se debe acatar la normativa nacional, que podría ser más detallada. Cubra los contactos expuestos con cinta adhesiva u otro elemento, y embale la batería de modo que no se mueva dentro de la caja.
11. Al desechar el cartucho de batería, sáquelo del dispositivo y deposítelo en un lugar seguro. Siga la normativa local relativa a la eliminación de baterías.
12. Utilice las baterías solamente con los productos indicados por Makita. Instalar las baterías en productos que no cumplan los requisitos pertinentes puede ocasionar un incendio, un calentamiento excesivo, una explosión o la fuga de electrolito.
13. Si el dispositivo no se emplea durante un periodo prolongado, se debe extraer la batería.
14. Durante el uso y después, el cartucho de batería puede acumular calor, que podría causar quemaduras (incluso a baja temperatura). Tenga cuidado al manipular cartuchos de batería calientes.
15. No toque el terminal del dispositivo inmediatamente tras el uso, ya que podría estar muy caliente y producir quemaduras.
16. Procure que no se acumulen en los terminales, los orificios y las muescas del cartucho de batería chispas, polvo o suciedad. De lo contrario, podrían producirse fallos en el funcionamiento o la avería del dispositivo o del cartucho de batería.
17. Salvo que el dispositivo admita el uso cerca de líneas eléctricas de alta tensión, no use el cartucho de batería cerca de ellas. De lo contrario, podrían producirse fallos en el funcionamiento o la avería del dispositivo o del cartucho de batería.
18. Mantenga la batería fuera del alcance de los niños.



## GUARDE ESTAS INSTRUCCIONES.

### PRECAUCIÓN

Utilice únicamente baterías originales de Makita. El uso de baterías que no sean originales o de baterías que se hayan modificado puede causar la explosión de la batería, incendios, lesiones personales y daños. Asimismo, anula la garantía de Makita que cubre el dispositivo y el cargador del fabricante.

#### Consejos para prolongar la vida útil de la batería

1. Cargue el cartucho de batería antes de que se descargue completamente. Deje siempre de usar el dispositivo y cargue el cartucho de batería cuando observe una disminución en la potencia.
2. Nunca recargue un cartucho de batería que esté totalmente cargado. Cargar de más la batería reduce su vida útil.
3. Cargue el cartucho de batería a temperatura ambiente, entre 10 y 40 °C (50 °F - 104 °F). Si el cartucho de batería está caliente, deje que se enfríe antes de cargarlo.
4. Cuando no esté usando el cartucho de batería, extráigalo del dispositivo o del cargador.
5. Cargue el cartucho de batería si no lo usa durante un periodo prolongado (más de seis meses).

### Precauciones relativas a las ondas radioeléctricas

- No utilice este producto en las siguientes ubicaciones.
  - En ubicaciones con dispositivos médicos o cerca de ellas.
  - Cerca de aparatos electrónicos con control de alta precisión o señales débiles (ejemplos de aparatos electrónicos con los que hay que tener precaución: audífonos, marcapasos y otros dispositivos médicos, alarmas de incendios, puertas automáticas y otros equipos de control automático).
  - En el interior de hospitales o aviones (siga las instrucciones del hospital o de la aerolínea y no utilice este producto en zonas prohibidas).
- No se garantiza la conexión inalámbrica y el rendimiento en todos los entornos. Es posible que las ondas radioeléctricas no se reciban o se vean interrumpidas en los siguientes casos.
  - Uso en edificios construidos con hormigón, barras de refuerzo y metal.
  - Instalación cerca de obstáculos.
  - Uso en ubicaciones donde la interferencia se produzca con dispositivos de comunicación inalámbrica que utilizan la misma frecuencia.
  - Uso en ubicaciones con dispositivos que producen campos magnéticos, electricidad estática o interferencias de radio como un horno microondas.

### Marcas y marcas registradas respectivas

#### Aviso de marca

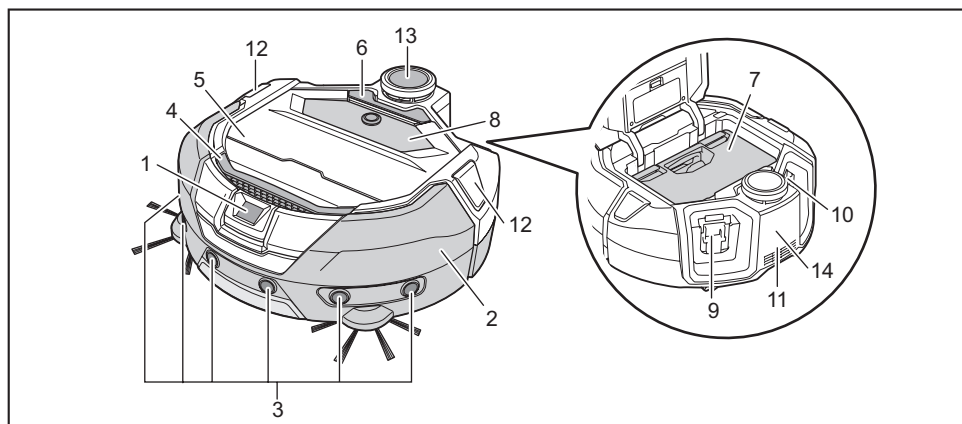
- Android y Google Play son marcas o marcas registradas de Google LLC.
- iPhone es una marca de Apple Inc., registrada en EE. UU. y en otros países.
- La marca iPhone la utiliza Aiphone Co., Ltd. bajo licencia.
- App Store es una marca de servicio de Apple Inc.
- Wi-Fi es una marca y marca registrada de Wi-Fi Alliance.
- La marca denominativa y los logotipos de Bluetooth® son marcas registradas pertenecientes a Bluetooth SIG, Inc. y todo uso que Makita hace de dichas marcas se realiza bajo licencia. Las demás marcas registradas y nombres comerciales pertenecen a sus respectivos dueños.



- El resto de las marcas que se mencionan en este documento pertenecen a sus respectivos propietarios.  
Los símbolos ™ y ® se han omitido en algunas partes del texto principal.

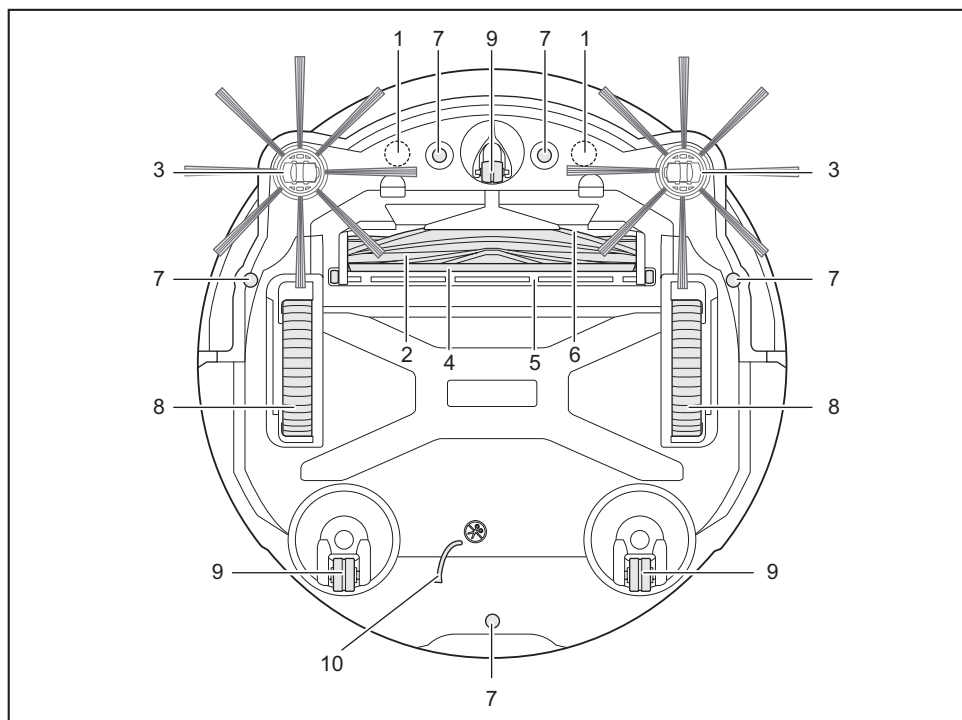
## Nombre de las piezas

### Unidad principal (vista superior, vista lateral e interior)



- |                                               |                                                             |
|-----------------------------------------------|-------------------------------------------------------------|
| 1. Sensor de la cámara                        | 8. Panel de operaciones (pantalla) (consulte la página 10). |
| 2. Parachoques                                | 9. Ranura de inserción de la batería izquierda              |
| 3. Sensor ultrasónico                         | 10. Ranura de inserción de la batería derecha               |
| 4. Asa de transporte (consulte la página 11). | 11. Abertura de escape                                      |
| 5. Tapa superior                              | 12. LED de posición                                         |
| 6. Botón de apertura                          | 13. Sensor LiDAR                                            |
| 7. Caja de polvo (consulte la página 14).     | 14. Marca LÁSER DE CLASE 1                                  |

### Unidad principal (vista inferior)



- |                                                                |                         |
|----------------------------------------------------------------|-------------------------|
| 1. Sensor de imán para la detección de demarcación (integrado) | 6. Abertura de succión  |
| 2. Cepillo principal                                           | 7. Sensor de precipicio |
| 3. Cepillo lateral                                             | 8. Rueda motriz         |
| 4. Cepillo inferior                                            | 9. Rueda                |
| 5. Tapa del cepillo principal                                  | 10. Línea de tierra     |

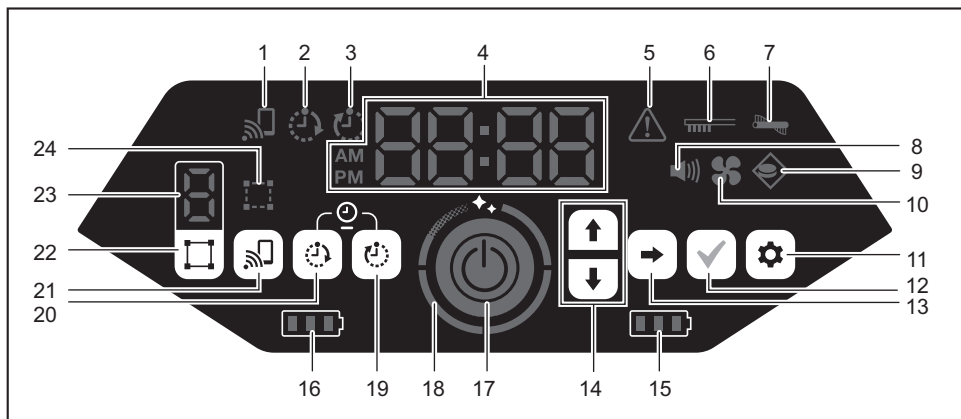
### AVISO

- La línea de tierra disminuye la carga eléctrica en el sensor.



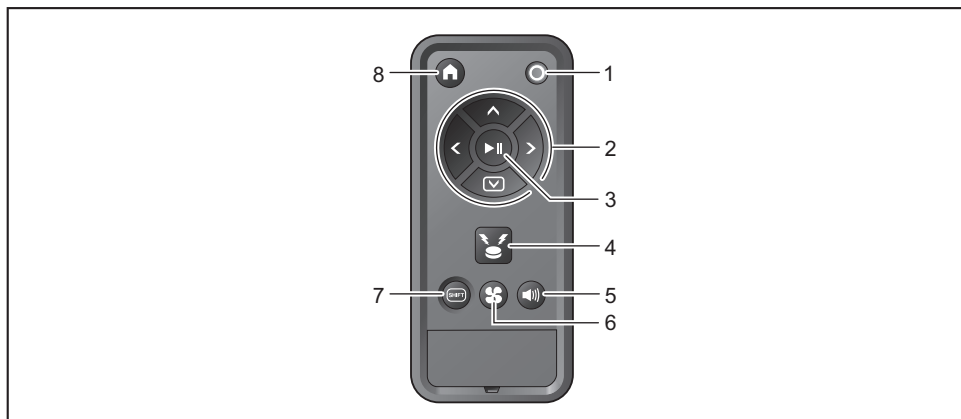
: Procure por todos los medios no tirar de la línea de tierra ni cortarla sin querer.

## Unidad principal (panel de operaciones (pantalla))



- |                                                                       |                                                                           |
|-----------------------------------------------------------------------|---------------------------------------------------------------------------|
| 1. Luz de conexión con smartphone (verde)                             | 13. Botón siguiente                                                       |
| 2. Luz de encendido del temporizador (verde) (consulte la página 20). | 14. Botón arriba, botón abajo                                             |
| 3. Luz de apagado del temporizador (verde) (consulte la página 20).   | 15. Luz de carga de la batería derecha (verde) (consulte la página 16).   |
| 4. Indicador de la hora (verde)                                       | 16. Luz de carga de la batería izquierda (verde) (consulte la página 16). |
| 5. Luz de error (rojo) (consulte la página 29).                       | 17. Botón de inicio/parada (consulte la página 16).                       |
| 6. Luz de mantenimiento del filtro (rojo) (consulte la página 29).    | 18. Luz del nivel de limpieza (blanco) (consulte la página 18).           |
| 7. Luz de error del cepillo (rojo) (consulte la página 29).           | 19. Botón de apagado del temporizador (consulte la página 20).            |
| 8. Luz de sonido (verde) (consulte la página 23).                     | 20. Botón de encendido del temporizador (consulte la página 19).          |
| 9. Luz de detección de demarcación (verde) (consulte la página 21).   | 21. Botón de conexión con smartphone                                      |
| 10. Luz del ventilador extractor (verde) (consulte la página 19).     | 22. Botón de cambio de modo (consulte la página 17).                      |
| 11. Botón de ajuste                                                   | 23. Pantalla del número de modo/habitación (consulte la página 17).       |
| 12. Botón de confirmación                                             | 24. Luz de registro de habitación (verde) (consulte la página 17).        |

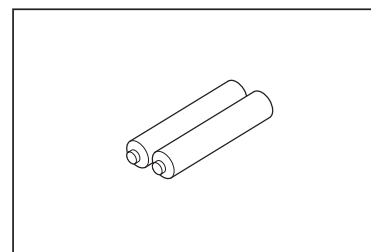
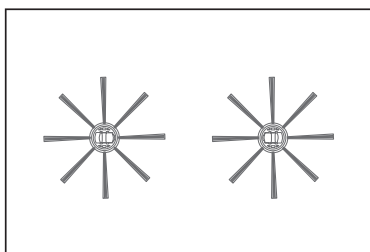
## Mando a distancia



- |                                                    |                                                        |
|----------------------------------------------------|--------------------------------------------------------|
| 1. Botón de apagado                                | 5. Botón de activación/desactivación del sonido        |
| 2. Botones de acción                               | 6. Botón de encendido/apagado del ventilador extractor |
| 3. Botón de inicio/parada                          | 7. Botón de cambio                                     |
| 4. Botón de zumbador/luz de baliza de localización | 8. Botón de punto de inicio                            |

## Accesorios estándar

- Cepillos laterales (cuatro)  
Dos son de repuesto. Instale dos en el robot limpiador. (Consulte la página 14).
- Mando a distancia
- Pilas secas AAA (dos) \* Específico para cada país  
Colóquelas en el mando a distancia. (Consulte la página 14).



## Preparación antes de la limpieza

### Transporte del robot limpiador

#### ⚠ PRECAUCIÓN

Para transportar el robot limpiador, interrumpa el funcionamiento, apague el aparato y, a continuación, cójalo por el asa de transporte firmemente para no pillarse la mano.

- De lo contrario, la mano puede quedar atrapada por el asa.

Mantenga una postura firme y buen equilibrio siempre que vaya a levantar el robot limpiador.

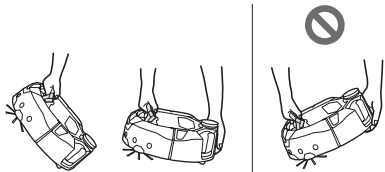
- Si no lo hace, pueden producirse lesiones o fallos.

No alce el robot limpiador de forma imprudente.

- Hacerlo puede causar lesiones o fallos.

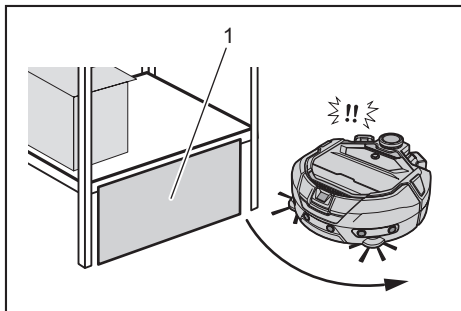
No sostenga el robot limpiador con la parte delantera inclinada hacia abajo.

- Puede caer polvo por la abertura de succión.



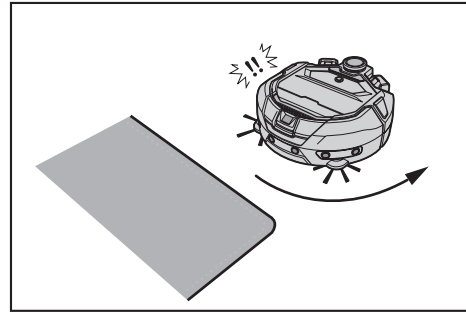
### Limpieza con el robot limpiador

- El robot limpiador dispone de un sensor LiDAR y un sensor ultrasónico, que detectan los obstáculos para que el robot los pueda evitar. Recoge y aspira el polvo con los cepillos laterales y el cepillo principal. Es posible que algunos obstáculos no los reconozca (depende de las condiciones). Cuando choca contra un obstáculo, el parachoques detecta el contacto y evita el obstáculo.
- El robot limpiador puede subir escalones de una altura aproximada de 2,0 cm. Sin embargo, a veces, aunque el escalón tenga menos altura, el dispositivo no es capaz de subirlo; esto depende de condiciones varias, como la forma del escalón.
- En una pendiente o un lugar irregular, la superficie inferior del robot limpiador puede atascarse y una de las ruedas motrices puede quedar separada, lo cual provoca un error y hace que el aparato se detenga. Si el robot limpiador se detiene a menudo, no vuelva a usarlo en ese lugar. (Consulte la página 21).
- Si hay un obstáculo cerca de una pared, el robot limpiador puede dirigirse directamente hacia esta para evitar el obstáculo.
- Es posible que el sensor LiDAR no reconozca obstáculos con las siguientes características, lo que puede dar lugar a que el robot realice un mapeo impreciso o a que choque con obstáculos.
  - Obstáculos muy reflectantes, como espejos
  - Obstáculos muy transparentes como el cristal
  - Obstáculos hechos de un material negro y brillante
  - Obstáculos delgados como las patas de una silla o un escritorio
- Si el robot limpiador se introduce en un espacio estrecho que tiene menos altura que el aparato, este puede quedar atascado. En tal caso, coloque una pantalla o algo semejante.



- 1. Tape los huecos con una pantalla o algo semejante.

- Los suelos negros o los transparentes (por ejemplo, los de vidrio), así como las zonas negras de las vetas presentes en los suelos de madera, pueden ser considerados como escalones; si es así, el robot limpiador los intentará evitar.



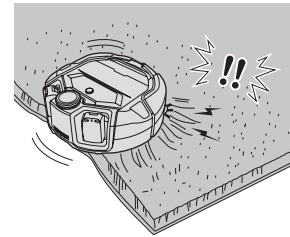
- Es posible que el robot limpiador no sea capaz de aspirar la suciedad existente en la zona circundante a un escalón al que se pueda subir, en espacios aislados donde no pueda entrar o en lugares a los que los cepillos laterales no lleguen.
- El robot limpiador puede tirar objetos pequeños y duros, como una piedra.
- El robot limpiador puede subirse a un escalón accidentalmente si hay algún objeto que se lo facilite (por ejemplo, una tabla o una alfombra). Mantenga estos objetos alejados de los peldaños.

#### ⚠ PRECAUCIÓN

No utilice el robot limpiador en los lugares siguientes.

- No utilice el robot limpiador en alfombras, alfombrillas, tapetes ni felpudos de pelo largo (más de 7 mm), con pelos que se desprendan fácilmente ni de superficie irregular.

En alfombras de este tipo, el robot limpiador puede dejar de funcionar, los pelos pueden quedar atascados en los cepillos laterales y la alfombra o los cepillos laterales pueden resultar dañados. Si el robot limpiador no avanza bien en alguna alfombra que no se ajuste a las características anteriores, evite usarlo en ella.



- No utilice el robot limpiador en colchones, sábanas, cojines de suelo, etc.
- No utilice el robot limpiador en zonas mojadas, cuartos de baño, áticos, exteriores, etc.
- No utilice el robot limpiador en lugares mojados o que puedan estarlo ni en lugares calurosos y húmedos.

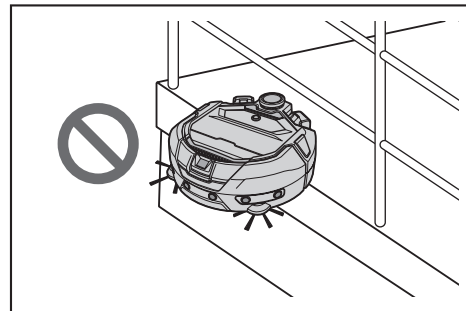
### Cómo evitar que el robot limpiador se caiga

#### ⚠ ADVERTENCIA

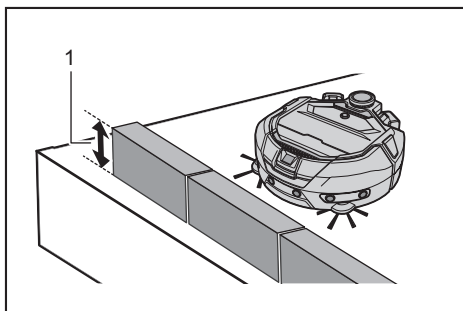
Procure que el robot limpiador no se caiga.

- Si se cae, pueden producirse daños o lesiones.

- No utilice el robot limpiador en entresuelos, altillos, huecos de escaleras, lugares sin paredes ni lugares con una inclinación de 10° o más.

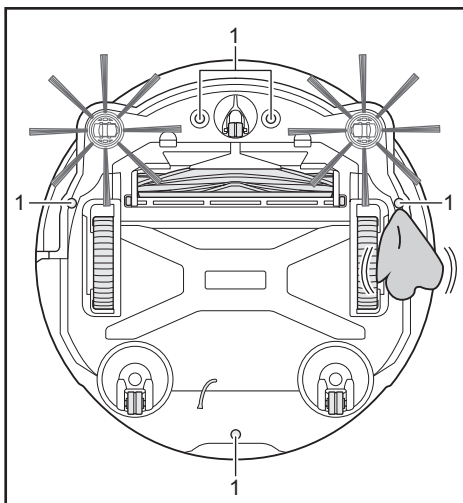


- En lugares donde puedan ocurrir accidentes u otras situaciones peligrosas debido a la caída del robot, coloque un objeto con una altura de 25 cm o más que sirva de barrera (no debe moverse ni volcarse cuando el robot limpiador lo golpee).



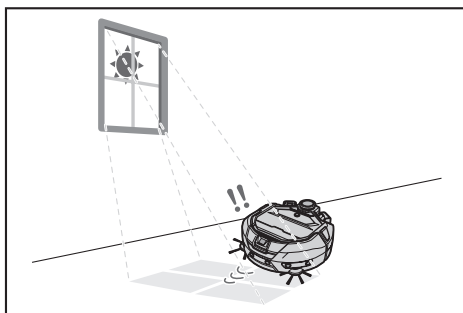
► 1. Altura de 25 cm o más

- Si se forman gotas de agua o suciedad en el sensor de precipicio situado en la superficie inferior del robot limpiador, límpielas con un paño suave y seco, un bastoncillo de algodón o algo semejante.

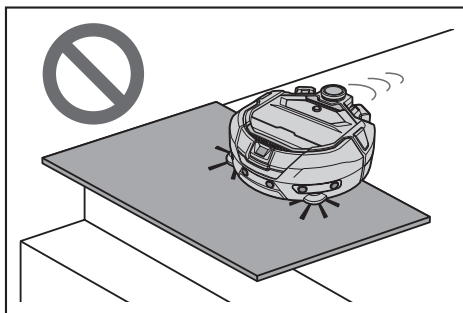


► 1. Sensor de precipicio (cinco puntos de detección)

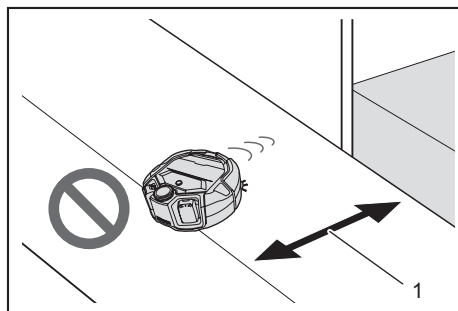
- Es posible que el robot limpiador no funcione correctamente al exponerse a la luz del sol o a la luz infrarroja de otros aparatos. Evite exponer el robot limpiador a la luz infrarroja de radiadores halógenos, mandos a distancia, sensores y otros dispositivos, así como a la luz que pueda entrar por cristales esmerilados, etc.



- No utilizar cuando haya objetos como alfombras, felpudos o placas cerca de un escalón. Si un objeto como una alfombra, un felpudo o una placa cubren un escalón, el sensor de precipicio puede no reconocerlo correctamente.

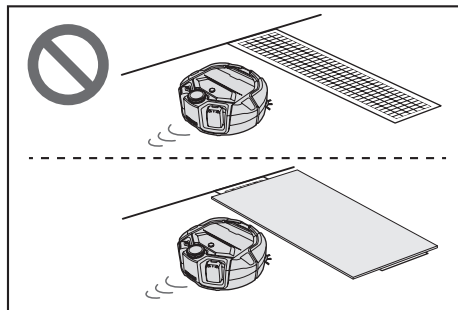


- En el caso de que la distancia entre una pared y un peldaño sea inferior a 1 m más o menos, el robot limpiador puede caerse al ir hacia atrás. No utilice el robot limpiador cuando la distancia entre una pared y un peldaño sea inferior a 1 m aproximadamente.



► 1. Menos de 1 m aproximadamente

- Cuando haya rejillas o cubiertas de desagüe, el sensor de precipicio puede reconocerlas como si fueran un escalón y el aparato podría evitar esa zona. Si es necesario que pase por ella, tape la rejilla con una placa o algo similar.



- Es posible que el sensor de precipicio no reconozca los peldaños de 3,0 cm o menos, de modo que el robot limpiador podría bajar el escalón en el curso de una trayectoria recta. Evite utilizar el robot limpiador donde haya peldaños de entre 2,0 y 3,0 cm.
- Cierre las puertas correderas, mosquiteras o ventanas que haya, puesto que los sensores del parachoques podrían no reconocer como escalón la diferencia de nivel de los marcos o los rieles.
- No utilice el robot limpiador en suelos de superficies rompibles, como el vidrio.

## Recoger antes de limpiar

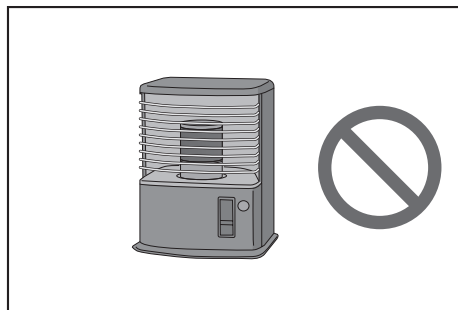
### ⚠ ADVERTENCIA

**Retire los objetos que puedan provocar daños o un accidente cuando el robot limpiador choque contra ellos.**

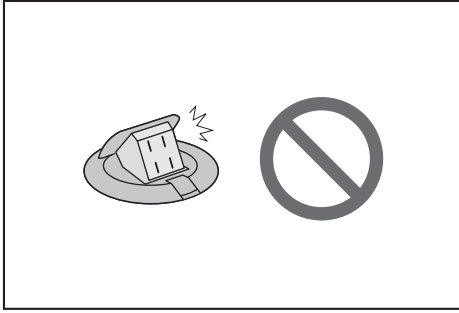
**Quite los objetos que no se deban aspirar, aquellos que obstaculicen el movimiento del robot limpiador y los que pudieran quedar atrapados en el cepillo principal, las ruedas y los cepillos laterales.**

- Si deja algún objeto que obstruya el movimiento del robot limpiador durante la limpieza, pueden producirse accidentes o lesiones.

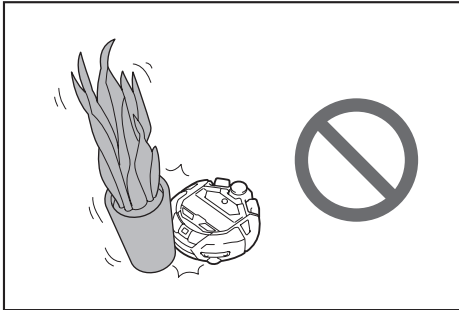
- No utilice el robot limpiador cerca de objetos que se calienten, como radiadores o calefactores. Hacerlo puede provocar un accidente, una ignición o una avería. (No encienda aparatos de calefacción durante el funcionamiento del robot).



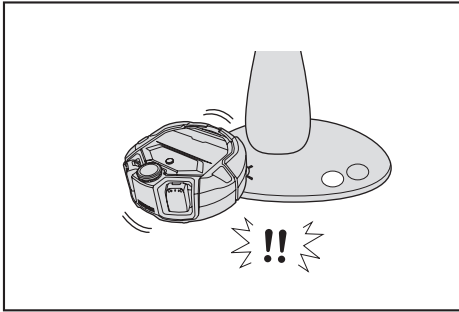
- No utilice el robot limpiador en lugares donde haya tomas de corriente extensibles. Estas tomas deben estar siempre recogidas.



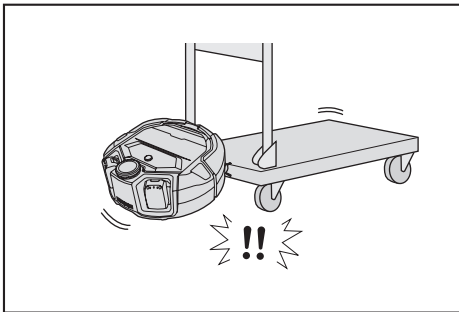
- En el caso de paredes de material frágil (paredes de adobe, puertas decoradas o correderas, biombos, etc.), coloque delante objetos que sirvan de contención para evitar que se estropeen.
- No lo utilice en ubicaciones donde se coloquen objetos inestables u objetos que puedan caerse fácilmente. Los objetos inestables y aquellos que se caigan con facilidad se deben llevar a otra habitación.



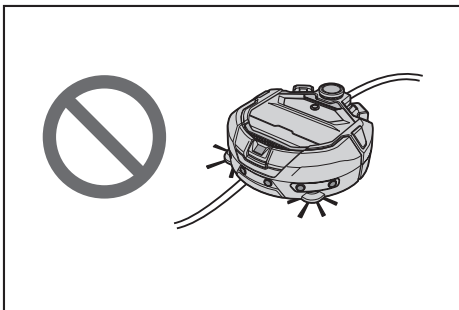
- Retire los equipos y aparatos cuyo controlador se encuentre al mismo nivel que el robot limpiador.



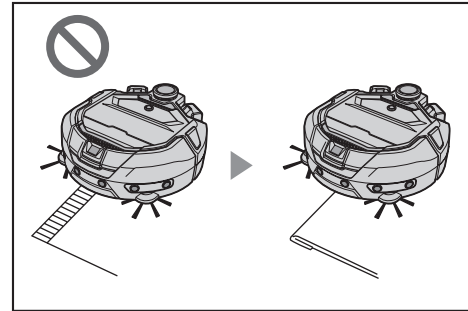
- Guarde las velas y los objetos fácilmente rompibles.
- Si hay objetos rodantes, como carritos y sillas de ruedas, o sillas ligeras que se desplacen con facilidad, apártelos o bloquee las ruedas.



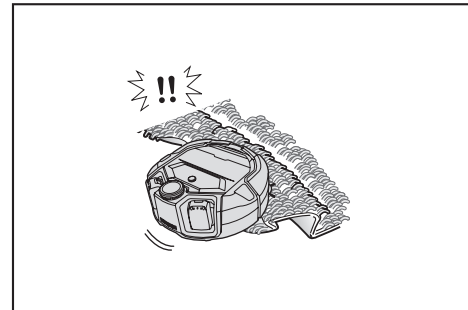
- No lo utilice con cables sueltos que puedan engancharse o enredarse. Cerciórese de que los cables de alimentación estén extendidos a lo largo de la pared de forma que no se enreden en el robot limpiador.



- Guarde los objetos largos y finos, como cordones y cinturones.
- Guarde los artículos de pequeño tamaño que puedan ser aspirados fácilmente y los bienes de valor.
- Quite de en medio los objetos que obstruyan el paso del robot limpiador, como mesas de trabajo, sillas, herramientas y placas.
- Si el robot limpiador llegara a aspirar excrementos de animales u otros desechos líquidos, su funcionamiento podría fallar. Recójalos.
- Remeta los flecos de alfombras y elementos similares por debajo.



- Suba el dobladillo de cortinas, etc., que arrastren por el suelo. El dobladillo puede quedar atrapado en el cepillo principal, etc.
- Retire las alfombras finas que resbalen, como tapetes y esteras. Las alfombras y los cepillos laterales pueden estropearse.



- Guarde las telas y los papeles finos, las bolsas de plástico, etc.
- En lugares que conduzcan al exterior, cierre las puertas para evitar que el robot limpiador salga. Si las puertas no se pueden cerrar, no utilice el robot limpiador. Cierre también la puerta de las estancias donde el robot limpiador no deba entrar.
- Puede que el robot limpiador no funcione bien en suelos de superficie resbaladiza. Compruebe el estado de la superficie del suelo antes del uso.
- Compruebe que haya un espacio de 80 cm o más para la limpieza.

## Preparación para el uso


### Instalación de los cepillos laterales

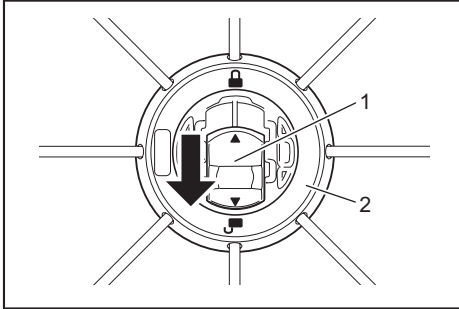
#### ⚠ ADVERTENCIA

Antes de instalar los cepillos laterales, extraiga las baterías del robot limpiador.

- Si se deja una batería dentro del robot limpiador, pueden producirse descargas eléctricas o lesiones.

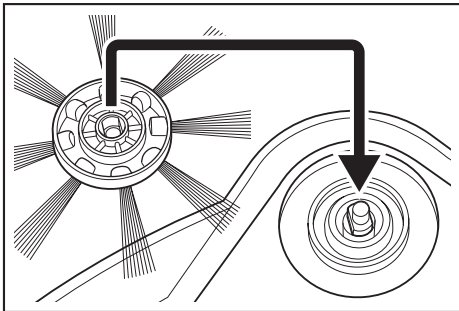
Cuando vaya a instalar los cepillos laterales, extienda una esterilla o alfombrilla en el suelo para que el robot limpiador y la superficie del suelo no se dañen.


1. Ponga el robot limpiador boca abajo.
2. Desplace la palanca de bloqueo del cepillo lateral hacia la marca  (símbolo de apertura).

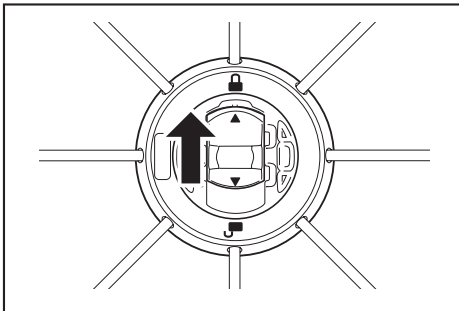


- 1. Palanca de bloqueo 2. Cepillo lateral

3. Acople el cepillo lateral de forma que el eje situado en la parte inferior del robot limpiador encaje en el orificio del cepillo.



4. Empuje la palanca de bloqueo del cepillo lateral hacia la marca  (símbolo de bloqueo) hasta que se oiga un clic. (Empuje hasta que llegue al sitio que se ilustra en el dibujo).
  - Tras la instalación, tire ligeramente hacia arriba del cepillo lateral para comprobar que no se suelte del robot limpiador.
  - Instale los dos cepillos laterales: el del lado derecho y el del lado izquierdo.

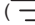


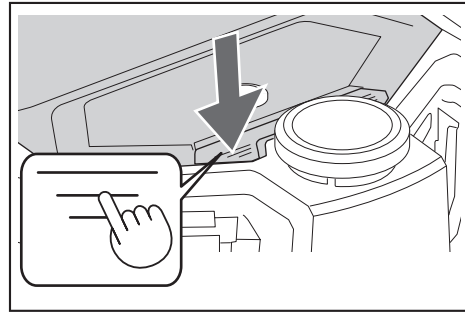
### Desembalaje de la caja de polvo

#### ⚠ ADVERTENCIA

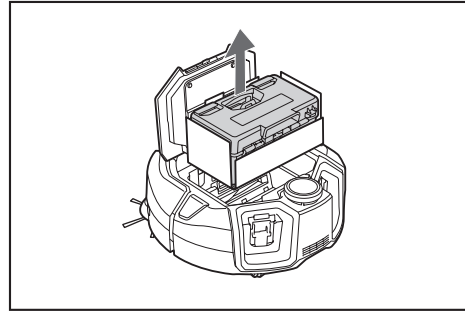
Cuando abra la tapa superior del robot limpiador, asegúrese de que las baterías no estén puestas.

- Si se deja una batería dentro del robot limpiador, pueden producirse descargas eléctricas o lesiones.

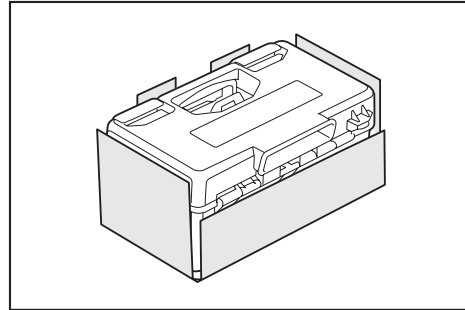
1. Presione el botón de apertura () para abrir la tapa superior. Tenga cuidado porque la tapa superior se abre rápidamente.



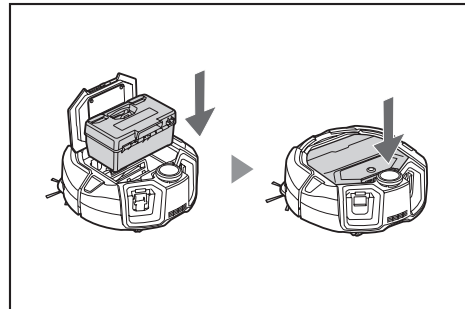
2. Retire la caja de polvo.




3. Retire el material de embalaje.

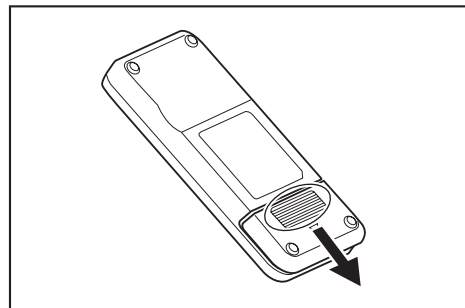


4. Vuelva a colocar la caja de polvo en el robot limpiador y empuje la tapa superior para cerrarla hasta que se oiga un clic. Al cerrar la tapa superior, tenga cuidado de no pillarse los dedos.

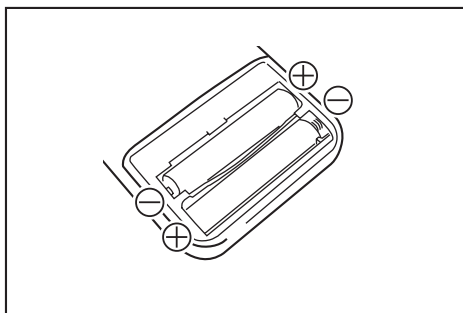


### Colocación de las pilas en el mando a distancia

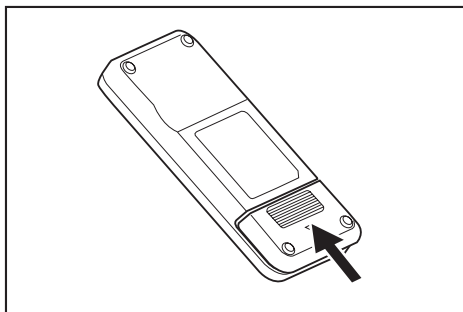
1. Presione la zona rayada () de la tapa del mando a distancia, empuje la tapa en la dirección de la flecha y quítela.



2. Coloque las pilas en la posición correcta.



3. Ponga la tapa.

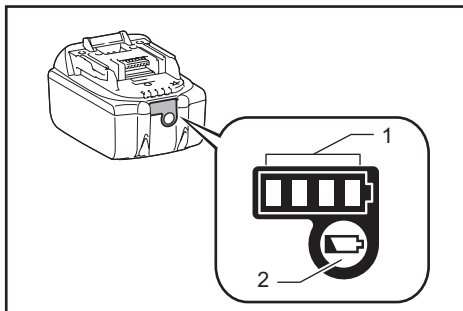


#### AVISO

- Coloque los polos de las pilas en el sentido correcto.
- El mando necesita dos pilas secas AAA. Ambas deben ser nuevas y del mismo tipo.
- Quite las pilas cuando no las vaya a usar durante un periodo prolongado para prevenir averías por la fuga de líquido y roturas.
- Si la solución contenida en una pila entra en contacto con los ojos, la piel o la ropa, enjuague inmediatamente con agua.
- No someta el mando a distancia a impactos ni lo moje. No lo deje expuesto a la luz directa del sol ni cerca de radiadores, calefactores, etc. Hacerlo puede provocar averías.

#### Indicación de la capacidad de batería restante

Solo para cartuchos de batería con indicador



► 1. Luces indicadoras 2. Botón de consulta

Pulse el botón de consulta situado en el cartucho de batería para ver cuánta capacidad le queda a la batería. Las luces indicadoras se encienden durante unos segundos.

Luces indicadoras			Capacidad restante
Encendida	Apagada	Parpadeando	
■	□	■	75 % a 100 %
■	■	□	50 % a 75 %
■	□	□	25 % a 50 %
■	□	□	0 % a 25 %
■	□	□	Cargue la batería.
■	□	□	La batería puede haber fallado.

#### AVISO

- En función de las condiciones de uso y de la temperatura ambiente, la capacidad indicada puede variar ligeramente respecto a la real.
- La primera luz indicadora (ubicada a la izquierda) parpadea cuando se pone en marcha el sistema de protección de la batería.

#### Colocación y extracción de las baterías (vendidas por separado)

- El robot limpiador funciona incluso con una sola batería.
- Con dos baterías, puede funcionar durante un periodo prolongado.

#### Colocación

#### ⚠ ADVERTENCIA

**La batería se debe insertar firmemente hasta el tope. Si se ve la zona roja de la parte superior del botón, significa que no está bien encajada. Introduzca la batería completamente, hasta que ya no se vea la zona roja.**

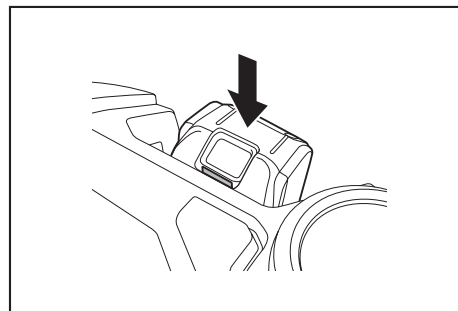
- Si no se ha introducido del todo, la batería se puede salir y causar un accidente o una avería.

**No introduzca el cartucho de batería a la fuerza.**

- Si el cartucho no entra con facilidad, no está bien colocado.

**Sostenga la herramienta y el cartucho de batería firmemente al colocar el cartucho de batería.**

Inserte una batería firmemente hasta el tope siguiendo la muesca del robot limpiador. Cuando la batería encaja en su sitio, se oye un clic.



#### AVISO

Al colocar la batería, tenga cuidado de no pillarse los dedos entre esta y el robot limpiador.



## Extracción

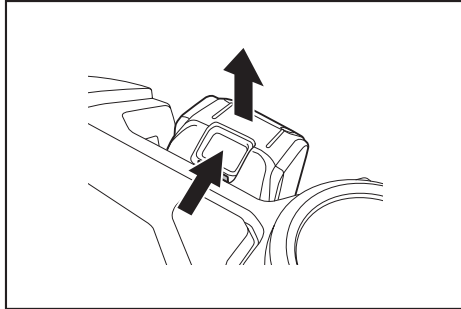
### ⚠ ADVERTENCIA

Al quitar una batería, el robot limpiador debe estar apagado. No quite la batería cuando el robot limpiador esté en modo de espera. (Consulte "Encendido y apagado" en esta página).

- Extraer una batería con el aparato encendido puede provocar una avería.

Sostenga la herramienta y el cartucho de batería firmemente al extraer el cartucho de batería.

Presione el botón de la batería y súbala.

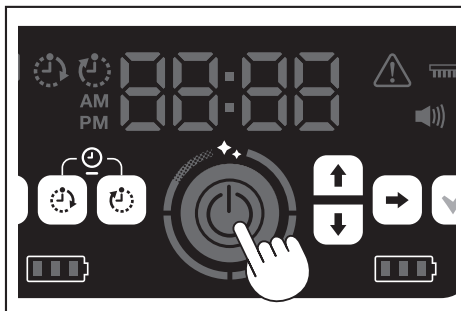


## Encendido y apagado

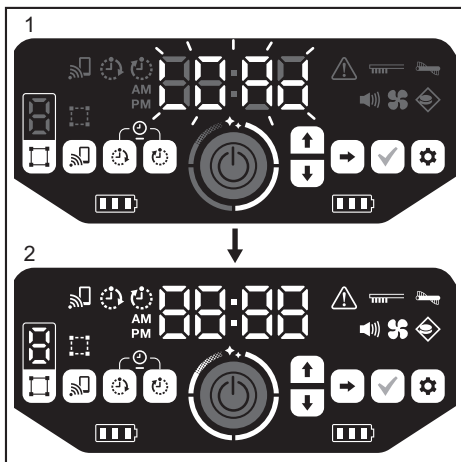
- Al encender el robot limpiador, se activa el modo de espera. En este modo, se puede limpiar, cambiar los ajustes y establecer la conexión con la aplicación.
- Si el robot limpiador, el mando a distancia o la aplicación llevan unos 30 minutos sin usarse en el modo de espera, el dispositivo se apaga. (Si la luz de conexión con smartphone está encendida en el caso anterior, el dispositivo no se apaga).
- Apague el aparato cuando termine de usarlo y cuando lo vaya a guardar.
- Cuando el robot limpiador está en modo de suspensión, no se reciben las comunicaciones de la aplicación.
- Cuando el robot limpiador está apagado, no se puede manejar ni con el mando a distancia ni con la aplicación.

### Encendido

1. Pulse el botón de inicio/parada del robot limpiador.



2. Espere hasta que aparezca la hora. La primera vez que se usa el robot limpiador hay que configurar la hora. Establezca la hora. (Consulte la página 23).



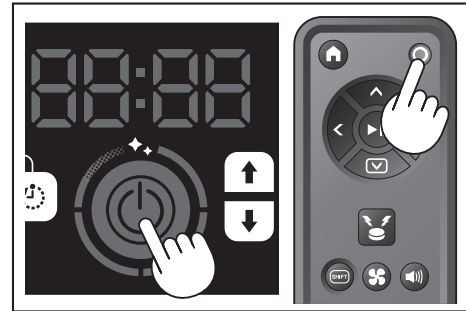
- ▶ 1. En el indicador de la hora, parpadea la palabra [LOAd] y las cuatro luces del nivel de limpieza se encienden y se apagan hacia la derecha. La velocidad de encendido y apagado de estas luces va aumentando mientras el aparato arranca.
- 2. Cuando todas las luces están encendidas, quiere decir que el robot limpiador ha terminado de encenderse (está en modo de espera).

## Apagado

Mantenga presionado el botón de inicio/parada del robot limpiador o pulse el botón de apagado del mando a distancia.

La pantalla y las luces se apagan cuando el dispositivo se ha apagado totalmente. No quite las baterías antes de que todo esté apagado.

Cuando haya terminado de usar el robot limpiador o cuando lo vaya a guardar, apáguelo y luego extraiga las baterías.



### AVISO

No quite las baterías antes de que el aparato esté completamente apagado (es decir, antes de que la pantalla y las luces también se hayan apagado). De lo contrario, la información de mapeo y el historial de limpieza guardados podrían borrarse.

## Cómo leer la luz de carga de batería del robot limpiador

Estado de la luz de carga de la batería	Capacidad restante de batería
	En torno al 60 % o más
	Del 20 al 60 %
	Menos del 20 %
	No queda carga No hay baterías instaladas

La capacidad restante es una indicación aproximada y puede variar según las condiciones de funcionamiento, la temperatura de la habitación, el tipo de batería, cuánto consume, etc.

## Ajustes previos a la limpieza

Antes de limpiar, configure los ajustes pertinentes del robot limpiador.

### Encendido y apagado del ventilador extractor

Al limpiar zonas que solo presenten partículas de suciedad grandes y visibles, si se apaga el ventilador extractor, se alarga el tiempo de funcionamiento. Para saber cómo encender y apagar el ventilador extractor, consulte la página 19.

### Activación y desactivación del ajuste de sonido

Si se desactiva el ajuste de sonido del robot limpiador, este limpia de forma silenciosa. (Consulte la página 23).

### Configuración de la función de detección de demarcación

Cuando se activa la función de detección de demarcación, el robot limpiador reconoce la línea de demarcación magnética dispuesta en la superficie del suelo. La línea de demarcación magnética hace de barrera: el robot limpiador no la sobrepasa, es decir, que la zona de funcionamiento se puede acotar. Para saber cómo configurar la función de detección de demarcación, consulte la página 21.

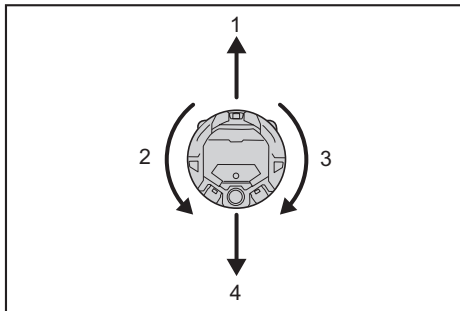
## Uso

### Limpeza

- El robot limpiador tiene tres formas de funcionamiento:
  - Modo de limpieza libre, que no requiere el registro de mapas.
  - Modo de limpieza con mapeo (consulte "Limpieza de habitaciones con mapeo" en esta página), que exige registrar la información de la habitación que se va a limpiar.
  - Funcionamiento manual con el mando a distancia.
- El modo de limpieza libre se recomienda para limpiar varias habitaciones o entornos donde se efectúen cambios frecuentes y considerables en la distribución.
- En habitaciones donde la iluminación sea insuficiente en el momento del mapeo, emplee el modo de limpieza libre.
- Si la carga restante en la batería del robot limpiador es baja, el aparato suspende la limpieza y regresa al punto de donde salió.

### Limpeza de habitaciones con el mando a distancia

El robot limpiador puede manejarse pulsando los botones de acción que se encuentran en el mando a distancia.



- Para avanzar: presione
- Para girar a la izquierda: presione
- Para girar a la derecha: presione
- Para retroceder: con el botón pulsado, presione

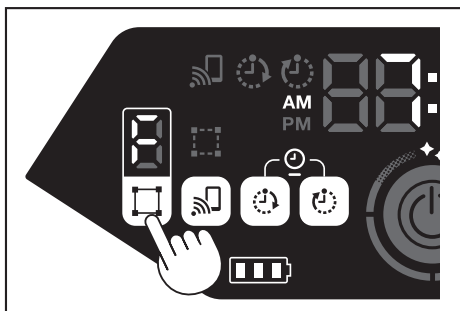
### AVISO

- No emplee el robot limpiador en zonas estrechas o de superficie desigual.
- Al manejar el robot limpiador con el mando a distancia, tenga cuidado para evitar colisiones o caídas.
- Si el robot limpiador se topa con un obstáculo al moverse, da marcha atrás para evitarlo.

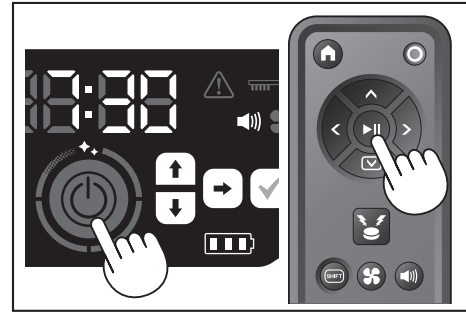
### Limpeza de habitaciones sin mapeo (modo de limpieza libre)

- Coloque el robot limpiador junto a una pared del lugar que quiera limpiar.
- Ponga el robot limpiador en estado de espera. (Consulte la página 16).
- Pulse el botón de cambio de modo para seleccionar [F] (modo de limpieza libre).

Cada vez que se pulsa el botón de cambio de modo, el carácter mostrado cambia en este orden: "F, 1, 2, 3, 4, 5, F..." (cada número representa una habitación).



- Al pulsar el botón de inicio/parada, el robot limpiador produce un sonido y empieza a limpiar. (Solo se oye si el ajuste de sonido está activado).



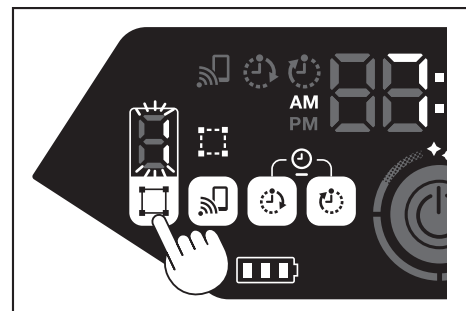
- Cuando el robot limpiador determina que la limpieza ha finalizado, regresa al sitio donde empezó.
  - Cuando el ajuste de sonido está activado, se avisa de la finalización de la limpieza con un sonido. (Consulte la página 23).
  - El robot limpiador calcula su propia posición mediante el sensor LiDAR y el sensor de la cámara. Para que el sensor de la cámara funcione perfectamente, es recomendable que la habitación esté bien iluminada. Si la habitación está oscura, es posible que el robot no pueda limpiar alguna zona o que no sea capaz de volver al sitio donde empezó la limpieza.

### Limpeza de habitaciones con mapeo

#### Registro de la información de las habitaciones (mapeo)

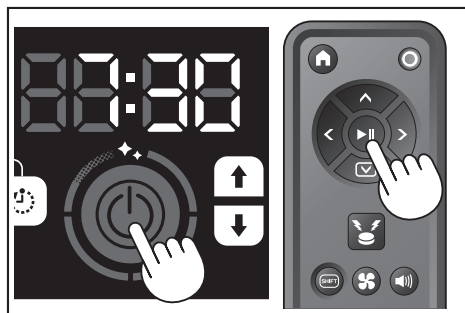
- Cuando las habitaciones que se van a limpiar ya están determinadas, registrar la información de la habitación (registro de información de mapeo) en el robot limpiador sirve para dar mayor eficacia a la limpieza. Una vez completado el mapeo, se puede consultar el resultado de la limpieza y establecer áreas prohibidas desde la aplicación.
- Se puede registrar un total de cinco habitaciones.
- Ilumine bien la habitación durante el mapeo.
- No se acerque al robot limpiador durante el mapeo.
- No coja el robot limpiador durante el mapeo.
- El mapeo falla si no hay obstáculos con una altura de 25 cm o más en un radio aproximado de 11 m alrededor del robot limpiador. En este caso, se recomienda el modo de limpieza libre. (Consulte "Limpieza de habitaciones sin mapeo (modo de limpieza libre)" en esta página).

- Coloque el robot limpiador en el sitio donde quiera que empiece a limpiar.
  - Este punto de inicio es de donde saldrá el robot para empezar a limpiar.
  - Se recomienda establecer el punto de inicio cerca de una pared, un rincón de la habitación u otro sitio que sea fácil de identificar.
  - Si es cerca de una pared, deje una distancia de unos 30 cm.
- Ponga el robot limpiador en estado de espera. (Consulte la página 16).
- Seleccione un número de habitación sin mapeo pulsando el botón de cambio de modo.
  - [F] es el modo de limpieza libre. (Consulte "Limpieza de habitaciones sin mapeo (modo de limpieza libre)" en esta página).
  - Los números de habitación sin mapeo parpadearán y la luz de registro de habitación estará encendida.
  - Los números de habitación con mapeo se mostrarán iluminados y la luz de registro de habitación estará apagada.



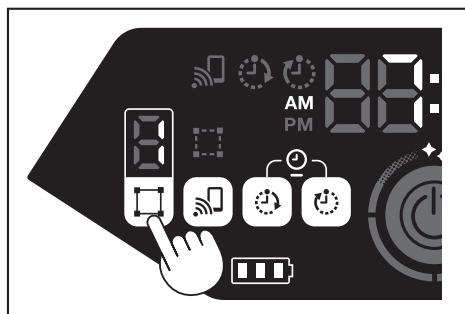
- Al pulsar el botón de inicio/parada, el robot limpiador comienza el mapeo. Tras el mapeo, el robot limpiador vuelve al lugar de donde salió (el punto de inicio de la limpieza) y termina el registro de la habitación.
  - Al finalizar el mapeo, el robot limpiador entra en el estado de espera. El robot puede tardar un poco en entrar en el estado de espera. Si es el caso, no lo apague.
  - Cuando el ajuste de sonido está activado, se avisa de la finalización del mapeo con un sonido.

- Si el mapeo no se ha efectuado correctamente, añada la información de mapeo manualmente desde la aplicación. (Consulte la página 40).

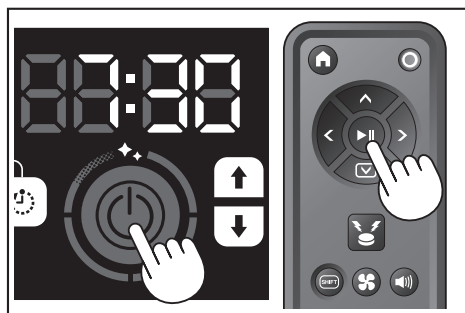


### Limpeza de habitaciones con mapeo

- En el modo de limpieza con mapeo, el robot limpia las habitaciones con mapeo de forma más eficiente.
  - El uso del modo de limpieza con mapeo requiere que se registre la información de mapeo. (Consulte "Limpeza de habitaciones con mapeo" en la página 17).
1. Sitúe el robot limpiador en el punto de inicio del mapeo. Colóquelo todo lo posible en la misma orientación que tenía al empezar el mapeo. De esta forma, el robot limpiador inicia la limpieza con más facilidad.
  2. Ponga el robot limpiador en estado de espera. (Consulte la página 16).
  3. Seleccione un número de habitación con mapeo pulsando el botón de cambio de modo.
    - [F] es el modo de limpieza libre. (Consulte la página 17).
    - Los números de habitación sin mapeo parpadearán y la luz de registro de habitación estará encendida.
    - Los números de habitación con mapeo se mostrarán iluminados y la luz de registro de habitación estará apagada.



4. Pulse el botón de inicio/parada para empezar a limpiar.



5. Cuando termina la limpieza, el robot limpiador vuelve al punto donde empezé.
  - La luz del nivel de limpieza indica qué porcentaje se ha limpiado de toda la habitación.
  - Cuando el ajuste de sonido está activado, se avisa de la finalización de la limpieza con un sonido. (Consulte la página 23).
  - Si el área de limpieza es demasiado amplia para limpiarla de una vez, recomendamos usar el ajuste [Limpieza continua]. (Consulte la página 43).

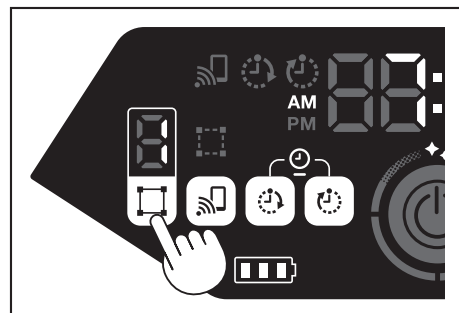
### Cómo leer la luz del nivel de limpieza

La luz del nivel de limpieza informa del porcentaje del área limpiada en la superficie de la habitación con mapeo.

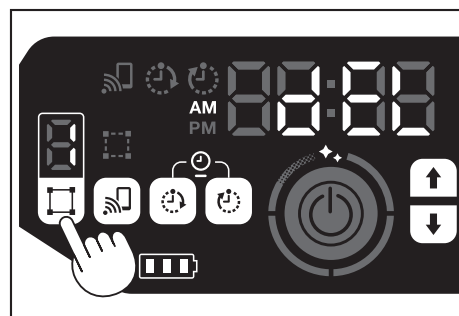
Estado de la luz del nivel de limpieza	Porcentaje del área de limpieza cubierta
	90 % o más
	75 % a menos del 90 %
	50 % a menos del 75 %
	25 % a menos del 50 %

### Eliminación de la información de mapeo

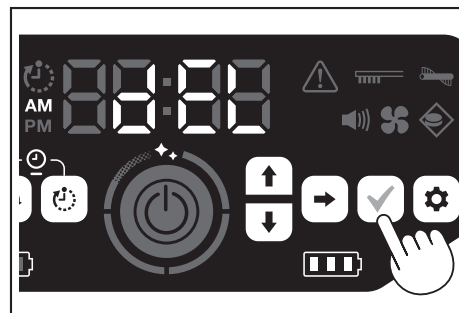
1. Ponga el robot limpiador en estado de espera. (Consulte la página 16).
2. Seleccione el número de la habitación cuya información de mapeo desee eliminar pulsando el botón de cambio de modo.
  - Cada vez que se pulsa el botón de cambio de modo, el número de habitación cambia en este orden: "F, 1, 2, 3, 4, 5, F...". (En la posición [F], no se puede borrar información de mapeo, ya que [F] es el modo de limpieza libre).
  - Un número de habitación con mapeo se iluminará en la pantalla.



3. Cuando el botón de cambio de modo se mantiene pulsado, las letras [dEL] aparecen en el indicador de la hora durante unos 10 segundos.



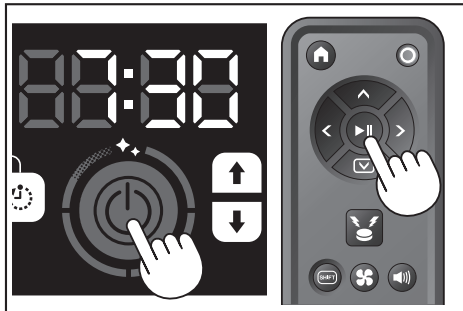
4. Pulse el botón de confirmación mientras se muestre [dEL] en la pantalla.



- Si el botón de confirmación no se pulsa mientras se ve la indicación [dEL], el robot limpiador vuelve a entrar en estado de espera.
- Cuando se elimina información de mapeo, el número de habitación seleccionado parpadea y desaparece del registro.

## Suspensión o finalización de la limpieza

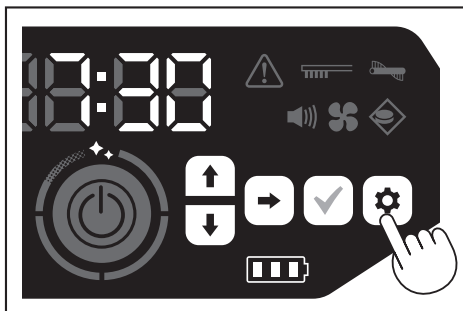
1. Si se pulsa el botón de inicio/parada durante el funcionamiento, el robot limpiador se detiene temporalmente. Si se vuelve a pulsar el botón de inicio/parada, el robot limpiador reanuda el funcionamiento en el mismo modo que antes de pararse.



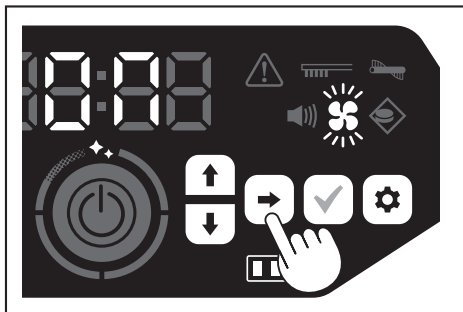
2. Para detener la limpieza, pulse el botón de punto de inicio en el mando a distancia cuando el robot limpiador esté en funcionamiento o en el estado de parada temporal. El robot limpiador vuelve al sitio donde empezó a limpiar y, a continuación, entra en el estado de espera.
  - Para dejar de limpiar de inmediato, pulse el botón de cambio de modo mientras el robot limpiador se encuentre en el estado de parada temporal. Al hacerlo, el robot limpiador entra en el estado de espera.
  - Si la limpieza finaliza sin que el robot haya vuelto al punto de inicio, es posible que el historial de limpieza no se haya guardado correctamente.

## Encendido y apagado del ventilador extractor

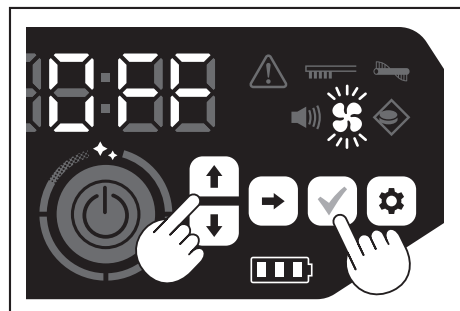
- Al limpiar zonas que solo presenten partículas de suciedad grandes y visibles, si se apaga el ventilador extractor, el tiempo de funcionamiento puede llegar a duplicarse
  - El ventilador extractor también se puede ajustar con el mando a distancia o en la aplicación. (Consulte "Encendido y apagado del ventilador extractor" en esta página y "Manejo del robot limpiador con la aplicación" en la página 37).
1. Con el robot limpiador en estado de espera, presione el botón de ajuste para entrar en el modo de selección de ajustes.



2. Pulse el botón siguiente para que la luz del ventilador extractor parpadee.



3. Con los botones arriba/abajo se puede cambiar entre Enc./apag. Después de seleccionar la posición de encendido o apagado, presione el botón de confirmación para finalizar el ajuste.
  - Enc.: la luz del ventilador extractor se enciende.
  - Apag.: la luz del ventilador extractor se apaga.



### AVISO

Cuando el ajuste del ventilador extractor está desactivado, la luz de mantenimiento del filtro no se enciende aunque el filtro esté obstruido.

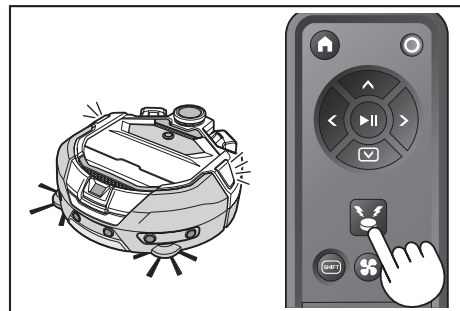
## Encendido y apagado del ventilador extractor con el mando a distancia

Con el robot limpiador en el estado de espera, el ventilador extractor se puede encender o apagar pulsando el botón de encendido/apagado del ventilador extractor en el mando a distancia.

El ventilador se puede encender o apagar con el mando a distancia incluso durante la limpieza.

## Uso de la función de baliza de localización

- El robot limpiador anuncia su ubicación con un zumbador y una luz. Esta función se emplea cuando el robot limpiador no se ve porque está limpiando en una zona extensa o ha entrado en un lugar donde no se encuentra.
- Cuando se pulsa el botón de zumbador/luz de baliza de localización en el mando a distancia, el zumbador suena durante unos 10 segundos y el LED de posición parpadea.
- Para detener la función de baliza de localización mientras está activada, vuelva a pulsar el botón de zumbador/luz de baliza de localización.



### AVISO

- La función de baliza de localización no se puede usar en los casos siguientes:
  - Cuando el robot limpiador está apagado.
  - Cuando no queda carga en la batería.
  - Cuando el robot limpiador se encuentra en una posición donde las ondas radioeléctricas no llegan.
  - Cuando las pilas del mando a distancia están gastadas.
- Aunque la función de baliza de localización también puede utilizarse desde la aplicación, el smartphone y el robot limpiador deben haberse conectado previamente. Cuando el robot limpiador se encuentra en estado de suspensión, la función no puede utilizarse desde la aplicación.

## Uso de los temporizadores de encendido y apagado

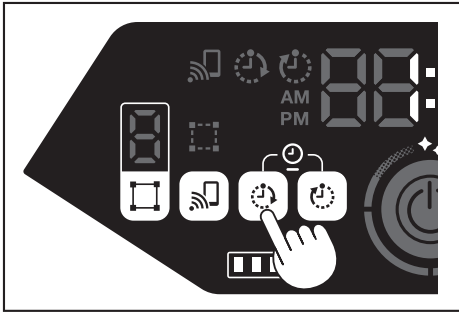
Los temporizadores de encendido y apagado pueden usarse al mismo tiempo.

### Configuración del temporizador de encendido

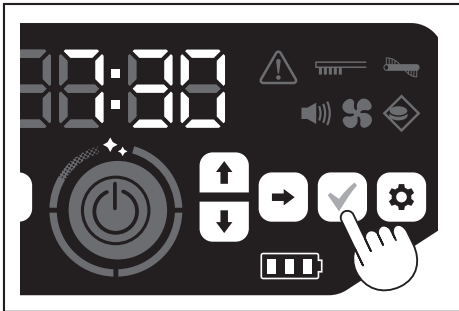
Cuando llega la hora programada, el robot empieza a limpiar en el modo de limpieza seleccionado. Antes de programar el temporizador, ajuste la hora. (Consulte la página 23).

1. Ponga el robot limpiador en estado de espera. (Consulte la página 16).

- Mantenga pulsado el botón de encendido del temporizador para cambiar el ajuste de la hora del temporizador de encendido.
  - El procedimiento de cambio es el mismo que el procedimiento de ajuste de la hora (consulte la página 23).
  - El temporizador de encendido se puede configurar en incrementos de 10 minutos.

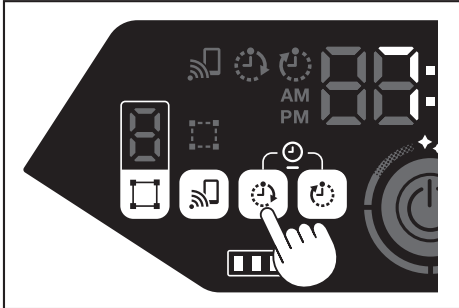


- Presione el botón de confirmación para finalizar el ajuste de la hora.



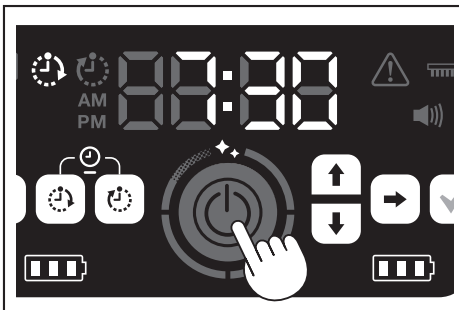
### Uso del temporizador de encendido

- Presione el botón de encendido del temporizador para activar la función de encendido del temporizador. La luz de encendido del temporizador se ilumina y la hora de ajuste parpadea dos veces.
  - Si desea cancelar la función de encendido del temporizador, vuelva a pulsar el botón de encendido del temporizador para apagar la luz de encendido del temporizador.



- Seleccione el modo de funcionamiento del robot limpiador. (Consulte las páginas 17 y 18).
- Al pulsar el botón de inicio/parada, la limpieza con la función de encendido del temporizador se reserva, es decir, queda programada. (Estado de suspensión)
 

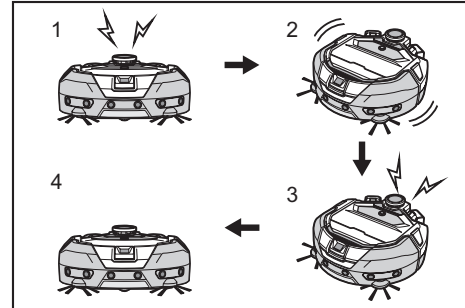
Si desea cancelar la función de encendido del temporizador en el estado de suspensión, vuelva a pulsar el botón de inicio/parada para hacer que el robot limpiador entre en el estado de espera. Para ver la hora de ajuste tras la reserva, pulse cualquier botón menos el de inicio/parada. Al hacerlo, la hora de ajuste se ilumina durante 3 segundos.



#### AVISO

- La información reservada se cancela cuando el aparato se apaga o la capacidad restante de batería se agota por completo.

- Cuando a las baterías les queda poca carga, el robot limpiador no puede esperar a ponerse en funcionamiento a la hora programada en el temporizador de encendido. Para que el robot se ponga en marcha a la hora programada en el temporizador de encendido, se recomienda que las baterías estén completamente cargadas.
- Cuando está apagado, el robot no se puede poner en marcha a la hora programada en el temporizador de encendido.
- Cuando se activa el temporizador de encendido, el tiempo de funcionamiento se reduce ligeramente, ya que el robot limpiador consume batería en el estado de suspensión.
- Ejemplo de uso: Programar el robot limpiador para que limpie automáticamente por la mañana. (Ponga el temporizador de encendido a las 7:30 y el de apagado a las 9:00).



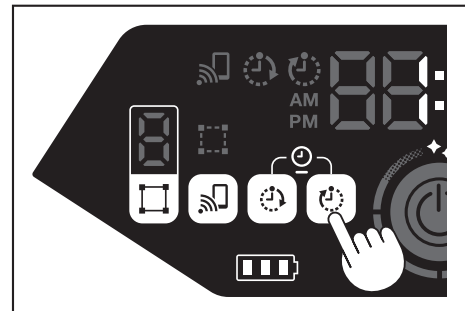
- 1. Empieza a las 7:30. (Temporizador de encendido) 2. Limpieza
- 3. Termina la limpieza a las 9:00. (Temporizador de apagado) 4. Vuelve al punto de inicio.

- Durante el ajuste de las horas y los minutos, si se mantienen presionados los botones arriba/abajo, las horas y los minutos cambian rápidamente.
- Cuando el ajuste de la hora del temporizador ya se ha realizado, solo tiene que seguir el procedimiento referente al "Uso del temporizador de encendido" en esta página.

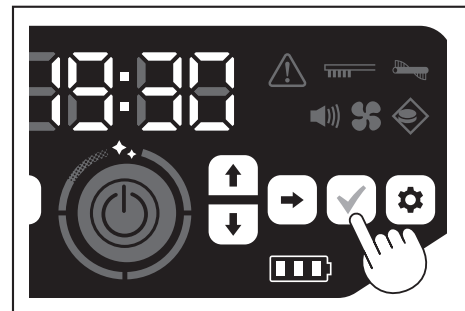
### Configuración del temporizador de apagado

Cuando llega la hora programada después de haberse comenzado la limpieza, el robot deja de limpiar y regresa al punto de inicio. Antes de programar el temporizador, ajuste la hora. (Consulte la página 23).

- Ponga el robot limpiador en estado de espera. (Consulte la página 16).
- Mantenga pulsado el botón de apagado del temporizador para cambiar el ajuste de la hora del temporizador de apagado.
  - El procedimiento de cambio es el mismo que el procedimiento de ajuste de la hora (consulte la página 23).
  - El temporizador de apagado se puede configurar en incrementos de 10 minutos.



- Presione el botón de confirmación para finalizar el ajuste de la hora.



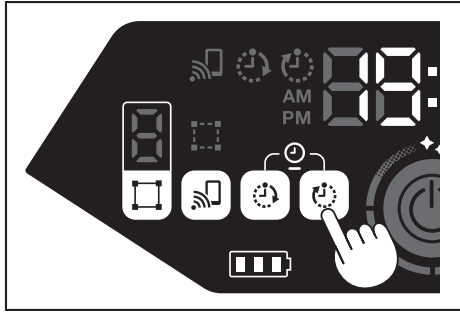
### Uso del temporizador de apagado

Presione el botón de apagado del temporizador para activar la función de apagado del temporizador.

La luz de apagado del temporizador se ilumina y la hora de ajuste parpadea dos veces.

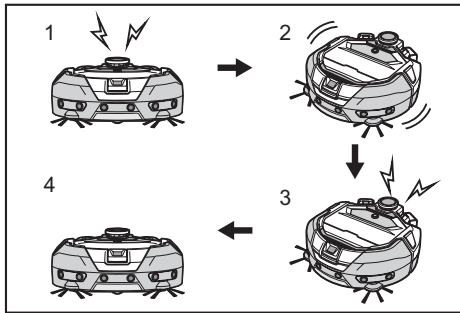
- Para empezar a limpiar inmediatamente y usar el temporizador de apagado, seleccione el modo de limpieza e inicie la limpieza.
- Para usar el temporizador de apagado junto con el de encendido, consulte la página 19.

- Para cancelar el temporizador de apagado, vuelva a pulsar el botón de apagado del temporizador cuando el robot limpiador se halle en el estado de espera.



### AVISO

- El ajuste del temporizador de apagado se desactiva cuando el aparato se apaga o la capacidad restante de batería se agota por completo.
- Si la capacidad de batería restante es baja, el robot limpiador podría dejar de funcionar antes de la hora ajustada en el temporizador de apagado.
- En ocasiones, el robot limpiador puede tardar un tiempo en volver al punto de inicio (depende del entorno donde se limpie). En tal caso, ajuste la hora un poco antes en el temporizador de apagado.
- Ejemplo de uso: Programar el robot limpiador para que limpie automáticamente solo durante 30 minutos por la tarde. (Ponga el temporizador de encendido a las 19:00 y el de apagado a las 19:30).



- ▶ 1. Empieza a las 19:00. (Temporizador de encendido) 2. Limpieza 3. Termina la limpieza a las 19:30. (Temporizador de apagado) 4. Vuelve al punto de inicio.

- Al ajustar las horas y los minutos, si se mantienen presionados los botones arriba/abajo, las horas y los minutos cambian rápidamente.
- Cuando el ajuste de la hora del temporizador ya se ha realizado, solo tiene que seguir el procedimiento referente al "Uso del temporizador de apagado" en la página 20.

## Control del alcance de la limpieza

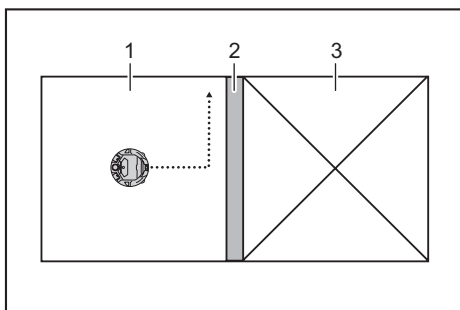
### ⚠ ADVERTENCIA

**No utilice la línea de demarcación magnética como línea de demarcación de un área donde pueda ocurrir un accidente debido a intrusión o caída.**

- Hacerlo puede causar un accidente o lesiones debido a la intrusión o la caída del robot limpiador.

**En zonas con riesgo de intrusión o caída del robot limpiador, coloque un objeto con una altura de 25 cm o más para que haga de barrera (un objeto que no se mueva ni se caiga al ser golpeado por el robot limpiador) sobre una superficie plana.**

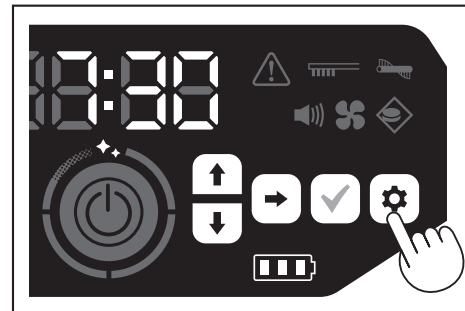
- El alcance de la limpieza puede limitarse mediante una línea de demarcación magnética (vendida por separado) que se coloca en la superficie del suelo para crear una línea de demarcación. El robot limpiador detecta esta línea de demarcación magnética y la evita.
- Aconsejamos delimitar el alcance de la limpieza en los casos detallados a continuación.



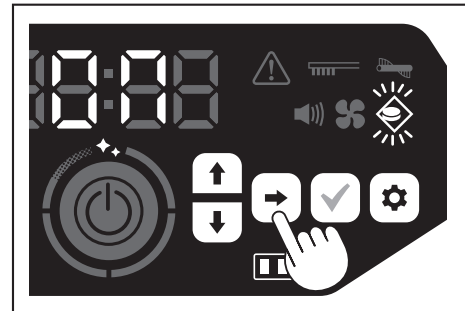
- ▶ 1. Área de limpieza 2. Línea de demarcación magnética 3. Área donde el robot limpiador no debe entrar

- Cuando quiera dividir en varias zonas de limpieza un espacio que sea demasiado grande para limpiarlo de una sola vez.
- Cuando haya un área por donde no quiera que pase el robot limpiador.
- Cuando haya un área donde el robot limpiador pueda entrar pero de la que luego no pueda salir.
- Cuando el robot limpiador se suba a un escalón bajo pero se caiga de él.
- Cuando el robot limpiador se quede atascado en mitad de un escalón.

1. Al disponer la línea de demarcación magnética, tenga en cuenta los puntos siguientes:
  - Al colocar la línea de demarcación magnética, no debe quedar ningún hueco entre esta y la superficie del suelo.
  - Disponga la línea de demarcación magnética a unos 15 cm del área donde el robot limpiador no deba entrar.
  - Ponga la línea de demarcación magnética en una superficie que esté lo más nivelada posible de forma que quede bien estabilizada. Si no lo hace, el robot limpiador podría desplazar la línea y no llegar a reconocerla debidamente.
  - El robot limpiador podría no reconocer una línea de demarcación magnética situada en una superficie cóncava o con escalones.
  - La línea de demarcación magnética debe ser un producto original. Si no lo es, no se puede garantizar la funcionalidad ni la seguridad.
  - La superficie de algunos suelos puede ensuciarse. Compruebe que el producto sea idóneo antes del uso.
  - Dependiendo de la superficie del suelo y del entorno de funcionamiento, puede que el sensor de imán para la detección de demarcación no reconozca la línea de demarcación magnética. También es posible que la línea de demarcación magnética se ensucie o se rompa. Compruebe que el producto sea idóneo antes del uso.
2. Con el robot limpiador en estado de espera, presione el botón de ajuste para entrar en el modo de selección de ajustes.

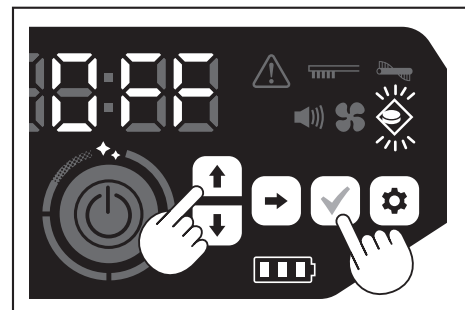


3. Pulse el botón siguiente para que la luz de detección de demarcación parpadee.



4. Con los botones arriba/abajo se puede cambiar entre Enc./apag. Después de seleccionar la posición de encendido o apagado, presione el botón de confirmación para finalizar el ajuste.

- Enc.: la luz de detección de demarcación se enciende.
- Apag.: la luz de detección de demarcación se apaga.



### AVISO

- La función de detección de demarcación se basa en el reconocimiento de la línea de demarcación magnética mediante un sensor magnético. Si la línea de demarcación magnética tiene partes rasgadas, elevadas, etc., es posible que no se reconozca.
- Compruebe, de forma periódica, si la línea de demarcación magnética tiene roturas, desviaciones en la posición u otros problemas. Si presenta problemas como roturas, por ejemplo, cambie la línea por otra nueva.

- La función de detección de demarcación puede activarse cerca de un objeto magnético. Cuando no desee que la función de detección de demarcación esté en funcionamiento, desactívela.
- En lugares por donde pasen personas y cosas con frecuencia, la línea de demarcación magnética se estropea por pisarla. Si la línea se deteriora, sustitúyala por otra nueva.
- Según el material del suelo, se recomienda pegar en él la línea de demarcación magnética, ya que el robot limpiador podría desplazarla al detectarla.
- La línea de demarcación magnética puede cortarse con unas tijeras.

## Cómo colocar, retirar y usar los elementos vendidos por separado

Consulte las páginas indicadas a continuación para saber cómo colocar, retirar y usar los elementos que se venden por separado.


Elementos vendidos por separado	Página de referencia	Observaciones
Línea de demarcación magnética	21	–
Cepillo principal Cepillo suave principal	26	El procedimiento de manipulación es el mismo que el del cepillo principal suministrado.
Filtro HEPA	25	Igual que el filtro HEPA suministrado.
Cepillo lateral Cepillo suave lateral	26	El procedimiento de manipulación es el mismo que el de los cepillos laterales suministrados.
Batería	15	–
Tapa del cepillo principal	26	Igual que la tapa del cepillo principal suministrada.
Amortiguación del parachoques	–	Amortiguación antiarañazos que se coloca en el robot limpiador para proteger los objetos.

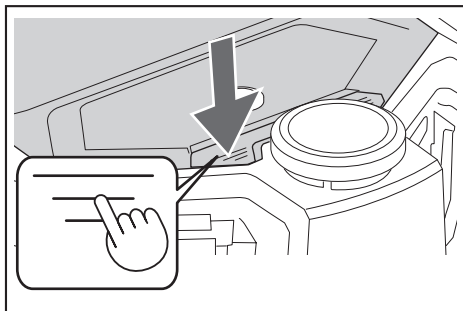
## Cómo eliminar la basura

### ⚠ ADVERTENCIA

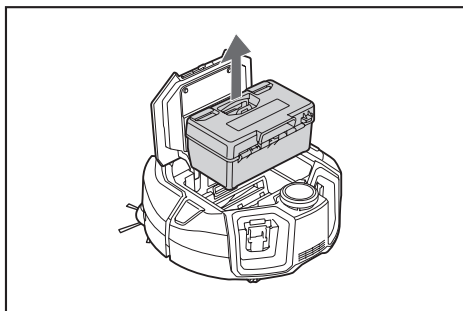
Apague el robot limpiador y extraiga las baterías antes de abrir la tapa superior del aparato.

- Si se deja una batería dentro del robot limpiador, pueden producirse descargas eléctricas o lesiones.

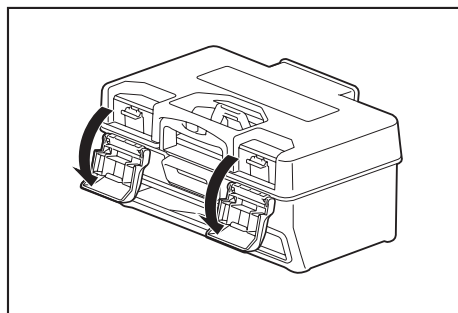
1. Al presionar el botón de apertura (  ), la tapa superior se abre. Tenga cuidado porque la tapa superior se abre rápidamente.



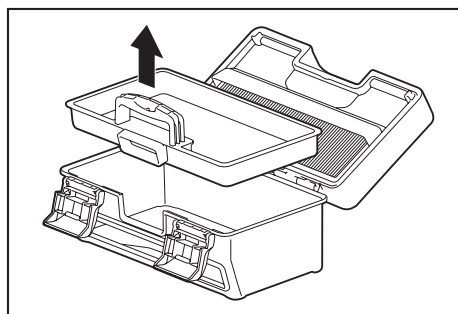
2. Retire la caja de polvo. No sostenga la caja de polvo con la abertura inclinada hacia abajo. Hacerlo puede provocar que el polvo caiga por la abertura.



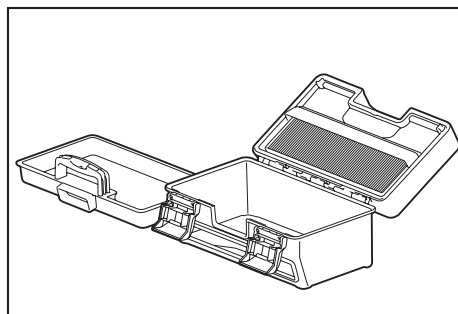
3. Baje los dos cierres para abrir la tapa superior.



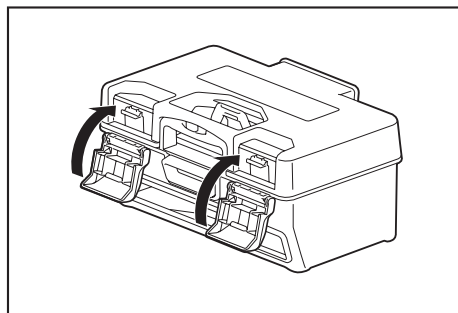
4. Saque la bandeja de polvo. Tenga cuidado de no abrir la tapa superior por el lado del filtro.



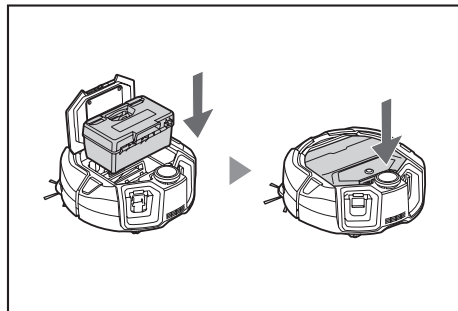
5. Tire la basura que haya en la bandeja de polvo y en la caja de polvo; a continuación, retire la suciedad y el polvo presentes en el filtro. Si el filtro está muy sucio, quítelo y lávelo con agua. (Consulte la página 25).



6. Vuelva a introducir la bandeja de polvo en la caja de polvo. A continuación, suba los dos enganches para cerrar la tapa superior.



7. Vuelva a colocar la caja de polvo en el robot limpiador y empuje la tapa superior para cerrarla hasta que se oiga un clic. Al cerrar la tapa superior, tenga cuidado de no pillarse los dedos.



### AVISO

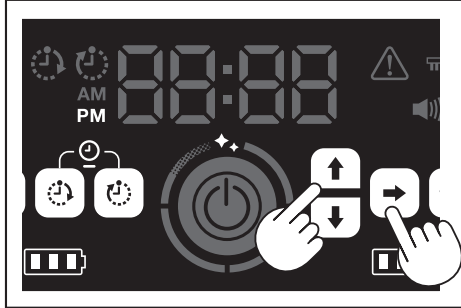
- Al final de cada sesión de limpieza, tire la basura y realice el mantenimiento del filtro. Si continúa limpiando sin tirar los desechos, el filtro se obstruye y la potencia de aspiración disminuye.
- Coloque correctamente la caja de polvo y el filtro.

## Configuración del robot limpiador

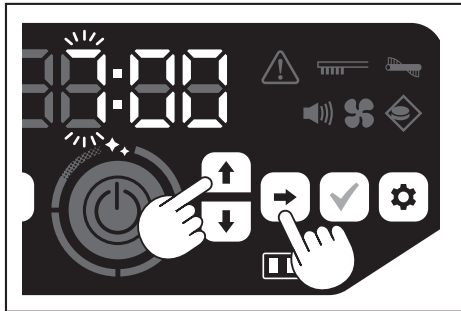
### Configuración de la hora

La primera vez que lo use debe establecer la hora.

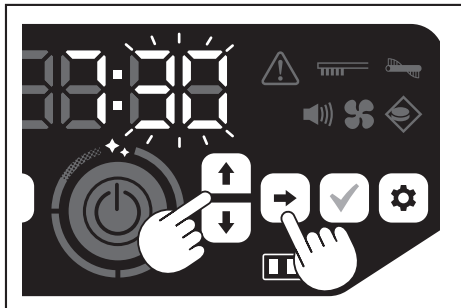
1. Con los botones arriba/abajo, seleccione el formato de visualización: [AM], [PM] o sin distinción (notación de 24 horas). A continuación, pulse el botón siguiente para confirmar la selección.  
Al pulsar el botón siguiente, las horas parpadean.



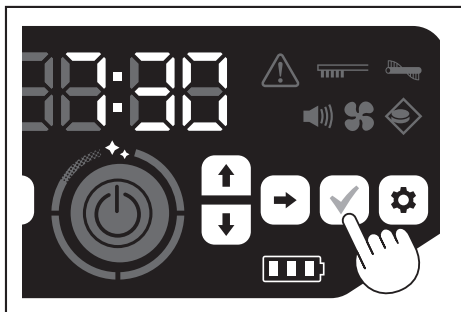
2. Seleccione la hora con los botones arriba/abajo y, a continuación, pulse el botón siguiente para confirmar la selección.  
Al pulsar el botón siguiente, los minutos parpadean.



3. Seleccione los minutos con los botones arriba/abajo y, a continuación, pulse el botón siguiente para confirmar la selección.



4. Presione el botón de confirmación para finalizar el ajuste de la hora.



#### AVISO

- Durante el ajuste de las horas y los minutos, si se mantienen presionados los botones arriba/abajo, las horas y los minutos cambian rápidamente.
- Si el robot limpiador no se usa durante un periodo prolongado, el ajuste de la hora puede alterarse debido a la temperatura de almacenamiento o puede restablecerse si la batería integrada se descarga.

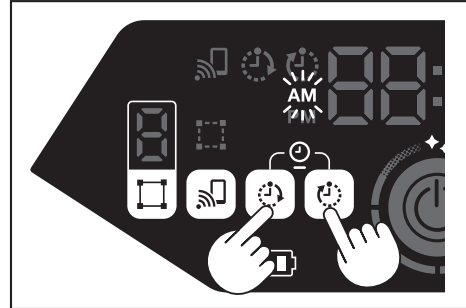
### Volver a configurar la hora

Si el robot limpiador no se utiliza durante un periodo prolongado, la hora puede ser inexacta o puede haberse restablecido.

Al conectar el robot limpiador a un smartphone a través de la aplicación, la hora que figure en el smartphone se establece automáticamente en el robot.

Si desea establecer la hora manualmente, siga los pasos detallados a continuación.

1. Ponga el robot limpiador en estado de espera. (Consulte la página 16).
2. Mantenga pulsados a la vez el botón de encendido del temporizador y el botón de apagado del temporizador hasta que el formato de la hora, [AM] o [PM], parpadee (no parpadea si el último ajuste configurado era la notación de 24 horas).



3. Establezca la hora siguiendo las instrucciones del apartado "Configuración de la hora" en esta página desde el paso 1.

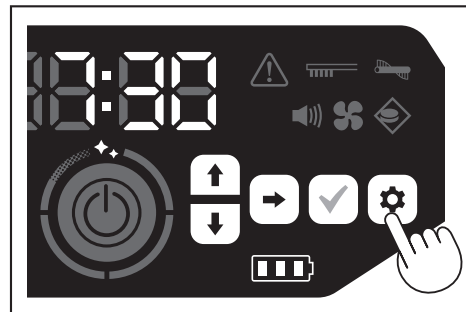
### Configuración de Wi-Fi® (robot limpiador y smartphone)

- Para manejar el robot limpiador desde la aplicación, configure los ajustes del Wi-Fi® de la aplicación y del robot. (Consulte la página 34).
- Instale previamente la aplicación en el smartphone.
- El robot limpiador funciona como punto de acceso para el smartphone. Cuando un smartphone se conecta al robot limpiador, el smartphone únicamente está conectado a la red del robot.
- Si quiere conectar un smartphone al robot limpiador, pulse el botón de conexión con smartphone para activar la función Wi-Fi.
- Cuando no esté usando la función Wi-Fi, pulse el botón de conexión con smartphone para apagar la luz de conexión con smartphone.
- Se puede manejar varios robots limpiadores desde la misma aplicación. En este caso, establezca la conexión inalámbrica con la aplicación uno a uno.

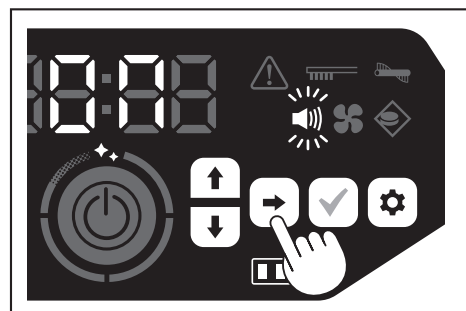
### Configuración del ajuste de sonido

- Puede seleccionar si el robot limpiador emite sonidos o no.
- El ajuste de sonido también se puede configurar con el mando a distancia.

1. Con el robot limpiador en estado de espera, presione el botón de ajuste para entrar en el modo de selección de ajustes.

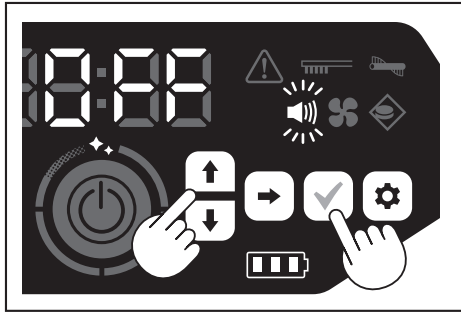


2. Pulse el botón siguiente para que la luz de sonido parpadee.





- Con los botones arriba/abajo se puede cambiar entre Enc./apag. Después de seleccionar la posición de encendido o apagado, pulse el botón de confirmación para finalizar la selección.
  - Enc.: la luz de sonido se enciende (sonido activado).
  - Apag.: la luz de sonido se apaga (sonido desactivado).



#### AVISO

Aunque el ajuste de sonido esté desactivado, el robot limpiador puede emitir sonidos para avisar de un error, etc.

### Activación y desactivación del ajuste de sonido con el mando a distancia

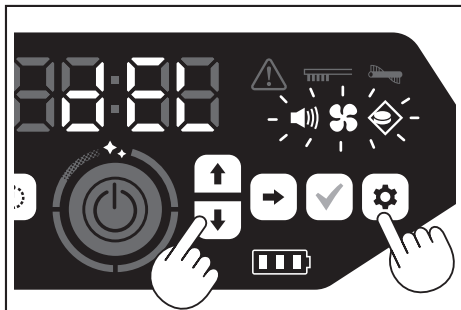
Al pulsar el botón de activación/desactivación del sonido en el mando a distancia con el robot limpiador en el estado de espera, se activa o desactiva el ajuste de sonido.

El ajuste de sonido se puede activar y desactivar con el mando a distancia incluso mientras el robot está limpiando.

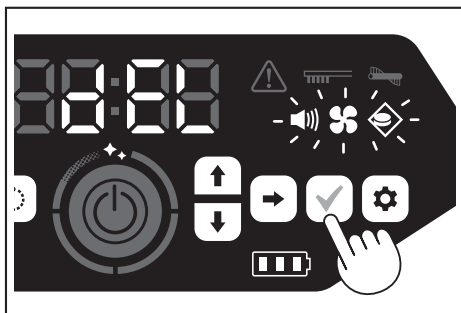
### Restablecimiento de la configuración

Si lo desea, puede restablecer los ajustes del robot limpiador a los valores de fábrica.

- Ponga el robot limpiador en estado de espera. (Consulte la página 16).
- Mantenga pulsados el botón abajo y el botón de ajuste. En el indicador de la hora, aparecen las letras [dEL] y parpadean los iconos y todas las luces menos la luz de error.



- Pulse el botón de confirmación mientras se muestre [dEL] en la pantalla (permanece unos 10 segundos).
  - Si el botón de confirmación no se pulsa mientras la indicación [dEL] esté en la pantalla, el robot limpiador vuelve a activar el modo de espera.
  - Cuando el robot limpiador está ejecutando el proceso de restablecimiento, se apagan los iconos y todas las luces, excepto la luz de carga de la batería. Aunque el robot limpiador no se va a poner en funcionamiento en este momento si pulsa los botones del panel de operaciones, absténgase de tocarlos. Tampoco extraiga las baterías.

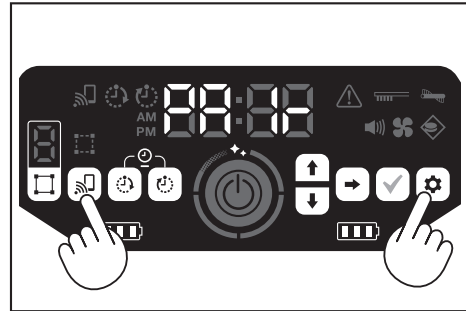


- Al finalizar el proceso de restablecimiento, el aparato se reinicia y, a continuación, aparece la pantalla de configuración de la hora.

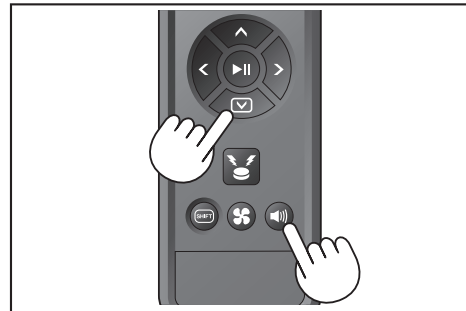
### Vinculación del robot limpiador y el mando a distancia

Cuando el mando a distancia se sustituye por otro nuevo, debe vincularlo con el robot limpiador.

- Mantenga pulsados al mismo tiempo el botón de conexión con smartphone y el botón de ajuste hasta que aparezca [PAIr] en el indicador de la hora. La palabra [PAIr] permanece en la pantalla durante 10 segundos.



- Durante el tiempo en que se muestra [PAIr], pulse simultáneamente el botón de acción (abajo) y el botón de activación/desactivación del sonido en el mando a distancia. Cuando la vinculación ha finalizado correctamente, el robot limpiador emite dos pitidos breves y vuelve al modo de espera.



#### AVISO

- Si la vinculación falla, se oye un sonido de error.
- Si el robot limpiador no recibe una señal del mando a distancia durante el tiempo en que se ve la palabra [PAIr] en la pantalla, el robot vuelve al modo de espera.

## Cuidados

### ⚠ ADVERTENCIA

Apague el robot limpiador y extraiga las baterías antes de realizar labores de mantenimiento.

- Si se deja una batería dentro del robot limpiador, pueden producirse descargas eléctricas o lesiones.

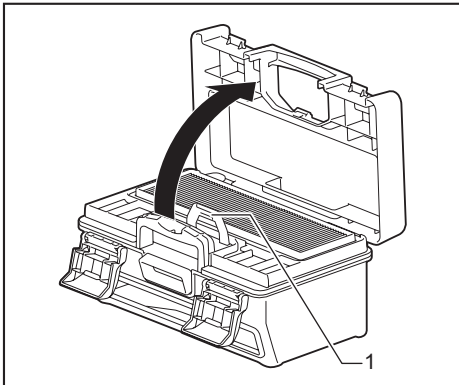
### ⚠ PRECAUCIÓN

Para mantener un rendimiento óptimo, lleve a cabo periódicamente las tareas de mantenimiento detalladas en este apartado. Si surge algún problema, deje de usar el robot limpiador y comuníquese con la tienda donde lo compró o con nuestra oficina de ventas para solicitar su inspección y reparación.

## Mantenimiento

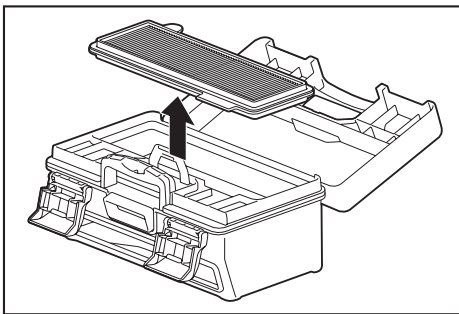
### Mantenimiento y sustitución de la caja de polvo y del filtro

- Cuando baje la potencia de aspiración del robot limpiador, cuando se aprecie suciedad o cuando la luz de mantenimiento del filtro se encienda, saque el filtro y lávelo con agua.
  - Antes de proceder, ponga papel de periódico o algo parecido.
  - No utilice productos químicos ni agua a una temperatura de 40 °C (104 °F) o más.
1. Tire la basura siguiendo los pasos del 1 al 5 descritos en el apartado "Cómo eliminar la basura". (Consulte la página 22).
  2. Vuelva a colocar la bandeja de polvo en la caja de polvo y cierre la tapa superior de la caja.
  3. Suelte el gancho y abra la tapa superior del lado del filtro.

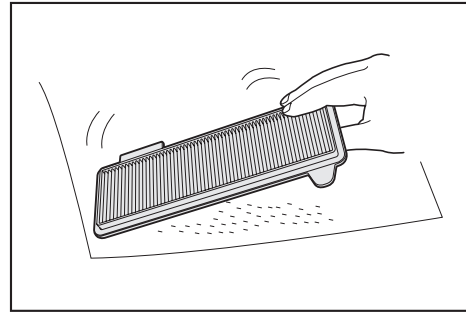


► 1. Gancho

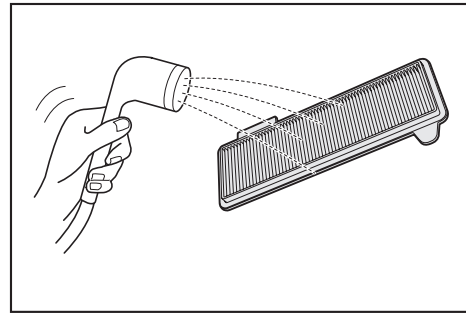
4. Extraiga el filtro de la caja de polvo.  
Sáquelo despacio para evitar levantar polvo.



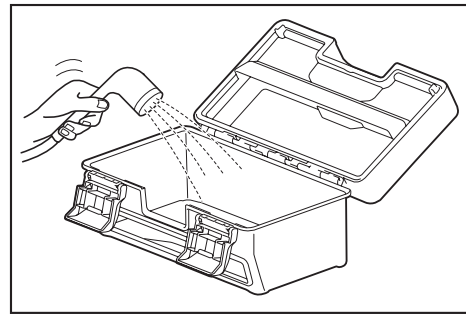
5. Dele golpecitos suaves al filtro para que caigan la suciedad y el polvo.
  - No restriegue el filtro con fuerza ni lo aplaste con los dedos.
  - No utilice objetos puntiagudos (como palillos de dientes), ya que pueden causar roturas.



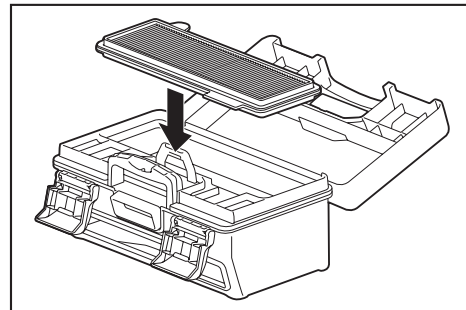
6. Cuando la potencia de aspiración del robot limpiador haya mermado, lave el filtro con agua.  
Si desprende mal olor, sumerja el filtro en detergente neutro diluido durante tres horas más o menos y, luego, lávelo con agua.



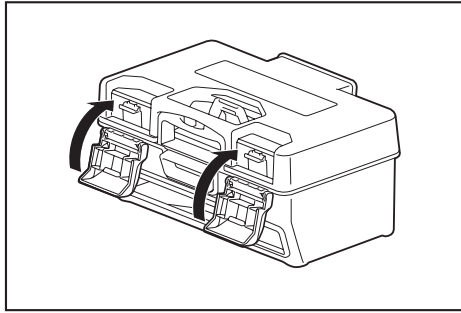
7. Cuando se aprecie suciedad en la caja de polvo, lávela con agua o con detergente neutro diluido.



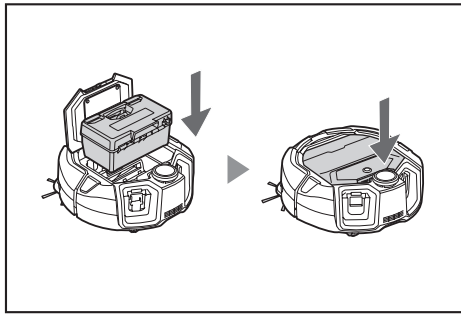
8. Después de lavar el filtro o la caja de polvo con agua, déjelos secar completamente en un lugar bien ventilado y sin que les dé directamente la luz del sol.
  - Utilizar las piezas sin que estén bien secas puede reducir la potencia de aspiración, así como la vida útil del motor.
  - Utilizar piezas que aún estén húmedas puede causar mal olor o fallos.
  - El tiempo de secado debería ser de aproximadamente un día.
  - Evite secar con secador, soplador, etc.
9. Coloque el filtro en la caja de polvo.



10. Cierre la tapa superior del lado del filtro y encaje el gancho en su sitio. A continuación, suba y encaje los dos cierres.



11. Vuelva a colocar la caja de polvo en el robot limpiador y empuje la tapa superior para cerrarla hasta que se oiga un clic. Al cerrar la tapa superior, tenga cuidado de no pillarse los dedos.

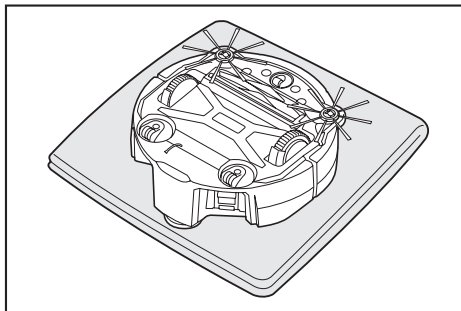


#### AVISO

- No utilice el robot limpiador sin el filtro. No utilice el robot limpiador con el filtro mal colocado o roto.
- El filtro puede lavarse en agua. Lávelo con agua para quitar el polvo a intervalos regulares (cada mes o cada dos meses).
- Cuando el filtro se deteriore, sustitúyalo por otro nuevo.
- El filtro es una pieza fungible y, por lo tanto, se recomienda disponer de un repuesto.
- Para no dañar el filtro, evite frotarlo con objetos duros, como cepillos o espátulas.
- No limpie el filtro HEPA con sopladores ni máquinas de agua a presión, ya que puede dañarse fácilmente.

#### Precauciones al realizar el mantenimiento de la parte inferior del robot limpiador


- Extraiga la caja de polvo antes de proceder al mantenimiento. (Consulte la página 22). Si no lo hace, el polvo puede caer por la abertura.
- Ponga el robot limpiador boca abajo antes de realizar las labores de mantenimiento de los cepillos laterales, el cepillo principal, la parte inferior del robot y las ruedas.
- Durante el mantenimiento, extienda una esterilla gruesa o algo parecido para evitar que el robot limpiador y la superficie del suelo se estropeen. De esta forma, el sensor LiDAR tampoco se verá sometido a ningún tipo de presión.

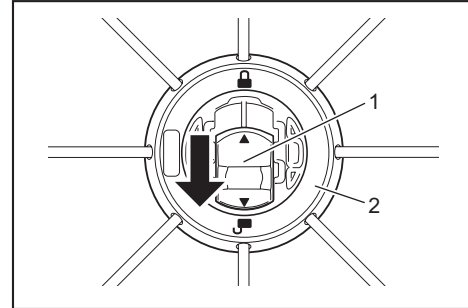


- Cuando el robot limpiador esté boca abajo, evite hacer presión sobre su superficie inferior. Ejercer demasiada presión puede dañar el robot limpiador.

#### Mantenimiento y sustitución de los cepillos laterales

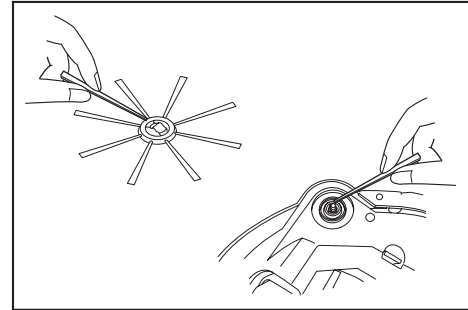
- Si aparece una indicación de error (consulte la página 29) o si en un cepillo lateral quedan atrapados pelos y partículas de polvo, realice el mantenimiento del cepillo lateral.
- Cuando las cerdas de un cepillo lateral estén dobladas o se caigan, cambie el cepillo por otro nuevo.
- Cuando un cepillo lateral no gire o lo haga con dificultad, quítelo y realice el mantenimiento correspondiente.

1. Ponga el robot limpiador boca abajo sobre una esterilla, etc.
2. Deslice la palanca de bloqueo del cepillo lateral hacia la marca  (símbolo de apertura).



- 1. Palanca de bloqueo 2. Cepillo lateral

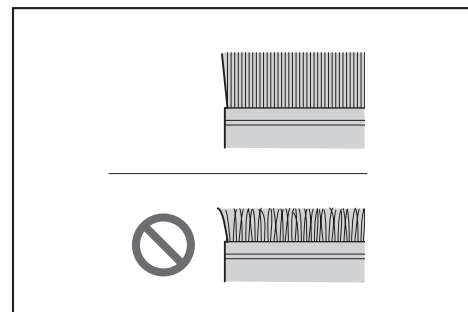
3. Quite el cepillo lateral.
4. Retire los pelos y el polvo que haya en el cepillo lateral con unas pinzas u otro instrumento.



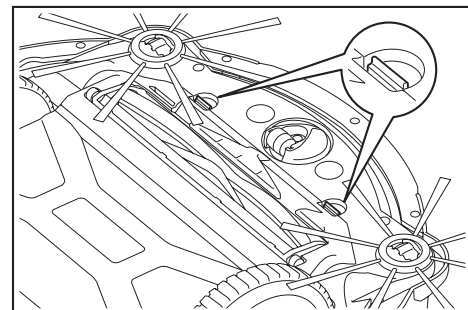
5. Instale el cepillo lateral en el robot limpiador. (Consulte la página 14).

#### Mantenimiento y sustitución del cepillo principal

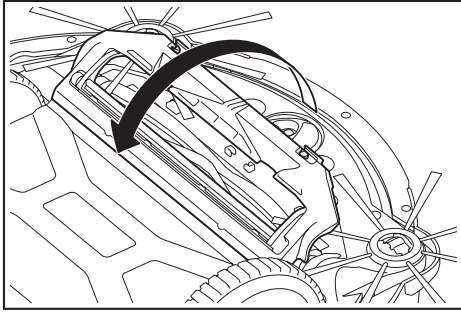
- Si aparece una indicación de error (consulte la página 29) o si en el cepillo principal quedan atrapados partículas de polvo y pelos, realice el mantenimiento del cepillo principal.
- Si las cerdas están gastadas y acortadas, sustituya el cepillo principal.



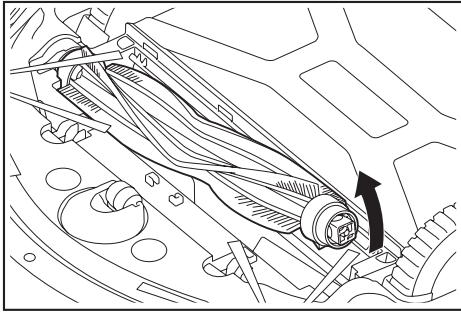
1. Ponga el robot limpiador boca abajo sobre una esterilla, etc.
2. Suelte los ganchos de la tapa del cepillo principal.



3. Retire la tapa del cepillo principal.  
No desmonte la tapa del cepillo principal.



4. Retire el cepillo principal.



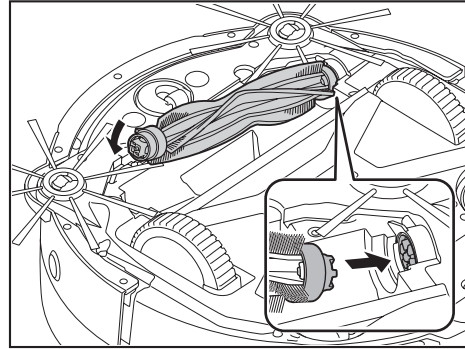
5. Realice el mantenimiento del cepillo principal, la tapa del cepillo principal, el armazón del cepillo principal y las juntas tal como se detalla a continuación.

Pieza	Cuidados
Cepillo principal	<p>Retire la tapa del cojinete acoplada al cepillo principal y quite el polvo atrapado. Si hay pelos y pelusas, córtelos en paralelo a las cerdas del cepillo con unas tijeras y luego tire de ellos para sacarlos. Si hay polvo adherido, lave con agua.</p> <p>► 1. Tapa del cojinete</p>
Tapa del cepillo principal	<p>Realice la limpieza con un paño humedecido en agua o detergente neutro diluido. Si la suciedad es visible, lave con agua.</p>
Armazón del cepillo principal	<p>Realice la limpieza con un paño humedecido en agua o detergente neutro diluido. No se puede lavar con agua.</p>
Juntas	<p>En el caso de las juntas acopladas al robot limpiador, afloje el tornillo con un destornillador mientras sujeta la junta con la mano. A continuación, saque la junta. Elimine el polvo capturado en el interior del robot limpiador.</p> <p>► 1. Junta 2. Tornillo</p>

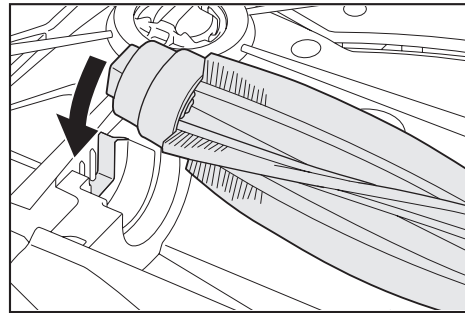
#### AVISO

No utilice disolvente, bencina, alcohol, etc., ya que pueden causar deterioro o decoloración.

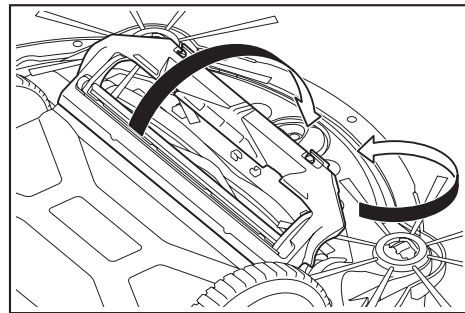
6. Las piezas lavadas con agua se deben dejar secar completamente en un lugar bien ventilado y sin que les dé directamente la luz del sol.
- Utilizar las piezas sin que estén bien secas puede reducir la potencia de aspiración, así como la vida útil del motor.
  - Utilizar piezas que aún estén húmedas puede causar mal olor o fallos.
  - El tiempo de secado debería ser de aproximadamente un día.
  - Evite secar con secador, soplador, etc.
7. Coloque la tapa del cojinete en el lugar del cepillo principal que le corresponde.
8. Asegure las juntas en el robot limpiador con los tornillos.
9. Monte el cepillo principal haciendo que su soporte encaje en las muescas que hay en las juntas del robot limpiador.



10. Gire la tapa del cojinete para alinear la orientación y, a continuación, insértela en el robot limpiador.

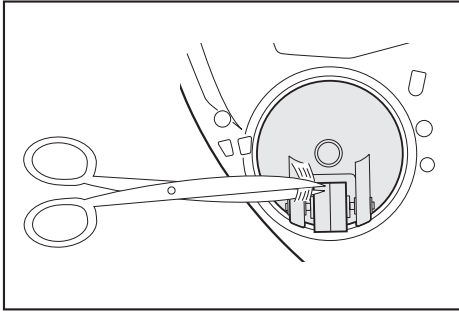


11. Coloque la tapa del cepillo principal (apriete hasta que el gancho ajuste y se oiga un clic).
- Tenga cuidado para que los cepillos laterales no queden atrapados debajo de la tapa del cepillo principal.
  - Para evitar que esto suceda, puede retirar temporalmente los cepillos laterales o girarlos en la dirección indicada en la ilustración cuando ponga la tapa del cepillo principal.

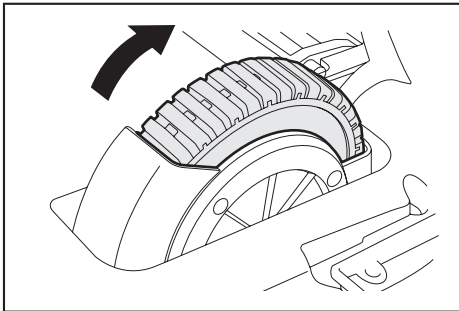


## Mantenimiento de las ruedas

- El mantenimiento de las ruedas se debe realizar cuando se hayan acumulado en ellas polvo y pelos.
- No retire las ruedas del robot limpiador.
- Elimine el polvo atrapado en las ruedas. Si resulta difícil, utilice unas tijeras de punta fina, unas pinzas, etc.



- Gire las dos ruedas motrices para eliminar de ellas la suciedad. Al hacerlo, tenga cuidado de no pillarse las manos.

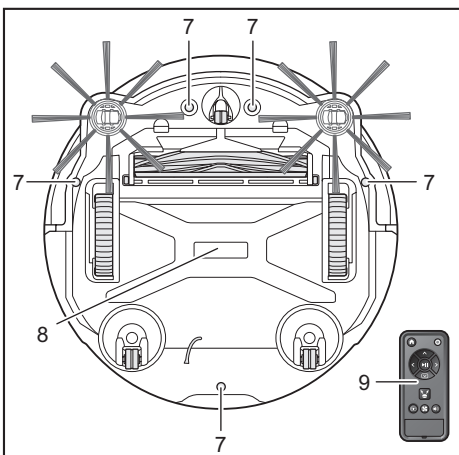
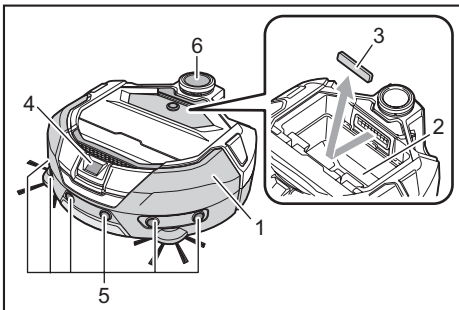


## Mantenimiento del robot limpiador

### AVISO

- No utilice disolvente, bencina, alcohol, etc., ya que pueden causar deterioro o decoloración.
- No utilice objetos puntiagudos (como palillos de dientes), ya que pueden causar roturas o daños.

Siga la tabla que figura a continuación para realizar el mantenimiento de las piezas del robot limpiador.



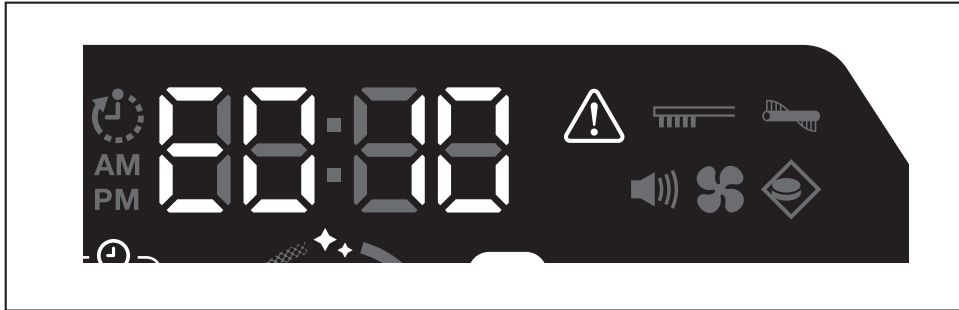
Número	Pieza	Cuidados
1.	Superficie del robot limpiador	Realice la limpieza con un paño humedecido en agua o detergente neutro diluido.
2.	Interior del robot limpiador (armazón de la caja de polvo)	Realice la limpieza con un paño humedecido en agua o detergente neutro diluido.
3.	Esponja de la abertura de succión (situada dentro del robot limpiador)	Saque la esponja y elimine el polvo con agua.
4.	Sensor de la cámara	Limpie la suciedad con un paño suave o un bastoncillo de algodón con cuidado de no causar daños.
5.	Sensor ultrasónico	Realice la limpieza con un paño humedecido en agua o detergente neutro diluido.
6.	Sensor LiDAR	Elimine el polvo y la suciedad que haya dentro de la tapa del sensor LiDAR.
7.	Sensor de precipicio (5 puntos de detección)	Limpie la suciedad con un paño suave o un bastoncillo de algodón con cuidado de no causar daños.
8.	Parte inferior del robot limpiador	Realice la limpieza con un paño humedecido en agua o detergente neutro diluido.
9.	Parte frontal del mando a distancia y sus botones	Limpie la suciedad con un paño seco.

## Reparaciones

- Si no es posible reanudar el funcionamiento después de eliminar la causa de una notificación o una indicación de error (consulte la página 29), apague el aparato y vuelva a encenderlo.
- Si aparece varias veces la misma notificación o el mismo error, solicite la reparación en la tienda donde efectuó la compra o en nuestra oficina de ventas.
- No haga las reparaciones usted mismo. Solicite siempre la reparación en la tienda donde realizó la compra o en nuestra oficina de ventas.
- Cuando vaya a solicitar una reparación, lleve el robot limpiador junto con las baterías y el cargador.

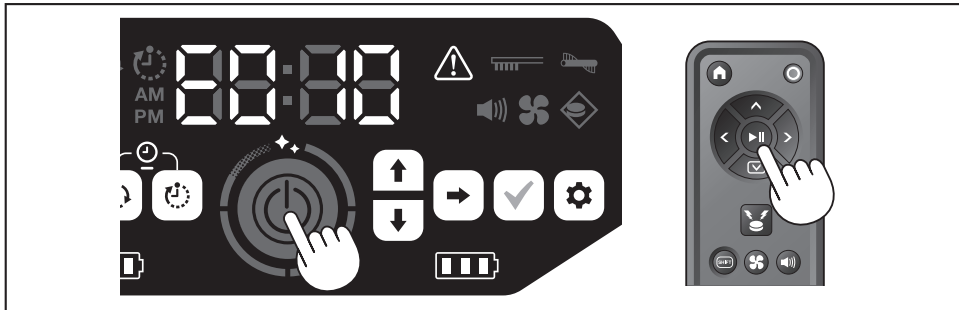
## Notificación e indicación de errores

Cuando se necesita mantenimiento o se produce un error, se enciende una luz roja en el panel de operaciones del robot limpiador y se indica el número del error. También puede aparecer una notificación con un sonido.



### Cancelación de notificaciones e indicaciones de error

- Cuando aparece una notificación referente al mantenimiento del filtro, el robot limpiador puede usarse, pero es probable que no funcione de forma óptima. Elimine la causa antes de usar el robot limpiador.
  - Cuando aparece una notificación de error, el robot limpiador deja de funcionar. Siga los pasos que se indican.
1. Fíjese en el número del error y elimine la causa de este. (Consulte "Notificación relativa al mantenimiento, etc." en esta página).
  - Si apaga el robot o este se apaga solo porque se ha agotado la batería antes de eliminar la causa del error, el robot limpiador cancela el error de forma temporal.
  2. Al pulsar el botón de inicio/parada en el robot limpiador o en el mando a distancia, se cancela la indicación de error y el robot entra en el estado de espera.




3. Compruebe que el error haya desaparecido antes de usar el robot limpiador.

### AVISO

- Reinicie el robot limpiador si no funciona después de haber eliminado la causa.
- Si aparece varias veces el mismo error, solicite la reparación en la tienda donde efectuó la compra o en nuestra oficina de ventas.





### Notificación relativa al mantenimiento, etc.













Si la luz se enciende, apague el aparato y extraiga las baterías. A continuación, siga los pasos que se indican.

Problema notificado	Causa	Acción
<ul style="list-style-type: none"> <li>• Es necesario realizar el mantenimiento del filtro.</li> </ul> 	Hay polvo acumulado o el filtro está obstruido.	Elimine el polvo y realice el mantenimiento del filtro. → Consulte las páginas 22 y 25.  Compruebe si hay polvo acumulado en el interior del robot limpiador y en la abertura de escape.

### Notificación de errores

- Adopte las medidas necesarias en función de la luz de error y del número que aparezca en el indicador.
- En el caso de los códigos de error que figuran en la lista, en lugar de la "X" verá un número concreto según el tipo de error. Indique el código de error cuando contacte con el distribuidor o con nuestra oficina de ventas.
- Cuando vaya a averiguar la causa o a realizar alguna acción, apague el dispositivo y quite las baterías si es necesario.
- Si se muestra un número de error que no está recogido en la tabla siguiente, comuníquese con la tienda donde realizó la compra o con nuestra oficina de ventas.

Número	Causa	Acción
<b>Problema notificado</b> E01X Error de las ruedas motrices 	¿Han quedado materias extrañas, como pelusas o pelos, atrapadas en las ruedas motrices?  Cuando el robot limpiador pasa por debajo de una zona con poca altura, puede quedarse atascado en el hueco; entonces aparece esta notificación.	Elimine las materias extrañas. → Consulte la página 28.  No es un fallo.
E02X Error debido a la pérdida de una rueda o a la elevación del robot limpiador 	¿Alguna rueda motriz se ha desmontado o se ha separado del suelo?	Mueva el robot limpiador a otro lugar. → Consulte la página 11.
E030 Error del cepillo principal  	¿Han quedado materias extrañas, como pelusas o pelos, atrapadas en el cepillo principal?	Elimine las materias extrañas. → Consulte la página 26.

Número	Causa	Acción
<b>Problema notificado</b>		
E04X Error de los cepillos laterales	  ¿Han quedado materias extrañas, como pelusas o pelos, atrapadas en los cepillos laterales?	Elimine las materias extrañas. → Consulte las páginas 14 y 26.
E060 No se detecta la caja de polvo o el filtro	  La caja de polvo o el filtro no están instalados.	Compruebe que estén correctamente montados. → Consulte las páginas 22 y 25.
E09X Error del sensor de precipicio	 ¿El robot limpiador está expuesto a la luz solar directa?	Mueva el robot limpiador a otro lugar. → Consulte la página 11.
	¿El robot limpiador se encuentra en un suelo negro?	
	¿El sensor de precipicio está sucio?	<ul style="list-style-type: none"> <li>Limpie con cuidado la suciedad del sensor de precipicio con un paño suave y seco, un bastoncillo de algodón, etc.</li> <li>Compruebe si la línea de tierra está en contacto con el suelo.</li> </ul> → Consulte las páginas 9, 11 y 28.
E10X Error del sensor del parachoques	 Hay un fallo en el sensor del parachoques.	Apriete el parachoques con la mano unas 10 veces. → Consulte la página 9.
E110 Error de movimiento	 ¿El robot limpiador avanza hacia un escalón, etc., y se queda atascado ahí?	Mueva el robot limpiador a otro lugar. → Consulte la página 11.
E12X Disminución de la capacidad de batería restante Error del ajuste del temporizador	 ¿El robot limpiador no se pone en marcha a la hora programada en el temporizador de encendido porque no hay capacidad de batería suficiente?	Para que el robot se ponga en marcha a la hora programada en el temporizador de encendido, asegúrese de que las baterías estén totalmente cargadas.
E140 Error del ajuste de habitación Error de información de ubicación	 ¿La habitación no es la misma que se ha mapeado o se ha cambiado el punto de inicio de la limpieza?	Compruebe la habitación mapeada y el punto de inicio de la limpieza. → Consulte la página 18.
	¿La distribución de la habitación mapeada ha cambiado?	Vuelva a realizar el mapeo. → Consulte la página 17.
	¿El sensor LiDAR está sucio o tapado con alguna tela?	Quite la tela, etc., y realice el mantenimiento del sensor LiDAR. → Consulte la página 28.
	¿Hay obstáculos de una altura igual o superior a 25 cm que el sensor LiDAR pueda detectar alrededor del robot limpiador?	El sensor LiDAR requiere obstáculos de más de 25 cm de altura dentro de los siguientes rangos: <ul style="list-style-type: none"> <li>11 m de radio desde el robot limpiador para el mapeo y el modo de limpieza con mapeo.</li> <li>18 m de radio desde el robot limpiador para el modo de limpieza libre.</li> </ul> Coloque obstáculos de más de 25 cm de altura en el área.
E170 Error de la tapa superior del robot limpiador	 ¿La tapa superior del robot limpiador está abierta?	Cierre la tapa superior del robot limpiador.
E190 Error debido a la pérdida de una rueda o a la elevación del robot limpiador	 ¿Alguna rueda motriz se ha desmontado o se ha separado del suelo?	Mueva el robot limpiador a otro lugar. → Consulte la página 11.
E200 Error debido a que el robot no ha vuelto al punto de inicio Error debido a que el robot no ha llegado al destino	 El robot limpiador no ha regresado al punto de inicio de la limpieza.	<ul style="list-style-type: none"> <li>Si hay objetos que obstruyan la trayectoria del robot limpiador, retírelos o mantenga el robot limpiador alejado de esos objetos.</li> </ul> → Consulte la página 21.
	El robot limpiador no ha podido pasar al siguiente destino porque ha entrado en un pasillo estrecho.	<ul style="list-style-type: none"> <li>Si el robot limpiador no regresa con frecuencia al punto de inicio, active [Priorizar guiado] en la aplicación. El robot puede tardar más tiempo en volver al punto de inicio.</li> </ul> → Consulte la página 43. <ul style="list-style-type: none"> <li>Compruebe si hay un espacio de 80 cm o más para la limpieza.</li> </ul>

## Solución de problemas

Antes de solicitar una reparación o hacer una consulta, realice las comprobaciones siguientes.

### Fuente de alimentación

Síntoma	Causa	Acción
<ul style="list-style-type: none"> <li>Al presionar el botón de inicio/parada, el robot no se enciende.</li> <li>La luz no se enciende.</li> <li>No hay ninguna respuesta al pulsar los botones del robot limpiador y del mando a distancia.</li> </ul>	¿Las baterías están instaladas correctamente?	Compruebe si las baterías están bien instaladas. → Consulte la página 15.
	¿Se ha agotado la capacidad de batería?	Compruebe la carga restante.
	¿El robot limpiador está apagado?	Presione el botón de inicio/parada del robot limpiador para encenderlo. → Consulte la página 16.

## Funcionamiento en marcha

Sintoma	Causa	Acción
El robot limpiador no avanza.	¿La luz de error parpadea?	El robot limpiador no avanza cuando hay un error. → Consulte la página 29.
	¿El robot limpiador está en modo de espera porque se ha programado el temporizador de encendido?	Cuando el robot se encuentra en el modo de espera porque se ha programado el funcionamiento, no se puede realizar ninguna operación, salvo el apagado y la notificación de ubicación. → Consulte la página 20.
El robot limpiador empieza a moverse de repente aunque no se haya realizado ninguna operación.	¿El temporizador de encendido está programado?	→ Consulte la página 20.
El robot limpiador se para mientras está en marcha.	¿El robot limpiador se ha enredado con un cable u otro objeto? ¿Se ha enredado alguna tela, cuerda, toalla, fina, etc., alrededor de las ruedas?	Apague el robot limpiador y retire los objetos que hayan podido quedar atrapados en él y los que se hayan enredado en las ruedas. → Consulte la página 28.
	¿El robot limpiador se ha quedado parado delante de un escalón?	Apague el robot limpiador y colóquelo en otro lugar. → Consulte la página 11.
	¿Está activado el temporizador de apagado?	→ Consulte la página 20.
	¿Hay obstáculos de una altura igual o superior a 25 cm que el sensor LiDAR pueda detectar alrededor del robot limpiador?	El sensor LiDAR requiere obstáculos de más de 25 cm de altura dentro de los siguientes rangos: <ul style="list-style-type: none"> <li>• 11 m de radio desde el robot limpiador para el mapeo y el modo de limpieza con mapeo.</li> <li>• 18 m de radio desde el robot limpiador para el modo de limpieza libre.</li> </ul> Coloque obstáculos de más de 25 cm de altura en el área.
La velocidad cambia.	El robot limpiador puede reducir la velocidad cuando un sensor detecta un obstáculo o determina la dirección de avance.	Es normal.
El robot limpiador no va en línea recta.	¿Hay impurezas atrapadas en las ruedas?	Apague el robot limpiador y quite las impurezas de las ruedas. → Consulte la página 28.
	¿Hay alguna rueda dañada?	Solicite el servicio a la tienda en la que realizó la compra o a nuestra oficina de ventas.
	¿El sensor ultrasónico y el sensor LiDAR están sucios?	Realice el mantenimiento. → Consulte la página 28.
El robot limpiador choca contra los obstáculos con más frecuencia que antes.	¿El sensor ultrasónico y el sensor LiDAR están sucios?	Realice el mantenimiento. → Consulte la página 28.
El robot limpiador no consigue evitar un escalón y se cae.	¿El sensor de precipicio está sucio?	Realice el mantenimiento. → Consulte la página 28.
	A veces, el robot limpiador baja escalones con una altura de 3,0 cm o menos.	No es un fallo. → Consulte la página 11.
El robot limpiador realiza movimientos de evitación aunque no haya ningún obstáculo ni escalón.	¿El sensor de precipicio o el sensor LiDAR están sucios?	Realice el mantenimiento. → Consulte la página 28.
El sensor de precipicio se ensucia rápidamente.	¿La línea de tierra está cortada y ya no hace contacto con el suelo?	Solicite el servicio a la tienda en la que realizó la compra o a nuestra oficina de ventas.
El sonido durante el funcionamiento es más alto de lo normal.	¿La caja de polvo está llena de polvo? ¿El filtro está obstruido?	Elimine el polvo y realice el mantenimiento del filtro. → Consulte las páginas 22 y 25.
	¿Hay polvo atrapado en el cepillo principal y en los cepillos laterales?	Realice el mantenimiento. Compruebe también que los cepillos estén bien instalados. → Consulte la página 26.
El ventilador extractor hace más ruido durante el funcionamiento.	Se oye más cuando el robot limpiador cambia el cartucho de batería que utiliza.	Es normal.
<ul style="list-style-type: none"> <li>• La potencia de aspiración es débil.</li> <li>• El robot limpiador no aspira el polvo.</li> </ul>	¿La caja de polvo está llena de polvo? ¿El filtro está obstruido?	Elimine el polvo y realice el mantenimiento del filtro. → Consulte las páginas 22 y 25.
	¿El ventilador extractor está apagado?	Consulte la configuración. → Consulte la página 19.
Un cepillo lateral se suelta.	¿El cepillo lateral está bien instalado?	Compruebe que la instalación sea correcta. → Consulte la página 14.
El cepillo principal o un cepillo lateral no giran, giran con dificultad o están enredados.	¿Han quedado materias extrañas (como pelusas y pelos) atrapadas en el cepillo principal o en los cepillos laterales?	Realice el mantenimiento. Compruebe también que la instalación del cepillo principal y de la tapa del cepillo principal sea correcta. → Consulte la página 26.
	El robot limpiador no puede usarse en alfombras con un pelo de más de 7 mm. Aunque la longitud sea igual o inferior a 7 mm, el robot puede dejar de funcionar o los pelos pueden quedar atascados en los cepillos laterales (depende del material del pelo u otras propiedades).	→ Consulte la página 11.
El aire de escape huele.	¿El robot limpiador ha aspirado basura húmeda o maloliente?	Tire la basura. → Consulte la página 22.
	¿El filtro está obstruido?	Realice el mantenimiento del filtro. Después de lavar el filtro con agua, déjelo secar bien antes de usarlo. → Consulte la página 25.



## Manejo con el mando a distancia

Síntoma	Causa	Acción
El mando a distancia no funciona.	¿Las pilas están bien puestas en el mando a distancia?	Compruebe la orientación de las pilas. → Consulte la página 14.
	Si hay veces en que el robot limpiador no responde al pulsar los botones del mando a distancia, puede deberse a que las pilas estén a punto de agotarse. (Deberían sustituirse, aproximadamente, cada año. Una pila puede gastarse en menos de un año en función del tipo de pila y de las condiciones de uso).	Cambie las pilas por otras nuevas. → Consulte la página 14.
	¿El robot limpiador está apagado?	Presione el botón de inicio/parada del robot limpiador para encenderlo. → Consulte la página 16.
	Es posible que haya demasiada distancia entre el mando a distancia y el robot limpiador para que las ondas radioeléctricas lo alcancen.	Acorte la separación entre el mando a distancia y el robot limpiador, y retire los obstáculos que pueda haber para que la trayectoria quede despejada. → Consulte la página 12.
No se puede manejar el robot con el mando a distancia.	Es posible que en las inmediaciones se encuentren en funcionamiento los aparatos siguientes, que utilizan ondas radioeléctricas en la banda de 2,4 GHz. <ul style="list-style-type: none"> <li>• Horno microondas</li> <li>• Dispositivos con Bluetooth®</li> <li>• Dispositivos de LAN inalámbrica</li> <li>• Otros aparatos que empleen ondas radioeléctricas en la banda de 2,4 GHz (como teléfonos digitales inalámbricos y máquinas de juego)</li> </ul>	Deje una separación mayor entre el robot limpiador y el mando a distancia, o desconecte temporalmente estos aparatos.
	Cuando sustituya el mando a distancia por otro nuevo, realice la vinculación con el robot limpiador.	→ Consulte la página 24.
	Si el robot limpiador sigue sin funcionar con el mando a distancia después de examinar las posibles causas indicadas arriba, apague el robot y vuelva a encenderlo.	→ Consulte la página 16.

## Panel de operaciones

Síntoma	Causa	Acción
La hora configurada se restablece con frecuencia.	La batería integrada está casi agotada porque el robot limpiador no se ha usado durante un periodo prolongado.	Ponga a funcionar el robot limpiador durante más de 1 hora o déjelo en el estado de espera. (De esta forma, la batería integrada se recarga).

## Función del temporizador

Síntoma	Causa	Acción
El robot limpiador no se pone en funcionamiento a la hora programada en el temporizador de encendido.	El robot limpiador no se pone en marcha a la hora programada en el temporizador de encendido si, cuando llega la hora preestablecida, se da alguna de las condiciones siguientes. <ul style="list-style-type: none"> <li>• El robot está apagado.</li> <li>• La capacidad de batería es insuficiente.</li> </ul>	→ Consulte la página 20.
	¿La luz del temporizador se enciende?	Si el robot está apagado o la carga de las baterías se agota después de haber programado el encendido, la luz del temporizador se apaga. → Consulte la página 10.

## Mapeo

Síntoma	Causa	Acción
<ul style="list-style-type: none"> <li>• El robot limpiador se para durante el mapeo.</li> <li>• El mapeo falla.</li> </ul>	¿La habitación está oscura durante el mapeo?	Ilumine bien la habitación hasta que el mapeo finalice.
	No hay obstáculos con una altura de 25 cm o más en un radio aproximado de 11 m alrededor del robot limpiador.	Puede que el entorno no sea apto para el mapeo. Se recomienda el modo de limpieza libre. → Consulte la página 17.
El robot limpiador empieza a limpiar en lugar de realizar el mapeo.	¿Se ha seleccionado el número de una habitación ya registrada?	Seleccione un número de habitación no registrada o elimine el mapa ya registrado. → Consulte las páginas 17 y 18.
<ul style="list-style-type: none"> <li>• No se ha registrado ningún mapa.</li> <li>• El mapa está incompleto. (Hay un área que no se ha registrado).</li> </ul>	Es posible que la forma de la habitación, la distribución de los obstáculos u otras características sean demasiado complejas.	Compruebe si hay un espacio de 80 cm o más para la limpieza. Recoja la habitación. → Consulte la página 12.
		Puede que la capacidad de batería sea insuficiente. Recargue por completo las baterías y luego realice el mapeo.
		Puede añadir la información de mapeo manualmente. → Consulte la página 40.
	El usuario ha cogido el robot limpiador durante el mapeo.	No coja el robot limpiador durante el mapeo. La información de la habitación podría no registrarse adecuadamente.

## Aplicación

Síntoma	Causa	Acción
No se puede establecer la conexión con la aplicación.	¿Se ha pulsado el botón de conexión con smartphone?	Pulse el botón de conexión con smartphone para conectar la aplicación. → Consulte la página 34.
	¿Se ha activado la función Wi-Fi® del smartphone?	Active la función Wi-Fi® del smartphone.
	Es posible que haya demasiada distancia entre el smartphone y el robot limpiador para que las ondas radioeléctricas lo alcancen.	Acorte la separación entre el smartphone y el robot limpiador, y retire los obstáculos que pueda haber para que la trayectoria quede despejada. → Consulte la página 12.
	Se ha producido un error en la conexión al robot limpiador.	En iPhone: Vaya al menú de configuración de iOS y habilite la configuración de red local para el Makita Robotic Cleaner DRC300.  En Android: Si aparece un mensaje donde se pregunta si desea mantener la conexión Wi-Fi tras establecerla, responda afirmativamente.
	Puede que el robot limpiador no haya obtenido la información de la ubicación. (El nombre del robot limpiador aparece como "null" (nulo) en la pantalla de introducción del código PIN).	Active el ajuste de la información de ubicación del smartphone.

## Función de protección

Cuando se da alguna de las condiciones siguientes mientras el robot limpiador está en marcha, el motor se detiene automáticamente. Esto se debe a la función de protección, no es un fallo.

Función de protección
El motor se detiene automáticamente si la temperatura de la batería aumenta mucho. <ul style="list-style-type: none"> <li>Deje de limpiar y extraiga las baterías del robot limpiador. A continuación, cargue y enfríe las baterías con un cargador que incorpore un sistema de refrigeración o espere hasta que se hayan enfriado.</li> <li>Si el robot limpiador sigue sin funcionar incluso después de que las baterías se hayan enfriado, enfríe el robot limpiador.</li> <li>Si se muestra un número de error en el robot limpiador, elimine la causa del error. (Consulte la página 29).</li> </ul>
Si queda poca carga en las baterías, el robot limpiador se detiene automáticamente y entra en el modo de suspensión. Si la carga restante se agota, el robot se apaga del todo. <ul style="list-style-type: none"> <li>Quite las baterías del robot limpiador y cárguelas.</li> </ul>
El robot limpiador se detiene automáticamente si se detecta un error. <ul style="list-style-type: none"> <li>Fíjese en el número del error y elimine la causa de este. Tras eliminar la causa, el robot limpiador puede volver a utilizarse. (Consulte la página 29).</li> </ul>

## Almacenamiento

Antes de guardar el robot limpiador, apáguelo y quite las baterías.

No guarde el robot limpiador en los lugares siguientes, ya que es una máquina de precisión. Si lo hace, puede provocar calentamiento, ignición, avería, deterioro de las piezas de goma, etc.

- Lugares con subidas bruscas de temperatura
- Lugares con bajadas bruscas de temperatura
- Lugares con cambios bruscos de temperatura
- Cerca de una llama, un radiador, equipos de aire acondicionado y calefacción, etc.
- A la intemperie
- Lugares expuestos a la luz solar directa
- Lugares donde haya humedad o vapor
- Lugares con mucho polvo y arena
- Lugares donde haya humo
- Lugares con mala ventilación

Si el robot limpiador permanece almacenado y sin usarse durante mucho tiempo, su rendimiento puede verse perjudicado. Para que el robot limpiador dure muchos años, enciéndalo de vez en cuando y úselo.

## Accesorios opcionales

### ⚠ PRECAUCIÓN

**Se recomienda usar estos accesorios o elementos con el dispositivo de Makita especificado en este manual. El uso de cualquier otro accesorio o elemento podría entrañar riesgo de lesiones personales. Utilice los accesorios o elementos únicamente para el fin previsto.**

Si necesita más información sobre estos accesorios, pregunte en el centro de servicio de Makita que le corresponda.

- Línea de demarcación magnética
- Cepillo principal
- Cepillo suave principal
- Cepillo lateral
- Cepillo suave lateral
- Filtro HEPA
- Tapa del cepillo principal
- Amortiguación del parachoques
- Batería y cargador originales de Makita

### AVISO

- Algunos artículos de la lista pueden incluirse en el paquete del dispositivo como accesorios estándar. Pueden variar de un país a otro.
- Para evitar que se realice un reconocimiento erróneo al utilizar la amortiguación del parachoques, no coloque la amortiguación del parachoques en las siguientes áreas: El área en la extensión lateral de los sensores ultrasónicos, y las áreas superior e inferior a 28 mm de los sensores ultrasónicos.

# Aplicación para smartphone (para el DRC300)

## Índice

• Prestaciones de la aplicación	34
• Instalación de la aplicación	34
• Preparaciones previas	34
• Instalación de la aplicación en un smartphone	34
• Configuración inicial	34
• Pantalla de inicio	35
• Limpieza con la aplicación	35
• Limpieza de habitaciones sin mapeo (modo de limpieza libre)	35
• Limpieza de habitaciones con mapeo	36
• Manejo del robot limpiador con la aplicación	37
• Consulta del historial de limpieza	37
• Consulta del último historial	37
• Consulta de sesiones anteriores	38
• Consulta del historial de errores	38
• Adición, cambio o eliminación de la información de mapeo	39
• Adición de la información de mapeo	39
• Adición manual de la información de mapeo (mapeo manual)	40
• Cambio del nombre de la información de mapeo	41
• Delimitación del alcance de la limpieza	41
• Eliminación de la información de mapeo	42
• Cambio y consulta de la configuración	43
• Cambio del nombre de un robot limpiador registrado	43
• Configuración de las opciones de limpieza	43
• Cambio del código PIN	44
• Eliminación de la información de un robot limpiador registrado	44
• Consulta de la información de la aplicación	45
• Mensaje o cuadro de diálogo de error	45

## Prestaciones de la aplicación

Al instalar en un smartphone la aplicación del robot limpiador, se pueden realizar las acciones siguientes:

- Limpieza
- Manejo con el mando a distancia
- Adición, cambio o eliminación de la información de mapeo
- Consulta del historial de limpieza
- Modificación de la configuración del robot limpiador

## AVISO

- Esta aplicación está destinada para su uso en un smartphone; no sirve para tabletas ni ordenadores.
- El smartphone y el robot limpiador se conectan directamente mediante la función Wi-Fi®. Tenga en cuenta que Internet no estará disponible mientras el teléfono esté conectado al robot limpiador. Al terminar de usar la aplicación, recuerde desconectarse del robot limpiador; para ello, pulse el botón de conexión con smartphone.
- Para usar esta aplicación, debe permitir que se obtenga la información de ubicación y aceptar los términos de uso. El usuario debe decidir si desea permitir que se obtenga la información de ubicación y aceptar los términos de uso.
- Las imágenes de las pantallas de la aplicación están sujetas a cambio sin previo aviso.

## Instalación de la aplicación

### Preparaciones previas

Se necesita un smartphone (Android o iOS) para utilizar la aplicación.

- Android: versión 6.0 o posterior.
- iOS (iPhone): versión iOS 12 o posterior.

### Instalación de la aplicación en un smartphone

1. Con el smartphone, busque "Makita Robotic Cleaner DRC300" en Google Play™ o en la App Store.  
También puede acceder a ella desde el código QR.

Google Play™



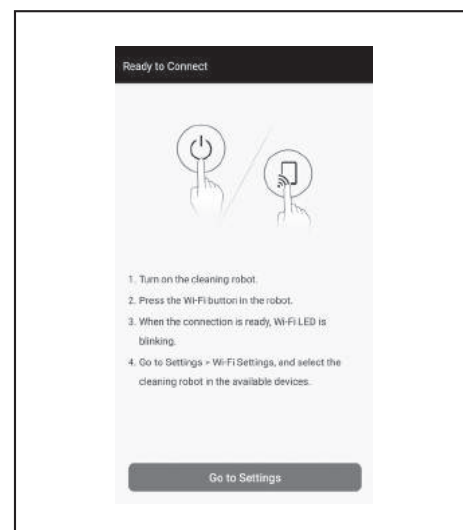
App Store



2. Instale la aplicación "Makita Robotic Cleaner DRC300".
3. Tras la instalación, inicie la aplicación "Makita Robotic Cleaner DRC300".

### Configuración inicial

1. Cuando aparezca la pantalla donde se pide permiso para obtener la información de ubicación, toque [Aceptar].
2. En la pantalla de los términos de uso, toque [Aceptar].
3. Siga las instrucciones que aparecen en la pantalla:
  - Encienda el robot limpiador y pulse el botón de conexión con smartphone en el robot. Tras pulsar el botón de conexión con smartphone, el robot limpiador tarda unos 8 segundos en estar listo para la conexión. Cuando se haya conectado, el LED del Wi-Fi parpadeará
  - A continuación, toque [Ir a Configuración] para mostrar la pantalla de la configuración del Wi-Fi® del smartphone.



Según su dispositivo, puede ser necesario realizar los procedimientos siguientes.  
En iPhone:

Vaya al menú de configuración de iOS y habilite la configuración de red local para el Makita Robotic Cleaner DRC300.

En Android:

Si aparece un mensaje donde se pregunta si desea mantener la conexión Wi-Fi tras establecerla, responda afirmativamente.

- Conecte el smartphone al robot limpiador por Wi-Fi®. (No es lo mismo que la conexión Bluetooth).
  - La configuración de la conexión Wi-Fi® (introducción de contraseña) solo es necesaria la primera vez que el usuario se conecta al robot limpiador.
  - La contraseña inicial de la conexión Wi-Fi® es una serie de caracteres alfanuméricos que consta de los últimos cuatro dígitos que forman el SSID del robot limpiador repetidos dos veces. Por ejemplo, si su robot tiene el SSID "Robotic\_Cleaner\_012A", la contraseña es "012A012A".
  - Asegúrese de que el smartphone no pueda acceder a otras redes Wi-Fi® durante la conexión con el robot limpiador.
- Salga de la pantalla de configuración del Wi-Fi® y abra la pantalla de la aplicación. A continuación, introduzca el código PIN para validar la conexión.
  - El código PIN de fábrica es una serie de caracteres alfanuméricos que consta de los últimos cuatro dígitos que forman el SSID repetidos dos veces.
  - Si el SSID es "Robotic\_Cleaner\_012A", el código PIN de fábrica es "012A012A".
  - Una vez validado el código PIN, se muestra la pantalla de inicio de la aplicación.

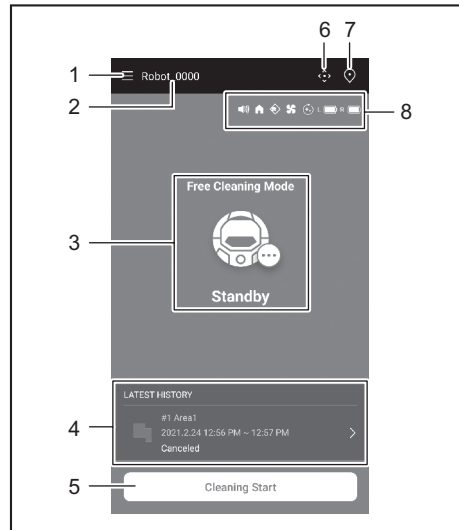


- Cambie el código PIN.
  - Es importante cambiar el código PIN. No utilice el código PIN predeterminado. Consulte la página 44 para saber cómo cambiar el código PIN.
  - No olvide el código PIN nuevo que ha creado.
- La configuración inicial finaliza cuando se muestra el mensaje "Código PIN cambiado". Vuelva a la pantalla de inicio para usar la aplicación. Para desconectar la conexión Wi-Fi, pulse el botón de conexión con smartphone en el robot limpiador para apagar la luz de conexión con smartphone.

#### AVISO

Si la conexión se interrumpe de repente, cierre la aplicación y luego vuelva a intentar conectar.

## Pantalla de inicio



- Botón de menú (diversas configuraciones y consulta del historial)
- Nombre del robot limpiador
- Estado de funcionamiento del robot limpiador
- Registro de la última limpieza (solo se muestra cuando hay un registro)
- Botón de inicio de la limpieza (o el mapeo)
- Botón del mando a distancia
- Botón de cambio de modo
- Configuración del robot limpiador y capacidad de batería restante
  - : el ajuste de sonido está activado.
  - : la función Priorizar guiado está activada.
  - : la función de detección de demarcación está activada.
  - : el ajuste del ventilador extractor está activado.
  - : el ajuste de limpieza continua está activado.
  - : carga restante en la batería izquierda.
  - : carga restante en la batería derecha.

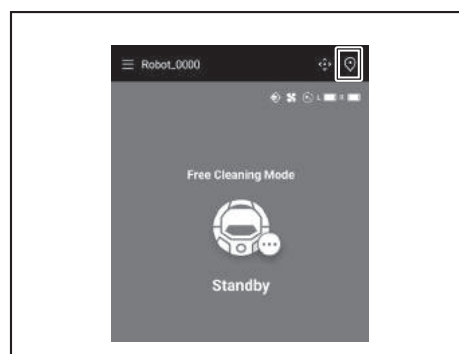
## Limpieza con la aplicación

El robot limpiador tiene dos formas de funcionamiento: el modo de limpieza libre, que no requiere el registro de mapas, y el modo de limpieza con mapeo (consulte "Limpieza de habitaciones con mapeo" en la página 36), que exige registrar la información de la habitación que se va a limpiar.

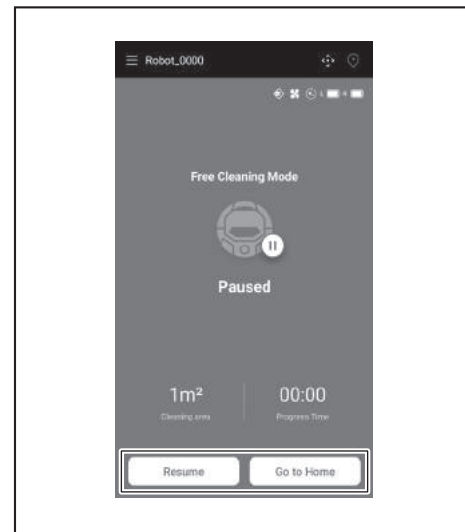
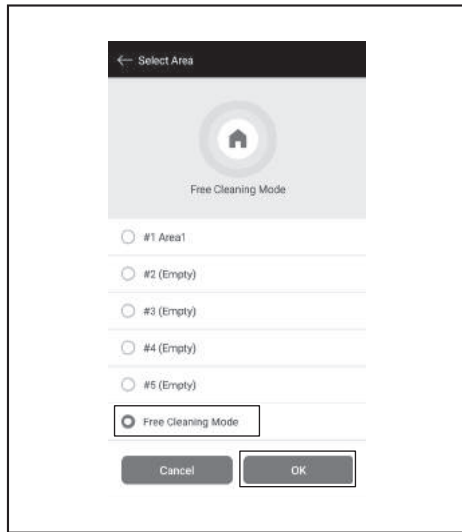
### Limpieza de habitaciones sin mapeo (modo de limpieza libre)

- El modo de limpieza libre se recomienda para limpiar varias habitaciones o entornos donde se efectúen cambios frecuentes y considerables en la distribución.
- El modo de limpieza libre también se recomienda para las habitaciones donde la iluminación sea insuficiente.
- Para la limpieza, el mapeo y la ubicación para iniciar el robot limpiador, consulte la página 17.

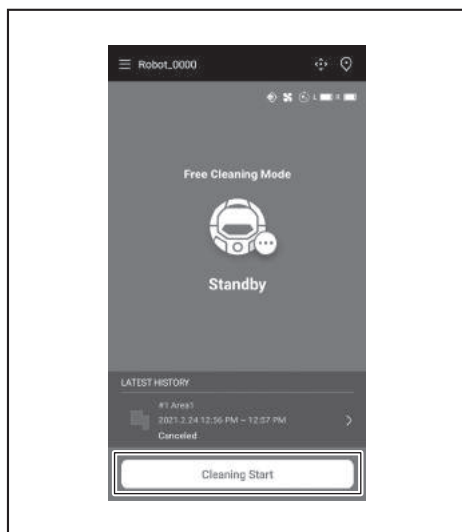
- En la pantalla de inicio, toque



2. Toque [Modo de limpieza libre] y luego [Aceptar].



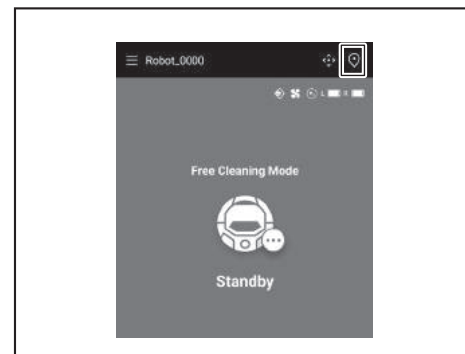
3. En la pantalla de inicio, toque [Iniciar limpieza] para que el robot limpiador comience a limpiar.



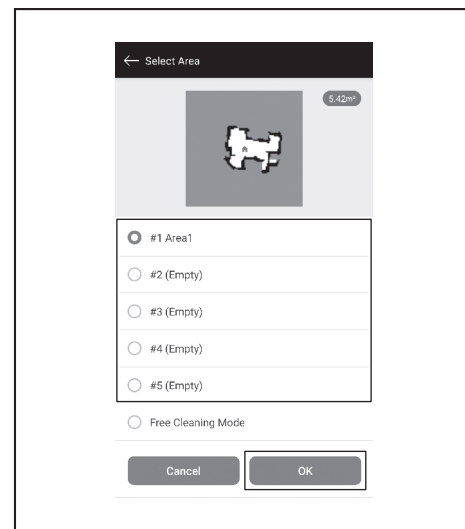
### Limpeza de habitaciones con mapeo

- En el modo de limpieza con mapeo, el robot limpia una habitación con mapeo de forma más eficiente.
- El uso del modo de limpieza con mapeo requiere que se registre la información de mapeo. (Consulte la página 39).

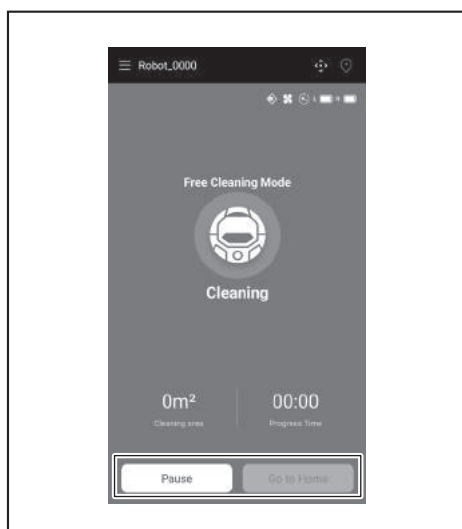
1. En la pantalla de inicio, toque .



2. Toque la habitación que desee limpiar y luego toque [Aceptar].
  - Puede añadir, cambiar o eliminar un mapa. (Consulte la página 39).

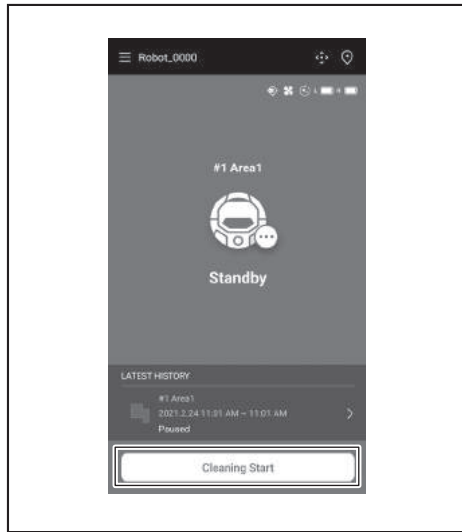


4. Puede controlar el robot limpiador con las siguientes operaciones.
  - Al tocar [Pausar], el robot limpiador deja de limpiar temporalmente.
  - Al tocar [Reanudar] mientras está en pausa, el robot limpiador vuelve a ponerse en marcha.
  - Al tocar [Ir a inicio] mientras está en pausa, el robot limpiador vuelve al punto en el que comenzó la limpieza. Cuando el robot limpiador vuelve al punto de inicio, en la aplicación se abre la pantalla de inicio. Esta operación puede realizarse mientras la limpieza está en pausa.

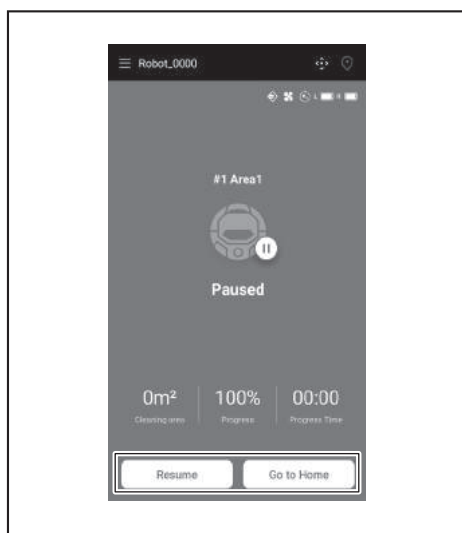
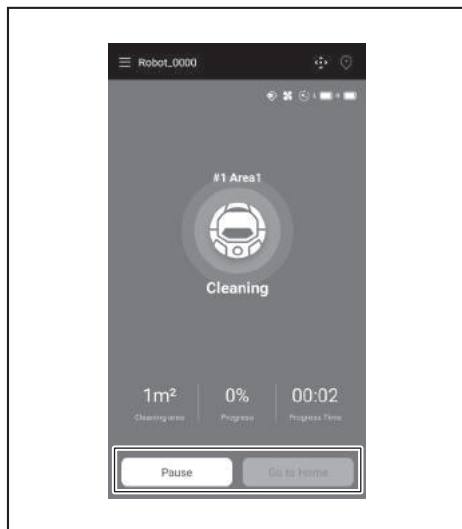


3. Coloque el robot limpiador lo máximo posible en la misma orientación que tenía al empezar el mapeo. De esta forma, el robot limpiador inicia la limpieza con mayor facilidad.

4. Toque [Iniciar limpieza] para que el robot limpiador comience a limpiar.




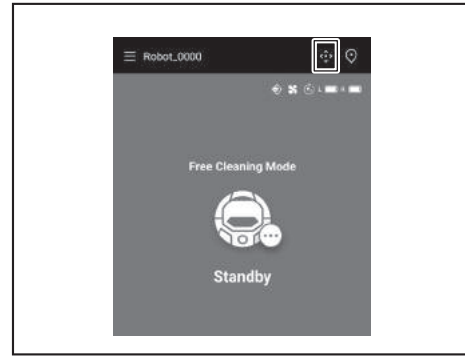
5. Puede controlar el robot limpiador con las siguientes operaciones.
  - Al tocar [Pausar], el robot limpiador deja de limpiar temporalmente.
  - Al tocar [Reanudar] mientras está en pausa, el robot limpiador vuelve a ponerse en marcha.
  - Al tocar [Ir a inicio] mientras está en pausa, el robot limpiador vuelve al punto en el que comenzó la limpieza. Cuando el robot limpiador vuelve al punto de inicio, en la aplicación se abre la pantalla de inicio. Esta operación puede realizarse mientras la limpieza está en pausa.
  - Si la forma de la habitación no coincide con la información del mapa, aparece la pantalla de error y el robot limpiador deja de limpiar. Compruebe si la habitación seleccionada es correcta y coloque el robot limpiador en el punto de inicio.
  - Si el robot limpiador no se sitúa en el punto de inicio registrado en la información de mapeo, se muestra la pantalla de error.



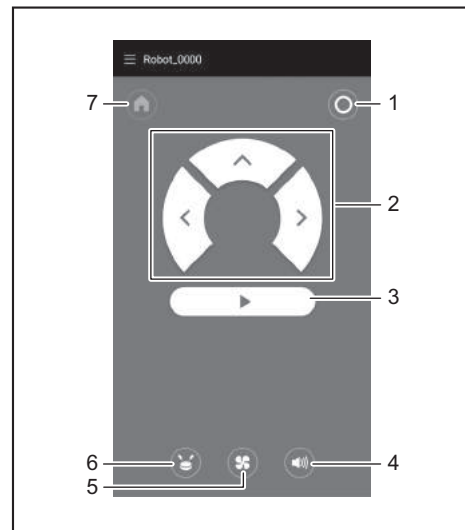
## Manejo del robot limpiador con la aplicación

El robot limpiador puede manejarse desde la aplicación a través de las funciones del mando a distancia incluido con el robot.

1. En la pantalla de inicio, toque .



2. Toque los botones para manejar el robot limpiador.
  - No se puede hacer retroceder al robot limpiador desde la aplicación.



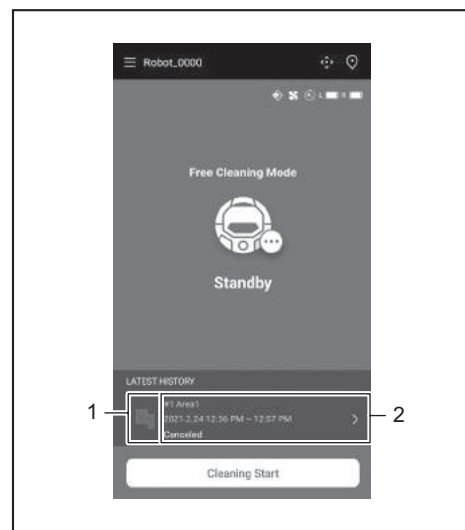
- 1. Botón de apagado 2. Botones de acción 3. Botón de inicio/parada 4. Botón de activación/desactivación del sonido 5. Botón de encendido/apagado del ventilador extractor 6. Botón de zumbador/luz de baliza de localización 7. Botón de punto de inicio

## Consulta del historial de limpieza

Desde la aplicación se puede consultar el historial de limpieza en detalle.

### Consulta del último historial



En la pantalla de inicio, toque el icono de [ÚLTIMO HISTORIAL].

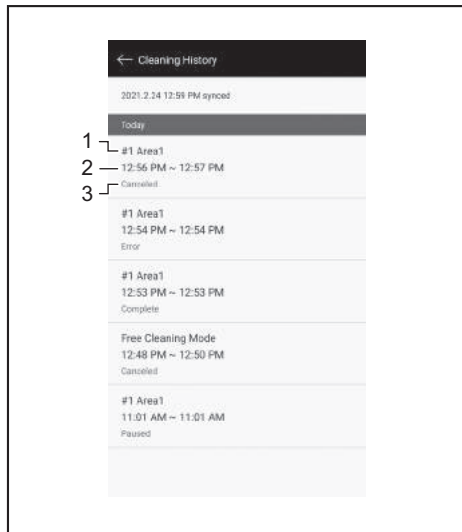


- 1. Icono que muestra el último historial 2. Recuadro con la lista de sesiones

## Consulta de sesiones anteriores

Pueden registrarse hasta 15 entradas. Si ya se han registrado 15 entradas, la más antigua se borrará cuando se registre una entrada nueva.

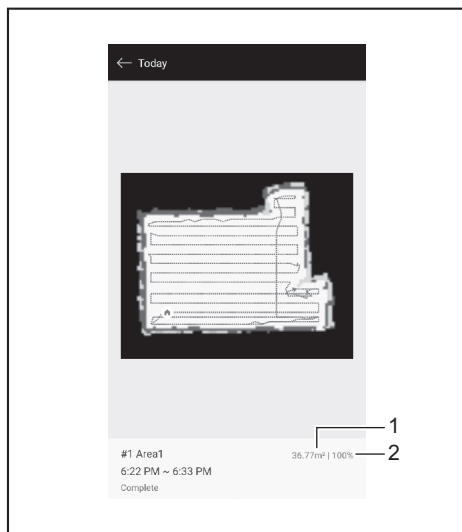
1. En la pantalla de inicio, toque  en [ÚLTIMO HISTORIAL]. Para ver los registros antiguos, toque  en la pantalla de inicio y luego toque [Historial de limpieza].
2. Toque el registro que desee consultar.



- 1. Habitación limpiada o modo de limpieza 2. Duración de la limpieza en la habitación 3. Estado de la limpieza (completada, detenida, error, etc.)

Al tocar un recuadro, se muestra la información detallada de cada sesión de limpieza.


- Línea discontinua azul/verde: trayectoria del robot limpiador.
- Amarillo: el área que el robot limpiador ha limpiado.
- Azul: obstáculos detectados por el sensor del parachoques.
- Verde: obstáculos detectados por el sensor ultrasónico.
- Rosa: escalones detectados por el sensor de precipicio
- Morado: el área en la que el robot limpiador ha detectado la línea de demarcación magnética
- Blanco: el área que el robot limpiador no ha limpiado
- Gris: las paredes u obstáculos detectados por el sensor LiDAR

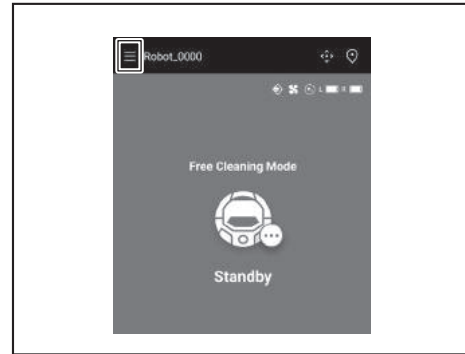


- 1. Tamaño del área limpiada 2. Cobertura de la limpieza (solo en la limpieza con mapeo)

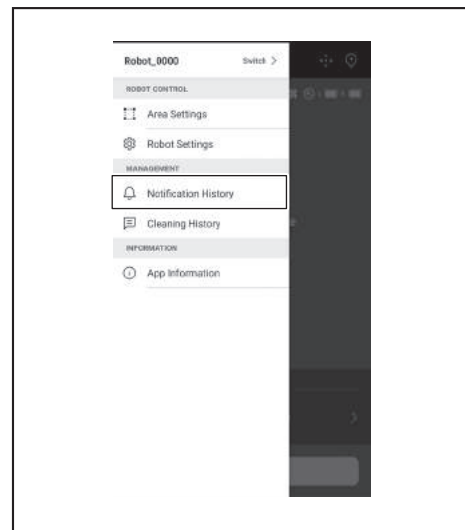
- El tamaño y la cobertura del área limpiada no son valores exactos. Úselos como mera orientación.

## Consulta del historial de errores

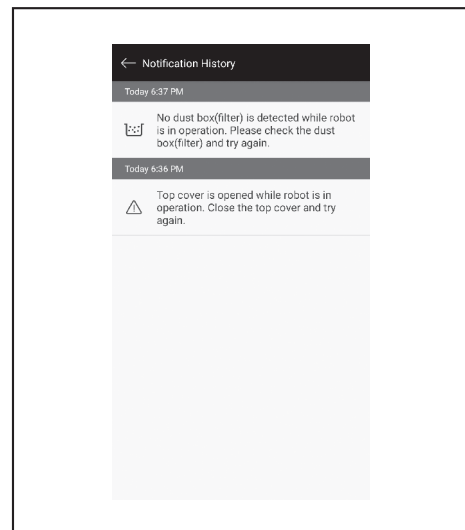
1. En la pantalla de inicio, toque .



2. Toque [Historial de notificaciones].



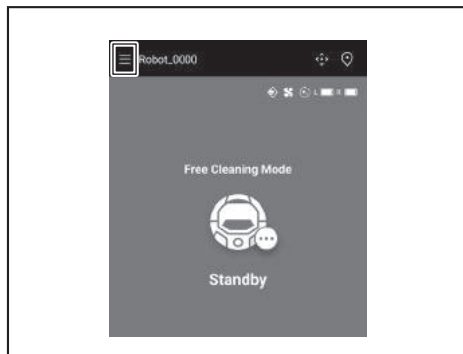
Se muestran la fecha, la hora y el contenido del error. Pueden registrarse hasta 10 entradas. Si ya se han registrado 10 entradas, la más antigua se borrará cuando se registre una entrada nueva.



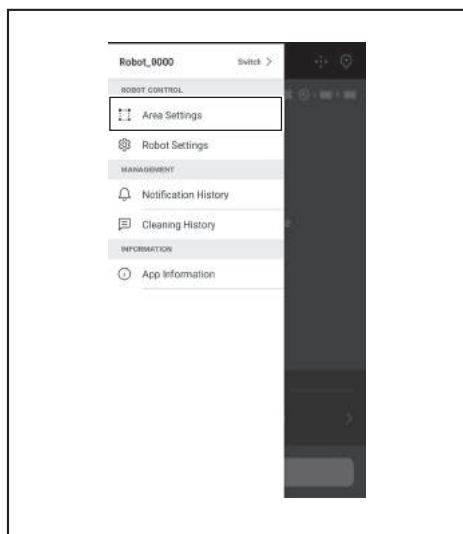
## Adición, cambio o eliminación de la información de mapeo

Puede añadir, cambiar o eliminar la información de mapeo desde la opción [Configuración del área], situada en la ventana del menú.

1. En la pantalla de inicio, toque .



2. Toque [Configuración del área].

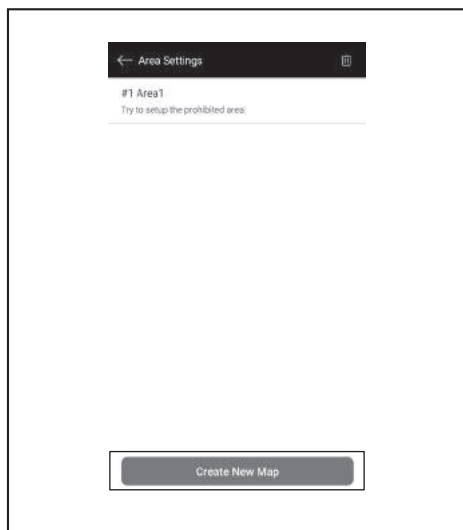


### Adición de la información de mapeo

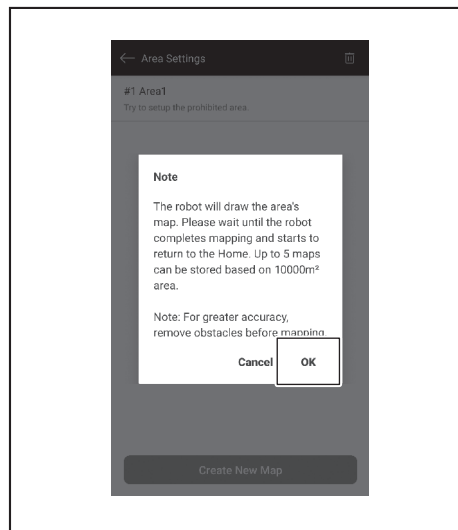
Puede guardar información de un máximo de 5 mapas con un área de hasta 10 000 m<sup>2</sup>.

El tamaño del área no refleja la extensión real del área mapeada, sino el área del rectángulo que cubre la totalidad del área mapeada.

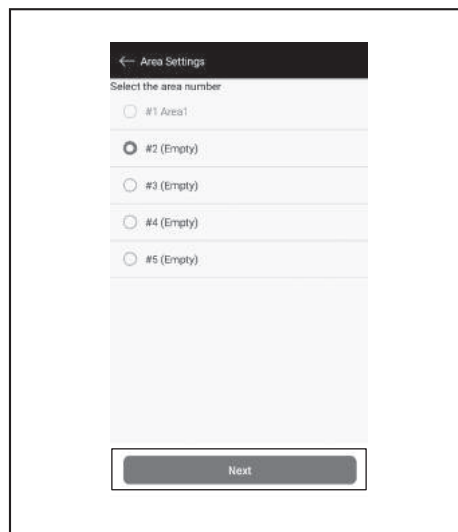
1. En la pantalla [Configuración del área], toque [Crear nuevo mapa].



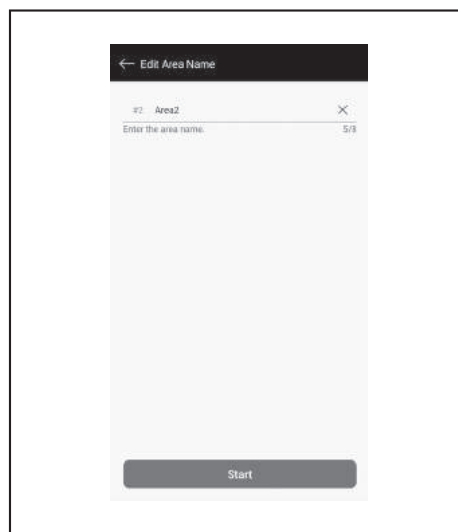
2. Se muestra un aviso. Toque [Aceptar].



3. Seleccione una entrada vacía para guardar la información de mapeo y después toque [Siguiente].



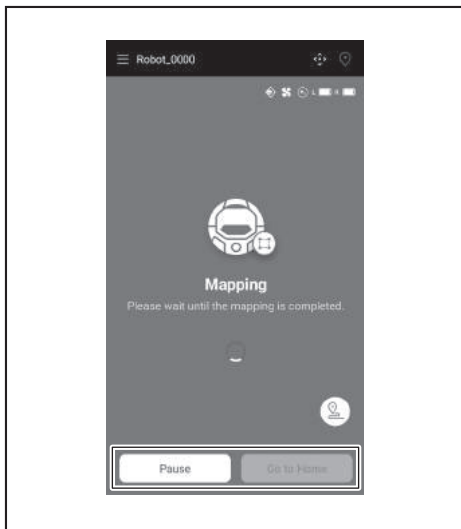
4. Introduzca un nombre para el área (8 caracteres como máximo).



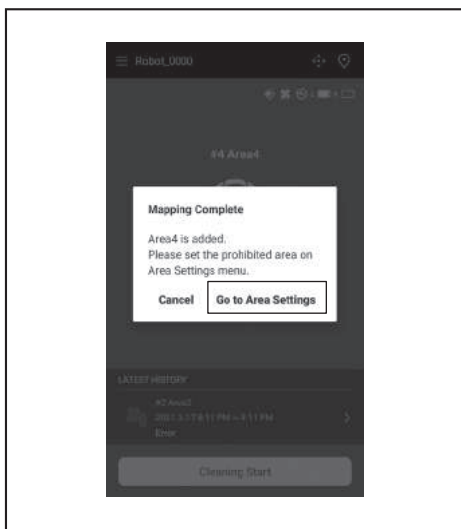
5. Toque [Iniciar].



6. El robot limpiador empieza a realizar el mapeo.
  - Al tocar [Pausar], el robot limpiador deja de mapear temporalmente.
  - Al tocar [Ir a inicio] mientras está en pausa, el robot limpiador vuelve al punto en el que comenzó el mapeo. Se registra la información de mapeo creada hasta este momento. Cuando el robot limpiador vuelve al punto de inicio, en la aplicación se abre la pantalla de inicio.




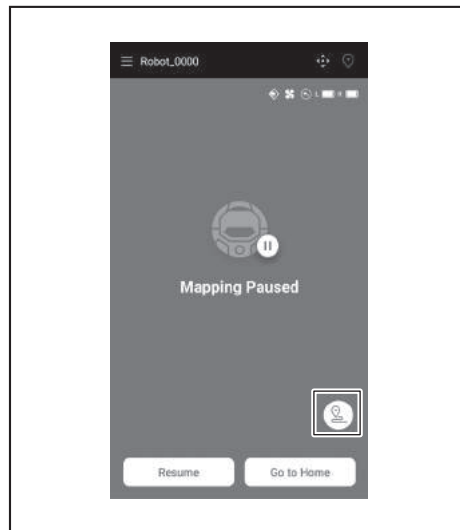
7. Una vez completado el mapeo, aparece el cuadro de diálogo para realizar la configuración del área.
  - Si quiere delimitar el alcance de limpieza, toque [Ir a Configuración del área]. (Consulte la página 41).




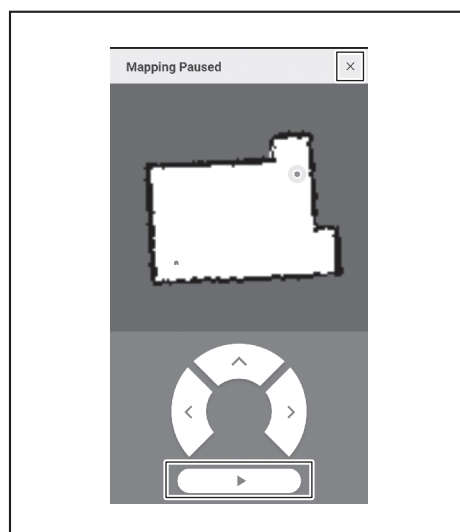
## Adición manual de la información de mapeo (mapeo manual)

Durante el mapeo, puede añadir manualmente la información de mapeo con la aplicación. Esto se recomienda al mapear suelos con una distribución intrincada.

1. Toque [Pausar] y luego  para mostrar los botones del mando a distancia.



2. Mueva el robot limpiador para trazar un mapa del suelo con los botones del mando a distancia que aparecen en la aplicación o con el propio mando a distancia.
  - Después de añadir manualmente la información de mapeo, toque  para reanudar el mapeo automático.
  - Si desea salir del mapeo, toque [x] y luego [Ir a inicio], o pulse el botón de punto de inicio en el mando a distancia.

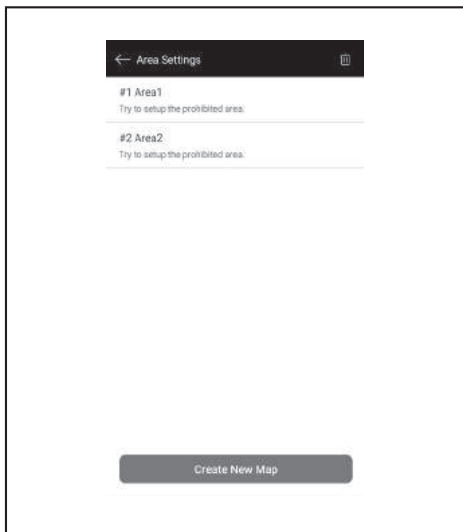


## Cambio del nombre de la información de mapeo

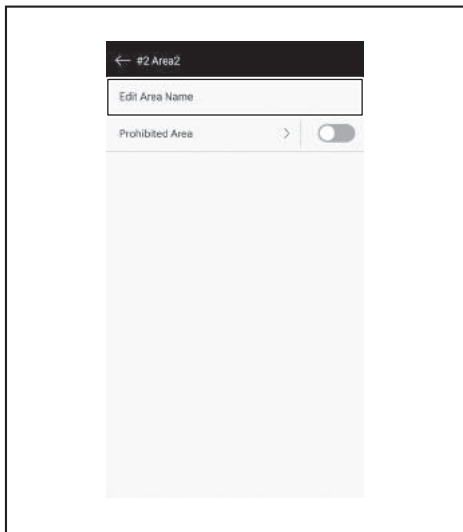
En la pantalla [Configuración del área], toque la información de mapeo que desee cambiar.

Puede tocar un nombre para ir a la pantalla de configuración.

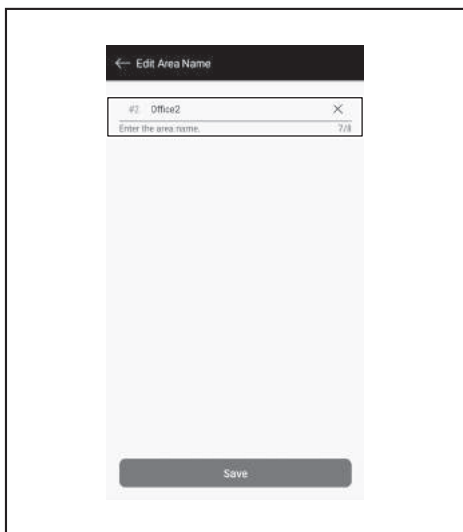
1. En la pantalla [Configuración del área], toque la información de mapeo que desee cambiar.



2. Toque [Editar nombre del área].



3. Modifique el nombre (8 caracteres como máximo).



4. Toque [Guardar] para finalizar el ajuste del nombre.

## Delimitación del alcance de la limpieza

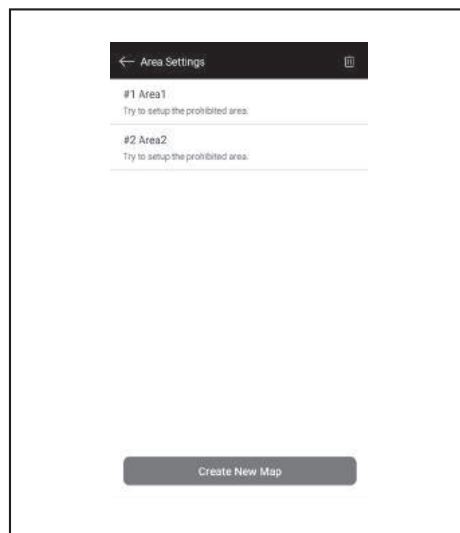
### ⚠ ADVERTENCIA

**No utilice el área prohibida de limpieza como línea de demarcación de un área donde pueda ocurrir un accidente debido a intrusión o caída.**

- Hacerlo puede causar un accidente o lesiones debido a la intrusión o la caída del robot limpiador. La trayectoria real del robot limpiador puede diferir ligeramente respecto al ajuste del área prohibida de limpieza.

**En zonas con riesgo de intrusión o caída del robot limpiador, coloque un objeto con una altura de 25 cm o más para que haga de barrera (un objeto que no se mueva ni se caiga al ser golpeado por el robot limpiador) sobre una superficie plana. (Consulte la página 11).**




1. En la pantalla [Configuración del área], toque la información de mapeo que desee cambiar.

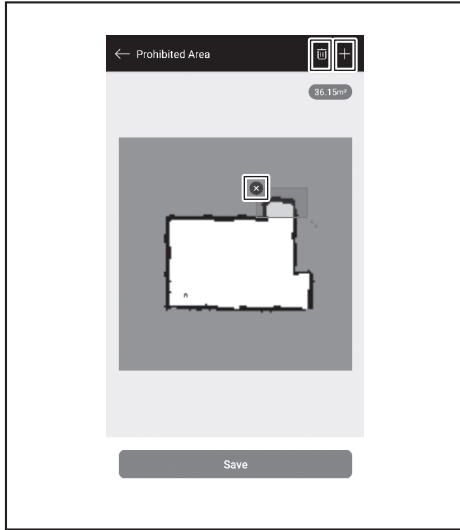


2. Toque >, junto a la opción [Área prohibida].



3. Establezca un área prohibida de limpieza.

- Puede tocar  en la esquina superior derecha de la pantalla para añadir un área prohibida de limpieza (el máximo son 100 áreas).
- Puede arrastrar un área prohibida de limpieza para moverla.
- Puede arrastrar la esquina inferior derecha de un área prohibida de limpieza para modificar el tamaño.
- Puede tocar  en la esquina superior izquierda de un área prohibida de limpieza para eliminarla.
- Puede tocar  en la esquina superior derecha de la pantalla para eliminar todas las áreas prohibidas de limpieza.
- No se puede establecer un área prohibida de limpieza en un radio de 2 m alrededor del punto de inicio.
- Dependiendo del entorno adyacente a un área prohibida de limpieza establecida, es posible que exista una zona alrededor del área especificada que no se pueda limpiar.

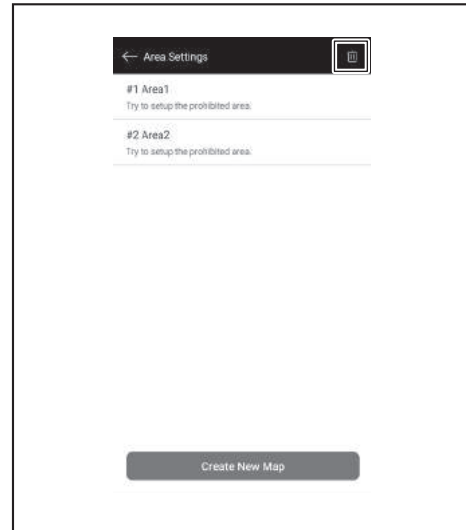


4. Al tocar [Guardar], se registra la información de mapeo modificada.
5. Para habilitar el área prohibida de limpieza, toque el interruptor de activación y desactivación (al estar activado, se pone en verde), situado junto a [Área prohibida].

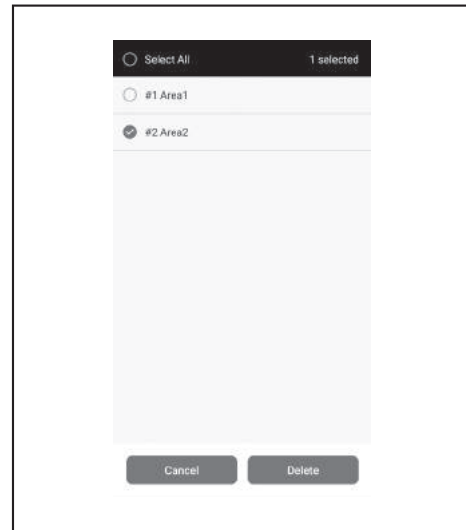


## Eliminación de la información de mapeo

1. En la pantalla [Configuración del área], toque .



2. Seleccione la información de mapeo que desee eliminar.
- El círculo que hay junto a la información de mapeo aparece coloreado cuando esa entrada se selecciona.
  - Puede tocar [Seleccionar todo] para marcar todas las entradas.




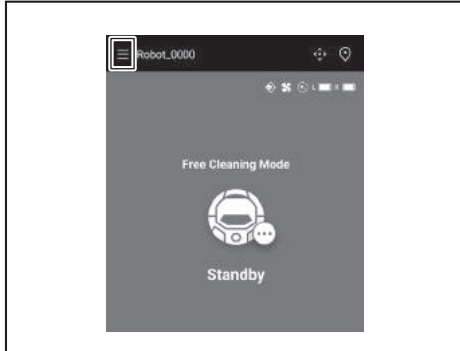
3. Toque [Eliminar].
4. Se muestra un aviso. Toque [Aceptar].



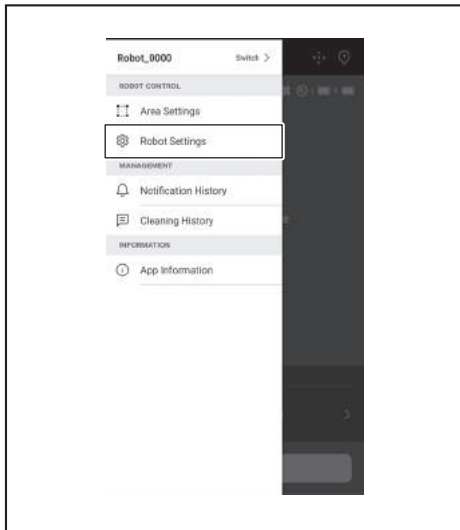
## Cambio y consulta de la configuración

La configuración puede cambiarse y consultarse desde [Configuración del robot], en la ventana del menú.

1. En la pantalla de inicio, toque .



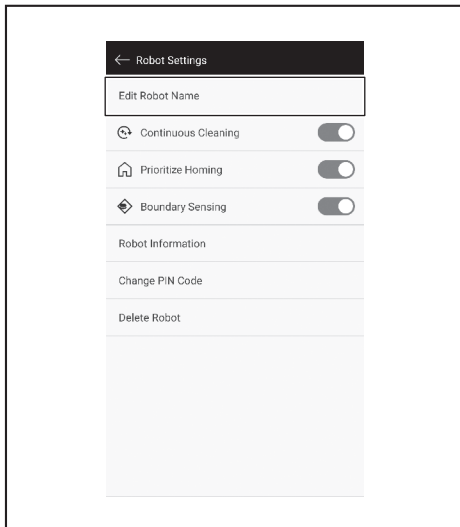
2. Toque [Configuración del robot].



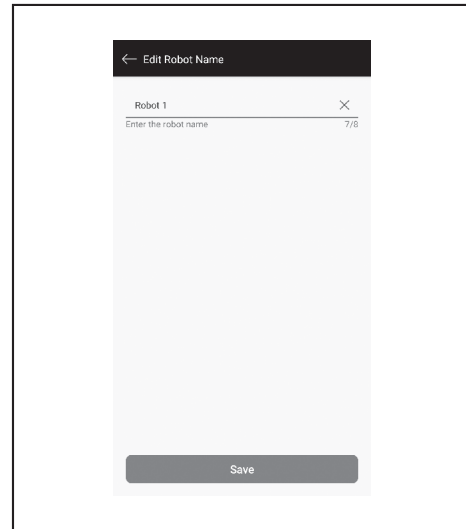
## Cambio del nombre de un robot limpiador registrado

Esta configuración solo cambia el nombre del robot limpiador en la aplicación. El SSID del Wi-Fi® no cambia.

1. En la pantalla [Configuración del robot], toque [Editar nombre del robot].



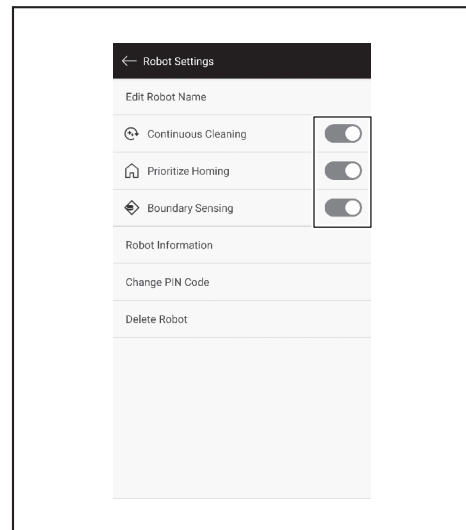
2. Introduzca un nombre nuevo (8 caracteres como máximo).



3. Cuando haya terminado de indicar el nombre, toque [Guardar].

## Configuración de las opciones de limpieza

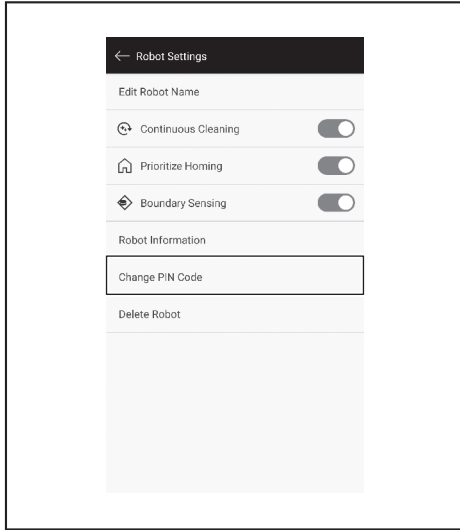
1. En la pantalla [Configuración del robot], toque el interruptor de activación y desactivación (al estar activado, se pone en verde), situado junto a [Limpieza continua] o [Priorizar guiado], en caso necesario.
  - [Limpieza continua]: seleccione esta opción cuando la capacidad de batería se agote antes de que el robot limpiador haya terminado de cubrir toda el área de limpieza y quiera seguir limpiando la zona que ha quedado sin limpiar en la sesión siguiente.
  - [Priorizar guiado]: se aconseja usar este ajuste si ocurre a menudo que el robot limpiador no regresa al punto de inicio de la limpieza. El robot limpiador empieza a volver al punto de inicio de la limpieza siempre que quede más capacidad de batería de lo habitual.
  - [Detección de límites]: seleccione esta opción al emplear la línea de demarcación magnética. El robot limpiador detecta la línea de demarcación magnética como el límite. (Consulte la página 21).



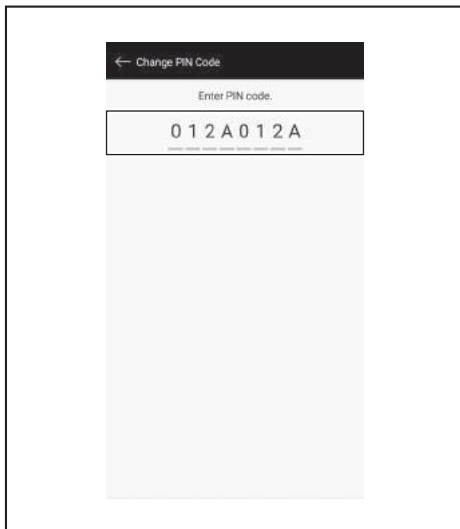
## Cambio del código PIN

El código PIN del robot limpiador se puede cambiar. Si olvida el código PIN que estableció, consulte "Restablecimiento de la configuración" en la página 24 para saber cómo restablecer los ajustes del robot limpiador a los valores de fábrica. Para consultar el código PIN predeterminado de fábrica, consulte "Configuración inicial" en la página 34.

1. En la pantalla [Configuración del robot], toque [Cambiar código PIN].



2. Introduzca el código PIN actual (ocho dígitos).

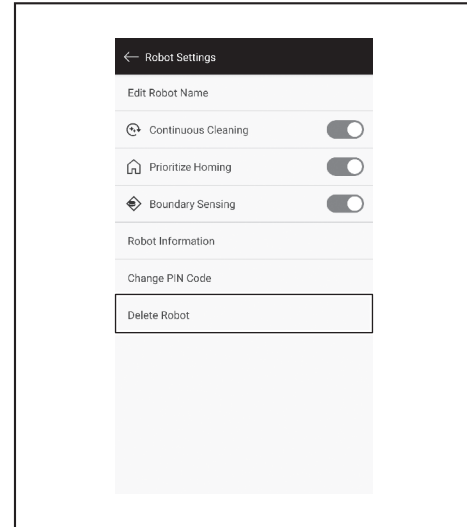


3. Introduzca el código PIN nuevo (ocho dígitos) que desee establecer. Introduzca el código PIN nuevo dos veces seguidas.

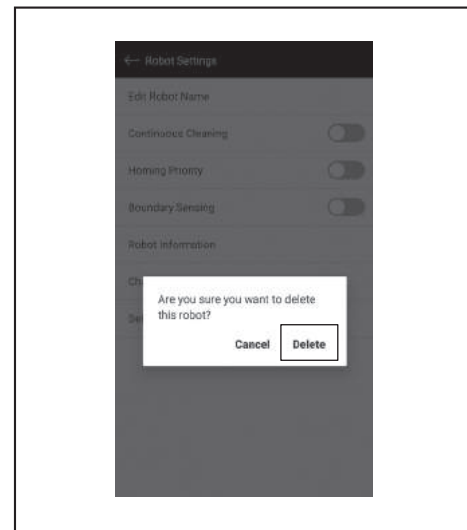


## Eliminación de la información de un robot limpiador registrado

1. En la pantalla [Configuración del robot], toque [Eliminar robot].

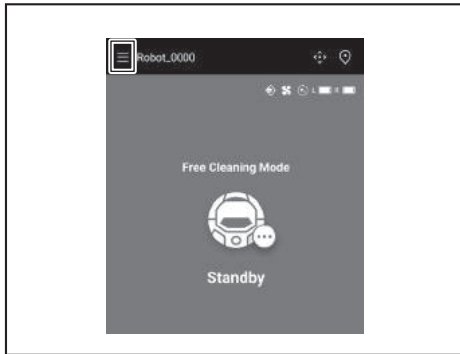


2. Aparece un cuadro de diálogo para confirmar la eliminación. Toque [Eliminar] para finalizar la eliminación.

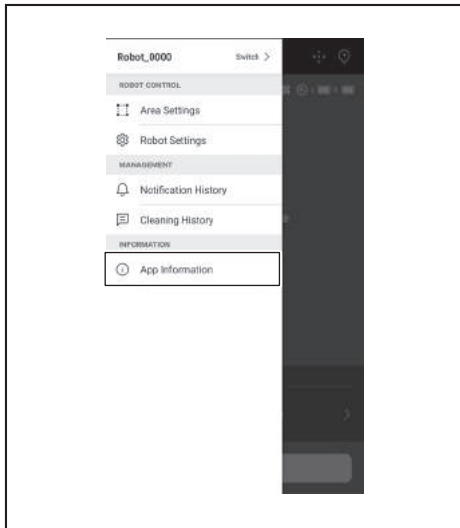


## Consulta de la información de la aplicación

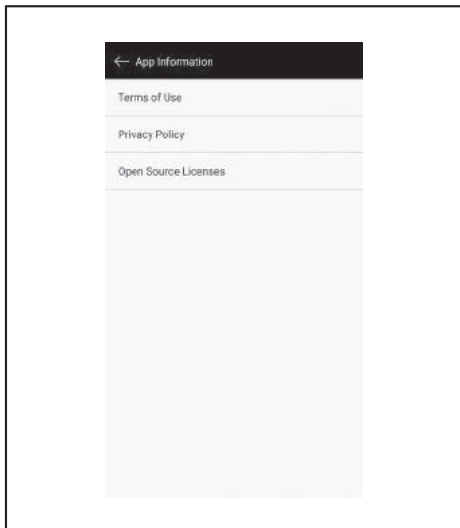
1. En la pantalla de inicio, toque .



2. Toque [Información de la aplicación].

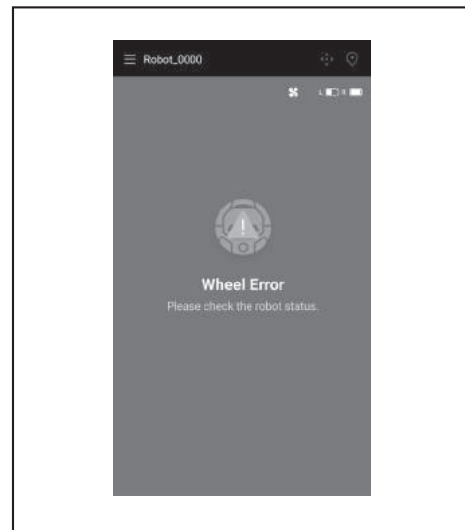
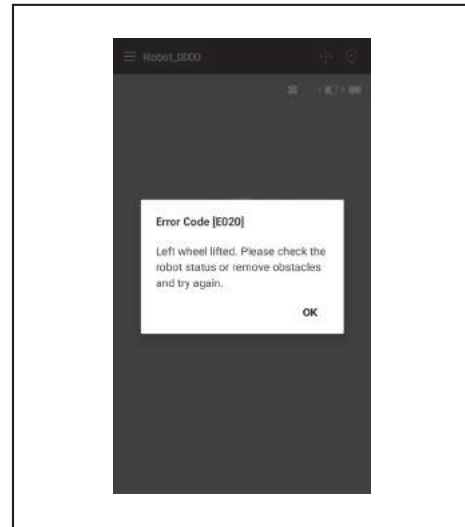


3. Toque la información que desee consultar.



## Mensaje o cuadro de diálogo de error

Cuando se produce un error, se muestra un mensaje o un cuadro de diálogo para informar. En este caso, siga las instrucciones del mensaje o el cuadro de diálogo.



## Apéndice

### Aviso sobre el software de código abierto

Este producto incluye software de código abierto (en adelante, "software de código abierto") bajo la licencia pública general de GNU (GPL), la licencia pública general reducida de GNU (LGPL) y otras licencias.

La información relativa a las licencias del software de código abierto (notificación de los titulares y licencias de los derechos de autor) se puede consultar gratuitamente en el siguiente sitio web. Además, el código fuente del software de código abierto que publicamos bajo estas licencias también se puede consultar gratuitamente en el siguiente sitio web.

<https://oss.makita.biz/index.html>

- Le rogamos que se abstenga de hacer preguntas sobre el código fuente del software de código abierto.
- No ofrecemos garantías de ningún tipo con respecto al software de código abierto. Sin embargo, este aviso no limita la cobertura de nuestra garantía en caso de que el producto tenga defectos (incluidos los defectos causados por el software de código abierto).

### Para los países europeos

Módulo Wi-Fi	Nombre del módulo	LCW-006
	Rango de frecuencia/potencia	2412,0 - 2462,0 MHz/17,48 dBm (PIRE) 2422,0 - 2452,0 MHz/13,75 dBm (PIRE)
	Versión de software	V1.0
Módulo Bluetooth	Nombre del módulo	T007-MA-MD
	Rango de frecuencia/potencia	2402,0 - 2480,0 MHz/7 dBm (PIRE)
	Versión de software	V01.03
Mando a distancia	Nombre del módulo	C011
	Rango de frecuencia/potencia	2402,0 - 2480,0 MHz/-4 dBm (PIRE)
	Versión de software	V01.04

Este dispositivo debe instalarse y usarse de forma que quede una distancia de separación mínima de 20 cm con cualquier persona.





**PORTUGUÊS**

## Índices

• Aviso	2	• Anexo	47
• Sobre o Aspirador de Pó Robotizado	2	• Aviso relativamente ao software de código aberto	47
• Funções principais	2	• Para os países europeus	47
• Cartucho da bateria e carregador aplicáveis	2		
• Utilização prevista	3		
• Símbolos	3		
• Declarações de conformidade	3		
• Precauções de segurança	3		
• Precauções de segurança para utilização do aspirador de pó robotizado	4		
• Precauções relativamente a ondas de rádio	8		
• Marcas comerciais e marcas comerciais registadas	8		
• Nomes das peças	9		
• Acessórios padrão	10		
• Preparar antes de limpar	11		
• Sobre o transporte do aspirador de pó robotizado	11		
• Sobre a limpeza pelo aspirador de pó robotizado	11		
• Para evitar a queda do aspirador de pó robotizado	11		
• Arrumar um local para limpar	12		
• Preparação para utilização	14		
• Instalar as escovas laterais	14		
• Desembalar a caixa de poeira	14		
• Instalar pilhas no controlo remoto	14		
• Indicar a capacidade restante da bateria	15		
• Instalar e retirar baterias (vendidas em separado)	15		
• Ligar/desligar a alimentação	16		
• O que configurar antes de limpar	16		
• Como utilizar	17		
• Limpar	17		
• Limpar uma divisão sem mapeamento	17		
• Eliminar informações de mapeamento	18		
• Suspende ou termina a limpeza	19		
• Ligar/desligar a ventoinha do aspirador	19		
• Utilizar a função do sinalizador de localização	19		
• Utilizar temporizador LIGADO/temporizador DESLIGADO	19		
• Controlar o alcance de limpeza	21		
• Como instalar, retirar e utilizar itens vendidos em separado	22		
• Como eliminar o lixo	22		
• Configurar o Aspirador de Pó Robotizado	23		
• Definir a hora do dia	23		
• Configurar o Wi-Fi® (aspirador de pó robotizado e smartphone)	23		
• Criar uma definição de som	23		
• Repor as definições	24		
• Manutenção	25		
• Manutenção	25		
• Sobre a reparação	28		
• Notificação e indicação de erro	29		
• Cancelar uma notificação e indicação de erro	29		
• Notificação de necessidade de manutenção, etc.	29		
• Notificação de erro	29		
• Resolução de problemas	31		
• Armazenamento	33		
• Acessórios opcionais	34		
• Aplicação para smartphones (para o DRC300)	35		
• Índices	35		
• O que pode fazer com a aplicação	35		
• Como instalar a aplicação	35		
• Ecrã inicial	36		
• Limpar com a aplicação	36		
• Consultar o histórico de limpeza	38		
• Adicionar, alterar ou eliminar as informações de mapeamento	40		
• Alterar e verificar definições	44		
• Mensagem/diálogo de erro	46		

## Aviso

Este aparelho pode ser utilizado por crianças com idades a partir dos 8 anos e por pessoas com capacidades físicas, sensoriais ou mentais reduzidas ou falta de experiência e conhecimento se tiverem supervisão ou se tiverem recebido instruções relativamente à utilização do aparelho de uma forma segura e compreenderem os perigos envolvidos. As crianças não devem brincar com o aparelho. A limpeza e manutenção por parte do utilizador não devem ser efetuadas por crianças sem supervisão.

## Sobre o Aspirador de Pó Robotizado

### Funções principais

Função principal		Modelo: DRC300
Tensão		C.C. 18 V
Tempo de funcionamento contínuo*1 *2		Aprox. 240 minutos
Volume de recolha de pó		3,0 L
Dimensões		500 mm (C) × 500 mm (L) × 204 mm (A)
Peso*2		10,6 kg
Comunicação sem fios	Sistema de comunicação	1. Aspirador de pó robotizado para controlo remoto: Bluetooth 2. Aspirador de pó robotizado para smartphone: Wi-Fi® (SoftAP)
	Distância estimada de comunicação	1. 20 m ou menos 2. 10 m ou menos
LAN sem fios	Banda de frequência	2,4 GHz
	Potência máxima de frequência de rádio	17,48 dBm (EIRP)
	Normas da LAN sem fios	IEEE 802.11 b/g/n
	Método de encriptação	WPA/WPA2
	Versão WPS	Versão 2.0
Bluetooth	Banda de frequência	2402,0 - 2480,0 MHz
	Potência máxima de frequência de rádio	Controlador remoto: -4 dBm (EIRP)
	Alcance de transmissão	Aproximadamente 10 m
	Versão de Bluetooth®	4.2 (Bluetooth de baixo consumo)
Saída de laser	Comprimento de onda	Sensor LiDAR: 775 - 800 nm Sensor de descida: 845 - 850 nm
	Saída	1 mW ou menos (IEC 60825-1:2014 Laser Classe 1)

- Atente que as funções principais, forma e outras características estão sujeitas a alteração para melhoria.
- Os sensores de distância a laser deste produto são produtos laser Classe 1, conforme definido pela norma internacional IEC 60825-1:2014 relativa à segurança dos produtos laser.

\*1. Quando utilizado num piso suave, tal como azulejos em vinil com a ventoinha do aspirador ligada. O tempo de funcionamento varia consoante as condições da localização de funcionamento, o tipo de piso, as condições da bateria, a temperatura ambiente, etc. Além disso, o tempo de funcionamento pode ser mais curto em ambientes de baixa temperatura devido às características de uma bateria de íões de lítio.

\*2. Quando equipado com duas baterias BL1860B.

### Cartucho da bateria e carregador aplicáveis

Cartucho da bateria	BL1815N/BL1820B/BL1830B/BL1840B/BL1850B/BL1860B
Carregador	DC18RC/DC18RD/DC18RE/DC18SD/DC18SE/DC18SF/DC18SH/DC18WC

- Alguns dos cartuchos da bateria e carregadores listados acima poderão estar disponíveis, consoante a sua área de residência.

### AVISO

Utilize apenas os cartuchos da bateria e carregadores listados acima. A utilização de quaisquer outros cartuchos da bateria e carregadores poderão causar ferimentos e/ou um incêndio.

### Sobre fontes de alimentação ligadas por cabo

As fontes de alimentação ligadas por cabo não podem ser utilizadas para este produto. Se utilizadas, poderão causar ferimentos ou um acidente.

## Utilização prevista

Este produto é um aspirador de pó que se destina a limpar os pisos interiores. Podem ser efetuadas algumas operações e definições com o controlo remoto e a aplicação dedicada.

## Símbolos

De seguida são mostrados os símbolos que poderão ser utilizados para o equipamento. Certifique-se de que compreende o seu significado antes da utilização.



Leia o manual de instruções.



Preste atenção e tenha cuidado.



Uma bateria típica aplicável a este produto.



Apenas para os países da UE  
Devido à presença de componentes perigosos no equipamento, os resíduos de equipamento elétrico e eletrónico e os acumuladores e as baterias poderão ter um impacto negativo no ambiente e na saúde humana. Não elimine os aparelhos elétricos e eletrónicos ou as baterias juntamente com o lixo doméstico!



Ni-MH  
Li-ion

De acordo com a Diretiva Europeia relativa a resíduos de equipamento elétrico e eletrónico e a acumuladores e baterias, assim como à sua adaptação à lei nacional, os resíduos de equipamento elétrico, as baterias e os acumuladores devem ser armazenados em separado e entregues num ponto de recolha separado destinado a resíduos municipais, que atua em conformidade com os regulamentos relativos à proteção ambiental. Isto é indicado pelo símbolo do contentor de lixo com rodas barrado com uma cruz colocado no equipamento.



Não pise nem coloque objetos em cima do aspirador de pó robotizado.



Não utilize o aspirador de pó robotizado próximo de chamas ou materiais inflamáveis e/ou perigosos.



Limpe os sensor de descida na face inferior se estiverem sujos ou húmidos.



LASER  
1

PRODUTO LASER CLASSE 1  
PRODUTO LASER DE CONSUMO  
EN 50689:2021

CONSUMER LASER PRODUCT  
EN 50689 : 2021

## Declarações de conformidade

### Apenas para os países europeus

As Declarações de conformidade estão incluídas no Anexo A deste manual de instruções.

## Precauções de segurança

Sobre o significado de AVISO, PRECAUÇÃO e OBSERVAÇÃO nas precauções

As considerações para utilizar este produto estão classificadas em AVISO, PRECAUÇÃO e OBSERVAÇÃO.

Os respetivos significados são os seguintes.



**AVISO :**

Uma precaução para indicar um risco de morte ou ferimentos graves do utilizador quando o produto é manuseado incorretamente.



**PRECAUÇÃO**

Uma precaução para indicar um risco de ferimentos do utilizador ou um risco de danos materiais quando o produto é manuseado incorretamente. Atente que um assunto descrito como PRECAUÇÃO poderá resultar potencialmente em consequências graves, dependendo da situação. Certifique-se de que cumpre estas precauções uma vez que todas são importantes para a segurança.



**OBSERVAÇÃO :**

Precauções importantes para manusear o produto e respetivos acessórios.

- Certifique-se de que cumpre as "Precauções de segurança" para evitar um acidente, tal como incêndio, choques elétricos e ferimentos.
- Antes de utilizar o produto, leia atentamente estas "Precauções de segurança" para garantir a utilização adequada do produto.
- Após a leitura, certifique-se de que as guarda num local seguro para utilização a qualquer momento pelas pessoas que utilizam o produto.
- Ao emprestar o produto a outra pessoa, empreste também o manual do utilizador.
- Os sinais gráficos seguintes são utilizados para classificar e explicar os aspetos a cumprir.

## Exemplos de sinais gráficos





Este sinal gráfico indica algo "proibido", ou seja, o que não pode fazer.







Este sinal gráfico indica algo "obrigatório", ou seja, o que tem de fazer sempre.



Estas ilustrações servem apenas como referência. Atente que o design varia consoante o produto.

AVISO	
<b>Não lave o produto na água. Não utilize este produto num local húmido, tal como uma casa de banho.</b> <ul style="list-style-type: none"><li>• A entrada de água no motor pode causar um curto-circuito, geração de calor ou deflagração.</li><li>• Alguns componentes podem ser lavados na água. Consulte "Manutenção" na página 25.</li></ul>	
<b>Nunca desmonte, repare nem modifique o produto.</b> <ul style="list-style-type: none"><li>• Caso contrário, pode causar deflagração ou um funcionamento anormal, resultando em ferimentos.</li></ul>	
<b>Não permita que as crianças brinquem com este produto ou o carregador.</b> <ul style="list-style-type: none"><li>• Um momento de descuido pode resultar em ferimentos graves.</li></ul>	
<b>Não utilize este produto no exterior.</b>	
<b>Não utilize este produto num local instável, tal como escadas ou num declive acentuado.</b> <ul style="list-style-type: none"><li>• Este produto poderá virar ou cair, causando ferimentos.</li></ul>	
<b>Não utilize itens que não os acessórios especificados pela Makita e itens vendidos em separado.</b> <ul style="list-style-type: none"><li>• Utilizar um item que não os acessórios e itens vendidos em separado neste manual do utilizador e no nosso catálogo poderá causar um acidente ou ferimentos.</li></ul>	
<b>Não coloque este produto próximo de chamas, dispositivos de aquecimento, etc.</b> <ul style="list-style-type: none"><li>• Caso contrário, poderá causar um curto-circuito ou deflagração devido à deformação do produto.</li></ul>	
<b>Não utilize o produto nem carregue a bateria próximo de substâncias inflamáveis (gasolina, benzina, diluente, gás, etc.).</b> <ul style="list-style-type: none"><li>• Caso contrário, pode causar uma explosão ou um incêndio.</li></ul>	
<b>Não armazene este produto num local onde a temperatura possa atingir 50 °C (122 °F) (caixa metálica, no interior de um carro no verão, etc.).</b> <ul style="list-style-type: none"><li>• Caso contrário, pode causar um curto-circuito ou deflagração devido à deformação do produto.</li><li>• A bateria poderá deteriorar, causando fumo ou deflagração.</li></ul>	



 AVISO	
<p><b>Não efetue um carregamento nas condições seguintes, uma vez que isso poderá causar um incêndio.</b></p> <ul style="list-style-type: none"> <li>Sobre papel como papelão ondulado, pano tal como uma almofada, uma carpete, vinil, etc.</li> <li>É utilizado um carregador com entradas de ar mas as entradas de ar estão obstruídas durante o carregamento. Ou, metais ou artigos combustíveis são inseridos nas entradas de ar.</li> <li>Num local poeirento, por exemplo, com pó de algodão.</li> </ul>	
<p><b>Não carregue à chuva nem retire ou insira a ficha de alimentação ou bateria com as mãos molhadas.</b>  <b>Não permita material estranho, tais como peças de metal ou água próximos do terminal do carregador.</b></p> <ul style="list-style-type: none"> <li>Caso contrário, poderá causar choques elétricos ou ferimentos.</li> </ul>	
<p><b>Não utilize um carregador que não o carregador dedicado.</b></p> <ul style="list-style-type: none"> <li>Caso contrário, pode causar fugas, aquecimento ou rompimento da bateria.</li> <li>Não utilize o carregador para fins que não carregamento.</li> </ul>	
<p><b>Não utilize o carregador para fins que não carregamento. Não utilize a bateria e o carregador em equipamento que não aquele especificado pela Makita.</b></p>	
<p><b>Não utilize o cabo do carregador de forma abusiva.</b></p> <ul style="list-style-type: none"> <li>Não transporte o carregador segurando pelo cabo nem puxe pelo cabo da ficha para desligar da tomada.</li> <li>Mantenha o cabo afastado do calor, óleo, químicos e cantos aguçados.</li> <li>Tenha cuidado com o local de carregamento para evitar que o cabo seja pisado, fique preso ou danificado devido a força excessiva. Poderão resultar choques elétricos ou um curto-circuito, causando deflagração.</li> </ul>	
<p><b>Não utilize se o cabo do carregador estiver danificado ou se a ficha de alimentação não estiver bem inserida.</b></p> <ul style="list-style-type: none"> <li>Poderão resultar choques elétricos, um curto-circuito ou deflagração.</li> </ul>	
<p><b>A parte de montagem da bateria do carregador tem um terminal de carregamento. Não permita material estranho, tais como peças de metal ou água próximos do terminal de carregamento.</b></p>	
<p><b>Não cubra a bateria e o carregador com um pano ou algo semelhante durante o carregamento.</b></p> <ul style="list-style-type: none"> <li>Carregue a bateria num local com boa ventilação. Caso contrário, poderá resultar em aquecimento, rompimento ou deflagração.</li> </ul>	

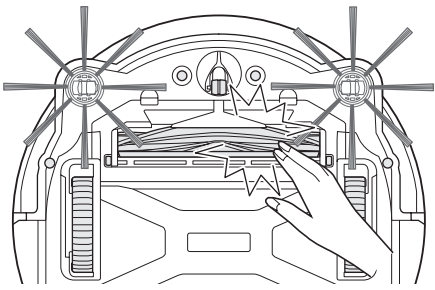
 AVISO	
<p><b>Certifique-se de que desliga a alimentação e de que retira as baterias antes da inspeção para evitar que este produto se ligue acidentalmente.</b></p>	
<p><b>Ao inserir a bateria neste produto, tenha cuidado para não ligar a alimentação.</b></p> <ul style="list-style-type: none"> <li>Ao instalar a bateria em condições onde a alimentação possa ser ligada (por exemplo, quando tem o dedo no botão Iniciar/Parar), este produto poderá começar a mover-se repentinamente, causando um acidente.</li> </ul>	
<p><b>No caso de uma queda ou colisão acidental, inspecione cuidadosamente este produto, etc. por danos, fissuras e deformação.</b></p> <ul style="list-style-type: none"> <li>Danos, fissuras e deformação podem ser uma causa de ferimentos.</li> </ul>	
<p><b>Mova suavemente este produto para evitar que fique deformado e danificado.</b></p> <ul style="list-style-type: none"> <li>Danos, fissuras e deformação podem ser uma causa de ferimentos.</li> </ul>	
<p><b>Se este produto não estiver a funcionar corretamente ou produzir um som estranho durante a utilização, desligue imediatamente a alimentação e pare a utilização do produto. De seguida, solicite a inspeção e reparação na loja onde efetuou a compra ou no nosso departamento de vendas.</b></p> <ul style="list-style-type: none"> <li>Se continuar a utilizar o produto, poderá resultar em ferimentos ou num acidente.</li> </ul>	

 AVISO	
<p><b>Inspeccione por peças danificadas.</b></p> <ul style="list-style-type: none"> <li>Antes de utilizar o produto, inspecione minuciosamente por danos nos componentes e certifique-se de que o produto funciona corretamente e proporciona a funcionalidade pré-determinada.</li> <li>Inspeccione as peças móveis relativamente a posicionamento e aperto adequados e inspecione os componentes por danos e instalação adequada. De seguida, inspecione todas as outras áreas que possam influenciar o funcionamento para ver se existe alguma anomalia.</li> <li>Para a substituição e reparação de componentes danificados, siga o manual do utilizador. Se não for dada qualquer descrição no manual do utilizador, solicite a reparação na loja onde efetuou a compra ou no nosso departamento de vendas.</li> </ul>	
<p><b>Mantenha cuidadosamente este produto em bom estado.</b></p> <ul style="list-style-type: none"> <li>Para a substituição dos acessórios, siga o manual do utilizador.</li> <li>Inspeccione periodicamente o cabo do carregador e, se estiver danificado, solicite a reparação na loja onde efetuou a compra ou no nosso departamento de vendas. Poderão resultar choques elétricos ou um curto-circuito, causando deflagração.</li> <li>Quando for utilizado um cabo de extensão para o carregamento, inspecione-o periodicamente e, se estiver danificado, substitua-o. Poderão resultar choques elétricos ou um curto-circuito, causando deflagração.</li> <li>Mantenha sempre a pega de transporte seca e limpa e não permita que entre em contacto com óleo, massa lubrificante, etc.</li> </ul>	
<p><b>Quando este produto não for utilizado, mantenha-o devidamente armazenado.</b></p> <ul style="list-style-type: none"> <li>Mantenha-o num local seco e seguro, fora do alcance das crianças ou num local seco que possa ser trancado. Poderá resultar num acidente.</li> </ul>	
<p><b>Retire o carregador de uma tomada de alimentação quando não é utilizado para carregamento.</b></p> <ul style="list-style-type: none"> <li>Caso contrário, pode causar choques elétricos, fuga de corrente ou um incêndio devido à deterioração do isolamento.</li> </ul>	
<p><b>Se detetar um aquecimento anormal ou outras condições anormais durante o carregamento, retire imediatamente a ficha de alimentação do carregador para parar o carregamento.</b></p> <ul style="list-style-type: none"> <li>Se permitir a continuação do carregamento, poderá resultar em fumo, deflagração ou rompimento.</li> </ul>	

 PRECAUÇÃO	
<p><b>Instale bem os acessórios de acordo com o manual do utilizador.</b></p> <ul style="list-style-type: none"> <li>Se não estiverem bem instalados, pode causar ferimentos, danos ou um acidente.</li> </ul>	
<p><b>Ao transportar este produto, segure sempre pela pega de transporte.</b></p> <ul style="list-style-type: none"> <li>Transportar o produto segurando por algo que não a pega de transporte pode causar falhas ou ferimentos.</li> </ul>	

## Precauções de segurança para utilização do aspirador de pó robotizado

 AVISO	
<p><b>Não utilize este produto num local alto sem proteções ou num local estreito, tais como escadas.</b></p> <ul style="list-style-type: none"> <li>Caso contrário, pode causar ferimentos ou falhas devido a uma queda do mesmo.</li> </ul>	
<p><b>Não utilize este produto num local onde componentes de óleo tais como óleo alimentar estejam a flutuar, num local onde sejam utilizados sprays e químicos, tais como um barbeiro, cabeleireiro, loja de limpeza ou no exterior.</b></p> <ul style="list-style-type: none"> <li>Caso contrário, pode causar falhas.</li> </ul>	

⚠ AVISO	⊘
<p><b>Não utilize este produto num local com uma pessoa que não consiga utilizar este produto corretamente, uma criança ou um bebê.</b></p> <ul style="list-style-type: none"> <li>Caso contrário, pode causar choques elétricos, um acidente ou ferimentos.</li> </ul>	
<p><b>Não utilize este produto num local com animais, etc.</b></p> <ul style="list-style-type: none"> <li>Caso contrário, pode causar choques elétricos, um acidente ou ferimentos.</li> </ul>	
<p><b>Não utilize este produto num local com muitas pessoas ou com pessoas constantemente a entrar e a sair.</b></p> <ul style="list-style-type: none"> <li>Caso contrário, pode causar choques elétricos, um acidente ou ferimentos.</li> </ul>	
<p><b>Não obstrua a abertura de saída e a abertura de sucção nem insira metais, objetos estranhos inflamáveis, etc.</b></p> <ul style="list-style-type: none"> <li>Caso contrário, pode causar choques elétricos, deflagração ou ferimentos.</li> </ul>	
<p><b>Não utilize este produto próximo de um objeto que poderá obstruir a abertura de sucção.</b></p> <ul style="list-style-type: none"> <li>Caso contrário, pode causar choques elétricos, deflagração ou ferimentos.</li> </ul>	
<p><b>Não atire este produto para o fogo nem o aqueça.</b></p> <ul style="list-style-type: none"> <li>Caso contrário, pode causar um curto-circuito, deflagração, fuga de líquido ou explosão.</li> </ul>	
<p><b>Não coloque este produto num local com alta temperatura, tal como próximo de fogo ou de um aquecedor, num local exposto à luz solar direta e no interior de um carro ao sol.</b></p> <ul style="list-style-type: none"> <li>Caso contrário, pode causar um curto-circuito, deflagração, fuga de líquido ou explosão.</li> </ul>	
<p><b>Não coloque objetos em cima deste produto.</b></p> <ul style="list-style-type: none"> <li>Caso contrário, pode causar sobreaquecimento, resultando em deflagração.</li> </ul>	
<p><b>Não coloque este produto sob luz solar direta.</b></p> <ul style="list-style-type: none"> <li>Caso contrário, poderá causar uma resposta incorreta do sensor LiDAR e do sensor de infravermelhos, resultando em avarias ou falhas.</li> </ul>	
<p><b>Não obstrua os sensores deste produto nem insira objetos estranhos.</b></p> <ul style="list-style-type: none"> <li>Caso contrário, pode causar um funcionamento incorreto, avarias ou falhas.</li> </ul>	
<p><b>Não aplique um autocolante ou fita nos sensores e rodas.</b></p> <ul style="list-style-type: none"> <li>Caso contrário, pode causar avarias ou falhas.</li> </ul>	
<p><b>Não se sente neste produto, não coloque um objeto pesado sobre o mesmo nem permita impactos fortes.</b></p> <ul style="list-style-type: none"> <li>Caso contrário, pode causar danos ou falhas do produto ou ferimentos. Preste especial atenção quando estiverem crianças por perto.</li> </ul>	
<p><b>Durante o funcionamento, não toque nas rodas motrizes nem coloque a sua mão ou pé debaixo deste produto.</b></p> <ul style="list-style-type: none"> <li>Caso contrário, pode causar ferimentos numa mão, etc. Preste especial atenção quando estiverem crianças por perto.</li> </ul>	
	
<p><b>Não permita que o produto seja utilizado por uma criança sozinha. As pessoas que não consigam exprimir-se e as pessoas que não consigam utilizar o produto de forma independente não devem utilizar este produto.</b></p> <ul style="list-style-type: none"> <li>Caso contrário, pode causar choques elétricos, um acidente ou ferimentos.</li> </ul>	

⚠ AVISO	⊘
<p><b>Não deite água ou um detergente neste produto nem lave este produto (exceto a escova principal, escova lateral, caixa de poeira e o filtro).</b></p> <ul style="list-style-type: none"> <li>Caso contrário, pode causar choques elétricos, um curto-circuito ou deflagração.</li> </ul>	
<p><b>Não toque nos produtos com as mãos molhadas.</b></p> <ul style="list-style-type: none"> <li>Caso contrário, pode causar choques elétricos.</li> </ul>	
<p><b>Não utilize uma linha de limite magnético rasgada ou deformada ou que pareça ter perdido a sua força magnética.</b></p> <ul style="list-style-type: none"> <li>Caso contrário, pode causar um acidente ou ferimentos.</li> </ul>	
<p><b>As suas partes corporais, tais como mãos e cabelo e a roupa que está a usar não deve ser colocado na abertura de sucção e na abertura de saída deste produto.</b></p> <ul style="list-style-type: none"> <li>Caso contrário, pode causar ferimentos.</li> </ul>	
<p><b>As suas partes corporais, tais como mãos e cabelo e a roupa que está a usar não podem entrar em contacto com uma escova em rotação.</b></p> <ul style="list-style-type: none"> <li>Caso contrário, poderá causar ferimentos.</li> </ul>	
<p><b>Não permita que este produto aspire o seguinte. Caso contrário, pode causar um incêndio, ferimentos ou falha do motor.</b></p> <p><b>Substâncias inflamáveis</b></p> <ul style="list-style-type: none"> <li>Óleos (querosene, gasolina, etc.)</li> <li>Solventes (benzina, diluente, etc.)</li> <li>Queimar artigos, tais como fósforos, incenso, velas e cinza quente; artigos que emitam fumo, tais como cigarros; artigos com altas temperaturas.</li> <li>Combustíveis, tais como toner</li> <li>Tintas</li> <li>Faíscas de retificação, pó metálico, etc. que são gerados no corte e retificação de metal.</li> <li>Gás inflamável (spray, etc.)</li> </ul> <p><b>Substâncias explosivas</b></p> <ul style="list-style-type: none"> <li>Nitroglicerina, etc.</li> <li>Substâncias combustíveis</li> <li>Alumínio, magnésio, titânio, zinco, fósforo vermelho, fósforo amarelo, celuloide e outras substâncias químicas; pó, gás e vapor</li> </ul> <p><b>Objetos pontiagudos</b></p> <ul style="list-style-type: none"> <li>Vidro, ferramentas afiadas, aparas de madeira, metal, pedras, pregos, lâminas, alfinetes, agulhas, etc.</li> </ul> <p><b>Artigos que formem bolhas, tais como detergentes para carpetes</b></p> <p><b>Artigos que solidifiquem e pó fino condutor (pó metálico, carvão)</b></p> <p><b>Agentes desumidificantes</b></p> <p><b>Uma grande quantidade de pó (farinha, cinzas, pó num extintor, etc.)</b></p> <p><b>Substâncias que causem sintomas de envenenamento</b></p> <p><b>Medicamentos</b></p> <p><b>Líquidos e lixo húmido</b></p> <p><b>Excrementos e vômito de animais, etc.</b></p> <p><b>Grande quantidade de resíduos de papel, resíduos de plástico, fios</b></p>	
<p><b>Não utilize o produto nas condições seguintes, que podem ser uma causa de incêndio.</b></p> <ul style="list-style-type: none"> <li>Grande volume de combustíveis acumulado.</li> <li>A abertura de saída está obstruída.</li> <li>A caixa de poeira e o filtro não estão instalados.</li> <li>O lixo fica preso na escova principal, que está bloqueada.</li> <li>Existem buracos e rasgos no filtro.</li> <li>A bateria não está totalmente inserida.</li> </ul>	
<p><b>Não cause um curto-circuito entre os terminais da secção de fonte de alimentação USB (para reparação).</b></p> <ul style="list-style-type: none"> <li>Inserir agulhas ou um arame na secção do terminal USB poderá resultar num curto-circuito, causando deflagração ou emissão de fumo.</li> </ul>	
<p><b>Não olhe diretamente para a luz do laser (feixe).</b></p> <ul style="list-style-type: none"> <li>Caso contrário, poderá causar ferimentos nos olhos.</li> </ul>	
<p><b>Este produto está em conformidade com os regulamentos de segurança aplicáveis, por isso, não modifique este produto.</b></p> <ul style="list-style-type: none"> <li>Efetuar reparações sem o conhecimento ou as competências para efetuar reparações poderá causar um desempenho incorreto do laser, assim como acidentes ou ferimentos.</li> </ul>	
<p><b>Não utilize produtos recarregáveis próximo de linhas de alta tensão.</b></p> <ul style="list-style-type: none"> <li>Existe um risco de avarias ou falhas.</li> </ul>	

⚠ AVISO	!
<b>Pare a utilização do produto se, por vezes, não funcionar mesmo quando a alimentação está ligada.</b>	
<ul style="list-style-type: none"> <li>Caso contrário, pode causar fumo, deflagração ou choques elétricos.</li> </ul>	
<b>Pare imediatamente a utilização do produto quando está deformado ou invulgarmente quente.</b>	
<ul style="list-style-type: none"> <li>Caso contrário, pode causar fumo, deflagração ou choques elétricos.</li> </ul>	
<b>Pare a utilização do produto quando este para durante o funcionamento.</b>	
<ul style="list-style-type: none"> <li>Caso contrário, pode causar fumo, deflagração ou choques elétricos.</li> </ul>	
<b>Pare imediatamente a utilização do produto se ouvir um som estranho durante o funcionamento.</b>	
<ul style="list-style-type: none"> <li>Caso contrário, pode causar fumo, deflagração ou choques elétricos.</li> </ul>	
<b>Pare imediatamente a utilização do produto se cheirar a queimado.</b>	
<ul style="list-style-type: none"> <li>Caso contrário, pode causar fumo, deflagração ou choques elétricos.</li> </ul>	
<b>Antes da utilização e manutenção, retire as velas acesas, os vasos, etc. das mesas e prateleiras.</b>	
<ul style="list-style-type: none"> <li>Caso contrário, pode causar a sua queda devido a um impacto deste produto, resultando possivelmente num acidente.</li> </ul>	
<b>Antes da utilização e manutenção, retire os elásticos e outros objetos que poderão ser arrastados por este produto.</b>	
<ul style="list-style-type: none"> <li>Caso contrário, pode fazer com que este produto arraste um elástico, etc. resultando possivelmente num acidente.</li> </ul>	
<b>Antes da utilização e manutenção, retire o equipamento e os dispositivos com um controlador situados no mesmo nível que este produto.</b>	
<ul style="list-style-type: none"> <li>Caso contrário, pode fazer com que este produto atinja e prima um controlador, resultando possivelmente num incêndio, ferimentos ou acidente.</li> </ul>	
<b>Antes da manutenção e inspeção, certifique-se de que desliga a alimentação deste produto e de que retira as baterias.</b>	
<ul style="list-style-type: none"> <li>Caso contrário, pode causar choques elétricos ou ferimentos.</li> </ul>	
<b>Durante a manutenção, tenha cuidado para não ficar com os dedos presos.</b>	
<ul style="list-style-type: none"> <li>Caso contrário, pode causar ferimentos.</li> </ul>	
<b>Se tiver um pacemaker implantado ou um desfibrilhador implantado, utilize este produto a mais de 15 cm do local do implante.</b>	
<ul style="list-style-type: none"> <li>As ondas de rádio poderão afetar o funcionamento de um dispositivo médico e podem causar avarias do dispositivo médico.</li> </ul>	
<b>Quando utilizar equipamento que emita ondas de rádio numa instituição médica, siga as instruções da instituição médica. Numa área onde a utilização é proibida, desligue a alimentação deste produto.</b>	
<ul style="list-style-type: none"> <li>Caso contrário, pode causar a avaria de dispositivos médicos.</li> </ul>	

⚠ PRECAUÇÃO	⊘
<b>Durante a utilização e manutenção, não coloque objetos estranhos em espaços e aberturas.</b>	
<ul style="list-style-type: none"> <li>Caso contrário, pode causar choques elétricos, incêndio ou falha deste produto.</li> </ul>	
<b>Não utilize este produto numa carpete de pelo comprido (superior a 7 mm) ou noutros tapetes.</b>	
<ul style="list-style-type: none"> <li>Caso contrário, pode fazer com que as escovas laterais fiquem presas, resultando em danos na carpete e nas escovas laterais.</li> </ul>	
<b>Não utilize este produto num tapete delicado (lã de ovelha, feltro, etc.), um piso delicado (piso em madeira, piso em mármore, etc.) e um piso recentemente encerado.</b>	
<ul style="list-style-type: none"> <li>Caso contrário, pode causar danos ou riscos. Se forem causados danos, pare a utilização do produto.</li> </ul>	
<b>Não se coloque nem se sente na superfície superior deste produto.</b>	
<ul style="list-style-type: none"> <li>Caso contrário, pode fazer com que este produto se mova repentinamente, resultando em ferimentos, tal como uma queda.</li> </ul>	

⚠ PRECAUÇÃO	⊘
<b>Não utilize este produto durante muitas horas com a abertura de sucção obstruída.</b>	
<ul style="list-style-type: none"> <li>Caso contrário, pode causar a deformação ou deflagração deste produto devido a sobreaquecimento.</li> </ul>	
<b>Não coloque a sua mão ou pé debaixo deste produto.</b>	
<ul style="list-style-type: none"> <li>Existe um risco dos seus dedos das mãos ou pés ficarem presos, resultando em ferimentos.</li> </ul>	
<b>Não continue a utilizar este produto com o filtro sujo ou com pó acumulado.</b>	
<ul style="list-style-type: none"> <li>Caso contrário, pode causar uma redução na potência de sucção.</li> </ul>	
<b>Não segure este produto com a frente virada para baixo.</b>	
<ul style="list-style-type: none"> <li>O pó pode cair da abertura de sucção.</li> </ul>	

⚠ PRECAUÇÃO	!
<b>Para evitar avarias, certifique-se de que cada sensor recebe a devida manutenção.</b>	
<ul style="list-style-type: none"> <li>Uma resposta incorreta de um sensor pode causar ferimentos ou falhas devido a uma avaria ou queda deste produto.</li> </ul>	
<b>Certifique-se de que as borlas longas dos tapetes, tal como uma carpete estão dobradas para dentro.</b>	
<ul style="list-style-type: none"> <li>As borlas poderão ficar presas nas rodas motrizes e/ou na escova principal, causando danos nos tapetes e neste produto.</li> </ul>	
<b>Quando transportar este produto, pare primeiro a utilização e, de seguida, desligue a alimentação. Segure bem a pega de transporte para não ficar com as mãos presas.</b>	
<ul style="list-style-type: none"> <li>Pegar neste produto de forma descuidada pode causar ferimentos ou falhas.</li> </ul>	
<b>Arrume os cabos e fios para garantir que não ficam presos neste produto.</b>	
<ul style="list-style-type: none"> <li>Caso contrário, pode causar falhas ou um funcionamento defeituoso devido ao emaranhamento do cabo de alimentação.</li> </ul>	
<b>Antes de limpar, retire os objetos que se partem facilmente, objetos que caem facilmente e objetos que não devem ser aspirados. Arrume os fios e cabos longos.</b>	
<ul style="list-style-type: none"> <li>Caso contrário, pode causar danos, riscos ou falhas deste produto.</li> </ul>	
<b>Utilize este produto com o filtro instalado corretamente. Não utilize este produto com o filtro retirado, instalado numa posição errada ou rasgado.</b>	
<ul style="list-style-type: none"> <li>Caso contrário, pode causar falhas, tais como desgaste do motor.</li> <li>O pó poderá sair e tornar-se nocivo para a saúde.</li> </ul>	
<b>Tenha cuidado para não ficar com os dedos presos ao abrir e fechar a cobertura superior do corpo e a cobertura superior da caixa de poeira, instalando o filtro e ligando e desligando a bateria.</b>	
<ul style="list-style-type: none"> <li>Existe um risco dos seus dedos ficarem presos, resultando em ferimentos.</li> </ul>	

### Sobre o manuseamento

- Utilize este produto no interior. Não limpe um local com grande quantidade de pó, mesmo que seja no interior.
- Não limpe um piso cuja superfície seja dura e irregular. Caso contrário, pode causar o desgaste prematuro das escovas e rodas.
- Após a limpeza, retire o pó de areia preso na escova principal, escovas laterais e rodas. Se não forem limpas, a superfície do piso poderá ficar danificada.
- Instale sempre a escova principal e respetiva cobertura ao utilizar este produto.
- Não lubrifique as peças móveis da escova principal, etc. Caso contrário, pode causar a quebra das peças de plástico.

6. Para utilização numa superfície de piso delicada, é aconselhável substituir pelos itens vendidos em separado, "escova principal macia" e "escova lateral macia". No entanto, poderão surgir riscos consoante as condições da superfície de piso. Nesse caso, pare a utilização do produto.
7. Não arraste este produto. Pegue neste produto ao movê-lo.
8. Não aplique um autocolante ou uma fita nos sensores e nas rodas, não deforme o para-choques e as rodas nem permita uma pressão forte sobre o para-choques. Caso contrário, pode causar avarias.
9. Se pó fino (tal como de gesso, cimento e giz) for aspirado, verifique o filtro, sensor de descida e sensor LiDAR.
10. Não permita que este produto aspire o seguinte, o que pode causar riscos no interior deste produto, entupimento por pó ou falhas. Se algum destes for acidentalmente aspirado, pare o funcionamento e elimine o pó.
  - (1) Resíduos húmidos (resíduos líquidos e húmidos)
  - (2) Excremento de animais, etc.
  - (3) Grande volume de areia e pó
  - (4) Fios
  - (5) Objetos pontiagudos (vidro, ferramentas de corte, alfinetes, etc.)
  - (6) Lixo de grandes dimensões e grande volume de lixo
  - (7) Objetos com fraca permeabilidade de ar (película de plástico para alimentos, vinil, película de embalagem, etc.)
11. Se a escova inferior da abertura de sucção, rodízios, rodas motrizes ou a parte dos rolos da cobertura da escova principal se desgastar, pare a utilização deste produto e consulte a loja na qual efetuou a compra ou o nosso departamento de vendas. Utilizar o aspirador de pó robotizado com peças gastas pode causar danos na superfície do piso.
12. Durante o funcionamento, poderá ocorrer ruído num ecrã da TV mas não afeta a TV.
13. Tenha cuidado ao utilizar este produto num local com um sistema de segurança. Este produto poderá ser incorretamente detetado como um intruso pelo sistema de segurança.
14. Não faça o seguinte.
  - (1) Não utilização durante um longo período de tempo com a bateria instalada
  - (2) Utilização com o sensor sujo ou com o filtro entupido
  - (3) Utilização quando deteta um erro da bateria (um cheiro estranho, fuga de líquido, aquecimento, deformação ou outras coisas anormais)
  - (4) Utilização sem retirar o pó de areia e outro material estranho preso na escova principal, escovas laterais e rodas
  - (5) Utilização com alguns componentes gastos ou esgotados
  - (6) Utilização sem ler o manual do utilizador
  - (7) Virar o produto ao contrário e efetuar a manutenção com a bateria instalada
  - (8) Utilização sem efetuar a manutenção na linha de limite magnético

10. Evite a ativação acidental. Certifique-se de que o interruptor está na posição desligada antes de ligar ao cartucho da bateria ou pegar ou transportar o aspirador de pó robotizado. Transportar o aspirador de pó robotizado com o seu dedo no interruptor ou energizar o aspirador de pó robotizado com o interruptor ligado poderá causar acidentes.
11. Desligue o cartucho da bateria do aspirador de pó robotizado antes de efetuar ajustes, substituir acessórios ou armazenar o aspirador de pó robotizado. Tais medidas de segurança preventivas reduzem o risco de ativar acidentalmente o aspirador de pó robotizado.
12. O cartucho da bateria não está suficientemente carregado quando é enviado da fábrica. Carregue a bateria antes da utilização.
13. Quando não estiver a utilizar o cartucho da bateria, coloque sempre a cobertura.

## Instruções importantes de segurança para o cartucho da bateria

1. Antes de utilizar o cartucho da bateria, leia todas as instruções e marcações de precaução no (1) cartucho da bateria, (2) bateria e (3) produto que utiliza a bateria.
2. Não desmonte nem modifique o cartucho da bateria. Poderá resultar num incêndio, calor excessivo ou numa explosão.
3. Se o tempo de funcionamento tornar-se excessivamente mais curto, pare imediatamente a utilização. Poderá resultar num risco de sobreaquecimento, possíveis queimaduras e até uma explosão.
4. Se o eletrólito entrar em contacto com os olhos, lave-os com água limpa e consulte imediatamente um médico. Poderá resultar na perda da visão.
5. Não coloque o cartucho da bateria em curto-circuito:
  - (1) Não toque nos terminais com um material condutor.
  - (2) Evite armazenar o cartucho da bateria num recipiente com outros objetos metálicos, tais como pregos, moedas, etc.
  - (3) Não exponha o cartucho da bateria à água ou chuva. Um curto-circuito da bateria pode causar um grande fluxo de corrente, sobreaquecimento, possíveis queimaduras e até uma avaria.
6. Não armazene nem utilize a ferramenta e o cartucho da bateria em locais onde a temperatura possa atingir ou exceder os 50 °C (122 °F).
7. Não incinere o cartucho da bateria mesmo que esteja muito danificado ou completamente gasto. O cartucho da bateria pode explodir num incêndio.
8. Não pregue, corte, esmague, atire, deixe cair o cartucho da bateria nem bata com um objeto duro no cartucho da bateria. Tal ação poderá resultar num incêndio, calor excessivo ou explosão.
9. Não utilize uma bateria danificada.
10. As baterias de íões de lítio estão sujeitas aos requisitos da Legislação relativa a produtos perigosos. Para os transportes comerciais, por exemplo, por terceiros ou transitários, têm de ser cumpridos requisitos especiais no embalamento e rotulagem. Para a preparação do item a enviar, é necessário consultar um especialista em materiais perigosos. Cumpra também os regulamentos nacionais mais rigorosos. Isole com fita os contactos abertos e embale a bateria de tal forma que não se possa mover dentro da embalagem.
11. Ao eliminar o cartucho da bateria, retire-o da ferramenta e elimine-o num local seguro. Siga os regulamentos locais relacionados com a eliminação da bateria.
12. Utilize apenas as baterias com os produtos especificados pela Makita. A instalação das baterias em produtos não conforme poderá resultar num incêndio, calor excessivo, explosão ou numa fuga de eletrólito.
13. Se a ferramenta não for utilizada durante muito tempo, a bateria tem de ser retirada da ferramenta.
14. Durante e após a utilização, o cartucho da bateria poderá aceitar calor que pode causar queimaduras ou queimaduras de baixa temperatura. Preste atenção ao manuseamento de cartuchos da bateria quentes.
15. Não toque no terminal da ferramenta imediatamente após a utilização uma vez que poderá suficientemente quente para causar queimaduras.
16. Não permita aparas, pó ou sujidade presos nos terminais, orifícios e nas ranhuras do cartucho da bateria. Poderá resultar num fraco desempenho ou numa avaria da ferramenta ou cartucho da bateria.
17. A menos que a ferramenta seja compatível com uma utilização próxima de linhas de alta tensão, não utilize o cartucho da bateria próximo de linhas de alta tensão. Poderá resultar num mau funcionamento ou numa avaria da ferramenta ou do cartucho da bateria.
18. Mantenha a bateria longe do alcance das crianças.

## Utilização e cuidados com a bateria

### AVISO

**Leia todos os avisos de segurança e instruções. O incumprimento dos avisos e das instruções poderá resultar em choques elétricos, incêndio e/ou ferimentos graves.**

1. Recarregue apenas com o carregador especificado pelo fabricante. Um carregador adequado para um tipo de cartucho da bateria poderá criar um risco de incêndio quando utilizado com outro cartucho da bateria.
2. Utilize aparelhos apenas com os cartuchos da bateria específicos. A utilização de quaisquer outros cartuchos da bateria poderá causar um risco de ferimentos e incêndio.
3. Quando o cartucho da bateria não for utilizado, mantenha-o afastado de outros objetos metálicos, tais como clips de papel, moedas, chaves, pregos, parafusos ou outros objetos metálicos pequenos, que possam fazer uma ligação de um terminal para outro. Colocar os terminais da bateria em curto-circuito poderá causar queimaduras ou um incêndio.
4. Em condições abusivas, o líquido poderá ser ejetado da bateria; evite o contacto. Se ocorrer um contacto acidental, lave com água. Se o líquido entrar em contacto com os olhos, consulte um médico. O líquido ejetado da bateria poderá causar irritação ou queimaduras.
5. Não utilize um cartucho da bateria ou ferramenta danificados ou modificados. As baterias danificadas ou modificadas poderão exibir um comportamento imprevisível, resultando num incêndio, explosão ou risco de ferimentos.
6. Não exponha um cartucho da bateria ou uma ferramenta a fogo ou temperaturas excessivas. A exposição a fogo ou temperaturas superiores a 130 °C (265 °F) poderá causar uma explosão.
7. Siga todas as instruções de carregamento e não carregue o cartucho da bateria ou a ferramenta fora do intervalo de temperatura especificado nas instruções. O carregamento incorreto ou a temperaturas fora do intervalo especificado poderá danificar a bateria e aumentar o risco de incêndio.
8. Solicite a assistência a um técnico de reparação qualificado utilizando apenas peças sobresselentes idênticas. Isto vai garantir que a segurança do produto é mantida.
9. Não modifique nem tente reparar o aparelho ou cartucho da bateria, exceto conforme indicado nas instruções para utilização e manutenção.



## GUARDE ESTAS INSTRUÇÕES.

### PRECAUÇÃO

Utilize apenas baterias originais da Makita. A utilização de baterias Makita não originais ou baterias que foram alteradas poderá resultar na explosão da bateria causando incêndios, ferimentos pessoais e danos. Também irá anular a garantia da Makita para a ferramenta e o carregador Makita.

#### Dicas para manter a vida útil máxima da bateria

1. Carregue o cartucho da bateria antes de ficar completamente descarregado. Pare sempre o funcionamento da ferramenta e carregue o cartucho da bateria quando deteta menos potência da ferramenta.
2. Nunca recarregue um cartucho da bateria totalmente carregado. Um sobrecarregamento encurta a vida útil de serviço da bateria.
3. Carregue o cartucho da bateria a uma temperatura ambiente entre 10 °C - 40 °C (50 °F - 104 °F). Permita o arrefecimento do cartucho da bateria antes de o carregar.
4. Quando não estiver a utilizar o cartucho da bateria, retire-o da ferramenta ou do carregador.
5. Carregue o cartucho da bateria se não o utilizar durante um longo período de tempo (mais de seis meses).

### Precauções relativamente a ondas de rádio

- Não utilize este produto nos locais que se seguem.
  - Em ou perto de locais com equipamento médico
  - Perto de dispositivos eletrónicos com controlo de alta precisão ou sinais fracos (exemplos de dispositivos eletrónicos que exigem precaução: aparelhos auditivos, pacemakers e outro equipamento médico, alarmes de incêndio, portas automáticas e outro equipamento de controlo automático)
  - Dentro de um hospital ou avião (siga as instruções do hospital ou da companhia aérea e não utilize o produto em áreas proibidas)
- A ligação sem fios e o desempenho não são garantidos em todos os ambientes. As ondas de rádio podem não ser recebidas ou podem ser interrompidas nos casos que se seguem.
  - Utilização em edifícios construídos com cimento, betão e metal
  - Instalação perto de obstáculos
  - Utilização em locais onde ocorram interferências com dispositivos de comunicação sem fios que utilizem a mesma frequência
  - Utilização em locais com equipamento que produza campos magnéticos, eletricidade estática ou interferência radioelétrica, tais como fornos micro-ondas

### Marcas comerciais e marcas comerciais registadas

#### Observação relativamente às marcas comerciais

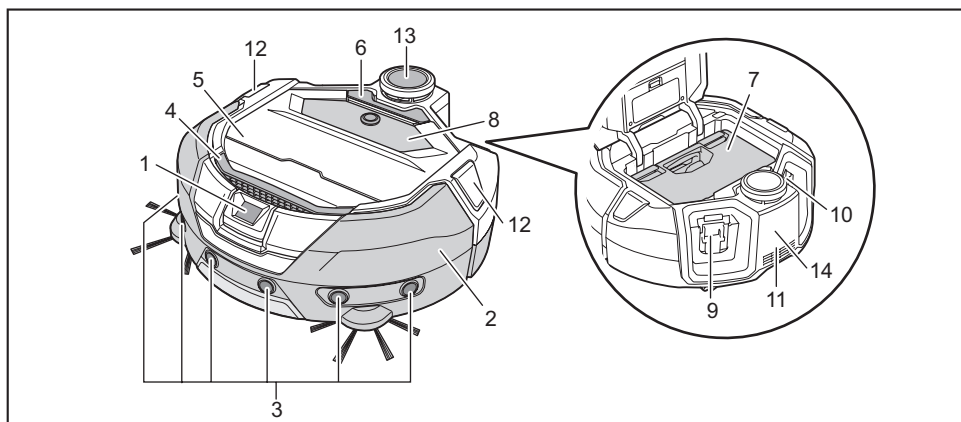
- Android e Google Play são marcas comerciais ou marcas comerciais registadas da Google LLC.
- iPhone é uma marca comercial da Apple Inc., registada nos E.U.A. e noutros países.
- A marca comercial iPhone é utilizada sob licença da Aiphone Co., Ltd.
- App Store é uma marca de serviço da Apple Inc.
- Wi-Fi é uma marca comercial e uma marca comercial registada da Wi-Fi Alliance.
- A marca nominal e os logótipos Bluetooth® são marcas comerciais registadas detidas pela Bluetooth SIG, Inc. e qualquer utilização dessas marcas por parte da Makita é efetuada sob licença. Outras marcas comerciais e nomes comerciais pertencem aos respetivos proprietários.



- Todas as marcas comerciais neste documento pertencem aos respetivos proprietários. Atente que as marcas ™ e ® são omitidas em algum do texto principal.

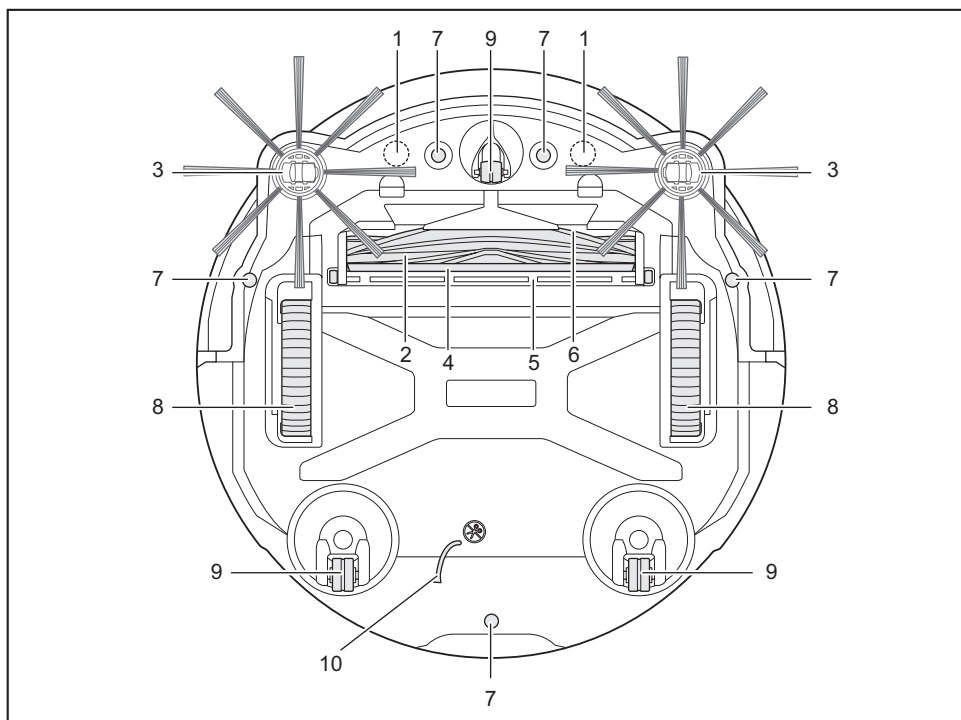
## Nomes das peças

### Unidade principal (vista superior, vista lateral, interior)



- |                                               |                                                       |
|-----------------------------------------------|-------------------------------------------------------|
| 1. Sensor da câmara                           | 8. Painel de operação (visor) (Consulte a página 10.) |
| 2. Para-choques                               | 9. Ranhura de inserção da bateria esquerda            |
| 3. Sensor ultrassónico                        | 10. Ranhura de inserção da bateria direita            |
| 4. Pega de transporte (Consulte a página 11.) | 11. Abertura de saída                                 |
| 5. Cobertura superior                         | 12. LED de posição                                    |
| 6. Botão de abertura                          | 13. Sensor LiDAR                                      |
| 7. Caixa de poeira (Consulte a página 14.)    | 14. Marca de LASER CLASSE 1                           |


### Unidade principal (vista inferior)



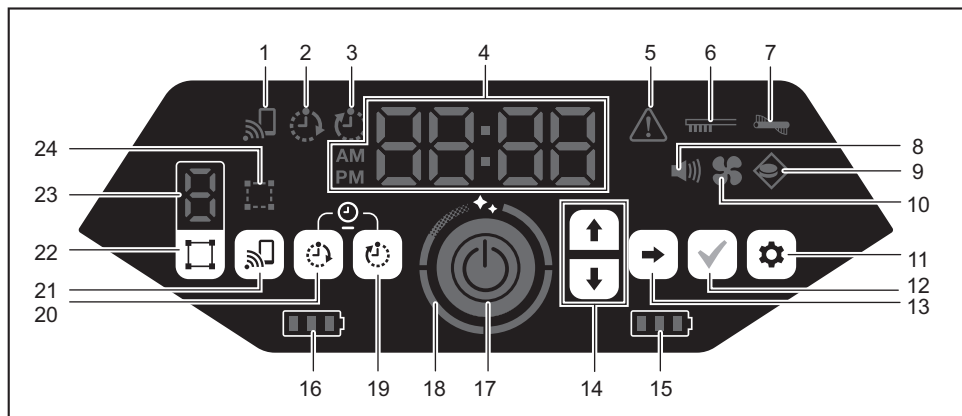
- |                                                         |                              |
|---------------------------------------------------------|------------------------------|
| 1. Sensor magnético para deteção de limites (integrado) | 6. Abertura de sucção        |
| 2. Escova principal                                     | 7. Sensor de descida         |
| 3. Escova lateral                                       | 8. Roda motriz               |
| 4. Escova inferior                                      | 9. Rodízio                   |
| 5. Cobertura da escova principal                        | 10. Linha de ligação à terra |

### OBSERVAÇÃO

- A linha de ligação à terra reduz a carga elétrica no sensor.

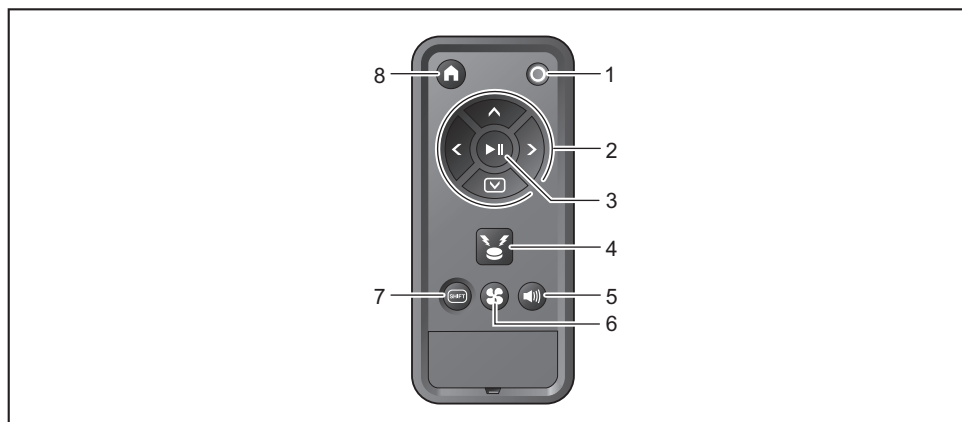
 : Não puxe nem corte acidentalmente a linha de ligação à terra.

## Unidade principal (painel de operação (visor))



- |                                                                                  |                                                                                              |
|----------------------------------------------------------------------------------|----------------------------------------------------------------------------------------------|
| 1. Luz de ligação do smartphone (verde)                                          | 13. Botão Seguinte                                                                           |
| 2. Indicador luminoso de temporizador LIGADO (verde) (Consulte a página 20.)     | 14. Botão Para cima, botão Para baixo                                                        |
| 3. Indicador luminoso de temporizador DESLIGADO (verde) (Consulte a página 20.)  | 15. Indicador luminoso do nível de carga da bateria direita (verde) (Consulte a página 16.)  |
| 4. Indicador da hora (verde)                                                     | 16. Indicador luminoso do nível de carga da bateria esquerda (verde) (Consulte a página 16.) |
| 5. Indicador luminoso de erro (vermelho) (Consulte a página 29.)                 | 17. Botão Iniciar/Parar (Consulte a página 16.)                                              |
| 6. Indicador luminoso de manutenção do filtro (vermelho) (Consulte a página 29.) | 18. Indicador luminoso do nível de limpeza (branco) (Consulte a página 18.)                  |
| 7. Indicador luminoso de erro da escova (vermelho) (Consulte a página 29.)       | 19. Botão de temporizador DESLIGADO (Consulte a página 20.)                                  |
| 8. Indicador luminoso do som (verde) (Consulte a página 23.)                     | 20. Botão de temporizador LIGADO (Consulte a página 19.)                                     |
| 9. Indicador luminoso de deteção de limites (verde) (Consulte a página 21.)      | 21. Botão de ligação do smartphone                                                           |
| 10. Indicador luminoso da ventoinha do aspirador (verde) (Consulte a página 19.) | 22. Botão de comutação do modo (Consulte a página 17.)                                       |
| 11. Botão Definições                                                             | 23. Visor do número do modo/divisão (Consulte a página 17.)                                  |
| 12. Botão Confirmação                                                            | 24. Indicador luminoso de registo da divisão (verde) (Consulte a página 17.)                 |

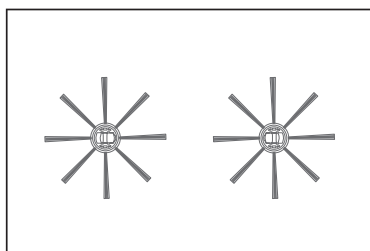
## Controlo remoto



- |                                                          |                                                |
|----------------------------------------------------------|------------------------------------------------|
| 1. Botão DESLIGAR                                        | 5. Botão LIGAR/DESLIGAR som                    |
| 2. Botões de ação                                        | 6. Botão LIGAR/DESLIGAR ventoinha do aspirador |
| 3. Botão Iniciar/Parar                                   | 7. Botão Alterar                               |
| 4. Botão avisador/luminoso do sinalizador de localização | 8. Botão Ponto de partida                      |

## Acessórios padrão

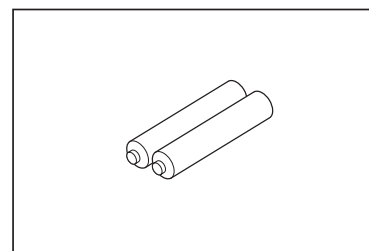
- Escovas laterais (quatro)  
Duas são sobresselentes. Instale duas no aspirador de pó robotizado. (Consulte a página 14.)



- Controlo remoto



- Pilhas secas AAA (duas) \* Especifico do país  
Instale-as no controlo remoto. (Consulte a página 14.)



## Preparar antes de limpar

### Sobre o transporte do aspirador de pó robotizado

#### ⚠ PRECAUÇÃO

Quando transportar o aspirador de pó robotizado, pare o funcionamento, desligue a alimentação e, de seguida, segure bem a pega de transporte para não ficar com as mãos presas.

- Caso contrário, pode ficar com a mão presa na pega.

Mantenha sempre uma posição estável e o equilíbrio ao pegar no aspirador de pó robotizado.

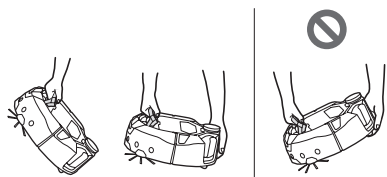
- Caso contrário, pode causar ferimentos ou falhas.

Não pegue no aspirador de pó robotizado de forma descuidada.

- Caso contrário, pode causar ferimentos ou falhas.

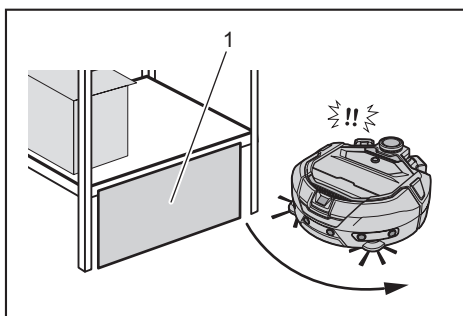
Não segure o aspirador de pó robotizado com a frente virada para baixo.

- O pó pode cair da abertura de sucção.



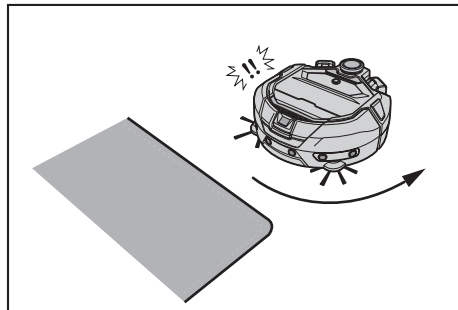
### Sobre a limpeza pelo aspirador de pó robotizado

- O aspirador de pó robotizado deteta obstáculos através do sensor LiDAR e sensor ultrassónico e funciona evitando esses obstáculos. Recolhe e aspira pó com as escovas laterais e a escova principal. Consoante as condições, poderá não reconhecer um obstáculo. Quando atingir um obstáculo, o para-choques deteta o contacto e evita o obstáculo.
- O aspirador de pó robotizado consegue subir um degrau de cerca de 2,0 cm. No entanto, se for inferior a 2,0 cm, dependendo de condições como a forma do degrau, o aspirador de pó robotizado pode não conseguir subi-lo.
- Num declive ou local irregular, a superfície inferior do aspirador de pó robotizado poderá ficar presa e uma roda motriz poderá ficar no ar, o que faz com que o aspirador de pó robotizado pare devido a um erro. Se o aspirador de pó robotizado parar com frequência, não permita que entre nesse local. (Consulte a página 21.)
- Quando existir um obstáculo próximo de uma parede, o aspirador de pó robotizado poderá bater contra a parede ao tentar evitar o obstáculo.
- O sensor LiDAR poderá não ser capaz de reconhecer obstáculos com as seguintes características, o que poderá resultar num mapeamento incorreto ou fazer com que vá de encontro a obstáculos.
  - Obstáculos altamente refletivos, tais como espelhos
  - Obstáculos altamente transparentes, tal como vidro
  - Obstáculos com uma superfície negra e brilhante
  - Obstáculos de reduzidas dimensões, como as pernas de uma mesa ou secretária
- Quando o aspirador de pó robotizado entrar num espaço estreito com uma altura inferior à do aspirador de pó robotizado, pode ficar preso e bloqueado. Nesse caso, coloque uma tela ou algo do género.



- 1. Tape um espaço com uma tela ou algo do género.

- Um piso preto, um piso transparente, tal como um piso de vidro ou áreas pretas nos veios do piso de madeira poderá ser determinado como um degrau pelo aspirador de pó robotizado, algo que tentará evitar.



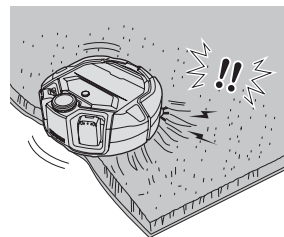
- O aspirador de pó robotizado poderá não conseguir aspirar pó numa área em torno de um degrau que o aspirador de pó robotizado consegue subir, um espaço isolado ou estreito ao qual o aspirador de pó robotizado não consegue aceder ou um local ao qual as escovas laterais não conseguem alcançar.
- O aspirador de pó robotizado poderá afastar um objeto pequeno e rígido, tal como uma pedra pequena.
- O aspirador de pó robotizado poderá subir acidentalmente um degrau se houver um objeto que o ajude a subir (por exemplo, uma tábua ou carpete). Mantenha esses objetos afastados dos degraus.

#### ⚠ PRECAUÇÃO

Não utilize o aspirador de pó robotizado nos seguintes locais.

- Não utilize o aspirador de pó robotizado em locais tais como uma carpete com uma altura de pelo superior a 7 mm, um tapete com pelos que saem facilmente ou um tapete irregular.

Nesse tapete, o aspirador de pó robotizado poderá parar de funcionar, os pelos poderão ficar presos nas escovas laterais ou o tapete ou as escovas laterais poderão ficar danificados. Se o aspirador de pó robotizado não funcionar bem num tapete que não o descrito acima, evite a utilização nesse tapete.



- Não utilize o aspirador de pó robotizado num colchão, cobertor, almofada de chão, etc.
- Não utilize o aspirador de pó robotizado numa área húmida, casa de banho, sótão, exterior, etc.
- Não utilize o aspirador de pó robotizado num local húmido, num local que poderá ficar molhado ou num local quente e húmido.

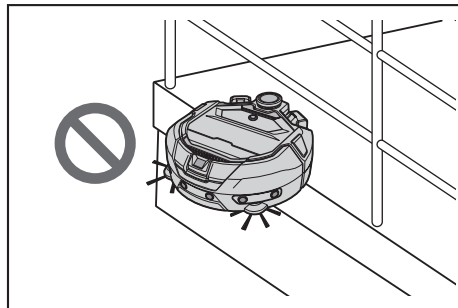
### Para evitar a queda do aspirador de pó robotizado

#### ⚠ AVISO

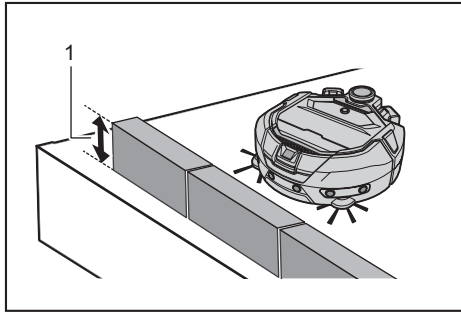
Certifique-se de que o aspirador de pó robotizado não cai.

- Se cair, poderá causar quebras ou ferimentos.

- Não utilize o aspirador de pó robotizado num mezanino, águas furtadas, escadas, local sem paredes ou num local com um declive de 10° ou mais.

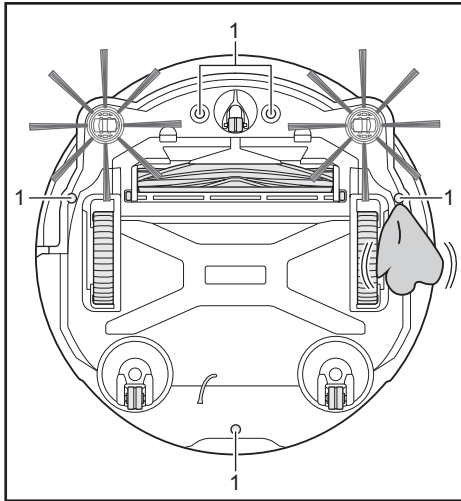


- Num local onde possa ocorrer um acidente ou outra situação perigosa devido a uma queda, coloque um objeto com uma altura de 25 cm ou mais e que possa servir de parede (objeto que não se move nem vira quando atingido pelo aspirador de pó robotizado).



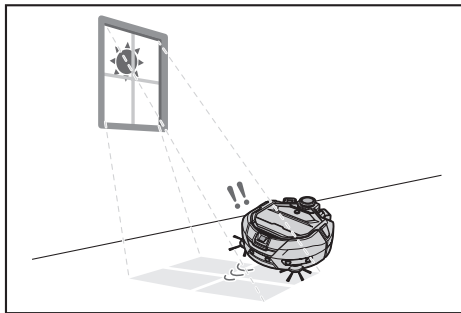
- ▶ 1. Altura de 25 cm ou mais

- Se sujidade ou gotículas de água resultantes da condensação surgirem no sensor de descida na parte inferior do aspirador de pó robotizado, limpe com um pano seco e macio, um cotonete, etc.

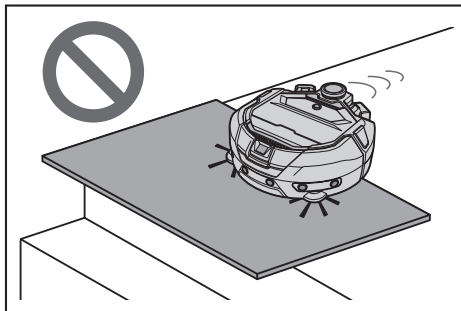


- ▶ 1. Sensor de descida (cinco locais)

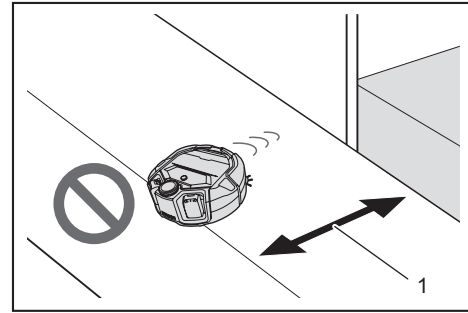
- O aspirador de pó robotizado poderá não funcionar corretamente quando exposto a luz solar ou luz de infravermelhos de outro equipamento. Certifique-se de que o aspirador de pó robotizado não é exposto à luz infravermelha de um aquecedor de halogéneo, controlo remoto, sensor e outro equipamento e à luz solar proveniente de vidro fosco, etc.



- Não utilize quando existirem objetos como carpetes, tapetes ou placas perto de um degrau. Se houver uma tapete, um tapete ou uma placa a cobrir o degrau, o sensor de descida poderá não reconhecer corretamente o degrau.

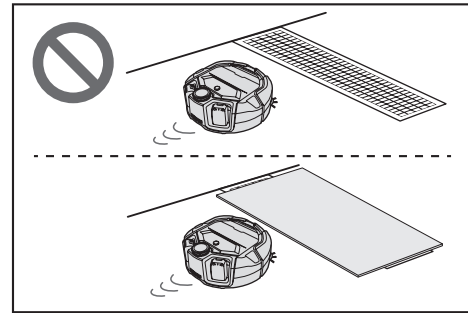


- Num local assim, onde a distância de uma parede a um degrau é inferior a 1 m, o aspirador de pó robotizado poderá cair ao recuar. Não utilize o aspirador de pó robotizado num local onde a distância de uma parede a um degrau é inferior a cerca de 1 m.



- ▶ 1. Inferior a cerca de 1 m

- Quando existe um ralo (cobertura de grade), o sensor de descida poderá reconhecê-lo como um degrau e o aspirador de pó robotizado poderá não conseguir passar sobre o mesmo. Se for necessário passar sobre o mesmo, tape a grade com uma placa ou algo do género.



- Um degrau de cerca de 3,0 cm ou menos poderá não ser reconhecido como um degrau pelo sensor de descida, fazendo com que o aspirador de pó robotizado desça o degrau enquanto se desloca a direita. Quando existe um degrau de cerca de 2,0 a 3,0 cm, evite utilizar o aspirador de pó robotizado.
- Feche quaisquer portas deslizantes, painéis ou janelas porque a diferença de nível das estruturas ou calhas poderá não ser reconhecida como um degrau pelo sensor do para-choques.
- Não utilize o aspirador de pó robotizado numa superfície de piso quebrável, tal como vidro.

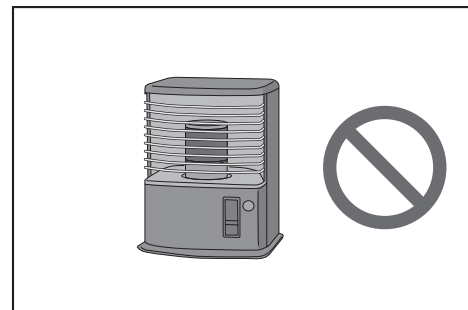
## Arrumar um local para limpar

### ⚠ AVISO

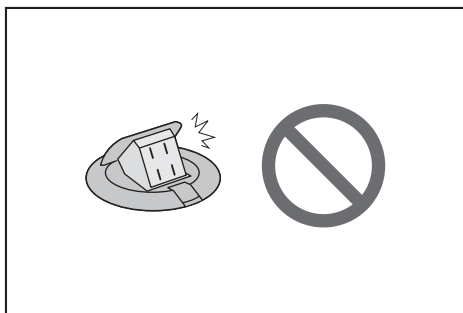
Retire os objetos que poderão causar danos ou um acidente quando o aspirador de pó robotizado entra em contacto com os mesmos. **Guarde os objetos que não devem ser aspirados, objetos que prejudicam o movimento do aspirador de pó robotizado e os objetos que provavelmente vão ficar presos na escova principal, rodas e escovas laterais.**

- Se deixar um objeto que irá obstruir o movimento do aspirador de pó robotizado durante a limpeza, poderá causar um acidente ou ferimentos.

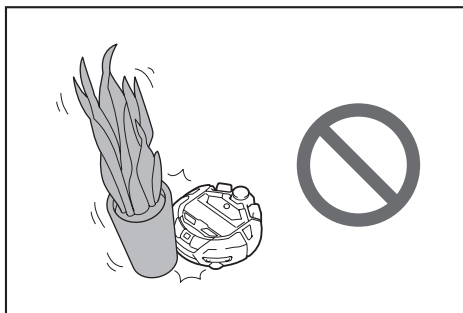
- Não utilize o aspirador de pó robotizado próximo de objetos que fiquem quentes, tais como aparelhos de aquecimento (aquecedor). Caso contrário, pode causar um acidente, deflagração ou falhas. (Não utilize um aparelho de aquecimento durante o funcionamento.)



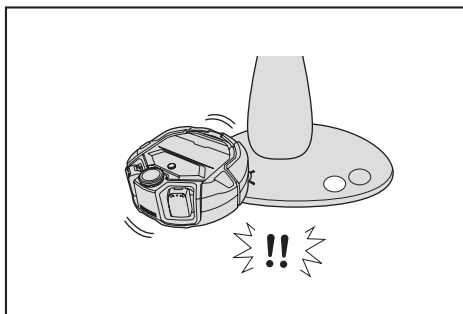
- Não utilize o aspirador de pó robotizado num local equipado com uma tomada retrátil. Uma tomada retrátil deve estar sempre retraída.



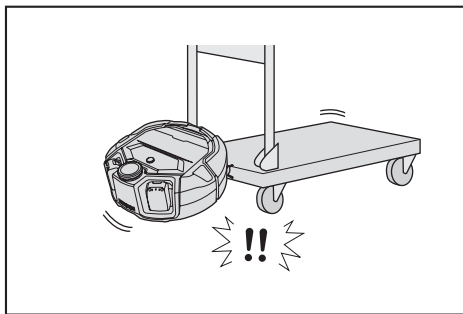
- Para paredes de material frágil (por exemplo, uma parede de barro, um piso decorado ou porta deslizante ou um painel rebatível), coloque objetos que funcionem como uma parede à frente para que não fiquem danificadas.
- Não utilize em locais onde se encontrem objetos instáveis ou objetos que caiam com facilidade. Os objetos instáveis e os objetos que caem facilmente devem ser movidos para outra divisão.



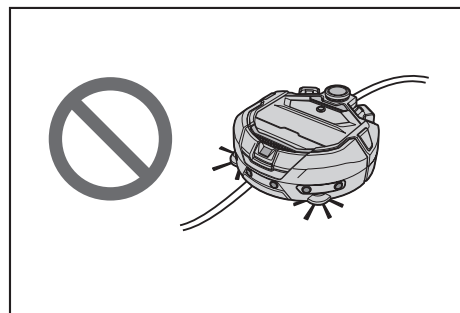
- Retire o equipamento e os dispositivos com um controlador situado no mesmo nível que o aspirador de pó robotizado.



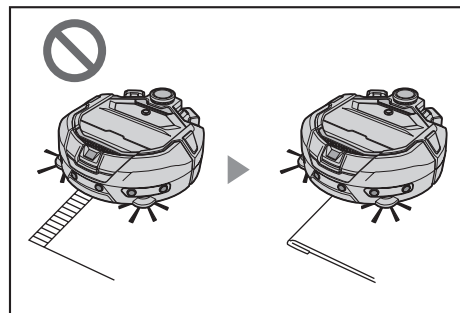
- Retire as velas acesas e os objetos facilmente quebráveis.
- Para objetos com rodízios, tais como uma mala, uma cadeira de rodas e cadeiras leves que se movem facilmente, bloqueie os rodízios ou guarde os objetos.



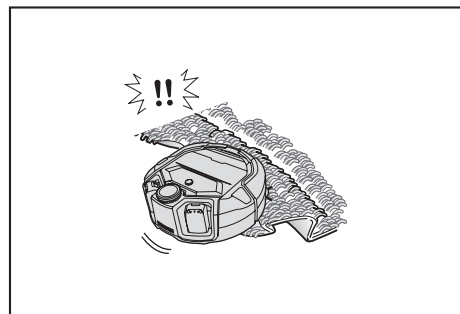
- Não utilize com cabos dispersos que possam ficar presos ou emaranhados. Certifique-se de que os cabos de alimentação estão colocados lado a lado, para que o aspirador de pó robotizado não fique preso nos mesmos.



- Guarde os objetos longos e finos, tais como cabos e cintos.
- Guarde os bens pequenos que são facilmente aspirados e os bens valiosos.
- Guarde os objetos que obstruem a passagem do aspirador de pó robotizado, tal como uma mesa de trabalho, cadeira, ferramenta ou placa.
- Se forem aspirados excrementos de animais ou outros resíduos líquidos, o aspirador de pó robotizado poderá funcionar incorretamente. Limpe-os.
- Certifique-se de que as borlas de um tapete ou outras revestimentos estão arrumados para dentro.



- Eleve a bainha de um cortinado, etc. que fica suspensa junto ao chão. A bainha poderá ficar presa na escova principal, etc.
- Retire os tapetes finos e escorregadios, tais como uma carpete. Os tapetes e as escovas laterais poderão ficar danificados.



- Retire o papel fino e os panos, sacos plásticos, etc.
- Num local que conduza ao exterior, feche as portas para evitar que o aspirador de pó robotizado vá para o exterior. Se as portas não puderem ser fechadas, não utilize o aspirador de pó robotizado. Além disso, feche as portas das divisões nas quais o aspirador de pó robotizado não deve entrar.
- O aspirador de pó robotizado poderá não funcionar corretamente numa superfície de piso escorregadio. Verifique o estado do piso antes da utilização.
- Garanta uma passagem de 80 cm ou mais para a limpeza.

## Preparação para utilização


### Instalar as escovas laterais

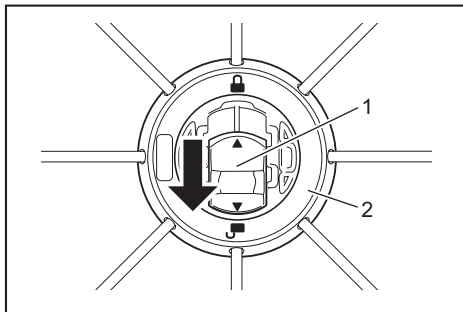
#### ⚠ AVISO

Antes de instalar as escovas laterais, certifique-se de que baterias são retiradas do aspirador de pó robotizado.

- Se uma bateria permanecer no aspirador de pó robotizado, poderão resultar choques elétricos ou ferimentos.

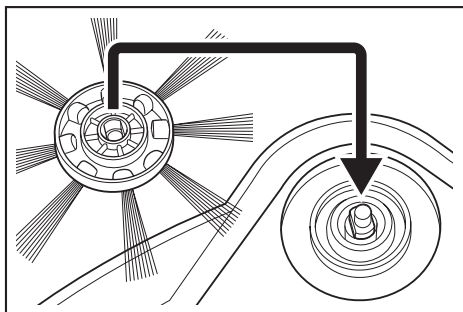
Ao instalar as escovas laterais, coloque um tapete ou algo do género para que o aspirador de pó robotizado e a superfície do piso não fiquem danificados.


1. Vire o aspirador de pó robotizado ao contrário.
2. Deslize a alavanca de bloqueio da escova lateral para  (marca de libertação).

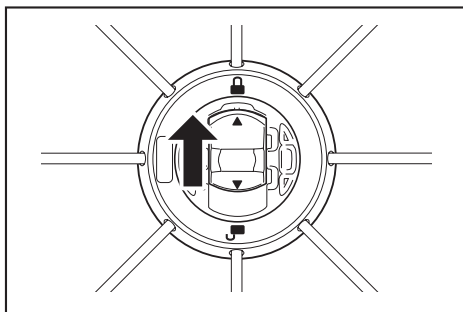


- 1. Alavanca de bloqueio 2. Escova lateral

3. Instale a escova lateral para que o veio na parte inferior do aspirador de pó robotizado encaixe na forma do orifício da escova lateral.



4. Pressione a alavanca de bloqueio da escova lateral para  (marca de bloqueio) até encaixar. (Pressione corretamente até atingir o ponto mostrado no desenho.)
  - Após a instalação, levante ligeiramente a escova lateral para se certificar de que não se separa do aspirador de pó robotizado.
  - Instale duas escovas laterais, uma à esquerda e uma à direita.




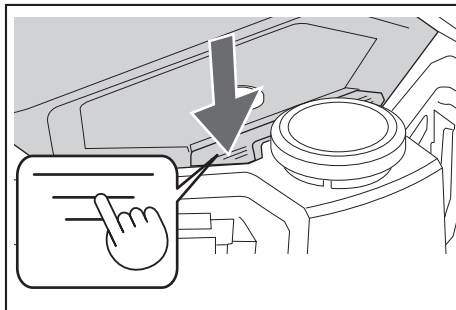
### Desembalar a caixa de poeira

#### ⚠ AVISO

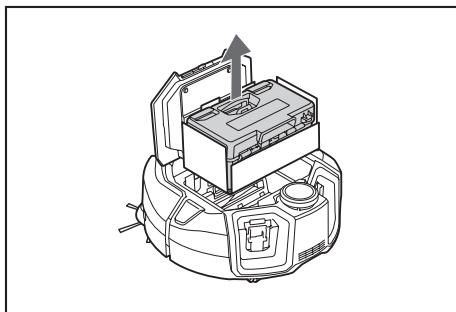
Quando abrir a cobertura superior do aspirador de pó robotizado, certifique-se de que as baterias são retiradas do aspirador de pó robotizado.

- Se uma bateria permanecer no aspirador de pó robotizado, poderão resultar choques elétricos ou ferimentos.

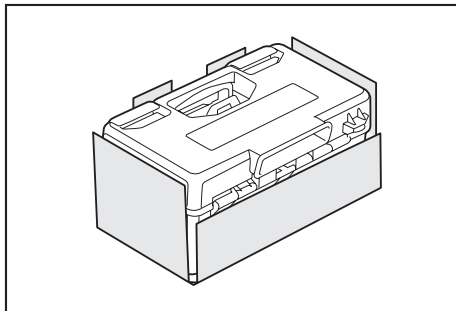
1. Pressione o botão de abertura () para abrir a cobertura superior. Tenha cuidado porque a cobertura superior abre rapidamente.



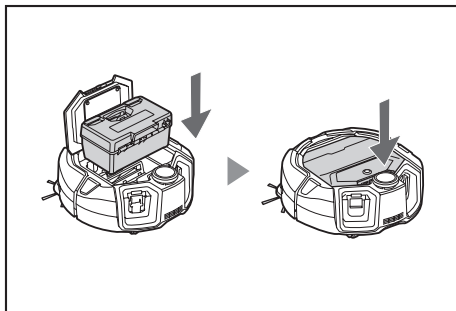
2. Retire a caixa de poeira.



3. Retire o material da embalagem.

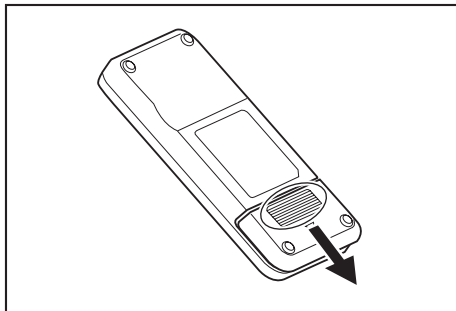


4. Coloque a caixa de poeira novamente no aspirador de pó robotizado e pressione a cobertura superior até ouvir um estalido para fechar. Ao fechar a cobertura superior, tenha cuidado para não ficar com os dedos presos.

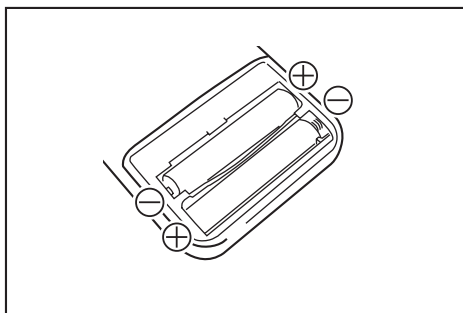


### Instalar pilhas no controlo remoto

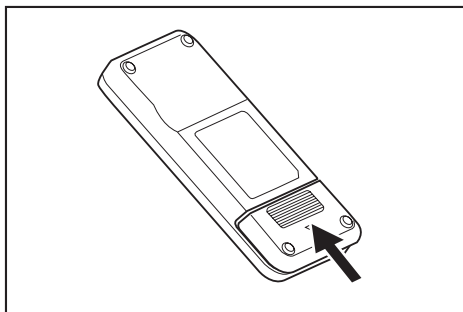
1. Ao premir  na tampa do controlo remoto, deslize a tampa na direção mostrada pela seta e retire-a.



2. Insira as pilhas na direção correta.



3. Instale a tampa.

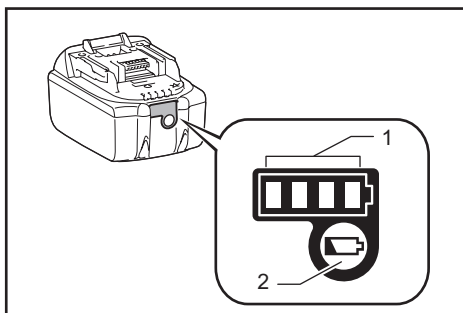


### OBSERVAÇÃO

- Certifique-se de que alinha a polaridade das pilhas corretamente.
- São necessárias duas pilhas secas AAA. As duas pilhas devem ser novas e do mesmo tipo.
- Retire as pilhas quando não as utilizar durante um longo período de tempo para evitar falhas devido a fuga do líquido e rompimento.
- Se a solução numa pilha entrar em contacto com os seus olhos, pele ou roupa, lave imediatamente com água limpa.
- Não sujeite o controlo remoto a choques nem permita que fique molhado. Não o coloque num local sob luz solar direta ou próximo de um aquecedor, etc. Caso contrário, pode causar falhas.

### Indicar a capacidade restante da bateria

Apenas para cartuchos da bateria com o indicador



► 1. Indicadores luminosos 2. Botão de verificação

Prima o botão de verificação no cartucho da bateria para indicar a capacidade restante da bateria. Os indicadores luminosos acendem-se durante alguns segundos.

Indicadores luminosos			Capacidade restante
Aceso	Apagado	Intermitente	
■ ■ ■ ■ ■			75 % a 100 %
■ ■ ■ ■ □			50 % a 75 %
■ ■ □ □ □			25 % a 50 %
■ □ □ □ □			0 % a 25 %
■ □ □ □ □	▬ □ □ □ □		Carregue a bateria.
■ □ □ □ □	□ □ □ □ □	▬ □ □ □ □	A bateria pode ter um problema.

### OBSERVAÇÃO

- Dependendo das condições de utilização e da temperatura ambiente, a indicação poderá diferir ligeiramente da capacidade real.
- O primeiro indicador (mais à esquerda) irá piscar quando o sistema de proteção da bateria estiver em funcionamento.

### Instalar e retirar baterias (vendidas em separado)

- O aspirador de pó robotizado funciona mesmo só com uma bateria.
- Com duas baterias, pode ser utilizado durante um longo período de tempo.

### Como instalar

#### ⚠ AVISO

Uma bateria deve ser inserida ao máximo. Quando a parte vermelha na secção superior do botão for visível, significa que o bloqueio não está completo. Insira por completo uma bateria até a parte vermelha não ser visível.

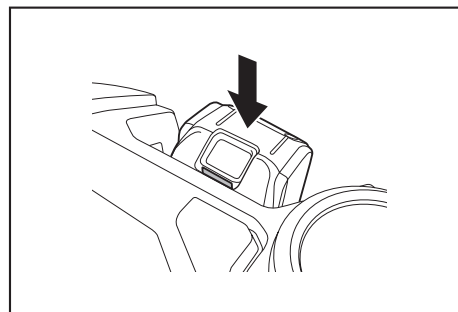
- Se a inserção não for suficiente, a bateria poderá sair, causando um acidente ou falhas.

**Não instale o cartucho da bateria à força.**

- Se o cartucho não deslizar facilmente, não está a ser inserido corretamente.

**Segure bem na ferramenta e no cartucho da bateria ao instalar o cartucho da bateria.**

Insira ao máximo uma bateria ao longo da ranhura do aspirador de pó robotizado. Quando a bateria encaixar por completo, ouve um estalido.



### OBSERVAÇÃO

Ao instalar uma bateria, tenha cuidado para não ficar com os dedos presos entre o aspirador de pó robotizado e a bateria.

### Como retirar

#### ⚠ AVISO

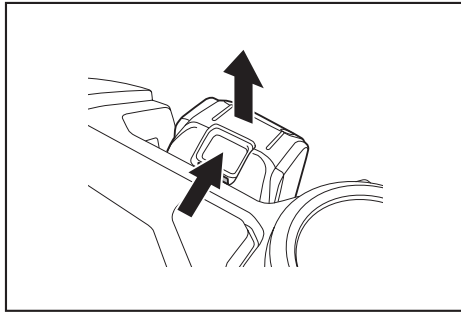
Quando retirar uma bateria, certifique-se de que a alimentação do aspirador de pó robotizado está desligada. Não retire uma bateria quando o aspirador de pó robotizado estiver no estado de espera. (Consulte "Ligar/desligar a alimentação" na página 16.)

- Retirar uma bateria com a alimentação ligada pode causar uma falha.

**Segure bem na ferramenta e no cartucho da bateria ao retirar o cartucho da bateria.**



Eleve a bateria ao utilizar o botão da bateria.

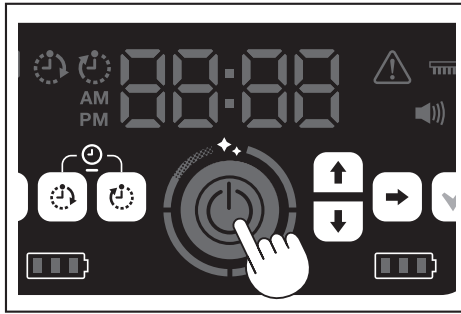


## Ligar/desligar a alimentação

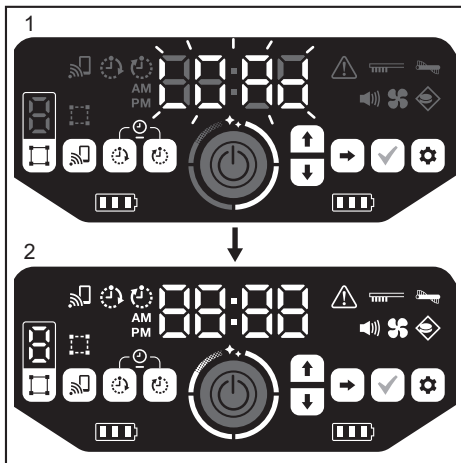
- À medida que a alimentação é ligada, o aspirador de pó robotizado entra no estado de espera. No estado de espera, é possível limpar, alterar definições e estabelecer uma ligação à aplicação.
- Se o aspirador de pó robotizado, controlo remoto ou a aplicação não forem utilizados durante aproximadamente 30 minutos no estado de espera, a alimentação será desligada. (Se a luz de ligação do smartphone acender no caso acima, a alimentação não será desligada.)
- Desligue a alimentação no final da utilização e aquando do armazenamento.
- Quando o aspirador de pó robotizado estiver no estado de suspensão, a comunicação a partir da aplicação não é possível.
- Quando a alimentação do aspirador de pó robotizado estiver desligada, o aspirador de pó robotizado não pode ser utilizado a partir do controlo remoto ou da aplicação.

### Como ligar a alimentação

1. Com a alimentação do aspirador de pó robotizado desligada, prima o botão Iniciar/Parar do aspirador de pó robotizado.



2. Aguarde sem utilizar até o tempo ser apresentado. Quando o aspirador de pó robotizado for utilizado pela primeira vez, é necessário definir a hora primeiro. Defina a hora do dia. (Consulte a página 23.)



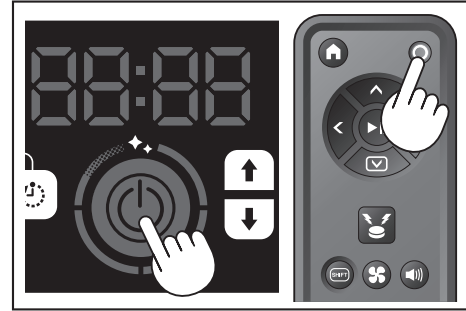
- ▶ 1. [LOAD] pisca no indicador da hora e os quatro indicadores luminosos do nível de limpeza acendem-se e apagam-se no sentido dos ponteiros do relógio. A velocidade de comutação dos indicadores luminosos aumenta à medida que a ativação progride.
- 2. Após todos os indicadores luminosos estarem acesos, a ativação do aspirador de pó robotizado está concluída (estado de espera).

### Como desligar a alimentação

Mantenha o botão Iniciar/Parar do aspirador de pó robotizado premido ou prima o botão DESLIGAR do controlo remoto.

À medida que a alimentação é completamente desligada, o visor e os indicadores luminosos do aspirador de pó robotizado desligam-se. Por isso, aguarde sem retirar as baterias.

Quando terminar a utilização do aspirador de pó robotizado ou ao armazená-lo, desligue a alimentação e retire as baterias.



### OBSERVAÇÃO

Não retire as baterias antes de a alimentação ser completamente desligada (antes do visor e indicadores luminosos se desligarem). As informações do mapa guardadas e o histórico de limpeza poderão ser eliminados.

### Como interpretar o indicador luminoso do nível de carga da bateria do aspirador de pó robotizado

Estado do indicador luminoso do nível de carga da bateria	Capacidade restante da bateria
	Cerca de 60 % ou mais
	Cerca de 20 a 60 %
	Menos de cerca de 20 %
	Sem capacidade restante Sem bateria instalada

A capacidade restante é uma indicação aproximada e pode variar consoante as condições de funcionamento, temperatura ambiente, tipo de bateria e consumo da carga da bateria.

### O que configurar antes de limpar

Antes da limpeza, efetue definições para o aspirador de pó robotizado, conforme necessário.

### Ligar/desligar a ventoinha do aspirador

Em caso de limpeza apenas pó em grandes quantidades e visível, desligar a ventoinha do aspirador permite um tempo de funcionamento mais longo. Para saber como ligar/desligar a ventoinha do aspirador, consulte a página 19.

### Ligar/desligar a definição de som

Quando a definição de som do aspirador de pó robotizado estiver desativada, o aspirador de pó robotizado limpa silenciosamente. (Consulte a página 23.)

### Definir a função de deteção de limites

Com a função de deteção de limites ativada, o aspirador de pó robotizado reconhece a linha de limite magnético numa superfície de piso. A linha de limite magnético funciona como uma linha de limite e o aspirador de pó robotizado não vai além da linha de limite magnético; ou seja, a área de funcionamento pode ser limitada. Para saber como definir a função de deteção de limites, consulte a página 21.

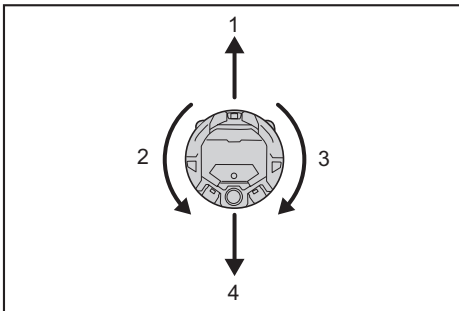
## Como utilizar

### Limpar

- O aspirador de pó robotizado funciona de três formas:
  - modo de limpeza livre, que não exige registo de mapa,
  - modo de limpeza por mapeamento (consulte "Limpar uma divisão sem mapeamento" nesta página), que exige o registo das informações da divisão para limpeza, e
  - funcionamento manual utilizando o controlo remoto.
- O modo de limpeza livre é recomendado para limpeza em várias divisões ou num ambiente que envolva alterações frequentes e significativas na disposição.
- Para uma divisão que não possa ser devidamente iluminada aquando do mapeamento, utilize o modo de limpeza livre.
- Se a carga restante da bateria do aspirador de pó robotizado for reduzida, o aspirador de pó robotizado suspende a limpeza e regressa ao local onde a limpeza iniciou.

### Limpar uma divisão com o controlo remoto

O aspirador de pó robotizado pode ser utilizado para limpeza premindo os botões de ação do controlo remoto.



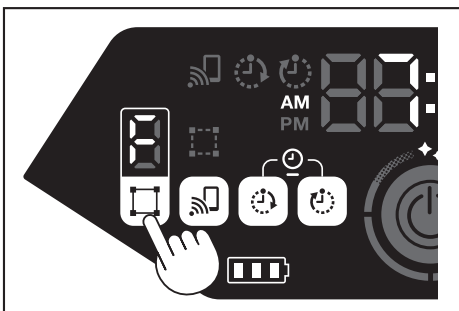
- Avançar: prima
- Virar à esquerda: prima
- Virar à direita: prima
- Recuar: enquanto mantém premido, prima

### OBSERVAÇÃO

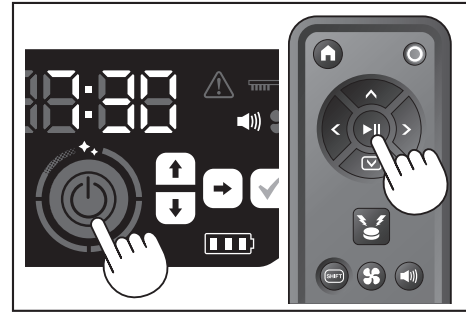
- Não utilize o aspirador de pó robotizado num espaço estreito ou irregular.
- Ao utilizar o aspirador de pó robotizado com o controlo remoto, tenha cuidado para evitar colisões ou quedas.
- Se houver um obstáculo à frente do aspirador de pó robotizado, o aspirador de pó robotizado recua para o evitar.

### Limpar uma divisão sem mapeamento (modo de limpeza livre)

- Coloque o aspirador de pó robotizado junto a uma parede do local que pretende limpar.
- Coloque o aspirador de pó robotizado no estado de espera. (Consulte a página 16.)
- Prima o botão de comutação do modo para seleccionar [F] (modo de limpeza livre). Sempre que o botão de comutação do modo for premido, o carácter apresentado é alterado pela ordem "F, 1, 2, 3, 4, 5, F, ..." (cada número representa um número de divisão).



- Quando o botão Iniciar/Parar é premido, o aspirador de pó robotizado produz um som e inicia a limpeza. (Quando a definição de som está ativa)



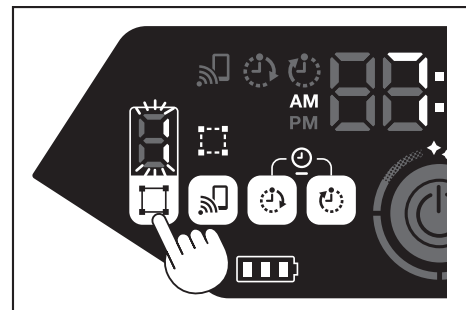
- Quando o aspirador de pó robotizado determinar que a limpeza está concluída, regressa ao local onde iniciou a limpeza.
  - Quando a definição de som está ativa, a conclusão da limpeza é indicada por um som. (Consulte a página 23.)
  - O aspirador de pó robotizado calcula a sua posição utilizando o sensor LiDAR e o sensor da câmara. Para o sensor da câmara funcionar por completo, é aconselhável tornar a divisão mais clara para a limpeza. Se a divisão estiver escura, o aspirador de pó robotizado poderá não conseguir limpar alguma área ou poderá não conseguir regressar ao local onde iniciou a limpeza.

### Limpar uma divisão sem mapeamento

#### Registrar informações da divisão (mapeamento)

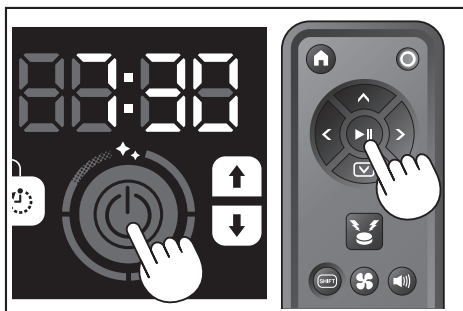
- Quando as divisões a limpar já estiverem determinadas, o registo das informações da divisão (registo das informações de mapeamento) no aspirador de pó robotizado permite uma limpeza mais eficiente. Após a conclusão do mapeamento, é possível verificar o resultado da limpeza e definir as áreas proibidas a partir da aplicação.
- O número de divisões que pode ser registado é cinco.
- Torne a divisão mais clara durante o mapeamento.
- Mantenha-se afastado do aspirador de pó robotizado durante o mapeamento.
- Não pegue no aspirador de pó robotizado durante o mapeamento.
- O mapeamento falha se houver obstáculos com uma altura de 25 cm ou mais num raio de cerca de 11 m do aspirador de pó robotizado. Neste caso, é aconselhável limpar no modo de limpeza livre. (Consulte "Limpar uma divisão sem mapeamento (modo de limpeza livre)" nesta página)

- Coloque o aspirador de pó robotizado no local a partir do qual pretende que o aspirador de pó robotizado inicie a limpeza.
  - Este local de partida será um local para o início da limpeza.
  - É aconselhável definir um local de partida próximo de uma parede, um canto da divisão ou outro ponto que seja fácil de identificar.
  - Mantenha uma distância de cerca de 30 cm de uma parede.
- Coloque o aspirador de pó robotizado no estado de espera. (Consulte a página 16.)
- Selecione um número de divisão não mapeada premindo o botão de comutação do modo.
  - [F] é o modo de limpeza livre. (Consulte "Limpar uma divisão sem mapeamento (modo de limpeza livre)" nesta página.)
  - Os números das divisões não mapeadas serão apresentados a piscar e o indicador luminoso de registo da divisão estará aceso.
  - Os números das divisões mapeadas serão apresentados acesos e o indicador luminoso de registo da divisão estará apagado.



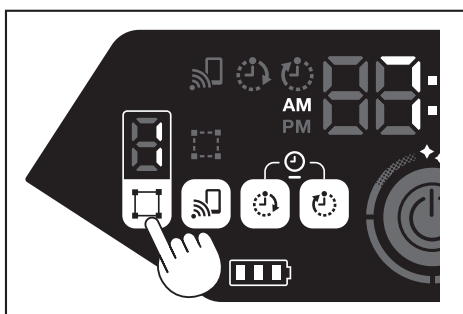
- Quando o botão Iniciar/Parar é premido, o aspirador de pó robotizado inicia o mapeamento. Após o mapeamento, o aspirador de pó robotizado regressa ao local de início de mapeamento (ponto de partida da limpeza) e, de seguida, conclui o registo da divisão.
  - Aquando da conclusão do mapeamento, o aspirador de pó robotizado entra no estado de espera. Poderá demorar algum tempo até o aspirador de pó robotizado entrar no estado de espera. Neste caso, não desligue a alimentação.
  - Quando a definição de som está ativa, a conclusão do mapeamento é indicada por um som.

- Se o mapeamento não for bem sucedido, adicione as informações de mapeamento manualmente utilizando a aplicação. (Consulte a página 41.)

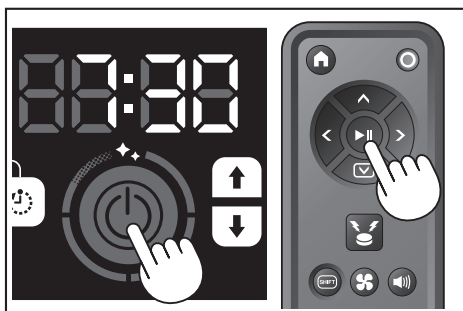


### Limpar divisões mapeadas

- No modo de limpeza por mapeamento, o aspirador de pó robotizado funciona de forma a que as divisões mapeadas sejam limpas mais eficientemente.
  - A utilização do modo de limpeza por mapeamento exige o registo das informações de mapeamento. (Consulte "Limpar uma divisão sem mapeamento" na página 17.)
1. Coloque o aspirador de pó robotizado no ponto de partida para o mapeamento.  
Coloque o aspirador de pó robotizado na orientação que estava aquando do início do mapeamento. Isto permite ao aspirador de pó robotizado iniciar a limpeza mais suavemente.
  2. Coloque o aspirador de pó robotizado no estado de espera. (Consulte a página 16.)
  3. Selecione um número de divisão mapeada premindo o botão de comutação do modo.
    - [F] é o modo de limpeza livre. (Consulte a página 17.)
    - Os números das divisões não mapeadas serão apresentados a piscar e o indicador luminoso de registo da divisão estará aceso.
    - Os números das divisões mapeadas serão apresentados acesos e o indicador luminoso de registo da divisão estará apagado.



4. Prima o botão Iniciar/Parar para iniciar a limpeza.



5. À medida que a limpeza termina, o aspirador de pó robotizado regressa ao local onde iniciou a limpeza.
  - O indicador luminoso do nível de limpeza indica a proporção da divisão inteira que foi limpa.
  - Quando a definição de som está ativa, a conclusão da limpeza é indicada por um som. (Consulte a página 23.)
  - Se a área de limpeza pretendida for demasiado ampla para limpar de uma só vez, é aconselhável utilizar a definição [Limpeza contínua]. (Consulte a página 44.)

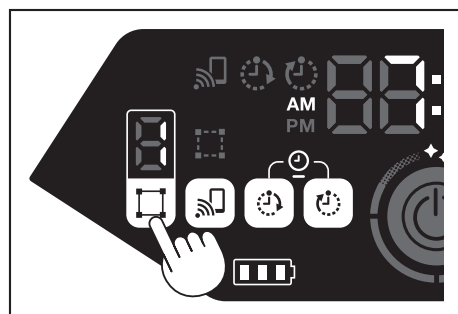
### Como interpretar o indicador luminoso do nível de limpeza

O indicador luminoso do nível de limpeza informa-o da percentagem de área limpa na área da superfície da divisão mapeada.

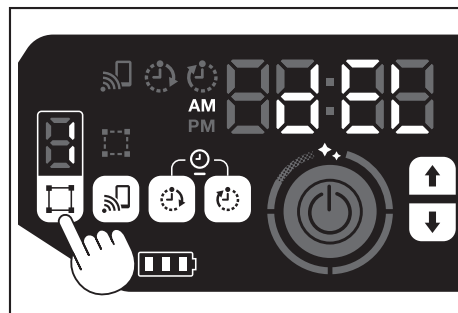
Estado do indicador luminoso do nível de limpeza	Percentagem da área de limpeza concluída
	90 % ou mais
	75 % a menos de 90 %
	50 % a menos de 75 %
	25 % a menos de 50 %

### Eliminar informações de mapeamento

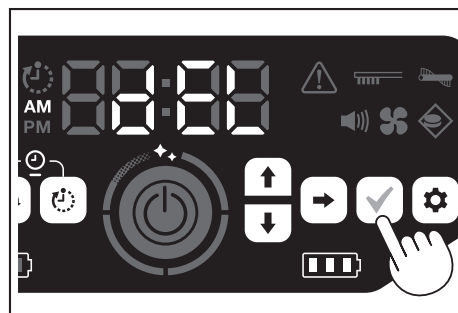
1. Coloque o aspirador de pó robotizado no estado de espera. (Consulte a página 16.)
2. Selecione o número de divisão para o qual pretende eliminar as informações de mapeamento premindo o botão de comutação do modo.
  - Sempre que o botão de comutação do modo for premido, o número de divisão é alterado pela ordem "F, 1, 2, 3, 4, 5, F, ...". (Para [F], a eliminação das informações de mapeamento não é possível uma vez que [F] é o modo de limpeza livre.)
  - O número de uma divisão mapeada irá acender no visor.



3. Quando o botão de comutação do modo é mantido premido, [dEL] é mostrado durante cerca de 10 segundos no indicador da hora.



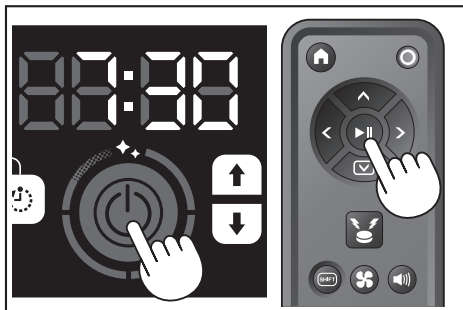
4. Prima o botão Confirmação enquanto [dEL] é mostrado.



- Se o botão Confirmação não for premido enquanto [dEL], o aspirador de pó robotizado regressa ao estado de espera.
- Quando as informações de mapeamento são eliminadas, o número da divisão selecionada irá piscar e ficar não registado.

## Suspender ou terminar a limpeza

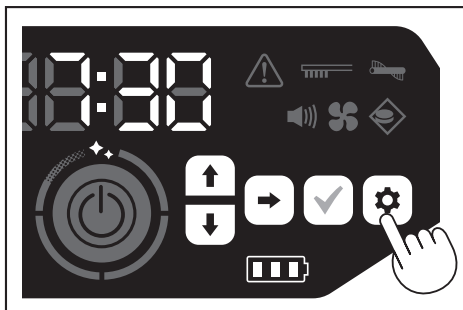
1. Se o botão Iniciar/Parar for premido durante o funcionamento, o aspirador de pó robotizado para temporariamente.  
Se o botão Iniciar/Parar for novamente premido, o aspirador de pó robotizado inicia novamente o funcionamento no mesmo modo que estava antes de parar.



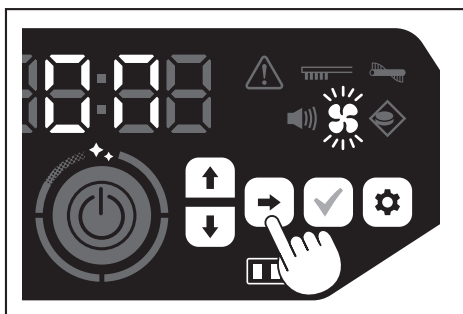
2. Para parar a limpeza a meio, prima o botão Ponto de partida do controlo remoto quando o aspirador de pó robotizado está em funcionamento ou num estado de paragem temporária. O aspirador de pó robotizado regressa ao local onde iniciou a limpeza e, de seguida, entra no estado de espera.
  - Para parar a limpeza imediatamente, prima o botão de comutação do modo enquanto o aspirador de pó robotizado está num estado de paragem temporária. De seguida, o aspirador de pó robotizado entra no estado de espera.
  - Quando a limpeza é terminada sem regresso ao ponto de partida, o histórico de limpeza poderá não ser guardado corretamente.

## Ligar/desligar a ventoinha do aspirador

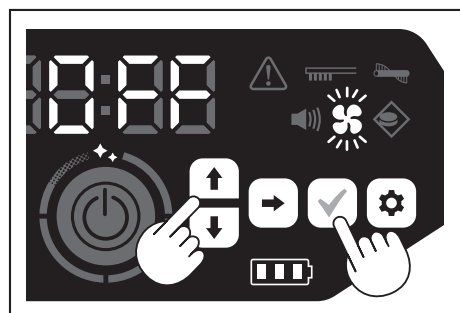
- Ao limpar apenas pó em grandes quantidades e visível, desligar a ventoinha do aspirador permite um tempo de funcionamento com o dobro da autonomia.
  - A ventoinha do aspirador também pode ser definida a partir do controlo remoto ou da aplicação. (Consulte "Ligar/desligar a ventoinha do aspirador" nesta página e "Controlar o aspirador de pó robotizado com a aplicação" na página 38.)
1. Com o aspirador de pó robotizado definido para o estado de espera, prima o botão Definições para aceder ao modo de seleção de definição.



2. Prima o botão Seguinte para fazer o indicador luminoso da ventoinha do aspirador piscar.



3. Os botões Para cima/Para baixo podem ser utilizados para alternar entre Ativar e Desativar. Após selecionar Ativar ou Desativar, prima o botão Confirmação para finalizar a definição.
  - Ativar: o indicador luminoso da ventoinha do aspirador acende-se.
  - Desativar: o indicador luminoso da ventoinha do aspirador apaga-se.



### OBSERVAÇÃO

Com a definição da ventoinha do aspirador, o indicador luminoso de manutenção do filtro não acende mesmo quando o filtro está entupido.

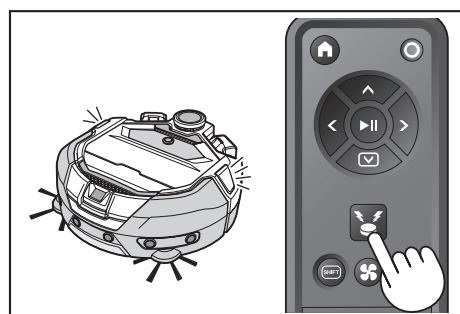
## Ligar/desligar a ventoinha do aspirador com o controlo remoto

Com o aspirador de pó robotizado definido para o estado de espera, a ventoinha do aspirador pode ser ligada ou desligada premindo o botão LIGAR/DESLIGAR ventoinha do aspirador do controlo remoto.

Mesmo durante a limpeza, a ventoinha pode ser ligada ou desligada a partir do controlo remoto.

## Utilizar a função do sinalizador de localização

- O aspirador de pó robotizado notifica relativamente à sua própria localização com um som do avisador e luz. Esta função é utilizada quando o aspirador de pó robotizado não pode ser encontrado porque está a limpar uma área ampla ou entrou num local onde não é possível encontrar.
- Quando prime o botão avisador/luminoso do sinalizador de localização do controlo remoto, um avisador soa durante cerca de 10 segundos, com o LED de posição a piscar.
- Para parar a função do sinalizador de localização a meio, prima novamente o botão avisador/luminoso do sinalizador de localização.



### OBSERVAÇÃO

- A função do sinalizador de localização não pode ser utilizada nos seguintes casos.
  - Quando a alimentação do aspirador de pó robotizado está desligada.
  - Quando a capacidade da bateria está esgotada.
  - Quando o aspirador de pó robotizado se encontra numa posição onde as ondas de rádio não chegam.
  - Quando as pilhas no controlo remoto estão gastas.
- Apesar de a função do sinalizador de localização também poder ser utilizada a partir da aplicação, o seu smartphone e o aspirador de pó robotizado tem de ser ligado previamente. Quando o aspirador de pó robotizado está no estado de suspensão, a função não pode ser utilizada a partir da aplicação.

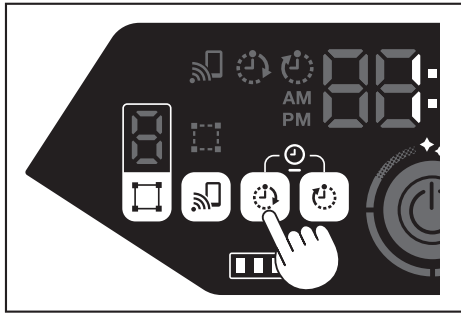
## Utilizar temporizador LIGADO/temporizador DESLIGADO

O temporizador LIGADO e o temporizador DESLIGADO podem ser utilizados simultaneamente.

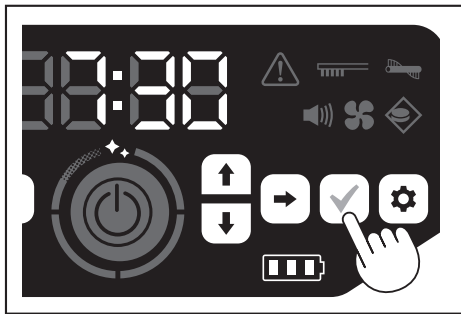
### Definir o temporizador LIGADO

Quando chega a uma hora pré-selecionada, o aspirador de pó robotizado inicia a limpeza no modo de limpeza selecionado. Antes de definir o temporizador, defina a hora do dia. (Consulte a página 23.)

1. Coloque o aspirador de pó robotizado no estado de espera. (Consulte a página 16.)
2. Mantenha o botão de temporizador LIGADO premido para alterar a definição da hora do temporizador LIGADO.
  - O procedimento de alteração é igual ao procedimento de definição da hora (Consulte a página 23).
  - O temporizador LIGADO pode ser configurado em incrementos de 10 minutos.

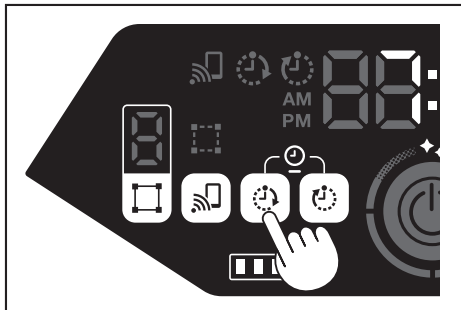


3. Prima o botão Confirmação para finalizar a hora do dia.



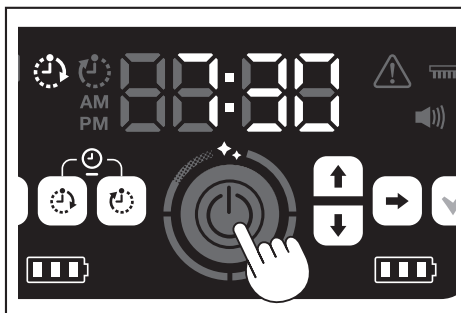
### Utilizar o temporizador LIGADO

1. Prima o botão de temporizador LIGADO para ativar a função de temporizador LIGADO. O indicador luminoso de temporizador LIGADO acende-se e a hora definida pisca duas vezes.
  - Para cancelar a função do temporizador LIGADO, prima novamente o botão de temporizador LIGADO para desligar o indicador luminoso de temporizador LIGADO.



2. Selecione o modo de funcionamento do aspirador de pó robotizado. (Consulte as páginas 17 e 18.)
3. Quando prime o botão Iniciar/Parar, a limpeza através da função do temporizador LIGADO é reservada. (Estado de suspensão)
 

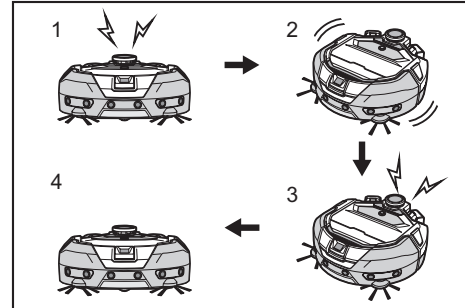
Para cancelar a função do temporizador LIGADO no estado de suspensão, prima novamente o botão Iniciar/Parar para colocar o aspirador de pó robotizado no estado de espera. Para ver a hora definida após a reserva, prima qualquer botão exceto o botão Iniciar/Parar. De seguida, a hora definida irá acender durante 3 segundos.



### OBSERVAÇÃO

- As informações reservadas são canceladas quando a alimentação é desligada ou a capacidade restante da bateria é completamente perdida.

- Quando as baterias estão fracas, o aspirador de pó robotizado não consegue aguardar pelo funcionamento através da reserva do temporizador LIGADO. Para o funcionamento através da reserva do temporizador LIGADO, é aconselhável colocar as baterias à carga máxima.
- O funcionamento através da reserva do temporizador LIGADO não é possível quando a alimentação está desligada.
- Quando o temporizador LIGADO está definido, a hora operável será ligeiramente reduzida porque o aspirador de pó robotizado consome a bateria durante o estado de suspensão.
- Exemplo de utilização: defina o aspirador de pó robotizado para limpar automaticamente de manhã. (Defina o temporizador LIGADO para as 7:30 e o temporizador DESLIGADO para as 9:00.)



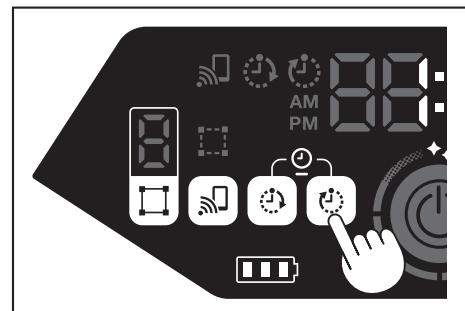
- 1. Inicia às 7:30. (Temporizador LIGADO) 2. Limpar 3. Termina a limpeza às 9:00. (Temporizador DESLIGADO) 4. Regressa ao ponto de partida.

- Durante o ajuste das horas/minutos, manter os botões Para cima/Para baixo premidos resulta na alteração rápida das horas/minutos.
- Quando a definição da hora do temporizador já estiver concluída, só tem de seguir o procedimento para "Utilizar o temporizador LIGADO" nesta página.

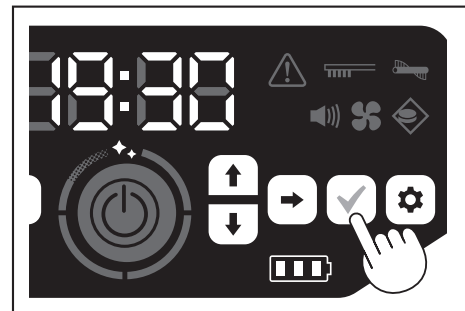
### Definir o temporizador DESLIGADO

Uma vez que uma hora pré-selecionada surge após o início da limpeza, o aspirador de pó robotizado termina a limpeza e regressa ao ponto de partida. Antes de definir o temporizador, defina a hora do dia. (Consulte a página 23.)

1. Coloque o aspirador de pó robotizado no estado de espera. (Consulte a página 16.)
2. Mantenha o botão de temporizador DESLIGADO premido para alterar a definição da hora do temporizador DESLIGADO.
  - O procedimento de alteração é igual ao procedimento de definição da hora (Consulte a página 23).
  - O temporizador DESLIGADO pode ser configurado em incrementos de 10 minutos.



3. Prima o botão Confirmação para finalizar a hora do dia.

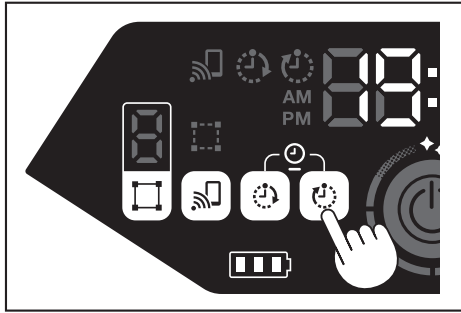


### Utilizar o temporizador DESLIGADO

Prima o botão de temporizador DESLIGADO para ativar a função de temporizador DESLIGADO. O indicador luminoso de temporizador DESLIGADO acende-se e a hora definida pisca duas vezes.

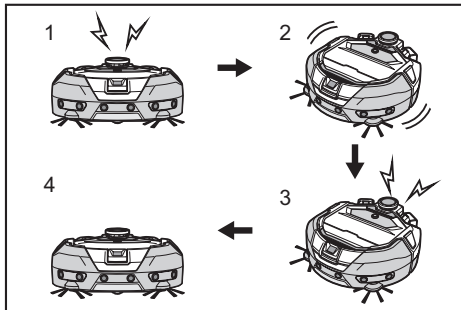
- Para iniciar imediatamente a limpeza e utilizar o temporizador DESLIGADO, selecione o modo de limpeza e inicie a mesma.
- Para utilizar o temporizador DESLIGADO em combinação com o temporizador LIGADO, consulte a página 19.

- Para cancelar o temporizador DESLIGADO, prima novamente o botão de temporizador DESLIGADO quando o aspirador de pó robotizado estiver no estado de espera.



### OBSERVAÇÃO

- A definição de temporizador DESLIGADO é desativada quando a alimentação é desligada ou a capacidade restante da bateria é completamente perdida.
- Quando a capacidade restante da bateria for fraca, o aspirador de pó robotizado poderá parar de funcionar antes da hora definida do temporizador DESLIGADO.
- Dependendo do ambiente de limpeza, pode demorar algum tempo até o aspirador de pó robotizado regressar ao ponto de partida. Neste caso, defina uma hora anterior para o temporizador DESLIGADO.
- Exemplo de utilização: defina o aspirador de pó robotizado para limpar automaticamente apenas durante 30 minutos ao fim da tarde. (Defina o temporizador LIGADO para as 19:00 e o temporizador DESLIGADO para as 19:30.)



- ▶ 1. Inicia às 19:00. (Temporizador LIGADO) 2. Limpeza 3. Termina a limpeza às 19:30. (Temporizador DESLIGADO) 4. Regressa ao ponto de partida.
- Ao ajustar as horas/minutos, manter os botões Para cima/Para baixo premidos resulta na alteração rápida das horas/minutos.
- Quando a definição da hora do temporizador já estiver concluída, só tem de seguir o procedimento para "Utilizar o temporizador DESLIGADO" na página 20.

## Controlar o alcance de limpeza

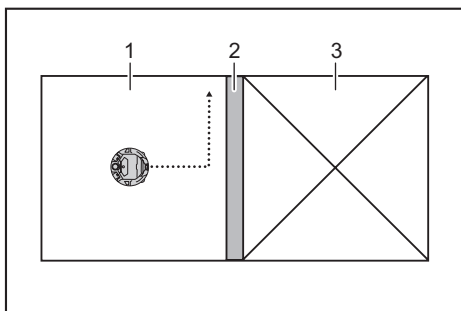
### AVISO

**Não utilize a linha de limite magnético como uma linha de limite de uma área onde um acidente possa ocorrer devido a uma intrusão ou queda.**

- Caso contrário, pode causar um acidente ou ferimentos devido a uma intrusão ou queda do aspirador de pó robotizado.

**Para uma área com um risco de intrusão ou queda do aspirador de pó robotizado, coloque um objeto a servir de parede com uma altura de 25 cm ou mais (um objeto que não se mova nem caia quando atingido pelo aspirador de pó robotizado) numa superfície plana.**

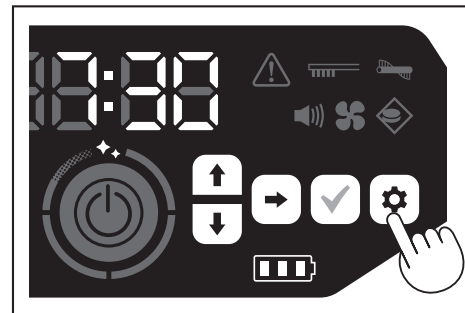
- O alcance de limpeza pode ser limitado instalando uma linha de limite magnético (vendida em separado) na superfície de um piso para criar uma linha de limite. O aspirador de pó robotizado deteta e evita a linha de limite magnético.
- Defina o alcance de limpeza para o aspirador de pó robotizado nos seguintes casos.



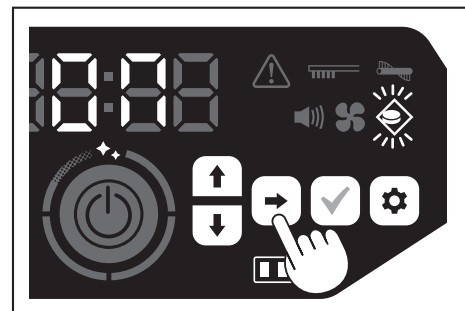
- ▶ 1. Área de limpeza 2. Linha de limite magnético 3. Área na qual não pretende que o aspirador de pó robotizado funcione

- Quando pretender dividir um espaço demasiado grande para limpar de uma só vez em várias áreas.
- Quando houver uma área na qual não pretende que o aspirador de pó robotizado entre.
- Quando houver uma área na qual o aspirador de pó robotizado consegue entrar mas não consegue sair.
- Quando o aspirador de pó robotizado subir um pequeno degrau mas cair do mesmo.
- Quando o aspirador de pó robotizado ficar preso a meio de um degrau.

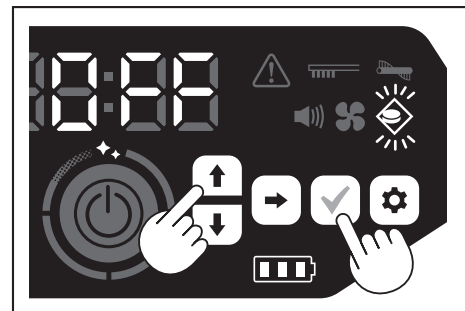
- Coloque a linha de limite magnético com os seguintes pontos em mente.
  - Certifique-se de que coloca a linha de limite magnético sem qualquer espaço entre a linha e a superfície do piso.
  - Coloque a linha de limite magnético a cerca de 15 cm da área na qual não pretende que o aspirador de pó robotizado entre.
  - Coloque a linha de limite magnético numa superfície do piso o mais plana possível para que não fique instável. Caso contrário, pode fazer com que o aspirador de pó robotizado desloque a linha e não reconheça a linha corretamente.
  - O aspirador de pó robotizado poderá não reconhecer uma linha de limite magnético colocada numa superfície côncava ou com degraus.
  - Certifique-se de que a linha de limite magnético é um produto genuíno. Se não for um produto genuíno, o desempenho e a segurança não podem ser garantidos.
  - Algumas superfícies de piso poderão ficar sujas. Verifique corretamente a adequação antes da utilização.
  - Dependendo da superfície do piso e do ambiente de funcionamento, é provável que o sensor de ímã para a deteção de limite não reconheça a linha de limite magnético ou que a linha de limite magnético fique suja ou rasgada. Verifique corretamente a adequação antes da utilização.
- Com o aspirador de pó robotizado definido para o estado de espera, prima o botão Definições para aceder ao modo de seleção de definição.



- Prima o botão Seguinte para fazer o indicador luminoso de deteção de limites piscar.



- Os botões Para cima/Para baixo podem ser utilizados para alternar entre Ativar e Desativar. Após selecionar Ativar ou Desativar, prima o botão Confirmação para finalizar a definição.
  - Ativar: o indicador luminoso de deteção de limites acende-se.
  - Desativar: o indicador luminoso de deteção de limites apaga-se.



### OBSERVAÇÃO

- A função de deteção de limites baseia-se no reconhecimento da linha de limite magnético por um sensor magnético. Se ocorrer um rasgão, uma elevação, etc. na linha de limite magnético, a linha poderá não ser reconhecida.
- Inspeccione regularmente por rasgões, desvio posicional e outros problemas da linha de limite magnético. Se houver um problema, tais como rasgões, substitua a linha por uma linha nova.

- A função de detecção de limites poderá ativar-se próximo de um objeto magnético. Quando não pretender que a função de detecção de limites funcione, desative a função de detecção de limites.
- Num local com entrada e saída frequentes de pessoas e objetos, a linha de limite magnético é pisada e danificada. Se a linha deteriorar, substitua por uma linha nova.
- Dependendo do material do piso, é aconselhável colocar a linha de limite magnético no piso porque o aspirador de pó robotizado poderá mover a linha de limite magnético ao detetá-la.
- A linha de limite magnético pode ser cortada com tesouras.

## Como instalar, retirar e utilizar itens vendidos em separado

Consulte as páginas listadas abaixo para saber como instalar, retirar e utilizar itens vendidos em separado.

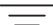
Itens vendidos em separado	Página de referência	Observações
Linha de limite magnético	21	–
Escova principal Escova principal suave	26	O procedimento de manuseamento é igual ao da escova principal fornecida.
Filtro HEPA	25	Igual ao filtro HEPA fornecido.
Escova lateral Escova lateral suave	26	O procedimento de manuseamento é igual ao das escovas laterais fornecidas.
Bateria	15	–
Cobertura da escova principal	26	Igual à cobertura da escova principal fornecida.
Almofada do para-choques	–	Uma almofada anti-riscos a instalar no aspirador de pó robotizado para proteger os objetos.

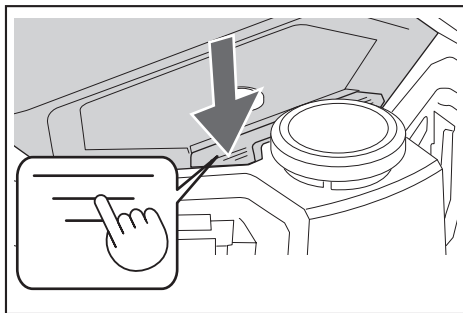
## Como eliminar o lixo

### ⚠ AVISO

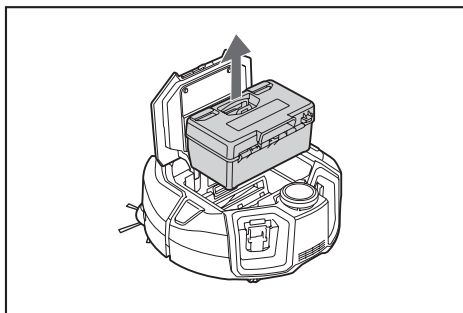
**Certifique-se de que desliga a alimentação e de que retira as baterias do aspirador de pó robotizado antes de abrir a cobertura superior do aspirador de pó robotizado.**

- Se uma bateria permanecer no aspirador de pó robotizado, poderão resultar choques elétricos ou ferimentos.

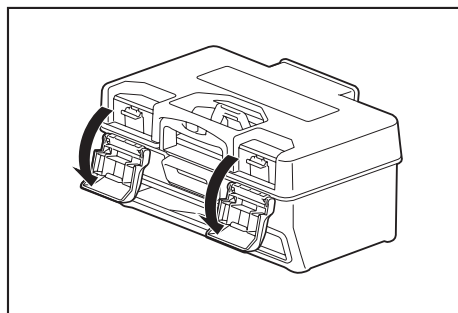
1. Premir o botão de abertura (  ) abre a cobertura superior. Tenha cuidado porque a cobertura superior abre rapidamente.



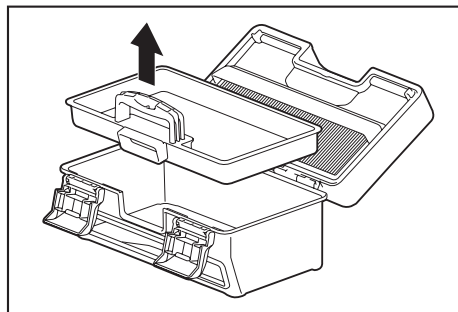
2. Retire a caixa de poeira.  
Não segure a caixa de poeira com a abertura virada para baixo. Caso contrário, pode fazer com que o pó caia da abertura.



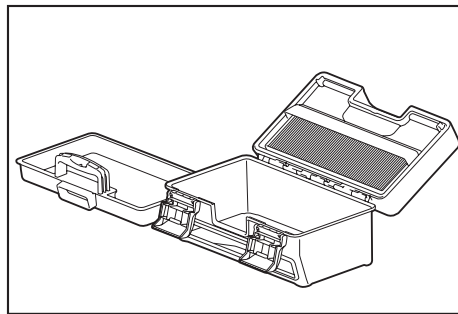
3. Solte as duas peças bloqueadas para abrir a cobertura superior.



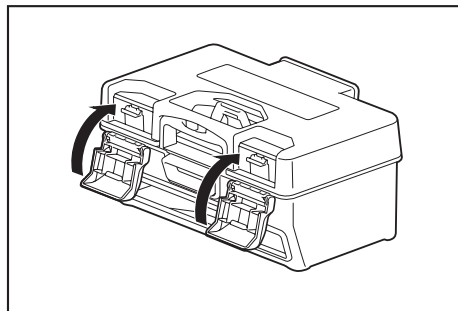
4. Retire o recipiente de pó.  
Tenha cuidado para não abrir a cobertura superior no lado do filtro.



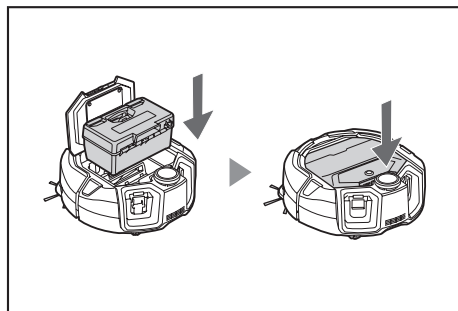
5. Elimine o lixo no recipiente de pó e caixa de poeira e, de seguida, retire a sujidade e o pó no filtro.  
Se o filtro estiver demasiado sujo, retire o filtro e lave-o com água. (Consulte a página 25.)



6. Coloque novamente o recipiente de pó na caixa de poeira. De seguida, feche a cobertura superior e bloqueie as duas peças de fecho.



7. Coloque a caixa de poeira novamente no aspirador de pó robotizado e pressione a cobertura superior até ouvir um estalido para fechar.  
Ao fechar a cobertura superior, tenha cuidado para não ficar com os dedos presos.



### OBSERVAÇÃO

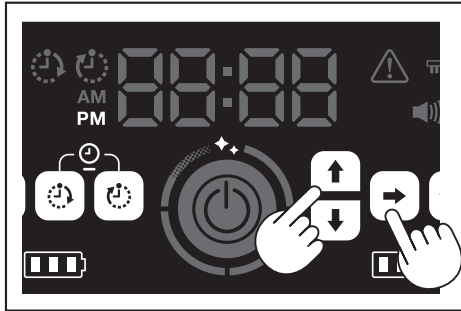
- No final de cada limpeza, elimine o lixo e limpe o filtro. Se continuar a limpar sem eliminar o lixo, o filtro ficará entupido e a potência de sucção diminui.
- Instale a caixa de poeira e o filtro.

# Configurar o Aspirador de Pó Robotizado

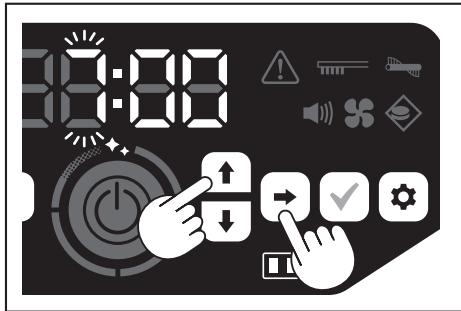
## Definir a hora do dia

Ao utilizar pela primeira vez, comece por definir a hora do dia.

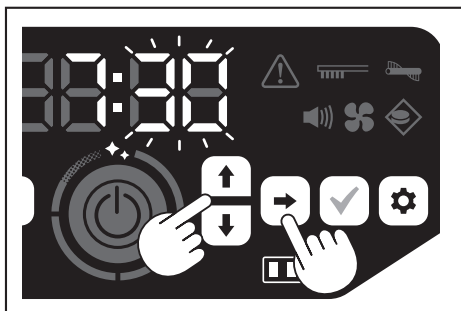
1. Utilizando os botões Para cima/Para baixo, selecione o formato de apresentação entre [AM], [PM] ou sem distinção (formato de 24 horas) e, de seguida, prima o botão Seguinte para aceitar a seleção. Quando o botão Seguinte for premido, as horas irão piscar.



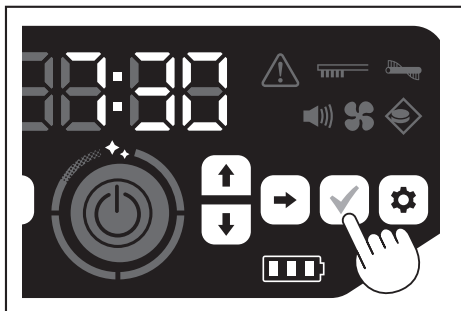
2. Selecione as horas utilizando os botões Para cima/Para baixo e, de seguida, prima o botão Seguinte para aceitar a seleção. Quando o botão Seguinte for premido, os minutos irão piscar.



3. Selecione os minutos utilizando os botões Para cima/Para baixo e, de seguida, prima o botão Seguinte para aceitar a seleção.



4. Prima o botão Confirmação para finalizar a hora do dia.



### OBSERVAÇÃO

- Durante o ajuste das horas/minutos, manter os botões Para cima/Para baixo premidos resulta na alteração rápida das horas/minutos.
- Quando o aspirador de pó robotizado não for utilizado durante um longo período de tempo, a definição da hora poderá ficar incorreta devido à temperatura de armazenamento ou poderá ser reposta a zero se a bateria integrada perder a sua carga.

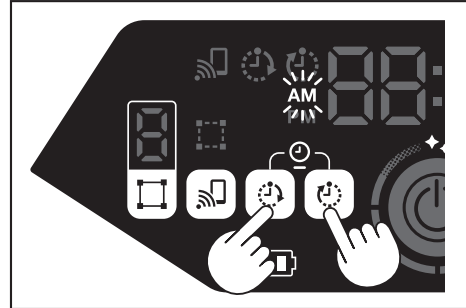
## Definir novamente a hora do dia

Quando o aspirador de pó robotizado não for utilizado durante um longo período de tempo, a definição da hora será incorreta ou reposta a zero.

Quando liga o aspirador de pó robotizado a um smartphone utilizando a aplicação, a hora do dia no smartphone é automaticamente definida no aspirador de pó robotizado.

Se pretender definir a hora do dia manualmente, efetue o procedimento seguinte.

1. Coloque o aspirador de pó robotizado no estado de espera. (Consulte a página 16.)
2. Mantenha o botão de temporizador LIGADO e o botão de temporizador DESLIGADO premidos simultaneamente para fazer o formato da hora [AM] ou [PM] piscar (não pisca quando a definição anterior era o formato de 24 horas).



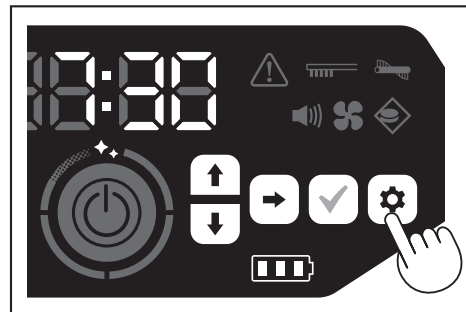
3. Defina a hora seguindo "Definir a hora do dia" nesta página do passo 1.

## Configurar o Wi-Fi® (aspirador de pó robotizado e smartphone)

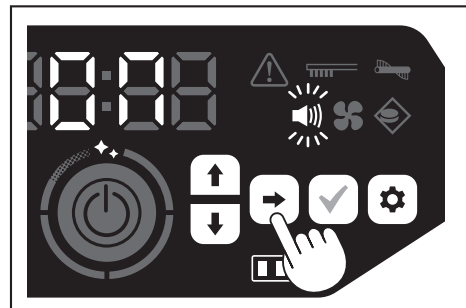
- Para utilizar o aspirador de pó robotizado a partir da aplicação, efetue as definições Wi-Fi® para a aplicação e o aspirador de pó robotizado. (Consulte a página 35.)
- Instale antecipadamente a aplicação no seu smartphone.
- O aspirador de pó robotizado funciona como o ponto de acesso para o smartphone. Quando um smartphone está ligado ao aspirador de pó robotizado, o smartphone não irá ligar a qualquer rede que não o aspirador de pó robotizado.
- Para ligar um smartphone ao aspirador de pó robotizado, prima o botão de ligação do smartphone para ativar o Wi-Fi.
- Quando não estiver a utilizar o Wi-Fi, prima o botão de ligação do smartphone para apagar o indicador luminoso de ligação do smartphone.
- Podem ser geridos vários aspiradores de pó robotizados com uma aplicação. Neste caso, estabeleça um a um a ligação sem fios com a aplicação.

## Criar uma definição de som

- Pode selecionar se o aspirador de pó robotizado emite ou não sons.
  - Esta definição de som também é possível a partir do controlo remoto.
1. Com o aspirador de pó robotizado definido para o estado de espera, prima o botão Definições para aceder ao modo de seleção de definição.

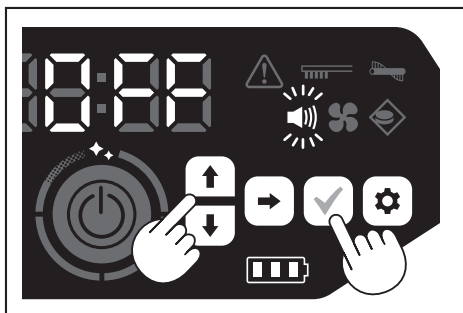


2. Prima o botão Seguinte para fazer o indicador luminoso de som piscar.





- Os botões Para cima/Para baixo podem ser utilizados para alternar entre Ativar e Desativar. Após selecionar Ativar ou Desativar, prima o botão Confirmação para finalizar a seleção.
  - Ativar: o indicador luminoso de som acende-se (som ativado).
  - Desativar: o indicador luminoso de som apaga-se (som desativado).



#### OBSERVAÇÃO

Mesmo que a definição de som esteja desativada, o aspirador de pó robotizado pode emitir um som para notificar relativamente a um erro, etc.

### Ativar e desativar a definição de som com o controlo remoto

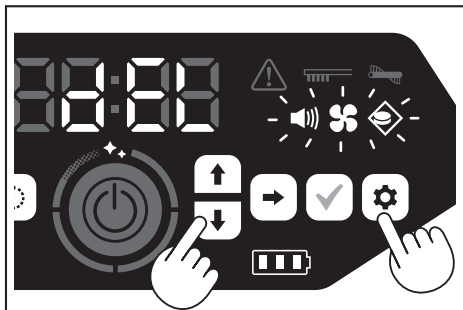
Com o aspirador de pó robotizado definido para o estado de espera, premir o botão LIGAR/DESLIGAR som do controlo remoto permite ativar e desativar a definição de som.

A definição de som pode ser ativada e desativada mesmo durante a limpeza se for definida a partir do controlo remoto.

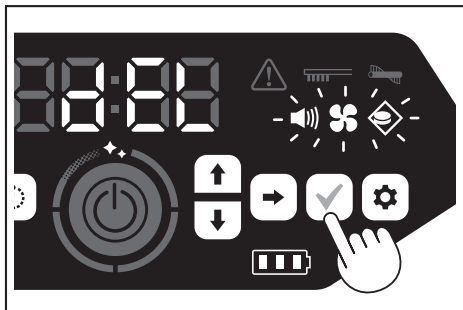
#### Repor as definições

Pode repor as definições do aspirador de pó robotizado para as predefinições de fábrica.

- Coloque o aspirador de pó robotizado no estado de espera. (Consulte a página 16.)
- Mantenha o botão Para baixo e o botão Definições premidos. É apresentado [dEL] no indicador da hora e os ícones e indicadores luminosos que não o indicador luminoso de erro piscam.



- Prima o botão Confirmação enquanto [dEL] é apresentado (cerca de 10 segundos).
  - Se o botão Confirmação não for premido enquanto [dEL] é apresentado, o aspirador de pó robotizado regressa ao estado de espera.
  - Quando o aspirador de pó robotizado está a executar o processo de reposição, os ícones e os indicadores luminosos que não o indicador luminoso da carga da bateria apagam-se. Apesar de o aspirador de pó robotizado não funcionar durante este momento mesmo que prima os botões no painel de operação, não toque nos botões. Além disso, não retire as baterias.

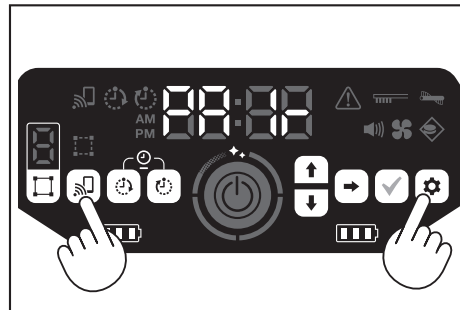


- Aquando da conclusão do processo de reposição, é efetuado um reinício e, de seguida, aparece o ecrã de definição da hora do dia.

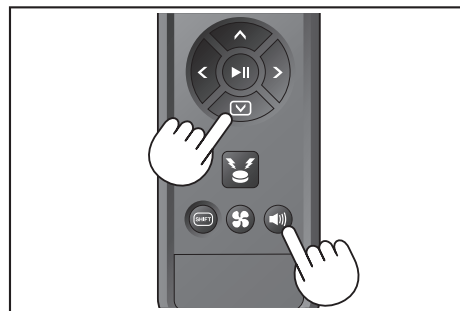
### Emparelhar o aspirador de pó robotizado e o controlo remoto

Quando o controlo remoto é substituído por um novo, estabeleça um emparelhamento do aspirador de pó robotizado e do controlo remoto.

- Mantenha o botão de ligação do smartphone e o botão Definições premidos simultaneamente para fazer [PAIr] aparecer no indicador da hora. [PAIr] é apresentado durante 10 segundos.



- Durante o período em que [PAIr] é apresentado, prima simultaneamente o botão de ação (baixo) e o botão LIGAR/DESLIGAR som do controlo remoto. Quando o emparelhamento é bem sucedido, o aspirador de pó robotizado emite dois sinais sonoros breves e regressa ao estado de espera.



#### OBSERVAÇÃO

- Se o emparelhamento falhar, é emitido um som de erro.
- Se o aspirador de pó robotizado não conseguir receber um sinal do controlo remoto durante o período de tempo em que [PAIr] é apresentado, o aspirador de pó robotizado regressa ao estado de espera.

## Manutenção

### ⚠ AVISO

Certifique-se de que desliga a alimentação e de que retira as baterias do aspirador de pó robotizado antes de efetuar a manutenção do aspirador de pó robotizado.

- Se uma bateria permanecer no aspirador de pó robotizado, poderão resultar choques elétricos ou ferimentos.

### ⚠ PRECAUÇÃO

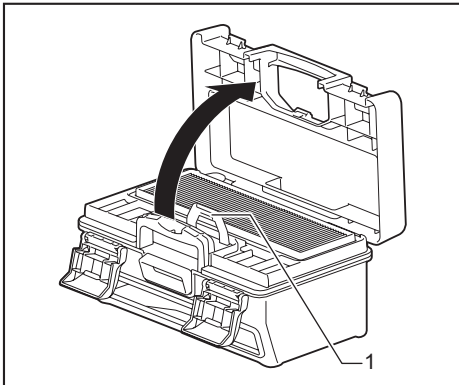
Para manter um desempenho ideal, efetue periodicamente a manutenção mencionada nesta secção. Se ocorrer um problema, pare a utilização do aspirador de pó robotizado e solicite a inspeção e reparação na loja onde efetuou a compra ou no nosso departamento de vendas.

## Manutenção

### Efetuar a manutenção e substituir a caixa de poeira e o filtro

- Quando a potência de sucção do aspirador de pó robotizado diminuir, quando a sujidade for notória ou quando o iluminador luminoso de manutenção do filtro se acender, retire o filtro e lave-o com água.
- Coloque jornal ou algo do género no chão antes da manutenção.
- Não utilize químicos nem água quente com uma temperatura de 40 °C (104 °F) ou superior.

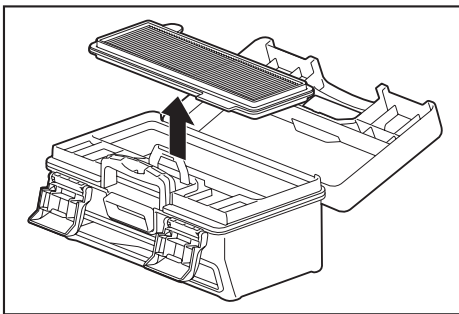
1. Elimine o lixo de acordo com os passos 1 a 5 de “Como eliminar o lixo”. (Consulte a página 22).
2. Coloque novamente o recipiente de pó na caixa de poeira e feche a cobertura superior da caixa de poeira.
3. Desengate o gancho e abra a cobertura superior do lado do filtro.



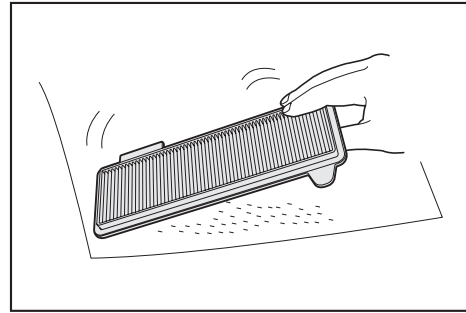
- 1. Gancho

4. Retire o filtro da caixa de poeira.

Ao retirar o filtro, faça-o lentamente para evitar levantar pó.

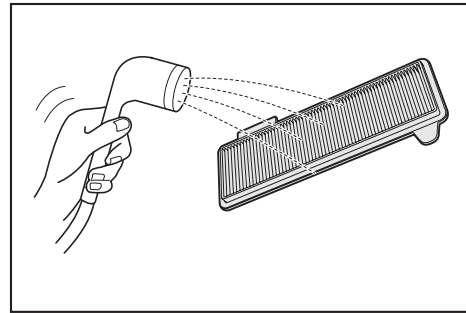


5. Deixe a sujidade e o pó cair batendo levemente no filtro.
- Não esfregue o filtro com força nem o pressione com os dedos.
- Não utilize um objeto pontiagudo (tal como um palito), o que pode causar uma quebra.

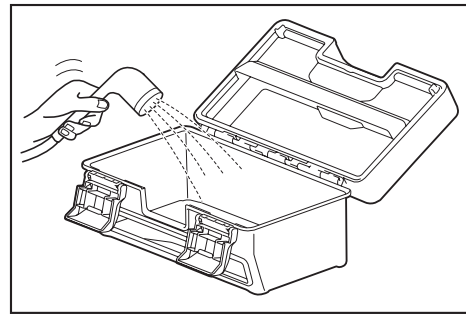


6. Quando a potência de sucção do aspirador de pó robotizado for fraca, lave o filtro com água.

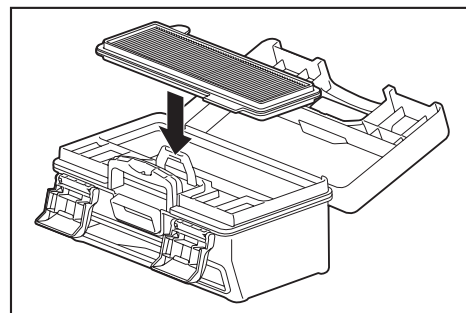
Se o cheiro o incomodar, coloque o filtro num detergente neutro diluído durante cerca de três horas e, de seguida, lave-o com água.



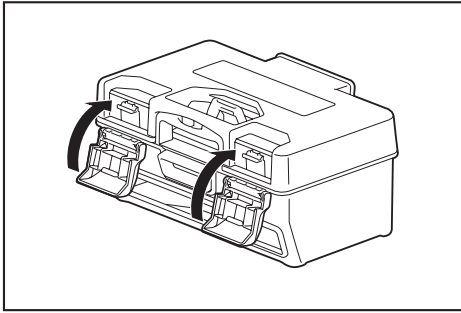
7. Quando a sujidade da caixa de poeira for notória, lave-a com água ou detergente neutro diluído.



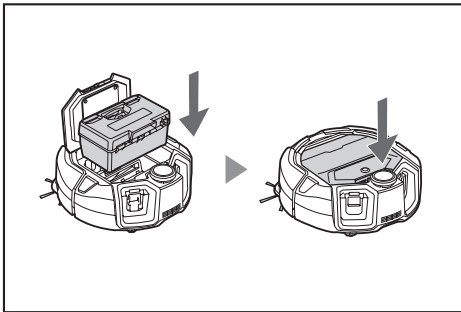
8. Quando tiver lavado o filtro ou a caixa de poeira com água, seque-os suficientemente num local bem ventilado fora da luz solar direta.
  - A utilização de peças sem as secar corretamente poderá causar uma redução na potência de sucção, assim como uma redução da vida útil do motor.
  - Utilizar peças ainda húmidas poderá resultar num cheiro ou numa falha.
  - O tempo de secagem deve ser cerca de um dia.
  - Evite secar com um secador, um ventilador, etc.
9. Instale o filtro na caixa de poeira.



10. Feche a cobertura superior do lado do filtro e certifique-se de que o gancho está engatado. De seguida, bloqueie as duas peças de fecho.



11. Coloque a caixa de poeira novamente no aspirador de pó robotizado e pressione a cobertura superior até ouvir um estalido para fechar. Ao fechar a cobertura superior, tenha cuidado para não ficar com os dedos presos.

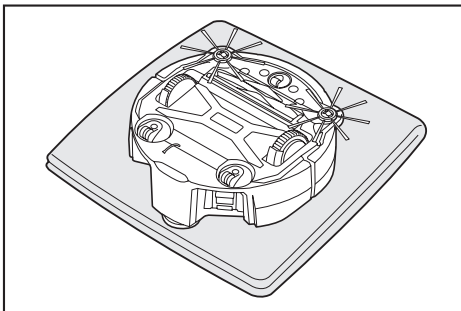


### OBSERVAÇÃO

- Não utilize o aspirador de pó robotizado com o filtro retirado. Não utilize o aspirador de pó robotizado com o filtro danificado ou sujo.
- O filtro pode ser lavado com água. Lave o pó com água em intervalos regulares (todos os meses ou a cada dois meses).
- Quando o filtro deteriorar, substitua por um filtro novo.
- O filtro é um consumível e, por isso, é aconselhável ter um sobresselente.
- Não danifique o filtro raspando-o com um objeto duro, tal como uma escova ou uma espátula.
- Não limpe o filtro HEPA com um ventilador de ar ou uma lavadora de alta pressão porque fica facilmente danificado.

### Precauções a tomar ao efetuar a manutenção da parte inferior do aspirador de pó robotizado

- Retire a caixa de poeira antes de efetuar a manutenção. (Consulte a página 22.) Caso contrário, pode fazer com que o pó caia da abertura.
- Vire o aspirador de pó robotizado ao contrário antes de efetuar a manutenção das escovas laterais, escova principal, parte inferior do aspirador de pó robotizado e rodas.
- Durante a manutenção, coloque um tapete grosso ou algo do género para que o aspirador de pó robotizado e a superfície do piso não fiquem danificados e para que o sensor LiDAR não esteja sujeito a pressão.

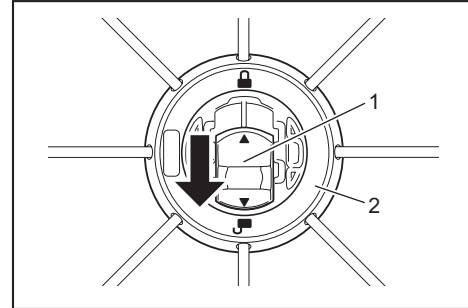


- Não pressione a superfície inferior do aspirador de pó robotizado com o aspirador de pó robotizado virado ao contrário. Pressionar com força pode causar danos no aspirador de pó robotizado.

### Efetuar a manutenção e substituir as escovas laterais

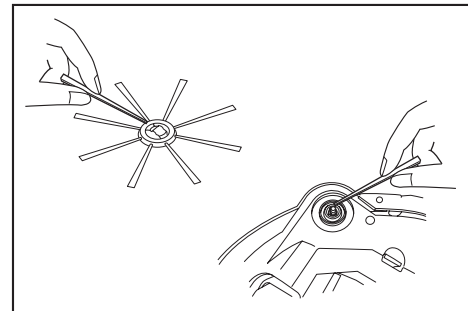
- Se surgir uma indicação de erro (consulte a página 29) ou se pó e cabelo ficarem presos na escova lateral, efetue a manutenção da escova lateral.
- Quando as cerdas de uma escova lateral estiverem dobradas ou caírem, substitua por uma nova.
- Quando uma escova lateral não roda ou se tiver dificuldades em rodar, retire a escova lateral e, de seguida, efetue a manutenção.

1. Vire o aspirador de pó robotizado ao contrário num tapete, etc.
2. Deslize a alavanca de bloqueio da escova lateral para (marca de libertação).



- 1. Alavanca de bloqueio 2. Escova lateral

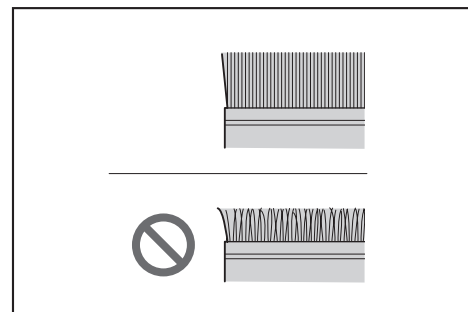
3. Retire a escova lateral.
4. Retire o cabelo e pó presos na escova lateral utilizando pinças ou outras ferramentas.



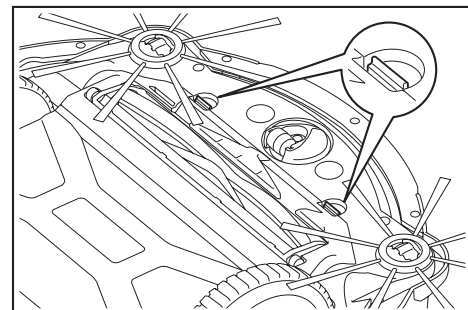
5. Instale a escova lateral no aspirador de pó robotizado. (Consulte a página 14.)

### Efetuar a manutenção e substituir a escova principal

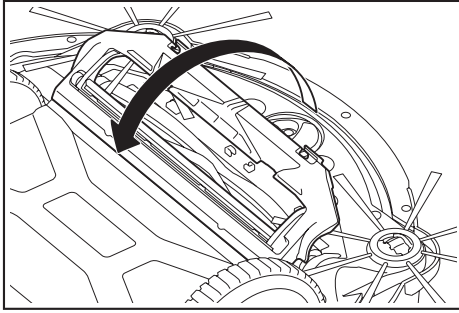
- Se surgir uma indicação de erro (consulte a página 29) ou se pó e cabelo ficarem presos na escova principal, efetue a manutenção da escova principal.
- Se as cerdas da escova principal estiverem gastas e ficarem mais curtas, substitua a escova principal.



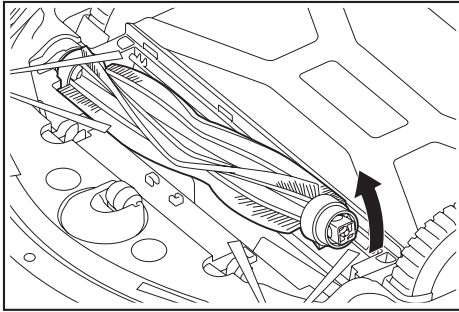
1. Vire o aspirador de pó robotizado ao contrário num tapete, etc.
2. Desengate os ganchos da cobertura da escova principal.



3. Retire a cobertura da escova principal.  
Não desmonte a cobertura da escova principal.



4. Retire a escova principal.



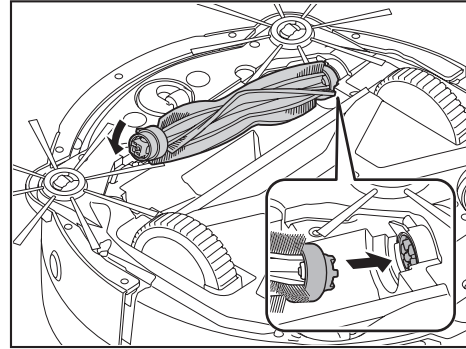
5. Efetue a manutenção da escova principal, cobertura da escova principal, alojamento da escova principal e juntas, conforme descrito abaixo.

Peça	Como efetuar a manutenção
Escova principal	<p>Retire a tampa do rolamento instalada na escova principal e elimine o pó preso.</p> <p>Para cabelo e algodão presos, corte-os curtos ao longo das cerdas da escova com tesouras e, de seguida, retire-os. Para pó aderente, lave com água.</p> <p>► 1. Tampa do rolamento</p>
Cobertura da escova principal	<p>Limpe com um pano humedecido com água ou detergente neutro diluído. Se a sujidade for notória, lave-a com água.</p>
Alojamento da escova principal	<p>Limpe com um pano humedecido com água ou detergente neutro diluído.</p> <p>Não pode ser lavado com água.</p>
Juntas	<p>Para as juntas no aspirador de pó robotizado, desaperte o parafuso com uma chave de fenda enquanto segura a junta com a mão. Depois disso, pegue na junta.</p> <p>Retire o pó preso no interior do aspirador de pó robotizado.</p> <p>► 1. Junta 2. Parafuso</p>

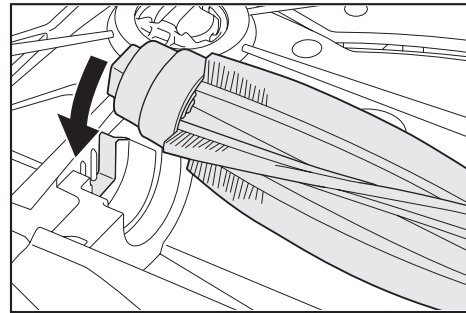
#### OBSERVAÇÃO

Não utilize diluente, benzina, álcool, etc. porque pode causar deterioração ou descoloração.

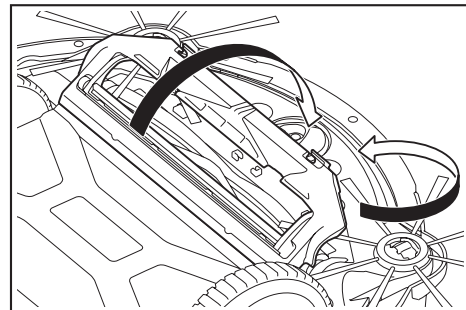
6. As peças lavadas com água devem ser secas num local bem ventilado, afastado da luz solar direta.
- A utilização de peças sem as secar corretamente poderá causar uma redução na potência de sucção, assim como uma redução da vida útil do motor.
  - Utilizar peças ainda húmidas poderá resultar num cheiro ou numa falha.
  - O tempo de secagem deve ser cerca de um dia.
  - Evite secar com um secador, um ventilador, etc.
7. Coloque novamente a tampa do rolamento na posição original na escova principal.
8. Aperte as juntas no aspirador de pó robotizado utilizando parafusos.
9. Instale a escova principal para que a forma do suporte da escova principal encaixe na ranhura das juntas do aspirador de pó robotizado.



10. Rode a tampa do rolamento para alinhar a orientação e, de seguida, insira-a no aspirador de pó robotizado.

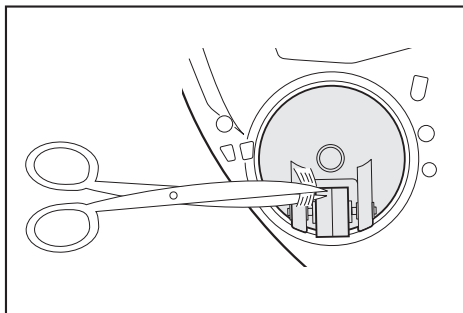


11. Instale a cobertura da escova principal (pressione o gancho até encaixar).
- Tenha cuidado para a escova lateral não ficar presa na cobertura da escova principal.
  - Torne mais fácil evitar ficar com as escovas laterais presas retirando temporariamente as escovas laterais ou instalando a cobertura da escova principal enquanto roda a escova lateral na direção mostrada na figura.

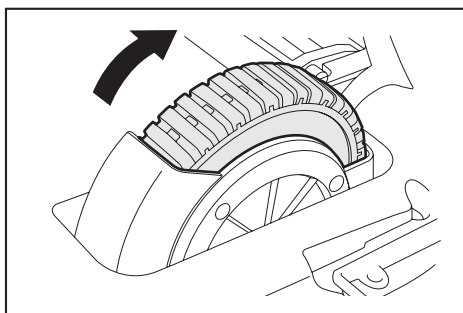


## Efetuar a manutenção das rodas

- Efetue a manutenção das rodas quando pó e cabelo ficarem presos nas mesmas.
- Não retire as rodas do aspirador de pó robotizado.
- Elimine o pó preso nos rodízios. Se for difícil eliminar, utilize tesouras de pontas finas, pinças, etc.



- Retire a sujidade em ambas as rodas motrizes enquanto as roda. Neste momento, tenha cuidado para não ficar com a mão presa.

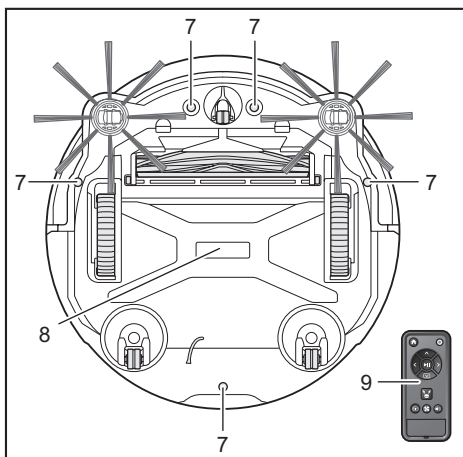
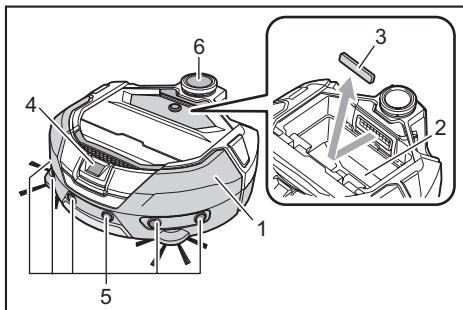


## Efetuar a manutenção do aspirador de pó robotizado

### OBSERVAÇÃO

- Não utilize diluente, benzina, álcool, etc. porque pode causar deterioração ou descoloração.
- Não utilize um objeto pontiagudo (tal como um palito), porque pode causar quebras ou danos.

Siga a tabela abaixo durante a manutenção das peças do aspirador de pó robotizado.



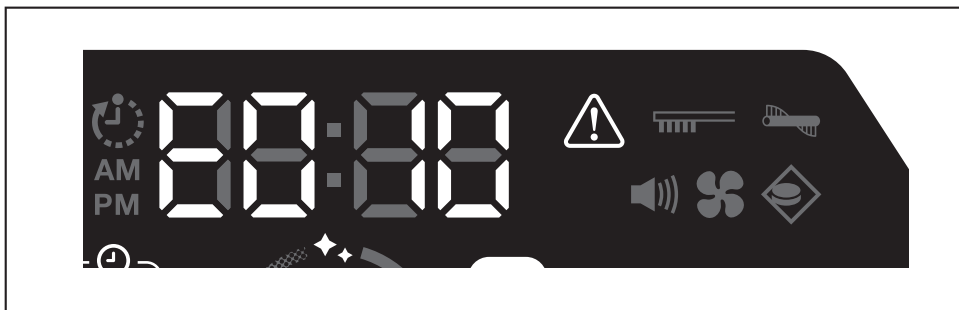
Número	Peça	Como efetuar a manutenção
1.	Superfície do aspirador de pó robotizado	Limpe com um pano humedecido com água ou detergente neutro diluído.
2.	Interior do aspirador de pó robotizado (alojamento da caixa de poeira)	Limpe com um pano humedecido com água ou detergente neutro diluído.
3.	Espanja da abertura de sucção no interior do aspirador de pó robotizado	Retire a esponja e lave o pó na esponja com água.
4.	Sensor da câmara	Limpe a sujidade com um pano macio ou um cotonete tendo cuidado para não causar danos.
5.	Sensor ultrassónico	Limpe com um pano humedecido com água ou detergente neutro diluído.
6.	Sensor LiDAR	Retire o pó e a sujidade no interior da cobertura do sensor LiDAR.
7.	Sensor de descida (5 localizações)	Limpe a sujidade com um pano macio ou um cotonete tendo cuidado para não causar danos.
8.	Parte inferior do aspirador de pó robotizado	Limpe com um pano humedecido com água ou detergente neutro diluído.
9.	Face frontal do controlo remoto e respetivos botões	Limpe a sujidade com um pano seco.

## Sobre a reparação

- Se não for possível retomar o funcionamento após retirar a causa de uma notificação ou indicação de erro (consulte a página 29), desligue a alimentação e, de seguida, volte a ligar.
- Se a mesma notificação ou erro forem apresentados repetidamente, solicite a reparação na loja onde efetuou a compra ou no nosso departamento de vendas.
- Não tente efetuar a reparação. Certifique-se de que contacta a loja onde efetuou a compra ou o nosso departamento de vendas.
- Quando solicita a reparação, leve o aspirador de pó robotizado juntamente com as baterias e o carregador.

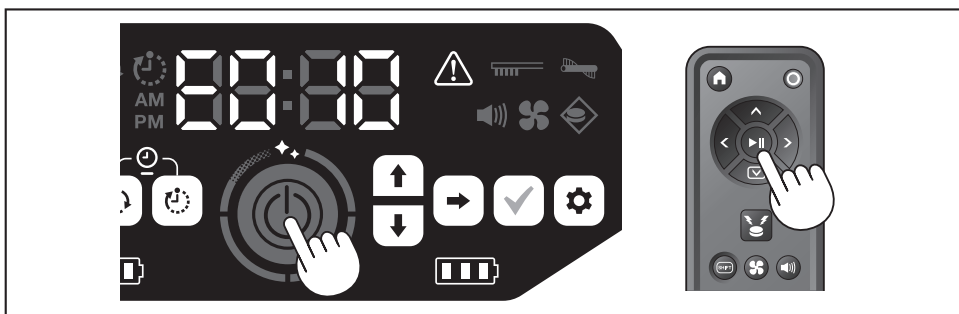
## Notificação e indicação de erro

Quando for necessária manutenção ou ocorrer um erro, acende-se um indicador luminoso no painel de operação apresentando o número de erro. Além disso, pode haver uma notificação com som.



### Cancelar uma notificação e indicação de erro

- Quando aparecer uma notificação para manutenção do filtro, o aspirador de pó robotizado pode ser utilizado mas poderá não funcionar corretamente. Elimine a causa antes de utilizar o aspirador de pó robotizado.
  - Quando aparecer uma notificação de erro, o aspirador de pó robotizado para de funcionar. Tome ações da seguinte forma.
- Verifique o número do erro e elimine a causa do erro. (Consulte "Notificação de necessidade de manutenção, etc." nesta página.)
  - Se desligar a alimentação ou se a carga se esgotar devido a perda da capacidade da bateria antes da eliminação da causa do erro, o aspirador de pó robotizado cancela temporariamente o erro.
  - Premir o botão Iniciar/Parar do aspirador de pó robotizado ou do controlo remoto cancela a indicação de erro e o aspirador de pó robotizado entra no estado de espera.




- Certifique-se de que o erro é eliminado antes de utilizar o aspirador de pó robotizado.

### OBSERVAÇÃO

- Reinicie o aspirador de pó robotizado se não conseguir utilizar o aspirador de pó robotizado após eliminar a causa.
- Se o mesmo erro aparecer repetidamente, solicite a reparação na loja onde efetuou a compra ou no nosso departamento de vendas.





### Notificação de necessidade de manutenção, etc.













Se o indicador luminoso se acender, desligue a alimentação e retire as baterias. De seguida, tome ações conforme descrito abaixo.

Problema notificado	Causa	Ação
<ul style="list-style-type: none"> <li>É necessária manutenção do filtro.</li> </ul> 	O pó está acumulado ou o filtro está entupido.	Elimine o pó e efetue a manutenção do filtro. → Consulte as páginas 22 e 25.  Verifique se o pó está acumulado no interior do aspirador de pó robotizado e na abertura de saída.

### Notificação de erro

- Tome ações de acordo com o indicador luminoso de erro e número no indicador.
- Para os códigos de erro na lista, será apresentado um número específico em vez de "X", dependendo do tipo de erro. Comunique o código de erro ao contactar o distribuidor ou o nosso departamento de vendas.
- Quando verifica a causa ou toma ações, desligue a alimentação e retire as baterias, conforme necessário antes de tomar ações.
- Se for apresentado um número de erro que não aqueles listados abaixo, contacte a loja onde efetuou a compra ou o nosso departamento de vendas.

Número	Causa	Ação
E01X Erro das rodas motrizes 	Existem substâncias estranhas, tais como algodão ou cabelos presos nas rodas motrizes?  Quando o aspirador de pó robotizado passar por um espaço baixo, o aspirador de pó robotizado poderá ficar preso no espaço, apresentando esta notificação.	Retire as substâncias estranhas. → Consulte a página 28.  Não é uma falha.
E02X Erro devido a perda de uma roda ou elevação do aspirador de pó robotizado 	Uma roda motriz está desestabilizada ou separada do chão?	Mova o aspirador de pó robotizado para outro local. → Consulte a página 11.
E030 Erro da escova principal  	Existem substâncias estranhas, tais como algodão ou cabelos presos na escova principal?	Retire as substâncias estranhas. → Consulte a página 26.

Número	Causa	Ação
<b>Problema notificado</b>		
E04X Erro das escovas laterais  	Existem substâncias estranhas, tais como algodão ou cabelos presos nas escovas laterais?	Retire as substâncias estranhas. → Consulte as páginas 14 e 26.
E060 Não deteção da caixa de poeira ou do filtro  	A caixa de poeira ou o filtro não estão instalados.	Certifique-se de que estão bem instalados. → Consulte as páginas 22 e 26.
E09X Erro do sensor de descida 	O aspirador de pó robotizado está exposto a luz solar direta? O aspirador de pó robotizado encontra-se numa superfície de piso preta? O sensor de descida está sujo?	Mova o aspirador de pó robotizado para outro local. → Consulte a página 11.  • Limpe suavemente a sujidade no sensor de descida com um pano seco e macio, um cotonete, etc. • Verifique se a linha de ligação à terra está em contacto. → Consulte as páginas 9 e 11 e 28.
E10X Erro do sensor do para-choques 	É uma avaria do sensor do para-choques.	Pressione o para-choques com a mão cerca de 10 vezes. → Consulte a página 9.
E110 Erro de movimento 	O aspirador de pó robotizado subiu um degrau, etc. e ficou preso?	Mova o aspirador de pó robotizado para outro local. → Consulte a página 11.
E12X Diminuição na capacidade restante da bateria Erro de definição do temporizador 	O aspirador de pó robotizado não consegue iniciar o funcionamento através da reserva de temporizador LIGADO porque a capacidade restante da bateria é insuficiente?	Ao iniciar o funcionamento através da reserva de temporizador LIGADO, certifique-se de que as baterias estão totalmente carregadas.
E140 Erro de definição da divisão Erro das informações de localização 	A divisão é diferente da divisão mapeada ou o ponto de partida da limpeza é diferente? A disposição da divisão mapeada mudou? O sensor LiDAR está tapado por um pano ou sujo? Existem obstáculos com uma altura de 25 cm ou mais que o sensor LiDAR consiga detetar em redor do aspirador de pó robotizado?	Verifique a divisão mapeada e o ponto de partida da limpeza. → Consulte a página 18.  Efetue novamente o mapeamento. → Consulte a página 17.  Retire o pano, etc. e efetue a manutenção do sensor LiDAR. → Consulte a página 28.  O sensor LiDAR precisa de obstáculos com mais de 25 cm nos intervalos seguintes: • raio de 11 m a partir do aspirador de pó robotizado para o mapeamento e modo de limpeza por mapeamento. • raio de 18 m a partir do aspirador de pó robotizado para o modo de limpeza livre. Coloque alguns obstáculos com mais de 25 cm na área.
E170 Erro da cobertura superior do aspirador de pó robotizado 	A cobertura superior do aspirador de pó robotizado está aberta?	Fechete a cobertura superior do aspirador de pó robotizado.
E190 Erro devido a perda de uma roda ou elevação do aspirador de pó robotizado 	Uma roda motriz está desestabilizada ou separada do chão?	Mova o aspirador de pó robotizado para outro local. → Consulte a página 11.
E200 Erro devido a falha de regresso ao ponto de partida Erro devido a fracasso de chegada ao destino 	Falha do aspirador de pó robotizado ao regressar ao ponto de partida da limpeza.  O aspirador de pó robotizado não conseguiu avançar até ao próximo destino porque encontrou uma passagem estreita.	• Se houver objetos que impeçam a passagem do aspirador de pó robotizado, coloque os objetos num local seguro ou mantenha o aspirador de pó robotizado afastado dos mesmos. → Consulte a página 21. • Se o aspirador de pó robotizado não conseguir regressar ao ponto de partida frequentemente, ative [Priorizar retorno] na aplicação. O tempo de regresso ao ponto de partida pode ser mais demorado. → Consulte a página 44. • Verifique se existe uma passagem de 80 cm ou mais para a limpeza.

## Resolução de problemas

Antes de solicitar a reparação ou pedir informações, verifique se o seguinte se aplica.

### Fonte de alimentação

Sintoma	Causa	Ação
<ul style="list-style-type: none"> <li>A alimentação não liga ao premir o botão Iniciar/Parar.</li> <li>O indicador luminoso não se acende.</li> <li>Premir botões no aspirador de pó robotizado e no controlo remoto resulta numa ausência de resposta.</li> </ul>	As baterias estão instaladas corretamente?	Confirme a instalação correta das baterias. → Consulte a página 15.
	A capacidade da bateria foi perdida?	Verifique a capacidade restante.
	A alimentação do aspirador de pó robotizado está desligada?	Prima o botão Iniciar/Parar do aspirador de pó robotizado para ligar a alimentação. → Consulte a página 16.

### Funcionamento

Sintoma	Causa	Ação
O aspirador de pó robotizado não funciona.	O indicador luminoso de erro está a piscar?	O aspirador de pó robotizado não funciona durante um erro. → Consulte a página 29.
	O aspirador de pó robotizado está no modo de espera para funcionamento através de reserva do temporizador LIGADO?	Quando o modo de espera para o funcionamento reservado estiver em vigor, as operações que não desligar a alimentação e notificação de localização não são possíveis. → Consulte a página 20.
O aspirador de pó robotizado começa a mover-se repentinamente mesmo que não realize qualquer operação.	A reserva de temporizador LIGADO está ativada?	→ Consulte a página 20.
O aspirador de pó robotizado para durante o funcionamento.	O aspirador de pó robotizado está preso num cabo ou nouro objeto? Está um pano ou um fio (por exemplo, uma toalha fina) emaranhado nas rodas?	Desligue a alimentação do aspirador de pó robotizado e retire objetos que ficam presos no aspirador de pó robotizado e emaranhados nas rodas. → Consulte a página 28.
	O aspirador de pó robotizado parou sem subir um degrau?	Desligue a alimentação do aspirador de pó robotizado e mude o aspirador de pó robotizado para outro local. → Consulte a página 11.
	O temporizador DESLIGADO está configurado?	→ Consulte a página 20.
	Existem obstáculos com uma altura de 25 cm ou mais que o sensor LiDAR consiga detetar em redor do aspirador de pó robotizado?	O sensor LiDAR precisa de obstáculos com mais de 25 cm nos intervalos seguintes: <ul style="list-style-type: none"> <li>raio de 11 m a partir do aspirador de pó robotizado para o mapeamento e modo de limpeza por mapeamento.</li> <li>raio de 18 m a partir do aspirador de pó robotizado para o modo de limpeza livre.</li> </ul> Coloque alguns obstáculos com mais de 25 cm na área.
A velocidade muda.	O aspirador de pó robotizado consegue abrandar quando um sensor deteta um obstáculo ou determina a direção de funcionamento.	Não é anormal.
O aspirador de pó robotizado não se desloca a direito.	Existem substâncias estranhas presas nas rodas?	Desligue a alimentação do aspirador de pó robotizado e retire as substâncias estranhas das rodas. → Consulte a página 28.
	As rodas estão danificadas?	Solicite assistência na loja onde efetuou a compra ou no nosso departamento de vendas.
	O sensor ultrassónico e o sensor LiDAR estão sujos?	Efetue a manutenção. → Consulte a página 28.
O aspirador de pó robotizado colide com obstáculos com maior frequência.	O sensor ultrassónico e o sensor LiDAR estão sujos?	Efetue a manutenção. → Consulte a página 28.
O aspirador de pó robotizado não consegue evitar um degrau e cai.	O sensor de descida está sujo?	Efetue a manutenção. → Consulte a página 28.
	Por vezes, o aspirador de pó robotizado desce um degrau com uma altura de 3,0 cm ou menos.	Não é uma falha. → Consulte a página 11.
O aspirador de pó robotizado continua a executar um comportamento de prevenção apesar de não haver obstáculos ou degraus.	Os sensores de descida ou o sensor LiDAR estão sujos?	Efetue a manutenção. → Consulte a página 28.
O sensor de descida fica rapidamente sujo.	A linha de ligação à terra está cortada e já não faz contacto?	Solicite assistência na loja onde efetuou a compra ou no nosso departamento de vendas.
O som de acionamento é superior ao normal.	A caixa de poeira está cheia de pó? O filtro está entupido?	Elimine o pó e efetue a manutenção do filtro. → Consulte as páginas 22 e 25.
	Existe pó preso na escova principal e nas escovas laterais?	Efetue a manutenção. Além disso, confirme a instalação correta das baterias. → Consulte a página 26.
O som da ventoinha do aspirador fica mais alto durante o funcionamento.	Fica mais alto quando o aspirador de pó robotizado muda o cartucho da bateria a utilizar.	Isto é normal.
<ul style="list-style-type: none"> <li>A potência de sucção está fraca.</li> <li>O pó não é aspirado.</li> </ul>	A caixa de poeira está cheia de pó? O filtro está entupido?	Elimine o pó e efetue a manutenção do filtro. → Consulte as páginas 22 e 25.
	A ventoinha do aspirador está desligada?	Verifique a definição. → Consulte a página 19.





Sintoma	Causa	Ação
Uma escova lateral salta fora.	A escova lateral está instalada corretamente?	Confirme a instalação correta. → Consulte a página 14.
Uma escova lateral ou a escova principal não roda, roda com dificuldade ou está presa.	Existem substâncias estranhas (tais como algodão ou cabelos) presas nas escovas laterais ou na escova principal?	Efetue a manutenção. Além disso, confirme a instalação correta da escova principal e da cobertura da escova principal. → Consulte a página 26.
	O aspirador de pó robotizado não pode ser utilizado num tapete com um comprimento de pelo superior a 7 mm. Mesmo que o comprimento de pelo seja de 7 mm ou menos, o aspirador de pó robotizado poderá parar de funcionar ou o pelo poderá ficar preso nas escovas laterais, consoante o material do pelo ou outras propriedades.	→ Consulte a página 11.
O ar de saída cheira mal.	Foi aspirado lixo húmido ou lixo mal cheiroso?	Elimine o lixo. → Consulte a página 22.
	O filtro está entupido?	Efetue a manutenção do filtro. Quando tiver lavado o filtro com água, seque-o suficientemente antes de utilizá-lo. → Consulte a página 25.

## Funcionamento do controlo remoto

Sintoma	Causa	Ação
O controlo remoto não funciona.	As pilhas estão instaladas corretamente no controlo remoto?	Verifique a orientação das pilhas. → Consulte a página 14.
	Se o aspirador de pó robotizado por vezes não reagir quando controlado com o controlo remoto, é possível que as pilhas estejam gastas. (O critério para substituição é cerca de um ano. Uma bateria pode ficar esgotada em menos de um ano, consoante a bateria usada e as condições.)	Substitua as pilhas por umas novas. → Consulte a página 14.
	A alimentação do aspirador de pó robotizado está desligada?	Prima o botão Iniciar/Parar do aspirador de pó robotizado para ligar a alimentação. → Consulte a página 16.
	Existe uma possibilidade da distância entre o controlo remoto e o aspirador de pó robotizado ser demasiado grande para as ondas de rádio chegarem corretamente.	Garanta uma vista desobstruída estreitando a distância entre o controlo remoto e o aspirador de pó robotizado e mudando a posição dos obstáculos. → Consulte a página 12.
O funcionamento com o controlo remoto não é possível.	O seguinte equipamento que utiliza ondas de rádio de 2,4 GHz poderá estar em funcionamento por perto. <ul style="list-style-type: none"> <li>Forno microondas</li> <li>Dispositivos compatíveis com Bluetooth®</li> <li>Dispositivos LAN sem fios</li> <li>Outro equipamento que utiliza ondas de rádio de 2,4 GHz (tais como telefones sem fios digitais e máquinas de jogos)</li> </ul>	Estabeleça uma distância maior entre o aspirador de pó robotizado e o controlo remoto ou pare temporariamente a utilização destes dispositivos.
	Quando tiver substituído o controlo remoto por um novo, efetue um emparelhamento com o aspirador de pó robotizado.	→ Consulte a página 24.
	Se não conseguir utilizar o aspirador de pó robotizado com o controlo remoto após examinar as possíveis causas listadas acima, desligue a alimentação do aspirador de pó robotizado e, de seguida, volte a ligar.	→ Consulte a página 16.

## Painel de operação

Sintoma	Causa	Ação
A hora definida é frequentemente repostada a zero.	A bateria integrada está quase esgotada porque o aspirador de pó robotizado não é utilizado há muito tempo.	Utilize o aspirador de pó robotizado durante mais de 1 hora ou defina-o para o estado de espera. (A bateria integrada será recarregada.)

## Função de temporizador

Sintoma	Causa	Ação
O funcionamento através da reserva de temporizador LIGADO não inicia à hora especificada.	O aspirador de pó robotizado não começa a funcionar de acordo com a reserva de temporizador LIGADO se alguma das seguintes condições se aplicar aquando do início do funcionamento através da reserva de temporizador LIGADO. <ul style="list-style-type: none"> <li>A alimentação está desligada.</li> <li>Quando a capacidade da bateria é insuficiente</li> </ul>	→ Consulte a página 20.
	O indicador luminoso do temporizador acende-se?	Se a alimentação estiver desligada ou a capacidade da bateria estiver gasta após a reserva ser definida, o indicador luminoso do temporizador apaga-se. → Consulte a página 10.

## Mapeamento

Sintoma	Causa	Ação
<ul style="list-style-type: none"> <li>O aspirador de pó robotizado para durante o mapeamento.</li> <li>Falha de mapeamento.</li> </ul>	A divisão está escura durante o mapeamento?	Torne a divisão mais clara até à conclusão do mapeamento.
	Não existem obstáculos com uma altura de 25 cm ou mais num raio de cerca de 11 m do aspirador de pó robotizado.	O ambiente poderá não ser adequado para mapeamento. É aconselhável limpar no modo de limpeza livre. → Consulte a página 17.



Sintoma	Causa	Ação
O aspirador de pó robotizado começa a limpar em vez de mapear.	Está selecionado o número de uma divisão registada?	Selecione o número de uma divisão não registada ou elimine o mapa registado. → Consulte as páginas 17 e 18.
<ul style="list-style-type: none"> <li>• Não está registado um mapa.</li> <li>• O mapa está incompleto. (Existe uma área que não está registada.)</li> </ul>	A forma da divisão, a disposição dos obstáculos ou outras características poderá ser demasiado complexa.	Verifique se existe uma passagem de 80 cm ou mais para a limpeza. Arrume a divisão. → Consulte a página 12.
		A capacidade da bateria poderá ser insuficiente. Carregue por completo as baterias e, de seguida, efetue o mapeamento.
		Pode adicionar manualmente as informações de mapeamento. → Consulte a página 41.
	Pegou no aspirador de pó robotizado durante o mapeamento.	Não pegue no aspirador de pó robotizado durante o mapeamento. As informações da divisão poderão não ser registadas corretamente.

## Aplicação

Sintoma	Causa	Ação
Não é possível estabelecer ligação à aplicação.	Premiu o botão de ligação do smartphone do aspirador de pó robotizado?	Prima o botão de ligação do smartphone para estabelecer ligação à aplicação. → Consulte a página 35.
	A definição Wi-Fi® do smartphone está ativada?	Ative a definição Wi-Fi® do smartphone.
	Existe uma possibilidade da distância entre o smartphone e o aspirador de pó robotizado ser demasiado grande para as ondas de rádio chegarem corretamente.	Garanta uma vista desobstruída estreitando a distância entre o smartphone e o aspirador de pó robotizado e mudando a posição dos obstáculos. → Consulte a página 12.
	Falha de ligação ao aspirador de pó robotizado.	Para iPhone: Aceda ao menu de definições do iOS e ative a definição de rede local para Makita Robotic Cleaner DRC300.  Para Android: Se aparecer uma janela pop-up para decidir se pretende manter a ligação após estabelecer a ligação Wi-Fi, permita-a.
	O aspirador de pó robotizado poderá não ter conseguido obter as informações de localização. (O nome do aspirador de pó robotizado é apresentado como "null" no ecrã de introdução do código PIN.)	Ative a definição das informações de localização do smartphone.

## Função de proteção

Quando alguma das seguintes condições for estabelecida enquanto o aspirador de pó robotizado está em funcionamento, o motor para automaticamente. Isto deve-se à função de proteção, não a falha.

Função de proteção
O motor para automaticamente se a bateria atingir uma temperatura elevada. <ul style="list-style-type: none"> <li>• Pare a limpeza e retire as baterias do aspirador de pó robotizado. De seguida, carregue e arrefeça as baterias utilizando um carregador com sistema de refrigeração ou aguarde até as baterias terem arrefecido.</li> <li>• Se o aspirador de pó robotizado não funcionar mesmo com as baterias arrefecidas, arrefeça o aspirador de pó robotizado.</li> <li>• Se for apresentado um número de erro no aspirador de pó robotizado, elimine a causa do erro. (Consulte a página 29.)</li> </ul>
O aspirador de pó robotizado para automaticamente se a carga da bateria ficar fraca, entra no modo de suspensão e a alimentação desliga-se por completo se a carga restante se esgotar. <ul style="list-style-type: none"> <li>• Retire as baterias do aspirador de pó robotizado e carregue as baterias.</li> </ul>
O aspirador de pó robotizado para automaticamente se for detetado um erro. <ul style="list-style-type: none"> <li>• Verifique o número do erro e elimine a causa do erro. Após a eliminação da causa, o aspirador de pó robotizado pode ser novamente utilizado. (Consulte a página 29.)</li> </ul>

## Armazenamento

Desligue a alimentação e retire as baterias antes de manter o aspirador de pó robotizado em armazenamento.

Não armazene o aspirador de pó robotizado nos seguintes locais porque é uma máquina de precisão. Caso contrário, pode causar aquecimento, deflagração, falha, deterioração das peças de borracha, etc.

- Locais onde a temperatura aumenta repentinamente
- Locais onde a temperatura diminui repentinamente
- Locais onde a temperatura muda repentinamente
- Próximo de uma chama, aquecedor, equipamento de arrefecimento e aquecimento, etc.
- Exterior
- Locais expostos a luz solar direta
- Locais expostos a humidade ou vapor
- Locais com muito pó e areia
- Locais cheios de fumo
- Locais com fraca ventilação

Se o aspirador de pó robotizado for mantido em armazenamento sem ser utilizado durante muito tempo, o desempenho poderá ser prejudicado. Para utilizar o aspirador de pó robotizado durante muitos anos, ligue ocasionalmente a alimentação do aspirador de pó robotizado e utilize-o.

## Acessórios opcionais

### PRECAUÇÃO

Estes acessórios são recomendados para utilização com a sua ferramenta Makita especificada neste manual. A utilização de quaisquer outros acessórios poderá resultar num risco de ferimentos para as pessoas. Utilize apenas acessórios para a finalidade prevista.

Se necessitar de assistência para mais informações sobre estes acessórios, contacte o seu Centro de assistência Makita local.

- Linha de limite magnético
- Escova principal
- Escova principal suave
- Escova lateral
- Escova lateral suave
- Filtro HEPA
- Cobertura da escova principal
- Almofada do para-choques
- Bateria e carregador genuínos da Makita

### OBSERVAÇÃO

- Alguns itens na lista poderão estar incluídos na embalagem da ferramenta como acessórios padrão. Poderão diferir de país para país.
- Para evitar falsos reconhecimentos quando utiliza a almofada do para-choques, não coloque a almofada do para-choques nas seguintes áreas: A área da extensão lateral dos sensores ultrassónicos, bem como as áreas superior e inferior num raio de 28 mm dos sensores ultrassónicos.

# Aplicação para smartphones (para o DRC300)

## Índices

• O que pode fazer com a aplicação	35
• Como instalar a aplicação	35
• Preparações prévias	35
• Instalar a aplicação num smartphone	35
• Definição inicial	35
• Ecrã inicial	36
• Limpar com a aplicação	36
• Limpar uma divisão sem mapeamento (modo de limpeza livre)	36
• Limpar divisões mapeadas	37
• Controlar o aspirador de pó robotizado com a aplicação	38
• Consultar o histórico de limpeza	38
• Consultar o histórico recente	38
• Consultar os históricos anteriores	39
• Consultar os históricos de erros	39
• Adicionar, alterar ou eliminar as informações de mapeamento	40
• Adicionar informações de mapeamento	40
• Adicionar manualmente informações de mapeamento (mapeamento manual)	41
• Alterar o nome das informações de mapeamento	42
• Limitar o alcance de limpeza	42
• Eliminar informações de mapeamento	43
• Alterar e verificar definições	44
• Alterar o nome de um aspirador de pó robotizado registado	44
• Definir opções de limpeza	44
• Alterar o código PIN	45
• Eliminar as informações de um aspirador de pó robotizado registado	45
• Verificar as informações sobre a aplicação	46
• Mensagem/diálogo de erro	46

## O que pode fazer com a aplicação

Utilizando um smartphone com a aplicação específica para o aspirador de pó robotizado instalada, pode efetuar o seguinte:

- Limpar
- Controlar com controlo remoto
- Adicionar, alterar ou eliminar as informações de mapeamento
- Consultar o histórico de limpeza
- Alterar as definições do aspirador de pó robotizado

## OBSERVAÇÃO

- Esta aplicação destina-se a utilização no smartphone e não funciona em tablets ou PCs.
- Um smartphone e o aspirador de pó robotizado estão diretamente ligados através da função Wi-Fi®. Atente que a internet não está disponível durante a ligação ao aspirador de pó robotizado. Após utilizar a aplicação, lembre-se de desligar do aspirador de pó robotizado premindo o botão de ligação do smartphone.
- Para utilizar esta aplicação, tem de dar permissão para obter informações de localização e aceitar os termos de uso. O utilizador tem de avaliar se dá permissão para obter informações de localização e aceita os termos de uso.
- As imagens do ecrã da aplicação estão sujeitas a alterações sem aviso prévio.

## Como instalar a aplicação

### Preparações prévias

É necessário um smartphone (Android ou iOS) para utilizar a aplicação.

- Android: necessária versão Android 6.0 ou posterior.
- iOS (iPhone): necessário iOS 12 ou posterior.

### Instalar a aplicação num smartphone

1. Utilizando o seu smartphone, pesquise "Makita Robotic Cleaner DRC300" no Google Play™ ou na App Store. Pode também aceder a partir do código QR.

Google Play™



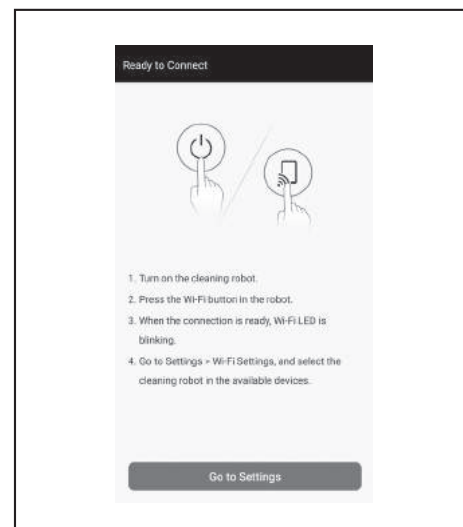
App Store



2. Instale "Makita Robotic Cleaner DRC300"
3. Após a instalação, abra "Makita Robotic Cleaner DRC300"

### Definição inicial

1. Quando aparecer um ecrã a perguntar se permite a obtenção das informações de localização, toque em [OK].
2. No ecrã dos termos de uso, toque em [Concordar].
3. Siga as instruções no ecrã:
  - Ligue o aspirador de pó robotizado e, de seguida, prima o botão de ligação do smartphone no aspirador de pó. Após premir o botão de ligação do smartphone, demora cerca de 8 segundos até o aspirador de pó robotizado estar pronto para ligação. Quando a ligação estiver pronta, o LED Wi-Fi irá piscar.
  - Depois disso, toque em [ir aos Ajustes] para apresentar o ecrã de definições Wi-Fi® do smartphone.



Dependendo do seu dispositivo, poderão ser necessários os procedimentos seguintes.

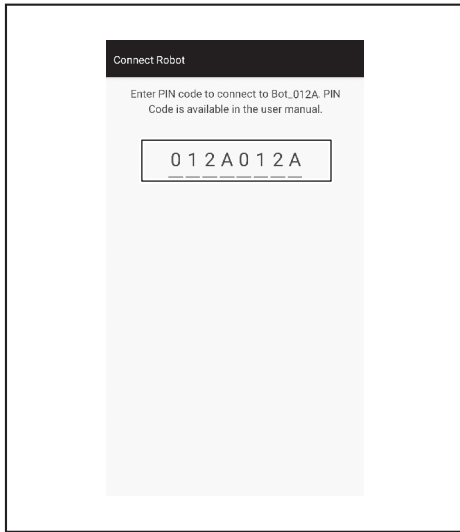
Para iPhone:

Aceda ao menu de definições do iOS e ative a definição de rede local para Makita Robotic Cleaner DRC300.

Para Android:

Se for apresentada uma janela pop-up para decidir se pretende manter a ligação após estabelecer a ligação Wi-Fi, permita-a.

- Ligue o smartphone ao aspirador de pó robotizado através de Wi-Fi®. (Esta ligação NÃO é Bluetooth.)
  - A definição da ligação Wi-Fi® (introdução da palavra-passe) só é necessária ao ligar ao aspirador de pó robotizado pela primeira vez.
  - A palavra-passe inicial da ligação Wi-Fi® está definida para caracteres alfanuméricos que repetem duas vezes os últimos quatro dígitos do SSID do aspirador de pó robotizado. Por exemplo, se for apresentado o SSID "Robotic\_Cleaner\_012A", a palavra-passe será "012A012A".
  - Certifique-se de que o smartphone não consegue aceder a outras redes Wi-Fi® durante a ligação ao aspirador de pó robotizado.
- Saia do ecrã de definição Wi-Fi® e aceda ao ecrã da aplicação. Depois disso, digite o código PIN para autenticar a ligação.
  - O código PIN definido na fábrica está definido para caracteres alfanuméricos que repetem duas vezes os últimos quatro dígitos do SSID.
  - Se o SSID for "Robotic\_Cleaner\_012A", o código PIN definido na fábrica será "012A012A".
  - O ecrã inicial da aplicação será apresentado quando o código PIN for autenticado com sucesso.



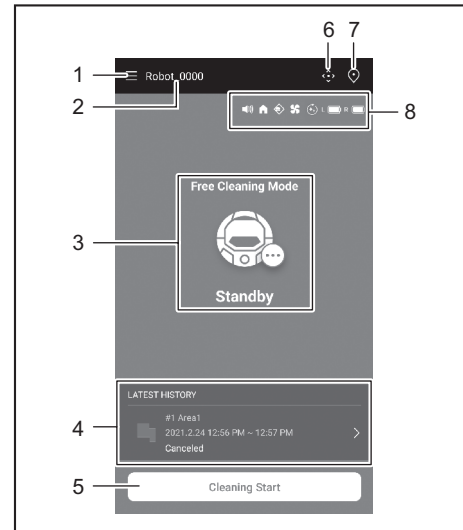
- Altere o código PIN.
  - Certifique-se de que altera o código PIN. Não utilize o código PIN predefinido. Consulte a página 45 para saber como alterar o código PIN.
  - Não se esqueça do código PIN novo que criou.
- A definição inicial é concluída quando é apresentado "Código PIN alterado". Regresse ao ecrã inicial para utilizar a aplicação.

Para desligar a ligação Wi-Fi, prima o botão de ligação do smartphone no aspirador de pó robotizado para apagar o indicador luminoso de ligação do smartphone.

### OBSERVAÇÃO

Se a sua ligação for subitamente desligada, feche a aplicação e, de seguida, tente estabelecer novamente a ligação.

## Ecrã inicial



- Botão de menu (várias definições, consulta do histórico)
- Nome do aspirador de pó robotizado
- Estado de funcionamento do aspirador de pó robotizado
- Registo mais recente de limpeza (apresentado apenas quando existe um registo)
- Botão de início da limpeza (ou mapeamento)
- Botão do controlo remoto
- Botão de comutação do modo
- Definições do aspirador de pó robotizado e a capacidade restante da bateria

- : a definição de som está ativa.
- : a definição da função Priorizar retorno está ativa.
- : a função de deteção de limites está ativa.
- : a definição da ventoinha do aspirador está ativa.
- : a definição de limpeza contínua está ativa.
- : capacidade restante da bateria esquerda
- : capacidade restante da bateria direita

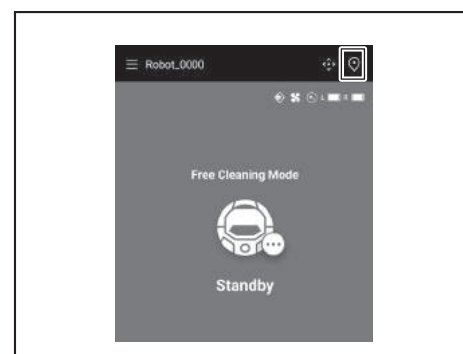
## Limpar com a aplicação

O aspirador de pó robotizado funciona em dois modos: modo de limpeza livre, que não exige registo de mapa e modo de limpeza por mapeamento (consulte "Limpar divisões mapeadas" na página 37), que exige o registo das informações da divisão para limpar.

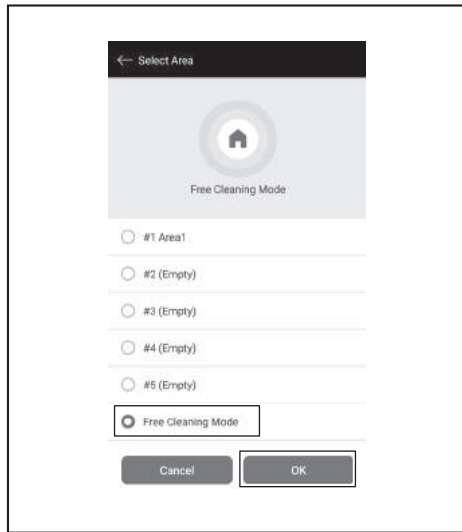
### Limpar uma divisão sem mapeamento (modo de limpeza livre)

- O modo de limpeza livre é recomendado para limpeza em várias divisões ou num ambiente que envolva alterações frequentes e significativas na disposição.
- O modo de limpeza livre também é recomendado para uma divisão que não pode ser devidamente iluminada.
- Para a limpeza, mapeamento e a localização para iniciar o aspirador de pó robotizado, consulte a página 17.

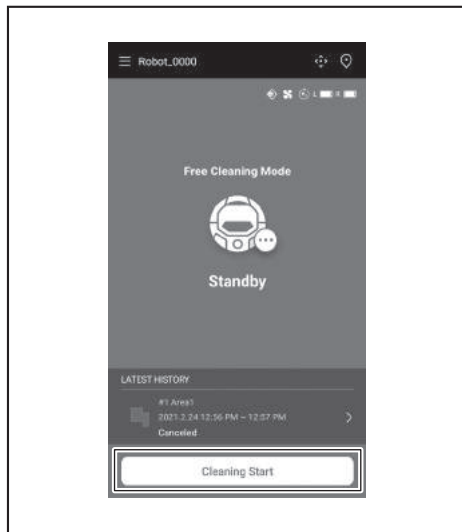
- No ecrã inicial, toque em



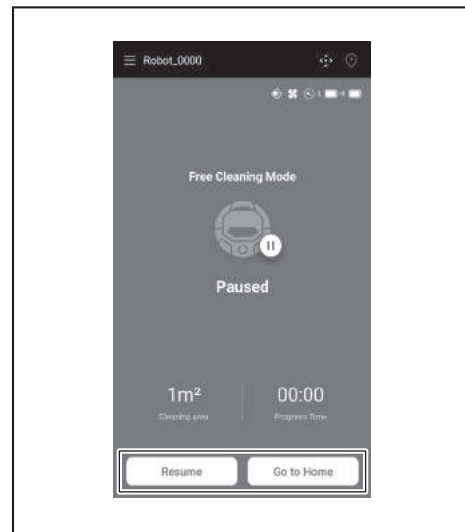
2. Toque em [Modo de limpeza livre] e, de seguida, toque em [OK].



3. No ecrã inicial, toque em [Início da limpeza] para o aspirador de pó robotizado iniciar a limpeza.



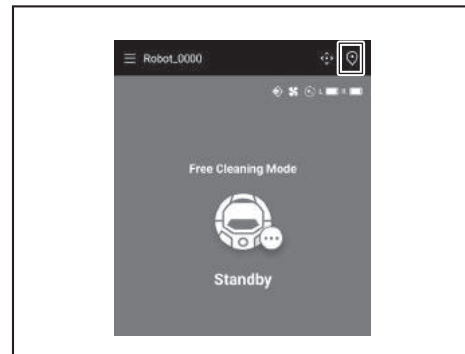
4. Pode controlar o aspirador de pó robotizado com as seguintes operações.
  - Tochar em [Pausar] resulta na paragem temporária da limpeza pelo aspirador de pó robotizado.
  - Tochar em [Retomar] durante a pausa reinicia o aspirador de pó robotizado.
  - Tochar em [Ir à Base] durante a pausa resulta no regresso do aspirador de pó robotizado ao ponto onde iniciou a limpeza. À medida que o aspirador de pó robotizado regressa ao ponto de partida, a aplicação acede ao ecrã inicial. Esta operação pode ser efetuada enquanto a limpeza está pausada.



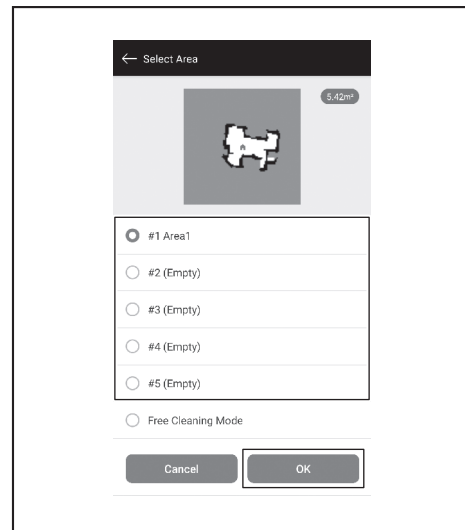
## Limpar divisões mapeadas

- No modo de limpeza por mapeamento, o aspirador de pó robotizado funciona de forma a que a divisão mapeada seja limpa eficientemente.
- A utilização do modo de limpeza por mapeamento exige o registo das informações de mapeamento. (Consulte a página 40.)

1. No ecrã inicial, toque em .

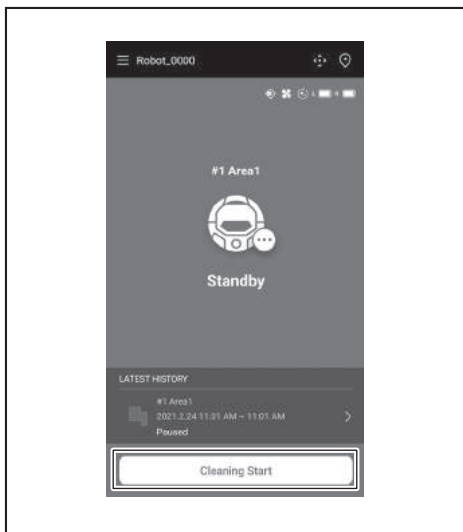


2. Toque na divisão que pretende limpar e, de seguida, toque em [OK].
  - Pode adicionar, alterar e eliminar um mapa. (Consulte a página 40)

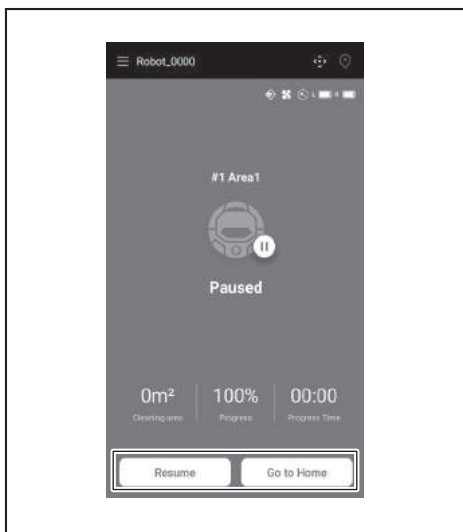
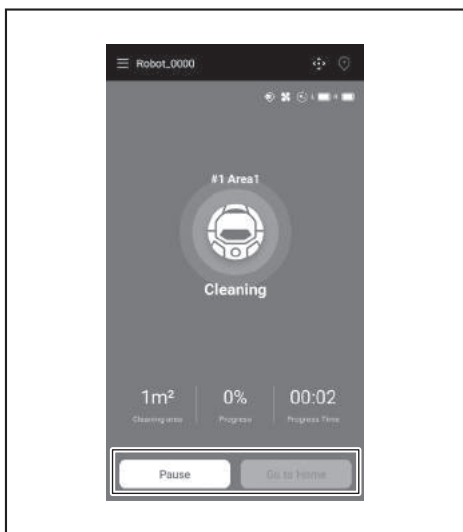


3. Coloque o aspirador de pó robotizado o mais próximo possível da mesma orientação que estava aquando do início do mapeamento. Isto permite ao aspirador de pó robotizado iniciar a limpeza suavemente.

4. Toque em [Início da limpeza] para o aspirador de pó robotizado iniciar a limpeza.



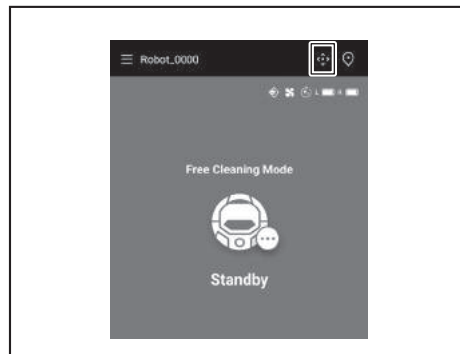
5. Pode controlar o aspirador de pó robotizado com as seguintes operações.
  - Tocar em [Pausar] resulta na paragem temporária da limpeza pelo aspirador de pó robotizado.
  - Tocar em [Retomar] durante a pausa reinicia o aspirador de pó robotizado.
  - Tocar em [Ir à Base] durante a pausa resulta no regresso do aspirador de pó robotizado ao ponto onde iniciou a limpeza. À medida que o aspirador de pó robotizado regressa ao ponto de partida, a aplicação acede ao ecrã inicial. Esta operação pode ser efetuada enquanto a limpeza está pausada.
  - Se a forma da divisão não corresponder às informações do mapa, é apresentado o ecrã de erro e o aspirador de pó robotizado para de limpar. Verifique se a divisão selecionada está correta e coloque o aspirador de pó robotizado no ponto de partida.
  - Se o aspirador de pó robotizado for colocado longe do ponto de partida nas informações de mapeamento, é apresentado o ecrã de erro.



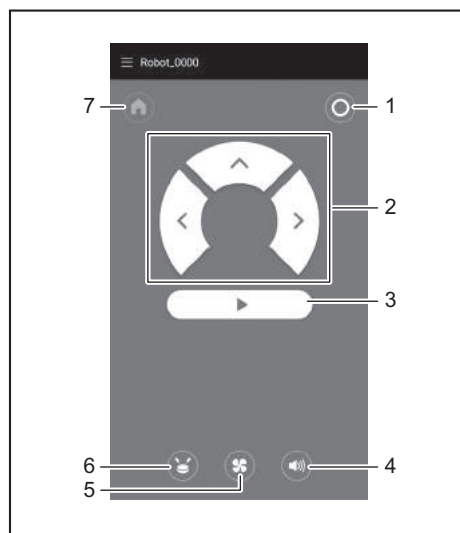
## Controlar o aspirador de pó robotizado com a aplicação

Pode controlar o aspirador de pó robotizado com a aplicação tal como com o controlo remoto incluído com o aspirador de pó robotizado.

1. No ecrã inicial, toque em .



2. Ao tocar nos botões, controle o aspirador de pó robotizado.
  - Não pode fazer o aspirador de pó robotizado recuar a partir da aplicação.



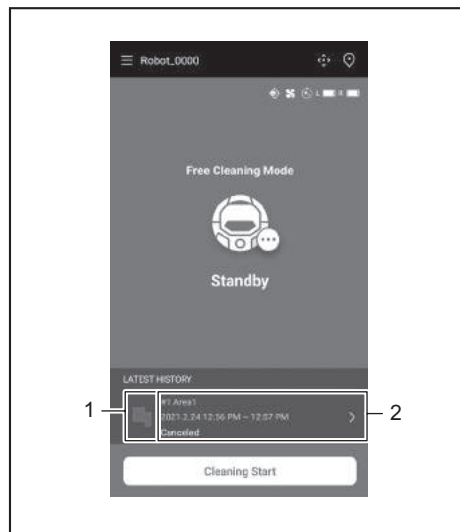
- 1. Botão DESLIGAR 2. Botões de ação 3. Botão Iniciar/Parar 4. Botão LIGAR/DESLIGAR som 5. Botão LIGAR/DESLIGAR ventoinha do aspirador 6. Botão avisador/luminoso do sinalizador de localização 7. Botão Ponto de partida

## Consultar o histórico de limpeza

A partir da aplicação, pode consultar detalhadamente o histórico de limpeza.

### Consultar o histórico recente



No ecrã inicial, toque em no ícone em [HISTÓRICO RECENTE].

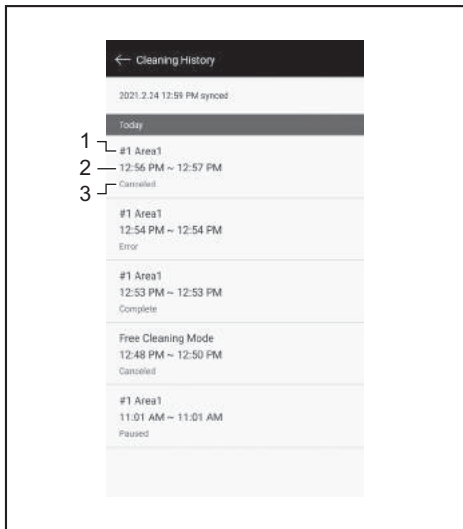


- 1. Ícone para mostrar o histórico recente 2. Artigo para mostrar a lista de históricos

## Consultar os históricos anteriores

Podem ser registados até 15 históricos. Se já tiverem sido registados 15 históricos, o histórico mais antigo será apagado quando for registado um histórico novo.

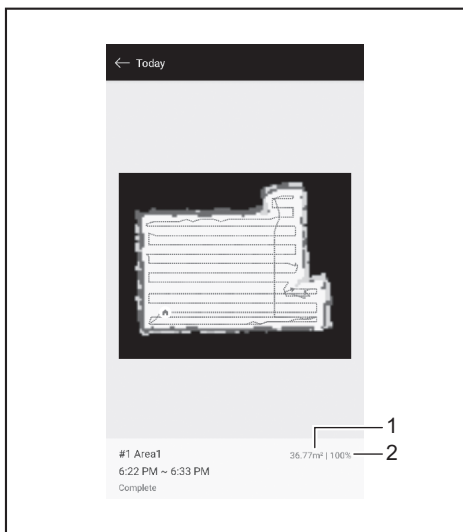
1. No ecrã inicial, toque em  em [HISTÓRICO RECENTE].  
Pode tocar em  no ecrã inicial e, de seguida, toque em [Histórico de limpeza] para ver os registos anteriores.
2. Toque no registo que pretende consultar.



- 1. Divisão limpa ou modo de limpeza 2. Tempo durante o qual a divisão foi limpa 3. Estado da limpeza (concluído, parado, erro, etc.)

Tocar num artigo mostra as informações detalhadas de cada histórico.

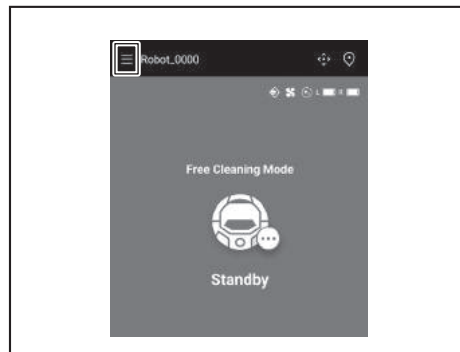
- Linha tracejada azul-verde: a trajetória do aspirador de pó robotizado
- Amarelo: a área que o aspirador de pó robotizado limpou
- Azul: obstáculos detetados pelo sensor do para-choques
- Verde: obstáculos detetados pelo sensor ultrassónico
- Rosa: Degraus detetados pelo sensor de descida
- Roxo: A área na qual o aspirador de pó robotizado detetou a linha de limite magnético
- Branco: A área que o aspirador de pó robotizado não limpou
- Cinzento: As paredes ou obstáculos detetados pelo sensor LiDAR



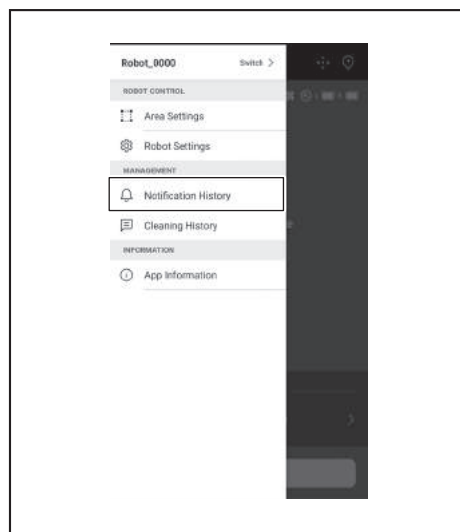
- 1. Tamanho da área de limpeza 2. Cobertura de limpeza (apenas limpeza por mapeamento)
- O tamanho e a cobertura da área limpa não são valores exatos. Utiliza estas informações como um guia geral.

## Consultar os históricos de erros

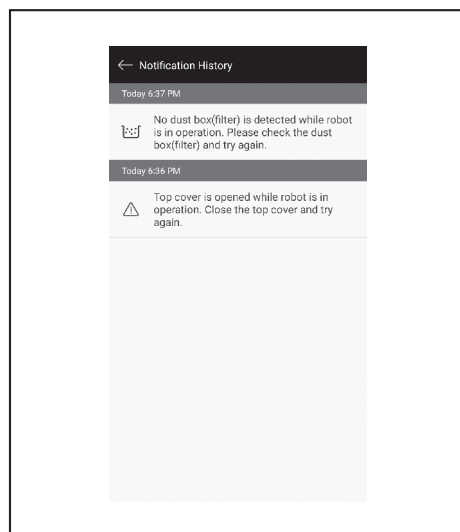
1. No ecrã inicial, toque em .



2. Toque em [Histórico de notificações].




Será apresentada a data, hora e o conteúdo do erro. Podem ser registados até 10 históricos. Se já tiverem sido registados 10 históricos, o histórico mais antigo será apagado quando for registado um histórico novo.

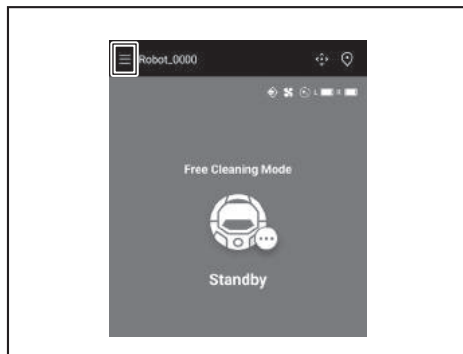




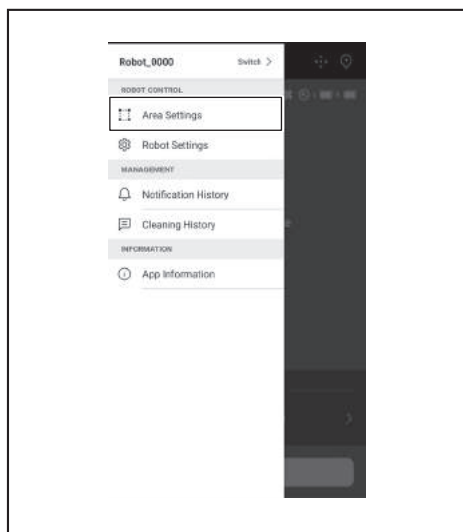
## Adicionar, alterar ou eliminar as informações de mapeamento

Pode adicionar, alterar ou eliminar as informações de mapeamento a partir de [Ajustes de área] na janela do menu.

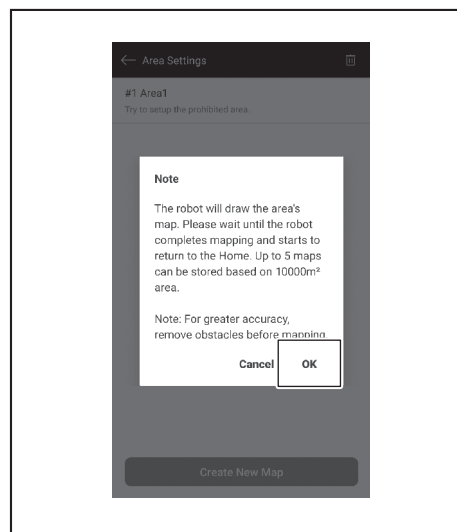
1. No ecrã inicial, toque em .



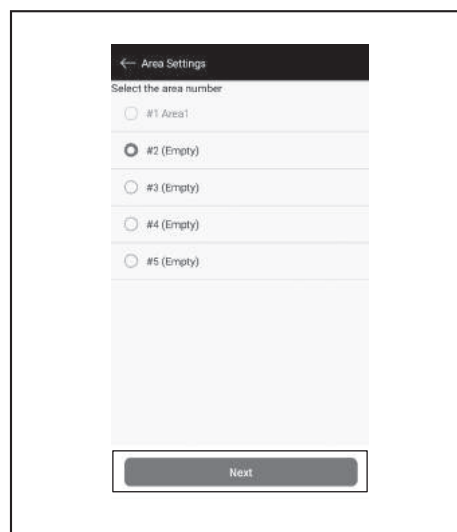
2. Toque em [Ajustes de área].



2. É apresentado um aviso. Toque em [OK].



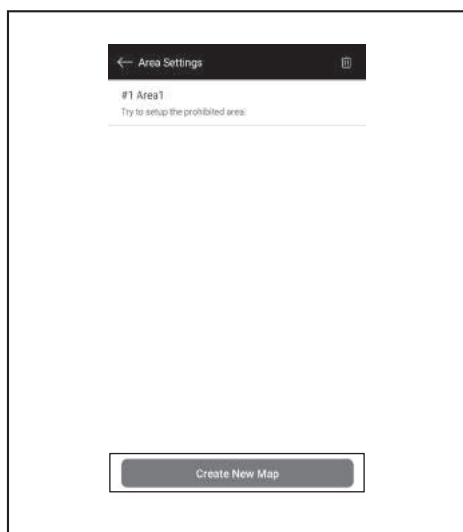
3. Selecione um espaço vazio no qual guardar informações de mapeamento e, de seguida, toque em [Avançar].



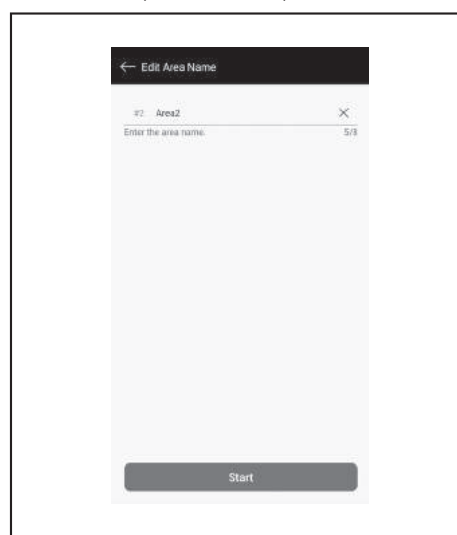
## Adicionar informações de mapeamento

Pode guardar informações até 5 mapas com um tamanho de área até 10 000 m<sup>2</sup>. O tamanho da área não indica o tamanho real de uma área mapeada mas a área do retângulo que abrange toda a área mapeada.

1. No ecrã [Ajustes de área], toque em [Criar novo mapa].

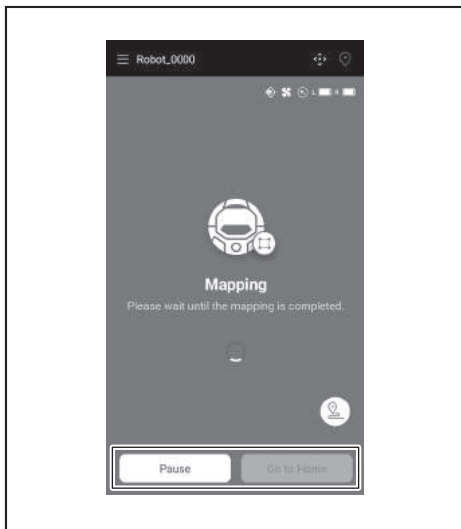


4. Insira um nome da área (Até 8 caracteres).

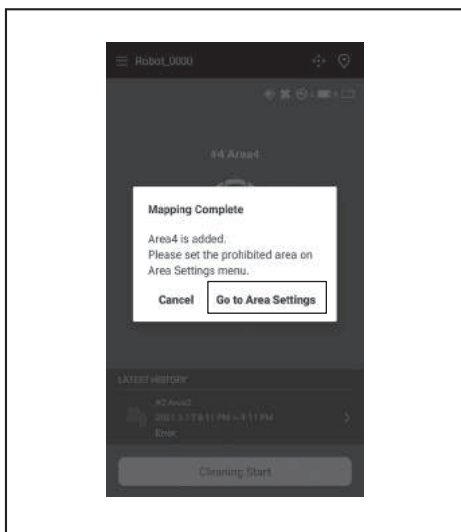


5. Toque em [Iniciar].

6. O aspirador de pó robotizado inicia o mapeamento.
  - Tocar em [Pausar] resulta na paragem temporária do mapeamento pelo aspirador de pó robotizado.
  - Tocar em [Ir à Base] durante a pausa resulta no regresso do aspirador de pó robotizado ao ponto onde iniciou o mapeamento. As informações de mapeamento criadas até ao momento que tocou são registadas. À medida que o aspirador de pó robotizado regressa ao ponto de partida, a aplicação acede ao ecrã inicial.




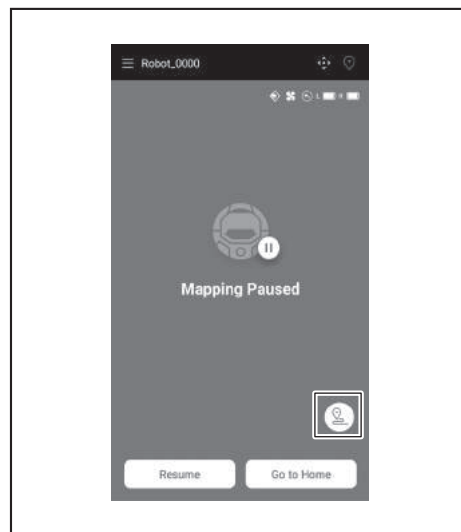
7. Após o mapeamento estar concluído, é apresentado o diálogo para efetuar as definições da área.
  - Se pretender limitar o alcance de limpeza, toque em [Ir aos Ajustes de área]. (Consulte a página 42.)




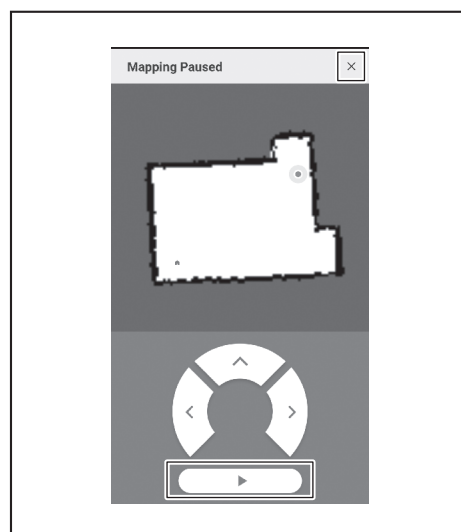
## Adicionar manualmente informações de mapeamento (mapeamento manual)

Durante o mapeamento, pode adicionar manualmente as informações de mapeamento com a aplicação. É aconselhável durante o mapeamento de uma disposição de piso complexa.

1. Toque em [Pausar] e, de seguida, em  para apresentar os botões do controlo remoto.



2. Mova o aspirador de pó robotizado para obter a disposição do piso utilizando os botões do controlo remoto da aplicação ou do controlador remoto.
  - Após adicionar manualmente as informações de mapeamento, toque em  para retomar o mapeamento automático.
  - Se pretender abandonar o mapeamento, toque em [x] e, de seguida, [Ir à Base] ou prima o botão Ponto de partida no controlador remoto.

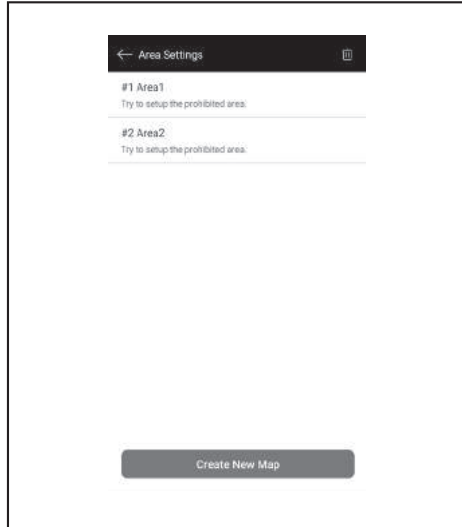


## Alterar o nome das informações de mapeamento

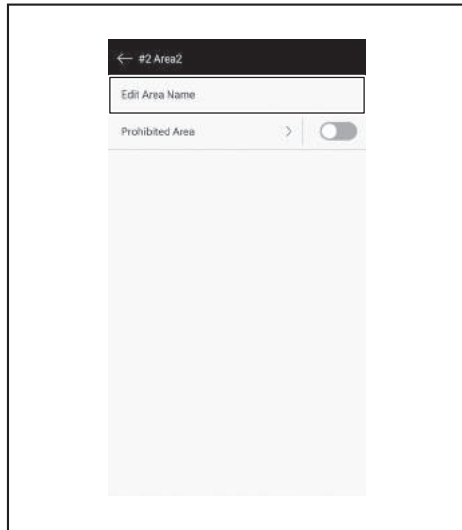
No ecrã [Ajustes de área], toque nas informações de mapeamento que pretende alterar.

Pode tocar num nome para aceder ao ecrã de definições.

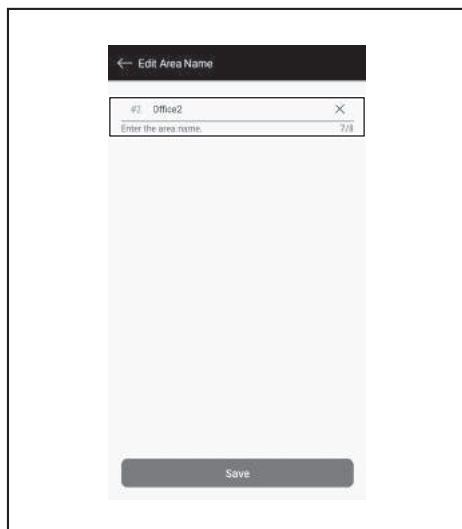
1. No ecrã [Ajustes de área], toque nas informações de mapeamento que pretende alterar.



2. Toque em [Editar nome da área].



3. Edite o nome (Até 8 caracteres).



4. Toque em [Salvar] para finalizar o nome.

## Limitar o alcance de limpeza

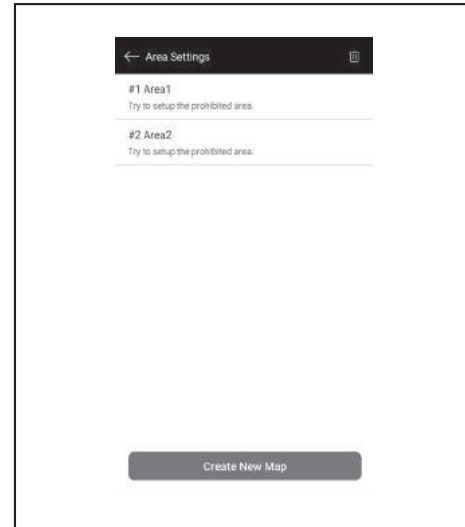
### AVISO

**Não utilize a área proibida de limpeza configurada pela aplicação como uma linha de limite de uma área onde um acidente possa ocorrer devido a uma intrusão ou queda.**

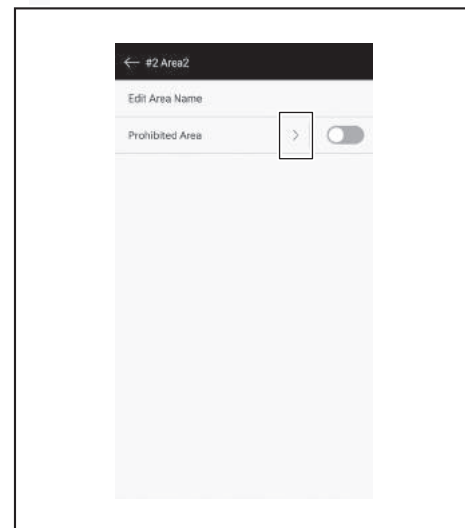
- Caso contrário, pode causar um acidente ou ferimentos devido a uma intrusão ou queda do aspirador de pó robotizado. A trajetória real do aspirador de pó robotizado poderá ser ligeiramente diferente da definição da área proibida de limpeza.

**Para uma área com um risco de intrusão ou queda do aspirador de pó robotizado, coloque um objeto a servir de parede com uma altura de 25 cm ou mais (um objeto que não se mova nem caia quando atingido pelo aspirador de pó robotizado) numa superfície plana. (Consulte a página 11.)**




1. No ecrã [Ajustes de área], toque nas informações de mapeamento que pretende alterar.

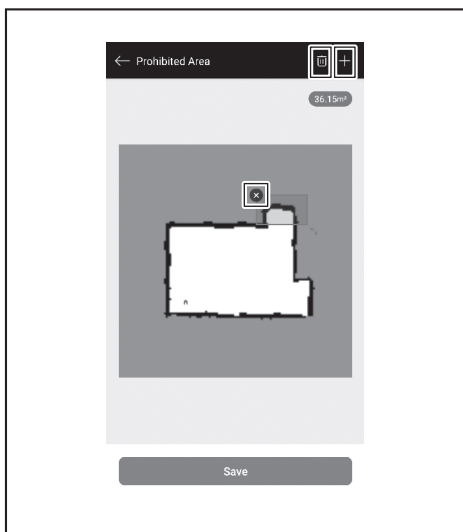


2. Toque em > ao lado de [Área proibida].



3. Defina uma área proibida de limpeza.


- Pode tocar em  no canto superior direito do ecrã para adicionar uma área proibida de limpeza (até 100 áreas).
- Pode arrastar uma área proibida de limpeza para a mover.
- Pode arrastar o canto inferior direito de uma área proibida de limpeza para ajustar o tamanho.
- Pode tocar em  no canto superior esquerdo de uma área proibida de limpeza para eliminar a área proibida de limpeza.
- Pode tocar em  no canto superior direito do ecrã para eliminar todas as áreas proibidas de limpeza.
- Não pode definir uma área proibida de limpeza num raio de 2 m à volta do ponto de partida.
- Dependendo do ambiente próximo de uma área proibida de limpeza que definiu, poderá não ser possível limpar uma área à volta da área especificada.

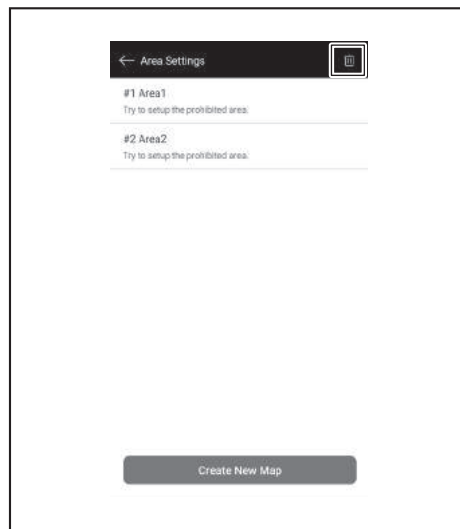


4. Tocar em [Salvar] resulta no registo das informações de mapeamento modificadas.
5. Para ativar a área proibida de limpeza registada, toque em Ligar/Desligar (verde quando está ligada) ao lado de [Área proibida].

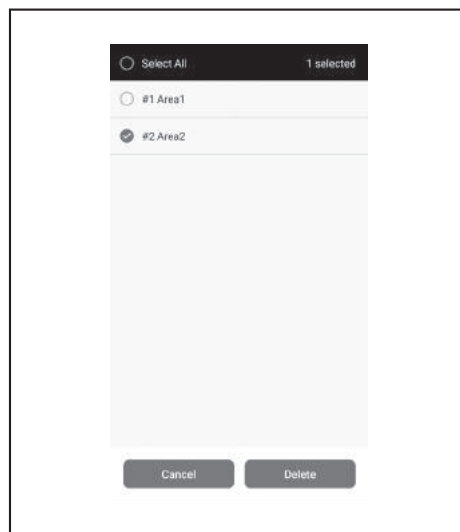


## Eliminar informações de mapeamento

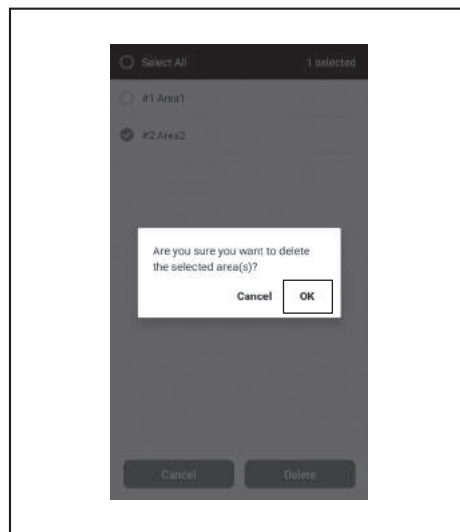
1. No ecrã [Ajustes de área], toque em .



2. Selecione as informações de mapeamento que pretende eliminar.
- O círculo no topo das informações de mapeamento fica a cores quando as informações de mapeamento são selecionadas.
  - Pode tocar em [Selecionar tudo] para selecionar todos os itens.



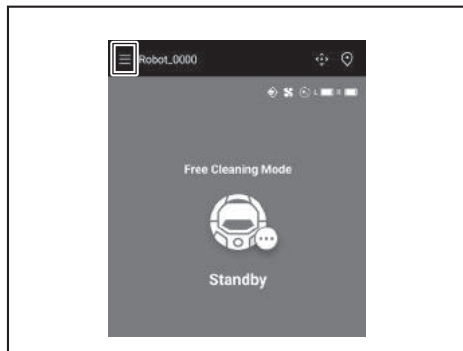
3. Toque em [Apagar].
4. É apresentado um aviso. Toque em [OK].



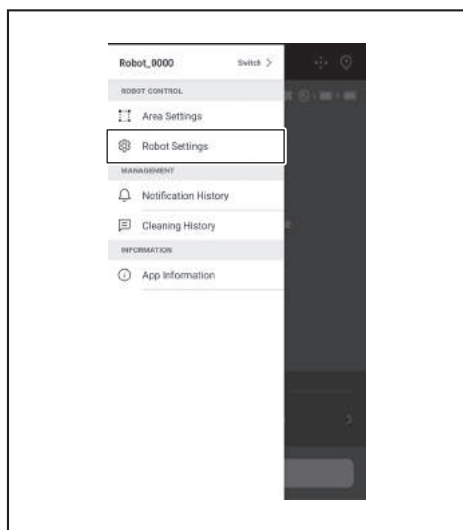
## Alterar e verificar definições

As definições podem ser alteradas e verificadas em [Ajustes do robô] na janela do menu.

1. No ecrã inicial, toque em .



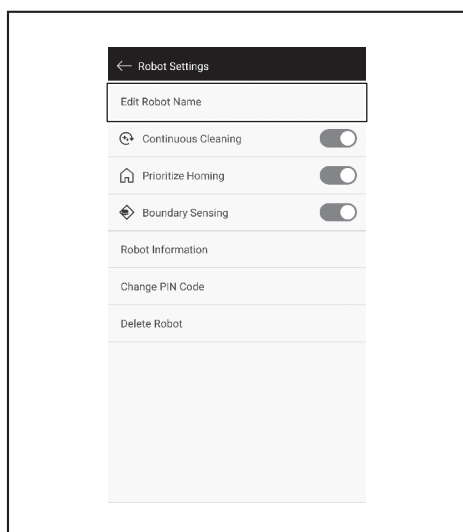
2. Toque em [Ajustes do robô].



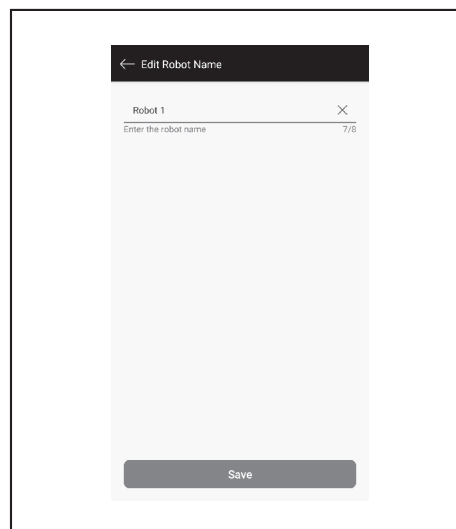
## Alterar o nome de um aspirador de pó robotizado registado

Esta definição só altera o nome do aspirador de pó robotizado na aplicação. O SSID para o Wi-Fi® não será alterado.

1. No ecrã [Ajustes do robô], toque em [Editar nome do robô].



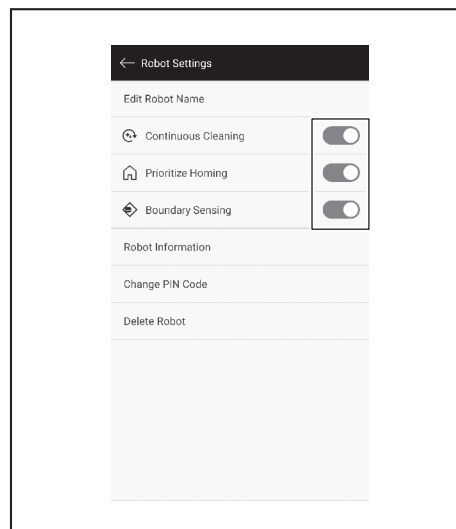
2. Insira um nome novo (Até 8 caracteres).



3. Quando tiver concluído a introdução do nome, toque em [Salvar].

## Definir opções de limpeza

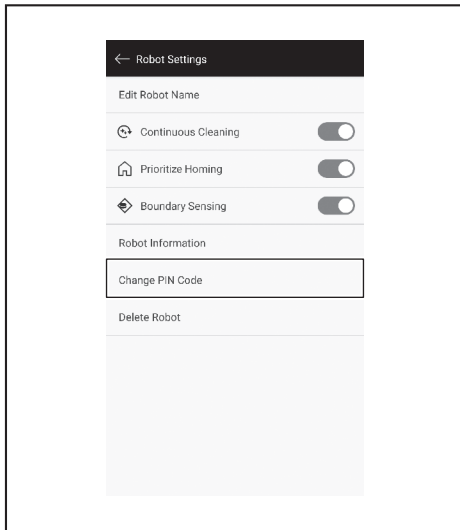
1. No ecrã [Ajustes do robô], toque em Ligar/Desligar (verde quando está ligado) ao lado de [Limpeza contínua] ou [Priorizar retorno], se necessário.
  - [Limpeza contínua]: seleccione esta opção quando a capacidade da bateria se esgotar antes do aspirador de pó robotizado limpar toda a área de limpeza e pretender retomar a limpeza da área não limpa da próxima vez.
  - [Priorizar retorno]: esta definição é recomendada quando o aspirador de pó robotizado não consegue, frequentemente, regressar ao ponto de partida da limpeza. O aspirador de pó robotizado começa a regressar ao ponto de partida da limpeza, desde que haja mais capacidade restante da bateria do que o habitual.
  - [Sensor de limite]: seleccione esta opção ao utilizar a linha de limite magnético. O aspirador de pó robotizado deteta a linha de limite magnético como o limite. (Consulte a página 21.)



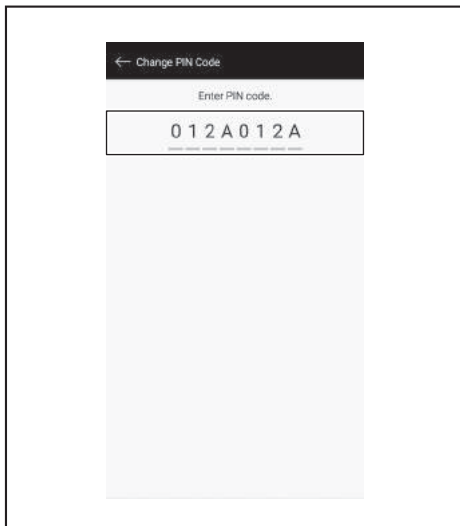
## Alterar o código PIN

O código PIN do aspirador de pó robotizado pode ser alterado. Se se esquecer do código PIN que definiu, consulte "Repór as definições" na página 24 para repor o aspirador de pó robotizado para as predefinições de fábrica. Para verificar o código PIN predefinido, consulte "Definição inicial" na página 35.

1. No ecrã [Ajustes do robô], toque em [Alterar código PIN].



2. Insira o atual código PIN (oito dígitos).

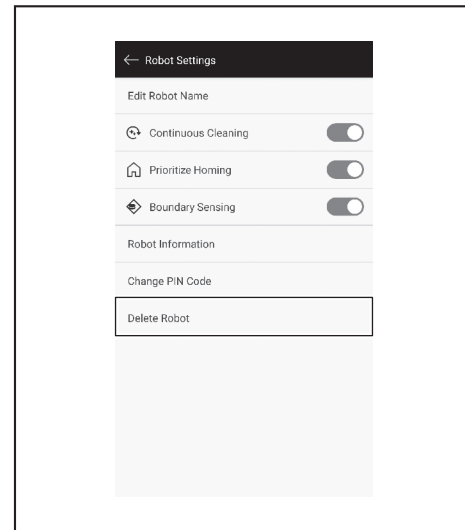


3. Insira o novo código PIN (oito dígitos) que pretende definir. Insira o novo código PIN duas vezes seguidas.

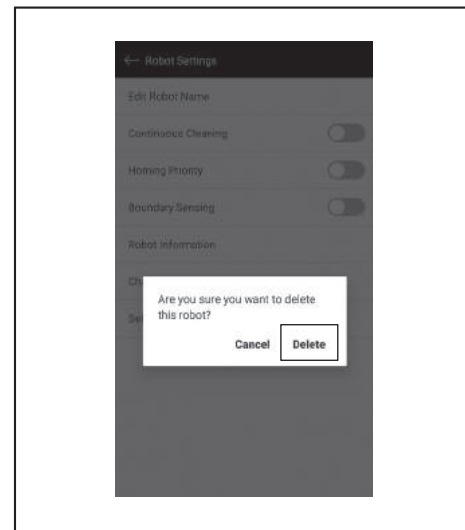


## Eliminar as informações de um aspirador de pó robotizado registado

1. No ecrã [Ajustes do robô], toque em [Apagar robô].

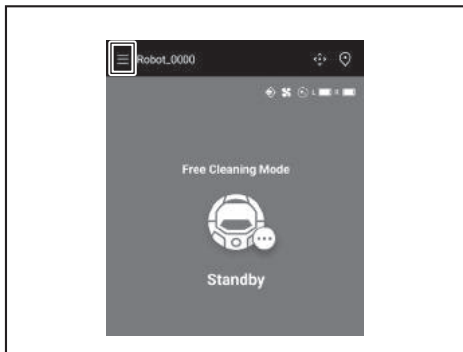


2. Aparece um diálogo para confirmar a eliminação. Toque em [Apagar] para finalizar a eliminação.

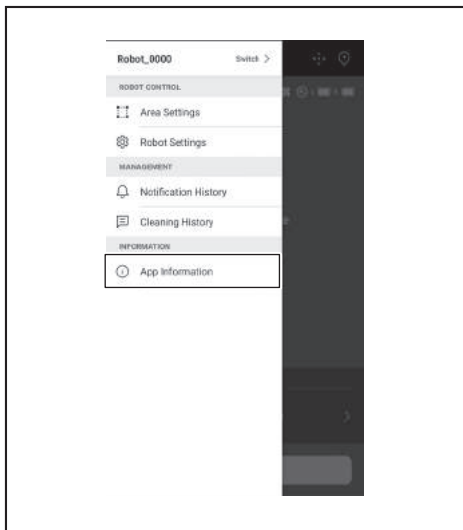


## Verificar as informações sobre a aplicação

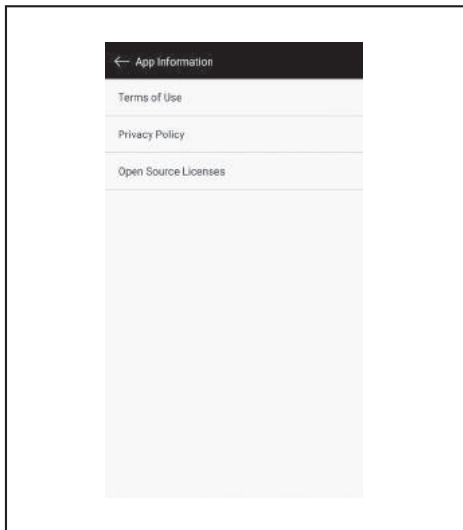
1. No ecrã inicial, toque em .



2. Toque em [Informações do app].

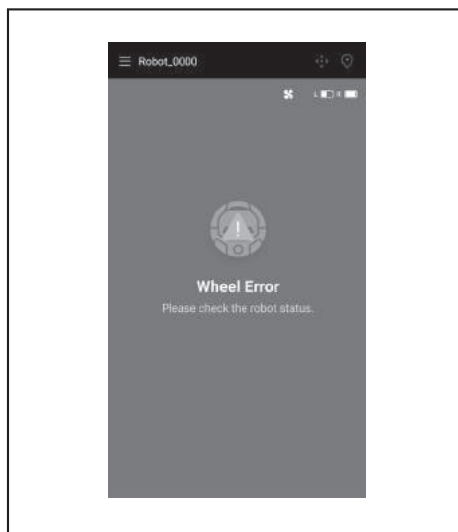
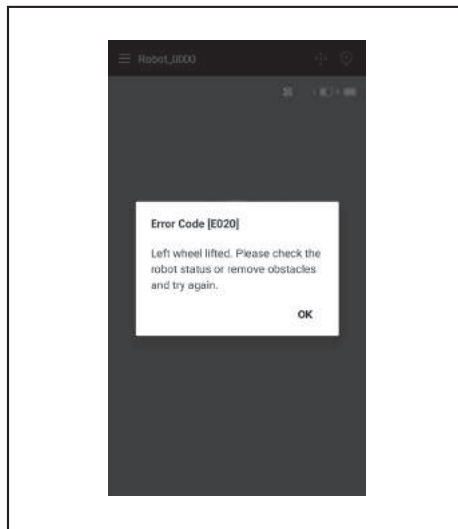


3. Toque nas informações que pretende verificar.



## Mensagem/diálogo de erro

Quando tiver ocorrido um erro, é apresentada uma mensagem ou um diálogo de erro. Neste caso, siga as instruções na mensagem ou no diálogo.



## Anexo

### Aviso relativamente ao software de código aberto

Este produto inclui um software de código aberto (doravante referido como “Software de código aberto”) ao abrigo dos termos de licença da GNU General Public License (GPL), a licença GNU Lesser General Public License (LGPL), entre outras licenças.

Para mais informações relativamente às licenças do Software de código aberto (notificação de titulares de direitos de autor e licenças), estas são divulgadas sem custos adicionais no seguinte website. Ademais, o código de origem para o Software de código aberto que lançámos ao abrigo destas licenças também se encontra disponível sem custos adicionais no seguinte website.

<https://oss.makita.biz/index.html>

- Evite fazer questões acerca do código-fonte do Software de código aberto.
- Não oferecemos quaisquer garantias relativamente ao Software de código aberto. Todavia, este aviso não limita a nossa garantia de produtos com defeito (incluindo defeitos causados pelo Software de código aberto).

### Para os países europeus

Módulo Wi-Fi	Nome do módulo	LCW-006
	Intervalo de frequência/Potência	2412,0 - 2462,0 MHz/17,48 dBm (EIRP) 2422,0 - 2452,0 MHz/13,75 dBm (EIRP)
	Versão S/W	V1.0
Módulo Bluetooth	Nome do módulo	T007-MA-MD
	Intervalo de frequência/Potência	2402,0 - 2480,0 MHz/7 dBm (EIRP)
	Versão S/W	V01.03
Controlador remoto	Nome do módulo	C011
	Intervalo de frequência/Potência	2402,0 - 2480,0 MHz/-4 dBm (EIRP)
	Versão S/W	V01.04

Este dispositivo tem de ser instalado e utilizado a uma distância de separação de, no mínimo, 20 cm de todas as pessoas.



**DANSK**

## Indholdsfortegnelse

• Advarsel	2	• Bilag	45
• Om robotstøvsugeren	2	• Meddelelse om brugen af Open Source-software	45
• Vigtigste funktioner	2	• Til europæiske lande	45
• Gældende batteripatron og oplader	2		
• Anvendelsesformål	3		
• Symboler	3		
• Overensstemmelseserklæringer	3		
• Sikkerhedsforanstaltninger	3		
• Sikkerhedsforanstaltninger ved brug af robotstøvsugeren	4		
• Forholdsregler vedrørende radiobølger	7		
• Respektive varemærker og registrerede varemærker	7		
• Navne på dele	8		
• Standard tilbehør	9		
• Forbered dig inden rengøring	10		
• Om at bære robotstøvsugeren	10		
• Om rengøring af robotstøvsugeren	10		
• Sådan forhindrer man, at robotstøvsugeren falder ned	10		
• Oprydning af et sted der skal rengøres	11		
• Forberedelse til brug	13		
• Montering af sidebørsterne	13		
• Udpakning af støvkassen	13		
• Sæt batterier i fjernbetjeningen	13		
• Angiver den resterende batterikapacitet	14		
• Installation og fjernelse af batterier (sælges separat)	14		
• Tænd/sluk for strømmen	15		
• Hvad skal gøres klar inden rengøring?	15		
• Sådan bruges den	16		
• Rengøring	16		
• Rengøring af et rum med kortlægning	16		
• Sletning af kortoplysninger	17		
• Suspendering eller afslutning af rengøring	18		
• Sluk/tænd af vakuumbløseren	18		
• Brug af positionsfunktion	18		
• Brug af ON-timer/OFF-timer	18		
• Begræns rengøringsrækkevidden	20		
• Sådan fastgøres, fjernes og bruges dele, der sælges separat	21		
• Sådan fjernes snavs	21		
• Indstilling af robotstøvsugeren	22		
• Indstilling af tid på dagen	22		
• Opsætning af Wi-Fi® (robotstøvsuger og smartphone)	22		
• Foretag en lydindstilling	22		
• Nulstilling af indstillingerne	23		
• Pleje	24		
• Vedligeholdelse	24		
• Om reparation	27		
• Meddelelse og fejlindikation	28		
• Annullering af meddelelse og fejlindikation	28		
• Meddelelse om behov for vedligeholdelse osv.	28		
• Fejlmeddelelse	28		
• Fejlfinding	29		
• Opbevaring	32		
• Valgfrit tilbehør	32		
• Smartphone-app (til DRC300)	33		
• Indholdsfortegnelse	33		
• Hvad du kan gøre med app'en	33		
• Sådan installeres app'en	33		
• Startskærm	34		
• Rengøring med app'en	34		
• Tjekke rengøringshistorikken	36		
• Tilføj, redigere eller slette kortlægningsinformation	38		
• Ændring og kontrol af indstillinger	42		
• Fejlmeddelelse/dialogvindue	44		

## Advarsel

Dette apparat kan bruges af børn fra 8 år og derover og personer med nedsatte fysiske, sensoriske eller mentale evner eller manglende erfaring og viden, hvis de er under tilsyn eller er blevet vejledt i brugen af apparatet på en sikker måde og forstår de tilknyttede farer. Børn må ikke lege med apparatet. Rengøring og brugervedligeholdelse må ikke udføres af børn uden opsyn.

## Om robotstøvsugeren

### Vigtigste funktioner

Vigtig funktion		Model: DRC300
Spænding		DC 18 V
Kontinuerlig driftstid *1 *2		Ca. 240 minutter
Støvsamler volumen		3,0 l
Dimensioner		500 mm (L) × 500 mm (B) × 204 mm (H)
Vægt *2		10,6 kg
Trådløs kommunikation	Kommunikationssystem	1. Robotstøvsuger til fjernbetjening: Bluetooth 2. Robotstøvsuger til smartphone: Wi-Fi® (SoftAP)
	Anslået kommunikationsafstand	1. 20 m eller mindre 2. 10 m eller mindre
Trådløst LAN	Frekvensbånd	2,4 GHz
	Maksimal radiofrekvenseffekt	17,48 dBm (EIRP)
	Trådløse LAN-standarder	IEEE 802.11 b/g/n
	Krypteringsmetode	WPA/WPA2
	WPS-version	Version 2.0
Bluetooth	Frekvensbånd	2402,0 - 2480,0 MHz
	Maksimal radiofrekvenseffekt	Fjerncontroller: -4 dBm (EIRP)
	Transmissionsområde	Ca. 10 m
	Bluetooth®-version	4.2 (Bluetooth lavenergi)
Laseroutput	Bølgelængde	LiDAR-sensor: 775 - 800 nm Skræntsensoren: 845 - 850 nm
	Output	1 mW eller mindre (IEC 60825-1:2014 Laserklasse 1)

- Bemærk, at de vigtigste funktioner, formen og andre egenskaber kan ændres med henblik på forbedring.
- Laserafstandssensorerne til dette produkt er klasse 1-laserprodukter som defineret af den internationale standard IEC 60825-1: 2014 om laserprodukters sikkerhed.

- \*1. Når den bruges på glat gulv som vinylgulvfliser med vakuumbløseren tændt. Driftstiden varierer afhængigt af forholdene på kørselsstedet, gulvtypen, batteriforholdene, stuetemperaturen osv. Derudover kan kørselstiden være kortere i miljøer med lave temperaturer på grund af egenskaberne ved et litium-ion-batteri.
- \*2. Når den er udstyret med to BL1860B-batterier.

### Gældende batteripatron og oplader

Batteripatron	BL1815N / BL1820B / BL1830B / BL1840B / BL1850B / BL1860B
Oplader	DC18RC / DC18RD / DC18RE / DC18SD / DC18SE / DC18SF / DC18SH / DC18WC

- Nogle af de ovennævnte batteripatroner og opladere er muligvis ikke tilgængelige, afhængigt af hvor du bor.

### ADVARSEL

Brug kun batteripatroner og opladere, der er anført ovenfor. Brug af andre batteripatroner og opladere kan forårsage personskade og/eller brand.

### Om ledningstilsluttede strømkilder

Ledningstilsluttede strømkilder kan ikke bruges til dette produkt. Hvis de bruges, kan de forårsage personskade eller en ulykke.

## Anvendelsesformål

Dette produkt er en robotstøvsuger beregnet til rengøring af indendørs gulve. Nogle driftsfunktioner og indstillinger kan udføres med fjernbetjeningen og den dedikerede app.

## Symboler

Følgende viser de symboler, der kan bruges til udstyret. Sørg for at forstå deres betydning inden brug.



Læs brugsanvisningen.



Vær særlig omhyggelig og opmærksom.



Et repræsentativt batteri, der kan anvendes til dette produkt.



Kun for EU-lande  
På grund af tilstedeværelsen af farlige komponenter i udstyret kan elektrisk og elektronisk udstyr, akkumulatører og batterier ved bortskaffelse have en negativ indvirkning på miljøet og menneskers sundhed.



Ni-MH  
Li-ion

Bortskaf ikke elektriske og elektroniske apparater eller batterier sammen med husholdningsaffald!  
I overensstemmelse med det europæiske direktiv om bortskaffelse af elektrisk og elektronisk udstyr og om akkumulatører og batterier og affaldsakkumulatører og batterier såvel som deres tilpasning til national lovgivning skal elektrisk udstyr, batterier og akkumulatører opbevares separat og afleveres på et separat indsamlingssted til kommunalt affald, der fungerer i overensstemmelse med reglerne om miljøbeskyttelse.  
Dette er angivet af symbolet på skraldespanden med et kryds over, der er placeret på udstyret.



Du må ikke træde på eller lægge genstande på robotstøvsugeren.



Brug ikke robotstøvsugeren i nærheden af åben ild eller brandfarlige og/eller farlige materialer.



Rengør skræntensensorerne i bunden, hvis de er snavsede eller våde.



LASER  
1

KLASSE 1-LASERPRODUKT  
FORBRUGERLASERPRODUKT  
EN 50689:2021

CONSUMER LASER PRODUCT  
EN 50689 : 2021

## Overensstemmelseserklæringer

Kun for europæiske lande

Overensstemmelseserklæringerne er inkluderet i bilag A til denne brugsanvisning.

## Sikkerhedsforanstaltninger

Om betydningen af , og i forholdsregler

Overvejelser ved brug af dette produkt er klassificeret i , og .

Deres respektive betydning er som følger.



En forholdsregel for at indikere en risiko for død eller alvorlig kvæstelse af brugeren, når produktet håndteres forkert.



En forholdsregel for at indikere en risiko for skade på brugeren eller en risiko for materiel skade, når produktet håndteres forkert. Bemærk, at en sag beskrevet som muligvis kan medføre alvorlige konsekvenser afhængigt af situationen. Sørg for at overholde disse forholdsregler, da de alle er vigtige for sikkerheden.



Vigtige forholdsregler ved håndtering af produktet og dets tilbehør.

- Sørg for at overholde "Sikkerhedsforanstaltninger" for at forhindre en ulykke som brand, elektrisk stød og kvæstelser, før det sker.
- Før du bruger produktet, skal du læse alle disse "Sikkerhedsforanstaltninger" grundigt for at sikre korrekt brug af produktet.
- Når du har læst den, skal du sørge for at placere den et sikkert sted, hvor den kan altid kan tilgås af dem, der bruger produktet.
- Når du udlåner produktet til en anden person, skal du også udlevere brugervejledningen.
- Følgende billedskilte bruges til at klassificere og forklare ting, der skal overholdes.

## Eksempler på billedskilte





Dette billedskilt indikerer en "forbudt" ting, det vil sige hvad du ikke må gøre.







Dette billedskilt angiver en "obligatorisk" ting, det vil sige hvad du altid skal gøre.



Disse illustrationer er til referenceformål. Bemærk, at deres design varierer afhængigt af produktet.

<b>ADVARSEL</b>	
<b>Produktet må ikke vaskes i vand. Brug ikke dette produkt på et fugtigt eller vådt sted, såsom et badeværelse.</b> <ul style="list-style-type: none"><li>• Indtrængning af vand i motoren kan forårsage en kortvarig opvarmning eller antændelse.</li><li>• Nogle komponenter kan vaskes i vand. Se "Pleje" på side 24.</li></ul>	
<b>Adskil ikke, reparér ikke og modificér ikke produktet.</b> <ul style="list-style-type: none"><li>• Dette kan medføre antændelse eller unormal drift og personskade.</li></ul>	
<b>Lad ikke børn lege med dette produkt eller opladeren.</b> <ul style="list-style-type: none"><li>• Et øjeblikks skødesløshed kan resultere i alvorlig personskade.</li></ul>	
<b>Brug ikke dette produkt udendørs.</b>	
<b>Brug ikke dette produkt på et ustabilt sted såsom trapper eller en stejl hældning.</b> <ul style="list-style-type: none"><li>• Dette produkt kan vælte eller falde og forårsage personskade.</li></ul>	
<b>Brug ikke andet end Makita-specificeret tilbehør og separat solgte genstande.</b> <ul style="list-style-type: none"><li>• Brug af en anden genstand end tilbehør og separat solgte genstande, der er angivet i denne brugervejledning og vores katalog, kan forårsage en ulykke eller skade.</li></ul>	
<b>Anbring ikke dette produkt i nærheden af ild, varmeeenheder osv.</b> <ul style="list-style-type: none"><li>• Dette kan medføre kortslutning eller antændelse på grund af deformation af produktet.</li></ul>	
<b>Brug ikke produktet og oplad ikke batteriet i nærheden af brændbare stoffer (benzin, fortynder, gas osv.).</b> <ul style="list-style-type: none"><li>• Dette kan forårsage eksplosion eller brand.</li></ul>	
<b>Opbevar ikke dette produkt et sted, hvor temperaturen kan nå 50 °C (122 °F) (metalboks, inden i en bil om sommeren osv.).</b> <ul style="list-style-type: none"><li>• Dette kan forårsage kortslutning eller antændelse på grund af deformation af produktet.</li><li>• Batteriet kan blive forringet og begynde at ryge eller antænde.</li></ul>	
<b>Oplad ikke under følgende forhold, da dette kan medføre brand.</b> <ul style="list-style-type: none"><li>• På papir som bølgepap, klud såsom en pude, et tæppe, vinyl osv.</li><li>• Der bruges en lader med lufthuller, men lufthullerne er blokeret under opladning. Eller metal og brændbare ting indsættes i lufthuller.</li><li>• På et støvet sted, for eksempel med bomuldstøv.</li></ul>	
<b>Oplad ikke i regnvej, og tag ikke stikket eller batteriet ud med våde hænder.</b> <b>Tillad ikke fremmedlegemer som metalstykker eller vand i nærheden af opladerens terminal.</b> <ul style="list-style-type: none"><li>• Dette kan medføre elektrisk stød eller personskade.</li></ul>	
<b>Brug ikke en anden oplader end den beregnede oplader.</b> <ul style="list-style-type: none"><li>• Dette kan medføre lækage, opvarmning eller brud på batteriet.</li><li>• Brug ikke opladeren til andre formål end opladning.</li></ul>	
<b>Brug ikke opladeren til andre formål end opladning. Brug ikke batteriet og opladeren til andet udstyr end det, der er specificeret af Makita.</b>	



 <b>ADVARSEL</b>	
<p><b>Ledningen til opladeren må ikke bruges til andre formål.</b></p> <ul style="list-style-type: none"> <li>Bær ikke opladeren, mens du holder i ledningen, og træk ikke stikket ud af stikkontakten.</li> <li>Hold ledningen væk fra varme, olie, kemikalier og skarpe hjørner.</li> <li>Vær forsigtig omkring opladningsstedet for at forhindre, at ledningen trædes på, bliver fanget eller beskadiget på grund af overdreven kraft. Elektrisk stød eller kortslutning kan medføre antændelse.</li> </ul>	
<p><b>Brug det ikke, hvis ledningen til opladeren er beskadiget, eller hvis stikket ikke er sat ordentligt i.</b></p> <ul style="list-style-type: none"> <li>Der kan opstå elektrisk stød, kortslutning eller antændelse.</li> </ul>	
<p><b>Batterimonteringsdelen af opladeren har en opladningsterminal. Tillad ikke fremmedlegemer som metalstykker eller vand i nærheden af opladningsterminalen.</b></p>	
<p><b>Dæk ikke batteriet og opladeren med en klud eller andet under opladningen.</b></p> <ul style="list-style-type: none"> <li>Oplad batteriet et godt ventileret sted. Ellers kan der opstå opvarmning, brud eller antændelse.</li> </ul>	


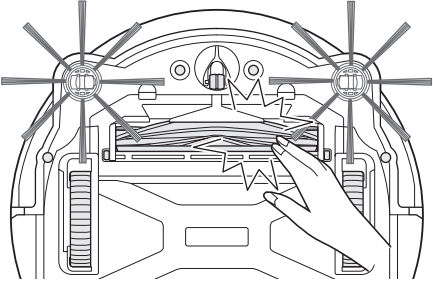
 <b>ADVARSEL</b>	
<p><b>Sørg for at slukke for strømmen og fjerne batterierne før vedligeholdelse og inspektion for at forhindre, at dette produkt starter utilsigtet.</b></p>	
<p><b>Når du isætter batteriet i dette produkt, skal du være forsigtig med ikke at tænde for strømmen.</b></p> <ul style="list-style-type: none"> <li>Når du installerer batteriet under forhold, hvor der muligvis kan tændes for strømmen (f.eks. når din finger hviler på start/stop-knappen), kan dette produkt begynde at bevæge sig pludseligt og forårsage en ulykke.</li> </ul>	
<p><b>I tilfælde af utilsigtet fald eller sammenstød skal du omhyggeligt kontrollere dette produkt osv. for skader, revner og deformation.</b></p> <ul style="list-style-type: none"> <li>Skader, revner og deformation kan forårsage personskade.</li> </ul>	
<p><b>Flyt dette produkt forsigtigt for at forhindre, at produktet deformeres og beskadiges.</b></p> <ul style="list-style-type: none"> <li>Skader, revner og deformation kan forårsage personskade.</li> </ul>	
<p><b>Hvis dette produkt ikke fungerer korrekt, eller der produceres en unormal lyd, når du bruger produktet, skal du straks slukke for strømmen og stoppe med at bruge det. Bed derefter butikken, hvor du købte den, eller vores salgskontor om inspektion og reparation.</b></p> <ul style="list-style-type: none"> <li>Hvis du fortsætter med at bruge produktet, kan det medføre personskade eller en ulykke.</li> </ul>	
<p><b>Kontroller for beskadigede dele.</b></p> <ul style="list-style-type: none"> <li>Inden du bruger produktet, skal du inspicere grundigt for beskadigelse af komponenter og kontrollere, at produktet fungerer korrekt og fungerer som beregnet.</li> <li>Kontroller, at de bevægelige dele er korrekt placeret og strammet, og kontroller komponenterne for beskadigelse og korrekt montering. Kontroller derefter alle andre områder, der kan påvirke operationen, for at se om der er nogen abnormalitet.</li> <li>Følg brugervejledningen for udskiftning og reparation af beskadigede komponenter. Hvis der ikke gives nogen beskrivelse i brugervejledningen, bed den butik, hvor du købte den, eller vores salgskontor om at udføre reparation.</li> </ul>	
<p><b>Opbevar dette produkt i god stand.</b></p> <ul style="list-style-type: none"> <li>Følg brugervejledningen for udskiftning af tilbehør.</li> <li>Undersøg regelmæssigt ledningen til opladeren, og hvis den er beskadiget, bed den butik, hvor du købte den, eller vores salgskontor om at udføre reparation. Elektrisk stød eller kortslutning kan medføre antændelse.</li> <li>Når en forlængerledning bruges til opladning, skal du kontrollere den med jævne mellemrum, og hvis den er beskadiget, skal du udskifte den. Elektrisk stød eller kortslutning kan medføre antændelse.</li> <li>Hold altid bærehåndtaget tørt og rent, og lad det ikke komme i kontakt med olie, fedt osv.</li> </ul>	
<p><b>Når dette produkt ikke bruges, skal det opbevares korrekt.</b></p> <ul style="list-style-type: none"> <li>Opbevar det på et tørt, sikkert sted uden for børns rækkevidde eller på et tørt sted, der kan låses. Der kan opstå en ulykke.</li> </ul>	
<p><b>Træk opladeren ud af en stikkontakt, når den ikke bruges til opladning.</b></p> <ul style="list-style-type: none"> <li>Hvis du ikke gør det, kan det medføre elektrisk stød, strømledningsulykke eller brand på grund af forringelse af isoleringen.</li> </ul>	


 <b>ADVARSEL</b>	
<p><b>Hvis du bemærker unormal varme eller andre unormale forhold under opladning, skal du straks trække stikket til opladeren ud for at stoppe opladningen.</b></p> <ul style="list-style-type: none"> <li>Hvis du lader opladningen fortsætte, kan der opstå røg, antændelse eller brud.</li> </ul>	


 <b>FORSIGTIG</b>	
<p><b>Fastgør tilbehøret sikkert i overensstemmelse med brugervejledningen.</b></p> <ul style="list-style-type: none"> <li>Hvis det ikke er fastgjort sikkert, kan det forårsage personskade, skade eller en ulykke.</li> </ul>	
<p><b>Når du bærer dette produkt, skal du altid holde i dets bærehåndtag.</b></p> <ul style="list-style-type: none"> <li>Hvis du bærer produktet, mens du holder i andet end bærehåndtaget, kan det medføre svigt eller skade.</li> </ul>	

## Sikkerhedsforanstaltninger ved brug af robotstøvsuger

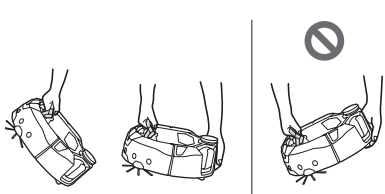
 <b>ADVARSEL</b>	
<p><b>Brug ikke dette produkt på et højt sted uden afskærmning eller på et sted med en smal bredde som f.eks. trapper.</b></p> <ul style="list-style-type: none"> <li>Dette kan medføre personskade eller svigt på grund af dette produkts fald.</li> </ul>	
<p><b>Brug ikke dette produkt et sted, hvor oliekomponenter såsom spiselig olie flyder, et sted, hvor der anvendes spray og kemikalier, såsom en frisørsalon, en skønhedssalon, et rengøringsværksted eller udendørs.</b></p> <ul style="list-style-type: none"> <li>Dette kan medføre fejl.</li> </ul>	
<p><b>Brug ikke dette produkt et sted med en person, der ikke kan betjene dette produkt ordentligt, et lille barn eller et spædbarn.</b></p> <ul style="list-style-type: none"> <li>Dette kan medføre elektrisk stød, en ulykke eller kvæstelse.</li> </ul>	
<p><b>Brug ikke dette produkt et sted hvor der er dyr osv.</b></p> <ul style="list-style-type: none"> <li>Dette kan medføre elektrisk stød, en ulykke eller kvæstelse.</li> </ul>	
<p><b>Brug ikke dette produkt et sted med mange mennesker eller med mennesker, der kommer og går konstant.</b></p> <ul style="list-style-type: none"> <li>Dette kan medføre elektrisk stød, en ulykke eller kvæstelse.</li> </ul>	
<p><b>Bloker ikke udstødningsåbningen og sugeåbningen, og isæt ikke metaller, brandfarlige fremmedlegemer osv.</b></p> <ul style="list-style-type: none"> <li>Dette kan medføre elektrisk stød, antændelse eller svigt.</li> </ul>	
<p><b>Brug ikke dette produkt i nærheden af en genstand, der muligvis blokerer sugeåbningen.</b></p> <ul style="list-style-type: none"> <li>Dette kan medføre elektrisk stød, antændelse eller svigt.</li> </ul>	
<p><b>Kast ikke dette produkt ind i ild, og opvarm det ikke.</b></p> <ul style="list-style-type: none"> <li>Dette kan forårsage kortslutning, antændelse, væskelækage eller eksplosion.</li> </ul>	
<p><b>Anbring ikke dette produkt på et sted med høje temperaturer, f.eks. i nærheden af ild eller en rumvarmer, et sted udsat for direkte sollys eller i en bil under den brændende sol.</b></p> <ul style="list-style-type: none"> <li>Dette kan forårsage kortslutning, antændelse, væskelækage eller eksplosion.</li> </ul>	
<p><b>Læg ikke genstande over dette produkt.</b></p> <ul style="list-style-type: none"> <li>Dette kan medføre overophedning og resultere i antændelse.</li> </ul>	
<p><b>Anbring ikke dette produkt i direkte sollys.</b></p> <ul style="list-style-type: none"> <li>Dette kan medføre en forkert reaktion fra LiDAR-sensoren og den infrarøde sensor, hvilket kan medføre funktionsfejl eller fejl.</li> </ul>	
<p><b>Undgå at blokere sensorer i dette produkt eller indføre fremmedlegemer.</b></p> <ul style="list-style-type: none"> <li>Dette kan forårsage defekt betjening, funktionsfejl eller fejl.</li> </ul>	
<p><b>Sæt ikke klistermærker eller tape på sensorer og hjul.</b></p> <ul style="list-style-type: none"> <li>Dette kan forårsage funktionsfejl eller fejl.</li> </ul>	

<b>⚠ ADVARSEL</b>	
<p><b>Undlad at sidde på dette produkt, lægge tunge genstande på det eller udsætte det for kraftige stød.</b></p> <ul style="list-style-type: none"> <li>• Dette kan medføre beskadigelse og svigt af dette produkt eller personskade. Vær særlig opmærksom, når børn er i nærheden.</li> </ul>	
<p><b>Rør ikke ved drivhjul og læg ikke din hånd eller fod under dette produkt under drift.</b></p> <ul style="list-style-type: none"> <li>• Dette kan medføre skade på en hånd osv. Vær særlig opmærksom, når børn er i nærheden.</li> </ul>	
	
<p><b>Lad ikke produktet blive anvendt af et barn alene. Mennesker, der ikke kan udtrykke deres vilje, og folk, der ikke kan betjene produktet uafhængigt, bør ikke anvende dette produkt.</b></p> <ul style="list-style-type: none"> <li>• Dette kan medføre elektrisk stød, en ulykke eller kvæstelse.</li> </ul>	
<p><b>Hæld ikke vand eller et rengøringsmiddel på dette produkt og skyl ikke dette produkt (undtagen hovedbørsten, sidebørsten, støvkassen og filteret).</b></p> <ul style="list-style-type: none"> <li>• Det kan medføre elektrisk stød, kortslutning eller antændelse.</li> </ul>	
<p><b>Rør ikke ved produktet med våde hænder.</b></p> <ul style="list-style-type: none"> <li>• Dette kan forårsage elektrisk stød.</li> </ul>	
<p><b>Brug ikke magnetisk græselinje, der er revet eller deformeret eller ser ud til at have mistet sin magnetiske kraft.</b></p> <ul style="list-style-type: none"> <li>• Dette kan medføre en ulykke eller skade.</li> </ul>	
<p><b>Dine kroppsdele såsom hænder og hår, og hvad du har på, bør ikke anbringes i dette produkts sugeåbning og udstødningsåbning.</b></p> <ul style="list-style-type: none"> <li>• Dette kan medføre personskade.</li> </ul>	
<p><b>Dine kroppsdele såsom hænder og hår og din beklædning, bør ikke komme i kontakt med en børste, der roterer.</b></p> <ul style="list-style-type: none"> <li>• Dette kan medføre personskade.</li> </ul>	
<p><b>Lad ikke dette produkt opsuge det følgende. Dette kan forårsage brand, kvæstelser eller motorfejl.</b></p> <p><b>Brandfarlige stoffer</b></p> <ul style="list-style-type: none"> <li>• Olier (petroleum, benzin osv.)</li> <li>• Opløsningsmidler (benzin, fortynder osv.)</li> <li>• Brændende ting som tændstikker, røgelse, stearinlys og varm aske; ting, der udsender røg, såsom cigaretter; ting med høje temperaturer.</li> <li>• Brændbare stoffer som toner</li> <li>• Maling</li> <li>• Slibegnistre, metalstøv osv., der genereres ved skæring og slibning af metal.</li> <li>• Brandfarlig gas (spray osv.)</li> </ul> <p><b>Ekspllosive stoffer</b></p> <ul style="list-style-type: none"> <li>• Nitroglycerin osv.</li> <li>• Brændbare stoffer</li> <li>• Aluminium, magnesium, titanium, zink, rødt fosfor, gult fosfor, celluloid og andre kemiske stoffer; støv, gas og damp deraf</li> </ul> <p><b>Skarpe genstande</b></p> <ul style="list-style-type: none"> <li>• Glas, kantede værktøjer, flis, metal, sten, søm, barberblade, tegnestifter, nåle osv.</li> </ul> <p><b>Boblende ting som tæppevaskemidler</b></p> <p><b>Ting, der størkner og ledende fint pulver (metalpulver, kulstof)</b></p> <p><b>Tørremidler</b></p> <p><b>En stor mængde pulver (mel, aske, pulver i en brandslukker osv.)</b></p> <p><b>Stoffer der forårsager symptomer på forgiftning</b></p> <p><b>Lægemidler</b></p> <p><b>Flydende og vådt affald</b></p> <p><b>Ekskrementer og opkast fra dyr osv.</b></p> <p><b>Stort papiraffald, plastaffald, strenge</b></p>	

<b>⚠ ADVARSEL</b>	
<p><b>Brug ikke produktet under følgende forhold, som kan være årsag til brand.</b></p> <ul style="list-style-type: none"> <li>• Store mængder flydende brændbare stoffer.</li> <li>• Udstødningsåbningen er blokeret.</li> <li>• Støvkassen og filteret er ikke fastgjort.</li> <li>• Affald sidder fast i hovedbørsten, som er låst.</li> <li>• Der er huller og tårer i filteret.</li> <li>• Batteriet er ikke isat helt.</li> </ul>	
<p><b>Undgå kortslutning mellem terminalerne på USB-strømforsyningssektionen (til reparation).</b></p> <ul style="list-style-type: none"> <li>• Indsættelse af nåle eller ledning i USB-terminalen kan resultere i kortslutning og forårsage antændelse eller udsendelse af røg.</li> </ul>	
<p><b>Se ikke direkte ind i laserlyset (strålen).</b></p> <ul style="list-style-type: none"> <li>• Dette kan medføre skade på øjnene.</li> </ul>	
<p><b>Dette produkt overholder de gældende sikkerhedsbestemmelser, så modificer det ikke.</b></p> <ul style="list-style-type: none"> <li>• Udførelse af reparationer uden viden eller den rette faglighed til at udføre reparationer kan medføre utilstrækkelig ydelse af laseren samt ulykker eller kvæstelser.</li> </ul>	
<p><b>Brug ikke genopladelige produkter i nærheden af højspændingsledninger.</b></p> <ul style="list-style-type: none"> <li>• Der er risiko for funktionsfejl eller svigt.</li> </ul>	

<b>⚠ ADVARSEL</b>	
<p><b>Stop med at anvende produktet, hvis det undertiden ikke fungerer, selvom strømmen er tændt.</b></p> <ul style="list-style-type: none"> <li>• Hvis du ikke stopper anvendelsen, kan det medføre rygning, antændelse eller elektrisk stød.</li> </ul>	
<p><b>Stop med at bruge produktet straks, når det er deformeret eller er unormalt varmt.</b></p> <ul style="list-style-type: none"> <li>• Hvis du ikke stopper anvendelsen, kan det medføre rygning, antændelse eller elektrisk stød.</li> </ul>	
<p><b>Stop med at bruge produktet, når det nogle gange stopper under drift.</b></p> <ul style="list-style-type: none"> <li>• Hvis du ikke stopper anvendelsen, kan det medføre rygning, antændelse eller elektrisk stød.</li> </ul>	
<p><b>Stop straks med at bruge produktet, når der høres en unormal lyd under betjening.</b></p> <ul style="list-style-type: none"> <li>• Hvis du ikke stopper anvendelsen, kan det medføre rygning, antændelse eller elektrisk stød.</li> </ul>	
<p><b>Stop straks med at bruge produktet, når det lugter som om noget brænder.</b></p> <ul style="list-style-type: none"> <li>• Hvis du ikke stopper anvendelsen, kan det medføre rygning, antændelse eller elektrisk stød.</li> </ul>	
<p><b>Før brug og vedligeholdelse skal tændte stearinlys, vaser osv. på borde og hylder flyttes.</b></p> <ul style="list-style-type: none"> <li>• Hvis de ikke flyttes, kan de falde ned på grund af et stød, når de rammes af dette produkt, hvilket muligvis kan resultere i en ulykke.</li> </ul>	
<p><b>Før brug og vedligeholdelse skal du flytte elastikker og andre genstande, der muligvis kan blive trukket af dette produkt.</b></p> <ul style="list-style-type: none"> <li>• Hvis du ikke gør det, kan dette produkt trække eksempelvis et elastik, og muligvis resultere i en ulykke.</li> </ul>	
<p><b>Før brug og vedligeholdelse skal du flytte udstyr og enheder med en controller placeret på samme niveau som dette produkt.</b></p> <ul style="list-style-type: none"> <li>• Hvis du ikke gør det, kan dette produkt ramme og trykke på controlleren, hvilket muligvis kan resultere i brand, personskade eller en ulykke.</li> </ul>	
<p><b>Sørg for at slukke for strømmen til dette produkt og tage batterierne ud inden vedligeholdelse og inspektion.</b></p> <ul style="list-style-type: none"> <li>• Hvis du ikke gør det, kan det medføre elektrisk stød eller personskade.</li> </ul>	
<p><b>Under vedligeholdelse skal du passe på ikke at få fingrene i klemme.</b></p> <ul style="list-style-type: none"> <li>• Dette kan medføre personskade.</li> </ul>	

<b>⚠ ADVARSEL</b>	<b>!</b>
<p>Hvis du har en implanterbar hjertepacemaker eller en implanterbar defibrillator, skal du bruge dette produkt mere end 15 cm væk fra implantationsstedet.</p> <ul style="list-style-type: none"> <li>Radiobølger kan påvirke driften af medicinsk udstyr og kan forårsage funktionsfejl.</li> </ul>	
<p>Når du bruger udstyr, der udsender radiobølger i en lægefaglig organisation, skal du følge instruktionerne fra organisationen. Sluk for dette produkt i et område, hvor det er forbudt at bruge det.</p> <ul style="list-style-type: none"> <li>Ellers kan det medføre funktionsfejl i medicinsk udstyr.</li> </ul>	

<b>⚠ FORSIGTIG</b>	<b>⊘</b>
<p>Undlad at indføre fremmedlegemer i åbninger og huller under brug og vedligeholdelse.</p> <ul style="list-style-type: none"> <li>Ellers kan det forårsage elektrisk stød, brand eller svigt.</li> </ul>	
<p>Brug ikke dette produkt på et tæppe med lang luv (over 7 mm) eller andre tæpper.</p> <ul style="list-style-type: none"> <li>Dette kan medføre, at sidebørsterne sætter sig fast, hvilket kan beskadige tæppet og sidebørsterne.</li> </ul>	
<p>Brug ikke dette produkt på et sart tæppe (mouton, filt osv.), et sart gulv (et almindeligt trægulv, et marmorgulv osv.) og et nyligt voksbehandlet gulv.</p> <ul style="list-style-type: none"> <li>Dette kan forårsage skader eller ridser. Stop med at bruge produktet, hvis der opstår skader.</li> </ul>	
<p>Du må ikke stå eller sidde på produktets øverste overflade.</p> <ul style="list-style-type: none"> <li>Dette kan få dette produkt til at bevæge sig pludseligt og resultere i kvæstelser f.eks. ved at falde ned.</li> </ul>	
<p>Brug ikke dette produkt i lang tid med sugeåbningen blokeret.</p> <ul style="list-style-type: none"> <li>Dette kan forårsage deformation eller antændelse af dette produkt på grund af overophedning.</li> </ul>	
<p>Læg ikke din hånd eller fod under dette produkt.</p> <ul style="list-style-type: none"> <li>Der er en risiko for, at dine fingre eller tæer bliver fanget, hvilket resulterer i skade.</li> </ul>	
<p>Fortsæt ikke med at bruge dette produkt, når filteret er snavset eller støv opsamlet.</p> <ul style="list-style-type: none"> <li>Dette kan medføre reduktion af sugekraften.</li> </ul>	
<p>Hold ikke dette produkt med fronten nedad.</p> <ul style="list-style-type: none"> <li>Støv kan falde ud af sugeåbningen.</li> </ul> <div style="text-align: center;">  </div>	

<b>⚠ FORSIGTIG</b>	<b>!</b>
<p>For at forhindre funktionsfejl skal du sikre, at hver sensor er ordentligt vedligeholdt.</p> <ul style="list-style-type: none"> <li>En forkert reaktion fra en sensor kan forårsage personskade eller svigt på grund af en funktionsfejl eller et fald af dette produkt.</li> </ul>	
<p>Sørg for, at de lange kvaster på tæpper og måtter er bukket ind.</p> <ul style="list-style-type: none"> <li>Kvasterne kan blive fanget i drivhjulene og/eller hovedbørsten og forårsage beskadigelse af tæpper og dette produkt.</li> </ul>	
<p>Når du bærer dette produkt, skal du først stoppe betjeningen og derefter slukke for strømmen. Hold fast i bærehåndtaget for ikke at få hænderne fanget.</p> <ul style="list-style-type: none"> <li>Hvis produktet løftes utilsigtet, kan det medføre personskade eller svigt.</li> </ul>	

<b>⚠ FORSIGTIG</b>	<b>!</b>
<p>Læg ledninger og strenge væk for at sikre, at de ikke sidder fast i dette produkt.</p> <ul style="list-style-type: none"> <li>Hvis du ikke gør det, kan det medføre svigt eller fejlagtig funktion på grund af indviklen af netledningen.</li> </ul>	
<p>Før rengøring skal du flytte genstande, der let knækker, genstande, der let falder ned, og genstande, der ikke bør suges ind. Læg lange ledninger og snore væk.</p> <ul style="list-style-type: none"> <li>Ellers kan det forårsage skader, ridser eller svigt af dette produkt.</li> </ul>	
<p>Brug dette produkt med filteret korrekt indsat. Brug ikke dette produkt, når filteret er fjernet, indsat i en forkert position eller revet.</p> <ul style="list-style-type: none"> <li>Dette kan forårsage svigt som f.eks. motorudbrænding.</li> <li>Støv kan slippe ud og blive sundhedsskadeligt.</li> </ul>	
<p>Pas på ikke at få fingrene i klemme, når du åbner og lukker topdækslet på enheden og topdækslet på støvkassen, ved fastgørelse af filteret og tilslutning og frakobling af batteriet.</p> <ul style="list-style-type: none"> <li>Der er en risiko for, at dine fingre sætter sig fast.</li> </ul>	

## Om håndtering

- Brug dette produkt indendørs. Rengør ikke et sted med meget støv, selvom det er indendørs.
- Rengør ikke et gulv, hvis overflade er hårdt og ujævn. Dette kan medføre, at børster og hjul slides for tidligt.
- Fjern efter rengøringen sand, der sidder fast på hovedbørsten, sidebørsterne og hjulene. Hvis de ikke renses, kan gulvoverfladen blive beskadiget.
- Fastgør altid hovedbørsten og dens dæksel, når du bruger dette produkt.
- Smør ikke de bevægelige dele på hovedbørsten osv. Hvis du gør det, kan plastikdele knække.
- Til brug på en delikat gulvoverflade anbefales det at udskifte med "blød hovedbørste" og "blød sidebørste", som sælges separat. Der kan dog opstå ridser afhængigt af gulvoverfladen. I så fald skal du stoppe med at bruge produktet.
- Træk ikke dette produkt. Løft dette produkt, når det flyttes.
- Sæt ikke et klistermærke eller tape på sensordele og hjul, pas på ikke at deformere stødfangeren og hjulene, og lad ikke stødfangeren presses kraftigt. Dette kan forårsage funktionsfejl.
- Hvis der suges fint pulver op (som gips, cement og kridt), skal du vedligeholde filteret, skræntsensoren og LiDAR-sensoren.
- Lad ikke dette produkt suges følgende ind, da det kan forårsage ridser på indersiden samt tilstopning af støv eller svigt. Hvis nogen af dem suges ind ved et uheld, skal du stoppe betjeningen og bortskaffe støvet.
  - Vådt affald (flydende og fugtigt affald)
  - Ekskrementer af dyr mv.
  - Stor mængde sand og støv
  - Snore
  - Genstande med skarpe kanter (glas, skæreværktøj, stifter osv.)
  - Affald af stor størrelse og stor volumen
  - Genstande med dårlig luftgennemtrængelighed (plastfolie til mad, vinyl, indpakningsfilm osv.)
- Hvis bundbørsten på sugeåbningen, hjulene, drivhjulene eller rulleledningen af hovedbørstedækslet er slidt op, skal du stoppe med at bruge dette produkt og konsultere den butik, hvor du købte det, eller vores salgskontor. Brug af robotstøvsugeren med slidte dele kan beskadige gulvoverfladen.
- Under betjening kan der forekomme støj på en tv-skærm, men det påvirker ikke selve tv'et.
- Vær forsigtig, når du betjener dette produkt et sted, hvor et sikkerhedssystem er i brug. Dette produkt kan fejlagtigt registreres som en ubuden gæst af sikkerhedssystemet.
- Gør ikke følgende.
  - Undlade anvendelse i lang tid med batteriet isat
  - Anvendelse med beskidt sensor eller tilstoppet filter
  - Anvendelse når du bemærker en batterifejl (en mærkelig lugt, væskelækage, opvarmning, deformation eller andre unormale ting)
  - Anvendelse uden at fjerne sand og andre fremmedlegemer, der sidder fast på hovedbørsten, sidebørsterne og hjulene
  - Anvendelse med slidte eller opbrugte komponenter
  - Anvendelse uden at læse brugervejledningen
  - Anvendelse med produktet på hovedet og vedligeholdelse med batteriet isat
  - Anvendelse uden vedligeholdelse på den magnetiske grænselinje

## Brug og vedligeholdelse af batteriværktøj

### ⚠ ADVARSEL

Læs alle sikkerhedsadvarsler og instruktioner. Manglende overholdelse af advarselne og instruktionerne kan resultere i elektrisk stød, brand og/eller alvorlig personskade.

1. Genoplad kun med den oplader, der er specificeret af producenten. En oplader, der er egnet til en bestemt type batteripatron, kan skabe risiko for brand, når den bruges sammen med en anden batteripatron.
2. Brug kun apparater med specifikt udpegede batteripatroner. Brug af andre batteripatroner kan medføre risiko for kvæstelser og brand.
3. Når batteripatronen ikke er i brug, skal du holde den væk fra andre metalgenstande, såsom papirclips, mønter, nøgler, søm, skruer eller andre små metalgenstande, der kan oprette en forbindelse fra en terminal til en anden. Kortslutning af batteripolerne kan forårsage forbrændinger eller brand.
4. Under uheldige forhold kan der skubbes væske ud af batteriet, i så fald skal al kontakt undgås. Hvis der ved et uheld kommer kontakt med væsken, skal du skylle med vand. Hvis væske kommer i kontakt med øjnene, skal du også søge lægehjælp. Væske, der skubbes ud af batteriet, kan forårsage irritation eller forbrændinger.
5. Brug ikke en batteripatron eller et værktøj, der er beskadiget eller modificeret. Beskadigede eller modificerede batterier kan udvise uforudsigelig adfærd med risiko for brand, eksplosion eller personskade.
6. Udsæt ikke en batteripatron eller et værktøj for ild eller for høje temperaturer. Eksponering for brand eller temperatur over 130 °C (265 °F) kan forårsage eksplosion.
7. Følg alle opladningsinstruktioner, og oplad ikke batteripatronen eller værktøjet uden for det temperaturinterval, der er angivet i instruktionerne. Forkert opladning eller opladning ved temperaturer uden for det specificerede område kan beskadige batteriet og øge risikoen for brand.
8. Lad service blive udført af en kvalificeret reparatør, der kun bruger identiske reservedele. Dette vil sikre, at produktets sikkerhed opretholdes.
9. Du må ikke ændre eller forsøge at reparere apparatet eller batteripatronen, undtagen som angivet i brugs- og vedligeholdelsesmanualen.
10. Undgå utilsigtet start. Sørg for, at kontakten er slukket, før du tilslutter til batteripatronen, eller når du tager robotstøvsugeren op eller bærer den. At bære robotstøvsugeren med fingrene på kontakten eller aktivere robotstøvsugeren med kontakten kan forårsage ulykker.
11. Frakobl batteripatronen fra robotstøvsugeren, inden du foretager justeringer, skifter tilbehør eller opbevarer robotstøvsugeren. Sådanne forebyggende sikkerhedsforanstaltninger reducerer risikoen for at starte robotstøvsugeren ved et uheld.
12. Batteripatronen oplades ikke tilstrækkeligt, når den leveres fra fabrikken. Oplad batteriet inden brug.
13. Når du ikke bruger batteripatronen, skal du altid sætte dækslet på den.

### Vigtige sikkerhedsinstruktioner til batteripatron

1. Før du bruger batteripatron, skal du læse alle instruktioner og advarselmarkeringer på (1) batterioplader, (2) batteri og (3) produkt der bruger batteri.
2. Batteriet må ikke skilles ad eller manipuleres. Det kan resultere i brand, overdreven varme eller eksplosion.
3. Hvis driftstiden er blevet meget kortere, skal du straks stoppe med at køre. Det kan resultere i risiko for overophedning, mulige forbrændinger og endda en eksplosion.
4. Hvis elektrolyt kommer i øjnene, skal du skylle det ud med rent vand og straks søge lægehjælp. Det kan resultere i tab af synet.
5. Kortslut ikke batteripatronen:
  - (1) Rør ikke ved terminalerne med ledende materiale.
  - (2) Undgå at opbevare batteripatronen i en beholder med andre metalgenstande som søm, mønter osv.
  - (3) Udsæt ikke batteripatronen for vand eller regn. En batterikortslutning kan forårsage en stor strømgennemstrømning, overophedning, mulige forbrændinger og endda et sammenbrud.
6. Opbevar og brug ikke værktøjet og batteripatronen på steder, hvor temperaturen kan nå eller overstige 50 °C (122 °F).
7. Antænd ikke batteripatronen, selvom den er alvorligt beskadiget eller er helt udslett. Batteripatronen kan eksplodere i brand.
8. Undgå at sømme, klippe, knuse, smide eller slå den mod en hård genstand. En sådan adfærd kan resultere i brand, overdreven varme eller eksplosion.
9. Brug ikke et beskadiget batteri.
10. Lithium-ion-batterierne er underlagt lovgivningen om farligt gods. Ved kommerciel transport, f.eks. af tredjeparter, speditorer, skal særlige krav til emballering og mærkning overholdes. Ved forberedelse af den vare, der sendes, er det nødvendigt at konsultere en ekspert om farligt materiale. Man skal muligvis også overholde en mere detaljeret national lovgivning. Afdæk med tape eller masker åbne kontakter, og pak batteriet op på en sådan måde, at det ikke kan bevæge sig rundt i emballagen.

11. Når du bortskaffer batteripatronen, skal du tage den ud af værktøjet og bortskaffe den på et sikkert sted. Følg de lokale regler vedrørende bortskaffelse af batteri.
12. Brug kun batterierne sammen med de produkter, der er specificeret af Makita. Installation af batterierne i ikke-kompatible produkter kan resultere i brand, overdreven varme, eksplosion eller lækage af elektrolyt.
13. Hvis værktøjet ikke bruges i lang tid, skal batteriet tages ud.
14. Under og efter brug kan batteripatronen blive varm, hvilket kan forårsage forbrændinger eller forbrændinger ved lave temperaturer. Vær opmærksom på håndteringen af varme batteripatroner.
15. Rør ikke ved terminalens værktøj umiddelbart efter brug, da det kan blive varmt nok til at forårsage forbrændinger.
16. Lad ikke flager, støv eller jord sætte sig fast i terminaler, huller og riller på batteripatronen. Det kan resultere i dårlig ydelse eller sammenbrud af værktøjet eller batteripatronen.
17. Medmindre værktøjet understøtter brugen i nærheden af højspændingsledninger, må du ikke bruge batteripatronen nær højspændingsledninger. Det kan resultere i en funktionsfejl eller nedbrud på værktøjet eller batteripatronen.
18. Hold batteriet væk fra børn.

## GEM DISSE INSTRUKTIONER.

### ⚠ FORSIGTIG

Brug kun originale Makita-batterier. Brug af ikke-ægte Makita-batterier eller batterier, der er ændret, kan resultere i, at batteriet sprænger og forårsager brande, personskade og skader. Det annullerer også Makita-garantien for Makita-værktøjet og opladeren.

### Tips til at opretholde maksimal batterilevetid

1. Oplad batteripatronen, inden den er helt afladet. Stop altid værktøjsfunktionen, og oplad batteripatronen, når du bemærker mindre værktøjskraft.
2. Genoplad aldrig en fuldt opladet batteripatron. Overopladning forkorter batteriets levetid.
3. Oplad batteripatronen ved en stuetemperatur mellem 10 - 40 °C (50 °F - 104 °F). Lad en varm batteripatron køle af, inden du oplader den.
4. Når du ikke bruger batteripatronen, skal du fjerne den fra værktøjet eller opladeren.
5. Oplad batteripatronen, hvis du ikke bruger den i længere tid (mere end seks måneder).

## Forholdsregler vedrørende radiobølger

- Brug ikke dette produkt på følgende steder.
  - På eller nær steder med medicinsk udstyr
  - Nær elektroniske enheder med højpræcisionskontrol eller svage signaler (eksempler på elektroniske enheder, der kræver forsigtighed: høreapparater, pacemakere og andet medicinsk udstyr, brandalarmer, automatiske døre og andet automatisk kontrolleret udstyr)
  - Inde i et hospital eller et fly (følg hospitalets eller flyselskabets instruktioner, og brug ikke produkter på steder, hvor det er forbudt)
- Trådløs forbindelse og ydeevne er ikke garanteret i alle miljøer. Radiobølgerne modtages muligvis ikke eller kan blive afbrudt i følgende tilfælde.
  - Brug i bygninger, der er bygget med beton, armeringsjern og metal
  - Installationer nær forhindringer
  - Brug på steder, hvor der kan forekomme interferens med trådløse kommunikationsenheder, der bruger den samme frekvens
  - Brug på steder med udstyr, der producerer magnetiske felter, statisk elektricitet eller radiointerferens som f.eks. mikrobølgeovne

## Respektive varemærker og registrerede varemærker

### Bemærkning om varemærke

- Android og Google Play er varemærker eller registrerede varemærker tilhørende Google LLC.
- iPhone er et varemærke tilhørende Apple Inc., registreret i USA og andre lande.
- iPhone-varemærket bruges under licens fra iPhone Co., Ltd.
- App Store er et servicemærke tilhørende Apple Inc.
- Wi-Fi er et varemærke og registreret varemærke tilhørende Wi-Fi Alliance.
- Bluetooth®-ordmærket og logoer er registrerede varemærker, der ejes af Bluetooth SIG, Inc., og enhver brug af sådanne mærker af Makita er under licens. Andre varemærker og handelsnavne tilhører deres respektive ejere.

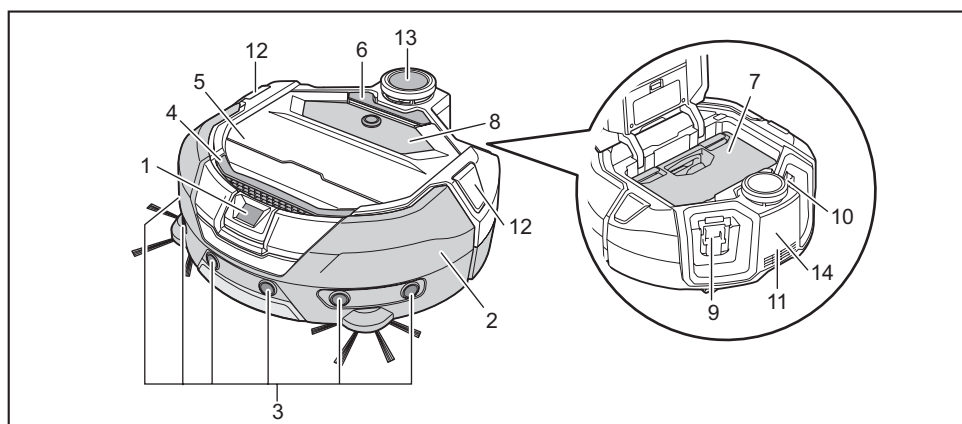


- Alle andre varemærker i dette dokument tilhører deres respektive ejere. Bemærk, at ™ og ®-mærker er udeladt i noget af hovedteksten.



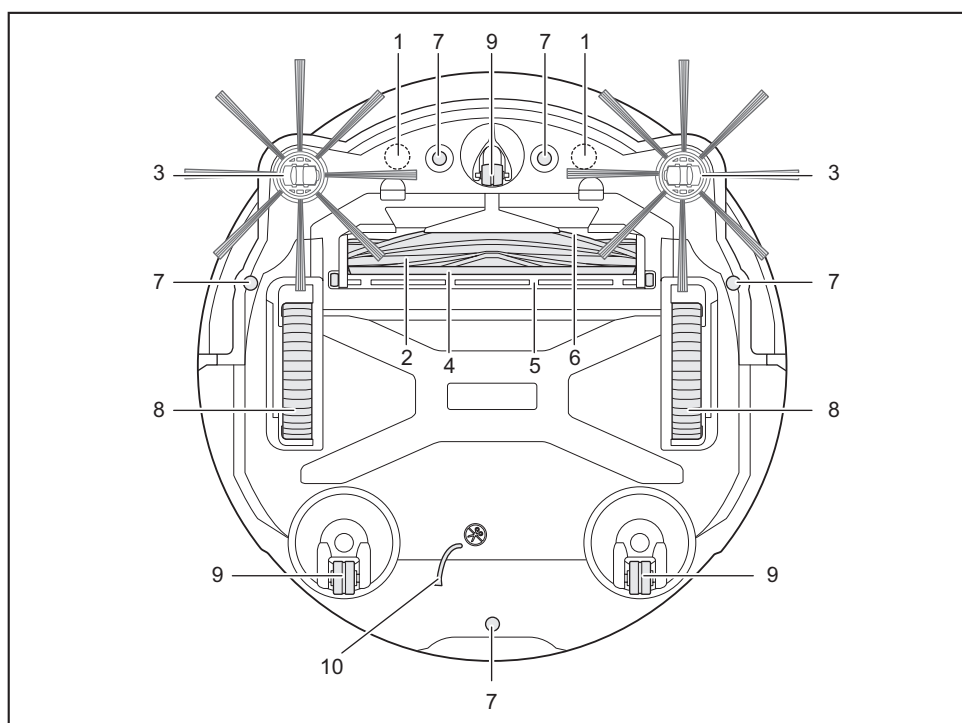
## Navne på dele

### Hovedenhed (ovenfra, set fra siden, indvendigt)



- |                              |                                           |
|------------------------------|-------------------------------------------|
| 1. Kamerasensor              | 8. Betjeningspanel (display) (Se side 9.) |
| 2. Stødfanger                | 9. Venstre batteriindsættelsesåbning      |
| 3. Ultralydssensor           | 10. Højre batteriindsættelsesåbning       |
| 4. Bærehåndtag (Se side 10.) | 11. Udstødningsåbning                     |
| 5. Topdæksel                 | 12. Positions-LED                         |
| 6. Åbn-knap                  | 13. LiDAR-sensor                          |
| 7. Støvkasse (Se side 13.)   | 14. Mærke for KLASSE 1-LASER              |

### Hovedenhed (set nedefra)



- |                                                    |                     |
|----------------------------------------------------|---------------------|
| 1. Magnetsensor til grænseregistrering (indbygget) | 6. Sugeåbning       |
| 2. Hovedbørste                                     | 7. Skræntsensoren   |
| 3. Sidebørste                                      | 8. Drivhjul         |
| 4. Bundbørste                                      | 9. Styrehjul        |
| 5. Dæksel til hovedbørste                          | 10. Jordforbindelse |

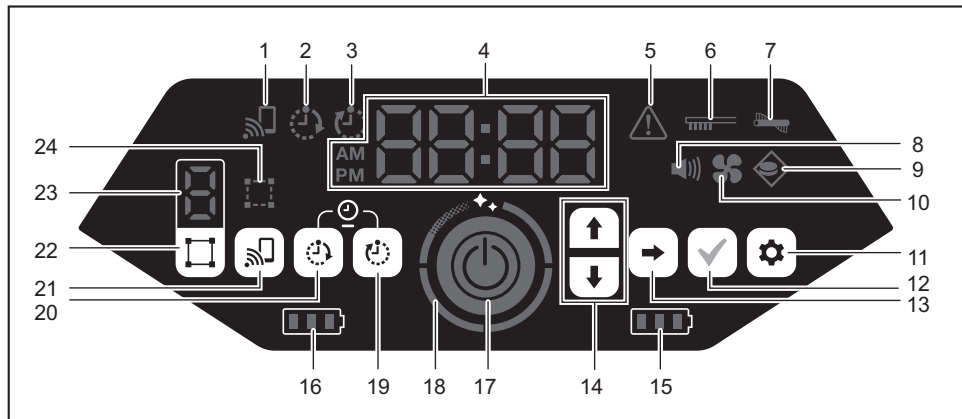
#### BEMÆRKNING

- Jordledningen reducerer den elektriske ladning på sensoren.



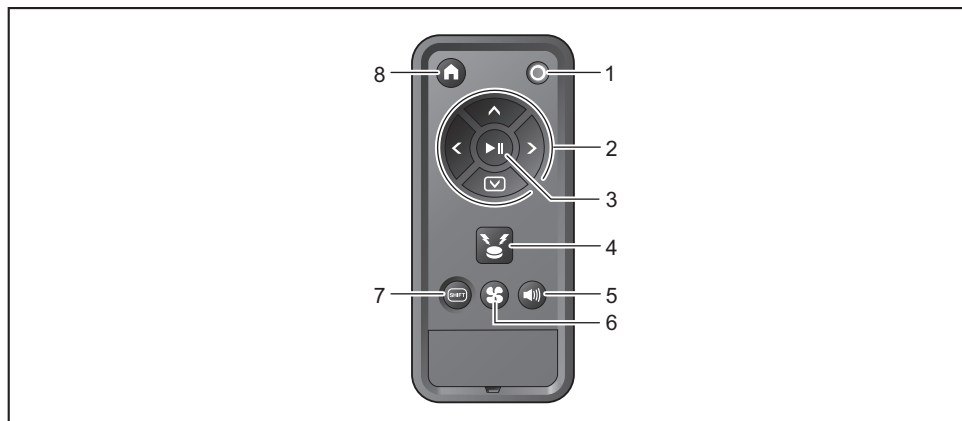
: Træk eller skær ikke jordledningen ved et uheld.

## Hovedenhed (betjeningspanel (display))



- |                                                  |                                                         |
|--------------------------------------------------|---------------------------------------------------------|
| 1. Smartphone-forbindelseslampe (grøn)           | 13. Næste-knap                                          |
| 2. Lampe for timer TIL (grøn) (Se side 19.)      | 14. Op-knap, ned-knap                                   |
| 3. Lampe for timer FRA (grøn) (Se side 19.)      | 15. Lampe for højre batteristrøm (grøn) (Se side 15.)   |
| 4. Tidsindikator (grøn)                          | 16. Lampe for venstre batteristrøm (grøn) (Se side 15.) |
| 5. Fejllampe (rød) (Se side 28.)                 | 17. Start/stop-knap (Se side 15.)                       |
| 6. Lampe for filterpleje (rød) (Se side 28.)     | 18. Lampe for rengøringsniveau (hvid) (Se side 17.)     |
| 7. Lampe for børstefejl (rød) (Se side 28.)      | 19. Knap for timer FRA (Se side 19.)                    |
| 8. Lydlampe (grøn) (Se side 22.)                 | 20. Knap for timer TIL (Se side 18.)                    |
| 9. Grænseregistreringslampe (grøn) (Se side 20.) | 21. Smartphone-forbindelsesknapp                        |
| 10. Lampe for vakuumbløser (grøn) (Se side 18.)  | 22. Knap for skift af tilstand (Se side 16.)            |
| 11. Indstillingsknap                             | 23. Display for tilstand/rumnummer (Se side 16.)        |
| 12. Bekræftelsesknapp                            | 24. Rumregistreringslampe (grøn) (Se side 16.)          |

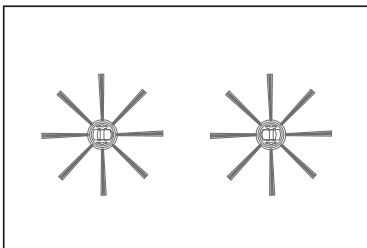
## Fjernbetjening



- |                                             |                                    |
|---------------------------------------------|------------------------------------|
| 1. Sluk-knap                                | 5. Knap for lyd TIL/FRA            |
| 2. Handlingsknapper                         | 6. Tænd/sluk-knap for vakuumbløser |
| 3. Start/stop-knap                          | 7. Skifteknapp                     |
| 4. Knap for signalsummer/-lys til placering | 8. Knap for startpunkt             |

## Standard tilbehør

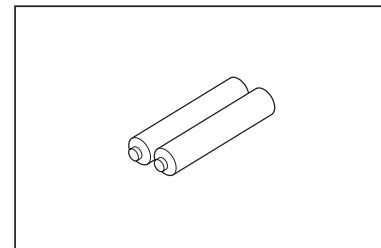
- Sidebørster (fire)  
To er til udskiftning. Fastgør to til robotstøvsugeren. (Se side 13.)



- Fjernbetjening



- AAA tørbatterier (to) \* Landespecifik  
Sæt batterierne i fjernbetjeningen. (Se side 13.)



## Forbered dig inden rengøring

### Om at bære robotstøvsugeren

#### ⚠ FORSIGTIG

Når du bærer robotstøvsugeren, skal du stoppe anvendelsen, derefter slukke for strømmen og holde godt fast i bærehåndtaget for ikke at få din hånd fanget.

- Hvis du ikke gør det, kan din hånd blive fanget i håndtaget.

Sørg for at have et godt fodfæste, når du løfter robotstøvsugeren.

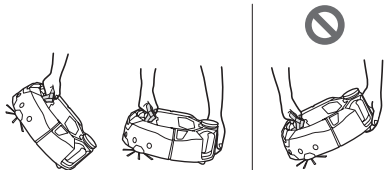
- Ellers kan det medføre personskade eller svigt.

Løft ikke robotstøvsugeren skødesløst.

- Dette kan medføre personskade eller svigt.

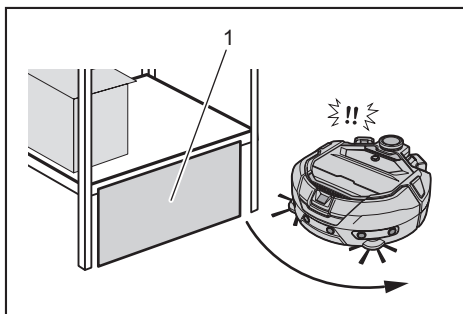
Hold ikke robotstøvsugeren med fronten nedad.

- Støv kan falde ud af sugeåbningen.



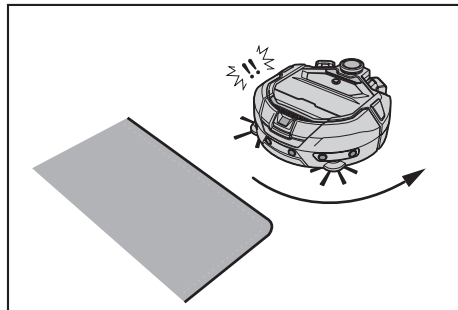
### Om rengøring af robotstøvsugeren

- Robotstøvsugeren registrerer forhindringer ved hjælp af LiDAR-sensoren og ultralydssensoren og kører, imens den undgår disse forhindringer. Den opsamler og suger støv med sidebørsterne og hovedbørsten. Den kan muligvis ikke genkende en forhindring afhængigt af forholdene. Når den rammer en forhindring, registrerer stødfangeren kontakten og undgår forhindringen.
- Robotstøvsugeren kan klatre over et trin på op til ca. 2,0 cm. Hvis det er mindre end 2,0 cm, klarer robotstøvsugeren dog undertiden ikke at klatre over det afhængigt af forholdene, såsom trinnets form.
- På en skræning eller et ujævnt sted kan robotstøvsugerens underside blive fanget, og et drivhjul kan løftes, hvilket får robotstøvsugeren til at stoppe på grund af en fejl. Hvis robotstøvsugeren stopper ofte, skal du ikke lade den komme ind på det sted. (Se side 20.)
- Hvor der er en forhindring i nærheden af en væg, kan robotstøvsugeren løbe op på væggen, mens den prøver at undgå forhindringen.
- LiDAR-sensoren kan muligvis ikke genkende forhindringer med følgende karakteristika, hvilket kan resultere i ukorrekt kortlægning, eller at den støder ind i forhindringer.
  - Yderst reflekterende forhindringer som f.eks. spejle
  - Yderst gennemsigtige forhindringer som f.eks. glas
  - Forhindringer fremstillet af sort, skinnende materiale
  - Smalle forhindringer som f.eks. bord- eller stoleben
- Når robotstøvsugeren kommer ind i et smalt rum, der er lavere end robotstøvsugeren, kan den blive fanget og sidde fast. I et sådant tilfælde skal du sætte en skærm eller lignende op.



- 1. Bloker et hul med en skærm eller lignende.

- Et sort gulv, et gennemsigtigt gulv såsom et glasgulv eller sorte områder på trægulvet kan anses som et trin af robotstøvsugeren, som derefter forsøger at undgå det.

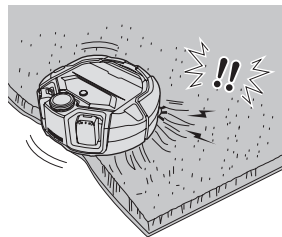


- Robotstøvsugeren kan muligvis ikke suge støv i et område omkring et trin, som den kan klatre over, et afsides eller smalt rum, som robotrenseren ikke kan komme ind i, eller et sted, som sidebørsterne ikke kan nå.
- Robotstøvsugeren kan sparke en lille, hård genstand så som en lille sten væk.
- Robotstøvsugeren klatrer muligvis over et trin ved et uheld, hvis der er en genstand, der kan hjælpe den med at klatre op (f.eks. et bræt eller et tæppe). Hold sådanne genstande væk fra trinnene.

#### ⚠ FORSIGTIG

Brug ikke robotstøvsugeren de følgende steder.

- Brug ikke robotstøvsugeren på steder som f.eks. et gulvtæppe med en luvhøjde på mere end 7 mm, et tæppe med luv, der let falder ud og et ujævnt tæppe. På et sådant tæppe kan robotstøvsugeren stoppe med at fungere, luv kan blive fanget i sidebørsterne, eller tæppet eller sidebørsterne kan blive beskadiget. Hvis robotstøvsugeren ikke kan køre godt på et tæppe udover dem beskrevet ovenfor, skal du undgå at bruge det på det tæppe.



- Brug ikke robotstøvsugeren på en madras, en plaid, en gulvpude osv.
- Brug ikke robotstøvsugeren i et vådt område, et toilet, et badeværelse, et loft, udendørs osv.
- Brug ikke robotstøvsugeren på et vådt sted, et sted, der kan blive vådt, eller på et varmt, fugtigt sted.

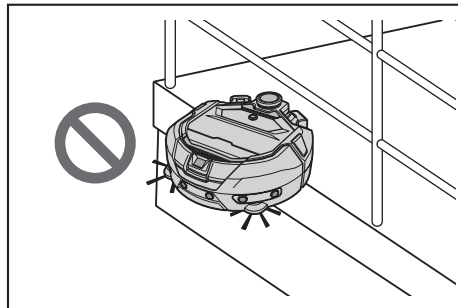
### Sådan forhindrer man, at robotstøvsugeren falder ned

#### ⚠ ADVARSEL

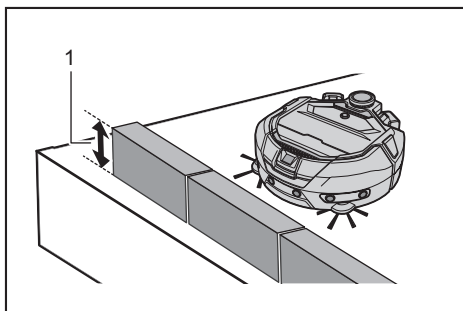
Sørg for, at robotstøvsugeren ikke falder ned.

- Hvis den falder, kan det medføre brud eller personskade.

- Brug ikke robotstøvsugeren på et mezzanin gulv, et loft, en trappeopgang, et sted uden vægge eller et sted med en hældning på 10° eller mere.

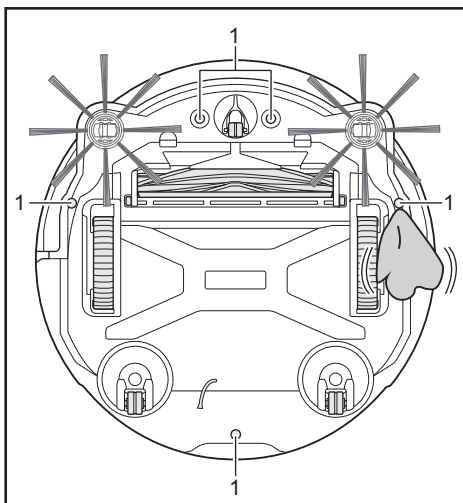


- Et sted, hvor en ulykke eller anden farlig situation kan opstå på grund af et fald, skal du placere en genstand, der har en højde på 25 cm eller mere, og som kan tjene som en mur (genstand, der ikke bevæger sig eller vælter, når den rammes af robotstøvsugeren).



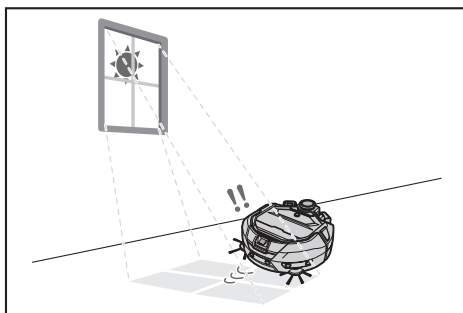
- ▶ 1. Højde på 25 cm eller derover

- Hvis snavs eller vanddråber sidder fast på skræntsensoren på undersiden af robotstøvsugeren, skal du tørre dem af med en tør, blød klud, en vatpind eller lignende.

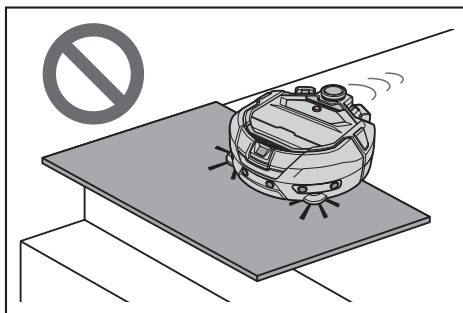


- ▶ 1. Skræntsensoren (fem steder)

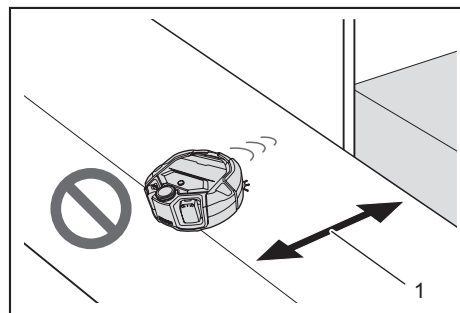
- Robotstøvsugeren fungerer muligvis ikke korrekt, når den udsættes for sollys eller infrarødt lys fra andet udstyr. Sørg for, at robotstøvsugeren ikke udsættes for infrarødt lys fra en halogenvarmer, en fjernbetjening, en sensor og andet udstyr og sollys, der kommer fra mætteret glas osv.



- Brug ikke på steder, hvor der er genstande som f.eks. tæpper, måtter eller plader nær et trin. Hvis en genstand som f.eks. et tæppe, en måtte eller en plade dækker trinnet, kan skræntsensoren muligvis ikke genkende trinnet korrekt.

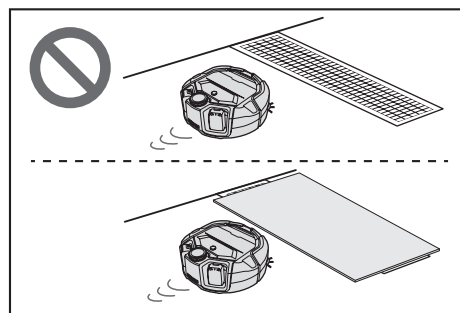


- På et sted hvor afstanden fra en mur til et trin er mindre end ca. 1 m, kan robotstøvsugeren falde, mens den bevæger sig bagud. Brug ikke robotstøvsugeren, hvor afstanden fra en væg til et trin er mindre end ca. 1 m.



- ▶ 1. Mindre end ca. 1 m

- Hvor der er et afløbsdæksel (gitterdæksel), kan skræntsensoren muligvis genkende det som et trin, og robotstøvsugeren kan muligvis ikke passere over det. Hvis det er nødvendigt at passere over det, skal du dække risten med en plade af en art.



- Et trin på ca. 3,0 cm eller mindre genkendes muligvis ikke som et trin af skræntsensoren, hvilket resulterer i, at robotstøvsugeren klatrer ned ad trinnet, mens den går lige. Hvor der er et trin på ca. 2,0 til 3,0 cm, skal du afstå fra at bruge robotstøvsugeren.
- Luk alle skydedøre, skærme eller vinduer, fordi niveauforskellen på deres rammer eller skinner muligvis ikke genkendes som et trin af stødfangersensorene.
- Brug ikke robotrengøringsmidlet på nedbrydelige gulvoverflader, som f.eks. glas.

## Oprydning af et sted der skal rengøres

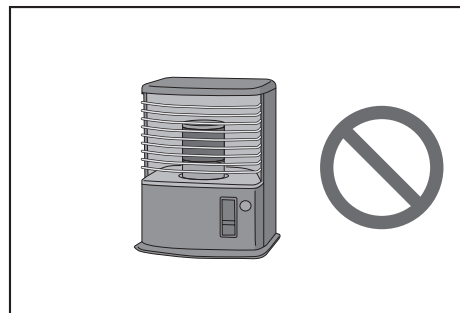
### ⚠ ADVARSEL

Flyt genstande, der kan forårsage skader eller en ulykke, når robotstøvsugeren kommer i kontakt med dem.

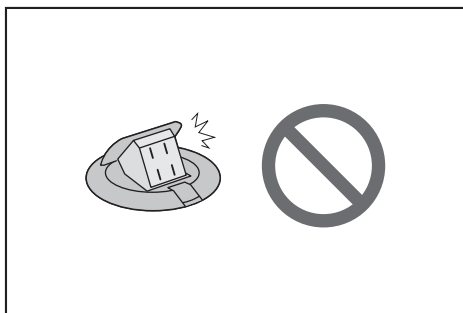
Læg genstande væk, der ikke skal suges ind, genstande, der forhindrer bevægelsen af robotstøvsugeren, og genstande, der sandsynligvis vil blive fanget i hovedbørsten, hjulene og sidebørsterne.

- Hvis du efterlader en genstand, der forhindrer robotstøvsugeren i at bevæge sig under rengøringen, kan det forårsage en ulykke eller skade.

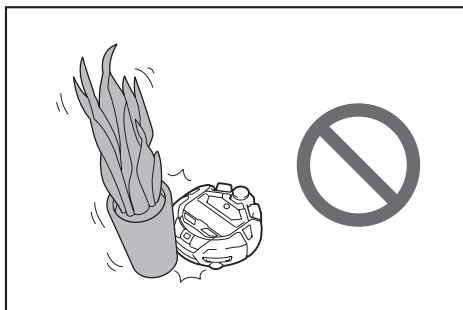
- Brug ikke robotstøvsugeren i nærheden af genstande, der bliver varme, som f.eks. et varmeapparat (rumvarmer). Dette kan forårsage en ulykke, antændelse eller svigt. (Brug ikke et varmeapparat under drift.)



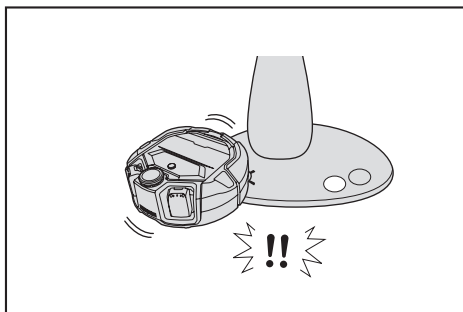
- Brug ikke robotstøvsugeren på et sted, der er udstyret med et udtrækkeligt udtag. Et udtrækkeligt udtag skal altid trækkes tilbage.



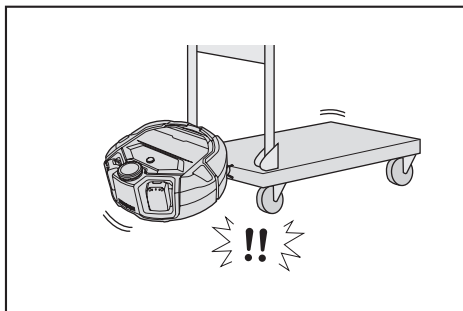
- For vægge lavet af skrøbeligt materiale (f.eks. en muddervæg, en dekoreret dør eller skydedør eller en foldeskærm) skal du placere genstande, der fungerer som en væg foran dem, så de ikke beskadiges.
  - Brug ikke på steder, hvor der er placeret ustabile genstande eller genstande, der nemt kan falde ned.
- Ustabile genstande og genstande, der let falder ned, skal flyttes til et andet rum.



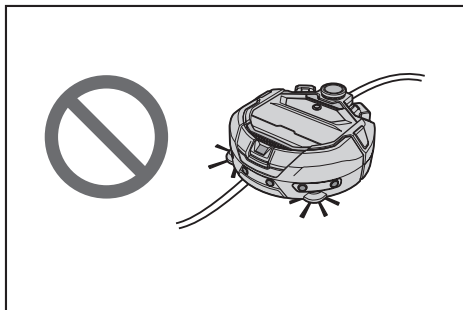
- Flyt udstyr og enheder med en controller, placeret på samme niveau som robotstøvsugeren.



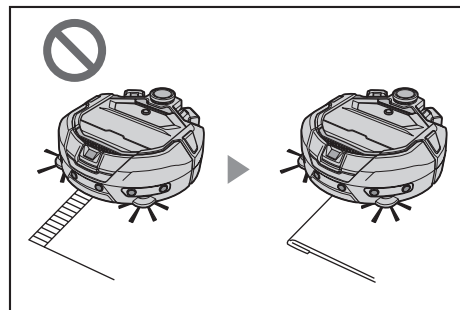
- Læg brændende stearinlys og let nedbrydelige genstande væk.
- Ved genstande med styrehjul som f.eks. en lastbil og en kørestol og lette stole, der let bevæger sig, skal man låse styrehjulene eller stille dem væk.



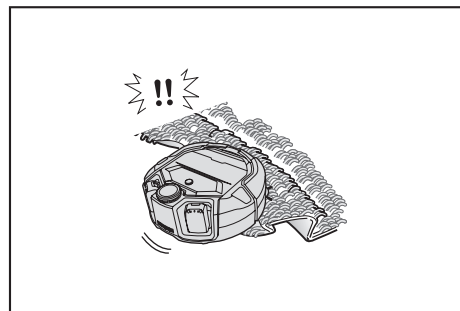
- Brug ikke med løse ledninger, der kan sidde fast eller blive sammenfiltret. Sørg for, at strømkabler er lagt langs en væg, så robotstøvsugeren ikke bliver fanget i dem.



- Læg lange, tynde genstande væk, f.eks. en ledning og et bælte.
- Læg små varer, der let suges ind, samt værdifulde varer væk.
- Læg genstande væk, der blokerer robotstøvsugerens passage, såsom et arbejdsbord, en stol, et værktøj og en tallerken.
- Hvis der indtages ekskrementer fra dyr eller andet flydende affald, kan robotstøvsugeren fungere forkert. Ryd det op.
- Sørg for, at kvasterne på en måtte eller andet belægning er pakket ind under kanten.



- Løft sømme på et gardin osv., der hænger ned på gulvet. Sømmen kan blive fanget i hovedbørsten osv.
- Læg tynde, glatte måtter væk, som f.eks. en yogamåtte og et gulvtæppe. Tæpperne og sidebørsterne kan blive beskadiget.



- Læg tyndt papir og klude, plastikposer osv. væk.
- På et sted, der fører ud, skal du lukke dørene for at forhindre, at robotstøvsugeren går udenfor. Brug ikke robotstøvsugeren, hvis dørene ikke kan lukkes. Derudover skal du lukke dørene til rum, som robotstøvsugeren ikke skal komme ind i.
- Robotstøvsugeren kan muligvis ikke køre ordentligt på en glat gulvoverflade. Kontroller gulvets tilstand inden brug.
- Sørg for en sti på 80 cm eller mere til rengøring.

## Forberedelse til brug


### Montering af sidebørsterne

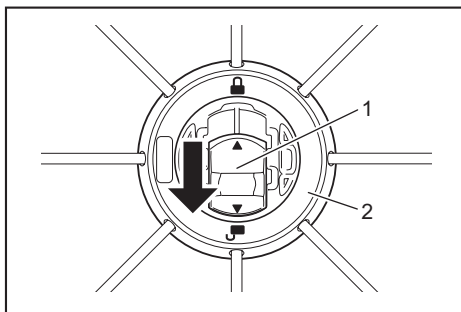
#### ⚠ ADVARSEL

Inden sidebørsterne påsættes, skal du sørge for, at batterierne er taget ud af robotstøvsugeren.

- Hvis der efterlades et batteri i robotstøvsugeren, kan der opstå elektrisk stød eller personskaade.

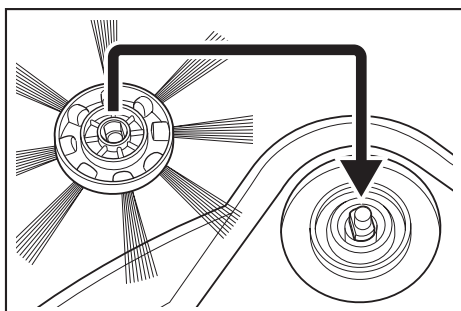
Når du fastgør sidebørsterne, skal du lægge en måtte eller noget under, så robotstøvsugeren og gulvoverfladen ikke beskadiges.


1. Vend robotstøvsugeren på hovedet.
2. Skub sidebørstens låsearm til  (frigørelsesmærke).

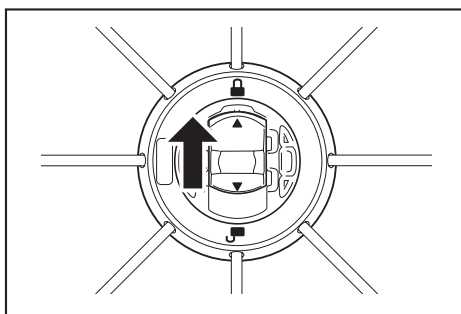


- 1. Låsearm 2. Sidebørste

3. Fastgør sidebørsten, så akslen på undersiden af robotstøvsugeren passer til formen af hullet i sidebørsten.



4. Skub sidebørstens låsearm hen mod  (låsemarkering), indtil den klikker. (Skub korrekt ind, indtil den når det punkt, der er vist på tegningen.)
- Efter installationen skal du løfte sidebørsten let for at se, at den ikke løsnes fra robotstøvsugeren.
  - Fastgør to sidebørster, en til venstre og en til højre.

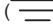


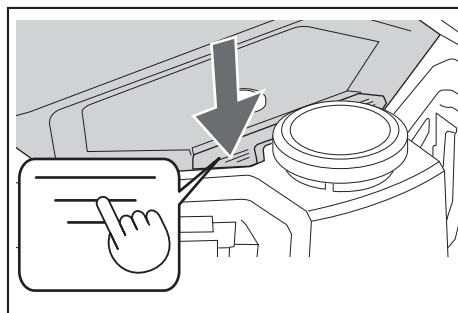
### Udpakning af støvkassen

#### ⚠ ADVARSEL

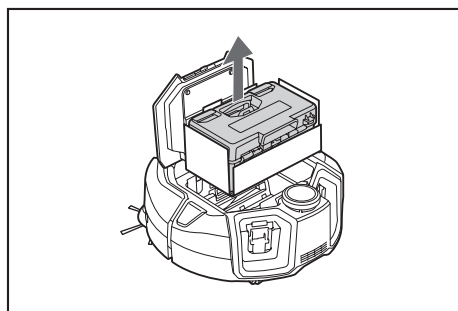
Når du åbner topdækslet på robotstøvsugeren, skal du sørge for, at batterierne er taget ud af robotstøvsugeren.

- Hvis der efterlades et batteri i robotstøvsugeren, kan der opstå elektrisk stød eller personskaade.

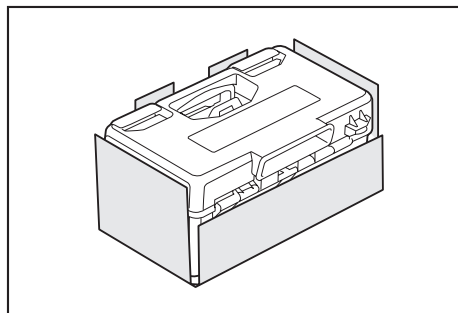
1. Tryk på åbn-knappen (  ) for at åbne topdækslet. Vær forsigtig, da topdækslet åbner hurtigt.



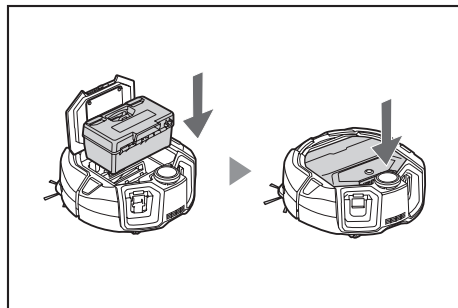
2. Fjern støvkassen.




3. Fjern emballagematerialet.

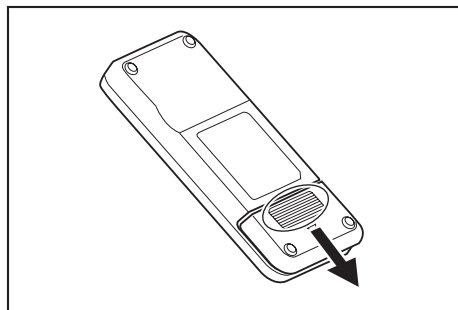


4. Sæt støvkassen tilbage i robotstøvsugeren, og skub topdækslet, indtil det klikker på plads. Når du lukker topdækslet, skal du passe på ikke at få fingrene i klemme.

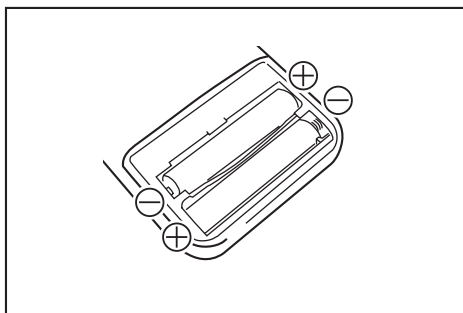


### Sæt batterier i fjernbetjeningen

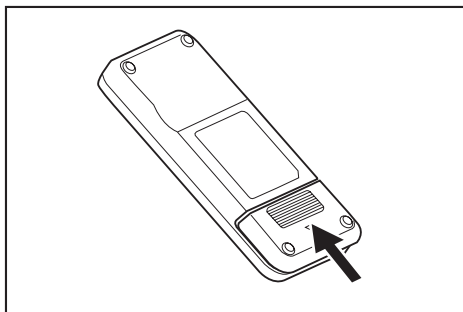
1. Mens du trykker på  på låget på fjernbetjeningen, skubbes låget i pilens retning og fjernes.



2. Placér batterierne i den rigtige retning.



3. Fastgør låget.

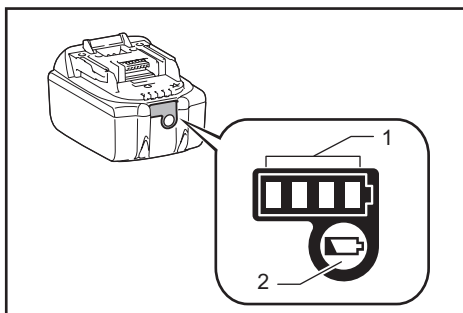


### BEMÆRKNING

- Sørg for at justere batteriernes polaritet korrekt.
- Der kræves to AAA-tørbatterier. De to batterier skal være nye og af samme type.
- Tag batterierne ud, når du ikke bruger dem i lang tid for at forhindre svigt på grund af væskelækage og brud.
- Hvis opløsningen i et batteri kommer i øjnene eller kommer i kontakt med din hud eller dit tøj, skal du straks skylle det væk med rent vand.
- Udsæt ikke fjernbetjeningen for stød, og lad den ikke blive våd. Anbring den ikke et sted i direkte sollys eller i nærheden af en rumvarmer osv. Hvis du gør det, kan det medføre fejl.

### Angiver den resterende batterikapacitet

Kun til batteripatroner med indikator



► 1. Indikatorlamper 2. Fluebensknapp

Tryk på fluebensknappen på batteripatronen for at indikere den resterende batterikapacitet. Indikatorlamperne lyser i et par sekunder.

Indikatorlamper			Resterende kapacitet
Oplyst	Slukket	Blinker	
■	■	■	75 % til 100 %
■	■	□	50 % til 75 %
■	□	□	25 % til 50 %
■	□	□	0 % til 25 %
▬	□	□	Oplad batteriet.
■	■	□	Batteriet kan have funktionsfejl.
□	□	■	

### BEMÆRKNING

- Afhængigt af anvendelsesforholdene og den omgivende temperatur kan indikationen afvige lidt fra den faktiske kapacitet.
- Den første (længst til venstre) indikatorlampe blinker, når batteribeskyttelsessystemet fungerer.

### Installation og fjernelse af batterier (sælges separat)

- Robotstøvsugeren virker, selvom den kun har et batteri.
- Med to batterier kan den køre i lang tid.

### Sådan installeres de

#### ⚠ ADVARSEL

Et batteri skal indsættes helt, så langt det kan komme. Når den røde del i det øverste afsnit af knappen er synlig, betyder det, at låsning ikke er afsluttet. **Isæt et batteri helt, indtil den røde del bliver usynlig.**

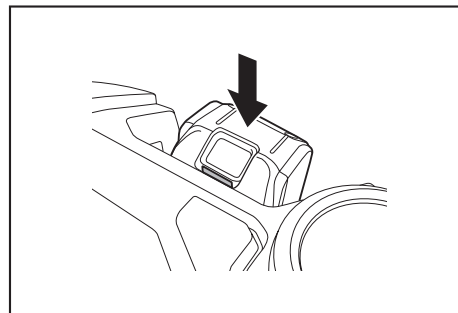
- Hvis indsættelsen ikke er tilstrækkelig, kan batteriet falde ud og forårsage en ulykke eller svigt.

**Installer ikke batteripatronen med magt.**

- Hvis patronen ikke glider let ind, indsættes den ikke korrekt.

**Hold fast i værktøjet og batteripatronen, når du installerer batteripatronen.**

Sæt et batteri sikkert langs støvsugerens rille, så langt det kommer. Når batteriet er helt låst fast, klikker det.



### BEMÆRKNING

Når du installerer et batteri, skal du passe på ikke at få fingrene fast mellem robotstøvsugeren og batteriet.

### Sådan fjernes batteriet

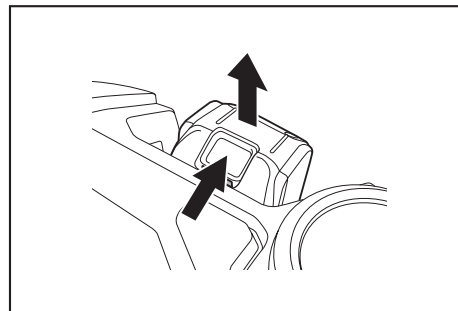
#### ⚠ ADVARSEL

Når du fjerner et batteri, skal du sørge for, at strømmen til robotstøvsugeren er slukket. Fjern ikke et batteri, når robotstøvsugeren er i standby-tilstand. (Se "Tænd/sluk for strømmen" på side 15.)

- Fjernelse af et batteri med tændt strøm kan forårsage fejl.

**Hold fast i værktøjet og batteripatronen, når du fjerner batteripatronen.**

Løft batteriet, mens du betjener knappen på batteriet.

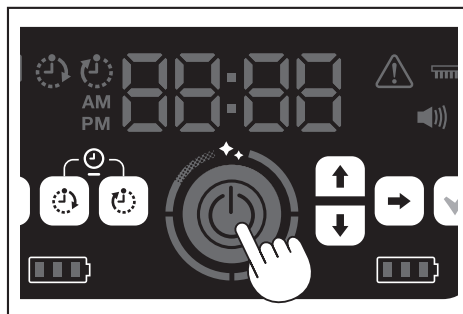


## Tænd/sluk for strømmen

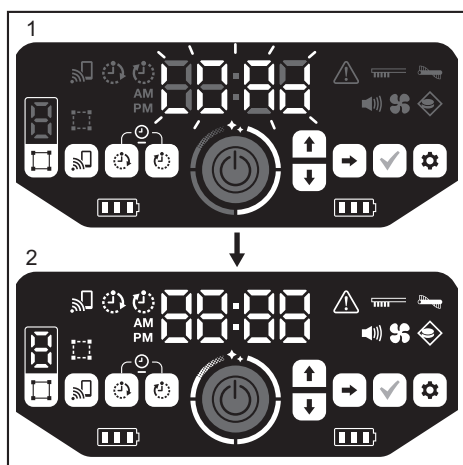
- Når strømmen er tændt, går robotstøvsugereren i standby-tilstand. I standby-tilstand er det muligt at foretage rengøring, ændre indstillinger og etablere forbindelse til app'en.
- Hvis robotstøvsugereren, fjernbetjeningen eller app'en ikke har været betjent i ca. 30 minutter i standbytilstand, slukkes strømmen. (Hvis smartphoneforbindelseslampen lyser i ovennævnte tilfælde, vil strømmen ikke slukke.)
- Sluk for strømmen ved anvendelsens afslutning og på tidspunktet for opbevaring.
- Når robotstøvsugereren er i slumretilstand, er kommunikation fra app'en ikke mulig.
- Når strømmen til robotstøvsugereren er slukket, kan den ikke betjenes fra fjernbetjeningen eller app'en.

## Sådan tænder du for strømmen

- Når robotstøvsugereren er slukket, skal du trykke på start/stop-knappen på robotstøvsugereren.



- Vent uden anvendelse, indtil klokkeslættet vises. Når robotstøvsugereren bruges første gang, er tidsindstilling først nødvendig. Indstil tidspunktet på dagen. (Se side 22.)



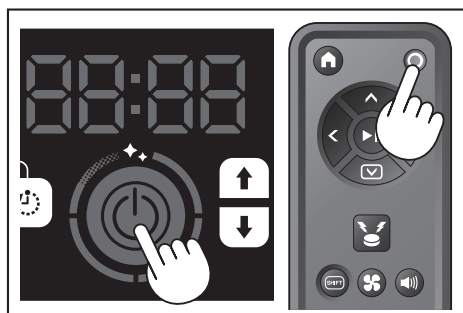
- 1. [LOAD] blinker i tidsindikatoren, og de fire lamper for rengøringsniveau tændes og slukkes med uret. Lampernes skiftehastighed øges, efterhånden som opstarten skrider frem.
- 2. Når alle lamper er tændt, er robotstøvsugerens opstart fuldført (standby-tilstand).

## Sådan slukkes for strømmen

Hold start/stop-knappen på robotstøvsugereren nede, eller tryk på tænd/sluk-knappen på fjernbetjeningen.

Når strømmen er slukket helt, slukkes displayet og lamperne på robotstøvsugereren. Vent derfor uden at fjerne batterierne.

Når du er færdig med at bruge robotstøvsugereren, eller når du opbevarer den, skal du slukke for strømmen og fjerne batterierne.



## BEMÆRKNING

Fjern ikke batterierne, før strømmen er slukket helt (inden displayet og lamperne slukkes). De gemte kortoplysninger og rengøringshistorik kan slettes.

## Sådan læses robotstøvsugerens batterilampe

Status for batterilampen	Resterende batterikapacitet
	Ca. 60 % eller mere
	Ca. 20 til 60 %
	Mindre end ca. 20 %
	Ingen resterende kapacitet Intet batteri installeret

Den resterende kapacitet er en grov indikation og kan variere afhængigt af driftsforholdene, stuetemperatur, batteritype og batteriforbrug osv.

## Hvad skal gøres klar inden rengøring?

Inden rengøring skal du foretage indstillinger for robotstøvsugereren efter behov.

## Sluk/tænd af vakuumbløseren

Når du kun skal rengøre det meget synlige støv, kan køretiden blive længere, hvis du slukker for vakuumbløseren. Se side 18 for at få oplysninger om, hvordan du tænder/slukker for vakuumbløseren.

## Slukke og tænde for lydindstillingen

Når lyden fra robotstøvsugereren er slået fra, rengører den lydløst. (Se side 22.)

## Indstilling af grænseregistreringsfunktionen

Med grænseregistreringsfunktionen aktiveret, genkender robotstøvsugereren den magnetiske grænselinje, der er sat op på en gulvoverflade. Magnetisk grænselinje fungerer som en grænselinje, og robotrenseren går ikke ud over den magnetiske grænselinje; dog kan løbeområdet være begrænset. For indstilling af grænseregistreringsfunktionen, se side 20.



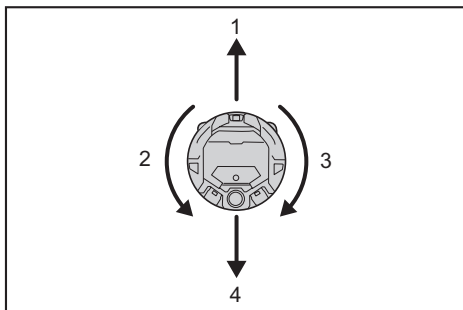
## Sådan bruges den

### Rengøring

- Robotstøvsugeren fungerer på tre måder:
  - Fri rengøringstilstand som ikke kræver kortregistrering
  - kortlægnings- og rengøringstilstand (se "Rengøring af et rum med kortlægning" på denne side), som kræver, at der registreres rumoplysninger, og
  - manuel betjening ved hjælp af fjernbetjeningen.
- Fri rengøringstilstand anbefales til rengøring i forskellige rum eller i et miljø, der involverer hyppige, væsentlige layoutændringer.
- Brug fri rengøringstilstand til et rum, der ikke kan lyses tilstrækkeligt op på kortlægningstidspunktet.
- Hvis den resterende batteriopladning af robotstøvsugeren bliver lav, suspenderer robotstøvsugeren rengøringen og vender tilbage til det sted, hvor rengøringen er startet.

### Rengøring af et rum med fjernbetjeningen

Robotstøvsugeren kan betjenes ved at trykke på handlingsknapperne på fjernbetjeningen.



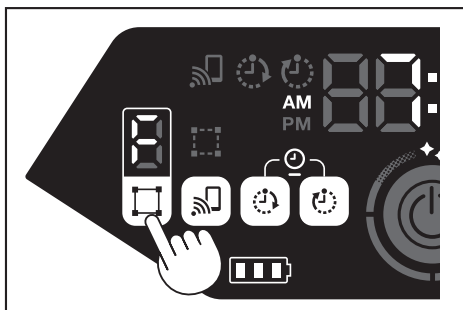
1. Bevæg frem: Tryk på .
2. Drej til venstre: Tryk på .
3. Drej til højre: Tryk på .
4. Bevæg tilbage: Mens du holder  nede, tryk på .

### BEMÆRKNING

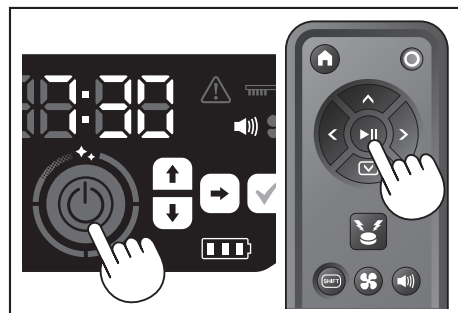
- Brug ikke robotstøvsugeren et smalt eller ujævnt sted.
- Når du benytter robotstøvsugeren med fjernbetjeningen, skal du være forsigtig med at undgå kollisioner eller fald.
- Hvis der er en forhindring foran den bevægelige robotstøvsuger, vender robotstøvsugeren om for at undgå den.

### Rengøring af et rum uden kortlægning (fri rengøringstilstand)

1. Placer robotstøvsugeren ved siden af en mur på det sted, du vil rengøre.
2. Sæt robotstøvsugeren i standby-tilstand. (Se side 15.)
3. Tryk på knappen for skift af tilstand for at vælge [F] (fri rengøringstilstand). Hver gang der trykkes på knappen for skift af tilstand, ændres det viste tegn i rækkefølgen "F, 1, 2, 3, 4, 5, F, ..." (hvert nummer repræsenterer et rumnummer).



4. Når der trykkes på start/stop-knappen, producerer robotstøvsugeren en lyd og begynder at rengøre. (Når lydindstillingen er tændt)



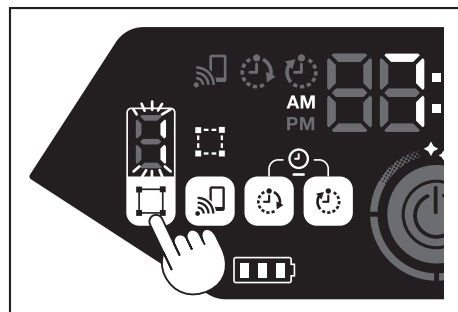
5. Når robotstøvsugeren bestemmer, at rengøringen er færdig, vender den tilbage til det sted, hvorfra den startede rengøringen.
  - Når lydindstillingen er aktiveret, informeres der om afslutningen af rengøringen med en lyd. (Se side 22.)
  - Robotstøvsugeren beregner sin egen position ved hjælp af LiDAR-sensoren og kamerasensoren. For at kamerasensoren fungerer fuldt ud, anbefales det at gøre rummet lysere. Hvis rummet er mørkt, er robotstøvsugeren muligvis ikke i stand til at rengøre et område eller vender måske ikke tilbage til det sted, hvorfra det startede rengøringen.

### Rengøring af et rum med kortlægning

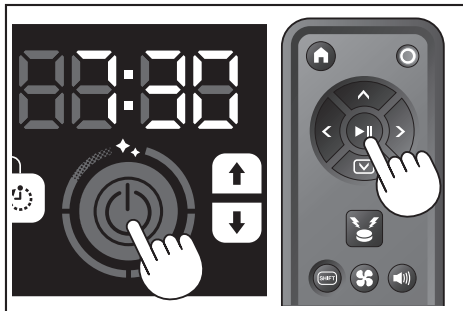
#### Registrering af ruminformation (kortlægning)

- Når lokalene, der skal rengøres, allerede er bestemt, kan registrering af ruminformation (registrering af kortoplysninger) i robotstøvsugeren gøre rengøringen mere effektiv. Efter afsluttet kortlægning bliver det muligt at kontrollere rengøringsresultatet og indstille forbudte områder fra app'en.
- Antallet af rum, der kan registreres, er fem.
- Lys rummet op under kortlægning.
- Hold dig væk fra robotstøvsugeren under kortlægning.
- Opsaml ikke robotstøvsugeren under kortlægning.
- Kortlægningen mislykkes, hvis der ikke er forhindringer med en højde på 25 cm eller mere inden for en radius på ca. 11 m fra robotstøvsugeren. I dette tilfælde anbefales rengøring i fri rengøringstilstand. (Se "Rengøring af et rum uden kortlægning (fri rengøringstilstand)" på denne side)

1. Anbring robotstøvsugeren på det sted, hvorfra du ønsker, at den skal begynde at gøre rent.
  - Denne startplacering vil være et sted, hvor rengøringen skal starte.
  - Det anbefales at indstille startplaceringen nær en væg, et hjørne af rummet eller et andet punkt, der er let at identificere.
  - Hold en afstand på ca. 30 cm fra en væg.
2. Sæt robotstøvsugeren i standby-tilstand. (Se side 15.)
3. Vælg et ikke-kortlagt rumnummer ved at trykke på knappen for skift af tilstand.
  - [F] er fri rengøringstilstand. (Se "Rengøring af et rum uden kortlægning (fri rengøringstilstand)" på denne side.)
  - Ikke-kortlagte rumnumre vises blinkende, og lampen for rumregistrering vil være tændt.
  - Kortlagte rumnumre vises lyst op, og rumregistreringslampen slukkes.

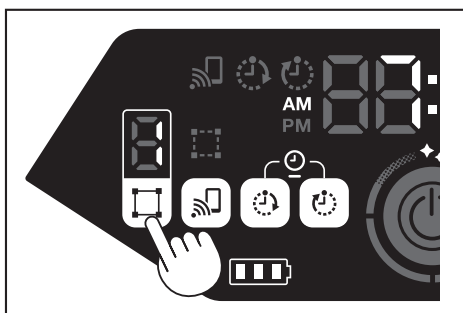


- Når start/stop-knappen er trykket ned, begynder robotstøvsugeren at kortlægge. Efter kortlægningen går robotstøvsugeren tilbage til der, hvor kortlægningen begyndte (startpunkt for rengøring), og fuldfører derefter rumregistreringen.
  - Efter afslutningen af kortlægningen går robotstøvsugeren i standby-tilstand. Det kan tage tid for robotstøvsugeren at gå ind i standby-tilstand. Sluk ikke for strømmen i dette tilfælde.
  - Når lydindstillingen er aktiveret, informeres der om afslutningen af kortlægningen med en lyd.
  - Hvis kortlægningen mislykkes, skal man tilføje kortoplysningerne manuelt ved hjælp af app'en. (Se side 39.)

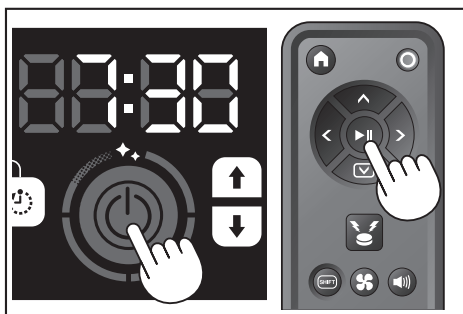


### Rengøring af kortlagte værelser

- I kortlægnings- og rengøringsstilstand fungerer robotstøvsugeren på en sådan måde, at kortlagte rum rengøres mere effektivt.
  - Brug af kortlægnings- og rengøringsstilstand kræver, at kortoplysninger registreres. (Se "Rengøring af et rum med kortlægning" på side 16.)
- Anbring robotstøvsugeren ved startpunktet for kortlægningen. Anbring robotstøvsugeren i den samme retning som ved kortlægningens start (så vidt muligt). Dette gør det muligt for robotstøvsugeren at begynde at rengøre mere jævnt.
  - Sæt robotstøvsugeren i standby-tilstand. (Se side 15.)
  - Vælg et kortlagt rumnummer ved at trykke på knappen for skift af tilstand. [F] er fri rengøringsstilstand. (Se side 16.)
  - Ikke-kortlagte rumnumre vises blinkende, og lampen for rumregistrering vil være tændt.
  - Kortlagte rumnumre vises lyst op, og rumregistreringslampen slukkes.







- Tryk på start/stop-knappen for at begynde rengøringen.



- Når rengøringen slutter, vender robotstøvsugeren tilbage til det sted, hvor den begyndte at rengøre.
  - Lampen for rengøringsniveau angiver, hvor stor en del af hele rummet der er blevet rengjort.
  - Når lydindstillingen er aktiveret, informeres der om afslutningen af rengøringen med en lyd. (Se side 22.)
  - Hvis rengøringsområdet er for bredt til at rengøre på én gang, anbefaler vi at bruge indstillingen [Continuous Cleaning]. (Se side 42.)

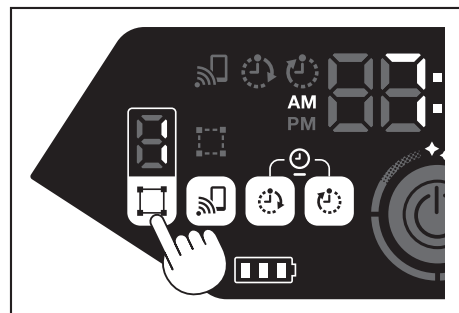
### Sådan aflæses lampen for rengøringsniveau

Lampen for rengøringsniveau informerer dig om det procentvise rengjorte område i det kortlagte rums areal.

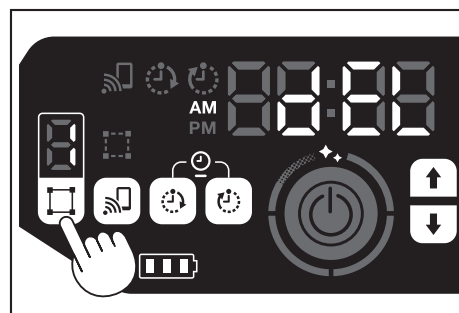
Lampe for rengøringsniveau	Procentdel af afsluttet rengøringsareal
	90 % eller mere
	75 % til mindre end 90 %
	50 % til mindre end 75 %
	25 % til mindre end 50 %

### Sletning af kortoplysninger

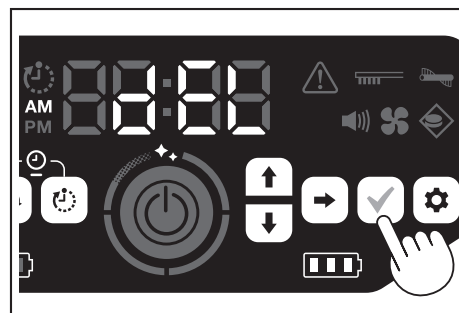
- Sæt robotstøvsugeren i standby-tilstand. (Se side 15.)
- Vælg det rumnummer, som du vil slette kortoplysninger for, ved at trykke på knappen for skift af tilstand.
  - Hver gang der trykkes på knappen for skift af tilstand, ændres rumnummeret i rækkefølgen "F, 1, 2, 3, 4, 5, F, ..." (For [F] er sletning af kortoplysninger ikke mulig, da [F] er fri rengøringsstilstand.)
  - Et kortlagt rumnummer lyser på displayet.



- Når knappen for skift af tilstand holdes nede, vises [dEL] i ca. 10 sekunder i tidsindikatoren.



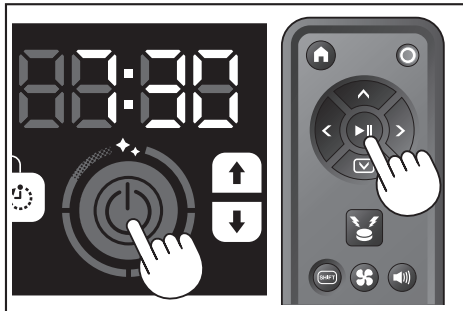
- Tryk på bekræftelsesknappen, mens [dEL] vises.



- Hvis der ikke trykkes på bekræftelsesknappen, mens [dEL] vises, vender robotstøvsugeren tilbage til standby-tilstand.
- Når kortlægningsoplysninger slettes, blinker det valgte rumnummer og bliver uregistreret.

## Suspendering eller afslutning af rengøring

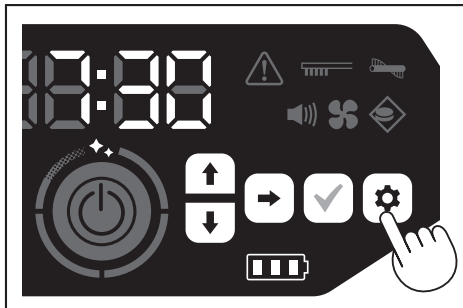
1. Hvis der trykkes på start/stop-knappen under drift, stopper robotstøvsugeren midlertidigt.  
Hvis der trykkes på start/stop-knappen igen, begynder robotstøvsugeren at køre igen i samme driftstilstand som før stop.



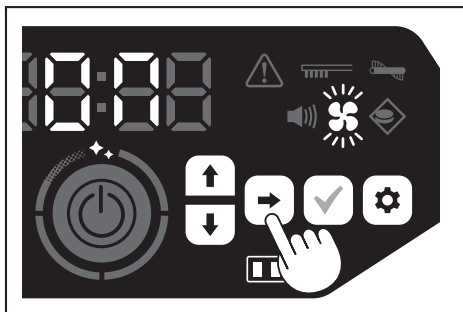
2. For at afslutte rengøringen, mens den er i gang, skal du trykke på fjernbetjeningens startpunkt-knap, når robotstøvsugeren er i drift eller i en midlertidigt stoppet tilstand. Robotstøvsugeren vender tilbage til det sted, hvor den begynde at rengøre, og går derefter i standby-tilstand.
  - For at afslutte rengøringen med det samme skal du trykke på knappen for skift af tilstand, mens robotstøvsugeren er i en midlertidig standset tilstand. Så går robotstøvsugeren i standby-tilstand.
  - Når rengøringen er afsluttet uden at gå tilbage til startpunktet, gemmes rengøringshistorikken muligvis ikke korrekt.

## Sluk/tænd af vakuumbløseren

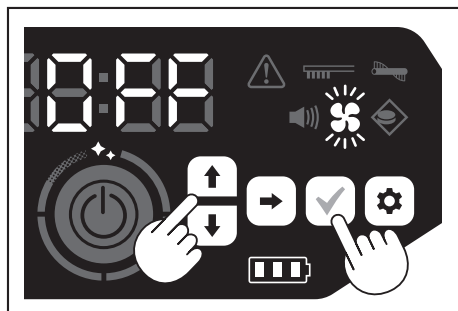
- Når du kun rengør meget synligt støv, kan køretiden blive dobbelt så lang, hvis du slukker for vakuumbløseren.
  - Vakuumbløseren kan også indstilles fra fjernbetjeningen eller app'en. (Se "Sluk/tænd af vakuumbløseren" på denne side og "Betjen robotstøvsugeren fra app'en" på side 36.)
1. Når robotstøvsugeren er sat i standby-tilstand, skal du trykke på indstillingsknappen for at gå til valg af indstilling.



2. Tryk på Næste-knappen for at få vakuumbløserens lampe til at blinke.



3. Op/ned-knappen kan bruges til at skifte mellem On og Off. Når du har valgt On eller Off, skal du trykke på bekræftelsesknappen for at afslutte indstillingen.
  - On: Lampen for vakuumbløseren tændes.
  - Off: Lampen for vakuumbløseren slukkes.



### BEMÆRKNING

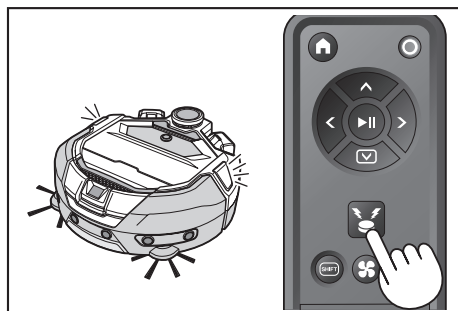
Når vakuumbløseren er slået fra, lyser lampen for filterpleje ikke, selv ikke når filteret er tilstoppet.

## Tænd/sluk for vakuumbløseren med fjernbetjeningen

Med robotstøvsugeren i standby-tilstand, kan vakuumbløseren tændes eller slukkes ved at trykke på tænd/sluk-knappen på fjernbetjeningen. Selv under rengøring kan bløseren tændes eller slukkes fra fjernbetjeningen.

## Brug af positionsfunktion

- Robotstøvsugeren giver besked om sin egen placering med en summende lyd og et lys. Denne funktion bruges, når robotstøvsugeren ikke kan findes, fordi den rengør et stort område eller er kommet ind på et sted, hvor den ikke kan findes.
- Når der trykkes på fjernbetjeningens positionssignal/lysknap, høres en summende lyd i ca. 10 sekunder, samtidig med at positionssignalet blinker.
- For at stoppe positionsfunktionen halvvejs skal du trykke på knappen for positionssignal/lys igen.



### BEMÆRKNING

- Positionsfunktionen kan ikke bruges i følgende tilfælde.
  - Når robotstøvsugeren er slukket.
  - Når der ikke er nogen batterikapacitet tilbage.
  - Når robotstøvsugeren er i en position, hvor radiobølger ikke når.
  - Når batteriet i fjernbetjeningen er opbrugt.
- Selvom positionsfunktionen også kan bruges fra app'en, skal din smartphone og robotstøvsugeren være tilsluttet på forhånd. Når robotstøvsugeren er i slumretilstand, kan funktionen ikke bruges fra app'en.

## Brug af ON-timer/OFF-timer

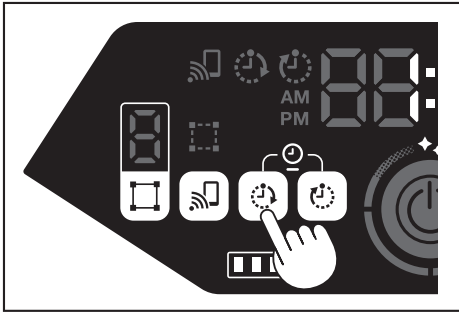
ON-timeren og OFF-timeren kan bruges på samme tid.

### Indstilling af ON-timeren

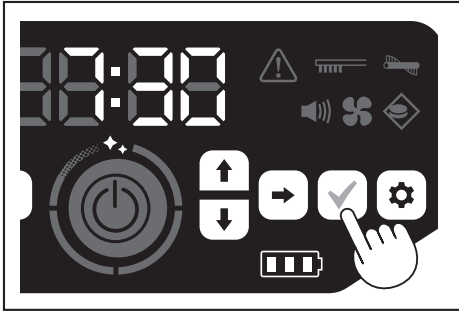
Når et forudvalgt tidspunkt begynder, starter robotstøvsugeren med at rengøre i den valgte rengøringstilstand. Før du indstiller timeren, skal du indstille klokkeslættet. (Se side 22.)

1. Sæt robotstøvsugeren i standby-tilstand. (Se side 15.)

- Hold knappen for timer TIL nede for at ændre tidsindstillingen for ON-timeren.
  - Ændringsproceduren er den samme som tidsindstillingsproceduren (se side 22).
  - ON-timeren kan konfigureres i trin på 10 minutter.

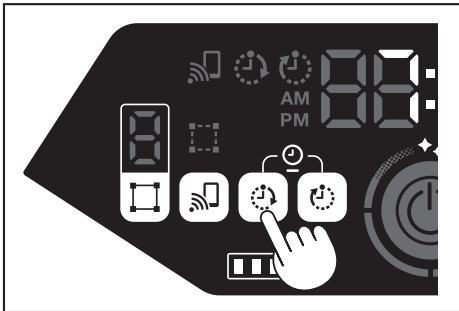


- Tryk på bekræftelsesknappen for at afslutte tidspunktet på dagen.



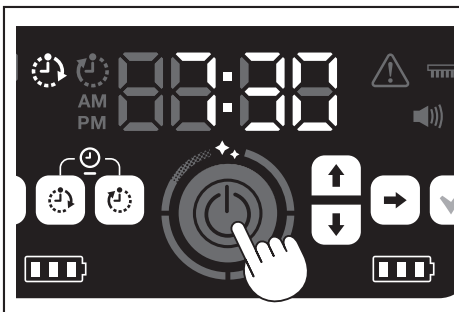
### Brug af ON-timeren

- Tryk på knappen for timer TIL for at aktivere funktionen ON-timer. Lampen for timer TIL lyser, og indstillingstiden blinker to gange.
  - For at annullere funktionen ON-timer skal du trykke på knappen for timer TIL igen for at slukke for lampen for timer TIL.



- Vælg robotstøvsugerens anvendelsestilstand. (Se sider 16 og 17.)
- Når der trykkes på start/stop-knappen, reserveres rengøring med ON-timeren. (Dvaletilstand)
 

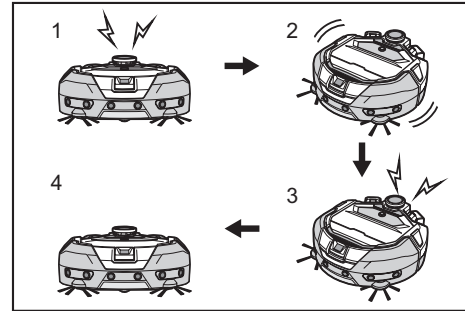
For at annullere funktionen ON-timer i dvaletilstanden skal du trykke på start/stop-knappen igen for at sætte robotstøvsugeren i standby-tilstand. For at se indstillingstiden efter reservering skal du trykke på en vilkårlig knap undtagen start/stop-knappen. Derefter lyser indstillingstiden i 3 sekunder.



### BEMÆRKNING

- De reserverede oplysninger annulleres, når strømmen slukkes, eller den resterende batterikapacitet går helt tabt.
- Når batterierne er lave, kan robotstøvsugeren ikke vente på drift ved reservering af ON-timer. Til drift med ON-timer-reservering anbefales det at bringe batterierne op til fuld opladning.
- Reservering af ON-timer er ikke mulig, når strømmen er slukket.
- Når ON-timer er indstillet, reduceres betjeningstiden noget, fordi robotstøvsugeren benytter batteriet i dvale.

- Eksempel på anvendelse: Få robotstøvsugeren til automatisk at gøre rent om morgenen. (Indstil ON-timer til 7:30 og OFF-timer til 9:00.)



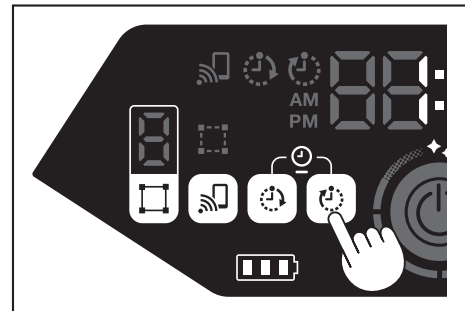
1. Starter kl. 7:30. (ON-timer) 2. Rengøring 3. Afslutter rengøring kl. 9:00. (OFF-timer) 4. Vender tilbage til startpunktet.

- Når du justerer timer/minutter, ændres timer/minutter hurtigt, når du holder du op/ned-knappen nede.
- Når tidsindstillingen for timeren allerede er afsluttet, skal du kun følge proceduren for "Brug af ON-timeren" på denne side.

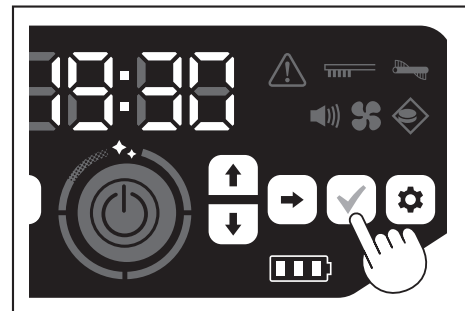
### Indstilling af OFF-timeren

Når et tidligere valgt tidspunkt kommer efter rengøringens start, stopper robotstøvsugeren rengøringen og går tilbage til startpunktet. Før du indstiller timeren, skal du indstille klokkeslættet. (Se side 22.)

- Sæt robotstøvsugeren i standby-tilstand. (Se side 15.)
- Hold knappen for timer FRA nede for at ændre tidsindstillingen for FRA-timeren.
  - Ændringsproceduren er den samme som tidsindstillingsproceduren (se side 22).
  - OFF-timeren kan konfigureres i trin på 10 minutter.



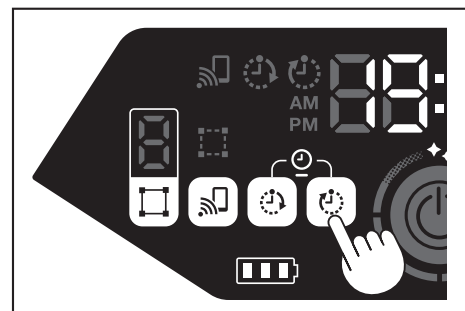
- Tryk på bekræftelsesknappen for at afslutte tidspunktet på dagen.



### Brug af OFF-timeren

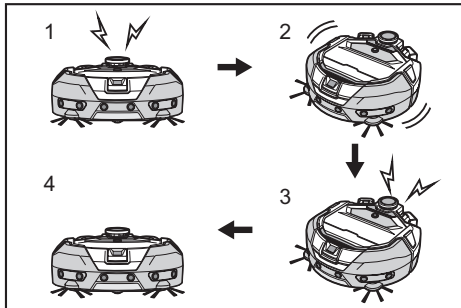
Tryk på knappen for timer FRA for at aktivere funktionen FRA-timer. Lampen for timer FRA lyser, og indstillingstiden blinker to gange.

- For at starte rengøringen med det samme og bruge OFF-timeren skal du vælge rengøringstilstand og starte rengøringen.
- For at bruge OFF-timeren i kombination med ON-timeren, se side 18.
- For at annullere ON-timeren skal du trykke på knappen for timer FRA igen, når robotstøvsugeren er i standby-tilstand.



## BEMÆRKNING

- Indstillingen OFF-timer er deaktiveret, når strømmen er slukket, eller den resterende batterikapacitet er fuldstændig tabt.
- Når den resterende batterikapacitet er lav, kan robotstøvsugeren stoppe med at fungere inden FRA-timeren indstilles.
- Afhængigt af rengøringsmiljøet kan det tage tid for robotstøvsugeren at vende tilbage til startpunktet. I dette tilfælde skal du indstille et tidligere tidspunkt for OFF-timeren.
- Eksempel på anvendelse: Få robotstøvsugeren til automatisk at gøre rent i blot 30 minutter om aftenen. (Indstil ON-timer til 19:00 og OFF-timer til 19:30.)



- ▶ 1. Starter kl. 19:00. (ON-timer) 2. Rengøring 3. Afslutter rengøring kl. 19:30. (OFF-timer) 4. Vender tilbage til startpunktet.
- Når du justerer timer/minutter, holder du op/ned-knappen nede, så timer/minutter ændres hurtigt.
- Når tidsindstillingen for timeren allerede er afsluttet, skal du kun følge proceduren for "Brug af OFF-timeren" på side 19.

## Begræns rengøringsrækkevidden

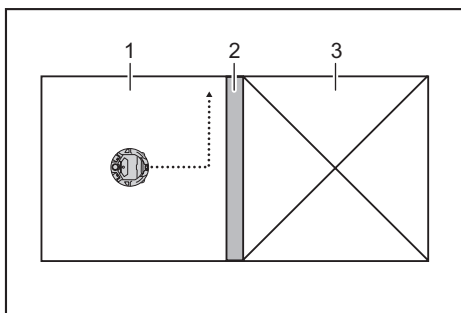
### ⚠ ADVARSEL

**Brug ikke magnetisk grænselinje som en afgrænsningslinje for et område, hvor en ulykke muligvis kan forekomme på grund af indbrud eller fald.**

- Dette kan forårsage en ulykke eller kvæstelse, ved at robotstøvsugeren trænger ind et u hensigtsmæssigt sted eller falder.

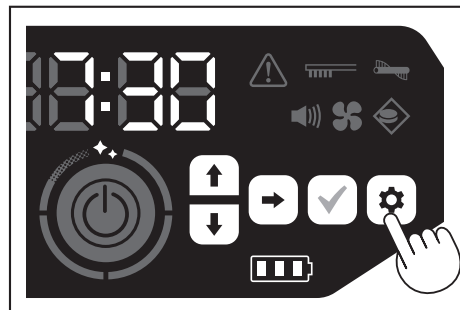
**Placer en genstand, der tjener som en væg med en højde på 25 cm eller mere (en genstand, der ikke bevæger sig eller vælter, når den rammes af robotstøvsugeren), i et område med risiko for indtrængen eller fald.**

- Rengøringsrækkevidden kan begrænses ved at fastgøre en magnetisk grænselinje (sælges separat) på en gulvoverflade for at danne en grænselinje. Robotstøvsugeren registrerer og undgår den magnetiske grænselinje.
- Indstil rengøringsområdet for robotstøvsugeren i følgende tilfælde.

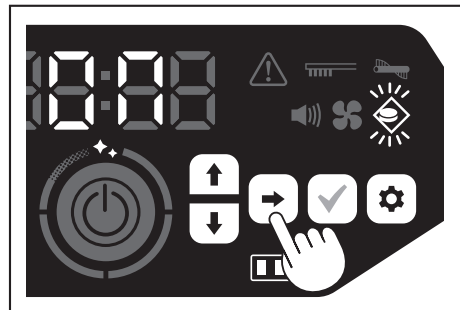


- ▶ 1. Rengøringsområde 2. Magnetisk grænselinje 3. Område, hvor du ikke ønsker, at robotstøvsugeren skal køre
  - Når du vil opdele et rum, der er for stort til at rengøre på én gang, i flere områder.
  - Når der er et område, hvor du ikke ønsker, at robotstøvsugeren skal komme ind.
  - Når der er et område, hvor robotstøvsugeren kan komme ind, men ikke kan forlade.
  - Når robotstøvsugeren klatrer over et lavt trin, men falder ned fra det.
  - Når robotstøvsugeren bliver fanget midt på et trin.
1. Læg en magnetisk grænselinje med følgende punkter i tankerne.
    - Sørg for at lægge den magnetiske grænselinje uden nogen afstand mellem den og gulvoverfladen.
    - Læg den magnetiske grænselinje ca. 15 cm væk fra det område, som du ikke ønsker, at robotstøvsugeren skal komme ind i.
    - Anbring den magnetiske grænselinje på en gulvoverflade, der er så flad som muligt, så den ikke bliver ustabil. Hvis du ikke gør det, kan robotstøvsugeren forskyde linjen og ikke genkende linjen korrekt.
    - Robotstøvsugeren genkender muligvis ikke en magnetisk grænselinje, der er placeret på en konkav overflade eller en overflade med trin.

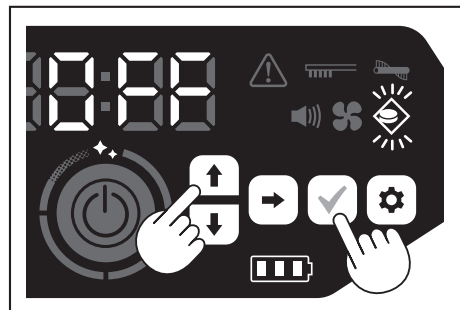
- Sørg for, at den magnetiske grænselinje er et ægte produkt. Hvis det ikke er et ægte produkt, kan ydelse og sikkerhed ikke garanteres.
  - Nogle gulvoverflader kan blive snavsede. Kontroller egnetheden ordentligt inden brug.
  - Afhængigt af gulvoverfladen og driftsmiljøet vil magnetsensoren til grænseregistrering muligvis ikke genkende magnetisk grænselinje, eller den vil måske blive snavset eller revet. Kontroller egnetheden ordentligt inden brug.
2. Når robotstøvsugeren er sat i standby-tilstand, skal du trykke på indstillingsknappen for at gå til valg af indstilling.



3. Tryk på Næste-knappen for at få grænseregistreringslampen til at blinke.



4. Op/ned-knappen kan bruges til at skifte mellem On og Off. Når du har valgt On eller Off, skal du trykke på bekræftelsesknappen for at afslutte indstillingen.
- On: Grænseregistreringslampen tændes.
- Off: Grænseregistreringslampen slukkes.



## BEMÆRKNING

- Grænseregistreringsfunktionen er baseret på genkendelse af magnetisk grænselinje af en magnetisk sensor. Hvis der er rifter, løft osv. på den magnetiske grænselinje, genkendes linjen muligvis ikke.
- Kontroller med jævne mellemrum for rifter, positionsafvigelse og andre problemer med magnetisk grænselinje. Hvis der er et problem som rifter, skal du udskifte linjen med en ny linje.
- Grænseregistreringsfunktionen kan aktiveres nær en magnetisk genstand. Hvis du ikke ønsker, at grænseregistreringsfunktionen skal fungere, skal du deaktivere den.
- På et sted hvor mennesker og ting kommer og går ofte, trædes den magnetiske grænselinje ofte på og beskadiges. Hvis linjen forværres, skal du udskifte den med en ny linje.
- Afhængigt af gulvmaterialet anbefales det at klistre den magnetiske afgrænsningslinje fast på gulvet, fordi robotstøvsugeren kan bevæge den magnetiske grænselinje, når den opdager den.
- Den magnetiske grænselinje kan skæres med en saks.

## Sådan fastgøres, fjernes og bruges dele, der sælges separat

Se nedenstående sider for at fastgøre, fjerne og bruge separat solgte genstande.

Separat solgte dele	Referenceside	Bemærkninger
Magnetisk grænselinje	20	–
Hovedbørste Blød hovedbørste	25	Håndteringsproceduren er den samme som for den medfølgende hovedbørste.
HEPA-filter	24	Samme som det medfølgende HEPA-filter.
Sidebørste Blød sidebørste	25	Håndteringsproceduren er den samme som for de medfølgende sidebørster.
Batteri	14	–
Dæksel til hovedbørste	25	Samme som det medfølgende dæksel til hovedbørste.
Stødfangerpude	–	En anti-ridsepude, der skal fastgøres til robotstøvsugerens for at beskytte genstandene.

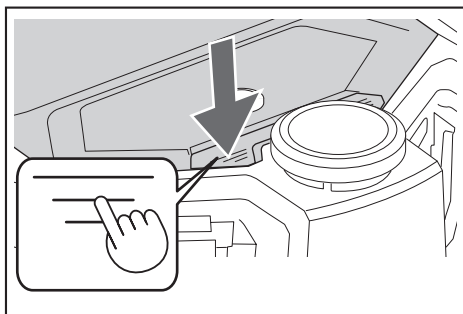
## Sådan fjernes snavs

### ⚠ ADVARSEL

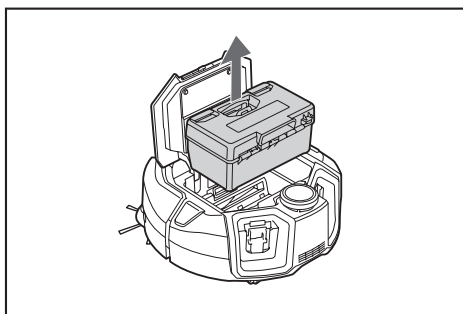
Sørg for at slukke for strømmen og fjerne batterierne fra robotstøvsugeren, inden du åbner topdækslet til robotstøvsugeren.

- Hvis der efterlades et batteri i robotstøvsugeren, kan der opstå elektrisk stød eller personskaade.

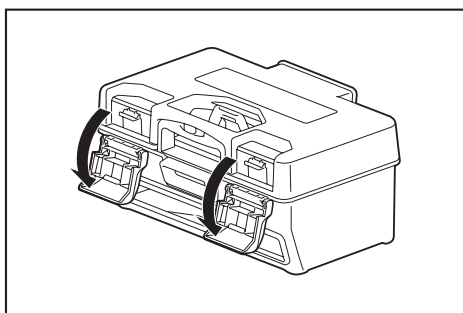
1. Ved at trykke på Åbn-knappen (  ) åbnes topdækslet. Vær forsigtig, da topdækslet åbner hurtigt.



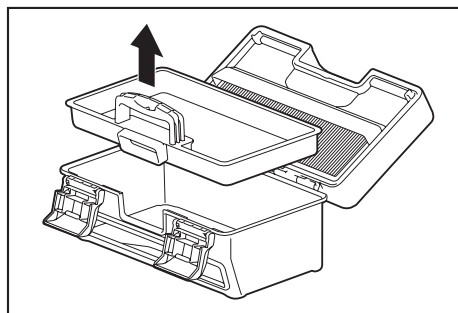
2. Fjern støvkassen. Hold ikke støvkassen med åbningen nedad. Dette kan medføre, at støv falder ud af åbningen.



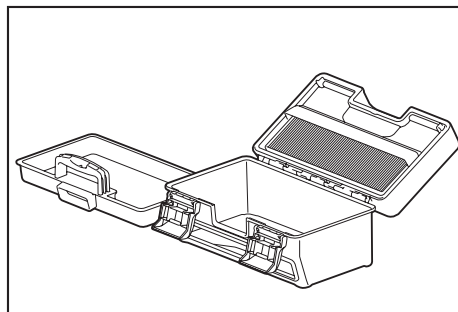
3. Slip de to låste dele for at åbne topdækslet.



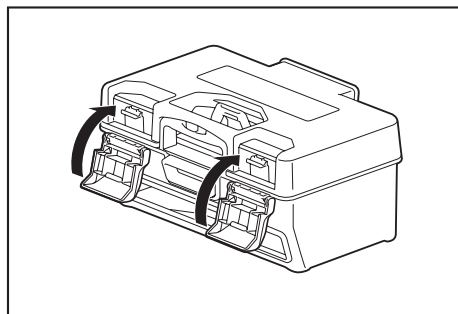
4. Tag støvkassen ud. Pas på ikke at åbne topdækslet på filtersiden.



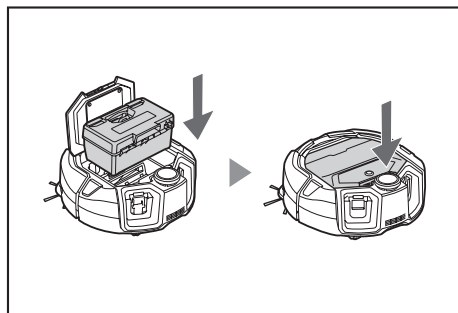
5. Fjern snavs fra støvcoveret og støvkassen, og fjern derefter snavs og støv i filteret. Hvis filteret er for snavsset, skal du fjerne det og vaske det med vand. (Se side 24.)



6. Sæt støvcoveret tilbage i støvkassen. Luk derefter topdækslet, og lås de to låsedele.



7. Sæt støvkassen tilbage i robotstøvsugeren, og skub topdækslet, indtil det klikker på plads. Når du lukker topdækslet, skal du passe på ikke at få fingrene i klemme.



### BEMÆRKNING

- Ved afslutning af hver rengøring skal snavsset kasseres og filteret renses. Hvis du fortsætter med at rengøre uden at kassere snavs, bliver filteret tilstoppet, og sugekraften aftager.
- Fastgør støvkassen og filteret korrekt.

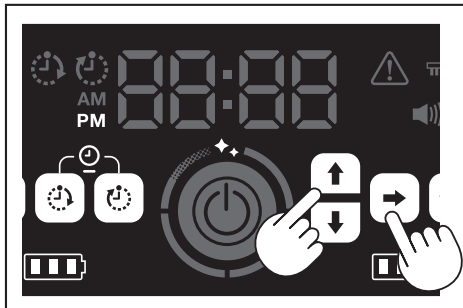
## Indstilling af robotstøvsugeren

### Indstilling af tid på dagen

Når du bruger den første gang, skal du starte med at indstille klokkeslættet.

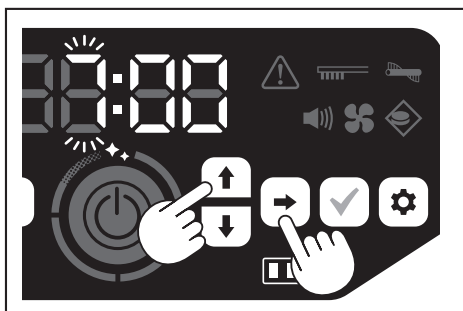
1. Brug op/ned-knapperne til at vælge skærmformat fra [AM], [PM] eller ingen forskel (i 24-timers notation), og tryk derefter på næste-knappen for at acceptere valget.

Når der trykkes på næste-knappen, blinker timerne.

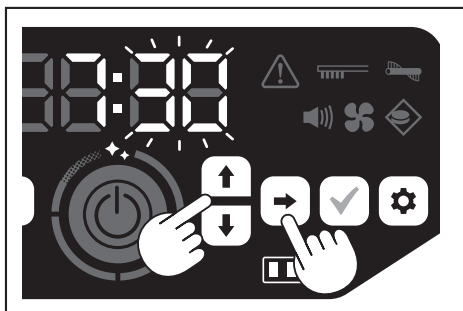


2. Vælg timerne ved hjælp af op/ned-knapperne, og tryk derefter på næste-knappen for at acceptere valget.

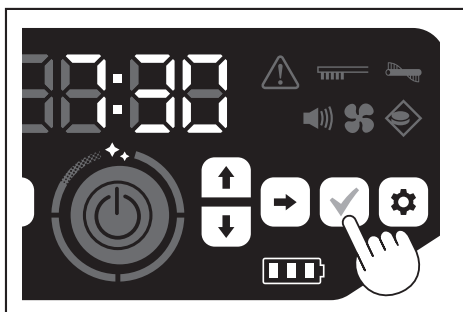
Når der trykkes på næste-knappen, vil minutterne blinke.



3. Vælg minutter ved hjælp af knapperne op/ned, og tryk derefter på næste-knappen for at acceptere valget.



4. Tryk på bekræftelsesknappen for at afslutte tidspunktet på dagen.



### BEMÆRKNING

- Når du justerer timer/minutter, ændres timer/minutter hurtigt, når du holder du op/ned-knappen nede.
- Når robotstøvsugeren ikke bruges i lang tid, kan tidsindstillingen blive unøjagtig på grund af opbevaringstemperaturen eller nulstilles, hvis den indbyggede batteristrom mister sin opladning.

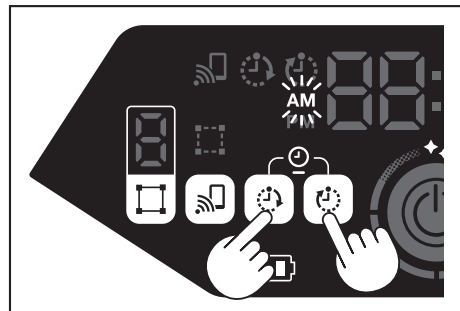
### Indstilling af tid på dagen igen

Når robotstøvsugeren ikke bruges i lang tid, vil tidsindstillingen være unøjagtig eller nulstillet.

Når du tilslutter robotstøvsugeren til en smartphone ved hjælp af app'en, indstilles tidspunktet på dagen på smartphonen automatisk på robotstøvsugeren.

Hvis du vil indstille klokkeslættet manuelt, skal du udføre følgende procedure.

1. Sæt robotstøvsugeren i standby-tilstand. (Se side 15.)
2. Hold knapperne for timer TIL og FRA nede samtidigt for at få tidsformatet [AM] eller [PM] til at blinke (blinker ikke, når den forrige indstilling var 24-timers notation).



3. Indstil tidspunktet på dagen ved at følge "Indstilling af tid på dagen" på denne side fra trin 1.

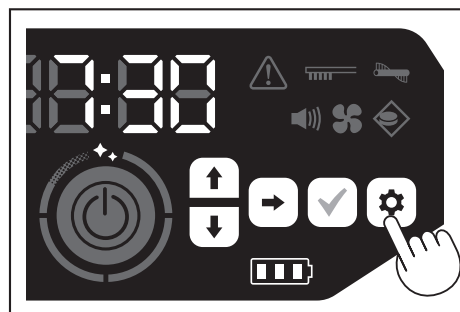
### Opsætning af Wi-Fi® (robotstøvsuger og smartphone)

- For at betjene robotstøvsugeren fra app'en skal du foretage Wi-Fi®-indstillinger for app'en og robotstøvsugeren. (Se side 33.)
- Installer app'en på din smartphone på forhånd.
- Robotstøvsugeren fungerer som adgangspunkt til smartphonen. Når en smartphone er tilsluttet robotstøvsugeren, vil smartphonen ikke være forbundet med noget andet netværk end robotstøvsugeren.
- For at tilslutte en smartphone til robotstøvsugeren skal du trykke på smartphone-forbindelsesknappen for at aktivere Wi-Fi.
- Når du ikke bruger Wi-Fi, skal du trykke på smartphone-forbindelsesknappen for at slukke for smartphone-forbindelseslampen.
- Flere robotstøvsugere kan administreres med en app. I dette tilfælde skal du oprette trådløs forbindelse til app'en ene efter en.

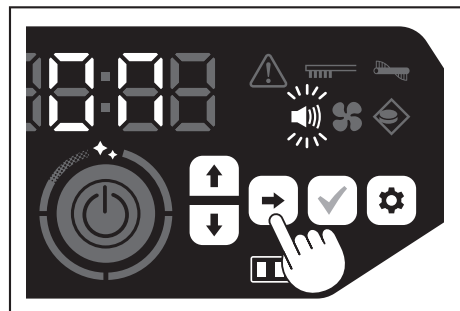
### Foretag en lydindstilling

- Du kan vælge, om robotstøvsugeren laver lyde eller ej.
- Denne lydindstilling er også mulig fra fjernbetjeningen.

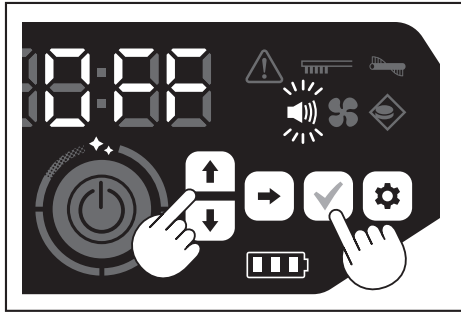
1. Når robotstøvsugeren er sat i standby-tilstand, skal du trykke på indstillingsknappen for at gå til valg af indstilling.



2. Tryk på Næste-knappen for at få lydlampen til at blinke.



- Op/ned-knapperne kan bruges til at skifte mellem On og Off. Når du har valgt ON eller OFF, skal du trykke på bekræftelsesknappen for at afslutte valget.
  - On: Lydlampe tændes (lyd aktiveret).
  - Off: Lydlampe slukkes (lyd deaktiveret).



#### BEMÆRKNING

Selvom lydindstillingen er slået fra, kan robotstøvsugerens lyd lyde for at give besked om en fejl osv.

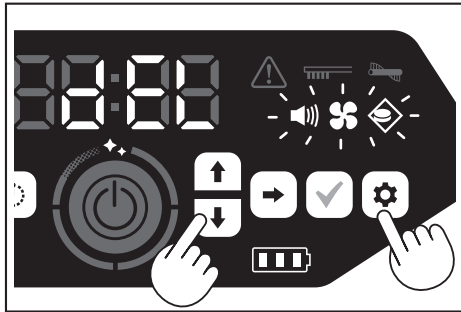
#### Tænd/sluk for lydindstillingen med fjernbetjeningen

Når robotstøvsugerens er sat i standby-tilstand, kan du trykke på knappen for lyd TIL/FRA på fjernbetjeningen, så lydindstillingen kan tændes og slukkes. Lydindstillingen kan tændes og slukkes, selv under rengøring, hvis den indstilles fra fjernbetjeningen.

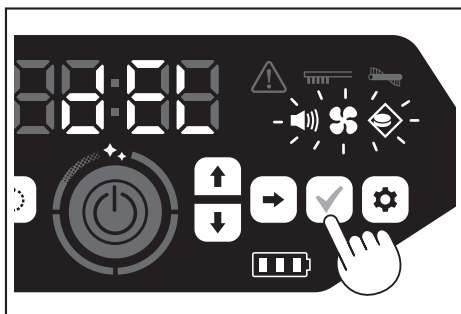
#### Nulstilling af indstillingerne

Du kan nulstille robotstøvsugerens indstillinger til fabriksindstillingerne.

- Sæt robotstøvsugerens i standby-tilstand. (Se side 15.)
- Hold ned-knappen og indstillingsknappen nede. [dEL] vises på tidsindikatoren, og ikoner og lamper udover fejllampen blinker.



- Tryk på bekræftelsesknappen, mens [dEL] vises (ca. 10 sekunder).
  - Hvis der ikke trykkes på bekræftelsesknappen, mens [dEL] vises, vender robotstøvsugerens tilbage til standby-tilstand.
  - Når robotstøvsugerens udfører nulstillingsprocessen, slukkes ikonerne og lamperne undtagen batterilampen. Selvom robotstøvsugerens ikke fungerer på dette tidspunkt, selvom du trykker på knapperne på betjeningspanelet, skal du ikke røre ved knapperne. Fjern desuden ikke batterierne.

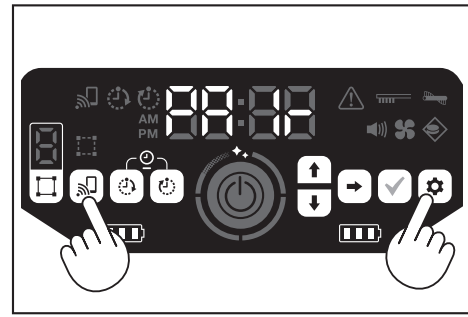


- Efter afslutningen af nulstillingsprocessen udføres en genstart, og derefter vises skærbilledet til indstilling af tid på dagen.

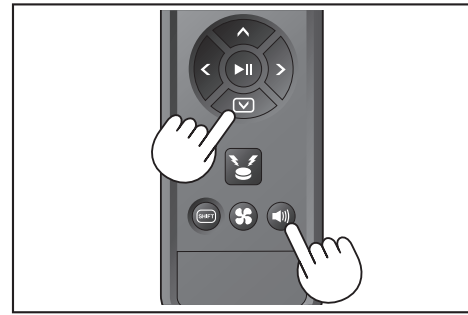
#### Parring af robotstøvsugerens og fjernbetjeningen

Når fjernbetjeningen udskiftes med en ny, skal du oprette en parring af robotstøvsugerens og fjernbetjeningen.

- Hold smartphone-forbindelsesknappen og indstillingsknappen nede samtidigt for at få [PAIr] til at vises på tidsindikatoren. [PAIr] vises i 10 sekunder.



- I den periode, hvor [PAIr] vises, skal du samtidigt trykke på handlingsknappen (ned) og på knappen for lyd TIL/FRA på fjernbetjeningen. Når parringen er vellykket, udsender robotstøvsugerens to korte bip og vender tilbage til standby-tilstand.



#### BEMÆRKNING

- Hvis parring mislykkes, afgives der en fejllyd.
- Hvis robotstøvsugerens ikke kan modtage et signal fra fjernbetjeningen i den periode, hvor [PAIr] vises, vender robotstøvsugerens tilbage til standby-tilstand.



## Pleje

### ⚠ ADVARSEL

Sørg for at slukke for strømmen og fjerne batterierne fra robotstøvsugeren, før du udfører vedligeholdelse på robotstøvsugeren.

- Hvis der efterlades et batteri i robotstøvsugeren, kan der opstå elektrisk stød eller personskade.

### ⚠ FORSIGTIG

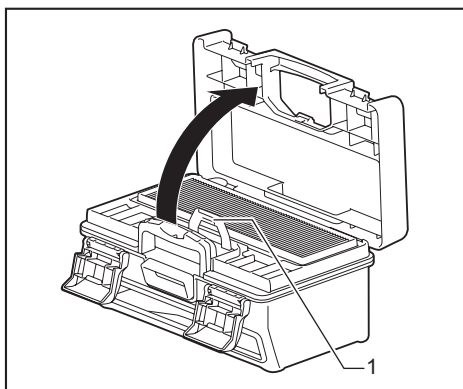
For at opretholde optimal ydelse skal du regelmæssigt udføre den vedligeholdelse, der er nævnt i dette afsnit. Hvis der er et problem, skal du stoppe med at bruge robotstøvsugeren og bede den butik, hvor du købte den, eller vores salgskontor om et tjek og reparation.

## Vedligeholdelse

### Vedligeholdelse og udskiftning af støvkassen og filteret

- Når robotstøvsugerens sugekraft nedsættes, når snavs er synlig, eller når lampen for filterpleje lyser, skal du fjerne filteret og skylle det med vand.
- Læg en avis eller andet under, før du udfører vedligeholdelse.
- Brug ikke kemikalier eller varmt vand med en temperatur på 40 °C (104 ° F) eller mere.

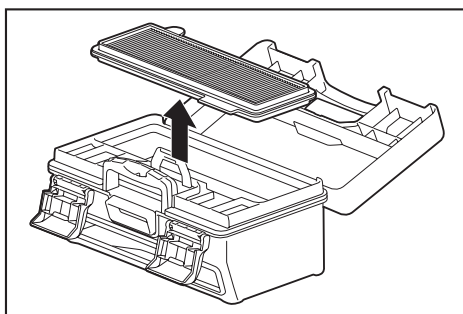
1. Bortskaf affald ved at følge trin 1 til 5 i "Sådan fjernes snavs". (Se side 21).
2. Læg støvcoveret tilbage i støvkassen, og luk topdækslet på støvkassen.
3. Fjern kroge, og åbn topdækslet på filtersiden.



- 1. Krog

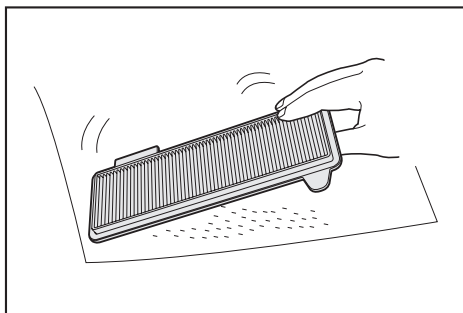
4. Fjern filteret fra støvkassen.

Når du fjerner filteret, skal du gøre det langsomt for at undgå at hæve støv.

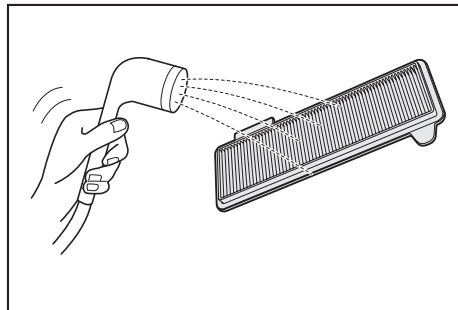


5. Lad snavs og støv falde ned med lette bank på filteret.

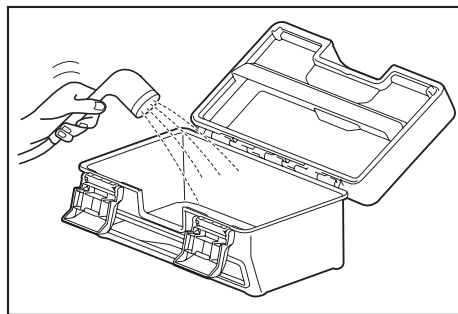
- Skrub ikke filteret hårdt, og tryk det ikke ned med fingrene.
- Brug ikke en skarp spids genstand (såsom en tandstik), som kan være årsag til brud.



6. Når robotstøvsugeren har en svag sugeevne, skal du vaske filteret med vand. Hvis lugten generer dig, skal du lade filteret stå i fortyndet neutralt rengøringsmiddel i ca. tre timer og derefter vaske det med vand.



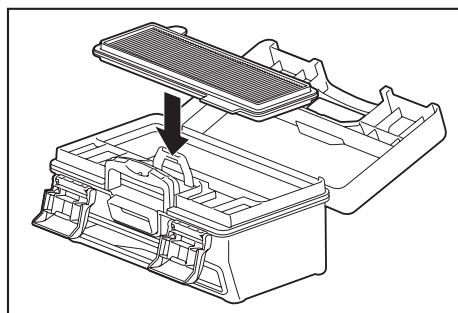
7. Når støvkassens snavs er synligt, skal du vaske den med vand eller et fortyndet neutralt rengøringsmiddel.



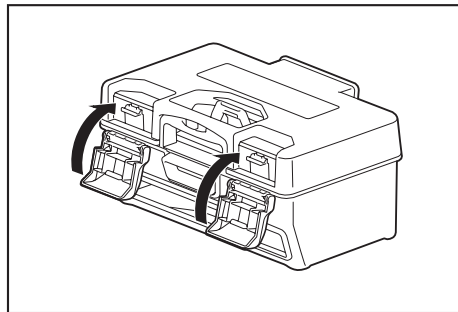
8. Når du har vasket filteret eller støvkassen med vand, skal du tørre det tilstrækkeligt på et godt ventileret sted uden direkte sollys.

- Brug af dele uden at tørre dem ordentligt kan medføre en reduktion i sugekraft samt en reduktion i motorens levetid.
- Brug af dele, mens der stadig er fugt på dem, kan forårsage lugt eller svigt.
- Tørretiden skal være ca. en dag.
- Undgå at tørre med en tørretumbler, en blæser osv.

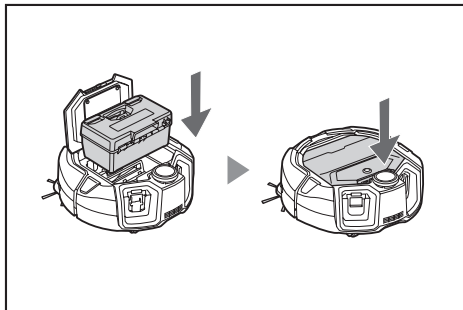
9. Fastgør filteret til støvkassen.



10. Luk topdækslet på filtersiden, og sørg for, at kroge er fastgjort. Lås derefter de to låsedele.



11. Sæt støvkassen tilbage i robotstøvsugeren, og skub topdækslet, indtil det klikker på plads.  
Når du lukker topdækslet, skal du passe på ikke at få fingrene i klemme.

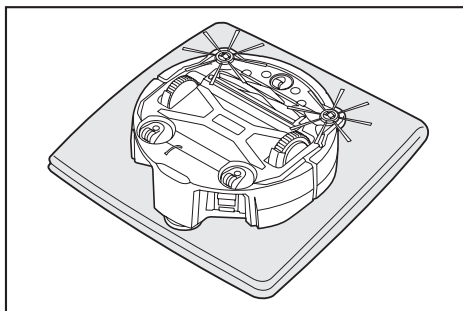


#### BEMÆRKNING

- Brug ikke robotstøvsugeren, når filteret er fjernet. Brug ikke robotstøvsugeren med filteret beskadiget eller snavset.
- Filteret kan vaskes med vand. Vask støvet væk med vand med jævne mellemrum (hver eller hver anden måned).
- Når filterets kvalitet forringes, skal du udskifte det med et nyt filter.
- Filteret er en forbrugsvare, og det anbefales derfor at forberede et ekstra.
- Beskadig ikke filteret ved at skure det med en hård genstand, såsom en børste eller en spatel.
- Rengør ikke HEPA-filteret med en luftblæser eller en højtryksrensers, da det let beskadiges.

#### Forholdsregler der skal tages ved pleje af undersiden af robotstøvsugeren


- Tag støvkassen ud, før du udfører vedligeholdelse. (Se side 21.) Hvis du ikke gør det, kan der falde støv ned fra åbningen.
- Vend robotstøvsugeren på hovedet, inden du plejer sidebørsterne, hovedbørsten, undersiden af robotstøvsugeren og hjulene.
- Under vedligeholdelse skal du lægge en tyk matte eller lignende under, så robotstøvsugeren og gulvoverfladen ikke beskadiges, og så LiDAR-sensoren ikke udsættes for tryk.

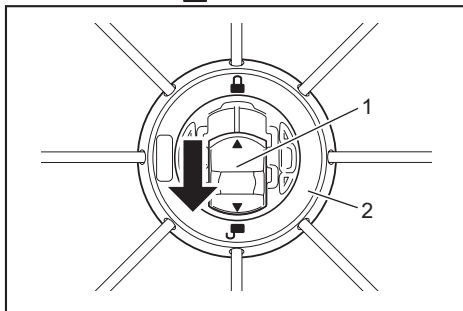


- Tryk ikke robotstøvsugerens underside hårdt med robotstøvsugeren vendt på hovedet. Hvis du trykker hårdt på det, kan det medføre skade på robotstøvsugeren.

#### Pleje og udskiftning af sidebørsterne

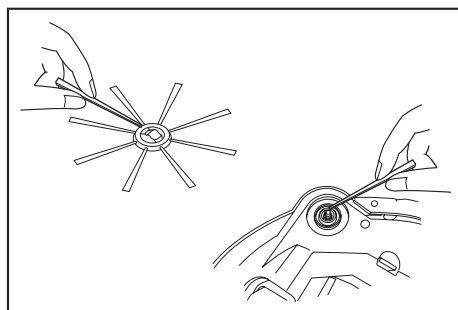
- Hvis en fejlindikation (se side 28) er lavet, eller støv og hår fanges i en sidebørste, så tag et kig på sidebørsten.
- Når børsterne på en sidebørste er bøjet eller falder ud, skal du udskifte dem med en ny.
- Når en sidebørste ikke roterer eller er svær at dreje, skal du fjerne sidebørsten og derefter udføre vedligeholdelse.

1. Vend robotstøvsugeren på hovedet på en matte eller lignende.
2. Skub sidebørstens låsearm til  (frigørelsesmærke).



- 1. Låsearm 2. Sidebørste

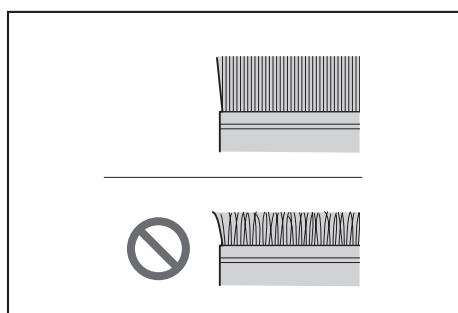
3. Fjern sidebørsten.
4. Fjern hår og støv, der sidder fast i sidebørsten ved hjælp af en pincet eller andet værktøj.



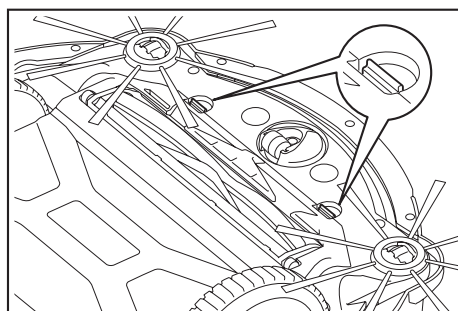
5. Fastgør sidebørsten til robotstøvsugeren. (Se side 13.)

#### Vedligeholdelse og udskiftning af hovedbørsten

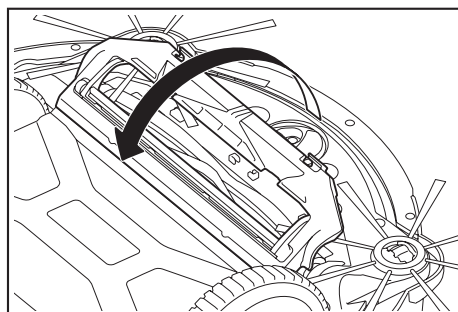
- Hvis en fejlindikation (se side 28) er lavet, eller der er fanget støv og hår i hovedbørsten, så tag et kig på hovedbørsten.
- Hvis hårene på hovedbørsten slides og bliver kortere, skal du udskifte hovedbørsten.



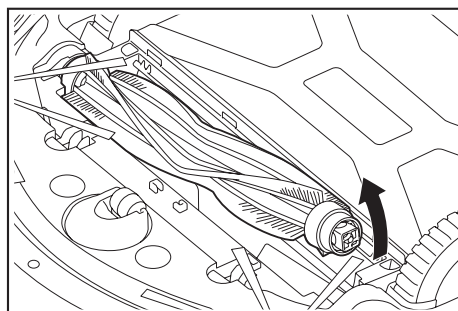
1. Vend robotstøvsugeren på hovedet på en matte eller lignende.
2. Fjern krogene på hovedbørstens dæksel.



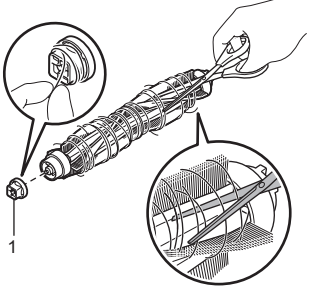
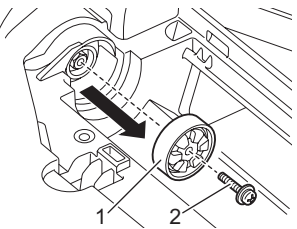
3. Fjern hovedbørstens dæksel.  
Skil ikke hovedbørstens dæksel ad.



4. Fjern hovedbørsten.



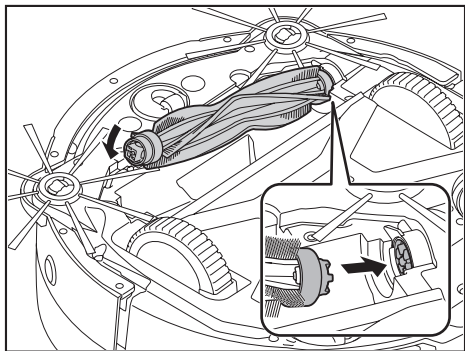
5. Pas på hovedbørsten, hovedbørstens dæksel, hovedbørstens hus og samlingerne som beskrevet nedenfor.

Del	Sådan vedligeholder du
Hovedbørste	<p>Fjern lejeholderen, der er fastgjort til hovedbørsten, og fjern det fastklemte støv.</p> <p>Ved fanget hår og fnug skal du klippe dem korte langs børstens børstehår med en saks og derefter fjerne dem. Fastsiddende støv skylles af med vand.</p>  <p>► 1. Lejeholder</p>
Dæksel til hovedbørste	<p>Tør den af med en klud fugtet med vand eller fortyndet neutralt rengøringsmiddel. Hvis snavs er synligt, skal du skylle det væk med vand.</p>
Hovedbørstens hus	<p>Tør den af med en klud fugtet med vand eller fortyndet neutralt rengøringsmiddel.</p> <p>Det kan ikke vaskes med vand.</p>
Samlinger	<p>For samlingerne, der er fastgjort til robotstøvsugeren, skal du løsne skruen med en skruetrækker, mens du holder samlingen i hånden. Herefter skal du samle leddet op.</p> <p>Fjern støv, der sidder inde i robotstøvsugeren.</p>  <p>► 1. Samling 2. Skrue</p>

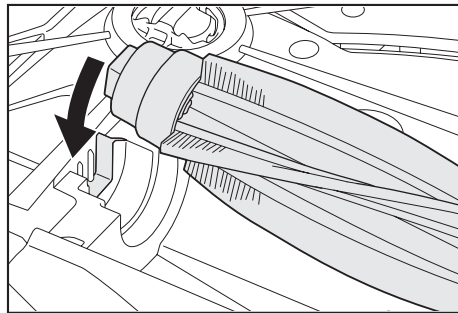
### BEMÆRKNING

Brug ikke fortynder, benzin, alkohol osv., da det kan være en årsag til forringelse eller misfarvning.

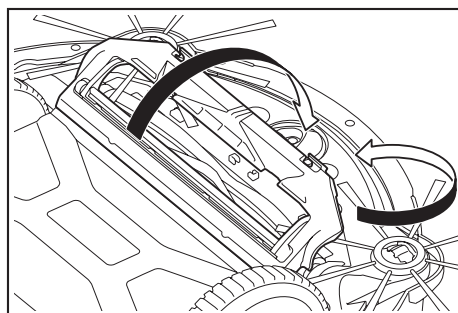
- Dele, der vaskes med vand, skal tørres tilstrækkeligt på et godt ventileret sted uden direkte sollys.
  - Brug af dele uden at tørre dem ordentligt kan medføre en reduktion i sugekraft samt en reduktion i motorens levetid.
  - Brug af dele, mens der stadig er fugt på dem, kan forårsage lugt eller svigt.
  - Tørretiden skal være ca. en dag.
  - Undgå at tørre med en tørretumbler, en blæser osv.
- Sæt lejeholderen tilbage i den oprindelige position i hovedbørsten.
- Fastgør samlingerne til robotstøvsugeren ved hjælp af skruer.
- Fastgør hovedbørsten, så formen på hovedbørsteholderen passer til rillerne på robotstøvsugeren.



10. Drej lejeholderen for at justere orienteringen, og sæt den derefter ind i robotstøvsugeren.

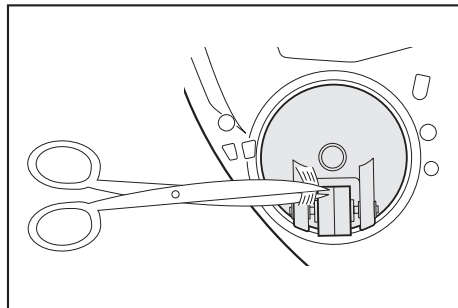


11. Fastgør hovedbørstens dæksel (skub krogen ind, indtil den klikker).
- Pas på ikke at få en sidebørste til at sidde fast i hovedbørstens dæksel.
  - Gør det lettere at undgå at få fat i sidebørsterne ved midlertidigt at fjerne sidebørsterne eller ved at fastgøre hovedbørstens dæksel, mens du roterer sidebørsten i den retning, der er vist i figuren.

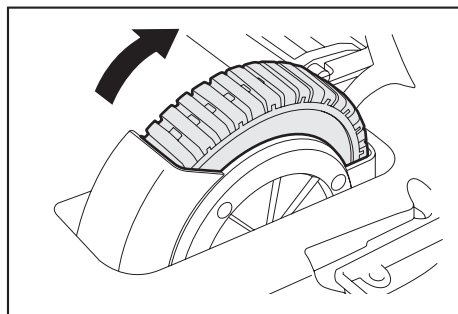


### Pleje af hjul

- Vedligeholdelse af hjul når støv og hår sidder fast i dem.
- Fjern ikke hjul fra robotstøvsugeren.
- Fjern støv, der er fanget i styrehjulene. Hvis det er svært at slippe af med, skal du bruge saks, pincet osv.



- Fjern snavs på begge drivhjul, mens du drejer dem. Vær forsigtig med ikke at få din hånd i klemme.

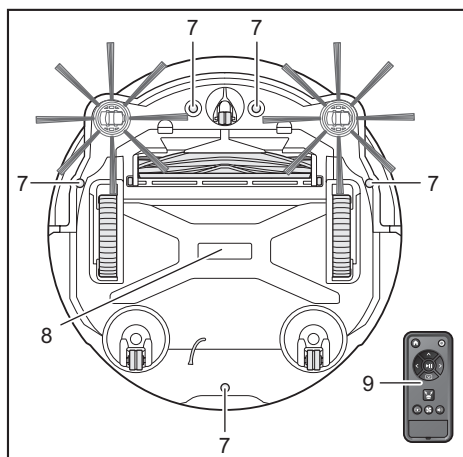
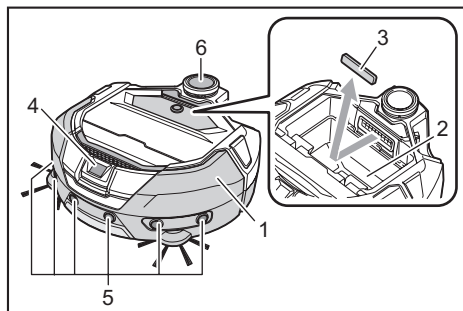


## Pleje af robotstøvsugeren

### BEMÆRKNING

- Brug ikke fortynder, benzin, alkohol osv., da det kan være en årsag til forringelse eller misfarvning.
- Brug ikke en skarp spids genstand (såsom en tandstik), da det kan være en årsag til brud eller beskadigelse.

Følg nedenstående tabel for at vedligeholde robotstøvsugerens dele.



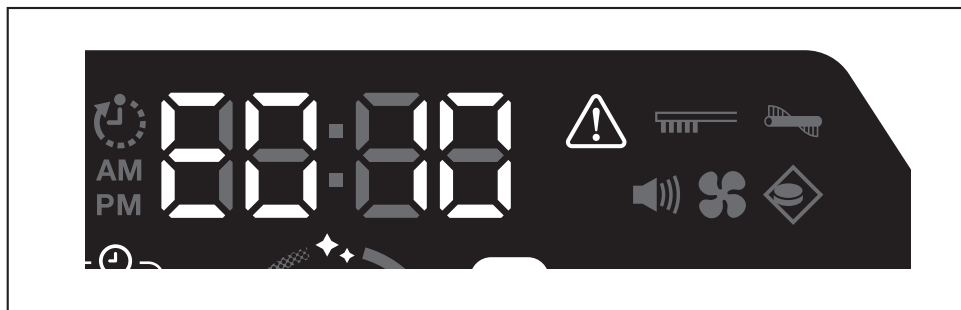
## Om reparation

- Hvis det ikke er muligt at genoptage driften efter fjernelse af årsagen til en meddelelse eller fejlindikation (se side 28), så sluk for strømmen, og tænd den igen.
- Hvis den samme meddelelse eller fejl vises gentagne gange, skal du bede den forretning, hvor du foretog et køb, eller vores salgskontor om at udføre reparation.
- Reparér ikke selv. Sørg for at spørge den butik, hvor du foretog købet, eller vores salgskontor.
- Når du beder om reparation, skal du tage robotstøvsugeren med sammen med batterierne og opladeren.

Nummer	Del	Sådan vedligeholder du
1.	Robotstøvsugerens overflade	Tør den af med en klud fugtet med vand eller fortyndet neutralt rengøringsmiddel.
2.	Robotstøvsugerens inderside (hus til støvkasse)	Tør den af med en klud fugtet med vand eller fortyndet neutralt rengøringsmiddel.
3.	Sugeåbningssvamp inde i robotstøvsugeren	Tag svampen ud, og vask støvet på svampen af med vand.
4.	Kamerasensor	Tør snavs af med en blød klud eller en vatpind, mens du er forsigtig med ikke at forårsage skader.
5.	Ultralydssensor	Tør den af med en klud fugtet med vand eller fortyndet neutralt rengøringsmiddel.
6.	LiDAR-sensor	Fjern støv og snavs inde i dækslet på LiDAR-sensoren.
7.	Skræntsensoren (5 placeringer)	Tør snavs af med en blød klud eller en vatpind, mens du er forsigtig med ikke at forårsage skader.
8.	Undersiden af robotstøvsugeren	Tør den af med en klud fugtet med vand eller fortyndet neutralt rengøringsmiddel.
9.	Fjernbetjeningens forside og dens knapper	Tør snavs af med en tør klud.

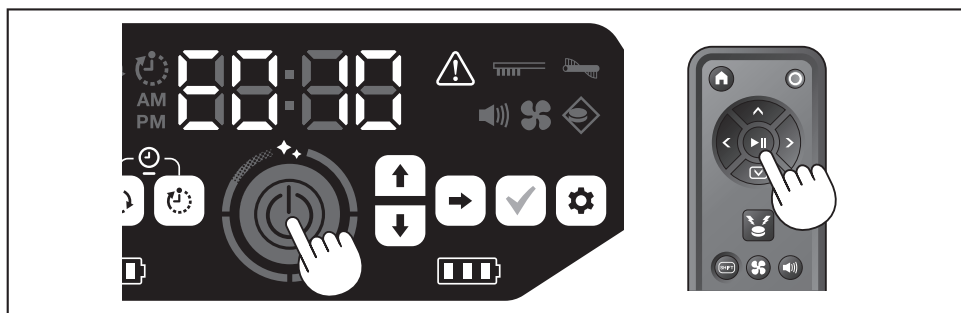
## Meddelelse og fejlindikation

Når der er behov for forsigtighed, eller der opstår en fejl, lyser en rød lampe på robotstøvsugerens betjeningspanel med fejlnummeret vist. Derudover kan der være en meddelelse med en lyd.



### Annulering af meddelelse og fejlindikation

- Når der vises en meddelelse om filterpleje, kan robotstøvsugerens betjenes, men fungerer muligvis ikke korrekt. Fjern årsagen, inden du bruger robotstøvsugerens.
- Når en fejlmeddelelse vises, holder robotstøvsugerens op med at køre. Gør følgende:
  - Kontroller fejlnummeret, og fjern årsagen til fejlen. (Se "Meddelelse om behov for vedligeholdelse osv." på denne side.)
  - Hvis du slukker for strømmen, eller strømmen løber tør på grund af tabt batterikapacitet, før fejlårsagen fjernes, annullerer robotstøvsugerens fejlen midlertidigt.
  - Ved at trykke på start/stop-knappen på robotstøvsugerens eller fjernbetjeningen annulleres fejlindikationen, og robotstøvsugerens går i standby-tilstand.




- Kontroller, at fejlen er ryddet, inden du bruger robotstøvsugerens.

#### BEMÆRKNING

- Genstart robotstøvsugerens, hvis du ikke kan betjene den, efter at du har fjernet årsagen.
- Hvis den samme fejl vises gentagne gange, skal du bede den forretning, hvor du købte den, eller vores salgskontor om at udføre reparation.





### Meddelelse om behov for vedligeholdelse osv.













Hvis lampen lyser, skal du slukke for strømmen og fjerne batterierne. Gør derefter følgende:

Underrettet problem	Årsag	Handling
<ul style="list-style-type: none"> <li>Filterpleje er nødvendig.</li> </ul> 	Støv akkumuleres, eller filteret er tilstoppet.	Fjern støvet, og rens filteret. → Se sider 21 og 24.  Kontroller, om der samles støv inde i robotstøvsugerens og ved udstødningsåbningen.

### Fejlmeddelelse

- Agér i henhold til fejllampen og nummeret på indikatoren.
- For fejlkoderne på listen vises et specifikt nummer i stedet for "X" afhængigt af fejltypen. Rapporter fejlkoden, når du kontakter forhandleren eller vores salgskontor.
- Når du kontrollerer årsagen eller tager handling, skal du slukke for strømmen og fjerne batterierne efter behov, inden du tager handling.
- Hvis der vises et andet fejlnummer end dem, der er anført nedenfor, så spørg den butik, hvor du købte den, eller vores salgskontor.

Nummer	Årsag	Handling
<b>Underrettet problem</b> E01X Fejl i drivhjul 	Er der fremmedlegemer som fnug eller hår fanget i drivhjulene?	Fjern fremmedlegemer. → Se side 26.
	Når robotstøvsugerens går gennem et lavt hul, kan den blive fanget i kløften og vise denne meddelelse.	Det er ikke fejl.
E02X Fejl på grund af tab af hjul eller løft af robotstøvsugerens 	Spores et drivhjul af, eller er et hjul adskilt fra jorden?	Flyt robotstøvsugerens til et andet sted. → Se side 10.
E030 Fejl i hovedbørsten  	Er der fremmedlegemer som fnug eller hår fanget i hovedbørsten?	Fjern fremmedlegemer. → Se side 25.

Nummer		Årsag	Handling
Underrettet problem			
E04X Fejl i sidebørsterne	 	Er der fremmedlegemer som fnug eller hår fanget i sidebørsterne?	Fjern fremmedlegemer. → Se sider 13 og 25.
E060 Ikke-detektion af støvkassen eller filteret	 	Støvkassen eller filteret er ikke fastgjort.	Kontroller, at de er fastgjort korrekt. → Se sider 21 og 24.
E09X Skræntsensorfej		Er robotstøvsugeren udsat for direkte sollys? Står robotstøvsugeren på en sort gulvflade?	Flyt robotstøvsugeren til et andet sted. → Se side 10.
		Er skræntsensoren beskidt?	<ul style="list-style-type: none"> <li>Tør forsigtigt snavs på skræntsensoren af med en tør, blød klud, en vatpind osv.</li> <li>Kontroller, om jordledningen kommer i kontakt med jorden.</li> </ul> → Se sider 8 og 10 og 27.
E10X Stødfanger-sensorfej		Det er en fejl i stødfangersensoren.	Tryk på stødfangeren med din hånd ca. 10 gange. → Se side 8.
E110 Bevægelsesfej		Kører robotstøvsugeren på et trin osv. og sidder fast der?	Flyt robotstøvsugeren til et andet sted. → Se side 10.
E12X Fald i den resterende batterikapacitet Timer-indstillingsfej		Er robotstøvsugeren ikke i stand til at starte med ON-timer-reservation, fordi den resterende batterikapacitet er utilstrækkelig?	Når du starter drift med ON-timer-reservation, skal du sørge for at batterierne er fuldt opladede.
E140 Rumindstillingsfej Fejl i placeringsoplysninger		Er rummet forskelligt fra det kortlagte rum, eller er udgangspunktet for rengøring anderledes?	Kontrollér det kortlagte rum og startpunktet for rengøringen. → Se side 17.
		Er layoutet af det kortlagte rum ændret?	Udfør kortlægning igen. → Se side 16.
		Er LiDAR-sensoren blokeret af en klud eller snavset?	Ret fejlen, og tag dig af LiDAR-sensoren. → Se side 27.
		Er der nogen forhindringer med en højde på 25 cm eller mere, som LiDAR-sensoren kan registrere omkring robotstøvsugeren?	LiDAR-sensoren kræver forhindringer højere end 25 cm inden for følgende områder: <ul style="list-style-type: none"> <li>11 m radius fra robotstøvsugeren til kortlægning og kortlægnings- og rengøringstilstand.</li> <li>18 m radius fra robotstøvsugeren til fri rengøringstilstand.</li> </ul> Placer nogle forhindringer, der er højere end 25 cm i området.
E170 Fejl i robotstøvsugerens topdæksel		Er topdækslet på robotstøvsugeren åben?	Luk topdækslet på robotstøvsugeren.
E190 Fejl på grund af tab af hjul eller løft af robotstøvsugeren		Spores et drivhjul af, eller er et hjul adskilt fra jorden?	Flyt robotstøvsugeren til et andet sted. → Se side 10.
E200 Fejl på grund af manglende tilbagevenden til startpunktet Fejl, der skyldes fejl i at vende tilbage til destinationen		Robotstøvsugeren kunne ikke vende tilbage til rengøringsudgangspunktet.	<ul style="list-style-type: none"> <li>Hvis der er forhindringer, der obstruerer for kørslen af robotstøvsugeren, skal disse forhindringer fjernes, eller robotstøvsugeren skal holdes væk fra disse genstande.</li> </ul> → Se side 20.
		Robotstøvsugeren kunne ikke fortsætte til den næste destination, fordi den er kommet ind i en snæver passage.	<ul style="list-style-type: none"> <li>Hvis robotstøvsugeren ofte har problemer med at vende tilbage til startpunktet, skal du slå [Prioritize Homing] til på appen. Tiden, det tager for at vende tilbage til startpunktet, kan være længere.</li> </ul> → Se side 42. <ul style="list-style-type: none"> <li>Kontrollér, om der er en sti på 80 cm eller mere til rengøring.</li> </ul>

## Fejlfinding

Inden du beder om reparation eller laver en forespørgsel, skal du kontrollere, om følgende gælder.

### Strømforsyning

Symptom	Årsag	Handling
<ul style="list-style-type: none"> <li>Ved at trykke på start/stop-knappen tændes der ikke for strømmen.</li> <li>Lampen tændes ikke.</li> <li>Tryk på knapperne på robotstøvsugeren og fjernbetjeningen giver ingen respons.</li> </ul>	Er batterierne installeret korrekt?	Kontroller om batterierne er installeret korrekt. → Se side 14.
	Er der nogen batterikapacitet?	Kontroller den resterende kapacitet.
	Er robotstøvsugeren slukket?	Tryk på robotstøvsugerens start/stop-knap for at tænde for strømmen. → Se side 15.

## I drift

Symptom	Årsag	Handling
Robotstøvsugeren kører ikke.	Blinker fejllampen?	Robotstøvsugeren kører ikke under en fejl. → Se side 28.
	Er robotstøvsugeren i ventetilstand med ON-timer-reservation?	Når ventetilstand til reserveret drift er i kraft, er andre handlinger end at slukke for strøm- og placeringsmeddelelse ikke mulige. → Se side 19.
Robotstøvsugeren begynder at bevæge sig pludseligt, selvom du ikke udfører nogen handling.	Er ON-timer-reservation aktiveret?	→ Se side 19.
Robotstøvsugeren stopper, når den kører.	Er robotstøvsugeren fanget i en ledning eller anden genstand? Er en klud eller en snor (f.eks. et tyndt håndklæde) viklet rundt om hjulene?	Sluk for robotstøvsugeren, og fjern genstande, der er fanget i robotstøvsugeren og viklet rundt om hjulene. → Se side 26.
	Standses robotstøvsugeren uden at klatre over et trin?	Sluk for robotstøvsugeren, og flyt den til et andet sted. → Se side 10.
	Er OFF-timeren indstillet?	→ Se side 19.
	Er der nogen forhindringer med en højde på 25 cm eller mere, som LiDAR-sensoren kan registrere omkring robotstøvsugeren?	LiDAR-sensoren kræver forhindringer højere end 25 cm inden for følgende områder: • 11 m radius fra robotstøvsugeren til kortlægning og kortlægnings- og rengøringstilstand. • 18 m radius fra robotstøvsugeren til fri rengøringstilstand. Placer nogle forhindringer, der er højere end 25 cm i området.
Hastigheden ændres.	Robotstøvsugeren kan sænke farten, når en sensor registrerer en forhindring eller bestemmer køreretningen.	Det er ikke unormalt.
Robotstøvsugeren går ikke lige.	Er der fremmedlegemer fanget i hjulene?	Sluk for robotstøvsugeren, og fjern fremmedlegemer på hjulene. → Se side 26.
	Er nogle af hjulene beskadiget?	Anmod om service fra den butik, hvor du købte den, eller fra vores salgskontor.
	Er ultralydssensoren og LiDAR-sensoren beskadiget?	Gør dem rene. → Se side 27.
Robotstøvsugeren kolliderer oftere med en forhindring end før.	Er ultralydssensoren og LiDAR-sensoren beskadiget?	Gør dem rene. → Se side 27.
Robotstøvsugeren undgår et trin og falder derefter ned.	Er skræntsensoren beskadiget?	Gør dem rene. → Se side 27.
	Robotstøvsugeren klatrer undertiden ned ad et trin med en højde på 3,0 cm eller mindre.	Det er ikke fejl. → Se side 10.
Robotstøvsugeren fortsætter med at udføre undgåelsesadfærd, selvom der ikke er nogen forhindringer eller trin.	Er skræntsensoren eller LiDAR-sensoren snavset?	Gør dem rene. → Se side 27.
Skræntsensor bliver hurtigt snavset.	Er jordledningen skåret og kommer ikke længere i kontakt med jorden?	Anmod om service fra den butik, hvor du købte den, eller fra vores salgskontor.
Køreløden er højere end normalt.	Er støvkassen fyldt med støv? Er filteret tilstoppet?	Fjern støvet, og rens filteret. → Se sider 21 og 24.
	Er der støv i hovedbørsten og sidebørsterne?	Gør dem rene. Kontroller desuden, om børsterne er installeret korrekt. → Se side 25.
Lyden fra vakuumbløseren bliver højere under drift.	Den bliver højere, når robotstøvsugeren skifter batteripatronen til brug.	Dette er normalt.
• Sugekraften er svag. • Støv suges ikke ind.	Er støvkassen fyldt med støv? Er filteret tilstoppet?	Fjern støvet, og rens filteret. → Se sider 21 og 24.
	Er vakuumbløseren slukket?	Kontroller indstillingen. → Se side 18.
En sidebørste falder af.	Er sidebørsten installeret korrekt?	Kontroller, om installationen er korrekt. → Se side 13.
En sidebørste eller hovedbørste roterer ikke, er svær at rotere eller er sammenfiltret.	Er der fremmedlegemer (såsom fnug og hår) fanget i sidebørsterne eller hovedbørsten?	Gør dem rene. Kontroller desuden, om hovedbørstens dæksel er korrekt installeret. → Se side 25.
	Robotstøvsugeren kan ikke bruges på et tæppe med en luvlængde på mere end 7 mm. Selvom luvlængden er 7 mm eller derunder, kan robotstøvsugeren stoppe med at virke, eller luven kan blive fanget i sidebørsterne afhængigt af materialet eller andre egenskaber.	→ Se side 10.
Den udstødte luft lugter.	Suges vådt affald eller ildelugtende affald ind?	Smid affaldet ud. → Se side 21.
	Er filteret tilstoppet?	Rens filteret. Når du har vasket filteret med vand, skal du tørre det tilstrækkeligt, inden du bruger det. → Se side 24.

## Anvendelse af fjernbetjening

Symptom	Årsag	Handling
Fjernbetjeningen fungerer ikke.	Er batterierne placeret korrekt i fjernbetjeningen?	Kontroller batteriets retning. → Se side 13.
	Hvis robotstøvsugeren undertiden ikke reagerer, når den betjenes med fjernbetjeningen, er en mulig årsag, at batterierne er ved slutningen af deres levetid. (Kriteriet for udskiftning er ca. et år. Et batteri kan blive brugt på mindre end et år afhængigt af det anvendte batteri og forholdene.)	Udskift batterierne med nye. → Se side 13.
	Er robotstøvsugeren slukket?	Tryk på robotstøvsugerens start/stop-knap for at tænde for strømmen. → Se side 15.
	Der er en mulighed for, at afstanden mellem fjernbetjeningen og robotstøvsugeren er for lang til, at radiobølger når dem ordentligt.	Sørg for et uhindret udsyn ved at indsnævre afstanden mellem fjernbetjeningen og robotstøvsugeren og ved at flytte forhindringer. → Se side 11.
Betjening med fjernbetjeningen er ikke mulig.	Følgende udstyr, der bruger 2,4 GHz-bånds radiobølger, kan muligvis være i drift i nærheden. <ul style="list-style-type: none"> <li>• Mikrobølgeovn</li> <li>• Bluetooth®-kompatible enheder</li> <li>• Trådløse LAN-enheder</li> <li>• Andet udstyr, der bruger 2,4 GHz-bånds radiobølger (såsom digitale trådløse telefoner og spilmaskiner)</li> </ul>	Lav en længere afstand mellem robotstøvsugeren og fjernbetjeningen, eller afbryd midlertidigt brugen af disse enheder.
	Når du har udskiftet fjernbetjeningen med en ny, skal du oprette en parring med robotstøvsugeren.	→ Se side 23.
	Hvis du ikke kan betjene robotstøvsugeren med fjernbetjeningen efter at have undersøgt de mulige årsager, der er anført ovenfor, skal du slukke for den og tænde den igen.	→ Se side 15.

## Betjeningspanel

Symptom	Årsag	Handling
Den indstillede tid nulstilles ofte.	Det indbyggede batteri er næsten opbrugt, fordi robotstøvsugeren ikke bruges i lang tid.	Kør robotstøvsugeren i mere end 1 time, eller sæt den i standbytilstand. (Det indbyggede batteri genoplades.)

## Timer-funktion

Symptom	Årsag	Handling
Drift med ON-timer-reservation starter ikke på det angivne tidspunkt.	Robotstøvsugeren begynder ikke at køre i henhold til ON-timer-reservation, hvis en af følgende betingelser gælder ved start af drift med ON-timer-reservation. <ul style="list-style-type: none"> <li>• Strømmen er slukket.</li> <li>• Når batterikapaciteten er utilstrækkelig</li> </ul>	→ Se side 19.
	Lyser timer-lampen?	Hvis strømmen er slukket, eller batterikapaciteten er brugt op, når reservationen er indstillet, slukkes timer-lampen. → Se side 9.

## Kortlægning

Symptom	Årsag	Handling
<ul style="list-style-type: none"> <li>• Robotstøvsugeren stopper under kortlægningen.</li> <li>• Kortlægning mislykkes.</li> </ul>	Er rummet mørkt under kortlægning?	Gør rummet lysere, indtil kortlægningen er afsluttet.
	Der er ingen forhindringer med en højde på 25 cm eller mere inden for en radius på ca. 11 m fra robotstøvsugeren.	Miljøet er muligvis ikke egnet til kortlægning. Rengøring i fri rengøringstilstand anbefales. → Se side 16.
Robotstøvsugeren begynder at rengøre i stedet for at kortlægge.	Er et allerede registreret rumnummer valgt?	Vælg et uregistreret rumnummer, eller slet det allerede registrerede kort. → Se sider 16 og 17.
<ul style="list-style-type: none"> <li>• Et kort er ikke registreret.</li> <li>• Kortet er ufuldstændigt. (Der er et område, der ikke er registreret.)</li> </ul>	Rummets form, layoutet af forhindringer eller andre karakteristika kan være for kompliceret.	Kontrollér, om der er en sti på 80 cm eller mere til rengøring. Ryd op i rummet. → Se side 11.
		Batterikapaciteten kan være utilstrækkelig. Lad batterierne helt op, og foretag derefter kortlægning.
	Robotstøvsugeren blev afhentet under kortlægningen.	Du kan tilføje kortoplysningerne manuelt. → Se side 39.
	Robotstøvsugeren blev afhentet under kortlægningen.	Opsaml ikke robotstøvsugeren under kortlægning. Værelsesoplysningerne er muligvis ikke registreret korrekt.



## App

Symptom	Årsag	Handling
Det er ikke muligt at oprette forbindelse til app'en.	Blev der trykket på robotstøvsugerens smartphone-forbindelsesknop?	Tryk på smartphone-forbindelsesknappen for at oprette forbindelse til app'en. → Se side 33.
	Var Wi-Fi®-indstillingen på din smartphone aktiveret?	Aktivér Wi-Fi®-indstillingen på din smartphone.
	Der er en mulighed for, at afstanden mellem smartphonen og robotstøvsugeren er for lang til, at radiobølger når ordentligt.	Sørg for et uhindret udsyn ved at indsnævre afstanden mellem smartphonen og robotstøvsugeren og ved at flytte forhindringer. → Se side 11.
	Forbindelsen til robotstøvsugeren mislykkedes.	Til iPhone: Gå til iOS-indstillingsmenuen, og aktiver den lokale netværksindstilling til Makita Robotic Cleaner DRC300.  Til Android: Hvis et pop op-vindue kommer frem, for at spørge om forbindelsen skal opretholdes efter oprettelse af Wi-Fi-forbindelsen, skal du tillade det.
	Robotstøvsugeren har muligvis ikke fået placeringsoplysningerne. (Navnet på robotstøvsugeren vises som "null" i indtastningsskærmen for PIN-koden.)	Aktivér indstillingen for placeringsoplysninger på din smartphone.

## Beskyttelsesfunktion

Når en af følgende betingelser er etableret, mens robotstøvsugeren er i drift, stopper motoren automatisk. Dette skyldes beskyttelsesfunktionen, ikke fejl.

Beskyttelsesfunktion
Motoren stopper automatisk, hvis batteriet når en høj temperatur. <ul style="list-style-type: none"><li>• Stop med rengøringen, og fjern batterierne fra robotstøvsugeren. Oplad og afkøl derefter batterierne ved hjælp af en oplader med kølesystem, eller vent, indtil batterierne er afkølet.</li><li>• Hvis robotstøvsugeren ikke fungerer, selv med batterierne afkølet, skal du afkøle den.</li><li>• Hvis der vises et fejlnummer på robotstøvsugeren, skal du fjerne årsagen til fejlen. (Se side 28.)</li></ul>
Robotstøvsugeren stopper automatisk, hvis batteriopladningen bliver svag, går i dvaletilstand, og strømmen slukkes helt, hvis den resterende opladning løber tør. <ul style="list-style-type: none"><li>• Fjern batterierne fra robotstøvsugeren, og oplad batterierne.</li></ul>
Robotstøvsugeren stopper automatisk, hvis der opdages en fejl. <ul style="list-style-type: none"><li>• Kontroller fejlnummeret, og fjern årsagen til fejlen. Efter fjernelse af årsagen kan robotstøvsugeren bruges igen. (Se side 28.)</li></ul>

## Opbevaring

Sluk for strømmen, og fjern batterierne, inden robotstøvsugeren opbevares.

Opbevar ikke robotstøvsugeren følgende steder, da det er en præcisionsmaskine. Dette kan forårsage opvarmning, antændelse, svigt, forringelse af gummidele osv.

- Steder hvor temperaturen stiger pludseligt
- Steder hvor temperaturen pludselig falder
- Steder hvor temperaturen pludselig ændres
- I nærheden af en flamme, et varmelegeme, køle- og varmeudstyr osv.
- Udendørs
- Steder udsat for direkte sollys
- Steder udsat for fugt eller damp
- Steder med meget støv og sand
- Røgfyldte steder
- Steder med dårlig ventilation

Hvis robotstøvsugeren opbevares og ikke tages i brug i lang tid, kan dens ydeevne blive forringet. For at bruge robotstøvsugeren i mange år skal du lejlighedsvis tænde for den og bruge den.

## Valgfrit tilbehør

### ⚠ FORSIGTIG

**Dette tilbehør anbefales til brug med dit Makita-værktøj, der er specificeret i denne vejledning. Brug af andet tilbehør kan medføre en risiko for personskade. Brug kun tilbehør til det angivne formål.**

Hvis du har brug for hjælp til flere detaljer vedrørende dette tilbehør, skal du spørge dit lokale Makita-servicecenter.

- Magnetisk grænselinje
- Hovedbørste
- Blød hovedbørste
- Sidebørste
- Blød sidebørste
- HEPA-filter
- Dæksel til hovedbørste
- Stødfangerpude
- Oprindeligt Makita-batteri og oplader

### BEMÆRKNING

- Nogle emner på listen kan være inkluderet i værktøjspakken som standardtilbehør. De kan variere fra land til land.
- For at undgå falsk genkendelse, når stødfangerpuden anvendes, skal stødfangerpuden ikke påsættes på følgende områder: Området i den laterale forlængelse af ultralydssensorerne og det øvre og nedre område inden for 28 mm for ultralydssensorerne.

## Smartphone-app (til DRC300)

### Indholdsfortegnelse

• Hvad du kan gøre med app'en	33
• Sådan installeres app'en	33
• Forberedelser på forhånd	33
• Installation af app'en på en smartphone	33
• Oprindelig indstilling	33
• Startskærm	34
• Rengøring med app'en	34
• Rengøring af et rum uden kortlægning (fri rengøringstilstand)	34
• Rengøring af kortlagte værelser	35
• Betjen robotstøvsugeren fra app'en	36
• Tjekke rengøringshistorikken	36
• Kontrol af seneste historik	36
• Kontrol af tidligere historik	37
• Kontrol af fejllistorikken	37
• Tilføj, redigere eller slette kortlægningsinformation	38
• Tilføjelse af kortoplysninger	38
• Tilføjelse af kortoplysninger manuelt (manuel kortlægning)	39
• Ændring af navnet på kortoplysninger	40
• Begrænsning af rengøringsområdet	40
• Sletning af kortoplysninger	41
• Ændring og kontrol af indstillinger	42
• Ændring af navnet på en registreret robotstøvsuger	42
• Indstilling af rengøringsmuligheder	42
• Ændring af PIN-kode	43
• Sletning af en registreret robotstøvsugers oplysninger	43
• Kontrol af app-informationen	44
• Fejlmeddelelse/dialogvindue	44

### Hvad du kan gøre med app'en

Ved hjælp af en smartphone med robotstøvsugerens specifikke app installeret kan du gøre følgende:

- Rengøring
- Anvendelse af fjernbetjening
- Tilføj, redigere eller slette kortlægningsinformation
- Tjekke rengøringshistorikken
- Ændre indstillinger for robotstøvsugere

### BEMÆRKNING

- Denne app er til brug på en smartphone og kører ikke på enheder af tablet-typen og pc'er.
- En smartphone og robotstøvsugeren er direkte tilsluttet ved hjælp af Wi-Fi®-funktionen. Bemærk, at Internettet ikke er tilgængeligt under forbindelsen til robotstøvsugeren. Når du har brugt app'en, skal du huske at afbryde forbindelsen til robotstøvsugeren ved at trykke på smartphone-forbindelsesknappen.
- For at bruge denne app skal du give tilladelse til at få placeringsoplysninger og acceptere brugsvilkårene. Brugeren skal bedømme, om han skal give tilladelse til at få placeringsoplysninger og til at acceptere brugsvilkårene.
- Applikationsskærm-billederne kan ændres uden varsel.

### Sådan installeres app'en

#### Forberedelser på forhånd

En smartphone (Android eller iOS) er nødvendig for at bruge app'en.

- Android: Android version 6.0 eller nyere er påkrævet.
- iOS (iPhone): iOS 12 eller nyere er påkrævet.

#### Installation af app'en på en smartphone

1. Brug din smartphone til at søge efter "Makita Robotic Cleaner DRC300" i Google Play™ eller App Store.  
Du kan også få adgang med QR-koden.

Google Play™



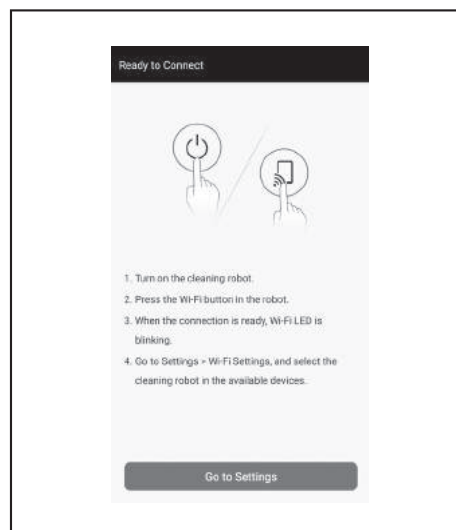
App Store



2. Installer "Makita Robotic Cleaner DRC300"
3. Efter installation skal du starte "Makita Robotic Cleaner DRC300"

#### Oprindelig indstilling

1. Når en skærm ser ud til at spørge, om der skal tillades erhvervelse af placeringsoplysninger, skal du trykke på [OK].
2. Tryk på [Agree] i skærbilledet med brugsvilkår.
3. Følg instruktionerne på skærmen:
  - Tænd robotstøvsugeren, og tryk derefter på smartphone-forbindelsesknappen på støvsugeren. Efter at have trykket på smartphone-forbindelsesknappen tager det ca. 8 sekunder for robotstøvsugeren at være klar til forbindelse. Når forbindelsen er klar, blinker Wi-Fi-LED'en.
  - Derefter skal du trykke på [Go to Settings] for at få vist Wi-Fi®-indstillings-skærmen på smartphonen.



Afhængigt af din enhed kan følgende procedurer være påkrævet.

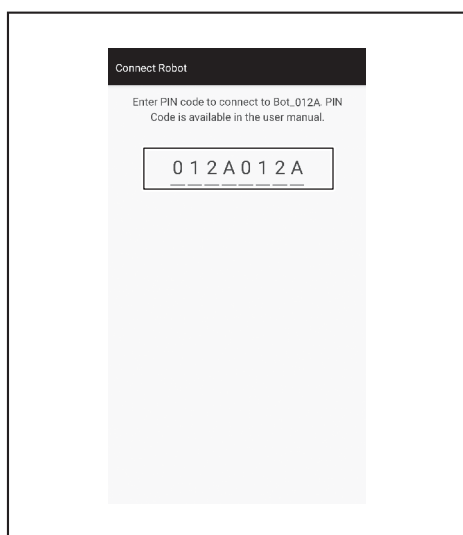
Til iPhone:

Gå til iOS-indstillingsmenuen, og aktiver den lokale netværksindstilling til Makita Robotic Cleaner DRC300.

Til Android:

Hvis der vises et pop op-vindue, der spørger om forbindelsen skal opretholdes efter oprettelse af Wi-Fi-forbindelsen, skal du tillade det.

4. Slut smartphonen til robotstøvsugeren via Wi-Fi®.  
(Denne forbindelse er IKKE Bluetooth.)
  - Wi-Fi®-forbindelsesindstilling (adgangskodeindtastning) kræves kun, når du opretter forbindelse til robotstøvsugeren for første gang.
  - Den oprindelige adgangskode til Wi-Fi®-forbindelsen er indstillet til alfanumeriske tegn, der gentager de sidste fire cifre under robotstøvsugerens SSID to gange. For eksempel, hvis SSID "Robotic\_Cleaner\_012A" vises, vil adgangskoden være "012A012A".
  - Sørg for, at smartphonen ikke kan få adgang til andre Wi-Fi®-netværk under forbindelsen med robotstøvsugeren.
5. Gå ud af Wi-Fi®-indstillingsskærmen, og vis app-skærmen. Derefter skal du indtaste PIN-koden for at godkende forbindelsen.
  - Den fabriksindstillede PIN-kode er indstillet til alfanumeriske tegn, der gentager de sidste fire cifre under SSID to gange.
  - Hvis SSID er "Robotic\_Cleaner\_012A", vil den fabriksindstillede PIN-kode være "012A012A."
  - App'ens startskærm vises, når PIN-koden er godkendt med succes.



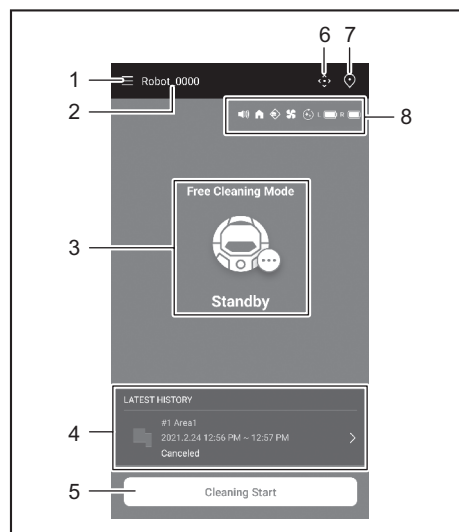
6. Skift PIN-kode.
  - Sørg for at ændre PIN-koden. Brug ikke standard PIN-koden. Se side 43 for hvordan man ændrer PIN-koden.
  - Glem ikke den nye PIN-kode, du oprettede.
7. Første indstilling er fuldført, når "PIN-kode ændret" vises. Gå tilbage til startskærmen for at bruge app'en.

For at afbryde Wi-Fi-forbindelsen skal du trykke på smartphone-forbindelsesknappen på robotstøvsugeren for at slukke for smartphone-forbindelseslampen.

### BEMÆRKNING

Hvis din forbindelse pludselig afbrydes, skal du lukke app'en en gang og derefter prøve at oprette forbindelse igen.

## Startskærm



1. Menu-knap (forskellige indstillinger, historik) (tjekk)
2. Robotstøvsugers navn
3. Driftstilstand for robotstøvsugeren
4. Seneste rengøringsregistrering (vises kun, når der er en registrering)
5. Startknap til rengøring (eller kortlægning)
6. Fjernbetjeningsknap
7. Skift tilstand-knap
8. Indstillinger for robotstøvsugere og den resterende batterikapacitet

- : Lydindstillingen er tændt.
- : Indstillingen Prioriter homing-funktion er tændt.
- : Grænseregistreringsfunktion er tændt.
- : Vakuumbløser-indstillingen er tændt.
- : Den kontinuerlige rengøringsindstilling er tændt.
- : Venstre batteris resterende kapacitet
- : Højre batteris resterende kapacitet

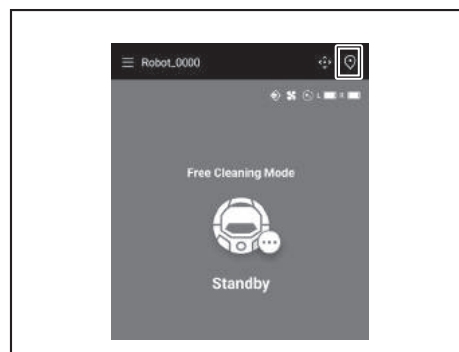
## Rengøring med app'en

Robotstøvsugeren fungerer i to tilstande: Fri rengøringstilstand, som ikke kræver kortregistrering, og kortlægnings- og rengøringstilstand (se "Rengøring af kortlagte værelser" på side 35), som kræver, at der registreres rumoplysninger for rengøring.

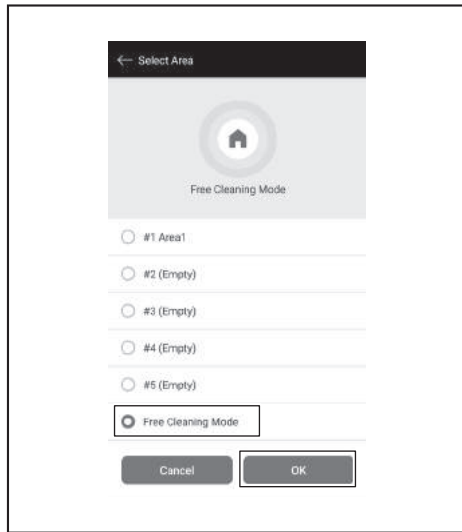
### Rengøring af et rum uden kortlægning (fri rengøringstilstand)

- Fri rengøringstilstand anbefales til rengøring i forskellige rum eller i et miljø, der involverer hyppige, væsentlige layoutændringer.
- Gratis rengøringstilstand anbefales også til et rum, der ikke kan belyses tilstrækkeligt.
- Se side 16 for rengøring, kortlægning og placeringen til at starte robotstøvsugeren.

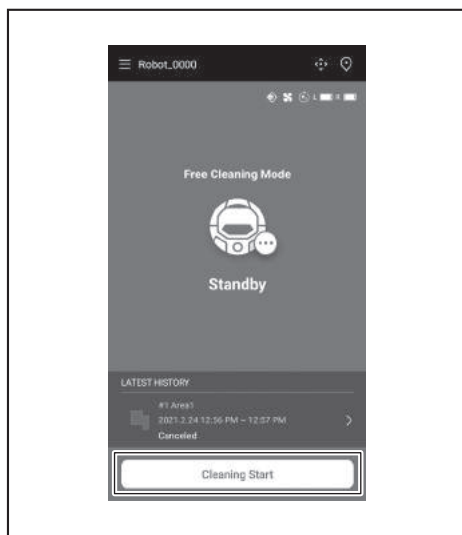
1. Tryk på på startskærmen.



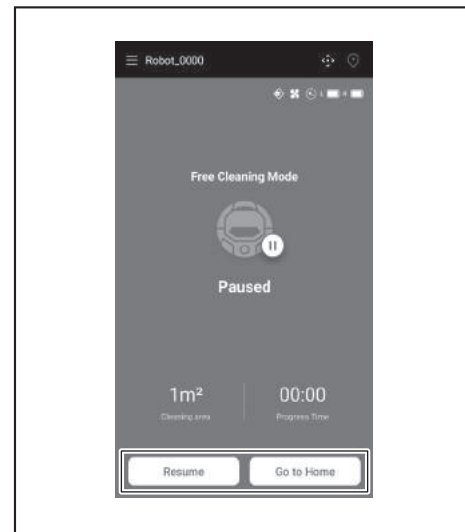
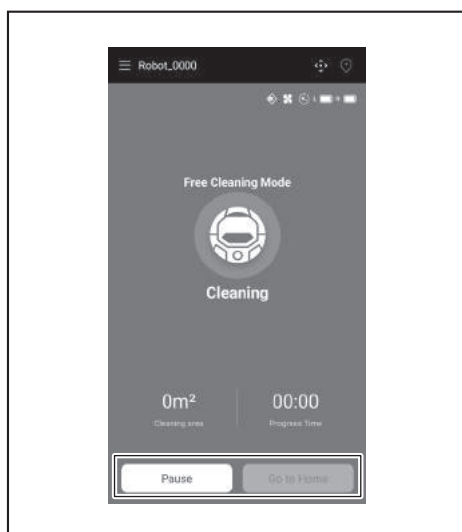
- Tryk på [Free Cleaning Mode], og tryk derefter på [OK].



- På startskærmen skal du trykke på [Cleaning Start], så robotstøvsugeren begynder at rengøre.



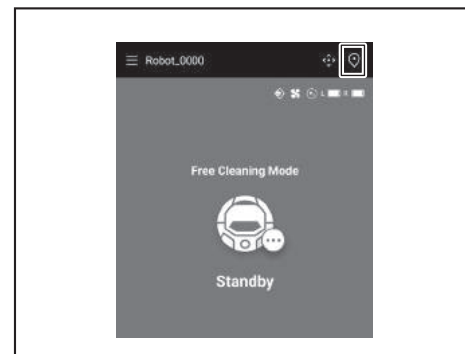
- Du kan styre robotstøvsugeren med følgende handlinger.
  - Hvis du trykker på [Pause], resulterer det i, at robotstøvsugeren midlertidigt stopper rengøringen.
  - Hvis du trykker på [Resume], mens den er på pause, genstartes robotstøvsugeren.
  - Hvis du trykker på [Go to Home], mens den er på pause, resulterer det i, at robotstøvsugeren går tilbage til det punkt, hvor den begyndte at rengøre. Når robotstøvsugeren går tilbage til startpunktet, vender app'en tilbage til startskærmen. Denne handling kan udføres, mens rengøringen er sat på pause.



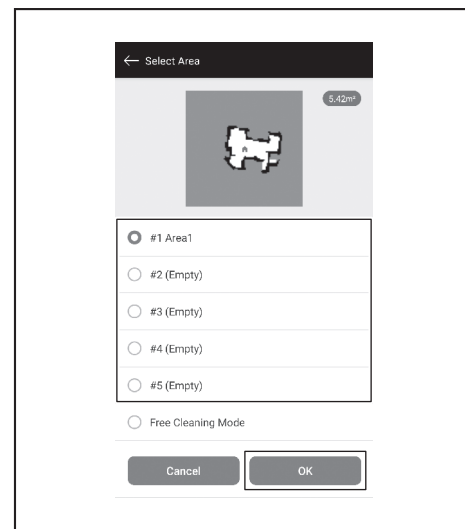
## Rengøring af kortlagte værelser

- I kortlægnings- og rengøringstilstand fungerer robotstøvsugeren på en sådan måde, at et kortlagt rum rengøres effektivt.
- Brug af kortlægnings- og rengøringstilstand kræver, at kortoplysninger registreres. (Se side 38.)

- Tryk på  på startskærmen.

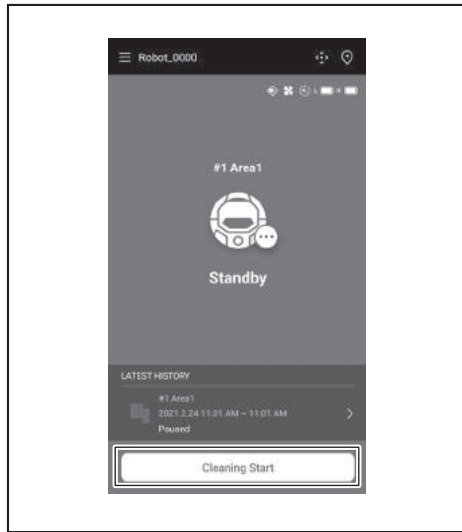


- Tryk på det rum, du vil rengøre, og tryk derefter på [OK].
  - Du kan tilføje, ændre og slette et kort. (Se side 38)

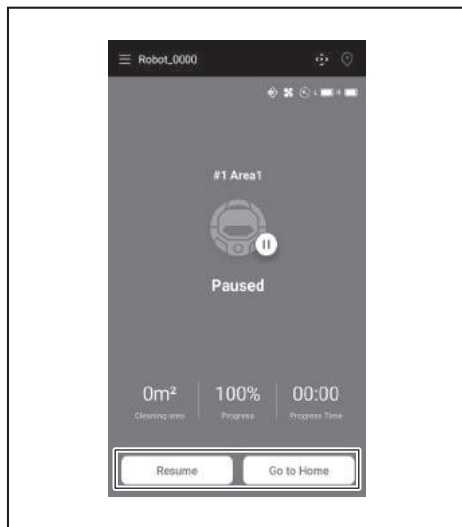
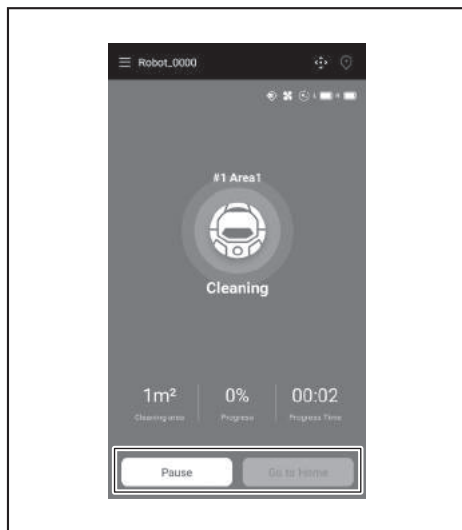


- Anbring robotstøvsugeren så tæt som muligt i den samme retning som ved kortlægningens start. Dette gør det muligt for robotstøvsugeren at begynde at rengøre på en jævn måde.

- Tryk på [Cleaning Start] for at robotstøvsugeren skal begynde at rengøre.



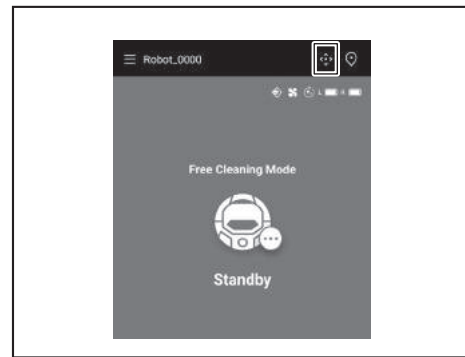
- Du kan styre robotstøvsugeren med følgende handlinger.
  - Hvis du trykker på [Pause], resulterer det i, at robotstøvsugeren midlertidigt stopper rengøringen.
  - Hvis du trykker på [Resume], mens den er på pause, genstartes robotstøvsugeren.
  - Hvis du trykker på [Go to Home], mens den er på pause, resulterer det i, at robotstøvsugeren går tilbage til det punkt, hvor den begyndte at rengøre. Når robotstøvsugeren går tilbage til startpunktet, vender app'en tilbage til startskærmen. Denne handling kan udføres, mens rengøringen er sat på pause.
  - Hvis rummets form ikke stemmer overens med kortoplysningerne, vises fejlskærmen, og robotstøvsugeren holder op med at rengøre. Kontroller, om det valgte rum er korrekt, og placer robotstøvsugeren ved startpunktet.
  - Hvis robotstøvsugeren placeres væk fra startpunktet på kortoplysningerne, vises fejlskærmen.



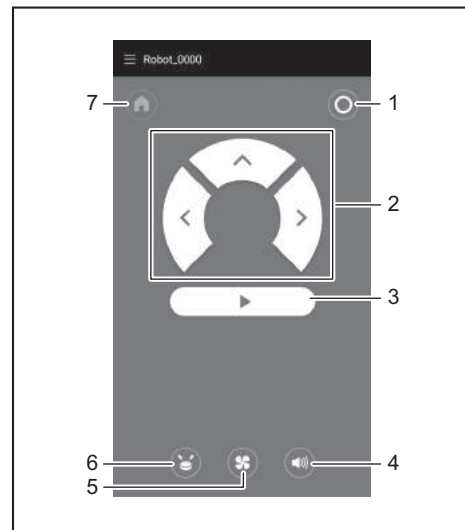
## Betjen robotstøvsugeren fra app'en

Du kan betjene robotstøvsugeren med app'en, som det er tilfældet med fjernbetjeningen, der følger med robotstøvsugeren.

- Tryk på  på startskærmen.



- Klik på knapperne, betjen robotstøvsugeren.
  - Du kan ikke få robotstøvsugeren til at bevæge sig bagud fra app'en.



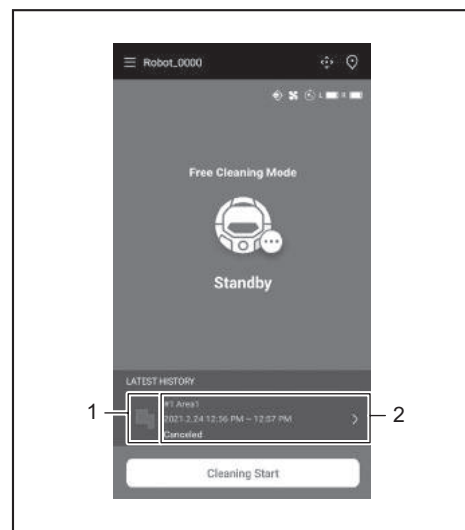
- 1. Knap for strøm FRA 2. Handlingsknapper 3. Start/stop-knap 4. Knap for lyd TIL/FRA 5. Knap for vakuumbløser TIL/FRA 6. Knap for signalsummer-/lys til placering 7. Knap for startpunkt

## Tjekke rengøringshistorikken

Fra app'en kan du kontrollere rengøringshistorikken i detaljer.

### Kontrol af seneste historik



På startskærmen skal du trykke på ikonet i [LATEST HISTORY].

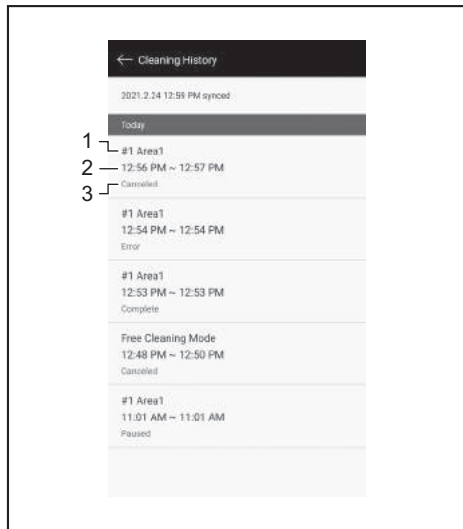


- 1. Ikon for at vise den nyeste historik 2. Artikel der viser listen over historikker

## Kontrol af tidligere historik

Op til 15 historikker kan registreres. Hvis der allerede er registreret 15 historikker, slettes den ældste historik, når en ny historik registreres.

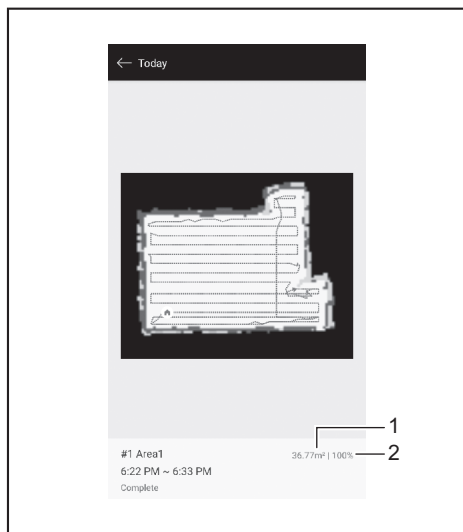
- Tryk på  på startskærmen i [LATEST HISTORY]. Du kan trykke på  på startskærmen, og derefter trykke på [Cleaning History] for at se de tidligere poster.
- Tryk på den post, du vil kontrollere.



- 1. Rengjort rum eller rengøringsstilstand 2. Tidspæriode hvor værelset blev rengjort 3. Rengøringsstatus (fuldstændig, stoppet, fejl osv.)

Ved tryk på en artikel vises detaljerede oplysninger om hver historik.

- Blågrøn streglinje: Robotstøvsugerens bane
- Gul: Det område som robotstøvsugeren har rensat
- Blå: Hindringer registreret af stødfangersensor
- Grøn: Hindringer registreret af ultralydssensor
- Lyserød: Trin, der er registreret af skræntsensoren
- Lilla: Området, som robotstøvsugeren har registreret som værende den magnetiske grænselinje
- Hvid: Området, som robotstøvsugeren ikke har rengjort
- Grå: Væggene eller forhindringerne registreret af LiDAR-sensoren

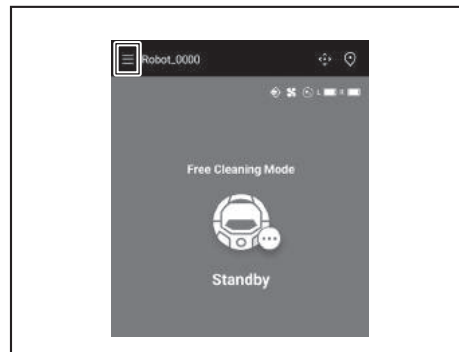


- 1. Renset arealstørrelse 2. Rengøringsdækning (kun kortlægning af rengøring)

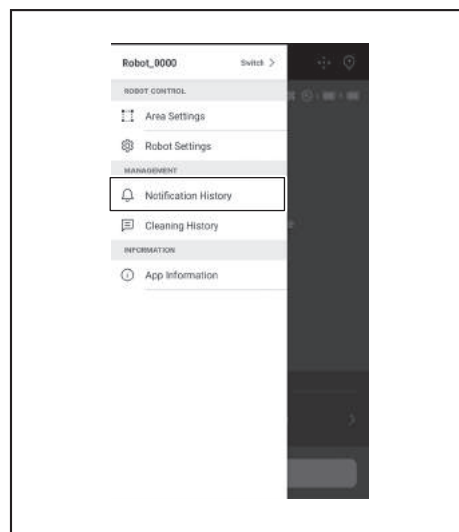
- Størrelsen og dækningen af det rengjorte område er ikke nøjagtige værdier. Brug disse oplysninger som en overordnet vejledning.

## Kontrol af fejlhistorikken

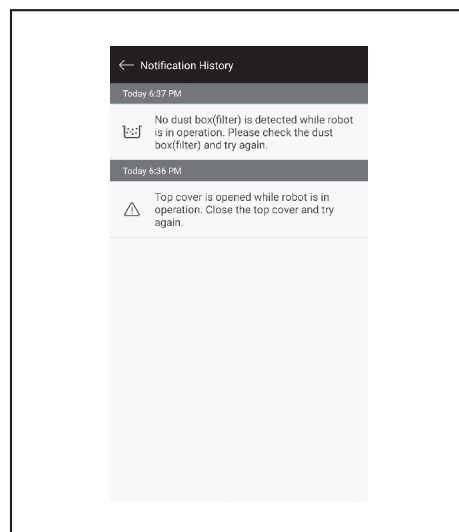
- Tryk på  på startskærmen.



- Tryk på [Notification History].



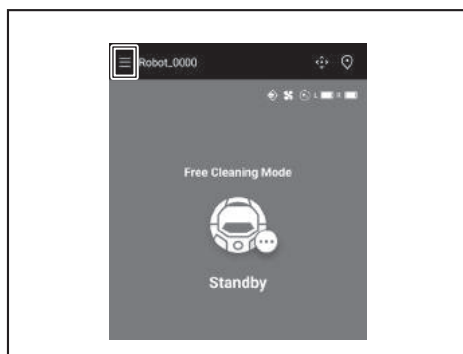
Fejlens dato, klokkeslæt og indhold vises. Op til 10 historikker kan registreres. Hvis der allerede er registreret 10 historikker, slettes den ældste historik, når en ny historik registreres.



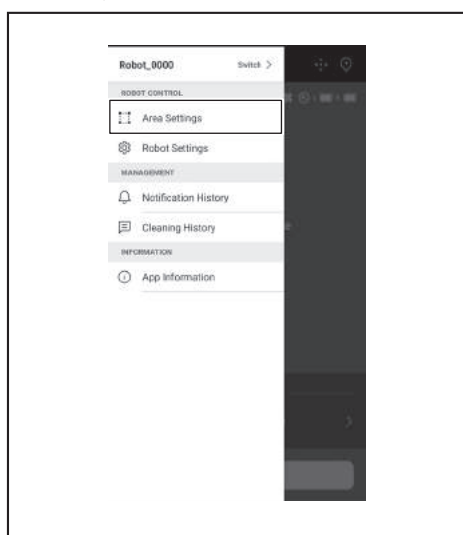
## Tilføj, redigere eller slette kortlægningsinformation

Du kan tilføje, ændre eller slette kortoplysninger fra [Area Settings] i menuvinduet.

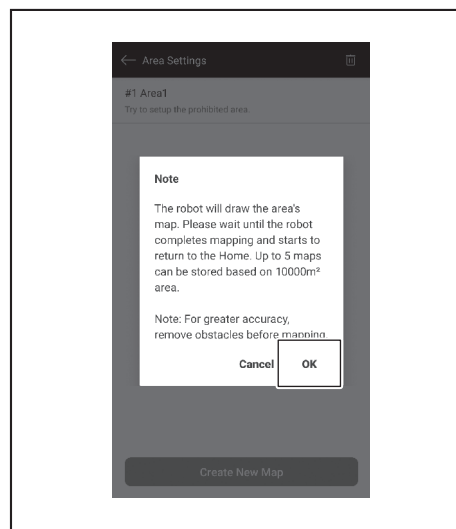
1. Tryk på  på startskærmen.



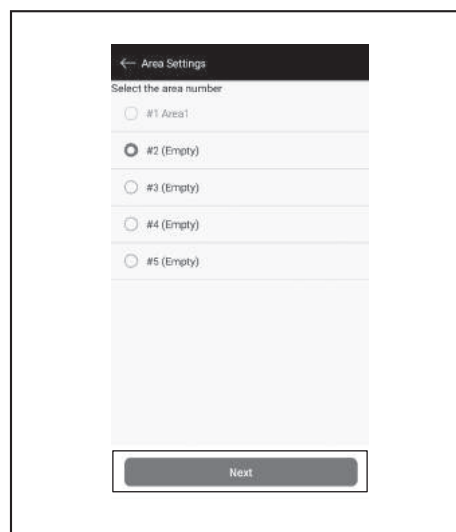
2. Tryk på [Area Settings].



2. Der vises en meddelelse. Tryk på [OK].



3. Vælg en tom plads, hvor kortlægningsoplysninger skal gemmes, og tryk derefter på [Next].

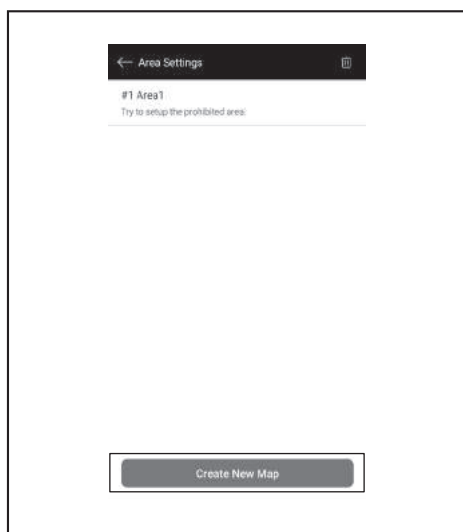


## Tilføjelse af kortoplysninger

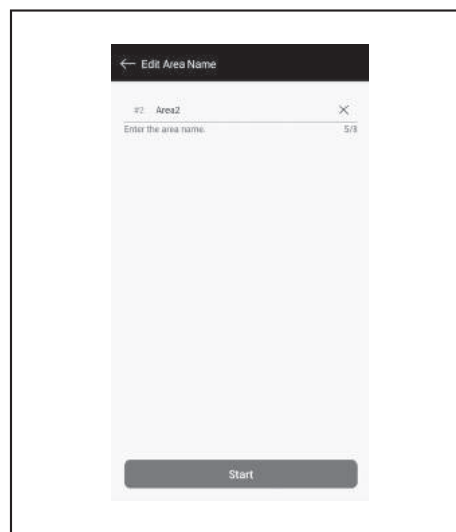
Du kan gemme oplysninger til op til 5 kort med en arealstørrelse på op til 10000 m<sup>2</sup>.

Arealstørrelsen angiver ikke den faktiske størrelse på et kortlagt område, men rektangelområdet, der dækker hele det kortlagte område.

1. På skærbilledet [Area Settings] skal du trykke på [Create New Map].

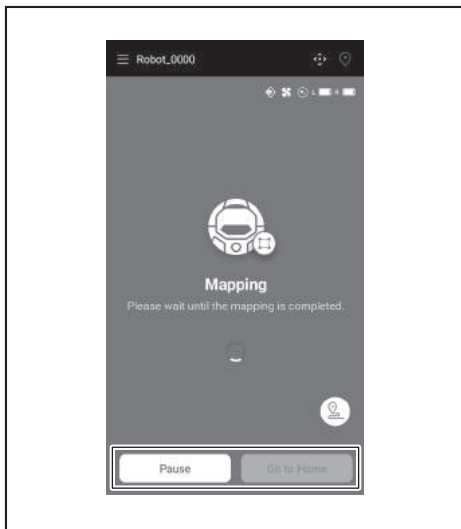


4. Indtast et områdenavn (op til 8 tegn).

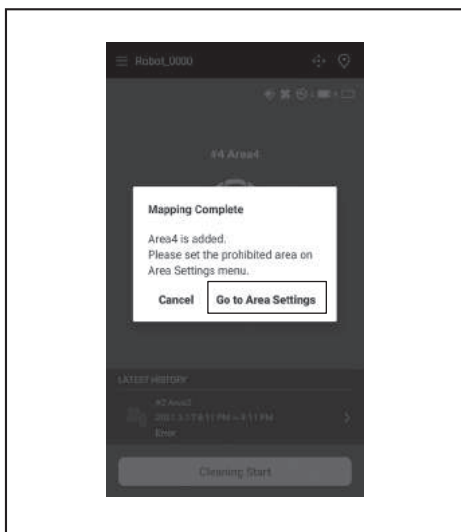


5. Tryk på [Start].

- Robotstøvsugeren begynder at kortlægge.
  - Hvis du trykker på [Pause], resulterer det i, at robotstøvsugeren midlertidigt stopper med at kortlægge.
  - Hvis du trykker på [Go to Home], mens den er på pause, resulterer det i, at robotstøvsugeren går tilbage til det punkt, hvor den startede kortlægningen. Kortoplysningerne, der blev oprettet indtil det tidspunkt, hvor du trykkede, er registreret. Når robotstøvsugeren går tilbage til startpunktet, vender app'en tilbage til startskærmen.



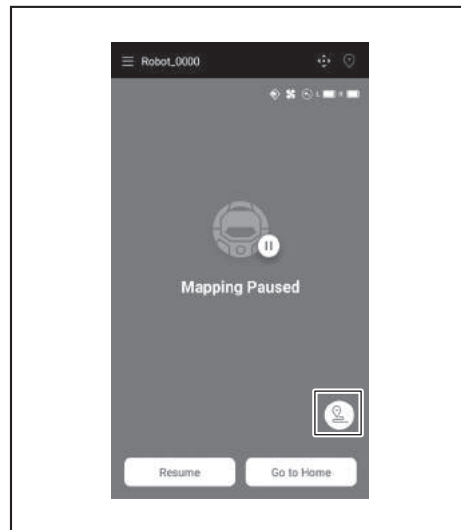
- Når kortlægningen er afsluttet, vises dialogboksen om, hvorvidt områdeindstillinger skal udføres.
  - Hvis du vil begrænse rengøringsområdet, skal du trykke på [Go to Area Settings]. (Se side 40.)



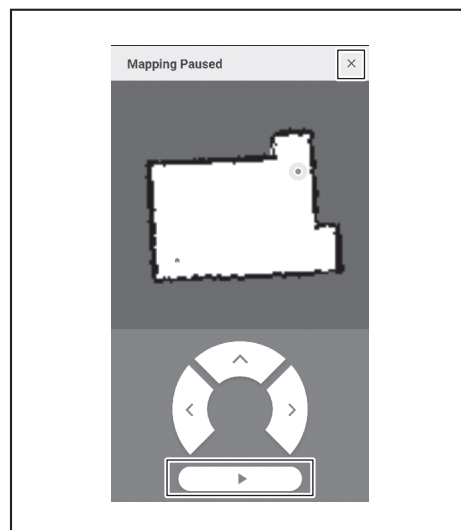
## Tilføjelse af kortoplysninger manuelt (manuel kortlægning)

Under kortlægning kan du manuelt tilføje kortoplysningerne med app'en. Det anbefales, når man kortlægger et indviklet gulvlayout.

- Tryk på [Pause] og derefter for at få vist fjernbetjeningsknapper.



- Flyt robotstøvsugeren for at spore gulvlayoutet ved hjælp af fjernbetjeningsknapperne i app'en eller fjernbetjeningen.
  - Når du har tilføjet kortoplysningerne manuelt, skal du trykke på for at genoptage automatisk kortlægning.
  - Hvis du vil afslutte kortlægningen, skal du trykke på [x] og derefter på [Go to Home] eller trykke på startpunkt-knappen på fjerncontrolleren.



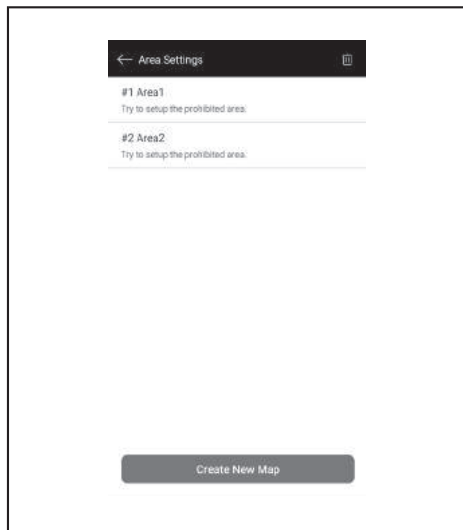


## Ændring af navnet på kortoplysninger

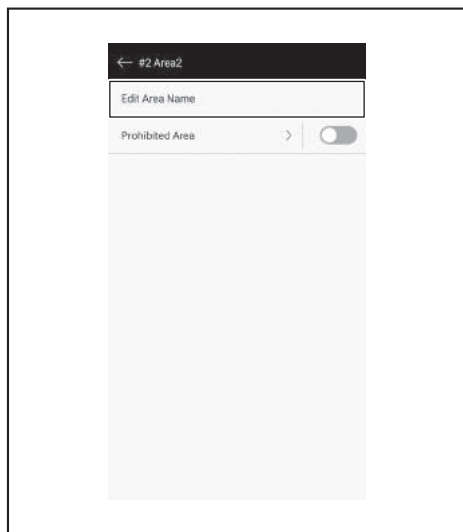
På skærbilledet [Area Settings] skal du trykke på de kortoplysninger, du vil ændre.

Du kan trykke på et navn for at gå til indstillingsskærmen.

1. På skærbilledet [Area Settings] skal du trykke på de kortoplysninger, du vil ændre.



2. Tryk på [Edit Area Name].



3. Rediger navnet (op til 8 tegn).



4. Tryk på [Save] for at færdiggøre navnet.

## Begrænsning af rengøringsområdet

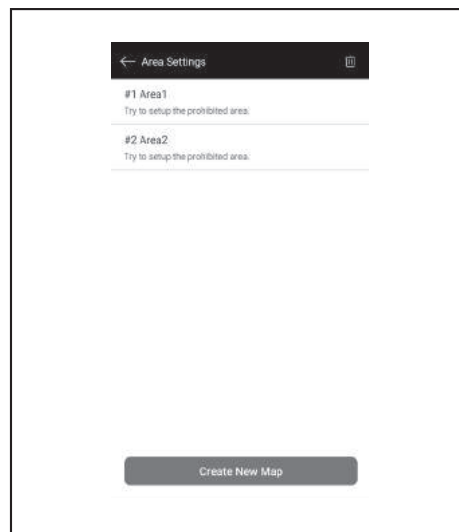
### ⚠ ADVARSEL

**Brug ikke det rengøringsforbudte område, der er konfigureret af app'en som en grænselinje for et område, hvor en ulykke muligvis kan ske på grund af indbrud eller fald.**

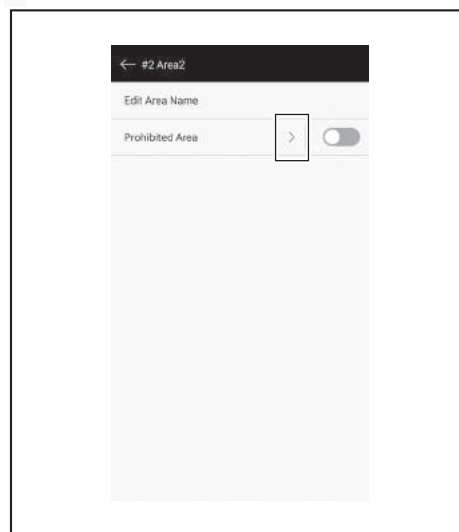
- Dette kan forårsage en ulykke eller kvæstelse, ved at robotstøvsugeren trænger ind et u hensigtsmæssigt sted eller falder. Den faktiske bane for robotstøvsugeren kan være lidt anderledes end indstillingen for det rengøringsforbudte område.

**Placer en genstand, der tjener som en væg med en højde på 25 cm eller mere (en genstand, der ikke bevæger sig eller vælter, når den rammes af robotstøvsugeren), i et område med risiko for indtrængen eller fald. (Se side 10.)**




1. På skærbilledet [Area Settings] skal du trykke på de kortoplysninger, du vil ændre.

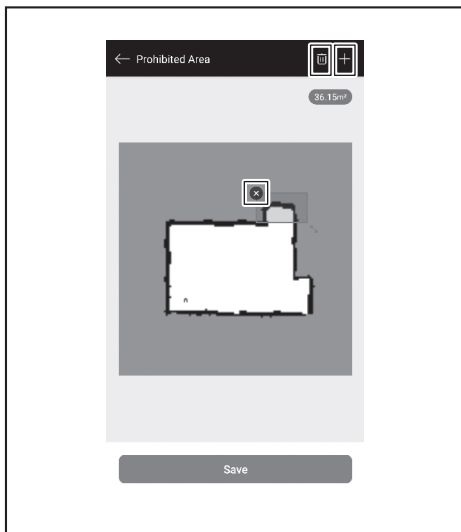


2. Tryk på > ved siden af [Prohibited Area].



### 3. Indstil et rengøringsforbudt område.

- Du kan trykke på  i øverste højre hjørne af skærmen for at tilføje et rengøringsforbudt område (op til 100 områder).
- Du kan trække et rengøringsforbudt område for at flytte det.
- Du kan trække det nederste højre hjørne af et rengøringsforbudt område for at justere størrelsen.
- Du kan trykke på  i øverste venstre hjørne af et rengøringsforbudt område for at slette det rengøringsforbudte område.
- Du kan trykke på  i øverste højre hjørne af skærmen for at slette alle de rengøringsforbudte områder.
- Du kan ikke indstille et rengøringsforbudt område inden for et område på 2 m omkring startpunktet.
- Afhængigt af miljøet i nærheden af det rengøringsforbudte område, du indstiller, er det måske ikke muligt at rengøre et område omkring det angivne område.



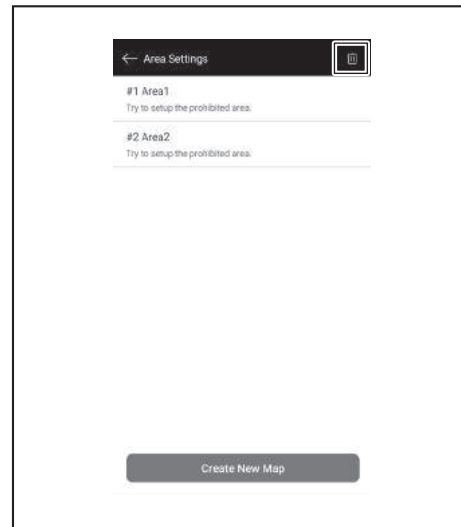
### 4. Hvis du trykker på [Save], registreres de ændrede kortoplysninger.

5. For at aktivere registreret rengøringsforbudt område skal du trykke på Til/Fra (farvet grønt, når det er Til) ved siden af [Prohibited Area].



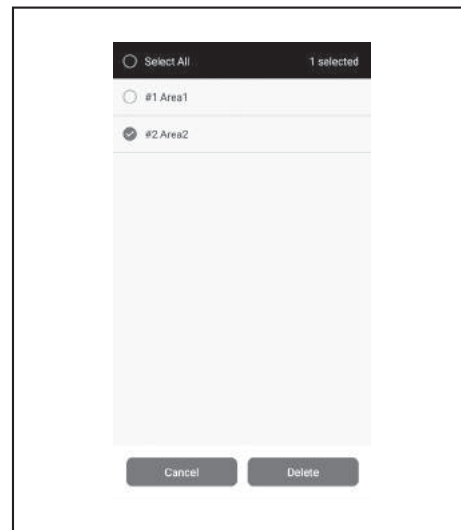
## Sletning af kortoplysninger

1. På skærmen [Area Settings] skal du trykke på .



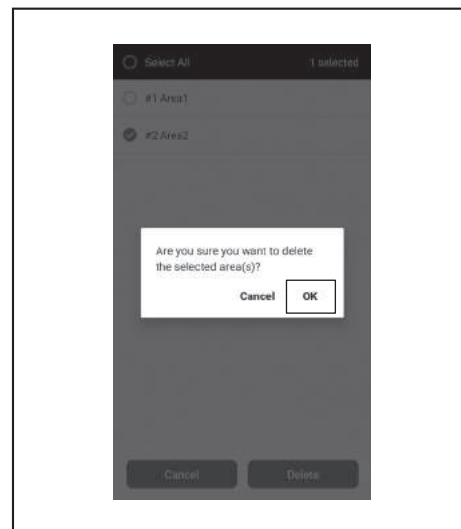
2. Vælg de kortoplysninger, du vil slette.

- Cirklen øverst på kortoplysningerne er farvet, når disse kortoplysninger er valgt.
- Du kan trykke på [Select All] for at vælge alle emner.



3. Tryk på [Delete].

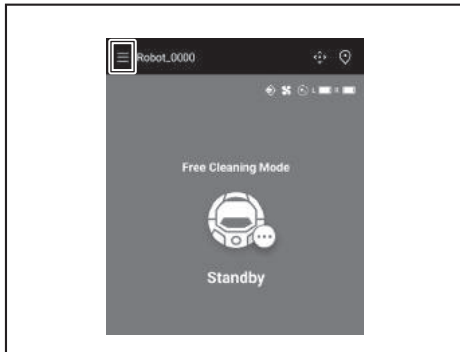
4. Der vises en meddelelse. Tryk på [OK].



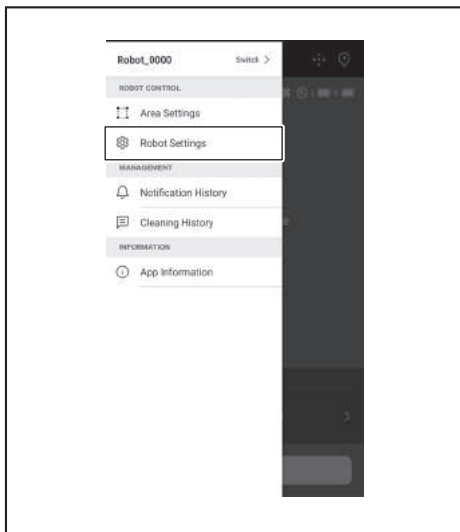
## Ændring og kontrol af indstillinger

Indstillinger kan ændres og kontrolleres fra [Robot Settings] i menuvinduet.

1. Tryk på  på startskærmen.



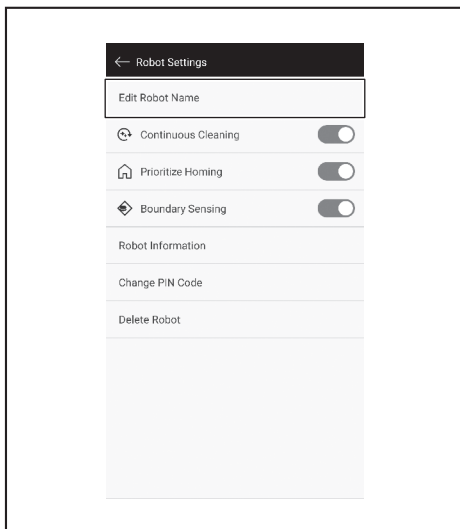
2. Tryk på [Robot Settings].



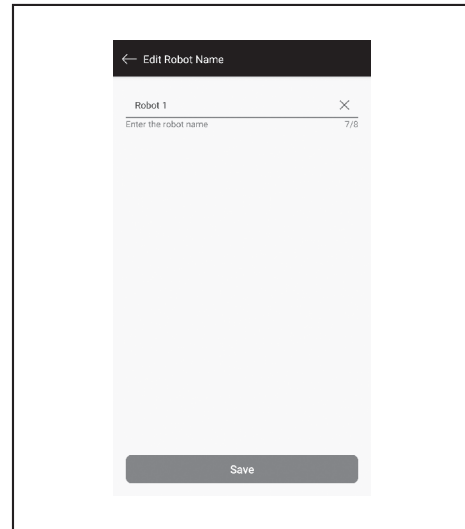
## Ændring af navnet på en registreret robotstøvsuger

Denne indstilling ændrer kun navnet på robotstøvsugeren i app'en. SSID til Wi-Fi® ændres ikke.

1. På skærmen [Robot Settings] skal du trykke på [Edit Robot Name].



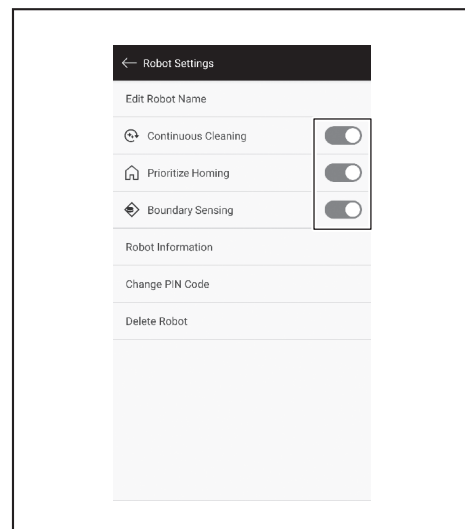
2. Indtast et nyt navn (op til 8 tegn).



3. Når du er færdig med at indtaste navnet, skal du trykke på [Save].

## Indstilling af rengøringsmuligheder

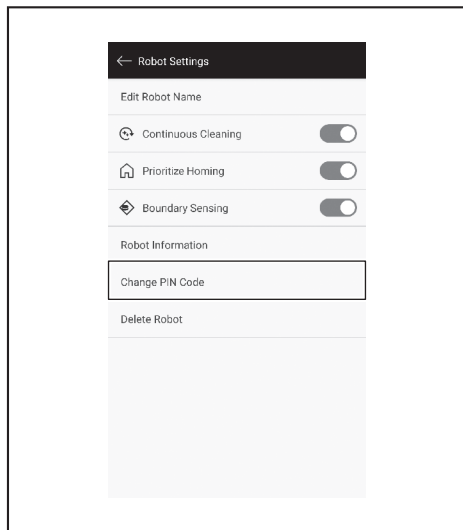
1. På skærbilledet [Robot Settings] skal du trykke på On/Off (farvet grønt, når det er On) ved siden af [Continuous Cleaning] eller [Prioritize Homing], hvis det er nødvendigt.
  - [Continuous Cleaning]: Vælg denne indstilling, når batterikapaciteten går tabt, inden robotstøvsugeren renser hele rengøringsområdet, og du næste gang vil genoptage rengøringen af det område, der ikke er rengjort.
  - [Prioritize Homing]: Denne indstilling anbefales, når robotstøvsugeren ofte ikke vender tilbage til startpunktet for rengøringen. Robotstøvsugeren begynder at vende tilbage til startpunktet for rengøring, forudsat at der er mere resterende batterikapacitet end normalt.
  - [Boundary Sensing]: Vælg denne indstilling, når du bruger den magnetiske grænselinje. Robotstøvsugeren registrerer den magnetiske grænselinje som grænsen. (Se side 20.)



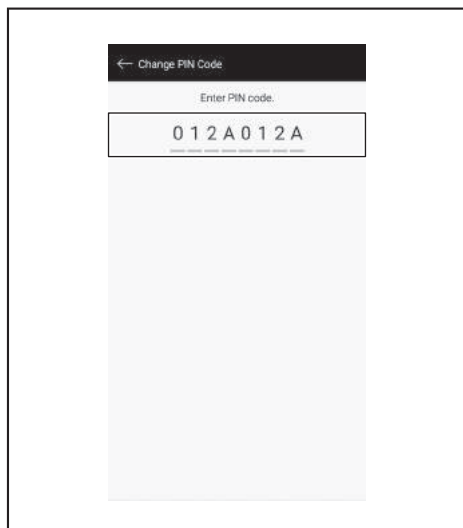
## Ændring af PIN-kode

Robotstøvsugerens PIN-kode kan ændres. Hvis du glemmer den PIN-kode, du har indstillet, henvises til "Nulstilling af indstillingerne" på side 23 for at nulstille robotstøvsugerens til fabriksindstillingerne. Se "Oprindelig indstilling" på side 33 for at kontrollere fabriksindstillet PIN-kode.

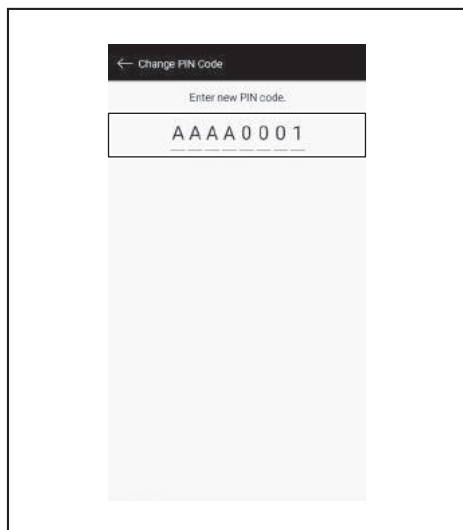
1. På skærmen [Robot Settings] skal du trykke på [Change PIN Code].



2. Indtast den aktuelle PIN-kode (otte cifre).

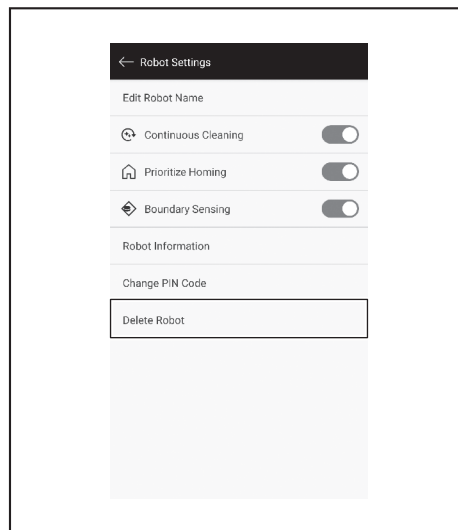


3. Indtast den nye PIN-kode (otte cifre), du vil indstille. Indtast den nye PIN-kode to gange i træk.

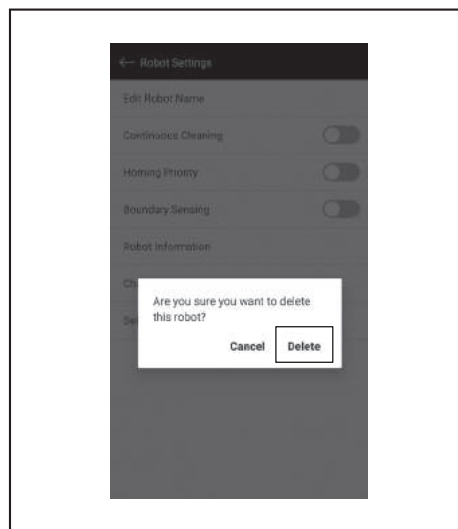


## Sletning af en registreret robotstøvsugers oplysninger

1. På skærbilledet [Robot Settings] skal du trykke på [Delete Robot].

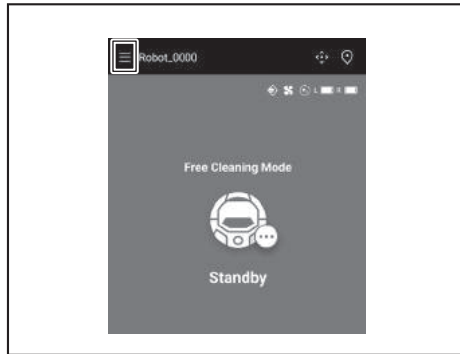


2. Et dialogvindue vises for at bekræfte sletningen. Tryk på [Delete] for at afslutte sletningen.

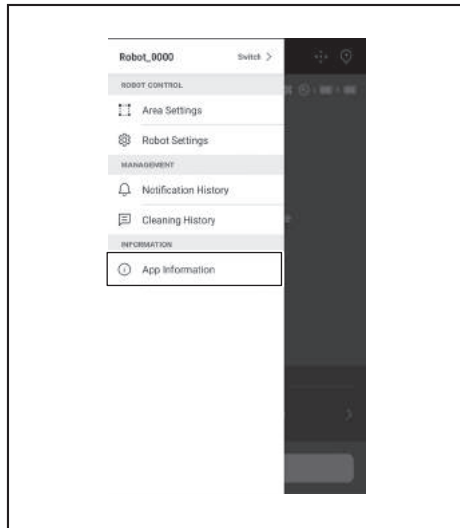


## Kontrol af app-informationen

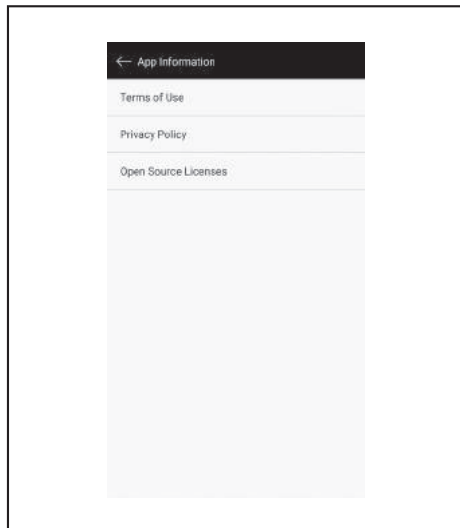
1. Tryk på  på startskærmen.



2. Tryk på [App Information].

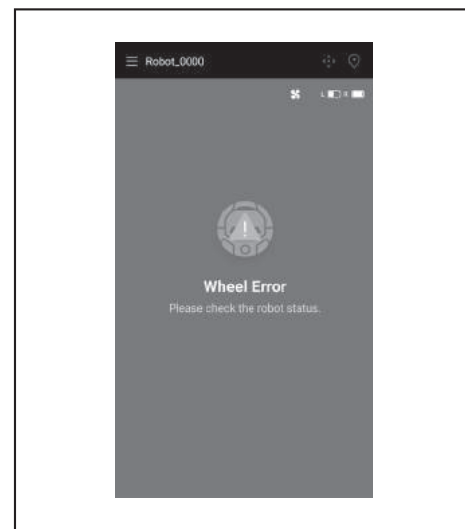
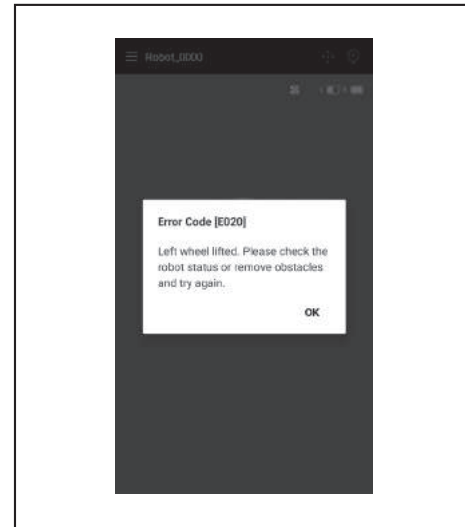


3. Tryk på de oplysninger, du vil kontrollere.



## Fejlmeddelelse/dialogvindue

Når der er opstået en fejl, vises en fejlmeddelelse eller et dialogvindue. Følg instruktionerne i meddelelsen eller dialogvinduet i dette tilfælde.



## Bilag

### Meddelelse om brugen af Open Source-software

Dette produkt inkluderer open source-software (herefter refereret til som "Open Source-software") i henhold til GNU General Public License (GPL), GNU Lesser General Public License (LGPL) og andre licenser.

Oplysninger vedrørende licenser til Open Source-software (underretning om ophavsretindehavere og licenser) er offentliggjort gratis på følgende website. Derudover er kildekoden til Open Source-softwaren, som er udgivet af os i henhold til disse licenser, også offentliggjort gratis på følgende website.

<https://oss.makita.biz/index.html>

- Du bedes afholde dig fra at foretage forespørgsler vedrørende kildekoden til Open Source-softwaren.
- Vi giver ingen garanti vedrørende Open Source-softwaren. Denne meddelelse begrænser dog ikke vores garantidækning for produktdefekter (herunder defekter, der er forårsaget af Open Source-softwaren).

### Til europæiske lande

Wi-Fi-modul	Modulnavn	LCW-006
	Frekvensområde/Effekt	2412,0 - 2462,0 MHz/17,48 dBm (EIRP) 2422,0 - 2452,0 MHz/13,75 dBm (EIRP)
	S/W-version	V1.0
Bluetooth-modul	Modulnavn	T007-MA-MD
	Frekvensområde/Effekt	2402,0 - 2480,0 MHz/7 dBm (EIRP)
	S/W-version	V01.03
Fjerncontroller	Modulnavn	C011
	Frekvensområde/Effekt	2402,0 - 2480,0 MHz/-4 dBm (EIRP)
	S/W-version	V01.04

Denne enhed skal installeres og betjenes for at give en adskillelsesafstand på mindst 20 cm fra alle personer.

**ΕΛΛΗΝΙΚΑ**

## Πίνακας περιεχομένων

• Προειδοποίηση	2	• Εφαρμογή για smartphone (για τη συσκευή DRC300)	37
• Πληροφορίες για τη ρομποτική ηλεκτρική σκούπα	2	• Πίνακας περιεχομένων	37
• Κύριες δυνατότητες	2	• Τι μπορείτε να κάνετε μέσω της εφαρμογής	37
• Κασέτα μπαταριών και φορτιστής που ενδείκνυνται για τη συσκευή	2	• Πώς θα εγκαταστήσετε την εφαρμογή	37
• Προβλεπόμενη χρήση	3	• Αρχική οθόνη	38
• Σύμβολα	3	• Καθάρισμα με χρήση της εφαρμογής	38
• Δηλώσεις συμμόρφωσης	3	• Έλεγχος του ιστορικού καθαρισμάτων	41
• Προφυλάξεις ασφάλειας	3	• Προσθήκη, αλλαγή ή διαγραφή πληροφοριών χαρτογράφησης	42
• Προφυλάξεις ασφάλειας για τη χρήση της ρομποτικής ηλεκτρικής σκούπας	5	• Αλλαγή και έλεγχος ρυθμίσεων	46
• Προφυλάξεις όσον αφορά τα ακουστικά	9	• Μήνυμα/Παράθυρο διαλόγου σφάλματος	48
• Αντίστοιχα εμπορικά σήματα και σήματα κατατεθέντα	9	• Παράρτημα	49
• Ονομασίες εξαρτημάτων	10	• Ανακοίνωση όσον αφορά το λογισμικό ανοικτού κώδικα	49
• Τυπικά παρελκόμενα	11	• Για τις ευρωπαϊκές χώρες	49
• Προετοιμασία πριν το καθάρισμα	12		
• Πληροφορίες για τη μεταφορά της ρομποτικής ηλεκτρικής σκούπας	12		
• Πληροφορίες για το καθάρισμα με τη ρομποτική ηλεκτρική σκούπα	12		
• Για να αποφύγετε κάθε κίνδυνο πτώσης της ρομποτικής ηλεκτρικής σκούπας	12		
• Τακτοποίηση ενός χώρου που πρέπει να καθαριστεί	13		
• Προετοιμασία για χρήση	15		
• Προσάρτηση των πλαϊνών βουρτσών	15		
• Αποσυναρμολόγηση του κουτιού σκόνης	15		
• Τοποθέτηση μπαταριών στο τηλεχειριστήριο	15		
• Ένδειξη της εναπομένουσας χωρητικότητας της μπαταρίας	16		
• Τοποθέτηση και αφαίρεση μπαταριών (οι οποίες πωλούνται χωριστά)	16		
• Ενεργοποίηση/Απενεργοποίηση της συσκευής	17		
• Τι πρέπει να ρυθμίσετε πριν το καθάρισμα	17		
• Τρόπος χρήσης	18		
• Καθάρισμα	18		
• Καθάρισμα ενός χώρου με χαρτογράφηση	18		
• Διαγραφή πληροφοριών χαρτογράφησης	19		
• Αναστολή ή τερματισμός του καθαρίσματος	20		
• Ενεργοποίηση/Απενεργοποίηση του ανεμιστήρα αναρρόφησης	20		
• Χρήση της λειτουργίας φάρου τοποθεσίας	20		
• Χρήση του χρονοδιακόπτη ΕΝΕΡΓΟΠΟΙΗΣΗ/χρονοδιακόπτη ΑΠΕΝΕΡΓΟΠΟΙΗΣΗ	21		
• Έλεγχος της εμβέλειας του καθαρίσματος	22		
• Διαδικασίες προσάρτησης, αφαίρεσης και χρήσης ειδών που πωλούνται χωριστά	23		
• Διαδικασία απόρριψης σκουπιδιών	23		
• Καθορισμός των ρυθμίσεων της ρομποτικής ηλεκτρικής σκούπας	25		
• Καθορισμός της ώρας της ημέρας	25		
• Ρύθμιση της λειτουργίας Wi-Fi® (για τη ρομποτική ηλεκτρική σκούπα και το smartphone)	25		
• Δημιουργία ρύθμισης ήχου	25		
• Επαναφορά των ρυθμίσεων	26		
• Φροντίδα	27		
• Συντήρηση	27		
• Πληροφορίες όσον αφορά την επισκευή του προϊόντος	30		
• Ειδοποίηση και ένδειξη σφάλματος	31		
• Ακύρωση μιας ειδοποίησης και μιας ένδειξης σφάλματος	31		
• Ειδοποίηση για ανάγκη φροντίδας κλπ	31		
• Ειδοποίηση για σφάλμα	31		
• Αντιμετώπιση προβλημάτων	33		
• Αποθήκευση	36		
• Προαιρετικά παρελκόμενα	36		



## Προειδοποίηση

Η συγκεκριμένη συσκευή μπορεί να χρησιμοποιηθεί από παιδιά ηλικίας από 8 ετών και άνω και από άτομα με μειωμένες σωματικές, αισθητηριακές ή νοητικές ικανότητες ή χωρίς πείρα και γνώσεις αν επιτηρούνται ή τους έχουν δοθεί οδηγίες για την ασφαλή χρήση της και αντιλαμβάνονται τους κινδύνους που ενέχει. Δεν πρέπει να επιτρέπεται στα παιδιά να παίζουν με τη συσκευή. Το καθάρισμα και οι εργασίες συντήρησης από τον χρήστη δεν πρέπει να εκτελούνται από παιδιά χωρίς επίβλεψη.

## Πληροφορίες για τη ρομποτική ηλεκτρική σκούπα

### Κύριες δυνατότητες

Κύρια δυνατότητα	Μοντέλο: DRC300	
Τάση	Εναλλασσόμενο ρεύμα (DC) 18 V	
Χρόνος συνεχούς λειτουργίας*1 *2	Περίπου 240 λεπτά	
Όγκος κουπιού συλλογής σκόνης	3,0 λίτρα	
Διαστάσεις	500 χιλιοστά (Μ) × 500 χιλιοστά (Π) × 204 χιλιοστά (Υ)	
Βάρος*2	10,6 κιλά	
Ασύρματη επικοινωνία	Σύστημα επικοινωνίας	1. Ρομποτική ηλεκτρική σκούπα με το τηλεχειριστήριο: Bluetooth 2. Ρομποτική ηλεκτρική σκούπα με το smartphone: Wi-Fi® (SoftAP)
	Εκτιμώμενη απόσταση επικοινωνίας	1. 20 μέτρα ή λιγότερο 2. 10 μέτρα ή λιγότερο
Ασύρματο τοπικό δίκτυο (LAN)	Ζώνη συχνότητων	2,4 GHz
	Μέγιστη ισχύς ραδιοσυχνότητων	17,48 dBm (EIRP)
	Πρότυπα ασύρματου τοπικού δικτύου (LAN)	IEEE 802.11 b/g/n
	Μέθοδος κρυπτογράφησης	WPA/WPA2
Bluetooth	Έκδοση WPS	Έκδοση 2.0
	Ζώνη συχνότητων	2402,0 - 2480,0 MHz
	Μέγιστη ισχύς ραδιοσυχνότητων	Τηλεχειριστήριο: -4 dBm (EIRP)
	Εμβέλεια μετάδοσης	Περίπου 10 μέτρα
Έξοδος λέιζερ	Έκδοση Bluetooth®	4.2 (χαμηλή ενέργεια Bluetooth)
	Μήκος κύματος	Αισθητήρας LiDAR: 775 - 800 nm Αισθητήρας απότομης κλίσης: 845 - 850 nm
	Έξοδος	1 mW ή λιγότερο (IEC 60825-1:2014 Λέιζερ Κατηγορίας 1)

- Θα πρέπει να έχετε υπόψη σας ότι οι κύριες δυνατότητες, το σχήμα και άλλα χαρακτηριστικά ενδέχεται να αλλάξουν ανά πάσα στιγμή για βελτίωση της συσκευής.
- Οι αισθητήρες απόστασης του συγκεκριμένου προϊόντος είναι προϊόντα λέιζερ Κατηγορίας 1 όπως καθορίζεται με βάση το διεθνές πρότυπο IEC 60825-1:2014 για την ασφάλεια των προϊόντων λέιζερ.

\*1. Κατά τη χρήση της συσκευής σε ομαλό δάπεδο, π.χ. σε βινυλικά πλακάκια δαπέδου, με τον ανεμιστήρα αναρρόφησης ενεργοποιημένο. Ο χρόνος λειτουργίας ποικίλλει και εξαρτάται από τις συνθήκες στον χώρο λειτουργίας, το είδος του δαπέδου, τις συνθήκες των μπαταριών, τη θερμοκρασία του χώρου κλπ. Επιπλέον, ο χρόνος λειτουργίας ενδέχεται να είναι μικρότερος σε περιβάλλοντα με χαμηλή θερμοκρασία λόγω των χαρακτηριστικών των μπαταριών ιόντων λιθίου.

\*2. Εφόσον η συσκευή διαθέτει δύο μπαταρίες BL1860B.

### Κασέτα μπαταριών και φορτιστής που ενδείκνυνται για τη συσκευή

Κασέτα μπαταριών	BL1815N / BL1820B / BL1830B / BL1840B / BL1850B / BL1860B
Φορτιστής	DC18RC / DC18RD / DC18RE / DC18SD / DC18SE / DC18SF / DC18SH / DC18WC

- Ορισμένα μοντέλα των κασετών μπαταριών και των φορτιστών που παρατίθενται στον προηγούμενο πίνακα ενδέχεται να μην είναι διαθέσιμα στην περιοχή κατοικίας σας.

### ΠΡΟΕΙΔΟΠΟΙΗΣΗ

Χρησιμοποιήστε μόνο τις κασέτες μπαταριών και τους φορτιστές που παρατίθενται στον προηγούμενο πίνακα. Αν χρησιμοποιήσετε οποιαδήποτε άλλα μοντέλα κασετών μπαταριών και φορτιστών, υπάρχει κίνδυνος πρόκλησης τραυματισμού και/ή πυρκαγιάς.

### Πληροφορίες για τις πηγές ισχύος που συνδέονται με καλώδιο

Για το συγκεκριμένο προϊόν δεν επιτρέπεται η χρήση πηγών ισχύος που συνδέονται με καλώδιο. Αλλιώς, υπάρχει κίνδυνος πρόκλησης τραυματισμού ή ατυχήματος.

## Προβλεπόμενη χρήση

Το συγκεκριμένο προϊόν είναι μια ρομποτική ηλεκτρική σκούπα που προορίζεται για τον καθαρισμό δαπέδων εσωτερικών χώρων. Ορισμένες λειτουργίες και ρυθμίσεις μπορούν να εκτελεστούν μέσω του τηλεχειριστηρίου και της ειδικής εφαρμογής.

## Σύμβολα

Παρακάτω παρουσιάζονται τα σύμβολα που ενδέχεται να χρησιμοποιούνται για τον εξοπλισμό. Βεβαιωθείτε ότι έχετε εμπεδώσει τη σημασία τους προτού χρησιμοποιήσετε τη συσκευή.



Διαβάστε το εγχειρίδιο οδηγιών.



Απαιτείται ιδιαίτερη προσοχή και προσήλωση.



Μια αντιπροσωπευτική μπαταρία που ισχύει για αυτό το προϊόν.



Μόνο για τις χώρες της ΕΕ  
Λόγω της ύπαρξης επικίνδυνων εξαρτημάτων στον εξοπλισμό, τα απόβλητα του ηλεκτρικού και ηλεκτρονικού εξοπλισμού, των συσσωρευτών και των μπαταριών ενδέχεται να έχουν αρνητικό αντίκτυπο στο περιβάλλον και στην ανθρώπινη υγεία.



Ni-MH  
Li-ion

Η απόρριψη ηλεκτρικών και ηλεκτρονικών συσκευών ή μπαταριών δεν πρέπει να γίνεται στον ίδιο χώρο με τα οικιακά απορρίμματα! Σύμφωνα με την Ευρωπαϊκή Οδηγία για τα απόβλητα ηλεκτρικού και ηλεκτρονικού εξοπλισμού και για τους συσσωρευτές και τις μπαταρίες και τα απόβλητα συσσωρευτών και μπαταριών καθώς και την προσαρμογή τους στις εθνικές νομοθεσίες, τα απόβλητα ηλεκτρικού εξοπλισμού, μπαταριών και συσσωρευτών πρέπει να φυλάσσονται χωριστά και να παραδίδονται σε χωριστό σημείο συλλογής για αστικά απόβλητα, το οποίο λειτουργεί όπως ορίζουν οι κανονισμοί για την προστασία του περιβάλλοντος. Αυτό υποδεικνύεται με το σύμβολο του διαγραμμένου τροχήλατου κάδου απορριμμάτων που υπάρχει στον εξοπλισμό.



Δεν πρέπει να πατάτε ούτε να τοποθετείτε αντικείμενα επάνω στη ρομποτική ηλεκτρική σκούπα.



Δεν πρέπει να χρησιμοποιείτε τη ρομποτική ηλεκτρική σκούπα κοντά σε πηγές γυμνής φλόγας ή σε εύφλεκτα καύσιμα/επιπλέον υλικά.



Πρέπει να καθαρίζετε τους αισθητήρες απότομης κλίσης στην κάτω πλευρά της συσκευής αν είναι λερωμένοι ή υγρά.



ΠΡΟΪΟΝ ΛΕΪΖΕΡ ΚΑΤΗΓΟΡΙΑΣ 1  
ΚΑΤΑΝΑΛΩΤΙΚΟ ΠΡΟΪΟΝ ΛΕΪΖΕΡ  
EN 50689:2021

CONSUMER LASER PRODUCT  
EN 50689 : 2021

## Δηλώσεις συμμόρφωσης


Μόνο για τις ευρωπαϊκές χώρες



Οι Δηλώσεις συμμόρφωσης περιλαμβάνονται στο Παράρτημα Α στο παρόν εγχειρίδιο οδηγιών.

## Προφυλάξεις ασφάλειας

Πληροφορίες για την έννοια των συμβόλων  ,

 και  στις προφυλάξεις

Τα θέματα για τα οποία απαιτείται προσοχή κατά τη χρήση του συγκεκριμένου προϊόντος ταξινομούνται σε κατηγορίες με τα σύμβολα  ,


 και  .

Οι αντίστοιχες έννοιες των συμβόλων αυτών παρατίθενται παρακάτω.

### ΠΡΟΕΙΔΟΠΟΙΗΣΗ :

Προφύλαξη που υποδεικνύει ότι υπάρχει κίνδυνος θανάσιμου ή σοβαρού τραυματισμού του χρήστη σε περίπτωση μη ενδεδειγμένης χρήσης του προϊόντος.

### ΠΡΟΣΟΧΗ :

Προφύλαξη που υποδεικνύει ότι υπάρχει κίνδυνος τραυματισμού του χρήστη ή πρόκλησης υλικής ζημιάς σε περίπτωση μη ενδεδειγμένης χρήσης του προϊόντος. Σημειώστε ότι κάθε θέμα που περιγράφεται με το σύμβολο  ΠΡΟΣΟΧΗ υπάρχει κίνδυνος να επιφέρει σοβαρές συνέπειες κατά περίπτωση. Πρέπει οπωσδήποτε να τηρείτε πιστά αυτά τα μέτρα προφύλαξης επειδή είναι στο σύνολό τους σημαντικά για την ασφάλεια.

### ΑΝΑΚΟΙΝΩΣΗ :

Σημαντικές προφυλάξεις για τον χειρισμό του προϊόντος και των παρελκομένων του.

- Πρέπει οπωσδήποτε να τηρείτε πιστά τις «Προφυλάξεις ασφάλειας» προκειμένου να αποτραπεί οποιοδήποτε ατύχημα, π.χ. πυρκαγιά, ηλεκτροπληξία και τραυματισμός, προτού συμβεί.
- Προτού χρησιμοποιήσετε το προϊόν, διαβάστε προσεκτικά όλες αυτές τις «Προφυλάξεις ασφάλειας» για να διασφαλίσετε ότι θα χρησιμοποιείτε το προϊόν με τον ενδεδειγμένο τρόπο.
- Αφού διαβάσετε την εν λόγω ενότητα, φροντίστε να φυλάξετε το εγχειρίδιο σε ασφαλές σημείο για να μπορούν να το συμβουλευθούνται ανά πάσα στιγμή όσοι χρησιμοποιούν το προϊόν.
- Όποτε δανίζετε το προϊόν σε κάποιο άλλο άτομο, πρέπει να το δίνετε και το εγχειρίδιο χρήστη.
- Τα παρακάτω οπτικά σύμβολα χρησιμοποιούνται για την ταξινόμηση και την επεξήγηση πραγμάτων στα οποία απαιτείται η προσοχή σας.

## Παραδείγματα οπτικών συμβόλων



Αυτό το οπτικό σύμβολο υποδεικνύει «απαγορευμένα» πράγματα, δηλαδή όσα δεν πρέπει να κάνετε.



Αυτό το οπτικό σύμβολο υποδεικνύει «υποχρεωτικά» πράγματα, δηλαδή όσα πρέπει να κάνετε πάντα.

Οι εικόνες αυτές χρησιμεύουν μόνο ως πηγές αναφοράς. Σημειώστε ότι η σχεδίασή τους ποικίλλει ανάλογα με το προϊόν.

### ΠΡΟΕΙΔΟΠΟΙΗΣΗ



**Δεν πρέπει να πλένετε το προϊόν με νερό. Δεν πρέπει να χρησιμοποιείτε το συγκεκριμένο προϊόν σε υγρό ή βρεγμένο χώρο, π.χ. σε μπάνια.**

- Σε περίπτωση εισροής νερού στο μοτέρ, υπάρχει κίνδυνος πρόκλησης βραχυκυκλώματος, υπερθέρμανσης ή ανάφλεξης.
- Ορισμένα εξαρτήματα μπορούν να πλυθούν με νερό. Ανατρέξτε στην «Φροντίδα» στη σελίδα 27.

**Ποτέ δεν πρέπει να αποσυναρμολογήσετε, να επισκευάσετε ή να τροποποιήσετε το προϊόν.**

- Αλλιώς, υπάρχει κίνδυνος πρόκλησης ανάφλεξης ή μη φυσιολογικής λειτουργίας με συνέπεια τον τραυματισμό ατόμων.

**Δεν πρέπει να αφήνετε τα παιδιά να παίζουν με το συγκεκριμένο προϊόν ή με τον φορτιστή.**

- Μια στιγμή απροσεξίας υπάρχει κίνδυνος να καταλήξει σε σοβαρό τραυματισμό.

**Δεν πρέπει να χρησιμοποιείτε το συγκεκριμένο προϊόν σε εξωτερικούς χώρους.**

**Δεν πρέπει να χρησιμοποιείτε το συγκεκριμένο προϊόν σε ασταθή σημεία, π.χ. σε σκάλες ή σε σημεία με απότομη κλίση.**

- Το συγκεκριμένο προϊόν υπάρχει κίνδυνος να αναποδογυρίσει ή να πέσει, με συνέπεια την πρόκληση τραυματισμού.

**Δεν πρέπει να χρησιμοποιείτε άλλα είδη εκτός από τα καθορισμένα από τη Makita παρελκόμενα και είδη που πωλούνται χωριστά.**



- Αν χρησιμοποιήσετε κάποιο άλλο είδος εκτός από τα παρελκόμενα και τα είδη που πωλούνται χωριστά τα οποία παρατίθενται στο παρόν εγχειρίδιο χρήστη και στον κατάλόγό μας, υπάρχει κίνδυνος πρόκλησης ατυχήματος ή τραυματισμού.



**Δεν πρέπει να τοποθετείτε το συγκεκριμένο προϊόν κοντά σε πηγές φλόγας, θερμαντικές συσκευές κλπ.**



- Αλλιώς, υπάρχει κίνδυνος να προκληθεί βραχυκύκλωμα ή ανάφλεξη λόγω παραμόρφωσης του προϊόντος.



**Δεν πρέπει να χρησιμοποιείτε το προϊόν ούτε να φορτίζετε την μπαταρία κοντά σε εύφλεκτες ουσίες (υγρά καύσιμα, βενζίνη, διαλυτικά μέσα, αέριο κλπ).**

- Αλλιώς, υπάρχει κίνδυνος πρόκλησης έκρηξης ή πυρκαγιάς.

 ΠΡΟΕΙΔΟΠΟΙΗΣΗ	
<p><b>Δεν πρέπει να αποθηκεύετε το συγκεκριμένο προϊόν σε χώρο όπου η θερμοκρασία μπορεί να φτάσει στους 50°C (122°F) (μεταλλικό κουτί, μέσα σε αυτοκίνητο το καλοκαίρι κλπ).</b></p> <ul style="list-style-type: none"> <li>Αλλιώς, υπάρχει κίνδυνος να προκληθεί βραχυκύκλωμα ή ανάφλεξη λόγω παραμόρφωσης του συγκεκριμένου προϊόντος.</li> <li>Η μπαταρία υπάρχει κίνδυνος να αλλοιωθεί, με συνέπεια να προκληθεί έκλυση καπνού ή ανάφλεξη.</li> </ul>	
<p><b>Δεν πρέπει να φορτίζετε τη συσκευή κάτω από τις συνθήκες που παρατίθενται παρακάτω, επειδή υπάρχει κίνδυνος πρόκλησης πυρκαγιάς.</b></p> <ul style="list-style-type: none"> <li>Επάνω σε χάρτινες επιφάνειες, π.χ. κυματοειδές χαρτόνι, σε υφασμάτινες επιφάνειες, π.χ. μαξιλάρια ή χαλιά, σε βινυλικές επιφάνειες κλπ.</li> <li>Όποτε χρησιμοποιείτε φορτιστή με σπές εξαερισμού αλλά οι σπές είναι φραγμένες κατά τη φόρτιση. Ή αν στις σπές εξαερισμού έχουν εισχωρήσει μεταλλικά ή εύφλεκτα αντικείμενα.</li> <li>Σε σημείο με πολύ σκόνη, π.χ. επάνω σε ξεσκονόπανο.</li> </ul>	
<p><b>Δεν πρέπει να φορτίζετε τη συσκευή μέσα στη βροχή ούτε να αφαιρείτε ή να τοποθετείτε το ηλεκτρικό φιλ ή την μπαταρία με βρεγμένα χέρια. Δεν πρέπει να αφήνετε ξένα αντικείμενα, π.χ. μεταλλικά αντικείμενα ή νερό, κοντά τον ακροδέκτη του φορτιστή.</b></p> <ul style="list-style-type: none"> <li>Αλλιώς, υπάρχει κίνδυνος πρόκλησης ηλεκτροπληξίας ή τραυματισμού.</li> </ul>	
<p><b>Δεν πρέπει να χρησιμοποιείτε άλλο φορτιστή εκτός από αυτόν που ενδείκνυται για τη συσκευή σας.</b></p> <ul style="list-style-type: none"> <li>Αλλιώς, υπάρχει κίνδυνος πρόκλησης διαρροής υγρών, θέρμανσης ή ραγίσματος της μπαταρίας.</li> <li>Δεν πρέπει να χρησιμοποιείτε τον φορτιστή για άλλους σκοπούς εκτός από τη φόρτιση.</li> </ul>	
<p><b>Δεν πρέπει να χρησιμοποιείτε τον φορτιστή για άλλους σκοπούς εκτός από τη φόρτιση. Δεν πρέπει να χρησιμοποιείτε την μπαταρία και τον φορτιστή για άλλο εξοπλισμό εκτός από αυτόν που καθορίζεται από τη Makita.</b></p>	
<p><b>Δεν πρέπει να κακομεταχειρίζεστε το καλώδιο του φορτιστή.</b></p> <ul style="list-style-type: none"> <li>Δεν πρέπει να μεταφέρετε τον φορτιστή κρατώντας τον από το καλώδιο ούτε να τραβάτε το καλώδιο του φιλ για να το αποσυνδέσετε από την ηλεκτρική πρίζα.</li> <li>Πρέπει να κρατάτε το καλώδιο μακριά από πηγές θερμότητας, λάδια, χημικά και αιχμηρές γωνίες.</li> <li>Πρέπει να επιλέγετε προσεκτικά το σημείο φόρτισης για να μην υπάρχει κίνδυνος να πατηθεί, να εγκλωβιστεί ή να πάθει ζημιά το καλώδιο λόγω υπερβολικής δύναμης. Αλλιώς, υπάρχει κίνδυνος πρόκλησης ηλεκτροπληξίας ή βραχυκυκλώματος που θα επιφέρει ανάφλεξη.</li> </ul>	
<p><b>Δεν πρέπει να χρησιμοποιείτε τον φορτιστή αν το καλώδιό του είναι κατεστραμμένο ή αν δεν είναι δυνατή η σταθερή σύνδεση του φιλ τροφοδοσίας.</b></p> <ul style="list-style-type: none"> <li>Υπάρχει κίνδυνος πρόκλησης ηλεκτροπληξίας, βραχυκυκλώματος ή ανάφλεξης.</li> </ul>	
<p><b>Στο τμήμα του φορτιστή όπου τοποθετείται η μπαταρία υπάρχει ένας ακροδέκτης φόρτισης. Δεν πρέπει να αφήνετε ξένα αντικείμενα, π.χ. μεταλλικά αντικείμενα ή νερό, να φτάνουν κοντά στον ακροδέκτη φόρτισης.</b></p>	
<p><b>Δεν πρέπει να καλύπτετε την μπαταρία και τον φορτιστή με υφάσματα ή οτιδήποτε άλλο στη διάρκεια της φόρτισης.</b></p> <ul style="list-style-type: none"> <li>Πρέπει να φορτίζετε την μπαταρία σε καλά εξαεριζόμενο χώρο. Αλλιώς, υπάρχει κίνδυνος πρόκλησης υπερθέρμανσης, ραγίσματος ή ανάφλεξης.</li> </ul>	

 ΠΡΟΕΙΔΟΠΟΙΗΣΗ	
<p><b>Πρέπει οπωσδήποτε να απενεργοποιείτε το προϊόν και να αφαιρείτε τις μπαταρίες πριν τη φροντίδα και τον έλεγχό του ώστε να μην τεθεί σε λειτουργία κατά λάθος.</b></p>	
<p><b>Κατά την εισαγωγή της μπαταρίας στο συγκεκριμένο προϊόν, πρέπει να προσέχετε να μην το ενεργοποιήσετε.</b></p> <ul style="list-style-type: none"> <li>Κατά την τοποθέτηση της μπαταρίας υπό συνθήκες ενδεχόμενης ενεργοποίησης του προϊόντος (π.χ. όποτε ακουμπάτε το δάχτυλό σας στο κουμπί έναρξης/διακοπής λειτουργίας), το προϊόν υπάρχει κίνδυνος να αρχίσει να κινείται ξαφνικά με συνέπεια την πρόκληση ατυχήματος.</li> </ul>	

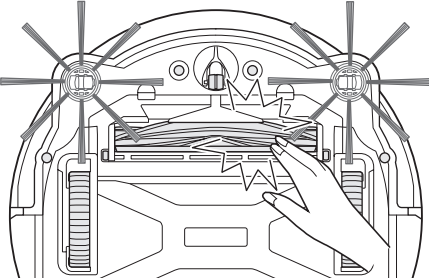
 ΠΡΟΕΙΔΟΠΟΙΗΣΗ	
<p><b>Σε περίπτωση απροσεξίας με συνέπεια την πτώση ή την πρόσκρουση της συσκευής κάπου, ελέγξτε προσεκτικά μήπως υπάρχουν ίχνη ζημιάς, ραγίσματος και παραμόρφωσης στο προϊόν και στα εξαρτήματά του.</b></p> <ul style="list-style-type: none"> <li>Αν υπάρχουν ζημιές, ραγίσματα και παραμόρφωση, ενδέχεται να προκληθεί τραυματισμός.</li> </ul>	
<p><b>Πρέπει να μετακινείτε προσεκτικά το συγκεκριμένο προϊόν ώστε να μην παραμορφωθεί και πάθει ζημιά.</b></p> <ul style="list-style-type: none"> <li>Αν υπάρχουν ζημιές, ραγίσματα και παραμόρφωση, ενδέχεται να προκληθεί τραυματισμός.</li> </ul>	
<p><b>Αν το συγκεκριμένο προϊόν δεν λειτουργεί όπως πρέπει ή αν ακούγεται κάποιος μη φυσιολογικός ήχος κατά τη χρήση του, απενεργοποιήστε το αμέσως και διακόψτε τη χρήση του. Ύστερα αποταθείτε στο κατάστημα από το οποίο το αγοράσατε ή στο γραφείο πωλήσεων της εταιρείας μας για τον έλεγχο και την επισκευή του.</b></p> <ul style="list-style-type: none"> <li>Αν εξακολουθήσετε να χρησιμοποιείτε το προϊόν, υπάρχει κίνδυνος πρόκλησης τραυματισμού ή ατυχήματος.</li> </ul>	
<p><b>Ελέγξτε μήπως υπάρχουν σημάδια φθοράς σε κάποια εξαρτήματα.</b></p> <ul style="list-style-type: none"> <li>Προτού χρησιμοποιήσετε το προϊόν, ελέγξτε επιμελώς μήπως υπάρχουν σημάδια φθοράς στα εξαρτήματά του και αν το προϊόν λειτουργεί όπως πρέπει και παρέχει τις προκαθορισμένες λειτουργίες του.</li> <li>Ελέγξτε αν τα κινούμενα εξαρτήματα είναι σωστά τοποθετημένα και σφιγμένα, μήπως τα εξαρτήματα παρουσιάζουν σημάδια φθοράς και αν εφαρμόζουν σωστά. Ύστερα ελέγξτε όλα τα υπόλοιπα σημεία που μπορούν να επηρεάσουν τη λειτουργία για να εξακριβώσετε μήπως υπάρχει κάποια ανωμαλία.</li> <li>Για τη διαδικασία αντικατάστασης και επισκευής των φθαρμένων εξαρτημάτων, ακολουθήστε τις οδηγίες στο εγχειρίδιο χρήστη. Αν δεν παρατίθεται καμία σχετική περιγραφή στο εγχειρίδιο χρήστη, αποταθείτε στο κατάστημα από το οποίο αγοράσατε το προϊόν ή στο γραφείο πωλήσεων της εταιρείας μας για την επισκευή του.</li> </ul>	
<p><b>Πρέπει να προσέχετε ώστε να διατηρείτε το συγκεκριμένο προϊόν σε καλή κατάσταση.</b></p> <ul style="list-style-type: none"> <li>Για τη διαδικασία αντικατάστασης των παρελκομένων, ακολουθήστε τις οδηγίες στο εγχειρίδιο χρήστη.</li> <li>Πρέπει να ελέγχετε κατά διαστήματα το καλώδιο του φορτιστή και, αν παρατηρήσετε σημάδια φθοράς, αποταθείτε στο κατάστημα από το οποίο αγοράσατε το προϊόν ή στο γραφείο πωλήσεων της εταιρείας μας για την επισκευή του. Αλλιώς, υπάρχει κίνδυνος πρόκλησης ηλεκτροπληξίας ή βραχυκυκλώματος που θα επιφέρει ανάφλεξη.</li> <li>Εφόσον χρησιμοποιείτε καλώδιο επέκτασης για τη φόρτιση, πρέπει να το ελέγχετε κατά διαστήματα και, αν παρατηρήσετε σημάδια φθοράς, πρέπει να το αντικαθιστάτε. Αλλιώς, υπάρχει κίνδυνος πρόκλησης ηλεκτροπληξίας ή βραχυκυκλώματος που θα επιφέρει ανάφλεξη.</li> <li>Πρέπει να διατηρείτε πάντα στεγνή και καθαρή τη λαβή μεταφοράς και να μην αφήνετε να έλθει σε επαφή με λάδια, γράσο κλπ.</li> </ul>	
<p><b>Όποτε δεν χρησιμοποιείτε το συγκεκριμένο προϊόν, πρέπει να το φυλάσσετε σε ενδεδειγμένο χώρο αποθήκευσης.</b></p> <ul style="list-style-type: none"> <li>Πρέπει να το φυλάσσετε πάντα σε ασφαλή χώρο χωρίς υγρασία στον οποίο δεν έχουν πρόσβαση τα παιδιά ή τον οποίο μπορείτε να κλειδώσετε. Αλλιώς, υπάρχει κίνδυνος πρόκλησης ατυχήματος.</li> </ul>	
<p><b>Πρέπει να αποσυνδέετε τον φορτιστή από την ηλεκτρική πρίζα όποτε δεν τον χρησιμοποιείτε για τη φόρτιση.</b></p> <ul style="list-style-type: none"> <li>Αλλιώς, υπάρχει κίνδυνος πρόκλησης ηλεκτροπληξίας, διαρροής ρεύματος ή πυρκαγιάς λόγω φθοράς της μόνωσης του.</li> </ul>	
<p><b>Αν παρατηρήσετε μη φυσιολογική θερμότητα ή άλλες μη κανονικές συνθήκες κατά τη φόρτιση, αποσυνδέστε αμέσως το φιλ τροφοδοσίας του φορτιστή για να διακοπεί η φόρτιση.</b></p> <ul style="list-style-type: none"> <li>Αν αφήσετε να συνεχιστεί η φόρτιση, υπάρχει κίνδυνος να προκληθεί έκλυση καπνού, ανάφλεξη ή ράγισμα.</li> </ul>	



 ΠΡΟΣΟΧΗ	
<p><b>Πρέπει να προσαρτάτε γερά τα παρελκόμενα ακολουθώντας τις οδηγίες στο εγχειρίδιο χρήστη.</b></p> <ul style="list-style-type: none"> <li>Αν δεν είναι γερά προσαρτημένα, υπάρχει κίνδυνος πρόκλησης τραυματισμού, ζημιάς ή ατυχήματος.</li> </ul>	



<b>⚠ ΠΡΟΣΟΧΗ</b>	<b>!</b>
<p>Όποτε μεταφέρετε το συγκεκριμένο προϊόν, πάντα πρέπει να το κρατάτε γερά από τη λαβή μεταφοράς του.</p> <ul style="list-style-type: none"> <li>Αν μεταφέρετε το προϊόν κρατώντας το οποιοδήποτε άλλο σημείο εκτός από τη λαβή μεταφοράς του, υπάρχει κίνδυνος πρόκλησης βλάβης ή τραυματισμού.</li> </ul>	



## Προφυλάξεις ασφαλείας για τη χρήση της ρομποτικής ηλεκτρικής σκούπας



<b>⚠ ΠΡΟΕΙΔΟΠΟΙΗΣΗ</b>	<b>⊘</b>
<p><b>Δεν πρέπει να χρησιμοποιείτε το συγκεκριμένο προϊόν σε ψηλά και ανοιχτά σημεία ούτε σε στενά σημεία, π.χ. σκάλες.</b></p> <ul style="list-style-type: none"> <li>Αλλιώς, υπάρχει κίνδυνος πρόκλησης τραυματισμού ή βλάβης λόγω πτώσης του συγκεκριμένου προϊόντος.</li> </ul>	
<p><b>Δεν πρέπει να χρησιμοποιείτε το συγκεκριμένο προϊόν σε σημεία όπου υπάρχουν χυμένα λάδια, π.χ. μαγειρικό λάδι, σε χώρους όπου χρησιμοποιούνται σπρέι και χημικά, π.χ. κουρέια, κομμωτήρια και ινστιτούτα αισθητικής ή καθαριστήρια, ή σε εξωτερικούς χώρους.</b></p> <ul style="list-style-type: none"> <li>Αλλιώς, υπάρχει κίνδυνος πρόκλησης βλάβης στο προϊόν.</li> </ul>	
<p><b>Δεν πρέπει να χρησιμοποιείτε το συγκεκριμένο προϊόν σε χώρο όπου υπάρχει κάποιο άτομο, π.χ. μικρό παιδί ή μωρό, που δεν είναι σε θέση να χειριστεί το προϊόν.</b></p> <ul style="list-style-type: none"> <li>Αλλιώς, υπάρχει κίνδυνος πρόκλησης ηλεκτροπληξίας, ατυχήματος ή τραυματισμού.</li> </ul>	
<p><b>Δεν πρέπει να χρησιμοποιείτε το συγκεκριμένο προϊόν σε χώρους όπου υπάρχουν ζώα κλπ.</b></p> <ul style="list-style-type: none"> <li>Αλλιώς, υπάρχει κίνδυνος πρόκλησης ηλεκτροπληξίας, ατυχήματος ή τραυματισμού.</li> </ul>	
<p><b>Δεν πρέπει να χρησιμοποιείτε το συγκεκριμένο προϊόν σε χώρους όπου υπάρχουν ή πηγαionoέρονται διαρκώς πολλά άτομα.</b></p> <ul style="list-style-type: none"> <li>Αλλιώς, υπάρχει κίνδυνος πρόκλησης ηλεκτροπληξίας, ατυχήματος ή τραυματισμού.</li> </ul>	
<p><b>Δεν πρέπει να φράσσετε το στόμιο εξόδου του αέρα και το άνοιγμα αναρρόφησης ούτε να τοποθετείτε μέσα στα σημεία αυτά μεταλλικά αντικείμενα, εύφλεκτα ξένα αντικείμενα κλπ.</b></p> <ul style="list-style-type: none"> <li>Αλλιώς, υπάρχει κίνδυνος πρόκλησης ηλεκτροπληξίας, ανάφλεξης ή βλάβης.</li> </ul>	
<p><b>Δεν πρέπει να χρησιμοποιείτε το συγκεκριμένο προϊόν κοντά σε κάποιο αντικείμενο που είναι πιθανό να φράξει το άνοιγμα αναρρόφησης.</b></p> <ul style="list-style-type: none"> <li>Αλλιώς, υπάρχει κίνδυνος πρόκλησης ηλεκτροπληξίας, ανάφλεξης ή βλάβης.</li> </ul>	
<p><b>Δεν πρέπει να πετάξετε το συγκεκριμένο προϊόν στη φωτιά ούτε να το θερμάνετε.</b></p> <ul style="list-style-type: none"> <li>Αλλιώς, υπάρχει κίνδυνος πρόκλησης βραχυκυκλώματος, ανάφλεξης, διαρροής υγρών ή έκρηξης.</li> </ul>	
<p><b>Δεν πρέπει να τοποθετείτε το συγκεκριμένο προϊόν σε σημεία υψηλής θερμοκρασία, π.χ. κοντά στο τζάκι ή σε θερμαντικό σώμα, σε σημεία άμεσα εκτεθειμένα στο φως του ήλιου και μέσα στο αυτοκίνητο κάτω από τον ήλιο.</b></p> <ul style="list-style-type: none"> <li>Αλλιώς, υπάρχει κίνδυνος πρόκλησης βραχυκυκλώματος, ανάφλεξης, διαρροής υγρών ή έκρηξης.</li> </ul>	
<p><b>Δεν πρέπει να τοποθετείτε αντικείμενα επάνω από το συγκεκριμένο προϊόν.</b></p> <ul style="list-style-type: none"> <li>Αλλιώς, υπάρχει κίνδυνος πρόκλησης υπερθέρμανσης με συνέπεια πιθανή ανάφλεξη.</li> </ul>	
<p><b>Δεν πρέπει να αφήνετε το συγκεκριμένο προϊόν άμεσα εκτεθειμένο στο φως του ήλιου.</b></p> <ul style="list-style-type: none"> <li>Αλλιώς, ενδέχεται να μην είναι σωστή η απόκριση του αισθητήρα LiDAR και του αισθητήρα υπερύθρων με συνέπεια να δυσλειτουργεί ή να πάθει βλάβη το προϊόν.</li> </ul>	
<p><b>Δεν πρέπει να φράσσετε τους αισθητήρες του συγκεκριμένου προϊόντος ούτε να τοποθετείτε ξένα αντικείμενα μέσα στους αισθητήρες.</b></p> <ul style="list-style-type: none"> <li>Αλλιώς, υπάρχει κίνδυνος πρόκλησης ελαττωματικής λειτουργίας, δυσλειτουργίας ή βλάβης του προϊόντος.</li> </ul>	


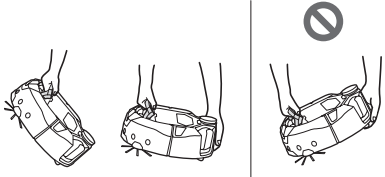
<b>⚠ ΠΡΟΕΙΔΟΠΟΙΗΣΗ</b>	<b>⊘</b>
<p><b>Δεν πρέπει να κολλάτε αυτοκόλλητα ή ταινίες στους αισθητήρες και στους τροχούς.</b></p> <ul style="list-style-type: none"> <li>Αλλιώς, υπάρχει κίνδυνος πρόκλησης δυσλειτουργίας ή βλάβης του προϊόντος.</li> </ul>	
<p><b>Δεν πρέπει να κάθεστε επάνω στο συγκεκριμένο προϊόν ούτε να τοποθετείτε επάνω του βαριά αντικείμενα ή να το χτυπάτε με δύναμη.</b></p> <ul style="list-style-type: none"> <li>Αλλιώς, υπάρχει κίνδυνος πρόκλησης ζημιάς ή βλάβης στο συγκεκριμένο προϊόν ή τραυματισμού. Πρέπει να προσέχετε ιδιαίτερα όποτε υπάρχουν παιδιά κοντά στο προϊόν.</li> </ul>	
<p><b>Κατά τη λειτουργία του συγκεκριμένου προϊόντος, δεν πρέπει να αγγίζετε τους κινητήριους τροχούς ούτε να βάζετε το χέρι ή το πόδι σας κάτω από το προϊόν.</b></p> <ul style="list-style-type: none"> <li>Αλλιώς, υπάρχει κίνδυνος πρόκλησης τραυματισμού στο χέρι σας κλπ. Πρέπει να προσέχετε ιδιαίτερα όποτε υπάρχουν παιδιά κοντά στο προϊόν.</li> </ul>	
	
<p><b>Δεν πρέπει να αφήνετε τα παιδιά να χρησιμοποιούν μόνο τους το προϊόν. Όσοι δεν μπορούν να εκφράσουν αυτό που θέλουν και όσοι δεν μπορούν να χειριστούν αυτόνομα το συγκεκριμένο προϊόν δεν πρέπει να το χρησιμοποιούν.</b></p> <ul style="list-style-type: none"> <li>Αλλιώς, υπάρχει κίνδυνος πρόκλησης ηλεκτροπληξίας, ατυχήματος ή τραυματισμού.</li> </ul>	
<p><b>Δεν πρέπει να ρίχνετε νερό ή απορρυπαντικό επάνω στο συγκεκριμένο προϊόν ούτε να το πλένετε (με εξαίρεση την κύρια βούρτσα, την πλαϊνή βούρτσα, το κουτί σκόνης και το φίλτρο).</b></p> <ul style="list-style-type: none"> <li>Αλλιώς, υπάρχει κίνδυνος πρόκλησης ηλεκτροπληξίας, βραχυκυκλώματος ή ανάφλεξης.</li> </ul>	
<p><b>Δεν πρέπει να αγγίζετε το προϊόν με βρεγμένα χέρια.</b></p> <ul style="list-style-type: none"> <li>Αλλιώς, υπάρχει κίνδυνος πρόκλησης ηλεκτροπληξίας.</li> </ul>	
<p><b>Δεν πρέπει να χρησιμοποιείτε μια μαγνητική γραμμή ορίου αν είναι σχισμένη ή παραμορφωμένη ή φαίνεται να έχει χάσει τη μαγνητική της δύναμη.</b></p> <ul style="list-style-type: none"> <li>Αλλιώς, υπάρχει κίνδυνος πρόκλησης ατυχήματος ή τραυματισμού.</li> </ul>	
<p><b>Πρέπει να προσέχετε ώστε κάποια σημεία του σώματός σας, π.χ. τα χέρια σας ή τα μαλλιά σας, και τα ρούχα σας να μην μπουν στο άνοιγμα αναρρόφησης και στο στόμιο εξόδου του αέρα του συγκεκριμένου προϊόντος.</b></p> <ul style="list-style-type: none"> <li>Αλλιώς, υπάρχει κίνδυνος πρόκλησης τραυματισμού.</li> </ul>	
<p><b>Πρέπει να προσέχετε ώστε κάποια σημεία του σώματός σας, π.χ. τα χέρια σας ή τα μαλλιά σας, και τα ρούχα σας να μην έλθουν σε επαφή με κάποια περιστρεφόμενη βούρτσα.</b></p> <ul style="list-style-type: none"> <li>Αλλιώς, ενδέχεται να προκληθεί τραυματισμός.</li> </ul>	


 ΠΡΟΕΙΔΟΠΟΙΗΣΗ	
<p><b>Δεν πρέπει να αφήνετε το συγκεκριμένο προϊόν να ρουφά τα παρακάτω αντικείμενα. Αλλιώς, υπάρχει κίνδυνος πρόκλησης πυρκαγιάς, τραυματισμού ή βλάβης του μοτέρ.</b></p> <p><b>Εύφλεκτες ουσίες</b></p> <ul style="list-style-type: none"> <li>• Λάδια (κηροζίνη, βενζίνη κλπ.)</li> <li>• Διαλύτες (βενζίνη, αραιωτικό κλπ)</li> <li>• Φλεγόμενα αντικείμενα, π.χ. σπύρα, θυμιάμα, κεριά και ζεστή στάχτη, πράγματα που αναδίνουν καπνό, π.χ. τσιγάρα, και πράγματα με υψηλές θερμοκρασίες.</li> <li>• Εύφλεκτα υλικά, π.χ. γραφίτι</li> <li>• Μπιογιές</li> <li>• Σπίθες τροχίσματος, ρινίσματα μετάλλων κλπ που δημιουργούνται κατά την κοπή και τη λείανση μετάλλων.</li> <li>• Εύφλεκτο αέριο (σπρέι κλπ)</li> </ul> <p><b>Εκρηκτικές ουσίες</b></p> <ul style="list-style-type: none"> <li>• Νιτρογλυκερίνη κλπ</li> <li>• Καύσιμες ουσίες</li> <li>• Αργίλιο, μαγνήσιο, τιτάνιο, ψευδάργυρος, ερυθρός φωσφόρος, κίτρινος φωσφόρος, κελουλοσίτη και άλλες χημικές ουσίες καθώς και οι μορφές τους σε σκόνη, αέριο και ατμό</li> </ul> <p><b>Αιχμηρά αντικείμενα</b></p> <ul style="list-style-type: none"> <li>• Γυαλί, εργαλεία με αιχμηρά άκρα, ροκανίδια, μεταλλικά αντικείμενα, πέτρες, καρφιά, ξυράφια, πινέζες, βελόνες κλπ</li> </ul> <p><b>Πράγματα με φυσαλίδες, π.χ. απορρυπαντικά για χαλιά</b></p> <p><b>Πράγματα που στερεοποιούνται και αγωγίμη λεπτή σκόνη (π.χ. σκόνη μετάλλων, άνθρακας)</b></p> <p><b>Αφυγραντικοί παράγοντες</b></p> <p><b>Μεγάλη ποσότητα σκόνης (αλεύρι, στάχτη, σκόνη πυροσβεστήρα κλπ)</b></p> <p><b>Ουσίες που προκαλούν συμπτώματα δηλητηρίασης</b></p> <p><b>Φάρμακα</b></p> <p><b>Υγρά και βρεγμένα απορρίμματα</b></p> <p><b>Περιπτώματα και εμετός ζώων κλπ</b></p> <p><b>Μεγάλα απορρίμματα χαρτιού, πλαστικά απορρίμματα, κορδόνια</b></p>	
<p><b>Δεν πρέπει να χρησιμοποιείτε το προϊόν στις παρακάτω συνθήκες όπου υπάρχει κίνδυνος πρόκλησης πυρκαγιάς.</b></p> <ul style="list-style-type: none"> <li>• Αν βρίσκεστε σε σημεία όπου επιπλέει μεγάλος όγκος καύσιμων υλικών.</li> <li>• Αν είναι φραγμένο το στόμιο εξόδου του αέρα.</li> <li>• Αν δεν είναι προσαρτημένα το κουτί σκόνης και το φίλτρο.</li> <li>• Αν έχουν εγκλωβιστεί σκουπίδια στην κύρια βούρτσα, η οποία είναι κλειδωμένη.</li> <li>• Αν υπάρχουν σπές και σχισίματα στο φίλτρο.</li> <li>• Αν η μπαταρία δεν έχει εφαρμοστεί πλήρως στη θέση της.</li> </ul>	
<p><b>Πρέπει να προσέχετε να μην προκληθεί ποτέ βραχυκύκλωμα μεταξύ των ακροδεκτών του τμήματος παροχής ισχύος μέσω USB (για επισκευή).</b></p> <ul style="list-style-type: none"> <li>• Αν περάσετε βελόνες ή σύρμα μέσα στο τμήμα των ακροδεκτών USB, υπάρχει κίνδυνος να προκληθεί βραχυκύκλωμα με συνέπεια την ανάφλεξη ή την έκλυση καπνού.</li> </ul>	
<p><b>Δεν πρέπει να κοιτάτε απευθείας στη λυχνία λέιζερ (ακτίνα).</b></p> <ul style="list-style-type: none"> <li>• Αλλιώς, υπάρχει κίνδυνος να προκληθεί βλάβη στην όρασή σας.</li> </ul>	
<p><b>Το συγκεκριμένο προϊόν συμμορφώνεται με τους ισχύοντες κανονισμούς για την ασφάλεια και, συνεπώς, δεν πρέπει να το τροποποιήσετε.</b></p> <ul style="list-style-type: none"> <li>• Αν εκτελέσετε εργασίες επισκευών χωρίς να έχετε τις απαιτούμενες γνώσεις ή δεξιότητες, υπάρχει κίνδυνος να επηρεαστούν αρνητικά οι επιδόσεις του λέιζερ αλλά και να προκληθούν ατυχήματα ή τραυματισμοί.</li> </ul>	
<p><b>Δεν πρέπει να φορτίζετε επαναφορτιζόμενα προϊόντα κοντά σε ηλεκτρικές γραμμές υψηλής τάσης.</b></p> <ul style="list-style-type: none"> <li>• Υπάρχει κίνδυνος πρόκλησης δυσλειτουργίας ή βλάβης των προϊόντων.</li> </ul>	

 ΠΡΟΕΙΔΟΠΟΙΗΣΗ	
<p><b>Πάψτε να χρησιμοποιείτε το προϊόν αν μερικές φορές δεν λειτουργεί ακόμη και αν τροφοδοτείται με ρεύμα.</b></p> <ul style="list-style-type: none"> <li>• Αλλιώς, υπάρχει κίνδυνος να προκληθεί έκλυση καπνού, ανάφλεξη ή ηλεκτροπληξία.</li> </ul>	
<p><b>Διακόψτε αμέσως τη χρήση του προϊόντος αν έχει παραμορφωθεί ή θερμαίνεται μη φυσιολογικά.</b></p> <ul style="list-style-type: none"> <li>• Αλλιώς, υπάρχει κίνδυνος να προκληθεί έκλυση καπνού, ανάφλεξη ή ηλεκτροπληξία.</li> </ul>	

 ΠΡΟΕΙΔΟΠΟΙΗΣΗ	
<p><b>Πάψτε να χρησιμοποιείτε το προϊόν αν μερικές φορές διακόπτεται η λειτουργία του.</b></p> <ul style="list-style-type: none"> <li>• Αλλιώς, υπάρχει κίνδυνος να προκληθεί έκλυση καπνού, ανάφλεξη ή ηλεκτροπληξία.</li> </ul>	
<p><b>Διακόψτε αμέσως τη χρήση του προϊόντος αν ακουστεί κάποιος μη φυσιολογικός ήχος κατά τη λειτουργία του.</b></p> <ul style="list-style-type: none"> <li>• Αλλιώς, υπάρχει κίνδυνος να προκληθεί έκλυση καπνού, ανάφλεξη ή ηλεκτροπληξία.</li> </ul>	
<p><b>Διακόψτε αμέσως τη χρήση του προϊόντος αν μυρίζει σαν να καίγεται κάτι.</b></p> <ul style="list-style-type: none"> <li>• Αλλιώς, υπάρχει κίνδυνος να προκληθεί έκλυση καπνού, ανάφλεξη ή ηλεκτροπληξία.</li> </ul>	
<p><b>Πριν τη χρήση και τις εργασίες συντήρησης του προϊόντος, πρέπει να μετακινείτε αναμμένα κεριά, βάζα κλπ επάνω σε τραπέζια και ράφια.</b></p> <ul style="list-style-type: none"> <li>• Αλλιώς, υπάρχει κίνδυνος να πέσουν αν τα χτυπήσει το προϊόν με πιθανή συνέπεια την πρόκληση ατυχήματος.</li> </ul>	
<p><b>Πριν τη χρήση και τις εργασίες συντήρησης του προϊόντος, πρέπει να μετακινείτε λαστικάκια και άλλα αντικείμενα που ενδέχεται να τα τραβήξει το συγκεκριμένο προϊόν.</b></p> <ul style="list-style-type: none"> <li>• Αλλιώς, το συγκεκριμένο προϊόν ίσως τραβήξει κάποιο λαστικάκι κλπ με πιθανή συνέπεια την πρόκληση ατυχήματος.</li> </ul>	
<p><b>Πριν τη χρήση και τις εργασίες συντήρησης του προϊόντος, πρέπει να μετακινείτε εξοπλισμό και συσκευές που διαθέτουν κουμπιά ελέγχου και βρίσκονται στο ίδιο επίπεδο με το συγκεκριμένο προϊόν.</b></p> <ul style="list-style-type: none"> <li>• Αλλιώς, το συγκεκριμένο προϊόν ίσως χτυπήσει και πιέσει κάποιο κουμπί ελέγχου με πιθανή συνέπεια την πρόκληση πυρκαγιάς, τραυματισμού ή ατυχήματος.</li> </ul>	
<p><b>Πριν τις εργασίες συντήρησης και ελέγχου, πρέπει οπωσδήποτε να διακόπτεται την παροχή ρεύματος στο συγκεκριμένο προϊόν και να αφαιρέτε τις μπαταρίες.</b></p> <ul style="list-style-type: none"> <li>• Αλλιώς, υπάρχει κίνδυνος να προκληθεί ηλεκτροπληξία ή τραυματισμός.</li> </ul>	
<p><b>Στην διάρκεια εκτέλεσης των εργασιών συντήρησης, πρέπει να προσέχετε να μην εγκλωβιστούν τα δάχτυλά σας.</b></p> <ul style="list-style-type: none"> <li>• Αλλιώς, υπάρχει κίνδυνος πρόκλησης τραυματισμού.</li> </ul>	
<p><b>Αν έχετε εμφυτεύσιμο καρδιακό βηματοδότη ή εμφυτεύσιμο απινιδωτή, πρέπει να χρησιμοποιείτε το συγκεκριμένο προϊόν σε απόσταση μεγαλύτερη από 15 εκατοστά από το σημείο του εμφυτεύματος.</b></p> <ul style="list-style-type: none"> <li>• Τα ραδιοκύματα υπάρχει κίνδυνος να επηρεάσουν τη λειτουργία ενός ιατροτεχνολογικού προϊόντος και να προκαλέσουν τη δυσλειτουργία του.</li> </ul>	
<p><b>Όποτε βρίσκεστε σε ιατρικό ίδρυμα και χρησιμοποιείτε εξοπλισμό που εκπέμπει ραδιοκύματα, πρέπει να τηρείτε τις οδηγίες του ιατρικού ιδρύματος. Στους χώρους όπου απαγορεύεται η χρήση του συγκεκριμένου προϊόντος, πρέπει να το απενεργοποιείτε.</b></p> <ul style="list-style-type: none"> <li>• Αλλιώς, υπάρχει κίνδυνος να προκληθεί δυσλειτουργία των ιατροτεχνολογικών προϊόντων.</li> </ul>	

 ΠΡΟΣΟΧΗ	
<p><b>Κατά τη χρήση και την εκτέλεση εργασιών συντήρησης, δεν πρέπει να τοποθετείτε ξένα αντικείμενα στα κενά και στα ανοίγματα του προϊόντος.</b></p> <ul style="list-style-type: none"> <li>• Αλλιώς, υπάρχει κίνδυνος πρόκλησης ηλεκτροπληξίας, πυρκαγιάς ή βλάβης του συγκεκριμένου προϊόντος.</li> </ul>	
<p><b>Δεν πρέπει να χρησιμοποιείτε το συγκεκριμένο προϊόν σε χαλιά με μακρύ πέλος (άνω των 7 χιλιοστών) ούτε σε άλλα καλύμματα δαπέδου.</b></p> <ul style="list-style-type: none"> <li>• Αλλιώς, υπάρχει κίνδυνος να εγκλωβιστούν στο πέλος οι πλαϊνές βούρτσες με συνέπεια να προκληθεί ζημιά στο χαλί και στις πλαϊνές βούρτσες.</li> </ul>	
<p><b>Δεν πρέπει να χρησιμοποιείτε το συγκεκριμένο προϊόν σε ευαίσθητα καλύμματα δαπέδου (από μούτον, τσόχα κλπ), σε ευαίσθητα δάπεδα (ξύλινα, μαρμάρια κλπ) και σε πρόσφατα κερωμένα δάπεδα.</b></p> <ul style="list-style-type: none"> <li>• Αλλιώς, υπάρχει κίνδυνος να προκληθούν ζημιές ή γρατζουνιές. Αν προκληθεί ζημιά, διακόψτε τη χρήση του προϊόντος.</li> </ul>	

<b>⚠ ΠΡΟΣΟΧΗ</b>	
<p><b>Δεν πρέπει να στέκεστε ούτε να κάθεστε στην επάνω επιφάνεια του συγκεκριμένου προϊόντος.</b></p> <ul style="list-style-type: none"> <li>Αλλιώς, υπάρχει κίνδυνος να μετακινηθεί απότομα το συγκεκριμένο προϊόν με συνέπεια την πρόκληση τραυματισμού, π.χ. λόγω πτώσης.</li> </ul>	
<p><b>Το συγκεκριμένο προϊόν δεν πρέπει να λειτουργεί για πολλές ώρες με το άνοιγμα αναρρόφησης φραγμένο.</b></p> <ul style="list-style-type: none"> <li>Αλλιώς, υπάρχει κίνδυνος να προκληθεί παραμόρφωση ή ανάφλεξη του συγκεκριμένου προϊόντος λόγω υπερθέρμανσης.</li> </ul>	
<p><b>Δεν πρέπει να βάζετε το χέρι ή το πόδι σας κάτω από το συγκεκριμένο προϊόν.</b></p> <ul style="list-style-type: none"> <li>Υπάρχει κίνδυνος να εγκλωβιστούν τα δάχτυλα του χεριού ή του ποδιού σας με συνέπεια τον τραυματισμό σας.</li> </ul>	
<p><b>Δεν πρέπει να συνεχίζετε να χρησιμοποιείτε το συγκεκριμένο προϊόν αν το φίλτρο είναι λερωμένο ή έχει συσσωρευτεί σκόνη.</b></p> <ul style="list-style-type: none"> <li>Αλλιώς, ενδέχεται να μειωθεί η ισχύς αναρρόφησης.</li> </ul>	
<p><b>Δεν πρέπει να κρατάτε το συγκεκριμένο προϊόν με την επάνω πλευρά του στραμμένη προς τα κάτω.</b></p> <ul style="list-style-type: none"> <li>Ενδέχεται να πέσει σκόνη από το άνοιγμα αναρρόφησης.</li> </ul>	
	

<b>⚠ ΠΡΟΣΟΧΗ</b>	
<p><b>Για να αποφευχθούν δυσλειτουργίες, πρέπει να διασφαλίζετε την καλή συντήρηση κάθε αισθητήρα.</b></p> <ul style="list-style-type: none"> <li>Αν η απόκριση κάποιου αισθητήρα δεν είναι σωστή, υπάρχει κίνδυνος πρόκλησης τραυματισμού ή βλάβης λόγω δυσλειτουργίας ή πτώσης του συγκεκριμένου προϊόντος.</li> </ul>	
<p><b>Πρέπει να φροντίζετε να κρύβετε τα μακριά κρόσσια καλυμμάτων δαπέδου κάτω από τα χαλιά και τα πατάκια.</b></p> <ul style="list-style-type: none"> <li>Το κρόσσια υπάρχει κίνδυνος να πιαστούν στους κινητήριους τροχούς και/ή στην κύρια βούρτσα με συνέπεια να προκληθεί ζημιά στα χαλιά και στο συγκεκριμένο προϊόν.</li> </ul>	
<p><b>Όποτε μεταφέρετε το συγκεκριμένο προϊόν, πρέπει πρώτα να διακόψετε τη λειτουργία του και ύστερα να το απενεργοποιείτε. Πρέπει να κρατάτε σταθερά τη λαβή μεταφοράς ώστε να μην εγκλωβιστούν τα χέρια σας.</b></p> <ul style="list-style-type: none"> <li>Αν σηκώσετε απρόσεκτα το συγκεκριμένο προϊόν, υπάρχει κίνδυνος πρόκλησης τραυματισμού ή βλάβης.</li> </ul>	
<p><b>Πρέπει να απομακρύνετε καλώδια και κορδόνια για να διασφαλίσετε ότι δεν πιαστούν στο συγκεκριμένο προϊόν.</b></p> <ul style="list-style-type: none"> <li>Αλλιώς, υπάρχει κίνδυνος πρόκλησης βλάβης ή ελαττωματικής λειτουργίας του προϊόντος γιατί θα μπλεχτεί το καλώδιο τροφοδοσίας.</li> </ul>	
<p><b>Πριν το καθάρισμα, πρέπει να μετακινείτε όσα αντικείμενα είναι εύθραυστα, μπορούν να πέσουν εύκολα και δεν πρέπει να τα ρουφήξει η σκούπα. Πρέπει να απομακρύνετε μακριά κορδόνια και καλώδια.</b></p> <ul style="list-style-type: none"> <li>Αλλιώς, υπάρχει κίνδυνος πρόκλησης ζημιάς, γρατζουνιών ή βλάβης του συγκεκριμένου προϊόντος.</li> </ul>	
<p><b>Πρέπει να χρησιμοποιείτε το συγκεκριμένο προϊόν με το φίλτρο τοποθετημένο σωστά. Δεν πρέπει να χρησιμοποιείτε το συγκεκριμένο προϊόν αν το φίλτρο έχει αφαιρεθεί, δεν είναι τοποθετημένο στη σωστή θέση ή είναι σχισμένο.</b></p> <ul style="list-style-type: none"> <li>Αλλιώς, υπάρχει κίνδυνος να προκληθεί βλάβη, π.χ. να υπερθερμανθεί το μοτέρ.</li> <li>Ενδέχεται να υπάρξει διαφυγή σκόνης που θα είναι επιβλαβής για την υγεία.</li> </ul>	
<p><b>Πρέπει να προσέχετε να μην εγκλωβιστούν τα δάχτυλά σας όταν ανοίγετε και κλείνετε το κάλυμμα της επάνω πλευράς του σώματος της συσκευής και το κάλυμμα της επάνω πλευράς του κουτιού σκόνης, όταν προσαρτάτε το φίλτρο και όταν συνδέετε και αποσυνδέετε την μπαταρία.</b></p> <ul style="list-style-type: none"> <li>Υπάρχει κίνδυνος να εγκλωβιστούν τα δάχτυλά σας με συνέπεια τον τραυματισμό σας.</li> </ul>	

## Πληροφορίες για τον χειρισμό

1. Πρέπει να χρησιμοποιείτε το συγκεκριμένο προϊόν σε εσωτερικούς χώρους. Δεν πρέπει να καθαρίζετε σημεία με μεγάλη ποσότητα σκόνης ακόμη και αν βρίσκονται σε εσωτερικούς χώρους.
2. Δεν πρέπει να καθαρίζετε δάπεδα των οποίων η επιφάνεια είναι σκληρή και ανώμαλη. Αλλιώς, οι βούρτσες και οι τροχοί ενδέχεται να φθαρούν πρόωρα.
3. Μετά το καθάρισμα, πρέπει να αφαιρείτε τους κόκκους σκόνης που έχουν κολλήσει στην κύρια βούρτσα, στις πλαϊνές βούρτσες και στους τροχούς. Αν αφήσετε έτσι τα εξαρτήματα αυτά χωρίς να τα καθαρίσετε, υπάρχει κίνδυνος να προκληθεί ζημιά στην επιφάνεια του δαπέδου.
4. Πάντα πρέπει να προσαρτάτε την κύρια βούρτσα και το κάλυμμα της όποτε χρησιμοποιείτε το συγκεκριμένο προϊόν.
5. Δεν πρέπει να βάζετε λιπαντικό στα κινούμενα εξαρτήματα της κύριας βούρτσας κλπ. Αλλιώς, υπάρχει κίνδυνος να σπάσουν τα πλαστικά εξαρτήματα.
6. Για να χρησιμοποιήσετε τη συσκευή σε επιφάνειες ευαίσθητων δαπέδων, συνιστούμε να αντικαταστήσετε τα τυπικά εξαρτήματα με τα είδη «μαλακή κύρια βούρτσα» και «μαλακή πλαϊνή βούρτσα» που πωλούνται χωριστά. Ωστόσο, ενδέχεται να γίνουν γρατζουνιές ανάλογα με την κατάσταση της επιφάνειας του δαπέδου. Στην περίπτωση αυτή, διακόψτε τη χρήση του προϊόντος.
7. Δεν πρέπει να σύρετε το συγκεκριμένο προϊόν. Πρέπει να σηκώνετε το συγκεκριμένο προϊόν όποτε θέλετε να το μετακινήσετε.
8. Δεν πρέπει να κολλάτε αυτοκόλλητα ή ταινίες σε εξαρτήματα των αισθητήρων και στους τροχούς ούτε να αφήνετε να παραμορφωθούν ο προφυλακτήρας και οι τροχοί ή να πιεστεί υπερβολικά δυνατά ο προφυλακτήρας. Αλλιώς, υπάρχει κίνδυνος πρόκλησης δυσλειτουργίας.
9. Αν αναρροφηθεί λεπτή σκόνη (π.χ. γύψος, τσιμέντο και κιμωλία), φροντίστε να καθαρίσετε το φίλτρο, τον αισθητήρα απότομης κλίσης και τον αισθητήρα LiDAR.
10. Δεν πρέπει να αφήνετε το συγκεκριμένο προϊόν να ρουφά τα παρακάτω αντικείμενα γιατί ενδέχεται να προκληθούν γρατζουνιές στο εσωτερικό του, συσσώρευση σκόνης ή βλάβη. Αν κάποιο από τα αντικείμενα αυτά αναρροφηθεί κατά λάθος, διακόψτε τη λειτουργία και πετάξτε τη σκόνη.
  - (1) Υγρά απόβλητα (υγρά και βρεγμένα απορρίμματα)
  - (2) Περιτώματα ζώων κλπ
  - (3) Μεγάλη ποσότητα άμμου και σκόνης
  - (4) Κορδόνια
  - (5) Αντικείμενα με αιχμηρά άκρα (γυάλινα, εργαλεία κουρέματος, καρφίτσες κλπ)
  - (6) Σκουπίδια μεγάλου μεγέθους και όγκου
  - (7) Αντικείμενα με χαμηλή διαπερατότητα από τον αέρα (πλαστικά περιτυλίγματα φαγητών, βινυλικά αντικείμενα, μεμβράνη περιτυλίγματος κλπ)
11. Αν φθαρούν η κάτω βούρτσα του ανοίγματος αναρρόφησης, τα ροδάκια, οι κινητήριοι τροχοί ή το τμήμα του κυλίνδρου του καλύμματος της κύριας βούρτσας, πάψτε να χρησιμοποιείτε το συγκεκριμένο προϊόν και αποσταθείτε στο κατάστημα από το οποίο αγοράσατε το προϊόν ή στο γραφείο πωλήσεων της εταιρείας μας. Αν χρησιμοποιήσετε τη ρομπωτική ηλεκτρική σκούπα με φθαρμένα εξαρτήματα, υπάρχει κίνδυνος να προκληθεί ζημιά στην επιφάνεια του δαπέδου.
12. Κατά τη λειτουργία του προϊόντος, ενδέχεται να προκληθεί θόρυβος σε κάποια συσκευή τηλεόρασης αλλά δεν θα την επηρεάσει ουσιαστικά.
13. Πρέπει να προσέχετε κατά τη λειτουργία του συγκεκριμένου προϊόντος σε χώρους όπου λειτουργούν συστήματα ασφαλείας. Το σύστημα ασφαλείας ενδέχεται να ανιχνεύσει εσφαλμένα το συγκεκριμένο προϊόν ως εισβολέα.
14. Δεν πρέπει να κάνετε τα παρακάτω.
  - (1) Μη χρήση του προϊόντος για μεγάλη χρονική περίοδο ενώ είναι τοποθετημένη η μπαταρία
  - (2) Χρήση του προϊόντος ενώ ο αισθητήρας είναι λερωμένος ή το φίλτρο είναι βουλωμένο
  - (3) Χρήση του προϊόντος όποτε παρατηρείτε κάποιο σφάλμα της μπαταρίας (παραξενή μυρωδιά, διαρροή υγρών, υπερθέρμανση, παραμόρφωση ή άλλα μη φυσιολογικά πράγματα)
  - (4) Χρήση του προϊόντος χωρίς να έχουν αφαιρεθεί οι κόκκοι σκόνης και άλλα ξένα υλικά που έχουν κολλήσει στην κύρια βούρτσα, στις πλαϊνές βούρτσες και στους τροχούς
  - (5) Χρήση του προϊόντος ενώ ορισμένα εξαρτήματα είναι φθαρμένα ή κατεστραμμένα
  - (6) Χρήση του προϊόντος χωρίς να έχετε διαβάσει το εγχειρίδιο χρήστη
  - (7) Αναποδογύρισμα του προϊόντος και εκτέλεση εργασιών συντήρησης ενώ είναι τοποθετημένη η μπαταρία
  - (8) Χρήση του προϊόντος χωρίς να έχουν γίνει εργασίες συντήρησης στη μαγνητική γραμμή ορίου

## Χρήση εργαλείου μπαταρίας και σχετική φροντίδα

### ΠΡΟΕΙΔΟΠΟΙΗΣΗ

**Διαβάστε όλες τις προειδοποιήσεις και τις οδηγίες για θέματα ασφάλειας. Αν δεν ακολουθήσετε τις προειδοποιήσεις και τις οδηγίες, υπάρχει κίνδυνος πρόκλησης ηλεκτροπληξίας, πυρκαγιάς και/ή σοβαρού τραυματισμού.**

1. Πρέπει να επαναφορτίσετε την μπαταρία χρησιμοποιώντας μόνο τον φορτιστή τον οποίο έχει καθορίσει ο κατασκευαστής. Αν ένας φορτιστής που ενδείκνυται για συγκεκριμένο τύπο κασέτας μπαταριών χρησιμοποιηθεί με κάποια άλλη κασέτα μπαταριών, υπάρχει κίνδυνος πυρκαγιάς.
2. Με κάθε συσκευή πρέπει να χρησιμοποιείτε μόνο την ειδικά καθορισμένη κασέτα μπαταριών. Αν χρησιμοποιήσετε οποιαδήποτε άλλη κασέτα μπαταριών, υπάρχει κίνδυνος τραυματισμού και πυρκαγιάς.
3. Όταν δεν χρησιμοποιείτε την κασέτα μπαταριών, πρέπει να τη φυλάσσετε μακριά από άλλα μεταλλικά αντικείμενα, π.χ. συνδετήρες, κέρματα, κλειδιά, καρφιά, βίδες ή άλλα μεταλλικά μικροαντικείμενα, μέσω των οποίων ενδέχεται να συνδεθούν οι ακροδέκτες της. Αν βραχυκυκλωθούν οι ακροδέκτες της μπαταρίας, υπάρχει κίνδυνος να πάθετε εγκαύματα ή να προκληθεί πυρκαγιά.
4. Σε περίπτωση κατάχρησης της συσκευής υπάρχει κίνδυνος εκτόξευσης υγρού από την μπαταρία: αποφύγετε κάθε επαφή με το υγρό. Αν κατά λάθος πέσει υγρό επάνω σας, πλυθείτε με άφθονο νερό. Αν το υγρό έλθει σε επαφή με τα μάτια σας, ζητήστε επιπρόσθετους τη βοήθεια γιατρού. Το υγρό που εκτοξεύεται από την μπαταρία ενδέχεται να προκαλέσει ερεθισμό ή εγκαύματα.
5. Ποτέ μη χρησιμοποιήσετε κασέτες μπαταριών ή εργαλεία που είναι κατεστραμμένα ή τροποποιημένα. Οι κατεστραμμένες ή τροποποιημένες μπαταρίες ενδέχεται να έχουν απρόβλεπτη συμπεριφορά και να προκαλέσουν πυρκαγιά, έκρηξη ή κίνδυνο τραυματισμού.
6. Οι κασέτες μπαταριών ή τα εργαλεία δεν πρέπει να μένουν εκτεθειμένα στη φωτιά ούτε σε υπερβολικά υψηλή θερμοκρασία. Σε περίπτωση έκθεσής τους στη φωτιά ή σε θερμοκρασία άνω των 130°C (265°C), υπάρχει κίνδυνος να εκραγούν.
7. Πρέπει να ακολουθείτε όλες τις οδηγίες για τη φόρτιση και να μη φορτίζετε την κασέτα μπαταριών ή το εργαλείο όταν η θερμοκρασία δεν εμπίπτει την περιοχή τιμών η οποία καθορίζεται στις οδηγίες. Αν η φόρτιση δεν γίνει με τον ενδεδειγμένο τρόπο ή αν η θερμοκρασία δεν εμπίπτει στην καθορισμένη περιοχή τιμών, ενδέχεται να προκληθεί ζημιά στην μπαταρία και να αυξηθεί ο κίνδυνος πυρκαγιάς.
8. Αναθέστε κάθε εργασία συντήρησης σε ειδικευμένο τεχνικό επισκευών ο οποίος πρέπει να χρησιμοποιήσει μόνο γνήσια ανταλλακτικά, ίδια με αυτά που αντικαθιστά. Έτσι θα διαφυλαχθεί η ασφάλεια του προϊόντος.
9. Δεν πρέπει να τροποποιήσετε ούτε να επιχειρήσετε να επισκευάσετε τη συσκευή ή την κασέτα μπαταριών με άλλο τρόπο εκτός από αυτόν που υποδεικνύεται στην οδηγία για τη χρήση και τη φροντίδα τους.
10. Αποφύγετε την κατά λάθος εκκίνηση της συσκευής. Πρέπει να βεβαιώνετε ότι το διακόπτης είναι στη θέση απενεργοποίησης προτού συνδέσετε την κασέτα μπαταριών ή προτού σηκώσετε ή μεταφέρετε τη ρομποτική ηλεκτρική σκούπα. Αν μεταφέρετε τη ρομποτική ηλεκτρική σκούπα έχοντας το δάχτυλό σας επάνω στον διακόπτη ή αν θέσετε σε λειτουργία τη ρομποτική ηλεκτρική σκούπα φέροντας τον διακόπτη στη θέση ενεργοποίησης, υπάρχει κίνδυνος πρόκλησης ατυχημάτων.
11. Πρέπει να αποσυνδέετε την κασέτα μπαταριών από τη ρομποτική ηλεκτρική σκούπα πριν από την εκτέλεση ρυθμίσεων, την αλλαγή παρελκομένων ή την αποθήκευση της ρομποτικής ηλεκτρικής σκούπας. Με προληπτικά μέτρα ασφάλειας αυτού του είδους μειώνεται ο κίνδυνος να τεθεί κατά λάθος σε λειτουργία η ρομποτική ηλεκτρική σκούπα.
12. Η κασέτα μπαταριών δεν είναι επαρκώς φορτισμένη κατά την αποστολή της από το εργοστάσιο. Προτού χρησιμοποιήσετε την μπαταρία, πρέπει να τη φορτίσετε.
13. Όταν δεν χρησιμοποιείτε την κασέτα μπαταριών, πρέπει να τη σκεπάζετε με το κάλυμμά της.

## Σημαντικές πληροφορίες ασφάλειας για την κασέτα μπαταριών

1. Προτού χρησιμοποιήσετε την κασέτα μπαταριών, διαβάστε όλες τις οδηγίες και τις προειδοποιητικές σημάνσεις που θα βρείτε (1) στον φορτιστή της μπαταρίας, (2) στην μπαταρία και (3) στο προϊόν στο οποίο χρησιμοποιείται η μπαταρία.
2. Δεν πρέπει να αποσυναρμολογήσετε ούτε να πειράξετε την κασέτα μπαταριών. Αλλιώς, υπάρχει κίνδυνος πρόκλησης πυρκαγιάς, υπερθέρμανσης ή έκρηξης.
3. Αν ο χρόνος λειτουργίας της συσκευής έχει μειωθεί σημαντικά, διακόψτε αμέσως τη λειτουργία της. Ενδέχεται να υπερθερμανθεί οπότε θα υπάρξει κίνδυνος να πάθετε εγκαύματα ή ακόμη και να προκληθεί έκρηξη.
4. Αν μπει ηλεκτρολύτης στα μάτια σας, πλυθείτε με καθαρό νερό και ζητήστε αμέσως τη βοήθεια γιατρού. Υπάρχει κίνδυνος να χάσετε την όρασή σας.
5. Δεν πρέπει να βραχυκυκλώσετε την κασέτα μπαταριών οπότε:  
(1) Μην ακουμπήσετε κανένα αγωγικό υλικό στους ακροδέκτες.  
(2) Αποφύγετε να αποθηκεύσετε την κασέτα μπαταριών σε δοχείο που περιέχει άλλα μεταλλικά αντικείμενα, π.χ. καρφιά, κέρματα κλπ.

- (3) Μην αφήσετε την κασέτα μπαταριών εκτεθειμένη στο νερό ή στη βροχή. Αν βραχυκυκλωθεί η μπαταρία, υπάρχει κίνδυνος πρόκλησης μεγάλης ροής ρεύματος, υπερθέρμανσης, εγκαυμάτων ή ακόμη και σοβαρότατης βλάβης στον εξοπλισμό.
6. Δεν πρέπει να αποθηκεύετε και να χρησιμοποιήσετε το εργαλείο και την κασέτα μπαταριών σε χώρους όπου η θερμοκρασία ενδέχεται να φτάσει ή να ξεπεράσει τους 50°C (122°F).
7. Δεν πρέπει να αποθερώσετε την κασέτα μπαταριών ακόμη και αν έχει πάθει σοβαρή ζημιά ή έχει εξαντληθεί εντελώς. Υπάρχει κίνδυνος να εκραγεί αν καεί.
8. Δεν πρέπει να τρυπήσετε, να κόψετε, να συνθλίψετε, να πετάξετε ή να ρίξετε κάτω την κασέτα μπαταριών ούτε να τη χτυπήσετε με κάποιο σκληρό αντικείμενο. Στην περίπτωση αυτή, υπάρχει κίνδυνος πρόκλησης πυρκαγιάς, υπερθέρμανσης ή έκρηξης.
9. Ποτέ μη χρησιμοποιήσετε κατεστραμμένη μπαταρία.
10. Οι μπαταρίες ιόντων λιθίου τις οποίες περιλαμβάνει η κασέτα διέπονται από τις απαιτήσεις της Νομοθεσίας για επικίνδυνα εμπορεύματα. Για τις εμπορικές μεταφορές, π.χ. από τρίτους και πράκτορες μεταφορών, πρέπει να τηρούνται ειδικές απαιτήσεις που αφορούν τη συσκευασία και τη σήμανση. Κάθε φορά που ετοιμάζετε ένα είδος για αποστολή, απαιτείται να συμβουλευέστε κάποιον ειδικό σε θέματα επικίνδυνων υλικών. Επίσης, πρέπει να τηρείτε κάθε αναλυτικότερο σχετικό εθνικό κανονισμό. Καλύψτε με ταινία ή μονωτικό υλικό τις ανοιχτές επαφές και συσκευάστε την μπαταρία έτσι ώστε να μην μπορεί να μετακινηθεί μέσα στη συσκευασία.
11. Κατά την απόρριψη της κασέτας μπαταριών, πρέπει να την αφαιρέτε από το εργαλείο και να την αφήνετε σε ασφαλές σημείο. Όσον αφορά την απόρριψη της μπαταρίας, ακολουθήστε τους τοπικούς κανονισμούς.
12. Χρησιμοποιήστε τις μπαταρίες μόνο με τα προϊόντα τα οποία έχει καθορίσει η Makita. Αν εγκαταστήσετε τις μπαταρίες σε μη συμβατά προϊόντα, υπάρχει κίνδυνος πυρκαγιάς, υπερθέρμανσης, έκρηξης ή διαρροής ηλεκτρολύτη.
13. Αν το εργαλείο δεν πρόκειται να χρησιμοποιηθεί για μεγάλο χρονικό διάστημα, πρέπει να αφαιρέτε την μπαταρία.
14. Στη διάρκεια της χρήσης της και μετά, η κασέτα μπαταριών ενδέχεται να θερμανθεί με συνέπεια να προκαλέσει σοβαρά εγκαύματα ή μικρότερα εγκαύματα λόγω χαμηλής θερμοκρασίας. Πρέπει να προσέχετε κατά τον χειρισμό των θερμών κασετών μπαταριών.
15. Δεν πρέπει να αγγίζετε τον ακροδέκτη του εργαλείου αμέσως μετά τη χρήση του επειδή ενδέχεται να έχει θερμανθεί αρκετά με συνέπεια να προκληθούν εγκαύματα.
16. Δεν πρέπει να αφήνετε να κολλούν πρινιόνια, σκόνη ή χύμα μέσα στους ακροδέκτες, στις σπές και στα αυλάκια της κασέτας μπαταριών. Αυτό ίσως προκαλέσει κακές επιδόσεις ή βλάβη του εργαλείου ή της κασέτας μπαταριών.
17. Δεν πρέπει να χρησιμοποιείτε την κασέτα μπαταριών κοντά σε ηλεκτρικές γραμμές υψηλής τάσης αν το εργαλείο δεν υποστηρίζει τη χρήση τους. Ενδέχεται να προκληθεί δυσλειτουργία ή βλάβη του εργαλείου ή της κασέτας μπαταριών.
18. Πρέπει να φυλάσσετε την μπαταρία μακριά από σημεία στα οποία έχουν πρόσβαση τα παιδιά.

## ΦΥΛΑΞΤΕ ΤΙΣ ΟΔΗΓΙΕΣ ΑΥΤΕΣ.

### ΠΡΟΣΟΧΗ

**Χρησιμοποιήστε μόνο γνήσιες μπαταρίες της Makita. Αν δεν χρησιμοποιήσετε γνήσιες μπαταρίες της Makita ή αν οι μπαταρίες έχουν τροποποιηθεί, υπάρχει κίνδυνος να εκραγούν, με συνέπεια την πρόκληση πυρκαγιάς, τραυματισμού και υλικής ζημιάς. Επίσης, στην περίπτωση αυτή θα καταστεί άκυρη η εγγύηση της Makita για το εργαλείο και τον φορτιστή της Makita.**

## Συμβουλές για τη διατήρηση της μέγιστης διάρκειας ζωής της μπαταρίας

1. Πρέπει να φορτίζετε την κασέτα μπαταριών προτού αποφορτιστεί πλήρως. Πάντα πρέπει να διακόπτετε τη λειτουργία του εργαλείου και να φορτίζετε την κασέτα μπαταριών οπότε παρατηρείτε ότι μειώνεται η ισχύς του εργαλείου.
2. Ποτέ μην επαναφορτίσετε μια πλήρως φορτισμένη κασέτα μπαταριών. Με την υπερφόρτιση των μπαταριών μειώνεται η διάρκεια ζωής τους.
3. Πρέπει να φορτίζετε την κασέτα μπαταριών σε θερμοκρασία δωματίου στους 10°C - 40°C (50°F - 104°F). Αν η κασέτα μπαταριών έχει θερμανθεί, αφήστε την να κρυώσει προτού τη φορτίσετε.
4. Όταν δεν χρησιμοποιείτε την κασέτα μπαταριών, πρέπει να την αφαιρέτε από το εργαλείο ή τον φορτιστή.
5. Πρέπει να φορτίζετε την μπαταρία αν δεν τη χρησιμοποιείτε για μεγάλο χρονικό διάστημα (άνω των έξι μηνών).

## Προφυλάξεις όσον αφορά τα ραδιοκύματα

- Δεν πρέπει να χρησιμοποιείτε το συγκεκριμένο προϊόν στους παρακάτω χώρους.
  - Μέσα ή κοντά σε χώρους με ιατρικό εξοπλισμό
  - Κοντά σε ηλεκτρονικές συσκευές με μηχανισμό ελέγχου υψηλής ακριβείας και αδύναμα σήματα (Παραδείγματα ηλεκτρονικών συσκευών για τις οποίες απαιτείται προσοχή: βοηθήματα ακοής, βηματοδότες και ιατρικός εξοπλισμός άλλου τύπου, συναγερμοί πυρκαγιάς, αυτόματες πόρτες και εξοπλισμός άλλου τύπου με μηχανισμό αυτόματου ελέγχου)
  - Μέσα σε νοσοκομεία ή αεροσκάφη (Πρέπει να ακολουθείτε τις οδηγίες κάθε νοσοκομείου ή αεροπορικής εταιρείας και να μη χρησιμοποιείτε το προϊόν σε χώρους όπου απαγορεύεται.)
- Η ασύρματη σύνδεση και οι επιδόσεις του προϊόντος δεν είναι εγγυημένες σε κάθε περιβάλλον. Τα ραδιοκύματα ενδέχεται να μη λαμβάνονται ή να διακόπτονται στις παρακάτω περιπτώσεις.
  - Κατά τη χρήση σε κτήρια από μπετόν, οπλισμένο σκυρόδεμα και μέταλλο
  - Κατά την εγκατάσταση κοντά σε εμπόδια
  - Κατά τη χρήση σε χώρους όπου υπάρχουν παρεμβολές από συσκευές ασύρματης επικοινωνίας που χρησιμοποιούν την ίδια συχνότητα
  - Κατά τη χρήση σε χώρους όπου υπάρχουν συσκευές που παράγουν μαγνητικά πεδία, στατικό ηλεκτρισμό ή ραδιοπαρεμβολή, π.χ. φούρνοι μικροκυμάτων

## Αντίστοιχα εμπορικά σήματα και σήματα κατατεθέντα

### Γνωστοποίηση για τα εμπορικά σήματα

- Οι ονομασίες Android και Google Play είναι εμπορικά σήματα ή σήματα κατατεθέντα της εταιρείας Google LLC.
- Η ονομασία iPhone είναι εμπορικό σήμα της εταιρείας Apple Inc., κατατεθέν στις ΗΠΑ και σε άλλες χώρες.
- Το εμπορικό σήμα iPhone χρησιμοποιείται με ειδική άδεια από την εταιρεία Airphone Co., Ltd.
- Η ονομασία App Store είναι σήμα υπηρεσίας της εταιρείας Apple Inc.
- Η ονομασία Wi-Fi είναι εμπορικό σήμα και σήμα κατατεθέν του φορέα Wi-Fi Alliance.
- Το σήμα και τα λογότυπα με τη λέξη Bluetooth® είναι σήματα κατατεθέντα που ανήκουν στην εταιρεία Bluetooth SIG, Inc. και χρησιμοποιούνται από τη Makita με ειδική άδεια. Τα υπόλοιπα εμπορικά σήματα και οι υπόλοιπες εμπορικές ονομασίες ανήκουν στους αντίστοιχους κατόχους τους.

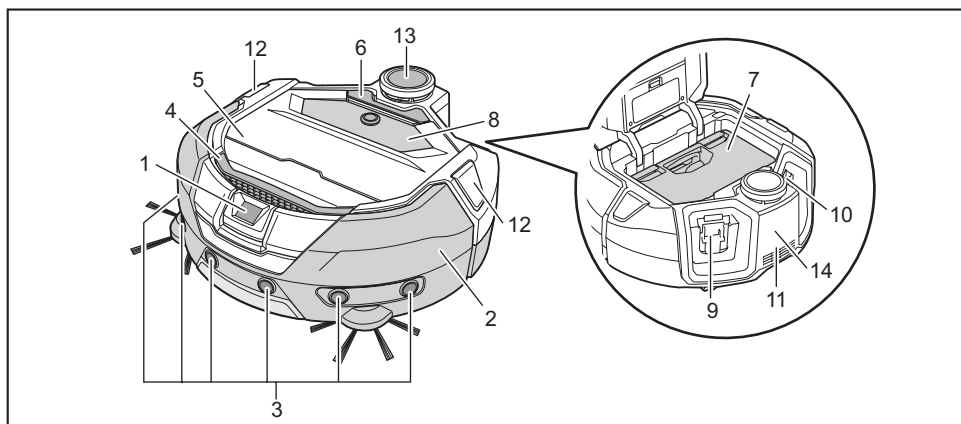


- Τα υπόλοιπα εμπορικά σήματα στο παρόν έγγραφο ανήκουν στους αντίστοιχους κατόχους τους. Σημειώστε ότι οι σημάνσεις ™ και ® παραλείπονται σε ορισμένα σημεία του κύριου κειμένου.



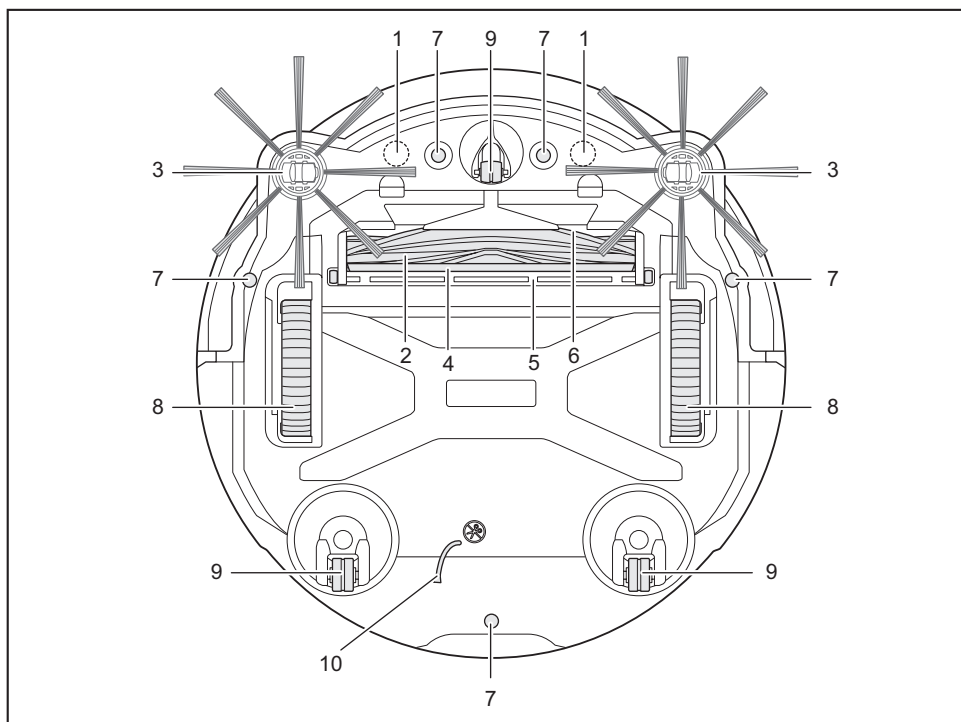
## Όνομασίες εξαρτημάτων

### Κύρια μονάδα (όψη επάνω πλευράς, όψη πλαϊνής πλευράς, εσωτερικό)



- |                                              |                                                                     |
|----------------------------------------------|---------------------------------------------------------------------|
| 1. Αισθητήρας κάμερας                        | 8. Πίνακας λειτουργίας (οθόνη ενδείξεων) (Ανατρέξτε στη σελίδα 11.) |
| 2. Προφυλακτήρας                             | 9. Υποδοχή εισαγωγής αριστερής μπαταρίας                            |
| 3. Υπερηχητικός αισθητήρας                   | 10. Υποδοχή εισαγωγής δεξιάς μπαταρίας                              |
| 4. Λαβή μεταφοράς (Ανατρέξτε στη σελίδα 12.) | 11. Στόμιο εξόδου του αέρα                                          |
| 5. Κάλυμμα επάνω πλευράς                     | 12. LED θέσης                                                       |
| 6. Κουμπί ανοίγματος                         | 13. Αισθητήρας LiDAR                                                |
| 7. Κουτί σκόνης (Ανατρέξτε στη σελίδα 15.)   | 14. Σήμανση ΛΕΙΖΕΡ ΚΑΤΗΓΟΡΙΑΣ 1                                     |

### Κύρια μονάδα (όψη κάτω πλευράς)



- |                                                              |                               |
|--------------------------------------------------------------|-------------------------------|
| 1. Μαγνητικός αισθητήρας για ανίχνευση ορίων (ενσωματωμένος) | 6. Άνοιγμα αναρρόφησης        |
| 2. Κύρια βούρτσα                                             | 7. Αισθητήρας απότομης κλίσης |
| 3. Πλαϊνή βούρτσα                                            | 8. Κινητήριος τροχός          |
| 4. Κάτω βούρτσα                                              | 9. Ροδάκι                     |
| 5. Κάλυμμα κύριας βούρτσας                                   | 10. Γραμμή γείωσης            |

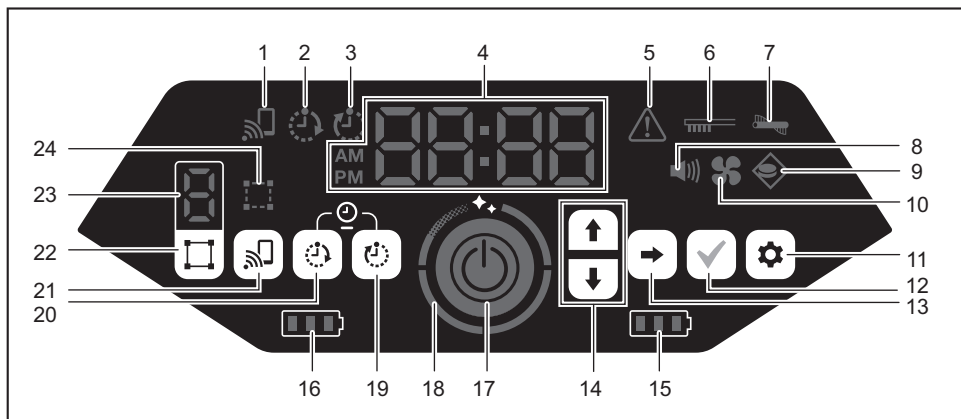
## ΑΝΑΚΟΙΝΩΣΗ

- Η γραμμή γείωσης μειώνει το ηλεκτρικό φορτίο στον αισθητήρα.



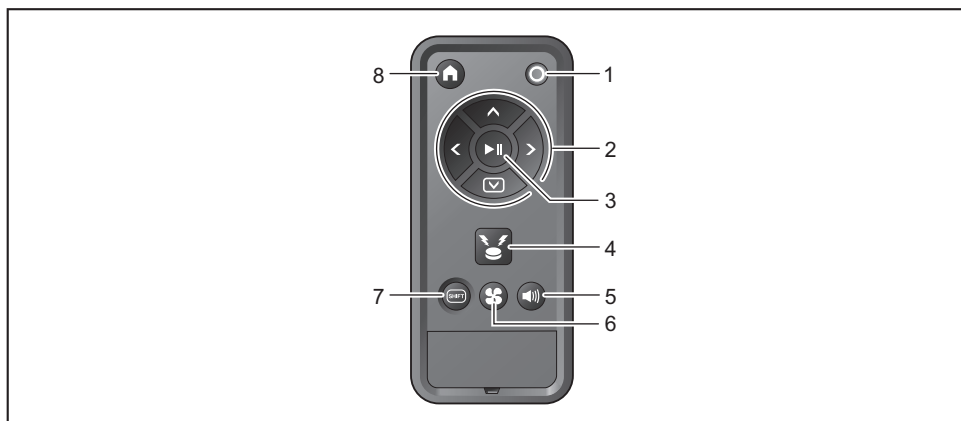
: Προσέχετε να μην τραβήξετε ή να μην κόψετε τη γραμμή γείωσης.

## Κύρια μονάδα (πίνακας λειτουργίας (οθόνη ενδείξεων))



- |                                                                                                                                                                                                                                                                                                                                                                                                                                                                                                                                                                                                                                                                                                                                                                                                                                                                |                                                                                                                                                                                                                                                                                                                                                                                                                                                                                                                                                                                                                                                                                                                                                                                                                                                                                                             |
|----------------------------------------------------------------------------------------------------------------------------------------------------------------------------------------------------------------------------------------------------------------------------------------------------------------------------------------------------------------------------------------------------------------------------------------------------------------------------------------------------------------------------------------------------------------------------------------------------------------------------------------------------------------------------------------------------------------------------------------------------------------------------------------------------------------------------------------------------------------|-------------------------------------------------------------------------------------------------------------------------------------------------------------------------------------------------------------------------------------------------------------------------------------------------------------------------------------------------------------------------------------------------------------------------------------------------------------------------------------------------------------------------------------------------------------------------------------------------------------------------------------------------------------------------------------------------------------------------------------------------------------------------------------------------------------------------------------------------------------------------------------------------------------|
| <ol style="list-style-type: none"> <li>1. Λυχνία σύνδεσης smartphone (πράσινη)</li> <li>2. Λυχνία ΕΝΕΡΓΟΠΟΙΗΣΗΣ χρονοδιακόπτη (πράσινη) (Ανατρέξτε στη σελίδα 21.)</li> <li>3. Λυχνία ΑΠΕΝΕΡΓΟΠΟΙΗΣΗΣ χρονοδιακόπτη (πράσινη) (Ανατρέξτε στη σελίδα 22.)</li> <li>4. Ένδειξη χρόνου (πράσινη)</li> <li>5. Λυχνία σφάλματος (κόκκινη) (Ανατρέξτε στη σελίδα 31.)</li> <li>6. Λυχνία φροντίδας φίλτρου (κόκκινη) (Ανατρέξτε στη σελίδα 31.)</li> <li>7. Λυχνία σφάλματος βούρτσας (κόκκινη) (Ανατρέξτε στη σελίδα 31.)</li> <li>8. Λυχνία ήχου (πράσινη) (Ανατρέξτε στη σελίδα 25.)</li> <li>9. Λυχνία ανίχνευσης ορίων (πράσινη) (Ανατρέξτε στη σελίδα 22.)</li> <li>10. Λυχνία ανεμιστήρα αναρρόφησης (πράσινη) (Ανατρέξτε στη σελίδα 20.)</li> <li>11. Κουμπί ρυθμίσεων</li> <li>12. Κουμπί επιβεβαίωσης</li> <li>13. Κουμπί μετάβασης στο επόμενο</li> </ol> | <ol style="list-style-type: none"> <li>14. Κουμπί μετακίνησης προς τα επάνω, κουμπί μετακίνησης προς τα κάτω</li> <li>15. Λυχνία τροφοδοσίας δεξιάς μπαταρίας (πράσινη) (Ανατρέξτε στη σελίδα 17.)</li> <li>16. Λυχνία τροφοδοσίας αριστερής μπαταρίας (πράσινη) (Ανατρέξτε στη σελίδα 17.)</li> <li>17. Κουμπί έναρξης/διακοπής λειτουργίας (Ανατρέξτε στη σελίδα 17.)</li> <li>18. Λυχνία επιπέδου καθαρισμού (λευκή) (Ανατρέξτε στη σελίδα 19.)</li> <li>19. Κουμπί ΑΠΕΝΕΡΓΟΠΟΙΗΣΗΣ χρονοδιακόπτη (Ανατρέξτε στη σελίδα 22.)</li> <li>20. Κουμπί ΕΝΕΡΓΟΠΟΙΗΣΗΣ χρονοδιακόπτη (Ανατρέξτε στη σελίδα 21.)</li> <li>21. Κουμπί σύνδεσης smartphone</li> <li>22. Κουμπί εναλλαγής τρόπων λειτουργίας (Ανατρέξτε στη σελίδα 18.)</li> <li>23. Ένδειξη τρόπου λειτουργίας/αριθμού δωματίου (Ανατρέξτε στη σελίδα 18.)</li> <li>24. Λυχνία καταχώρησης δωματίου (πράσινη) (Ανατρέξτε στη σελίδα 18.)</li> </ol> |
|----------------------------------------------------------------------------------------------------------------------------------------------------------------------------------------------------------------------------------------------------------------------------------------------------------------------------------------------------------------------------------------------------------------------------------------------------------------------------------------------------------------------------------------------------------------------------------------------------------------------------------------------------------------------------------------------------------------------------------------------------------------------------------------------------------------------------------------------------------------|-------------------------------------------------------------------------------------------------------------------------------------------------------------------------------------------------------------------------------------------------------------------------------------------------------------------------------------------------------------------------------------------------------------------------------------------------------------------------------------------------------------------------------------------------------------------------------------------------------------------------------------------------------------------------------------------------------------------------------------------------------------------------------------------------------------------------------------------------------------------------------------------------------------|

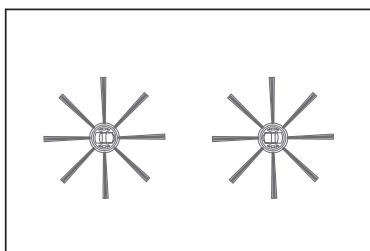
## Τηλεχειριστήριο



- |                                                                                                                                                                                                              |                                                                                                                                                                                                                                          |
|--------------------------------------------------------------------------------------------------------------------------------------------------------------------------------------------------------------|------------------------------------------------------------------------------------------------------------------------------------------------------------------------------------------------------------------------------------------|
| <ol style="list-style-type: none"> <li>1. Κουμπί ΑΠΕΝΕΡΓΟΠΟΙΗΣΗΣ</li> <li>2. Κουμπί ενεργειών</li> <li>3. Κουμπί έναρξης/διακοπής λειτουργίας</li> <li>4. Κουμπί βομβητή/λυχνίας φάρου τοποθεσίας</li> </ol> | <ol style="list-style-type: none"> <li>5. Κουμπί ΕΝΕΡΓΟΠΟΙΗΣΗΣ/ΑΠΕΝΕΡΓΟΠΟΙΗΣΗΣ ήχου</li> <li>6. Κουμπί ΕΝΕΡΓΟΠΟΙΗΣΗΣ/ΑΠΕΝΕΡΓΟΠΟΙΗΣΗΣ ανεμιστήρα αναρρόφησης</li> <li>7. Κουμπί μετατόπισης</li> <li>8. Κουμπί σημείου έναρξης</li> </ol> |
|--------------------------------------------------------------------------------------------------------------------------------------------------------------------------------------------------------------|------------------------------------------------------------------------------------------------------------------------------------------------------------------------------------------------------------------------------------------|

## Τυπικά παρελκόμενα

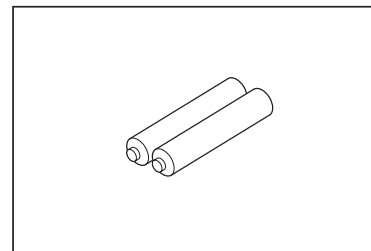
- Πλαϊνές βούρτσες (τέσσερις)  
Οι δύο προορίζονται για αντικατάσταση των αρχικών. Προσαρτήστε δύο στη ρομποτική ηλεκτρική σκούπα. (Ανατρέξτε στη σελίδα 15.)



- Τηλεχειριστήριο



- Ξηρές μπαταρίες AAA (δύο) \* Ειδικό της χώρας  
Τοποθετήστε τες στο τηλεχειριστήριο. (Ανατρέξτε στη σελίδα 15.)



## Προετοιμασία πριν το καθάρισμα

### Πληροφορίες για τη μεταφορά της ρομποτικής ηλεκτρικής σκούπας

#### ⚠ ΠΡΟΣΟΧΗ

Όποτε μεταφέρετε τη ρομποτική ηλεκτρική σκούπα, πρέπει να διακόπτετε τη λειτουργία της, ύστερα να την απενεργοποιείτε και μετά να κρατάτε σταθερά τη λαβή μεταφοράς ώστε να μην εγκλωβιστεί το χέρι σας.

• Αλλιώς, υπάρχει κίνδυνος να εγκλωβιστεί το χέρι σας στη λαβή.  
**Πάντα πρέπει να πατάτε σταθερά και να κρατάτε την ισορροπία σας όποτε σηκώνετε τη ρομποτική ηλεκτρική σκούπα.**

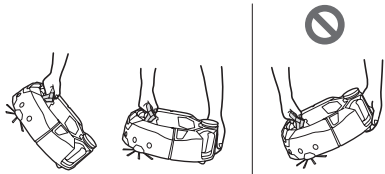
• Αλλιώς, υπάρχει κίνδυνος πρόκλησης τραυματισμού ή βλάβης του προϊόντος.

**Δεν πρέπει να σηκώνετε απρόσεκτα τη ρομποτική ηλεκτρική σκούπα.**

• Αλλιώς, υπάρχει κίνδυνος να προκληθεί τραυματισμός ή βλάβη του προϊόντος.

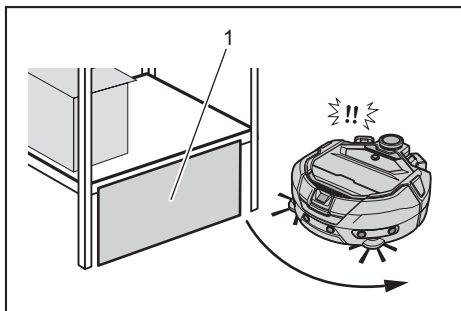
**Δεν πρέπει να κρατάτε τη ρομποτική ηλεκτρική σκούπα με την επάνω πλευρά της στραμμένη προς τα κάτω.**

• Ενδέχεται να πέσει σκόνη από το άνοιγμα αναρρόφησης.



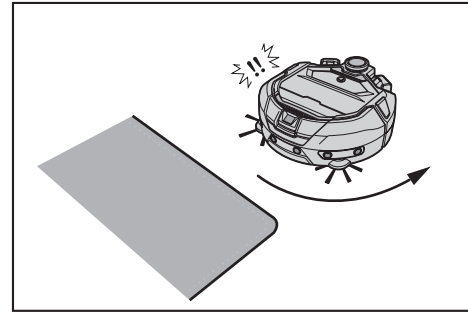
### Πληροφορίες για το καθάρισμα με τη ρομποτική ηλεκτρική σκούπα

- Η ρομποτική ηλεκτρική σκούπα ανιχνεύει εμπόδια μέσω του αισθητήρα LiDAR και του υπερηχητικού αισθητήρα της και λειτουργεί αποφεύγοντας τα εμπόδια αυτά. Συλλέγει και ρουφά τη σκόνη με τις πλαϊνές βούρτσες και την κύρια βούρτσα της. Ανάλογα με τις συνθήκες, ενδέχεται να αποτύχει να ανιχνεύσει κάποιο εμπόδιο. Όταν χτυπά ένα εμπόδιο, ο προφυλακτήρας ανιχνεύει την επαφή και αποφεύγει το εμπόδιο.
- Η ρομποτική ηλεκτρική σκούπα μπορεί να σκαρφαλώσει σε ένα σκαλοπάτι ύψους έως και περίπου 2,0 εκατοστών. Ωστόσο, αν το ύψος του είναι μικρότερο από 2,0 εκατοστά, η ρομποτική ηλεκτρική σκούπα μερικές φορές δεν καταφέρνει να ανέβει ανάλογα με τις συνθήκες, π.χ. το σχήμα του σκαλοπατιού.
- Αν ένα σημείο έχει κλίση ή δεν είναι ομαλό, ενδέχεται να εγκλωβιστεί η κάτω επιφάνεια της ρομποτικής ηλεκτρικής σκούπας και να σηκωθεί ο ένας κινητήριος τροχός, με συνέπεια να διακοπεί η λειτουργία της ρομποτικής ηλεκτρικής σκούπας λόγω σφάλματος. Αν η λειτουργία της ρομποτικής ηλεκτρικής σκούπας διακόπτεται συχνά, μην της επιτρέψετε την είσοδο στο συγκεκριμένο σημείο. (Ανατρέξτε στη σελίδα 22.)
- Όταν υπάρχει κάποιο εμπόδιο κοντά σε κάποιον τοίχο, η ρομποτική ηλεκτρική σκούπα ενδέχεται να σκαρφαλώσει στον τοίχο προσπαθώντας να αποφύγει το εμπόδιο.
- Ο αισθητήρας LiDAR ενδέχεται να μην μπορεί να αναγνωρίσει εμπόδια με τα παρακάτω χαρακτηριστικά, με πιθανή συνέπεια την ανακριβή χαρτογράφηση ή την πρόσκρουση στα εμπόδια.
  - Εμπόδια με εξαιρετικά υψηλή ανάκλαση, π.χ. καθρέφτες
  - Εξαιρετικά διαφανή εμπόδια, π.χ. γυάλινα αντικείμενα
  - Εμπόδια από μαύρο, γυαλιστερό υλικό
  - Λεπτά εμπόδια, π.χ. τα πόδια καρέκλας ή γραφείου
- Όταν η ρομποτική ηλεκτρική σκούπα μπαινεί σε κάποιο στενό χώρο με ύψος μικρότερο από το δικό της, ενδέχεται να εγκλωβιστεί και να κολλήσει. Στην περίπτωση αυτή, τοποθετήστε ένα διαχωριστικό ή κάποιο αντικείμενο.



- 1. Αποκλείστε ένα κενό με ένα διαχωριστικό ή κάποιο αντικείμενο.

- Η ρομποτική ηλεκτρική σκούπα ενδέχεται να ανιχνεύσει ένα μαύρο δάπεδο, ένα διαφανές δάπεδο, π.χ. γυάλινο, ή τα μαύρα σημεία στα νερά ενός ξύλινου δαπέδου ως σκαλοπάτι το οποίο, στη συνέχεια, θα προσπαθήσει να αποφύγει.

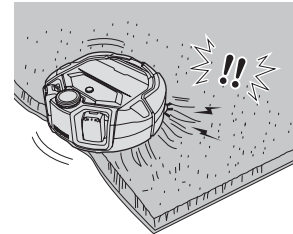


- Η ρομποτική ηλεκτρική σκούπα ενδέχεται να μην μπορεί να ρουφήξει τη σκόνη στα σημεία γύρω από ένα σκαλοπάτι στο οποίο μπορεί να σκαρφαλώσει, σε έναν απομονωμένο ή στενό χώρο στον οποίο δεν μπορεί να μπει ή σε κάποιο σημείο στο οποίο δεν μπορούν να φτάσουν οι πλαϊνές βούρτσες.
- Η ρομποτική ηλεκτρική σκούπα ενδέχεται να στρώξει μακριά ένα μικρό σκληρό αντικείμενο, π.χ. μια μικρή πέτρα.
- Η ρομποτική ηλεκτρική σκούπα ενδέχεται να σκαρφαλώσει σε ένα σκαλοπάτι κατά λάθος αν υπάρχει κάποιο αντικείμενο που μπορεί να τη βοηθήσει να σκαρφαλώσει (π.χ. σε ένα σανίδι ή ένα χαλί). Φροντίστε να απομακρύνετε τα αντικείμενα αυτού του είδους από τα σκαλοπάτια.

#### ⚠ ΠΡΟΣΟΧΗ

**Δεν πρέπει να χρησιμοποιείτε τη ρομποτική ηλεκτρική σκούπα στα παρακάτω σημεία.**

- Δεν πρέπει να χρησιμοποιείτε τη ρομποτική ηλεκτρική σκούπα σε σημεία όπως χαλιά με πέλος ύψους άνω των 7 χιλιοστών, σε χαλάκια με πέλος που ξεφτίζει εύκολα και σε χαλάκια με ανώμαλη επιφάνεια.  
Σε χαλάκια αυτού του είδους, ενδέχεται να διακοπεί η λειτουργία της ρομποτικής ηλεκτρικής σκούπας, να εγκλωβιστούν ίνες του πέλους στις πλαϊνές βούρτσες ή να προκληθεί ζημιά στα χαλάκια ή στις πλαϊνές βούρτσες. Αν η ρομποτική ηλεκτρική σκούπα δεν μπορεί να λειτουργήσει καλά σε ένα χαλί διαφορετικό από τα προαναφερόμενα, αποφύγετε τη χρήση της στο χαλί αυτό.



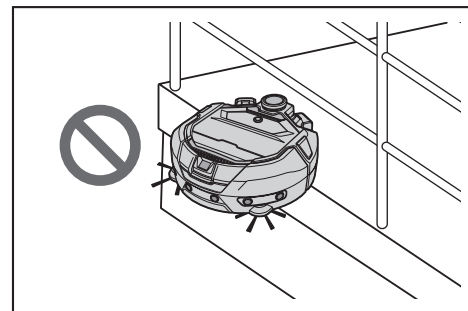
- Δεν πρέπει να χρησιμοποιείτε τη ρομποτική ηλεκτρική σκούπα σε στρώματα, κουβέρτες, μαξιλάρια δαπέδου κλπ.
- Δεν πρέπει να χρησιμοποιείτε τη ρομποτική ηλεκτρική σκούπα σε υγρά σημεία, σε τουαλέτες, μπάνια, σοφίτες, εξωτερικούς χώρους κλπ.
- Δεν πρέπει να χρησιμοποιείτε τη ρομποτική ηλεκτρική σκούπα σε υγρά σημεία, σε χώρους που μπορεί να βραχούν ή σε ζεστούς και υγρούς χώρους.

### Για να αποφύγετε κάθε κίνδυνο πτώσης της ρομποτικής ηλεκτρικής σκούπας

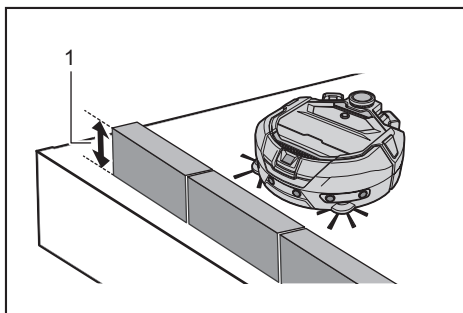
#### ⚠ ΠΡΟΕΙΔΟΠΟΙΗΣΗ

**Πρέπει να διασφαλίζετε ότι η ρομποτική ηλεκτρική σκούπα δεν θα πέσει.**

- Αν πέσει, ενδέχεται να σπάσει κάτι ή να προκληθεί τραυματισμός.
- Δεν πρέπει να χρησιμοποιείτε τη ρομποτική ηλεκτρική σκούπα σε ημιώροφους, πατάρια, σκάλες, χώρους δίχως τοίχους ή χώρους με κλίση 10° και άνω.

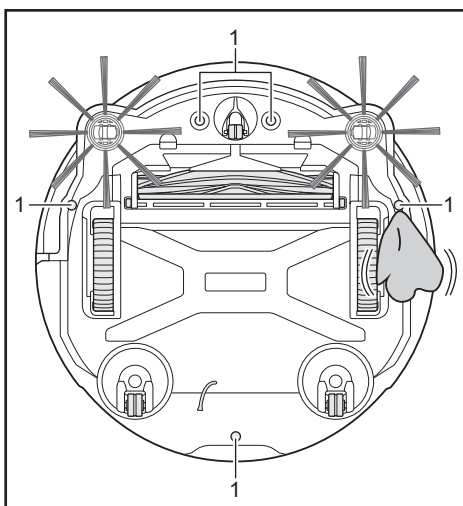


- Σε σημεία όπου είναι πιθανό να προκληθεί ατύχημα ή άλλη επικίνδυνη κατάσταση λόγω πτώσης, τοποθετήστε ένα αντικείμενο που να έχει ύψος τουλάχιστον 25 εκατοστά και να μπορεί να χρησιμεύσει ως τοίχος (δηλαδή ένα αντικείμενο που δεν θα μετακινηθεί ούτε θα αναποδογυρίσει όταν το χτυπήσει η ρομποτική ηλεκτρική σκούπα).



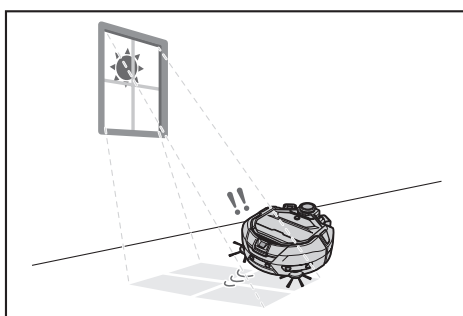
▶ 1. Ύψος τουλάχιστον 25 εκατοστά

- Αν κολλήσουν σκουπιδιάκια ή σταγονίδια νερού λόγω συμπύκνωσης στον αισθητήρα απότομης κλίσης στην επιφάνεια της κάτω πλευράς της ρομποτικής ηλεκτρικής σκούπας, σκουπίστε τα με ένα στεγνό μαλακό πανί, με μια μπατονέτα κλπ.

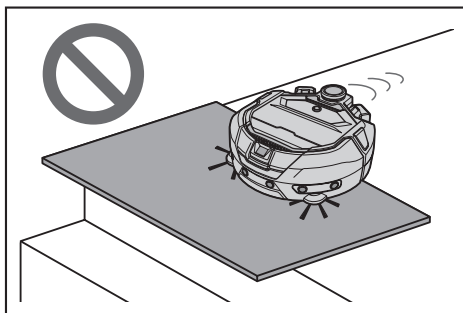


▶ 1. Αισθητήρας απότομης κλίσης (πέντε σημεία)

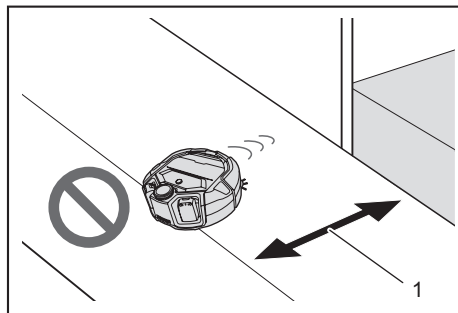
- Η ρομποτική ηλεκτρική σκούπα ενδέχεται να μην μπορεί να λειτουργήσει όπως πρέπει αν μείνει εκτεθειμένη στο φως του ήλιου ή σε υπέρυθρο φως από άλλο εξοπλισμό. Πρέπει οπωσδήποτε να φροντίζετε να μη μείνει εκτεθειμένη η ρομποτική ηλεκτρική σκούπα σε υπέρυθρο φως από θερμάστρα αλογόνου, τηλεχειριστήριο, αισθητήρα ή άλλο εξοπλισμό και στο φως του ήλιου που έρχεται από αμφοβολισμένο γυαλί κλπ.



- Δεν πρέπει να χρησιμοποιείτε τη συσκευή σε χώρους όπου υπάρχουν αντικείμενα, π.χ. χαλιά, πατάκια ή πλάκες κοντά σε κάποιο σκαλοπάτι. Αν υπάρχει κάποιο αντικείμενο, π.χ. χαλί, πατάκι ή πλάκα, που καλύπτει το σκαλοπάτι, ο αισθητήρας απότομης κλίσης ενδέχεται να μην μπορέσει να αναγνωρίσει σωστά το σκαλοπάτι.

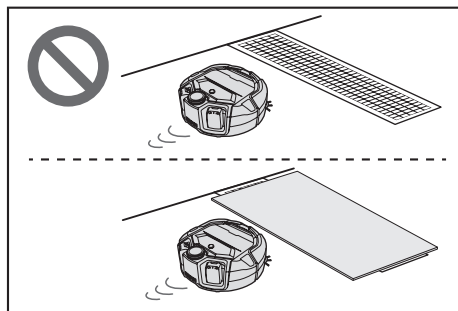


- Σε σημεία όπου ένας τοίχος απέχει λιγότερο από περίπου 1 μέτρο από ένα σκαλοπάτι, η ρομποτική ηλεκτρική σκούπα ενδέχεται να πέσει την ώρα που θα κινείται προς τα πίσω. Δεν πρέπει να χρησιμοποιείτε τη ρομποτική ηλεκτρική σκούπα σε σημεία όπου ένας τοίχος απέχει λιγότερο από περίπου 1 μέτρο από ένα σκαλοπάτι.



▶ 1. Λιγότερο από περίπου 1 μέτρο

- Όπου υπάρχει σιφόνι (κάλυμμα με σχάρα), ο αισθητήρας απότομης κλίσης ενδέχεται να το αναγνωρίσει ως σκαλοπάτι και η ρομποτική ηλεκτρική σκούπα ενδέχεται να μην μπορέσει να περάσει από πάνω του. Αν είναι απαραίτητο να περάσει από πάνω του, καλύψτε τη σχάρα με μια πλάκα ή κάτι παρόμοιο.



- Ο αισθητήρας απότομης κλίσης ενδέχεται να αναγνωρίσει ένα σκαλοπάτι ύψους περίπου 3,0 εκατοστών ως σκαλοπάτι, με αποτέλεσμα η ρομποτική ηλεκτρική σκούπα να κατέβει το σκαλοπάτι ενώ πηγαίνει ίσια. Όπου υπάρχει σκαλοπάτι ύψους περίπου 2,0 ως 3,0 εκατοστών, αποφύγετε να χρησιμοποιήσετε τη ρομποτική ηλεκτρική σκούπα.
- Κλείστε κάθε συρόμενη πόρτα και συρόμενο διαχωριστικό ή παράθυρο επειδή οι αισθητήρες του προφυλακτήρα ενδέχεται να μην αναγνωρίσουν ως σκαλοπάτι τη διαφορά επιπέδου που έχουν τα πλαίσια ή οι ράγες τους.
- Δεν πρέπει να χρησιμοποιείτε τη ρομποτική ηλεκτρική σκούπα σε επιφάνεια εύθραυστου δαπέδου, π.χ. γυαλίνου.

## Τακτοποίηση ενός χώρου που πρέπει να καθαριστεί

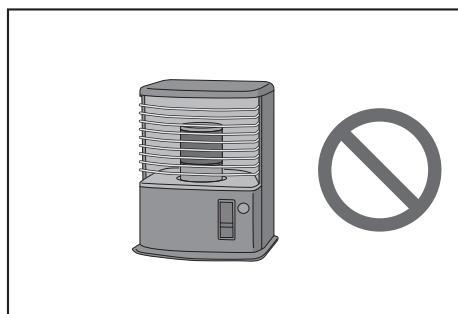
### ⚠ ΠΡΟΕΙΔΟΠΟΙΗΣΗ

Πρέπει να μετακινήτε τα αντικείμενα που ενδέχεται να προκαλέσουν ζημιά ή ατύχημα όταν θα έρθει σε επαφή μαζί τους η ρομποτική ηλεκτρική σκούπα.

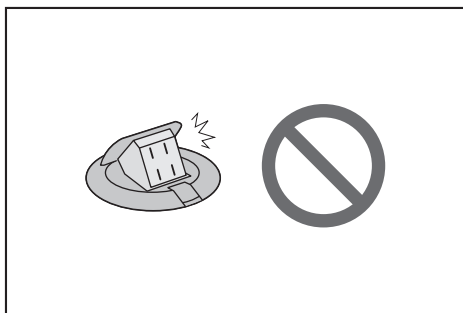
Πρέπει να απομακρύνετε τα αντικείμενα που δεν πρέπει να ρουφήξει η ρομποτική ηλεκτρική σκούπα, τα αντικείμενα που εμποδίζουν την κίνησή της και τα αντικείμενα που πιθανό να εγκλωβιστούν στην κύρια βούρτσα, στους τροχούς και στις πλαϊνές βούρτσες.

- Αν αφήσετε κάποιο αντικείμενο που θα εμποδίσει την κίνηση της ρομποτικής ηλεκτρικής σκούπας κατά το καθάρισμα, υπάρχει κίνδυνος να προκληθεί ατύχημα ή τραυματισμός.

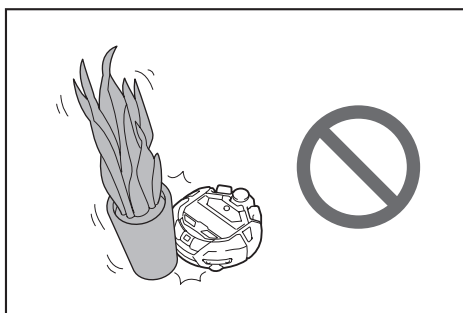
- Δεν πρέπει να χρησιμοποιείτε τη ρομποτική ηλεκτρική σκούπα κοντά σε αντικείμενα που θερμαίνονται, π.χ. θερμαντικές συσκευές (θερμαντικά χώρου). Αλλιώς, υπάρχει κίνδυνος πρόκλησης ατυχήματος, ανάφλεξης ή βλάβης. (Δεν πρέπει να χρησιμοποιείτε θερμαντικές συσκευές κατά τη λειτουργία της σκούπας.)



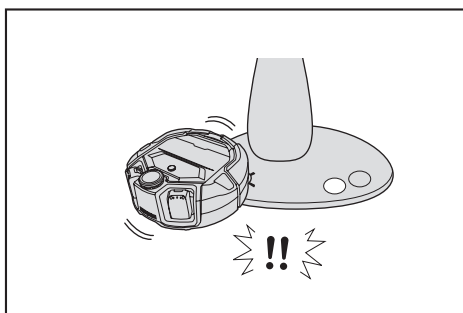
- Δεν πρέπει να χρησιμοποιείτε τη ρομποτική ηλεκτρική σκούπα σε χώρους που διαθέτουν πτυσσόμενες ηλεκτρικές πρίζες. Κάθε πτυσσόμενη ηλεκτρική πρίζα πρέπει να είναι πάντα κλειστή.



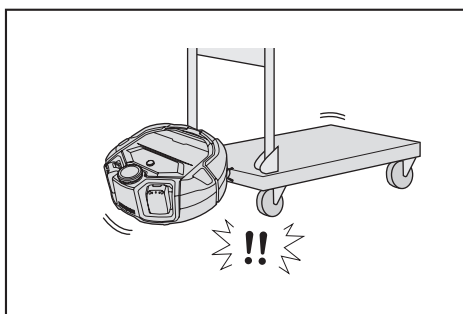
- Αν υπάρχουν τοίχοι φτιαγμένοι από εύθραστο υλικό (π.χ. πλινθότοιχοι, διακοσμητικές ή συρόμενες πόρτες ή πτυσσόμενα διαχωριστικά), τοποθετήστε μπροστά τους αντικείμενα που θα χρησιμεύσουν ως τοίχος ώστε να μην πάθουν ζημιά.
- Δεν πρέπει να χρησιμοποιείτε τη συσκευή σε χώρους όπου υπάρχουν τοποθετημένα ασταθή αντικείμενα ή αντικείμενα που μπορεί να πέσουν κάτω εύκολα. Αν υπάρχουν ασταθή αντικείμενα και αντικείμενα που μπορούν να πέσουν εύκολα, πρέπει να τα μετακινείτε σε κάποιον άλλο χώρο.



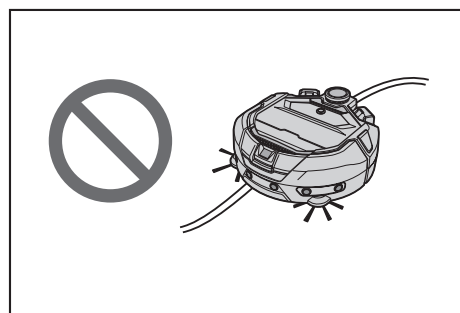
- Πρέπει να μετακινείτε εξοπλισμό και συσκευές που διαθέτουν κουμπιά ελέγχου και βρίσκονται στο ίδιο επίπεδο με τη ρομποτική ηλεκτρική σκούπα.



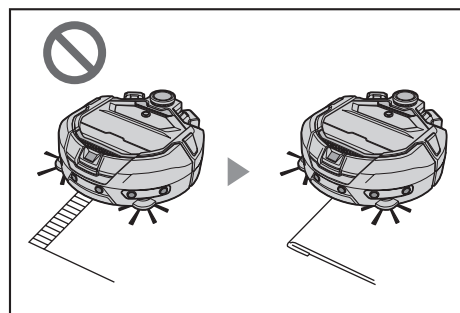
- Πρέπει να απομακρύνετε αναμμένα κεριά και εύθραυστα αντικείμενα.
- Αν υπάρχουν αντικείμενα με ροδάκια, π.χ. καρότσια και καρέκλες με ροδάκια, και ελαφριά καθίσματα που μπορούν να μετακινηθούν εύκολα, ασφαλίστε τα ροδάκια ή απομακρύνετε τα αντικείμενα.



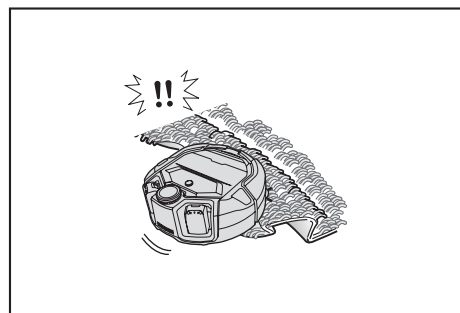
- Δεν πρέπει να χρησιμοποιείτε τη συσκευή όταν υπάρχουν σκόρπια καλώδια που ενδέχεται να πιαστούν ή να μπλεχτούν. Πρέπει οπωσδήποτε να τοποθετείτε τα καλώδια τροφοδοσίας κατά μήκος του τοίχου ώστε να μη σκαλώσει η ρομποτική ηλεκτρική σκούπα.



- Πρέπει να απομακρύνετε μακριά και λεπτά αντικείμενα, π.χ. καλώδια και ιμάντες.
- Πρέπει να απομακρύνετε μικρά αντικείμενα τα οποία μπορεί να ρουφήξει εύκολα η σκούπα και κάθε αντικείμενο αξίας.
- Πρέπει να απομακρύνετε τα αντικείμενα που εμποδίζουν τη διέλευση της ρομποτικής ηλεκτρικής σκούπας, π.χ. τραπέζια εργασίας, καθίσματα, εργαλεία και πλάκες.
- Ενδέχεται να προκληθεί δυσλειτουργία της ρομποτικής ηλεκτρικής σκούπας αν ρουφήξει περιπτώματα ζώων ή άλλα υγρά απορρίμματα. Αν υπάρχουν, φροντίστε να τα καθαρίσετε εσείς.
- Πρέπει να φροντίζετε να κρύβετε τα κρόσσια χαλιών ή άλλων καλυμμάτων δαπέδου κάτω από τα χαλιά και τα πατάκια.



- Πρέπει να σηκώνετε τα στριψώματα κουρτινών κλπ που σέρνονται στο δάπεδο. Τα στριψώματα ενδέχεται να πιαστούν στην κύρια βούρτσα κλπ.
- Πρέπει να απομακρύνετε λεπτά και ολισθηρά καλύμματα δαπέδου, π.χ. πατάκια και χαλιά. Υπάρχει κίνδυνος να προκληθεί ζημιά στα χαλιά και στις πλαϊνές βούρτσες.



- Πρέπει να απομακρύνετε λεπτά χαρτιά και υφάσματα, πλαστικές σακούλες κλπ.
- Σε σημεία που οδηγούν σε εξωτερικούς χώρους, πρέπει να κλείνετε τις πόρτες για να εμποδίσετε τη ρομποτική ηλεκτρική σκούπα να βγει έξω. Αν δεν μπορείτε να κλείσετε τις πόρτες, δεν πρέπει να χρησιμοποιήσετε τη ρομποτική ηλεκτρική σκούπα. Επιπλέον, πρέπει να κλείσετε τις πόρτες των χώρων στους οποίους δεν θέλετε να μπει η ρομποτική ηλεκτρική σκούπα.
- Η ρομποτική ηλεκτρική σκούπα ενδέχεται να μην μπορέσει να λειτουργήσει όπως πρέπει αν η επιφάνεια του δαπέδου είναι ολισθηρή. Προτού τη χρησιμοποιήσετε, πρέπει να ελέγχετε την κατάσταση του δαπέδου.
- Πρέπει να διασφαλίζετε ότι θα υπάρχει ελεύθερος χώρος πλάτους τουλάχιστον 80 εκατοστών για το καθάρισμα.

## Προετοιμασία για χρήση


### Προσάρτηση των πλαϊνών βούρτσων

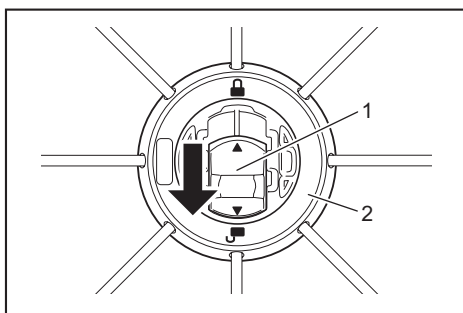
#### ⚠ ΠΡΟΕΙΔΟΠΟΙΗΣΗ

Προτού προσαρτήσετε τις πλαϊνές βούρτσες, πρέπει να βεβαιώσετε ότι έχετε αφαιρέσει τις μπαταρίες από τη ρομποτική ηλεκτρική σκούπα.

- Αν αφήσετε μια μπαταρία τοποθετημένη στη ρομποτική ηλεκτρική σκούπα, υπάρχει κίνδυνος πρόκλησης ηλεκτροπληξίας ή τραυματισμού.

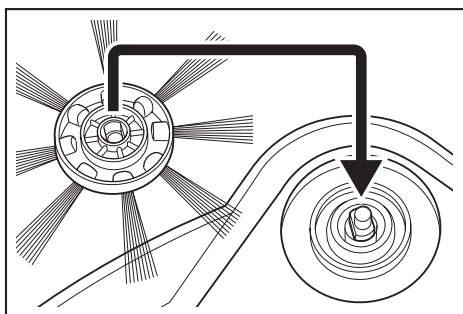
Κατά την προσάρτηση των πλαϊνών βούρτσων, στρώστε ένα πατάκι ή κάτι παρόμοιο ώστε να μην προκληθεί ζημιά στη ρομποτική ηλεκτρική σκούπα και στην επιφάνεια του δαπέδου.


1. Γυρίστε ανάποδα τη ρομποτική ηλεκτρική σκούπα.
2. Φέρτε συρτά τον μοχλό ασφάλισης της πλαϊνής βούρτσας στη θέση  (στο σημάδι ασφάλισης).



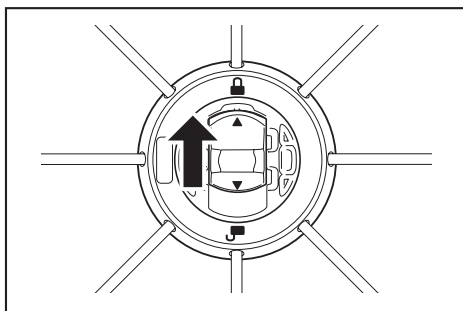
- 1. Μοχλός ασφάλισης 2. Πλαϊνή βούρτσα

3. Προσαρτήστε έτσι την πλαϊνή βούρτσα ώστε ο άξονας στην κάτω πλευρά της ρομποτικής ηλεκτρικής σκούπας να εφαρμόσει στο σχήμα της οπής της πλαϊνής βούρτσας.



4. Σπρώξτε τον μοχλό ασφάλισης της πλαϊνής βούρτσας προς τα εμπρός στη θέση  (στο σημάδι ασφάλισης) ώσπου να ακουστεί το χαρακτηριστικό κλικ. (Σπρώξτε τον μοχλό όπως πρέπει ώσπου να φτάσει στο σημείο που υποδεικνύεται στο σχεδιάγραμμα.)

- Μετά την εγκατάσταση, σηκώστε ελαφρά την πλαϊνή βούρτσα για να σιγουρευτείτε ότι δεν αποσπάται από τη ρομποτική ηλεκτρική σκούπα.
- Προσαρτήστε τις δύο πλαϊνές βούρτσες, τη μία αριστερά και την άλλη δεξιά.

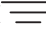


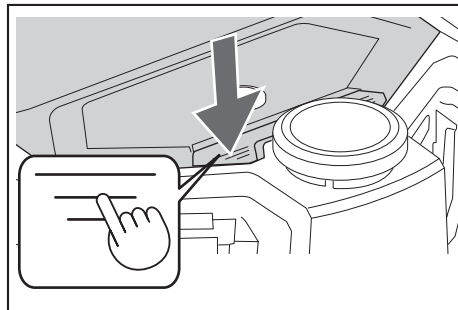
### Αποσυσκευασία του κουτιού σκόνης

#### ⚠ ΠΡΟΕΙΔΟΠΟΙΗΣΗ

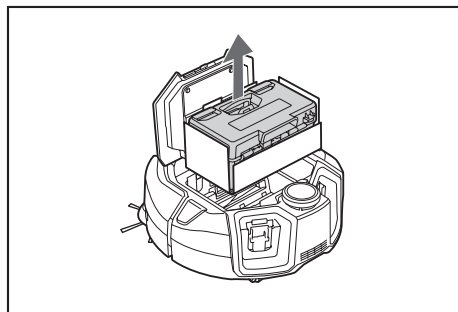
Όταν ανοίξετε το κάλυμμα της επάνω πλευράς της ρομποτικής ηλεκτρικής σκούπας, βεβαιωθείτε ότι έχετε αφαιρέσει τις μπαταρίες της.

- Αν αφήσετε μια μπαταρία τοποθετημένη στη ρομποτική ηλεκτρική σκούπα, υπάρχει κίνδυνος πρόκλησης ηλεκτροπληξίας ή τραυματισμού.

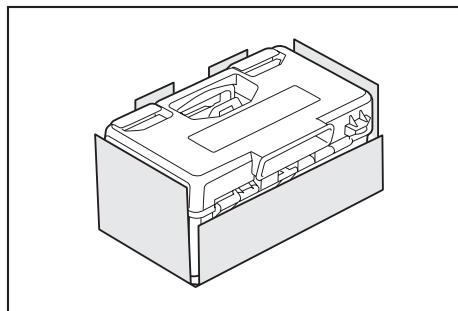
1. Πιέστε το κουμπί ανοίγματος (  ) για να ανοίξετε το κάλυμμα της επάνω πλευράς. Προσέξτε γιατί το κάλυμμα της επάνω πλευράς ανοίγει γρήγορα.



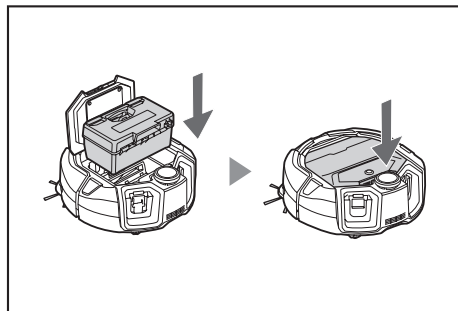
2. Αφαιρέστε το κουτί σκόνης.




3. Αφαιρέστε το υλικό συσκευασίας.

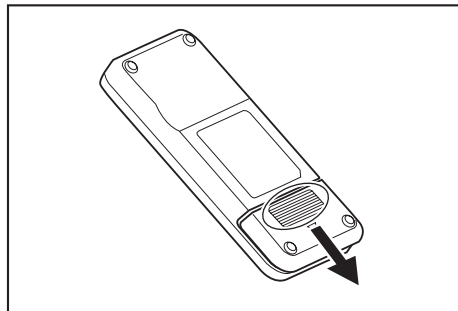


4. Επανατοποθετήστε το κουτί σκόνης μέσα στη ρομποτική ηλεκτρική σκούπα και πιέστε το κάλυμμα της επάνω πλευράς για να κλείσει ώσπου να ακουστεί το χαρακτηριστικό κλικ. Όταν θα κλείσετε το κάλυμμα της επάνω πλευράς, προσέξτε να μην εγκλωβιστούν τα δάχτυλά σας.

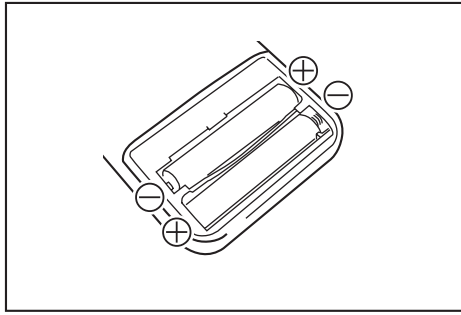


### Τοποθέτηση μπαταριών στο τηλεχειριστήριο

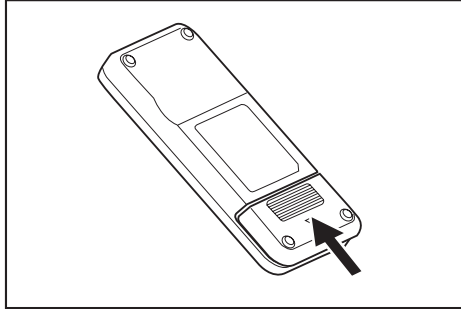
1. Πιέζοντας το  στο καπάκι του τηλεχειριστηρίου, σύρετε το καπάκι προς την κατεύθυνση την οποία υποδεικνύει το βέλος και αφαιρέστε το.



2. Τοποθετήστε τις μπαταρίες με τη σωστή κατεύθυνση.



3. Προσαρτήστε το καπάκι.

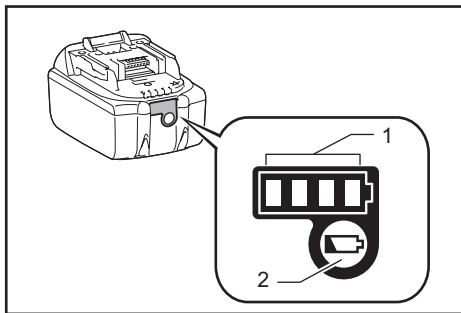


### ΑΝΑΚΟΙΝΩΣΗ

- Φροντίστε να ευθυγραμμίσετε σωστά τις μπαταρίες με βάση την πολικότητά τους.
- Απαιτούνται δύο ξηρές μπαταρίες AAA. Οι δύο μπαταρίες πρέπει να είναι καινούριες και του ίδιου τύπου.
- Πρέπει να αφαιρείτε τις μπαταρίες όποτε δεν πρόκειται να τις χρησιμοποιήσετε για μεγάλο χρονικό διάστημα προκειμένου να μην προκληθεί κάποια βλάβη λόγω διαρροής υγρών και ραγίσματος.
- Αν το διάλυμα μιας μπαταρίας μπει στα μάτια σας ή έρθει σε επαφή με την επιδερμίδα ή τα ρούχα σας, πλυθείτε αμέσως με καθαρό νερό.
- Μην αφήνετε το τηλεχειριστήριο να μείνει εκτεθειμένο σε κραδασμούς ή να βραχεί με νερό. Δεν πρέπει να τοποθετείτε σε σημεία όπου θα είναι άμεσα εκτεθειμένο στο φως του ήλιου ή κοντά σε θερμαντικό σώμα κλπ. γιατί υπάρχει κίνδυνος να πάθει βλάβη.

## Ένδειξη της εναπομένουσας χωρητικότητας της μπαταρίας

Μόνο για κασέτες μπαταριών με την ένδειξη



► 1. Ενδεικτικές λυχνίες 2. Κουμπί ελέγχου

Πιέστε το κουμπί ελέγχου που θα βρείτε στην κασέτα μπαταριών για να δείτε την ένδειξη της εναπομένουσας χωρητικότητάς της. Οι ενδεικτικές λυχνίες ανάβουν για λίγα δευτερόλεπτα.

Ενδεικτικές λυχνίες			Εναπομένουσα χωρητικότητα
■ Αναμμένες	□ Σβηστές	▬ Αναβόσβημα	
■ ■ ■ ■			75% έως 100%
■ ■ ■ □			50% έως 75%
■ ■ □ □			25% έως 50%
■ □ □ □			0% έως 25%
▬ □ □ □			Φορτίστε την μπαταρία.
■ ■ □ □		↑ ↓	Η μπαταρία ίσως έχει δυσλειτουργήσει.

### ΑΝΑΚΟΙΝΩΣΗ

- Ανάλογα με τις συνθήκες χρήσης και τη θερμοκρασία του περιβάλλοντος, η ένδειξη ενδέχεται να διαφέρει λίγο από την πραγματική χωρητικότητα.
- Η πρώτη ενδεικτική λυχνία (τέρμα αριστερά) θα αναβόσβηνει όποτε λειτουργεί το σύστημα προστασίας της μπαταρίας.

## Τοποθέτηση και αφαίρεση μπαταριών (οι οποίες πωλούνται χωριστά)

- Η ρομπωτική ηλεκτρική σκούπα λειτουργεί ακόμη και μόνο με μία μπαταρία.
- Με δύο μπαταρίες μπορεί να λειτουργήσει για μεγάλο χρονικό διάστημα.

## Διαδικασία τοποθέτησης

### ⚠ ΠΡΟΕΙΔΟΠΟΙΗΣΗ

Μια μπαταρία πρέπει να περνά σταθερά στη θέση της ως το τέρμα. Όταν είναι ορατό το κόκκινο σημείο στο επάνω τμήμα του κουμπιού, σημαίνει ότι δεν έχει ασφαλίσει πλήρως στη θέση της. Περάστε μια μπαταρία στη θέση της ως το τέρμα ώσπου να μη φαίνεται πλέον το κόκκινο σημείο.

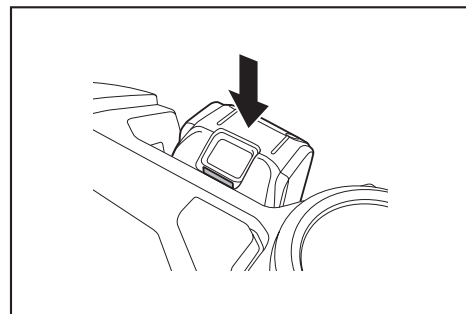
- Αν η μπαταρία δεν περάσει στη θέση της ως το τέρμα, ενδέχεται να βγει έξω με συνέπεια την πρόκληση τραυματισμού ή βλάβης.

Δεν πρέπει να εγκαθιστάτε την κασέτα μπαταριών με δύναμη.

- Αν η κασέτα δεν περάσει σωστά στη θέση της εύκολα, σημαίνει ότι δεν την έχετε τοποθετήσει σωστά.

Πρέπει να κρατάτε γερά το εργαλείο και την κασέτα μπαταριών κατά την τοποθέτηση της κασέτας.

Περάστε σταθερά μια μπαταρία κατά μήκος του αυλακιού της ρομπωτικής ηλεκτρικής σκούπας ως το τέρμα. Μόλις η μπαταρία ασφαλίσει πλήρως, ακούγεται το χαρακτηριστικό κλικ.



### ΑΝΑΚΟΙΝΩΣΗ

Κατά την τοποθέτηση μιας μπαταρίας, πρέπει να προσέχετε να μην εγκλωβιστούν τα δάχτυλά σας ανάμεσα στη ρομπωτική ηλεκτρική σκούπα και στην μπαταρία.

## Διαδικασία αφαίρεσης

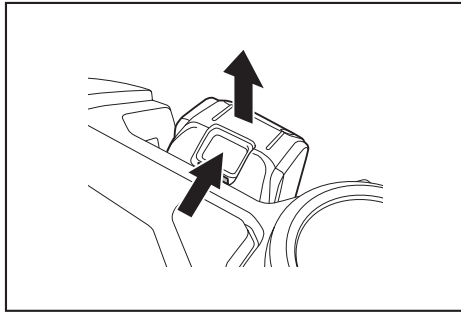
### ⚠ ΠΡΟΕΙΔΟΠΟΙΗΣΗ

Όποτε αφαιρείτε μια μπαταρία, πρέπει να βεβαιώνετε ότι η ρομπωτική ηλεκτρική σκούπα είναι απενεργοποιημένη. Μην αφαιρείτε μια μπαταρία όταν η ρομπωτική ηλεκτρική σκούπα βρίσκεται στην κατάσταση αναμονής. (Ανατρέξτε στην «Ενεργοποίηση/Απενεργοποίηση της συσκευής» στη σελίδα 17.)

- Αν αφαιρέσετε μια μπαταρία ενώ η συσκευή είναι ενεργοποιημένη, υπάρχει κίνδυνος να προκληθεί βλάβη.

Πρέπει να κρατάτε γερά το εργαλείο και την κασέτα μπαταριών κατά την αφαίρεση της κασέτας.

Σηκώστε την μπαταρία χρησιμοποιώντας το κουμπί της.

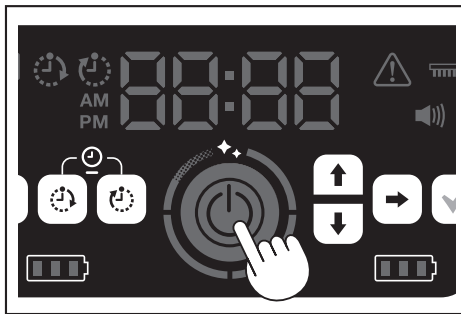


## Ενεργοποίηση/Απενεργοποίηση της συσκευής

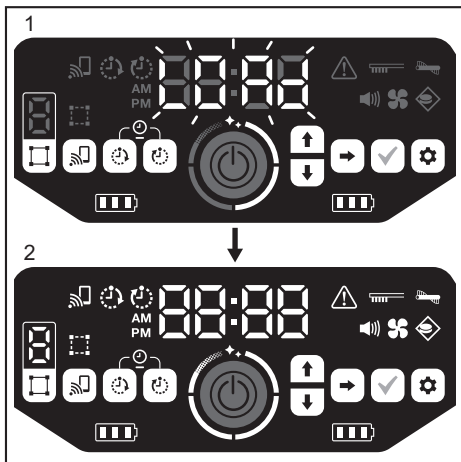
- Μόλις ενεργοποιείτε τη ρομποτική ηλεκτρική σκούπα, περνά στην κατάσταση αναμονής. Στην κατάσταση αναμονής μπορείτε να καθαρίσετε, να αλλάξετε ρυθμίσεις και να συνδεθείτε με την εφαρμογή.
- Αν η ρομποτική ηλεκτρική σκούπα, το τηλεχειριστήριο ή εφαρμογή δεν έχουν λειτουργήσει επί περίπου 30 λεπτά στην κατάσταση αναμονής, η λειτουργία της συσκευής θα τερματιστεί. (Αν η λυχνία σύνδεσης smartphone ανάψει την προαναφερόμενη περίπτωση, η λειτουργία της συσκευής δεν θα τερματιστεί.)
- Πρέπει να απενεργοποιείτε τη συσκευή στο τέλος της λειτουργίας της και όποτε την αποθηκεύετε.
- Όποτε η ρομποτική ηλεκτρική σκούπα βρίσκεται στην κατάσταση αναστολής λειτουργίας, δεν είναι δυνατή η επικοινωνία μέσω της εφαρμογής.
- Όποτε η ρομποτική ηλεκτρική σκούπα είναι απενεργοποιημένη, δεν μπορείτε να τη θέσετε σε λειτουργία μέσω του τηλεχειριστηρίου ή της εφαρμογής.

## Διαδικασία ενεργοποίησης

1. Πιέστε το κουμπί έναρξης/διακοπής λειτουργίας στη ρομποτική ηλεκτρική σκούπα την ώρα που είναι απενεργοποιημένη.



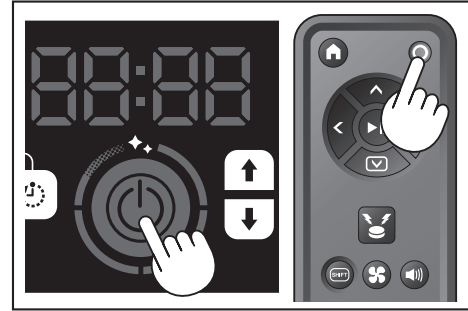
2. Περιμένετε χωρίς να τη θέσετε σε λειτουργία ώσπου να εμφανιστεί η ένδειξη της ώρας. Την πρώτη φορά που θα χρησιμοποιήσετε τη ρομποτική ηλεκτρική σκούπα, χρειάζεται πρώτα να ρυθμίσετε την ώρα. Καθορίστε την ώρα της ημέρας. (Ανατρέξτε στη σελίδα 25.)



- ▶ 1. Στην ένδειξη χρόνου αναβοσβήνει το [LOAD] και οι τέσσερις λυχνία επιπέδου καθαρισμού ανάβουν και σβήνουν με τη φορά των δεικτών του ρολογιού. Η ταχύτητα εναλλαγής των λυχνιών αυξάνεται όσο προχωρά η διαδικασία εκκίνησης.
- 2. Μόλις ανάψουν όλες οι λυχνίες, διαδικασία εκκίνησης της ρομποτικής ηλεκτρικής σκούπας έχει ολοκληρωθεί (η συσκευή έχει περάσει στην κατάσταση αναμονής).

## Διαδικασία απενεργοποίησης

Πιέστε παρατεταμένα το κουμπί έναρξης/διακοπής λειτουργίας στη ρομποτική ηλεκτρική σκούπα ή πιέστε το κουμπί ΑΠΕΝΕΡΓΟΠΟΙΗΣΗΣ στο τηλεχειριστήριο. Μόλις απενεργοποιηθεί πλήρως η ρομποτική ηλεκτρική σκούπα, η οθόνη ενδείξεων και οι λυχνίες της σβήνουν. Επομένως, πρέπει να περιμένετε χωρίς να αφαιρέσετε τις μπαταρίες. Μόλις ολοκληρώσετε τη χρήση της ρομποτικής ηλεκτρικής σκούπας ή όταν θελήσετε να την αποθηκεύσετε, απενεργοποιήστε την και αφαιρέστε τις μπαταρίες.



## ΑΝΑΚΟΙΝΩΣΗ

Δεν πρέπει να αφαιρέτε τις μπαταρίες προτού απενεργοποιηθεί πλήρως η συσκευή (πριν σβήσουν η οθόνη ενδείξεων και οι λυχνίες). Αλλιώς, υπάρχει κίνδυνος να διαγραφούν οι αποθηκευμένες πληροφορίες χαρτογράφησης και το ιστορικό καθαρισμάτων.

## Πώς θα καταλάβετε τι σημαίνουν οι ενδείξεις της λυχνίας ισχύος της μπαταρίας της ρομποτικής ηλεκτρικής σκούπας

Κατάσταση της λυχνίας ισχύος της μπαταρίας	Εναπομένουσα χωρητικότητα της μπαταρίας
	Περίπου 60% και άνω
	Περίπου 20% έως 60%
	Περίπου 20% και κάτω
	Η χωρητικότητα έχει εξαντληθεί Δεν υπάρχει τοποθετημένη μπαταρία

Η εναπομένουσα χωρητικότητα είναι μια αδρή ένδειξη και ενδέχεται να ποικίλλει ανάλογα με τις συνθήκες λειτουργίας, τη θερμοκρασία του χώρου, τον τύπο της μπαταρίας, την κατανάλωση ισχύος της μπαταρίας κλπ.

## Τι πρέπει να ρυθμίσετε πριν το καθάρισμα

Πριν το καθάρισμα, κάντε τις ρυθμίσεις που απαιτούνται κατά περίπτωση για τη ρομποτική ηλεκτρική σκούπα.

## Ενεργοποίηση/Απενεργοποίηση του ανεμιστήρα αναρρόφησης

Κατά το καθάρισμα μεγάλων χώρων που έχουν μόνο ορατή σκόνη, μπορείτε να απενεργοποιείτε τον ανεμιστήρα αναρρόφησης ώστε να παραταθεί ο χρόνος λειτουργίας της σκούπας. Για τη διαδικασία ενεργοποίησης/απενεργοποίησης του ανεμιστήρα αναρρόφησης, ανατρέξτε στη σελίδα 20.

## Ενεργοποίηση/Απενεργοποίηση της ρύθμισης του ήχου

Όποτε απενεργοποιείτε τη ρύθμιση του ήχου της ρομποτικής ηλεκτρικής σκούπας, η ρομποτική ηλεκτρική σκούπα καθαρίζει αθόρυβα. (Ανατρέξτε στη σελίδα 25.)

## Καθορισμός της δυνατότητας ανίχνευσης ορίων

Όποτε ενεργοποιείτε τη δυνατότητα ανίχνευσης ορίων, η ρομποτική ηλεκτρική σκούπα αναγνωρίζει τη μαγνητική γραμμή ορίου που έχει τοποθετηθεί στην επιφάνεια ενός δαπέδου. Η μαγνητική γραμμή ορίου χρησιμεύει ως γραμμή ορίου και η ρομποτική ηλεκτρική σκούπα δεν προχωρά πιο πέρα από τη γραμμή αυτή, πράγμα που σημαίνει ότι έτσι μπορείτε να περιορίσετε την περιοχή της λειτουργίας της. Για τη διαδικασία καθορισμού της δυνατότητας ανίχνευσης ορίων, ανατρέξτε στη σελίδα 22.



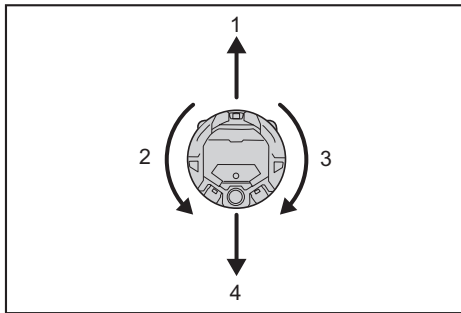
## Τρόπος χρήσης

### Καθάρισμα

- Η ρομποτική ηλεκτρική σκούπα διαθέτει τρεις τρόπους λειτουργίας:
  - Λειτουργία ελεύθερου καθαρίσματος, κατά την οποία δεν απαιτείται καταχώρηση χαρτογράφησης.
  - λειτουργία χαρτογράφησης χώρου καθαρίσματος (ανατρέξτε στην «Καθάρισμα ενός χώρου με χαρτογράφηση» στην τρέχουσα σελίδα), κατά την οποία απαιτείται η καταχώρηση πληροφοριών όσον αφορά τον χώρο για το καθάρισμα και
  - μη αυτόματη λειτουργία με χρήση του τηλεχειριστηρίου.
- Η λειτουργία ελεύθερου καθαρίσματος συνιστάται για το καθάρισμα σε διάφορους χώρους ή σε περιβάλλον στη διάταξη του οποίου γίνονται συχνές σημαντικές αλλαγές.
- Αν έχετε χώρο που δεν μπορεί να είναι επαρκώς φωτισμένος κατά τη χαρτογράφηση, χρησιμοποιήστε τη λειτουργία ελεύθερου καθαρίσματος.
- Αν πέσει η στάθμη της εναπομένουσας ισχύος της μπαταρίας της ρομποτικής ηλεκτρικής σκούπας, η ρομποτική ηλεκτρική σκούπα αναστέλλει το καθάρισμα και επιστρέφει στη θέση από την οποία ξεκίνησε το καθάρισμα.

### Καθάρισμα χώρου με χρήση του τηλεχειριστηρίου

Μπορείτε να θέσετε σε λειτουργία τη ρομποτική ηλεκτρική σκούπα για καθάρισμα πιέζοντας τα κουμπιά ενεργειών στο τηλεχειριστήριο.



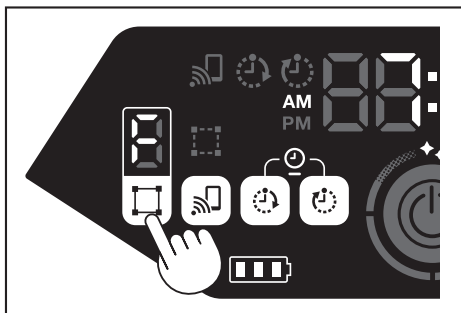
1. Μετακίνηση προς τα εμπρός: Πιέστε το
2. Στροφή αριστερά: Πιέστε το
3. Στροφή δεξιά: Πιέστε το
4. Μετακίνηση προς τα πίσω: Πιέστε παρατεταμένα το και ταυτόχρονα πιέστε το .

### ΑΝΑΚΟΙΝΩΣΗ

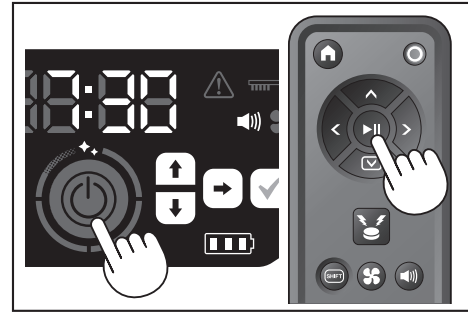
- Η ρομποτική ηλεκτρική σκούπα δεν πρέπει να λειτουργεί σε στενό ή ανώμαλο χώρο.
- Κατά τη λειτουργία της ρομποτικής ηλεκτρικής σκούπας με χρήση του τηλεχειριστηρίου, πρέπει να προσέχετε να αποφεύγετε συγκρούσεις ή πτώσεις.
- Αν υπάρχει κάποιο εμπόδιο μπροστά της, η ρομποτική ηλεκτρική σκούπα γυρίζει πίσω για να το αποφύγει.

### Καθάρισμα ενός χώρου χωρίς χαρτογράφηση (λειτουργία ελεύθερου καθαρίσματος)

1. Τοποθετήστε τη ρομποτική ηλεκτρική σκούπα δίπλα σε έναν τοίχο του χώρου που θέλετε να καθαρίσετε.
2. Θέστε τη ρομποτική ηλεκτρική σκούπα στην κατάσταση αναμονής. (Ανατρέξτε στη σελίδα 17.)
3. Πιέστε το κουμπί εναλλαγής τρόπων λειτουργίας και επιλέξτε το [F] (λειτουργία ελεύθερου καθαρίσματος).  
Κάθε φορά που πιέζετε το κουμπί εναλλαγής τρόπων λειτουργίας, ο χαρακτήρας που εμφανίζεται στην οθόνη ενδείξεων αλλάζει ακολουθώντας τη σειρά «F, 1, 2, 3, 4, 5, F, ...» (όπου κάθε αριθμός αντιπροσωπεύει τον αριθμό ενός χώρου).



4. Μόλις πιέσετε το κουμπί έναρξης/διακοπής λειτουργίας, η ρομποτική ηλεκτρική σκούπα εκπέμπει έναν ήχο και αρχίζει το καθάρισμα. (Εφόσον είναι ενεργοποιημένη η ρύθμιση του ήχου)



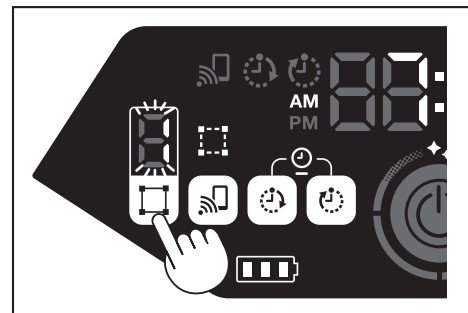
5. Μόλις η ρομποτική ηλεκτρική σκούπα διαπιστώνει ότι έχει τελειώσει το καθάρισμα, επιστρέφει στο σημείο από το οποίο ξεκίνησε το καθάρισμα.
  - Εφόσον είναι ενεργοποιημένη η ρύθμιση του ήχου, ακούγεται ένας ήχος μόλις ολοκληρωθεί το καθάρισμα. (Ανατρέξτε στη σελίδα 25.)
  - Η ρομποτική ηλεκτρική σκούπα υπολογίζει τη δική της θέση χρησιμοποιώντας τον αισθητήρα LiDAR και τον αισθητήρα κάμερας. Προκειμένου να λειτουργήσει πλήρως ο αισθητήρας κάμερας, συνιστούμε να ανάψετε περισσότερα φώτα στον χώρο για το καθάρισμα. Αν ο χώρος είναι σκοτεινός, η ρομποτική ηλεκτρική σκούπα ενδέχεται να μην μπορέσει να καθαρίσει κάποια περιοχή ή ίσως δεν καταφέρει να επιστρέψει στο σημείο από το οποίο ξεκίνησε το καθάρισμα.

### Καθάρισμα ενός χώρου με χαρτογράφηση

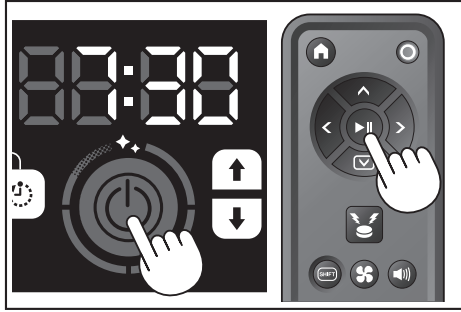
#### Καταχώρηση πληροφοριών για τον χώρο (χαρτογράφηση)

- Εφόσον οι χώροι που πρέπει να καθαριστούν έχουν ήδη καθοριστεί, με την καταχώρηση πληροφοριών για τον χώρο (καταχώρηση πληροφοριών χαρτογράφησης) στη ρομποτική ηλεκτρική σκούπα είναι εφικτό το πιο αποτελεσματικό καθάρισμα του χώρου. Μόλις ολοκληρωθεί η χαρτογράφηση, έχετε πλέον τη δυνατότητα να ελέγξετε το αποτέλεσμα του καθαρίσματος και να καθορίσετε απαγορευμένους χώρους μέσω της εφαρμογής.
- Μπορείτε να καταχωρήσετε έως και πέντε χώρους.
- Ανάψτε περισσότερα φώτα στον χώρο κατά τη χαρτογράφηση.
- Μείνετε μακριά από τη ρομποτική ηλεκτρική σκούπα κατά τη χαρτογράφηση.
- Μη σηκώνετε τη ρομποτική ηλεκτρική σκούπα κατά τη χαρτογράφηση.
- Η χαρτογράφηση αποτυγχάνει αν δεν υπάρχουν εμπόδια ύψους τουλάχιστον 25 εκατοστών σε ακτίνα περίπου 11 μέτρων από τη ρομποτική ηλεκτρική σκούπα. Στην περίπτωση αυτή, συνιστάται η λειτουργία ελεύθερου καθαρίσματος. (Ανατρέξτε στην «Καθάρισμα ενός χώρου χωρίς χαρτογράφηση (λειτουργία ελεύθερου καθαρίσματος)» στην τρέχουσα σελίδα.)

1. Τοποθετήστε τη ρομποτική ηλεκτρική σκούπα στο σημείο από το οποίο θέλετε να ξεκινήσει το καθάρισμα.
  - Αυτή η θέση έναρξης θα είναι μια θέση από την οποία θα ξεκινήσει το καθάρισμα.
  - Συνιστούμε να καθορίσετε ως θέση έναρξης κάποιο σημείο κοντά σε έναν τοίχο ή σε μια γωνία του χώρου ή κάποιο άλλο σημείο που εύκολα αναγνωρίζομαι.
  - Αφήστε απόσταση περίπου 30 εκατοστών από τον τοίχο.
2. Θέστε τη ρομποτική ηλεκτρική σκούπα στην κατάσταση αναμονής. (Ανατρέξτε στη σελίδα 17.)
3. Επιλέξτε τον αριθμό ενός αχαρτογράφητου χώρου πιέζοντας το κουμπί εναλλαγής τρόπων λειτουργίας.
  - Το [F] είναι η λειτουργία ελεύθερου καθαρίσματος. (Ανατρέξτε στην «Καθάρισμα ενός χώρου χωρίς χαρτογράφηση (λειτουργία ελεύθερου καθαρίσματος)» στην τρέχουσα σελίδα.)
  - Οι αριθμοί των αχαρτογράφητων χώρων θα αναβοσβήνουν στην οθόνη ενδείξεων και η λυχνία καταχώρησης δωματίου θα είναι αναμμένη.
  - Οι αριθμοί των χαρτογραφημένων θα είναι φωτισμένοι στην οθόνη ενδείξεων και η λυχνία καταχώρησης δωματίου θα είναι σβηστή.



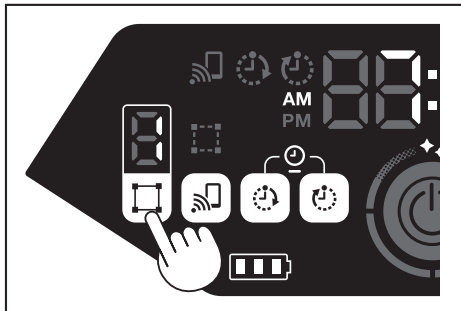
- Μόλις πιάσετε το κουμπί έναρξης/διακοπής λειτουργίας, η ρομποτική ηλεκτρική σκούπα αρχίζει τη χαρτογράφηση. Μετά τη χαρτογράφηση, η ρομποτική ηλεκτρική σκούπα επιστρέφει στο σημείο από το οποίο ξεκίνησε η χαρτογράφηση (σημείο έναρξης του καθαρίσματος) και ύστερα ολοκληρώνει την καταχώρηση του χώρου.
- Μόλις ολοκληρωθεί η χαρτογράφηση, η ρομποτική ηλεκτρική σκούπα περνά στην κατάσταση αναμονής. Η ρομποτική ηλεκτρική σκούπα ενδέχεται να αργήσει λίγο να περάσει στην κατάσταση αναμονής. Μην την απενεργοποιήσετε στην περίπτωση αυτή.
- Εφόσον είναι ενεργοποιημένη η ρύθμιση του ήχου, ακούγεται ένας ήχος μόλις ολοκληρωθεί η χαρτογράφηση.
- Αν η χαρτογράφηση δεν ολοκληρωθεί με επιτυχία, προσθέστε εσείς μη αυτόματα τις πληροφορίες χαρτογράφησης χρησιμοποιώντας την εφαρμογή. (Ανατρέξτε στη σελίδα 43.)



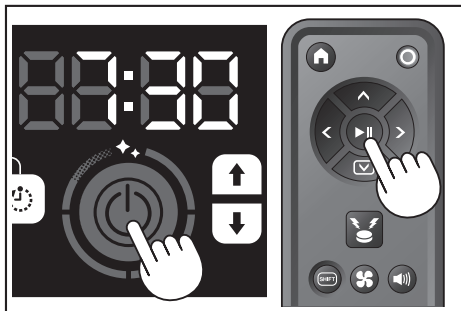
### Καθάρισμα χαρτογραφημένων χώρων

- Κατά τη χρήση της λειτουργίας χαρτογράφησης χώρου καθαρίσματος, η ρομποτική ηλεκτρική σκούπα λειτουργεί κανονικά ώστε οι χαρτογραφημένοι χώροι να καθαριστούν πιο αποτελεσματικά.
- Για τη χρήση της λειτουργίας χαρτογράφησης χώρου καθαρίσματος, απαιτείται η καταχώρηση πληροφοριών χαρτογράφησης. (Ανατρέξτε στην «Καθάρισμα ενός χώρου με χαρτογράφηση» στη σελίδα 18.)

- Τοποθετήστε τη ρομποτική ηλεκτρική σκούπα στο σημείο έναρξης για χαρτογράφηση. Πρέπει να τοποθετείτε τη ρομποτική ηλεκτρική σκούπα όσο το δυνατό στον ίδιο προσανατολισμό όπως κατά την έναρξη της χαρτογράφησης. Αυτό επιτρέπει στη ρομποτική ηλεκτρική σκούπα να αρχίσει το καθάρισμα πιο ομαλά.
- Θέστε τη ρομποτική ηλεκτρική σκούπα στην κατάσταση αναμονής. (Ανατρέξτε στη σελίδα 17.)
- Επιλέξτε τον αριθμό ενός χαρτογραφημένου χώρου πιέζοντας το κουμπί εναλλαγής τρόπων λειτουργίας.
  - Το [F] είναι η λειτουργία ελεύθερου καθαρίσματος. (Ανατρέξτε στη σελίδα 18.)
  - Οι αριθμοί των αχαρτογράφητων χώρων θα αναβοσβήνουν στην οθόνη ενδείξεων και η λυχνία καταχώρησης δωματίου θα είναι αναμμένη.
  - Οι αριθμοί των χαρτογραφημένων θα είναι φωτισμένοι στην οθόνη ενδείξεων και η λυχνία καταχώρησης δωματίου θα είναι σβηστή.



- Πιάστε το κουμπί έναρξης/διακοπής λειτουργίας για να ξεκινήσει το καθάρισμα.



- Μόλις τελειώσει το καθάρισμα, η ρομποτική ηλεκτρική σκούπα επιστρέφει στο σημείο από το οποίο άρχισε το καθάρισμα.
  - Η λυχνία επιπέδου καθαρισμού υποδεικνύει το ποσοστό του συνολικού χώρου που έχει καθαριστεί.
  - Εφόσον είναι ενεργοποιημένη η ρύθμιση του ήχου, ακούγεται ένας ήχος μόλις ολοκληρωθεί το καθάρισμα. (Ανατρέξτε στη σελίδα 25.)
  - Αν η περιοχή που πρέπει να καθαριστεί έχει πολύ μεγάλο πλάτος και δεν μπορεί να καθαριστεί ολόκληρη μονομιάς, συνιστούμε να χρησιμοποιήσετε τη ρύθμιση [Continuous Cleaning]. (Ανατρέξτε στη σελίδα 46.)

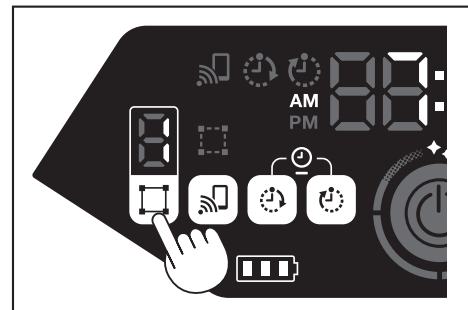
### Τι σημαίνουν οι ενδείξεις της λυχνίας επιπέδου καθαρισμού

Η λυχνία επιπέδου καθαρισμού σας ενημερώνει για το ποσοστό της καθαρισμένης περιοχής στην επιφάνεια του χαρτογραφημένου χώρου.

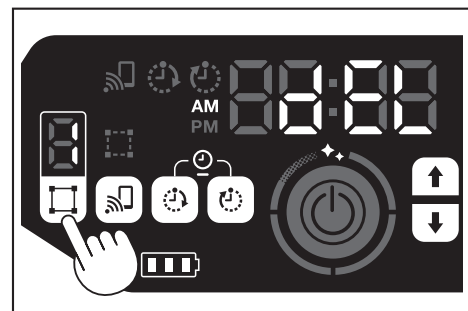
Κατάσταση λυχνίας επιπέδου καθαρισμού	Ποσοστό περιοχής στην οποία έχει ολοκληρωθεί το καθάρισμα
	90% και άνω
	75% έως κάτω από 90%
	50% έως κάτω από 75%
	25% έως κάτω από 50%

### Διαγραφή πληροφοριών χαρτογράφησης

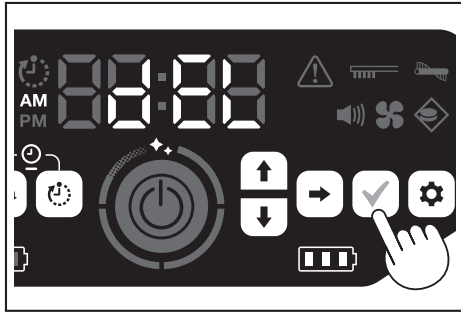
- Θέστε τη ρομποτική ηλεκτρική σκούπα στην κατάσταση αναμονής. (Ανατρέξτε στη σελίδα 17.)
- Επιλέξτε τον αριθμό του χώρου για τον οποίο θέλετε να διαγράψετε τις πληροφορίες χαρτογράφησης πιέζοντας το κουμπί εναλλαγής τρόπων λειτουργίας.
  - Κάθε φορά που πιέζετε το κουμπί εναλλαγής τρόπων λειτουργίας, ο αριθμός του χώρου αλλάζει ακολουθώντας τη σειρά «F, 1, 2, 3, 4, 5, F, ...» (Για το [F] δεν είναι δυνατή η διαγραφή των πληροφοριών χαρτογράφησης επειδή το [F] είναι η λειτουργία ελεύθερου καθαρίσματος.)
  - Ο αριθμός ενός χαρτογραφημένου χώρου θα εμφανίζεται φωτισμένος στην οθόνη ενδείξεων.



- Όποτε πιέζετε παρατεταμένα το κουμπί εναλλαγής τρόπων λειτουργίας, στην ένδειξη χρόνου εμφανίζεται το [dEL] επί περίπου 10 δευτερόλεπτα.



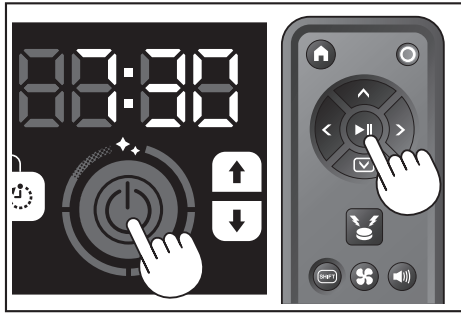
4. Πιέστε το κουμπί επιβεβαίωσης την ώρα που εμφανίζεται το [dEL].



- Αν δεν πιέσετε το κουμπί επιβεβαίωσης την ώρα που εμφανίζεται το [dEL], η ρομποτική ηλεκτρική σκούπα επανέρχεται στην κατάσταση αναμονής.
- Όταν διαγραφούν οι πληροφορίες χαρτογράφησης, ο αριθμός του επιλεγμένου χώρου θα αναβοσβήσει και θα καταστεί μη καταχωρημένος.

## Αναστολή ή τερματισμός του καθαρίσματος

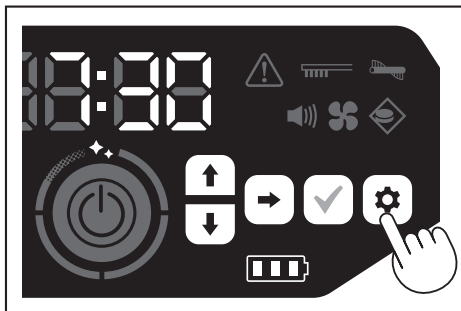
1. Αν πιέσετε το κουμπί έναρξης/διακοπής λειτουργίας κατά τη λειτουργία, η ρομποτική ηλεκτρική σκούπα προσωρινά παύει να λειτουργεί. Αν πιέσετε ξανά το κουμπί έναρξης/διακοπής λειτουργίας, η ρομποτική ηλεκτρική σκούπα αρχίζει να λειτουργεί ξανά χρησιμοποιώντας τον ίδιο τρόπο λειτουργίας όπως πριν τη διακοπή.



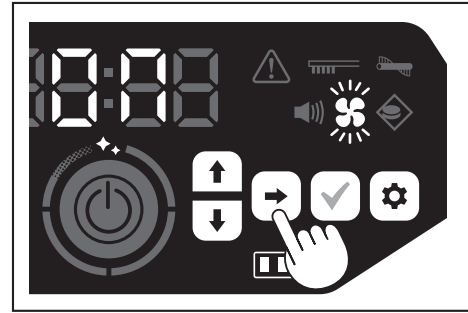
2. Για να τερματίσετε το καθάρισμα κατά την εξέλιξή του, πιέστε το κουμπί σημείου έναρξης στο τηλεχειριστήριο την ώρα που η ρομποτική ηλεκτρική σκούπα είτε λειτουργεί είτε έχει σταματήσει προσωρινά. Η ρομποτική ηλεκτρική σκούπα επιστρέφει στο σημείο από το οποίο άρχισε το καθάρισμα και ύστερα περνά στην κατάσταση αναμονής.
- Για να τερματίσετε το καθάρισμα αμέσως, πιέστε το κουμπί εναλλαγής τρόπων λειτουργίας την ώρα που η ρομποτική ηλεκτρική σκούπα έχει σταματήσει προσωρινά. Ύστερα η ρομποτική ηλεκτρική σκούπα περνά στην κατάσταση αναμονής.
- Όποτε το καθάρισμα τερματίζεται χωρίς η συσκευή να έχει επιστρέψει στο σημείο έναρξης, το ιστορικό του καθαρίσματος ενδέχεται να μην αποθηκευτεί σωστά.

## Ενεργοποίηση/Απενεργοποίηση του ανεμιστήρα αναρρόφησης

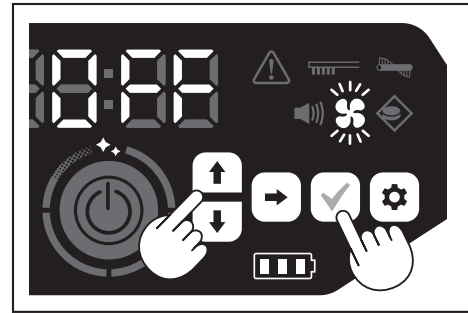
- Κατά το καθάρισμα μεγάλων χώρων που έχουν μόνο ορατή σκόνη, μπορείτε να απενεργοποιήσετε τον ανεμιστήρα αναρρόφησης ώστε σχεδόν να διπλασιαστεί ο χρόνος λειτουργίας της σκούπας.
  - Μπορείτε επίσης να καθορίσετε την κατάσταση του ανεμιστήρα αναρρόφησης μέσω του τηλεχειριστηρίου ή της εφαρμογής. (Ανατρέξτε στην «Ενεργοποίηση/Απενεργοποίηση του ανεμιστήρα αναρρόφησης» στην τρέχουσα σελίδα και στην «Λειτουργία της ρομποτικής ηλεκτρικής σκούπας μέσω της εφαρμογής» στη σελίδα 40.)
1. Αφού θέσετε τη ρομποτική ηλεκτρική σκούπα στην κατάσταση αναμονής, πιέστε το κουμπί ρυθμίσεων για να περάσετε τη λειτουργία επιλογής ρυθμίσεων.



2. Πιέστε το κουμπί μετάβασης στο επόμενο ώστε να αρχίσει να αναβοσβήνει η λυχνία του ανεμιστήρα αναρρόφησης.



3. Μπορείτε να χρησιμοποιήσετε το κουμπί μετακίνησης προς επάνω/κάτω για εναλλαγή των ρυθμίσεων «Ενεργοποίηση» και «Απενεργοποίηση». Αφού επιλέξετε τη ρύθμιση «Ενεργοποίηση» ή «Απενεργοποίηση», πιέστε το κουμπί επιβεβαίωσης για να οριστικοποιήσετε τη ρύθμιση.
- Ενεργοποίηση: Η λυχνία του ανεμιστήρα αναρρόφησης ανάβει.
- Απενεργοποίηση: Η λυχνία του ανεμιστήρα αναρρόφησης σβήνει.



## ΑΝΑΚΟΙΝΩΣΗ

Αν είναι επιλογή η ρύθμιση απενεργοποίησης του ανεμιστήρα αναρρόφησης, η λυχνία φροντίδας φίλτρου δεν ανάβει ακόμη και όταν ο φίλτρο είναι βουλωμένο.

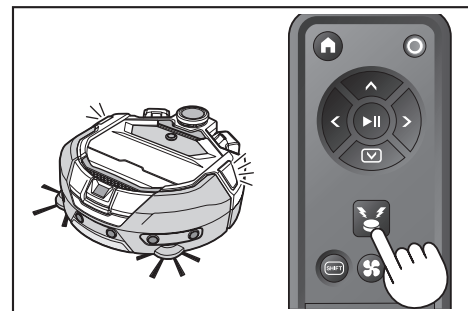
## Ενεργοποίηση/Απενεργοποίηση του ανεμιστήρα αναρρόφησης μέσω του τηλεχειριστηρίου

Αν η ρομποτική ηλεκτρική σκούπα είναι στην κατάσταση αναμονής, μπορείτε να ενεργοποιήσετε ή να απενεργοποιήσετε τον ανεμιστήρα αναρρόφησης πιέζοντας το κουμπί ΕΝΕΡΓΟΠΟΙΗΣΗΣ/ΑΠΕΝΕΡΓΟΠΟΙΗΣΗΣ ανεμιστήρα αναρρόφησης στο τηλεχειριστήριο.

Ακόμη και στη διάρκεια του καθαρίσματος, μπορείτε να ενεργοποιήσετε ή να απενεργοποιήσετε τον ανεμιστήρα αναρρόφησης μέσω του τηλεχειριστηρίου.

## Χρήση της λειτουργίας φάρου τοποθεσίας

- Η ρομποτική ηλεκτρική σκούπα ειδοποιεί για τη θέση της με τον ήχο ενός βομβητή και μια λυχνία. Η λειτουργία αυτή χρησιμεύει ώστε δεν μπορείτε να βρείτε τη ρομποτική ηλεκτρική σκούπα επειδή καθαρίζει έναν μεγάλο χώρο ή έχει μπει σε κάποιο σημείο όπου δεν είναι ορατή.
- Μόλις πιέσετε το κουμπί βομβητή/λυχνίας φάρου τοποθεσίας στο τηλεχειριστήριο, ακούγεται ένας βομβητής επί περίπου 10 δευτερόλεπτα και ταυτόχρονα αναβοσβήνει η ένδειξη LED θέσης.
- Για να διακόψετε τη λειτουργία φάρου τοποθεσίας στα μισά της, πιέστε ξανά το κουμπί βομβητή/λυχνίας φάρου τοποθεσίας.



## ΑΝΑΚΟΙΝΩΣΗ

- Η λειτουργία φάρου τοποθεσίας δεν μπορεί να χρησιμοποιηθεί στις παρακάτω περιπτώσεις.
- Όποτε είναι απενεργοποιημένη η ρομποτική ηλεκτρική σκούπα.
- Όποτε έχει εξαντληθεί η χωρητικότητα μπαταρίας.
- Όποτε η ρομποτική ηλεκτρική σκούπα είναι σε μια θέση όπου δεν φτάνουν τα ραδιοκύματα.
- Όποτε έχει εξαντληθεί η ισχύς της μπαταρίας στο τηλεχειριστήριο.

- Αν και μπορείτε να χρησιμοποιήσετε τη λειτουργία φάρου τοποθεσίας και μέσω της εφαρμογής, πρέπει να έχετε συνδέσει εκ των προτέρων το smartphone σας και τη ρομποτική ηλεκτρική σκούπα. Όταν η ρομποτική ηλεκτρική σκούπα είναι στην κατάσταση αναστολής λειτουργίας, δεν μπορείτε να χρησιμοποιήσετε τη λειτουργία αυτή μέσω της εφαρμογής.

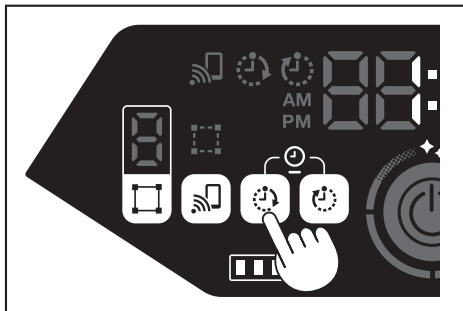
## Χρήση του χρονοδιακόπτη ΕΝΕΡΓΟΠΟΙΗΣΗΣ/χρονοδιακόπτη ΑΠΕΝΕΡΓΟΠΟΙΗΣΗΣ

Μπορείτε να χρησιμοποιείτε τον χρονοδιακόπτη ΕΝΕΡΓΟΠΟΙΗΣΗΣ και τον χρονοδιακόπτη ΑΠΕΝΕΡΓΟΠΟΙΗΣΗΣ ταυτόχρονα.

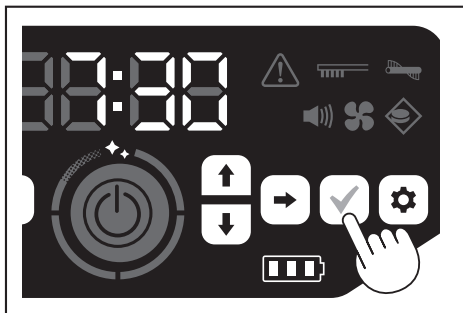
### Ρύθμιση του χρονοδιακόπτη ΕΝΕΡΓΟΠΟΙΗΣΗΣ

Όταν έρχεται μια προεπιλεγμένη ώρα, η ρομποτική ηλεκτρική σκούπα αρχίζει το καθάρισμα χρησιμοποιώντας την επιλεγμένη λειτουργία καθάριατος. Προτού ρυθμίσετε τον χρονοδιακόπτη, καθορίστε την ώρα της ημέρας. (Ανατρέξτε στη σελίδα 25.)

1. Θέστε τη ρομποτική ηλεκτρική σκούπα στην κατάσταση αναμονής. (Ανατρέξτε στη σελίδα 17.)
2. Πιέστε παρατεταμένα το κουμπί ΕΝΕΡΓΟΠΟΙΗΣΗΣ χρονοδιακόπτη για να αλλάξετε τη ρύθμιση της ώρας στον χρονοδιακόπτη ΕΝΕΡΓΟΠΟΙΗΣΗΣ.
  - Η διαδικασία αλλαγής της ρύθμισης είναι η ίδια με τη διαδικασία καθορισμού της ώρας. (Ανατρέξτε στη σελίδα 25).
  - Μπορείτε να διαμορφώσετε τη ρύθμιση του χρονοδιακόπτη ΕΝΕΡΓΟΠΟΙΗΣΗΣ με βήματα προσαύξησης κατά 10 λεπτά.

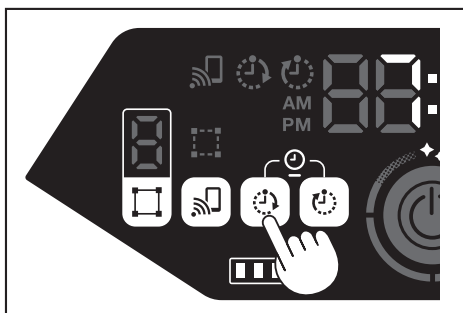


3. Πιέστε το κουμπί επιβεβαίωσης για να οριστικοποιήσετε την ώρα της ημέρας.



### Χρήση του χρονοδιακόπτη ΕΝΕΡΓΟΠΟΙΗΣΗΣ

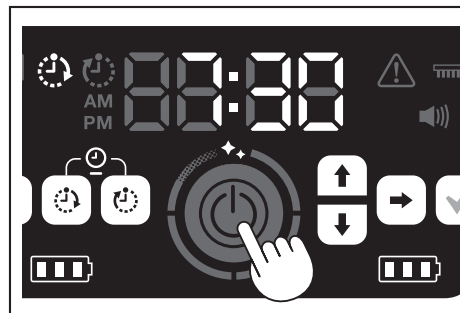
1. Πιέστε το κουμπί ΕΝΕΡΓΟΠΟΙΗΣΗΣ χρονοδιακόπτη για να ενεργοποιήσετε τη λειτουργία του χρονοδιακόπτη ΕΝΕΡΓΟΠΟΙΗΣΗΣ. Η λυχνία ΕΝΕΡΓΟΠΟΙΗΣΗΣ χρονοδιακόπτη ανάβει και η ώρα της ρύθμισης αναβοσβήνει δύο φορές.
  - Για να ακυρώσετε τη λειτουργία του χρονοδιακόπτη ΕΝΕΡΓΟΠΟΙΗΣΗΣ, πιέστε ξανά το κουμπί ΕΝΕΡΓΟΠΟΙΗΣΗΣ χρονοδιακόπτη για να σβήσει η λυχνία ΕΝΕΡΓΟΠΟΙΗΣΗΣ χρονοδιακόπτη.



2. Επιλέξτε τον τρόπο λειτουργίας της ρομποτικής ηλεκτρικής σκούπας. (Ανατρέξτε στις σελίδες 18 και 19.)

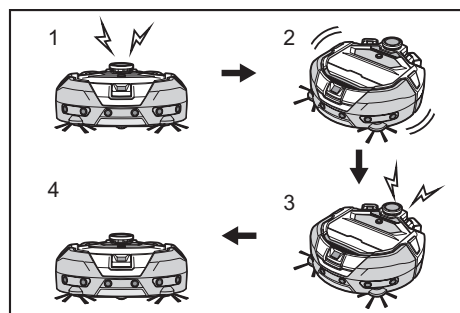
3. Μόλις πιέσετε το κουμπί έναρξης/διακοπής λειτουργίας, γίνεται κράτηση για το καθάρισμα με χρήση της λειτουργίας του χρονοδιακόπτη ΕΝΕΡΓΟΠΟΙΗΣΗΣ. (Κατάσταση αναστολής λειτουργίας)

Για να ακυρώσετε τη λειτουργία του χρονοδιακόπτη ΕΝΕΡΓΟΠΟΙΗΣΗΣ στην κατάσταση αναστολής λειτουργίας, πιέστε ξανά το κουμπί έναρξης/διακοπής λειτουργίας για να θέσετε τη ρομποτική ηλεκτρική σκούπα στην κατάσταση αναμονής. Για να δείτε την ώρα της ρύθμισης μετά την κράτηση, πιέστε οποιοδήποτε κουμπί εκτός από το κουμπί έναρξης/διακοπής λειτουργίας. Ύστερα, η ώρα της ρύθμισης θα εμφανίζεται φωτισμένη επί 3 δευτερόλεπτα.



### ΑΝΑΚΟΙΝΩΣΗ

- Οι πληροφορίες για κρατήσεις ακυρώνονται όταν απενεργοποιείται η συσκευή ή εξαντλείται η εναπομένουσα χωρητικότητα της μπαταρίας.
- Όταν είναι χαμηλή η στάθμη ισχύος των μπαταριών, η ρομποτική ηλεκτρική σκούπα δεν μπορεί να περιμένει για λειτουργία με βάση την κράτηση του χρονοδιακόπτη ΕΝΕΡΓΟΠΟΙΗΣΗΣ. Για λειτουργία με βάση την κράτηση του χρονοδιακόπτη ΕΝΕΡΓΟΠΟΙΗΣΗΣ, συνιστούμε να φορτίσετε πλήρως τις μπαταρίες.
- Η λειτουργία με βάση την κράτηση του χρονοδιακόπτη ΕΝΕΡΓΟΠΟΙΗΣΗΣ δεν είναι δυνατή όταν η συσκευή είναι απενεργοποιημένη.
- Όποτε καθορίζετε να χρησιμοποιηθεί ο χρονοδιακόπτης ΕΝΕΡΓΟΠΟΙΗΣΗΣ, ο χρόνος λειτουργίας θα είναι ελαφρώς μειωμένος επειδή η ρομποτική ηλεκτρική σκούπα καταναλώνει ισχύ της μπαταρίας όσο βρίσκεται στην κατάσταση αναστολής λειτουργίας.
- Παράδειγμα χρήσης: Καθορίστε η ρομποτική ηλεκτρική σκούπα να καθαρίζει αυτόματα το πρωί. (Ρυθμίστε τον χρονοδιακόπτη ΕΝΕΡΓΟΠΟΙΗΣΗΣ για τις 7:30 και τον χρονοδιακόπτη ΑΠΕΝΕΡΓΟΠΟΙΗΣΗΣ για τις 9:00.)



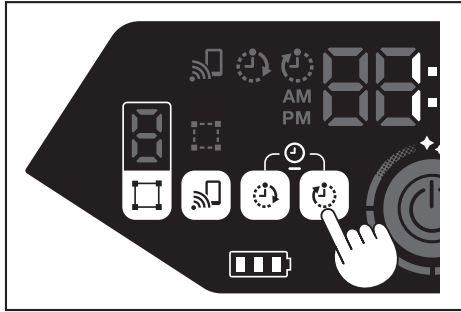
1. Ξεκινά στις 7:30. (Χρονοδιακόπτης ΕΝΕΡΓΟΠΟΙΗΣΗΣ)
2. Καθάρισμα
3. Τελειώνει το καθάρισμα στις 9:00. (Χρονοδιακόπτης ΑΠΕΝΕΡΓΟΠΟΙΗΣΗΣ)
4. Επιστρέφει στο σημείο έναρξης.

- Κατά τη ρύθμιση των ωρών/λεπτών, οι ώρες/τα λεπτά αλλάζουν γρήγορα αν πιέσετε παρατεταμένα το κουμπί μετακίνησης προς τα επάνω/κάτω.
- Εφόσον η ρύθμιση της ώρας του χρονοδιακόπτη έχει ήδη ολοκληρωθεί, το μόνο που χρειάζεται να κάνετε είναι να ακολουθήσετε τη διαδικασία που περιγράφεται στην «Χρήση του χρονοδιακόπτη ΕΝΕΡΓΟΠΟΙΗΣΗΣ» στην τρέχουσα σελίδα.

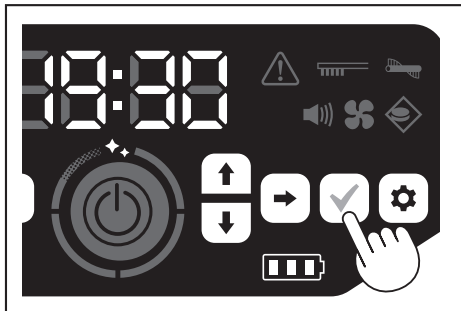
## Ρύθμιση του χρονοδιακόπτη ΑΠΕΝΕΡΓΟΠΟΙΗΣΗΣ

Μόλις έρθει μια προεπιλεγμένη ώρα μετά την έναρξη του καθαρίσματος, η ρομποτική ηλεκτρική σκούπα τερματίζει το καθάρισμα και επιστρέφει στο σημείο έναρξης. Προτού ρυθμίσετε τον χρονοδιακόπτη, καθορίστε την ώρα της ημέρας. (Ανατρέξτε στη σελίδα 25.)

1. Θέστε τη ρομποτική ηλεκτρική σκούπα στην κατάσταση αναμονής. (Ανατρέξτε στη σελίδα 17.)
2. Πιέστε παρατεταμένα το κουμπί ΑΠΕΝΕΡΓΟΠΟΙΗΣΗΣ χρονοδιακόπτη για να αλλάξετε τη ρύθμιση της ώρας στον χρονοδιακόπτη ΑΠΕΝΕΡΓΟΠΟΙΗΣΗΣ.
  - Η διαδικασία αλλαγής της ρύθμισης είναι η ίδια με τη διαδικασία καθορισμού της ώρας (Ανατρέξτε στη σελίδα 25).
  - Μπορείτε να διαμορφώσετε τη ρύθμιση του χρονοδιακόπτη ΑΠΕΝΕΡΓΟΠΟΙΗΣΗΣ με βήματα προσαύξησης κατά 10 λεπτά.



3. Πιέστε το κουμπί επιβεβαίωσης για να οριστικοποιήσετε την ώρα της ημέρας.

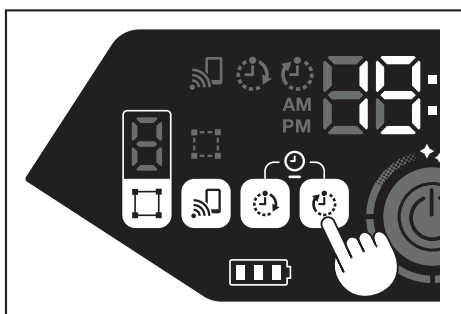


## Χρήση του χρονοδιακόπτη ΑΠΕΝΕΡΓΟΠΟΙΗΣΗΣ

Πιέστε το κουμπί ΑΠΕΝΕΡΓΟΠΟΙΗΣΗΣ χρονοδιακόπτη για να ενεργοποιήσετε τη λειτουργία του χρονοδιακόπτη ΑΠΕΝΕΡΓΟΠΟΙΗΣΗΣ.

Η λυχνία ΑΠΕΝΕΡΓΟΠΟΙΗΣΗΣ χρονοδιακόπτη ανάβει και η ώρα της ρύθμισης αναβοσβήνει δύο φορές.

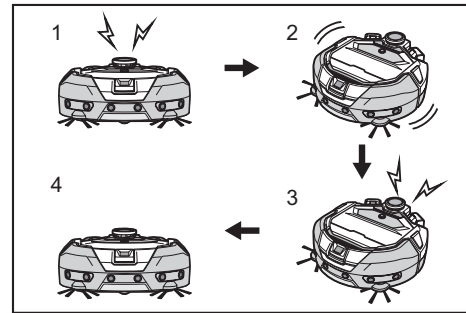
- Για άμεση έναρξη του καθαρίσματος και χρήση του χρονοδιακόπτη ΑΠΕΝΕΡΓΟΠΟΙΗΣΗΣ, επιλέξτε τη λειτουργία καθαρίσματος και αρχίστε το καθάρισμα.
- Για τη χρήση του διακόπτη ΑΠΕΝΕΡΓΟΠΟΙΗΣΗΣ σε συνδυασμό με τον χρονοδιακόπτη ΕΝΕΡΓΟΠΟΙΗΣΗΣ, ανατρέξτε στη σελίδα 21.
- Για ακύρωση του χρονοδιακόπτη ΑΠΕΝΕΡΓΟΠΟΙΗΣΗΣ, πιέστε ξανά το κουμπί ΑΠΕΝΕΡΓΟΠΟΙΗΣΗΣ χρονοδιακόπτη την ώρα που η ρομποτική ηλεκτρική σκούπα είναι στην κατάσταση αναμονής.



## ΑΝΑΚΟΙΝΩΣΗ

- Η ρύθμιση του χρονοδιακόπτη ΑΠΕΝΕΡΓΟΠΟΙΗΣΗΣ απενεργοποιείται όταν απενεργοποιείται η συσκευή ή εξαντλείται η εναπομένουσα χωρητικότητα της μπαταρίας.
- Όταν η εναπομένουσα χωρητικότητα της μπαταρίας είναι χαμηλή, η ρομποτική ηλεκτρική σκούπα ενδέχεται να πάψει να λειτουργεί προτού έρθει η ώρα της ρύθμισης του χρονοδιακόπτη ΑΠΕΝΕΡΓΟΠΟΙΗΣΗΣ.
- Ανάλογα με το περιβάλλον όπου πραγματοποιείται το καθάρισμα, η ρομποτική ηλεκτρική σκούπα ενδέχεται να αργήσει να επιστρέψει στο σημείο έναρξης. Στην περίπτωση αυτή, αλλάξτε τη ρύθμιση του χρονοδιακόπτη ΑΠΕΝΕΡΓΟΠΟΙΗΣΗΣ για ωριότερα.

- Παράδειγμα χρήσης: Καθορίστε η ρομποτική ηλεκτρική σκούπα να καθαρίζει αυτόματα μόνο επί 30 λεπτά το βράδυ. (Ρυθμίστε τον χρονοδιακόπτη ΕΝΕΡΓΟΠΟΙΗΣΗΣ για τις 19:00 και τον χρονοδιακόπτη ΑΠΕΝΕΡΓΟΠΟΙΗΣΗΣ για τις 19:30.)



1. Ξεκινά στις 19:00. (Χρονοδιακόπτης ΕΝΕΡΓΟΠΟΙΗΣΗΣ) 2. Καθάρισμα
3. Τελειώνει το καθάρισμα στις 19:30. (Χρονοδιακόπτης ΑΠΕΝΕΡΓΟΠΟΙΗΣΗΣ)
4. Επιστρέφει στο σημείο έναρξης.

- Όταν ρυθμίζετε τις ώρες/τα λεπτά, ώρες/τα λεπτά αλλάζουν γρήγορα αν πιέσετε παρατεταμένα το κουμπί μετακίνησης προς τα επάνω/κάτω.
- Εφόσον η ρύθμιση της ώρας του χρονοδιακόπτη έχει ήδη ολοκληρωθεί, το μόνο που χρειάζεται να κάνετε είναι να ακολουθήσετε τη διαδικασία που περιγράφεται στην «Χρήση του χρονοδιακόπτη ΑΠΕΝΕΡΓΟΠΟΙΗΣΗΣ» στην τρέχουσα σελίδα.

## Έλεγχος της εμβέλειας του καθαρίσματος

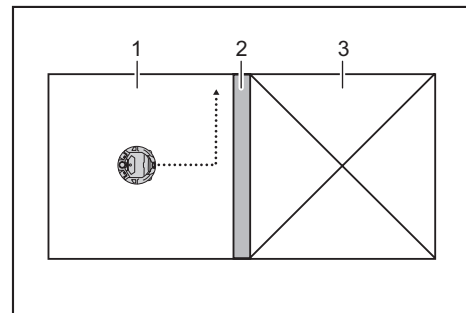
### ΠΡΟΕΙΔΟΠΟΙΗΣΗ

Δεν πρέπει να χρησιμοποιείτε τη μαγνητική γραμμή ορίου ως γραμμή ορίου μιας περιοχής όπου υπάρχει κίνδυνος να συμβεί κάποιο ατύχημα λόγω εισόδου ή πτώσης της συσκευής.

- Αλλιώς, υπάρχει κίνδυνος πρόκλησης ατυχήματος ή τραυματισμού λόγω εισόδου ή πτώσης της ρομποτικής ηλεκτρικής σκούπας.

Αν σε κάποια περιοχή υπάρχει κίνδυνος εισόδου ή πτώσης της ρομποτικής ηλεκτρικής σκούπας, τοποθετήστε σε μια επίπεδη επιφάνεια ένα αντικείμενο που να έχει ύψος τουλάχιστον 25 εκατοστά και να μπορεί να χρησιμεύσει ως τοίχος (δηλαδή ένα αντικείμενο που δεν θα μετακινηθεί ούτε θα πέσει όταν το χτυπήσει η ρομποτική ηλεκτρική σκούπα).

- Μπορείτε να περιορίσετε την εμβέλεια του καθαρίσματος προσαρτώντας μια μαγνητική γραμμή ορίου (που πωλείται χωριστά) στην επιφάνεια ενός δαπέδου για να δημιουργήσετε μια γραμμή ορίου. Η ρομποτική ηλεκτρική σκούπα ανιχνεύει τη μαγνητική γραμμή ορίου και την αποφεύγει.
- Καθορίστε την εμβέλεια του καθαρίσματος για τη ρομποτική ηλεκτρική σκούπα στις παρακάτω περιπτώσεις.

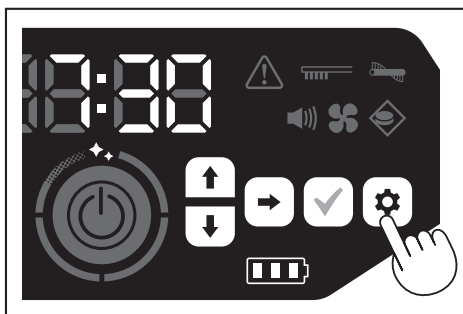


1. Περιοχή που πρέπει να καθαριστεί 2. Μαγνητική γραμμή ορίου
3. Περιοχή στην οποία δεν θέλετε να λειτουργήσει η ρομποτική ηλεκτρική σκούπα

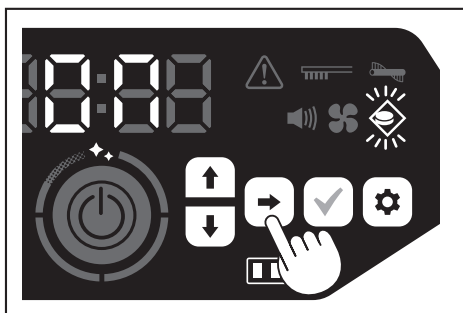
- Όταν θέλετε να χωρίσετε σε πολλές περιοχές για καθάρισμα έναν χώρο που είναι πάρα πολύ μεγάλος και δεν μπορεί να καθαριστεί μονομιάς.
- Όταν υπάρχει κάποια περιοχή στην οποία δεν θέλετε να μπει η ρομποτική ηλεκτρική σκούπα.
- Όταν υπάρχει κάποια περιοχή στην οποία η ρομποτική ηλεκτρική σκούπα μπορεί να μπει αλλά δεν θα μπορεί να φύγει.
- Όταν η ρομποτική ηλεκτρική σκούπα σκαρφαλώνει σε κάποιο χαμηλό σκαλοπάτι αλλά πέφτει.
- Όταν η ρομποτική ηλεκτρική σκούπα εγκλωβίζεται στη μέση ενός σκαλοπατιού.

1. Τοποθετήστε τη μαγνητική γραμμή ορίου λαμβάνοντας υπόψη τα παρακάτω θέματα.
  - Φροντίστε να τοποθετήσετε τη μαγνητική γραμμή ορίου χωρίς να αφήσετε κάποιο κενό από την επιφάνεια του δαπέδου.
  - Τοποθετήστε τη μαγνητική γραμμή ορίου περίπου 15 εκατοστά μακριά από την περιοχή στην οποία δεν θέλετε να μπει η ρομποτική ηλεκτρική σκούπα.
  - Τοποθετήστε τη μαγνητική γραμμή ορίου σε μια επιφάνεια του δαπέδου που να είναι όσο το δυνατόν πιο επίπεδο ώστε να μη γίνει ασταθής. Αλλιώς, η ρομποτική ηλεκτρική σκούπα ενδέχεται να προσπεράσει τη γραμμή και να μην ανιχνεύσει σωστά.

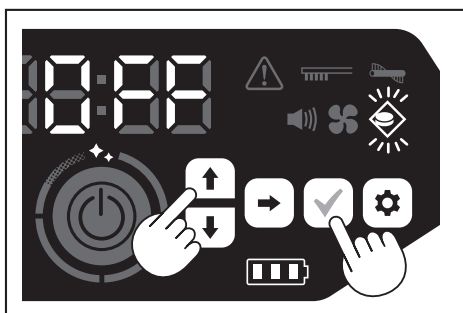
- Η ρομποτική ηλεκτρική σκούπα ενδέχεται να μην αναγνωρίσει μια μαγνητική γραμμή ορίου που είναι τοποθετημένη σε κοίλη επιφάνεια ή σε επιφάνεια με αναβαθμό.
  - Πρέπει να διασφαλίσετε ότι η μαγνητική γραμμή ορίου είναι γνήσιο προϊόν. Αν δεν είναι γνήσιο προϊόν, οι επιδόσεις και η ασφάλειά της δεν θα είναι εγγυημένες.
  - Οι επιφάνειες ορισμένων δαπέδων ενδέχεται να λερώνονται πολύ. Πρέπει να ελέγχετε σωστά την καταλληλότητα του δαπέδου πριν τη χρήση.
  - Ανάλογα με την επιφάνεια του δαπέδου και το περιβάλλον λειτουργίας, ο μαγνητικός αισθητήρας για ανίχνευση ορίων είναι πιθανό να αποτύχει να αναγνωρίσει τη μαγνητική γραμμή ορίου ή η μαγνητική γραμμή ορίου είναι πιθανό να λερωθεί ή να σχιστεί. Πρέπει να ελέγχετε σωστά την καταλληλότητα του δαπέδου πριν τη χρήση.
2. Αφού θέσετε τη ρομποτική ηλεκτρική σκούπα στην κατάσταση αναμονής, πιέστε το κουμπί ρυθμίσεων για να περάσετε τη λειτουργία επιλογής ρυθμίσεων.



3. Πιέστε το κουμπί μετάβασης στο επόμενο ώστε να αρχίσει να αναβοσβήνει η λυχνία ανίχνευσης ορίων.



4. Μπορείτε να χρησιμοποιήσετε το κουμπί μετακίνησης προς επάνω/κάτω για εναλλαγή των ρυθμίσεων «Ενεργοποίηση» και «Απενεργοποίηση». Αφού επιλέξετε τη ρύθμιση «Ενεργοποίηση» ή «Απενεργοποίηση», πιέστε το κουμπί επιβεβαίωσης για να οριστικοποιήσετε τη ρύθμιση.
- Ενεργοποίηση: Η λυχνία ανίχνευσης ορίων ανάβει.
  - Απενεργοποίηση: Η λυχνία ανίχνευσης ορίων σβήνει.



## ΑΝΑΚΟΙΝΩΣΗ

- Η δυνατότητα ανίχνευσης ορίων βασίζεται στην αναγνώριση της μαγνητικής γραμμής ορίου μέσω ενός μαγνητικού αισθητήρα. Η μαγνητική γραμμή ορίου ενδέχεται να μην αναγνωριστεί αν είναι σχισμένη, ανασηκωμένη κλπ.
- Κατά διαστήματα πρέπει να ελέγχετε μήπως η μαγνητική γραμμή ορίου έχει σχιστεί ή μετατοπιστεί ή παρουσιάζει άλλα προβλήματα. Αν υπάρχει κάποιο πρόβλημα, π.χ. σχισμένα σημεία, αντικαταστήστε τη γραμμή με μια καινούρια.
- Η δυνατότητα ανίχνευσης ορίων ενδέχεται να ενεργοποιηθεί κοντά σε κάποιο μαγνητικό αντικείμενο. Όταν δεν θέλετε να λειτουργήσει η δυνατότητα ανίχνευσης ορίων, πρέπει να την απενεργοποιείτε.
- Σε χώρους όπου πηγαινοέρχονται συχνά άνθρωποι και αντικείμενα, η μαγνητική γραμμή ορίου πατιέται και καταστρέφεται. Αν χαλάσει η γραμμή, αντικαταστήστε την με μια καινούρια.
- Ανάλογα με το υλικό του δαπέδου, συνιστούμε να κολλάτε τη μαγνητική γραμμή ορίου στο δάπεδο επειδή η ρομποτική ηλεκτρική σκούπα ενδέχεται να τη μετακινήσει όταν την ανιχνεύσει.
- Μπορείτε να κόψετε τη μαγνητική γραμμή ορίου με ψαλίδι.

## Διαδικασίες προσάρτησης, αφαίρεσης και χρήσης ειδών που πωλούνται χωριστά

Για τις διαδικασίες προσάρτησης, αφαίρεσης και χρήσης ειδών που πωλούνται χωριστά, ανατρέξτε στις σελίδες που παρατίθενται παρακάτω.

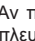
Είδη που πωλούνται χωριστά	Σελίδα αναφοράς	Παρατηρήσεις
Μαγνητική γραμμή ορίου	22	–
Κύρια βούρτσα Μαλακή κύρια βούρτσα	28	Η διαδικασία χειρισμού είναι ή ίδια με τη διαδικασία για την παρεχόμενη κύρια βούρτσα.
Φίλτρο HEPA	27	Ίδιο με το παρεχόμενο φίλτρο HEPA.
Πλαϊνή βούρτσα Μαλακή πλαϊνή βούρτσα	28	Η διαδικασία χειρισμού είναι ή ίδια με τη διαδικασία για τις παρεχόμενες πλαϊνές βούρτσες.
Μπαταρία	16	–
Κάλυμμα κύριας βούρτσας	28	Ίδιο με το κάλυμμα της παρεχόμενης κύριας βούρτσας.
Προστατευτικό προφυλακτήρα	–	Ένα προστατευτικό που πρέπει να προσαρτάται στη ρομποτική ηλεκτρική σκούπα για να μη γίνονται γρατζουνιές στα αντικείμενα.

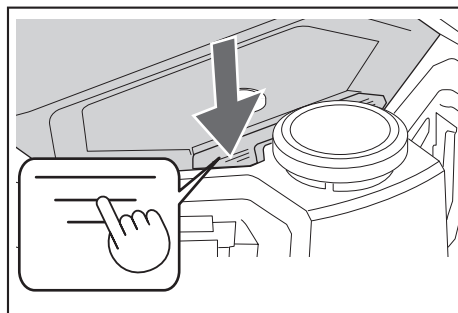
## Διαδικασία απόρριψης σκουπιδιών

### ΠΡΟΕΙΔΟΠΟΙΗΣΗ

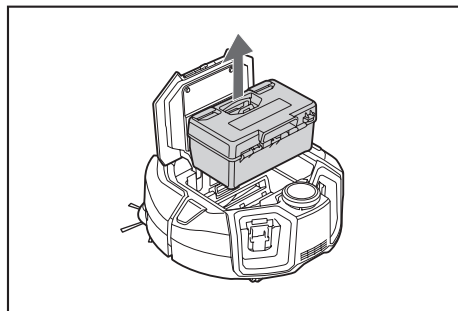
Πρέπει οπωσδήποτε να απενεργοποιείτε τη ρομποτική ηλεκτρική σκούπα και να αφαιρείτε τις μπαταρίες προτού ανοίξετε το κάλυμμα της επάνω πλευράς της.

- Αν αφήσετε μια μπαταρία τοποθετημένη στη ρομποτική ηλεκτρική σκούπα, υπάρχει κίνδυνος πρόκλησης ηλεκτροπληξίας ή τραυματισμού.

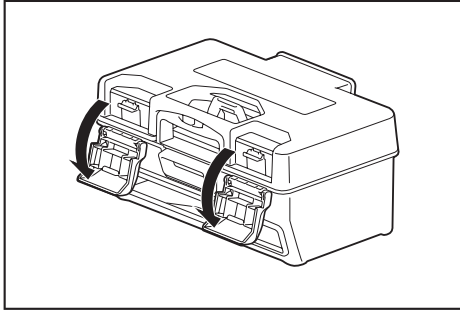
1. Αν πιέσετε το κουμπί ανοίγματος (  ), ανοίγει το κάλυμμα της επάνω πλευράς.  
Προσέξτε γιατί το κάλυμμα της επάνω πλευράς ανοίγει γρήγορα.



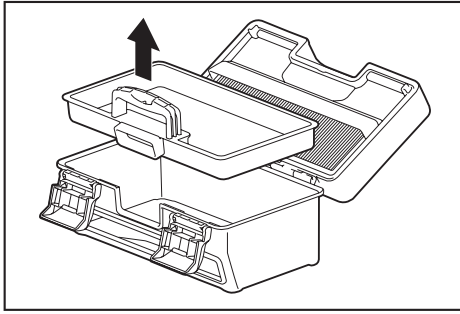
2. Αφαιρέστε το κουτί σκόνης.  
Δεν πρέπει να κρατάτε τη ρομποτική ηλεκτρική σκούπα με το άνοιγμά της στραμμένο προς τα κάτω. Αλλιώς, ενδέχεται να πέσει σκόνη από το άνοιγμα.



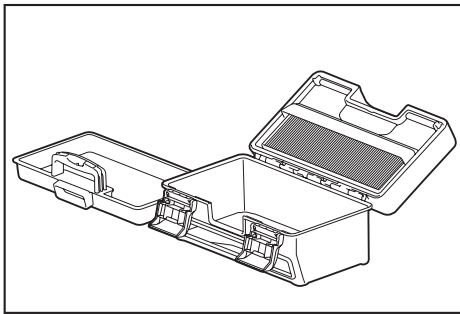
3. Αποδεσμεύστε τα δύο κλειδωμένα τμήματα για να ανοίξετε το κάλυμμα της επάνω πλευράς.



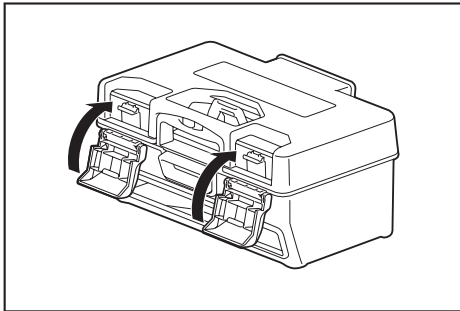
4. Βγάλτε έξω τη θήκη σκόνης. Προσέξτε να μην ανοίξετε το κάλυμμα της επάνω πλευράς από την πλευρά του φίλτρου.



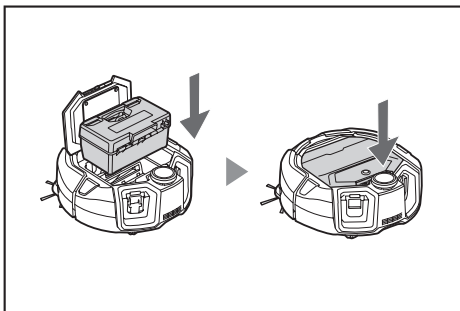
5. Πετάξτε τα σκουπίδια από τη θήκη σκόνης και το κουτί σκόνης και ύστερα αφαιρέστε τα σκουπίδια και τη σκόνη από το φίλτρο. Αν το φίλτρο είναι υπερβολικά λερωμένο, αφαιρέστε το και πλύνετε το με νερό. (Ανατρέξτε στη σελίδα 27.)



6. Επανατοποθετήστε τη θήκη σκόνης μέσα στο κουτί σκόνης. Ύστερα κλείστε το κάλυμμα της επάνω πλευράς και ασφαλίστε τα δύο τμήματα που κλειδώνουν.



7. Επανατοποθετήστε το κουτί σκόνης μέσα στη ρομπωτική ηλεκτρική σκούπα και πιέστε το κάλυμμα της επάνω πλευράς για να κλείσει ώσπου να ακουστεί το χαρακτηριστικό κλικ. Όταν θα κλείσετε το κάλυμμα της επάνω πλευράς, προσέξτε να μην εγκλωβιστούν τα δάχτυλά σας.



#### ΑΝΑΚΟΙΝΩΣΗ

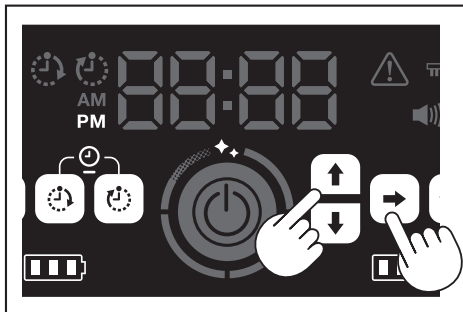
- Στο τέλος κάθε καθαρίσματος, πρέπει να πετάτε τα σκουπίδια και να φροντίζετε το φίλτρο. Αν συνεχίσετε το καθαρίσμα χωρίς να πετάξετε τα σκουπίδια, το φίλτρο θα βουλώσει και η ισχύς αναρρόφησης θα μειωθεί.
- Προσαρτήστε σωστά το κουτί σκόνης και το φίλτρο.

## Καθορισμός των ρυθμίσεων της ρομποτικής ηλεκτρικής σκούπας

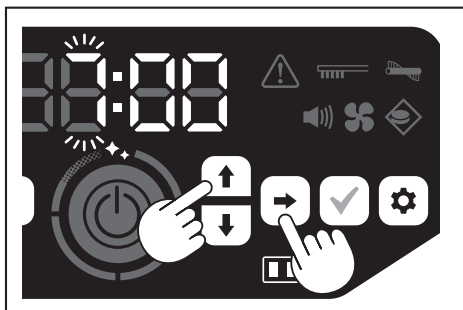
### Καθορισμός της ώρας της ημέρας

Κατά την πρώτη χρήση της συσκευής, ξεκινήστε καθορίζοντας την ώρα της ημέρας.

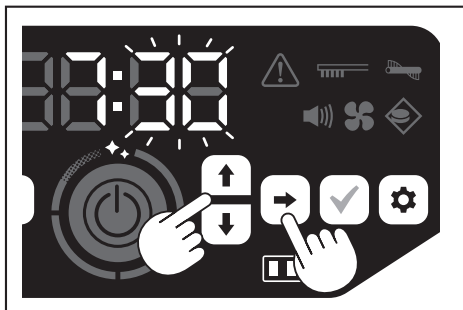
- Χρησιμοποιώντας τα κουμπιά μετακίνησης προς τα επάνω/κάτω, επιλέξτε τη μορφή των ενδείξεων στην οθόνη μεταξύ των επιλογών [AM], [PM] ή καμίας διάκρισης (στη μορφή 24ωρου) και ύστερα πιέστε το κουμπί μετάβασης στο επόμενο για αποδοχή της επιλογής. Μόλις πιέσετε το κουμπί μετάβασης στο επόμενο, θα αρχίσουν να αναβοσβήνουν οι ώρες.



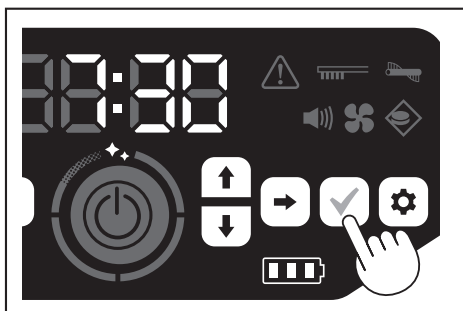
- Επιλέξτε τις ώρες χρησιμοποιώντας τα κουμπιά μετακίνησης προς τα επάνω/κάτω και ύστερα πιέστε το κουμπί μετάβασης στο επόμενο για αποδοχή της επιλογής. Μόλις πιέσετε το κουμπί μετάβασης στο επόμενο, θα αρχίσουν να αναβοσβήνουν τα λεπτά.



- Επιλέξτε τα λεπτά χρησιμοποιώντας τα κουμπιά μετακίνησης προς τα επάνω/κάτω και ύστερα πιέστε το κουμπί μετάβασης στο επόμενο για αποδοχή της επιλογής.



- Πιέστε το κουμπί επιβεβαίωσης για να οριστικοποιήσετε την ώρα της ημέρας.



### ΑΝΑΚΟΙΝΩΣΗ

- Κατά τη ρύθμιση των ωρών/λεπτών, οι ώρες/τα λεπτά αλλάζουν γρήγορα αν πιέσετε παρατεταμένα τα κουμπιά μετακίνησης προς τα επάνω/κάτω.
- Όποτε δεν χρησιμοποιείτε τη ρομποτική ηλεκτρική σκούπα για μεγάλο χρονικό διάστημα, ενδέχεται να χαθεί η ακρίβεια της ρύθμισης της ώρας λόγω της θερμοκρασίας στον χώρο αποθήκευσης ή να γίνει επαναφορά της ρύθμισης της ώρας αν αποφορτιστεί η ενσωματωμένη μπαταρία.

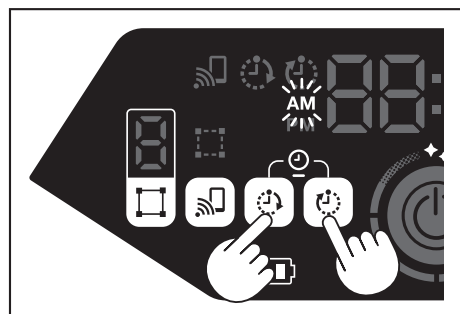
### Καθορισμός της ώρας της ημέρας ξανά

Όποτε δεν χρησιμοποιείτε τη ρομποτική ηλεκτρική σκούπα για μεγάλο χρονικό διάστημα, ενδέχεται να χαθεί η ακρίβεια ή να γίνει επαναφορά της ρύθμισης της ώρας.

Μόλις συνδέσετε τη ρομποτική ηλεκτρική σκούπα με ένα smartphone μέσω της εφαρμογής, στη ρομποτική ηλεκτρική σκούπα καθορίζεται αυτόματα η ώρα της ημέρας που εμφανίζεται στο smartphone.

Αν θέλετε να καθορίσετε την ώρα της ημέρας εσείς μη αυτόματα, εκτελέστε την παρακάτω διαδικασία.

- Θέστε τη ρομποτική ηλεκτρική σκούπα στην κατάσταση αναμονής. (Ανατρέξτε στη σελίδα 17.)
- Πιέστε παρατεταμένα και ταυτόχρονα το κουμπί ΕΝΕΡΓΟΠΟΙΗΣΗΣ χρονοδιακόπτη και το κουμπί ΑΠΕΝΕΡΓΟΠΟΙΗΣΗΣ χρονοδιακόπτη για να αρχίσει να αναβοσβήνει η ένδειξη [AM] ή [PM] για τη μορφή της ώρας (η οποία δεν θα αναβοσβήνει αν η προηγούμενη ρύθμιση ήταν για μορφή 24ωρου).



- Καθορίστε την ώρα της ημέρας ακολουθώντας τη διαδικασία που παρατίθεται στην ενότητα «Καθορισμός της ώρας της ημέρας» στην τρέχουσα σελίδα από το βήμα 1.

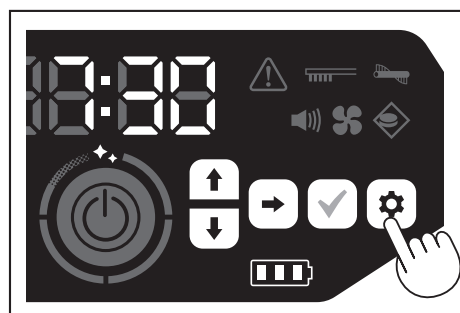
### Ρύθμιση της λειτουργίας Wi-Fi® (για τη ρομποτική ηλεκτρική σκούπα και το smartphone)

- Για χειρισμό της ρομποτικής ηλεκτρικής σκούπας μέσω της εφαρμογής, κάντε τις ρυθμίσεις της λειτουργίας Wi-Fi® για την εφαρμογή και τη ρομποτική ηλεκτρική σκούπα. (Ανατρέξτε στη σελίδα 37.)
- Εγκαταστήστε εκ των προτέρων την εφαρμογή στο smartphone σας.
- Η ρομποτική ηλεκτρική σκούπα χρησιμεύει ως σημείο πρόσβασης για το smartphone. Όποτε συνδέετε ένα smartphone με τη ρομποτική ηλεκτρική σκούπα, το smartphone δεν θα είναι συνδεδεμένο σε κανένα άλλο δίκτυο εκτός από αυτό της ρομποτικής ηλεκτρικής σκούπας.
- Για να συνδέσετε ένα smartphone με τη ρομποτική ηλεκτρική σκούπα, πιέστε το κουμπί σύνδεσης smartphone για να ενεργοποιηθεί η λειτουργία Wi-Fi.
- Όποτε δεν χρησιμοποιείτε τη λειτουργία Wi-Fi, πιέστε το κουμπί σύνδεσης smartphone για να σβήσει η λυχνία σύνδεσης smartphone.
- Μπορείτε να διαχειρίζεστε πολλές ρομποτικές ηλεκτρικές σκούπες μέσω μίας εφαρμογής. Στην περίπτωση αυτή, πρέπει να δημιουργήσετε ασύρματη σύνδεση κάθε συσκευής χωριστά με την εφαρμογή.

### Δημιουργία ρύθμισης ήχου

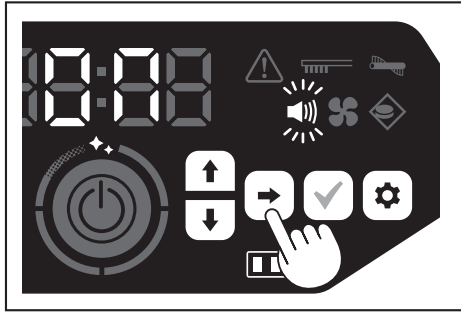
- Μπορείτε να επιλέξετε αν θα ακούγονται ήχοι από τη ρομποτική ηλεκτρική σκούπα ή όχι.
- Μπορείτε να κάνετε αυτή τη ρύθμιση του ήχου και μέσω του τηλεχειριστηρίου.

- Αφού θέσετε τη ρομποτική ηλεκτρική σκούπα στην κατάσταση αναμονής, πιέστε το κουμπί ρυθμίσεων για να περάσετε τη λειτουργία επιλογής ρυθμίσεων.

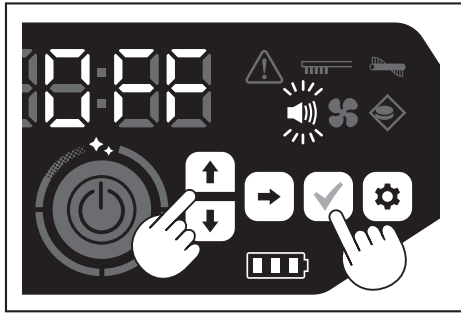


- Πιέστε το κουμπί μετάβασης στο επόμενο ώστε να αρχίσει να αναβοσβήνει η λυχνία ήχου.





- Μπορείτε να χρησιμοποιήσετε τα κουμπιά μετακίνησης προς επάνω/κάτω για εναλλαγή των ρυθμίσεων «Ενεργοποίηση» και «Απενεργοποίηση». Αφού επιλέξετε τη ρύθμιση «Ενεργοποίηση» ή «Απενεργοποίηση», πιέστε το κουμπί επιβεβαίωσης για να οριστικοποιήσετε την επιλογή σας.
  - Ενεργοποίηση: Η λυχνία ήχου ανάβει (υποδεικνύοντας ότι ο ήχος είναι ενεργοποιημένος).
  - Απενεργοποίηση: Η λυχνία ήχου σβήνει (υποδεικνύοντας ότι ο ήχος είναι απενεργοποιημένος).



#### ΑΝΑΚΟΙΝΩΣΗ

Ακόμη και αν η ρύθμιση του ήχου είναι απενεργοποιημένη, η ρομποτική ηλεκτρική σκούπα θα μπορεί να εκπέμπει ήχο ειδοποίησης για κάποιο σφάλμα κλπ.

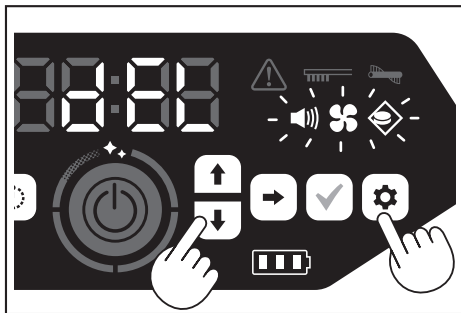
#### Ενεργοποίηση/Απενεργοποίηση της ρύθμισης του ήχου μέσω του τηλεχειριστηρίου

Αν η ρομποτική ηλεκτρική σκούπα είναι στην κατάσταση αναμονής, μπορείτε να ενεργοποιήσετε και να απενεργοποιήσετε εναλλάξ τη ρύθμιση του ήχου πιέζοντας το κουμπί ΕΝΕΡΓΟΠΟΙΗΣΗΣ/ΑΠΕΝΕΡΓΟΠΟΙΗΣΗΣ ήχου. Μπορείτε να ενεργοποιείτε και να απενεργοποιείτε τη ρύθμιση του ήχου ακόμη και στη διάρκεια του καθαρίσματος αν την έχετε καθορίσει μέσω του τηλεχειριστηρίου.

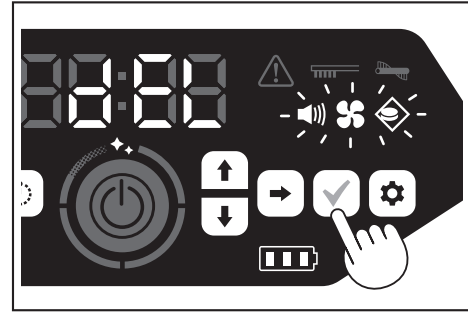
#### Επαναφορά των ρυθμίσεων

Μπορείτε να προχωρήσετε στην επαναφορά των ρυθμίσεων της ρομποτικής ηλεκτρικής σκούπας στις εργοστασιακά προεπιλεγμένες ρυθμίσεις.

- Θέστε τη ρομποτική ηλεκτρική σκούπα στην κατάσταση αναμονής. (Ανατρέξτε στη σελίδα 17.)
- Πιέστε παρατεταμένα το κουμπί μετακίνησης προς τα κάτω και το κουμπί ρυθμίσεων. Στην ένδειξη χρόνου εμφανίζεται το [dEL] και αναβοσβήνουν τα εικονίδια και όλες οι λυχνίες εκτός από τη λυχνία σφάλματος.



- Πιέστε το κουμπί επιβεβαίωσης την ώρα που εμφανίζεται το [dEL] (επί περίπου 10 δευτερόλεπτα).
  - Αν δεν πιέσετε το κουμπί επιβεβαίωσης την ώρα που εμφανίζεται το [dEL] στην οθόνη ενδείξεων, η ρομποτική ηλεκτρική σκούπα επανέρχεται στην κατάσταση αναμονής.
  - Την ώρα που η ρομποτική ηλεκτρική σκούπα εκτελεί τη διαδικασία της επαναφοράς, σβήνουν τα εικονίδια και όλες οι λυχνίες εκτός από τη λυχνία ισχύος της μπαταρίας. Παρόλο που στο διάστημα αυτό η ρομποτική ηλεκτρική σκούπα δεν θα λειτουργεί ακόμη και αν πιέσετε τα κουμπιά στον πίνακα λειτουργίας, δεν πρέπει να αγγίξετε τα κουμπιά. Επίσης, δεν πρέπει να αφαιρέσετε τις μπαταρίες.

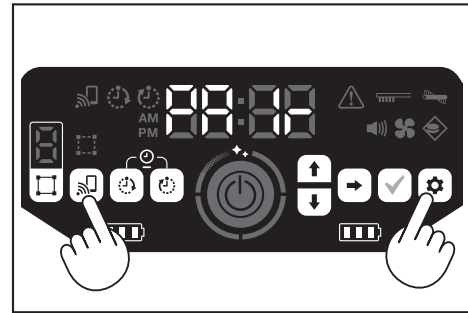


- Μόλις ολοκληρωθεί η διαδικασία της επαναφοράς, πραγματοποιείται επανεκκίνηση και ύστερα εμφανίζεται η οθόνη για τον καθορισμό της ώρας της ημέρας.

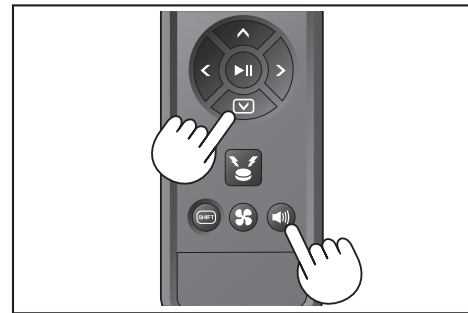
#### Αντιστοίχιση της ρομποτικής ηλεκτρικής σκούπας και του τηλεχειριστηρίου

Όποτε αντικαταστήσετε το τηλεχειριστήριο με ένα καινούριο, πρέπει να αντιστοιχίσετε τη ρομποτική ηλεκτρική σκούπα με το τηλεχειριστήριο.

- Πιέστε παρατεταμένα και ταυτόχρονα το κουμπί σύνδεσης smartphone και το κουμπί ρυθμίσεων για να εμφανιστεί το [PAIr] στην ένδειξη χρόνου. Το [PAIr] εμφανίζεται στην οθόνη ενδείξεων επί 10 δευτερόλεπτα.



- Την ώρα που εμφανίζεται στην οθόνη ενδείξεων το [PAIr], πιέστε ταυτόχρονα το κουμπί ενεργειών (μετακίνησης προς τα κάτω) και το κουμπί ΕΝΕΡΓΟΠΟΙΗΣΗΣ/ΑΠΕΝΕΡΓΟΠΟΙΗΣΗΣ ήχου στο τηλεχειριστήριο. Εφόσον η αντιστοίχιση ολοκληρωθεί με επιτυχία, η ρομποτική ηλεκτρική σκούπα εκπέμπει δύο σύντομους τόνους μπιπ και επανέρχεται στην κατάσταση αναμονής.



#### ΑΝΑΚΟΙΝΩΣΗ

- Αν αποτύχει η αντιστοίχιση, ακούγεται ένας ήχος σφάλματος.
- Αν η ρομποτική ηλεκτρική σκούπα δεν μπορεί να λάβει σήμα από το τηλεχειριστήριο όση ώρα εμφανίζεται η ένδειξη [PAIr] στην οθόνη ενδείξεων, τότε επανέρχεται στην κατάσταση αναμονής.

## Φροντίδα

### ⚠ ΠΡΟΕΙΔΟΠΟΙΗΣΗ

Πρέπει οπωσδήποτε να απενεργοποιείτε τη ρομποτική ηλεκτρική σκούπα και να αφαιρείτε τις μπαταρίες προτού ασχοληθείτε με τη φροντίδα της.

- Αν αφήσετε μια μπαταρία τοποθετημένη στη ρομποτική ηλεκτρική σκούπα, υπάρχει κίνδυνος πρόκλησης ηλεκτροπληξίας ή τραυματισμού.

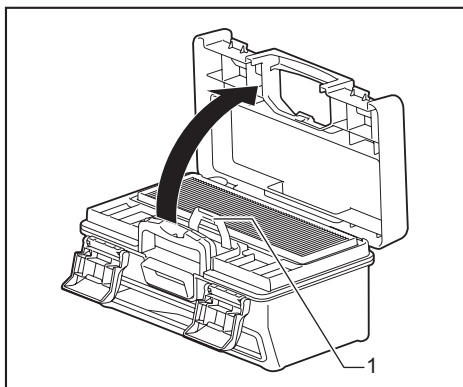
### ⚠ ΠΡΟΣΟΧΗ

Για να μπορεί η συσκευή να έχει πάντα τις βέλτιστες επιδόσεις, πρέπει κατά διαστήματα να εκτελείτε τις εργασίες συντήρησης που παρατίθενται στην τρέχουσα ενότητα. Αν υπάρχει κάποιο πρόβλημα, πάψτε να χρησιμοποιείτε τη ρομποτική ηλεκτρική σκούπα και αποταθείτε στο κατάστημα από το οποίο την αγοράσατε ή στο γραφείο πωλήσεων της εταιρείας μας για τον έλεγχο και την επισκευή της.

## Συντήρηση

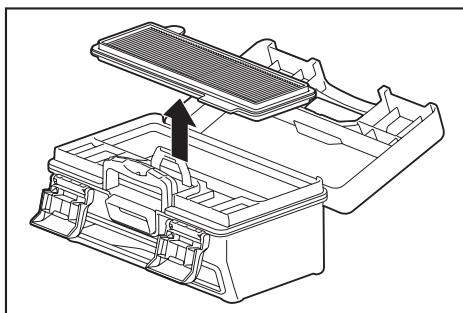
### Φροντίδα για το κουτί σκόνης και το φίλτρο και αντικατάστασή τους

- Όταν η ρομποτική ηλεκτρική σκούπα έχει μειωμένη ισχύ αναρρόφησης της ρομποτικής ηλεκτρικής σκούπας, τότε είναι πολύ λερωμένη ή όποτε ανάβει η λυχνία φροντίδας φίλτρου, πρέπει να αφαιρείτε το φίλτρο και να το πλένετε με νερό.
  - Στρώστε κάτω μια εφημερίδα ή κάτι παρόμοιο προτού ασχοληθείτε με τη φροντίδα της συσκευής.
  - Δεν πρέπει να χρησιμοποιείτε χημικά ή ζεστό νερό θερμοκρασίας άνω των 40°C (104°F).
1. Πετάξτε τα σκουπίδια ακολουθώντας τα βήματα 1 ως 5 που παρατίθενται στην ενότητα «Διαδικασία απόρριψης σκουπιδιών». (Ανατρέξτε στη σελίδα 23.)
  2. Επανατοποθετήστε τη θήκη σκόνης μέσα στο κουτί σκόνης και κλείστε το κάλυμμα της επάνω πλευράς του κουτιού σκόνης.
  3. Αποδεσμεύστε το άγκιστρο και ανοίξτε το κάλυμμα της επάνω πλευράς από την πλευρά του φίλτρου.

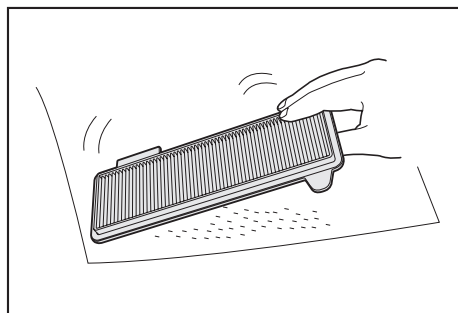


► 1. Άγκιστρο

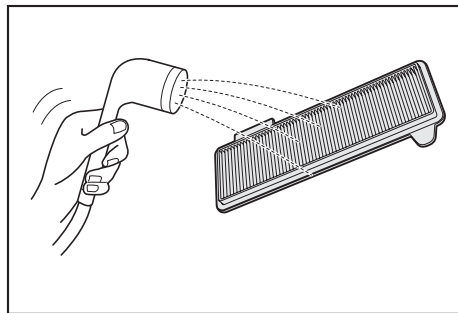
4. Αφαιρέστε το φίλτρο από το κουτί σκόνης.  
Αφαιρέστε αργά το φίλτρο για να μη σηκωθεί σκόνη.



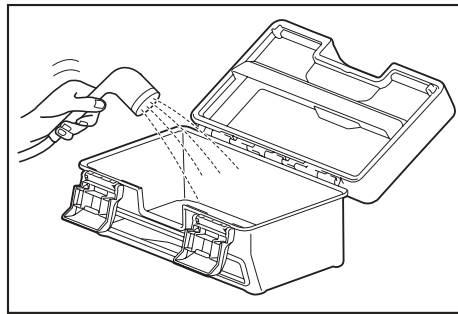
5. Αφήστε τα σκουπίδια και τη σκόνη να πέσουν χτυπώντας απαλά το φίλτρο.
  - Δεν πρέπει να ξύσετε δυνατά το φίλτρο ούτε να το πιέσετε προς τα κάτω με τα δάχτυλά σας.
  - Δεν πρέπει να χρησιμοποιήσετε κάποιο αντικείμενο με αιχμηρό άκρο (π.χ. οδοντογλυφίδα) γιατί υπάρχει κίνδυνος να σπάσει το φίλτρο.



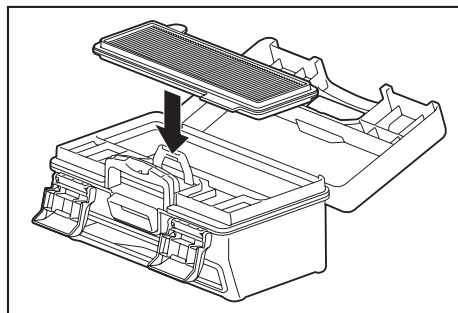
6. Εφόσον η ρομποτική ηλεκτρική σκούπα έχει πολύ μειωμένη ισχύ αναρρόφησης, πλύνετε το φίλτρο με νερό.  
Αν σας ενοχλεί η μυρωδιά του, αφήστε το φίλτρο μέσα σε αραιωμένο ουδέτερο απορρυπαντικό επί περίπου τρεις ώρες και ύστερα πλύντε το με νερό.



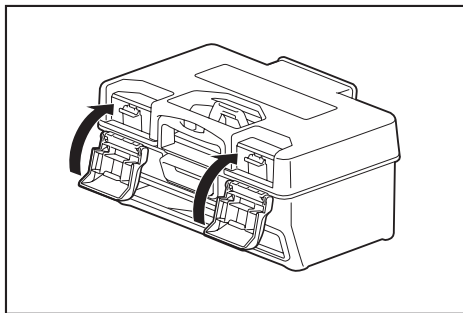
7. Εφόσον το κουτί σκόνης είναι πολύ λερωμένο, πλύντε το με νερό ή με αραιωμένο ουδέτερο απορρυπαντικό.



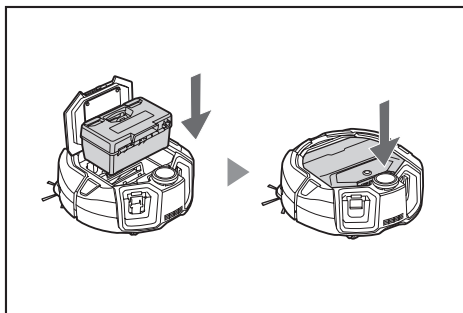
8. Μόλις πλύνετε το φίλτρο ή το κουτί σκόνης με νερό, αφήστε το να στεγνώσει εντελώς σε ένα καλά εξαεριζόμενο σημείο χωρίς να είναι άμεσα εκτεθειμένο στο φως του ήλιου.
  - Αν χρησιμοποιήσετε εξαρτήματα που δεν έχουν στεγνώσει εντελώς, ενδέχεται να ελαττωθεί η ισχύς αναρρόφησης αλλά και να μειωθεί η διάρκεια ζωής του μοτέρ.
  - Αν χρησιμοποιήσετε εξαρτήματα στα οποία έχει παραμείνει υγρασία, ενδέχεται να προκληθεί κακοσμία ή βλάβη.
  - Πρέπει να αφήνετε τα εξαρτήματα να στεγνώσουν περίπου μία ημέρα.
  - Πρέπει να αποφεύγετε να στεγνώνετε τα εξαρτήματα με πιστολάκι μαλλιών, ανεμιστήρα κλπ.
9. Προσαρτήστε το φίλτρο στο κουτί σκόνης.



10. Κλείστε το κάλυμμα της επάνω πλευράς από την πλευρά του φίλτρου και μην ξεχάσετε να ασφαλίσετε το άγκιστρο. Ύστερα ασφαλίστε τα δύο τμήματα που κλειδώνουν.



11. Επανατοποθετήστε το κουτί σκόνης μέσα στη ρομποτική ηλεκτρική σκούπα και πιέστε το κάλυμμα της επάνω πλευράς για να κλείσει ώσπου να ακουστεί το χαρακτηριστικό κλικ. Όταν θα κλείσετε το κάλυμμα της επάνω πλευράς, προσέξτε να μην εγκλωβιστούν τα δάχτυλά σας.

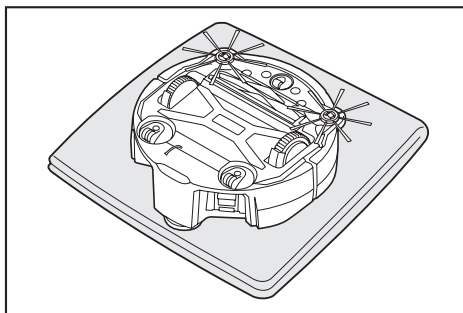


## ΑΝΑΚΟΙΝΩΣΗ

- Δεν πρέπει να χρησιμοποιείτε τη ρομποτική ηλεκτρική σκούπα αν έχετε αφαιρέσει το φίλτρο. Δεν πρέπει να χρησιμοποιείτε τη ρομποτική ηλεκτρική σκούπα αν το φίλτρο είναι κατεστραμμένο ή λερωμένο.
- Μπορείτε να πλένετε το φίλτρο με νερό. Πρέπει να ξεπλένετε με νερό τη σκόνη τακτικά (κάθε έναν έως δύο μήνες).
- Όταν φθίρειται το φίλτρο, πρέπει να το αντικαθιστάτε με ένα καινούριο.
- Το φίλτρο είναι αναλώσιμο είδος και, επομένως, συνιστούμε να έχετε πάντα έτοιμο ένα εφεδρικό.
- Δεν πρέπει να προσενείτε ζημιά στο φίλτρο τρίβοντάς το με κάποιο σκληρό αντικείμενο, π.χ. βούρτσα ή σπάτουλα.
- Δεν πρέπει να καθαρίζετε το φίλτρο HEPA με ανεμιστήρα ή πιεστικό γιατί είναι εύκολο να πάθει ζημιά.

## Προφυλάξεις που πρέπει να παίρνετε όποτε ασχολείστε με τη φροντίδα της κάτω πλευράς της ρομποτικής ηλεκτρικής σκούπας


- Πρέπει να βγάξετε έξω το κουτί σκόνης προτού εκτελέσετε εργασίες συντήρησης. (Ανατρέξτε στη σελίδα 23.) Αλλιώς, είναι πιθανό να πέσει σκόνη από το άνοιγμα.
- Πρέπει να γυρίζετε ανάποδα τη ρομποτική ηλεκτρική σκούπα προτού ασχοληθείτε με τη φροντίδα των πλαϊνών βουρτσών, της κύριας βούρτσας, της κάτω πλευράς της ρομποτικής ηλεκτρικής σκούπας και των τροχών.
- Κατά την εκτέλεση των εργασιών συντήρησης, στρώστε ένα χοντρό πατάκι ή κάτι παρόμοιο ώστε να μην προκληθεί ζημιά στη ρομποτική ηλεκτρική σκούπα και στην επιφάνεια του δαπέδου και να μην πιεστεί ο αισθητήρας LiDAR.

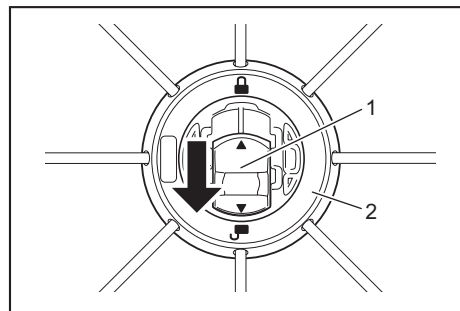


- Δεν πρέπει να πιέζετε δυνατά την επιφάνεια της κάτω πλευράς της ρομποτικής ηλεκτρικής σκούπας όταν είναι γυρισμένη ανάποδα. Αν την πιέσετε δυνατά, υπάρχει κίνδυνος να προκληθεί ζημιά στη ρομποτική ηλεκτρική σκούπα.

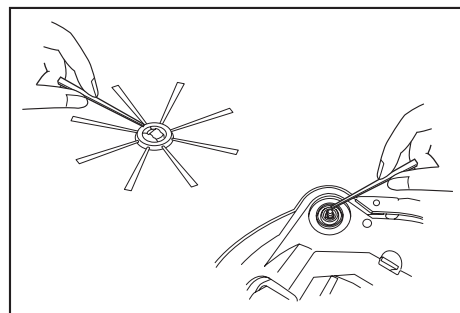
## Φροντίδα για τις πλαϊνές βούρτσες και αντικατάστασή τους

- Αν εμφανιστεί ένδειξη σφάλματος (ανατρέξτε στη σελίδα 31) ή αν κάποια πλαϊνή βούρτσα μαζέψει σκόνη και τρίχες, φροντίστε την πλαϊνή βούρτσα.
- Όταν λυγίσουν ή αρχίσουν να πέφτουν οι τρίχες μιας πλαϊνής βούρτσας, αντικαταστήστε την με μια καινούρια.
- Όταν μια πλαϊνή βούρτσα δεν περιστρέφεται ή περιστρέφεται με δυσκολία, αφαιρέστε την και ύστερα φροντίστε την.

1. Γυρίστε ανάποδα τη ρομποτική ηλεκτρική σκούπα επάνω σε ένα πατάκι κλπ.
2. Φέρτε συρτά τον μοχλό ασφάλισης της πλαϊνής βούρτσας στη θέση  (στο σημάδι ασφάλισης).



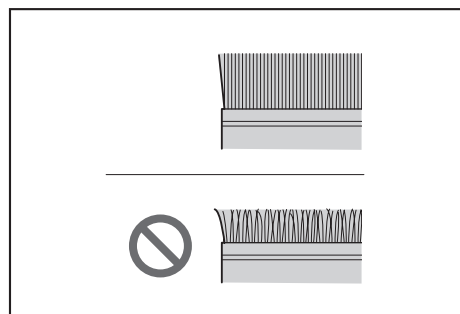
- ▶ 1. Μοχλός ασφάλισης 2. Πλαϊνή βούρτσα
3. Αφαιρέστε την πλαϊνή βούρτσα.
4. Αφαιρέστε τρίχες και σκόνη που έχουν μαζευτεί στην πλαϊνή βούρτσα χρησιμοποιώντας τσιμπιδάκι ή άλλα εργαλεία.



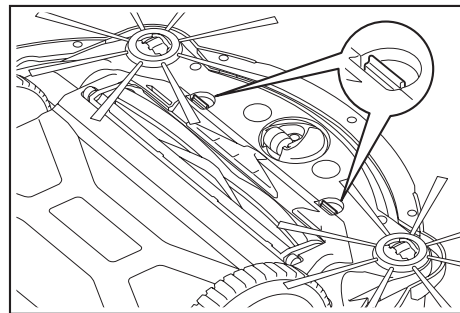
5. Προσαρτήστε την πλαϊνή βούρτσα στη ρομποτική ηλεκτρική σκούπα. (Ανατρέξτε στη σελίδα 15.)

## Φροντίδα για την κύρια βούρτσα και αντικατάστασή της

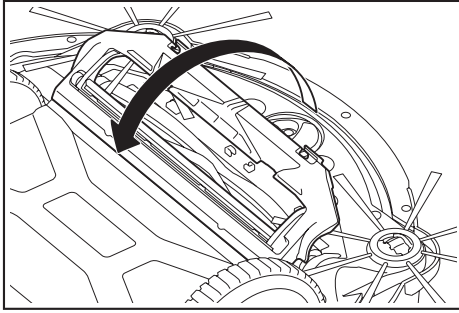
- Αν εμφανιστεί ένδειξη σφάλματος (ανατρέξτε στη σελίδα 31) ή αν η κύρια βούρτσα μαζέψει σκόνη και τρίχες, φροντίστε την κύρια βούρτσα.
- Αν οι τρίχες της κύριας βούρτσας φθαρούν και κοντύνουν, αντικαταστήστε την κύρια βούρτσα.



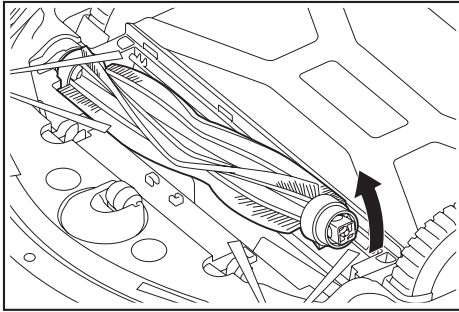
1. Γυρίστε ανάποδα τη ρομποτική ηλεκτρική σκούπα επάνω σε ένα πατάκι κλπ.
2. Αποδεσμεύστε τα άγκιστρα του καλύμματος της κύριας βούρτσας.



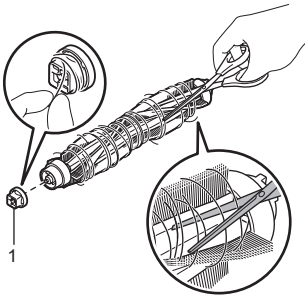
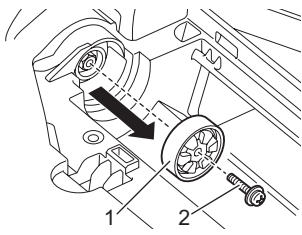
3. Αφαιρέστε το κάλυμμα της κύριας βούρτσας.  
Μην αποσυναρμολογήσετε το κάλυμμα της κύριας βούρτσας.



4. Αφαιρέστε την κύρια βούρτσα.



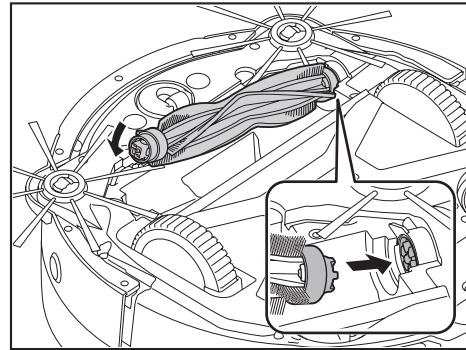
5. Φροντίστε την κύρια βούρτσα, το κάλυμμα της κύριας βούρτσας, το περίβλημα της κύριας βούρτσας και τους συνδέσμους με τον τρόπο που περιγράφεται παρακάτω.

Εξάρτημα	Τρόπος φροντίδας
Κύρια βούρτσα	Αφαιρέστε το κάλυμμα του εδράνου που είναι προσαρτημένο στην κύρια βούρτσα και αφαιρέστε την παγιδευμένη σκόνη. Αν έχουν παγιδευτεί τρίχες και χνούδια, κόψτε τα με ψαλίδι κατά μήκος των τριχών της βούρτσας και ύστερα αφαιρέστε τα. Αν υπάρχει κολλημένη σκόνη, ξεπλύνετε το εξάρτημα με νερό.    ► 1. Κάλυμμα εδράνου
Κάλυμμα κύριας βούρτσας	Για να καθαρίσετε το σημείο αυτό, σκουπίστε το με ένα πανί ελαφρά βρεγμένο με νερό ή αραιωμένο ουδέτερο απορρυπαντικό. Αν είναι πολύ λερωμένο, ξεπλύνετε το με νερό.
Περίβλημα κύριας βούρτσας	Για να καθαρίσετε το σημείο αυτό, σκουπίστε το με ένα πανί ελαφρά βρεγμένο με νερό ή αραιωμένο ουδέτερο απορρυπαντικό. Δεν μπορείτε να το πλύνετε με νερό.
Συνδέσμοι	Για να καθαρίσετε τους συνδέσμους που είναι προσαρτημένοι στη ρομπωτική ηλεκτρική σκούπα, χαλαρώστε τη βίδα με ένα κατσαβίδι κρατώντας κάθε σύνδεσμο με το χέρι. Ύστερα αφαιρέστε τον σύνδεσμο. Αφαιρέστε τη σκόνη που έχει μαζευτεί στο εσωτερικό της ρομπωτικής ηλεκτρικής σκούπας.    ► 1. Σύνδεσμος 2. Βίδα

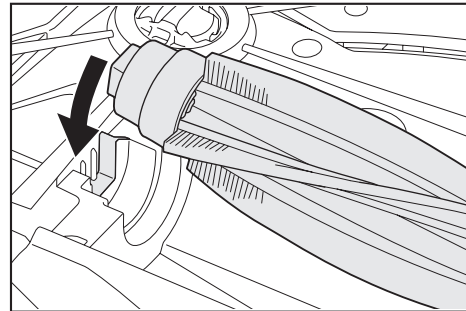
## ΑΝΑΚΟΙΝΩΣΗ

Δεν πρέπει να χρησιμοποιείτε διαλυτικό, βενζίνη, οινόπνευμα κλπ επειδή ενδέχεται να προκαλέσουν φθορά ή αποχρωματισμό.

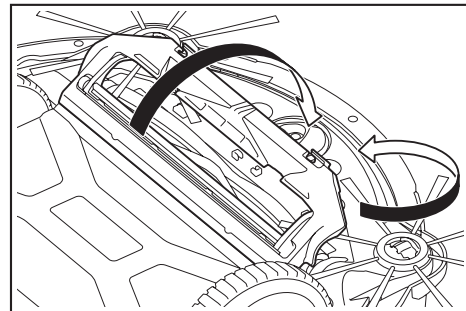
6. Πρέπει να αφήνετε όσα εξαρτήματα πλένετε με νερό να στεγνώσουν εντελώς σε ένα καλά εξαεριζόμενο σημείο χωρίς να είναι άμεσα εκτεθειμένα στο φως του ήλιου.
  - Αν χρησιμοποιήσετε εξαρτήματα που δεν έχουν στεγνώσει εντελώς, ενδέχεται να ελαττωθεί η ισχύς αναρρόφησης αλλά και να μειωθεί η διάρκεια ζωής του μοτέρ.
  - Αν χρησιμοποιήσετε εξαρτήματα στα οποία έχει παραμείνει υγρασία, ενδέχεται να προκληθεί κακοσμία ή βλάβη.
  - Πρέπει να αφήνετε τα εξαρτήματα να στεγνώσουν περίπου μία ημέρα.
  - Πρέπει να αποφεύγετε να στεγνώνετε τα εξαρτήματα με πιστολάκι μαλλιών, ανεμιστήρα κλπ.
7. Επανατοποθετήστε το κάλυμμα του εδράνου στην αρχική του θέση μέσα στην κύρια βούρτσα.
8. Στερεώστε τους συνδέσμους στη ρομπωτική ηλεκτρική σκούπα χρησιμοποιώντας βίδες.
9. Προσαρτήστε έτσι την κύρια βούρτσα ώστε το σχήμα της βάσης της να εφαρμόσει καλά στο αυλάκι των συνδέσμων της ρομπωτικής ηλεκτρικής σκούπας.



10. Περιστρέψτε το κάλυμμα του εδράνου για να το ευθυγραμμίσετε στον σωστό προσανατολισμό και ύστερα τοποθετήστε το μέσα στη ρομπωτική ηλεκτρική σκούπα.

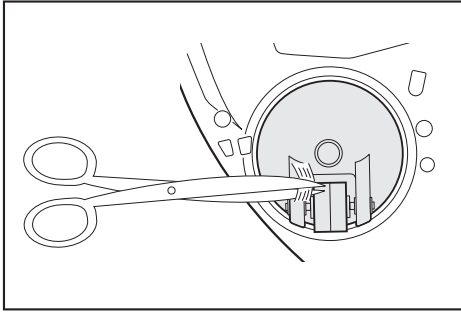


11. Προσαρτήστε το κάλυμμα της κύριας βούρτσας (σπρώξτε προς τα μέσα το άγκιστρο ώσπου να ακουστεί το χαρακτηριστικό κλικ).
  - Προσέξτε να μην πιαστεί κάποια πλαϊνή βούρτσα μέσα στο κάλυμμα της κύριας βούρτσας.
  - Για να διευκολυνθείτε προκειμένου να μην πιαστούν οι πλαϊνές βούρτσες, μπορείτε να αφαιρέσετε προσωρινά τις πλαϊνές βούρτσες ή να προσαρτήσετε το κάλυμμα της κύριας βούρτσας περιστρέφοντας ταυτόχρονα την πλαϊνή βούρτσα προς την κατεύθυνση που υποδεικνύεται στην εικόνα.

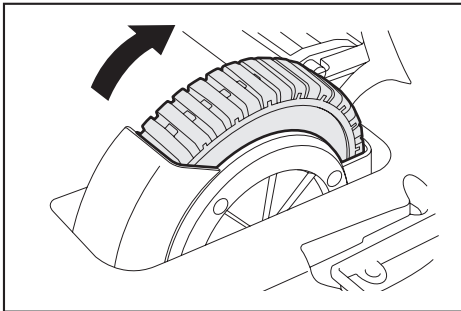


## Φροντίδα για τους τροχούς

- Πρέπει να φροντίζετε τους τροχούς όποτε μαζεύουν σκόνη και τρίχες.
- Δεν πρέπει να αφαιρείτε τους τροχούς από τη ρομποτική ηλεκτρική σκούπα.
- Πρέπει να αφαιρείτε τη σκόνη που έχει μαζευτεί στα ροδάκια. Αν είναι δύσκολο να τα καθαρίσετε, χρησιμοποιήστε λεπτό ψαλιδάκι, τσιμπιδάκι κλπ.



- Πρέπει να αφαιρείτε τα σκουπιδάκια και από τους δύο κινητήριους τροχούς περιστρέφοντάς τους. Στην διάρκεια εκτέλεσης αυτών των εργασιών, πρέπει να προσέχετε να μην εγκλωβιστεί το χέρι σας.

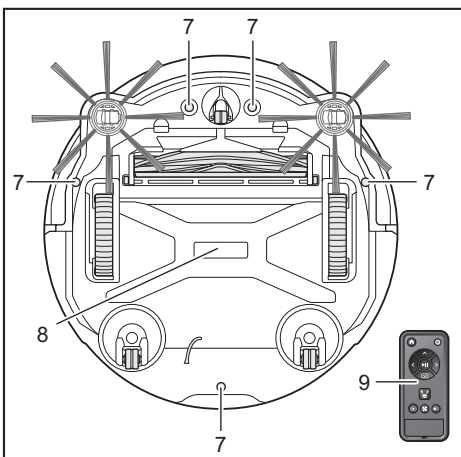
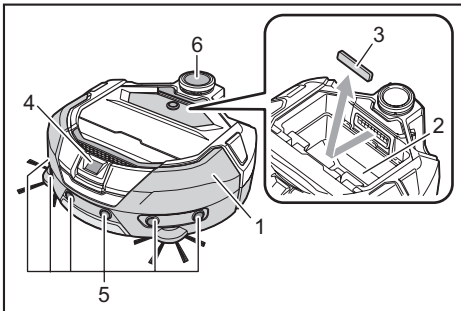


## Φροντίδα για τη ρομποτική ηλεκτρική σκούπα

### ΑΝΑΚΟΙΝΩΣΗ

- Δεν πρέπει να χρησιμοποιείτε διαλυτικό, βενζίνη, οινόπνευμα κλπ επειδή ενδέχεται να προκαλέσουν φθορά ή αποχρωματισμό.
- Δεν πρέπει να χρησιμοποιήσετε κάποιο αντικείμενο με αιχμηρό άκρο (π.χ. οδοντογλυφίδα) γιατί υπάρχει κίνδυνος να σπάσει ή να πάθει ζημιά κάποιο εξάρτημα.

Όποτε φροντίζετε τα εξαρτήματα της ρομποτικής ηλεκτρικής σκούπας, μπορείτε να ακολουθείτε τις οδηγίες που παρατίθενται στον παρακάτω πίνακα.



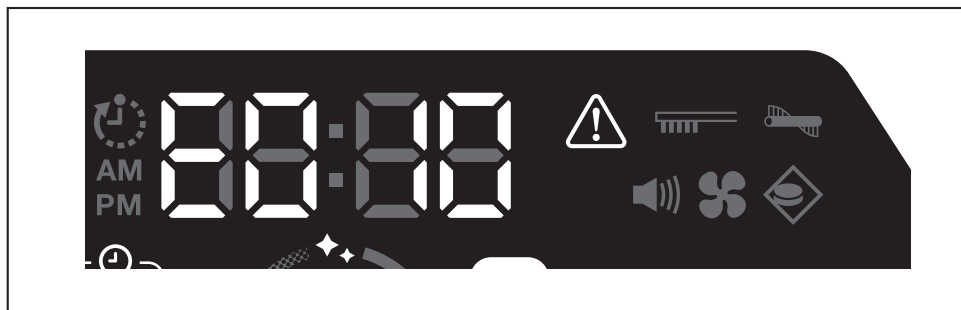
Αριθμός	Εξάρτημα	Τρόπος φροντίδας
1.	Επιφάνεια ρομποτικής ηλεκτρικής σκούπας	Για να καθαρίσετε το σημείο αυτό, σκουπίστε το με ένα πανί ελαφρά βρεγμένο με νερό ή αραιωμένο ουδέτερο απορρυπαντικό.
2.	Εσωτερικό της ρομποτικής ηλεκτρικής σκούπας (περίβλημα κουτιού σκόνης)	Για να καθαρίσετε το σημείο αυτό, σκουπίστε το με ένα πανί ελαφρά βρεγμένο με νερό ή αραιωμένο ουδέτερο απορρυπαντικό.
3.	Σπόγγος ανοίγματος αναρρόφησης στο εσωτερικό της ρομποτικής ηλεκτρικής σκούπας	Βγάλτε έξω τον σπόγγο και ξεπλύνετε τον με νερό για να φύγει η σκόνη.
4.	Αισθητήρας κάμερας	Για να τον καθαρίσετε, σκουπίστε τον με ένα μαλακό πανί ή με μια μπατονέτα προσέχοντας να μην προκληθεί ζημιά.
5.	Υπερηχητικός αισθητήρας	Για να καθαρίσετε το σημείο αυτό, σκουπίστε το με ένα πανί ελαφρά βρεγμένο με νερό ή αραιωμένο ουδέτερο απορρυπαντικό.
6.	Αισθητήρας LiDAR	Αφαιρέστε τη σκόνη και τα σκουπιδάκια από το εσωτερικό του καλύμματος του αισθητήρα LiDAR.
7.	Αισθητήρας απότομης κλίσης (5 θέσεις)	Για να τον καθαρίσετε, σκουπίστε τον με ένα μαλακό πανί ή με μια μπατονέτα προσέχοντας να μην προκληθεί ζημιά.
8.	Κάτω πλευρά της ρομποτικής ηλεκτρικής σκούπας	Για να καθαρίσετε το σημείο αυτό, σκουπίστε το με ένα πανί ελαφρά βρεγμένο με νερό ή αραιωμένο ουδέτερο απορρυπαντικό.
9.	Μπροστινή πλευρά του τηλεχειριστηρίου και των κουμπιών του	Για να τα καθαρίσετε, σκουπίστε τα με ένα στεγνό πανί.

## Πληροφορίες όσον αφορά την επισκευή του προϊόντος

- Αν δεν μπορείτε να επαναφέρετε τη συσκευή στην κανονική λειτουργία της αφού λύσετε το πρόβλημα που ήταν η αιτία για μια ειδοποίηση ή μια ένδειξη σφάλματος (ανατρέξτε στη σελίδα 31), απενεργοποιήστε την και ενεργοποιήστε την ξανά.
- Αν εμφανίζεται επανειλημμένα η ίδια ειδοποίηση ή το ίδιο σφάλμα στην οθόνη ενδείξεων, αποταθείτε στο κατάστημα από το οποίο αγοράσατε το προϊόν ή στο γραφείο πωλήσεων της εταιρείας μας για την επισκευή του.
- Μην επιχειρήσετε να το επισκευάσετε μόνοι σας. Πρέπει οπωσδήποτε να αποταθείτε στο κατάστημα από το οποίο το αγοράσατε ή στο γραφείο πωλήσεων της εταιρείας μας.
- Όποτε ζητάτε επισκευή, πρέπει να φέρνετε τη ρομποτική ηλεκτρική σκούπα μαζί με τις μπαταρίες και τον φορτιστή.

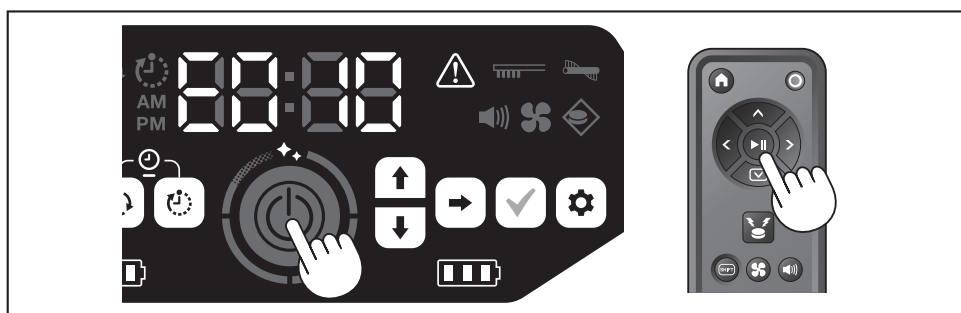
## Ειδοποίηση και ένδειξη σφάλματος

Όποτε απαιτείται φροντίδα ή παρουσιάζεται κάποιο σφάλμα, στον πίνακα λειτουργίας της ρομποτικής ηλεκτρικής σκούπας ανάβει μια κόκκινη λυχνία και στην οθόνη ενδείξεων εμφανίζεται ο αριθμός του σφάλματος. Επιπλέον, ενδέχεται να ακουστεί μια ηχητική ειδοποίηση.



### Ακύρωση μιας ειδοποίησης και μιας ένδειξης σφάλματος

- Όταν εμφανίζεται μια ειδοποίηση για φροντίδα του φίλτρου, η ρομποτική ηλεκτρική σκούπα μπορείτε να χρησιμοποιήσετε τη ρομποτική ηλεκτρική σκούπα αλλά ενδέχεται να μη λειτουργεί σωστά. Εντοπίστε την αιτία και επιλύστε το πρόβλημα προτού χρησιμοποιήσετε τη ρομποτική ηλεκτρική σκούπα.
  - Όταν εμφανίζεται μια ειδοποίηση για σφάλμα, διακόπτεται η λειτουργία της ρομποτικής ηλεκτρικής σκούπας. Προχωρήστε στις παρακάτω ενέργειες.
1. Ελέγξτε τον αριθμό του σφάλματος, εντοπίστε την αιτία του και επιλύστε το πρόβλημα. (Ανατρέξτε στην «Ειδοποίηση για ανάγκη φροντίδας κλπ» στην τρέχουσα σελίδα.)
  2. Αν απενεργοποιήσετε τη ρομποτική ηλεκτρική σκούπα ή αν μειωθεί η ισχύς της επειδή εξαντλήθηκε η χωρητικότητα της μπαταρίας, το σφάλμα ακυρώνεται προσωρινά.




3. Ελέγξτε αν το σφάλμα έχει διαγραφεί προτού χρησιμοποιήσετε τη ρομποτική ηλεκτρική σκούπα.

### ΑΝΑΚΟΙΝΩΣΗ

- Επανεκκινήστε τη ρομποτική ηλεκτρική σκούπα αν δεν μπορείτε να τη θέσετε σε λειτουργία μετά τον εντοπισμό της αιτίας και την επίλυση του προβλήματος.
- Αν εμφανίζεται επανειλημμένα το ίδιο σφάλμα, αποταθείτε στο κατάστημα από το οποίο αγοράσατε το προϊόν ή στο γραφείο πωλήσεων της εταιρείας μας για την επισκευή του.


### Ειδοποίηση για ανάγκη φροντίδας κλπ















Αν ανάψει η λυχνία, απενεργοποιήστε τη συσκευή και αφαιρέστε τις μπαταρίες. Ύστερα προχωρήστε στις ενέργειες που περιγράφονται παρακάτω.

Πρόβλημα για το οποίο εμφανίστηκε ειδοποίηση	Αιτία	Ενέργεια
<ul style="list-style-type: none"> <li>• Απαιτείται φροντίδα του φίλτρου.</li> </ul> 	Έχει συσσωρευτεί σκόνη ή το φίλτρο είναι βουλωμένο.	Πετάξτε τη σκόνη και φροντίστε το φίλτρο. → Ανατρέξτε στις σελίδες 23 και 27.  Ελέγξτε μήπως έχει συσσωρευτεί σκόνη μέσα στη ρομποτική ηλεκτρική σκούπα και στο στόμιο εξόδου του αέρα.


### Ειδοποίηση για σφάλμα

- Προχωρήστε στην κατάλληλη ενέργεια με βάση τη λυχνία σφάλματος και τον αριθμό στην ένδειξη.
- Όσον αφορά τους κωδικούς των σφαλμάτων στη λίστα, θα εμφανίζεται στην οθόνη ενδείξεων ένας συγκεκριμένος αριθμός στη θέση του «X» ανάλογα με τον τύπο σφάλματος. Πρέπει να αναφέρετε τον κωδικό του σφάλματος κατά την επικοινωνία σας με το κατάστημα ή το γραφείο πωλήσεων της εταιρείας μας.
- Όταν ελέγχετε την αιτία ή προβαίνετε σε κάποια ενέργεια, πρέπει πρώτα να απενεργοποιείτε τη συσκευή και να αφαιρέτε τις μπαταρίες όπως απαιτείται.
- Αν στην οθόνη ενδείξεων εμφανιστεί κάποιος άλλος αριθμός σφάλματος εκτός από αυτούς που παρατίθενται στην παρακάτω λίστα, αποταθείτε στο κατάστημα από το οποίο αγοράσατε το προϊόν ή στο γραφείο πωλήσεων της εταιρείας μας.

Αριθμός	Αιτία	Ενέργεια
Πρόβλημα για το οποίο εμφανίστηκε ειδοποίηση  E01X Σφάλμα κινητήριων τροχών	 Μήπως έχει εγκλωβιστεί κάποιο ξένο σώμα, π.χ. χνούδι ή τρίχες, στους κινητήριους τροχούς;  Όταν η ρομποτική ηλεκτρική σκούπα περνά μέσα από κάποιο χαμηλό κενό, ενδέχεται να εγκλωβιστεί και να εμφανιστεί στην οθόνη ενδείξεων η ειδοποίηση αυτή.	Αφαιρέστε το ξένο σώμα. → Ανατρέξτε στη σελίδα 30.  Δεν πρόκειται για βλάβη.

Αριθμός	Αιτία	Ενέργεια
Ε02Χ Σφάλμα λόγω απώλειας ενός τροχού ή ανύψωσης της ρομποτικής ηλεκτρικής σκούπας	 Μήπως κάποιος κινητήριος τροχός έχει εκτροχιαστεί ή κάποιος τροχός έχει ανασηκωθεί από το έδαφος;	Μετακινήστε τη ρομποτική ηλεκτρική σκούπα σε κάποιο άλλο σημείο. → Ανατρέξτε στη σελίδα 12.
Ε030 Σφάλμα της κύριας βούρτσας	  Μήπως έχει εγκλωβιστεί κάποιο ξένο σώμα, π.χ. χνούδι ή τρίχες, στην κύρια βούρτσα;	Αφαιρέστε το ξένο σώμα. → Ανατρέξτε στη σελίδα 28.
Ε04Χ Σφάλμα των πλαϊνών βουρτσών	  Μήπως έχει εγκλωβιστεί κάποιο ξένο σώμα, π.χ. χνούδι ή τρίχες, στις πλαϊνές βούρτσες;	Αφαιρέστε το ξένο σώμα. → Ανατρέξτε στις σελίδες 15 και 28.
Ε060 Μη ανίχνευση του κουτιού σκόνης ή του φίλτρου	  Το κουτί σκόνης ή το φίλτρο δεν είναι προσαρτημένο.	Ελέγξτε αν είναι προσαρτημένα όπως πρέπει. → Ανατρέξτε στις σελίδες 23 και 27.
Ε09Χ Σφάλμα αισθητήρα απότομης κλίσης	 Μήπως η ρομποτική ηλεκτρική σκούπα είναι άμεσα εκτεθειμένη στο φως του ήλιου;	Μετακινήστε τη ρομποτική ηλεκτρική σκούπα σε κάποιο άλλο σημείο. → Ανατρέξτε στη σελίδα 12.
	Μήπως η ρομποτική ηλεκτρική σκούπα βρίσκεται επάνω σε μαύρη επιφάνεια δαπέδου;	
	Μήπως οι αισθητήρες απότομης κλίσης είναι λερωμένοι;	
Ε10Χ Σφάλμα αισθητήρα προφυλακτήρα	 Πρόκειται για δυσλειτουργία του αισθητήρα του προφυλακτήρα.	Πιέστε τον προφυλακτήρα με το χέρι σας περίπου 10 φορές. → Ανατρέξτε στη σελίδα 10.
Ε110 Σφάλμα κίνησης	 Μήπως η ρομποτική ηλεκτρική σκούπα ανέβηκε σε κάποιο σκαλοπάτι κλπ και εγκλωβίστηκε εκεί;	Μετακινήστε τη ρομποτική ηλεκτρική σκούπα σε κάποιο άλλο σημείο. → Ανατρέξτε στη σελίδα 12.
Ε12Χ Μείωση της εναπομένουσας χωρητικότητας της μπαταρίας Σφάλμα ρύθμισης χρονοδιακόπτη	 Μήπως δεν είναι δυνατή η έναρξη λειτουργίας της ρομποτικής ηλεκτρικής σκούπας με βάση την κράτηση στον χρονοδιακόπτη ΕΝΕΡΓΟΠΟΙΗΣΗΣ επειδή δεν επαρκεί η εναπομένουσα χωρητικότητα της μπαταρίας;	Κατά την έναρξη λειτουργίας με βάση κάποια κράτηση στον χρονοδιακόπτη ΕΝΕΡΓΟΠΟΙΗΣΗΣ, πρέπει να βεβαιώνετε ότι οι μπαταρίες είναι πλήρως φορτισμένες.
Ε140 Σφάλμα καθορισμού χώρου Σφάλμα πληροφοριών τοποθεσίας	 Μήπως ο χώρος διαφέρει από τον χαρτογραφημένο ή το σημείο έναρξης του καθαρίσματος είναι διαφορετικό;	Ελέγξτε τον χαρτογραφημένο χώρο και το σημείο έναρξης του καθαρίσματος. → Ανατρέξτε στη σελίδα 19.
	Μήπως η διάταξη του χαρτογραφημένου χώρου έχει αλλάξει;	Επαναλάβετε τη διαδικασία της χαρτογράφησης. → Ανατρέξτε στη σελίδα 18.
	Μήπως ο αισθητήρας LiDAR εμποδίζεται από κάποιο ύφασμα ή είναι λερωμένος;	Απομακρύνετε το ύφασμα κλπ και φροντίστε τον αισθητήρα LiDAR. → Ανατρέξτε στη σελίδα 30.
	Υπάρχουν εμπόδια ύψους τουλάχιστον 25 εκατοστών τα οποία να μπορεί να ανιχνεύσει ο αισθητήρας LiDAR γύρω από τη ρομποτική ηλεκτρική σκούπα;	Για να λειτουργήσει σωστά ο αισθητήρας LiDAR απαιτείται να υπάρχουν εμπόδια ύψους άνω των 25 εκατοστών στις εξής αποστάσεις: <ul style="list-style-type: none"> <li>Σε ακτίνα 11 μέτρων από τη ρομποτική ηλεκτρική σκούπα για τη χαρτογράφηση και τη λειτουργία χαρτογράφησης χώρου καθαρίσματος.</li> <li>Σε ακτίνα 18 μέτρων από τη ρομποτική ηλεκτρική σκούπα για τη λειτουργία ελεύθερου καθαρίσματος.</li> </ul> Τοποθετήστε ορισμένα εμπόδια ύψους άνω των 25 εκατοστών στον χώρο.
Ε170 Σφάλμα του καλύμματος της επάνω πλευράς της ρομποτικής ηλεκτρικής σκούπας	 Μήπως το κάλυμμα της επάνω πλευράς της ρομποτικής ηλεκτρικής σκούπας είναι ανοιχτό;	Κλείστε το κάλυμμα της επάνω πλευράς της ρομποτικής ηλεκτρικής σκούπας.
Ε190 Σφάλμα λόγω απώλειας ενός τροχού ή ανύψωσης της ρομποτικής ηλεκτρικής σκούπας	 Μήπως κάποιος κινητήριος τροχός έχει εκτροχιαστεί ή κάποιος τροχός έχει ανασηκωθεί από το έδαφος;	Μετακινήστε τη ρομποτική ηλεκτρική σκούπα σε κάποιο άλλο σημείο. → Ανατρέξτε στη σελίδα 12.



Αριθμός	Αιτία	Ενέργεια
<b>Πρόβλημα για το οποίο εμφανίστηκε ειδοποίηση</b>		
E200 Σφάλμα λόγω αποτυχίας επιστροφής στο σημείο έναρξης  Σφάλμα λόγω αποτυχίας μετάβασης στον προορισμό	<p>Η ρομποτική ηλεκτρική σκούπα απέτυχε να επιστρέψει στο σημείο έναρξης του καθαρίσματος.</p> <p>Η ρομποτική ηλεκτρική σκούπα απέτυχε να προχωρήσει στον επόμενο προορισμό επειδή μπήκε σε κάποιο στενό πέρασμα.</p>	<ul style="list-style-type: none"> <li>• Αν υπάρχουν εμπόδια που δεν επιτρέπουν τη λειτουργία της ρομποτικής ηλεκτρικής σκούπας, απομακρύνετε τα αντικείμενα αυτά ή κρατήστε τη ρομποτική ηλεκτρική σκούπα μακριά τους. → Ανατρέξτε στη σελίδα 22.</li> <li>• Αν η ρομποτική ηλεκτρική σκούπα αποτυγχάνει συχνά να επιστρέψει στο σημείο έναρξης, ενεργοποιήστε την επιλογή [Prioritize Homing] στην εφαρμογή. Έτσι θα μπορεί να παραταθεί ο χρόνος που απαιτείται για την επιστροφή στο σημείο έναρξης. → Ανατρέξτε στη σελίδα 46.</li> <li>• Ελέγξτε αν υπάρχει ελεύθερος χώρος πλάτους τουλάχιστον 80 εκατοστών για το καθαρίσμα.</li> </ul>

## Αντιμέτωπιση προβλημάτων

Προτού ζητήσετε επισκευή ή κάνετε κάποιο ερώτημα, ελέγξτε μήπως ισχύει κάτι από τα παρακάτω.

### Παροχή ισχύος

Σύμπτωμα	Αιτία	Ενέργεια
<ul style="list-style-type: none"> <li>• Πιέζετε το κουμπί έναρξης/διακοπής λειτουργίας, αλλά η συσκευή δεν ενεργοποιείται.</li> <li>• Η λυχνία δεν ανάβει.</li> <li>• Πιέζετε τα κουμπιά στη ρομποτική ηλεκτρική σκούπα και στο τηλεχειριστήριο, αλλά δεν αποκρίνονται.</li> </ul>	Οι μπαταρίες είναι τοποθετημένες σωστά;	Ελέγξτε αν οι μπαταρίες είναι τοποθετημένες όπως πρέπει. → Ανατρέξτε στη σελίδα 16.
	Μήπως έχει εξαντληθεί η χωρητικότητα της μπαταρίας;	Ελέγξτε την εναπομένουσα χωρητικότητα.
	Μήπως έχετε απενεργοποιήσει τη ρομποτική ηλεκτρική σκούπα;	Πιέστε το κουμπί έναρξης/διακοπής λειτουργίας στη ρομποτική ηλεκτρική σκούπα για να την ενεργοποιήσετε. → Ανατρέξτε στη σελίδα 17.

### Προβλήματα όσον αφορά τη λειτουργία

Σύμπτωμα	Αιτία	Ενέργεια
Η ρομποτική ηλεκτρική σκούπα δεν λειτουργεί.	Μήπως αναβοσβήνει η λυχνία σφάλματος;	Η ρομποτική ηλεκτρική σκούπα δεν λειτουργεί όποτε παρουσιάζεται κάποιο σφάλμα. → Ανατρέξτε στη σελίδα 31.
	Μήπως η ρομποτική ηλεκτρική σκούπα βρίσκεται σε κατάσταση αναμονής για λειτουργία με βάση μια κράτηση στον χρονοδιακόπτη ΕΝΕΡΓΟΠΟΙΗΣΗΣ;	Όποτε η συσκευή βρίσκεται στην κατάσταση αναμονής για λειτουργία με βάση μια κράτηση, δεν είναι δυνατές άλλες λειτουργίες εκτός από την απενεργοποίηση και την ειδοποίηση για την τοποθεσία. → Ανατρέξτε στη σελίδα 21.
Η ρομποτική ηλεκτρική σκούπα αρχίζει να μετακινείται ξαφνικά παρόλο που δεν εκτελείτε κάποια λειτουργία.	Μήπως είναι ενεργοποιημένη κάποια κράτηση στον χρονοδιακόπτη ΕΝΕΡΓΟΠΟΙΗΣΗΣ;	→ Ανατρέξτε στη σελίδα 21.
Η ρομποτική ηλεκτρική σκούπα σταματά κατά τη λειτουργία της.	Μήπως η ρομποτική ηλεκτρική σκούπα έχει εγκλωβιστεί σε κάποιο καλώδιο ή σε άλλο αντικείμενο; Μήπως κάποιο ύφασμα ή κορδόνι (π.χ. μια λεπτή πετσέτα) έχει μπλεχτεί γύρω από τους τροχούς;	Απενεργοποιήστε τη ρομποτική ηλεκτρική σκούπα και αφαιρέστε τα αντικείμενα που έχουν εγκλωβιστεί στη ρομποτική ηλεκτρική σκούπα και έχουν μπλεχτεί γύρω από τους τροχούς. → Ανατρέξτε στη σελίδα 30.
	Μήπως η ρομποτική ηλεκτρική σκούπα σταμάτησε χωρίς να σκαρφαλώσει σε κάποιο σκαλοπάτι;	Απενεργοποιήστε τη ρομποτική ηλεκτρική σκούπα και μετακινήστε την σε κάποιο άλλο σημείο. → Ανατρέξτε στη σελίδα 12.
	Μήπως είναι ρυθμισμένος ο χρονοδιακόπτης ΑΠΕΝΕΡΓΟΠΟΙΗΣΗΣ;	→ Ανατρέξτε στη σελίδα 22.
	Υπάρχουν εμπόδια ύψους τουλάχιστον 25 εκατοστών τα οποία να μπορεί να ανιχνεύσει ο αισθητήρας LiDAR γύρω από τη ρομποτική ηλεκτρική σκούπα;	Για να λειτουργήσει σωστά ο αισθητήρας LiDAR απαιτείται να υπάρχουν εμπόδια ύψους άνω των 25 εκατοστών στις εξής αποστάσεις: <ul style="list-style-type: none"> <li>• Σε ακτίνα 11 μέτρων από τη ρομποτική ηλεκτρική σκούπα για τη χαρτογράφηση και τη λειτουργία χαρτογράφησης χώρου καθαρίσματος.</li> <li>• Σε ακτίνα 18 μέτρων από τη ρομποτική ηλεκτρική σκούπα για τη λειτουργία ελεύθερου καθαρίσματος.</li> </ul> Τοποθετήστε ορισμένα εμπόδια ύψους άνω των 25 εκατοστών στον χώρο.
Η ταχύτητα αλλάζει.	Η ρομποτική ηλεκτρική σκούπα ενδέχεται να αρχίσει να κινείται πιο αργά όποτε ένας αισθητήρας ανιχνεύει κάποιο εμπόδιο ή καθορίζει την κατεύθυνση μετακίνησης.	Δεν πρόκειται για κάτι μη φυσιολογικό.
Η ρομποτική ηλεκτρική σκούπα δεν προχωρά ίσια.	Μήπως κάποιο ξένο σώμα έχει εγκλωβιστεί στους τροχούς;	Απενεργοποιήστε τη ρομποτική ηλεκτρική σκούπα και αφαιρέστε το ξένο σώμα από τους τροχούς. → Ανατρέξτε στη σελίδα 30.
	Μήπως κάποιος από τους τροχούς έχει φθαρεί;	Αποταθείτε στο κατάστημα από το οποίο αγοράσατε τη συσκευή ή στο γραφείο πωλήσεων της εταιρείας μας και ζητήστε επισκευή.
	Μήπως ο υπερηχητικός αισθητήρας και ο αισθητήρας LiDAR είναι λερωμένοι;	Φροντίστε τα εξαρτήματα αυτά. → Ανατρέξτε στη σελίδα 30.
Η ρομποτική ηλεκτρική σκούπα συγκρούεται με κάποιο εμπόδιο πιο συχνά από όσο παλαιότερα.	Μήπως ο υπερηχητικός αισθητήρας και ο αισθητήρας LiDAR είναι λερωμένοι;	Φροντίστε τα εξαρτήματα αυτά. → Ανατρέξτε στη σελίδα 30.







Σύμπτωμα	Αιτία	Ενέργεια
Η ρομποτική ηλεκτρική σκούπα αποτυγχάνει να αποφυγεί ένα σκαλοπάτι και ύστερα πέφτει.	Μήπως οι αισθητήρες απότομης κλίσης είναι λερωμένοι;	Φροντίστε τα εξαρτήματα αυτά. → Ανατρέξτε στη σελίδα 30.
	Η ρομποτική ηλεκτρική σκούπα μερικές φορές κατεβαίνει ένα σκαλοπάτι ύψους τουλάχιστον 3,0 εκατοστών.	Δεν πρόκειται για βλάβη. → Ανατρέξτε στη σελίδα 12.
Η ρομποτική ηλεκτρική σκούπα συνεχίζει να έχει τη συμπεριφορά αποφυγής εμποδίων ακόμη και όταν δεν υπάρχουν εμπόδια ή σκαλοπάτια.	Μήπως οι αισθητήρες απότομης κλίσης ή ο αισθητήρας LiDAR είναι λερωμένοι;	Φροντίστε τα εξαρτήματα αυτά. → Ανατρέξτε στη σελίδα 30.
Ο αισθητήρας απότομης κλίσης λερώνεται γρήγορα.	Μήπως η γραμμή γείωσης έχει κοπεί και δεν κάνει πλέον καλή επαφή;	Αποταθείτε στο κατάστημα από το οποίο αγοράσατε τη συσκευή ή στο γραφείο πωλήσεων της εταιρείας μας και ζητήστε επισκευή.
Ο ήχος μετάδοσης κίνησης είναι πιο δυνατό από τον συνηθισμένο.	Μήπως το κουτί σκόνης έχει γεμίσει με σκόνη; Μήπως το φίλτρο είναι βουλωμένο;	Πετάξτε τη σκόνη και φροντίστε το φίλτρο. → Ανατρέξτε στις σελίδες 23 και 27.
	Μήπως έχει συσσωρευτεί σκόνη στη κύρια βούρτσα και στις πλαϊνές βούρτσες;	Φροντίστε τα εξαρτήματα αυτά. Επιπλέον, ελέγξτε αν οι βούρτσες είναι τοποθετημένες όπως πρέπει. → Ανατρέξτε στη σελίδα 28.
Ο ήχος του ανεμιστήρα αναρρόφησης δυναμώνει κατά τη λειτουργία.	Δυναμώνει όταν η ρομποτική ηλεκτρική σκούπα περνά στη χρήση άλλης κασέτας μπαταριών.	Πρόκειται για κάτι φυσιολογικό.
• Η ισχύς αναρρόφησης είναι μειωμένη. • Η συσκευή δεν ρουφά τη σκόνη.	Μήπως το κουτί σκόνης έχει γεμίσει με σκόνη; Μήπως το φίλτρο είναι βουλωμένο;	Πετάξτε τη σκόνη και φροντίστε το φίλτρο. → Ανατρέξτε στις σελίδες 23 και 27.
	Μήπως ο ανεμιστήρας αναρρόφησης είναι απενεργοποιημένος;	Ελέγξτε τη ρύθμιση. → Ανατρέξτε στη σελίδα 20.
Μια πλαϊνή βούρτσα βγαίνει από τη θέση της.	Η πλαϊνή βούρτσα είναι τοποθετημένη σωστά;	Ελέγξτε αν είναι τοποθετημένη όπως πρέπει. → Ανατρέξτε στη σελίδα 15.
Μια πλαϊνή βούρτσα ή η κύρια βούρτσα δεν περιστρέφεται ή περιστρέφεται με δυσκολία ή είναι μπλεγμένη.	Μήπως έχει εγκλωβιστεί κάποιο ξένο σώμα (π.χ. χνούδι και τρίχες) στις πλαϊνές βούρτσες ή στην κύρια βούρτσα;	Φροντίστε τα εξαρτήματα αυτά. Επιπλέον, ελέγξτε αν η κύρια βούρτσα και το κάλυμμα της κύριας βούρτσας είναι τοποθετημένα όπως πρέπει. → Ανατρέξτε στη σελίδα 28.
	Δεν μπορείτε να χρησιμοποιήσετε τη ρομποτική ηλεκτρική σκούπα σε χαλί με πέλος ύψους άνω των 7 χιλιοστών. Ακόμη και αν το χαλί έχει πέλος ύψους το πολύ 7 χιλιοστών, η λειτουργία της ρομποτικής ηλεκτρικής σκούπας ενδέχεται να διακοπεί ή το χαλί ενδέχεται να πιαστεί στις πλαϊνές βούρτσες ανάλογα με το υλικό ή άλλες ιδιότητές του.	→ Ανατρέξτε στη σελίδα 12.
Ο εξερχόμενος αέρας μυρίζει.	Μήπως έχουν αναρροφηθεί υγρά ή δύσσομα σκουπίδια;	Πετάξτε τα σκουπίδια. → Ανατρέξτε στη σελίδα 23.
	Μήπως το φίλτρο είναι βουλωμένο;	Φροντίστε το φίλτρο. Αφού πλύνετε το φίλτρο με νερό, αφήστε το να στεγνώσει εντελώς προτού το χρησιμοποιήσετε. → Ανατρέξτε στη σελίδα 27.

## Λειτουργία τηλεχειριστήριου

Σύμπτωμα	Αιτία	Ενέργεια
Το τηλεχειριστήριο δεν λειτουργεί.	Οι μπαταρίες είναι τοποθετημένες σωστά στο τηλεχειριστήριο;	Ελέγξτε τον προσανατολισμό των μπαταριών. → Ανατρέξτε στη σελίδα 15.
	Αν η ρομποτική ηλεκτρική σκούπα ορισμένες φορές δεν αντιδρά κατά τη λειτουργία της μέσω του τηλεχειριστήριου, μια πιθανή αιτία είναι ότι έχει σχεδόν εξαντληθεί η διάρκεια ζωής των μπαταριών. (Κριτήριο για την αντικατάστασή τους είναι η συνεχής χρήση τους επί περίπου έναν χρόνο. Η ισχύς μιας μπαταρίας ενδέχεται να εξαντληθεί σε διάστημα μικρότερο από έναν χρόνο ανάλογα με τον τύπο της και τις συνθήκες χρήσης της.)	Αντικαταστήστε τις μπαταρίες με άλλες καινούριες. → Ανατρέξτε στη σελίδα 15.
	Μήπως έχετε απενεργοποιήσει τη ρομποτική ηλεκτρική σκούπα;	Πιέστε το κουμπί έναρξης/διακοπής λειτουργίας στη ρομποτική ηλεκτρική σκούπα για να την ενεργοποιήσετε. → Ανατρέξτε στη σελίδα 17.
	Υπάρχει μια πιθανότητα το τηλεχειριστήριο να απέχει πολύ από τη ρομποτική ηλεκτρική σκούπα με συνέπεια να μη φτάνουν όπως πρέπει τα ραδιοκύματα.	Διασφαλίστε ότι δεν θα υπάρχουν εμπόδια μικραίνοντας την απόσταση ανάμεσα στο τηλεχειριστήριο και τη ρομποτική ηλεκτρική σκούπα και μετακινώντας τα εμπόδια. → Ανατρέξτε στη σελίδα 13.
Η λειτουργία μέσω του τηλεχειριστήριου δεν είναι δυνατή.	Ενδέχεται να λειτουργεί εκεί κοντά κάποια από τις παρακάτω συσκευές που χρησιμοποιούν ραδιοκύματα στη ζώνη των 2,4 GHz. • Φούρνος μικροκυμάτων • Συσκευές που υποστηρίζουν τη λειτουργία Bluetooth® • Συσκευές που υποστηρίζουν ασύρματο τοπικό δίκτυο (LAN) • Άλλες συσκευές που χρησιμοποιούν ραδιοκύματα στη ζώνη των 2,4 GHz (π.χ. ψηφιακά ασύρματα τηλέφωνα και συσκευές παιχνιδιών)	Κανονίστε να υπάρχει μεγαλύτερη απόσταση ανάμεσα στη ρομποτική ηλεκτρική σκούπα και στο τηλεχειριστήριο ή διακόψτε τη χρήση των εν λόγω συσκευών προσωρινά.
	Όποτε αντικαταστήσετε το τηλεχειριστήριο με ένα καινούριο, πρέπει να το αντιστοιχίσετε με τη ρομποτική ηλεκτρική σκούπα.	→ Ανατρέξτε στη σελίδα 26.
	Αν δεν είναι δυνατή η λειτουργία της ρομποτικής ηλεκτρικής σκούπας μέσω του τηλεχειριστήριου, εξετάστε πρώτα τις πιθανές αιτίες που παρατίθενται παρακάτω, απενεργοποιήστε τη ρομποτική ηλεκτρική σκούπα και ύστερα ενεργοποιήστε την ξανά.	→ Ανατρέξτε στη σελίδα 17.



## Πίνακας λειτουργίας

Σύμπτωμα	Αιτία	Ενέργεια
Γίνεται συχνά επαναφορά της καθορισμένης ώρας.	Η ισχύς της ενσωματωμένης μπαταρίας έχει σχεδόν εξαντληθεί επειδή η ρομποτική ηλεκτρική σκούπα δεν έχει χρησιμοποιηθεί για μεγάλο χρονικό διάστημα.	Αφήστε τη ρομποτική ηλεκτρική σκούπα να λειτουργήσει επί περισσότερο από 1 ώρα ή θέστε την στην κατάσταση αναμονής. (Η ενσωματωμένη μπαταρία θα επαναφορτιστεί.)

## Λειτουργία χρονοδιακόπτη

Σύμπτωμα	Αιτία	Ενέργεια
Η λειτουργία με βάση την κράτηση στον χρονοδιακόπτη ΕΝΕΡΓΟΠΟΙΗΣΗΣ δεν αρχίζει την καθορισμένη ώρα.	Η λειτουργία της ρομποτικής ηλεκτρικής σκούπας δεν αρχίζει με βάση την κράτηση στον χρονοδιακόπτη ΕΝΕΡΓΟΠΟΙΗΣΗΣ αν ισχύει κάποια από τις παρακάτω συνθήκες κατά την έναρξη λειτουργίας με βάση την κράτηση στον χρονοδιακόπτη ΕΝΕΡΓΟΠΟΙΗΣΗΣ. • Η συσκευή είναι απενεργοποιημένη. • Η χωρητικότητα της μπαταρίας δεν επαρκεί	→ Ανατρέξτε στη σελίδα 21.
	Η λυχνία του χρονοδιακόπτη ανάβει;	Αν απενεργοποιήσετε τη συσκευή ή αν η χωρητικότητα της μπαταρίας εξαντληθεί μετά τον καθορισμό της κράτησης, η λυχνία του χρονοδιακόπτη σβήνει. → Ανατρέξτε στη σελίδα 11.

## Χαρτογράφηση

Σύμπτωμα	Αιτία	Ενέργεια
• Η ρομποτική ηλεκτρική σκούπα σταματά κατά τη χαρτογράφηση. • Η χαρτογράφηση αποτυγχάνει.	Μήπως ο χώρος είναι σκοτεινός κατά τη χαρτογράφηση;  Δεν υπάρχουν εμπόδια ύψους τουλάχιστον 25 εκατοστών σε ακτίνα περίπου 11 μέτρων από τη ρομποτική ηλεκτρική σκούπα.	Ανάψτε περισσότερα φώτα στον χώρο ώσπου να ολοκληρωθεί η χαρτογράφηση.  Το περιβάλλον ενδέχεται να μην ενδείκνυται για χαρτογράφηση. Συνιστάται η λειτουργία ελεύθερου καθαρίσματος. → Ανατρέξτε στη σελίδα 18.
Η ρομποτική ηλεκτρική σκούπα αρχίζει το καθάρισμα αντί για τη χαρτογράφηση.	Μήπως έχετε ήδη επιλέξει τον αριθμό κάποιου καταχωρημένου χώρου;	Επιλέξτε τον αριθμό ενός μη καταχωρημένου χώρου ή διαγράψτε την ήδη καταχωρημένη χαρτογράφηση. → Ανατρέξτε στις σελίδες 18 και 19.
• Η χαρτογράφηση δεν είναι καταχωρημένη. • Η χαρτογράφηση δεν έχει ολοκληρωθεί. (Υπάρχει μια περιοχή που δεν έχει καταχωρηθεί.)	Το σχήμα του χώρου, η διάταξη των εμποδίων ή άλλα χαρακτηριστικά ενδέχεται να είναι πολύ περίπλοκα.	Ελέγξτε αν υπάρχει ελεύθερος χώρος πλάτους τουλάχιστον 80 εκατοστών για το καθάρισμα. Συμμαζέψτε τον χώρο. → Ανατρέξτε στη σελίδα 13.  Η χωρητικότητα της μπαταρίας ενδέχεται να μην επαρκεί. Φορτίστε πλήρως τις μπαταρίες και ύστερα πραγματοποιήστε τη χαρτογράφηση.  Μπορείτε να προσθέσετε εσείς μη αυτόματα τις πληροφορίες χαρτογράφησης. → Ανατρέξτε στη σελίδα 43.
	Σηκώσατε τη ρομποτική ηλεκτρική σκούπα κατά τη χαρτογράφηση.	Μη σηκώνετε τη ρομποτική ηλεκτρική σκούπα κατά τη χαρτογράφηση. Οι πληροφορίες για τον χώρο ενδέχεται να μην καταχωρηθούν σωστά.

## Εφαρμογή

Σύμπτωμα	Αιτία	Ενέργεια
Δεν είναι δυνατή η επίτευξη σύνδεσης με την εφαρμογή.	Πιέσατε το κουμπί σύνδεσης smartphone στη ρομποτική ηλεκτρική σκούπα;	Πιέστε το κουμπί σύνδεσης smartphone για να επιτευχθεί η σύνδεση με την εφαρμογή. → Ανατρέξτε στη σελίδα 37.
	Ενεργοποιήσατε τη ρύθμιση της λειτουργίας Wi-Fi® στο smartphone;	Ενεργοποιήστε τη ρύθμιση της λειτουργίας Wi-Fi® στο smartphone.
	Υπάρχει μια πιθανότητα το smartphone να απέχει πολύ από τη ρομποτική ηλεκτρική σκούπα με συνέπεια να μη φτάνουν όπως πρέπει τα ραδιοκύματα.	Διασφαλίστε ότι δεν θα υπάρχουν εμπόδια μικραίνοντας την απόσταση ανάμεσα στο smartphone και τη ρομποτική ηλεκτρική σκούπα και μετακινώντας τα εμπόδια. → Ανατρέξτε στη σελίδα 13.
	Η σύνδεση με τη ρομποτική ηλεκτρική σκούπα απέτυχε.	Για iPhone: Πηγαίνετε στο μενού ρυθμίσεων του iOS και ενεργοποιήστε τη ρύθμιση του τοπικού δικτύου για την εφαρμογή Makita Robotic Cleaner DRC300.  Για Android: Αν εμφανιστεί ένα αναδυόμενο παράθυρο που σας ρωτά αν θέλετε να διατηρηθεί η σύνδεση μέσω Wi-Fi μετά την επίτευξή της, επιτρέψτε την ενέργεια αυτή.
	Η ρομποτική ηλεκτρική σκούπα ίσως έχει αποτύχει να λάβει τις πληροφορίες τοποθεσίας. (Το όνομα της ρομποτικής ηλεκτρικής σκούπας εμφανίζεται ως «null» στην οθόνη πληκτρολόγησης του κωδικού PIN.)	Ενεργοποιήστε τη ρύθμιση των πληροφοριών τοποθεσίας στο smartphone σας.



## Λειτουργία προστασίας

Όποτε δημιουργείται κάποια από τις παρακάτω συνθήκες κατά τη λειτουργία της ρομποτικής ηλεκτρικής σκούπας, η λειτουργία του μοτέρ διακόπτεται αυτόματα. Αυτό οφείλεται στη λειτουργία προστασίας και όχι σε βλάβη.

Λειτουργία προστασίας
<p>Η λειτουργία του μοτέρ διακόπτεται αυτόματα αν η θερμοκρασία της μπαταρίας ανέβει πολύ.</p> <ul style="list-style-type: none"> <li>• Διακόψτε το καθάρισμα και αφαιρέστε τις μπαταρίες από τη ρομποτική ηλεκτρική σκούπα. Ύστερα φορτίστε τις μπαταρίες χρησιμοποιώντας έναν φορτιστή που διαθέτει σύστημα ψύξης ή περιμένετε ώσπου να κρυώσουν οι μπαταρίες.</li> <li>• Αν η ρομποτική ηλεκτρική σκούπα δεν λειτουργεί ακόμη και αφού κρυώσουν οι μπαταρίες, αφήστε την να κρυώσει.</li> <li>• Αν εμφανίζεται κάποιος αριθμός σφάλματος στην οθόνη ενδείξεων στη ρομποτική ηλεκτρική σκούπα, εντοπίστε την αιτία του σφάλματος και επιλύστε το πρόβλημα. (Ανατρέξτε στη σελίδα 31.)</li> </ul>
<p>Η ρομποτική ηλεκτρική σκούπα παύει να λειτουργεί αυτόματα και περνά στην κατάσταση αναστολής λειτουργίας αν μειωθεί η στάθμη ισχύος των μπαταριών και απενεργοποιείται πλήρως αν εξαντληθεί η εναπομένουσα ισχύς των μπαταριών.</p> <ul style="list-style-type: none"> <li>• Αφαιρέστε τις μπαταρίες από τη ρομποτική ηλεκτρική σκούπα και φορτίστε τις.</li> </ul>
<p>Η λειτουργία της ρομποτικής ηλεκτρικής σκούπας διακόπτεται αυτόματα αν ανιχνευτεί κάποιο σφάλμα.</p> <ul style="list-style-type: none"> <li>• Ελέγξτε τον αριθμό του σφάλματος, εντοπίστε την αιτία του και επιλύστε το πρόβλημα. Αφού εντοπίσετε την αιτία και επιλύσετε το πρόβλημα, θα μπορέσετε να χρησιμοποιήσετε ξανά τη ρομποτική ηλεκτρική σκούπα. (Ανατρέξτε στη σελίδα 31.)</li> </ul>

## Αποθήκευση

Απενεργοποιήστε τη ρομποτική ηλεκτρική σκούπα και αφαιρέστε τις μπαταρίες προτού αποθηκεύσετε τη ρομποτική ηλεκτρική σκούπα.

Η ρομποτική ηλεκτρική σκούπα είναι μηχανήμα ακριβείας και δεν πρέπει να την αποθηκεύετε στα παρακάτω σημεία. Αλλιώς υπάρχει κίνδυνος πρόκλησης υπερθέρμανσης, ανάφλεξης, βλάβης, ζημιάς στα καουτσουκένια εξαρτήματα κλπ.

- Σε χώρους όπου η θερμοκρασία ανεβαίνει απότομα
- Σε χώρους όπου η θερμοκρασία πέφτει απότομα
- Σε χώρους όπου η θερμοκρασία αλλάζει απότομα
- Κοντά σε πηγές φλόγας, θερμαντικά σώματα, εξοπλισμό ψύξης και θέρμανσης κλπ
- Σε εξωτερικούς χώρους
- Σε σημεία που είναι άμεσα εκτεθειμένα στο φως του ήλιου
- Σε σημεία εκτεθειμένα σε υγρασία ή ατμούς
- Σε σημεία με πολλή σκόνη και άμμο
- Σε σημεία με πολύ καπνό
- Σε χώρους με ανεπαρκή εξαερισμό

Αν η ρομποτική ηλεκτρική σκούπα μείνει αποθηκευμένη χωρίς να χρησιμοποιηθεί για μεγάλο χρονικό διάστημα, ενδέχεται να μειωθούν οι επιδόσεις της. Για να μη μειωθεί η διάρκεια ζωής της ρομποτικής ηλεκτρικής σκούπας, πρέπει κατά διαστήματα να την ενεργοποιείτε και να τη χρησιμοποιείτε.

## Προαιρετικά παρελκόμενα

### ⚠ ΠΡΟΣΟΧΗ

**Τα συγκεκριμένα παρελκόμενα ή προσαρτώμενα εξαρτήματα συνιστώνται για χρήση με το εργαλείο της Makita το οποίο καθορίζεται στο παρόν εγχειρίδιο. Αν χρησιμοποιήσετε οποιαδήποτε άλλα παρελκόμενα ή προσαρτήματα, υπάρχει κίνδυνος να τραυματιστούν οι χρήστες της συσκευής. Κάθε παρελκόμενο ή προσαρτούμενο εξάρτημα πρέπει να χρησιμοποιείται μόνο για τον καθορισμένο σκοπό του.**

Αν χρειαστείτε βοήθεια για αναλυτικότερες πληροφορίες όσον αφορά τα συγκεκριμένα παρελκόμενα, απευθυνθείτε στο Κέντρο Εξυπηρέτησης της Makita στην περιοχή σας.

- Μαγνητική γραμμή ορίου
- Κύρια βούρτσα
- Μαλακή κύρια βούρτσα
- Πλαϊνή βούρτσα
- Μαλακή πλαϊνή βούρτσα
- Φίλτρο HEPA
- Κάλυμμα κύριας βούρτσας
- Προστατευτικό προφυλακτήρα
- Γνήσια μπαταρία και γνήσιος φορτιστής της Makita

### ΑΝΑΚΟΙΝΩΣΗ

- Ορισμένα είδη που παρατίθενται στη λίστα ενδέχεται να περιλαμβάνονται στη συσκευασία του εργαλείου ως τυπικά παρελκόμενα. Ενδέχεται να διαφέρουν κατά χώρα.
- Για να αποφύγετε την εσφαλμένη αναγνώριση όποτε χρησιμοποιείτε το προστατευτικό προφυλακτήρα, δεν πρέπει να προσαρτάτε το προστατευτικό προφυλακτήρα στα εξής σημεία: Στον χώρο στην πλαϊνή επέκταση των υπερηχητικών αισθητήρων και στα ψηλότερα και χαμηλότερα σημεία που απέχουν το πολύ 28 χιλιοστά από τους υπερηχητικούς αισθητήρες.



## Εφαρμογή για smartphone (για τη συσκευή DRC300)

### Πίνακας περιεχομένων

• Τι μπορείτε να κάνετε μέσω της εφαρμογής	37
• Πώς θα εγκαταστήσετε την εφαρμογή	37
• Αρχικές προετοιμασίες	37
• Εγκατάσταση της εφαρμογής σε smartphone	37
• Αρχική ρύθμιση	37
• Αρχική οθόνη	38
• Καθάρισμα με χρήση της εφαρμογής	38
• Καθάρισμα ενός χώρου χωρίς χαρτογράφηση (λειτουργία ελεύθερου καθαρίσματος)	38
• Καθάρισμα χαρτογραφημένων χώρων	39
• Λειτουργία της ρομποτικής ηλεκτρικής σκούπας μέσω της εφαρμογής	40
• Έλεγχος του ιστορικού καθαρισμάτων	41
• Έλεγχος του πιο πρόσφατου ιστορικού	41
• Έλεγχος των προγενέστερων ιστορικών	41
• Έλεγχος των ιστορικών των σφαλμάτων	41
• Προσθήκη, αλλαγή ή διαγραφή πληροφοριών χαρτογράφησης	42
• Προσθήκη πληροφοριών χαρτογράφησης	42
• Μη αυτόματη προσθήκη πληροφοριών χαρτογράφησης (μη αυτόματη χαρτογράφηση)	43
• Αλλαγή του ονόματος των πληροφοριών χαρτογράφησης	44
• Περιορισμός της εμβέλειας του καθαρίσματος	44
• Διαγραφή πληροφοριών χαρτογράφησης	45
• Αλλαγή και έλεγχος ρυθμίσεων	46
• Αλλαγή του ονόματος μιας καταχωρημένης ρομποτικής ηλεκτρικής σκούπας	46
• Καθορισμός επιλογών καθαρίσματος	46
• Αλλαγή του κωδικού PIN	47
• Διαγραφή πληροφοριών για μια καταχωρημένη ρομποτική ηλεκτρική σκούπα	47
• Έλεγχος των πληροφοριών της εφαρμογής	48
• Μήνυμα/Παράθυρο διαλόγου σφάλματος	48

## Τι μπορείτε να κάνετε μέσω της εφαρμογής

Χρησιμοποιώντας ένα smartphone στο οποίο είναι εγκατεστημένη η ειδική εφαρμογή για τη ρομποτική ηλεκτρική σκούπα, μπορείτε να κάνετε τα εξής:

- Καθάρισμα
- Λειτουργία μέσω του τηλεχειριστηρίου
- Προσθήκη, αλλαγή ή διαγραφή πληροφοριών χαρτογράφησης
- Έλεγχος του ιστορικού καθαρισμάτων
- Αλλαγή των ρυθμίσεων της ρομποτικής ηλεκτρικής σκούπας

### ΑΝΑΚΟΙΝΩΣΗ

- Η εφαρμογή αυτή προορίζεται για χρήση σε smartphone και δεν λειτουργεί σε συσκευές τύπου tablet και επιτραπέζιους υπολογιστές.
- Ένα smartphone και η ρομποτική ηλεκτρική σκούπα συνδέονται απευθείας μέσω της λειτουργίας Wi-Fi®. Σημειώστε ότι το Internet δεν είναι διαθέσιμο κατά τη σύνδεση με τη ρομποτική ηλεκτρική σκούπα. Μετά τη χρήση της εφαρμογής, μην ξεχνάτε να την αποσυνδέετε από τη ρομποτική ηλεκτρική σκούπα πιέζοντας το κουμπί σύνδεσης smartphone.
- Για να χρησιμοποιήσετε την εφαρμογή αυτή, πρέπει να της δώσετε την άδεια να λαμβάνει πληροφορίες για την τοποθεσία και να δηλώσετε ότι συμφωνείτε με τους όρους χρήσης της. Ο χρήστης πρέπει να κρίνει αν πρέπει να δώσει στην εφαρμογή την άδεια να λαμβάνει πληροφορίες για την τοποθεσία και να δηλώσει ότι συμφωνεί με τους όρους χρήσης της.
- Οι εικόνες στην οθόνη της εφαρμογής ενδέχεται να αλλάξουν ανά πάσα στιγμή χωρίς σχετική ειδοποίηση.

## Πώς θα εγκαταστήσετε την εφαρμογή

### Αρχικές προετοιμασίες

Για να χρησιμοποιήσετε την εφαρμογή, χρειάζεστε ένα smartphone (με σύστημα Android ή iOS).

- Android: Απαιτείται Android έκδοσης 6.0 ή μεταγενέστερης.
- iOS (iPhone): Απαιτείται iOS έκδοσης 12 ή μεταγενέστερης.

### Εγκατάσταση της εφαρμογής σε smartphone

1. Χρησιμοποιώντας το smartphone σας, αναζητήστε την εφαρμογή «Makita Robotic Cleaner DRC300» στο Google Play™ ή στο App Store. Μπορείτε επίσης να αποκτήσετε πρόσβαση μέσω του κωδικού QR.

Google Play™

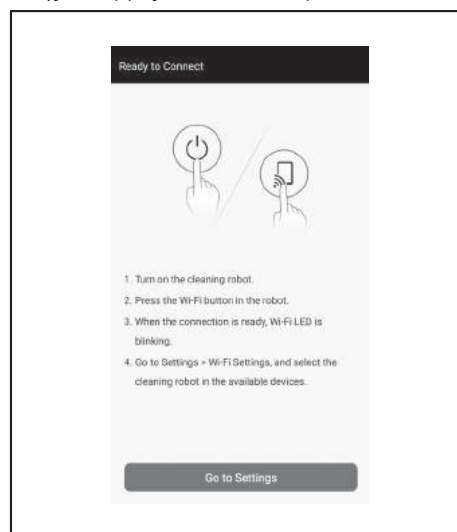
App Store



2. Εγκαταστήστε την εφαρμογή «Makita Robotic Cleaner DRC300».
3. Μετά την εγκατάσταση, εκκινήστε την εφαρμογή «Makita Robotic Cleaner DRC300».

### Αρχική ρύθμιση

1. Μόλις εμφανιστεί μια οθόνη όπου θα σας ζητείται να επιτρέψετε τη λήψη πληροφοριών για την τοποθεσία, πατήστε την επιλογή [OK].
2. Στην οθόνη με τους όρους χρήσης πατήστε την επιλογή [Agree].
3. Ακολουθήστε τις οδηγίες που εμφανίζονται στην οθόνη:
  - Ενεργοποιήστε τη ρομποτική ηλεκτρική σκούπα και ύστερα πιέστε το κουμπί σύνδεσης smartphone στην ηλεκτρική σκούπα. Αφού πιέσετε το κουμπί σύνδεσης smartphone, η ρομποτική ηλεκτρική σκούπα θα είναι έτοιμη για σύνδεση ύστερα από 8 δευτερόλεπτα. Όταν θα είναι έτοιμη η σύνδεση, θα αναβοσβήσει η λυχνία LED της λειτουργίας Wi-Fi.
  - Αμέσως μετά, πατήστε την επιλογή [Go to Settings] για να εμφανιστεί η οθόνη ρυθμίσεων της λειτουργίας Wi-Fi® του smartphone.



Ανάλογα με τη συσκευή σας, ενδέχεται να απαιτούνται οι παρακάτω διαδικασίες.

Για iPhone:

Πηγαίνετε στο μενού ρυθμίσεων του iOS και ενεργοποιήστε τη ρύθμιση του τοπικού δικτύου για την εφαρμογή Makita Robotic Cleaner DRC300.

Για Android:

Αν εμφανιστεί ένα αναδυόμενο παράθυρο που σας ρωτά αν θέλετε να διατηρηθεί η σύνδεση μέσω Wi-Fi μετά την επίτευξή της, επιτρέψτε την ενέργεια αυτή.

4. Συνδέστε το smartphone με τη ρομποτική ηλεκτρική σκούπα μέσω Wi-Fi®. (Η σύνδεση αυτή ΔΕΝ γίνεται μέσω Bluetooth.)
  - Απαιτείται ρύθμιση της σύνδεσης μέσω Wi-Fi® (καταχώρηση κωδικού πρόσβασης) μόνο την πρώτη φορά που θα γίνει σύνδεση με τη ρομποτική ηλεκτρική σκούπα.
  - Ο αρχικός κωδικός πρόσβασης της σύνδεσης μέσω Wi-Fi® είναι καθορισμένο να αποτελείται από αλφαριθμητικούς χαρακτήρες στους οποίους επαναλαμβάνονται δύο φορές τα τέσσερα τελευταία ψηφία του SSID της ρομποτικής ηλεκτρικής σκούπας. Για παράδειγμα, αν εμφανίζεται στην οθόνη ενδείξεων το SSID «Robotic\_Cleaner\_012A», ο κωδικός πρόσβασης θα είναι «012A012A».
  - Διασφαλίστε ότι το smartphone δεν θα μπορεί να αποκτήσει πρόσβαση σε άλλα δίκτυα Wi-Fi® κατά τη σύνδεση με τη ρομποτική ηλεκτρική σκούπα.
5. Κλείστε την οθόνη ρυθμίσεων της λειτουργίας Wi-Fi® για να εμφανιστεί η οθόνη της εφαρμογής. Ύστερα πληκτρολογήστε τον κωδικό PIN για έλεγχο ταυτότητας κατά τη σύνδεση.
  - Ο εργοστασιακός κωδικός PIN είναι καθορισμένο να αποτελείται από αλφαριθμητικούς χαρακτήρες στους οποίους επαναλαμβάνονται δύο φορές τα τέσσερα τελευταία ψηφία του SSID.
  - Αν το SSID είναι «Robotic\_Cleaner\_012A», ο κωδικός PIN που έχει καθοριστεί στο εργοστάσιο θα είναι «012A012A».
  - Η αρχική οθόνη της εφαρμογής θα εμφανιστεί μόλις ολοκληρωθεί με επιτυχία ο έλεγχος ταυτότητας για τον κωδικό PIN.

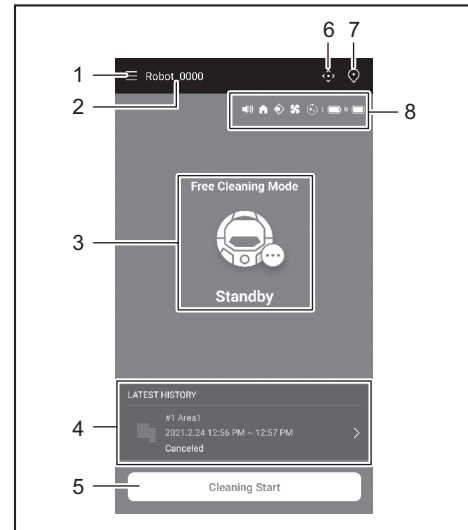


6. Αλλάξτε τον κωδικό PIN.
    - Μην ξεχάσετε να αλλάξετε τον κωδικό PIN. Μην χρησιμοποιήσετε τον προεπιλεγμένο κωδικό PIN. Για να μάθετε πώς μπορείτε να αλλάξετε τον κωδικό PIN, ανατρέξτε στη σελίδα 47.
    - Μην ξεχάσετε τον νέο κωδικό PIN που δημιουργήσατε.
  7. Η αρχική ρύθμιση θα έχει ολοκληρωθεί όταν εμφανιστεί στην οθόνη ενδείξεων το μήνυμα «PIN code changed». Επιστρέψτε στην αρχική οθόνη για να χρησιμοποιήσετε την εφαρμογή.
- Για να διακόψετε τη σύνδεση μέσω Wi-Fi, πιάστε το κουμπί σύνδεσης smartphone στη ρομποτική ηλεκτρική σκούπα για να σβήσει η λυχνία σύνδεσης smartphone.

## ΑΝΑΚΟΙΝΩΣΗ

Αν η σύνδεσή σας διακοπεί ξαφνικά, κλείστε μία φορά την εφαρμογή και ύστερα προσπαθήστε να συνδεθείτε ξανά.

## Αρχική οθόνη



1. Κουμπί μενού (διάφορες ρυθμίσεις, έλεγχος ιστορικού)
2. Όνομα ρομποτικής ηλεκτρικής σκούπας
3. Κατάσταση λειτουργίας της ρομποτικής ηλεκτρικής σκούπας
4. Η πιο πρόσφατη εγγραφή καθαρίσματος (η οποία εμφανίζεται στην οθόνη ενδείξεων μόνο εφόσον υπάρχει κάποια εγγραφή)
5. Κουμπί έναρξης καθαρίσματος (ή χαρτογράφησης)
6. Κουμπί τηλεχειριστήριου
7. Κουμπί εναλλαγής τρόπων λειτουργίας
8. Ρυθμίσεις ρομποτικής ηλεκτρικής σκούπας και εναπομένουσα χωρητικότητα της μπαταρίας

- : Η ρύθμιση του ήχου είναι ενεργοποιημένη.
- : Η ρύθμιση της λειτουργίας προτεραιοποίησης της επιστροφής στην αρχική θέση είναι ενεργοποιημένη.
- : Η δυνατότητα ανίχνευσης ορίων είναι ενεργοποιημένη.
- : Η ρύθμιση για τον ανεμιστήρα αναρρόφησης είναι ενεργοποιημένη.
- : Η ρύθμιση για συνεχές καθαρίσμα είναι ενεργοποιημένη.
- : Εναπομένουσα χωρητικότητα αριστερής μπαταρίας
- : Εναπομένουσα χωρητικότητα δεξιάς μπαταρίας

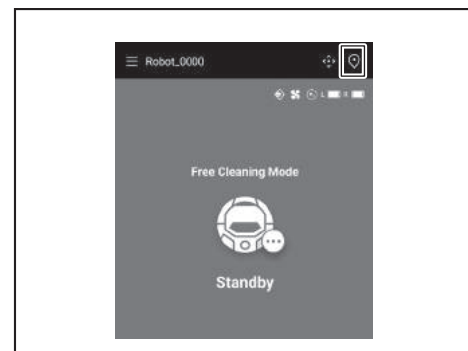
## Καθάρισμα με χρήση της εφαρμογής

Η ρομποτική ηλεκτρική σκούπα διαθέτει δύο τρόπους λειτουργίας: τη λειτουργία ελεύθερου καθαρίσματος, κατά την οποία δεν απαιτείται καταχώρηση χαρτογράφησης και τη λειτουργία χαρτογράφησης χώρου καθαρίσματος (ανατρέξτε στην «Καθάρισμα χαρτογραφημένων χώρων» στη σελίδα 39), κατά την οποία απαιτείται η καταχώρηση πληροφοριών όσον αφορά τον χώρο για το καθαρίσμα.

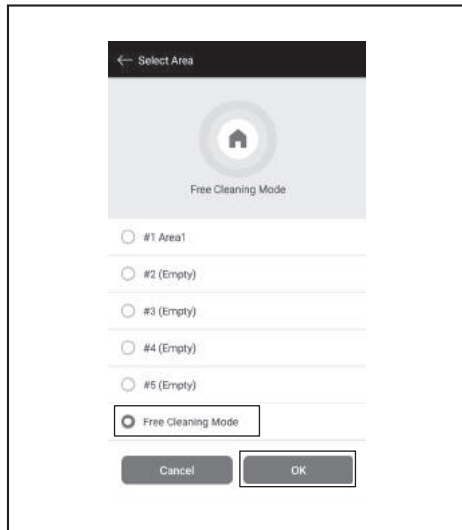
### Καθάρισμα ενός χώρου χωρίς χαρτογράφηση (λειτουργία ελεύθερου καθαρίσματος)

- Η λειτουργία ελεύθερου καθαρίσματος συνιστάται για το καθαρίσμα σε διάφορους χώρους ή σε περιβάλλον στη διάταξη του οποίου γίνονται συχνές σημαντικές αλλαγές.
- Επίσης, η λειτουργία ελεύθερου καθαρίσματος συνιστάται για χώρους που δεν είναι δυνατό να φωτιστούν επαρκώς.
- Για πληροφορίες όσον αφορά το καθαρίσμα, τη χαρτογράφηση και τη θέση έναρξης λειτουργίας της ρομποτικής ηλεκτρικής σκούπας, ανατρέξτε στη σελίδα 18.

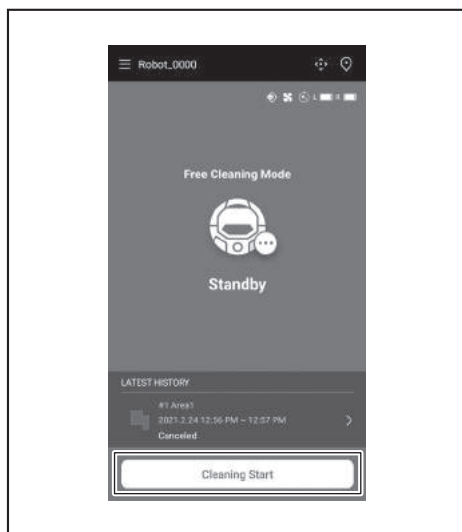
1. Στην αρχική οθόνη πατήστε το



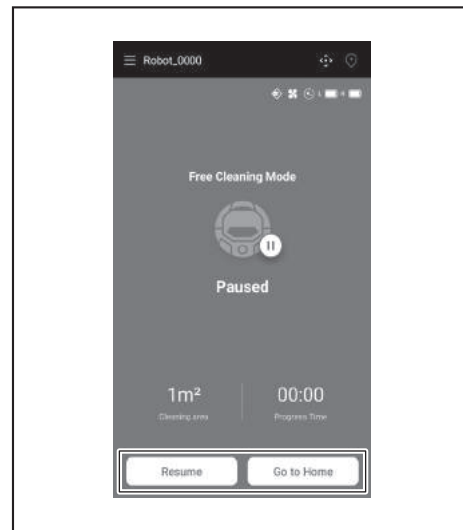
2. Πατήστε την επιλογή [Free Cleaning Mode] και ύστερα πατήστε την επιλογή [OK].



3. Στην αρχική οθόνη πατήστε την επιλογή [Cleaning Start] ώστε η ρομποτική ηλεκτρική σκούπα να αρχίσει το καθάρισμα.



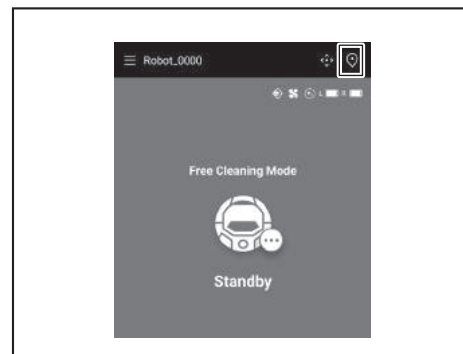
4. Μπορείτε να ελέγχετε τη ρομποτική ηλεκτρική σκούπα χρησιμοποιώντας τις παρακάτω λειτουργίες.
  - Όταν πατάτε την επιλογή [Pause], η ρομποτική ηλεκτρική σκούπα διακόπτεται προσωρινά το καθάρισμα.
  - Όταν πατάτε την επιλογή [Resume] κατά την προσωρινή διακοπή, η ρομποτική ηλεκτρική σκούπα αρχίζει να λειτουργεί ξανά.
  - Όταν πατάτε την επιλογή [Go to Home] κατά την προσωρινή διακοπή, η ρομποτική ηλεκτρική σκούπα επιστρέφει στο σημείο από το οποίο άρχισε το καθάρισμα. Την ώρα που η ρομποτική ηλεκτρική σκούπα επιστρέφει στο σημείο έναρξης, η εφαρμογή γυρίζει στην αρχική οθόνη. Η λειτουργία αυτή μπορεί να εκτελεστεί κατά την προσωρινή διακοπή του καθαρίσματος.



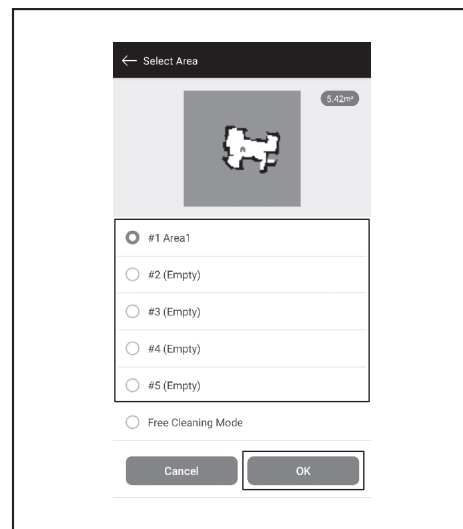
## Καθάρισμα χαρτογραφημένων χώρων

- Κατά τη χρήση της λειτουργίας χαρτογράφησης χώρου καθαρίσματος, η ρομποτική ηλεκτρική σκούπα λειτουργεί κανονικά ώστε ο χαρτογραφημένος χώρος να καθαριστεί αποτελεσματικά.
- Για τη χρήση της λειτουργίας χαρτογράφησης χώρου καθαρίσματος, απαιτείται η καταχώρηση πληροφοριών χαρτογράφησης. (Ανατρέξτε στη σελίδα 42.)

1. Στην αρχική οθόνη πατήστε το .

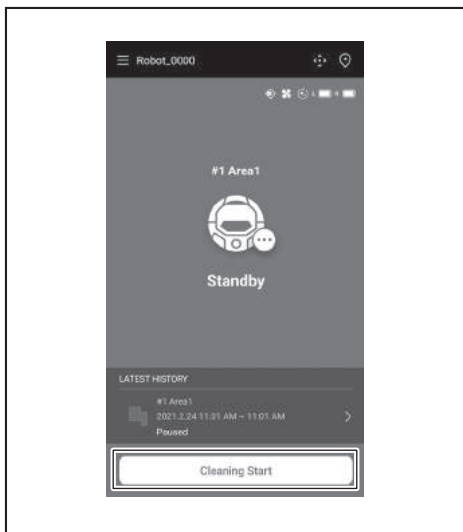


2. Πατήστε τον χώρο που θέλετε να καθαριστεί και ύστερα πατήστε την επιλογή [OK].
  - Μπορείτε να προσθέσετε, να αλλάξετε και να διαγράψετε μια χαρτογράφηση. (Ανατρέξτε στη σελίδα 42.)

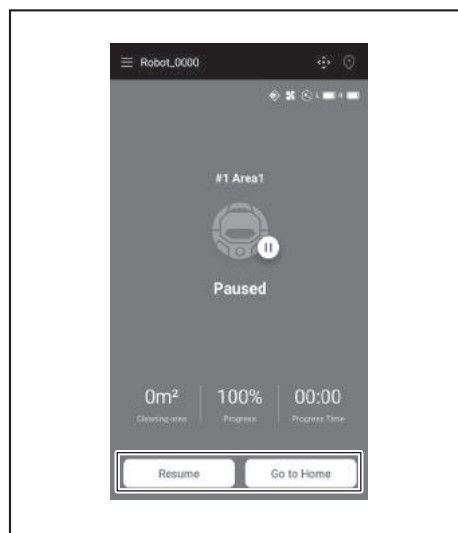
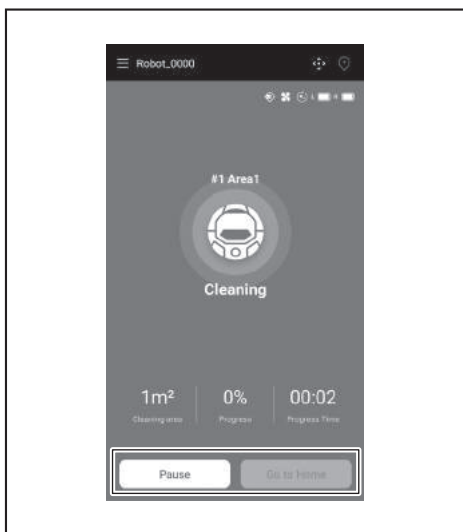


3. Πρέπει να τοποθετείτε τη ρομποτική ηλεκτρική σκούπα όσο το δυνατόν πιο κοντά στον ίδιο προσανατολισμό όπως κατά την έναρξη της χαρτογράφησης. Αυτό επιτρέπει στη ρομποτική ηλεκτρική σκούπα να αρχίσει το καθάρισμα ομαλά.

4. Πατήστε την επιλογή [Cleaning Start] ώστε η ρομποτική ηλεκτρική σκούπα να αρχίσει το καθάρισμα.



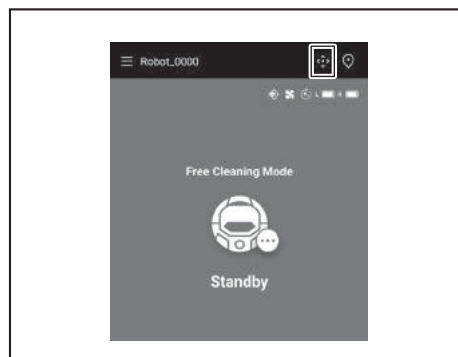
5. Μπορείτε να ελέγχετε τη ρομποτική ηλεκτρική σκούπα χρησιμοποιώντας τις παρακάτω λειτουργίες.
  - Όταν πατάτε την επιλογή [Pause], η ρομποτική ηλεκτρική σκούπα διακόπτει προσωρινά το καθάρισμα.
  - Όταν πατάτε την επιλογή [Resume] κατά την προσωρινή διακοπή, η ρομποτική ηλεκτρική σκούπα αρχίζει να λειτουργεί ξανά.
  - Όταν πατάτε την επιλογή [Go to Home] κατά την προσωρινή διακοπή, η ρομποτική ηλεκτρική σκούπα επιστρέφει στο σημείο από το οποίο άρχισε το καθάρισμα. Την ώρα που η ρομποτική ηλεκτρική σκούπα επιστρέφει στο σημείο έναρξης, η εφαρμογή γυρίζει στην αρχική οθόνη. Η λειτουργία αυτή μπορεί να εκτελεστεί κατά την προσωρινή διακοπή του καθαρίσματος.
  - Αν το σχήμα του χώρου δεν συμφωνεί με τις πληροφορίες χαρτογράφησης, εμφανίζεται η οθόνη σφάλματος και η ρομποτική ηλεκτρική σκούπα διακόπτει το καθάρισμα. Ελέγξτε αν ο χώρος που επιλέξατε είναι ο σωστός και τοποθετήστε τη ρομποτική ηλεκτρική σκούπα στο σημείο έναρξης.
  - Αν τοποθετήσετε τη ρομποτική ηλεκτρική σκούπα μακριά από το σημείο έναρξης που παρατίθεται στις πληροφορίες χαρτογράφησης, εμφανίζεται η οθόνη σφάλματος.



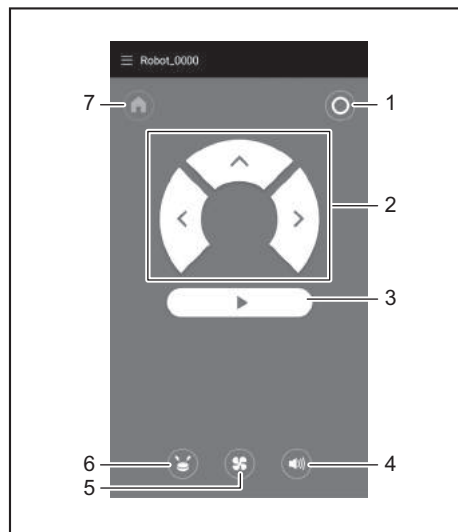
### Λειτουργία της ρομποτικής ηλεκτρικής σκούπας μέσω της εφαρμογής

Μπορείτε να χρησιμοποιείτε τις λειτουργίες της ρομποτικής ηλεκτρικής σκούπας μέσω της εφαρμογής όπως και μέσω του τηλεχειριστηρίου που περιλαμβάνεται στη συσκευασία της ρομποτικής ηλεκτρικής σκούπας.

1. Στην αρχική οθόνη πατήστε το



2. Πατώντας τα κουμπιά, μπορείτε να χρησιμοποιείτε τις λειτουργίες της ρομποτικής ηλεκτρικής σκούπας.
  - Δεν μπορείτε να κάνετε τη ρομποτική ηλεκτρική σκούπα να κινηθεί προς τα πίσω μέσω της εφαρμογής.



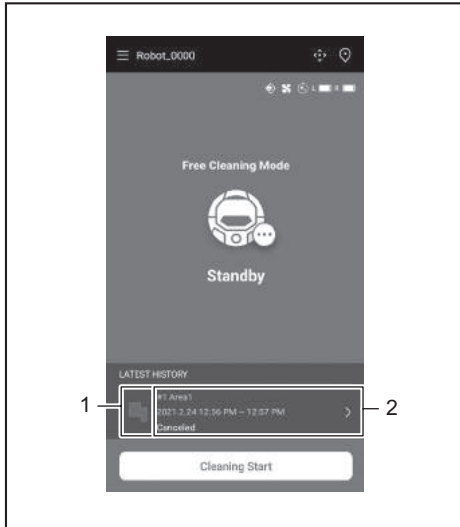
- ▶ 1. Κουμπί ΑΠΕΝΕΡΓΟΠΟΙΗΣΗΣ 2. Κουμπιά ενεργειών 3. Κουμπί έναρξης/διακοπής λειτουργίας 4. Κουμπί ΕΝΕΡΓΟΠΟΙΗΣΗΣ/ΑΠΕΝΕΡΓΟΠΟΙΗΣΗΣ ήχου 5. Κουμπί ΕΝΕΡΓΟΠΟΙΗΣΗΣ/ΑΠΕΝΕΡΓΟΠΟΙΗΣΗΣ ανεμιστήρα αναρρόφησης 6. Κουμπί βομβητή/λυχίας φάρου τοποθεσίας 7. Κουμπί σημείου έναρξης

## Έλεγχος του ιστορικού καθαρισμάτων

Μέσω της εφαρμογής μπορείτε να ελέγχετε αναλυτικά το ιστορικό των καθαρισμάτων.

### Έλεγχος του πιο πρόσφατου ιστορικού

Στην αρχική οθόνη πατήστε το εικονίδιο στην επιλογή [LATEST HISTORY].

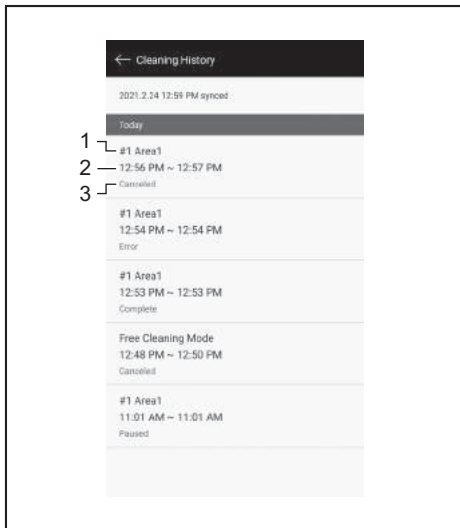


- ▶ 1. Εικονίδιο για εμφάνιση του πιο πρόσφατου ιστορικού 2. Στοιχείο για εμφάνιση της λίστας των ιστορικών

### Έλεγχος των προγενέστερων ιστορικών

Υπάρχει δυνατότητα εγγραφής έως και 15 ιστορικών. Αν ήδη έχουν εγγραφεί 15 ιστορικά, το παλαιότερο ιστορικό θα σβηστεί όποτε εγγραφεί ένα νέο ιστορικό.

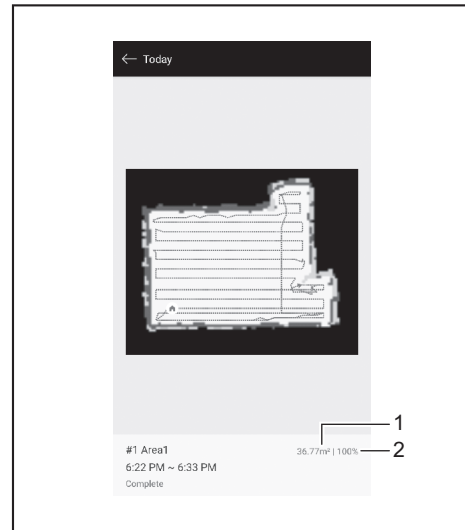
1. Στην αρχική οθόνη πατήστε το > στην επιλογή [LATEST HISTORY]. Μπορείτε να πατήσετε το ☰ στην αρχική οθόνη και ύστερα να πατήσετε την επιλογή [Cleaning History] για να δείτε τις προγενέστερες εγγραφές.
2. Πατήστε την εγγραφή που θέλετε να ελέγξετε.



- ▶ 1. Καθορισμένος χώρος ή λειτουργία καθαρίσματος 2. Χρονικό διάστημα κατά το οποίο καθαρίστηκε ο χώρος 3. Κατάσταση καθαρίσματος (ολοκληρώθηκε, διακόπηκε, σφάλμα κλπ)

Όποτε πατάτε ένα στοιχείο, εμφανίζονται οι αναλυτικές πληροφορίες κάθε ιστορικού.

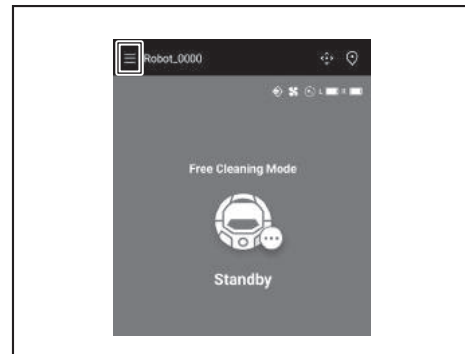
- Γαλαζοπράσινη διακεκομμένη γραμμή: Η διαδρομή της ρομποτικής ηλεκτρικής σκούπας
- Με κίτρινο χρώμα: Η περιοχή την οποία έχει καθαρίσει η ρομποτική ηλεκτρική σκούπα
- Με μπλε χρώμα: Εμπόδια που ανιχνεύτηκαν από τον αισθητήρα του προφυλακτήρα
- Με πράσινο χρώμα: Εμπόδια που ανιχνεύτηκαν από τον υπερηχητικό αισθητήρα
- Με ροζ χρώμα: Σκαλοπάτια που ανιχνεύτηκαν από τον αισθητήρα απότομης κλίσης
- Με μοβ χρώμα: Η περιοχή όπου η ρομποτική ηλεκτρική σκούπα έχει ανιχνεύσει τη μαγνητική γραμμή ορίου
- Με λευκό χρώμα: Η περιοχή την οποία η ρομποτική ηλεκτρική σκούπα δεν έχει καθαρίσει
- Με γκριζό χρώμα: Οι τοίχοι ή τα εμπόδια που ανιχνεύτηκαν από τον αισθητήρα LiDAR



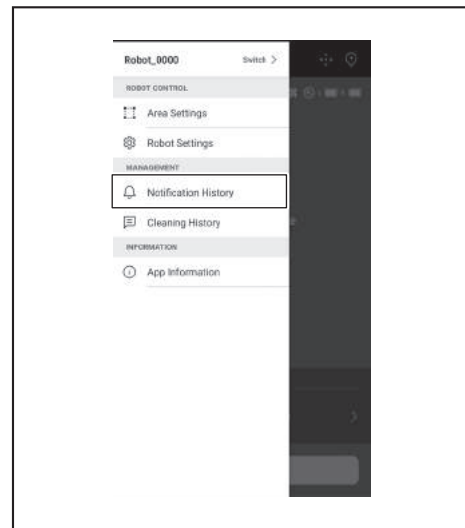
- ▶ 1. Μέγεθος περιοχής που καθαρίστηκε 2. Κάλυψη καθαρίσματος (μόνο κατά τη χρήση της λειτουργίας χαρτογράφησης χώρου καθαρίσματος)
- Οι τιμές για το μέγεθος και την κάλυψη της περιοχής που καθαρίστηκε δεν είναι ακριβείς. Χρησιμοποιήστε τις πληροφορίες αυτές ως αδρό υπολογισμό.

### Έλεγχος των ιστορικών των σφαλμάτων

1. Στην αρχική οθόνη πατήστε το ☰

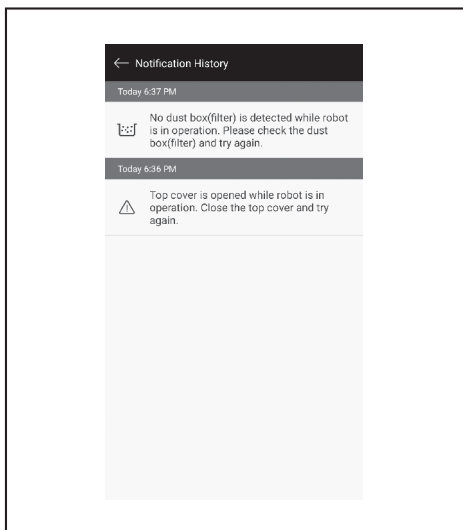


2. Πατήστε την επιλογή [Notification History].





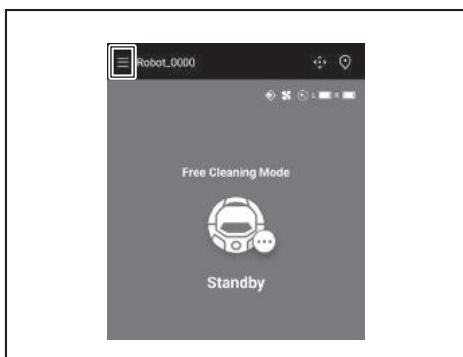
Θα εμφανιστούν η ημερομηνία, η ώρα και το περιεχόμενο του σφάλματος. Υπάρχει δυνατότητα εγγραφής έως και 10 ιστορικών. Αν ήδη έχουν εγγραφεί 10 ιστορικά, το παλαιότερο ιστορικό θα σβηστεί όποτε εγγραφεί ένα νέο ιστορικό.



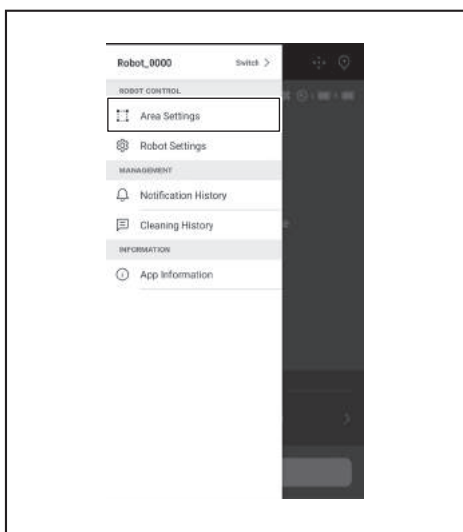
## Προσθήκη, αλλαγή ή διαγραφή πληροφοριών χαρτογράφησης

Μπορείτε να προσθέσετε, να αλλάξετε ή να διαγράψετε πληροφορίες χαρτογράφησης μέσω της επιλογής [Area Settings] στο παράθυρο του μενού.

1. Στην αρχική οθόνη πατήστε το .



2. Πατήστε την επιλογή [Area Settings].

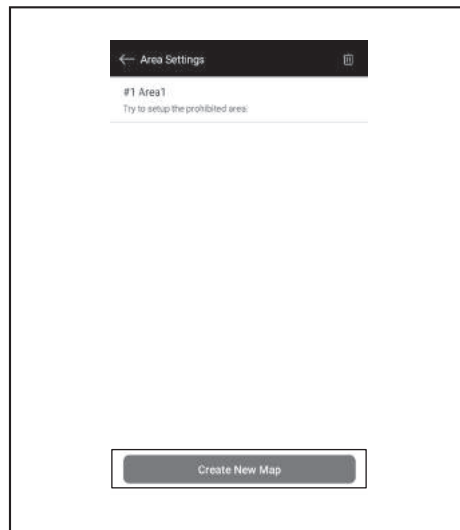


## Προσθήκη πληροφοριών χαρτογράφησης

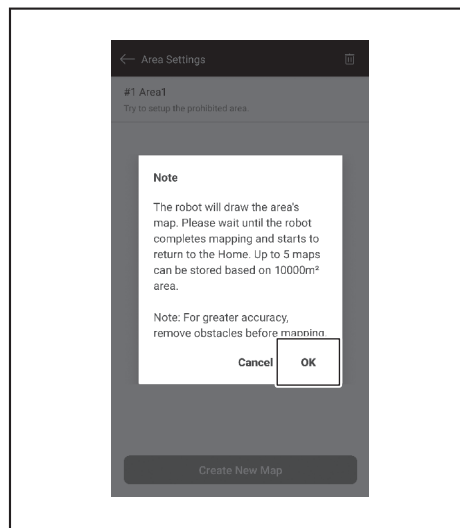
Μπορείτε να αποθηκεύσετε πληροφορίες για έως και 5 χαρτογραφήσεις εφόσον το μέγεθος του χώρου είναι έως και 10000 τ.μ.

Το μέγεθος του χώρου δεν υποδεικνύει το πραγματικό μέγεθος μιας χαρτογραφημένης περιοχής αλλά την ορθογώνια περιοχή που καλύπτει τη συνολική χαρτογραφημένη περιοχή.

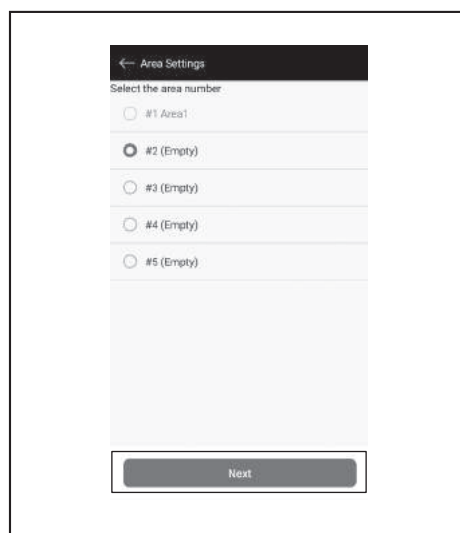
1. Στην οθόνη της επιλογής [Area Settings] πατήστε την επιλογή [Create New Map].



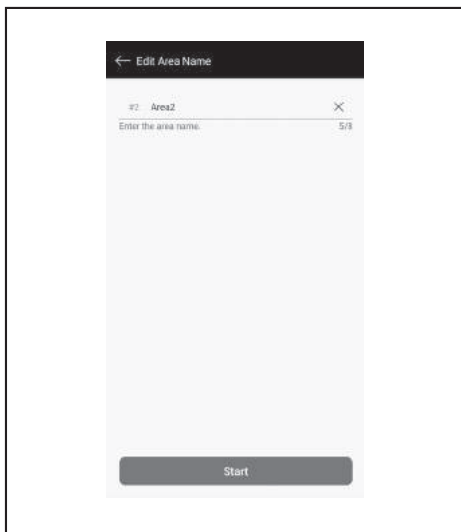
2. Εμφανίζεται μια ειδοποίηση. Πατήστε την επιλογή [OK].



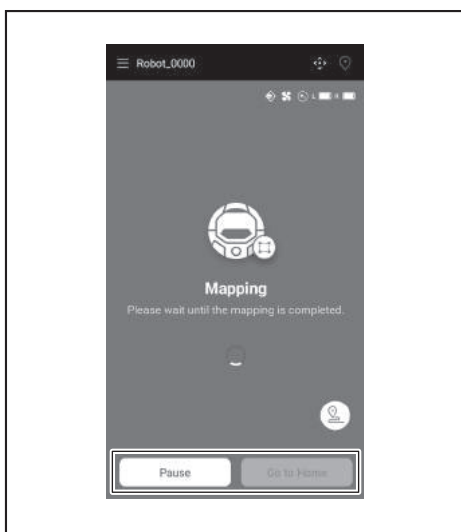
3. Επιλέξτε μια κενή θέση στην οποία θα αποθηκεύσετε τις πληροφορίες χαρτογράφησης και ύστερα πατήστε την επιλογή [Next].



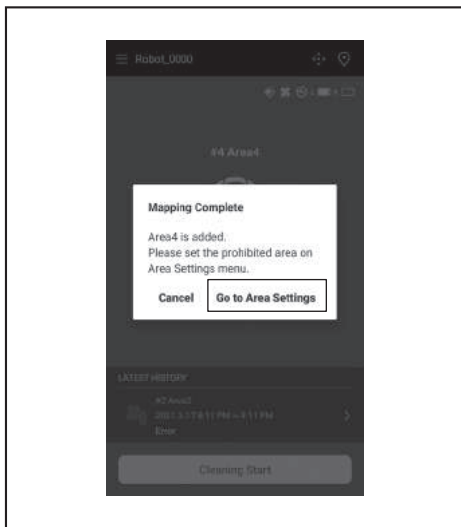
- Καταχωρήστε μια ονομασία περιοχής (με έως και 8 χαρακτήρες).



- Πατήστε την επιλογή [Start].
- Η ρομποτική ηλεκτρική σκούπα αρχίζει τη χαρτογράφηση.
  - Όποτε πατάτε την επιλογή [Pause], η ρομποτική ηλεκτρική σκούπα διακόπτει προσωρινά τη χαρτογράφηση.
  - Όποτε πατάτε την επιλογή [Go to Home] κατά την προσωρινή διακοπή, η ρομποτική ηλεκτρική σκούπα επιστρέφει στο σημείο από το οποίο άρχισε τη χαρτογράφηση. Καταχωρούνται οι πληροφορίες χαρτογράφησης που δημιουργήθηκαν ως τη στιγμή που πατήσατε την επιλογή. Την ώρα που η ρομποτική ηλεκτρική σκούπα επιστρέφει στο σημείο έναρξης, η εφαρμογή γυρίζει στην αρχική οθόνη.




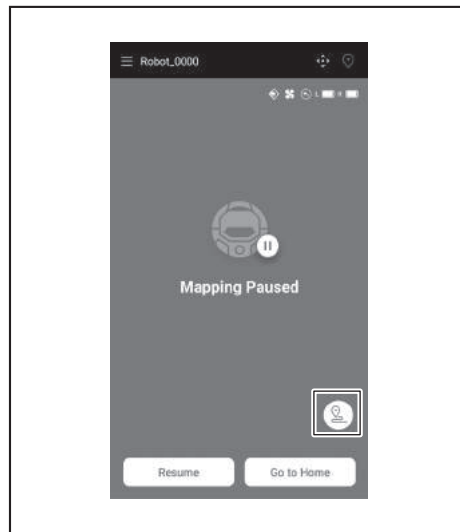
- Μόλις ολοκληρωθεί η χαρτογράφηση, εμφανίζεται το παράθυρο διαλόγου που σας ρωτά αν θέλετε να κάνετε ρυθμίσεις για τον χώρο.
  - Αν θέλετε να περιορίσετε την εμβέλεια του καθαρίσματος, πατήστε την επιλογή [Go to Area Settings]. (Ανατρέξτε στη σελίδα 44.)

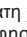


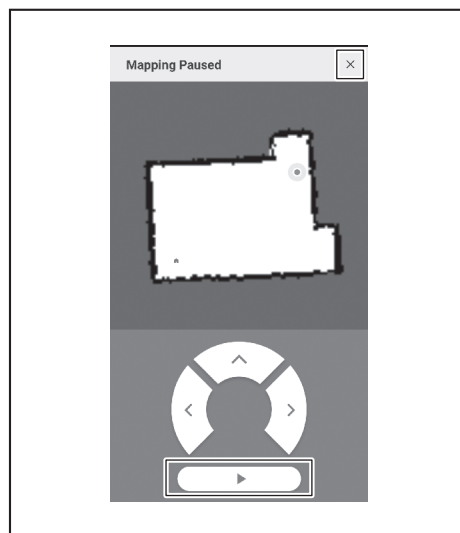
## Μη αυτόματη προσθήκη πληροφοριών χαρτογράφησης (μη αυτόματη χαρτογράφηση)

Στη διάρκεια της χαρτογράφησης, μπορείτε να προσθέσετε εσείς μη αυτόματα τις πληροφορίες χαρτογράφησης μέσω της εφαρμογής. Συνιστούμε τη μη αυτόματη καταχώρηση κατά τη χαρτογράφηση ενός δαπέδου με περίπλοκη διάταξη.

- Πατήστε την επιλογή [Pause] και ύστερα το  για να εμφανιστούν τα κουμπιά του τηλεχειριστηρίου.



- Χρησιμοποιώντας τα κουμπιά του τηλεχειριστηρίου στην εφαρμογή ή το τηλεχειριστήριο, μετακινήστε τη ρομποτική ηλεκτρική σκούπα για να ιχνηλατήσει τη διάταξη του δαπέδου.
  - Αφού προσθέσετε εσείς μη αυτόματα τις πληροφορίες χαρτογράφησης, πατήστε το  για να συνεχιστεί η αυτόματη χαρτογράφηση.
  - Αν θέλετε να τερματίσετε τη χαρτογράφηση, πατήστε το [x] και ύστερα την επιλογή [Go to Home] ή πιάστε το κουμπί του σημείου έναρξης στο τηλεχειριστήριο.

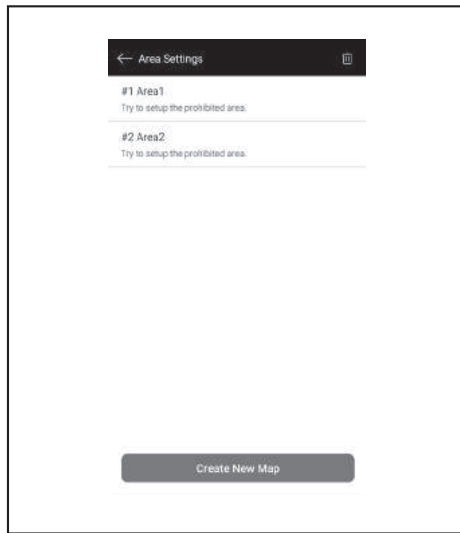


## Αλλαγή του ονόματος των πληροφοριών χαρτογράφησης

Στην οθόνη της επιλογής [Area Settings] πατήστε τις πληροφορίες χαρτογράφησης που θέλετε να αλλάξετε.

Μπορείτε να πατήσετε ένα όνομα για μετάβαση στην οθόνη ρυθμίσεων.

1. Στην οθόνη της επιλογής [Area Settings] πατήστε τις πληροφορίες χαρτογράφησης που θέλετε να αλλάξετε.



2. Πατήστε την επιλογή [Edit Area Name].



3. Επεξεργαστείτε το όνομα (έως και 8 χαρακτήρες).



4. Πατήστε την επιλογή [Save] για να οριστικοποιηθεί το όνομα.

## Περιορισμός της εμβέλειας του καθαρίσματος

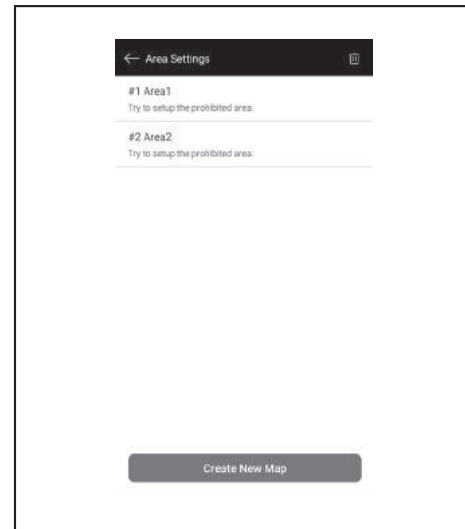
### ΠΡΟΕΙΔΟΠΟΙΗΣΗ

**Δεν πρέπει να χρησιμοποιείτε την απαγορευμένη περιοχή καθαρίσματος η οποία διαμορφώθηκε από την εφαρμογή ως γραμμή ορίου μιας περιοχής όπου υπάρχει κίνδυνος να συμβεί κάποιο ατύχημα λόγω εισόδου ή πτώσης της συσκευής.**

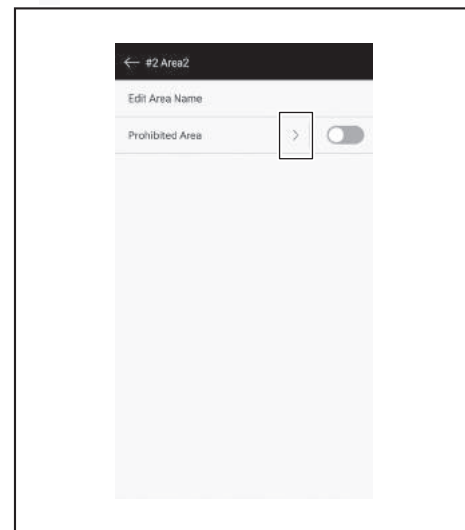
- Αλλιώς, υπάρχει κίνδυνος πρόκλησης ατυχήματος ή τραυματισμού λόγω εισόδου ή πτώσης της ρομποτικής ηλεκτρικής σκούπας. Η πραγματική διαδρομή της ρομποτικής ηλεκτρικής σκούπας ενδέχεται να διαφέρει λίγο από τη ρύθμιση για την απαγορευμένη περιοχή καθαρίσματος.

**Αν σε κάποια περιοχή υπάρχει κίνδυνος εισόδου ή πτώσης της ρομποτικής ηλεκτρικής σκούπας, τοποθετήστε σε μια επίπεδη επιφάνεια ένα αντικείμενο που να έχει ύψος τουλάχιστον 25 εκατοστά και να μπορεί να χρησιμεύσει ως τοίχος (δηλαδή ένα αντικείμενο που δεν θα μετακινηθεί ούτε θα πέσει όταν το χτυπήσει η ρομποτική ηλεκτρική σκούπα). (Ανατρέξτε στη σελίδα 12.)**




1. Στην οθόνη της επιλογής [Area Settings] πατήστε τις πληροφορίες χαρτογράφησης που θέλετε να αλλάξετε.

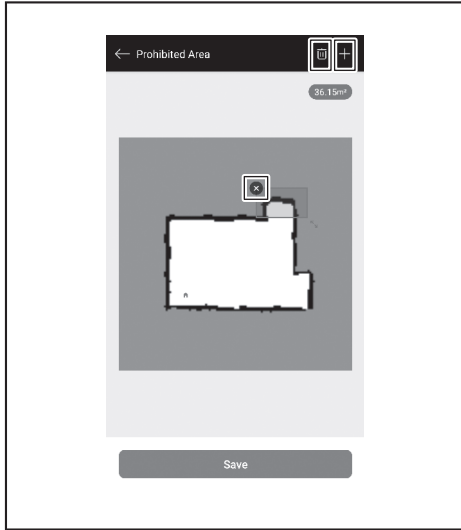


2. Πατήστε το > δίπλα στην επιλογή [Prohibited Area].



3. Καθορίστε μια απαγορευμένη περιοχή καθαρίσματος.

- Μπορείτε να πατήσετε το  στην επάνω δεξιά γωνία της οθόνης για να προσθέσετε μια απαγορευμένη περιοχή καθαρίσματος (έως και 100 περιοχές).
- Μπορείτε να σύρετε μια απαγορευμένη περιοχή καθαρίσματος για να τη μετακινήσετε.
- Μπορείτε να σύρετε την κάτω δεξιά γωνία μιας απαγορευμένης περιοχής καθαρίσματος για να ρυθμίσετε το μέγεθος.
- Μπορείτε να πατήσετε το  στην επάνω αριστερή γωνία μιας απαγορευμένης περιοχής καθαρίσματος για να διαγράψετε την εν λόγω περιοχή.
- Μπορείτε να πατήσετε το  στην επάνω δεξιά γωνία της οθόνης για να διαγράψετε όλες τις απαγορευμένες περιοχές καθαρίσματος.
- Δεν μπορείτε να καθορίσετε μια απαγορευμένη περιοχή καθαρίσματος σε ακτίνα 2 μέτρων γύρω από το σημείο έναρξης.
- Ανάλογα με το περιβάλλον κοντά σε μια απαγορευμένη περιοχή καθαρίσματος που έχετε καθορίσει, ενδέχεται να μην είναι δυνατό το καθάρισμα μιας περιοχής γύρω από την καθορισμένη περιοχή.

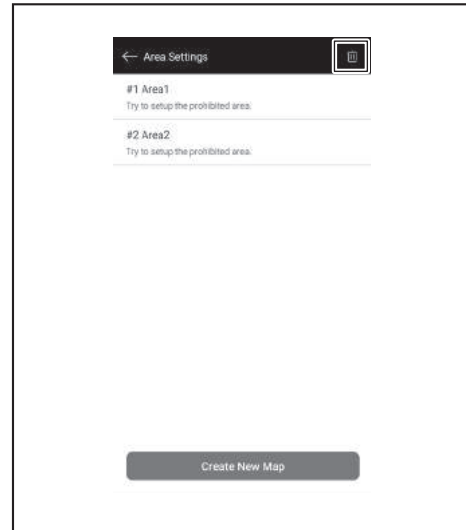


4. Μόλις πατήσετε την επιλογή [Save], θα καταχωρηθούν οι τροποποιημένες πληροφορίες χαρτογράφησης.
5. Για να ενεργοποιήσετε μια καταχωρημένη απαγορευμένη περιοχή καθαρίσματος, πατήστε τη ρύθμιση «Ενεργοποίηση/Απενεργοποίηση» (η οποία θα εμφανίζεται με πράσινο χρώμα αν έχετε επιλέξει τη ρύθμιση «Ενεργοποίηση») δίπλα στην επιλογή [Prohibited Area].

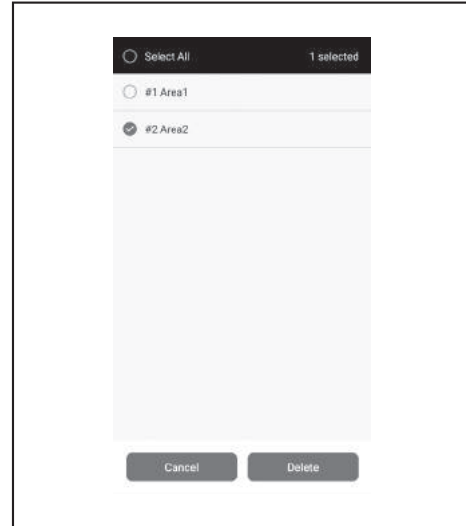


## Διαγραφή πληροφοριών χαρτογράφησης

1. Στην οθόνη της επιλογής [Area Settings] πατήστε το .



2. Επιλέξτε τις πληροφορίες χαρτογράφησης που θέλετε να διαγράψετε.
- Ο κύκλος στην επικεφαλίδα των πληροφοριών χαρτογράφησης θα επισημαίνεται με κάποιο χρώμα όποτε επιλέγετε τις εν λόγω πληροφορίες χαρτογράφησης.
  - Μπορείτε να πατήσετε την επιλογή [Select All] για να επιλέξετε όλα τα στοιχεία.



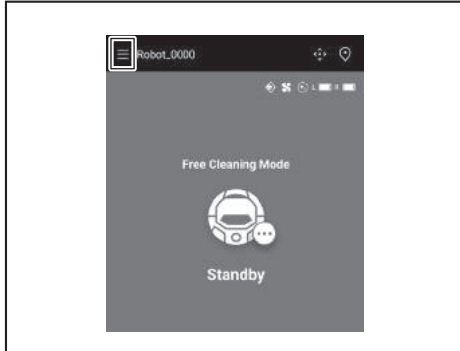
3. Πατήστε την επιλογή [Delete].
4. Εμφανίζεται μια ειδοποίηση. Πατήστε την επιλογή [OK].



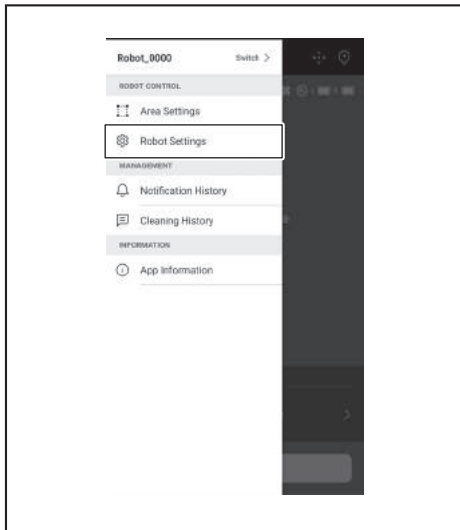
## Αλλαγή και έλεγχος ρυθμίσεων

Μπορείτε να αλλάξετε και να ελέγξετε τις ρυθμίσεις μέσω της επιλογής [Robot Settings] στο παράθυρο του μενού.

1. Στην αρχική οθόνη πατήστε το .



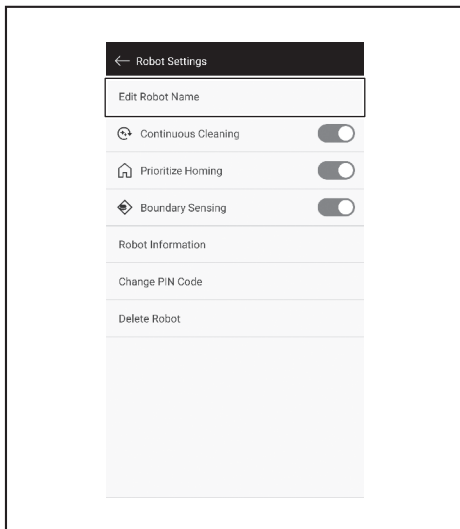
2. Πατήστε την επιλογή [Robot Settings].



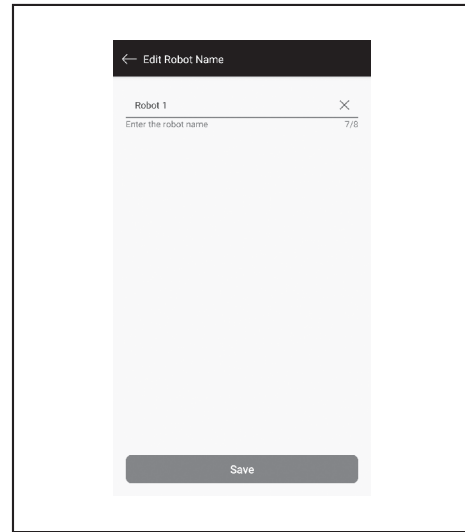
## Αλλαγή του ονόματος μιας καταχωρημένης ρομποτικής ηλεκτρικής σκούπας

Με τη ρύθμιση αυτή μπορείτε να αλλάξετε μόνο το όνομα της ρομποτικής ηλεκτρικής σκούπας στην εφαρμογή. Το SSID για τη σύνδεση μέσω Wi-Fi® δεν θα αλλάξει.

1. Στην οθόνη της επιλογής [Robot Settings] πατήστε την επιλογή [Edit Robot Name].



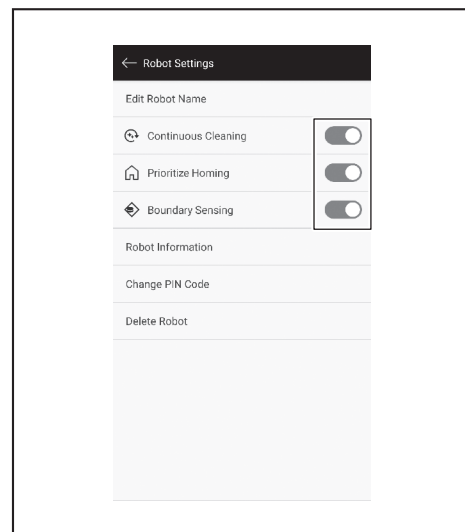
2. Πληκτρολογήστε ένα νέο όνομα (με έως και 8 χαρακτήρες).



3. Μόλις ολοκληρώσετε την καταχώρηση του ονόματος, πατήστε την επιλογή [Save].

## Καθορισμός επιλογών καθαρίσματος

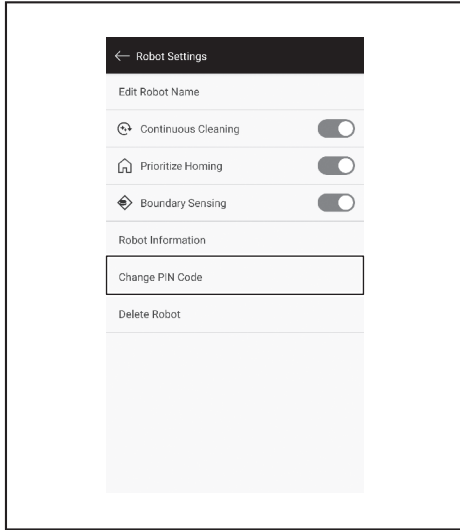
1. Στην οθόνη της επιλογής [Robot Settings] πατήστε τη ρύθμιση «Ενεργοποίηση/Απενεργοποίηση» (η οποία θα εμφανίζεται με πράσινο χρώμα αν έχετε επιλέξει τη ρύθμιση «Ενεργοποίηση») δίπλα στην επιλογή [Continuous Cleaning] ή στην επιλογή [Prioritize Homing] αν είναι απαραίτητο.
  - [Continuous Cleaning]: Επιλέξτε τη ρύθμιση αυτή όποτε εξαντλείται η χωρητικότητα της μπαταρίας προτού προλάβει η ρομποτική ηλεκτρική σκούπα να ολοκληρώσει το καθάρισμα όλης της καθορισμένης περιοχής και θέλετε την επόμενη φορά να συνεχιστεί το καθάρισμα από την περιοχή που δεν είχε καθαριστεί προηγουμένως.
  - [Prioritize Homing]: Η ρύθμιση αυτή συνιστάται όποτε η ρομποτική ηλεκτρική σκούπα αποτυγχάνει συχνά να επιστρέψει στο σημείο έναρξης του καθαρίσματος. Η ρομποτική ηλεκτρική σκούπα ξεκινά την πορεία επιστροφής στο σημείο έναρξης του καθαρίσματος εφόσον η εναπομένουσα χωρητικότητα της μπαταρίας είναι μεγαλύτερη από τη συνηθισμένη.
  - [Boundary Sensing]: Επιλέξτε τη ρύθμιση αυτή όποτε χρησιμοποιείτε τη μαγνητική γραμμή ορίου. Η ρομποτική ηλεκτρική σκούπα ανιχνεύει τη μαγνητική γραμμή ορίου ως όριο. (Ανατρέξτε στη σελίδα 22.)



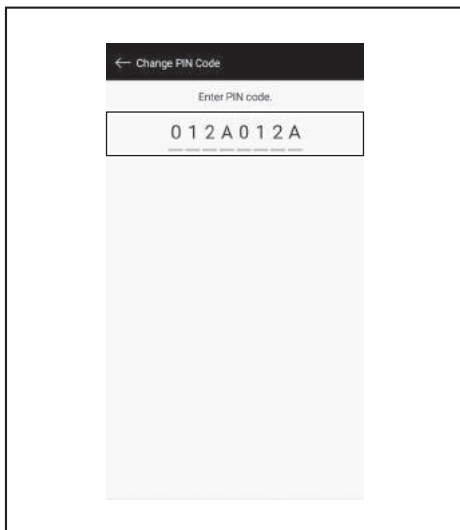
## Αλλαγή του κωδικού PIN

Μπορείτε να αλλάξετε τον κωδικό PIN της ρομποτικής ηλεκτρικής σκούπας. Αν ξεχάσετε τον κωδικό PIN που καθορίσατε, ανατρέξτε στην «Επαναφορά των ρυθμίσεων» στη σελίδα 26 για τη διαδικασία επαναφοράς της ρομποτικής ηλεκτρικής σκούπας στις εργοστασιακές προεπιλεγμένες ρυθμίσεις. Για τη διαδικασία ελέγχου του εργοστασιακού προεπιλεγμένου κωδικού PIN, ανατρέξτε στην «Αρχική ρύθμιση» στη σελίδα 37.

1. Στην οθόνη της επιλογής [Robot Settings] πατήστε την επιλογή [Change PIN Code].



2. Πληκτρολογήστε τον τρέχοντα κωδικό PIN (οκτώ ψηφία).

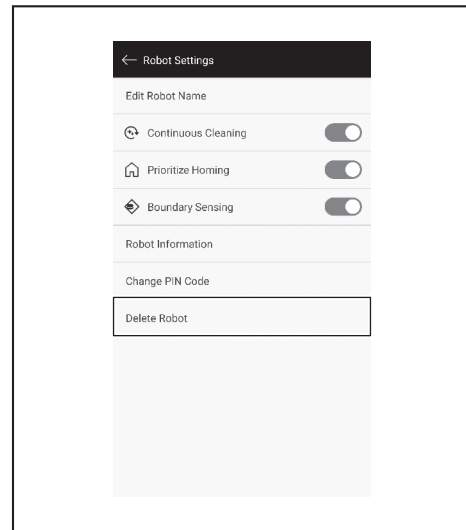


3. Πληκτρολογήστε τον νέο κωδικό PIN (οκτώ ψηφία) που θέλετε να καθορίσετε. Πληκτρολογήστε τον νέο κωδικό PIN δύο φορές στη σειρά.

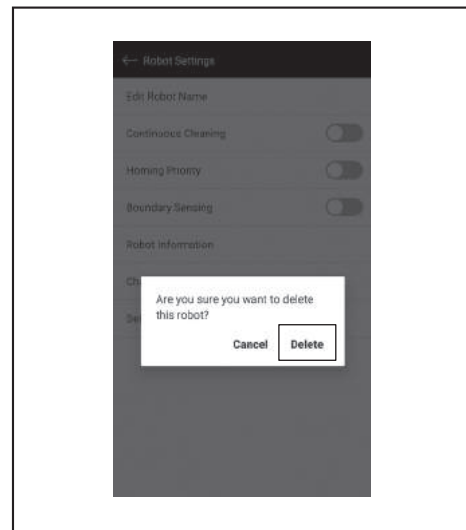


## Διαγραφή πληροφοριών για μια καταχωρημένη ρομποτική ηλεκτρική σκούπα

1. Στην οθόνη της επιλογής [Robot Settings] πατήστε την επιλογή [Delete Robot].

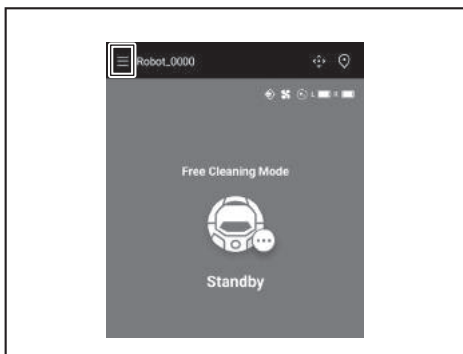


2. Εμφανίζεται ένα παράθυρο διαλόγου για επιβεβαίωση της διαγραφής. Πατήστε την επιλογή [Delete] για να οριστικοποιηθεί η διαγραφή.

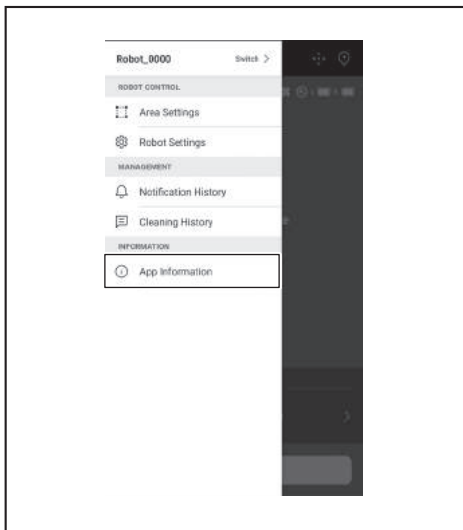


## Έλεγχος των πληροφοριών της εφαρμογής

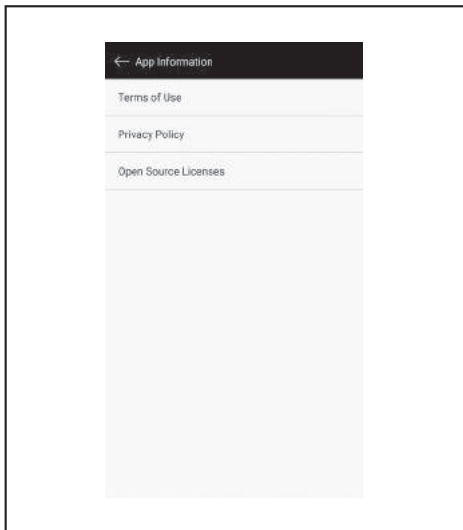
1. Στην αρχική οθόνη πατήστε το .



2. Πατήστε την επιλογή [App Information].

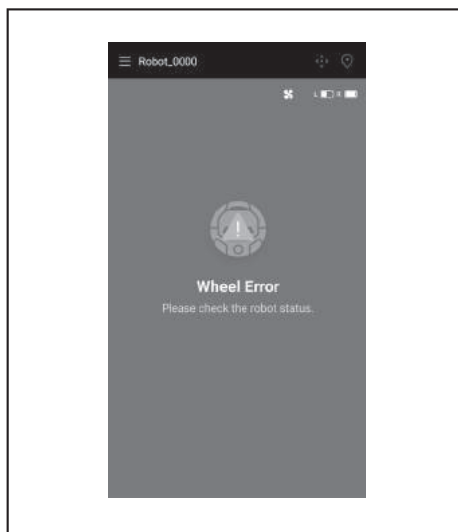
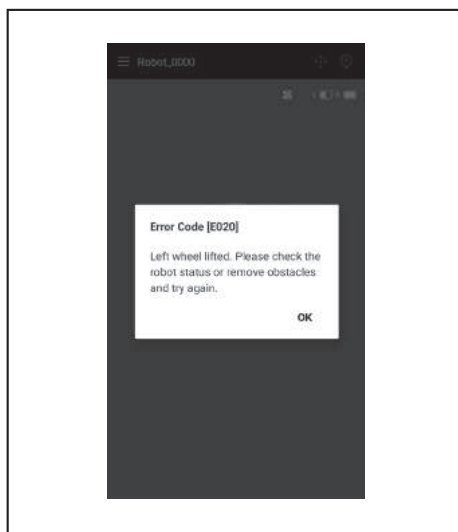


3. Πατήστε τις πληροφορίες που θέλετε να ελέγξετε.



## Μήνυμα/Παράθυρο διαλόγου σφάλματος

Όποτε παρουσιάζεται κάποιο σφάλμα, εμφανίζεται ένα μήνυμα ή ένα παράθυρο διαλόγου για το σφάλμα. Στην περίπτωση αυτή, ακολουθήστε τις οδηγίες που παρατίθενται στο μήνυμα ή στο παράθυρο διαλόγου.



## Παράρτημα

### Ανακοίνωση όσον αφορά το λογισμικό ανοικτού κώδικα

Το συγκεκριμένο προϊόν περιλαμβάνει λογισμικό ανοικτού κώδικα (το οποίο στο εξής θα αναφέρεται ως «Λογισμικό Ανοικτού Κώδικα») βάσει της Γενικής Άδειας Δημόσιας Χρήσης GNU (GPL), της Ελάσσονος Γενικής Άδειας Δημόσιας Χρήσης GNU (LGPL) και άλλων αδειών χρήσης.

Αναλυτικές πληροφορίες όσον αφορά το Λογισμικό Ανοικτού Κώδικα (γνωστοποίηση για τους κατόχους πνευματικών δικαιωμάτων και τις άδειες χρήσης) παρέχονται δωρεάν στον παρακάτω ιστότοπο. Επιπροσθέτως, ο πηγαίος κώδικας για το Λογισμικό Ανοικτού Κώδικα που έχουμε εκδώσει βάσει των εν λόγω αδειών χρήσης επίσης παρέχεται δωρεάν στον παρακάτω ιστότοπο.

<https://oss.makita.biz/index.html>

- Σας παρακαλούμε να αποφεύγετε να υποβάλετε ερωτήματα όσον αφορά τον πηγαίο κώδικα για το Λογισμικό Ανοικτού Κώδικα.
- Δεν παρέχουμε κανέναν είδους εγγύηση όσον αφορά το Λογισμικό Ανοικτού Κώδικα. Ωστόσο, η παρούσα ειδοποίηση δεν περιορίζει την κάλυψη που παρέχουμε στο πλαίσιο της εγγύησης για ελαττώματα του προϊόντος (στα οποία περιλαμβάνονται και όσα οφείλονται στο Λογισμικό Ανοικτού Κώδικα).

### Για τις ευρωπαϊκές χώρες

Μονάδα Wi-Fi	Όνομασία μονάδας	LCW-006
	Εύρος συχνοτήτων/Ισχύς	2412,0 - 2462,0 MHz/17,48 dBm (EIRP) 2422,0 - 2452,0 MHz/13,75 dBm (EIRP)
	Έκδοση λογισμικού	V1.0
Μονάδα Bluetooth	Όνομασία μονάδας	T007-MA-MD
	Εύρος συχνοτήτων/Ισχύς	2402,0 - 2480,0 MHz/7 dBm (EIRP)
	Έκδοση λογισμικού	V01.03
Τηλεχειριστήριο	Όνομασία μονάδας	C011
	Εύρος συχνοτήτων/Ισχύς	2402,0 - 2480,0 MHz/-4 dBm (EIRP)
	Έκδοση λογισμικού	V01.04

Κατά την εγκατάσταση και τη λειτουργία της συγκεκριμένης συσκευής πρέπει να διασφαλίζεται ότι θα απέχει τουλάχιστον 20 εκατοστά από κάθε άτομο.



**TÜRKÇE**

## İçindekiler

• Uyarı	2
• Robot Süpürge Hakkında	2
• Ana özellikler	2
• Uygulanabilir batarya kartuşu ve şarj cihazı	2
• Kullanım amacı	3
• Semboller	3
• Uygunluk Beyanı	3
• Güvenlik önlemleri	3
• Robot süpürge kullanımı için güvenlik önlemleri	4
• Radyo dalgalarıyla ilgili önlemler	7
• İlgili ticari markalar ve tescilli ticari markalar	7
• Parçaların adları	8
• Standart aksesuarlar	9
• Temizlemeden Önce Hazırlanın	10
• Robot süpürgeyi taşıma hakkında	10
• Robot süpürge ile temizleme hakkında	10
• Robot süpürge düşmesini önlemek için	10
• Temizlenecek bir yeri toplama	11
• Kullanıma Hazırlık	13
• Yan fırçaları takma	13
• Toz kutusunu paketten çıkarma	13
• Uzaktan kumandaya bataryaları takma	13
• Kalan batarya kapasitesini gösterme	14
• Bataryanın takılması ve çıkarılması (ayrı satılır)	14
• Gücü açıp/kapatmak	15
• Temizlemeden önce nelerin ayarlanması gerekir	15
• Kullanım	16
• Temizlik	16
• Haritalama ile bir odayı temizleme	16
• Haritalama bilgilerini silme	17
• Temizlemeyi bekletme veya sonlandırma	18
• Emme fanını açma/kapatma	18
• Konum işaretçisi işlevini kullanma	18
• AÇMA zamanlayıcıyı/KAPATMA zamanlayıcıyı kullanma	18
• Temizleme mesafesini kontrol etme	20
• Ayrı satılan ürünleri takma, çıkarma ve kullanma	21
• Çöpü atma	21
• Robot Süpürgeyi Ayarlama	22
• Günün saatini ayarlama	22
• Wi-Fi® Kurulumu (robot süpürge ve akıllı telefon)	22
• Ses uyarı yapma	22
• Ayarları sıfırlama	23
• Bakım	24
• Bakım	24
• Onarım hakkında	27
• Bildirim ve Hata Göstergesi	28
• Bir bildirim ve hata göstergesini iptal etme	28
• Bakım ihtiyacının bildirilmesi vb.	28
• Hata bildirimi	28
• Sorun giderme	29
• Depolama	32
• İsteğe Bağlı Aksesuarlar	32
• Akıllı Telefon Uygulaması (DRC300 için)	33
• İçindekiler	33
• Uygulama ile yapabilecekleriniz	33
• Uygulamayı yükleme	33
• Ana ekran	34
• Uygulama ile temizleme	34
• Temizlik geçmişini kontrol etme	36
• Haritalama bilgilerini ekleme, değiştirme veya silme	38
• Ayarları değiştirme ve kontrol etme	42
• Hata mesajı/diyalog	44
• Ek	45
• Açık Kaynaklı Yazılım ile ilgili Önemli Not	45
• Avrupa ülkeleri için	45

## Uyarı

Bu cihaz, gözetim altında olmaları veya cihazın güvenli bir şekilde kullanımıyla ilgili talimatların verilmesi ve içerdiği tehlikeleri anlamaları koşuluyla, 8 yaş ve üzeri çocuklar ve fiziksel, duyuşsal veya zihinsel yetenekleri kısıtlı veya deneyim ve bilgi eksikliği olan kişiler tarafından kullanılabilir. Çocuklar cihazla oynamamalıdır. Temizlik ve kullanıcı bakımı gözetimsiz çocuklar tarafından yapılmamalıdır.

## Robot Süpürge Hakkında

### Ana özellikler

Ana özellik	Model: DRC300	
Voltaj	D.C. 18 V	
Sürekli çalışma süresi*1 *2	Yakl. 240 dakika	
Toz toplama hacmi	3,0 L	
Boyutlar	500 mm (U) x 500 mm (G) x 204 mm (Y)	
Ağırlık*2	10,6 kg	
Kablosuz iletişim	İletişim sistemi	1. Robot süpürgeден uzaktan kumandaya: Bluetooth 2. Robot süpürgeден akıllı telefona: Wi-Fi® (SoftAP)
	Tahmini iletişim mesafesi	1. 20 m veya daha az 2. 10 m veya daha az
Kablosuz LAN	Frekans bandı	2,4 GHz
	Maksimum radyo frekansı gücü	17,48 dBm (EIRP)
	Kablosuz LAN standartları	IEEE 802.11 b/g/n
	Şifreleme yöntemi	WPA/WPA2
	WPS sürümü	Sürüm 2.0
Bluetooth	Frekans bandı	2402,0 - 2480,0 MHz
	Maksimum radyo frekansı gücü	Uzaktan kumanda: -4 dBm (EIRP)
	İletim aralığı	Yaklaşık 10 m
	Bluetooth® sürümü	4.2 (Bluetooth düşük enerji)
Lazer çıkışı	Dalga boyu	LiDAR sensörü: 775 - 800 nm Düşme sensörü: 845 - 850 nm
	Çıkış	1 mW veya daha az (IEC 60825-1:2014 Lazer Sınıf 1)

• Lütfen ana özelliklerin, şeklin ve diğer özelliklerin iyileştirme için değişebileceğini unutmayın.

• Bu ürünün lazer mesafe sensörleri, lazer ürünlerinin güvenliğine ilişkin uluslararası standart IEC 60825-1:2014 ile tanımlanan Sınıf 1 lazer ürünleridir.

\*1. Emme fanı açıkken vinil yer karoları gibi düz zeminlerde kullanıldığında. Çalışma süresi, çalışma yerinin koşullarına, zeminin türüne, batarya koşullarına, oda sıcaklığına vb. bağlı olarak değişir. Ayrıca, lityum-iyon bataryanın özelliklerinden dolayı düşük sıcaklıktaki ortamlarda çalışma süresi daha kısa olabilir.

\*2. İki BL1860B batarya ile donatıldığında.

### Uygunabilir batarya kartuşu ve şarj cihazı

Batarya kartuşu	BL1815N / BL1820B / BL1830B / BL1840B / BL1850B / BL1860B
Şarj Aleti	DC18RC / DC18RD / DC18RE / DC18SD / DC18SE / DC18SF / DC18SH / DC18WC

• Yukarıda listelenen bazı batarya kartuşları ve şarj aletleri, ikamet ettiğiniz bölgeye bağlı olarak mevcut olmayabilir.

### ! UYARI

Yalnızca yukarıda listelenen batarya kartuşlarını ve şarj aletlerini kullanın. Diğer batarya kartuşlarının ve şarj aletlerinin kullanılması yaralanmaya ve/veya yangına neden olabilir.

### Kablo bağlantılı güç kaynakları hakkında

Bu ürün için kablo bağlantılı güç kaynakları kullanılamaz. Kullanılırlarsa yaralanmaya veya kazaya neden olabilirler.

## Kullanım amacı

Bu ürün, iç mekan zeminlerini temizlemek için tasarlanmış bir robot süpürge dir. Bazı işlemler ve ayarlar, uzaktan kumanda ve özel uygulama ile gerçekleştirilebilir.

## Semboller

Aşağıdakiler, ekipman için kullanılacak sembollerini göstermektedir. Kullanmadan önce anlamlarını anladığınızdan emin olun.



Kullanma kılavuzunu okuyun.



Özellikle dikkatli ve özenli olun.



Bu ürün için geçerli temsili bir batarya.



Yalnızca AB ülkeleri için  
Ekipman içerisinde tehlikeli bileşenlerin bulunması nedeniyle atık elektrikli ve elektronik ekipmanlar, akümülatörler ve bataryalar çevre ve insan sağlığını olumsuz etkileyebilir. Elektrikli ve elektronik cihazları veya bataryaları evsel atıklarla birlikte atmayın!



Ni-MH  
Li-ion

Atık elektrikli ve elektronik cihazlar ile akümülatörler ve bataryalar ve atık akümülatörler ve bataryalar hakkında Avrupa Direktifi ile bunların ulusal hukuka uyarlanması ile uyumlu olarak, atık elektrikli ekipman, bataryalar ve akümülatörler ayrı olarak depolanmalı ve çevre koruma yönetmeliklerine uygun olarak çalışan belediye atıkları için ayrı bir toplama noktasına teslim edilmelidir. Bu, ekipmanın üzerine yerleştirilmiş üstüne çarpı çizili tekerlekli çöp kutusu sembolüyle belirtilir.



Robot süpürge üzerine basmayın veya nesnelere koymayın.



Robot süpürgeyi açık alev veya yanıcı ve/veya tehlikeli maddelerin yakınında kullanmayın.



Kirli veya ıslaksa alt yüzdeki düşme sensörlerini temizleyin.



LASER  
1

SINIF 1 LAZER ÜRÜNÜ  
TÜKETİCİ LAZER ÜRÜNÜ  
EN 50689:2021

CONSUMER LASER PRODUCT  
EN 50689 : 2021

## Uygunluk Beyanı

Yalnızca Avrupa ülkeleri için

Uygunluk beyanları, bu kullanma kılavuzuna Ek A olarak dahil edilmiştir.

## Güvenlik önlemleri

Önlemlerdeki **UYARI**, **DİKKAT** ve **ÖNEMLİ NOT** öğelerinin anlamları

Bu ürünün kullanımına ilişkin hususlar **UYARI**, **DİKKAT** ve **ÖNEMLİ NOT** şeklinde sınıflandırılmıştır.

Anlamları aşağıdaki gibidir.

**UYARI** :

Ürün yanlış kullanıldığında, kullanıcının ölüm veya ciddi şekilde yaralanması riskini gösteren bir önlem.

**DİKKAT** :

Ürün yanlış kullanıldığında, kullanıcının yaralanma riskini veya mal hasarı riskini gösteren bir önlem.

**DİKKAT** olarak tanımlanan bir konunun duruma bağlı olarak ciddi sonuçlara yol açabileceğini unutmayın. Bu önlemlerin tümünün güvenlik için önemli olduğundan emin olun.

**ÖNEMLİ NOT** :

Ürün ve aksesuarlarının kullanımı için önemli önlemler.

- Yangın, elektrik çarpması, yaralanma gibi bir kazanın oluşmasını önlemek için "Güvenlik önlemleri"ne uyduğunuzdan emin olun.
- Ürünü kullanmadan önce, ürünün doğru kullanımını sağlamak için bu "Güvenlik önlemleri"nin tamamını iyice okuyun.
- Okuduktan sonra ürünü kullananların istedikleri zaman okumaları için güvenli bir yere koymayı unutmayın.

- Ürünü başka birine ödünç verirken kullanıcı kılavuzu ile birlikte verin.
- Aşağıdaki resimli işaretler, gözlemlenecek şeyleri sınıflandırmak ve açıklamak için kullanılır.

## Resimli işaret örnekleri





Bu resimli işaret, "yasaklanmış", yani yapmanız gereken bir şeyi gösterir.







Bu resimli işaret, "zorunlu", yani her zaman yapmanız gereken bir şeyi gösterir.

Bu çizimler referans amaçlıdır. Tasarımlarının ürüne göre değiştiğini unutmayın.



UYARI	
<b>Ürünü suda yıkamayın. Bu ürünü banyo gibi nemli veya ıslak bir yerde kullanmayın.</b> <ul style="list-style-type: none"><li>Motor su girmesi kısa devre, ısı oluşumu veya tutuşmaya neden olabilir.</li><li>Bazı bileşenler suda yıkanabilir. Bkz. "Bakım", sayfa 24.</li></ul>	
<b>Ürünü asla parçalarına ayırmayın, onarmayın veya üzerinde değişiklik yapmayın.</b> <ul style="list-style-type: none"><li>Bunu yapmak, yaralanmaya neden olacak şekilde tutuşmaya veya anormal çalışmaya neden olabilir.</li></ul>	
<b>Çocukların bu ürünle veya şarj aletiyle oynamasına izin vermeyin.</b> <ul style="list-style-type: none"><li>Bir anlık dikkatsizlik ciddi yaralanmaya neden olabilir.</li></ul>	
<b>Bu ürünü dış mekanlarda kullanmayın.</b>	
<b>Bu ürünü merdiven veya dik yokuş gibi dengesiz yerlerde kullanmayın.</b> <ul style="list-style-type: none"><li>Bu ürün devrilebilir veya düşebilir ve yaralanmaya neden olabilir.</li></ul>	
<b>Makita tarafından belirtilen aksesuarlar ve ayrı olarak satılan öğeler dışındaki öğeleri kullanmayın.</b> <ul style="list-style-type: none"><li>Bu kullanıcı kılavuzunda ve kataloğumuzda verilen aksesuarlar ve ayrıca satılan öğeler dışında bir öğe kullanılması kazaya veya yaralanmaya neden olabilir.</li></ul>	
<b>Bu ürünü alevlerin, ısıtma cihazlarının vb. yakınına yerleştirmeyin.</b> <ul style="list-style-type: none"><li>Bunu yapmak, ürünün deformasyonu nedeniyle kısa devreye veya tutuşmaya neden olabilir.</li></ul>	
<b>Ürünü yanıcı maddelerin (gazolin, benzin, tiner, gaz vb.) yakınında kullanmayın veya bataryayı şarj etmeyin.</b> <ul style="list-style-type: none"><li>Bunu yapmak patlamaya veya yangına neden olabilir.</li></ul>	
<b>Bu ürünü, sıcaklığın 50 °C'ye (122 °F) (metal kutu, yazın bir arabanın içi vb.) ulaşabileceği bir yerde saklamayın.</b> <ul style="list-style-type: none"><li>Bunu yapmak, bu ürünün deformasyonu nedeniyle kısa devreye veya tutuşmaya neden olabilir.</li><li>Batarya bozulabilir ve dumana veya tutuşmaya neden olabilir.</li></ul>	
<b>Yangına neden olabileceğinden, aşağıdaki koşullarda şarj etmeyin.</b> <ul style="list-style-type: none"><li>Oluklu mukavva gibi kağıtlar, minder gibi kumaşlar, halı, vinil vb.</li><li>Hava delikli bir şarj aleti kullanılırken şarj sırasında hava delikleri tıkandığında. Veya hava deliklerine metaller veya yanıcı şeyler sokulduğunda.</li><li>Örneğin pamuk tozu gibi tozlu bir yerde.</li></ul>	
<b>Yağmurda şarj etmeyin veya elektrik fişini veya bataryayı ıslak ellerle çıkarmayın veya takmayın.</b> <b>Şarj aletinin terminalinin yakınında metal parçaları veya su gibi yabancı cisimlere izin vermeyin.</b> <ul style="list-style-type: none"><li>Bunu yapmak elektrik çarpmasına veya yaralanmaya neden olabilir.</li></ul>	
<b>Özel şarj aleti dışında bir şarj aleti kullanmayın.</b> <ul style="list-style-type: none"><li>Aksi halde bu durum bataryanın akmasına, ısınmasına veya bataryanın yırtılmasına neden olabilir.</li><li>Şarj aletini şarj etme amacı dışında kullanmayın.</li></ul>	
<b>Şarj aletini şarj etme amacı dışında kullanmayın. Bataryayı ve şarj aletini Makita tarafından belirtilenler dışında ekipman için kullanmayın.</b>	
<b>Şarj aletinin kablосunu kötü kullanmayın.</b> <ul style="list-style-type: none"><li>Şarj aletini kablodan tutarak taşımayın veya elektrik prizinden çıkarmak için fiş kablosundan tutarak çekmeyin.</li><li>Kabloyu ısıdan, yağdan, kimyasallardan ve keskin köşelerden uzak tutun.</li><li>Kablonun üzerine basılmasını, yakanılmasını veya aşırı güç nedeniyle hasar görmesini önlemek için şarj yeri konusunda dikkatli olun. Elektrik çarpması veya kısa devre, tutuşmaya neden olabilir.</li></ul>	

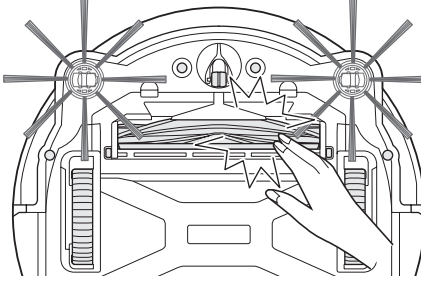
 <b>UYARI</b>	
<p><b>Şarj aletinin kablosu hasarlıysa veya elektrik fişi iyice takılmamışsa kullanmayın.</b></p> <ul style="list-style-type: none"> <li>Elektrik çarpması, kısa devre veya ateşleme meydana gelebilir.</li> </ul>	
<p><b>Şarj aletinin batarya montaj parçasında bir şarj terminali bulunur. Şarj terminalinin yakınında metal parçaları veya su gibi yabancı cisimlere izin vermeyin.</b></p>	
<p><b>Şarj sırasında bataryayı ve şarj aletini bir bezle veya başka bir şeyle örtmeyin.</b></p> <ul style="list-style-type: none"> <li>Bataryayı iyi havalandırılan bir yerde şarj edin. Aksi takdirde ısınma, yırtılma veya tutuşma meydana gelebilir.</li> </ul>	

 <b>UYARI</b>	
<p><b>Bu ürünün kazara çalışmasını önlemek için bakım ve incelemeden önce gücü kapattığınızdan ve bataryaları çıkardığınızdan emin olun.</b></p>	
<p><b>Bataryayı bu ürüne takarken, gücü açmamaya dikkat edin.</b></p> <ul style="list-style-type: none"> <li>Bataryayı, gücün açık olabileceği koşullarda taktığınızda (örneğin, parmağınız başlat/durdur düğmesinin üzerindeyken), bu ürün aniden hareket etmeye başlayarak bir kazaya neden olabilir.</li> </ul>	
<p><b>Yanlışlıkla düşme veya çarpışma durumunda, bu üründe vb. hasar, çatlak ve deformasyon olup olmadığını dikkatlice kontrol edin.</b></p> <ul style="list-style-type: none"> <li>Hasar, çatlak ve deformasyon yaralanmaya neden olabilir.</li> </ul>	
<p><b>Ürünün deforme olmasını ve hasar görmesini önlemek için bu ürünü yavaşça hareket ettirin.</b></p> <ul style="list-style-type: none"> <li>Hasar, çatlak ve deformasyon yaralanmaya neden olabilir.</li> </ul>	
<p><b>Bu ürün düzgün çalışmıyorsa veya ürünü kullandığınızda anormal bir ses geliyorsa, gücü hemen kapatın ve ürünü kullanmayı bırakın. Sonra satın aldığınız mağazadan veya satış ofisimizden inceleme ve onarım yapmasını isteyin.</b></p> <ul style="list-style-type: none"> <li>Ürünü kullanmaya devam ederseniz, yaralanma veya kaza meydana gelebilir.</li> </ul>	
<p><b>Hasarlı parça olup olmadığını kontrol edin.</b></p> <ul style="list-style-type: none"> <li>Ürünü kullanmadan önce, bileşenlerde hasar olup olmadığını iyice inceleyin ve ürünün düzgün çalışıp çalışmadığını ve önceden belirlenmiş işlevsellik sağlayıp sağlamadığını kontrol edin.</li> <li>Hareketli parçaların doğru konumlandırıldığını ve sıkıldığını kontrol edin ve bileşenlerin hasarlı olup olmadığını ve düzgün monte edilip edilmediklerini kontrol edin. Sonra, herhangi bir anormallik olup olmadığını görmek için işlemi etkileyebilecek diğer tüm alanları kontrol edin.</li> <li>Hasarlı bileşenlerin değiştirilmesi ve onarımı için kullanıcı kılavuzuna uyun. Kullanıcı kılavuzunda herhangi bir açıklama verilmemişse satın aldığınız mağazadan veya satış ofisimizden onarım yapmasını isteyin.</li> </ul>	
<p><b>Bu ürünü dikkatli bir şekilde iyi durumda tutun.</b></p> <ul style="list-style-type: none"> <li>Aksesuarların değiştirilmesi için kullanıcı kılavuzuna uyun.</li> <li>Şarj aletinin kablosunu periyodik olarak kontrol edin ve hasarlıysa satın aldığınız mağazadan veya satış ofisimizden onarımını isteyin. Elektrik çarpması veya kısa devre, tutuşmaya neden olabilir.</li> <li>Şarj için uzatma kablosu kullanıldığında, periyodik olarak kontrol edin ve hasarlıysa değiştirin. Elektrik çarpması veya kısa devre, tutuşmaya neden olabilir.</li> <li>Taşıma sapını daima kuru ve temiz tutun ve yağ, gres vb. ile temas etmesine izin vermeyin.</li> </ul>	
<p><b>Bu ürün kullanılmayacağı zaman uygun depoda saklayın.</b></p> <ul style="list-style-type: none"> <li>Çocukların erişemeyeceği kuru, güvenli bir yerde veya kilitlenebilecek kuru bir yerde saklayın. Kaza ile sonuçlanabilir.</li> </ul>	
<p><b>Şarj için kullanılmadığında şarj aletini elektrik prizinden çekin.</b></p> <ul style="list-style-type: none"> <li>Aksi halde, yalıtımın bozulması nedeniyle elektrik çarpmasına, akım kaçağına veya yangına neden olabilir.</li> </ul>	
<p><b>Şarj sırasında anormal ısı veya başka anormal koşullar fark ederseniz, şarj işlemi durdurmak için hemen şarj aletinin elektrik fişini çekin.</b></p> <ul style="list-style-type: none"> <li>Şarjın devam etmesine izin verirsiniz, duman, tutuşma veya patlama meydana gelebilir.</li> </ul>	

 <b>DİKKAT</b>	
<p><b>Aksesuarları kullanıcı kılavuzuna uygun olarak güvenli bir şekilde takın.</b></p> <ul style="list-style-type: none"> <li>Güvenli bir şekilde takılmazlarsa yaralanmaya, hasara veya kazaya neden olabilir.</li> </ul>	
<p><b>Bu ürünü taşıırken her zaman taşıma sapından tutun.</b></p> <ul style="list-style-type: none"> <li>Ürünü taşıma sapı dışında bir yerden tutarak taşımak, arızaya veya yaralanmaya neden olabilir.</li> </ul>	



## Robot süpürgenin kullanımı için güvenlik önlemleri


 <b>UYARI</b>	
<p><b>Bu ürünü, etrafı çevrili olmayan yüksek bir yerde veya merdivenler gibi dar genişliği olan bir yerde kullanmayın.</b></p> <ul style="list-style-type: none"> <li>Aksi halde bu durum bu ürünün düşmesi nedeniyle yaralanmaya veya arızaya neden olabilir.</li> </ul>	
<p><b>Bu ürünü yemeklik yağ gibi yağ bileşenlerinin yüzdüğü yerlerde, berber dükkanı, güzellik salonu, temizlik dükkanı gibi sprey ve kimyasalların kullanıldığı yerlerde veya dış mekanda kullanmayın.</b></p> <ul style="list-style-type: none"> <li>Aksi halde ürün arızalanabilir.</li> </ul>	
<p><b>Ürünü düzgün kullanamayacak bir kişinin, küçük bir çocuğun veya bir bebeğin olduğu bir yerde bu ürünü kullanmayın.</b></p> <ul style="list-style-type: none"> <li>Bunu yapmak elektrik çarpmasına, kazaya veya yaralanmaya neden olabilir.</li> </ul>	
<p><b>Bu ürünü hayvan vb. olan bir yerde kullanmayın.</b></p> <ul style="list-style-type: none"> <li>Bunu yapmak elektrik çarpmasına, kazaya veya yaralanmaya neden olabilir.</li> </ul>	
<p><b>Bu ürünü çok kişinin bulunduğu veya sürekli gelip giden insanların olduğu bir yerde kullanmayın.</b></p> <ul style="list-style-type: none"> <li>Bunu yapmak elektrik çarpmasına, kazaya veya yaralanmaya neden olabilir.</li> </ul>	
<p><b>EGZOS AĞZINI VE EMME AĞZINI KAPATMAYIN VEYA BURALARA METAL, YANICI YABANCI MADDELER VB. KOYMAYIN.</b></p> <ul style="list-style-type: none"> <li>Bunu yapmak elektrik çarpmasına, tutuşmaya veya arızaya neden olabilir.</li> </ul>	
<p><b>Bu ürünü, emme ağzını engelleyebilecek bir nesnenin yakınında kullanmayın.</b></p> <ul style="list-style-type: none"> <li>Bunu yapmak elektrik çarpmasına, tutuşmaya veya arızaya neden olabilir.</li> </ul>	
<p><b>Bu ürünü ateşe atmayın veya ısıtmayın.</b></p> <ul style="list-style-type: none"> <li>Bunu yapmak kısa devreye, tutuşmaya, sıvı sızıntısına veya patlamaya neden olabilir.</li> </ul>	
<p><b>Bu ürünü ateşin veya ısıtıcının yakını, doğrudan güneş ışığına maruz kalan bir yer ve yakıcı güneşin altındaki bir arabanın içi gibi yüksek sıcaklıktaki bir yere koymayın.</b></p> <ul style="list-style-type: none"> <li>Bunu yapmak kısa devreye, tutuşmaya, sıvı sızıntısına veya patlamaya neden olabilir.</li> </ul>	
<p><b>Bu ürünün üzerine nesnelere koymayın.</b></p> <ul style="list-style-type: none"> <li>Bunu yapmak aşırı ısınmaya neden olarak tutuşmaya neden olabilir.</li> </ul>	
<p><b>Bu ürünü doğrudan güneş ışığına maruz kalan bir yere koymayın.</b></p> <ul style="list-style-type: none"> <li>Bunu yapmak, LiDAR sensörünün ve kızılötesi sensörün hatalı tepki vermesine neden olarak ürünün yanlış çalışmasına veya arızaya neden olabilir.</li> </ul>	
<p><b>Bu ürünün sensörlerini engellemeyin veya içine yabancı nesnelere koymayın.</b></p> <ul style="list-style-type: none"> <li>Bunu yapmak hatalı çalışmaya, yanlış çalışmaya veya arızaya neden olabilir.</li> </ul>	
<p><b>Sensörler ve tekerlekler üzerine çıkartma veya bant yapıştırmayın.</b></p> <ul style="list-style-type: none"> <li>Bunu yapmak yanlış çalışmaya veya arızaya neden olabilir.</li> </ul>	


⚠ UYARI	⊘
<p><b>Bu ürünün üzerine oturmeyin, üzerine ağır bir nesne koymayın veya kuvvetli bir darbe vermeyin.</b></p> <ul style="list-style-type: none"> <li>Bunu yapmak, bu ürünün hasar görmesine veya arızalanmasına veya yaralanmaya neden olabilir. Çocuklar yakınınzdayken özellikle dikkatli olun.</li> </ul>	
<p><b>Çalışma sırasında tahrik tekerleklerine dokunmayın veya elinizi veya ayağınızı bu ürünün altına koymayın.</b></p> <ul style="list-style-type: none"> <li>Bunu yapmak elin yaralanmasına vb. neden olabilir. Yakınlarda çocuklar varken özellikle dikkatli olun.</li> </ul>	
	
<p><b>Ürünü bir çocuğun tek başına kullanmasına izin vermeyin. İradesini ifade edemeyen ve ürünü tek başına çalıştırmayan kişiler bu ürünü kullanmamalıdır.</b></p> <ul style="list-style-type: none"> <li>Bunu yapmak elektrik çarpmasına, kazaya veya yaralanmaya neden olabilir.</li> </ul>	
<p><b>Bu ürünün üzerine su veya deterjan dökmeyin veya bu ürünü yıkamayın (ana fırça, yan fırça, toz kutusu ve filtre hariç).</b></p> <ul style="list-style-type: none"> <li>Bunu yapmak elektrik çarpmasına, kısa devreye veya tutuşmaya neden olabilir.</li> </ul>	
<p><b>Ürüne ıslak ellerle dokunmayın.</b></p> <ul style="list-style-type: none"> <li>Bunu yapmak elektrik çarpmasına neden olabilir.</li> </ul>	
<p><b>Yırtık veya deforme olmuş ya da manyetik gücünü kaybetmiş gibi görünen manyetik sınır hattını kullanmayın.</b></p> <ul style="list-style-type: none"> <li>Bunu yapmak kazaya veya yaralanmaya neden olabilir.</li> </ul>	
<p><b>Vücudunuzun el ve saç gibi bölümleri ve giysilerinizi bu ürünün emme ağzına ve egzoz ağzına sokulmamalıdır.</b></p> <ul style="list-style-type: none"> <li>Aksi halde yaralanmaya neden olabilir.</li> </ul>	
<p><b>Vücudunuzun el ve saç gibi bölümleri ve giysilerinizi dönen bir fırça ile temas ettirilmemelidir.</b></p> <ul style="list-style-type: none"> <li>Aksi halde yaralanmaya neden olabilir.</li> </ul>	
<p><b>Bu ürünün aşağıdakileri emmesine izin vermeyin. Aksi halde yangına, yaralanmaya veya motor arızasına neden olabilir.</b></p> <p><b>Yanıcı maddeler</b></p> <ul style="list-style-type: none"> <li>Yağlar (gazyağı, gazolin vb.)</li> <li>Çözücüler (benzin, tiner vb.)</li> <li>Kibrit, tütsü, mum ve sıcak kül gibi yanan şeyler; sigara gibi duman çıkaran şeyler; yüksek sıcaklığa sahip şeyler.</li> <li>Toner gibi yanıcı maddeler</li> <li>Boyalar</li> <li>Metal kesme ve taşlama işlemlerinde oluşan taşlama kıvılcıkları, metal tozu vb.</li> <li>Yanıcı gaz (sprey vb.)</li> </ul> <p><b>Patlayıcı maddeler</b></p> <ul style="list-style-type: none"> <li>Nitrogliserin vb.</li> <li>Tutuşucu maddeler</li> <li>Alüminyum, magnezyum, titanyum, çinko, kırmızı fosfor, sarı fosfor, selüloit ve diğer kimyasal maddeler; toz, gaz ve bunların buharı</li> </ul> <p><b>Keskin nesnelere</b></p> <ul style="list-style-type: none"> <li>Cam, kenarlı aletler, talaşlar, metal, taşlar, çiviler, jiletler, raptiyeler, iğneler vb.</li> </ul> <p><b>Halı deterjanları gibi kabarcıklı şeyler</b></p> <p><b>İnce tozları katılaştıran ve ileten şeyler (metal tozu, karbon)</b></p> <p><b>Nem alma maddeleri</b></p> <p><b>Çok miktarda toz (un, kül, yangın söndürücüdeki toz vb.)</b></p> <p><b>Zehirlenme belirtilerine neden olan maddeler</b></p> <p><b>İlaçlar</b></p> <p><b>Sıvı ve ıslak çöp</b></p> <p><b>Hayvanların dışkısı ve kusmuğu vb.</b></p> <p><b>Büyük kağıt atıkları, plastik atıklar, ipler</b></p>	

⚠ UYARI	⊘
<p><b>Ürünü, yangına neden olabilecek aşağıdaki koşullarda kullanmayın.</b></p> <ul style="list-style-type: none"> <li>Büyük hacimli yanıcı maddeler uçuşuyorsa.</li> <li>Egzoz açıklığı tıkalıysa.</li> <li>Toz kutusu ve filtre takılı değilse.</li> <li>Çöp kilitli olan ana fırçaya takılıysa.</li> <li>Filtrede delikler ve yırtıklar varsa.</li> <li>Batarya tam olarak takılmamışsa.</li> </ul>	
<p><b>USB güç kaynağı bölümünün (onarım için) terminalleri arasında kısa devreye neden olmayın.</b></p> <ul style="list-style-type: none"> <li>USB terminal bölümüne iğne veya tel sokmak kısa devreye sonuçlanabilir, tutuşmaya veya duman çıkmasına neden olabilir.</li> </ul>	
<p><b>Lazer ışığına (ışın) doğrudan bakmayın.</b></p> <ul style="list-style-type: none"> <li>Bunu yapmak gözlere zarar verebilir.</li> </ul>	
<p><b>Bu ürün geçerli güvenlik yönetmeliklerine uygundur, bu nedenle bu üründe değişiklik yapmayın.</b></p> <ul style="list-style-type: none"> <li>Onarım yapma bilgisi veya becerisi olmadan onarımların yapılması, lazerin yetersiz performansının yanı sıra kazalara veya yaralanmalara neden olabilir.</li> </ul>	
<p><b>Şarj edilebilir ürünleri yüksek voltajlı elektrik hatlarının yakınında kullanmayın.</b></p> <ul style="list-style-type: none"> <li>Yanlış çalışma veya arıza riski vardır.</li> </ul>	

⚠ UYARI	!
<p><b>Güç açık olmasına rağmen bazen çalışmıyorsa ürünü kullanmayı bırakın.</b></p> <ul style="list-style-type: none"> <li>Aksi halde dumana, tutuşmaya veya elektrik çarpmasına neden olabilir.</li> </ul>	
<p><b>Ürünü deforme olduğunda veya anormal derecede sıcak olduğunda kullanmayı hemen bırakın.</b></p> <ul style="list-style-type: none"> <li>Aksi halde dumana, tutuşmaya veya elektrik çarpmasına neden olabilir.</li> </ul>	
<p><b>Çalışma sırasında bazen durduğunda ürünü kullanmayı bırakın.</b></p> <ul style="list-style-type: none"> <li>Aksi halde dumana, tutuşmaya veya elektrik çarpmasına neden olabilir.</li> </ul>	
<p><b>Çalışma sırasında anormal bir ses duyulduğunda ürünü kullanmayı hemen bırakın.</b></p> <ul style="list-style-type: none"> <li>Aksi halde dumana, tutuşmaya veya elektrik çarpmasına neden olabilir.</li> </ul>	
<p><b>Bir şey yanıyormuş gibi koktuğunda ürünü kullanmayı hemen bırakın.</b></p> <ul style="list-style-type: none"> <li>Aksi halde dumana, tutuşmaya veya elektrik çarpmasına neden olabilir.</li> </ul>	
<p><b>Kullanım ve bakım öncesinde yanan mumları, vazoları vb. masa ve rafların üzerinden kaldırın.</b></p> <ul style="list-style-type: none"> <li>Aksi halde, bu ürün çarptığında bir şok nedeniyle düşmelerine ve muhtemelen bir kazaya neden olabilir.</li> </ul>	
<p><b>Kullanım ve bakımdan önce, bu ürün tarafından sürülebilecek lastik bantları ve diğer nesnelere kaldırın.</b></p> <ul style="list-style-type: none"> <li>Aksi halde, bu ürünün bir lastik bandı vb. sürüklenmesine ve muhtemelen bir kazaya neden olabilir.</li> </ul>	
<p><b>Kullanım ve bakımdan önce, bu ürünle aynı seviyede bulunan bir kontrolöre sahip ekipman ve cihazları başka yere taşıyın.</b></p> <ul style="list-style-type: none"> <li>Aksi halde, bu ürünün bir kumandaya çarpmasına ve dokunmasına neden olarak yangına, yaralanmaya veya kazaya neden olabilir.</li> </ul>	
<p><b>Bakım ve incelemeden önce, bu ürünün gücünü kapattığınızdan ve bataryaları çıkardığınızdan emin olun.</b></p> <ul style="list-style-type: none"> <li>Aksi halde elektrik çarpmasına veya yaralanmaya neden olabilir.</li> </ul>	
<p><b>Bakım sırasında parmaklarınızın sıkışmamasına dikkat edin.</b></p> <ul style="list-style-type: none"> <li>Aksi halde yaralanmaya neden olabilir.</li> </ul>	
<p><b>İmplant edilebilir bir kalp piliniz veya implante edilebilir bir defibrilatörünüz varsa bu ürünü implantasyon bölgesinden 15 cm'den daha uzakta kullanın.</b></p> <ul style="list-style-type: none"> <li>Radyo dalgaları tıbbi cihazın çalışmasını etkileyebilir ve tıbbi cihazın arızalanmasına neden olabilir.</li> </ul>	
<p><b>Bir sağlık kurumunda radyo dalgaları yayan ekipman kullanırken, sağlık kurumunun talimatlarına uyun. Kullanımın yasak olduğu bir alanda bu ürünün gücünü kapatın.</b></p> <ul style="list-style-type: none"> <li>Bunu yapmamak tıbbi cihazların arızalanmasına neden olabilir.</li> </ul>	

<b>⚠ DİKKAT</b>	
<p><b>Kullanım ve bakım sırasında boşluklara ve açıklıklara yabancı nesnelere koymayın.</b></p> <ul style="list-style-type: none"> <li>Bunu yapmak elektrik çarpmasına, yangına veya bu ürünün arızalanmasına neden olabilir.</li> </ul>	
<p><b>Bu ürünü uzun tüylü (7 mm'yi aşan) halı veya diğer kilimler üzerinde kullanmayın.</b></p> <ul style="list-style-type: none"> <li>Bunu yapmak yan fırçaların sıkışmasına neden olarak halıya ve yan fırçalara zarar verebilir.</li> </ul>	
<p><b>Bu ürünü hassas bir halı (koyun derisi, keçe vb.), hassas bir zemin (düz aşıp zemin, mermer zemin vb.) ve yeni cilalanmış bir zemin üzerinde kullanmayın.</b></p> <ul style="list-style-type: none"> <li>Bunu yapmak hasara veya çiziklere neden olabilir. Hasar meydana gelirse ürünü kullanmayı bırakın.</li> </ul>	
<p><b>Bu ürünün üstüne çıkmayın veya oturmayın.</b></p> <ul style="list-style-type: none"> <li>Bunu yapmak, bu ürünün aniden hareket etmesine ve düşme gibi yaralanmalara neden olabilir.</li> </ul>	
<p><b>Bu ürünü emme ağı engellenmiş halde uzun saatler çalıştırmayın.</b></p> <ul style="list-style-type: none"> <li>Bunu yapmak, aşırı ısınma nedeniyle bu ürünün deformasyonuna veya tutuşmasına neden olabilir.</li> </ul>	
<p><b>Elinizi veya ayağınızı bu ürünün altına koymayın.</b></p> <ul style="list-style-type: none"> <li>Parmaklarınızın veya ayak parmaklarınızın sıkışıp yaralanmaya neden olma riski vardır.</li> </ul>	
<p><b>Filtre kirliyen veya birikmiş toz varken bu ürünü kullanmaya devam etmeyin.</b></p> <ul style="list-style-type: none"> <li>Bunu yapmak emiş gücünde azalmaya neden olabilir.</li> </ul>	
<p><b>Bu ürünü ön tarafı aşağı bakacak şekilde tutmayın.</b></p> <ul style="list-style-type: none"> <li>Toz, emme ağzından düşebilir.</li> </ul>	
	

<b>⚠ DİKKAT</b>	
<p><b>Arızaları önlemek için her sensörün iyi durumda olduğundan emin olun.</b></p> <ul style="list-style-type: none"> <li>Bir sensörün yanlış tepki vermesi, bu ürünün arızalanması veya düşmesi nedeniyle yaralanmaya veya arızaya neden olabilir.</li> </ul>	
<p><b>Halı ve hasır gibi kilimlerin uzun püsküllerinin altlarına sıkıştırıldığından emin olun.</b></p> <ul style="list-style-type: none"> <li>Püsküller tahrik tekerleklerine ve/veya ana fırçaya takılarak kilimlere ve bu ürüne zarar verebilir.</li> </ul>	
<p><b>Bu ürünü taşırken önce işlemi durdurun, ardından gücü kapatın. Ellerinizi sıkıştırmamak için taşıma sapını sıkıca tutun.</b></p> <ul style="list-style-type: none"> <li>Bu ürünün yanlışlıkla kaldırılması yaralanmaya veya arızaya neden olabilir.</li> </ul>	
<p><b>Bu ürüne takılmalarını sağlamak için kabloları ve ipleri uzaklaştırın.</b></p> <ul style="list-style-type: none"> <li>Aksi halde, güç kablosunun dolaşması nedeniyle arızaya veya hatalı çalışmaya neden olabilir.</li> </ul>	
<p><b>Temizlemeden önce kolayca kırılan, kolayca düşen ve çekilmemesi gereken nesnelere uzağa taşıyın. Uzun ipleri ve kordonları uzaklaştırın.</b></p> <ul style="list-style-type: none"> <li>Aksi halde, bu ürünün hasar görmesine, çizilmesine veya arızalanmasına neden olabilir.</li> </ul>	
<p><b>Bu ürünü doğru filtre seti ile kullanın. Bu ürünü filtre çıkarılmış, yanlış bir konuma yerleştirilmiş veya yırtılmış halde kullanmayın.</b></p> <ul style="list-style-type: none"> <li>Bunu yapmak, motorun yanması gibi arızalara neden olabilir.</li> <li>Toz kaçabilir ve sağlığı zararlı olabilir.</li> </ul>	

<b>⚠ DİKKAT</b>	
<p><b>Gövdenin üst kapağını ve toz kutusunun üst kapağını açıp kapatırken, filtreyi takarken ve bataryayı takarken ve çıkarırken parmaklarınızı sıkıştırmamaya dikkat edin.</b></p> <ul style="list-style-type: none"> <li>Parmaklarınızın sıkışıp yaralanmaya neden olma riski vardır.</li> </ul>	

## Kullanma hakkında

- Bu ürünü iç mekânlarda kullanın. İç mekânda olsa bile çok miktarda toz içeren bir yeri temizlemeyin.
- Yüzeyi sert ve engembeli olan bir zemini temizlemeyin. Bunu yapmak, fırçaların ve tekerleklerin erken aşınmasına neden olabilir.
- Temizledikten sonra ana fırça, yan fırçalar ve tekerleklere yapışan kum tozunu çıkarın. Temizlenmeden bırakılırsa zemin yüzeyi zarar görebilir.
- Bu ürünü kullanırken her zaman ana fırçayı ve kapağını takın.
- Ana fırçanın vb. hareketli parçalarını yağlamayın. Bunu yapmak plastik parçaların kırılmasına neden olabilir.
- Hassas bir zemin yüzeyinde kullanım için ayrı satılan ürünler olan "yumuşak ana fırça" ve "yumuşak yan fırça" ile değiştirilmesi önerilir. Ancak zemin yüzey koşullarına bağlı olarak çizikler oluşabilir. Böyle bir durumda ürünü kullanmayı bırakın.
- Bu ürünü sürüklemeyin. Bu ürünü taşırken kaldırın.
- Sensör parçalarına ve tekerleklere çıkartma veya bant yapıştırmayın, tamponu ve tekerlekleri deforme etmeyin veya tamponun kuvvetli bir şekilde bastırılmasına izin vermeyin. Aksi halde arızaya neden olabilir.
- İnce toz (alçı, çimento ve tebeşir gibi) çekilirse filtreye, düşme sensörüne ve LiDAR sensörüne dikkat edin.
- Bu ürünün, ürünün iç kısmında çizilmelere, tozun tıkanmasına veya arızaya neden olabilecek aşağıdaki öğeleri çekmesine izin vermeyin. Bunlardan herhangi biri yanlışlıkla çekilirse çalışmayı durdurun ve tozu atın.
  - Islak çöp (sıvı ve nemli çöp)
  - Hayvanların dışkısı vb.
  - Çok miktarda kum ve toz
  - İpler
  - Keskin kenarlı nesnelere (cam, kesici aletler, iğneler vb.)
  - Büyük boyutta çöp ve çok miktarda çöp
  - Hava geçirgenliği zayıf olan nesnelere (gıda plastik sargısı, vinil, ambalaj filmi vb.)
- Emme ağzının alt fırçası, tekerlekler, tahrik tekerlekleri veya ana fırça kapağının silindirik kısmı aşınırsa bu ürünü kullanmayı bırakın ve satın aldığınız mağazaya veya satış ofisimize danışın. Robot süpürgeyi aşınmış parçalarla kullanmak zemin yüzeyine zarar verebilir.
- Çalışma sırasında TV ekranında parazit oluşabilir ancak TV'nin kendisini etkilemez.
- Bu ürünü güvenlik sisteminin çalıştığı bir yerde çalıştırırken dikkatli olun. Bu ürün, güvenlik sistemi tarafından yanlışlıkla bir davetsiz misafir olarak algılanabilir.
- Aşağıdakileri yapmayın.
  - Batarya takılıken uzun süre kullanmama
  - Sensör kirliyen veya filtre tıkalıyken kullanma
  - Bir batarya hatası (garip bir koku, sıvı sızıntısı, ısınma, deformasyon veya diğer anormal şeyler) fark ettiğinizde kullanma
  - Ana fırça, yan fırçalar ve tekerleklere yapışmış kum tozu ve diğer yabancı maddeleri çıkarmadan kullanma
  - Bazı bileşenler yıpranmış veya tükenmiş durumdayken kullanma
  - Kullanıcı kılavuzunu okumadan kullanma
  - Batarya takılıken bakım yapma ve ürünü ters çevirme
  - Manyetik sınır hattında bakım yapmadan kullanma

## Batarya aleti kullanımı ve bakımı

<b>⚠ UYARI</b>
<p><b>Tüm güvenlik uyarılarını ve talimatlarını okuyun. Uyarılara ve talimatlara uyulmaması elektrik çarpmasına, yangına ve/veya ciddi yaralanmaya neden olabilir.</b></p>

- Yalnızca üretici tarafından belirtilen şarj aletiyle şarj edin. Bir tür batarya kartuşu için uygun olan bir şarj aleti, başka bir batarya kartuşu ile kullanıldığında yangın riski oluşturabilir.
- Cihazları yalnızca özel olarak belirlenmiş batarya kartuşları ile kullanın. Başka batarya kartuşlarının kullanılması yaralanma ve yangın riski oluşturabilir.
- Batarya kartuşu kullanılmadığında, ataş, bozuk para, anahtar, çivi, vida veya bir terminalden diğerine bağlantı kurabilecek diğer küçük metal nesnelere uzak tutun. Batarya terminallerinin birbirine kısa devre yapılması yangınlara veya yangına neden olabilir.
- Kötü koşullar altında, bataryadan sıvı çıkabilir; bununla temastan kaçın. Yanlışlıkla temas ederseniz suyla yıkayın. Sıvı gözlerle temas ederse ayrıca tıbbi yardım alın. Bataryadan çıkan sıvı tahrişe veya yangınlara neden olabilir.

5. Hasarlı veya üzerinde değişiklik yapılmış bir batarya kartuşu veya alet kullanmayın. Hasarlı veya üzerinde değişiklik yapılmış bataryalar, yangın, patlama veya yaralanma riskine yol açan öngörülemez davranışlar sergileyebilir.
6. Batarya kartuşunu veya aleti ateşe veya aşırı sıcaklığa maruz bırakmayın. Ateşe veya 130 °C (265 °F) üzerindeki sıcaklığa maruz kalmak patlamaya neden olabilir.
7. Tüm şarj talimatlarını izleyin ve batarya kartuşunu veya aleti talimatlarda belirtilen sıcaklık aralığının dışında şarj etmeyin. Uygun olmayan şekilde veya belirtilen aralığın dışındaki sıcaklıklarda şarj etmek bataryaya zarar verebilir ve yangın riskini artırabilir.
8. Yalnızca aynı yedek parçaları kullanarak kalifiye bir tamirciye servis yaptırın. Bu, ürünün güvenliğinin korunmasını sağlayacaktır.
9. Kullanım ve bakım talimatlarında belirtilenler dışında cihazı veya batarya kartuşunu değiştirmeyin veya onarmaya çalışmayın.
10. İstem dışı çalıştırmayı önleyin. Batarya kartuşuna bağlamadan veya robot süpürgeyi kaldırmadan veya taşımadan önce anahtarın kapalı konumunda olduğundan emin olun. Robot süpürgeyi parmağınız anahtarın üzerindeki taşıma kapağına veya anahtar açıkken robot süpürgeye enerji vermek kazalara neden olabilir.
11. Herhangi bir ayarlama yapmadan, aksesuarları değiştirmeden veya robot süpürgeyi depolamadan önce batarya kartuşunu robot süpürgeye çıkarın. Bu tür önleyici güvenlik önlemleri, robot süpürgeyi yanlışlıkla çalıştırılması riskini azaltır.
12. Batarya kartuşu fabrikadan sevk edildiğinde yeterince şarjlı değildir. Kullanmadan önce bataryayı şarj edin.
13. Batarya kartuşunu kullanmadığınızda, her zaman kapağı üzerine yerleştirin.

### Batarya kartuşu için önemli güvenlik talimatları

1. Batarya kartuşunu kullanmadan önce (1) batarya şarj aleti, (2) batarya ve (3) batarya kullanan ürünle ilgili tüm talimatları ve uyarıcı işaretleri okuyun.
2. Batarya kartuşunu sökmeyin veya kurcalamayın. Yangına, aşırı ısınmaya veya patlamaya neden olabilir.
3. Çalışma süresi aşırı derecede kısaldıysa çalışmayı hemen durdurun. Aşırı ısınma, olası yangınlar ve hatta patlama riskine neden olabilir.
4. Elektrolit gözünüze kaçarsa temiz suyla yıkayın ve hemen tıbbi yardım alın. Görme kaybıyla sonuçlanabilir.
5. Batarya kartuşunu kısa devre yaptırmayın:
  - (1) Terminallere herhangi bir iletken malzemeyle dokunmayın.
  - (2) Batarya kartuşunu çivi, bozuk para vb. gibi diğer metal nesnelere bulduğunuz bir kaptan saklamaktan kaçınin.
  - (3) Batarya kartuşunu suya veya yağmura maruz bırakmayın. Bataryanın kısa devre olması büyük bir akım akışına, aşırı ısınmaya, olası yangınlara ve hatta arızaya neden olabilir.
6. Aleti ve batarya kartuşunu sıcaklığın 50 °C'ye (122 °F) ulaşabileceği veya bu sıcaklığı aşabileceği yerlerde depolamayın ve kullanmayın.
7. Batarya kartuşunu ciddi şekilde hasar görmüş veya tamamen yıpranmış olsa bile yakmayın. Batarya kartuşu bir yangında patlayabilir.
8. Batarya kartuşunu çivilemeyin, kesmeyin, ezmeyin, atmayın, düşürmeyin veya batarya kartuşuna sert bir cisimle vurmeyin. Bu tür davranışlar yangına, aşırı ısıya veya patlamaya neden olabilir.
9. Hasarlı bir batarya kullanmayın.
10. İçindeki lityum iyon bataryalar, Tehlikeli Maddeler Mevzuatı gerekliliklerine tabidir. Ticari taşımacılık için örn. üçüncü şahıslar tarafından, nakliye acenteleri, paketleme ve etiketleme ile ilgili özel gerekliliklere uyulmalıdır. Sevk edilecek öğenin hazırlanması için tehlikeli madde konusunda bir uzmana danışılması gerekir. Lütfen ayrıca muhtemelen daha ayrıntılı ulusal düzenlemelere de uyun. Açık kontakları bantlayın veya maskeleyin ve bataryayı ambalajın içinde hareket ettirmeyecek şekilde paketlenin.
11. Batarya kartuşunu atarken aletten çıkarın ve güvenli bir yere atın. Bataryanın atılmasıyla ilgili yerel düzenlemelerinize uyun.
12. Bataryaları yalnızca Makita tarafından belirtilen ürünlerle kullanın. Bataryaların uyumlu olmayan ürünlere takılması yangına, aşırı ısınmaya, patlamaya veya elektrolit sızıntısına neden olabilir.
13. Alet uzun süre kullanılmayacaksa batarya aletten çıkarılmalıdır.
14. Kullanım sırasında ve sonrasında batarya kartuşu, yangınlara veya düşük sıcaklıkta yangınlara neden olabilecek şekilde ısınabilir. Sıcak batarya kartuşlarının kullanımına dikkat edin.
15. Yangınlara neden olacak kadar ısınabileceğinden, kullanımdan hemen sonra alet terminaline dokunmayın.
16. Batarya kartuşunun terminallerine, deliklerine ve oyuklarına talaş, toz veya kir yapışmasına izin vermeyin. Düşük performans veya aletin veya batarya kartuşunun bozulmasına neden olabilir.
17. Alet yüksek voltajlı elektrik hatlarının yakınında kullanımı desteklemedikçe, batarya kartuşunu yüksek voltajlı elektrik hatlarının yakınında kullanmayın. Bu durum aletin veya batarya kartuşunun arızalanmasıyla veya bozulmasıyla sonuçlanabilir.
18. Bataryayı çocuklardan uzak tutun.

## BU TALİMATLARI SAKLAYIN.

### ⚠ DİKKAT

**Yalnızca orijinal Makita bataryaları kullanın. Orijinal olmayan Makita bataryalarının veya değiştirilmiş bataryaların kullanılması bataryanın patlamasına, yangına, kişisel yaralanmaya ve hasara neden olabilir. Ayrıca, Makita aleti ve şarj aleti için Makita garantisini geçersiz kılacaktır.**

### Maksimum batarya ömrünü korumak için ipuçları

1. Batarya kartuşunu tamamen boşaldıktan sonra şarj edin. Alet gücünün azaldığını fark ettiğinizde daima aletin çalışmasını durdurun ve batarya kartuşunu şarj edin.
2. Tam olarak şarj edilmiş bir batarya kartuşunu kesinlikle yeniden şarj etmeyin. Aşırı şarj, batarya hizmet ömrünü kısaltır.
3. Batarya kartuşunu oda sıcaklığında 10 °C - 40 °C (50 °F - 104 °F) arasında şarj edin. Sıcak batarya kartuşunu şarj etmeden önce soğumasını bekleyin.
4. Batarya kartuşunu kullanmadığınızda, aletten veya şarj aletinden çıkarın.
5. Batarya kartuşunu uzun süre kullanmayacaksınız (altı aydan fazla) şarj edin.

### Radyo dalgalarıyla ilgili önlemler

- Bu ürünü aşağıdaki yerlerde kullanmayın.
  - Tıbbi cihazlar bulunan yerlerde veya bu yerlerin yakınında
  - Yüksek hassasiyetli kontrole veya zayıf sinyallere sahip elektronik cihazların yakınında (Dikkat gerektiren elektronik cihaz örnekleri: işitme cihazları, kalp pilleri ve diğer tıbbi cihazlar, yangın alarmları, otomatik kapılar ve diğer otomatik kontrollü cihazlar)
  - Bir hastanede veya hava taşıtında (Hastane veya havayolunun talimatlarına uyun ve ürünü yasak alanlarda kullanmayın)
- Kablosuz bağlantı ve performans tüm ortamlarda garanti edilmez. Aşağıdaki durumlarda radyo dalgaları alınmayabilir veya kesintiye uğrayabilir.
  - Beton, inşaat demiri ve metal ile inşa edilmiş binalarda kullanıldığında
  - Engellerin yakınına kurulduğunda
  - Aynı frekansı kullanan kablosuz iletişim cihazlarıyla birlikte parazit olan yerlerde kullanıldığında
  - Mikrodalga fırın gibi manyetik alanlar, statik elektrik veya radyo paraziti üreten cihazların bulunduğu konumlarda kullanıldığında

### İlgili ticari markalar ve tescilli ticari markalar

#### Ticari marka bildirimleri

- Android ve Google Play, Google LLC'nin ticari markaları veya tescilli ticari markalarıdır.
- iPhone, Apple Inc.'in ABD ve diğer ülkelerde tescilli ticari markasıdır.
- iPhone ticari markası, Aiphone Co., Ltd. lisansı altında kullanılmaktadır.
- App Store, Apple Inc.'in bir hizmet markasıdır.
- Wi-Fi, Wi-Fi Alliance'in ticari markası ve tescilli ticari markasıdır.
- Bluetooth® kelime markası ve logoları, Bluetooth SIG, Inc.'e ait tescilli ticari markalardır ve bu tür markaların Makita tarafından her türlü kullanımı lisanslıdır. Diğer ticari markalar ve ticari adlar ilgili sahiplerine aittir.

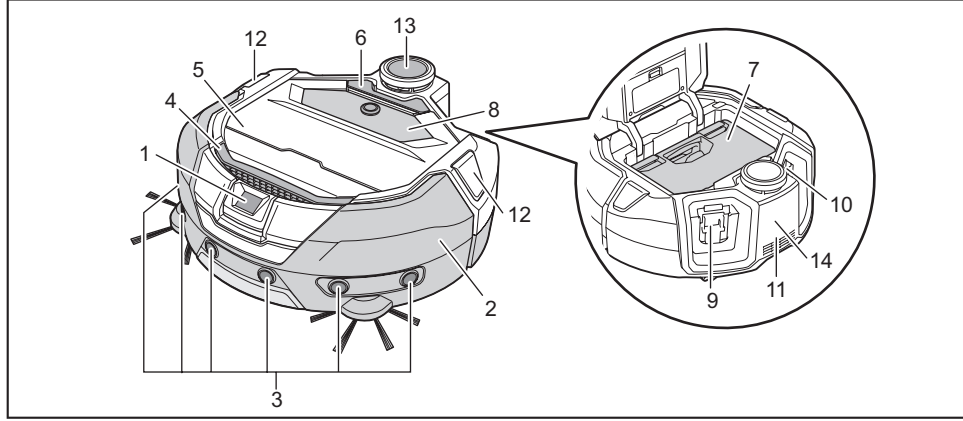


- Bu belgedeki diğer tüm ticari markalar ilgili sahiplerinin mülkiyetindedir. Bazı ana metinlerde ™ ve ® işaretlerinin çıkarıldığını unutmayın.



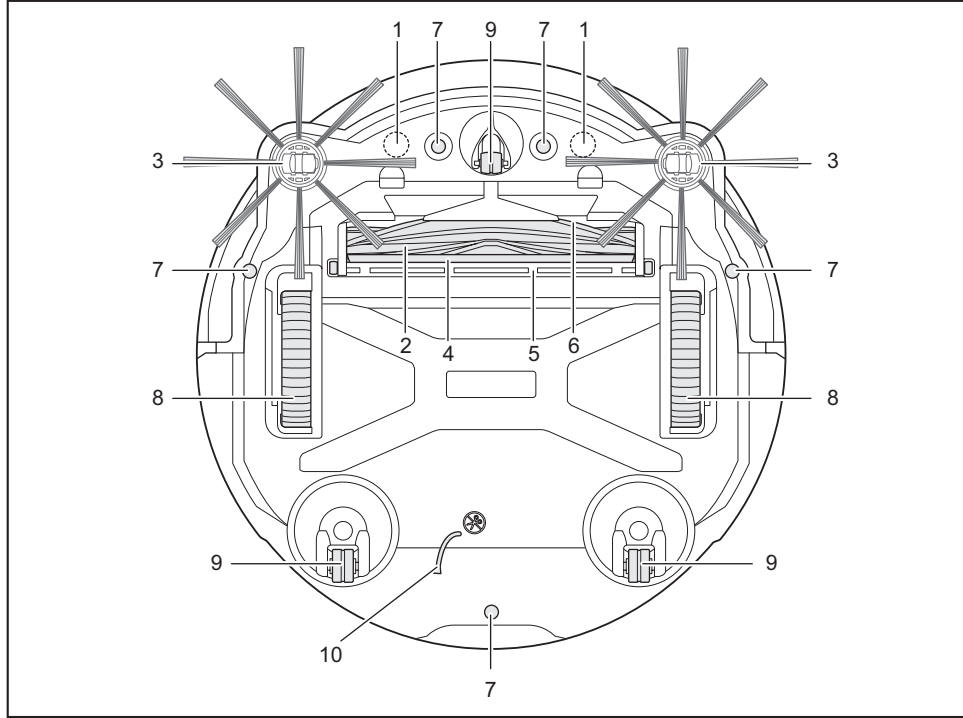
## Parçaların adları

### Ana ünite (üstten görünüm, yandan görünüm, iç)



- |                                 |                                            |
|---------------------------------|--------------------------------------------|
| 1. Kamera sensörü               | 8. Kullanım paneli (ekran) (Bkz. sayfa 9.) |
| 2. Tampon                       | 9. Sol-batarya takma yuvası                |
| 3. Ultrasonik sensör            | 10. Sağ-batarya takma yuvası               |
| 4. Taşıma sapı (Bkz. sayfa 10.) | 11. Egzoz açıklığı                         |
| 5. Üst kapak                    | 12. Konum LED                              |
| 6. Açma düğmesi                 | 13. LiDAR sensörü                          |
| 7. Toz kutusu (Bkz. sayfa 13.)  | 14. SINIF 1 LAZER işaretli                 |

### Ana ünite (alttan görünüm)



- |                                                 |                      |
|-------------------------------------------------|----------------------|
| 1. Sınır-algılama için manyetik sensör (dahili) | 6. Emme ağız         |
| 2. Ana fırça                                    | 7. Düşme sensörü     |
| 3. Yan fırça                                    | 8. Tahrik tekerleği  |
| 4. Alt fırça                                    | 9. Tekerlek          |
| 5. Ana fırça kapağı                             | 10. Topraklama hattı |

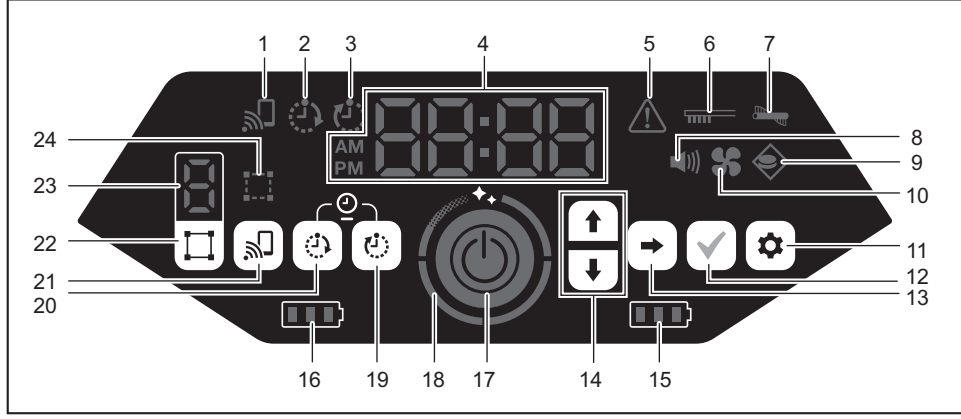
### ÖNEMLİ NOT

- Topraklama hattı sensör üzerindeki elektrik yükünü azaltır.



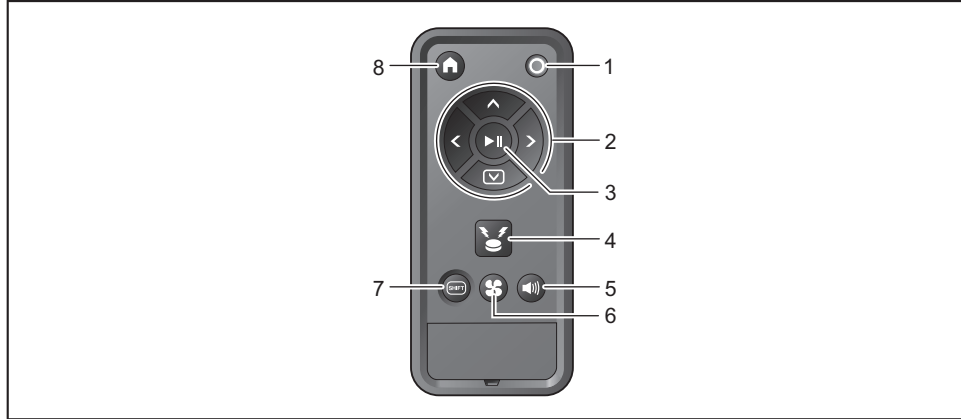
: Topraklama hattını yanlışlıkla çekmeyin veya kesmeyin.

## Ana ünite (kullanım paneli (ekran))



1. Akıllı telefon bağlantı lambası (yeşil)
2. AÇMA zamanlayıcı lambası (yeşil) (Bkz. sayfa 19.)
3. KAPATMA zamanlayıcı lambası (yeşil) (Bkz. sayfa 19.)
4. Zaman göstergesi (yeşil)
5. Hata lambası (kırmızı) (Bkz. sayfa 28.)
6. Filtre bakım lambası (kırmızı) (Bkz. sayfa 28.)
7. Fırça hata lambası (kırmızı) (Bkz. sayfa 28.)
8. Ses lambası (yeşil) (Bkz. sayfa 22.)
9. Sınır-algılama lambası (yeşil) (Bkz. sayfa 20.)
10. Emme fanı lambası (yeşil) (Bkz. sayfa 18.)
11. Ayar düğmesi
12. Onay düğmesi
13. İleri düğmesi
14. Yukarı düğmesi, aşağı düğmesi
15. Sağ-batarya güç lambası (yeşil) (Bkz. sayfa 15.)
16. Sol-batarya güç lambası (yeşil) (Bkz. sayfa 15.)
17. Başlat/durdur düğmesi (Bkz. sayfa 15.)
18. Temizlik seviye lambası (beyaz) (Bkz. sayfa 17.)
19. KAPATMA zamanlayıcı düğmesi (Bkz. sayfa 19.)
20. AÇMA zamanlayıcı düğmesi (Bkz. sayfa 18.)
21. Akıllı telefon bağlantı düğmesi
22. Mod geçiş düğmesi (Bkz. sayfa 16.)
23. Mod/oda numarası ekranı (Bkz. sayfa 16.)
24. Oda kayıt lambası (yeşil) (Bkz. sayfa 16.)

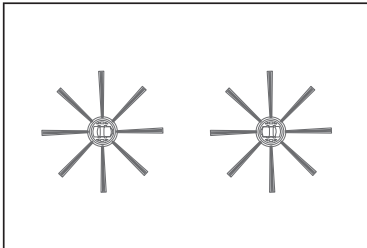
## Uzaktan kumanda



1. Güç KAPATMA düğmesi
2. Eylem düğmeleri
3. Başlat/durdur düğmesi
4. Konum işareti sesli/işikli uyarı düğmesi
5. Ses AÇMA/KAPATMA düğmesi
6. Emme fanı AÇMA/KAPATMA düğmesi
7. Değiştirme düğmesi
8. Başlama noktası düğmesi

## Standart aksesuarlar

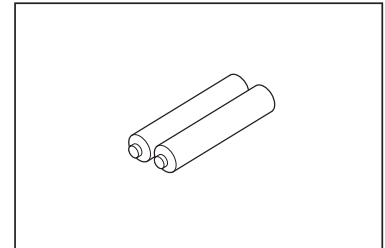
- Yan fırçalar (dört)  
İki tanesi yedektir. Robot süpürgeye iki tane takın.  
(Bkz. sayfa 13.)



- Uzaktan kumanda



- AAA kuru bataryalar (iki) \* Ülkeye özgü  
Bunları uzaktan kumandaya takın. (Bkz. sayfa 13.)



## Temizlemeden Önce Hazırlanın

### Robot süpürgeyi taşıma hakkında

#### ⚠ DİKKAT

Robot süpürgeyi taşıırken çalışmayı durdurun, ardından gücü kapatın ve sonra elinizin sıkışmaması için taşıma sapını sıkıca tutun.

- Bunu yapmamak, elinizin sapa sıkışmasına neden olabilir.

Robot süpürgeyi kaldırıırken her zaman düzgün durun ve dengede olun.

- Aksi halde yaralanmaya veya arızaya neden olabilir.

Robot süpürgeyi dikkatsizce kaldırmayın.

- Bunu yapmak yaralanmaya veya arızaya neden olabilir.

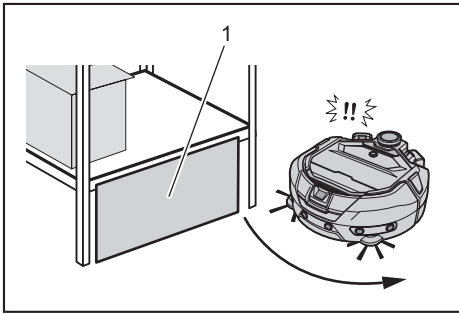
Robot süpürgeyi ön tarafı aşağı bakacak şekilde tutmayın.

- Toz, emme ağzından düşebilir.



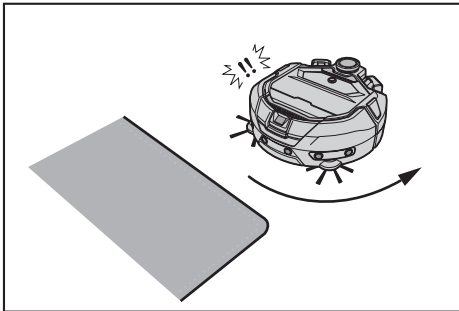
### Robot süpürge ile temizleme hakkında

- Robot süpürgeyi, LiDAR sensörü ve ultrasonik sensör ile engelleri algılar ve bu engellerden kaçınarak çalışır. Yan fırçaları ve ana fırçası ile tozu toplar ve emer. Koşullara bağlı olarak bir engeli tanımayabilir. Bir engele çarptığında, tampon teması algılar ve engelden kaçınır.
- Robot süpürge, yaklaşık 2,0 cm'ye kadar olan bir basamağa tırmanabilir. Ancak 2,0 cm'den az ise basamağın şekli gibi koşullara bağlı olarak robot süpürge bazen basamağın üzerine çıkamayabilir.
- Bir eğimde veya engebeli bir yerde, robot süpürgenin alt yüzeyi sıkışabilir ve bir tahrik tekerleği kaldırılabilir, bu da robot süpürgenin bir hata nedeniyle durmasına neden olabilir. Robot süpürge sık sık duruyorsa o yere girmesine izin vermeyin. (Bkz. sayfa 20.)
- Bir duvarın yakınında bir engel olduğunda, robot süpürge engelden kaçınmaya çalışırken duvara çarpabilir.
- LiDAR sensörü aşağıdaki özellikleri taşıyan engelleri algılayabilir ve bu durum hatalı haritalandırmaya veya engellere çarpılmasına yol açabilir.
  - Aynalar gibi yansıtıcılığı yüksek engeller
  - Cam gibi saydamlığı yüksek engeller
  - Siyah, parlak materyalden üretilmiş olan engeller
  - Bir sandalye veya masanın ayakları gibi ince engeller
- Robot süpürge, kendi yüksekliğinden daha alçak bir alana girdiğinde yakalanıp sıkışabilir. Böyle bir durumda, bir paravan veya başka bir şey yerleştirin.



- ▶ 1. Bir paravan veya başka bir şeyle boşluğu engelleyin.

- Siyah bir zemin, cam zemin gibi şeffaf bir zemin veya ahşap zeminin damarlarındaki siyah alanlar, robot süpürge tarafından bir basamak olarak belirlenebilir ve daha sonra bunlardan kaçınmaya çalışır.

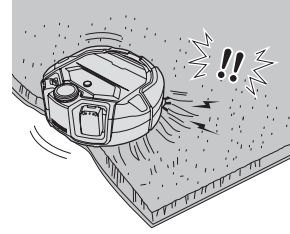


- Robot süpürge, robot süpürgenin tırmanabileceği bir basamak çevresindeki, robot süpürgenin giremeyeceği kuytu veya dar bir alandaki veya yan fırçaların ulaşamayacağı bir yerdeki tozu çekemeyebilir.
- Robot süpürge, küçük bir taş gibi küçük, sert bir nesneye vurabilir.
- Robot süpürge, tırmanmasına yardımcı olabilecek bir nesne (örneğin bir tahta veya halı) varsa yanlışlıkla bir basamağa çıkabilir. Bu tür nesnelere basamaklardan uzak tutun.

#### ⚠ DİKKAT

Robot süpürgeyi aşağıdaki yerlerde kullanmayın.

- Robot süpürgeyi, hav yüksekliği 7 mm'den fazla olan bir halı, havları kolayca dökülen bir kilim ve düz olmayan bir kilim gibi yerlerde kullanmayın. Böyle bir halıda robot süpürgeyi çalışmayı durdurabilir, yan fırçalarda havlar sıkışabilir veya halı ya da yan fırçalar hasar görebilir. Robot süpürge yukarıda açıklanan farklı bir halı üzerinde iyi çalışmıyorsa o halıda kullanmaktan kaçın.



- Robot süpürgeyi şilte, battaniye, yer minderleri vb. üzerinde kullanmayın.
- Robot süpürgeyi ıslak bir alanda, tuvalette, banyoda, çatı katında, dış mekanda vb. kullanmayın.
- Robot süpürgeyi ıslak bir yerde, ıslanabileceği bir yerde veya sıcak, nemli bir yerde kullanmayın.

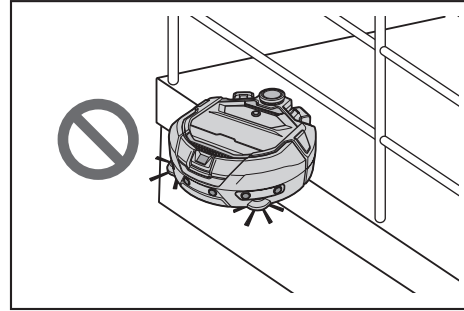
### Robot süpürgenin düşmesini önlemek için

#### ⚠ UYARI

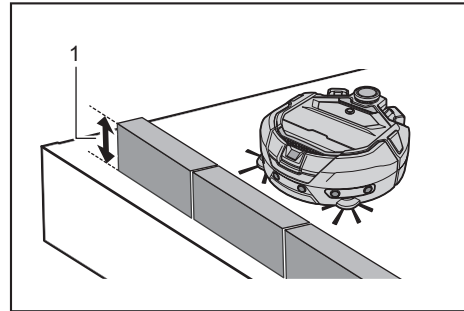
Robot süpürgenin düşmediğinden emin olun.

- Düşerse kırılmaya veya yaralanmaya neden olabilir.

- Robot süpürgeyi asma katlarda, tavan aralarında, merdiven boşluklarında, duvarı olmayan veya 10° ya da daha fazla eğime sahip yerlerde kullanmayın.

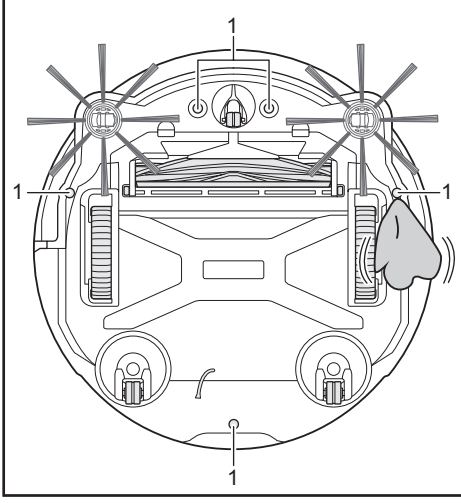


- Düşme nedeniyle bir kazanın veya başka bir tehlikeli durumun meydana gelebileceği bir yere, yüksekliği 25 cm veya daha fazla olan ve duvar görevi görebilecek bir nesne (robot süpürge tarafından vurulduğunda hareket etmeyen veya devrilmeyen nesne) yerleştirin.



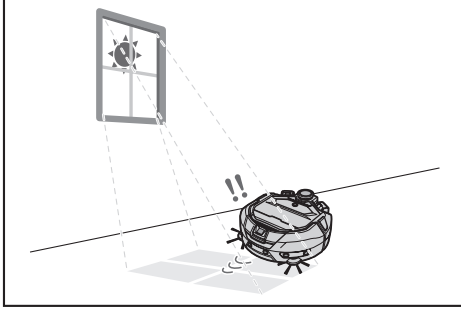
- ▶ 1. 25 cm veya daha yüksek yükseklik

- Robot süpürge'nin alt yüzeyindeki düşme sensöründe yağışma nedeniyle kir veya su damlaları oluşursa bunları kuru, yumuşak bir bez, pamuklu çubuk vb. ile silin.

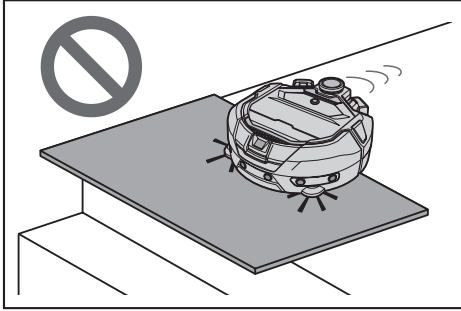


► 1. Düşme sensörü (beş yer)

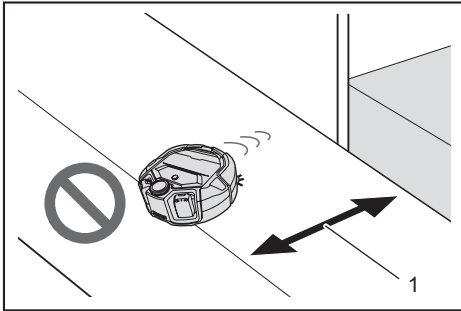
- Robot süpürge güneş ışığına veya diğer ekipmanlardan gelen kızılötesi ışığa maruz kaldığında düzgün çalışmayabilir. Robot süpürge'nin halojen ısıtıcıdan, uzaktan kumandadan, sensörden ve diğer ekipmanlardan gelen kızılötesi ışığa ve buzlu camdan vb. gelen güneş ışığına maruz kalmadığından emin olun.



- Basamak yakınında halı, paspas veya döşeme gibi nesnelere varken kullanmayın. Basamağı kaplayan halı, paspas veya döşeme gibi bir nesne varsa, düşme sensörü basamağı doğru şekilde algılamaz.

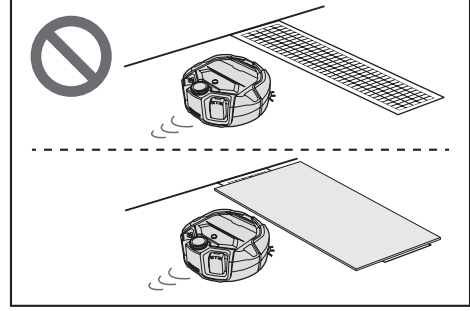


- Bir duvardan bir basamağa olan mesafenin yaklaşık 1 m'den az olduğu bir yerde, robot süpürge geriye doğru hareket ederken düşebilir. Bir duvardan bir basamağa olan mesafenin yaklaşık 1 m'den az olduğu yerlerde robot süpürgeyi kullanmayın.



► 1. Yaklaşık 1 m'den az

- Drenaj kapağı (ızgara kapağı) varsa düşme sensörü bunu bir basamak olarak algılayabilir ve robot süpürge üzerinden geçemeyebilir. Üzerinden geçmek gerekirse ızgarayı bir levha veya benzeri bir şeyle örtün.



- Yaklaşık 3,0 cm veya daha az yükseklikte bir basamak, düşme sensörü tarafından bir basamak olarak algılanmayabilir, bu da robot süpürge'nin düz giderken basamaktan aşağı inmesine neden olabilir. Yaklaşık 2,0 ila 3,0 cm arasında bir basamak olduğunda robot süpürgeyi kullanmaktan kaçının.
- Sürgülü kapıları, paravanları veya pencereleri kapatın, çünkü çerçevelerinin veya raylarının seviye farkı tampon sensörleri tarafından bir basamak olarak algılanmayabilir.
- Robot süpürgeyi cam gibi kırılabilir bir zemin yüzeyinde kullanmayın.

## Temizlenecek bir yeri toplama

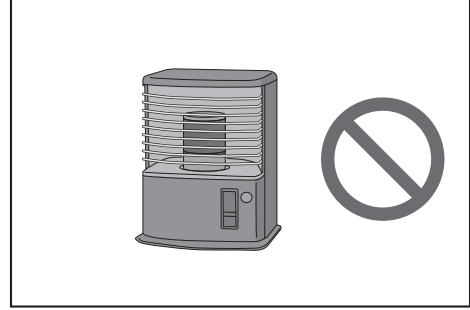
### ⚠ UYARI

Robot süpürge temas ettiğinde hasara veya kazaya neden olabilecek nesnelere kaldırın.

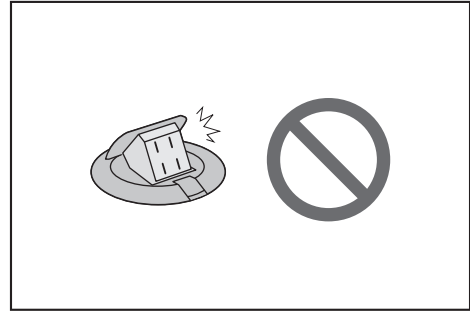
Çekilmemesi gereken nesnelere, robot süpürge'nin hareketini engelleyen nesnelere ve ana fırçaya, tekerleklere ve yan fırçalara takılma olasılığı olan nesnelere uzaklaştırın.

- Temizlik sırasında robot süpürge'nin hareketini engelleyecek bir nesne bırakırsanız, bu bir kazaya veya yaralanmaya neden olabilir.

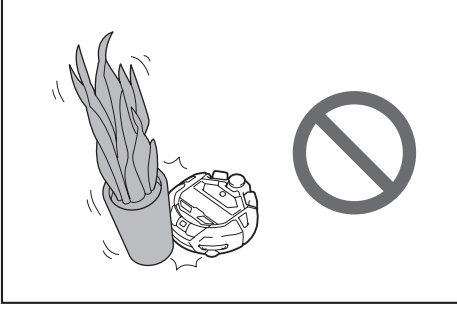
- Robot süpürgeyi ısıtma aparatı (alan ısıtıcısı) gibi ısınan nesnelere yakınında kullanmayın. Bunu yapmak bir kazaya, tutuşmaya veya arızaya neden olabilir. (Çalışma sırasında ısıtma cihazı kullanmayın.)



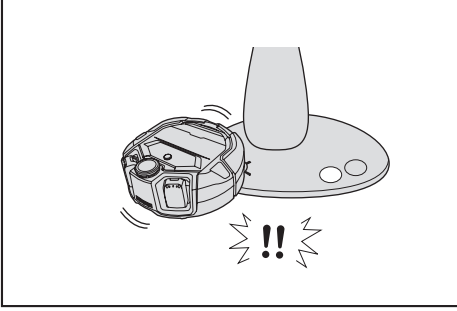
- Robot süpürgeyi geri çekilebilir bir çıkışı olan bir yerde kullanmayın. Geri çekilebilir bir çıkış her zaman geri çekili olmalıdır.



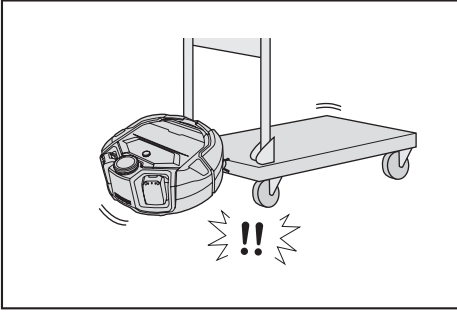
- Kırılgan malzemeden yapılmış duvarlar için (örn. çamur duvar, süslü kapı veya sürgülü kapı veya katlanır paravan) zarar görmemeleri için duvar görevi gören nesnelere bunların önlerine yerleştirin.
- Dengesiz veya kolayca yere düşebilecek nesnelere bunların bulunduğu yerlerde kullanmayın.  
Dengesiz nesnelere ve kolayca düşen nesnelere başka bir odaya taşınmalıdır.



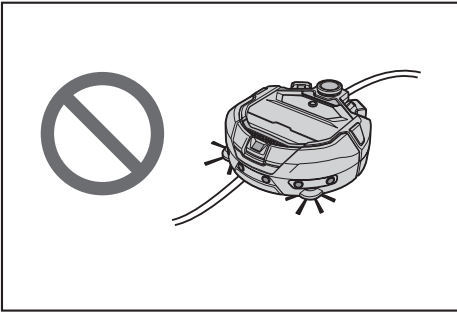
- Robot süpürge ile aynı seviyede bulunan bir ekipman ve cihazları kumanda ile taşıyın.



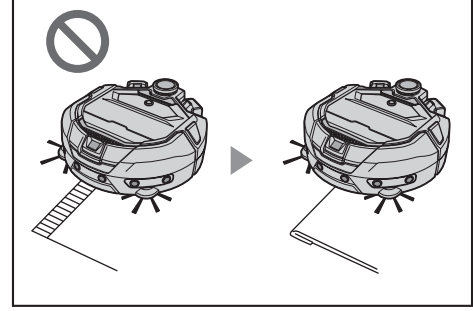
- Yanan mumları ve kolayca kırılabilen nesnelere uzaklaştırın.
- Kamyon ve tekerlekli sandalye gibi tekerlekli nesnelere ve kolayca hareket eden hafif sandalyeler için tekerlekleri kilitleyin veya öteye koyun.



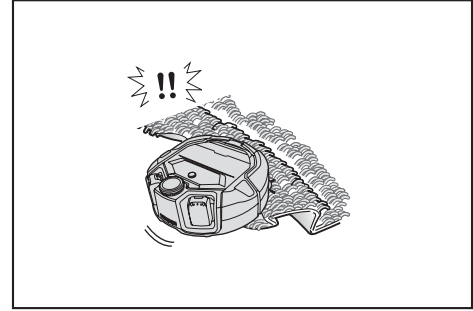
- Takılabilir veya dolanabilecek kablolar ile kullanmayın.  
Robot süpürge bunlara takılmaması için güç kablolarının bir duvar boyunca döşendiğinden emin olun.



- Kablo ve kemer gibi uzun, ince nesnelere uzaklaştırın.
- Kolayca emilen küçük eşyaları ve değerli eşyaları kaldırın.
- Çalışma masası, sandalye, alet ve levha gibi robot süpürge geçişini engelleyen nesnelere kaldırın.
- Hayvan dışkı veya diğer sıvı atıklar emilirse robot süpürge arızalanabilir. Bunları temizleyin.
- Bir paspasın veya diğer örtülerin püsküllerinin altına sıkıştırıldığından emin olun.



- Yere sarkan bir perdenin vb. kenarını kaldırın. Kenar, ana fırçaya vb. takılabilir.
- Paspas ve halı gibi ince, kaygan kilimleri kaldırın. Halılar ve yan fırçalar hasar görebilir.



- İnce kağıt ve kumaşları, plastik poşetleri vb. kaldırın.
- Dışarıya açılan bir yerde robot süpürge dışarı çıkmasını önlemek için kapıları kapatın. Kapılar kapatılmıyorsa robot süpürgeyi kullanmayın. Ayrıca robot süpürge girmemesi gereken odaların kapılarını kapatın.
- Robot süpürge, kaygan bir zemin yüzeyinde düzgün çalışmayabilir. Kullanmadan önce zeminin durumunu kontrol edin.
- Temizlik için 80 cm veya daha geniş bir yol sağlayın.

## Kullanıma Hazırlık


### Yan fırçaları takma

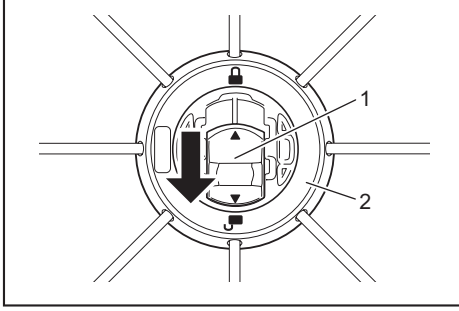
#### ⚠ UYARI

Yan fırçaları takmadan önce bataryaların robot süpürgeден çıkarıldığından emin olun.

- Robot süpürgeде batarya takılı bırakılırsa, elektrik çarpması veya yaralanma meydana gelebilir.

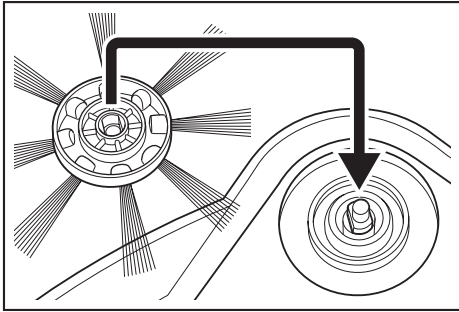
Yan fırçaları takarken robot süpürgeден ve zemin yüzeyinin zarar görmemesi için bir paspas veya benzeri bir şey koyun.


1. Robot süpürgeyi ters çevirin.
2. Yan fırça kilit kolunu  (serbest bırakma işareti) ögesine doğru kaydırın.

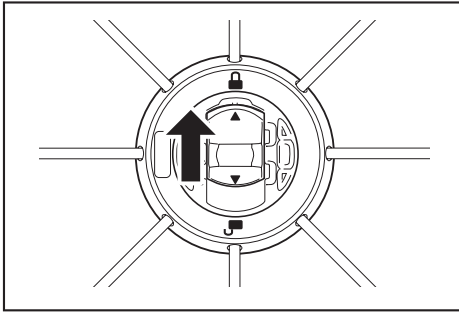


- 1. Kilit kolu 2. Yan fırça

3. Yan fırçayı, robot süpürgeден alt tarafındaki shaft, yan fırçanın deliğinin şekline uyacak şekilde takın.



4. Yan fırçanın kilit kolunu tık sesi çıkarana kadar  (kilit işareti) ögesine doğru itin. (Çizimde gösterilen noktaya erişene kadar doğru şekilde itin.)
  - Kurulumdan sonra, robot süpürgeден ayrılmadığını görmek için yan fırçayı hafifçe kaldırın.
  - Biri solda, diğeri sağda olmak üzere iki yan fırça takın.

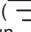


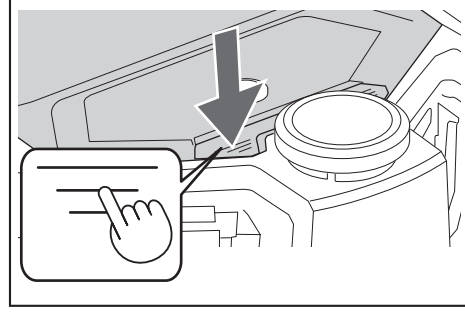
### Toz kutusunu paketten çıkarma

#### ⚠ UYARI

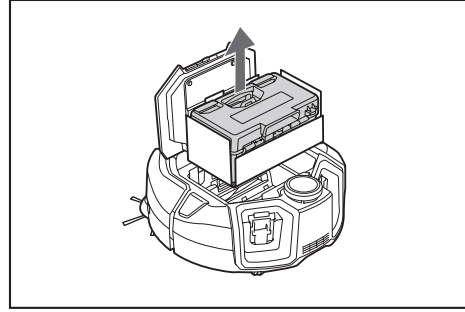
Robot süpürgeден üst kapağını açtığınızda bataryaların robot süpürgeден çıkarıldığından emin olun.

- Robot süpürgeде batarya takılı bırakılırsa, elektrik çarpması veya yaralanma meydana gelebilir.

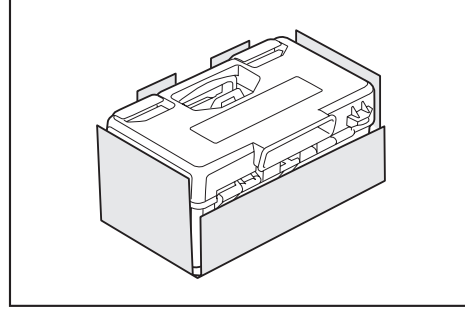
1. Üst kapağı açmak için açma düğmesine (  ) basın. Üst kapak çabuk açıldığından dikkatli olun.



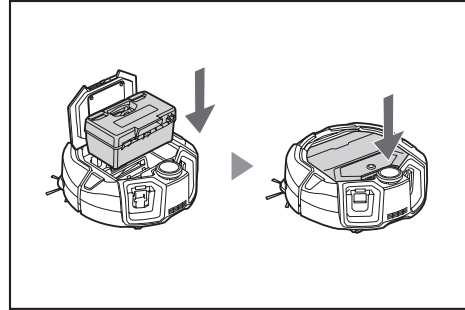
2. Toz kutusunu paketten çıkarın.




3. Ambalaj malzemesini çıkarın.

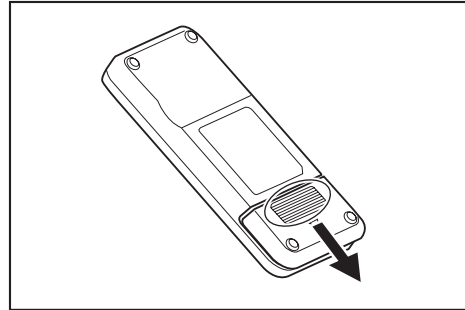


4. Toz kutusunu robot süpürgeye geri koyun ve kapatmak için tık sesi gelene kadar üst kapağı itin. Üst kapağı kapatırken parmaklarınızı sıkıştırmamaya dikkat edin.

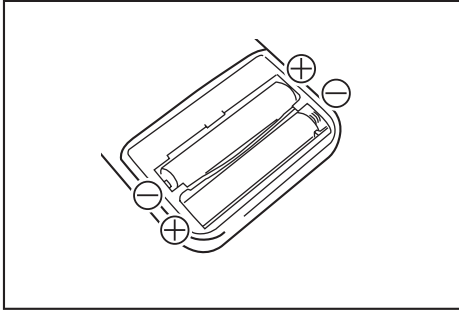


### Uzaktan kumandaya bataryaları takma

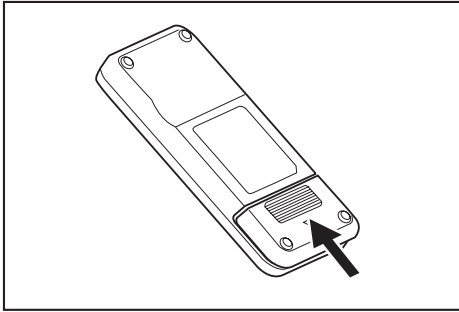
1. Uzaktan kumandanın kapağındaki  ögesine basarken kapağı okla gösterilen yönde kaydırın ve çıkarın.



2. Bataryaları doğru yönde takın.



3. Kapağı takın.

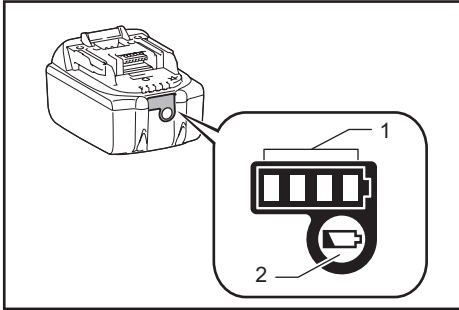


### ÖNEMLİ NOT

- Bataryaların kutuplarını doğru şekilde yerleştirdiğinizden emin olun.
- İki adet AAA kuru batarya gereklidir. İki batarya da yeni ve aynı tipte olmalıdır.
- Bataryaları uzun süre kullanmayacağınız zaman, sıvı sızıntısı ve delinme nedeniyle oluşabilecek arızaları önlemek için bataryaları çıkarın.
- Bataryadaki solüsyon gözünüze kaçarsa veya cildinize veya giysilerinize temas ederse derhal temiz suyla yıkayın.
- Uzaktan kumandayı darbelerle maruz bırakmayın veya suyla ıslanmasına izin vermeyin. Doğrudan güneş ışığı alan veya ısıtıcıya yakın bir yere vb. koymayın. Aksi takdirde arızaya neden olabilir.

### Kalan batarya kapasitesini gösterme

Yalnızca göstergeli batarya kartuşları için



► 1. Gösterge lambaları 2. Kontrol düğmesi

Kalan batarya kapasitesini belirtmek için batarya kartuşundaki kontrol düğmesine basın. Gösterge lambaları birkaç saniye yanar.

Gösterge lambaları			Kalan kapasite
Yanar	Söner	Yanıp söner	
■	□	■□	%75 ila %100
■	■	■□	%50 ila %75
■	■	□□	%25 ila %50
■	□	□□	%0 ila %25
■	□	□□	Bataryayı şarj edin.
■	■	□□	Batarya arızalanmış olabilir.

### ÖNEMLİ NOT

- Kullanım koşullarına ve ortam sıcaklığına bağlı olarak gösterge, gerçek kapasiteden biraz farklı olabilir.
- Batarya koruma sistemi çalıştığında ilk (en soldaki) gösterge lambası yanıp sönecektir.

### Bataryanın takılması ve çıkarılması (ayrı satılır)

- Robot süpürge yalnızca bir batarya ile çalışır.
- İki batarya ile uzun süre çalıştırılabilir.

### Nasıl kurulum

#### UYARI

Bir bataryayı gidebildiği yere kadar iyice takılmalıdır. Düğmenin üst kısmında kırmızı kısım görüldüğünde kilitleme tamamlanmamış demektir. Kırmızı kısım görünmez hale gelene kadar bataryayı tam olarak yerleştirin.

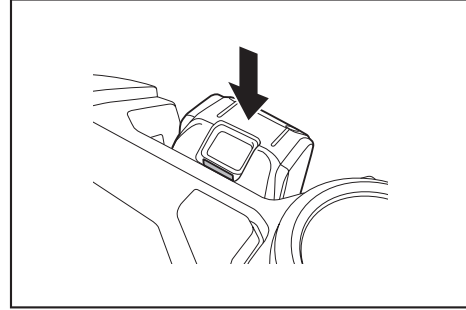
- Yerleştirme yeterli olmazsa batarya dışarı çıkarak kazaya veya arızaya neden olabilir.

**Batarya kartuşunu zorla takmayın.**

- Kartuş kolayca içeri girmiyorsa doğru şekilde takılmamış demektir.

**Batarya kartuşunu takarken aleti ve batarya kartuşunu sıkıca tutun.**

Bir bataryayı, robot süpürgeyi oluşturma boyunca gidebildiği kadar güvenli bir iyice yerleştirin. Batarya tamamen kilitlendiğinde tık sesi çıkarır.



### ÖNEMLİ NOT

Bir bataryayı takarken, parmaklarınızı robot süpürge ile batarya arasına sıkıştırmamaya dikkat edin.

### Nasıl çıkarılır

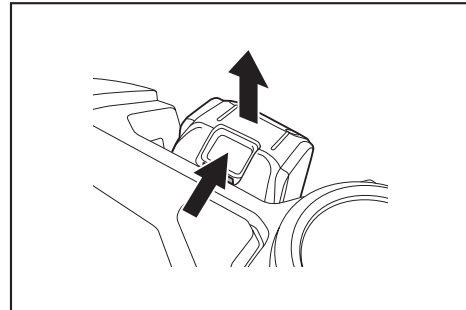
#### UYARI

Bir bataryayı çıkarırken robot süpürgeyi gücünün kapalı olduğundan emin olun. Robot süpürge bekleme durumundayken bataryayı çıkarmayın. (Bkz. "Güçü açıp/kapatmak", sayfa 15.)

- Güç açıkken bataryanın çıkarılması arızaya neden olabilir.

**Batarya kartuşunu çıkarırken aleti ve batarya kartuşunu sıkıca tutun.**

Bataryanın düğmesini çalıştırırken bataryayı kaldırın.

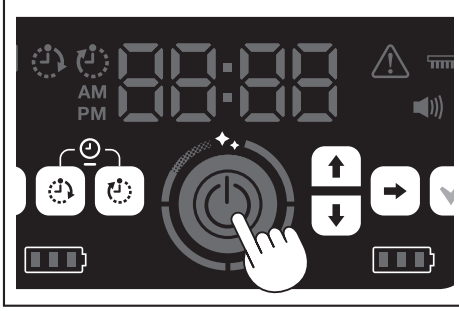


## Güçü açıp/kapatmak

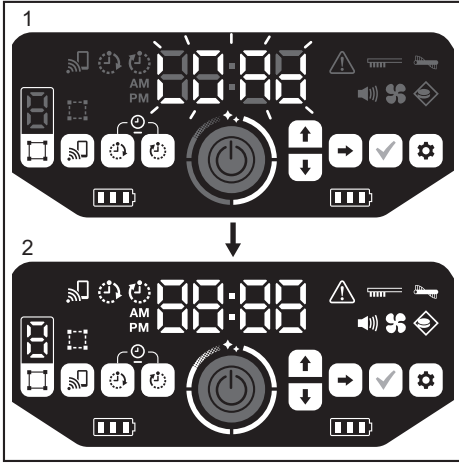
- Güç açıldığında robot süpürge bekleme durumuna girer. Bekleme durumunda temizlik yapmak, ayarları değiştirmek ve uygulama ile bağlantı kurmak mümkündür.
- Robot süpürge, uzaktan kumanda veya uygulama, bekleme durumunda yaklaşık 30 dakika süreyle çalıştırılmazsa güç kapanacaktır. (Yukarıdaki durumda akıllı telefon bağlantı lambası yanıyor güç kapanmaz.)
- İşlem sonunda ve depolama sırasında gücü kapatın.
- Robot süpürge uyku durumundayken, uygulamadan iletişim mümkün değildir.
- Robot süpürgeyi gücü kapalıyken robot süpürge uzaktan kumandanın veya uygulamadan çalıştırılmaz.

### Güçü açma

- Robot süpürgeyi gücü kapalıyken robot süpürgeyi başlat/durdur düğmesine basın.



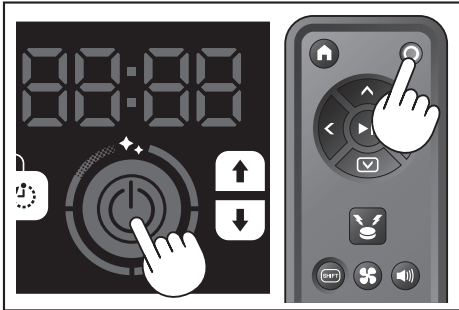
- Saat görüntülenene kadar çalıştırmadan bekleyin. Robot süpürge ilk kez kullanıldığında, önce zaman ayarı gereklidir. Günün saatini ayarlayın. (Bkz. sayfa 22.)



- Zaman göstergesinde [LOAd] yanıp söner ve dört temizleme seviyesi lambası saat yönünde yanar ve söner. Başlatma işlemi ilerledikçe lambaların anahtarlamaya hızı artar.
- Tüm lambalar yandıktan sonra robot süpürgeyi başlatılması tamamlanır (bekleme durumu).

### Güçü kapatma

Robot süpürgeyi başlat/durdur düğmesini basılı tutun veya uzaktan kumandanın güç KAPATMA düğmesine basın. Güç tamamen kapatıldığında robot süpürgeyi ekranı kapanır ve lambaları söner. Bu nedenle bataryaları çıkarmadan bekleyin. Robot süpürgeyi kullanmayı bitirdiğinizde veya depolarken, gücü kapatın ve bataryaları çıkarın.



## ÖNEMLİ NOT

Güç tamamen kapanmadan önce (ekran kapanmadan ve lambalar sönmeye başlamadan önce) bataryaları çıkarmayın. Kaydedilen harita bilgileri ve temizlik geçmişi silinebilir.

### Robot süpürgeyi batarya gücü lambasını okuma

Batarya durumu güç lambası	Kalan batarya kapasitesi
	Yaklaşık %60 veya daha fazla
	Yaklaşık %20 ila %60
	Yaklaşık %20'den az
	Kalan kapasite yok Batarya takılı değil

Kalan kapasite kabaca bir göstergedir ve çalışma koşullarına, oda sıcaklığına, batarya tipine ve batarya güç tüketimine vb. bağlı olarak değişebilir.

## Temizlemeden önce nelerin ayarlanması gerekir

Temizlemeden önce robot süpürge için gereken ayarları yapın.

### Emme fanını açma/kapatma

Yalnızca görünür büyük tozların temizlenmesi durumunda, emme fanının kapatılması çalışma süresinin daha uzun olmasını sağlar. Emme fanının nasıl açılacağı/kapatılacağı hakkında bilgi için bkz. sayfa 18.

### Ses ayarını açma/kapatma

Robot süpürgeyi ses ayarı kapalıyken robot süpürge sessizce temizler. (Bkz. sayfa 22.)

### Sınır-algılama özelliğini ayarlama

Sınır-algılama özelliği açıkken robot süpürge, zemin yüzeyinde oluşan manyetik sınır hattını tanıyabilir. Manyetik sınır hattı bir sınır hattı görevi görür ve robot süpürge manyetik sınır hattının ötesine geçmez; yani çalışma alanı sınırlandırılabilir. Sınır-algılama özelliğinin nasıl ayarlanacağını öğrenmek için bkz. sayfa 20.



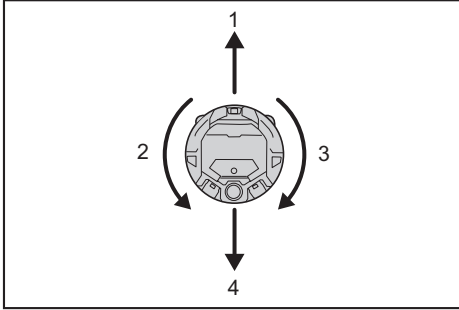
## Kullanım

### Temizlik

- Robot süpürge üç şekilde çalışır:
  - harita kaydı gerektirmeyen serbest temizlik modu,
  - temizleme için kaydedilecek oda bilgilerini gerektiren haritalandırma temizlik modu (bkz. Bu sayfada "Haritalama ile bir odayı temizleme") ve
  - uzaktan kumandayı kullanarak manuel çalıştırma.
- Çeşitli odalarda veya sık, önemli yerleşim değişiklikleri olan bir ortamda temizlik için serbest temizlik modu önerilir.
- Haritalama sırasında yeterince aydınlatılmayan bir oda için serbest temizlik modunu kullanın.
- Robot süpürge kalan batarya şarjı azalırsa robot süpürge temizliği beklemeye alır ve temizliğin başladığı yere geri döner.

### Uzaktan kumanda ile odayı temizleme

Robot süpürge, uzaktan kumandanın eylem düğmelerine basılarak temizlik için çalıştırılabilir.



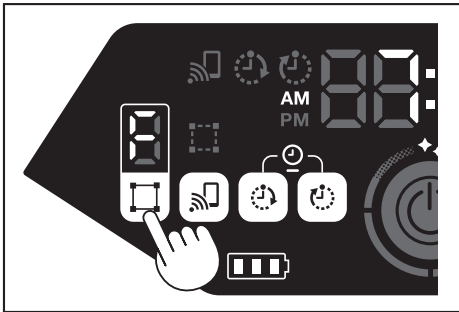
- İleri git: ögesine basın.
- Sola dön: ögesine basın.
- Sağa dön: ögesine basın.
- Geri git: düğmesini basılı tutarken ögesine basın.

### ÖNEMLİ NOT

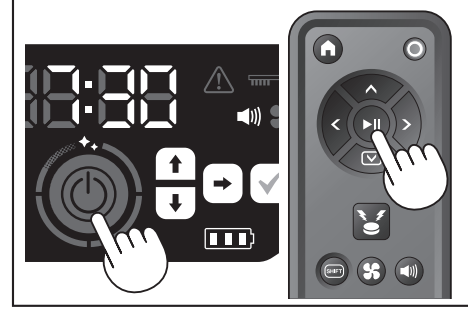
- Robot süpürgeyi dar veya dengeli olmayan bir yerde çalıştırmayın.
- Robot süpürgeyi uzaktan kumandayla çalıştırırken, çarpışmalardan veya düşürmelerden kaçınmaya dikkat edin.
- Hareket halindeki robot süpürge önünde bir engel varsa robot süpürge bundan kaçınmak için geri döner.

### Haritalama olmadan bir odayı temizleme (serbest temizlik modu)

- Robot süpürgeyi temizlemek istediğiniz yerin bir duvarının yanına yerleştirin.
- Robot süpürgeyi bekleme durumuna alın. (Bkz. sayfa 15.)
- [F] (serbest temizlik modu) ögesini seçmek için mod geçiş düğmesine basın. Mod geçiş düğmesine her basıldığında, görüntülenen karakter "F, 1, 2, 3, 4, 5, F, ..." sırasıyla değişir. (her sayı bir oda numarasını temsil eder).



- Başlat/durdur düğmesine basıldığında robot süpürge bir ses çıkarır ve temizlemeye başlar. (Ses ayarı açıkken)



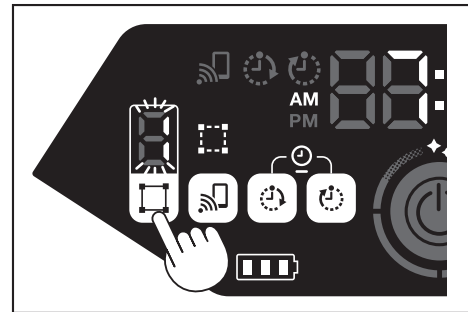
- Robot süpürge, temizliğin bittiğini belirlediğinde temizlemeye başladığı yere geri döner.
  - Ses ayarı açıkken sesli olarak temizliğin tamamlandığı bilgisi verilir. (Bkz. sayfa 22.)
  - Robot süpürge, LiDAR sensörünü ve kamera sensörünü kullanarak kendi konumunu hesaplar. Kamera sensörünün tam olarak çalışması için odayı temizlik amacıyla daha aydınlık hale getirmeniz önerilir. Oda karanlıksa, robot süpürge bazı alanları temizleyemeyebilir veya temizlemeye başladığı yere geri dönemeyebilir.

### Haritalama ile bir odayı temizleme

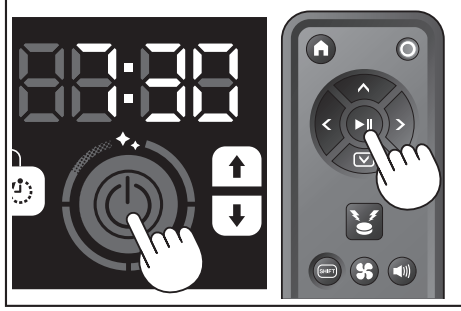
#### Oda bilgilerinin kaydetme (haritalama)

- Temizlenecek odalar önceden belirlendiğinde, oda bilgilerinin (haritalama bilgilerinin kaydı) robot süpürgeye kaydedilmesi, temizliğin daha verimli olmasını sağlar. Haritalama tamamlandıktan sonra, uygulamadan temizlik sonucunu kontrol etmek ve yasak alanları belirlemek mümkün hale gelir.
- Kaydedilebilecek oda sayısı beştir.
- Haritalama sırasında odayı daha aydınlık hale getirin.
- Haritalama sırasında robot süpürge uzak durun.
- Haritalama sırasında robot süpürgeyi kaldırmayın.
- Robot süpürge yaklaşık 11 m yarıçapı içinde ve 25 cm veya daha fazla yükseklikte hiçbir engel yoksa haritalama başarısız olur. Bu durumda, serbest temizlik modunda temizlik yapılması önerilir. (Bkz. Bu sayfada "Haritalama olmadan bir odayı temizleme (serbest temizlik modu)")

- Robot süpürgeyi, robot süpürgeyi temizlemeye başlamasını istediğiniz yere yerleştirin.
  - Bu başlangıç konumu, temizliğin başlayacağı bir konum olacaktır.
  - Başlangıç konumunun bir duvarın yakınına, odanın bir köşesine veya tanımlanması kolay başka bir noktaya ayarlanması önerilir.
  - Duvardan yaklaşık 30 cm mesafe bırakın.
- Robot süpürgeyi bekleme durumuna alın. (Bkz. sayfa 15.)
- Mod geçiş düğmesine basarak haritalanmamış bir oda numarası seçin.
  - [F] serbest temizlik modudur. (Bkz. Bu sayfada "Haritalama olmadan bir odayı temizleme (serbest temizlik modu)".)
  - Haritalanmamış oda numaraları yanıp sönmeye başlayacaktır ve oda kayıt lambası yanacaktır.
  - Haritalanmış oda numaraları yanık görüntülenecek ve oda kayıt lambası sönecektir.

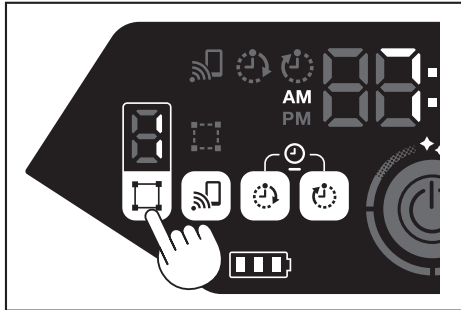


4. Başlat/durdur düğmesine basıldığında robot süpürge haritalamaya başlar. Haritalamadan sonra robot süpürge, haritalamanın başladığı yere (temizliğin başlangıç noktası) geri döner ve ardından oda kaydını tamamlar.
- Haritalamanın tamamlanmasının ardından robot süpürge bekleme duruma girer. Robot süpürgenin bekleme durumuna girmesi zaman alabilir. Bu durumda gücü kapatmayın.
- Ses ayarı açıkken sesli olarak haritalamanın tamamlandığı bilgisi verilir.
- Haritalama başarısız olursa, uygulamayı kullanarak haritalama bilgilerini manuel olarak ekleyin. (Bkz. sayfa 39.)

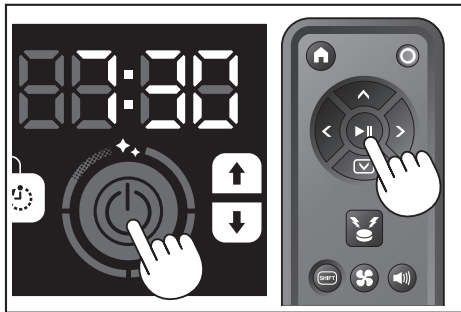


### Haritalanmış odaları temizleme

- Haritalandırma temizlik modunda robot süpürge, haritalanan odaların daha verimli bir şekilde temizlenmesi için çalışır.
  - Haritalandırma temizlik modunun kullanılması, haritalama bilgilerinin kaydedilmesini gerektirir. (Bkz. "Haritalama ile bir odayı temizleme", sayfa 16.)
1. Haritalama için robot süpürgeyi başlangıç noktasına yerleştirin. Robot süpürgeyi mümkün olduğunca haritalamanın başlangıcındaki ile aynı yönde yerleştirin. Bu, robot süpürgenin daha sorunsuz bir şekilde temizlemeye başlamasını sağlar.
  2. Robot süpürgeyi bekleme durumuna alın. (Bkz. sayfa 15.)
  3. Mod geçiş düğmesine basarak haritalanmış bir oda numarası seçin.
    - [F] serbest temizlik modudur. (Bkz. sayfa 16.)
    - Haritalanmamış oda numaraları yanıp sönerek görüntülenecek ve oda kayıt lambası yanacaktır.
    - Haritalanmış oda numaraları yanık görüntülenecek ve oda kayıt lambası sönecektir.



4. Temizlemeye başlamak için başlat/durdur düğmesine basın.



5. Temizlik sona erdiğinde robot süpürge temizlemeye başladığı yere geri döner.
  - Temizlik seviye lambası, tüm odanın ne kadarının temizlendiğini gösterir.
  - Ses ayarı açıkken sesli olarak temizliğin tamamlandığı bilgisi verilir. (Bkz. sayfa 22.)
  - Hedef temizleme alanı hepsini bir kerede temizleyemeyecek kadar genişse [Continuous Cleaning] ayarını kullanmanızı öneririz. (Bkz. sayfa 42.)

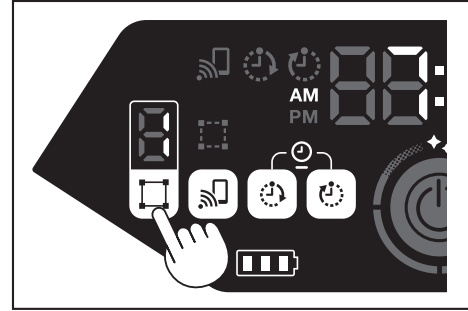
### Temizlik seviye lambası nasıl okunur

Temizlik seviye lambası, haritalanmış odanın yüzey alanındaki temizlenmiş alan yüzdesini size bildirir.

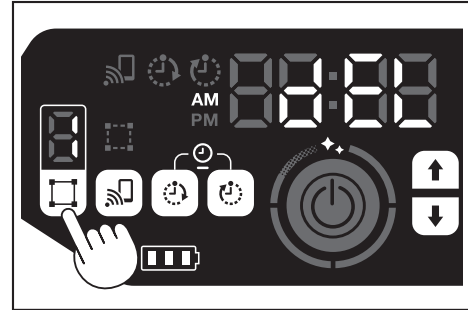
Temizlik seviye lambası durumu	Tamamlanan temizleme alanının yüzdesi
	%90 veya daha fazla
	%75 ila %90'dan az
	%50 ila %75'ten az
	%25 ila %50'den az

### Haritalama bilgilerini silme

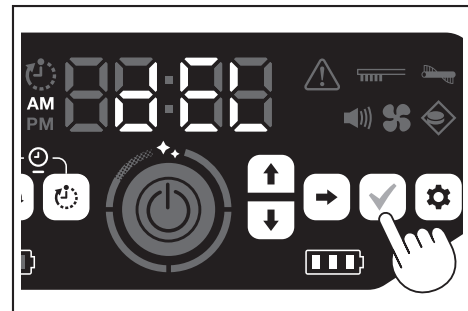
1. Robot süpürgeyi bekleme durumuna alın. (Bkz. sayfa 15.)
2. Mod geçiş düğmesine basarak haritalama bilgilerini silmek istediğiniz oda numarasını seçin.
  - Mod geçiş düğmesine her basıldığında, oda numarası "F, 1, 2, 3, 4, 5, F, ..." sırasıyla değiştirilir. ([F] için, [F] serbest temizlik modu olduğundan haritalama bilgilerinin silinmesi mümkün değildir.)
  - Ekranda haritalanmış bir oda numarası yanacaktır.



3. Mod geçiş düğmesi basılı tutulduğunda, zaman göstergesinde yaklaşık 10 saniye boyunca [dEL] gösterilir.



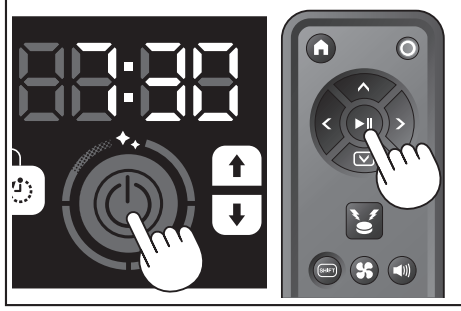
4. [dEL] gösterilirken onay düğmesine basın.



- [dEL] gösterilirken onay düğmesine basılmazsa robot süpürge bekleme durumuna geri döner.
- Haritalama bilgileri silindiğinde, seçilen oda numarası yanıp sönecek ve kayıt dışı kalacaktır.

## Temizlemeyi bekletme veya sonlandırma

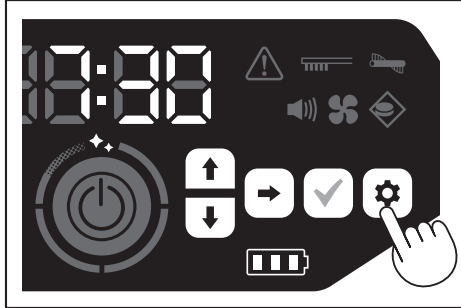
1. Çalıştırma sırasında başlat/durdur düğmesine basılırsa robot süpürge geçici olarak durur. Başlat/durdur düğmesine tekrar basılırsa robot süpürge, durmadan öncekiyle aynı çalışma modunda yeniden çalışmaya başlar.



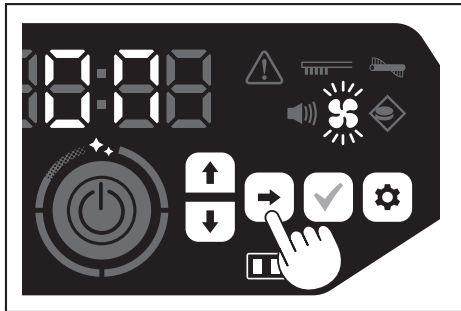
2. Temizlik sırasında temizleme işleminden çıkmak için robot süpürge çalışırken veya geçici olarak durdurulmuş durumdayken uzaktan kumandanın başlangıç noktası düğmesine basın. Robot süpürge, temizlemeye başladığı yere geri döner ve ardından bekleme durumuna girer.
- Temizlemeden hemen çıkmak için robot süpürge geçici olarak durdurulmuş durumdayken mod geçiş düğmesine basın. Sonra robot süpürge bekleme durumuna girer.
- Başlangıç noktasına geri dönmeden temizlik sonlandırıldığında, temizlik geçmişi doğru şekilde kaydedilemeyebilir.

## Emme fanını açma/kapatma

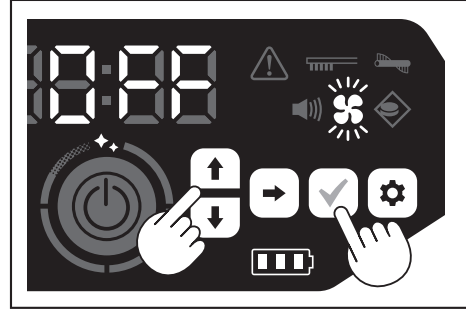
- Yalnızca görünür, büyük tozu temizlerken, emme fanını kapatmak, çalışma süresini yaklaşık iki kat uzatır.
  - Emme fanı, uzaktan kumandanın veya uygulamadan da ayarlanabilir. (Bkz. Bu sayfada "Emme fanını açma/kapatma" ve "Robot süpürgeyi uygulamayla çalıştırma", sayfa 36.)
1. Bekleme durumuna ayarlanmış robot süpürge ile ayar seçim moduna girmek için ayar düğmesine basın.



2. Emme fanı lambasının yanıp sönmeye başlamesi için ileri düğmesine basın.



3. Yukarı/aşağı düğmesi Açık ve Kapalı arasında geçiş yapmak için kullanılabilir. Açık veya Kapalı'yı seçtikten sonra ayarı sonlandırmak için onay düğmesine basın.
- Açık: Emme fanı lambası yanar.
- Kapalı: Emme fanı lambası söner.



## ÖNEMLİ NOT

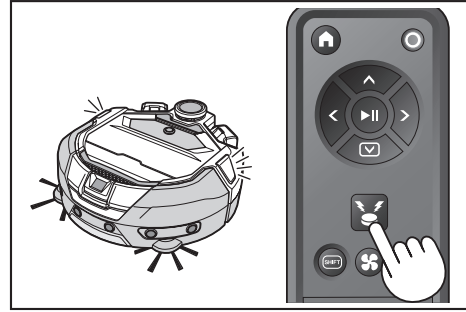
Emme fanı kapalıyken filtre bakım lambası filtre tıkanca bile yanmaz.

## Emme fanını uzaktan kumanda ile açma/kapatma

Robot süpürge bekleme durumundayken, uzaktan kumandanın emme fanı AÇMA/KAPATMA düğmesine basılarak emme fanı açılabilir veya kapatılabilir. Temizlik sırasında bile fan uzaktan kumandanın açılıp kapatılabilir.

## Konum işaretçisi işlevini kullanma

- Robot süpürge, ses ve ışıkla kendi konumunu bildirir. Bu işlev, robot süpürge geniş bir alanı temizlediğinden veya bulunamayacağı bir yere girdiğinden bulunamadığı zaman kullanılır.
- Uzaktan kumandanın konum işareti sesli/ışıklı uyarı düğmesine basıldığında, konum LED'i yanıp sönerken yaklaşık 10 saniye boyunca bir sesli duyulur.
- Konum işareti işlevini yarıda durdurmak için konum işareti sesli/ışıklı uyarı düğmesine tekrar basın.



## ÖNEMLİ NOT

- Konum işareti işlevi aşağıdaki durumlarda kullanılamaz.
- Robot süpürge gücü kapalıyken.
- Batarya kapasitesi kalmadığında.
- Robot süpürge, radyo dalgalarının ulaşamayacağı bir konumdayken.
- Uzaktan kumandadaki batarya bittiğinde.
- Konum işareti işlevi uygulama içinden kullanılabilir de, akıllı telefonunuz ve robot süpürge önceden bağlı olmalıdır. Robot süpürge uyku durumundayken, işlev uygulamadan kullanılamaz.

## AÇMA zamanlayıcısı/KAPATMA zamanlayıcısı kullanma

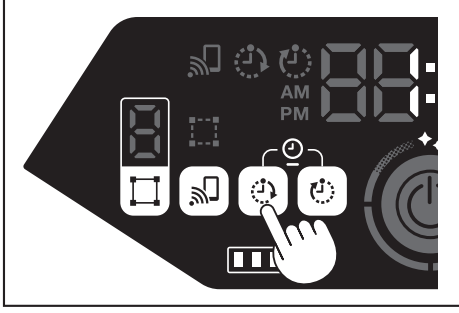
AÇMA zamanlayıcısı ve KAPATMA zamanlayıcısı aynı anda kullanılabilir.

## AÇMA zamanlayıcısı ayarlama

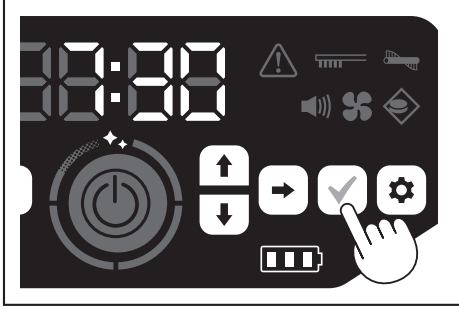
Önceden seçilmiş bir zaman geldiğinde robot süpürge seçilen temizleme modunda temizlemeye başlar. Zamanlayıcısı ayarlamadan önce, günün saatini ayarlayın. (Bkz. sayfa 22.)

1. Robot süpürgeyi bekleme durumuna alın. (Bkz. sayfa 15.)

- AÇMA zamanlayıcısının zaman ayarını değiştirmek için AÇMA zamanlayıcı düğmesini basılı tutun.
  - Değiştirme prosedürü, zaman ayarlama prosedürüyle aynıdır (Bkz. sayfa 22).
  - AÇMA zamanlayıcı, 10 dakikalık artışlarla yapılandırılabilir.

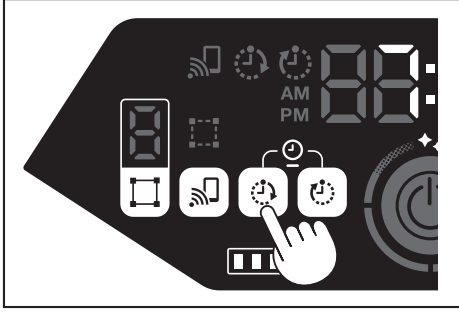


- Günün saatini sonlandırmak için onay düğmesine basın.

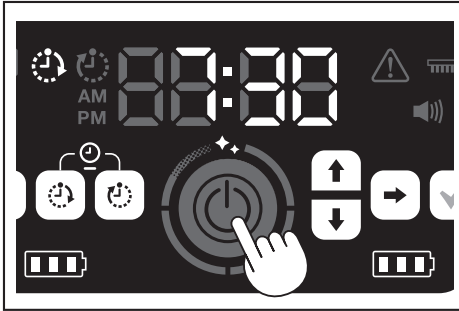


### AÇMA zamanlayıcıyı kullanma

- AÇMA zamanlayıcı işlevini etkinleştirmek için AÇMA zamanlayıcı düğmesine basın. AÇMA zamanlayıcı lambası yanar ve ayar süresi iki kez yanıp söner.
  - AÇMA zamanlayıcı işlevini iptal etmek için AÇMA zamanlayıcı lambasını söndürmek için AÇMA zamanlayıcı düğmesine tekrar basın.

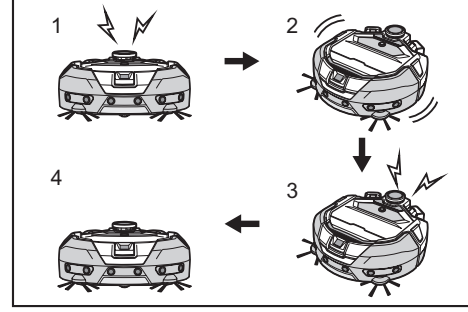


- Robot süpürge'nin çalışma modunu seçin. (Bkz. sayfa 16 ve 17.)
- Başlat/durdur düğmesine basıldığında, AÇMA zamanlayıcı işleviyle temizlik rezerve edilir. (Uyku durumu)  
Uyku durumunda AÇMA zamanlayıcı işlevini iptal etmek için robot süpürgeyi bekleme durumuna getirmek için yeniden başlat/durdur düğmesine basın. Rezervasyondan sonra ayar süresini görmek için başlat/durdur düğmesi dışında herhangi bir düğmeye basın. Sonra, ayar süresi 3 saniye boyunca yanacaktır.



### ÖNEMLİ NOT

- Güç kapatıldığında veya kalan batarya kapasitesi tamamen bittiğinde rezerve edilen bilgiler iptal edilir.
- Bataryalar azaldığında, robot süpürge AÇMA zamanlayıcı rezervasyonu ile çalışmayı bekleyemez. AÇMA zamanlayıcı rezervasyonu ile çalıştırma için bataryaların tam şarjlı hale getirilmesi tavsiye edilir.
- Güç kapatıldığında AÇMA zamanlayıcı rezervasyonu ile çalıştırma mümkün değildir.
- AÇIK zamanlayıcı ayarlandığında, robot süpürge uyku durumundayken bataryayı tükettiği için çalışma süresi biraz azalacaktır.
- Kullanım örneği: Robot süpürgeyi sabahları otomatik olarak temizleyin. (AÇMA zamanlayıcıyı 7:30'a ve KAPAMA zamanlayıcıyı 9:00'a ayarlayın.)

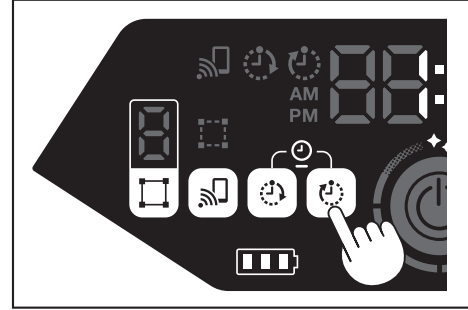


- 7:30'da başlar. (AÇMA zamanlayıcı) 2. Temizlik 3. Temizliği saat 9:00'da bitirir. (KAPATMA zamanlayıcı) 4. Başlangıç noktasına geri döner.
- Saat/dakika ayarı sırasında yukarı/aşağı düğmesinin basılı tutulması, saat/dakikanın hızlı değişmesine neden olur.
  - Zamanlayıcısının zaman ayarı zaten tamamlandığında, sadece Bu sayfada "AÇMA zamanlayıcıyı kullanma" için prosedürü izlemeniz gerekir.

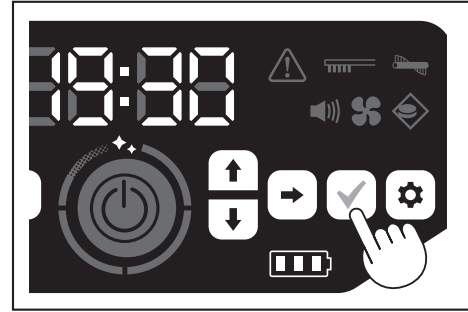
### KAPATMA zamanlayıcıyı ayarlama

Temizliğin başlamasından sonra önceden seçilmiş bir süre geldiğinde, robot süpürge temizliği bitirir ve başlangıç noktasına geri döner. Zamanlayıcıyı ayarlamadan önce, günün saatini ayarlayın. (Bkz. sayfa 22.)

- Robot süpürgeyi bekleme durumuna alın. (Bkz. sayfa 15.)
- KAPATMA zamanlayıcısının zaman ayarını değiştirmek için KAPATMA zamanlayıcı düğmesini basılı tutun.
  - Değiştirme prosedürü, zaman ayarlama prosedürüyle aynıdır (Bkz. sayfa 22).
  - KAPATMA zamanlayıcı, 10 dakikalık artışlarla yapılandırılabilir.



- Günün saatini sonlandırmak için onay düğmesine basın.

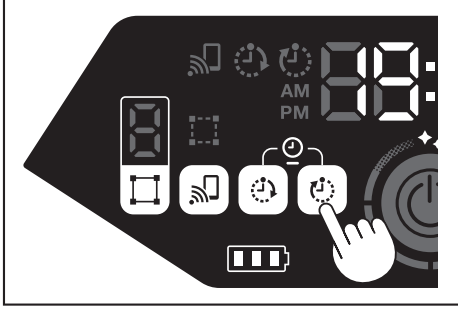


### KAPATMA zamanlayıcıyı kullanma

KAPATMA zamanlayıcı işlevini etkinleştirmek için KAPATMA zamanlayıcı düğmesine basın.

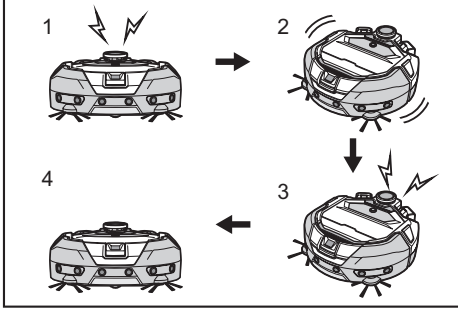
- KAPATMA zamanlayıcı lambası yanar ve ayar süresi iki kez yanıp söner.
- Hemen temizlemeye başlamak ve KAPATMA zamanlayıcıyı kullanmak için temizleme modunu seçin ve temizlemeye başlayın.
- KAPATMA zamanlayıcıyı AÇMA zamanlayıcı ile birlikte kullanmak için bkz. sayfa 18.

- KAPATMA zamanlayıcıyı iptal etmek için robot süpürge bekleme durumundayken KAPATMA zamanlayıcı düğmesine tekrar basın.



### ÖNEMLİ NOT

- Kapatma zamanlayıcı ayarı, güç kapatıldığında veya kalan batarya kapasitesi tamamen bittiğinde devre dışı bırakılır.
- Kalan batarya kapasitesi düşük olduğunda, robot süpürge KAPATMA zamanlayıcısının ayar zamanından önce çalışmayı durdurabilir.
- Temizlik ortamına bağlı olarak robot süpürge başlangıç noktasına dönüş zamanı değişebilir. Bu durumda, KAPATMA zamanlayıcı için daha erken bir zaman ayarlayın.
- Kullanım örneği: Robot süpürgeyi akşamları yalnızca 30 dakika boyunca otomatik olarak temizleyin. (AÇMA zamanlayıcıyı 19:00'a ve KAPATMA zamanlayıcıyı 19:30'a ayarlayın.)



- 1. 19:00'da başlar. (AÇMA zamanlayıcı) 2. Temizler 3. Temizliği saat 19:30'da bitirir. (KAPATMA zamanlayıcı) 4. Başlangıç noktasına geri döner.

- Saat/dakikayı ayarlarken yukarı/aşağı düğmesini basılı tutmak, saat/dakikanın hızlı değişmesine neden olur.
- Zamanlayıcının zaman ayarı zaten tamamlandığında, sadece "KAPATMA zamanlayıcıyı kullanma", sayfa 19 için prosedürü izlememiz gerekir.

### Temizleme mesafesini kontrol etme

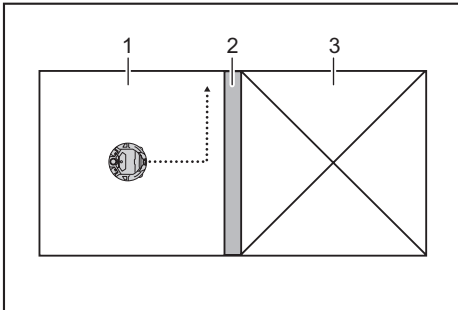
#### ⚠ UYARI

**Manyetik sınır hattını, izinsiz girme veya düşme nedeniyle bir kazanın meydana gelebileceği bir alanın sınır hattı olarak kullanmayın.**

- Bunu yapmak, robot süpürge izinsiz girme veya düşmesi nedeniyle bir kazaya veya yaralanmaya neden olabilir.

**Robot süpürge izinsiz girme veya düşme riski olan bir alan için düz bir yüzey üzerine duvar görevi gören 25 cm veya daha yüksek bir nesne (robot süpürge çarptığında hareket etmeyen veya düşmeyen bir nesne) yerleştirin.**

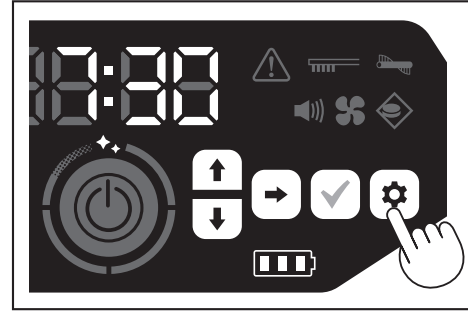
- Temizleme mesafesi, sınır hattı oluşturmak için zemin yüzeyi üzerine manyetik sınır hattı yerleştirilerek sınırlanabilir. Robot süpürge, manyetik sınır hattını algılar ve bundan kaçınır.
- Aşağıdaki durumlarda robot süpürge için temizleme aralığını ayarlayın.



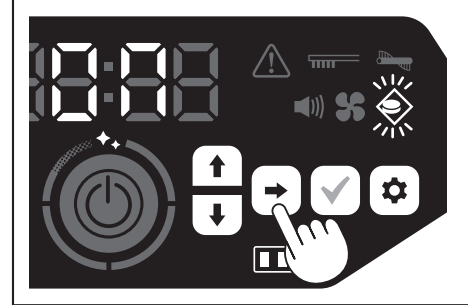
- 1. Temizleme alanı 2. Manyetik sınır hattı 3. Robot süpürge için çalışmasını istemediğiniz alan

- Tek seferde temizlenemeyecek kadar büyük bir alanı, temizlemek için birden çok alana bölmek istediğinizde.
- Robot süpürge girmesini istemediğiniz bir alan olduğunda.
- Robot süpürge girebileceği ancak çıkamayacağı bir alan olduğunda.
- Robot süpürge alçak bir basamağı tırmanıp basamaktan düştüğünde.
- Robot süpürge bir basamağın ortasında kaldığında.

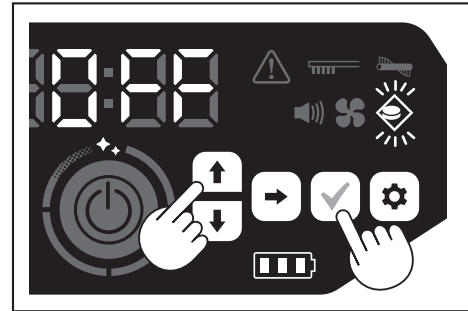
1. Aşağıdaki noktaları göz önünde bulundurarak manyetik sınır hattı çizin.
  - Manyetik sınır hattını zemin yüzeyi ile arasında boşluk bırakmadan yerleştirdiğinizden emin olun.
  - Manyetik sınır hattını robot süpürge girmesini istemediğiniz alandan yaklaşık 15 cm uzağa yerleştirin.
  - Manyetik sınır hattını, dengesiz hale gelmemesi için mümkün olduğunca düz bir zemin yüzeyine yerleştirin. Bunu yapmamak, robot süpürge sınır hattını değiştirilmesine ve hattı doğru tanınamasına neden olabilir.
  - Robot süpürge, içbükey veya basamaklı bir yüzeye yerleştirilmiş manyetik sınır hattını tanımayabilir.
  - Manyetik sınır hattının orijinal bir ürün olduğundan emin olun. Orijinal bir ürün değilse performans ve güvenlik garantisi edilemez.
  - Bazı zemin yüzeyleri kirlenebilir. Kullanmadan önce uygunluğunu düzgün şekilde kontrol edin.
  - Zemin yüzeyine ve çalışma ortamına bağlı olarak, sınır-algılama için manyetik sensörün manyetik sınır hattını tanınamaması veya manyetik sınır hattının kirlenmesi veya yırtılması muhtemeldir. Kullanmadan önce uygunluğunu düzgün şekilde kontrol edin.
2. Bekleme durumuna ayarlanmış robot süpürge ile ayar seçim moduna girmek için ayar düğmesine basın.



3. Sınır-algılama lambasının yanıp sönmeye başlamesi için ileri düğmesine basın.



4. Yukarı/aşağı düğmesi Açık ve Kapalı arasında geçiş yapmak için kullanılabilir. Açık veya Kapalı'yı seçtikten sonra ayarı sonlandırmak için onay düğmesine basın.
  - Açık: Sınır-algılama lambası yanar.
  - Kapalı: Sınır-algılama lambası söner.



## ÖNEMLİ NOT

- Sınır algılama özelliği, manyetik bir sensör tarafından manyetik sınır hattının tanınmasına dayanır. Manyetik sınır hattında yırtılma, kalkma vb. varsa hat tanınmayabilir.
- Yırtılma, konum sapması ve manyetik sınır hattının diğer sorunlarını periyodik olarak kontrol edin. Yırtılma gibi bir sorun varsa hattı yeni hat ile değiştirin.
- Sınır algılama özelliği, manyetik bir nesnenin yakınında etkinleşebilir. Sınır algılama özelliğinin çalışmasını istemiyorsanız, sınır algılama özelliğini devre dışı bırakın.
- İnsanların ve eşyaların sık sık gelip gittiği bir yerde manyetik sınır hattına basılır ve hat zarar görür. Hat bozulursa yeni bir hatla değiştirin.
- Zemin malzemesine bağlı olarak, robot süpürge algılama sırasında manyetik sınır hattını hareket ettirebileceğinden manyetik sınır hattının zemine yapıştırılması önerilir.
- Manyetik sınır hattı makasla kesilebilir.

## Ayrı satılan ürünleri takma, çıkarma ve kullanma

Ayrı satılan öğelerin nasıl takılacağı, çıkarılacağı ve kullanılacağı hakkında aşağıda listelenen sayfalara bakın.


Ayrı satılan öğeler	Referans sayfası	Açıklamalar
Manyetik sınır hattı	20	–
Ana fırça Yumuşak ana fırça	25	Kullanma prosedürü, sağlanan ana fırça ile aynıdır.
HEPA filtresi	24	Sağlanan HEPA filtresiyle aynıdır.
Yan fırça Yumuşak yan fırça	25	Kullanma prosedürü, sağlanan yan fırçalar ile aynıdır.
Batarya	14	–
Ana fırça kapağı	25	Sağlanan ana fırça kapağı ile aynıdır.
Tampon yastığı	–	Nesneleri korumak için robot süpürgeye eklenecek çizilmez bir yastıktır.

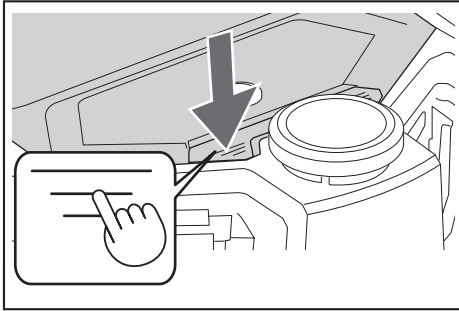
## Çöpü atma

### ⚠ UYARI

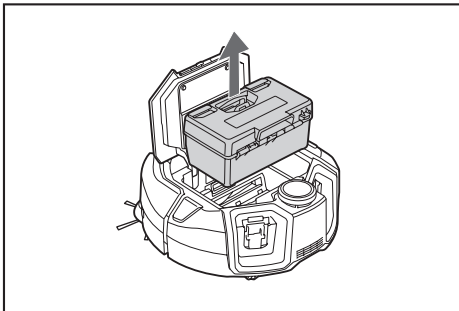
**Robot süpürgenin üst kapağını açmadan önce gücü kapattığınızdan ve bataryaları robot süpürgeye çıkardığınızdan emin olun.**

- Robot süpürgeye batarya takılı bırakılırsa, elektrik çarpması veya yaralanma meydana gelebilir.

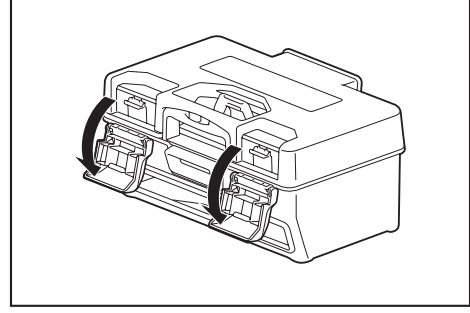
- Açma düğmesine (  ) basıldığında üst kapak açılır. Üst kapak çabuk açıldığından dikkatli olun.



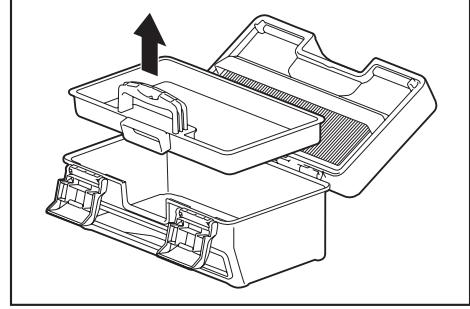
- Toz kutusunu paketten çıkarın. Toz kutusunu açıklığı aşağı bakacak şekilde tutmayın. Bunu yapmak, açıklıktan toz düşmesine neden olabilir.



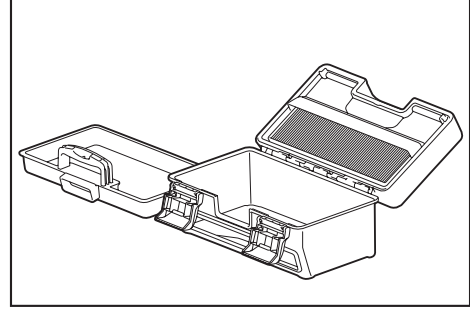
- Üst kapağı açmak için iki kilitle parçayı serbest bırakın.



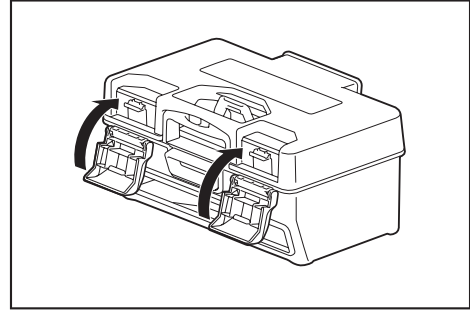
- Toz haznesini çıkarın. Filtre tarafındaki üst kapağı açmamaya dikkat edin.



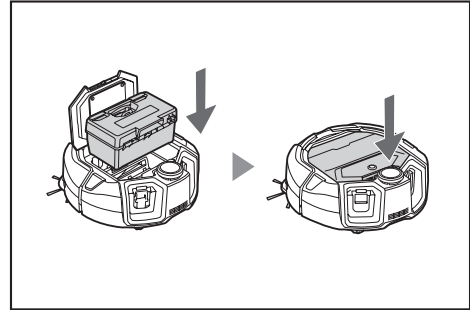
- Toz haznesindeki ve toz kutusundaki çöpü atın, ardından filtredeki kiri ve tozu temizleyin. Filtre çok kirliyse filtreyi çıkarın ve suyla yıkayın. (Bkz. sayfa 24.)



- Toz haznesini toz kutusuna geri koyun. Sonra üst kapağı kapatın ve iki kilitle parçasını kilitleyin.



- Toz kutusunu robot süpürgeye geri koyun ve kapatmak için tık sesi gelene kadar üst kapağı itin. Üst kapağı kapatırken parmaklarınızı sıkıştırmamaya dikkat edin.



## ÖNEMLİ NOT

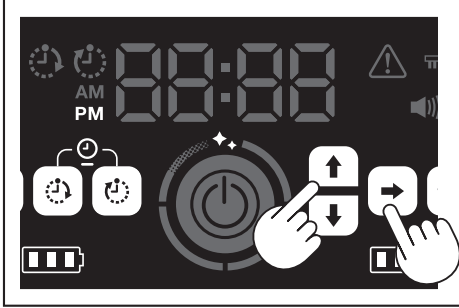
- Her temizliğin sonunda çöpü atın ve filtreye bakım yapın. Çöpü atmadan temizlemeye devam ederseniz filtre tıkanır ve emiş gücü azalır.
- Toz kutusunu ve filtreyi doğru şekilde takın.

## Robot Süpürgeyi Ayarlama

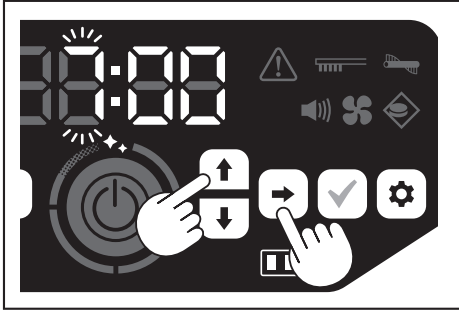
### Günün saatini ayarlama

İlk kez kullanırken, günün saatini ayarlayarak başlayın.

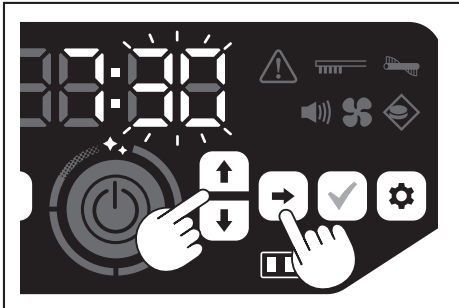
1. Yukarı/aşağı düğmelerini kullanarak [AM], [PM] veya ayırım yok (24 saatlik gösterimde) arasından görüntüleme biçimini seçin, sonra seçimi kabul etmek için ileri düğmesine basın.  
İleri düğmesine basıldığında saat yanıp sönecektir.



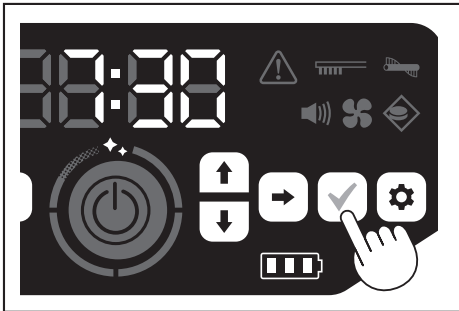
2. Yukarı/aşağı düğmelerini kullanarak saati seçin, sonra seçimi kabul etmek için ileri düğmesine basın.  
İleri düğmesine basıldığında dakika yanıp sönecektir.



3. Yukarı/aşağı düğmelerini kullanarak dakikayı seçin, sonra seçimi kabul etmek için ileri düğmesine basın.



4. Günün saatini sonlandırmak için onay düğmesine basın.



### ÖNEMLİ NOT

- Saat/dakika ayarı sırasında yukarı/aşağı düğmesinin basılı tutulması, saat/dakikanın hızlı değişmesine neden olur.
- Robot süpürge uzun bir süre kullanılmadığında, saklama sıcaklığı nedeniyle zaman ayarı doğru olmayabilir veya dahili batarya gücü şarjı biterse sıfırlanabilir.

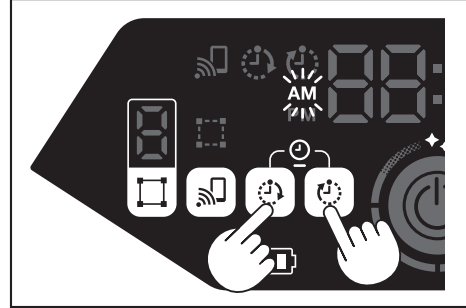
### Günün saatini tekrar ayarlama

Robot süpürge uzun bir süre kullanılmadığında, zaman ayarı doğru olmayacak veya sıfırlanacaktır.

Uygulamayı kullanarak robot süpürgeyi bir akıllı telefona bağladığınızda, akıllı telefondaki günün saati robot süpürgeye otomatik olarak ayarlanır.

Günün saatini manuel olarak ayarlamak istiyorsanız, aşağıdaki prosedürü gerçekleştirin.

1. Robot süpürgeyi bekleme durumuna alın. (Bkz. sayfa 15.)
2. [AM] veya [PM] zaman biçiminin yanıp sönmemesi sağlamak için (önceki ayar 24 saatlik gösterim olduğunda yanıp sönmeyen) AÇMA zamanlayıcı düğmesini ve KAPATMA zamanlayıcı düğmesini aynı anda basılı tutun.



3. Bu sayfada "Günün saatini ayarlama" konusunu adım 1'den itibaren uygulayarak günün saatini ayarlayın.

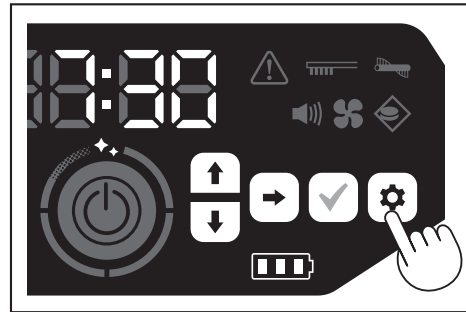
### Wi-Fi® Kurulumu (robot süpürge ve akıllı telefon)

- Robot süpürgeyi uygulamadan çalıştırmak için uygulama ve robot süpürge için Wi-Fi® ayarlarını yapın. (Bkz. sayfa 33.)
- Uygulamayı akıllı telefonunuza önceden yükleyin.
- Robot süpürge, akıllı telefon için erişim noktası görevi görür. Robot süpürgeye bir akıllı telefon bağlandığında, akıllı telefon robot süpürge dışında herhangi bir ağa bağlanmayacaktır.
- Bir akıllı telefonu robot süpürgeye bağlamak için Wi-Fi'ı etkinleştirmek için akıllı telefon bağlantı düğmesine basın.
- Wi-Fi kullanmadığınızda akıllı telefon bağlantı lambasını söndürmek için akıllı telefon bağlantı düğmesine basın.
- Tek bir uygulama ile birden fazla robot süpürge yönetilebilir. Bu durumda uygulama ile tek tek kablosuz bağlantı kurun.

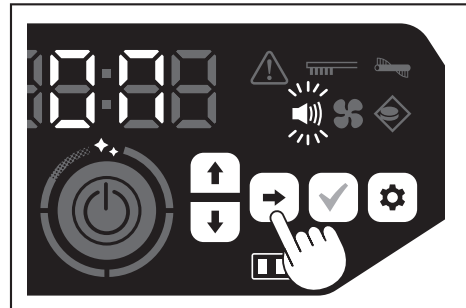
### Ses ayarı yapma

- Robot süpürgenin ses çıkarıp çıkarmayacağını seçebilirsiniz.
- Bu ses ayarını uzaktan kumandadan yapmak da mümkündür.

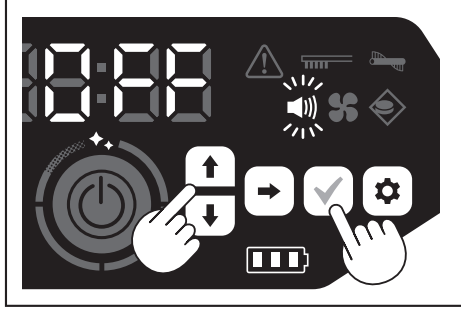
1. Bekleme durumuna ayarlanmış robot süpürge ile ayar seçim moduna girmek için ayar düğmesine basın.



2. Ses lambasının yanıp sönmeye için ileri düğmesine basın.



3. Yukarı/aşağı düğmeleri Açık ve Kapalı arasında geçiş yapmak için kullanılabilir. Açık veya Kapalı'yı seçtikten sonra seçimi sonlandırmak için onay düğmesine basın.
  - Açık: Ses lambası yanar (ses etkin).
  - Kapalı: Ses lambası söner (ses devre dışı).



### ÖNEMLİ NOT

Ses ayarı kapalı olsa bile robot süpürge bir hatayı vb. bildirmek için ses çıkarabilir.

### Uzaktan kumanda ile ses ayarını açma ve kapatma

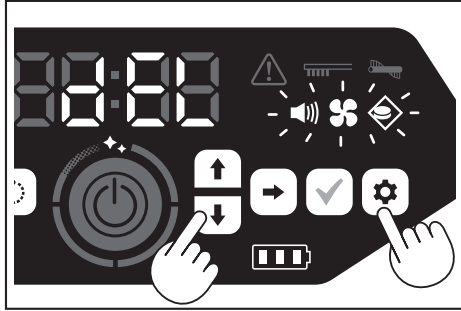
Robot süpürge ayarı bekleme durumundayken, uzaktan kumandanın Ses AÇMA/KAPATMA düğmesine basılması, ses ayarının açık ve kapalı arasında değiştirilmesini sağlar.

Ses ayarı, uzaktan kumandanın ayarlanırsa temizlik sırasında bile açılıp kapatılabilir.

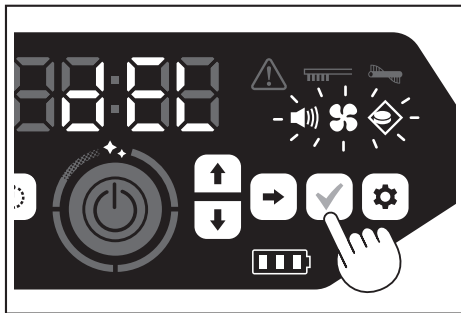
### Ayarları sıfırlama

Robot süpürgenin ayarlarını fabrika varsayılanlarına sıfırlayabilirsiniz.

1. Robot süpürgeyi bekleme durumuna alın. (Bkz. sayfa 15.)
2. Aşağı düğmesini ve ayar düğmesini basılı tutun. Zaman göstergesinde [dEL] görüntülenir ve hata lambası dışındaki simgeler ve lambalar yanıp söner.



3. [dEL] görüntülenirken onay düğmesine basın (yaklaşık 10 saniye).
  - [dEL] görüntülenirken onay düğmesine basılmazsa robot süpürge bekleme durumuna geri döner.
  - Robot süpürge sıfırlama işlemini yürütürken, batarya gücü lambası dışındaki simgeler ve lambalar söner. Robot süpürge şu anda çalışmayacak olsa da kullanım panelindeki düğmelere bassanız bile düğmelere dokunmayın. Ayrıca bataryaları çıkarmayın.

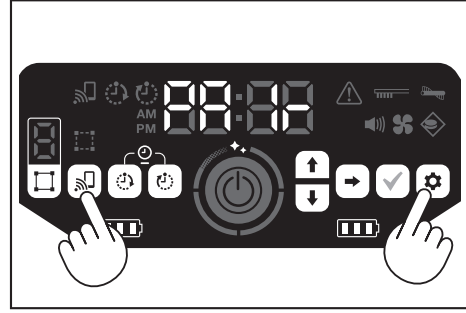


4. Sıfırlama işlemi tamamlandıktan sonra yeniden başlatma gerçekleştirilir ve sonra günün saati ayar ekranı görüntülenir.

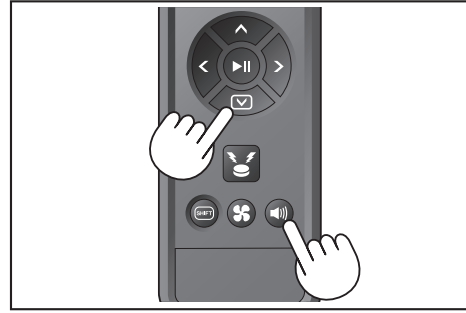
### Robot süpürgeyi ve uzaktan kumandayı eşleştirme

Uzaktan kumanda yenisiyle değiştirildiğinde, robot süpürge ile uzaktan kumanda arasında bir eşleşme oluşturun.

1. [PAIR] öğesinin zaman göstergesinde görünmesi için akıllı telefon bağlantı düğmesini ve ayar düğmesini aynı anda basılı tutun. [PAIR] 10 saniye boyunca görüntülenir.



2. [PAIR] görüntülediği süre boyunca, uzaktan kumandanın eylem düğmesine (aşağı) ve ses AÇMA/KAPATMA düğmesine aynı anda basın. Eşleşme başarılı olduğunda robot süpürge iki kısa bip sesi çıkarır ve bekleme durumuna döner.



### ÖNEMLİ NOT

- Eşleşme başarısız olursa bir hata sesi duyulur.
- Robot süpürge, [PAIR] görüntülediği süre boyunca uzaktan kumandanın bir sinyal alamazsa robot süpürge bekleme durumuna geri döner.



## Bakım

### ⚠ UYARI

Robot süpürgeyi bakım yapmadan önce gücü kapattığınızdan ve bataryaları robot süpürgeye çıkardığınızdan emin olun.

- Robot süpürgeye batarya takılı bırakılırsa, elektrik çarpması veya yaralanma meydana gelebilir.

### ⚠ DİKKAT

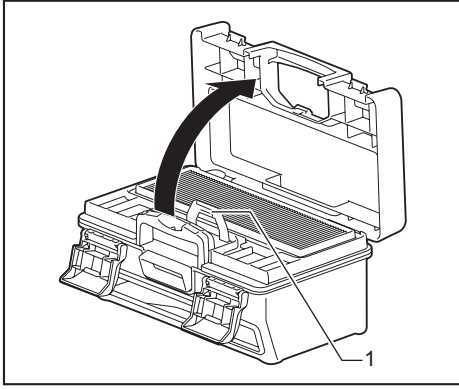
Optimum performansı korumak için bu bölümde belirtilen bakımı periyodik olarak gerçekleştirin. Bir sorun varsa robot süpürgeyi kullanmayı bırakın ve satın aldığınız mağazadan veya satış ofisimizden inceleme ve onarım yapmasını isteyin.

## Bakım

### Toz kutusunun ve filtrenin bakımı ve değiştirilmesi

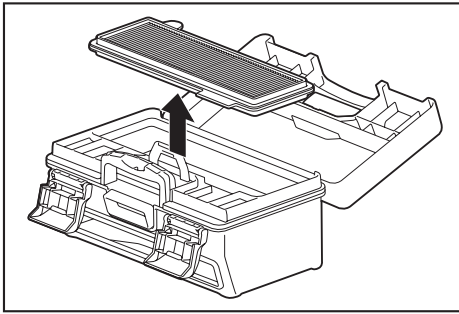
- Robot süpürgeyi emiş gücü azaldığında, kir varsa veya filtre bakım lambası yandığında filtreyi çıkarın ve suyla yıkayın.
- Bakımdan önce gazete vb. serin.
- 40 °C (104 °F) veya daha yüksek sıcaklıkta kimyasallar veya sıcak su kullanmayın.

1. "Çöpü atma" konusundaki 1'den 5'e kadar olan adımları izleyerek çöpü atın. (Bkz. sayfa 21).
2. Toz haznesini toz kutusuna geri koyun ve toz kutusunun üst kapağını kapatın.
3. Kancayı çıkarın ve filtre tarafındaki üst kapağı açın.

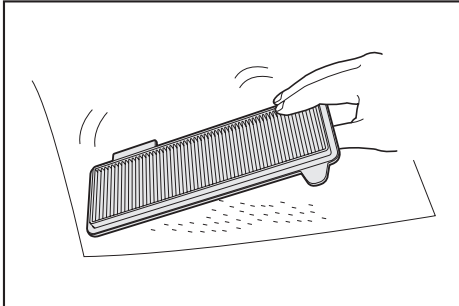


- 1. Kanca

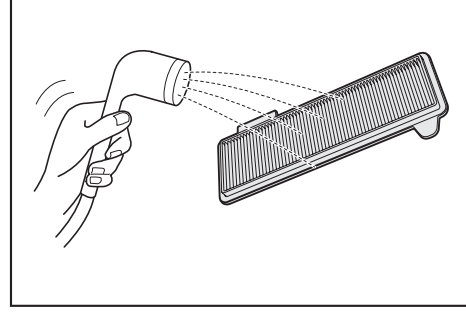
4. Filtreyi toz kutusundan çıkarın.  
Filtreyi çıkarırken, tozun yükselmesini önlemek için bunu yavaşça yapın.



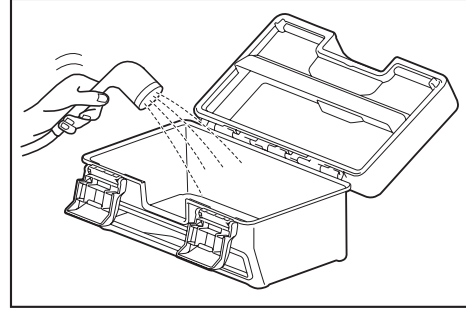
5. Filtreye hafif hafif dokunarak kir ve tozun düşmesini sağlayın.  
• Filtreyi sert bir şekilde ovalamayın veya parmaklarınızla bastırmayın.  
• Kırılmaya neden olabilecek sivri uçlu bir nesne (kürdan gibi) kullanmayın.



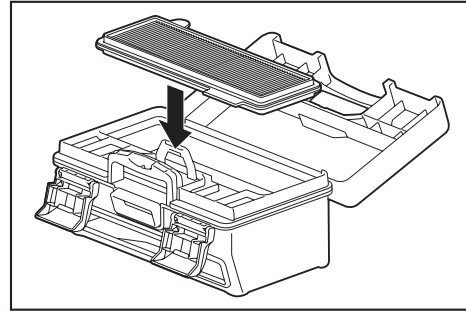
6. Robot süpürgeyi emiş gücü zayıf olduğunda filtreyi suyla yıkayın.  
Koku sizi rahatsız ediyorsa filtreyi seyreltilmiş nötr deterjanda yaklaşık üç saat bekletin ve ardından suyla yıkayın.



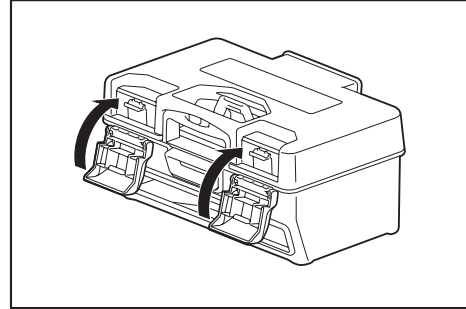
7. Toz kutusunda kir varsa su veya seyreltilmiş nötr deterjanla yıkayın.



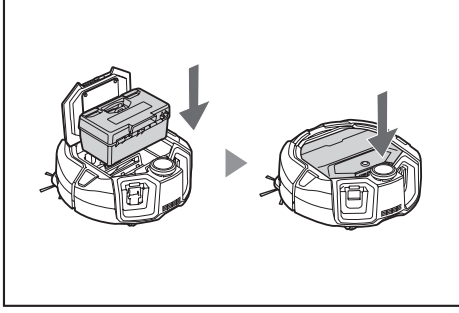
8. Filtreyi veya toz kutusunu suyla yıkadıktan sonra, doğrudan güneş ışığı almayan iyi havalandırılan bir yerde yeterince kurutun.  
• Parçaları düzgün kurutmadan kullanmak, emiş gücünde azalmaya ve motor ömründe azalmaya neden olabilir.  
• Parçaların üzerlerinde nem varken kullanılması kokuya veya arızaya neden olabilir.  
• Kuruma süresi yaklaşık bir gün olmalıdır.  
• Kurutma makinesi, üfleme vb. ile kurutmaktan kaçınınız.
9. Filtreyi toz kutusuna takın.



10. Filtre tarafındaki üst kapağı kapatın ve kancanın takılı olduğundan emin olun.  
Ardından, iki kilitleme parçasını kilitleyin.



11. Toz kutusunu robot süpürgeye geri koyun ve kapatmak için tık sesi gelene kadar üst kapağı itin.  
Üst kapağı kapatırken parmaklarınızı sıkıştırmamaya dikkat edin.

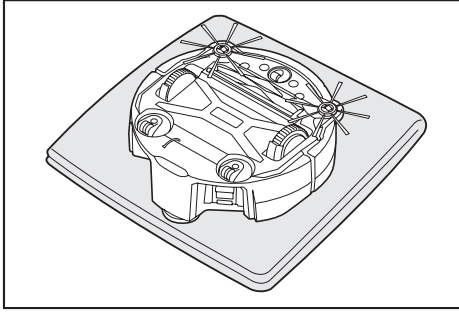


### ÖNEMLİ NOT

- Robot süpürgeyi filtresi çıkarılmış halde kullanmayın. Robot süpürgeyi filtre hasarlı veya kirli kullanmayın.
- Filtre su ile yıkanabilir. Tozu düzenli aralıklarla (ayda bir veya iki ayda bir) suyla yıkayın.
- Filtre bozulduğunda, yeni bir filtre ile değiştirin.
- Filtre bir sarf malzemesidir ve bu nedenle yedek bulundurulması tavsiye edilir.
- Fırça veya spatula gibi sert bir cisimle ovalayarak filtreye zarar vermeyin.
- Kolayca zarar görebileceğinden HEPA filtresini hava üfleyici veya basınçlı yıkayıcı ile temizlemeyin.

### Robot süpürge alt tarafının bakımını yaparken alınması gereken önlemler


- Bakım yapmadan önce toz kutusunu çıkarın. (Bkz. sayfa 21.) Bunu yapmamak, açıklıktan toz düşmesine neden olabilir.
- Yan fırçalara, ana fırçaya, robot süpürge alt kısmına ve tekerlekler bakım yapmadan önce robot süpürgeyi ters çevirin.
- Bakım sırasında robot süpürge ve zemin yüzeyinin zarar görmemesi ve LiDAR sensörünün basınca maruz kalmaması için kalın bir paspas veya benzeri bir şey serin.

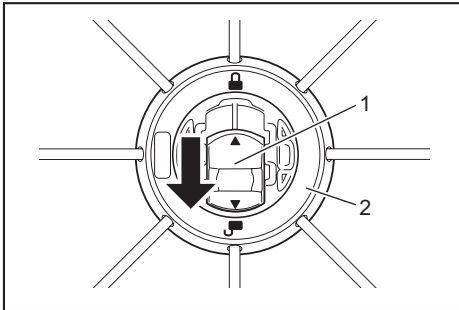


- Robot süpürge ters çevrilmiş haldeyken robot süpürge alt yüzeyine sertçe bastırmayın. Sert bastırmak robot süpürgeye zarar verebilir.

### Yan fırçaların bakımı ve değiştirilmesi

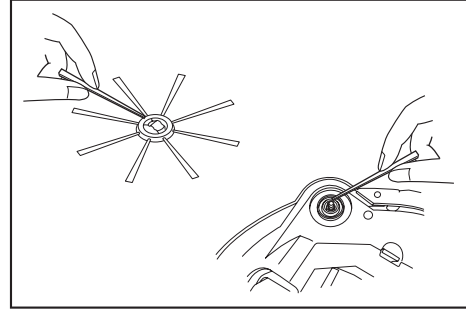
- Bir hata göstergesi (bkz. sayfa 28) varsa veya yan fırçaya toz ve saç sıkışırsa yan fırçaya bakım yapın.
- Yan fırçanın kılları büküldüğünde veya düştüğünde yenisiyle değiştirin.
- Bir yan fırça dönmediğinde veya dönmesi zor olduğunda, yan fırçayı çıkarın ve ardından bakımını yapın.

1. Robot süpürgeyi bir paspas vb. üzerinde ters çevirin.
2. Yan fırçanın kilit kolunu  (serbest bırakma işaretine) kaydırın.



- 1. Kilit kolu 2. Yan fırça

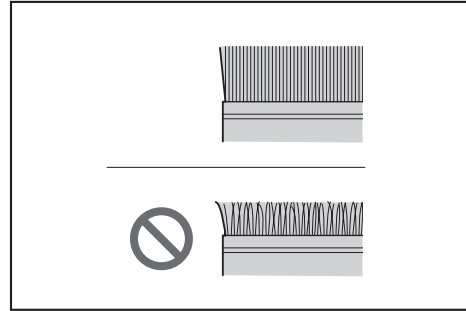
3. Yan fırçayı çıkarın.
4. Cımbız veya başka aletler kullanarak yan fırçaya takılan saçları ve tozu temizleyin.



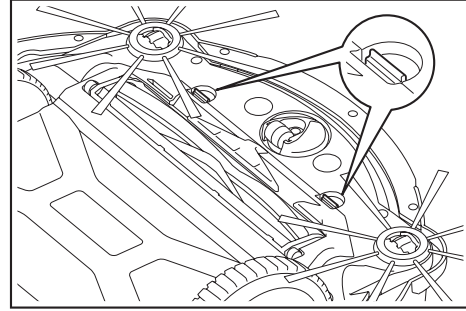
5. Yan fırçayı robot süpürgeye takın. (Bkz. sayfa 13.)

### Ana fırçanın bakımı ve değiştirilmesi

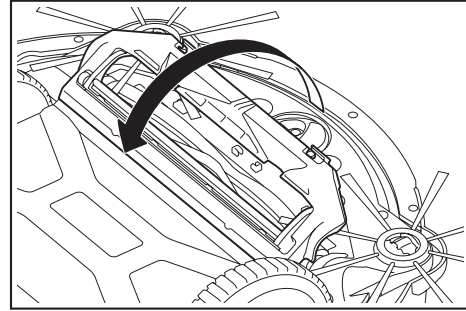
- Bir hata göstergesi (bkz. sayfa 28) varsa veya ana fırçaya toz ve saç sıkışırsa ana fırçaya bakım yapın.
- Ana fırçanın kılları aşınır ve kısalsırsa ana fırçayı değiştirin.



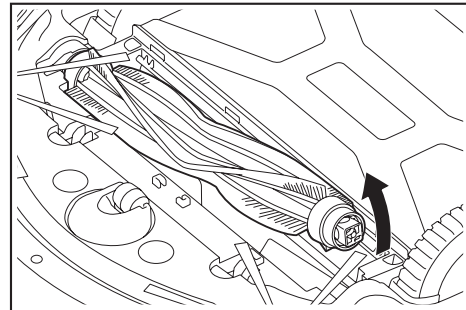
1. Robot süpürgeyi bir paspas vb. üzerinde ters çevirin.
2. Ana fırça kapağının kancalarını açın.



3. Ana fırça kapağını çıkarın.  
Ana fırça kapağını sökmeyin.

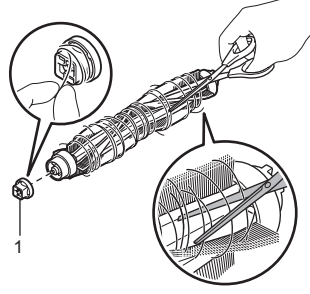


4. Ana fırçayı çıkarın.

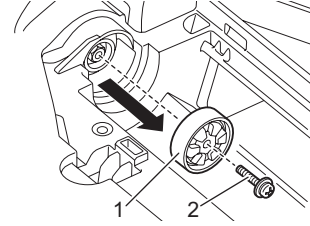


5. Ana fırça, ana fırça kapağı, ana fırça muhafazası ve bağlantılara aşağıda açıklandığı gibi bakım yapın.

Parça	Bakımı
Ana fırça	Ana fırçaya takılı olan yatak kapağını çıkarın ve sıkışan tozdan kurtulun. Sıkışmış saç ve havı makasla fırçanın kılları boyunca kısa kesin ve ardından çıkarın. Yapışan tozları suyla yıkayın.
Ana fırça kapağı	Su veya seyreltilmiş nötr deterjanla nemlendirilmiş bir bezle silerek temizleyin. Kir görürseniz varsa suyla yıkayın.
Ana fırça yuvası	Su veya seyreltilmiş nötr deterjanla nemlendirilmiş bir bezle silerek temizleyin. Su ile yıkanamaz.
Bağlantılar	Robot süpürgeye bağlı bağlantılar için, bağlantıyı elle tutarken vidayı bir tornavidayla gevşetin. Bundan sonra bağlantıyı kaldırın. Robot süpürgein içinde kalan tozu temizleyin.



► 1. Yatak kapağı

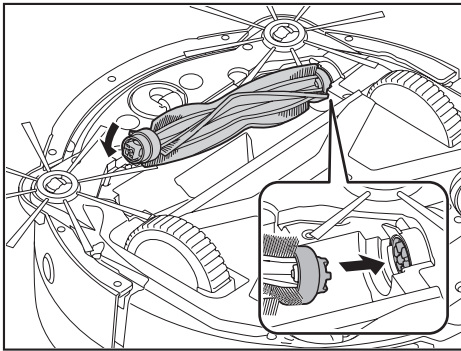


► 1. Bağlantı 2. Vida

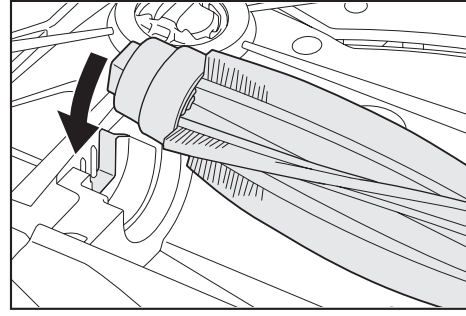
### ÖNEMLİ NOT

Bozulma veya renk bozulmasına neden olabileceğinden tiner, benzin, alkol vb. kullanmayın.

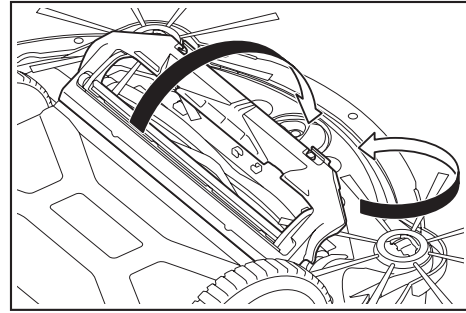
- Su ile yıkanan parçalar, doğrudan güneş ışığı almayan iyi havalandırılan bir yerde yeterince kurutulmalıdır.
  - Parçaları düzgün kurutmadan kullanmak, emiş gücünde azalmaya ve motor ömründe azalmaya neden olabilir.
  - Parçaların üzerlerinde nem varken kullanılması kokuya veya arızaya neden olabilir.
  - Kuruma süresi yaklaşık bir gün olmalıdır.
  - Kurutma makinesi, üfleci vb. ile kurutmaktan kaçının.
- Yatak kapağını ana fırçadaki orijinal konumuna geri koyun.
- Vidaları kullanarak bağlantıları robot süpürgeye sabitleyin.
- Ana fırçayı, ana fırça tutucusunun şekli robot süpürgein bağlantılarının oluşuna uyacak şekilde takın.



10. Yönü hizalamak için yatak kapağını döndürün, ardından robot süpürgeye yerleştirin.

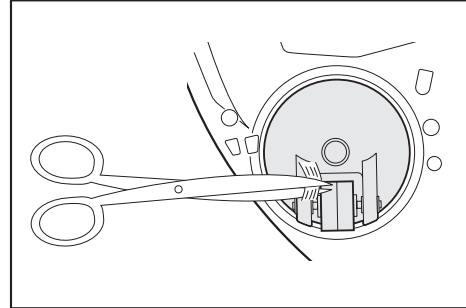


- Ana fırça kapağını takın (kancayı tık sesi gelene kadar itin).
  - Ana fırça kapağına yan fırça sıkışmamasına dikkat edin.
  - Yan fırçaları geçici olarak çıkararak veya yan fırçayı şekilde gösterilen yönde döndürürken ana fırça kapağını takarak yan fırçaların yakalanmasını önlemeyi kolaylaştırın.

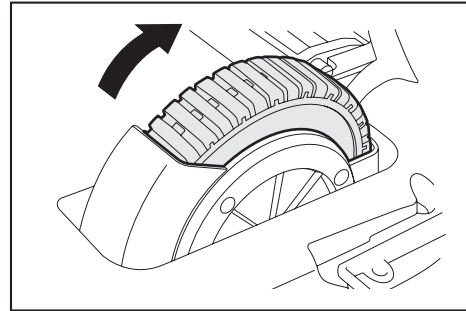


### Tekerleklerin bakımı

- Tekerlekler toz ve saç takıldığında bakım yapın.
- Tekerlekleri robot süpürgeден çıkarmayın.
- Tekerlekler sıkışan tozu çıkarın. Çıkarmak zorsa ince uçlu makas, cımbız vb. kullanın.



- Döndürürken her iki tahrik tekerleğindeki kiri de temizleyin. Bu sırada elinizin sıkışmamasına dikkat edin.

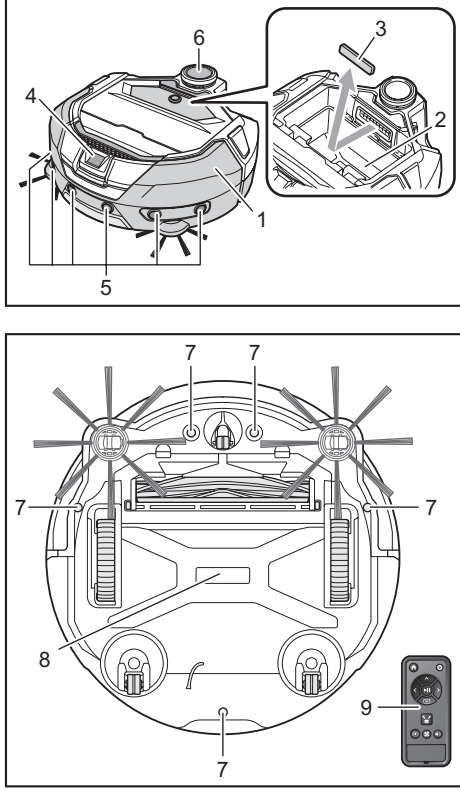


### Robot süpürgein bakımı

#### ÖNEMLİ NOT

- Bozulma veya renk bozulmasına neden olabileceğinden tiner, benzin, alkol vb. kullanmayın.
- Kırılma veya hasara neden olabileceğinden sivri uçlu bir nesne (kürdan gibi) kullanmayın.

Robot süpürgeciñ parçalarınıñ bakımı için aşığıdaki tabloyu takip edin.



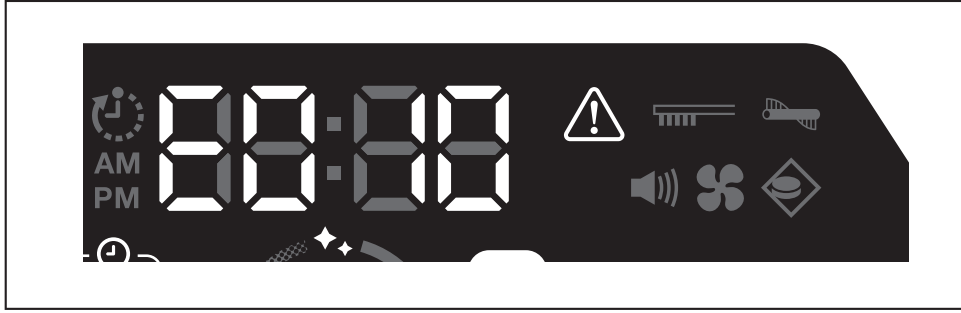
Numara	Parça	Bakımı
1.	Robot süpürge yüzeyi	Su veya seyreltilmiş nötr deterjanla nemlendirilmiş bir bezle silerek temizleyin.
2.	Robot süpürgeciñ içi (toz kutusu muhafazası)	Su veya seyreltilmiş nötr deterjanla nemlendirilmiş bir bezle silerek temizleyin.
3.	Robot süpürgeciñ içinde emme ağız süngeri	Süngerini çıkarın ve sünger üzerindeki tozu suyla yıkayın.
4.	Kamera sensörü	Zarar vermemeye dikkat ederek kırı yumuşak bir bezle veya pamuklu çubukla silin.
5.	Ultrasonik sensör	Su veya seyreltilmiş nötr deterjanla nemlendirilmiş bir bezle silerek temizleyin.
6.	LiDAR sensörü	LiDAR sensörünün kapağının içindeki tozu ve kırı temizleyin.
7.	Düşme sensörü (5 konum)	Zarar vermemeye dikkat ederek kırı yumuşak bir bezle veya pamuklu çubukla silin.
8.	Robot süpürgeciñ alt tarafı	Su veya seyreltilmiş nötr deterjanla nemlendirilmiş bir bezle silerek temizleyin.
9.	Uzaktan kumandanın ön yüzü ve düğmeleri	Kirleri kuru bir bezle silin.

## Onarım hakkında

- Bir bildirim veya hata göstergesinin nedenini ortadan kaldırdıktan sonra çalışmaya devam etmek mümkün değilse (bkz. sayfa 28) gücü kapatıp tekrar açın.
- Aynı bildirim veya hata tekrar tekrar görüntüleniyorsa satın aldığınız mağazadan veya satış ofisimizden onarım yapmasını isteyin.
- Kendi başınıza onarım yapmayın. Satın aldığınız mağazaya veya satış ofisimize mutlaka sorun.
- Onarım istediğinizde robot süpürgeciñ bataryaları ve şarj aletiyle birlikte getirin.

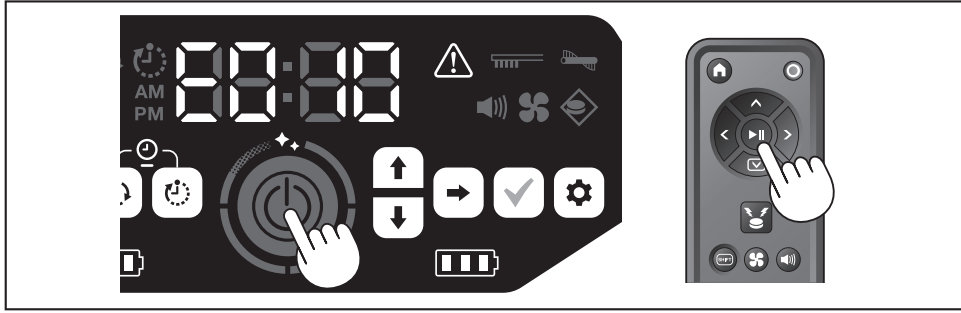
## Bildirim ve Hata Göstergesi

Bakım gerektiğinde veya bir hata oluştuğunda, robot süpürge kullanma panelinde hata numarasının görüntülediği kırmızı bir lamba yanar. Ayrıca sesli bir bildirim olabilir.



### Bir bildirim ve hata göstergesini iptal etme

- Filtre bakımı için bir bildirim görüldüğünde, robot süpürge çalıştırılabilir ancak düzgün çalışmayabilir. Robot süpürgeyi kullanmadan önce nedeni ortadan kaldırın.
  - Bir hata bildirimini görüldüğünde robot süpürge çalışmayı durdurur. Aşağıdaki işlemi yapın.
- Hata numarasını kontrol edin ve hatanın nedenini ortadan kaldırın. (Bkz. Bu sayfada "Bakım ihtiyacının bildirilmesi vb.")
  - Hata nedeni ortadan kaldırılmadan önce gücü kapatırsanız veya batarya kapasitesinin azalması nedeniyle güç biterse, robot süpürge hatayı geçici olarak iptal eder.
  - Robot süpürgeyi veya uzaktan kumandanın başlat/durdur düğmesine basılması hata göstergesini iptal eder ve robot süpürge bekleme durumuna girer.




- Robot süpürgeyi kullanmadan önce hatanın giderildiğini kontrol edin.

### ÖNEMLİ NOT

- Nedeni ortadan kaldırdıktan sonra robot süpürgeyi çalıştırmıyorsanız, robot süpürgeyi yeniden başlatın.
- Aynı hata tekrar tekrar ortaya çıkıyorsa satın aldığınız mağazadan veya satış ofisimizden onarım yapmasını isteyin.





### Bakım ihtiyacının bildirilmesi vb.

Lamba yanarsa gücü kapatın ve bataryaları çıkarın. Sonra, aşağıda açıklanan işlemi yapın.













Bildirilen sorun	Neden	İşlem
• Filtre bakımı gerekli. 	Toz birikmiş veya filtre tıkanmış.	Tozu atın ve filtreye bakım uygulayın. → Bkz. sayfa 21 ve 24. Robot süpürgeyi içinde ve egzoz açıklığında toz birikip birikmediğini kontrol edin.

### Hata bildirimleri

- Göstergedeki hata lambası ve numarasına göre işlem yapın.
- Listedeki hata kodları için, hata tipine bağlı olarak "X" yerine belirli bir sayı görüntülenecektir. Bayi veya satış ofisimizle iletişime geçtiğinizde hata kodunu bildirin.
- Nedenini kontrol ettiğinizde veya önlem aldığınızda, harekete geçmeden önce gücü kapatın ve bataryaları gerektiği gibi çıkarın.
- Aşağıda belirtilenlerin dışında bir hata numarası görüntüleniyorsa alışveriş yaptığınız mağazaya veya satış ofisimize sorun.

Numara	Neden	İşlem
<b>Bildirilen sorun</b>		
E01X Tahrik tekerleklerinin hatası 	Tahrik tekerleklerine hav veya saç gibi yabancı maddeler mi takıldı? Robot süpürge alçak bir boşluktan geçtiğinde, robot süpürge bu bildirim göstererek boşluğa takılabilir.	Yabancı maddeyi çıkarın. → Bkz. sayfa 26. Bu bir arıza değildir.
E02X Tekerlek kaybindan veya robot süpürgeyi kaldırımdan kaynaklanan hata 	Bir tahrik tekerleği yerinden mi çıkmış, yoksa bir tekerlek yerden ayrılmış mı?	Robot süpürgeyi başka bir yere taşıyın. → Bkz. sayfa 10.
E030 Ana fırçaya hata  	Ana fırçaya hav veya saç gibi yabancı maddeler mi takıldı?	Yabancı maddeyi çıkarın. → Bkz. sayfa 25.



Numara		Neden	İşlem
E04X Yan fırçalarda hata	 	Yan fırçalara hav veya saç gibi yabancı maddeler mi takıldı?	Yabancı maddeyi çıkarın. → Bkz. sayfa 13 ve 25.
E060 Toz kutusunun veya filtrenin algılanmaması	 	Toz kutusu veya filtre takılı değildir.	Düzgün takılıp takılmadıklarını kontrol edin. → Bkz. sayfa 21 ve 24.
E09X Düşme sensörü hatası		Robot süpürge doğrudan güneş ışığına maruz kalıyor mu? Robot süpürge siyah bir zemin yüzeyinde mi? Düşme sensörü kirlenmiş mi?	Robot süpürgeyi başka bir yere taşıyın. → Bkz. sayfa 10.  • Düşme sensöründeki kiri kuru, yumuşak bir bez, pamuklu çubuk vb. ile yavaşça silin. • Topraklama hattının toprağa temas edip etmediğini kontrol edin. → Bkz. sayfa 8 ve 10 ve 26.
E10X Tampon sensörü hatası		Bu bir tampon sensörü arızasıdır.	Tampona elinizle yaklaşık 10 kez basın. → Bkz. sayfa 8.
E110 Hareket hatası		Robot süpürge bir basamak üzerinde mi çalışıyor ve orada takılmış mı?	Robot süpürgeyi başka bir yere taşıyın. → Bkz. sayfa 10.
E12X Kalan batarya kapasitesinde azalma Zamanlayıcı ayarı hatası		Robot süpürge, kalan batarya kapasitesi yetersiz olduğu için AÇMA zamanlayıcı rezervasyonu ile çalışmaya başlayamıyor mu?	Açma zamanlayıcı rezervasyonu ile çalıştırmaya başlarken bataryaların tam dolu olduğundan emin olun.
E140 Oda ayarı hatası Konum bilgisi hatası		Oda haritalanan odadan farklı mı yoksa temizliğin başlangıç noktası farklı mı? Haritalanan odanın düzeni değişti mi? LiDAR sensörü bir bezle engellenmiş veya kirlenmiş mi? LiDAR sensörünün robot süpürgeyi etrafında algılayabileceği 25 cm veya daha yüksek herhangi bir engel var mı?	Haritalanmış odayı ve temizliğin başlangıç noktasını kontrol edin. → Bkz. sayfa 17.  Haritalamayı yeniden gerçekleştirin. → Bkz. sayfa 16.  Bezi vb. çıkarın ve LiDAR sensörüne bakım uygulayın. → Bkz. sayfa 26.  LiDAR sensörü, aşağıdaki aralıklarda 25 cm'den daha uzun engeller gerektirir: • Haritalama ve haritalandırma temizlik modu için robot süpürge 11 m yarıçap. • Serbest temizlik modu için robot süpürge 18 m yarıçap. Lütfen alana 25 cm'den yüksek bazı engeller yerleştirin.
E170 Robot süpürge üst kapağında hata		Robot süpürge üst kapağı açık mı?	Robot süpürge üst kapağını kapatın.
E190 Tekerlek kaybindan veya robot süpürgeyi kaldırmadan kaynaklanan hata		Bir tahrik tekerleği yerinden mi çıkmış, yoksa bir tekerlek yerden ayrılmış mı?	Robot süpürgeyi başka bir yere taşıyın. → Bkz. sayfa 10.
E200 Başlangıç noktasına geri dönememe nedeniyle oluşan hata Hedefe gidilememesi nedeniyle hata		Robot süpürge, temizliğin başlangıç noktasına geri dönemedi.  Robot süpürge dar bir geçiş aralığında olduğundan bir sonraki hedefe ilerleyemedi.	• Robot süpürgeyi çalışmasını engelleyen nesnelere varsa, nesnelere başka bir yere koyun veya robot süpürgeyi bu nesnelere uzak tutun. → Bkz. sayfa 20. • Robot süpürge sıklıkla başlangıç noktasına dönemiyorsa, uygulamada [Prioritize Homing] seçeneğini açın. Başlangıç noktasına dönmek için gereken süre daha uzun olabilir. → Bkz. sayfa 42. • Temizlik için 80 cm veya daha fazla yol olup olmadığını kontrol edin.

## Sorun giderme

Onarım talebinde bulunmadan veya bir sorgulama yapmadan önce aşağıdakilerin geçerli olup olmadığını kontrol edin.

### Güç kaynağı

Belirti	Neden	İşlem
• Başlat/durdur düğmesine basıldığında güç açılmıyor. • Lamba yanmıyor. • Robot süpürgeye uzaktan kumandadaki düğmelere basıldığında yanıt vermiyor.	Bataryalar doğru takılmış mı?	Bataryaların doğru şekilde takılıp takılmadığını kontrol edin. → Bkz. sayfa 14.
	Batarya kapasitesi bitti mi?	Kalan kapasiteyi kontrol edin.
	Robot süpürge gücü kapalı mı?	Gücünü açmak için robot süpürgeyi başlat/durdur düğmesine basın. → Bkz. sayfa 15.



## Çalıştırma işlemi

Belirti	Neden	İşlem
Robot süpürge çalışmıyor.	Hata lambası yanıp sönüyor mu?	Robot süpürge bir hata sırasında çalışmaz. → Bkz. sayfa 28.
	Robot süpürge, AÇMA zamanlayıcı rezervasyonu ile çalışma için bekleme modunda mı?	Rezerve işlemi için bekleme modu etkinken, gücü kapatma ve konum bildirimini dışında işlemler yapılamaz. → Bkz. sayfa 19.
Robot süpürge, hiçbir işlem yapmamanıza rağmen aniden hareket etmeye başlıyor.	AÇMA zamanlayıcı rezervasyonu etkin mi?	→ Bkz. sayfa 19.
Robot süpürge çalışırken duruyor.	Robot süpürge bir kabloya veya başka bir nesneye mi takıldı? Tekerleklerin etrafına bir bez veya ip (örneğin, ince bir havlu) dolanmış mı?	Robot süpürge gücünü kapatın ve robot süpürgeye takılan ve tekerleklerin etrafına dolanan nesnelere çıkarın. → Bkz. sayfa 26.
	Robot süpürge bir basamağa çıkmadan durdu mu?	Robot süpürge gücünü kapatın ve robot süpürgeyi başka bir yere taşıyın. → Bkz. sayfa 10.
	KAPATMA zamanlayıcı ayarlanmış mı?	→ Bkz. sayfa 19.
	LIDAR sensörünün robot süpürge etrafında algılayabileceği 25 cm veya daha yüksek herhangi bir engel var mı?	LIDAR sensörü, aşağıdaki aralıklarda 25 cm'den daha uzun engeller gerektirir: • Haritalama ve haritalandırma temizlik modu için robot süpürge 11 m yarıçap. • Serbest temizlik modu için robot süpürge 18 m yarıçap. Lütfen alana 25 cm'den yüksek bazı engeller yerleştirin.
Hız değişiyor.	Robot süpürge, bir sensör bir engel algıladığında veya çalışma yönünü belirlediğinde yavaşlayabilir.	Bu anormal değildir.
Robot süpürge düz gitmiyor.	Tekerlekler yabancı madde sıkıştı mı?	Robot süpürge gücünü kapatın ve tekerleklerdeki yabancı maddeyi çıkarın. → Bkz. sayfa 26.
	Tekerleklerden herhangi biri hasarlı mı?	Satın aldığınız mağazadan veya satış ofisimizden servis talebinde bulunun.
	Ultrasonik sensör ve LiDAR sensörü kirli mi?	Bakımlarını yapın. → Bkz. sayfa 26.
Robot süpürge, bir engelle eskisinden daha sık çarpışıyor.	Ultrasonik sensör ve LiDAR sensörü kirli mi?	Bakımlarını yapın. → Bkz. sayfa 26.
Robot süpürge bir basamaktan kaçınıyor ve düşüyor.	Düşme sensörü kirli mi?	Bakımlarını yapın. → Bkz. sayfa 26.
	Robot süpürge bazen 3,0 cm veya daha az yükseklikte bir basamaktan iner.	Bu bir arıza değildir. → Bkz. sayfa 10.
Robot süpürge, hiçbir engel veya basamak olmamasına rağmen kaçınma davranışı sergilemeye devam ediyor.	Düşme sensörleri ve LiDAR sensörü kirli mi?	Bakımlarını yapın. → Bkz. sayfa 27.
Düşme sensörü çabuk kirleniyor.	Topraklama hattı kesik ve artık toprakla temas etmiyor mu?	Satın aldığınız mağazadan veya satış ofisimizden servis talebinde bulunun.
Sürüş sesi normalden daha yüksek.	Toz kutusu tozla dolu mu? Filtre tıkalı mı?	Tozu atın ve filtreye bakım yapın. → Bkz. sayfa 21 ve 24.
	Ana fırçada ve yan fırçalarda toz sıkışmış mı?	Bakımlarını yapın. Ayrıca, fırçaların doğru şekilde takılıp takılmadığını kontrol edin. → Bkz. sayfa 25.
Emme fanının sesi çalışma sırasında yükselir.	Robot süpürge kullanılacak batarya kartuşunu değiştirdiğinde ses yükselir.	Bu normaldir.
	• Emiş gücü zayıf. • Toz çekilmiyor.	Tozu atın ve filtreye bakım yapın. → Bkz. sayfa 21 ve 24. Ayarı kontrol edin. → Bkz. sayfa 18.
Bir yan fırça çıkıyor.	Yan fırça doğru takılmış mı?	Düzgün takılıp takılmadığını kontrol edin. → Bkz. sayfa 13.
Bir yan fırça veya ana fırça dönmüyor, döndürülmesi zor veya birbirine karışmış.	Yan fırçalara veya ana fırçaya yabancı maddeler (hav ve saç gibi) mi takıldı?	Bakımlarını yapın. Ayrıca, ana fırçanın ve ana fırça kapağının doğru takıldığını kontrol edin. → Bkz. sayfa 25.
	Robot süpürge, hav uzunluğu 7 mm'den fazla olan bir halı üzerinde kullanılamaz. Hav uzunluğu 7 mm veya daha az olsa bile hav malzemesine veya diğer özelliklere bağlı olarak robot süpürge çalışmayı durdurabilir veya hav yan fırçalara takılabilir.	→ Bkz. sayfa 10.
Çıkarılan hava kokuyor.	Islak çöp veya kokulu çöp mü çekildi?	Çöpü atın. → Bkz. sayfa 21.
	Filtre tıkalı mı?	Filtreye bakım uygulayın. Filtreyi suyla yıkadıktan sonra, kullanmadan önce yeterince kurutun. → Bkz. sayfa 24.



## Uzaktan kumanda kullanımı

Belirti	Neden	İşlem
Uzaktan kumanda çalışmıyor.	Bataryalar uzaktan kumandaya doğru şekilde yerleştirilmiş mi?	Batarya yönünü kontrol edin. → Bkz. sayfa 13.
	Robot süpürge uzaktan kumanda ile çalıştırıldığında bazen tepki vermiyorsa bunun olası bir nedeni bataryaların ömrünün dolmuş olmasıdır. (Değiştirme kriteri yaklaşık bir yıldır. Bir batarya, batarya kullanımına ve koşullara bağlı olarak bir yıldan daha kısa sürede tükenebilir.)	Bataryaları yenileriyle değiştirin. → Bkz. sayfa 13.
	Robot süpürge gücü kapalı mı?	Gücü açmak için robot süpürgeyi başlat/durdur düğmesine basın. → Bkz. sayfa 15.
	Uzaktan kumanda ile robot süpürge arasındaki mesafenin, radyo dalgalarının düzgün bir şekilde ulaşamayacağı kadar uzun olma olasılığı var.	Uzaktan kumanda ile robot süpürge arasındaki mesafeyi daraltarak ve engellerin yerini değiştirerek engelsiz bir görüş sağlayın. → Bkz. sayfa 11.
Uzaktan kumanda ile çalıştırma mümkün değil.	2,4 GHz bant radyo dalgaları kullanan aşağıdaki ekipman muhtemelen yakınlarda çalışıyor olabilir. <ul style="list-style-type: none"><li>• Mikrodalga fırın</li><li>• Bluetooth® özellikli cihazlar</li><li>• Kablosuz LAN cihazları</li><li>• 2,4 GHz bant radyo dalgaları kullanan diğer ekipmanlar (dijital kablosuz telefonlar ve oyun makineleri gibi)</li></ul>	Robot süpürge ile uzaktan kumanda arasında daha uzun bir mesafe bırakın veya bu cihazların kullanımını geçici olarak durdurun.
	Uzaktan kumandayı yenisiyle değiştirdiğinizde robot süpürgeyle bir eşleştirme yapın.	→ Bkz. sayfa 23.
	Yukarıda listelenen olası nedenleri inceledikten sonra robot süpürgeyi uzaktan kumanda ile çalıştıramazsanız, robot süpürgeyi gücünü kapatıp tekrar açın.	→ Bkz. sayfa 15.

## Kullanım paneli

Belirti	Neden	İşlem
Ayarlanan zaman sıklıkla sıfırlanıyor.	Robot süpürge uzun süre kullanılmadığı için yerleşik batarya neredeyse bitmiştir.	Robot süpürgeyi 1 saatten fazla çalıştırın veya bekleme durumuna ayarlayın. (Dahili batarya yeniden şarj edilecektir.)

## Zamanlayıcı işlevi

Belirti	Neden	İşlem
AÇMA zamanlayıcı rezervasyonu ile çalıştırma belirtilen zamanda başlamıyor.	AÇMA zamanlayıcı rezervasyonu ile çalıştırma başlangıcında aşağıdaki koşullardan herhangi biri geçerliyse robot süpürge AÇMA zamanlayıcı rezervasyonuna göre çalışmaya başlamaz. <ul style="list-style-type: none"><li>• Güç kapalıyken.</li><li>• Batarya kapasitesi yetersiz olduğunda</li></ul>	→ Bkz. sayfa 19.
	Zamanlayıcı lambası yanıyor mu?	Rezervasyon yapıldıktan sonra güç kapatılırsa veya batarya kapasitesi biterse zamanlayıcı lambası söner. → Bkz. sayfa 9.

## Haritalama

Belirti	Neden	İşlem
• Robot süpürge, haritalama sırasında duruyor. • Haritalama başarısız oluyor.	Haritalama sırasında oda karanlık mı?	Haritalama tamamlanana kadar odayı daha aydınlık hale getirin.
	Robot süpürgeyi yaklaşık 11 m yarıçapında 25 cm veya daha fazla yükseklikte hiçbir engel yoktur.	Ortam haritalama için uygun olmayabilir. Serbest temizlik modunda temizleme önerilir. → Bkz. sayfa 16.
Robot süpürge, haritalama yerine temizlemeye başlıyor.	Önceden kayıtlı bir oda numarası mı seçildi?	Kayıtlı olmayan bir oda numarası seçin veya önceden kaydedilmiş haritayı silin. → Bkz. sayfa 16 ve 17.
• Bir harita kayıtlı değil. • Harita eksik. (Kayıtlı olmayan bir alan var.)	Odanın şekli, engellerin yerleşimi veya diğer özellikler çok karmaşık olabilir.	Temizlik için 80 cm veya daha fazla yol olup olmadığını kontrol edin. Odayı toplayın. → Bkz. sayfa 11.
		Batarya kapasitesi yetersiz olabilir. Bataryaları tamamen şarj edin ve ardından haritalama yapın.
		Haritalama bilgilerini manuel olarak ekleyebilirsiniz. → Bkz. sayfa 39.
	Robot süpürge, haritalama sırasında alındı.	Haritalama sırasında robot süpürgeyi kaldırmayın. Oda bilgileri doğru kaydedilmemiş olabilir.





## Uygulama

Belirti	Neden	İşlem
Uygulamaya bağlantı kurmak mümkün değil.	Robot süpürge akıllı telefon bağlantı düğmesine basıldı mı?	Uygulamaya bağlanmak için akıllı telefon bağlantı düğmesine basın. → Bkz. sayfa 33.
	Akıllı telefonun Wi-Fi® ayarı etkin miydi?	Akıllı telefonun Wi-Fi® ayarını etkinleştirin.
	Akıllı telefon ile robot süpürge arasındaki mesafenin, radyo dalgalarının düzgün bir şekilde ulaşamayacağı kadar uzun olma olasılığı var.	Akıllı telefon ile robot süpürge arasındaki mesafeyi daraltarak ve engellerin yerini değiştirerek engelsiz bir görüş sağlayın. → Bkz. sayfa 11.
	Robot süpürgeyle bağlantı başarısız oldu.	iPhone için: iOS ayar menüsüne gidin ve Makita Robotic Cleaner DRC300 için yerel ağ ayarını etkinleştirin.  Android için: Wi-Fi bağlantısını kurduktan sonra bağlantının devam edip etmeyeceğine karar vermek için bir açılır pencere görünürse izin verin.
	Robot süpürge konum bilgisini alamamış olabilir. (PIN kodu giriş ekranında robot süpürge adı "null" olarak görüntülenir.)	Akıllı telefonunuzun konum bilgisi ayarını etkinleştirin.

## Koruma işlevi

Robot süpürge çalışırken aşağıdaki koşullardan herhangi biri oluştuğunda motor otomatik olarak durur. Bu, arızadan değil, koruma işlevinden kaynaklanmaktadır.

Koruma işlevi
Batarya yüksek bir sıcaklığa ulaştığında motor otomatik olarak durur. • Temizlemeyi bırakın ve bataryaları robot süpürgeден çıkarın. Ardından aküleri soğutma sistemli bir şarj aleti kullanarak şarj edin ve soğutun veya akülerin soğumasını bekleyin. • Robot süpürge, bataryalar soğutulmuş olsa bile çalışmıyorsa robot süpürgeyi soğutun. • Robot süpürge bir hata numarası görüntüleniyorsa hatanın nedenini ortadan kaldırın. (Bkz. sayfa 28.)
Batarya şarjı zayıflarsa, uyku moduna girse robot süpürge otomatik olarak durur ve kalan şarj biterse güç tamamen kapanır. • Bataryaları robot süpürgeден çıkarın ve bataryaları şarj edin.
Bir hata algılanırsa robot süpürge otomatik olarak durur. • Hata numarasını kontrol edin ve hatanın nedenini ortadan kaldırın. Nedeni ortadan kaldırdıktan sonra robot süpürge tekrar kullanılabilir. (Bkz. sayfa 28.)

## Depolama

Robot süpürgeyi depolamadan önce gücü kapatın ve bataryaları çıkarın.

Hassas bir makine olduğu için robot süpürgeyi aşağıdaki yerlerde depolamayın. Bunu yapmak ısınmaya, tutuşmaya, arızaya, lastik parçaların bozulmasına vb. neden olabilir.

- Sıcaklığın aniden yükseldiği yerler
- Sıcaklığın aniden düştüğü yerler
- Sıcaklığın aniden değiştiği yerler
- Bir alevin, bir ısıtıcının, soğutma ve ısıtma ekipmanının vb. yakını.
- Dış mekanlar
- Doğrudan güneş ışığına maruz kalan yerler
- Neme veya buhara maruz kalan yerler
- Çok tozlu ve kumlu yerler
- Dumanlı yerler
- Yetersiz havalandırması olan yerler

Robot süpürge uzun süre kullanılmadan depoda tutulursa performansı düşebilir. Robot süpürgeyi uzun yıllar kullanmak için ara sıra robot süpürge'nin gücünü açın ve kullanın.

## İsteğe Bağlı Aksesuarlar

### ⚠ DİKKAT

**Bu aksesuar veya parçaların bu kılavuzda belirtilen Makita aletinizle kullanılması önerilir. Başka aksesuarların veya parçaların kullanılması, kişilerin yaralanması riski oluşturabilir. Aksesuarı veya parçayı yalnızca belirtilen amacı için kullanın.**

Bu aksesuarlarla ilgili daha fazla ayrıntı için yardıma ihtiyacınız olursa yerel Makita Servis Merkezimize danışın.

- Manyetik sınır hattı
- Ana fırça
- Yumuşak ana fırça
- Yan fırça
- Yumuşak yan fırça
- HEPA filtresi
- Ana fırça kapağı
- Tampon yastığı
- Makita orijinal batarya ve şarj aleti

### ÖNEMLİ NOT

- Listedeki bazı öğeler alet paketine standart aksesuarlar olarak dahil edilebilir. Ülkeden ülkeye farklılık gösterebilirler.
- Tampon yastığını kullanırken hatalı algılamadan kaçınmak için tampon yastığını aşağıdaki alanlara takmayın: Ultrasonik sensörlerin yanal uzantısındaki alan ve ultrasonik sensörlerin 28 mm üstü ve altına kadar olan alanlar.

# Akıllı Telefon Uygulaması (DRC300 için)

## İçindekiler

• Uygulama ile yapabileceğiniz	33
• Uygulamayı yükleme	33
• Önceden hazırlıklar	33
• Uygulamayı akıllı telefona yükleme	33
• İlk ayar	33
• Ana ekran	34
• Uygulama ile temizleme	34
• Haritalama olmadan bir odayı temizleme (serbest temizlik modu)	34
• Haritalanmış odaları temizleme	35
• Robot süpürgeyi uygulamayla çalıştırma	36
• Temizlik geçmişini kontrol etme	36
• En son geçmişi kontrol etme	36
• Önceki geçmişi kontrol etme	37
• Hata geçmişlerini kontrol etme	37
• Haritalama bilgilerini ekleme, değiştirme veya silme	38
• Haritalama bilgileri ekleme	38
• Haritalama bilgilerini manuel olarak ekleme (manuel haritalama)	39
• Haritalama bilgilerinin adını değiştirme	40
• Temizleme aralığını sınırlandırma	40
• Haritalama bilgilerini silme	41
• Ayarları değiştirme ve kontrol etme	42
• Kayıtlı bir robot süpürgeyi adını değiştirme	42
• Temizleme seçeneklerini ayarlama	42
• PIN kodunu değiştirme	43
• Kayıtlı robot süpürge bilgilerini silme	43
• Uygulama bilgilerini kontrol etme	43
• Hata mesajı/diyalog	44

## Uygulama ile yapabileceğiniz

Robot süpürgeye özel uygulama yüklü bir akıllı telefon kullanarak aşağıdakileri yapabilirsiniz:

- Temizlik
- Uzaktan kumanda kullanımı
- Haritalama bilgilerini ekleme, değiştirme veya silme
- Temizlik geçmişini kontrol etme
- Robot süpürge ayarlarını değiştirme

## ÖNEMLİ NOT

- Bu uygulama bir akıllı telefonda kullanım içindir ve tablet tipi cihazlarda, PC'lerde çalışmaz.
- Bir akıllı telefon ve robot süpürge, Wi-Fi® işlevi kullanılarak doğrudan bağlanır. Robot süpürgeye bağlantı sırasında İnternet'in kullanılmadığını unutmayın. Uygulamayı kullandıktan sonra akıllı telefon bağlantı düğmesine basarak robot süpürgeye bağlantıyı kesmeyi unutmayın.
- Bu uygulamayı kullanmak için konum bilgisi almak için izin vermeniz ve kullanım şartlarını kabul etmeniz gerekir. Kullanıcı, konum bilgisi almak için izin verip vermeyeceğine ve kullanım şartlarını kabul edip etmeyeceğine karar vermelidir.
- Uygulama ekranı görüntüleri haber verilmeksizin değiştirilebilir.

## Uygulamayı yükleme

### Önceden hazırlıklar

Uygulamayı kullanmak için bir akıllı telefon (Android veya iOS) gereklidir.

- Android: Android Sürüm 6.0 veya üstü gerekir.
- iOS (iPhone): iOS 12 veya üstü gerekir.

### Uygulamayı akıllı telefona yükleme

1. Akıllı telefonunuzu kullanarak, Google Play™ ya da App Store içerisinde "Makita Robotic Cleaner DRC300" şeklinde arama yapın. Ayrıca QR koduyla da erişim sağlayabilirsiniz.

Google Play™



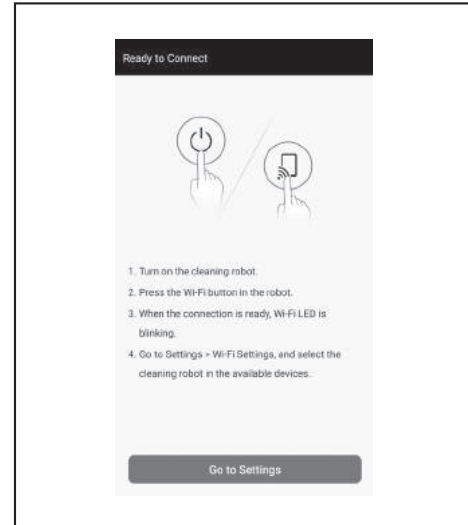
App Store



2. "Makita Robotic Cleaner DRC300"ü yükleyin
3. Yükleddikten sonra "Makita Robotic Cleaner DRC300"ü çalıştırın

### İlk ayar

1. Konum bilgisinin alınmasına izin verilir verilmeyeceğini soran bir ekran görüldüğünde, [OK] öğesine dokununuz.
2. Kullanım koşulları ekranında [Agree] üzerine dokununuz.
3. Ekrandaki talimatları izleyin:
  - Robot süpürgeyi açın ve ardından süpürgeye akıllı telefon bağlantı düğmesine basın. Akıllı telefon bağlantı düğmesine bastıktan sonra robot süpürgeye bağlantıya hazır hale gelmesi yaklaşık 8 saniye sürer. Bağlantı hazır olduğunda Wi-Fi LED'i yanıp sönecektir.
  - Bundan sonra, akıllı telefonun Wi-Fi® ayar ekranını görüntülemek için [Go to Settings] öğesine dokununuz.



Cihazınıza bağlı olarak aşağıdaki prosedürler gerekli olabilir.

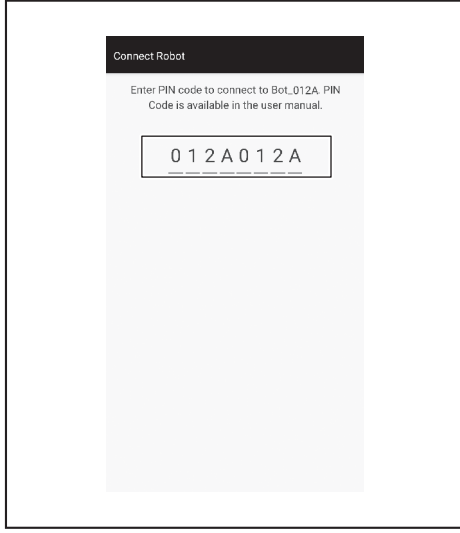
iPhone için:

iOS ayar menüsüne gidin ve Makita Robotic Cleaner DRC300 için yerel ağ ayarını etkinleştirin.

Android için:

Wi-Fi bağlantısı kurulduktan sonra bağlantının devam edip etmeyeceğine karar vermek için bir açılır pencere görüntülenirse izin verin.

4. Akıllı telefonu Wi-Fi® aracılığıyla robot süpürgeye bağlayın. (Bu bağlantı Bluetooth DEĞİLDİR.)
  - Wi-Fi® bağlantı ayarı (şifre girişi) yalnızca robot süpürgeye ilk kez bağlanırken gereklidir.
  - Wi-Fi® bağlantısının ilk parolası, robot süpürge SSID'sinin altındaki son dört basamağı iki kez tekrarlayan alfasayısal karakterlere ayarlanır. Örneğin, "Robotic\_Cleaner\_012A" SSID'si görüntülenirse şifre "012A012A" olacaktır.
  - Robot süpürge ile bağlantı sırasında akıllı telefonun diğer Wi-Fi® ağlarına erişemediğinden emin olun.
5. Wi-Fi® ayar ekranından çıkın ve uygulama ekranını görüntüleyin. Bundan sonra, bağlantıyı doğrulamak için PIN kodunu girin.
  - Fabrika ayarlı PIN kodu, SSID'nin altındaki son dört basamağı iki kez tekrarlayan alfasayısal karakterlere ayarlanmıştır.
  - SSID "Robotic\_Cleaner\_012A" ise fabrikada ayarlanan PIN kodu "012A012A" olacaktır.
  - PIN kodu başarıyla doğrulandığında uygulamanın ana ekranı görüntülenecektir.

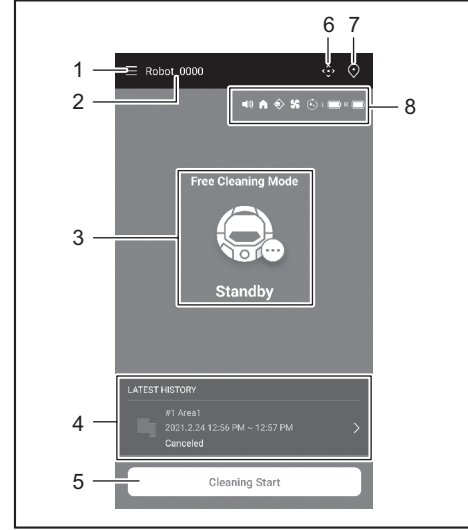


6. PIN kodunu değiştirin.
    - PIN kodunu değiştirdiğinizden emin olun. Varsayılan PIN kodunu kullanmayın. PIN kodunu değiştirme hakkında bilgi için bkz. sayfa 43.
    - Oluşturduğunuz yeni PIN kodunu unutmayın.
  7. "PIN code changed" görüntülendiğinde ilk ayar tamamlanmıştır. Uygulamayı kullanmak için ana ekrana dönün.
- Wi-Fi bağlantısını kesmek için akıllı telefon bağlantı lambasını söndürmek için robot süpürge üzerindeki akıllı telefon bağlantı düğmesine basın.

### ÖNEMLİ NOT

Bağlantınız aniden kesilirse uygulamayı bir kez kapatın ve ardından bağlantı yeniden kurmayı deneyin.

## Ana ekran



1. Menü düğmesi (çeşitli ayarlar, geçmiş kontrolü)
2. Robot süpürge adı
3. Robot süpürge çalışma durumu
4. En son temizlik kaydı (yalnızca bir kayıt olduğunda görüntülenir)
5. Temizleme (veya Haritalama) başlat düğmesi
6. Uzaktan kumanda düğmesi
7. Mod geçiş düğmesi
8. Robot süpürge ayarları ve kalan batarya kapasitesi

- : Ses ayarı açık.
- : Hedef aramayı önceliklendir işlevi ayarı açık.
- : Sınır algılama özelliği açık.
- : Emme fanı ayarı açık.
- : Sürekli temizlik ayarı açık.
- : Sol bataryanın kalan kapasitesi
- : Sağ bataryanın kalan kapasitesi

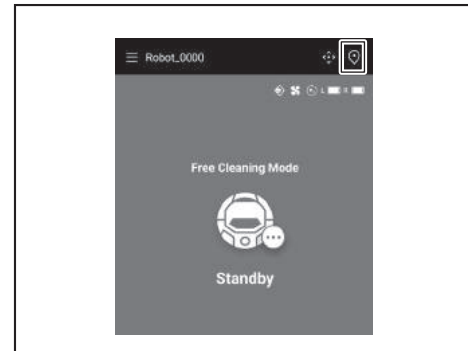
## Uygulama ile temizleme

Robot süpürge iki moda çalışır: harita kaydı gerektirmeyen serbest temizlik modu ve temizlik için oda bilgilerinin kaydedilmesini gerektiren haritalandırma temizlik modu (bkz. "Haritalanmış odaları temizleme", sayfa 35).

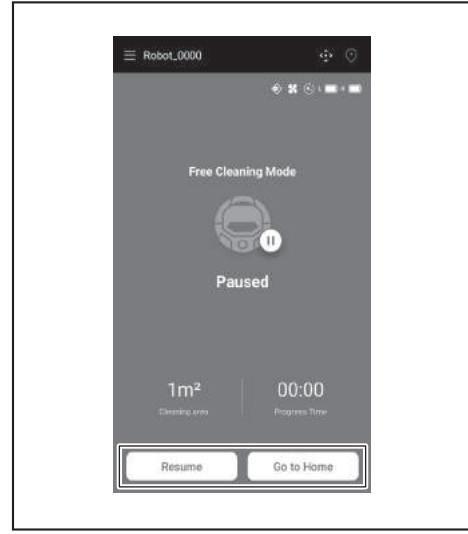
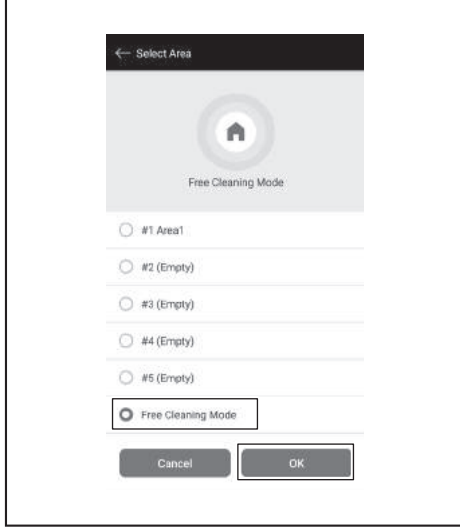
### Haritalama olmadan bir odayı temizleme (serbest temizlik modu)

- Çeşitli odalarda veya sık, önemli yerleşim değişiklikleri olan bir ortamda temizlik için serbest temizlik modu önerilir.
- Yeterince aydınlatılmayan bir oda için serbest temizlik modu da önerilir.
- Temizlik, haritalama ve robot süpürge başlatılacağı konum için, bkz. sayfa 16.

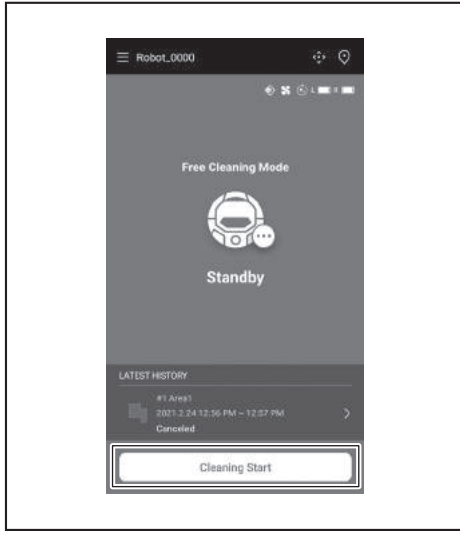
1. Ana ekranda ögesine dokununuz.



2. [Free Cleaning Mode] ögesine dokunun, ardından [OK] ögesine dokunun.



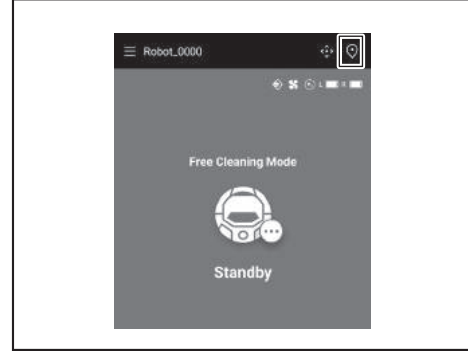
3. Ana ekranda, robot süpürge için [Cleaning Start] ögesine dokunun.



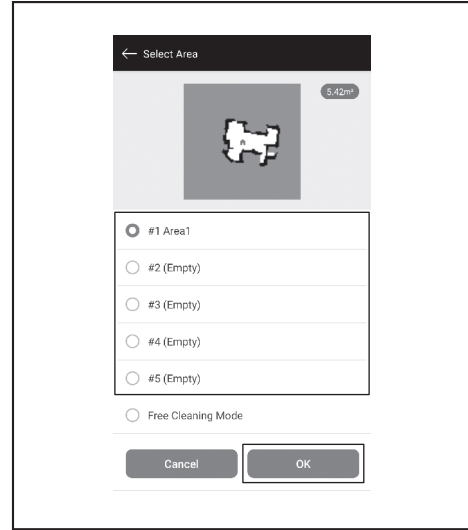
### Haritalanmış odaları temizleme

- Haritalandırma temizlik modunda, robot süpürge, haritalanmış bir odanın verimli bir şekilde temizlenmesi için çalışır.
- Haritalandırma temizlik modunun kullanılması, haritalama bilgilerinin kaydedilmesini gerektirir. (Bkz. sayfa 38.)

1. Ana ekranda  ögesine dokunun.



2. Temizlemek istediğiniz odaya dokunun, ardından [OK] ögesine dokunun.
- Harita ekleyebilir, değiştirebilir ve silebilirsiniz. (Bkz. sayfa 38)

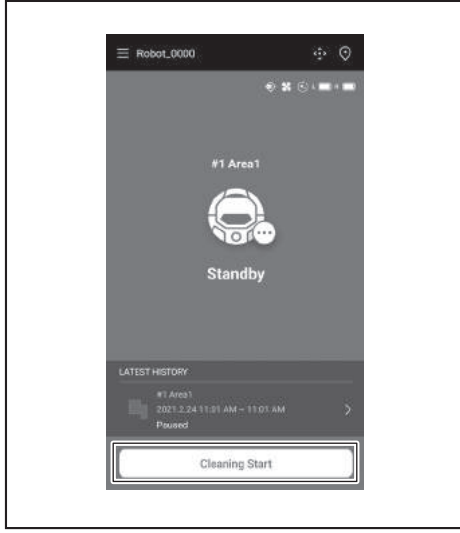


4. Robot süpürgeyi aşağıdaki işlemlerle kontrol edebilirsiniz.
- [Pause] üzerine dokunmak, robot süpürge için geçici olarak temizlemeyi durdurmasına neden olur.
  - Duraklatıldığında [Resume] ögesine dokunmak robot süpürgeyi yeniden başlatır.
  - Duraklatıldığında [Go to Home] ögesine dokunmak, robot süpürge için temizlemeye başladığı noktaya geri dönmesiyle sonuçlanır. Robot süpürge başlangıç noktasına dönerken uygulama ana ekrana gider. Bu işlem, temizlik duraklatıldığında gerçekleştirilebilir.

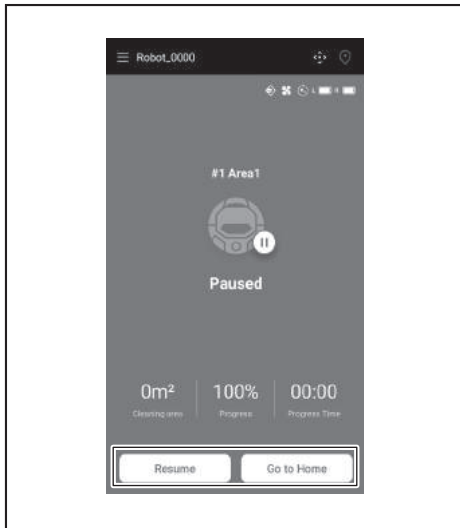
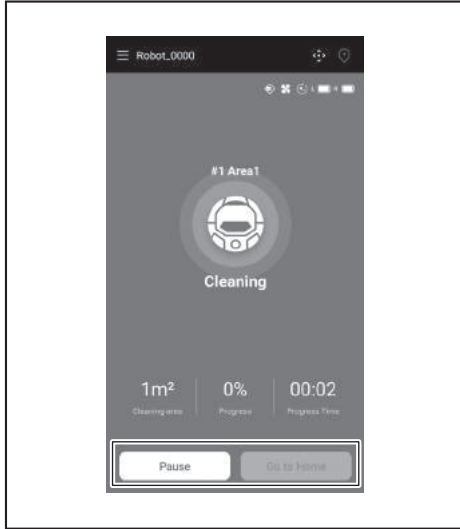


3. Robot süpürgeyi, haritalamanın başlangıcındaki ile aynı yöne mümkün olduğunca yakın yerleştirin.  
Bu, robot süpürge için sorunsuz bir şekilde temizlemeye başlamasını sağlar.

4. Robot süpürgeyi temizlemeye başlaması için [Cleaning Start] ögesine dokununuz.



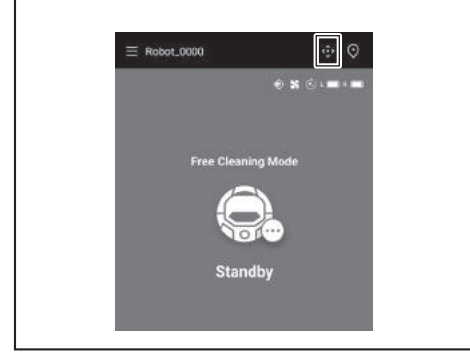
5. Robot süpürgeyi aşağıdaki işlemlerle kontrol edebilirsiniz.
- [Pause] üzerine dokunmak, robot süpürgeyi geçici olarak temizlemeyi durdurmasına neden olur.
  - Duraklatıldığında [Resume] ögesine dokunmak robot süpürgeyi yeniden başlatır.
  - Duraklatıldığında [Go to Home] ögesine dokunmak, robot süpürgeyi temizlemeye başladığı noktaya geri dönmeye sonuçlanır. Robot süpürge başlangıç noktasına dönerken uygulama ana ekrana gider. Bu işlem, temizlik duraklatıldığında gerçekleştirilebilir.
  - Odanın şekli harita bilgileriyle uyuşmuyorsa hata ekranı görüntülenir ve robot süpürge temizlemeyi durdurur. Seçilen odanın doğru olup olmadığını kontrol edin ve robot süpürgeyi başlangıç noktasına yerleştirin.
  - Robot süpürge, haritalama bilgilerinde başlangıç noktasından uzağa yerleştirilirse hata ekranı görüntülenir.



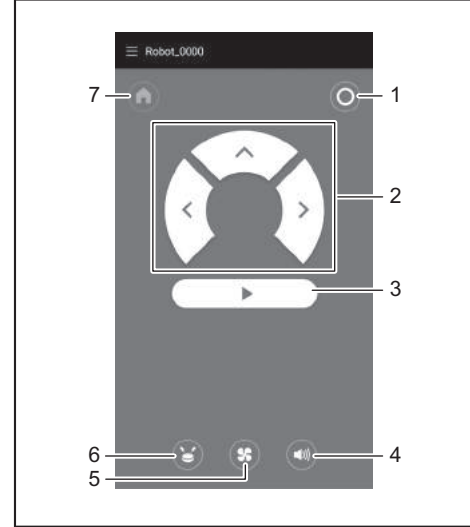
## Robot süpürgeyi uygulamayla çalıştırma

Robot süpürgeyi, robot süpürgeyle verilen uzaktan kumandayla çalıştırdığınız gibi uygulamaya ile çalıştırabilirsiniz.

1. Ana ekranda [Start] ögesine dokununuz.



2. Düğmelere dokunarak robot süpürgeyi çalıştırın.
- Robot süpürgeyi uygulama ile geriye doğru hareket ettiremezsiniz.



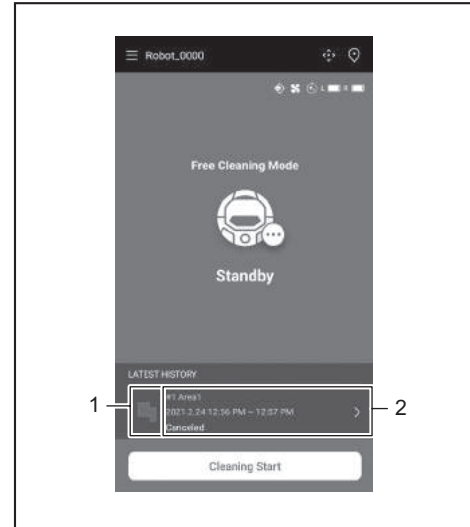
- 1. Güç KAPATMA düğmesi 2. Eylem düğmeleri 3. Başlat/durdur düğmesi 4. Ses AÇMA/KAPATMA düğmesi 5. Emme fanı AÇMA/KAPATMA düğmesi 6. Konum işareti sesli/işiklı uyarı düğmesi 7. Başlama noktası düğmesi

## Temizlik geçmişini kontrol etme

Uygulamadan temizlik geçmişini detaylı olarak kontrol edebilirsiniz.

## En son geçmişi kontrol etme

Ana ekranda [LATEST HISTORY] içindeki simgeye dokununuz.

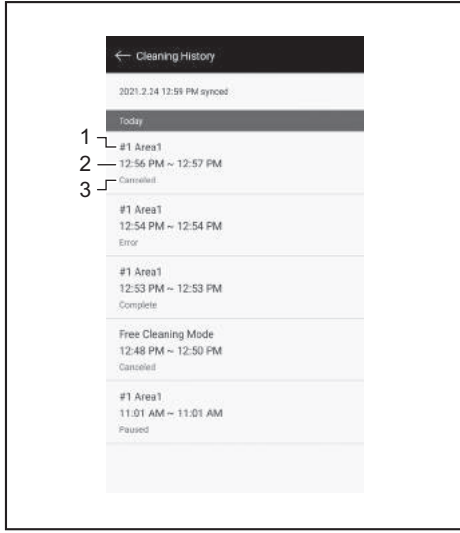


- 1. En son geçmişi gösteren simge 2. Geçmişlerin listesini gösterecek makale

## Önceki geçmişleri kontrol etme

En fazla 15 geçmiş kaydedilebilir. 15 geçmiş zaten kaydedilmişse yeni bir geçmiş kaydedildiğinde en eski geçmiş silinecektir.

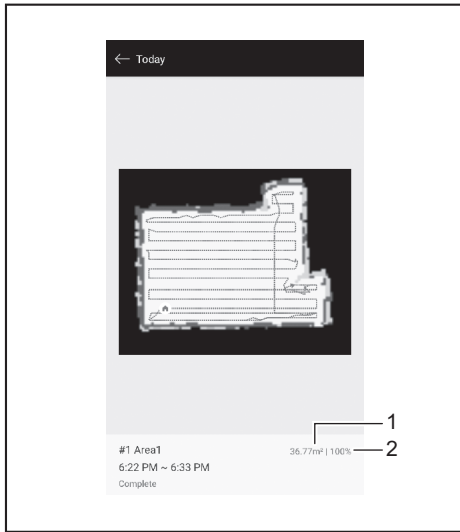
1. Ana ekranda, [LATEST HISTORY] içindeki > ögesine dokunun.  
Ana ekranda ☰ ögesine dokunabilir ve sonra son kayıtları görmek için [Cleaning History] ögesine dokunabilirsiniz.
2. Kontrol etmek istediğiniz kayda dokununuz.



1. Temizlenmiş oda veya temizleme modu 2. Odanın temizlendiği süre 3. Temizleme durumu (tamamlandı, durduruldu, hata vb.)

Bir maddeye dokunmak, her bir geçmişin ayrıntılı bilgilerini gösterir.

- Mavi-yeşil kesik çizgi: Robot süpürgecinin yörüngesi
- Sarı: Robot süpürgecinin temizlediği alan
- Mavi: Tampon sensörü tarafından algılanan engeller
- Yeşil: Ultrasonik sensör tarafından algılanan engeller
- Pembe: Düşme sensörü tarafından algılanan basamaklar
- Mor: Robot süpürgecinin manyetik sınır hattını algıladığı alan
- Beyaz: Robot süpürgecinin temizlemediği alan
- Gri: LiDAR sensörü ile algılanan duvarlar veya engeller

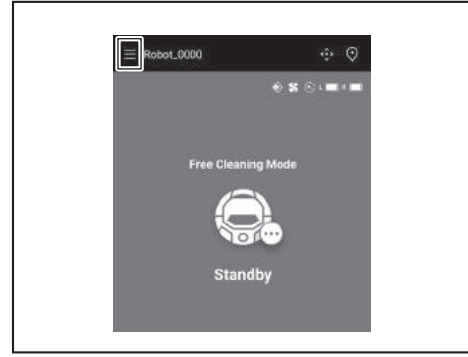


1. Temizlenmiş alan boyutu 2. Temizlik kapsamı (yalnızca haritalandırma temizlik)

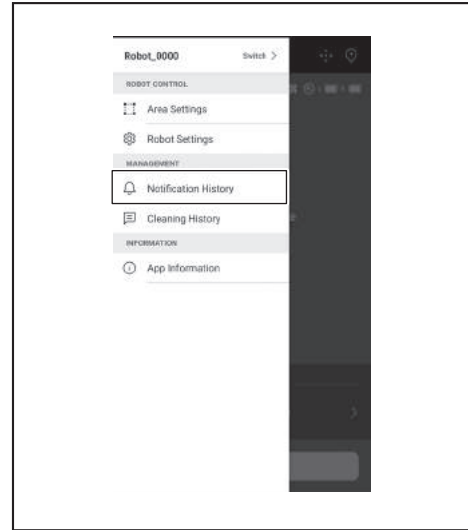
- Temizlenen alanın boyutu ve kapsamı kesin değerler değildir. Bu bilgiyi yaklaşık bir kılavuz olarak kullanın.

## Hata geçmişlerini kontrol etme

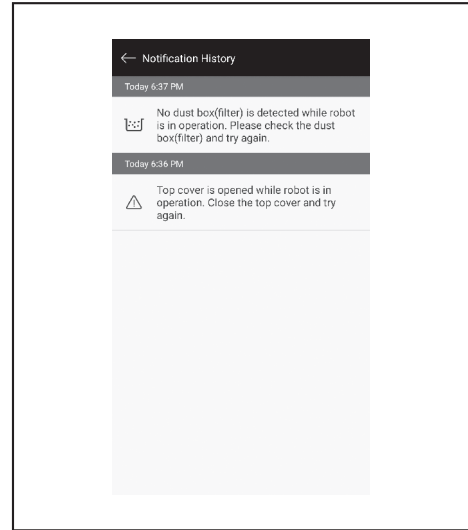
1. Ana ekranda ☰ ögesine dokununuz.



2. [Notification History] ögesine dokununuz.



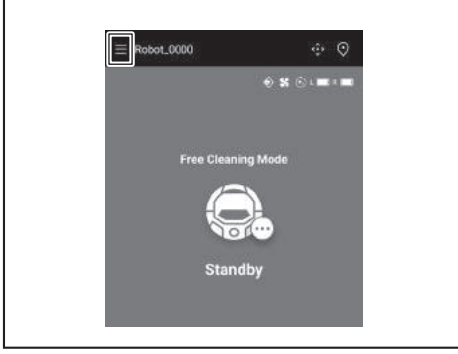
Hatanın tarihi, saati ve içeriği görüntülenecektir. En fazla 10 geçmiş kaydedilebilir. 10 geçmiş zaten kaydedilmişse yeni bir geçmiş kaydedildiğinde en eski geçmiş silinecektir.



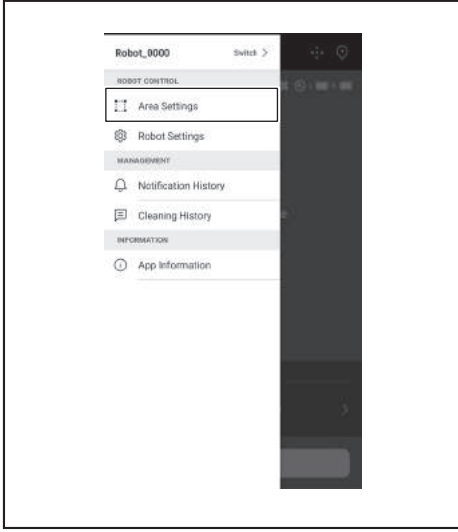
## Haritalama bilgilerini ekleme, deęiřtirme veya silme

Menü penceresindeki [Area Settings] öęesinden haritalama bilgilerini ekleyebilir, deęiřtirebilir veya silebilirsiniz.

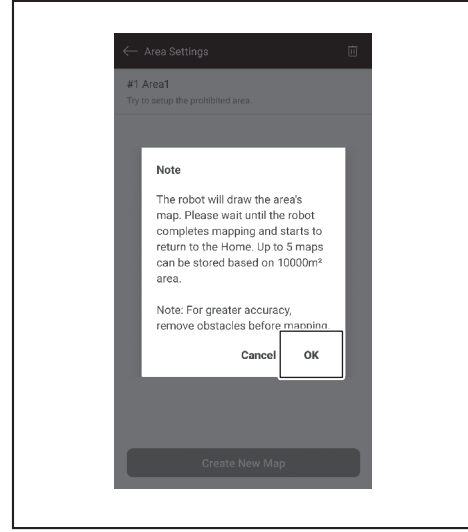
1. Ana ekranda  öęesine dokununuz.



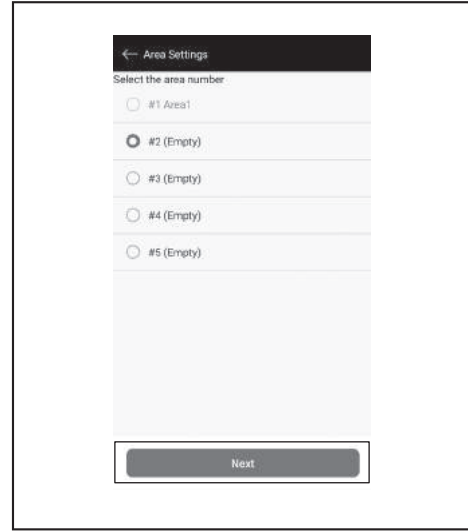
2. [Area Settings] öęesine dokununuz.



2. Bir bildirim görüntülenir. [OK] öęesine dokununuz.



3. Haritalama bilgilerinin kaydedileceęi boş bir yuva seęin ve sonra [Next] öęesine dokununuz.

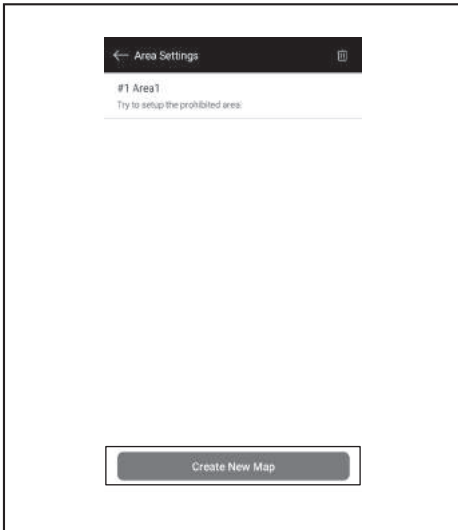


## Haritalama bilgileri ekleme

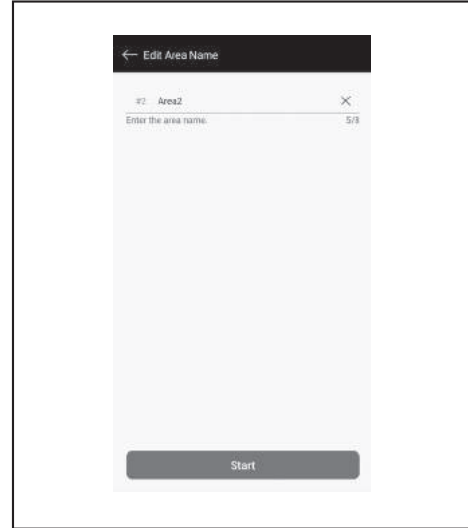
10000 m<sup>2</sup>'ye kadar alan büyüklüęüne sahip en fazla 5 harita için bilgi kaydedebilirsiniz.

Alan boyutu, haritalanan alanın gerçek boyutunu deęil, tüm haritalanan alanı kapsayan dikdörtgen alanı gösterir.

1. [Area Settings] ekranında, [Create New Map] öęesine dokununuz.

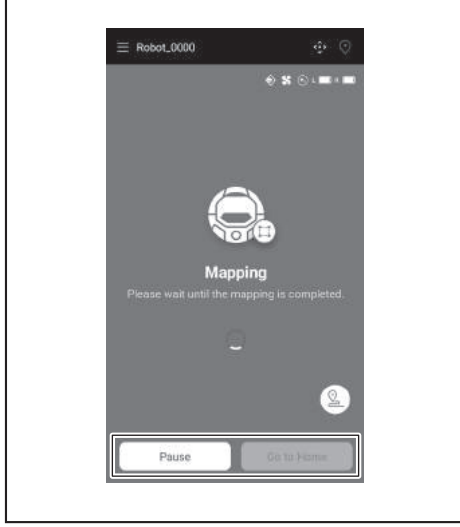


4. Bir alan adı girin (En fazla 8 karakter).

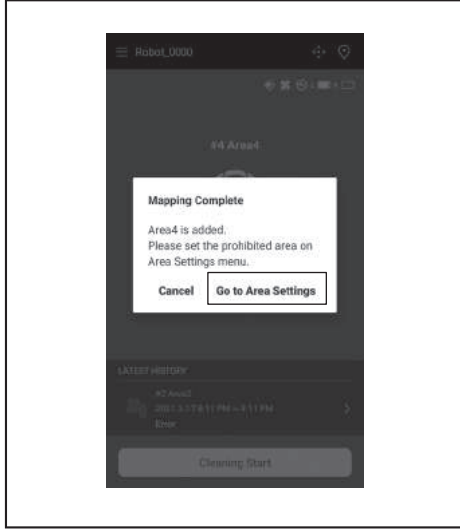


5. [Start] öęesine dokununuz.

6. Robot süpürge haritalamaya başlar.
  - [Pause] üzerine dokunmak, robot süpürgeyi geçici olarak haritalamayı durdurmasına neden olur.
  - Duraklatıldığında [Go to Home] öğesine dokunmak, robot süpürgeyi haritalamaya başladığı noktaya geri dönmesiyle sonuçlanır. Dokunduğunuz ana kadar oluşturulan haritalama bilgileri kaydedilir. Robot süpürge başlangıç noktasına dönerken uygulama ana ekrana gider.



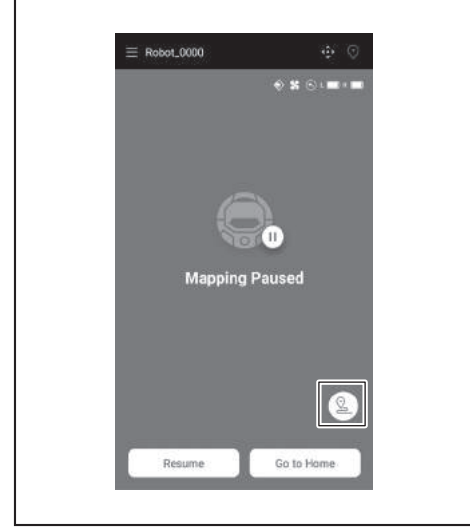
7. Haritalama tamamlandıktan sonra, alan ayarlarının yapıp yapılmayacağına dair diyalog görüntülenir.
  - Temizleme aralığını sınırlamak istiyorsanız [Go to Area Settings] öğesine dokununuz. (Bkz. sayfa 40.)



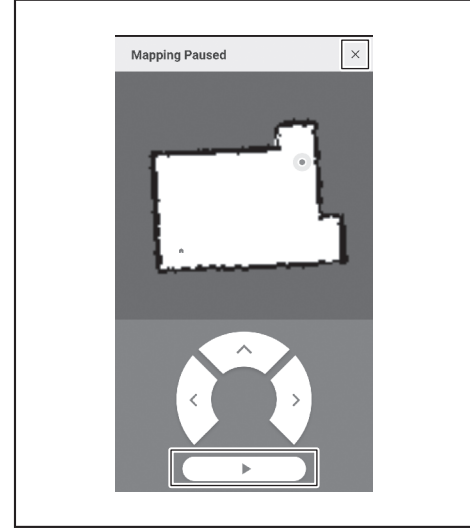
## Haritalama bilgilerini manuel olarak ekleme (manuel haritalama)

Haritalama sırasında, haritalama bilgilerini uygulama ile manuel olarak ekleyebilirsiniz. Karmaşık bir zemin düzenini haritalarken önerilir.

1. [Pause] öğesine dokununuz ve ardından uzaktan kumanda düğmelerini görüntülemek için [Pause] öğesine dokununuz.



2. Uygulamanın veya uzaktan kumandanın uzaktan kumanda düğmelerini kullanarak zemin düzenini çizmek için robot süpürgeyi hareket ettirin.
  - Haritalama bilgilerini manuel olarak ekledikten sonra, otomatik haritalamaya devam etmek için [Resume] öğesine dokununuz.
  - Haritalama işleminden çıkmak istiyorsanız, [X] ve ardından [Go to Home] öğesine dokununuz veya uzaktan kumandadaki başlama noktası düğmesine basın.

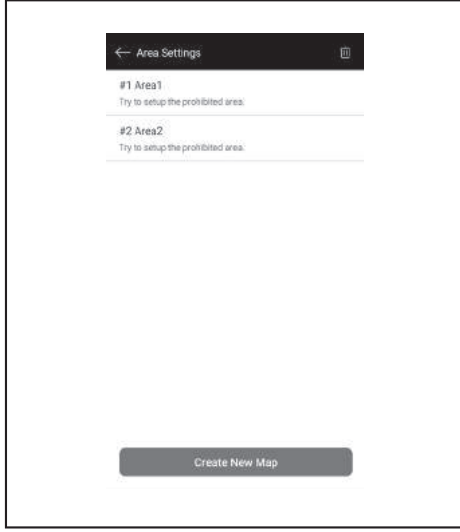




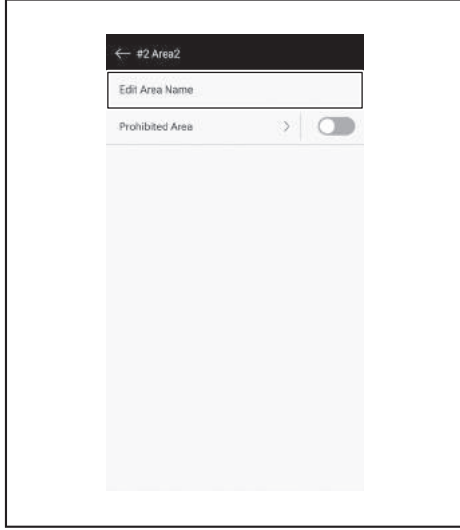
## Haritalama bilgilerinin adını deęiřtirme

[Area Settings] ekranında, deęiřtirmek istedięiniz haritalama bilgilerine dokunun. Ayarlar ekranına gitmek için bir ada dokunabilirsiniz.

1. [Area Settings] ekranında, deęiřtirmek istedięiniz haritalama bilgilerine dokunun.



2. [Edit Area Name] öęesine dokunun.



3. Adı düzenleyin (En fazla 8 karakter).



4. Adla ilgili işlemi bitirmek için [Save] öęesine dokunun.

## Temizleme aralıęını sınırlandırma

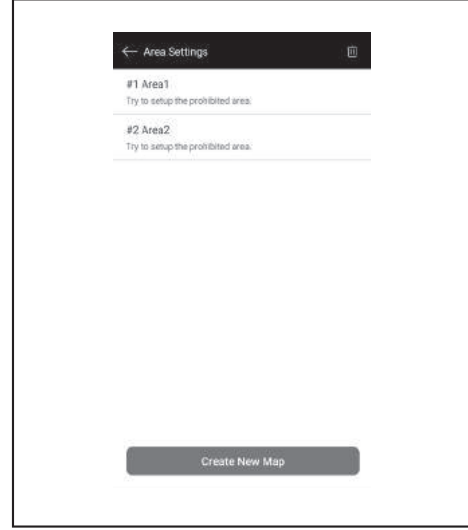
### UYARI

Uygulama tarafından yapılandırılan temizleme yasak alanını, izinsiz giriş veya düşme nedeniyle bir kazanın meydana gelebileceęi bir alanın sınır hattı olarak kullanmayın.

- Bunu yapmak, robot süpürge'nin izinsiz girmesi veya düşmesi nedeniyle bir kazaya veya yaralanmaya neden olabilir. Robot süpürge'nin gerçek yörünge'si, temizlenmesi yasak alan ayarından biraz farklı olabilir.

Robot süpürge'nin izinsiz girme veya düşme riski olan bir alan için düz bir yüzey üzerine duvar görevi gören 25 cm veya daha yüksek bir nesne (robot süpürge çarptığında hareket etmeyen veya düşmeyen bir nesne) yerleřtirin. (Bkz. sayfa 10.)




1. [Area Settings] ekranında, deęiřtirmek istedięiniz haritalama bilgilerine dokunun.



2. [Prohibited Area] tarafındaki > öęesine dokunun.



### 3. Temizliğin yasak olduğu bir alan ayarlayın.


- Temizlemenin yasak olduğu bir alan (en fazla 100 alan) eklemek için ekranın sağ üst köşesindeki  simgesine dokunabilirsiniz.
- Temizlemenin yasak olduğu bir alanı taşımak için sürükleyebilirsiniz.
- Boyutu ayarlamak için temizlemenin yasak olduğu bir alanın sağ alt köşesinde sürükleyebilirsiniz.
- Temizlemenin yasak olduğu alanı silmek için temizlemenin yasak olduğu bir alanın sol üst köşesindeki  simgesine dokunabilirsiniz.
- Temizlemenin yasak olduğu tüm alanları silmek için ekranın sağ üst köşesindeki  simgesine dokunabilirsiniz.
- Başlangıç noktası çevresinde 2 m'lik bir aralık içinde temizlemenin yasak olduğu bir alan belirleyemezsiniz.
- Ayarladığınız temizlemenin yasak olduğu bir alanın yakınındaki ortama bağlı olarak, belirtilen alanın etrafını temizlemek mümkün olmayabilir.

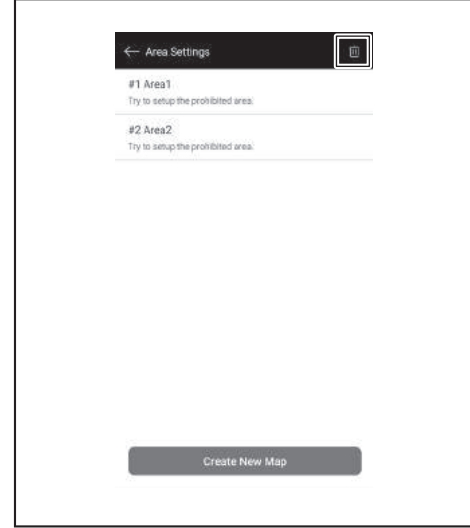


4. [Save] ögesine dokunmak, değiştirilmiş haritalama bilgilerinin kaydedilmesine neden olur.
5. Kayıtlı temizlik yasak alanını etkinleştirmek için [Prohibited Area] yanındaki Açık/Kapalı (Açık olduğunda yeşil renkli) üzerine dokunun.

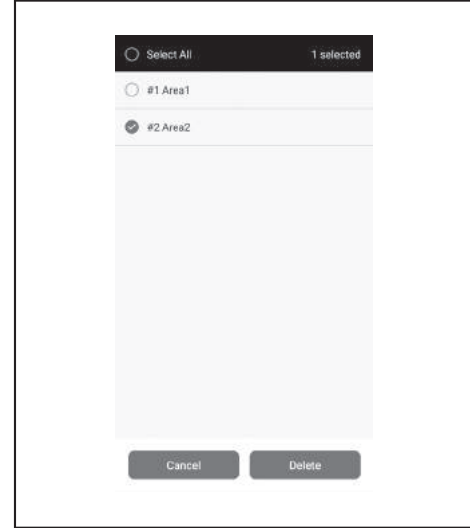


## Haritalama bilgilerini silme

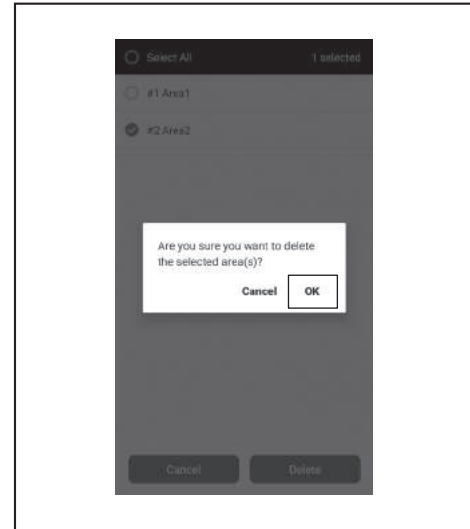
1. [Area Settings] ekranında  ögesine dokunun.



2. Silmek istediğiniz haritalama bilgisini seçin.
  - Haritalama bilgisinin başındaki daire, o haritalama bilgisi seçildiğinde renklendirilir.
  - Tüm öğeleri seçmek için [Select All] ögesine dokunabilirsiniz.



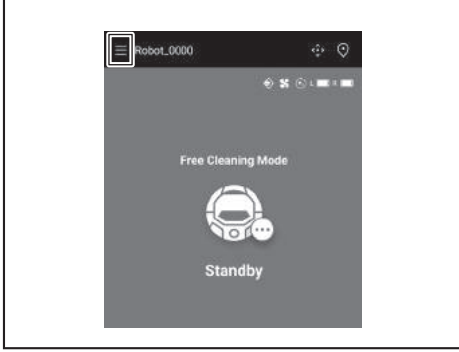
3. [Delete] ögesine dokunun.
4. Bir bildirim görüntülenir. [OK] ögesine dokunun.



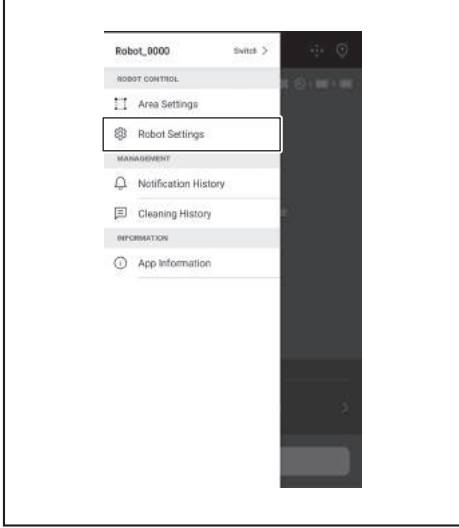
## Ayarları deęiřtirme ve kontrol etme

Ayarlar, menü penceresindeki [Robot Settings] öęesinden deęiřtirilebilir ve kontrol edilebilir.

1. Ana ekranda  öęesine dokununuz.



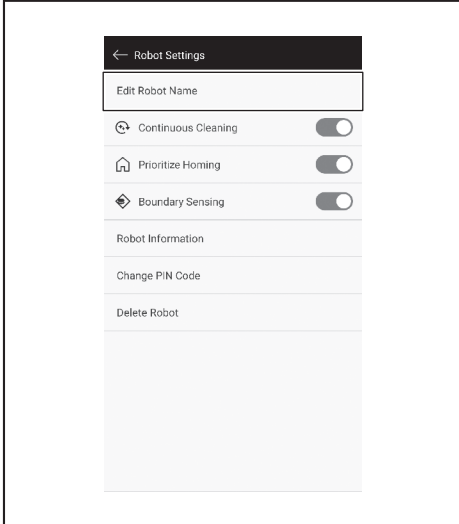
2. [Robot Settings] öęesine dokununuz.



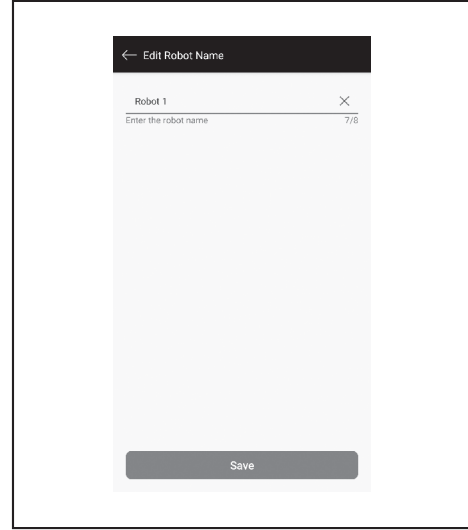
## Kayıtlı bir robot süpürge adını deęiřtirme

Bu ayar yalnızca uygulamadaki robot süpürge adını deęiřtirir. Wi-Fi® için SSID deęiřtirilmeyecektir.

1. [Robot Settings] ekranında, [Edit Robot Name] öęesine dokununuz.



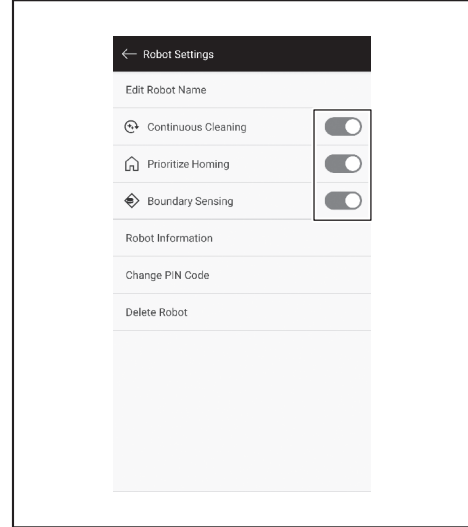
2. Yeni bir ad giriniz (En fazla 8 karakter).



3. Adı girmeyi bitirdiđinizde [Save] öęesine dokununuz.

## Temizleme seęeneklerini ayarlama

1. [Robot Settings] ekranında, gerekirse [Continuous Cleaning] veya [Prioritize Homing] yanındaki Açık/Kapalı (Açık olduđunda yeřil renkli) öęesine dokununuz.
  - [Continuous Cleaning]: Robot süpürge tüm temizleme alanını temizlemeden önce batarya kapasitesi bittiđinde ve temizlenmemiř alanı bir dahaki sefere temizlemeye devam etmek istediđinizde bu seęeneđi seęiniz.
  - [Prioritize Homing]: Bu ayar, robot süpürge sık sık temizliđin bařlangıç noktasına geri dönemediđinde önerilir. Normalden daha fazla batarya kapasitesi kalması kořuluyula robot süpürge temizlemenin bařlangıç noktasına dönmeye bařlar.
  - [Boundary Sensing]: Manyetik sınır hattını kullanırken bu seęeneđi seęiniz. Robot süpürge, manyetik sınır hattını sınır olarak algılar. (Bkz. sayfa 20.)

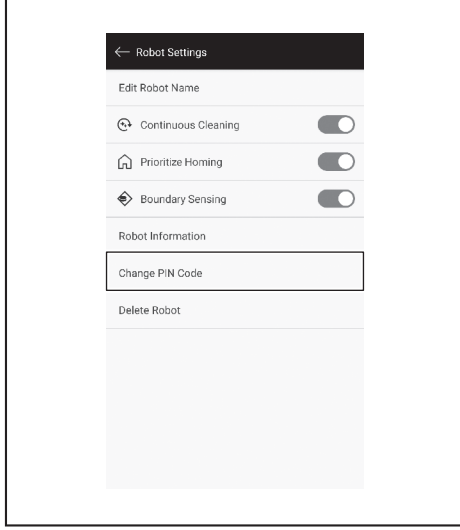


## PIN kodunu deęiřtirme

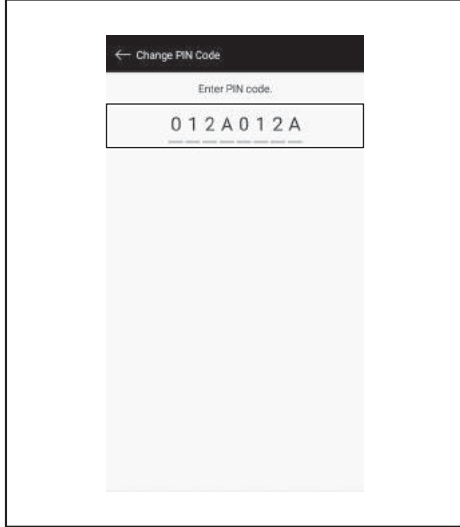
Robot sprgeinin PIN kodu deęiřtirilebilir. Ayarladığınız PIN kodunu unutursanız, robot sprgeyi fabrika varsayılanlarına sıfırlamak için bkz. "Ayarları sıfırlama", sayfa 23.

Fabrika varsayılan PIN kodunu kontrol etmek için bkz. "İlk ayar", sayfa 33.

1. [Robot Settings] ekranında, [Change PIN Code] öğesine dokununuz.



2. Geçerli PIN kodunu (sekiz basamaklı) girin.

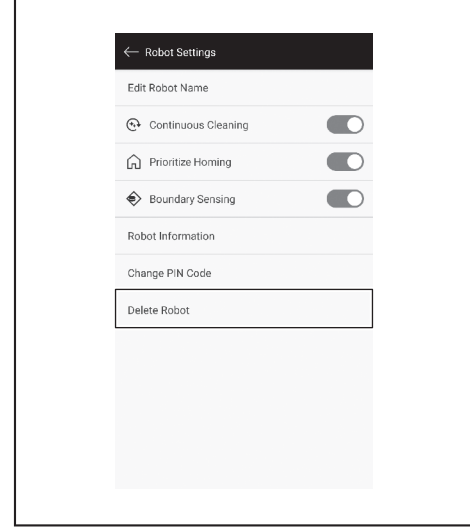


3. Ayarlamak istediğiniz yeni PIN kodunu (sekiz basamaklı) girin. Yeni PIN kodunu arka arkaya iki kez girin.

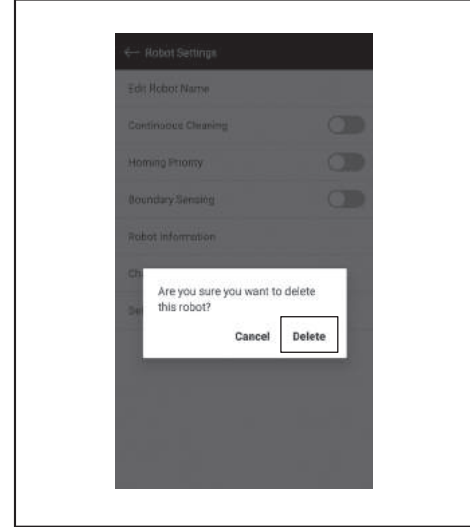


## Kayıtlı robot sprge bilgilerini silme

1. [Robot Settings] ekranında, [Delete Robot] öğesine dokununuz.

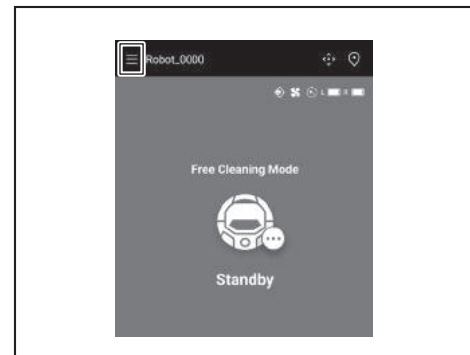


2. Silme işlemini onaylamak için bir iletişim kutusu görünür. Silme işlemini bitirmek için [Delete] öğesine dokununuz.

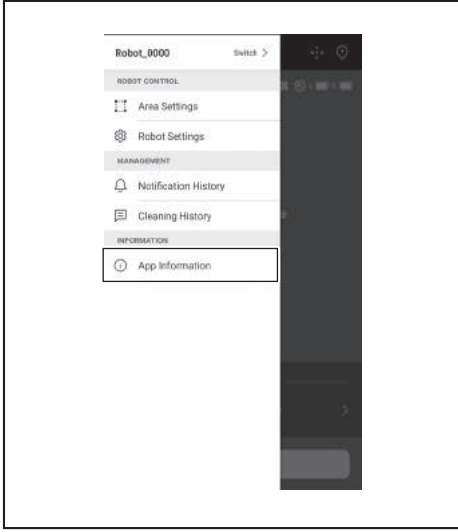


## Uygulama bilgilerini kontrol etme

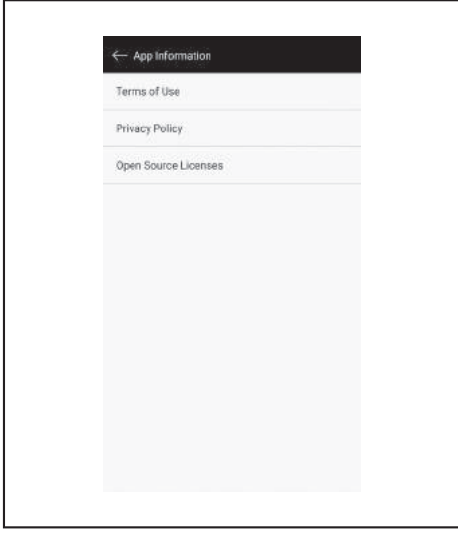
1. Ana ekranda ☰ öğesine dokununuz.



2. [App Information] ögesine dokunun.

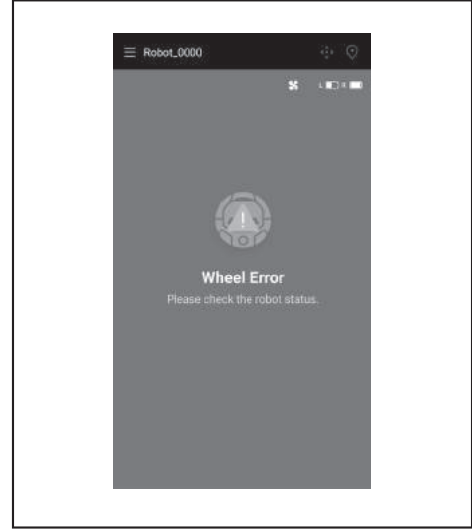
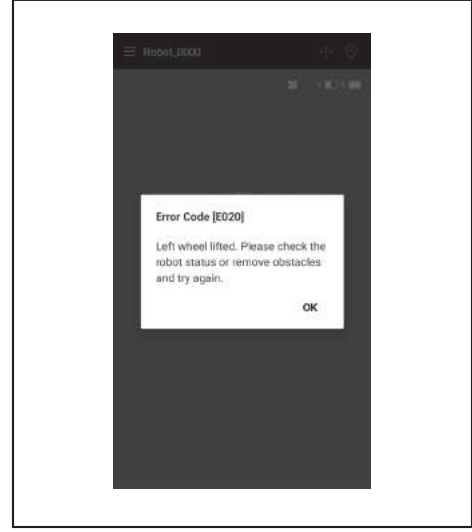


3. Kontrol etmek istediğiniz bilgiye dokunun.



## Hata mesajı/diyalog

Bir hata oluştuğunda, bir hata mesajı veya diyalog görüntülenir. Bu durumda mesajdaki veya diyalogdaki talimatları izleyin.



**Açık Kaynaklı Yazılım ile ilgili Önemli Not**

Bu ürün, GNU Genel Kamu Lisansı (GPL), GNU Daha Kısıtlı Genel Kamu Lisansı (LGPL) ve diğer lisanslar kapsamında açık kaynaklı yazılım (bundan sonra "Açık Kaynaklı Yazılım" olarak anılacaktır) içermektedir.

Açık Kaynaklı Yazılım için lisansların ayrıntıları (telif hakkı sahipleri ve lisansların bildirimi) aşağıdaki web sitesinde ücretsiz olarak açıklanmaktadır. Ayrıca, bu lisanslar kapsamında tarafımızdan yayınlanan Açık Kaynaklı Yazılım kaynak kodu da aşağıdaki web sitesinde ücretsiz olarak açıklanmaktadır.

<https://oss.makita.biz/index.html>

- Lütfen Açık Kaynaklı Yazılım için kaynak kodu ile ilgili sorgulamalarda bulunmaktan kaçının.
- Açık Kaynaklı Yazılım ile ilgili olarak herhangi bir garanti sunmamaktayız. Ancak bu önemli not, ürün kusurları (Açık Kaynaklı Yazılımın neden olduğu kusurlar dahil) için garanti kapsamımızı sınırlandırmamaktadır.

**Avrupa ülkeleri için**

Wi-Fi modülü	Modül Adı	LCW-006
	Frekans Aralığı/Güç	2412,0 - 2462,0 MHz/17,48 dBm (EIRP) 2422,0 - 2452,0 MHz/13,75 dBm (EIRP)
	Yazılım Sürümü	V1.0
Bluetooth modülü	Modül Adı	T007-MA-MD
	Frekans Aralığı/Güç	2402,0 - 2480,0 MHz/7 dBm (EIRP)
	Yazılım Sürümü	V01.03
Uzaktan kumanda	Modül Adı	C011
	Frekans Aralığı/Güç	2402,0 - 2480,0 MHz/-4 dBm (EIRP)
	Yazılım Sürümü	V01.04

Bu cihaz, tüm kişilerden en az 20 cm'lik bir mesafe sağlayacak şekilde kurulmalı ve çalıştırılmalıdır.



Makita Europe N.V. Jan-Baptist Vinkstraat 2,  
3070 Kortenberg, Belgium

Makita Corporation 3-11-8, Sumiyoshi-cho,  
Anjo, Aichi 446-8502 Japan



[www.makita.com](http://www.makita.com)

885890D997  
EN, FR, DE, IT, NL,  
ES, PT, DA, EL, TR  
20240115