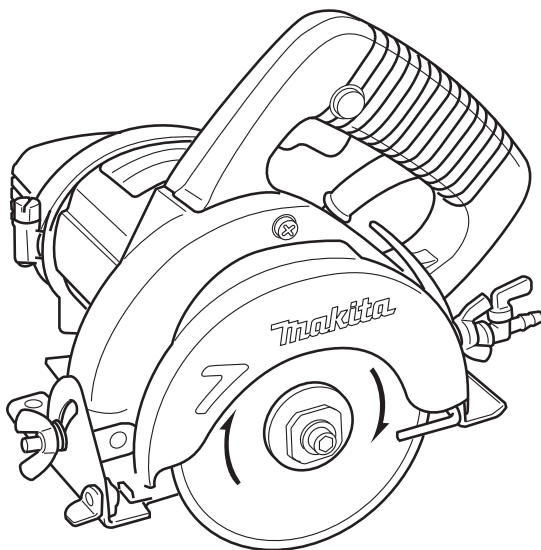
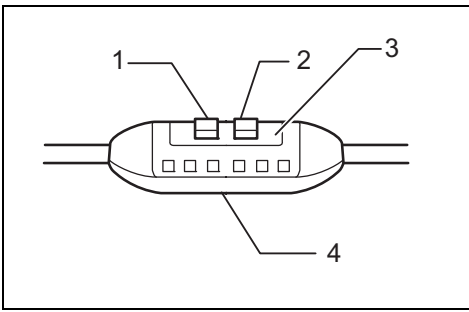




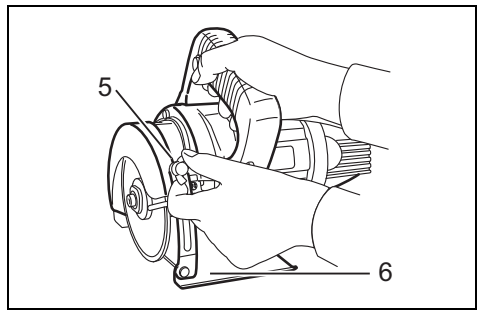
|                              |                                |
|------------------------------|--------------------------------|
| <b>GB</b> Cutter             | <b>Instruction Manual</b>      |
| <b>F</b> Scie diamant        | <b>Manuel d'instructions</b>   |
| <b>D</b> Schneider           | <b>Betriebsanleitung</b>       |
| <b>I</b> Troncatrice         | <b>Istruzioni per l'uso</b>    |
| <b>NL</b> Doorslijpmachine   | <b>Gebruiksaanwijzing</b>      |
| <b>E</b> Cortadora de Mármol | <b>Manual de instrucciones</b> |
| <b>P</b> Serra Mármore       | <b>Manual de instruções</b>    |
| <b>DK</b> Skærer             | <b>Brugsanvisning</b>          |
| <b>GR</b> Κοπτη              | <b>Οδηγίες χρήσεως</b>         |

# 4101RH

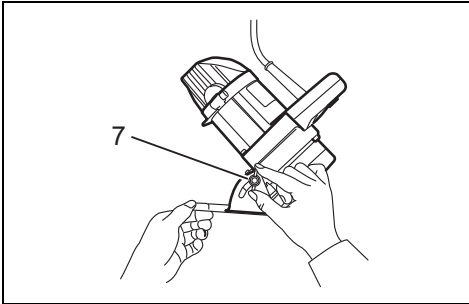




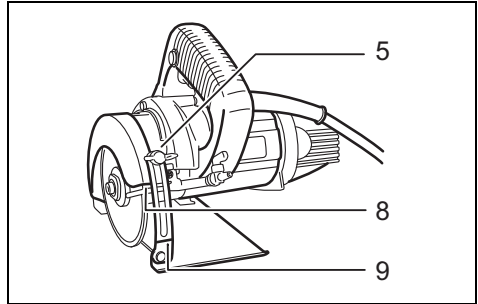
**1** 005151



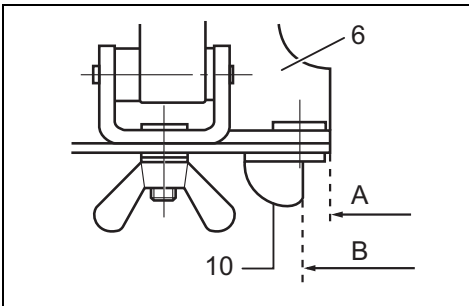
**2** 003510



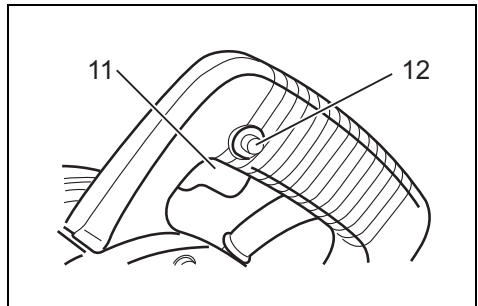
**3** 003515



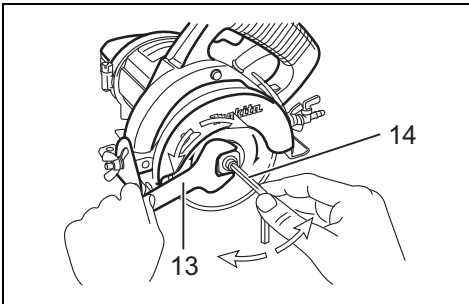
**4** 003516



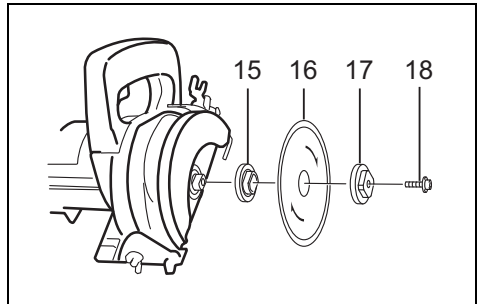
**5** 003520



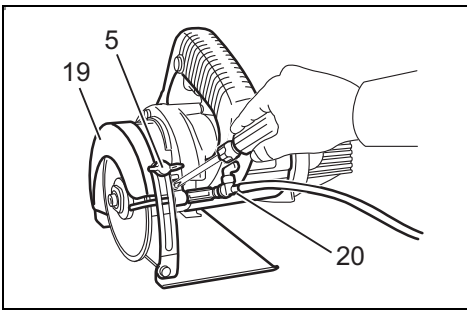
**6** 003523



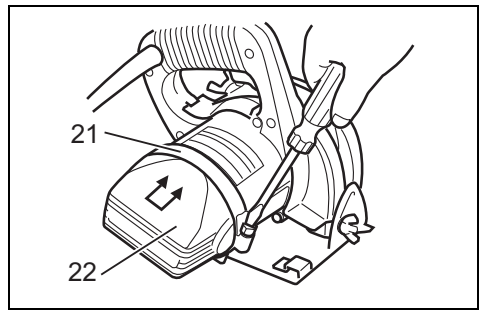
**7** 003528



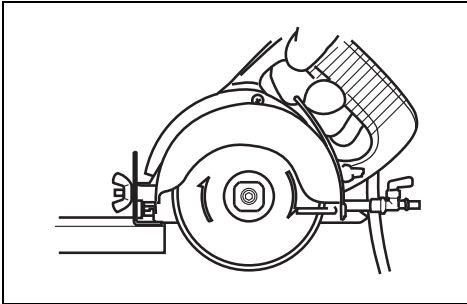
**8** 003529



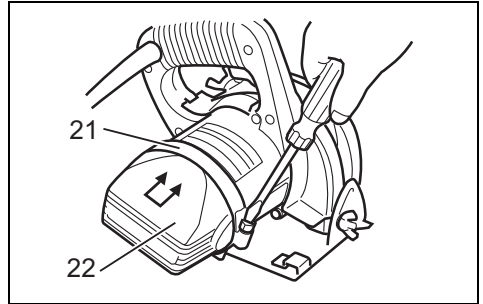
9 003536



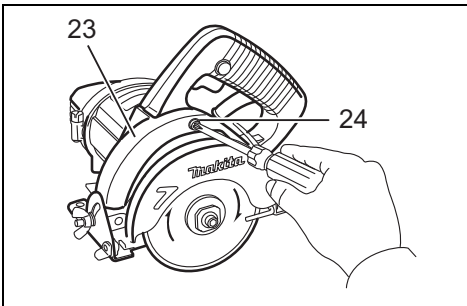
10 003543



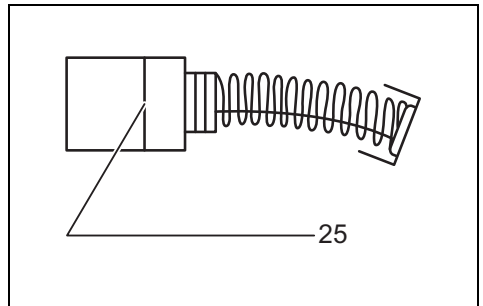
11 003545



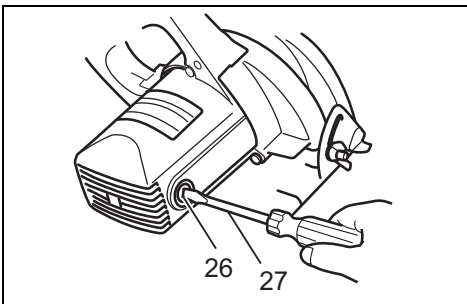
12 003543



13 003549



14 001145



15 003550

## Symbols

The following show the symbols used for the equipment. Be sure that you understand their meaning before use.

## Symboles

Nous donnons ci-dessous les symboles utilisés pour l'outil. Assurez-vous que vous en avez bien compris la signification avant d'utiliser l'outil.

## Simbole

Die folgenden Symbole werden für die Maschine verwendet. Machen Sie sich vor der Benutzung unbedingt mit ihrer Bedeutung vertraut.

## Simboli

Per questo utensile vengono usati i simboli seguenti. Bisogna capire il loro significato prima di usare l'utensile.

## Symbolen

Voor dit gereedschap worden de volgende symbolen gebruikt. Zorg ervoor dat u de betekenis van deze symbolen begrijpt alvorens het gereedschap te gebruiken.

## Símbolos

A continuación se muestran los símbolos utilizados con esta herramienta. Asegúrese de que entienda su significado antes de usarla.

## Símbolos

O seguinte mostra os símbolos utilizados para a ferramenta. Certifique-se de que compreende o seu significado antes da utilização.

## Symboler

Nedenstående symboler er anvendt i forbindelse med denne maskine. Vær sikker på, at De har forstået symbolernes betydning, før maskinen anvendes.

## Σύμβολα

Τα ακόλουθα δείχνουν τα σύμβολα που χρησιμοποιούνται για το μηχάνημα. Βεβαιωθείτε ότι καταλαβαίνετε τη σημασία τους πριν από τη χρήση.



- Read instruction manual.
- Lire le mode d'emploi.
- Bitte Bedienungsanleitung lesen.
- Leggete il manuale di istruzioni.
- Lees de gebruiksaanwijzing.
- Lea el manual de instrucciones.
- Leia o manual de instruções.
- Læs brugsanvisningen.
- Διαβάστε τις οδηγίες χρήσης.



- Wear safety glasses.
- Porter des lunettes de protection.
- Schutzbrille tragen.
- Indossare occhiali di protezione.
- Draag een veiligheidsbril.
- Póngase gafas de seguridad.
- Utilize óculos de segurança.
- Bær sikkerhedsbriller.
- Φορέστε γυαλιά ασφαλείας.



- The tool should be used on horizontal surfaces.
- Cet outil doit être utilisé exclusivement sur des surfaces horizontales.
- Die Maschine sollte nur auf horizontalen Flächen verwendet werden.
- L'utensile deve essere usato sulle superfici orizzontali.
- Het gereedschap mag alleen worden gebruikt op horizontale oppervlakken.
- La herramienta deberá ser utilizada en superficies horizontales.
- Esta ferramenta deve ser utilizada em superfícies horizontais.
- Maskinen bør kun anvendes på vandrette overflader.
- Το εργαλείο πρέπει να χρησιμοποιείται σε οριζόντιες επιφάνειες.



- Do not use the tool upside down.
- N'utilisez pas l'outil à l'envers.
- Benutzen Sie die Maschine nicht umgedreht.
- Non usare l'utensile capovolto.
- Gebruik dit gereedschap niet ondersteboven.
- No utilice la herramienta al revés.
- Não utilize a ferramenta virada ao contrário.
- Anvend ikke maskinen, hvis den er vendt på hovedet.
- Μη χρησιμοποιείτε το εργαλείο ανάποδα.



- The tool should be used with the PRCD (Portable Residual Current Device).
- L'outil doit être utilisé avec un dispositif portable pour courant résiduel.
- Die Maschine ist mit der tragbaren Fehlerstrom-Schutzeinrichtung (PRCD) zu benutzen.
- L'utensile deve essere usato con il PRCD (dispositivo di corrente residua portatile).
- Het gereedschap moet worden gebruikt met het draagbaar reststroomapparaat (PRCD).
- La herramienta deberá ser utilizada con el PRCD (Dispositivo de corriente residual portátil).
- A máquina deve ser usada com o PRCD (Dispositivo portátil de corrente residual).
- Maskinen bør anvendes med den bærbare reststrømsanordning (PRCD).
- Το εργαλείο πρέπει να χρησιμοποιείτε με το PRCD (Φορητή συσκευή παραμένοντος ρεύματος).



- Do not use the abrasive cut-off wheel.
- N'utilisez pas de meule de tronçonnage abrasive.
- Keine Trennschleifscheiben verwenden.
- Non usare dischi troncatori abrasivi.
- Gebruik geen doorslijpschijf.
- No utilice un disco de corte abrasivo.
- Não utilize disco abrasivo de corte.
- Anvend ikke den slibende afskæringsskive.
- Μη χρησιμοποιείτε το λειαντικό δίσκο κοπής.



- After use, brush off accumulation of dust on the base.
- Après l'utilisation, retirez les poussières accumulées sur la base de l'outil.
- Nach dem Gebrauch auf der Grundplatte angesammelten Staub abwischen.
- Dopo l'uso, togliere la polvere che si è accumulata sulla base.
- Na het gebruik verwijdert u de laag stof van de zool.
- Después de la utilización, quite con un cepillo el polvo acumulado en la base.
- Depois da utilização, limpe a acumulação de pó da base.
- Efter brugen skal man blæse ansamling af støv bort fra grundpladen.
- Μετά τη χρήση, απομακρύνετε με βούρτσισμα τη συσσωρευμένη σκόνη από τη βάση.



- Do not use the saw blade.
- N'utilisez pas une lame de scie.
- Keine Sägeblätter verwenden.
- Non usare lame di sega.
- Gebruik geen zaagblad.
- No utilice un disco de sierra.
- Não utilize a lâmina da serra.
- Anvend ikke savblad.
- Μην χρησιμοποιείτε τη λεπίδα πριονιού.



- Only for EU countries  
Due to the presence of hazardous components in the equipment, used electrical and electronic equipment may have a negative impact on the environment and human health.  
Do not dispose of electrical and electronic appliances with household waste!  
In accordance with the European Directive on waste electrical and electronic equipment and its adaptation to national law, used electrical and electronic equipment should be collected separately and delivered to a separate collection point for municipal waste, operating in accordance with the environmental protection regulations.  
This is indicated by the symbol of the crossed-out wheeled bin placed on the equipment.
- Pour les pays de l'Union européenne uniquement  
En raison de la présence de composants dangereux dans l'équipement, les équipements électriques et électroniques usagés peuvent avoir un impact négatif sur l'environnement et la santé humaine.  
Ne jetez pas les appareils électriques et électroniques avec les ordures ménagères !  
Conformément à la directive européenne relative aux déchets d'équipements électriques et électroniques et à son adaptation à la législation nationale, les équipements électriques et électroniques usagés doivent être collectés séparément et déposés dans un point de collecte distinct pour déchets urbains, conformément aux réglementations en matière de protection de l'environnement.  
Cela est indiqué par le symbole de la poubelle à roulettes barrée sur l'équipement.

- Nur für EU-Länder

Aufgrund des Vorhandenseins gefährlicher Komponenten in der Ausrüstung können Elektro- und Elektronik-Altgeräte sich negativ auf die Umwelt und die menschliche Gesundheit auswirken. Entsorgen Sie Elektro- und Elektronikgeräte nicht mit dem Hausmüll!

In Übereinstimmung mit der Europäischen Richtlinie über Elektro- und Elektronik-Altgeräte und ihrer Anpassung an nationales Recht sollten Elektro- und Elektronik-Altgeräte gemäß den Umweltschutzbestimmungen getrennt gesammelt und zu einer getrennten Sammelstelle für Siedlungsabfälle geliefert werden.

Dies wird durch das am Gerät angebrachte Symbol der durchgestrichenen Abfalltonne auf Rädern angezeigt.
- Solo per le nazioni dell'EU

A causa della presenza di componenti pericolosi nelle apparecchiature, le apparecchiature elettriche ed elettroniche usate potrebbero produrre un impatto negativo sull'ambiente e sulla salute umana.

Non smaltire elettrodomestici elettrici ed elettronici insieme ai rifiuti domestici!

In conformità alla direttiva europea sui rifiuti di apparecchiature elettriche ed elettroniche (RAEE), e al suo adattamento alle normative nazionali, le apparecchiature elettriche ed elettroniche usate vanno sottoposte a raccolta differenziata e conferite a un punto di raccolta separato per i rifiuti comunali, operando in conformità alle normative per la protezione dell'ambiente.

Tale requisito viene indicato mediante il simbolo del bidone della spazzatura con ruote barrato apposto sull'apparecchio.
- Alleen voor EU-landen

Als gevolg van de aanwezigheid van schadelijke componenten in het apparaat, kunnen gebruikte elektrische en elektronische apparaten negatieve gevolgen hebben voor het milieu en de gezondheid van mensen.

Gooi elektrische en elektronische apparaten niet met het huisvuil weg!

In overeenstemming met de Europese richtlijn inzake oude elektrische en elektronische apparaten en de toepassing daarvan binnen de nationale wetgeving, dienen gebruikte elektrische en elektronische apparaten gescheiden te worden ingezameld en te worden ingeleverd bij een apart inzamelingspunt voor huishoudelijk afval dat de milieubeschermingsvoorschriften in acht neemt.

Dit wordt op het apparaat aangegeven door het symbool van een doorgekruiste afvalcontainer.
- Sólo para países de la Unión Europea

Debido a la presencia de componentes peligrosos en el equipo, el equipo eléctrico y electrónico desechado puede tener un impacto negativo para el medioambiente y la salud humana.

¡No tire los aparatos eléctricos y electrónicos junto con los residuos domésticos!

De conformidad con las Directivas Europeas sobre residuos de aparatos eléctricos y electrónicos, y su adaptación a la ley nacional, el equipo eléctrico y electrónico desechado deberá ser recogido por separado y trasladado a un punto distinto de recogida de desechos municipales, que cumpla con los reglamentos de protección medioambiental.

Esto se indica mediante el símbolo de cubo de basura tachado colocado en el equipo.
- Apenas para países da UE

Devido à presença de componentes perigosos no equipamento, o equipamento elétrico e eletrônico usado pode ter um impacto negativo no meio ambiente e na saúde humana.

Não elimine aparelhos elétricos e eletrônicos juntamente com resíduos domésticos!

De acordo com a Diretiva europeia relativa aos resíduos de equipamentos elétricos e eletrônicos e a respetiva adaptação à legislação nacional, os equipamentos elétricos e eletrônicos usados devem ser recolhidos separadamente e entregues num ponto de recolha separado para resíduos municipais, que opere de acordo com os regulamentos de proteção ambiental.

Tal é indicado pelo símbolo de contentor de lixo com rodas barrado com uma cruz colocado no equipamento.
- Kun for lande inden for EU

Brugt elektrisk og elektronisk udstyr kan have en negativ indvirkning på miljøet og folkesundheden på grund af tilstedeværelsen af farlige komponenter i udstyret.

Bortskaf ikke elektriske og elektroniske apparater sammen med husholdningsaffald!

I overensstemmelse med EF-direktiv om affaldshåndtering af elektrisk og elektronisk udstyr, og i overensstemmelse med national lovgivning, skal brugt elektrisk og elektronisk udstyr opbevares separat og leveres til et separat indsamlingssted til kommunalt affald, der er etableret i henhold til bestemmelserne om miljøbeskyttelse.

Dette er angivet ved symbolet på den krydsede skraldespand, der er placeret på udstyret.

- Μόνο για τις χώρες της ΕΕ  
Λόγω της παρουσίας των επικίνδυνων συστατικών μερών στον εξοπλισμό, ο χρησιμοποιημένος ηλεκτρικός και ηλεκτρονικός εξοπλισμός μπορεί να έχει αρνητική επίδραση στο περιβάλλον και την ανθρώπινη υγεία.  
Μην απορρίπτετε τις ηλεκτρικές και ηλεκτρονικές συσκευές μαζί με τα οικιακά απορρίμματα!  
Σύμφωνα με την Ευρωπαϊκή Οδηγία για τον απόβλητο ηλεκτρικό και ηλεκτρονικό εξοπλισμό, καθώς και την προσαρμογή της στην εθνική νομοθεσία, ο χρησιμοποιημένος ηλεκτρικός και ηλεκτρονικός εξοπλισμός θα πρέπει να συλλέγεται ξεχωριστά και να παραδίδεται σε ξεχωριστό σημείο συλλογής για δημοτικά απόβλητα, το οποίο λειτουργεί σύμφωνα με τους κανονισμούς προστασίας του περιβάλλοντος.  
Αυτό υποδεικνύεται από το σύμβολο του διαγραμμένου τροχοφόρου κάδου που βρίσκεται αναρτημένο επάνω στον εξοπλισμό.

**Explanation of general view**

|   |                         |                     |
|---|-------------------------|---------------------|
| 1 TEST button                             | 10 Top guide            | 20 Water pipe       |
| 2 RESET or "ON" button                    | 11 Switch trigger       | 21 Clamp            |
| 3 Pilot lamp                              | 12 Lock-off button      | 22 Cover (A)        |
| 4 Portable residual current device (PRCD) | 13 Wrench 22            | 23 Cover (B)        |
| 5 Wing bolt                               | 14 Hex wrench           | 24 Screw            |
| 6 Base                                    | 15 Inner flange         | 25 Limit mark       |
| 7 Wing nut                                | 16 Diamond wheel        | 26 Brush holder cap |
| 8 End of blade case                       | 17 Outer flange         | 27 Screwdriver      |
| 9 Red line                                | 18 Hex socket head bolt |                     |
|   | 19 Blade case           |                     |

**SPECIFICATIONS**

GEB025-6

|   |                             |
|---|-----------------------------|
| <b>Model</b>  | <b>4101RH</b>               |
| Wheel diameter .....                                  | 125 mm                      |
| Max. wheel thickness .....                            | 2.1 mm                      |
| Max. cutting capacities                               |                             |
| 90° .....   | 41.5 mm                     |
| 45° .....   | 26 mm                       |
| Max. permitted pressure of water supply .....         | 0.14 MPa                    |
| Rated speed (n) / No load speed (n <sub>0</sub> ).... | 13,800 (min <sup>-1</sup> ) |
| Overall length .....                                  | 236 mm                      |
| Net weight .....                                      | 3.0 kg                      |
| Safety class .....                                    | Class I                     |

- Due to our continuing program of research and development, the specifications herein are subject to change without notice.
- Specifications may differ from country to country.
- Weight according to EPTA-Procedure 01/2003

ENE023-2

**Intended use**

The tool is intended for cutting in brick, concrete and stone.

ENF001-1

**Power supply**

The tool should be connected only to a power supply of the same voltage as indicated on the nameplate, and can only be operated on single-phase AC supply. This tool should be grounded while in use to protect the operator from electric shock. Use only three-wire extension cords which have three-prong grounding-type plugs and three-pole receptacles which accept the tool's plug.

GEA010-1

**General Power Tool Safety Warnings**

**⚠ WARNING** Read all safety warnings and all instructions. Failure to follow the warnings and instructions may result in electric shock, fire and/or serious injury.

Save all warnings and instructions for future reference.

**CUTTER SAFETY WARNINGS**

1. **The guard provided with the tool must be securely attached to the power tool and positioned for maximum safety, so the least amount of wheel is exposed towards the operator. Position yourself and bystanders away from the plane of the rotating wheel.** The guard helps to protect operator from broken wheel fragments and accidental contact with wheel.
2. **Use only diamond cut-off wheels for your power tool.** Just because an accessory can be attached to your power tool, it does not assure safe operation.
3. **The rated speed of the accessory must be at least equal to the maximum speed marked on the power tool.** Accessories running faster than their rated speed can break and fly apart.
4. **Wheels must be used only for recommended applications. For example: do not grind with the side of cut-off wheel.** Abrasive cut-off wheels are intended for peripheral grinding, side forces applied to these wheels may cause them to shatter.
5. **Always use undamaged wheel flanges that are of correct diameter for your selected wheel.** Proper wheel flanges support the wheel thus reducing the possibility of wheel breakage.
6. **The outside diameter and the thickness of your accessory must be within the capacity rating of your power tool.** Incorrectly sized accessories cannot be adequately guarded or controlled.
7. **The arbour size of wheels and flanges must properly fit the spindle of the power tool.** Wheels and flanges with arbour holes that do not match the mounting hardware of the power tool will run out of balance, vibrate excessively and may cause loss of control.
8. **Do not use damaged wheels. Before each use, inspect the wheels for chips and cracks. If power tool or wheel is dropped, inspect for damage or install an undamaged wheel. After inspecting and installing the wheel, position yourself and bystanders away from the plane of the rotating wheel and run the power tool at maximum no load speed for one minute.** Damaged wheels will normally break apart during this test time.



9. **Wear personal protective equipment.** Depending on application, use face shield, safety goggles or safety glasses. As appropriate, wear dust mask, hearing protectors, gloves and shop apron capable of stopping small abrasive or workpiece fragments. The eye protection must be capable of stopping flying debris generated by various operations. The dust mask or respirator must be capable of filtering particles generated by your operation. Prolonged exposure to high intensity noise may cause hearing loss.
10. **Keep bystanders a safe distance away from work area. Anyone entering the work area must wear personal protective equipment.** Fragments of workpiece or of a broken wheel may fly away and cause injury beyond immediate area of operation.
11. **Hold the power tool by insulated gripping surfaces only, when performing an operation where the cutting accessory may contact hidden wiring or its own cord.** Cutting accessory contacting a “live” wire may make exposed metal parts of the power tool “live” and could give the operator an electric shock.
12. **Position the cord clear of the spinning accessory.** If you lose control, the cord may be cut or snagged and your hand or arm may be pulled into the spinning wheel.
13. **Never lay the power tool down until the accessory has come to a complete stop.** The spinning wheel may grab the surface and pull the power tool out of your control.
14. **Do not run the power tool while carrying it at your side.** Accidental contact with the spinning accessory could snag your clothing, pulling the accessory into your body.
15. **Regularly clean the power tool’s air vents.** The motor’s fan will draw the dust inside the housing and excessive accumulation of powdered metal may cause electrical hazards.
16. **Do not operate the power tool near flammable materials.** Sparks could ignite these materials.

#### **Kickback and related warnings**

Kickback is a sudden reaction to a pinched or snagged rotating wheel. Pinching or snagging causes rapid stalling of the rotating wheel which in turn causes the uncontrolled power tool to be forced in the direction opposite of the wheel’s rotation at the point of the binding.

For example, if an abrasive wheel is snagged or pinched by the workpiece, the edge of the wheel that is entering into the pinch point can dig into the surface of the material causing the wheel to climb out or kick out. The wheel may either jump toward or away from the operator, depending on direction of the wheel’s movement at the point of pinching. Abrasive wheels may also break under these conditions.

Kickback is the result of power tool misuse and/or incorrect operating procedures or conditions and can be avoided by taking proper precautions as given below.

- a) **Maintain a firm grip on the power tool and position your body and arm to allow you to resist kickback forces.** Always use auxiliary handle, if provided, for maximum control over kickback or torque reaction during start-up. The operator can control torque reactions or kickback forces, if proper precautions are taken.
- b) **Never place your hand near the rotating accessory.** Accessory may kickback over your hand.
- c) **Do not position your body in line with the rotating wheel.** Kickback will propel the tool in direction opposite to the wheel’s movement at the point of snagging.
- d) **Use special care when working corners, sharp edges etc. Avoid bouncing and snagging the accessory.** Corners, sharp edges or bouncing have a tendency to snag the rotating accessory and cause loss of control or kickback.
- e) **Do not attach a saw chain, woodcarving blade, segmented diamond wheel with a peripheral gap greater than 10 mm or toothed saw blade.** Such blades create frequent kickback and loss of control.
- f) **Do not “jam” the wheel or apply excessive pressure. Do not attempt to make an excessive depth of cut.** Overstressing the wheel increases the loading and susceptibility to twisting or binding of the wheel in the cut and the possibility of kickback or wheel breakage.
- g) **When wheel is binding or when interrupting a cut for any reason, switch off the power tool and hold the power tool motionless until the wheel comes to a complete stop. Never attempt to remove the wheel from the cut while the wheel is in motion otherwise kickback may occur.** Investigate and take corrective action to eliminate the cause of wheel binding.
- h) **Do not restart the cutting operation in the workpiece. Let the wheel reach full speed and carefully re-enter the cut.** The wheel may bind, walk up or kickback if the power tool is restarted in the workpiece.
- i) **Support panels or any oversized workpiece to minimize the risk of wheel pinching and kickback.** Large workpieces tend to sag under their own weight. Supports must be placed under the workpiece near the line of cut and near the edge of the workpiece on both sides of the wheel.
- j) **Use extra caution when making a “pocket cut” into existing walls or other blind areas.** The protruding wheel may cut gas or water pipes, electrical wiring or objects that can cause kickback.
17. **Before using a segmented diamond wheel, make sure that the diamond wheel has the peripheral gap between segments of 10 mm or less, only with a negative rake angle.**

#### **Additional Safety Warnings:**

18. **Never attempt to cut with the tool held upside down in a vise. This can lead to serious accidents, because it is extremely dangerous.**

19. **Some material contains chemicals which may be toxic. Take caution to prevent dust inhalation and skin contact. Follow material supplier safety data.**
20. **Store wheels as per manufacturer recommendations. Improper storage may damage the wheels.**

## SAVE THESE INSTRUCTIONS.

**⚠ WARNING:**  
**DO NOT let comfort or familiarity with product (gained from repeated use) replace strict adherence to safety rules for the subject product. MISUSE or failure to follow the safety rules stated in this instruction manual may cause serious personal injury.**

## FUNCTIONAL DESCRIPTION

**⚠ CAUTION:**

- Always be sure that the tool is switched off and unplugged before adjusting or checking function on the tool.

### Portable residual current device (Fig. 1)

Connect the tool to a power supply and test the Portable Residual Current Device (PRCD) before using the tool. Push the "RESET" or "ON" button and confirm that the pilot lamp lights. Push the "TEST" button and confirm that the pilot lamp goes out. Push the "RESET" or "ON" button again to use the tool.

**⚠ WARNING:**

- Do not use the tool if the pilot lamp does not go out when the "TEST" button is pushed.

### Adjusting the depth of cut (Fig. 2)

Loosen the wing bolt on the depth guide and move the base up or down. At the desired depth of cut, secure the base by tightening the wing bolt.

**⚠ CAUTION:**

- After adjusting the depth of cut, always tighten the wing bolt securely.

### Adjusting bevel angle (Fig. 3 & 4)

Loosen the wing nut on the bevel scale plate on the front of the base. Set for the desired angle (0° – 45°) by tilting accordingly, then tighten the wing nut securely.

Loosen the wing bolt on the depth guide and move the base so that the end of the blade case is above the red line on the depth guide. Then tighten the wing bolt to secure the base.

### NOTE:

- If the end of the blade case is under the red line on the depth guide, the outer flange may hit the workpiece when you perform the bevel cut.

### Sighting (Fig. 5)

For straight cuts, align the "A" position on the front of the base with your cutting line. For 45° bevel cuts, align the "B" position with it.

### Switch action (Fig. 6)

**⚠ CAUTION:**

- Before plugging in the tool, always check to see that the switch trigger actuates properly and returns to the "OFF" position when released.

To prevent the switch trigger from being accidentally pulled, a lock-off button is provided.

To start the tool, push in the lock-off button and pull the switch trigger. Release the switch trigger to stop.

## ASSEMBLY

**⚠ CAUTION:**

- Always be sure that the tool is switched off and unplugged before carrying out any work on the tool.

### Installing or removing diamond wheel (Fig. 7 & 8)

Hold the outer flange with the wrench and loosen the hex socket head bolt clockwise with the hex wrench. Then remove the hex socket head bolt, outer flange and diamond wheel.

Install the diamond wheel, outer flange and hex socket head bolt onto the spindle. Hold the outer flange with the wrench and tighten the hex socket head bolt counter-clockwise with the hex wrench. **BE SURE TO TIGHTEN THE HEX SOCKET HEAD BOLT SECURELY.**

**⚠ CAUTION:**

- Use only the Makita wrench to install or remove the wheel.

### Installing water pipe (Fig. 9)

First, unplug the tool. Loosen the wing bolt on the depth guide and move the base down. Install the water pipe on the blade case using the screw.

Attach the vinyl tube onto the water pipe and attach the adapter on the vinyl tube to a faucet of water mains pressure. Adjust the amount of water flow by simply adjusting the water cock.

### Installing cover (A) (Fig. 10)

Install the cover (A) on the tool so that its side with "Upside ↑" mark faces upward.

## OPERATION (Fig. 11)

Adjust the amount of water flow. Hold the tool firmly. Set the base plate on the workpiece to be cut without the wheel making any contact. Then turn the tool on and wait until the wheel attains full speed. Now simply move the tool forward over the workpiece surface, keeping it flat and advancing smoothly until the cutting is completed. Keep your cutting line straight and your speed of advance uniform.

**⚠ CAUTION:**

- THIS TOOL SHOULD ONLY BE USED ON HORIZONTAL SURFACES.

- Be sure to move the tool forward in a straight line and gently. Forcing and exerting excessive pressure or allowing the wheel to bend, pinch or twist in the cut can cause overheating of the motor and dangerous kick-back of the tool.
- Since excessive cutting may cause overload of the motor, the depth of cut should not be more than 20 mm at a pass. When you wish to cut more than 20 mm deep, make a couple of passes with progressively deeper settings.

## MAINTENANCE

**⚠ CAUTION:**

- Always be sure that the tool is switched off and unplugged before attempting to perform inspection or maintenance.
- Never use gasoline, benzene, thinner, alcohol or the like. Discoloration, deformation or cracks may result.

## Dressing diamond wheel

If the cutting action of the diamond wheel begins to diminish, use an old discarded coarse grit bench grinder wheel or concrete block to dress the diamond wheel. To do this, tightly secure the bench grinder wheel or concrete block and cut in it.

### After use

Blow away dust from the inside of the tool by running the tool at an idle for a while. Brush off accumulation of dust on the base. Accumulation of dust in the motor or on the base may cause a malfunction of the tool.

### Cleaning covers (Fig. 12 & 13)

When accumulation of dust on the cover (A) looks excessive, loosen the clamp and remove the cover (A). Wash off accumulation of dust inside the cover (A) and wipe it. Then install the cover (A) on the tool so that its side with "Upside ↑" mark faces upward. Push the cover (A) toward the motor as far as it will go and secure it by tightening the clamp.

When changing the wheel, clean the cover (B) at the same time. Loosen the screw securing the cover (B) and remove the cover (B). Wash off accumulation of dust inside the cover (B) and wipe it. Then attach the cover (B) to the tool by tightening the screw. Accumulation of dust inside the covers may cause a malfunction of the tool.

### ⚠ CAUTION:

- When using the tool, be sure to attach the covers (A) and (B).

### Replacing carbon brushes (Fig. 14 & 15)

Remove and check the carbon brushes regularly. Replace when they wear down to the limit mark. Keep the carbon brushes clean and free to slip in the holders. Both carbon brushes should be replaced at the same time. Use only identical carbon brushes.

First, remove the cover (A).

Use a screwdriver to remove the brush holder caps. Take out the worn carbon brushes, insert the new ones and secure the brush holder caps.

To maintain product SAFETY and RELIABILITY, repairs, any other maintenance or adjustment should be performed by Makita Authorized Service Centers, always using Makita replacement parts.

## OPTIONAL ACCESSORIES

### ⚠ CAUTION:

- These accessories or attachments are recommended for use with your Makita tool specified in this manual. The use of any other accessories or attachments might present a risk of injury to persons. Only use accessory or attachment for its stated purpose.

If you need any assistance for more details regarding these accessories, ask your local Makita Service Center.

- Diamond wheels
- Hex wrench 5
- Wrench 22
- Rip fence (Guide rule)

### NOTE:

- Some items in the list may be included in the tool package as standard accessories. They may differ from country to country.

## Noise

The typical A-weighted noise level determined according to EN60745:

Sound pressure level ( $L_{pA}$ ): 98 dB (A)

Sound power level ( $L_{WA}$ ): 109 dB (A)

Uncertainty (K): 3 dB (A)

### Wear ear protection

ENG900-1

## Vibration

The vibration total value (tri-axial vector sum) determined according to EN60745:

Work mode: concrete cutting

Vibration emission ( $a_{rh}$ ): 5.5 m/s<sup>2</sup>

Uncertainty (K): 1.5 m/s<sup>2</sup>

ENG901-1

- The declared vibration emission value has been measured in accordance with the standard test method and may be used for comparing one tool with another.
- The declared vibration emission value may also be used in a preliminary assessment of exposure.

### ⚠ WARNING:

- The vibration emission during actual use of the power tool can differ from the declared emission value depending on the ways in which the tool is used.
- Be sure to identify safety measures to protect the operator that are based on an estimation of exposure in the actual conditions of use (taking account of all parts of the operating cycle such as the times when the tool is switched off and when it is running idle in addition to the trigger time).

## EC DECLARATION OF CONFORMITY

### For European countries only

The EC declaration of conformity is included as Annex A to this instruction manual.

**Descriptif**

|  |                                    |                             |
|--|------------------------------------|-----------------------------|
| 1 Bouton TEST                                      | 10 Guide supérieur                 | 19 Porte-lame               |
| 2 Bouton RESET ou "ON"                             | 11 Gâchette                        | 20 Tuyau d'eau              |
| 3 Lampe témoin                                     | 12 Bouton de sécurité              | 21 Collier de serrage       |
| 4 Dispositif portable pour courant résiduel (PRCD) | 13 Clé 22                          | 22 Couvercle (A)            |
| 5 Boulon à oreilles                                | 14 Clé hexagonale                  | 23 Couvercle (B)            |
| 6 Base   | 15 Flasque intérieur               | 24 Vis                      |
| 7 Écrou à oreilles                                 | 16 Meule diamantée                 | 25 Trait de limite d'usure  |
| 8 Extrémité du porte-lame                          | 17 Flasque extérieur               | 26 Bouchon de porte-charbon |
| 9 Ligne rouge                                      | 18 Boulon à tête creuse hexagonale | 27 Tournevis                |

**SPÉCIFICATIONS**

GEB025-6

|   |                             |
|---|-----------------------------|
| <b>Modèle</b>   | <b>4101RH</b>               |
| Diamètre de meule.....                                    | 125 mm                      |
| Épaisseur max. de la meule.....                           | 2,1 mm                      |
| Capacités de coupe max.                                   |                             |
| 90° .....   | 41,5 mm                     |
| 45° .....   | 26 mm                       |
| Pression max. admissible pour l'alimentation en eau ..... | 0,14 MPa                    |
| Vitesse nominale (n) /                                    |                             |
| Vitesse à vide (n <sub>0</sub> ) .....                    | 13 800 (min <sup>-1</sup> ) |
| Longueur totale .....                                     | 236 mm                      |
| Poids net .....   | 3,0 kg                      |
| Catégorie de sécurité.....                                | Catégorie I                 |

**CONSIGNES DE SÉCURITÉ DE LA SCIE DIAMANT**

- Étant donné l'évolution constante du programme de recherche et développement, les spécifications contenues dans ce manuel sont susceptibles de changer sans préavis.
- Les spécifications peuvent être différentes suivant les pays.
- Poids selon la procédure EPTA 01/2003

ENE023-2

**Utilisation**

L'outil est conçu pour couper dans la brique, le béton et la pierre.

ENF001-1

**Alimentation**

L'outil ne devra être raccordé qu'à une alimentation de la même tension que celle qui figure sur la plaque signalétique, et il ne pourra fonctionner que sur un courant secteur monophasé. Cet outil doit être mis à la terre pendant l'utilisation pour protéger l'utilisateur contre les chocs électriques. Utilisez exclusivement des cordons prolongateurs dotés d'une prise à trois broches, dont une pour la mise à la terre, et des prises de courant adaptées à la fiche de l'outil.

GEA010-1

**Consignes de sécurité générales pour outils électriques**

**⚠ MISE EN GARDE** Veuillez lire toutes les mises en garde et toutes les instructions. Il y a risque de choc électrique, d'incendie et/ou de blessure grave si les mises en garde et les instructions ne sont pas respectées.

**Conservez toutes les mises en garde et instructions pour référence ultérieure.**

1. **Le carter fourni avec l'outil doit être fermement fixé à l'outil électrique dans une position assurant une sécurité maximale, c'est-à-dire de façon à minimiser la surface de la meule exposée en direction de l'opérateur. Assurez-vous que personne, y compris vous-même, ne se trouve sur le même plan que la meule en rotation.** Le carter contribue à protéger l'opérateur des fragments de meule pouvant être éjectés et d'un contact accidentel avec la meule.
2. **Utilisez uniquement des disques diamants conçus pour votre outil électrique.** Le simple fait qu'un accessoire puisse être fixé à l'outil électrique ne garantit pas qu'il fonctionnera de manière sûre.
3. **La vitesse nominale de l'accessoire doit être au moins égale à la vitesse maximale indiquée sur l'outil électrique.** Les accessoires peuvent casser et voler en éclats s'ils tournent plus vite que leur vitesse nominale.
4. **Les meules ne doivent être utilisées que pour les applications recommandées. Par exemple : n'utilisez jamais la meule pour des coupes latérales.** Les meules abrasives sont prévues pour des coupes tangentielles à leur axe. L'application de forces latérales risque de les briser.
5. **Utilisez toujours un flasque de disque en bon état et d'un diamètre adéquat pour le disque choisi.** Un flasque de disque adéquat soutiendra le disque, réduisant ainsi les risques de bris.
6. **Le diamètre extérieur et l'épaisseur de l'accessoire ne doivent pas dépasser les capacités nominales de l'outil électrique.** Les accessoires de taille incorrecte ne peuvent être protégés ou contrôlés adéquatement.
7. **La taille de l'alésage des disques et flasques doit être bien adaptée à l'axe de l'outil électrique.** Les disques et flasques dont l'alésage n'est pas bien adapté aux fixations de montage sur l'outil électrique se déséquilibreront, vibreront excessivement et risqueront d'entraîner une perte de maîtrise de l'outil.

8. **N'utilisez pas de disques endommagés. Avant chaque utilisation, vérifiez l'absence de copeaux et de fissures sur le disque. Si vous échappez l'outil électrique ou le disque, vérifiez l'absence de tout dommage ou installez un disque en bon état. Après avoir vérifié et installé le disque, assurez-vous que personne, y compris vous-même, ne se trouve sur le même plan que le disque en rotation, et faites tourner l'outil électrique à vide pendant une minute.** Si les disques sont défectueux, ils devraient normalement se fendre lors de ce test.
9. **Portez des dispositifs de protection. Suivant le type de travail à effectuer, utilisez un écran facial, des lunettes à coques ou des lunettes de sécurité. Au besoin, portez aussi un masque antipoussières, des protections d'oreilles, des gants de travail et un tablier de travail pouvant résister aux petits éclats abrasifs et aux fragments de pièce.** La protection des yeux doit pouvoir résister aux matières éjectées lors des diverses opérations. Le masque antipoussières doit pouvoir filtrer les particules générées lors du travail. L'exposition prolongée à un bruit d'intensité élevée peut causer des dommages auditifs.
10. **Ne laissez pas les personnes présentes approcher de la zone de travail. Toute personne pénétrant dans la zone de travail doit porter des dispositifs de protection.** Des fragments de pièce ou un disque cassé peuvent être éjectés et causer des blessures au-delà de la zone de travail elle-même.
11. **Tenez l'outil électrique uniquement par ses surface de saisie isolées lorsque vous effectuez des travaux où l'accessoire tranchant peut entrer en contact avec un câble caché ou avec son propre cordon d'alimentation.** Le contact de l'accessoire tranchant avec un câble sous tension peut mettre sous tension les parties métalliques dénudées de l'outil électrique, ce qui comporte un risque de choc électrique pour l'utilisateur.
12. **Placez le cordon d'alimentation à l'écart de l'accessoire en rotation.** En cas de perte de contrôle, le cordon risque d'être coupé ou happé, entraînant du même coup votre main ou votre bras vers la meule en rotation.
13. **Ne déposez jamais l'outil électrique avant qu'il ne soit parfaitement arrêté.** La meule en rotation risquerait d'accrocher la surface et d'entraîner du même coup l'outil électrique hors de votre contrôle.
14. **Ne transportez pas l'outil électrique tout en le laissant tourner.** L'accessoire en rotation risquerait de toucher accidentellement vos vêtements et d'être entraîné du même coup vers votre corps.
15. **Nettoyez régulièrement les orifices de ventilation de l'outil électrique.** Le ventilateur du moteur aspire les poussières à l'intérieur du carter, ce qui entraîne un danger électrique en cas d'accumulation excessive de poussières métalliques.
16. **N'utilisez pas l'outil électrique près de matériaux inflammables.** Les étincelles risqueraient de provoquer un incendie.

### **Chocs en retour et mises en garde concernant ces derniers**

Le choc en retour est une réaction soudaine du disque en rotation lorsqu'il se coince ou accroche. Cela fait brusquement bloquer le disque et cause une perte de maîtrise de l'outil électrique, qui se trouve entraîné dans le sens opposé au sens de rotation du disque.

Par exemple, si une meule abrasive accroche ou se coince dans la pièce, son tranchant risque d'y creuser la surface du matériau, avec pour conséquence que la meule remontera ou bondira. La meule risque alors de bondir vers l'utilisateur ou en sens opposé, suivant son sens de déplacement au point où elle se coince dans la pièce. Dans de telles situations, la meule abrasive risque aussi de casser.

Le choc en retour est le résultat d'une utilisation incorrecte de l'outil électrique, ou de l'ignorance des procédures ou conditions d'utilisation ; il peut être évité en prenant les précautions adéquates indiquées ci-dessous.

- a) **Maintenez une poigne ferme sur l'outil électrique et placez corps et bras de façon à pouvoir résister à la force exercée par les chocs en retour. Utilisez toujours la poignée auxiliaire, s'il y en a une, pour avoir une maîtrise maximale de l'outil en cas de choc en retour ou de force de réaction exercée au moment du démarrage.** L'utilisateur peut maîtriser les forces de réaction et de choc en retour s'il prend les précautions adéquates.
- b) **Ne placez jamais la main près de l'accessoire en rotation.** L'accessoire risquerait d'effectuer un choc en retour sur votre main.
- c) **Ne vous placez pas dans l'axe de la meule en rotation.** Le choc en retour propulsera l'outil en sens opposé au mouvement du disque au point où il accroche dans la pièce.
- d) **Soyez tout particulièrement prudent lorsque vous travaillez sur les coins, les bords anguleux, etc. Évitez de laisser l'accessoire bondir ou accrocher.** Sur les coins, sur les bords anguleux ou lorsqu'il bondit, l'accessoire en rotation a tendance à accrocher et peut entraîner une perte de contrôle ou un choc en retour.
- e) **Ne fixez pas une chaîne de tronçonneuse, une lame à sculpter le bois, une meule segmentée à diamant avec un espace périphérique supérieur à 10 mm ou une lame de scie dentée.** Ces dernières causent fréquemment des chocs en retour et la perte de maîtrise de l'outil.
- f) **Évitez de coincer le disque ou d'appliquer une pression excessive sur l'outil. N'essayez pas de couper trop profondément.** Un disque trop sollicité subira une surcharge et risquera de se tordre ou de se coincer dans la ligne de coupe, ce qui comporte un risque de choc en retour ou de bris du disque.
- g) **Lorsque le disque se coince ou lorsque vous interrompez la coupe pour une raison quelconque, éteignez l'outil et gardez-le immobile jusqu'à ce que le disque ait complètement cessé de tourner. N'essayez jamais de retirer le disque de la ligne de coupe alors qu'il bouge encore, autrement il y aura risque de choc en retour.** Inspectez le disque et apportez les corrections nécessaires pour éliminer la cause du coincement du disque.

- h) **Ne mettez pas le disque dans la pièce avant de poursuivre la coupe. Laissez d'abord l'outil atteindre sa pleine vitesse, puis réintroduisez doucement le disque dans la ligne de coupe.** Si vous poursuivez la coupe avec le disque déjà placé dans la pièce à travailler, il risquera de se coincer, de remonter sur la pièce ou de provoquer un choc en retour.
- i) **Soutenez les panneaux et pièces trop grandes, pour réduire les risques de coincement du disque et de choc en retour.** Les grandes pièces ont tendance à ployer sous leur propre poids. Des soutiens doivent être placés sous la pièce, près de la ligne de coupe et des bords de la pièce, de chaque côté du disque.
- j) **Soyez très prudent lorsque vous faites une "coupe en plongée" dans un mur ou toute autre surface pouvant cacher des structures.** Le disque, en dépassant derrière le mur ou la surface, peut couper des conduites de gaz ou d'eau, des fils électriques ou des objets pouvant causer un choc en retour.

17. **Avant d'utiliser une meule segmentée à diamant, assurez-vous que l'espace périphérique entre les segments est au maximum de 10 mm, et que l'angle de pente est négatif.**

#### Consignes de sécurité supplémentaires :

18. **N'essayez jamais de couper en plaçant l'outil à l'envers dans un étou. Ceci est extrêmement dangereux et peut entraîner des accidents graves.**
19. **Certains matériaux contiennent des produits chimiques qui peuvent être toxiques. Prenez les précautions nécessaires pour éviter que la poussière dégagée lors du travail ne soit inhalée et n'entre en contact avec la peau. Suivez les consignes de sécurité du fournisseur du matériau.**
20. **Entreposez les meules conformément aux recommandations du fabricant. Un entreposage incorrect risque d'endommager les meules.**

#### CONSERVEZ CES INSTRUCTIONS.

#### ⚠ AVERTISSEMENT :

**NE vous laissez PAS tromper (au fil d'une utilisation répétée) par un sentiment d'aisance et de familiarité avec le produit, en négligeant le respect rigoureux des consignes de sécurité qui accompagnent le produit en question. La MAUVAISE UTILISATION de l'outil ou l'ignorance des consignes de sécurité indiquées dans ce manuel d'instructions peut entraîner une blessure grave.**

#### DESCRIPTION DU FONCTIONNEMENT

#### ⚠ ATTENTION :

- Vérifiez toujours que l'outil est hors tension et débranché avant de l'ajuster ou de vérifier son fonctionnement.

#### Dispositif portable pour courant résiduel (Fig. 1)

Branchez l'outil sur une prise de courant et testez le dispositif portable pour courant résiduel avant d'utiliser l'outil. Appuyez sur le bouton "RESET" ou "ON" et vérifiez que la lampe témoin s'allume. Appuyez sur le bouton "TEST" et vérifiez que la lampe témoin s'éteint. Appuyez de nouveau sur le bouton "RESET" ou "ON" pour utiliser l'outil.

#### ⚠ AVERTISSEMENT :

- N'utilisez pas l'outil si la lampe témoin ne s'éteint pas lorsque vous appuyez sur le bouton "TEST".

#### Réglage de la profondeur de coupe (Fig. 2)

Desserrez le boulon à oreilles sur le guide de profondeur, et déplacez la base vers le haut ou le bas. À la profondeur de coupe désirée, fixez la base en serrant le boulon à oreilles.

#### ⚠ ATTENTION :

- Une fois la profondeur de coupe réglée, serrez toujours le boulon à oreilles fermement.

#### Réglage de l'angle de coupe en biseau (Fig. 3 et 4)

Desserrez l'écrou à oreilles sur la plaque graduée de coupe en biseau à l'avant de la base. Inclinez pour régler sur l'angle désiré (0° à 45°), puis serrez fermement l'écrou à oreilles.

Desserrez le boulon à oreilles sur le guide de profondeur, et déplacez la base de sorte que l'extrémité du porte-lame soit au-dessus de la ligne rouge sur le guide de profondeur. Serrez ensuite le boulon à oreilles pour fixer la base.

#### NOTE :

- Si l'extrémité du porte-lame est sous la ligne rouge du guide de profondeur, le flasque extérieur risquera de heurter la pièce pendant la coupe en biseau.

#### Visée (Fig. 5)

Pour les coupes rectilignes, alignez sur la ligne de coupe la position "A" à l'avant de la base. Pour les coupes en biseau de 45°, alignez la position "B" sur la ligne de coupe.

#### Interrupteur (Fig. 6)

#### ⚠ ATTENTION :

- Avant de brancher l'outil, vérifiez toujours que la gâchette fonctionne correctement et revient sur la position "OFF" une fois relâchée.

Un bouton de sécurité a été prévu pour éviter l'activation accidentelle de la gâchette.

Pour faire démarrer l'outil, enfoncez le bouton de sécurité et tirez sur la gâchette. Pour arrêter l'outil, relâchez la gâchette.

#### ASSEMBLAGE

#### ⚠ ATTENTION :

- Avant toute intervention sur l'outil, assurez-vous toujours que le contact est coupé et l'outil débranché.

#### Pose ou retrait d'une meule diamantée (Fig. 7 et 8)

Retenez le flasque extérieur à l'aide de la clé, et desserrez le boulon à tête creuse hexagonale à l'aide de la clé hexagonale. Retirez ensuite le boulon à tête creuse hexagonale, le flasque extérieur et la meule diamantée. Posez la meule diamantée, le flasque extérieur et le boulon à tête creuse hexagonale sur l'arbre. Retenez le flasque extérieur à l'aide de la clé, et serrez le boulon à tête creuse hexagonale à l'aide de la clé hexagonale, en tournant dans le sens contraire des aiguilles d'une montre. **VOUS DEVEZ SERRER FERMEMENT LE BOULON À TÊTE CREUSE HEXAGONALE.**

### ATTENTION :

- Utilisez exclusivement la clé Makita pour poser ou retirer la meule.

### Pose du tuyau d'eau (Fig. 9)

Débranchez d'abord l'outil. Desserrez le boulon à oreilles sur le guide de profondeur, et déplacez la base vers le bas. Posez le tuyau d'eau sur le porte-lame à l'aide de la vis.

Fixez le tube de vinyle sur le tuyau d'eau, et fixez l'adaptateur du tube de vinyle sur une chantpleure. Tournez simplement le robinet pour ajuster le débit d'eau.

### Pose du couvercle (A) (Fig. 10)

Posez le couvercle (A) sur l'outil de sorte que la face qui porte l'inscription "Upside ↑" soit orientée vers le haut.

### UTILISATION (Fig. 11)

Ajustez le débit d'eau. Tenez l'outil fermement. Mettez la plaque de base sur la pièce à couper, sans mettre la meule en contact avec quoi que ce soit. Mettez ensuite le contact et attendez que la meule ait atteint sa pleine vitesse. Déplacez alors simplement l'outil vers l'avant à la surface de la pièce, en le gardant à plat et en le faisant avancer doucement jusqu'à ce que la coupe soit terminée. Maintenez la ligne de coupe bien droite et la vitesse de progression constante.

### ATTENTION :

- CET OUTIL DOIT ÊTRE UTILISÉ EXCLUSIVEMENT SUR DES SURFACES HORIZONTALES.
- Vous devez faire avancer l'outil bien droit et tout doucement. En forçant l'outil, en lui appliquant une pression excessive ou en laissant la meule plier, se coincer ou se tordre dans la pièce, vous risquez de surcharger le moteur ou de provoquer un dangereux choc en retour de l'outil.
- Comme un travail de coupe excessif peut surcharger le moteur, la profondeur de coupe ne doit pas dépasser 20 mm par passe. Pour couper à plus de 20 mm de profondeur, faites plusieurs passes avec un réglage de plus en plus profond.

### ENTRETIEN

#### ATTENTION :

- Assurez-vous toujours que l'outil est hors tension et débranché avant d'y effectuer tout travail d'inspection ou d'entretien.
- N'utilisez jamais d'essence, de benzine, de diluant, d'alcool ou produits similaires. Il y a risque de décoloration, de déformation ou de fissuration.

### Dressage de la meule diamantée

Lorsque la capacité de coupe de la meule diamantée commence à diminuer, utilisez un vieux touret à gros grain ou un bloc de béton pour la dresser. Fixez solidement le touret ou le bloc de béton et coupez dedans.

### Après l'utilisation

Faites sortir les poussières de l'outil en faisant tourner l'outil au ralenti pendant un moment. Retirez les poussières accumulées sur la base de l'outil. L'accumulation de poussières dans le moteur ou sur la base peut causer un dysfonctionnement de l'outil.

### Nettoyage des couvercles (Fig. 12 et 13)

Lorsque l'accumulation de poussières sur le couvercle (A) semble excessive, desserrez le collier de serrage et retirez le couvercle (A). Lavez l'intérieur du couvercle (A) pour enlever les poussières, puis essuyez. Posez ensuite le couvercle (A) sur l'outil de sorte que la face qui porte l'inscription "Upside ↑" soit orientée vers le haut. Poussez le couvercle (A) à fond vers le moteur, et fixez-le en serrant le collier de serrage.

Lorsque vous changez de meule, nettoyez en même temps le couvercle (B). Desserrez la vis qui retient le couvercle (B), et retirez le couvercle (B). Lavez l'intérieur du couvercle (B) pour enlever les poussières, puis essuyez. Fixez ensuite le couvercle (B) à l'outil en serrant la vis. L'accumulation de poussières à l'intérieur des couvercles peut causer un dysfonctionnement de l'outil.

### ATTENTION :

- Lors de l'utilisation de l'outil, vous devez fixer les couvercles (A) et (B).

### Remplacement des charbons (Fig. 14 et 15)

Retirez et vérifiez les charbons régulièrement. Remplacez-les lorsqu'ils atteignent le trait de limite d'usure. Maintenez les charbons propres et en état de glisser librement dans les porte-charbon. Les deux charbons doivent être remplacés en même temps. Utilisez uniquement des charbons identiques.

Retirez d'abord le couvercle (A).

Utilisez un tournevis pour retirer les bouchons de porte-charbon. Retirez les charbons usés, insérez les neufs et fixez les bouchons de porte-charbon.

Pour maintenir la SÉCURITÉ et la FIABILITÉ du produit, les réparations et tout autre travail d'entretien ou de réglage doivent être effectués dans un centre de service Makita agréé, exclusivement avec des pièces de rechange Makita.

### ACCESSOIRES EN OPTION

#### ATTENTION :

- Ces accessoires ou pièces complémentaires sont recommandés pour l'utilisation avec l'outil Makita spécifié dans ce manuel d'instructions. L'utilisation de tout autre accessoire ou pièce peut comporter un risque de blessure. N'utilisez les accessoires ou pièces qu'aux fins pour lesquelles ils ont été conçus.

Si vous désirez obtenir plus de détails concernant ces accessoires, veuillez contacter le centre de service après-vente Makita le plus près.

- Meules diamantées
- Clé hexagonale 5
- Clé 22
- Garde parallèle (règle de guidage)

#### NOTE :

- Il se peut que certains éléments de la liste soient compris dans l'emballage de l'outil en tant qu'accessoires standard. Ils peuvent varier d'un pays à l'autre.

**Bruit**

Niveau de bruit pondéré A typique, déterminé selon EN60745 :

Niveau de pression sonore ( $L_{pA}$ ): 98 dB (A)

Niveau de puissance sonore ( $L_{WA}$ ): 109 dB (A)

Incertitude (K): 3 dB (A)

**Porter des protecteurs anti-bruit**

ENG900-1

**Vibrations**

Valeur totale de vibrations (somme de vecteur triaxial) déterminée selon EN60745 :

Mode de travail : coupe du béton

Émission de vibrations ( $a_h$ ): 5,5 m/s<sup>2</sup>

Incertitude (K): 1,5 m/s<sup>2</sup>

ENG901-1

- La valeur d'émission de vibrations déclarée a été mesurée conformément à la méthode de test standard et peut être utilisée pour comparer les outils entre eux.
- La valeur d'émission de vibrations déclarée peut aussi être utilisée pour l'évaluation préliminaire de l'exposition.

** AVERTISSEMENT :**

- L'émission de vibrations lors de l'usage réel de l'outil électrique peut être différente de la valeur d'émission déclarée, suivant la façon dont l'outil est utilisé.
- Les mesures de sécurité à prendre pour protéger l'utilisateur doivent être basées sur une estimation de l'exposition dans des conditions réelles d'utilisation (en tenant compte de toutes les composantes du cycle d'utilisation, comme par exemple le moment de sa mise hors tension, lorsqu'il tourne à vide et le moment de son déclenchement).

**DÉCLARATION DE CONFORMITÉ CE****Pour les pays européens uniquement**

La déclaration de conformité CE est fournie en Annexe A à ce mode d'emploi.



Übersicht

|  |                           |                       |
|--|---------------------------|-----------------------|
| 1 Taste TEST   | 10 Oberführung            | 20 Wasserrohr         |
| 2 Taste RESET oder "ON"                              | 11 Elektronikschalter     | 21 Schelle            |
| 3 Kontrolllampe                                      | 12 Einschaltsperrknopf    | 22 Abdeckung (A)      |
| 4 Tragbare Fehlerstrom-Schutz-<br>einrichtung (PRCD) | 13 Schraubenschlüssel 22  | 23 Abdeckung (B)      |
| 5 Flügelschraube                                     | 14 Inbusschlüssel         | 24 Schraube           |
| 6 Grundplatte  | 15 Innenflansch           | 25 Verschleißgrenze   |
| 7 Flügelmutter                                       | 16 Diamantscheibe         | 26 Bürstenhalterkappe |
| 8 Ende der Schutzhaube                               | 17 Außenflansch           | 27 Schraubendreher    |
| 9 Rote Linie   | 18 Innensechskantschraube |                       |
|  | 19 Sägeblattgehäuse       |                       |

TECHNISCHE DATEN

GEB025-6

|   |                             |
|---|-----------------------------|
| <b>Modell</b>   | <b>4101RH</b>               |
| Scheibendurchmesser.....  | 125 mm                      |
| Max. Scheibendicke .....  | 2,1 mm                      |
| Max. Schnitttiefen  |                             |
| 90° .....   | 41,5 mm                     |
| 45° .....   | 26 mm                       |
| Höchstzulässiger Druck der<br>Wasserversorgung .....            | 0,14 MPa                    |
| Nennndrehzahl (n) /<br>Leerlaufdrehzahl (n <sub>0</sub> ) ..... | 13 800 (min <sup>-1</sup> ) |
| Gesamtlänge .....   | 236 mm                      |
| Nettogewicht.....   | 3,0 kg                      |
| Schutzart .....   | Klasse I                    |

- Im Zuge der Entwicklung und des technischen Fortschritts behalten wir uns das Recht vor, Änderungen an den technischen Daten ohne Vorankündigung vorzunehmen.
- Die technischen Daten können von Land zu Land unterschiedlich sein.
- Gewicht nach EPTA-Verfahren 01/2003

ENE023-2

Vorgesehene Verwendung

Die Maschine ist zum Schneiden von Ziegeln, Beton und Stein vorgesehen.

ENF001-1

Netzanschluss

Die Maschine sollte nur an eine Stromquelle angeschlossen werden, deren Spannung mit der Angabe auf dem Typenschild übereinstimmt, und kann nur mit Einphasen-Wechselstrom betrieben werden. Diese Maschine ist während des Gebrauchs zu erden, um den Benutzer vor elektrischen Schlägen zu schützen. Verwenden Sie nur Dreileiter-Verlängerungskabel mit Dreistift-Schutzkontaktsteckern und Dreipol-Steckdosen, in die der Stecker der Maschine passt.

GEA010-1

Allgemeine Sicherheitswarnungen für Elektrowerkzeuge

**⚠️ WARNUNG Lesen Sie alle Sicherheitswarnungen und Anweisungen durch.** Eine Missachtung der unten aufgeführten Warnungen und Anweisungen kann zu einem elektrischen Schlag, Brand und/oder schweren Verletzungen führen.

**Bewahren Sie alle Warnungen und Anweisungen für spätere Bezugnahme auf.**

SICHERHEITSWARNUNGEN FÜR SCHNEIDER

- 1. Die mit der Maschine gelieferte Schutzhaube muss sicher am Elektrowerkzeug befestigt und für maximale Sicherheit positioniert werden, um das Gefahrenpotenzial der Trennscheibe für die Bedienungsperson minimal zu halten. Achten Sie darauf, dass Sie selbst und Umstehende nicht in der Ebene der rotierenden Trennscheibe stehen.** Die Schutzhaube schützt den Bediener vor Trennscheiben-Bruchstücken und versehentlichem Kontakt mit der Trennscheibe.
- 2. Verwenden Sie nur Diamant-Trennscheiben für Ihr Elektrowerkzeug.** Die bloße Tatsache, dass ein Zubehörteil an Ihrem Elektrowerkzeug angebracht werden kann, gewährleistet noch keinen sicheren Betrieb.
- 3. Die Nennndrehzahl des Zubehörteils muss mindestens der an der Elektromaschine angegebenen Maximaldrehzahl entsprechen.** Zubehörteile, die schneller als ihre Nennndrehzahl rotieren, können bersten und auseinander fliegen.
- 4. Scheiben dürfen nur für empfohlene Anwendungen eingesetzt werden. Zum Beispiel: Nicht mit der Seite einer Trennscheibe schleifen.** Da Trennschleifscheiben für Peripherieschleifen vorgesehen sind, können sie durch seitlich einwirkende Kräfte zerschmettert werden.
- 5. Verwenden Sie stets unbeschädigte Scheibenflansche des korrekten Durchmessers für die ausgewählte Trennscheibe.** Korrekte Scheibenflansche stützen die Trennscheibe und reduzieren somit die Möglichkeit eines Scheibenbruchs.
- 6. Außendurchmesser und Dicke des Zubehörteils müssen innerhalb der Kapazitätsgrenzen Ihrer Elektromaschine liegen.** Zubehörteile der falschen Größe können nicht angemessen geschützt oder kontrolliert werden.
- 7. Die Spindelbohrung von Trennscheiben und Flanschen muss genau der Spindel des Elektrowerkzeugs angepasst sein.** Trennscheiben und Flansche, deren Spindelbohrung nicht genau auf den Montageflansch des Elektrowerkzeugs passt, laufen unrund, vibrieren übermäßig und können einen Verlust der Kontrolle verursachen.

8. **Verwenden Sie keine beschädigten Trennscheiben. Überprüfen Sie die Trennscheiben vor jeder Benutzung auf Absplinterungen und Risse. Falls das Elektrowerkzeug oder die Trennscheibe herunterfällt, überprüfen Sie das Teil auf Beschädigung, oder montieren Sie eine unbeschädigte Trennscheibe. Achten Sie nach der Überprüfung und Installation der Trennscheibe darauf, dass Sie selbst und Umstehende nicht in der Rotationsenebene der Trennscheibe stehen, und lassen Sie das Elektrowerkzeug eine Minute lang mit maximaler Leerlaufdrehzahl laufen.** Beschädigte Trennscheiben brechen normalerweise während dieses Probelaufs auseinander.
9. **Tragen Sie Schutzausrüstung. Benutzen Sie je nach der Arbeit einen Gesichtsschutz bzw. eine Sicherheits- oder Schutzbrille. Tragen Sie bei Bedarf eine Staubmaske, Ohrschützer, Handschuhe und eine Arbeitsschürze, die in der Lage ist, kleine Schleifpartikel oder Werkstücksplitter abzuwehren.** Der Augenschutz muss in der Lage sein, den bei verschiedenen Arbeiten anfallenden Flugstaub abzuwehren. Die Staubmaske oder Atemschutzmaske muss in der Lage sein, durch die Arbeit erzeugte Partikel herauszufiltern. Lang anhaltende Lärmbelastung kann zu Gehörschäden führen.
10. **Halten Sie Umstehende in sicherem Abstand vom Arbeitsbereich. Jeder, der den Arbeitsbereich betritt, muss Schutzausrüstung tragen.** Bruchstücke des Werkstücks oder einer beschädigten Trennscheibe können weggeschleudert werden und Verletzungen über den unmittelbaren Arbeitsbereich hinaus verursachen.
11. **Halten Sie die Elektromaschine nur an den isolierten Griffflächen, wenn Sie Arbeiten ausführen, bei denen die Gefahr besteht, dass verborgene Kabel oder das eigene Kabel kontaktiert wird.** Bei Kontakt mit einem Strom führenden Kabel können die freiliegenden Metallteile der Elektromaschine ebenfalls Strom führend werden, so dass der Benutzer einen elektrischen Schlag erleiden kann.
12. **Halten Sie das Kabel vom rotierenden Zubehörteil fern.** Falls Sie die Kontrolle verlieren, kann das Kabel durchgetrennt oder erfasst werden, so dass Ihre Hand oder Ihr Arm in die rotierende Trennscheibe hineingezogen wird.
13. **Legen Sie die Elektromaschine erst ab, nachdem das Zubehörteil zum vollständigen Stillstand gekommen ist.** Anderenfalls kann die rotierende Trennscheibe die Oberfläche erfassen und das Elektrowerkzeug aus Ihren Händen reißen.
14. **Lassen Sie die Elektromaschine nicht laufen, während Sie es an Ihrer Seite tragen.** Das rotierende Zubehörteil könnte sonst bei versehentlichem Kontakt Ihre Kleidung erfassen und auf Ihren Körper zu gezogen werden.
15. **Reinigen Sie die Ventilationsöffnungen des Elektrowerkzeugs regelmäßig.** Der Lüfter des Motors saugt Staub in das Gehäuse an, und starke Ablagerungen von Metallstaub können elektrische Gefahren verursachen.
16. **Betreiben Sie das Elektrowerkzeug nicht in der Nähe von brennbaren Materialien.** Funken könnten diese Materialien entzünden.

#### **Warnungen vor Rückschlag und damit zusammenhängenden Gefahren**

Rückschlag ist eine plötzliche Reaktion auf eine eingeklemmte oder stockende Trennscheibe. Klemmen oder Hängenbleiben verursacht sofortiges Stocken der rotierenden Trennscheibe, was wiederum dazu führt, dass das außer Kontrolle geratene Elektrowerkzeug am Stockpunkt in die entgegengesetzte Drehrichtung der Trennscheibe geschleudert wird.

Wenn beispielsweise eine Schleifscheibe vom Werkstück erfasst oder eingeklemmt wird, kann sich die in den Klemmpunkt eindringende Schleifscheibenkante in die Materialoberfläche bohren, so dass sie herauspringt oder zurückschlägt. Je nach der Drehrichtung der Schleifscheibe am Klemmpunkt kann die Schleifscheibe auf die Bedienungsperson zu oder von ihr weg springen. Schleifscheiben können unter solchen Bedingungen auch brechen.

Rückschlag ist das Resultat falscher Handhabung des Elektrowerkzeugs und/oder falscher Arbeitsverfahren oder -bedingungen und kann durch Anwendung der nachstehenden Vorsichtsmaßnahmen vermieden werden.

- a) **Halten Sie das Elektrowerkzeug mit festem Griff, und positionieren Sie Ihren Körper und Arm so, dass Sie die Rückschlagkräfte auffangen können. Benutzen Sie stets den Zusatzgriff, wenn vorhanden, um maximale Kontrolle über Rückschlag oder Drehbewegungen während des Anlaufs zu haben.** Drehbewegungen oder Rückschlagkräfte können kontrolliert werden, wenn entsprechende Vorkehrungen getroffen werden.
- b) **Halten Sie Ihre Hand niemals in die Nähe des rotierenden Zubehörteils.** Bei einem Rückschlag könnte das Zubehörteil Ihre Hand verletzen.
- c) **Stellen Sie sich nicht so, dass sich Ihr Körper in einer Linie mit der rotierenden Trennscheibe befindet.** Der Rückschlag schleudert die Maschine am Stockpunkt in die entgegengesetzte Drehrichtung der Trennscheibe.
- d) **Lassen Sie beim Bearbeiten von Ecken und scharfen Kanten usw. besondere Vorsicht walten. Vermeiden Sie Anstoßen und Verhaken des Zubehörteils.** Ecken, scharfe Kanten oder Anstoßen führen leicht zu Hängenbleiben des rotierenden Zubehörteils und verursachen Verlust der Kontrolle oder Rückschlag.
- e) **Bringen Sie keine Sägeketten, Holzfräsen, Segment-Diamantscheiben mit einem Randspalt von mehr als 10 mm oder gezahnte Sägeblätter an.** Solche Zubehörteile verursachen häufige Rückschläge und Verlust der Kontrolle.
- f) **Vermeiden Sie "Verkanten" der Trennscheibe oder die Ausübung übermäßigen Drucks. Versuchen Sie nicht, übermäßig tiefe Schnitte zu machen.** Überbeanspruchung der Trennscheibe erhöht die Belastung und die Empfänglichkeit für Verdrehen oder Klemmen der Trennscheibe im Schnitt sowie die Möglichkeit von Rückschlag oder Scheibenbruch.

- g) Falls die Trennscheibe klemmt oder der Schnitt aus irgendeinem Grund unterbrochen wird, schalten Sie das Elektrowerkzeug aus und halten Sie es bewegungslos im Werkstück, bis die Trennscheibe zum völligen Stillstand kommt. Versuchen Sie auf keinen Fall, die rotierende Trennscheibe aus dem Schnitt zu entfernen, weil sonst ein Rückschlag auftreten kann. Nehmen Sie eine Überprüfung vor, und treffen Sie Abhilfemaßnahmen, um die Ursache von Trennscheiben-Klemmen zu beseitigen.
- h) Setzen Sie den Schnittbetrieb nicht mit im Werkstück sitzender Trennscheibe fort. Führen Sie die Trennscheibe vorsichtig in den Schnitt ein, nachdem sie die volle Drehzahl erreicht hat. Wird das Elektrowerkzeug mit im Werkstück sitzender Trennscheibe eingeschaltet, kann die Trennscheibe klemmen, hochsteigen oder zurückschlagen.
- i) Stützen Sie Platten oder andere übergroße Werkstücke ab, um die Gefahr von Klemmen oder Rückschlag der Trennscheibe zu minimieren. Große Werkstücke neigen dazu, unter ihrem Eigengewicht durchzuhängen. Die Stützen müssen beidseitig der Trennscheibe nahe der Schnittlinie und in der Nähe der Werkstückkante unter das Werkstück platziert werden.
- j) Lassen Sie besondere Vorsicht walten, wenn Sie einen "Taschenschnitt" in bestehende Wände oder andere Blindflächen durchführen. Die vorstehende Trennscheibe kann Gas- oder Wasserleitungen, Stromkabel oder Objekte durchschneiden, die Rückschlag verursachen können.
17. Bevor Sie eine Segment-Diamantscheibe verwenden, vergewissern Sie sich, dass die Diamantscheibe einen Randspalt zwischen den Segmenten von maximal 10 mm hat, und nur einen negativen Spanwinkel aufweist.

#### Zusätzliche Sicherheitswarnungen:

18. Versuchen Sie niemals, die Maschine zum Schneiden verkehrt herum in einen Schraubstock einzuspannen. Dies ist sehr gefährlich und kann zu schweren Unfällen führen.
19. Manche Materialien können giftige Chemikalien enthalten. Treffen Sie Vorsichtsmaßnahmen, um das Einatmen von Arbeitsstaub und Hautkontakt zu verhüten. Befolgen Sie die Sicherheitsdaten des Materialherstellers.
20. Lagern Sie Trennscheiben gemäß Herstellerempfehlung. Falsche Lagerung kann die Trennscheiben beschädigen.

#### BEWAHREN SIE DIESE ANLEITUNG GUT AUF.

##### **WARNUNG:**

Lassen Sie sich NICHT durch Bequemlichkeit oder Vertrautheit mit dem Produkt (durch wiederholten Gebrauch erworben) von der strikten Einhaltung der Sicherheitsregeln für das vorliegende Produkt abhalten. MISSBRAUCH oder Missachtung der Sicherheitsvorschriften in dieser Anleitung können schwere Verletzungen verursachen.

#### FUNKTIONSBESCHREIBUNG

##### **VORSICHT:**

- Vergewissern Sie sich vor jeder Einstellung oder Funktionsprüfung der Maschine stets, dass sie ausgeschaltet und vom Stromnetz getrennt ist.

##### **Tragbare Fehlerstrom-Schutzeinrichtung (Abb. 1)**

Schließen Sie die Maschine an eine Stromquelle an, und testen Sie die tragbare Fehlerstrom-Schutzeinrichtung (PRCD) vor Gebrauch der Maschine. Drücken Sie die Taste "RESET" oder "ON", und stellen Sie sicher, dass die Kontrolllampe aufleuchtet. Drücken Sie die Taste "TEST", und stellen Sie sicher, dass die Kontrolllampe ausgeht. Drücken Sie die Taste "RESET" oder "ON" erneut, um die Maschine zu benutzen.

##### **WARNUNG:**

- Benutzen Sie die Maschine nicht, falls die Kontrolllampe beim Drücken der Taste "TEST" nicht ausgeht.

##### **Einstellen der Schnitttiefe (Abb. 2)**

Die Flügelschraube an der Tiefenführung lösen, und die Grundplatte nach oben oder unten ziehen. Die Grundplatte an der gewünschten Schnitttiefe durch Festziehen der Flügelschraube arretieren.

##### **VORSICHT:**

- Die Flügelschraube nach der Einstellung der Schnitttiefe stets fest anziehen.

##### **Einstellen des Neigungswinkels (Abb. 3 und 4)**

Die Flügelmutter an der Gehrungswinkelskalenplatte auf der Vorderseite der Grundplatte lösen. Den gewünschten Winkel (0° – 45°) durch entsprechendes Neigen einstellen, dann die Flügelmutter sicher festziehen.

Die Flügelschraube an der Tiefenführung lösen, und die Grundplatte verstellen, so dass das Ende der Schutzhaube über der roten Linie auf der Tiefenführung liegt. Dann die Flügelschraube zur Sicherung der Grundplatte festziehen.

##### **HINWEIS:**

- Liegt das Ende der Schutzhaube unter der roten Linie auf der Tiefenführung, kann der Außenflansch bei der Durchführung des Gehrungsschnitts mit dem Werkstück in Berührung kommen.

##### **Schnittmarkierung (Abb. 5)**

Richten Sie für Geradschnitte die Position "A" auf der Vorderseite der Grundplatte auf die Schnittlinie aus. Richten Sie für 45°-Gehrungsschnitte die Position "B" auf die Linie aus.

##### **Schalterfunktion (Abb. 6)**

##### **VORSICHT:**

- Vergewissern Sie sich vor dem Anschließen der Maschine an das Stromnetz stets, dass der Elektronikschalter ordnungsgemäß funktioniert und beim Loslassen in die "OFF"-Stellung zurückkehrt.

Um versehentliche Betätigung des Elektronikschalters zu verhüten, ist die Maschine mit einem Einschaltsperrknopf ausgestattet.

Zum Starten der Maschine den Elektronikschalter bei gedrücktem Einschaltsperrknopf betätigen. Zum Ausschalten den Elektronikschalter loslassen.

## MONTAGE

### VORSICHT:

- Vergewissern Sie sich vor der Ausführung von Arbeiten an der Maschine stets, dass sie ausgeschaltet und vom Stromnetz getrennt ist.

### Montieren und Demontieren der Diamantscheibe (Abb. 7 und 8)

Den Außenflansch mit dem Schraubenschlüssel halten, und die Innensechskantschraube mit dem Inbusschlüssel lösen. Dann Innensechskantschraube, Außenflansch und Diamantscheibe entfernen.

Diamantscheibe, Außenflansch und Innensechskantschraube an der Spindel anbringen. Den Außenflansch mit dem Schraubenschlüssel halten, und die Innensechskantschraube durch Linksdrehen mit dem Inbusschlüssel anziehen. ZIEHEN SIE DIE INNENSECHSKANTSCHRAUBE FEST AN.

### VORSICHT:

- Verwenden Sie nur den mitgelieferten Makita-Schraubenschlüssel zum Montieren und Demontieren von Trennscheiben.

### Installieren des Wasserrohrs (Abb. 9)

Zuerst den Netzstecker abziehen. Die Flügelschraube an der Tiefenführung lösen, und die Grundplatte nach unten ziehen. Das Wasserrohr mit der Schraube am Sägeblattgehäuse befestigen.

Den Vinylschlauch am Wasserrohr anbringen, und den Adapter am Vinylschlauch an einen Wasserhahn mit Wasserleitungsdruck anschließen. Regulieren Sie den Wasserdurchfluss durch einfaches Drehen des Wasserhahns.

### Installieren der Abdeckung (A) (Abb. 10)

Installieren Sie die Abdeckung (A) so an der Maschine, dass die Seite mit der Markierung "Upside ↑" oben liegt.

## BETRIEB (Abb. 11)

Stellen Sie den Wasserdurchfluss ein. Halten Sie die Maschine mit festem Griff. Setzen Sie die Grundplatte auf das zu schneidende Werkstück auf, ohne dass die Trennscheibe mit dem Werkstück in Berührung kommt. Schalten Sie dann die Maschine ein und warten Sie, bis die Trennscheibe die volle Drehzahl erreicht hat. Schieben Sie die Maschine nun flach und gleichmäßig über die Werkstückoberfläche vorwärts, bis der Schnitt vollendet ist. Halten Sie eine gerade Schnittlinie und eine gleichmäßige Vorschubgeschwindigkeit ein.

### VORSICHT:

- DIESE MASCHINE SOLLTE NUR AUF HORIZONTALEN FLÄCHEN VERWENDET WERDEN.
- Schieben Sie die Maschine in einer geraden Linie sachte vor. Gewaltanwendung und übermäßige Druckausübung sowie Verbiegen, Klemmen oder Verdrehen der Trennscheibe im Schnitt können Überhitzen des Motors und gefährlichen Rückschlag der Maschine verursachen.
- Da eine zu große Schnitttiefe eine Überlastung des Motors verursachen kann, sollte die Schnitttiefe für einen Durchgang nicht mehr als 20 mm betragen. Wenn Sie Nuten von mehr als 20 mm Tiefe schneiden wollen, führen Sie mehrere Durchgänge mit zunehmender tieferen Schnitteinstellungen aus.

## WARTUNG

### VORSICHT:

- Denken Sie vor der Durchführung von Überprüfungen oder Wartungsarbeiten stets daran, die Maschine auszuschalten und vom Stromnetz zu trennen.
- Verwenden Sie auf keinen Fall Benzin, Benzol, Verdünnern, Alkohol oder dergleichen. Solche Mittel können Verfärbung, Verformung oder Rissbildung verursachen.

### Abrichten der Diamantscheibe

Wenn die Schneidfähigkeit der Diamantscheibe nachlässt, verwenden Sie eine ausrangierte grobkörnige Schleifscheibe oder einen Betonklotz, um die Diamantscheibe abzurichten. Spannen Sie dazu die Schleifscheibe oder den Betonklotz fest ein, und schneiden Sie die Diamantscheibe hinein.

### Nach der Benutzung

Blasen Sie Staub aus dem Inneren der Maschine aus, indem Sie die Maschine eine Zeitlang leer laufen lassen. Wischen Sie an der Grundplatte angesammelten Staub ab. Die Ansammlung von Staub im Motor oder auf der Grundplatte kann eine Funktionsstörung der Maschine verursachen.

### Reinigen der Abdeckungen (Abb. 12 und 13)

Wenn sich eine beträchtliche Staubmenge auf der Abdeckung (A) angesammelt hat, die Schelle lösen, und die Abdeckung (A) abnehmen. Staubansammlungen auf der Innenseite der Abdeckung (A) abwaschen, und anschließend die Abdeckung abwischen. Installieren Sie dann die Abdeckung (A) so an der Maschine, dass die Seite mit der Markierung "Upside ↑" oben liegt. Die Abdeckung (A) bis zum Anschlag auf den Motor zu schieben und durch Anziehen der Schelle sichern.

Bei einem Trennscheibenwechsel ist gleichzeitig die Abdeckung (B) zu reinigen. Die Schraube der Abdeckung (B) lösen, und die Abdeckung (B) abnehmen. Staubansammlungen auf der Innenseite der Abdeckung (B) abwaschen, und anschließend die Abdeckung abwischen. Dann die Abdeckung (B) durch Anziehen der Schraube an der Maschine befestigen. Staubansammlung in den Abdeckungen kann eine Funktionsstörung der Maschine verursachen.

### VORSICHT:

- Bringen Sie vor der Benutzung der Maschine unbedingt die Abdeckungen (A) und (B) an.

### Auswechseln der Kohlebürsten (Abb. 14 und 15)

Die Kohlebürsten müssen regelmäßig entfernt und überprüft werden. Wenn sie bis zur Verschleißgrenze abgenutzt sind, müssen sie erneuert werden. Halten Sie die Kohlebürsten stets sauber, damit sie ungehindert in den Haltern gleiten können. Beide Kohlebürsten sollten gleichzeitig erneuert werden. Verwenden Sie nur identische Kohlebürsten.

Zuerst die Abdeckung (A) entfernen.

Die Bürstenhalterkappen mit einem Schraubendreher herausdrehen. Die abgenutzten Kohlebürsten herausnehmen, die neuen einsetzen, und dann die Bürstenhalterkappen wieder eindrehen.

Um die SICHERHEIT und ZUVERLÄSSIGKEIT dieses Produkts zu gewährleisten, sollten Reparaturen und andere Wartungs- oder Einstellarbeiten nur von autorisierten Makita-Kundendienstzentren unter ausschließlicher Verwendung von Makita-Originalersatzteilen ausgeführt werden.

## SONDERZUBEHÖR

### **VORSICHT:**

- Die folgenden Zubehörteile oder Vorrichtungen werden für den Einsatz mit dem in dieser Anleitung beschriebenen Makita-Gerät empfohlen. Die Verwendung anderer Zubehörteile oder Vorrichtungen kann eine Verletzungsgefahr darstellen. Verwenden Sie Zubehörteile oder Vorrichtungen nur für ihren vorgesehenen Zweck.

Wenn Sie weitere Einzelheiten bezüglich dieser Zubehörteile benötigen, wenden Sie sich bitte an Ihre Makita-Kundendienststelle.

- Diamantscheiben
- Inbusschlüssel 5
- Schraubenschlüssel 22
- Parallelanschlag (Richtlineal)

### **HINWEIS:**

- Manche Teile in der Liste können als Standardzubehör im Werkzeugsatz enthalten sein. Sie können von Land zu Land unterschiedlich sein.

ENG905-1

### **Geräusch**

Typischer A-bewerteter Geräuschpegel ermittelt gemäß EN60745:

- Schalldruckpegel ( $L_{pA}$ ): 98 dB (A)
- Schalleistungspegel ( $L_{WA}$ ): 109 dB (A)
- Ungewissheit (K): 3 dB (A)

### **Gehörschutz tragen**

ENG900-1

### **Vibration**

Vibrationsgesamtwert (Drei-Achsen-Vektorsumme) ermittelt gemäß EN60745:

- Arbeitsmodus: Betonschneiden
- Vibrationsemission ( $a_{h1}$ ): 5,5 m/s<sup>2</sup>
- Ungewissheit (K): 1,5 m/s<sup>2</sup>

ENG901-1

- Der angegebene Vibrationsemissionswert wurde im Einklang mit der Standardprüfmethode gemessen und kann für den Vergleich zwischen Maschinen herangezogen werden.
- Der angegebene Vibrationsemissionswert kann auch für eine Vorbewertung des Gefährdungsgrads verwendet werden.

### **WARNUNG:**

- Die Vibrationsemission während der tatsächlichen Benutzung des Elektrowerkzeugs kann je nach der Benutzungsweise der Maschine vom angegebenen Emissionswert abweichen.
- Identifizieren Sie Sicherheitsmaßnahmen zum Schutz des Benutzers anhand einer Schätzung des Gefährdungsgrads unter den tatsächlichen Benutzungsbedingungen (unter Berücksichtigung aller Phasen des Arbeitszyklus, wie z. B. Ausschalt- und Leerlaufzeiten der Maschine zusätzlich zur Betriebszeit).

## EG-KONFORMITÄTSERKLÄRUNG

### **Nur für europäische Länder**

Die EG-Konformitätserklärung ist als Anhang A in dieser Bedienungsanleitung enthalten.

**Visione generale**

|  |  |                        |
|--|--|------------------------|
| 1 Tasto TEST                                       | 10 Guida superiore                       | 19 Cassa lama          |
| 2 Tasto RESET o "ON"                               | 11 Interruttore                          | 20 Tubo acqua          |
| 3 Spia   | 12 Bottone di sblocco                    | 21 Morsetto            |
| 4 Dispositivo di corrente residua portatile (PRCD) | 13 Chiave 22                             | 22 Coperchio (A)       |
| 5 Bullone a galletto                               | 14 Chiave a brugola                      | 23 Coperchio (B)       |
| 6 Base   | 15 Flangia interna                       | 24 Vite                |
| 7 Dado a galletto                                  | 16 Disco diamantato                      | 25 Segno limite        |
| 8 Estremità cassa lama                             | 17 Flangia esterna                       | 26 Tappo portaspazzole |
| 9 Linea rossa                                      | 18 Bullone con testa a esagono incassato | 27 Cacciavite          |

**DATI TECNICI**

GEB025-6

|   |                             |
|---|-----------------------------|
| <b>Modello</b>  | <b>4101RH</b>               |
| Diametro disco .....  | 125 mm                      |
| Spessore massimo disco .....                                | 2,1 mm                      |
| Capacità massima di taglio                                  |                             |
| 90° .....   | 41,5 mm                     |
| 45° .....   | 26 mm                       |
| Pressione massima di alimentazione acqua permessibile ..... | 0,14 MPa                    |
| Velocità nominale (n) /                                     |                             |
| Velocità a vuoto (n <sub>0</sub> ) .....                    | 13.800 (min <sup>-1</sup> ) |
| Lunghezza totale .....                                      | 236 mm                      |
| Peso netto .....  | 3,0 kg                      |
| Classe di sicurezza .....                                   | Class I                     |

- Questi dati sono soggetti a modifiche senza avviso a causa del nostro programma di ricerca e sviluppo continui.
- I dati tecnici potrebbero differire da paese a paese.
- Peso in base alla procedura EPTA 01/2003

ENE023-2

**Utilizzo specifico**

Questo utensile è progettato per il taglio dei mattoni, calcinaggio e pietre.

ENF001-1

**Alimentazione**

L'utensile deve essere collegato soltanto a una fonte di alimentazione con la stessa tensione di quella indicata sulla targhetta del nome, e può funzionare soltanto con la corrente alternata monofase. Questo utensile deve essere messo a terra durante l'uso, in modo da proteggere l'operatore dalle scosse elettriche. Usare soltanto cavi di prolunga con tre fili elettrici, con spine del tipo a massa con tre poli, e prese di corrente a tre poli che possono accomodare la spina dell'utensile.

GEA010-1

**Avvertimenti generali per la sicurezza dell'utensile elettrico**

**⚠ AVVERTIMENTO Leggere tutti gli avvertimenti per la sicurezza e le istruzioni.** La mancata osservanza degli avvertimenti e delle istruzioni può causare scosse elettriche, incendio e/o gravi incidenti.

**Conservare tutti gli avvertimenti e le istruzioni per riferimenti futuri.**

**AVVERTIMENTI PER LA SICUREZZA DELLA TRONCATRICE**

- 1. La protezione fornita con l'utensile deve essere attaccata saldamente all'utensile elettrico ed essere posizionata per la massima sicurezza, in modo che rimanga esposta una minima parte del disco verso l'operatore. Posizionare se stessi e gli astanti lontano dal piano del disco che gira.** La protezione aiuta a proteggere l'operatore dai frammenti del disco rotto e dal contatto accidentale con il disco.
- 2. Per questo utensile si devono usare soltanto i dischi diamantati.** Il semplice fatto che l'accessorio possa essere attaccato all'utensile elettrico non assicura il suo funzionamento sicuro.
- 3. La velocità nominale dell'accessorio deve essere almeno uguale alla massima velocità indicata sull'utensile elettrico.** Accessori utilizzati a velocità superiore di quella nominale potrebbero rompersi con conseguente lancio dei frammenti.
- 4. I dischi devono essere utilizzati unicamente per l'uso consigliato. Per esempio: non smerigliare con il fianco del disco scanalato.** I dischi scanalati abrasivi sono progettati per la smerigliatura periferica, per cui le pressioni laterali applicate a questi dischi potrebbero causarne la rottura.
- 5. Usare sempre flange dei dischi non danneggiate con il diametro corretto per il disco selezionato.** Le flange corrette dei dischi supportano i dischi, riducendo così la possibilità di rottura dei dischi.
- 6. Il diametro esterno e lo spessore dell'accessorio utilizzato devono rispettare le specifiche d'uso dell'utensile elettrico.** Accessori di dimensioni errate non rientrano nelle protezioni e non possono essere controllati correttamente.
- 7. Le dimensioni degli alberi dei dischi e delle flange devono entrare correttamente nel mandrino dell'utensile elettrico.** I dischi o flange con i fori degli alberi che non hanno le stesse misure dell'hardware di montaggio girano sbilanciati, vibrano eccessivamente e potrebbero causare la perdita di controllo dell'utensile.

8. **Non si devono usare i dischi danneggiati. Prima di ogni utilizzo, controllare se sul disco ci sono scheggiature o crepe. Se l'utensile elettrico dovesse cadere, controllare se è danneggiato o installare un disco non danneggiato. Dopo aver controllato e installato il disco, posizionare sé stessi e gli astanti lontano dal piano di rotazione del disco e far funzionare l'utensile elettrico alla massima velocità senza carico per un minuto.** Normalmente, i dischi danneggiati si rompono durante questo tempo di prova.
9. **Indossare l'equipaggiamento di protezione. A seconda dell'applicazione, usare una visiera, occhialoni di protezione o occhiali di sicurezza. Come appropriato, indossare una mascherina antipolvere, protezioni per le orecchie, guanti e un grembiale di lavoro capace di arrestare i piccoli frammenti abrasivi o dei pezzi lavorati.** La protezione per gli occhi deve essere in grado di arrestare i frammenti prodotti dalle varie operazioni. La mascherina antipolvere o il respiratore devono essere capaci di filtrare le particelle generate dal lavoro. L'esposizione prolungata al rumore ad alta intensità potrebbe causare la perdita dell'udito.
10. **Tenere gli astanti a una distanza di sicurezza dall'area del lavoro. Chiunque entri nell'area di lavoro deve indossare un equipaggiamento di protezione personale.** I frammenti dei pezzi o di un disco rotto potrebbero volare via e causare lesioni fuori dell'area immediata di lavoro.
11. **Nell'effettuare operazioni nelle quali l'accessorio di taglio potrebbe toccare cavi nascosti o il relativo cavo, afferrare l'utensile elettrico esclusivamente sulle apposite superfici isolate.** Se un accessorio di taglio dovesse entrare in contatto con un cavo sotto tensione, le parti metalliche esposte dell'utensile elettrico potrebbero anch'esse diventare sotto tensione con conseguente scossa elettrica dell'operatore.
12. **Allontanare il cavo dall'accessorio in rotazione.** In caso di perdita di controllo, il cavo potrebbe tagliarsi o rimanere impigliato e la mano o il braccio dell'operatore potrebbero essere tirati verso il disco in rotazione.
13. **Non abbandonare mai l'utensile elettrico finché l'accessorio non si è arrestato completamente.** Il disco in rotazione potrebbe fare presa sulla superficie di appoggio e liberare l'utensile elettrico dal controllo dell'operatore.
14. **Non azionare l'utensile elettrico trasportandolo sul fianco.** Se l'accessorio in rotazione dovesse impigliarsi nell'abbigliamento a causa di un contatto accidentale, l'accessorio potrebbe essere tirato verso il corpo dell'operatore.
15. **Pulire regolarmente le aperture di ventilazione dell'utensile elettrico.** La ventola del motore attira la polvere dentro l'alloggiamento, e l'accumulazione eccessiva della polvere di metallo potrebbe causare pericoli elettrici.
16. **Non far funzionare l'utensile elettrico vicino a materiali infiammabili.** Le scintille potrebbero dar fuoco a tali materiali.

## Contraccolpi e avvertimenti relativi

Il contraccollo è una improvvisa reazione a un disco rotante incastrato o trattenuto. Un disco incastrato o trattenuto mentre gira si impianta rapidamente forzando l'utensile nella direzione opposta a quella di rotazione del disco sul punto dell'inceppamento.

Per esempio, se un disco abrasivo viene ostacolato o incastrato dal pezzo, il filo del disco che entra nel punto di incastramento può penetrare nella superficie del materiale causando la fuoriuscita o il contraccollo del disco. Il disco potrebbe rimbalzare verso l'operatore o lontano da esso, a seconda della direzione del movimento del disco sul punto di inceppamento. In queste condizioni, i dischi abrasivi potrebbero anche rompersi.

Il contraccollo è causato dall'utilizzo sbagliato dell'utensile elettrico e/o dalle procedure o condizioni operative sbagliate, e può essere evitato con le corrette precauzioni indicate di seguito.

- a) **Tenere saldamente l'utensile elettrico e posizionare il corpo e le braccia in modo da poter resistere alla forza del contraccollo. Per il massimo controllo del contraccollo o della reazione della coppia durante l'avviamento, usare sempre il manico ausiliario, se fornito.** Con le precauzioni appropriate, l'operatore può controllare le reazioni della coppia o le forze dei contraccolpi.
- b) **Non avvicinare mai le mani all'accessorio in rotazione.** L'accessorio potrebbe causare un contraccollo alla mano.
- c) **Non posizionare il corpo in linea con il disco che gira.** Un contraccollo potrebbe spingere l'utensile nella direzione opposta al movimento del disco sul punto di inceppamento.
- d) **Prestare particolare attenzione nella lavorazione su angoli, bordi affilati ecc. Non sbattere l'accessorio ed evitare che si blocchi.** Il movimento su angoli, bordi affilati o il rimbalzo potrebbero bloccare l'accessorio in rotazione causando perdita di controllo del medesimo o contraccollo.
- e) **Non attaccare una catena sega, lama da intaglio per legno, disco diamantato a settori con un gioco periferico di oltre 10 mm o lama per sega dentata.** Queste lame causano frequenti contraccolpi e perdite di controllo.
- f) **Non "pigiare" sul disco o applicare una pressione eccessiva. Non cercare di fare un taglio eccessivamente profondo.** La sovrasolicitazione del disco aumenta il carico e la suscettibilità di torcere o incastrare il disco nel taglio, e la possibilità di contraccolpi o di rottura del disco.
- g) **Se il disco rimane incastrato o se il taglio viene interrotto per una qualsiasi ragione, spegnere l'utensile elettrico e mantenerlo immobile finché il disco si arresta completamente. Non si deve mai cercare di rimuovere il disco dal taglio mentre è in movimento, perché altrimenti si potrebbe verificare un contraccollo.** Investigare e rimediare per eliminare la causa dell'inceppamento del disco.

- h) **Non riavviare l'operazione di taglio del pezzo. Lasciare che il disco raggiunga la velocità massima e rientrare con cura nel taglio.** Se si riavvia l'utensile elettrico nel pezzo, il disco potrebbe incepparsi, rialzarsi o dare un contraccolpo.
- i) **Supportare i pannelli o qualsiasi pezzo di grandi dimensioni per minimizzare il rischio che il disco rimanga incastrato o dia un contraccolpo.** I grandi pezzi tendono a imbarcarsi sotto il proprio peso. I supporti devono essere piazzati sotto il pezzo vicini alla linea di taglio e ai bordi del pezzo, ad entrambi i lati del disco.
- j) **Fare particolarmente attenzione quando si esegue un "taglio di cavità" su una parete esistente o altre aree cieche.** Il disco che sporge potrebbe tagliare i tubi del gas o dell'acqua, cavi elettrici o oggetti che potrebbero causare contraccolpi.

17. **Prima di usare un disco diamantato a settori, accertarsi che il disco diamantato abbia un gioco periferico tra i settori di 10 mm o meno, soltanto con un angolo dell'elica negativo.**

#### Avvertimenti supplementari per la sicurezza:

18. **Non si deve mai cercare di tagliare tenendo l'utensile capovolto stretto in una morsa. Ciò può causare un grave incidente in quanto è estremamente pericoloso.**
19. **Alcuni materiali contengono sostanze chimiche che potrebbero essere tossiche. Fare attenzione in modo da evitare di respirarne la polvere e il contatto con la pelle. Seguire i dati per la sicurezza del fornitore del materiale.**
20. **Conservare i dischi secondo le raccomandazioni del produttore. La conservazione sbagliata potrebbe danneggiare i dischi.**

#### CONSERVARE QUESTE ISTRUZIONI.

##### ⚠ AVVERTIMENTO:

**NON lasciare che comodità o la familiarità d'utilizzo con il prodotto (acquisita con l'uso ripetuto) sostituisca la stretta osservanza delle norme di sicurezza. L'utilizzo SBAGLIATO o la mancata osservanza delle norme di sicurezza di questo manuale di istruzioni potrebbero causare lesioni serie.**

#### DESCRIZIONE DEL FUNZIONAMENTO

##### ⚠ ATTENZIONE:

- Accertarsi sempre che l'utensile sia spento e staccato dalla presa di corrente prima di regolarlo o di controllarne il funzionamento.

#### Dispositivo di corrente residua portatile (Fig. 1)

Collegare l'utensile a una fonte di alimentazione e fare il test del dispositivo di corrente residua portatile (PRCD) prima di usarlo. Premere il tasto "RESET" o "ON", e accertarsi che la spia si accenda. Premere il tasto "TEST", e accertarsi che la spia si spenga. Premere di nuovo il tasto "RESET" o "ON" per usare l'utensile.

##### ⚠ AVVERTIMENTO:

- L'utensile non deve essere usato se la spia non si accende quando si preme il tasto "TEST".

#### Regolazione della profondità di taglio (Fig. 2)

Allentare il bullone a galletto sulla guida di profondità e spostare su e giù la base. Fissare la base alla profondità di taglio desiderata stringendo il bullone a galletto.

##### ⚠ ATTENZIONE:

- Dopo la regolazione della profondità di taglio, stringere saldamente il bullone a galletto.

#### Regolazione dell'angolo di taglio a unghia (Fig. 3 e 4)

Allentare il dado a galletto sulla piastra della squadra falsa sulla parte anteriore della base. Regolare l'angolo desiderato (0° – 45°) inclinando corrispondentemente, e stringere poi saldamente il bullone a galletto.

Allentare il dado a galletto sulla guida di profondità, e spostare la base in modo che l'estremità della cassa della lama sia sopra la linea rossa sulla guida di profondità. Stringere poi il bullone a galletto per fissare la base.

##### NOTA:

- Se l'estremità della cassa della lama si trova sotto la linea rossa della guida di profondità, la flangia esterna potrebbe sbattere contro il pezzo quando si esegue un taglio a unghia.

#### Puntamento (Fig. 5)

Per i tagli diritti, allineare la posizione "A" sulla parte anteriore della base sulla linea di taglio. Per i tagli a unghia di 45°, allineare su di essa la posizione "B".

#### Funzionamento dell'interruttore (Fig. 6)

##### ⚠ ATTENZIONE:

- Prima di collegare l'utensile alla presa di corrente, controllare sempre che l'interruttore funzioni correttamente e che ritorni sulla posizione "OFF" quando viene rilasciato.

L'utensile è dotato di un bottone di sblocco, per evitare di schiacciare accidentalmente l'interruttore.

Per avviare l'utensile, spingere dentro il bottone di sblocco e schiacciare l'interruttore. Rilasciare l'interruttore per fermarlo.

#### MONTAGGIO

##### ⚠ ATTENZIONE:

- Accertarsi sempre che l'utensile sia spento e staccato dalla presa di corrente prima di qualsiasi intervento sull'utensile.

#### Installazione o rimozione del disco diamantato (Fig. 7 e 8)

Tenere ferma la flangia esterna con la chiave, e allentare in senso orario il bullone con testa a esagono incassato usando la chiave a brugola. Rimuovere poi il bullone con testa a esagono incassato, la flangia esterna e il disco diamantato.

Installare sul mandrino il disco diamantato, la flangia esterna e il bullone con testa a esagono incassato. Tenere ferma la flangia esterna con la chiave, e stringere in senso antiorario il bullone con testa a esagono incassato usando la chiave a brugola. **STRINGERE SALDAMENTE IL BULLONE CON TESTA A ESAGONO INCASSATO.**

##### ⚠ ATTENZIONE:

- Per l'installazione o la rimozione del disco si deve usare soltanto la chiave Makita.



### Installazione del tubo dell'acqua (Fig. 9)

Staccare per prima cosa l'utensile dalla presa di corrente. Allentare il bullone a galletto sulla guida di profondità, e spostare giù la base. Installare il tubo dell'acqua sulla cassa della lama usando la vite.

Attaccare il tubo di vinile al tubo dell'acqua, e attaccare l'adattatore del tubo di vinile a un rubinetto della pressione principale dell'acqua. Regolare la quantità del flusso d'acqua girando semplicemente il rubinetto dell'acqua.

### Installazione del coperchio (A) (Fig. 10)

Installare il coperchio (A) sull'utensile in modo che il suo lato con l'indicazione "Upside ↑" sia rivolto in alto.

### FUNZIONAMENTO (Fig. 11)

Regolare la quantità del flusso d'acqua. Tenere saldamente l'utensile. Sistemare la piastra della base sul pezzo da tagliare senza che il disco faccia contatto. Avviare poi l'utensile e aspettare finché il disco abbia raggiunto la velocità massima. Spostare ora semplicemente l'utensile in avanti sulla superficie del pezzo, mantenendolo piano e avanzando con regolarità fino al completamento del taglio. Mantenere la linea di taglio dritta e la velocità di avanzamento uniforme.

#### ⚠ ATTENZIONE:

- QUESTO UTENSILE DEVE ESSERE USATO SOLTANTO SULLE SUPERFICI ORIZZONTALI.
- Spostare l'utensile in avanti in linea retta e delicatamente. Se si usa forza o si esercita una pressione eccessiva, o se si lascia piegare, stringere nel pezzo o torcere il disco, si possono causare il surriscaldamento del motore e pericolosi contraccolpi dell'utensile.
- Poiché un taglio eccessivo potrebbe causare il sovraccarico del motore, la profondità di taglio non deve superare i 20 mm ad ogni passaggio. Se si desidera tagliare a una profondità di oltre 20 mm, fare un paio di passaggi con regolazioni progressivamente più profonde.

### MANUTENZIONE

#### ⚠ ATTENZIONE:

- Accertarsi sempre che l'utensile sia spento e staccato dalla presa di corrente prima di eseguire una ispezione o manutenzione.
- Mai usare benzina, benzene, solventi, alcol o altre sostanze simili. Potrebbero causare scolorimenti o crepe.

### Ripassatura del disco diamantato

Se l'efficienza di taglio del disco diamantato comincia a diminuire, usare una mola da banco di scarto a grana grossa o un blocco di cemento per ripassare il disco diamantato. A questo scopo, fissare saldamente la mola da banco o il blocco di cemento ed eseguire un taglio su di essi.

### Dopo l'uso

Eliminare la polvere dall'interno dell'utensile facendolo girare a vuoto per un certo tempo. Togliere la polvere accumulata sulla base usando una spazzola. L'accumulazione della polvere nel motore o sulla base potrebbe causare un malfunzionamento dell'utensile.

### Pulizia dei coperchi (Fig. 12 e 13)

Se la polvere si è accumulata eccessivamente sul coperchio (A), allentare il morsetto e rimuovere il coperchio (A). Lavare via la polvere accumulata all'interno del coperchio (A), e asciugare il coperchio. Installare poi il coperchio (A) sull'utensile con il suo lato con l'indicazione "Upside ↑" rivolto in alto. Spingere il coperchio (A) verso il motore finché non può andare più oltre, e fissarlo stringendo il morsetto.

Quando si cambia il disco, pulire allo stesso tempo il coperchio (B). Allentare la vite che fissa il coperchio (B), e rimuovere il coperchio (B). Lavare via la polvere accumulata all'interno del coperchio (B), e asciugare il coperchio. Attaccare poi il coperchio (B) all'utensile stringendo la vite. L'accumulazione della polvere all'interno dei coperchi potrebbe causare un malfunzionamento dell'utensile.

#### ⚠ ATTENZIONE:

- Prima di usare l'utensile, accertarsi di aver attaccato i coperchi (A) e (B).

### Sostituzione delle spazzole di carbone (Fig. 14 e 15)

Rimuovere e controllare regolarmente le spazzole di carbone. Sostituirle quando sono usurate fino al segno limite. Mantenere le spazzole di carbone pulite e libere di slittare nei portaspazzole. Le spazzole di carbone devono essere sostituite entrambe allo stesso tempo. Usare soltanto spazzole di carbone identiche.

Rimuovere per prima cosa il coperchio (A).

Usare un cacciavite per rimuovere i tappi dei portaspazzole. Estrarre le spazzole di carbone usurate, inserire quelle nuove e stringere i tappi dei portaspazzole.

Per preservare la SICUREZZA e l'AFFIDABILITÀ del prodotto, le riparazioni e qualsiasi altra manutenzione o riparazione devono essere eseguite da un centro di assistenza Makita autorizzato usando sempre ricambi Makita.

### ACCESSORI OPZIONALI

#### ⚠ ATTENZIONE:

- Per l'utilizzo con questo utensile Makita si consigliano gli accessori o ricambi seguenti. L'impiego di qualsiasi altro accessorio o ricambio può costituire un pericolo di incidenti per le persone. Usare gli accessori o i ricambi soltanto per il loro scopo specificato.

Se sono necessari ulteriori dettagli riguardo agli accessori, rivolgersi al centro di assistenza Makita locale.

- Dischi diamantati
- Chiave a brugola 5
- Chiave 22
- Guida pezzo (righello guida)

#### NOTA:

- Alcuni articoli nella lista potrebbero essere inclusi nell'imballaggio dell'utensile come accessori standard. Essi potrebbero differire da paese a paese.

**Rumore**

Il tipico livello di rumore pesato A determinato secondo EN60745:

Livello pressione sonora ( $L_{pA}$ ): 98 dB (A)

Livello potenza sonora ( $L_{WA}$ ): 109 dB (A)

Incertezza (K): 3 dB (A)

**Indossare i paraorecchi**

ENG900-1

**Vibrazione**

Il valore totale di vibrazione (somma vettore triassiale) determinato secondo EN60745:

Modalità operativa: taglio calcestruzzo

Emissione di vibrazione ( $a_{hv}$ ): 5,5 m/s<sup>2</sup>

Incertezza (K): 1,5 m/s<sup>2</sup>

ENG901-1

- Il valore di emissione delle vibrazioni dichiarato è stato misurato conformemente al metodo di test standard, e può essere usato per paragonare un utensile con un altro.
- Il valore di emissione delle vibrazioni dichiarato può anche essere usato per una valutazione preliminare dell'esposizione.

** AVVERTIMENTO:**

- L'emissione delle vibrazioni durante l'uso reale dell'utensile elettrico può differire dal valore di emissione dichiarato a seconda dei modi in cui viene usato l'utensile.
- Identificare le misure di sicurezza per la protezione dell'operatore basate sulla stima dell'esposizione nelle condizioni reali d'utilizzo (tenendo presente tutte le parti del ciclo operativo, come le volte in cui l'utensile viene spento e quando gira a vuoto, oltre al tempo di funzionamento).

**DICHIARAZIONE DI CONFORMITÀ CE****Solo per i paesi europei**

La dichiarazione di conformità CE è inclusa nell'Allegato A al presente manuale di istruzioni.

**Verklaring van algemene gegevens**

|                                       |                        |                     |
|---------------------------------------|------------------------|---------------------|
| 1 TEST-toets                          | 10 Bovengeleider       | 20 Waterleiding     |
| 2 RESET- of "ON"-toets                | 11 Trekschakelaar      | 21 Klem             |
| 3 Spanningslampje                     | 12 Uitstand-borgknop   | 22 Deksel (A)       |
| 4 Draagbaar reststroomapparaat (PRCD) | 13 Sleutel nr. 22      | 23 Deksel (B)       |
| 5 Vleugelbout                         | 14 Zeskant-inbusleutel | 24 Schroef          |
| 6 Zool                                | 15 Binnenflens         | 25 Limietmarkering  |
| 7 Vleugelmoer                         | 16 Diamantschijf       | 26 Borstelhouderdop |
| 8 Uiteinde van het schijfhuus         | 17 Buitenflens         | 27 Schroevendraaier |
| 9 Rode streep                         | 18 Zeskant-inbusbout   |                     |
|                                       | 19 Schijfhuus          |                     |

**TECHNISCHE GEGEVENS**

GEB025-6

|  |                             |
|--|-----------------------------|
| <b>Model</b>   | <b>4101RH</b>               |
| Schijfdiameter.....  | 125 mm                      |
| Max. schijfdikte.....  | 2,1 mm                      |
| Max. doorslijpdikte  |                             |
| 90°.....   | 41,5 mm                     |
| 45°.....   | 26 mm                       |
| Maximaal toegestane druk van de watertoevoer.....                  | 0,14 MPa                    |
| Nominaal toerental (n) / Toerental onbelast (n <sub>0</sub> )..... | 13 800 (min <sup>-1</sup> ) |
| Totale lengte.....   | 236 mm                      |
| Netto gewicht.....   | 3,0 kg                      |
| Veiligheidsklasse.....   | Klasse I                    |

**VEILIGHEIDSWAARSCHUWINGEN VOOR DE DOORSLIJPMACHINE**

- In verband met ononderbroken research en ontwikkeling behouden wij ons het recht voor bovenstaande technische gegevens te wijzigen zonder voorafgaande kennisgeving.
- De technische gegevens kunnen van land tot land verschillen.
- Gewicht volgens de EPTA-procedure 01/2003

ENE023-2

**Doeleinden van gebruik**

Dit gereedschap is bedoeld voor het slijpen in steen, baksteen en beton.

ENF001-1

**Stroomvoorziening**

Het gereedschap mag alleen worden aangesloten op een stroombron van hetzelfde voltage als aangegeven op de naamplaat, en kan alleen op enkel-fase wisselstroom worden gebruikt. Dit gereedschap moet tijdens het gebruik altijd geaard zijn, om de gebruiker te beschermen tegen elektrische schokken. Gebruik uitsluitend driekabelige verlengsnoeren met stekkers met randaarde en stopcontacten die geschikt zijn voor randaardestekkers.

GEA010-1

**Algemene veiligheidswaarschuwingen voor elektrisch gereedschap**

**⚠ WAARSCHUWING! Lees alle veiligheidswaarschuwingen en alle instructies.** Het niet volgen van de waarschuwingen en instructies kan leiden tot elektrische schokken, brand en/of ernstig letsel.

**Bewaar alle waarschuwingen en instructies om in de toekomst te kunnen raadplegen.**

1. **Monteer de beschermkap die bij het gereedschap is geleverd vooral stevig aan het elektrisch gereedschap en stel de kap voor optimale veiligheid zodanig in dat een zo klein mogelijk deel van de slijpschijf vrij blijft naar de gebruiker toe. Zorg dat u zelf en omstanders buiten het rotatievlak van de slijpschijf blijven.** De beschermkap dient om de gebruiker te beschermen tegen aanraking met de slijpschijf en eventuele rondvliegende fragmenten daarvan.
2. **Gebruik uitsluitend een diamant-doorslijpschijven.** Ook wanneer het accessoire kan worden bevestigd op uw elektrisch gereedschap, is een veilige werking niet gegarandeerd.
3. **Het nominaal toerental van het accessoire moet minstens gelijk zijn aan het maximumtoerental vermeld op het elektrisch gereedschap.** Accessoires die met een hoger toerental draaien dan hun nominaal toerental kunnen stuk breken en in het rond vliegen.
4. **De schijven mogen uitsluitend worden gebruikt voor de aanbevolen toepassingen.** Bijvoorbeeld: probeer niet te slijpen met de platte kant van de slijpschijf. Doorslijpschijven zijn ontworpen voor het slijpen met de rand van de schijf; zijwaartse druk kan de schijf in stukken doen breken.
5. **Gebruik altijd onbeschadigde schijfflensen van de juiste diameter voor de te gebruiken schijf.** Een goede schijfflens ondersteunt de schijf en verkleint daarmee de kans op het breken van de schijf.
6. **De buitendiameter en de dikte van het accessoire moet binnen het capaciteitsbereik van het elektrisch gereedschap vallen.** Accessoires met verkeerde afmetingen kunnen niet afdoende worden afgeschermd of beheerst.
7. **De asdiameter van schijven en flenzen moeten goed passen rond de as van het elektrisch gereedschap.** Schijven en flenzen met een asdiameter die niet overeenkomt met de standaardhardware voor het elektrisch gereedschap zullen niet in balans draaien, buitensporig trillen en kunnen tot verlies van controle over het gereedschap leiden.

8. **Gebruik nooit beschadigde schijven. Inspecteer vóór ieder gebruik de schijven op ontbrekende schiffers en barsten. Nadat het elektrisch gereedschap of de schijf is gevallen, inspecteert u het op schade of monteert u een onbeschadigde schijf. Na inspectie en montage van de schijf, zorgt u ervoor dat u en omstanders niet in het rotatievlak van de schijf staan, en laat u het elektrisch gereedschap draaien op het maximaal, onbelast toerental gedurende één minuut.** Beschadigde schijven breken normaal gesproken in stukken gedurende deze testduur.
9. **Gebruik persoonlijke-veiligheidsmiddelen. Afhankelijk van de toepassing gebruikt u een spatscherm, een beschermende bril of een veiligheidsbril. Al naar gelang van toepassing draagt u een stofmasker, gehoorbeschermers, handschoenen en een werkschort die in staat zijn kleine stukjes slijpsel of werkstukfragmenten te weerstaan.** De oogbescherming moet in staat zijn rondvliegend afval te stoppen dat ontstaat bij de diverse werkzaamheden. Het stofmasker of ademhalingsapparaat moet in staat zijn deeltjes te filteren die ontstaat bij de werkzaamheden. Langdurige blootstelling aan zeer intens geluid kan leiden tot gehoorbeschadiging.
10. **Houd omstanders op veilige afstand van het werkgebied. Iedereen die zich binnen het werkgebied begeeft, moet persoonlijke-veiligheidsmiddelen gebruiken.** Fragmenten van het werkstuk of van een uiteengevallen schijf kunnen rondvliegen en letsel veroorzaken buiten de onmiddellijke werk-omgeving.
11. **Houd het elektrisch gereedschap uitsluitend vast aan het geïsoleerde oppervlak van de handgrepen wanneer u werkt op plaatsen waar het slijpaccessoire met verborgen bedrading of zijn eigen snoer in aanraking kan komen.** Wanneer het slijpaccessoire in aanraking komt met onder spanning staande draden, zullen de niet-geïsoleerde metalen delen van het gereedschap onder spanning komen te staan zodat de gebruiker een elektrische schok kan krijgen.
12. **Houd het snoer goed uit de buurt van het ronddraaiende accessoire.** Als u de controle verliest over het gereedschap, kan het snoer worden doorgesneden of bekneld raken, en kan uw hand of arm tegen de ronddraaiende schijf worden aangetrokken.
13. **Leg het elektrisch gereedschap nooit neer voordat het accessoire volledig tot stilstand is gekomen.** De ronddraaiende schijf kan de ondergrond pakken zodat u de controle over het elektrisch gereedschap verliest.
14. **Laat het elektrisch gereedschap niet draaien terwijl u het naast u draagt.** Als het ronddraaiende accessoire u per ongeluk raakt, kan het verstrikt raken in uw kleding waardoor het accessoire in uw lichaam wordt getrokken.
15. **Maak de ventilatieopeningen van het gereedschap regelmatig schoon.** De ventilator van de motor zal het stof de behuizing in trekken, en een grote opeenhoping van metaalslijpsel kan leiden tot elektrisch gevaarlijke situaties.
16. **Gebruik het elektrisch gereedschap niet in de buurt van brandbare materialen.** Vonken kunnen deze materialen doen ontvlammen.

## Terugslag en aanverwante waarschuwingen

Terugslag is een plotselinge reactie op een beknelde of vastgelopen draaiende schijf. Beknellen of vastlopen veroorzaakt een snelle stilstand van de draaiende schijf dat op zijn beurt ertoe leidt dat het elektrisch gereedschap zich ongecontroleerd beweegt in de tegenovergestelde richting van de draairichting van de schijf op het moment van vastlopen.

Bijvoorbeeld, als een slijpschijf bekneld raakt of vastloopt in het werkstuk, kan de rand van de schijf die het beknellingspunt ingaat, zich invreten in het oppervlak van het materiaal waardoor de schijf eruit klimt of eruit slaat. De schijf kan daarbij naar de gebruiker toe of weg springen, afhankelijk van de draairichting van de schijf op het beknellingspunt. Slijpschijven kunnen in dergelijke situaties ook breken.

Terugslag is het gevolg van misbruik van het elektrisch gereedschap en/of onjuiste gebruiksprocedures of omstandigheden, en kan worden voorkomen door goede voorzorgsmaatregelen te treffen, zoals hieronder vermeld:

- a) **Houd het gereedschap stevig vast en houd uw armen en lichaam zodanig dat u in staat bent een terugslag op te vangen. Gebruik altijd de extra handgreep (indien aanwezig) voor een maximale controle over het gereedschap in geval van terugslag en de koppelreactiekrachten bij het starten.** De gebruiker kan een terugslag of de koppelreactie opvangen indien de juiste voorzorgsmaatregelen worden getroffen.
- b) **Plaats uw hand nooit in de buurt van het draaiende accessoire.** Het accessoire kan terugslaan over uw hand.
- c) **Zorg dat uw lichaam buiten het rotatievlak van de slijpschijf blijft.** Een terugslag zal het gereedschap bewegen in de tegenovergestelde richting van de draairichting van de schijf op het moment van beknellen.
- d) **Wees bijzonder voorzichtig bij het werken met hoeken, scherpe randen, enz. Voorkom dat het accessoire springt of bekneld raakt.** Hoeken, scherpe randen of springen veroorzaken vaak beknellen van het draaiende accessoire wat leidt tot terugslag of verlies van controle over het gereedschap.
- e) **Bevestig geen kettingzaag, houtsnijblad of gesegmenteerde diamantschijf met randopeningen van meer dan 10 mm, of enig getand zaagblad.** Dergelijke bladen leiden vaak tot terugslag of verlies van controle over het gereedschap.
- f) **Laat de schijf niet vastlopen en oefen geen buitensporige druk uit. Probeer niet een buitensporig diepe snede te slijpen.** Een te grote kracht op de schijf verhoogt de belasting en de kans dat de schijf in de snede verdraait of vastloopt, waardoor terugslag kan optreden of de schijf kan breken.

- g) Wanneer de schijf vastloopt of u het slijpen onderbreekt, schakelt u het elektrisch gereedschap uit en houdt u dit stil totdat de schijf volledig tot stilstand is gekomen. **Probeer nooit de schijf uit de snede te halen terwijl de schijf nog draait omdat hierdoor een terugslag kan optreden.** Onderzoek waarom de schijf is vastgelopen en tref afdoende maatregelen om de oorzaak ervan op te heffen.
- h) **Begin niet met slijpen terwijl de schijf al in het werkstuk steekt. Wacht totdat de schijf op volle snelheid heeft bereikt en breng daarna de schijf voorzichtig terug in de snede.** Wanneer het elektrisch gereedschap opnieuw wordt gestart terwijl de schijf al in het werkstuk steekt, kan de schijf vastlopen, omhoog lopen of terugslaan.
- i) **Ondersteun platen en grote werkstukken om de kans op het beknellen van de schijf en terugslag te minimaliseren.** Grote werkstukken neigen door te zakken onder hun eigen gewicht. U moet het werkstuk ondersteunen vlakbij de slijplijn en vlakbij de rand van het werkstuk aan beide kanten van de schijf.
- j) **Wees extra voorzichtig wanneer u een "blinde" snede maakt in een bestaande wand of op een andere plaats waarvan u de onderkant niet kunt zien.** De uitstekende schijf kan gas- of waterleidingen, elektrische bedrading of voorwerpen die terugslag veroorzaken raken.
17. **Voordat u een gesegmenteerde diamantschijf gebruikt, controleert u dat de diamantschijf randopeningen van 10 mm of minder tussen de segmenten heeft, met alleen een negatieve helingshoek.**

#### Aanvullende veiligheidswaarschuwing:

18. **Probeer in geen geval materialen door te slijpen met het gereedschap ondersteboven vastgezet in een bankschroef. Dat is bijzonder gevaarlijk en kan ernstige ongelukken veroorzaken.**
19. **Bepaalde materialen kunnen giftige chemicaliën bevatten. Let op dat u geen stof inademt en zorg dat er niets op uw huid komt. Volg de veiligheidsinstructies van de leverancier van de materialen.**
20. **Berg de schijven zorgvuldig op volgens de aanbevelingen van de fabrikant. Onjuiste opslag kan de schijven beschadigen.**

#### BEWAAR DEZE VOORSCHRIFTEN.

##### ⚠ WAARSCHUWING:

Laat u NIET misleiden door een vals gevoel van comfort en bekendheid met het gereedschap (na veelvuldig gebruik) en neem alle veiligheidsvoorschriften van het betreffende gereedschap altijd strikt in acht. **VERKEERD GEBRUIK** of het niet naleven van de veiligheidsvoorschriften in deze gebruiksaanwijzing kan leiden tot ernstige verwondingen.

#### GEBRUIK VAN DE FUNCTIES

##### ⚠ LET OP:

- Zorg altijd dat het gereedschap is uitgeschakeld en de stekker ervan uit het stopcontact is verwijderd voordat u begint met afstelling of onderhoud van het gereedschap.

#### Draagbaar reststroomapparaat (Fig. 1)

Sluit het gereedschap aan op de stroomvoorziening en test het draagbaar reststroomapparaat (PRCD) alvorens het gereedschap te gebruiken. Druk op de "RESET"- of "ON"-toets en controleer of het spanningslampje oplicht. Druk op de "TEST"-toets en controleer of het spanningslampje dooft. Druk nogmaals op de "RESET"- of "ON"-toets om het gereedschap te gebruiken.

##### ⚠ WAARSCHUWING:

- Gebruik het gereedschap niet als het spanningslampje niet dooft wanneer u op de "TEST"-toets drukt.

#### De doorslijpdiepte instellen (Fig. 2)

Draai de vleugelbout los op de dieptegeleider los en beweeg de zool omhoog of omlaag. Zet de zool vast op de gewenste doorslijpdiepte door de vleugelbout vast te zetten.

##### ⚠ LET OP:

- Nadat u de doorslijpdiepte hebt ingesteld, zet u de vleugelbout altijd stevig vast.

#### De afschuiningshoek instellen (Fig. 3 en 4)

Draai de vleugelbout los op de afschuiningshoekplaat aan de voorkant van de zool. Stel de hoek in (van 0° – 45°) door in de gewenste stand te kantelen en draai dan de vleugelbout stevig aan.

Draai de vleugelbout op de dieptegeleider los en verplaats de zool zo dat het uiteinde van het schijfhuus boven de rode streep op de dieptegeleider komt. Draai vervolgens de vleugelbout aan, om de zool vast te zetten.

##### OPMERKING:

- Als het uiteinde van het schijfhuus onder de rode streep op de dieptegeleider komt, kan de buitenflens het werkstuk raken wanneer u de afschuiningssnede maakt.

#### Zichtlijn (Fig. 5)

Voor recht inslijpen lijnt u punt "A" aan de voorkant van de zool uit met uw slijplijn op het werkstuk. Voor een afschuiningssnede van 45° lijnt u punt "B" daarmee uit.

#### Werking van de aan/uit-schakelaar (Fig. 6)

##### ⚠ LET OP:

- Controleer altijd, voordat u de stekker in het stopcontact steekt, of de trekschakelaar op de juiste manier schakelt en terugkeert naar de "OFF" stand wanneer u deze loslaat.

Om te voorkomen dat de trekschakelaar per ongeluk kan worden ingedrukt, is er voorzien in een uitstand-borgknop.

Om het gereedschap te starten, drukt u de uitstand-borgknop in en dan trekt u de trekschakelaar in. Om te stoppen, laat u de trekschakelaar los.

#### INEENZETTEN

##### ⚠ LET OP:

- Zorg altijd dat het gereedschap is uitgeschakeld en de stekker ervan uit het stopcontact is verwijderd alvorens enig werk aan het gereedschap uit te voeren.

#### De diamantschijf aanbrengen en verwijderen (Fig. 7 en 8)

Houd de buitenflens vast met de sleutel en draai de zeskant-inbusbout rechtsom los met de zeskant-inbusleutel. Verwijder vervolgens de zeskant-inbusbout, de buitenflens en de diamantschijf.

Monteer de diamantschijf, de buitenflens en de zeskant-inbusbout op de as. Houd de buitenflens vast met de sleutel en draai de zeskant-inbusbout linksom vast met de zeskant-inbussleutel. ZORG ERVOOR DAT U DE ZESKANT-INBUSBOUT STEVIG VASTDRAAIT.

#### LET OP:

- Gebruik uitsluitend de Makita-sleutel voor het aanbrengen en verwijderen van de schijf.

#### **De waterleiding installeren (Fig. 9)**

Maak het gereedschap eerst los van het stopcontact. Draai de vleugelbout op de dieptegeleider los en beweeg de zool omlaag. Monteer de waterleiding aan het schijfhuis met de schroef.

Bevestig het plastic buisje aan de waterleiding en bevestig de adapter van het plastic buisje aan een kraan van de openbare waterleiding. Regel de waterstroom eenvoudig door aan de kraan te draaien.

#### **Deksel (A) aanbrengen (Fig. 10)**

Bevestig deksel (A) op het gereedschap met de kant gemerkt "Upside ↑" naar boven.

### **BEDIENING (Fig. 11)**

Regel de waterstroom. Houd het gereedschap stevig vast. Plaats eerst de zool van het gereedschap op het werkstuk dat u wilt slijpen, zonder dat de schijf het werkstuk raakt. Schakel vervolgens het gereedschap in en wacht totdat de schijf op volle toeren draait. Duw het gereedschap naar voren over het oppervlak van het werkstuk, houd het daarbij vlak, en duw gelijkmatig totdat het slijpen klaar is. Slijp in een rechte lijn en met gelijkmatige snelheid.

#### LET OP:

- DIT GEREEDSCHAP MAG UITSLUITEND GEBRUIKT WORDEN OP HORIZONTALE OPPERVLAKKEN.
- Duw het gereedschap voorzichtig en in een rechte lijn naar voren. Als u het gereedschap wringt en er buitensporig veel kracht op uitoefent, of als de schijf in de snede verbuigt, klem zit of verdraait, kan dit leiden tot oververhitting van de motor en gevaar voor terugslag.
- Aangezien overmatig diep slijpen de motor kan overbelasten of het gereedschap moeilijk hanteerbaar kan maken, mag de snijdiepte bij het slijpen van groeven niet meer dan 20 mm per snijbeurt bedragen. Als u meer dan 20 mm diep wilt slijpen, maakt u de groef dan in meerdere snijbeurten, met een geleidelijk dieper gaande snede.

### **ONDERHOUD**

#### LET OP:

- Zorg altijd dat het gereedschap is uitgeschakeld en de stekker ervan uit het stopcontact is verwijderd voordat u begint met inspectie of onderhoud van het gereedschap.
- Gebruik nooit benzine, wasbenzine, thinner, alcohol en dergelijke. Dat kan verkleuring, vervormingen en barsten veroorzaken.

#### **Diamantschijf slijpen**

Als de effectiviteit van het slijpen met de diamantschijf afneemt, gebruikt u een oude, versleten, grofkorrelige slijpsteen van een tafelslijpmachine, of een betonblok om de diamantschijf weer scherp te maken. Hiertoe klemt u de slijpsteen van de tafelslijpmachine of het betonblok stevig vast en slijpt u het door met de diamantschijf.

#### **Na gebruik**

Blaas het stof uit de binnenkant van het gereedschap door het gereedschap enige tijd stationair te laten draaien. Borstel het opeen gehoopte stof vanaf de zool van het gereedschap. Opeenhoping van stof in de motor of op de zool kan leiden tot storing in het gereedschap.

#### **Deksels reinigen (Fig. 12 en 13)**

Wanneer er zich al te veel stof op deksel (A) heeft opegehoopt, maakt u de klem los en verwijdert u deksel (A). Verwijder de opeenhoping van stof binnenin deksel (A) en veeg het schoon. Monteer dan deksel (A) weer op het gereedschap, met de kant gemerkt "Upside ↑" naar boven. Duw het deksel (A) zo ver mogelijk naar de motor toe en zet het vast door de klem vast te maken.

Bij het vervangen van de schijf reinigt u tegelijkertijd het deksel (B). Draai de schroef los waarmee deksel (B) bevestigd is en verwijder deksel (B). Was de opeenhoping van stof binnenin deksel (B) er uit en veeg het schoon. Breng dan deksel (B) weer op het gereedschap aan door de schroef vast te draaien. Opeenhoping van stof binnenin de deksels kan leiden tot storing in het gereedschap.

#### LET OP:

- Voor gebruik van het gereedschap dient u te zorgen dat de deksels (A) en (B) weer vastzitten.

#### **Koolborstels vervangen (Fig. 14 en 15)**

Verwijder en controleer regelmatig de koolborstels. Vervang de koolborstels wanneer ze tot aan de limietmarkering versleten zijn. Houd de koolborstels schoon zodat ze goed in de houders glijden. Beide koolborstels dienen tegelijkertijd te worden vervangen. Gebruik uitsluitend identieke koolborstels.

Verwijder eerst deksel (A).

Gebruik een schroevendraaier om de borstelhouderdoppen te verwijderen. Haal de versleten koolborstels eruit, schuif de nieuwe erin, en draai de borstelhouderdoppen goed vast.

Om de VEILIGHEID en BETROUWBAARHEID van het product te handhaven, dienen alle reparaties en alle andere onderhoudswerkzaamheden of afstellingen te worden uitgevoerd door een erkend Makita servicecentrum, en dat uitsluitend met gebruik van Makita vervangingsonderdelen.

### **OPTIONELE ACCESSOIRES**

#### LET OP:

- Deze accessoires of hulpstukken worden aanbevolen voor gebruik met het Makita gereedschap dat in deze gebruiksaanwijzing wordt beschreven. Het gebruik van andere accessoires of hulpstukken kan gevaar voor persoonlijke verwonding opleveren. Gebruik de accessoires of hulpstukken uitsluitend voor het gespecificeerde doel.

Went u meer informatie over deze accessoires, neem dan contact op met het dichtstbijzijnde Makita servicecentrum.

- Diamantschijven
- Zeskant-inbussleutel 6
- Sleutel nr. 22
- Geleiderail (lineaal)

**OPMERKING:**

- Sommige van de onderdelen in deze lijst kunnen bijgeleverd zijn als standaard-accessoires. Deze accessoires kunnen per land verschillend zijn.

ENG905-1

**Geluidsniveau**

De typisch, A-gewogen geluidsniveaus vastgesteld volgens EN60745:

Geluidsdrukniveau ( $L_{pA}$ ): 98 dB (A)

Geluidsvermogeniveau ( $L_{WA}$ ): 109 dB (A)

Onnauwkeurigheid (K): 3 dB (A)

**Draag oorbeschermers**

ENG900-1

**Trilling**

De totaalwaarde van de trillingen (triaxiale vectorsom) vastgesteld volgens EN60745:

Bedrijfsfunctie: beton slijpen

Trillingsemissie ( $a_h$ ): 5,5 m/s<sup>2</sup>

Onnauwkeurigheid (K): 1,5 m/s<sup>2</sup>

ENG901-1

- De opgegeven trillingsemissiewaarde is gemeten volgens de standaardtestmethode en kan worden gebruikt om dit gereedschap te vergelijken met andere gereedschappen.
- De opgegeven trillingsemissiewaarde kan ook worden gebruikt voor een beoordeling vooraf van de blootstelling.

** WAARSCHUWING:**

- De trillingsemissie tijdens het gebruik van het elektrisch gereedschap in de praktijk kan verschillen van de opgegeven trillingsemissiewaarde afhankelijk van de manier waarop het gereedschap wordt gebruikt.
- Zorg ervoor dat veiligheidsmaatregelen worden getroffen ter bescherming van de operator die zijn gebaseerd op een schatting van de blootstelling onder praktijkomstandigheden (rekening houdend met alle fasen van de bedrijfscyclus, zoals de tijdsduur gedurende welke het gereedschap is uitgeschakeld en stationair draait, naast de ingeschakelde tijdsduur).

**EG-VERKLARING VAN CONFORMITEIT****Alleen voor Europese landen**

De EG-verklaring van conformiteit is bijgevoegd als Bijlage A bij deze gebruiksaanwijzing.

**Explicación de los dibujos**

|   |                                    |                          |
|---|------------------------------------|--------------------------|
| 1 Botón TEST  | 10 Guía superior                   | 19 Caja del disco        |
| 2 Botón RESET u "ON"                                | 11 Interruptor de gatillo          | 20 Tubo de agua          |
| 3 Lámpara piloto                                    | 12 Botón de desbloqueo             | 21 Abrazadera            |
| 4 Dispositivo de corriente residual portátil (PRCD) | 13 Llave de 22                     | 22 Cubierta (A)          |
| 5 Perno de orejetas                                 | 14 Llave hexagonal                 | 23 Cubierta (B)          |
| 6 Base  | 15 Brida interior                  | 24 Tornillo              |
| 7 Tuerca de orejetas                                | 16 Disco de diamante               | 25 Marca límite          |
| 8 Extremo de la caja del disco                      | 17 Brida exterior                  | 26 Tapón portaescobillas |
| 9 Línea roja  | 18 Perno de cabeza hueca hexagonal | 27 Destornillador        |

**ESPECIFICACIONES**

GEB025-6

|  |                             |
|--|-----------------------------|
| <b>Modelo</b>  | <b>4101RH</b>               |
| Diámetro del disco.....  | 125 mm                      |
| Grosor máx. del disco .....  | 2,1 mm                      |
| Capacidades de corte máx.  |                             |
| 90° .....  | 41,5 mm                     |
| 45° .....  | 26 mm                       |
| Presión máxima permitida del suministro de agua .....                  | 0,14 MPa                    |
| Velocidad especificada (n) / Velocidad en vacío (n <sub>0</sub> )..... | 13.800 (min <sup>-1</sup> ) |
| Longitud total .....   | 236 mm                      |
| Peso neto .....  | 3,0 kg                      |
| Clase de seguridad .....   | Clase I                     |

- Debido a un continuado programa de investigación y desarrollo, las especificaciones aquí ofrecidas quedan sujetas a cambios sin previo aviso.
- Las especificaciones pueden diferir de país a país.
- Peso de acuerdo con el procedimiento EPTA 01/2003

ENE023-2

**Uso previsto**

La herramienta ha sido prevista para cortar ladrillos, cemento y piedra.

ENF001-1

**Alimentación**

La herramienta solamente debe ser conectada a una fuente de alimentación de la misma tensión que la indicada en la placa de características, y solamente puede ser utilizada con alimentación de CA monofásica. Esta herramienta deberá estar puesta a tierra durante su utilización para proteger al operario contra una descarga eléctrica. Utilice solamente cables de extensión de tres hilos que tengan enchufe de tres clavijas de tipo con toma a tierra y tomas de corriente de tres polos que admitan la clavija de la herramienta.

GEA010-1

**Advertencias de seguridad generales para herramientas eléctricas**

**⚠ ¡ADVERTENCIA! Lea todas las advertencias de seguridad y todas las instrucciones.** Si no sigue todas las advertencias e instrucciones podrá ocasionar una descarga eléctrica, un incendio y/o heridas graves.

**Guarde todas las advertencias e instrucciones para futuras referencias.**

**ADVERTENCIAS DE SEGURIDAD PARA LA CORTADORA DE MÁRMOL**

1. **El protector de disco provisto con esta herramienta deberá estar fijado firmemente en la herramienta eléctrica y estar colocado de forma que ofrezca la máxima seguridad, quedando hacia el operario la mínima parte de disco desprotegida. Colóquense usted y los curiosos alejados del plano de giro del disco giratorio.** El protector de disco ayuda a proteger al operario de fragmentos de disco roto y de un contacto accidental con el disco.
2. **Utilice solamente discos de corte de diamante para su herramienta eléctrica.** Solamente porque el accesorio pueda ser instalado en su herramienta eléctrica, no quiere decir que su operación sea segura.
3. **La velocidad especificada del accesorio deberá ser al menos igual que la velocidad máxima marcada en la herramienta eléctrica.** Si los accesorios se usan a velocidad más alta de la velocidad especificada pueden romperse y salir despedidos.
4. **Los discos deberán ser utilizados solamente para aplicaciones recomendadas. Por ejemplo, no amole con el costado de un disco de corte.** Los discos de corte abrasivo han sido previstos para amolado periférico, estos discos podrán desintegrarse si se les aplican fuerzas laterales.
5. **Utilice siempre bridas de disco no dañadas que sean del tamaño correcto para el disco que ha seleccionado.** Las bridas de disco correctas sujetan los discos de tal manera que reducen la posibilidad de que el disco se rompa.
6. **El diámetro exterior y el espesor de su accesorio deberán estar dentro de la capacidad nominal de su herramienta eléctrica.** Los accesorios de tamaño incorrecto no se pueden proteger ni controlar adecuadamente.
7. **El tamaño del agujero para eje de los discos y bridas deberá encajar debidamente en el eje de la herramienta eléctrica.** Los discos y bridas con agujero para eje que no coincida con el eje de montaje de la herramienta eléctrica se desequilibrarán, vibrarán excesivamente y podrán ocasionar una pérdida de control.



8. **No utilice discos dañados.** Antes de cada utilización, inspeccione los discos para ver si están mellados o agrietados. Si deja caer la herramienta eléctrica o el disco, inspecciónelo para ver si está dañado o instale un disco que no esté dañado. Después de inspeccionar e instalar un disco, póngase usted y los curiosos alejados del plano del disco giratorio y haga funcionar la herramienta a velocidad sin carga máxima durante un minuto. Normalmente, los discos dañados se romperán durante este tiempo de prueba.
9. **Póngase equipo de protección personal.** En función de la aplicación, utilice pantalla facial, gafas de protección o gafas de seguridad. Según corresponda, póngase mascarilla contra el polvo, protectores auditivos, guantes y delantal de taller que pueda detener los pequeños fragmentos abrasivos o de pieza de trabajo que salgan despedidos. La protección de los ojos deberá ser capaz de detener los restos que salen volando generados en las diferentes operaciones. La mascarilla contra el polvo o respirador deberá ser capaz de filtrar las partículas generadas en su operación. La exposición prolongada a ruido de alta intensidad podrá ocasionar pérdida auditiva.
10. **Mantenga a los curiosos a una distancia segura** alejados del área de trabajo. Cualquier persona que entre en el área de trabajo deberá usar equipo de protección personal. Los fragmentos de la pieza de trabajo o de un disco roto pueden salir volando y ocasionar heridas más allá del área de operación inmediata.
11. **Cuando realice una operación en la que el accesorio de corte pueda entrar en contacto con cableado oculto o con su propio cable, sujete la herramienta eléctrica por las superficies de asimiento aisladas solamente.** El contacto del accesorio de corte con un cable con corriente hará que la corriente circule por las partes metálicas expuestas de la herramienta eléctrica y podrá soltar una descarga eléctrica al operario.
12. **Posicione el cable de alimentación alejado del accesorio giratorio.** Si pierde el control, el cable podrá ser cortado o enredarse y tirar de su mano o brazo hacia el disco giratorio.
13. **No deje nunca la herramienta eléctrica hasta que el accesorio se haya detenido completamente.** El disco giratorio puede agarrarse en la superficie y tirar de la herramienta eléctrica dejándola fuera de control.
14. **No tenga la herramienta eléctrica encendida mientras la lleva en su costado.** Un contacto accidental con el accesorio giratorio podría enganchar sus ropas, y arrastrar el accesorio hacia su cuerpo.
15. **Limpie regularmente los orificios de ventilación de la herramienta eléctrica.** El ventilador del motor atraerá el polvo al interior de la carcasa y una acumulación excesiva del polvo metálico puede ocasionar riesgos eléctricos.
16. **No utilice la herramienta eléctrica cerca de materiales inflamables.** Las chispas pueden prender estos materiales.

#### **Retrocesos bruscos y advertencias relacionadas**

El retroceso brusco es una reacción repentina debida a un aprisionamiento o estancamiento del disco giratorio. El aprisionamiento o estancamiento ocasiona un detenimiento rápido del disco giratorio que a su vez hace que la herramienta eléctrica descontrolada sea forzada en dirección opuesta a la rotación del disco en el punto de bloqueo.

Por ejemplo, si el disco abrasivo queda aprisionado o estancado por la pieza de trabajo, el borde del disco que está entrando en el punto de estancamiento puede hincarse en la superficie del material haciendo que el disco se salga de la hendidura o salte. El disco podrá saltar hacia el operario o en dirección contraria a él, dependiendo de la dirección del movimiento del disco en el punto de estancamiento. Los discos abrasivos también podrán romperse en estas condiciones.

Los retrocesos bruscos se deben a un mal uso de la herramienta eléctrica y/o a procedimientos o condiciones de trabajo incorrectos y pueden evitarse tomando las precauciones indicadas a continuación.

- a) **Mantenga la herramienta eléctrica sujeta firmemente y posicione su cuerpo y brazo de forma que pueda resistir las fuerzas del retroceso brusco. Utilice siempre el mango auxiliar, si está provisto, para tener el máximo control sobre el retroceso brusco o reacción de torsión durante la puesta en marcha.** El operario puede controlar las reacciones de torsión o fuerzas de retroceso brusco, si toma las precauciones apropiadas.
- b) **No ponga nunca su mano cerca del accesorio girando.** El accesorio puede retroceder bruscamente sobre su mano.
- c) **No ponga su cuerpo en línea con el disco giratorio.** El retroceso brusco propulsará la herramienta en dirección opuesta al movimiento del disco en el punto de enganche.
- d) **Tenga cuidado especial cuando trabaje en esquinas, bordes cortantes, etc. Evite que el accesorio rebote o se enganche.** Las esquinas, bordes cortantes o los rebotes tienen la tendencia a enganchar el accesorio giratorio y ocasionar la pérdida de control o retroceso brusco.
- e) **No coloque una cadena de sierra, un disco de tallar madera o un disco de diamante segmentado con una holgura periférica mayor de 10 mm ni un disco de sierra dentado.** Tales discos crean retrocesos bruscos y pérdida de control frecuentes.
- f) **No "atasque" el disco ni ejerza presión excesiva. No intente hacer un corte de excesiva profundidad.** Si fatiga en exceso el disco, aumentará la carga y la susceptibilidad de retorcerse o estancarse en el corte y existirá la posibilidad de que se produzca un retroceso brusco o la rotura del disco.

- g) Cuando el disco esté estancándose o cuando quiera interrumpir un corte por cualquier razón, apague la herramienta eléctrica y sujétela sin moverla hasta que el disco se haya detenido completamente. No intente nunca sacar el disco del corte estando el disco moviéndose porque podrá producirse un retroceso brusco. Investigue y tome medidas correctivas para eliminar la causa del estancamiento del disco.
- h) No reinicie la operación de corte en la pieza de trabajo. Deje que el disco alcance plena velocidad y vuelva a entrar en el corte cuidadosamente. Si vuelve a poner en marcha la herramienta eléctrica en la pieza de trabajo, el disco podrá estancarse, saltar o retroceder bruscamente.
- i) Sujete los paneles o cualquier pieza de trabajo demasiado grande para minimizar el riesgo de que el disco se estanque o retroceda bruscamente. Las piezas de trabajo grandes tienden a combarse con su propio peso. Deberá poner apoyos debajo de la pieza de trabajo cerca de la línea de corte y cerca del borde de la pieza de trabajo en ambos lados del disco.
- j) Extreme las precauciones cuando haga un “corte de cavidad” en paredes u otras áreas ciegas. La parte saliente del disco podría cortar tuberías de gas o agua, cables eléctricos u objetos que pueden ocasionar un retroceso brusco.

17. Antes de utilizar un disco de diamante segmentado, asegúrese de que el disco de diamante tiene una holgura periférica entre los segmentos de 10 mm o menos, solamente con un ángulo de corte negativo.

#### Advertencias de seguridad adicionales:

18. No intente nunca cortar con la herramienta sujeta al revés en un tornillo de banco. Esto podrá acarrear accidentes graves, porque es muy peligroso.
19. Algunos materiales contienen sustancias químicas que podrán ser tóxicas. Tenga precaución para evitar la inhalación de polvo y el contacto con la piel. Siga los datos de seguridad del abastecedor del material.
20. Almacene los discos siguiendo las recomendaciones del fabricante. Un almacenamiento inadecuado puede dañar los discos.

### GUARDE ESTAS INSTRUCCIONES.

#### ⚠ ADVERTENCIA:

NO deje que la comodidad o familiaridad con el producto (a base de utilizarlo repetidamente) sustituya la estricta observancia de las normas de seguridad para el producto en cuestión. El MAL USO o el no seguir las normas de seguridad establecidas en este manual de instrucciones podrá ocasionar graves heridas personales.

### DESCRIPCIÓN DEL FUNCIONAMIENTO

#### ⚠ PRECAUCIÓN:

- Asegúrese siempre de que la herramienta esté apagada y desenchufada antes de ajustar o comprobar cualquier función de la herramienta.

### Dispositivo de corriente residual portátil (Fig. 1)

Conecte la herramienta a una toma de corriente y pruebe el dispositivo de corriente residual portátil (PRCD) antes de utilizar la herramienta. Presione el botón “RESET” u “ON” y confirme que la lámpara piloto se ilumina. Presione el botón “TEST” y confirme que la lámpara piloto se apaga. Presione el botón “RESET” u “ON” otra vez para utilizar la herramienta.

#### ⚠ ADVERTENCIA:

- No utilice la herramienta si la lámpara piloto no se apaga cuando se presiona el botón “TEST”.

### Ajuste de la profundidad de corte (Fig. 2)

Afloje el perno de orejetas de la placa de profundidad y mueva la base hacia arriba o hacia abajo. En la profundidad de corte deseada, fije la base apretando el perno de orejetas.

#### ⚠ PRECAUCIÓN:

- Después de ajustar la profundidad de corte, apriete siempre el perno de orejetas firmemente.

### Ajuste del ángulo de bisel (Fig. 3 y 4)

Afloje la tuerca de orejetas de la placa de la escala de bisel en la parte delantera de la base. Ajuste el ángulo deseado (0° – 45°) inclinando según corresponda, después apriete la tuerca de orejetas firmemente.

Afloje el perno de orejetas de la guía de profundidad y mueva la base de forma que el extremo de la caja del disco quede por encima de la línea roja de la guía de profundidad. Después apriete el perno de orejetas para sujetar la base.

#### NOTA:

- Si el extremo de la caja del disco está debajo de la línea roja de la guía de profundidad, la brida exterior podrá golpear la pieza de trabajo cuando realice el corte en bisel.

### Guía visual (Fig. 5)

Para cortes rectos, alinee la posición “A” de la parte delantera de la base con la línea de corte. Para cortes en bisel a 45°, alinee la posición “B” con la misma.

### Accionamiento del interruptor (Fig. 6)

#### ⚠ PRECAUCIÓN:

- Antes de enchufar la herramienta, compruebe siempre para cerciorarse de que el interruptor de gatillo se acciona debidamente y que vuelve a la posición “OFF” cuando lo suelta.

Para evitar que el interruptor de gatillo pueda accionarse accidentalmente, se ha provisto un botón de desbloqueo. Para poner en marcha la herramienta, presione hacia dentro el botón de desbloqueo y apriete el interruptor de gatillo. Suelte el interruptor de gatillo para parar.

### MONTAJE

#### ⚠ PRECAUCIÓN:

- Asegúrese siempre de que la herramienta esté apagada y desenchufada antes de realizar cualquier trabajo en ella.

## Instalación o desmontaje del disco de diamante (Fig. 7 y 8)

Sujete la brida exterior con la llave y afloje el perno de cabeza hueca hexagonal girándolo hacia la derecha con la llave hexagonal. Después quite el perno de cabeza hueca hexagonal, la brida exterior y el disco de diamante.

Instale el disco de diamante, la brida exterior y el perno de cabeza hueca hexagonal en el eje. Sujete la brida exterior con la llave y apriete el perno de cabeza hueca hexagonal girándolo hacia la izquierda con la llave hexagonal. **ASEGÚRESE DE APRETAR EL PERNO DE CABAHA HUECA HEXAGONAL FIRMEAMENTE.**

### PRECAUCIÓN:

- Utilice solamente la llave Makita para instalar o desmontar el disco.

## Instalación del tubo de agua (Fig. 9)

En primer lugar, desenchufe la herramienta. Afloje el perno de orejetas de la guía de profundidad y mueva la base hacia abajo. Instale el tubo de agua en la caja del disco utilizando el tornillo.

Coloque el tubo de vinilo en el tubo de agua y coloque el adaptador del tubo de vinilo en un grifo de presión de la tubería principal de agua. Ajuste la cantidad del chorro de agua simplemente ajustando el grifo de agua.

## Instalación de la cubierta (A) (Fig. 10)

Instale la cubierta (A) en la herramienta de forma que su lado con la marca "Upside ↑" quede orientado hacia arriba.

## OPERACIÓN (Fig. 11)

Ajuste la cantidad del chorro de agua. Sujete la herramienta firmemente. Coloque la placa base sobre la pieza de trabajo a cortar sin el disco haciendo contacto alguno. Después encienda la herramienta y espere hasta que el disco adquiera plena velocidad. Ahora simplemente mueva la herramienta hacia delante sobre la superficie de la pieza de trabajo, manteniéndola plana y avanzando suavemente hasta completar el corte. Mantenga recta la línea de corte y su velocidad de avance uniforme.

### PRECAUCIÓN:

- **ESTA HERRAMIENTA DEBERÁ UTILIZARSE SOLAMENTE SOBRE SUPERFICIES HORIZONTALES.**
- Asegúrese de mover la herramienta hacia delante en línea recta y suavemente. Si fuerza o ejerce presión excesiva o si permite que el disco se tuerza, se trabe o retuerza en el corte, podrá ocasionar recalentamiento del motor y un retroceso brusco peligroso de la herramienta.
- Dado que un corte excesivo puede causar sobrecarga el motor, la profundidad de corte no deberá ser de más de 20 mm por pasada. Cuando quiera cortar más de 20 mm de profundidad, haga varias pasadas aumentando la profundidad progresivamente.

## MANTENIMIENTO

### PRECAUCIÓN:

- Asegúrese siempre de que la herramienta esté apagada y desenchufada antes de intentar realizar una inspección o mantenimiento.
- No utilice nunca gasolina, bencina, disolvente, alcohol o similares. Podría producir descolocación, deformación o grietas.

## Reacondicionamiento del disco de diamante

Si la eficiencia del disco de diamante empieza a disminuir, reacondicione el disco de diamante utilizando una muela de rectificar de grano grueso vieja o un bloque de hormigón. Para hacerlo, sujete firmemente la muela de rectificar o bloque de cemento y corte en él.

## Después del uso

Extraiga el polvo del interior de la herramienta dejando funcionar la herramienta sin carga durante un rato. Quite con un cepillo el polvo acumulado en la base. La acumulación de polvo en el motor o en la base podrá ocasionar un mal funcionamiento de la herramienta.

## Limpieza de las cubiertas (Fig. 12 y 13)

Cuando la acumulación de polvo sobre la cubierta (A) parezca excesiva, afloje la abrazadera y quite la cubierta (A). Retire la acumulación de polvo dentro de la cubierta (A) y límpiela. Después instale la cubierta (A) en la herramienta de forma que su lado con la marca "Upside ↑" quede orientado hacia arriba. Empuje la cubierta (A) contra el motor a fondo y sujétela apretando la abrazadera.

Cuando cambie el disco, limpie la cubierta (B) al mismo tiempo. Afloje el tornillo que sujeta la cubierta (B) y quite la cubierta (B). Retire la acumulación de polvo dentro de la cubierta (B) y límpiela. Después coloque la cubierta (B) en la herramienta apretando el tornillo. La acumulación de polvo dentro de las cubiertas puede causar un mal funcionamiento de la herramienta.

### PRECAUCIÓN:

- Cuando utilice la herramienta, asegúrese de colocar las cubiertas (A) y (B).

## Reemplazo de las escobillas de carbón (Fig. 14 y 15)

Extraiga e inspeccione las escobillas de carbón regularmente. Reemplácelas cuando se hayan gastado hasta la marca límite. Mantenga las escobillas de carbón limpias de forma que entren libremente en los portaescobillas. Deberá reemplazar ambas escobillas de carbón al mismo tiempo. Utilice únicamente escobillas de carbón idénticas.

Primero, extraiga la cubierta (A).

Utilice un destornillador para quitar los tapones portaescobillas. Extraiga las escobillas desgastadas, inserte las nuevas y vuelva a colocar los tapones portaescobillas.

Para mantener la SEGURIDAD y FIABILIDAD del producto, las reparaciones, cualquier otro mantenimiento o ajuste deberán ser realizados en centros de servicio autorizados por Makita, empleando siempre repuestos Makita.

## ACCESORIOS OPCIONALES

### PRECAUCIÓN:

- Estos accesorios o acoplamientos están recomendados para utilizar con la herramienta Makita especificada en este manual. La utilización de cualquier otro accesorio o acoplamiento podrá suponer un riesgo de sufrir heridas personales. Utilice los accesorios o acoplamientos solamente para el propósito que han sido diseñados.

Si necesita cualquier tipo de asistencia para obtener más detalles en relación con estos accesorios, pregunte al centro de servicio Makita local.

- Discos de diamante
- Llave hexagonal de 5
- Llave de 22
- Guía lateral (Regla guía)

**NOTA:**

- Algunos elementos de la lista podrán estar incluidos en el paquete de la herramienta como accesorios estándar. Pueden variar de un país a otro.

ENG905-1

**Ruido**

El nivel de ruido A-ponderado típico determinado de acuerdo con la norma EN60745:

Nivel de presión sonora ( $L_{pA}$ ): 98 dB (A)

Nivel de potencia sonora ( $L_{WA}$ ): 109 dB (A)

Error (K): 3 dB (A)

**Póngase protectores en los oídos**

ENG900-1

**Vibración**

El valor total de la vibración (suma de vectores triaxiales) determinado de acuerdo con la norma EN60745:

Modo tarea: corte de cemento

Emisión de vibración ( $a_{h1}$ ): 5,5 m/s<sup>2</sup>

Error (K): 1,5 m/s<sup>2</sup>

ENG901-1

- El valor de emisión de vibración declarado ha sido medido de acuerdo con el método de prueba estándar y se puede utilizar para comparar una herramienta con otra.
- El valor de emisión de vibración declarado también se puede utilizar en una valoración preliminar de exposición.

**⚠ ADVERTENCIA:**

- La emisión de vibración durante la utilización real de la herramienta eléctrica puede variar del valor de emisión declarado dependiendo de las formas en las que la herramienta sea utilizada.
- Asegúrese de identificar medidas de seguridad para proteger al operario que estén basadas en una estimación de la exposición en las condiciones reales de utilización (teniendo en cuenta todas las partes del ciclo operativo tal como las veces cuando la herramienta está apagada y cuando está funcionando en vacío además del tiempo de gatillo).

**DECLARACIÓN CE DE CONFORMIDAD**

**Para países europeos solamente**

La declaración CE de conformidad está incluida como Anexo A de esta manual de instrucciones.

**Explicação geral**

|  |                              |                           |
|--|------------------------------|---------------------------|
| 1 Botão TEST                                       | 10 Guia superior             | 20 Tubo de água           |
| 2 Botão RESET ou "ON"                              | 11 Gatilho do interruptor    | 21 Grampo                 |
| 3 Lâmpada piloto                                   | 12 Botão de bloqueio         | 22 Cobertura (A)          |
| 4 Dispositivo portátil de corrente residual (PRCD) | 13 Chave 22                  | 23 Cobertura (B)          |
| 5 Perno de orelhas                                 | 14 Chave hexagonal           | 24 Parafuso               |
| 6 Base   | 15 Brida interior            | 25 Marca limite           |
| 7 Porca de orelhas                                 | 16 Disco diamantado          | 26 Tampa do porta-escovas |
| 8 Extremidade da caixa do disco                    | 17 Brida exterior            | 27 Chave de parafusos     |
| 9 Linha vermelha                                   | 18 Perno de cabeça hexagonal |                           |
|  | 19 Caixa do disco            |                           |

**ESPECIFICAÇÕES**

GEB025-6

|   |                             |
|---|-----------------------------|
| <b>Modelo</b>   | <b>4101RH</b>               |
| Diâmetro do disco.....                                | 125 mm                      |
| Espessura máx. do disco .....                         | 2,1 mm                      |
| Capacidades máx. de corte                             |                             |
| 90° .....   | 41,5 mm                     |
| 45° .....   | 26 mm                       |
| Pressão máxima permitida de alimentação de água ..... | 0,14 MPa                    |
| Velocidade nominal (n) /                              |                             |
| Velocidade em vazio (n <sub>0</sub> ) .....           | 13.800 (min <sup>-1</sup> ) |
| Comprimento total .....                               | 236 mm                      |
| Peso líquido .....                                    | 3,0 kg                      |
| Classe de segurança.....                              | Classe I                    |

- Devido a um programa de pesquisa e desenvolvimento contínuo, estas especificações podem ser alteradas sem aviso prévio.
- As especificações podem diferir de país para país.
- Peso de acordo com o Procedimento 01/2003 da EPTA (European Power Tool Association)

ENE023-2

**Utilização pretendida**

Esta ferramenta serve para cortar tijolos, betão e pedras.

ENF001-1

**Alimentação**

A ferramenta só deve ser ligada a uma fonte de alimentação com a mesma voltagem da indicada na placa de características e só funciona com alimentação CA monofásica. Esta ferramenta deve ser ligada à terra quando está em utilização para proteger o operador contra choques eléctricos. Utilize só cabos de extensão com três fios que tenham fichas do tipo de ligação terra de três pinos e tomadas de três pólos que aceitem a ficha da ferramenta.

GEA010-1

**Avisos gerais de segurança para ferramentas eléctricas**

**⚠ AVISO! Leia todos os avisos de segurança e todas as instruções.** O não cumprimento de todos os avisos e instruções pode originar choque eléctrico, incêndio e/ou ferimentos graves.

**Guarde todos os avisos e instruções para futuras referências.**

**AVISOS DE SEGURANÇA PARA A SERRA MÁRMORE**

1. **A protecção fornecida com a ferramenta deve ser colocada firmemente na ferramenta eléctrica e posicionada para segurança máxima, para que o mínimo de disco fique exposto próximo do operador. Posicione-se a si e às pessoas presentes longe do plano do disco rotativo.** A protecção ajuda a proteger o operador de fragmentos de disco partido e o contacto accidental com o disco.
2. **Utilize somente discos diamantados na sua ferramenta eléctrica.** O facto do acessório poder ser instalado na ferramenta não garante um funcionamento com segurança.
3. **A velocidade nominal do acessório deve ser pelo menos igual à velocidade máxima indicada na ferramenta.** Os acessórios que funcionam mais rápido do que a velocidade nominal podem partir e ser arremessados.
4. **Os discos devem ser usados somente para as aplicações recomendadas.** Por exemplo: não triture com a parte lateral do disco de corte. Os discos de corte abrasivos servem para trituração periférica, as forças laterais aplicadas a estes discos podem fazer com que eles se estilhacem.
5. **Utilize sempre bridas de disco em boas condições cujo diâmetro seja o correcto para o disco seleccionado.** As bridas apropriadas apoiam o disco, reduzindo assim a possibilidade de quebra do mesmo.
6. **O diâmetro externo e a espessura do acessório devem estar dentro da taxa de utilização da capacidade da ferramenta.** Não é possível proteger ou controlar acessórios de tamanho incorrecto.
7. **O tamanho da haste dos discos e bridas deve encaixar adequadamente no veio da ferramenta eléctrica.** Os discos e bridas com orifícios da haste que não correspondem com o hardware de instalação da ferramenta eléctrica ficam desbalanceados, vibram excessivamente e podem causar a perda de controlo.

8. **Não utilize discos danificados. Antes de cada utilização, examine os discos a fim de verificar se há fissuras ou rachaduras. Se a ferramenta ou o disco cair, verifique se está danificado ou instale um disco novo. Após inspeccionar e instalar o disco, certifique-se de que os espectadores bem como você mesmo fiquem afastados da área do disco em rotação e funcione a ferramenta em vazio, em velocidade máxima, por um minuto.** Os discos danificados geralmente se quebram durante esta prova.
9. **Utilize equipamento de protecção pessoal. Utilize um protector facial, óculos de segurança ou protectores oculares, conforme a aplicação. Utilize uma máscara contra pó, protectores auriculares, luvas e avental capazes de resguardar contra pedaços de abrasivos ou estilhaços da peça de trabalho.** O protector ocular deve ter capacidade de resguardar contra detritos arremessados durante as várias operações. A máscara de pó ou de respiração deve ter capacidade de filtrar as partículas geradas durante a operação. O exposição prolongada a ruídos de alta intensidade pode causar a perda de audição.
10. **Mantenha os espectadores afastados da área de trabalho, a uma distância segura. Todos as pessoas que entram na área de trabalho devem utilizar equipamentos de protecção.** Fragmentos da peça de trabalho ou de um disco quebrado podem ser atirados para além da área imediata de operação e causar ferimentos.
11. **Agarre na ferramenta eléctrica somente pelas pegadas isoladas quando executa uma operação em que o acessório de corte possa entrar em contacto com fios ocultos ou com o seu próprio fio.** O contacto do acessório de corte com um fio "ligado" poderá carregar as partes metálicas da ferramenta e causar choque eléctrico no operador.
12. **Posicione o fio longe do acessório em rotação.** Se perder o controlo, o fio pode ser cortado ou ficar preso e sua mão ou braço pode ser puxado para o disco em rotação.
13. **Nunca pouse a ferramenta antes do acessório parar completamente.** O disco em rotação pode pegar a superfície e puxar a ferramenta causando a perda de controlo.
14. **Não funcione com a ferramenta enquanto a carrega ao seu lado.** O contacto accidental com o acessório em rotação pode prender a sua roupa e puxar o acessório na direcção do seu corpo.
15. **Limpe os orifícios de ventilação da ferramenta eléctrica regularmente.** A ventoinha do motor atrai o pó dentro da caixa e a acumulação excessiva de metal pulverizado pode causar choque eléctrico.
16. **Não funcione com a ferramenta perto de materiais inflamáveis.** As faíscas podem incendiar esses materiais.

#### **Avisos sobre recuos**

O recuo é uma reacção repentina a um disco em rotação que fica preso ou encravado. O encravamento ou bloqueio causa a parada imediata do disco em rotação que, por sua vez, causa o impulso da ferramenta descontrolada na direcção oposta à da rotação do disco, no momento que é preso.

Se o disco abrasivo ficar preso ou enroscado na peça de trabalho, por exemplo, a sua borda que está a entrar no ponto onde prendeu, pode entrar na superfície do material fazendo com que o disco salte ou cause um contra-golpe. O disco pode pular na direcção do operador ou na direcção oposta, dependendo do sentido do movimento do disco no ponto onde foi preso. Os discos abrasivos também podem quebrar nessas circunstâncias.

O recuo é o resultado de uso impróprio da ferramenta e/ou condições ou procedimentos incorrectos para o funcionamento e pode ser evitado tomando-se as medidas de precaução relacionadas abaixo.

- a) **Segure a ferramenta eléctrica com firmeza e posicione-se de tal forma que o seu corpo e braço permitam-lhe resistir à força do recuo. Utilize sempre a pega auxiliar, se fornecida, para controlo máximo no caso de recuo ou reacção do binário durante o arranque.** O operador poderá controlar as reacções do binário ou as forças do recuo se tomar as medidas de precaução necessárias.
- b) **Nunca coloque a sua mão próxima do acessório em rotação.** O acessório pode recuar sobre a sua mão.
- c) **Não posicione o seu corpo alinhado com o disco rotativo.** O recuo impulsionará a ferramenta na direcção oposta à do movimento do disco no ponto onde é preso.
- d) **Tenha cuidado especialmente ao trabalhar em cantos, extremidades cortantes, etc. Evite ressaltar ou prender o acessório.** Cantos, extremidades cortantes ou ressalto tendem a prender o acessório em rotação e causar perda de controlo ou recuo.
- e) **Não coloque uma corrente de serra, lâmina para esculpir madeira, disco diamantado segmentado com um intervalo periférico superior a 10 mm ou lâmina de serra dentada.** Essas lâminas provocam recuos frequentes e perda de controlo.
- f) **Não bloqueie o disco nem exerça pressão excessiva. Não tente efectuar um corte muito profundo.** Sujeitar o disco a esforço excessivo aumenta a carga e a susceptibilidade de torção ou encravamento do disco no corte e a possibilidade de recuo ou quebra do disco.
- g) **Se o disco ficar preso ou quando interromper o corte por qualquer motivo, desligue a ferramenta e segure-a imóvel até o disco parar completamente. Nunca tente retirar o disco do corte enquanto o mesmo ainda estiver em rotação, caso contrário poderá ocorrer um recuo.** Verifique e tome as medidas correctivas para eliminar a causa do encravamento do disco.

- h) Não reinicie a operação de corte na peça de trabalho. Aguarde até que o disco atinja a velocidade máxima e coloque-o no corte cuidadosamente. O disco pode encravar, pular ou recuar se ligar a ferramenta quando ela estiver em contacto com a peça de trabalho.
- i) Apoie as tábuas ou peças de trabalho muito grandes para minimizar o risco do disco prender e causar um recuo. As peças de trabalho grandes tendem a ceder sob o próprio peso. Os apoios devem ser colocados debaixo da peça de trabalho perto da linha de corte e da borda da peça de trabalho, nos dois lados do disco.
- j) Tenha cuidado especialmente ao fazer um “corte penetrante” em paredes ou outras áreas desconhecidas. O disco exposto pode cortar canos de gás ou de água, fiação eléctrica ou outros objectos que podem causar recuo.

17. Antes de utilizar um disco diamantado segmentado, certifique-se de que o disco diamantado tem intervalo periférico entre segmentos de 10 mm ou menos, apenas com um ângulo de inclinação negativo.

#### Avisos de segurança adicionais:

- 18. Nunca tente cortar com a ferramenta virada ao contrário num torno. Isso pode provocar acidentes graves, porque é extremamente perigoso.
- 19. Algum material contém químicos que podem ser tóxicos. Tenha cuidado para evitar a inalação de pó e o contacto com a pele. Siga a ficha de dados de segurança do fornecedor do material.
- 20. Armazene as rodas de acordo com as recomendações do fabricante. Um armazenamento inadequado pode danificar as rodas.

#### GUARDE ESTAS INSTRUÇÕES.

##### AVISO:

NÃO permita que conforto ou familiaridade com o produto (adquirido com o uso repetido) substitua a aderência estrita às regras de segurança da ferramenta. MÁ INTERPRETAÇÃO ou não seguimento das regras de segurança estabelecidas neste manual de instruções pode causar danos pessoais sérios.

#### DESCRIÇÃO FUNCIONAL

##### PRECAUÇÃO:

- Verifique sempre se a ferramenta está desligada e a ficha retirada da tomada de corrente antes de ajustar ou verificar o seu funcionamento.

#### Dispositivo portátil de corrente residual (Fig. 1)

Ligue a ferramenta a uma fonte de alimentação e teste o dispositivo portátil de corrente residual (PRCD) antes de utilizar a ferramenta. Carregue no botão “RESET” ou “ON” e confirme que a lâmpada piloto se acende. Carregue no botão “TEST” e confirme que a lâmpada piloto se apaga. Carregue no botão “RESET” ou “ON” outra vez para utilizar a ferramenta.

##### AVISO:

- Não utilize a ferramenta se a lâmpada piloto não se apagar quando carregar no botão “TEST”.

#### Regulação da profundidade do corte (Fig. 2)

Desaperte o perno de orelhas na guia de profundidade e mova a base para cima ou para baixo. Na profundidade de corte desejada, fixe a base apertando o perno de orelhas.

##### PRECAUÇÃO:

- Depois de regular a profundidade do corte, sempre aperte o perno de orelhas com firmeza.

#### Regulação do ângulo de bisel (Fig. 3 e 4)

Desaperte a porca de orelhas na placa da escala de bisel na frente da base. Regule para o ângulo desejado (0° a 45°) inclinando conforme necessário e em seguida aperte a porca de orelhas com firmeza.

Desaperte o perno de orelhas na guia de profundidade e mova a base de modo a que a extremidade da caixa do disco fique acima da linha vermelha na guia de profundidade. Em seguida, aperte o perno de orelhas para prender a base.

##### NOTA:

- Se a extremidade da caixa do disco estiver abaixo da linha vermelha na guia de profundidade, a brida exterior pode bater na peça de trabalho quando executar o corte de bisel.

#### Pontos de orientação (Fig. 5)

Para cortes direitos, alinhe a posição “A” na frente da base com a sua linha de corte. Para cortes de bisel de 45°, alinhe a posição “B” com a mesma.

#### Acção do interruptor (Fig. 6)

##### PRECAUÇÃO:

- Antes de ligar a ferramenta à tomada, verifique sempre se o gatilho do interruptor funciona correctamente e volta para a posição de “OFF” quando libertado.

Para evitar o accionamento acidental do gatilho, a ferramenta é equipada com um botão de bloqueio.

Para ligar a ferramenta, pressione o botão de bloqueio e carregue no gatilho. Liberte o gatilho para parar.

#### MONTAGEM

##### PRECAUÇÃO:

- Certifique-se sempre de que a ferramenta está desligada e a ficha retirada da tomada de corrente antes de efectuar qualquer trabalho na ferramenta.

#### Instalação ou remoção do disco diamantado (Fig. 7 e 8)

Segure a brida exterior com a chave e desaperte o perno de cabeça hexagonal para a direita com a chave hexagonal. Em seguida retire o perno de cabeça hexagonal, a brida exterior e o disco diamantado.

Instale o disco diamantado, a brida exterior e o perno de cabeça hexagonal no veio. Segure a brida exterior com a chave e aperte o perno de cabeça hexagonal para a esquerda com a chave hexagonal. **CERTIFIQUE-SE DE QUE APERTA SEGURAMENTE O PERNO DE CABEÇA HEXAGONAL.**

##### PRECAUÇÃO:

- Utilize só a chave Makita para instalar ou retirar o disco.

### Instalação do tubo de água (Fig. 9)

Primeiro desligue a ferramenta da tomada de corrente. Desaperte o perno de orelhas na guia de profundidade e mova a base para baixo. Instale o tubo de água na caixa do disco com o parafuso.

Prenda o tubo de vinil ao tubo de água e ligue o adaptador do tubo de vinil a uma torneira de pressão de água da rede. Regule a quantidade de fluxo de água na própria torneira.

### Instalação da cobertura (A) (Fig. 10)

Instale a cobertura (A) na ferramenta de modo a que a marca "Upside ↑" fique virada para cima.

### OPERAÇÃO (Fig. 11)

Regule a quantidade de fluxo de água. Segure a ferramenta com firmeza. Coloque a placa base na peça de trabalho a ser cortada sem que o disco lhe toque. Ligue a ferramenta e espere até que o disco atinja a velocidade máxima. Movimente a ferramenta para a frente sobre a peça de trabalho, mantendo-a nivelada e avançando devagar até concluir o corte. Mantenha a linha de corte direita e a velocidade de avanço uniforme.

#### ⚠️ PRECAUÇÃO:

- ESTA FERRAMENTA SÓ DEVE SER UTILIZADA EM SUPERFÍCIES HORIZONTAIS.
- Certifique-se de que movimenta a ferramenta para a frente suavemente numa linha recta. Se forçar ou exercer pressão excessiva ou permitir que o disco entorte, fique preso ou torcido no corte pode causar sobreaquecimento do motor e recuo perigoso da ferramenta.
- Dado que o corte excessivo pode causar sobreaquecimento do motor, a profundidade de corte não deve ser superior a 20 mm por passagem. Quando deseja cortar mais do que 20 mm de profundidade, faça algumas passagens com regulação progressiva da profundidade.

### MANUTENÇÃO

#### ⚠️ PRECAUÇÃO:

- Certifique-se sempre de que a ferramenta esteja desligada e a ficha retirada da tomada de corrente antes de fazer a inspeção ou manutenção.
- Nunca utilize gasolina, diluente, álcool ou produtos semelhantes. Pode ocorrer a descoloração, deformação ou rachaduras.

### Amolar o disco diamantado

Se a eficiência de corte do disco diamantado começar a diminuir, utilize um disco de esmeriladora de bancada com textura áspera já usado ou um bloco de concreto para o amolar. Para tanto, prenda firmemente o disco da esmeriladora de bancada ou bloco de concreto e corte-o.

### Depois da utilização

Funcione com a ferramenta em ponto morto por alguns instantes para assoprar o pó de dentro da mesma. Limpe o pó acumulado na base. A acumulação de pó no motor ou na base pode provocar o mau funcionamento da ferramenta.

### Limpeza das coberturas (Fig. 12 e 13)

Quando a acumulação de pó na cobertura (A) for excessiva, desaperte o grampo e retire-a. Limpe com água a acumulação de pó dentro da cobertura (A) e seque-a. Em seguida instale a cobertura (A) na ferramenta de modo a que a marca "Upside ↑" fique virada para cima.

Empurre a cobertura (A) na direcção do motor o máximo possível e prenda-a apertando o grampo.

Quando mudar o disco, limpe a cobertura (B) ao mesmo tempo. Desaperte o parafuso que prende a cobertura (B) e retire-a. Limpe com água a acumulação de pó dentro da cobertura (B) e seque-a. Em seguida instale a cobertura (B) na ferramenta apertando o parafuso. A acumulação de pó dentro das coberturas pode causar o mau funcionamento da ferramenta.

#### ⚠️ PRECAUÇÃO:

- Quando utilizar a ferramenta, certifique-se de que as coberturas (A) e (B) estão colocadas.

### Substituição das escovas de carvão (Fig. 14 e 15)

Retire e inspecione as escovas de carvão regularmente. Substitua-as quando estiverem gastas até à marca limite. Mantenha as escovas de carvão limpas e livres para deslizarem nos porta-escovas. As duas escovas de carvão devem ser substituídas ao mesmo tempo. Utilize só escovas de carvão idênticas.

Primeiro, retire a cobertura (A).

Utilize uma chave de parafusos para retirar as tampas dos porta-escovas. Retire as escovas de carvão usadas, coloque as novas e feche as tampas dos porta-escovas.

Para manter a SEGURANÇA e FIABILIDADE do produto, as reparações, quaisquer serviços de manutenção ou ajustes devem ser efectuados pelos centros de assistência autorizados da Makita, utilizando sempre peças de substituição originais Makita.

### ACESSÓRIOS OPCIONAIS

#### ⚠️ PRECAUÇÃO:

- Estes acessórios ou acoplamentos são os recomendados para uso na ferramenta Makita especificada neste manual. A utilização de qualquer outro acessório ou acoplamento poderá ser perigosa para as pessoas. Utilize os acessórios ou acoplamentos apenas para os fins a que se destinam.

No caso de necessitar ajuda para mais detalhes sobre estes acessórios, consulte o centro de assistência local da Makita.

- Discos diamantados
- Chave hexagonal 5
- Chave 22
- Guia paralela (régua guia)

#### NOTA:

- Alguns itens da lista podem estar incluídos na embalagem da ferramenta como acessórios padrão. Eles podem variar de país para país.

ENG905-1

### Ruído

A característica do nível de ruído A determinado de acordo com EN60745:

Nível de pressão de som ( $L_{pA}$ ): 98 dB (A)

Nível do som ( $L_{WA}$ ): 109 dB (A)

Variabilidade (K): 3 dB (A)

**Utilize protectores para os ouvidos**

ENG900-1

### Vibração

Valor total da vibração (soma vectorial tri-axial) determinado conforme EN60745:

Modo de funcionamento: corte em betão

Emissão de vibração ( $a_h$ ): 5,5 m/s<sup>2</sup>

Variabilidade (K): 1,5 m/s<sup>2</sup>



- O valor da emissão de vibração indicado foi medido de acordo com o método de teste padrão e pode ser utilizado para comparar duas ferramentas.
- O valor da emissão de vibração indicado pode também ser utilizado na avaliação preliminar da exposição.

 **AVISO:**

- A emissão de vibração durante a utilização real da ferramenta eléctrica pode diferir do valor de emissão indicado, dependendo das formas como a ferramenta é utilizada.
- Certifique-se de identificar as medidas de segurança para protecção do operador que sejam baseadas em uma estimativa de exposição em condições reais de utilização (considerando todas as partes do ciclo de operação, tal como quando a ferramenta está desligada e quando está a funcionar em marcha lenta além do tempo de accionamento).

## **DECLARAÇÃO DE CONFORMIDADE DA CE**

### **Apenas para os países europeus**

A declaração de conformidade da CE está incluída como Anexo A neste manual de instruções.

**Illustrationsoversigt**

|   |                                   |    |                             |    |                 |
|---|-----------------------------------|----|-----------------------------|----|-----------------|
| 1 | TEST-knap                         | 10 | Topstyr                     | 20 | Vandrør         |
| 2 | RESET eller "ON" knap             | 11 | Kontaktgreb                 | 21 | Klemme          |
| 3 | Kontrollampe                      | 12 | Lås-fra knap                | 22 | Dæksel (A)      |
| 4 | Bærbær reststrømsanordning (PRCD) | 13 | Nøgle 22                    | 23 | Dæksel (B)      |
| 5 | Vingebolt                         | 14 | Sekskantnøgle               | 24 | Skrue           |
| 6 | Grundplade                        | 15 | Indvendig flange            | 25 | Slidmarkering   |
| 7 | Vingemøtrik                       | 16 | Diamantskive                | 26 | Kulholderdæksel |
| 8 | Enden på bladholder               | 17 | Udvendig flange             | 27 | Skruetrækker    |
| 9 | Rød linje                         | 18 | Bolt med indvendig sekskant |    |                 |
|   |                                   | 19 | Bladholder                  |    |                 |

**SPECIFIKATIONER**

GEB025-6

|  |                             |
|--|-----------------------------|
| <b>Model</b>                           | <b>4101RH</b>               |
| Skivediameter.....                     | 125 mm                      |
| Maks. skivetykkelse.....               | 2,1 mm                      |
| Maks. skærekapacitet                   |                             |
| 90° .....                              | 41,5 mm                     |
| 45° .....                              | 26 mm                       |
| Maks. tilladt vandforsyningstryk ..... | 0,14 MPa                    |
| Nominelle hastighed (n) /              |                             |
| Omdrejninger (n <sub>0</sub> ) .....   | 13 800 (min <sup>-1</sup> ) |
| Total længde.....                      | 236 mm                      |
| Nettovægt.....                         | 3,0 kg                      |
| Sikkerhedsklasse .....                 | Klasse I                    |

- På grund af vores kontinuerlige forskningsprogrammer og udvikling, kan hosstående specifikationer blive ændret uden varsel.
- Specifikationer kan variere fra land til land.
- Vægt i henhold til EPTA-Procedure 01/2003

ENE023-2

**Tilsligtet anvendelse**

Maskinen er beregnet til at skære i mursten, beton og sten.

ENF001-1

**Strømforsyning**

Maskinen må kun tilsluttes en strømforsyning med den samme spænding, som den der er angivet på typeskiltet, og kan kun anvendes med enkeltfaset vekselstrømforsyning. Maskinen skal være jordet under brugen for at beskytte operatøren mod elektrisk stød. Brug kun forlængerledninger med tre ledningstråde, som har jordingstype stik med tre forgreninger og trepoledede kontakter, som accepterer maskinens stik.

GEA010-1

**Almindelige sikkerhedsregler for el-værktøj**

**⚠ ADVARSEL! Læs alle sikkerhedsadvarsler og alle sikkerhedsinstruktioner.** Hvis nedenstående advarsler og instruktioner ikke overholdes, kan resultatet blive elektrisk stød, brand og/eller alvorlig personskade.

**Gem alle advarsler og instruktioner til fremtidig reference.**

**SIKKERHEDSADVARSLER FOR SKÆRER**

- 1. Den beskyttelsesskærm, der følger med maskinen, skal monteres forsvarligt på maskinen og placeres, så maksimal sikkerhed opnås, således at operatøren er udsat for den mindst mulige del af skiven. De selv og omkringstående skal stå på god afstand af den roterende skives høvl.** Beskyttelsesskærmen bidrager til at beskytte operatøren mod brækkede skivefragmenter og utilsigtet kontakt med skiven.
- 2. Anvend kun diamantklinger til Deres maskine.** Bare fordi ekstratilbehøret kan monteres på maskinen, betyder det ikke, at en sikkerhedsmæssig forsvaret betjening kan garanteres.
- 3. Tilbehørets mærkehastighed skal mindst være den samme som den maksimale hastighed, som er angivet på maskinen.** Tilbehørsdele, som kører hurtigere end deres mærkehastighed, kan brække og slynges af.
- 4. Skiver må kun anvendes til den anbefalede brug. For eksempel: lad være med at slibe med siden af afskæringsskiven.** Slibeskiver er beregnet til perifer slibning, og hvis disse skiver udsættes for sidetryk, er der risiko for at de brækker.
- 5. Anvend altid ubeskadigede bladflanger, som har en korrekt diameter, til det valgte savblad.** Korrekte bladflanger understøtter savbladet, hvorved risikoen for at savbladet brækker reduceres.
- 6. Den udvendige diameter og tykkelsen på dine tilbehørsdele skal være inden for maskinens kapacitetsrating.** Tilbehørsdele af forkert størrelse kan ikke beskyttes eller kontrolleres på tilstrækkelig vis.
- 7. Savbladernes og flangernes dornstørrelse skal passe nøjagtigt til maskinens spindel.** Savblade og flanger med dornhuller, som ikke passer til maskinens monteringsdele, vil køre på en ubalanceret måde, vibrere kraftigt og kan bevirke, at man mister herredømmet over maskinen.

8. **Anvend ikke beskadigede savblade.** Inden hver brug skal man efterse savbladene for hakker og revner. Hvis maskinen eller savbladet har været tabt, skal de efteres for beskadigelse eller der skal monteres et ubeskadiget savblad. Når savbladet er efterset og monteret, skal De og eventuelle omkringstående stille Dem på god afstand af det roterende savblad og derefter køre maskinen ved maksimal hastighed uden belastning i et minut. Beskadigede savblade vil normalt brække i løbet af denne testperiode.
9. **Anvend altid beskyttelsesudstyr.** Afhængigt af arbejdets art, skal De anvende ansigtsmaske, beskyttelsesbriller eller sikkerhedsbriller. Efter behov skal der anvendes støvmaske, høreværn, handsker og beskyttelsesforklæde, som er i stand til at stoppe små skarpe fragmenter fra arbejdsemnet. Øjenbeskyttelsen skal kunne stoppe flyvende partikler, som frembringes af forskellige betjening. Støvmasken eller respiratoren skal være i stand til at filtrere partikler, som frembringes under arbejdet. Længere tids udsættelse for støj af høj intensitet kan føre til høretab.
10. **Sørg for at holde omkringstående på en sikker afstand af arbejdsområdet.** Enhver person, som befinder sig i arbejdsområdet, skal bære personligt sikkerhedsudstyr. Fragmenter fra arbejdsemnet eller fra et brækket savblad kan slynges af og være årsag til tilskadecomst uden for det umiddelbare arbejdsområde.
11. **Hold kun maskinen i dens isolerede grebflader, når De udfører et arbejde, hvor skæretilbehøret kan komme i berøring med skjulte ledninger eller dens egen ledning.** Skæretilbehør, som kommer i kontakt med en strømførende ledning, kan gøre de synlige metaldele på maskinen strømførende og udgøre en risiko for at operatøren får elektrisk stød.
12. **Anbring ledningen på god afstand af roterende tilbehør.** Hvis De mister herredømmet over maskinen, kan ledningen blive skåret over eller sætte sig fast, og din hånd eller arm kan blive trukket ind mod den roterende skive.
13. **Læg ikke maskinen fra Dem, før tilbehøret er helt stoppet.** Den roterende skive kan gribe fat i overfladen og trække maskinen ud af Deres herredømme.
14. **Kør ikke maskinen, mens De bærer den ved Deres side.** Utilisget kontakt med det roterende tilbehør kan bevirke, at det griber fat i Deres tøj og trækker tilbehøret ind mod Deres krop.
15. **Rengør maskinens ventilationsåbninger med jævne mellemrum.** Motorens ventilator vil suge støv ind i huset, og en stor mængde akkumuleret metalstøv kan forårsage elektrisk fare.
16. **Anvend ikke maskinen i nærheden af brændbare materialer.** Gnister kan i så fald antænde disse materialer.

## Tilbageslag og relaterede advarsler

Tilbageslag er en pludselig reaktion på et fastklemt eller et blokeret roterende savblad. Fastklemning eller blokering bevirker, at det roterende savblad hurtigt stopper, hvilken igen bevirker, at den ukontrollerede maskine tvinges i den modsatte retning af savbladets rotation på det punkt, hvor det binder.

Hvis for eksempel en slibeskive er blokeret eller fastklemt af arbejdsemnet, kan kanten på skiven, som går ind i fastklemningspunktet, grave sig ind materialets overflade og derved bevirke, at skiven kommer ud eller presses ud. Skiven kan enten slynges mod eller bort fra operatøren, afhængigt af skivens bevægelse på fastklemningspunktet. Slibeskiver kan også brække under disse forhold.

Tilbageslag er et resultat af fejlagtig brug og/eller fejlagtig brug af maskinen eller ukorrekte brugsforhold og kan undgås ved at man tager de rigtige forholdsregler som anvist herunder.

- a) **Hold godt fast i maskinen og indtag en stilling med kroppen og armen, således at det bliver muligt at modstå tilbageslagskraften.** Anvend altid hjælpemidlet, hvis et sedant forefindes, til at opnå den maksimale kontrol med tilbageslag eller torsionsreaktion under starten. Operatøren kan kontrollere torsionsreaktionen og tilbageslagskraften, hvis de rigtige forholdsregler tages.
- b) **Anbring ikke hænderne i nærheden af det roterende tilbehør.** Tilbehøret kan slå tilbage mod hænderne.
- c) **Stil Dem ikke på linje med den roterende skive.** Et tilbageslag vil slynge maskinen i den modsatte retning af savbladets bevægelse ved blokeringspunktet.
- d) **Udvis særlig påpasselighed, når De arbejder på hjørner, skarpe kanter etc.** Sørg for, at tilbehøret ikke hopper eller sætter sig fast. Hjørner, skarpe kanter eller hoppen har en tendens til at fastklemme det roterende tilbehør med tab af kontrol eller tilbageslag som resultat.
- e) **Lad være med at montere en savkæde, en træskæreklinge, en segmenteret diamantskive med et perifert mellemrum på mere end 10 mm eller et savblad med tænder.** Sådanne blade er ofte årsag til hyppige tilbageslag og en årsag til at man mister herredømmet over maskinen.
- f) **Vær påpasselig med ikke at "klemme" savbladet eller udsætte det for et ekstremt tryk.** Forsøg ikke at udføre en ekstrem dybdeskæring. Overbelastning af savbladet øger belastningen og sandsynligheden for at savbladet binder eller vrækker i snittet samt risiko for tilbageslag eller brud på savbladet.
- g) **Hvis savbladet binder eller hvis en skæring af en eller anden grund afbrydes, skal man slukke for maskinen og holde den stille, indtil den er stoppet helt.** Forsøg aldrig at fjerne savbladet fra snittet, mens det er i bevægelse, da dette kan bevirke, at der opstår tilbageslag. Tag bestik af situationen og foretag det nødvendige for at eliminere årsagen til at savbladet binder.

- h) Påbegynd ikke skæreoperationen igen i arbejdsemnet. Lad savbladet komme op på fuld hastighed og gå derefter forsigtigt ind i snittet igen. Savbladet kan binde, bevæge sig opad eller slå tilbage, hvis maskinen startes igen, mens det befinder sig i arbejdsemnet.
- i) **Understøt paneler eller arbejdsemner af overstørrelse for at gøre risikoen for fastklemning eller tilbageslag af savbladet mindst mulig.** Store arbejdsemner har tendens til at synke under deres egen vægt. Støtteanordninger skal anbringes under arbejdsemnet i nærheden af kanten på arbejdsemnet på begge sider af savbladet.
- j) **Udvis ekstra forsigtighed, når der laves et "lommensnit" i eksisterende vægge eller i andre blinde områder.** Det udragende savblad kan komme til at skære i gas- eller vandrør, elektriske ledninger eller genstande, som kan være årsag til tilbageslag.
17. **Inden anvendelse af en segmenteret diamantskive, skal man sørge for, at diamantskiven har et periferet mellemrum mellem segmenterne på 10 mm eller derunder, kun med en negativ rivevinkel.**

#### Supplerende sikkerhedsadvarsler:

18. **Forsøg aldrig at skære med maskinen holdt på hovedet i en skruestik. Dette kan føre til alvorlige ulykker, da det er yderst farligt.**
19. **Nogle materialer indeholder kemikalier, som kan være giftige. Vær påpasselig med at forhindre indånding af støv og hudkontakt. Følg materialevirksomhedens sikkerhedsdata.**
20. **Opbevar skiverne i henhold til fabrikantens anbefalinger. Fejlagtig opbevaring kan beskadige skiverne.**

#### GEM DISSE FORSKRIFTER.

##### ADVARSEL:

LAD IKKE bekvemmelighed eller kendskab til produktet (opnået gennem gentagen brug) forhindre, at sikkerhedsforskrifterne for produktet nøje overholdes. MISBRUG eller forsømmelse af at følge de i denne brugsvejledning givne sikkerhedsforskrifter kan føre til, at De kommer alvorligt til skade.

#### FUNKTIONSBESKRIVELSER

##### FORSIGTIG:

- Kontroller altid, at maskinen er slået fra og at netstikket er trukket ud, inden De justerer eller kontrollerer funktioner på denne maskine.

##### **Bærbar reststrømsanordning (Fig. 1)**

Slut maskinen til en stikkontakt og test den bærbare reststrømsanordning (PRCD), inden maskinen tages i brug. Tryk på "RESET" eller "ON" knappen og bekræft, at kontrollampen lyser. Tryk på "TEST" knappen og bekræft, at kontrollampen slukker. Tryk på "RESET" eller "ON" knappen igen for at bruge maskinen.

##### ADVARSEL:

- Anvend ikke maskinen, hvis kontrollampen ikke slukker, når der trykkes på "TEST" knappen.

##### **Justering af snittets dybde (Fig. 2)**

Løsn vingemøtrikken på dybdestyret og flyt grundpladen op eller ned. Fastgør grundpladen ved at stramme vingemøtrikken ved den ønskede snitdybde.

##### FORSIGTIG:

- Når dybden af snittet er justeret, skal vingemøtrikken altid strammes godt til.

##### **Justering af skråsnitvinklen (Fig. 3 og 4)**

Løsn vingemøtrikken på skråsnitskalapladen på forsiden af grundpladen. Indstil den ønskede vinkel (0° – 45°) ved at vippe i overensstemmelse hermed, og stram derefter vingemøtrikken godt til.

Løsn vingebolten på dybdestyret og flyt grundpladen således, at enden af bladholderen er over den røde linje på dybdestyret. Fastgør derefter grundpladen ved at stramme vingebolten.

##### **BEMÆRK:**

- Hvis enden af bladholderen er under den røde linje på dybdestyret, kan den udvendige flange komme til at ramme arbejdsemnet, når De udfører et skråsnit.

##### **Sigtning (Fig. 5)**

For at opnå lige snit, sættes "A" positionen på forsiden af grundpladen på linje med snitlinjen. For 45° skråsnit sættes sættes "B" positionen på linje med den.

##### **Anvendelse af kontaktgreb (Fig. 6)**

##### FORSIGTIG:

- Inden maskinen sættes i forbindelse, skal De altid kontrollere, at kontaktgrebet fungerer ordentligt og går tilbage til stilling "OFF", når det slippes.

For at forhindre utilsigtet tryk på kontaktgrebet, er maskinen udstyret med en lås-fra knap.

For at starte maskinen, skal man trykke lås-fra knappen ind og trykke på kontaktgrebet. Slip kontaktgrebet for at stoppe.

#### SAMLING

##### FORSIGTIG:

- Kontroller altid, at maskinen er slået fra og taget ud af forbindelse, før De udfører arbejde på maskinen.

##### **Montering og afmontering af diamantskive (Fig. 7 og 8)**

Hold den udvendige flange med nøglen og løsn bolten med indvendig sekskant i retningen med uret med sekskantsnøglen. Fjern derefter bolten med indvendig sekskant, den udvendige flange og diamantskiven.

Monter diamantskiven, den udvendige flange og bolten med indvendig sekskant på spindelen. Hold den udvendige flange med nøglen og stram bolten med indvendig sekskant mod uret med sekskantsnøglen. SØRG FOR AT STRAMME BOLTEN MED INDVENDIG SEKSKANT GODT TIL.

##### FORSIGTIG:

- Brug kun en Makita-nøgle til at montere og afmontere skiven.

## Montering af vandrør (Fig. 9)

Tag først maskinen ud af forbindelse. Løsn vingebolten på dybdestyret og flyt grundpladen ned. Monter vandrøret på bladholderen med brug af skruen.

Monter vinylslangen på vandrøret og monter adapteren på vinylslangen til en vandhane eller en hovedvandskilde. Juster mængden af vandstrømmen ved ganske enkelt at indstille vandhanen.

## Montering af dæksel (A) (Fig. 10)

Monter dækslet (A) på maskinen, således at siden med "Upside ↑" mærket vender opad.

## ANVENDELSE (Fig. 11)

Juster mængden af vandstrømmen. Hold godt fast i maskinen. Sæt grundpladen på det arbejdsømråde, der skal skæres, uden at skiven kommer i kontakt. Tænd derefter for maskinen og vent indtil skiven er kommet op på fuld hastighed. Flyt nu ganske enkelt maskinen henover arbejdsømnets overflade, idet De holder den fladt og fremfører den jævnt, indtil skæringen er fuldført. Hold snitlinjen lige og hastigheden ens.

### ⚠ FORSIGTIG:

- DENNE MASKINE BØR KUN BRUGES PÅ VANDRETTE OVERFLADER.
- Sørg for at bevæge maskinen fremad i en lige linje og med forsigtighed. Tvang eller udøvelse af et ekstremt tryk eller hvis skiven får lov til at bøje, sætte sig fast eller vrikke i snittet, kan føre til overopvedning af motoren eller farligt tilbageslag af maskinen.
- Eftersom overdreven skæring kan føre til overbelastning af motoren, bør dybden af snittet ikke være mere end 20 mm i samme passage. Hvis De vil skære mere end 20 mm dybt, skal De lave et par passager med progressivt dybere indstillinger.

## VEDLIGEHOLDELSE

### ⚠ FORSIGTIG:

- Kontroller altid, at maskinen er slået fra og taget ud af forbindelse, inden De udfører inspektion eller vedligeholdelse.
- Anvend aldrig benzin, rensbenzin, fortynder, alkohol og lignende. Resultatet kan blive misfarvning, deformation eller revner.

## Afretning af diamantskiven

Hvis diamantskivens skæreevne begynder at forringes, skal De anvende en gammel, kasseret, grov bænkslibeskive eller en betonblok til at afrette diamantskiven. Dette gøres ved at man fastgør bænkslibeskiven eller betonblokken og skærer i den.

## Efter brug

Blæs støvet bort fra maskinens inderside ved at køre maskinen i tomgang i et stykke tid. Børst ansamling af støv på grundpladen bort. Ansamling af støv i motoren eller på grundpladen kan bevirke, at maskinen ikke fungerer som den skal.

## Rengøring af dæksler (Fig. 12 og 13)

Hvis ansamling af støv på dækslet (A) ser ekstremt ud, skal man løse klemmen og fjerne dækslet (A). Skyl ansamlingen af støv af inden under dækslet (A) og tør det af. Monter derefter dækslet (A) på maskinen, således at siden med "Upside ↑" mærket vender opad. Tryk dækslet (A) så langt som muligt mod motoren og fastgør det ved at stramme klemmen.

Når skiven skiftes ud, skal dækslet (B) samtidigt rengøres. Løsn den skrue, der fastholder dækslet (B) og fjern dækslet (B). Skyl ansamlingen af støv af inden under dækslet (B) og tør det af. Monter derefter dækslet (B) på maskinen ved at stramme skruen. Ansamling af støv inden under dækslerne kan bevirke, at maskinen ikke fungerer som den skal.

### ⚠ FORSIGTIG:

- Når maskinen anvendes, skal man huske også at anvende dækslerne (A) og (B).

## Udskiftning af kulbørster (Fig. 14 og 15)

Tag kulbørsterne ud med jævne mellemrum og inspicér dem. Skift kulbørsterne ud, når de er slidt ned til slidmarkeringen. Hold kulbørsterne rene og i stand til frit at glide ind i holderne. Begge kulbørster skal skiftes ud samtidigt. Brug kun identiske kulbørster.

Fjern først dækslet (A).

Benyt en skruetrækker til at fjerne kulholderdækslerne. Tag de slidte kulbørster ud, sæt de nye i, og fastgør kulholderdækslerne.

For at opretholde produktets SIKKERHED og PÅLIDELIGHED, bør reparation, af anden vedligeholdelse og justering kun udføres af et Makita servicecenter med anvendelse af originale Makita udskiftningsdele.

## EKSTRAUDSTYR

### ⚠ FORSIGTIG:

- De i denne manual specificerede dele og anordninger anbefales til brug med Deres Makita maskine. Brug af andet tilbehør og andre anordninger kan udgøre en risiko for tilskadekomst. Anvend kun tilbehør og anordninger til det beskrevne formål.

Ret gerne henvendelse til det lokale Makita servicecenter, hvis De har brug for assistance med hensyn til flere detaljer om disse tilbehørsdele.

- Diamantskiver
- Sekskantnøgle 5
- Nøgle 22
- Parallelanslag (styrelineal)

## BEMÆRK:

- Nogle ting på denne liste kan være inkluderet i værktøjspakken som standardtilbehør. Det kan være forskellige fra land til land.

ENG905-1

## Lyd

Det typiske A-vægtede støjniveau bestemt i overensstemmelse med EN60745:

- Lydtryksniveau ( $L_{pA}$ ): 98 dB (A)
- Lydeffektniveau ( $L_{WA}$ ): 109 dB (A)
- Usikkerhed (K): 3 dB (A)

## Bær høreværn

ENG900-1

## Vibration

Vibrations totalværdi (tre-aksial vektorsum) bestemt i overensstemmelse med EN60745:

- Arbejdsindstilling: skæring i beton
- Vibrationsafgivelse ( $a_{hv}$ ): 5,5 m/s<sup>2</sup>
- Usikkerhed (K): 1,5 m/s<sup>2</sup>

- Den angivne vibrationsemissionsværdi er blevet målt i overensstemmelse med standardtestmetoden og kan anvendes til at sammenligne en maskine med en anden.
- Den angivne vibrationsemissionsværdi kan også anvendes i en preliminær eksponeringsvurdering.

 **ADVARSEL:**

- Vibrationsemissionen under den faktiske anvendelse af maskinen kan være forskellig fra den erklærede emissionsværdi, afhængigt af den måde, hvorpå maskinen anvendes.
- Sørg for at identificere de sikkerhedsforskrifter til beskyttelse af operatøren, som er baseret på en vurdering af eksponering under de faktiske brugsforhold (med hensyntagen til alle dele i brugscyklen, som f.eks. de gange, hvor maskinen er slukket og når den kører i tomgang i tilgift til afbrydertiden).

## **EF-OVERENSSTEMMELSESERKLÆRING**

### **Kun for lande i Europa**

EF-overensstemmelseserklæringen er inkluderet som Bilag A i denne brugsanvisning.

**Περιγραφή γενικής άποψης**

|   |   |    |                              |    |                           |
|---|---|----|------------------------------|----|---------------------------|
| 1 | Κουμπί TEST (Δοκιμή)                        | 9  | Κόκκινη γραμμή               | 19 | Θήκη λεπίδας              |
| 2 | Κουμπί RESET (Επαναφορά) ή "ON" (Ενεργό)    | 10 | Επάνω οδηγός                 | 20 | Αγωγός νερού              |
| 3 | Πιλοτική λυχνία                             | 11 | Σκανδάλη διακόπτης           | 21 | Σφικτήρας                 |
| 4 | Φορητή συσκευή παραμένουτος ρεύματος (PRCD) | 12 | Κουμπί ασφάλισης             | 22 | Κάλυμμα (Α)               |
| 5 | Μπουλόνι πεταλούδα                          | 13 | Κλειδί 22                    | 23 | Κάλυμμα (Β)               |
| 6 | Βάση  | 14 | Εξαγωνικό κλειδί             | 24 | Βίδα                      |
| 7 | Παξιμάδι πεταλούδα                          | 15 | Εσωτερική φλάντζα            | 25 | Ένδειξη ορίου             |
| 8 | Άκρο θήκης λεπίδας                          | 16 | Διαμαντοτροχός               | 26 | Καπάκι θήκης καρβουνακίων |
|   |   | 17 | Εξωτερική φλάντζα            | 27 | Κατσαβίδι                 |
|   |   | 18 | Μπουλόνι εξαγωνικής υποδοχής |    |                           |

**ΤΕΧΝΙΚΑ ΧΑΡΑΚΤΗΡΙΣΤΙΚΑ**

GEB025-6

|  |                             |
|--|-----------------------------|
| <b>Μοντέλο</b>   | <b>4101RH</b>               |
| Διάμετρος δίσκου.....  | 125 χιλ                     |
| Μέγιστο πάχος τροχού.....  | 2,1 χιλ                     |
| Μέγιστη ικανότητα κοπής  |                             |
| 90°.....   | 41,5 χιλ                    |
| 45°.....   | 26 χιλ                      |
| Μέγιστη επιτρεπόμενη πίεση της παροχής νερού.....                      | 0,14 MPa                    |
| Ονομαστική ταχύτητα (n) / Ταχύτητα χωρίς φορτίο (n <sub>0</sub> )..... | 13.800 (λεπ <sup>-1</sup> ) |
| Ολικό μήκος.....   | 236 χιλ                     |
| Βάρος καθαρό.....  | 3,0 χγρ                     |
| Τάξη ασφάλειας.....  | Τάξη I                      |

- Λόγω του συνεχιζόμενου προγράμματος έρευνας και ανάπτυξης, οι παρούσες προδιαγραφές υπόκεινται σε αλλαγή χωρίς προειδοποίηση.
- Τα τεχνικά χαρακτηριστικά μπορεί να διαφέρουν από χώρα σε χώρα.
- Βάρος σύμφωνα με διαδικασία EPTA 01/2003

ENE023-2

**Προοριζόμενη Χρήση**

Το εργαλείο προορίζεται για κοπή τούβλων, σκυροδέματος και πέτρας.

ENF001-1

**Ρευματοδότηση**

Το εργαλείο πρέπει να συνδέεται μόνο σε ηλεκτρική παροχή της ίδιας τάσης με αυτήν που αναγράφεται στην πινακίδα ονομαστικών τιμών και μπορεί να λειτουργήσει μόνο με εναλλασσόμενο μονοφασικό ρεύμα. Το εργαλείο αυτό πρέπει να είναι γειωμένο όταν βρίσκεται σε λειτουργία για να προστατεύεται ο χειριστής από την πρόκληση ηλεκτροπληξίας. Να χρησιμοποιείτε μόνο τριπλά καλώδια με φως τριών ακροδεκτών με γείωση και πρίζες τριών ακροδεκτών που δέχονται το φως του εργαλείου.

GEA010-1

**Γενικές προειδοποιήσεις ασφαλείας για το ηλεκτρικό εργαλείο**

**⚠️ ΠΡΟΕΙΔΟΠΟΙΗΣΗ** Διαβάστε όλες τις προειδοποιήσεις ασφαλείας και όλες τις οδηγίες. Η μη τήρηση των προειδοποιήσεων και οδηγιών ενδέχεται να καταλήξει σε ηλεκτροπληξία, πυρκαγιά ή/και σοβαρό τραυματισμό.

**Φυλάξτε όλες τις προειδοποιήσεις και τις οδηγίες για μελλοντική παραπομπή.**

**ΠΡΟΕΙΔΟΠΟΙΗΣΕΙΣ ΑΣΦΑΛΕΙΑΣ ΚΟΠΤΗ**

1. **Ο προφυλακτήρας που παρέχεται με το εργαλείο πρέπει να είναι συνδεδεμένος με ασφάλεια στο ηλεκτρικό εργαλείο και τοποθετημένος για μέγιστη ασφάλεια, με τρόπο ώστε το μικρότερο δυνατό μέρος του τροχού να είναι εκτεθειμένο προς το χειριστή. Εσείς και οι παρευρισκόμενοι να στέκεστε μακριά από το επίπεδο περιστροφής του δίσκου.** Το προστατευτικό βοηθάει στην προστασία του χειριστή από σπασμένα κομμάτια τροχού και τυχαία επαφή με το δίσκο.
2. **Να χρησιμοποιείτε μόνο διαμαντένιους δίσκους κοπής για το ηλεκτρικό εργαλείο σας.** Η χρήση ενός παρελκομένου απλά και μόνον επειδή δύναται να προσαρμοστεί στο ηλεκτρικό εργαλείο, δεν διασφαλίζει την ασφαλή λειτουργία του.
3. **Η διαβαθμισμένη ταχύτητα του παρελκομένου πρέπει να είναι τουλάχιστον ίση με τη μέγιστη ταχύτητα που αναγράφεται στο ηλεκτρικό εργαλείο.** Παρελκόμενα τα οποία περιστρέφονται ταχύτερα από τη διαβαθμισμένη ταχύτητα τους ενδέχεται να υποστούν θραύση και τα θραύσματα να εκτιναχθούν στον περιβάλλοντα χώρο.
4. **Οι τροχοί πρέπει να χρησιμοποιούνται μόνο στις προβλεπόμενες εφαρμογές.** Για παράδειγμα: Μη λειαίνετε με την πλευρική επιφάνεια του τροχού κοπής. Οι τροχοί κοπής προορίζονται για περιφερειακό τρόχισμα. Η εφαρμογή πλευρικών δυνάμεων σε αυτούς τους τροχούς μπορεί να προκαλέσει τη θραύση τους.
5. **Να χρησιμοποιείτε πάντα φλάντζες (πατούρες) δίσκων που δεν έχουν υποστεί ζημία και είναι κατάλληλης διαμέτρου για τον επιλεγμένο δίσκο.** Οι κατάλληλες φλάντζες (πατούρες) δίσκων υποστηρίζουν τους δίσκους και μειώνουν επομένως την πιθανότητα θραύσης τους.
6. **Η εξωτερική διάμετρος και το πάχος του παρελκομένου πρέπει να είναι εντός της ονομαστικής ικανότητας του ηλεκτρικού εργαλείου.** Σε παρελκόμενα εσφαλμένου μεγέθους δεν είναι εφικτή η παροχή επαρκούς προστασίας ή ελέγχου.

7. Το μέγεθος της οπής προσαρμογής σε άξονα των δίσκων και των πελμάτων (πατούρες) πρέπει να ταιριάζει απολύτως στον άξονα μετάδοσης κίνησης του ηλεκτρικού εργαλείου. Δίσκοι και πέσματα με οπές προσαρμογής οι οποίες δεν ταιριάζουν απολύτως στο εξάρτημα στερέωσης του ηλεκτρικού εργαλείου θα παρουσιάσουν υποβαθμισμένη ζυγοστάθμιση και υπερβολικούς κραδασμούς, ενδεχομένως και απώλεια ελέγχου.
  8. Μην χρησιμοποιείτε δίσκους που έχουν υποστεί ζημία. Πριν από κάθε χρήση, επιθεωρήστε τους δίσκους για τεμαχίδια που λείπουν και ρωγμές. Σε περίπτωση πτώσης του ηλεκτρικού εργαλείου ή του δίσκου, επιθεωρήστε για τυχόν ζημία ή τοποθετήστε ένα δίσκο που δεν έχει υποστεί ζημία. Μετά από τον έλεγχο και την τοποθέτηση του δίσκου, σταθείτε εσείς και οι παρευρισκόμενοι σε κατάλληλη θέση μακριά από το επίπεδο περιστροφής του δίσκου και αφήστε το ηλεκτρικό εργαλείο σε λειτουργία στη μέγιστη ταχύτητα περιστροφής χωρίς φορτίο, για ένα λεπτό. Συνήθως, οι δίσκοι που έχουν υποστεί ζημία διαλύονται, εντός του συγκεκριμένου χρόνου δοκιμής.
  9. Να φοράτε ατομικό εξοπλισμό προστασίας. Ανάλογα με την εφαρμογή, να χρησιμοποιείτε προσώπια προστασίας, προστατευτικά γυαλιά-προσώπιδες ή γυαλιά προστασίας. Όταν απαιτείται, να φοράτε μάσκα σκόνης, προστατευτικά ακοής, γάντια και ποδιά συνεργείου ικανά να παρέχουν προστασία από τα εκτινασσόμενα μικρά θραύσματα του λειαντικού μέσου ή του τεμαχίου εργασίας. Τα προστατευτικά ματιών πρέπει να είναι ικανά να σταματήσουν τυχόν εκτινασσόμενα θραύσματα που δημιουργούνται κατά την εκτέλεση διαφόρων εργασιών. Η μάσκα σκόνης ή η αναπνευστική συσκευή πρέπει να είναι ικανές να φιλτράρουν τα σωματίδια που δημιουργούνται κατά την εκτέλεση των εργασιών σας. Η παρατεταμένη έκθεση σε θόρυβο υψηλής έντασης ενδέχεται να προκαλέσει απώλεια ακοής.
  10. Φροντίστε ώστε οι παρευρισκόμενοι να βρίσκονται σε ασφαλή απόσταση από τη θέση εργασίας. Οποιοσδήποτε βρίσκεται στο χώρο εργασίας πρέπει να φορά εξοπλισμό ατομικής προστασίας. Θραύσματα του τεμαχίου εργασίας ή ενός δίσκου που έχει υποστεί θραύση ενδέχεται να εκτιναχθούν και να προκαλέσουν τραυματισμό πέραν των ορίων του άμεσου χώρου εκτέλεσης εργασιών.
  11. Να κρατάτε το ηλεκτρικό εργαλείο μόνον από τις μονωμένες επιφάνειες συγκράτησης, κατά την εκτέλεση εργασιών όπου το παρελκόμενο κοπής ενδέχεται να έλθει σε επαφή με κρυφές καλωδιώσεις ή το δικό του καλώδιο τροφοδοσίας. Σε περίπτωση επαφής του παρελκόμενου κοπής με “ηλεκτροφόρο” καλώδιο, ενδέχεται να εκτεθειμένα μεταλλικά εξαρτήματα του ηλεκτρικού εργαλείου να καταστούν τα ίδια “ηλεκτροφόρα” και να προκαλέσουν ηλεκτροπληξία στο χειριστή.
  12. Τοποθετήστε το καλώδιο τροφοδοσίας μακριά από το περιστρεφόμενο παρελκόμενο. Εάν χάσετε τον έλεγχο, το καλώδιο τροφοδοσίας ενδέχεται να κοπεί ή να εμπλακεί και το χέρι ή ο βραχίονας ενδέχεται να τραβηχτεί προς τον περιστρεφόμενο δίσκο.
  13. Μην αφήνετε ποτέ το ηλεκτρικό εργαλείο κάτω, πριν σταματήσει πλήρως η περιστροφή του παρελκόμενου. Ο περιστρεφόμενος δίσκος ενδέχεται να εμπλακεί στην επιφάνεια εργασίας και να τραβήξει το ηλεκτρικό εργαλείο εκτός ελέγχου.
  14. Μην βέσετε το ηλεκτρικό εργαλείο σε λειτουργία, κατά τη μεταφορά του στο πλάι σας. Τυχαία επαφή με το περιστρεφόμενο παρελκόμενο θα μπορούσε να προκαλέσει την εμπλοκή του στο ρουχισμό και επαφή με το σώμα σας.
  15. Να καθαρίζετε συχνά τις οπές αερισμού του ηλεκτρικού εργαλείου. Ο ανεμιστήρας του ηλεκτροκινητήρα προκαλεί αναρρόφηση της σκόνης στο εσωτερικό του περιβλήματος και η υπερβολική συσσώρευση κονιορτοποιημένου μετάλλου ενδέχεται να εγκυμονεί ηλεκτρικούς κινδύνους.
  16. Μην χειρίζεστε το ηλεκτρικό εργαλείο κοντά σε εύφλεκτα υλικά. Οι σπινθήρες ενδέχεται να προκαλέσουν ανάφλεξη των συγκεκριμένων υλικών.
- Ανάκρουση (οπισθολάκτισμα) και σχετικές προειδοποιήσεις**
- Η ανάκρουση είναι μια ξαφνική αντίδραση του εργαλείου λόγω σύσφιξης ή σκαλώματος του περιστρεφόμενου δίσκου. Η σύσφιξη ή το σκαλώμα προκαλεί ταχεία απώλεια ελέγχου του περιστρεφόμενου δίσκου ο οποίος στη συνέχεια υποχρεώνει το ανεξέλεγκτο ηλεκτρικό εργαλείο σε περιστροφή προς την αντίθετη κατεύθυνση από εκείνη του δίσκου στο σημείο εμπλοκής.
- Για παράδειγμα, εάν ένας λειαντικός τροχός περιέλθει σε σύσφιξη ή σκαλώμα στο τεμάχιο εργασίας, η ακμή του τροχού που εισέρχεται στο σημείο σύσφιξης ενδέχεται να σκάψει την επιφάνεια του υλικού προκαλώντας την αναπήδηση ή το κλώσπημα του τροχού. Ο τροχός ενδέχεται να αναπηδήσει προς το μέρος του χειριστή ή αντίθετα να απομακρυνθεί από αυτόν, ανάλογα με τη φορά περιστροφής του τροχού στο σημείο σύσφιξης. Υπό αυτές τις συνθήκες, οι τροχοί λείανσης ενδέχεται επίσης να υποστούν θραύση.
- Η ανάκρουση είναι αποτέλεσμα κακής χρήσης ή/και εσφαλμένων διαδικασιών ή συνθηκών χειρισμού και είναι δυνατόν να αποφευχθεί λαμβάνοντας κατάλληλες προφυλάξεις, όπως περιγράφονται κατωτέρω:
- a) Κρατήστε σταθερά το ηλεκτρικό εργαλείο και τοποθετήστε το σώμα και το βραχιόνά σας σε κατάλληλη θέση, ώστε να είναι δυνατόν να προβάλλετε αντίσταση στις δυναμείς ανάκρουσης. Να χρησιμοποιείτε πάντα βοηθητική λαβή, εάν παρέχεται, για μέγιστο βαθμό ελέγχου της ανάκρουσης ή της ροπής αντίδρασης κατά την κίνηση. Ο χειριστής δύναται να ελέγξει τις ροπές αντίδρασης ή τις δυνάμεις ανάκρουσης, εάν λαμβάνονται οι κατάλληλες προφυλάξεις.



- b) **Μην πλησιάζετε ποτέ το χέρι σας κοντά στο περιστρεφόμενο παρελκόμενο.** Το παρελκόμενο ενδέχεται να αναπηδήσει πάνω στο χέρι σας.
- c) **Μην ευθυγραμμίζετε το σώμα σας με τον περιστρεφόμενο τροχό.** Η ανάκρουση ωθεί το εργαλείο σε κατεύθυνση αντίθετη από εκείνη της κίνησης του δίσκου στο σημείο σκάλωματος.
- d) **Δώστε ιδιαίτερη προσοχή όταν εργάζεστε σε γωνίες, κοφτερές ακμές, κ.λπ. Να αποφεύγετε την αναπήδηση και το σκάλωμα του παρελκόμενου.** Οι γωνίες, οι κοφτερές ακμές ή η αναπήδηση έχουν την τάση να προκαλούν σκάλωμα του περιστρεφόμενου παρελκόμενου και απώλεια ελέγχου ή ανάκρουση.
- e) **Μην προσαρμόζετε αλυσοπρίνο, λεπίδα ξυλογλυπτικής, τμηματικό διαμαντοτροχό με περιφερειακό κενό μεγαλύτερο από 10 χιλ ή οδοντωτή λεπίδα πριονιού.** Οι λεπίδες αυτού του τύπου προκαλούν συχνά ανάκρουση και απώλεια ελέγχου.
- f) **Μην προκαλείτε “μάγκωμα” του δίσκου και μην ασκείτε υπερβολική πίεση. Μην επιχειρείτε να δημιουργήσετε τομή υπερβολικού βάθους.** Η άσκηση υπερβολικής δύναμης στο δίσκο αυξάνει το φορτίο και τη δεκτικότητα σε συστροφή ή εμπλοκή του δίσκου εντός της τομής και την πιθανότητα ανάκρουσης (οπισθολάκτισμα) ή θραύσης του δίσκου.
- g) **Σε περίπτωση εμπλοκής του δίσκου ή διακοπής της εργασίας για τη δημιουργία τομής για οποιοδήποτε λόγο, απενεργοποιήστε το ηλεκτρικό εργαλείο και κρατήστε το ακίνητο, έως ότου ο δίσκος ακινητοποιηθεί πλήρως. Μην επιχειρήσετε ποτέ να αφαιρέσετε το δίσκο από την τομή, ενώ ο δίσκος κινείται, διότι ενδέχεται να παρουσιαστεί ανάκρουση (οπισθολάκτισμα).** Ερευνήστε και λάβετε διορθωτικά μέτρα, ώστε να εξαλειφθεί η αιτία εμπλοκής του δίσκου.
- h) **Μην επαναλάβετε την εργασία δημιουργίας τομής στο τεμάχιο εργασίας. Αφήστε το δίσκο να αποκτήσει μέγιστη ταχύτητα και επανεισάγετε το δίσκο στην τομή με προσοχή.** Ο δίσκος, ενδέχεται να παρουσιάσει εμπλοκή, αναπήδηση ή ανάκρουση, εάν ενεργοποιήσετε το ηλεκτρικό εργαλείο, ενώ βρίσκεται εντός του τεμαχίου εργασίας.
- i) **Να στηρίζετε τα πάνελ ή οποιοδήποτε υπερμέγεθες τεμάχιο εργασίας, ώστε να ελαχιστοποιηθεί ο κίνδυνος σύσφιξης και ανάκρουσης (οπισθολάκτισμα) του δίσκου.** Τα μεγάλα τεμάχια εργασίας τείνουν να παρουσιάζουν κάμψη προς τα κάτω λόγω του βάρους τους. Πρέπει να τοποθετούνται υποστηρίγματα κάτω από το τεμάχιο εργασίας κοντά στη γραμμή κοπής και κοντά στο άκρο του τεμαχίου εργασίας σε αμφότερες τις πλευρές του δίσκου.
- j) **Να είστε ιδιαίτερα προσεκτικοί όταν δημιουργείτε μια “τομή-κοιλότητα” σε υπάρχοντες τοίχους ή άλλες τυφλές περιοχές.** Ο προεξέχων δίσκος ενδέχεται να κόψει σωλήνες αερίου ή ύδρευσης, ηλεκτρικές καλωδιώσεις ή αντικείμενα που μπορούν να προκαλέσουν ανάκρουση (οπισθολάκτισμα).
17. **Πριν χρησιμοποιήσετε τμηματικό διαμαντοτροχό, βεβαιωθείτε ότι ο διαμαντοτροχός έχει περιφερειακό κενό μεταξύ των τμημάτων ίσο με 10 χιλ ή μικρότερο, μόνο με αρνητική γωνία κοπής.**
- Πρόσθετες προειδοποιήσεις ασφάλειας:**
18. **Μην επιχειρήσετε ποτέ να κόψετε με το εργαλείο στερεωμένο ανάποδα σε μια μέγγενη. Αυτό μπορεί να προκαλέσει σοβαρά ατυχήματα επειδή είναι εξαιρετικά επικίνδυνο.**
19. **Μερικά υλικά περιέχουν χημικά που μπορεί να είναι τοξικά. Προσέχετε ώστε να αποφεύγετε την εισπνοή σκόνης και την επαφή με το δέρμα. Ακολουθείτε τα δεδομένα ασφάλειας υλικού που παρέχονται από τον προμηθευτή.**
20. **Αποθηκεύστε τους δίσκους σύμφωνα με τις συστάσεις του κατασκευαστή. Η λανθασμένη αποθήκευση μπορεί να προκαλέσει ζημιά στους δίσκους.**

## ΦΥΛΑΞΕΤΕ ΑΥΤΕΣ ΤΙΣ ΟΔΗΓΙΕΣ.

### ⚠️ ΠΡΟΕΙΔΟΠΟΙΗΣΗ:

**ΜΗΝ επιτρέψετε το βαθμό άνεσης ή εξοικείωσης με το προϊόν (λόγω επανειλημμένης χρήσης) να αντικαταστήσει την αυστηρή τήρηση των κανόνων ασφαλείας του παρόντος εργαλείου. ΚΑΚΗ ΧΡΗΣΗ ή αμέλεια να ακολουθήσετε τους κανόνες ασφαλείας που διατυπώνονται σ'αυτό το εγχειρίδιο οδηγίων μπορεί να προκαλέσει σοβαρό προσωπικό τραυματισμό.**

## ΠΕΡΙΓΡΑΦΗ ΛΕΙΤΟΥΡΓΙΑΣ

### ⚠️ ΠΡΟΣΟΧΗ:

• Πάντοτε να βεβαιώνετε ότι το εργαλείο είναι σβηστό και αποσυνδεδεμένο από το ηλεκτρικό ρεύμα πριν ρυθμίσετε ή ελέγξετε τη λειτουργία του εργαλείου.

### Φορητή συσκευή παραμένουτος ρεύματος (Εικ. 1)

Συνδέστε το εργαλείο σε μια ηλεκτρική παροχή και δοκιμάστε τη φορητή συσκευή παραμένουτος ρεύματος (PRCD) πριν χρησιμοποιήσετε το εργαλείο. Πατήστε το κουμπί “RESET” (Επαναφορά) ή “ON” (Ενεργό) και επιβεβαιώστε ότι ανάβει η πιλοτική λυχνία. Πατήστε το κουμπί “TEST” (Δοκιμή) και επιβεβαιώστε ότι σβήνει η πιλοτική λυχνία. Πατήστε ξανά το κουμπί “RESET” (Επαναφορά) ή “ON” (Ενεργό) για να χρησιμοποιήσετε το εργαλείο.

### ⚠️ ΠΡΟΕΙΔΟΠΟΙΗΣΗ:

• Μην χρησιμοποιήσετε το εργαλείο εάν η πιλοτική λυχνία δεν σβήσει όταν πατήσετε το κουμπί “TEST” (Δοκιμή).

## Ρύθμιση του βάθους κοπής (Εικ. 2)

Ξεοφίξτε το μπουλόνι πεταλούδα του οδηγού βάθους και μετακινήστε τη βάση πάνω ή κάτω. Στο επιθυμητό βάθος κοπής, ασφαλίστε τη βάση σφίγγοντας το μπουλόνι πεταλούδα.

### ⚠️ ΠΡΟΣΟΧΗ:

- Μόλις ρυθμίσετε το βάθος κοπής, πάντοτε να σφίγγετε το μπουλόνι πεταλούδα με ασφάλεια.

## Ρύθμιση της γωνίας λοξοτομής (Εικ. 3 και 4)

Ξεοφίξτε το παξιμάδι πεταλούδα στη βαθμολογημένη κλίμακα λοξοτομής στο μπροστινό τμήμα της βάσης. Ρυθμίστε την επιθυμητή γωνία (0° έως 45°) δίνοντας την κατάλληλη κλίση και έπειτα σφίξτε καλά το παξιμάδι πεταλούδα.

Χαλαρώστε το μπουλόνι πεταλούδα στον οδηγό βάθους και μετακινήστε τη βάση με τρόπο ώστε το άκρο της θήκης λεπίδας να βρίσκεται επάνω από την κόκκινη γραμμή στον οδηγό βάθους. Κατόπιν σφίξτε το μπουλόνι πεταλούδα για να ασφαλίσετε τη βάση.

### ΠΑΡΑΤΗΡΗΣΗ:

- Εάν το άκρο της θήκης λεπίδας βρίσκεται κάτω από την κόκκινη γραμμή στον οδηγό βάθους, η εξωτερική φλάντζα ενδέχεται να προσκρουστεί στο τεμάχιο εργασίας όταν εκτελέσετε τη λοξοτομή.

## Οπτική ευθυγράμμιση (Εικ. 5)

Για ευθείες κοπές, ευθυγραμμίστε τη θέση "A" στο μπροστινό μέρος της βάσης με τη γραμμή κοπής. Για λοξές τομές 45°, ευθυγραμμίστε τη θέση "B" με αυτήν.

## Δράση διακόπτη (Εικ. 6)

### ⚠️ ΠΡΟΣΟΧΗ:

- Πριν από τη σύνδεση του εργαλείου στην παροχή τροφοδοσίας, να ελέγχετε πάντα ότι η σκανδάλη διακόπτης ενεργοποιεί το εργαλείο κανονικά και επιστρέφει στη θέση "OFF" (Ανενεργό).

Για να μην πιέζεται η σκανδάλη διακόπτης κατά λάθος, παρέχεται ένα κουμπί ασφάλισης.

Για να ενεργοποιήσετε το εργαλείο, απλά πατήστε το κουμπί ασφάλισης και τραβήξτε τη σκανδάλη διακόπτης. Για διακοπή της λειτουργίας, ελευθερώστε τη σκανδάλη διακόπτη.

## ΣΥΝΑΡΜΟΛΟΓΗΣΗ

### ⚠️ ΠΡΟΣΟΧΗ:

- Να βεβαιώνετε πάντοτε ότι το εργαλείο είναι σβηστό και αποσυνδεδεμένο από το ηλεκτρικό ρεύμα πριν εκτελέσετε οποιαδήποτε εργασία στο εργαλείο.

## Τοποθέτηση ή αφαίρεση του διαμαντοτροχού (Εικ. 7 και 8)

Κρατήστε την εξωτερική φλάντζα με το κλειδί και ξεοφίξτε το μπουλόνι εξαγωνικής υποδοχής με το εξαγωνικό κλειδί. Στη συνέχεια αφαιρέστε το μπουλόνι εξαγωνικής υποδοχής, την εξωτερική φλάντζα και το διαμαντοτροχό.

Τοποθετήστε το διαμαντοτροχό, την εξωτερική φλάντζα και το μπουλόνι εξαγωνικής υποδοχής στον άξονα μετάδοσης κίνησης. Κρατήστε την εξωτερική φλάντζα με το κλειδί και ξεοφίξτε το μπουλόνι εξαγωνικής υποδοχής αριστερόστροφα με το εξαγωνικό κλειδί. **ΦΡΟΝΤΙΣΤΕ ΝΑ ΣΦΙΞΕΤΕ ΚΑΤΑΛΛΗΛΑ ΤΟ ΜΠΟΥΛΟΝΙ ΕΞΑΓΩΝΙΚΗΣ ΥΠΟΔΟΧΗΣ.**

### ⚠️ ΠΡΟΣΟΧΗ:

- Να χρησιμοποιείτε μόνον το κλειδί της Makita για την τοποθέτηση και αφαίρεση του δίσκου.

## Τοποθέτηση αγωγού νερού (Εικ. 9)

Πρώτα, αποσυνδέστε το εργαλείο από το ηλεκτρικό ρεύμα. Ξεοφίξτε το μπουλόνι πεταλούδα του οδηγού βάθους και μετακινήστε τη βάση κάτω. Τοποθετήστε τον αγωγό νερού στη θήκη λεπίδας με τη χρήση της βίδας.

Συνδέστε τον αγωγό βινυλίου στον αγωγό νερού και συνδέστε τον προσαρμογέα στον αγωγό βινυλίου σε μια βρύση συνδεδεμένη στο κεντρικό σύστημα ύδρευσης. Ρυθμίστε την παροχή νερού ρυθμίζοντας απλά τη στρόφιγγα νερού.

## Τοποθέτηση καλύμματος (A) (Εικ. 10)

Τοποθετήστε το κάλυμμα (A) στο εργαλείο ώστε η πλευρά του με την ένδειξη "Upside ↑" (Επάνω πλευρά) να είναι στραμμένη προς τα επάνω.

## ΛΕΙΤΟΥΡΓΙΑ (Εικ. 11)

Ρυθμίστε την παροχή νερού. Κρατήστε το εργαλείο σταθερά. Τοποθετήστε τη βάση του εργαλείου πάνω στο τεμάχιο εργασίας που πρόκειται να κοπεί χωρίς να έρχεται σε επαφή ο δίσκος. Στη συνέχεια ενεργοποιήστε το εργαλείο και περιμένετε, έως ότου ο δίσκος αποκτήσει πλήρη ταχύτητα. Μετακινήστε το εργαλείο προς τα εμπρός πάνω στην επιφάνεια του τεμαχίου εργασίας, κρατώντας το επίπεδο και προωθώντας ομαλά έως ότου ολοκληρωθεί η τομή. Φροντίστε η γραμμή κοπής να είναι ευθεία και η ταχύτητα προώθησης ομοιόμορφη.

### ⚠️ ΠΡΟΣΟΧΗ:

- ΤΟ ΕΡΓΑΛΕΙΟ ΑΥΤΟ ΠΡΕΠΕΙ ΝΑ ΧΡΗΣΙΜΟΠΟΙΕΙΤΑΙ ΜΟΝΟ ΣΕ ΟΡΙΖΟΝΤΙΕΣ ΕΠΙΦΑΝΕΙΕΣ.
- Φροντίστε η κίνηση του εργαλείου προς τα εμπρός να διενεργείται σε ευθεία γραμμή και απαλά. Ασκώντας δύναμη ή υπερβολική πίεση ή επιπλέοντας στο δίσκο να υποστεί κάμψη, σύσφιξη ή συστροφή εντός της τομής ενδέχεται να προκαλέσετε υπερθέρμανση του ηλεκτροκινητήρα και επικίνδυνη ανάκρουση του εργαλείου.
- Επειδή η υπερβολική κοπή μπορεί να προκαλέσει υπερφόρτωση του ηλεκτροκινητήρα, το βάθος κοπής δεν πρέπει να είναι μεγαλύτερο από 20 χιλ τη φορά. Όταν θέλετε να πραγματοποιήσετε κοπή με βάθος μεγαλύτερο από 20 χιλ, πραγματοποιήστε αρκετά περάσματα με σταδιακά πιο βαθιές ρυθμίσεις.

## ΣΥΝΤΗΡΗΣΗ

### ⚠️ ΠΡΟΣΟΧΗ:

- Να βεβαιώνετε πάντοτε ότι το εργαλείο είναι σβηστό και αποσυνδεδεμένο από το ηλεκτρικό ρεύμα πριν επιχειρήσετε να κάνετε έλεγχο ή συντήρηση του εργαλείου.
- Μην χρησιμοποιείτε ποτέ βενζίνη, πετρελαϊκό αιθέρα, διαλυτικό, αλκοόλη ή παρόμοιες ουσίες. Ενδέχεται να προκληθεί αποχρωματισμός, παραμόρφωση ή ρωγμές.

### Ακόνισμα διαμαντοτροχού

Εάν η αποτελεσματικότητα κοπής του διαμαντοτροχού αρχίσει να μειώνεται, χρησιμοποιήστε έναν παλιό άχρηστο τροχό εργαλείου λείανσης πάγκου με μεγάλους κοφτερούς κόκκους, για να ακονίσετε το διαμαντοτροχό. Για να το επιτύχετε, ασφαλίστε σταθερά τον τροχό εργαλείου λείανσης πάγκου ή ένα μπλόκ σκυροδέματος και κόψτε το.

### Μετά από τη χρήση

Απομακρύνετε με πεπιεσμένο αέρα τη σκόνη από το εσωτερικό του εργαλείου αφήνοντας το εργαλείο σε άεργη λειτουργία για κάποιο χρονικό διάστημα. Απομακρύνετε με βούρτσισμα τη συσσωρευμένη σκόνη από τη βάση. Η συσσωρευμένη σκόνη στο εσωτερικό του ηλεκτροκινητήρα ή πάνω στη βάση ενδέχεται να προκαλέσει δυσλειτουργία του εργαλείου.

### Καθαρισμός καλυμμάτων (Εικ. 12 και 13)

Όταν η συσσωρευμένη σκόνη στο κάλυμμα (Α) φαίνεται υπερβολική, ξεσφίξτε τον σφικτήρα και αφαιρέστε το κάλυμμα (Α). Ξεπλύνετε τη συσσωρευμένη σκόνη στο εσωτερικό του καλύμματος (Α) και σκουπίστε το. Στη συνέχεια, τοποθετήστε το κάλυμμα (Α) στο εργαλείο ώστε η πλευρά με την ένδειξη "Upside ↑" (Επάνω πλευρά) να είναι στραμμένη προς τα επάνω. Σπρώξτε το κάλυμμα (Α) προς τον ηλεκτροκινητήρα μέχρι τέρμα και σφίξτε το σφικτήρα για να το ασφαλίσετε. Κατά την αλλαγή του δίσκου, καθαρίστε ταυτόχρονα και το κάλυμμα (Β). Ξεσφίξτε τη βίδα που ασφαλίζει το κάλυμμα (Β) και βγάλτε το κάλυμμα (Β). Ξεπλύνετε τη συσσωρευμένη σκόνη στο εσωτερικό του καλύμματος (Β) και σκουπίστε το. Στη συνέχεια, σφίξτε τη βίδα για να προσαρμόσετε το κάλυμμα (Β) στο εργαλείο. Η συσσωρευμένη σκόνη στο εσωτερικό των καλυμμάτων μπορεί να προκαλέσει δυσλειτουργία του εργαλείου.

### ⚠️ ΠΡΟΣΟΧΗ:

- Όταν χρησιμοποιείτε το εργαλείο, βεβαιωθείτε να προσαρμόσατε τα καλύμματα (Α) και (Β).

### Αντικατάσταση καρβουνακίων (Εικ. 14 και 15)

Αφαιρέτε και ελέγχετε τα καρβουνάκια τακτικά. Αντικαθιστάτε όταν φθαρούν μέχρι την ένδειξη ορίου. Διατηρείτε τα καρβουνάκια καθαρά και ελεύθερα να γλιστρούν στις θήκες. Και τα δύο καρβουνάκια πρέπει να αντικαθίστανται ταυτόχρονα. Χρησιμοποιείτε μόνο καρβουνάκια ίδιου τύπου.

Πρώτα, βγάλτε το κάλυμμα (Α).

Χρησιμοποιήστε ένα κατσαβίδι για να αφαιρέσετε τα καπάκια των θηκών καρβουνακίων. Βγάλτε τα φθαρμένα καρβουνάκια, τοποθετήστε τα νέα και ασφαλίστε τα καπάκια των θηκών καρβουνακίων.

Για τη διατήρηση της ΑΣΦΑΛΕΙΑΣ και ΑΞΙΟΠΙΣΤΙΑΣ του προϊόντος, επισκευές, οποιαδήποτε άλλη συντήρηση ή ρύθμιση πρέπει να εκτελούνται από τα εξουσιοδοτημένα κέντρα εξυπηρέτησης της Makita, με χρήση πάντοτε ανταλλακτικών Makita.

## ΠΡΟΑΙΡΕΤΙΚΑ ΕΞΑΡΤΗΜΑΤΑ

### ⚠️ ΠΡΟΣΟΧΗ:

- Αυτά τα εξαρτήματα ή προσαρτήματα συνιστώνται για χρήση με το εργαλείο της Makita που καθορίζεται στο εγχειρίδιο αυτό. Η χρήση οποιονδήποτε άλλων εξαρτημάτων ή προσαρτημάτων μπορεί να δημιουργήσει κίνδυνο τραυματισμού ατόμων. Να χρησιμοποιείτε εξαρτήματα ή προσαρτήματα μόνο για το σκοπό που προορίζονται.

Αν χρειάζεστε βοήθεια για περισσότερες πληροφορίες που αφορούν στα εξαρτήματα αυτά, απευθυνθείτε στο πλησιέστερο κέντρο εξυπηρέτησης της Makita.

- Διαμαντοτροχό
- Εξαγωνικό κλειδί 5
- Κλειδί 22
- Οδηγός κομματιού (Οδηγός χάρακας)

### ΠΑΡΑΤΗΡΗΣΗ:

- Μερικά στοιχεία στη λίστα μπορεί να συμπεριλαμβάνονται στη συσκευασία εργαλείου ως στάνταρ εξαρτήματα. Μπορεί να διαφέρουν ανάλογα με τη χώρα.

ENG905-1

### Θόρυβος

Το τυπικό Α επίπεδο μετρημένου θορύβου καθορίζεται σύμφωνα με το EN60745:

Στάθμη πίεσης ήχου ( $L_{pA}$ ): 98 dB (A)

Στάθμη δύναμης ήχου ( $L_{WA}$ ): 109 dB (A)

Αβεβαιότητα (K): 3 dB (A)

### Φοράτε ωτοασπίδες

ENG900-1

### Κραδασμός

Η ολική τιμή δόνησης (άθροισμα τρι-αξονικού διανύσματος) καθορίζεται σύμφωνα με το EN60745:

Είδος εργασίας: κοπή σε τσιμέντο

Εκπομπή δόνησης ( $a_h$ ): 5,5 m/s<sup>2</sup>

Αβεβαιότητα (K): 1,5 m/s<sup>2</sup>

ENG901-1

- Η δηλωμένη τιμή εκπομπής κραδασμών έχει μετρηθεί σύμφωνα με την πρότυπη μέθοδο δοκιμής και μπορεί να χρησιμοποιηθεί για τη σύγκριση ενός εργαλείου με άλλο.
- Η δηλωμένη τιμή εκπομπής κραδασμών μπορεί να χρησιμοποιηθεί και στην προκαταρκτική αξιολόγηση έκθεσης.

### ⚠️ ΠΡΟΕΙΔΟΠΟΙΗΣΗ:

- Η εκπομπή κραδασμών κατά τη χρήση του ηλεκτρικού εργαλείου σε πραγματικές συνθήκες μπορεί να διαφέρει από τη δηλωμένη τιμή εκπομπής ανάλογα με τον τρόπο χρήσης του εργαλείου.

- Φροντίστε να λάβετε τα κατάλληλα μέτρα προστασίας του χειριστή βάσει υπολογισμού της έκθεσης σε πραγματικές συνθήκες χρήσης (λαμβάνοντας υπόψη όλες τις συνιστώσες του κύκλου λειτουργίας όπως τους χρόνους που το εργαλείο είναι εκτός λειτουργίας και όταν βρίσκεται σε αδρανή λειτουργία πέραν του χρόνου ενεργοποίησης).

## **Δ'ΗΛΩΣΗ ΣΥΜΜΟΡΦΩΣΗΣ ΕΚ**

### **Μόνο για χώρες της Ευρώπης**

Η δήλωση συμμόρφωσης ΕΚ περιλαμβάνεται ως Παράρτημα Α στο παρόν εγχειρίδιο οδηγιών.

**Makita Europe N.V.** Jan-Baptist Vinkstraat 2,  
3070 Kortenberg, Belgium

**Makita Corporation** 3-11-8, Sumiyoshi-cho,  
Anjo, Aichi 446-8502 Japan