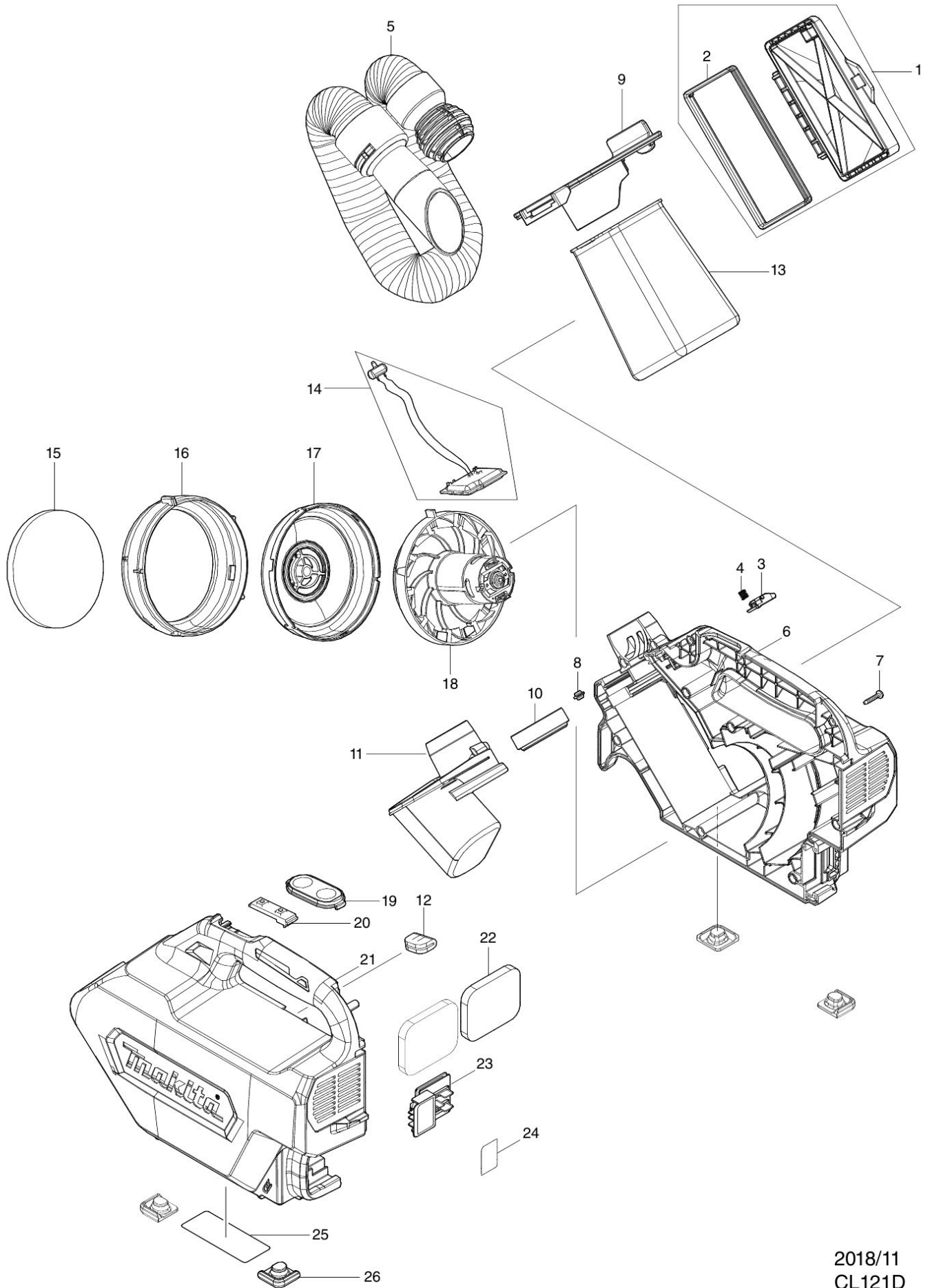


Partdrawing for CL121DZX - Stofzuiger



2018/11
CL121D