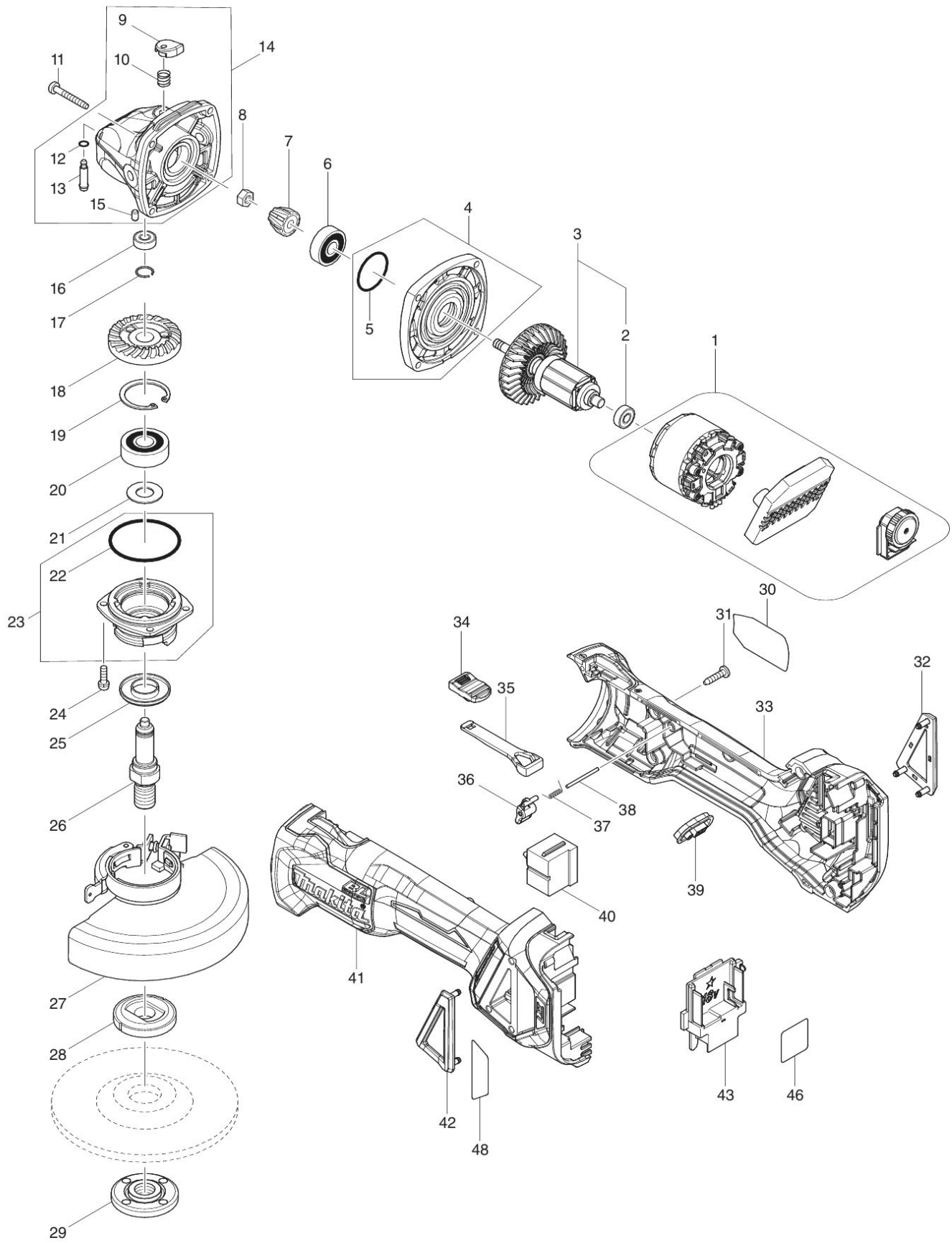


# Partdrawing for DGA511ZJ - Haakse slijper



2017/08  
DGA511