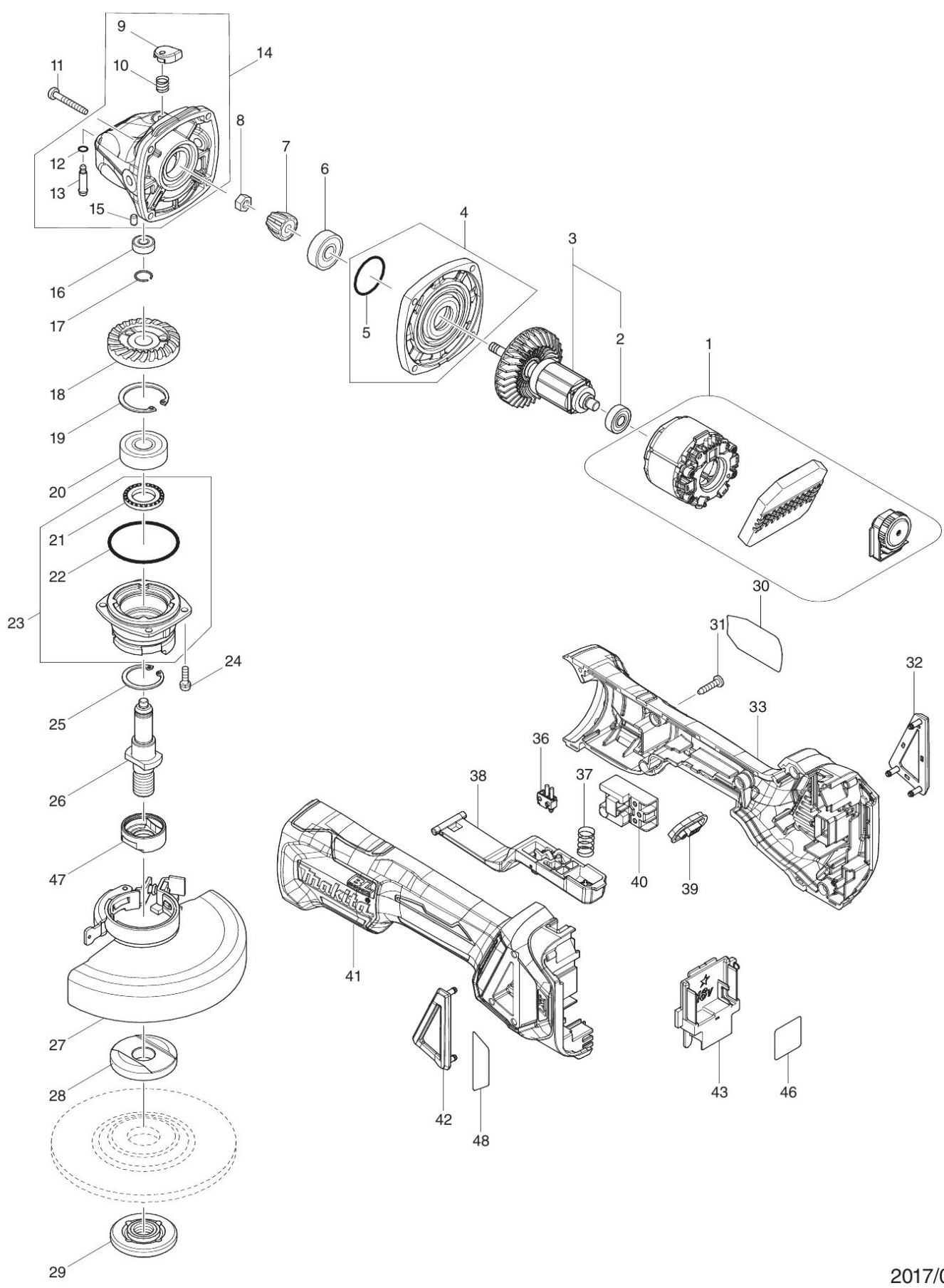


# Partdrawing for DGA517ZJ - Haakse slijper 125mm 18V



2017/05  
DGA517