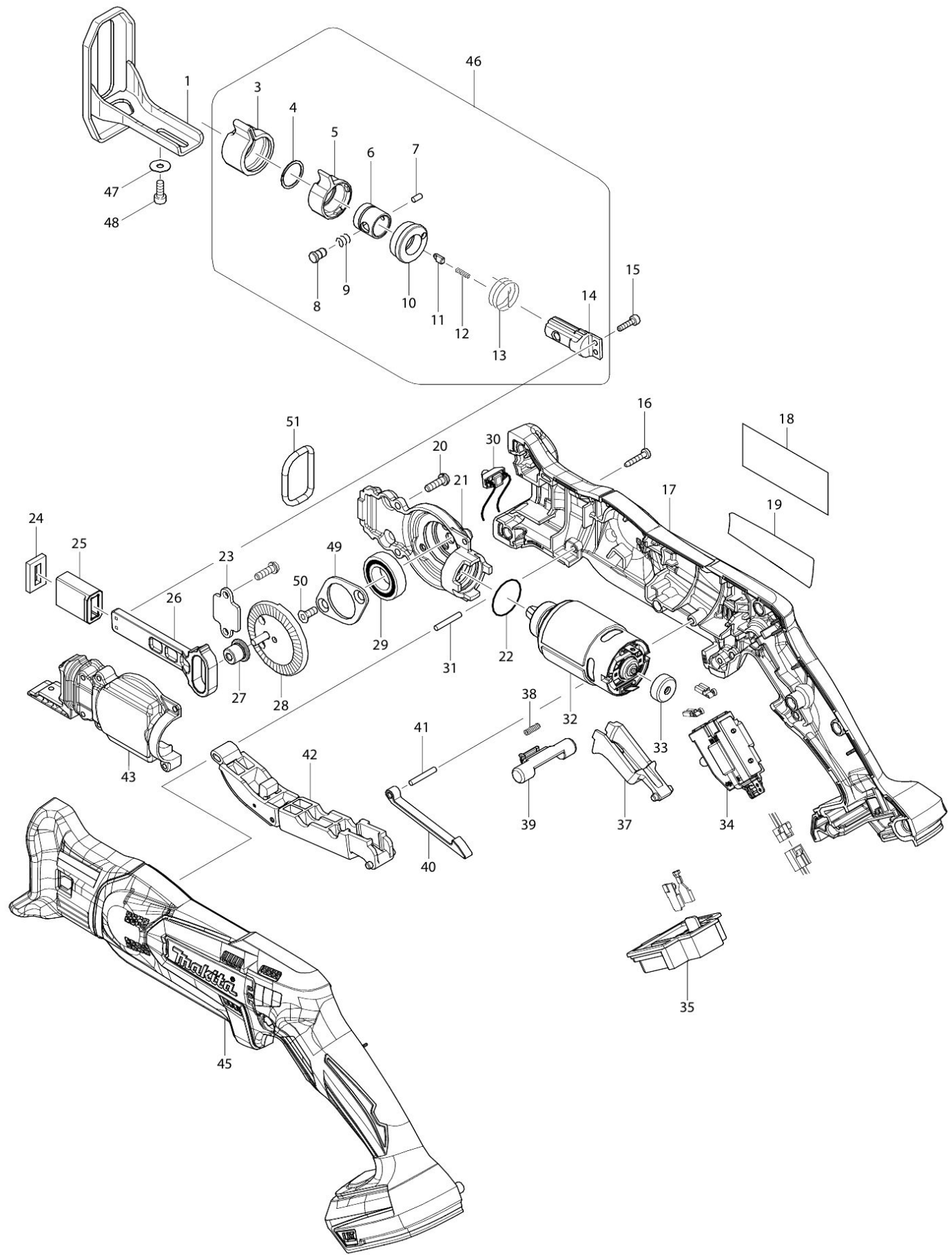


# Partdrawing for DJR183ZJ - Reciprozaag 18V



2013/05  
DJR183