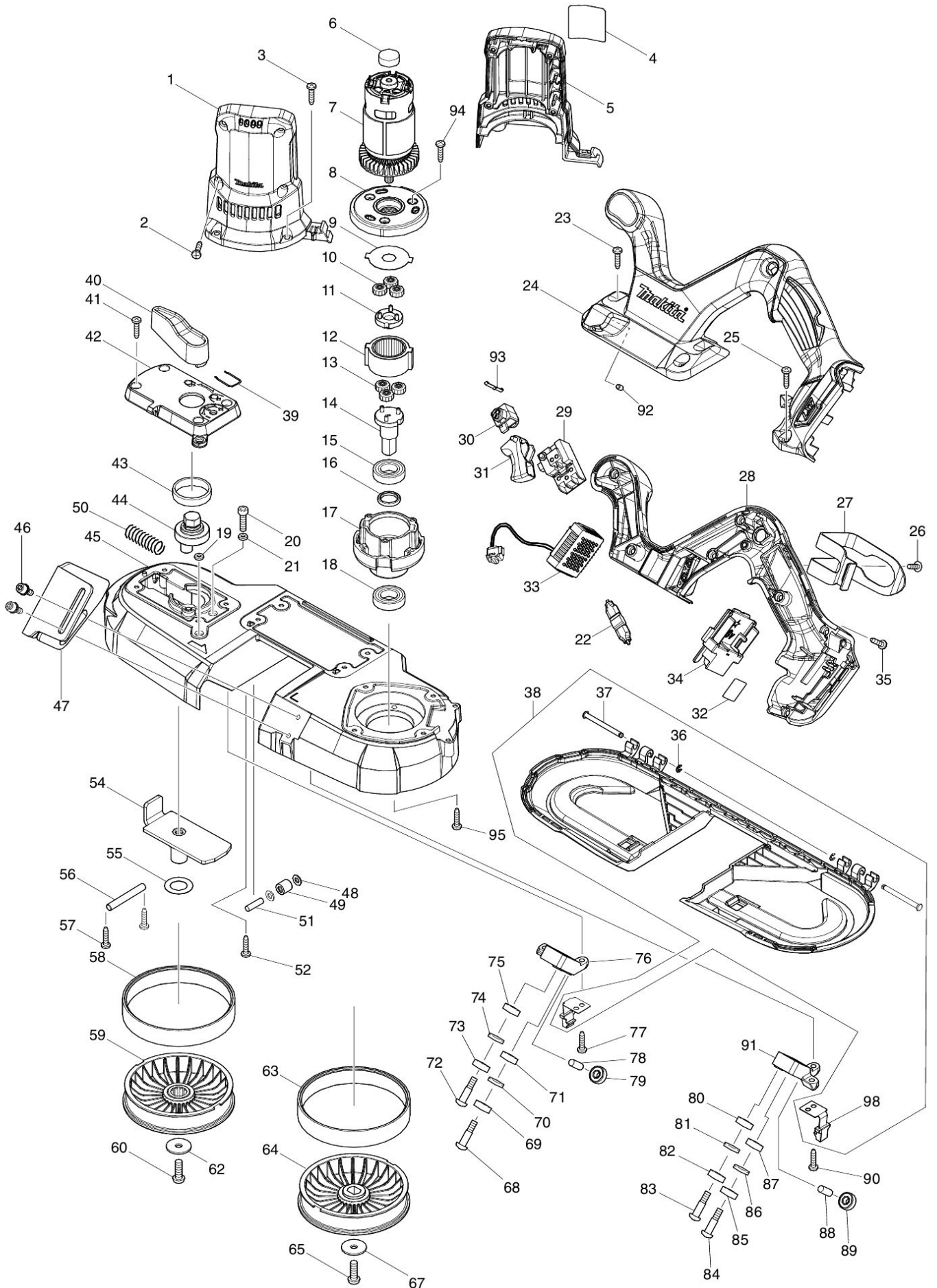


Partdrawing for DPB182Z - Bandzaag



2018/10
DPB182