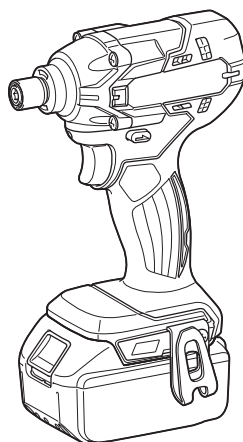




EN	Cordless Impact Driver	INSTRUCTION MANUAL	4
FR	Tournevis à Chocs sans Fil	MANUEL D'INSTRUCTIONS	10
DE	Akku-Schlagschrauber	BETRIEBSANLEITUNG	17
IT	Avvitatore a massa battente a batteria	ISTRUZIONI PER L'USO	24
NL	Accuslagschroevendraaier	GEBRUIKSAANWIJZING	31
ES	Atornillador de Impacto Inalámbrico	MANUAL DE INSTRUCCIONES	38
PT	Parafusadeira de Impacto a Bateria	MANUAL DE INSTRUÇÕES	45
DA	Akku slagskruemaskine	BRUGSANVISNING	52
EL	Κρουστικό κατσαβίδι μπαταρίας	ΕΓΧΕΙΡΙΔΙΟ ΟΔΗΓΙΩΝ	58
TR	Akülü Darbeli Tornavida	KULLANMA KILAVUZU	65

DTD156



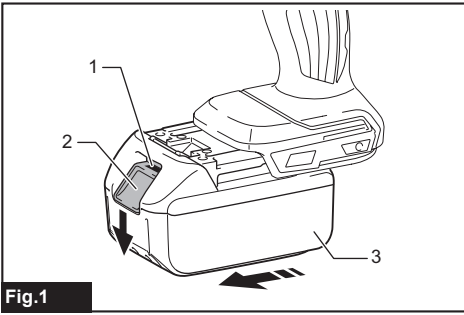


Fig.1

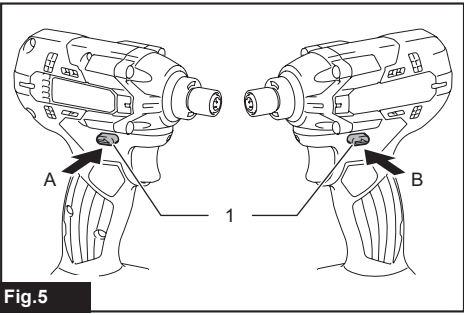


Fig.5



Fig.2

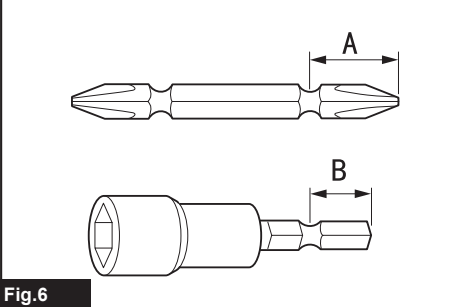


Fig.6

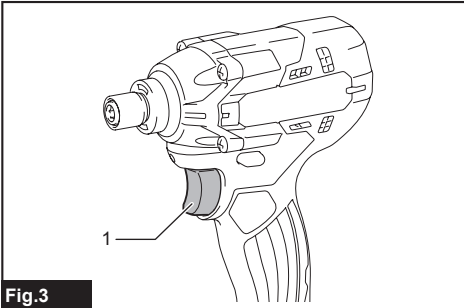


Fig.3

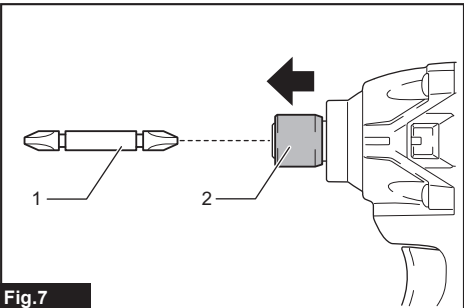


Fig.7

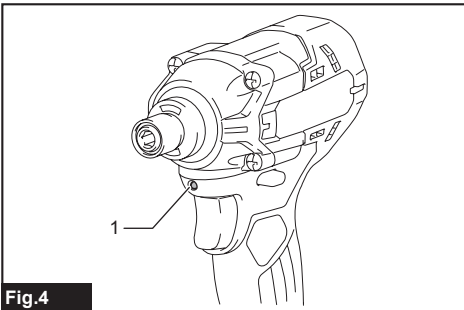


Fig.4

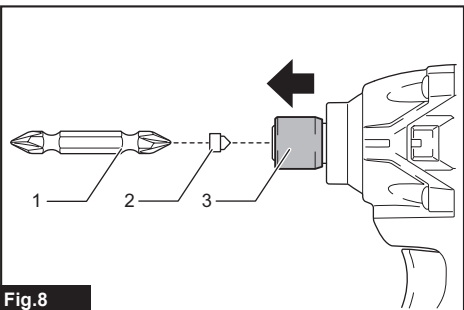


Fig.8

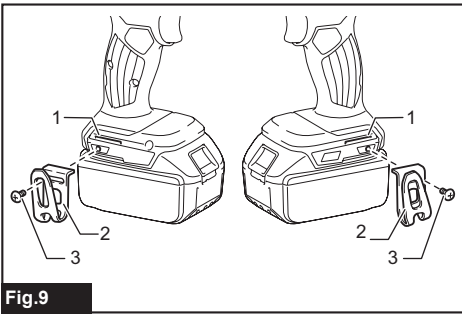


Fig.9

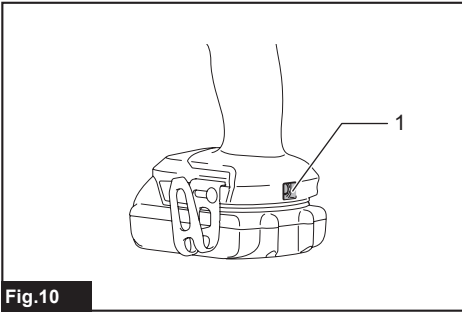


Fig.10

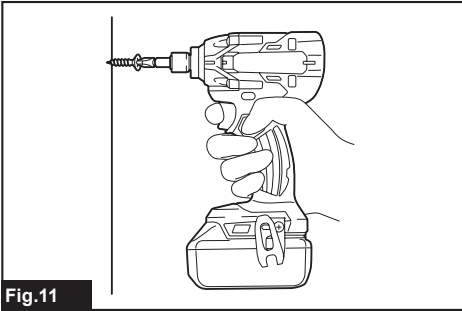


Fig.11

SPECIFICATIONS

Model:		DTD156
Fastening capacities	Machine screw	M4 - M8
	Standard bolt	M5 - M14
	High tensile bolt	M5 - M12
No load speed		0 - 2,500 min ⁻¹
Impacts per minute		0 - 3,000 min ⁻¹
Overall length		143 mm
Rated voltage		D.C. 18 V
Net weight		1.3-1.6 kg

- Due to our continuing program of research and development, the specifications herein are subject to change without notice.
- Specifications may differ from country to country.
- The weight may differ depending on the attachment(s), including the battery cartridge. The lightest and heaviest combination, according to EPTA-Procedure 01/2014, are shown in the table.

Applicable battery cartridge and charger

Battery cartridge	BL1815N / BL1820B / BL1830B / BL1840B / BL1850B / BL1860B
Charger	DC18RC / DC18RD / DC18RE / DC18SD / DC18SE / DC18SF / DC18SH / DC18WC

- Some of the battery cartridges and chargers listed above may not be available depending on your region of residence.

⚠WARNING: Only use the battery cartridges and chargers listed above. Use of any other battery cartridges and chargers may cause injury and/or fire.

Intended use

The tool is intended for screw driving in wood, metal and plastic.

Noise

The typical A-weighted noise level determined according to EN62841-2-2:

Sound pressure level (L_{pA}) : 95 dB(A)

Sound power level (L_{WA}) : 103 dB (A)

Uncertainty (K) : 3 dB(A)

NOTE: The declared noise emission value(s) has been measured in accordance with a standard test method and may be used for comparing one tool with another.

NOTE: The declared noise emission value(s) may also be used in a preliminary assessment of exposure.

⚠WARNING: Wear ear protection.

⚠WARNING: The noise emission during actual use of the power tool can differ from the declared value(s) depending on the ways in which the tool is used especially what kind of workpiece is processed.

⚠WARNING: Be sure to identify safety measures to protect the operator that are based on an estimation of exposure in the actual conditions of use (taking account of all parts of the operating cycle such as the times when the tool is switched off and when it is running idle in addition to the trigger time).

Vibration

The vibration total value (tri-axial vector sum) determined according to EN62841-2-2:

Work mode: impact tightening of fasteners of the maximum capacity of the tool

Vibration emission (a_{h1}) : 10,0 m/s²

Uncertainty (K) : 1.5 m/s²

NOTE: The declared vibration total value(s) has been measured in accordance with a standard test method and may be used for comparing one tool with another.

NOTE: The declared vibration total value(s) may also be used in a preliminary assessment of exposure.

⚠️WARNING: The vibration emission during actual use of the power tool can differ from the declared value(s) depending on the ways in which the tool is used especially what kind of workpiece is processed.

⚠️WARNING: Be sure to identify safety measures to protect the operator that are based on an estimation of exposure in the actual conditions of use (taking account of all parts of the operating cycle such as the times when the tool is switched off and when it is running idle in addition to the trigger time).

Declarations of Conformity

For European countries only

The Declarations of conformity are included in Annex A to this instruction manual.

SAFETY WARNINGS

General power tool safety warnings

⚠️WARNING: Read all safety warnings, instructions, illustrations and specifications provided with this power tool. Failure to follow all instructions listed below may result in electric shock, fire and/or serious injury.

Save all warnings and instructions for future reference.

The term "power tool" in the warnings refers to your mains-operated (corded) power tool or battery-operated (cordless) power tool.

Cordless impact driver safety warnings

1. **Hold the power tool by insulated gripping surfaces, when performing an operation where the fastener may contact hidden wiring.** Fasteners contacting a "live" wire may make exposed metal parts of the power tool "live" and could give the operator an electric shock.
2. **Always be sure you have a firm footing. Be sure no one is below when using the tool in high locations.**
3. **Hold the tool firmly.**
4. **Wear ear protectors.**
5. **Do not touch the bit or the workpiece immediately after operation. They may be extremely hot and could burn your skin.**
6. **Keep hands away from rotating parts.**
7. **Use auxiliary handle(s), if supplied with the tool.** Loss of control can cause personal injury.
8. **Hold the power tool by insulated gripping surfaces, when performing an operation where the cutting accessory may contact hidden wiring.** Cutting accessory contacting a "live" wire may make exposed metal parts of the power tool "live" and could give the operator an electric shock.

9. **Make sure there are no electrical cables, water pipes, gas pipes etc. that could cause a hazard if damaged by use of the tool.**

SAVE THESE INSTRUCTIONS.

⚠️WARNING: DO NOT let comfort or familiarity with product (gained from repeated use) replace strict adherence to safety rules for the subject product.

MISUSE or failure to follow the safety rules stated in this instruction manual may cause serious personal injury.

Important safety instructions for battery cartridge

1. **Before using battery cartridge, read all instructions and cautionary markings on (1) battery charger, (2) battery, and (3) product using battery.**
2. **Do not disassemble or tamper with the battery cartridge.** It may result in a fire, excessive heat, or explosion.
3. **If operating time has become excessively shorter, stop operating immediately. It may result in a risk of overheating, possible burns and even an explosion.**
4. **If electrolyte gets into your eyes, rinse them out with clear water and seek medical attention right away. It may result in loss of your eyesight.**
5. **Do not short the battery cartridge:**
 - (1) **Do not touch the terminals with any conductive material.**
 - (2) **Avoid storing battery cartridge in a container with other metal objects such as nails, coins, etc.**
 - (3) **Do not expose battery cartridge to water or rain.**

A battery short can cause a large current flow, overheating, possible burns and even a breakdown.

6. **Do not store and use the tool and battery cartridge in locations where the temperature may reach or exceed 50 °C (122 °F).**
7. **Do not incinerate the battery cartridge even if it is severely damaged or is completely worn out. The battery cartridge can explode in a fire.**
8. **Do not nail, cut, crush, throw, drop the battery cartridge, or hit against a hard object to the battery cartridge.** Such conduct may result in a fire, excessive heat, or explosion.
9. **Do not use a damaged battery.**
10. **The contained lithium-ion batteries are subject to the Dangerous Goods Legislation requirements.** For commercial transports e.g. by third parties, forwarding agents, special requirement on packaging and labeling must be observed. For preparation of the item being shipped, consulting an expert for hazardous material is required. Please also observe possibly more detailed national regulations.
Tape or mask off open contacts and pack up the battery in such a manner that it cannot move around in the packaging.

11. **When disposing the battery cartridge, remove it from the tool and dispose of it in a safe place. Follow your local regulations relating to disposal of battery.**
12. **Use the batteries only with the products specified by Makita.** Installing the batteries to non-compliant products may result in a fire, excessive heat, explosion, or leak of electrolyte.
13. **If the tool is not used for a long period of time, the battery must be removed from the tool.**
14. **During and after use, the battery cartridge may take on heat which can cause burns or low temperature burns. Pay attention to the handling of hot battery cartridges.**
15. **Do not touch the terminal of the tool immediately after use as it may get hot enough to cause burns.**
16. **Do not allow chips, dust, or soil stuck into the terminals, holes, and grooves of the battery cartridge.** It may cause heating, catching fire, burst and malfunction of the tool or battery cartridge, resulting in burns or personal injury.
17. **Unless the tool supports the use near high-voltage electrical power lines, do not use the battery cartridge near high-voltage electrical power lines.** It may result in a malfunction or breakdown of the tool or battery cartridge.
18. **Keep the battery away from children.**

SAVE THESE INSTRUCTIONS.

CAUTION: Only use genuine Makita batteries. Use of non-genuine Makita batteries, or batteries that have been altered, may result in the battery bursting causing fires, personal injury and damage. It will also void the Makita warranty for the Makita tool and charger.

Tips for maintaining maximum battery life

1. **Charge the battery cartridge before completely discharged. Always stop tool operation and charge the battery cartridge when you notice less tool power.**
2. **Never recharge a fully charged battery cartridge. Overcharging shortens the battery service life.**
3. **Charge the battery cartridge with room temperature at 10 °C - 40 °C (50 °F - 104 °F). Let a hot battery cartridge cool down before charging it.**
4. **When not using the battery cartridge, remove it from the tool or the charger.**
5. **Charge the battery cartridge if you do not use it for a long period (more than six months).**

FUNCTIONAL DESCRIPTION

CAUTION: Always be sure that the tool is switched off and the battery cartridge is removed before adjusting or checking function on the tool.

Installing or removing battery cartridge

CAUTION: Always switch off the tool before installing or removing of the battery cartridge.

CAUTION: Hold the tool and the battery cartridge firmly when installing or removing battery cartridge. Failure to hold the tool and the battery cartridge firmly may cause them to slip off your hands and result in damage to the tool and battery cartridge and a personal injury.

► Fig.1: 1. Red indicator 2. Button 3. Battery cartridge

To remove the battery cartridge, slide it from the tool while sliding the button on the front of the cartridge.

To install the battery cartridge, align the tongue on the battery cartridge with the groove in the housing and slip it into place. Insert it all the way until it locks in place with a little click. If you can see the red indicator as shown in the figure, it is not locked completely.

CAUTION: Always install the battery cartridge fully until the red indicator cannot be seen. If not, it may accidentally fall out of the tool, causing injury to you or someone around you.

CAUTION: Do not install the battery cartridge forcibly. If the cartridge does not slide in easily, it is not being inserted correctly.

Battery protection system

The tool is equipped with a battery protection system. This system automatically cuts off power to the motor to extend battery life.

The tool will automatically stop during operation if the tool and/or battery are placed under one of the following conditions:

Overloaded:

The tool is operated in a manner that causes it to draw an abnormally high current.

In this situation, turn the tool off and stop the application that caused the tool to become overloaded. Then turn the tool on to restart.

If the tool does not start, the battery is overheated. In this situation, let the battery cool before turning the tool on again.

Low battery voltage:

The remaining battery capacity is too low and the tool will not operate. In this situation, remove and recharge the battery.

Indicating the remaining battery capacity

Only for battery cartridges with the indicator

► Fig.2: 1. Indicator lamps 2. Check button

Press the check button on the battery cartridge to indicate the remaining battery capacity. The indicator lamps light up for a few seconds.

Indicator lamps			Remaining capacity
Lighted	Off	Blinking	
■	□	▧	75% to 100%
■	■	■	
■	■	□	50% to 75%
■	□	□	25% to 50%
■	□	□	0% to 25%
▧	□	□	Charge the battery.
■	■	□	The battery may have malfunctioned.
□	□	■	

NOTE: Depending on the conditions of use and the ambient temperature, the indication may differ slightly from the actual capacity.

NOTE: The first (far left) indicator lamp will blink when the battery protection system works.

Switch action

► Fig.3: 1. Switch trigger

CAUTION: Before installing the battery cartridge into the tool, always check to see that the switch trigger actuates properly and returns to the "OFF" position when released.

To start the tool, simply pull the switch trigger. Tool speed is increased by increasing pressure on the switch trigger. Release the switch trigger to stop.

Lighting up the front lamp

► Fig.4: 1. Lamp

CAUTION: Do not look in the light or see the source of light directly.

Pull the switch trigger to light up the lamp. The lamp keeps on lighting while the switch trigger is being pulled. The lamp goes out approximately 10 seconds after releasing the switch trigger.

NOTE: Use a dry cloth to wipe the dirt off the lens of the lamp. Be careful not to scratch the lens of lamp, or it may lower the illumination.

Reversing switch action

► Fig.5: 1. Reversing switch lever

CAUTION: Always check the direction of rotation before operation.

CAUTION: Use the reversing switch only after the tool comes to a complete stop. Changing the direction of rotation before the tool stops may damage the tool.

CAUTION: When not operating the tool, always set the reversing switch lever to the neutral position.

This tool has a reversing switch to change the direction of rotation. Depress the reversing switch lever from the A side for clockwise rotation or from the B side for counterclockwise rotation.

When the reversing switch lever is in the neutral position, the switch trigger cannot be pulled.

ASSEMBLY

CAUTION: Always be sure that the tool is switched off and the battery cartridge is removed before carrying out any work on the tool.

Installing or removing driver bit/socket bit

► Fig.6

Use only driver bit/socket bit that has inserting portion shown in the figure. Do not use any other driver bit/socket bit.

For tool with shallow driver bit hole

A=12mm B=9mm	Use only these type of driver bit. Follow the procedure 1. (Note) Bit-piece is not necessary.
-----------------	---

For tool with deep driver bit hole

A=17mm B=14mm	To install these types of driver bits, follow the procedure 1.
A=12mm B=9mm	To install these types of driver bits, follow the procedure 2. (Note) Bit-piece is necessary for installing the bit.

Procedure 1

For tool without one-touch type sleeve

► Fig.7: 1. Driver bit 2. Sleeve

To install the driver bit, pull the sleeve in the direction of the arrow and insert the driver bit into the sleeve as far as it will go.

Then release the sleeve to secure the driver bit.

For tool with one-touch type sleeve

To install the driver bit, insert the driver bit into the sleeve as far as it will go.

Procedure 2

Optional accessory

In addition to **Procedure 1**, insert the bit-piece into the sleeve with its pointed end facing in.

► **Fig.8:** 1. Driver bit 2. Bit-piece 3. Sleeve

To remove the driver bit, pull the sleeve in the direction of the arrow and pull the driver bit out.

NOTE: If the driver bit is not inserted deep enough into the sleeve, the sleeve will not return to its original position and the driver bit will not be secured. In this case, try re-inserting the bit according to the instructions above.

NOTE: When it is difficult to insert the driver bit, pull the sleeve and insert it into the sleeve as far as it will go.

NOTE: After inserting the driver bit, make sure that it is firmly secured. If it comes out, do not use it.

Installing hook

⚠WARNING: Use the hanging/mounting parts for their intended purposes only, e.g., hanging the tool on a tool belt between jobs or work intervals.

⚠WARNING: Be careful not to overload the hook as too much force or irregular overburden may cause damages to the tool resulting in personal injury.

⚠CAUTION: When installing the hook, always secure it with the screw firmly. If not, the hook may come off from the tool and result in the personal injury.

⚠CAUTION: Make sure to hang the tool securely before releasing your hold. Insufficient or unbalanced hooking may cause falling off and you may be injured.

► **Fig.9:** 1. Groove 2. Hook 3. Screw

The hook is convenient for temporarily hanging the tool. This can be installed on either side of the tool. To install the hook, insert it into a groove in the tool housing on either side and then secure it with a screw. To remove, loosen the screw and then take it out.

Using hole

⚠WARNING: Never use the hanging hole for unintended purpose, for instance, tethering the tool at high location. Bearing stress in a heavily loaded hole may cause damages to the hole, resulting in injuries to you or people around or below you.

► **Fig.10:** 1. Hanging hole

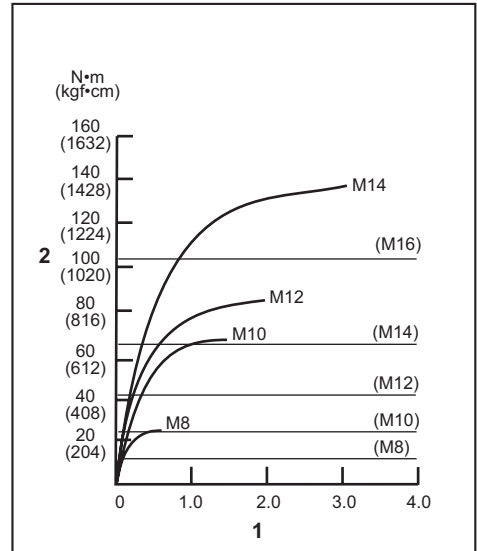
Use the hanging hole at the bottom rear of the tool to hang the tool on a wall using a hanging cord or similar strings.

OPERATION

► **Fig.11**

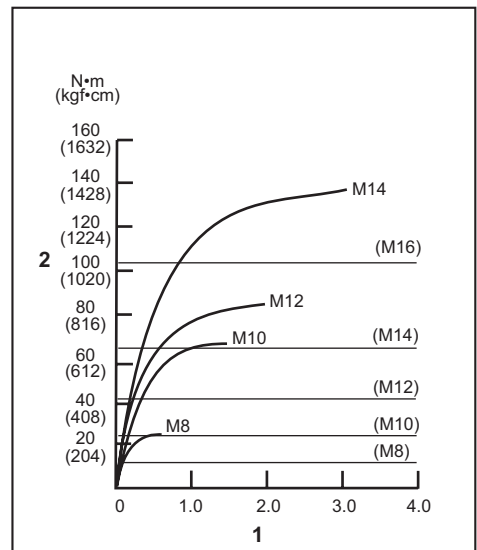
The proper fastening torque may differ depending upon the kind or size of the screw/bolt, the material of the workpiece to be fastened, etc. The relation between fastening torque and fastening time is shown in the figures.

Proper fastening torque for standard bolt



1. Fastening time (second) 2. Fastening torque

Proper fastening torque for high tensile bolt



1. Fastening time (second) 2. Fastening torque

Hold the tool firmly and place the point of the driver bit in the screw head. Apply forward pressure to the tool to the extent that the bit will not slip off the screw and turn the tool on to start operation.

NOTICE: If you use a spare battery to continue the operation, rest the tool at least 15 min.

NOTE: Use the proper bit for the head of the screw/bolt that you wish to use.

NOTE: When fastening M8 or smaller screw, carefully adjust pressure on the switch trigger so that the screw is not damaged.

NOTE: Hold the tool pointed straight at the screw.

NOTE: If the impact force is too strong or you tighten the screw for a time longer than shown in the figures, the screw or the point of the driver bit may be overstressed, stripped, damaged, etc. Before starting your job, always perform a test operation to determine the proper fastening time for your screw.

The fastening torque is affected by a wide variety of factors including the following. After fastening, always check the torque with a torque wrench.

1. When the battery cartridge is discharged almost completely, voltage will drop and the fastening torque will be reduced.
2. Driver bit or socket bit
Failure to use the correct size driver bit or socket bit will cause a reduction in the fastening torque.
3. Bolt
 - Even though the torque coefficient and the class of bolt are the same, the proper fastening torque will differ according to the diameter of bolt.
 - Even though the diameters of bolts are the same, the proper fastening torque will differ according to the torque coefficient, the class of bolt and the bolt length.
4. The manner of holding the tool or the material of driving position to be fastened will affect the torque.
5. Operating the tool at low speed will cause a reduction in the fastening torque.

MAINTENANCE

CAUTION: Always be sure that the tool is switched off and the battery cartridge is removed before attempting to perform inspection or maintenance.

NOTICE: Never use gasoline, benzine, thinner, alcohol or the like. Discoloration, deformation or cracks may result.

To maintain product SAFETY and RELIABILITY, repairs, carbon brush inspection and replacement, any other maintenance or adjustment should be performed by Makita Authorized or Factory Service Centers, always using Makita replacement parts.

OPTIONAL ACCESSORIES

CAUTION: These accessories or attachments are recommended for use with your Makita tool specified in this manual. The use of any other accessories or attachments might present a risk of injury to persons. Only use accessory or attachment for its stated purpose.

If you need any assistance for more details regarding these accessories, ask your local Makita Service Center.

- Driver bits
- Bit piece
- Hook
- Plastic carrying case
- Makita genuine battery and charger
- Battery protector

NOTE: Some items in the list may be included in the tool package as standard accessories. They may differ from country to country.

SPÉCIFICATIONS

Modèle :		DTD156
Capacités de serrage	Vis à machine	M4 - M8
	Boulon standard	M5 - M14
	Boulon à haute résistance	M5 - M12
Vitesse à vide		0 - 2 500 min ⁻¹
Impacts par minute		0 - 3 000 min ⁻¹
Longueur totale		143 mm
Tension nominale		18 V CC
Poids net		1,3-1,6 kg

- Étant donné l'évolution constante de notre programme de recherche et de développement, les spécifications contenues dans ce manuel sont sujettes à modification sans préavis.
- Les spécifications peuvent varier suivant les pays.
- Le poids peut être différent selon les accessoires, notamment la batterie. Les associations la plus légère et la plus lourde, conformément à la procédure EPTA 01/2014, sont indiquées dans le tableau.

Batterie et chargeur applicables

Batterie	BL1815N / BL1820B / BL1830B / BL1840B / BL1850B / BL1860B
Chargeur	DC18RC / DC18RD / DC18RE / DC18SD / DC18SE / DC18SF / DC18SH / DC18WC

- Certains chargeurs et batteries répertoriés ci-dessus peuvent ne pas être disponibles selon la région où vous résidez.

⚠ AVERTISSEMENT : N'utilisez que les batteries et les chargeurs répertoriés ci-dessus. L'utilisation d'autres batteries et chargeurs peut provoquer des blessures et/ou un incendie.

Utilisations

L'outil est conçu pour le vissage dans le bois, le métal et le plastique.

Bruit

Niveau de bruit pondéré A typique, déterminé selon EN62841-2-2 :

Niveau de pression sonore (L_{pA}) : 95 dB (A)

Niveau de puissance sonore (L_{WA}) : 103 dB (A)

Incertitude (K) : 3 dB (A)

NOTE : La ou les valeurs d'émission de bruit déclarées ont été mesurées conformément à la méthode de test standard et peuvent être utilisées pour comparer les outils entre eux.

NOTE : La ou les valeurs d'émission de bruit déclarées peuvent aussi être utilisées pour l'évaluation préliminaire de l'exposition.

⚠ AVERTISSEMENT : Portez un serre-tête antibruit.

⚠ AVERTISSEMENT : L'émission de bruit lors de l'usage réel de l'outil électrique peut être différente de la ou des valeurs déclarées, suivant la façon dont l'outil est utilisé, particulièrement selon le type de pièce usinée.

⚠ AVERTISSEMENT : Les mesures de sécurité à prendre pour protéger l'utilisateur doivent être basées sur une estimation de l'exposition dans des conditions réelles d'utilisation (en tenant compte de toutes les composantes du cycle d'utilisation, comme par exemple le moment de sa mise hors tension, lorsqu'il tourne à vide et le moment de son déclenchement).

Vibrations

Valeur totale de vibrations (somme de vecteur triaxial) déterminée selon EN62841-2-2 :

Mode de travail : serrage avec impact de vis ou boulon ne dépassant pas la capacité maximale de l'outil

Émission de vibrations (a_h) : 10,0 m/s²

Incertitude (K) : 1,5 m/s²

NOTE : La ou les valeurs de vibration totales déclarées ont été mesurées conformément à la méthode de test standard et peuvent être utilisées pour comparer les outils entre eux.

NOTE : La ou les valeurs de vibration totales déclarées peuvent aussi être utilisées pour l'évaluation préliminaire de l'exposition.

⚠️ AVERTISSEMENT : L'émission de vibrations lors de l'usage réel de l'outil électrique peut être différente de la ou des valeurs déclarées, suivant la façon dont l'outil est utilisé, particulièrement selon le type de pièce usinée.

⚠️ AVERTISSEMENT : Les mesures de sécurité à prendre pour protéger l'utilisateur doivent être basées sur une estimation de l'exposition dans des conditions réelles d'utilisation (en tenant compte de toutes les composantes du cycle d'utilisation, comme par exemple le moment de sa mise hors tension, lorsqu'il tourne à vide et le moment de son déclenchement).

Déclarations de conformité

Pour les pays européens uniquement

Les déclarations de conformité sont fournies en Annexe A à ce mode d'emploi.

CONSIGNES DE SÉCURITÉ

Consignes de sécurité générales pour outils électriques

⚠️ AVERTISSEMENT : Veuillez lire les consignes de sécurité, instructions, illustrations et spécifications qui accompagnent cet outil électrique. Le non-respect de toutes les instructions indiquées ci-dessous peut entraîner une électrocution, un incendie et/ou de graves blessures.

Conservez toutes les mises en garde et instructions pour référence ultérieure.

Le terme « outil électrique » dans les avertissements fait référence à l'outil électrique alimenté par le secteur (avec cordon d'alimentation) ou à l'outil électrique fonctionnant sur batterie (sans cordon d'alimentation).

Consignes de sécurité pour le tournevis à chocs sans fil

1. Tenez l'outil électrique par des surfaces de prise isolées lorsque vous effectuez une tâche au cours de laquelle la vis ou le boulon peut entrer en contact avec des fils cachés. Le contact de la vis ou du boulon avec un fil sous tension peut transmettre du courant dans les pièces métalliques exposées de l'outil et électrocuter l'opérateur.
2. Ayez toujours une assise ferme sous vos pieds. Veillez à ce que personne ne se trouve en dessous de vous quand vous utilisez l'outil en hauteur.
3. Tenez votre outil fermement.
4. Portez un casque anti-bruit.
5. Ne touchez pas l'embout ou la pièce immédiatement après le fonctionnement. Ils peuvent être extrêmement chauds et brûler votre peau.
6. Gardez les mains éloignées des pièces en rotation.

7. Utilisez la ou les poignées auxiliaires, si l'outil en possède. Toute perte de maîtrise de l'outil comporte un risque de blessure.
8. Tenez l'outil électrique par des surfaces de prise isolées lorsque vous effectuez une tâche au cours de laquelle l'accessoire de coupe peut entrer en contact avec des fils cachés. Le contact de l'accessoire de coupe avec un fil sous tension peut transmettre du courant dans les pièces métalliques exposées de l'outil et électrocuter l'opérateur.
9. Assurez-vous qu'il n'y a pas de câbles électriques, de conduites d'eau, de conduites de gaz, etc., présentant un risque s'ils sont endommagés suite à l'utilisation de l'outil.

CONSERVEZ CES INSTRUCTIONS.

⚠️ AVERTISSEMENT : NE vous laissez PAS tromper (au fil d'une utilisation répétée) par un sentiment d'aisance et de familiarité avec le produit, en négligeant le respect rigoureux des consignes de sécurité qui accompagnent le produit en question.

La MAUVAISE UTILISATION de l'outil ou l'ignorance des consignes de sécurité indiquées dans ce mode d'emploi peut entraîner de graves blessures.

Consignes de sécurité importantes pour la batterie

1. Avant d'utiliser la batterie, lisez toutes les instructions et précautions relatives (1) au chargeur de batterie, (2) à la batterie, et (3) au produit utilisant la batterie.
2. Ne désassemblez pas et ne modifiez pas la batterie. Cela pourrait entraîner un incendie, une chaleur excessive ou une explosion.
3. Cessez immédiatement l'utilisation si le temps de fonctionnement devient excessivement court. Il y a risque de surchauffe, de brûlures, voire d'explosion.
4. Si l'électrolyte pénètre dans vos yeux, rincez-les à l'eau claire et consultez immédiatement un médecin. Il y a risque de perte de la vue.
5. Ne court-circuitez pas la batterie :
 - (1) Ne touchez les bornes avec aucun matériau conducteur.
 - (2) Évitez de ranger la batterie dans un conteneur avec d'autres objets métalliques, par exemple des clous, des pièces de monnaie, etc.
 - (3) N'exposez pas la batterie à l'eau ou à la pluie. Un court-circuit de la batterie peut provoquer une intensité de courant élevée, une surchauffe, parfois des brûlures et même une panne.
6. Ne rangez ni n'utilisez l'outil et la batterie dans un endroit où la température risque d'atteindre ou de dépasser 50 °C.
7. Ne jetez pas la batterie au feu même si elle est sérieusement endommagée ou complètement épuisée. La batterie peut exploser au contact du feu.

8. **Abstenez-vous de clouer, couper, écraser, jeter, laisser tomber la batterie, ou de la heurter contre un objet dur.** Cela pourrait entraîner un incendie, une chaleur excessive ou une explosion.
9. **N'utilisez pas la batterie si elle est endommagée.**
10. **Les batteries au lithium-ion contenues sont soumises aux exigences de la législation sur les marchandises dangereuses.**
Lors du transport commercial par des tierces parties ou des transitaires par exemple, des exigences spécifiques en matière d'étiquetage et d'emballage doivent être respectées.
Pour la préparation de l'article expédié, il est nécessaire de consulter un expert en matériau dangereux. Veuillez également respecter les réglementations nationales susceptibles d'être plus détaillées.
Recouvrez les contacts exposés avec du ruban adhésif ou du ruban de masquage et emballez la batterie de telle sorte qu'elle ne puisse pas bouger dans l'emballage.
11. **Lors de la mise au rebut de la batterie, retirez-la de l'outil et jetez-la en lieu sûr. Suivez les réglementations locales en matière de mise au rebut des batteries.**
12. **Utilisez les batteries uniquement avec les produits spécifiés par Makita.** L'insertion de batteries dans des produits non conformes peut provoquer un incendie, une chaleur excessive, une explosion ou une fuite de l'électrolyte.
13. **Lorsque vous n'utilisez pas l'outil pendant une période prolongée, la batterie doit être retirée de l'outil.**
14. **Pendant et après l'utilisation, la batterie peut chauffer, ce qui peut entraîner des brûlures, y compris en cas de température relativement basse. Manipulez les batteries chaudes avec précaution.**
15. **Ne touchez pas la borne de l'outil immédiatement après utilisation car elle peut être assez chaude pour provoquer des brûlures.**
16. **Évitez que des copeaux, de la poussière ou du sol adhèrent aux bornes, aux trous et aux rainures de la batterie.** Cela peut provoquer un échauffement, un incendie, une explosion ou un dysfonctionnement de l'outil ou de la batterie, ce qui peut entraîner des brûlures ou des blessures.
17. **À moins que l'outil prenne en charge un tel usage, n'utilisez pas la batterie à proximité de lignes électriques haute tension.** Cela pourrait entraîner un dysfonctionnement ou casser l'outil ou la batterie.
18. **Conservez la batterie hors de portée des enfants.**

CONSERVEZ CES INSTRUCTIONS.

ATTENTION : N'utilisez que des batteries Makita d'origine. L'utilisation de batteries de marque autre que Makita ou de batteries modifiées peut provoquer l'explosion des batteries, ce qui présente un risque d'incendie, de dommages matériels et corporels. Cela annulera également la garantie Makita pour l'outil et le chargeur Makita.

Conseils pour assurer la durée de vie optimale de la batterie

1. **Chargez la batterie avant qu'elle ne soit complètement déchargée. Arrêtez toujours l'outil et rechargez la batterie quand vous remarquez que la puissance de l'outil diminue.**
2. **Ne rechargez jamais une batterie complètement chargée. La surcharge réduit la durée de service de la batterie.**
3. **Chargez la batterie à une température ambiante comprise entre 10 °C et 40 °C. Avant de charger une batterie chaude, laissez-la refroidir.**
4. **Lorsque vous n'utilisez pas la batterie, retirez-la de l'outil ou du chargeur.**
5. **Rechargez la batterie si elle est restée inutilisée pendant une période prolongée (plus de six mois).**

DESCRIPTION DU FONCTIONNEMENT

ATTENTION : Assurez-vous toujours que l'outil est hors tension et que sa batterie est retirée avant de l'ajuster ou de vérifier son fonctionnement.

Insertion ou retrait de la batterie

ATTENTION : Éteignez toujours l'outil avant de mettre en place ou de retirer la batterie.

ATTENTION : Tenez fermement l'outil et la batterie lors de la mise en place ou du retrait de la batterie. Si vous ne tenez pas fermement l'outil et la batterie, ils peuvent vous glisser des mains, et s'abîmer ou vous blesser.

► Fig.1: 1. Indicateur rouge 2. Bouton 3. Batterie

Pour retirer la batterie, faites-la glisser hors de l'outil tout en faisant glisser le bouton à l'avant de la batterie.

Pour mettre la batterie en place, alignez la languette de la batterie avec la rainure du compartiment puis insérez la batterie. Insérez-la entièrement jusqu'à entendre un léger déclic indiquant qu'elle est bien en place. Si vous pouvez voir l'indicateur rouge comme illustré sur la figure, c'est qu'elle n'est pas bien verrouillée.

ATTENTION : Insérez toujours complètement la batterie jusqu'à ce que l'indicateur rouge ne soit plus visible. Sinon, elle pourrait tomber accidentellement de l'outil, au risque de vous blesser ou de blesser quelqu'un se trouvant près de vous.

ATTENTION : N'insérez pas la batterie de force. Si elle ne glisse pas facilement, c'est que vous ne l'insérez pas correctement.

Système de protection de la batterie

L'outil est équipé d'un système de protection de la batterie. Ce système coupe automatiquement le courant de l'outil pour prolonger la durée de service de la batterie.

L'outil s'arrêtera automatiquement en cours d'utilisation si l'outil et/ou la batterie se trouve dans l'une ou l'autre des situations suivantes :

Surcharge :

L'outil est utilisé de manière telle qu'il consomme un courant anormalement élevé.

Dans ce cas, éteignez l'outil et arrêtez la tâche ayant provoqué la surcharge de l'outil. Puis rallumez l'outil pour reprendre la tâche.

Si l'outil ne démarre pas, c'est que la batterie a surchauffé. Dans ce cas, laissez la batterie refroidir avant de rallumer l'outil.

Faible tension de la batterie :

La capacité restante de la batterie est trop faible et l'outil ne fonctionne pas. Le cas échéant, retirez et rechargez la batterie.

Indication de la charge restante de la batterie

Uniquement pour les batteries avec voyant lumineux

► **Fig.2:** 1. Témoins 2. Bouton de vérification

Appuyez sur le bouton de vérification sur la batterie pour indiquer la charge restante de la batterie. Les témoins s'allument pendant quelques secondes.

Témoins			Charge restante
Allumé	Éteint	Clignotant	
■	□	▧	75 % à 100 %
■ ■ ■ ■			
■ ■ ■	□		50 % à 75 %
■ ■	□ □		25 % à 50 %
■	□ □ □		0 % à 25 %
▧	□ □ □		Chargez la batterie.
■ ■ □ □	□ □ ■ ■		Anomalie possible de la batterie.
	↑ ↓		

NOTE : Selon les conditions d'utilisation et la température ambiante, l'indication peut être légèrement différente de la capacité réelle.

NOTE : Le premier témoin (complètement à gauche) clignotera pendant le fonctionnement du système de protection de la batterie.

Fonctionnement de la gâchette

► **Fig.3:** 1. Gâchette

ATTENTION : Avant d'insérer la batterie dans l'outil, vérifiez toujours que la gâchette fonctionne bien et revient en position d'arrêt lorsque vous la relâchez.

Il suffit d'enclencher la gâchette pour démarrer l'outil. La vitesse de l'outil augmente à mesure que l'on accroît la pression exercée sur la gâchette. Pour l'arrêter, relâchez la gâchette.

Allumage de la lampe avant

► **Fig.4:** 1. Lampe

ATTENTION : Évitez de regarder directement le faisceau lumineux ou sa source.

Enclenchez la gâchette pour allumer la lampe. La lampe reste allumée tant que la gâchette est enclenchée. La lampe s'éteint environ 10 secondes après avoir relâché la gâchette.

NOTE : Retirez la saleté sur la lentille de la lampe avec un chiffon sec. Prenez soin de ne pas érafler la lentille de la lampe sous peine de diminuer son éclairage.

Fonctionnement de l'inverseur

► **Fig.5:** 1. Levier de l'inverseur

ATTENTION : Vérifiez toujours le sens de rotation avant d'utiliser l'outil.

ATTENTION : N'utilisez l'inverseur qu'une fois que l'outil est complètement arrêté. Si vous changez le sens de rotation avant l'arrêt de l'outil, vous risquez de l'endommager.

ATTENTION : Lorsque vous n'utilisez pas l'outil, placez toujours le levier de l'inverseur en position neutre.

L'outil possède un inverseur qui permet de changer le sens de rotation. Enfoncez le levier de l'inverseur du côté A pour une rotation dans le sens des aiguilles d'une montre, ou du côté B pour une rotation dans le sens inverse des aiguilles d'une montre.

La gâchette ne peut pas être enclenchée lorsque le levier de l'inverseur se trouve en position neutre.

ASSEMBLAGE

⚠ ATTENTION : Assurez-vous toujours que l'outil est hors tension et que sa batterie est retirée avant d'effectuer toute tâche dessus.

Installation ou retrait de l'embout de vissage/embout à douille

► Fig.6

Utilisez exclusivement un embout de vissage/embout à douille doté de la partie à insérer indiquée sur la figure. N'utilisez aucun autre embout de vissage/embout à douille.

Pour outil à orifice d'embout de vissage peu profond

A = 12 mm B = 9 mm	Utilisez exclusivement ces types d'embout de vissage. Suivez la procédure 1. (Note) Porte-embout non requis.
-----------------------	--

Pour outil à orifice d'embout de vissage profond

A = 17 mm B = 14 mm	Pour installer ces types d'embout de vissage, suivez la procédure 1.
A = 12 mm B = 9 mm	Pour installer ces types d'embout de vissage, suivez la procédure 2. (Note) Un porte-embout est requis pour installer l'embout.

Procédure 1

Pour les outils sans manchon une pression

► Fig.7: 1. Embout de vissage 2. Manchon

Pour installer l'embout de vissage, tirez le manchon dans le sens de la flèche et insérez l'embout de vissage à fond dans le manchon. Libérez ensuite le manchon pour fixer l'embout de vissage.

Pour les outils avec manchon une pression

Pour installer l'embout de vissage, introduisez-le à fond dans le manchon.

Procédure 2

Accessoire en option

En plus de la Procédure 1, insérez le porte-embout dans le manchon avec son bout pointu tourné vers l'intérieur.

► Fig.8: 1. Embout de vissage 2. Porte-embout 3. Manchon

Pour retirer l'embout de vissage, tirez sur le manchon dans le sens de la flèche et enlevez l'embout de vissage.

NOTE : Si l'embout de vissage n'est pas inséré assez profondément dans le manchon, celui-ci ne revient pas à sa position d'origine et l'embout de vissage ne se trouve pas bien fixé. Dans ce cas, insérez à nouveau l'embout conformément aux instructions ci-dessus.

NOTE : Si vous rencontrez des difficultés pour insérer l'embout de vissage, tirez sur le manchon et insérez l'embout à fond dans le manchon.

NOTE : Après avoir inséré l'embout de vissage, assurez-vous qu'il est fermement fixé. Ne l'utilisez pas s'il sort du manchon.

Installation du crochet

⚠ AVERTISSEMENT : N'utilisez les pièces d'accrochage/de fixation qu'aux fins pour lesquelles elles ont été conçues, par exemple, accrocher l'outil sur une ceinture à outils entre les tâches ou les intervalles de travail.

⚠ AVERTISSEMENT : Faites attention de ne pas surcharger le crochet, car une force excessive ou une surcharge irrégulière peut endommager l'outil et entraîner des blessures.

⚠ ATTENTION : Lorsque vous installez le crochet, fixez-le toujours en place fermement avec la vis. Sinon, le crochet pourrait se détacher de l'outil et vous blesser.

⚠ ATTENTION : Assurez-vous de suspendre l'outil correctement avant de relâcher votre emprise. Un accrochage insuffisant ou déséquilibré peut provoquer une chute et vous blesser.

► Fig.9: 1. Rainure 2. Crochet 3. Vis

L'outil est équipé d'un crochet pratique qui permet de l'accrocher temporairement. Ce crochet s'installe d'un côté comme de l'autre de l'outil. Pour installer le crochet, insérez-le dans une des rainures situées de chaque côté du carter de l'outil, puis serrez-le avec une vis. Pour l'enlever, desserrez la vis et retirez-le.

Utilisation de l'orifice

⚠ AVERTISSEMENT : N'utilisez jamais l'orifice de suspension à des fins non prévues, par exemple, pour attacher l'outil sur un emplacement élevé. La contrainte exercée sur un orifice lourdement chargé peut endommager l'orifice, ce qui peut vous blesser vous ou des personnes autour ou en dessous de vous.

► Fig.10: 1. Orifice de suspension

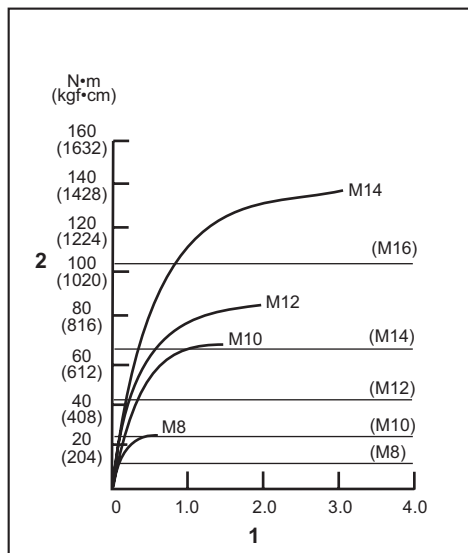
Utilisez l'orifice de suspension situé dans la partie inférieure arrière de l'outil pour accrocher l'outil au mur à l'aide d'un cordon de suspension ou de cordes similaires.

UTILISATION

► Fig.11

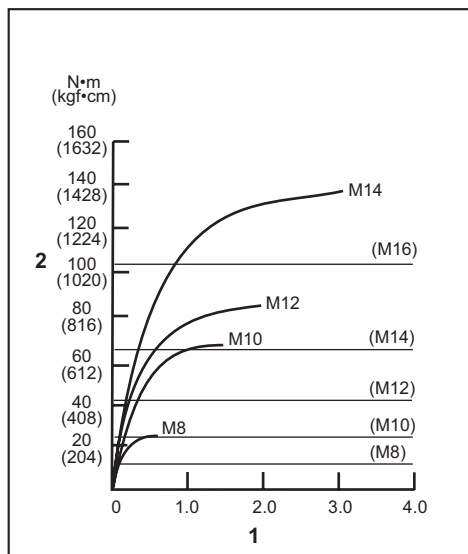
Le couple de serrage correct peut varier en fonction du type ou de la dimension de la vis/du boulon, du matériau de la pièce à fixer, etc. Le rapport entre le couple de serrage et le temps de serrage est donné à la figure.

Couple de serrage correct pour boulon standard



1. Temps de serrage (en secondes) 2. Couple de serrage

Couple de serrage correct pour boulon à haute résistance



1. Temps de serrage (en secondes) 2. Couple de serrage

Tenez votre outil fermement et placez la pointe de l'embout de vissage dans la tête de la vis. Appliquez à l'outil une pression vers l'avant suffisante pour que l'embout ne glisse pas hors de la vis et mettez le contact.

REMARQUE : Si vous utilisez une batterie de secours pour continuer l'opération, laissez l'outil reposer au moins 15 minutes.

NOTE : Utilisez l'embout qui convient à la tête de la vis/du boulon utilisé(e).

NOTE : Lorsque vous fixez une vis M8 ou plus petite, réglez soigneusement la pression sur la gâchette de façon à ne pas endommager la vis.

NOTE : Tenez l'outil bien droit sur la vis.

NOTE : Si la force de choc est trop grande ou que vous serrez la vis plus longtemps que le temps indiqué dans les figures, la vis ou la pointe de l'embout de vissage risque d'être soumise à une force trop grande, d'être détruite, endommagée, etc. Avant de commencer votre travail, effectuez toujours un essai pour connaître le temps de serrage qui convient à la vis.

Le couple de serrage dépend d'un certain nombre de facteurs, comme suit. Une fois le serrage terminé, vérifiez toujours le couple avec une clé dynamométrique.

1. Lorsque la batterie est presque complètement déchargée, la tension tombe et le couple de serrage diminue.
2. Embout de vissage ou embout à douille
L'utilisation d'un embout de vissage ou d'un embout à douille de mauvaise dimension entraînera une réduction du couple de serrage.
3. Boulon
 - Même si le coefficient du couple et la catégorie du boulon sont les mêmes, le couple de serrage correct variera en fonction du diamètre de boulon.
 - Même si les diamètres des boulons sont les mêmes, le couple de serrage correct variera en fonction du coefficient de couple, de la catégorie du boulon et de la longueur du boulon.
4. Le couple de serrage est affecté par la façon dont vous tenez l'outil ou la pièce, ou par la position de vissage.
5. Le fonctionnement de l'outil à vitesse réduite entraîne une diminution du couple de serrage.

ENTRETIEN

ATTENTION : Assurez-vous toujours que l'outil est hors tension et que la batterie est retirée avant d'y effectuer tout travail d'inspection ou d'entretien.

REMARQUE : N'utilisez jamais d'essence, benzine, diluant, alcool ou autre produit similaire. Cela risquerait de provoquer la décoloration, la déformation ou la fissuration de l'outil.

Pour maintenir la SÉCURITÉ et la FIABILITÉ du produit, les réparations, l'inspection et le remplacement des balais en carbone, ainsi que tout autre travail d'entretien ou de réglage doivent être effectués par un centre d'entretien Makita agréé, avec des pièces de rechange Makita.

ACCESSOIRES EN OPTION

⚠ ATTENTION : Ces accessoires ou pièces complémentaires sont recommandés pour l'utilisation avec l'outil Makita spécifié dans ce mode d'emploi. L'utilisation de tout autre accessoire ou pièce complémentaire peut comporter un risque de blessure. N'utilisez les accessoires ou pièces complémentaires qu'aux fins auxquelles ils ont été conçus.

Pour obtenir plus de détails sur ces accessoires, contactez votre centre d'entretien local Makita.

- Embouts de vissage
- Porte-embout
- Crochet
- Étui de transport en plastique
- Batterie et chargeur Makita d'origine
- Protecteur de la batterie

NOTE : Il se peut que certains éléments de la liste soient compris dans l'emballage de l'outil en tant qu'accessoires standard. Ils peuvent varier d'un pays à l'autre.

TECHNISCHE DATEN

Modell:		DTD156
Anzugskapazitäten	Maschinenschraube	M4 - M8
	Standardschraube	M5 - M14
	HV-Schraube	M5 - M12
Leerlaufdrehzahl		0 - 2.500 min ⁻¹
Schlagzahl pro Minute		0 - 3.000 min ⁻¹
Gesamtlänge		143 mm
Nennspannung		18 V Gleichstrom
Nettogewicht		1,3-1,6 kg

- Wir behalten uns vor, Änderungen der technischen Daten im Zuge der Entwicklung und des technischen Fortschritts ohne vorherige Ankündigung vorzunehmen.
- Die technischen Daten können von Land zu Land unterschiedlich sein.
- Das Gewicht kann abhängig von dem Aufsatz (den Aufsätzen), einschließlich des Akkus, unterschiedlich sein. Die leichteste und die schwerste Kombination, gemäß dem EPTA-Verfahren 01/2014, sind in der Tabelle angegeben.

Zutreffende Akkus und Ladegeräte

Akku	BL1815N / BL1820B / BL1830B / BL1840B / BL1850B / BL1860B
Ladegerät	DC18RC / DC18RD / DC18RE / DC18SD / DC18SE / DC18SF / DC18SH / DC18WC

- Einige der oben aufgelisteten Akkus und Ladegeräte sind je nach Ihrem Wohngebiet eventuell nicht erhältlich.

⚠️ WARNUNG: Verwenden Sie nur die oben aufgeführten Akkus und Ladegeräte. Bei Verwendung irgendwelcher anderer Akkus und Ladegeräte besteht Verletzungs- und/oder Brandgefahr.

Vorgesehene Verwendung

Das Werkzeug ist für das Eindrehen von Schrauben in Holz, Metall und Kunststoff vorgesehen.

Geräusch

Typischer A-bewerteter Geräuschpegel ermittelt gemäß EN62841-2-2:

Schalldruckpegel (L_{pA}): 95 dB (A)

Schalleistungspegel (L_{WA}): 103 dB (A)

Messunsicherheit (K): 3 dB (A)

HINWEIS: Der (Die) angegebene(n) Schallemissionswert(e) wurde(n) im Einklang mit der Standardprüfmethode gemessen und kann (können) für den Vergleich zwischen Werkzeugen herangezogen werden.

HINWEIS: Der (Die) angegebene(n) Schallemissionswert(e) kann (können) auch für eine Vorbewertung des Gefährdungsgrads verwendet werden.

⚠️ WARNUNG: Einen Gehörschutz tragen.

⚠️ WARNUNG: Die Schallemission während der tatsächlichen Benutzung des Elektrowerkzeugs kann je nach der Benutzungsweise des Werkzeugs, und speziell je nach der Art des bearbeiteten Werkstücks, von dem (den) angegebenen Wert(en) abweichen.

⚠️ WARNUNG: Identifizieren Sie Sicherheitsmaßnahmen zum Schutz des Benutzers anhand einer Schätzung des Gefährdungsgrads unter den tatsächlichen Benutzungsbedingungen (unter Berücksichtigung aller Phasen des Arbeitszyklus, wie z. B. Ausschalt- und Leerlaufzeiten des Werkzeugs zusätzlich zur Betriebszeit).

Schwingungen

Schwingungsgesamtwert (Drei-Achsen-Vektorsumme) ermittelt gemäß EN62841-2-2:

Arbeitsmodus: Schlagschrauben von Befestigungsteilen der maximalen Kapazität des Werkzeugs

Schwingungsemission (a_h): 10,0 m/s²

Messunsicherheit (K): 1,5 m/s²

HINWEIS: Der (Die) angegebene(n) Vibrationsgesamtwert(e) wurde(n) im Einklang mit der Standardprüfmethode gemessen und kann (können) für den Vergleich zwischen Werkzeugen herangezogen werden.

HINWEIS: Der (Die) angegebene(n) Vibrationsgesamtwert(e) kann (können) auch für eine Vorbereitung des Gefährdungsgrads verwendet werden.

⚠️ WARNUNG: Die Vibrationsemission während der tatsächlichen Benutzung des Elektrowerkzeugs kann je nach der Benutzungsweise des Werkzeugs, und speziell je nach der Art des bearbeiteten Werkstücks, von dem (den) angegebenen Emissionswert(en) abweichen.

⚠️ WARNUNG: Identifizieren Sie Sicherheitsmaßnahmen zum Schutz des Benutzers anhand einer Schätzung des Gefährdungsgrads unter den tatsächlichen Benutzungsbedingungen (unter Berücksichtigung aller Phasen des Arbeitszyklus, wie z. B. Ausschalt- und Leerlaufzeiten des Werkzeugs zusätzlich zur Betriebszeit).

Konformitätserklärungen

Nur für europäische Länder

Die Konformitätserklärungen sind in Anhang A dieser Betriebsanleitung enthalten.

SICHERHEITSWARNUNGEN

Allgemeine Sicherheitswarnungen für Elektrowerkzeuge

⚠️ WARNUNG: Lesen Sie alle mit diesem Elektrowerkzeug gelieferten Sicherheitswarnungen, Anweisungen, Abbildungen und technischen Daten durch. Eine Missachtung der unten aufgeführten Anweisungen kann zu einem elektrischen Schlag, Brand und/oder schweren Verletzungen führen.

Bewahren Sie alle Warnungen und Anweisungen für spätere Bezugnahme auf.

Der Ausdruck „Elektrowerkzeug“ in den Warnhinweisen bezieht sich auf Ihr mit Netzstrom (mit Kabel) oder Akku (ohne Kabel) betriebenes Elektrowerkzeug.

Sicherheitswarnungen für Akku-Schlagschrauber

1. **Halten Sie das Elektrowerkzeug nur an den isolierten Griffflächen, wenn Sie Arbeiten ausführen, bei denen die Gefahr besteht, dass das Befestigungselement verborgene Kabel kontaktiert.** Bei Kontakt mit einem Strom führenden Kabel können die freiliegenden Metallteile des Elektrowerkzeugs ebenfalls Strom führend werden, so dass der Benutzer einen elektrischen Schlag erleiden kann.
2. **Achten Sie stets auf sicheren Stand. Vergewissern Sie sich bei Einsatz des Werkzeugs an hochgelegenen Arbeitsplätzen, dass sich keine Personen darunter aufhalten.**
3. **Halten Sie das Werkzeug mit festem Griff.**
4. **Tragen Sie Gehörschützer.**
5. **Berühren Sie den Einsatz oder das Werkstück nicht unmittelbar nach dem Arbeitsvorgang. Die Teile können sehr heiß sein und Hautverbrennungen verursachen.**
6. **Halten Sie Ihre Hände von rotierenden Teilen fern.**
7. **Benutzen Sie (einen) Zusatzgriff(e), sofern er (sie) mit dem Werkzeug geliefert wurde(n).** Verlust der Kontrolle kann Personenschäden verursachen.
8. **Halten Sie das Elektrowerkzeug an den isolierten Griffflächen, wenn Sie Arbeiten ausführen, bei denen die Gefahr besteht, dass das Schneidwerkzeug verborgene Kabel kontaktiert.** Bei Kontakt mit einem Strom führenden Kabel können die freiliegenden Metallteile des Elektrowerkzeugs ebenfalls Strom führend werden, so dass der Benutzer einen elektrischen Schlag erleiden kann.
9. **Vergewissern Sie sich, dass keine Stromkabel, Wasserrohre, Gasrohre usw. vorhanden sind, die bei Beschädigung durch den Einsatz des Werkzeugs eine Gefahr darstellen können.**

DIESE ANWEISUNGEN AUFBEWAHREN.

⚠️ WARNUNG: Lassen Sie sich NICHT durch Bequemlichkeit oder Vertrautheit mit dem Produkt (durch wiederholten Gebrauch erworben) von der strikten Einhaltung der Sicherheitsregeln für das vorliegende Produkt abhalten.

MISSBRAUCH oder Missachtung der Sicherheitsvorschriften in dieser Anleitung können schwere Verletzungen verursachen.

Wichtige Sicherheitsanweisungen für Akku

1. **Lesen Sie vor der Benutzung des Akkus alle Anweisungen und Warnhinweise, die an (1) Ladegerät, (2) Akku und (3) Akkuwerkzeug angebracht sind.**
2. **Unterlassen Sie Zerlegen oder Manipulieren des Akkus.** Es kann sonst zu einem Brand, übermäßiger Hitzeentwicklung oder einer Explosion kommen.

3. Falls die Betriebszeit beträchtlich kürzer geworden ist, stellen Sie den Betrieb sofort ein. Anderenfalls besteht die Gefahr von Überhitzung, möglichen Verbrennungen und sogar einer Explosion.
4. Falls Elektrolyt in Ihre Augen gelangt, waschen Sie sie mit sauberem Wasser aus, und begeben Sie sich unverzüglich in ärztliche Behandlung. Anderenfalls können Sie Ihre Sehkraft verlieren.
5. Der Akku darf nicht kurzgeschlossen werden:
 - (1) Die Kontakte dürfen nicht mit leitfähigem Material berührt werden.
 - (2) Lagern Sie den Akku nicht in einem Behälter zusammen mit anderen Metallgegenständen, wie z. B. Nägel, Münzen usw.
 - (3) Setzen Sie den Akku weder Wasser noch Regen aus.

Ein Kurzschluss des Akkus verursacht starken Stromfluss, der Überhitzung, mögliche Verbrennungen und einen Defekt zur Folge haben kann.

6. Lagern und benutzen Sie das Werkzeug und den Akku nicht an Orten, an denen die Temperatur 50 °C erreichen oder überschreiten kann.

7. Versuchen Sie niemals, den Akku zu verbrennen, selbst wenn er stark beschädigt oder vollkommen verbraucht ist. Der Akku kann im Feuer explodieren.

8. Unterlassen Sie Nageln, Schneiden, Zerquetschen, Werfen, Fallenlassen des Akkus oder Schlagen des Akkus mit einem harten Gegenstand. Eine solche Handlung kann zu einem Brand, übermäßiger Hitzeentwicklung oder einer Explosion führen.

9. Benutzen Sie keine beschädigten Akkus.

10. Die enthaltenen Lithium-Ionen-Akkus unterliegen den Anforderungen der Gefahrgut-Gesetzgebung.

Für kommerzielle Transporte, z. B. durch Dritte oder Spediteure, müssen besondere Anforderungen zu Verpackung und Etikettierung beachtet werden.

Zur Vorbereitung des zu transportierenden Artikels ist eine Beratung durch einen Experten für Gefahrgut erforderlich. Bitte beachten Sie möglicherweise ausführlichere nationale Vorschriften. Überkleben oder verdecken Sie offene Kontakte, und verpacken Sie den Akku so, dass er sich in der Verpackung nicht umher bewegen kann.

11. Entfernen Sie den Akku zum Entsorgen vom Werkzeug, und entsorgen Sie ihn an einem sicheren Ort. Befolgen Sie die örtlichen Vorschriften bezüglich der Entsorgung von Akkus.

12. Verwenden Sie die Akkus nur mit den von Makita angegebenen Produkten. Das Einsetzen der Akkus in nicht konforme Produkte kann zu einem Brand, übermäßiger Hitzebildung, einer Explosion oder Auslaufen von Elektrolyt führen.

13. Soll das Werkzeug längere Zeit nicht benutzt werden, muss der Akku vom Werkzeug entfernt werden.

14. Bei und nach dem Gebrauch des Akkus heiß werden, was Verbrennungen oder Niedertemperaturverbrennungen verursachen kann. Beachten Sie die Handhabung von heißen Akkus.

15. Berühren Sie nicht den Anschlusskontakt des Werkzeugs unmittelbar nach dem Gebrauch, da er heiß genug werden kann, um Verbrennungen zu verursachen.

16. Achten Sie darauf, dass sich keine Späne, Staub oder Schmutz in den Anschlusskontakten, Löchern und Nuten des Akkus absetzen. Es könnte sonst zu Erhitzung, Brandauslösung, Bersten und Funktionsstörungen des Werkzeugs oder des Akkus kommen, was zu Verbrennungen oder Personenschäden führen kann.

17. Wenn das Werkzeug den Einsatz in der Nähe einer Hochspannungs-Stromleitung nicht unterstützt, benutzen Sie den Akku nicht in der Nähe einer Hochspannungs-Stromleitung. Dies kann zu einer Funktionsstörung oder Betriebsstörung des Werkzeugs oder des Akkus führen.

18. Halten Sie die Batterie von Kindern fern.

DIESE ANWEISUNGEN AUFBEWAHREN.

⚠ VORSICHT: Verwenden Sie nur Original-Makita-Akkus. Die Verwendung von Nicht-Original-Makita-Akkus oder von Akkus, die abgeändert worden sind, kann zum Bersten des Akkus und daraus resultierenden Bränden, Personenschäden und Beschädigung führen. Außerdem wird dadurch die Makita-Garantie für das Makita-Werkzeug und -Ladegerät ungültig.

Hinweise zur Aufrechterhaltung der maximalen Akku-Nutzungsdauer

1. Laden Sie den Akku, bevor er vollkommen erschöpft ist. Schalten Sie das Werkzeug stets aus, und laden Sie den Akku, wenn Sie ein Nachlassen der Werkzeugleistung feststellen.
2. Unterlassen Sie erneutes Laden eines voll aufgeladenen Akkus. Überladen führt zu einer Verkürzung der Nutzungsdauer des Akkus.
3. Laden Sie den Akku bei Raumtemperatur zwischen 10 – 40 °C. Lassen Sie einen heißen Akku abkühlen, bevor Sie ihn laden.
4. Wenn Sie den Akku nicht benutzen, nehmen Sie ihn vom Werkzeug oder Ladegerät ab.
5. Der Akku muss geladen werden, wenn er lange Zeit (länger als sechs Monate) nicht benutzt wird.

FUNKTIONSBESCHREIBUNG

⚠ VORSICHT: Vergewissern Sie sich vor der Durchführung von Einstellungen oder Funktionsprüfungen des Werkzeugs stets, dass das Werkzeug ausgeschaltet und der Akku abgenommen ist.

Anbringen und Abnehmen des Akkus

⚠ VORSICHT: Schalten Sie das Werkzeug stets aus, bevor Sie den Akku anbringen oder abnehmen.

⚠ VORSICHT: Halten Sie das Werkzeug und den Akku beim Anbringen oder Abnehmen des Akkus sicher fest. Wenn Sie das Werkzeug und den Akku nicht sicher festhalten, können sie Ihnen aus der Hand rutschen, was zu einer Beschädigung des Werkzeugs und des Akkus und zu Körperverletzungen führen kann.

► **Abb.1:** 1. Rote Anzeige 2. Knopf 3. Akku

Ziehen Sie den Akku zum Abnehmen vom Werkzeug ab, während Sie den Knopf an der Vorderseite des Akkus verschieben.

Richten Sie zum Anbringen des Akkus dessen Führungsfeder auf die Nut im Gehäuse aus, und schieben Sie den Akku hinein. Schieben Sie ihn vollständig ein, bis er mit einem leisen Klicken einrastet. Wenn Sie die rote Anzeige sehen können, wie in der Abbildung gezeigt, ist der Akku nicht vollständig verriegelt.

⚠ VORSICHT: Schieben Sie den Akku stets bis zum Anschlag ein, bis die rote Anzeige nicht mehr sichtbar ist. Anderenfalls kann er aus dem Werkzeug herausfallen und Sie oder umstehende Personen verletzen.

⚠ VORSICHT: Unterlassen Sie Gewaltanwendung beim Anbringen des Akkus. Falls der Akku nicht reibungslos hineingleitet, ist er nicht richtig ausgerichtet.

Akku-Schutzsystem

Das Werkzeug ist mit einem Akku-Schutzsystem ausgestattet. Dieses System schaltet die Stromversorgung des Motors automatisch ab, um die Akku-Lebensdauer zu verlängern. Das Werkzeug schaltet sich während des Betriebs automatisch ab, wenn Werkzeug und/oder Akku einer der folgenden Bedingungen unterliegen:

Überlastung:

Das Werkzeug wird auf eine Weise benutzt, die eine ungewöhnlich hohe Stromaufnahme bewirkt. Schalten Sie in dieser Situation das Werkzeug aus, und brechen Sie die Arbeit ab, die eine Überlastung des Werkzeugs verursacht hat. Schalten Sie dann das Werkzeug wieder ein, um neu zu starten. Falls das Werkzeug nicht startet, ist der Akku überhitzt. Lassen Sie den Akku in dieser Situation abkühlen, bevor Sie das Werkzeug wieder einschalten.

Niedrige Akkuspannung:

Die Akku-Restkapazität ist zu niedrig, und das Werkzeug funktioniert nicht. Nehmen Sie in dieser Situation den Akku ab, und laden Sie ihn auf.

Anzeigen der Akku-Restkapazität

Nur für Akkus mit Anzeige

► **Abb.2:** 1. Anzeigelampen 2. Prüftaste

Drücken Sie die Prüftaste am Akku, um die Akku-Restkapazität anzuzeigen. Die Anzeigelampen leuchten wenige Sekunden lang auf.

Anzeigelampen			Restkapazität
Erleuchtet	Aus	Blinkend	
■ ■ ■ ■			75% bis 100%
■ ■ ■ □			50% bis 75%
■ ■ □ □			25% bis 50%
■ □ □ □			0% bis 25%
□ □ □ □		□ □ □ □	Den Akku aufladen.
■ ■ □ □		□ □ ■ ■	Möglicherweise liegt eine Funktionsstörung im Akku vor.

HINWEIS: Abhängig von den Benutzungsbedingungen und der Umgebungstemperatur kann die Anzeige geringfügig von der tatsächlichen Kapazität abweichen.

HINWEIS: Die erste (äußerste linke) Anzeigelampe blinkt, wenn das Akku-Schutzsystem aktiv ist.

Schalterfunktion

► **Abb.3:** 1. Ein-Aus-Schalter

⚠ VORSICHT: Vergewissern Sie sich vor dem Einsetzen des Akkus in das Werkzeug stets, dass der Ein-Aus-Schalter ordnungsgemäß funktioniert und beim Loslassen in die AUS-Stellung zurückkehrt.

Drücken Sie zum Einschalten des Werkzeugs einfach den Ein-Aus-Schalter. Die Drehzahl erhöht sich durch verstärkte Druckausübung auf den Ein-Aus-Schalter. Lassen Sie den Ein-Aus-Schalter zum Anhalten los.

Einschalten der Frontlampe

► **Abb.4:** 1. Lampe

⚠ VORSICHT: Blicken Sie nicht direkt in die Lampe oder die Lichtquelle.

Betätigen Sie den Ein-Aus-Schalter, um die Lampe einzuschalten. Die Lampe bleibt erleuchtet, solange der Ein-Aus-Schalter gedrückt gehalten wird. Die Lampe erlischt ungefähr 10 Sekunden nach dem Loslassen des Ein-Aus-Schalters.

HINWEIS: Wischen Sie Schmutz auf der Lampenlinse mit einem trockenen Tuch ab. Achten Sie sorgfältig darauf, dass Sie die Lampenlinse nicht verkratzen, weil sich sonst die Lichtstärke verringert.

Funktion des Drehrichtungsumschalters

► **Abb.5:** 1. Drehrichtungsumschalthebel

⚠ VORSICHT: Prüfen Sie stets die Drehrichtung, bevor Sie mit der Arbeit beginnen.

⚠ VORSICHT: Betätigen Sie den Drehrichtungsumschalter erst, nachdem das Werkzeug völlig zum Stillstand gekommen ist. Durch Umschalten der Drehrichtung bei noch laufendem Werkzeug kann das Werkzeug beschädigt werden.

⚠ VORSICHT: Stellen Sie den Drehrichtungsumschalthebel stets auf die Neutralstellung, wenn Sie das Werkzeug nicht benutzen.

Dieses Werkzeug besitzt einen Drehrichtungsumschalter. Drücken Sie auf die Seite A des Drehrichtungsumschalthebels für Rechtsdrehung, und auf die Seite B für Linksdrehung. In der Neutralstellung des Drehrichtungsumschalthebels ist der Ein-Aus-Schalter verriegelt.

MONTAGE

⚠ VORSICHT: Vergewissern Sie sich vor der Ausführung von Arbeiten am Werkzeug stets, dass das Werkzeug ausgeschaltet und der Akku abgenommen ist.

Montage und Demontage von Schraubendrehereinsatz/ Steckschlüsseinsatz

► **Abb.6**

Verwenden Sie nur Schraubendrehereinsätze/ Steckschlüsseleinsätze, deren Einschubteil die in der Abbildung gezeigte Form hat. Verwenden Sie keinen anderen Schraubendrehereinsatz/ Steckschlüsseleinsatz.

Für Werkzeug mit flacher Schraubendrehereinsatzaufnahme

A=12 mm B=9 mm	Nur diese Schraubendrehereinsatztypen verwenden. Wenden Sie Verfahren 1 an. (Hinweis) Einsatzhalter wird nicht benötigt.
-------------------	--

Für Werkzeug mit tiefer Schraubendrehereinsatzaufnahme

A=17 mm B=14 mm	Zur Montage dieser Schraubendrehereinsatztypen wenden Sie Verfahren 2 an.
A=12 mm B=9 mm	Zur Montage dieser Schraubendrehereinsatztypen wenden Sie Verfahren 2 an. (Hinweis) Für die Montage des Einsatzes wird ein Einsatzhalter benötigt.

Verfahren 1

Für Werkzeug ohne Schnellaufnahme

- **Abb.7:** 1. Schraubendrehereinsatz
2. Werkzeugaufnahme

Ziehen Sie die Werkzeugaufnahme zum Anbringen des Schraubendrehereinsatzes in Pfeilrichtung, und führen Sie den Schraubendrehereinsatz bis zum Anschlag in die Werkzeugaufnahme ein.

Lassen Sie dann die Werkzeugaufnahme los, um den Schraubendrehereinsatz zu sichern.

Für Werkzeug mit Schnellaufnahme

Führen Sie den Schraubendrehereinsatz zum Montieren bis zum Anschlag in die Werkzeugaufnahme ein.

Verfahren 2

Sonderzubehör

Führen Sie den Einsatzhalter zusätzlich zum obigen **Verfahren 1** mit dem spitzen Ende nach innen in die Werkzeugaufnahme ein.

- **Abb.8:** 1. Schraubendrehereinsatz 2. Einsatzhalter
3. Werkzeugaufnahme

Ziehen Sie die Werkzeugaufnahme zum Abnehmen des Schraubendrehereinsatzes in Pfeilrichtung, und ziehen Sie dann den Schraubendrehereinsatz heraus.

HINWEIS: Wird der Schraubendrehereinsatz nicht tief genug in die Werkzeugaufnahme eingeführt, kehrt die Werkzeugaufnahme nicht zur Ausgangsstellung zurück, so dass der Schraubendrehereinsatz nicht eingespannt wird. Versuchen Sie in diesem Fall, den Einsatz wie oben beschrieben neu einzuführen.

HINWEIS: Wenn das Einführen des Schraubendrehereinsatzes schwierig ist, ziehen Sie die Werkzeugaufnahme zurück, und führen Sie dann den Einsatz bis zum Anschlag in die Werkzeugaufnahme ein.

HINWEIS: Vergewissern Sie sich nach dem Einführen des Schraubendrehereinsatzes, dass er einwandfrei gesichert ist. Verwenden Sie ihn nicht, falls er herausrutscht.

Montieren des Aufhängers

⚠ WARNUNG: Verwenden Sie die Aufhänge-/ Montageteile nur für den bestimmungsgemäßen Gebrauch, z. B. zum Aufhängen des Werkzeugs an einem Werkzeuggürtel zwischen Arbeitseinsätzen oder Arbeitsintervallen.

⚠ WARNUNG: Achten Sie darauf, den Aufhänger nicht zu überlasten, da zu viel Kraft oder unregelmäßige Überlastungen Beschädigungen am Werkzeug verursachen können, die zu Verletzungen führen können.

⚠ VORSICHT: Wenn Sie den Aufhänger anbringen, sichern Sie ihn immer einwandfrei mit der Schraube. Anderenfalls kann sich der Aufhänger vom Werkzeug lösen und Personenschaden verursachen.

⚠ VORSICHT: Achten Sie darauf, dass Sie das Werkzeug sicher aufhängen, bevor Sie den Griff loslassen. Unzureichendes oder unausgewogenes Einhängen kann ein Herunterfallen verursachen, und Sie können sich verletzen.

► **Abb.9:** 1. Führungsnut 2. Aufhänger 3. Schraube

Der Aufhänger ist praktisch, um das Werkzeug vorübergehend aufzuhängen. Der Aufhänger kann auf beiden Seiten des Werkzeugs angebracht werden. Um den Aufhänger anzubringen, führen Sie ihn in die Nut entweder auf der linken oder rechten Seite des Werkzeuggehäuses ein, und sichern Sie ihn dann mit einer Schraube. Um den Aufhänger zu entfernen, lösen Sie die Schraube, und nehmen Sie dann den Aufhänger heraus.

Verwendung der Öse

⚠️ WARNUNG: Verwenden Sie die Aufhängeöse niemals für einen unbeabsichtigten Zweck, z. B. zum Anbinden des Werkzeugs an einer hoch gelegenen Position. Die Lagerbelastung in einer stark belasteten Öse kann Beschädigungen an der Öse verursachen, die zu Verletzungen bei Ihnen oder Personen in Ihrer Umgebung oder unterhalb von Ihnen führen können.

► **Abb.10:** 1. Aufhängeöse

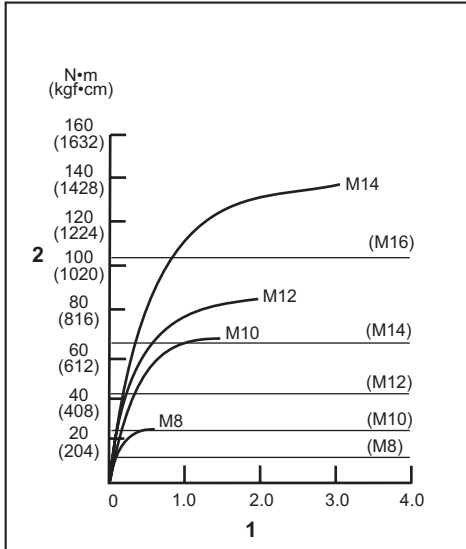
Verwenden Sie die Aufhängeöse an der unteren Rückseite des Werkzeugs, um das Werkzeug unter Verwendung eines Aufhängekabels oder ähnlicher Schnüre an eine Wand zu hängen.

BETRIEB

► **Abb.11**

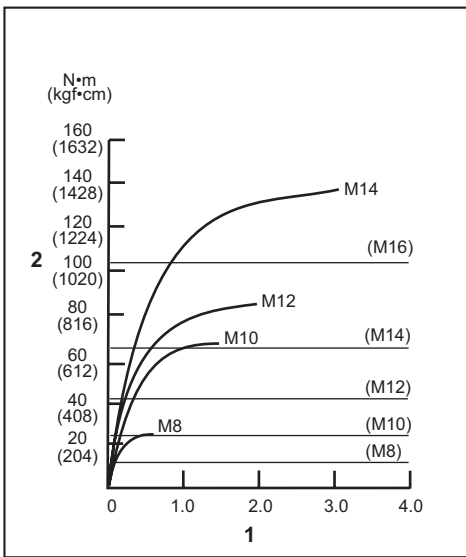
Das korrekte Anzugsmoment hängt u. a. von der Art oder Größe der Schrauben oder dem Material des zu verschraubenden Werkstücks ab. Der Zusammenhang zwischen Anzugsmoment und Anzugszeit ist aus den Diagrammen ersichtlich.

Korrektes Anzugsmoment für Standardschrauben



1. Anzugszeit (Sekunden) 2. Anzugsmoment

Korrektes Anzugsmoment für HV-Schrauben



1. Anzugszeit (Sekunden) 2. Anzugsmoment

Halten Sie das Werkzeug mit festem Griff, und setzen Sie die Spitze des Schraubendrehereinsatzes in den Schraubenkopf ein. Üben Sie Vorwärtsdruck auf das Werkzeug aus, so dass der Einsatz nicht von der Schraube abrutscht, und schalten Sie das Werkzeug ein, um mit der Schraubarbeit zu beginnen.

ANMERKUNG: Wenn Sie die Arbeit mit einem Ersatzakku fortsetzen wollen, lassen Sie das Werkzeug mindestens 15 Minuten lang abkühlen.

- HINWEIS:** Verwenden Sie einen für den Kopf der anzuziehenden Schraube passenden Einsatz.
- HINWEIS:** Üben Sie beim Anziehen von Schrauben der Größe M8 oder kleiner vorsichtigen Druck auf den Ein-Aus-Schalter aus, damit die Schraube nicht beschädigt wird.
- HINWEIS:** Halten Sie das Werkzeug gerade auf die Schraube gerichtet.
- HINWEIS:** Wenn die Schlagkraft zu hoch ist oder die in den Diagrammen angegebene Anzugszeit überschritten wird, können die Schraube oder die Spitze des Schraubendrehereinsatzes überlastet, ausgerissen oder beschädigt werden. Führen Sie vor Arbeitsbeginn stets eine Probeverschraubung durch, um die geeignete Anzugszeit für die jeweilige Schraube zu ermitteln.

Das Anzugsmoment unterliegt einer Reihe von Einflüssen, einschließlich der folgenden. Überprüfen Sie das Anzugsmoment nach dem Anziehen stets mit einem Drehmomentschlüssel.

1. Wenn der Akku nahezu erschöpft ist, fällt die Spannung ab, und das Anzugsmoment verringert sich.
2. Schraubendreher- oder Steckschlüsseleinsatz Die Verwendung eines Schraubendreher- oder Steckschlüsseleinsatzes der falschen Größe bewirkt eine Verringerung des Anzugsmoments.

3. Schraube
 - Selbst wenn der Drehmoment-Koeffizient und der Typ der Schraube gleich sind, ändert sich das korrekte Anzugsmoment je nach dem Durchmesser der Schraube.
 - Selbst wenn Schrauben den gleichen Durchmesser haben, ist das korrekte Anzugsmoment je nach Drehmoment-Koeffizient, Typ und Länge der Schraube unterschiedlich.
4. Die Art und Weise, wie das Werkzeug gehalten wird, oder das Material der Verschraubungsposition beeinflusst das Anzugsmoment.
5. Der Betrieb des Werkzeugs mit niedriger Drehzahl hat eine Reduzierung des Anzugsmoments zur Folge.

WARTUNG

⚠ VORSICHT: Vergewissern Sie sich vor der Durchführung von Inspektions- oder Wartungsarbeiten stets, dass das Werkzeug ausgeschaltet und der Akku abgenommen ist.

ANMERKUNG: Verwenden Sie auf keinen Fall Benzin, Waschbenzin, Verdünnern, Alkohol oder dergleichen. Solche Mittel können Verfärbung, Verformung oder Rissbildung verursachen.

Um die SICHERHEIT und ZUVERLÄSSIGKEIT dieses Produkts aufrechtzuerhalten, sollten Reparaturen, Überprüfung und Austausch der Kohlebürsten und andere Wartungs- oder Einstellarbeiten nur von Makita-Vertragswerkstätten oder Makita-Kundendienstzentren unter ausschließlicher Verwendung von Makita-Originalersatzteilen ausgeführt werden.

SONDERZUBEHÖR

⚠ VORSICHT: Die folgenden Zubehörteile oder Vorrichtungen werden für den Einsatz mit dem in dieser Anleitung beschriebenen Makita-Werkzeug empfohlen. Die Verwendung anderer Zubehörteile oder Vorrichtungen kann eine Verletzungsgefahr darstellen. Verwenden Sie Zubehörteile oder Vorrichtungen nur für ihren vorgesehenen Zweck.

Wenn Sie weitere Einzelheiten bezüglich dieser Zubehörteile benötigen, wenden Sie sich bitte an Ihre Makita-Kundendienststelle.

- Schraubendrehereinsätze
- Einsatzhalter
- Aufhänger
- Plastikkoffer
- Original-Makita-Akku und -Ladegerät
- Akkuschilder

HINWEIS: Manche Teile in der Liste können als Standardzubehör im Werkzeugsatz enthalten sein. Sie können von Land zu Land unterschiedlich sein.

DATI TECNICI

Modello:		DTD156
Capacità di serraggio	Vite per metallo	Da M4 a M8
	Bullone standard	Da M5 a M14
	Bullone ad alta resistenza alla trazione	Da M5 a M12
Velocità a vuoto		0 - 2.500 min ⁻¹
Impulsi al minuto		0 - 3.000 min ⁻¹
Lunghezza totale		143 mm
Tensione nominale		18 V CC
Peso netto		1,3-1,6 kg

- A causa del nostro programma continuativo di ricerca e sviluppo, i dati tecnici sono soggetti a modifiche senza preavviso.
- I dati tecnici possono variare da nazione a nazione.
- Il peso può variare a seconda dell'accessorio o degli accessori, inclusa la cartuccia della batteria. La combinazione più leggera e quella più pesante, secondo la procedura EPTA 01/2014, sono indicate nella tabella.

Cartuccia della batteria e caricabatterie applicabili

Cartuccia della batteria	BL1815N / BL1820B / BL1830B / BL1840B / BL1850B / BL1860B
Caricabatterie	DC18RC / DC18RD / DC18RE / DC18SD / DC18SE / DC18SF / DC18SH / DC18WC

- Alcune cartucce delle batterie e alcuni caricabatterie elencati sopra potrebbero non essere disponibili a seconda della propria area geografica di residenza.

⚠AVVERTIMENTO: Utilizzare solo le cartucce delle batterie e i caricabatterie elencati sopra. L'utilizzo di altre cartucce delle batterie e di altri caricabatterie potrebbe causare lesioni personali e/o un incendio.

Utilizzo previsto

Questo utensile è progettato per avvitare le viti in legno, metallo e plastica.

Rumore

Livello tipico di rumore pesato A determinato in base allo standard EN62841-2-2:

Livello di pressione sonora (L_{pA}) : 95 dB (A)

Livello di potenza sonora (L_{WA}) : 103 dB (A)

Incertezza (K): 3 dB (A)

NOTA: Il valore o i valori dichiarati delle emissioni di rumori sono stati misurati in conformità a un metodo standard di verifica, e possono essere utilizzati per confrontare un utensile con un altro.

NOTA: Il valore o i valori dichiarati delle emissioni di rumori possono venire utilizzati anche per una valutazione preliminare dell'esposizione.

⚠AVVERTIMENTO: Indossare protezioni per le orecchie.

⚠AVVERTIMENTO: L'emissione di rumori durante l'utilizzo effettivo dell'utensile elettrico può variare rispetto al valore o ai valori dichiarati, a seconda dei modi in cui viene utilizzato l'utensile e specialmente a seconda di che tipo di pezzo venga lavorato.

⚠AVVERTIMENTO: Accertarsi di identificare misure di sicurezza per la protezione dell'operatore che siano basate su una stima dell'esposizione nelle condizioni effettive di utilizzo (tenendo conto di tutte le parti del ciclo operativo, ad esempio del numero di spegnimenti dell'utensile e di quando giri a vuoto, oltre al tempo di attivazione).

Vibrazioni

Valore totale delle vibrazioni (somma vettoriale triassiale) determinato in base allo standard EN62841-2-2:

Modalità di lavoro: serraggio a impulsi di elementi di fissaggio della capacità massima dell'utensile

Emissione di vibrazioni (a_h) : 10.0 m/s²

Incertezza (K): 1,5 m/s²

NOTA: Il valore o i valori complessivi delle vibrazioni dichiarati sono stati misurati in conformità a un metodo standard di verifica, e possono essere utilizzati per confrontare un utensile con un altro.

NOTA: Il valore o i valori complessivi delle vibrazioni dichiarati possono venire utilizzati anche per una valutazione preliminare dell'esposizione.

⚠AVVERTIMENTO: L'emissione delle vibrazioni durante l'utilizzo effettivo dell'utensile elettrico può variare rispetto al valore o ai valori dichiarati, a seconda dei modi in cui viene utilizzato l'utensile, specialmente a seconda di che tipo di pezzo venga lavorato.

⚠AVVERTIMENTO: Accertarsi di identificare misure di sicurezza per la protezione dell'operatore che siano basate su una stima dell'esposizione nelle condizioni effettive di utilizzo (tenendo conto di tutte le parti del ciclo operativo, ad esempio del numero di spegnimenti dell'utensile e di quando giri a vuoto, oltre al tempo di attivazione).

Dichiarazioni di conformità

Solo per i paesi europei

Le Dichiarazioni di conformità sono incluse nell'Allegato A al presente manuale d'uso.

AVVERTENZE DI SICUREZZA

Avvertenze generali relative alla sicurezza dell'utensile elettrico

⚠AVVERTIMENTO: Leggere tutte le avvertenze di sicurezza, le istruzioni, le illustrazioni e i dati tecnici forniti con il presente utensile elettrico. La mancata osservanza di tutte le istruzioni elencate di seguito potrebbe risultare in scosse elettriche, incendi e/o gravi lesioni personali.

Conservare tutte le avvertenze e le istruzioni come riferimento futuro.

Il termine "utensile elettrico" nelle avvertenze si riferisce sia all'utensile elettrico (cablato) nel funzionamento alimentato da rete elettrica che all'utensile elettrico (a batteria) nel funzionamento alimentato a batteria.

Avvertenze di sicurezza relative all'avvitatore a massa battente a batteria

1. **Tenere l'utensile elettrico per le sue superfici di impugnatura isolate, quando si intende eseguire un'operazione in cui un elemento di fissaggio potrebbe fare contatto con fili elettrici nascosti.** Gli elementi di fissaggio che fanno contatto con un filo elettrico sotto tensione potrebbero mettere sotto tensione le parti metalliche esposte dell'utensile elettrico, e potrebbero dare una scossa elettrica all'operatore.
2. **Accertarsi sempre di appoggiare i piedi saldamente.** Quando si intende utilizzare l'utensile in posizioni elevate, accertarsi sempre che non sia presente alcuna persona sotto.
3. **Tenere l'utensile ben fermo in mano.**
4. **Indossare protezioni per le orecchie.**
5. **Non toccare la punta o il pezzo subito dopo l'uso.** La loro temperatura potrebbe essere estremamente elevata e potrebbero causare ustioni.
6. **Tenere le mani lontane dalle parti rotanti.**
7. **Utilizzare la maniglia o le maniglie ausiliarie, se in dotazione con l'utensile.** La perdita di controllo può causare lesioni personali.
8. **Tenere l'utensile elettrico per le sue superfici di impugnatura isolate quando si intende eseguire un'operazione in cui l'accessorio di taglio potrebbe entrare in contatto con fili elettrici nascosti.** Un accessorio di taglio che entri in contatto con un filo elettrico sotto tensione potrebbe mettere sotto tensione le parti metalliche esposte dell'utensile elettrico e dare una scossa elettrica all'operatore.
9. **Accertarsi che non siano presenti cavi elettrici, tubi dell'acqua, tubi del gas, e così via, che potrebbero costituire un pericolo qualora venissero danneggiati dall'utilizzo dell'utensile.**

CONSERVARE LE PRESENTI ISTRUZIONI.

⚠AVVERTIMENTO: NON lasciare che la comodità o la familiarità d'uso con il prodotto (acquisita con l'uso ripetuto) sostituiscano la stretta osservanza delle norme di sicurezza.

L'USO IMPROPRIO o la mancata osservanza delle norme di sicurezza riportate nel presente manuale di istruzioni potrebbero causare lesioni personali gravi.

Istruzioni di sicurezza importanti per la cartuccia della batteria

1. **Prima di utilizzare la cartuccia della batteria, leggere tutte le istruzioni e le avvertenze riportate (1) sul caricabatteria, (2) sulla batteria e (3) sul prodotto che utilizza la batteria.**
2. **Non smantellare né manomettere la cartuccia della batteria.** In caso contrario, si potrebbe causare un incendio, calore eccessivo o un'esplosione.

3. Qualora il tempo di utilizzo si riduca eccessivamente, interrompere immediatamente l'utilizzo dell'utensile. In caso contrario, si può incorrere nel rischio di surriscaldamento, possibili ustioni e persino un'esplosione.
4. Qualora l'elettrolita entri in contatto con gli occhi, sciacquarli con acqua pulita e richiedere immediatamente assistenza medica. Questa eventualità può risultare nella perdita della vista.
5. Non cortocircuitare la cartuccia della batteria:
 - (1) Non toccare i terminali con alcun materiale conduttivo.
 - (2) Evitare di conservare la cartuccia della batteria in un contenitore insieme ad altri oggetti metallici quali chiodi, monete, e così via.
 - (3) Non esporre la cartuccia della batteria all'acqua o alla pioggia.

Un cortocircuito della batteria può causare un grande flusso di corrente, un surriscaldamento, possibili ustioni e persino un guasto.
6. Non conservare e utilizzare l'utensile e la cartuccia della batteria in ubicazioni in cui la temperatura possa raggiungere o superare i 50°C.
7. Non incenerire la cartuccia della batteria anche qualora sia gravemente danneggiata o completamente esaurita. La cartuccia della batteria può esplodere se a contatto con il fuoco.
8. Non inchiodare, tagliare, schiacciare, lanciare o far cadere la cartuccia della batteria, né farla urtare con forza contro un oggetto duro. Questi comportamenti potrebbero risultare in un incendio, calore eccessivo o un'esplosione.
9. Non utilizzare una batteria danneggiata.
10. Le batterie a ioni di litio contenute sono soggette ai requisiti del regolamento sul trasporto di merci pericolose (Dangerous Goods Legislation).
Per trasporti commerciali, ad esempio da parte di terzi o spedizionieri, è necessario osservare dei requisiti speciali sull'imballaggio e sull'etichetta. Per la preparazione dell'articolo da spedire, è richiesta la consulenza di un esperto in materiali pericolosi. Attenersi anche alle normative nazionali, che potrebbero essere più dettagliate. Nastrire o coprire i contatti aperti e imballare la batteria in modo tale che non si possa muovere liberamente all'interno dell'imballaggio.
11. Quando si intende smaltire la cartuccia della batteria, rimuoverla dall'utensile e smaltirla in un luogo sicuro. Attenersi alle normative locali relative allo smaltimento della batteria.
12. Utilizzare le batterie esclusivamente con i prodotti specificati da Makita. L'installazione delle batterie in prodotti non compatibili potrebbe risultare in incendi, calore eccessivo, esplosioni o perdite di liquido elettrolitico.
13. Se l'utensile non viene utilizzato per un periodo di tempo prolungato, la batteria deve essere rimossa dall'utensile.
14. Durante e dopo l'uso, la cartuccia della batteria potrebbe assorbire calore, che può causare ustioni o ustioni a bassa temperatura. Fare attenzione a come si maneggiano le cartucce delle batterie estremamente calde.
15. Non toccare i terminali dell'utensile subito dopo l'uso, in quanto potrebbero diventare estremamente caldi al punto da causare ustioni.
16. Evitare di far incastrare schegge, polveri o terreno nei terminali, nei fori e nelle scanalature della cartuccia della batteria. In caso contrario, l'utensile o la cartuccia della batteria potrebbero riscaldarsi, prendere fuoco, scoppiare o guastarsi, causando ustioni o lesioni personali.
17. A meno che l'utensile supporti l'uso in prossimità di linee elettriche ad alta tensione, non utilizzare la cartuccia della batteria in prossimità di linee elettriche ad alta tensione. In caso contrario, si potrebbe causare un malfunzionamento o la rottura dell'utensile o della cartuccia della batteria.
18. Tenere la batteria lontana dai bambini.

CONSERVARE LE PRESENTI ISTRUZIONI.

⚠ATTENZIONE: Utilizzare solo batterie originali Makita. L'utilizzo di batterie Makita non originali, o di batterie che siano state alterate, potrebbe risultare nello scoppio della batteria, causando incendi, lesioni personali e danni. Inoltre, ciò potrebbe invalidare la garanzia Makita per l'utensile e il caricabatterie Makita.

Suggerimenti per preservare la durata massima della batteria

1. Caricare la cartuccia della batteria prima che si scarichi completamente. Smettere sempre di utilizzare l'utensile e caricare la cartuccia della batteria quando si nota che la potenza dell'utensile è diminuita.
2. Non ricaricare mai una cartuccia della batteria completamente carica. La sovraccarica riduce la vita utile della batteria.
3. Caricare la cartuccia della batteria a una temperatura ambiente compresa tra 10 °C e 40 °C. Lasciar raffreddare una cartuccia della batteria prima di caricarla.
4. Quando non si utilizza la cartuccia della batteria, rimuoverla dall'utensile o dal caricabatterie.
5. Caricare la cartuccia della batteria se non la si è utilizzata per un periodo di tempo prolungato (più di sei mesi).

DESCRIZIONE DELLE FUNZIONI

ATTENZIONE: Accertarsi sempre che l'utensile sia spento e che la cartuccia della batteria sia stata rimossa prima di regolare o di controllare il funzionamento dell'utensile.

Installazione o rimozione della cartuccia della batteria

ATTENZIONE: Spegnerne sempre l'utensile prima di installare o rimuovere la cartuccia della batteria.

ATTENZIONE: Mantenere saldamente lo strumento e la batteria quando si intende installare o rimuovere la cartuccia della batteria. Qualora non si mantengano saldamente lo strumento e la cartuccia della batteria, questi ultimi potrebbero scivolare dalle mani, con la possibilità di causare un danneggiamento dello strumento e della cartuccia della batteria, nonché una lesione personale.

► Fig.1: 1. Indicatore rosso 2. Pulsante 3. Cartuccia della batteria

Per rimuovere la cartuccia della batteria, farla scorrere via dall'utensile mentre si fa scorrere allo stesso tempo il pulsante sulla parte anteriore della cartuccia.

Per installare la cartuccia della batteria, allineare la linguetta sulla cartuccia della batteria con la scanalatura nell'alloggiamento e farla scivolare in sede. Inserirla completamente fino al suo blocco in sede con un leggero scatto. Se è possibile vedere l'indicatore rosso, come indicato nella figura, non è bloccata completamente.

ATTENZIONE: Installare sempre fino in fondo la cartuccia della batteria, fino a quando l'indicatore rosso non è visibile. In caso contrario, la batteria potrebbe cadere accidentalmente dall'utensile, causando lesioni personali all'operatore o a chi gli è vicino.

ATTENZIONE: Non installare forzatamente la cartuccia della batteria. Qualora la batteria non si inserisca scorrendo agevolmente, vuol dire che non viene inserita correttamente.

Sistema di protezione della batteria

L'utensile è dotato di un sistema di protezione della batteria. Questo sistema interrompe automaticamente l'alimentazione al motore per prolungare la vita utile della batteria. L'utensile si arresta automaticamente durante il funzionamento qualora l'utensile stesso e/o la batteria vengano a trovarsi in una delle condizioni seguenti:

Sovraccarico:

L'utensile viene utilizzato in modo tale da causare un assorbimento di corrente elevato in modo anomalo da parte dell'utensile stesso. In questa situazione, spegnere l'utensile e interrompere l'applicazione che ha causato il sovraccarico dell'utensile. Quindi, accendere l'utensile per ricominciare. Qualora l'utensile non si avvii, la batteria è surriscaldata. In questa situazione, lasciar raffreddare la batteria prima di riaccendere l'utensile.

Bassa tensione della batteria:

La carica residua della batteria è troppo bassa e non è possibile utilizzare l'utensile. In tal caso, rimuovere e ricaricare la batteria.

Indicazione della carica residua della batteria

Solo per cartucce delle batterie dotate di indicatore

► Fig.2: 1. Indicatori luminosi 2. Pulsante di controllo

Premere il pulsante di controllo sulla cartuccia della batteria per indicare la carica residua della batteria. Gli indicatori luminosi si illuminano per alcuni secondi.

Indicatori luminosi			Carica residua
■ Illuminato	□ Spento	◐ Lampeggiante	
■ ■ ■ ■			Dal 75% al 100%
■ ■ ■ □			Dal 50% al 75%
■ ■ □ □			Dal 25% al 50%
■ □ □ □			Dallo 0% al 25%
◐ □ □ □			Caricare la batteria.
■ ■ □ □		◐ □ □ □	La batteria potrebbe essersi guastata.
□ □	↑ ↓	■ ■	

NOTA: A seconda delle condizioni d'uso e della temperatura ambiente, l'indicazione potrebbe variare leggermente rispetto alla carica effettiva.

NOTA: Il primo indicatore luminoso (all'estremità sinistra) lampeggia quando il sistema di protezione della batteria è in funzione.

Funzionamento dell'interruttore

► Fig.3: 1. Interruttore a grilletto

ATTENZIONE: Prima di inserire la cartuccia della batteria nell'utensile, controllare sempre che l'interruttore a grilletto funzioni correttamente e torni sulla posizione "OFF" quando viene rilasciato.

Per avviare l'utensile, è sufficiente premere l'interruttore a grilletto. La velocità dell'utensile viene aumentata incrementando la pressione sull'interruttore a grilletto. Rilasciare l'interruttore a grilletto per arrestare l'utensile.

Accensione della lampadina anteriore

► Fig.4: 1. Lampadina

ATTENZIONE: Non osservare né guardare direttamente la fonte di luce.

Premere l'interruttore a grilletto per accendere la lampadina. La lampadina resta accesa fintanto che l'interruttore a grilletto è premuto. La lampadina si spegne circa 10 secondi dopo che si è rilasciato l'interruttore a grilletto.

NOTA: Per pulire la sporcizia dalla lente della lampadina, utilizzare un panno asciutto. Fare attenzione a non graffiare la lente della lampadina, altrimenti si potrebbe ridurre l'illuminazione.

Uso del commutatore di inversione della rotazione

► **Fig.5:** 1. Leva del commutatore di inversione della rotazione

⚠ATTENZIONE: Controllare sempre la direzione di rotazione prima dell'uso.

⚠ATTENZIONE: Utilizzare il commutatore di inversione della rotazione solo dopo l'arresto completo dell'utensile. Qualora si cambi la direzione di rotazione prima dell'arresto dell'utensile, si potrebbe danneggiare quest'ultimo.

⚠ATTENZIONE: Quando l'utensile non è in uso, impostare sempre la leva del commutatore di inversione della rotazione sulla posizione centrale.

Questo utensile è dotato di un commutatore di inversione della rotazione, per cambiare la direzione di rotazione. Premere la leva del commutatore di inversione della rotazione dal lato A per la rotazione in senso orario, o dal lato B per la rotazione in senso antiorario. Quando la leva del commutatore di inversione della rotazione si trova sulla posizione centrale, non è possibile premere l'interruttore a grilletto.

MONTAGGIO

⚠ATTENZIONE: Accertarsi sempre che l'utensile sia spento e che la cartuccia della batteria sia stata rimossa, prima di effettuare qualsiasi intervento sull'utensile.

Installazione o rimozione della punta per avvitatore o della punta a bussola

► **Fig.6**

Utilizzare solo una punta per avvitatore o una punta a bussola dotata della parte di inserimento indicata in figura. Non utilizzare punte per avvitatore o punte a bussola di tipo diverso.

Per un utensile con foro poco profondo per la punta per avvitatore

A=12 mm B=9 mm	Utilizzare solo questo tipo di punta per avvitatore. Attenersi alla procedura 1. (Nota) L'adattatore per punte non è necessario.
-------------------	---

Per un utensile con foro profondo per la punta per avvitatore

A=17 mm B=14 mm	Per installare questi tipi di punte per avvitatore, attenersi alla procedura 1.
A=12 mm B=9 mm	Per installare questi tipi di punte per avvitatore, attenersi alla procedura 2. (Nota) L'adattatore per punte è necessario per installare la punta.

Procedura 1

Per utensili senza manicotto di tipo "a un tocco"

► **Fig.7:** 1. Punta per avvitatore 2. Manicotto

Per installare la punta per avvitatore, tirare il manicotto nella direzione della freccia e inserire fino in fondo la punta per avvitatore nel manicotto.

Quindi, sbloccare il manicotto per fissare la punta per avvitatore.

Per utensili con manicotto di tipo "a un tocco"

Per installare la punta per avvitatore, inserire quest'ultima nel manicotto fino in fondo.

Procedura 2

Accessorio opzionale

In aggiunta alla **Procedura 1**, inserire l'adattatore per punte nel manicotto con l'estremità appuntita rivolta verso l'interno.

► **Fig.8:** 1. Punta per avvitatore 2. Adattatore per punte 3. Manicotto

Per rimuovere la punta per avvitatore, tirare il manicotto nella direzione della freccia ed estrarre la punta per avvitatore.

NOTA: Qualora la punta per avvitatore non sia inserita fino in fondo nel manicotto, quest'ultimo non torna sulla sua posizione originale e la punta per avvitatore non viene fissata. In tal caso, provare a reinserire la punta attenendosi alle istruzioni indicate sopra.

NOTA: Qualora sia difficile inserire la punta per avvitatore, tirare il manicotto e inserirla nel manicotto fino in fondo.

NOTA: Dopo aver inserito la punta per avvitatore, accertarsi che sia fissata saldamente. Qualora fuoriesca, non utilizzarla.

Installazione del gancio

⚠AVVERTIMENTO: Utilizzare le parti di sospensione o di montaggio esclusivamente per gli scopi a cui sono destinate, ad es. appendere l'utensile a una cintura portautensili tra un lavoro e l'altro o negli intervalli di lavoro.

⚠AVVERTIMENTO: Fare attenzione a non sovraccaricare il gancio, in quanto una forza eccessiva o un sovraccarico irregolare potrebbero causare danni all'utensile, risultando in lesioni personali.

⚠ATTENZIONE: Quando si intende installare il gancio, fissarlo sempre saldamente con la vite. In caso contrario, il gancio potrebbe staccarsi dall'utensile e causare lesioni personali.

⚠ATTENZIONE: Accertarsi di appendere saldamente l'utensile prima di lasciare la presa. Un aggancio insufficiente o sbilanciato potrebbe causare una caduta, e l'utilizzatore potrebbe subire lesioni personali.

► **Fig.9:** 1. Scanalatura 2. Gancio 3. Vite

Il gancio è utile per appendere temporaneamente l'utensile. Può essere installato da entrambi i lati dell'utensile. Per installare il gancio, inserirlo in una scanalatura da uno dei lati del corpo dell'utensile, quindi fissarlo con una vite. Per rimuoverlo, allentare la vite ed estrarlo.

Uso del foro

AVVERTIMENTO: Non utilizzare mai il foro di sospensione per scopi a cui non è destinato, ad esempio per legare l'utensile con una cinghia di sicurezza in ubicazioni elevate. La sollecitazione di sostegno in un foro sottoposto a un carico pesante potrebbe causare danni al foro stesso, risultando in lesioni personali all'utilizzatore o alle persone circostanti o sottostanti.

► Fig.10: 1. Foro di sospensione

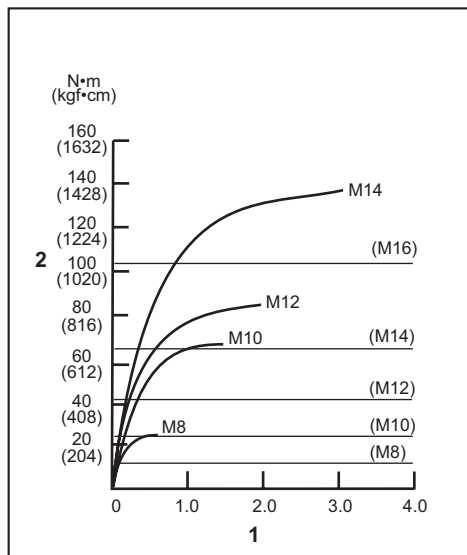
Utilizzare il foro di sospensione sulla parte posteriore inferiore dell'utensile per appendere quest'ultimo a una parete utilizzando un cordino di sospensione o cordicelle simili.

FUNZIONAMENTO

► Fig.11

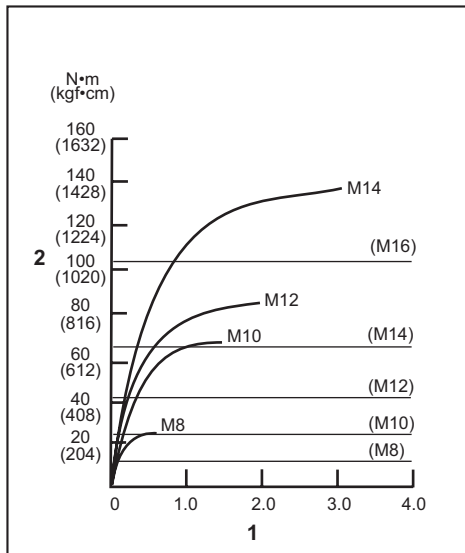
La coppia di serraggio corretta potrebbe variare a seconda del tipo o delle dimensioni della vite/bullone, del materiale del pezzo da fissare, e così via. Il rapporto tra la coppia e il tempo di serraggio è mostrato nelle figure.

Coppia di serraggio corretta per un bullone standard



1. Tempo di serraggio (secondi) 2. Coppia di serraggio

Coppia di serraggio corretta per un bullone ad alta resistenza alla trazione



1. Tempo di serraggio (secondi) 2. Coppia di serraggio

Tenere saldamente l'utensile e posizionare l'estremità della punta per avvitatore nella testa della vite. Esercitare una pressione in avanti sull'utensile in modo che la punta non scivoli via dalla vite, quindi accendere l'utensile per iniziare a utilizzarlo.

AVVISO: Se si utilizza una batteria di ricambio per proseguire l'operazione, lasciare riposare l'utensile per almeno 15 min.

NOTA: Utilizzare la punta adatta alla testa della vite o del bullone che si desidera utilizzare.

NOTA: Quando si intende serrare viti M8 o più piccole, regolare con cura la pressione sull'interruttore a grilletto, in modo da non danneggiare la vite.

NOTA: Tenere l'utensile puntato diritto sulla vite.

NOTA: Qualora la forza degli impulsi sia eccessiva o la vite venga serrata per un tempo più lungo di quello mostrato nelle figure, la vite o l'estremità della punta per avvitatore potrebbero subire una sollecitazione eccessiva, spanarsi, danneggiarsi, e così via. Prima di cominciare il lavoro, fare sempre una prova per determinare il tempo di serraggio appropriato alla vite utilizzata.

La coppia di serraggio è influenzata da un'ampia gamma di fattori, inclusi quelli seguenti. Dopo il serraggio, controllare sempre la coppia con una chiave torsiometrica.

1. Quando la cartuccia della batteria è quasi completamente scarica, la tensione scende e la coppia di serraggio si riduce.
2. Punta per avvitatore o punta a bussola
Qualora non si utilizzi la punta per avvitatore o la punta a bussola di dimensioni corrette, si causa una riduzione della coppia di serraggio.

3. Bullone
 - Anche se il coefficiente di coppia e la classe del bullone sono identici, la coppia di serraggio corretta varia a seconda del diametro del bullone.
 - Anche se i diametri dei bulloni sono identici, la coppia di serraggio corretta varia a seconda del coefficiente di coppia, della classe e della lunghezza del bullone.
4. La coppia è influenzata da come si tiene l'utensile e dal materiale nella posizione di serraggio da fissare.
5. Facendo funzionare l'utensile a bassa velocità si causa una riduzione della coppia di serraggio.

MANUTENZIONE

⚠ATTENZIONE: Accertarsi sempre che l'utensile sia spento e che la cartuccia della batteria sia stata rimossa prima di tentare di eseguire interventi di ispezione o manutenzione.

AVVISO: Non utilizzare mai benzina, benzene, solventi, alcol o altre sostanze simili. In caso contrario, si potrebbero causare scolorimenti, deformazioni o crepe.

Per preservare la SICUREZZA e l'AFFIDABILITÀ del prodotto, le riparazioni, l'ispezione e la sostituzione delle spazzole in carbonio e qualsiasi altro intervento di manutenzione o di regolazione devono essere eseguiti da un centro di assistenza autorizzato Makita, utilizzando sempre ricambi Makita.

ACCESSORI OPZIONALI

⚠ATTENZIONE: Questi accessori o componenti aggiuntivi sono consigliati per l'uso con l'utensile Makita specificato nel presente manuale.

L'impiego di altri accessori o componenti aggiuntivi può costituire un rischio di lesioni alle persone. Utilizzare gli accessori o i componenti aggiuntivi solo per il loro scopo prefissato.

Per ottenere ulteriori dettagli relativamente a questi accessori, rivolgersi a un centro di assistenza Makita.

- Punte per avvitatore
- Adattatore per punte
- Gancio
- Valigetta di plastica
- Batteria e caricabatterie originali Makita
- Custodia batteria

NOTA: Alcuni articoli nell'elenco potrebbero essere inclusi nell'imballaggio dell'utensile come accessori standard. Tali articoli potrebbero variare da nazione a nazione.

TECHNISCHE GEGEVENS

Model:		DTD156
Bevestigingscapaciteiten	Kolomschroef	M4 - M8
	Standaardbout	M5 - M14
	Bout met hoge trekvastheid	M5 - M12
Nullasttoerental		0 - 2.500 min ⁻¹
Slagen per minuut		0 - 3.000 min ⁻¹
Totale lengte		143 mm
Nominale spanning		18 V gelijkspanning
Netto gewicht		1,3-1,6 kg

- In verband met ononderbroken research en ontwikkeling, behouden wij ons het recht voor de bovenstaande technische gegevens zonder voorafgaande kennisgeving te wijzigen.
- De technische gegevens kunnen van land tot land verschillen.
- Het gewicht kan verschillen afhankelijk van de hulpstukken, waaronder de accu. De lichtste en zwaarste combinatie, overeenkomstig de EPTA-procedure 01/2014, worden getoond in de tabel.

Toepasselijke accu's en laders

Accu	BL1815N / BL1820B / BL1830B / BL1840B / BL1850B / BL1860B
Lader	DC18RC / DC18RD / DC18RE / DC18SD / DC18SE / DC18SF / DC18SH / DC18WC

- Sommige van de hierboven vermelde accu's en laders zijn mogelijk niet leverbaar afhankelijk van waar u woont.

⚠️ WAARSCHUWING: Gebruik uitsluitend de accu's en laders die hierboven worden genoemd. Gebruik van enige andere accu of lader kan leiden tot letsel en/of brand.

Gebruiksdoelinden

Dit gereedschap is bedoeld voor het indraaien van schroeven in hout, metaal en kunststof.

Geluidsniveau

De typische, A-gewogen geluidsniveaus zijn gemeten volgens EN62841-2-2:

Geluidsdruk niveau (L_{pA}): 95 dB (A)

Geluidsvermogen niveau (L_{WA}): 103 dB (A)

Onzekerheid (K): 3 dB (A)

OPMERKING: De opgegeven geluidsemissiewaarde(n) is/zijn gemeten volgens een standaardtestmethode en kan/kunnen worden gebruikt om dit gereedschap te vergelijken met andere gereedschappen.

OPMERKING: De opgegeven geluidsemissiewaarde(n) kan/kunnen ook worden gebruikt voor een beoordeling vooraf van de blootstelling.

⚠️ WAARSCHUWING: Draag gehoorbescherming.

⚠️ WAARSCHUWING: De geluidsemissie tijdens het gebruik van het elektrisch gereedschap in de praktijk kan verschillen van de opgegeven waarde(n) afhankelijk van de manier waarop het gereedschap wordt gebruikt, met name van het soort werkstuk waarmee wordt gewerkt.

⚠️ WAARSCHUWING: Zorg ervoor dat veiligheidsmaatregelen worden getroffen ter bescherming van de gebruiker die zijn gebaseerd op een schatting van de blootstelling onder praktijkomstandigheden (rekening houdend met alle fasen van de bedrijfscyclus, zoals de tijdsduur gedurende welke het gereedschap is uitgeschakeld en stationair draait, naast de ingeschakelde tijdsduur).

Trilling

De totale trillingswaarde (triaxiale vectorsom) zoals vastgesteld volgens EN62841-2-2:
 Gebruikstoepassing: bevestigen met behulp van slagwerking van bevestigingsmiddelen tot de maximale capaciteit van het gereedschap
 Trillingsemissie (a_h): 10,0 m/s²
 Onzekerheid (K): 1,5 m/s²

OPMERKING: De totale trillingswaarde(n) is/zijn gemeten volgens een standaardtestmethode en kan/kunnen worden gebruikt om dit gereedschap te vergelijken met andere gereedschappen.

OPMERKING: De opgegeven totale trillingswaarde(n) kan/kunnen ook worden gebruikt voor een beoordeling vooraf van de blootstelling.

⚠️ WAARSCHUWING: De trillingsemissie tijdens het gebruik van het elektrisch gereedschap in de praktijk kan verschillen van de opgegeven waarde(n) afhankelijk van de manier waarop het gereedschap wordt gebruikt, met name van het soort werkstuk waarmee wordt gewerkt.

⚠️ WAARSCHUWING: Zorg ervoor dat veiligheidsmaatregelen worden getroffen ter bescherming van de gebruiker die zijn gebaseerd op een schatting van de blootstelling onder praktijkomstandigheden (rekening houdend met alle fasen van de bedrijfscyclus, zoals de tijdsduur gedurende welke het gereedschap is uitgeschakeld en stationair draait, naast de ingeschakelde tijdsduur).

Verklaringen van conformiteit

Alleen voor Europese landen

De verklaringen van conformiteit zijn bijgevoegd in Bijlage A bij deze gebruiksaanwijzing.

VEILIGHEIDSWAARSCHUWINGEN

Algemene veiligheidswaarschuwingen voor elektrisch gereedschap

⚠️ WAARSCHUWING: Lees alle veiligheids- waarschuwingen, aanwijzingen, afbeeldingen en technische gegevens behorend bij dit elektrische gereedschap aandachtig door. Als u niet alle onderstaande aanwijzingen naleeft, kan dat resulteren in brand, elektrische schokken en/of ernstig letsel.

Bewaar alle waarschuwingen en instructies om in de toekomst te kunnen raadplegen.

De term "elektrisch gereedschap" in de veiligheidsvoorschriften duidt op gereedschappen die op stroom van het lichtnet werken (met snoer) of gereedschappen met een accu (snoerloos).

Veiligheidswaarschuwingen voor een accuslagschroevendraaier

- Houd elektrisch gereedschap vast bij het geïsoleerde oppervlak van de handgrepen wanneer u werkt op plaatsen waar het bevestigingsmateriaal in aanraking kan komen met verborgen bedrading.** Wanneer bevestigingsmaterialen in aanraking komen met onder spanning staande draden, zullen de niet-geïsoleerde metalen delen van het gereedschap onder spanning komen te staan zodat de gebruiker een elektrische schok kan krijgen.
- Zorg ervoor dat u stevig staat op een vast ondergrond.** Bij gebruik van het gereedschap op een hoge plaats dient u ervoor te zorgen dat niemand beneden u aanwezig is.
- Houd het gereedschap stevig vast.**
- Draag oorbeschermers.**
- Raak het bit of het werkstuk niet aan onmiddellijk na het gebruik.** Deze kunnen erg heet zijn en brandwonden veroorzaken.
- Houd uw handen uit de buurt van draaiende onderdelen.**
- Gebruik hulphandgreep (hulphandgrepen), indien bij het gereedschap geleverd.** Verliezen van de macht over het gereedschap kan letsel veroorzaken.
- Houd elektrisch gereedschap alleen vast aan de geïsoleerde handgrepen wanneer de kans bestaat dat het werktuig in aanraking komt met verborgen bedrading.** Wanneer boor-/snijhulpmiddelen in aanraking komen met onder spanning staande draden, zullen de niet-geïsoleerde metalen delen van het gereedschap onder spanning komen te staan zodat de gebruiker een elektrische schok kan krijgen.
- Verzeker u ervan dat er geen elektriciteitskabels, waterleidingen, gasleidingen, enz. zijn die een gevaarlijke situatie zouden kunnen veroorzaken als ze worden beschadigd door het gebruik van dit gereedschap.**

BEWAAR DEZE VOORSCHRIFTEN.

⚠️ WAARSCHUWING: Laat u NIET misleiden door een vals gevoel van comfort en bekendheid met het gereedschap (na veelvuldig gebruik) en neem alle veiligheidsvoorschriften van het betreffende gereedschap altijd strikt in acht.

VERKEERD GEBRUIK of het niet naleven van de veiligheidsvoorschriften in deze gebruiksaanwijzing kan leiden tot ernstige verwondingen.

Belangrijke veiligheidsinstructies voor een accu

1. Lees alle voorschriften en waarschuwingen op (1) de acculader, (2) de accu, en (3) het product waarvoor de accu wordt gebruikt, alvorens de accu in gebruik te nemen.
2. Haal de accu niet uit elkaar en saboteer hem niet. Dit kan leiden tot brand, buitensporige hitte of een explosie.
3. Als de gebruiktijd van een opgeladen accu aanzienlijk korter is geworden, moet u het gebruik ervan onmiddellijk stopzetten. Voortgezet gebruik kan oververhitting, brandwonden en zelfs een ontploffing veroorzaken.
4. Als elektrolyt in uw ogen is terechtgekomen, spoelt u uw ogen met schoon water en roept u onmiddellijk de hulp van een dokter in. Elektrolyt in de ogen kan blindheid veroorzaken.
5. Voorkom kortsluiting van de accu:
 - (1) Raak de accuklemmen nooit aan met een geleidend materiaal.
 - (2) Bewaar de accu niet in een bak waarin andere metalen voorwerpen zoals spijkers, munten e.d. worden bewaard.
 - (3) Stel de accu niet bloot aan water of regen. Kortsluiting van de accu kan oorzaak zijn van een grote stroomafgifte, oververhitting, brandwonden, en zelfs defecten.
6. Bewaar en gebruik het gereedschap en de accu niet op plaatsen waar de temperatuur kan oplopen tot 50 °C of hoger.
7. Werp de accu nooit in het vuur, ook niet wanneer hij zwaar beschadigd of volledig versleten is. De accu kan ontploffen in het vuur.
8. Laat de accu niet vallen, sla er geen spijker in, snijd er niet in, gooi er niet mee en stoot hem niet tegen een hard voorwerp. Dergelijke handelingen kunnen leiden tot brand, buitensporige hitte of een explosie.
9. Gebruik nooit een beschadigde accu.
10. De bijgeleverde lithium-ionbatterijen zijn onderhevig aan de vereisten in de wetgeving omtrent gevaarlijke stoffen.

Voor commercieel transport en dergelijke door derden en transporteurs moeten speciale vereisten ten aanzien van verpakking en etikettering worden nageleefd.

Als voorbereiding van het artikel dat wordt getransporteerd is het noodzakelijk een expert op het gebied van gevaarlijke stoffen te raadplegen. Houd u tevens aan mogelijk strengere nationale regelgeving.

Blootliggende contactpunten moeten worden afgedekt met tape en de accu moet zodanig worden verpakt dat deze niet kan bewegen in de verpakking.
11. Wanneer u de accu wilt weggooien, verwijdert u de accu vanaf het gereedschap en gooit u hem op een veilige manier weg. Volg bij het weggooien van de accu de plaatselijke voorschriften.
12. Gebruik de accu's uitsluitend met de gereedschappen die door Makita zijn aanbevolen. Als de accu's worden aangebracht in niet-compatibele gereedschappen, kan dat leiden tot brand, buitensporige warmteontwikkeling, een explosie of lekkage van elektrolyt.
13. Als u het gereedschap gedurende een lange tijd niet denkt te gaan gebruiken, moet de accu vanaf het gereedschap worden verwijderd.
14. Tijdens en na gebruik, kan de accu heet worden waardoor brandwonden of koude brandwonden kunnen worden veroorzaakt. Wees voorzichtig bij het hanteren van een hete accu.
15. Raak de aansluitpunten van het gereedschap niet onmiddellijk na gebruik aan omdat deze heet genoeg kunnen zijn om brandwonden te veroorzaken.
16. Zorg ervoor dat geen steenslag, stof of grond vast komt te zitten op/in de aansluitpunten, openingen en groeven van de accu. Hierdoor kan oververhitting, brand, een barst en een storing in het gereedschap of de accu ontstaan waardoor brandwonden of persoonlijk letsel kunnen ontstaan.
17. Behalve indien gebruik van het gereedschap is toegestaan in de buurt van hoogspanningsleidingen, mag u de accu niet gebruiken in de buurt van een hoogspanningsleiding. Dit kan leiden tot een storing of een defect van het gereedschap of de accu.
18. Houd de accu uit de buurt van kinderen.

BEWAAR DEZE INSTRUCTIES.

⚠ LET OP: Gebruik uitsluitend originele Makita accu's. Het gebruik van niet-originele accu's, of accu's die zijn gewijzigd, kan ertoe leiden dat de accu ontploft en brand, persoonlijk letsel en schade veroorzaakt. Ook vervalt daarmee de garantie van Makita op het gereedschap en de lader van Makita.

Tips voor een maximale levensduur van de accu

1. Laad de accu op voordat hij volledig ontladen is. Stop het gebruik van het gereedschap en laad de accu op telkens wanneer u vaststelt dat het vermogen van het gereedschap is afgenomen.
2. Laad een volledig opgeladen accu nooit opnieuw op. Te lang opladen verkort de levensduur van de accu.
3. Laad de accu op bij een omgevingstemperatuur tussen 10 °C en 40 °C. Laat een warme accu afkoelen alvorens hem op te laden.
4. Als de accu niet wordt gebruikt, verwijdert u hem vanaf het gereedschap of de lader.
5. Laad de accu op als u deze gedurende een lange tijd (meer dan zes maanden) niet gaat gebruiken.

BESCHRIJVING VAN DE FUNCTIES

⚠ LET OP: Zorg altijd dat het gereedschap is uitgeschakeld en de accu ervan is verwijderd alvorens de functies op het gereedschap af te stellen of te controleren.

De accu aanbrengen en verwijderen

⚠ LET OP: Schakel het gereedschap altijd uit voordat u de accu aanbrengt of verwijderd.

⚠ LET OP: Houd het gereedschap en de accu stevig vast tijdens het aanbrengen of verwijderen van de accu. Als u het gereedschap en de accu niet stevig vasthoudt, kunnen deze uit uw handen glijpen en het gereedschap of de accu beschadigen, of kan persoonlijk letsel worden veroorzaakt.

► Fig.1: 1. Rood deel 2. Knop 3. Accu

Om de accu te verwijderen verschuift u de knop aan de voorkant van de accu en schuift u tegelijkertijd de accu uit het gereedschap.

Om de accu aan te brengen lijnt u de lip op de accu uit met de groef in de behuizing en duwt u de accu op zijn plaats. Steek de accu zo ver mogelijk in het gereedschap tot u een klikgeluid hoort. Wanneer het rode deel zichtbaar is, zoals aangegeven in de afbeelding, is de accu niet geheel vergrendeld.

⚠ LET OP: Breng de accu altijd helemaal aan totdat het rode deel niet meer zichtbaar is. Als u dit niet doet, kan de accu per ongeluk uit het gereedschap vallen en u of anderen in uw omgeving verwonden.

⚠ LET OP: Breng de accu niet met kracht aan. Als de accu niet gemakkelijk in het gereedschap kan worden geschoven, wordt deze niet goed aangebracht.

Accubeveiligingssysteem

Het gereedschap is uitgerust met een accubeveiligingssysteem. Dit systeem sluit automatisch de voeding naar de motor af om de levensduur van de accu te verlengen. Het gereedschap kan tijdens gebruik automatisch stoppen wanneer het gereedschap en/of de accu aan één van de volgende omstandigheden wordt blootgesteld:

Overbelasting:

Als het gereedschap wordt gebruikt op een manier die een abnormaal hoge stroomsterkte vergt. Schakel in dat geval het gereedschap uit en stopt u met de toepassing waardoor het gereedschap overbelast raakte. Schakel vervolgens het gereedschap in om het weer te starten. Als het gereedschap niet start, kan de accu oververhit zijn. In die situatie laat u de accu eerst afkoelen voordat u het gereedschap opnieuw inschakelt.

Onvoldoende accuspanning:

De resterende acculading is te laag en het gereedschap start niet. In dat geval verwijderd u de accu en laadt u die opnieuw op.

De resterende acculading controleren

Alleen voor accu's met indicatorlampjes

► Fig.2: 1. Indicatorlampjes 2. Testknop

Druk op de testknop op de accu om de resterende acculading te zien. De indicatorlampjes branden gedurende enkele seconden.

Indicatorlampjes			Resterende acculading
Brandt	Uit	Knippert	
■ ■ ■ ■			75% tot 100%
■ ■ ■ □			50% tot 75%
■ ■ □ □			25% tot 50%
■ □ □ □			0% tot 25%
▣ □ □ □			Laad de accu op.
■ ■ □ □			Er kan een storing zijn opgetreden in de accu.
□ □ ■ ■			

OPMERKING: Afhankelijk van de gebruiksomstandigheden en de omgevingstemperatuur, is het mogelijk dat de aangegeven acculading verschilt van de werkelijke acculading.

OPMERKING: Het eerste (meest linker) indicatorlampje knippert wanneer het accubeveiligingssysteem in werking is getreden.

De trekkerschakelaar gebruiken

► Fig.3: 1. Trekkerschakelaar

⚠ LET OP: Alvorens de accu in het gereedschap te plaatsen, moet u altijd controleren of de trekkerschakelaar goed werkt en bij het loslaten terugkeert naar de stand "OFF".

Om het gereedschap te starten, knijpt u gewoon de trekkerschakelaar in. Hoe harder u de trekkerschakelaar inknijpt, hoe sneller het gereedschap draait. Laat de trekkerschakelaar los om het gereedschap te stoppen.

De lamp op de voorkant gebruiken

► Fig.4: 1. Lamp

⚠ LET OP: Kijk niet direct in het lamplicht of in de lichtbron.

Knijp de trekkerschakelaar in om de lamp in te schakelen. De lamp blijft branden zo lang de trekkerschakelaar wordt ingeknepen. Ongeveer 10 seconden nadat u de trekkerschakelaar hebt losgelaten, gaat de lamp uit.

OPMERKING: Gebruik een droge doek om vuil van de lens van de lamp af te vegen. Wees voorzichtig dat u de lens van de lamp niet bekrast omdat dan de verlichting minder wordt.

De omkeerschakelaar bedienen

► **Fig.5:** 1. Omkeerschakelaar

⚠ LET OP: Controleer altijd de draairichting alvorens het gereedschap te starten.

⚠ LET OP: Verander de stand van de omkeerschakelaar alleen nadat het gereedschap volledig tot stilstand is gekomen. Als u de draairichting verandert terwijl het gereedschap nog draait, kan het gereedschap beschadigd raken.

⚠ LET OP: Zet de omkeerschakelaar altijd in de neutrale stand wanneer u het gereedschap niet gebruikt.

Dit gereedschap heeft een omkeerschakelaar voor het veranderen van de draairichting. Druk de omkeerschakelaar in vanaf kant A voor de draairichting rechtsom, of vanaf kant B voor de draairichting linksom. Wanneer de omkeerschakelaar in de neutrale stand staat, kan de trekverschakelaar niet worden ingeknepen.

MONTAGE

⚠ LET OP: Zorg altijd dat het gereedschap is uitgeschakeld en de accu ervan is verwijderd alvorens enig werk aan het gereedschap uit te voeren.

Aanbrengen of verwijderen van het schroefbit of de schroefdop

► **Fig.6**

Gebruik uitsluitend een schroefbit/schroefdop met een insteekgedeelte zoals aangegeven in de afbeelding. Gebruik geen ander schroefbit/schroefdop.

Voor gereedschappen met een ondiepe schroefbit-insteekopening

A=12 mm
B=9 mm

Gebruik uitsluitend dit type schroefbit. Volg procedure 1. (Opmerking) De bitadapter is niet nodig.

Voor gereedschappen met een diepe schroefbit-insteekopening

A=17 mm
B=14 mm

Om dit type schroefbit te plaatsen, volgt u procedure 1.

A=12 mm
B=9 mm

Om dit type schroefbit te plaatsen, volgt u procedure 2. (Opmerking) De bitadapter is nodig om het bit te plaatsen.

Procedure 1

Voor gereedschap zonder snelkoppelingsbus

► **Fig.7:** 1. Schroefbit 2. Bus

Om het schroefbit te plaatsen, trekt u de bus in de richting van de pijl en steekt u het schroefbit zo ver mogelijk in de bus.

Laat daarna de bus los om het schroefbit te vergrendelen.

Voor gereedschap met snelkoppelingsbus

Om het schroefbit aan te brengen, steekt u het schroefbit zo ver mogelijk in de bus.

Procedure 2

Optioneel accessoire

Voorafgaande aan **Procedure 1**, steekt u de bitadapter met zijn puntige uiteinde in de bus.

► **Fig.8:** 1. Schroefbit 2. Bitadapter 3. Bus

Om het schroefbit te verwijderen, trekt u de bus in de richting van de pijl en trekt u het schroefbit er uit.

OPMERKING: Als het schroefbit niet diep genoeg in de bus wordt gestoken, zal de bus niet naar haar oorspronkelijke positie terugkeren en zal het schroefbit niet goed vastzitten. In dat geval dient u het bit opnieuw erin te steken volgens de bovenstaande procedure.

OPMERKING: Als het moeilijk is om het schroefbit aan te brengen, trekt u aan de bus en steekt u het schroefbit zo ver mogelijk in de bus.

OPMERKING: Nadat u het schroefbit in de bus hebt gestoken, controleert u dat het schroefbit stevig vast zit. Als het uit de bus komt, mag u het niet gebruiken.

De haak aanbrengen

⚠ WAARSCHUWING: Gebruik de opgang-/bevestigingsmiddelen alleen waarvoor ze bedoeld zijn, d.w.z. ophangen aan een gereedschaps gordel tussen werkzaamheden of tijdens pauzes.

⚠ WAARSCHUWING: Wees voorzichtig dat de haak niet overbelast wordt aangezien een te hoge kracht of onregelmatige overbelasting kan leiden tot beschadiging van het gereedschap met persoonlijk letsel tot gevolg.

⚠ LET OP: Als u de haak aanbrengt, bevestigt u deze altijd stevig met de schroef. Als u dit niet doet, kan de haak losraken en tot persoonlijk letsel leiden.

⚠ LET OP: Verzeker u ervan dat het gereedschap veilig hangt voordat u het loslaat. Door onzorgvuldig of ongebalanceerd ophangen kan het gereedschap eraf vallen en persoonlijk letsel worden veroorzaakt.

► **Fig.9:** 1. Gleuf 2. Haak 3. Schroef

De haak is handig om het gereedschap tijdelijk op te hangen. De haak kan aan iedere zijkant van het gereedschap worden bevestigd. Om de haak te bevestigen, steekt u deze in een gleuf op een zijkant en zet u hem vast met de schroef. Om de haak eraf te halen, draait u de schroef los en haalt u de haak eraf.

Het gat gebruiken

⚠ WAARSCHUWING: Gebruik het ophanggat nooit voor iets waar het niet voor bedoeld is, bijvoorbeeld om het gereedschap mee vast te binden op een hoge plaats. Stuikdruk in een zwaar belast gat kan het gat beschadigen, waardoor letsel kan ontstaan bij u of mensen rondom of onder u.

► Fig.10: 1. Ophanggat

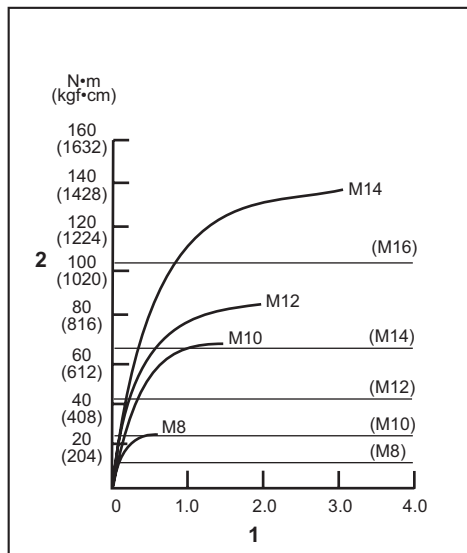
Gebruik het ophanggat achteraan de onderkant van het gereedschap om het gereedschap aan een muur te hangen met behulp van een ophangkoord of soortgelijk touw.

BEDIENING

► Fig.11

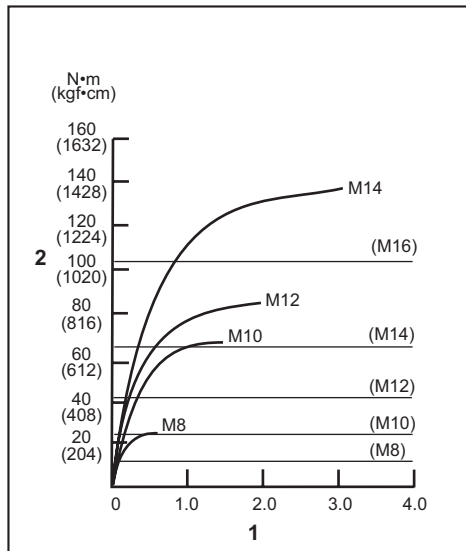
Het juiste aandraaimoment kan verschillen afhankelijk van het soort en de maat van de schroef/bout, het materiaal van het te bevestigen werkstuk, enz. De verhouding tussen het aandraaimoment en de draaaitijd wordt aangegeven in de afbeeldingen.

Juiste aandraaimoment voor standaard bout



1. Aandraitijd (seconden) 2. Aandraaimoment

Juiste aandraaimoment voor standaard bout met hoge trekvastheid



1. Aandraitijd (seconden) 2. Aandraaimoment

Houd het gereedschap stevig vast en plaats de punt van het schroefbit in de schroefkop. Oefen zoveel kracht op het gereedschap uit als nodig is om het schroefbit op zijn plaats te houden. Schakel vervolgens het gereedschap in om de bediening te starten.

KENNISGEVING: Als u een reserveaccu gebruikt om de werkzaamheden voort te kunnen zetten, geeft u het gereedschap minstens 15 minuten rusttijd.

OPMERKING: Gebruik altijd het bit dat geschikt is voor de kop van de aan te draaien schroef/bout.

OPMERKING: Voor het vastdraaien van een M8-formaat of kleinere schroef, regelt u de druk op de trekkerschakelaar zorgvuldig zodat de schroef niet beschadigd wordt.

OPMERKING: Houd het gereedschap vooral recht op de schroef.

OPMERKING: Als de slagkracht te hoog is, zal de schroef langer worden aangedraaid dan aangegeven in de afbeeldingen, en dan kan de schroef of de kop van het schroefbit overbelast, vervormd of beschadigd worden. Alvorens u aan het werk gaat, dient u altijd even proef te draaien om de juiste aandraitijd voor uw type schroef te bepalen.

Het aandraaimoment wordt beïnvloed door een groot aantal verschillende factoren, waaronder de volgende. Controleer na het vastdraaien altijd het aandraaimoment met een momentsleutel.

1. Wanneer de accu bijna leeg is, neemt de spanning af en vermindert het aandraaimoment.
2. Schroefbit of schroefdop
Het aandraaimoment vermindert als u niet een schroefbit of schroefdop van de juiste maat gebruikt.

3. Bout
 - Zelfs wanneer het koppelcoëfficiënt overeenkomt met de boutklasse, hangt het juiste aandraaimoment af van de boutdiameter.
 - Zelfs wanneer de boutdiameters gelijk zijn, hangt het juiste aandraaimoment af van het koppelcoëfficiënt, de boutklasse en de boutlengte.
4. De manier van vasthouden van het gereedschap en de positie waar de schroef in het materiaal wordt gedraaid, hebben een invloed op het aandraaimoment.
5. Bij lagere toerentallen wordt ook het aandraaimoment kleiner.

ONDERHOUD

⚠ LET OP: Zorg altijd dat het gereedschap is uitgeschakeld en de accu ervan is verwijderd alvorens te beginnen met onderhoud of inspectie.

KENNISGEVING: Gebruik nooit benzine, wasbenzine, thinner, alcohol en dergelijke. Hierdoor kunnen verkleuring, vervormingen en barsten worden veroorzaakt.

Om de VEILIGHEID en BETROUWBAARHEID van het gereedschap te handhaven, dienen alle reparaties, inspectie en vervanging van de koolborstels, en alle andere onderhoudswerkzaamheden of afstellingen te worden uitgevoerd bij een erkend Makita-servicecentrum of Makita-fabrieksservicecentrum, en altijd met gebruik van Makita-vervangingsonderdelen.

OPTIONELE ACCESSOIRES

⚠ LET OP: Deze accessoires of hulpstukken worden aanbevolen voor gebruik met het Makita gereedschap dat in deze gebruiksaanwijzing is beschreven. Bij gebruik van andere accessoires of hulpstukken bestaat het gevaar van persoonlijke letsel. Gebruik de accessoires of hulpstukken uitsluitend voor hun bestemde doel.

Wenst u meer bijzonderheden over deze accessoires, neem dan contact op met het plaatselijke Makita-servicecentrum.

- Schroefbits
- Bitadapter
- Haak
- Kunststof koffer
- Originele Makita accu's en acculaders
- Accubeveiliging

OPMERKING: Sommige items op de lijst kunnen zijn inbegrepen in de doos van het gereedschap als standaard toebehoren. Deze kunnen van land tot land verschillen.

ESPECIFICACIONES

Modelo:		DTD156
Capacidades de apriete	Tornillo para metales	M4 - M8
	Perno estándar	M5 - M14
	Perno de gran resistencia a la tracción	M5 - M12
Velocidad sin carga		0 - 2.500 min ⁻¹
Impactos por minuto		0 - 3.000 min ⁻¹
Longitud total		143 mm
Tensión nominal		CC 18 V
Peso neto		1,3-1,6 kg

- Debido a nuestro continuado programa de investigación y desarrollo, las especificaciones aquí dadas están sujetas a cambios sin previo aviso.
- Las especificaciones pueden ser diferentes de país a país.
- El peso puede variar dependiendo del accesorio(s), incluyendo el cartucho de batería. La combinación menos pesada y la más pesada, de acuerdo con el procedimiento EPTA 01/2014, se muestran en la tabla.

Cartucho de batería y cargador aplicables

Cartucho de batería	BL1815N / BL1820B / BL1830B / BL1840B / BL1850B / BL1860B
Cargador	DC18RC / DC18RD / DC18RE / DC18SD / DC18SE / DC18SF / DC18SH / DC18WC

- Algunos de los cartuchos de batería y cargadores indicados arriba puede que no estén disponibles dependiendo de su región de residencia.

⚠ADVERTENCIA: Utilice solamente los cartuchos de batería y cargadores listados arriba. La utilización de cualquier otro cartucho de batería y cargador puede ocasionar heridas y/o un incendio.

Uso previsto

La herramienta ha sido prevista para atornillar en madera, metal y plástico.

Ruido

El nivel de ruido A-ponderado típico determinado de acuerdo con la norma EN62841-2-2:
 Nivel de presión sonora (L_{pA}) : 95 dB (A)
 Nivel de potencia sonora (L_{WA}) : 103 dB (A)
 Error (K) : 3 dB (A)

NOTA: El valor (o los valores) de emisión de ruido declarado ha sido medido de acuerdo con un método de prueba estándar y se puede utilizar para comparar una herramienta con otra.

NOTA: El valor (o valores) de emisión de ruido declarado también se puede utilizar en una valoración preliminar de exposición.

⚠ADVERTENCIA: Póngase protectores para oídos.

⚠ADVERTENCIA: La emisión de ruido durante la utilización real de la herramienta eléctrica puede variar del valor (o los valores) de emisión declarado dependiendo de las formas en las que la herramienta sea utilizada, especialmente qué tipo de pieza de trabajo se procesa.

⚠ADVERTENCIA: Asegúrese de identificar medidas de seguridad para proteger al operario que estén basadas en una estimación de la exposición en las condiciones reales de utilización (teniendo en cuenta todas las partes del ciclo operativo como las veces cuando la herramienta está apagada y cuando está funcionando en vacío además del tiempo de gatillo).

Vibración

El valor total de la vibración (suma de vectores triaxiales) determinado de acuerdo con la norma EN62841-2-2:

Modo de trabajo: apretado por impacto de tornillos de la máxima capacidad de la herramienta
 Emisión de vibración (a_h) : 10.0 m/s²
 Error (K) : 1,5 m/s²

NOTA: El valor (o los valores) total de emisión de vibración declarado ha sido medido de acuerdo con un método de prueba estándar y se puede utilizar para comparar una herramienta con otra.

NOTA: El valor (o los valores) total de emisión de vibración declarado también se puede utilizar en una valoración preliminar de exposición.

⚠️ ADVERTENCIA: La emisión de vibración durante la utilización real de la herramienta eléctrica puede variar del valor (o los valores) de emisión declarado dependiendo de las formas en las que la herramienta sea utilizada, especialmente qué tipo de pieza de trabajo se procesa.

⚠️ ADVERTENCIA: Asegúrese de identificar medidas de seguridad para proteger al operario que estén basadas en una estimación de la exposición en las condiciones reales de utilización (teniendo en cuenta todas las partes del ciclo operativo como las veces cuando la herramienta está apagada y cuando está funcionando en vacío además del tiempo de gatillo).

Declaraciones de conformidad

Para países europeos solamente

Las declaraciones de conformidad están incluidas como Anexo A de este manual de instrucciones.

ADVERTENCIAS DE SEGURIDAD

Advertencias de seguridad para herramientas eléctricas en general

⚠️ ADVERTENCIA: Lea todas las advertencias de seguridad, instrucciones, ilustraciones y especificaciones provistas con esta herramienta eléctrica. Si no sigue todas las instrucciones indicadas abajo podrá resultar en una descarga eléctrica, un incendio y/o heridas graves.

Guarde todas las advertencias e instrucciones para futuras referencias.

El término "herramienta eléctrica" en las advertencias se refiere a su herramienta eléctrica de funcionamiento con conexión a la red eléctrica (con cable) o herramienta eléctrica de funcionamiento a batería (sin cable).

Advertencias de seguridad para el atornillador de impacto inalámbrico

1. **Sujete la herramienta eléctrica por las superficies de asimiento aisladas cuando realice una operación en la que el tornillo pueda entrar en contacto con cableado oculto.** El contacto del tornillo con un cable con corriente hará que la corriente circule por las partes metálicas expuestas de la herramienta eléctrica y podrá soltar una descarga eléctrica al operario.
2. **Asegúrese siempre de apoyar los pies firmemente.**
Asegúrese de que no haya nadie debajo cuando esté utilizando la herramienta en lugares altos.
3. **Sujete la herramienta firmemente.**
4. **Utilice protectores de oídos.**
5. **No toque la punta de atornillar ni la pieza de trabajo inmediatamente después de la operación. Podrán estar muy calientes y quemarle la piel.**
6. **Mantenga las manos alejadas de las partes giratorias.**
7. **Utilice el mango(s) auxiliar, si se suministra con la herramienta.** Una pérdida del control puede ocasionar heridas personales.
8. **Cuando realice una operación en la que el accesorio de corte pueda entrar en contacto con cableado oculto, sujete la herramienta eléctrica por las superficies de asimiento aisladas.** El contacto del accesorio de corte con un cable con corriente hará que la corriente circule por las partes metálicas expuestas de la herramienta eléctrica y podrá soltar una descarga eléctrica al operario.
9. **Asegúrese de que no hay cables eléctricos, tuberías de agua, tuberías de gas, etc., que puedan ocasionar un riesgo si se dañan al utilizar la herramienta.**

GUARDE ESTAS INSTRUCCIONES.

⚠️ ADVERTENCIA: NO deje que la comodidad o familiaridad con el producto (a base de utilizarlo repetidamente) sustituya la estricta observancia de las normas de seguridad para el producto en cuestión.

El MAL USO o el no seguir las normas de seguridad establecidas en este manual de instrucciones podrá ocasionar graves heridas personales.

Instrucciones de seguridad importantes para el cartucho de batería

1. **Antes de utilizar el cartucho de batería, lea todas las instrucciones e indicaciones de precaución sobre (1) el cargador de baterías, (2) la batería, y (3) el producto con el que se utiliza la batería.**
2. **No desensamble ni manipule el cartucho de batería.** Podrá resultar en un incendio, calor excesivo, o una explosión.

3. Si el tiempo de uso se acorta demasiado, cese la operación inmediatamente. Podría resultar en un riesgo de recalentamiento, posibles quemaduras e incluso una explosión.
4. Si entra electrolito en sus ojos, aclárelos con agua limpia y acuda a un médico inmediatamente. Existe el riesgo de poder perder la vista.
5. **No cortocircuite el cartucho de batería:**
 - (1) No toque los terminales con ningún material conductor.
 - (2) Evite guardar el cartucho de batería en un cajón junto con otros objetos metálicos, como clavos, monedas, etc.
 - (3) No exponga el cartucho de batería al agua ni a la lluvia.

Un cortocircuito en la batería puede producir una gran circulación de corriente, un recalentamiento, posibles quemaduras e incluso una rotura de la misma.
6. No guarde ni utilice la herramienta y el cartucho de batería en lugares donde la temperatura pueda alcanzar o exceder los 50 °C.
7. Nunca incinere el cartucho de batería incluso en el caso de que esté dañado seriamente o ya no sirva en absoluto. El cartucho de batería puede explotar si se tira al fuego.
8. No clave, corte, aplaste, lance, deje caer el cartucho de batería, ni golpee contra un objeto duro el cartucho de batería. Tal conducta podrá resultar en un incendio, calor excesivo, o una explosión.
9. No utilice una batería dañada.
10. Las baterías de litio-ion contenidas están sujetas a los requisitos de la Legislación para Materiales Peligrosos.

Para transportes comerciales, p.ej., por terceras personas y agentes de transportes, se deberán observar requisitos especiales para el empaquetado y etiquetado.

Para la preparación del artículo que se va a enviar, se requiere consultar con un experto en materiales peligrosos. Por favor, observe también la posibilidad de reglamentos nacionales más detallados. Cubra con cinta aislante o enmascare los contactos expuestos y empaquete la batería de tal manera que no se pueda mover alrededor dentro del embalaje.
11. Para desechar el cartucho de batería, retírelo de la herramienta y deséchelo en un lugar seguro. Siga los reglamentos locales referentes al desecho de la batería.
12. Utilice las baterías solamente con los productos especificados por Makita. La instalación de las baterías en productos no compatibles puede resultar en un incendio, calor excesivo, explosión, o fuga de electrolito.
13. Si la herramienta no va a ser utilizada durante un periodo de tiempo largo, la batería deberá ser retirada de la herramienta.
14. Durante y después de la utilización, el cartucho de batería podrá acumular calor, lo cual puede ocasionar quemaduras o quemaduras de baja temperatura. Preste atención al manejo de cartuchos de batería calientes.
15. No toque el terminal de la herramienta inmediatamente después de utilizar, dado que puede calentarse lo suficiente como para ocasionar quemaduras.
16. No permita que virutas, polvo, o tierra se adhieran dentro de los terminales, orificios, y ranuras del cartucho de batería. Esto podría ocasionar calentamiento, que coja fuego, reviente y un mal funcionamiento de la herramienta o el cartucho de batería, resultando en quemaduras o heridas personales.
17. A menos que la herramienta pueda utilizarse cerca de cables eléctricos de alta tensión, no utilice el cartucho de batería cerca de cables eléctricos de alta tensión. Podrá resultar en un mal funcionamiento o rotura de la herramienta o el cartucho de batería.
18. Mantenga la batería alejada de los niños.

GUARDE ESTAS INSTRUCCIONES.

⚠PRECAUCIÓN: Utilice solamente baterías genuinas de Makita. La utilización de baterías no genuinas de Makita, o baterías que han sido alteradas, puede resultar en una explosión de la batería ocasionando incendios, heridas personales y daños. También anulará la garantía de Makita para la herramienta y el cargador de Makita.

Consejos para alargar al máximo la vida de servicio de la batería

1. Cargue el cartucho de batería antes de que se descargue completamente. Detenga siempre la operación y cargue el cartucho de batería cuando note menos potencia en la herramienta.
2. No cargue nunca un cartucho de batería que esté completamente cargado. La sobrecarga acortará la vida de servicio de la batería.
3. Cargue el cartucho de batería a temperatura ambiente de 10 °C - 40 °C. Si un cartucho de batería está caliente, déjelo enfriar antes de cargarlo.
4. Cuando no esté utilizando el cartucho de batería, retírelo de la herramienta o del cargador.
5. Cargue el cartucho de batería si no lo utiliza durante un periodo de tiempo prolongado (más de seis meses).

DESCRIPCIÓN DEL FUNCIONAMIENTO

⚠️ PRECAUCIÓN: Asegúrese siempre de que la herramienta esté apagada y el cartucho de batería retirado antes de realizar cualquier ajuste o comprobación en la herramienta.

Instalación o extracción del cartucho de batería

⚠️ PRECAUCIÓN: Apague siempre la herramienta antes de instalar o retirar el cartucho de batería.

⚠️ PRECAUCIÓN: Sujete la herramienta y el cartucho de batería firmemente cuando instale o retire el cartucho de batería. Si no sujeta la herramienta y el cartucho de batería firmemente podrán caérsele de las manos y resultar en daños a la herramienta y al cartucho de batería y heridas personales.

► Fig.1: 1. Indicador rojo 2. Botón 3. Cartucho de batería

Para retirar el cartucho de batería, deslícelo de la herramienta mientras desliza el botón de la parte frontal del cartucho.

Para instalar el cartucho de batería, alinee la lengüeta del cartucho de batería con la ranura del alojamiento y deslícelo al interior hasta encajarlo en su sitio. Insértelo por completo hasta que se bloquee en su sitio con un pequeño chasquido. Si puede ver el indicador rojo como se muestra en la figura, no estará bloqueado completamente.

⚠️ PRECAUCIÓN: Instale siempre el cartucho de batería completamente hasta que no pueda verse el indicador rojo. En caso contrario, podrá caerse accidentalmente de la herramienta y ocasionarle heridas a usted o a alguien que esté cerca de usted.

⚠️ PRECAUCIÓN: No instale el cartucho de batería empleando fuerza. Si el cartucho no se desliza al interior fácilmente, será porque no está siendo insertado correctamente.

Sistema de protección de la batería

La herramienta está equipada con un sistema de protección de la batería. Este sistema corta automáticamente la alimentación del motor para alargar la vida útil de la batería.

La herramienta se detendrá automáticamente durante la operación si la herramienta y/o la batería son puestas en una de las condiciones siguientes:

Sobrecargada:

La herramienta es utilizada de una manera que da lugar a que tenga que absorber una corriente anormalmente alta. En esta situación, apague la herramienta y detenga la aplicación que ocasiona que la herramienta se sobrecargue. Después encienda la herramienta para volver a empezar. Si la herramienta no se pone en marcha, la batería estará recalentada. En esta situación, deje que la batería se enfríe antes de encender la herramienta otra vez.

Tensión baja en la batería:

La capacidad de batería restante es muy baja y la herramienta no funcionará. En esta situación, retire la batería y vuelva a cargarla.

Modo de indicar la capacidad de batería restante

Solamente para cartuchos de batería con el indicador

► Fig.2: 1. Lámparas indicadoras 2. Botón de comprobación

Presione el botón de comprobación en el cartucho de batería para indicar la capacidad de batería restante. Las lámparas indicadoras se iluminan durante unos pocos segundos.

Lámparas indicadoras			Capacidad restante
Iluminada	Apagada	Parpadeando	
			75% a 100%
			50% a 75%
			25% a 50%
			0% a 25%
			Cargue la batería.
			Puede que la batería no esté funcionando bien.

NOTA: Dependiendo de las condiciones de utilización y de la temperatura ambiente, la indicación podrá variar ligeramente de la capacidad real.

NOTA: La primera lámpara indicadora (extremo izquierdo) parpadeará cuando el sistema de protección de la batería esté funcionando.

Accionamiento del interruptor

► Fig.3: 1. Gatillo interruptor

⚠️ PRECAUCIÓN: Antes de insertar el cartucho de batería en la herramienta, compruebe siempre para cerciorarse de que el gatillo interruptor se acciona debidamente y que vuelve a la posición "OFF" cuando lo suelta.

Para poner en marcha la herramienta, simplemente apriete el gatillo interruptor. La velocidad de la herramienta aumenta incrementando la presión en el gatillo interruptor. Suelte el gatillo interruptor para parar.

Encendido de la lámpara delantera

► Fig.4: 1. Lámpara

⚠️ PRECAUCIÓN: No mire a la luz ni vea la fuente de luz directamente.

Apriete el gatillo interruptor para encender la lámpara. La lámpara seguirá encendida mientras el gatillo interruptor esté siendo apretado. La lámpara se apagará 10 segundos aproximadamente después de soltar el gatillo interruptor.

NOTA: Utilice un paño seco para quitar la suciedad de la lente de la lámpara. Tenga cuidado de no rayar la lente de la lámpara, porque podrá disminuir la iluminación.

Accionamiento del interruptor inversor

► **Fig.5:** 1. Palanca del interruptor inversor

PRECAUCIÓN: Confirme siempre la dirección de giro antes de la operación.

PRECAUCIÓN: Utilice el interruptor inversor solamente después de que la herramienta se haya parado completamente. Si cambia la dirección de giro antes de que la herramienta se haya parado podrá dañarla.

PRECAUCIÓN: Cuando no esté utilizando la herramienta, ponga siempre la palanca del interruptor inversor en la posición neutral.

Esta herramienta tiene un interruptor inversor para cambiar la dirección de giro. Presione hacia dentro la palanca del interruptor inversión del lado A para giro hacia la derecha o del lado B para giro hacia la izquierda. Cuando la palanca del interruptor inversor está en la posición neutral, el gatillo interruptor no se puede apretar.

MONTAJE

PRECAUCIÓN: Asegúrese siempre de que la herramienta está apagada y el cartucho de batería retirado antes de realizar cualquier trabajo en la herramienta.

Instalación o desmontaje de la punta de atornillar/punta de tubo

► **Fig.6**

Utilice solamente una punta de atornillar/punta de tubo que tenga la porción de inserción mostrada en la figura. No utilice ninguna otra punta de atornillar/punta de tubo.

Para herramienta con agujero para punta de atornillar corto

A=12 mm B=9 mm	Utilice solamente estos tipos de puntas de atornillar. Siga el procedimiento 1. (Nota) No se necesita adaptador de punta de atornillar.
-------------------	---

Para herramienta con agujero de punta de atornillar profundo

A=17 mm B=14 mm	Para instalar estos tipos de puntas de atornillar, siga el procedimiento 1.
A=12 mm B=9 mm	Para instalar estos tipos de puntas de atornillar, siga el procedimiento 2. (Nota) No se necesita adaptador de punta de atornillar para instalar la punta de atornillar.

Procedimiento 1

Para herramienta sin manguito de tipo un solo toque

► **Fig.7:** 1. Punta de atornillar 2. Manguito

Para instalar la punta de atornillar, tire del manguito en la dirección de la flecha e inserte la punta de atornillar a tope en el manguito. Después suelte el manguito para sujetar la punta de atornillar.

Para herramienta con manguito de tipo un solo toque

Para instalar la punta de atornillar, inserte la punta de atornillar a tope en el manguito.

Procedimiento 2

Accesorios opcionales

Además del **Procedimiento 1**, inserte el adaptador de punta de atornillar en el manguito con su extremo en punta orientado hacia dentro.

► **Fig.8:** 1. Punta de atornillar 2. Adaptador de punta de atornillar 3. Manguito

Para retirar la punta de atornillar, tire del manguito en la dirección de la flecha y saque la punta de atornillar.

NOTA: Si la punta de atornillar no está suficientemente insertada en el manguito, el manguito no retornará a su posición original y la punta de atornillar no quedará bien sujeta. En este caso, intente reinsertando la punta de atornillar de acuerdo con las instrucciones de arriba.

NOTA: Cuando sea difícil insertar la punta de atornillar, tire del manguito e insértela a tope en el manguito.

NOTA: Después de insertar la punta de atornillar, asegúrese de que está sujeta firmemente. Si se sale, no la utilice.

Instalación del gancho

ADVERTENCIA: Utilice las partes para colgar/montar solo para el propósito que han sido pensadas, por ejemplo, colgar la herramienta de una correa para herramienta entre diferentes trabajos o intervalos de trabajo.

ADVERTENCIA: Asegúrese de no sobrecargar el gancho, porque una fuerza excesiva o sobrecarga irregular puede ocasionar daños a la herramienta resultando en heridas personales.

PRECAUCIÓN: Cuando instale el gancho, sujételo siempre firmemente con el tornillo. Si no, el gancho podrá caerse de la herramienta y resultar en heridas personales.

PRECAUCIÓN: Asegúrese de colgar la herramienta firmemente antes de soltarla de la mano. Un enganche insuficiente o desequilibrado puede ocasionar que se caiga y podría ocasionarle heridas.

► **Fig.9:** 1. Ranura 2. Gancho 3. Tornillo

El gancho resulta útil para colgar temporalmente la herramienta. Se puede instalar en cualquiera de los costados de la herramienta. Para instalar el gancho, insértelo en una ranura en cualquiera de los costados de la carcasa de la herramienta y después sujételo con un tornillo. Para retirarlo, afloje el tornillo y después sáquelo.

Utilización del agujero

⚠️ ADVERTENCIA: No utilice nunca el agujero para colgar para propósitos distintos de los previstos, por ejemplo, para amarrar la herramienta en un lugar alto. La presión de contacto en un agujero muy cargado puede ocasionar daños al agujero, resultando en heridas a usted o a gente alrededor o debajo de usted.

► Fig.10: 1. Agujero para colgar

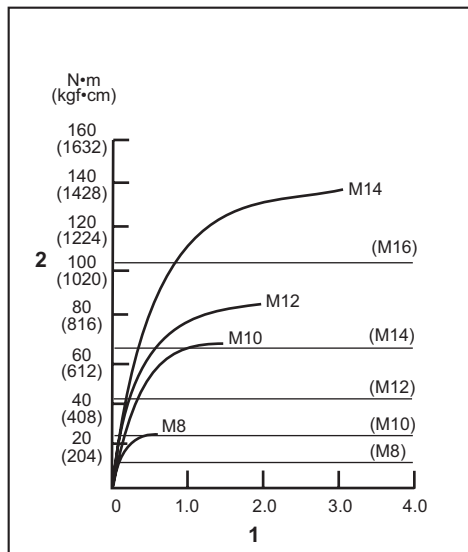
Utilice el agujero para colgar de la parte inferior trasera de la herramienta para colgar la herramienta en una pared utilizando un cordón para colgar o cordeles similares.

OPERACIÓN

► Fig.11

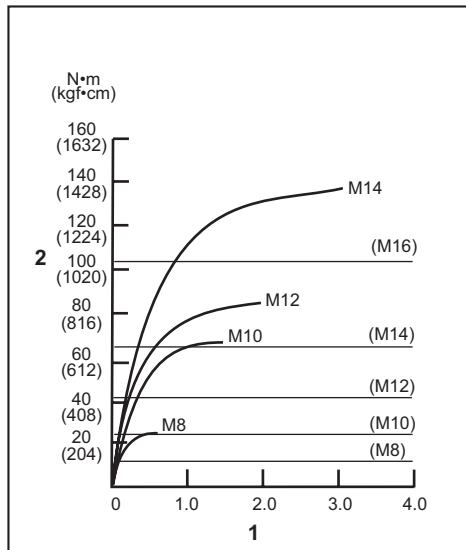
El par de apriete apropiado podrá variar dependiendo del tipo o tamaño del tornillo/perno, el material de la pieza de trabajo a apretar, etc. La relación entre el par de apriete y el tiempo de apriete se muestra en las figuras.

Par de apriete apropiado para perno estándar



1. Tiempo de apriete (segundos) 2. Par de apriete

Par de apriete apropiado para perno de gran resistencia a la tracción



1. Tiempo de apriete (segundos) 2. Par de apriete

Sujete la herramienta firmemente y coloque la punta de la punta de atornillar en la cabeza del tornillo. Aplique presión frontal a la herramienta suficiente como para que la punta de atornillar no se deslice del tornillo y encienda la herramienta para comenzar la operación.

AVISO: Si utiliza una batería de repuesto para continuar la operación, deje descansar la herramienta al menos 15 minutos.

NOTA: Utilice la punta de atornillar apropiada para la cabeza del tornillo/perno que desee utilizar.

NOTA: Cuando vaya a apretar un tornillo M8 o más pequeño, ajuste cuidadosamente la presión en el gatillo interruptor para no dañar el tornillo.

NOTA: Sujete la herramienta apuntando en línea recta al tornillo.

NOTA: Si la fuerza de impacto es muy fuerte o aprieta el tornillo durante más tiempo que el mostrado en las figuras, el tornillo o la punta de la punta de atornillar podrá fatigarse en exceso, romperse, dañarse, etc. Antes de comenzar su tarea, realice siempre una operación de prueba para determinar el tiempo de apriete apropiado para su tornillo.

El par de apriete se verá afectado por una amplia variedad de factores, incluidos los siguientes. Después de apretar, compruebe siempre el par de apriete con una llave dinamométrica.

1. Cuando el cartucho de batería esté casi completamente descargado, caerá la tensión y el par de apriete se reducirá.
2. Punta de atornillar o punta de tubo
En caso de no utilizar la punta de atornillar o punta de tubo del tamaño correcto se producirá una reducción del par de apriete.

3. Perno
 - Aunque el coeficiente del par de apriete y la clase de perno sean iguales, el par de apriete apropiado variará de acuerdo con el diámetro del perno.
 - Aunque los diámetros de los pernos sean iguales, el par de apriete apropiado variará de acuerdo con el coeficiente del par de apriete, la clase de perno y la longitud del perno.
4. La manera de sujetar la herramienta o el material que se va apretar en la posición de atornillar afectarán al par de apriete.
5. La operación de la herramienta a baja velocidad ocasionará una reducción del par de apriete.

MANTENIMIENTO

⚠PRECAUCIÓN: Asegúrese siempre de que la herramienta está apagada y de que el cartucho de batería está retirado antes de intentar hacer una inspección o mantenimiento.

AVISO: No utilice nunca gasolina, bencina, disolvente, alcohol o similares. Podría producir descoloración, deformación o grietas.

Para mantener la SEGURIDAD y FIABILIDAD del producto, las reparaciones, la inspección y el reemplazo de la escobilla de carbón, y cualquier otra tarea de mantenimiento o ajuste deberán ser realizados en centros de servicio autorizados o de fábrica de Makita, empleando siempre repuestos Makita.

ACCESORIOS OPCIONALES

⚠PRECAUCIÓN: Estos accesorios o aditamentos están recomendados para su uso con la herramienta Makita especificada en este manual.

El uso de cualquier otro accesorio o aditamento puede suponer un riesgo de heridas personales. Utilice el accesorio o aditamento solamente con la finalidad indicada para el mismo.

Si necesita cualquier ayuda para más detalles en relación con estos accesorios, pregunte al centro de servicio Makita local.

- Puntas de atornillar
- Adaptador de punta de atornillar
- Gancho
- Maletín de transporte de plástico
- Batería y cargador genuinos de Makita
- Protector de batería

NOTA: Algunos elementos de la lista podrán estar incluidos en el paquete de la herramienta como accesorios estándar. Pueden variar de un país a otro.

ESPECIFICAÇÕES

Modelo:		DTD156
Capacidades de aperto	Parafuso de montagem	M4 - M8
	Perno normal	M5 - M14
	Perno de grande carga	M5 - M12
Velocidade sem carga		0 - 2.500 min ⁻¹
Impactos por minuto		0 - 3.000 min ⁻¹
Comprimento total		143 mm
Voltagem nominal		CC 18 V
Peso líquido		1,3-1,6 kg

- Devido a um programa contínuo de pesquisa e desenvolvimento, estas especificações estão sujeitas a alteração sem aviso prévio.
- As especificações podem variar de país para país.
- O peso poderá diferir em função do acessório(s), incluindo a bateria. A combinação mais leve e mais pesada, de acordo com o Procedimento EPTA 01/2014, é apresentada na tabela.

Bateria e carregador aplicável

Bateria	BL1815N / BL1820B / BL1830B / BL1840B / BL1850B / BL1860B
Carregador	DC18RC / DC18RD / DC18RE / DC18SD / DC18SE / DC18SF / DC18SH / DC18WC

- Algumas das baterias e carregadores listados acima poderão não estar disponíveis, dependendo da sua região de residência.

⚠AVISO: Utilize apenas as baterias e carregadores listados acima. A utilização de quaisquer outras baterias e carregadores pode causar ferimentos e/ou um incêndio.

Utilização a que se destina

A ferramenta foi concebida para aparafusamento em madeira, metal e plástico.

Ruído

A característica do nível de ruído A determinado de acordo com a EN62841-2-2:

Nível de pressão acústica (L_{pA}): 95 dB (A)

Nível de potência acústica (L_{WA}): 103 dB (A)

Variabilidade (K): 3 dB (A)

NOTA: O(s) valor(es) da emissão de ruído indicado(s) foi medido de acordo com um método de teste padrão e pode ser utilizado para comparar duas ferramentas.

NOTA: O(s) valor(es) da emissão de ruído indicado(s) pode também ser utilizado na avaliação preliminar da exposição.

⚠AVISO: Utilize protetores auriculares.

⚠AVISO: A emissão de ruído durante a utilização real da ferramenta elétrica pode diferir do(s) valor(es) indicado(s), dependendo das formas como a ferramenta é utilizada, especialmente o tipo de peça de trabalho que é processada.

⚠AVISO: Certifique-se de identificar as medidas de segurança para proteção do operador que sejam baseadas em uma estimativa de exposição em condições reais de utilização (considerando todas as partes do ciclo de operação, tal como quando a ferramenta está desligada e quando está a funcionar em marcha lenta além do tempo de acionamento).

Vibração

Valor total da vibração (soma vetorial tri-axial) determinado de acordo com a EN62841-2-2:

Modo de trabalho: aperto com impacto de parafusos de capacidade máxima da ferramenta

Emissão de vibração (a_{h1}): 10.0 m/s²

Variabilidade (K): 1,5 m/s²

NOTA: O(s) valor(es) total(ais) de vibração indicado(s) foi medido de acordo com um método de teste padrão e pode ser utilizado para comparar duas ferramentas.

NOTA: O(s) valor(es) total(ais) de vibração indicado(s) pode também ser utilizado na avaliação preliminar da exposição.

⚠AVISO: A emissão de vibração durante a utilização real da ferramenta elétrica pode diferir do(s) valor(es) indicado(s), dependendo das formas como a ferramenta é utilizada, especialmente o tipo de peça de trabalho que é processada.

⚠AVISO: Certifique-se de identificar as medidas de segurança para proteção do operador que sejam baseadas em uma estimativa de exposição em condições reais de utilização (considerando todas as partes do ciclo de operação, tal como quando a ferramenta está desligada e quando está a funcionar em marcha lenta além do tempo de acionamento).

Declarações de conformidade

Apenas para os países europeus

As Declarações de conformidade estão incluídas no Anexo A deste manual de instruções.

AVISOS DE SEGURANÇA

Avisos gerais de segurança para ferramentas elétricas

⚠AVISO: Leia todos os avisos de segurança, instruções, ilustrações e especificações fornecidos com esta ferramenta elétrica. O não cumprimento de todas as instruções indicadas em baixo pode resultar em choque elétrico, incêndio e/ou ferimentos graves.

Guarde todos os avisos e instruções para futuras referências.

O termo "ferramenta elétrica" nos avisos refere-se às ferramentas elétricas ligadas à corrente elétrica (com cabo) ou às ferramentas elétricas operadas por meio de bateria (sem cabo).

Avisos de segurança da parafusadeira de impacto a bateria

1. **Agarre na ferramenta elétrica pelas partes isoladas quando executa uma operação em que o parafuso possa entrar em contacto com fios ocultos.** O contacto dos parafusos com um fio com corrente poderá carregar as partes metálicas da ferramenta e causar choque elétrico no operador.
2. **Certifique-se sempre de que tem os pés bem assentes.** Certifique-se de que não está ninguém por baixo quando utilizar a ferramenta em locais altos.
3. **Segure a ferramenta firmemente.**
4. **Use protetores auditivos.**
5. **Não toque na ponta da ferramenta ou na peça de trabalho imediatamente após a operação.** Podem estar extremamente quentes e podem queimar-lhe a pele.

6. **Mantenha as mãos afastadas das partes giratórias.**
7. **Utilize pega(s) auxiliar(es), se fornecida(s) com a ferramenta.** A perda de controlo pode causar ferimentos pessoais.
8. **Segure na ferramenta elétrica pelas superfícies de aderência isoladas, quando executar uma operação em que o acessório de corte possa entrar em contacto com fios ocultos.** O acessório de corte que entra em contacto com um fio "com corrente" pode passar a corrente para as partes metálicas expostas da ferramenta elétrica e causar choque elétrico ao operador.
9. **Certifique-se de que não há cabos elétricos, tubos de água, tubos de gás, etc., que possam constituir um perigo se danificados pela utilização da ferramenta.**

GUARDE ESTAS INSTRUÇÕES.

⚠AVISO: NÃO permita que o conforto ou a familiaridade com o produto (adquirido com o uso repetido) substitua a adesão estrita às regras de segurança da ferramenta.

A MÁ INTERPRETAÇÃO ou o não seguimento das regras de segurança estabelecidas neste manual de instruções pode causar danos pessoais graves.

Instruções de segurança importantes para a bateria

1. **Antes de utilizar a bateria, leia todas as instruções e etiquetas de precaução no (1) carregador de bateria (2) bateria e (3) produto que utiliza a bateria.**
2. **Não desmonte ou manipule a bateria.** Pode resultar num incêndio, em calor excessivo ou numa explosão.
3. **Se o tempo de funcionamento se tornar excessivamente curto, pare o funcionamento imediatamente.** Pode resultar em sobreaquecimento, possíveis queimaduras e mesmo explosão.
4. **Se entrar eletrólito nos seus olhos, lave-os com água e consulte imediatamente um médico.** Pode resultar em perda de visão.
5. **Não coloque a bateria em curto-circuito:**
 - (1) **Não toque nos terminais com qualquer material condutor.**
 - (2) **Evite guardar a bateria juntamente com outros objetos metálicos tais como pregos, moedas, etc.**
 - (3) **Não exponha a bateria à água ou chuva.** Um curto-circuito pode ocasionar um enorme fluxo de corrente, sobreaquecimento, possíveis queimaduras e mesmo estragar-se.
6. **Não guarde nem utilize a ferramenta e a bateria em locais onde a temperatura pode atingir ou exceder 50 °C.**
7. **Não queime a bateria mesmo que esteja estragada ou completamente gasta.** A bateria pode explodir no fogo.

8. **Não preegue, corte, esmague, atire, deixe cair a bateria, nem bata a bateria contra um objeto rijo.** Esta conduta pode resultar num incêndio, em calor excessivo ou numa explosão.
9. **Não utilize uma bateria danificada.**
10. **As baterias de íões de lítio contidas na ferramenta são sujeitas aos requisitos da DGL (Dangerous Goods Legislation - Legislação de bens perigosos).**
Para o transporte comercial, por exemplo, por terceiros ou agentes de expedição, têm de ser observados os requisitos referentes à embalagem e etiquetagem.
Para preparação do artigo a ser expedido, é necessário consultar um perito em materiais perigosos. Tenha ainda em conta a possibilidade de existirem regulamentos nacionais mais detalhados.
Coloque fita-cola ou tape os contactos abertos e embale a bateria de tal forma que não possa mover-se dentro da embalagem.
11. **Quando eliminar a bateria, remova-a da ferramenta e elimine-a num local seguro. Siga os regulamentos locais relacionados com a eliminação de baterias.**
12. **Utilize as baterias apenas com os produtos especificados pela Makita.** Instalar as baterias em produtos não-conformes poderá resultar num incêndio, calor excessivo, explosão ou fuga de eletrólito.
13. **Se a ferramenta não for utilizada durante um período de tempo prolongado, a bateria deve ser removida da ferramenta.**
14. **Durante e após a utilização, a bateria pode aquecer, o que pode provocar queimaduras ou queimaduras a baixa temperatura. Preste atenção ao manuseamento de baterias quentes.**
15. **Não toque no terminal da ferramenta imediatamente após a utilização, pois pode ficar suficientemente quente para provocar queimaduras.**
16. **Não permita a adesão de aparas, pó ou sujidade nos terminais, nos orifícios e nas ranhuras da bateria.** Poderá fazer com que a ferramenta ou a bateria aqueça, incendeie, rebente e avarie, resultando em queimaduras ou ferimentos corporais.
17. **A menos que a ferramenta suporte a utilização perto de linhas elétricas de alta tensão, não utilize a bateria perto de linhas elétricas de alta tensão.** Pode resultar no mau funcionamento ou na avaria da ferramenta ou bateria.
18. **Mantenha a bateria afastada das crianças.**

GUARDE ESTAS INSTRUÇÕES.

⚠️ PRECAUÇÃO: Utilize apenas baterias genuínas da Makita. A utilização de baterias não genuínas da Makita ou de baterias que foram alteradas, pode resultar no rebentamento da bateria provocando incêndios, ferimentos pessoais e danos. Além disso, anulará da garantia da Makita no que se refere à ferramenta e ao carregador Makita.

Conselhos para manter a máxima vida útil da bateria

1. Carregue a bateria antes que esteja completamente descarregada. Pare sempre o funcionamento da ferramenta e carregue a bateria quando notar menos poder na ferramenta.
2. Nunca carregue uma bateria completamente carregada. Carregamento excessivo diminui a vida útil da bateria.
3. Carregue a bateria à temperatura ambiente de 10 °C – 40 °C. Deixe que uma bateria quente arrefeça antes de a carregar.
4. Quando não utilizar a bateria, remova-a da ferramenta ou do carregador.
5. Carregue a bateria se não a utilizar durante um longo período de tempo (mais de seis meses).

DESCRIÇÃO FUNCIONAL

⚠️ PRECAUÇÃO: Certifique-se sempre de que a ferramenta está desligada e a bateria foi retirada antes de regular ou verificar qualquer função na ferramenta.

Instalação ou remoção da bateria

⚠️ PRECAUÇÃO: Desligue sempre a ferramenta antes de colocar ou retirar a bateria.

⚠️ PRECAUÇÃO: Segure firmemente a ferramenta e a bateria quando instalar ou remover a bateria. Se não segurar firmemente a ferramenta e a bateria pode fazer com que escorreguem das suas mãos resultando em danos na ferramenta e na bateria e ferimentos pessoais.

► Fig.1: 1. Indicador vermelho 2. Botão 3. Bateria

Para retirar a bateria, deslize-a para fora da ferramenta enquanto desliza o botão na frente da bateria.

Para instalar a bateria, alinhe a lingueta na bateria com a ranhura na caixa e deslize-a para a posição correta. Insira-a por completo até bloquear na posição correta com um pequeno clique. Se conseguir ver o indicador vermelho conforme apresentado na figura, não está completamente bloqueada.

⚠️ PRECAUÇÃO: Instale sempre a bateria até ao fim, até deixar de ver o indicador vermelho. Caso contrário, a bateria poderá cair da ferramenta acidentalmente e provocar ferimentos em si mesmo ou em alguém próximo.

⚠️ PRECAUÇÃO: Não instale a bateria à força. Se a bateria não deslizar facilmente é porque não foi colocada corretamente.

Sistema de proteção da bateria

A ferramenta está equipada com um sistema de proteção da bateria. Este sistema corta automaticamente a energia para o motor a fim de prolongar a vida útil da bateria.

A ferramenta para automaticamente durante o funcionamento se a mesma e/ou a bateria estiver numa das seguintes circunstâncias:

Sobrecarga:

A ferramenta é utilizada de tal forma que puxa uma corrente elevada demais.

Neste caso, desligue a ferramenta e pare a aplicação que fez com que a ferramenta ficasse sobrecarregada. Depois, ligue a ferramenta para reiniciar.

Se a ferramenta não reiniciar, a bateria está sobreaquecida. Nesta situação, deixe a bateria arrefecer antes de voltar a ligar a ferramenta.

Baixa tensão da bateria:











A carga restante da bateria está baixa demais e a ferramenta não funciona. Nesse caso, retire a bateria e recarregue-a.

Indicação da capacidade restante da bateria

Apenas para baterias com indicador

► Fig.2: 1. Luzes indicadoras 2. Botão de verificação

Prima o botão de verificação na bateria para indicar a capacidade restante da bateria. As luzes indicadoras acendem durante alguns segundos.

Luzes indicadoras			Capacidade restante
 Aceso	 Apagado	 A piscar	
			75% a 100%
			50% a 75%
			25% a 50%
			0% a 25%
			Carregar a bateria.
			A bateria pode estar avariada.
			

NOTA: Dependendo das condições de utilização e da temperatura ambiente, a indicação pode ser ligeiramente diferente da capacidade real.

NOTA: A primeira luz indicadora (extremo esquerdo) pisca quando o sistema de proteção da bateria funciona.

Ação do interruptor

► Fig.3: 1. Gatilho do interruptor

PRECAUÇÃO: Antes de colocar a bateria na ferramenta, verifique sempre se o gatilho do interruptor funciona corretamente e volta para a posição "OFF" quando libertado.

Para iniciar a ferramenta, carregue simplesmente no gatilho do interruptor. A velocidade da ferramenta aumenta quando aumenta a pressão no gatilho. Liberte o gatilho do interruptor para parar.

Acender a lâmpada da frente

► Fig.4: 1. Lâmpada

PRECAUÇÃO: Não olhe para a luz ou para a fonte de iluminação diretamente.

Puxe o gatilho do interruptor para acender a lâmpada. A lâmpada mantém-se acesa enquanto o gatilho do interruptor estiver a ser premido. A lâmpada apaga-se aproximadamente 10 segundos após soltar o gatilho do interruptor.

NOTA: Utilize um pano seco para limpar a sujidade da lente da lâmpada. Tenha cuidado para não riscar a lente da lâmpada ou a iluminação pode ficar enfraquecida.

Ação do interruptor de inversão

► Fig.5: 1. Alavanca do interruptor de inversão

PRECAUÇÃO: Verifique sempre a direção de rotação antes da operação.

PRECAUÇÃO: Só utilize o interruptor de inversão depois de a ferramenta estar completamente parada. Mudar a direção de rotação antes de a ferramenta parar pode estragar a ferramenta.

PRECAUÇÃO: Quando não estiver a utilizar a ferramenta, coloque sempre a alavanca do interruptor de inversão na posição neutra.

Esta ferramenta tem um interruptor de inversão para mudar a direção de rotação. Pressione a alavanca do interruptor de inversão no lado A para rotação para a direita ou no lado B para rotação para a esquerda. Quando a alavanca do interruptor de inversão está na posição neutra, não é possível carregar no gatilho.

MONTAGEM

PRECAUÇÃO: Certifique-se sempre de que a ferramenta está desligada e a bateria retirada antes de executar qualquer trabalho na ferramenta.

Instalar ou retirar a broca de aparafusar/broca de contacto

► Fig.6

Utilize só brocas de aparafusar/brocas de contacto que tenham a parte de inserção como mostrado na figura. Não utilize outras brocas de aparafusar/brocas de contacto.

Para ferramenta com furo de broca de aparafusar raso

A=12 mm B=9 mm	Utilize só estes tipos de brocas de aparafusar. Execute o procedimento 1. (Nota) Não necessita de extensão da broca.
-------------------	--

Para ferramenta com furo de broca de aparafusar fundo

A=17 mm B=14 mm	Para instalar estes tipos de broca de aparafusar, execute o procedimento 1.
A=12 mm B=9 mm	Para instalar estes tipos de broca de aparafusar, execute o procedimento 2. (Nota) Necessita de extensão da broca para instalar a broca.

Procedimento 1

Para ferramentas sem manga do tipo um toque

► **Fig.7:** 1. Broca de aparafusar 2. Manga

Para instalar a broca de aparafusar, puxe a manga na direção da seta e coloque a broca de aparafusar dentro da manga, o mais fundo possível.

Em seguida, solte a manga para prender a broca de aparafusar.

Para ferramentas com manga do tipo um toque

Para instalar a broca de aparafusar, insira-a dentro da manga o mais fundo possível.

Procedimento 2

Acessório opcional

Além do **Procedimento 1**, insira a extensão da broca dentro da manga com a extremidade pontiaguda virada para dentro.

► **Fig.8:** 1. Broca de aparafusar 2. Extensão da broca 3. Manga

Para remover a broca de aparafusar, puxe a manga na direção da seta e puxe a broca de aparafusar para fora.

NOTA: Se a broca de aparafusar não estiver colocada suficientemente funda na manga, a manga não voltará para a sua posição original e a broca de aparafusar não ficará presa. Neste caso, volte a colocar a broca de acordo com as instruções acima.

NOTA: Quando for difícil inserir a broca de aparafusar, puxe a manga e insira a broca dentro da manga o mais fundo possível.

NOTA: Depois de colocar a broca de aparafusar, certifique-se de que está presa firmemente. Se sair, não a utilize.

Instalar o gancho

AVISO: Utilize as peças de suspensão/montagem exclusivamente para as respetivas finalidades, por exemplo, pendurar a ferramenta num cinto de ferramentas entre trabalhos ou intervalos de trabalho.

AVISO: Tenha cuidado para não sobrecarregar o gancho, pois a força excessiva ou sobrecarga irregular poderão causar danos na ferramenta, resultando em ferimentos corporais.

PRECAUÇÃO: Quando instalar o gancho, fixe-o sempre firmemente com o parafuso. Caso contrário, o gancho sai da ferramenta, resultando em lesão física.

PRECAUÇÃO: Certifique-se de que pendura a ferramenta em segurança antes de soltá-la. Enganchar de forma insuficiente ou desequilibrada poderá causar quedas e poderá ferir-se.

► **Fig.9:** 1. Ranhura 2. Gancho 3. Parafuso

O gancho é conveniente para pendurar temporariamente a ferramenta. Pode ser instalado em qualquer um dos lados da ferramenta. Para instalar o gancho, coloque-o numa ranhura no corpo da ferramenta em qualquer um dos lados e prenda-o com um parafuso. Para o retirar, solte o parafuso e retire-o.

Utilizar o orifício

AVISO: Nunca utilize o orifício para pendurar para fins não previstos como, por exemplo, amarrar a ferramenta num local elevado. Suportar a tensão num orifício fortemente carregado pode causar danos no orifício, provocando ferimentos a si ou às pessoas perto ou por baixo de si.

► **Fig.10:** 1. Orifício para pendurar

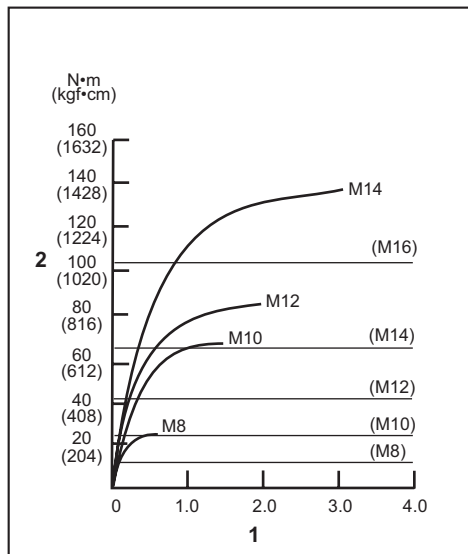
Utilize o orifício para pendurar na parte traseira inferior da ferramenta para pendurar a ferramenta numa parede utilizando um cabo para pendurar ou cordões semelhantes.

OPERAÇÃO

► **Fig.11**

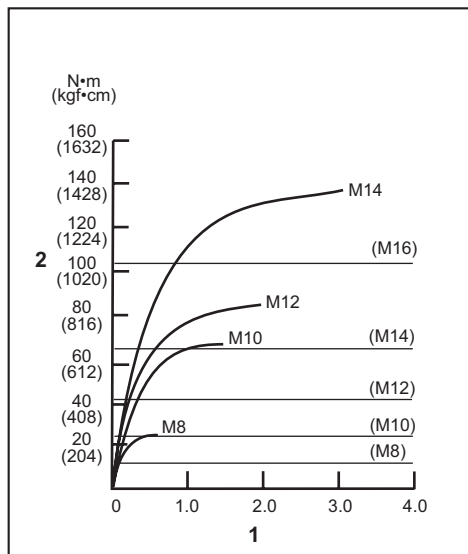
O binário de aperto adequado pode diferir dependendo do tipo e tamanho do parafuso/perno, do material da peça de trabalho a ser apertada, etc. A relação entre o binário de aperto e o tempo de aperto é indicada nas figuras.

Binário de aperto adequado para o perno normal



1. Tempo de aperto (segundos) 2. Binário de aperto

Binário de aperto adequado para o perno de grande carga



1. Tempo de aperto (segundos) 2. Binário de aperto

Agarre na ferramenta firmemente e coloque a ponta da broca de aparafusar na cabeça do parafuso. Aplique pressão para a frente na ferramenta de modo que a broca não deslize para fora do parafuso e ligue a ferramenta para começar a operação.

OBSERVAÇÃO: Se utilizar uma bateria sobressalente para continuar a operação, deixe a ferramenta descansar pelo menos 15 minutos.

NOTA: Utilize a broca correta para a cabeça do parafuso/perno que pretende utilizar.

NOTA: Quando apertar um parafuso M8 ou mais pequeno, ajuste cuidadosamente a pressão no gatilho para que o parafuso não fique danificado.

NOTA: Mantenha a ferramenta apontada a direito para o parafuso.

NOTA: Se a força de impacto for muito forte ou se apertar o parafuso durante um tempo superior ao indicado nas figuras, o parafuso ou a ponta da broca de aparafusar pode sofrer pressão excessiva, separar-se, danificar-se, etc. Antes de iniciar o trabalho, faça sempre um teste de funcionamento para determinar o tempo de aperto apropriado para o parafuso.

O binário de aperto é afetado por uma enorme variedade de fatores, incluindo o seguinte. Depois do aperto, verifique sempre o binário com uma chave de binário.

1. Quando a bateria está quase completamente descarregada, a tensão baixará e o binário de aperto será reduzido.
2. Broca de aparafusar ou broca de contacto
A não utilização do tamanho correto da broca de aparafusar ou da broca de contacto causará redução no binário de aperto.
3. Perno
 - Mesmo que o coeficiente do binário e o tipo do perno sejam o mesmo, o binário de aperto adequado será diferente de acordo com o diâmetro do perno.
 - Mesmo que os diâmetros dos pernos sejam os mesmos, o binário de aperto adequado será diferente de acordo com o coeficiente do binário, o tipo e o comprimento do perno.
4. O modo de pegar na ferramenta ou o material na posição a ser aparafusado afetará o binário.
5. Funcionar com a ferramenta a baixa velocidade causará redução do binário de aperto.

MANUTENÇÃO

PRECAUÇÃO: Certifique-se sempre de que a ferramenta se encontra desligada e de que a bateria foi retirada antes de executar qualquer inspeção ou manutenção.

OBSERVAÇÃO: Nunca utilize gasolina, benzina, diluente, álcool ou produtos semelhantes. Pode ocorrer a descoloração, deformação ou rachaduras.

Para manter a SEGURANÇA e a FIABILIDADE do produto, as reparações, a inspeção e substituição das escovas de carvão e qualquer outra manutenção ou ajuste devem ser levados a cabo pelos centros de assistência autorizados ou pelos centros de assistência de fábrica Makita, utilizando sempre peças de substituição Makita.

ACESSÓRIOS OPCIONAIS

⚠️ PRECAUÇÃO: Estes acessórios ou peças são recomendados para utilização com a ferramenta Makita especificada neste manual. A utilização de outros acessórios ou peças pode ser perigosa para as pessoas. Utilize apenas acessórios ou peças para os fins indicados.

Se necessitar de informações adicionais relativas a estes acessórios, solicite-as ao seu centro de assistência Makita.

- Brocas de aparafusar
- Extensão da broca
- Gancho
- Caixa de plástico para transporte
- Bateria e carregador genuínos da Makita
- Protetor da bateria

NOTA: Alguns itens da lista podem estar incluídos na embalagem da ferramenta como acessórios padrão. Eles podem variar de país para país.

SPECIFIKATIONER

Model:		DTD156
Skrukapacitet	Maskinskrue	M4 - M8
	Standardbolt	M5 - M14
	Højstyrkebolt	M5 - M12
Hastighed uden belastning		0 - 2.500 min ⁻¹
Slag pr. minut		0 - 3.000 min ⁻¹
Længde		143 mm
Mærkespænding		D.C. 18 V
Vægt		1,3-1,6 kg

- På grund af vores kontinuerlige forsknings- og udviklingsprogrammer kan hosstående specifikationer blive ændret uden varsel.
- Specifikationer kan variere fra land til land.
- Vægten kan være anderledes afhængigt af tilbehøret, inklusive akkuen. Den letteste og tungeste kombination i henhold til EPTA-procedure 01/2014 er vist i tabellen.

Anvendelig akku og oplader

Akku	BL1815N / BL1820B / BL1830B / BL1840B / BL1850B / BL1860B
Oplader	DC18RC / DC18RD / DC18RE / DC18SD / DC18SE / DC18SF / DC18SH / DC18WC

- Nogle af de akkuer og opladere, der er angivet ovenfor, er muligvis ikke tilgængelige, afhængigt af hvilket område du bor i.

⚠ ADVARSEL: Brug kun de akkuer og opladere, der er angivet ovenfor. Brug af andre akkuer og opladere kan medføre personskaade og/eller brand.

Tilsigtet anvendelse

Denne maskine er beregnet til skrunding i træ, metal og plastmaterialer.

Støj

Det typiske A-vægtede støjniveau bestemt i overensstemmelse med EN62841-2-2:
 Lydtryksniveau (L_{pA}): 95 dB (A)
 Lydeffektniveau (L_{WA}): 103 dB (A)
 Usikkerhed (K): 3 dB (A)

BEMÆRK: De(n) angivne støjemissionsværdi(er) er målt i overensstemmelse med en standardtestmetode og kan anvendes til at sammenligne en maskine med en anden.

BEMÆRK: De(n) angivne støjemissionsværdi(er) kan også anvendes i en præliminær eksponeringsvurdering.

⚠ ADVARSEL: Bær høreværn.

⚠ ADVARSEL: Støjemissionen under den faktiske anvendelse af maskinen kan være forskellig fra de(n) angivne værdi(er), afhængigt af den måde hvorpå maskinen anvendes, især den type arbejdssemne der behandles.

⚠ ADVARSEL: Sørg for at identificere de sikkerhedsforskrifter til beskyttelse af operatøren, som er baseret på en vurdering af eksponering under de faktiske brugsforhold (med hensyntagen til alle dele i brugscyklussen, f.eks. de gange, hvor maskinen er slukket, og når den kører i tomgang i tilgift til afbrydertiden).

Vibration

Vibrationens totalværdi (tre-aksial vektorsum) bestemt i overensstemmelse med EN62841-2-2:
 Arbejdsstilstand: slagstramning af fastgøringsanordninger med maksimal kapacitet for maskinen
 Vibrationsemission (a_{h1}): 10.0 m/s²
 Usikkerhed (K): 1,5 m/s²

BEMÆRK: De(n) angivne totalværdi(er) for vibration er målt i overensstemmelse med en standardtestmetode og kan anvendes til at sammenligne en maskine med en anden.

BEMÆRK: De(n) angivne totalværdi(er) for vibration kan også anvendes i en præliminær eksponeringsvurdering.

⚠ ADVARSEL: Vibrationsemissionen under den faktiske anvendelse af maskinen kan være forskellig fra de(n) angivne værdi(er), afhængigt af den måde hvorpå maskinen anvendes, især den type arbejdsemne der behandles.

⚠ ADVARSEL: Sørg for at identificere de sikkerhedsforskrifter til beskyttelse af operatøren, som er baseret på en vurdering af eksponering under de faktiske brugsforhold (med hensyntagen til alle dele i brugscyklussen, f.eks. de gange, hvor maskinen er slukket, og når den kører i tomgang i tilgift til afbrydertiden).

Overensstemmelseserklæringer

Kun for lande i Europa

Overensstemmelseserklæringerne er inkluderet i Bilag A i denne brugsanvisning.

SIKKERHEDSADVARSLER

Almindelige sikkerhedsregler for el-værktøj

⚠ ADVARSEL: Læs alle de sikkerhedsadvarsler, instruktioner, illustrationer og specifikationer, der følger med denne maskine. Forsømmelse af at overholde alle nedenstående instruktioner kan medføre elektrisk stød, brand og/eller alvorlig personskade.

Gem alle advarsler og instruktioner til fremtidig reference.

Ordet "el-værktøj" i advarslerne henviser til det netforsyede (netledning) el-værktøj eller batteriforsyede (akku) el-værktøj.

Sikkerhedsadvarsler for akku slagskruemaskine

1. Hold kun maskinen i de isolerede grebflader, når De udfører arbejde, hvor fastgørelsesanordningen kan komme i kontakt med skjulte ledninger. Fastgørelsesanordninger, som kommer i kontakt med en strømførende ledning kan gøre uafdækkede metaldele på maskinen strømførende og give operatøren stød.
2. Sørg for at stå på et fast underlag. Sørg for at der ikke opholder sig personer under arbejdsområdet, når De arbejder i højden.
3. Hold maskinen godt fast.
4. Brug høreværn.
5. Rør ikke ved bitten eller arbejdsmønt umiddelbart efter brug. Disse dele kan være ekstremt varme og medføre forbrændinger.
6. Hold hænderne væk fra roterende dele.
7. Brug hjælpemåttet (-håndtagene), hvis sådanne følger med maskinen. Hvis herredømmet over maskinen mistes, kan det føre til tilskadekomst.

8. Hold kun maskinen i de isolerede grebflader, når der udføres et arbejde, hvor skæretilbehøret kan komme i kontakt med skjulte ledninger. Skæretilbehør, som kommer i kontakt med en strømførende ledning, kan gøre maskinens ikke-isolerede metaldele strømførende, hvilket kan give operatøren elektrisk stød.
9. Sørg for, at der ikke er nogen elledninger, vandrør, gasrør osv., der kan udgøre en fare, hvis de beskadiges ved brug af maskinen.

GEM DENNE BRUGSANVISNING.

⚠ ADVARSEL: LAD IKKE bekvemmelighed eller kendskab til produktet (opnået gennem gentagen brug) forhindre, at sikkerhedsforskrifterne for produktet nøje overholdes.

MISBRUG eller forsømmelse af at følge de i denne brugsvejledning givne sikkerhedsforskrifter kan føre til, at De kommer alvorligt til skade.

Vigtige sikkerhedsinstruktioner for akkuen

1. Læs alle instruktioner og advarselmærkater på (1) akku-opladeren, (2) akkuen og (3) produktet, som anvender akku.
2. Adskil eller ændr ikke akkuen. Det kan muligvis resultere i en brand, overdreven varme eller eksplosion.
3. Hold straks op med anvendelsen, hvis brugstiden er blevet stærkt afkortet. Fortsat anvendelse kan resultere i risiko for overophedning, forbrændinger og endog eksplosion.
4. Hvis De har fået elektrolytvæske i øjnene, skal De straks skylle den ud med rent vand og derefter øjeblikkeligt søge lægehjælp. I modsat fald kan De miste synet.
5. Vær påpasselig med ikke at komme til at kortslutte akkuen:
 - (1) Rør ikke ved terminalerne med noget ledende materiale.
 - (2) Undgå at opbevare akkuen i en beholder sammen med andre genstande af metal, for eksempel søm, mønter og lignende.
 - (3) Udsæt ikke akkuen for vand eller regn. Kortslutning af akkuen kan forårsage en kraftig øgning af strømmen, overophedning, mulige forbrændinger og endog værktøjstop.
6. Opbevar og brug ikke maskinen og akkuen på steder, hvor temperaturen muligvis kan nå eller overstige 50 °C.
7. Lad være med at brænde akkuen, selv ikke i tilfælde, hvor den har lidt alvorlig skade eller er fuldstændig udtjent. Akkuen kan eksplodere, hvis man forsøger at brænde den.
8. Slå ikke søm i, skær ikke i, knus, kast, tab ikke akkuen og stød ikke akkuen mod en hård genstand. Sådant adfærd kan muligvis resultere i en brand, overdreven varme eller eksplosion.
9. Anvend ikke en beskadiget akku.
10. De indbyggede litium-ion-batterier er underlagt lovkrav vedrørende farligt gods. Ved kommerciel transport, f.eks. af tredjeparts transportelskaber, skal særlige krav til forpakning og mærkning overholdes.

Ved forberedelse af udstyret til forsendelse skal du kontakte en ekspert i farligt gods. Overhold også eventuel mere detaljeret national lovgivning. Tape eller tildæk åbne kontakter, og pak batteriet på en måde, så det ikke kan flytte sig rundt i pakningen.

11. **Når akkuen bortskaffes, skal du fjerne den fra maskinen og bortskaffe den på et sikkert sted. Følg de lokale love vedrørende bortskaffelsen af batterier.**
12. **Brug kun batterierne med de produkter, som Makita specificerer.** Hvis batterierne installeres i ikke-kompatible produkter, kan det medføre brand, kraftig varme, eksplosion eller udsivning af elektrolyt.
13. **Hvis maskinen ikke skal bruges i længere tid ad gangen, skal du fjerne batteriet fra maskinen.**
14. **Akkuen kan muligvis under og efter brug være varm, hvilket kan forårsage forbrændinger eller lavtemperaturforbrændinger. Vær påpasselig med håndtering af varme akkuer.**
15. **Rør ikke terminalen på maskinen straks efter brug, da den bliver varm nok til at forårsage forbrændinger.**
16. **Sørg for, at spåner, støv eller jord ikke sætter sig fast i akkuens terminaler, huller og riller.** Det kan forårsage opvarmning, antændelse, sprængning og funktionsfejl i maskinen eller akkuen, hvilket kan medføre forbrændinger eller personskade.
17. **Medmindre maskinen understøtter brugen i nærheden af elektriske højspændingsledninger, skal du ikke anvende akkuen i nærheden af elektriske højspændingsledninger.** Det kan muligvis medføre funktionsfejl på eller nedbrud af maskinen eller akkuen.
18. **Opbevar batteriet utilgængeligt for børn.**

GEM DENNE BRUGSANVISNING.

⚠FORSIGTIG: Brug kun originale batterier fra Makita. Brug af uoriginale Makita-batterier, eller batterier som er blevet ændret, kan muligvis medføre brud på batteriet, hvilket kan forårsage brand, personskade eller beskadigelse. Det ugyldiggør også Makita-garantien for Makita-maskinen og opladeren.

Tips til opnåelse af maksimal akku-levetid

1. **Oplad akkuen, inden den er helt afladet. Stop altid værktøjet, og oplad akkuen, hvis De bemærker, at værktøjeffekten er aftagende.**
2. **Genoplad aldrig en fuldt opladet akku. Overopladning vil afkorte akkuens levetid.**
3. **Oplad akkuen ved stuetemperatur ved 10 °C - 40 °C. Lad altid en varm akku få tid til at køle af, inden den oplades.**
4. **Når du ikke anvender akkuen, skal du fjerne den fra maskinen eller opladeren.**
5. **Oplad akkuen, hvis De ikke skal bruge den i længere tid (mere end seks måneder).**

FUNKTIONSBESKRIVELSE

⚠FORSIGTIG: Sørg altid for at maskinen er slukket, og at akkuen er taget ud, før der udføres justering eller kontrol af funktioner på maskinen.

Isætning eller fjernelse af akkuen

⚠FORSIGTIG: Sluk altid for værktøjet, før De monterer eller fjerner akkuen.

⚠FORSIGTIG: Hold værktøjet og akkuen fast ved montering eller fjernelse af akkuen. Hvis De ikke holder værktøjet og akkuen fast, kan de glide ud af hænderne på Dem og forårsage beskadigelse af værktøjet og akkuen eller personskade.

► Fig.1: 1. Rød indikator 2. Knap 3. Akku

Akkuen fjernes ved, at De trækker den ud af værktøjet, idet De skyder knappen på forsiden af akkuen i stilling.

For at montere akkuen skal du justere tungen på akkuen med rillen i huset og skubbe den på plads. Indsæt den hele vejen, indtil den låses på plads med et lille klik. Hvis du kan se den røde indikator, som vist i figuren, er den ikke helt låst.

⚠FORSIGTIG: Monter altid akkuen helt, indtil den røde indikator ikke længere er synlig. Hvis dette ikke gøres, kan den falde ud af værktøjet ved et uheld, hvorved De selv eller personer i nærheden kan komme til skade.

⚠FORSIGTIG: Brug ikke magt ved montering af akkuen. Hvis akkuen ikke glider på plads uden problemer, betyder det, at den ikke sættes i på korrekt vis.

Batteribeskyttelsessystem

Maskinen er udstyret med et batteribeskyttelsessystem. Dette system afbryder automatisk strømmen til motoren for at forlænge akkulevetiden.

Maskinen stopper automatisk under anvendelsen, hvis maskinen og/eller akkuen udsættes for en af de følgende situationer:

Overbelastet:

Maskinen anvendes på en sådan måde, at den bruger unormalt meget strøm. Sluk i så fald for maskinen, og stop den anvendelse, der medførte, at maskinen blev overbelastet. Tænd derefter for maskinen for at starte igen. Hvis maskinen ikke starter, er akkuen overophedet. Lad i så fald akkuen køle af, før du tænder for maskinen igen.

Lav spænding på akkuen:

Den resterende batteriladning er for lav, og maskinen vil ikke fungere. I denne situation skal De fjerne og oplade akkuen.

Indikation af den resterende batteriladning

Kun til akkuer med indikatoren

► Fig.2: 1. Indikatorlamper 2. Kontrolknap

Tryk på kontrolknappen på akkuen for at få vist den resterende batteriladning. Indikatorlampen lyser i nogle sekunder.

Indikatorlamper			Resterende ladning
Tændt	Slukket	Blinker	
■	□	◐	75% til 100%
■	■	□	50% til 75%
■	■	□	25% til 50%
■	□	□	0% til 25%
◐	□	□	Genoplad batteriet.
■	■	□	Der er muligvis fejl i batteriet.
□	□	■	

BEMÆRK: Afhængigt af brugsforholdene og den omgivende temperatur kan indikationen afvige en smule fra den faktiske ladning.

BEMÆRK: Den første indikatorlampe (længst mod venstre) vil blinke, når batteribeskyttelsessystemet aktiveres.

Afbryderbetjening

► Fig.3: 1. Afbryderknop

⚠FORSIGTIG: Inden akkuen sættes i maskinen, bør De altid kontrollere, at afbryderknappen fungerer korrekt, og returnerer til "OFF"-positionen, når den slippes.

For at starte maskinen trykkes der blot på afbryderknappen. Maskinens hastighed øges ved at øge trykket på afbryderknappen. Slip afbryderknappen for at stoppe.

Tænding af lampen foran

► Fig.4: 1. Lampe

⚠FORSIGTIG: Kig aldrig direkte på lyskilden. Lad ikke lyset falde i Deres øjne.

Tryk afbryderknappen ind for at tænde for lampen. Lampen fortsætter med at lyse, så længe afbryderknappen trykkes ind. Lampen slukker omkring 10 sekunder efter at afbryderknappen er udløst.

BEMÆRK: Brug en tør klud til at tørre snavset af lampens linse. Pas på ikke at ridsе lampens linse, da dette muligvis kan dæmpe belysningen.

Omløbsvælgerbetjening

► Fig.5: 1. Omløbsvælger

⚠FORSIGTIG: Kontrollér altid omløbsretningen, inden arbejdet påbegyndes.

⚠FORSIGTIG: Flyt kun omløbsvælgeren, når maskinen er helt standset. Hvis omløbsretningen ændres, inden maskinen er helt stoppet, kan det beskadige maskinen.

⚠FORSIGTIG: Sæt altid omløbsvælgeren i neutral stilling, når maskinen ikke anvendes.

Denne maskinen har en omløbsvælger til at skifte omløbsretning. Skub omløbsvælgeren ind fra A-siden for omdrejning med uret, og fra B-siden for omdrejning mod uret.

Når omløbsvælgeren er i neutral stilling, kan afbryderknappen ikke trykkes ind.

SAMLING

⚠FORSIGTIG: Sørg altid for at maskinen er slukket, og at akkuen er taget ud, før der udføres noget arbejde på maskinen.

Montering og afmontering af skruebit/top

► Fig.6

Anvend kun en skruebit/top med en isætningsdel som den, der vises på illustrationen. Brug ikke nogen anden skruebit/top.

Til maskine med lavt skruebit hul

A=12 mm B=9 mm	Anvend kun disse typer skruebits. Følg fremgangsmåden 1. (Bemærk) Bitstykke er ikke nødvendig.
-------------------	--

Til maskine med dybt skruebit hul

A=17 mm B=14 mm	Følg fremgangsmåden 1, når disse typer skruebits monteres.
A=12 mm B=9 mm	Følg fremgangsmåden 2, når disse typer skruebits monteres. (Bemærk) Bitstykke er nødvendig ved montering af bitten.

Procedure 1

For maskiner uden muffe af enkelttryk-typen

► Fig.7: 1. Skruebit 2. Muffe

For at montere skruebitten, trækkes muffen i pilens retning, og skruebitten sættes så langt ind i muffen, som den kan komme.

Frigør derefter muffen for at fastgøre skruebitten.

For maskiner med muffe af enkelttryk-typen

For at montere skruebitten sættes skruebitten så langt ind i muffen, som den kan komme.

Procedure 2

Ekstraudstyr

Ud over **Procedure 1** sættes bitstykket ind i muffen med den spidse ende indad.

► **Fig.8:** 1. Skruebit 2. Bitstykke 3. Muffe

For at fjerne skruebitten, skal man trække muffen i pilens retning og trække skruebitten ud.

BEMÆRK: Hvis skruebitten ikke sættes langt nok ind i muffen, vil muffen ikke vende tilbage til dens oprindelige position, og skruebitten vil ikke blive holdt ordentlig fast. I så tilfælde kan De prøve at isætte bitten igen som beskrevet i instruktionerne ovenfor.

BEMÆRK: Hvis det er vanskeligt at indsætte skruebitten, skal De trække i muffen og sætte den så langt ind i muffen, som den kan komme.

BEMÆRK: Kontroller, at skruebitten sidder godt fast, når den er sat ind. Den må ikke bruges, hvis den kommer ud.

Monteringskrog

⚠ ADVARSEL: Brug kun hængende/monteringsdele til deres tilsigtede formål, f.eks. ved at hænge maskinen på et maskinbælte mellem opgaver eller arbejdsintervaller.

⚠ ADVARSEL: Pas på ikke at overbelaste krogen, da for meget kraft eller uregelmæssig overbelastning kan forårsage skader på maskinen med personskaade til følge.

⚠ FORSIGTIG: Når krogen monteres, skal den altid fastgøres forsvarligt med skruen. Hvis det ikke er tilfældet kan krogen falde af maskinen og forårsage personskaade.

⚠ FORSIGTIG: Sørg for at hænge maskinen sikkert op, før du slipper grebet. Utilstrækkelig eller uafbalanceret hængning kan medføre, at den falder af, og du kan komme til skade.

► **Fig.9:** 1. Rille 2. Krog 3. Skruer

Krogen er bekvem til midlertidig ophængning af maskinen. Den kan monteres på begge sider af maskinen. Krogen monteres ved at man sætter den ind i rillen på maskinen på en af siderne og derefter fastgør den med en skrue. Krogen tages af ved at man løser skruen og derefter tager den af.

Brug af hul

⚠ ADVARSEL: Undlad at bruge det hængende hul til utilsigtede formål, f.eks. ved tøjring af maskinen på et højt sted. Bærende belastning i et tungt belastet hul kan forårsage skader på hullet, hvilket kan resultere i skader på dig eller mennesker omkring dig eller under dig.

► **Fig.10:** 1. Hængende hul

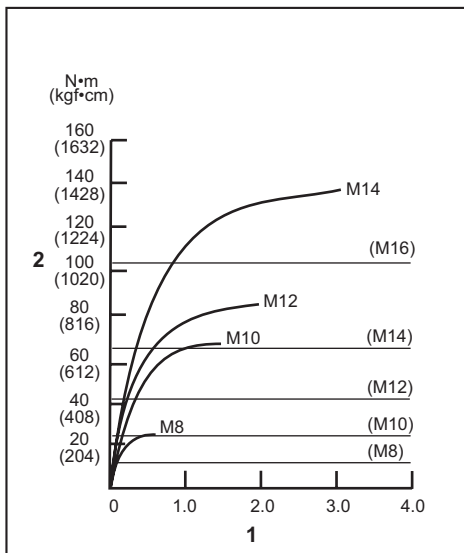
Brug det hængende hul nederst bag på maskinen til at hænge maskinen på en væg ved hjælp af en hængende snor eller lignende strenge.

ANVENDELSE

► **Fig.11**

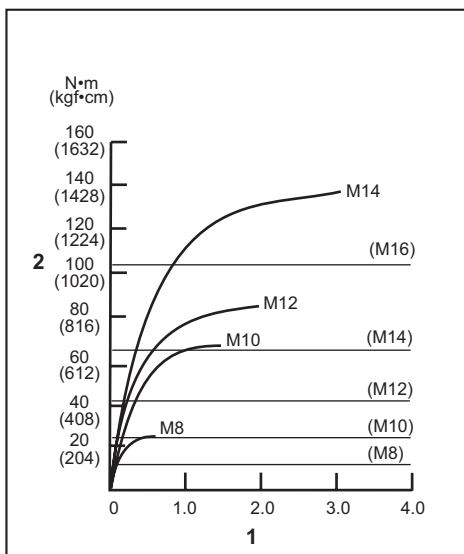
Det korrekte drejningsmoment kan svinge afhængigt af skrue- eller boltens type eller størrelse, materialet på emnet, der skal fastgøres, osv. Forholdet mellem drejningsmoment og fastspændingstid er vist i figureerne.

Korrekt drejningsmoment for standardbolt



1. Fastspændingstid (sekund) 2. Drejningsmoment

Korrekt drejningsmoment for højstyrkebolt



1. Fastspændingstid (sekund) 2. Drejningsmoment

Hold godt fast på maskinen, og anbring spidsen af skruebitten i skruens hoved. Læg fremadrettet tryk på maskinen, men kun så meget at bitten ikke smutter ud af skruen, og tænd for maskinen for at starte operationen.

BEMÆRKNING: Hvis de bruger en reserveakku til at fortsætte brugen, skal maskinen hvile i mindst 15 minutter.

BEMÆRK: Anvend den korrekte bit passende til hovedet på den skrue eller bolt, som De ønsker at anvende.

BEMÆRK: Ved fastgørelse af en M8-skrue eller mindre skal du omhyggeligt justere trykket på afbryderknappen, således at skruen ikke lider skade.

BEMÆRK: Hold maskinen rettet lige mod skruen.

BEMÆRK: Hvis slagkraften er for stor eller man spænder skruen i længere tid end vist på illustrationerne, kan skruen eller spidsen på skruebitten blive overbelastet, skruet over gevind, ødelagt, beskadiget o.s.v. Inden De påbegynder arbejdet, skal De altid udføre en prøve for at bestemme den rigtige fastspændingstid for skruen.

Drejningsmomentet påvirkes af en lang række faktorer, herunder de nedenfor nævnte. Kontrollér altid momentet med en momentnøgle efter fastspænding.

1. Når akkuen er næsten helt afladet, falder spændingen og derved reduceres drejningsmomentet.
2. Skruebit eller top
Hvis der ikke bruges den korrekte størrelse skruebit eller top, vil drejningsmomentet blive reduceret.
3. Bolt
 - Selvom momentkoefficienten og boltypen er den samme, vil det korrekte drejningsmomentet variere afhængigt af diameteren på boltten.
 - Selv ved samme bolt diameter kan det korrekte drejningsmoment variere afhængigt af momentkoefficienten, boltypen og længden.
4. Den måde maskinen holdes på, og materialet på det sted, hvor der fastgøres, vil påvirke drejningsmomentet.
5. Når maskinen anvendes med lav hastighed, reduceres drejningsmomentet.

VEDLIGEHOLDELSE

⚠FORSIGTIG: Vær altid sikker på, at værktøjet er slukket, og at akkuen er taget ud, inden De begynder at udføre inspektion eller vedligeholdelse.

BEMÆRKNING: Anvend aldrig benzin, rensebenzin, fortynder, alkohol og lignende. Det kan medføre misfarvning, deformation eller revner.

For at opretholde produktets SIKKERHED og PÅLIDELIGHED må reparation, inspektion og udskiftning af kulbørster samt al anden vedligeholdelse eller justering kun udføres af et autoriseret Makita servicecenter eller fabrikksservicecenter med anvendelse af Makita reservedele.

EKSTRAUDSTYR

⚠FORSIGTIG: Det følgende tilbehør og ekstraudstyr er anbefalet til brug med Deres Makita maskine, der er beskrevet i denne brugsanvisning. Anvendelse af andet tilbehør eller ekstraudstyr kan udgøre en risiko for personskade. Anvend kun tilbehør og ekstraudstyr til det beskrevne formål.

Hvis De behøver hjælp ved valg af tilbehør eller ønsker yderligere informationer, bedes De kontakte Deres lokale Makita servicecenter.

- Skruebits
- Bitstykke
- Krog
- Plastbæretak
- Original Makita-akku og oplader
- Akkubeskytter

BEMÆRK: Nogle ting på denne liste kan være inkluderet i værktøjspakken som standardtilbehør. Det kan være forskellige fra land til land.

ΠΡΟΔΙΑΓΡΑΦΕΣ

Μοντέλο:		DTD156
Ικανότητες στερέωσης	Κοχλίας	M4 - M8
	Κανονικό μπουλόνι	M5 - M14
	Μπουλόνι υψηλού εφελκυσμού	M5 - M12
Ταχύτητα χωρίς φορτίο		0 - 2.500 min ⁻¹
Κρούσεις ανά λεπτό		0 - 3.000 min ⁻¹
Ολικό μήκος		143 mm
Ονομαστική τάση		D.C. 18 V
Καθαρό βάρος		1,3-1,6 kg

- Λόγω του συνεχιζόμενου προγράμματος έρευνας και ανάπτυξης, οι προδιαγραφές αυτές υπόκεινται σε αλλαγές χωρίς προειδοποίηση.
- Τα τεχνικά χαρακτηριστικά μπορεί να διαφέρουν από χώρα σε χώρα.
- Το βάρος μπορεί να διαφέρει ανάλογα με τα προσαρτήματα, συμπεριλαμβάνοντας την κασέτα μπαταριών. Ο ελαφρύτερος και ο βαρύτερος συνδυασμός, σύμφωνα με τη διαδικασία ΕΡΤΑ 01/2014, παρουσιάζονται στον πίνακα.

Ισχύουσα κασέτα μπαταριών και φορτιστής

Κασέτα μπαταρίας	BL1815N / BL1820B / BL1830B / BL1840B / BL1850B / BL1860B
Φορτιστής	DC18RC / DC18RD / DC18RE / DC18SD / DC18SE / DC18SF / DC18SH / DC18WC

- Ορισμένες από τις κασέτες και τους φορτιστές μπαταριών που αναγράφονται παραπάνω ίσως να μην είναι διαθέσιμοι, ανάλογα με την τοποθεσία κατοικίας σας.

⚠ ΠΡΟΕΙΔΟΠΟΙΗΣΗ: Να χρησιμοποιείτε μόνο τις κασέτες μπαταριών και τους φορτιστές που παρατίθενται ανωτέρω. Η χρήση οποιασδήποτε άλλης κασέτας μπαταριών ή φορτιστή μπορεί να προκαλέσει τραυματισμό ή/και πυρκαγιά.

Προοριζόμενη χρήση

Το εργαλείο προορίζεται για βιδώματα σε ξύλο, μέταλλο και πλαστικό.

Θόρυβος

Το τυπικό A επίπεδο καταμετρημένου θορύβου καθορίζεται σύμφωνα με το EN62841-2-2:

Στάθμη ηχητικής πίεσης (L_{PA}): 95 dB (A)
 Στάθμη ηχητικής ισχύος (L_{WA}): 103 dB (A)
 Αβεβαιότητα (K): 3 dB (A)

ΠΑΡΑΤΗΡΗΣΗ: Η δηλωμένη τιμή(ές) εκπομπής θορύβου έχει μετρηθεί σύμφωνα με την πρότυπη μέθοδο δοκιμής και μπορεί να χρησιμοποιηθεί για τη σύγκριση ενός εργαλείου με κάποιο άλλο.

ΠΑΡΑΤΗΡΗΣΗ: Η δηλωμένη τιμή(ές) εκπομπής θορύβου μπορεί να χρησιμοποιηθεί και στην προκαταρκτική αξιολόγηση της έκθεσης.

⚠ ΠΡΟΕΙΔΟΠΟΙΗΣΗ: Να φοράτε ωτοασπίδες.

⚠ ΠΡΟΕΙΔΟΠΟΙΗΣΗ: Η εκτομπή θορύβου κατά τη χρήση του ηλεκτρικού εργαλείου σε πραγματικές συνθήκες μπορεί να διαφέρει από τη δηλωμένη τιμή(ές) ανάλογα με τους τρόπους χρήσης του εργαλείου, ιδιαίτερα το είδος του τεμαχίου εργασίας που υπόκειται επεξεργασία.

⚠ ΠΡΟΕΙΔΟΠΟΙΗΣΗ: Φροντίστε να λάβετε τα κατάλληλα μέτρα προστασίας του χειριστή βάσει ενός υπολογισμού της έκθεσης σε πραγματικές συνθήκες χρήσης (λαμβάνοντας υπόψη όλες τις συνιστώσες του κύκλου λειτουργίας όπως τους χρόνους που το εργαλείο είναι εκτός λειτουργίας και όταν βρίσκεται σε αδρανή λειτουργία πέραν του χρόνου ενεργοποίησης).

Κραδασμός

Η ολική τιμή δόνησης (άθροισμα τρι-αξονικού διανύσματος) καθορίζεται σύμφωνα με το EN62841-2-2:

Είδος εργασίας: σφίξιμο κρούσης των συνδέσμων
 μέγιστης απόδοσης του εργαλείου
 Εκπομπή δόνησης (a_h): 10.0 m/s²
 Αβεβαιότητα (K): 1,5 m/s²

ΠΑΡΑΤΗΡΗΣΗ: Η δηλωμένη τιμή(ές) συνολικών κραδασμών έχει μετρηθεί σύμφωνα με την πρότυπη μέθοδο δοκιμής και μπορεί να χρησιμοποιηθεί για τη σύγκριση ενός εργαλείου με κάποιο άλλο.

ΠΑΡΑΤΗΡΗΣΗ: Η δηλωμένη τιμή(ές) συνολικών κραδασμών μπορεί να χρησιμοποιηθεί και στην προκαταρκτική αξιολόγηση της έκθεσης.

▲ΠΡΟΕΙΔΟΠΟΙΗΣΗ: Η εκπομπή κραδασμών κατά τη χρήση του ηλεκτρικού εργαλείου σε πραγματικές συνθήκες μπορεί να διαφέρει από τη δηλωμένη τιμή(ές) εκπομπής ανάλογα με τους τρόπους χρήσης του εργαλείου, ιδιαίτερα το είδος του τεμαχίου εργασίας που υπόκειται επεξεργασία.

▲ΠΡΟΕΙΔΟΠΟΙΗΣΗ: Φροντίστε να λάβετε τα κατάλληλα μέτρα προστασίας του χειριστή βάσει ενός υπολογισμού της έκθεσης σε πραγματικές συνθήκες χρήσης (λαμβάνοντας υπόψη όλες τις συνιστώσες του κύκλου λειτουργίας όπως τους χρόνους που το εργαλείο είναι εκτός λειτουργίας και όταν βρίσκεται σε αδρανή λειτουργία πέραν του χρόνου ενεργοποίησης).

Δήλωση Συμμόρφωσης

Μόνο για χώρες της Ευρώπης

Οι Δήλώσεις Συμμόρφωσης περιλαμβάνονται στο Παράρτημα Α στο παρόν εγχειρίδιο οδηγιών.

ΠΡΟΕΙΔΟΠΟΙΗΣΕΙΣ ΑΣΦΑΛΕΙΑΣ

Γενικές προειδοποιήσεις ασφαλείας για το ηλεκτρικό εργαλείο

▲ΠΡΟΕΙΔΟΠΟΙΗΣΗ: Διαβάστε όλες τις προειδοποιήσεις ασφαλείας, οδηγίες, εικονογραφίες και προδιαγραφές που παρέχονται με αυτό το ηλεκτρικό εργαλείο. Η μη τήρηση όλων των οδηγιών που αναγράφονται κατωτέρω μπορεί να καταλήξει σε ηλεκτροπληξία, πυρκαγιά ή/και σοβαρό τραυματισμό.

Φυλάξτε όλες τις προειδοποιήσεις και τις οδηγίες για μελλοντική παραπομπή.

Στις προειδοποιήσεις, ο όρος «ηλεκτρικό εργαλείο» αναφέρεται σε ηλεκτρικό εργαλείο που τροφοδοτείται από την κύρια παροχή ηλεκτρικού ρεύματος (με ηλεκτρικό καλώδιο) ή σε ηλεκτρικό εργαλείο που τροφοδοτείται από μπαταρία (χωρίς ηλεκτρικό καλώδιο).

Προειδοποιήσεις για την ασφάλεια του κρουστικού κατασβιδιού μπαταρίας

1. **Να κρατάτε το ηλεκτρικό εργαλείο από τις λαβές με μόνωση όταν εκτελείτε εργασίες κατά τις οποίες ο σύνδεσμος μπορεί να έρθει σε επαφή με κρυμμένα καλώδια.** Αν ο σύνδεσμος έρθει σε επαφή με κάποιο ηλεκτροφόρο καλώδιο, μπορεί τα εκτεθειμένα μεταλλικά μέρη του ηλεκτρικού εργαλείου να γίνουν κι αυτά ηλεκτροφόρα και να προκληθεί ηλεκτροπληξία στο χειριστή.
2. **Να βεβαιώνετε πάντα ότι στέκεστε σταθερά. Όταν χρησιμοποιείτε το εργαλείο σε υψηλές τοποθεσίες, να βεβαιώνετε ότι δεν βρίσκεται κανένας από κάτω.**
3. **Να κρατάτε το εργαλείο σταθερά.**
4. **Να φοράτε ωσασπίδες.**
5. **Μην αγγίζετε τη μύτη ή το τεμάχιο εργασίας αμέσως μετά τη λειτουργία. Μπορεί να είναι εξαιρετικά καυτά και να προκληθεί έγκαυμα στο δέρμα σας.**
6. **Μην πλησιάζετε τα χέρια σας σε περιστρεφόμενα μέρη.**
7. **Να χρησιμοποιείτε τις βοηθητικές λαβές, εάν παρέχονται με το εργαλείο. Η απώλεια του ελέγχου μπορεί να προκαλέσει προσωπικό τραυματισμό.**
8. **Να κρατάτε το ηλεκτρικό εργαλείο από τις μονωμένες επιφάνειες λαβής όταν εκτελείτε εργασίες κατά τις οποίες το εξάρτημα κοπής μπορεί να έρθει σε επαφή με κρυμμένα καλώδια. Σε περίπτωση επαφής του εξαρτήματος κοπής με ηλεκτροφόρο καλώδιο, μπορεί τα εκτεθειμένα μεταλλικά εξαρτήματα του ηλεκτρικού εργαλείου να καταστούν τα ίδια ηλεκτροφόρα και να προκαλέσουν ηλεκτροπληξία στο χειριστή.**
9. **Βεβαιωθείτε ότι δεν υπάρχουν ηλεκτρικά καλώδια, σωληνώσεις νερού ή αερίου κ.λπ. οι οποίες θα μπορούσαν να προκαλέσουν κίνδυνο αν υποστούν ζημιές από τη χρήση του εργαλείου.**

ΦΥΛΑΞΤΕ ΤΙΣ ΟΔΗΓΙΕΣ ΑΥΤΕΣ.

▲ΠΡΟΕΙΔΟΠΟΙΗΣΗ: ΜΗΝ επιτρέψετε στην άνεση ή στην εξοικειωσή σας με το προϊόν (που αποκτήθηκε από επανειλημμένη χρήση) να αντικαταστήσει την αυστηρή τήρηση των κανόνων ασφαλείας του παρόντος εργαλείου.

Η ΛΑΝΘΑΣΜΕΝΗ ΧΡΗΣΗ ή η αμέλεια να ακολουθήσετε τους κανόνες ασφαλείας που διατυπώνονται στο παρόν εγχειρίδιο οδηγιών μπορεί να προκαλέσει σοβαρό προσωπικό τραυματισμό.

Σημαντικές οδηγίες ασφάλειας για κασέτα μπαταριών

1. Πριν χρησιμοποιήσετε την κασέτα μπαταριών, διαβάστε όλες τις οδηγίες και σημειώσεις προφύλαξης (1) στον φορτιστή μπαταριών, (2) στην μπαταρία και (3) στο προϊόν που χρησιμοποιεί την μπαταρία.
2. Μην απουναρμολογήσετε ή παραβιάσετε την κασέτα μπαταριών. Μπορεί να έχει ως αποτέλεσμα πυρκαγιά, υπερθέρμανση ή έκρηξη.
3. Εάν ο χρόνος λειτουργίας έχει γίνει υπερβολικά βραχύς, σταματήστε τη λειτουργία αμέσως. Αλλιώς, μπορεί να έχει ως αποτέλεσμα κίνδυνο υπερθέρμανσης, πιθανά εγκαύματα ή ακόμη και έκρηξη.
4. Εάν ηλεκτρολύτης μπει στα μάτια σας, ξεπλύνετε τα με καθαρό νερό και ζητήστε ιατρική φροντίδα αμέσως. Αλλιώς, μπορεί να έχει ως αποτέλεσμα απώλεια της όρασης σας.
5. Μην βραχυκυκλώνετε την κασέτα μπαταριών:
 - (1) Μην αγγίζετε τους πόλους με οτιδήποτε αγώγιμο υλικό.
 - (2) Αποφεύγετε να αποθηκεύετε την κασέτα μπαταριών μέσα σε ένα δοχείο μαζί με άλλα μεταλλικά αντικείμενα όπως καρφιά, νομίσματα, κλπ.
 - (3) Μην εκθέτετε την κασέτα μπαταριών στο νερό ή στη βροχή.Ένα βραχυκύκλωμα μπαταρίας μπορεί να προκαλέσει μεγάλη ροή ρεύματος, υπερθέρμανση, πιθανά εγκαύματα ακόμη και σοβαρή βλάβη.
6. Μην αποθηκεύετε και μην χρησιμοποιείτε το εργαλείο και την κασέτα μπαταριών σε τοποθεσίες όπου η θερμοκρασία μπορεί να φτάσει ή να ξεπεράσει τους 50°C.
7. Μην καίτε την κασέτα μπαταριών ακόμη και εάν έχει σοβαρή ζημιά ή είναι εντελώς φθαρμένη. Η κασέτα μπαταριών μπορεί να εκραγεί στη φωτιά.
8. Μην καρφώσετε, κόψετε, συνθλίψετε, πετάξετε ή ρίξετε κάτω την κασέτα μπαταριών, ούτε να χτυπήσετε ένα σκληρό αντικείμενο επάνω στην κασέτα μπαταριών. Τέτοια συμπεριφορά μπορεί να έχει ως αποτέλεσμα πυρκαγιά, υπερθέρμανση ή έκρηξη.
9. Μην χρησιμοποιείτε μπαταρία που έχει υποστεί ζημιά.
10. Οι μπαταρίες ιόντων λιθίου που περιέχονται υπόκεινται στις απαιτήσεις της νομοθεσίας για επικίνδυνα αγαθά.

Για εμπορικές μεταφορές, για παράδειγμα από τρίτα μέρη, πρέπει να τηρούνται οι διαμεταφορές, οι ειδικές απαιτήσεις στη συσκευασία και η επισήμανση.

Για προετοιμασία του στοιχείου που αποστέλλεται, είναι απαραίτητο να συμβουλευτείτε έναν ειδικό για επικίνδυνα υλικά. Επίσης, τηρήστε τους πιθανούς, πιο αναλυτικούς εθνικούς κανονισμούς. Καλύψτε με αυτοκόλλητη ταινία ή κρύψτε τις ανοικτές επαφές και συσκευάστε την μπαταρία με τρόπο που να μην μπορεί να μετακινείται μέσα στη συσκευασία.

11. Όταν απορρίπτετε την κασέτα μπαταριών, αφαιρέστε την από το εργαλείο και διαθέστε τη σε ένα ασφαλές μέρος. Τηρήστε τους τοπικούς κανονισμούς που σχετίζονται με τη διάθεση της μπαταρίας.
12. Χρησιμοποιήστε τις μπαταρίες μόνο με τα προϊόντα που καθορίζει η Makita. Αν τοποθετήσετε τις μπαταρίες σε μη συμβατά προϊόντα μπορεί να έχει ως αποτέλεσμα πυρκαγιά, υπερβολική θερμότητα, έκρηξη ή διαρροή ηλεκτρολύτη.
13. Αν δεν χρησιμοποιείτε το εργαλείο για μεγάλο χρονικό διάστημα, πρέπει να βγάλετε την μπαταρία από το εργαλείο.
14. Κατά τη διάρκεια και μετά τη χρήση, η κασέτα μπαταριών μπορεί να θερμανθεί, γεγονός που μπορεί να προκαλέσει εγκαύματα ή εγκαύματα από χαμηλή θερμοκρασία. Προσεύχεται το χειρισμό των ζεστών κασετών μπαταριών.
15. Μην αγγίζετε τον ακροδέκτη του εργαλείου αμέσως μετά τη χρήση επειδή μπορεί να έχει ζεσταθεί αρκετά για να προκαλέσει εγκαύματα.
16. Μην αφήνετε θραύσματα, σκόνη ή βρομιά να κολλήσει στους ακροδέκτες, τις σπές και τις εγκοπές της κασέτας μπαταριών. Μπορεί να προκαλέσει θέρμανση, φωτιά, έκρηξη και δυσλειτουργία του εργαλείου ή της κασέτας μπαταριών, έχοντας ως αποτέλεσμα εγκαύματα ή προσωπικό τραυματισμό.
17. Εκτός αν το εργαλείο υποστηρίζει τη χρήση κασέτας σε ηλεκτρικές γραμμές υψηλής τάσης, μην χρησιμοποιείτε την κασέτα μπαταριών κοντά σε ηλεκτρικές γραμμές υψηλής τάσης. Μπορεί να έχει ως αποτέλεσμα δυσλειτουργία ή στάσιμο του εργαλείου ή της κασέτας μπαταριών.
18. ΚρΦυλάξτε την μπαταρία μακριά από παιδιά.

ΦΥΛΑΞΤΕ ΤΙΣ ΟΔΗΓΙΕΣ ΑΥΤΕΣ.

ΠΡΟΣΟΧΗ: Να χρησιμοποιείτε μόνο γνήσιες μπαταρίες της Makita. Η χρήση μη γνήσιων μπαταριών Makita, ή μπαταριών που έχουν τροποποιηθεί, μπορεί να έχει ως αποτέλεσμα τη ρήξη της μπαταρίας, προκαλώντας πυρκαγιά, προσωπικό τραυματισμό και βλάβη. Επίσης, θα ακυρωθεί η εγγύηση της Makita για το εργαλείο και φορτιστή Makita.

Συμβουλές για τη διατήρηση της μέγιστης ζωής μπαταρίας

1. Φορτίζετε την κασέτα μπαταριών πριν από την πλήρη αποφόρτίσή της. Πάντοτε να σταματάτε τη λειτουργία του εργαλείου και να φορτίζετε την κασέτα μπαταριών όταν παρατηρήσετε μειωμένη ισχύ εργαλείου.
2. Ποτέ μην επαναφορτίζετε μια πλήρως φορτισμένη κασέτα μπαταριών. Η υπερφόρτιση μειώνει την ωφέλιμη ζωή της μπαταρίας.
3. Να φορτίζετε την κασέτα μπαταριών σε θερμοκρασία δωματίου, δηλαδή στους 10 °C έως 40 °C. Αφήστε μια θερμή κασέτα μπαταριών να κρυώσει πριν την φορτίσετε.
4. Όταν δεν χρησιμοποιείτε την κασέτα μπαταριών, αφαιρέστε την από το εργαλείο ή τον φορτιστή.
5. Να φορτίζετε την κασέτα μπαταριών εάν δεν τη χρησιμοποιείτε για μεγάλη χρονική περίοδο (περισσότερο από έξι μήνες).

ΠΕΡΙΓΡΑΦΗ ΛΕΙΤΟΥΡΓΙΑΣ

▲ ΠΡΟΣΟΧΗ: Να φροντίζετε πάντα για την απενεργοποίηση του εργαλείου και την αφαίρεση της κασέτας μπαταρίας, πριν από οποιαδήποτε ρύθμιση ή έλεγχο της λειτουργίας του.

Τοποθέτηση ή αφαίρεση της κασέτας μπαταριών

▲ ΠΡΟΣΟΧΗ: Να σβήνετε πάντα το εργαλείο πριν τοποθετήσετε ή αφαιρέσετε την κασέτα μπαταριών.

▲ ΠΡΟΣΟΧΗ: Κρατήστε το εργαλείο και την κασέτα μπαταριών σταθερά κατά την τοποθέτηση ή αφαίρεση της κασέτας μπαταριών. Εάν δεν κρατάτε το εργαλείο και την κασέτα μπαταριών σταθερά μπορεί να γλιστρήσουν από τα χέρια σας και να προκληθεί βλάβη στο εργαλείο και την κασέτα μπαταριών και προσωπικός τραυματισμός.

► **Εικ.1:** 1. Κόκκινος δείκτης 2. Κουμπί 3. Κασέτα μπαταριών

Για να αφαιρέσετε την κασέτα μπαταριών, ολισθήστε την από το εργαλείο ενώ σύρετε το κουμπί στο μπροστινό μέρος της κασέτας.

Για να τοποθετήσετε την κασέτα μπαταριών, ευθυγραμμίστε τη γλώσσα στην κασέτα μπαταριών με την εγκοπή στο περιβλήμα και ολισθήστε τη στη θέση της. Τοποθετήστε την μέχρι τέρμα μέχρι να ασφαλίσει στη θέση της, γεγονός που υποδεικνύεται με ένα χαρακτηριστικό ήχο. Αν μπορείτε να δείτε τον κόκκινο δείκτη όπως απεικονίζεται στην εικόνα, δεν έχει κλειδωθεί τελείως.

▲ ΠΡΟΣΟΧΗ: Να τοποθετείτε πάντα την κασέτα μπαταριών πλήρως μέχρι να μη βλέπετε τον κόκκινο δείκτη. Εάν δεν ασφαλιστεί, μπορεί να πέσει από το εργαλείο τυχαία, προκαλώντας σωματική βλάβη σε εσάς ή κάποιον άλλο γύρω σας.

▲ ΠΡΟΣΟΧΗ: Μην τοποθετείτε την κασέτα μπαταριών με βία. Εάν η κασέτα δεν ολισθαίνει με ευκολία, τότε δεν έχει τοποθετηθεί κατάλληλα.

Σύστημα προστασίας μπαταρίας

Το εργαλείο είναι εξοπλισμένο με σύστημα προστασίας της μπαταρίας. Αυτό το σύστημα αποκόπτει αυτόματα την ισχύ προς το μοτέρ για να παραταθεί η διάρκεια ζωής της μπαταρίας.

Το εργαλείο σταματάει αυτόματα κατά τη διάρκεια της λειτουργίας αν το εργαλείο ή/και η μπαταρία βρεθούν κάτω από τις παρακάτω συνθήκες:

Υπερφόρτωση:

Το εργαλείο λειτουργεί με τρόπο ώστε να αναγκάζεται να καταναλώνει ασυνήθιστα υψηλό ρεύμα.

Σε αυτή την κατάσταση, σβήστε το εργαλείο και διακόψτε την εφαρμογή που προκαλεί την υπερφόρτωση του εργαλείου. Μετά, επνεργοποιήστε το εργαλείο για επανεκκίνηση. Αν το εργαλείο δεν ξεκινάει, η μπαταρία έχει υπερθερμανθεί. Σε αυτή την κατάσταση, αφήστε την μπαταρία να κρυώσει πριν επνεργοποιήσετε ξανά το εργαλείο.

Χαμηλή τάση μπαταρίας:

Η υπόλοιπη χωρητικότητα μπαταρίας είναι πολύ χαμηλή και το εργαλείο δεν λειτουργεί. Σε αυτή την περίπτωση, αφαιρέστε και επαναφορτίστε την μπαταρία.

Εμφάνιση υπολειπόμενης χωρητικότητας μπαταρίας

Μόνο για κασέτες μπαταρίας με την ενδεικτική λυχνία

► **Εικ.2:** 1. Ενδεικτικές λυχνίες 2. Κουμπί ελέγχου

Πιέστε το κουμπί ελέγχου στην κασέτα μπαταριών για να υποδείξετε την υπολειπόμενη χωρητικότητα μπαταρίας. Οι ενδεικτικές λυχνίες ανάβουν για λίγα δευτερόλεπτα.

Ενδεικτικές λυχνίες			Υπολειπόμενη χωρητικότητα
Αναμμένες	Σβηστές	Αναβοσβήνουν	
■ ■ ■ ■	□ □ □ □	▬ ▬ ▬ ▬	75% έως 100%
■ ■ ■ □	□ □ □ □	▬ ▬ ▬ ▬	50% έως 75%
■ ■ □ □	□ □ □ □	▬ ▬ ▬ ▬	25% έως 50%
■ □ □ □	□ □ □ □	▬ ▬ ▬ ▬	0% έως 25%
▬ □ □ □	□ □ □ □	▬ ▬ ▬ ▬	Φορτίστε την μπαταρία.
■ ■ □ □	□ □ □ □	▬ ▬ ▬ ▬	Μπορεί να προκύψει δυσλειτουργία στην μπαταρία.
□ □ ■ ■	□ □ □ □	▬ ▬ ▬ ▬	

ΠΑΡΑΤΗΡΗΣΗ: Ανάλογα με τις συνθήκες χρήσης και τη θερμοκρασία περιβάλλοντος, η ένδειξη μπορεί να διαφέρει λίγο από την πραγματική χωρητικότητα.

ΠΑΡΑΤΗΡΗΣΗ: Η πρώτη (τέρμα αριστερά) ενδεικτική λυχνία θα αναβοσβήνει όταν λειτουργεί το σύστημα προστασίας μπαταρίας.

Δράση διακόπτη

► **Εικ.3:** 1. Σκανδάλη διακόπτη

▲ ΠΡΟΣΟΧΗ: Πριν βάλετε την κασέτα μπαταρίας μέσα στο εργαλείο, να ελέγχετε πάντα να δείτε αν η σκανδάλη διακόπτης ενεργοποιείται κανονικά και επιστρέφει στη θέση «OFF» όταν ελευθερώνεται.

Για να ξεκινήσετε το εργαλείο, απλώς τραβήξτε τη σκανδάλη διακόπτη. Η ταχύτητα του εργαλείου αυξάνει αν αυξήσετε την πίεση στη σκανδάλη διακόπτη. Ελευθερώστε τη σκανδάλη διακόπτη για να σταματήσει.

Αναμμα της μπροστινής λάμπας

► **Εικ.4:** 1. Λάμπα

▲ ΠΡΟΣΟΧΗ: Μην κοιτάζετε κατευθείαν μέσα στο φως ή στην πηγή φωτός.

Τραβήξτε τη σκανδάλη διακόπτη για να ενεργοποιήσετε τη λάμπα. Η λάμπα εξακολουθεί να είναι αναμμένη όσο τραβάζει τη σκανδάλη διακόπτη. Η λάμπα σβήνει περίπου 10 δευτερόλεπτα αφού αφήσετε τη σκανδάλη διακόπτη.

ΠΑΡΑΤΗΡΗΣΗ: Χρησιμοποιήστε ένα στεγνό πανί για να σκουπίσετε τη σκόνη από το φακό της λάμπας. Προσέχετε να μη γρατζουνίζετε το φακό της λάμπας, επειδή μπορεί να μειωθεί η ένταση του φωτισμού.

Δράση διακόπτη αντιστροφής

► **Εικ.5:** 1. Μοχλός διακόπτης αντιστροφής

▲ ΠΡΟΣΟΧΗ: Να ελέγχετε πάντα τη διεύθυνση περιστροφής πριν από τη λειτουργία.

▲ ΠΡΟΣΟΧΗ: Να χρησιμοποιείτε τον διακόπτη αντιστροφής μόνο αφού το εργαλείο σταματήσει εντελώς. Η αλλαγή της διεύθυνσης περιστροφής πριν σταματήσει το εργαλείο μπορεί να προκαλέσει ζημιά στο εργαλείο.

▲ ΠΡΟΣΟΧΗ: Όταν δεν χρησιμοποιείτε το εργαλείο, να βάζετε πάντα το μοχλό διακόπτη αντιστροφής στην ουδέτερη θέση.

Αυτό το εργαλείο διαθέτει έναν διακόπτη αντιστροφής για να αλλάξετε τη διεύθυνση περιστροφής. Πίστετε το μοχλό διακόπτη αντιστροφής από την πλευρά Α για δεξιόστροφη περιστροφή ή από την πλευρά Β για αριστερόστροφη περιστροφή.

Όταν ο μοχλός διακόπτης αντιστροφής είναι στην ουδέτερη θέση, η σκανδάλη διακόπτης δεν μπορεί να τραβηχθεί.

ΣΥΝΑΡΜΟΛΟΓΗΣΗ

▲ ΠΡΟΣΟΧΗ: Να βεβαιώνετε πάντα ότι το εργαλείο είναι σβηστό και η κασέτα μπαταρίας έχει αφαιρεθεί πριν εκτελέσετε κάποια εργασία στο εργαλείο.

Τοποθέτηση ή αφαίρεση της μύτης βιδώματος/προέκτασης μύτης

► **Εικ.6**

Να χρησιμοποιείτε μόνο μύτες βιδώματος/προεκτάσεις μυτών που έχουν το τμήμα εισαγωγής που υποδεικνύεται στην εικόνα. Μη χρησιμοποιείτε οποιαδήποτε άλλη μύτη βιδώματος/προέκτασης μύτης.

Για εργαλείο με ρηχή οπή μύτης βιδώματος

A=12 mm B=9 mm	Να χρησιμοποιείτε μύτες βιδώματος αυτού του τύπου μόνο. Ακολουθήστε τη διαδικασία 1. (Σημείωση) Δεν απαιτείται τεμάχιο μύτης.
-------------------	---

Για εργαλείο με βαθιά οπή μύτης βιδώματος

A=17 mm B=14 mm	Για την τοποθέτηση μυτών βιδώματος αυτού του τύπου, ακολουθήστε τη διαδικασία 1.
A=12 mm B=9 mm	Για την τοποθέτηση μυτών βιδώματος αυτού του τύπου, ακολουθήστε τη διαδικασία 2. (Σημείωση) Απαιτείται τεμάχιο μύτης για την τοποθέτηση της μύτης.

Διαδικασία 1

Για εργαλείο χωρίς χιτώνιο τύπου ενός αγγίγματος

► **Εικ.7:** 1. Μύτη βιδώματος 2. Τσοκ

Για να τοποθετήσετε τη μύτη βιδώματος, τραβήξτε το τσοκ προς την κατεύθυνση του βέλους και εισαγάγετε τη μύτη βιδώματος στο τσοκ μέχρι τέρμα.

Κατόπιν, αφήστε το τσοκ για να ασφαλίσετε τη μύτη βιδώματος.

Για εργαλείο με χιτώνιο τύπου ενός αγγίγματος

Για να τοποθετήσετε τη μύτη βιδώματος, βάλτε τη μύτη βιδώματος μέσα στο χιτώνιο μέχρι τέρμα.

Διαδικασία 2

Προαιρετικό αξεσουάρ

Εκτός από τη Διαδικασία 1, εισαγάγετε το τεμάχιο μύτης ώστε το αιχμηρό τμήμα άκρο να είναι στραμμένο προς τα μέσα.

► **Εικ.8:** 1. Μύτη βιδώματος 2. Τεμάχιο μύτης 3. Τσοκ

Για να βγάλετε τη μύτη βιδώματος, τραβήξτε το τσοκ προς την κατεύθυνση του βέλους και τραβήξτε τη μύτη βιδώματος προς τα έξω.

ΠΑΡΑΤΗΡΗΣΗ: Αν η μύτη βιδώματος δεν έχει εισαχθεί αρκετά βαθιά μέσα στο τσοκ, το τσοκ δεν θα επιστρέψει στην αρχική του θέση και η μύτη βιδώματος δεν θα ασφαλιστεί. Στην περίπτωση αυτή, προσπαθήστε να εισαγάγετε ξανά την μύτη σύμφωνα με τις παραπάνω οδηγίες.

ΠΑΡΑΤΗΡΗΣΗ: Όταν είναι δύσκολη η τοποθέτηση της μύτης βιδώματος, τραβήξτε το χιτώνιο και εισαγάγετε τη μύτη μέσα στο χιτώνιο μέχρι τέρμα.

ΠΑΡΑΤΗΡΗΣΗ: Αφού τοποθετήσετε τη μύτη βιδώματος, βεβαιωθείτε ότι είναι καλά ασφαλισμένη. Αν όμως βγει έξω, μην τη χρησιμοποιήσετε.

Τοποθέτηση γάντζου

▲ ΠΡΟΕΙΔΟΠΟΙΗΣΗ: Χρησιμοποιήστε τα εξαρτήματα ανάρτησης/στερέωσης μόνο για τον σκοπό που προορίζονται, π.χ. κρέμασμα του εργαλείου σε ζώνη εργαλείων μεταξύ εργασιών ή διαλειμμάτων.

▲ ΠΡΟΕΙΔΟΠΟΙΗΣΗ: Προσέχετε να μην υπερφορτώσετε τον γάντζο επειδή πάρα πολύ δύναμη ή ακανόνισια υπερβολικό φόρτο μπορεί να προκαλέσει ζημιά στο εργαλείο έχοντας ως αποτέλεσμα προσωπικό τραυματισμό.

▲ ΠΡΟΣΟΧΗ: Όταν τοποθετείτε το γάντζο, να τον ασφαλίσετε πάντα καλά με τη βίδα. Διαφορετικά, ο γάντζος μπορεί να βγει από το εργαλείο και να έχει ως αποτέλεσμα ατομικό τραυματισμό.

▲ ΠΡΟΣΟΧΗ: Βεβαιωθείτε να κρεμάσετε το εργαλείο με ασφάλεια πριν το αφήσετε. Το ανεπαρκές ή ανισόρροπο κρέμασμα σε γάντζο μπορεί να προκαλέσει πτώση και μπορεί να τραυματιστείτε.

► **Εικ.9:** 1. Αυλάκωση 2. Γάντζος 3. Βίδα

Ο γάντζος είναι βολικός για προσωρινό κρέμασμα του εργαλείου. Μπορεί να τοποθετηθεί σε οποιαδήποτε πλευρά του εργαλείου. Για να τοποθετήσετε το γάντζο, βάλτε τον σε μια αυλάκωση στο περίβλημα του εργαλείου σε οποιαδήποτε πλευρά και μετά ασφαλίστε τον με μια βίδα. Για να τον αφαιρέσετε, χαλαρώστε τη βίδα και μετά αφαιρέστε τον.

Χρήση οπής

ΠΡΟΕΙΔΟΠΟΙΗΣΗ: Μην χρησιμοποιείτε ποτέ την οπή ανάρτησης για κάποιον σκοπό για τον οποίο δεν προορίζεται, για παράδειγμα, κρέμασμα του εργαλείου σε υψηλή τοποθεσία. Η καταπόνηση σε μια βαριά φορτωμένη οπή μπορεί να προκαλέσει ζημιές στην οπή, έχοντας ως αποτέλεσμα την πρόκληση τραυματισμών σε εσάς ή στα άτομα που βρίσκονται γύρω σας ή κάτω από εσάς.

► Εικ.10: 1. Οπή ανάρτησης

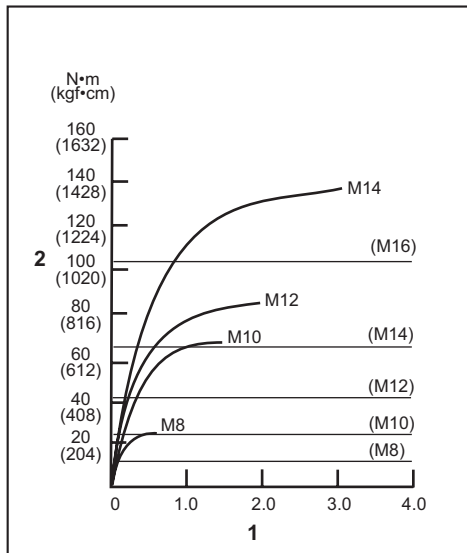
Χρησιμοποιήστε την οπή ανάρτησης στο κάτω πίσω μέρος του εργαλείου για να κρεμάσετε το εργαλείο σε έναν τοίχο χρησιμοποιώντας ένα σκονί ανάρτησης ή παρόμοια σκονιά.

ΛΕΙΤΟΥΡΓΙΑ

► Εικ.11

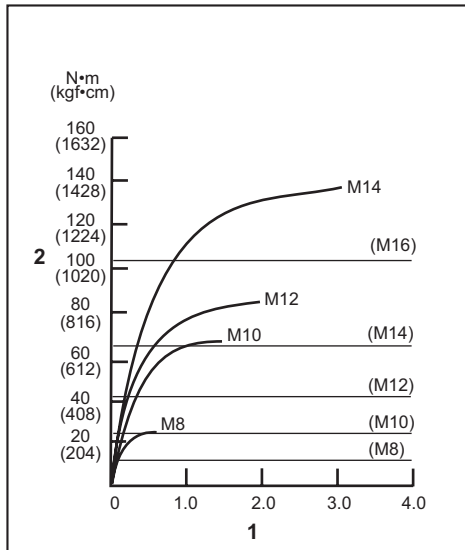
Η σωστή ροπή στερέωσης μπορεί να διαφέρει ανάλογα από το είδος ή το μέγεθος της βίδας/μπουλουνιού, το υλικό του τεμαχίου εργασίας προς στερέωση, κλπ. Η σχέση μεταξύ ροπής στερέωσης και χρόνου στερέωσης φαίνεται στις εικόνες.

Σωστή ροπή στερέωσης για κανονικό μπουλόνι



1. Χρόνος στερέωσης (δευτερόλεπτα) 2. Ροπή στερέωσης

Σωστή ροπή στερέωσης για μπουλόνι υψηλού εφελκυσμού



1. Χρόνος στερέωσης (δευτερόλεπτα) 2. Ροπή στερέωσης

Κρατήστε το εργαλείο σταθερά και βάλτε την άκρη της μύτης βιδώματος στην κεφαλή της βίδας/μπουλουνιού. Εφαρμόστε πίεση προς τα εμπρός στο εργαλείο έτσι ώστε η μύτη να μην ξεφύγει από τη βίδα και ανάψτε το εργαλείο για να αρχίσει η εργασία.

ΕΙΔΟΠΟΙΗΣΗ: Αν χρησιμοποιείτε εφεδρική μπαταρία για να συνεχίσετε τη λειτουργία, αφήστε το εργαλείο εκτός λειτουργίας για τουλάχιστον 15 λεπτά.

ΠΑΡΑΤΗΡΗΣΗ: Να χρησιμοποιείτε την κατάλληλη μύτη για την κεφαλή βίδας/μπουλουνιού που επιθυμείτε να χρησιμοποιήσετε.

ΠΑΡΑΤΗΡΗΣΗ: Όταν στερεώνετε μια βίδα M8 ή μικρότερη, ρυθμίστε προσεκτικά την πίεση στη σκανδάλη διακόπτη έτσι ώστε να μην πάθει ζημιά η βίδα.

ΠΑΡΑΤΗΡΗΣΗ: Κρατήστε το εργαλείο στραμμένο ίσια προς τη βίδα.

ΠΑΡΑΤΗΡΗΣΗ: Αν η κρουστική δύναμη είναι πολύ ισχυρή ή αν σφίγγετε τη βίδα για μεγαλύτερο χρονικό διάστημα από αυτό που απεικονίζεται στις εικόνες, η βίδα ή το άκρο της μύτης βιδώματος μπορεί να υποστεί υπέρταση, αποφλοίωση, ζημιά, κλπ. Πριν αρχίσετε την εργασία σας, να εκτελείτε πάντα μια δοκιμαστική λειτουργία για να καθορίσετε τον κατάλληλο χρόνο στερέωσης για τη βίδα σας.

Η ροπή στερέωσης επηρεάζεται από μια μεγάλη ποικιλία παραγόντων που περιλαμβάνουν και τα ακόλουθα. Μετά τη στερέωση, να ελέγχετε πάντα τη ροπή με ένα ροπόμετρο.

1. Όταν η κασέτα μπαταρίας έχει εκφορτιστεί σχεδόν εντελώς, η τάση θα πέσει και η ροπή στερέωσης θα μειωθεί.
2. Μύτη βιδώματος ή προέκταση μύτης
Αν αμελήσετε να χρησιμοποιήσετε το σωστό μέγεθος μύτης βιδώματος ή προέκτασης μύτης, θα προκληθεί μια μείωση στη ροπή στερέωσης.

3. Μπουλόνι
 - Ακόμη κι αν ο συντελεστής ροπής και η κατηγορία μπουλονιού είναι τα ίδια, η σωστή ροπή στερέωσης θα διαφέρει ανάλογα με τη διάμετρο του μπουλονιού.
 - Ακόμη κι αν οι διάμετροι των μπουλονιών είναι οι ίδιες, η σωστή ροπή στερέωσης θα διαφέρει ανάλογα με τον συντελεστή ροπής, την κατηγορία του μπουλονιού και το μήκος του μπουλονιού.
4. Ο τρόπος κρατήματος του εργαλείου ή το υλικό της προς στερέωση θέσης βιδώματος θα επηρεάσει τη ροπή.
5. Η λειτουργία του εργαλείου σε χαμηλή ταχύτητα θα προκαλέσει μείωση της ροπής στερέωσης.

ΣΥΝΤΗΡΗΣΗ

⚠ ΠΡΟΣΟΧΗ: Πριν την εκτέλεση εργασιών επιθεώρησης ή συντήρησης, πάντοτε να βεβαιώνεστε ότι η συσκευή απενεργοποιήθηκε και η κασέτα μπαταριών έχει αφαιρεθεί.

ΕΙΔΟΠΟΙΗΣΗ: Μην χρησιμοποιείτε ποτέ βενζίνη, πετρελαϊκό αιθέρα, διαλυτικό, αλκοόλη ή παρόμοιες ουσίες. Μπορεί να προκληθεί αποχρωματισμός, παραμόρφωση ή ρωγμές.

Για να διατηρήσετε την ΑΣΦΑΛΕΙΑ και ΑΞΙΟΠΙΣΤΙΑ του προϊόντος, οι επισκευές, έλεγχοι και αντικατάσταση καρβουνακιού, καθώς και οποιαδήποτε άλλη εργασία συντήρησης ή ρύθμισης πρέπει να εκτελούνται από εξουσιοδοτημένα ή εργοστασιακά κέντρα εξυπηρέτησης της Makita, πάντα χρησιμοποιώντας ανταλλακτικά της Makita.

ΠΡΟΑΙΡΕΤΙΚΑ ΕΞΑΡΤΗΜΑΤΑ

⚠ ΠΡΟΣΟΧΗ: Αυτά τα εξαρτήματα ή προσαρτήματα συνιστώνται για χρήση με το εργαλείο Makita που περιγράφηκε στις οδηγίες αυτές. Η χρήση οποιωνδήποτε άλλων εξαρτημάτων ή προσαρτημάτων μπορεί να προκαλέσει κίνδυνο τραυματισμού σε άτομα. Να χρησιμοποιείτε τα εξαρτήματα ή προσαρτήματα μόνο για την χρήση που προορίζονται.

Εάν χρειάζεστε οποιαδήποτε βοήθεια για περισσότερες πληροφορίες σε σχέση με αυτά τα εξαρτήματα, απαντήστε στο τοπικό σας κέντρο εξυπηρέτησης Makita.

- Μύτες βιδώματος
- Τεμάχιο μύτης
- Γάντζος
- Πλαστική θήκη μεταφοράς
- Γνήσια μπαταρία και φορτιστής της Makita
- Προστατευτικό μπαταρίας

ΠΑΡΑΤΗΡΗΣΗ: Μερικά στοιχεία στη λίστα μπορεί να συμπεριλαμβάνονται στη συσκευασία εργαλείου ως στάνταρ εξαρτήματα. Μπορεί να διαφέρουν ανάλογα με τη χώρα.

TEKNİK ÖZELLİKLER

Model:		DTD156
Sıkıştırma kapasiteleri	Makine vidası	M4 - M8
	Standart civata	M5 - M14
	Dayanıklı civata	M5 - M12
Yüksüz hız		0 - 2.500 min ⁻¹
Dakikadaki darbe sayısı		0 - 3.000 min ⁻¹
Toplam uzunluk		143 mm
Anma voltajı		D.C. 18 V
Net ağırlık		1,3-1,6 kg

- Sürekli yapılan araştırma ve geliştirmelerden dolayı, burada belirtilen özellikler önceden bildirilmeksizin değiştirilebilir.
- Özellikler ülkeden ülkeye değişebilir.
- Ağırlık, ekli aksesuar/aksesuarlara ve batarya kartuşuna bağlı olarak farklılık gösterebilir. EPTA-Prosedürü 01/2014'e göre en hafif ve en ağır kombinasyonlar tabloda verilmiştir.

Geçerli batarya kartuşu ve şarj aleti

Batarya kartuşu	BL1815N / BL1820B / BL1830B / BL1840B / BL1850B / BL1860B
Şarj aleti	DC18RC / DC18RD / DC18RE / DC18SD / DC18SE / DC18SF / DC18SH / DC18WC

- Yukarıda listelenen batarya kartuşlarının ve şarj aletlerinin bazıları yaşadığınız bölgeye bağlı olarak mevcut olmayabilir.

UYARI: Sadece yukarıda listelenen batarya kartuşlarını ve şarj aletlerini kullanın. Başka batarya kartuşlarının ve şarj aletlerinin kullanılması yaralanma ve/veya yangına neden olabilir.

Kullanım amacı

Bu alet ahşap, metal ve plastik malzemede vidalama işlemleri için tasarlanmıştır.

Gürültü

Tipik A-ağırlıklı gürültü düzeyi (EN62841-2-2 standardına göre belirlenen):

Ses basınç seviyesi (L_{pA}): 95 dB (A)

Ses gücü düzeyi (L_{WA}): 103 dB (A)

Belirsizlik (K): 3 dB (A)

NOT: Beyan edilen gürültü emisyonu değer(ler) bir standart test yöntemine uygun şekilde ölçülmüştür ve bir aleti bir başkasıyla karşılaştırmak için kullanılabilir.

NOT: Beyan edilen gürültü emisyonu değer(ler) bir ön maruz kalma değerlendirmesi olarak da kullanılabilir.

UYARI: Kulak koruyucuları takın.

UYARI: Elektrikli aletin gerçek kullanımı sırasındaki gürültü emisyonu, aletin kullanım biçimlerine, özellikle işlenen iş parçasının türüne bağlı olarak beyan edilen değer(ler)den farklı olabilir.

UYARI: Gerçek kullanım koşullarındaki tahmini maruziyeti baz alan, operatörü koruyacak güvenlik önlemlerini mutlaka belirleyin (çalışma döngüsü içerisinde aletin kapalı olduğu ve aktif durumda olmasının yanı sıra boşta çalıştığı zamanlar gibi, bütün zaman dilimleri göz önünde bulundurarak).

Titreşim

Titreşim toplam değeri (üç eksenli vektör toplamı)

(EN62841-2-2 standardına göre hesaplanan):

Çalışma modu: aletin maksimum kapasitesiyle tespit malzemelerinin darbeli sıkılması

Titreşim emisyonu (a_{h}): 10,0 m/s²

Belirsizlik (K): 1,5 m/s²

NOT: Beyan edilen titreşim toplam değer(ler) bir standart test yöntemine uygun şekilde ölçülmüştür ve bir aleti bir başkasıyla karşılaştırmak için kullanılabilir.

NOT: Beyan edilen titreşim toplam değer(ler) bir ön maruz kalma değerlendirmesi olarak da kullanılabilir.

UYARI: Elektrikli aletin gerçek kullanımı sırasındaki titreşim emisyonu, aletin kullanım biçimlerine, özellikle işlenen iş parçasının türüne bağlı olarak beyan edilen değer(ler)den farklı olabilir.

UYARI: Gerçek kullanım koşullarındaki tahmini maruziyeti baz alan, operatörü koruyacak güvenlik önlemlerini mutlaka belirleyin (çalışma döngüsü içerisinde aletin kapalı olduğu ve aktif durumda olmasının yanı sıra boşta çalıştığı zamanlar gibi, bütün zaman dilimleri göz önünde bulundurarak).

Uygunluk Beyanları

Sadece Avrupa ülkeleri için

Uygunluk beyanları bu kullanma kılavuzuna Ek A olarak eklenmiştir.

GÜVENLİK UYARILARI

Genel elektrikli alet güvenliği uyarıları

⚠UYARI: Bu elektrikli aletle birlikte sunulan tüm güvenlik uyarılarını, talimatları, çizimleri ve teknik özellikleri okuyun. Aşağıda verilen talimatlara uyulmaması elektrik şoku, yangın ve/veya ciddi yaralanmalar ile sonuçlanabilir.

Tüm uyarıları ve talimatları ile-ride başvurmak için saklayın.

Uyarılardaki "elektrikli alet" terimi ile ya prizden çalışan (kordonlu) elektrikli aletiniz ya da kendi aküsü ile çalışan (kordsuz) elektrikli aletiniz kastedilmektedir.

Aküü darbeli tornavida için güvenlik uyarıları

1. Sıkma aletinin görünmeyen kablolara temas etme olasılığı bulunan yerlerde çalışırken elektrikli aletleri yalıtımlı kavrama yüzeylerinden tutun. Sıkma aletlerinin "akımlı" bir telle temas etmesi elektrikli aletin yalıtımsız metal kısımlarını "akımlı" hale getirebilir ve kullanıcıyı elektrik şokuna maruz bırakabilir.
2. Her zaman yere sağlam basın. Makineyi yüksekte kullandığınızda, altında kimsenin olmadığından emin olun.
3. Makineyi iki elinizle sıkıca tutun.
4. Kulak koruyucularını takın.
5. İşlemin hemen ardından uca ya da iş parçasına dokunmayın. Bu parçalar aşırı derecede sıcak olabilir ve cilt yanıklarına yol açabilir.
6. Ellerinizi dönen parçalardan uzak tutun.
7. Aletle birlikte sağlanmışsa yardımcı tutamağı/tutamakları kullanın. Kontrol kaybı yaralanmaya neden olabilir.
8. Kesici aksesuarın görünmeyen kablolarla temas etme olasılığı bulunan yerlerde çalışırken elektrikli aleti yalıtımlı kavrama yüzeylerinden tutun. Kesici aksesuarın "akımlı" bir telle temas etmesi elektrikli aletin yalıtımsız metal kısımlarını "akımlı" hale getirebilir ve kullanıcıyı elektrik şokuna maruz bırakabilir.
9. Aletin kullanımından dolayı hasar görmesi halinde tehlikeye yol açabilecek elektrik kabloları, su boruları, gaz boruları, vb. olmadığından emin olun.

BU TALİMATLARI SAKLAYIN.

⚠UYARI: Ürünü kullanırken (defalarca kullanınca kazanılan) rahatlık ve tanıdıklık duygusunun ilgili ürünün güvenlik kurallarına sıkı sıkıya bağlı kalmanın yerine geçmesine İZİN VERMEYİN.

YANLIŞ KULLANIM veya bu kullanma kılavuzunda belirtilen emniyet kurallarına uymama ciddi yaralanmaya neden olabilir.

Batarya kartuşu hakkında önemli güvenlik talimatları

1. Batarya kartuşunu kullanmadan önce, tüm talimatları ve (1) batarya kartuşu, (2) batarya ve (3) ürün üzerindeki tüm uyarı işaretlerini okuyun.
 2. Batarya kartuşunu parçalarına ayırmayın veya kurcalamayın. Yangın, aşırı ısı veya patlamaya neden olabilir.
 3. Çalışma süresi aşırı derecede kısalmışsa kullanmayı derhal bırakın. Aşırı ısınma, yanma riski hatta patlamaya neden olabilir.
 4. Gözünüze elektrolit kaçarsa, gözlerinizi temiz suyla durulayın ve hemen tıbbi yardım alın. Görme kaybına yol açabilir.
 5. Batarya kartuşuna kısa devre yaptırmayın:
 - (1) Terminallere herhangi bir iletken madde değdirmeyin.
 - (2) Batarya kartuşunu çiviler, madeni paralar, vb. gibi başka metal nesnelere aynı kaba koymaktan kaçının.
 - (3) Batarya kartuşunu yağmura ya da suya maruz bırakmayın.
- Kısa devre, büyük bir akım akışına, aşırı ısınmaya, olası yanıklara hatta bataryanın bozulmasına yol açabilir.
6. Aleti ve batarya kartuşunu sıcaklığın 50°C ya da daha yükseğe ulaştığı yerlerde saklamayın ve kullanmayın.
 7. Aşırı derecede hasar görmüş ya da tamamen kullanılamaz durumda olsa bile batarya kartuşunu yakmayın. Batarya kartuşu ateşe atılırsa patlayabilir.
 8. Batarya kartuşunu çivilememeyi, kesmemeyi, ezmemeyi, fırlatmayi, düşürmeyi ya da batarya kartuşuna sert bir nesne ile vurmeyi. Bu eylemler yangın, aşırı ısı veya patlamaya neden olabilir.
 9. Hasarlı bataryayı kullanmayın.
 10. Aletin içerdığı lityum-iyon bataryalar Tehlikeli Eşyalar Yönetmeliğinin gereksinimlerine tabidir. Ticari nakliye işlemleri için, örneğin üçüncü taraf, nakliye acenteleri tarafından yapılan nakliyelerde, paketlenme ve etiketlenme gereksinimlerine uyulmalıdır. Nakliyesi yapılacak ürünün hazırlanması için, tehlikeli maddeler konusunda uzman bir kişiye danışın. Lütfen muhtemelen daha ayrıntılı olan ulusal yönetmeliklere de uyun. Açık kontakları bantlayın ya da maskeleyin ve bataryayı paketin içinde hareket etmeyecek şekilde paketleyin.
 11. Batarya kartuşunu bertaraf ederken aletten çıkarın ve güvenli bir yerde bertaraf edin. Bataryanın bertaraf edilmesi ile ilgili yerel düzenlemelere uyunuz.
 12. Bataryaları sadece Makita tarafından belirtilen ürünlerle kullanın. Bataryaların uyumsuz ürünlere takılması; yangın, aşırı ısınma, patlama ya da elektrolit sızıntısına neden olabilir.

13. Alet uzun süre kullanılmıyacaksa batarya aletten çıkarılmalıdır.
14. Kullanma sırasında ve sonrasında batarya kartuşu ısınarak yanıklara veya düşük sıcaklık yanıklarına yol açabilir. Sıcak batarya kartuşları ile işlem yaparken dikkat edin.
15. Yanıklara neden olabilecek kadar sıcak olabileceğinden kullandıktan hemen sonra aletin terminaline dokunmayın.
16. Batarya kartuşunun terminallerine, deliklerine ve kanallarına mıcır, toz veya toprak girmesine izin vermeyin. Aletin veya batarya kartuşunun ısınmasına, alev almasına, patlamasına ve arızalanmasına neden olarak yanıklara veya yaralanmaya yol açabilir.
17. Alet yüksek gerilim elektrik güç hatları yakınında kullanımı desteklemediği sürece batarya kartuşunu yüksek gerilim elektrik güç hatlarının yakınında kullanmayın. Aletin veya batarya kartuşunun arızalanmasına veya bozulmasına neden olabilir.
18. Bataryayı çocuklardan uzak tutun.

BU TALİMATLARI MUHAFAZA EDİNİZ.

⚠DİKKAT: Sadece orijinal Makita bataryalarını kullanın. Orijinal olmayan Makita bataryaları ya da üzerine değişiklik yapılmış bataryaların kullanımı bataryanın patlamasına ve sonuç olarak yangın, kişisel yaralanma ve hasara neden olabilir. Ayrıca Makita aleti ve şarj aletinin Makita tarafından sunulan garantisini de geçersiz olur.

Maksimum batarya ömrü için ipuçları

1. Batarya kartuşunu tamamen boşalmadan önce şarj edin. Aletin gücünün zayıflamaya başladığını fark ettiğinizde aleti durdurun ve batarya kartuşunu şarj edin.
2. Tam dolu bir batarya kartuşunu asla yeniden şarj etmeyin. Aşırı şarj etme bataryanın hizmet ömrünü kısaltır.
3. Batarya kartuşunu 10 °C - 40 °C oda sıcaklığında şarj edin. Sıcak bir batarya kartuşunu şarj etmeden önce soğumasını bekleyin.
4. Batarya kartuşunu kullanıyorken aletten veya şarj aletinden çıkarın.
5. Uzun bir süre (altı aydan daha fazla) kullanmadığınız durumlarda batarya kartuşunu şarj edin.

İŞLEVSEL NİTELİKLER

⚠DİKKAT: Alet üzerinde ayarlama veya işleyiş kontrolü yapmadan önce aletin kapalı ve batarya kartuşunun ayrılmış olduğundan daima emin olun.

Batarya kartuşunun takılması ve çıkarılması

⚠DİKKAT: Batarya kartuşunu takmadan ya da çıkarmadan önce aleti daima kapatın.

⚠DİKKAT: Batarya kartuşunu takarken veya çıkarırken aleti ve batarya kartuşunu sıkıca tutun. Aletin ve batarya kartuşunun sıkıca tutulmaması bunların düşürülmesine sebep olabilir ve alet ve batarya kartuşunun zarar görmesine ya da ciddi yaralanmasına yol açabilir.

► **Şek.1:** 1. Kırmızı gösterge 2. Düğme 3. Batarya kartuşu

Batarya kartuşunu çıkarmak için, kartuşun ön tarafındaki düğmeyi kaydırarak kartuşu aletten çıkarın.

Batarya kartuşunu takmak için, batarya kartuşu üzerindeki dili yuvanın oluğu ile hizalayın ve kartuşu yerine oturtun. Kartuşu, küçük bir tık sesi ile yerine sabitlenene dek sonuna kadar ittirin. Şekilde gösterildiği gibi kırmızı göstergeliyi görebiliyorsanız tam olarak kilitlenmemiş demektir.

⚠DİKKAT: Batarya kartuşunu daima kırmızı gösterge görünmeyecek şekilde tam olarak takın. Yerine tam oturmazsa, aletten yanlışlıkla düşebilir, sizin ya da çevrenizdeki kişilerin yaralanmasına neden olabilir.

⚠DİKKAT: Batarya kartuşunu zorlayarak takmayın. Kartuş kolay bir şekilde kaymıyorsa doğru yerleştirilmemiş demektir.

Batarya koruma sistemi

Bu alet bir batarya koruma sistemi ile donatılmıştır. Bu sistem motora giden gücü otomatik olarak keserek uzun batarya ömrü sağlar. Alet ve/veya batarya için aşağıdaki durumlardan biri söz konusu olduğunda aletin işleyişi otomatik olarak durur:

Aşırı yüklenme:

Alet, anormal derecede yüksek akım çekmesine neden olacak şekilde kullanılmaktadır. Bu durumda, aleti kapatın ve aletin aşırı yüklenmesine neden olan uygulamayı durdurun. Daha sonra aleti yeniden başlaması için çalıştırın. Alet çalışmaya başlamazsa, batarya aşırı ısınmış demektir. Bu durumda, aleti yeniden çalıştırmadan önce bataryanın soğumasını bekleyin.

Düşük batarya voltajı:

Kalan batarya kapasitesi çok düşüktür ve alet çalışmaz. Bu durum söz konusuysa, bataryayı çıkarıp şarj edin.

Kalan batarya kapasitesinin gösterilmesi

Sadece göstergeli batarya kartuşları için

► **Şek.2:** 1. Gösterge lambaları 2. Kontrol düğmesi

Kalan batarya kapasitesini göstermesi için batarya kartuşu üzerindeki kontrol düğmesine basın. Gösterge lambaları birkaç saniye yanar.

Gösterge lambaları			Kalan kapasite	
Yanıyor	Kapalı	Yanıp söniyor		
■	□	▣		
■ ■ ■ ■				%75 ila %100
■ ■ ■ □				%50 ila %75
■ ■ □ □				%25 ila %50
■ □ □ □				%0 ila %25
▣ □ □ □				Bataryayı şarj edin.
■ ■ □ □			Batarya arızalanmış olabilir.	
□ □ ■ ■				

NOT: Kullanım koşullarına ve ortam sıcaklığına bağlı olarak, gösterilen değer gerçek kapasiteden biraz farklılık gösterebilir.

NOT: İlk (en soldaki) gösterge lambası, batarya koruma sistemi çalıştığı anda yanıp söner.

Anahtar işlemi

► **Şek.3:** 1. Anahtar tetik

⚠ DİKKAT: Batarya kartuşunu alete takmadan önce anahtar tetiğinin doğru çalıştığından ve bırakıldığında "OFF" (kapalı) konumuna döndüğünden emin olun.

Aleti çalıştırmak için, sadece anahtar tetiği çekin. Aletin çalışma hızı anahtar tetik üstüne daha fazla baskı yapılarak artırılır. Durdurmak için anahtar tetiği serbest bırakın.

Ön lambanın yakılması

► **Şek.4:** 1. Lamba

⚠ DİKKAT: Işığa bakmayın ya da ışık kaynağını doğrudan görmeyin.

Lambayı yakmak için anahtar tetiği çekin. Anahtar tetik çekilirken lamba yanmaya devam eder. Anahtar tetik serbest bırakıldıktan yaklaşık 10 saniye sonra lamba söner.

NOT: Lamba lensini temizlemek için kuru bir bez kullanın. Aydınlatmayı azaltacağı için lamba lensinin çizilmemesine dikkat edin.

Ters dönüş mandalı işlemi

► **Şek.5:** 1. Ters dönüş mandalı anahtarı

⚠ DİKKAT: Kullanmadan önce dönüş yönünü daima kontrol edin.

⚠ DİKKAT: Ters döndürme anahtarını sadece alet tamamen durduktan sonra kullanın. Dönüş yönünün alet durmadan önce değiştirilmesi alete zarar verebilir.

⚠ DİKKAT: Aleti kullanmadığınız zaman, ters döndürme anahtarını daima nötr konumuna ayarlayın.

Bu aletin dönüş yönünü değiştirmek için bir ters döndürme anahtarı vardır. Ters döndürme anahtarına saat yönünde dönüş için A tarafından tersi yönde dönüş içinse B tarafından bastırın. Ters döndürme anahtarı nötr konumundayken tetik anahtar çekilemez.

MONTAJ

⚠ DİKKAT: Alet üzerinde herhangi bir iş yapmadan önce aletin kapalı ve batarya kartuşunun ayrılmış olduğundan daima emin olun.

Tornavida ucunun/lokma ucunun takılması ya da çıkarılması

► **Şek.6**

Sadece şekilde gösterilen takma kısımları olan tornavida ucunu/lokma ucunu kullanın. Başka herhangi bir tornavida/lokma ucu kullanmayın.

Tornavida ucu takma deliği sığ olan alet için

A=12 mm B=9 mm	Sadece bu tip tornavida uçlarını kullanın. 1 no.lu prosedürünü izleyin. (Not) Uç eki gerekli değildir.
-------------------	--

Tornavida ucu takma deliği derin olan alet için

A=17 mm B=14 mm	Bu tür uçları takmak için 1 no.lu prosedürü kullanın.
A=12 mm B=9 mm	Bu tür uçları takmak için 2 no.lu prosedürü kullanın. (Not) Ucu takmak için uç eki gereklidir.

1 No.lu Prosedür

Tek dokunuş tipi manşonu olmayan aletler için

► **Şek.7:** 1. Tornavida ucu 2. Kovan

Tornavida ucunu takmak için, kovani ok yönünde çekin ve tornavida ucunu girebildiği kadar kovana geçirin. Sonra tornavida ucunu sabitlemek için kovani serbest bırakın.

Tek dokunuş tipi manşonlu aletler için

Tornavida ucunu takmak için, ucu manşon içinde gidebileceği kadar ileri yerleştirin.

2 No.lu Prosedür

İsteğe bağlı aksesuar

Yukarıda belirtilen **1 no.lu prosedüre** ek olarak, uç ekini sivri ucu içeri bakacak şekilde manşona yerleştirin.

► **Şek.8:** 1. Tornavida ucu 2. Uç eki 3. Kovan

Ucu çıkarmak için, kovani ok yönünde çekin ve tornavida ucunu dışarı çekin.

NOT: Eğer tornavida ucu kovanın içine yeterince derin sokulmazsa kovan orijinal konumuna dönmez ve uç sabitlenmez. Bu durumda, ucu yukarıdaki talimatlara göre yeniden takmaya çalışın.

NOT: Tornavida ucunu takmak zor olduğunda, manşonu çekin ve ucu manşon içinde gidebileceği kadar ileri yerleştirin.

NOT: Tornavida ucunu taktıktan sonra, sıkı şekilde sabitlediğinden emin olun. Eğer dışarı çıkıyorsa, ucu kullanmayın.

Kancanın takılması

⚠UYARI: Asma/montaj parçalarını yalnızca kullanım amaçlarına uygun kullanın, örneğin işler arasında ve iş aralarında aleti bir alet kemerine asmak gibi.

⚠UYARI: Çok fazla yük veya düzensiz fazla yüklerle aletin hasar görmesine neden olarak yaralanmaya yol açabileceği için kancayı aşırı yüklemeye dikkat edin.

⚠DİKKAT: Kancayı takarken kancayı daima vida ile iyice sabitleyin. Sabitlenmezse kanca aletten çıkabilir ve yaralanmaya neden olabilir.

⚠DİKKAT: Tutmayı bırakmadan önce aleti güvenli bir şekilde astığınızdan emin olun. Yetersiz veya dengesiz takmak düşmeye ve yaralanmanıza neden olabilir.

► **Şek.9:** 1. Oluk 2. Kanca 3. Vida

Kanca aletin geçici bir süre aşılmasına yarar. Bu kanca aletin her iki yanına da takılabilir. Kancayı takmak için, onu alet gövdesinin her iki yanındaki oluklardan birine geçirin ve sonra bir vida ile sabitleyin. Çıkarmak için, vidayı gevşetin ve sonra dışarı çekip alın.

Delik kullanımı

⚠UYARI: Askı deliğini örneğin aleti yüksek yerlere bağlamak gibi amacı dışında asla kullanmayın. Aşırı derecede yüklenmiş bir delikteki dayanma gerilmesi deliğe zarar vererek sizin veya etrafınızdaki ya da altınızdaki kişilerin yaralanmasına yol açabilir.

► **Şek.10:** 1. Askı deliği

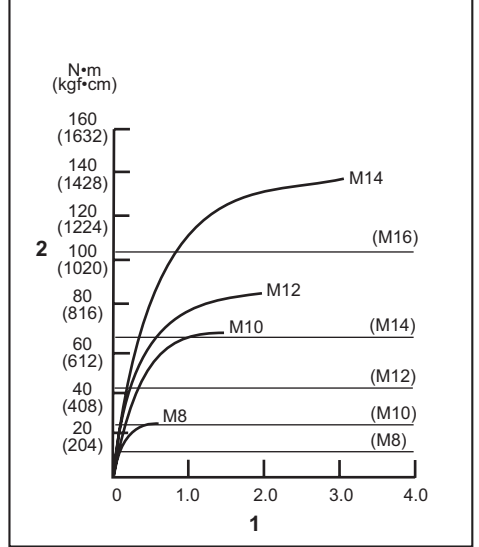
Aletin alt arka kısmındaki askı deliğini, bir askı kordonu veya benzeri iplerle aleti duvara asmak için kullanın.

KULLANIM

► Şek.11

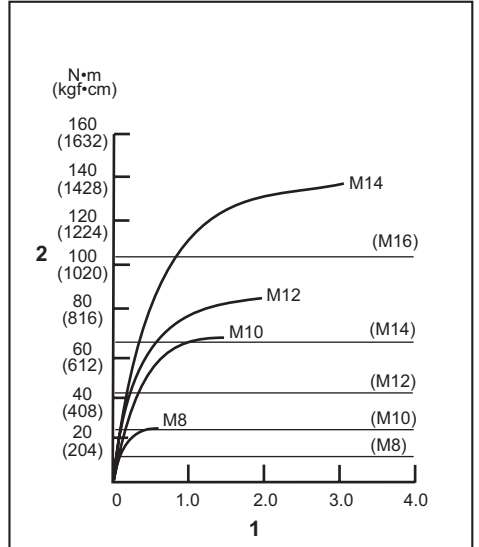
Doğru sıkma torku vidanın/cıvatanın, sıkılacak iş parçasının malzemesinin, vs. boyutuna veya tipine göre değişebilir. Sıkma torku ve sıkma süresi arasındaki ilişki şekillerde gösterilmektedir.

Standart cıvata için doğru sıkma torku



1. Sıkma süresi (saniye) 2. Sıkma torku

Yüksek germe cıvatası için doğru sıkma torku



1. Sıkma süresi (saniye) 2. Sıkma torku

Aleti sıkıca tutun ve tornavida ucunu vida başına geçirin. Alete, ileriye doğru, ucun vida üzerinden kaymaya-çağı kadar bir baskı uygulayın ve işlemi başlatmak için aleti çalıştırın.

ÖNEMLİ NOT: İşleme devam etmek için bir yedek batarya kullanıyorsanız, aletin en az 15 dakika dinlenmesini sağlayın.

NOT: Sıkıştırmak istediğiniz vidanın/cıvatanın başına uygun olan ucu kullanın.

NOT: M8 veya daha küçük vidaları sıkarken, vidanın zarar görmemesi için anahtar tetiğe uyguladığınız basıncı dikkatli bir şekilde ayarlayın.

NOT: Aleti tam olarak vidanın üzerine gelecek şekilde tutun.

NOT: Darbe gücü çok güçlü ise ya da vidayı şekillerde belirtilenden daha uzun bir süre sıkıştırırsanız, vida veya matkap ucu aşırı gerilime maruz kalabilir, soyulabilir veya hasar görebilir v.s. İşe başlamadan önce, vidanız için uygun sıkıştırma süresini belirlemek amacıyla mutlaka bir test çalışması yapın.

Sıkma torku aşağıdakiler dahil çok çeşitli faktörlerden etkilenir. Sıkımadan sonra daima bir tork anahtarı ile torku kontrol edin.

1. Batarya kartuşu tam boşalmaya yakinken voltaj düşer ve sıkma torku azalır.
2. Tornavida ucu veya lokma ucu Doğru boyda tornavida ya da lokma ucu kullanılmaması sıkma torkunda bir azalmaya neden olur.
3. Cıvata
 - Tork katsayısı ve cıvata sınıfı aynı olsa da, uygun sıkma torku cıvatanın çapına göre farklılık gösterecektir.
 - Cıvata çapları aynı olsa da, uygun sıkma torku tork katsayısı, cıvata sınıfı ve cıvata uzunluğuna göre farklılık gösterecektir.
4. Aletin ya da bağlanacak malzemenin vidalama pozisyonunda tutulma biçimi torku etkiler.
5. Aletin düşük hızda çalıştırılması sıkma torkunda bir azalmaya neden olur.

BAKIM

⚠DİKKAT: Muayene ya da bakım yapmadan önce aletin kapalı ve batarya kartuşunun çıkartılmış olduğundan daima emin olun.

ÖNEMLİ NOT: Benzin, tiner, alkol ve benzeri maddeleri kesinlikle kullanmayın. Renk değişimi, deformasyon veya çatlaklar oluşabilir.

Aleti EMNİYETLİ ve ÇALIŞMAYA HAZIR durumda tutmak için onarımlar, karbon fırça muayenesi ve değiştirilmesi, başka her türlü bakım veya ayarlamalar daima Makita yedek parçaları kullanılarak Makita Yetkili Servis Merkezleri ya da Fabrika Servis Merkezleri tarafından yapılmalıdır.

İSTEĞE BAĞLI AKSESUARLAR

⚠DİKKAT: Bu aksesuarlar ve ek parçalar bu el kitabında belirtilen Makita aletiniz ile kullanılmak için tavsiye edilmektedir. Herhangi başka bir aksesuar ya da ek parça kullanılması insanlar için bir yaralanma riski getirebilir. Aksesuarları ya da ek parçaları yalnızca belirtilmiş olan kullanım amaçlarına uygun olarak kullanın.

Bu aksesuarlarla ilgili daha fazla bilgiye ihtiyaç duyarsanız bulunduğunuz yerdeki yetkili Makita servisine başvurun.

- Tornavida uçları
- Uç eki
- Kanca
- Plastik taşıma çantası
- Orijinal Makita batarya ve şarj aleti
- Batarya koruyucu

NOT: Listedeki parçaların bazıları alet paketi içerisinde standart aksesuar olarak dahil edilmiş olabilir. Bunlar ülkeden ülkeye farklılık gösterebilir.

Makita Europe N.V.

Jan-Baptist Vinkstraat 2, 3070 Kortenberg, Belgium

Makita Corporation

3-11-8, Sumiyoshi-cho, Anjo, Aichi 446-8502 Japan

www.makita.com



885747B992
EN, FR, DE, IT, NL,
ES, PT, DA, EL, TR
20211124