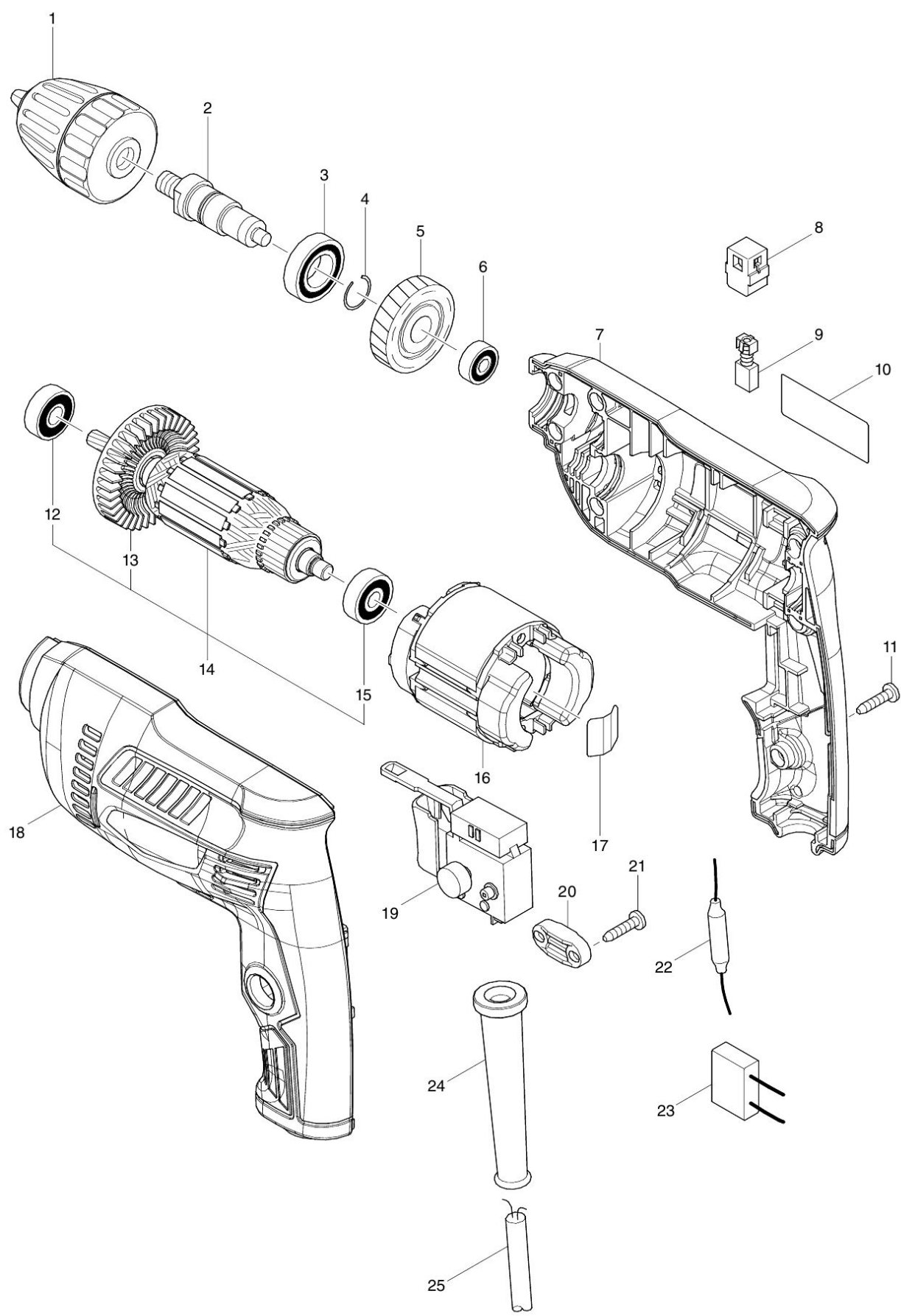


Partdrawing for M6002K - Boormachine



2014/12
M6002