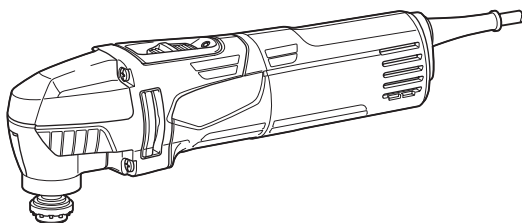
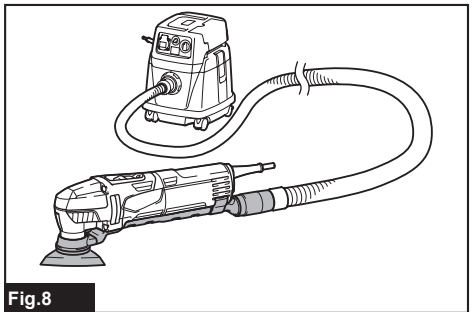
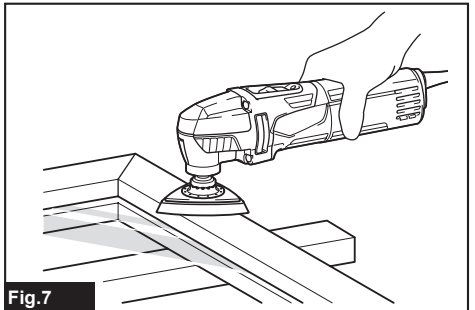
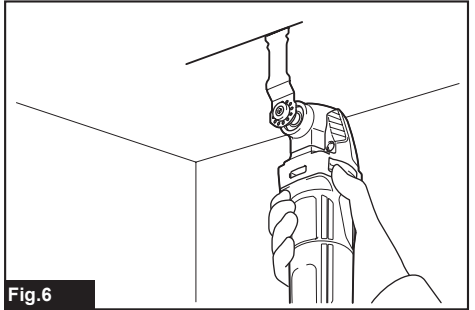
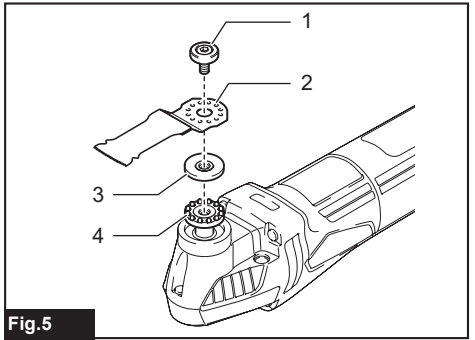
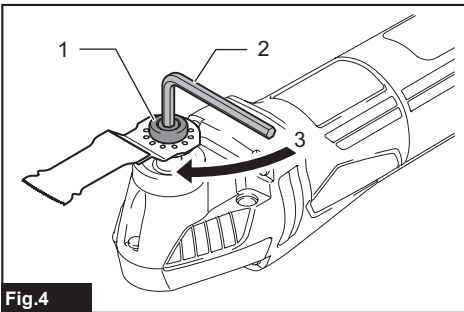
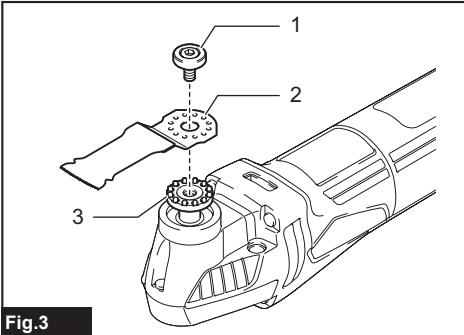
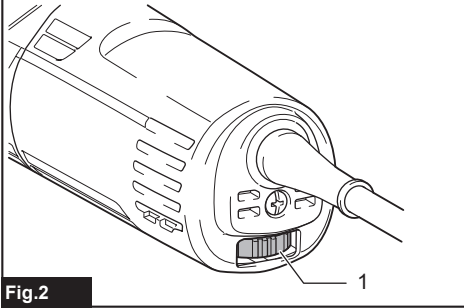
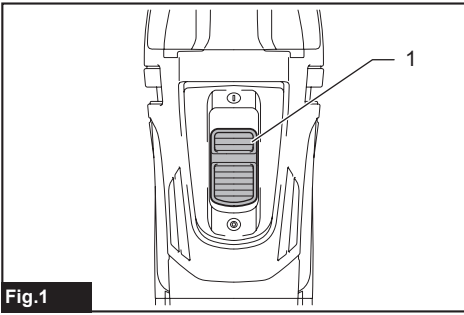




EN	Multi Tool	INSTRUCTION MANUAL	4
FR	Outil Multi-Fonctions	MANUEL D'INSTRUCTIONS	8
DE	Multifunktions-Werkzeug	BETRIEBSANLEITUNG	13
IT	Utensile multifunzione	ISTRUZIONI PER L'USO	18
NL	Multitool	GEBRUIKSAANWIJZING	23
ES	Multitool	MANUAL DE INSTRUCCIONES	28
PT	Multicortadora Oscilante	MANUAL DE INSTRUÇÕES	33
DA	Multimaskine	BRUGSANVISNING	38
EL	Πολυεργαλείο	ΕΓΧΕΙΡΙΔΙΟ ΟΔΗΓΙΩΝ	43
TR	Çok Fonksiyonlu Alet	KULLANMA KILAVUZU	48

M9800





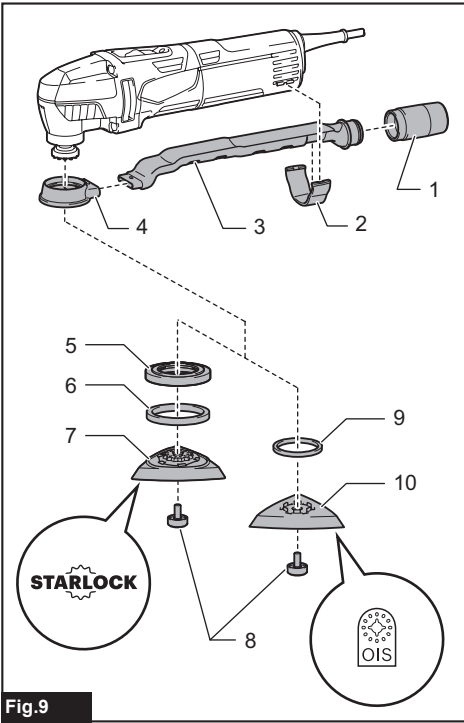


Fig.9

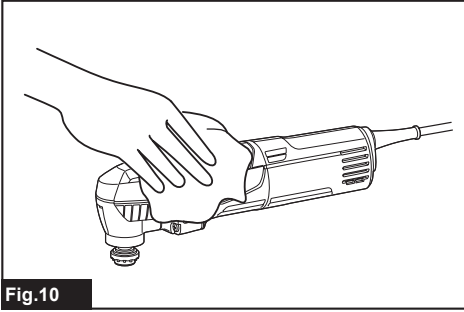


Fig.10

SPECIFICATIONS

Model:	M9800
Oscillation per minute	15,000 - 22,000 min ⁻¹
Oscillation angle, left/right	1.6 ° (3.2 ° total)
Overall length	283 mm
Net weight	1.2 - 1.3 kg
Safety class	▣/II

- Due to our continuing program of research and development, the specifications herein are subject to change without notice.
- Specifications may differ from country to country.
- The weight may differ depending on the attachment(s). The lightest and heaviest combination, according to EPTA-Procedure 01/2014, are shown in the table.

Intended use

The tool is intended for sawing and cutting wood, plastic, gypsum, non-ferrous metals, and fastening elements (e. g. unhardened nails and staples). It is also intended for working soft wall tiles, as well as dry sanding and scraping of small surfaces. It is especially for working close to edge and flush cutting.

NOTE: The declared noise emission value(s) has been measured in accordance with a standard test method and may be used for comparing one tool with another.

NOTE: The declared noise emission value(s) may also be used in a preliminary assessment of exposure.

Power supply

The tool should be connected only to a power supply of the same voltage as indicated on the nameplate, and can only be operated on single-phase AC supply. They are double-insulated and can, therefore, also be used from sockets without earth wire.

⚠WARNING: Wear ear protection.

⚠WARNING: The noise emission during actual use of the power tool can differ from the declared value(s) depending on the ways in which the tool is used especially what kind of workpiece is processed.

⚠WARNING: Be sure to identify safety measures to protect the operator that are based on an estimation of exposure in the actual conditions of use (taking account of all parts of the operating cycle such as the times when the tool is switched off and when it is running idle in addition to the trigger time).

Noise

Work mode	Sound pressure level (L _{pa}) :	Sound power level (L _{wa}) :	Uncertainty (K)	Applicable standard
Sanding	81 dB(A)	89 dB (A)	3 dB(A)	EN62841-2-4
Cutting with plunge cut saw blade	82 dB(A)	90 dB (A)	3 dB(A)	EN62841-1
Cutting with segmental saw blade	82 dB(A)	90 dB(A)	3 dB(A)	EN62841-1
Scraping	81 dB(A)	89 dB (A)	3 dB(A)	EN62841-1

Vibration

The following table shows the vibration total value (tri-axial vector sum) determined according to applicable standard.

Work mode	Vibration emission	Uncertainty (K)	Applicable standard
Sanding (a _h)	2.5 m/s ²	1.5 m/s ²	EN62841-2-4
Cutting with plunge cut saw blade (a _h)	8.0 m/s ²	1.5 m/s ²	EN62841-1
Cutting with segmental saw blade (a _h)	4.0 m/s ²	1.5 m/s ²	EN62841-1
Scraping (a _h)	9.5 m/s ²	1.5 m/s ²	EN62841-1

NOTE: The declared vibration total value(s) has been measured in accordance with a standard test method and may be used for comparing one tool with another.

NOTE: The declared vibration total value(s) may also be used in a preliminary assessment of exposure.

⚠ WARNING: The vibration emission during actual use of the power tool can differ from the declared value(s) depending on the ways in which the tool is used especially what kind of workpiece is processed.

⚠ WARNING: Be sure to identify safety measures to protect the operator that are based on an estimation of exposure in the actual conditions of use (taking account of all parts of the operating cycle such as the times when the tool is switched off and when it is running idle in addition to the trigger time).

Declarations of Conformity

For European countries only

The Declarations of conformity are included in Annex A to this instruction manual.

SAFETY WARNINGS

General power tool safety warnings

⚠ WARNING: Read all safety warnings, instructions, illustrations and specifications provided with this power tool. Failure to follow all instructions listed below may result in electric shock, fire and/or serious injury.

Save all warnings and instructions for future reference.

The term "power tool" in the warnings refers to your mains-operated (corded) power tool or battery-operated (cordless) power tool.

Multi tool safety warnings

- 1. This power tool is intended to function for sawing, cutting, grinding and sanding. Read all safety warnings, instructions, illustrations and specifications provided with this power tool.** Failure to follow all instructions listed below may result in electric shock, fire and/or serious injury.
- 2. Hold the power tool by insulated gripping surfaces, when performing an operation where the cutting accessory may contact hidden wiring or its own cord.** Cutting accessory contacting a "live" wire may make exposed metal parts of the power tool "live" and could give the operator an electric shock.
- 3. Use clamps or another practical way to secure and support the workpiece to a stable platform.** Holding the work by hand or against your body leaves it unstable and may lead to loss of control.
- 4. Position the cord clear of the spinning accessory.** If you lose control, the cord may be cut or snagged and your hand or arm may be pulled into the spinning accessory.
- 5. Always use safety glasses or goggles. Ordinary eye or sun glasses are NOT safety glasses.**
- 6. Avoid cutting nails. Inspect workpiece for any nails and remove them before operation.**
- 7. Hold the tool firmly.**
- 8. Make sure the application tool is not contacting the workpiece before the switch is turned on.**
- 9. Keep hands away from moving parts.**
- 10. Do not leave the tool running. Operate the tool only when hand-held.**
- 11. Always switch off and wait for the blade to come to a complete stop before removing the blade from the workpiece.**
- 12. Do not touch the application tool or the workpiece immediately after operation; they may be extremely hot and could burn your skin.**
- 13. Do not operate the tool at no-load unnecessarily.**
- 14. Always use the correct dust mask/respirator for the material and application you are working with.**
- 15. Some material contains chemicals which may be toxic. Take caution to prevent dust inhalation and skin contact. Follow material supplier safety data.**
- 16. This tool has not been waterproofed, so do not use water on the workpiece surface.**
- 17. Ventilate your work area adequately when you perform sanding operations.**
- 18. Use of this tool to sand some products, e.g. leaded paint surfaces, wood and metals could expose user and bystanders to dust containing hazardous substances. Use appropriate respiratory protection.**
- 19. Be sure that there are no cracks or breakage on the pad before use. Cracks or breakage may cause a personal injury.**
- 20. Do not use accessories which are not specifically designed and recommended by the tool manufacturer. Just because the accessory can be attached to your power tool, it does not assure safe operation.**
- 21. Wear personal protective equipment. Depending on application, use face shield, safety goggles or safety glasses. As appropriate, wear hearing protectors, gloves and workshop apron capable of stopping small abrasive or workpiece fragments. The eye protection must be capable of stopping flying debris generated by various operations. The dust mask or respirator must be capable of filtering particles generated by your operation. Prolonged exposure to high intensity noise may cause hearing loss.**

22. **Keep bystanders a safe distance away from work area. Anyone entering the work area must wear personal protective equipment.** Fragments of workpiece or of a broken accessory may fly away and cause injury beyond immediate area of operation.
23. **Never lay the power tool down until the accessory has come to a complete stop.** The spinning accessory may grab the surface and pull the power tool out of your control.
24. **Do not run the power tool while carrying it at your side.** Accidental contact with the accessory could snag your clothing, pulling the accessory into your body.
25. **Do not operate the power tool near flammable materials.** Sparks could ignite these materials.
26. **Do not use accessories that require liquid coolants.** Using water or other liquid coolants may result in electrocution or shock.
27. **Always be sure that the tool is switched off and unplugged before carrying out any work on the tool.**
28. **If working place is extremely hot and humid, or badly polluted by conductive dust, use a short-circuit breaker (30 mA) to assure operator safety.**
29. **Always be sure you have a firm footing. Be sure no one is below when using the tool in high locations.**
30. **Before starting operation, make sure that there is no hidden supply lines such as electric, gas and water lines under the working surface.** Cutting or damaging the supply lines may cause electric shock, gas leakage, property damage, or other accidents.

SAVE THESE INSTRUCTIONS.

⚠WARNING: DO NOT let comfort or familiarity with product (gained from repeated use) replace strict adherence to safety rules for the subject product. MISUSE or failure to follow the safety rules stated in this instruction manual may cause serious personal injury.

FUNCTIONAL DESCRIPTION

⚠CAUTION: Always be sure that the tool is switched off and unplugged before adjusting or checking function on the tool.

Switch action

⚠CAUTION: Before plugging in the tool, always check to see that the tool is switched off.

To start the tool, slide the slide switch toward the "I (ON)" position.

To stop the tool, slide the slide switch toward the "O (OFF)" position.

► **Fig.1:** 1. Slide switch

Adjusting the orbital stroke rate

The orbital stroke rate is adjustable. To change the orbital stroke rate, turn the dial between 1 and 5. The higher the number is, the higher the orbital stroke rate is. Preset the dial to the number suitable for your workpiece.

► **Fig.2:** 1. Dial

NOTE: The dial cannot be turned directly from 1 to 5 or from 5 to 1. Forcing the dial may damage the tool. When changing the dial direction, always turn the dial moving it through each intermediate number.

ASSEMBLY

⚠CAUTION: Always be sure that the tool is switched off and unplugged before carrying out any work on the tool.

Installing or removing application tool

Optional accessory

⚠WARNING: Do not install application tool upside down. Installing application tool upside down may damage the tool and cause serious personal injury.

⚠WARNING: Install attachment tool in the correct direction according to your work. Application tool can be installed at an angle of every 30 degree.

⚠WARNING: Always install the application tool so that the protrusions of the tool flange fit in the holes on the application tool. Failure to do so may cause the application tool flown off and result in personal injury.

⚠WARNING: When installing the application tool, be sure to tighten the application tool installation bolt securely.

Put an application tool (optional accessory) on the tool flange so that the protrusions of the tool flange fit in the holes in the application tool and secure the application tool by tightening the bolt firmly with the hex wrench. When using sanding application tool, mount the application tool on the sanding pad so that it matches the sanding pad direction.

The sanding pad has a hook and loop type fitting system which allows easy and rapid fitting of a sanding paper.

As sanding papers have holes for dust extraction, mount a sanding paper so that the holes in a sanding paper match those in the sanding pad.

To remove a sanding paper, raise its end and peel it off. Loosen and remove the application tool installation bolt using a hex wrench and then take off the application tool.

► **Fig.3:** 1. Application tool installation bolt 2. Holes in the application tool 3. Protrusions of the tool flange

► **Fig.4:** 1. Application tool installation bolt 2. Hex wrench 3. Tighten

When using application tools with a different type of installation section, use a correct adapter (optional accessory).

► **Fig.5:** 1. Application tool installation bolt 2. Holes in the application tool 3. Adapter 4. Protrusions of the tool flange

OPERATION

⚠WARNING: Before starting the tool and during operation, keep your hand and face away from the application tool.

⚠CAUTION: Do not apply excessive load to the tool which may cause a motor lock and stop the tool.

Cutting, sawing and scraping

⚠CAUTION: Do not move on the tool forcibly in the direction (eg. towards either side) of tool application with no cutting edge. It may damage the tool.

Put the application tool on the workpiece. And then move the tool forward so that the application tool movement does not slow down.

► **Fig.6**

NOTE: Forcing or excessive pressure on the tool may reduce efficiency.

NOTE: Before cutting operation, it is recommended to preset the orbital stroke rate 3 - 5.

Sanding

⚠CAUTION: Do not reuse a sanding paper used for sanding metal to sand wood.

⚠CAUTION: Do not use a worn sanding paper or sanding paper without grit.

Apply a sanding paper on the workpiece.

► **Fig.7**

NOTE: Using a test material sample to try is recommendable to determine a correct orbital stroke rate suitable for your work.

NOTE: Use a sanding paper with the same grit until sanding the whole workpiece is completed. Replacing a sanding paper with different grit sanding paper may not get a fine finish.

Dust extraction attachment

Optional accessory

⚠WARNING: Do not use extraction attachment when grinding a metallic workpiece with this tool. Hot dust may ignite dust in the vacuum cleaner and it may cause fire.

When you wish to perform cleaner operation, install the dust extraction attachment to the tool. Connect a hose of vacuum cleaner to the dust extraction attachment.

► **Fig.8**

Assemble the dust extraction attachment and install it to the tool.

1. Install joint, dust nozzle and dust attachment.
2. Install the nozzle band on the tool so that its protrusions fit in the holes in the tool to secure it.

3. Put the felt ring, spacer (if necessary), and the sanding pad on the dust attachment and then secure them with the application tool installation bolt.

► **Fig.9:** 1. Joint 2. Nozzle band 3. Dust nozzle
4. Dust attachment 5. Spacer 6. Felt ring (ø 47 mm) 7. Pad (with STARLOCK marking)
8. Application tool installation bolt 9. Felt ring (ø 37 mm) 10. Pad (with OIS marking)

NOTICE: When using the pad with STARLOCK marking, be sure to install the spacer between the dust attachment and the felt ring.

MAINTENANCE

⚠CAUTION: Always be sure that the tool is switched off and unplugged before attempting to perform inspection or maintenance.

NOTICE: Never use gasoline, benzine, thinner, alcohol or the like. Discoloration, deformation or cracks may result.

To maintain product SAFETY and RELIABILITY, repairs, any other maintenance or adjustment should be performed by Makita Authorized or Factory Service Centers, always using Makita replacement parts.

Cleaning

From time to time wipe off the tool using a dry cloth or a cloth dampened in soapy water.

► **Fig.10**

SPÉCIFICATIONS

Modèle :	M9800
Oscillations par minute	15 000 - 22 000 min ⁻¹
Angle d'oscillation, gauche/droite	1,6 ° (3,2 ° en tout)
Longueur totale	283 mm
Poids net	1,2 - 1,3 kg
Catégorie de sécurité	II/III

- Étant donné l'évolution constante de notre programme de recherche et de développement, les spécifications contenues dans ce manuel sont sujettes à modification sans préavis.
- Les spécifications peuvent varier suivant les pays.
- Le poids peut être différent selon les accessoires. Les associations la plus légère et la plus lourde, conformément à la procédure EPTA 01/2014, sont indiquées dans le tableau.

Utilisations

L'outil est conçu pour scier et couper dans le bois, le plastique, le gypse et les métaux non ferreux, ainsi que pour fixer des éléments (tels qu'agrafes et clous en acier non trempé). Il est aussi conçu pour les travaux sur carrelage mural souple, ainsi que pour le ponçage à sec et le raclage de petites surfaces. Il convient tout particulièrement pour le travail près des bords de la pièce et pour les coupes à ras.

Alimentation

L'outil ne devra être raccordé qu'à une alimentation de la même tension que celle qui figure sur la plaque signalétique, et il ne pourra fonctionner que sur un courant secteur monophasé. Réalisé avec une double isolation, il peut de ce fait être alimenté par une prise sans mise à la terre.

Bruit

Mode de travail	Niveau de pression sonore (L _{PA}) :	Niveau de puissance sonore (L _{WA}) :	Incertitude (K)	Norme applicable
Ponçage	81 dB (A)	89 dB (A)	3 dB (A)	EN62841-2-4
Coupe avec une lame de scie pour coupe en plongée	82 dB (A)	90 dB (A)	3 dB (A)	EN62841-1
Coupe avec une lame de scie segmentaire	82 dB (A)	90 dB (A)	3 dB (A)	EN62841-1
Raclage	81 dB (A)	89 dB (A)	3 dB (A)	EN62841-1

NOTE : La ou les valeurs d'émission de bruit déclarées ont été mesurées conformément à la méthode de test standard et peuvent être utilisées pour comparer les outils entre eux.

NOTE : La ou les valeurs d'émission de bruit déclarées peuvent aussi être utilisées pour l'évaluation préliminaire de l'exposition.

AVERTISSEMENT : Portez un serre-tête antibruit.

AVERTISSEMENT : L'émission de bruit lors de l'usage réel de l'outil électrique peut être différente de la ou des valeurs déclarées, suivant la façon dont l'outil est utilisé, particulièrement selon le type de pièce usinée.

AVERTISSEMENT : Les mesures de sécurité à prendre pour protéger l'utilisateur doivent être basées sur une estimation de l'exposition dans des conditions réelles d'utilisation (en tenant compte de toutes les composantes du cycle d'utilisation, comme par exemple le moment de sa mise hors tension, lorsqu'il tourne à vide et le moment de son déclenchement).

Vibrations

Le tableau suivant indique la valeur totale de vibrations (somme de vecteur triaxial) déterminée selon la norme applicable.

Mode de travail	Émission de vibrations	Incertitude (K)	Norme applicable
Ponçage (a_{h1})	2,5 m/s ²	1,5 m/s ²	EN62841-2-4
Coupe avec une lame de scie pour coupe en plongée (a_{h1})	8,0 m/s ²	1,5 m/s ²	EN62841-1
Coupe avec une lame de scie segmentaire (a_{h1})	4,0 m/s ²	1,5 m/s ²	EN62841-1
Raclage (a_{h1})	9,5 m/s ²	1,5 m/s ²	EN62841-1

NOTE : La ou les valeurs de vibration totales déclarées ont été mesurées conformément à la méthode de test standard et peuvent être utilisées pour comparer les outils entre eux.

NOTE : La ou les valeurs de vibration totales déclarées peuvent aussi être utilisées pour l'évaluation préliminaire de l'exposition.

⚠ AVERTISSEMENT : L'émission de vibrations lors de l'usage réel de l'outil électrique peut être différente de la ou des valeurs déclarées, suivant la façon dont l'outil est utilisé, particulièrement selon le type de pièce usinée.

⚠ AVERTISSEMENT : Les mesures de sécurité à prendre pour protéger l'utilisateur doivent être basées sur une estimation de l'exposition dans des conditions réelles d'utilisation (en tenant compte de toutes les composantes du cycle d'utilisation, comme par exemple le moment de sa mise hors tension, lorsqu'il tourne à vide et le moment de son déclenchement).

Déclarations de conformité

Pour les pays européens uniquement

Les déclarations de conformité sont fournies en Annexe A à ce mode d'emploi.

CONSIGNES DE SÉCURITÉ

Consignes de sécurité générales pour outils électriques

⚠ AVERTISSEMENT : Veuillez lire les consignes de sécurité, instructions, illustrations et spécifications qui accompagnent cet outil électrique. Le non-respect de toutes les instructions indiquées ci-dessous peut entraîner une électrocution, un incendie et/ou de graves blessures.

Conservez toutes les mises en garde et instructions pour référence ultérieure.

Le terme « outil électrique » dans les avertissements fait référence à l'outil électrique alimenté par le secteur (avec cordon d'alimentation) ou à l'outil électrique fonctionnant sur batterie (sans cordon d'alimentation).

Consignes de sécurité pour outil multi-fonctions

1. **Cet outil électrique est conçu pour le sciage, la coupe, le meulage et le ponçage. Veuillez lire toutes les consignes de sécurité, instructions, illustrations et spécifications qui accompagnent cet outil électrique.** Le non-respect de toutes les instructions indiquées ci-dessous peut entraîner une électrocution, un incendie et/ou de graves blessures.
2. **Tenez l'outil électrique par une surface de prise isolée, lorsque vous effectuez une tâche où l'accessoire de coupe pourrait toucher un câblage caché ou son propre cordon d'alimentation.** Le contact de l'accessoire de coupe avec un fil sous tension peut transmettre du courant dans les pièces métalliques exposées de l'outil électrique et électrocuter l'opérateur.
3. **Utilisez des dispositifs de serrage ou un autre moyen pratique pour fixer et soutenir la pièce sur une surface stable.** La pièce sera instable et vous risquez d'en perdre la maîtrise si vous la tenez dans vos mains ou l'appuyez contre votre corps.
4. **Placez le cordon à l'écart de l'accessoire en rotation.** En cas de perte de maîtrise, vous risquez, en coupant ou en accrochant le cordon, d'avoir la main ou le bras attiré vers l'accessoire en rotation.
5. **Portez toujours des lunettes de sécurité ou des lunettes à coques. Les lunettes ordinaires et les lunettes de soleil NE sont PAS des lunettes de sécurité.**
6. **Prenez garde aux clous pendant la coupe. Avant de commencer le travail, inspectez la pièce et retirez tous les clous.**
7. **Tenez l'outil fermement.**

8. **Assurez-vous que l'accessoire d'application n'est pas en contact avec la pièce avant de mettre le contact.**
9. **Gardez les mains éloignées des pièces en mouvement.**
10. **N'abandonnez pas l'outil alors qu'il tourne. Ne faites fonctionner l'outil qu'une fois que vous l'avez bien en main.**
11. **Avant de retirer la lame de la pièce, mettez toujours l'outil hors tension et attendez que la lame soit complètement immobilisée.**
12. **Ne touchez ni l'accessoire d'application ni la pièce immédiatement après l'exécution du travail ; ils peuvent être extrêmement chauds et vous brûler la peau.**
13. **Ne faites pas tourner l'outil à vide inutilement.**
14. **Portez toujours un masque anti-poussière/un masque filtrant adapté au matériau travaillé et à l'application utilisée.**
15. **Certains matériaux contiennent des produits chimiques qui peuvent être toxiques. Prenez garde de ne pas avaler la poussière et évitez tout contact avec la peau. Suivez les données de sécurité du fournisseur du matériau.**
16. **Cet outil n'est pas étanche à l'eau ; n'utilisez pas d'eau sur la surface de la pièce.**
17. **Aérez bien la zone de travail lorsque vous effectuez un travail de ponçage.**
18. **L'utilisation de cet outil pour poncer certains produits, à savoir surfaces de peinture au plomb, bois et métaux, peut exposer l'utilisateur et les badauds à des poussières qui contiennent des substances dangereuses. Utilisez un dispositif de protection respiratoire approprié.**
19. **Avant l'utilisation, vérifiez l'absence de fissures ou de bris sur le patin. Les fissures ou bris présentent un risque de blessure corporelle.**
20. **N'utilisez pas d'accessoires qui n'ont pas été conçus spécifiquement et recommandés par le fabricant de l'outil. Le fait qu'un accessoire puisse être fixé à l'outil électrique ne signifie pas qu'il fonctionnera sans danger.**
21. **Portez un équipement de protection individuelle. Suivant le travail à effectuer, portez un écran facial, des lunettes à coques ou des lunettes de sécurité. Au besoin, portez des protège-tympons, des gants et un tablier de travail pouvant arrêter les particules abrasives ou les fragments de pièce. Les lunettes de sécurité doivent pouvoir arrêter les débris éjectés lors des diverses opérations. Le masque anti-poussière ou le masque filtrant doit pouvoir filtrer les particules générées pendant l'exécution du travail. Une exposition prolongée à un bruit d'intensité élevée peut entraîner une perte auditive.**
22. **Ne laissez pas les curieux trop approcher de la zone de travail. Toute personne pénétrant dans la zone de travail doit porter un équipement de protection individuelle. Des fragments de la pièce ou d'un accessoire cassé peuvent être éjectés et provoquer des blessures au-delà de la zone de travail immédiate.**
23. **Assurez-vous que l'accessoire est complètement arrêté avant de poser l'outil électrique. L'accessoire en rotation peut accrocher la surface et projeter l'outil électrique de telle sorte que vous en perdiez la maîtrise.**
24. **Ne transportez pas l'outil électrique tout en le laissant tourner. En cas de contact accidentel avec l'accessoire, ce dernier risque d'accrocher vos vêtements et d'être entraîné vers votre corps.**
25. **N'utilisez pas l'outil électrique à proximité de matériaux inflammables. Les étincelles risqueraient d'enflammer ces matériaux.**
26. **N'utilisez pas d'accessoires nécessitant un liquide de refroidissement. L'utilisation d'eau ou d'un liquide de refroidissement comporte un risque d'électrocution ou de choc électrique.**
27. **Avant d'effectuer toute intervention sur l'outil, assurez-vous toujours qu'il est hors tension et débranché.**
28. **Si le lieu de travail est extrêmement chaud et humide, ou fortement pollué de poussières conductrices, utilisez un disjoncteur (30 mA) pour assurer la sécurité de l'opérateur.**
29. **Assurez-vous toujours d'avoir une bonne assise. Veillez à ce que personne ne se trouve en dessous de vous quand vous utilisez l'outil en hauteur.**
30. **Avant de commencer, assurez-vous qu'il n'y a pas de lignes d'alimentation comme des lignes électriques, des conduites de gaz ou d'eau sous la surface de travail. Si vous coupez ou endommagez les lignes d'alimentation, cela présente un risque d'électrocution, de fuite de gaz, de dommages matériels ou d'autres accidents.**

CONSERVEZ CES INSTRUCTIONS.

⚠ AVERTISSEMENT : NE vous laissez PAS tromper (au fil d'une utilisation répétée) par un sentiment d'aisance et de familiarité avec le produit, en négligeant le respect rigoureux des consignes de sécurité qui accompagnent le produit en question. La MAUVAISE UTILISATION de l'outil ou l'ignorance des consignes de sécurité indiquées dans ce mode d'emploi peut entraîner de graves blessures.

DESCRIPTION DU FONCTIONNEMENT

⚠ ATTENTION : Assurez-vous toujours que l'outil est hors tension et débranché avant de l'ajuster ou de vérifier son fonctionnement.

Fonctionnement de la gâchette

⚠ ATTENTION : Avant de brancher l'outil, assurez-vous toujours que son interrupteur est en position d'arrêt.

Pour démarrer l'outil, faites glisser l'interrupteur à glissière vers la position « I (Marche) ».
Pour arrêter l'outil, faites glisser l'interrupteur à glissière sur la position « O (Arrêt) ».

► **Fig.1:** 1. Interrupteur à glissière

Réglage du taux de frappe orbitale

Le taux de frappe orbitale est réglable. Pour modifier le taux de frappe orbitale, tournez le cadran sur une valeur de 1 à 5. Plus le numéro est élevé, plus le taux de frappe orbitale sera élevé. Réglez au préalable le cadran sur le numéro qui convient à la pièce.

► **Fig.2:** 1. Cadran

NOTE : Il n'est pas possible de tourner le cadran d'un seul coup de 1 à 5 ou de 5 à 1. Forcer le cadran peut abîmer l'outil. Lorsque vous changez le sens du cadran, tournez toujours le cadran en l'arrêtant sur chaque numéro intermédiaire.

ASSEMBLAGE

⚠ ATTENTION : Avant d'effectuer toute intervention sur l'outil, assurez-vous toujours qu'il est hors tension et débranché.

Pose et dépose de l'accessoire d'application

Accessoire en option

⚠ AVERTISSEMENT : Ne posez pas l'accessoire d'application à l'envers. En posant l'accessoire d'application à l'envers, vous risquez d'abîmer l'outil et de vous blesser grièvement.

⚠ AVERTISSEMENT : Posez l'outil accessoire dans le sens qui convient au travail à effectuer. L'angle de pose de l'accessoire d'application est modifiable par intervalle de 30 degrés.

⚠ AVERTISSEMENT : Posez toujours l'accessoire d'application de sorte que les parties saillantes du flasque de l'outil s'insèrent dans les orifices de l'accessoire d'application. Sinon, l'accessoire d'application risque de voler en éclat et de vous blesser.

⚠ AVERTISSEMENT : Lorsque vous installez l'accessoire d'application, veillez à serrer fermement son boulon de fixation.

Placez un accessoire d'application (accessoire en option) sur le flasque de l'outil de sorte que les parties saillantes du flasque de l'outil s'insèrent dans les orifices de l'accessoire d'application et maintenez-le en place en serrant fermement le boulon avec la clé hexagonale.

Lorsque vous utilisez l'accessoire de ponçage, montez l'accessoire d'application sur le patin de ponçage de sorte qu'il corresponde au sens du patin de ponçage. Le patin de ponçage est pourvu d'un système de fixation auto-agrippante qui permet de fixer facilement et rapidement le papier abrasif.

Étant donné que le papier abrasif comporte des trous pour l'extraction de la poussière, placez-le de sorte que les trous sur le papier abrasif correspondent aux trous sur le patin de ponçage.

Pour retirer le papier abrasif, soulevez-le par une extrémité et tirez pour le détacher.

Desserrez et retirez le boulon de fixation de l'accessoire d'application au moyen d'une clé hexagonale, puis enlevez l'accessoire d'application.

► **Fig.3:** 1. Boulon de fixation de l'accessoire d'application 2. Orifices de l'accessoire d'application 3. Parties saillantes du flasque de l'outil

► **Fig.4:** 1. Boulon de fixation de l'accessoire d'application 2. Clé hexagonale 3. Serrer

Avec les accessoires d'application dont la section de pose est d'un type différent, utilisez un adaptateur adéquat (accessoire en option).

► **Fig.5:** 1. Boulon de fixation de l'accessoire d'application 2. Orifices de l'accessoire d'application 3. Adaptateur 4. Parties saillantes du flasque de l'outil

UTILISATION

⚠ AVERTISSEMENT : Avant de démarrer l'outil et pendant son utilisation, gardez les mains et le visage à l'écart de l'accessoire d'application.

⚠ ATTENTION : N'exercez pas une charge excessive sur l'outil, car le moteur risque de se verrouiller et d'arrêter l'outil.

Couper, scier et raboter

⚠ ATTENTION : Ne forcez pas l'outil à se déplacer dans le sens (p. ex. vers la gauche ou la droite) où l'accessoire utilisé n'a pas de tranchant. Vous risqueriez d'abîmer l'outil.

Placez l'accessoire d'application sur la pièce. Déplacez ensuite l'outil vers l'avant à une vitesse telle que l'accessoire d'application ne ralentisse pas.

► **Fig.6**

NOTE : Le travail risque d'être moins efficace si vous forcez l'outil ou exercez une pression excessive.

NOTE : Avant d'effectuer la coupe, il est recommandé de régler le taux de frappe orbitale sur une valeur de 3 à 5.

Ponçage

⚠ ATTENTION : Ne réutilisez pas, sur le bois, un papier abrasif préalablement utilisé pour poncer le métal.

⚠ ATTENTION : N'utilisez pas un papier abrasif usé ou sans grain.

Appliquez un papier abrasif sur la pièce.

► Fig.7

NOTE : Il est préférable de vérifier le taux de frappe orbitale adéquat sur un échantillon du matériau avant de commencer le travail sur la pièce elle-même.

NOTE : Utilisez un papier abrasif du même grain pendant toute la durée du ponçage de la pièce. Vous risquez de ne pas obtenir une belle finition si, en cours de travail, vous remplacez le papier abrasif par un autre de grain différent.

Accessoire extracteur de poussière

Accessoire en option

⚠ AVERTISSEMENT : N'utilisez pas l'accessoire extracteur lors du meulage d'une pièce en métal avec cet outil. La poussière brûlante peut enflammer la poussière présente dans l'aspirateur et provoquer un incendie.

Pour travailler plus proprement, installez l'accessoire extracteur de poussière sur l'outil. Raccordez le tuyau d'un aspirateur à l'accessoire extracteur de poussière.

► Fig.8

Assemblez l'accessoire extracteur de poussière et installez-le sur l'outil.

1. Posez le joint, le raccord à poussières et la fixation de raccord à poussières.
2. Posez le collier de raccord sur l'outil de sorte que ses parties saillantes pénètrent dans les orifices de l'outil pour le maintenir en place.
3. Mettez l'anneau de feutre, l'entretoise (au besoin) et le patin de ponçage sur la fixation de raccord à poussières, puis fixez-les avec le boulon de fixation de l'accessoire d'application.

► Fig.9: 1. Joint 2. Collier de raccord 3. Raccord à poussières 4. Fixation de raccord à poussières 5. Entretoise 6. Anneau de feutre (ø 47 mm) 7. Patin (avec marquage STARLOCK) 8. Boulon de fixation de l'accessoire d'application 9. Anneau de feutre (ø 37 mm) 10. Patin (avec marquage OIS)

REMARQUE : Lorsque vous utilisez le patin avec marquage STARLOCK, veillez à installer l'entretoise entre la fixation de raccord à poussières et l'anneau de feutre.

ENTRETIEN

⚠ ATTENTION : Assurez-vous toujours que l'outil est hors tension et débranché avant d'y effectuer tout travail d'inspection ou d'entretien.

REMARQUE : N'utilisez jamais d'essence, benzine, diluant, alcool ou autre produit similaire. Cela risquerait de provoquer la décoloration, la déformation ou la fissuration de l'outil.

Pour assurer la SÉCURITÉ et la FIABILITÉ du produit, toute réparation, tout travail d'entretien ou de réglage doivent être effectués par un centre d'entretien Makita agréé, avec des pièces de rechange Makita.

Nettoyage

Essuyez de temps à autre l'outil avec un chiffon sec ou un chiffon imbibé d'eau savonneuse.

► Fig.10

TECHNISCHE DATEN

Modell:	M9800
Schwingungen pro Minute	15.000 - 22.000 min ⁻¹
Pendelwinkel, links/rechts	1,6° (3,2° insgesamt)
Gesamtlänge	283 mm
Nettogewicht	1,2 - 1,3 kg
Sicherheitsklasse	II/III

- Wir behalten uns vor, Änderungen der technischen Daten im Zuge der Entwicklung und des technischen Fortschritts ohne vorherige Ankündigung vorzunehmen.
- Die technischen Daten können von Land zu Land unterschiedlich sein.
- Das Gewicht kann abhängig von den Aufsätzen unterschiedlich sein. Die leichteste und die schwerste Kombination, gemäß dem EPTA-Verfahren 01/2014, sind in der Tabelle angegeben.

Vorgesehene Verwendung

Das Werkzeug ist zum Sägen und Schneiden von Holz, Kunststoff, Gips, Nicht-Eisen-Metallen und Befestigungselementen (z. B. ungehärtete Nägel und Heftklammern) vorgesehen. Es eignet sich auch zur Bearbeitung von weichen Wandfliesen sowie zum Trockenschleifen und Abschaben von kleinen Oberflächen. Besonders gut eignet es sich für Arbeiten in Kantennähe und bündiges Schneiden.

Stromversorgung

Das Werkzeug sollte nur an eine Stromquelle angeschlossen werden, deren Spannung mit der Angabe auf dem Typenschild übereinstimmt, und kann nur mit Einphasen-Wechselstrom betrieben werden. Diese sind doppelt schutzisoliert und können daher auch an Steckdosen ohne Erdleiter verwendet werden.

Geräusch

Arbeitsmodus	Schall-druckpegel (L _{pA}):	Schalleis-tungspegel (L _{wA}):	Messun-sicher-heit (K)	Zutref-fender Standard
Schleifen	81 dB (A)	89 dB (A)	3 dB (A)	EN62841-2-4
Schneiden mit Tauch-schnitt-Sä-geblatt	82 dB (A)	90 dB (A)	3 dB (A)	EN62841-1
Schneiden mit Segment-Sägeblatt	82 dB (A)	90 dB (A)	3 dB (A)	EN62841-1
Schaben	81 dB (A)	89 dB (A)	3 dB (A)	EN62841-1

HINWEIS: Der (Die) angegebene(n) Schallemissionswert(e) wurde(n) im Einklang mit der Standardprüfmethode gemessen und kann (können) für den Vergleich zwischen Werkzeugen herangezogen werden.

HINWEIS: Der (Die) angegebene(n) Schallemissionswert(e) kann (können) auch für eine Vorbewertung des Gefährdungsgrads verwendet werden.

⚠️ WARNUNG: Einen Gehörschutz tragen.

⚠️ WARNUNG: Die Schallemission während der tatsächlichen Benutzung des Elektrowerkzeugs kann je nach der Benutzungsweise des Werkzeugs, und speziell je nach der Art des bearbeiteten Werkstücks, von dem (den) angegebenen Wert(en) abweichen.

⚠️ WARNUNG: Identifizieren Sie Sicherheitsmaßnahmen zum Schutz des Benutzers anhand einer Schätzung des Gefährdungsgrads unter den tatsächlichen Benutzungsbedingungen (unter Berücksichtigung aller Phasen des Arbeitszyklus, wie z. B. Ausschalt- und Leerlaufzeiten des Werkzeugs zusätzlich zur Betriebszeit).

Schwingungen

Die folgende Tabelle zeigt den gemäß dem zutreffenden Standard ermittelten Schwingungsgesamtwert (Drei-Achsen-Vektorsumme).

Arbeitsmodus	Vibrationsemission	Messunsicherheit (K)	Zutreffender Standard
Schleifen (a_{hv})	2,5 m/s ²	1,5 m/s ²	EN62841-2-4
Schneiden mit Tauchschnitt-Sägeblatt (a_{hv})	8,0 m/s ²	1,5 m/s ²	EN62841-1
Schneiden mit Segment-Sägeblatt (a_{hv})	4,0 m/s ²	1,5 m/s ²	EN62841-1
Schaben (a_{hv})	9,5 m/s ²	1,5 m/s ²	EN62841-1

HINWEIS: Der (Die) angegebene(n) Vibrationsgesamtwert(e) wurde(n) im Einklang mit der Standardprüfmethode gemessen und kann (können) für den Vergleich zwischen Werkzeugen herangezogen werden.

HINWEIS: Der (Die) angegebene(n) Vibrationsgesamtwert(e) kann (können) auch für eine Vorbewertung des Gefährdungsgrads verwendet werden.

⚠️ WARNUNG: Die Vibrationsemission während der tatsächlichen Benutzung des Elektrowerkzeugs kann je nach der Benutzungsweise des Werkzeugs, und speziell je nach der Art des bearbeiteten Werkstücks, von dem (den) angegebenen Emissionswert(en) abweichen.

⚠️ WARNUNG: Identifizieren Sie Sicherheitsmaßnahmen zum Schutz des Benutzers anhand einer Schätzung des Gefährdungsgrads unter den tatsächlichen Benutzungsbedingungen (unter Berücksichtigung aller Phasen des Arbeitszyklus, wie z. B. Ausschalt- und Leerlaufzeiten des Werkzeugs zusätzlich zur Betriebszeit).

Konformitätserklärungen

Nur für europäische Länder

Die Konformitätserklärungen sind in Anhang A dieser Betriebsanleitung enthalten.

SICHERHEITSWARNUNGEN

Allgemeine Sicherheitswarnungen für Elektrowerkzeuge

⚠️ WARNUNG: Lesen Sie alle mit diesem Elektrowerkzeug gelieferten Sicherheitswarnungen, Anweisungen, Abbildungen und technischen Daten durch. Eine Missachtung der unten aufgeführten Anweisungen kann zu einem elektrischen Schlag, Brand und/oder schweren Verletzungen führen.

Bewahren Sie alle Warnungen und Anweisungen für spätere Bezugnahme auf.

Der Ausdruck „Elektrowerkzeug“ in den Warnhinweisen bezieht sich auf Ihr mit Netzstrom (mit Kabel) oder Akku (ohne Kabel) betriebenes Elektrowerkzeug.

Sicherheitswarnungen für Multifunktionswerkzeug

- Dieses Elektrowerkzeug ist zum Sägen, Schneiden, Schmirgeln und Schleifen vorgesehen. Lesen Sie alle mit diesem Elektrowerkzeug gelieferten Sicherheitswarnungen, Anweisungen, Abbildungen und technischen Daten durch.** Eine Missachtung aller unten aufgeführten Anweisungen kann zu einem elektrischen Schlag, Brand und/oder schweren Verletzungen führen.
- Halten Sie das Elektrowerkzeug an den isolierten Griffflächen, wenn Sie Arbeiten ausführen, bei denen die Gefahr besteht, dass das Schneidwerkzeug verborgene Kabel oder das eigene Kabel kontaktiert.** Bei Kontakt mit einem Strom führenden Kabel können die freiliegenden Metallteile des Elektrowerkzeugs ebenfalls Strom führend werden, so dass der Benutzer einen elektrischen Schlag erleiden kann.
- Verwenden Sie Klemmen oder eine andere praktische Methode, um das Werkstück auf einer stabilen Unterlage zu sichern und abzustützen.** Wenn Sie das Werkstück nur von Hand oder gegen Ihren Körper halten, befindet es sich in einer instabilen Lage, die zum Verlust der Kontrolle führen kann.
- Halten Sie das Kabel vom rotierenden Zubehörteil fern.** Falls Sie die Kontrolle verlieren, kann das Kabel durchgetrennt oder erfasst werden, so dass Ihre Hand oder Ihr Arm in das rotierende Zubehörteil hineingezogen wird.
- Tragen Sie stets eine Sicherheits- oder Schutzbrille. Eine gewöhnliche Brille oder Sonnenbrille ist KEIN Ersatz für eine Schutzbrille.**
- Vermeiden Sie das Schneiden von Nägeln. Untersuchen Sie das Werkstück auf etwaige Nägel, und entfernen Sie diese vor der Arbeit.**

7. Halten Sie das Werkzeug mit festem Griff.
8. Vergewissern Sie sich vor dem Einschalten des Werkzeugs, dass das Anwendungswerkzeug nicht das Werkstück berührt.
9. Halten Sie die Hände von beweglichen Teilen fern.
10. Lassen Sie das Werkzeug nicht unbeaufsichtigt laufen. Benutzen Sie das Werkzeug nur mit Handhaltung.
11. Schalten Sie das Werkzeug stets aus, und warten Sie, bis das Sägeblatt vom vollständigen Stillstand kommt, bevor Sie das Sägeblatt aus dem Werkstück entfernen.
12. Vermeiden Sie eine Berührung des Anwendungswerkzeugs oder des Werkstücks unmittelbar nach der Bearbeitung, weil die Teile noch sehr heiß sind und Hautverbrennungen verursachen können.
13. Lassen Sie das Werkzeug nicht unnötig im Leerlauf laufen.
14. Verwenden Sie stets die korrekte Staubschutz- oder Atemmaske für das jeweilige Material und die Anwendung.
15. Manche Materialien können giftige Chemikalien enthalten. Treffen Sie Vorsichtsmaßnahmen, um das Einatmen von Arbeitsstaub und Hautkontakt zu verhindern. Befolgen Sie die Sicherheitsdaten des Materialherstellers.
16. Benetzen Sie die Werkstückoberfläche nicht mit Wasser, weil dieses Werkzeug nicht wasserdicht ist.
17. Sorgen Sie für angemessene Belüftung des Arbeitsbereichs während der Durchführung von Schleifarbeiten.
18. Der Gebrauch dieses Werkzeugs zum Schleifen bestimmter Produkte, z. B. Bleilack-Oberflächen, Holz und Metalle, kann den Benutzer und Umstehende Staub aussetzen, der gefährliche Substanzen enthält. Verwenden Sie einen geeigneten Atemschutz.
19. Vergewissern Sie sich vor dem Gebrauch, dass der Schleifkissen keine Risse oder Brüche aufweist. Risse oder Brüche können Verletzungen verursachen.
20. Verwenden Sie kein Zubehör, das nicht speziell vom Werkzeughersteller vorgesehen ist und empfohlen wird. Die bloße Tatsache, dass ein Zubehörteil an Ihrem Elektrowerkzeug angebracht werden kann, gewährleistet noch keinen sicheren Betrieb.
21. Tragen Sie persönliche Schutzausrüstung. Benutzen Sie je nach der Arbeit einen Gesichtsschutz bzw. eine Sicherheits- oder Schutzbrille. Tragen Sie bei Bedarf Ohrenschützer, Handschuhe und eine Arbeitsschürze, die in der Lage ist, kleine Schleifpartikel oder Werkstücksplitter abzuwehren. Der Augenschutz muss in der Lage sein, den bei verschiedenen Arbeiten anfallenden Flugstaub abzuwehren. Die Staubmaske oder Atemschutzmaske muss in der Lage sein, durch die Arbeit erzeugte Partikel herauszufiltern. Lang anhaltende Lärmbelastung kann zu Gehörschäden führen.
22. Halten Sie Umstehende in sicherem Abstand vom Arbeitsbereich. Jeder, der den Arbeitsbereich betritt, muss Schutzausrüstung tragen. Bruchstücke des Werkstücks oder eines beschädigten Zubehörteils können weggeschleudert werden und Verletzungen über den unmittelbaren Arbeitsbereich hinaus verursachen.
23. Legen Sie das Elektrowerkzeug erst ab, nachdem das Zubehörteil vom vollständigen Stillstand gekommen ist. Anderenfalls kann das rotierende Zubehörteil die Oberfläche erfassen und das Elektrowerkzeug aus Ihren Händen reißen.
24. Lassen Sie das Elektrowerkzeug nicht laufen, während Sie es an Ihrer Seite tragen. Das Zubehörteil könnte sonst bei versehentlichem Kontakt Ihre Kleidung erfassen und auf Ihren Körper zu gezogen werden.
25. Betreiben Sie das Elektrowerkzeug nicht in der Nähe von brennbaren Materialien. Funken könnten diese Materialien entzünden.
26. Verwenden Sie keine Zubehörteile, die Kühlfüssigkeiten erfordern. Die Verwendung von Wasser oder anderen Kühlfüssigkeiten kann zu einem Stromtod oder Stromschlag führen.
27. Vergewissern Sie sich vor der Ausführung von Arbeiten am Werkzeug stets, dass es ausgeschaltet und vom Stromnetz getrennt ist.
28. Falls der Arbeitsplatz sehr heiß, feucht oder durch leitfähigen Staub stark verschmutzt ist, verwenden Sie einen Kurzschlusschalter (30 mA) zum Schutz des Bedieners.
29. Achten Sie stets auf sicheren Stand. Vergewissern Sie sich bei Einsatz des Werkzeugs an hochgelegenen Arbeitsplätzen, dass sich keine Personen darunter aufhalten.
30. Vergewissern Sie sich vor Betriebsbeginn, dass sich keine verborgenen Versorgungsleitungen, wie etwa Strom-, Gas- und Wasserleitungen, unter der Arbeitsoberfläche befinden. Anschneiden oder Beschädigen von Versorgungsleitungen kann einen elektrischen Schlag, ein Gasleck, Sachschäden oder sonstige Unfälle verursachen.

DIESE ANWEISUNGEN AUFBEWAHREN.

⚠️ WARNUNG: Lassen Sie sich NICHT durch Bequemlichkeit oder Vertrautheit mit dem Produkt (durch wiederholten Gebrauch erworben) von der strikten Einhaltung der Sicherheitsregeln für das vorliegende Produkt abhalten. MISSBRAUCH oder Missachtung der Sicherheitsvorschriften in dieser Anleitung können schwere Personenschäden verursachen.

FUNKTIONSBESCHREIBUNG

⚠ VORSICHT: Vergewissern Sie sich vor jeder Einstellung oder Funktionsprüfung des Werkzeugs stets, dass es ausgeschaltet und vom Stromnetz getrennt ist.

Schalterfunktion

⚠ VORSICHT: Vergewissern Sie sich vor dem Anschließen des Werkzeugs an das Stromnetz stets, dass das Werkzeug ausgeschaltet ist.

Schieben Sie den Schiebeschalter zum Starten des Werkzeugs auf die Position „I (EIN)“.
Schieben Sie den Schiebeschalter zum Anhalten des Werkzeugs auf die Position „O (AUS)“.

► **Abb.1:** 1. Schiebeschalter

Einstellen der Pendelhubzahl

Die Pendelhubzahl ist einstellbar. Um die Pendelhubzahl zu ändern, drehen Sie das Einstellrad zwischen 1 und 5. Je höher die Zahl ist, desto höher ist die Pendelhubzahl. Stellen Sie das Einstellrad vor der Arbeit auf die für Ihr Werkstück geeignete Zahl ein.

► **Abb.2:** 1. Einstellrad

HINWEIS: Das Einstellrad kann nicht direkt von 1 auf 5 oder von 5 auf 1 gedreht werden. Gewaltames Weiterdrehen des Einstellrads kann zu einer Beschädigung des Werkzeugs führen. Wenn Sie die Drehrichtung des Einstellrads ändern, drehen Sie es immer über alle Zwischenstellungen.

MONTAGE

⚠ VORSICHT: Vergewissern Sie sich vor der Ausführung von Arbeiten am Werkzeug stets, dass es ausgeschaltet und vom Stromnetz getrennt ist.

Montage oder Demontage des Anwendungswerkzeugs

Sonderzubehör

⚠ WARNUNG: Montieren Sie das Anwendungswerkzeug nicht verkehrt herum. Wird ein Anwendungswerkzeug verkehrt herum montiert, kann dies zu einer Beschädigung des Werkzeugs und zu schweren Personenschäden führen.

⚠ WARNUNG: Montieren Sie das Anwendungswerkzeug in der korrekten Richtung entsprechend der anstehenden Arbeit. Das Anwendungswerkzeug kann in Positionen montiert werden, die jeweils um 30 Grad versetzt sind.

⚠ WARNUNG: Montieren Sie das Anwendungswerkzeug immer so, dass die Vorsprünge des Werkzeugflansches in die Löcher des Anwendungswerkzeugs passen. Anderenfalls kann das Anwendungswerkzeug weggeschleudert werden, was zu Personenschäden führen kann.

⚠ WARNUNG: Ziehen Sie die Anwendungswerkzeug-Montageschraube beim Montieren des Anwendungswerkzeugs sicher fest.

Setzen Sie das Anwendungswerkzeug (Sonderzubehör) auf den Werkzeugflansch, so dass die Vorsprünge des Werkzeugflansches in die Löcher des Anwendungswerkzeugs passen, und sichern Sie das Anwendungswerkzeug, indem Sie die Schraube mit dem Inbusschlüssel festziehen.

Wenn Sie ein Anwendungswerkzeug für Schmirgeln verwenden, montieren Sie das Anwendungswerkzeug so am Schleifpad, dass es mit der Richtung des Schleifpads übereinstimmt.

Das Schleifpad weist ein Klettverschluss-Passsystem auf, das bequemes und schnelles Anbringen von Schleifpapier gestattet.

Da Schleifpapier Löcher für die Staubabsaugung aufweist, montieren Sie das Schleifpapier so, dass sich seine Löcher mit denen im Schleifpad decken.

Um das Schleifpapier abzunehmen, heben Sie seine Kante an, und lösen Sie das Papier ab.

Lösen und Entfernen Sie die Anwendungswerkzeug-Montageschraube mit einem Inbusschlüssel, und nehmen Sie dann das Anwendungswerkzeug ab.

► **Abb.3:** 1. Anwendungswerkzeug-Montageschraube
2. Löcher im Anwendungswerkzeug
3. Vorsprünge des Werkzeugflansches

► **Abb.4:** 1. Anwendungswerkzeug-Montageschraube
2. Inbusschlüssel 3. Anziehen

Wenn Sie Anwendungswerkzeuge mit einer anderen Art von Installationsteil benutzen, wählen Sie einen korrekten Adapter (Sonderzubehör) aus.

► **Abb.5:** 1. Anwendungswerkzeug-Montageschraube
2. Löcher im Anwendungswerkzeug
3. Adapter 4. Vorsprünge des Werkzeugflansches

BETRIEB

⚠️ WARNUNG: Halten Sie Hände und Gesicht vor dem Starten des Werkzeugs aus, weil dies zu Blockieren des Motors und Stehenbleiben des Werkzeugs führen kann.

⚠️ VORSICHT: Üben Sie keinen übermäßigen Druck auf das Werkzeug aus, weil dies zu Blockieren des Motors und Stehenbleiben des Werkzeugs führen kann.

Schneiden, Sägen und Schaben

⚠️ VORSICHT: Bewegen Sie das Werkzeug nicht gewaltsam in die Richtung der Anwendung (z. B. nach beiden Seiten) ohne Schneidkante. Dadurch kann das Werkzeug beschädigt werden.

Setzen Sie das Anwendungswerkzeug auf das Werkstück.
Schieben Sie dann das Werkzeug vorwärts, so dass sich die Bewegung des Anwendungswerkzeugs nicht verlangsamt.

► **Abb.6**

HINWEIS: Gewaltames Vorschieben oder übermäßiger Druck auf das Werkzeug können die Arbeitsleistung verringern.

HINWEIS: Vor Beginn von Schneidarbeiten ist es empfehlenswert, die Pendelhubzahl auf 3 - 5 vor einzustellen.

Schleifen

⚠️ VORSICHT: Verwenden Sie Schleifpapier, das zum Schleifen von Metall verwendet wurde, nicht zum Schleifen von Holz.

⚠️ VORSICHT: Verwenden Sie kein abgenutztes Schleifpapier oder Schleifpapier ohne Körnung.

Bringen Sie das Schleifpapier mit dem Werkstück in Kontakt.

► **Abb.7**

HINWEIS: Eine Schleifprobe an einem Testmaterial ist empfehlenswert, um die für Ihre Arbeit geeignete Pendelhubzahl zu ermitteln.

HINWEIS: Verwenden Sie Schleifpapier mit derselben Körnung, bis das Schleifen des ganzen Werkstücks beendet ist. Wird die Körnung des Schleifpapiers während der Arbeit geändert, erhält man u. U. keine feine Oberflächengüte.

Staubabsaugaufsatz

Sonderzubehör

⚠️ WARNUNG: Verwenden Sie keinen Absaugaufsatz, wenn Sie ein metallisches Werkstück mit diesem Werkzeug schleifen. Heiße Späne können Staub in dem Sauggerät entzünden und einen Brand verursachen.

Um sauberer zu arbeiten, montieren Sie einen Staubabsaugaufsatz am Werkzeug. Schließen Sie den Schlauch des Sauggerätes an den Staubabsaugaufsatz an.

► **Abb.8**

Bauen Sie den Staubabsaugaufsatz zusammen, und montieren Sie ihn am Werkzeug.

1. Montieren Sie Verbindungsmuffe, Absaugstutzen und Staubaufsatz.
2. Montieren Sie das Absaugstutzenband so am Werkzeug, dass seine Vorsprünge in den Löchern des Werkzeugs sitzen, um es zu sichern.

3. Bringen Sie den Filzring, den Distanzring (falls notwendig) und das Schleifpad am Staubaufsatz an, und sichern Sie dann die Teile mit der Anwendungswerkzeug-Montageschraube.

► **Abb.9:** 1. Verbindungsmuffe 2. Absaugstutzenband 3. Absaugstutzen 4. Staubaufsatz 5. Distanzring 6. Filzring (ø 47 mm) 7. Pad (mit STARLOCK-Markierung) 8. Anwendungswerkzeug-Montageschraube 9. Filzring (ø 37 mm) 10. Pad (mit OIS-Markierung)

ANMERKUNG: Wenn Sie das Pad mit STARLOCK-Markierung verwenden, montieren Sie unbedingt den Distanzring zwischen dem Staubaufsatz und dem Filzring.

WARTUNG

⚠️ VORSICHT: Vergewissern Sie sich vor der Durchführung von Überprüfungen oder Wartungsarbeiten des Werkzeugs stets, dass es ausgeschaltet und vom Stromnetz getrennt ist.

ANMERKUNG: Verwenden Sie auf keinen Fall Benzin, Waschbenzin, Verdünnern, Alkohol oder dergleichen. Solche Mittel können Verfärbung, Verformung oder Rissbildung verursachen.

Um die SICHERHEIT und ZUVERLÄSSIGKEIT dieses Produkts zu gewährleisten, sollten Reparaturen und andere Wartungs- oder Einstellarbeiten nur von Makita-Vertragswerkstätten oder Makita-Kundendienstzentren unter ausschließlicher Verwendung von Makita-Originalersatzteilen ausgeführt werden.

Reinigen

Wischen Sie das Werkzeug von Zeit zu Zeit mit einem trockenen oder mit Seifenwasser angefeuchteten Tuch ab.

► **Abb.10**

DATI TECNICI

Modello:	M9800
Oscillazioni al minuto	Da 15.000 a 22.000 min ⁻¹
Angolo di oscillazione, verso sinistra/destra	1,6 ° (3,2 ° in totale)
Lunghezza complessiva	283 mm
Peso netto	1,2 - 1,3 kg
Classe di sicurezza	II/III

- In conseguenza del nostro programma di ricerca e sviluppo continui, i dati tecnici nel presente manuale sono soggetti a modifiche senza preavviso.
- I dati tecnici possono variare da nazione a nazione.
- Il peso può variare a seconda dell'accessorio o degli accessori. La combinazione più leggera e quella più pesante, in base alla Procedura EPTA 01/2014, sono indicate nella tabella.

Utilizzo previsto

Questo utensile è progettato per segare e tagliare legno, plastica, gesso, metalli non ferrosi ed elementi di fissaggio (ad es., chiodi e graffette non temprati). L'utensile è progettato anche per la lavorazione di piastrelle delicate per pareti, come pure per la carteggiatura a secco e lo scrostamento di piccole superfici. È progettato soprattutto per la lavorazione in prossimità dei bordi e il taglio a filo.

Alimentazione

L'utensile deve essere collegato a una fonte di alimentazione con la stessa tensione indicata sulla targhetta del nome, e può funzionare solo a corrente alternata monofase. L'utensile è dotato di doppio isolamento, per cui può essere utilizzato con prese elettriche sprovviste di messa a terra.

Rumore

Modalità operativa	Livello di pressione sonora (L _{PA}) :	Livello di potenza sonora (L _{WA}) :	Incertezza (K)	Standard applicabile
Carteggiatura	81 dB (A)	89 dB (A)	3 dB (A)	EN62841-2-4
Taglio con la lama da taglio ad affondamento	82 dB (A)	90 dB (A)	3 dB (A)	EN62841-1
Taglio con la lama a segmenti	82 dB (A)	90 dB (A)	3 dB (A)	EN62841-1
Scrostamento	81 dB (A)	89 dB (A)	3 dB (A)	EN62841-1

NOTA: Il valore o i valori dichiarati delle emissioni di rumori sono stati misurati in conformità a un metodo standard di verifica, e possono essere utilizzati per confrontare un utensile con un altro.

NOTA: Il valore o i valori dichiarati delle emissioni di rumori possono venire utilizzati anche per una valutazione preliminare dell'esposizione.

AVVERTIMENTO: Indossare protezioni per le orecchie.

AVVERTIMENTO: L'emissione di rumori durante l'utilizzo effettivo dell'utensile elettrico può variare rispetto al valore o ai valori dichiarati, a seconda dei modi in cui viene utilizzato l'utensile e specialmente a seconda di che tipo di pezzo venga lavorato.

AVVERTIMENTO: Accertarsi di identificare misure di sicurezza per la protezione dell'operatore che siano basate su una stima dell'esposizione nelle condizioni effettive di utilizzo (tenendo conto di tutte le parti del ciclo operativo, ad esempio del numero di spegnimenti dell'utensile e di quando giri a vuoto, oltre al tempo di attivazione).

Vibrazioni

La tabella seguente mostra il valore complessivo delle vibrazioni (somma vettoriale triassiale) determinato in base allo standard applicabile.

Modalità operativa	Emissione delle vibrazioni	Incertezza (K)	Standard applicabile
Carteggiatura (a_n)	2,5 m/s ²	1,5 m/s ²	EN62841-2-4
Taglio con la lama da taglio ad affondamento (a_n)	8,0 m/s ²	1,5 m/s ²	EN62841-1
Taglio con la lama a segmenti (a_n)	4,0 m/s ²	1,5 m/s ²	EN62841-1
Scrostamento (a_n)	9,5 m/s ²	1,5 m/s ²	EN62841-1

NOTA: Il valore o i valori complessivi delle vibrazioni dichiarati sono stati misurati in conformità a un metodo standard di verifica, e possono essere utilizzati per confrontare un utensile con un altro.

NOTA: Il valore o i valori complessivi delle vibrazioni dichiarati possono venire utilizzati anche per una valutazione preliminare dell'esposizione.

⚠AVVERTIMENTO: L'emissione delle vibrazioni durante l'utilizzo effettivo dell'utensile elettrico può variare rispetto al valore o ai valori dichiarati, a seconda dei modi in cui viene utilizzato l'utensile, specialmente a seconda di che tipo di pezzo venga lavorato.

⚠AVVERTIMENTO: Accertarsi di identificare misure di sicurezza per la protezione dell'operatore che siano basate su una stima dell'esposizione nelle condizioni effettive di utilizzo (tenendo conto di tutte le parti del ciclo operativo, ad esempio del numero di spegnimenti dell'utensile e di quando giri a vuoto, oltre al tempo di attivazione).

Dichiarazioni di conformità

Solo per i paesi europei

Le Dichiarazioni di conformità sono incluse nell'Allegato A al presente manuale d'uso.

AVVERTENZE DI SICUREZZA

Avvertenze generali relative alla sicurezza dell'utensile elettrico

⚠AVVERTIMENTO: Leggere tutte le avvertenze di sicurezza, le istruzioni, le illustrazioni e i dati tecnici forniti con il presente utensile elettrico. La mancata osservanza di tutte le istruzioni elencate di seguito potrebbe risultare in scosse elettriche, incendi e/o gravi lesioni personali.

Conservare tutte le avvertenze e le istruzioni come riferimento futuro.

Il termine "utensile elettrico" nelle avvertenze si riferisce sia all'utensile elettrico (cablato) nel funzionamento alimentato da rete elettrica che all'utensile elettrico (a batteria) nel funzionamento alimentato a batteria.

Avvertenze di sicurezza relative all'utensile multifunzione

1. **Il presente utensile elettrico è progettato per segare, tagliare, smerigliare e carteggiare. Leggere tutte le avvertenze di sicurezza, le istruzioni, le illustrazioni e i dati tecnici forniti con il presente utensile elettrico.** La mancata osservanza di tutte le istruzioni elencate di seguito potrebbe risultare in scosse elettriche, incendi e/o gravi lesioni personali.
2. **Mantenere l'utensile elettrico per le superfici di impugnatura isolate quando si intende eseguire un'operazione in cui l'accessorio da taglio potrebbe entrare in contatto con fili elettrici nascosti o con il proprio cavo di alimentazione.** Un accessorio da taglio che entri in contatto con un filo elettrico sotto tensione potrebbe mettere sotto tensione le parti metalliche esposte dell'utensile elettrico e dare una scossa elettrica all'operatore.
3. **Utilizzare delle morse o altri sistemi pratici per fissare e sostenere il pezzo in lavorazione su un piano stabile.** Un pezzo in lavorazione mantenuto in mano o contro il proprio corpo resta instabile, e può portare a una perdita di controllo.
4. **Posizionare il cavo a distanza dall'accessorio in rotazione.** Qualora si perda il controllo, il cavo potrebbe venire tagliato o restare impigliato, e la mano o il braccio dell'utente potrebbero venire tirati nell'accessorio in rotazione.
5. **Utilizzare sempre occhiali oppure occhiali di sicurezza. I comuni occhiali o gli occhiali da sole NON sono occhiali di sicurezza.**
6. **Evitare di tagliare i chiodi. Prima dell'uso, ispezionare il pezzo in lavorazione alla ricerca di eventuali chiodi e rimuoverli.**
7. **Mantenere saldamente l'utensile.**

8. **Accertarsi che l'utensile applicativo non entri in contatto con il pezzo in lavorazione prima di attivare l'interruttore.**
9. **Tenere le mani lontane dalle parti mobili.**
10. **Non lasciare l'utensile mentre è in funzione. Far funzionare l'utensile solo mentre lo si tiene in mano.**
11. **Spegnerne sempre l'utensile e attendere l'arresto completo della lama, prima di rimuoverla dal pezzo in lavorazione.**
12. **Non toccare l'utensile applicativo o il pezzo in lavorazione subito dopo l'operazione; la loro temperatura potrebbe essere estremamente elevata e potrebbero causare ustioni.**
13. **Non far funzionare inutilmente l'utensile a vuoto.**
14. **Utilizzare sempre la mascherina antipolvere o il respiratore corretti per il materiale e l'applicazione con cui si intende lavorare.**
15. **Alcuni materiali contengono sostanze chimiche potenzialmente tossiche. Fare attenzione a evitare l'inalazione delle polveri e il contatto con la pelle. Attenersi ai dati sulla sicurezza del fornitore del materiale.**
16. **Questo utensile non è impermeabilizzato, pertanto non utilizzare acqua sulla superficie del pezzo in lavorazione.**
17. **Ventilare adeguatamente l'area di lavoro quando si eseguono le operazioni di carteggiatura.**
18. **L'utilizzo di questo utensile per la carteggiatura di alcuni prodotti, ad es. superfici rivestite con vernici al piombo, legno e metalli, potrebbe esporre l'utente e gli astanti a polveri contenenti sostanze pericolose. Utilizzare una protezione appropriata per la respirazione.**
19. **Accertarsi che non siano presenti fessurazioni o spaccature sul platello prima dell'uso. Le fessurazioni o le spaccature potrebbero causare lesioni personali.**
20. **Non utilizzare accessori che non siano progettati specificatamente e consigliati dal produttore dell'utensile. Il solo fatto che un accessorio possa essere applicato all'utensile elettrico non ne assicura un utilizzo sicuro.**
21. **Indossare un'attrezzatura di protezione personale. A seconda dell'applicazione, utilizzare una visiera, occhiali oppure occhiali di sicurezza. Se necessario, indossare protezioni per l'udito, guanti e un grembiule da lavoro in grado di arrestare piccoli frammenti abrasivi o del pezzo in lavorazione. La protezione per gli occhi deve essere in grado di arrestare i frammenti volanti generati dalle varie operazioni. La mascherina antipolvere o il respiratore devono essere in grado di filtrare le particelle generate durante l'operazione. L'esposizione prolungata al rumore ad alta intensità potrebbe causare la perdita dell'udito.**
22. **Tenere gli astanti a distanza di sicurezza dall'area di lavoro. Chiunque entri nell'area di lavoro deve indossare un'attrezzatura personale di protezione. I frammenti del pezzo in lavorazione o di un accessorio rotto potrebbero venire scagliati via e causare lesioni personali al di fuori delle immediate vicinanze dell'area di lavoro.**
23. **Non appoggiare mai l'utensile elettrico fino all'arresto completo dell'accessorio. Un accessorio in rotazione potrebbe far presa sulla superficie e tirare l'utensile elettrico fuori dal controllo dell'operatore.**
24. **Non far funzionare l'utensile elettrico mentre lo si trasporta sul proprio fianco. Il contatto accidentale con l'accessorio potrebbe farlo impigliare negli indumenti, attirando l'accessorio contro il corpo dell'operatore.**
25. **Non far funzionare l'utensile elettrico in prossimità di materiali infiammabili. Le scintille potrebbero incendiare tali materiali.**
26. **Non utilizzare accessori che richiedano refrigeranti liquidi. L'utilizzo di acqua o di altri refrigeranti liquidi potrebbe causare la folgorazione o scosse elettriche.**
27. **Accertarsi sempre che l'utensile sia spento e scollegato dall'alimentazione elettrica, prima di effettuare qualsiasi intervento sull'utensile.**
28. **Qualora il luogo di lavoro sia estremamente caldo e umido, o notevolmente inquinato da polveri conduttive, utilizzare un interruttore magnetotermico (da 30 mA) per garantire la sicurezza dell'operatore.**
29. **Accertarsi sempre di avere un appoggio saldo sui piedi. Accertarsi che non sia presente alcuna persona sotto di sé quando si intende utilizzare l'utensile in ubicazioni elevate.**
30. **Prima di iniziare l'utilizzo, accertarsi che sotto la superficie di lavoro non siano presenti linee di alimentazione nascoste, ad esempio elettriche, del gas e idriche. Il taglio o il danneggiamento delle linee di alimentazione potrebbe causare scosse elettriche, fughe di gas, danni alle cose o altri incidenti.**

CONSERVARE LE PRESENTI ISTRUZIONI.

⚠AVVERTIMENTO: NON lasciare che comodità o la familiarità d'utilizzo con il prodotto (acquisita con l'uso ripetuto) sostituisca la stretta osservanza delle norme di sicurezza per il prodotto in questione. L'USO IMPROPRIO o la mancata osservanza delle norme di sicurezza indicate nel presente manuale di istruzioni potrebbero causare gravi lesioni personali.

DESCRIZIONE DELLE FUNZIONI

⚠ATTENZIONE: Accertarsi sempre che l'utensile sia spento e scollegato dall'alimentazione prima di regolare o controllare le sue funzioni.

Funzionamento dell'interruttore

⚠ATTENZIONE: Prima di collegare l'utensile all'alimentazione elettrica, accertarsi sempre che sia spento.

Per avviare l'utensile, far scorrere l'interruttore scorrevole verso la posizione "I (ON)".
Per arrestare l'utensile, far scorrere l'interruttore scorrevole verso la posizione "O (OFF)".

► **Fig.1:** 1. Interruttore scorrevole

Regolazione della velocità di corsa orbitale

La velocità di corsa orbitale è regolabile. Per modificare la velocità di corsa orbitale, ruotare il selettore tra 1 e 5. La velocità di corsa orbitale aumenta di pari passo con l'incremento del numero. Preimpostare il selettore sul numero adatto al pezzo in lavorazione.

► **Fig.2:** 1. Selettore

NOTA: Non è possibile ruotare il selettore direttamente da 1 a 5 o da 5 a 1. Qualora si forzi il selettore, si potrebbe danneggiare l'utensile. Quando si intende cambiare la direzione del selettore, ruotare sempre quest'ultimo facendolo passare per ciascun numero intermedio.

MONTAGGIO

⚠ATTENZIONE: Accertarsi sempre che l'utensile sia spento e scollegato dall'alimentazione elettrica, prima di effettuare qualsiasi intervento su di esso.

Installazione o rimozione dell'utensile applicativo

Accessorio opzionale

⚠AVVERTIMENTO: Non installare l'utensile applicativo capovolto. Qualora si installi l'utensile applicativo capovolto, si potrebbe danneggiare l'utensile e si potrebbero causare gravi lesioni personali.

⚠AVVERTIMENTO: Installare l'utensile accessorio nella direzione corretta a seconda del lavoro da effettuare. È possibile installare l'utensile applicativo variandone l'angolazione a intervalli di 30 gradi.

⚠AVVERTIMENTO: Installare sempre l'utensile applicativo in modo che le sporgenze della flangia dell'utensile entrino nei fori dell'utensile applicativo. La mancata osservanza di questa indicazione potrebbe far volare via l'utensile applicativo e risultare in lesioni personali.

⚠AVVERTIMENTO: Quando si intende installare l'utensile applicativo, accertarsi di serrare saldamente il bullone di installazione per utensile applicativo.

Applicare un utensile applicativo (accessorio opzionale) sulla flangia dell'utensile, in modo che le sporgenze della flangia dell'utensile entrino nei fori dell'utensile applicativo, quindi fissare l'utensile applicativo serrando saldamente il bullone con la chiave esagonale.

Quando si intende utilizzare l'utensile applicativo per la levigatura, montare l'utensile applicativo sul platorello levigatura in modo che coincida con la direzione di quest'ultimo.

Il platorello levigatura utilizza un sistema di adesione a contatto che consente un'applicazione semplice e rapida della carta vetrata.

Poiché le carte vetrata dispongono di fori per l'estrazione delle polveri, montare la carta vetrata in modo che i fori su quest'ultima coincidano con quelli sul platorello levigatura.

Per rimuovere della carta vetrata, sollevare la sua estremità e staccarla via.

Allentare e rimuovere il bullone di installazione per utensile applicativo utilizzando una chiave esagonale, quindi rimuovere l'utensile applicativo.

► **Fig.3:** 1. Bullone di installazione per utensile applicativo 2. Fori dell'utensile applicativo 3. Sporgenze della flangia dell'utensile

► **Fig.4:** 1. Bullone di installazione per utensile applicativo 2. Chiave esagonale 3. Serrare

Quando si intende utilizzare utensili applicativi con una sezione di installazione di tipo diverso, utilizzare un adattatore corretto (accessorio opzionale).

► **Fig.5:** 1. Bullone di installazione per utensile applicativo 2. Fori dell'utensile applicativo 3. Adattatore 4. Sporgenze della flangia dell'utensile

FUNZIONAMENTO

⚠AVVERTIMENTO: Prima di avviare l'utensile e durante l'uso, tenere le mani e il viso lontani dall'utensile applicativo.

⚠ATTENZIONE: Non applicare un carico eccessivo sull'utensile, in quanto ciò potrebbe causare il blocco del motore e arrestare l'utensile.

Come tagliare, segare e scrostare

⚠ATTENZIONE: Non spostare forzatamente l'utensile nella direzione di applicazione dell'utensile (ad esempio di lato) che è priva di tagliente. In caso, contrario, si potrebbe danneggiare l'utensile.

Sistemare l'utensile applicativo sul pezzo in lavorazione.

Quindi, spostare in avanti l'utensile in modo che il movimento dell'utensile applicativo non rallenti.

► Fig.6

NOTA: Qualora si forzi l'utensile o si applichi pressione eccessiva su quest'ultimo, si potrebbe ridurre l'efficienza.

NOTA: Prima di un'operazione di taglio, si consiglia di predisporre la velocità di corsa orbitale su 3 - 5.

Carteggiatura

⚠ATTENZIONE: Non riutilizzare per la carteggiatura del legno carta vetrata che sia stata utilizzata per la carteggiatura dei metalli.

⚠ATTENZIONE: Non utilizzare carta vetrata usurata o carta vetrata priva di graniglia.

Applicare la carta vetrata sul pezzo in lavorazione.

► Fig.7

NOTA: Si consiglia di utilizzare un campione di materiale di prova per determinare la velocità di corsa orbitale corretta adatta al lavoro.

NOTA: Utilizzare carta vetrata con la stessa graniglia fino al completamento della carteggiatura dell'intero pezzo in lavorazione. Qualora si sostituisca una carta vetrata con un'altra dotata di graniglia diversa, si potrebbe non ottenere una rifinitura precisa.

Accessorio di aspirazione polveri

Accessorio opzionale

⚠AVVERTIMENTO: Non utilizzare l'accessorio di aspirazione quando si intende smerigliare un pezzo in lavorazione metallico con questo utensile. Le polveri incandescenti potrebbero incendiare le polveri nell'aspirapolvere, il che potrebbe causare un incendio.

Quando si desidera eseguire operazioni di taglio più pulite, installare l'accessorio di aspirazione polveri sull'utensile. Collegare un tubo flessibile dell'aspirapolvere all'accessorio di aspirazione polveri.

► Fig.8

Montare l'accessorio di aspirazione polveri e installarlo sull'utensile.

1. Installare il giunto, la bocchetta polveri e l'accessorio polveri.
2. Installare la bandella per la bocchetta sull'utensile, in modo che le sue sporgenze entrino nei fori dell'utensile per fissarla.
3. Montare l'anello di feltro, il distanziatore (se necessario) e il platello levigatura sull'accessorio polveri, quindi fissarli con il bullone di installazione per utensile applicativo.

► Fig.9: 1. Giunto 2. Bandella per la bocchetta 3. Bocchetta polveri 4. Accessorio polveri 5. Distanziatore 6. Anello di feltro (ø 47 mm) 7. Platello (che rechi l'indicazione STARLOCK) 8. Bullone di installazione per utensile applicativo 9. Anello di feltro (ø 37 mm) 10. Platello (che rechi l'indicazione OIS)

AVVISO: Quando si intende utilizzare un platello che rechi l'indicazione STARLOCK, accertarsi di installare il distanziatore tra l'accessorio polveri e l'anello di feltro.

MANUTENZIONE

⚠ATTENZIONE: Accertarsi sempre che l'utensile sia spento e scollegato dall'alimentazione elettrica, prima di tentare di eseguire interventi di ispezione o manutenzione.

AVVISO: Non utilizzare mai benzina, benzene, solventi, alcol o altre sostanze simili. In caso contrario, si potrebbero causare scolorimenti, deformazioni o crepe.

Per preservare la SICUREZZA e l'AFFIDABILITÀ del prodotto, le riparazioni e qualsiasi altro intervento di manutenzione e di regolazione devono essere eseguiti da un centro di assistenza autorizzato Makita, utilizzando sempre ricambi Makita.

Pulizia

Pulire di tanto in tanto l'utensile utilizzando un panno asciutto o un panno inumidito con acqua e sapone.

► Fig.10

TECHNISCHE GEGEVENS

Model:	M9800
Oscillaties per minuut	15.000 - 22.000 min ⁻¹
Uitslaghoek links/rechts	1,6° (3,2° totaal)
Totale lengte	283 mm
Nettogewicht	1,2 - 1,3 kg
Veiligheidsklasse	▣/II

- In verband met ononderbroken research en ontwikkeling behouden wij ons het recht voor bovenstaande technische gegevens te wijzigen zonder voorafgaande kennisgeving.
- De technische gegevens kunnen van land tot land verschillen.
- Het gewicht kan verschillen afhankelijk van de hulpstukken. De lichtste en zwaarste combinatie, volgens EPTA-procedure 01/2014, worden vermeld in de tabel.

Gebruiksdoelinden

Dit gereedschap is bestemd voor het zagen en snijden in hout, plastic, gipsplaten, non-ferrometalen en sommige montagematerialen (zoals zachte spijkers en nieten). Het is tevens bestemd voor het werken met zachte wandtegels en het droog schuren en afkrabben van kleine oppervlakken. Het is bij uitstek geschikt voor werken langs randen en voor egaal bijsnijden.

Voeding

Het gereedschap mag alleen worden aangesloten op een voeding van dezelfde spanning als aangegeven op het typeplaatje, en kan alleen worden gebruikt op enkelfase-wisselstroom. Het gereedschap is dubbel-geïsoleerd en kan derhalve ook op een niet-geaard stop-contact worden aangesloten.

Geluidsniveau

Toe- passing	Geluids- drukni- veau (L _{PA}):	Geluids- vermo- genniveau (L _{WA}):	Onzeker- heid (K)	Toepas- selijke norm
Schuren	81 dB (A)	89 dB (A)	3 dB (A)	EN62841-2-4
Snijden met het invalzaag- blad	82 dB (A)	90 dB (A)	3 dB (A)	EN62841-1
Snijden met het segment- zaagblad	82 dB (A)	90 dB (A)	3 dB (A)	EN62841-1
Afschrapen	81 dB (A)	89 dB (A)	3 dB (A)	EN62841-1

OPMERKING: De opgegeven geluidsemisiewaarde(n) is/zijn gemeten volgens een standaardtestmethode en kan/kunnen worden gebruikt om dit gereedschap te vergelijken met andere gereedschappen.

OPMERKING: De opgegeven geluidsemisiewaarde(n) kan/kunnen ook worden gebruikt voor een beoordeling vooraf van de blootstelling.

⚠WAARSCHUWING: Draag gehoorbescherming.

⚠WAARSCHUWING: De geluidsemisatie tijdens het gebruik van het elektrisch gereedschap in de praktijk kan verschillen van de opgegeven waarde(n) afhankelijk van de manier waarop het gereedschap wordt gebruikt, met name van het soort werkstuk waarmee wordt gewerkt.

⚠WAARSCHUWING: Zorg ervoor dat veiligheidsmaatregelen worden getroffen ter bescherming van de gebruiker die zijn gebaseerd op een schatting van de blootstelling onder praktijkomstandigheden (rekening houdend met alle fasen van de bedrijfscyclus, zoals de tijdsduur gedurende welke het gereedschap is uitgeschakeld en stationair draait, naast de ingeschakelde tijdsduur).

Trilling

De volgende tabel toont de trillingstotaalwaarde (triaxiale vectorsom) zoals vastgesteld conform de toepasselijke norm.

Toepassing	Trillingsemissie	Onzekerheid (K)	Toepasselijke norm
Schuren (a_h)	2,5 m/s ²	1,5 m/s ²	EN62841-2-4
Snijden met het invalzaagblad (a_h)	8,0 m/s ²	1,5 m/s ²	EN62841-1
Snijden met het segmentzaagblad (a_h)	4,0 m/s ²	1,5 m/s ²	EN62841-1
Afschrappen (a_h)	9,5 m/s ²	1,5 m/s ²	EN62841-1

OPMERKING: De totale trillingswaarde(n) is/zijn gemeten volgens een standaardtestmethode en kan/kunnen worden gebruikt om dit gereedschap te vergelijken met andere gereedschappen.

OPMERKING: De opgegeven totale trillingswaarde(n) kan/kunnen ook worden gebruikt voor een beoordeling vooraf van de blootstelling.

⚠️ WAARSCHUWING: De trillingsemissie tijdens het gebruik van het elektrisch gereedschap in de praktijk kan verschillen van de opgegeven waarde(n) afhankelijk van de manier waarop het gereedschap wordt gebruikt, met name van het soort werkstuk waarmee wordt gewerkt.

⚠️ WAARSCHUWING: Zorg ervoor dat veiligheidsmaatregelen worden getroffen ter bescherming van de gebruiker die zijn gebaseerd op een schatting van de blootstelling onder praktijkomstandigheden (rekening houdend met alle fasen van de bedrijfscyclus, zoals de tijdsduur gedurende welke het gereedschap is uitgeschakeld en stationair draait, naast de ingeschakelde tijdsduur).

Verklaringen van conformiteit

Alleen voor Europese landen

De verklaringen van conformiteit zijn bijgevoegd in Bijlage A bij deze gebruiksaanwijzing.

VEILIGHEIDSWAARSCHUWINGEN

Algemene veiligheidswaarschuwingen voor elektrisch gereedschap

⚠️ WAARSCHUWING: Lees alle veiligheidswaarschuwingen, aanwijzingen, afbeeldingen en technische gegevens behorend bij dit elektrische gereedschap aandachtig door. Als u niet alle onderstaande aanwijzingen naleeft, kan dat resulteren in brand, elektrische schokken en/of ernstig letsel.

Bewaar alle waarschuwingen en instructies om in de toekomst te kunnen raadplegen.

De term "elektrisch gereedschap" in de veiligheidsvoorschriften duidt op gereedschappen die op stroom van het lichtnet werken (met snoer) of gereedschappen met een accu (snoerloos).

Veiligheidswaarschuwingen voor een multitool

- Dit elektrisch gereedschap is bestemd voor zagen, snijden, slijpen en polijsten. Lees alle veiligheidsvoorschriften, aanwijzingen, afbeeldingen en technische gegevens behorend bij dit elektrisch gereedschap aandachtig door.** Als u niet alle onderstaande aanwijzingen naleeft, kan dat resulteren in brand, elektrische schokken en/of ernstig letsel.
- Houd het elektrisch gereedschap vast aan het geïsoleerde oppervlak van de handgrepen wanneer u werkt op plaatsen waar het accessoire met verborgen bedrading of zijn eigen snoer in aanraking kan komen.** Wanneer accessoires in aanraking komen met onder spanning staande draden, zullen de niet-geïsoleerde metalen delen van het gereedschap onder spanning komen te staan zodat de gebruiker een elektrische schok kan krijgen.
- Gebruik klemmen of dergelijke voorzieningen om uw werkstuk aan een stabiele ondergrond vast te klemmen.** Een werkstuk dat u in de hand houdt of tegen uw lichaam aan drukt, kan al te vrijelijk bewegen en onhoudbaar worden.
- Houd het snoer uit de buurt van het draaiende accessoire.** Als u de controle verliest over het gereedschap, kan het snoer worden doorgesneden of bekneld raken en kan uw hand of arm tegen het ronddraaiende werktuig worden aangetrokken.
- Draag altijd een veiligheidsbril of stofbril. Een gewone bril of zonnebril biedt NIET de nodige veiligheid.**
- Zorg dat het werktuig geen spijkers raakt. Controleer uw werkstuk vooraf op de aanwezigheid van spijkers en verwijder die.**
- Houd het gereedschap stevig vast.**

8. **Let vooral op dat het werktuig bij inschakelen nog niet in aanraking komt met uw werkstuk.**
9. **Kom met uw handen niet te dicht bij bewegende onderdelen.**
10. **Laat het gereedschap niet ingeschakeld achter. Schakel het gereedschap alleen in wanneer u het stevig vasthoudt.**
11. **Schakel eerst het gereedschap uit en wacht tot het zaagblad volledig tot stilstand is gekomen, voordat u het zaagblad van het werkstuk haalt.**
12. **Raak het werktuig of het bewerkte deel van uw werkstuk niet onmiddellijk na het werk aan; deze delen kunnen bijzonder heet worden en u zou zich kunnen branden.**
13. **Laat het gereedschap niet onnodig lang draaien in onbelaste toestand.**
14. **Gebruik altijd het juiste stofmasker of ademhalingsapparaat voor het materiaal en de toepassing waar u aan werkt.**
15. **Bepaalde materialen kunnen giftige chemicaliën bevatten. Vermijd dan het contact met uw huid en zorg dat u geen stof inademt. Volg de veiligheidsvoorschriften van de fabrikant van het materiaal.**
16. **Dit gereedschap is niet waterdicht, dus zorg dat er geen water op de oppervlakken van uw werkstuk komt.**
17. **Zorg voor voldoende ventilatie bij het schuren van werkstukken.**
18. **Bij gebruik van dit gereedschap voor het schuren van bepaalde materialen, zoals loodhoudende verf, hout en metalen kunt u zelf en omstanders worden blootgesteld aan stof met schadelijke bestanddelen. Gebruik een geschikt stofmasker of ademhalingsapparaat.**
19. **Controleer of er geen barsten of scheuren in het blok zijn voordat u gaat werken. Barsten of breuken zouden kunnen leiden tot lichamelijk letsel.**
20. **Gebruik geen accessoires die niet specifiek ontworpen en goedgekeurd zijn door de fabrikant van dit gereedschap. Ook al past een accessoire wel op uw elektrisch gereedschap, dan nog staat dit niet altijd garant voor een veilige werking.**
21. **Draag persoonlijke-beschermingsmiddelen. Afhankelijk van de toepassing dient u ook een spatscherm, veiligheidsbril of stofbril te dragen. Draag naar vereist ook oorbeschermers, werkhandschoenen en een werkschort dat bescherming biedt tegen rondvliegende spaanders of scherp gruis. Een afdoende oogbescherming moet in staat zijn om tijdens het werk rondvliegende spaanders of scherp gruis tegen te houden. Het stofmasker of ademhalingsapparaat moet alle vrijkomende deeltjes uit de lucht die u inademt te filteren. Langdurige blootstelling aan hard lawaai kan uw gehoor aantasten.**
22. **Houd omstanders op veilige afstand tijdens het gebruik van elektrisch gereedschap. Iedereen die uw werkterrein betreedt, moet beschermende kleding dragen.** Er zouden splinters van uw werkstuk of van een afgebroken accessoire kunnen rondvliegen, met kans op verwondingen, ook buiten uw onmiddellijke werkomgeving.
23. **Leg het elektrisch gereedschap altijd pas neer nadat het werktuig volledig tot stilstand is gekomen.** Als het werktuig nog draait, kan het de ondergrond aangrijpen en het elektrisch gereedschap uit uw handen trekken.
24. **Loop niet met het elektrisch gereedschap terwijl het nog draait.** Als het werktuig tegen uw kleding aan zou komen, kan het verstrikt raken in uw kleding waardoor het werktuig in uw lichaam wordt getrokken.
25. **Gebruik het elektrisch gereedschap niet in de buurt van licht ontvlambare materialen.** Als er vonken overspringen, zou er brand kunnen ontstaan.
26. **Gebruik geen werktuigen waarvoor koeling met vloeistof vereist is.** Het gebruik van water of een andere koelvloeistof kan leiden tot een elektrische schok, met gevaar voor elektrocutie.
27. **Zorg altijd dat het gereedschap is uitgeschakeld en de stekker uit het stopcontact is getrokken alvorens enige werkzaamheden aan het gereedschap uit te voeren.**
28. **Als de werkplaats bijzonder heet en vochtig is, of erg verontreinigd is met elektrisch geleidend stof, gebruikt u een kortsluitstroomonderbreker (30 mA) om de veiligheid van de gebruiker te garanderen.**
29. **Zorg ook altijd dat u stevig op een solide bodem staat. Let bij het werken op hoge plaatsen op dat er zich niemand recht onder u bevindt.**
30. **Verzeker u ervan voordat u begint te werken dat er geen verborgen nutsleidingen, zoals elektriciteits-, gas- en waterleidingen, onder het werkoppervlak lopen. Snijden of beschadigen van de nutsleidingen kan leiden tot een elektrische schok, gaslekkage, materiële schade en andere ongevallen.**

Bewaar deze instructies.

⚠WAARSCHUWING: Laat u **NIET** misleiden door een vals gevoel van comfort en bekendheid met het gereedschap (na veelvuldig gebruik) en neem alle veiligheidsvoorschriften van het betreffende gereedschap altijd strikt in acht. **VERKEERD GEBRUIK** of het niet naleven van de veiligheidsvoorschriften in deze gebruiksaanwijzing kan leiden tot ernstig persoonlijk letsel.

BESCHRIJVING VAN DE FUNCTIES

⚠ LET OP: Controleer altijd of het gereedschap is uitgeschakeld en de stekker ervan uit het stopcontact is verwijderd alvorens de functies op het gereedschap te controleren of af te stellen.

De trekkerschakelaar gebruiken

⚠ LET OP: Controleer voor u de stekker van het gereedschap in het stopcontact steekt altijd of het gereedschap uitgeschakeld is.

Om het gereedschap te starten schuift u de schuifschakelaar naar de stand "I (AAN)".

Om het gereedschap te stoppen, schuift u de schuifschakelaar in de stand "O (UIT)".

► Fig.1: 1. Schuifschakelaar

Instellen van het draaislagtempo

Het draaislagtempo is instelbaar. Om het draaislagtempo in te stellen, draait u de instelknop in een stand van 1 tot en met 5. Hoe hoger de cijferwaarde, hoe hoger het draaislagtempo. Stel de instelknop in op een cijferwaarde die geschikt is voor uw werkstuk.

► Fig.2: 1. Instelknop

OPMERKING: De instelknop kan niet rechtstreeks worden gedraaid van 1 naar 5 of worden teruggedraaid van 5 naar 1. Als u de instelknop forceert, kan het gereedschap worden beschadigd. Wanneer u de stand van de instelknop verandert, draait u deze door alle tussenliggende nummers heen.

MONTAGE

⚠ LET OP: Zorg altijd dat het gereedschap is uitgeschakeld en dat zijn stekker uit het stopcontact is verwijderd alvorens enig werk aan het gereedschap uit te voeren.

Het werktuig aanbrengen of verwijderen

Optioneel accessoire

⚠ WAARSCHUWING: Pas op dat u het werktuig niet ondersteboven aanbrengt. Als u het werktuig ondersteboven plaatst, kan dat het gereedschap beschadigen en soms zelfs ernstig letsel veroorzaken.

⚠ WAARSCHUWING: Monteer het werktuig in de juiste richting, die het best voldoet voor uw werkzaamheden. Het werktuig kan worden gemonteerd in enkele standen, met 30 graden er tussen.

⚠ WAARSCHUWING: Monteer het werktuig altijd zodanig dat de nokken op de gereedschapsflens passen in de openingen in het werktuig. Als u dit niet doet, kan dat ertoe leiden dat het werktuig eraf vliegt en persoonlijk letsel veroorzaakt.

⚠ WAARSCHUWING: Zorg ervoor dat bij het aanbrengen van het werktuig de werktuigmontagebouw stevig wordt vastgedraaid.

Breng een werktuig (optioneel accessoire) aan op de gereedschapsflens, zodanig dat de nokken op de gereedschapsflens precies in de openingen in het werktuig passen, en bevestig daarna het werktuig door de bout stevig vast te draaien met de inbussleutel. Bij gebruik van het werktuig voor schuren, bevestigt u het werktuig zodanig op het schuurblok dat het in de richting van het schuurblok ligt. Het schuurblok heeft een klittenbandbevestigingssysteem waardoor het schuurpapier snel en eenvoudig kan worden aangebracht. Aangezien in het schuurpapier gaten zitten voor stofafzuiging, brengt u het schuurpapier zodanig aan dat de gaten in het schuurpapier samenvallen met die in het schuurblok.

Om het schuurpapier te verwijderen, trekt u het uiteinde omhoog en pelt u het los.

Draai de werktuigmontagebouw los met behulp van de inbussleutel en haal het werktuig van het gereedschap af.

► Fig.3: 1. Werktuigmontagebouw 2. Openingen in het werktuig 3. Nokken op de gereedschapsflens

► Fig.4: 1. Werktuigmontagebouw 2. Inbussleutel 3. Vastdraaien

Voor gebruik van werktuigen met een afwijkend aansluitstuk maakt u gebruik van een geschikte adapter (optioneel accessoire).

► Fig.5: 1. Werktuigmontagebouw 2. Openingen in het werktuig 3. Adapter 4. Nokken op de gereedschapsflens

BEDIENING

⚠ WAARSCHUWING: Kom vóór en tijdens het werken met het gereedschap niet met uw handen of uw gezicht in de buurt van het werktuig.

⚠ LET OP: Zorg dat het gereedschap niet al te zwaar belast wordt, want daardoor kan de motor blokkeren en het gereedschap stoppen.

Snijden, zagen en schuren

⚠ LET OP: Beweeg het gereedschap niet met kracht in een richting (zijwaarts bijvoorbeeld) waarin het werktuig geen snijvlak heeft. Dat zou het gereedschap kunnen beschadigen.

Plaats het werktuig op uw werkstuk. Beweeg dan het gereedschap naar voren, zodanig dat dit de beweging van het werktuig niet vertraagt.

► Fig.6

OPMERKING: Als u het forceert of te veel druk uitoefent op het gereedschap, wordt de werking minder doeltreffend.

OPMERKING: Vóór het snijden wordt het aanbevolen het draaislagtempo in te stellen op 3 - 5.

Schuren

⚠ LET OP: Schuurpapier dat al voor metaal is gebruikt mag u niet meer voor hout gebruiken.

⚠ LET OP: Gebruik geen versleten schuurpapier of schuurpapier zonder korrel.

Plaats het schuurpapier op het werkstuk.

► Fig.7

OPMERKING: Het is aanbevolen even proef te draaien met wat testmateriaal, om vooraf het juiste draaislagtempo voor uw werkzaamheden te bepalen.

OPMERKING: Blijf schuurpapier van dezelfde korrelgrootte gebruiken totdat uw hele werkstuk volledig is geschuurd. Als u het schuurpapier tussentijds vervangt door een fijnere of grovere korrel, kunt u mogelijk geen goede afwerking verkrijgen.

Stofzuigaansluitstuk

Optioneel accessoire

⚠ WAARSCHUWING: Gebruik geen stofzuigaansluitstuk wanneer u een metalen werkstuk slijpt met dit gereedschap. Heet stof kan het stof in de stofzuiger ontsteken en brand veroorzaken.

Wanneer u tijdens gebruik het stof wilt afzuigen, brengt u het stofzuigaansluitstuk aan op het gereedschap. Sluit de slang van de stofzuiger aan op het stofzuigaansluitstuk.

► Fig.8

Assembleer het stofzuigaansluitstuk en monteer het op het gereedschap.

1. Monteer het aansluitstuk, de stofzuigbuis en het stofmondstuk.
2. Monteer de buisklem zodanig op het gereedschap dat de nokken ervan in de openingen in het gereedschap vallen om hem vast te zetten.
3. Plaats de vilten ring, de afstandshouder (indien nodig) en het schuurblok op het stofmondstuk en zet ze daarna vast met de werktuigmontagebout.
► Fig.9: 1. Aansluitstuk 2. Buisklem 3. Stofzuigbuis 4. Stofmondstuk 5. Afstandshouder 6. Vilten ring (ø 47 mm) 7. Blok (met STARLOCK-markering) 8. Werktuigmontagebout 9. Vilten ring (ø 37 mm) 10. Blok (met OIS-markering)

KENNISGEVING: Bij gebruik van het blok met de STARLOCK-markering, moet u de afstandshouder aanbrengen tussen het stofmondstuk en de vilten ring.

ONDERHOUD

⚠ LET OP: Zorg altijd dat het gereedschap is uitgeschakeld en zijn stekker uit het stopcontact is verwijderd alvorens te beginnen met inspectie of onderhoud.

KENNISGEVING: Gebruik nooit benzine, wasbenzine, thinner, alcohol en dergelijke. Hierdoor kunnen verkleuring, vervormingen en barsten worden veroorzaakt.

Om de VEILIGHEID en BETROUWBAARHEID van het gereedschap te handhaven, dienen alle reparaties, onderhoud of afstellingen te worden uitgevoerd bij een erkend Makita-servicecentrum of de Makita-fabriek, en altijd met gebruik van Makita-vervangingsonderdelen.

Schoonmaken

Veeg regelmatig het gereedschap schoon met een droge doek of een in zeepwater bevochtigde doek.

► Fig.10

ESPECIFICACIONES

Modelo:	M9800
Oscilaciones por minuto	15.000 - 22.000 min ⁻¹
Ángulo de oscilación, izquierda/derecha	1,6 ° (3,2 ° total)
Longitud total	283 mm
Peso neto	1,2 - 1,3 kg
Clase de seguridad	⊠/II

- Debido a nuestro continuado programa de investigación y desarrollo, las especificaciones aquí dadas están sujetas a cambios sin previo aviso.
- Las especificaciones pueden ser diferentes de país a país.
- El peso puede variar dependiendo del accesorio(s). La combinación menos pesada y la más pesada, de acuerdo con el procedimiento EPTA 01/2014, se muestran en la tabla.

Uso previsto

La herramienta ha sido prevista para serrar y cortar madera, plástico, yeso, metales no ferrosos, y elementos de sujeción (por ejemplo, clavos y grapas no endurecidos). También ha sido prevista para trabajos en azulejos blandos, así como para lijar en seco y raspar superficies pequeñas. Es especialmente indicada para trabajar cerca de bordes y cortar a ras.

Alimentación

La herramienta deberá ser conectada solamente a una fuente de alimentación de la misma tensión que la indicada en la placa de características, y solamente puede ser utilizada con alimentación de CA monofásica. La herramienta tiene doble aislamiento y puede, por lo tanto, utilizarse también en tomas de corriente sin conductor de tierra.

Ruido

Modo tarea	Nivel de presión sonora (L _{PA}) :	Nivel de potencia sonora (L _{WA}) :	Error (K)	Estándar aplicable
Lijado	81 dB (A)	89 dB (A)	3 dB (A)	EN62841-2-4
Corte con hoja de sierra de corte por inmersión	82 dB (A)	90 dB (A)	3 dB (A)	EN62841-1
Corte con hoja de sierra segmentada	82 dB (A)	90 dB (A)	3 dB (A)	EN62841-1
Raspado	81 dB (A)	89 dB (A)	3 dB (A)	EN62841-1

NOTA: El valor (o los valores) de emisión de ruido declarado ha sido medido de acuerdo con un método de prueba estándar y se puede utilizar para comparar una herramienta con otra.

NOTA: El valor (o valores) de emisión de ruido declarado también se puede utilizar en una valoración preliminar de exposición.

⚠ADVERTENCIA: Póngase protectores para oídos.

⚠ADVERTENCIA: La emisión de ruido durante la utilización real de la herramienta eléctrica puede variar del valor (o los valores) de emisión declarado dependiendo de las formas en las que la herramienta sea utilizada, especialmente qué tipo de pieza de trabajo se procesa.

⚠ADVERTENCIA: Asegúrese de identificar medidas de seguridad para proteger al operario que estén basadas en una estimación de la exposición en las condiciones reales de utilización (teniendo en cuenta todas las partes del ciclo operativo como las veces cuando la herramienta está apagada y cuando está funcionando en vacío además del tiempo de gatillo).

Vibración

La tabla siguiente muestra el valor total de la vibración (suma de vectores triaxiales) determinado de acuerdo con el estándar aplicable.

Modo tarea	Emisión de vibración	Error (K)	Estándar aplicable
Lijado (a_{h1})	2,5 m/s ²	1,5 m/s ²	EN62841-2-4
Corte con hoja de sierra de corte por inmersión (a_{h1})	8,0 m/s ²	1,5 m/s ²	EN62841-1
Corte con hoja de sierra segmentada (a_{h1})	4,0 m/s ²	1,5 m/s ²	EN62841-1
Raspado (a_{h1})	9,5 m/s ²	1,5 m/s ²	EN62841-1

NOTA: El valor (o los valores) total de emisión de vibración declarado ha sido medido de acuerdo con un método de prueba estándar y se puede utilizar para comparar una herramienta con otra.

NOTA: El valor (o los valores) total de emisión de vibración declarado también se puede utilizar en una valoración preliminar de exposición.

⚠ADVERTENCIA: La emisión de vibración durante la utilización real de la herramienta eléctrica puede variar del valor (o los valores) de emisión declarado dependiendo de las formas en las que la herramienta sea utilizada, especialmente qué tipo de pieza de trabajo se procesa.

⚠ADVERTENCIA: Asegúrese de identificar medidas de seguridad para proteger al operario que estén basadas en una estimación de la exposición en las condiciones reales de utilización (teniendo en cuenta todas las partes del ciclo operativo como las veces cuando la herramienta está apagada y cuando está funcionando en vacío además del tiempo de gatillo).

Declaraciones de conformidad

Para países europeos solamente

Las declaraciones de conformidad están incluidas como Anexo A de este manual de instrucciones.

ADVERTENCIAS DE SEGURIDAD

Advertencias de seguridad para herramientas eléctricas en general

⚠ADVERTENCIA: Lea todas las advertencias de seguridad, instrucciones, ilustraciones y especificaciones provistas con esta herramienta eléctrica. Si no sigue todas las instrucciones indicadas abajo podrá resultar en una descarga eléctrica, un incendio y/o heridas graves.

Guarde todas las advertencias e instrucciones para futuras referencias.

El término "herramienta eléctrica" en las advertencias se refiere a su herramienta eléctrica de funcionamiento con conexión a la red eléctrica (con cable) o herramienta eléctrica de funcionamiento a batería (sin cable).

Advertencias de seguridad para la multitool

1. **Esta herramienta eléctrica ha sido prevista para serrar, cortar, amolar y lijar. Lea todas las advertencias de seguridad, instrucciones, ilustraciones y especificaciones previstas con esta herramienta eléctrica.** Si no sigue todas las instrucciones indicadas a continuación, podrá ocasionar una descarga eléctrica, un incendio y/o heridas graves.
2. **Cuando realice una operación en la que el accesorio de corte pueda entrar en contacto con cableado oculto o con su propio cable, sujete la herramienta eléctrica por las superficies de asimiento aisladas.** El contacto del accesorio de corte con un cable con corriente hará que la corriente circule por las partes metálicas expuestas de la herramienta eléctrica y podrá soltar una descarga eléctrica al operario.
3. **Utilice mordazas u otros medios de sujeción prácticos para sujetar y apoyar la pieza de trabajo en una plataforma estable.** Sujetada con la mano o contra su cuerpo, la pieza de trabajo estará inestable y podrá ocasionar la pérdida del control.
4. **Coloque el cable de modo que no estorbe al accesorio giratorio.** Si pierde el control, el cable puede cortarse o engancharse y arrastrarle la mano hacia el accesorio giratorio.
5. **Utilice siempre gafas de seguridad o gafas de protección. Las gafas normales o de sol NO sirven para proteger los ojos.**
6. **Evite cortar clavos. Inspeccione la pieza de trabajo para ver si tiene algún clavo y quítelos antes de iniciar la operación.**
7. **Sujete la herramienta firmemente.**
8. **Asegúrese de que la herramienta de trabajo no esté haciendo contacto con la pieza de trabajo antes de activar el interruptor.**

9. **Mantenga las manos alejadas de las partes en movimiento.**
10. **No deje la herramienta en marcha. Tenga en marcha la herramienta solamente cuando la tenga en la mano.**
11. **Apague siempre la herramienta y espere hasta que la hoja se haya parado completamente antes de retirar la hoja de la pieza de trabajo.**
12. **No toque la herramienta de trabajo ni la pieza de trabajo inmediatamente después de la operación; estarán muy calientes y podrán quemarle la piel.**
13. **No utilice la herramienta en vacío innecesariamente.**
14. **Utilice siempre la mascarilla contra el polvo/respirador correcto para el material con que esté trabajando y la aplicación que realice.**
15. **Algunos materiales contienen sustancias químicas que podrán ser tóxicas. Tenga precaución para evitar la inhalación de polvo y el contacto con la piel. Siga los datos de seguridad del abastecedor del material.**
16. **Esta herramienta no es a prueba de agua, por lo que no deberá utilizar agua en la superficie de la pieza de trabajo.**
17. **Ventile debidamente su área de trabajo cuando realice operaciones de lijado.**
18. **La utilización de esta herramienta para lijar algunos productos, por ejemplo superficies con pintura con plomo, madera y metales, puede exponer al usuario y a las personas que se encuentren alrededor a polvo que contenga sustancias peligrosas. Utilice protección respiratoria apropiada.**
19. **Asegúrese de que no haya grietas o roturas en el plato antes de utilizarlo. Las grietas y roturas pueden ocasionar heridas personales.**
20. **No utilice accesorios que no estén específicamente diseñados y recomendados por el fabricante de la herramienta. Solamente porque el accesorio pueda ser instalado en su herramienta eléctrica, no quiere decir que su operación sea segura.**
21. **Póngase equipo de protección personal. En función de la aplicación, utilice pantalla facial, gafas de protección o gafas de seguridad. Según corresponda, póngase protectores auditivos, guantes y delantal de taller que pueda detener los pequeños fragmentos abrasivos o de pieza de trabajo. La protección de los ojos deberá ser capaz de detener los restos que salen volando generados en las diferentes operaciones. La mascarilla contra el polvo o respirador deberá ser capaz de filtrar las partículas generadas en su operación. La exposición prolongada a ruido de alta intensidad podrá ocasionar pérdida auditiva.**
22. **Mantenga a los curiosos a una distancia segura alejados del área de trabajo. Cualquier persona que entre en el área de trabajo deberá usar equipo de protección personal. Los fragmentos de la pieza de trabajo o de un accesorio roto pueden salir volando y ocasionar heridas más allá del área de operación inmediata.**
23. **No deje nunca la herramienta eléctrica hasta que el accesorio se haya detenido completamente.** El accesorio giratorio puede agarrarse en la superficie y tirar de la herramienta eléctrica dejándola fuera de control.
24. **No tenga la herramienta eléctrica encendida mientras la lleva en su costado.** Un contacto accidental con el accesorio podría enganchar sus ropas, y arrastrar el accesorio hacia su cuerpo.
25. **No utilice la herramienta eléctrica cerca de materiales inflamables.** Las chispas pueden prender estos materiales.
26. **No utilice accesorios que requieran refrigerantes líquidos.** La utilización de agua u otros refrigerantes líquidos puede resultar en electrocución o descarga eléctrica.
27. **Asegúrese siempre de que la herramienta está apagada y desenchufada antes de realizar cualquier trabajo en la herramienta.**
28. **Si el lugar de trabajo es extremadamente cálido y húmedo o está muy contaminado con polvo conductor, utilice un disyuntor (de 30 mA) para garantizar la seguridad del operador.**
29. **Asegúrese siempre de que tiene suelo firme. Asegúrese de que no haya nadie debajo cuando utilice la herramienta en lugares altos.**
30. **Antes de comenzar la operación, asegúrese de que no hay líneas de suministro ocultas como cables eléctricos, y tuberías de gas y agua bajo la superficie de trabajo.** Cortar o dañar las líneas de suministro podrá ocasionar una descarga eléctrica, fuga de gas, daños a la propiedad, u otros accidentes.

GUARDE ESTAS INSTRUCCIONES.

⚠ADVERTENCIA: No deje que la comodidad o familiaridad con el producto (a base de utilizarlo repetidamente) sustituya la estricta observancia de las normas de seguridad para el producto en cuestión. El MAL USO o el no seguir las normas de seguridad establecidas en este manual de instrucciones podrá ocasionar graves heridas personales.

DESCRIPCIÓN DEL FUNCIONAMIENTO

⚠ PRECAUCIÓN: Asegúrese siempre de que la herramienta está apagada y desenchufada antes de intentar realizar cualquier tipo de ajuste o comprobación en ella.

Accionamiento del interruptor

⚠ PRECAUCIÓN: Antes de enchufar la herramienta, compruebe siempre para cerciorarse de que la herramienta está apagada.

Para poner en marcha la herramienta, deslice el interruptor deslizable hacia la posición "I (Encender)". Para detener la herramienta, deslice el interruptor deslizable hacia la posición "O (Apagar)".

► **Fig.1:** 1. Interruptor deslizable

Ajuste del rango de la carrera orbital

El rango de la carrera orbital se puede ajustar. Para cambiar el rango de la carrera orbital, gire el dial entre 1 y 5. Cuanto más alto sea el número, mayor será el rango de la carrera orbital. Preajuste el dial en el número apropiado para su pieza de trabajo.

► **Fig.2:** 1. Dial

NOTA: El dial no se puede girar directamente del 1 al 5 o del 5 al 1. Si fuerza el dial podrá dañar la herramienta. Cuando cambie la dirección del dial, gire siempre el dial moviéndolo a través de cada número intermedio.

MONTAJE

⚠ PRECAUCIÓN: Asegúrese siempre de que la herramienta está apagada y desenchufada antes de realizar cualquier trabajo en la herramienta.

Instalación o desmontaje de la herramienta de trabajo

Accesorios opcionales

⚠ ADVERTENCIA: No instale la herramienta de trabajo al revés. Si instala la herramienta de trabajo al revés podrá dañar la herramienta y ocasionar heridas personales graves.

⚠ ADVERTENCIA: Instale la herramienta accesoria en la dirección correcta de acuerdo con su tarea. La herramienta de trabajo se puede instalar en un ángulo de cada 30 grados.

⚠ ADVERTENCIA: Instale siempre la herramienta de trabajo de forma que las protuberancias de la brida de la herramienta encajen en los agujeros de la herramienta de trabajo. En caso contrario podrá ocasionar que la herramienta de trabajo salga volando y resultar en heridas personales.

⚠ ADVERTENCIA: Cuando instale la herramienta de trabajo, asegúrese de apretar el perno de instalación de la herramienta de trabajo firmemente.

Ponga una herramienta de trabajo (accesorio opcional) en la brida de la herramienta de forma que las protuberancias de la brida de la herramienta encajen en los agujeros de la herramienta de trabajo y sujete la herramienta de trabajo apretando el perno firmemente con la llave hexagonal.

Cuando utilice la herramienta de trabajo de lijar, monte la herramienta de trabajo en el plato para lijar de forma que coincida con la dirección del plato para lijar.

El plato para lijar tiene un sistema de fijación tipo gancho y lazo que permite una colocación fácil y rápida del papel de lijar.

Como los papeles de lijar tienen agujeros para la extracción de polvo, monte un papel de lijar de manera que los agujeros del papel de lijar coincidan con los del plato para lijar.

Para retirar un papel de lijar, levante el borde del mismo y despréndalo.

Afloje y retire el perno de instalación de la herramienta de trabajo utilizando una llave hexagonal y después quite la herramienta de trabajo.

► **Fig.3:** 1. Perno de instalación de la herramienta de trabajo 2. Agujeros en la herramienta de trabajo 3. Protuberancias de la brida de la herramienta

► **Fig.4:** 1. Perno de instalación de la herramienta de trabajo 2. Llave hexagonal 3. Apretar

Cuando utilice herramientas de trabajo con una sección de instalación de tipo diferente, utilice un adaptador correcto (accesorio opcional).

► **Fig.5:** 1. Perno de instalación de la herramienta de trabajo 2. Agujeros en la herramienta de trabajo 3. Adaptador 4. Protuberancias de la brida de la herramienta

OPERACIÓN

⚠ ADVERTENCIA: Antes de poner en marcha la herramienta y durante la operación, mantenga sus manos y cara alejadas de la herramienta de trabajo.

⚠ PRECAUCIÓN: No aplique una carga excesiva a la herramienta ya que podrá ocasionar el bloqueo del motor y que se detenga la herramienta.

Cortar, serrar y raspar

⚠ PRECAUCIÓN: No mueva la herramienta a la fuerza en la dirección de la herramienta de trabajo (por ejemplo, hacia los lados) sin el borde de corte. Podría dañar la herramienta.

Ponga la herramienta de trabajo sobre la pieza de trabajo.

Y después mueva la herramienta hacia adelante de forma que el movimiento de la herramienta de trabajo no se reduzca.

► **Fig.6**

NOTA: Si ejerce fuerza o presión excesiva en la herramienta podrá reducir la eficacia.

NOTA: Antes de realizar la operación de corte, se recomienda preajustar el rango de la carrera orbital entre 3 - 5.

Lijado

⚠PRECAUCIÓN: No vuelva a utilizar un papel de lijar usado para lijar metal para lijar madera.

⚠PRECAUCIÓN: No utilice un papel de lijar gastado o papel de lijar sin gránulos.

Aplique un papel de lijar sobre la pieza de trabajo.

► Fig.7

NOTA: Se recomienda utilizar una muestra de material para probar a fin de determinar un rango de carrera orbital correcto apropiado para su tarea.

NOTA: Utilice un papel de lijar con el mismo gránulo hasta completar el lijado de toda la pieza de trabajo. Si reemplaza un papel de lijar con papel de lijar de gránulo diferente podrá no obtener un acabado fino.

Accesorio de extracción de polvo

Accesorios opcionales

⚠ADVERTENCIA: No utilice un accesorio de extracción cuando amole una pieza de trabajo metálica con esta herramienta. El polvo caliente puede prender el polvo en el aspirador y ocasionar un incendio.

Cuando quiera realizar una operación más limpia, instale el accesorio de extracción de polvo en la herramienta. Conecte una manguera del aspirador al accesorio de extracción de polvo.

► Fig.8

Ensamble el accesorio de extracción de polvo e instálelo en la herramienta.

1. Instale la junta, la boquilla de recogida de polvo y el accesorio para recogida de polvo.
2. Instale la banda para boquilla en la herramienta de forma que sus protuberancias encajen en los agujeros de la herramienta para sujetarla.
3. Ponga el anillo de fieltro, el espaciador (si es necesario), y el plato para lijar en el accesorio para recogida de polvo y después sujételos con el perno de instalación de la herramienta de trabajo.

► Fig.9: 1. Junta 2. Banda para boquilla 3. Boquilla de recogida de polvo 4. Accesorio para recogida de polvo 5. Espaciador 6. Anillo de fieltro (ø 47 mm) 7. Plato (con la marca STARLOCK) 8. Perno de instalación de la herramienta de trabajo 9. Anillo de fieltro (ø 37 mm) 10. Plato (con la marca OIS)

AVISO: Cuando utilice el plato con la marca STARLOCK, asegúrese de instalar el espaciador entre el accesorio para recogida de polvo y el anillo de fieltro.

MANTENIMIENTO

⚠PRECAUCIÓN: Asegúrese siempre de que la herramienta está apagada y desenchufada antes de intentar realizar la inspección o el mantenimiento.

AVISO: No utilice nunca gasolina, bencina, disolvente, alcohol o similares. Podría producir descoloración, deformación o grietas.

Para mantener la SEGURIDAD y FIABILIDAD del producto, las reparaciones, y cualquier otra tarea de mantenimiento o ajuste deberán ser realizadas en centros de servicio o de fábrica autorizados por Makita, empleando siempre repuestos Makita.

Limpieza

De vez en cuando, limpie la herramienta utilizando un paño seco o un paño humedecido en agua jabonosa.

► Fig.10

ESPECIFICAÇÕES

Modelo:	M9800
Oscilação por minuto	15.000 - 22.000 min ⁻¹
Ângulo de oscilação, esquerdo/direito	1,6 ° (3,2 ° total)
Comprimento geral	283 mm
Peso líquido	1,2 - 1,3 kg
Classe de segurança	☐/II

- Devido a um programa contínuo de pesquisa e desenvolvimento, estas especificações podem ser alteradas sem aviso prévio.
- As especificações podem variar de país para país.
- O peso poderá diferir em função do(s) acessório(s). A combinação mais leve e a mais pesada, de acordo com o Procedimento EPTA 01/2014, são apresentadas na tabela.

Utilização a que se destina

A ferramenta serve para serrar e cortar madeira, plástico, gesso, metais não ferrosos e apertar componentes (por exemplo, pregos e agrafos não endurecidos). Serve também para trabalhar em azulejos de parede macios, assim como lixagem a seco e raspagem de pequenas superfícies. Serve especialmente para trabalhar próximo de extremidades e cortes rentes.

Alimentação

A ferramenta só deve ser ligada a uma fonte de alimentação com a mesma tensão da indicada na placa de características, e só funciona com alimentação de corrente alterna (CA) monofásica. Tem um sistema de isolamento duplo e pode, por isso, utilizar tomadas sem ligação à terra.

Ruído

Modo de funcionamento	Nível de pressão acústica (L _{PA}) :	Nível de potência acústica (L _{WA}) :	Variabilidade (K)	Padrão aplicável
Lixagem	81 dB (A)	89 dB (A)	3 dB (A)	EN62841-2-4
Corte com lâmina de serra de corte penetrante	82 dB (A)	90 dB (A)	3 dB (A)	EN62841-1
Corte com lâmina de serra segmentada	82 dB (A)	90 dB (A)	3 dB (A)	EN62841-1
Raspagem	81 dB (A)	89 dB (A)	3 dB (A)	EN62841-1

NOTA: O(s) valor(es) da emissão de ruído indicado(s) foi medido de acordo com um método de teste padrão e pode ser utilizado para comparar duas ferramentas.

NOTA: O(s) valor(es) da emissão de ruído indicado(s) pode também ser utilizado na avaliação preliminar da exposição.

AVISO: Utilize protetores auriculares.

AVISO: A emissão de ruído durante a utilização real da ferramenta elétrica pode diferir do(s) valor(es) indicado(s), dependendo das formas como a ferramenta é utilizada, especialmente o tipo de peça de trabalho que é processada.

AVISO: Certifique-se de identificar as medidas de segurança para proteção do operador que sejam baseadas em uma estimativa de exposição em condições reais de utilização (considerando todas as partes do ciclo de operação, tal como quando a ferramenta está desligada e quando está a funcionar em marcha lenta além do tempo de acionamento).

Vibração

A tabela seguinte mostra o valor total da vibração (soma vetorial tri-axial) determinado de acordo com o padrão aplicável.

Modo de funcionamento	Emissão de vibração	Variabilidade (K)	Padrão aplicável
Lixagem (a_{h1})	2,5 m/s ²	1,5 m/s ²	EN62841-2-4
Corte com lâmina de serra de corte penetrante (a_{h1})	8,0 m/s ²	1,5 m/s ²	EN62841-1
Corte com lâmina de serra segmentada (a_{h1})	4,0 m/s ²	1,5 m/s ²	EN62841-1
Raspagem (a_{h1})	9,5 m/s ²	1,5 m/s ²	EN62841-1

NOTA: O(s) valor(es) total(ais) de vibração indicado(s) foi medido de acordo com um método de teste padrão e pode ser utilizado para comparar duas ferramentas.

NOTA: O(s) valor(es) total(ais) de vibração indicado(s) pode também ser utilizado na avaliação preliminar da exposição.

⚠️ AVISO: A emissão de vibração durante a utilização real da ferramenta elétrica pode diferir do(s) valor(es) indicado(s), dependendo das formas como a ferramenta é utilizada, especialmente o tipo de peça de trabalho que é processada.

⚠️ AVISO: Certifique-se de identificar as medidas de segurança para proteção do operador que sejam baseadas em uma estimativa de exposição em condições reais de utilização (considerando todas as partes do ciclo de operação, tal como quando a ferramenta está desligada e quando está a funcionar em marcha lenta além do tempo de acionamento).

Declarações de conformidade

Apenas para os países europeus

As Declarações de conformidade estão incluídas no Anexo A deste manual de instruções.

AVISOS DE SEGURANÇA

Avisos gerais de segurança para ferramentas elétricas

⚠️ AVISO: Leia todos os avisos de segurança, instruções, ilustrações e especificações fornecidos com esta ferramenta elétrica. O não cumprimento de todas as instruções indicadas em baixo pode resultar em choque elétrico, incêndio e/ou ferimentos graves.

Guarde todos os avisos e instruções para futuras referências.

O termo "ferramenta elétrica" nos avisos refere-se às ferramentas elétricas ligadas à corrente elétrica (com cabo) ou às ferramentas elétricas operadas por meio de bateria (sem cabo).

Avisos de segurança para a multicortadora oscilante

1. Esta ferramenta elétrica serve para serrar, cortar, esmerilar e lixar. Leia todos os avisos de segurança, instruções, ilustrações e especificações fornecidos com esta ferramenta elétrica. O desrespeito de todas as instruções abaixo pode resultar em choque elétrico, incêndio e/ou ferimento grave.
2. Agarre na ferramenta elétrica pelas superfícies isoladas preparadas para esse fim quando executar uma operação em que o acessório de corte possa entrar em contacto com cabagem escondida ou o próprio cabo. O acessório de corte que entra em contacto com um fio com corrente pode passar essa corrente para as partes metálicas expostas da ferramenta elétrica e provocar um choque elétrico no operador.
3. Use grampos ou outra forma prática de fixar e apoiar a peça de trabalho numa plataforma estável. Segurar na peça de trabalho com a mão ou contra o corpo deixa-o instável e pode conduzir à perda de controlo.
4. Posicione o cabo afastado do acessório giratório. Se perder o controlo, o cabo poderá ser contactado ou ficar preso e a sua mão ou braço poderá ser puxado na direção do acessório giratório.
5. Use sempre óculos de segurança ou óculos de proteção. Os óculos normais ou de sol NÃO são óculos de segurança.
6. Evite cortar pregos. Inspeccione a peça de trabalho para ver se existem pregos e retire-os antes da operação.
7. Segure a ferramenta firmemente.
8. Certifique-se de que a ferramenta de aplicação não está em contacto com a peça de trabalho antes de ligar o interruptor.
9. Mantenha as mãos afastadas das partes em movimento.
10. Não deixe a ferramenta a funcionar. Utilize a ferramenta apenas quando estiver a agarrá-la na mão.
11. Desligue sempre e espere que lâmina pare completamente antes de retirar a lâmina da peça de trabalho.
12. Não toque na ferramenta de aplicação ou na peça de trabalho imediatamente após a operação. Podem estar extremamente quentes e queimar a sua pele.
13. Não opere a ferramenta sem carga desnecessariamente.

14. Use sempre a máscara/respirador anti-poeira correto para o material e aplicação em que está a trabalhar.
15. Alguns materiais contêm químicos que podem ser tóxicos. Tome cuidado para evitar a inalação de poeira e o contacto com a pele. Siga os dados de segurança do fornecedor do material.
16. Esta ferramenta não foi impermeabilizada, por isso, não use água na superfície da peça de trabalho.
17. Ventile adequadamente a sua área de trabalho quando executar operações de lixagem.
18. O uso desta ferramenta para lixar alguns produtos, por exemplo, superfícies com tintas com chumbo, madeira e metais pode expor o utilizador e transeuntes a poeiras que contêm substâncias perigosas. Use proteção respiratória adequada.
19. Certifique-se de que não existem fendas ou fissuras no patim antes de utilizar. As fendas ou fissuras podem provocar ferimentos pessoais.
20. Não use acessórios que não sejam especificamente concebidos e recomendados pelo fabricante da ferramenta. Pelo facto de o acessório poder ser acoplado à ferramenta elétrica, isso não assegura a operação segura.
21. Use equipamento de proteção pessoal. Dependendo da aplicação, use viseira, óculos de proteção ou óculos de segurança. Conforme necessário, use protetores para os ouvidos, luvas e avental de oficina capazes de travar pequenos fragmentos abrasivos ou fragmentos da peça de trabalho. A proteção ocular deve ser capaz de travar a projeção de detritos gerados por várias operações. A máscara ou respirador anti-poeira deve ser capaz de filtrar as partículas geradas pela sua operação. A exposição prolongada a ruído de alta intensidade pode causar perda auditiva.
22. Mantenha as pessoas presentes afastadas da área de trabalho a uma distância segura. Qualquer pessoa que entre na área de trabalho deve usar equipamento de proteção pessoal. Os fragmentos da peça de trabalho ou de um acessório partido podem projetar-se e provocar ferimentos para além da área imediata de operação.
23. Nunca pouse a ferramenta elétrica até o acessório parar por completo. O acessório giratório pode agarrar a superfície e fazê-lo perder o controlo da ferramenta elétrica.
24. Não deixe a ferramenta elétrica a funcionar enquanto a transporta ao seu lado. O contacto accidental com o acessório pode prender-se ao seu vestuário, puxando o acessório para o seu corpo.
25. Não opere a ferramenta elétrica próximo de materiais inflamáveis. As faíscas podem incendiar esses materiais.
26. Não use acessórios que precisem de refrigerantes líquidos. O uso de água ou outros refrigerantes líquidos pode resultar em eletrocussão ou choque.
27. Certifique-se sempre de que a ferramenta está desligada e que a respetiva ficha está retirada da ficha antes de executar qualquer trabalho na ferramenta.
28. Se o local de trabalho estiver extremamente quente e húmido, ou gravemente poluído por poeira condutora, utilize um disjuntor (30 mA) para assegurar a segurança do operador.
29. Certifique-se sempre de que possui uma base firme. Certifique-se de que ninguém está por baixo quando usa a ferramenta em locais elevados.
30. Antes de iniciar o funcionamento, certifique-se de que não existem linhas de alimentação, tais como linhas elétricas, do gás e da água sob a superfície de trabalho. O corte ou danificação de linhas de alimentação podem causar choque elétrico, fuga de gás, danos materiais ou outros acidentes.

GUARDE ESTAS INSTRUÇÕES.

AVISO: NÃO permita que o conforto ou familiaridade com o produto (adquirido com o uso repetido) substitua o cumprimento estrito das regras de segurança da ferramenta. A MÁ INTERPRETAÇÃO ou o não seguimento das regras de segurança estabelecidas neste manual de instruções pode provocar ferimentos pessoais graves.

DESCRIÇÃO FUNCIONAL

PRECAUÇÃO: Certifique-se sempre de que a ferramenta está desligada e com a ficha retirada da tomada, antes de proceder a afinações ou de verificar o funcionamento da respetiva ferramenta.

Ação do interruptor

PRECAUÇÃO: Antes de ligar a ficha da ferramenta à corrente, verifique sempre para garantir que está desligada.

Para ligar a ferramenta, deslize o interruptor deslizante em direção à posição "I" (ligado).

Para desligar a ferramenta, deslize o interruptor deslizante em direção à posição "O" (desligado).

► Fig.1: 1. Interruptor deslizante

Ajustar o ritmo de curso orbital

O ritmo de curso orbital é ajustável. Para mudar o ritmo de curso orbital, rode o mostrador entre 1 e 5. Quanto mais elevado é o número, mais elevado é o ritmo de curso orbital. Programe o mostrador para o número adequado para a sua peça de trabalho.

► Fig.2: 1. Mostrador

NOTA: O mostrador não pode ser rodado diretamente de 1 até 5 ou de 5 até 1. Forçar o mostrador pode danificar a ferramenta. Quando mudar a direção do mostrador, rode-o sempre deslocando-o através de cada número intermédio.

MONTAGEM

⚠PRECAUÇÃO: Certifique-se sempre de que a ferramenta está desligada e com a ficha retirada da tomada antes de executar quaisquer trabalhos na ferramenta.

Instalar ou remover a ferramenta de aplicação

Acessório opcional

⚠AVISO: Não instale a ferramenta de aplicação ao contrário. Ao instalar a ferramenta de aplicação ao contrário pode danificar a ferramenta e causar ferimentos pessoais graves.

⚠AVISO: Instale a ferramenta do acessório na direção correta de acordo com o seu trabalho. A ferramenta de aplicação pode ser instalada a cada ângulo de 30 graus.

⚠AVISO: Instale sempre a ferramenta de aplicação de modo que as saliências da flange da ferramenta encaixem nos orifícios na ferramenta de aplicação. Se não o fizer poderá causar a projeção da ferramenta de aplicação e resultar em ferimentos.

⚠AVISO: Quando instalar a ferramenta de aplicação, certifique-se de que aperta o perno de instalação da ferramenta de aplicação em segurança.

Coloque uma ferramenta de aplicação (acessório opcional) na flange da ferramenta de modo que as saliências da flange da ferramenta encaixem nos orifícios na ferramenta de aplicação e fixe-a ao apertar o perno firmemente com a chave sextavada. Quando utilizar a ferramenta de aplicação para lixagem, monte a ferramenta de aplicação no patim de lixagem de modo que corresponda à direção do patim de lixagem. O patim de lixagem possui um sistema de encaixe de tipo gancho e laço que permite o encaixe fácil e rápido de um papel de lixa.

Uma vez que os papéis de lixa possuem orifícios para extração de poeira, monte um papel de lixa de modo que os orifícios num papel de lixa correspondam aos orifícios no patim de lixagem.

Para retirar um papel de lixa, levante a sua extremidade e descole-o.

Solte e remova o perno de instalação da ferramenta de aplicação com uma chave sextavada e, depois, retire a ferramenta de aplicação.

► **Fig.3:** 1. Perno de instalação da ferramenta de aplicação 2. Orifícios na ferramenta de aplicação 3. Saliências da flange da ferramenta

► **Fig.4:** 1. Perno de instalação da ferramenta de aplicação 2. Chave sextavada 3. Apertar

Quando usar ferramentas de aplicação com um tipo diferente de secção de instalação, use um adaptador correto (acessório opcional).

► **Fig.5:** 1. Perno de instalação da ferramenta de aplicação 2. Orifícios na ferramenta de aplicação 3. Adaptador 4. Saliências da flange da ferramenta

OPERAÇÃO

⚠AVISO: Antes de iniciar a ferramenta e durante a operação, mantenha a sua mão e rosto afastados da ferramenta de aplicação.

⚠PRECAUÇÃO: Não aplique carga excessiva à ferramenta que pode causar um bloqueio do motor e parar a ferramenta.

Cortar, serrar e raspar

⚠PRECAUÇÃO: Não desloque a ferramenta fazendo força na direção (por exemplo, para qualquer um dos lados) da aplicação de ferramenta sem bordo cortante. Pode danificar a ferramenta.

Coloque a ferramenta de aplicação na peça de trabalho.

Em seguida, desloque a ferramenta para a frente para que o movimento da ferramenta de aplicação não abrañe.

► **Fig.6**

NOTA: Ao forçar ou usar pressão excessiva na ferramenta pode reduzir a eficácia.

NOTA: Antes da operação de corte, recomenda-se que programe previamente o ritmo de curso orbital 3 - 5.

Lixagem

⚠PRECAUÇÃO: Para lixar madeira, não reutilize um papel de lixa usado para lixagem de metal.

⚠PRECAUÇÃO: Não use um papel de lixa gasto ou papel de lixa sem grão.

Aplique um papel de lixa na peça de trabalho.

► **Fig.7**

NOTA: Recomenda-se o uso de uma amostra de material para determinar um ritmo de curso orbital correto para o seu trabalho.

NOTA: Use um papel de lixa com o mesmo grão até a lixagem de toda a peça de trabalho estar concluída. Substituir um papel de lixa por outro com um grão diferente pode não dar um bom acabamento.

Acessório de extração de poeira

Acessório opcional

⚠AVISO: Não utilize o acessório de extração quando esmerilar uma peça de trabalho metálica com esta ferramenta. O pó quente pode incendiar no aspirador e pode causar um incêndio.

Quando pretender realizar uma operação mais limpa, instale o acessório de extração de poeira na ferramenta. Ligue uma mangueira do aspirador ao acessório de extração de poeira.

► **Fig.8**

Monte o acessório de extração de poeira e instale-o na ferramenta.

1. Instale a junta, o bocal para poeira e o acessório para poeira.
2. Instale a cinta do bocal na ferramenta para que as suas saliências encaixem nos orifícios para fixação na ferramenta.
3. Coloque o anel de feltro, o espaçador (se necessário) e o patim de lixagem no acessório para poeira e, depois, fixe-os com o perno de instalação da ferramenta de aplicação.

► **Fig.9:** 1. Junta 2. Cinta do bocal 3. Bocal para poeira 4. Acessório para poeira 5. Espaçador 6. Anel de feltro (Ø 47 mm) 7. Patim (com marcação STARLOCK) 8. Perno de instalação da ferramenta de aplicação 9. Anel de feltro (Ø 37 mm) 10. Patim (com marcação OIS)

OBSERVAÇÃO: Quando se utiliza o patim com a marcação STARLOCK, certifique-se de que instala o espaçador entre o acessório para poeira e o anel de feltro.

MANUTENÇÃO

⚠PRECAUÇÃO: Certifique-se sempre de que a ferramenta está desligada e com a ficha retirada da tomada antes de tentar proceder à inspeção ou à manutenção.

OBSERVAÇÃO: Nunca utilize gasolina, benzina, diluente, álcool ou produtos semelhantes. Pode ocorrer a descoloração, deformação ou rachaduras.

Para manter a SEGURANÇA e a FIABILIDADE do produto, as reparações e qualquer outra manutenção ou ajuste devem ser levados a cabo pelos centros de assistência Makita autorizados ou pelos centros de assistência de fábrica, utilizando sempre peças de substituição Makita.

Limpeza

Limpe periodicamente a ferramenta com um pano seco ou um pano humedecido em água e sabão.

► **Fig.10**

SPECIFIKATIONER

Model:	M9800
Svingninger pr. minut	15.000 - 22.000 min ⁻¹
Svingningsvinkel, venstre/højre	1,6° (3,2° i alt)
Længde i alt	283 mm
Nettovægt	1,2 - 1,3 kg
Sikkerhedsklasse	II/III

- På grund af vores kontinuerlige forsknings- og udviklingsprogrammer kan hosstående specifikationer blive ændret uden varsel.
- Specifikationer kan variere fra land til land.
- Vægten kan være anderledes afhængigt af tilbehøret. Den letteste og tungeste kombination i henhold til EPTA-procedure 01/2014 er vist i tabellen.

Tilsluttet anvendelse

Maskinen er beregnet til savning og skæring af træ, plastic, gips, ikke-jernholdige metaller og fastgøringselementer (f.eks. uåhædede søm og hæfteklammer). Den er også beregnet til arbejde på bløde vægfliser samt pudning og afskrabning af mindre flader. Den er specielt beregnet til at arbejde tæt på kanter og til lige skæring.

Strømforsyning

Maskinen må kun tilsluttes en strømforsyning med samme spænding som angivet på typeskiltet og kan kun anvendes på enfaset vekselstrømforsyning. Den er dobbeltisoleret og kan derfor også tilsluttes netstik uden jordforbindelse.

Støj

Arbejdstilstand	Lydtryksniveau (L _{pA}):	Lydeffektniveau (L _{WA}):	Usikkerhed (K)	Gældende standard
Pudning	81 dB (A)	89 dB (A)	3 dB (A)	EN62841-2-4
Skæring med indstikssavklinge	82 dB (A)	90 dB (A)	3 dB (A)	EN62841-1
Skæring med segment-savklinge	82 dB (A)	90 dB (A)	3 dB (A)	EN62841-1
Afskrabning	81 dB (A)	89 dB (A)	3 dB (A)	EN62841-1

BEMÆRK: De(n) angivne støjemissionsværdi(er) er målt i overensstemmelse med en standardtestmetode og kan anvendes til sammenligning af maskiner med en anden.

BEMÆRK: De(n) angivne støjemissionsværdi(er) kan også anvendes i en præliminær eksponeringsvurdering.

ADVARSEL: Bær høreværn.

ADVARSEL: Støjemissionen under den faktiske anvendelse af maskinen kan være forskellig fra de(n) angivne værdi(er), afhængigt af den måde hvorpå maskinen anvendes, især den type arbejdsemne der behandles.

ADVARSEL: Sørg for at identificere de sikkerhedsforskrifter til beskyttelse af operatøren, som er baseret på en vurdering af eksponering under de faktiske brugsforhold (med hensyntagen til alle dele i brugscyklussen, f.eks. de gange, hvor maskinen er slukket, og når den kører i tomgang i tilgift til afbrydertiden).

Vibration

Følgende tabel viser vibrationens totalværdi (tre-aksial vektorsum) bestemt i overensstemmelse med den gældende standard.

Arbejdstilstand	Vibrationsemission	Usikkerhed (K)	Gældende standard
Pudning (a _n)	2,5 m/s ²	1,5 m/s ²	EN62841-2-4
Skæring med indstikssavklinge (a _n)	8,0 m/s ²	1,5 m/s ²	EN62841-1
Skæring med segment-savklinge (a _n)	4,0 m/s ²	1,5 m/s ²	EN62841-1
Afskrabning (a _n)	9,5 m/s ²	1,5 m/s ²	EN62841-1

BEMÆRK: De(n) angivne totalværdi(er) for vibration er målt i overensstemmelse med en standardtestmetode og kan anvendes til at sammenligne en maskine med en anden.

BEMÆRK: De(n) angivne totalværdi(er) for vibration kan også anvendes i en præliminær eksponeringsvurdering.

⚠ ADVARSEL: Vibrationsemissionen under den faktiske anvendelse af maskinen kan være forskellig fra de(n) angivne værdi(er), afhængigt af den måde hvorpå maskinen anvendes, især den type arbejdsemne der behandles.

⚠ ADVARSEL: Sørg for at identificere de sikkerhedsforskrifter til beskyttelse af operatøren, som er baseret på en vurdering af eksponering under de faktiske brugsforhold (med hensyntagen til alle dele i brugscyklussen, f.eks. de gange, hvor maskinen er slukket, og når den kører i tomgang i tilgift til afbrydertiden).

Overensstemmelseserklæringer

Kun for lande i Europa

Overensstemmelseserklæringerne er inkluderet i Bilag A i denne brugsanvisning.

SIKKERHEDSADVARSLER

Almindelige sikkerhedsregler for el-værktøj

⚠ ADVARSEL: Læs alle de sikkerhedsadvarsler, instruktioner, illustrationer og specifikationer, der følger med denne maskine. Forsømmelse af at overholde alle nedenstående instruktioner kan medføre elektrisk stød, brand og/eller alvorlig personskade.

Gem alle advarsler og instruktioner til fremtidig reference.

Ordet "el-værktøj" i advarslerne henviser til det netforsyede (netledning) el-værktøj eller batteriforsyede (akku) el-værktøj.

Sikkerhedsadvarsler for multimaskine

1. Denne maskine er beregnet til at foretage savning, skæring, slibning og pudsning. Læs alle de sikkerhedsforskrifter, instruktioner, illustrationer og specifikationer, som følger med denne maskine. Forsømmelse af at overholde alle de herunder angivne instruktioner kan medføre elektrisk stød, brand og/eller alvorlig personskade.
2. Hold maskinen i de isolerede håndtagsflader, når der udføres et arbejde, hvor skæretilbehøret kan komme i kontakt med skjulte ledninger eller maskinens egen ledning. Skæretilbehør, som kommer i kontakt med en strømførende ledning, kan gøre maskinens ikke-isolerede metaldele strømførende, hvorved operatøren kan få elektrisk stød.
3. Anvend skruetvinger eller en anden praktisk måde til at fastgøre og understøtte arbejdsemnet på en stabil platform. Hvis arbejdsemnet holdes i hånden eller mod kroppen, bliver det ustabil, og du kan miste kontrollen med det.
4. Placer ledningen på afstand af det roterende tilbehør. Hvis du mister kontrollen, kan ledningen blive skåret over eller komme i klemme, og din hånd eller arm kan blive trukket ind i det roterende tilbehør.
5. Anvend altid sikkerhedsbriller eller beskyttelsesbriller. Almindelige briller og solbriller er IKKE sikkerhedsbriller.
6. Undgå at skære i søm. Inspicér arbejdsemnet for søm, og fjern dem, inden arbejdet påbegyndes.
7. Hold godt fast i maskinen.
8. Sørg for, at anvendelsesværktøjet ikke er i kontakt med arbejdsemnet, før der tændes på afbryderen.
9. Hold hænderne væk fra bevægelige dele.
10. Lad ikke maskinen køre i tomgang. Anvend kun maskinen, når den holdes i hænderne.
11. Sluk altid for maskinen, og vent, til klingens er helt standset, før klingens fjernes fra arbejdsemnet.
12. Rør ikke ved anvendelsesværktøjet eller arbejdsemnet umiddelbart efter brugen. De kan være meget varme, og du kan brænde dig.
13. Anvend ikke maskinen unødvendigt i ubelastet tilstand.
14. Anvend altid den korrekte støvmaske/respirator til det materiale og formål, du arbejder med.
15. Nogle materialer indeholder kemikalier, som kan være giftige. Sørg for at undgå inhalering af støv og hudkontakt. Følg materialeleverandørens sikkerhedsdata.
16. Denne maskine er ikke vandtæt, så brug ikke vand på arbejdsemnets overflade.
17. Ventilér arbejdsområdet tilstrækkeligt, når du udfører pudsning.
18. Hvis denne maskine bruges til at pudse visse produkter, f.eks. blyholdige malingsoverflader, træ og metaller, kan brugeren og omkringstående blive udsat for støv, som indeholder farlige stoffer. Anvend passende åndedrætsbeskyttelse.
19. Kontroller, at der ikke er revner eller brud på pudsen før brugen. Revner eller brud kan medføre personskade.
20. Anvend ikke tilbehør, som ikke er specielt designet og anbefalet af maskinproducenten. Selvom en tilbehørsdel kan monteres på din maskine, garanterer det ikke sikker anvendelse.

21. **Bær personligt beskyttelsesudstyr.** Afhængigt af anvendelsen skal du bære ansigtsskjold, beskyttelsesbriller eller sikkerhedsbriller. Brug efter behov høreværn, handsker og arbejdsforklæde, som er i stand til at stoppe mindre skarpe dele eller fragmenter fra arbejdsemnet. Øjenbeskyttelsen skal kunne stoppe flyvende dele, der fremkommer fra forskellige operationer. Støvmasken eller respiratoren skal kunne filtrere partikler, som frembringes under arbejdet. Længere tids udsættelse for højintensiv støj kan medføre tab af hørelsen.
22. **Hold omkringstående personer på sikker afstand af arbejdsområdet. Alle, der kommer ind i arbejdsområdet, skal bære personligt beskyttelsesudstyr.** Fragmenter af arbejdsemnet eller fra brækket tilbehør kan blive slynget ud og forårsage personskade uden for selve arbejdsområdet.
23. **Læg aldrig maskinen fra dig, før tilbehøret er standset helt.** Det roterende tilbehør kan gribe fat i overfladen og trække maskinen ud af din kontrol.
24. **Lad ikke maskinen køre, mens du bærer den ved siden.** Uønsket kontakt med tilbehøret kan klemme det fast i tøj, hvorved tilbehøret kan blive trukket ind mod kroppen.
25. **Brug ikke maskinen i nærheden af brændbare materialer.** Gnister kan antænde disse materialer.
26. **Brug ikke tilbehør, der kræver flydende kølemidler.** Brug af vand eller andre flydende kølemidler kan medføre dødbringende elektrisk stød eller stød.
27. **Sørg altid for, at maskinen er slukket og taget ud af stikkontakten, før du udfører nogen form for arbejde på maskinen.**
28. Hvis arbejdspladsen er meget varm og fugtig, eller hvis den er kraftigt forurenet af ledende støv, skal du bruge en kortslutningsafbryder (30 mA) for at beskytte operatøren.
29. **Sørg altid for, at du har et godt fodfæste. Vær sikker på, at der ikke befinder sig nogen under dig, når maskinen anvendes på højtliggende steder.**
30. **Før du påbegynder brugen, skal du sikre dig, at der ikke er nogen skjulte forsyningsledninger såsom elledninger, gas- og vandrør under arbejdsfladen.** Hvis du skærer i eller beskadiger forsyningsledningerne, kan det medføre elektrisk stød, gasudslip, tingskade eller andre ulykker.

GEM DISSE FORSKRIFTER.

⚠ ADVARSEL: LAD IKKE bekvemmelighed eller kendskab til produktet (opnået gennem gentagen brug) forhindre, at sikkerhedsforskrifterne for produktet nøje overholdes. MISBRUG eller forsømmelse af at følge de i denne brugsvejledning givne sikkerhedsforskrifter kan medføre alvorlig personskade.

FUNKTIONSBESKRIVELSE

⚠ FORSIGTIG: Kontrollér altid, at maskinen er slået fra, og at netstikket er trukket ud, før der udføres justeringer, eller funktioner kontrolleres på maskinen.

Afbryderbetjening

⚠ FORSIGTIG: Kontroller altid, at der er slukket for maskinen, før maskinen sættes i stikkontakten.

For at starte maskinen trykkes glidekontakten mod "I (TIL)"-stillingen.

For at stoppe maskinen skubbes glidekontakten mod "O (FRA)"-stillingen.

► Fig.1: 1. Glidekontakt

Indstilling af omløbsslagintensiteten

Omløbsslagintensiteten kan justeres. Hvis du vil ændre omløbsslagintensiteten, skal du dreje drejeknappen mellem 1 og 5. Jo højere tallet er, desto højere er omløbsslagintensiteten. Forindstil drejeknappen på det tal, der er egnet til arbejdsemnet.

► Fig.2: 1. Drejeknap

BEMÆRK: Drejeknappen kan ikke drejes direkte fra 1 til 5 eller fra 5 til 1. Brug af magt på drejeknappen kan beskadige maskinen. Når drejeknappens indstilling ændres, skal du altid dreje drejeknappen via hvert mellemliggende tal.

SAMLING

⚠ FORSIGTIG: Sørg altid for, at maskinen er slukket og taget ud af forbindelse, inden der udføres nogen form for arbejde på maskinen.

Montering eller afmontering af anvendelsesværktøj

Ekstraudstyr

⚠ ADVARSEL: Monter ikke anvendelsesværktøjet omvendt. Hvis anvendelsesværktøjet monteres omvendt, kan det beskadige maskinen og medføre alvorlig personskade.

⚠ ADVARSEL: Monter anvendelsesværktøjet i den rigtige retning i overensstemmelse med arbejdet. Anvendelsesværktøjet kan monteres i en vinkel for hver 30 grader.

⚠ ADVARSEL: Monter altid et anvendelsesværktøj, så fremspringene på maskinens flange passer ind i hullerne på anvendelsesværktøjet. Hvis du ikke gør dette, kan anvendelsesværktøjet blive slynget af og forårsage personskade.

⚠ ADVARSEL: Sørg for at skrue monteringsbolten på anvendelsesværktøjet godt fast ved montering af anvendelsesværktøjet.

Placer et anvendelsesværktøj (ekstraudstyr) på maskinens flange, så fremspringene på maskinens flange passer ind i hullerne i anvendelsesværktøjet, og fastgør anvendelsesværktøjet ved at tilspænde boltene fast med unbrakonøglen.

Ved brug af anvendelsesværktøjet til slibning monteres anvendelsesværktøjet på slibepuden, så det passer til slibepudens retning.

Slibepuden har et burre-monteringssystem, der gør det muligt at montere et sandpapir let og hurtigt.

Da sandpapir har huller til støvudtrækning, skal sandpapiret monteres således, at hullerne i sandpapiret passer til dem på slibepuden.

For at fjerne et sandpapir skal du løfte dets ender og trække det af.

Løsn og fjern monteringsboltene på anvendelsesværktøjet ved hjælp af en unbrakonøgle, og afmonter derefter anvendelsesværktøjet.

► **Fig.3:** 1. Monteringsbolt på anvendelsesværktøj
2. Huller i anvendelsesværktøj 3. Fremspring på maskinens flange

► **Fig.4:** 1. Monteringsbolt på anvendelsesværktøj
2. Unbrakonøgle 3. Stram

Når der anvendes anvendelsesværktøj med en anden type monteringsdel, skal der benyttes en korrekt adapter (ekstraudstyr).

► **Fig.5:** 1. Monteringsbolt på anvendelsesværktøj
2. Huller i anvendelsesværktøj 3. Adapter
4. Fremspring på maskinens flange

ANVENDELSE

⚠ ADVARSEL: Inden maskinen startes og under brugen, skal du holde hænder og ansigt væk fra anvendelsesværktøjet.

⚠ FORSIGTIG: Anvend ikke kraftigt tryk på maskinen, da det kan bevirke, at motoren låses, og maskinen stopper.

Skæring, savning og afskrabning

⚠ FORSIGTIG: Bevæg ikke maskinen med magt i retning mod (f.eks. mod en af siderne) anvendelsesværktøjet uden nogen skærekant. Dette kan beskadige maskinen.

Sæt anvendelsesværktøjet mod arbejdsemnet. Og bevæg derefter maskinen fremad, så anvendelsesværktøjets bevægelse ikke bliver langsommere.

► **Fig.6**

BEMÆRK: Tvang eller overdrevent tryk på maskinen kan reducere effektiviteten.

BEMÆRK: Det anbefales, inden der skæres, at forindstille omløbsslagintensiteten 3 - 5.

Pudsning

⚠ FORSIGTIG: Genbrug ikke sandpapir, der har været anvendt til pudsning af metal, til at pudse træ.

⚠ FORSIGTIG: Brug ikke slidt sandpapir eller sandpapir uden slibekorn.

Sæt et stykke sandpapir mod arbejdsemnet.

► **Fig.7**

BEMÆRK: Det anbefales at anvende en testmaterialeprøve til at bestemme en korrekt omløbsslagintensitet, der er egnet til dit arbejde.

BEMÆRK: Brug sandpapir med samme slibekorn, indtil pudsning af hele arbejdsemnet er fuldført. Hvis et stykke sandpapir erstattes af et stykke sandpapir med en anden type slibekorn, kan der muligvis ikke opnås en fin finish.

Støvudtrækningstilbehør

Ekstraudstyr

⚠ ADVARSEL: Anvend ikke udtrækningstilbehør ved slibning af et metalarbejdsemne med denne maskine. Varmt støv kan antænde støvet i støvsugeren, hvilket kan forårsage brand.

Hvis du ønsker at udføre en renere operation, skal du montere støvudtrækningstilbehøret på maskinen. Slut en støvsugerslange til støvudtrækningstilbehøret.

► **Fig.8**

Saml støvudtrækningstilbehøret, og monter det på maskinen.

1. Monter samlestykket, støvmundstykket og støvtilbehøret.
2. Monter mundstykkebandet på maskinen, så dets fremspring passer ind i hullerne i maskinen, for at fastgøre det.
3. Anbring filtringen, afstandsstykket (hvis nødvendigt) og slibepuden på støvtilbehøret, og fastgør dem derefter med monteringsboltene på anvendelsesværktøjet.

► **Fig.9:** 1. Samlestykke 2. Mundstykkeband
3. Støvmundstykke 4. Støvtilbehør
5. Afstandsstykke 6. Filtring (ø 47 mm)
7. Pude (med STARLOCK-mærke)
8. Monteringsbolt på anvendelsesværktøj
9. Filtring (ø 37 mm) 10. Pude (med OIS-mærke)

BEMÆRKNING: Ved brug af pudsen med STARLOCK-mærke skal du sørge for at montere afstandsstykket mellem støvtilbehøret og filtringen.

VEDLIGEHOJDELSE

⚠ FORSIGTIG: Kontrollér altid, at der er slukket for maskinen, og at netstikket er trukket ud, før der udføres eftersyn eller vedligeholdelse.

BEMÆRKNING: Anvend aldrig benzin, rensbenzin, fortynder, alkohol og lignende. Det kan medføre misfarvning, deformering eller revner.

For at opretholde produktets SIKKERHED og PÅLIDELIGHED må reparation, vedligeholdelse eller justering kun udføres af et autoriseret Makita servicecenter eller fabrikksservicecenter med anvendelse af Makita reservedele.

Rengøring

Aftør fra tid til anden maskinen med en tør klud eller en klud, som er fugtet med sæbevand.

► Fig.10

ΠΡΟΔΙΑΓΡΑΦΕΣ

Μοντέλο:	M9800
Ταλάντωση ανά λεπτό	15.000 - 22.000 min ⁻¹
Γωνία ταλάντωσης, αριστερά/δεξιά	1,6 ° (3,2 ° συνολικά)
Συνολικό μήκος	283 mm
Καθαρό βάρος	1,2 - 1,3 kg
Κατηγορία ασφάλειας	☐/II

- Λόγω του συνεχόμενου προγράμματος που εφαρμόζουμε για έρευνα και ανάπτυξη, τα τεχνικά χαρακτηριστικά στο παρόν έντυπο υπόκεινται σε αλλαγή χωρίς προειδοποίηση.
- Τα τεχνικά χαρακτηριστικά μπορεί να διαφέρουν από χώρα σε χώρα.
- Το βάρος μπορεί να διαφέρει ανάλογα με το(α) εξάρτημα(τα). Ο ελαφρύτερος και βαρύτερος συνδυασμός, σύμφωνα με τη διαδικασία EPTA 01/2014, απεικονίζονται στον πίνακα.

Προοριζόμενη χρήση

Το εργαλείο προορίζεται για το πριόνισμα και την κοπή ξύλου, πλαστικού, γύψου, μη σιδηρούχων μετάλλων και συνδέσμων (π.χ. μη σκληρυμένα καρφιά και συρραπτικά). Επίσης προορίζεται για την επεξεργασία μαλακών πλακακιών τοίχου, καθώς και την ξηρή λείανση και ξύσιμο μικρών επιφανειών. Προορίζεται ειδικά για την εργασία κοντά σε κοπές άκρων και ευθυγραμμισμένες κοπές.

Ηλεκτρική παροχή

Το εργαλείο πρέπει να συνδέεται μόνο με ηλεκτρική παροχή της ίδιας τάσης με αυτή που αναγράφεται στην πινακίδα ονομαστικών τιμών και μπορεί να λειτουργήσει μόνο με εναλλασσόμενο μονοφασικό ρεύμα. Υπάρχει διπλή μόνωση και κατά συνέπεια, μπορεί να γίνει σύνδεση σε ακροδέκτες χωρίς σύρμα γείωσης.

Θόρυβος

Είδος εργασίας	Στάθμη ηχητικής πίεσης (L _{PA}):	Στάθμη ηχητικής ισχύος (L _{WA}):	Αβεβαιότητα (K)	Ισχύον πρότυπο
Λείανση	81 dB (A)	89 dB (A)	3 dB (A)	EN62841-2-4
Κοπή με λάμα πριονιού βαθιάς κοπής	82 dB (A)	90 dB (A)	3 dB (A)	EN62841-1
Κοπή με τμηματική λάμα πριονιού	82 dB (A)	90 dB (A)	3 dB (A)	EN62841-1
Ξύσιμο	81 dB (A)	89 dB (A)	3 dB (A)	EN62841-1

ΠΑΡΑΤΗΡΗΣΗ: Η δηλωμένη τιμή(ές) εκπομπής θορύβου έχει μετρηθεί σύμφωνα με την πρότυπη μέθοδο δοκιμής και μπορεί να χρησιμοποιηθεί για τη σύγκριση ενός εργαλείου με κάποιο άλλο.

ΠΑΡΑΤΗΡΗΣΗ: Η δηλωμένη τιμή(ές) εκπομπής θορύβου μπορεί να χρησιμοποιηθεί και στην προκαταρκτική αξιολόγηση της έκθεσης.

▲ΠΡΟΕΙΔΟΠΟΙΗΣΗ: Να φοράτε ωτοασπίδες.

▲ΠΡΟΕΙΔΟΠΟΙΗΣΗ: Η εκπομπή θορύβου κατά τη χρήση του ηλεκτρικού εργαλείου σε πραγματικές συνθήκες μπορεί να διαφέρει από τη δηλωμένη τιμή(ές) ανάλογα με τους τρόπους χρήσης του εργαλείου, ιδιαίτερα το είδος του τεμαχίου εργασίας που υπόκειται επεξεργασία.

▲ΠΡΟΕΙΔΟΠΟΙΗΣΗ: Φροντίστε να λάβετε τα κατάλληλα μέτρα προστασίας του χειριστή βάσει ενός υπολογισμού της έκθεσης σε πραγματικές συνθήκες χρήσης (λαμβάνοντας υπόψη όλες τις συνιστώσες του κύκλου λειτουργίας όπως τους χρόνους που το εργαλείο είναι εκτός λειτουργίας και όταν βρίσκεται σε αδρανή λειτουργία πέραν του χρόνου ενεργοποίησης).

Κραδασμός

Στον πίνακα που ακολουθεί φαίνεται η ολική τιμή κραδασμών (άθροισμα τρι-αξονικού διανύσματος) που καθορίζεται σύμφωνα με το ισχύον πρότυπο.

Είδος εργασίας	Εκπομπή κραδασμών	Αβειαιότητα (Κ)	Ισχύον πρότυπο
Λείανση (a_h)	2,5 m/s ²	1,5 m/s ²	EN62841-2-4
Κοπή με λάμα πριονιού βαθιάς κοπής (a_h)	8,0 m/s ²	1,5 m/s ²	EN62841-1
Κοπή με τμηματική λάμα πριονιού (a_h)	4,0 m/s ²	1,5 m/s ²	EN62841-1
Ξύσιμο (a_h)	9,5 m/s ²	1,5 m/s ²	EN62841-1

ΠΑΡΑΤΗΡΗΣΗ: Η δηλωμένη τιμή(ές) συνολικών κραδασμών έχει μετρηθεί σύμφωνα με την πρότυπη μέθοδο δοκιμής και μπορεί να χρησιμοποιηθεί για τη σύγκριση ενός εργαλείου με κάποιο άλλο.

ΠΑΡΑΤΗΡΗΣΗ: Η δηλωμένη τιμή(ές) συνολικών κραδασμών μπορεί να χρησιμοποιηθεί και στην προκαταρκτική αξιολόγηση της έκθεσης.

▲ΠΡΟΕΙΔΟΠΟΙΗΣΗ: Η εκπομπή κραδασμών κατά τη χρήση του ηλεκτρικού εργαλείου σε πραγματικές συνθήκες μπορεί να διαφέρει από τη δηλωμένη τιμή(ές) εκπομπής ανάλογα με τους τρόπους χρήσης του εργαλείου, ιδιαίτερα το είδος του τεμαχίου εργασίας που υπόκειται επεξεργασία.

▲ΠΡΟΕΙΔΟΠΟΙΗΣΗ: Φροντίστε να λάβετε τα κατάλληλα μέτρα προστασίας του χειριστή βάσει ενός υπολογισμού της έκθεσης σε πραγματικές συνθήκες χρήσης (λαμβάνοντας υπόψη όλες τις συνιστώσες του κύκλου λειτουργίας όπως χρόνους που το εργαλείο είναι εκτός λειτουργίας και όταν βρίσκεται σε αδρανή λειτουργία πέραν του χρόνου ενεργοποίησης).

Δήλωση Συμμόρφωσης

Μόνο για χώρες της Ευρώπης

Οι Δήλώσεις Συμμόρφωσης περιλαμβάνονται στο Παράρτημα Α στο παρόν εγχειρίδιο οδηγιών.

ΠΡΟΕΙΔΟΠΟΙΗΣΕΙΣ ΑΣΦΑΛΕΙΑΣ

Γενικές προειδοποιήσεις ασφαλείας για το ηλεκτρικό εργαλείο

▲ΠΡΟΕΙΔΟΠΟΙΗΣΗ: Διαβάστε όλες τις προειδοποιήσεις ασφαλείας, οδηγίες, εικονογραφήσεις και προδιαγραφές που παρέχονται με αυτό το ηλεκτρικό εργαλείο. Η μη τήρηση όλων των οδηγιών που αναγράφονται κατωτέρω μπορεί να καταλήξει σε ηλεκτροπληξία, πυρκαγιά ή/και σοβαρό τραυματισμό.

Φυλάξτε όλες τις προειδοποιήσεις και τις οδηγίες για μελλοντική παραπομπή.

Στις προειδοποιήσεις, ο όρος «ηλεκτρικό εργαλείο» αναφέρεται σε ηλεκτρικό εργαλείο που τροφοδοτείται από την κύρια παροχή ηλεκτρικού ρεύματος (με ηλεκτρικό καλώδιο) ή σε ηλεκτρικό εργαλείο που τροφοδοτείται από μπαταρία (χωρίς ηλεκτρικό καλώδιο).

Προειδοποιήσεις ασφαλείας για το πολυεργαλείο

1. Αυτό το ηλεκτρικό εργαλείο προορίζεται για πριόνισμα, κοπή, τρόχισμα και λείανση. Διαβάστε όλες τις προειδοποιήσεις ασφαλείας, οδηγίες, απεικονίσεις και προδιαγραφές που συνοδεύουν το παρόν ηλεκτρικό εργαλείο. Η μη τήρηση όλων των οδηγιών των αναγράφονται κατωτέρω μπορεί να καταλήξει σε ηλεκτροπληξία, πυρκαγιά ή/και σοβαρό τραυματισμό.
2. Να κρατάτε το ηλεκτρικό εργαλείο από τις λαβές με μόνωση όταν εκτελείτε εργασίες κατά τις οποίες το εξάρτημα κοπής μπορεί να έρθει σε επαφή με κρυμμένα καλώδια ή με το ίδιο του το καλώδιο. Αν το εξάρτημα έρθει σε επαφή με κάποιο ηλεκτροφόρο καλώδιο, μπορεί τα εκτεθειμένα μεταλλικά μέρη του ηλεκτρικού εργαλείου να γίνουν κι αυτά ηλεκτροφόρα και να προκληθεί ηλεκτροπληξία στο χειριστή.
3. Να χρησιμοποιείτε σφινγκήρες ή κάποιο άλλο πρακτικό μέσο για να ασφαλίσετε και να στηρίξετε το τεμάχιο εργασίας σε μια σταθερή πλατφόρμα. Αν κρατάτε το τεμάχιο εργασίας με το χέρι σας ή επάνω στο σώμα σας, θα είναι ασταθές και μπορεί να χάσετε τον έλεγχο.
4. Να κρατάτε το καλώδιο μακριά από το περιστρεφόμενο εξάρτημα. Αν χάσετε τον έλεγχο, το καλώδιο μπορεί να κοπεί ή να εμπλακεί και το χέρι ή ο βραχίονάς σας μπορεί να τραβηχτεί προς το περιστρεφόμενο εξάρτημα.
5. Να χρησιμοποιείτε πάντοτε γυαλιά ασφαλείας ή προστατευτικά ματιών. Τα συνηθισμένα γυαλιά και τα γυαλιά ηλίου ΔΕΝ αποτελούν γυαλιά ασφαλείας.
6. Να αποφεύγετε την κοπή καρφιών. Να ελέγχετε το τεμάχιο εργασίας για τυχόν καρφιά και να τα αφαιρείτε πριν από τη λειτουργία.
7. Κρατήστε το εργαλείο σταθερά.

8. Να βεβαιώνετε ότι το εργαλείο εφαρμογής δεν ακουμπάει το τεμάχιο εργασίας πριν ενεργοποιείτε το διακόπτη λειτουργίας.
9. Μην πλησιάζετε τα χέρια σας σε κινούμενα μέρη.
10. Μην αφήνετε το εργαλείο σε λειτουργία. Το εργαλείο πρέπει να βρίσκεται σε λειτουργία μόνο όταν το κρατάτε.
11. Πάντοτε να σβήνετε το εργαλείο και να περιμένετε να σταματήσει να κινείται εντελώς η λάμα πριν τη βγάξετε από το τεμάχιο εργασίας.
12. Μην αγγίζετε το εργαλείο εφαρμογής ή το τεμάχιο εργασίας αμέσως μετά τη λειτουργία του εργαλείου. Μπορεί να είναι εξαιρετικά θερμά και να προκληθεί έγκαιμα στο δέρμα σας.
13. Μη θέτετε το εργαλείο σε λειτουργία χωρίς φόρτο, αν αυτό δεν είναι απαραίτητο.
14. Να χρησιμοποιείτε πάντοτε προσωπίδα κατά της σκόνης ή αναπνευστήρα που είναι κατάλληλος για το υλικό και την εφαρμογή σας.
15. Μερικά υλικά περιέχουν χημικά που μπορεί να είναι τοξικά. Προσέχετε ώστε να αποφεύγετε την εισπνοή σκόνης και την επαφή με το δέρμα. Ακολουθείτε τα δεδομένα ασφάλειας υλικού που παρέχονται από τον προμηθευτή.
16. Το εργαλείο αυτό δεν είναι αδιάβροχο, γι' αυτό μη χρησιμοποιείτε νερό στην επιφάνεια του τεμαχίου εργασίας.
17. Να αερίζετε το χώρο εργασίας επαρκώς όταν εκτελείτε εργασίες λείανσης.
18. Η χρήση του εργαλείου αυτού για τη λείανση ορισμένων προϊόντων, π.χ. επιφανείες βαμμένες με χρώμα που περιέχει μόλυβδο, ξύλο και μέταλλα, μπορεί να εκθέσει το χρήστη και τους παρευρισκόμενους σε σκόνη που περιέχει επικίνδυνες ουσίες. Να χρησιμοποιείτε κατάλληλη αναπνευστική προστασία.
19. Πριν από τη χρήση, να βεβαιώνετε ότι δεν υπάρχουν ρωγμές ή σπασίματα στη βάση. Οι ρωγμές ή τα σπασίματα μπορεί να προκαλέσουν σοβαρό προσωπικό τραυματισμό.
20. Μη χρησιμοποιείτε εξαρτήματα που δεν έχουν σχεδιαστεί ειδικά για το εργαλείο και που δεν συνιστώνται ειδικά από τον κατασκευαστή του εργαλείου. Η χρήση ενός εξαρτήματος απλά και μόνο επειδή δύναται να προσαρμοστεί στο ηλεκτρικό εργαλείο, δεν διασφαλίζει την ασφαλή λειτουργία του.
21. Να φοράτε ατομικό εξοπλισμό προστασίας. Ανάλογα με την εφαρμογή, να χρησιμοποιείτε προσωπίδα προστασίας, προστατευτικά γυαλιά-προσωπίδες ή γυαλιά ασφάλειας. Όταν απαιτείται, να φοράτε προστατευτικά ακοής, γάντια και ποδιά συνεργείου ικανά να παρέχουν προστασία από τα εκτινασσόμενα μικρά θραύσματα του λειαντικού μέσου ή του τεμαχίου εργασίας. Τα προστατευτικά ματιών πρέπει να είναι ικανά να σταματήσουν τυχόν εκτινασσόμενα θραύσματα που δημιουργούνται κατά την εκτέλεση διαφόρων εργασιών. Η μάσκα σκόνης ή η αναπνευστική συσκευή πρέπει να είναι ικανές να φιλτράρουν τα σωματίδια που δημιουργούνται κατά την εκτέλεση των εργασιών σας. Η παρατεταμένη έκθεση σε θόρυβο υψηλής έντασης μπορεί να προκαλέσει απώλεια ακοής.
22. Φροντίστε ώστε οι παρευρισκόμενοι να βρισκονται σε ασφαλή απόσταση από τη θέση εργασίας. Οποιοσδήποτε εισέρχεται στο χώρο εργασίας πρέπει να φορά εξοπλισμό ατομικής προστασίας. Θραύσματα του τεμαχίου εργασίας ή ενός εξαρτήματος που έχει υποστεί θραύση μπορεί να εκτιναχθούν και να προκαλέσουν τραυματισμό πέραν των ορίων του άμεσου χώρου εκτέλεσης εργασιών.
23. Μην αφήνετε το ηλεκτρικό εργαλείο κάτω, πριν σταματήσει πλήρως η περιστροφή του εξαρτήματος. Το περιστρεφόμενο εξάρτημα μπορεί να εμπλακεί στην επιφάνεια εργασίας και να τραβήξει το ηλεκτρικό εργαλείο εκτός ελέγχου.
24. Μη θέσετε το ηλεκτρικό εργαλείο σε λειτουργία, κατά τη μεταφορά του στο πλάι σας. Τυχάια επαφή με το εξάρτημα θα μπορούσε να προκαλέσει την εμπλοκή του στο ρουχισμό και επαφή με το σώμα σας.
25. Μη χειρίζεστε το ηλεκτρικό εργαλείο κοντά σε εύφλεκτα υλικά. Οι σπινθήρες μπορεί να προκαλέσουν ανάφλεξη αυτών των υλικών.
26. Μη χρησιμοποιείτε εξαρτήματα που απαιτούν υγρά ψυκτικά. Η χρήση νερού ή άλλων υγρών ψυκτικών μπορεί να καταλήξει σε ηλεκτροπληξία ή σκ.
27. Να βεβαιώνετε πάντα ότι το εργαλείο είναι σβηστό και αποσυνδεδεμένο από την πρίζα πριν εκτελέσετε οποιαδήποτε εργασία στο εργαλείο.
28. Αν το μέρος εργασίας είναι πολύ ζεστό και υγρό, ή υπάρχει πολύ αγωγίμη σκόνη, χρησιμοποιήστε ένα ασφαλειοδιακόπτη βραχυκυκλώματος (30 mA) για να είστε σίγουροι για την ασφαλή λειτουργία.
29. Να βεβαιώνετε πάντοτε ότι στέκεστε σταθερά. Όταν χρησιμοποιείτε το εργαλείο σε υψηλές τοποθεσίες, να βεβαιώνετε ότι δεν βρίσκεται κανένας από κάτω.
30. Πριν ξεκινήσετε τη λειτουργία, βεβαιωθείτε ότι δεν υπάρχουν κρυμμένες γραμμές παροχής, όπως ηλεκτρικές γραμμές, γραμμές υγραερίου και γραμμές νερού, κάτω από την επιφάνεια εργασίας. Η κοπή ή η πρόκληση ζημίας στις γραμμές παροχής μπορεί να προκαλέσει ηλεκτροπληξία, διαρροή αερίου, ζημιά σε ιδιοκτησία ή άλλα ατυχήματα.

ΦΥΛΑΞΤΕ ΑΥΤΕΣ ΤΙΣ ΟΔΗΓΙΕΣ.

▲ΠΡΟΕΙΔΟΠΟΙΗΣΗ: ΜΗΝ επιτρέψετε στην άνεση ή στην εξοικειώσή σας με το προϊόν (που αποκτήθηκε από επανειλημμένη χρήση) να αντικαταστήσει την αυστηρή τήρηση των κανόνων ασφαλείας του παρόντος εργαλείου. Η **ΛΑΝΘΑΣΜΕΝΗ ΧΡΗΣΗ** ή η αμέλεια να ακολουθήσετε τους κανόνες ασφαλείας που διατυπώνονται στο παρόν εγχειρίδιο οδηγιών μπορεί να προκαλέσει σοβαρό προσωπικό τραυματισμό.

ΠΕΡΙΓΡΑΦΗ ΛΕΙΤΟΥΡΓΙΑΣ

▲ ΠΡΟΣΟΧΗ: Να βεβαιώνεστε πάντα ότι το εργαλείο είναι σβηστό και αποσυνδεδεμένο από την ηλεκτρική παροχή πριν ρυθμίσετε ή ελέγχετε κάποια λειτουργία του.

Δράση διακόπτη

▲ ΠΡΟΣΟΧΗ: Πριν συνδέετε το εργαλείο, να ελέγχετε πάντα αν το εργαλείο είναι σβηστό.

Για να ξεκινήσετε τη λειτουργία του εργαλείου, σύρετε τον κυλιόμενο διακόπτη στη θέση «I (ENERGO)».

Για να διακόψετε τη λειτουργία του εργαλείου, σύρετε τον κυλιόμενο διακόπτη στη θέση «O (ANENERGO)».

► **Εικ.1:** 1. Κυλιόμενος διακόπτης

Ρύθμιση του ρυθμού τροχιακής διαδρομής

Είναι δυνατό να ρυθμίσετε το ρυθμό τροχιακής διαδρομής. Για να αλλάξετε το ρυθμό τροχιακής διαδρομής, περιστρέψτε το καντράν μεταξύ 1 και 5. Όσο υψηλότερος είναι ο αριθμός, τόσο υψηλότερος είναι ο ρυθμός τροχιακής διαδρομής. Προρυθμίστε το καντράν στον αριθμό που είναι κατάλληλος για το τεμάχιο εργασίας σας.

► **Εικ.2:** 1. Καντράν

ΠΑΡΑΤΗΡΗΣΗ: Δεν είναι δυνατό να περιστρέψετε το καντράν απευθείας από το 1 στο 5 ή από το 5 στο 1. Αν περιστρέψετε το καντράν με βία, μπορεί να προκληθεί ζημιά στο εργαλείο. Όταν αλλάζετε την κατεύθυνση του καντράν, να περιστρέψετε πάντα το καντράν μετακινώντας το σε κάθε ενδιάμεσο αριθμό.

ΣΥΝΑΡΜΟΛΟΓΗΣΗ

▲ ΠΡΟΣΟΧΗ: Να βεβαιώνεστε πάντα ότι το εργαλείο είναι σβηστό και αποσυνδεδεμένο από την ηλεκτρική παροχή πριν εκτελέσετε οποιαδήποτε εργασία σε αυτό.

Τοποθέτηση ή αφαίρεση του εργαλείου εφαρμογής

Προαιρετικό εξάρτημα

▲ ΠΡΟΕΙΔΟΠΟΙΗΣΗ: Μην τοποθετείτε το εργαλείο εφαρμογής ανάποδα. Αν τοποθετήσετε το εργαλείο εφαρμογής ανάποδα, μπορεί να προκληθεί ζημιά στο εργαλείο και να προκληθεί σοβαρός προσωπικός τραυματισμός.

▲ ΠΡΟΕΙΔΟΠΟΙΗΣΗ: Τοποθετήστε το εργαλείο προσαρτήματος στη σωστή κατεύθυνση, ανάλογα με την εργασία σας. Μπορείτε να τοποθετήσετε το εργαλείο εφαρμογής σε γωνία σε κάθε 30 μοίρες.

▲ ΠΡΟΕΙΔΟΠΟΙΗΣΗ: Να τοποθετείτε πάντα το εργαλείο εφαρμογής με τρόπο ώστε οι προεξοχές στη φλάντζα εργαλείου να ταιριάζουν στις οπές στο εργαλείο εφαρμογής. Αν δεν το κάνετε αυτό, μπορεί να προκληθεί η εκτόξευση του εργαλείου εφαρμογής και να έχει ως αποτέλεσμα τον προσωπικό τραυματισμό.

▲ ΠΡΟΕΙΔΟΠΟΙΗΣΗ: Όταν τοποθετείτε το εργαλείο εφαρμογής, βεβαιωθείτε να σφίξετε καλά το μπουλόνι τοποθέτησης εργαλείου εφαρμογής.

Τοποθετήστε ένα εργαλείο εφαρμογής (προαιρετικό εξάρτημα) στη φλάντζα εργαλείου ώστε οι προεξοχές στη φλάντζα εργαλείου να ταιριάζουν στις οπές στο εργαλείο εφαρμογής και ασφαλίστε το εργαλείο εφαρμογής σφίγγοντας καλά το μπουλόνι με το εξαγωνικό κλειδί.

Όταν χρησιμοποιείτε το εργαλείο εφαρμογής λείανσης, προσαρτήστε το εργαλείο εφαρμογής στη βάση λείανσης ώστε να ταιριάζει με την κατεύθυνση της βάσης λείανσης.

Η βάση λείανσης έχει σύστημα προσάρτησης τύπου άγκιστρου και βρόχου, το οποίο επιτρέπει την εύκολη και ταχεία προσάρτηση ενός γυαλόχαρτου.

Επειδή τα γυαλόχαρτα έχουν οπές για την εξαγωγή της σκόνης, τοποθετήστε ένα γυαλόχαρτο ώστε οι οπές στο γυαλόχαρτο να ταιριάζουν με αυτές στη βάση λείανσης.

Για να αφαιρέσετε το γυαλόχαρτο, σηκώστε το άκρο του και αφαιρέστε το.

Χαλαρώστε και αφαιρέστε το μπουλόνι τοποθέτησης εργαλείου εφαρμογής χρησιμοποιώντας εξαγωνικό κλειδί και μετά βγάλτε το εργαλείο εφαρμογής.

► **Εικ.3:** 1. Μπουλόνι τοποθέτησης εργαλείου εφαρμογής 2. Οπές στο εργαλείο εφαρμογής 3. Προεξοχές στη φλάντζα εργαλείου

► **Εικ.4:** 1. Μπουλόνι τοποθέτησης εργαλείου εφαρμογής 2. Εξαγωνικό κλειδί 3. Σφίξτε

Όταν χρησιμοποιείτε εργαλεία εφαρμογής με διαφορετικό τύπο τμήματος εγκατάστασης, χρησιμοποιήστε σωστό προσαρμογέα (προαιρετικό αξεσουάρ).

► **Εικ.5:** 1. Μπουλόνι τοποθέτησης εργαλείου εφαρμογής 2. Οπές στο εργαλείο εφαρμογής 3. Προσαρμογέας 4. Προεξοχές στη φλάντζα εργαλείου

ΛΕΙΤΟΥΡΓΙΑ

▲ ΠΡΟΕΙΔΟΠΟΙΗΣΗ: Πριν ξεκινήσετε το εργαλείο και κατά τη διάρκεια της λειτουργίας, κρατήστε τα χέρια και το πρόσωπό σας μακριά από το εργαλείο εφαρμογής.

▲ ΠΡΟΣΟΧΗ: Μην εφαρμόζετε υπερβολικό φορτίο στο εργαλείο, γεγονός που μπορεί να προκαλέσει το κλειδώμα του μοτέρ και τη διακοπή του εργαλείου.

Κοπή, πριόνισμα και ξύσιμο

▲ ΠΡΟΣΟΧΗ: Μη μετακινείτε το εργαλείο με βία προς την κατεύθυνση (π.χ. προς οποιαδήποτε πλευρά) του εργαλείου εφαρμογής χωρίς άκρο κοπής. Μπορεί να προκληθεί ζημιά στο εργαλείο.

Τοποθετήστε το εργαλείο εφαρμογής στο τεμάχιο εργασίας. Μετά, μετακινήστε το εργαλείο προς τα μπροστά ώστε η κίνηση του εργαλείου εφαρμογής να μην επιβραδύνεται.
► **Εικ.6**

ΠΑΡΑΤΗΡΗΣΗ: Η βία ή η υπερβολική πίεση στο εργαλείο μπορεί να μειώσει την αποδοτικότητά του.

ΠΑΡΑΤΗΡΗΣΗ: Πριν την εργασία κοπής, συνιστάται να προκαθορίσετε το ρυθμό τροχιακής διαδρομής σε 3 - 5.

Λείανση

▲ ΠΡΟΣΟΧΗ: Μην επαναχρησιμοποιείτε για τη λείανση ξύλου κάποιο γυαλόχαρτο που έχετε χρησιμοποιήσει για τη λείανση μετάλλου.

▲ ΠΡΟΣΟΧΗ: Μη χρησιμοποιείτε φθαρμένο γυαλόχαρτο ή γυαλόχαρτο χωρίς κόκκους.

Εφαρμόστε το γυαλόχαρτο στο τεμάχιο εργασίας.
► **Εικ.7**

ΠΑΡΑΤΗΡΗΣΗ: Συνιστάται η χρήση ενός δείγματος δοκιμαστικού υλικού για να καθοριστεί ένας σωστός ρυθμός τροχιακής διαδρομής που είναι κατάλληλος για την εργασία σας.

ΠΑΡΑΤΗΡΗΣΗ: Χρησιμοποιήστε γυαλόχαρτο με τους ίδιους κόκκους μέχρι να ολοκληρωθεί η λείανση ολόκληρου του τεμαχίου εργασίας. Αν αντικαταστήσετε ένα γυαλόχαρτο με γυαλόχαρτο διαφορετικών κόκκων, μπορεί να μην έχετε ομοιόμορφο τελείωμα.

Προσάρτημα εξαγωγής σκόνης

Προαιρετικό εξάρτημα

▲ ΠΡΟΕΙΔΟΠΟΙΗΣΗ: Μη χρησιμοποιήσετε το προσάρτημα εξαγωγής κατά τη λείανση ενός μεταλλικού τεμαχίου εργασίας με αυτό το εργαλείο. Η ζεστή σκόνη μπορεί να αναφλέξει τη σκόνη στην ηλεκτρική σκούπα και να προκληθεί πυρκαγιά.

Όταν θέλετε να εκτελέσετε καθαρότερες εργασίες, τοποθετήστε το προσάρτημα εξαγωγής σκόνης στο εργαλείο. Συνδέστε τον εύκαμπτο σωλήνα της ηλεκτρικής σκούπας με το προσάρτημα εξαγωγής σκόνης.
► **Εικ.8**

Συναρμολογήστε το προσάρτημα εξαγωγής σκόνης και τοποθετήστε το στο εργαλείο.

1. Τοποθετήστε την ένωση, το ακροφύσιο σκόνης και το προσάρτημα σκόνης.
2. Τοποθετήστε τη ζώνη ακροφυσίου στο εργαλείο ώστε οι προεξοχές να ταιριάζουν στις οπές στο εργαλείο, για να το ασφαλίσετε.
3. Τοποθετήστε το δακτύλιο τσόχας, τον αποστάτη (αν απαιτείται) και τη βάση λείανσης στο προσάρτημα σκόνης και μετά ασφαλίστε τα με το μπουλόνι τοποθέτησης εργαλείου εφαρμογής.
► **Εικ.9:** 1. Ένωση 2. Ζώνη ακροφυσίου 3. Ακροφύσιο σκόνης 4. Προσάρτημα σκόνης 5. Αποστάτης 6. Δακτύλιος τσόχας (ø 47 mm) 7. Βάση (με ένδειξη STARLOCK) 8. Μπουλόνι τοποθέτησης εργαλείου εφαρμογής 9. Δακτύλιος τσόχας (ø 37 mm) 10. Βάση (με ένδειξη OIS)

ΕΙΔΟΠΟΙΗΣΗ: Όταν χρησιμοποιείτε τη βάση με την ένδειξη STARLOCK, βεβαιωθείτε να τοποθετήσετε τον αποστάτη μεταξύ του προσαρτήματος σκόνης και του δακτυλίου τσόχας.

ΣΥΝΤΗΡΗΣΗ

▲ ΠΡΟΣΟΧΗ: Να βεβαιώνετε πάντα ότι το εργαλείο είναι σβηστό και αποσυνδεδεμένο από την ηλεκτρική παροχή πριν εκτελέσετε οποιαδήποτε εργασία επιθεώρησης ή συντήρησης σε αυτό.

ΕΙΔΟΠΟΙΗΣΗ: Μην χρησιμοποιείτε ποτέ βενζίνη, πετρελαϊκό αιθέρα, διαλυτικό, αλκοόλη ή παρόμοιες ουσίες. Μπορεί να προκληθεί αποχρωματισμός, παραμόρφωση ή ρωγμές.

Για τη διατήρηση της ΑΣΦΑΛΕΙΑΣ και ΑΞΙΟΠΙΣΤΙΑΣ του προϊόντος, οι επισκευές και οποιαδήποτε άλλη εργασία συντήρησης ή ρύθμισης πρέπει να εκτελούνται από εξουσιοδοτημένα ή εργοστασιακά κέντρα εξυπηρέτησης της Makita, χρησιμοποιώντας πάντοτε ανταλλακτικά της Makita.

Καθαρισμός

Περιστασιακά, να σκουπίζετε το εργαλείο χρησιμοποιώντας ένα στεγνό πανί ή ένα πανί υγραμένο με σαπουνό νερο.
► **Εικ.10**

TEKNİK ÖZELLİKLER

Model:	M9800
Dakikadaki salınım sayısı	15.000 - 22.000 min ⁻¹
Salınım açısı, sol/sağ	1,6 ° (toplam 3,2 °)
Toplam uzunluk	283 mm
Net ağırlık	1,2 - 1,3 kg
Emniyet sınıfı	II

- Sürekli yapılan araştırma ve geliştirmelerden dolayı, burada belirtilen özellikler önceden bildirilmeksizin değiştirilebilir.
- Özellikler ülkeden ülkeye değişebilir.
- Ağırlık, ek parçaya(parçalara) bağlı olarak değişebilir. En hafif ve en ağır kombinasyon, EPTA Prosedürü 01/2014'e göre, tabloda gösterilmiştir.

Kullanım amacı

Bu alet tahta, plastik, alçı, içinde demir olmayan metal-ler ve bağlantı elemanlarını (örn. sertleştirilmemiş çivi ve zimbalar) testerelemek ve kesmek için tasarlanmıştır. Ayrıca yumuşak duvar seramikleri ile çalışmak ve küçük yüzeylerin kuru zımparalanması ve raspalanması işlerinde kullanılmak için de kullanılır. Özellikle kenarlara yakın çalışırken ve flush-kesimler için uygundur.

Güç kaynağı

Aletin, yalnızca isim levhasında belirtilenle aynı voltajlı güç kaynağına bağlanması gerekir ve yalnızca tek fazlı AC güç kaynağıyla çalıştırılabilir. Çifte yalıtımlıdır ve topraklamasız prizlerle de kullanılabilir.

Gürültü

Çalışma modu	Ses basınç seviyesi (L _{pa}):	Ses gücü düzeyi (L _{wa}):	Belirsizlik (K)	Geçerli standart
Zımparalama	81 dB (A)	89 dB (A)	3 dB (A)	EN62841-2-4
Dalma testere bıçağı ile kesme	82 dB (A)	90 dB (A)	3 dB (A)	EN62841-1
Segmental testere bıçağı ile kesme	82 dB (A)	90 dB (A)	3 dB (A)	EN62841-1
Raspalama	81 dB (A)	89 dB (A)	3 dB (A)	EN62841-1

NOT: Beyan edilen gürültü emisyonu değer(ler)i bir standart test yöntemine uygun şekilde ölçülmüştür ve bir aleti bir başkasıyla karşılaştırmak için kullanılabilir.

NOT: Beyan edilen gürültü emisyonu değer(ler)i bir ön maruz kalma değerlendirmesi olarak da kullanılabilir.

UYARI: Kulak koruyucuları takın.

UYARI: Elektrikli aletin gerçek kullanımı sırasındaki gürültü emisyonu, aletin kullanım biçimlerine, özellikle işlenen iş parçasının türüne bağlı olarak beyan edilen değer(ler)den farklı olabilir.

UYARI: Gerçek kullanım koşullarındaki tahmini maruziyeti baz alan, operatörü koruyacak güvenlik önlemlerini mutlaka belirleyin (çalışma döngüsü içerisinde aletin kapalı olduğu ve aktif durumda olmasının yanı sıra boşta çalıştığı zamanlar gibi, bütün zaman dilimleri göz önünde bulundurarak).

Titreşim

Aşağıdaki tabloda ilgili standarda uygun olarak belirlenmiş olan titreşim toplam değeri (üç eksenli vektör toplamı) gösterilmiştir.

Çalışma modu	Titreşim emisyonu	Belirsizlik (K)	Geçerli standart
Zımparalama (a _h)	2,5 m/s ²	1,5 m/s ²	EN62841-2-4
Dalma testere bıçağı ile kesme (a _h)	8,0 m/s ²	1,5 m/s ²	EN62841-1
Segmental testere bıçağı ile kesme (a _h)	4,0 m/s ²	1,5 m/s ²	EN62841-1
Raspalama (a _h)	9,5 m/s ²	1,5 m/s ²	EN62841-1

NOT: Beyan edilen titreşim toplam değeri(ler)i bir standart test yöntemine uygun şekilde ölçülmüştür ve bir aleti bir başkasıyla karşılaştırmak için kullanılabilir.

NOT: Beyan edilen titreşim toplam değeri(ler)i bir ön maruz kalma değerlendirmesi olarak da kullanılabilir.

⚠UYARI: Elektrikli aletin gerçek kullanımı sırasındaki titreşim emisyonu, aletin kullanım biçimlerine, özellikle işlenen iş parçasının türüne bağlı olarak beyan edilen değeri(ler)den farklı olabilir.

⚠UYARI: Gerçek kullanım koşullarındaki tahmini maruziyeti baz alan, operatörü koruyacak güvenlik önlemlerini mutlaka belirleyin (çalışma döngüsü içerisinde aletin kapalı olduğu ve aktif durumda olmasının yanı sıra boşta çalıştığı zamanlar gibi, bütün zaman dilimleri göz önünde bulundurun).

Uygunluk Beyanları

Sadece Avrupa ülkeleri için

Uygunluk beyanları bu kullanma kılavuzuna Ek A olarak eklenmiştir.

GÜVENLİK UYARILARI

Genel elektrikli alet güvenliği uyarıları

⚠UYARI: Bu elektrikli aletle birlikte sunulan tüm güvenlik uyarılarını, talimatları, çizimleri ve teknik özellikleri okuyun. Aşağıda verilen talimatlara uyulmaması elektrik şoku, yangın ve/veya ciddi yaralanmalar ile sonuçlanabilir.

Tüm uyarıları ve talimatları iletide başvurmak için saklayın.

Uyarılardaki "elektrikli alet" terimi ile ya prizden çalışan (kordonlu) elektrikli aletinizi ya da kendi aküsü ile çalışan (kordonsuz) elektrikli aletinizi kasteditmektedir.

Çok fonksiyonlu alet güvenliği uyarıları

- Bu elektrikli alet testereleme, kesme, taşlama ve zımparalama için kullanılır. Bu elektrikli aletle birlikte sunulan tüm güvenlik uyarılarını, talimatları, çizimleri ve teknik özellikleri okuyun.** Aşağıda verilen talimatlara uyulmaması elektrik şoku, yangın ve/veya ciddi yaralanmalar ile sonuçlanabilir.
- Kesici aksesuarın görünmeyen kabloları ya da aletin kendi kordonuna temas etme olasılığı bulunan yerlerde çalışırken elektrikli aletleri yalıtımlı kavrama yüzeylerinden tutun.** Kesici aksesuarın "akımlı" bir telle temas etmesi elektrikli aletin yalıtımsız metal kısımlarını "akımlı" hale getirebilir ve kullanıcıyı elektrik şokuna maruz bırakabilir.
- İş parçasını düz bir platform üzerine sabitlemek için klemp kullanın ya da başka bir pratik yol bulun.** İş parçasını elle tutmak ya da vücudunuzla desteklemek sabit durmamasına ve kontrolü kaybetmenize neden olabilir.
- Kabloyu dönen aksesuardan uzakta tutun.** Kontrolü kaybederseniz kablo kesilebilir veya dolanabilir ve eliniz veya kolunuz dönen aksesuara çakilebilir.

- Her zaman koruyucu gözlük kullanın.** Normal gözlük ya da güneş gözlükleri koruyucu gözlüklerin yerine GEÇMEZ.
- Çivileri kesmekten kaçının.** İşlemden önce iş parçasının üzerinde çivi olup olmadığını kontrol edin ve varsa hepsini çıkarın.
- Aleti sıkıca tutun.**
- Anahtar açılmadan önce uygulama aletinin iş parçasına temas etmediğinden emin olun.**
- Ellerinizi hareketli parçalardan uzak tutun.**
- Aleti çalışır durumda bırakmayın.** Aleti sadece elinizde iken çalıştırın.
- Bıçağı iş parçasından çıkarmadan önce daima anahtarını kapatın ve bıçağın tamamen durmasını bekleyin.**
- Uygulama aletine veya iş parçasına işlemden hemen sonra ellemeyin; bunlar çok sıcak olup cildinizi yakabilir.**
- Aleti gereksiz yere yüksüz çalıştırmayın.**
- Çalıştığınız malzemeye ve uygulamaya uygun toz maskesi/respiratör kullanın.**
- Bazı malzemeler zehirli olabilen kimyasallar içerirler.** Toz yutmayı ve cilt temasını önlemek için tedbir alın. Malzeme sağlayıcısının güvenlik bilgilerine uyun.
- Bu alet su geçirmez değildir, iş parçasının yüzeyinde su kullanmayın.**
- Zımparalama işlemi sırasında çalışma alanının yeterince havalandırılmasını sağlayın.**
- Bu aletin bazı ürünleri, örneğin kurşun içeren boyalı yüzeyler, ahşap ve metaller, zımparalamak için kullanılması, kullanıcının ve yanındakilerin tehlikeli maddeler içeren tozlara maruz kalmasına neden olabilir.** Uygun bir solunum koruması kullanın.
- Kullanmadan önce ped üzerinde çatlak ya da kırık olmadığından emin olun.** Çatlak ya da kırıklar yaralanmaya neden olabilir.
- Aletin üreticisi tarafından tasarlanmamış ya da tavsiye edilmemiş aksesuarları kullanmayın.** Aksesuarın elektrikli aletinize takılabiliyor olması güvenli kullanımın sağlanması için tek başına yeterli değildir.
- Kişisel koruyucu donanım kullanın.** Uygulamaya göre, yüz siperi veya koruyucu gözlük takın. Uygun durumlarda; kulak koruyucu, eldiven ve küçük aşındırıcı parçalar ile iş parçasının parçacıklarını engelleyebilecek nitelikte önlük giyin. Göz koruyucu, çeşitli işlemlerin üreteceği sıçrayan parçacıkları durdurabilecek nitelikte olmalıdır. Toz maskesi veya respiratör, işlem sırasında oluşan parçacıkları filtre edebilecek nitelikte olmalıdır. Uzun süre yüksek şiddetli gürültüye maruz kalmak işitme kaybına neden olabilir.

22. **Etrafınızdaki kişilerin iş sahasından güvenli bir uzaklıkta durmasını sağlayın.** İş sahasına giren herkes kişisel koruyucu ekipmanlar giymelidir. İş parçasının veya kırık bir aksesuarın parçaları sıçrayabilir ve iş sahasının yakınındaki kişileri yaralayabilir.
23. **Aksesuar tamamen durmadan elektrikli aleti asla yere bırakmayın.** Dönen aksesuar yüzeye takılarak elektrikli aletin kontrolünüzden çıkmasına neden olabilir.
24. **Elektrikli aleti yanınızda taşırken çalıştırmayın.** Aksesuara istem dışı temas edilmesi sonucu kıyafetiniz takılarak vücudunuzu aksesuara doğru çekebilir.
25. **Elektrikli aleti alev alabilecek malzemelerin yakınında kullanmayın.** Kıvılcıklar bu malzemeleri ateşleyebilir.
26. **Sıvı soğutucu gerektiren aksesuarları kullanmayın.** Su veya başka sıvı soğutucular kullanılması elektrik çarpmasına veya şoka neden olabilir.
27. **Alet üzerinde herhangi bir iş yapmadan önce aletin kapalı ve fişinin prizden çekilmiş olduğundan daima emin olun.**
28. **Çalışma mekanı aşırı sıcak ve nemli ise ya da iletken tozla yoğun şekilde kirlenmiş durumda ise operatör güvenliğini sağlamak için kısa devre şalteri (30 mA) kullanın.**
29. **Her zaman yere sağlam basın.** Aleti yüksekte kullandığınızda, altında kimsenin olmadığını emin olun.
30. **Çalışmaya başlamadan önce çalışma yüzeyinin altında elektrik, gaz ve su hatları gibi gizli besleme hatları olmadığından emin olun.** Besleme hatlarının kesilmesi veya hasar görmesi elektrik çarpmasına, gaz kaçağına, mal hasarına veya diğer kazalara neden olabilir.

BU TALİMATLARI MUHAFAZA EDİNİZ.

⚠UYARI: Ürünü kullanırken (defalarca kullanınca kazanılan) rahatlık ve tanıdıklık duygusunun ilgili ürünün güvenlik kurallarına sıkı sıkıya bağlı kalmanın yerine geçmesine İZİN VERMEYİN. YANLIŞ KULLANIM veya bu kullanma kılavuzunda belirtilen emniyet kurallarına uymama ciddi yaralanmaya neden olabilir.

İŞLEVSEL NİTELİKLER

⚠DİKKAT: Alet üzerinde ayarlama ya da işleyiş kontrolü yapmadan önce aletin kapalı ve fişinin çekili olduğundan daima emin olun.

Anahtar işlemleri

⚠DİKKAT: Aleti fişe takmadan önce, aletin kapalı olduğundan emin olmak için mutlaka kontrol edin.

Aleti başlatmak için sürgülü anahtarı "I (Açık)" pozisyonuna doğru kaydırın. Aleti durdurmak için sürgülü anahtarı "O (Kapalı)" pozisyonuna doğru kaydırın.

► **Şek.1:** 1. Sürgülü anahtar

Orbital darbe hızının ayarlanması

Orbital darbe hızı ayarlanabilir. Orbital darbe hızını değiştirmek için, kadranı 1 ilâ 5 arasında bir rakama getirin. Sayı arttıkça, orbital darbe hızı da artar. Kadranı çalıştığınız iş parçasına uygun olan rakama ayarlayın.

► **Şek.2:** 1. Kadran

NOT: Kadran doğrudan 1'den 5'e ya da 5'ten 1'e çevrilemez. Kadranı zorlamak alete zarar verebilir. Kadranın yönünü değiştirirken kadranı aradaki sayıların her birine getirerek çevirmelisiniz.

MONTAJ

⚠DİKKAT: Alet üzerinde herhangi bir iş yapmadan önce aletin kapalı ve fişinin çekili olduğundan daima emin olun.

Uygulama aletinin takılması veya çıkarılması

İsteğe bağlı aksesuar

⚠UYARI: Uygulama aletini baş aşağı takmayın. Uygulama aletinin baş aşağı takılması ciddi yaralanmalara ve alete zarar gelmesine neden olabilir.

⚠UYARI: Uygulama aletini çalıştığınız işe göre doğru yönde takın. Uygulama aleti 30 derecelik açıyla takılabilir.

⚠UYARI: Uygulama aletini her zaman alet flanşının çıkıntılıları uygulama aletindeki deliklere oturacak şekilde takın. Aksi takdirde uygulama aleti fırlayarak yaralanmaya neden olabilir.

⚠UYARI: Uygulama aletini takarken, uygulama aleti montaj civatasını iyice sıkıduğumuzdan emin olun.

Uygulama aletini (isteğe bağlı aksesuar) alet flanşına, alet flanşının çıkıntılıları uygulama aletindeki deliklere oturacak şekilde takın ve civatayı altıgen anahtarla iyice sıkarak uygulama aletini sabitleyin.

Zımparalama uygulama aletini kullanırken uygulama aletini zımpara pedine, zımpara pedi yönüyle eşleşecek şekilde monte edin.

Zımpara pedi, zımpara kağıdının kolay ve hızlı takılmasını sağlayan cırt cırt tipi bağlama sistemine sahiptir. Zımpara kağıtları toz çekme için deliklere sahip olduğundan zımpara kağıdını, zımpara kağıdı üzerindeki delikler zımpara pedi üzerindekiyle eşleşecek şekilde takın.

Zımpara kağıdını çıkarmak için, ucunu kaldırın ve söküp çıkarın.

Altıgen bir anahtar kullanarak uygulama aleti montaj civatasını gevşetin ve sökün, ardından uygulama aletini çıkarın.

► **Şek.3:** 1. Uygulama aleti montaj civatası
2. Uygulama aletindeki delikler 3. Alet flanşının çıkıntıları

► **Şek.4:** 1. Uygulama aleti montaj civatası 2. Altıgen anahtar 3. Sıkın

Farklı bir montaj türüne sahip olan uygulama aletlerini kullanacağınız zaman doğru bir adaptör (isteğe bağlı aksesuar) kullanın.

► **Şek.5:** 1. Uygulama aleti montaj civatası
2. Uygulama aletindeki delikler 3. Adaptör
4. Alet flanşının çıkıntıları

KULLANIM

⚠UYARI: Aleti kullanmaya başlamadan önce ve çalışma sırasında, elinizi ve yüzünüzü uygulama aletinden uzak tutun.

⚠DİKKAT: Alete aşırı güç uygulamayın, aksi takdirde motor kilitlenebilir ve alet durabilir.

Kesme, testereleme ve raspalama

⚠DİKKAT: Aleti, kesici kenarı olmayan uygulama aletlerinin yönünde (her iki tarafı doğrultusunda) zorlayarak hareket ettirmeyin. Böyle yapmak alete zarar verebilir.

Uygulama aletini iş parçasının üzerine yerleştirin. Daha sonra, uygulama aletinin hareketi yavaşlamaya-
cak şekilde aleti ileri doğru hareket ettirin.

► **Şek.6**

NOT: Aleti zorlama veya alet üzerinde aşırı basınç uygulama verimi azaltabilir.

NOT: Kesim işleminden önce orbital darbe hızının 3 ilâ 5 arasında bir değere ayarlanması tavsiye edilir.

Zımparalama

⚠DİKKAT: Metal zımparalamak için kullanılmış bir zımpara kağıdını tahta zımparalamak için tekrar kullanmayın.

⚠DİKKAT: Aşınmış bir zımpara kağıdını veya zımpara tanecikleri olmayan bir zımpara kağıdını kullanmayın.

Zımpara kağıdını iş parçasının üzerine uygulayın.

► **Şek.7**

NOT: Çalıştığınız işe uygun doğru bir orbital darbe hızı belirlemek için bir test materyali numunesi kullanarak deneme yapmanız tavsiye edilir.

NOT: İş parçasının tamamının zımparalanması tamamlanana kadar aynı tip zımpara taneciklerine sahip bir zımpara kağıdı kullanın. Farklı tip zımpara taneciklerine sahip bir zımpara kağıdı ile değiştirmek iyi bir finiş sağlanamamasına neden olabilir.

Toz çekme ek parçası

İsteğe bağlı aksesuar

⚠UYARI: Bu aletle metal bir iş parçasını taşırken çekme ek parçası kullanmayın. Sıcak toz, elektrikli süpürge içindeki tozu tutuşturarak yangına neden olabilir.

Daha temiz işlem yapmak istediğinizde alete toz çekme ek parçasını takın. Elektrikli süpürge hortumunu toz çekme ek parçasına bağlayın.

► **Şek.8**

Toz çekme ek parçasını birleştirin ve alete takın.

1. Bağlantı parçasını, toz toplama başlığını ve toz haznesi bağlantısını takın.
2. Toplama başlığı kelepçesini aletin üzerine yerleştirin ve sabitlemesi için çıkıntılarını alet üzerindeki deliğe oturtun.

3. Keçe halkayı, ara parçayı (gerekirse) ve zımpara pedini toz haznesi bağlantısı üzerine takın ve uygulama aleti montaj civatası ile sabitleyin.

► **Şek.9:** 1. Bağlantı parçası 2. Toplama başlığı kelepçesi 3. Toz toplama başlığı 4. Toz haznesi bağlantısı 5. Ara parça 6. Keçe halka (ø 47 mm) 7. Ped (STARLOCK etiketli) 8. Uygulama aleti montaj civatası 9. Keçe halka (ø 37 mm) 10. Ped (OIS etiketli)

ÖNEMLİ NOT: STARLOCK etiketli ped kullanırken toz haznesi bağlantısı ile keçe halka arasına mutlaka ara parçayı takın.

BAKIM

⚠DİKKAT: Muayene ya da bakım yapmadan önce aletin kapalı ve fişinin çekili olduğundan daima emin olun.

ÖNEMLİ NOT: Benzin, tiner, alkol ve benzeri maddeleri kesinlikle kullanmayın. Renk değişimi, deformasyon veya çatlaklar oluşabilir.

Aleti EMNİYETLİ ve ÇALIŞMAYA HAZIR durumda tutmak için onarımlar, başka her türlü bakım ve ayarlamalar daima Makita yedek parçaları kullanılarak Makita yetkili servis merkezleri veya Fabrikasının Servis Merkezleri tarafından yapılmalıdır.

Temizleme

Zaman zaman kuru bir bez veya sabunlu suyla ıslatılmış bir bezle aleti silin.

► **Şek.10**

Makita Europe N.V.

Jan-Baptist Vinkstraat 2, 3070 Kortenberg, Belgium

Makita Corporation

3-11-8, Sumiyoshi-cho, Anjo, Aichi 446-8502 Japan

www.makita.com



885697A991
EN, FR, DE, IT, NL,
ES, PT, DA, EL, TR
20181129