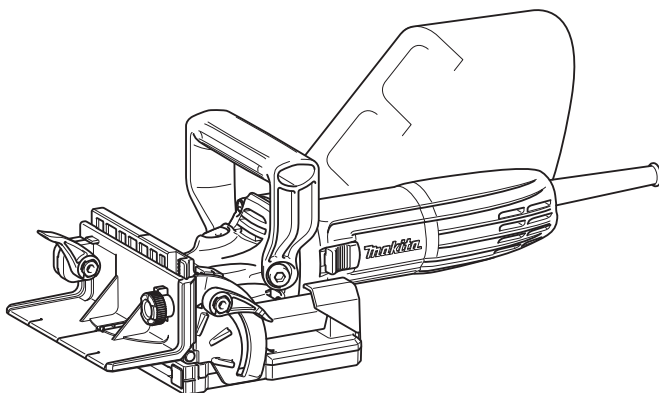
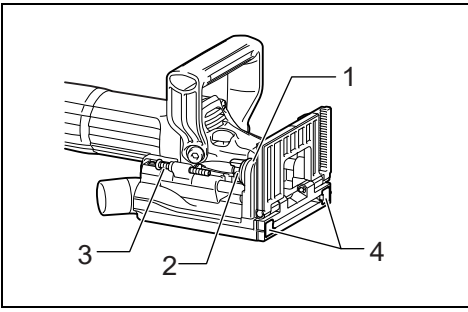




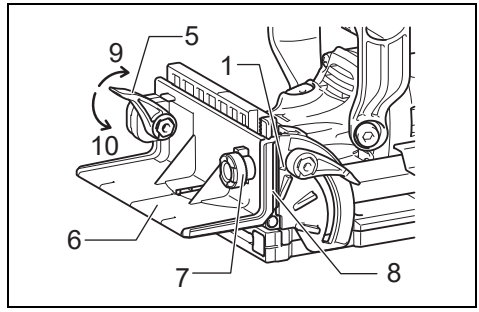
<b>GB</b>	<b>Plate Joiner</b>	<b>Instruction Manual</b>
<b>F</b>	<b>Tourillonneuse</b>	<b>Manuel d'instructions</b>
<b>D</b>	<b>Nutfräse</b>	<b>Betriebsanleitung</b>
<b>I</b>	<b>Fresatrice</b>	<b>Istruzioni per l'uso</b>
<b>NL</b>	<b>Lamellen freesmachine</b>	<b>Gebruiksaanwijzing</b>
<b>E</b>	<b>Engalletadora</b>	<b>Manual de instrucciones</b>
<b>P</b>	<b>Fresadora de Junção</b>	<b>Manual de instruções</b>
<b>DK</b>	<b>Universalfræser</b>	<b>Brugsanvisning</b>
<b>GR</b>	<b>Συναρμολογητής σανίδων</b>	<b>Οδηγίες χρήσεως</b>
<b>TR</b>	<b>Zivana Açma Makinası</b>	<b>Kullanma kılavuzu</b>

## PJ7000

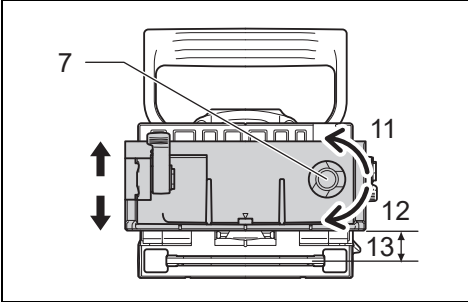




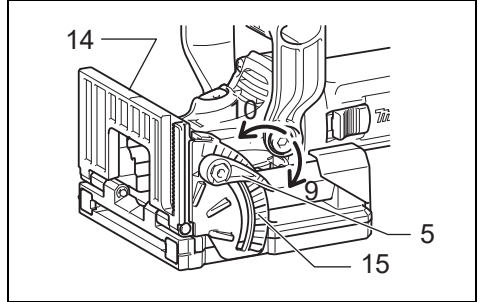
**1** 012682



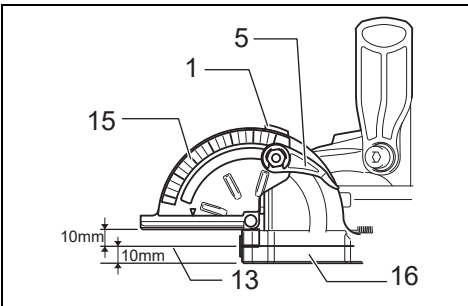
**2** 012254



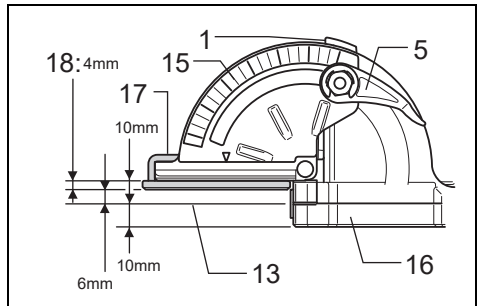
**3** 012255



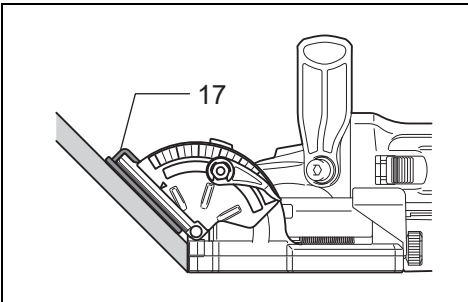
**4** 012256



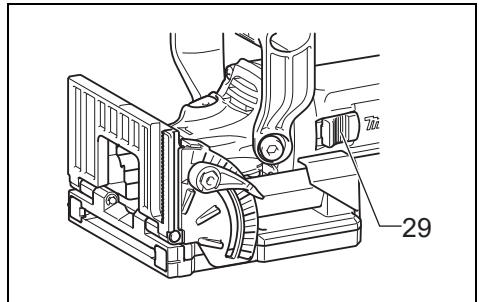
**5** 012257



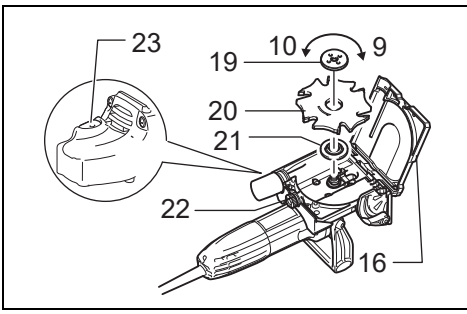
**6** 012258



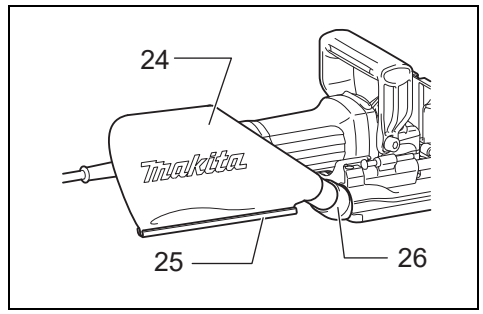
**7** 012259



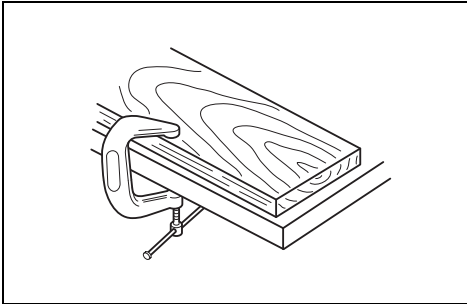
**8** 012271



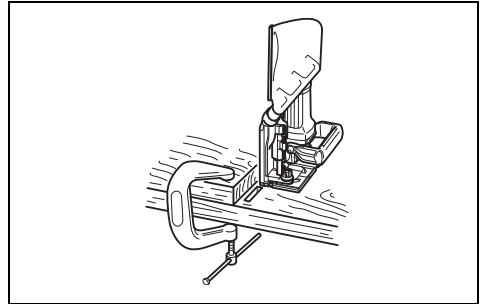
**9** 012267



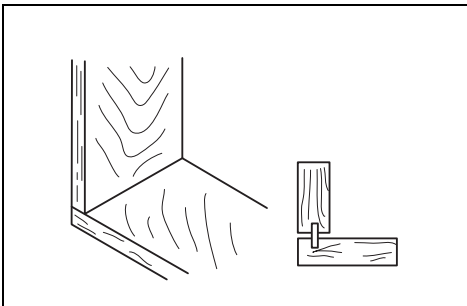
**10** 012252



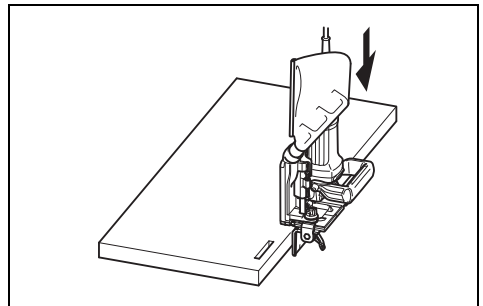
**11** 004589



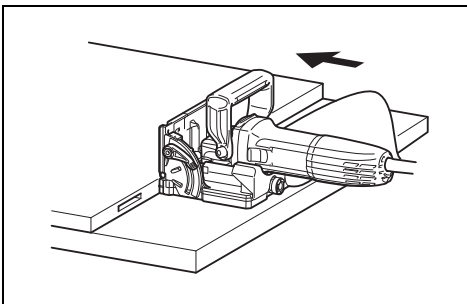
**12** 012274



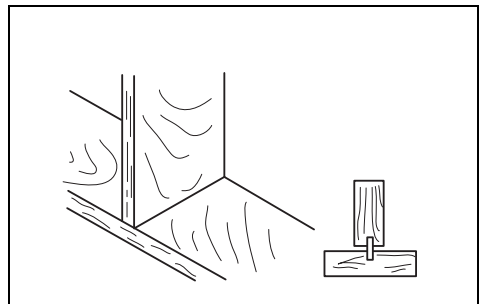
**13** 004584



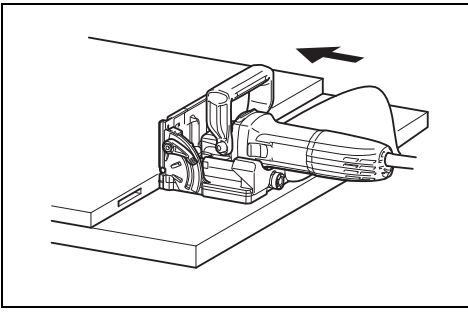
**14** 012261



**15** 012263

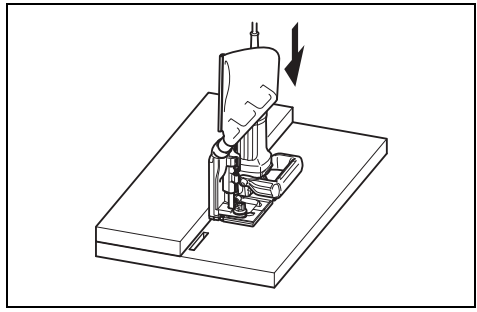


**16** 004585



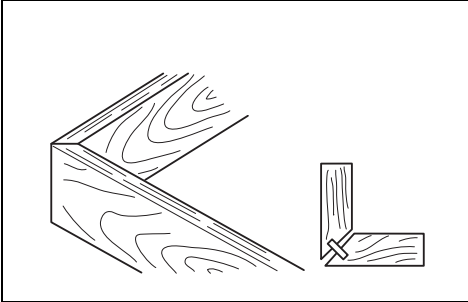
17

012263



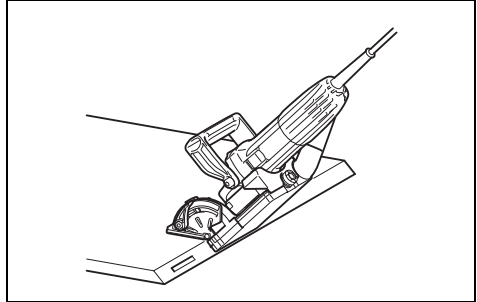
18

012262



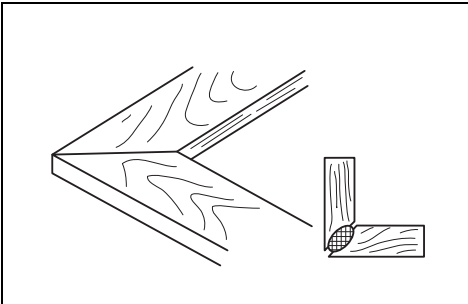
19

004586



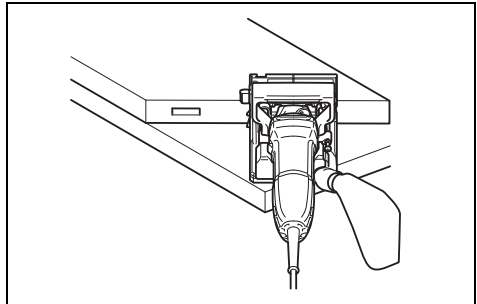
20

012264



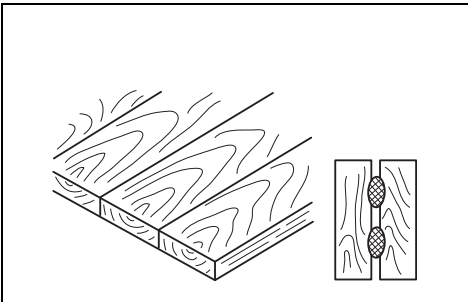
21

004587



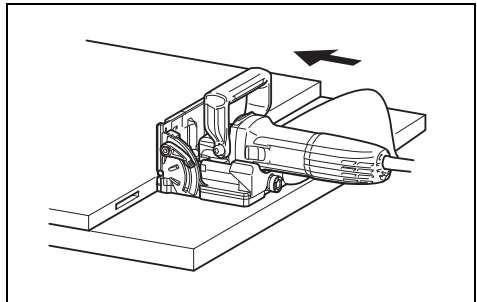
22

012265



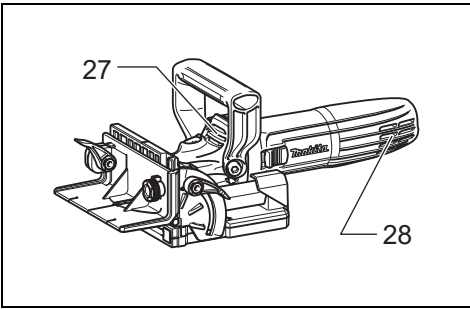
23

004588



24

012263



25

012272

**Explanation of general view**

1 Pointer	11 Down	21 Inner flange
2 Stopper	12 Up	22 Clamp screw
3 Adjusting screw	13 Center of blade thickness	23 Shaft lock
4 Rubber spike	14 Fence	24 Dust bag
5 Lock lever	15 Angle scale	25 Fastener
6 Angle guide	16 Blade cover	26 Dust nozzle
7 Knob	17 Set plate	27 Exhaust vent
8 Scale	18 Thickness of set plate	28 Inhalation vent
9 Tighten	19 Lock nut	29 Slide switch
10 Loosen	20 Plate joiner blade	

**SPECIFICATIONS**

<b>Model</b>	<b>PJ7000</b>
Type of blade .....	Plate joiner
Max. grooving depth	
Plate joiner blade.....	20 mm
No load speed (min <sup>-1</sup> ) .....	11,000
Overall length .....	302 mm
Net weight .....	2.5 kg
Safety class.....	□ / II

- Due to our continuing program of research and development, the specifications herein are subject to change without notice.
- Specifications may differ from country to country.
- Weight according to EPTA-Procedure 01/2003

ENE013-1

**Intended use**

The tool is intended for cutting crescent shaped slots for the placement of flat wooden dowels or biscuit by a plunging action.

ENF002-2

**Power supply**

The tool should be connected only to a power supply of the same voltage as indicated on the nameplate, and can only be operated on single-phase AC supply. They are double-insulated and can, therefore, also be used from sockets without earth wire.

GEA010-1

**General Power Tool Safety Warnings**

**⚠ WARNING** Read all safety warnings and all instructions. Failure to follow the warnings and instructions may result in electric shock, fire and/or serious injury.

Save all warnings and instructions for future reference.

GEB020-4

**PLATE JOINER SAFETY WARNINGS**

1. **Blades must be rated for at least the speed marked on the tool.** Blades running over rated speed can fly apart and cause injury.
2. **Always use the guard.** The guard protects the operator from broken blade fragments and unintentional contact with the blade.

3. **Hold power tool by insulated gripping surfaces, because the blade may contact its own cord.** Cutting a "live" wire may make exposed metal parts of the power tool "live" and could give the operator an electric shock.
4. **Use only the blades specified for this tool.**
5. **Never operate the tool with the blade locked in exposed position or without the blade cover secured properly in place.**
6. **Make sure that the blade slides smoothly before operation.**
7. **Check the blades carefully for cracks or damage before operation. Replace cracked or damaged blades immediately.**
8. **Make sure that the flange fits in the arbor hole when installing the blade.**
9. **Inspect for and remove all nails or foreign matter from the workpieces before operation.**
10. **Always place the workpieces on a stable workbench.**
11. **Secure the workpieces firmly with clamp or vise.**
12. **NEVER wear gloves during operation.**
13. **Hold the tool firmly with both hands.**
14. **Keep your hands and body away from the grooving area.**
15. **Run the tool for a while without the blade pointing toward anybody. Watch for vibration or wobbling that could indicate poor installation or a poorly balanced blade.**
16. **Never reach your hands underneath the workpieces while the blade is rotating.**
17. **Do not leave the tool running unattended.**
18. **Always be sure that the tool is switched off and unplugged before making any adjustments or replacing the blade.**
19. **Some material contains chemicals which may be toxic. Take caution to prevent dust inhalation and skin contact. Follow material supplier safety data.**
20. **Do not use blunt or damaged blades.**
21. **Do not use the tool with damaged guards.**

**SAVE THESE INSTRUCTIONS.**

**⚠ WARNING:**  
**DO NOT** let comfort or familiarity with product (gained from repeated use) replace strict adherence to safety rules for the subject product. **MISUSE** or failure to follow the safety rules stated in this instruction manual may cause serious personal injury.

## FUNCTIONAL DESCRIPTION

### CAUTION:

- Always be sure that the tool is switched off and unplugged before adjusting or checking function on the tool.

### Adjusting the depth of groove (Fig. 1)

6 grooving depths can be preset according to the size of biscuit to be used.

Refer to the table below for the correspondence between the sizes marked on the stopper and the biscuit size. Fine adjustments to the grooving depth can be made by turning the adjusting screw after loosening the hex nut. This may become necessary after the blade has been resharpened a few times.

Size on stopper	0	10	20	S	D	MAX
Biscuit size	0	10	20	—	—	—
Depth of groove	8 mm	10 mm	12.3 mm	13 mm	14.7 mm	20 mm*

\* With the rubber spikes removed.

012681

### Angle guide (Fig. 2 & 3)

The angle guide height can be moved up and down to adjust the position of the blade in relation to the top of the workpiece.

To adjust the angle guide height, loosen the lock lever down and rotate the knob until the pointer points to the desired scale graduation marked on the angle guide.

Then tighten the lock lever up to secure the angle guide. The scale on the angle guide indicates the distance from the top of the workpiece to the center of the blade thickness.

The angle guide is removable from the fence according to the need of your work. To remove the angle guide, loosen the lock lever and turn the knob clockwise until it comes out of the upper end of the fence.

### Fence (Fig. 4 & 5)

#### NOTE:

- Remove the angle guide according to the need of your work when using the tool with the angle of the fence adjusted to other than 0°. When you need to use the angle guide under the above condition, be sure to adjust the depth of groove to get a proper depth.

The angle of the fence can be adjusted between 0° and 90° (positive stops at 0°, 45° and 90°). To adjust the angle, loosen the lock lever and tilt the fence until the pointer points to the desired graduation on the angle scale. Then tighten the lock lever to secure the fence. When the fence is set at 90°, both the distance from the center of the blade thickness to the fence and the distance from the center of the blade thickness to the bottom of the blade cover are 10 mm.

### Set plate (Fig. 6 & 7)

Use the set plate as shown in Fig. 6 & 7 when cutting slots in thin workpieces.

### Switch action (Fig. 8)

#### CAUTION:

- Before plugging in the tool, always check to see that the slide switch actuates properly and returns to the "OFF" position when the rear of the slide switch is depressed.
- Switch can be locked in "ON" position for ease of operator comfort during extended use. Apply caution when locking tool in "ON" position and maintain firm grasp on tool.

To start the tool, slide the slide switch toward the "I (ON)" position. For continuous operation, press the front of the slide switch to lock it.

To stop the tool, press the rear of the slide switch, then slide it toward the "O (OFF)" position.

## ASSEMBLY

### CAUTION:

- Always be sure that the tool is switched off and unplugged before carrying out any work on the tool.

### Removing or installing the blade (Fig. 9)

#### CAUTION:

- When installing the plate joiner blade, mount the inner flange with the side marked "22" facing toward you.

To remove the blade, loosen the clamp screw and open the blade cover. Push the shaft lock and loosen the lock nut using the lock nut wrench. To install the blade, first mount the inner flange.

Then mount the blade and the lock nut. Securely tighten the lock nut using the lock nut wrench. Close the blade cover and tighten the clamp screw to secure the blade cover.

#### CAUTION:

- Use only Makita lock nut wrench provided to remove or install the blade.
- Always check the depth of groove after replacing the blade. Readjust it if necessary.

### Dust bag (Fig. 10)

To attach the dust bag, fit it onto the dust nozzle. If the dust bag becomes an obstacle to your work, turn the dust nozzle to change the dust bag position.

When the dust bag is about half full, switch off and unplug the tool. Remove the dust bag from the tool and pull the bag's fastener out. Empty the dust bag by tapping it lightly to remove as much of the dust as possible.

#### NOTE:

- If you connect a Makita vacuum cleaner to your plate joiner, more efficient and cleaner operations can be performed.

## OPERATION

### How to make joints

#### WARNING:

- Always clamp the workpiece to the workbench before each operation. (Fig. 11 & 12)

#### Corner Joint (Fig. 13, 14 & 15)

#### T-Butt Joint (Fig. 16, 17 & 18)

#### Miter Joint (Fig. 19 & 20)

#### Frame Joint (Fig. 21 & 22)

#### Edge-To-Edge Joint (Fig. 23 & 24)

To make joints, proceed as follows:

1. Fit the two workpieces together as they will appear in the finished joint position.
2. Mark the center of the intended biscuit grooves on the workpiece using a pencil.

#### NOTE:

- The center of grooves should be at least 50 mm from the outer edge of the workpieces.
- Allow 100 mm – 150 mm between grooves in multiple biscuit application.

#### 3. For Corner Joint and T-Butt Joint only

Clamp the vertical workpiece to the workbench.

#### For Miter Joint only

Clamp one workpiece to the workbench with the mitered edge facing up.

#### For Frame Joint and Edge-To-Edge Joint only

Clamp one workpiece to the workbench.

4. Set the depth of groove according to the size of biscuit to be used. Refer to the table in the “Adjusting the depth of groove” section.
5. Adjust the angle guide height so that the blade is centered in the board thickness.
6. Align the center mark on the base with the pencil line on the workpiece.
7. Switch on the tool and gently push it forward to extend the blade into the workpiece.
8. Gently return the tool to the original position after the adjusting screw reaches the stopper.
9. **For Corner Joint and T-Butt Joint only**  
Clamp the horizontal workpiece to the workbench.  
**For Miter Joint only**  
Clamp the other workpiece to the workbench with the mitered edge facing up.  
**For Frame Joint and Edge-To-Edge Joint only**  
Clamp the other workpiece to the workbench.
10. **For Corner Joint only**  
Place the tool on the workpiece so that the blade is facing down.  
**For T-Butt Joint only**  
Remove the angle guide from the tool. Place the tool on the workpiece so that the blade is facing down.
11. Repeat the steps 6 – 8 to groove in the horizontal or the other workpiece.

If you do not need to center the blade in the board thickness, proceed as follows:

#### For Corner Joint, Miter Joint, Frame Joint and Edge-To-Edge Joint only

- Remove the angle guide from the tool. Set the fence at 90° for Corner Joint, Frame Joint and Edge-To-Edge Joint or at 45° for Miter Joint.
- Follow steps 1 – 11 excluding steps 5 and 10 described above.

#### For T-Butt Joint only

- Fit the two workpieces together as they will appear in the finished joint position.
- Lay the vertical workpiece on the horizontal one. Clamp both workpieces to the workbench.
- Remove the angle guide from the tool.
- Follow the steps 2, 4, 6, 7, 8 and 11 described above.

## MAINTENANCE

#### CAUTION:

- Always be sure that the tool is switched off and unplugged before attempting to perform inspection or maintenance.
- Never use gasoline, benzene, thinner, alcohol or the like. Discoloration, deformation or cracks may result.

The tool and its air vents have to be kept clean. Regularly clean the tool's air vents or whenever the vents start to become obstructed. (Fig. 25)

To maintain product SAFETY and RELIABILITY, repairs, carbon brush inspection and replacement, any other maintenance or adjustment should be performed by Makita Authorized Service Centers, always using Makita replacement parts.

## OPTIONAL ACCESSORIES

#### CAUTION:

- These accessories or attachments are recommended for use with your Makita tool specified in this manual. The use of any other accessories or attachments might present a risk of injury to persons. Only use accessory or attachment for its stated purpose.

If you need any assistance for more details regarding these accessories, ask your local Makita Service Center.

- Angle guide
- Dust bag
- Set plate 4
- Lock nut wrench 20
- Plate joiner blades

#### NOTE:

- Some items in the list may be included in the tool package as standard accessories. They may differ from country to country.



**Noise**

The typical A-weighted noise level determined according to EN60745:

Sound pressure level ( $L_{pA}$ ): 86 dB (A)

Sound power level ( $L_{WA}$ ): 97 dB (A)

Uncertainty (K): 3 dB (A)

**Wear ear protection**

ENG900-1

**Vibration**

The vibration total value (tri-axial vector sum) determined according to EN60745:

Work mode: cutting grooves in MDF

Vibration emission ( $a_h$ ): 2.5 m/s<sup>2</sup> or less

Uncertainty (K): 1.5 m/s<sup>2</sup>

ENG901-1

- The declared vibration emission value has been measured in accordance with the standard test method and may be used for comparing one tool with another.
- The declared vibration emission value may also be used in a preliminary assessment of exposure.

** WARNING:**

- The vibration emission during actual use of the power tool can differ from the declared emission value depending on the ways in which the tool is used.
- Be sure to identify safety measures to protect the operator that are based on an estimation of exposure in the actual conditions of use (taking account of all parts of the operating cycle such as the times when the tool is switched off and when it is running idle in addition to the trigger time).

**Declarations of Conformity****For European countries only**

The Declarations of conformity are included in Annex A to this instruction manual.

**Descriptif**

1	Index	12	Pour monter	21	Flasque intérieur
2	Butée	13	Plan médian de l'épaisseur de la lame	22	Vis de serrage
3	Vis de réglage	14	Plaque frontale	23	Blocage de l'arbre
4	Crampon de caoutchouc	15	Secteur gradué	24	Sac à poussière
5	Levier de verrouillage	16	Couvercle de lame	25	Barrette de fermeture
6	Guide d'angle	17	Plaque de surépaisseur	26	Buse
7	Bouton	18	Epaississeur de la plaque de surépaisseur	27	Orifice de sortie
8	Echelle graduée	19	Flasque extérieur	28	Orifice d'entrée
9	Serrer	20	Lame de tourillonneuse	29	Interrupteur à glissière
10	Desserrer				
11	Pour descendre				

**SPÉCIFICATIONS**

GEB020-4

**Modèle** **PJ7000**

Type de lame ..... Tourillonneuse  
 Profondeur de rainurage max.

Lame de tourillonneuse ..... 20 mm  
 Vitesse à vide (min<sup>-1</sup>) ..... 11 000  
 Longueur totale ..... 302 mm  
 Poids net ..... 2,5 kg  
 Classe de sûreté .....  // I

- Étant donné l'évolution constante de notre programme de recherche et de développement, les spécifications contenues dans ce manuel sont sujettes à modification sans préavis.
- Les spécifications peuvent varier suivant les pays.
- Poids selon la procédure EPTA 01/2003

ENE013-1

**Utilisations**

L'outil est conçu pour la coupe de fentes incurvées pour la pose de chevilles de bois plates ou de lamelles, en plongée.

ENF002-2

**Alimentation**

L'outil ne devra être raccordé qu'à une alimentation de la même tension que celle qui figure sur la plaque signalétique, et il ne pourra fonctionner que sur un courant secteur monophasé. Réalisé avec une double isolation, il peut de ce fait être alimenté sans mise à la terre.

GEA010-1

**Consignes de sécurité générales pour outils électriques**

**⚠ MISE EN GARDE** Veuillez lire toutes les mises en garde et toutes les instructions. Il y a risque de choc électrique, d'incendie et/ou de blessure grave si les mises en garde et les instructions ne sont pas respectées.

**Conservez toutes les mises en garde et instructions pour référence ultérieure.**

**CONSIGNES DE SÉCURITÉ POUR LA TOURILLONNEUSE**

1. **Les lames utilisées doivent être conçues pour être utilisées au moins à la vitesse indiquée sur l'outil.** La lame, si elle tourne à une vitesse supérieure à la vitesse nominale, risquera de voler en éclats et de causer des blessures.
2. **Servez-vous toujours du carter de protection.** Le carter de protection protège l'utilisateur contre les éclats de lame cassée et permet d'éviter le contact accidentel avec la lame.
3. **Tenez l'outil électrique par ses surfaces de prise isolées, car la lame pourrait toucher son propre cordon.** Couper un câble sous tension risque de mettre à découvert les pièces métalliques de l'outil électrique et pourrait électrocuter l'utilisateur.
4. **Utilisez uniquement les lames spécifiées pour cet outil.**
5. **N'utilisez jamais l'outil sans que le couvercle de lame n'ait été refermé au préalable, et solidement verrouillé dans cette position.**
6. **Avant la mise en route, assurez-vous que la lame coulisse librement et sans entrave dans son logement.**
7. **Avant de l'utiliser, vérifiez soigneusement l'intégrité de la lame.** Toutes lames voilées, ébréchées ou fendue doit être remplacée immédiatement.
8. **Assurez-vous lors du montage que l'épaulement du flasque intérieur est compatible avec l'alésage de la lame que vous installez.**
9. **Faites un examen préalable des pièces de bois sur lesquelles vous allez travailler : retirez-en les clous et les vis qui pourraient s'y trouver.**
10. **Placez toujours les pièces sur un établi stable.**
11. **Immobilisez soigneusement les pièces (serre-joints, valet ou étai).**
12. **NE portez JAMAIS de gants au cours de l'utilisation.**
13. **Maintenez fermement l'outil des deux mains.**
14. **Prenez soin de n'approcher ni les mains ni aucune partie de votre corps de la zone de rainurage.**
15. **Il est recommandé de laisser l'outil tourner à vide durant quelques instants afin de déceler un balourd ou des vibrations qui proviendraient d'un mauvais montage de la lame.**
16. **N'amenez jamais vos mains sous la pièce travaillée lorsque la lame tourne.**

17. Ne laissez pas l'outil fonctionner sans surveillance.
18. Pour tout réglage comme pour changer la lame, l'outil doit être mis à l'arrêt et débranché.
19. Certains matériaux contiennent des produits chimiques qui peuvent être toxiques. Prenez les précautions nécessaires pour ne pas inhaler les poussières qu'ils dégagent et pour éviter tout contact avec la peau. Conformez-vous aux consignes de sécurité du fabricant.
20. N'utilisez pas les lames émoussées ou endommagées.
21. N'utilisez pas l'outil si ses protecteurs sont endommagés.

### ⚠ AVERTISSEMENT :

NE vous laissez PAS tromper (au fil d'une utilisation répétée) par un sentiment d'aisance et de familiarité avec le produit, en négligeant le respect rigoureux des consignes de sécurité qui accompagnent le produit en question. La MAUVAISE UTILISATION de l'outil ou l'ignorance des consignes de sécurité indiquées dans ce manuel d'instructions peut entraîner une blessure grave.

## CONSERVEZ CES INSTRUCTIONS.

## DESCRIPTION DU FONCTIONNEMENT

### ⚠ ATTENTION :

- Assurez-vous toujours que l'outil est hors tension et débranché avant de l'ajuster ou de vérifier son fonctionnement.

### Réglage de la profondeur de la rainure (Fig. 1)

Il est possible de pré-régler 6 profondeurs de rainurage suivant la taille de lamelle à utiliser.

Le tableau ci-dessous vous précise la correspondance entre le type de lamelle, la profondeur de rainurage et le repère correspondant. Il est possible d'affiner le réglage en jouant sur l'écrou hexagonal. Cela peut être nécessaire après avoir réaffûté la lame à quelques reprises.

Marquage sur la butée	0	10	20	S	D	MAX.
Type de lamelle	0	10	20	—	—	—
Profondeur de la rainure	8 mm	10 mm	12,3 mm	13 mm	14,7 mm	20 mm*

\* Lorsque les crampons de caoutchouc sont retirés.

012681

### Guide d'angle (Fig. 2 et 3)

Vous pouvez déplacer la hauteur du guide d'angle vers le haut et le bas pour ajuster la position de la lame par rapport à la face supérieure de la pièce à travailler.

Pour ajuster la hauteur du guide d'angle, desserrez le levier de verrouillage et tournez le bouton jusqu'à ce que l'index pointe sur la graduation de l'échelle graduée désirée sur le guide d'angle.

Serrez ensuite le levier de verrouillage pour immobiliser le guide d'angle.

L'échelle graduée du guide d'angle indique la distance entre la face supérieure de la pièce et le plan médian de l'épaisseur de lame.

Le guide d'angle peut être retiré de la plaque frontale selon les besoins de la tâche. Pour retirer le guide d'angle, desserrez le levier de verrouillage et tournez le bouton dans le sens horaire jusqu'à ce qu'il sorte de l'extrémité supérieure de la plaque frontale.

### Plaque frontale (Fig. 4 et 5)

#### NOTE :

- Retirez le guide d'angle selon les besoins de la tâche lorsque vous utilisez l'outil avec l'angle de la plaque frontale ajusté à un autre repère que 0°. Si vous devez utiliser le guide d'angle dans les conditions ci-dessus, veillez à ajuster la profondeur de la rainure pour obtenir une profondeur adéquate.

Son angle est réglable de 0° à 90° (avec calage sur les valeurs 0°, 45° et 90°). Pour effectuer le réglage de l'angle, commencez par desserrer le levier de verrouillage, puis basculez la plaque frontale jusqu'à la valeur d'angle désirée. Resserrez ensuite le levier de verrouillage. Lorsque la plaque frontale est complètement abaissée (90°), la distance qui sépare la plaque frontale et le bas du couvercle de lame du plan de la lame (à sa demi-épaisseur) est de 10 mm.

### Plaque de surépaisseur (Fig. 6 et 7)

Utilisez la plaque surépaisseur comme indiqué dans Fig. 6 et 7 si vous devez entailler des pièces de faible épaisseur.

### Interrupteur (Fig. 8)

#### ⚠ ATTENTION :

- Avant de brancher l'outil, assurez-vous toujours que l'interrupteur à glissière fonctionne correctement et revient en position "OFF" (arrêt) lorsque la partie arrière de l'interrupteur à glissière est enfoncée.
- L'interrupteur peut être verrouillé sur la position "ON" (marche) pour améliorer le confort de l'utilisateur pendant une utilisation prolongée. Soyez prudent lorsque vous verrouillez l'outil sur la position "ON" (marche) et tenez-le fermement.

Pour mettre l'outil en marche, faites glisser l'interrupteur à glissière vers la position "I (ON)" (marche). Pour une utilisation continue, appuyez sur la partie avant de l'interrupteur à glissière pour le verrouiller. Pour arrêter l'outil, appuyez sur la partie arrière de l'interrupteur à glissière, puis faites-le glisser vers la position "O (OFF)" (arrêt).

## ASSEMBLAGE

### ⚠ ATTENTION :

- Avant d'effectuer toute intervention sur l'outil, assurez-vous toujours qu'il est hors tension et débranché.

### Pose et dépose de la lame (Fig. 9)

#### ⚠ ATTENTION :

- Pour installer la lame de tourillonuse, montez le flasque intérieur en orientant sa face marquée "22" vers vous.

Pour enlever la lame, commencez par ouvrir le couvercle en desserrant sa vis de fermeture, puis poussez le blocage de l'arbre et desserrez le flasque extérieur au moyen de la clé à contre-écrou. Pour installer la lame, commencez par mettre en place le flasque intérieur. Placez ensuite la lame, puis le flasque extérieur. Serrez ce dernier énergiquement au moyen de la clé à contre-écrou. Rabattez le couvercle de lame et bloquez-le en serrant sa vis.

#### ⚠ ATTENTION :

- Pour poser ou retirer la lame, utilisez uniquement la clé à contre-écrou Makita fournie.
- Après avoir remplacé la lame, vérifiez toujours la profondeur de la rainure. Si nécessaire, réajustez-la.

### Sac à poussières (Fig. 10)

Pour fixer le sac à poussières, insérez-le dans le raccord à poussières. Si le sac à poussières nuit à l'exécution de votre travail, tournez le raccord à poussières pour changer la position du sac.

Lorsque le sac à poussières est à moitié plein, coupez le contact et débranchez l'outil. Retirez le sac à poussières de l'outil et ouvrez la fermeture à glissière du sac. Videz le sac en tapant légèrement dessus pour retirer le plus de poussières possible.

#### NOTE :

- Vous pouvez effectuer un travail plus efficace et plus propre en raccordant un aspirateur Makita à votre tourillonuse.

## UTILISATION

### Comment réaliser des assemblages

#### ⚠ AVERTISSEMENT :

- Fixez toujours la pièce sur l'établi avant chaque opération. (Fig. 11 et 12)

#### Assemblage d'angle à plat (Fig. 13, 14 et 15)

#### Assemblage en T (Fig. 16, 17 et 18)

#### Assemblage à onglet (Fig. 19 et 20)

#### Assemblage de cadre (Fig. 21 et 22)

#### Assemblage de panneaux (Fig. 23 et 24)

Pour réaliser des assemblages, procédez comme suit :

1. Présentez les deux pièces dans la position qui sera la leur une fois l'assemblage réalisé.

2. Faites une marque à l'emplacement du milieu de la rainure à réaliser.

#### NOTE :

- Le centre d'une rainure doit être au moins à 50 mm du bord extérieur des pièces.
- Laissez 100 mm – 150 mm entre chaque rainure dans un assemblage comportant une suite de lamelles.

#### 3. Pour assemblage d'angle à plat, en T uniquement

Fixez la pièce verticale sur l'établi

##### Pour assemblage à onglet uniquement

Fixez une pièce sur l'établi avec le bord en onglet orienté vers le haut.

##### Pour assemblage de cadre et panneaux uniquement

Fixez sur l'établi l'une quelconque des deux pièces.

4. Réglez la profondeur de la rainure suivant la taille de lamelle à utiliser. Référez-vous au tableau de la section "Réglage de la profondeur de la rainure".

5. Ajustez la hauteur de guide d'angle de façon à ce que la lame soit centrée dans l'épaisseur de la planche.

6. Alignez l'outil faite sur la pièce avec la ligne axiale du guide d'angle.

7. Mettez la machine sous tension et poussez-la doucement vers l'avant pour faire pénétrer la lame.

8. Ramener doucement l'outil à la position de départ après que la vis de réglage ait atteint la butée.

#### 9. Pour assemblage d'angle à plat, en T uniquement

Fixez maintenant la pièce horizontale sur l'établi.

##### Pour assemblage à onglet uniquement

Fixez l'autre pièce sur l'établi avec le bord en onglet orienté vers le haut.

##### Pour assemblage de cadre et panneaux uniquement

Fixez l'autre pièce sur l'établi.

#### 10. Pour assemblage d'angle à plat uniquement

Placez l'outil sur la pièce de façon à ce que la lame soit tournée vers le bas.

##### Pour assemblage en T uniquement

Enlevez le guide d'angle de l'outil. Placez l'outil sur la pièce de façon à ce que la lame soit tournée vers le bas.

11. Répétez les étapes 6 – 8 pour creuser une rainure dans la pièce horizontale ou dans l'autre pièce.

Si vous n'avez pas besoin de centrer la lame dans l'épaisseur de la planche, procédez comme suit :

#### Pour assemblages à plat, à l'angle et en T uniquement

- Enlevez le guide d'angle de la machine. Réglez la plaque frontale à 90° ou 45° selon le type d'assemblage concerné.
- Suivez les étapes 1 – 11 sauf les étapes 5 et 10 décrites ci-dessus.

#### Pour assemblage en T uniquement

- Présentez les deux pièces dans la position qui sera la leur une fois l'assemblage réalisé.
- Disposez la pièce verticale sur la pièce horizontale. Fixez les deux pièces à l'établi.
- Enlevez le guide d'angle de l'outil.
- Suivez les étapes 2, 4, 6, 7, 8 et 11 décrites ci-dessus.

## ENTRETIEN

### ⚠ ATTENTION :

- Assurez-vous toujours que l'outil est hors tension et débranché avant d'y effectuer tout travail d'inspection ou d'entretien.
- N'utilisez jamais d'essence, benzine, diluant, alcool ou autre produit similaire. Cela risquerait de provoquer la décoloration, la déformation ou la fissuration de l'outil.

L'outil et ses orifices d'aération doivent être conservés propres. Nettoyez régulièrement les orifices d'aération de l'outil ou dès qu'ils sont obstrués. (Fig. 25)

Pour maintenir la SÉCURITÉ et la FIABILITÉ du produit, les réparations, l'inspection et le remplacement des charbons, et tout autre travail d'entretien ou de réglage doivent être effectués dans un centre de service Makita agréé, exclusivement avec des pièces de rechange Makita.

## ACCESSOIRES EN OPTION

### ⚠ ATTENTION :

- Ces accessoires ou pièces complémentaires sont recommandés pour l'utilisation avec l'outil Makita spécifié dans ce mode d'emploi. L'utilisation de tout autre accessoire ou pièce peut comporter un risque de blessure. N'utilisez les accessoires ou pièces qu'aux fins mentionnées dans le présent mode d'emploi.

Si vous désirez obtenir plus de détails concernant ces accessoires, veuillez contacter le centre de service après-vente Makita le plus près.

- Guide d'angle
- Sac à poussières
- Plaque de surépaisseur 4
- Clé à contre-écrou 20
- Lames de tourillonseuse

### NOTE :

- Il se peut que certains éléments de la liste soient compris dans l'emballage de l'outil en tant qu'accessoires standard. Ils peuvent varier d'un pays à l'autre.

ENG905-1

## Bruit

Niveau de bruit pondéré A typique, déterminé selon EN60745 :

- Niveau de pression sonore ( $L_{pA}$ ) : 86 dB (A)
- Niveau de puissance sonore ( $L_{WA}$ ) : 97 dB (A)
- Incertitude (K) : 3 dB (A)

### Porter des protecteurs anti-bruit

## Vibrations

Valeur totale de vibrations (somme de vecteur triaxial) déterminée selon EN60745 :

Mode de travail : rainurage dans le MDF

Émission de vibrations ( $a_{h1}$ ) : 2,5 m/s<sup>2</sup> ou moins

Incertitude (K) : 1,5 m/s<sup>2</sup>

ENG901-1

- La valeur d'émission de vibrations déclarée a été mesurée conformément à la méthode de test standard et peut être utilisée pour comparer les outils entre eux.
- La valeur d'émission de vibrations déclarée peut aussi être utilisée pour l'évaluation préliminaire de l'exposition.

### ⚠ AVERTISSEMENT :

- L'émission de vibrations lors de l'usage réel de l'outil électrique peut être différente de la valeur d'émission déclarée, suivant la façon dont l'outil est utilisé.
- Les mesures de sécurité à prendre pour protéger l'utilisateur doivent être basées sur une estimation de l'exposition dans des conditions réelles d'utilisation (en tenant compte de toutes les composantes du cycle d'utilisation, comme par exemple le moment de sa mise hors tension, lorsqu'il tourne à vide et le moment de son déclenchement).

## Déclarations de conformité

### Pour les pays européens uniquement

Les déclarations de conformité sont fournies en Annexe A à ce mode d'emploi.

**Übersicht**

1 Markierungspfeil	11 Ab	21 Spannflansch
2 Revolvertiefenanschlag	12 Auf	22 Klemmschraube
3 Einstellschraube	13 Fräsmittellinie	23 Spindelarretierung
4 Gummidorn	14 Schwenkansschlag	24 Staubsack
5 Spannhebel	15 Winkelskala	25 Verschlusschiene
6 Winkelschlag	16 Grundplatte (schwenkbar)	26 Absaugstutzen
7 Knopf	17 Vorsteckplatte	27 Auslassöffnung
8 Skala	18 Stärke der Vorsteckplatte	28 Einlassöffnung
9 Anziehen	19 Flanschmutter	29 Schiebeschalte
10 Lösen	20 Nutfräsenmesser	

**TECHNISCHE DATEN**

GEB020-4

<b>Modell</b>	<b>PJ7000</b>
Messertyp.....	Nutfräse
Max. Nuttiefe	
Nutfräsenmesser .....	20 mm
Leerlaufdrehzahl (min <sup>-1</sup> ) .....	11 000
Gesamtlänge .....	302 mm
Gewicht .....	2,5 kg
Sicherheitsklasse .....	□ /II

- Wir behalten uns vor, Änderungen im Zuge der Entwicklung und des technischen Fortschritts ohne vorherige Ankündigung vorzunehmen.
- Die technischen Daten können von Land zu Land abweichen.
- Gewicht nach EPTA-Verfahren 01/2003

ENE013-1

**Vorgesehene Verwendung**

Diese Maschine dient zum Fräsen halbmondförmiger Nuten durch Eintauchschnitt für das Einsetzen von Holzverbindern.

ENF002-2

**Stromversorgung**

Die Maschine darf nur an die auf dem Typenschild angegebene Spannung angeschlossen werden und arbeitet nur mit Einphasen-Wechselspannung. Sie ist doppelt schutzisoliert und kann daher auch an Steckdosen ohne Erdanschluss betrieben werden.

GEA010-1

**Allgemeine Sicherheitswarnungen für Elektrowerkzeuge**

**⚠️ WARNUNG Lesen Sie alle Sicherheitswarnungen und Anweisungen durch.** Eine Missachtung der unten aufgeführten Warnungen und Anweisungen kann zu einem elektrischen Schlag, Brand und/oder schweren Verletzungen führen.

**Bewahren Sie alle Warnungen und Anweisungen für spätere Bezugnahme auf.**

**NUTFRÄSE-SICHERHEITSWARNUNGEN**

1. **Die Messer müssen mindestens für die an der Maschine empfohlene Drehzahl zugelassen sein.** Bei einer Überschreitung der Nenndrehzahl können die Schneidblätter herausgeschleudert werden und Verletzungen verursachen.
2. **Verwenden Sie stets die Schutzhaube.** Die Schutzhaube schützt den Benutzer vor herausgeschleuderten Schneidblattbruchstücken und unbeabsichtigtem Kontakt mit dem Schneidblatt.
3. **Halten Sie das Elektrowerkzeug an den isolierten Griffflächen, weil die Gefahr besteht, dass das Messer in das eigene Kabel schneidet.** Bei Kontakt mit einem Strom führenden Kabel können die freiliegenden Metallteile des Elektrowerkzeugs ebenfalls Strom führend werden, so dass der Benutzer einen elektrischen Schlag erleiden kann.
4. **Für diese Maschinen nur die von Makita freigegebenen Kreissägeblätter bzw. Nutfräser verwenden.**
5. **Die Nutfräse nicht verwenden, wenn das Schneidwerkzeug arretiert ist oder sich die schwenkbare Grundplatte nicht in der ordnungsgemäßen Position befindet.**
6. **Vor der Arbeit prüfen, ob sich das Schneidwerkzeug leichtgängig von Hand drehen läßt.**
7. **Das Schneidwerkzeug vor der Arbeit auf Risse oder Beschädigung untersuchen. Defekte Schneidblätter sofort ersetzen.**
8. **Beim Einbau des Schneidwerkzeugs achten Sie auf Übereinstimmung von Flanschbohrung und Befestigungsbohrung.**
9. **Entfernen Sie vor Arbeitsbeginn sämtliche Fremdstoffe wie Schrauben/Nägel etc. von Ihrem Arbeitsplatz.**
10. **Die zu bearbeitenden Werkstücke grundsätzlich auf eine stabile Werkbank legen.**
11. **Sichern Sie die Werkstücke gut mit einer Schraubzwinde oder in einem Schraubstock.**
12. **Tragen Sie bei der Arbeit KEINE Handschuhe.**
13. **Halten Sie die Nutfräse mit beiden Händen fest.**
14. **Halten Sie Hände und Körper vom Nutfräsereich fern.**

15. Vor dem Bearbeitungsvorgang muss der einwandfreie Lauf des Schneidwerkzeugs überprüft werden. Dazu schalten Sie die Maschine ein und achten auf eventuelle Vibrationen oder Taumelbewegungen des Schneidwerkzeugs. Ursachen dafür können falsche Schneidwerkzeugmontage oder Unwucht des Schneidwerkzeugs sein.
16. Bei rotierendem Schneidwerkzeug auf keinen Fall mit den Händen unter die Werkstücke fassen.
17. Die Maschine nicht unbeaufsichtigt laufen lassen.
18. Vergewissern Sie sich vor Einstellungen oder vor dem Auswechseln des Schneidwerkzeugs, dass die Nutfräse abgeschaltet und der Netzstecker gezogen ist.
19. Manche Materialien können giftige Chemikalien enthalten. Treffen Sie Vorsichtsmaßnahmen, um das Einatmen von Arbeitsstaub und Hautkontakt zu verhindern. Befolgen Sie die Sicherheitsdaten des Materialherstellers.
20. Verwenden Sie keine stumpfen oder beschädigten Schneidblätter.
21. Benutzen Sie die Maschine nicht mit beschädigten Schutzvorrichtungen.

**BEWAHREN SIE DIESE HINWEISE SORGFÄLTIG AUF.**

**⚠️ WARNUNG:**  
Lassen Sie sich NICHT durch Bequemlichkeit oder Vertrautheit mit dem Produkt (durch wiederholten Gebrauch erworben) von der strikten Einhaltung der Sicherheitsregeln für das vorliegende Produkt abhalten. MISSBRAUCH oder Missachtung der Sicherheitsvorschriften in dieser Anleitung können schwere Verletzungen verursachen.

**FUNKTIONSBESCHREIBUNG**

**⚠️ VORSICHT:**

- Vergewissern Sie sich vor jeder Einstellung oder Funktionsprüfung der Maschine stets, dass sie ausgeschaltet und vom Stromnetz getrennt ist.

**Einstellen der Nuttiefe (Abb. 1)**

Sechs Nuttiefen können entsprechend der Größe des zu verwendenden Holzverbinders. Die nachstehende Tabelle zeigt, welche Markierung bei welcher Holzverbindergröße und welche gewünschte Frästiefe eingestellt werden muss. Eine Feineinstellung der gewünschten Nuttiefe ist durch Drehen der Einstellschraube nach dem Lösen der Sechskantmutter möglich. Dies kann notwendig werden, wenn das Schneidblatt einige Male nachgeschärft worden ist.

Markierung	0	10	20	S	D	MAX.
Größe des Holzverbinders	0	10	20	—	—	—
Nuttiefe	8 mm	10 mm	12,3 mm	13 mm	14,7 mm	20 mm*

\* Mit entfernten Gummidornen.

012681

**Winkelanschlag (Abb. 2 u. 3)**

Die Höhe der Winkelführung kann verstellt werden, um die Position des Messers in Bezug auf die Werkstückoberseite einzustellen.

Zum Einstellen der Winkelanschlaghöhe den Spannhebel durch Absenken lösen und den Knopf drehen, bis der Zeiger auf den gewünschten Skalenstrich am Winkelanschlag zeigt.

Dann den Verriegelungshebel durch Anheben festziehen, um die Winkelführung zu sichern. Die Skala zeigt das Maß zwischen Winkelanschlag und Mitte des Schneidwerkzeugs.

Die Winkelführung kann je nach den Arbeitsanforderungen vom Anschlag abgenommen werden. Zum Entfernen der Winkelführung den Verriegelungshebel lösen, und den Knopf im Uhrzeigersinn drehen, bis er aus dem oberen Ende des Anschlags herauskommt.

**Schwenkanschlag (Abb. 4 u. 5)**

**HINWEIS:**

- Entfernen Sie die Winkelführung je nach Ihren Arbeitsanforderungen, wenn Sie die Maschine mit einer anderen Winkeleinstellung des Anschlags als 0° benutzen. Wenn Sie die Winkelführung unter der obigen Bedingung benutzen müssen, stellen Sie die Nuttiefe auf einen geeigneten Wert ein.

Der Schwenkanschlag kann zwischen 0° und 90° (Rastung bei 0°, 45° und 90°) eingestellt werden. Zur Einstellung des Winkels den Spannhebel lösen und den Schwenkanschlag kippen, bis der Markierungspfeil mit dem gewünschten Winkel auf der Winkelskala übereinstimmt. Dann den Spannhebel festziehen, um den Schwenkanschlag zu sichern. In der 90°-Stellung des Anschlags beträgt der Abstand von der Mitte der Sägeblattdicke zum Anschlag und der Abstand von der Mitte der Sägeblattdicke zur Unterseite der Sägeblattabdeckung jeweils 10 mm.

**Vorsteckplatte (Abb. 6 u. 7)**

Die Vorsteckplatte gemäß der Darstellung in **Abb. 6 u. 7** beim Schneiden von Langlöchern in dünnen Werkstücken verwenden.

## Schalterfunktion (Abb. 8)

### ⚠ VORSICHT:

- Vergewissern Sie sich vor dem Anschließen der Maschine stets, dass der Schiebeschalter ordnungsgemäß funktioniert und beim Drücken der Rückseite in die Stellung "OFF" (AUS) zurückkehrt.
- Der Schalter kann zur Arbeitserleichterung bei längerem Einsatz in der "ON" (EIN)-Stellung verriegelt werden. Lassen Sie Vorsicht walten, wenn Sie den Schalter in der "ON" (EIN)-Stellung verriegeln, und halten Sie die Maschine mit festem Griff.

Zum Einschalten der Maschine den Schalter auf die Position "I (ON)" (ein) schieben. Für Dauerbetrieb den Schalter durch Drücken seiner Vorderseite einrasten.

Zum Ausschalten der Maschine die Rückseite des Schiebeschalters drücken, und dann den Schalter auf die Stellung "O (OFF)" (aus) schieben.

## MONTAGE

### ⚠ VORSICHT:

- Vergewissern Sie sich vor der Ausführung von Arbeiten an der Maschine stets, dass sie ausgeschaltet und vom Stromnetz getrennt ist.

## Schneidwerkzeug aus- und einbauen (Abb. 9)

### ⚠ VORSICHT:

- Beim Einbau des Nutfräsers den Spannflansch so montieren, dass die mit "22" markierte Seite zu Ihnen zeigt.

Zum Ausbauen des Schneidwerkzeugs die Klemmschraube lösen und die schwenkbare Grundplatte öffnen. Die Spindelarterretierung drücken und die Flanschmutter mit dem Stirnlochschlüssel lösen. Zum Einsetzen des Schneidwerkzeugs zuerst den Spannflansch anbringen.

Anschließend das Schneidwerkzeug sowie die Flanschmutter montieren und mit dem Stirnlochschlüssel gut festziehen. Schließen Sie die schwenkbare Grundplatte und sichern Sie diese durch Festziehen der Klemmschraube.

### ⚠ VORSICHT:

- Verwenden Sie nur den mitgelieferten Makita-Sicherungsmutterschlüssel zum Montieren und Demontieren des Schneidblatts.
- Überprüfen Sie nach dem Auswechseln des Messers stets die Nuttiefe, und nehmen Sie nötigenfalls eine Neueinstellung vor.

## Staubsaack (Abb. 10)

Zum Anbringen wird der Staubsaack auf den Absaugstutzen geschoben. Falls der Staubsaack bei der Arbeit hinderlich wird, die Position des Staubsaacks durch Drehen des Absaugstutzens ändern.

Wenn der Staubsaack etwa halb voll ist, die Maschine ausschalten und vom Stromnetz trennen. Den Staubsaack von der Maschine abnehmen, und den Verschluss des Staubsaacks herausziehen. Den Staubsaack durch leichtes Klopfen entleeren, um möglichst viel Staub zu entfernen.

## HINWEIS:

- Wenn Sie einen Makita-Staubsauger an Ihre Nutfräse anschließen, können Sie noch effizienter und sauberer arbeiten.

## BETRIEB

## Herstellung von Holzverbindungen

### ⚠ WARNUNG:

- Klemmen Sie das Werkstück vor jeder Arbeit stets an der Werkbank fest. (Abb. 11 u. 12)

### Eckverbindung (Abb. 13, 14 u. 15)

### Mittelwandverbindung (Abb. 16, 17 u. 18)

### Gehrungsverbindung (Abb. 19 u. 20)

### Rahmenverbindung (Abb. 21 u. 22)

### Längs- und Querverbindung (Abb. 23 u. 24)

Zur Herstellung von Holzverbindungen gehen Sie folgendermaßen vor:

1. Die beiden Werkstücke probeweise zusammenpassen.
2. Die Mitte der gewünschten Fräsnuten mit einem Bleistift am Werkstück anzeichnen.

## HINWEIS:

- Die Nutmitte muss mindestens 50 mm von der Werkstückaußenkante verlaufen.
- Bei mehreren Holzverbindungen 100 mm – 150 mm Nutabstand halten.

### 3. Nur bei Eckverbindung und Mittelwandverbindung

Das senkrechte Werkstück an der Werkbank festklemmen.

### Nur bei Gehrungsverbindungen

Ein Werkstück mit der angekehrten Kante nach oben auf die Werkbank spannen.

### Nur bei Rahmenverbindungen und Längs- und Querverbindungen

Ein Werkstück an der Werkbank festklemmen.

4. Stellen Sie die Nuttiefe entsprechend der Größe des zu verwendenden Flachdübels ein. Siehe die Tabelle im Abschnitt "Einstellen der Nuttiefe".
5. Den Winkelanschlag auf Schneidwerkzeug- und Werkstückmitte einstellen.
6. Die Mittelmarkierung an der Grundplatte auf den Bleistiftstrich des Werkstücks ausrichten.
7. Das Gerät einschalten und mit mäßigem Vorschub das Schneidwerkzeug in das Werkstück eintauchen.
8. Nach Erreichen der voreingestellten Frästiefe das Gerät vorsichtig wieder in die Ausgangsposition zurückfahren.
9. Nur bei Eckverbindung und Mittelwandverbindung  
Das waagerechte Werkstück an der Werkbank festklemmen.  
Nur bei Gehrungsverbindung  
Das andere Werkstück mit der angekehrten Kante nach oben auf die Werkbank spannen.  
Nur bei Rahmenverbindung und Längs- und Querverbindung  
Ein Werkstück an der Werkbank festklemmen.
10. Nur bei Eckverbindung  
Die Nutfräse so am Werkstück ansetzen, dass das Schneidwerkzeug nach unten weist.  
Nur bei Mittelwandverbindung  
Den Winkelanschlag von der Nutfräse abbauen. Die Nutfräse so am Werkstück ansetzen, dass das Schneidwerkzeug nach unten weist.



11. Wiederholen Sie die Schritte 6 – 8, um Nuten horizontal oder in ein anderes Werkstück zu fräsen.

Wenn das Schneidwerkzeug nicht auf die Werkstückmitte eingestellt werden soll, gehen Sie wie folgt vor:

**Nur bei Eckverbindung, Gehrungsverbindung, Rahmenverbindung und Längs- und Querverbindung**

- Den Winkelanschlag von der Nutfräse abbauen. Den Schwenkansschlag auf 90° bei Eckverbindung, Rahmenverbindung und Längs- und Querverbindung bzw. auf 45° bei Gehrungsverbindung einstellen.
- Die Schritte 1 – 11 mit Ausnahme der Schritte 5 und 10 ausführen.

**Nur bei Mittelwandverbindung**

- Die beiden Werkstücke probeweise zusammenpassen.
- Das senkrechte Werkstück auf das waagerechte Werkstück stellen. Beide Werkstücke an der Werkbank festklemmen.
- Den Winkelanschlag von der Nutfräse abbauen.
- Die Schritte 2, 4, 6, 7, 8 und 11 ausführen.

**WARTUNG**

**⚠ VORSICHT:**

- Denken Sie vor der Durchführung von Überprüfungen oder Wartungsarbeiten stets daran, die Maschine auszuschalten und vom Stromnetz zu trennen.
- Verwenden Sie auf keinen Fall Benzin, Benzol, Verdünnern, Alkohol oder dergleichen. Solche Mittel können Verfärbung, Verformung oder Rissbildung verursachen.

Halten Sie die Maschine und ihre Ventilationsöffnungen stets sauber. Reinigen Sie die Ventilationsöffnungen der Maschine regelmäßig oder im Anfangsstadium einer Verstopfung. (**Abb. 25**)

Um die SICHERHEIT und ZUVERLÄSSIGKEIT dieses Produkts aufrechtzuerhalten, sollten Reparaturen, Überprüfung und Austausch der Kohlebürsten und andere Wartungs- oder Einstellarbeiten nur von Makita-Kundendienstzentren unter ausschließlicher Verwendung von Makita-Originalersatzteilen ausgeführt werden.

**SONDERZUBEHÖR**

**⚠ VORSICHT:**

- Die folgenden Zubehörteile oder Vorrichtungen werden für den Einsatz mit der in dieser Anleitung beschriebenen Makita-Maschine empfohlen. Die Verwendung anderer Zubehörteile oder Vorrichtungen kann eine Verletzungsgefahr darstellen. Verwenden Sie Zubehörteile oder Vorrichtungen nur für ihren vorgesehenen Zweck.

Wenn Sie weitere Einzelheiten bezüglich dieser Zubehörteile benötigen, wenden Sie sich bitte an Ihre Makita-Kundendienststelle.

- Winkelanschlag
- Staubsack
- Vorsteckplatte 4
- Sicherungsmutterschlüssel 20
- Nutfräsenmesser

**HINWEIS:**

- Manche Teile in der Liste können als Standardzubehör im Werkzeugsatz enthalten sein. Sie können von Land zu Land unterschiedlich sein.

**Geräusch**

Typischer A-bewerteter Geräuschpegel ermittelt gemäß EN60745:

- Schalldruckpegel ( $L_{pA}$ ): 86 dB (A)
- Schalleistungspegel ( $L_{WA}$ ): 97 dB (A)
- Ungewissheit (K): 3 dB (A)

**Gehörschutz tragen**

ENG900-1

**Vibration**

Vibrationsgesamt看wert (Drei-Achsen-Vektorsumme) ermittelt gemäß EN60745:

- Arbeitsmodus: Nutenfräsen in MDF
- Vibrationsemission ( $a_{h1}$ ): 2,5 m/s<sup>2</sup> oder weniger
- Ungewissheit (K): 1,5 m/s<sup>2</sup>

ENG901-1

- Der angegebene Vibrationsemissionswert wurde im Einklang mit der Standardprüfmethode gemessen und kann für den Vergleich zwischen Maschinen herangezogen werden.
- Der angegebene Vibrationsemissionswert kann auch für eine Vorbewertung des Gefährdungsgrads verwendet werden.

**⚠ WARNUNG:**

- Die Vibrationsemission während der tatsächlichen Benutzung des Elektrowerkzeugs kann je nach der Benutzungsweise der Maschine vom angegebenen Emissionswert abweichen.
- Identifizieren Sie Sicherheitsmaßnahmen zum Schutz des Benutzers anhand einer Schätzung des Gefährdungsgrads unter den tatsächlichen Benutzungsbedingungen (unter Berücksichtigung aller Phasen des Arbeitszyklus, wie z. B. Ausschalt- und Leerlaufzeiten der Maschine zusätzlich zur Betriebszeit).

**Konformitätserklärungen**

**Nur für europäische Länder**

Die Konformitätserklärungen sind in Anhang A dieser Betriebsanleitung enthalten.

**Visione generale**

1 Marcatura	11 Giù	20 Lama fresatrice lamellare
2 Arresto	12 Su	21 Flangia interna
3 Vite di regolazione	13 Asse al centro della lama	22 Vite di serraggio
4 Chiodo di gomma	14 Guida	23 Blocco albero
5 Leva di blocco	15 Scala graduata	24 Sacchetto per la polvere
6 Guida angolare	16 Riparo per la lama	25 Chiusura
7 Manopola	17 Piastra di adattamento	26 Ugello per la polvere
8 Scala	18 Spessore della piastra di adattamento	27 Apertura di ventilazione
9 Per stringere	19 Controdado	28 Apertura di aspirazione
10 Per allentare		29 Interruttore di scorrimento

**DATI TECNICI**

GEB020-4

<b>Modello</b>	<b>PJ7000</b>
Tipo di lama .....	Fresatrice
Profondità di scanalatura max. Lama fresatrice lamellare .....	20 mm
Velocità a vuoto (min <sup>-1</sup> ) .....	11.000
Lunghezza totale .....	302 mm
Peso netto .....	2,5 kg
Classe di sicurezza .....	□ // I

- Per il nostro programma di ricerca e sviluppo continui, i dati tecnici sono soggetti a modifiche senza preavviso.
- I dati tecnici potrebbero differire a seconda del paese di destinazione del modello.
- Peso in base alla procedura EPTA 01/2003

ENE013-1

**Scopo prefissato**

Questo utensile è progettato per il taglio di scanalature falcate per la sistemazione di caviglie o biscotti di legno piatti con azione tuffante.

ENF002-2

**Alimentazione**

L'utensile deve essere collegato ad una presa di corrente con la stessa tensione indicata sulla targhetta del nome, e può funzionare soltanto con la corrente alternata monofase. Esso ha un doppio isolamento, per cui può essere usato con le prese di corrente sprovviste della messa a terra.

GEA010-1

**Avvertimenti generali per la sicurezza dell'utensile elettrico**

**⚠ AVVERTIMENTO Leggere tutti gli avvertimenti per la sicurezza e le istruzioni.** La mancata osservanza degli avvertimenti e delle istruzioni può causare scosse elettriche, incendio e/o gravi incidenti.

**Conservare tutti gli avvertimenti e le istruzioni per riferimenti futuri.**

**AVVERTIMENTI PER LA SICUREZZA FRESATRICE**

1. **Le lame devono avere come minimo la taratura della velocità marcata sull'utensile.** Le lame che girano oltre la velocità nominale possono volare via causando incidenti.
2. **Usare sempre la protezione.** La protezione serve a proteggere l'operatore dai frammenti delle lame rotte, e dal contatto accidentale con la lama.
3. **Tenere l'utensile elettrico per le superfici di presa isolate, perché la lama potrebbe fare contatto con il suo stesso cavo.** Il taglio di un cavo "sotto tensione" potrebbe mettere "sotto tensione" le parti metalliche esposte dell'utensile e dare una scossa elettrica all'operatore.
4. **Usare solo le lame specificate per questa macchina.**
5. **Non usare mai la macchina con la lama bloccata in posizione esposta nè senza il riparo di sicurezza per la lama fissato correttamente in posizione.**
6. **Accertarsi che la lama scorra facilmente prima di accendere la macchina.**
7. **Prima di usarla controllare attentamente se la lama presentano criccate o danneggiamenti. Sostituire immediatamente lame criccate o danneggiate.**
8. **Assicurarsi che la flangia entri nel foro dell'albero quando si inserisce la lama.**
9. **Prima della fresatura controllate se ci sono chiodi o corpi estranei sul pezzo e rimuoverli.**
10. **Disporre sempre i pezzi su un banco di lavoro sufficientemente robusto.**
11. **Fissare perfettamente i pezzi con un morsetto o una morsa.**
12. **NON portare MAI guanti durante il lavoro.**
13. **Tenere la macchina fermamente con entrambe le mani.**
14. **Tenere le mani e il corpo lontani dall'area di scanalatura.**
15. **Fare funzionare per un po' la macchina senza puntare la lama contro le persone. Osservare eventuali vibrazioni od oscillazioni che potrebbero indicare un assemblaggio imperfetto o uno scarso bilanciamento della lama.**

16. Non mettere le mani sotto i pezzi durante la rotazione della lama.
17. Non lasciare incustodita la macchina quando è in funzione.
18. Prima di regolare o sostituire la lama accertarsi sempre che sia spenta e staccata dalla presa di corrente.
19. Alcuni materiali contengono sostanze chimiche che potrebbero essere tossiche. Fare attenzione per evitarne l'inalazione o il contatto con la pelle. Osservare i dati per la sicurezza forniti dal produttore del materiale.

20. Non usare lame ottuse o danneggiate.
21. Non usare l'utensile con protezioni danneggiate.

## CONSERVARE QUESTE ISTRUZIONI.

### ⚠️ AVVERTIMENTO:

NON lasciare che comodità o la familiarità d'utilizzo con il prodotto (acquisita con l'uso ripetuto) sostituisca la stretta osservanza delle norme di sicurezza. L'utilizzo SBAGLIATO o la mancata osservanza delle norme di sicurezza di questo manuale di istruzioni potrebbero causare lesioni serie.

## DESCRIZIONE DEL FUNZIONAMENTO

### ⚠️ ATTENZIONE:

- Accertarsi sempre che l'utensile sia spento e staccato dalla presa di corrente prima di regolare o controllare le sue funzioni.

### Regolazione della profondità della scanalatura (Fig. 1)

Si possono programmare 6 profondità della scanalatura, secondo le dimensioni del biscotto da usare. Consultare la tabella riportata qui sotto per la corrispondenza fra la quota marcata sull'arresto e la dimensione dell'incastro. Per eseguire una regolazione fine della profondità della scanalatura, ruotare la vite di regolazione dopo aver allentato il dado esagonale. Ciò potrebbe essere necessario dopo che la lama è stata riaffilata alcune volte.

Quota sull'arresto	0	10	20	S	D	MAX
Dimensione incastro	0	10	20	—	—	—
Profondità della scanalatura	8 mm	10 mm	12,3 mm	13 mm	14,7 mm	20 mm*

\* Con i chiodi di gomma rimossi.

012681

### Guida angolare (Fig. 2 e 3)

L'altezza della guida angolare può essere spostata su o giù per regolare la posizione della lama rispetto alla parte superiore del pezzo.

Per regolare l'altezza della guida angolare, allentare giù la leva di blocco e ruotare la manopola finché l'indice indica la graduazione desiderata della scala sulla guida angolare.

Stringere poi su la leva di blocco per fissare la guida angolare. La scala riportata sulla guida angolare indica la distanza fra la parte superiore del pezzo e l'asse al centro della lama.

La guida angolare è rimovibile dalla guida pezzo secondo la necessità del lavoro. Per rimuovere la guida angolare, allentare la leva di blocco e girare la manopola in senso orario finché fuoriesce dalla estremità superiore della guida.

### Guida (Fig. 4 e 5)

#### NOTA:

- Rimuovere la guida angolare secondo la necessità del lavoro quando si usa l'utensile ad un angolo della guida regolato diversamente da 0°. Se è necessario usare la guida angolare nelle condizioni sopra, regolare la profondità della scanalatura per ottenere la profondità corretta.

L'angolo della guida può essere regolato fra 0° e 90° (arresti positivi in 0°, 45° e 90°). Per regolare l'angolo, allentare la leva di blocco e ribaltare la guida finché la marcatura non va a trovarsi davanti alla graduazione desiderata della scala graduata. Quindi serrare la leva di blocco per fissare la guida. Quando la guida si trova a 90°, entrambe la distanza fra l'asse al centro della lama e la guida e la distanza fra l'asse al centro della lama e la parte inferiore del coperchio della lama sono di 10 mm.

### Piastra di adattamento (Fig. 6 e 7)

Usare la piastra di adattamento come indicato nelle Fig. 6 e 7 quando si tagliano scanalature in particolari sottili.

### Funzionamento dell'interruttore (Fig. 8)

#### ⚠️ ATTENZIONE:

- Prima di collegare l'utensile alla presa di corrente, controllare sempre che l'interruttore di scorrimento funzioni normalmente e che ritorni sulla posizione "OFF" quando si schiaccia la sua parte posteriore.
- L'interruttore può essere bloccato sulla posizione "ON" per la comodità dell'operatore durante l'utilizzo prolungato. Usare cautela quando si blocca l'interruttore sulla posizione "ON", e tenere sempre saldamente l'utensile.

Per avviare l'utensile, spingere l'interruttore di scorrimento verso la posizione "I (ON)". Per il funzionamento continuo, premere la parte anteriore dell'interruttore di scorrimento per bloccarlo.

Per fermare l'utensile, premere la parte posteriore dell'interruttore di scorrimento e spingerlo poi verso la posizione "O (OFF)".

## MONTAGGIO

### ⚠ATTENZIONE:

- Accertarsi sempre che l'utensile sia spento e staccato dalla presa di corrente prima di qualsiasi intervento su di esso.

### Rimozione o inserimento della lama (Fig. 9)

#### ⚠ATTENZIONE:

- Quando si inserisce la lama fresatrice lamellare, montate la flangia interna con il lato marcato "22" rivolto verso l'operatore.

Per rimuovere la lama, allentare le vite di serraggio e aprire il riparo per la lama. Spingere il blocco del gambo e allentare il controdado usando una chiave. Per inserire la lama, montare dapprima la flangia interna.

Quindi montare la lama e il controdado. Serrare a fondo il controdado usando una chiave. Chiudere il riparo della lama e serrare le vite di serraggio per fissare il riparo.

#### ⚠ATTENZIONE:

- Per rimuovere o installare la lama, usare soltanto la chiave per controdadi Makita in dotazione.
- Controllare sempre la profondità della scanalatura dopo la sostituzione della lama. Regolarla di nuovo se necessario.

### Sacchetto per la polvere (Fig. 10)

Per attaccare il sacchetto della polvere, montarlo sull'ugello per la polvere. Se il sacchetto per la polvere ostacola il lavoro, girare l'ugello per la polvere per cambiare la posizione del sacchetto per la polvere.

Quando il sacchetto per la polvere è quasi pieno a metà, spegnere l'utensile e staccarlo dalla presa di corrente. Rimuovere il sacchetto della polvere dall'utensile e tirar fuori la chiusura del sacchetto. Vuotare il sacchetto per la polvere dandogli dei leggeri colpi in modo da rimuovere quanta più polvere possibile.

#### NOTA:

- Collegando un aspiratore alla fresatrice lamellare si possono fare operazioni più efficienti e pulite.

## FUNZIONAMENTO

### Come fare le giunzioni

#### ⚠AVVERTIMENTO:

- Fissare sempre il pezzo al banco di lavoro prima di ciascuna operazione. (Fig. 11 e 12)

#### Giunto ad angolo (Fig. 13, 14 e 15)

#### Giunto di testa a T (Fig. 16, 17 e 18)

#### Giunto ad angolo con incastro (Fig. 19 e 20)

#### Giunto per cornice (Fig. 21 e 22)

#### Giunto frontale (Fig. 23 e 24)

Per fare giunzioni, procedere nel seguente modo:

1. Accostare insieme i due pezzi così come appariranno nella posizione finale di giunto.
2. Marcare con una matita il centro delle scanalature per l'incastro previste sul pezzo.

#### NOTA:

- Il centro delle scanalature dovrebbe essere almeno a 50 mm dal bordo esterno dei pezzi.
- Nelle applicazioni con diversi incastri, lasciare 100 mm – 150 mm fra le singole scanalature.

#### 3. Solo per giunti ad angolo e giunti di testa a T

Fissare il pezzo verticale sul banco di lavoro.

##### **Solo per giunti ad angolo con incastro**

Fissare un pezzo al banco di lavoro con il bordo tagliato a quartabuono rivolto in alto.

##### **Solo per giunti per cornice e giunti frontali**

Fissare un pezzo sul banco di lavoro.

4. Regolare la profondità della scanalatura secondo le dimensioni del biscotto da usare. Vedere la tabella nella sezione "Regolazione della profondità della scanalatura".

5. Regolare l'altezza della guida angolare in modo che la lama risulti centrata rispetto all'asse.

6. Allineare la marcatura di centro riportata sulla base con la linea tracciata con la matita sul pezzo.

7. Accendere la macchina e spingere delicatamente la lama dentro il pezzo.

8. Riportare delicatamente la macchina nella sua posizione originale dopo che la vite di regolazione ha raggiunto l'arresto.

#### 9. Solo per giunti ad angolo e giunti di testa a T

Fissare il pezzo orizzontale sul banco di lavoro.

##### **Solo per giunti ad angolo con incastro**

Fissare l'altro pezzo al banco di lavoro con il bordo tagliato a quartabuono rivolto in alto.

##### **Solo per giunti per cornice e giunti frontali**

Fissare l'altro pezzo sul banco di lavoro.

#### 10. Solo per giunte ad angolo

Disporre la macchina sul pezzo in modo che la lama sia rivolta verso il basso.

##### **Solo per giunti di testa a T**

Rimuovere la guida angolare dalla macchina. Disporre la macchina sul pezzo in modo che la lama sia rivolta verso il basso.

11. Ripetere i passi 6 - 8 per scanalare orizzontalmente o l'altro pezzo.

Se non occorre centrare la lama rispetto all'asse, procedere nel seguente modo:

### **Solo per giunto ad angolo, giunti ad angolo con incastro, giunti per cornice e giunti frontali**

- Togliere la guida angolare dalla macchina. Posizionare la guida a 90° per giunti ad angolo, giunti per cornice e giunti frontali o a 45° per giunti ad angolo con incastro.
- Seguire le operazioni descritte sopra ai punti 1 – 11 ad eccezione dei punti 5 e 10.

### **Solo per giunti di testa a T**

- Mettere insieme i due pezzi così come dovranno risultare nella posizione finale di giunto.
- Appoggiare il pezzo verticale sul pezzo orizzontale. Fissare entrambi i pezzi sul banco di lavoro.
- Togliere la guida angolare dalla macchina.
- Seguire le operazioni descritte sopra ai punti 2, 4, 6, 7, 8 e 11.

## MANUTENZIONE

### ⚠ATTENZIONE:

- Accertarsi sempre che l'utensile sia spento e staccato dalla presa di corrente prima di qualsiasi intervento di ispezione o di manutenzione.
- Mai usare benzina, benzene, solventi, alcol e altre sostanze simili. Potrebbero causare scolorimenti, deformazioni o crepe.

L'utensile e le sue aperture di ventilazione devono essere mantenuti puliti. Pulire regolarmente le aperture di ventilazione od ogni volta che cominciano a essere ostruite. (Fig. 25)

Per preservare la SICUREZZA e l'AFFIDABILITÀ del prodotto, le riparazioni, l'ispezione e la sostituzione della spazzole di carbone o qualsiasi altra manutenzione e regolazione devono essere eseguite da un Centro Assistenza Makita autorizzato usando sempre ricambi Makita.

## ACCESSORI OPZIONALI

### ⚠ ATTENZIONE:

- Per l'utensile specificato in questo manuale, si consigliano questi accessori o ricambi. L'utilizzo di altri accessori o ricambi può costituire un pericolo. Usare soltanto gli accessori o ricambi specificati per il loro utilizzo.

Per maggiori dettagli e l'assistenza, rivolgersi al Centro Assistenza Makita locale.

- Guida angolare
- Sacchetto per la polvere
- Piastra di adattamento 4
- Chiave per controdadi 20
- Lame fresatrice lamellare

### NOTA:

- Alcuni articoli nella lista potrebbero essere inclusi nell'imballo dell'utensile come accessori standard. Essi potrebbero differire da Paese a Paese.

ENG905-1

## Rumore

Il tipico livello di rumore pesato A determinato secondo EN60745:

- Livello pressione sonora ( $L_{pA}$ ): 86 dB (A)
- Livello potenza sonora ( $L_{WA}$ ): 97 dB (A)
- Incertezza (K): 3 dB (A)

### Indossare i paraorecchi

ENG900-1

## Vibrazione

Il valore totale di vibrazione (somma vettore triassiale) determinato secondo EN60745:

- Modalità operativa: esecuzione di scanalature in MDF
- Emissione di vibrazione ( $a_h$ ): 2,5 m/s<sup>2</sup> o meno
- Incertezza (K): 1,5 m/s<sup>2</sup>

- Il valore di emissione delle vibrazioni dichiarato è stato misurato conformemente al metodo di test standard, e può essere usato per paragonare un utensile con un altro.
- Il valore di emissione delle vibrazioni dichiarato può anche essere usato per una valutazione preliminare dell'esposizione.

### ⚠ AVVERTIMENTO:

- L'emissione delle vibrazioni durante l'uso reale dell'utensile elettrico può differire dal valore di emissione dichiarato a seconda dei modi in cui viene usato l'utensile.
- Identificare le misure di sicurezza per la protezione dell'operatore basate sulla stima dell'esposizione nelle condizioni reali d'utilizzo (tenendo presente tutte le parti del ciclo operativo, come le volte in cui l'utensile viene spento e quando gira a vuoto, oltre al tempo di funzionamento).

## Dichiarazioni di conformità

### Solo per i paesi europei

Le Dichiarazioni di conformità sono incluse nell'Allegato A al presente manuale d'uso.

**Verklaring van algemene gegevens**

1 Wijzer	11 Omlaag	21 Binnenflens
2 Aanslag	12 Omhoog	22 Klemschroef
3 Stelschroef	13 Midden blad dikte	23 Asvergrendeling
4 Rubber dop	14 Geleideplaat	24 Stofzak
5 Vergrendelingshefboom	15 Hoekschaal	25 Klem
6 Hoekgeleider	16 Afdekkap	26 Stofmond
7 Knop	17 Stelplaat	27 Uitlaatsleuf
8 Schaalverdeling	18 Dikte stelplaat	28 Luchtinlaatsleuf
9 Vastzetten	19 Sluitmoer	29 Aan/uit-schakelaar
10 Losmaken	20 Lamellenfreesblad	

**TECHNISCHE GEGEVENS**

GEB020-4

<b>Model</b>	<b>PJ7000</b>
Type freesblad .....	Lamellen freesmachine
Maximale freesdiepte	
Lamellenfreesblad .....	20 mm
Toerental onbelast/min. (min <sup>-1</sup> ) .....	11 000
Totale lengte .....	302 mm
Netto gewicht .....	2,5 kg
Veiligheidsklasse .....	□ /II

- In verband met ononderbroken research en ontwikkeling behouden wij ons het recht voor bovenstaande technische gegevens te wijzigen zonder voorafgaande kennisgeving.
- De technische gegevens kunnen van land tot land verschillen.
- Gewicht volgens de EPTA-procedure 01/2003

ENE013-1

**Gebruiksdoeleinden**

De machine is bedoeld voor het frezen van sikkelvormige gleuven voor het plaatsen van platte, houten pluggen of lamellen door middel van insteekfrezen.

ENF002-2

**Stroomvoorziening**

Het gereedschap mag alleen worden aangesloten op een stroombron van hetzelfde voltage als aangegeven op de naamplaat, en kan alleen op enkel-fase wisselstroom worden gebruikt. Het gereedschap is dubbelgeïsoleerd en kan derhalve ook op een niet-geaard stopcontact worden aangesloten.

GEA010-1

**Algemene veiligheidswaarschuwingen voor elektrisch gereedschap**

**⚠ WAARSCHUWING!** Lees alle veiligheidsaanschuwingen en alle instructies. Het niet volgen van de waarschuwingen en instructies kan leiden tot elektrische schokken, brand en/of ernstig letsel.

**Bewaar alle waarschuwingen en instructies om in de toekomst te kunnen raadplegen.**

**VEILIGHEIDSWAARSCHUWINGEN VOOR LAMELLEN FREESMACHINE**

1. **Freesbladen moeten zijn goedgekeurd voor minimaal het aangegeven toerental van dit gereedschap.** Freesbladen die met een hoger toerental draaien dan hun nominaal toerental kunnen stuk breken en in het rond vliegen, en daarbij letsel veroorzaken.
2. **Gebruik altijd de beschermkap.** De beschermkap beschermt de gebruiker tegen afgebroken stukjes freesblad en per ongeluk aanraken van het freesblad.
3. **Houd elektrisch gereedschap vast aan de geïsoleerde handgrepen, want het risico bestaat dat het freesblad het snoer raakt.** Als een draad die onder stroom staat wordt ingesneden, komen de metalen delen van het gereedschap ook onder stroom te staan en kunt u een gevaarlijke schok krijgen.
4. **Gebruik uitsluitend voorgeschreven bladen.**
5. **Werk nooit met de machine met het blad vergrendeld in ontblote stand of zonder dat de bladafdekkap goed op haar plaats zit.**
6. **Controleer of het blad vrij ronddraait vooraleer met de machine te gaan werken.**
7. **Controleer de bladen op barsten of beschadigingen vooraleer met de machine te gaan werken. Vervang een gebarsten of beschadigd blad onmiddellijk.**
8. **Controleer of de flens goed in het asgat past bij het monteren van het blad.**
9. **Zorg dat het werkstuk vrij is van spijkers en vreemde voorwerpen vooraleer u met de machine gaat werken.**
10. **Plaats de werkstukken altijd op een stabiele werkbank.**
11. **Zet de werkstukken stevig vast met een klem of bankschroef.**
12. **Draag NOOIT handschoenen tijdens het werken met de machine.**
13. **Houd de machine stevig vast met beide handen.**
14. **Houd uw handen en andere lichaamsdelen uit de buurt van het freesgedeelte.**

15. Laat de machine enige tijd draaien zonder het blad op iemand te richten. Let op trillingen of slingering die kunnen wijzen op een slecht gemonteerd of uitgebalanceerd blad.
16. Breng de handen nooit onder het werkstuk terwijl het blad draait.
17. Laat de machine nooit onbeheerd draaien.
18. Controleer altijd of de machine is uitgeschakeld en de stekker uit het stopcontact is getrokken alvorens afstellingen uit te voeren of het blad te vervangen.
19. Sommige materialen bevatten chemische stoffen die giftig kunnen zijn. Neem de nodige voorzorgsmaatregelen tegen inademing van stof en contact met de huid. Volg de veiligheidsinstructies van de leverancier van het materiaal op.

20. Gebruik een bot of beschadigd freesblad niet meer.
21. Gebruik het gereedschap niet wanneer de beschermkappen beschadigd zijn.

## BEWAAR DEZE VOORSCHRIFTEN.

### ⚠ WAARSCHUWING:

Laat u NIET misleiden door een vals gevoel van comfort en bekendheid met het gereedschap (na veelvuldig gebruik) en neem alle veiligheidsvoorschriften van het betreffende gereedschap altijd strikt in acht. VERKEERD GEBRUIK of het niet naleven van de veiligheidsvoorschriften in deze gebruiksaanwijzing kan leiden tot ernstige verwondingen.

## BESCHRIJVING VAN DE FUNCTIES

### ⚠ LET OP:

- Controleer altijd of de machine is uitgeschakeld en zijn stekker uit het stopcontact is verwijderd alvorens de functies op de machine te controleren of af te stellen.

### Instellen van de freesdiepte (Fig. 1)

U kunt vooraf één van de zes freesdiepten instellen afhankelijk van de grootte van de lamellen die gebruikt gaan worden.

Raadpleeg de onderstaande tabel voor de overeenkomst tussen de afmetingen die zijn vermeld op de aanslag en de grootte van het verbindingstuk. Fijnafstelling van de freesdiepte kan door aan de stelschroef te draaien na het losdraaien van de zeskantmoer. Dit kan noodzakelijk zijn nadat het freesblad enkele keren is geslepen.

Maat op aanslag	0	10	20	S	D	MAX
Formaat verbindingstuk	0	10	20	—	—	—
Freesdiepte	8 mm	10 mm	12,3 mm	13 mm	14,7 mm	20 mm*

\* Met de rubber doppen verwijderd.

012681

### Hoekgeleider (Fig. 2 en 3)

De hoogte van de hoekgeleider is omhoog en omlaag verstelbaar, om de stand van het freesblad ten opzichte van de bovenkant van het werkstuk in te stellen.

Om de hoogte van de hoekgeleider in te stellen, zet u eerst de vergrendelingshefboom omlaag en draait u de knop totdat de wijzer de juiste hoek aangeeft op de schaalverdeling afgebeeld op de hoekgeleider.

Zet daarna de vergrendelingshefboom omhoog om de hoekgeleider te vergrendelen. De schaalverdeling op de hoekgeleider geeft de afstand aan van de bovenkant van het werkstuk tot het midden van de blad dikte.

De hoekgeleider kan worden verwijderd van de geleideplaat, al naar gelang de vereisten van uw werkstuk. Voor het losmaken van de hoekgeleider zet u de vergrendelingshefboom los en dan draait u de knop rechtsom totdat deze uit de bovenkant van de geleideplaat uitsteekt.

### Geleideplaat (Fig. 4 en 5)

#### OPMERKING:

- Verwijder de hoekgeleider al naar gelang de aard van uw werk, voor gebruik van het gereedschap met de hoek van de geleideplaat in een andere stand dan 0°. Wanneer u in een dergelijke stand de hoekgeleider moet gebruiken, let dan vooral goed op dat de freesdiepte juist is ingesteld.

De hoek van de geleideplaat kan worden ingesteld tussen 0° en 90° (klikstanden op 0°, 45° en 90°). Om de hoek te regelen, zet u de vergrendelingshefboom los en kantelt u de geleideplaat tot de wijzer de gewenste stand op de schaalverdeling aangeeft. Zet dan de vergrendelingshefboom vast om de geleideplaat te blokkeren. Wanneer de geleideplaat in een hoek van 90° is gezet, is zowel de afstand van het midden van de blad dikte tot de geleideplaat als de afstand van het midden van de blad dikte tot de onderkant van de zaagbladbeschermer 10 mm.

### Stelplaat (Fig. 6 en 7)

Gebruik de stelplaat zoals wordt getoond in Fig. 6 en 7 om gleuven in dunne werkstukken te maken.

### Werking van de aan/uit-schakelaar (Fig. 8)

#### ⚠ LET OP:

- Controleer altijd, voordat u het gereedschap aansluit op het elektriciteitsnet, of de aan/uit-schakelaar op de juiste manier schakelt en weer terugkeert naar de "OFF" (uit)-stand (O), wanneer op de achterkant van de aan/uit-schakelaar wordt gedrukt.
- De schakelaar kan in de "ON" (aan)-stand vergrendeld worden, hetgeen bij langdurig gebruik comfortabeler werkt. Wees extra voorzichtig wanneer u de schakelaar in de "ON" (aan)-stand vergrendelt en houd het gereedschap altijd stevig vast.

Om de machine in te schakelen, schuift u de aan/uit-schakelaar naar de "I ON" (aan)-stand. Om het gereedschap continu te laten werken, drukt u op de voorkant van de aan/uit-schakelaar om deze te vergrendelen. Om de machine uit te schakelen drukt u op de achterkant van de aan/uit-schakelaar en schuift u de knop naar de "O (OFF)" (uit)-stand.

## INEENZETTEN

### LET OP:

- Zorg altijd dat de machine is uitgeschakeld en dat zijn stekker uit het stopcontact is verwijderd alvorens enig werk aan de machine uit te voeren.

### Het blad demonteren of monteren (Fig. 9)

#### LET OP:

- Bij het monteren van het lamellen freesblad plaatst u de binnenflens met de zijde met "22" erop naar u gericht.

Om het blad te verwijderen, de klem Schroef losdraaien en de bladafdekkap openen. Druk op de asgrendel en draai de sluitmoer los met de nokkensleutel. Om het blad te monteren eerst de binnenflens aanbrengen. Monteer dan het blad en de sluitmoer. Draai de sluitmoer stevig vast met de nokkensleutel. Sluit de bladafdekkap en draai de klem Schroef vast om de bladafdekkap te vergrendelen.

#### LET OP:

- Gebruik uitsluitend de bijgeleverde Makita-sleutel bij het aanbrengen of verwijderen van het freesblad.
- Controleer na het vervangen van het freesblad altijd of de freesdiepte juist is. Stel de freesdiepte zo nodig opnieuw in.

### Stofzak (Fig. 10)

Bevestig de stofzak op de stofmond. Als de stofzak tijdens het werk in de weg zit, verdraait u de stofmond om de stand van de stofzak te veranderen.

Wanneer de stofzak ongeveer halvol is, schakel u het gereedschap uit en trek u de stekker uit het stopcontact. Haal de stofzak van het gereedschap af en trek de klem eraf. Gooi de stofzak leeg door er zacht tegen te tikken om zo veel mogelijk stof eruit te verwijderen.

### OPMERKING:

- Als u een Makita-stofzuiger aansluit op uw lamellen-freesmachine, kunt u nog efficiënter en schoner werken.

## BEDIENING

### Verbindingen maken

#### WAARSCHUWING:

- Klem vóór het werk altijd uw werkstuk stevig aan de werkbank vast. (Fig. 11 en 12)

#### Hoekverbinding (Fig. 13, 14 en 15)

#### T-verbinding (Fig. 16, 17 en 18)

#### Verstekverbinding (Fig. 19 en 20)

#### Raamverbinding (Fig. 21 en 22)

#### Langsverbinding (Fig. 23 en 24)

Om verbindingen te maken, gaat u als volgt tewerk:

1. Breng de twee werkstukken in de definitieve stand.
2. Markeer het midden van de groeven voor de verbindingstukken met een potlood.

### OPMERKING:

- Het midden van de groeven moet minstens 50 mm van de rand van het werkstuk liggen.
- Laat bij meevoudige verbindingstukken een afstand van 100 – 150 mm tussen de groeven.

#### 3. Enkel voor hoekverbinding en T-verbinding

Klem het verticale werkstuk vast op de werkbank.

##### Enkel voor verstekverbinding

Klem één werkstuk vast op de werkbank met de verstekgezaagde kant omhoog gericht.

##### Enkel voor raamverbinding en langsverbinding

Klem één werkstuk vast op de werkbank.

4. Stel de freesdiepte passend in voor het formaat van de lamellen die gebruikt gaan worden. Raadpleeg de tabel onder het kopje "Instellen van de freesdiepte".

5. Stel de hoogte van de hoekgeleider in zodat het blad in het midden van de plankdikte staat.

6. Laat de middenmarkering op de grondplaat samenvallen met de potloodlijn op het werkstuk.

7. Zet de machine aan en duw ze voorzichtig naar voren om het blad in het werkstuk te brengen.

8. Breng de machine voorzichtig weer in de originele stand wanneer de stelschroef de aanslag heeft bereikt.

#### 9. Enkel voor hoekverbinding en T-verbinding

Klem het horizontale werkstuk vast op de werkbank.

##### Enkel voor verstekverbinding

Klem het andere werkstuk vast op de werkbank met de verstekgezaagde kant omhoog gericht.

##### Enkel voor raamverbinding en langsverbinding

Klem één werkstuk vast op de werkbank.

#### 10. Enkel voor hoekverbinding

Plaats de machine op het werkstuk met het blad naar onderen gericht.

##### Enkel voor T-verbinding

Verwijder de hoekgeleider van de machine. Plaats de machine op het werkstuk met het blad naar onderen gericht.

11. Herhaal de stappen van 6 – 8 om groeven te frezen in het horizontale of het andere werkstuk.

Indien het blad niet in het midden van de plank moet worden gecentreerd, gaat u als volgt tewerk:

### Enkel voor hoekverbinding, verstekverbinding, raamverbinding en langsverbinding

- Verwijder de hoekgeleider van de machine. Stel de geleideplaat in op 90° voor hoekverbinding, raamverbinding en langsverbinding of op 45° voor verstekverbinding.

- Volg stappen 1 – 11 zoals hierboven beschreven, met uitzondering van stappen 5 en 10.

### Enkel voor T-verbinding

- Breng de twee werkstukken in de definitieve stand.
- Plaats het verticale werkstuk op het horizontale. Klem beide werkstukken op de werkbank.
- Verwijder de hoekgeleider van de machine.
- Volg de stappen 2, 4, 6, 7, 8 en 11 zoals hierboven beschreven.



## ONDERHOUD

### LET OP:

- Zorg altijd dat het gereedschap is uitgeschakeld en zijn stekker uit het stopcontact is verwijderd alvorens te beginnen met inspectie of onderhoud.
- Gebruik nooit benzine, wasbenzine, thinner, alcohol en dergelijke. Hierdoor het verkleuring, vervormingen en barsten worden veroorzaakt.

Zorg dat het gereedschap goed schoon blijft, vooral de ventilatiesleuven. Reinig de luchtsleuven regelmatig en zorg dat ze niet geblokkeerd of verstopt raken. (Fig. 25)

Om de VEILIGHEID en BETROUWBAARHEID van het gereedschap te verzekeren, dienen alle reparaties, inspectie en vervanging van koolborstels, en alle andere onderhoudswerkzaamheden of afstellingen te worden uitgevoerd door een erkend Makita servicecentrum, en dit uitsluitend met gebruik van originele Makita vervangingsonderdelen.

## OPTIONELE ACCESSOIRES

### LET OP:

- Deze accessoires of hulpstukken worden aanbevolen voor gebruik met het Makita gereedschap dat in deze gebruiksaanwijzing wordt beschreven. Het gebruik van andere accessoires of hulpstukken kan gevaar voor persoonlijke verwonding opleveren. Gebruik de accessoires of hulpstukken uitsluitend voor het gespecificeerde doel.

Went u meer informatie over deze accessoires, neem dan contact op met het dichtstbijzijnde Makita servicecentrum.

- Hoekgeleider
- Stofzak
- Stelplaat 4
- Sluitmoersleutel 20
- Lamellenfreesblad

### OPMERKING:

- Sommige van de onderdelen in deze lijst kunnen bijgeleverd zijn als standaard-accessoires. Deze accessoires kunnen per land verschillend zijn.

ENG905-1

### Geluidsniveau

De typisch, A-gewogen geluidsniveaus vastgesteld volgens EN60745:

- Geluidsdrukniveau ( $L_{pA}$ ): 86 dB (A)
- Geluidsenergie-niveau ( $L_{WA}$ ): 97 dB (A)
- Onnauwkeurigheid (K): 3 dB (A)

### Draag oorbeschermers

ENG900-1

### Trilling

De totaalwaarde van de trillingen (triaxiale vectorsom) vastgesteld volgens EN60745:

- Toepassing: Groeven frezen in MDF
- Trillingsemisatie ( $a_{h1}$ ): 2,5 m/s<sup>2</sup> of lager
- Onnauwkeurigheid (K): 1,5 m/s<sup>2</sup>

- De opgegeven trillingsemisiewaarde is gemeten volgens de standaardtestmethode en kan worden gebruikt om dit gereedschap te vergelijken met andere gereedschappen.
- De opgegeven trillingsemisiewaarde kan ook worden gebruikt voor een beoordeling vooraf van de blootstelling.

### WAARSCHUWING:

- De trillingsemisatie tijdens het gebruik van het elektrisch gereedschap in de praktijk kan verschillen van de opgegeven trillingsemisiewaarde afhankelijk van de manier waarop het gereedschap wordt gebruikt.
- Zorg ervoor dat veiligheidsmaatregelen worden getroffen ter bescherming van de operator die zijn gebaseerd op een schatting van de blootstelling onder praktijkomstandigheden (rekening houdend met alle fasen van de bedrijfscyclus, zoals de tijdsduur gedurende welke het gereedschap is uitgeschakeld en stationair draait, naast de ingeschakelde tijdsduur).

## Verklaringen van conformiteit

### Aleen voor Europese landen

De verklaringen van conformiteit zijn bijgevoegd in Bijlage A bij deze gebruiksaanwijzing.

**Explicación de los dibujos**

1 Puntero	11 Abajo	21 Plato interno
2 Tope	12 Arriba	22 Tornillo de fijación
3 Tornillo de ajuste	13 Centro del grosor de la hoja	23 Bloqueo del eje
4 Espiga de caucho	14 Escuadra	24 Bolsa de polvo
5 Palanca de bloqueo	15 Escala de ángulo	25 Fijador
6 Guía de ángulo	16 Cubierta de la hoja	26 Boquilla de polvo
7 Mando	17 Placa de ajuste	27 Abertura de salida de aire
8 Escala	18 Grosor de la placa de ajuste	28 Abertura de entrada de aire
9 Apretar	19 Tuerca de bloqueo	29 Interruptor deslizable
10 Aflojar	20 Hoja de corte de engalletadora	

**ESPECIFICACIONES**

GEB020-4

<b>Modelo</b>	<b>PJ7000</b>
Tipo de hoja de corte .....	Engalletadora
Profundidad de ranurado máxima	
Hoja de corte de engalletadora .....	20 mm
Velocidad en vacío (min <sup>-1</sup> ) .....	11.000
Longitud total .....	302 mm
Peso neto .....	2,5 kg
Clase de seguridad .....	□ /II

- Debido a un programa continuo de investigación y desarrollo, las especificaciones aquí dadas están sujetas a cambios sin previo aviso.
- Las especificaciones pueden ser diferentes de país a país.
- Peso de acuerdo con el procedimiento EPTA 01/2003

ENE013-1

**Uso previsto**

Esta herramienta ha sido prevista para hacer ranuras en forma de media luna para la colocación de lengüetas o galletas de unión de madera planas por penetración.

ENF002-2

**Alimentación**

La herramienta ha de conectarse solamente a una fuente de alimentación de la misma tensión que la indicada en la placa de características, y sólo puede funcionar con corriente alterna monofásica. El sistema de doble aislamiento de la herramienta puede, por lo tanto, usarse también en enchufes hembra sin conductor de tierra.

GEA010-1

**Advertencias de seguridad generales para herramientas eléctricas**

**⚠ ¡ADVERTENCIA!** Lea todas las advertencias de seguridad y todas las instrucciones. Si no sigue todas las advertencias e instrucciones podrá ocasionar una descarga eléctrica, un incendio y/o heridas graves.

**Guarde todas las advertencias e instrucciones para futuras referencias.**

**ADVERTENCIAS DE SEGURIDAD PARA LA ENGALLETADORA**

1. **Las hojas deberán estar especificadas para al menos la velocidad marcada en la herramienta.** Las hojas girando a una velocidad superior a la especificada podrán salir despedidas en pedazos y ocasionar heridas.
2. **Utilice siempre la guarda.** La guarda protege al operario de los fragmentos de una hoja rota y de un contacto involuntario con la hoja.
3. **Sujete la herramienta eléctrica por las superficies de asimiento aisladas, porque la hoja de corte puede entrar en contacto con el propio cable.** Si corta un cable con corriente hará que la corriente circule por las partes metálicas expuestas de la herramienta eléctrica y podrá soltar una descarga eléctrica al operario.
4. **Utilice solamente las hojas especificadas para esta herramienta.**
5. **No ponga nunca en funcionamiento la herramienta con la hoja bloqueada en la posición expuesta o sin haber fijado correctamente en su lugar la cubierta de la hoja.**
6. **Antes de poner en funcionamiento la herramienta, asegúrese de que la hoja se deslice suavemente.**
7. **Antes de poner en funcionamiento la herramienta, compruebe que no haya roturas o daños en las hojas. Reemplace las hojas inmediatamente si están agrietadas o dañadas.**
8. **Al instalar la hoja, asegúrese de que plato interior se ajuste en el orificio del eje.**
9. **Antes de poner en funcionamiento la herramienta, busque y elimine todos los clavos o materias extrañas que pueda haber en la pieza de trabajo.**
10. **Coloque siempre las piezas de trabajo sobre un banco de trabajo estable.**
11. **Fije las piezas de trabajo firmemente con una prensa de sujeción o un tornillo.**
12. **NO utilice NUNCA guantes mientras la herramienta esté funcionando.**
13. **Mantenga la herramienta firmemente con ambas manos.**
14. **Mantenga las manos y el cuerpo alejados del área de ranurado.**

15. Haga funcionar la herramienta durante un cierto tiempo sin que la hoja apunte hacia nadie. Compruebe si se produce alguna vibración u oscilación, que podría indicar una instalación deficiente o un equilibrio deficiente de la hoja.
16. Nunca ponga las manos bajo las piezas de trabajo mientras la hoja esté girando.
17. No deje la herramienta en funcionamiento sin supervisión.
18. Asegúrese siempre de que la herramienta esté desconectada y desenchufada antes de efectuar cualquier ajuste o substituir la hoja.
19. Algunos materiales contienen sustancias químicas que podrán ser tóxicas. Tenga precaución para evitar la inhalación de polvo y el contacto con la piel. Siga los datos de seguridad del abastecedor del material.

20. No utilice hojas embotadas o dañadas.
21. No utilice la herramienta con guardas dañadas.

## GUARDE ESTAS INSTRUCCIONES.

### ⚠️ ADVERTENCIA:

NO deje que la comodidad o familiaridad con el producto (a base de utilizarlo repetidamente) sustituya la estricta observancia de las normas de seguridad para el producto en cuestión. El MAL USO o el no seguir las normas de seguridad establecidas en este manual de instrucciones podrá ocasionar graves heridas personales.

## DESCRIPCIÓN DEL FUNCIONAMIENTO

### ⚠️ PRECAUCIÓN:

- Asegúrese siempre de que la herramienta esté apagada y desenchufada antes de intentar realizar cualquier tipo de ajuste o comprobación en la ella.

### Ajuste de la profundidad de la ranura (Fig. 1)

Se pueden preajustar 6 profundidades de ranurado de acuerdo con el tamaño de la galleta a utilizar. Consulte la siguiente tabla para conocer la correspondencia entre los tamaños marcados en el tope y el tamaño de la galleta. El ajuste fino de la profundidad de ranurado puede realizarse girando el tornillo de ajuste después de aflojar la tuerca hexagonal. Esto podrá ser necesario después de que la hoja haya sido reafilada unas cuantas veces.

Tamaño indicado en el tope	0	10	20	S	D	MAX
Tamaño de la galleta	0	10	20	—	—	—
Profundidad de la ranura	8 mm	10 mm	12,3 mm	13 mm	14,7 mm	20 mm*

\* Con las espigas de caucho quitadas.

012681

### Guía de ángulo (Fig. 2 y 3)

La altura de la guía de ángulo se puede mover hacia arriba y hacia abajo para ajustar la posición de la hoja de corte en relación con la parte superior de la pieza de trabajo.

Para ajustar la altura de la guía de ángulo, afloje la palanca de bloqueo hacia abajo y gire el mando hasta que el puntero señale la graduación deseada en la escala marcada sobre la guía de ángulo.

Después apriete la palanca de bloqueo hacia arriba para fijar la guía de ángulo. La escala de la guía de ángulo indica la distancia desde la parte superior de la pieza de trabajo hasta el centro del grosor de la hoja.

La guía de ángulo se puede quitar de la escuadra de acuerdo con las necesidades de su tarea. Para quitar la guía de ángulo, afloje la palanca de bloqueo y gire el mando hacia la derecha hasta que salga del extremo superior de la escuadra.

### Escuadra (Fig. 4 y 5)

#### NOTA:

- Quite la guía de ángulo de acuerdo con las necesidades de su tarea cuando utilice la herramienta con el ángulo de la escuadra ajustado a algo distinto de 0°. Cuando necesite utilizar la guía de ángulo en la condición de arriba, asegúrese de ajustar la profundidad de la ranura para obtener una profundidad apropiada.

El ángulo de la escuadra puede ajustarse entre 0° y 90° (puntos de bloqueo exacto en 0°, 45° y 90°). Para ajustar el ángulo, afloje la palanca de bloqueo y golpee suavemente la escuadra hasta que el puntero señale a la graduación deseada de la escala de ángulos. A continuación, apriete la palanca de bloqueo para fijar la escuadra. Cuando la inclinación de la escuadra se establece en 90°, la distancia desde el centro del grosor de la hoja hasta la escuadra y la distancia desde el centro del grosor de la hoja hasta la parte inferior de la cubierta de la hoja son ambas de 10 mm.

### Placa de ajuste (Fig. 6 y 7)

Utilice la placa de ajuste tal como se muestra en les Fig. 6 y 7 cuando corte ranuras en piezas de trabajo delgadas.

### Accionamiento del interruptor (Fig. 8)

#### ⚠️ PRECAUCIÓN:

- Antes de enchufar la herramienta, compruebe siempre para confirmar que el interruptor deslizable se acciona debidamente y que vuelve a la posición "OFF" cuando se presione la parte trasera del interruptor deslizable.
- El interruptor puede ser bloqueado en la posición "ON" para mayor comodidad del operario durante una utilización prolongada. Tenga precaución cuando bloquee la herramienta en la posición "ON" y mantenga la herramienta firmemente empuñada.

Para poner en marcha la herramienta, deslice el interruptor deslizante hacia la posición "I (ON)". Para una operación continua, presione la parte delantera del interruptor deslizante para bloquearlo.

Para detener la herramienta, presione la parte trasera del interruptor deslizante, después deslícelo hacia la posición "O (OFF)".

## MONTAJE

### ⚠ PRECAUCIÓN:

- Asegúrese siempre de que la herramienta esté apagada y desenchufada antes de realizar cualquier trabajo en la herramienta.

### Cómo quitar y poner la hoja (Fig. 9)

#### ⚠ PRECAUCIÓN:

- Cuando instale la hoja de corte de engalletadora, monte el plato interno con la cara marcada "22" orientada hacia usted.

Para quitar la hoja, afloje el tornillo de fijación y abra la cubierta de la hoja. Empuje el bloqueo del eje y afloje la tuerca de bloqueo utilizando la llave de la tuerca de bloqueo. Para instalar la hoja, monte primero el plato interno.

A continuación, monte la hoja y la tuerca de bloqueo. Apriete firmemente la tuerca de bloqueo utilizando la llave de la tuerca de bloqueo. Cierre la cubierta de la hoja y ajuste el tornillo de fijación para fijar la cubierta de la hoja.

#### ⚠ PRECAUCIÓN:

- Utilice solamente la llave de la tuerca de bloqueo Makita provista para desmontar o instalar la hoja.
- Compruebe siempre la profundidad de la ranura después de sustituir la hoja. Vuelva a ajustar si es necesario.

### Bolsa de polvo (Fig. 10)

Para colocar la bolsa de polvo, encájela en la boquilla de polvo. Si la bolsa de polvo obstaculiza su trabajo, gire la boquilla de polvo para cambiar la posición de la bolsa de polvo.

Cuando la bolsa de polvo esté medio llena, apague y desenchufe la herramienta. Quite la bolsa de polvo de la herramienta y tire del fijador de la bolsa para quitarlo. Vacíe la bolsa de polvo golpeándola ligeramente para extraer el máximo posible de polvo.

#### NOTA:

- Si conecta un aspirador Makita a su engalletadora, podrá realizar operaciones más eficaces y limpias.

## OPERACIÓN

### Cómo hacer juntas

#### ⚠ ADVERTENCIA:

- Sujete siempre la pieza de trabajo al banco de trabajo antes de cada operación. (Fig. 11 y 12)

#### Junta de esquina (Fig. 13, 14 y 15)

#### Junta en "T" (Fig. 16, 17 y 18)

#### Junta de escuadra (Fig. 19 y 20)

#### Junta de marco (Fig. 21 y 22)

#### Junta lateral (Fig. 23 y 24)

Para hacer juntas, proceda de la siguiente manera:

1. Ajuste las dos piezas de trabajo tal como aparecerán en la posición conjunta acabada.
2. Marque con un lápiz el centro de las ranuras que pretenda hacer en las galletas de la pieza de trabajo.

#### NOTA:

- El centro de las ranuras debería estar, como mínimo, a 50 mm del borde exterior de las piezas de trabajo.
- Deje entre 100 y 150 mm entre las ranuras en aplicaciones de galletas múltiples.

#### 3. Sólo para la junta de esquina y la junta en "T"

Sujete la pieza vertical de trabajo al banco de trabajo.

##### Sólo para la junta de escuadra

Sujete una pieza de trabajo en el banco de trabajo con el borde ingleteado orientado hacia arriba.

##### Sólo para la junta de marco y la junta lateral

Sujete una pieza de trabajo al banco de trabajo.

4. Ajuste la profundidad de la ranura de acuerdo con el tamaño de la galleta a utilizar. Consulte la tabla en la sección "Ajuste de la profundidad de la ranura".
5. Ajuste la altura de la guía de ángulo de modo que la hoja esté centrada en el grosor de la tabla.
6. Alinee la marca central de la base con la línea trazada a lápiz en la pieza de trabajo.
7. Conecte la herramienta y empújela suavemente hacia delante para extender la hoja hacia la pieza de trabajo.
8. Devuelva la herramienta suavemente a la posición original después de que el tornillo de ajuste llegue al tope.
9. Sólo para la junta de esquina y la junta en "T"  
Sujete la pieza horizontal de trabajo al banco de trabajo.
- Sólo para la junta de escuadra  
Sujete la otra pieza de trabajo en el banco de trabajo con el borde ingleteado orientado hacia arriba.
- Sólo para la junta de marco y la junta lateral  
Sujete la otra pieza de trabajo al banco de trabajo.
10. Sólo para la junta de esquina  
Coloque la herramienta sobre la pieza de trabajo de manera que la hoja quede orientada hacia abajo.
- Sólo para la junta en "T"  
Retire de la herramienta la guía de ángulo. Coloque la herramienta sobre la pieza de trabajo de manera que la hoja quede orientada hacia abajo.
11. Repita los pasos 6 – 8 para ranurar en la horizontal o la otra pieza de trabajo.

Si no necesita centrar la hoja en el grosor de la tabla, proceda de la siguiente manera:

#### Sólo para la junta de esquina, la junta de escuadra, la junta de marco y la junta lateral

- Retire la guía de ángulo de la herramienta. Seleccione la inclinación de la escuadra en 90° para la junta de esquina, la junta de marco y la junta lateral, o a 45° para la junta de escuadra.
- Siga los pasos 1 – 11 excluyendo los pasos 5 y 10 descritos anteriormente.

#### Sólo para la junta en "T"

- Fije las dos piezas de trabajo de la manera como aparecerán en la posición conjunta final.
- Coloque la pieza de trabajo vertical sobre la horizontal. Sujete las dos piezas al banco de trabajo.
- Retire la guía de ángulo de la herramienta.
- Siga los pasos 2, 4, 6, 7, 8 y 11 descritos anteriormente.

## MANTENIMIENTO

### PRECAUCIÓN:

- Asegúrese siempre de que la herramienta esté apagada y desenchufada antes de intentar realizar la inspección o el mantenimiento.
- No utilice nunca gasolina, bencina, disolvente, alcohol o similares. Podría producir descolocación, deformación o grietas.

La herramienta y sus aberturas de ventilación han de mantenerse limpias. Limpie las aberturas de ventilación regularmente o siempre que comiencen a estar obstruidas. (Fig. 25)

Para mantener la SEGURIDAD y FIABILIDAD del producto, las reparaciones, la inspección y sustitución de las escobillas de carbón, y cualquier otro mantenimiento o ajuste deberán ser realizados en Centros de Servicios Autorizados por Makita, empleando siempre piezas de repuesto de Makita.

## ACCESORIOS OPCIONALES

### PRECAUCIÓN:

- Estos accesorios o acoplamientos están recomendados para utilizar con la herramienta Makita especificada en este manual. El empleo de otros accesorios o acoplamientos conllevará un riesgo de sufrir heridas personales. Utilice los accesorios o acoplamientos solamente para su fin establecido.

Si necesita cualquier ayuda para más detalles en relación con estos accesorios, pregunte al centro de servicio Makita local.

- Guía de ángulo
- Bolsa de polvo
- Placa de ajuste 4
- Llave de la tuerca de bloqueo del 20
- Hojas de corte de engalletadora

### NOTA:

- Algunos elementos de la lista podrán estar incluidos en el paquete de la herramienta como accesorios estándar. Pueden variar de un país a otro.

## Ruido

El nivel de ruido A-ponderado típico determinado de acuerdo con la norma EN60745:

Nivel de presión sonora ( $L_{pA}$ ): 86 dB (A)

Nivel de potencia sonora ( $L_{WA}$ ): 97 dB (A)

Error (K): 3 dB (A)

**Póngase protectores en los oídos**

ENG900-1

## Vibración

El valor total de la vibración (suma de vectores triaxiales) determinado de acuerdo con la norma EN60745:

Modo tarea: realización de ranuras en MDF

Emisión de vibración ( $a_{h1}$ ): 2,5 m/s<sup>2</sup> o menos

Error (K): 1,5 m/s<sup>2</sup>

ENG901-1

- El valor de emisión de vibración declarado ha sido medido de acuerdo con el método de prueba estándar y se puede utilizar para comparar una herramienta con otra.
- El valor de emisión de vibración declarado también se puede utilizar en una valoración preliminar de exposición.

### ADVERTENCIA:

- La emisión de vibración durante la utilización real de la herramienta eléctrica puede variar del valor de emisión declarado dependiendo de las formas en las que la herramienta sea utilizada.
- Asegúrese de identificar medidas de seguridad para proteger al operario que estén basadas en una estimación de la exposición en las condiciones reales de utilización (teniendo en cuenta todas las partes del ciclo operativo tal como las veces cuando la herramienta está apagada y cuando está funcionando en vacío además del tiempo de gatillo).

## Declaraciones de conformidad

### Para países europeos solamente

Las declaraciones de conformidad están incluidas como Anexo A de este manual de instrucciones.

**Explicação geral**

1	Indicador	12	Para cima	21	Brida interior
2	Batente	13	Centro da espessura da lâmina	22	Parafuso de grampo
3	Parafuso de ajuste	14	Esquadria	23	Bloqueio do veio
4	Cravo de borracha	15	Escala do ângulo	24	Saco do pó
5	Alavanca de bloqueio	16	Cobertura, proteção do disco	25	Fecho
6	Guia angular	17	Placa de apoio	26	Bocal do pó
7	Botão	18	Espessura da placa de apoio	27	Orifício de saída de ar
8	Escala	19	Porca de fixação	28	Orifício de entrada de ar
9	Apertar	20	Disco fresadora de junção	29	Interruptor deslizante
10	Desapertar				
11	Para baixo				

**ESPECIFICAÇÕES**

GEB020-4


**Modelo** **PJ7000**Tipo de disco ..... Fresadora de junção  
Profundidade máx. da ranhura

Disco da fresadora de junção ..... 20 mm

Velocidade em vazio (min<sup>-1</sup>) peça ..... 11.000

Comprimento total ..... 302 mm

Peso líquido ..... 2,5 kg

Classe de segurança .....  II

- Devido a um programa contínuo de pesquisa e desenvolvimento, estas especificações podem ser alteradas sem aviso prévio.
- As especificações podem variar de país para país.
- Peso de acordo com o Procedimento 01/2003 da EPTA (European Power Tool Association)

ENE013-1

**Utilização pretendida**

Esta ferramenta foi concebida para cortar ranhuras em forma de meia-lua para colocação de cavilhas planas de madeira ou “lamelas” com uma ação penetrante.


ENF002-2

**Alimentação**

A ferramenta só deve ser ligada a uma fonte de alimentação com a mesma voltagem da indicada na placa de características, e só funciona com alimentação de corrente alterna monofásica. Tem um sistema de isolamento duplo e pode, por isso, utilizar tomadas sem ligação à terra.

GEA010-1

**Avisos gerais de segurança para ferramentas elétricas**

 **AVISO!** Leia todos os avisos de segurança e todas as instruções. O não cumprimento de todos os avisos e instruções pode originar choque elétrico, incêndio e/ou ferimentos graves.

**Guarde todos os avisos e instruções para futuras referências.**

**AVISOS DE SEGURANÇA PARA A FRESADORA DE JUNÇÃO**

1. **As lâminas devem estar calibradas pelo menos à velocidade indicada na ferramenta.** As lâminas a rodarem a velocidade superior a nominal podem soltar-se e causarem danos graves.
2. **Use sempre o resguardo.** O resguardo protege o operador de fragmentos da lâmina partidos e de contacto intencional com a lâmina.
3. **Agarre nas ferramentas elétricas pelas partes isoladas pois há risco do disco entrar em contacto com o seu próprio fio.** Cortar um fio “vivo” poderá tornar as partes metálicas expostas da ferramenta “vivas” e causar choque elétrico no operador.
4. **Utilize apenas os discos especificados para esta ferramenta.**
5. **Nunca utilize a ferramenta com o disco preso em posição exposta ou sem a proteção do disco colocada e fixa corretamente no seu lugar.**
6. **Certifique-se de que o disco desliza com facilidade antes de o utilizar.**
7. **Verifique se os discos apresenta fissuras ou danos, antes de o utilizar. Substitua imediatamente uns discos danificados ou com fissuras.**
8. **Certifique-se de que a brida encaixa corretamente no orifício do veio, quando colocar o disco.**
9. **Verifique se há pregos ou quaisquer outros materiais na peça de trabalho e retire-os antes de utilizar a ferramenta.**
10. **Coloque sempre as peças a serem trabalhadas sobre uma bancada bem nivelada e estável.**
11. **Fixe bem as peças a serem trabalhadas, com um grampo ou torno.**
12. **NUNCA use luvas quando utilizar a ferramenta.**
13. **Segure a ferramenta firmemente com as duas mãos.**
14. **Mantenha as mãos e o corpo afastados da área de ranhurar.**
15. **Ponha a ferramenta a funcionar durante algum tempo tendo o cuidado de não apontar o disco para ninguém. Verifique se o disco vibra ou oscila, o que pode significar que está mal instalado ou desequilibrado.**
16. **Nunca ponha as mãos por baixo das peças que estão a ser trabalhadas enquanto o disco estiver a girar.**

17. Nunca abandone a ferramenta em funcionamento.
18. Certifique-se sempre de que a ferramenta está desligada e a retirada da tomada ficha antes de efetuar quaisquer ajustes ou substituir o disco.
19. Alguns materiais contêm químicos que podem ser tóxicos. Tenha cuidado para evitar inalação de pó e contacto com a pele. Cumpra os dados de segurança do fornecedor do material.

20. Não use lâminas rombas ou estragadas.
21. Não utilize a ferramenta com protetores estragados.

## GUARDE ESTAS INSTRUÇÕES.

### ⚠️ AVISO:

**NÃO** permita que conforto ou familiaridade com o produto (adquirido com o uso repetido) substitua a aderência estrita às regras de segurança da ferramenta. **MÁ INTERPRETAÇÃO** ou não seguimento das regras de segurança estabelecidas neste manual de instruções pode causar danos pessoais sérios.

## DESCRIÇÃO DO FUNCIONAMENTO

### ⚠️ PRECAUÇÃO:

- Certifique-se sempre de que a ferramenta está desligada e com a ficha retirada da tomada, antes de proceder a afinações ou de verificar o funcionamento respetivo.

### Regulação da profundidade da ranhura (Fig. 1)

Podem ser predefinidas 6 profundidades da ranhura de acordo com a dimensão da “lamela” a ser utilizada.

Consulte a tabela abaixo para verificar a correspondência entre as dimensões marcadas no batente e a medida da lamela. Os ajustes de precisão à profundidade da ranhura podem ser feitos rodando o parafuso de ajuste depois de ter desapertado a porca sextavada. Isto pode ser necessário depois da lâmina ter sido afiada algumas vezes.

Dimensão no batente	0	10	20	S	D	MAX.
Dimensão da “lamela”	0	10	20	—	—	—
Profundidade da ranhura	8 mm	10 mm	12,3 mm	13 mm	14,7 mm	20 mm*

\* Sem os cravos de borracha.

012681

### Guia angular (Fig. 2 e 3)

A altura da guia angular pode ser deslocada para cima e para baixo para ajustar a posição do disco em relação à parte superior da peça de trabalho.

Para regular a altura da guia angular, desaperta a alavanca de bloqueio e rode o botão até que o indicador aponte para a escala de graduação desejada marcada na guia angular.

Em seguida aperte a alavanca de bloqueio para fixar a guia angular. A escala indica a distância que vai do topo da peça de trabalho até ao centro da espessura do disco.

A guia angular é removível da esquadria segundo as necessidades do trabalho a realizar. Para retirar a guia angular, desaperte a alavanca de bloqueio e rode o botão para a direita até que saia da extremidade superior da esquadria.

### Esquadria (Fig. 4 e 5)

#### NOTA:

- Retire a guia angular segundo a necessidade do trabalho a realizar quando utiliza a ferramenta com a regulação do ângulo da esquadria diferente de 0°. Se precisar utilizar a guia angular nas condições acima, certifique-se de regula a profundidade da ranhura para obter uma profundidade adequada.

O ângulo da esquadria pode ser regulado de 0° e 90° (com posicionamento mecânico em 0°, 45° e 90°). Para regular o ângulo, desaperte a alavanca de bloqueio e incline a esquadria até o indicador mostrar a graduação desejada na escala de ângulos. Depois aperte a alavanca de bloqueio para fixar a esquadria. Quando a esquadria estiver colocada a 90°, tanto a distância entre o centro da espessura do disco à esquadria como à extremidade inferior da cobertura do disco será de 10 mm.

### Placa de apoio (Fig. 6 e 7)

Utilize a placa de apoio como indicado na Fig. 6 e 7 quando cortar ranhuras em peça de trabalho finas.

### Ação do interruptor (Fig. 8)

#### ⚠️ PRECAUÇÃO:

- Antes de ligar a ferramenta à corrente, certifique-se de que o interruptor deslizante funciona corretamente e volta para a posição “OFF” quando pressiona a parte traseira do interruptor.
- O interruptor pode ser bloqueado na posição “ON” para conforto do operador durante a utilização prolongada. Tenha cuidado ao bloquear a ferramenta na posição “ON” e segure-a com firmeza.

Para iniciar a ferramenta, deslize o interruptor deslizante para a posição “I (ON)”. Para operação contínua, pressione a parte da frente do interruptor para o prender.

Para parar a ferramenta, pressione a parte traseira do interruptor deslizante, e depois deslize-o para a posição “O (OFF)”.

## ASSEMBLAGEM

### PRECAUÇÃO:

- Certifique-se sempre de que a ferramenta está desligada e com a ficha retirada da tomada antes de executar qualquer manutenção na ferramenta.

### Retirar ou montar o disco (Fig. 9)

#### PRECAUÇÃO:

- Ao montar o disco da fresadora de junção, instale a brida interior com o lado marcado "22" virado para si.

Para retirar o disco, desaperte o parafuso de grampo e abra a cobertura do disco. Empurre o bloqueio do veio e desaperte a porca de fixação utilizando uma chave de porcas. Para montar o disco, comece por instalar a brida interior.

A seguir, monte o disco e a porca de fixação. Aperte bem a porca de fixação utilizando a chave de porcas. Feche a cobertura do disco e aperte o parafuso de grampo para fixá-la bem.

#### PRECAUÇÃO:

- Utilize só a chave de porcas da Makita fornecida para retirar ou colocar o disco.
- Verifique sempre a profundidade da ranhura depois de substituir o disco. Reajuste se necessário.

### Saco do pó (Fig. 10)

Para colocar o saco do pó, encaixe-o no bocal do pó. Se o saco do pó se tornar um obstáculo para o seu trabalho, rode o bocal para mudar a posição do saco do pó. Quando o saco do pó estiver meio cheio, desligue a ferramenta e retire-a da corrente. Retire o saco do pó da ferramenta e puxe o fecho para fora. Esvazie o saco do pó dando-lhe pequenas pancadas para retirar a maior quantidade possível de pó.

#### NOTA:

- Se ligar um fresadora de junção Makita à ferramenta pode executar operações mais eficientes e limpas.

## OPERAÇÃO

### Como fazer junções

#### AVISO:

- Prensada sempre a peça de trabalho à bancada com um grampo antes de cada operação. (Fig. 11 e 12)

### Junção de canto (Fig. 13, 14 e 15)

#### Junção em T (Fig. 16, 17 e 18)

#### Junção de meia esquadria (Fig. 19 e 20)

#### Junção em moldura (Fig. 21 e 22)

#### Junção aresta-a-aresta (Fig. 23 e 24)

Para fazer junções, proceda da seguinte forma:

1. Encaixe as duas peças de trabalho na posição em que elas irão ficar depois de pronta a junção.
2. Com um lápis, marque na peça de trabalho o centro da ranhura da "lamela" pretendida.

#### NOTA:

- O centro das ranhuras deve situar-se a pelo menos 50 mm da aresta exterior da peça de trabalho.
- Deixe um espaço de 100 mm a 150 mm entre a ranhura no caso de se tratar de uma peça para aplicação de "lamelas" múltiplas.

### 3. Apenas para junção de cantos e junção em T

Fixe a peça de trabalho vertical à bancada com um grampo.

#### Apenas para junção de meia esquadria

Prensada uma peça de trabalho à bancada com a face em meia esquadria virada para cima.

#### Apenas para junção em moldura e junção aresta-a-aresta

Fixe uma peça de trabalho à bancada com um grampo.

4. Regule a profundidade da ranhura de acordo com a dimensão da lamela que vai utilizar. Refira-se à tabela na secção "Regulação da profundidade da ranhura".
5. Regule a altura da guia angular de forma a que o disco fique centrado em relação à espessura da peça de trabalho.
6. Alinhe a marca central da base com a linha traçada a lápis na peça de trabalho.
7. Ligue a ferramenta e empurre-a suavemente para a frente de maneira a fazer o disco penetrar na peça de trabalho.
8. Volte a colocar a ferramenta na posição original quando o parafuso de ajuste tocar o batente.

### 9. Apenas para junção de cantos e junção em T

Fixe a peça de trabalho horizontal à bancada com um grampo.

#### Apenas para junção de meia esquadria

Prensada a outra peça de trabalho à bancada com a face em meia esquadria virada para cima.

#### Apenas para junção em moldura e junção aresta-a-aresta

Fixe a outra peça de trabalho à bancada com um grampo.

### 10. Apenas para junção de cantos

Coloque a ferramenta sobre a peça de trabalho de forma a que o disco fique virado para baixo.

#### Apenas para junção em T

Retire a guia angular da ferramenta. Coloque a ferramenta sobre a peça de trabalho de forma a que o disco fique virado para baixo.

11. Repita os passos 6 a 8 para abrir ranhura na peça de trabalho horizontal ou vertical.

Se não necessitar de centrar o disco em relação à espessura da peça de trabalho, proceda da seguinte forma:

### Apenas para junção de canto, junção de meia-esquadria, junção em moldura e junção aresta-a-aresta

- Retire da ferramenta a guia angular. Coloque esquadria a 90° para junção de canto, junção em moldura e junção aresta-a-aresta, ou 45° para junção de meia-esquadria.
- Siga os passos 1 a 11 descritos acima, excetuando os passos 5 e 10.

### Apenas para junção em T

- Ajuste as duas peças na posição em que elas irão ficar depois de pronta a junção.
- Coloque a peça vertical sobre a horizontal. Fixe-as à bancada com um grampo.
- Retire da ferramenta a guia angular.
- Siga os passos 2, 4, 6, 7, 8 e 11 descritos acima.



## MANUTENÇÃO

### PRECAUÇÃO:

- Certifique-se sempre de que a ferramenta está desligada e com a ficha retirada da tomada antes de tentar proceder à inspeção, ou à manutenção da ferramenta.
- Nunca utilize gasolina, benzina, diluente, álcool ou produtos semelhantes. Pode ocorrer a descoloração, deformação ou rachaduras.

A ferramenta e os orifícios de ventilação devem estar sempre limpos. Limpe os orifícios de ventilação regularmente ou sempre que começarem a ficar obstruídos.

#### (Fig. 25)

Para manter a SEGURANÇA e FIABILIDADE do produto, a reparação, inspeção e substituição da escova de carvão, bem como qualquer afinação ou manutenção devem sempre ser efetuadas num centro de assistência oficial Makita, utilizando sempre peças de substituição Makita.

## ACESSÓRIOS OPCIONAIS

### PRECAUÇÃO:

- Estes acessórios ou acoplamentos são os recomendados para uso na ferramenta Makita especificada neste manual. A utilização de quaisquer outros acessórios ou acoplamento poderá ser perigosa para o operador. Os acessórios ou acoplamentos devem ser utilizados de maneira adequada e apenas para os fins a que se destinam.

No caso de necessitar ajuda para mais detalhes sobre estes acessórios, consulte ao departamento de assistência local da Makita.

- Guia angular
- Saco do pó
- Placa de apoio 4
- Chave de porcas 20
- Discos da fresadora de junção

#### NOTA:

- Alguns itens da lista podem estar incluídos na embalagem da ferramenta como acessórios padrão. Eles podem variar de país para país.

## Ruído

A característica do nível de ruído A determinado de acordo com EN60745:

Nível de pressão de som ( $L_{pA}$ ): 86 dB (A)

Nível do som ( $L_{WA}$ ): 97 dB (A)

Variabilidade (K): 3 dB (A)

### Utilize protetores para os ouvidos

ENG900-1

## Vibração

O valor total da vibração (soma vetorial triaxial) determinado de acordo com EN60745:

Modo de funcionamento: cortar ranhuras em MDF

Emissão de vibração ( $a_{h1}$ ): 2,5 m/s<sup>2</sup> ou inferior

Variabilidade (K): 1,5 m/s<sup>2</sup>

ENG901-1

- O valor da emissão de vibração indicado foi medido de acordo com o método de teste padrão e pode ser utilizado para comparar duas ferramentas.
- O valor da emissão de vibração indicado pode também ser utilizado na avaliação preliminar da exposição.

### AVISO:

- A emissão de vibração durante a utilização real da ferramenta elétrica pode diferir do valor de emissão indicado, dependendo das formas como a ferramenta é utilizada.
- Certifique-se de identificar as medidas de segurança para proteção do operador que sejam baseadas em uma estimativa de exposição em condições reais de utilização (considerando todas as partes do ciclo de operação, tal como quando a ferramenta está desligada e quando está a funcionar em marcha lenta além do tempo de acionamento).

## Declarações de conformidade

### Apenas para os países europeus

As Declarações de conformidade estão incluídas no Anexo A deste manual de instruções.

**Illustrationsoversigt**

1 Viser	11 Ned	21 Indre flange
2 Spærre	12 Op	22 Klemskrue
3 Justeringskrue	13 Midten af bladets tykkelse	23 Skaftlås
4 Gummisspids	14 Beskyttelsesplade	24 Støvpose
5 Låshåndtag	15 Vinkelskala	25 Lukke
6 Vinkelguide	16 Savbladsafdækning	26 Sugestuds
7 Knap	17 Bundplade	27 Udstødsåbning
8 Skala	18 Bundpladens tykkelse	28 Indsugningsåbning
9 Stram	19 Låsmøtrik	29 Glideafbryder
10 Løsn	20 Universalfærserblad	

**SPECIFIKATIONER**

<b>Model</b>	<b>PJ7000</b>
Type blad .....	Universalfærser
Maks. rilledybde	
Universalfærserblad .....	20 mm
Omdrejninger (min <sup>-1</sup> ) .....	11 000
Længde .....	302 mm
Nettovægt.....	2,5 kg
Sikkerhedsklasse .....	□ // II

- På grund af vores kontinuerlige forskningsprogrammer og udvikling, kan hosstående specifikationer blive ændret uden varsel.
- Specifikationer kan variere fra land til land.
- Vægt i henhold til EPTA-Procedure 01/2003

ENE013-1

**Brugsformål**

Maskinen er beregnet til skæring af halvmåneformede sprækker til placering af flade trædyveler eller tappe ved en stemplende handling.

ENF002-2

**Strømforsyning**

Maskinen må kun tilsluttes en strømforsyning med samme spænding som angivet på typeskiltet, og kan kun anvendes på enfaset vekselstrømforsyning. Den er dobbeltisoleret og kan derfor også tilsluttes netstik uden jordforbindelse.

GEA010-1

**Almindelige sikkerhedsregler for el-værktøj**

**⚠ ADVARSEL! Læs alle sikkerhedsadvarsler og alle sikkerhedsinstruktioner.** Hvis nedenstående advarsler og instruktioner ikke overholdes, kan resultatet blive elektrisk stød, brand og/eller alvorlig personskade.

**Gem alle advarsler og instruktioner til fremtidig reference.**

GEB020-4

**SIKKERHEDSADVARSLER FOR UNIVERSALFÆSER**

1. **Bladene skal være beregnede til mindst den hastighed, som er angivet på maskinen.** Blade, som kører over den godkendte hastighed, kan løsne sig og være årsag til tilskadecomst.
2. **Anvend altid skærmen.** Skærmen yder operatøren beskyttelse mod brækkede bladfragmenter og utilsigtet kontakt med bladet.

3. **Hold altid kun el-værktøjet i de isolerede greb, fordi bladet kan komme i kontakt med dens egen ledning.** Skæring i en "strømførende" ledning kan gøre de uisolerede metaldele på el-værktøjet "strømførende" med risiko for, at operatøren får stød.
4. **Benyt kun værktøj der er godkendt til denne maskine.**
5. **Brug aldrig maskinen med værktøjet fastlåst i en position foran værktøjsafdækningen eller uden værktøjsafdækningen.**
6. **Kontroller at værktøjet kører uden vibrationer før maskinen benyttes.**
7. **Kontroller omhyggeligt, at bladene ikke har revner eller er beskadiget, inden det tages i anvendelse.** Værktøj med brud eller andre skader skal omgående udskiftes.
8. **Kontroller at flangen passer til hullet på værktøjet, når der monteres nyt værktøj.**
9. **Kontroller emner for søm, skruer og andre fremmedlegemer før arbejdet påbegyndes.**
10. **Anbring altid emnerne på et solidt arbejdsbord.**
11. **Arbejdsemnerne fastgøres forsvarligt med skruetvinge eller skruestik.**
12. **Benyt INGEN handsker under arbejdet.**
13. **Hold maskinen fast med begge hænder.**
14. **Hold hænder og krop på god afstand af rilleområdet.**
15. **Før arbejdet påbegyndes skal maskinen køre lidt i tomgang.** Vær opmærksom på vibrationer og rulning, der kan tyde på forkert montering eller et dårligt afbalanceret blad.
16. **Hold aldrig hånden under et emne der bearbejdes.**
17. **Lad aldrig maskinen køre uden opsyn.**
18. **Sørg altid for at maskinen er slukket og netstikket trukket ud, før der skiftes værktøj på maskinen.**
19. **En del materialer indeholder kemikalier, som kan være giftige.** Sørg for at forhindre inhalering af støv og kontakt med huden. Følg fabrikantens sikkerhedsforskrifter.
20. **Anvend ikke sløve og beskadigede blade.**
21. **Anvend ikke maskinen, hvis afdækningerne er beskadigede.**

**GEM DISSE FORSKRIFTER.**

## ADVARSEL:

LAD IKKE bekvemmelighed eller kendskab til produktet (opnået gennem gentagen brug) forhindre, at sikkerhedsforskrifterne for produktet nøje overholdes. MISBRUG eller forsømmelse af at følge de i denne brugsvejledning givne sikkerhedsforskrifter kan føre til, at De kommer alvorligt til skade.

## FUNKTIONSBESKRIVELSE

### FORSIGTIG:

- Kontroller altid, at maskinen er slået fra, og at netstikket er trukket ud, før der udføres justeringer eller funktioner kontrolleres på denne maskine.

### Justering af dybden af rille (Fig. 1)

Der kan indstilles 6 forskellige rilledybder i henhold til størrelsen af den tap, som skal anvendes, eller ved tilskæring af væg- eller loftspaneler som forklaret senere.

Se i nedenstående tabel for at sammenhængen mellem de markerede størrelser på stopperen og tapstørrelsen. Finjustering af rilledybden kan gennemføres ved at dreje justeringsskruen efter at sekskantmøtrikken er blevet løsnet. Dette kan blive nødvendigt, efter at bladet er blevet skærpet et par gange.

Størrelse på stopper	0	10	20	S	D	MAX
Tapstørrelse	0	10	20	—	—	—
Dybden af rille	8 mm	10 mm	12,3 mm	13 mm	14,7 mm	20 mm*

\* Med gummispidserne fjernet.

012681

### Vinkelguide (Fig. 2 og 3)

Vinkelguidens højde kan flyttes op og ned for at justere bladets position i relation til det øverste af arbejdsemnet.

For at justere vinkelguidens højde, skal man løsne låshåndtaget ned og dreje knappen, indtil viseren peger på det ønskede skalagraddtal, som er angivet på vinkelguiden.

Stram låshåndtaget fast op igen for at spænde vinkelguiden fast. Skalaen på vinkelguiden viser afstanden fra emnets top til midten af bladtykkelsen.

Vinkelguiden kan tages af anslaget alt efter arbejdets krav. For at fjerne vinkelguiden, skal man dreje knappen med uret, så den kommer ud af anslagets øverste ende.

### Beskyttelsesplade (Fig. 4 og 5)

#### BEMÆRK:

- Fjern vinkelguiden i overensstemmelse med arbejdets krav, når maskinen med anslagsvinklen indstillet til andet end 0° anvendes. Hvis der er behov for at anvende vinkelguiden under ovennævnte forhold, skal man sørge for at indstille dybden af rillen til en passende dybde.

Vinklen på beskyttelsespladen kan justeres mellem 0° og 90° (med hak ved 0°, 45° og 90°). For at justere vinklen løsnes låshåndtaget og pladen hældes, indtil viseren peger på det ønskede gradtal på vinkelskalaen. Træk låshåndtaget fast igen for at spænde pladen fast. Når pladen er sat til 90°, er både afstanden fra midten af savblatdykkelsen til pladen og afstanden fra midten af bladtykkelsen til bunden af savbladsafdækningen 10 mm.

### Bundplade (Fig. 6 og 7)

Benyt bundpladen som vist i Fig. 6 og 7, når der skæres notter i tynde emner.

### Anvendelse af afbryder (Fig. 8)

#### FORSIGTIG:

- Inden De sætter maskinen i forbindelse, skal De altid kontrollere, at glideafbryderen fungerer som den skal og går tilbage til stilling "OFF", når den bageste del af glideafbryderen trykkes ned.
- Afbryderen kan låses i stilling "ON" for operatørens mere bekvem betjening under længere tids brug. Udvis forsigtighed, når maskinen låses i stilling "ON" og hold godt fast i maskinen.

For at starte maskinen, skal man trykke afbryderen fremad mod stilling "I (ON)". Hvis De ønsker uafbrudt anvendelse, skal De trykke på den forreste del af glideafbryderen for at låse den.

For at stoppe maskinen, skal man trykke på den bageste del af glideafbryderen og derefter trykke den mod stilling "O (OFF)".

### SAMLING

#### FORSIGTIG:

- Sørg altid for, at maskinen er afbrudt og taget ud af forbindelse, inden der udføres noget arbejde på maskinen.

### Afmontering og montering af bladet (Fig. 9)

#### FORSIGTIG:

- Når der monteres et universalfærserblad med huldiаметer 22 mm skal inderflangen monteres med markeringen "22" vendende ud mod dig.

For at fjerne bladet løsnes klemeskruen og savbladsafdækningen åbnes. Aktiver spindellåsen og løsn låsemøtrikken med nøglen. For korrekt montage af værktøjet skal inderflangen vende rigtigt.

Monter derefter bladet og låsemøtrikken. Spænd låsemøtrikken omhyggeligt med nøglen. Luk savbladsafdækningen og spænd klemeskruen.

### **FORSIGTIG:**

- Anvend kun den medfølgende Makita-låsemøtriknøgle til at montere og afmontere bladet.
- Kontroller altid dybden af rillen, efter at bladet er skiftet ud. Indstil igen, om nødvendigt.

### **Støvpose (Fig. 10)**

Støvposen monteres ved at man sætter den på sugestuds. Hvis støvposen virker hindrende på arbejdet, skal De dreje sugestuds, så støvposens position ændres.

Når støvposen er omkring halvt fuld, skal De slukke for maskinen og tage den ud af forbindelse. Tag støvposen af maskinen og træk posens lukker ud. Tøm støvposen ved at banke let på den, således at så meget af støvet som muligt tømmes ud.

### **BEMÆRK:**

- Hvis De anvender en Makita-støvsuger til universalfraeser, kan en mere effektiv og gennemgribende rengøring udføres.

## **ANVENDELSE**

### **Hvordan man laver forbindelser**

#### **ADVARSEL:**

- Fastspænd altid arbejdsemnet til arbejdsbordet før hver arbejdsproces påbegyndes. (Fig. 11 og 12)

### **Hjørneforbindelse (Fig. 13, 14 og 15)**

### **T-kolbeforbindelse (Fig. 16, 17 og 18)**

### **Geringeforbindelse (Fig. 19 og 20)**

### **Rammeforbindelse (Fig. 21 og 22)**

### **Kant-til-kant-forbindelse (Fig. 23 og 24)**

For at lave forbindelser, gå frem på følgende måde:

1. Sæt de to emner sammen således, som de også i sidste ende skal være samlet.
2. Markér midten af de ønskede tap-notter på emnet ved hjælp af en blyant.

### **BEMÆRK:**

- Notmidten skal være sig mindst 50 mm fra emnerens yderkant.
- Sørg for at der er 100 mm – 150 mm mellem notter ved anvendelse af flere tappe.

#### **3. Kun for hjørne- og T-kolbeforbindelse**

Spænd det lodrette emne fast til arbejdsbordet.

#### **Kun for geringeforbindelse**

Fastspænd et af arbejdsemnerne til arbejdsbordet med geringskanten vendende opad.

#### **Kun for ramme- og kant-til-kant-forbindelse**

Spænd et emne fast til arbejdsbordet.

4. Indstil dybden af rillen i overensstemmelse med størrelsen af den anvendte tap. Se tabellen i afsnittet "Justering af dybden af rille".
5. Justér vinkelguiden så værktøjet er centreret i plade-tykkelsen.
6. Bring centermarkeringen på bundpladen i overensstemmelse med blyantlinjen på emnet.
7. Tænd maskinen og skub den langsomt fremad for at føre savbladet ind i emnet.
8. Før maskinen langsomt tilbage til udgangspositionen efter at justeringskruen har nået stopperen.

#### **9. Kun for hjørne- og T-kolbeforbindelse**

Spænd det vandrette emne fast til arbejdsbordet.

#### **Kun for geringeforbindelse**

Fastspænd det andet arbejdsemne til arbejdsbordet med geringssiden vendende opad.

#### **Kun for ramme- og kant-til-kant-forbindelse**

Spænd det andet emne fast til arbejdsbordet.

#### **10. Kun for hjørneforbindelse**

Placér maskinen på emnet med værktøjet pegende nedad.

#### **Kun for T-kolbeforbindelse**

Fjern vinkelguiden fra maskinen. Placér maskinen på emnet med værktøjet pegende nedad.

11. Gentag trin 6 – 8 for at skære i det vandrette eller et andet arbejdsemne.

Hvis De ikke behøver at centrere savbladet i brædttykkelsen, gå frem på følgende måde:

### **Kun for hjørne-, gering-, ramme- og kant-til-kant-forbindelser**

- Fjern vinkelguiden fra maskinen. Sæt beskyttelsespladen op til 90° for hjørneforbindelse, rammeforbindelse eller kant-til-kant-forbindelse eller til 45° for geringforbindelse.
- Følg trin 1 – 11 undtagen trin 5 og 10 som beskrevet foroven.

### **For T-kolbeforbindelse**

- Sæt de to emner sammen som de også i sidste ende vil være samlet.
- Læg det lodrette emne på det vandrette. Begge emnerne fastgøres til arbejdsbordet.
- Fjern vinkelguiden fra maskinen.
- Følg trin 2, 4, 6, 7, 8 og 11 som beskrevet foroven.

## **VEDLIGEHOLDELSE**

### **FORSIGTIG:**

- Kontroller altid, at maskinen er slået fra, og at netstikket er trukket ud, før der udføres eftersyn eller vedligeholdelse.
- Anvend aldrig benzin, rensebenzin, fortynder, alkohol og lignende. Resultatet kan blive misfarvning, deformation eller revner.

Maskinen og dens luftåbninger skal holdes rene. Rengør med jævne mellemrum maskinens luftåbninger eller når de begynder at blive blokerede. (Fig. 25)

For at opretholde produktets SIKKERHED og PÅLIDELIGHED, må istandsættelse, eftersyn af kulbørster og udskiftning af dele samt alle andre vedligeholdelsesarbejder og justeringer kun udføres af et autoriseret Makita Servicecenter, og der må kun anvendes udskiftningsdele fra Makita.

## EKSTRAUDSTYR

### **FORSIGTIG:**

- Det i denne manual specificerede tilbehør og anordninger anbefales til brug sammen med Deres Makita maskine. Brug af andet tilbehør og andre anordninger kan udgøre en risiko for personskade. Anvend kun tilbehør og anordninger til de beskrevne formål.

Hvis De behøver assistance eller yderligere detaljer om dette tilbehør, bedes De kontakte Deres lokale Makita servicecenter.

- Vinkelguide
- Støvpose
- Bundplade 4
- Låsemøtriknøgle 20
- Universalfærserblade

### **BEMÆRK:**

- Nogle ting på denne liste kan være inkluderet i værktøjsspakken som standardtilbehør. Det kan være forskellige fra land til land.

ENG905-1

### **Lyd**

Det typiske A-vægtede støjniveau bestemt i overensstemmelse med EN60745:

Lydtryksniveau ( $L_{pA}$ ): 86 dB (A)

Lydeffektniveau: ( $L_{WA}$ ): 97 dB (A)

Usikkerhed (K): 3 dB (A)

#### **Bær høreværn**

ENG900-1

### **Vibration**

Vibrations totalværdi (tre-aksial vektorsum) bestemt i overensstemmelse med EN60745:

Arbejdsindstilling: fræsning af riller i MDF

Vibrationsafgivelse ( $a_{hv}$ ): 2,5 m/s<sup>2</sup> eller mindre

Usikkerhed (K): 1,5 m/s<sup>2</sup>

ENG901-1

- Den angivne vibrationsemissionsværdi er blevet målt i overensstemmelse med standardtestmetoden og kan anvendes til at sammenligne en maskine med en anden.
- Den angivne vibrationsemissionsværdi kan også anvendes i en preliminær eksponeringsvurdering.

### **ADVARSEL:**

- Vibrationsemissionen under den faktiske anvendelse af maskinen kan være forskellig fra den erklærede emissionsværdi, afhængigt af den måde, hvorpå maskinen anvendes.
- Sørg for at identificere de sikkerhedsforskrifter til beskyttelse af operatøren, som er baseret på en vurdering af eksponering under de faktiske brugsforhold (med hensyntagen til alle dele i brugscyklen, som f.eks. de gange, hvor maskinen er slukket og når den kører i tomgang i tilgift til afbrydertiden).

## **Overensstemmelseserklæringer**

### **Kun for lande i Europa**

Overensstemmelseserklæringerne er inkluderet i Bilag A i denne brugsanvisning.

## Περιγραφή γενικής άποψης

1 Δείκτης	12 Πάνω	22 Βίδα σφίξιματος
2 Κόφτης (στόπερ)	13 Πάχος κέντρου δίσκου	23 Κλειδωμα άξονα
3 Ρυθμιστική βίδα	14 Προφυλακτήρας	24 Σάκος σκόνης
4 Ελαστική ακίδα	15 Γωνιομετρική κλίμακα	25 Στερεωτής
5 Μοχλός κλειδώματος	16 Κάλυμμα δίσκου	26 Στόμιο σκόνης
6 Οδηγός γωνίας	17 Πλάκα ρύθμισης	27 Άνοιγμα εξόδου αέρα
7 Κουμπί	18 Πάχος πλάκας ρύθμισης	28 Άνοιγμα εισόδου αέρα
8 Κλίμακα	19 Παξιμάδι κλειδώματος	29 Συρόμενος διακόπτης
9 Σφίξτε	20 Δίσκος συναρμολογητή σανίδων	
10 Ξεσφίξτε		
11 Κάτω	21 Εσωτερική φλάντζα	

## ΓΤΕΧΝΙΚΑ ΧΑΡΑΚΤΗΡΙΣΤΙΚΑ

GEB020-4

<b>Μοντέλο</b>	<b>PJ7000</b>
Τύπος δίσκου .....	Συναρμολογητής σανίδων
Μέγιστο βάθος αυλακίσματος	
Δίσκος συναρμολογητή σανίδων .....	20 χιλ.
Ταχύτητα χωρίς φορτίο (λεπ <sup>-1</sup> ) .....	11.000
Ολικό μήκος .....	302 χιλ.
Βάρος καθαρό .....	2,5 Χγρ
Κατηγορία ασφάλειας .....	□ / I

- Λόγω του ότι καταβάλλουμε συνεχείς προσπάθειες μέσω της έρευνας για περαιτέρω εξελίξεις για τα προϊόντα μας, οι παρούσες προδιαγραφές υπόκεινται σε αλλαγή χωρίς προειδοποίηση.
- Τα τεχνικά χαρακτηριστικά μπορεί να διαφέρουν από χώρα σε χώρα.
- Βάρος σύμφωνα με διαδικασία ΕΡΤΑ 01/2003

EN013-1

## Προοριζόμενη χρήση

Το εργαλείο προορίζεται για δημιουργία εγκοπών δρεπανοειδούς σχήματος για τοποθέτηση επίπεδων ξύλινων γόμφων ή παξιμαδιών με εμφύτευση.

ENF002-2

## Ρευματοδότηση

Το μηχάνημα πρέπει να συνδέεται μόνο σε παροχή ρεύματος της ίδιας τάσης με αυτή που αναφέρεται στην πινακίδα κατασκευαστού και μπορεί να λειτουργήσει μόνο με εναλλασσόμενο μονοφασικό ρεύμα. Τα μηχανήματα αυτά έχουν διπλή μόνωση και κατά συνέπεια, μπορούν να συνδεθούν σε ακροδέκτες χωρίς σύρμα γείωσης.

GEA010-1

## Γενικές προειδοποιήσεις ασφαλείας για το ηλεκτρικό εργαλείο

**⚠️ ΠΡΟΕΙΔΟΠΟΙΗΣΗ** Διαβάστε όλες τις προειδοποιήσεις ασφαλείας και όλες τις οδηγίες. Η μη τήρηση των προειδοποιήσεων και οδηγιών ενδέχεται να καταλήξει σε ηλεκτροπληξία, πυρκαγιά ή/και σοβαρό τραυματισμό.

**Φυλάξτε όλες τις προειδοποιήσεις και τις οδηγίες για μελλοντική παραπομπή.**

## ΣΥΝΑΡΜΟΛΟΓΗΤΗ ΣΑΝΙΔΩΝ — ΠΡΟΕΙΔΟΠΟΙΗΣΕΙΣ ΑΣΦΑΛΕΙΑΣ

1. **Οι δίσκοι πρέπει να είναι οι συνιστώμενοι τουλάχιστον για την ταχύτητα που αναγράφεται στο εργαλείο.** Δίσκοι που υπερβαίνουν την συνιστώμενη ταχύτητα λειτουργίας μπορεί να εκπιναχθούν σε κομμάτια και να προκαλέσουν τραυματισμό.
2. **Πάντοτε χρησιμοποιείτε προφυλακτήρα.** Ο προφυλακτήρας προστατεύει τον χρήστη από θραύσματα δίσκου και τυχαία επαφή με τον δίσκο.
3. **Κρατάτε το ηλεκτρικό εργαλείο από τις μονωμένες επιφάνειες λαβής επειδή ο δίσκος μπορεί να κάνει έρθει σε με το δικό του καλώδιο.** Σε περίπτωση που κοπεί ένα "ηλεκτροφόρο" καλώδιο, ενδέχεται τα εκτεθειμένα μεταλλικά εξαρτήματα του ηλεκτρικού εργαλείου να καταστούν τα ίδια "ηλεκτροφόρα" και να προκαλέσουν ηλεκτροπληξία στο χειριστή.
4. **Χρησιμοποιείτε μόνο τους δίσκους που συνιστώνται για το μηχάνημα αυτό.**
5. **Ποτέ μη λειτουργείτε το μηχάνημα αυτό με τον δίσκο κλειδωμένο σε θέση κοπής ή χωρίς το κάλυμμα δίσκου κατάλληλα στερεωμένο στη θέση του.**
6. **Βεβαιωθείτε ότι ο δίσκος γλιστράει απαλά πριν τη λειτουργία.**
7. **Ελέγξτε τους δίσκους για ρωγμές ή ζημιά πριν τη λειτουργία. Αντικαταστήστε δίσκο με ρωγμές ή ζημιές αμέσως.**
8. **Βεβαιωθείτε ότι η φλάντζα ταιριάζει στη τρύπα του άξονα όταν τοποθετείτε τον δίσκο.**
9. **Επιθεωρήστε και αφαιρέστε όλα τα καρφιά ή ξένα σώματα από το αντικείμενο εργασίας πριν τη λειτουργία.**
10. **Πάντοτε τοποθετείτε το αντικείμενο εργασίας σε ένα σταθερό πάγκο.**
11. **Στερεώστε καλά τα αντικείμενα εργασίας με σφικκτήρα ή μέγγενη.**
12. **ΜΗ φοράτε ποτέ γάντια κατά τη διάρκεια της λειτουργίας.**
13. **Κρατάτε το μηχάνημα σταθερά και με τα δύο χέρια.**
14. **Κρατάτε τα χέρια και το σώμα σας μακριά από την περιοχή αυλακίσματος.**

15. Λειτουργήστε το μηχάνημα για λίγο χωρίς ο δίσκος να διευθύνεται προς άτομα. Παρακολουθήστε για δονήσεις ή ανωμαλίες περιστροφής που υποδεικνύουν κακή τοποθέτηση ή κακή εξισορρόπηση του δίσκου.
16. Ποτέ μη βάλετε τα χέρια σας κάτω από τα τεμάχια εργασίας ενώ ο δίσκος περιστρέφεται.
17. Μην αφήνετε τον δίσκο να περιστρέφεται χωρίς παρακολούθησή.
18. Πάντοτε βεβαιώνετε ότι το μηχάνημα είναι σβηστό και βγαλμένο από το ρεύμα πριν κάνετε οποιοδήποτε ρυθμίσεις ή αντικατάσταση του δίσκου.
19. Μερικά υλικά περιέχουν χημικές ουσίες που μπορεί να είναι τοξικές. Προσέχετε να μην εισπνεύσετε σκόνη και να μην έχετε δερματική επαφή. Ακολουθείστε τις οδηγίες ασφάλειας του προμηθευτή των υλικών.
20. Μη χρησιμοποιείτε αμβλυμένους ή φθαρμένους δίσκους.
21. Μη χρησιμοποιείτε το εργαλείο με φθαρμένους τροφολαβήρες.

## ΦΥΛΑΞΕΤΕ ΑΥΤΕΣ ΤΙΣ ΟΔΗΓΙΕΣ.

### ⚠️ ΠΡΟΣΟΧΗ:

ΜΗΝ επιτρέψετε το βαθμό άνεσης ή εξοικείωσης με το προϊόν (λόγω επανειλημμένης χρήσης) να αντικαταστήσει την αυστηρή τήρηση των κανόνων ασφαλείας του παρόντος εργαλείου. ΚΑΚΗ ΧΡΗΣΗ ή αμέλεια να ακολουθήσετε τους κανόνες ασφάλειας που διατυπώνονται σ' αυτό το εγχειρίδιο οδηγιών μπορεί να προκαλέσει σοβαρό προσωπικό τραυματισμό.

## ΠΕΡΙΓΡΑΦΗ ΛΕΙΤΟΥΡΓΙΑΣ

### ⚠️ ΠΡΟΣΟΧΗ:

- Πάντοτε να είστε σίγουροι ότι το εργαλείο είναι σβηστό και αποσυνδεδεμένο από το ρεύμα πριν ρυθμίσετε ή ελέγξετε κάποια λειτουργία στο εργαλείο.

### Ρύθμιση του βάθους αυλακιάσματος (Εικ. 1)

6 βάθη αυλακιάσματος μπορούν να προγραμματιστούν σύμφωνα με το μέγεθος του χρησιμοποιούμενου παζιμαδιού. Ανατρέξτε στον πίνακα παρακάτω για την αντιστοιχία μεταξύ των μεγεθών που είναι σημειωμένα στον κόφτη και των μεγεθών παζιμαδιού. Μικρορύθμιση του βάθους αυλακιάσματος μπορεί να γίνει στρίβοντας τη βίδα ρύθμισης μετά το χαλάρισμα του εξαγ. παζιμαδιού. Αυτό μπορεί να είναι απαραίτητο όταν ο δίσκος έχει ακονιστεί μερικές φορές.

Μέγεθος στον κόφτη	0	10	20	S	D	MAX
Μέγεθος παζιμαδιού	0	10	20	—	—	—
Βάθους αυλακιάσματος	8 χιλ.	10 χιλ.	12,3 χιλ.	13 χιλ.	14,7 χιλ.	20 χιλ.*

\* Με τις ελαστικές ακίδες αφαιρεμένες.

012681

### Οδηγός γωνίας (Εικ. 2 και 3)

Το ύψους του οδηγού γωνίας μπορεί να μετακινηθεί προς τα επάνω και κάτω για να ρυθμιστεί η θέση του δίσκου σε σχέση με το επάνω μέρος του αντικειμένου εργασίας.

Για ρύθμιση του ύψους της γωνίας οδηγού, χαλαρώστε τον μοχλό κλειδώματος κάτω και περιστρέψτε το κουμπί μέχρι ο δείκτης να δείχνει την επιθυμητή διαβάθμιση κλίμακος που είναι σημειωμένη στον οδηγό γωνίας.

Και μετά σφίξτε τον μοχλό κλειδώματος μέχρι να στερεωθεί η γωνία οδηγού. Η κλίμακα στον οδηγό γωνίας δείχνει την απόσταση από τη κορυφή του αντικειμένου εργασίας μέχρι το κέντρο του πάχους του δίσκου.

Ο οδηγός γωνίας είναι αποσπώμενος από τον προφυλακτήρα ανάλογα με τις ανάγκες της εργασίας σας. Για να αφαιρέσετε τον οδηγό γωνίας, χαλαρώστε το μοχλό κλειδώματος και περιστρέψτε το κουμπί δεξιόστροφα μέχρι να βγει από το επάνω άκρο του προφυλακτήρα.

### Προφυλακτήρας (Εικ. 4 και 5)

#### ΠΑΡΑΤΗΡΗΣΗ:

- Αφαιρέστε τον οδηγό γωνίας ανάλογα με τις ανάγκες της εργασίας σας όταν χρησιμοποιείτε το εργαλείο με τη γωνία του προφυλακτήρα ρυθμισμένη σε θέση διαφορετική από 0°. Όταν πρέπει να χρησιμοποιήσετε τον οδηγό γωνίας κάτω από την παραπάνω συνθήκη, βεβαιωθείτε να ρυθμίσετε το βάθος αυλακιάσματος για να έχετε το σωστό βάθος.

Η γωνία του προφυλακτήρα μπορεί να ρυθμιστεί μεταξύ 0° και 90° (θετικές θέσεις 0°, 45° και 90°). Για να ρυθμίσετε τη γωνία χαλαρώστε το μοχλό κλειδώματος και γύρευτε το προφυλακτήρα μέχρι ο δείκτης να δείχνει στην επιθυμητή διαβάθμιση στη κλίμακα γωνίας. Μετά σφίξτε το μοχλό κλειδώματος για να στερεώσετε το προφυλακτήρα. Όταν ο προφυλακτήρας είναι τοποθετημένος στις 90°, η απόσταση από το κέντρο του πάχους του δίσκου στον προφυλακτήρα και η απόσταση από το κέντρο του πάχους του δίσκου στο βάθος του καλύμματος βάσης είναι 10 χιλ.

### Πλάκα ρύθμισης (Εικ. 6 και 7)

Χρησιμοποιήστε τη πλάκα ρύθμισης όπως φαίνεται στην Εικ. 6 και 7 όταν κόβετε σχισμές σε λεπτά αντικείμενα εργασίας.

### Λειτουργία διακόπτη (Εικ. 8)

#### ⚠️ ΠΡΟΣΟΧΗ:

- Πριν συνδέσετε το εργαλείο στο ρεύμα, πάντοτε ελέγχετε να δείτε ότι ο συρόμενος διακόπτης ενεργοποιείται κανονικά και επιστρέφει στη θέση "OFF" όταν το πίσω μέρος του συρόμενου διακόπτη πιεστεί.
- Ο διακόπτης μπορεί να ασφαλιστεί στη θέση "ON" για πιο άνετη λειτουργία από τον χρήστη κατά τη διάρκεια παρατεταμένης χρήσης. Να είστε προσεκτικοί όταν ασφαλίσετε το εργαλείο στη θέση "ON" και να κρατάτε καλά το εργαλείο.

Για να ξεκινήσει το εργαλείο, σύρετε τον συρόμενο διακόπτη προς την θέση "I (ON)". Για συνεχή λειτουργία, πατήστε το εμπρός μέρος του συρόμενου διακόπτη για να κλειδώσει.

Για να σταματήσετε το εργαλείο, πατήστε το πίσω μέρος του συρόμενου διακόπτη, μετά σύρετε το στη θέση "O (OFF)".

## ΣΥΝΑΡΜΟΛΟΓΗΣΗ

### ⚠️ ΠΡΟΣΟΧΗ:

• Πάντοτε να σιγουρεύεστε ότι το εργαλείο είναι σβηστό και αποσυνδεδεμένο πριν εκτελέσετε οποιαδήποτε εργασία στο εργαλείο.

### Αφαίρεση ή τοποθέτηση του δίσκου (Εικ. 9)

#### ⚠️ ΠΡΟΣΟΧΗ:

• Όταν τοποθετείτε τον δίσκο συναρμολογητή σανίδων, τοποθετήστε την εσωτερική φλάντζα με τη πλευρά στην οποία σημειώνεται το "22" να βλέπει προς το μέρος σας.

Για να αφαιρέσετε τον δίσκο, χαλαρώστε τη βίδα σφιγκτήρα και ανοίχτε το κάλυμμα της λάμας. Σπρώχτε το εξάρτημα κλειδώματος του άξονα και χαλαρώστε το παξιμάδι κλειδώματος χρησιμοποιώντας το κλειδί παξιμαδιών κλειδώματος. Για εγκατάσταση του δίσκου πρώτα τοποθετήστε την εσωτερική φλάντζα.

Μετά τοποθετήστε τον δίσκο και το παξιμάδι κλειδώματος. Σφίχτε καλά το παξιμάδι κλειδώματος χρησιμοποιώντας το κλειδί παξιμαδιού κλειδώματος. Κλείστε το κάλυμμα του δίσκου και σφίξτε τη βίδα σφίξιματος για να στερεώσετε το κάλυμμα του δίσκου.

#### ⚠️ ΠΡΟΣΟΧΗ:

• Χρησιμοποιείτε μόνο το παρεχόμενο κλειδί παξιμαδιού κλειδώματος Μάκιτα για να αφαιρέσετε ή τοποθετήσετε τον δίσκο.  
• Πάντα να ελέγχετε το βάθος αυλακίσματος μετά την αντικατάσταση του δίσκου. Επαναρυθμίστε εάν είναι απαραίτητο.

### Σάκος σκόνης (Εικ. 10)

Για να προσαρμόσετε τον σάκο σκόνης, βάλτε τον στο στόμιο σκόνης. Εάν ο σάκος σκόνης γίνεται εμπόδιο στην εργασία σας, γυρίστε το στόμιο σκόνης για αλλαγή της θέσης του σάκου σκόνης.

Όταν ο σάκος σκόνης είναι περίπου μισογεμάτος, σβήστε τον διακόπτη και αποσυνδέστε το εργαλείο. Αφαιρέστε τον σάκο σκόνης από το εργαλείο και τραβήχτε έξω τον σφιγκτήρα του σάκου. Αδειάστε τον σάκο σκόνης χτυπώντας τον ελαφρά για να αφαιρέσετε όσο το δυνατόν περισσότερο μέρος της σκόνης.

### ΠΑΡΑΤΗΡΗΣΗ:

• Εάν συνδέσετε μία ηλεκτρικό απορροφητήρα σκόνης Μάκιτα στην άρθρωση πλάκας στον συναρμολογητή σανίδων σας, μπορείτε να εκτελέσετε καθαρότερες και αποδοτικότερες λειτουργίες.

## ΛΕΙΤΟΥΡΓΙΑ

### Πως να κάνετε συνδέσεις

#### ⚠️ ΠΡΟΕΙΔΟΠΟΙΗΣΗ:

• Πάντα να συγκρατείτε το αντικείμενο εργασίας με ένα σφιγκτήρα στον πάγκο εργασιών πριν από κάθε εργασία. (Εικ. 11 και 12)

**Σύνδεση γωνίας (Εικ. 13, 14 και 15)**

**Σύνδεση τύπου T-Butt (Εικ. 16, 17 και 18)**

**Πλαγιογωνιασμένη σύνδεση (Εικ. 19 και 20)**

**Σύνδεση κάδρου (Εικ. 21 και 22)**

**Σύνδεση Άκρης με Άκρη (Εικ. 23 και 24)**

Για να κάνετε συνδέσεις, προχωρήστε ως ακολούθως:

1. Εφαρμόστε τα δύο αντικείμενα εργασίας όπως θα εμφανιστούν στην τελική θέση σύνδεσης.
2. Σημειώστε το κέντρο των αυλακισμάτων που προτίθεστε να κόψετε με ένα μολύβι.

#### ΠΑΡΑΤΗΡΗΣΗ:

• Το κέντρο των αυλακισμάτων πρέπει να είναι τουλάχιστο 50 χιλ. από την εξωτερική άκρη των αντικειμένων εργασίας.

• Αφήστε απόσταση 100 χιλ. – 150 χιλ. μεταξύ αυλακισμάτων σε εφαρμογές πολλαπλών ορθογωνίων αποκομμάτων.

3. **Για Σύνδεση γωνίας και Σύνδεση τύπου T-Butt μόνο**

Σφίχτε το κάθετο αντικείμενο εργασίας στο πάγκο εργασίας.

**Για Πλαγιογωνιασμένη σύνδεση**

Στερεώστε ένα αντικείμενο εργασίας στον πάγκο εργασίας με την κωνική άκρη προς τα επάνω.

**Για Σύνδεση κάδρου και Σύνδεση Άκρης με Άκρη μόνο**

Σφίχτε το ένα αντικείμενο εργασίας στο πάγκο εργασίας.

4. Ρυθμίστε το βάθος αυλακίσματος ανάλογα με το μέγεθος του παξιμαδιού που θα χρησιμοποιηθεί. Ανατρέξτε στον πίνακα στο τμήμα "Ρύθμιση του βάθους αυλακίσματος".

5. Ρυθμίστε το ύψος του οδηγού γωνίας έτσι ώστε ο δίσκος να κεντράρεται στο πάχος της σανίδας.

6. Ευθυγραμμίστε το σημάδι κέντρου στη βάση με τη γραμμή μολυβιού στο αντικείμενο εργασίας.

7. Ανάψτε το μηχάνημα και απαλά σπρώχτε το μπροστά για να εισχωρήσει ο δίσκος μέσα στο αντικείμενο εργασίας.

8. Απαλά επαναφέρετε το μηχάνημα στην αρχική του θέση αφού η βίδα ρύθμισης φθάσει στον κόφτη.

9. **Μόνο για Σύνδεση γωνίας και τύπου T-Butt**  
Σφίχτε το οριζόντιο αντικείμενο εργασίας στο πάγκο εργασίας.

**Για Πλαγιογωνιασμένη σύνδεση**

Στερεώστε το άλλο αντικείμενο εργασίας στον πάγκο εργασίας με την κωνική άκρη προς τα επάνω.

**Μόνο για Σύνδεση κάδρου και Σύνδεση Άκρης με Άκρη**

Σφίχτε το άλλο αντικείμενο εργασίας στο πάγκο εργασίας.



10. **Μόνο για Σύνδεση γωνίας**  
Τοποθετήστε το μηχάνημα στο αντικείμενο εργασίας έτσι ώστε ο δίσκος να βλέπει προς τα κάτω.
- Μόνο για Σύνδεση τύπου T-Butt**  
Αφαιρέστε τον οδηγό γωνίας από το μηχάνημα. Τοποθετήστε το μηχάνημα στο αντικείμενο εργασίας έτσι ώστε ο δίσκος να βλέπει προς τα κάτω.
11. Επαναλάβετε τα βήματα 6 – 8 για αυλάκιασμα στο οριζόντιο ή στο άλλο αντικείμενο εργασίας.

Εάν δεν χρειάζεται να κεντράρετε ο δίσκος στο πάχος της σανίδας, προχωρήστε ως ακολούθως:

**Μόνο για Συνδέσεις γωνίας, Πλαγιογωνιασμένη σύνδεση, Σύνδεση κάδρου και Σύνδεση Άκρης με Άκρη**

- Αφαιρέστε τον οδηγό γωνίας από το μηχάνημα. Ρυθμίστε τον προφυλακτήρα σε 90° για σύνδεση γωνίας, σύνδεση κάδρου και σύνδεση Άκρης με Άκρη ή σε 45° για πλαγιογωνιασμένη σύνδεση.
- Ακολουθήστε τα βήματα 1 – 11 εκτός των βημάτων 5 και 10 που περιγράφονται παραπάνω.

**Μόνο για Σύνδεση τύπου T-Butt**

- Εφαρμόστε τα δύο αντικείμενα εργασίας όπως θα εμφανιστούν στην τελική θέση σύνδεσης.
- Βάλτε το κάθετο αντικείμενο εργασίας πάνω στο οριζόντιο. Σφίχτε και τα δύο αντικείμενα εργασίας στο πάγκο εργασίας.
- Αφαιρέστε τον οδηγό γωνίας από το μηχάνημα.
- Ακολουθήστε τα βήματα 2, 4, 6, 7, 8 και 11 που περιγράφονται παραπάνω.

## ΣΥΝΤΗΡΗΣΗ

### ΠΡΟΣΟΧΗ:

- Πάντοτε να σιγουρεύεστε ότι το εργαλείο είναι σβηστό και αποσυνδεδεμένο από το ρεύμα πριν επιχειρήσετε να κάνετε επιθεώρηση ή συντήρηση.
- Μην χρησιμοποιείτε ποτέ βενζίνη, πετρελαϊκό αιθέρα, διαλυτικό, αλκοόλη ή παρόμοιες ουσίες. Ενδέχεται να προκληθεί αποχρωματισμός παραμόρφωση ή ρωγμές.

Το εργαλείο και τα ανοίγματα εξερισμού του πρέπει να διατηρούνται καθαρά. Να καθαρίζετε τακτικά τα ανοίγματα εξερισμού του εργαλείου ή όταν αρχίσουν να φράσσονται. (Εικ. 25)

Για να διατηρήσετε την ΑΣΦΑΛΕΙΑ και ΑΞΙΟΠΙΣΤΙΑ του προϊόντος, επισκευές, έλεγχοι και αντικατάσταση των ψηκτρών άνθρακα, καθώς και οποιαδήποτε άλλη συντήρηση ή ρύθμιση πρέπει να εκτελούνται από Κέντρα Εξυπηρέτησης Εργοσασίου ή από Εξουσιοδοτημένα από την Μάκιτα Κέντρα, πάντοτε χρησιμοποιώντας ανταλλακτικά της Μάκιτα.

## ΠΡΟΑΙΡΕΤΙΚΑ ΕΞΑΡΤΗΜΑΤΑ

### ΠΡΟΣΟΧΗ:

- Αυτά τα εξαρτήματα ή προσαρτήματα συνιστώνται για χρήση με το εργαλείο σας της Μάκιτα που καθορίζεται στο εγχειρίδιο αυτό. Η χρήση οποιονδήποτε άλλων εξαρτημάτων ή προσαρτημάτων μπορεί να δημιουργήσει κίνδυνο τραυματισμού ατόμων. Χρησιμοποιείτε μόνο εξαρτήματα ή προσαρτήματα μόνο για το σκοπό που προορίζονται.

Εάν χρειάζεστε κάποια βοήθεια για περισσότερες πληροφορίες που αφορούν στα εξαρτήματα αυτά, αποτανθείτε στο τοπικό σας κέντρο εξυπηρέτησης Μάκιτα.

- Οδηγός γωνίας
- Σάκος σκόνης
- Πλάκα ρύθμισης 4
- Κλειδί κλειδώνονται παζιμαδιού 20
- Δίσκοι συναρμολογητή σανίδων

### ΠΑΡΑΤΗΡΗΣΗ:

- Μερικά στοιχεία στη λίστα μπορεί να συμπεριλαμβάνονται στη συσκευασία εργαλείου ως στάνταρ εξαρτήματα. Μπορεί να διαφέρουν ανάλογα με τη χώρα.

ENG905-1

### Θόρυβος

Το τυπικό A επίπεδο μετρημένου θορύβου καθορίζεται σύμφωνα με το EN60745:

- Στάθμη πίεσης ήχου ( $L_{pA}$ ): 86 dB (A)
- Στάθμη δύναμης ήχου ( $L_{WA}$ ): 97 dB (A)
- Αβεβαιότητα (K): 3 dB (A)

### Φοράτε ωτοασπίδες

ENG900-1

### Κραδασμός

Η ολική τιμή δόνησης (άθροισμα τρι-αξονικού διανύσματος) καθορίζεται σύμφωνα με το EN60745:

- Είδος εργασίας: κοπή αυλακώσεων σε MDF
- Εκπομπή δόνησης ( $a_{h1}$ ): 2,5 m/s<sup>2</sup> ή λιγότερο
- Αβεβαιότητα (K): 1,5 m/s<sup>2</sup>

ENG901-1

- Η δηλωμένη τιμή εκπομπής κραδασμών έχει μετρηθεί σύμφωνα με την πρότυπη μέθοδο δοκιμής και μπορεί να χρησιμοποιηθεί για τη σύγκριση ενός εργαλείου με άλλο.
- Η δηλωμένη τιμή εκπομπής κραδασμών μπορεί να χρησιμοποιηθεί και στην προκαταρκτική αξιολόγηση έκθεσης.

### ΠΡΟΕΙΔΟΠΟΙΗΣΗ:

- Η εκπομπή κραδασμών κατά τη χρήση του ηλεκτρικού εργαλείου σε πραγματικές συνθήκες μπορεί να διαφέρει από τη δηλωμένη τιμή εκπομπής ανάλογα με τον τρόπο χρήσης του εργαλείου.
- Φροντίστε να λάβετε τα κατάλληλα μέτρα προστασίας του χειριστή βάσει υπολογισμού της έκθεσης σε πραγματικές συνθήκες χρήσης (λαμβάνοντας υπόψη όλες τις συνιστώσες του κύκλου λειτουργίας όπως τους χρόνους που το εργαλείο είναι εκτός λειτουργίας και όταν βρίσκεται σε αδρανή λειτουργία πέραν του χρόνου ενεργοποίησης).

## Δήλωση Συμμόρφωσης

### Μόνο για χώρες της Ευρώπης

Οι Δηλώσεις Συμμόρφωσης περιλαμβάνονται στο Παράρτημα Α στο παρόν εγχειρίδιο οδηγιών.

**Genel görünüşün açıklanması**

1 Gösterge	11 Aşağı	21 İç flanş
2 Durdurucu	12 Yukarı	22 Kelepçe vidası
3 Ayar vidası	13 Bıçak kalınlığının ortası	23 Şaft kilidi
4 Kauçuk çivi	14 Kenarlık	24 Toz torbası
5 Kilitleme kolu	15 Açık cetveli	25 Tutturucu
6 Köşe kılavuzu	16 Bıçak mahfazası	26 Toz ağızlığı
7 Kontrol düğmesi	17 Ayar plakası	27 Hava çıkış deliği
8 Ölçek	18 Ayar plakasının kalınlığı	28 Hava giriş deliği
9 Sıkılayın	19 Kilit somunu	29 Sürgülü anahtar
10 Gevşetin	20 Zıvana açma bıçağı	

**TEKNİK ÖZELLİKLER**

<b>Model</b>	<b>PJ7000</b>
Bıçak türü .....	Zıvana açma makinası
Maks. oluk açma derinliği	
Zıvana açma bıçağı .....	20 mm
Yüksüz hız (dak <sup>-1</sup> ) .....	11.000
Toplam uzunluk .....	302 mm
Net ağırlık .....	2,5 kg
Emniyet sınıfı .....	II

- Sürekli yapılan araştırma ve geliştirmelerden dolayı, burada belirtilen özellikler önceden bildirilmeksizin değiştirilebilir.
- Özellikler ülkeden ülkeye değişebilir.
- EPTA-Prosedürü 01/2003 uyarınca ağırlık

ENE013-1

**Kullanım amacı**

Bu aletin kullanım amacı bir daldırma hareketiyle ahşap kavilaların veya bisküvinin yerleştirilmesi için hilal biçiminde yarıklar kesilmesidir.

ENF002-2

**Güç kaynağı**

Makinenin, yalnızca isim leghasında belirtilenle aynı voltajlı güç kaynağına bağlanması gerekir ve yalnızca tek fazlı AC güç kaynağıyla çalıştırılabilir. Çifte yalıtımlıdır ve topraklamaz prizlerle de kullanılabilir.

GEA010-1

**Genel Elektrikli Alet Güvenliği**

**⚠UYARI!** Tüm güvenlik uyarılarını ve tüm talimatları okuyun. Uyarılara ve talimatlara uyulmaması elektrik şoku, yangın ve/veya ciddi yaralanmalar ile sonuçlanabilir.

Tüm uyarıları ve talimatları ileride başvurmak için saklayın.

GEB020-4

**ZIVANA AÇMA MAKİNASI GÜVENLİK UYARILARI**

1. Bıçaklar en azından alet üzerinde tavsiye edilen hız sınıfında olmalıdır. Nominal hızın üzerinde çalıştırılan bıçaklar fırlayarak yaralanmaya neden olabilirler.
2. Daima siperi kullanın. Siper, kullanıcıyı kırık bıçak parçalarından, bıçağa istem dışı temas etmekten korur.

3. Bıçağın kendi kordonuna temas etme olasılığı olduğu için elektrikli aleti yalıtımlı kavrama yüzeylerinden tutun. "Akımlı" bir telle temas aletin yalıtımsız metal kısımlarını da "akımlı" hale getirecek ve kullanıcıyı elektrik şokuna maruz bırakacaktır.
4. Sadece bu alet için belirtilen bıçakları kullanın.
5. Bu aleti bıçak açık konumda kilitlemeden veya bıçak siperi yerinde sabitlenmeden asla kullanmayın.
6. Kullanmadan önce bıçağın düzgün olarak kaydıgından emin olun.
7. Kullanmadan önce bıçaklara çatlak ya da hasar kontrolü yapın. Çatlak ya da hasarlı olan bıçağı hemen değiştirin.
8. Bıçağı takarken flanşın mil deliğine geçtiğinden emin olun.
9. Çalışmadan önce iş parçalarındaki tüm çivileri veya yabancı malzemeleri bulun ve çıkarın.
10. İş parçalarını daima sabit bir çalışma tezgahına yerleştirin.
11. İş parçalarını kelepçe veya mengeneyle sabitleyin.
12. Çalışırken asla eldiven takmayın.
13. Aleti her iki elinizle sıkıca tutun.
14. Ellerinizi ve vücudunuzu oluk açma alanından uzak tutun.
15. Bıçak kimseye doğrultulmamış olarak aleti bir süre çalıştırın. Bıçağın yanlış takılmış veya dengersiz olduğunu gösteren titreme ya da yalpalamalara dikkat edin.
16. Bıçak dönerken asla iş parçalarının altına uzanmayın.
17. Aleti çalışır durumda bırakıp yanından ayrılmayın.
18. Bıçağı değiştirmeden veya bir ayarlama yapmadan önce aletin kapalı ve fişinin çekili olduğundan daima emin olun.
19. Bazı malzemeler zehirli olabilen kimyasallar içerirler. Toz yutmayı ve cilt temasını önlemek için tedbir alın. Malzeme sağlayıcısının güvenli bilgilerine uyun.
20. Kör veya hasarlı bıçakları kullanmayın.
21. Bu aleti hasarlı siperlerle kullanmayın.

**BU TALİMATLARI MUHAFAZA EDİNİZ.**

## ⚠ UYARI:

Ürünü kullanırken (defalarca kullanınca kazanılan) rahatlık ve tanıdıklık duygusunun ilgili ürünün güvenlik kurallarına sıkı sıkıya bağlı kalmanın yerine geçmesine İZİN VERMEYİN. YANLIŞ KULLANIM veya bu kullanma kılavuzunda belirtilen emniyet kurallarına uymama ciddi yaralanmaya neden olabilir.

## İŞLEVSEL NİTELİKLER

### ⚠ DİKKAT:

• Makina üzerinde ayarlama ya da işleyiş kontrolü yapmadan önce makinanın kapalı ve fişinin çekili olduğundan daima emin olun.

### Oluk açma derinliğini ayarlama (Şekil. 1)

Kullanılacak bisküvinin büyüklüğüne bağlı olarak 6 aluk açma derinliği önceden ayarlanabilir.

Durdurucu üstündeki ölçülerle bisküvi ölçüsü arasındaki ilişki için aşağıdaki tabloya bakın. Oluk açma derinliğinin ince ayarı altığın somun gevşetildikten sonra ayar vidası döndürülerek yapılabilir. Bu, bıçak birkaç kez yeniden bilindikten sonra gerekli olabilir.

Durdurucu üstündeki ölçü	0	10	20	S	D	MAKS.
Bisküvi ölçüsü	0	10	20	–	–	–
Oluk açma derinliği	8 mm	10 mm	12,3 mm	13 mm	14,7 mm	20 mm*

\* Kauçuk civiler çıkarıldığında.

012681

### Köşe kılavuzu (Şekil. 2 ve 3)

Köşe kılavuz yüksekliği aşağı ve yukarı hareket ettirilerek bıçağın iş parçasının üstüne göre konumu ayarlanabilir.

Köşe kılavuzunun yüksekliğini ayarlamak için, kilitleme kolunu aşağı doğru gevşetin ve kontrol düğmesini gösterge köşe kılavuzu üstünde istenilen derecelendirme ölçüsünü gösterinceye kadar döndürün.

Sonra köşe kılavuzunu sabitlemek için kilitleme kolunu yukarı kaldırarak sıkın. Köşe kılavuzu üstündeki ölçek iş parçasının üstünden bıçak kalınlığının ortasına kadar olan mesafeyi gösterir.

Köşe kılavuzu, yaptığımız işin gereksinimlerine göre kenarlıktan ayrılabilir. Köşe kılavuzunu çıkarmak için, kilitleme kolunu gevşetin ve kılavuz kenarlığın üst kenarından çıkana kadar kontrol düğmesini saat yönünde döndürün.

### Kenarlık (Şekil. 4 ve 5)

#### NOT:

• Aleti, kenarlık açısı 0°'den farklı bir açığa ayarlanmış olarak kullandığınızda, yaptığımız işin gereksinimlerine göre köşe kılavuzunu çıkarabilirsiniz. Köşe kılavuzunu yukarıda belirtilen koşullarda kullanmanız gerektiğinde, oluk açma derinliğini doğru derinliğe ayarladığınızdan emin olun.

Kenarlık açısı 0° ve 90° arasında ayarlanabilir (0°, 45° ve 90° kademelerinde). Açığı ayarlamak için, kilitleme kolunu gevşetin ve kenarlığı gösterge açı cetveli üstünde istenilen derecelendirme ölçüsünü gösterinceye kadar eğin. Sonra kenarlığı sabitlemek için kilitleme kolunu sıkın. Kenarlık 90°'ye ayarlandığı zaman, bıçak kalınlığının ortasından hem kenarlığa kadar hem de mahfazasına kadar olan mesafe 10 mm'dir.

### Ayar plakası (Şekil. 6 ve 7)

İnce iş parçalarında oluk açarken ayar plakasını Şekil. 6 ve 7de gösterildiği gibi kullanın.

### Anahtarın işleyişi (Şekil. 8)

#### ⚠ DİKKAT:

- Aleti fişe takmadan önce sürgülü anahtarın doğru çalıştığından ve sürgülü anahtarın arka tarafına basıldığında "OFF" (kapalı) konumuna döndüğünden emin olun.
- Uzun süreli kullanımlarda operatöre kullanım kolaylığı sağlamak için anahtar "ON" (açık) konumda kilitlenebilir. Aleti "ON" (açık) konuma kilitlerken dikkatli olun ve aleti sıkıca kavrayın.

Aleti çalıştırmak için, sürgülü anahtar "I (ON)" (açık) konumuna doğru kaydırın. Sürekli çalışma için sürgülü anahtarları ön tarafına basarak kilitleyin.

Aleti durdurmak için, sürgülü anahtarın arka tarafına bastırın ve sonra "O (OFF)" (kapalı) konumuna doğru kaydırın.

## MONTAJ

#### ⚠ DİKKAT:

• Makina üzerinde herhangi bir iş yapmadan önce makinanın kapalı ve fişinin çekili olduğundan daima emin olun.

### Bıçağı çıkarma ve takma (Şekil. 9)

#### ⚠ DİKKAT:

• Zivina açma bıçağını takarken, iç flanşı "22" işarettli tarafı size bakacak şekilde monte edin.

Bıçağı çıkarmak için, sıkma vidasını gevşetin ve bıçak mahfazasını açın. Şaft kilidini itin ve kilit somunu anahtarıyla kilit somununu iyice sıkın. Bıçağı takmak için, önce iç flanşı monte edin.

Sonra bıçağı ve kilit somununu takın. Kilit somunu anahtarıyla kilit somununu iyice sıkın. Bıçak mahfazasını kapatın ve sıkma vidasını sıkarak bıçak mahfazasını sabitleyin.

### ⚠️ DİKKAT:

- Bıçağı takmak veya çıkarmak için sadece verilen Makita kilit somunu anahtarını kullanın.
- Bıçağı değiştirdikten sonra oluk açma derinliğini daima kontrol edin. Gerekirse tekrar ayarlayın.

### Toz torbası (Şekil. 10)

Toz torbasını takmak için, onu toz ağızlığının üstüne geçirin. Eğer toz torbası çalışmanızı engellerse, toz torbasının konumunu değiştirmek için toz ağızlığını döndürün.

Toz torbası yarıya kadar dolunca, aleti kapatın ve fişini çekin. Toz torbasını aletten çıkarın ve torbanın tutturucusunu dışarı çekin. Mümkün olduğu kadar çok tozun çıkması için toz torbasını üzerine hafifçe vurarak boşaltın.

### NOT:

- Zivina açma makinasına bir Makita elektrikli süpürge takarsanız daha verimli ve temiz şekilde çalışabilirsiniz.

## KULLANIM

### Ekleme yapma

#### ⚠️ UYARI:

- Her kullanımdan önce iş parçasını mutlaka tezgaha tutturun. (Şekil. 11 ve 12)

### Köşeli Ekleme (Şek. 13, 14 ve 15)

### T-Düz Ekleme (Şek. 16, 17 ve 18)

### Gönyeli Ekleme (Şek. 19 ve 20)

### Çerçeve Ekleme (Şek. 21 ve 22)

### Yan Yana Ekleme (Şek. 23 ve 24)

Ekleme yapmak için, aşağıdaki adımları izleyin:

1. İki iş parçasını eklenmiş olarak nasıl gözükeceklerse o şekilde bir araya getirin.
2. Bir kurşun kalemle iş parçası üstünde açmak istediğiniz bisküvi oyuklarının ortasını işaretleyin.

### NOT:

- Oyukların ortası iş parçasının dış kenarından en az 50 mm mesafede olmalıdır.
- Birden çok bisküvi uygulamasındaki oyuklar arasında 100 mm – 150 mm bırakın.

### 3. Sadece Köşeli Ekleme ve T-Düz Ekleme için

Dik iş parçasını çalışma tezgahına mengineleyin.

#### Sadece Gönyeli Ekleme için

Bir iş parçasını eğik kenarı yukarı bakacak şekilde mengineyle çalışma tezgahına bağlayın.

#### Sadece Çerçeve Ekleme ve Yan Yana Ekleme için

Bir iş parçasını çalışma tezgahına mengineleyin.

4. Oluk açma derinliğini, kullanılan bisküvi boyutuna göre ayarlayın. "Oluk açma derinliğini ayarlama" bölümündeki tabloya bakın.
5. Köşe kılavuzunun yüksekliğini bıçak levha kalınlığının ortasına gelecek şekilde ayarlayın.
6. Tabandaki orta işaretini iş parçasındaki kurşun kalem çizgisiyle hizalayın.
7. Aleti çalıştırın ve bıçağı iş parçasına geçirmek için hafifçe ileri itin.
8. Ayar vidası durdurucuya ulaştıktan sonra aleti yavaşça ilk konumuna geri çekin.

### 9. Sadece Köşeli Ekleme ve T-Düz Ekleme için

Yatay iş parçasını çalışma tezgahına mengineleyin.

#### Sadece Gönyeli Ekleme için

Diğer iş parçasını eğik kenarı yukarı bakacak şekilde mengineyle çalışma tezgahına bağlayın.

#### Sadece Çerçeve Ekleme ve Yan Yana Ekleme için

Diğer iş parçasını çalışma tezgahına mengineleyin.

### 10. Sadece Köşeli Ekleme için

Aleti bıçak aşağıya bakacak şekilde iş parçası üstüne yerleştirin.

#### Sadece T-Düz Ekleme için

Köşe kılavuzunu aletten çıkarın. Aleti bıçak aşağıya bakacak şekilde iş parçası üstüne yerleştirin.

11. Yatay olarak ya da diğer iş parçasında oluk açmak için 6 – 8 no.lu adımları tekrar edin.

Bıçağı, levha kalınlığının ortasına hizalamanız gerekmektedir, aşağıdaki adımları izleyin:

### Sadece Köşe Ekleme, Gönyeli Ekleme, Çerçeve Ekleme ve Yan Yana Ekleme için

- Köşe kılavuzunu aletten çıkarın. Kenarlığı, Köşe Ekleme, Çerçeve Ekleme ve Yan Yana ekleme için 90°'ye, Gönyeli Ekleme için ise 45°'ye ayarlayın.
- Yukarıda açıklanan 1 – 11 adımlarını 5 ve 10 adımları dışında tekrarlayın.

### Sadece T-Düz Ekleme için

- İki iş parçasını eklenmiş olarak nasıl gözükeceklerse o şekilde bir araya getirin.
- Dikey iş parçasını yatay iş parçası üstüne yatırın. Her iki iş parçasını da çalışma tezgahına mengineleyin.
- Köşe kılavuzunu aletten çıkarın.
- Yukarıda açıklanan 2, 4, 6, 7, 8 ve 11 adımlarını izleyin.

## BAKIM

### ⚠️ DİKKAT:

- Muayene ya da bakım yapmaya başlamadan önce makinanın kapalı ve fişinin çekili olduğundan daima emin olun.
- Benzin, tiner, alkol ve benzeri maddeleri kesinlikle kullanmayın. Renk değişimi, deformasyon veya çatlaklar oluşabilir.

Aletin kendisi ve havalandırma kanalları temiz tutulmalıdır. Aletin havalandırma deliklerini düzenli olarak ya da delikler tıkanmaya başladığında temizleyin. (Şekil. 25)

Makinanın EMNİYET ve GÜVENİLİRLİĞİNİ muhafaza etmek için onarımlar, karbon fırça muayenesi ve değişimi, başka her türlü bakım ve ayarlamalar daima Makita yedek parçaları kullanılarak Makita Yetkili Servis Merkezleri tarafından yapılmalıdır.

## İSTEĞE BAĞLI AKSESUARLAR

### ⚠ DİKKAT:

- Bu aksesuarlar ve ek parçalar bu el kitabında belirtilen Makita makinanız ile kullanılmak için tavsiye edilmektedir. Herhangi başka bir aksesuar ya da ek parça kullanılması yaralanma riski doğurabilir. Aksesuarları ya da ek parçaları yalnızca belirtilmiş olan kullanım amaçlarına uygun olarak kullanın.

Bu aksesuarlarla ilgili daha fazla bilgiye ihtiyaç duyarsanız bulunduğunuz yerdeki yetkili Makita servisine başvurun.

- Köşe kılavuzu
- Toz torbası
- Ayar plakası 4
- Kilit somunu anahtarı 20
- Zivana açma bıçakları

### NOT:

- Listedeki bazı parçalar standart aksesuar olarak ürün paketinin içine dahil edilmiş olabilir. Aksesuarlar ülkeden ülkeye farklılık gösterebilir.

ENG905-1

### Gürültü

EN60745 standardına göre belirlenen tipik A-ağırlıklı gürültü düzeyi:

Ses basıncı düzeyi ( $L_{pA}$ ): 86 dB (A)

Ses güç seviyesi ( $L_{WA}$ ): 97 dB (A)

Belirsizlik (K): 3 dB (A)

#### **Kulak koruyucuları takın**

ENG900-1

### Titreşim

EN60745 standardına göre hesaplanan titreşim toplam değeri (üç eksenli vektör toplamı):

Çalışma modu: MDF'de oluklar kesme

Titreşim emisyonu ( $a_h$ ): 2,5 m/s<sup>2</sup> den az

Belirsizlik (K) : 1,5 m/s<sup>2</sup>

ENG901-1

- Beyan edilen titreşim emisyon değeri standart test yöntemine uygun şekilde ölçülmüştür ve bir aleti bir başkasıyla karşılaştırmak için kullanılabilir.
- Beyan edilen titreşim emisyon değeri bir ön maruz kalma değerlendirmesi olarak da kullanılabilir.

### ⚠ UYARI:

- Bu elektrikli aletin gerçek kullanımı sırasındaki titreşim emisyonu aletin kullanım biçimlerine bağlı olarak beyan edilen emisyon değerinden farklı olabilir.
- Gerçek kullanım koşullarındaki maruz kalmanın bir tahmini hesaplaması temelinde operatörü koruyacak güvenlik önlemlerini mutlaka belirleyin (çalışma döngüsü içerisinde aletin kapalı olduğu ve aktif durumda olmasının yanı sıra boşta çalıştığı zamanlar gibi, bütün zaman dilimleri göz önünde bulundularak değerlendirilmelidir).

### Uygunluk Beyanları

#### **Sadece Avrupa ülkeleri için**

Uygunluk beyanları bu kullanma kılavuzuna Ek A olarak eklenmiştir.





# Makita Europe N.V.

Jan-Baptist Vinkstraat 2, 3070 Kortenberg, Belgium

# Makita Corporation

3-11-8, Sumiyoshi-cho, Anjo, Aichi 446-8502 Japan

[www.makita.com](http://www.makita.com)



885075C995

IDE