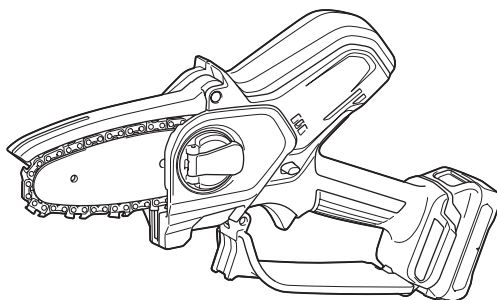




<b>EN</b>	<b>Cordless Pruning Saw</b>	<b>INSTRUCTION MANUAL</b>	<b>8</b>
<b>FR</b>	<b>Scie d'élagage sans fil</b>	<b>MANUEL D'INSTRUCTIONS</b>	<b>18</b>
<b>DE</b>	<b>Akku-Astsäge</b>	<b>BETRIEBSANLEITUNG</b>	<b>30</b>
<b>IT</b>	<b>Motosega da potatura a batteria</b>	<b>ISTRUZIONI PER L'USO</b>	<b>42</b>
<b>NL</b>	<b>Accusnoeizaag</b>	<b>GEBRUIKSAANWIJZING</b>	<b>54</b>
<b>ES</b>	<b>Sierra Inalámbrica para Podar</b>	<b>MANUAL DE INSTRUCCIONES</b>	<b>65</b>
<b>PT</b>	<b>Cortador de Galho a Bateria</b>	<b>MANUAL DE INSTRUÇÕES</b>	<b>77</b>
<b>DA</b>	<b>Akku beskæringsssav</b>	<b>BRUGSANVISNING</b>	<b>88</b>
<b>EL</b>	<b>Φορητό πριόνι κλαδέματος</b>	<b>ΕΓΧΕΙΡΙΔΙΟ ΟΔΗΓΙΩΝ</b>	<b>99</b>
<b>TR</b>	<b>Akülü Budama Testeresi</b>	<b>KULLANMA KILAVUZU</b>	<b>111</b>

## UC100D



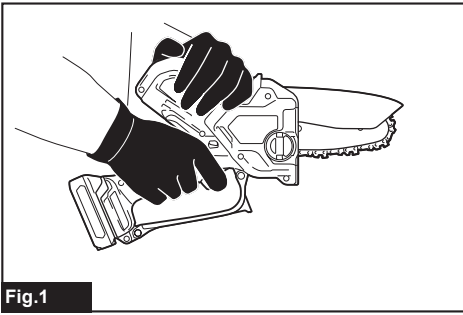


Fig.1

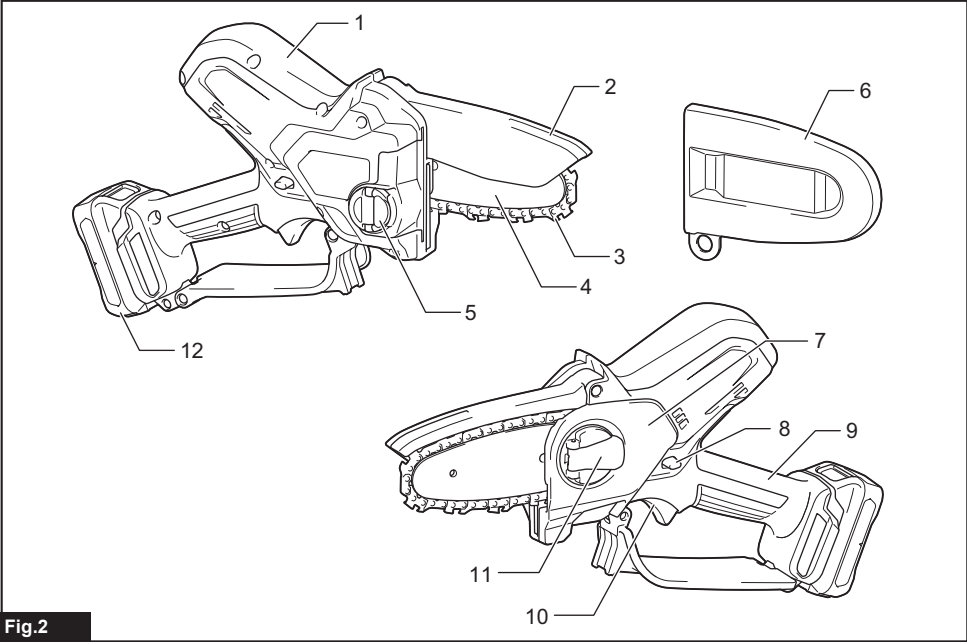


Fig.2

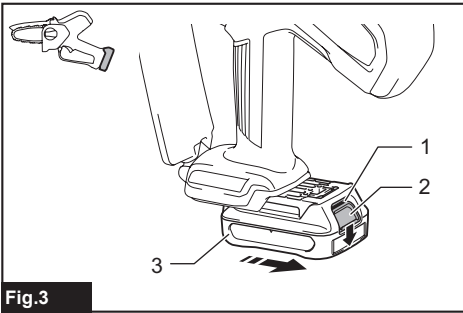


Fig.3

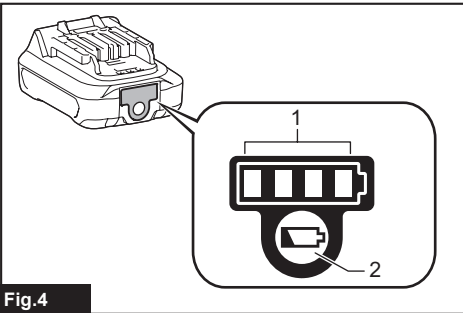


Fig.4

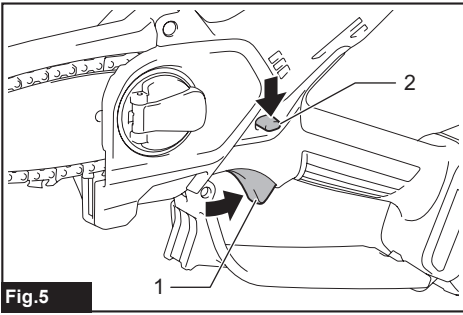


Fig. 5

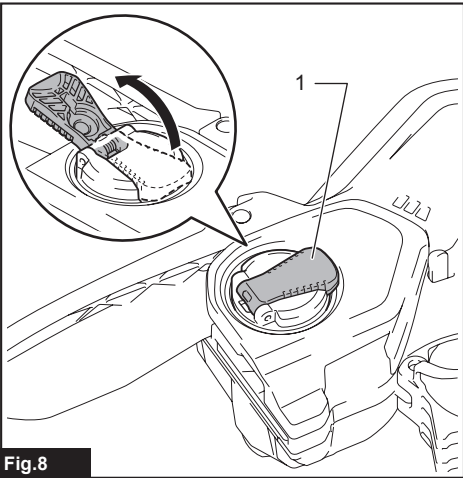


Fig. 8

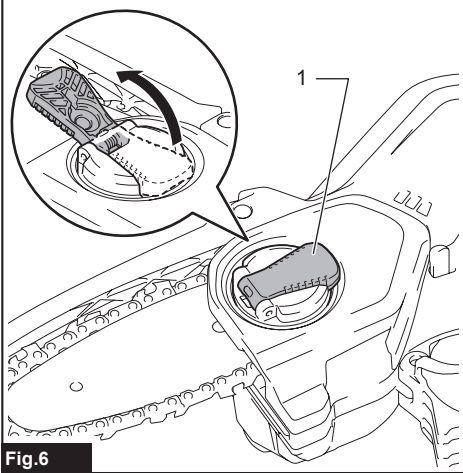


Fig. 6

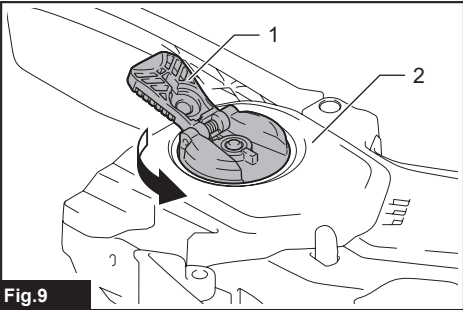


Fig. 9

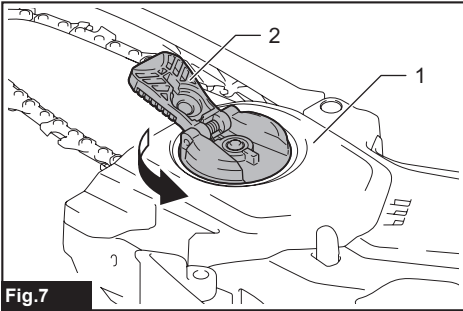


Fig. 7

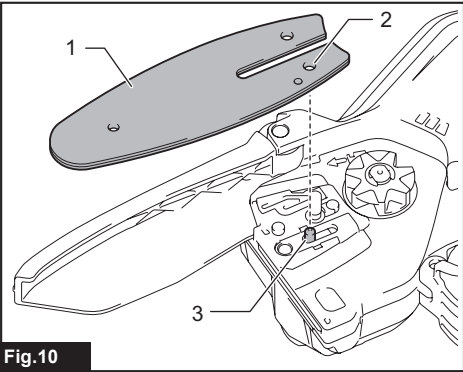
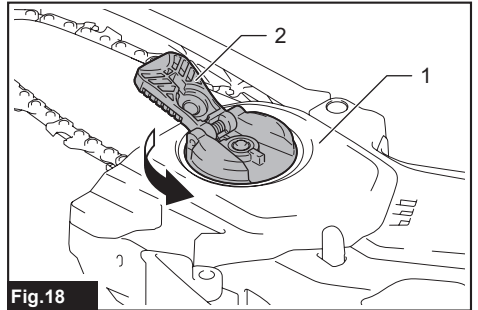
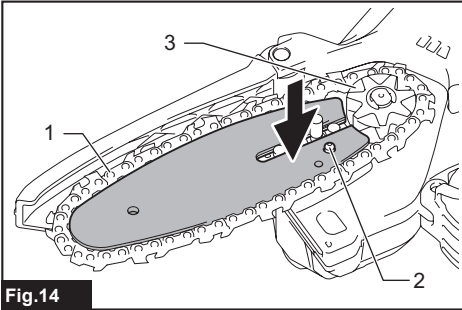
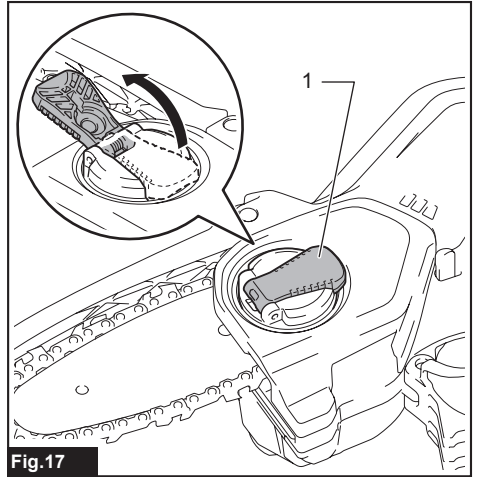
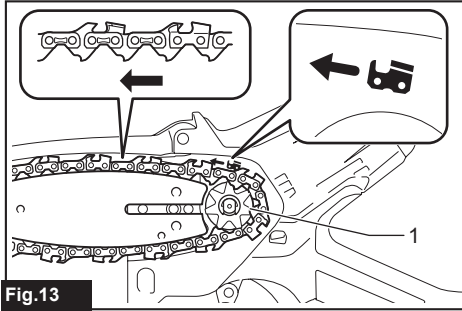
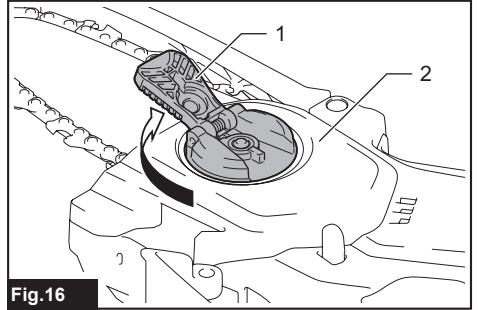
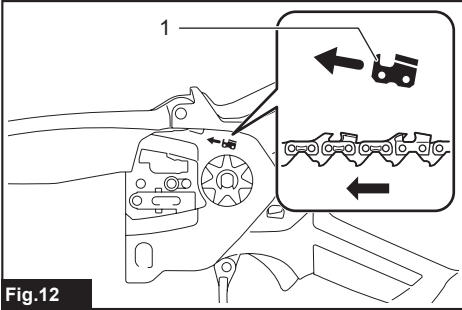
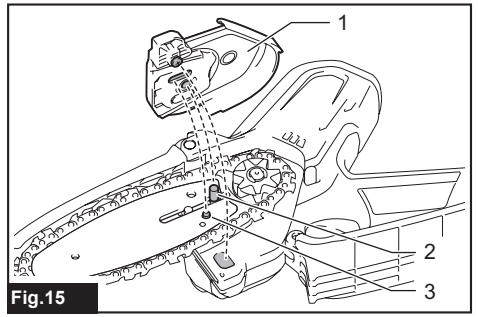
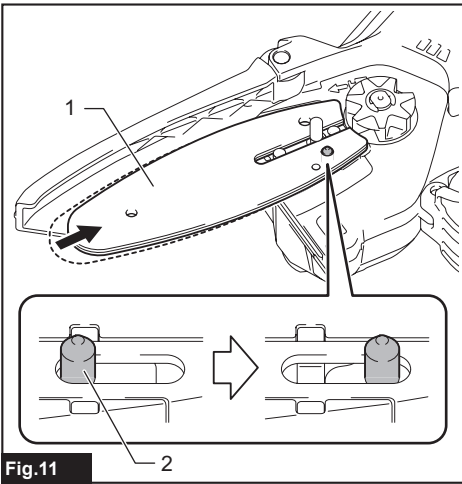


Fig. 10



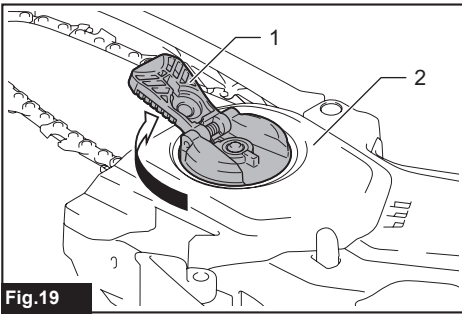


Fig.19

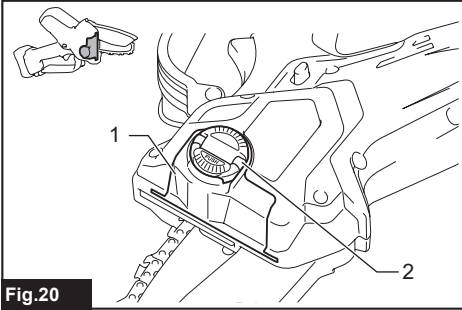


Fig.20

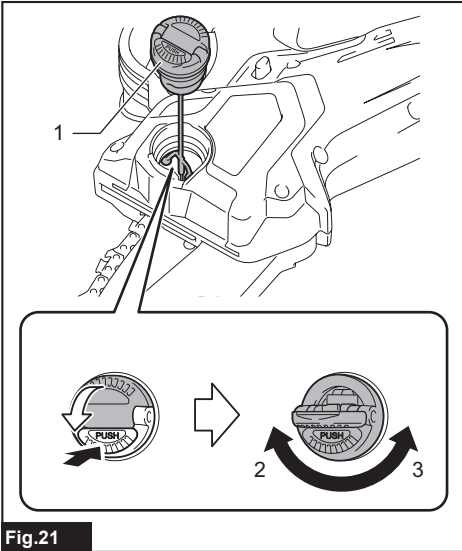


Fig.21

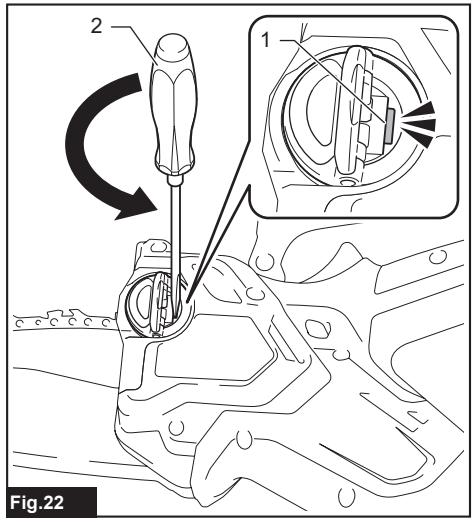


Fig.22

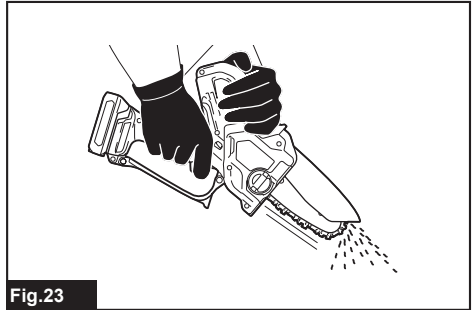


Fig.23

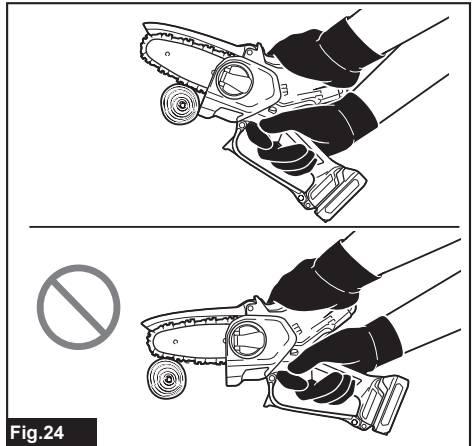


Fig.24

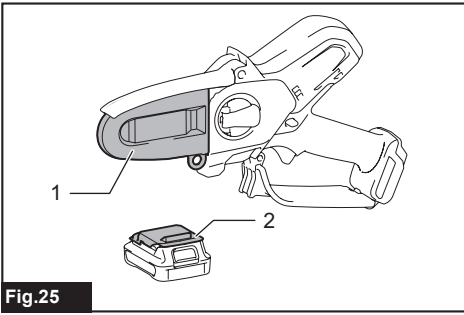


Fig.25

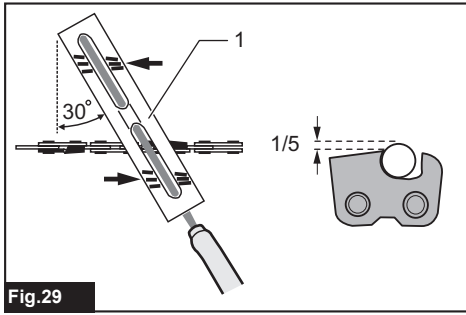


Fig.29

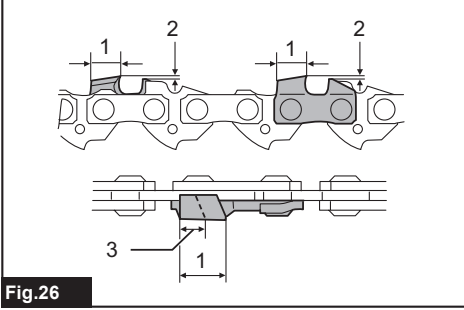


Fig.26

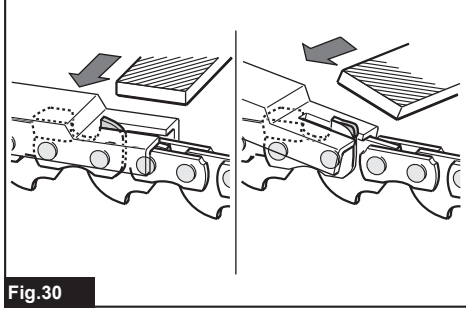


Fig.30

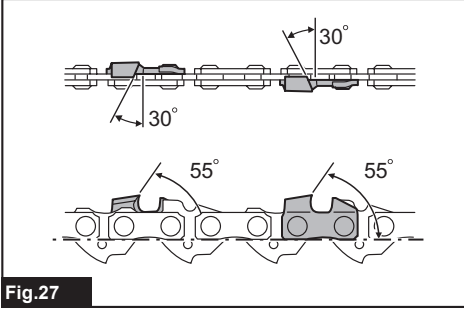


Fig.27

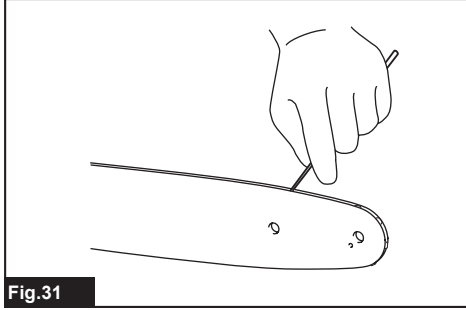


Fig.31

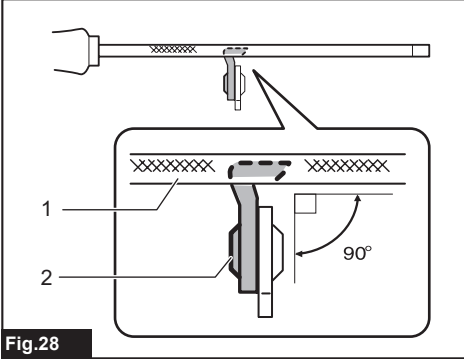


Fig.28

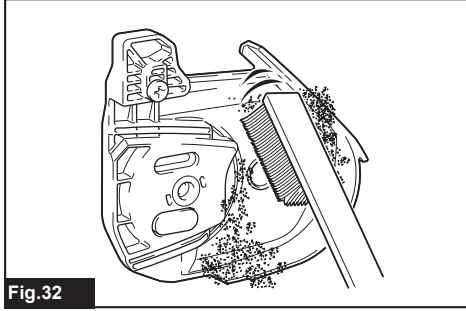
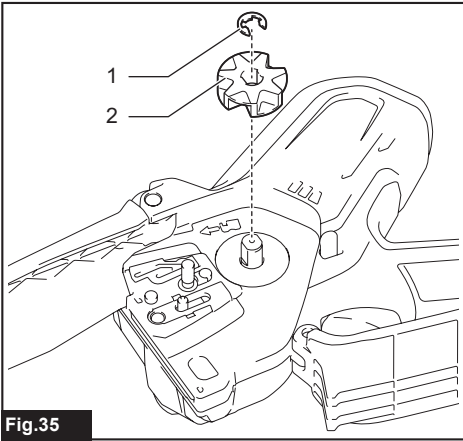
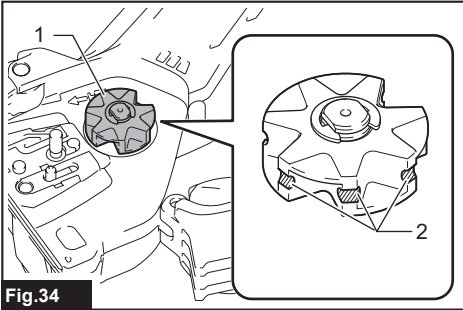
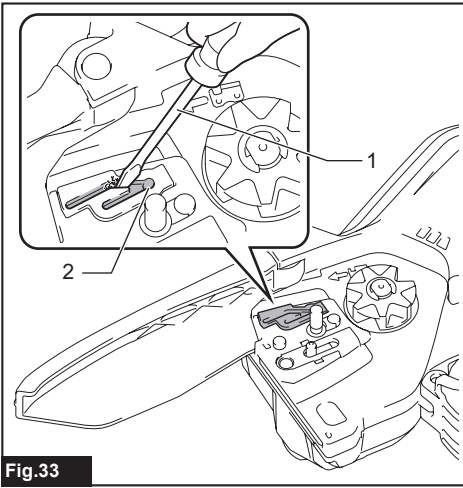


Fig.32



## SPECIFICATIONS

<b>Model:</b>		<b>UC100D</b>
Overall length (without guide bar and battery)		350 mm
Rated voltage		D.C. 10.8 V - 12 V max
Net weight	*1	1.0 kg
	*2	1.5 - 1.6 kg
Standard guide bar length		100 mm
Recommended guide bar length		100 mm
Applicable saw chain type (refer to the table below)		80TXL
Sprocket	Number of teeth	7
	Pitch	0.325"
Chain speed		0 - 8.0 m/s (0 - 480 m/min)
Chain oil tank volume		55 cm <sup>3</sup>

- Due to our continuing program of research and development, the specifications herein are subject to change without notice.
  - Specifications may differ from country to country.
- \*1: Weight, without the saw chain, guide bar, guide bar cover, oil and battery cartridge(s).  
 \*2: The lightest and heaviest combination of weight, according to EPTA-Procedure 01/2014. The weight may differ depending on the attachment(s), including the battery cartridge(s).

### Saw chain, guide bar, and sprocket combination

<b>Saw chain type</b>		<b>80TXL</b>
Number of drive links		26
Guide bar	Guide bar length	100 mm
	Cutting length	111 mm
	Pitch	0.325"
	Gauge	1.1 mm
	Type	Hard nose bar
Sprocket	Number of teeth	7
	Pitch	0.325"

**⚠WARNING:** Use appropriate combination of the guide bar and saw chain. Otherwise personal injury may result.

### Applicable battery cartridge and charger

Battery cartridge	BL1016 / BL1021B / BL1041B
Charger	DC10SA / DC10SB / DC10WC / DC10WD / DC18RE











- Some of the battery cartridges and chargers listed above may not be available depending on your region of residence.

**⚠WARNING:** Only use the battery cartridges and chargers listed above. Use of any other battery cartridges and chargers may cause injury and/or fire.



## Symbols

The followings show the symbols which may be used for the equipment. Be sure that you understand their meaning before use.

	Read instruction manual.
	Wear safety glasses and ear protection.
	Always use two hands when operating the tool.
	Beware of kickback and avoid contact with bar tip.
	Do not expose to moisture.
	Maximum permissible cut length
	Direction of chain travel
	Only for EU countries Due to the presence of hazardous components in the equipment, waste electrical and electronic equipment, accumulators and batteries may have a negative impact on the environment and human health. Do not dispose of electrical and electronic appliances or batteries with household waste! In accordance with the European Directive on waste electrical and electronic equipment and on accumulators and batteries and waste accumulators and batteries, as well as their adaptation to national law, waste electrical equipment, batteries and accumulators should be stored separately and delivered to a separate collection point for municipal waste, operating in accordance with the regulations on environmental protection. This is indicated by the symbol of the crossed-out wheeled bin placed on the equipment.
	Guaranteed sound power level according to EU Outdoor Noise Directive.
	Sound power level according to Australia NSW Noise Control Regulation.

## Intended use

This tool is intended for cutting branches of trees or bushes by means of a saw-chain.

## Noise

The typical A-weighted noise level determined according to EN62841-4-1:

Sound pressure level ( $L_{pA}$ ) : 79 dB (A)

Sound power level ( $L_{WA}$ ) : 87 dB (A)

Uncertainty (K) : 3 dB (A)

**NOTE:** The declared noise emission value(s) has been measured in accordance with a standard test method and may be used for comparing one tool with another.

**NOTE:** The declared noise emission value(s) may also be used in a preliminary assessment of exposure.

**▲WARNING:** Wear ear protection.

**▲WARNING:** The noise emission during actual use of the power tool can differ from the declared value(s) depending on the ways in which the tool is used especially what kind of workpiece is processed.

**▲WARNING:** Be sure to identify safety measures to protect the operator that are based on an estimation of exposure in the actual conditions of use (taking account of all parts of the operating cycle such as the times when the tool is switched off and when it is running idle in addition to the trigger time).

## Vibration

The vibration total value (tri-axial vector sum) determined according to EN62841-4-1:

Work mode: cutting wood

Vibration emission ( $a_{h,w}$ ) : 4.8 m/s<sup>2</sup>

Uncertainty (K) : 1.5 m/s<sup>2</sup>

**NOTE:** The declared vibration total value(s) has been measured in accordance with a standard test method and may be used for comparing one tool with another.

**NOTE:** The declared vibration total value(s) may also be used in a preliminary assessment of exposure.

**▲WARNING:** The vibration emission during actual use of the power tool can differ from the declared value(s) depending on the ways in which the tool is used especially what kind of workpiece is processed.

**▲WARNING:** Be sure to identify safety measures to protect the operator that are based on an estimation of exposure in the actual conditions of use (taking account of all parts of the operating cycle such as the times when the tool is switched off and when it is running idle in addition to the trigger time).

## Declarations of Conformity

### For European countries only

The Declarations of conformity are included in Annex A to this instruction manual.

## SAFETY WARNINGS

### General power tool safety warnings

**▲WARNING** Read all safety warnings, instructions, illustrations and specifications provided with this power tool. Failure to follow all instructions listed below may result in electric shock, fire and/or serious injury.

### Save all warnings and instructions for future reference.

The term "power tool" in the warnings refers to your mains-operated (corded) power tool or battery-operated (cordless) power tool.

## General pruner saw safety warnings

- Keep all parts of the body away from the saw chain when the pruner saw is operating. Before you start the pruner saw, make sure the saw chain is not contacting anything.** A moment of inattention while operating pruner saws may cause entanglement of your clothing or body with the saw chain.
  - Always hold the pruner saw with one hand on the rear handle and the other hand on the auxiliary handle.**
  - Hold the pruner saw by insulated gripping surfaces only, because the saw chain may contact hidden wiring.** Saw chains contacting a "live" wire may make exposed metal parts of the pruner saw "live" and could give the operator an electric shock.
  - Wear eye protection. Further protective equipment for hearing, head, hands, legs and feet is recommended.** Adequate protective equipment will reduce personal injury from flying debris or accidental contact with the saw chain.
  - Do not operate a pruner saw in a tree, on a ladder, from a rooftop, or any unstable support.** Operation of a pruner saw in this manner could result in serious personal injury.
  - Always keep proper footing and operate the pruner saw only when standing on fixed, secure and level surface.** Slippery or unstable surfaces may cause a loss of balance or control of the pruner saw.
  - When cutting a branch that is under tension, be alert for spring back.** When the tension in the wood fibres is released, the spring loaded branch may strike the operator and/or throw the pruner saw out of control.
  - Use extreme caution when cutting brush and saplings.** The slender material may catch the saw chain and be whipped toward you or pull you off balance.
  - Carry the pruner saw with the pruner saw switched off and away from your body. When transporting or storing the pruner saw, always fit the guide bar cover.** Proper handling of the pruner saw will reduce the likelihood of accidental contact with the moving saw chain.
  - Follow instructions for lubricating, chain tensioning and changing the bar and chain.** Improperly tensioned or lubricated chain may either break or increase the chance for kickback.
  - Cut wood only. Do not use pruner saw for purposes not intended. For example: do not use pruner saw for cutting metal, plastic, masonry or non-wood building materials.** Use of the pruner saw for operations different than intended could result in a hazardous situation.
  - This pruner saw is not intended for tree felling.** Use of the pruner saw for operations different than intended could result in serious injury to the operator or bystanders.
  - Follow all instructions when clearing jammed material, storing or servicing the pruner saw. Make sure the switch is off and the battery pack is removed.**
- Causes and operator prevention of kickback:**

Kickback may occur when the nose or tip of the guide bar touches an object, or when the wood closes in and pinches the saw chain in the cut. Tip contact in some cases may cause a sudden reverse reaction, kicking the guide bar up and back towards the operator.

Pinching the saw chain along the top of the guide bar may push the guide bar rapidly back towards the operator.

Either of these reactions may cause you to lose control of the saw which could result in serious personal injury. Do not rely exclusively upon the safety devices built into your saw. As a pruner saw user, you should take several steps to keep your cutting jobs free from accident or injury.

Kickback is the result of pruner saw misuse and/or incorrect operating procedures or conditions and can be avoided by taking proper precautions as given below:

    - Maintain a firm grip, with thumbs and fingers encircling the pruner saw handles, with both hands on the saw and position your body and arm to allow you to resist kickback forces.** Kickback forces can be controlled by the operator, if proper precautions are taken. Do not let go of the pruner saw.

### ► Fig.1

- Do not overreach and do not cut above shoulder height.** This helps prevent unintended tip contact and enables better control of the pruner saw in unexpected situations.
  - Only use replacement guide bars and saw chains specified by the manufacturer.** Incorrect replacement guide bars and saw chains may cause chain breakage and/or kickback.
  - Follow the manufacturer's sharpening and maintenance instructions for the saw chain.** Decreasing the depth gauge height can lead to increased kickback.
- Follow all instructions when clearing jammed material, storing or servicing the pruner saw. Make sure the switch is off and the battery pack is removed.**

## Additional Safety Instructions

### Personal protective equipment

- Clothing must be close-fitting, but must not obstruct mobility.**
- Wear the following protective clothing during work:**
  - A tested safety helmet, if a hazard is presented by falling branches or similar;
  - A face mask or goggles;
  - Suitable ear protection (ear muffs, custom or mouldable ear plugs). Octave brand analysis upon request.
  - Firm leather safety gloves;
  - Long trousers manufactured from strong fabric;
  - Protective dungarees of cut-resistant fabric;

- Safety shoes or boots with non-slip soles, steel toes, and cut-resistant fabric lining;
- A breathing mask, when carrying out work which produces dust (e.g. sawing dry wood).

### Operation

1. **Before starting work, check that the tool is in proper working order and that its condition complies with the safety regulations. Check in particular that:**
  - The run-down brake is working properly;
  - The bar and the sprocket cover are fitted correctly;
  - The chain has been sharpened and tensioned in accordance with the regulations.
2. **Do not start the tool with the chain cover being installed on it.** Starting the tool with the chain cover being installed on it may cause the chain cover to be thrown out forward resulting in personal injury and damage to objects around the operator.
3. **Do not stand directly under the branch that is being cut. Pay attention to the falling branches.**
4. **Do not operate the tool in bad weather or if there is a risk of lightning.**
5. **When you use the tool on muddy ground, wet slope, or slippery place, pay attention to your footing.**

### Electrical and battery safety

1. **Avoid dangerous environment. Don't use the tool in damp or wet locations or expose it to rain.** Water entering the tool will increase the risk of electric shock.
2. **Do not dispose of the battery(ies) in a fire.** The cell may explode. Check with local codes for possible special disposal instructions.
3. **Do not open or mutilate the battery(ies).** Released electrolyte is corrosive and may cause damage to the eyes or skin. It may be toxic if swallowed.
4. **Do not charge battery in rain, or in wet locations.**
5. **Do not charge the battery outdoors.**
6. **Do not handle charger, including charger plug, and charger terminals with wet hands.**
7. **Do not replace the battery with wet hands.**
8. **Do not leave the battery in the rain, nor charge, use, or store the battery in a damp or wet place.**
9. **Do not wet the terminal of battery with liquid such as water, or submerge the battery.** If the terminal gets wet or liquid enters inside of battery, the battery may be short circuited and there is a risk of overheat, fire, or explosion.
10. **After removing the battery from the machine or charger, be sure to attach the battery cover to the battery and store it in a dry place.**
11. **If the battery cartridge gets wet, drain the water inside and then wipe it with a dry cloth. Dry the battery cartridge completely in a dry place before use.**

**⚠WARNING: DO NOT** let comfort or familiarity with product (gained from repeated use) replace strict adherence to safety rules for the subject product. **MISUSE** or failure to follow the safety rules stated in this instruction manual may cause serious personal injury.

### Important safety instructions for battery cartridge

1. **Before using battery cartridge, read all instructions and cautionary markings on (1) battery charger, (2) battery, and (3) product using battery.**
2. **Do not disassemble or tamper with the battery cartridge.** It may result in a fire, excessive heat, or explosion.
3. **If operating time has become excessively shorter, stop operating immediately. It may result in a risk of overheating, possible burns and even an explosion.**
4. **If electrolyte gets into your eyes, rinse them out with clear water and seek medical attention right away. It may result in loss of your eyesight.**
5. **Do not short the battery cartridge:**
  - (1) **Do not touch the terminals with any conductive material.**
  - (2) **Avoid storing battery cartridge in a container with other metal objects such as nails, coins, etc.**
  - (3) **Do not expose battery cartridge to water or rain.**

**A battery short can cause a large current flow, overheating, possible burns and even a breakdown.**
6. **Do not store and use the tool and battery cartridge in locations where the temperature may reach or exceed 50 °C (122 °F).**
7. **Do not incinerate the battery cartridge even if it is severely damaged or is completely worn out. The battery cartridge can explode in a fire.**
8. **Do not nail, cut, crush, throw, drop the battery cartridge, or hit against a hard object to the battery cartridge.** Such conduct may result in a fire, excessive heat, or explosion.
9. **Do not use a damaged battery.**
10. **The contained lithium-ion batteries are subject to the Dangerous Goods Legislation requirements.**

For commercial transports e.g. by third parties, forwarding agents, special requirement on packaging and labeling must be observed.

For preparation of the item being shipped, consulting an expert for hazardous material is required. Please also observe possibly more detailed national regulations.

Tape or mask off open contacts and pack up the battery in such a manner that it cannot move around in the packaging.
11. **When disposing the battery cartridge, remove it from the tool and dispose of it in a safe place. Follow your local regulations relating to disposal of battery.**

**SAVE THESE INSTRUCTIONS.**

12. **Use the batteries only with the products specified by Makita.** Installing the batteries to non-compliant products may result in a fire, excessive heat, explosion, or leak of electrolyte.
13. **If the tool is not used for a long period of time, the battery must be removed from the tool.**
14. **During and after use, the battery cartridge may take on heat which can cause burns or low temperature burns.** Pay attention to the handling of hot battery cartridges.
15. **Do not touch the terminal of the tool immediately after use as it may get hot enough to cause burns.**
16. **Do not allow chips, dust, or soil stuck into the terminals, holes, and grooves of the battery cartridge.** It may cause heating, catching fire, burst and malfunction of the tool or battery cartridge, resulting in burns or personal injury.
17. **Unless the tool supports the use near high-voltage electrical power lines, do not use the battery cartridge near high-voltage electrical power lines.** It may result in a malfunction or breakdown of the tool or battery cartridge.
18. **Keep the battery away from children.**

**⚠CAUTION:** Only use genuine Makita batteries. Use of non-genuine Makita batteries, or batteries that have been altered, may result in the battery bursting causing fires, personal injury and damage. It will also void the Makita warranty for the Makita tool and charger.

## Tips for maintaining maximum battery life

1. **Charge the battery cartridge before completely discharged. Always stop tool operation and charge the battery cartridge when you notice less tool power.**
2. **Never recharge a fully charged battery cartridge. Overcharging shortens the battery service life.**
3. **Charge the battery cartridge with room temperature at 10 °C - 40 °C (50 °F - 104 °F). Let a hot battery cartridge cool down before charging it.**
4. **When not using the battery cartridge, remove it from the tool or the charger.**

## SAVE THESE INSTRUCTIONS.

## PARTS DESCRIPTION

► Fig.2

1	Auxiliary handle	2	Safety cover	3	Saw chain
4	Guide bar	5	Oil tank cap	6	Guide bar cover
7	Sprocket cover	8	Lock-off lever	9	Rear handle
10	Switch trigger	11	Lever	12	Battery cartridge

## FUNCTIONAL DESCRIPTION

**⚠CAUTION:** Always be sure that the tool is switched off and the battery cartridge is removed before adjusting or checking function on the tool.

### Installing or removing battery cartridge

**⚠CAUTION:** Always switch off the tool before installing or removing of the battery cartridge.

**⚠CAUTION:** Hold the tool and the battery cartridge firmly when installing or removing battery cartridge. Failure to hold the tool and the battery cartridge firmly may cause them to slip off your hands and result in damage to the tool and battery cartridge and a personal injury.

► Fig.3: 1. Red indicator 2. Button 3. Battery cartridge

To remove the battery cartridge, slide it from the tool while sliding the button on the front of the cartridge.

To install the battery cartridge, align the tongue on the battery cartridge with the groove in the housing and slip it into place. Insert it all the way until it locks in place with a little click. If you can see the red indicator as shown in the figure, it is not locked completely.

**⚠CAUTION:** Always install the battery cartridge fully until the red indicator cannot be seen. If not, it may accidentally fall out of the tool, causing injury to you or someone around you.









**⚠CAUTION:** Do not install the battery cartridge forcibly. If the cartridge does not slide in easily, it is not being inserted correctly.

## Indicating the remaining battery capacity

Only for battery cartridges with the indicator

► Fig.4: 1. Indicator lamps 2. Check button

Press the check button on the battery cartridge to indicate the remaining battery capacity. The indicator lamps light up for a few seconds.

Indicator lamps		Remaining capacity
Lighted	Off	
		75% to 100%
		50% to 75%
		25% to 50%
		0% to 25%

**NOTE:** Depending on the conditions of use and the ambient temperature, the indication may differ slightly from the actual capacity.

## Tool / battery protection system

The tool is equipped with a tool/battery protection system. This system automatically cuts off power to the motor to extend tool and battery life. The tool will automatically stop during operation if the tool or battery is placed under one of the following conditions:

### Overloaded:

The tool is operated in a manner that causes it to draw an abnormally high current. In this situation, turn the tool off and stop the application that caused the tool to become overloaded. Then turn the tool on to restart. If the tool does not start, the battery is overheated. In this situation, let the battery cool before turning the tool on again.

### Low battery voltage:

The remaining battery capacity is too low and the tool will not operate. If you turn the tool on, the motor runs again but stops soon. In this situation, remove and recharge the battery.

## Switch action

**⚠WARNING:** For your safety, this tool is equipped with lock-off lever which prevents the tool from unintended starting. NEVER use the tool if it runs when you simply pull the switch trigger without pressing the lock-off lever. Return the tool to our authorized service center for proper repairs BEFORE further usage.

**⚠WARNING:** NEVER tape down or defeat purpose and function of lock-off lever.

**⚠CAUTION:** Before installing the battery cartridge into the tool, always check to see that the switch trigger actuates properly and returns to the "OFF" position when released.

**NOTICE:** Do not pull the switch trigger hard without pressing the lock-off lever. This can cause switch breakage.

To prevent the switch trigger from being accidentally pulled, a lock-off lever is provided. To start the tool, depress the lock-off lever and pull the switch trigger. Release the switch trigger to stop.

► Fig.5: 1. Switch trigger 2. Lock-off lever

## Checking the run-down brake

**⚠CAUTION:** If the saw chain does not stop within a few seconds in this test, stop using the tool and consult our authorized service center.

Run the tool, and then release the switch trigger completely. The saw chain must come to a standstill within a few seconds.

## ASSEMBLY

**⚠CAUTION:** Always be sure that the tool is switched off and the battery cartridge is removed before carrying out any work on the tool.

**⚠CAUTION:** Do not touch the saw chain with bare hands. Always wear gloves when handling the saw chain.

## Removing or installing saw chain

**⚠CAUTION:** The saw chain and the guide bar are still hot just after the operation. Let them cool down enough before carrying out any work on the tool.

**⚠CAUTION:** Carry out the procedure of installing or removing saw chain in a clean place free from sawdust and the like.

## Removing the saw chain

To remove the saw chain, perform the following steps:

1. Pull the lever up.

► Fig.6: 1. Lever

2. Turn the lever counterclockwise until the sprocket cover comes off.

► Fig.7: 1. Sprocket cover 2. Lever

3. Remove the sprocket cover then remove the saw chain and guide bar from the tool body.

## Installing the saw chain

To install the saw chain, perform the following steps:

1. Pull the lever up.

► Fig.8: 1. Lever

2. Turn the lever counterclockwise until the sprocket cover comes off.

► Fig.9: 1. Lever 2. Sprocket cover

3. Remove the sprocket cover.
4. Align the hole on the guide bar with the pin on the tool body, and then place the guide bar as shown in the figure.  
▶ **Fig.10:** 1. Guide bar 2. Hole 3. Pin
5. Slide the guide bar toward the sprocket to lock the pin.  
▶ **Fig.11:** 1. Guide bar 2. Pin
6. Remove the guide bar from the tool body.
7. Check the direction of the saw chain. Match the direction of the saw chain with that of the mark on the tool body.  
▶ **Fig.12:** 1. Mark on tool body

8. Fit one end of the saw chain on the top of the guide bar.
9. Fit the other end of the saw chain around the sprocket, then attach the guide bar to the tool body so that the hole on the guide bar is aligned with the pin on the body.  
▶ **Fig.13:** 1. Sprocket

Press the guide bar against the tool body to release the pin. The saw chain tension is automatically adjusted.  
▶ **Fig.14:** 1. Saw chain 2. Pin 3. Sprocket

10. Place the sprocket cover so that the bolt and pin on the tool body meet their counterparts on the sprocket cover.  
▶ **Fig.15:** 1. Sprocket cover 2. Bolt 3. Pin
11. Turn the lever clockwise until the sprocket cover is secured then return it to the original position.  
▶ **Fig.16:** 1. Lever 2. Sprocket cover

Make sure that the saw chain does not loose and the saw chain can be moved smoothly back and forth. If necessary, adjust the tension of the saw chain by referring to the section for adjusting saw chain tension.

## Adjusting saw chain tension

**CAUTION:** A chain which is too loose can jump off the bar and it may cause an injury or accident.

The saw chain may become loose after many hours of use. From time to time check the saw chain tension before use.

If the saw chain is loose, adjust the saw chain tension.

1. Pull the lever up.  
▶ **Fig.17:** 1. Lever
2. Turn the lever counterclockwise a little to loosen the sprocket cover lightly. The chain tension is adjusted automatically.  
▶ **Fig.18:** 1. Sprocket cover 2. Lever
3. Turn the lever clockwise until the sprocket cover is secured then return it to the original position.  
▶ **Fig.19:** 1. Lever 2. Sprocket cover

# OPERATION

## Lubrication

**CAUTION:** Do not operate the tool when the tank is empty. Replenish the oil in due time before the tank is empty.

**CAUTION:** Prevent the oil from coming into contact with the skin and eyes. Contact with the eyes causes irritation. In the event of eye contact, flush the affected eye immediately with clear water, then consult a doctor at once.

**CAUTION:** Never use waste oil. Waste oil contains carcinogenic substances. The contaminants in waste oil cause accelerated wear of the oil pump, the bar and the chain. Waste oil is harmful to the environment.

**NOTICE:** When the tool is used for the first time, it may take up to two minutes for the saw chain oil to begin its lubricating effect upon the saw mechanism. Run the saw without load until it does so.

**NOTICE:** When filling the chain oil for the first time, or refilling the tank after it has been completely emptied, add oil up to the bottom edge of the filler neck. The oil delivery may otherwise be impaired.

**NOTICE:** Use the saw chain oil exclusively for Makita tools or equivalent oil available in the market.

**NOTICE:** Never use oil including dust and particles or volatile oil.

**NOTICE:** When pruning trees, use botanical oil. Mineral oil may harm trees.

**NOTICE:** Before the cutting operation, make sure that the provided oil tank cap is screwed in place.

Saw chain is automatically lubricated when the tool is in operation. Check the amount of remaining oil in the oil tank periodically through the oil inspection window.

- ▶ **Fig.20:** 1. Oil inspection window 2. Oil tank cap

To fill the oil, perform the following steps:

1. Clean the area around the oil tank cap thoroughly to prevent any dirt from entering the oil tank.
2. Lay the tool on its side.
3. Push the button on the oil tank cap so that the button on the other side stands up, and then remove the oil tank cap by turning it.  
▶ **Fig.21:** 1. Oil tank cap 2. Tighten 3. Loosen
4. Fill the oil tank with the oil. The proper amount of oil is 55 ml.
5. Screw the oil tank cap firmly back in place.
6. Wipe away any spilt chain oil carefully.

**NOTE:** If it is difficult to remove the oil tank cap, insert the tip of slotted screwdriver into the slot of the oil tank cap, and then remove the oil tank cap by turning it counterclockwise.

- ▶ **Fig.22:** 1. Slot 2. Slotted screwdriver

After refilling, hold the tool away from the material to be cut. Start it and wait until lubrication on saw chain is adequate.

- ▶ **Fig.23**

## Working with the tool

**CAUTION:** Keep all parts of the body away from the saw chain when the tool is operating.

**CAUTION:** Hold the tool firmly with both hands when the tool is operating.

**CAUTION:** Do not overreach. Keep proper footing and balance at all times.

**NOTICE:** Never toss or drop the tool.

**NOTICE:** Do not cover the vents of the tool.

Before starting the tool, bring the root of guide bar and the support part of tool body in contact with the branch to be cut as shown in the figure. While contacting the branch with the tool and guide bar, start the tool and saw the branch by moving the tool down along the branch.

► Fig.24

**CAUTION:** Before the cutting operation, make sure that the branch to be cut is in contact with the root of guide bar and the support part of tool body. Otherwise, the tool may be pulled toward the tip of guide bar and the guide bar may wobble, and may result in an injury.

## Carrying tool

Before carrying the tool, always remove the battery cartridge from the tool. Then attach the guide bar cover. Also cover the battery cartridge with the battery cover.

► Fig.25: 1. Guide bar cover 2. Battery cover

## MAINTENANCE

**CAUTION:** Always be sure that the tool is switched off and the battery cartridge is removed before attempting to perform inspection or maintenance.

**CAUTION:** Always wear gloves when performing any inspection or maintenance.

**NOTICE:** Never use gasoline, benzine, thinner, alcohol or the like. Discoloration, deformation or cracks may result.

To maintain product SAFETY and RELIABILITY, repairs, any other maintenance or adjustment should be performed by Makita Authorized or Factory Service Centers, always using Makita replacement parts.

## Sharpening the saw chain

Sharpen the saw chain when:

- Mealy sawdust is produced when damp wood is cut;
- The chain penetrates the wood with difficulty, even when heavy pressure is applied;
- The cutting edge is obviously damaged;

- The saw pulls to the left or right in the wood. (caused by uneven sharpening of the saw chain or damage to one side only)

Sharpen the saw chain frequently but a little each time. Two or three strokes with a file are usually sufficient for routine resharpener. When the saw chain has been resharpened several times, have it sharpened in our authorized service center.

**Sharpening criteria:**

**WARNING:** An excessive distance between the cutting edge and depth gauge increases the risk of kickback.

► Fig.26: 1. Cutter length 2. Distance between cutting edge and depth gauge 3. Minimum cutter length (3 mm)

- All cutter length must be equal. Different cutter lengths prevent the saw chain from running smoothly and may cause the saw chain to break.
- Do not sharpen the chain when the cutter length has reached 3 mm or shorter. The chain must be replaced with new one.
- The chip thickness is determined by the distance between the depth gauge (round nose) and the cutting edge.
- The best cutting results are obtained with following distance between cutting edge and depth gauge.
  - Chain blade 80TXL : 0.65 mm

► Fig.27

- The sharpening angle of 30° must be the same on all cutters. Different cutter angles cause the chain to run roughly and unevenly, accelerate wear, and lead to chain breaks.
- Use a suitable round file so that the proper sharpening angle is kept against the teeth.
  - Chain blade 80TXL : 55°

**File and file guiding**

- Use a special round file (optional accessory) for saw chains to sharpen the chain. Normal round files are not suitable.
- Diameter of the round file for each saw chain is as follows:
  - Chain blade 80TXL : 4.0 mm
- The file should only engage the cutter on the forward stroke. Lift the file off the cutter on the return stroke.
- Sharpen the shortest cutter first. Then the length of this shortest cutter becomes the standard for all other cutters on the saw chain.
- Guide the file as shown in the figure.

► Fig.28: 1. File 2. Saw chain

- The file can be guided more easily if a file holder (optional accessory) is employed. The file holder has markings for the correct sharpening angle of 30° (align the markings parallel to the saw chain) and limits the depth of penetration (to 4/5 of the file diameter).

► Fig.29: 1. File holder

- After sharpening the chain, check the height of the depth gauge using the chain gauge tool (optional accessory).

► Fig.30

- Remove any projecting material, however small, with a special flat file (optional accessory).
- Round off the front of the depth gauge again.

## Cleaning the guide bar

Chips and sawdust will build up in the guide bar groove. They may clog the bar groove and impair the oil flow. Clean out the chips and sawdust every time when you sharpen or replace the saw chain.

► Fig.31

## Cleaning the sprocket cover

Chips and saw dust will accumulate inside of the sprocket cover. Remove the sprocket cover and saw chain from the tool then clean the chips and saw dust.

► Fig.32

## Cleaning the oil discharge hole

Small dust or particles may be built up in the oil discharge hole during operation. These dust or particles may impair the oil to flow and cause an insufficient lubrication on the whole saw chain. When a poor chain oil delivery occurs at the top of guide bar, clean the oil discharge hole as follows.

1. Remove the sprocket cover and saw chain from the tool.
2. Remove the small dust or particles using a slotted screwdriver or the like.

► Fig.33: 1. Slotted screwdriver 2. Oil discharge hole

3. Insert the battery cartridge into the tool. Pull the switch trigger to flow built-up dust or particles off the oil discharge hole by discharging chain oil.

4. Remove the battery cartridge from the tool. Reinstall the sprocket cover and saw chain and guide bar on the tool.

## Replacing the sprocket

**CAUTION:** A worn sprocket will damage a new saw chain. Have the sprocket replaced in this case.

Before fitting a new saw chain, check the condition of the sprocket.

► Fig.34: 1. Sprocket 2. Areas to be worn out

Always fit a new locking ring when replacing the sprocket.

► Fig.35: 1. Locking ring 2. Sprocket

**NOTICE:** Make sure that the sprocket is installed as shown in the figure.

## Storing the tool

1. Clean the tool before storing. Remove any chips and sawdust from the tool after removing the sprocket cover.
2. After cleaning the tool, run it under no load to lubricate the saw chain and guide bar.
3. Cover the guide bar with the guide bar cover.
4. Empty the oil tank.

## Instructions for periodic maintenance

To ensure long life, prevent damage and ensure the full functioning of the safety features, the following maintenance must be performed regularly. Warranty claims can be recognized only if this work is performed regularly and properly. Failure to perform the prescribed maintenance work can lead to accidents! The user of the tool must not perform maintenance work which is not described in the instruction manual. All such work must be carried out by our authorized service center.

Check item / Operating time		Before operation	Everyday	Every week	Every 3 month	Annually	Before storage
Whole tool	Inspection.	✓	-	-	-	-	-
	Cleaning.	-	✓	-	-	-	-
	Check at authorized service center.	-	-	-	-	✓	✓
Saw chain	Inspection.	✓	-	-	-	-	-
	Sharpening if necessary.	-	-	-	-	-	✓
Guide bar	Inspection.	✓	✓	-	-	-	-
	Remove from the tool.	-	-	-	-	-	✓
Chain lubrication	Check the oil feed rate.	✓	-	-	-	-	-
Switch trigger	Inspection.	✓	-	-	-	-	-
Lock-off lever	Inspection.	✓	-	-	-	-	-
Oil tank cap	Check tightness.	✓	-	-	-	-	-
Screws and nuts	Inspection.	-	-	✓	-	-	-



# TROUBLESHOOTING

Before asking for repairs, conduct your own inspection first. If you find a problem that is not explained in the manual, do not attempt to dismantle the tool. Instead, ask Makita Authorized Service Centers, always using Makita replacement parts for repairs.

Malfunction status	Cause	Action
The tool does not start.	Battery cartridge is not installed.	Install a charged battery cartridge.
	Battery problem (low voltage).	Recharge the battery cartridge. If recharging is not effective, replace the battery cartridge.
The motor stops running after a little use.	Battery's charge level is low.	Recharge the battery cartridge. If recharging is not effective, replace the battery cartridge.
No oil on the chain.	Oil tank is empty.	Fill the oil tank.
	Oil guide groove is dirty.	Clean the groove.
The tool does not reach maximum RPM.	Battery cartridge is installed improperly.	Install the battery cartridge as described in this manual.
	Battery power is dropping.	Recharge the battery cartridge. If recharging is not effective, replace the battery cartridge.
	The drive system does not work correctly.	Ask the authorized service center in your region for repair.
Abnormal vibration: <b>Stop the tool immediately!</b>	Loose guide bar or saw chain.	Adjust the guide bar and saw chain tension.
	Tool malfunction.	Ask the authorized service center in your region for repair.
The saw chain cannot be installed.	The combination of saw chain and sprocket is not correct.	Use the correct combination of saw chain and sprocket by referring to the section for specifications.

## OPTIONAL ACCESSORIES

**⚠ CAUTION:** These accessories or attachments are recommended for use with your Makita tool specified in this manual. The use of any other accessories or attachments might present a risk of injury to persons. Only use accessory or attachment for its stated purpose.

If you need any assistance for more details regarding these accessories, ask your local Makita Service Center.

- Saw chain
- Guide bar
- Guide bar cover
- File
- Tool bag
- Makita genuine battery and charger

**NOTE:** Some items in the list may be included in the tool package as standard accessories. They may differ from country to country.

## SPÉCIFICATIONS

<b>Modèle :</b>		<b>UC100D</b>
Longueur totale (sans le guide-chaîne et la batterie)		350 mm
Tension nominale		10,8 V - 12 V c.c. max.
Poids net	*1	1,0 kg
	*2	1,5 - 1,6 kg
Longueur du guide-chaîne standard		100 mm
Longueur recommandée du guide-chaîne		100 mm
Type de chaîne applicable (Reportez-vous au tableau ci-dessous.)		80TXL
Pignon	Nombre de dents	7
	Pas	0,325"
Vitesse de la chaîne		0 - 8,0 m/s (0 - 480 m/min)
Capacité du réservoir d'huile pour chaîne		55 cm <sup>3</sup>

- Étant donné l'évolution constante de notre programme de recherche et de développement, les spécifications contenues dans ce manuel sont sujettes à modification sans préavis.
  - Les spécifications peuvent varier suivant les pays.
- \*1 : Poids, sans la chaîne, le guide-chaîne, le garde-chaîne, l'huile et la ou les batteries.  
 \*2 : Le poids combiné le plus léger et le plus lourd selon la procédure EPTA 01/2014. Le poids peut être différent selon le ou les accessoires, notamment la ou les batteries.

### Combinaison de chaîne, guide-chaîne et pignon

<b>Type de chaîne</b>		<b>80TXL</b>
Nombre de maillons d'entraînement		26
Guide-chaîne	Longueur du guide-chaîne	100 mm
	Longueur de coupe	111 mm
	Pas	0,325"
	Jauge	1,1 mm
	Type	Guide-chaîne stellite
Pignon	Nombre de dents	7
	Pas	0,325"

**⚠ AVERTISSEMENT :** Associez correctement guide-chaîne et chaîne. Le non-respect de cette consigne peut entraîner des blessures.

### Batterie et chargeur applicables

Batterie	BL1016 / BL1021B / BL1041B
Chargeur	DC10SA / DC10SB / DC10WC / DC10WD / DC18RE

- Certains chargeurs et batteries répertoriés ci-dessus peuvent ne pas être disponibles selon la région où vous résidez.

**⚠ AVERTISSEMENT :** N'utilisez que les batteries et les chargeurs répertoriés ci-dessus. L'utilisation d'autres batteries et chargeurs peut provoquer des blessures et/ou un incendie.

## Symboles

Vous trouverez ci-dessous les symboles susceptibles d'être utilisés pour l'appareil. Veuillez à comprendre leur signification avant toute utilisation.



Lire le mode d'emploi.



Portez des lunettes de sécurité et un dispositif de protection auditive.



Servez-vous toujours de vos deux mains lorsque vous utilisez l'outil.



Méfiez-vous du choc en retour et évitez tout contact avec l'extrémité du guide.



Ne pas exposer à l'eau.



Longueur de coupe maximale admise



Sens de déplacement de la chaîne



Pour les pays de l'Union européenne uniquement

En raison de la présence de composants dangereux dans l'équipement, les déchets d'équipements électriques et électroniques, les accumulateurs et les batteries peuvent avoir un impact négatif sur l'environnement et la santé humaine. Ne jetez pas les appareils électriques et électroniques ou les batteries avec les ordures ménagères !

Conformément à la directive européenne relative aux déchets d'équipements électriques et électroniques et aux déchets d'accumulateurs et de batteries, ainsi qu'à son adaptation à la législation nationale, les déchets d'équipements électriques, les batteries et les accumulateurs doivent être collectés séparément et déposés dans un point de collecte distinct pour déchets urbains, conformément aux réglementations en matière de protection de l'environnement.

Cela est indiqué par le symbole de la poubelle à roulettes barrée sur l'équipement.



Niveau de puissance sonore garanti selon la directive européenne sur le bruit dans l'environnement.



Niveau de puissance sonore selon la réglementation australienne NSW sur le contrôle du bruit

## Utilisations

Cet outil est conçu pour couper des branches d'arbres ou des buissons au moyen d'une chaîne.

## Bruit

Niveau de bruit pondéré A typique, déterminé selon EN62841-4-1 :

Niveau de pression sonore ( $L_{pA}$ ) : 79 dB (A)

Niveau de puissance sonore ( $L_{WA}$ ) : 87 dB (A)

Incertitude (K) : 3 dB (A)

**NOTE** : La ou les valeurs d'émission de bruit déclarées ont été mesurées conformément à la méthode de test standard et peuvent être utilisées pour comparer les outils entre eux.

**NOTE** : La ou les valeurs d'émission de bruit déclarées peuvent aussi être utilisées pour l'évaluation préliminaire de l'exposition.

**AVERTISSEMENT** : Portez un serre-tête antibruit.

**AVERTISSEMENT** : L'émission de bruit lors de l'usage réel de l'outil électrique peut être différente de la ou des valeurs déclarées, suivant la façon dont l'outil est utilisé, particulièrement selon le type de pièce usinée.

**AVERTISSEMENT** : Les mesures de sécurité à prendre pour protéger l'utilisateur doivent être basées sur une estimation de l'exposition dans des conditions réelles d'utilisation (en tenant compte de toutes les composantes du cycle d'utilisation, comme par exemple le moment de sa mise hors tension, lorsqu'il tourne à vide et le moment de son déclenchement).

## Vibrations

Valeur totale de vibrations (somme de vecteur triaxial) déterminée selon EN62841-4-1 :

Mode de travail : coupe de bois

Émission de vibrations ( $a_{h,w}$ ) : 4,8 m/s<sup>2</sup>

Incertitude (K) : 1,5 m/s<sup>2</sup>

**NOTE** : La ou les valeurs de vibration totales déclarées ont été mesurées conformément à la méthode de test standard et peuvent être utilisées pour comparer les outils entre eux.

**NOTE** : La ou les valeurs de vibration totales déclarées peuvent aussi être utilisées pour l'évaluation préliminaire de l'exposition.

**AVERTISSEMENT** : L'émission de vibrations lors de l'usage réel de l'outil électrique peut être différente de la ou des valeurs déclarées, suivant la façon dont l'outil est utilisé, particulièrement selon le type de pièce usinée.

**AVERTISSEMENT** : Les mesures de sécurité à prendre pour protéger l'utilisateur doivent être basées sur une estimation de l'exposition dans des conditions réelles d'utilisation (en tenant compte de toutes les composantes du cycle d'utilisation, comme par exemple le moment de sa mise hors tension, lorsqu'il tourne à vide et le moment de son déclenchement).

## Déclarations de conformité

*Pour les pays européens uniquement*

Les déclarations de conformité sont fournies en Annexe A à ce mode d'emploi.

# CONSIGNES DE SÉCURITÉ

## Consignes de sécurité générales pour outils électriques

**⚠️ AVERTISSEMENT** Veuillez lire toutes les consignes de sécurité, instructions, illustrations et spécifications qui accompagnent cet outil électrique. Le non-respect de toutes les instructions indiquées ci-dessous peut entraîner une électrocution, un incendie et/ou de graves blessures.

## Conservez toutes les mises en garde et instructions pour référence ultérieure.

Le terme « outil électrique » dans les avertissements fait référence à l'outil électrique alimenté par le secteur (avec cordon d'alimentation) ou à l'outil électrique fonctionnant sur batterie (sans cordon d'alimentation).

## Consignes de sécurité générales pour scie d'élagage

- Éloignez la chaîne de votre corps pendant l'utilisation de la scie d'élagage. Avant de faire démarrer la scie d'élagage, assurez-vous que la chaîne n'est pas en contact avec quoi que soit.** Restez attentif en permanence, pour éviter tout contact entre la chaîne et votre corps, et que vos vêtements ne se prennent dans la chaîne lorsque vous utilisez une scie d'élagage.
- Tenez toujours la scie d'élagage en plaçant une main sur la poignée arrière et l'autre main sur la poignée auxiliaire.**
- Tenez la scie d'élagage uniquement par ses surfaces de prise isolées, car la chaîne pourrait entrer en contact avec le câblage caché.** Le contact des chaînes avec un fil sous tension peut transmettre du courant dans les pièces métalliques exposées de la scie d'élagage et électrocuter l'utilisateur.
- Portez une protection oculaire. De plus, nous vous recommandons de porter des équipements de protection pour les oreilles, la tête, les mains, les jambes et les pieds.** Le port d'équipements de protection adéquats réduit le risque de blessure causée par les débris éjectés ou par le contact accidentel avec la chaîne.
- N'utilisez pas la scie d'élagage dans un arbre, ou sur une échelle, depuis un toit ou tout support instable.** L'utilisation d'une scie d'élagage de cette façon pourrait provoquer de graves blessures corporelles.
- Conservez toujours un bon appui au sol et utilisez toujours la scie d'élagage en vous tenant sur une surface stable, sûre et horizontale.** Vous risquez de perdre l'équilibre ou la maîtrise de la scie d'élagage si vous travaillez sur une surface glissante ou instable.
- Lorsque vous coupez une branche en tension, prenez garde au retour de la branche.** Lorsque la tension exercée sur les fibres du bois est libérée, la branche risque de se détendre comme un ressort et de frapper l'utilisateur et/ou de provoquer une perte de maîtrise de la scie d'élagage.
- Faites preuve d'une grande prudence lorsque vous coupez des broussailles ou de jeunes arbres.** De fins morceaux de bois peuvent se coincer dans la chaîne et être projetés vers vous ou exercer une traction qui vous ferait perdre l'équilibre.
- Transportez la scie d'élagage éteinte et éloignée de votre corps. Avant de transporter ou de ranger la scie d'élagage, remettez toujours le garde-chaîne en place.** Une manipulation adéquate de la scie d'élagage réduit le risque de contact accidentel avec la chaîne en mouvement.
- Suivez les instructions de lubrification, de réglage de la tension de la chaîne et de changement du guide et de la chaîne.** Une mauvaise tension ou une mauvaise lubrification de la chaîne augmente les risques de rupture et de choc en retour.
- Coupez uniquement du bois. N'utilisez pas la scie d'élagage à d'autres fins que celles prévues.** Par exemple, n'utilisez pas la scie d'élagage pour couper du métal, du plastique, des matériaux de maçonnerie ou des matériaux de construction qui ne sont pas à base de bois. L'utilisation de la scie d'élagage pour des tâches différentes de celles prévues pourrait entraîner une situation dangereuse.
- Cette scie d'élagage n'est pas conçue pour l'abattage de bois.** L'utilisation de la scie d'élagage pour des tâches différentes de celles prévues pourrait gravement blesser l'utilisateur ou des passants.
- Suivez toutes les instructions lorsque vous dégagez un matériau bloqué, rangez ou dépannez la scie d'élagage. Assurez-vous que l'interrupteur est sur la position d'arrêt et que la batterie est retirée.**
- Causes des chocs en retour et mesures préventives :**  
Il y a un risque de choc en retour lorsque le nez ou l'extrémité du guide-chaîne touche un objet, ou lorsque le bois se referme et coince la chaîne dans sa ligne de coupe.  
Dans certains cas, le contact de l'extrémité du guide-chaîne avec un objet peut entraîner une réaction instantanée en sens inverse, qui projette le guide-chaîne vers le haut et l'arrière en direction de l'utilisateur.  
Le guide-chaîne risque d'être projeté tout à coup vers l'arrière en direction de l'utilisateur si la chaîne se coince le long de la partie supérieure du guide-chaîne.  
L'une ou l'autre de ces réactions peut entraîner une perte de contrôle de la scie et entraîner des blessures graves. Ne vous fiez pas uniquement aux dispositifs de sécurité intégrés à la scie. En tant qu'utilisateur de la scie d'élagage, vous devez prendre des mesures pour éviter les accidents ou les blessures pendant les travaux de coupe.  
Le choc en retour est le résultat d'une utilisation incorrecte de la scie d'élagage et/ou de l'inobservation des procédures ou conditions d'utilisation. Il peut être évité en prenant les précautions adéquates indiquées ci-dessous :

- **Tenez fermement la scie d'élagage avec vos deux mains, en plaçant vos pouces et vos doigts autour des poignées de la scie d'élagage ; positionnez votre corps et vos bras de manière à résister aux chocs en retour.** L'utilisateur peut contrôler les chocs en retour s'il prend les précautions nécessaires. Ne lâchez pas la scie d'élagage.

► Fig.1

- **Ne vous penchez pas trop en avant, et ne coupez pas plus haut que la hauteur des épaules.** Ceci permet d'éviter un contact accidentel de l'extrémité du guide avec un objet et de mieux maîtriser la scie d'élagage dans les situations imprévues.
  - **Utilisez exclusivement les guides-chaînes et les chaînes de rechange spécifiés par le fabricant.** L'utilisation de guides-chaînes ou de chaînes de rechange inadaptés peut provoquer la rupture de la chaîne et/ou un choc en retour.
  - **Suivez les instructions du fabricant concernant l'affûtage et l'entretien de la chaîne.** Réduire la hauteur du limiteur de profondeur augmente le risque de choc en retour.
15. **Suivez toutes les instructions lorsque vous dégagez un matériau bloqué, rangez ou dépannez la scie d'élagage. Assurez-vous que l'interrupteur est sur la position d'arrêt et que la batterie est retirée.**

## Consignes de sécurité supplémentaires

### Équipement de protection individuelle

1. Les vêtements doivent être ajustés, mais ne pas gêner la mobilité.
2. Portez les vêtements de protection suivants pendant le travail :
  - Un casque de sécurité testé, en cas de risque de chutes de branche ou autres ;
  - Un écran facial ou des lunettes de protection ;
  - Un dispositif de protection auditive approprié (coquilles anti-bruit ou bouchons d'oreille sur mesure ou malléable). Analyse par bande d'octave sur demande.
  - Gants de sécurité en cuir solides ;
  - Pantalons fabriqués dans un tissu résistant ;
  - Salopette de protection dans un tissu résistant aux coupures ;
  - Chaussures ou bottes de sécurité avec semelles antidérapantes, embout protecteur en acier et doublure dans un tissu résistant aux coupures ;
  - Un masque respiratoire lors de tâches produisant de la poussière (p. ex., scier du bois sec).

### Fonctionnement

1. **Avant de commencer le travail, assurez-vous que l'outil fonctionne correctement et satisfait aux réglementations relatives à la sécurité. Vérifiez tout particulièrement les points suivants :**
  - Le frein d'arrêt du moteur fonctionne correctement.
  - Le guide-chaîne et le couvre-pignon sont correctement installés.
  - La chaîne a été aiguisée et tendue conformément aux réglementations.

2. **Ne faites pas démarrer l'outil sans avoir retiré le garde-chaîne.** Si vous faites démarrer l'outil sans avoir retiré le garde-chaîne, celui-ci risque d'être éjecté vers l'avant, ce qui peut entraîner des blessures et endommager les objets autour de l'utilisateur.
3. **Ne vous tenez pas directement sous la branche que vous coupez. Prenez garde aux chutes de branches.**
4. **N'utilisez pas l'outil par mauvais temps ou en cas d'orage.**
5. **Lorsque vous utilisez l'outil sur un sol boueux, une pente trempée ou un endroit glissant, faites attention de ne pas perdre l'équilibre.**

### Sécurité électrique et sécurité des batteries

1. **Évitez les environnements dangereux. N'utilisez pas l'outil dans un endroit humide, ni ne l'exposez à la pluie.** Le risque d'électrocution augmente si de l'eau pénètre dans l'outil.
2. **Ne jetez pas la ou les batteries au feu.** L'élément de la pile pourrait exploser. Consultez les codes locaux pour de possibles instructions de mise au rebut spéciales.
3. **N'ouvrez ni ne manipulez la ou les batteries.** L'électrolyte qui s'échappe de la batterie est corrosif et peut irriter la peau ou les yeux. Il peut être toxique en cas d'ingestion.
4. **Ne chargez pas la batterie sous la pluie ou dans un endroit mouillé.**
5. **Ne pas charger la batterie à l'extérieur.**
6. **Ne manipulez pas le chargeur, y compris la fiche du chargeur et les bornes du chargeur avec les mains mouillées.**
7. **Ne remplacez pas la batterie avec les mains mouillées.**
8. **Ne laissez pas la batterie sous la pluie et évitez de charger, utiliser ou ranger la batterie dans un endroit humide ou mouillé.**
9. **Ne mouillez pas la borne de la batterie avec un liquide comme de l'eau, ni ne plongez la batterie dans un liquide.** Si la borne est mouillée ou si un liquide pénètre à l'intérieur de la batterie, un court-circuit est possible et risque de provoquer une surchauffe, un incendie ou une explosion.
10. **Après avoir retiré la batterie de la machine ou du chargeur, veillez à fixer le couvercle de la batterie sur la batterie et à la ranger dans un endroit sec.**
11. **Si la batterie est mouillée, videz l'eau à l'intérieur, puis essuyez-la avec un chiffon sec. Séchez complètement la batterie dans un endroit sec avant utilisation.**

## CONSERVEZ CES INSTRUCTIONS.

**⚠ AVERTISSEMENT : NE** vous laissez PAS tromper (au fil d'une utilisation répétée) par un sentiment d'aisance et de familiarité avec le produit, en négligeant le respect rigoureux des consignes de sécurité qui accompagnent le produit en question. La MAUVAISE UTILISATION de l'outil ou l'ignorance des consignes de sécurité indiquées dans ce mode d'emploi peut entraîner de graves blessures.

## Consignes de sécurité importantes pour la batterie

1. **Avant d'utiliser la batterie, lisez toutes les instructions et précautions relatives (1) au chargeur de batterie, (2) à la batterie, et (3) au produit utilisant la batterie.**
2. **Ne désassemblez pas et ne modifiez pas la batterie.** Cela pourrait entraîner un incendie, une chaleur excessive ou une explosion.
3. **Cessez immédiatement l'utilisation si le temps de fonctionnement devient excessivement court.** Il y a risque de surchauffe, de brûlures, voire d'explosion.
4. **Si l'électrolyte pénètre dans vos yeux, rincez-les à l'eau claire et consultez immédiatement un médecin.** Il y a risque de perte de la vue.
5. **Ne court-circuitez pas la batterie :**
  - (1) **Ne touchez les bornes avec aucun matériau conducteur.**
  - (2) **Évitez de ranger la batterie dans un conteneur avec d'autres objets métalliques, par exemple des clous, des pièces de monnaie, etc.**
  - (3) **N'exposez pas la batterie à l'eau ou à la pluie.**

Un court-circuit de la batterie peut provoquer une intensité de courant élevée, une surchauffe, parfois des brûlures et même une panne.

6. **Ne rangez ni n'utilisez l'outil et la batterie dans un endroit où la température risque d'atteindre ou de dépasser 50 °C.**
7. **Ne jetez pas la batterie au feu même si elle est sérieusement endommagée ou complètement épuisée. La batterie peut exploser au contact du feu.**
8. **Abstenez-vous de clouer, couper, écraser, jeter, laisser tomber la batterie, ou de la heurter contre un objet dur.** Cela pourrait entraîner un incendie, une chaleur excessive ou une explosion.
9. **N'utilisez pas la batterie si elle est endommagée.**
10. **Les batteries au lithium-ion contenues sont soumises aux exigences de la législation sur les marchandises dangereuses.**

Lors du transport commercial par des tierces parties ou des transitaires par exemple, des exigences spécifiques en matière d'étiquetage et d'emballage doivent être respectées.

Pour la préparation de l'article expédié, il est nécessaire de consulter un expert en matériau dangereux. Veuillez également respecter les réglementations nationales susceptibles d'être plus détaillées.

Recouvrez les contacts exposés avec du ruban adhésif ou du ruban de masquage et emballez la batterie de telle sorte qu'elle ne puisse pas bouger dans l'emballage.
11. **Lors de la mise au rebut de la batterie, retirez-la de l'outil et jetez-la en lieu sûr. Suivez les réglementations locales en matière de mise au rebut des batteries.**

12. **Utilisez les batteries uniquement avec les produits spécifiés par Makita.** L'insertion de batteries dans des produits non conformes peut provoquer un incendie, une chaleur excessive, une explosion ou une fuite de l'électrolyte.
13. **Lorsque vous n'utilisez pas l'outil pendant une période prolongée, la batterie doit être retirée de l'outil.**
14. **Pendant et après l'utilisation, la batterie peut chauffer, ce qui peut entraîner des brûlures, y compris en cas de température relativement basse. Manipulez les batteries chaudes avec précaution.**
15. **Ne touchez pas la borne de l'outil immédiatement après utilisation car elle peut être assez chaude pour provoquer des brûlures.**
16. **Évitez que des copeaux, de la poussière ou du sol adhèrent aux bornes, aux trous et aux rainures de la batterie.** Cela peut provoquer un échauffement, un incendie, une explosion ou un dysfonctionnement de l'outil ou de la batterie, ce qui peut entraîner des brûlures ou des blessures.
17. **À moins que l'outil prenne en charge un tel usage, n'utilisez pas la batterie à proximité de lignes électriques haute tension.** Cela pourrait entraîner un dysfonctionnement ou casser l'outil ou la batterie.
18. **Conservez la batterie hors de portée des enfants.**

## CONSERVEZ CES INSTRUCTIONS.

**ATTENTION :** N'utilisez que des batteries Makita d'origine. L'utilisation de batteries de marque autre que Makita ou de batteries modifiées peut provoquer l'explosion des batteries, ce qui présente un risque d'incendie, de dommages matériels et corporels. Cela annulera également la garantie Makita pour l'outil et le chargeur Makita.

## Conseils pour assurer la durée de vie optimale de la batterie

1. **Chargez la batterie avant qu'elle ne soit complètement déchargée. Arrêtez toujours l'outil et rechargez la batterie quand vous remarquez que la puissance de l'outil diminue.**
2. **Ne rechargez jamais une batterie complètement chargée. La surcharge réduit la durée de service de la batterie.**
3. **Chargez la batterie à une température ambiante comprise entre 10 °C et 40 °C. Avant de charger une batterie chaude, laissez-la refroidir.**
4. **Lorsque vous n'utilisez pas la batterie, retirez-la de l'outil ou du chargeur.**

# DESCRIPTION DES PIÈCES

► Fig.2

1	Poignée auxiliaire	2	Couvercle de sécurité	3	Chaîne
4	Guide-chaîne	5	Bouchon du réservoir d'huile	6	Garde-chaîne
7	Couvre-pignon	8	Levier de sécurité	9	Poignée arrière
10	Gâchette	11	Levier	12	Batterie

## DESCRIPTION DU FONCTIONNEMENT

**⚠ ATTENTION :** Assurez-vous toujours que l'outil est hors tension et que sa batterie est retirée avant de l'ajuster ou de vérifier son fonctionnement.

### Insertion ou retrait de la batterie

**⚠ ATTENTION :** Éteignez toujours l'outil avant de mettre en place ou de retirer la batterie.

**⚠ ATTENTION :** Tenez fermement l'outil et la batterie lors de la mise en place ou du retrait de la batterie. Si vous ne tenez pas fermement l'outil et la batterie, ils peuvent vous glisser des mains, et s'abîmer ou vous blesser.

► Fig.3: 1. Indicateur rouge 2. Bouton 3. Batterie

Pour retirer la batterie, faites-la glisser hors de l'outil tout en faisant glisser le bouton à l'avant de la batterie.

Pour mettre la batterie en place, alignez la languette de la batterie avec la rainure du compartiment puis insérez la batterie. Insérez-la entièrement jusqu'à entendre un léger déclic indiquant qu'elle est bien en place. Si vous pouvez voir l'indicateur rouge comme illustré sur la figure, c'est qu'elle n'est pas bien verrouillée.

**⚠ ATTENTION :** Insérez toujours complètement la batterie jusqu'à ce que l'indicateur rouge ne soit plus visible. Sinon, elle pourrait tomber accidentellement de l'outil, au risque de vous blesser ou de blesser quelqu'un se trouvant près de vous.

**⚠ ATTENTION :** N'insérez pas la batterie de force. Si elle ne glisse pas facilement, c'est que vous ne l'insérez pas correctement.

## Indication de la charge restante de la batterie

*Uniquement pour les batteries avec voyant lumineux*

► Fig.4: 1. Témoins 2. Bouton de vérification

Appuyez sur le bouton de vérification sur la batterie pour indiquer la charge restante de la batterie. Les témoins s'allument pendant quelques secondes.

Témoins		Charge restante
Allumé	Éteint	
■	□	75 % - 100 %
■ ■ ■ ■		50 % - 75 %
■ ■ □ □		25 % - 50 %
■ □ □ □		0 % - 25 %

**NOTE :** Selon les conditions d'utilisation et la température ambiante, l'indication peut être légèrement différente de la capacité réelle.

## Système de protection de l'outil/la batterie

L'outil est équipé d'un système de protection de l'outil/la batterie. Ce système coupe automatiquement l'alimentation vers le moteur pour prolonger la durée de vie de l'outil et de la batterie. Si l'outil ou la batterie se trouve dans l'une des situations suivantes, l'outil cessera automatiquement de fonctionner.

### Surcharge :

L'outil est utilisé de manière telle qu'il consomme un courant anormalement élevé. Dans cette situation, éteignez l'outil et arrêtez la tâche ayant provoqué la surcharge de l'outil. Puis rallumez l'outil pour reprendre la tâche.

Si l'outil ne démarre pas, c'est que la batterie a surchauffé. Dans ce cas, laissez la batterie refroidir avant de rallumer l'outil.

### Faible tension de la batterie :

La capacité restante de la batterie est trop faible et l'outil ne fonctionne pas. Si vous allumez l'outil, le moteur redémarre, mais s'arrête rapidement. Dans ce cas, retirez la batterie et rechargez-la.

## Fonctionnement de la gâchette

**⚠️ AVERTISSEMENT :** Pour votre sécurité, cet outil est équipé d'un levier de sécurité qui empêche tout démarrage involontaire. N'utilisez JAMAIS l'outil si vous pouvez le démarrer simplement en appuyant sur la gâchette sans appuyer sur le levier de sécurité. Demandez à un centre technique agréé de réaliser les réparations AVANT toute nouvelle utilisation.

**⚠️ AVERTISSEMENT :** Ne scotchez JAMAIS le levier de sécurité, ni n'ignorez son objectif et sa fonction.

**⚠️ ATTENTION :** Avant d'insérer la batterie dans l'outil, vérifiez toujours que la gâchette fonctionne bien et revient en position d'arrêt lorsque vous la relâchez.

**REMARQUE :** Évitez d'appuyer sur la gâchette avec force lorsque le levier de sécurité n'est pas enfoncé. Vous risqueriez de briser la gâchette.

Un levier de sécurité est prévu pour prévenir l'enclenchement accidentel de la gâchette. Pour démarrer l'outil, enfoncez le levier de sécurité puis enclenchez la gâchette. Pour l'arrêter, relâchez la gâchette.

► Fig.5: 1. Gâchette 2. Levier de sécurité

## Vérification du frein d'arrêt du moteur

**⚠️ ATTENTION :** Si lors de ce test, la chaîne ne s'arrête pas quelques secondes après, cessez immédiatement d'utiliser l'outil et consultez notre centre de service après-vente agréé.

Démarez l'outil, puis relâchez complètement la gâchette. La chaîne doit s'arrêter complètement quelques secondes après.

## ASSEMBLAGE

**⚠️ ATTENTION :** Assurez-vous toujours que l'outil est hors tension et que sa batterie est retirée avant d'effectuer toute tâche dessus.

**⚠️ ATTENTION :** Ne touchez pas la chaîne avec les mains nues. Portez toujours des gants lorsque vous manipulez la chaîne.

## Retrait et installation de la chaîne

**⚠️ ATTENTION :** La chaîne et le guide-chaîne sont très chauds juste après utilisation. Laissez-les refroidir suffisamment avant tout travail sur l'outil.

**⚠️ ATTENTION :** Procédez à l'installation ou au retrait de la chaîne dans un endroit propre, exempt de sciure et autres.

## Retrait de la chaîne

Pour enlever la chaîne, procédez comme suit :

1. Soulevez le levier.

► Fig.6: 1. Levier

2. Tournez le levier dans le sens contraire des aiguilles d'une montre jusqu'à ce que le couvre-pignon soit libéré.

► Fig.7: 1. Couvre-pignon 2. Levier

3. Retirez le couvre-pignon, puis retirez la chaîne et le guide-chaîne du corps de l'outil.

## Pose de la chaîne

Pour installer la chaîne, procédez comme suit :

1. Soulevez le levier.

► Fig.8: 1. Levier

2. Tournez le levier dans le sens contraire des aiguilles d'une montre jusqu'à ce que le couvre-pignon soit libéré.

► Fig.9: 1. Levier 2. Couvre-pignon

3. Retirez le couvre-pignon.

4. Alignez l'orifice sur le guide-chaîne avec la goupille sur le corps de l'outil, puis placez le guide-chaîne comme illustré sur la figure.

► Fig.10: 1. Guide-chaîne 2. Orifice 3. Goupille

5. Faites glisser le guide-chaîne vers le pignon pour verrouiller la goupille.

► Fig.11: 1. Guide-chaîne 2. Goupille

6. Retirez le guide-chaîne du corps de l'outil.

7. Vérifiez le sens de la chaîne. Faites correspondre le sens de la chaîne avec celui du repère sur le corps de l'outil.

► Fig.12: 1. Repère sur le corps de l'outil

8. Insérez une extrémité de la chaîne sur le dessus du guide-chaîne.

9. Insérez l'autre extrémité de la chaîne autour du pignon, puis fixez le guide-chaîne au corps de l'outil de sorte que l'orifice sur le guide-chaîne soit aligné avec la goupille sur le corps.

► Fig.13: 1. Pignon

Appuyez le guide-chaîne contre le corps de l'outil pour dégager la goupille. La tension de la chaîne est automatiquement ajustée.

► Fig.14: 1. Chaîne 2. Goupille 3. Pignon

10. Placez le couvre-pignon de sorte que le boulon et la goupille sur le corps de l'outil rencontrent leurs équivalents sur le couvre-pignon.

► Fig.15: 1. Couvre-pignon 2. Boulon 3. Goupille

11. Tournez le levier dans le sens des aiguilles d'une montre jusqu'à ce que le couvre-pignon soit bien serré puis replacez-le dans sa position d'origine.

► Fig.16: 1. Levier 2. Couvre-pignon

Assurez-vous que la chaîne n'est pas détendue et qu'elle peut être déplacée d'avant en arrière en douceur. Au besoin, ajustez sa tension en vous reportant à la section sur le réglage de la tension de la chaîne.



## Réglage de la tension de la chaîne

**⚠ ATTENTION** : Si la chaîne est détendue, celle-ci risque de sauter du guide-chaîne, ce qui peut entraîner des blessures ou un accident.

La chaîne peut se détendre au bout de plusieurs heures d'utilisation. Vérifiez de temps à autre la tension de la chaîne avant de l'utiliser.

Si la chaîne est détendue, ajustez sa tension.

1. Soulevez le levier.

► Fig.17: 1. Levier

2. Tournez légèrement le levier dans le sens inverse des aiguilles d'une montre pour desserrer un peu le couvre-pignon. La tension de la chaîne est ajustée automatiquement.

► Fig.18: 1. Couvre-pignon 2. Levier

3. Tournez le levier dans le sens des aiguilles d'une montre jusqu'à ce que le couvre-pignon soit bien serré puis remplacez-le dans sa position d'origine.

► Fig.19: 1. Levier 2. Couvre-pignon

## UTILISATION

### Lubrification

**⚠ ATTENTION** : N'utilisez pas l'outil si le réservoir est vide. Remplissez d'huile en temps voulu avant que le réservoir soit vide.

**⚠ ATTENTION** : Empêchez l'huile d'entrer en contact avec la peau et les yeux. Le contact avec les yeux provoque une irritation. En cas de contact avec les yeux, rincez immédiatement l'œil affecté à l'eau claire, puis consultez sans tarder un médecin.

**⚠ ATTENTION** : N'utilisez jamais d'huile usée. L'huile usée renferme des substances carcinogènes. Les contaminants présents dans l'huile usée accélèrent l'usure de la pompe à huile, du guide et de la chaîne. L'huile usée est nocive pour l'environnement.

**REMARQUE** : Lors de la première utilisation de l'outil, deux minutes peuvent être nécessaires avant que l'huile pour chaîne commence son effet de lubrification sur le mécanisme de la scie. Faites fonctionner la scie sans charge jusqu'à ce que l'effet commence.

**REMARQUE** : La première fois que vous faites le plein d'huile pour chaîne, ou lorsque vous refaites le plein après avoir complètement vidé le réservoir d'huile, ajoutez de l'huile jusqu'au bord inférieur du goulot de remplissage. Sinon, l'alimentation en huile risque de mal fonctionner.

**REMARQUE** : Utilisez uniquement l'huile pour chaîne destinée aux outils Makita ou une huile en vente dans le commerce équivalente.

**REMARQUE** : N'utilisez jamais une huile contaminée par des poussières ou des particules, ni une huile volatile.

**REMARQUE** : Lorsque vous élaguez des arbres, utilisez une huile végétale. Une huile minérale risque d'endommager les arbres.

**REMARQUE** : Avant de tronçonner, assurez-vous que le bouchon du réservoir d'huile est bien vissé en place.

La chaîne se lubrifie automatiquement pendant l'utilisation de l'outil. Vérifiez régulièrement la quantité d'huile restante dans le réservoir d'huile par la fenêtre d'inspection d'huile.

► Fig.20: 1. Fenêtre d'inspection d'huile 2. Bouchon du réservoir d'huile

Pour remplir d'huile, exécutez les étapes suivantes :

1. Nettoyez à fond la zone autour du bouchon du réservoir d'huile pour empêcher la saleté de pénétrer dans le réservoir d'huile.

2. Posez l'outil sur le côté.

3. Appuyez sur le bouton du bouchon du réservoir d'huile de sorte que le bouton de l'autre côté se relève, puis retirez le bouchon du réservoir d'huile en le tournant.

► Fig.21: 1. Bouchon du réservoir d'huile 2. Serrer 3. Desserrer

4. Remplissez d'huile le réservoir d'huile. La quantité correcte d'huile est de 55 ml.

5. Revissez fermement le bouchon du réservoir d'huile en place.

6. Essuyez soigneusement l'huile pour chaîne déversée.

**NOTE** : S'il est difficile de retirer le bouchon du réservoir d'huile, insérez la pointe du tournevis plat dans la fente du bouchon du réservoir d'huile, puis retirez le bouchon du réservoir d'huile en le tournant dans le sens inverse des aiguilles d'une montre.

► Fig.22: 1. Fente 2. Tournevis plat

Après le remplissage, éloignez l'outil du matériau à couper. Démarrez-le et attendez que la chaîne soit bien lubrifiée.

► Fig.23

## Utilisation de l'outil

**⚠ ATTENTION** : Éloignez la chaîne de votre corps pendant le fonctionnement de l'outil.

**⚠ ATTENTION** : Tenez l'outil fermement avec les deux mains pendant son fonctionnement.

**⚠ ATTENTION** : Ne vous penchez pas trop en avant. Conservez un bon appui au sol et gardez votre équilibre en permanence.

**REMARQUE** : Ne jetez pas l'outil, ne le laissez pas tomber.

**REMARQUE** : Ne recouvrez pas les orifices d'aération de l'outil.

Avant de démarrer l'outil, mettez en contact la base du guide-chaîne et la pièce de support du corps de l'outil avec la branche à couper comme illustré sur la figure. Alors que la branche est en contact avec l'outil et le guide-chaîne, démarrez l'outil et sciez la branche en déplaçant l'outil vers le bas le long de la branche.

► Fig.24

**⚠ ATTENTION** : Avant la coupe, assurez-vous que la branche à couper est en contact avec la base du guide-chaîne et la pièce de support du corps de l'outil. Autrement, l'outil pourrait être tiré vers l'extrémité du guide-chaîne, et le guide-chaîne pourrait osciller et provoquer des blessures.

## Transport de l'outil

Avant de transporter l'outil, retirez toujours la batterie de l'outil. Remettez ensuite le garde-chaîne en place. Remettez également en place le couvercle de la batterie.

► Fig.25: 1. Garde-chaîne 2. Couvercle de batterie

## ENTRETIEN

**⚠ ATTENTION** : Assurez-vous toujours que l'outil est hors tension et que la batterie est retirée avant d'y effectuer tout travail d'inspection ou d'entretien.

**⚠ ATTENTION** : Portez toujours des gants pour effectuer toute opération d'inspection ou d'entretien.

**REMARQUE** : N'utilisez jamais d'essence, benzène, diluant, alcool ou autre produit similaire. Cela risquerait de provoquer la décoloration, la déformation ou la fissuration de l'outil.

Pour assurer la SÉCURITÉ et la FIABILITÉ du produit, toute réparation, tout travail d'entretien ou de réglage doivent être effectués par un centre d'entretien Makita agréé, avec des pièces de rechange Makita.

## Affûtage de la chaîne

**Affûtez la chaîne si :**

- la coupe de bois humide produit de la sciure de bois granuleuse ;
- la chaîne pénètre difficilement dans le bois même si vous appliquez une forte pression ;
- le tranchant des gouges est nettement endommagé ;
- la tronçonneuse tire vers la gauche ou la droite dans le bois. (Cela est dû à un affûtage inégal de la chaîne ou au fait qu'elle est endommagée d'un côté seulement.)

Affûtez la chaîne régulièrement, mais légèrement. Deux ou trois coups de lime suffisent généralement pour l'affûtage de routine. Au bout de plusieurs affûtages réalisés par vos soins, faites affûter la chaîne par un centre technique agréé.

**Critères d'affûtage :**

**⚠ AVERTISSEMENT** : Une distance excessive entre le tranchant de la gouge et le limiteur de profondeur augmente le risque de choc en retour.

► Fig.26: 1. Longueur du tranchant de la gouge  
2. Distance entre le tranchant de la gouge et le limiteur de profondeur. 3. Longueur minimale du tranchant de la gouge (3 mm)

- Tous les tranchants de gouge doivent être de la même longueur. Si les tranchants de gouge sont de longueur inégale, la chaîne tourne de manière irrégulière et risque de casser.
- N'affûtez pas la chaîne lorsque la longueur du tranchant de la gouge est inférieure ou égale à 3 mm. Remplacez la chaîne par une chaîne neuve.
- L'épaisseur du copeau est déterminée par la différence de hauteur entre le limiteur de profondeur (nez rond) et le tranchant de la gouge.
- Les meilleurs résultats de coupe sont obtenus pour les différences de hauteur suivantes entre le limiteur de profondeur et le tranchant de la gouge.
  - Chaîne 80TXL : 0,65 mm

► Fig.27

- L'angle d'affûtage de tous les tranchants de gouge doit être de 30°. Si les angles des tranchants sont inégaux, la chaîne tourne de manière irrégulière, s'use plus rapidement et risque de casser.
- Utilisez une lime ronde adaptée pour conserver le bon angle sur tous les tranchants.
  - Chaîne 80TXL : 55°

**Lime et limage**

- Utilisez une lime ronde spéciale (accessoire en option) pour affûter la chaîne. Les limes rondes ordinaires ne conviennent pas.
- Le diamètre de la lime ronde varie en fonction du type de chaîne :
  - Chaîne 80TXL : 4,0 mm
- La lime ne doit mordre le tranchant de la gouge qu'en avançant. Relevez la lime au retour.

- Affûtez d'abord le tranchant de gouge le plus court. La longueur du tranchant le plus court servira ensuite de référence pour toutes les autres tranchants de gouge de la chaîne.
  - Passez la lime comme illustré sur la figure.
- **Fig.28:** 1. Lime 2. Chaîne

- Le limage sera plus facile si vous utilisez un porte-lime (accessoire en option). Le porte-lime comporte des repères indiquant le bon angle d'affûtage (30°) ; placez les repères parallèlement à la chaîne. Il limite aussi la profondeur de pénétration (max. 4/5 du diamètre de la lime).

► **Fig.29:** 1. Porte-lime

- Une fois la chaîne affûtée, vérifiez la hauteur du limiteur de profondeur à l'aide du gabarit de la chaîne (accessoire en option).

► **Fig.30**

- Supprimez toute aspérité restante, aussi petite soit-elle, à l'aide d'une lime plate spéciale (accessoire en option).
- Arrondissez encore une fois l'avant du limiteur de profondeur.

## Nettoyage du guide-chaîne

Des copeaux et de la sciure peuvent s'accumuler dans la rainure du guide-chaîne. Ils risquent de boucher la rainure, et d'affecter la lubrification. Enlevez les copeaux et la sciure chaque fois que vous affûtez ou remplacez la chaîne de la tronçonneuse.

► **Fig.31**

## Nettoyage du couvre-pignon

Des copeaux et de la sciure peuvent s'accumuler à l'intérieur du couvre-pignon. Retirez le couvre-pignon et la chaîne de l'outil, puis enlevez les copeaux et la sciure.

► **Fig.32**

## Nettoyage de l'orifice de sortie de l'huile

Des poussières ou particules peuvent s'accumuler dans l'orifice de sortie de l'huile pendant l'utilisation. Ces poussières et particules peuvent affecter l'écoulement de l'huile, ce qui entraînerait une mauvaise lubrification de la totalité de la chaîne. Lorsque la partie supérieure du guide-chaîne n'est pas correctement alimentée en huile, nettoyez l'orifice de sortie de l'huile en procédant comme suit.

1. Retirez le couvre-pignon et la chaîne de l'outil.
2. Enlevez la poussière et les particules à l'aide d'un tournevis plat ou équivalent.

► **Fig.33:** 1. Tournevis plat 2. Orifice de sortie de l'huile

3. Insérez la batterie dans l'outil. Appuyez sur la gâchette pour que les poussières et particules accumulées dans l'orifice de sortie de l'huile soient évacuées par l'écoulement de l'huile.

4. Retirez la batterie de l'outil. Remettez en place le couvre-pignon, la chaîne et le guide-chaîne sur l'outil.

## Remplacement du pignon

**ATTENTION :** Si vous utilisez une chaîne neuve avec un pignon usé, vous risquez d'endommager la chaîne. Dans ce cas, remplacez le pignon.

Avant de poser une chaîne neuve, vérifiez l'état du pignon.

► **Fig.34:** 1. Pignon 2. Zones d'usure

Posez toujours un circlip neuf lorsque vous remplacez le pignon.

► **Fig.35:** 1. Circlip 2. Pignon

**REMARQUE :** Veillez à installer le pignon comme indiqué sur la figure.

## Remisage de l'outil

1. Nettoyez l'outil avant de le ranger. Enlevez les copeaux et la sciure de bois de l'outil après avoir retiré le couvre-pignon.
2. Après avoir nettoyé l'outil, faites le tourner à vide pour lubrifier la chaîne et le guide-chaîne.
3. Remettez le garde-chaîne sur le guide-chaîne.
4. Videz le réservoir d'huile.

## Instructions d'entretien périodique

Pour assurer une bonne longévité, éviter les détériorations et garantir le bon fonctionnement des dispositifs de sécurité, réalisez régulièrement les tâches d'entretien suivantes. La garantie n'est accordée que si ces tâches sont réalisées régulièrement et correctement. Le non-respect des obligations relatives aux tâches d'entretien peut entraîner des accidents ! L'utilisateur de l'outil ne doit pas réaliser de tâches d'entretien non décrites dans le manuel d'instructions. Toutes ces tâches doivent être effectuées par notre centre de service après-vente agréé.

Élément à vérifier/Périodicité		Avant utilisation	Chaque jour	Chaque semaine	Tous les 3 mois	Tous les ans	Avant remisage
Outil entier	Inspection	✓	-	-	-	-	-
	Nettoyage	-	✓	-	-	-	-
	Vérification par un centre technique agréé	-	-	-	-	✓	✓
Chaîne	Inspection	✓	-	-	-	-	-
	Aiguisage si nécessaire	-	-	-	-	-	✓
Guide-chaîne	Inspection	✓	✓	-	-	-	-
	Retirez de l'outil.	-	-	-	-	-	✓
Lubrification de la chaîne	Vérification du débit de l'alimentation en huile	✓	-	-	-	-	-
Gâchette	Inspection	✓	-	-	-	-	-
Lever de sécurité	Inspection	✓	-	-	-	-	-
Bouchon du réservoir d'huile	Vérification du serrage	✓	-	-	-	-	-
Vis et écrous	Inspection	-	-	✓	-	-	-

# GUIDE DE DÉPANNAGE

Avant de faire une demande de réparation, effectuez d'abord vous-même une inspection. Si vous rencontrez un problème non documenté dans le mode d'emploi, n'essayez pas de démonter l'outil. Demandez plutôt à un centre de service après-vente Makita agréé d'effectuer la réparation au moyen de pièces de rechange Makita.

Dysfonctionnement	Cause	Remède
L'outil ne démarre pas.	La batterie n'est pas installée.	Installez une batterie chargée.
	Problème de batterie (sous tension)	Rechargez la batterie. Si vous n'arrivez pas à recharger les batteries, remplacez-les.
Le moteur arrête de tourner après une courte utilisation.	Faible niveau de charge de la batterie	Rechargez la batterie. Si vous n'arrivez pas à recharger les batteries, remplacez-les.
Pas d'huile sur la chaîne.	Réservoir d'huile vide	Remplissez le réservoir d'huile.
	La rainure de lubrification est encrassée.	Nettoyez la rainure de lubrification.
L'outil ne tourne pas à plein régime.	La batterie est mal installée.	Suivez les instructions de ce mode d'emploi pour installer la batterie.
	La charge de la batterie baisse.	Rechargez la batterie. Si vous n'arrivez pas à recharger les batteries, remplacez-les.
	Le système d'entraînement ne fonctionne pas correctement.	Ces réparations doivent être effectuées par un centre technique agréé.
Vibrations anormales : <b>Arrêtez immédiatement l'outil !</b>	Guide-chaîne ou chaîne desserrés	Réglez le guide-chaîne et la tension de la chaîne.
	Dysfonctionnement de l'outil	Ces réparations doivent être effectuées par un centre technique agréé.
La chaîne ne peut pas être mise en place.	La combinaison de la chaîne et du pignon est incorrecte.	Utilisez la bonne combinaison de chaîne et de pignon en vous reportant à la section des spécifications.

## ACCESSOIRES EN OPTION

**⚠ ATTENTION :** Ces accessoires ou pièces complémentaires sont recommandés pour l'utilisation avec l'outil Makita spécifié dans ce mode d'emploi. L'utilisation de tout autre accessoire ou pièce complémentaire peut comporter un risque de blessure. N'utilisez les accessoires ou pièces complémentaires qu'aux fins auxquelles ils ont été conçus.

Pour obtenir plus de détails sur ces accessoires, contactez votre centre d'entretien local Makita.

- Chaîne
- Guide-chaîne
- Garde-chaîne
- Lime
- Sac de l'outil
- Batterie et chargeur de marque Makita

**NOTE :** Il se peut que certains éléments de la liste soient compris dans l'emballage de l'outil en tant qu'accessoires standard. Ils peuvent varier d'un pays à l'autre.

## TECHNISCHE DATEN

<b>Modell:</b>		<b>UC100D</b>
Gesamtlänge (ohne Schwert und Akku)		350 mm
Nennspannung		10,8 V - max. 12 V Gleichstrom
Nettogewicht	*1	1,0 kg
	*2	1,5 - 1,6 kg
Standard-Schwertlänge		100 mm
Empfohlene Länge der Führungsschiene		100 mm
Zutreffender Sägekettentyp (siehe die nachstehende Tabelle)		80TXL
Kettenrad	Zähnezahl	7
	Teilung	0,325"
Kettengeschwindigkeit		0 - 8,0 m/s (0 - 480 m/min)
Kettenöltank-Inhalt		55 cm <sup>3</sup>

• Wir behalten uns vor, Änderungen der technischen Daten im Zuge der Entwicklung und des technischen Fortschritts ohne vorherige Ankündigung vorzunehmen.

• Die technischen Daten können von Land zu Land unterschiedlich sein.

\*1: Gewicht, ohne Sägekette, Schwert, Schwertschutzhülle, Öl und Akku(s).

\*2: Leichteste und schwerste Gewichtskombination, gemäß EPTA-Verfahren 01/2014. Das Gewicht kann abhängig von dem Aufsatz (den Aufsätzen), einschließlich des (der) Akkus, unterschiedlich sein.

### Sägeketten-, Schwert- und Kettenradkombination

<b>Sägekettentyp</b>		<b>80TXL</b>
Anzahl der Antriebsglieder		26
Schwert	Schwertlänge	100 mm
	Schnittlänge	111 mm
	Teilung	0,325"
	Treibgliedstärke	1,1 mm
	Typ	Hartnasenleiste
Kettenrad	Zähnezahl	7
	Teilung	0,325"

**⚠ WARNUNG:** Verwenden Sie eine geeignete Kombination von Schwert und Sägekette. Anderenfalls kann es zu Personenschaden kommen.

### Zutreffende Akkus und Ladegeräte

Akku	BL1016 / BL1021B / BL1041B
Ladegerät	DC10SA / DC10SB / DC10WC / DC10WD / DC18RE

• Einige der oben aufgelisteten Akkus und Ladegeräte sind je nach Ihrem Wohngebiet eventuell nicht erhältlich.

**⚠ WARNUNG:** Verwenden Sie nur die oben aufgeführten Akkus und Ladegeräte. Bei Verwendung irgendwelcher anderer Akkus und Ladegeräte besteht Verletzungs- und/oder Brandgefahr.

## Symbole

Nachfolgend werden Symbole beschrieben, die für das Gerät verwendet werden können. Machen Sie sich unbedingt vor der Benutzung mit ihrer Bedeutung vertraut.



Betriebsanleitung lesen.



Tragen Sie eine Schutzbrille und einen Gehörschutz.



Halten Sie das Werkzeug beim Betrieb immer mit zwei Händen.



Hüten Sie sich vor Rückschlag, und vermeiden Sie Kontakt mit der Schwertspitze.



Keiner Feuchtigkeit aussetzen.



Höchstzulässige Schnittlänge



Kettenumlaufrichtung



Nur für EU-Länder  
Aufgrund des Vorhandenseins gefährlicher Komponenten in der Ausrüstung können Elektro- und Elektronik-Altgeräte, Akkumulatoren und Batterien sich negativ auf die Umwelt und die menschliche Gesundheit auswirken.  
Entsorgen Sie Elektro- und Elektronikgeräte oder Batterien nicht mit dem Hausmüll!  
In Übereinstimmung mit der Europäischen Richtlinie über Elektro- und Elektronik-Altgeräte, Akkumulatoren und Batterien, verbrauchte Akkumulatoren und Batterien sowie ihrer Anpassung an nationales Recht sollten Elektro-Altgeräte, Batterien und Akkumulatoren gemäß den Umweltschutzbestimmungen getrennt gelagert und zu einer getrennten Sammelstelle für Siedlungsabfälle geliefert werden.  
Dies wird durch das am Gerät angebrachte Symbol der durchgestrichenen Abfalltonne auf Rädern angezeigt.



Garantierter Schalleistungspegel gemäß der EU-Richtlinie über Außenlärm.



Schalleistungspegel gemäß der australischen NSW-Lärmschutzverordnung

## Vorgesehene Verwendung

Dieses Werkzeug ist für das Schneiden von Ästen von Bäumen oder Sträuchern mit Hilfe einer Sägekette vorgesehen.

## Geräusch

Typischer A-bewerteter Geräuschpegel ermittelt gemäß EN62841-4-1:

Schalldruckpegel ( $L_{pA}$ ): 79 dB (A)

Schalleistungspegel ( $L_{WA}$ ): 87 dB (A)

Messunsicherheit (K): 3 dB (A)

**HINWEIS:** Der (Die) angegebene(n) Schallemissionswert(e) wurde(n) im Einklang mit der Standardprüfmethode gemessen und kann (können) für den Vergleich zwischen Werkzeugen herangezogen werden.

**HINWEIS:** Der (Die) angegebene(n) Schallemissionswert(e) kann (können) auch für eine Vorbewertung des Gefährdungsgrads verwendet werden.

**⚠️ WARNUNG:** Einen Gehörschutz tragen.

**⚠️ WARNUNG:** Die Schallemission während der tatsächlichen Benutzung des Elektrowerkzeugs kann je nach der Benutzungsweise des Werkzeugs, und speziell je nach der Art des bearbeiteten Werkstücks, von dem (den) angegebenen Wert(en) abweichen.

**⚠️ WARNUNG:** Identifizieren Sie Sicherheitsmaßnahmen zum Schutz des Benutzers anhand einer Schätzung des Gefährdungsgrads unter den tatsächlichen Benutzungsbedingungen (unter Berücksichtigung aller Phasen des Arbeitszyklus, wie z. B. Ausschalt- und Leerlaufzeiten des Werkzeugs zusätzlich zur Betriebszeit).

## Schwingungen

Schwingungsgesamtwert (Drei-Achsen-Vektorsumme) ermittelt gemäß EN62841-4-1:

Arbeitsmodus: Schneiden von Holz

Schwingungsemission ( $a_{h,w}$ ): 4,8 m/s<sup>2</sup>

Messunsicherheit (K): 1,5 m/s<sup>2</sup>

**HINWEIS:** Der (Die) angegebene(n) Vibrationsgesamtwert(e) wurde(n) im Einklang mit der Standardprüfmethode gemessen und kann (können) für den Vergleich zwischen Werkzeugen herangezogen werden.

**HINWEIS:** Der (Die) angegebene(n) Vibrationsgesamtwert(e) kann (können) auch für eine Vorbewertung des Gefährdungsgrads verwendet werden.

**⚠️ WARNUNG:** Die Vibrationsemission während der tatsächlichen Benutzung des Elektrowerkzeugs kann je nach der Benutzungsweise des Werkzeugs, und speziell je nach der Art des bearbeiteten Werkstücks, von dem (den) angegebenen Emissionswert(en) abweichen.

**⚠️ WARNUNG:** Identifizieren Sie Sicherheitsmaßnahmen zum Schutz des Benutzers anhand einer Schätzung des Gefährdungsgrads unter den tatsächlichen Benutzungsbedingungen (unter Berücksichtigung aller Phasen des Arbeitszyklus, wie z. B. Ausschalt- und Leerlaufzeiten des Werkzeugs zusätzlich zur Betriebszeit).

## Konformitätserklärungen

**Nur für europäische Länder**

Die Konformitätserklärungen sind in Anhang A dieser Betriebsanleitung enthalten.

# SICHERHEITSWARNUNGEN

## Allgemeine Sicherheitswarnungen für Elektrowerkzeuge

**⚠️ WARNUNG** Lesen Sie alle Sicherheitshinweise, Anweisungen, Abbildungen und Spezifikationen, die diesem Elektrowerkzeug beiliegen. Eine Missachtung der unten aufgeführten Anweisungen kann zu einem elektrischen Schlag, Brand und/oder schweren Verletzungen führen.

## Bewahren Sie alle Warnungen und Anweisungen für spätere Bezugnahme auf.

Der Ausdruck „Elektrowerkzeug“ in den Warnhinweisen bezieht sich auf Ihr mit Netzstrom (mit Kabel) oder Akku (ohne Kabel) betriebenes Elektrowerkzeug.

## Allgemeine Sicherheitswarnungen für Astsäge

- Halten Sie alle Körperteile während des Betriebs der Astsäge von der Sägekette fern. Vergewissern Sie sich vor dem Einschalten der Astsäge, dass die Sägekette nicht mit irgendeinem Gegenstand in Berührung ist.** Ein Augenblick der Unaufmerksamkeit während des Betriebs von Astsägen kann dazu führen, dass Ihre Kleidung oder Körperteile von der Sägekette erfasst werden.
- Halten Sie die Astsäge stets mit einer Hand am hinteren Handgriff und mit der anderen Hand am Zusatzhandgriff.**
- Halten Sie die Astsäge nur an den isolierten Griffflächen, da die Sägekette versteckte Leitungen berühren kann.** Sägeketten, die mit einer spannungsführenden Leitung in Berührung kommen, können freiliegende Metallteile der Astsäge unter Spannung setzen und dem Bediener einen Stromschlag versetzen.
- Tragen Sie einen Augenschutz. Zusätzliche Schutzausrüstung für Gehör, Kopf, Hände, Beine und Füße wird empfohlen.** Geeignete Schutzausrüstung reduziert die Verletzungsgefahr durch fliegende Trümmer oder versehentlichen Kontakt mit der Sägekette.
- Betreiben Sie die Astsäge nicht in einem Baum, auf einer Leiter, einem Dach oder einer anderen instabilen Unterlage.** Ein derartiger Betrieb einer Astsäge kann zu schweren Personenschäden führen.
- Achten Sie stets auf einen ordnungsgemäßen Stand und betreiben Sie die Astsäge nur, wenn Sie auf einem festen, sicheren und ebenen Untergrund stehen.** Rutschige oder instabile Oberflächen können einen Verlust des Gleichgewichts oder der Kontrolle über die Astsäge verursachen.
- Achten Sie beim Schneiden eines Astes, der unter Spannung steht, auf die Rückfederung.** Wenn die Spannung in den Holzfasern nachlässt, kann der federbelastete Ast den Bediener treffen und/oder die Astsäge außer Kontrolle bringen.
- Lassen Sie beim Schneiden von Gestrüpp und jungen Bäumen äußerste Vorsicht walten.** Die dünnen Äste können an der Sägekette hängen bleiben und gegen Sie geschleudert werden oder Sie aus dem Gleichgewicht bringen.
- Tragen Sie die Astsäge im ausgeschalteten Zustand und vom Körper abgewandt. Bringen Sie beim Transport oder der Lagerung der Astsäge immer die Schwertschutzhülle an.** Sachgemäße Handhabung der Astsäge reduziert die Wahrscheinlichkeit einer versehentlichen Berührung der umlaufenden Sägekette.
- Befolgen Sie die Anweisungen für die Schmierung, die Kettenspannung und den Austausch des Schwerts und der Kette.** Eine unsachgemäß gespannte oder geschmierte Kette kann entweder reißen oder die Gefahr von Rückschlägen erhöhen.
- Schneiden Sie nur Holz. Verwenden Sie die Astsäge nicht für sachfremde Zwecke. Zum Beispiel: Verwenden Sie die Astsäge nicht zum Schneiden von Metall, Kunststoff, Mauerwerk oder Nicht-Holz-Baumaterial.** Der Gebrauch der Astsäge für sachfremde Zwecke kann zu einer Gefahrensituation führen.
- Diese Astsäge ist nicht zum Fällen von Bäumen geeignet.** Die Benutzung der Astsäge für andere als die vorgesehenen Zwecke kann zu schweren Verletzungen des Bedieners oder umstehender Personen führen.
- Befolgen Sie alle Anweisungen, wenn Sie eingeklemmtes Material beseitigen, die Astsäge lagern oder warten. Vergewissern Sie sich, dass der Schalter ausgeschaltet und der Akku entfernt ist.**
- Ursachen und Verhütung von Rückschlägen:** Rückschläge können auftreten, wenn die Nase oder Spitze des Schwerts ein Objekt berührt, oder wenn das Holz die Sägekette im Schnitt umschließt und einklemmt. Spitzenkontakt kann in manchen Fällen eine plötzliche Gegenreaktion verursachen, so dass das Schwert nach oben oder hinten zur Bedienungsperson geschleudert wird. Durch Einklemmen der Sägekette entlang dem oberen Lauf des Schwerts kann das Schwert zur Bedienungsperson zurückgeschleudert werden. Jede dieser Reaktionen kann dazu führen, dass Sie die Kontrolle über die Säge verlieren, was zu schweren Personenschäden führen kann. Verlassen Sie sich nicht ausschließlich auf die in Ihrer Säge eingebauten Sicherheitsvorrichtungen. Als Benutzer einer Astsäge sollten Sie einige Maßnahmen ergreifen, um Ihre Schneidjobs vor Unfällen und Verletzungen zu schützen. Rückschlag ist die Folge von unsachgemäßem Gebrauch der Astsäge und/oder falschen Arbeitsverfahren oder -bedingungen und kann durch ordnungsgemäße Vorkehrungen, wie unten beschrieben, vermieden werden:
  - Halten Sie die Astsäge mit beiden Händen fest im Griff, wobei Daumen und Finger die Handgriffe umschließen, und positionieren Sie Ihren Körper und Arm so, dass Sie den Rückstoßkräften widerstehen können.** Rückschlagkräfte können vom Bediener kontrolliert werden, falls ordnungsgemäße Vorsichtsmaßnahmen getroffen werden. Lassen Sie die Astsäge nicht los.

► Abb.1



- **Greifen Sie nicht zu weit aus, und schneiden Sie nicht über Schulterhöhe.** Dadurch wird ein unbeabsichtigter Kontakt mit der Spitze verhindert und eine bessere Kontrolle der Astsäge in unerwarteten Situationen ermöglicht.
  - **Verwenden Sie nur vom Hersteller empfohlene Schwerter und Sägeketten als Ersatz.** Ungeeignete Schwerter und Sägeketten können Kettenbruch und/oder Rückschlag verursachen.
  - **Befolgen Sie die Herstelleranweisungen zum Schärfen und Warten der Sägekette.** Eine Verringerung der Tiefenbegrenzerhöhe kann zu vermehrten Rückschlägen führen.
15. **Befolgen Sie alle Anweisungen, wenn Sie eingeklemmtes Material beseitigen, die Astsäge lagern oder warten. Vergewissern Sie sich, dass der Schalter ausgeschaltet und der Akku entfernt ist.**

## Zusätzliche Sicherheitsanweisungen

### Persönliche Schutzausrüstung

1. Die Kleidung muss eng anliegen, darf jedoch nicht die Bewegungsfreiheit einschränken.
2. Tragen Sie bei der Arbeit folgende Schutzkleidung:
  - Einen geprüften Schutzhelm, wenn mit herabfallenden Ästen oder Ähnlichem zu rechnen ist;
  - Einen Gesichts- oder Augenschutz;
  - Geeigneten Gehörschutz (Gehörschutzkapseln, maßgeschneiderte oder formbare Gehörschutzstöpsel). Oktavbandanalyse auf Anfrage.
  - Schutzhandschuhe aus festem Leder;
  - Eine lange Hose aus festem Stoff;
  - Eine Sicherheits-Latzhose mit Schnittschutz;
  - Sicherheitsschuhe oder -stiefel mit rutschfesten Sohlen, Stahlkappen und schnittfestem Futter;
  - Eine Atemmaske für Arbeiten mit Staubeentwicklung (z. B. Sägen von trockenem Holz).

### Betrieb

1. **Stellen Sie vor Arbeitsbeginn sicher, dass das Werkzeug in einwandfreiem Betriebszustand ist, und dass sein Zustand den Sicherheitsvorschriften entspricht. Prüfen Sie insbesondere, dass:**
  - die Auslaufbremse einwandfrei funktioniert;
  - Schwert und Kettenraddeckel korrekt angebracht sind;
  - die Kette vorschriftsmäßig geschärft und gespannt worden ist.
2. **Schalten Sie das Werkzeug nicht mit angebrachtem Kettenschutz ein.** Wird das Werkzeug mit angebrachtem Kettenschutz eingeschaltet, kann der Kettenschutz nach vorn herausgeschleudert werden, was zu Personenschäden und Beschädigung von Gegenständen im Umfeld des Bedieners führen kann.
3. **Stellen Sie sich nicht direkt unter den zu schneidenden Ast. Achten Sie auf herunterfallende Äste.**

4. **Benutzen Sie das Werkzeug nicht bei schlechtem Wetter oder wenn Blitzgefahr besteht.**
5. **Wenn Sie das Werkzeug auf schlammigem Boden, auf einem nassen Hang oder an einem schlüpfrigen Ort benutzen, achten Sie auf Ihren Stand.**

### Sicherheit der Elektrik und des Akkus

1. **Vermeiden Sie gefährliche Umgebungen. Benutzen Sie das Werkzeug nicht an feuchten oder nassen Orten, und setzen Sie es auch keinem Regen aus.** Wasser, das in das Werkzeug eindringt, erhöht die Stromschlaggefahr.
2. **Werfen Sie den (die) Akku(s) nicht ins Feuer.** Die Zelle könnte explodieren. Prüfen Sie die örtlichen Vorschriften für mögliche spezielle Entsorgungsanweisungen.
3. **Versuchen Sie nicht, den (die) Akku(s) zu öffnen oder zu verstümmeln.** Freigesetzter Elektrolyt ist korrosiv und kann Schäden an Augen oder Haut verursachen. Falls er verschluckt wird, kann er giftig sein.
4. **Laden Sie den Akku nicht im Regen oder an nassen Orten.**
5. **Laden Sie den Akku nicht im Freien.**
6. **Fassen Sie das Ladegerät, einschließlich des Ladegerätesteckers, und der Ladegeräteanschlüsse, nicht mit nassen Händen an.**
7. **Tauschen Sie den Akku nicht mit nassen Händen aus.**
8. **Lassen Sie den Akku nicht im Regen stehen, und unterlassen Sie Laden, Benutzen oder Lagern des Akkus an einem feuchten oder nassen Ort.**
9. **Vermeiden Sie Benetzen der Akkukontakte mit einer Flüssigkeit, wie z. B. Wasser, oder Untertauchen des Akkus.** Falls die Kontakte nass werden, oder eine Flüssigkeit in den Akku eindringt, kann der Akku kurzgeschlossen werden, und es besteht Überhitzungs-, Brand- oder Explosionsgefahr.
10. **Nachdem Sie den Akku von der Maschine oder vom Ladegerät entfernt haben, bringen Sie unbedingt die Akkuabdeckung am Akku an, und lagern Sie ihn an einem trockenen Ort.**
11. **Falls der Akku nass wird, lassen Sie das eingedrungene Wasser ab, und wischen Sie ihn dann mit einem trockenen Tuch ab. Lassen Sie den Akku an einem trockenen Ort vollkommen trocknen, bevor Sie ihn benutzen.**

## DIESE ANWEISUNGEN AUFBEWAHREN.

**⚠️ WARNUNG:** Lassen Sie sich NICHT durch Bequemlichkeit oder Vertrautheit mit dem Produkt (durch wiederholten Gebrauch erworben) von der strikten Einhaltung der Sicherheitsregeln für das vorliegende Produkt abhalten. MISSBRAUCH oder Missachtung der Sicherheitsvorschriften in dieser Anleitung können schwere Verletzungen verursachen.

## Wichtige Sicherheitsanweisungen für Akku

1. **Lesen Sie vor der Benutzung des Akkus alle Anweisungen und Warnhinweise, die an (1) Ladegerät, (2) Akku und (3) Akkuwerkzeug angebracht sind.**
2. **Unterlassen Sie Zerlegen oder Manipulieren des Akkus.** Es kann sonst zu einem Brand, übermäßiger Hitzeentwicklung oder einer Explosion kommen.
3. **Falls die Betriebszeit beträchtlich kürzer geworden ist, stellen Sie den Betrieb sofort ein.** Andernfalls besteht die Gefahr von Überhitzung, möglichen Verbrennungen und sogar einer Explosion.
4. **Falls Elektrolyt in Ihre Augen gelangt, waschen Sie sie mit sauberem Wasser aus, und begeben Sie sich unverzüglich in ärztliche Behandlung.** Andernfalls können Sie Ihre Sehkraft verlieren.
5. **Der Akku darf nicht kurzgeschlossen werden:**
  - (1) **Die Kontakte dürfen nicht mit leitfähigem Material berührt werden.**
  - (2) **Lagern Sie den Akku nicht in einem Behälter zusammen mit anderen Metallgegenständen, wie z. B. Nägel, Münzen usw.**
  - (3) **Setzen Sie den Akku weder Wasser noch Regen aus.****Ein Kurzschluss des Akkus verursacht starken Stromfluss, der Überhitzung, mögliche Verbrennungen und einen Defekt zur Folge haben kann.**
6. **Lagern und benutzen Sie das Werkzeug und den Akku nicht an Orten, an denen die Temperatur 50 °C erreichen oder überschreiten kann.**
7. **Versuchen Sie niemals, den Akku zu verbrennen, selbst wenn er stark beschädigt oder vollkommen verbraucht ist. Der Akku kann im Feuer explodieren.**
8. **Unterlassen Sie Nageln, Schneiden, Zerquetschen, Werfen, Fallenlassen des Akkus oder Schlagen des Akkus mit einem harten Gegenstand.** Eine solche Handlung kann zu einem Brand, übermäßiger Hitzeentwicklung oder einer Explosion führen.
9. **Benutzen Sie keine beschädigten Akkus.**
10. **Die enthaltenen Lithium-Ionen-Akkus unterliegen den Anforderungen der Gefahrgut-Gesetzgebung.** Für kommerzielle Transporte, z. B. durch Dritte oder Spediteure, müssen besondere Anforderungen zu Verpackung und Etikettierung beachtet werden. Zur Vorbereitung des zu transportierenden Artikels ist eine Beratung durch einen Experten für Gefahrgut erforderlich. Bitte beachten Sie möglicherweise ausführlichere nationale Vorschriften. Überkleben oder verdecken Sie offene Kontakte, und verpacken Sie den Akku so, dass er sich in der Verpackung nicht umher bewegen kann.
11. **Entfernen Sie den Akku zum Entsorgen vom Werkzeug, und entsorgen Sie ihn an einem sicheren Ort. Befolgen Sie die örtlichen Vorschriften bezüglich der Entsorgung von Akkus.**

12. **Verwenden Sie die Akkus nur mit den von Makita angegebenen Produkten.** Das Einsetzen der Akkus in nicht konforme Produkte kann zu einem Brand, übermäßiger Hitzebildung, einer Explosion oder Auslaufen von Elektrolyt führen.
13. **Soll das Werkzeug längere Zeit nicht benutzt werden, muss der Akku vom Werkzeug entfernt werden.**
14. **Bei und nach dem Gebrauch kann der Akku heiß werden, was Verbrennungen oder Niedertemperaturverbrennungen verursachen kann.** Beachten Sie die Handhabung von heißen Akkus.
15. **Berühren Sie nicht den Anschlusskontakt des Werkzeugs unmittelbar nach dem Gebrauch, da er heiß genug werden kann, um Verbrennungen zu verursachen.**
16. **Achten Sie darauf, dass sich keine Späne, Staub oder Schmutz in den Anschlusskontakten, Löchern und Nuten des Akkus absetzen.** Es könnte sonst zu Erhitzung, Brandauslösung, Bersten und Funktionsstörungen des Werkzeugs oder des Akkus kommen, was zu Verbrennungen oder Personenschäden führen kann.
17. **Wenn das Werkzeug den Einsatz in der Nähe einer Hochspannungs-Stromleitung nicht unterstützt, benutzen Sie den Akku nicht in der Nähe einer Hochspannungs-Stromleitung.** Dies kann zu einer Funktionsstörung oder Betriebsstörung des Werkzeugs oder des Akkus führen.
18. **Halten Sie die Batterie von Kindern fern.**

## DIESE ANWEISUNGEN AUFBEWAHREN.

**⚠ VORSICHT:** Verwenden Sie nur Original-Makita-Akkus. Die Verwendung von Nicht-Original-Makita-Akkus oder von Akkus, die abgeändert worden sind, kann zum Bersten des Akkus und daraus resultierenden Bränden, Personenschäden und Beschädigung führen. Außerdem wird dadurch die Makita-Garantie für das Makita-Werkzeug und -Ladegerät ungültig.

## Hinweise zur Aufrechterhaltung der maximalen Akku-Nutzungsdauer

1. **Laden Sie den Akku, bevor er vollkommen erschöpft ist. Schalten Sie das Werkzeug stets aus, und laden Sie den Akku, wenn Sie ein Nachlassen der Werkzeugleistung feststellen.**
2. **Unterlassen Sie erneutes Laden eines voll aufgeladenen Akkus. Überladen führt zu einer Verkürzung der Nutzungsdauer des Akkus.**
3. **Laden Sie den Akku bei Raumtemperatur zwischen 10 – 40 °C. Lassen Sie einen heißen Akku abkühlen, bevor Sie ihn laden.**
4. **Wenn Sie den Akku nicht benutzen, nehmen Sie ihn vom Werkzeug oder Ladegerät ab.**

# BEZEICHNUNG DER TEILE

► Abb.2

1	Zusatzhandgriff	2	Schutzhülle	3	Sägekette
4	Schwert	5	Öltankverschluss	6	Schwertschutzhülle
7	Kettenraddeckel	8	Einschaltsperrehebel	9	Hinterer Handgriff
10	Auslöseschalter	11	Hebel	12	Akku

## FUNKTIONSBESCHREIBUNG

**⚠ VORSICHT:** Vergewissern Sie sich vor der Durchführung von Einstellungen oder Funktionsprüfungen des Werkzeugs stets, dass das Werkzeug ausgeschaltet und der Akku abgenommen ist.

## Anbringen und Abnehmen des Akkus

**⚠ VORSICHT:** Schalten Sie das Werkzeug stets aus, bevor Sie den Akku anbringen oder abnehmen.

**⚠ VORSICHT:** Halten Sie das Werkzeug und den Akku beim Anbringen oder Abnehmen des Akkus sicher fest. Wenn Sie das Werkzeug und den Akku nicht sicher festhalten, können sie Ihnen aus der Hand rutschen, was zu einer Beschädigung des Werkzeugs und des Akkus und zu Körperverletzungen führen kann.

► Abb.3: 1. Rote Anzeige 2. Knopf 3. Akku

Ziehen Sie den Akku zum Abnehmen vom Werkzeug ab, während Sie den Knopf an der Vorderseite des Akkus verschieben.

Richten Sie zum Anbringen des Akkus dessen Führungsfeder auf die Nut im Gehäuse aus, und schieben Sie den Akku hinein. Schieben Sie ihn vollständig ein, bis er mit einem leisen Klicken einrastet. Wenn Sie die rote Anzeige sehen können, wie in der Abbildung gezeigt, ist der Akku nicht vollständig verriegelt.

**⚠ VORSICHT:** Schieben Sie den Akku stets bis zum Anschlag ein, bis die rote Anzeige nicht mehr sichtbar ist. Anderenfalls kann er aus dem Werkzeug herausfallen und Sie oder umstehende Personen verletzen.

**⚠ VORSICHT:** Unterlassen Sie Gewaltanwendung beim Anbringen des Akkus. Falls der Akku nicht reibungslos hineingleitet, ist er nicht richtig ausgerichtet.

## Anzeigen der Akku-Restkapazität

**Nur für Akkus mit Anzeige**

► Abb.4: 1. Anzeigelampen 2. Prüftaste

Drücken Sie die Prüftaste am Akku, um die Akku-Restkapazität anzuzeigen. Die Anzeigelampen leuchten wenige Sekunden lang auf.

Anzeigelampen		Restkapazität
Erleuchtet	Aus	
■ ■ ■ ■	□	75% bis 100%
■ ■ ■ □	□	50% bis 75%
■ ■ □ □	□	25% bis 50%
■ □ □ □	□	0% bis 25%

**HINWEIS:** Abhängig von den Benutzungsbedingungen und der Umgebungstemperatur kann die Anzeige geringfügig von der tatsächlichen Kapazität abweichen.

## Werkzeug/Akku-Schutzsystem

Das Werkzeug ist mit einem Werkzeug/Akku-Schutzsystem ausgestattet. Dieses System schaltet die Stromversorgung des Motors automatisch ab, um die Lebensdauer von Werkzeug und Akku zu verlängern. Das Werkzeug bleibt während des Betriebs automatisch stehen, wenn das Werkzeug oder der Akku einer der folgenden Bedingungen unterliegt:

### Überlastung:

Das Werkzeug wird auf eine Weise benutzt, die eine ungewöhnlich hohe Stromaufnahme bewirkt. Schalten Sie in dieser Situation das Werkzeug aus, und brechen Sie die Anwendung ab, die eine Überlastung des Werkzeugs verursacht hat. Schalten Sie dann das Werkzeug wieder ein, um neu zu starten. Falls das Werkzeug nicht startet, ist der Akku überhitzt. Lassen Sie den Akku in dieser Situation abkühlen, bevor Sie das Werkzeug wieder einschalten.

### Niedrige Akkuspannung:

Die Akku-Restkapazität ist zu niedrig, und das Werkzeug funktioniert nicht. Wenn Sie das Werkzeug einschalten, läuft der Motor wieder an, bleibt aber bald darauf stehen. Nehmen Sie in dieser Situation den Akku ab, und laden Sie ihn auf.

## Schalterfunktion

**⚠️ WARNUNG:** Aus Sicherheitsgründen ist dieses Werkzeug mit einem Einschaltsperrhebel ausgestattet, der versehentliches Einschalten des Werkzeugs verhindert. Benutzen Sie das Werkzeug **NIEMALS**, wenn es durch einfache Betätigung des Auslöseschalters eingeschaltet werden kann, ohne den Einschaltsperrhebel zu drücken. Lassen Sie das Werkzeug von einem unserer autorisierten Service-Center ordnungsgemäß reparieren, **BEVOR** Sie es weiter benutzen.

**⚠️ WARNUNG:** Der Einschaltsperrhebel darf **NIEMALS** festgeklebt oder funktionsunfähig gemacht werden.

**⚠️ VORSICHT:** Vergewissern Sie sich vor dem Einsetzen des Akkus in das Werkzeug stets, dass der Ein-Aus-Schalter ordnungsgemäß funktioniert und beim Loslassen in die AUS-Stellung zurückkehrt.

**ANMERKUNG:** Betätigen Sie den Ein-Aus-Schalter nicht gewaltsam, ohne den Einschaltsperrhebel zu drücken. Dies kann zu Beschädigung des Schalters führen.

Um versehentliche Betätigung des Auslöseschalters zu verhindern, ist das Werkzeug mit einem Einschaltsperrhebel ausgestattet. Zum Starten des Werkzeugs drücken Sie erst den Einschaltsperrhebel, und betätigen Sie dann den Auslöseschalter. Zum Anhalten lassen Sie den Auslöseschalter los.

► **Abb.5:** 1. Auslöseschalter 2. Einschaltsperrhebel

## Überprüfen der Auslaufbremse

**⚠️ VORSICHT:** Falls die Sägekette bei diesem Test nicht innerhalb weniger Sekunden stoppt, benutzen Sie das Werkzeug nicht mehr und wenden Sie sich an unser autorisiertes Service-Center.

Lassen Sie das Werkzeug laufen, und geben Sie dann den Auslöseschalter vollkommen frei. Die Sägekette muss innerhalb weniger Sekunden zum Stillstand kommen.

## MONTAGE

**⚠️ VORSICHT:** Vergewissern Sie sich vor der Ausführung von Arbeiten am Werkzeug stets, dass das Werkzeug ausgeschaltet und der Akku abgenommen ist.

**⚠️ VORSICHT:** Berühren Sie die Sägekette nicht mit bloßen Händen. Tragen Sie stets Handschuhe bei der Handhabung der Sägekette.

## Demontieren oder Montieren der Sägekette

**⚠️ VORSICHT:** Sägekette und Schwert sind unmittelbar nach dem Betrieb noch heiß. Lassen Sie die Teile ausreichend abkühlen, bevor Sie irgendwelche Arbeiten am Werkzeug ausführen.

**⚠️ VORSICHT:** Führen Sie die Montage oder Demontage der Sägekette an einem sauberen Ort aus, der frei von Sägemehl und dergleichen ist.

### Demontieren der Sägekette

Zum Abnehmen der Sägekette müssen die folgenden Schritte ausgeführt werden:

1. Ziehen Sie den Hebel hoch.  
► **Abb.6:** 1. Hebel
2. Den Hebel entgegen dem Uhrzeigersinn drehen, bis sich der Kettenraddeckel löst.  
► **Abb.7:** 1. Kettenraddeckel 2. Hebel
3. Entfernen Sie den Kettenraddeckel, und nehmen Sie dann die Sägekette und das Schwert vom Werkzeugkörper ab.

### Montieren der Sägekette

Zum Anbringen der Sägekette müssen die folgenden Schritte ausgeführt werden:

1. Ziehen Sie den Hebel hoch.  
► **Abb.8:** 1. Hebel
  2. Den Hebel entgegen dem Uhrzeigersinn drehen, bis sich der Kettenraddeckel löst.  
► **Abb.9:** 1. Hebel 2. Kettenraddeckel
  3. Entfernen Sie den Kettenraddeckel.
  4. Richten Sie das Loch im Schwert auf den Stift am Werkzeugkörper aus, und setzen Sie das Schwert wie in der Abbildung gezeigt ein.  
► **Abb.10:** 1. Schwert 2. Loch 3. Stift
  5. Schieben Sie das Schwert in Richtung des Kettenrads, um den Stift zu verriegeln.  
► **Abb.11:** 1. Schwert 2. Stift
  6. Entfernen Sie das Schwert vom Werkzeugkörper.
  7. Überprüfen Sie die Laufrichtung der Sägekette. Passen Sie die Laufrichtung der Sägekette an die Richtung der Markierung am Werkzeugkörper an.  
► **Abb.12:** 1. Markierung am Werkzeugkörper
  8. Legen Sie ein Ende der Sägekette auf die Oberseite des Schwerts.
  9. Legen Sie das andere Ende der Sägekette um das Kettenrad, und bringen Sie dann das Schwert am Werkzeugkörper an, so dass das Loch im Schwert auf den Stift am Werkzeugkörper ausgerichtet ist.  
► **Abb.13:** 1. Kettenrad
- Drücken Sie das Schwert gegen den Werkzeugkörper, um den Stift zu lösen. Die Spannung der Sägekette wird automatisch eingestellt.
- **Abb.14:** 1. Sägekette 2. Stift 3. Kettenrad

10. Setzen Sie den Kettenraddeckel so auf, dass die Schraube und der Stift des Werkzeugkörpers mit den entsprechenden Teilen des Kettenraddeckels übereinstimmen.

► **Abb.15:** 1. Kettenraddeckel 2. Schraube 3. Stift

11. Den Hebel im Uhrzeigersinn drehen, bis der Kettenraddeckel gesichert ist, dann auf die Ausgangsposition zurückdrehen.

► **Abb.16:** 1. Hebel 2. Kettenraddeckel

Vergewissern Sie sich, dass die Sägekette nicht lose ist und dass sie sich leicht hin und her bewegen lässt. Falls erforderlich, stellen Sie die Spannung der Sägekette ein, indem Sie sich auf den Abschnitt zur Einstellung der Sägekettenspannung beziehen.

## Einstellen der Sägekettenspannung

**⚠ VORSICHT:** Eine zu lockere Kette kann vom Schwert springen und stellt somit eine Verletzungs- oder Unfallgefahr dar.

Die Sägekette kann sich nach vielen Betriebsstunden lockern. Überprüfen Sie daher die Sägekettenspannung von Zeit zu Zeit vor dem Gebrauch.

Falls die Sägekette locker ist, stellen Sie die Spannung der Sägekette ein.

1. Ziehen Sie den Hebel hoch.

► **Abb.17:** 1. Hebel

2. Drehen Sie den Hebel ein wenig entgegen dem Uhrzeigersinn, um den Kettenraddeckel geringfügig zu lösen. Die Kettenspannung wird automatisch eingestellt.

► **Abb.18:** 1. Kettenraddeckel 2. Hebel

3. Den Hebel im Uhrzeigersinn drehen, bis der Kettenraddeckel gesichert ist, dann auf die Ausgangsposition zurückdrehen.

► **Abb.19:** 1. Hebel 2. Kettenraddeckel

## BETRIEB

### Schmierung

**⚠ VORSICHT:** Betreiben Sie das Werkzeug nicht mit leerem Tank. Füllen Sie Öl rechtzeitig nach, bevor der Tank leer ist.

**⚠ VORSICHT:** Vermeiden Sie, dass das Öl mit Haut und Augen in Kontakt kommt. Kontakt mit den Augen verursacht Reizungen. Spülen Sie bei Augenkontakt das betroffene Auge sofort mit klarem Wasser aus, und konsultieren Sie dann sofort einen Arzt.

**⚠ VORSICHT:** Verwenden Sie niemals Altöl. Altöl enthält krebserregende Stoffe. Die Verunreinigungen im Altöl führen zu einem beschleunigten Verschleiß der Ölpumpe, des Schwerts und der Kette. Altöl ist umweltschädlich.

**ANMERKUNG:** Wenn das Werkzeug zum ersten Mal benutzt wird, kann es bis zu zwei Minuten dauern, bis das Sägekettenöl seine Schmierwirkung auf den Sägemechanismus entfaltet. Betreiben Sie die Säge bis dahin ohne Last.

**ANMERKUNG:** Wenn Sie das Kettenöl zum ersten Mal einfüllen oder den völlig leeren Öltank auffüllen, füllen Sie Öl bis zur Unterkante des Einfüllstutzens ein. Andernfalls kann die Ölzuführung beeinträchtigt werden.

**ANMERKUNG:** Verwenden Sie exklusives Sägekettenöl für Makita-Werkzeuge oder auf dem Markt erhältliches gleichwertiges Öl.

**ANMERKUNG:** Verwenden Sie keinesfalls Öl, das Staub und Fremdkörper enthält, oder leichtflüchtiges Öl.

**ANMERKUNG:** Verwenden Sie zum Beschneiden von Bäumen botanisches Öl. Mineralöl kann Bäume schädigen.

**ANMERKUNG:** Vergewissern Sie sich vor der Schneidarbeit, dass der mitgelieferte Öltankverschluss angebracht ist.

Die Sägekette wird während des Betriebs des Werkzeugs automatisch geschmiert. Überprüfen Sie die im Öltank verbleibende Ölmenge durch das Ölstand-Prüfenster.

► **Abb.20:** 1. Ölstand-Prüfenster 2. Öltankverschluss

Führen Sie zum Einfüllen des Öls die folgenden Schritte aus:

1. Reinigen Sie den Bereich um den Öltankverschluss gründlich, um Eindringen von Schmutz in den Öltank zu verhindern.

2. Legen Sie das Werkzeug auf seine Seite.

3. Drücken Sie auf den Knopf des Öltankverschlusses, so dass der Knopf auf der anderen Seite nach oben steht, und nehmen Sie dann den Öltankverschluss durch Drehen ab.

► **Abb.21:** 1. Öltankverschluss 2. Anziehen 3. Lösen

4. Füllen Sie den Öltank mit dem Öl. Die korrekte Ölmenge beträgt 55 ml.

5. Schrauben Sie den Öltankverschluss wieder fest an.

6. Wischen Sie verschüttetes Kettenöl sorgfältig auf.

**HINWEIS:** Falls das Entfernen des Öltankverschlusses schwierig ist, führen Sie die Spitze eines Schlitzschraubendrehers in den Schlitz des Öltankverschlusses ein, und entfernen Sie dann den Öltankverschluss durch Drehen entgegen dem Uhrzeigersinn.

► **Abb.22:** 1. Schlitz 2. Schlitzschraubendreher

Halten Sie das Werkzeug nach dem Auffüllen von dem zu schneidenden Material abgewandt. Starten Sie das Werkzeug, und warten Sie, bis eine angemessene Schmierung der Sägekette erreicht ist.

► **Abb.23**

## Arbeiten mit dem Werkzeug

**⚠ VORSICHT:** Halten Sie alle Körperteile von der Sägekette fern, wenn das Werkzeug in Betrieb ist.

**⚠ VORSICHT:** Halten Sie das Werkzeug mit beiden Händen fest, wenn es in Betrieb ist.

**⚠ VORSICHT:** Beugen Sie sich beim Betrieb nicht zu weit vor. Achten Sie bei der Arbeit stets auf sicheren Stand.

**ANMERKUNG:** Hinwerfen oder Fallenlassen des Werkzeugs sind unbedingt zu vermeiden.

**ANMERKUNG:** Verdecken Sie nicht die Lüftungsöffnungen des Werkzeugs.

Bevor Sie das Werkzeug starten, bringen Sie die Wurzel des Schwertes und den Stützteil des Werkzeugkörpers in Kontakt mit dem zu schneidenden Ast, wie in der Abbildung gezeigt. Starten Sie das Werkzeug, während Sie mit dem Werkzeug und dem Schwert den Ast berühren, und sägen Sie den Ast, indem Sie das Werkzeug entlang des Astes nach unten bewegen.

► **Abb.24**

**⚠ VORSICHT:** Vergewissern Sie sich vor dem Schneidbetrieb, dass der zu schneidende Ast in Kontakt mit der Wurzel des Schwertes und dem Stützteil des Werkzeugkörpers ist. Andernfalls kann das Werkzeug in Richtung der Spitze des Schwertes gezogen werden und das Schwert kann wackeln, was zu Verletzungen führen kann.

## Tragen des Werkzeugs

Bevor Sie das Werkzeug tragen, nehmen Sie immer den Akku aus dem Werkzeug. Bringen Sie dann die Schwertschutzhülle an. Decken Sie außerdem den Akku mit der Akkuabdeckung ab.

► **Abb.25:** 1. Schwertschutzhülle 2. Akkuabdeckung

## WARTUNG

**⚠ VORSICHT:** Vergewissern Sie sich vor der Durchführung von Inspektions- oder Wartungsarbeiten stets, dass das Werkzeug ausgeschaltet und der Akku abgenommen ist.

**⚠ VORSICHT:** Tragen Sie beim Ausführen von Überprüfungs- und Instandhaltungsarbeiten unbedingt Arbeitshandschuhe.

**ANMERKUNG:** Verwenden Sie auf keinen Fall Benzin, Waschbenzin, Verdünnern, Alkohol oder dergleichen. Solche Mittel können Verfärbung, Verformung oder Rissbildung verursachen.

Um die SICHERHEIT und ZUVERLÄSSIGKEIT dieses Produkts zu gewährleisten, sollten Reparaturen und andere Wartungs- oder Einstellarbeiten nur von Makita-Vertragswerkstätten oder Makita-Kundendienstzentren unter ausschließlicher Verwendung von Makita-Originalersatzteilen ausgeführt werden.

## Schärfen der Sägekette

**Schärfen Sie die Sägekette, wenn:**

- beim Schneiden von feuchtem Holz mehliges Sägemehl erzeugt wird;
- die Kette selbst bei Ausübung starken Drucks nur schwach in das Holz eindringt;
- die Schneidzahnkante sichtbar beschädigt ist;
- die Säge im Holz nach links oder rechts zieht. (Der Grund für dieses Verhalten ist ungleichmäßige Schärfung der Sägekette, oder einseitige Beschädigung.)

Schärfen Sie die Sägekette häufig, aber tragen Sie jedes Mal nur wenig Material ab. Zwei bis drei Hiebe mit einer Feile sind gewöhnlich für eine routinemäßige Nachschärfung ausreichend. Wenn die Sägekette mehrmals nachgeschärft worden ist, lassen Sie sie in unserem autorisierten Service-Center schärfen.

**Schärfungskriterien:**

**⚠ WARNUNG:** Ein übermäßig großer Abstand zwischen der Schneidzahnkante und dem Tiefenbegrenzer erhöht die Rückschlaggefahr.

► **Abb.26:** 1. Schneidzahnlänge 2. Abstand zwischen Schneidzahnkante und Tiefenbegrenzer 3. Minimale Schneidzahnlänge (3 mm)

- Alle Schneidzahnängen müssen gleich sein. Unterschiedliche Schneidzahnängen verhindern reibungslosen Lauf der Sägekette und können einen Bruch der Sägekette verursachen.
- Schärfen Sie die Kette nicht weiter, wenn eine Schneidzahnlänge von 3 mm oder weniger erreicht ist. Die Kette muss durch eine neue ersetzt werden.
- Die Spandicke wird durch den Abstand zwischen dem Tiefenbegrenzer (runde Nase) und der Schneidzahnkante bestimmt.
- Die besten Schneidergebnisse werden mit folgendem Abstand zwischen Schneidzahnkante und Tiefenbegrenzer erzielt.
  - Kettenblatt 80TXL: 0,65 mm

► **Abb.27**

- Der Schärfungswinkel von 30° muss bei allen Schneidgliedern gleich sein. Unterschiedliche Schneidgliedwinkel verursachen rauen und ungleichmäßigen Kettenlauf, beschleunigen den Verschleiß und führen zu Kettenbruch.
- Verwenden Sie eine geeignete Rundfeile, so dass der korrekte Schärfungswinkel zu den Zähnen eingehalten wird.
  - Kettenblatt 80TXL: 55°

**Feile und Feilenführung**

- Verwenden Sie eine spezielle Rundfeile (Sonderzubehör) für Sägeketten zum Schärfen der Kette. Normale Rundfeilen sind ungeeignet.
- Der Durchmesser der Rundfeile für die jeweilige Sägekette ist wie folgt:
  - Kettenblatt 80TXL: 4,0 mm
- Nur beim Vorwärtshub der Feile sollte Material abgetragen werden. Heben Sie die Feile beim Rückwärtshub vom Schneidglied ab.

- Schärfen Sie das kürzeste Schneidglied zuerst. Die Länge dieses kürzesten Schneidglieds dient dann als Sollmaß für alle übrigen Schneidglieder der Sägekette.
  - Führen Sie die Feile, wie in der Abbildung gezeigt.
- **Abb.28:** 1. Feile 2. Sägekette

- Die Feile kann leichter geführt werden, wenn ein Feilenhalter (Sonderzubehör) verwendet wird. Der Feilenhalter weist Markierungen für den korrekten Schärfungswinkel von 30° auf (die Markierungen parallel zur Sägekette ausrichten) und begrenzt die Eindringtiefe (auf 4/5 des Feilendurchmessers).

► **Abb.29:** 1. Feilenhalter

- Überprüfen Sie nach dem Schärfen der Kette die Höhe des Tiefenbegrenzers mithilfe der Kettenmesslehre (Sonderzubehör).

► **Abb.30**

- Entfernen Sie etwaige Rauigkeiten, wie klein auch immer, mit einer speziellen Flachfeile (Sonderzubehör).
- Runden Sie die Vorderkante des Tiefenbegrenzers erneut ab.

## Reinigen des Schwerts

Späne und Sägemehl sammeln sich in der Führungsnut des Schwerts an. Der Führungsnut des Schwerts wird dadurch zugesetzt und der Ölfluss wird behindert. Entfernen Sie Späne und Sägemehl jedes Mal, wenn Sie die Sägekette schärfen oder austauschen.

► **Abb.31**

## Reinigen des Kettenraddeckels

Späne und Sägemehl sammeln sich im Kettenraddeckel an. Entfernen Sie den Kettenraddeckel und die Sägekette vom Werkzeug, und beseitigen Sie dann Späne und Sägemehl.

► **Abb.32**

## Reinigen der Ölauslassöffnung

Kleine Staubpartikel oder Fremdkörper können sich während des Betriebs in der Ölauslassöffnung ansammeln. Diese können den Ölfluss behindern und unzureichende Schmierung auf der ganzen Sägekette verursachen. Wenn schlechte Ölzufuhr an der Oberseite des Schwerts auftritt, reinigen Sie die Ölauslassöffnung wie folgt.

1. Entfernen Sie den Kettenraddeckel und die Sägekette vom Werkzeug.
2. Entfernen Sie kleine Staubkörner oder Partikel mit einem Schlitzschraubendreher oder dergleichen.

► **Abb.33:** 1. Schlitzschraubendreher  
2. Ölauslassöffnung

3. Setzen Sie den Akku in das Werkzeug ein. Betätigen Sie den Auslöseschalter, um abgelagerte Staubpartikel oder Fremdkörper durch Ablassen des Kettenöls aus der Ölauslassöffnung auszuschwemmen.

4. Nehmen Sie den Akku vom Werkzeug ab. Montieren Sie den Kettenraddeckel, die Sägekette und das Schwert wieder am Werkzeug.

## Auswechseln des Kettenrads

**⚠ VORSICHT:** Ein verschlissenes Kettenrad beschädigt eine neue Sägekette. Wechseln Sie in diesem Fall das Kettenrad aus.

Bevor Sie eine neue Sägekette anbringen, überprüfen Sie den Zustand des Kettenrads.

► **Abb.34:** 1. Kettenrad 2. Abnutzungsbereiche

Bringen Sie beim Auswechseln des Kettenrads stets einen neuen Sicherungsring an.

► **Abb.35:** 1. Sicherungsring 2. Kettenrad

**ANMERKUNG:** Vergewissern Sie sich, dass das Kettenrad so montiert wird, wie in der Abbildung gezeigt.

## Lagern des Werkzeugs

1. Reinigen Sie das Werkzeug vor der Lagerung. Entfernen Sie etwaige Späne und Sägemehl vom Werkzeug, nachdem Sie den Kettenraddeckel abmontiert haben.
2. Lassen Sie das Werkzeug nach der Reinigung unter Nulllast laufen, um die Sägekette und das Schwert zu schmieren.
3. Schützen Sie das Schwert mit der Schwertschutzhülle.
4. Entleeren Sie den Öltank.

## Anweisungen für regelmäßige Wartung

Um eine lange Lebensdauer zu gewährleisten, Schäden zu verhüten und die volle Funktion der Sicherheitseinrichtungen sicherzustellen, müssen die folgenden Wartungsarbeiten regelmäßig durchgeführt werden. Garantieansprüche werden nur dann anerkannt, wenn diese Arbeiten regelmäßig und ordnungsgemäß ausgeführt werden. Eine Vernachlässigung der vorgeschriebenen Wartungsarbeiten kann zu Unfällen führen! Der Benutzer des Werkzeugs darf keine Wartungsarbeiten durchführen, die nicht in dieser Bedienungsanleitung beschrieben sind. Darüber hinausgehende Arbeiten müssen von unserem autorisierten Service-Center ausgeführt werden.

Prüfpunkt/Betriebszeit		Vor dem Betrieb	Täglich	Wöchentlich	Alle 3 Monate	Jährlich	Vor der Lagerung
Ganzes Werkzeug	Überprüfung.	✓	-	-	-	-	-
	Reinigung.	-	✓	-	-	-	-
	Von autorisiertem Service-Center prüfen lassen.	-	-	-	-	✓	✓
Sägekette	Überprüfung.	✓	-	-	-	-	-
	Nötigenfalls schärfen.	-	-	-	-	-	✓
Schwert	Überprüfung.	✓	✓	-	-	-	-
	Vom Werkzeug abnehmen.	-	-	-	-	-	✓
Kettenschmierung	Ölfördermenge überprüfen.	✓	-	-	-	-	-
Auslöseschalter	Überprüfung.	✓	-	-	-	-	-
Einschaltperrhebel	Überprüfung.	✓	-	-	-	-	-
Öltankverschluss	Festigkeit überprüfen.	✓	-	-	-	-	-
Schrauben und Muttern	Überprüfung.	-	-	✓	-	-	-



# FEHLERSUCHE

Bevor Sie den Reparaturdienst anrufen, führen Sie zunächst Ihre eigene Inspektion durch. Falls Sie ein Problem finden, das nicht in der Anleitung erläutert wird, versuchen Sie nicht, das Werkzeug zu zerlegen. Wenden Sie sich stattdessen an autorisierte Makita-Kundendienstzentren, und achten Sie darauf, dass stets Makita-Ersatzteile für Reparaturen verwendet werden.

Störungszustand	Ursache	Abhilfemaßnahme
Das Werkzeug startet nicht.	Der Akku ist nicht eingesetzt.	Setzen Sie einen geladenen Akku ein.
	Akkustörung (niedrige Spannung).	Laden Sie den Akku auf. Falls Laden unwirksam ist, tauschen Sie den Akku aus.
Der Motor bleibt nach kurzer Zeit stehen.	Der Ladestand des Akkus ist niedrig.	Laden Sie den Akku auf. Falls Laden unwirksam ist, tauschen Sie den Akku aus.
Kein Öl auf der Kette.	Der Öltank ist leer.	Öltank füllen.
	Die Ölführungsnut ist verschmutzt.	Nut reinigen.
Das Werkzeug erreicht nicht die Maximaldrehzahl.	Der Akku ist falsch eingesetzt.	Setzen Sie den Akku gemäß der Beschreibung in dieser Anleitung ein.
	Die Akkuleistung lässt nach.	Laden Sie den Akku auf. Falls Laden unwirksam ist, tauschen Sie den Akku aus.
	Das Antriebssystem funktioniert nicht korrekt.	Wenden Sie sich bezüglich einer Reparatur an ein autorisiertes Service-Center in Ihrer Region.
Ungewöhnliche Vibration: <b>Halten Sie das Werkzeug unverzüglich an!</b>	Schwert oder Sägekette ist locker.	Schwert und Sägekettenspannung einstellen.
	Fehlfunktion des Werkzeugs.	Wenden Sie sich bezüglich einer Reparatur an ein autorisiertes Service-Center in Ihrer Region.
Die Sägekette kann nicht montiert werden.	Die Kombination von Sägekette und Kettenrad ist nicht korrekt.	Verwenden Sie die korrekte Kombination von Sägekette und Kettenrad, indem Sie auf den Abschnitt für Spezifikationen Bezug nehmen.

## SONDERZUBEHÖR

**⚠ VORSICHT:** Die folgenden Zubehörteile oder Vorrichtungen werden für den Einsatz mit dem in dieser Anleitung beschriebenen Makita-Werkzeug empfohlen. Die Verwendung anderer Zubehörteile oder Vorrichtungen kann eine Verletzungsgefahr darstellen. Verwenden Sie Zubehörteile oder Vorrichtungen nur für ihren vorgesehenen Zweck.

Wenn Sie weitere Einzelheiten bezüglich dieser Zubehörteile benötigen, wenden Sie sich bitte an Ihre Makita-Kundendienststelle.

- Sägekette
- Schwert
- Schwertschutzhülle
- Feile
- Werkzeugtasche
- Original-Makita-Akku und -Ladegerät

**HINWEIS:** Manche Teile in der Liste können als Standardzubehör im Werkzeugsatz enthalten sein. Sie können von Land zu Land unterschiedlich sein.

## DATI TECNICI

<b>Modello:</b>		<b>UC100D</b>
Lunghezza complessiva (barra guida e batteria escluse)		350 mm
Tensione nominale		10,8 V - 12 V CC max
Peso netto	*1	1,0 kg
	*2	Da 1,5 a 1,6 kg
Lunghezza barra guida standard		100 mm
Lungh. consigliata barra di guida		100 mm
Tipo di catena della sega applicabile (fare riferimento alla tabella seguente)		80TXL
Rocchetto	Numero di denti	7
	Passo	0,325"
Velocità catena		Da 0 a 8,0 m/s (Da 0 a 480 m/min)
Volume serbatoio olio catena		55 cm <sup>3</sup>

- A causa del nostro programma continuativo di ricerca e sviluppo, i dati tecnici sono soggetti a modifiche senza preavviso.
  - I dati tecnici possono variare da nazione a nazione.
- \*1: peso, senza catena della sega, barra guida, copribarra, olio e cartuccia o cartucce delle batterie.  
\*2: la combinazione più leggera e più pesante di peso, in base alla EPTA-Procedure 01/2014. Il peso può variare a seconda dell'accessorio o degli accessori, inclusa la cartuccia o le cartucce delle batterie.

### Combinazione di catena della sega, barra guida e rocchetto

<b>Tipo di catena della sega</b>		<b>80TXL</b>
Numero di maglie motrici		26
Barra guida	Lunghezza barra guida	100 mm
	Lunghezza di taglio	111 mm
	Passo	0,325"
	Spessore	1,1 mm
	Tipo	Barra a punta dura
Rocchetto	Numero di denti	7
	Passo	0,325"

**⚠AVVERTIMENTO:** Utilizzare una combinazione appropriata di barra di guida e catena della sega. In caso contrario, si potrebbero causare lesioni personali.

### Cartuccia della batteria e caricabatterie applicabili

Cartuccia della batteria	BL1016 / BL1021B / BL1041B
Caricabatterie	DC10SA / DC10SB / DC10WC / DC10WD / DC18RE

- Alcune cartucce delle batterie e alcuni caricabatterie elencati sopra potrebbero non essere disponibili a seconda della propria area geografica di residenza.

**⚠AVVERTIMENTO:** Utilizzare solo le cartucce delle batterie e i caricabatterie elencati sopra. L'utilizzo di altre cartucce delle batterie e di altri caricabatterie potrebbe causare lesioni personali e/o un incendio.

## Simboli

Le figure seguenti mostrano i simboli utilizzati per l'apparecchio. Accertarsi di comprenderne il significato prima dell'uso.



Leggere il manuale d'uso.



Indossare occhiali di protezione e protezioni per le orecchie.



Utilizzare sempre due mani quando si fa funzionare l'utensile.



Fare attenzione al contraccolpo ed evitare il contatto con la punta della barra.



Non esporre all'umidità.



Lunghezza di taglio massima consentita



Direzione di corsa della catena



Solo per le nazioni dell'EU  
A causa della presenza di componenti pericolosi nelle apparecchiature, i rifiuti di apparecchiature elettriche ed elettroniche, accumulatori e batterie potrebbero produrre un impatto negativo sull'ambiente e sulla salute umana.  
Non smaltire elettrodomestici elettrici ed elettronici o batterie insieme ai rifiuti domestici!  
In conformità alla direttiva europea sui rifiuti di apparecchiature elettriche ed elettroniche (RAEE), sugli accumulatori e le batterie, nonché sui rifiuti di accumulatori e batterie, e al suo adattamento alle normative nazionali, i rifiuti di apparecchiature elettriche ed elettroniche, batterie e accumulatori vanno conservati separatamente e conferiti a un punto di raccolta separato per i rifiuti comunali, operando in conformità alle normative per la protezione dell'ambiente.  
Tale requisito viene indicato mediante il simbolo del bidone della spazzatura con ruote barrato apposto sull'apparecchio.



Livello di potenza sonora garantita in base alla Direttiva rumore macchine all'aperto UE.



Livello di potenza sonora in base alla normativa sul controllo del rumore NSW australiana

## Utilizzo previsto

Questo utensile è destinato al taglio di rami di alberi o cespugli mediante una motosega.

## Rumore

Livello tipico di rumore pesato A determinato in base allo standard EN62841-4-1:

Livello di pressione sonora ( $L_{pA}$ ): 79 dB (A)

Livello di potenza sonora ( $L_{WA}$ ): 87 dB (A)

Incertezza (K): 3 dB (A)

**NOTA:** Il valore o i valori dichiarati delle emissioni di rumori sono stati misurati in conformità a un metodo standard di verifica, e possono essere utilizzati per confrontare un utensile con un altro.

**NOTA:** Il valore o i valori dichiarati delle emissioni di rumori possono venire utilizzati anche per una valutazione preliminare dell'esposizione.

**AVVERTIMENTO:** Indossare protezioni per le orecchie.

**AVVERTIMENTO:** L'emissione di rumori durante l'utilizzo effettivo dell'utensile elettrico può variare rispetto al valore o ai valori dichiarati, a seconda dei modi in cui viene utilizzato l'utensile e specialmente a seconda di che tipo di pezzo venga lavorato.

**AVVERTIMENTO:** Accertarsi di identificare misure di sicurezza per la protezione dell'operatore che siano basate su una stima dell'esposizione nelle condizioni effettive di utilizzo (tenendo conto di tutte le parti del ciclo operativo, ad esempio del numero di spegnimenti dell'utensile e di quando giri a vuoto, oltre al tempo di attivazione).

## Vibrazioni

Valore totale delle vibrazioni (somma vettoriale triassiale) determinato in base allo standard EN62841-4-1:  
Modalità di lavoro: taglio del legno  
Emissione di vibrazioni ( $a_{h,w}$ ): 4,8 m/s<sup>2</sup>  
Incertezza (K): 1,5 m/s<sup>2</sup>

**NOTA:** Il valore o i valori complessivi delle vibrazioni dichiarati sono stati misurati in conformità a un metodo standard di verifica, e possono essere utilizzati per confrontare un utensile con un altro.

**NOTA:** Il valore o i valori complessivi delle vibrazioni dichiarati possono venire utilizzati anche per una valutazione preliminare dell'esposizione.

**AVVERTIMENTO:** L'emissione delle vibrazioni durante l'utilizzo effettivo dell'utensile elettrico può variare rispetto al valore o ai valori dichiarati, a seconda dei modi in cui viene utilizzato l'utensile, specialmente a seconda di che tipo di pezzo venga lavorato.

**AVVERTIMENTO:** Accertarsi di identificare misure di sicurezza per la protezione dell'operatore che siano basate su una stima dell'esposizione nelle condizioni effettive di utilizzo (tenendo conto di tutte le parti del ciclo operativo, ad esempio del numero di spegnimenti dell'utensile e di quando giri a vuoto, oltre al tempo di attivazione).

## Dichiarazioni di conformità

**Solo per i paesi europei**

Le Dichiarazioni di conformità sono incluse nell'Allegato A al presente manuale d'uso.

# AVVERTENZE DI SICUREZZA

## Avvertenze generali relative alla sicurezza dell'utensile elettrico

**AVVERTIMENTO** Leggere tutte le avvertenze di sicurezza, le istruzioni, le illustrazioni e i dati tecnici forniti insieme a questo utensile elettrico. La mancata osservanza di tutte le istruzioni seguenti potrebbe risultare in scosse elettriche, incendi e/o gravi lesioni personali.

## Conservare tutte le avvertenze e le istruzioni come riferimento futuro.

Il termine "utensile elettrico" nelle avvertenze si riferisce sia all'utensile elettrico (cablato) nel funzionamento alimentato da rete elettrica che all'utensile elettrico (a batteria) nel funzionamento alimentato a batteria.

## Avvertenze di sicurezza generiche relative alle motoseghe da potatura

- Tenere tutte le parti del corpo lontane dalla catena della sega quando la motosega da potatura è in funzione.** Prima di avviare la motosega da potatura, accertarsi che la catena della sega non sia in contatto con alcun oggetto. Un attimo di disattenzione durante l'utilizzo di motoseghe da potatura potrebbe far impigliare gli indumenti indossati o il corpo dell'utente nella catena della sega.
- Tenere sempre la motosega da potatura con una mano sull'impugnatura posteriore e l'altra mano sull'impugnatura ausiliaria.**
- Mantenere la motosega da potatura solo per le superfici di impugnatura isolate, in quanto la catena della sega potrebbe entrare in contatto con fili elettrici nascosti.** Qualora una catena della sega entri in contatto con un filo elettrico sotto tensione, potrebbe mettere sotto tensione le parti metalliche esposte della motosega da potatura e dare una scossa elettrica all'operatore.
- Indossare una protezione per gli occhi. Si consigliano attrezzature di protezione aggiuntive per udito, testa, mani, gambe e piedi.** Attrezzature di protezione adeguate riducono le lesioni personali dovute ai detriti volanti o al contatto accidentale con la catena della sega.
- Non utilizzare una motosega da potatura in un albero, su una scala a pioli, da un tetto o da qualsiasi supporto instabile.** L'utilizzo della motosega da potatura in questo modo potrebbe causare gravi lesioni personali.
- Mantenere sempre un appoggio saldo sui piedi e far funzionare la motosega da potatura solo mentre si è in piedi su una superficie fissa, stabile e orizzontale.** Le superfici scivolose o instabili potrebbero causare la perdita dell'equilibrio o del controllo della motosega da potatura.
- Quando si intende tagliare un ramo sottoposto a tensione, fare attenzione al rinculo.** Quando la tensione delle fibre del legno viene rilasciata, il ramo, caricato come una molla, potrebbe colpire l'operatore e/o lanciare la motosega da potatura fuori controllo.

- Adottare la massima attenzione quando si intende tagliare siepi e alberelli.** Il materiale sottile potrebbe rimanere impigliato nella catena della sega e venire scagliato come una frusta verso l'utente o tirarlo facendogli perdere l'equilibrio.
- Trasportare la motosega da potatura spenta e lontana dal proprio corpo. Quando si intende trasportare o riporre la motosega da potatura, montare sempre il copribarra.** Se si maneggia correttamente la motosega da potatura, si riduce la probabilità di contatto accidentale con la catena della sega in movimento.
- Seguire le istruzioni per la lubrificazione, il tensionamento della catena e la sostituzione della barra e della catena.** Una catena tensionata o lubrificata in modo errato potrebbe rompersi o incrementare la possibilità di contraccolpi.
- Tagliare esclusivamente legno. Non utilizzare la motosega da potatura per scopi non previsti. Ad esempio: non utilizzare la motosega da potatura per tagliare metallo, plastica, muratura o materiali da costruzione non in legno.** L'utilizzo della motosega da potatura per operazioni diverse da quelle previste potrebbe risultare in situazioni pericolose.
- Questa motosega da potatura non è destinata all'abbattimento di alberi.** L'utilizzo della motosega da potatura per operazioni diverse da quelle previste potrebbe risultare in gravi lesioni personali all'operatore o agli astanti.
- Seguire tutte le istruzioni quando si intende rimuovere materiale inceppato, riporre o sottoporre a interventi di assistenza la motosega da potatura. Accertarsi che l'interruttore sia disattivato e che la batteria sia stata rimossa.**
- Cause e prevenzione dei contraccolpi da parte dell'operatore:**

I contraccolpi possono verificarsi quando l'estremità o la punta della barra guida tocca un oggetto, o quando il legno si richiude e fa incastrare la catena della sega nel taglio.

Il contatto della punta in alcuni casi potrebbe causare un'improvvisa reazione inversa, spingendo con forza la barra guida verso l'alto e all'indietro verso l'operatore. Se la catena della sega resta incastrata lungo la parte superiore della barra guida, quest'ultima potrebbe venire spinta rapidamente all'indietro verso l'operatore. Queste reazioni potrebbero causare la perdita di controllo della sega, che potrebbe risultare in gravi lesioni personali. Non affidarsi esclusivamente ai dispositivi di sicurezza incorporati nella sega. L'utente della motosega da potatura dovrebbe adottare svariate misure per evitare incidenti o lesioni personali nei lavori di taglio. Il contraccolpo è il risultato di un uso improprio della motosega da potatura e/o di procedure operative o di condizioni errate, e può venire evitato adottando le precauzioni corrette, come indicato di seguito:

- Mantenere una presa salda, con i pollici e le dita che circondano le impugnature della motosega da potatura, con entrambe le mani sulla sega, e posizionare il proprio corpo e il braccio in modo da riuscire a resistere alla forza dei contraccolpi.** La forza dei contraccolpi può venire controllata dall'operatore adottando le dovute precauzioni. Non lasciare mai la presa sulla motosega da potatura.

► Fig.1

- **Non sporgersi eccessivamente e non tagliare al di sopra dell'altezza delle spalle.** Ciò contribuisce ad evitare il contatto involontario della punta e consente un controllo migliore della motosega da potatura in situazioni impreviste.
  - **Utilizzare esclusivamente barre guida e catene della sega di ricambio specificate dal produttore.** Barre guida e catene della sega di ricambio errate potrebbero causare la rottura della catena e/o contraccolpi.
  - **Attenersi alle istruzioni del produttore per l'affilatura e la manutenzione della catena della sega.** La riduzione dell'altezza del limitatore di profondità può portare a un aumento dei contraccolpi.
15. **Seguire tutte le istruzioni quando si intende rimuovere materiale inceppato, riporre o sottoporre a interventi di assistenza la motosega da potatura. Accertarsi che l'interruttore sia disattivato e che la batteria sia stata rimossa.**

## Istruzioni di sicurezza aggiuntive

### Attrezzatura di protezione personale

1. Gli indumenti devono essere attillati, ma non devono ostacolare la mobilità.
2. Durante il lavoro, indossare gli indumenti protettivi seguenti:
  - Un elmetto di sicurezza collaudato, qualora si presenti un pericolo dovuto a rami che cadono o simili;
  - Una visiera oppure occhiali;
  - Una protezione idonea per le orecchie (paracorecchie, tappi per le orecchie personalizzati o modellabili). Analisi in banda d'ottava su richiesta.
  - Guanti di sicurezza in pelle solidi;
  - Pantaloni lunghi fabbricati in tessuto resistente;
  - Salopette protettive in tessuto resistente al taglio;
  - Scarpe o stivali di sicurezza dotati di soles antiscivolo, punte in acciaio e rivestimento in tessuto resistente al taglio;
  - Una mascherina respiratoria, quando si intende eseguire un lavoro che produca polveri (ad es. segare legno secco).

### Funzionamento

1. **Prima di iniziare il lavoro, verificare che l'utensile sia perfettamente funzionante e che le sue condizioni siano conformi alle normative di sicurezza. In particolare verificare quanto segue:**
  - Che il freno inerziale funzioni correttamente;
  - Che la barra e il coperchio del rocchetto siano montati correttamente;
  - Che la catena sia stata affilata e tensionata secondo le normative.
2. **Non avviare l'utensile con la copertura della catena installata su quest'ultimo.** Qualora si avvii l'utensile con la copertura della catena installata sull'utensile, la copertura potrebbe venire scagliata in avanti, causando lesioni personali e danni alle cose intorno all'operatore.

3. **Non stare in piedi direttamente sotto il ramo che si sta tagliando.** Fare attenzione ai rami cadenti.
4. **Non utilizzare l'utensile in condizioni meteo avverse o qualora sussista il rischio di fulmini.**
5. **Quando si utilizza l'utensile su suolo fangoso, pendii bagnati o ubicazioni scivolose, fare attenzione al proprio appoggio sui piedi.**

### Sicurezza elettrica e della batteria

1. **Evitare gli ambienti pericolosi. Non utilizzare l'utensile in luoghi umidi o bagnati né esporlo alla pioggia.** La penetrazione di acqua nell'utensile incrementa il rischio di scosse elettriche.
2. **Non smaltire le batterie nel fuoco.** La cella potrebbe esplodere. Controllare le normative locali per eventuali istruzioni speciali relative allo smaltimento.
3. **Non aprire né fare a pezzi le batterie.** L'elettrolita rilasciato è corrosivo, e potrebbe causare danni agli occhi o alla pelle. Inoltre, potrebbe essere tossico, se inghiottito.
4. **Non caricare la batteria sotto la pioggia o in condizioni di bagnato.**
5. **Non caricare la batteria all'aperto.**
6. **Non maneggiare con le mani bagnate il caricabatterie, inclusa la spina del caricabatterie e i terminali di quest'ultimo.**
7. **Non sostituire la batteria con le mani bagnate.**
8. **Non lasciare la batteria sotto la pioggia e non caricarla, utilizzarla o riportarla in un'ubicazione umida o bagnata.**
9. **Non far bagnare i terminali della batteria con liquidi, ad esempio con acqua, né sommergere la batteria.** Qualora i terminali si bagnino o del liquido penetri all'interno della batteria, quest'ultima potrebbe venire cortocircuitata, e sussiste il rischio di surriscaldamento, incendio o esplosione.
10. **Dopo aver rimosso la batteria dalla macchina o dal caricabatterie, accertarsi di applicare il coperchio della batteria su quest'ultima e di riporre la batteria in un'ubicazione asciutta.**
11. **Qualora la cartuccia della batteria si bagni, far fuoriuscire completamente l'acqua dall'interno, quindi pulirla con un panno asciutto. Far asciugare completamente la cartuccia della batteria in un luogo asciutto, prima dell'uso.**

## CONSERVARE LE PRESENTI ISTRUZIONI.

**⚠️ AVVERTIMENTO:** NON lasciare che la comodità o la familiarità d'uso con il prodotto (acquisita con l'uso ripetuto) sostituiscano la stretta osservanza delle norme di sicurezza. L'USO IMPROPRIO o la mancata osservanza delle norme di sicurezza riportate nel presente manuale manuale di istruzioni potrebbero causare lesioni personali gravi.

## Istruzioni di sicurezza importanti per la cartuccia della batteria

1. **Prima di utilizzare la cartuccia della batteria, leggere tutte le istruzioni e le avvertenze riportate (1) sul caricabatteria, (2) sulla batteria e (3) sul prodotto che utilizza la batteria.**
2. **Non smantellare né manomettere la cartuccia della batteria.** In caso contrario, si potrebbe causare un incendio, calore eccessivo o un'esplosione.
3. **Qualora il tempo di utilizzo si riduca eccessivamente, interrompere immediatamente l'utilizzo dell'utensile.** In caso contrario, si può incorrere nel rischio di surriscaldamento, possibili ustioni e persino un'esplosione.
4. **Qualora l'elettrolita entri in contatto con gli occhi, sciacquarli con acqua pulita e richiedere immediatamente assistenza medica.** Questa eventualità può risultare nella perdita della vista.
5. **Non cortocircuitare la cartuccia della batteria:**
  - (1) **Non toccare i terminali con alcun materiale conduttivo.**
  - (2) **Evitare di conservare la cartuccia della batteria in un contenitore insieme ad altri oggetti metallici quali chiodi, monete, e così via.**
  - (3) **Non esporre la cartuccia della batteria all'acqua o alla pioggia.**

Un cortocircuito della batteria può causare un grande flusso di corrente, un surriscaldamento, possibili ustioni e persino un guasto.

6. **Non conservare e utilizzare la batteria in ubicazioni in cui la temperatura possa raggiungere o superare i 50°C.**
7. **Non incenerire la cartuccia della batteria anche qualora sia gravemente danneggiata o completamente esaurita. La cartuccia della batteria può esplodere se a contatto con il fuoco.**
8. **Non inchiodare, tagliare, schiacciare, lanciare o far cadere la cartuccia della batteria, né farla urtare con forza contro un oggetto duro.** Questi comportamenti potrebbero risultare in un incendio, calore eccessivo o un'esplosione.
9. **Non utilizzare una batteria danneggiata.**
10. **Le batterie a ioni di litio contenute sono soggette ai requisiti del regolamento sul trasporto di merci pericolose (Dangerous Goods Legislation).**

Per trasporti commerciali, ad esempio da parte di terzi o spedizionieri, è necessario osservare dei requisiti speciali sull'imballaggio e sull'etichetta. Per la preparazione dell'articolo da spedire, è richiesta la consulenza di un esperto in materiali pericolosi. Attenersi anche alle normative nazionali, che potrebbero essere più dettagliate. Nasstrare o coprire i contatti aperti e imballare la batteria in modo tale che non si possa muovere liberamente all'interno dell'imballaggio.

11. **Quando si intende smaltire la cartuccia della batteria, rimuoverla dall'utensile e smaltirla in un luogo sicuro. Attenersi alle normative locali relative allo smaltimento della batteria.**

12. **Utilizzare le batterie esclusivamente con i prodotti specificati da Makita.** L'installazione delle batterie in prodotti non compatibili potrebbe risultare in incendi, calore eccessivo, esplosioni o perdite di liquido elettrolitico.
13. **Se l'utensile non viene utilizzato per un periodo di tempo prolungato, la batteria deve essere rimossa dall'utensile.**
14. **Durante e dopo l'uso, la cartuccia della batteria potrebbe assorbire calore, che può causare ustioni o ustioni a bassa temperatura. Fare attenzione a come si maneggiano le cartucce delle batterie estremamente calde.**
15. **Non toccare i terminali dell'utensile subito dopo l'uso, in quanto potrebbero diventare estremamente caldi al punto da causare ustioni.**
16. **Evitare di far incastrare schegge, polveri o terreno nei terminali, nei fori e nelle scanalature della cartuccia della batteria.** In caso contrario, l'utensile o la cartuccia della batteria potrebbero riscaldarsi, prendere fuoco, scoppiare o guastarsi, causando ustioni o lesioni personali.
17. **A meno che l'utensile supporti l'uso in prossimità di linee elettriche ad alta tensione, non utilizzare la cartuccia della batteria in prossimità di linee elettriche ad alta tensione.** In caso contrario, si potrebbe causare un malfunzionamento o la rottura dell'utensile o della cartuccia della batteria.
18. **Tenere la batteria lontana dai bambini.**

## CONSERVARE LE PRESENTI ISTRUZIONI.

**ATTENZIONE:** Utilizzare solo batterie originali Makita. L'utilizzo di batterie Makita non originali, o di batterie che siano state alterate, potrebbe risultare nello scoppio della batteria, causando incendi, lesioni personali e danni. Inoltre, ciò potrebbe invalidare la garanzia Makita per l'utensile e il caricabatterie Makita.

## Suggerimenti per preservare la durata massima della batteria

1. **Caricare la cartuccia della batteria prima che si scarichi completamente. Smettere sempre di utilizzare l'utensile e caricare la cartuccia della batteria quando si nota che la potenza dell'utensile è diminuita.**
2. **Non ricaricare mai una cartuccia della batteria completamente carica. La sovraccarica riduce la vita utile della batteria.**
3. **Caricare la cartuccia della batteria a una temperatura ambiente compresa tra 10 °C e 40 °C. Lasciar raffreddare una cartuccia della batteria prima di caricarla.**
4. **Quando non si utilizza la cartuccia della batteria, rimuoverla dall'utensile o dal caricabatterie.**

# DESCRIZIONE DELLE PARTI

► Fig.2

1	Impugnatura ausiliaria	2	Copertura di sicurezza	3	Catena della sega
4	Barra guida	5	Tappo del serbatoio dell'olio	6	Copribarra
7	Coperchio del rocchetto	8	Leva di sblocco	9	Impugnatura posteriore
10	Interruttore a grilletto	11	Leva	12	Cartuccia della batteria

## DESCRIZIONE DELLE FUNZIONI

**⚠ATTENZIONE:** Accertarsi sempre che l'utensile sia spento e che la cartuccia della batteria sia stata rimossa prima di regolare o di controllare il funzionamento dell'utensile.

### Installazione o rimozione della cartuccia della batteria

**⚠ATTENZIONE:** Spegnere sempre l'utensile prima di installare o rimuovere la cartuccia della batteria.

**⚠ATTENZIONE:** Mantenere saldamente lo strumento e la batteria quando si intende installare o rimuovere la cartuccia della batteria. Qualora non si mantengano saldamente lo strumento e la cartuccia della batteria, questi ultimi potrebbero scivolare dalle mani, con la possibilità di causare un danneggiamento dello strumento e della cartuccia della batteria, nonché una lesione personale.

► Fig.3: 1. Indicatore rosso 2. Pulsante 3. Cartuccia della batteria

Per rimuovere la cartuccia della batteria, farla scorrere via dall'utensile mentre si fa scorrere allo stesso tempo il pulsante sulla parte anteriore della cartuccia.

Per installare la cartuccia della batteria, allineare la linguetta sulla cartuccia della batteria con la scanalatura nell'alloggiamento e farla scivolare in sede. Inserirla completamente fino al suo blocco in sede con un leggero scatto. Se è possibile vedere l'indicatore rosso, come indicato nella figura, non è bloccata completamente.

**⚠ATTENZIONE:** Installare sempre fino in fondo la cartuccia della batteria, fino a quando l'indicatore rosso non è più visibile. In caso contrario, la batteria potrebbe cadere accidentalmente dall'utensile, causando lesioni personali all'operatore o a chi gli è vicino.

**⚠ATTENZIONE:** Non installare forzatamente la cartuccia della batteria. Qualora la batteria non si inserisca scorrendo agevolmente, vuol dire che non viene inserita correttamente.

### Indicazione della carica residua della batteria

*Solo per cartucce delle batterie dotate di indicatore*

► Fig.4: 1. Indicatori luminosi 2. Pulsante di controllo

Premere il pulsante di controllo sulla cartuccia della batteria per indicare la carica residua della batteria. Gli indicatori luminosi si illuminano per alcuni secondi.

Indicatori luminosi		Carica residua
■ Illuminato	□ Spento	
■ ■ ■ ■		Dal 75% al 100%
■ ■ ■ □		Dal 50% al 75%
■ ■ □ □		Dal 25% al 50%
■ □ □ □		Dallo 0% al 25%

**NOTA:** A seconda delle condizioni d'uso e della temperatura ambiente, l'indicazione potrebbe variare leggermente rispetto alla carica effettiva.

### Sistema di protezione strumento/batteria

L'utensile è dotato di un sistema di protezione dell'utensile stesso e della batteria. Tale sistema interrompe automaticamente l'alimentazione al motore per prolungare la vita utile dell'utensile e della batteria. L'utensile si arresta automaticamente durante il funzionamento, qualora l'utensile o la batteria vengano a trovarsi in una delle condizioni seguenti:

#### Sovraccarico:

L'utensile viene utilizzato in modo tale da causare un assorbimento di corrente elevato in modo anomalo da parte dell'utensile stesso. In questa circostanza, spegnere l'utensile e interrompere l'applicazione che ha causato il sovraccarico dell'utensile. Quindi, accendere l'utensile per ricominciare.

Qualora l'utensile non si avvii, la batteria è surriscaldata. In questa situazione, lasciar raffreddare la batteria prima di riaccendere l'utensile.

#### Bassa tensione della batteria:

La carica residua della batteria è troppo bassa e l'utensile non funziona. Se si accende l'utensile, il motore gira di nuovo, ma si arresta poco dopo. In questa situazione, rimuovere e ricaricare la batteria.

## Funzionamento dell'interruttore

**⚠AVVERTIMENTO:** Per la sicurezza dell'utente, questo utensile è dotato di leva di sblocco che evita l'avvio accidentale dell'utensile stesso. Non utilizzare MAI l'utensile qualora entri in funzione semplicemente premendo l'interruttore a grilletto senza tenere premuta la leva di sblocco. Portare l'utensile a un nostro centro di assistenza autorizzato per le riparazioni del caso PRIMA di utilizzarlo ulteriormente.

**⚠AVVERTIMENTO:** Non bloccare MAI con del nastro adesivo né rendere inefficace lo scopo e il funzionamento della leva di sblocco.

**⚠ATTENZIONE:** Prima di inserire la cartuccia della batteria nell'utensile, controllare sempre che l'interruttore a grilletto funzioni correttamente e torni sulla posizione "OFF" quando viene rilasciato.

**AVVISO:** Non premere con forza l'interruttore a grilletto senza tenere premuta la leva di sblocco. In caso contrario, si potrebbe causare la rottura dell'interruttore.

Per evitare di premere accidentalmente l'interruttore a grilletto, è fornita una leva di sblocco. Per avviare l'utensile, far rientrare la leva di sblocco premendola e premere l'interruttore a grilletto. Per arrestare l'utensile, rilasciare l'interruttore a grilletto.

► **Fig.5:** 1. Interruttore a grilletto 2. Leva di sblocco

## Controllo del freno inerziale

**⚠ATTENZIONE:** Qualora la catena della sega non si arresti entro qualche secondo quando viene effettuata questa prova, interrompere l'utilizzo dell'utensile e consultare un nostro centro di assistenza autorizzato.

Far funzionare l'utensile, quindi rilasciare completamente l'interruttore a grilletto. La catena della sega deve arrestarsi entro pochi secondi.

## MONTAGGIO

**⚠ATTENZIONE:** Accertarsi sempre che l'utensile sia spento e che la cartuccia della batteria sia stata rimossa, prima di effettuare qualsiasi intervento sull'utensile.

**⚠ATTENZIONE:** Non toccare la catena della sega con le mani nude. Indossare sempre i guanti quando si intende maneggiare la catena della sega.

## Rimozione o installazione della catena della sega

**⚠ATTENZIONE:** La catena della sega e la barra guida sono ancora estremamente calde subito dopo l'uso. Lasciarle raffreddare a sufficienza prima di eseguire qualsiasi operazione sull'utensile.

**⚠ATTENZIONE:** Eseguire la procedura di installazione o rimozione della catena della sega in un'ubicazione pulita, priva di segatura e simili.

## Rimozione della catena della sega

Per rimuovere la catena della sega, attenersi alla procedura seguente:

1. Tirare la leva verso l'alto.

► **Fig.6:** 1. Leva

2. Ruotare la leva in senso antiorario fino a rimuovere il coperchio del rocchetto.

► **Fig.7:** 1. Coperchio del rocchetto 2. Leva

3. Rimuovere il coperchio del rocchetto, quindi rimuovere la catena della sega e la barra guida dal corpo dell'utensile.

## Installazione della catena della sega

Per installare la catena della sega, attenersi alla procedura seguente:

1. Tirare la leva verso l'alto.

► **Fig.8:** 1. Leva

2. Ruotare la leva in senso antiorario fino a rimuovere il coperchio del rocchetto.

► **Fig.9:** 1. Leva 2. Coperchio del rocchetto

3. Rimuovere il coperchio del rocchetto.

4. Allineare il foro sulla barra guida con il perno sul corpo dell'utensile, quindi posizionare la barra guida come indicato nella figura.

► **Fig.10:** 1. Barra guida 2. Foro 3. Perno

5. Far scorrere la barra guida verso il rocchetto per bloccare il perno.

► **Fig.11:** 1. Barra guida 2. Perno

6. Rimuovere la barra guida dal corpo dell'utensile.

7. Controllare la direzione della catena della sega. Far corrispondere la direzione della catena della sega a quella del simbolo sul corpo dell'utensile.

► **Fig.12:** 1. Simbolo sul corpo dell'utensile

8. Disporre un'estremità della catena della sega sopra la barra guida.

9. Disporre l'altra estremità della catena della sega intorno al rocchetto, quindi montare la barra guida sul corpo dell'utensile, in modo che il foro sulla barra guida sia allineato con il perno sul corpo.

► **Fig.13:** 1. Rocchetto

Premere la barra guida contro il corpo dell'utensile per rilasciare il perno. La tensione della catena della sega viene regolata automaticamente.

► **Fig.14:** 1. Catena della sega 2. Perno 3. Rocchetto



10. Posizionare il coperchio del rocchetto in modo che il bullone e il perno sul corpo dell'utensile incontrino le rispettive controparti sul coperchio del rocchetto.

► **Fig.15:** 1. Coperchio del rocchetto 2. Bullone 3. Perno

11. Ruotare la leva in senso orario fino a quando il coperchio del rocchetto viene fissato, quindi riportarla alla posizione originale.

► **Fig.16:** 1. Leva 2. Coperchio del rocchetto

Accertarsi che la catena della sega non sia allentata e che possa essere spostata in modo fluido avanti e indietro. Se necessario, regolare la tensione della catena della sega facendo riferimento alla sezione relativa alla regolazione della tensione della catena della sega.

## Regolazione della tensione della catena della sega

**⚠ATTENZIONE:** Una catena troppo allentata può saltare fuori dalla barra, e potrebbe causare lesioni personali o un incidente.

La catena della sega potrebbe allentarsi, dopo molte ore d'uso. Di tanto in tanto, prima dell'uso, verificare la tensione della catena della sega.

Qualora la catena della sega sia allentata, regolare la tensione della catena della sega.

1. Tirare la leva verso l'alto.

► **Fig.17:** 1. Leva

2. Ruotare la leva di poco in senso antiorario per allentare leggermente il coperchio del rocchetto. La tensione della catena viene regolata automaticamente.

► **Fig.18:** 1. Coperchio del rocchetto 2. Leva

3. Ruotare la leva in senso orario fino a quando il coperchio del rocchetto viene fissato, quindi riportarla alla posizione originale.

► **Fig.19:** 1. Leva 2. Coperchio del rocchetto

## FUNZIONAMENTO

### Lubrificazione

**⚠ATTENZIONE:** Non far funzionare l'utensile quando il serbatoio è vuoto. Rabboccare l'olio a tempo debito prima che il serbatoio si svuoti.

**⚠ATTENZIONE:** Evitare che l'olio entri in contatto con la pelle e gli occhi. Il contatto con gli occhi causa irritazione. In caso di contatto con gli occhi, lavare subito abbondantemente l'occhio interessato con acqua pulita, quindi consultare immediatamente un medico.

**⚠ATTENZIONE:** Non utilizzare mai olio esausto. L'olio esausto contiene sostanze cancerogene. Le sostanze contaminanti nell'olio esausto causano l'usura accelerata della pompa dell'olio, della barra e della catena. L'olio esausto è pericoloso per l'ambiente.

**AVVISO:** Quando si utilizza l'utensile per la prima volta, potrebbero occorrere fino a due minuti affinché l'olio catena della sega inizi a produrre il proprio effetto lubrificante sul meccanismo della sega. Far funzionare la sega a vuoto fino a tale momento.

**AVVISO:** Quando si rabbocca l'olio catena per la prima volta, oppure quando si intende riempire il serbatoio dopo che si è svuotato completamente, aggiungere l'olio fino al bordo inferiore del bocchettone. In caso contrario, l'erogazione dell'olio potrebbe venire ostacolata.

**AVVISO:** Utilizzare un olio catena della sega esclusivo per utensili Makita o un olio equivalente disponibile in commercio.

**AVVISO:** Non utilizzare mai oli contenenti polveri e particelle, oppure oli volatili.

**AVVISO:** Per la potatura degli alberi, utilizzare oli biologici. Gli oli minerali potrebbero essere nocivi per gli alberi.

**AVVISO:** Prima dell'operazione di taglio, accertarsi che il tappo del serbatoio dell'olio in dotazione sia avvitato in sede.

La catena della sega viene lubrificata automaticamente quando l'utensile è in uso. Controllare a intervalli regolari attraverso la finestrella di ispezione dell'olio la quantità d'olio restante nel serbatoio dell'olio.

► **Fig.20:** 1. Finestrella di ispezione dell'olio 2. Tappo del serbatoio dell'olio

Per rabboccare l'olio, attenersi alla procedura seguente:

1. Pulire a fondo l'area circostante il tappo del serbatoio dell'olio, per evitare che sporco di qualsiasi genere penetri nel serbatoio dell'olio.

2. Appoggiare l'utensile sul fianco.

3. Premere il pulsante sul tappo del serbatoio dell'olio in modo che il pulsante sull'altro lato si sollevi, quindi rimuovere il tappo del serbatoio dell'olio ruotandolo.

► **Fig.21:** 1. Tappo del serbatoio dell'olio 2. Per serrare 3. Per allentare

4. Rabboccare il serbatoio dell'olio con l'olio. La quantità d'olio corretta è pari a 55 ml.

5. Riavvitare saldamente il tappo del serbatoio dell'olio in sede.

6. Pulire con cura con un panno eventuali schizzi d'olio catena.

**NOTA:** Qualora risulti difficile rimuovere il tappo del serbatoio dell'olio, inserire la punta di un cacciavite a punta piatta nella fessura del tappo del serbatoio dell'olio, quindi rimuovere il tappo del serbatoio dell'olio ruotandolo in senso antiorario.

► **Fig.22:** 1. Alloggiamento 2. Cacciavite a punta piatta

Dopo il rabbocco, tenere l'utensile lontano dal materiale da tagliare. Avviarlo e attendere che la lubrificazione sulla catena della sega sia adeguata.

► **Fig.23**

## Uso dell'utensile

**⚠ATTENZIONE:** Tenere tutte le parti del corpo lontane dalla catena della sega quando l'utensile è in funzione.

**⚠ATTENZIONE:** Mantenere saldamente l'utensile con entrambe le mani mentre l'utensile è in funzione.

**⚠ATTENZIONE:** Non sporgersi eccessivamente. Mantenere sempre un appoggio corretto sui piedi e l'equilibrio.

**AVVISO:** Non lanciare né far cadere mai l'utensile.

**AVVISO:** Non coprire le aperture di ventilazione dell'utensile.

Prima di avviare l'utensile, portare la base della barra guida e la parte di supporto del corpo dell'utensile a contatto con il ramo da tagliare, come indicato nella figura. Mentre si tiene in contatto il ramo con l'utensile e la barra guida, avviare l'utensile e segare il ramo spostando l'utensile verso il basso lungo il ramo.

► Fig.24

**⚠ATTENZIONE:** Prima dell'operazione di taglio, accertarsi che il ramo da tagliare sia in contatto con la base della barra guida e la parte di supporto del corpo dell'utensile. In caso contrario, l'utensile potrebbe venire tirato verso la punta della barra guida, e quest'ultima potrebbe oscillare, il che potrebbe causare lesioni personali.

## Trasporto dell'utensile

Prima di trasportare l'utensile, rimuovere sempre la cartuccia della batteria dall'utensile. Quindi, applicare il copribarra. Inoltre, coprire la cartuccia della batteria con il coperchio della batteria.

► Fig.25: 1. Copribarra 2. Coperchio della batteria

## MANUTENZIONE

**⚠ATTENZIONE:** Accertarsi sempre che l'utensile sia spento e che la cartuccia della batteria sia stata rimossa prima di tentare di eseguire interventi di ispezione o manutenzione.

**⚠ATTENZIONE:** Indossare sempre i guanti prima di eseguire qualsiasi ispezione o manutenzione.

**AVVISO:** Non utilizzare mai benzina, benzene, solventi, alcol o altre sostanze simili. In caso contrario, si potrebbero causare scolorimenti, deformazioni o crepe.

Per preservare la SICUREZZA e l'AFFIDABILITÀ del prodotto, le riparazioni e qualsiasi altro intervento di manutenzione e di regolazione devono essere eseguiti da un centro di assistenza autorizzato Makita, utilizzando sempre ricambi Makita.

## Affilatura della catena della sega

**Affilare la catena della sega quando:**

- Si produce una segatura farinosa quando si taglia il legno umido;
- La catena penetra nel legno con difficoltà, anche quando si applica una forte pressione;
- Il tagliente è visibilmente danneggiato;
- La motosega tira verso sinistra o destra nel legno. (Ciò è causato da un'affilatura non uniforme della catena della sega oppure dal danneggiamento di un solo lato).

Affilare spesso la catena della sega, ma poco alla volta. Per la normale riaffilatura sono generalmente sufficienti due o tre colpi di lima. Quando la catena della sega è stata riaffilata diverse volte, farla affilare in un nostro centro di assistenza autorizzato.

**Criteri di affilatura:**

**⚠AVVERTIMENTO:** Una distanza eccessiva tra il tagliente e il limitatore di profondità aumenta il rischio di contraccolpi.

► Fig.26: 1. Lunghezza della lama 2. Distanza tra il tagliente e il limitatore di profondità 3. Lunghezza minima della lama (3 mm)

- Tutte le lame devono avere la stessa lunghezza. Le lame con lunghezze diverse impediscono alla catena della sega di scorrere normalmente, e potrebbero causare la rottura della catena della sega.
- Non affilare la catena quando le lame hanno raggiunto la lunghezza minima di 3 mm o inferiore. La catena deve essere sostituita con una nuova.
- Lo spessore delle schegge viene determinato dalla distanza tra il limitatore di profondità (punta rotonda) e il tagliente.
- I risultati di taglio migliori si ottengono con la seguente distanza tra il tagliente e il limitatore di profondità.
  - Lama della catena 80TXL: 0,65 mm

► Fig.27

- L'angolo di affilatura di 30° deve essere identico su tutte le lame. Angoli diversi tra le lame causano uno scorrimento disordinato e irregolare della catena, accelerano l'usura e portano a rotture delle catene.
- Utilizzare una lima tonda appropriata in modo da conservare l'angolo di affilatura corretta contro i denti.
  - Lama della catena 80TXL: 5°

**Lima e guida della lima**

- Per affilare la catena utilizzare una speciale lima tonda (accessorio opzionale) per catene per motosega. Le comuni lime tonde non sono adatte.
- Il diametro della lima tonda per ciascuna catena della sega è il seguente:
  - Lama della catena 80TXL: 4,0 mm
- La lima deve toccare la lama solo nel colpo in avanti. Sollevare la lima dalla lama nel percorso di ritorno.

- Affilare sempre la lama più corta per prima. La lunghezza di questa lama più corta diventa, quindi, il riferimento per tutte le altre lame della catena della sega.
  - Guidare la lima come indicato nella figura.
- **Fig.28:** 1. Lima 2. Catena della sega
- La lima può essere guidata più facilmente se si utilizza un portalima (accessorio opzionale). Sul portalima sono presenti dei segni per l'angolo corretto di affilatura di 30° (allineare i segni parallelamente alla catena della sega) e limita la profondità di penetrazione (a 4/5 del diametro della lima).

► **Fig.29:** 1. Portalima

- Dopo aver affilato la catena, controllare l'altezza del limitatore di profondità utilizzando il calibro per catena (accessorio opzionale).

► **Fig.30**

- Rimuovere eventuale materiale sporgente, benché di minima entità, con una speciale lima piatta (accessorio opzionale).
- Arrotondare di nuovo la parte anteriore del limitatore di profondità.

## Pulizia della barra guida

Le schegge e la segatura si accumulano nella scanalatura della barra guida; potrebbero intasarla e ostacolare il flusso dell'olio. Rimuovere sempre le schegge e la segatura ogni volta che si affila o si rimonta la catena della sega.

► **Fig.31**

## Pulizia del coperchio del rocchetto

Le schegge e la segatura si accumulano all'interno del coperchio del rocchetto. Rimuovere il coperchio del rocchetto e la catena della sega dall'utensile, quindi pulire le schegge e la segatura.

► **Fig.32**

## Pulizia del foro di scarico dell'olio

Durante l'utilizzo, nel foro di scarico dell'olio si potrebbero accumulare polveri fini o particelle. Queste ultime potrebbero ostacolare il flusso dell'olio e causare una lubrificazione insufficiente dell'intera catena della sega. Quando si verifica una scarsa erogazione dell'olio catena nella parte superiore della barra guida, pulire il foro di scarico dell'olio nel modo seguente.

1. Rimuovere dall'utensile il coperchio del rocchetto e la catena della sega.
2. Rimuovere le polveri fini o le particelle utilizzando un cacciavite a punta piatta o un attrezzo simile.

► **Fig.33:** 1. Cacciavite a punta piatta 2. Foro di scarico dell'olio

3. Inserire la cartuccia della batteria nell'utensile. Premere l'interruttore a grilletto per far defluire le polveri o le particelle accumulate dal foro di scarico olio scaricando l'olio catena.

4. Rimuovere la cartuccia della batteria dall'utensile. Reinstallare sull'utensile il coperchio del rocchetto, la catena della sega e la barra guida.

## Sostituzione del rocchetto

**ATTENZIONE:** Un rocchetto usurato danneggia una nuova catena della sega. In tal caso, far sostituire il rocchetto.

Prima di montare una nuova catena della sega, controllare le condizioni del rocchetto.

► **Fig.34:** 1. Rocchetto 2. Aree usurate

Montare sempre un nuovo anello di blocco quando si sostituisce il rocchetto.

► **Fig.35:** 1. Anello di blocco 2. Rocchetto

**AVVISO:** Accertarsi che il rocchetto sia installato come indicato nella figura.

## Conservazione dell'utensile

1. Pulire l'utensile prima di riporlo. Rimuovere dall'utensile tutte le schegge e la segatura dopo aver rimosso il coperchio del rocchetto.
2. Dopo aver pulito l'utensile, farlo girare a vuoto per lubrificare la catena della sega e la barra guida.
3. Coprire la barra guida con il copribarra.
4. Svuotare il serbatoio dell'olio.

## Istruzioni per la manutenzione periodica

Per assicurare una lunga vita utile dell'utensile, evitare danni e assicurare la piena operatività delle funzioni di sicurezza, è necessario eseguire a intervalli regolari la manutenzione seguente. Le clausole della garanzia sono valide solo se tale lavoro viene eseguito regolarmente e correttamente. La mancata esecuzione del lavoro di manutenzione prescritto può portare a incidenti. L'utilizzatore dell'utensile non deve eseguire lavori di manutenzione non descritti nel manuale d'uso. Tali lavori devono essere eseguiti da un nostro centro di assistenza autorizzato.

Voce da controllare/tempo di utilizzo		Prima dell'uso	Ogni giorno	Ogni settimana	Ogni 3 mesi	Ogni anno	Prima di riporre l'utensile
Utensile nella sua interezza	Ispezione.	✓	-	-	-	-	-
	Pulizia.	-	✓	-	-	-	-
	Controllo presso un centro di assistenza autorizzato.	-	-	-	-	✓	✓
Catena della sega	Ispezione.	✓	-	-	-	-	-
	Affilatura, se necessario.	-	-	-	-	-	✓
Barra guida	Ispezione.	✓	✓	-	-	-	-
	Rimuovere dall'utensile.	-	-	-	-	-	✓
Lubrificazione della catena	Controllare la velocità di erogazione dell'olio.	✓	-	-	-	-	-
Interruttore a grilletto	Ispezione.	✓	-	-	-	-	-
Leva di sblocco	Ispezione.	✓	-	-	-	-	-
Tappo del serbatoio dell'olio	Controllare il serraggio.	✓	-	-	-	-	-
Viti e dadi	Ispezione.	-	-	✓	-	-	-

# RISOLUZIONE DEI PROBLEMI

Prima di richiedere riparazioni, eseguire un'ispezione personalmente. Qualora si rilevi un problema che non è illustrato nel manuale, non tentare di smontare l'utensile. Rivolgersi, invece, a un centro di assistenza autorizzato Makita, utilizzando sempre pezzi di ricambio Makita per le riparazioni.

Condizione di malfunzionamento	Causa	Misura correttiva
L'utensile non si avvia.	La cartuccia della batteria non è installata.	Installare una cartuccia della batteria carica.
	Problema con le batterie (tensione bassa).	Ricaricare la cartuccia della batteria. Qualora la ricarica non abbia effetto, sostituire la cartuccia della batteria.
Il motore smette di girare dopo un breve utilizzo.	Il livello di carica della batteria è basso.	Ricaricare la cartuccia della batteria. Qualora la ricarica non abbia effetto, sostituire la cartuccia della batteria.
Olio assente sulla catena.	Il serbatoio dell'olio è vuoto.	Riempire il serbatoio dell'olio.
	La scanalatura della guida olio è sporca.	Pulire la scanalatura.
L'utensile non raggiunge il numero massimo di giri al minuto.	La cartuccia della batteria non è installata correttamente.	Installare la cartuccia della batteria come descritto nel presente manuale.
	La carica della batteria sta calando.	Ricaricare la cartuccia della batteria. Qualora la ricarica non abbia effetto, sostituire la cartuccia della batteria.
	Il sistema di trasmissione non funziona correttamente.	Richiedere la riparazione a un centro di assistenza autorizzato nella propria zona.
Vibrazione anomala: <b>Arrestare immediatamente l'utensile.</b>	La barra guida o la catena della sega è allentata.	Regolare la barra guida e la tensione della catena della sega.
	Malfunzionamento dell'utensile.	Richiedere la riparazione a un centro di assistenza autorizzato nella propria zona.
Non si riesce a installare la catena della sega.	La combinazione di catena della sega e rochetto non è corretta.	Utilizzare la combinazione corretta di catena della sega e rochetto facendo riferimento alla sezione dei dati tecnici.

## ACCESSORI OPZIONALI

**⚠ATTENZIONE:** Questi accessori o componenti aggiuntivi sono consigliati per l'uso con l'utensile Makita specificato nel presente manuale. L'impiego di altri accessori o componenti aggiuntivi può costituire un rischio di lesioni alle persone. Utilizzare gli accessori o i componenti aggiuntivi solo per il loro scopo prefissato.

Per ottenere ulteriori dettagli relativamente a questi accessori, rivolgersi a un centro di assistenza Makita.

- Catena della sega
- Barra guida
- Copribarra
- Lima
- Borsa dell'utensile
- Batteria e caricabatterie originali Makita

**NOTA:** Alcuni articoli nell'elenco potrebbero essere inclusi nell'imballaggio dell'utensile come accessori standard. Tali articoli potrebbero variare da nazione a nazione.

## TECHNISCHE GEGEVENS

<b>Model:</b>		<b>UC100D</b>
Totale lengte (zonder zaagblad en accu)		350 mm
Nominale spanning		Max. 10,8 V - 12 V gelijkspanning
Nettogewicht	*1	1,0 kg
	*2	1,5 - 1,6 kg
Standaard zaagbladlengte		100 mm
Aanbevolen zaagbladlengte		100 mm
Toepasselijk type zaagketting (raadpleeg de onderstaande tabel)		80TXL
Kettingwiel	Aantal tanden	7
	Steek	0,325"
Kettingsnelheid		0 - 8,0 m/s (0 - 480 m/min)
Volume kettingolietank		55 cm <sup>3</sup>

• In verband met ononderbroken research en ontwikkeling, behouden wij ons het recht voor de bovenstaande technische gegevens zonder voorafgaande kennisgeving te wijzigen.

• De technische gegevens kunnen van land tot land verschillen.

\*1: Het gewicht is exclusief de zaagketting, het zaagblad, de zaagbladschede, olie en de accu(s).

\*2: De lichtste en zwaarste combinatie in gewicht volgens de EPTA-procedure 01/2014. Het gewicht kan verschillen afhankelijk van de hulpstukken, waaronder de accu('s).

### Combinatie van zaagketting, zaagblad en kettingwiel

<b>Type zaagketting</b>		<b>80TXL</b>
Aantal kettingschakels		26
Zaagblad	Lengte zaagblad	100 mm
	Zaaglengte	111 mm
	Steek	0,325"
	Maat	1,1 mm
	Type	Zaagblad met harde neus
Kettingwiel	Aantal tanden	7
	Steek	0,325"

**⚠ WAARSCHUWING:** Gebruik de juiste combinatie van zaagblad en zaagketting. Anders loopt u de kans op lichamelijk letsel.

### Toepasselijke accu's en laders

Accu	BL1016 / BL1021B / BL1041B
Lader	DC10SA / DC10SB / DC10WC / DC10WD / DC18RE

• Sommige van de hierboven vermelde accu's en laders zijn mogelijk niet leverbaar afhankelijk van waar u woont.

**⚠ WAARSCHUWING:** Gebruik uitsluitend de accu's en laders die hierboven worden genoemd. Gebruik van enige andere accu of lader kan leiden tot letsel en/of brand.

## Symbolen

Hieronder staan de symbolen die voor het gereedschap kunnen worden gebruikt. Zorg ervoor dat u de betekenis ervan kent voordat u het gereedschap gaat gebruiken.



Lees de gebruiksaanwijzing.



Draag een veiligheidsbriel en gehoorbescherming.



Gebruik altijd twee handen om het gereedschap te bedienen.



Wees bedacht op terugslag en vermijd zagen met de punt van het zaagblad.



Stel niet bloot aan vuur.



Maximaal toegestane zaaglengte



Draairichting van de ketting



Alleen voor EU-landen  
Als gevolg van de aanwezigheid van schadelijke componenten in het apparaat, kunnen oude elektrische en elektronische apparaten, accu's en batterijen negatieve gevolgen hebben voor het milieu en de gezondheid van mensen.

Gooi elektrische en elektronische apparaten en accu's niet met het huisvuil weg! In overeenstemming met de Europese richtlijn inzake oude elektrische en elektronische apparaten en inzake accu's en batterijen en oude accu's en batterijen, alsmede de toepassing daarvan binnen de nationale wetgeving, dienen oude elektrische apparaten, accu's en batterijen gescheiden te worden opgeslagen en te worden ingeleverd bij een apart inzamelingspunt voor huishoudelijk afval dat de milieubeschermingsvoorschriften in acht neemt.

Dit wordt op het apparaat aangegeven door het symbool van een doorgekruiste afvalcontainer.



Gegarandeerd geluidsvermogensniveau conform EU-richtlijn inzake geluidsemisatie buitenhuis.



Geluidsvermogensniveau conform de Regelgeving Geluidsregeling van NSW, Australië

## Gebruiksdoelinden

Dit gereedschap is bedoeld voor het afzagen van takken van bomen of struiken door middel van een zaagketting.

## Geluidsniveau

De typische, A-gewogen geluidsniveaus zijn gemeten volgens EN62841-4-1:

Geluidsdruk niveau ( $L_{pA}$ ): 79 dB (A)

Geluidsvermogensniveau ( $L_{WA}$ ): 87 dB (A)

Onzekerheid (K): 3 dB (A)

**OPMERKING:** De opgegeven geluidsemisiewaarde(n) is/zijn gemeten volgens een standaardtestmethode en kan/kunnen worden gebruikt om dit gereedschap te vergelijken met andere gereedschappen.

**OPMERKING:** De opgegeven geluidsemisiewaarde(n) kan/kunnen ook worden gebruikt voor een beoordeling vooraf van de blootstelling.

**WAARSCHUWING:** Draag gehoorbescherming.

**WAARSCHUWING:** De geluidsemisatie tijdens het gebruik van het elektrisch gereedschap in de praktijk kan verschillen van de opgegeven waarde(n) afhankelijk van de manier waarop het gereedschap wordt gebruikt, met name van het soort werkstuk waarmee wordt gewerkt.

**WAARSCHUWING:** Zorg ervoor dat veiligheidsmaatregelen worden getroffen ter bescherming van de gebruiker die zijn gebaseerd op een schatting van de blootstelling onder praktijkomstandigheden (rekening houdend met alle fasen van de bedrijfscyclus, zoals de tijdsduur gedurende welke het gereedschap is uitgeschakeld en stationair draait, naast de ingeschakelde tijdsduur).

## Trilling

De totale trillingswaarde (triaxiale vectorsom) zoals vastgesteld volgens EN62841-4-1:

Gebruikstoepassing: zagen van hout

Trillingsemisatie ( $a_{h,w}$ ): 4,8 m/s<sup>2</sup>

Onzekerheid (K): 1,5 m/s<sup>2</sup>

**OPMERKING:** De totale trillingswaarde(n) is/zijn gemeten volgens een standaardtestmethode en kan/kunnen worden gebruikt om dit gereedschap te vergelijken met andere gereedschappen.

**OPMERKING:** De opgegeven totale trillingswaarde(n) kan/kunnen ook worden gebruikt voor een beoordeling vooraf van de blootstelling.

**WAARSCHUWING:** De trillingsemisatie tijdens het gebruik van het elektrisch gereedschap in de praktijk kan verschillen van de opgegeven waarde(n) afhankelijk van de manier waarop het gereedschap wordt gebruikt, met name van het soort werkstuk waarmee wordt gewerkt.

**WAARSCHUWING:** Zorg ervoor dat veiligheidsmaatregelen worden getroffen ter bescherming van de gebruiker die zijn gebaseerd op een schatting van de blootstelling onder praktijkomstandigheden (rekening houdend met alle fasen van de bedrijfscyclus, zoals de tijdsduur gedurende welke het gereedschap is uitgeschakeld en stationair draait, naast de ingeschakelde tijdsduur).

## Verklaringen van conformiteit

**Alleen voor Europese landen**

De verklaringen van conformiteit zijn bijgevoegd in Bijlage A bij deze gebruiksaanwijzing.

# VEILIGHEIDSWAARSCHUWINGEN

## Algemene veiligheids waarschuwingen voor elektrisch gereedschap

**⚠️WAARSCHUWING** Lees alle veiligheids waarschuwingen, instructies, afbeeldingen en technische gegevens die bij dit elektrisch gereedschap worden geleverd. Als niet alle onderstaande instructies worden opgevolgd, kan dat leiden tot een elektrische schok, brand en/of ernstig letsel.

## Bewaar alle waarschuwingen en instructies om in de toekomst te kunnen raadplegen.

De term "elektrisch gereedschap" in de veiligheidsvoorschriften duidt op gereedschappen die op stroom van het lichtnet werken (met snoer) of gereedschappen met een accu (snoerloos).

## Algemene veiligheids waarschuwingen voor een snoeizaag

- Houd alle lichaamsdelen uit de buurt van de zaagketting terwijl de snoeizaag in gebruik is. Alvorens de snoeizaag te starten, verzekert u zichzelf ervan dat de zaagketting niets raakt.** In slechts een kort moment van onoplettendheid tijdens het gebruik van de snoeizaag kan uw kleding of lichaam in aanraking komen met de zaagketting.
- Houd de snoeizaag altijd vast met de ene hand aan de achterhandgreep en met de andere hand aan de extra handgreep.**
- Houd de snoeizaag alleen vast aan de geïsoleerde vlakken omdat de zaagketting met verborgen bedrading in aanraking kan komen.** Wanneer de zaagketting in aanraking komt met onder spanning staande draden, zullen de niet-geïsoleerde metalen delen van de snoeizaag onder spanning komen te staan zodat de gebruiker een elektrische schok kan krijgen.
- Draag oogbescherming. Verdere beschermingsmiddelen voor oren, hoofd, handen, benen en voeten worden aanbevolen.** Afdoende beschermingsmiddelen verkleinen de kans op persoonlijk letsel als gevolg van rondvliegend afval of onbedoelde aanraking van de zaagketting.
- Bedien de snoeizaag niet in een boom, op een ladder, op het dak of enige instabiele ondergrond.** Als de snoeizaag op deze manier wordt bediend, kan dat leiden tot ernstig persoonlijk letsel.
- Zorg altijd voor een stevige stand en bedien de snoeizaag alleen terwijl u op een vaste, stabiele en horizontale ondergrond staat.** Op een gladde of instabiele ondergrond kunt u uw evenwicht of de controle over de snoeizaag verliezen.

- Bij het afzagen van een tak die onder spanning staat, let u goed op eventuele terugslag.** Wanneer de spanning in de houtvezels vrij komt, kan de onder spanning staande tak de gebruiker een terugslag geven en/of de controle over de snoeizaag doen verliezen.
- Wees uiterst voorzichtig bij het zagen van struiken en jonge boompjes.** Het dunne materiaal kan zich vasthaken aan de zaagketting en naar u toe geslingerd worden of u uit balans brengen.
- Draag de snoeizaag terwijl deze uitgeschakeld is en houd hem uit de buurt van uw lichaam. Bij het transporteren of opbergen van de snoeizaag moet altijd de zaagbladschede om het zaagblad worden gedaan.** Een juiste behandeling van de snoeizaag verkleint de kans op het per ongeluk aanraken van de bewegende zaagketting.
- Volg de instructies voor het smeren, ketting spannen en verwisselen van het zaagblad en de zaagketting.** Een verkeerd gespannen of gesmeerde zaagketting kan breken of de kans op terugslag verhogen.
- Zaag uitsluitend hout. Gebruik de snoeizaag niet voor doeleinden waarvoor deze niet bedoeld is. Bijvoorbeeld: gebruik de snoeizaag niet om kunststof, steen of bouwmaterialen anders dan hout te zagen.** Het gebruik van de snoeizaag voor andere werkzaamheden dan waarvoor deze bedoeld is, kan leiden tot gevaarlijke situaties.
- Deze snoeizaag is niet bedoeld om bomen om te zagen.** Het gebruik van de snoeizaag voor andere werkzaamheden dan waarvoor deze bedoeld is, kan leiden tot ernstig letsel van de gebruiker of omstanders.
- Houd u aan alle instructies bij het verwijderen van vastgelopen materiaal, opbergen of onderhouden van de snoeizaag. Verzeker u ervan dat de schakelaar uit staat en de accu is verwijderd.**
- Oorzaken van terugslag en wat de gebruiker hieraan kan doen:**  
Terugslag kan optreden wanneer de neus of voorrand van het zaagblad een voorwerp raakt, of wanneer het hout zich sluit en de zaagketting in de zaagsnede vastklemt.  
Zagen met alleen de punt van het zaagblad kan een plotselinge, omgekeerde reactie veroorzaken waardoor het zaagblad omhoog geworpen wordt in de richting van de gebruiker.  
Het beknellen van de zaagketting langs de bovenrand van het zaagblad kan het zaagblad snel terugwerpen in de richting van de gebruiker.  
Deze beide reacties kunnen ertoe leiden dat u de controle over de zaag verliest waardoor ernstig lichamelijk letsel kan ontstaan. Wees niet afhankelijk van alleen de veiligheidsvoorzieningen die in uw zaag ingebouwd. Als gebruiker van de snoeizaag moet u meerdere stappen ondernemen om ervoor te zorgen dat uw zaagwerkzaamheden zonder ongelukken of letsel verlopen.  
Terugslag is het gevolg van misbruik van de snoeizaag en/of onjuiste gebruiksprocedures of -omstandigheden, en kan worden voorkomen door goede voorzorgsmaatregelen te treffen, zoals hieronder vermeld:



- **Houd de snoeizaag stevig met beide handen vast, met uw duimen en vingers rondom de handgrepen van de snoeizaag, en positioneer uw lichaam en armen zodanig dat u een eventuele terugslag kan opvangen.** De kracht van een terugslag kan worden opgevangen door de gebruiker mits de juiste voorzorgsmaatregelen zijn getroffen. Laat de snoeizaag nooit los.

#### ► Fig.1

- **Reik niet te ver en zaag nooit boven schouderhoogte.** Dit helpt te voorkomen dat de punt van het zaagblad per ongeluk iets raakt en biedt een betere controle over de snoeizaag in onverwachte situaties.
  - **Gebruik bij het vervangen van het zaagblad of de zaagketting uitsluitend onderdelen die zijn opgegeven door de fabrikant.** Vervanging door een verkeerd zaagblad of zaagketting kan ertoe leiden dat de zaagketting breekt en/of het zaagblad terugslaat.
  - **Volg de instructies van de fabrikant over het slijpen en onderhouden van de zaagketting.** Het verlagen van de hoogte van de dieptevoeler kan leiden tot meer terugslag.
15. **Houd u aan alle instructies bij het verwijderen van vastgelopen materiaal, opbergen of onderhouden van de snoeizaag. Verzeker u ervan dat de schakelaar uit staat en de accu is verwijderd.**

## Aanvullende veiligheidsinstructies

### Persoonlijke-beschermingsmiddelen

1. Kleding moet nauwsluitend zijn, maar de beweeglijkheid niet belemmeren.
2. Draag de volgende beschermende kleding tijdens het werk:
  - een goedgekeurde veiligheidshelm, als er gevaar bestaat voor vallende takken en dergelijke;
  - een gezichtsmasker of veiligheidsbril;
  - geschikte gehoorbescherming (oorschelpen, of aangepaste of kneedbare oordoppen). octaafbandanalyse is op verzoek beschikbaar;
  - stevige, lederen veiligheidshandschoenen;
  - een lange broek gemaakt van een sterke stof;
  - een veiligheidsoverall van snijbestendige stof;
  - veiligheidsschoenen of -laarzen met antislipzolen, stalen neus en snijbestendige, stoffen voering;
  - een mondk masker, indien tijdens het werk stof wordt geproduceerd (bijvoorbeeld bij het zagen van droog hout).

### Bediening

1. **Alvorens met het werk te beginnen, controleert u of het gereedschap zich in goede werkende staat bevindt, en dat deze voldoet aan de veiligheidsregels. Controleer met name of:**
  - De uitlopprem goed werkt;
  - Het zaagblad en de afdekking van het kettingwiel goed zijn gemonteerd;

- De ketting is geslepen en gespannen overeenkomstig de regels.

2. **Start het gereedschap niet terwijl de schede om het zaagblad is geplaatst.** Als het gereedschap wordt gestart terwijl de schede om het zaagblad is geplaatst, kan de schede naar voren worden weggeworpen, waardoor lichamelijk letsel en materiële schade aan voorwerpen in de buurt van de gebruiker kan worden veroorzaakt.
3. **Ga niet recht onder de tak staan die wordt afgezaagd. Let goed op vallende takken.**
4. **Bedien het gereedschap niet tijdens slecht weer of als de kans op bliksem bestaat.**
5. **Als u het gereedschap op een modderige ondergrond, natte helling of gladdere plaats gebruikt, let u erop dat u stevig staat.**

### Elektrische veiligheid en accu

1. **Vermijd gevaarlijke omgevingen. Gebruik het gereedschap niet op vochtige of natte plaatsen en stel het niet bloot aan regen.** Als water binnendringt in het gereedschap, wordt de kans op een elektrische schok groter.
2. **Werp de accu('s) niet in een vuur.** De accu kan exploderen. Raadpleeg de lokale regelgeving voor mogelijke speciale verwerkingsvereisten.
3. **Open of vervorm de accu('s) niet.** Het elektrolyt is agressief en kan letsel toebrengen aan de ogen en huid. Het kan giftig zijn bij inslikken.
4. **Laad de accu niet op in de regen of op een natte plaats.**
5. **Laad de accu niet buitenshuis op.**
6. **Raak de lader, inclusief de stekker en de contacten van de lader, niet met natte handen aan.**
7. **Vervang de accu niet met natte handen.**
8. **Laat de accu niet in de regen liggen en laad of berg de accu niet op een vochtige of natte plaats op.**
9. **Laat de aansluitpunten van de accu niet nat worden met een vloeistof, zoals water, en dompel de accu niet onder.** Als de aansluitpunten nat worden of vloeistof binnendringt in de accu, kan kortsluiting ontstaan in de accu en bestaat de kans op oververhitting, brand of explosie.
10. **Nadat de accu vanaf het gereedschap of de acculader is verwijderd, vergeet u niet het accudeksel op de accu te bevestigen en deze op een droge plaats op te bergen.**
11. **Als de accu nat wordt, laat u het water eruit lopen en veegt u hem af met een droge doek. Laat de accu volledig drogen op een droge plaats voordat u hem gebruikt.**

## BEWAAR DEZE GEBRUIKSAANWIJZING.

**⚠WAARSCHUWING:** Laat u NIET misleiden door een vals gevoel van comfort en bekendheid met het gereedschap (na veelvuldig gebruik) en neem alle veiligheidsvoorschriften van het betreffende gereedschap altijd strikt in acht. **VERKEERD GEBRUIK** of het niet naleven van de veiligheidsvoorschriften in deze gebruiksaanwijzing kan leiden tot ernstig letsel.

## Belangrijke veiligheidsinstructies voor een accu

1. Lees alle voorschriften en waarschuwingen op (1) de acculader, (2) de accu, en (3) het product waarvoor de accu wordt gebruikt, alvorens de accu in gebruik te nemen.
2. Haal de accu niet uit elkaar en saboteer hem niet. Dit kan leiden tot brand, buitensporige hitte of een explosie.
3. Als de gebruiktijd van een opgeladen accu aanzienlijk korter is geworden, moet u het gebruik ervan onmiddellijk stopzetten. Voortgezet gebruik kan oververhitting, brandwonden en zelfs een ontploffing veroorzaken.
4. Als elektrolyt in uw ogen is terechtgekomen, spoelt u uw ogen met schoon water en roept u onmiddellijk de hulp van een dokter in. Elektrolyt in de ogen kan blindheid veroorzaken.
5. Voorkom kortsluiting van de accu:
  - (1) Raak de accuklemmen nooit aan met een geleidend materiaal.
  - (2) Bewaar de accu niet in een bak waarin andere metalen voorwerpen zoals spijkers, munten e.d. worden bewaard.
  - (3) Stel de accu niet bloot aan water of regen. Kortsluiting van de accu kan oorzaak zijn van een grote stroomafgifte, oververhitting, brandwonden, en zelfs defecten.
6. Bewaar en gebruik het gereedschap en de accu niet op plaatsen waar de temperatuur kan oplopen tot 50 °C of hoger.
7. Werp de accu nooit in het vuur, ook niet wanneer hij zwaar beschadigd of volledig versleten is. De accu kan ontploffen in het vuur.
8. Laat de accu niet vallen, sla er geen spijker in, snijd er niet in, gooi er niet mee en stoot hem niet tegen een hard voorwerp. Dergelijke handelingen kunnen leiden tot brand, buitensporige hitte of een explosie.
9. Gebruik nooit een beschadigde accu.
10. De bijgeleverde lithium-ionbatterijen zijn onderhevig aan de vereisten in de wetgeving omtrent gevaarlijke stoffen.

Voor commercieel transport en dergelijke door derden en transporteurs moeten speciale vereisten ten aanzien van verpakking en etikettering worden nageleefd.

Als voorbereiding van het artikel dat wordt getransporteerd is het noodzakelijk een expert op het gebied van gevaarlijke stoffen te raadplegen. Houd u tevens aan mogelijk strengere nationale regelgeving.

Blootliggende contactpunten moeten worden afgedekt met tape en de accu moet zodanig worden verpakt dat deze niet kan bewegen in de verpakking.
11. Wanneer u de accu wilt weggooien, verwijdert u de accu vanaf het gereedschap en gooit u hem op een veilige manier weg. Volg bij het weggooien van de accu de plaatselijke voorschriften.
12. Gebruik de accu's uitsluitend met de gereedschappen die door Makita zijn aanbevolen. Als de accu's worden aangebracht in niet-compatibele gereedschappen, kan dat leiden tot brand, buitensporige warmteontwikkeling, een explosie of lekkage van elektrolyt.
13. Als u het gereedschap gedurende een lange tijd niet denkt te gaan gebruiken, moet de accu vanaf het gereedschap worden verwijderd.
14. Tijdens en na gebruik, kan de accu heet worden waardoor brandwonden of koude brandwonden kunnen worden veroorzaakt. Wees voorzichtig bij het hanteren van een hete accu.
15. Raak de aansluitpunten van het gereedschap niet onmiddellijk na gebruik aan omdat deze heet genoeg kunnen zijn om brandwonden te veroorzaken.
16. Zorg ervoor dat geen steenslag, stof of grond vast komt te zitten op/in de aansluitpunten, openingen en groeven van de accu. Hierdoor kan oververhitting, brand, een barst en een storing in het gereedschap of de accu ontstaan waardoor brandwonden of persoonlijk letsel kunnen ontstaan.
17. Behalve indien gebruik van het gereedschap is toegestaan in de buurt van hoogspanningsleidingen, mag u de accu niet gebruiken in de buurt van een hoogspanningsleiding. Dit kan leiden tot een storing of een defect van het gereedschap of de accu.
18. Houd de accu uit de buurt van kinderen.

### BEWAAR DEZE INSTRUCTIES.

**⚠ LET OP:** Gebruik uitsluitend originele Makita accu's. Het gebruik van niet-originele accu's, of accu's die zijn gewijzigd, kan ertoe leiden dat de accu ontploft en brand, persoonlijk letsel en schade veroorzaakt. Ook vervalt daarmee de garantie van Makita op het gereedschap en de lader van Makita.

### Tips voor een maximale levensduur van de accu

1. Laad de accu op voordat hij volledig ontladen is. Stop het gebruik van het gereedschap en laad de accu op telkens wanneer u vaststelt dat het vermogen van het gereedschap is afgenomen.
2. Laad een volledig opgeladen accu nooit opnieuw op. Te lang opladen verkort de levensduur van de accu.
3. Laad de accu op bij een omgevingstemperatuur tussen 10 °C en 40 °C. Laat een warme accu afkoelen alvorens hem op te laden.
4. Als de accu niet wordt gebruikt, verwijdert u hem vanaf het gereedschap of de lader.

# BESCHRIJVING VAN DE ONDERDELEN

► Fig.2

1	Extra handgreep	2	Veiligheidskap	3	Zaagketting
4	Zaagblad	5	Olietankdop	6	Zaagbladschede
7	Afdekking van het kettlingwiel	8	Uit-vergrendelknop	9	Achterhandgreep
10	Trekkerschakelaar	11	Hendel	12	Accu

## BESCHRIJVING VAN DE FUNCTIES

**▲LET OP:** Zorg altijd dat het gereedschap is uitgeschakeld en de accu ervan is verwijderd alvorens de functies op het gereedschap af te stellen of te controleren.

### De accu aanbrengen en verwijderen

**▲LET OP:** Schakel het gereedschap altijd uit voordat u de accu aanbrengt of verwijdert.

**▲LET OP:** Houd het gereedschap en de accu stevig vast tijdens het aanbrengen of verwijderen van de accu. Als u het gereedschap en de accu niet stevig vasthoudt, kunnen deze uit uw handen glijpen en het gereedschap of de accu beschadigen, of kan persoonlijk letsel worden veroorzaakt.

► Fig.3: 1. Rood deel 2. Knop 3. Accu

Om de accu te verwijderen verschuift u de knop aan de voorkant van de accu en schuift u tegelijkertijd de accu uit het gereedschap.

Om de accu aan te brengen lijnt u de lip op de accu uit met de groef in de behuizing en duwt u de accu op zijn plaats. Steek de accu zo ver mogelijk in het gereedschap tot u een klikgeluid hoort. Wanneer het rode deel zichtbaar is, zoals aangegeven in de afbeelding, is de accu niet geheel vergrendeld.

**▲LET OP:** Breng de accu altijd helemaal aan totdat het rode deel niet meer zichtbaar is. Als u dit niet doet, kan de accu per ongeluk uit het gereedschap vallen en u of anderen in uw omgeving verwonden.

**▲LET OP:** Breng de accu niet met kracht aan. Als de accu niet gemakkelijk in het gereedschap kan worden geschoven, wordt deze niet goed aangebracht.

## De resterende acculading controleren

*Alleen voor accu's met indicatorlampjes*

► Fig.4: 1. Indicatorlampjes 2. Testknop

Druk op de testknop op de accu om de resterende acculading te zien. De indicatorlampjes branden gedurende enkele seconden.

Indicatorlampjes		Resterende capaciteit
Brandt	Uit	
■ ■ ■ ■	□	75% tot 100%
■ ■ ■ □	□	50% tot 75%
■ ■ □ □	□	25% tot 50%
■ □ □ □	□	0% tot 25%

**OPMERKING:** Afhankelijk van de gebruiksomstandigheden en de omgevingstemperatuur, is het mogelijk dat de aangegeven acculading verschilt van de werkelijke acculading.

## Gereedschap-/accubeveiligingssysteem

Het gereedschap is voorzien van een gereedschap-/accubeveiligingssysteem. Dit systeem schakelt automatisch de voeding naar de motor uit om de levensduur van het gereedschap en de accu te verlengen. Het gereedschap kan tijdens het gebruik automatisch stoppen als het gereedschap of de accu aan één van de volgende omstandigheden wordt blootgesteld:

### Overbelasting:

Als het gereedschap wordt gebruikt op een manier die een abnormaal hoge stroomsterkte vergt. In die situatie schakelt u het gereedschap uit en stopt u de toepassing die ertoe leidde dat het gereedschap overbelast raakte. Schakel vervolgens het gereedschap in om het weer te starten.

Als het gereedschap niet start, kan de accu oververhit zijn. In die situatie laat u de accu eerst afkoelen voordat u het gereedschap opnieuw inschakelt.

### Onvoldoende accuspanning:

Als de resterende acculading onvoldoende is, zal het gereedschap niet starten. Als u het gereedschap inschakelt, draait de motor weer, maar stopt spoedig. In dit geval verwijderd u de accu en laadt u deze op.

## De trekkerschakelaar gebruiken

**⚠ WAARSCHUWING:** Voor uw veiligheid is dit gereedschap uitgerust met een uit-vergrendelknop die voorkomt dat het gereedschap onbedoeld start. Gebruik het gereedschap NOOIT wanneer het start door alleen de trekkerschakelaar in te knijpen zonder de uit-vergrendelknop in te drukken. Stuur het gereedschap naar ons erkende servicecentrum voor deugdelijke reparatie ZONDER het verder te gebruiken.

**⚠ WAARSCHUWING:** U mag NOOIT het doel of de werking van de uit-vergrendelknop teniet doen of deze vastplakken.

**⚠ LET OP:** Alvorens de accu in het gereedschap te plaatsen, moet u altijd controleren of de trekkerschakelaar goed werkt en bij het loslaten terugkeert naar de stand "OFF".

**KENNISGEVING:** Knijp de trekkerschakelaar niet hard in zonder de uit-vergrendelknop in te drukken. Hierdoor kan de schakelaar kapot gaan.

Om te voorkomen dat de trekkerschakelaar per ongeluk wordt bediend, is een uit-vergrendelknop aangebracht. Om het gereedschap te starten, duwt u de uit-vergrendelknop omlaag en knijpt u de trekkerschakelaar in. Laat de trekkerschakelaar los om te stoppen.

► Fig.5: 1. Trekkerschakelaar 2. Uit-vergrendelknop

## De uitlooprem controleren

**⚠ LET OP:** Als de zaagketting bij deze controle niet binnen enkele seconden tot stilstand komt, stopt u met het gebruik van het gereedschap en neemt u contact op met ons erkende servicecentrum.

Laat het gereedschap draaien en laat daarna de trekkerschakelaar helemaal los. De zaagketting moet binnen enkele seconden tot stilstand komen.

## MONTAGE

**⚠ LET OP:** Zorg altijd dat het gereedschap is uitgeschakeld en de accu ervan is verwijderd alvorens enig werk aan het gereedschap uit te voeren.

**⚠ LET OP:** Raak de zaagketting niet met blote handen aan. Draag altijd handschoenen wanneer u de zaagketting hanteert.

## De zaagketting aanbrengen of verwijderen

**⚠ LET OP:** De zaagketting en het zaagblad zijn kort na gebruik nog heet. Laat ze eerst afkoelen, voordat u enige werkzaamheden aan het gereedschap uitvoert.

**⚠ LET OP:** Voer de procedure voor het aanbrengen of verwijderen van de zaagketting uit in een schone omgeving, vrij van zaagsel en dergelijke.

## Het zaagketting verwijderen

Om de zaagketting te verwijderen, gaat u als volgt te werk:

1. Trek de hendel omhoog.

► Fig.6: 1. Hendel

2. Draai de hendel linksom tot de afdekking van het kettingwiel los komt.

► Fig.7: 1. Afdekking van het kettingwiel 2. Hendel

3. Verwijder de afdekking van het kettingwiel en verwijder daarna de zaagketting en het zaagblad vanaf het gereedschapshuis.

## De zaagketting aanbrengen

Om de zaagketting aan te brengen, gaat u als volgt te werk:

1. Trek de hendel omhoog.

► Fig.8: 1. Hendel

2. Draai de hendel linksom tot de afdekking van het kettingwiel los komt.

► Fig.9: 1. Hendel 2. Afdekking van het kettingwiel

3. Verwijder de afdekking van het kettingwiel.

4. Lijn het gat in het zaagblad uit met de pen op het gereedschapshuis en plaats daarna het zaagblad zoals aangegeven in de afbeelding.

► Fig.10: 1. Zaagblad 2. Gat 3. Pen

5. Schuif het zaagblad naar het kettingwiel om de pen te vergrendelen.

► Fig.11: 1. Zaagblad 2. Pen

6. Verwijder het zaagblad vanaf het gereedschapshuis.

7. Controleer de richting van de zaagketting. Zorg ervoor dat de richting van de zaagketting hetzelfde is als die van de markering op het gereedschapshuis.

► Fig.12: 1. Markering op het gereedschapshuis

8. Leg één kant van de zaagketting op de bovenkant van het zaagblad.

9. Leg de andere kant van de zaagketting rond het kettingwiel, en bevestig daarna het zaagblad aan het gereedschapshuis zodanig dat het gat in het zaagblad is uitgelijnd met de pen op het gereedschapshuis.

► Fig.13: 1. Kettingwiel

Druk het zaagblad tegen het gereedschapshuis om de pen te ontgrendelen. De kettingspanning wordt automatisch afgesteld.

► Fig.14: 1. Zaagketting 2. Pen 3. Kettingwiel

10. Breng de afdekking van het kettingwiel aan zodat de bout en pen op het gereedschapshuis op hun plaats in de afdekking van het kettingwiel vallen.

► Fig.15: 1. Afdekking van het kettingwiel 2. Bout 3. Pen

11. Draai de hendel rechtsom tot de afdekking van het kettingwiel vast zit en zet hem daarna terug in zijn oorspronkelijke stand.

► Fig.16: 1. Hendel 2. Afdekking van het kettingwiel

Verzeker u ervan dat de zaagketting niet los zit en de zaagketting soepel heen en weer kan bewegen. Stel zo nodig de kettingspanning af door het tekstdeel over het afstellen van de kettingspanning te raadplegen.

## De kettingspanning afstellen

**⚠ LET OP:** Een zaagketting die te los zit kan van het zaagblad af springen en een ongeluk of letsel veroorzaken.

De zaagketting kan na vele gebruiksuren los gaan zitten. Controleer regelmatig de kettingspanning vóór gebruik.

Als de zaagketting los zit, stelt u de kettingspanning af.

1. Trek de hendel omhoog.

► **Fig.17:** 1. Hendel

2. Draai de hendel een beetje linksom om de afdekking van het kettingwiel iets los te zetten. De kettingspanning wordt automatisch afgesteld.

► **Fig.18:** 1. Afdekking van het kettingwiel 2. Hendel

3. Draai de hendel rechtsom tot de afdekking van het kettingwiel vast zit en zet hem daarna terug in zijn oorspronkelijke stand.

► **Fig.19:** 1. Hendel 2. Afdekking van het kettingwiel

## BEDIENING

### Smering

**⚠ LET OP:** Bedien het gereedschap niet wanneer de olietank leeg is. Vul tijdig olie bij voordat de olietank leeg is.

**⚠ LET OP:** Voorkom dat de olie op uw huid of in uw ogen komt. Olie in het oog veroorzaakt irritatie. In het geval de olie in het oog komt, moet u het betreffende oog onmiddellijk spoelen met schoon water en direct een huisarts raadplegen.

**⚠ LET OP:** Gebruik nooit afgewerkte olie. Afgewerkte olie bevat kankerverwekkende bestanddelen. De verontreinigingen in afgewerkte olie veroorzaken een versnelde slijtage van de oliepomp, het zaagblad en de zaagketting. Afgewerkte olie is schadelijk voor het milieu.

**KENNISGEVING:** Als het gereedschap voor het eerst wordt gebruikt, kan het maximaal twee minuten duren voordat de zaagkettingolie het zaagmechanisme begint te smeren. Laat gedurende deze tijd de zaag onbelast draaien.

**KENNISGEVING:** Wanneer u voor het eerst kettingolie bijvult, of de olietank bijvult nadat deze geheel leeg is geraakt, vult u olie bij tot aan de onderrand van de vulnek. Anders kan de olietoevoer gehinderd worden.

**KENNISGEVING:** Gebruik zaagkettingolie exclusief voor Makita-gereedschappen of een in de winkel verkrijgbare gelijkwaardige kettingolie.

**KENNISGEVING:** Gebruik nooit olie die is verontreinigd met vuil- en stofdeeltjes of vluchtige olie.

**KENNISGEVING:** Gebruik botanische olie voor het snoeien van bomen. Minerale olie kan schadelijk zijn voor bomen.

**KENNISGEVING:** Voordat u begint te zagen, controleert u of de bijgeleverde olietankdop erop is gedraaid.

De zaagketting wordt automatisch gesmeerd tijdens het gebruik van het gereedschap. Controleer regelmatig hoeveel olie er nog in de olietank zit door het oliepeilglas.

► **Fig.20:** 1. Oliepeilglas 2. Olietankdop

Om olie bij te vullen, voert u de volgende stappen uit:

1. Reinig het gebied rondom de olietankdop zorgvuldig om te voorkomen dat vuil in de olietank kan komen.

2. Leg het gereedschap op zijn zijkant.

3. Duw op de knop van de olietankdop zodat de knop aan de ander kant omhoog gaat staan, en verwijder de olietankdop door deze te draaien.

► **Fig.21:** 1. Olietankdop 2. Vastdraaien 3. Losdraaien

4. Vul olie bij in de olietank. De correcte hoeveelheid olie is 55 ml.

5. Draai de olietankdop stevig terug op zijn plaats.

6. Veeg eventueel gemorste zaagkettingolie zorgvuldig af.

**OPMERKING:** Als het moeilijk is om de olietankdop te verwijderen, steekt u de punt van een platkopschroevendraaier in de gleuf van de olietankdop en verwijderd u de olietankdop door hem linksom te draaien.

► **Fig.22:** 1. Gleuf 2. Platkopschroevendraaier

Houd na het bijvullen het gereedschap uit de buurt van het materiaal dat wordt gezaagd. Start hem en wacht tot de zaagketting voldoende gesmeerd is.

► **Fig.23**

## Werken met het gereedschap

**⚠ LET OP:** Houd alle delen van uw lichaam uit de buurt van de zaagketting wanneer het gereedschap draait.

**⚠ LET OP:** Houd het gereedschap stevig vast met beide handen wanneer het gereedschap draait.

**⚠ LET OP:** Reik niet te ver. Zorg ervoor dat u altijd stevige steun voor de voeten hebt en uw evenwicht behoudt.

**KENNISGEVING:** Gooi nooit met het gereedschap en laat het niet vallen.

**KENNISGEVING:** Dek de luchtuitstroomopeningen van het gereedschap niet af.

Voordat u het gereedschap start plaatst u het beginpunt van het zaagblad en het steundeel van het gereedschapshuis tegen de tak die u wilt afzagen, zoals aangegeven in de afbeelding. Terwijl de tak tegen het gereedschapshuis en het zaagblad komt, start u het gereedschap en zaagt u de tak af door het gereedschap omlaag te bewegen door de tak heen.

► **Fig.24**

**⚠ LET OP:** Alvorens te zagen, verzekert u zich ervan dat de tak die u wilt afzagen tegen het beginpunt van het zaagblad en het steundeel van het gereedschapshuis komt. Anders kan het gereedschap in de richting van de punt van het zaagblad worden getrokken en kan het zaagblad wiebelen, waardoor letsel kan ontstaan.

## Het gereedschap dragen

Alvorens het gereedschap te dragen, haalt u de accu van het gereedschap af. Breng vervolgens de zaagbladschede aan. Plaats ook het accudeksel op de accu.

► **Fig.25:** 1. Zaagbladschede 2. Accudeksel

## ONDERHOUD

**⚠ LET OP:** Zorg altijd dat het gereedschap is uitgeschakeld en de accu ervan is verwijderd alvorens te beginnen met onderhoud of inspectie.

**⚠ LET OP:** Draag bij inspectie- of onderhoudswerkzaamheden altijd handschoenen.

**KENNISGEVING:** Gebruik nooit benzine, wasbenzine, thinner, alcohol en dergelijke. Hierdoor kunnen verkleuring, vervormingen en barsten worden veroorzaakt.

Om de VEILIGHEID en BETROUWBAARHEID van het gereedschap te handhaven, dienen alle reparaties, onderhoud of afstellingen te worden uitgevoerd bij een erkend Makita-servicecentrum of de Makita-fabriek, en altijd met gebruik van Makita-ervangingsonderdelen.

## De zaagketting slijpen

**Slijp de zaagketting als:**

- Poederachtig zaagsel wordt geproduceerd tijdens het zagen van vochtig hout;
- De zaagketting moeizaam in het hout binnendringt, zelfs wanneer hoge druk wordt uitgeoefend;
- De zaagsnijrand duidelijk beschadigd is;
- De kettingzaag naar links of rechts trekt in het hout. (veroorzaakt door een ongelijkmatige scherpte van de zaagketting, of een beschadiging aan slechts een kant)

Slijp de zaagketting veelvuldig, maar iedere keer slechts weinig. Twee of drie bewegingen met een vijl zijn doorgaans voldoende voor regelmatig bijslijpen. Als de zaagketting meerdere malen is bijgeslepen, laat u deze een keer slijpen door een in ons erkende servicecentrum.

**Criteria bij het slijpen:**

**⚠ WAARSCHUWING:** Een buitensporige afstand tussen de zaagsnijrand en de dieptevoeler vergroot de kans op terugslag.

► **Fig.26:** 1. Lengte van het mes 2. Afstand tussen de zaagsnijrand en de dieptevoeler 3. Minimumlengte van het mes (3 mm)

- Alle messen moeten gelijk van lengte zijn. Door een verschillende lengten van messen kan de zaagketting niet gelijkmatig lopen en kan de zaagketting breken.
- Slijp de zaagketting niet verder als de lengte van de messen 3 mm of korter is. De zaagketting moet worden vervangen door een nieuwe.
- De dikte van spaanders wordt bepaald door de afstand tussen de zaagsnijrand en de dieptevoeler (ronde neus).

- De beste zaagresultaten verkrijgt u met de volgende afstand tussen de zaagsnijrand en de dieptevoeler.

- Kettingmes 80TXL: 0,65 mm

► **Fig.27**

- De slijphoek van 30° moet voor alle messen gelijk zijn. Bij verschillende slijphoeken zal de zaagketting ruw en ongelijkmatig lopen, de slijtage toemen en de zaagketting kunnen breken.
- Gebruik een geschikte ronde vijl tegen de tanden zodat een correcte slijphoek behouden blijft.
  - Kettingmes 80TXL: 55°

**Vijl en vijlbeweging**

- Gebruik een speciale ronde zaagkettinvijl (optioneel accessoire) voor het slijpen van de ketting. Een gewone ronde vijl is niet geschikt.
- De doorsnede van de ronde vijl voor elke zaagketting is als volgt:
  - Kettingmes 80TXL: 4,0 mm
- De vijl mag het mes alleen in voorwaartse richting raken. Haal de vijl van het mes voor de terugwaartse beweging.
- Slijp eerst het kortste mes. De lengte van dit mes wordt dan de maatstaf voor alle andere messen op de zaagketting.
- Beweeg de vijl zoals aangegeven in de afbeelding.

► **Fig.28:** 1. Vijl 2. Zaagketting

- De vijl kan gemakkelijker worden bewogen als een vijlhouder (optioneel accessoire) wordt gebruikt. Op de vijlhouder staan merktekens voor de juiste slijphoek van 30° (lijn de merktekens parallel uit met de zaagketting) en beperkt de diepte waartoe de vijl doordringt (tot 4/5 van de vijldiameter).

► **Fig.29:** 1. Vijlhouder

- Nadat de zaagketting is geslepen, controleert u de hoogte van de dieptevoeler met behulp van het kettingsmeetgereedschap (optioneel accessoire).

► **Fig.30**

- Verwijder eventueel uitstekend materiaal, ongeacht hoe klein, met een speciale vlakke vijl (optioneel accessoire).
- Maak de voorkant van de dieptevoeler weer rond.

## Het zaagblad schoonmaken

Spaanders en zaagsel zullen zich in de groef van het zaagblad ophopen. Deze kunnen de groef verstopen en de oliestroom belemmeren. Verwijder de spaanders en het zaagsel elke keer wanneer u de zaagketting slijpt of vervangt.

► **Fig.31**

## De afdekking van het kettingwiel schoonmaken

Spaanders en zaagsel zullen zich binnenin de afdekking van het kettingwiel ophopen. Verwijder de afdekking van het kettingwiel en de zaagketting vanaf het gereedschap, en verwijder vervolgens de spaanders en het zaagsel.

► **Fig.32**

## De olie-uitstroomopening schoonmaken

Kleine vuil- of stofdeeltjes kunnen zich tijdens gebruik ophopen in de olie-uitstroomopening. Deze vuil- of stofdeeltjes kunnen het uitstromen van de olie belemmeren waardoor de hele zaagketting onvoldoende wordt gesmeerd. Wanneer onvoldoende toevoer van kettinolie optreedt aan het uiteinde van het zaagblad, maakt u de olie-uitstroomopening als volgt schoon.

1. Verwijder de afdekking van het kettingwiel en de zaagketting vanaf het gereedschap.
2. Verwijder de kleine vuil- of stofdeeltjes met een platkopschroevendraaier of iets dergelijks.

► **Fig.33:** 1. Platkopschroevendraaier  
2. Olie-uitstroomopening

3. Plaats de accu in het gereedschap. Knijp de trekverschakelaar in om opgehoopte vuil- en stofdeeltjes uit de olie-uitstroomopening te persen door kettinolie eruit te laten stromen.
4. Verwijder de accu vanaf het gereedschap. Monteer de afdekking van het kettingwiel en het zaagblad met de zaagketting weer op het gereedschap.

## Het kettingwiel vervangen

**⚠ LET OP:** Een versleten kettingwiel zal de nieuwe zaagketting beschadigen. Laat in dat geval het kettingwiel vervangen.

Controleer de staat van het kettingwiel voordat u een nieuwe zaagketting monteert.

► **Fig.34:** 1. Kettingwiel 2. Plaatsen die slijten

Monteer bij het vervangen van het kettingwiel altijd een nieuwe borgring.

► **Fig.35:** 1. Borgring 2. Kettingwiel

**KENNISGEVING:** Verzeker u ervan dat het kettingwiel wordt gemonteerd zoals aangegeven in de afbeelding.

## Het gereedschap opbergen

1. Maak het gereedschap schoon voordat u het opbergt. Haal de afdekking van het kettingwiel eraf en verwijder alle spaanders en zaagsel vanaf het gereedschap.
2. Laat na het schoonmaken het gereedschap onbelast draaien om de zaagketting en het zaagblad te smeren.
3. Plaats de zaagbladschede over het zaagblad.
4. Maak de olietank leeg.

## Instructies voor periodiek onderhoud

Om zeker te zijn van een lange levensduur, om schade te voorkomen en om zeker te zijn van de volledige werking van de veiligheidsvoorzieningen, moet het volgende onderhoud regelmatig worden uitgevoerd. Garantieclaims kunnen alleen worden geaccepteerd als deze werkzaamheden regelmatig en correct worden uitgevoerd. Als deze voorgeschreven onderhoudswerkzaamheden niet worden uitgevoerd, kan dat ongelukken veroorzaken! De gebruiker van het gereedschap mag echter geen werkzaamheden uitvoeren die niet worden beschreven in de gebruiksaanwijzing. Dergelijke werkzaamheden moeten worden uitgevoerd door ons erkende servicecentrum.

Controlepunt / Bedrijfstijd		Vóór het gebruik	Elke dag	Elke week	Elke 3 maanden	Jaarlijks	Vóór opbergen
Complete gereedschap	Inspecteren.	✓	-	-	-	-	-
	Schoonmaken.	-	✓	-	-	-	-
	Laten controleren door een erkend servicecentrum.	-	-	-	-	✓	✓
Zaagketting	Inspecteren.	✓	-	-	-	-	-
	Slijpen indien nodig.	-	-	-	-	-	✓
Zaagblad	Inspecteren.	✓	✓	-	-	-	-
	Verwijderen vanaf het gereedschap.	-	-	-	-	-	✓
Kettingsmering	Controleren van de olietoevoersnelheid.	✓	-	-	-	-	-
Trekverschakelaar	Inspecteren.	✓	-	-	-	-	-
Uit-vergrendelknop	Inspecteren.	✓	-	-	-	-	-
Olietankdop	Controleren op vastzitten.	✓	-	-	-	-	-
Bouten en moeren	Inspecteren.	-	-	✓	-	-	-

# PROBLEMEN OPLOSSEN

Alvorens u verzoekt om reparatie, kunt u zelf als volgt het probleem opsporen en oplossen. Als u met een probleem kampt dat in deze handleiding niet wordt beschreven, probeer dan niet het gereedschap te demonteren. Laat reparaties over aan een erkend Makita-servicecentrum, uitsluitend met gebruik van originele Makita-ervangingsonderdelen.

Symptoom of storing	Oorzaak	Handeling
Het gereedschap start niet.	De accu is niet geplaatst.	Plaats een opgeladen accu.
	Probleem met de accu (onvoldoende spanning).	Laad de accu op. Als het opladen geen verbetering brengt, vervangt u de accu door een nieuwe.
De motor slaat al na korte tijd af.	De lading van de accu is bijna op.	Laad de accu op. Als het opladen geen verbetering brengt, vervangt u de accu door een nieuwe.
Geen olie op de zaagketting.	De olietank is leeg.	Vul de olietank.
	De olietoevoergroef is verstopt.	Maak de groef schoon.
Het gereedschap bereikt niet zijn maximumtoerental.	De accu is verkeerd aangebracht.	Breng de accu aan zoals beschreven in deze handleiding.
	De accuspanning wordt minder.	Laad de accu op. Als het opladen geen verbetering brengt, vervangt u de accu door een nieuwe.
	Het aandrijfsysteem werkt niet goed.	Vraag een erkend servicecentrum in uw regio het gereedschap te repareren.
Abnormale trillingen: <b>Schakel onmiddellijk het gereedschap uit!</b>	Losgeraakt zaagblad of zaagketting.	Stel het zaagblad en de kettingspanning af.
	Het gereedschap is defect.	Vraag een erkend servicecentrum in uw regio het gereedschap te repareren.
De zaagketting kan niet worden aangebracht.	De combinatie van zaagketting en kettingwiel is niet juist.	Gebruik de juiste combinatie van zaagketting en kettingwiel door het hoofdstuk met technische gegevens te raadplegen.

## OPTIONELE ACCESSOIRES

**⚠ LET OP:** Deze accessoires of hulpstukken worden aanbevolen voor gebruik met het Makita gereedschap dat in deze gebruiksaanwijzing is beschreven. Bij gebruik van andere accessoires of hulpstukken bestaat het gevaar van persoonlijke letsel. Gebruik de accessoires of hulpstukken uitsluitend voor hun bestemde doel.

Wenst u meer bijzonderheden over deze accessoires, neem dan contact op met het plaatselijke Makita-servicecentrum.

- Zaagketting
- Zaagblad
- Zaagbladschede
- Vijl
- Gereedschapszak
- Originele Makita-accu en -acculader

**OPMERKING:** Sommige items op de lijst kunnen zijn inbegrepen in de doos van het gereedschap als standaard toebehoren. Deze kunnen van land tot land verschillen.



## ESPECIFICACIONES

<b>Modelo:</b>		<b>UC100D</b>
Longitud total (sin placa guía ni batería)		350 mm
Tensión nominal		10,8 V - 12 V CC máx.
Peso neto	*1	1,0 kg
	*2	1,5 - 1,6 kg
Longitud de la placa de guía estándar		100 mm
Longitud recomendada de la barra de guía		100 mm
Tipo de cadena de sierra aplicable (consulte la tabla de abajo)		80TXL
Piñón	Número de dientes	7
	Paso	0,325"
Velocidad de la cadena		0 - 8,0 m/s (0 - 480 m/min)
Volumen del depósito de aceite de la cadena		55 cm <sup>3</sup>

• Debido a nuestro continuado programa de investigación y desarrollo, las especificaciones aquí dadas están sujetas a cambios sin previo aviso.

• Las especificaciones pueden ser diferentes de país a país.

\*1: Peso, sin la cadena de sierra, placa de guía, cubierta de la placa de guía, aceite ni cartucho (o cartuchos) de batería.

\*2: La combinación de peso más ligera y la más pesada de acuerdo con el procedimiento EPTA 01/2014. El peso puede variar dependiendo del accesorio (o accesorios), incluyendo el cartucho (o cartuchos) de batería.

### Combinación de cadena de sierra, placa de guía, y piñón

<b>Tipo de cadena de sierra</b>		<b>80TXL</b>
Número de eslabones de arrastre		26
Placa de guía	Longitud de la placa de guía	100 mm
	Longitud de corte	111 mm
	Paso	0,325"
	Calibre	1,1 mm
	Tipo	Placa de morro rígido
Piñón	Número de dientes	7
	Paso	0,325"

**⚠ ADVERTENCIA:** Utilice la combinación apropiada de placa de guía y cadena de sierra. De lo contrario podrá resultar en heridas personales.

### Cartucho de batería y cargador aplicables

Cartucho de batería	BL1016 / BL1021B / BL1041B
Cargador	DC10SA / DC10SB / DC10WC / DC10WD / DC18RE

• Algunos de los cartuchos de batería y cargadores indicados arriba puede que no estén disponibles dependiendo de su región de residencia.

**⚠ ADVERTENCIA:** Utilice solamente los cartuchos de batería y cargadores listados arriba. La utilización de cualquier otro cartucho de batería y cargador puede ocasionar heridas y/o un incendio.

## Símbolos

A continuación se muestran los símbolos que pueden ser utilizados para el equipo. Asegúrese de que entienda su significado antes de utilizar.



Lea el manual de instrucciones.



Póngase gafas de seguridad y protección para los oídos.



Utilice siempre las dos manos cuando opere la herramienta.



Tenga cuidado con el retroceso brusco y evite el contacto con la punta de la placa.



No exponga a la humedad.



Longitud de corte permitida máxima



Dirección de desplazamiento de la cadena



Sólo para países de la Unión Europea  
Debido a la presencia de componentes peligrosos en el equipo, el equipo eléctrico y electrónico, los acumuladores y las baterías desechados pueden tener un impacto negativo para el medioambiente y la salud humana.

¡No tire los aparatos eléctricos y electrónicos ni las baterías junto con los residuos domésticos!

De conformidad con las Directivas Europeas sobre residuos de aparatos eléctricos y electrónicos y sobre acumuladores y baterías, así como la adaptación de las mismas a la ley nacional, el equipo eléctrico, las baterías y los acumuladores desechados deberán ser almacenados por separado y trasladados a un punto distinto de recogida de desechos municipales, que cumpla con los reglamentos sobre protección medioambiental.

Esto se indica mediante el símbolo de cubo de basura tachado colocado en el equipo.



Nivel de potencia del sonido garantizado de acuerdo con la Directiva UE sobre ruido ambiental.



Nivel de potencia del sonido de acuerdo con el reglamento para el control de ruido en NSW, Australia

## Uso previsto

Esta herramienta ha sido prevista para cortar ramas de árboles o arbustos mediante una cadena de sierra.

## Ruido

El nivel de ruido A-ponderado típico determinado de acuerdo con la norma EN62841-4-1:

Nivel de presión sonora ( $L_{pA}$ ): 79 dB (A)

Nivel de potencia sonora ( $L_{WA}$ ): 87 dB (A)

Error (K): 3 dB (A)

**NOTA:** El valor (o los valores) de emisión de ruido declarado ha sido medido de acuerdo con un método de prueba estándar y se puede utilizar para comparar una herramienta con otra.

**NOTA:** El valor (o valores) de emisión de ruido declarado también se puede utilizar en una valoración preliminar de exposición.

**⚠ADVERTENCIA:** Póngase protectores para oídos.

**⚠ADVERTENCIA:** La emisión de ruido durante la utilización real de la herramienta eléctrica puede variar del valor (o los valores) de emisión declarado dependiendo de las formas en las que la herramienta sea utilizada, especialmente qué tipo de pieza de trabajo se procesa.

**⚠ADVERTENCIA:** Asegúrese de identificar medidas de seguridad para proteger al operario que estén basadas en una estimación de la exposición en las condiciones reales de utilización (teniendo en cuenta todas las partes del ciclo operativo como las veces cuando la herramienta está apagada y cuando está funcionando en vacío además del tiempo de gatillo).

## Vibración

El valor total de la vibración (suma de vectores triaxiales) determinado de acuerdo con la norma EN62841-4-1:

Modo de trabajo: corte de madera

Emisión de vibración ( $a_{h,W}$ ): 4,8 m/s<sup>2</sup>

Error (K): 1,5 m/s<sup>2</sup>

**NOTA:** El valor (o los valores) total de emisión de vibración declarado ha sido medido de acuerdo con un método de prueba estándar y se puede utilizar para comparar una herramienta con otra.

**NOTA:** El valor (o los valores) total de emisión de vibración declarado también se puede utilizar en una valoración preliminar de exposición.

**⚠ADVERTENCIA:** La emisión de vibración durante la utilización real de la herramienta eléctrica puede variar del valor (o los valores) de emisión declarado dependiendo de las formas en las que la herramienta sea utilizada, especialmente qué tipo de pieza de trabajo se procesa.

**⚠ADVERTENCIA:** Asegúrese de identificar medidas de seguridad para proteger al operario que estén basadas en una estimación de la exposición en las condiciones reales de utilización (teniendo en cuenta todas las partes del ciclo operativo como las veces cuando la herramienta está apagada y cuando está funcionando en vacío además del tiempo de gatillo).

## Declaraciones de conformidad

**Para países europeos solamente**

Las declaraciones de conformidad están incluidas como Anexo A de este manual de instrucciones.

# ADVERTENCIAS DE SEGURIDAD

## Advertencias de seguridad para herramientas eléctricas en general

**⚠ADVERTENCIA** Lea todas las advertencias de seguridad, instrucciones, ilustraciones y especificaciones provistas con esta herramienta eléctrica. Si no sigue todas las instrucciones indicadas abajo, podrá resultar en una descarga eléctrica, un incendio y/o heridas graves.

## Guarde todas las advertencias e instrucciones para futuras referencias.

El término "herramienta eléctrica" en las advertencias se refiere a su herramienta eléctrica de funcionamiento con conexión a la red eléctrica (con cable) o herramienta eléctrica de funcionamiento a batería (sin cable).

## Advertencias de seguridad generales para la sierra para podar

- Mantenga todas las partes del cuerpo alejadas de la cadena de sierra cuando la sierra para podar esté puesta en marcha. Antes de poner en marcha la sierra para podar, asegúrese de que la cadena de sierra no está en contacto con ninguna cosa.** Un momento de desatención mientras se están utilizando sierras para podar puede dar lugar a que la cadena de sierra se enrede en sus ropas o cuerpo.
- Sujete siempre la sierra para podar con una mano en la empuñadura trasera y la otra mano en la empuñadura auxiliar.**
- Sujete la sierra para podar por las superficies de asimiento aisladas solamente, porque la cadena de sierra puede entrar en contacto con cableado oculto.** El contacto de la cadena de sierra con un cable con corriente podrá hacer que la corriente circule por las partes metálicas expuestas de la sierra para podar y podrá soltar una descarga eléctrica al operario.
- Utilice protección para los ojos. También es recomendable utilizar equipo protector para los oídos, la cabeza, las manos, las piernas y los pies.** El equipo de protección adecuado reducirá las heridas personales debidas a los restos que salen despedidos o al contacto accidental con la cadena de sierra.
- No utilice la sierra para podar subido a un árbol, en una escalera de mano, en un tejado, ni sobre ningún apoyo inestable.** La utilización de una sierra para podar de esta manera podrá resultar en heridas personales graves.
- Mantenga siempre los pies sobre suelo firme y opere la sierra para podar solamente cuando se encuentre sobre una superficie fija, segura y nivelada.** Las superficies resbaladizas o inestables pueden ocasionar una pérdida del equilibrio o del control de la sierra para podar.
- Cuando corte una rama que esté bajo tensión, manténgase alerta por si retrocede de repente.** Cuando se libera la tensión en las fibras de la madera, la rama bajo tensión puede golpear al operario y/o descontrolar la sierra para podar.
- Extreme las precauciones cuando corte maleza y árboles jóvenes.** El material delgado puede engancharse en la cadena de sierra y producir un latigazo hacia usted o hacerle perder el equilibrio.
- Transporte la sierra para podar estando apagada y alejada de su cuerpo. Cuando transporte o almacene la sierra para podar, coloque siempre la cubierta de la placa guía.** Un manejo correcto de la sierra para podar reducirá la posibilidad de un contacto accidental con la cadena de sierra en movimiento.
- Siga las instrucciones para lubricar, tensar la cadena y cambiar la barra y la cadena.** Una cadena tensada o lubricada incorrectamente podrá romperse o aumentar la probabilidad de que se produzca un retroceso brusco.
- Corte madera solamente. No utilice la sierra para podar con fines para los que no ha sido prevista. Por ejemplo: no utilice la sierra para podar para cortar metal, plástico, mampostería ni materiales de construcción que no sean de madera.** La utilización de la sierra para podar para operaciones diferentes de las previstas podrá resultar en una situación peligrosa.
- Esta sierra para podar no ha sido prevista para talar árboles.** La utilización de la sierra para podar para operaciones diferentes de las previstas podrá resultar en heridas graves al operario o los transeúntes.
- Siga todas las instrucciones cuando despeje material atascado, y cuando almacene o haga el servicio a la sierra para podar. Asegúrese de que el interruptor está desactivado y que la batería ha sido retirada.**
- Causas y prevención de retrocesos bruscos:** El retroceso brusco puede ocurrir cuando el morro o la punta de la placa de guía toca un objeto, o cuando la madera se cierra y aprisiona la cadena de sierra en la hendidura del corte. El contacto de la punta puede ocasionar en algunos casos una reacción brusca hacia atrás, golpeando la placa de guía hacia arriba y hacia atrás en dirección del operario. El aprisionamiento de la cadena de sierra a lo largo de la parte superior de la placa de guía puede empujar la placa de guía rápidamente hacia atrás en dirección del operario. Cualquiera de estas reacciones puede hacerle perder el control de la sierra y resultar en heridas personales graves. No dependa exclusivamente de los dispositivos de seguridad incorporados en la sierra. Como usuario de una sierra para podar, deberá tomar varias medidas para mantener sus tareas de corte libres de accidentes o heridas. El retroceso brusco es el resultado de un mal uso de la sierra para podar y/o procedimientos o condiciones de operación incorrectos y se puede evitar tomando las precauciones debidas como se indica abajo:

- **Mantenga la sierra para podar sujeta firmemente, con los pulgares y los dedos rodeando las empuñaduras de la sierra, con ambas manos en la sierra y posicionando su cuerpo y brazos de forma que pueda resistir las fuerzas del retroceso brusco.** El operario puede controlar las fuerzas del retroceso brusco tomando las precauciones apropiadas. No suelte la sierra para podar.
- Fig.1
- **No corte donde no llegue ni a una altura superior a la de sus hombros.** Esto le ayudará a evitar que la punta toque algo sin querer y le permitirá controlar mejor la sierra para podar en situaciones inesperadas.
  - **Utilice solamente placas de guía y cadenas de sierra de repuesto especificadas por el fabricante.** Las placas de guía y las cadenas de sierra de repuesto incorrectas pueden ocasionar la rotura de la cadena y/o retrocesos bruscos.
  - **Siga las instrucciones de afilado y mantenimiento del fabricante para la cadena de sierra.** La disminución de la altura del calibre de profundidad puede ocasionar un aumento de los retrocesos bruscos.
15. **Siga todas las instrucciones cuando despeje material atascado, y cuando almacene o haga el servicio a la sierra para podar. Asegúrese de que el interruptor está desactivado y que la batería ha sido retirada.**

## Instrucciones de seguridad adicionales

### Equipo de protección personal

1. La ropa debe estar ceñida al cuerpo, pero no debe obstruir la movilidad.
2. Póngase la ropa de protección siguiente durante el trabajo:
  - Un casco de seguridad homologado, si hay riesgo de que caigan ramas o similares;
  - Un pantalla facial o gafas de protección;
  - Protección apropiada para los oídos (orejeras, tapones para los oídos). Análisis de banda de octava a petición.
  - Guantes de seguridad de cuero resistente;
  - Pantalones largos fabricados con tejido fuerte;
  - Overol de protección de tejido resistente a los cortes;
  - Zapatos o botas de seguridad con suelas antideslizantes, puntas de acero, y forro de tejido resistentes a los cortes;
  - Una máscara respiratoria, cuando se haga trabajo que produzca polvo (por ejemplo, aserrar madera seca).

### Operación

1. **Antes de comenzar a trabajar, compruebe que la herramienta está en perfecto estado de funcionamiento y que su condición cumple con los reglamentos de seguridad. Compruebe especialmente que:**
  - El freno de retención está funcionando debidamente;
  - La placa y la cubierta del piñón están colocadas correctamente;

- La cadena ha sido afilada y tensada de acuerdo con los reglamentos.
2. **No ponga en marcha la herramienta con la cubierta de la cadena instalada en ella.** Si pone en marcha la herramienta con la cubierta de la cadena instalada en ella, la cubierta de la cadena podrá salir despedida hacia adelante resultando en heridas personales y daños a objetos alrededor del operario.
  3. **No se ponga directamente debajo de la rama que está cortando. Preste atención a las ramas que caen.**
  4. **No opere la herramienta con mal tiempo o si hay riesgo de relámpagos.**
  5. **Cuando utilice la herramienta en suelo enlodado, pendiente mojada, o lugar resbaladizo, preste atención a donde pisa.**

### Seguridad eléctrica y de la batería

1. **Evite los entornos peligrosos. No utilice la herramienta en lugares húmedos o mojados ni la esponja a la lluvia.** La entrada de agua en la herramienta aumentará el riesgo de que se produzca una descarga eléctrica.
2. **No deseché la batería(s) arrojándola al fuego.** La célula puede explotar. Compruebe los códigos locales por si hay instrucciones para el posible desecho especial.
3. **No abra o mutile la batería(s).** El electrolito liberado es corrosivo y puede ocasionar daño a los ojos o la piel. Puede ser tóxico si se traga.
4. **No cargue la batería bajo la lluvia, o en lugares mojados.**
5. **No cargue la batería en exteriores.**
6. **No maneje el cargador, incluida la clavija del cargador, y los terminales del cargador con las manos mojadas.**
7. **No reemplace la batería con las manos mojadas.**
8. **No deje la batería en la lluvia, ni cargue, utilice, o almacene la batería en un lugar húmedo o mojado.**
9. **No moje el terminal de la batería con líquido como agua, ni sumerja la batería.** Si el terminal se moja o si entra líquido al interior de la batería, la batería podrá cortocircuitarse y existe el riesgo de recalentamiento, incendio, o explosión.
10. **Después de retirar la batería de la máquina o del cargador, asegúrese de colocar la cubierta de la batería en la batería y guárdela en un lugar seco.**
11. **Si el cartucho de batería se moja, retire el agua del interior y después límpielo con un paño seco. Seque el cartucho de batería completamente en un lugar seco antes de utilizarlo.**

## GUARDE ESTAS INSTRUCCIONES.

**⚠ADVERTENCIA:** NO deje que la comodidad o familiaridad con el producto (a base de utilizarlo repetidamente) sustituya la estricta observancia de las normas de seguridad para el producto en cuestión. El MAL USO o el no seguir las normas de seguridad establecidas en este manual de instrucciones podrá ocasionar heridas personales graves.

## Instrucciones de seguridad importantes para el cartucho de batería

1. **Antes de utilizar el cartucho de batería, lea todas las instrucciones e indicaciones de precaución sobre (1) el cargador de baterías, (2) la batería, y (3) el producto con el que se utiliza la batería.**
2. **No desensamble ni manipule el cartucho de batería.** Podrá resultar en un incendio, calor excesivo, o una explosión.
3. **Si el tiempo de uso se acorta demasiado, cese la operación inmediatamente.** Podría resultar en un riesgo de recalentamiento, posibles quemaduras e incluso una explosión.
4. **Si entra electrólito en sus ojos, aclárelos con agua limpia y acuda a un médico inmediatamente.** Existe el riesgo de poder perder la vista.
5. **No cortocircuite el cartucho de batería:**
  - (1) **No toque los terminales con ningún material conductor.**
  - (2) **Evite guardar el cartucho de batería en un cajón junto con otros objetos metálicos, como clavos, monedas, etc.**
  - (3) **No exponga el cartucho de batería al agua ni a la lluvia.**

Un cortocircuito en la batería puede producir una gran circulación de corriente, un recalentamiento, posibles quemaduras e incluso una rotura de la misma.
6. **No guarde ni utilice la herramienta y el cartucho de batería en lugares donde la temperatura pueda alcanzar o exceder los 50 °C.**
7. **Nunca incinere el cartucho de batería incluso en el caso de que esté dañado seriamente o ya no sirva en absoluto. El cartucho de batería puede explotar si se tira al fuego.**
8. **No clave, corte, aplaste, lance, deje caer el cartucho de batería, ni golpee contra un objeto duro el cartucho de batería.** Tal conducta podrá resultar en un incendio, calor excesivo, o una explosión.
9. **No utilice una batería dañada.**
10. **Las baterías de litio-ion contenidas están sujetas a los requisitos de la Legislación para Materiales Peligrosos.**

Para transportes comerciales, p.ej., por terceras personas y agentes de transportes, se deberán observar requisitos especiales para el empaquetado y etiquetado.

Para la preparación del artículo que se va a enviar, se requiere consultar con un experto en materiales peligrosos. Por favor, observe también la posibilidad de reglamentos nacionales más detallados.

Cubra con cinta aislante o enmascare los contactos expuestos y empaquete la batería de tal manera que no se pueda mover alrededor dentro del embalaje.
11. **Para desechar el cartucho de batería, retírelo de la herramienta y deséchelo en un lugar seguro. Siga los reglamentos locales referentes al desecho de la batería.**
12. **Utilice las baterías solamente con los productos especificados por Makita.** La instalación de las baterías en productos no compatibles puede resultar en un incendio, calor excesivo, explosión, o fuga de electrolito.
13. **Si la herramienta no va a ser utilizada durante un periodo de tiempo largo, la batería deberá ser retirada de la herramienta.**
14. **Durante y después de la utilización, el cartucho de batería podrá acumular calor, lo cual puede ocasionar quemaduras o quemaduras de baja temperatura. Preste atención al manejo de cartuchos de batería calientes.**
15. **No toque el terminal de la herramienta inmediatamente después de utilizar, dado que puede calentarse lo suficiente como para ocasionar quemaduras.**
16. **No permita que virutas, polvo, o tierra se adhieran dentro de los terminales, orificios, y ranuras del cartucho de batería.** Esto podría ocasionar calentamiento, que coja fuego, reviente y un mal funcionamiento de la herramienta o el cartucho de batería, resultando en quemaduras o heridas personales.
17. **A menos que la herramienta pueda utilizarse cerca de cables eléctricos de alta tensión, no utilice el cartucho de batería cerca de cables eléctricos de alta tensión.** Podrá resultar en un mal funcionamiento o rotura de la herramienta o el cartucho de batería.
18. **Mantenga la batería alejada de los niños.**

## GUARDE ESTAS INSTRUCCIONES.

**⚠PRECAUCIÓN:** Utilice solamente baterías genuinas de Makita. La utilización de baterías no genuinas de Makita, o baterías que han sido alteradas, puede resultar en una explosión de la batería ocasionando incendios, heridas personales y daños. También anulará la garantía de Makita para la herramienta y el cargador de Makita.

## Consejos para alargar al máximo la vida de servicio de la batería

1. **Cargue el cartucho de batería antes de que se descargue completamente. Detenga siempre la operación y cargue el cartucho de batería cuando note menos potencia en la herramienta.**
2. **No cargue nunca un cartucho de batería que esté completamente cargado. La sobrecarga acortará la vida de servicio de la batería.**
3. **Cargue el cartucho de batería a temperatura ambiente de 10 °C - 40 °C. Si un cartucho de batería está caliente, déjelo enfriar antes de cargarlo.**
4. **Cuando no esté utilizando el cartucho de batería, retírelo de la herramienta o del cargador.**

# DESCRIPCIÓN DE LAS PARTES

► Fig.2

1	Empuñadura auxiliar	2	Cubierta de seguridad	3	Cadena de sierra
4	Placa de guía	5	Tapón del depósito de aceite	6	Cubierta de la placa de guía
7	Cubierta del piñón	8	Palanca de desbloqueo	9	Empuñadura trasera
10	Gatillo interruptor	11	Palanca	12	Cartucho de batería

## DESCRIPCIÓN DEL FUNCIONAMIENTO

**⚠ PRECAUCIÓN:** Asegúrese siempre de que la herramienta está apagada y el cartucho de batería retirado antes de realizar cualquier ajuste o comprobación en la herramienta.

### Instalación o extracción del cartucho de batería

**⚠ PRECAUCIÓN:** Apague siempre la herramienta antes de instalar o retirar el cartucho de batería.

**⚠ PRECAUCIÓN:** Sujete la herramienta y el cartucho de batería firmemente cuando instale o retire el cartucho de batería. Si no sujeta la herramienta y el cartucho de batería firmemente podrán caérsele de las manos y resultar en daños a la herramienta y al cartucho de batería y heridas personales.

► Fig.3: 1. Indicador rojo 2. Botón 3. Cartucho de batería

Para retirar el cartucho de batería, deslícelo de la herramienta mientras desliza el botón de la parte frontal del cartucho.

Para instalar el cartucho de batería, alinee la lengüeta del cartucho de batería con la ranura del alojamiento y deslícelo al interior hasta encajarlo en su sitio. Insértelo por completo hasta que se bloquee en su sitio con un pequeño chasquido. Si puede ver el indicador rojo como se muestra en la figura, no estará bloqueado completamente.

**⚠ PRECAUCIÓN:** Instale siempre el cartucho de batería completamente hasta que no pueda verse el indicador rojo. En caso contrario, podrá caerse accidentalmente de la herramienta y ocasionarle heridas a usted o a alguien que esté cerca de usted.

**⚠ PRECAUCIÓN:** No instale el cartucho de batería empleando fuerza. Si el cartucho no se desliza al interior fácilmente, será porque no está siendo insertado correctamente.

## Modo de indicar la capacidad de batería restante

*Solamente para cartuchos de batería con el indicador*

► Fig.4: 1. Lámparas indicadoras 2. Botón de comprobación

Presione el botón de comprobación en el cartucho de batería para indicar la capacidad de batería restante. Las lámparas indicadoras se iluminan durante unos pocos segundos.

Lámparas de indicación		Capacidad restante
Iluminada	Apagada	
■ ■ ■ ■	□	75% a 100%
■ ■ ■ □	□	50% a 75%
■ ■ □ □	□ □	25% a 50%
■ □ □ □	□ □ □ □	0% a 25%

**NOTA:** Dependiendo de las condiciones de utilización y de la temperatura ambiente, la indicación podrá variar ligeramente de la capacidad real.

## Sistema de protección de la herramienta / batería

La herramienta está equipada con un sistema de protección de la herramienta/batería. Este sistema corta automáticamente la alimentación al motor para alargar la vida de servicio de la herramienta y la batería. La herramienta se detendrá automáticamente durante la operación si la herramienta o la batería es puesta en una de las condiciones siguientes:

### Sobrecargada:

La herramienta es utilizada de una manera que hace que tenga que absorber una corriente anormalmente alta. En esta situación, apague la herramienta y detenga la aplicación que ocasiona la sobrecarga de la herramienta. Después encienda la herramienta para volver a empezar. Si la herramienta no se pone en marcha, la batería estará recalentada. En esta situación, deje que la batería se enfríe antes de encender la herramienta otra vez.

### Tensión baja en la batería:

La capacidad de batería restante es muy baja y la herramienta no funcionará. Si enciende la herramienta, el motor se pondrá en marcha otra vez pero se parará en seguida. En esta situación, retire la batería y vuelva a cargarla.

## Accionamiento del interruptor

**⚠️ ADVERTENCIA:** Por su propia seguridad, esta herramienta está equipada con la palanca de desbloqueo que evita que la herramienta sea puesta en marcha involuntariamente. No utilice NUNCA la herramienta si se pone en marcha cuando usted simplemente aprieta el gatillo interruptor sin presionar la palanca de desbloqueo. Lleve la herramienta a nuestro centro de servicio autorizado para que le hagan las reparaciones apropiadas ANTES de seguir utilizándola.

**⚠️ ADVERTENCIA:** NUNCA sujete con cinta adhesiva o anule el propósito o la función de la palanca de desbloqueo.

**⚠️ PRECAUCIÓN:** Antes de insertar el cartucho de batería en la herramienta, compruebe siempre para cerciorarse de que el gatillo interruptor se acciona debidamente y que vuelve a la posición "OFF" cuando lo suelta.

**AVISO:** No apriete con fuerza el gatillo interruptor sin presionar la palanca de desbloqueo. Esto puede ocasionar la rotura del interruptor.

Para evitar que el gatillo interruptor pueda ser apretado accidentalmente, se ha provisto una palanca de desbloqueo. Para poner en marcha la herramienta, presione hacia dentro la palanca de desbloqueo y apriete el gatillo interruptor. Suelte el gatillo interruptor para parar.

► **Fig.5:** 1. Gatillo interruptor 2. Palanca de desbloqueo

## Comprobación del freno de retención

**⚠️ PRECAUCIÓN:** Si la cadena de sierra no se detiene en unos pocos segundos en esta prueba, deje de utilizar la herramienta y consulte con nuestro centro de servicio autorizado.

Ponga en marcha la herramienta, y después suelte el gatillo interruptor completamente. La cadena de sierra deberá detenerse en unos pocos segundos.

## MONTAJE

**⚠️ PRECAUCIÓN:** Asegúrese siempre de que la herramienta está apagada y el cartucho de batería retirado antes de realizar cualquier trabajo en la herramienta.

**⚠️ PRECAUCIÓN:** No toque la cadena de sierra con las manos desnudas. Póngase siempre guantes cuando maneje la cadena de sierra.

## Desinstalación o instalación de la cadena de sierra

**⚠️ PRECAUCIÓN:** La cadena de sierra y la placa de guía estarán todavía calientes justo después de la operación. Déjelas enfriar suficientemente antes de llevar a cabo cualquier trabajo en la herramienta.

**⚠️ PRECAUCIÓN:** Realice el procedimiento de instalación o desmontaje de la cadena de sierra en un lugar limpio y libre de serrín y similares.

## Desmontaje de la cadena de sierra

Para quitar la cadena de sierra, realice los pasos siguientes:

1. Tire de la palanca hacia arriba.  
► **Fig.6:** 1. Palanca
2. Gire la palanca hacia la izquierda hasta que la cubierta del piñón se suelte.  
► **Fig.7:** 1. Cubierta del piñón 2. Palanca
3. Retire la cubierta del piñón, y después retire la cadena de sierra y la placa guía del cuerpo de la herramienta.

## Instalación de la cadena de sierra

Para instalar la cadena de sierra, realice los pasos siguientes:

1. Tire de la palanca hacia arriba.  
► **Fig.8:** 1. Palanca
  2. Gire la palanca hacia la izquierda hasta que la cubierta del piñón se suelte.  
► **Fig.9:** 1. Palanca 2. Cubierta del piñón
  3. Retire la cubierta del piñón.
  4. Alinee el agujero de la placa guía con el pasador del cuerpo de la herramienta, y después coloque la placa guía como se muestra en la figura.  
► **Fig.10:** 1. Placa guía 2. Agujero 3. Pasador
  5. Deslice la placa guía hacia el piñón para bloquear el pasador.  
► **Fig.11:** 1. Placa guía 2. Pasador
  6. Retire la placa guía del cuerpo de la herramienta.
  7. Compruebe la dirección de la cadena de sierra. Haga coincidir la dirección de la cadena de sierra con la de la marca en el cuerpo de la herramienta.  
► **Fig.12:** 1. Marca en el cuerpo de la herramienta
  8. Encaje un extremo de la cadena de sierra encima de la placa de guía.
  9. Encaje el otro extremo de la cadena de sierra alrededor del piñón, después coloque la placa guía en el cuerpo de la herramienta de manera que el agujero de la placa guía esté alineado con el pasador del cuerpo de la herramienta.  
► **Fig.13:** 1. Piñón
- Presione la placa guía contra el cuerpo de la herramienta para liberar el pasador. La tensión de la cadena de sierra se ajusta automáticamente.
- **Fig.14:** 1. Cadena de sierra 2. Pasador 3. Piñón

10. Coloque la cubierta del piñón de manera que el perno y el pasador del cuerpo de la herramienta coincidan con sus equivalentes en la cubierta del piñón.

► **Fig.15:** 1. Cubierta del piñón 2. Perno 3. Pasador

11. Gire la palanca hacia la derecha hasta que la cubierta del piñón esté sujeta y después devuélvala a la posición original.

► **Fig.16:** 1. Palanca 2. Cubierta del piñón

Asegúrese de que la cadena de sierra no se afloja y que se puede mover suavemente hacia atrás y hacia delante. Si es necesario, ajuste la tensión de la cadena de sierra consultando la sección para el ajuste de la tensión de la cadena de sierra.

## Ajuste de la tensión de la cadena de sierra

**⚠PRECAUCIÓN:** Una cadena muy floja puede saltar de la placa y causar heridas o un accidente.

La cadena de sierra se podrá aflojar después de muchas horas de utilización. De vez en cuando compruebe la tensión de la cadena de sierra antes de utilizarla.

Si la cadena de sierra está floja, ajuste la tensión de la cadena de sierra.

1. Tire de la palanca hacia arriba.

► **Fig.17:** 1. Palanca

2. Gire la palanca hacia la izquierda un poco para aflojar la cubierta del piñón ligeramente. La tensión de la cadena se ajusta automáticamente.

► **Fig.18:** 1. Cubierta del piñón 2. Palanca

3. Gire la palanca hacia la derecha hasta que la cubierta del piñón esté sujeta y después devuélvala a la posición original.

► **Fig.19:** 1. Palanca 2. Cubierta del piñón

## OPERACIÓN

### Lubricación

**⚠PRECAUCIÓN:** No utilice la herramienta cuando el depósito esté vacío. Rellene el aceite a su debido tiempo antes de que el depósito se vacíe.

**⚠PRECAUCIÓN:** Evite que el aceite entre en contacto con la piel y los ojos. El contacto con los ojos ocasiona irritación. En el caso de que haga contacto con los ojos, enjuague el ojo afectado inmediatamente con agua limpia, después consulte a un médico enseguida.

**⚠PRECAUCIÓN:** No utilice nunca aceite usado. El aceite usado contiene sustancias cancerígenas. Los contaminantes en el aceite usado ocasionan un desgaste acelerado de la bomba de aceite, la barra y la cadena. El aceite usado es dañino para el medioambiente.

**AVISO:** Cuando la herramienta sea utilizada por primera vez, puede que lleve hasta dos minutos para que el aceite de cadena de sierra comience a hacer su efecto lubricante en el mecanismo de la sierra. Haga funcionar la sierra sin carga hasta que haga el efecto.

**AVISO:** Cuando llene con aceite de cadena por primera vez, o rellene el depósito después de haber sido vaciado completamente, añada aceite hasta el borde inferior de la boca de llenado. De lo contrario el suministro de aceite se podrá obstaculizar.

**AVISO:** Utilice el aceite de cadena de sierra exclusivamente para herramientas Makita o aceite equivalente disponible en el comercio.

**AVISO:** No utilice nunca aceite que contenga polvo y partículas o aceite volátil.

**AVISO:** Cuando pade árboles, utilice aceite botánico. El aceite mineral puede dañar los árboles.

**AVISO:** Antes de realizar la operación de corte, asegúrese de que el tapón del depósito de aceite suministrado está roscado en su sitio.

La cadena de sierra se lubrica automáticamente cuando la herramienta está funcionando. Compruebe la cantidad restante de aceite en el depósito de aceite periódicamente a través de la ventanilla de inspección del aceite.

► **Fig.20:** 1. Ventanilla de inspección del aceite  
2. Tapón del depósito de aceite

Para llenar aceite, realice los pasos siguientes:

1. Limpie completamente el área alrededor del tapón del depósito de aceite para evitar que entre suciedad en el depósito de aceite.

2. Apoye la herramienta sobre su costado.

3. Presione el botón del tapón del depósito de aceite de manera que el botón del otro lado se levante, y después retire el tapón del depósito de aceite girándolo.

► **Fig.21:** 1. Tapón del depósito de aceite 2. Apretar  
3. Aflojar

4. Llene el depósito de aceite con aceite. La cantidad apropiada de aceite es de 55 ml.

5. Vuelva a roscar el tapón del depósito de aceite firmemente en su sitio.

6. Limpie con cuidado con un paño cualquier derrame de aceite de cadena.

**NOTA:** Si resulta difícil retirar el tapón del depósito de aceite, inserte la punta del destornillador de punta plana en la ranura del tapón del depósito de aceite, y después retire el tapón del depósito de aceite girándolo hacia la izquierda.

► **Fig.22:** 1. Ranura 2. Destornillador de punta plana

Después de rellenar, sujete la herramienta alejada del material que va a cortar. Póngala en marcha y espere hasta que la lubricación de la cadena de sierra sea apropiada.

► **Fig.23**



## Para trabajar con la herramienta

**⚠️ PRECAUCIÓN:** Mantenga todas las partes del cuerpo alejadas de la cadena de sierra cuando la herramienta esté en marcha.

**⚠️ PRECAUCIÓN:** Sujete la herramienta firmemente con ambas manos cuando la herramienta esté en marcha.

**⚠️ PRECAUCIÓN:** No trabaje donde no alcance. Mantenga los pies sobre suelo firme y el equilibrio en todo momento.

**AVISO:** Nunca arroje o deje caer la herramienta.

**AVISO:** No cubra las aberturas de ventilación de la herramienta.

Antes de poner en marcha la herramienta, ponga el corazón de la placa guía y la parte de apoyo del cuerpo de la herramienta en contacto con la rama que va a cortar como se muestra en la figura. Mientras la rama está en contacto con la herramienta y la placa guía, ponga en marcha la herramienta y corte la rama moviendo la herramienta hacia abajo en la rama.

► Fig.24

**⚠️ PRECAUCIÓN:** Antes de la operación de corte, asegúrese de que la rama que va a cortar está en contacto con el corazón de la placa guía y la parte de apoyo del cuerpo de la herramienta. De lo contrario, la herramienta podrá ser arrastrada hacia la punta de la placa guía y la placa guía podrá tambalear, y posiblemente resultar en heridas.

## Transporte de la herramienta

Antes de transportar la herramienta, retire siempre el cartucho de batería de la herramienta. Después coloque la cubierta de la placa guía. Cubra también el cartucho de batería con la cubierta de la batería.

► Fig.25: 1. Cubierta de la placa de guía 2. Cubierta de la batería

## MANTENIMIENTO

**⚠️ PRECAUCIÓN:** Asegúrese siempre de que la herramienta está apagada y de que el cartucho de batería está retirado antes de intentar hacer una inspección o mantenimiento.

**⚠️ PRECAUCIÓN:** Póngase guantes siempre que vaya a realizar cualquier trabajo de inspección o mantenimiento.

**AVISO:** No utilice nunca gasolina, bencina, disolvente, alcohol o similares. Podría producir descoloración, deformación o grietas.

Para mantener la SEGURIDAD y FIABILIDAD del producto, las reparaciones, y cualquier otra tarea de mantenimiento o ajuste deberán ser realizadas en centros de servicio o de fábrica autorizados por Makita, empleando siempre repuestos Makita.

## Afilado de la cadena de sierra

**Afile la cadena de sierra cuando:**

- Se produzca serrín granuloso al cortar madera húmeda;
- La cadena penetre la madera con dificultad, aun cuando se aplica fuerte presión;
- El borde cortante esté obviamente dañado;
- La sierra tire hacia la izquierda o hacia la derecha en la madera. (causado por un afilado desigual de la cadena de sierra o daño en un solo lado)

Afile la cadena de sierra con frecuencia pero un poco cada vez. Dos o tres pasadas con una lima son generalmente suficientes para un nuevo afilado rutinario. Cuando la cadena de sierra haya sido nuevamente afilada varias veces, haga que se la afilen nuevamente en nuestro centro de servicio autorizado.

**Criterios para afilar:**

**⚠️ ADVERTENCIA:** Una distancia excesiva entre el borde cortante y el calibre de profundidad aumentará el riesgo de un retroceso brusco.

► Fig.26: 1. Longitud de la cuchilla 2. Distancia entre el borde cortante y el calibre de profundidad 3. Longitud mínima de la cuchilla (3 mm)

- La longitud de todas las cuchillas debe ser igual. Las longitudes de cuchilla diferentes evitan que la cadena de sierra gire suavemente y pueden ocasionar que la cadena de sierra se rompa.
- No afile la cadena cuando la longitud de la cuchilla haya quedado en 3 mm o más corta. La cadena debe ser reemplazada con una nueva.
- El espesor de la viruta se determina mediante la distancia entre el calibre de profundidad (morro redondeado) y el borde cortante.
- Los mejores resultados de corte se obtienen con la distancia siguiente entre el borde cortante y el calibre de profundidad.
  - Hoja de la cadena 80TXL: 0,65 mm

► Fig.27

- El ángulo de afilado de 30° deberá ser igual en todas las cuchillas. Los ángulos diferentes de las cuchillas ocasionan que la cadena se desplace brusca y desigualmente, aceleran el desgaste, y acarrear roturas de cadena.
- Utilice una lima redonda apropiada de forma que se mantenga el ángulo de afilado apropiado contra los dientes.
  - Hoja de la cadena 80TXL: 55°

**Lima y guía de limado**

- Utilice una lima redonda especial (accesorio opcional) para cadenas de sierra para afilar la cadena. Las limas redondas normales no son apropiadas.
- El diámetro de la lima redonda para cada cadena de sierra es como sigue:
  - Hoja de la cadena 80TXL: 4,0 mm
- La lima solamente deberá tocar la cuchilla en el movimiento de avance. Levante la lima de la cuchilla en el movimiento de retroceso.

- Afíle primero la cuchilla más corta. Después la longitud de esta cuchilla más corta pasa a ser la longitud estándar para todas las cuchillas de la cadena de sierra.
  - Guíe la lima como se muestra en la figura.
- **Fig.28:** 1. Lima 2. Cadena de sierra

- La lima podrá ser guiada más fácilmente si se emplea un soporte de lima (accesorio opcional). El soporte de lima tiene marcas para el ángulo de afilado correcto de 30° (alinee las marcas paralelas a la cadena de sierra) y limita la profundidad de penetración (a 4/5 del diámetro de la lima).
- **Fig.29:** 1. Soporte de lima

- Después de afilar la cadena, compruebe la altura del calibre de profundidad utilizando la herramienta de calibración de cadena (accesorio opcional).
- **Fig.30**

- Quite cualquier material que sobresalga, por pequeño que sea, con una lima plana especial (accesorio opcional).
- Redondee la parte frontal del calibre de profundidad otra vez.

## Limpieza de la placa de guía

En la acanaladura de la placa de guía se acumularán virutas y serrín. Estos podrán atascar la acanaladura de la placa y obstaculizar el flujo de aceite. Limpie las virutas y el serrín cada vez cuando afíle o reemplace la cadena de sierra.

► **Fig.31**

## Limpieza de la cubierta del piñón

Dentro de la cubierta del piñón se acumularán virutas y serrín. Retire la cubierta del piñón y la cadena de sierra de la herramienta y después limpie las virutas y el serrín.

► **Fig.32**

## Limpieza del agujero de vaciado de aceite

Durante la operación se pueden acumular polvo fino o partículas en el agujero de vaciado de aceite. Este polvo o partículas pueden obstaculizar el flujo de aceite y ocasionar una lubricación insuficiente en toda la cadena de sierra. Cuando se produzca un deficiente suministro de aceite de cadena en la parte superior de la placa de guía, limpie el agujero de vaciado de aceite de la forma siguiente.

1. Quite la cubierta del piñón y la cadena de sierra de la herramienta.
2. Retire el polvo fino o las partículas utilizando un destornillador de punta plana o similar.

► **Fig.33:** 1. Destornillador de punta plana 2. Agujero de vaciado de aceite

3. Inserte el cartucho de batería en la herramienta. Apriete el gatillo interruptor para que el polvo o las partículas acumulados fluya del agujero de vaciado de aceite vaciando aceite de cadena.

4. Retire el cartucho de batería de la herramienta. Vuelva a instalar la cubierta del piñón, la cadena de sierra y la placa guía en la herramienta.

## Reemplazo del piñón

**⚠PRECAUCIÓN:** Un piñón desgastado dañará una cadena de sierra nueva. En este caso pida que le reemplacen el piñón.

Antes de colocar una cadena de sierra nueva, compruebe la condición del piñón.

► **Fig.34:** 1. Piñón 2. Áreas que se van a desgastar

Coloque siempre un anillo de bloqueo nuevo cuando reemplace el piñón.

► **Fig.35:** 1. Anillo de bloqueo 2. Piñón

**AVISO:** Asegúrese de que el piñón está instalado como se muestra en la figura.

## Almacenamiento de la herramienta

1. Limpie la herramienta antes de almacenarla. Quite todas las virutas y serrín de la herramienta después de retirar la cubierta del piñón.
2. Después de limpiar la herramienta, póngala en marcha sin carga para lubricar la cadena de sierra y la placa de guía.
3. Cubra la placa de guía con la cubierta de la placa de guía.
4. Vacíe el depósito de aceite.

## Instrucciones para el mantenimiento periódico

Para asegurar una larga vida de servicio, evitar daños y garantizar el completo funcionamiento de las características de seguridad, el mantenimiento siguiente deberá ser realizado regularmente. La reclamación de la garantía solamente será reconocida si este trabajo es realizado regular y debidamente. ¡No realizar el trabajo de mantenimiento prescrito puede acarrear accidentes! El usuario de la herramienta no deberá realizar trabajo de mantenimiento que no esté descrito en el manual de instrucciones. Todos esos trabajos deberán ser realizados por nuestro centro de servicio autorizado.

Elemento a comprobar / Tiempo de operación		Antes de la operación	Cada día	Cada semana	Cada 3 meses	Anualmente	Antes del almacenamiento
Toda la herramienta	Inspección	✓	-	-	-	-	-
	Limpieza	-	✓	-	-	-	-
	Compruebe en el centro de servicio autorizado.	-	-	-	-	✓	✓
Cadena de sierra	Inspección	✓	-	-	-	-	-
	Afilarse si es necesario.	-	-	-	-	-	✓
Placa de guía	Inspección	✓	✓	-	-	-	-
	Retirela de la herramienta.	-	-	-	-	-	✓
Lubricación de la cadena	Compruebe la frecuencia del suministro de aceite.	✓	-	-	-	-	-
Gatillo interruptor	Inspección	✓	-	-	-	-	-
Palanca de desbloqueo	Inspección	✓	-	-	-	-	-
Tapón del depósito de aceite	Compruebe el apriete.	✓	-	-	-	-	-
Tornillos y tuercas	Inspección	-	-	✓	-	-	-

# SOLUCIÓN DE PROBLEMAS

Antes de solicitar reparaciones, realice su propia inspección en primer lugar. Si encuentra un problema que no está explicado en el manual, no intente desmontar la herramienta. En su lugar, pregunte en los centros de servicio autorizados Makita, utilizando siempre piezas de recambio Makita para las reparaciones.

Estado de mal funcionamiento	Causa	Acción
La herramienta no se pone en marcha.	El cartucho de batería no está instalado.	Instale un cartucho de batería cargado.
	Problema de batería (poca tensión).	Recargue el cartucho de batería. Si la recarga no se realiza de forma efectiva, reemplace el cartucho de batería.
El motor se para después de usarlo un poco.	El nivel de carga de la batería es bajo.	Recargue el cartucho de batería. Si la recarga no se realiza de forma efectiva, reemplace el cartucho de batería.
No hay aceite en la cadena.	El depósito de aceite está vacío.	Llene el depósito de aceite.
	La ranura de guía del aceite está sucia.	Limpie la ranura.
La herramienta no alcanza el máximo de RPM.	El cartucho de batería está instalado incorrectamente.	Instale el cartucho de batería como se describe en este manual.
	La potencia de la batería está cayendo.	Recargue el cartucho de batería. Si la recarga no se realiza efectivamente, reemplace el cartucho de batería.
	El sistema de accionamiento no responde correctamente.	Pida al centro de servicio autorizado en su región que le hagan la reparación.
Vibración anormal: <b>¡Detenga la herramienta inmediatamente!</b>	Placa de guía o cadena de sierra floja.	Ajuste la placa de guía y la tensión de la cadena de sierra.
	Mal funcionamiento de la herramienta.	Pida al centro de servicio autorizado en su región que le hagan la reparación.
La cadena de sierra no se puede instalar.	La combinación de cadena de sierra y piñón no es correcta.	Utilice la combinación correcta de cadena de sierra y piñón consultando la sección para especificaciones.

## ACCESORIOS OPCIONALES

**⚠PRECAUCIÓN:** Estos accesorios o aditamentos están recomendados para su uso con la herramienta Makita especificada en este manual. El uso de cualquier otro accesorio o aditamento puede suponer un riesgo de heridas personales. Utilice el accesorio o aditamento solamente con la finalidad indicada para el mismo.

Si necesita cualquier ayuda para más detalles en relación con estos accesorios, pregunte al centro de servicio Makita local.

- Cadena de sierra
- Placa de guía
- Cubierta de la placa de guía
- Lima
- Bolsa de herramientas
- Batería y cargador genuinos de Makita

**NOTA:** Algunos elementos de la lista podrán estar incluidos en el paquete de la herramienta como accesorios estándar. Pueden variar de un país a otro.

## ESPECIFICAÇÕES

<b>Modelo:</b>		<b>UC100D</b>
Comprimento total (sem barra de guia e bateria)		350 mm
Tensão nominal		C.C. 10,8 V - 12 V máx.
Peso líquido	*1	1,0 kg
	*2	1,5 - 1,6 kg
Comprimento da barra de guia padrão		100 mm
Comprimento recomendado da barra guia		100 mm
Tipo de corrente de serra aplicável (consulte a tabela seguinte)		80TXL
Roda de corrente	Número de dentes	7
	Passo	0,325"
Velocidade da corrente		0 - 8,0 m/s (0 - 480 m/min)
Volume do depósito de óleo da corrente		55 cm <sup>3</sup>

- Devido a um programa contínuo de pesquisa e desenvolvimento, estas especificações estão sujeitas a alteração sem aviso prévio.
  - As especificações podem variar de país para país.
- \*1: Peso sem corrente de serra, barra de guia, cobertura da barra de guia, óleo e bateria(s).  
 \*2: A combinação de peso mais leve e mais pesada, de acordo com o Procedimento EPTA 01/2014. O peso poderá diferir em função do(s) acessório(s), incluindo a(s) bateria(s).

### Combinação de corrente de serra, barra de guia e roda de corrente

<b>Tipo de corrente de serra</b>		<b>80TXL</b>
Número de elos de ligação		26
Barra de guia	Comprimento da barra de guia	100 mm
	Comprimento de corte	111 mm
	Passo	0,325"
	Calibre	1,1 mm
	Tipo	Barra do nariz rígida
Roda de corrente	Número de dentes	7
	Passo	0,325"

**AVISO:** Utilize a combinação adequada da barra de guia e da corrente de serra. Caso contrário, pode resultar em ferimentos pessoais.

### Bateria e carregador aplicável

Bateria	BL1016 / BL1021B / BL1041B
Carregador	DC10SA / DC10SB / DC10WC / DC10WD / DC18RE

- Algumas das baterias e carregadores listados acima poderão não estar disponíveis, dependendo da sua região de residência.

**AVISO:** Utilize apenas as baterias e carregadores listados acima. A utilização de quaisquer outras baterias e carregadores pode causar ferimentos e/ou um incêndio.

## Símbolos

A seguir são apresentados os símbolos que podem ser utilizados para o equipamento. Certifique-se de que compreende o seu significado antes da utilização.



Leia o manual de instruções.



Utilize óculos de proteção e proteção auditiva.



Utilize sempre as duas mãos quando utilizar a ferramenta.



Tenha cuidado com o recuo e evite o contacto com a ponta da barra.



Não exponha à humidade.



Comprimento máximo de corte admissível



Sentido de movimento da corrente



Apenas para países da UE  
Devido à presença de componentes perigosos no equipamento, os resíduos de equipamentos elétricos e eletrónicos, acumuladores e baterias podem ter um impacto negativo no meio ambiente e na saúde humana.

Não elimine aparelhos elétricos e eletrónicos ou baterias juntamente com resíduos domésticos!

De acordo com a Diretiva europeia relativa aos resíduos de equipamentos elétricos e eletrónicos, acumuladores e baterias, bem como a respetiva adaptação à legislação nacional, os resíduos de equipamentos elétricos e eletrónicos, acumuladores e baterias devem ser armazenados separadamente e entregues num ponto de recolha separado para resíduos municipais, que opere de acordo com os regulamentos de proteção ambiental.

Tal é indicado pelo símbolo de contenedor de lixo com rodas barrado com uma cruz colocado no equipamento.



Nível de potência sonora garantido de acordo com a Diretiva de ruído ambiente da UE.



Nível de potência sonora de acordo com o Regulamento de controlo do ruído de NSW da Austrália

## Utilização a que se destina

Esta ferramenta foi concebida para cortar ramos de árvores ou arbustos através de uma corrente de serra.

## Ruído

A característica do nível de ruído A determinado de acordo com a EN62841-4-1:

Nível de pressão acústica ( $L_{pA}$ ) : 79 dB (A)

Nível de potência acústica ( $L_{WA}$ ) : 87 dB (A)

Variabilidade (K): 3 dB (A)

**NOTA:** O(s) valor(es) da emissão de ruído indicado(s) foi medido de acordo com um método de teste padrão e pode ser utilizado para comparar duas ferramentas.

**NOTA:** O(s) valor(es) da emissão de ruído indicado(s) pode também ser utilizado na avaliação preliminar da exposição.

**AVISO:** Utilize protetores auriculares.

**AVISO:** A emissão de ruído durante a utilização real da ferramenta elétrica pode diferir do(s) valor(es) indicado(s), dependendo das formas como a ferramenta é utilizada, especialmente o tipo de peça de trabalho que é processada.

**AVISO:** Certifique-se de identificar as medidas de segurança para proteção do operador que sejam baseadas em uma estimativa de exposição em condições reais de utilização (considerando todas as partes do ciclo de operação, tal como quando a ferramenta está desligada e quando está a funcionar em marcha lenta além do tempo de acionamento).

## Vibração

Valor total da vibração (soma vetorial tri-axial) determinado de acordo com a EN62841-4-1:

Modo de trabalho: cortar madeira

Emissão de vibração ( $a_{h,w}$ ): 4,8 m/s<sup>2</sup>

Variabilidade (K): 1,5 m/s<sup>2</sup>

**NOTA:** O(s) valor(es) total(ais) de vibração indicado(s) foi medido de acordo com um método de teste padrão e pode ser utilizado para comparar duas ferramentas.

**NOTA:** O(s) valor(es) total(ais) de vibração indicado(s) pode também ser utilizado na avaliação preliminar da exposição.

**AVISO:** A emissão de vibração durante a utilização real da ferramenta elétrica pode diferir do(s) valor(es) indicado(s), dependendo das formas como a ferramenta é utilizada, especialmente o tipo de peça de trabalho que é processada.

**AVISO:** Certifique-se de identificar as medidas de segurança para proteção do operador que sejam baseadas em uma estimativa de exposição em condições reais de utilização (considerando todas as partes do ciclo de operação, tal como quando a ferramenta está desligada e quando está a funcionar em marcha lenta além do tempo de acionamento).

## Declarações de conformidade

*Apenas para os países europeus*

As Declarações de conformidade estão incluídas no Anexo A deste manual de instruções.

# AVISOS DE SEGURANÇA

## Avisos gerais de segurança para ferramentas elétricas

**AVISO** Leia todos os avisos de segurança, instruções, ilustrações e especificações fornecidos com esta ferramenta elétrica. O incumprimento de todas as instruções abaixo enumeradas pode resultar em choque elétrico, incêndio e/ou ferimentos graves.

## Guarde todos os avisos e instruções para futuras referências.

O termo "ferramenta elétrica" nos avisos refere-se às ferramentas elétricas ligadas à corrente elétrica (com cabo) ou às ferramentas elétricas operadas por meio de bateria (sem cabo).

## Avisos gerais de segurança para o cortador de galho

- Mantenha todo o seu corpo afastado da corrente de serra quando o cortador de galho estiver a funcionar. Antes de ligar o cortador de galho, certifique-se de que a corrente de serra não está em contacto com nada.** Um momento de distração ao operar os cortadores de galho pode provocar o prendimento das roupas ou do corpo na corrente de serra.
- Segure sempre o cortador de galho com uma mão na pega traseira e a outra mão na pega auxiliar.**
- Segure o cortador de galho apenas pelas superfícies de agarrar isoladas, porque a corrente de serra pode entrar em contacto com fios ocultos.** O contacto das correntes de serra com um fio sob tensão pode colocar sob tensão as peças metálicas expostas do cortador de galho e pode provocar um choque elétrico no operador.
- Utilize proteção ocular. Recomenda-se a utilização de mais equipamento de proteção da audição, da cabeça, das mãos, das pernas e dos pés.** O equipamento de proteção adequado reduz os ferimentos pessoais causados por detritos projetados ou contacto accidental com a corrente de serra.
- Não opere um cortador de galho numa árvore, em cima de uma escada, em cima de um telhado ou sobre qualquer suporte instável.** A operação de um cortador de galho desta forma pode dar origem a ferimentos pessoais graves.
- Mantenha os pés sempre bem assentes no chão e opere o cortador de galho apenas quando estiver de pé sobre uma superfície fixa, segura e nivelada.** As superfícies escorregadias ou instáveis podem provocar uma perda de equilíbrio ou de controlo do cortador de galho.
- Ao cortar um galho que esteja com alguma tensão, tenha cuidado com a volta do galho para trás.** Quando a tensão nas fibras de madeira é libertada, o galho tensionado pode acertar no operador e/ou deixar o cortador de galho fora de controlo.
- Tenha muito cuidado especialmente quando está a cortar arbustos e brotos.** O material fino pode ficar preso na corrente de serra e ser atirado contra o operador ou causar a perda de equilíbrio.
- Transporte o cortador de galho com o cortador de galho desligado e afastado do seu corpo. Ao transportar ou guardar o cortador de galho, coloque sempre a cobertura da barra de guia.** O manuseamento adequado do cortador de galho reduz a probabilidade de contacto accidental com a corrente de serra em movimento.
- Siga as instruções para lubrificação, aperto da corrente e substituição da barra e da corrente.** Uma corrente mal lubrificada ou cuja tensão não esteja devidamente regulada pode quebrar ou aumentar a probabilidade de ressalto.
- Corte somente madeira. Não utilize o cortador de galho para finalidades não previstas. Por exemplo: não utilize o cortador de galho para cortar metal, plástico, alvenaria ou materiais de construção que não sejam de madeira.** A utilização do cortador de galho para operações diferentes das previstas pode resultar numa situação perigosa.
- Este cortador de galho não foi concebido para o abate de árvores.** A utilização do cortador de galho para operações diferentes das previstas pode resultar em ferimentos graves no operador ou nas pessoas presentes.
- Siga todas as instruções quando limpar material encravado, guardar ou efetuar a manutenção do cortador de galho. Certifique-se de que o interruptor está desligado e que a bateria foi removida.**
- Causas de recuo e como o operador as pode prevenir:** O recuo pode ocorrer quando a ponteira ou a ponta da barra de guia faz contacto com um objeto ou quando a madeira comprime e prende a corrente de serra no corte. Em alguns casos, o contacto da ponta pode causar uma reação inversa repentina, propulsionando a barra de guia para cima e para trás na direção do operador. Prender a corrente de serra ao longo do topo da barra de guia pode impulsionar a barra de guia rapidamente para trás na direção do operador. Qualquer uma destas reações pode causar a perda de controlo da serra, o que pode provocar graves ferimentos pessoais. Não confie exclusivamente nos dispositivos de segurança incorporados na serra. Como utilizador do cortador de galho, deverá tomar várias medidas para que os seus trabalhos de corte sejam livres de acidentes ou ferimentos. O recuo é o resultado de utilização incorreta do cortador de galho e/ou de procedimentos ou condições de funcionamento incorretos e pode ser evitado através da adoção de precauções apropriadas, conforme indicado em seguida:
  - Segure firmemente o cortador de galho com todos os dedos a circundar as pegas e as duas mãos no cortador e posicione o seu corpo e braço de tal forma que lhe permitam resistir às forças de recuo.** As forças de recuo podem ser controladas pelo operador, se forem tomadas as devidas precauções. Não largue o cortador de galho.

► Fig.1

- **Não se incline e não corte nada acima da altura dos ombros.** Tal ajuda a evitar o contacto accidental da ponta e possibilita maior controlo do cortador de galho em situações imprevistas.
  - **Utilize somente barras de guia e correntes de serra de substituição especificadas pelo fabricante.** As barras de guia e correntes de serra de substituição incorretas podem causar a quebra da corrente e/ou ressalto.
  - **Siga as instruções do fabricante para afiamento e manutenção da corrente de serra.** A diminuição da altura do limitador de profundidade pode provocar o aumento de recuos.
15. **Siga todas as instruções quando limpar material encravado, guardar ou efetuar a manutenção do cortador de galho. Certifique-se de que o interruptor está desligado e que a bateria foi removida.**

## Instruções de segurança adicionais

### Equipamento de proteção pessoal

1. O vestuário deve estar ajustado, mas não deve obstruir a mobilidade.
2. Utilize o seguinte vestuário de proteção durante o trabalho:
  - Um capacete de segurança testado, se houver risco causado pela queda de ramos ou similar;
  - Uma máscara facial ou óculos;
  - Proteção auditiva adequada (protetores auriculares, tampões de ouvidos personalizados ou moldáveis). Análise da marca Octave disponível mediante pedido.
  - Luvas de segurança de pele firme;
  - Calças compridas fabricadas com tecido resistente;
  - Macacão de proteção de tecido resistente a cortes;
  - Sapatos ou botas de segurança com solas antiderrapantes, biqueiras de aço e revestimento em tecido resistente a cortes;
  - Uma máscara respiratória, quando efetuar trabalho que produza pó (por exemplo, serrar madeira seca).

### Operação

1. **Antes de iniciar o trabalho, verifique se a ferramenta está em boas condições de funcionamento e em conformidade com os regulamentos de segurança. Verifique especialmente se:**
  - O travão de inatividade está a funcionar corretamente;
  - A barra e a cobertura da roda de corrente estão corretamente instaladas;
  - A corrente foi afiada e apertada de acordo com os regulamentos.
2. **Não efetue o arranque da ferramenta se a cobertura da corrente estiver instalada na mesma.** O arranque da ferramenta com a cobertura da corrente instalada na mesma pode fazer com que a cobertura da corrente seja lançada para a frente, provocando ferimentos pessoais e danos nos objetos nas proximidades do operador.

3. **Não permaneça diretamente sob o galho que está a ser cortado. Tenha cuidado com os galhos a cair.**
4. **Não utilize a ferramenta em más condições atmosféricas ou quando existe o risco de relâmpagos.**
5. **Quando utilizar a ferramenta em terreno lamacento, declives húmidos ou local escorregadio, preste atenção ao seu posicionamento.**

### Segurança elétrica e da bateria

1. **Evite ambientes perigosos. Não utilize a ferramenta em locais húmidos ou molhados, nem a exponha à chuva.** A água que entra na ferramenta aumenta o risco de choque elétrico.
2. **Não elimine a(s) bateria(s) no fogo.** A célula pode explodir. Verifique com os códigos locais as possíveis instruções de eliminação especiais.
3. **Não abra nem mutile a(s) bateria(s).** O eletrólito libertado é corrosivo e pode provocar danos nos olhos ou na pele. Pode ser tóxico se for engolido.
4. **Não carregue a bateria sob chuva ou em locais húmidos.**
5. **Não carregue a bateria ao ar livre.**
6. **Não toque no carregador, incluindo a ficha do carregador e os terminais do carregador, com as mãos molhadas.**
7. **Não substitua a bateria com as mãos molhadas.**
8. **Não deixe a bateria à chuva nem carregue, utilize ou guarde a bateria num local húmido ou molhado.**
9. **Não molhe o terminal da bateria com líquido, tal como água, nem submerja a bateria.** Se o terminal ficar molhado ou entrar líquido para a bateria, a bateria pode entrar em curto-circuito e existe um risco de sobreaquecimento, incêndio ou explosão.
10. **Após remover a bateria da máquina ou do carregador, certifique-se de que prende a cobertura da bateria na bateria e guarde-a num local seco.**
11. **Se a bateria ficar húmida, drene a água no interior e, em seguida, limpe-a com um pano seco. Seque a bateria completamente num local seco antes da utilização.**

## GUARDE ESTAS INSTRUÇÕES.

**⚠️AVISO:** NÃO permita que conforto ou familiaridade com o produto (adquirido com o uso repetido) substitua a aderência estrita às regras de segurança da ferramenta. **MÁ INTERPRETAÇÃO** ou não seguimento das regras de segurança estabelecidas neste manual de instruções pode causar danos pessoais sérios.

### Instruções de segurança importantes para a bateria

1. **Antes de utilizar a bateria, leia todas as instruções e etiquetas de precaução no (1) carregador de bateria (2) bateria e (3) produto que utiliza a bateria.**
2. **Não desmonte ou manipule a bateria.** Pode resultar num incêndio, em calor excessivo ou numa explosão.



3. Se o tempo de funcionamento se tornar excessivamente curto, pare o funcionamento imediatamente. Pode resultar em sobreaquecimento, possíveis queimaduras e mesmo explosão.
4. Se entrar eletrólito nos seus olhos, lave-os com água e consulte imediatamente um médico. Pode resultar em perda de visão.
5. Não coloque a bateria em curto-circuito:
  - (1) Não toque nos terminais com qualquer material condutor.
  - (2) Evite guardar a bateria juntamente com outros objetos metálicos tais como pregos, moedas, etc.
  - (3) Não exponha a bateria à água ou chuva. Um curto-circuito pode ocasionar um enorme fluxo de corrente, sobreaquecimento, possíveis queimaduras e mesmo estragar-se.
6. Não guarde nem utilize a ferramenta e a bateria em locais onde a temperatura pode atingir ou exceder 50 °C.
7. Não queime a bateria mesmo que esteja estragada ou completamente gasta. A bateria pode explodir no fogo.
8. Não preegue, corte, esmague, atire, deixe cair a bateria, nem bata a bateria contra um objeto rijo. Esta conduta pode resultar num incêndio, em calor excessivo ou numa explosão.
9. Não utilize uma bateria danificada.
10. As baterias de íões de lítio contidas na ferramenta são sujeitas aos requisitos da DGL (Dangerous Goods Legislation - Legislação de bens perigosos). Para o transporte comercial, por exemplo, por terceiros ou agentes de expedição, têm de ser observados os requisitos referentes à embalagem e etiquetagem. Para preparação do artigo a ser expedido, é necessário consultar um perito em materiais perigosos. Tenha ainda em conta a possibilidade de existirem regulamentos nacionais mais detalhados. Coloque fita-cola ou tape os contactos abertos e embale a bateria de tal forma que não possa mover-se dentro da embalagem.
11. Quando eliminar a bateria, remova-a da ferramenta e elimine-a num local seguro. Siga os regulamentos locais relacionados com a eliminação de baterias.
12. Utilize as baterias apenas com os produtos especificados pela Makita. Instalar as baterias em produtos não-conformes poderá resultar num incêndio, calor excessivo, explosão ou fuga de eletrólito.
13. Se a ferramenta não for utilizada durante um período de tempo prolongado, a bateria deve ser removida da ferramenta.
14. Durante e após a utilização, a bateria pode aquecer, o que pode provocar queimaduras ou queimaduras a baixa temperatura. Preste atenção ao manuseamento de baterias quentes.
15. Não toque no terminal da ferramenta imediatamente após a utilização, pois pode ficar suficientemente quente para provocar queimaduras.
16. Não permita a adesão de aparas, pó ou sujidade nos terminais, nos orifícios e nas ranhuras da bateria. Poderá fazer com que a ferramenta ou a bateria aqueça, incendeie, rebente e avarie, resultando em queimaduras ou ferimentos corporais.
17. A menos que a ferramenta suporte a utilização perto de linhas elétricas de alta tensão, não utilize a bateria perto de linhas elétricas de alta tensão. Pode resultar no mau funcionamento ou na avaria da ferramenta ou bateria.
18. Mantenha a bateria afastada das crianças.

## GUARDE ESTAS INSTRUÇÕES.

**⚠️PRECAUÇÃO:** Utilize apenas baterias genuínas da Makita. A utilização de baterias não genuínas da Makita ou de baterias que foram alteradas, pode resultar no rebentamento da bateria provocando incêndios, ferimentos pessoais e danos. Além disso, anulará da garantia da Makita no que se refere à ferramenta e ao carregador Makita.

## Conselhos para manter a máxima vida útil da bateria

1. Carregue a bateria antes que esteja completamente descarregada. Pare sempre o funcionamento da ferramenta e carregue a bateria quando notar menos poder na ferramenta.
2. Nunca carregue uma bateria completamente carregada. Carregamento excessivo diminui a vida útil da bateria.
3. Carregue a bateria à temperatura ambiente de 10 °C – 40 °C. Deixe que uma bateria quente arrefeça antes de a carregar.
4. Quando não utilizar a bateria, remova-a da ferramenta ou do carregador.

## DESCRIÇÃO DAS PEÇAS

► Fig.2

1	Pega auxiliar	2	Cobertura de segurança	3	Corrente de serra
4	Barra de guia	5	Tampão do depósito de óleo	6	Cobertura da barra de guia
7	Cobertura da roda de corrente	8	Alavanca de segurança	9	Pega traseira
10	Gatilho do interruptor	11	Alavanca	12	Bateria

## DESCRIÇÃO FUNCIONAL

**⚠️PRECAUÇÃO:** Certifique-se sempre de que a ferramenta está desligada e a bateria foi retirada antes de regular ou verificar qualquer função na ferramenta.

## Instalação ou remoção da bateria

**⚠️PRECAUÇÃO:** Desligue sempre a ferramenta antes de colocar ou retirar a bateria.

**⚠️PRECAUÇÃO:** Segure firmemente a ferramenta e a bateria quando instalar ou remover a bateria. Se não segurar firmemente a ferramenta e a bateria pode fazer com que escorreguem das suas mãos resultando em danos na ferramenta e na bateria e ferimentos pessoais.

► Fig.3: 1. Indicador vermelho 2. Botão 3. Bateria

Para retirar a bateria, deslize-a para fora da ferramenta enquanto desliza o botão na frente da bateria.

Para instalar a bateria, alinhe a lingueta na bateria com a ranhura na caixa e deslize-a para a posição correta. Insira-a por completo até bloquear na posição correta com um pequeno clique. Se conseguir ver o indicador vermelho conforme apresentado na figura, não está completamente bloqueada.

**⚠️PRECAUÇÃO:** Instale sempre a bateria até ao fim, até deixar de ver o indicador vermelho.

Caso contrário, a bateria poderá cair da ferramenta acidentalmente e provocar ferimentos em si mesmo ou em alguém próximo.

**⚠️PRECAUÇÃO:** Não instale a bateria à força. Se a bateria não deslizar facilmente é porque não foi colocada corretamente.

## Indicação da capacidade restante da bateria

*Apenas para baterias com indicador*

► Fig.4: 1. Luzes indicadoras 2. Botão de verificação

Prima o botão de verificação na bateria para indicar a capacidade restante da bateria. As luzes indicadoras acendem durante alguns segundos.

Luzes indicadoras		Carga restante
Aceso	Desligada	
		75% a 100%
		50% a 75%
		25% a 50%
		0% a 25%

**NOTA:** Dependendo das condições de utilização e da temperatura ambiente, a indicação pode ser ligeiramente diferente da capacidade real.

## Sistema de proteção da ferramenta/bateria

A ferramenta está equipada com um sistema de proteção da ferramenta/bateria. Este sistema corta automaticamente a corrente para o motor para aumentar a vida da ferramenta e da bateria. A ferramenta para automaticamente durante o funcionamento se a ferramenta ou bateria for colocada mediante uma das seguintes condições:

### Sobrecarga:

A ferramenta é utilizada de uma forma que causa a absorção de uma corrente anormalmente alta. Nesta situação, desligue a ferramenta e pare a aplicação que causou a sobrecarga da ferramenta. De seguida, ligue a ferramenta para reiniciar. Se a ferramenta não arrancar, a bateria está sobreaquecida. Nesta situação, deixe a bateria arrefecer antes de voltar a ligar a ferramenta.

### Baixa tensão da bateria:

A restante capacidade da bateria é demasiado baixa e a ferramenta não irá operar. Se ligar a ferramenta, o motor opera novamente mas para momentos depois. Nesta situação, remova e recarregue a bateria.

## Ação do interruptor

**⚠️AVISO:** Para sua segurança, esta ferramenta está equipada com uma alavanca de segurança que impede o arranque acidental da ferramenta. NUNCA utilize a ferramenta se funcionar quando simplesmente prime o gatilho do interruptor sem premir a alavanca de segurança. Devolva a ferramenta ao nosso centro de assistência autorizado para proceder a reparações adequadas ANTES de continuar a utilizá-la.

**⚠️AVISO:** NUNCA utilize fita-cola nem tente anular a finalidade e funcionamento da alavanca de desbloqueio.

**⚠️PRECAUÇÃO:** Antes de colocar a bateria na ferramenta, verifique sempre se o gatilho do interruptor funciona corretamente e volta para a posição "OFF" quando libertado.

**OBSERVAÇÃO:** Não puxe o gatilho com força sem premir a alavanca de desbloqueio. Pode partir o gatilho.

Para evitar que o gatilho do interruptor seja puxado acidentalmente, é disponibilizada uma alavanca de desbloqueio. Para efetuar o arranque da ferramenta, pressione a alavanca de desbloqueio e puxe o gatilho do interruptor. Solte o gatilho do interruptor para parar.

► Fig.5: 1. Gatilho do interruptor 2. Alavanca de segurança

## Verificar o travão de inatividade

**⚠️PRECAUÇÃO:** Se a corrente de serra não parar dentro de alguns segundos ao efetuar este teste, pare de utilizar a ferramenta e consulte o nosso centro de assistência autorizado.

Opere a ferramenta e, em seguida, solte completamente o gatilho do interruptor. A corrente de serra deve parar dentro de alguns segundos.

# MONTAGEM

**⚠️ PRECAUÇÃO:** Certifique-se sempre de que a ferramenta está desligada e a bateria retirada antes de executar qualquer trabalho na ferramenta.

**⚠️ PRECAUÇÃO:** Não toque na corrente de serra com as mãos desprotegidas. Use sempre luvas quando manusear a corrente de serra.

## Remover ou instalar a corrente de serra

**⚠️ PRECAUÇÃO:** A corrente de serra e a barra de guia ainda estão quentes logo após o funcionamento. Deixe-as arrefecer o suficiente antes de efetuar qualquer trabalho na ferramenta.

**⚠️ PRECAUÇÃO:** Continue a executar o procedimento de instalação ou remoção da corrente de serra num local limpo, sem serradura e outro tipo de sujidade.

## Remover a corrente de serra

Para remover a corrente de serra, realize as seguintes etapas:

1. Puxe a alavanca para cima.  
▶ **Fig.6:** 1. Alavanca
2. Gire a alavanca para a esquerda até a cobertura da roda de corrente sair.  
▶ **Fig.7:** 1. Cobertura da roda de corrente 2. Alavanca
3. Remova a cobertura da roda de corrente e, em seguida, remova a corrente de serra e a barra de guia do corpo da ferramenta.

## Instalar a corrente de serra

Para instalar a corrente de serra, realize as seguintes etapas:

1. Puxe a alavanca para cima.  
▶ **Fig.8:** 1. Alavanca
2. Gire a alavanca para a esquerda até a cobertura da roda de corrente sair.  
▶ **Fig.9:** 1. Alavanca 2. Cobertura da roda de corrente
3. Remova a cobertura da roda de corrente.
4. Alinhe o orifício na barra de guia com o pino no corpo da ferramenta e, em seguida, coloque a barra de guia conforme apresentado na figura.  
▶ **Fig.10:** 1. Barra de guia 2. Orifício 3. Pino
5. Deslize a barra de guia em direção à roda de corrente para bloquear o pino.  
▶ **Fig.11:** 1. Barra de guia 2. Pino
6. Remova a barra de guia do corpo da ferramenta.
7. Verifique o sentido da corrente de serra. Faça corresponder o sentido da corrente de serra com o sentido da marca no corpo da ferramenta.  
▶ **Fig.12:** 1. Marca no corpo da ferramenta

8. Encaixe uma extremidade da corrente de serra na parte de cima da barra de guia.

9. Encaixe a outra extremidade da corrente de serra em volta da roda de corrente e, em seguida, prenda a barra de guia no corpo da ferramenta de modo que o orifício na barra de guia fique alinhado com o pino no corpo.

▶ **Fig.13:** 1. Roda de corrente

Pressione a barra de guia contra o corpo da ferramenta para soltar o pino. A tensão da corrente de serra é ajustada de forma automática.

▶ **Fig.14:** 1. Corrente de serra 2. Pino 3. Roda de corrente

10. Coloque a cobertura da roda de corrente de modo que o perno e o pino no corpo da ferramenta estabeleçam contacto com as respetivas contrapartes na cobertura da roda de corrente.

▶ **Fig.15:** 1. Cobertura da roda de corrente 2. Perno 3. Pino

11. Gire a alavanca para a direita até a cobertura da roda de corrente estar fixa e depois coloque-a novamente na posição original.

▶ **Fig.16:** 1. Alavanca 2. Cobertura da roda de corrente

Certifique-se de que a corrente de serra não se solta e que a corrente de serra pode ser movida suavemente para a frente e para trás. Se necessário, ajuste a tensão da corrente de serra consultando a secção relativa ao ajuste da tensão da corrente de serra.

## Ajustar a tensão da corrente de serra

**⚠️ PRECAUÇÃO:** Uma corrente demasiado solta pode saltar para fora da barra e pode causar ferimentos ou um acidente.

A corrente de serra pode ficar frouxa após muitas horas de utilização. Verifique de vez em quando a tensão da corrente de serra antes de utilizar a serra.

Se a corrente de serra estiver solta, ajuste a tensão da corrente de serra.

1. Puxe a alavanca para cima.  
▶ **Fig.17:** 1. Alavanca
2. Rode a alavanca um pouco para a esquerda para soltar ligeiramente a cobertura da roda de corrente. A tensão da corrente é ajustada de forma automática.  
▶ **Fig.18:** 1. Cobertura da roda de corrente 2. Alavanca
3. Gire a alavanca para a direita até a cobertura da roda de corrente estar fixa e depois coloque-a novamente na posição original.  
▶ **Fig.19:** 1. Alavanca 2. Cobertura da roda de corrente

# OPERAÇÃO

## Lubrificação

**⚠️PRECAUÇÃO:** Não opere a ferramenta quando o depósito estiver vazio. Reabasteça o óleo no devido tempo antes de o depósito estar vazio.

**⚠️PRECAUÇÃO:** Evite que o óleo entre em contacto com a pele e os olhos. O contacto com os olhos causa irritação. Em caso de contacto com os olhos, lave o olho afetado imediatamente com água limpa e depois consulte um médico urgentemente.

**⚠️PRECAUÇÃO:** Nunca utilize óleo usado. O óleo usado contém substâncias cancerígenas. Os contaminantes no óleo usado causam o desgaste acelerado da bomba de óleo, da barra e da corrente. O óleo usado é prejudicial para o ambiente.

**OBSERVAÇÃO:** Quando a ferramenta é utilizada pela primeira vez, pode demorar até dois minutos para que o óleo de corrente de serra comece o respetivo efeito de lubrificação fazendo uso do mecanismo da serra. Opere a serra sem carga até o fazer.

**OBSERVAÇÃO:** Ao abastecer de óleo de corrente pela primeira vez ou quando reabastecer o tanque após o mesmo estar completamente vazio, adicione o óleo até à borda inferior do gargalo de enchimento. Caso contrário, o fornecimento de óleo pode ser prejudicado.

**OBSERVAÇÃO:** Utilize o óleo exclusivo para correntes de serra para ferramentas da Makita ou óleos equivalentes disponíveis no mercado.

**OBSERVAÇÃO:** Nunca utilize óleo com poeira ou partículas nem óleo volátil.

**OBSERVAÇÃO:** Utilize sempre óleo vegetal quando podar árvores. O óleo mineral pode danificar as árvores.

**OBSERVAÇÃO:** Antes da operação de corte, certifique-se de que o tampão do depósito de óleo está aparafusado na posição correta.

A corrente de serra é lubrificada automaticamente ao operar com a ferramenta. Verifique periodicamente a quantidade de óleo restante no depósito de óleo através da janela de inspeção de óleo.

► **Fig.20:** 1. Janela de inspeção de óleo 2. Tampão do depósito de óleo

Para encher o óleo, efetue os seguintes passos:

1. Limpe cuidadosamente a área em torno do tampão do depósito de óleo para evitar a entrada de qualquer sujidade no depósito de óleo.
2. Coloque a ferramenta de lado.
3. Prima o botão no tampão do depósito de óleo de modo que o botão no outro lado se levante e depois remova o tampão do depósito de óleo rodando-o.

► **Fig.21:** 1. Tampão do depósito de óleo 2. Apertar 3. Desapertar

4. Encha o depósito de óleo com óleo. A quantidade apropriada de óleo é de 55 ml.

5. Volte a apertar firmemente o tampão do depósito de óleo na devida posição.

6. Limpe cuidadosamente qualquer óleo de corrente derramado.

**NOTA:** Se for difícil remover o tampão do depósito de óleo, insira a ponta da chave de fendas de ponta achatada na ranhura do tampão do depósito de óleo e, em seguida, remova o tampão do depósito de óleo rodando-o para a esquerda.

► **Fig.22:** 1. Ranhura 2. Chave de fendas de ponta achatada

Após o reabastecimento, segure a ferramenta afastada do material a ser cortado. Ligue-a e aguarde até que a lubrificação na corrente de serra seja adequada.

► **Fig.23**

## Trabalhar com a ferramenta

**⚠️PRECAUÇÃO:** Mantenha todo o seu corpo afastado da corrente de serra quando a ferramenta estiver a funcionar.

**⚠️PRECAUÇÃO:** Segure a ferramenta firmemente com as duas mãos quando a ferramenta estiver a funcionar.

**⚠️PRECAUÇÃO:** Não se incline. Mantenha sempre os pés firmes e em equilíbrio.

**OBSERVAÇÃO:** Nunca atire ou deixe cair a ferramenta.

**OBSERVAÇÃO:** Não cubra as aberturas de ventilação da ferramenta.

Antes de efetuar o arranque da ferramenta, coloque a base da barra de guia e a peça de suporte do corpo da ferramenta em contacto com o galho a ser cortado conforme apresentado na figura. Enquanto o galho estiver a contactar com a ferramenta e a barra de guia, proceda ao arranque da ferramenta e serre o galho movendo a ferramenta para baixo ao longo do galho.

► **Fig.24**

**⚠️PRECAUÇÃO:** Antes da operação de corte, certifique-se de que o galho a ser cortado está em contacto com a base da barra de guia e a peça de suporte do corpo da ferramenta. Caso contrário, a ferramenta pode ser puxada em direção à ponta da barra de guia e a barra de guia pode oscilar e causar ferimentos.

## Transportar a ferramenta

Antes de transportar a ferramenta, remova sempre a bateria da ferramenta. Em seguida, prenda a cobertura da barra de guia. Cubra igualmente a bateria com a cobertura da bateria.

► **Fig.25:** 1. Cobertura da barra de guia 2. Cobertura da bateria

# MANUTENÇÃO

**⚠️ PRECAUÇÃO:** Certifique-se sempre de que a ferramenta se encontra desligada e de que a bateria foi retirada antes de executar qualquer inspeção ou manutenção.

**⚠️ PRECAUÇÃO:** Use sempre luvas quando executar qualquer inspeção ou manutenção.

**OBSERVAÇÃO:** Nunca utilize gasolina, benzina, diluente, álcool ou produtos semelhantes. Pode ocorrer a descoloração, deformação ou rachaduras.

Para manter a SEGURANÇA e a FIABILIDADE do produto, as reparações e qualquer outra manutenção ou ajuste devem ser levados a cabo pelos centros de assistência Makita autorizados ou pelos centros de assistência de fábrica, utilizando sempre peças de substituição Makita.

## Afiar a corrente de serra

**Afie a corrente de serra quando:**

- O pó de serragem produzido ao serrar madeira húmida parece farinha;
- A corrente penetra na madeira com dificuldade, mesmo que exerça bastante pressão;
- A extremidade de corte está obviamente danificada;
- A serra puxa para a esquerda ou direita ao serrar a madeira. (isto é devido à afiação irregular da corrente de serra ou danos em apenas um dos lados)

Afie a corrente de serra frequentemente, mas apenas um pouco de cada vez. Normalmente, duas ou três passadas da lima será o suficiente para afiação regular. Leve a corrente de serra para ser afiada no nosso centro de assistência autorizado se já a afiou várias vezes.

**Critérios para afiar:**

**⚠️ AVISO:** A distância excessiva entre a extremidade de corte e o limitador de profundidade aumenta o risco de recuo.

► **Fig.26:** 1. Comprimento da lâmina 2. Distância entre a extremidade de corte e o limitador de profundidade 3. Comprimento mínimo da lâmina (3 mm)

- Todo o comprimento da lâmina tem de ser igual. Diferentes comprimentos da lâmina impedem a corrente de serra de funcionar normalmente e podem fazer com que a corrente de serra parta.
- Não afie mais a corrente a partir do momento em que a lâmina atinge um comprimento de 3 mm ou inferior. A corrente tem de ser substituída por uma nova.
- A espessura da apara é determinada pela distância entre o limitador de profundidade (ponta redonda) e a extremidade de corte.
- Os melhores resultados de corte são obtidos com a seguinte distância entre a extremidade de corte e o limitador de profundidade.
  - Corrente da serra 80TXL: 0,65 mm

► **Fig.27**

- Um ângulo de afiação de 30° terá de ser o mesmo para todas as lâminas. As diferenças de ângulo fazem com que o funcionamento da serra seja mais difícil e irregular, aceleram o desgaste e fazem com que a serra parta.
- Utilize uma lima circular adequada para que o ângulo de afiação apropriado seja mantido contra os dentes.
  - Corrente da serra 80TXL: 55°

**Limas e como trabalhar com elas**

- Utilize uma lima circular especial (acessório opcional) para correntes de serra para afiar a serra. As limas circulares normais não são adequadas.
- O diâmetro da lima circular para cada corrente de serra é o seguinte:
  - Corrente da serra 80TXL: 4,0 mm
- A lima só deve engatar nos dentes no curso para a frente. Levante a lima para a retirar do dente no curso de retorno.
- Afie primeiro os dentes mais curtos. Em seguida, o comprimento destes dentes mais curtos passa a ser o padrão para os restantes na corrente de serra.

— Movimento a lima como indicado na ilustração.

► **Fig.28:** 1. Lima 2. Corrente de serra

- O movimento da lima torna-se mais fácil se utilizar um porta-limas (acessório opcional). O porta-limas é marcado com o ângulo de afiação correto de 30° (alinhar as marcas paralelas com a corrente da serra) e limita a profundidade de penetração (para 4/5 do diâmetro da lima).

► **Fig.29:** 1. Porta-limas

- Depois de afiar a corrente, verifique a altura do limitador de profundidade utilizando um calibrador de corrente (acessório opcional).

► **Fig.30**

- Retire qualquer material saliente, por menor que seja, com uma lima plana especial (acessório opcional).
- Arredonde novamente a frente do limitador de profundidade.

## Limpar a barra de guia

As partículas e serragem acumulam-se na ranhura da barra de guia. Estas podem obstruir a ranhura da barra e afetar o fluxo de óleo. Retire sempre as partículas e a serragem quando afiar ou substituir a corrente de serra.

► **Fig.31**

## Limpar a cobertura da roda de corrente

As partículas e serragem acumulam-se no interior da cobertura da roda de corrente. Retire a cobertura da roda de corrente e a corrente de serra da ferramenta e, de seguida, limpe as partículas e a serragem.

► **Fig.32**

## Limpar o orifício de saída de óleo

Pó fino ou partículas podem acumular-se no orifício de saída de óleo durante o funcionamento. Este pó ou partículas podem prejudicar o fluxo de óleo e resultar em lubrificação insuficiente de toda a corrente de serra. Se ocorrer a dispensa insuficiente de óleo da corrente no topo da barra de guia, limpe o orifício de saída de óleo como indicado a seguir.

1. Retire a cobertura da roda de corrente e a corrente de serra da ferramenta.
2. Remova as pequenas partículas de poeira ou outras utilizando uma chave de fendas de ponta achatada ou um dispositivo semelhante.  
▶ **Fig.33:** 1. Chave de fendas de ponta achatada  
2. Orifício de saída de óleo
3. Insira a bateria na ferramenta. Aperte o gatilho do interruptor para expelir óleo a fim de remover a poeira e partículas acumuladas no orifício de saída de óleo.
4. Remova a bateria da ferramenta. Reinstale a cobertura da roda de corrente, a corrente de serra e a barra de guia na ferramenta.

## Substituir a roda de corrente

**⚠PRECAUÇÃO:** Uma roda de corrente gasta danificará a corrente de serra nova. Substitua a roda de corrente quando estiver gasta.

Antes de instalar uma corrente de serra nova, verifique a condição da roda de corrente.

▶ **Fig.34:** 1. Roda de corrente 2. Áreas com desgaste

Coloque sempre um anel de trava novo ao substituir a roda de corrente.

▶ **Fig.35:** 1. Anel de trava 2. Roda de corrente

**OBSERVAÇÃO:** Certifique-se de que a roda de corrente está instalada como indicado na figura.

## Armazenar a ferramenta

1. Limpe a ferramenta antes de armazenar. Limpe as partículas e a serragem da ferramenta depois de retirar a cobertura da roda de corrente.
2. Depois de limpar, opere a ferramenta em vazio para lubrificar a corrente de serra e a barra de guia.
3. Cubra a barra de guia com a cobertura da barra de guia.
4. Esvazie o depósito de óleo.

## Instruções para manutenção periódica

Para garantir uma vida útil longa, evite danificar e garanta o funcionamento total das funcionalidades de segurança. A manutenção que se segue tem de ser efetuada regularmente. Os pedidos de garantia só podem ser aceites se este trabalho for efetuado regular e adequadamente. O incumprimento dos trabalhos de manutenção indicados pode levar a acidentes! O utilizador da ferramenta não deve efetuar os trabalhos de manutenção que não estejam descritos no manual de instruções. Esses trabalhos devem ser efetuados pelo nosso centro de assistência autorizado.

Verificar item / tempo de funcionamento		Antes do funcionamento	Todos os dias	Todas as semanas	A cada 3 meses	Anualmente	Antes de armazenar
Toda a ferramenta	Inspeção.	✓	-	-	-	-	-
	Limpeza.	-	✓	-	-	-	-
	Verifique no centro de assistência autorizado.	-	-	-	-	✓	✓
Corrente de serra	Inspeção.	✓	-	-	-	-	-
	Afiar, se necessário.	-	-	-	-	-	✓
Barra de guia	Inspeção.	✓	✓	-	-	-	-
	Remover da ferramenta.	-	-	-	-	-	✓
Lubrificação da corrente	Verificar a taxa de alimentação de óleo.	✓	-	-	-	-	-
Gatilho do interruptor	Inspeção.	✓	-	-	-	-	-
Alavanca de segurança	Inspeção.	✓	-	-	-	-	-
Tampão do depósito de óleo	Verificar a estanquidade.	✓	-	-	-	-	-
Parafusos e porcas	Inspeção.	-	-	✓	-	-	-

# RESOLUÇÃO DE PROBLEMAS

Antes de pedir uma reparação, realize primeiro a sua própria inspeção. Se encontrar um problema que não esteja explicado no manual, não tente desmontar a ferramenta. Em vez disso, peça as reparações nos centros de assistência técnica autorizados da Makita, usando sempre peças de substituição da Makita.

Problema	Causa	Ação
A ferramenta não arranca.	A bateria não está instalada.	Instale uma bateria carregada.
	Problema com a bateria (tensão baixa).	Recarregue a bateria. Se o recarregamento não for eficaz, substitua a bateria.
O motor para de funcionar depois de pouco tempo de utilização.	O nível de carga da bateria está baixo.	Recarregue a bateria. Se o recarregamento não for eficaz, substitua a bateria.
Não há óleo na corrente.	O depósito de óleo está vazio.	Encha o depósito de óleo.
	A ranhura da guia do óleo está suja.	Limpe a ranhura.
A ferramenta não atinge as RPM máximas.	A bateria está instalada de forma incorreta.	Instale a bateria conforme descrito neste manual.
	A potência da bateria está a diminuir.	Recarregue a bateria. Se recarregar a bateria não solucionar o problema, substitua a bateria.
	O sistema de acionamento não funciona corretamente.	Solicite a reparação no centro de assistência autorizado da sua região.
Vibração anormal: <b>Pare a ferramenta imediatamente!</b>	A barra de guia ou a corrente de serra está solta.	Ajuste a barra de guia e a tensão da corrente de serra.
	Falha de funcionamento da ferramenta.	Solicite a reparação no centro de assistência autorizado da sua região.
A corrente de serra não pode ser instalada.	A combinação da corrente de serra e roda de corrente não está correta.	Utilize a combinação correta da corrente de serra e roda de corrente consultando a secção relativa às especificações.

## ACESSÓRIOS OPCIONAIS

**⚠️ PRECAUÇÃO:** Estes acessórios ou peças são recomendados para utilização com a ferramenta Makita especificada neste manual. A utilização de outros acessórios ou peças pode ser perigosa para as pessoas. Utilize apenas acessórios ou peças para os fins indicados.

Se necessitar de informações adicionais relativas a estes acessórios, solicite-as ao seu centro de assistência Makita.

- Corrente de serra
- Barra de guia
- Cobertura da barra de guia
- Lima
- Bolsa da ferramenta
- Bateria e carregador genuínos da Makita

**NOTA:** Alguns itens da lista podem estar incluídos na embalagem da ferramenta como acessórios padrão. Eles podem variar de país para país.

## SPECIFIKATIONER

<b>Model:</b>		<b>UC100D</b>
Samlet længde (uden sværd og batteri)		350 mm
Nominel spænding		D.C. 10,8 V - 12 V maks.
Nettovægt	*1	1,0 kg
	*2	1,5 - 1,6 kg
Længde af standardsværd		100 mm
Anbefalet sværdlængde		100 mm
Anvendelig savkædetype (se tabellen nedenfor)		80TXL
Kædehjul	Antal tænder	7
	Tandafstand	0,325"
Kædehastighed		0 - 8,0 m/s (0 - 480 m/min)
Volumen af kædeolietank		55 cm <sup>3</sup>

- På grund af vores kontinuerlige forsknings- og udviklingsprogrammer kan hosstående specifikationer blive ændret uden varsel.
  - Specifikationer kan variere fra land til land.
- \*1: Vægt uden savkæde, sværd, sværdbeskytter, olie og akku(er).  
 \*2: Den letteste og tungeste kombination af vægt i henhold til EPTA-proceduren 01/2014. Vægten kan variere afhængigt af tilbehøret, inklusive akkuen/akkuer.

### Kombination af savkæde, sværd og kædehjul

<b>Savkædetype</b>		<b>80TXL</b>
Antal drivled		26
Sværd	Længde af sværd	100 mm
	Snitlængde	111 mm
	Tandafstand	0,325"
	Afstand	1,1 mm
	Type	Sværd med hård næse
Kædehjul	Antal tænder	7
	Tandafstand	0,325"

**⚠ ADVARSEL:** Brug en passende kombination af sværd og savkæde. I modsat fald kan det medføre tilskadekomst.

### Anvendelig akku og oplader

Akku	BL1016 / BL1021B / BL1041B
Oplader	DC10SA / DC10SB / DC10WC / DC10WD / DC18RE











- Nogle af de akkuer og opladere, der er angivet ovenfor, er muligvis ikke tilgængelige, afhængigt af hvilket område du bor i.

**⚠ ADVARSEL:** Brug kun de akkuer og opladere, der er angivet ovenfor. Brug af andre akkuer og opladere kan medføre personskaade og/eller brand.



## Symboler

Følgende viser de symboler, der muligvis anvendes til udstyret. Sørg for, at du forstår deres betydning før brugen.

	Læs brugsanvisningen.
	Brug sikkerhedsbriller og høreværn.
	Brug altid to hænder, når du betjener maskinen.
	Pas på tilbageslag, og undgå kontakt med sværdets spids.
	Må ikke udsættes for fugt.
	Maks. tilladt skærelængde
	Retning af kædens bevægelse
	Kun for lande inden for EU På grund af tilstedeværelsen af farlige komponenter i udstyret kan affald af elektrisk og elektronisk udstyr, akkumulatører og batterier have en negativ indvirkning på miljøet og folkesundheden. Bortskaf ikke elektriske og elektroniske apparater eller batterier sammen med husholdningsaffald! I overensstemmelse med EF-direktiv om affaldshåndtering af elektrisk og elektronisk udstyr og om akkumulatører og batterier og affaldsakkumulatører og -batterier, og i overensstemmelse med national lovgivning, skal brugt elektrisk udstyr, batterier og akkumulatører opbevares separat og leveres til et separat indsamlingssted for kommunalt affald, der er etableret i henhold til bestemmelserne om miljøbeskyttelse. Dette er angivet ved symbolet på den krydsede skraldespand, der er placeret på udstyret.
	Garanteret lydeffektniveau i henhold til EU-direktivet om maskiner til udendørs brug.
	Lydeffektniveau i henhold til Australiens NSW forordning om støjemission

## Tilslået anvendelse

Denne maskine er beregnet til at skære grene af træer eller buske ved hjælp af en savkæde.

## Støj

Det typiske A-vægtede støjniveau bestemt i overensstemmelse med EN62841-4-1:  
Lydtryksniveau ( $L_{pA}$ ): 79 dB (A)  
Lydeffektniveau ( $L_{WA}$ ): 87 dB (A)  
Usikkerhed (K): 3 dB (A)

**BEMÆRK:** De(n) angivne støjemissionsværdi(er) er målt i overensstemmelse med en standardtestmetode og kan anvendes til at sammenligne en maskine med en anden.

**BEMÆRK:** De(n) angivne støjemissionsværdi(er) kan også anvendes i en præliminær eksponeringsvurdering.

**⚠ ADVARSEL:** Bær høreværn.

**⚠ ADVARSEL:** Støjemissionen under den faktiske anvendelse af maskinen kan være forskellig fra de(n) angivne værdi(er), afhængigt af den måde hvorpå maskinen anvendes, især den type arbejdsømne der behandles.

**⚠ ADVARSEL:** Sørg for at identificere de sikkerhedsforskrifter til beskyttelse af operatøren, som er baseret på en vurdering af eksponering under de faktiske brugsforhold (med hensyntagen til alle dele i brugscyklussen, f.eks. de gange, hvor maskinen er slukket, og når den kører i tomgang i tilgift til afbrydertiden).

## Vibration

Vibrationens totalværdi (tre-aksial vektorsum) bestemt i overensstemmelse med EN62841-4-1:

Arbejdstilstand: skæring i træ  
Vibrationsemission ( $a_{h,W}$ ): 4,8 m/s<sup>2</sup>  
Usikkerhed (K): 1,5 m/s<sup>2</sup>

**BEMÆRK:** De(n) angivne totalværdi(er) for vibration er målt i overensstemmelse med en standardtestmetode og kan anvendes til at sammenligne en maskine med en anden.

**BEMÆRK:** De(n) angivne totalværdi(er) for vibration kan også anvendes i en præliminær eksponeringsvurdering.

**⚠ ADVARSEL:** Vibrationsemissionen under den faktiske anvendelse af maskinen kan være forskellig fra de(n) angivne værdi(er), afhængigt af den måde hvorpå maskinen anvendes, især den type arbejdsømne der behandles.

**⚠ ADVARSEL:** Sørg for at identificere de sikkerhedsforskrifter til beskyttelse af operatøren, som er baseret på en vurdering af eksponering under de faktiske brugsforhold (med hensyntagen til alle dele i brugscyklussen, f.eks. de gange, hvor maskinen er slukket, og når den kører i tomgang i tilgift til afbrydertiden).

## Overensstemmelseserklæringer

**Kun for lande i Europa**

Overensstemmelseserklæringerne er inkluderet i Bilag A i denne brugsanvisning.

# SIKKERHEDSADVARSLER

## Almindelige sikkerhedsregler for el-værktøj

**ADVARSEL** Læs alle sikkerhedsadvarsler, instruktioner, illustrationer og specifikationer, der følger med denne maskine. Hvis du ikke følger alle nedenstående instruktioner, kan det medføre elektrisk stød, brand og/eller alvorlig personskade.

## Gem alle advarsler og instruktioner til fremtidig reference.

Ordet "el-værktøj" i advarslerne henviser til det netforsyede (netledning) el-værktøj eller batteriforsyede (akku) el-værktøj.

## Generelle sikkerhedsadvarsler for beskæringssav

- Hold alle kroppsdele væk fra savkæden, når beskæringssaven er i brug. Før du starter beskæringssaven, skal du sørge for, at savkæden ikke kommer i kontakt med noget.** Et øjebliklig uopmærksomhed under anvendelse af beskæringssave kan medføre, at tøj eller krop kan vikles ind i savkæden.
- Hold altid beskæringssaven med den ene hånd på det bageste håndtag og den anden hånd på det ekstra håndtag.**
- Hold kun i beskæringssaven i de isolerede grebflader, da savkæden kan komme i kontakt med skjulte ledninger.** Hvis savkæderne i kontakt med en "strømførende" ledning, kan de udsatte metaldele på beskæringssaven blive "strømførende", hvilket kan give operatøren et elektrisk stød.
- Bær øjenværn. Anvendelse af yderligere beskyttelsesudstyr til hørelse, hoved, hænder, ben og fødder anbefales.** Eget beskyttelsesudstyr vil mindske personskader som følge af flyvende rester eller utilsigtet kontakt med savkæden.
- Undlad at anvende en beskæringssav i et træ, på en stige, fra et tag eller på et ustabilt underlag.** Anvendelse af en beskæringssav på denne måde kan medføre alvorlig personskade.
- Hold altid et god fodfæste, og anvend kun beskæringssaven, når du står på en fast, sikker og plan overflade.** Glatte eller ustabile overflader kan medføre tab af balance eller kontrol over beskæringssaven.
- Når du skærer en gren, der er i spænd, skal du være opmærksom på, om den springer tilbage.** Når spændingen i træfibrene udløses, kan den fjederbelastede gren ramme operatøren og/eller kaste beskæringssaven ud af kontrol.
- Udvis den største forsigtighed, når du skærer krat og unge træer.** Det tynde materiale kan blive fanget i savkæden og blive slynget mod dig eller kaste dig ud af balance.
- Bær beskæringssaven med den slukkede beskæringssav væk fra kroppen.** Når du transporterer eller opbevarer beskæringssaven, skal du altid montere sværdbeskytteren. Korrekt håndtering af beskæringssaven reducerer sandsynligheden for utilsigtet kontakt med den bevægelige savkæde.
- Følg instruktionerne for smøring, kædespænding og udskiftning af sværdet og kæden.** En ukorrekt spændt eller smurt kæde kan enten knække kæden eller øge risikoen for tilbageslag.
- Skær kun i træ. Undlad at anvende beskæringssaven til andre formål end dem, den er beregnet til.** For eksempel: Undlad at anvende beskæringssaven til at skære i metal, plast, murværk eller andre byggematerialer end træ. Anvendelse af beskæringssaven til andre opgaver end dem, den er beregnet til, kan medføre en farlig situation.
- Denne beskæringssav er ikke beregnet til træfældning.** Anvendelse af beskæringssaven til andre opgaver end dem, den er beregnet til, kan medføre alvorlig personskade for operatøren eller andre personer, der står i nærheden.
- Følg alle instruktioner, når du fjerner fastklemt materiale, opbevarer eller servicerer beskæringssaven. Sørg for, at afbryderen er slukket, og at batteripakken er afmonteret.**
- Årsager til tilbageslag, og hvordan operatøren kan forhindre det:**

Tilbageslag kan opstå, hvis næsen eller spidsen af sværdet berører en genstand, eller hvis træet lukker sammen og klemmer savkæden fast i snittet. Spidskontakt kan i nogle tilfælde forårsage en pludselig baglæns reaktion, hvorved sværdet trykkes op og tilbage mod operatøren. Hvis savkæden klemmes langs sværdets overside, kan det skubbe sværdet hurtigt tilbage mod operatøren.

Begge disse reaktioner kan medføre, at du mister kontrollen over saven, hvilket kan resultere i alvorlig personskade. Undlad at stole udelukkende på de sikkerhedsanordninger, der er indbygget i saven. Som bruger af en beskæringssav bør du træffe flere foranstaltninger for at undgå ulykker og skader i forbindelse med skærearbejdet.

Tilbageslag er resultatet af forkert anvendelse af beskæringssaven og/eller ukorrekte arbejdsprocedurer eller forhold og kan undgås ved at træffe de nødvendige forholdsregler som angivet nedenfor:

  - Hold godt fast med tommelfingre og fingre, der omslutter beskæringssavens håndtag, med begge hænder på saven, og placér kroppen og armen således, at du kan modstå tilbageslagskræfter.** Tilbageslagskræfter kan styres af operatøren, hvis der træffes passende forholdsregler. Undlad at give slip på beskæringssaven.

### ► Fig.1

- Undlad at række for langt, og undlad at skære over skulderhøjde.** Dette hjælper med at forhindre utilsigtet kontakt med spidsen og giver bedre kontrol over beskæringssaven i uventede situationer.

- **Anvend kun de udskiftningssværd og -savkæder, der er angivet af producenten.** Forkerte udskiftningssværd og -savkæder kan forårsage brud på kæden og/eller tilbageslag.
  - **Følg fabrikantens anvisninger for slibning og vedligeholdelse af savkæden.** Mindskning af dybdemålerhøjden kan føre til øget tilbageslag.
15. **Følg alle instruktioner, når du fjerner fastklemt materiale, opbevarer eller servicerer beskæringssaven. Sørg for, at afbryderen er slukket, og at batteripakken er afmonteret.**

## Yderligere sikkerhedsinstruktioner

### Personligt beskyttelsesudstyr

1. Beklædningen skal være tætsiddende, men må ikke hindre mobiliteten.
2. Bær følgende beskyttelsesbeklædning under arbejdet:
  - En testet sikkerhedshjelm, hvis der er fare for nedfaldende grene eller lignende;
  - En ansigtsmaske eller beskyttelsesbriller;
  - Egnet høreværn (ørekopper, tilpassede eller formbare ørepropper). Oktav brand-analyse efter anmodning.
  - Faste sikkerhedshandsker af læder;
  - Lange bukser fremstillet af stærkt stof;
  - Beskyttelsesbukser fremstillet af skærefast stof;
  - Sikkerhedssko eller -støvler med skridsikre såler, stålsnuder og skærefast stofforing;
  - En åndedrætsmaske, når der udføres arbejde, der frembringer støv (f.eks. savning af tørt træ).

### Drift

1. **Før du påbegynder arbejdet, skal du kontrollere, at maskinen er i korrekt funktionsdygtig stand, og at dens tilstand er i overensstemmelse med sikkerhedsforskrifterne. Kontrollér især, at:**
  - Stopbremsen fungerer ordentligt,
  - Sværdet og kædehjulsdækslet er korrekt monteret,
  - Kæden er blevet skærpet og spændt i overensstemmelse med regulativerne.
2. **Undlad at starte maskinen med kædedækslet er monteret på den.** Hvis maskinen startes med kædedækslet monteret på den, kan det medføre, at kædedækslet kastes fremad, hvilket kan medføre personskaade og skade på genstande omkring operatøren.
3. **Undlad at stå direkte under den grøn, der skæres over. Vær opmærksom på de nedfaldende grene.**
4. **Betjen ikke maskinen i dårligt vejr, eller hvis der er risiko for lynnedslag.**
5. **Vær opmærksom på dit fodfæste, når du bruger maskinen på mudret jord, en våd skråning eller et glat sted.**

### Elektrisk sikkerhed og batterisikkerhed

1. **Undgå farlige miljøer. Brug ikke maskinen på fugtige eller våde steder, og udsæt den ikke for regn.** Hvis der kommer vand ind i maskinen, forøger det risikoen for elektrisk stød.
2. **Undlad at kaste batterierne i åben ild.** Cellen kan eksplodere. Tjek de lokale regler for eventuelle særlige instruktioner vedrørende bortskaffelse.
3. **Undlad at åbne eller mishandle batterierne.** Lækket elektrolyt er ætsende og kan medføre skader på øjnene eller huden. Den kan være giftig, hvis den indtages.
4. **Undlad at oplade batteriet i regnvejr eller under våde forhold.**
5. **Oplad ikke batteriet uden døre.**
6. **Håndter ikke oplader, herunder opladerstik, og opladerterminaler med våde hænder.**
7. **Undlad at udskifte batteriet med våde hænder.**
8. **Undlad at efterlade batteriet i regnvejr eller oplade, anvende eller opbevare batteriet på et fugtigt eller vådt sted.**
9. **Undlad at fugte batteriets terminal med væske såsom vand, og batteriet må ikke nedsænkes i væske.** Hvis terminalen bliver våd, eller der trænger væske ind i batteriet, kan batteriet kortsluttes, og der er risiko for overophedning, brand eller eksplosion.
10. **Når batteriet er blevet afmonteret fra maskinen eller opladeren, skal du sørge for at fastgøre batteridækslet til batteriet og opbevare det på et tørt sted.**
11. **Hvis akkuen bliver våd, skal du aftappe vandet indeni og derefter tørre den af med en tør klud. Tør akkuen helt på et tørt sted før brug.**

## GEM DENNE BRUGSANVISNING.

**⚠ ADVARSEL:** LAD IKKE bekvemmelighed eller kendskab til produktet (opnået gennem gentagen brug) forhindre, at sikkerhedsforskrifterne for produktet nøje overholdes. MISBRUG eller forsummelse af at følge de i denne brugsvejledning givne sikkerhedsforskrifter kan føre til, at De kommer alvorligt til skade.

### Vigtige sikkerhedsinstruktioner for akkuen

1. **Læs alle instruktioner og advarselmærkater på (1) akku-opladeren, (2) akkuen og (3) produktet, som anvender akku.**
2. **Adskil eller ændr ikke akkuen.** Det kan muligvis resultere i en brand, overdreven varme eller eksplosion.
3. **Hold straks op med anvendelsen, hvis brugstiden er blevet stærkt afkortet.** Fortsat anvendelse kan resultere i risiko for overophedning, forbrændinger og endog eksplosion.
4. **Hvis De har fået elektrolytvæske i øjnene, skal De straks skylle den ud med rent vand og derefter øjeblikkeligt søge lægehjælp.** I modsat fald kan De miste synet.

5. Vær påpasselig med ikke at komme til at kortslutte akkuen:
  - (1) Rør ikke ved terminalerne med noget ledende materiale.
  - (2) Undgå at opbevare akkuen i en beholder sammen med andre genstande af metal, for eksempel søm, mønter og lignende.
  - (3) Udsæt ikke akkuen for vand eller regn. Kortslutning af akkuen kan forårsage en kraftig øgning af strømmen, overophedning, mulige forbrændinger og endog værktøjstop.
6. Opbevar og brug ikke maskinen og akkuen på steder, hvor temperaturen muligvis kan nå eller overstige 50 °C.
7. Lad være med at brænde akkuen, selv ikke i tilfælde, hvor den har lidt alvorlig skade eller er fuldstændig udtjent. Akkuen kan eksplodere, hvis man forsøger at brænde den.
8. Slå ikke søm i, skær ikke i, knus, kast, tab ikke akkuen og stød ikke akkuen mod en hård genstand. Sådant adfærd kan muligvis resultere i en brand, overdreven varme eller eksplosion.
9. Anvend ikke en beskadiget akku.
10. De indbyggede litium-ion-batterier er underlagt lovkrav vedrørende farligt gods. Ved kommerciel transport, f.eks. af tredjeparts transportselskaber, skal særlige krav til forpakning og mærkning overholdes. Ved forberedelse af udstyret til forsendelse skal du kontakte en ekspert i farligt gods. Overhold også eventuel mere detaljeret national lovgivning. Tape eller tildæk åbne kontakter, og pak batteriet på en måde, så det ikke kan flytte sig rundt i pakningen.
11. Når akkuen bortskaffes, skal du fjerne den fra maskinen og bortskaffe den på et sikkert sted. Følg de lokale love vedrørende bortskaffelsen af batterier.
12. Brug kun batterierne med de produkter, som Makita specificerer. Hvis batterierne installeres i ikke-kompatible produkter, kan det medføre brand, kraftig varme, eksplosion eller udsivning af elektrolyt.
13. Hvis maskinen ikke skal bruges i længere tid ad gangen, skal du fjerne batteriet fra maskinen.
14. Akkuen kan muligvis under og efter brug være varm, hvilket kan forårsage forbrændinger eller lavtemperaturforbrændinger. Vær påpasselig med håndtering af varme akkuer.
15. Rør ikke terminalen på maskinen straks efter brug, da den bliver varm nok til at forårsage forbrændinger.
16. Sørg for, at spåner, støv eller jord ikke sætter sig fast i akkuens terminaler, huller og riller. Det kan forårsage opvarmning, antændelse, sprængning og funktionsfejl i maskinen eller akkuen, hvilket kan medføre forbrændinger eller personskade.
17. Medmindre maskinen understøtter brugen i nærheden af elektriske højspændingsledninger, skal du ikke anvende akkuen i nærheden af elektriske højspændingsledninger. Det kan muligvis medføre funktionsfejl på eller nedbrud af maskinen eller akkuen.
18. Opbevar batteriet utilgængeligt for børn.

## GEM DENNE BRUGSANVISNING.

**⚠FORSIGTIG:** Brug kun originale batterier fra Makita. Brug af uoriginale Makita-batterier, eller batterier som er blevet ændret, kan muligvis medføre brud på batteriet, hvilket kan forårsage brand, personskade eller beskadigelse. Det ugyldiggør også Makita-garantien for Makita-maskinen og opladeren.

## Tips til opnåelse af maksimal akku-levetid

1. Oplad akkuen, inden den er helt afladet. Stop altid værktøjet, og oplad akkuen, hvis De bemærker, at værktøjeffekten er aftagende.
2. Genoplad aldrig en fuldt opladet akku. Overopladning vil afkorte akkuens levetid.
3. Oplad akkuen ved stuetemperatur ved 10 °C - 40 °C. Lad altid en varm akku få tid til at køle af, inden den oplades.
4. Når du ikke anvender akkuen, skal du fjerne den fra maskinen eller opladeren.

## BESKRIVELSE AF DELENE

► Fig.2

1	Ekstra håndtag	2	Sikkerhedsdæksel	3	Savkæde
4	Sværd	5	Olietankdæksel	6	Sværdbeskytter
7	Kædehjulsdæksel	8	Låsehåndtag	9	Bageste håndtag
10	Afbryderknap	11	Arm	12	Akku

## FUNKTIONSBESKRIVELSE

**⚠FORSIGTIG:** Sørg altid for at maskinen er slukket, og at akkuen er taget ud, før der udføres justering eller kontrol af funktioner på maskinen.

### Isætning eller fjernelse af akkuen

**⚠FORSIGTIG:** Sluk altid for værktøjet, før De monterer eller fjerner akkuen.

**⚠FORSIGTIG:** Hold værktøjet og akkuen fast ved montering eller fjernelse af akkuen. Hvis De ikke holder værktøjet og akkuen fast, kan de glide ud af hænderne på Dem og forårsage beskadigelse af værktøjet og akkuen eller personskade.

► Fig.3: 1. Rød indikator 2. Knap 3. Akku

Akkuen fjernes ved, at De trækker den ud af værktøjet, idet De skyder knappen på forsiden af akkuen i stilling.

For at montere akkuen skal du justere tungen på akkuen med rillen i huset og skubbe den på plads. Indsæt den hele vejen, indtil den låses på plads med et lille klik. Hvis du kan se den røde indikator, som vist i figuren, er den ikke helt låst.

**⚠FORSIGTIG:** Monter altid akkuen helt, indtil den røde indikator ikke længere er synlig. Hvis dette ikke gøres, kan den falde ud af værktøjet ved et uheld, hvorved De selv eller personer i nærheden kan komme til skade.

**⚠FORSIGTIG:** Brug ikke magt ved montering af akkuen. Hvis akkuen ikke glider på plads uden problemer, betyder det, at den ikke sættes i på korrekt vis.

### Indikation af den resterende batteriladning

*Kun til akkuer med indikatoren*

► Fig.4: 1. Indikatorlamper 2. Kontrolknap

Tryk på kontrolknappen på akkuen for at få vist den resterende batteriladning. Indikatorlampen lyser i nogle sekunder.

Indikatorlamper		Resterende kapacitet
Tændt	Slukket	
■ ■ ■ ■	□	75% til 100%
■ ■ ■ □	□	50% til 75%
■ ■ □ □	□	25% til 50%
■ □ □ □	□	0% til 25%

**BEMÆRK:** Afhængigt af brugsforholdene og den omgivende temperatur kan indikationen afvige en smule fra den faktiske ladning.

## Beskyttelsessystem til værktøj/batteri

Maskinen er udstyret med et beskyttelsessystem til maskinen/batteriet. Dette system afbryder automatisk strømmen til motoren for at forlænge maskinens og batteriets levetid. Maskinen stopper automatisk under brugen, hvis maskinen eller batteriet udsættes for et af følgende forhold:

### Overbelastet:

Maskinen betjenes på en måde, der får den til at bruge unormalt meget strøm. Sluk i så fald for maskinen, og stop den anvendelse, der medførte overbelastningen af maskinen. Tænd derefter for maskinen for at starte igen.

Hvis maskinen ikke starter, er batteriet overophedet. Lad i så fald batteriet køle af, før du tænder for maskinen igen.

### Lav spænding på akkuen:

Den resterende batteriladning er for lav, og maskinen vil ikke fungere. Hvis du tænder for maskinen, kører motoren igen, men stopper i løbet af kort tid. I så fald skal batteriet fjernes og genoplades.

## Afbryderbetjening

**⚠ADVARSEL:** Af hensyn til din sikkerhed er maskinen forsynet med et låsehåndtag, der forhindrer, at maskinen starter ved et uheld. Brug ALDRIG maskinen, hvis den kører, når du trykker på afbryderknappen uden at trykke på låsehåndtaget. Indlever maskinen til vores autoriserede servicecenter til korrekt reparation, FØR den benyttes igen.

**⚠ADVARSEL:** Brug ALDRIG tape til at fastgøre aflåsehåndtaget eller på anden måde omgå dets formål og funktion.

**⚠FORSIGTIG:** Inden akkuen sættes i maskinen, bør De altid kontrollere, at afbryderknappen fungerer korrekt, og returnerer til "OFF"-positionen, når den slippes.

**BEMÆRKNING:** Tryk ikke hårdt på afbryderknappen uden at trykke på aflåsehåndtaget. Dette kan forårsage afbryderbeskadigelse.

For at forhindre, at der trykkes på afbryderknappen ved et uheld, er der monteret et aflåsehåndtag. For at starte maskinen skal du trykke aflåsehåndtaget ned og trykke på afbryderknappen. Slip afbryderknappen for at stoppe.

► Fig.5: 1. Afbryderknap 2. Låsehåndtag

## Kontrol af stopbremsen

**⚠FORSIGTIG:** Hvis savkæden ikke stopper inden for et par sekunder i denne test, skal du stoppe med at bruge maskinen og kontakte vores autoriserede servicecenter.

Kør maskinen, og slip derefter afbryderknappen helt. Savkæden skal gå i stå i løbet af få sekunder.

# SAMLING

**⚠FORSIGTIG:** Sørg altid for at maskinen er slukket, og at akkuen er taget ud, før der udføres noget arbejde på maskinen.

**⚠FORSIGTIG:** Undlad at berøre savkæden med bare hænder. Bær altid beskyttelseshandsker, når du håndterer savkæden.

## Af- eller påmontering af savkæde

**⚠FORSIGTIG:** Savkæden og sværdet er stadig varme lige efter brugen. Lad dem køle tilstrækkeligt af, inden der udføres noget arbejde på maskinen.

**⚠FORSIGTIG:** Udfør proceduren med at montere eller fjerne savkæden på et rent sted uden savsmuld og lignende.

## Afmontering af savkæden

For at fjerne savkæden skal du udføre følgende trin:

1. Træk armen op.

► Fig.6: 1. Arm

2. Drej armen mod uret, indtil kædehjulsdækslet går af.

► Fig.7: 1. Kædehjulsdæksel 2. Arm

3. Afmonter kædehjulsdækslet, og afmonter derefter savkæden og sværdet fra maskinens karosseri.

## Montering af savkæden

For at montere savkæden skal du udføre følgende trin:

1. Træk armen op.

► Fig.8: 1. Arm

2. Drej armen mod uret, indtil kædehjulsdækslet går af.

► Fig.9: 1. Arm 2. Kædehjulsdæksel

3. Afmonter kædehjulsdækslet.

4. Justér hullet på sværdet med stiften på maskinens karosseri, og placér derefter sværdet som vist på figuren.

► Fig.10: 1. Sværd 2. Hul 3. Stift

5. Skub sværdet mod kædehjulet for at låse stiften.

► Fig.11: 1. Sværd 2. Stift

6. Afmonter sværdet fra maskinens karosseri.

7. Kontrollér savkædens retning. Sørg for, at savkædens retning svarer til mærket på maskinens karosseri.

► Fig.12: 1. Mærke på maskinens karosseri

8. Sæt den ene ende af savkæden på toppen af sværdet.

9. Montér den anden ende af savkæden rundt om kædehjulet, og fastgør derefter sværdet til maskinens karosseri, så hullet på sværdet flugter med stiften på karosseriet.

► Fig.13: 1. Kædehjul

Tryk sværdet mod maskinens karosseri for at frigøre stiften. Savkædens spænding justeres automatisk.

► Fig.14: 1. Savkæde 2. Stift 3. Kædehjul

10. Placér kædehjulsdækslet således, at bolten og stiften på maskinens karosseri mødes med de tilsvarende dele på kædehjulsdækslet.

► Fig.15: 1. Kædehjulsdæksel 2. Bolt 3. Stift

11. Drej armen med uret, indtil kædehjulsdækslet sidder fast, og returner den derefter til den oprindelige position.

► Fig.16: 1. Arm 2. Kædehjulsdæksel

Sørg for, at savkæden ikke løsner sig, og at savkæden kan bevæges jævnt frem og tilbage. Justér om nødvendigt savkædens spænding ved at se afsnittet om justering af savkædens spænding.

## Justering af savkædens spænding

**⚠FORSIGTIG:** En kæde, der er for løs, kan hoppe af sværdet, og det kan forårsage personskade eller en ulykke.

Savkæden kan blive løs efter mange timers brug. Kontrollér fra tid til anden savkædens spænding inden brug.

Hvis savkæden er løs, skal du justere savkædens spænding.

1. Træk armen op.

► Fig.17: 1. Arm

2. Drej armen en smule mod uret for at løsne kædehjulsdækslet let. Kædespændingen justeres automatisk.

► Fig.18: 1. Kædehjulsdæksel 2. Arm

3. Drej armen med uret, indtil kædehjulsdækslet sidder fast, og returner den derefter til den oprindelige position.

► Fig.19: 1. Arm 2. Kædehjulsdæksel

## ANVENDELSE

### Smøring

**⚠FORSIGTIG:** Undlad at anvende maskinen, når tanken er tom. Påfyld olien i god tid, før tanken er tom.

**⚠FORSIGTIG:** Undgå, at olien kommer i kontakt med huden og øjne. Kontakt med øjnene forårsager irritation. I tilfælde af kontakt med øjnene skal det berørte øje straks skylles med rent vand og derefter straks søge læge.

**⚠FORSIGTIG:** Undlad at bruge spildolie. Spildolie indeholder kræftfremkaldende stoffer. De forurenende stoffer i spildolie forårsager øget slid på oliepumpen, sværdet og kæden. Spildolie er skadeligt for miljøet.

**BEMÆRKNING:** Når maskinen anvendes første gang, kan det tage op til to minutter, før savkædeolien begynder sin smørende virkning på savmekanismen. Kør saven uden belastning, indtil den gør det.

**BEMÆRKNING:** Når der påfyldes kædeolie for første gang, eller tanken fyldes op igen, efter at den er blevet helt tom, skal der påfyldes olie op til bundkanten af påfyldningsstudsden. Ellers kan olieforsyningen blive hindret.

**BEMÆRKNING:** Brug savkædeolien udelukkende til Makita-maskiner eller tilsvarende olie, som fås i handelen.

**BEMÆRKNING:** Anvend aldrig olie, som indeholder snavs og partikler, eller flygtig olie.

**BEMÆRKNING:** Ved beskæring af træer skal der anvendes planteolie. Mineralisk olie kan skade træerne.

**BEMÆRKNING:** Kontroller inden skæringen, at det medfølgende olietankdæksel er skruet på plads.

Savkæden smøres automatisk, når maskinen er i brug. Kontroller regelmæssigt mængden af tilbageværende olie i olietanken gennem olieskueglaslet.

► **Fig.20:** 1. Olieskueglas 2. Olietankdæksel

Udfør følgende trin for at påfylde olien:

1. Rengør området omkring olietankdækslet grundigt for at forhindre snavs i at trænge ind i olietanken.

2. Læg maskinen på siden.

3. Tryk på knappen på olietankdækslet, så knappen på den anden side står op, og afmonter derefter olietankdækslet ved at dreje det.

► **Fig.21:** 1. Olietankdæksel 2. Tilspænd 3. Løs

4. Fyld olietanken med olien. Den korrekte mængde olie er 55 ml.

5. Skru olietankdækslet godt tilbage på plads igen.

6. Aftør eventuelt spildt kædeolie omhyggeligt.

**BEMÆRK:** Hvis det er vanskeligt at afmontere olietankdækslet, skal du sætte spidsen af en kærvskrue-trækker ind i åbningen på olietankdækslet og derefter afmontere olietankdækslet ved at dreje det mod uret.

► **Fig.22:** 1. Åbning 2. Kærvskrue-trækker

Efter genopfyldning skal du holde maskinen væk fra det materiale, der skal skæres. Start den, og vent, indtil savkæden er tilstrækkeligt smurt.

► **Fig.23**

## Arbejde med maskinen

**⚠FORSIGTIG:** Hold alle kropsdele væk fra savkæden, når maskinen anvendes.

**⚠FORSIGTIG:** Hold godt fast i maskinen med begge hænder, når maskinen anvendes.

**⚠FORSIGTIG:** Stræk dig ikke for langt. Sørg hele tiden for sikkert fodfæste og balance.

**BEMÆRKNING:** Du må aldrig kaste eller tabe maskinen.

**BEMÆRKNING:** Undlad at tildække maskinens ventilationsåbninger.

Før maskinen startes, bringes sværdets rod og støtte-delen på maskinens karosseri i kontakt med den gren, der skal skæres, som vist på figuren. Mens maskinen og sværdet er i kontakt med grenen, skal du starte maskinen og save grenen ved at flytte maskinen ned langs grenen.

► **Fig.24**

**⚠FORSIGTIG:** Før skærearbejdet skal du sikre dig, at den gren, der skal skæres, er i kontakt med sværdets rod og støttedelen på maskinens karosseri. Ellers kan maskinen blive trukket mod spidsen af sværdet, og sværdet kan svinge, hvilket kan medføre personskaade.

## Bæring af maskinen

Før du bærer maskinen, skal du altid afmontere akkuen fra maskinen. Fastgør derefter sværdbeskytteren. Tildæk ligeledes akkuen med batteridækslet.

► **Fig.25:** 1. Sværdbeskytter 2. Batteridæksel

## VEDLIGEHOLDELSE

**⚠FORSIGTIG:** Vær altid sikker på, at værktøjet er slukket, og at akkuen er taget ud, inden De begynder at udføre inspektion eller vedligeholdelse.

**⚠FORSIGTIG:** Bær altid beskyttelseshandsker, når der udføres eftersyn eller vedligeholdelse.

**BEMÆRKNING:** Anvend aldrig benzin, rensebenzin, fortynder, alkohol og lignende. Det kan medføre misfarvning, deformation eller revner.

Før at opretholde produktets SIKKERHED og PÅLIDELIGHED må reparation, vedligeholdelse eller justering kun udføres af et autoriseret Makita servicecenter eller fabrikksservicecenter med anvendelse af Makita reservedele.

## Slibning af savkæden

**Slib savkæden, når:**

- Der frembringes meget savsmuld, når der skæres i fugtigt træ,
- Kæden kun gennemskærer træet med besvær, selv hvis der anvendes et kraftigt tryk,
- Skærekanten er tydeligt beskadiget,
- Saven trækker til venstre eller højre i træet. (forårsaget af uensartet slibning af savkæden eller beskadigelse af kun den ene side)

Slib savkæden hyppigt, men kun en smule ad gangen. To eller tre strøg med en fil er sædvanligvis tilstrækkeligt til at udføre en almindelig slibning. Når savkæden er blevet sletet adskillige gange, skal den slibes på vores autoriserede servicecenter.

## Slibningskriterier:

**⚠ ADVARSEL:** For stor afstand mellem skærekant og dybdemåleren forøger risikoen for tilbageslag.

► **Fig.26:** 1. Skærerlængde 2. Afstand mellem skærekant og dybdemåler 3. Mindste skærerlængde (3 mm)

- Alle skærerlængder skal være ens. Forskellige skærerlængder vil forhindre savkæden i at køre ubesværet og kan forårsage, at savkæden brækker.
- Slib ikke kæden, når der er nået en skærerlængde på 3 mm eller derunder. Kæden skal udskiftes med en ny.
- Savspånstykkelser bestemmes af afstanden mellem dybdemåleren (rund næse) og skærekanten.
- De bedste skæresultater opnås med følgende afstand mellem skærekanten og dybdemåleren.
  - Kædeblad 80TXL: 0,65 mm

► **Fig.27**

- Slibningsvinklen på 30° skal være den samme på alle skærere. Forskellige skærevinkler medfører, at kæden kører ujævnt og uensartet, fremskynder slitage og medfører, at kæden brækker.
- Brug en passende rund fil, så den korrekte slibningsvinkel holdes mod tænderne.
  - Kædeblad 80TXL: 55°

### Fil og korrekt anvendelse af fil

- Anvend en speciel rund fil (ekstraudstyr) til savkæder til at skærpe kæden. Almindelige runde filer er ikke egnede.
- Diameter på den runde fil for hver savkæde er som følger:
  - Kædeblad 80TXL: 4,0 mm
- Filen bør kun være i kontakt med skæreren ved fremadstrøget. Hæv filen fra skæreren ved returstrøget.
- Slib den korteste skærer først. Længden af denne korteste skærer bliver standard for alle skærende led på savkæden.
- Før filen som vist på illustrationen.

► **Fig.28:** 1. Fil 2. Savkæde

- Det er nemmere at føre filen, hvis der anvendes en filholder (ekstraudstyr). Filholderen har afmærkninger til den korrekte slibningsvinkel på 30° (sæt afmærkningerne parallelt med savkæden) og begrænser dybden af gennemskæringen (til 4/5 af fildiameteren).

► **Fig.29:** 1. Filholder

- Kontroller, når kæden er skærpet, højden af dybdemåleren ved hjælp af kædemåleværktøjet (ekstraudstyr).

► **Fig.30**

- Fjern alt fremspringende materiale, hvor småt det end måtte være, ved hjælp af en speciel flad fil (ekstraudstyr).
- Afrund forsiden af dybdemåleren igen.

## Rengøring af sværdet

Spåner og savsmuld samler sig i sværdrillen. De kan tilstoppe sværdrillen og hindre oliestrømningen. Fjern altid spåner og savsmuld, hver gang du sliber eller udskifter savkæden.

► **Fig.31**

## Rengøring af kædehjulsdækslet

Spåner og savsmuld samler sig inde i kædehjulsdækslet. Fjern kædehjulsdækslet og savkæden fra maskinen, og fjern derefter spåner og savsmuld.

► **Fig.32**

## Rengøring af olieudløbshullet

Små støv- og andre partikler kan samle sig i olieudløbshullet under arbejdet. Dette støv og andre partikler kan forringe oliestrømmen og medføre en utilstrækkelig smøring af hele savkæden. Rengør olieudløbshullet som vist herunder, hvis oliestrømmen er for svag ved toppen af sværdet.

1. Fjern kædehjulsdækslet og savkæden fra maskinen.

2. Fjern mindre støvdannelse eller partikler ved hjælp af en kærvskruetrækker eller lignende.

► **Fig.33:** 1. Kærvskruetrækker 2. Olieudløbshul

3. Sæt akkuen i maskinen. Tryk på afbryderknappen for at fjerne akkumulerede støv- og andre partikler fra olieudløbshullet ved at lade kædeolie flyde ud.

4. Afmonter akkuen fra maskinen. Montér kædehjulsdækslet og savkæden og sværdet på maskinen igen.

## Udskiftning af kædehjulet

**⚠ FORSIGTIG:** Et udtjent kædehjul vil beskadige en ny savkæde. I så fald skal kædehjulet skiftes ud med et nyt.

Kontroller kædehjulets tilstand, inden en ny savkæde monteres.

► **Fig.34:** 1. Kædehjul 2. Områder, der slides

Sæt altid en ny låsering på, når kædehjulet skiftes ud.

► **Fig.35:** 1. Låsering 2. Kædehjul

**BEMÆRKNING:** Kontroller, at kædehjulet er installeret som vist på figuren.

## Opbevaring af maskinen

1. Rengør maskinen, inden den lægges til opbevaring. Fjern alle spåner og savsmuld fra maskinen, efter at kædehjulsdækslet er taget af.

2. Når maskinen er rengjort, skal den køres uden belastning for at smøre savkæden og sværdet.

3. Dæk sværdet med sværdbeskytteren.

4. Tøm olietanken.



## Vejledning i periodisk vedligeholdelse

For at sikre lang levetid, forebygge skader og sikre, at sikkerhedsfunktionerne fungerer fuld ud, skal følgende vedligeholdelse udføres regelmæssigt. Garantikrav kan kun anerkendes, hvis dette arbejde udføres regelmæssigt og korrekt. Hvis det foreskrevne vedligeholdelsesarbejde ikke udføres, kan det medføre ulykker! Brugeren af maskinen må ikke udføre vedligeholdelsesarbejde, som ikke er beskrevet i brugsanvisningen. Alt sådant arbejde skal udføres af vores autoriserede servicecenter.

Kontrolpunkt / Driftstid		Før brug	Hver dag	Hver uge	Hver 3. måned	Årligt	Før opbevaring
Hele maskinen	Inspektion.	✓	-	-	-	-	-
	Rengøring.	-	✓	-	-	-	-
	Kontrolleres på autoriseret servicecenter.	-	-	-	-	✓	✓
Savkæde	Inspektion.	✓	-	-	-	-	-
	Skærpes om nødvendigt.	-	-	-	-	-	✓
Sværd	Inspektion.	✓	✓	-	-	-	-
	Afmontér fra maskinen.	-	-	-	-	-	✓
Smøring af kæden	Kontroller olietilførslen.	✓	-	-	-	-	-
Afbryderknap	Inspektion.	✓	-	-	-	-	-
Låsehåndtag	Inspektion.	✓	-	-	-	-	-
Olietankdæksel	Kontroller spændingen.	✓	-	-	-	-	-
Skruer og møtrikker	Inspektion.	-	-	✓	-	-	-

# FEJLFINDING

Udfør selv en inspektion, inden De anmoder om reparation. Hvis De opdager et problem, som ikke er forklaret i brugsanvisningen, må De ikke forsøge at adskille maskinen. Rådfør Dem i stedet med et autoriseret Makita Servicecenter, og brug altid originale Makita udskiftningsdele til reparationer.

Fejl	Årsag	Løsning
Maskinen starter ikke.	Akkuen er ikke indsat.	Indsæt en opladet akku.
	Akku-problem (lav spænding).	Genoplad akkuen. Hvis genopladningen ikke løser problemet, skal du udskifte akkuen.
Motoren holder op med at køre efter kort tids brug.	Akkuens opladningsniveau er lavt.	Genoplad akkuen. Hvis genopladningen ikke løser problemet, skal du udskifte akkuen.
Ingen olie på kæden.	Olietanken er tom.	Fyld olietanken.
	Olieføringssporet er snavset.	Rengør sporet.
Maskinen når ikke det maksimale omdrejningstal.	Akkuen er sat forkert i.	Monter akkuen som beskrevet i denne brugervejledning.
	Batteriladningen er faldende.	Genoplad akkuen. Udskift akkuen, hvis genopladning ikke løser problemet.
	Drivsystemet fungerer ikke korrekt.	Bed vores autoriserede servicecenter i dit område om reparation.
Unormal vibration: <b>Stop maskinen med det samme!</b>	Løst sværd eller savkæde.	Juster sværdets og savkædens spænding.
	Funktionsfejl på maskinen.	Bed vores autoriserede servicecenter i dit område om reparation.
Savkæden kan ikke installeres.	Kombinationen af savkæde og kædehjul er ikke korrekt.	Brug den rigtige kombination af savkæde og kædehjul ved at se afsnittet for specifikationer.

## EKSTRAUDSTYR

**⚠️FORSIGTIG:** Det følgende tilbehør og ekstraudstyr er anbefalet til brug med Deres Makita maskine, der er beskrevet i denne brugsanvisning. Anvendelse af andet tilbehør eller ekstraudstyr kan udgøre en risiko for personskade. Anvend kun tilbehør og ekstraudstyr til det beskrevne formål.

Hvis De behøver hjælp ved valg af tilbehør eller ønsker yderligere informationer, bedes De kontakte Deres lokale Makita servicecenter.

- Savkæde
- Sværd
- Sværdbeskytter
- Fil
- Værktøjspose
- Original Makita akku og oplader

**BEMÆRK:** Nogle ting på denne liste kan være inkluderet i værktøjspakken som standardtilbehør. Det kan være forskellige fra land til land.

## ΠΡΟΔΙΑΓΡΑΦΕΣ

<b>Μοντέλο:</b>		<b>UC100D</b>
Συνολικό μήκος (χωρίς κατευθυντήρια λάμα και μπαταρία)		350 mm
Όνομαστική τάση		D.C. 10,8 V - 12 V max
Καθαρό βάρος	*1	1,0 kg
	*2	1,5 - 1,6 kg
Μήκος στάνταρ κατευθυντήριας λάμας		100 mm
Συνιστώμενο μήκος οδηγητικής λάμας		100 mm
Εφαρμόσιμος τύπος αλυσίδας πριονιού (ανατρέξτε στον παρακάτω πίνακα)		80TXL
Αλυστροχός	Αριθμός δοντιών	7
	Βήμα	0,325"
Ταχύτητα αλυσίδας		0 - 8,0 m/s (0 - 480 m/min)
Όγκος δοχείου λαδιού αλυσίδας		55 cm <sup>3</sup>

- Λόγω του συνεχιζόμενου προγράμματος έρευνας και ανάπτυξης, οι προδιαγραφές αυτές υπόκεινται σε αλλαγές χωρίς προειδοποίηση.
- Τα τεχνικά χαρακτηριστικά μπορεί να διαφέρουν από χώρα σε χώρα.

\*1: Βάρος, χωρίς την αλυσίδα πριονιού, την κατευθυντήρια λάμα, το κάλυμμα κατευθυντήριας λάμας, το λάδι και τις κασέτες μπαταριών.

\*2: Ο μικρότερος και μεγαλύτερος συνδυασμός βάρους, σύμφωνα με τη διαδικασία EPTA 01/2014. Το βάρος μπορεί να διαφέρει ανάλογα με τα προσαρτήματα, συμπεριλαμβανοντας τις κασέτες μπαταριών.

### Συνδυασμός αλυσίδας πριονιού, κατευθυντήριας λάμας και αλυστροχός

<b>Τύπος αλυσίδας πριονιού</b>		<b>80TXL</b>
Αριθμός κινητήριων συνδέσμων		26
Κατευθυντήρια λάμα	Μήκος κατευθυντήριας λάμας	100 mm
	Μήκος κοπής	111 mm
	Βήμα	0,325"
	Πάχος κινητήριων συνδέσμων	1,1 mm
	Τύπος	Σκληρή λάμα με ρύγχος
Αλυστροχός	Αριθμός δοντιών	7
	Βήμα	0,325"

**⚠ ΠΡΟΕΙΔΟΠΟΙΗΣΗ:** Χρησιμοποιήστε τον κατάλληλο συνδυασμό της κατευθυντήριας λάμας και αλυσίδας πριονιού. Διαφορετικά, μπορεί να προκύψει προσωπικός τραυματισμός.

### Ισχύουσα κασέτα μπαταριών και φορτιστής

Κασέτα μπαταρίας	BL1016 / BL1021B / BL1041B
Φορτιστής	DC10SA / DC10SB / DC10WC / DC10WD / DC18RE

- Ορισμένες από τις κασέτες και τους φορτιστές μπαταριών που αναγράφονται παραπάνω ίσως να μην είναι διαθέσιμοι, ανάλογα με την τοποθεσία κατοικίας σας.

**⚠ ΠΡΟΕΙΔΟΠΟΙΗΣΗ:** Να χρησιμοποιείτε μόνο τις κασέτες μπαταριών και τους φορτιστές που παρατίθενται ανωτέρω. Η χρήση οποιασδήποτε άλλης κασέτας μπαταριών ή φορτιστή μπορεί να προκαλέσει τραυματισμό ή/και πυρκαγιά.

## Σύμβολα

Παρακάτω παρουσιάζονται τα σύμβολα που μπορούν να χρησιμοποιηθούν για τον εξοπλισμό. Βεβαιωθείτε ότι καταναίετε τη σημασία τους πριν από τη χρήση.



Διαβάστε το εγχειρίδιο οδηγιών.



Φοράτε γυαλιά ασφαλείας και ωτοασπίδες.



Χρησιμοποιείτε πάντα και τα δύο χέρια όταν χειρίζεστε το εργαλείο.



Προσέχετε το κλάσισμα του εργαλείου και αποφυγείτε την επαφή με το άκρο της λάμας.



Μην εκθέτετε σε υγρασία.



Μέγιστο επιτρεπόμενο μήκος κόπτης



Κατεύθυνση διαδρομής αλυσίδας



Ni-MH  
Li-ion

Μόνο για τις χώρες της ΕΕ  
Λόγω της παρουσίας των επικίνδυνων συστατικών μερών στον εξοπλισμό, ο απόβλητος ηλεκτρικός και ηλεκτρονικός εξοπλισμός, οι συσσωρευτές και οι μπαταρίες μπορεί να έχουν αρνητική επίδραση στο περιβάλλον και την ανθρώπινη υγεία. Μην απορρίπτετε τις ηλεκτρικές και ηλεκτρονικές συσκευές ή μπαταρίες μαζί με τα οικιακά απορρίμματα!  
Σύμφωνα με την Ευρωπαϊκή Οδηγία για τον απόβλητο ηλεκτρικό και ηλεκτρονικό εξοπλισμό και για τους συσσωρευτές και μπαταρίες και τους απόβλητους συσσωρευτές και μπαταρίες, καθώς και την προσαρμογή τους στην εθνική νομοθεσία, ο απόβλητος ηλεκτρικός εξοπλισμός, οι μπαταρίες και οι συσσωρευτές θα πρέπει να αποθηκεύονται ξεχωριστά και να παραδίδονται σε ξεχωριστό σημείο συλλογής για δημοτικά απόβλητα, το οποίο λειτουργεί σύμφωνα με τους κανονισμούς για την προστασία του περιβάλλοντος.  
Αυτό υποδεικνύεται από το σύμβολο του διαγραμμένου τροχοφόρου κάδου που βρίσκεται ανατρημένο επάνω στον εξοπλισμό.



Εγγυημένη στάθμη ηχητικής ισχύος σύμφωνα με την Οδηγία της ΕΕ για την εκπομπή θορύβου σε εξωτερικούς χώρους.



Στάθμη ηχητικής ισχύος σύμφωνα με τον Κανονισμό ελέγχου θορύβου της Νέας Νότιας Ουαλίας της Αυστραλίας

## Προοριζόμενη χρήση

Το εργαλείο αυτό προορίζεται για την κοπή κλαδιών δένδρων ή θάμνων με τη βοήθεια μιας αλυσίδας πριονιού.

## Θόρυβος

Το τυπικό Α επίπεδο καταμετρημένου θορύβου καθορίζεται σύμφωνα με το EN62841-4-1:  
Στάθμη ηχητικής πίεσης ( $L_{pA}$ ): 79 dB (A)  
Στάθμη ηχητικής ισχύος ( $L_{WA}$ ): 87 dB (A)  
Αβεβαιότητα (K): 3 dB (A)

**ΠΑΡΑΤΗΡΗΣΗ:** Η δηλωμένη τιμή(ές) εκπομπής θορύβου έχει μετρηθεί σύμφωνα με την πρότυπη μέθοδο δοκιμής και μπορεί να χρησιμοποιηθεί για τη σύγκριση ενός εργαλείου με κάποιο άλλο.

**ΠΑΡΑΤΗΡΗΣΗ:** Η δηλωμένη τιμή(ές) εκπομπής θορύβου μπορεί να χρησιμοποιηθεί και στην προκαταρκτική αξιολόγηση της έκθεσης.

**▲ΠΡΟΕΙΔΟΠΟΙΗΣΗ:** Να φοράτε ωτοασπίδες.

**▲ΠΡΟΕΙΔΟΠΟΙΗΣΗ:** Η εκπομπή θορύβου κατά τη χρήση του ηλεκτρικού εργαλείου σε πραγματικές συνθήκες μπορεί να διαφέρει από τη δηλωμένη τιμή(ές) ανάλογα με τους τρόπους χρήσης του εργαλείου, ιδιαίτερα το είδος του τεμαχίου εργασίας που υπόκειται επεξεργασία.

**▲ΠΡΟΕΙΔΟΠΟΙΗΣΗ:** Φροντίστε να λάβετε τα κατάλληλα μέτρα προστασίας του χειριστή βάσει ενός υπολογισμού της έκθεσης σε πραγματικές συνθήκες χρήσης (λαμβάνοντας υπόψη όλες τις συνιστώσες του κύκλου λειτουργίας όπως τους χρόνους που το εργαλείο είναι εκτός λειτουργίας και όταν βρίσκεται σε αδρανή λειτουργία πέραν του χρόνου ενεργοποίησης).

## Κραδασμός

Η ολική τιμή δόνησης (άθροισμα τρι-αξονικού διανύσματος) καθορίζεται σύμφωνα με το EN62841-4-1:  
Είδος εργασίας: κοπή ξύλου  
Εκπομπή δόνησης ( $a_{h,w}$ ): 4,8 m/s<sup>2</sup>  
Αβεβαιότητα (K): 1,5 m/s<sup>2</sup>

**ΠΑΡΑΤΗΡΗΣΗ:** Η δηλωμένη τιμή(ές) συνολικών κραδασμών έχει μετρηθεί σύμφωνα με την πρότυπη μέθοδο δοκιμής και μπορεί να χρησιμοποιηθεί για τη σύγκριση ενός εργαλείου με κάποιο άλλο.

**ΠΑΡΑΤΗΡΗΣΗ:** Η δηλωμένη τιμή(ές) συνολικών κραδασμών μπορεί να χρησιμοποιηθεί και στην προκαταρκτική αξιολόγηση της έκθεσης.

**▲ΠΡΟΕΙΔΟΠΟΙΗΣΗ:** Η εκπομπή κραδασμών κατά τη χρήση του ηλεκτρικού εργαλείου σε πραγματικές συνθήκες μπορεί να διαφέρει από τη δηλωμένη τιμή(ές) εκπομπής ανάλογα με τους τρόπους χρήσης του εργαλείου, ιδιαίτερα το είδος του τεμαχίου εργασίας που υπόκειται επεξεργασία.

**▲ΠΡΟΕΙΔΟΠΟΙΗΣΗ:** Φροντίστε να λάβετε τα κατάλληλα μέτρα προστασίας του χειριστή βάσει ενός υπολογισμού της έκθεσης σε πραγματικές συνθήκες χρήσης (λαμβάνοντας υπόψη όλες τις συνιστώσες του κύκλου λειτουργίας όπως τους χρόνους που το εργαλείο είναι εκτός λειτουργίας και όταν βρίσκεται σε αδρανή λειτουργία πέραν του χρόνου ενεργοποίησης).

## Δήλωση Συμμόρφωσης

**Μόνο για χώρες της Ευρώπης**

Οι Δηλώσεις Συμμόρφωσης περιλαμβάνονται στο Παράρτημα Α στο παρόν εγχειρίδιο οδηγιών.

# ΠΡΟΕΙΔΟΠΟΙΗΣΕΙΣ ΑΣΦΑΛΕΙΑΣ

## Γενικές προειδοποιήσεις ασφαλείας για το ηλεκτρικό εργαλείο

**▲ΠΡΟΕΙΔΟΠΟΙΗΣΗ** Διαβάστε όλες τις προειδοποιήσεις ασφαλείας, οδηγίες, εικονογραφήσεις και προδιαγραφές που παρέχονται με αυτό το ηλεκτρικό εργαλείο. Η μη τήρηση όλων των οδηγιών που αναγράφονται κατωτέρω μπορεί να καταλήξει σε ηλεκτροπληξία, πυρκαγιά ή/και σοβαρό τραυματισμό.

## Φυλάξτε όλες τις προειδοποιήσεις και τις οδηγίες για μελλοντική παραπομπή.

Στις προειδοποιήσεις, ο όρος «ηλεκτρικό εργαλείο» αναφέρεται σε ηλεκτρικό εργαλείο που τροφοδοτείται από την κύρια παροχή ηλεκτρικού ρεύματος (με ηλεκτρικό καλώδιο) ή σε ηλεκτρικό εργαλείο που τροφοδοτείται από μπαταρία (χωρίς ηλεκτρικό καλώδιο).

## Γενικές προειδοποιήσεις ασφαλείας για το πριόνι κλαδέματος

1. **Φροντίζετε ώστε όλα τα μέλη του σώματος να βρίσκονται σε απόσταση από την αλυσίδα πριονιού, όταν λειτουργεί το πριόνι κλαδέματος. Πριν από την εκκίνηση του πριονιού κλαδέματος, βεβαιωθείτε ότι η αλυσίδα πριονιού δεν έρχεται σε επαφή με οτιδήποτε. Μια στιγμή απροσεχίας στη διάρκεια χειρισμού ενός πριονιού κλαδέματος αρκεί για να προκαλέσει εμπλοκή της αλυσίδας πριονιού στα ρούχα ή στο σώμα σας.**
2. **Κρατάτε πάντα το πριόνι κλαδέματος με το ένα χέρι στην πίσω λαβή και το άλλο χέρι στη βοηθητική λαβή.**
3. **Κρατάτε το πριόνι κλαδέματος μόνο από τις μονωμένες επιφάνειες συγκράτησης, επειδή η αλυσίδα πριονιού μπορεί να έρθει σε επαφή με κρυφές καλωδιώσεις. Σε περίπτωση επαφής των αλυσίδων πριονιού με «ηλεκτροφόρο» καλώδιο, τα εκτεθειμένα μεταλλικά εξαρτήματα του πριονιού κλαδέματος μπορεί να καταστούν τα ίδια «ηλεκτροφόρα» και να προκαλέσουν ηλεκτροπληξία στον χειριστή.**
4. **Φοράτε προστατευτικά ματιών. Συνιστάται η χρήση περαιτέρω προστατευτικού εξοπλισμού ακοής, κεφαλιού, χεριών, κνημών και πελμάτων. Ο επαρκής προστατευτικός εξοπλισμός μειώνει τον κίνδυνο προσωπικού τραυματισμού λόγω εκτινασόμενων θραυσμάτων ή τυχαίας επαφής με την αλυσίδα πριονιού.**
5. **Μην θέτετε το πριόνι κλαδέματος σε λειτουργία ενώ βρίσκεστε πάνω σε δέντρο, σκάλα, σκεπή ή οποιοδήποτε ασταθές στήριγμα. Η λειτουργία του πριονιού κλαδέματος με αυτόν τον τρόπο μπορεί να έχει ως αποτέλεσμα σοβαρό προσωπικό τραυματισμό.**
6. **Στηρίζετε πάντα σταθερά με τα πόδια και θέτετε το πριόνι κλαδέματος σε λειτουργία μόνο όταν στέκεστε σε μια σταθερή, ασφαλή και επίπεδη επιφάνεια. Οι ολισθηρές ή ασταθείς επιφάνειες μπορεί να προκαλέσουν απώλεια της ισορροπίας ή του ελέγχου του πριονιού κλαδέματος.**

7. **Κατά την κοπή ενός τεντωμένου κλαδιού, να είστε προσεκτικοί σε περίπτωση εκτίναξης του κλαδιού προς τα πίσω. Όταν εκτονωθεί η τάση στις ίνες ξύλου, το τεντωμένο κλαδί μπορεί να χτυπήσει τον χειριστή ή/και να οδηγήσει το πριόνι κλαδέματος εκτός ελέγχου.**
8. **Να είστε εξαιρετικά προσεκτικοί κατά την κοπή χαμόδεντρων και δενδρυλλίων. Το λεπτό υλικό μπορεί να σκαλώσει στην αλυσίδα πριονιού και να εκτιναχθεί προς το μέρος σας ή να προκαλέσει απώλεια της ισορροπίας σας.**
9. **Μεταφέρετε το πριόνι κλαδέματος μόνο όταν είναι απενεργοποιημένο και μακριά από το σώμα σας. Κατά τη μεταφορά ή τη φύλαξη του πριονιού κλαδέματος, τοποθετείτε πάντα το κάλυμμα κατευθυντήριας λάμας. Ο κατάλληλος χειρισμός του πριονιού κλαδέματος μειώνει την πιθανότητα τυχαίας επαφής με την κινούμενη αλυσίδα πριονιού.**
10. **Να τηρούνται οι οδηγίες λίπανσης, τεντώματος αλυσίδας και αλλαγής της λάμας και αλυσίδας. Το ακατάλληλο τέντωμα ή λίπανση της αλυσίδας μπορεί να προκαλέσει θραύση της ή αυξημένη πιθανότητα κλοσθήματος.**
11. **Κόβετε μόνο ξύλα. Μην χρησιμοποιείτε το πριόνι κλαδέματος για σκοπούς για τους οποίους δεν προορίζεται. Για παράδειγμα: μην χρησιμοποιείτε το πριόνι κλαδέματος για την κοπή μετάλλων, πλαστικών, τοιχοποιίας ή μη ξύλινων δομικών υλικών. Η χρήση του πριονιού κλαδέματος για σκοπούς διαφορετικούς από τους προβλεπόμενους μπορεί να οδηγήσει σε επικίνδυνη κατάσταση.**
12. **Αυτό το πριόνι κλαδέματος δεν προορίζεται για την κοπή δένδρων. Η χρήση του πριονιού κλαδέματος για εργασίες διαφορετικές από τις προβλεπόμενες ενδέχεται να προκαλέσουν σοβαρό τραυματισμό του χειριστή ή των παρευρισκόμενων.**
13. **Ακολουθείτε όλες τις οδηγίες όταν διορθώνετε την εμπλοκή υλικού, αποθηκεύετε ή εκτελείτε εργασίες συντήρησης στο πριόνι κλαδέματος. Βεβαιωθείτε ότι ο διακόπτης είναι κλειστός και ότι η μπαταρία έχει αφαιρεθεί.**
14. **Αίτια και πρόληψη κλοσθήματος από το χειριστή: Το κλόσθημα μπορεί να προκληθεί όταν η μύτη ή το άκρο της κατευθυντήριας λάμας ακουμπήσει σε ένα αντικείμενο ή όταν τα δύο τμήματα του ξύλου κλείσουν και προκαλέσουν σύσφιγξη της αλυσίδας πριονιού μέσα στην τομή. Σε ορισμένες περιπτώσεις, η επαφή του άκρου μπορεί να προκαλέσει ξαφνική ανάστροφη αντίδραση, λακτίζοντας την κατευθυντήρια λάμα προς τα άνω και πίσω προς το μέρος του χειριστή. Η σύσφιγξη της αλυσίδας πριονιού σε κάποιο σημείο του άνω μέρους της κατευθυντήριας λάμας μπορεί να ωθήσει τη λάμα τάγιστα προς τα πίσω προς το μέρος του χειριστή. Οποιαδήποτε από αυτές τις αντιδράσεις μπορεί να προκαλέσει απώλεια ελέγχου του πριονιού, με ενδεχόμενο αποτέλεσμα να προκληθεί σοβαρός τραυματισμός. Μην βασίζεστε αποκλειστικά και μόνο στις ενσωματωμένες διατάξεις ασφαλείας του πριονιού. Ως χειριστής πριονιού κλαδέματος, θα πρέπει να λαμβάνετε ορισμένα μέτρα ασφαλείας έτσι ώστε να προλαμβάνετε τυχόν ατυχήματα ή τραυματισμούς κατά τις εργασίες κοπής. Κλόσθημα προκαλείται όταν το πριόνι κλαδέματος χρησιμοποιείται λανθασμένα ή/και όταν οι διαδικασίες ή οι συνθήκες λειτουργίας είναι λανθασμένες και μπορεί να αποφευχθεί αν ληφθούν οι κατάλληλες προφυλάξεις που αναφέρονται παρακάτω:**

- Κρατήστε σταθερά, με τα δάχτυλα και τους αντίχειρες γύρω από τις λαβές του πριονιού κλαδέματος, με τα δύο χέρια πάνω στο πριόνι και τοποθετήστε το σώμα και τους βραχίονές σας κατά τέτοιο τρόπο, ώστε να αντιστέκεστε στις δυνάμεις κλοστήματος. Ο έλεγχος των δυνάμεων κλοστήματος από τον χειριστή είναι εφικτός εάν ληφθούν οι κατάλληλες προφυλάξεις. Μην επιτρέψετε να σας φύγει το πριόνι κλαδέματος.

#### ► Εικ.1

- Μην τεντώνετε υπέρ το δέον και μην επιχειρείτε κοπή πάνω από το ύψος των ώμων. Αυτό βοηθά στην αποφυγή ανεπιθύμητης επαφής του άκρου και επιτρέπει τον καλύτερο έλεγχο του πριονιού κλαδέματος σε μη αναμενόμενες καταστάσεις.
  - Να χρησιμοποιείτε μόνο κατευθυντήριες λάμες και αλυσίδες πριονιού που συνιστώνται από τον κατασκευαστή. Οι κατευθυντήριες λάμες και αλυσίδες πριονιού αντικατάστασης εσφαλμένου τύπου μπορεί να προκαλέσουν θραύση της αλυσίδας ή/και κλόστημα.
  - Ακολουθήστε τις οδηγίες του κατασκευαστή για το τρόχισμα και τη συντήρηση της αλυσίδας πριονιού. Η μείωση του ύψους του ρυθμιστή βάθους κοπής μπορεί να οδηγήσει σε αύξηση του κλοστήματος.
15. Ακολουθείτε όλες τις οδηγίες όταν διορθώνετε την εμπλοκή υλικού, αποθηκεύετε ή εκτελείτε εργασίες συντήρησης στο πριόνι κλαδέματος. Βεβαιωθείτε ότι ο διακόπτης είναι κλειστός και ότι η μπαταρία έχει αφαιρεθεί.

## Επιπρόσθετες οδηγίες για την ασφάλεια

### Προσωπικός προστατευτικός εξοπλισμός

1. Τα ρούχα πρέπει να είναι στενά, αλλά να μην παρεμποδίζουν την κίνηση.
2. Φοράτε τα ακόλουθα προστατευτικά ρούχα κατά την εργασία:
  - Δοκιμασμένο κράνος ασφαλείας, στην περίπτωση που υπάρχει κίνδυνος λόγω πτώσης κλαδιών ή παρόμοιων αντικειμένων.
  - Μάσκα προσώπου ή προστατευτικά γυαλιά.
  - Κατάλληλη προστασία ακοής (ωτοασπίδες, προσαρμοσμένα ή μορφοποιησιμα βύσματα αυτιού). Ανάλυση οκτάβας κατόπιν απαίτησης.
  - Σταθερά, δερμάτινα γάντια ασφαλείας.
  - Μακρύ παντελόνι κατασκευασμένο από ανθεκτικό ύφασμα.
  - Προστατευτικό παντελόνι εργασίας από ύφασμα ανθεκτικό στην κοπή.
  - Παπούτσια ή μπότες ασφαλείας με αντιολισθητική σόλα, ασφάλινη προστασία δαχτύλων και επένδυση από ύφασμα ανθεκτικό στην κοπή.
  - Αντισφαιζιογόνος προσωπίδα, κατά την εκτέλεση εργασιών που παράγουν σκόνη (π.χ. πριόνισμα ξηρού ξύλου).

### Λειτουργία

1. Πριν από την έναρξη της εργασίας, βεβαιωθείτε ότι το εργαλείο είναι σε καλή κατάσταση λειτουργίας και ότι η κατάσταση του συμφορμώνεται με τους κανόνες ασφαλείας. Συγκεκριμένα, ελέγξτε τα εξής:
  - Το φρένο ανάσχεσης λειτουργεί κατάλληλα,
  - Το κάλυμμα της λάμας και το κάλυμμα αλυστροχού έχουν τοποθετηθεί κατάλληλα,
  - Η αλυσίδα έχει ακονιστεί και τεντωθεί σύμφωνα με τους κανονισμούς.
2. Μην θέσετε το πριόνι κλαδέματος σε λειτουργία αν το κάλυμμα της αλυσίδας δεν έχει αφαιρεθεί. Εάν θέσετε το εργαλείο σε λειτουργία ενώ το κάλυμμα της αλυσίδας δεν έχει αφαιρεθεί, μπορεί να προκληθεί εκτίναξη του καλύμματος προς τα εμπρός με αποτέλεσμα να προκληθεί τραυματισμός και ζημιά σε αντικείμενα που βρίσκονται στον χώρο γύρω από τον χειριστή.
3. Μην στέκεστε ακριβώς κάτω από το κλαδί που κόβεται. Προσέξτε τα κλαδιά που πέφτουν.
4. Μην θέτετε το εργαλείο σε λειτουργία σε άσχημες καιρικές συνθήκες ή αν υπάρχει κίνδυνος για κεραυνούς.
5. Όταν χρησιμοποιείτε το εργαλείο σε λασπώδη έδαφος, βρεγμένες κλίσεις ή ολισθηρό μέρος, να προσέχετε το πάτημά σας.

### Ηλεκτρική ασφάλεια και ασφάλεια μπαταρίας

1. Να αποφεύγετε τα επικίνδυνα περιβάλλοντα. Μην χρησιμοποιείτε το εργαλείο σε υγραμένο ή υγρό χώρο ούτε να το εκθέτετε στη βροχή. Η είσοδος νερού στο εργαλείο μπορεί να αυξήσει τον κίνδυνο πρόκλησης ηλεκτροπληξίας.
2. Μην απορρίπτετε την μπαταρία(ies) στη φωτιά. Το κελί μπορεί να εκραγεί. Συμβουλευτείτε τους τοπικούς κώδικες για πιθανές ειδικές οδηγίες απόρριψης.
3. Μην απορρίπτετε και μην καταστρέψετε την μπαταρία(ies). Ο ηλεκτρολύτης που εκλύεται είναι διαβρωτικός και μπορεί να προκαλέσει ζημιά στα μάτια ή στο δέρμα. Σε περίπτωση κατάποσης, μπορεί να είναι τοξικό.
4. Μην φορτίζετε την μπαταρία στη βροχή, αλλά ούτε σε υγρές τοποθεσίες.
5. Μην φορτίζετε τη μπαταρία σε εξωτερικό χώρο.
6. Μην χειρίζεστε τον φορτιστή, τους περιλαμβανόμενου του φινι φορτιστή, και τους ακροδέκτες φορτιστή με βρεγμένα χέρια.
7. Μην αλλάζετε την μπαταρία με βρεγμένα χέρια.
8. Μην αφήνετε την μπαταρία στη βροχή, και μην φορτίζετε, χρησιμοποιείτε ή αποθηκεύετε την μπαταρία σε νωπό ή βρεγμένο μέρος.
9. Μην βρέχετε τον πόλο της μπαταρίας με υγρό, όπως το νερό, και μη βυθίζετε την μπαταρία σε υγρό. Αν ο πόλος βρεχτεί ή εισέλθει υγρό στο εσωτερικό της μπαταρίας, η μπαταρία μπορεί να βραχυκυκλώσει και να υπάρχει κίνδυνος υπερθέρμανσης, πυρκαγιάς ή έκρηξης.
10. Αφού αφαιρέσετε την μπαταρία από το μηχάνημα ή τον φορτιστή, φροντίστε να συνδέσετε το κάλυμμα μπαταρίας στην μπαταρία και να την αποθηκεύσετε σε στεγνό μέρος.

11. Αν η κασέτα μπαταριών βραχεί, αποστραγγίστε το νερό από το εσωτερικό και μετά σκουπίστε την με ένα στεγνό πανί. Στεγνώστε την κασέτα μπαταριών εντελώς σε ένα στεγνό μέρος πριν τη χρησιμοποιήσετε.

## ΦΥΛΑΞΤΕ ΤΙΣ ΟΔΗΓΙΕΣ ΑΥΤΕΣ.

**▲ΠΡΟΕΙΔΟΠΟΙΗΣΗ:** ΜΗΝ επιτρέψετε το βαθμό άνεσης ή εξοικείωσης με το προϊόν (λόγω επανειλημμένης χρήσης) να αντικαταστήσει την αυστηρή τήρηση των κανόνων ασφαλείας του παρόντος εργαλείου. Η ΛΑΝΘΑΣΜΕΝΗ ΧΡΗΣΗ ή η αμέλεια να ακολουθήσετε τους κανόνες ασφαλείας που διατυπώνονται στο παρόν εγχειρίδιο οδηγιών μπορεί να προκαλέσει σοβαρό προσωπικό τραυματισμό.

## Σημαντικές οδηγίες ασφαλείας για κασέτα μπαταριών

1. Πριν χρησιμοποιήσετε την κασέτα μπαταριών, διαβάστε όλες τις οδηγίες και σημειώσεις προφύλαξης (1) στον φορτιστή μπαταριών, (2) στην μπαταρία και (3) στο προϊόν που χρησιμοποιεί την μπαταρία.
2. Μην αποσυναρμολογήσετε ή παραβιάσετε την κασέτα μπαταριών. Μπορεί να έχει ως αποτέλεσμα πυρκαγιά, υπερθέρμανση ή έκρηξη.
3. Εάν ο χρόνος λειτουργίας έχει γίνει υπερβολικά βραχύς, σταματήστε τη λειτουργία αμέσως. Αλλιώς, μπορεί να έχει ως αποτέλεσμα κίνδυνο υπερθέρμανσης, πιθανά εγκαύματα ή ακόμη και έκρηξη.
4. Εάν ηλεκτρολύτης μπει στα μάτια σας, ξεπλύνετέ τα με καθαρό νερό και ζητήστε ιατρική φροντίδα αμέσως. Αλλιώς, μπορεί να έχει ως αποτέλεσμα απώλεια της όρασης σας.
5. Μην βραχυκυκλώνετε την κασέτα μπαταριών:
  - (1) Μην αγγίζετε τους πόλους με οτιδήποτε αγώγιμο υλικό.
  - (2) Αποφεύγετε να αποθηκεύετε την κασέτα μπαταριών μέσα σε ένα δοχείο μαζί με άλλα μεταλλικά αντικείμενα όπως καρφιά, νομίσματα, κλπ.
  - (3) Μην εκθέτετε την κασέτα μπαταριών στο νερό ή στη βροχή.  
Ένα βραχυκύκλωμα μπαταρίας μπορεί να προκαλέσει μεγάλη ροή ρεύματος, υπερθέρμανση, πιθανά εγκαύματα ακόμη και σοβαρή βλάβη.
6. Μην αποθηκεύετε και μην χρησιμοποιείτε το εργαλείο και την κασέτα μπαταριών σε τοποθεσίες όπου η θερμοκρασία μπορεί να φτάσει ή να ξεπεράσει τους 50°C.
7. Μην καίτε την κασέτα μπαταριών ακόμη και εάν έχει σοβαρή ζημιά ή είναι εντελώς φθαρμένη. Η κασέτα μπαταριών μπορεί να εκραγεί στη φωτιά.
8. Μην καρφώσετε, κόψετε, συνθλίψετε, πετάξετε ή ρίξετε κάτω την κασέτα μπαταριών, ούτε να χτυπήσετε ένα σκληρό αντικείμενο επάνω στην κασέτα μπαταριών. Τέτοια συμπεριφορά μπορεί να έχει ως αποτέλεσμα πυρκαγιά, υπερθέρμανση ή έκρηξη.

9. Μην χρησιμοποιείτε μπαταρία που έχει υποστεί ζημιά.

10. Οι μπαταρίες ιόντων λιθίου που περιέχονται υπόκεινται στις απαιτήσεις της νομοθεσίας για επικίνδυνα αγαθά.

Για εμπορικές μεταφορές, για παράδειγμα από τρίτα μέρη, πρέπει να τηρούνται οι διαμεταφορείς, οι ειδικές απαιτήσεις στη συσκευασία και η επισημάνση.

Για προετοιμασία του στοιχείου που αποστέλλεται, είναι απαραίτητο να συμβουλευτείτε έναν ειδικό για επικίνδυνα υλικά. Επίσης, τηρήστε τους πιθανούς, πιο αναλυτικούς εθνικούς κανονισμούς. Καλύψτε με ακριβή ταϊνιά ή κρύψτε τις ανοικτές επαφές και συσκευάστε την μπαταρία με τρόπο που να μην μπορεί να μετακινείται μέσα στη συσκευασία.

11. Όταν απορρίπτετε την κασέτα μπαταριών, αφαιρέστε την από το εργαλείο και διαθέστε την σε ένα ασφαλές μέρος. Τηρήστε τους τοπικούς κανονισμούς που σχετίζονται με τη διάθεση της μπαταρίας.
12. Χρησιμοποιήστε τις μπαταρίες μόνο με τα προϊόντα που καθορίζει η Makita. Αν τοποθετήσετε τις μπαταρίες σε μη συμβατά προϊόντα μπορεί να έχει ως αποτέλεσμα πυρκαγιά, υπερβολική θερμότητα, έκρηξη ή διαρροή ηλεκτρολύτη.
13. Αν δεν χρησιμοποιείτε το εργαλείο για μεγάλο χρονικό διάστημα, πρέπει να βγάλετε την μπαταρία από το εργαλείο.
14. Κατά τη διάρκεια και μετά τη χρήση, η κασέτα μπαταριών μπορεί να θερμανθεί, γεγονός που μπορεί να προκαλέσει εγκαύματα ή εγκαύματα από χαμηλή θερμοκρασία. Προσέχετε το χειρισμό των ζεστών κασετών μπαταριών.
15. Μην αγγίζετε τον ακροδέκτη του εργαλείου αμέσως μετά τη χρήση επειδή μπορεί να έχει ζεσταθεί αρκετά για να προκαλέσει εγκαύματα.
16. Μην αφήνετε θραύσματα, σκόνη ή βρομιά να κολλήσει στους ακροδέκτες, τις οπές και τις εγκοπές της κασέτας μπαταριών. Μπορεί να προκαλέσει θέρμανση, φωτιά, έκρηξη και δυσλειτουργία του εργαλείου ή της κασέτας μπαταριών, έχοντας ως αποτέλεσμα εγκαύματα ή προσωπικό τραυματισμό.
17. Εκτός αν το εργαλείο υποστηρίζει τη χρήση κοντά σε ηλεκτρικές γραμμές υψηλής τάσης, μην χρησιμοποιείτε την κασέτα μπαταριών κοντά σε ηλεκτρικές γραμμές υψηλής τάσης. Μπορεί να έχει ως αποτέλεσμα δυσλειτουργία ή στάσιμο του εργαλείου ή της κασέτας μπαταριών.
18. ΚρΦυλάξτε την μπαταρία μακριά από παιδιά.

## ΦΥΛΑΞΤΕ ΤΙΣ ΟΔΗΓΙΕΣ ΑΥΤΕΣ.

**▲ΠΡΟΣΟΧΗ:** Να χρησιμοποιείτε μόνο γνήσιες μπαταρίες της Makita. Η χρήση μη γνήσιων μπαταριών Makita, ή μπαταριών που έχουν τροποποιηθεί, μπορεί να έχει ως αποτέλεσμα τη ρήξη της μπαταρίας, προκαλώντας πυρκαγιά, προσωπικό τραυματισμό και βλάβη. Επίσης, θα ακρωρωθεί η εγγύηση της Makita για το εργαλείο και φορτιστή Makita.

## Συμβουλές για τη διατήρηση της μέγιστης ζωής μπαταρίας

1. Φορτίζετε την κασέτα μπαταριών πριν από την πλήρη αποφόρτιση της. Πάντοτε να σταματάτε τη λειτουργία του εργαλείου και να φορτίζετε την κασέτα μπαταριών όταν παρατηρείτε μειωμένη ισχύ εργαλείου.
2. Ποτέ μην επαναφορτίζετε μια πλήρως φορτισμένη κασέτα μπαταριών. Η υπερφόρτιση μειώνει την ωφέλιμη ζωή της μπαταρίας.
3. Να φορτίζετε την κασέτα μπαταριών σε θερμοκρασία δωματίου, δηλαδή στους 10 °C έως 40 °C. Αφήστε μια θερμή κασέτα μπαταριών να κρυώσει πριν την φορτίσετε.
4. Όταν δεν χρησιμοποιείτε την κασέτα μπαταριών, αφαιρέστε την από το εργαλείο ή τον φορτιστή.

## ΠΕΡΙΓΡΑΦΗ ΕΞΑΡΤΗΜΑΤΩΝ

► Εικ.2

1	Βοηθητική λαβή	2	Κάλυμμα ασφαλείας	3	Αλυσίδα πριονιού
4	Κατευθυντήρια λάμα	5	Καπάκι δοχείου λαδιού	6	Κάλυμμα κατευθυντήριας λάμας
7	Κάλυμμα αλυσοτροχού	8	Μοχλός ασφάλισης	9	Πίσω λαβή
10	Σκανδάλη διακόπτης	11	Μοχλός	12	Κασέτα μπαταριών

## ΠΕΡΙΓΡΑΦΗ ΛΕΙΤΟΥΡΓΙΑΣ

**▲ΠΡΟΣΟΧΗ:** Να φροντίζετε πάντα για την απενεργοποίηση του εργαλείου και την αφαίρεση της κασέτας μπαταρίας, πριν από οποιαδήποτε ρύθμιση ή έλεγχο της λειτουργίας του.

### Τοποθέτηση ή αφαίρεση της κασέτας μπαταριών

**▲ΠΡΟΣΟΧΗ:** Να σβήνετε πάντα το εργαλείο πριν τοποθετήσετε ή αφαιρέσετε την κασέτα μπαταριών.

**▲ΠΡΟΣΟΧΗ:** Κρατήστε το εργαλείο και την κασέτα μπαταριών σταθερά κατά την τοποθέτηση ή αφαίρεση της κασέτας μπαταριών. Εάν δεν κρατάτε το εργαλείο και την κασέτα μπαταριών σταθερά μπορεί να γλιστρήσουν από τα χέρια σας και να προκαλέσει βλάβη στο εργαλείο και την κασέτα μπαταριών και προσωπικούς τραυματισμούς.

► Εικ.3: 1. Κόκκινος δείκτης 2. Κουμπί 3. Κασέτα μπαταριών

Για να αφαιρέσετε την κασέτα μπαταριών, ολισθήστε την από το εργαλείο ενώ σύρετε το κουμπί στο μπροστινό μέρος της κασέτας.

Για να τοποθετήσετε την κασέτα μπαταριών, ευθυγραμμίστε τη γλώσσα στην κασέτα μπαταριών με την εγκοπή στο περίβλημα και ολισθήστε τη στη θέση της. Τοποθετήστε την μέχρι τέρμα μέχρι να ασφαλίσει στη θέση της, γεγονός που υποδεικνύεται με ένα χαρακτηριστικό ήχο. Αν μπορείτε να δείτε τον κόκκινο δείκτη όπως απεικονίζεται στην εικόνα, δεν έχει κλειδώσει τελείως.

**▲ΠΡΟΣΟΧΗ:** Να τοποθετείτε πάντα την κασέτα μπαταριών πλήρως μέχρι να μη βλέπετε τον κόκκινο δείκτη. Εάν δεν ασφαλιστεί, μπορεί να πέσει από το εργαλείο τυχαία, προκαλώντας σωματική βλάβη σε εσάς ή κάποιον άλλο γύρω σας.









**▲ΠΡΟΣΟΧΗ:** Μην τοποθετείτε την κασέτα μπαταριών με βία. Εάν η κασέτα δεν ολισθαίνει με ευκολία, τότε δεν έχει τοποθετηθεί κατάλληλα.

## Εμφάνιση υπολειπόμενης χωρητικότητας μπαταρίας

Μόνο για κασέτες μπαταρίας με την ενδεικτική λυχνία

► Εικ.4: 1. Ενδεικτικές λυχνίες 2. Κουμπί ελέγχου

Πιέστε το κουμπί ελέγχου στην κασέτα μπαταριών για να υποδείξετε την υπολειπόμενη χωρητικότητα μπαταρίας. Οι ενδεικτικές λυχνίες ανάβουν για λίγα δευτερόλεπτα.

Ενδεικτικές λυχνίες		Υπόλοιπη χωρητικότητα
Αναμμένες	Σβηστές	
		75% έως 100%
		50% έως 75%
		25% έως 50%
		0% έως 25%

**ΠΑΡΑΤΗΡΗΣΗ:** Ανάλογα με τις συνθήκες χρήσης και τη θερμοκρασία περιβάλλοντος, η ένδειξη μπορεί να διαφέρει λίγο από την πραγματική χωρητικότητα.



## Σύστημα προστασίας εργαλείου/μπαταρίας

Το εργαλείο είναι εξοπλισμένο με σύστημα προστασίας εργαλείου/μπαταρίας. Αυτό το σύστημα αποκόπτει αυτόματα την ισχύ προς το μοτέρ για να παραταθεί η διάρκεια λειτουργίας του εργαλείου και της μπαταρίας. Το εργαλείο σταματάει αυτόματα κατά τη διάρκεια της λειτουργίας εάν το εργαλείο ή η μπαταρία βρεθούν κάτω από τις παρακάτω συνθήκες:

### Υπερφόρτωση:

Το εργαλείο λειτουργεί με τρόπο ώστε να αναγκάζεται να καταναλώνει ασυνήθιστα υψηλό ρεύμα. Σε αυτή την κατάσταση, απενεργοποιήστε το εργαλείο και διακόψτε την εφαρμογή που προκαλεί την υπερφόρτωση του εργαλείου. Μετά, ενεργοποιήστε το εργαλείο για επανεκκίνηση.

Αν το εργαλείο δεν ξεκινάει, η μπαταρία έχει υπερθερμανθεί. Σε αυτή την κατάσταση, αφήστε την μπαταρία να κρυώσει πριν ενεργοποιήσετε ξανά το εργαλείο.

### Χαμηλή τάση μπαταρίας:

Η εναπομείνουσα χωρητικότητα μπαταρίας είναι πολύ χαμηλή και το εργαλείο δεν θα λειτουργήσει. Αν ενεργοποιήσετε το εργαλείο, το μοτέρ θα τεθεί ξανά σε λειτουργία αλλά θα σταματήσει σύντομα. Σε αυτή την περίπτωση, αφαιρέστε και επαναφορτίστε την μπαταρία.

## Δράση διακόπτη

**▲ΠΡΟΕΙΔΟΠΟΙΗΣΗ:** Για την ασφάλεια σας, το εργαλείο αυτό παρέχεται με μοχλό ασφάλισης το οποίο αποτρέπει την εκκίνηση του εργαλείου κατά λάθος. Μη χρησιμοποιείτε ΠΟΤΕ το εργαλείο εάν μπορείτε να το θέσετε σε λειτουργία πιέζοντας απλά τη σκανδάλη διακόπτη, χωρίς να τραβάτε και το μοχλό ασφάλισης. Στείλτε το εργαλείο σε εξουσιοδοτημένο κέντρο σέρβις για να το επισκευδάσουν σωστά ΠΡΙΝ το χρησιμοποιήσετε ξανά.

**▲ΠΡΟΕΙΔΟΠΟΙΗΣΗ:** ΠΟΤΕ μην κολλάτε το μοχλό ασφάλισης στην πατημένη θέση του και ΠΟΤΕ μην παρακάμπτετε το σκοπό του μοχλού ασφάλισης.

**▲ΠΡΟΣΟΧΗ:** Πριν βάλετε την κασέτα μπαταρίας μέσα στο εργαλείο, να ελέγχετε πάντα να δείτε αν η σκανδάλη διακόπτης ενεργοποιείται κανονικά και επιστρέφει στη θέση «OFF» όταν ελευθερώνεται.

**ΕΙΔΟΠΟΙΗΣΗ:** Μην τραβάτε τη σκανδάλη διακόπτη με βία χωρίς να πατάτε το μοχλό ασφάλισης. Μπορεί να σπάσει ο διακόπτης.

Για να μην τραβηχτεί η σκανδάλη διακόπτης κατά λάθος, παρέχεται ένας μοχλός ασφάλισης. Για να ξεκινήσει να λειτουργεί το εργαλείο, πατήστε τον μοχλό ασφάλισης και τραβήξτε τη σκανδάλη διακόπτη. Για να σταματήσει να λειτουργεί, αφήστε τη σκανδάλη διακόπτη.

► **Εικ.5:** 1. Σκανδάλη διακόπτης 2. Μοχλός ασφάλισης

## Έλεγχος του φρένου ανάσχεσης

**▲ΠΡΟΣΟΧΗ:** Αν η αλυσίδα πριονιού δεν σταματήσει εντός ολίγων δευτερολέπτων σε αυτόν τον έλεγχο, σταματήστε να χρησιμοποιείτε το εργαλείο και συμβουλευτείτε το εξουσιοδοτημένο κέντρο σέρβις μας.

Θέστε σε λειτουργία το εργαλείο και μετά αφήστε τελείως τη σκανδάλη διακόπτη. Η αλυσίδα πριονιού πρέπει να ακινητοποιηθεί πλήρως εντός λίγων δευτερολέπτων.

## ΣΥΝΑΡΜΟΛΟΓΗΣΗ

**▲ΠΡΟΣΟΧΗ:** Να βεβαιώνετε πάντα ότι το εργαλείο είναι σβηστό και η κασέτα μπαταρίας έχει αφαιρεθεί πριν εκτελέσετε κάποια εργασία στο εργαλείο.

**▲ΠΡΟΣΟΧΗ:** Μην αγγίζετε την αλυσίδα πριονιού με γυμνά χέρια. Να φοράτε πάντα γάντια κατά το χειρισμό της αλυσίδας πριονιού.

## Αφαίρεση ή τοποθέτηση της αλυσίδας πριονιού

**▲ΠΡΟΣΟΧΗ:** Η αλυσίδα πριονιού και η κατευθυντήρια λάμα είναι ακόμα ζεστές μετά τη λειτουργία. Αφήστε τις να ψυχθούν αρκετά πριν εκτελέσετε οποιαδήποτε εργασία στο εργαλείο.

**▲ΠΡΟΣΟΧΗ:** Η διαδικασία της τοποθέτησης ή αφαίρεσης της αλυσίδας πριονιού θα πρέπει να εκτελείται σε καθαρό μέρος χωρίς πριονίδια και παρόμοια υλικά.

## Αφαίρεση της αλυσίδας πριονιού

Για να αφαιρέσετε την αλυσίδα πριονιού, εκτελέστε τα ακόλουθα βήματα:

1. Τραβήξτε τον μοχλό προς τα πάνω.  
► **Εικ.6:** 1. Μοχλός
2. Περιστρέψτε το μοχλό αριστερόστροφα μέχρι να βγει το κάλυμμα αλυσιστροχού.  
► **Εικ.7:** 1. Κάλυμμα αλυσιστροχού 2. Μοχλός
3. Βγάλτε το κάλυμμα αλυσιστροχού και μετά αφαιρέστε την αλυσίδα πριονιού και την κατευθυντήρια λάμα από το σώμα του εργαλείου.

## Τοποθέτηση της αλυσίδας πριονιού

Για να τοποθετήσετε την αλυσίδα πριονιού, εκτελέστε τα ακόλουθα βήματα:

1. Τραβήξτε τον μοχλό προς τα πάνω.  
► **Εικ.8:** 1. Μοχλός
2. Περιστρέψτε το μοχλό αριστερόστροφα μέχρι να βγει το κάλυμμα αλυσιστροχού.  
► **Εικ.9:** 1. Μοχλός 2. Κάλυμμα αλυσιστροχού
3. Αφαιρέστε το κάλυμμα αλυσιστροχού.

4. Ευθυγραμμίστε την οπή της κατευθυντήριας λάμας με τον πείρο στο σώμα του εργαλείου και τοποθετήστε την κατευθυντήρια λάμα όπως φαίνεται στην εικόνα.

► **Εικ.10:** 1. Κατευθυντήρια λάμα 2. Οπή 3. Πείρος

5. Σύρετε την κατευθυντήρια λάμα προς τον αλυσοτροχό για να ασφαλίσει ο πείρος.

► **Εικ.11:** 1. Κατευθυντήρια λάμα 2. Πείρος

6. Αφαιρέστε την κατευθυντήρια λάμα από το σώμα του εργαλείου.

7. Ελέγξτε την κατεύθυνση της αλυσίδας πριονιού.

Ταιριάξτε την κατεύθυνση της αλυσίδας πριονιού με αυτήν του σημαδιού στο σώμα του εργαλείου.

► **Εικ.12:** 1. Σημαδί στο σώμα του εργαλείου

8. Προσαρμόστε το ένα άκρο της αλυσίδας πριονιού στο επάνω μέρος της κατευθυντήριας λάμας.

9. Προσαρμόστε το άλλο άκρο της αλυσίδας πριονιού γύρω από τον αλυσοτροχό, μετά προσαρτήστε την κατευθυντήρια λάμα στο σώμα του εργαλείου, έτσι ώστε η οπή της κατευθυντήριας λάμας να ευθυγραμμιστεί με τον πείρο στο σώμα του εργαλείου.

► **Εικ.13:** 1. Αλυσοτροχός

Πιέστε την κατευθυντήρια λάμα πάνω στο σώμα του εργαλείου για να απασφαλίσει ο πείρος. Το τέντωμα της αλυσίδας πριονιού ρυθμίζεται αυτόματα.

► **Εικ.14:** 1. Αλυσίδα πριονιού 2. Πείρος 3. Αλυσοτροχός

10. Τοποθετήστε το κάλυμμα αλυσοτροχού κατά τέτοιο τρόπο, ώστε το μπουλόνι και ο πείρος στο σώμα του εργαλείου να εφαρμόζουν στα αντίστοιχα μέρη του καλύμματος αλυσοτροχού.

► **Εικ.15:** 1. Κάλυμμα αλυσοτροχού 2. Μπουλόνι 3. Πείρος

11. Περιστρέψτε το μοχλό δεξιόστροφα μέχρι το κάλυμμα αλυσοτροχού να ασφαλιστεί και κατόπιν επιστρέψτε το στην αρχική θέση.

► **Εικ.16:** 1. Μοχλός 2. Κάλυμμα αλυσοτροχού

Βεβαιωθείτε ότι η αλυσίδα πριονιού δεν έχει χαλαρώσει και ότι μπορεί να κινηθεί ομαλά μπρος-πίσω. Αν είναι απαραίτητο, ρυθμίστε το τέντωμα της αλυσίδας πριονιού ανατρέχοντας στην ενότητα για τη ρύθμιση του τεντώματος της αλυσίδας πριονιού.

## Ρύθμιση τεντώματος της αλυσίδας πριονιού

**▲ ΠΡΟΣΟΧΗ:** Εάν η αλυσίδα είναι πολύ χαλαρή, μπορεί να αναπηδήσει από τη λάμα και να προκαλέσει τραυματισμό ή ατύχημα.

Μετά από πολλές ώρες εργασίας, η αλυσίδα πριονιού μπορεί να χαλαρώσει. Περιστασιακά, να ελέγχετε το τέντωμα της αλυσίδας πριονιού πριν από τη χρήση.

Εάν η αλυσίδα πριονιού είναι χαλαρή, ρυθμίστε το τέντωμά της.

1. Τραβήξτε τον μοχλό προς τα πάνω.

► **Εικ.17:** 1. Μοχλός

2. Περιστρέψτε τον μοχλό ελαφρώς αριστερόστροφα για να χαλαρώσετε ελαφρώς το κάλυμμα αλυσοτροχού. Το τέντωμα της αλυσίδας ρυθμίζεται αυτόματα.

► **Εικ.18:** 1. Κάλυμμα αλυσοτροχού 2. Μοχλός

3. Περιστρέψτε το μοχλό δεξιόστροφα μέχρι το κάλυμμα αλυσοτροχού να ασφαλιστεί και κατόπιν επιστρέψτε το στην αρχική θέση.

► **Εικ.19:** 1. Μοχλός 2. Κάλυμμα αλυσοτροχού

## ΛΕΙΤΟΥΡΓΙΑ

### Λίπανση

**▲ ΠΡΟΣΟΧΗ:** Μην θέτετε το εργαλείο σε λειτουργία όταν το δοχείο είναι άδειο. Γεμίστε έγκαιρα με λάδι πριν αδειάσει το δοχείο.

**▲ ΠΡΟΣΟΧΗ:** Εμποδίστε την επαφή του λαδιού με το δέρμα και τα μάτια. Η επαφή με τα μάτια μπορεί να προκαλέσει ερεθισμό. Στην περίπτωση επαφής με τα μάτια, εκπλύντε το προσβεβλημένο μάτι αμέσως με καθαρό νερό, μετά συμβουλευτείτε αμέσως γιατρό.

**▲ ΠΡΟΣΟΧΗ:** Μην χρησιμοποιείτε ποτέ απόβλητο λάδι. Το απόβλητο λάδι περιέχει καρκινογόνες ουσίες. Οι ρύποι στο απόβλητο λάδι προκαλούν επιταχυνόμενη φθορά της αντλίας λαδιού, της λάμας και της αλυσίδας. Το απόβλητο λάδι είναι βλαβερό για το περιβάλλον.

**ΕΙΔΟΠΟΙΗΣΗ:** Όταν το εργαλείο χρησιμοποιηθεί για πρώτη φορά, μπορεί να χρειαστούν μέχρι δύο λεπτά για να ξεκινήσει η λιπαντική δράση του λαδιού αλυσίδας πριονιού στον μηχανισμό της αλυσίδας. Θέστε το πριόνι σε λειτουργία χωρίς φορτίο μέχρι να ξεκινήσει η λιπαντική δράση.

**ΕΙΔΟΠΟΙΗΣΗ:** Όταν γεμίσετε με λάδι αλυσίδας για πρώτη φορά, ή σε επακόλουθη πλήρωση του δοχείου όταν αυτό έχει αδειάσει εντελώς, προσθέστε λάδι μέχρι το κάτω μέρος του στομίου πλήρωσης. Διαφορετικά, μπορεί να παρεμποδίζεται η παροχή λαδιού.

**ΕΙΔΟΠΟΙΗΣΗ:** Χρησιμοποιείτε αποκλειστικά το λάδι αλυσίδας πριονιού στα εργαλεία Makita ή ισοδύναμο λάδι που διατίθεται στην αγορά.

**ΕΙΔΟΠΟΙΗΣΗ:** Να μη χρησιμοποιείτε ποτέ λάδι που περιέχει ίχνη σκόνης και σωματίδια ή πηκτικό λάδι.

**ΕΙΔΟΠΟΙΗΣΗ:** Στο κλάδεμα δέντρων, να χρησιμοποιείτε βοτανικό λάδι. Το ορυκτέλαιο μπορεί να βλάψει τα δέντρα.

**ΕΙΔΟΠΟΙΗΣΗ:** Πριν από τη λειτουργία κοπής, βεβαιωθείτε ότι βιδώσατε το καπάκι δοχείου λαδιού που παρέχεται.

Όταν το εργαλείο βρίσκεται σε λειτουργία γίνεται αυτόματη λίπανση της αλυσίδας πριονιού. Ελέγχετε περιοδικά την ποσότητα του υπολειπόμενου λαδιού εντός του δοχείου λαδιού μέσω της θύρας επιθεώρησης λαδιού.

► **Εικ.20:** 1. Θύρα επιθεώρησης λαδιού 2. Καπάκι δοχείου λαδιού

Για να συμπληρώσετε λάδι, εκτελέστε τα ακόλουθα βήματα:

1. Καθαρίστε την περιοχή γύρω από το καπάκι του δοχείου λαδιού πολύ καλά για να αποφυγείτε την είσοδο τυχόν σκόνης μέσα στο δοχείο λαδιού.

2. Τοποθετήστε το εργαλείο στο πλάι.

3. Πατήστε το κουμπί στο καπάκι δοχείου λαδιού ώστε το κουμπί στην άλλη πλευρά να σηκωθεί. Μετά, βγάλτε το καπάκι δοχείου λαδιού περιστρέφοντάς το.

► **Εικ.21:** 1. Καπάκι δοχείου λαδιού 2. Σφίξτε

3. Ξεσφίξτε

4. Γεμίστε το δοχείο λαδιού με λάδι. Η σωστή ποσότητα λαδιού είναι 55 ml.

5. Βιδώστε το καπάκι δοχείου λαδιού καλά στη θέση του.

6. Σκουπίστε προσεκτικά τυχόν χυμένο λάδι αλυσίδας.

**ΠΑΡΑΤΗΡΗΣΗ:** Αν είναι δύσκολο να αφαιρέσετε το καπάκι του δοχείου λαδιού, εισαγάγετε τη μύτη του κατασαβιδιού με επίπεδη μύτη στη σχισμή του καπακιού του δοχείου λαδιού και μετά αφαιρέστε το περιστρέφοντάς το αριστερόστροφα.

► **Εικ.22:** 1. Σχισμή 2. Κατασαβίδι με επίπεδη μύτη

Μετά την επαναπλήρωση, κρατήστε το εργαλείο μακριά από το προς κοπή υλικό. Θέστε το σε λειτουργία και περιμένετε έως ότου η αλυσίδα πριονιού λιπανθεί επαρκώς.

► **Εικ.23**

## Εργασία με το εργαλείο

**ΠΡΟΣΟΧΗ:** Κρατάτε όλα τα μέλη του σώματός σας μακριά από την αλυσίδα πριονιού όταν λειτουργεί το εργαλείο.

**ΠΡΟΣΟΧΗ:** Κρατάτε σταθερά το εργαλείο με τα δύο χέρια όταν λειτουργεί το εργαλείο.

**ΠΡΟΣΟΧΗ:** Μην υποβάλλετε σε υπερπροσπάθεια. Κρατάτε πάντα σταθερό πάτημα και την ισορροπία σας.

**ΕΙΔΟΠΟΙΗΣΗ:** Ποτέ μην πετάτε και μην ρίχνετε κάτω το εργαλείο.

**ΕΙΔΟΠΟΙΗΣΗ:** Μην καλύπτετε τις οπές αερισμού του εργαλείου.

Πριν θέσετε σε λειτουργία το εργαλείο, φέρτε τη βάση της κατευθυντήριας λάμας και το τμήμα στήριξης του σώματος του εργαλείου σε επαφή με το κλαδί που θέλετε να κόψετε, όπως φαίνεται στην εικόνα. Όταν το κλαδί έρθει σε επαφή με το εργαλείο και την κατευθυντήρια λάμα, θέστε σε λειτουργία το εργαλείο και κόψτε το κλαδί μετακινώντας το εργαλείο προς τα κάτω κατά μήκος του κλαδιού.

► **Εικ.24**

**ΠΡΟΣΟΧΗ:** Πριν την κοπή, βεβαιωθείτε ότι το κλαδί που θέλετε να κόψετε είναι σε επαφή με τη βάση της κατευθυντήριας λάμας και το τμήμα στήριξης του σώματος του εργαλείου. Διαφορετικά, το εργαλείο μπορεί να τραβηχτεί προς τη μύτη της κατευθυντήριας λάμας και η κατευθυντήρια λάμα να ταλαντευτεί, με αποτέλεσμα να προκληθεί τραυματισμός.

## Μεταφορά εργαλείου

Πριν από τη μεταφορά του εργαλείου, αφαιρείτε πάντα την κασέτα μπαταριών από το εργαλείο. Προσαρτήστε κατόπιν το κάλυμμα κατευθυντήριας λάμας. Καλύψτε επίσης την κασέτα μπαταριών με το κάλυμμα μπαταρίας.

► **Εικ.25:** 1. Κάλυμμα κατευθυντήριας λάμας  
2. Κάλυμμα μπαταρίας

## ΣΥΝΤΗΡΗΣΗ

**ΠΡΟΣΟΧΗ:** Πριν την εκτέλεση εργασιών επιθεώρησης ή συντήρησης, πάντοτε να βεβαιώνετε ότι η συσκευή απενεργοποιήθηκε και η κασέτα μπαταριών έχει αφαιρεθεί.

**ΠΡΟΣΟΧΗ:** Να φοράτε πάντα γάντια όταν εκτελείτε έλεγχο ή συντήρηση.

**ΕΙΔΟΠΟΙΗΣΗ:** Μην χρησιμοποιείτε ποτέ βενζίνη, πετρελαϊκό αιθέρα, διαλυτικό, αλκοόλη ή παρόμοιες ουσίες. Μπορεί να προκληθεί αποχρωματισμός, παραμόρφωση ή ρωγμές.

Για τη διατήρηση της ΑΣΦΑΛΕΙΑΣ και ΑΞΙΟΠΙΣΤΙΑΣ του προϊόντος, οι επισκευές και οποιαδήποτε άλλη εργασία συντήρησης ή ρύθμισης πρέπει να εκτελούνται από εξουσιοδοτημένα ή εργοστασιακά κέντρα εξυπηρέτησης της Makita, χρησιμοποιώντας πάντοτε ανταλλακτικά της Makita.

## Ακόνισμα της αλυσίδας πριονιού

Να τροχίζετε την αλυσίδα πριονιού όταν:

- Παράγεται αλευρώδες πριονίδι κατά την κοπή υγρού ξύλου,
- Η αλυσίδα διαπερνά το ξύλο με δυσκολία, ακόμη και όταν ασκείται μεγάλη πίεση,
- Είναι προφανές ότι η ακμή κοπής έχει υποστεί ζημία,
- Το πριόνι ωθείται αριστερά ή δεξιά εντός του ξύλου. (προκαλείται από ακανόνιστο ακόνισμα της αλυσίδας πριονιού ή βλάβη μόνο στη μία πλευρά)

Να ακονίζετε την αλυσίδα πριονιού συχνά, αλλά λίγο κάθε φορά. Δύο ή τρία περάσματα με τη λίμα επαρκούν συνήθως για λόγους τροχίσματος ρουτίνας. Όταν έχετε επαναλάβει το ακόνισμα της αλυσίδας πριονιού αρκετές φορές, ζητήστε να ακονιστεί σε ένα εξουσιοδοτημένο κέντρο σέρβις μας.

**Κριτήρια ακονίσματος:**

**ΠΡΟΕΙΔΟΠΟΙΗΣΗ:** Μια μεγάλη απόσταση μεταξύ του άκρου κοπής και του ρυθμιστή βάθους αυξάνει τον κίνδυνο κλοστήματος.

► **Εικ.26:** 1. Μήκος κόπτη 2. Απόσταση μεταξύ άκρου κοπής και ρυθμιστή βάθους 3. Ελάχιστο μήκος κόπτη (3 mm)

- Όλο το μήκος κόπτη πρέπει να είναι ίσο. Τα διαφορετικά μήκη κοπών εμποδίζουν την ομαλή λειτουργία της αλυσίδας πριονιού και μπορεί να προκαλέσουν το σπάσιμο της αλυσίδας πριονιού.
- Μην ακονίζετε την αλυσίδα όταν το ελάχιστο μήκος κοπών έχει φτάσει στα 3 mm ή λιγότερο. Η αλυσίδα πρέπει να αντικατασταθεί με μια καινούρια.
- Το πάχος θραυσμάτων καθορίζεται από την απόσταση μεταξύ του ρυθμιστή βάθους (στρογγυλή μύτη) και του άκρου κοπής.
- Θα έχετε τα καλύτερα αποτελέσματα κοπής με την ακόλουθη απόσταση μεταξύ του άκρου κοπής και του ρυθμιστή βάθους.
  - Λεπίδα αλυσίδας 80TXL : 0,65 mm

► **Εικ.27**

- Όλοι οι κόπτες θα πρέπει να έχουν την ίδια γωνία ακονίσματος των 30°. Οι διαφορετικές γωνίες κόπτη αναγκάζουν την αλυσίδα να κινείται δύσκολα και ανομοιόμορφα, επιταχύνουν η φθορά και προκαλούν σπάσιμο της αλυσίδας.
- Χρησιμοποιήστε μια κατάλληλη στρογγυλή λίμα ώστε να διατηρείται η σωστή γωνία ακονίσματος σε σχέση με τα δόντια.
  - Λεπίδα αλυσίδας 80TXL : 55°

### Λίμα και καθοδήγηση λίμας

- Να χρησιμοποιείτε ειδική στρογγυλή λίμα (προαιρετικό εξάρτημα) για αλυσίδες πριονιού για να ακονίσετε την αλυσίδα. Οι συνηθισμένες στρογγυλές λίμες δεν είναι κατάλληλες.
- Η διάμετρος της στρογγυλής λίμας για κάθε αλυσίδα πριονιού είναι η εξής:
  - Λεπίδα αλυσίδας 80TXL : 4,0 mm
- Η λίμα θα πρέπει να έρχεται σε επαφή με τον κόπτη μόνο κατά την εμπρόσθια κίνηση. Ανασηκώστε τη λίμα από τον κόπτη κατά τη διεύρομη επιστροφή.
- Ακονίστε πρώτα τον πιο κοντό κόπτη. Μετά, το μήκος αυτού του πιο κοντού κόπτη γίνεται το πρότυπο για όλους τους άλλους κόπτες στην αλυσίδα πριονιού.
- Να οδηγείτε τη λίμα όπως υποδεικνύεται στην εικόνα.

► **Εικ.28:** 1. Λίμα 2. Αλυσίδα πριονιού

- Η οδήγηση της λίμας καθίσταται πιο εύκολη, εάν χρησιμοποιείτε συγκρατητήρα λίμας (προαιρετικό εξάρτημα). Ο συγκρατητήρας λίμας διαθέτει ενδείξεις για την κατάλληλη γωνία τροχίσματος 30° (ευθυγραμμίστε τις ενδείξεις παράλληλα με την αλυσίδα πριονιού) και περιορίζει το βάθος διεύδυσης (σε 4/5 της διαμέτρου της λίμας).

► **Εικ.29:** 1. Συγκρατητήρας λίμας

- Μετά από το τρόχισμα της αλυσίδας, ελέγξτε το ύψος του ρυθμιστή βάθους κοπής χρησιμοποιώντας το εργαλείο μέτρησης αλυσίδας (προαιρετικό εξάρτημα).

► **Εικ.30**

- Αφαιρέστε τυχόν προεξέχον υλικό, όσο μικρό και εάν είναι, με ειδική επίπεδη λίμα (προαιρετικό εξάρτημα).
- Αποτελειώστε το μπροστινό μέρος του ρυθμιστή βάθους κοπής ξανά.

## Καθαρισμός της κατευθυντήριας λάμας

Ρινίσματα και πριονόσκονη θα συσσωρευτούν στην εγκοπή της κατευθυντήριας λάμας. Μπορεί να βουλώσουν την εγκοπή της λάμας και να ελαττώσουν τη ροή του λαδιού. Να καθαρίζετε τα ρινίσματα και την πριονόσκονη κάθε φορά που ακονίζετε ή αντικαθιστάτε την αλυσίδα πριονιού.

► **Εικ.31**

## Καθαρισμός του καλύμματος αλυσοτροχού

Στο εσωτερικό του καλύμματος αλυσοτροχού θα συσσωρευτούν ρινίσματα και πριονόσκονη. Αφαιρέστε το κάλυμμα αλυσοτροχού και την αλυσίδα πριονιού από το εργαλείο και μετά καθαρίστε τα ρινίσματα και την πριονόσκονη.

► **Εικ.32**

## Καθαρισμός οπής παροχής λαδιού

Μπορεί να παρουσιαστεί συσσώρευση σκόνης και σωματιδίων εντός της οπής παροχής λαδιού στη διάρκεια της λειτουργίας. Αυτή η σκόνη ή σωματίδια μπορεί να παρεμποδίζει τη ροή λαδιού και να προκαλέσει ανεπαρκή λίπανση ολόκληρης της αλυσίδας πριονιού. Όταν παρατηρηθεί κακή παροχή λαδιού λίπανσης στο πάνω μέρος της κατευθυντήριας λάμας, καθαρίστε την οπή παροχής λαδιού ως ακολούθως.

1. Αφαιρέστε το κάλυμμα αλυσοτροχού και την αλυσίδα πριονιού από το εργαλείο.

2. Αφαιρέστε τη σκόνη ή τα μικρά σωματίδια χρησιμοποιώντας ένα κατσαβίδι με επίπεδη μύτη ή κάποιο παρόμοιο εργαλείο.

► **Εικ.33:** 1. Κατσαβίδι με επίπεδη μύτη 2. Οπή παροχής λαδιού

3. Τοποθετήστε την κασέτα μπαταριών στο εργαλείο. Τραβήξτε τη σκανδάλη διακόπτη ώστε η συσσωρευμένη σκόνη και τα σωματίδια να αποβληθούν από την οπή παροχής λαδιού μέσω της ροής λαδιού.

4. Αφαιρέστε την κασέτα μπαταριών από το εργαλείο. Τοποθετήστε ξανά το κάλυμμα αλυσοτροχού, την αλυσίδα πριονιού και την κατευθυντήρια λάμα στο εργαλείο.

## Αντικατάσταση του αλυσοτροχού

**▲ ΠΡΟΣΟΧΗ:** Ένας φθαρμένος αλυσοτροχός θα προκαλέσει φθορά στη νέα αλυσίδα πριονιού. Σε αυτή την περίπτωση αντικαταστήστε τον αλυσοτροχό.

Πριν από την τοποθέτηση μιας νέας αλυσίδας πριονιού, ελέγξτε την κατάσταση του αλυσοτροχού.

► **Εικ.34:** 1. Αλυσοτροχός 2. Φθαρμένες περιοχές

Να τοποθετείτε πάντα νέο ασφαλιστικό δακτύλιο, όταν αντικαθιστάτε τον αλυσοτροχό.

► **Εικ.35:** 1. Ασφαλιστικός δακτύλιος 2. Αλυσοτροχός

**ΕΙΔΟΠΟΙΗΣΗ:** Βεβαιωθείτε ότι ο αλυσοτροχός είναι τοποθετημένος όπως απεικονίζεται στην εικόνα.

## Αποθήκευση του εργαλείου

1. Καθαρίστε το εργαλείο πριν από τη φύλαξη. Αφαιρέστε τυχόν ροκανίδια και πριονίδι από το εργαλείο μετά από την αφαίρεση του καλύμματος αλυσοτροχού.

2. Μετά από τον καθαρισμό του εργαλείου, αφήστε το σε λειτουργία χωρίς φορτίο ώστε να λιπανθεί η αλυσίδα πριονιού και η κατευθυντήρια λάμα.

3. Καλύψτε την κατευθυντήρια λάμα με το κάλυμμα κατευθυντήριας λάμας.

4. Αδειάστε το δοχείο λαδιού.

## Οδηγίες για περιοδική συντήρηση

Για να διασφαλιστεί η μακρά διάρκεια ζωής, η αποφυγή τυχόν ζημιάς και η πλήρης λειτουργικότητα των χαρακτηριστικών ασφαλείας, πρέπει να εκτελείτε τακτικά τις ακόλουθες εργασίες συντήρησης. Αξιώσεις εγγύησης αναγνωρίζονται μόνο εάν εκτελείτε τις εργασίες αυτές σωστά και σε τακτά χρονικά διαστήματα. Εάν δεν εκτελέσετε τις προβλεπόμενες εργασίες συντήρησης, μπορεί να προκληθούν ατυχήματα! Ο χρήστης του εργαλείου δεν πρέπει να εκτελεί εργασίες συντήρησης που δεν περιγράφονται στο εγχειρίδιο οδηγιών. Όλες αυτές οι εργασίες πρέπει να εκτελούνται από εξουσιοδοτημένο κέντρο σέρβις της εταιρείας μας.

Στοιχείο ελέγχου / Χρόνος λειτουργίας		Πριν από τη λειτουργία	Κάθε ημέρα	Κάθε εβδομάδα	Κάθε 3 μήνες	Κάθε χρόνο	Πριν από την αποθήκευση
Ολόκληρο το εργαλείο	Επιθεωρήστε.	✓	-	-	-	-	-
	Καθαρίστε.	-	✓	-	-	-	-
	Ελέγξτε σε εξουσιοδοτημένο κέντρο σέρβις.	-	-	-	-	✓	✓
Αλυσίδα πριονιού	Επιθεωρήστε.	✓	-	-	-	-	-
	Ακονίστε εάν απαιτείται.	-	-	-	-	-	✓
Κατευθυντήρια λάμα	Επιθεωρήστε.	✓	✓	-	-	-	-
	Αφαιρέστε την από το εργαλείο.	-	-	-	-	-	✓
Λίπανση αλυσίδας	Ελέγξτε την παροχή τροφοδοσίας λαδιού.	✓	-	-	-	-	-
Σκανδάλη διακόπτης	Επιθεωρήστε.	✓	-	-	-	-	-
Μοχλός ασφάλισης	Επιθεωρήστε.	✓	-	-	-	-	-
Καπάκι δοχείου λαδιού	Ελέγξτε ότι είναι σφιγμένο.	✓	-	-	-	-	-
Βίδες και παξιμάδια	Επιθεωρήστε.	-	-	✓	-	-	-

# ΑΝΤΙΜΕΤΩΠΙΣΗ ΠΡΟΒΛΗΜΑΤΩΝ

Πριν ζητήσετε επισκευές, εκτελέστε αρχικά τη δική σας επιθεώρηση. Αν εντοπίσετε πρόβλημα που δεν επεξηγείται στο εγχειρίδιο, μην επιχειρήσετε να αποσυναρμολογήσετε το εργαλείο. Αντ' αυτού, ζητήστε βοήθεια από εξουσιοδοτημένα κέντρα εξυπηρέτησης της Makita και πάντοτε να χρησιμοποιείτε γνήσια ανταλλακτικά της Makita.

Κατάσταση δυσλειτουργίας	Αιτία	Ενέργεια
Το εργαλείο δεν ξεκινά.	Δεν είναι τοποθετημένη η κασέτα μπαταριών.	Τοποθετήστε μια φορτισμένη κασέτα μπαταριών.
	Πρόβλημα μπαταρίας (χαμηλή τάση).	Επαναφορτίστε την κασέτα μπαταριών. Εάν η επαναφόρτιση δεν είναι αποτελεσματική, αντικαταστήστε την κασέτα μπαταριών.
Το μοτέρ σταματά να λειτουργεί μετά από μικρή χρήση.	Το επίπεδο φόρτισης μπαταρίας είναι χαμηλό.	Επαναφορτίστε την κασέτα μπαταριών. Εάν η επαναφόρτιση δεν είναι αποτελεσματική, αντικαταστήστε την κασέτα μπαταριών.
	Δεν υπάρχει λάδι στην αλυσίδα.	Γεμίστε το δοχείο λαδιού.
Το εργαλείο δεν φτάνει τις μέγιστες ΣΑΛ.	Η εκκοπή οδηγού λαδιού είναι βρόμικη.	Καθαρίστε την εκκοπή.
	Η κασέτα μπαταριών δεν είναι σωστά τοποθετημένη.	Τοποθετήστε την κασέτα μπαταριών όπως περιγράφεται σε αυτό το εγχειρίδιο.
	Η ισχύς της μπαταρίας μειώνεται.	Επαναφορτίστε την κασέτα μπαταριών. Εάν η επαναφόρτιση δεν είναι αποτελεσματική, αντικαταστήστε την κασέτα μπαταριών.
Ασυνήθιστοι κραδασμοί: <b>Διακόψτε αμέσως τη λειτουργία του εργαλείου!</b>	Το σύστημα μετάδοσης κίνησης δεν λειτουργεί σωστά.	Απευθυνθείτε στο εξουσιοδοτημένο κέντρο σέρβις της περιοχής σας για επισκευή.
	Η κατευθυντήρια λάμα ή η αλυσίδα πρινιού είναι χαλαρή.	Ρυθμίστε την κατευθυντήρια λάμα και το τέντωμα της αλυσίδας πρινιού.
Η αλυσίδα πρινιού δεν μπορεί να εγκατασταθεί.	Δυσλειτουργία εργαλείου.	Απευθυνθείτε στο εξουσιοδοτημένο κέντρο σέρβις της περιοχής σας για επισκευή.
	Ο συνδυασμός της αλυσίδας πρινιού και του αλυσοτροχού δεν είναι σωστό.	Χρησιμοποιήστε το σωστό συνδυασμό της αλυσίδας πρινιού και του αλυσοτροχού αναφερόμενοι στην ενότητα με τις προδιαγραφές.

## ΠΡΟΑΙΡΕΤΙΚΑ ΕΞΑΡΤΗΜΑΤΑ

**⚠ ΠΡΟΣΟΧΗ:** Αυτά τα εξαρτήματα ή προσαρτήματα συνιστώνται για χρήση με το εργαλείο Makita που περιγράφηκε στις οδηγίες αυτές. Η χρήση οποιωνδήποτε άλλων εξαρτημάτων ή προσαρτημάτων μπορεί να προκαλέσει κίνδυνο τραυματισμού σε άτομα. Να χρησιμοποιείτε τα εξαρτήματα ή προσαρτήματα μόνο για την χρήση που προορίζονται.

Εάν χρειάζεστε οποιαδήποτε βοήθεια για περισσότερες πληροφορίες σε σχέση με αυτά τα εξαρτήματα, απαντήστε στο τοπικό σας κέντρο εξυπηρέτησης Makita.

- Αλυσίδα πρινιού
- Κατευθυντήρια λάμα
- Κάλυμμα κατευθυντήριας λάμας
- Λίμα
- Τσάντα εργαλείων
- Γνήσια μπαταρία και φορτιστής της Makita

**ΠΑΡΑΤΗΡΗΣΗ:** Μερικά στοιχεία στη λίστα μπορεί να συμπεριλαμβάνονται στη συσκευασία εργαλείου ως στάνταρ εξαρτήματα. Μπορεί να διαφέρουν ανάλογα με τη χώρα.

**TEKNİK ÖZELLİKLER**

<b>Model:</b>	<b>UC100D</b>	
Tam uzunluk (kılavuz çubuk ve batarya olmadan)	350 mm	
Nominal voltaj	D.C. 10,8 V - 12 V maks	
Net ağırlık	*1	1,0 kg
	*2	1,5 - 1,6 kg
Standart kılavuz çubuk uzunluğu	100 mm	
Önerilen pala uzunluğu	100 mm	
Kullanılabilir testere zinciri türü (aşağıdaki tabloya bakın)	80TXL	
Zincir dişlisi	Diş sayısı	7
	Diş aralığı	0,325"
Zincir hızı	0 - 8,0 m/s (0 - 480 m/dak)	
Zincir yağı tank hacmi	55 cm <sup>3</sup>	

- Sürekli yapılan araştırma ve geliştirmelerden dolayı, burada belirtilen özellikler önceden bildirilmeksizin değiştirilebilir.
- Özellikler ülkeden ülkeye değişebilir.

\*1: Ağırlık, testere zinciri, kılavuz çubuk, kılavuz çubuk kılıfı, yağ ve batarya kartuşu/kartuşları olmadan.

\*2: EPTA Prosedürü 01/2014 uyarınca en hafif ve en ağır ağırlık kombinasyonu. Ağırlık, ekli aksesuara/aksesuarlara ve batarya kartuşuna/kartuşlarına bağlı olarak farklılık gösterebilir.

**Testere zinciri, kılavuz çubuk ve zincir dişlisi kombinasyonu**

<b>Testere zinciri türü</b>	<b>80TXL</b>	
Zincir bağlantılarının sayısı	26	
Kılavuz çubuk	Kılavuz çubuk uzunluğu	100 mm
	Kesme uzunluğu	111 mm
	Diş aralığı	0,325"
	Zincir kalınlığı	1,1 mm
	Tip	Sert pala burnu
Zincir dişlisi	Diş sayısı	7
	Diş aralığı	0,325"

**UYARI:** Kılavuz çubuk ile testere zincirinin uygun bir kombinasyonunu kullanın. Aksi takdirde kişisel yaralanmalar meydana gelebilir.

**Geçerli batarya kartuşu ve şarj aleti**

Batarya kartuşu	BL1016 / BL1021B / BL1041B
Şarj aleti	DC10SA / DC10SB / DC10WC / DC10WD / DC18RE

- Yukarıda listelenen batarya kartuşlarının ve şarj aletlerinin bazıları yaşadığınız bölgeye bağlı olarak mevcut olmayabilir.

**UYARI:** Sadece yukarıda listelenen batarya kartuşlarını ve şarj aletlerini kullanın. Başka batarya kartuşlarının ve şarj aletlerinin kullanılması yaralanma ve/veya yangına neden olabilir.

## Semboller

Ekipmanı için kullanılabilecek semboller aşağıda gösterilmiştir. Kullanmadan önce anlamlarını anladığınızdan emin olun.



Kullanma kılavuzunu okuyun.



Emniyet gözlüğü ve kulak koruyucu kullanın.



Aleti kullanırken daima iki elinizi kullanın.



Geri tepmeye karşı dikkatli olun ve çubuk ucuna dokunmaktan kaçının.



Neme maruz bırakmayın.



İzin verilen maksimum kesme uzunluğu



Zincir hareketinin yönü



Sadece AB ülkeleri için  
Ekipmanda tehlikeli bileşenler bulunduğundan dolayı atık elektrikli ve elektronik ekipmanlar, aküler ve bataryalar çevre ve insan sağlığı üzerinde olumsuz etkiye yol açabilir. Elektrikli ve elektronik cihazları veya bataryaları evsel atıklarla birlikte atmayın!  
Atık elektrikli ve elektronik ekipmanlar ile akümülatörler ve bataryalar hakkındaki Avrupa Direktifi ve söz konusu direktifin ulusal yasalara uyarlanması gereğince atık elektrikli ekipmanlar, bataryalar ve akümülatörler ayrı olarak depolanmalı ve çevre koruma hakkındaki mevzuata uygun olarak faaliyet gösteren ayrı bir kentsel atık toplama noktasına teslim edilmelidir.  
Bu husus, ekipmanın üzerine yerleştirilmiş üzerinde çarpı işareti bulunan tekerlekli çöp kovası simgesi ile belirtilmiştir.



AB Dış Mekan Gürültü Direktifi uyarınca garanti edilen ses gücü seviyesi.



Avustralya NSW Gürültü Kontrol Mevzuatı uyarınca ses gücü seviyesi

## Kullanım amacı

Bu alet, testere zincirini kullanarak ağaçların dallarını veya çalıları kesmek için tasarlanmıştır.

## Gürültü

Tipik A-ağırlıklı gürültü düzeyi (EN62841-4-1 standardına göre belirlenen):  
Ses basınç seviyesi ( $L_{pA}$ ): 79 dB (A)  
Ses gücü düzeyi ( $L_{WA}$ ): 87 dB (A)  
Belirsizlik (K): 3 dB (A)

**NOT:** Beyan edilen gürültü emisyonu değer(ler)i bir standart test yöntemine uygun şekilde ölçülmüştür ve bir aleti bir başkasıyla karşılaştırmak için kullanılabilir.

**NOT:** Beyan edilen gürültü emisyonu değer(ler)i bir ön maruz kalma değerlendirmesi olarak da kullanılabilir.

**UYARI:** Kulak koruyucuları takın.

**UYARI:** Elektrikli aletin gerçek kullanımı sırasındaki gürültü emisyonu, aletin kullanım biçimlerine, özellikle işlenen iş parçasının türüne bağlı olarak beyan edilen değer(ler)den farklı olabilir.

**UYARI:** Gerçek kullanım koşullarındaki tahmini maruziyeti baz alan, operatörü koruyacak güvenlik önlemlerini mutlaka belirleyin (çalışma döngüsü içerisinde aletin kapalı olduğu ve aktif durumda olmasının yanı sıra boşta çalıştığı zamanlar gibi, bütün zaman dilimleri göz önünde bulundurarak).

## Titreşim

Titreşim toplam değeri (üç eksenli vektör toplamı) (EN62841-4-1 standardına göre hesaplanan):  
Çalışma modu: aışaş kesme  
Titreşim emisyonu ( $a_{h,w}$ ): 4,8 m/s<sup>2</sup>  
Belirsizlik (K) : 1,5 m/s<sup>2</sup>

**NOT:** Beyan edilen titreşim toplam değer(ler)i bir standart test yöntemine uygun şekilde ölçülmüştür ve bir aleti bir başkasıyla karşılaştırmak için kullanılabilir.

**NOT:** Beyan edilen titreşim toplam değer(ler)i bir ön maruz kalma değerlendirmesi olarak da kullanılabilir.

**UYARI:** Elektrikli aletin gerçek kullanımı sırasındaki titreşim emisyonu, aletin kullanım biçimlerine, özellikle işlenen iş parçasının türüne bağlı olarak beyan edilen değer(ler)den farklı olabilir.

**UYARI:** Gerçek kullanım koşullarındaki tahmini maruziyeti baz alan, operatörü koruyacak güvenlik önlemlerini mutlaka belirleyin (çalışma döngüsü içerisinde aletin kapalı olduğu ve aktif durumda olmasının yanı sıra boşta çalıştığı zamanlar gibi, bütün zaman dilimleri göz önünde bulundurarak).

## Uygunluk Beyanları

Sadece Avrupa ülkeleri için

Uygunluk beyanları bu kullanma kılavuzuna Ek A olarak eklenmiştir.

## GÜVENLİK UYARILARI

### Genel elektrikli alet güvenliği uyarıları

**UYARI** Bu elektrikli aletle birlikte verilen tüm güvenlik uyarılarını, talimatları, resimli açıklamaları ve teknik özellikleri okuyun. Aşağıda listelenen talimatların herhangi birine uyulmaması elektrik çarpması, yangın ve/veya ciddi yaralanma ile sonuçlanabilir.

### Tüm uyarıları ve talimatları iletide bırakmak için saklayın.

Uyarılardaki "elektrikli alet" terimi ile ya prizden çalışan (kordonlu) elektrikli aletiniz ya da kendi aküsü ile çalışan (kordonsuz) elektrikli aletiniz kastedilmektedir.



## Budama testeresi genel güvenlik uyarıları

- Budama testeresi çalışırken vücudunuzun her kısmını testere zincirinden uzak tutun.** Budama testeresini çalıştırmadan önce, testere zincirinin hiçbir şeye temas etmediğinden emin olun. Budama testelerini kullanırken bir anlık bir dikkatsizlik, giysinizi veya vücudunuzu testere zincirine kaptırmanıza neden olabilir.
- Budama testeresini daima bir elinizle arka tutduğundan ve diğer elinizle yardımcı tutduğundan tutun.**
- Budama testeresini sadece yalıtımlı kavrama yüzeyinden tutun, çünkü testere zinciri görünmeyen elektrik kablolarına temas edebilir.** Testere zincirlerinin "akımlı" bir telle temas etmesi budama testeresinin yalıtımsız metal kısımlarını "akımlı" hale getirebilir ve kullanıcıyı elektrik şokuna maruz bırakabilir.
- Koruyucu gözlük takın. İşitme, baş, eller, bacaklar ve ayaklar için ayrıca koruyucu donanım kullanılması tavsiye edilir.** Yeterli koruyucu ekipman uçan kırıntılar ve kazayla testere zincirine temas etme nedeniyle yaralanmaları azaltacaktır.
- Budama testeresini ağaçta, merdivende, çatıdan veya her türlü sabit olmayan destekten çalıştırmayın.** Budama testeresinin bu şekilde çalıştırılması ciddi yaralanmaya neden olabilir.
- Her zaman yere sağlam basın ve budama testeresini sadece sabit, sağlam ve düzgün bir yüzey üzerinde dururken kullanın.** Sabit olmayan veya kaygan yüzeyler dengeyi veya budama testeresinin kontrolünü kaybetmenize neden olabilir.
- Gerilim altındaki bir dalı keserken, geri fırlamaya karşı tetikte olun.** Ağaç liflerindeki gerilim boşaldığı zaman, yaylanma kuvvetiyle yüklü dal operatöre çarpabilir ve/veya budama testeresini kontrolsüz şekilde fırlatabilir.
- Çalılırları ve fidanları keserken çok dikkatli olun.** İnce dallı malzeme testere zincirini kısırabilir ve size doğru kamçı gibi çarpabilir veya sizin dengeyi bozabilir.
- Budama testeresini kapalı durumda ve vücudunuzdan uzak bir şekilde taşıyın.** Budama testeresini naklemeden veya saklamak için kılavuz çubuk kılıfını daima takın. Budama testeresinin doğru şekilde tutulması, hareketli testere zincirine kazayla temas etme olasılığını azaltacaktır.
- Yağlama, zincir germe ve çubuk ve zinciri değiştirme talimatlarına uyun.** Yanlış gerilmiş veya yağlanmış zincir kırılabilir veya geri tepme olasılığı artabilir.
- Sadece ağaç kesin.** Budama testeresini amacı dışında kullanmayın. Örneğin, budama testeresini metal, plastik, kağıt malzemeleri veya ahşap olmayan inşaat malzemelerini kesmek için kullanmayın. Budama testeresinin kullanım amacı dışında kullanılması tehlikeli bir durum ortaya çıkarabilir.
- Bu budama testeresi ağaç kesmek için tasarlanmamıştır.** Budama testeresinin kullanım amacı dışında kullanılması operatör veya civardakilerin ciddi yaralanmasına neden olabilir.
- Sıkışan maddeleri çıkarırken, budama testeresini depolarken veya bakım yaparken tüm talimatlara uyun.** Anahtarın kapalı olduğundan ve batarya kutusunun çıkarıldığından emin olun.
- Geritapma nedenleri ve operatör tarafından önlenmesi:**

Kılavuz çubuğun burnu veya ucu bir cisme değiştiği zaman veya ağaç, kesik içindeki testere zincirini kuşatıp, kısırdığı zaman geri tepme meydana gelebilir.

Bazı durumlarda ucun teması ani bir ters etkiyle kılavuz çubuğun yukarı ve operatöre doğru geri tepmesine neden olabilir.

Testere zincirinin kılavuz çubuğun üstü boyunca kısırılması kılavuz çubuğu hızla operatöre doğru geri itebilir.

Bu tepkilerden herhangi biri ciddi yaralanmalarla sonuçlanabilecek şekilde, testerenin kontrolünü kaybetmenize neden olabilir. Sadece testerenizin yapısında bulunan güvenlik aygıtlarına güvenmeyin. Bir budama testeresi kullanıcısı olarak, kesme işinin sırasında kaza veya yaralanma olmasını sağlamak için birçok önlem almanız gerekir.

Geritapma budama testeresinin yanlış kullanımından ve/veya hatalı kullanma prosedürü veya şartlarından kaynaklanır ve aşağıda verilen uygun tedbirler alınarak önlenabilir:

  - Budama testeresini her iki elinizle, başparmağınız ve diğer parmağınızın tuttuğunuz saracak şekilde, sıkıca kavrayın ve vücudunuzu ve kolunuzu geri tepme kuvvetlerine karşı koyabilecek şekilde konumlandırın.** Geritapma kuvvetleri, eğer doğru önlemler alınırsa, operatör tarafından kontrol edilebilir. Budama testeresini gevşek tutmayın.

### ► Şek.1

- Aşırı uzağa uzanmayın ve omuz yüksekliğinin üzerindeki yerleri kesmeyin.** Bu, istenmeyen uç temasının önlenmesine yardımcı olur ve beklenmedik durumlarda budama testeresinin daha iyi kontrol edilebilmesini sağlar.
  - Sadece imalatçının belirttiği yedek kılavuz çubukları ve testere zincirlerini kullanın.** Yanlış yedek kılavuz çubukları ve testere zincirleri kullanımı zincir kopmasına ve/veya geri tepmeye neden olabilir.
  - Testere zinciri için imalatçının bileme ve bakım talimatlarına uyun.** Derinlik ölçüğü yüksekliğinin azaltılması geri tepmenin artmasına yol açabilir.
- Sıkışan maddeleri çıkarırken, budama testeresini depolarken veya bakım yaparken tüm talimatlara uyun.** Anahtarın kapalı olduğundan ve batarya kutusunun çıkarıldığından emin olun.

## İlave Güvenlik Talimatları

### Kişisel koruyucu ekipman

1. Çok bol kıyafetler giymemeli ama giyilen kıyafet hareket kabiliyetini de engellemelidir.
2. Çalışma sırasında aşağıda sıralanan koruyucu kıyafetleri giyin:
  - Düşen dallar vb. şeylerden kaynaklanabilecek bir tehlike varsa, test edilmiş bir güvenlik kaskı;
  - Yüz maskesi veya gözlük;
  - Uygun bir kulak koruyucu (kulaklık, özel veya şekillendirilebilir kulak tıkacı). Oktav bant frekans analizleri istek üzerine sunulur.
  - Sağlam, deri güvenlik eldivenleri;
  - Sağlam kumaştan yapılmış uzun pantolon;
  - Kesilmeye karşı dayanıklı, kalın işçi tulumu;
  - Kaymayan tabanlı, çelik burunlu ve kesilmeye karşı dayanıklı kumaştan astarı olan güvenlik ayakkabıları veya botlar;
  - Toz oluşmasına neden olan işleri gerçekleştirirken (örn. kuru ahşap kesme) solunum maskesi.

### Çalıştırma

1. Çalışmaya başlamadan önce, aletin iyi çalışır ve güvenlik yönetmeliklerine uygun durumda olduğunu kontrol edin. Özellikle şunları kontrol edin:
  - Serbest dönüş freninin doğru çalıştığını;
  - Çubuk ve zincir dişlisi kapağının doğru takıldığını;
  - Zincirin yönetmeliklere uygun şekilde bilmiş ve gerilmiş olduğunu.
2. Aleti zincir kılıfı üstüne takılıyken çalıştırmayın. Aleti zincir kılıfı üstündeyken çalıştırmak, zincir kılıfının ileri fırlayarak yaralanmaya ve operatörün etrafındaki eşyalara zarar vermesine neden olabilir.
3. Doğrudan kesilmekte olan dalın altında durmayın. Düşen dallara dikkat edin.
4. Aleti kötü havada veya yıldırım riski varken çalıştırmayın.
5. Aleti çamurlu zeminde, ıslak yamaçlarda veya kaygan yerlerde kullanırken dengeye dikkat edin.

### Elektrik ve batarya güvenliği

1. Tehlikeli ortamlardan kaçının. Aleti nemli ya da ıslak yerlerde kullanmayın ve yağmura maruz bırakmayın. Aletin içine su girmesi elektrik çarpması riskini arttıracaktır.
2. Bataryayı/bataryaları ateşe atmayın. Batarya hücresi patlayabilir. Bertaraf etmeye ilişkin olası özel talimatlar için yerel yönetmelikleri kontrol edin.
3. Bataryayı/bataryaları açmayın ya da batarya(lar) üzerinde değişiklik yapmayın. Ortaya çıkan elektrolit aşındırıcıdır ve gözlemlere ya da cilde zarar verebilir. Yutulduğu takdirde zehirli olabilir.
4. Bataryayı yağmurda veya ıslak yerlerde şarj etmeyin.
5. Bataryayı açık alanda şarj etmeyin.

6. Şarj aleti fişi ve şarj aleti terminalleri dahil şarj aletine ıslak ellerle dokunmayın.
7. Bataryayı ıslak ellerle değiştirmeyin.
8. Bataryayı yağmurda bırakmayın veya bataryayı nemli ya da ıslak yerlerde şarj etmeyin, kullanmayın veya depolamayın.
9. Batarya bağlantı uçlarını su gibi sıvılarla ıslatmayın ya da bataryayı sıvılarına sokmayın. Bağlantı uçları ıslanır veya bataryanın içine sıvı girerse batarya kısa devre olabilir ve aşırı ısınma, yangın veya patlama riski ortaya çıkar.
10. Bataryayı makine veya şarj aletinden çıkardıktan sonra mutlaka bataryaya batarya kapağını takın ve kuru bir yerde depolayın.
11. Batarya kartuşu ıslanırca içinden suyu boşaltın ve ardından kuru bir bezle silin. Kullanmadan önce batarya kartuşunu kuru bir yerde tamamen kurulaştırın.

## BU TALİMATLARI SAKLAYIN.

**⚠UYARI:** Ürünü kullanırken (defalarca kullanınca kazanılan) rahatlık ve tanıdıklık duygusunun ilgili ürünün güvenlik kurallarına sıkı sıkıya bağlı kalmanın yerine geçmesine İZİN VERMEYİN. YANLIŞ KULLANIM veya bu kullanma kılavuzunda belirtilen emniyet kurallarına uymama ciddi yaralanmaya neden olabilir.

## Batarya kartuşu hakkında önemli güvenlik talimatları

1. Batarya kartuşunu kullanmadan önce, tüm talimatları ve (1) batarya kartuşu, (2) batarya ve (3) ürün üzerindeki tüm uyarı işaretlerini okuyun.
2. Batarya kartuşunu parçalarına ayırmayın veya kurcalamayın. Yangın, aşırı ısı veya patlamaya neden olabilir.
3. Çalışma süresi aşırı derecede kısalmışsa kullanmayı derhal bırakın. Aşırı ısınma, yanma riski hatta patlamaya neden olabilir.
4. Gözünüze elektrolit kaçarsa, gözlerinizi temiz suyla durulayın ve hemen tıbbi yardım alın. Görme kaybına yol açabilir.
5. Batarya kartuşuna kısa devre yaptırmayın:
  - (1) Terminallere herhangi bir iletken madde değdirmeyin.
  - (2) Batarya kartuşunu çiviler, madeni paralar, vb. gibi başka metal nesnelere aynı kaba koymaktan kaçının.
  - (3) Batarya kartuşunu yağmura ya da suya maruz bırakmayın.Kısa devre, büyük bir akım akışına, aşırı ısınmaya, olası yanıklara hatta bataryanın bozulmasına yol açabilir.
6. Aleti ve batarya kartuşunu sıcaklığın 50°C ya da daha yükseğe ulaştığı yerlerde saklamayın ve kullanmayın.
7. Aşırı derecede hasar görmüş ya da tamamen kullanılamaz durumda olsa bile batarya kartuşunu yakmayın. Batarya kartuşu ateşe atılırsa patlayabilir.

8. **Batarya kartuşunu çivilemeyin, kesmeyin, ezmeyin, fırlatmayın, düşürmeyin ya da batarya kartuşuna sert bir nesne ile vurmayın.** Bu eylemler yangın, aşırı ısı veya patlamaya neden olabilir.
9. **Hasarlı bataryayı kullanmayın.**
10. **Aletin içerdiği lityum-iyon bataryalar Tehlikeli Eşyalar Yönetmeliğinin gereksinimlerine tabidir.**  
Ticari nakliye işlemleri için, örneğin üçüncü taraflar, nakliye acenteleri tarafından yapılan nakliyelerde, paketleme ve etiketleme gereksinimlerine uyulmalıdır.  
Nakliyesi yapılacak ürünün hazırlanması için, tehlikeli maddeler konusunda uzman bir kişiye danışın. Lütfen muhtemelen daha ayrıntılı olan ulusal yönetmeliklere de uyun.  
Açık kontakları bantlayın ya da maskeleyin ve bataryayı paketin içinde hareket etmeyecek şekilde paketleyin.
11. **Batarya kartuşunu bertaraf ederken aletten çıkarın ve güvenli bir yerde bertaraf edin. Bataryanın bertaraf edilmesi ile ilgili yerel düzenlemelere uyunuz.**
12. **Bataryaları sadece Makita tarafından belirtilen ürünlerle kullanın.** Bataryaların uyumsuz ürünlere takılması; yangın, aşırı ısınma, patlama ya da elektrolit sızıntısına neden olabilir.
13. **Alet uzun süre kullanılmıyacaksa batarya aletten çıkarılmalıdır.**
14. **Kullanma sırasında ve sonrasında batarya kartuşu ısınarak yanıklara veya düşük sıcaklık yanıklarına yol açabilir. Sıcak batarya kartuşları ile işlem yaparken dikkat edin.**
15. **Yanıklara neden olabilecek kadar sıcak olabileceğinden kullandıktan hemen sonra aletin terminaline dokunmayın.**
16. **Batarya kartuşunun terminallerine, deliklerine ve kanallarına mıcır, toz veya toprak girmesine izin vermeyin.** Aletin veya batarya kartuşunun ısınmasına, alev almasına, patlamasına ve arızalanmasına neden olarak yanıklara veya yaralanmaya yol açabilir.
17. **Alet yüksek gerilim elektrik güç hatları yakınında kullanımı desteklemediği sürece batarya kartuşunu yüksek gerilim elektrik güç hatlarının yakınında kullanmayın.** Aletin veya batarya kartuşunun arızalanmasına veya bozulmasına neden olabilir.
18. **Bataryayı çocuklardan uzak tutun.**

## BU TALİMATLARI MUHAFAZA EDİNİZ.

**⚠DİKKAT:** Sadece orijinal Makita bataryalarını kullanın. Orijinal olmayan Makita bataryaları ya da üzerine değişiklik yapılmış bataryaların kullanımı bataryanın patlamasına ve sonuç olarak yangın, kişisel yaralanma ve hasara neden olabilir. Ayrıca Makita aleti ve şarj aletinin Makita tarafından sunulan garantisini geçersiz kılar.

## Maksimum batarya ömrü için ipuçları

1. **Batarya kartuşunu tamamen boşalmadan önce şarj edin. Aletin gücünün zayıflamaya başladığını fark ettiğinizde aleti durdurun ve batarya kartuşunu şarj edin.**
2. **Tam dolu bir batarya kartuşunu asla yeniden şarj etmeyin. Aşırı şarj etme bataryanın hizmet ömrünü kısaltır.**
3. **Batarya kartuşunu 10 °C - 40 °C oda sıcaklığında şarj edin. Sıcak bir batarya kartuşunu şarj etmeden önce soğumasını bekleyin.**
4. **Batarya kartuşunu kullanmıyorken aletten veya şarj aletinden çıkarın.**

## PARÇALARIN TANIMI

### ► Şek.2

1	Yardımcı tutamak	2	Güvenlik kapağı	3	Testere zinciri
4	Kılavuz çubuk	5	Yağ tankı kapağı	6	Kılavuz çubuk kılıfı
7	Zincir dişlisi kapağı	8	Güvenlik kilidi kolu	9	Arka tutamak
10	Anahtar tetik	11	Kol	12	Batarya kartuşu

## İŞLEVSEL NİTELİKLER

**⚠️ DİKKAT:** Alet üzerinde ayarlama veya işleyiş kontrolü yapmadan önce aletin kapalı ve batarya kartuşunun ayrılmış olduğundan daima emin olun.

### Batarya kartuşunun takılması ve çıkarılması

**⚠️ DİKKAT:** Batarya kartuşunu takmadan ya da çıkarmadan önce aleti daima kapatın.

**⚠️ DİKKAT:** Batarya kartuşunu takarken veya çıkarırken aleti ve batarya kartuşunu sıkıca tutun. Aletin ve batarya kartuşunun sıkıca tutulmaması bunların düşürülmesine sebep olabilir ve alet ve batarya kartuşunun zarar görmesine ya da ciddi yaralanmasına yol açabilir.

► **Şek.3:** 1. Kırmızı gösterge 2. Düğme 3. Batarya kartuşu

Batarya kartuşunu çıkarmak için, kartuşun ön tarafındaki düğmeyi kaydırarak kartuşu aletten çıkarın.

Batarya kartuşunu takmak için, batarya kartuşu üzerindeki dili yuvanın oluğu ile hizalayın ve kartuşu yerine oturtun. Kartuşu, küçük bir tık sesi ile yerine sabitlenene dek sonuna kadar ittirin. Şekilde gösterildiği gibi kırmızı göstergiyi görebiliyorsanız tam olarak kilitlenmemiş demektir.

**⚠️ DİKKAT:** Batarya kartuşunu daima kırmızı gösterge görünmeyecek şekilde tam olarak takın. Yerine tam oturmazsa, aletten yanlışlıkla düşebilir, sizin ya da çevrenizdeki kişilerin yaralanmasına neden olabilir.

**⚠️ DİKKAT:** Batarya kartuşunu zorlayarak takmayın. Kartuş kolay bir şekilde kaymıyorsa doğru yerleştirilmemiş demektir.

### Kalan batarya kapasitesinin gösterilmesi

**Sadece göstergeli batarya kartuşları için**

► **Şek.4:** 1. Gösterge lambaları 2. Kontrol düğmesi

Kalan batarya kapasitesini göstermesi için batarya kartuşu üzerindeki kontrol düğmesine basın. Gösterge lambaları birkaç saniye yanar.

Gösterge lambaları		Kalan kapasite
Yanıyor	Kapalı	
■ ■ ■ ■	□	%75 ila %100
■ ■ ■ □	□	%50 ila %75
■ ■ □ □	□	%25 ila %50
■ □ □ □	□	%0 ila %25

**NOT:** Kullanım koşullarına ve ortam sıcaklığına bağlı olarak, gösterilen değer gerçek kapasiteden biraz farklılık gösterebilir.

## Alet/batarya koruma sistemi

Bu alet bir alet/batarya koruma sistemi ile donatılmıştır. Bu sistem motora giden gücü otomatik olarak keserek uzun alet ve batarya ömrü sağlar. Alet veya batarya için aşağıdaki durumlardan biri söz konusu olduğunda aletin işleyişi otomatik olarak durur:

### Aşırı yüklenme:

Alet, anormal derecede yüksek akım çekmesine neden olacak şekilde çalıştırılır. Bu durumda, aleti kapatın ve aletin aşırı yüklenmesine neden olan uygulamayı durdurun. Daha sonra aleti yeniden çalıştırmak için açın. Alet başlamazsa batarya aşırı ısınmıştır. Bu durumda, aleti yeniden çalıştırmadan önce bataryanın soğumasını bekleyin.

### Düşük batarya voltajı:

Kalan batarya kapasitesi çok düşüktür ve alet çalışmaz. Aleti açarsanız, motor tekrar çalışır fakat kısa zaman sonra durur. Bu durumda bataryayı çıkararak şarj edin.

## Anahtar işlemleri

**⚠️ UYARI:** Güvenliğiniz için, bu alet istem dışı başlatmayı önlemek için bir güvenlik kilidi kolu ile donatılmıştır. Güvenlik kilidi koluna basmadan sadece anahtar tetik çekildiğinde çalışan bir alet ASLA kullanmayın. Daha fazla kullanmadan ÖNCE doğru bir şekilde tamir ettirmek için aleti yetkili servis merkezimize götürün.

**⚠️ UYARI:** Güvenlik kilidi kolunu ASLA bantlamayın veya amacını ve işlevini engelleyecek şekilde devre dışı bırakmayın.

**⚠️ DİKKAT:** Batarya kartuşunu alete takmadan önce anahtar tetiğin doğru çalıştığından ve bira-kıldığında "OFF" (kapalı) konumuna döndüğünden emin olun.

**ÖNEMLİ NOT:** Güvenlik kilidi koluna bastırma-dan anahtar tetiği zorlayarak çekmeyin. Bu, anahtarın kırılmasına neden olabilir.

Anahtar tetiğin kaza sonucu çekilmesini önlemek için, bir güvenlik kilidi kolu sağlanmıştır. Aleti başlatmak için, güvenlik kilidi koluna bastırın ve anahtar tetiği çekin. Durdurmak için anahtar tetiği bırakın.

► **Şek.5:** 1. Anahtar tetik 2. Güvenlik kilidi kolu

## Serbest dönüş freninin kontrolü

**⚠️ DİKKAT:** Bu test yapıldığı zaman testere zinciri birkaç saniye içinde durmazsa aleti kullanmayı durdurun ve yetkili servis merkezimize danışın.

Aleti çalıştırın, ardından anahtar tetiği tamamen bırakın. Testere zincirinin birkaç saniye içinde hareketsiz duruma gelmesi gerekir.

# MONTAJ

**⚠DİKKAT:** Alet üzerinde herhangi bir iş yapmadan önce aletin kapalı ve batarya kartuşunun ayrılmış olduğundan daima emin olun.

**⚠DİKKAT:** Testere zincirine çıplak elle dokunmayın. Testere zincirini tutarken daima eldiven kullanın.

## Testere zincirinin çıkarılması veya takılması

**⚠DİKKAT:** Testere zinciri ve kılavuz çubuk kullanımın hemen ardından hala sıcaktır. Alet üzerinde herhangi bir çalışma yapmadan önce yeterince soğumalarını bekleyin.

**⚠DİKKAT:** Testere zincirinin takılması ve çıkarılması prosedürünü testereden çıkan tozların vb. maddelerin olmadığı temiz bir yerde gerçekleştirin.

## Testere zincirinin çıkarılması

Testere zincirini çıkarmak için aşağıdaki adımları gerçekleştirin:

1. Kolu yukarı çekin.

► **Şek.6:** 1. Kol

2. Zincir dişlisi kapağı çıkana kadar kolu saat yönünün tersine döndürün.

► **Şek.7:** 1. Zincir dişlisi kapağı 2. Kol

3. Zincir dişlisi kapağını, ardından testere zincirini ve kılavuz çubuğu aletin gövdesinden ayırın.

## Testere zincirinin takılması

Testere zincirini takmak için aşağıdaki adımları gerçekleştirin:

1. Kolu yukarı çekin.

► **Şek.8:** 1. Kol

2. Zincir dişlisi kapağı çıkana kadar kolu saat yönünün tersine döndürün.

► **Şek.9:** 1. Kol 2. Zincir dişlisi kapağı

3. Zincir dişlisi kapağını çıkarın.

4. Kılavuz çubuk üzerindeki deliği aletin gövdesinin üzerindeki pimle hizalayın ve ardından kılavuz çubuğu şekilde gösterildiği gibi yerleştirin.

► **Şek.10:** 1. Kılavuz çubuk 2. Delik 3. Pim

5. Pimi kilitlemek için kılavuz çubuğu zincir dişlisine doğru kaydırın.

► **Şek.11:** 1. Kılavuz çubuk 2. Pim

6. Kılavuz çubuğu aletin gövdesinden çıkarın.

7. Testere zincirinin yönünü kontrol edin. Testere zincirinin yönünü aletin gövdesi üzerindeki işaretin yönüyle eşleştirin.

► **Şek.12:** 1. Aletin gövdesi üzerindeki işaret

8. Testere zincirinin bir ucunu kılavuz çubuğun üst kısmına takın.

9. Testere zincirinin diğer ucunu zincir dişlisinin etrafına takın, ardından kılavuz çubuk üzerindeki delik gövde üzerindeki pimle hizalanacak şekilde kılavuz çubuğu aletin gövdesine takın.

► **Şek.13:** 1. Zincir dişlisi

Pimi serbest bırakmak için kılavuz çubuğu aletin gövdesine doğru bastırın. Testere zinciri gerilimi otomatik olarak ayarlanır.

► **Şek.14:** 1. Testere zinciri 2. Pim 3. Zincir dişlisi

10. Zincir dişlisi kapağını, aletin gövdesinin üzerindeki civata ve pim, zincir dişlisi kapağı üzerinde karşılık gelen kısımlara denk gelecek şekilde yerleştirin.

► **Şek.15:** 1. Zincir dişlisi kapağı 2. Civata 3. Pim

11. Zincir dişlisi kapağı sabitlenene kadar kolu saat yönünde döndürün, ardından orijinal konumuna döndürün.

► **Şek.16:** 1. Kol 2. Zincir dişlisi kapağı

Testere zincirinin gevşemediğinden ve testere zincirinin ileri geri rahatça hareket ettirilebildiğinden emin olun. Gerekirse testere zinciri gerilimini ayarlama kısmına bakarak testere zinciri gerilimini ayarlayın.

## Testere zinciri geriliminin ayarlanması

**⚠DİKKAT:** Zincir çok gevşek olursa kılavuz çubuktan fırlayıp çıkabilir ve yaralanma veya kazaya neden olabilir.

Testere zinciri saatlerce kullanıldıktan sonra gevşeyebilir. Zaman zaman kullanmadan önce testere zincirini kontrol edin.

Testere zinciri gevşekse testere zinciri gerilimini ayarlayın.

1. Kolu yukarı çekin.

► **Şek.17:** 1. Kol

2. Zincir dişlisi kapağını hafifçe gevşetmek için kolu saatin aksi yönünde çevirin. Zincir gerilimi otomatik olarak ayarlanır.

► **Şek.18:** 1. Zincir dişlisi kapağı 2. Kol

3. Zincir dişlisi kapağı sabitlenene kadar kolu saat yönünde döndürün, ardından orijinal konumuna döndürün.

► **Şek.19:** 1. Kol 2. Zincir dişlisi kapağı

# KULLANIM

## Yağlama

**⚠DİKKAT:** Aleti tank boşken kullanmayın. Tank boşalmadan zamanı gelince yağ doldurun.

**⚠DİKKAT:** Yağın cilt ve gözlerle temas etmesini önleyin. Gözle teması tahrişe neden olur. Gözle teması halinde, etkilenen gözü derhal suyla yıkayın ve ardından vakit kaybetmeden bir doktora başvurun.

**⚠DİKKAT:** Asla atık yağ kullanmayın. Atık yağlar kanserojen maddeler içerir. Atık yağların içindeki pislikler; yağ pompası, çubuk ve zincirin hızlı bir şekilde aşınmasına neden olur. Atık yağlar çevreye zararlıdır.

**ÖNEMLİ NOT:** Alet ilk kez kullanılacağı zaman, testere zinciri yağının testere mekanizmasında yağlayıcı etki göstermeye başlaması iki dakika kadar sürebilir. Etki göstermesi için testereyi yüksüz olarak çalıştırın.

**ÖNEMLİ NOT:** İlk kez zincir yağı doldurduğunuz zaman veya tankı tamamen boşaldıktan sonra tekrar doldururken, yakıt deposu boynunun alt kenarına kadar yağ doldurun. Aksi takdirde yağ dağıtımı bozulabilir.

**ÖNEMLİ NOT:** Testere zinciri yağı olarak, sadece Makita aletleri için olan veya piyasada bulunan eş değer yağları kullanın.

**ÖNEMLİ NOT:** Asla içinde toz ve parçacık veya uçucu yağ bulunan yağları kullanmayın.

**ÖNEMLİ NOT:** Ağaç budarken, botanik yağ kullanın. Mineral yağlar ağaçlara zarar verebilir.

**ÖNEMLİ NOT:** Kesim işleminden önce, verilen yağ tankı kapağının yerine takılmış olduğundan emin olun.

Alet çalışırken testere zinciri otomatik olarak yağlanır. Yağ tankında kalan yağ miktarını yağ kontrol camından periyodik olarak kontrol edin.

► **Şek.20:** 1. Yağ kontrol camı 2. Yağ tankı kapağı

Yağ doldurmak için aşağıdaki adımları gerçekleştirin:

1. Pisliklerin yağ tankına girmesini önlemek için, yağ tankı kapağının çevresini iyice temizleyin.

2. Aleti yan yatırın.

3. Yağ tankı kapağındaki düğmeye, diğer taraftaki düğme yukarı çıkacak şekilde basın ve ardından yağ tankı kapağını çevirerek çıkarın.

► **Şek.21:** 1. Yağ tankı kapağı 2. Sıkın 3. Gevşetin

4. Yağ tankına yağ doldurun. Uygun yağ miktarı 55 ml'dir.

5. Yağ tankı kapağını sıkıca geri kapatın.

6. Dökülen zincir yağını dikkatli bir şekilde silin.

**NOT:** Yağ tankı kapağını çıkarmakta zorlanırsanız yağ tankı kapağının deliğine düz tornavidanın ucunu sokun ve ardından saatin aksi yönünde çevirerek yağ tankı kapağını çıkarın.

► **Şek.22:** 1. Delik 2. Düz tornavida

Doldurduktan sonra, aleti kesilecek malzemeden uzak tutun. Çalıştırın ve testere zincirinin yeterince yağlanmasını bekleyin.

► **Şek.23**

## Aletle çalışma

**⚠DİKKAT:** Alet çalışırken vücudunuzun her kısmını testere zincirinden uzak tutun.

**⚠DİKKAT:** Alet çalışırken aleti iki elinizle sıkıca tutun.

**⚠DİKKAT:** Fazla ileriye uzanmaya çalışmayın. Her zaman yere sağlam basın ve dengeyi koruyun.

**ÖNEMLİ NOT:** Aleti bir yere çarpmayın ve düşürmeyin.

**ÖNEMLİ NOT:** Aletin havalandırma deliklerini örtmeyin.

Alet çalıştırmadan önce kılavuz çubuğun alt kısmını ve aletin gövdesinin destek kısmını şekilde gösterildiği gibi kesilecek dala temas ettirin. Alet ve kılavuz çubuk dala temas eder durumda aleti çalıştırın ve aleti dal boyunca aşağı hareket ettirerek dalı kesin.

► **Şek.24**

**⚠DİKKAT:** Kesme işleminden önce kılavuz çubuğun alt kısmının ve aletin gövdesinin destek kısmının kesilecek dala temas ettiğinden emin olun. Aksi takdirde alet kılavuz çubuğu ucuna doğru çekilebilir ve kılavuz çubuk sallanarak yaralanmaya neden olabilir.

## Aletin taşınması

Aleti taşımadan önce mutlaka batarya kartuşunu aletten çıkarın. Ardından kılavuz çubuk kılıfını takın. Ayrıca batarya kartuşunu da batarya kapağı ile kapatın.

► **Şek.25:** 1. Kılavuz çubuk kılıfı 2. Batarya kapağı

## BAKIM

**⚠DİKKAT:** Muayene ya da bakım yapmadan önce aletin kapalı ve batarya kartuşunun çıkartılmış olduğundan daima emin olun.

**⚠DİKKAT:** Herhangi bir muayene ya da bakım yaparken daima eldiven giyin.

**ÖNEMLİ NOT:** Benzin, tiner, alkol ve benzeri maddeleri kesinlikle kullanmayın. Renk değişimi, deformasyon veya çatlaklar oluşabilir.

Aleti EMNİYETLİ ve ÇALIŞMAYA HAZIR durumda tutmak için onarımlar, başka her türlü bakım ve ayarlamalar daima Makita yedek parçaları kullanılarak Makita yetkili servis merkezleri veya Fabrikanın Servis Merkezleri tarafından yapılmalıdır.

## Testere zincirinin bilenmesi

### Aşağıdaki durumlarda testere zincirini bileyin:

- Islak ağaç kesildiğinde un gibi testere tozu oluştuğu zaman;
- Ağır basınç uygulansa bile zincir ağaca zor girdiği zaman;
- Kesme kenarında gözle görülen hasar olduğu zaman;
- Testere ağacın içinde sola veya sağa çekme yaptığı zaman. (Bu davranışın nedeni testere zincirinin düzgün bilenmemiş veya sadece bir tarafının hasarlı olmasıdır.)

Testere zincirini sık sık ama her defasında sadece çok az miktarda bileyin. Rutin bileme için eğe ile iki veya üç sürtmeye genellikle yeterlidir. Testere zinciri birçok defa bilendiği zaman, onu yetkili servis merkezimizde bilettirin.

### Bileme kriterleri:

**⚠ UYARI:** Kesme kenarı ile derinlik ölçüğü arasında fazla mesafe bırakılması geri tepme riskini artırır.

- **Şek.26:** 1. Kesici uzunluğu 2. Kesme kenarı ile derinlik ölçüğü arasındaki mesafe 3. Minimum kesici uzunluğu (3 mm)

- Tüm kesici uzunlukları eşit olmalıdır. Farklı uzunluklardaki kesiciler testere zincirinin düzgün bir şekilde çalışmasını önler ve testere zincirinin kırılmasına neden olabilir.
- Kesici uzunluğu 3 mm'ye ya da daha kısa bir uzunluğa ulaştıktan sonra zinciri tekrar bilemeyin. Zincir yenisiyle değiştirilmelidir.
- Talaş kalınlığı derinlik ölçüğü (yuvarlak burun) ile kesim kenarı arasındaki mesafe ile belirlenir.
- En iyi kesim sonuçları kesim kenarı ile derinlik ölçüğü arasında aşağıdaki mesafe korunarak elde edilir.
  - Zincir bıçak 80TXL : 0,65 mm

### ► Şek.27

- 30°'lik bileme açısı tüm kesiciler üzerinde aynı olmalıdır. Kesici açılarındaki farklılıklar zincirin sert ve dengesiz bir biçimde çalışmasına, aşınmanın hızlanmasına neden olabilir ve zincirin kırılmasına yol açabilir.
- Dişlere karşı doğru bir bileme açısının korunması için uygun bir yuvarlak eğe kullanın.
  - Zincir bıçak 80TXL : 55°

### Eğe ve eğeleme

- Testere zincirlerinde zinciri bilemek için özel bir yuvarlak eğe kullanın (isteğe bağlı aksesuar). Normal yuvarlak eğeler uygun değildir.
  - Her testere zinciri için yuvarlak eğe çapı aşağıdaki gibidir:
    - Zincir bıçak 80TXL : 4,0 mm
  - Eğe sadece ileri doğru sürtmeye kesiciyi sıyırmalıdır. Geri çekerken eğeyi kesiciden kaldırın.
  - Önce en kısa kesiciyi bileyin. Bu en kısa kesicinin uzunluğu böylece testere zincirinin tüm diğer kesicileri için standart olur.
  - Eğeyi şekilde gösterildiği gibi sürütün.
- **Şek.28:** 1. Eğe 2. Testere zinciri

- Eğer bir eğe tutucu (isteğe bağlı aksesuar) kullanılırsa eğe daha kolay sürtülebilir. Eğe tutucuda doğru bileme açısı olan 30° işaretleri (bu işaretleri testere zincirine paralel olarak hizalayın) vardır ve nüfuz etme derinliğini (eğe çapının 4/5 ile) sınırlar.
- **Şek.29:** 1. Eğe tutucu

- Zinciri biledikten sonra, zincir kalınlık masterını (isteğe bağlı aksesuar) kullanarak derinlik ölçüğü yüksekliğini kontrol edin.
- **Şek.30**

- Özel bir yassı eğeyle (isteğe bağlı aksesuar), ne kadar küçük olursa olsun, çıkıntı yapan malzeme-leri temizleyin.
- Derinlik ölçüğünün önünü tekrar yuvarlayın.

## Kılavuz çubuğun temizlenmesi

Talaşlar ve testere tozları kılavuz çubuğun oluşunda birikir. Bu birikintiler çubuğun oluşunu tıkayabilir ve yağ akışını engelleyebilir. Testere zincirini bilirken ya da değiştirdiğiniz her seferde talaşları ve testere tozlarını temizleyin.

### ► Şek.31

## Zincir dişlisi kapağının temizlenmesi

Zincir dişlisi kapağının içinde talaşlar ve testere tozları birikebilir. Zincir dişlisi kapağını ve testere zincirini aletten çıkarmak ve ardından talaşları ve testere tozlarını temizleyin.

### ► Şek.32

## Yağ çıkış deliğinin temizlenmesi

Çalışma sırasında yağ çıkış deliğinde küçük tozlar ve parçacıklar birikebilir. Yağ filtresinde biriken bu tozlar ve parçacıklar yağ akışını engelleyebilir ve testere zincirinin tamamına yeterli yağlama yapılamamasına neden olabilir. Kılavuz çubuğun tepesinde yetersiz zincir yağı iletimi olduğu görülürse yağ çıkış deliğini aşağıdaki gibi temizleyin.

1. Zincir dişlisi kapağını ve testere zincirini aletten çıkarın.

2. Düz uçlu bir tornavida veya benzeri bir alet kullanarak küçük tozları ve parçacıkları temizleyin.

### ► Şek.33:

1. Düz uçlu tornavida 2. Yağ çıkış deliği

3. Batarya kartuşunu alete takın. Zincir yağını boşaltarak birikmiş tozları ve parçacıkları yağ çıkış deliğinden dışarı akıtmak için anahtar tetiği çekin.

4. Aletten batarya kartuşunu çıkarın. Zincir dişlisi kapağını, testere zincirini ve kılavuz çubuğu tekrar alete takın.

## Zincir dişlisinin değiştirilmesi

**⚠ DİKKAT:** Eskimiş bir zincir dişlisi yeni testere zincirine zarar verir. Bu durumda zincir dişlisini yenisiyle değiştirin.

Yeni bir testere zinciri takmadan önce, zincir dişlisinin durumunu kontrol edin.

► **Şek.34:** 1. Zincir dişlisi 2. Aşınan alanlar

Zincir dişlisini değiştirdiğiniz zaman daima yeni bir tespit halkası takın.

► **Şek.35:** 1. Tespit halkası 2. Zincir dişlisi

**ÖNEMLİ NOT:** Zincir dişlisinin şekilde gösterildiği gibi takıldığından emin olun.

## Aletin saklanması

1. Saklamadan önce aleti temizleyin. Zincir dişlisi kapağını çıkardıktan sonra talaşları ve testere tozlarını aletten temizleyin.
2. Aleti temizledikten sonra, testere zincirini ve kılavuz çubuğu yağlamak için yüksüz çalıştırın.
3. Kılavuz çubuğu, kılavuz çubuk kılıfıyla örtün.
4. Yağ tankını boşaltın.

## Periyodik bakım talimatları

Alet ömrünün uzun olmasını sağlamak için, alete hasar gelmesini önleyin ve güvenlik özelliklerinin tam olarak işlediğinden emin olun. Aşağıdaki bakım işlemleri de düzenli olarak yapılmalıdır. Garanti talepleri ancak bu işlemler düzenli olarak ve doğru bir şekilde yapılmışsa dikkate alınacaktır. Tarif edilen bakım işlemlerinin yapılmaması kazalara yol açabilir! Aletin kullanıcısı, bu kullanım kılavuzunda açıklanmayan bir bakım işlemi yapmamalıdır. Tüm bu işlemler yetkili servis merkezimiz tarafından gerçekleştirilmelidir.

Öğeyi kontrol edin / Çalışma süresi	Kullanımdan önce	Her gün	Her hafta	3 ayda bir	Yılda bir	Saklamadan önce
Tüm alet	İnceleme.	✓	-	-	-	-
	Temizleme.	-	✓	-	-	-
	Yetkili servis merkezinde kontrol ettirin.	-	-	-	✓	✓
Testere zinciri	İnceleme.	✓	-	-	-	-
	Gerekirse bileyin.	-	-	-	-	✓
Kılavuz çubuk	İnceleme.	✓	✓	-	-	-
	Aletten çıkarın.	-	-	-	-	✓
Zincir yağı	Yağ besleme hızını kontrol edin.	✓	-	-	-	-
Anahtar tetik	İnceleme.	✓	-	-	-	-
Güvenlik kilidi kolu	İnceleme.	✓	-	-	-	-
Yağ tankı kapağı	Sıklığını kontrol edin.	✓	-	-	-	-
Vida ve somunlar	İnceleme.	-	-	✓	-	-



# SORUN GİDERME

Onarım için servise gitmeden önce kontrolleri yapın. Kılavuzda açıklanmayan bir problemle karşılaşırsanız aleti demonte etmeyin. Bunun yerine, Makita Yetkili Servis Merkezlerine başvurun ve daima orijinal Makita yedek parçaları kullanın.

Arıza durumu	Neden	Çözüm
Alet çalışmıyor.	Batarya kartuşu takılı değil.	Şarjlı bir batarya kartuşu takın.
	Batarya problemi (düşük voltaj).	Batarya kartuşunu şarj edin. Şarj etmek işe yaramıyorsa, batarya kartuşunu değiştirin.
Kısa bir kullanımdan sonra motor duruyor.	Bataryanın şarj seviyesi düşük.	Batarya kartuşunu şarj edin. Şarj etmek işe yaramıyorsa, batarya kartuşunu değiştirin.
Zincirde hiç yağ yok.	Yağ tankı boş.	Yağ tankını doldurun.
	Yağ kılavuzu oluğu kirlî.	Oluğu temizleyin.
Alet maksimum dev/dak oranına ulaşmıyor.	Batarya kartuşu düzgün takılmamış.	Batarya kartuşunu bu kılavuzda açıklanmış gibi takın.
	Bataryanın gücü düşüyor.	Batarya kartuşunu şarj edin. Şarj etmek işe yaramıyorsa, batarya kartuşunu değiştirin.
	Sürüş sistemi doğru işlemiyor.	Bölgenizdeki yetkili servis merkezinden tamir etmesini isteyin.
Anormal titreşim: <b>Aleti hemen durdurun!</b>	Kılavuz çubuğu veya testere zinciri gevşek.	Kılavuz çubuğu ve testere zinciri gerilimini ayarlayın.
	Alet arızası.	Bölgenizdeki yetkili servis merkezinden tamir etmesini isteyin.
Testere zinciri takılmıyor.	Testere zinciri ve zincir dişlisi kombinasyonu hatalı.	Teknik özellikler kısmına bakarak doğru testere zinciri ve zincir dişlisi kombinasyonunu kullanın.

## İSTEĞE BAĞLI AKSESUARLAR

**⚠ DİKKAT:** Bu aksesuarlar ve ek parçalar bu el kitabında belirtilen Makita aletiniz ile kullanılmak için tavsiye edilmektedir. Herhangi başka bir aksesuar ya da ek parça kullanılması insanlar için bir yaralanma riski getirebilir. Aksesuarları ya da ek parçaları yalnızca belirtilmiş olan kullanım amaçlarına uygun olarak kullanın.

Bu aksesuarlarla ilgili daha fazla bilgiye ihtiyac duyarsanız bulunduğunuz yerdeki yetkili Makita servisine başvurun.

- Testere zinciri
- Kılavuz çubuk
- Kılavuz çubuk kılıfı
- Eğe
- Alet çantası
- Orijinal Makita batarya ve şarj aleti

**NOT:** Listedeki parçaların bazıları alet paketi içerisinde standart aksesuar olarak dahil edilmiş olabilir. Bunlar ülkeden ülkeye farklılık gösterebilir.





# Makita Europe N.V.

Jan-Baptist Vinkstraat 2, 3070 Kortenberg, Belgium

# Makita Corporation

3-11-8, Sumiyoshi-cho, Anjo, Aichi 446-8502 Japan

[www.makita.com](http://www.makita.com)



885998A997  
EN, FR, DE, IT, NL,  
ES, PT, DA, EL, TR  
20221110