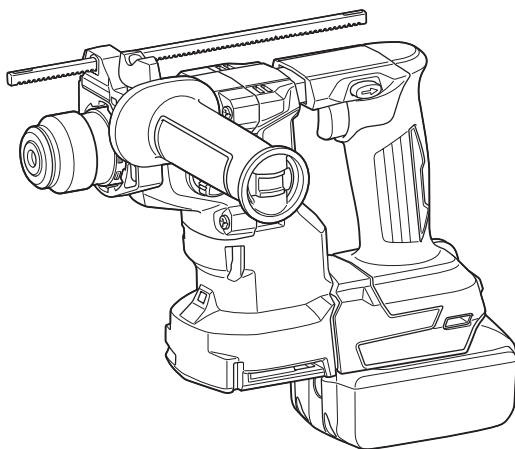
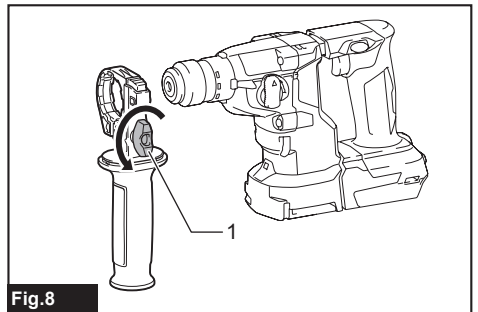
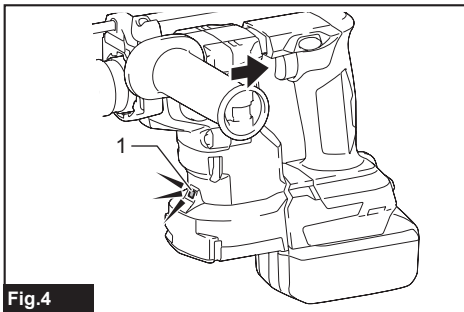
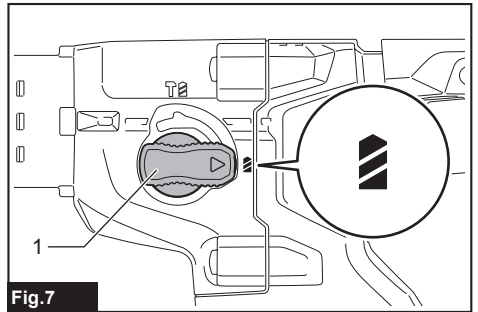
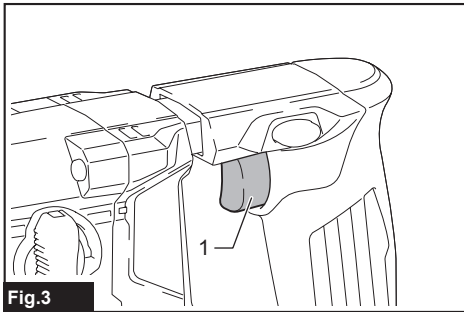
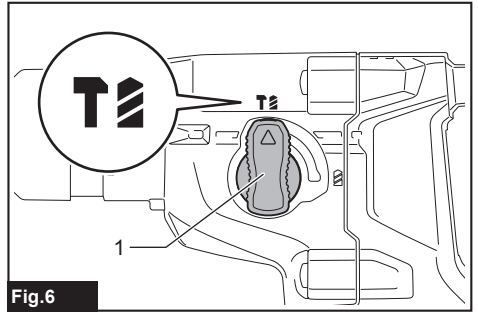
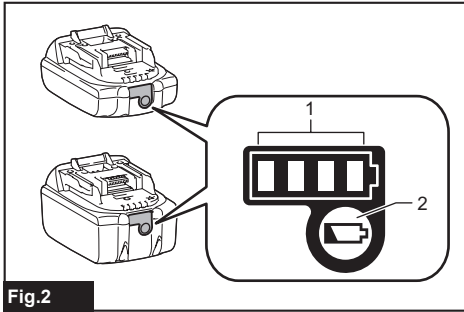
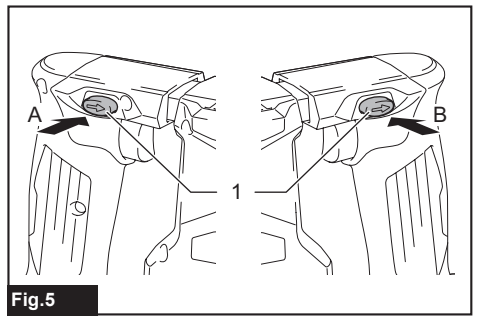
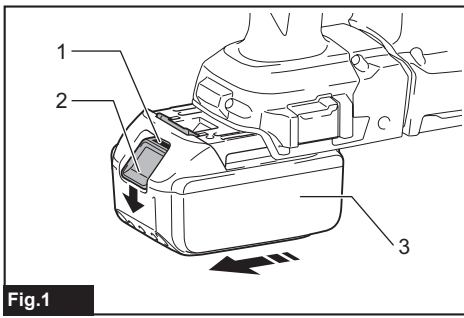


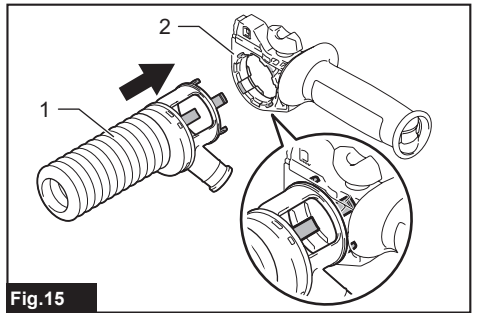
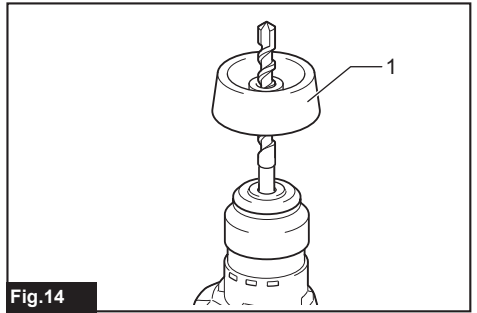
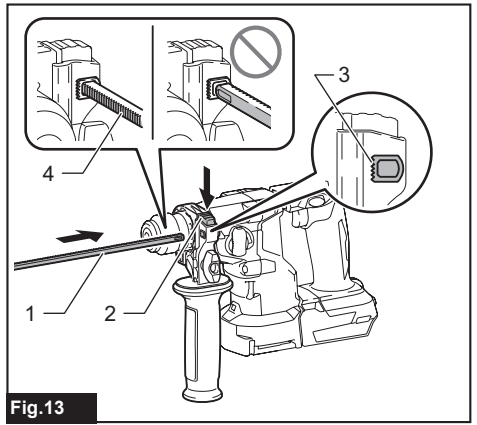
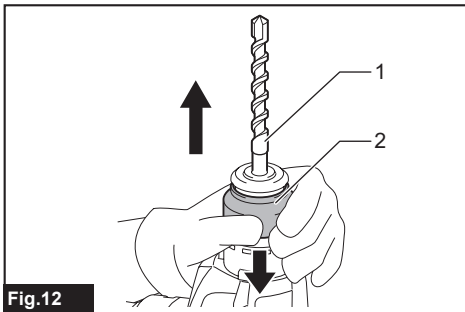
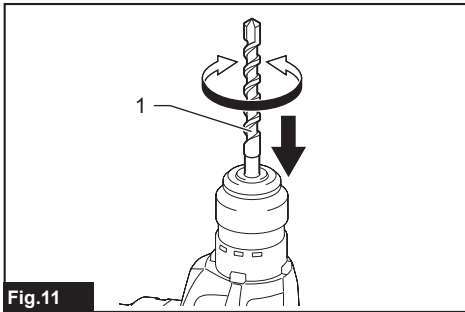
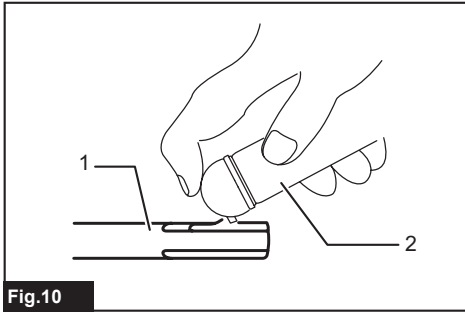
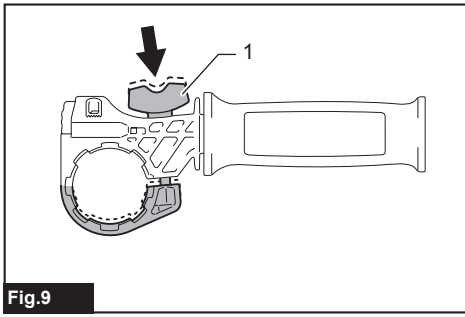


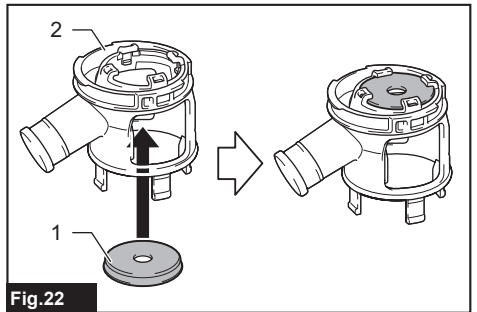
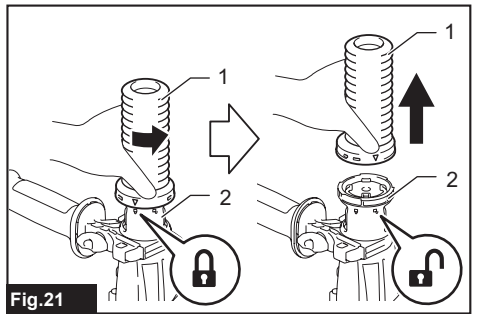
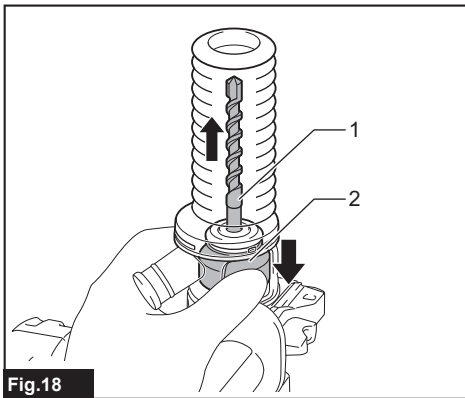
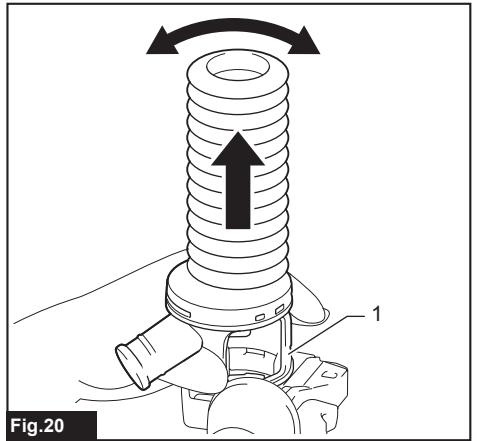
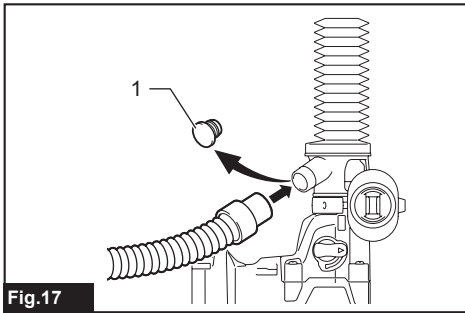
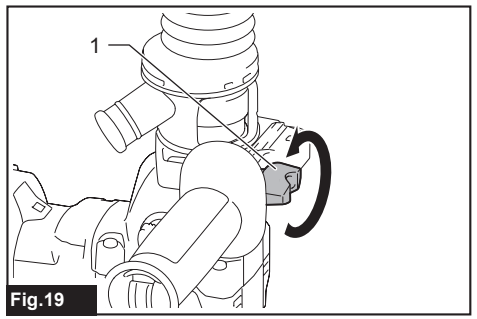
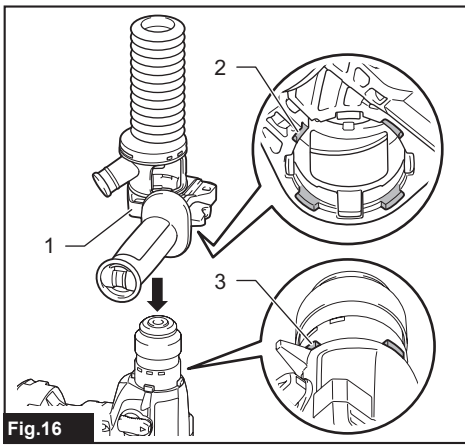
EN	Cordless Rotary Hammer	INSTRUCTION MANUAL	8
FR	Perforateur Sans Fil	MANUEL D'INSTRUCTIONS	18
DE	Akku-Bohrhammer	BETRIEBSANLEITUNG	29
IT	Martello rotativo a batteria	ISTRUZIONI PER L'USO	41
NL	Accuboorthamer	GEBRUIKSAANWIJZING	53
ES	Martillo Rotativo Inalámbrico	MANUAL DE INSTRUCCIONES	64
PT	Martelete Rotativo a Bateria	MANUAL DE INSTRUÇÕES	75
DA	Akku-borehammer	BRUGSANVISNING	86
EL	Φορητό σφυροτρύπανο	ΕΓΧΕΙΡΙΔΙΟ ΟΔΗΓΙΩΝ	96
TR	Akülü Kırıcı Delici	KULLANMA KILAVUZU	108

DHR183









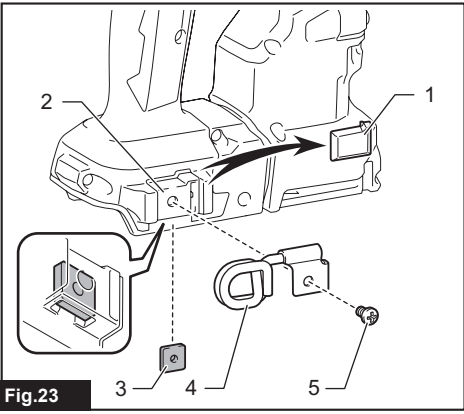


Fig. 23

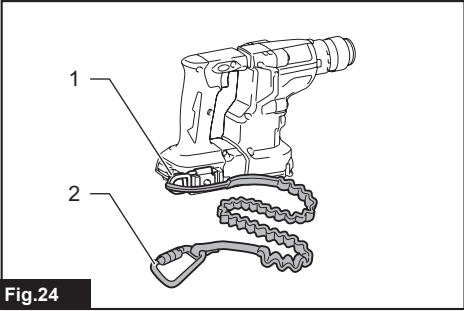


Fig. 24

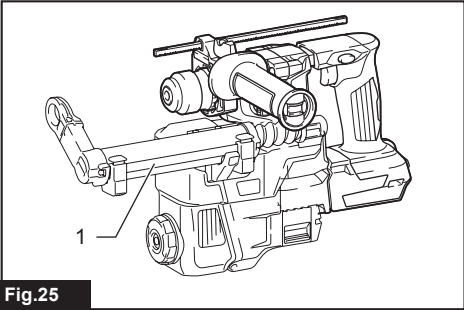


Fig. 25

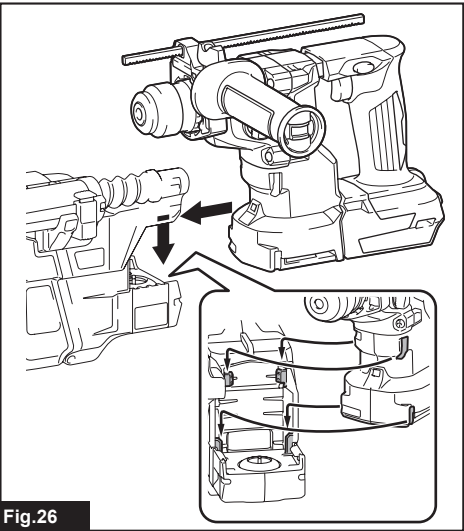


Fig. 26

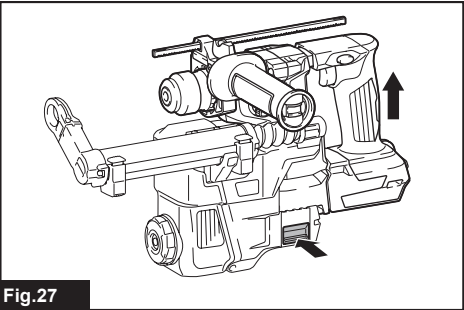


Fig. 27

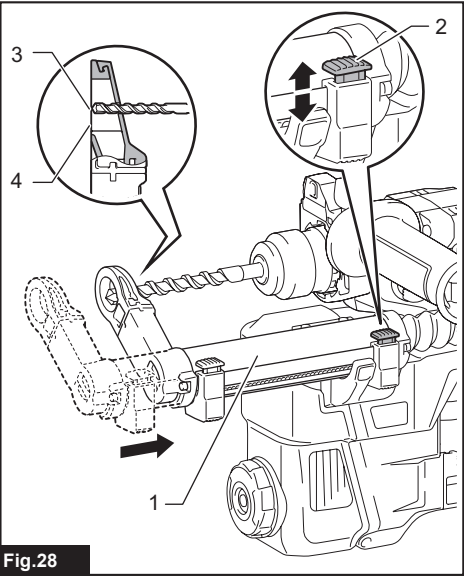
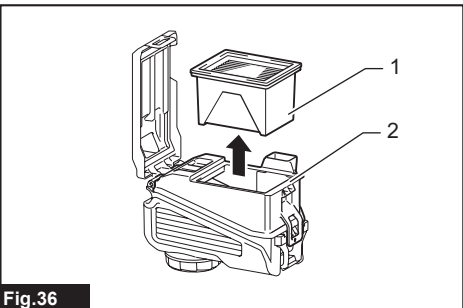
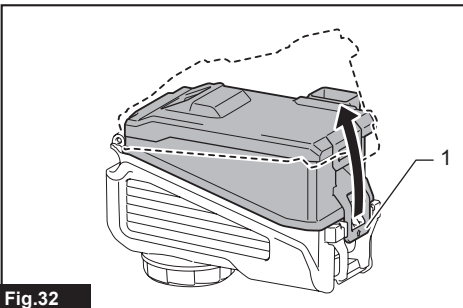
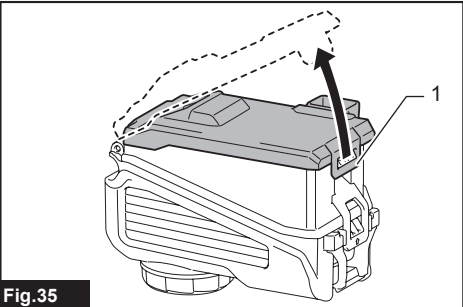
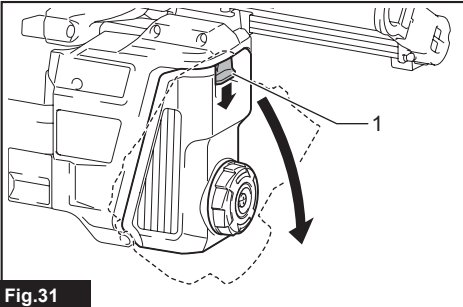
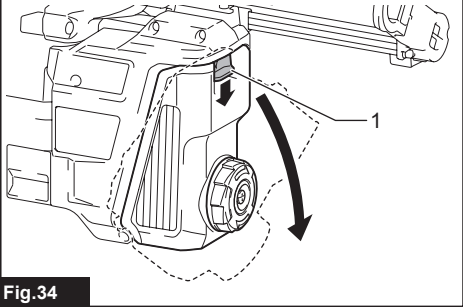
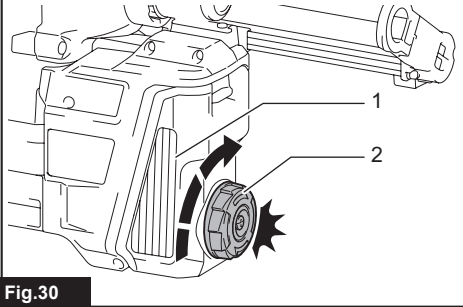
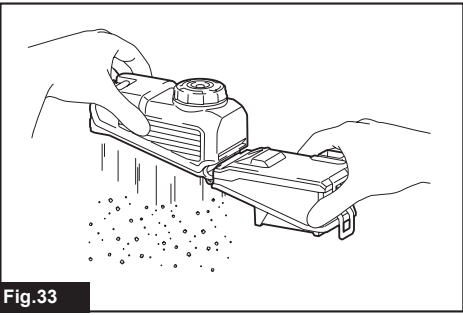
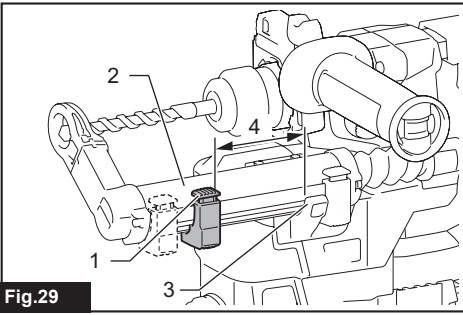


Fig. 28



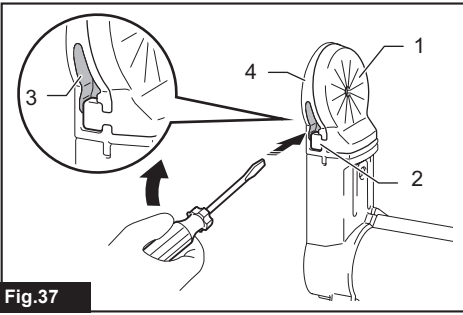


Fig.37

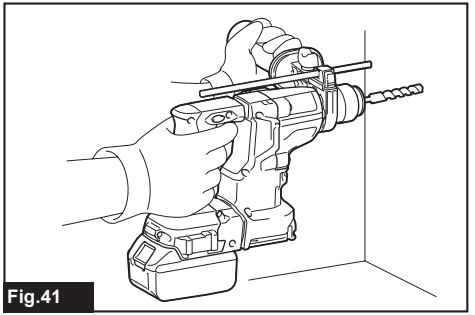


Fig.41

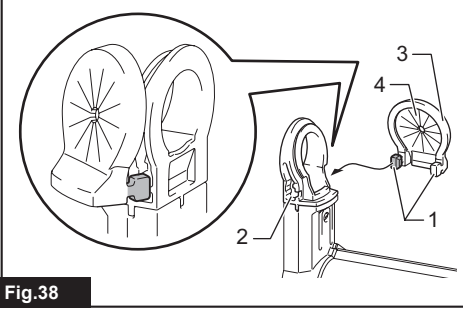


Fig.38

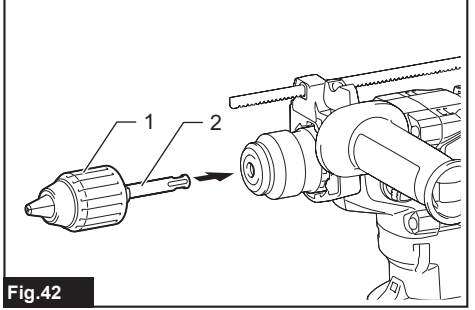


Fig.42

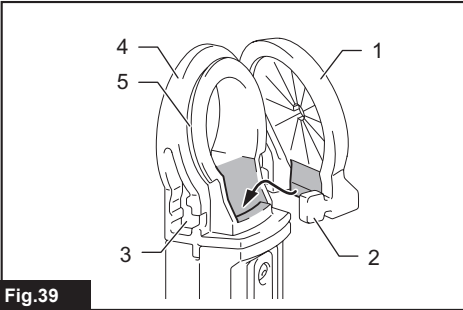


Fig.39

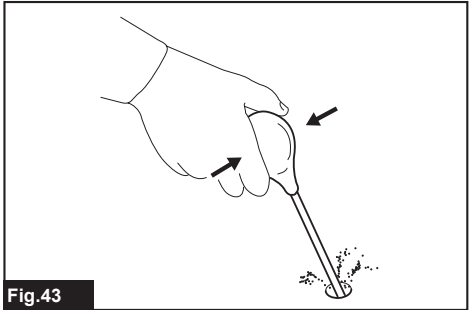


Fig.43

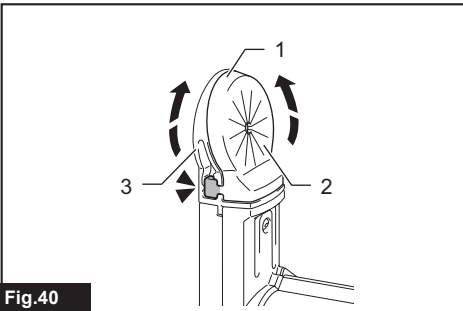


Fig.40

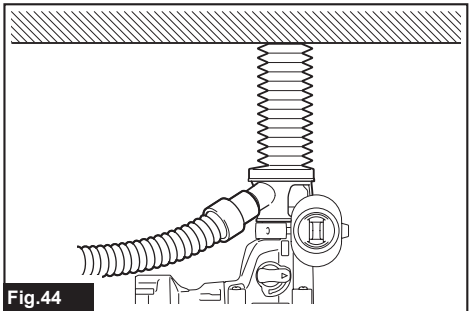


Fig.44

SPECIFICATIONS

Model:		DHR183
Drilling capacities	Concrete	18 mm
	Steel	13 mm
	Wood	24 mm
No load speed		0 - 1,100 min ⁻¹
Blows per minute		0 - 5,000 min ⁻¹
Overall length (with BL1860B)		288 mm
Rated voltage		D.C. 18 V
Net weight		2.1 - 2.9 kg

Optional accessory

Model:		DX16
Suction performance		0.24 m ³ /min
Operating stroke		Up to 105 mm
Suitable drill bit		Up to 165 mm
Net weight		0.77 kg

- Due to our continuing program of research and development, the specifications herein are subject to change without notice.
- Specifications may differ from country to country.
- The weight may differ depending on the attachment(s), including the battery cartridge. The lightest and heaviest combinations, according to EPTA-Procedure 01/2014, are shown in the table.

Applicable battery cartridge and charger

Battery cartridge	BL1815N / BL1820B / BL1830B / BL1840B / BL1850B / BL1860B
Charger	DC18RC / DC18RD / DC18RE / DC18SD / DC18SE / DC18SF / DC18SH / DC18WC

- Some of the battery cartridges and chargers listed above may not be available depending on your region of residence.

⚠ WARNING: Only use the battery cartridges and chargers listed above. Use of any other battery cartridges and chargers may cause injury and/or fire.

Recommended cord connected power source

Portable power pack	PDC01
---------------------	-------

- The cord connected power source(s) listed above may not be available depending on your region of residence.
- Before using the cord connected power source, read instruction and cautionary markings on them.

Intended use

The tool is intended for hammer drilling and drilling in brick, concrete and stone. It is also suitable for drilling without impact in wood, metal, ceramic and plastic.

Noise

The typical A-weighted noise level determined according to EN62841-2-6:

Model DHR183

Sound pressure level (L_{pA}) : 93 dB (A)

Sound power level (L_{WA}) : 101 dB (A)

Uncertainty (K) : 3 dB (A)

Model DHR183 with DX16

Sound pressure level (L_{pA}) : 93 dB(A)

Sound power level (L_{WA}) : 101 dB (A)

Uncertainty (K) : 3 dB(A)

NOTE: The declared noise emission value(s) has been measured in accordance with a standard test method and may be used for comparing one tool with another.

NOTE: The declared noise emission value(s) may also be used in a preliminary assessment of exposure.

⚠ WARNING: Wear ear protection.

⚠ WARNING: The noise emission during actual use of the power tool can differ from the declared value(s) depending on the ways in which the tool is used especially what kind of workpiece is processed.

⚠ WARNING: Be sure to identify safety measures to protect the operator that are based on an estimation of exposure in the actual conditions of use (taking account of all parts of the operating cycle such as the times when the tool is switched off and when it is running idle in addition to the trigger time).

Vibration

The following table shows the vibration total value (tri-axial vector sum) determined according to applicable standard.

Work mode	Vibration emission	Uncertainty (K)	Applicable standard / Test condition
Hammer drilling into concrete (a _{h, HD})	7.5 m/s ²	1.5 m/s ²	EN62841-2-6
Hammer drilling into concrete with DX16 (a _{h, HD})	7.6 m/s ²	1.7 m/s ²	EN62841-2-6

NOTE: The declared vibration total value(s) has been measured in accordance with a standard test method and may be used for comparing one tool with another.

NOTE: The declared vibration total value(s) may also be used in a preliminary assessment of exposure.

⚠ WARNING: The vibration emission during actual use of the power tool can differ from the declared value(s) depending on the ways in which the tool is used especially what kind of workpiece is processed.

⚠ WARNING: Be sure to identify safety measures to protect the operator that are based on an estimation of exposure in the actual conditions of use (taking account of all parts of the operating cycle such as the times when the tool is switched off and when it is running idle in addition to the trigger time).

Declarations of Conformity

For European countries only

The Declarations of conformity are included in Annex A to this instruction manual.

SAFETY WARNINGS

General power tool safety warnings

⚠ WARNING Read all safety warnings, instructions, illustrations and specifications provided with this power tool. Failure to follow all instructions listed below may result in electric shock, fire and/or serious injury.

Save all warnings and instructions for future reference.

The term "power tool" in the warnings refers to your mains-operated (corded) power tool or battery-operated (cordless) power tool.

CORDLESS ROTARY HAMMER SAFETY WARNINGS

Safety instructions for all operations

1. **Wear ear protectors.** Exposure to noise can cause hearing loss.
2. **Use auxiliary handle(s), if supplied with the tool.** Loss of control can cause personal injury.
3. **Hold the power tool by insulated gripping surfaces, when performing an operation where the cutting accessory may contact hidden wiring.** Cutting accessory contacting a "live" wire may make exposed metal parts of the power tool "live" and could give the operator an electric shock.

Safety instructions when using long drill bits with rotary hammers

1. **Always start drilling at low speed and with the bit tip in contact with the workpiece.** At higher speeds, the bit is likely to bend if allowed to rotate freely without contacting the workpiece, resulting in personal injury.
2. **Apply pressure only in direct line with the bit and do not apply excessive pressure.** Bits can bend, causing breakage or loss of control, resulting in personal injury.

Additional safety warnings

1. **Wear a hard hat (safety helmet), safety glasses and/or face shield.** Ordinary eye or sun glasses are NOT safety glasses. It is also highly recommended that you wear a dust mask and thickly padded gloves.
2. **Be sure the bit is secured in place before operation.**
3. **Under normal operation, the tool is designed to produce vibration. The screws can come loose easily, causing a breakdown or accident. Check tightness of screws carefully before operation.**
4. **In cold weather or when the tool has not been used for a long time, let the tool warm up for a while by operating it under no load. This will loosen up the lubrication. Without proper warm-up, hammering operation is difficult.**
5. **Always be sure you have a firm footing. Be sure no one is below when using the tool in**

high locations.

6. Hold the tool firmly with both hands.
7. Keep hands away from moving parts.
8. Do not leave the tool running. Operate the tool only when hand-held.
9. Do not point the tool at any one in the area when operating. The bit could fly out and injure someone seriously.
10. Do not touch the bit, parts close to the bit, or workpiece immediately after operation; they may be extremely hot and could burn your skin.
11. Some material contains chemicals which may be toxic. Take caution to prevent dust inhalation and skin contact. Follow material supplier safety data.
12. Always be sure that the tool is switched off and the battery cartridge and the bit are removed before handing the tool to other person.
13. Before operation, make sure that there is no buried object such as electric pipe, water pipe or gas pipe in the working area. Otherwise, the drill bit/chisel may touch them, resulting an electric shock, electrical leakage or gas leak.
14. Do not operate the tool at no-load unnecessarily.

SAVE THESE INSTRUCTIONS.

⚠WARNING: DO NOT let comfort or familiarity with product (gained from repeated use) replace strict adherence to safety rules for the subject product. MISUSE or failure to follow the safety rules stated in this instruction manual may cause serious personal injury.

Important safety instructions for battery cartridge

1. Before using battery cartridge, read all instructions and cautionary markings on (1) battery charger, (2) battery, and (3) product using battery.
2. Do not disassemble or tamper with the battery cartridge. It may result in a fire, excessive heat, or explosion.
3. If operating time has become excessively shorter, stop operating immediately. It may result in a risk of overheating, possible burns and even an explosion.
4. If electrolyte gets into your eyes, rinse them out with clear water and seek medical attention right away. It may result in loss of your eyesight.
5. Do not short the battery cartridge:
 - (1) Do not touch the terminals with any conductive material.
 - (2) Avoid storing battery cartridge in a container with other metal objects such as nails, coins, etc.
 - (3) Do not expose battery cartridge to water or rain.

A battery short can cause a large current

flow, overheating, possible burns and even a breakdown.

6. Do not store and use the tool and battery cartridge in locations where the temperature may reach or exceed 50 °C (122 °F).
7. Do not incinerate the battery cartridge even if it is severely damaged or is completely worn out. The battery cartridge can explode in a fire.
8. Do not nail, cut, crush, throw, drop the battery cartridge, or hit against a hard object to the battery cartridge. Such conduct may result in a fire, excessive heat, or explosion.
9. Do not use a damaged battery.
10. The contained lithium-ion batteries are subject to the Dangerous Goods Legislation requirements.

For commercial transports e.g. by third parties, forwarding agents, special requirement on packaging and labeling must be observed.

For preparation of the item being shipped, consulting an expert for hazardous material is required. Please also observe possibly more detailed national regulations.

Tape or mask off open contacts and pack up the battery in such a manner that it cannot move around in the packaging.

11. When disposing the battery cartridge, remove it from the tool and dispose of it in a safe place. Follow your local regulations relating to disposal of battery.
12. Use the batteries only with the products specified by Makita. Installing the batteries to non-compliant products may result in a fire, excessive heat, explosion, or leak of electrolyte.
13. If the tool is not used for a long period of time, the battery must be removed from the tool.
14. During and after use, the battery cartridge may take on heat which can cause burns or low temperature burns. Pay attention to the handling of hot battery cartridges.
15. Do not touch the terminal of the tool immediately after use as it may get hot enough to cause burns.
16. Do not allow chips, dust, or soil stuck into the terminals, holes, and grooves of the battery cartridge. It may cause heating, catching fire, burst and malfunction of the tool or battery cartridge, resulting in burns or personal injury.
17. Unless the tool supports the use near high-voltage electrical power lines, do not use the battery cartridge near high-voltage electrical power lines. It may result in a malfunction or breakdown of the tool or battery cartridge.
18. Keep the battery away from children.

SAVE THESE INSTRUCTIONS.

⚠CAUTION: Only use genuine Makita batteries. Use of non-genuine Makita batteries, or batteries that have been altered, may result in the battery bursting causing fires, personal injury and damage. It will also void the Makita warranty for the Makita tool and charger.

Tips for maintaining maximum

battery life

1. Charge the battery cartridge before completely discharged. Always stop tool operation and charge the battery cartridge when you notice less tool power.
2. Never recharge a fully charged battery cartridge. Overcharging shortens the battery service life.
3. Charge the battery cartridge with room temperature at 10 °C - 40 °C (50 °F - 104 °F). Let a hot battery cartridge cool down before charging it.
4. When not using the battery cartridge, remove it from the tool or the charger.
5. Charge the battery cartridge if you do not use it for a long period (more than six months).

FUNCTIONAL DESCRIPTION

CAUTION: Always be sure that the tool is switched off and the battery cartridge is removed before adjusting or checking function on the tool.

Installing or removing battery cartridge

CAUTION: Always switch off the tool before installing or removing of the battery cartridge.

CAUTION: Hold the tool and the battery cartridge firmly when installing or removing battery cartridge. Failure to hold the tool and the battery cartridge firmly may cause them to slip off your hands and result in damage to the tool and battery cartridge and a personal injury.

To install the battery cartridge, align the tongue on the battery cartridge with the groove in the housing and slip it into place. Insert it all the way until it locks in place with a little click. If you can see the red indicator as shown in the figure, it is not locked completely.

To remove the battery cartridge, slide it from the tool while sliding the button on the front of the cartridge.
► Fig.1: 1. Red indicator 2. Button 3. Battery cartridge

CAUTION: Always install the battery cartridge fully until the red indicator cannot be seen. If not, it may accidentally fall out of the tool, causing injury to you or someone around you.

CAUTION: Do not install the battery cartridge forcibly. If the cartridge does not slide in easily, it is not being inserted correctly.

Indicating the remaining battery capacity

Only for battery cartridges with the indicator

Press the check button on the battery cartridge to

indicate the remaining battery capacity. The indicator lamps light up for a few seconds.

► Fig.2: 1. Indicator lamps 2. Check button

Indicator lamps			Remaining capacity
Lighted	Off	Blinking	
■ ■ ■ ■			75% to 100%
■ ■ ■ □			50% to 75%
■ ■ □ □			25% to 50%
■ □ □ □			0% to 25%
▣ □ □ □			Charge the battery.
■ ■ □ □			The battery may have malfunctioned.
□ □ ■ ■			

NOTE: Depending on the conditions of use and the ambient temperature, the indication may differ slightly from the actual capacity.

NOTE: The first (far left) indicator lamp will blink when the battery protection system works.

Tool / battery protection system

The tool is equipped with a tool/battery protection system. This system automatically cuts off power to the motor to extend tool and battery life. The tool will automatically stop during operation if the tool or battery is placed under one of the following conditions:

Overload protection

When the battery is operated in a manner that causes it to draw an abnormally high current, the tool automatically stops without any indication. In this situation, turn the tool off and stop the application that caused the tool to become overloaded. Then turn the tool on to restart.

Overheat protection

When the tool or battery is overheated, the tool stops automatically. In this case, let the tool and battery cool before turning the tool on again.

NOTE: When the tool is overheated, the lamp blinks.

Overdischarge protection

When the battery capacity is not enough, the tool stops automatically. In this case, remove the battery from the tool and charge the battery.

Protections against other causes

Protection system is also designed for other causes that could damage the tool and allows the tool to stop automatically. Take all the following steps to clear the causes, when the tool has been brought to a temporary

halt or stop in operation.

1. Make sure that all switch(es) is/are in the off position, and then turn the tool on again to restart.
2. Charge the battery(ies) or replace it/them with recharged battery(ies).
3. Let the tool and battery(ies) cool down.

If no improvement can be found by restoring protection system, then contact your local Makita Service Center.

Switch action

⚠ WARNING: Before installing the battery cartridge into the tool, always check to see that the switch trigger actuates properly and returns to the "OFF" position when released.

To start the tool, simply pull the switch trigger. Tool speed is increased by increasing pressure on the switch trigger. Release the switch trigger to stop.

► **Fig.3:** 1. Switch trigger

Lighting up the front lamp

⚠ CAUTION: Do not look in the light or see the source of light directly.

Pull the switch trigger to light up the lamp. The lamp keeps on lighting while the switch trigger is being pulled. The lamp goes out approximately 10 seconds after releasing the switch trigger.

► **Fig.4:** 1. Lamp

NOTE: Use a dry cloth to wipe the dirt off the lens of the lamp. Be careful not to scratch the lens of the lamp, or it may lower the illumination.

NOTE: When the tool is overheated, the lamp flashes. In this case, release the switch trigger and then cool down the tool/battery before operating again.

NOTE: The front lamp cannot be used while the dust collection system (optional accessory) is installed in the tool.

Reversing switch action

⚠ CAUTION: Always check the direction of rotation before operation.

⚠ CAUTION: Use the reversing switch only after the tool comes to a complete stop. Changing the direction of rotation before the tool stops may damage the tool.

⚠ CAUTION: When not operating the tool, always set the reversing switch lever to the neutral position.

This tool has a reversing switch to change the direction of rotation. Depress the reversing switch lever from the A side for clockwise rotation or from the B side for counterclockwise rotation.

When the reversing switch lever is in the neutral position, the switch trigger cannot be pulled.


► **Fig.5:** 1. Reversing switch lever

Selecting the action mode

NOTICE: Do not rotate the action mode changing knob when the tool is running. The tool will be damaged.

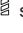
NOTICE: To avoid rapid wear on the mode change mechanism, be sure that the action mode changing knob is always positively located in one of the action mode positions.

Rotation with hammering

For drilling in concrete, masonry, etc., rotate the action mode changing knob to the  symbol. Use a carbide-tipped drill bit.

► **Fig.6:** 1. Action mode changing knob

Rotation only

For drilling in wood, metal or plastic materials, rotate the action mode changing knob to the  symbol. Use a twist drill bit or wood drill bit.

► **Fig.7:** 1. Action mode changing knob

Electronic function

The tool is equipped with the electronic functions for easy operation.

- Electric brake
This tool is equipped with an electric brake. If the tool consistently fails to quickly cease to function after the switch trigger is released, have the tool serviced at a Makita service center.
- Constant speed control
The speed control function provides the constant rotation speed regardless of load conditions.

ASSEMBLY

⚠ CAUTION: Always be sure that the tool is switched off and the battery cartridge is removed before carrying out any work on the tool.

Side grip (auxiliary handle)

⚠ CAUTION: Always use the side grip to ensure safe operation.

⚠ CAUTION: After installing or adjusting the side grip, make sure that the side grip is firmly secured with the protrusions on the tool are fully engaged by the grooves on the side grip.

To install the side grip, follow the steps below.

1. Loosen the thumb screw on the side grip.

► **Fig.8:** 1. Thumb screw

2. Install the side grip so that the grooves on the grip fit in the protrusions on the tool while pressing the thumb screw.

► **Fig.9:** 1. Thumb screw

3. Tighten the thumb screw to secure the grip. The grip can be fixed at desired angle.

To remove the side grip, loosen the thumb screw on the side grip. Remove the side grip from the tool.

Installing or removing drill bit

Grease

Clean the shank end of the bit and apply grease before installing the bit.

Coat the shank end of the bit beforehand with a small amount of grease (about 0.5 - 1 g). This chuck lubrication assures smooth action and longer service life.

► **Fig.10:** 1. Shank end 2. Grease

Insert the drill bit into the tool. Turn the drill bit and push it in until it engages.

After installing the drill bit, always make sure that the drill bit is securely held in place by trying to pull it out.

► **Fig.11:** 1. Drill bit

To remove the drill bit, push the chuck cover down all the way and pull the drill bit out.

► **Fig.12:** 1. Drill bit 2. Chuck cover

Depth gauge

The depth gauge is convenient for drilling holes of uniform depth.

Press and hold the lock button, and then insert the depth gauge into the hole. Make sure that the toothed side of the depth gauge faces the marking.

► **Fig.13:** 1. Depth gauge 2. Lock button 3. Marking 4. Toothed side

Adjust the depth gauge by moving it back and forth while pressing the lock button. After the adjustment, release the lock button to lock the depth gauge.

NOTE: Make sure that the depth gauge does not touch the main body of the tool when attaching it.

Dust cup

Optional accessory

Use the dust cup to prevent dust from falling over the tool and on yourself when performing overhead drilling operations. Attach the dust cup to the bit as shown in the figure. The size of bits which the dust cup can be attached to is as follows.

Model	Bit diameter
Dust cup 5	6 mm - 14.5 mm
Dust cup 9	12 mm - 16 mm

► **Fig.14:** 1. Dust cup

Dust cup set

Optional accessory

Installing the dust cup set

NOTICE: Do not use the dust cup set when drilling in metal or similar. It may damage the dust cup set due to the heat produced by small metal dust or similar. Do not install or remove the dust cup set with the drill bit installed in the tool. It may damage the dust cup set and cause dust leak.

Before installing the dust cup set, remove the drill bit from the tool if installed.

1. Loosen the thumb screw on the side grip.
2. Install the dust cup set so that the claws of the dust cup fit in the slits on the side grip.
► **Fig.15:** 1. Dust cup set 2. Side grip
3. Install the side grip so that the groove on the grip fit in the protrusion on the tool. Tighten the thumb screw to secure the side grip.
► **Fig.16:** 1. Side grip 2. Groove 3. Protrusion

NOTE: If you connect a vacuum cleaner to the dust cup set, remove the dust cap before connecting the vacuum cleaner.

► **Fig.17:** 1. Dust cap

Removing the drill bit

To remove the drill bit, pull the chuck cover down all the way and pull the drill bit out.

► **Fig.18:** 1. Drill bit 2. Chuck cover

Removing the dust cup set

To remove the dust cup set, follow the steps below.

1. Loosen the thumb screw on the side grip. Remove the side grip from the tool.
► **Fig.19:** 1. Thumb screw
2. Hold the root of dust cup and pull it out.

NOTE: If it is difficult to remove the dust cup set, remove the claws of the dust cup one by one by swinging and pulling the root of the dust cup.

► **Fig.20:** 1. Dust cup

NOTE: If the cap comes off from the dust cup set, place it back to the original position.

To place the cap back to the original position, follow the steps below.

1. Turn the bellows counterclockwise and remove it from the dust cup set attachment unit while the bellows is unlocked.
► **Fig.21:** 1. Bellows 2. Attachment unit
2. Set the cap back in place with its lettered side facing upwards.
► **Fig.22:** 1. Cap 2. Attachment unit
3. Be sure that the grooves around the cap well fit in the lips of the upper opening of the attachment unit.

Tool hanger

Optional accessory

⚠ CAUTION: Do not use damaged tool hanger and screw. Before use, always check for damages, cracks or deformations, and make sure that the screw is tightened.

⚠ CAUTION: Install or remove the tool hanger on a stable table or surface. Be sure to use the screw provided with the tool hanger only. After installing the tool hanger, make sure that the tool hanger is securely installed with the screw.

⚠ CAUTION: Do not remove the battery cartridge while hanging the tool. The tool may fall if the screw is not tightened.

The tool hanger is intended for connecting the lanyard (tether strap).

Before installing the tool hanger, remove the rubber cap from the screw hole in the mounting bracket. Insert the square nut under the bracket. Tighten the tool hanger with screw in place.

► **Fig.23:** 1. Rubber cap 2. Mounting bracket
3. Square nut 4. Tool hanger 5. Screw

Safety warnings about connecting lanyard (tether strap) to the tool hanger

⚠ Safety warnings specific for use at height
Read all safety warnings and instructions. Failure to follow the warnings and instructions may result in serious injury.

1. Always keep the tool tethered when working "at height". Maximum lanyard length is 2 m. The maximum permissible fall height for lanyard (tether strap) must not exceed 2 m.
2. Use only with lanyards appropriate for this tool type and rated for at least 6.0 kg.
3. Do not anchor the tool lanyard to anything on your body or on movable components. Anchor the tool lanyard to a rigid structure that can withstand the forces of a dropped tool.
4. Make sure the lanyard is properly secured at each end prior to use.
5. Inspect the tool and lanyard before each use for damage and proper function (including fabric and stitching). Do not use if damaged or not functioning properly.
6. Do not wrap lanyards around or allow them to come in contact with sharp or rough edges.
7. Fasten the other end of the lanyard outside the working area so that a falling tool is held securely.
8. Attach the lanyard so that the tool will move away from the operator if it falls. Dropped tools will swing on the lanyard, which could cause injury or loss of balance.
9. Do not use near moving parts or running machinery. Failure to do so may result in a crush or entanglement hazard.
10. Do not carry the tool by the attachment device

or the lanyard.

11. Only transfer the tool between your hands while you are properly balanced.
12. Do not attach lanyards to the tool in a way that keeps switches or trigger-lock (if supplied) from operating properly.
13. Avoid getting tangled in the lanyard.
14. Keep lanyard away from the drilling area of the tool.
15. Use a locking carabiner (multi-action and screw gate type). Do not use single action spring clip carabiners.
16. In the event the tool is dropped, it must be tagged and removed from service, and should be inspected by a Makita Factory or Authorized Service Center.
17. Do not hang the tool on your waist. Heated tool and its accessory may touch your skin and burn injury result.

► **Fig.24:** 1. Tool hanger 2. Lanyard (tether strap)

DUST COLLECTION SYSTEM

Optional accessory

The dust collection system is designed to collect dusts effectively when the concrete drilling operation.

► **Fig.25:** 1. Dust collection system

⚠ CAUTION: The dust collection system is intended for drilling in concrete only. Do not use the dust collection system for drilling in metal or wood.

⚠ CAUTION: When using the tool with the dust collection system, be sure to attach the filter to the dust collection system to prevent dust inhalation.

⚠ CAUTION: Before using the dust collection system, check that the filter is not damaged and the inner pipe is free of dust and foreign matter. Failure to do so may cause dust inhalation.

⚠ CAUTION: The dust collection system collects the generated dust at a considerable rate, but not all dust can be collected.

NOTICE: Do not use the dust collection system for core drilling or chiseling.

NOTICE: Do not use the dust collection system for metal or wood. The dust collection system is intended for concrete only.

NOTICE: Do not use the dust collection system for drilling in wet concrete or use this system in wet environment. Failure to do so may cause malfunction.

Installing or removing

NOTICE: Before installing the dust collection system, clean the joint parts of the tool and the dust collection system. Foreign matters on the joint parts may cause it difficult to install the dust collection system. If any dust remains on the air duct, the dust comes into the tool and causes jam in the airflow or breakage of the tool.

To install the dust collection system, insert the tool completely into the dust collection system until the tool is locked in place with a little click.

► Fig.26

To remove the dust collection system, pull up the tool while pressing the lock-off button.

► Fig.27: 1. Lock-off button

Adjusting nozzle position

CAUTION: Do not point the nozzle at yourself or others when releasing the nozzle by pushing the guide adjustment button.

Slide in and out the nozzle guide while pressing the guide adjustment button, and then release the button at an exact position where the tip of the drill bit sits just behind the front surface of the nozzle.

► Fig.28: 1. Nozzle guide 2. Guide adjustment button
3. Tip of drill bit 4. Front surface of nozzle

Adjusting drilling depths

Drilling depths can be adjusted by changing the lengths between the depth adjustment button and the support arm for nozzle guide. Press and hold the depth adjustment button and slide it to your desired position.

► Fig.29: 1. Depth adjustment button 2. Nozzle guide
3. Support arm for nozzle guide 4. Drilling depths

Beating dust on the filter

CAUTION: Do not turn the dial on the dust case while the dust case is removed from the dust collection system. Doing so may cause dust inhalation.

CAUTION: Always switch off the tool when turning the dial on the dust case. Turning the dial while the tool is running may result in the loss of control of the tool.

By beating the dust on the filter inside the dust case, you can keep the vacuum efficiency and also reduce the number of times to dispose of the dust.

Turn the dial on the dust case three times after collecting every 50,000 mm³ of dust or when you feel the vacuum performance declined.

NOTE: 50,000 mm³ of dust equivalents to drilling 10 holes of ø10 mm and 65 mm depth.

► Fig.30: 1. Dust case 2. Dial

Disposing of dust

CAUTION: Always be sure that the tool is switched off and the battery cartridge is removed before carrying out any work on the tool.

CAUTION: Be sure to wear dust mask when disposing of dust.

CAUTION: Be sure that the tool is completely stopped when disposing of dust.

CAUTION: Empty the dust case regularly before the dust case becomes full. Failure to do so may decrease the dust collection performance and cause dust inhalation.

CAUTION: The performance of dust collection decreases if the filter in the dust case become clogged. Replace the filter with new one after approximately 200 times of dust fulfillment as a guide. Failure to do so may cause dust inhalation.

1. Remove the dust case while pressing down the lever of the dust case.

► Fig.31: 1. Lever

2. Open the cover of the dust case.

► Fig.32: 1. Cover

3. Dispose of the dust, and then clean the filter.

► Fig.33

NOTICE: When cleaning the filter, tap the case of the filter gently by hand to remove dust. Do not tap the filter directly; touch the filter with brush or similar; or blow compressed air on the filter. Doing so may damage the filter.

Replacing filter of dust case

1. Remove the dust case while pressing down the lever of the dust case.

► Fig.34: 1. Lever

2. Open the filter cover of the dust case.

► Fig.35: 1. Filter cover

3. Remove the filter from the filter case.

► Fig.36: 1. Filter 2. Filter case

4. Attach a new filter to the filter case, and then attach the filter cover.

5. Close the cover of the dust case, and then attach the dust case to the dust collection system.

Replacing sealing cap

1. Insert a flat-blade screwdriver into one of the grooves placed on the sides of the nozzle head. Tilt the flat-blade screwdriver at an angle to squeeze and pop the cube hook of the sealing cap out. Then peel the rubber edge of the sealing cap away from the rim of the nozzle head opening.

► Fig.37: 1. Sealing cap 2. Cube hook 3. Groove
4. Nozzle head

2. Set one of cube hooks of a new sealing cap into the lower part of the groove in the nozzle head with a recessed surface of the sealing cap facing forward.

- **Fig.38:** 1. Cube hooks 2. Lower part of the groove
3. Sealing cap 4. Recessed surface

3. Place the other hook into the opposite side, while repositioning the sealing cap to fit finely to the nozzle head.

- **Fig.39:** 1. Sealing cap 2. Cube hook 3. Lower part of the groove 4. Nozzle head 5. Rims

4. Gently lay the rubber edge of the sealing cap down over the rim of the nozzle head opening from bottom to top.

- **Fig.40:** 1. Rubber edge 2. Sealing cap 3. Nozzle head

OPERATION

CAUTION: Always use the side grip (auxiliary handle) and firmly hold the tool by both side grip and switch handle during operations.

CAUTION: Always make sure that the workpiece is secured before operation.

CAUTION: Do not pull the tool out forcibly even the bit gets stuck. Loss of control may cause injury.


NOTICE: Before using the dust collection system with the tool, read the section about the dust collection system.

NOTE: If the battery cartridge is in low temperature, the tool's capability may not be fully obtained. In this case, warm up the battery cartridge by using the tool with no load for a while to fully obtain the tool's capability.

- Fig.41

Hammer drilling operation

CAUTION: There is tremendous and sudden twisting force exerted on the tool/drill bit at the time of hole break-through, when the hole becomes clogged with chips and particles, or when striking reinforcing rods embedded in the concrete. **Always use the side grip (auxiliary handle) and firmly hold the tool by both side grip and switch handle during operations.** Failure to do so may result in the loss of control of the tool and potentially severe injury.

Set the action mode changing knob to the  symbol. Position the drill bit at the desired location for the hole, then pull the switch trigger.

Apply feed force to the switch handle (main handle) for working accuracy and efficiency, and hold the side grip (auxiliary handle) to keep balance of the tool. Keep the tool in position and prevent it from slipping away from the hole.

Do not apply more pressure when the hole becomes clogged with chips or particles. Instead, run the tool at an idle, then remove the drill bit partially from the hole. By repeating this several times, the hole will be cleaned out and normal drilling may be resumed.

NOTE: Eccentricity in the drill bit rotation may occur while operating the tool with no load. The tool automatically centers itself during operation. This does not affect the drilling precision.

Drilling in wood or metal


CAUTION: Hold the tool firmly and exert care when the drill bit begins to break through the workpiece. There is a tremendous force exerted on the tool/drill bit at the time of hole break through.

CAUTION: A stuck drill bit can be removed simply by setting the reversing switch to reverse rotation in order to back out. However, the tool may back out abruptly if you do not hold it firmly.

CAUTION: Always secure workpieces in a vise or similar hold-down device.

NOTICE: Never use "rotation with hammering" when the drill chuck is installed on the tool. The drill chuck may be damaged. Also, the drill chuck will come off when reversing the tool.

NOTICE: Pressing excessively on the tool will not speed up the drilling. In fact, this excessive pressure will only serve to damage the tip of your drill bit, decrease the tool performance and shorten the service life of the tool.

Set the action mode changing knob to the  symbol. Attach the chuck adapter to a keyless drill chuck to which 1/2"-20 size screw can be installed, and then install them to the tool. When installing it, refer to the section "Installing or removing drill bit".

- **Fig.42:** 1. Drill chuck assembly 2. Chuck adapter

Blow-out bulb

Optional accessory

After drilling the hole, use the blow-out bulb to clean the dust out of the hole.

- **Fig.43**

Using dust cup set

Optional accessory

Fit the dust cup set against the ceiling when operating the tool.

- **Fig.44**

NOTICE: Do not use the dust cup set when drilling in metal or similar. It may damage the dust cup set due to the heat produced by small metal dust or similar.

NOTICE: Do not install or remove the dust cup set with the drill bit installed in the tool. It may damage the dust cup set and cause dust leak.

MAINTENANCE

⚠ CAUTION: Always be sure that the tool is switched off and the battery cartridge is removed before attempting to perform inspection or maintenance.

NOTICE: Never use gasoline, benzine, thinner, alcohol or the like. Discoloration, deformation or cracks may result.

To maintain product SAFETY and RELIABILITY, repairs, any other maintenance or adjustment should be performed by Makita Authorized or Factory Service Centers, always using Makita replacement parts.

OPTIONAL ACCESSORIES

⚠ CAUTION: These accessories or attachments are recommended for use with your Makita tool specified in this manual. The use of any other accessories or attachments might present a risk of injury to persons. Only use accessory or attachment for its stated purpose.

If you need any assistance for more details regarding these accessories, ask your local Makita Service Center.

- Carbide-tipped drill bits (SDS-Plus carbide-tipped bits)
- Chuck adapter
- Keyless drill chuck
- Bit grease
- Depth gauge
- Blow-out bulb
- Dust cup
- Dust cup set
- Dust collection system
- Tool hanger
- Makita genuine battery and charger

NOTE: Some items in the list may be included in the tool package as standard accessories. They may differ from country to country.

SPÉCIFICATIONS

Modèle :		DHR183
Capacités de perçage	Béton	18 mm
	Acier	13 mm
	Bois	24 mm
Vitesse à vide		0 - 1 100 min ⁻¹
Frappes par minute		0 - 5 000 min ⁻¹
Longueur totale (avec BL1860B)		288 mm
Tension nominale		18 V CC
Poids net		2,1 - 2,9 kg

Accessoire en option

Modèle :		DX16
Performance d'aspiration		0,24 m ³ /min
Course de travail		Jusqu'à 105 mm
Foret adéquat		Jusqu'à 165 mm
Poids net		0,77 kg

- Étant donné l'évolution constante de notre programme de recherche et de développement, les spécifications contenues dans ce manuel sont sujettes à modification sans préavis.
- Les spécifications peuvent varier suivant les pays.
- Le poids peut être différent selon les accessoires, notamment la batterie. Les associations la plus légère et la plus lourde, conformément à la procédure EPTA 01/2014, sont indiquées dans le tableau.

Batterie et chargeur applicables

Batterie	BL1815N / BL1820B / BL1830B / BL1840B / BL1850B / BL1860B
Chargeur	DC18RC / DC18RD / DC18RE / DC18SD / DC18SE / DC18SF / DC18SH / DC18WC

- Certains chargeurs et batteries répertoriés ci-dessus peuvent ne pas être disponibles selon la région où vous résidez.

⚠ AVERTISSEMENT : N'utilisez que les batteries et les chargeurs répertoriés ci-dessus. L'utilisation d'autres batteries et chargeurs peut provoquer des blessures et/ou un incendie.

Source d'alimentation connectée par cordon recommandée

Support d'alimentation portable	PDC01
---------------------------------	-------

- La ou les sources d'alimentation connectées par cordon répertoriées ci-dessus peuvent ne pas être disponibles selon la région où vous résidez.
- Avant d'utiliser la source d'alimentation connectée par cordon, lisez les instructions et les avertissements inscrits dessus.

Utilisation prévue

L'outil est conçu pour le perçage avec martelage et le perçage dans la brique, le béton et la pierre. Il convient également au perçage sans impact dans le bois, le métal, la céramique et le plastique.

Bruit

Niveau de bruit pondéré A typique, déterminé selon EN62841-2-6 :

Modèle DHR183

Niveau de pression sonore (L_{pA}) : 93 dB (A)
 Niveau de puissance sonore (L_{WA}) : 101 dB (A)
 Incertitude (K) : 3 dB (A)

Modèle DHR183 avec DX16

Niveau de pression sonore (L_{pA}) : 93 dB (A)
 Niveau de puissance sonore (L_{WA}) : 101 dB (A)
 Incertitude (K) : 3 dB (A)

NOTE : La ou les valeurs d'émission de bruit déclarées ont été mesurées conformément à la méthode de test standard et peuvent être utilisées pour comparer les outils entre eux.

NOTE : La ou les valeurs d'émission de bruit déclarées peuvent aussi être utilisées pour l'évaluation préliminaire de l'exposition.

⚠ AVERTISSEMENT : Portez un serre-tête antibruit.

⚠ AVERTISSEMENT : L'émission de bruit lors de l'usage réel de l'outil électrique peut être différente de la ou des valeurs déclarées, suivant la façon dont l'outil est utilisé, particulièrement selon le type de pièce usinée.

⚠ AVERTISSEMENT : Les mesures de sécurité à prendre pour protéger l'utilisateur doivent être basées sur une estimation de l'exposition dans des conditions réelles d'utilisation (en tenant compte de toutes les composantes du cycle d'utilisation, comme par exemple le moment de sa mise hors tension, lorsqu'il tourne à vide et le moment de son déclenchement).

Vibrations

Le tableau suivant indique la valeur totale de vibrations (somme de vecteur triaxial) déterminée selon la norme applicable.

Mode de travail	Émission de vibrations	Incertitude (K)	Norme applicable/ Condition de test
Perçage avec martelage dans le béton (a _{h, HD})	7,5 m/s ²	1,5 m/s ²	EN62841-2-6
Perçage avec martelage dans le béton avec le DX16 (a _{h, HD})	7,6 m/s ²	1,7 m/s ²	EN62841-2-6

NOTE : La ou les valeurs de vibration totales déclarées ont été mesurées conformément à la méthode de test standard et peuvent être utilisées pour comparer les outils entre eux.

NOTE : La ou les valeurs de vibration totales déclarées peuvent aussi être utilisées pour l'évaluation préliminaire de l'exposition.

⚠ AVERTISSEMENT : L'émission de vibrations lors de l'usage réel de l'outil électrique peut être différente de la ou des valeurs déclarées, suivant la façon dont l'outil est utilisé, particulièrement selon le type de pièce usinée.

⚠ AVERTISSEMENT : Les mesures de sécurité à prendre pour protéger l'utilisateur doivent être basées sur une estimation de l'exposition dans des conditions réelles d'utilisation (en tenant compte de toutes les composantes du cycle d'utilisation, comme par exemple le moment de sa mise hors tension, lorsqu'il tourne à vide et le moment de son déclenchement).

Déclarations de conformité

Pour les pays européens uniquement

Les déclarations de conformité sont fournies en Annexe A à ce mode d'emploi.

CONSIGNES DE SÉCURITÉ

Consignes de sécurité générales pour outils électriques

⚠ AVERTISSEMENT Veuillez lire toutes les consignes de sécurité, instructions, illustrations et spécifications qui accompagnent cet outil électrique. Le non-respect de toutes les instructions indiquées ci-dessous peut entraîner une électrocution, un incendie et/ou de graves blessures.

Conservez toutes les mises en garde et instructions pour référence ultérieure.

Le terme « outil électrique » dans les avertissements fait référence à l'outil électrique alimenté par le secteur (avec cordon d'alimentation) ou à l'outil électrique fonctionnant sur batterie (sans cordon d'alimentation).

CONSIGNES DE SÉCURITÉ POUR PERFORATEUR SANS FIL

Consignes de sécurité pour toutes les tâches

1. **Portez des protecteurs d'oreilles.** L'exposition au bruit peut entraîner la surdité.
2. **Utilisez la ou les poignées auxiliaires, si l'outil en possède.** Toute perte de maîtrise de l'outil comporte un risque de blessure.
3. **Tenez l'outil électrique par des surfaces de prise isolées lorsque vous effectuez une tâche au cours de laquelle l'accessoire de coupe peut entrer en contact avec des fils cachés.** Le contact de l'accessoire de coupe avec un fil sous tension peut transmettre du courant dans les pièces métalliques exposées de l'outil électrique et électrocuter l'opérateur.

Consignes de sécurité en cas d'utilisation de forêts longs avec un marteau perforateur

1. **Commencez toujours le perçage à basse vitesse avec la pointe du foret en contact avec la pièce.** À une vitesse plus élevée, le foret risque de se tordre s'il lui est permis de tourner librement sans toucher la pièce, ce qui présente un risque de blessure.
2. **Appliquez une pression uniquement en ligne directe avec le foret et n'exercez pas une pression excessive.** Les forêts peuvent se tordre et se casser ou provoquer la perte de contrôle, ce qui présente un risque de blessure.

Consignes de sécurité supplémentaires

1. **Portez un casque de sécurité (casque de**

chantier), des lunettes de sécurité et/ou un écran facial. Les lunettes de vue ou les lunettes de soleil NE sont PAS des lunettes de sécurité. Il est également vivement recommandé de porter un masque anti-poussière et des gants matelassés.

2. Avant utilisation, assurez-vous que le foret est bien fixé en place.
3. Dans des conditions normales de fonctionnement, l'outil est conçu pour émettre des vibrations. Les vis peuvent se desserrer facilement et provoquer une panne ou un accident. Avant utilisation, vérifiez soigneusement que les vis sont bien serrées.
4. Par temps froid ou si l'outil n'a pas été utilisé pendant longtemps, laissez-le chauffer un instant en le faisant fonctionner à vide. Cela ramollira le lubrifiant. Si vous ne chauffez pas adéquatement l'outil, le martelage s'exécutera difficilement.
5. Assurez-vous toujours de travailler en position stable. Veillez à ce que personne ne se trouve en dessous de vous quand vous utilisez l'outil en hauteur.
6. Tenez l'outil fermement à deux mains.
7. Éloignez les mains des pièces en mouvement.
8. Ne vous éloignez pas en laissant l'outil tourner. Ne le faites fonctionner que lorsque vous l'avez bien en main.
9. Ne pointez l'outil vers personne dans la zone d'utilisation. Le foret peut être projeté et blesser gravement quelqu'un.
10. Ne touchez pas le foret, les pièces proches du foret ou la pièce immédiatement après l'exécution du travail ; ils peuvent être extrêmement chauds et vous brûler la peau.
11. Certains matériaux contiennent des produits chimiques qui peuvent être toxiques. Prenez garde de ne pas avaler la poussière et évitez tout contact avec la peau. Suivez les données de sécurité du fournisseur du matériau.
12. Assurez-vous toujours que l'outil est hors tension et que la batterie et le foret sont retirés avant de passer l'outil à une autre personne.
13. Avant utilisation, assurez-vous qu'aucun objet tel que des conduites électriques, de tuyaux d'eau ou de tuyaux de gaz n'est pas enterré sous la zone de travail. Sinon, le foret/burin risque d'entrer en contact avec eux, ce qui peut entraîner une électrocution, une dispersion électrique ou une fuite de gaz.
14. Ne faites pas tourner l'outil à vide inutilement.

CONSERVEZ CES INSTRUCTIONS.

AVERTISSEMENT : NE vous laissez PAS tromper (au fil d'une utilisation répétée) par un sentiment d'aisance et de familiarité avec le produit, en négligeant le respect rigoureux des consignes de sécurité qui accompagnent le produit en question. La MAUVAISE UTILISATION de l'outil ou l'ignorance des consignes de sécurité indiquées dans ce mode d'emploi peut entraîner de graves blessures.

Consignes de sécurité importantes pour la batterie

1. Avant d'utiliser la batterie, lisez toutes les instructions et précautions relatives (1) au chargeur de batterie, (2) à la batterie, et (3) au produit utilisant la batterie.
2. Ne désassemblez pas et ne modifiez pas la batterie. Cela pourrait entraîner un incendie, une chaleur excessive ou une explosion.
3. Cessez immédiatement l'utilisation si le temps de fonctionnement devient excessivement court. Il y a risque de surchauffe, de brûlures, voire d'explosion.
4. Si l'électrolyte pénètre dans vos yeux, rincez-les à l'eau claire et consultez immédiatement un médecin. Il y a risque de perte de la vue.
5. Ne court-circuitez pas la batterie :
 - (1) Ne touchez les bornes avec aucun matériau conducteur.
 - (2) Évitez de ranger la batterie dans un conteneur avec d'autres objets métalliques, par exemple des clous, des pièces de monnaie, etc.
 - (3) N'exposez pas la batterie à l'eau ou à la pluie.Un court-circuit de la batterie peut provoquer une intensité de courant élevée, une surchauffe, parfois des brûlures et même une panne.
6. Ne rangez ni n'utilisez l'outil et la batterie dans un endroit où la température risque d'atteindre ou de dépasser 50 °C.
7. Ne jetez pas la batterie au feu même si elle est sérieusement endommagée ou complètement épuisée. La batterie peut exploser au contact du feu.
8. Abstenez-vous de clouer, couper, écraser, jeter, laisser tomber la batterie, ou de la heurter contre un objet dur. Cela pourrait entraîner un incendie, une chaleur excessive ou une explosion.
9. N'utilisez pas la batterie si elle est endommagée.
10. Les batteries au lithium-ion contenues sont soumises aux exigences de la législation sur les marchandises dangereuses. Lors du transport commercial par des tiers parties ou des transitaires par exemple, des exigences spécifiques en matière d'étiquetage et d'emballage doivent être respectées. Pour la préparation de l'article expédié, il est nécessaire de consulter un expert en matériau

dangereux. Veuillez également respecter les réglementations nationales susceptibles d'être plus détaillées.

Recouvrez les contacts exposés avec du ruban adhésif ou du ruban de masquage et emballez la batterie de telle sorte qu'elle ne puisse pas bouger dans l'emballage.

11. **Lors de la mise au rebut de la batterie, retirez-la de l'outil et jetez-la en lieu sûr. Suivez les réglementations locales en matière de mise au rebut des batteries.**
12. **Utilisez les batteries uniquement avec les produits spécifiés par Makita.** L'insertion de batteries dans des produits non conformes peut provoquer un incendie, une chaleur excessive, une explosion ou une fuite de l'électrolyte.
13. **Lorsque vous n'utilisez pas l'outil pendant une période prolongée, la batterie doit être retirée de l'outil.**
14. **Pendant et après l'utilisation, la batterie peut chauffer, ce qui peut entraîner des brûlures, y compris en cas de température relativement basse. Manipulez les batteries chaudes avec précaution.**
15. **Ne touchez pas la borne de l'outil immédiatement après utilisation car elle peut être assez chaude pour provoquer des brûlures.**
16. **Évitez que des copeaux, de la poussière ou du sol adhèrent aux bornes, aux trous et aux rainures de la batterie.** Cela peut provoquer un échauffement, un incendie, une explosion ou un dysfonctionnement de l'outil ou de la batterie, ce qui peut entraîner des brûlures ou des blessures.
17. **À moins que l'outil prenne en charge un tel usage, n'utilisez pas la batterie à proximité de lignes électriques haute tension.** Cela pourrait entraîner un dysfonctionnement ou casser l'outil ou la batterie.
18. **Conservez la batterie hors de portée des enfants.**

CONSERVEZ CES INSTRUCTIONS.

⚠ ATTENTION : N'utilisez que des batteries Makita d'origine. L'utilisation de batteries de marque autre que Makita ou de batteries modifiées peut provoquer l'explosion des batteries, ce qui présente un risque d'incendie, de dommages matériels et corporels. Cela annulera également la garantie Makita pour l'outil et le chargeur Makita.

Conseils pour assurer la durée de vie optimale de la batterie

1. **Chargez la batterie avant qu'elle ne soit complètement déchargée. Arrêtez toujours l'outil et rechargez la batterie quand vous remarquez que la puissance de l'outil diminue.**
2. **Ne rechargez jamais une batterie complètement chargée. La surcharge réduit la durée de service de la batterie.**
3. **Chargez la batterie à une température ambiante comprise entre 10 °C et 40 °C. Avant de charger une batterie chaude, laissez-la**

refroidir.

4. **Lorsque vous n'utilisez pas la batterie, retirez-la de l'outil ou du chargeur.**
5. **Rechargez la batterie si elle est restée inutilisée pendant une période prolongée (plus de six mois).**

DESCRIPTION DU FONCTIONNEMENT

⚠ ATTENTION : Assurez-vous toujours que l'outil est hors tension et que sa batterie est retirée avant de l'ajuster ou de vérifier son fonctionnement.

Insertion ou retrait de la batterie

⚠ ATTENTION : Éteignez toujours l'outil avant de mettre en place ou de retirer la batterie.

⚠ ATTENTION : Tenez fermement l'outil et la batterie lors de la mise en place ou du retrait de la batterie. Si vous ne tenez pas fermement l'outil et la batterie, ils peuvent vous glisser des mains, et s'abîmer ou vous blesser.

Pour mettre la batterie en place, alignez la languette de la batterie avec la rainure du compartiment puis insérez la batterie. Insérez-la entièrement jusqu'à entendre un léger déclic indiquant qu'elle est bien en place. Si vous pouvez voir l'indicateur rouge comme illustré sur la figure, c'est qu'elle n'est pas bien verrouillée.

Pour retirer la batterie, faites-la glisser hors de l'outil tout en faisant glisser le bouton à l'avant de la batterie.

► Fig.1: 1. Indicateur rouge 2. Bouton 3. Batterie

⚠ ATTENTION : Insérez toujours complètement la batterie jusqu'à ce que l'indicateur rouge ne soit plus visible. Sinon, elle pourrait tomber accidentellement de l'outil, au risque de vous blesser ou de blesser quelqu'un se trouvant près de vous.

⚠ ATTENTION : N'insérez pas la batterie de force. Si elle ne glisse pas facilement, c'est que vous ne l'insérez pas correctement.

Indication de la charge restante de la batterie

Uniquement pour les batteries avec voyant lumineux

Appuyez sur le bouton de vérification sur la batterie pour indiquer la charge restante de la batterie. Les témoins s'allument pendant quelques secondes.

► Fig.2: 1. Témoins 2. Bouton de vérification

Témoins			Charge restante
Allumé	Éteint	Clignotant	
			75 % à 100 %
			50 % à 75 %
			25 % à 50 %
			0 % à 25 %
			Chargez la batterie.
			Anomalie possible de la batterie.

NOTE : Selon les conditions d'utilisation et la température ambiante, l'indication peut être légèrement différente de la capacité réelle.

NOTE : Le premier témoin (complètement à gauche) clignotera pendant le fonctionnement du système de protection de la batterie.

Système de protection de l'outil/la batterie

L'outil est équipé d'un système de protection de l'outil/la batterie. Ce système coupe automatiquement l'alimentation vers le moteur pour prolonger la durée de vie de l'outil et de la batterie. Si l'outil ou la batterie se trouve dans l'une des situations suivantes, l'outil cessera automatiquement de fonctionner.

Protection contre la surcharge

Lorsque la batterie est utilisée d'une manière provoquant un appel de courant anormalement élevé, l'outil s'arrête automatiquement sans indication. Dans ce cas, éteignez l'outil et arrêtez la tâche ayant provoqué la surcharge de l'outil. Puis rallumez l'outil pour reprendre la tâche.

Protection contre la surchauffe

En cas de surchauffe de l'outil ou de la batterie, l'outil s'arrête automatiquement. Dans ce cas, laissez l'outil et la batterie refroidir avant de rallumer l'outil.

NOTE : Si l'outil surchauffe, la lampe clignote.

Protection contre la décharge totale de la batterie

Lorsque la charge de la batterie est insuffisante, l'outil s'arrête automatiquement. Dans ce cas, retirez la batterie de l'outil et chargez-la.

Protections contre d'autres causes

Le système de protection est également conçu pour d'autres causes qui pourraient endommager l'outil

et lui permet de s'arrêter automatiquement. Suivez toutes les étapes ci-dessous pour éliminer les causes, lorsque l'outil a été arrêté provisoirement ou a cessé de fonctionner.

1. Assurez-vous que tous les interrupteurs sont sur la position d'arrêt, puis remettez l'outil sous tension pour le redémarrer.
2. Chargez la ou les batteries ou remplacez-les par des batteries rechargées.
3. Laissez l'outil et la ou les batteries refroidir.

En l'absence d'amélioration après avoir rétabli le système de protection, contactez votre centre de service Makita local.

Fonctionnement de la gâchette

AVERTISSEMENT : Avant d'insérer la batterie dans l'outil, vérifiez toujours que la gâchette fonctionne bien et revient en position d'arrêt lorsque vous la relâchez.

Il suffit d'enclencher la gâchette pour démarrer l'outil. La vitesse de l'outil augmente à mesure que l'on accroît la pression exercée sur la gâchette. Pour l'arrêter, relâchez la gâchette.

► Fig.3: 1. Gâchette

Allumage de la lampe avant

ATTENTION : Évitez de regarder directement le faisceau lumineux ou sa source.

Enclenchez la gâchette pour allumer la lampe. La lampe reste allumée tant que la gâchette est enclenchée. La lampe s'éteint environ 10 secondes après avoir relâché la gâchette.

► Fig.4: 1. Lampe

NOTE : Retirez la saleté sur la lentille de la lampe avec un chiffon sec. Prenez soin de ne pas érafler la lentille de la lampe sous peine de diminuer son éclairage.

NOTE : Si l'outil surchauffe, la lampe clignote. Dans ce cas, relâchez la gâchette, puis laissez refroidir l'outil ou la batterie avant de réutiliser l'outil.

NOTE : La lampe avant ne peut pas être utilisée lorsque le système de collecte des poussières (accessoire en option) est installé dans l'outil.

Fonctionnement de l'inverseur

ATTENTION : Vérifiez toujours le sens de rotation avant d'utiliser l'outil.

ATTENTION : N'utilisez l'inverseur qu'une fois que l'outil est complètement arrêté. Si vous changez le sens de rotation avant l'arrêt de l'outil, vous risquez de l'endommager.

ATTENTION : Lorsque vous n'utilisez pas l'outil, placez toujours le levier de l'inverseur en position neutre.

L'outil possède un inverseur qui permet de changer le sens de rotation. Enfoncez le levier de l'inverseur

du côté A pour une rotation dans le sens des aiguilles d'une montre, ou du côté B pour une rotation dans le sens inverse des aiguilles d'une montre.

La gâchette ne peut pas être enclenchée lorsque le levier de l'inverseur se trouve en position neutre.


► **Fig.5:** 1. Levier de l'inverseur

Sélection du mode de fonctionnement

REMARQUE : Ne tournez pas le bouton de changement de mode pendant que l'outil fonctionne. L'outil serait endommagé.


REMARQUE : Pour éviter que le mécanisme de changement de mode ne s'use rapidement, vous devez toujours vous assurer que le bouton de changement de mode est placé avec exactitude sur l'une des positions du mode de fonctionnement.

Rotation avec martelage

Pour percer dans le béton, de la maçonnerie, etc., tournez le bouton de changement de mode jusqu'au symbole . Utilisez un foret à pointe de carbure.

► **Fig.6:** 1. Bouton de changement de mode

Rotation uniquement

Pour percer dans le bois, le métal ou des matériaux en plastique, tournez le bouton de changement de mode jusqu'au symbole . Utilisez un foret hélicoïdal ou à bois.

► **Fig.7:** 1. Bouton de changement de mode

Fonction électronique

L'outil est doté de fonctions électroniques pour en faciliter le fonctionnement.

- Frein électrique
Cet outil est équipé d'un frein électrique. Si systématiquement, le relâchement de la gâchette n'entraîne pas un arrêt rapide de l'outil, adressez-vous à un centre de service Makita pour faire réparer l'outil.
- Contrôle de vitesse constante
La fonction de contrôle de la vitesse offre une vitesse de rotation constante quelles que soient les conditions de charge.

ASSEMBLAGE

⚠ ATTENTION : Assurez-vous toujours que l'outil est hors tension et que sa batterie est retirée avant d'effectuer toute tâche dessus.

Poignée latérale (poignée auxiliaire)

⚠ ATTENTION : Utilisez toujours la poignée latérale pour garantir votre sécurité.

⚠ ATTENTION : Après avoir mis en place ou réglé la poignée latérale, assurez-vous qu'elle est solidement fixée avec les parties saillantes de l'outil complètement engagées dans les rainures de la poignée latérale.

Suivez les étapes ci-dessous pour installer la poignée latérale.

1. Desserrez la vis à oreilles sur la poignée latérale.
► **Fig.8:** 1. Vis à oreilles

2. Mettez en place la poignée latérale de sorte que les rainures de la poignée pénètrent dans les parties saillantes de l'outil tout en appuyant sur la vis à oreilles.
► **Fig.9:** 1. Vis à oreilles

3. Serrez la vis à oreilles pour maintenir en place la poignée. La poignée peut être fixée à l'angle souhaité.

Pour retirer la poignée latérale, desserrez la vis à oreilles sur la poignée latérale. Retirez la poignée latérale de l'outil.

Pose ou retrait du foret

Graisse

Nettoyez l'extrémité du foret et appliquez de la graisse avant de poser le foret.

Enduisez au préalable l'extrémité du foret avec une petite quantité de graisse (environ 0,5 à 1 g). Cette lubrification du mandrin garantit un mouvement fluide et prolonge la durée de vie utile.

► **Fig.10:** 1. Extrémité de la tige 2. Graisse

Insérez le foret dans l'outil. Tournez le foret et enfoncez-le jusqu'à ce qu'il s'engage.

Après avoir posé le foret, assurez-vous toujours qu'il est solidement maintenu en place en essayant de le sortir.

► **Fig.11:** 1. Foret

Pour retirer le foret, poussez le carter du mandrin à fond vers le bas puis dégagez le foret.

► **Fig.12:** 1. Foret 2. Carter du mandrin

Jauge de profondeur

La jauge de profondeur est utile pour percer des trous de même profondeur.

Maintenez enfoncé le bouton de verrouillage, puis insérez la jauge de profondeur dans l'orifice. Assurez-vous que le côté denté de la jauge de profondeur est tourné vers le repère.

► **Fig.13:** 1. Jauge de profondeur 2. Bouton de verrouillage 3. Repère 4. Côté denté

Réglez la jauge de profondeur en la déplaçant d'avant en arrière tout en enfonceant le bouton de verrouillage. Après le réglage, relâchez le bouton de verrouillage pour bloquer la jauge de profondeur.

NOTE : Assurez-vous que la jauge de profondeur n'entre pas en contact avec le corps principal de l'outil lorsque vous la fixez.

Collecteur de poussières

Accessoire en option

Utilisez le collecteur de poussières pour éviter que la poussière ne tombe sur l'outil et sur vous-même lorsque vous percez au-dessus de votre tête. Fixez le collecteur de poussières au foret comme illustré sur la figure. Le collecteur de poussières peut être fixé aux forets des tailles suivantes.

Modèle	Diamètre du foret
Collecteur de poussières 5	6 mm à 14,5 mm
Collecteur de poussières 9	12 mm à 16 mm

► **Fig.14:** 1. Collecteur de poussières

Ensemble du collecteur de poussières

Accessoire en option

Installation de l'ensemble du collecteur de poussières

REMARQUE : N'utilisez pas l'ensemble du collecteur de poussières lorsque vous percez dans le métal ou un matériau similaire. Vous risqueriez d'endommager l'ensemble du collecteur de poussières en raison de la chaleur produite par les petites poussières métalliques ou similaires. N'installez pas, ni ne retirez l'ensemble du collecteur de poussières avec le foret inséré sur l'outil. Vous risqueriez d'endommager l'ensemble du collecteur de poussières et de provoquer une fuite de la poussière.

Avant d'installer l'ensemble du collecteur de poussières, retirez le foret de l'outil le cas échéant.

1. Desserrez la vis à oreilles sur la poignée latérale.
2. Installez l'ensemble du collecteur de poussières de sorte que les griffes du collecteur de poussières pénètrent dans les fentes de la poignée latérale.

► **Fig.15:** 1. Ensemble du collecteur de poussières
2. Poignée latérale

3. Installez la poignée latérale de sorte que la rainure de la poignée pénètre dans la partie saillante de l'outil. Serrez la vis à oreilles pour maintenir en place la poignée latérale.

► **Fig.16:** 1. Poignée latérale 2. Rainure 3. Partie saillante

NOTE : Si vous raccordez un aspirateur à l'ensemble du collecteur de poussières, retirez le bouchon à poussière avant de raccorder l'aspirateur.

► **Fig.17:** 1. Bouchon à poussière

Retrait du foret

Pour retirer le foret, tirez le carter du mandrin à fond vers le bas puis dégagez le foret.

► **Fig.18:** 1. Foret 2. Carter du mandrin

Retrait de l'ensemble du collecteur de poussières

Procédez comme il est indiqué ci-dessous pour retirer l'ensemble du collecteur de poussières.

1. Desserrez la vis à oreilles sur la poignée latérale. Retirez la poignée latérale de l'outil.

► **Fig.19:** 1. Vis à oreilles

2. Tenez la base du collecteur de poussières et sortez-le.

NOTE : S'il s'avère difficile de retirer l'ensemble du collecteur de poussières, retirez les griffes du collecteur de poussières une par une en balançant et tirant sa base.

► **Fig.20:** 1. Collecteur de poussières

NOTE : Si le capuchon se détache de l'ensemble du collecteur de poussières, remettez-le en place à sa position d'origine.

Pour remettre le capuchon en place à sa position d'origine, suivez les étapes ci-dessous.

1. Tournez le soufflet dans le sens inverse des aiguilles d'une montre et retirez-le de l'unité de fixation de l'ensemble du collecteur de poussières pendant que le soufflet est déverrouillé.

► **Fig.21:** 1. Soufflet 2. Unité de fixation

2. Remettez le capuchon en place, avec son côté portant une inscription tourné vers le haut.

► **Fig.22:** 1. Capuchon 2. Unité de fixation

3. Assurez-vous que les rainures autour du capuchon s'insèrent bien dans les lèvres de l'ouverture supérieure de l'unité de fixation.

Porte-outil

Accessoire en option

ATTENTION : N'utilisez pas le porte-outil et la vis s'ils sont endommagés. Avant utilisation, vérifiez toujours l'absence de dommages, fissures ou déformations, et assurez-vous que la vis est bien serrée.

ATTENTION : Installez ou retirez le porte-outil sur une table ou une surface stable. Veillez à n'utiliser que la vis accompagnant le porte-outil. Après avoir installé le porte-outil, assurez-vous qu'il est solidement installé avec la vis.

ATTENTION : Ne retirez pas la batterie alors que l'outil est suspendu. L'outil pourrait tomber si la vis n'est pas serrée.

Le porte-outil est conçu pour raccorder la longe (sangle de retenue).

Avant d'installer le porte-outil, retirez le capuchon en caoutchouc du trou de vis du support de fixation. Insérez l'écrou à quatre pans sous le support. Serrez en place le porte-outil avec une vis.

► **Fig.23:** 1. Capuchon en caoutchouc 2. Support de fixation 3. Écrou à quatre pans 4. Porte-outil
5. Vis

Consignes de sécurité à propos du raccordement de la longe (sangle de retenue) au porte-outil

⚠ Consignes de sécurité spécifiques à l'utilisation en hauteur

Lisez toutes les consignes de sécurité et instructions. Le non-respect des avertissements et instructions peut entraîner de graves blessures.

1. **L'outil doit toujours être attaché lorsque vous travaillez en hauteur.** La longueur maximum de la longe est de 2 m. La hauteur de chute maximale autorisée pour la longe (sangle de retenue) ne doit pas dépasser 2 m.
2. Utilisez uniquement des longes convenant à ce type d'outil et conçues pour supporter au moins 6,0 kg.
3. N'accrochez pas la longe de l'outil à quoi que ce soit sur votre corps ou à des éléments mobiles. Accrochez la longe de l'outil à une structure rigide capable de supporter la force exercée par la chute d'un outil.
4. Assurez-vous que la longe est correctement fixée à chaque extrémité avant utilisation.
5. Vérifiez que l'outil et la longe ne sont pas endommagés et fonctionnent correctement avant chaque utilisation (y compris le tissu et les coutures). Ne les utilisez pas s'ils sont endommagés ou fonctionnent mal.
6. N'enroulez pas les longes autour de bords rugueux ou coupants, ni ne les laissez entrer en contact avec des bords rugueux ou coupants.
7. Serrez l'autre extrémité de la longe en dehors de l'espace de travail de sorte qu'un outil tombant soit retenu en sécurité.
8. Fixez la longe de sorte que l'outil s'éloigne de l'utilisateur en cas de chute. Les outils tombés se balanceront sur la longe, ce qui pourrait provoquer des blessures ou une perte d'équilibre.
9. Ne les utilisez pas à proximité de pièces en mouvement ou de machines en fonctionnement. Le non-respect de cette précaution présente un risque d'écrasement ou d'enchevêtrement.
10. Ne transportez pas l'outil en le tenant par le dispositif de fixation ou la longe.
11. Faites passer l'outil d'une main à l'autre uniquement si vous avez un bon équilibre.
12. Ne fixez pas les longes à l'outil d'une manière qui empêche les commutateurs ou le verrouillage de la gâchette (le cas échéant) de fonctionner correctement.
13. Évitez de vous empêtrer dans la longe.
14. Éloignez la longe de la zone de perçage de l'outil.
15. Utilisez un mousqueton à verrouillage (bague vissée et à ouverture multi-action(s)). N'utilisez pas de mousquetons à ressort à ouverture action unique.
16. Si l'outil tombe, il doit être marqué et mis hors service, puis être confié à une usine Makita

ou à un centre de service après-vente Makita agréé pour inspection.

17. **N'accrochez pas l'outil à la taille.** L'outil qui a chauffé et son accessoire pourraient toucher votre peau et vous brûler.

► Fig.24: 1. Porte-outil 2. Longe (sangle de retenue)

SYSTÈME DE COLLECTE DES POUSSIÈRES

Accessoire en option

Le système de collecte des poussières est conçu pour recueillir efficacement les poussières lors du perçage du béton.

► Fig.25: 1. Système de collecte des poussières

⚠ ATTENTION : Le système de collecte des poussières est exclusivement conçu pour le perçage du béton. N'utilisez pas le système de collecte des poussières pour le perçage du métal ou du bois.

⚠ ATTENTION : Lorsque vous utilisez l'outil avec le système de collecte des poussières, veillez à y fixer le filtre pour éviter d'inhaler des poussières.

⚠ ATTENTION : Avant d'utiliser le système de collecte des poussières, vérifiez que le filtre n'est pas endommagé et que le tuyau interne ne présente pas de poussières ou de corps étrangers. Le non-respect de cette règle peut entraîner une inhalation de poussières.

⚠ ATTENTION : Bien que le système de collecte des poussières collecte en grande partie les poussières générées, toute la poussière ne peut pas être collectée.

REMARQUE : N'utilisez pas le système de collecte des poussières pour le perçage avec un trépan ou le burinage.

REMARQUE : N'utilisez pas le système de collecte des poussières pour le métal ou le bois. Le système de collecte des poussières est conçu pour le béton uniquement.

REMARQUE : N'utilisez pas le système de collecte des poussières pour le perçage dans du béton humide ou dans un environnement humide. Le non-respect de cette règle peut entraîner un dysfonctionnement.

Pose ou retrait

REMARQUE : Avant d'installer le système de collecte des poussières, nettoyez les pièces de jonction de l'outil et du système de collecte des poussières. Les corps étrangers sur les pièces de jonction peuvent compliquer l'installation du système de collecte des poussières. Si de la poussière reste sur le conduit d'aération, la poussière entre dans l'outil et bouche la circulation d'air ou casse l'outil.

Pour installer le système de collecte des poussières, insérez à fond l'outil dans le système de collecte des poussières, jusqu'à ce que l'outil s'enclenche en émettant un petit clic.

► Fig.26

Pour retirer le système de collecte des poussières, tirez sur l'outil tout en appuyant sur le bouton de déverrouillage.

► Fig.27: 1. Bouton de déverrouillage

Réglage de la position de la buse du système de collecte des poussières

ATTENTION : Ne dirigez pas la buse vers vous-même ou d'autres personnes lorsque vous la dégagez en poussant le bouton de réglage du guide.

Faites glisser le guide du raccord d'avant en arrière tout en appuyant sur le bouton de réglage du guide, puis relâchez le bouton à une position exacte où la pointe du foret se trouve juste derrière la surface avant de la buse.

► Fig.28: 1. Guide 2. Bouton de réglage du guide 3. Pointe du foret 4. Surface avant de la buse

Réglage des profondeurs de perçage

La profondeur de perçage peut être réglée en modifiant les longueurs entre le bouton de réglage de la profondeur et le bras de soutien du guide du raccord. Appuyez longuement sur le bouton de réglage de la profondeur et puis faites-le glisser jusqu'à la position souhaitée.

► Fig.29: 1. Bouton de réglage de la profondeur 2. Guide du raccord 3. Bras de soutien pour guide du raccord 4. Profondeurs de perçage

Battre la poussière sur le filtre

ATTENTION : Ne tournez pas le cadran sur le logement à poussières alors que le logement à poussières est détaché du système de collecte des poussières. Vous risqueriez d'inhaler la poussière.

ATTENTION : Éteignez toujours l'outil lorsque vous tournez le cadran sur le logement à poussières. Si vous tournez le cadran alors que l'outil fonctionne, vous risquez de perdre la maîtrise de l'outil.

En battant la poussière sur le filtre à l'intérieur du logement à poussières, vous pouvez conserver l'efficacité de l'aspiration et également réduire le nombre de retraits de la poussière.

Tournez le cadran sur le logement à poussières trois fois après avoir recueilli 50 000 mm³ de poussière ou lorsque vous trouvez que la performance d'aspiration a diminué.

NOTE : 50 000 mm³ de poussière est équivalent au perçage de 10 orifices de 10 mm de diamètre et 65 mm de profondeur.

► Fig.30: 1. Logement à poussières 2. Cadran

Élimination des poussières

ATTENTION : Assurez-vous toujours que l'outil est hors tension et que sa batterie est retirée avant d'effectuer toute tâche dessus.

ATTENTION : Veillez à porter un masque anti-poussière lorsque vous éliminez les poussières.

ATTENTION : Assurez-vous que l'outil est complètement arrêté avant d'éliminer les poussières.

ATTENTION : Videz régulièrement le logement à poussières avant qu'il soit plein. Le non-respect de cette règle peut réduire les performances de collecte des poussières et entraîner une inhalation des poussières.

ATTENTION : Les performances de la collecte des poussières réduisent si le filtre présent dans le logement à poussières est obstrué. Pour référence, remplacez le filtre par un filtre neuf après environ 200 remplissages. Le non-respect de cette règle peut entraîner une inhalation de poussières.

1. Retirez le logement à poussières en appuyant sur son levier.

► Fig.31: 1. Levier

2. Ouvrez le couvercle du logement à poussières.

► Fig.32: 1. Couvercle

3. Éliminez la poussière, puis nettoyez le filtre.

► Fig.33

REMARQUE : Lorsque vous nettoyez le filtre, tapotez légèrement à la main son étui pour retirer la poussière. Ne tapotez pas directement le filtre ; touchez-le avec une brosse ou un objet similaire, ou soufflez de l'air comprimé sur le filtre. Vous risqueriez d'endommager le filtre.

Remplacement du filtre du logement à poussières

1. Retirez le logement à poussières en appuyant sur son levier.

► Fig.34: 1. Levier

2. Ouvrez le couvercle du filtre du logement à poussières.

► Fig.35: 1. Couvercle du filtre

3. Retirez le filtre de son logement.

► Fig.36: 1. Filtre 2. Logement du filtre

4. Fixez un nouveau filtre sur le logement du filtre, puis fixez le couvercle du filtre.

5. Fermez le couvercle du logement à poussières, puis fixez celui-ci au système de collecte des poussières.

Remplacement du bouchon hermétique

1. Insérez un tournevis à lame plate dans l'une des rainures placées sur les côtés de la tête de la buse. Inclinez le tournevis à lame plate en angle de manière à comprimer et extraire le crochet en forme de cube du bouchon hermétique. Retirez ensuite le bord en caoutchouc du bouchon hermétique du bord de l'ouverture de la tête de la buse.

► **Fig.37:** 1. Bouchon hermétique 2. Crochet en forme de cube 3. Rainure 4. Tête de la buse

2. Placez l'un des crochets en forme de cube d'un bouchon hermétique neuf dans la partie inférieure de la rainure dans la tête de la buse, avec une surface encastrée du bouchon hermétique tournée vers l'avant.

► **Fig.38:** 1. Crochets en forme de cube 2. Partie inférieure de la rainure 3. Bouchon hermétique 4. Surface encastrée

3. Placez l'autre crochet sur le côté opposé, tout en repositionnant le bouchon hermétique pour qu'il s'adapte parfaitement à la tête de la buse.

► **Fig.39:** 1. Bouchon hermétique 2. Crochet en forme de cube 3. Partie inférieure de la rainure 4. Tête de la buse 5. Bords

4. Posez délicatement le bord en caoutchouc du bouchon hermétique sur le bord de l'ouverture de la tête de la buse, de bas en haut.

► **Fig.40:** 1. Bord en caoutchouc 2. Bouchon hermétique 3. Tête de la buse

UTILISATION

ATTENTION : Utilisez toujours la poignée latérale (poignée auxiliaire) et saisissez l'outil fermement par la poignée latérale et la poignée pistolet pendant l'utilisation.

ATTENTION : Avant l'utilisation, assurez-vous toujours que la pièce est bien fixée.

ATTENTION : Ne forcez pas pour extraire l'outil même si le foret est coincé. La perte de maîtrise est propice aux blessures.


REMARQUE : Avant d'utiliser le système de collecte des poussières avec l'outil, lisez la section sur le système de collecte des poussières.

NOTE : En cas de faible température de la batterie, l'outil risque de ne pas fonctionner à sa pleine capacité. Dans ce cas, chauffez la batterie en utilisant l'outil sans charge pendant un instant pour obtenir la pleine capacité de l'outil.

► **Fig.41**

Perçage avec percussion

ATTENTION : Une très grande force de torsion s'exerce soudainement sur l'outil ou le foret lorsqu'il émerge sur la face opposée, lorsque le trou est bouché par des copeaux ou particules ou lors du contact avec des armatures dans le béton. **Utilisez toujours la poignée latérale (poignée auxiliaire) et saisissez l'outil fermement par la poignée latérale et la poignée pistolet pendant l'utilisation.** Si vous ne suivez pas cette directive, vous risquerez de perdre la maîtrise de l'outil et de vous blesser grièvement.

Réglez le bouton de changement de mode sur le symbole .

Placez le foret à l'emplacement désiré pour percer le trou, puis enclenchez la gâchette.

Appliquez la force d'avance à la poignée pistolet (poignée principale) pour une précision et une efficacité de travail, et tenez la poignée latérale (poignée auxiliaire) pour maintenir l'équilibre de l'outil.

Gardez l'outil en position et empêchez-le de glisser hors du trou.

N'appliquez pas plus de pression lorsque le trou est bouché par des copeaux ou particules. Laissez plutôt l'outil tourner au ralenti et retirez partiellement le foret du trou. En répétant cette opération plusieurs fois, le trou se débouchera et vous pourrez reprendre le perçage normalement.

NOTE : Lorsque l'outil fonctionne à vide, il se peut que le foret tourne de manière excentrique. L'outil se centrera lui-même automatiquement lors de l'utilisation avec charge. La précision du perçage n'est donc pas affectée.

Perçage dans le bois ou le métal

ATTENTION : Tenez l'outil fermement et redoublez d'attention lorsque le foret commence à sortir par la face opposée de la pièce. Une très grande force s'exerce sur l'outil/foret lorsque celui-ci émerge sur la face opposée.


ATTENTION : Un foret coincé peut être retiré en réglant simplement l'inverseur sur la rotation inverse pour faire marche arrière. L'outil peut toutefois faire brusquement marche arrière si vous ne le tenez pas fermement.

ATTENTION : Immobilisez toujours les pièces à travailler dans un étau ou un dispositif de retenue similaire.

REMARQUE : N'utilisez jamais la « rotation avec martelage » lorsque le mandrin à foret est installé sur l'outil. Le mandrin à foret risquerait d'être endommagé.

De plus, le mandrin à foret se détacherait lors de l'inversion de la rotation de l'outil.

REMARQUE : Une pression excessive sur l'outil n'accélérera pas le perçage. En fait, la pression excessive abîmera la pointe du foret, provoquera une baisse de rendement de l'outil et réduira sa durée de service.

Réglez le bouton de changement de mode sur le symbole .

Fixez l'adaptateur de mandrin sur un mandrin à foret sans clé sur lequel peut être installée une vis de type 1/2"-20, puis installez-les sur l'outil. Pour l'installer, reportez-vous à la section « Pose ou retrait du foret ».

► **Fig.42:** 1. Ensemble mandrin à foret 2. Adaptateur de mandrin

Poire soufflante

Accessoire en option

Une fois le trou percé, utilisez la poire soufflante pour en retirer la poussière.

► **Fig.43**

Utilisation de l'ensemble du collecteur de poussières

Accessoire en option

Appuyez l'ensemble du collecteur de poussières contre le plafond lorsque vous utilisez l'outil.

► **Fig.44**

REMARQUE : N'utilisez pas l'ensemble du collecteur de poussières pour le perçage du métal ou d'une matière similaire. Cela pourrait détériorer l'ensemble du collecteur de poussières en raison de la chaleur générée par les petites poussières métalliques ou similaires.

REMARQUE : N'installez pas ou ne retirez pas l'ensemble du collecteur de poussières avec le foret installé dans l'outil. Cela pourrait détériorer l'ensemble du collecteur de poussières et entraîner une fuite des poussières.

ACCESSOIRES EN OPTION

⚠ATTENTION : Ces accessoires ou pièces complémentaires sont recommandés pour l'utilisation avec l'outil Makita spécifié dans ce mode d'emploi. L'utilisation de tout autre accessoire ou pièce complémentaire peut comporter un risque de blessure. N'utilisez les accessoires ou pièces complémentaires qu'aux fins auxquelles ils ont été conçus.

Pour obtenir plus de détails sur ces accessoires, contactez votre centre d'entretien local Makita.

- Forets à pointe de carbure (forets à pointe de carbure SDS-plus)
- Adaptateur de mandrin
- Mandrin à foret sans clé
- Graisse à foret
- Jauge de profondeur
- Poire soufflante
- Collecteur de poussières
- Ensemble du collecteur de poussières
- Système de collecte des poussières
- Porte-outil
- Batterie et chargeur Makita d'origine

NOTE : Il se peut que certains éléments de la liste soient compris dans l'emballage de l'outil en tant qu'accessoires standard. Ils peuvent varier d'un pays à l'autre.

ENTRETIEN

⚠ATTENTION : Assurez-vous toujours que l'outil est hors tension et que la batterie est retirée avant d'y effectuer tout travail d'inspection ou d'entretien.

REMARQUE : N'utilisez jamais d'essence, benzène, diluant, alcool ou autre produit similaire. Cela risquerait de provoquer la décoloration, la déformation ou la fissuration de l'outil.

Pour assurer la SÉCURITÉ et la FIABILITÉ du produit, toute réparation, tout travail d'entretien ou de réglage doivent être effectués par un centre d'entretien Makita agréé, avec des pièces de rechange Makita.

TECHNISCHE DATEN

Modell:		DHR183
Bohrkapazitäten	Beton	18 mm
	Stahl	13 mm
	Holz	24 mm
Leerlaufdrehzahl		0 - 1.100 min ⁻¹
Schlagzahl pro Minute		0 - 5.000 min ⁻¹
Gesamtlänge (mit BL1860B)		288 mm
Nennspannung		18 V Gleichstrom
Nettogewicht		2,1 - 2,9 kg

Sonderzubehör

Modell:		DX16
Saugleistung		0,24 m ³ /min
Betriebshub		Bis zu 105 mm
Geeigneter Bohreinsatz		Bis zu 165 mm
Nettogewicht		0,77 kg

- Wir behalten uns vor, Änderungen der technischen Daten im Zuge der Entwicklung und des technischen Fortschritts ohne vorherige Ankündigung vorzunehmen.
- Die technischen Daten können von Land zu Land unterschiedlich sein.
- Das Gewicht kann abhängig von dem Aufsatz (den Aufsätzen), einschließlich des Akkus, unterschiedlich sein. Die leichteste und die schwerste Kombination, gemäß dem EPTA-Verfahren 01/2014, sind in der Tabelle angegeben.

Zutreffende Akkus und Ladegeräte

Akku	BL1815N / BL1820B / BL1830B / BL1840B / BL1850B / BL1860B
Ladegerät	DC18RC / DC18RD / DC18RE / DC18SD / DC18SE / DC18SF / DC18SH / DC18WC

- Einige der oben aufgelisteten Akkus und Ladegeräte sind je nach Ihrem Wohngebiet eventuell nicht erhältlich.

⚠️ WARNUNG: Verwenden Sie nur die oben aufgeführten Akkus und Ladegeräte. Bei Verwendung irgendwelcher anderer Akkus und Ladegeräte besteht Verletzungs- und/oder Brandgefahr.

Empfohlene kabelgebundene Stromquelle

Rückentragbare Akku-Bank	PDC01
--------------------------	-------

- Die oben aufgelisteten kabelgebundenen Stromquellen sind je nach Ihrem Wohngebiet eventuell nicht erhältlich.
- Lesen Sie vor Gebrauch der kabelgebundenen Stromquelle die daran angebrachten Anweisungen und Warnmarkierungen durch.

Vorgesehene Verwendung

Das Werkzeug ist für Hammerbohren und Bohren in Ziegeln, Beton und Stein vorgesehen. Es eignet sich auch für normales Bohren in Holz, Metall, Keramik und Kunststoff.

Geräusch

Typischer A-bewerteter Geräuschpegel ermittelt gemäß EN62841-2-6:

Modell DHR183

Schalldruckpegel (L_{pA}): 93 dB (A)
 Schalleistungspegel (L_{WA}): 101 dB (A)
 Messunsicherheit (K): 3 dB (A)
Modell DHR183 mit DX16
 Schalldruckpegel (L_{pA}): 93 dB (A)
 Schalleistungspegel (L_{WA}): 101 dB (A)
 Messunsicherheit (K): 3 dB (A)

HINWEIS: Der (Die) angegebene(n) Schallemissionswert(e) wurde(n) im Einklang mit der Standardprüfmethode gemessen und kann (können) für den Vergleich zwischen Werkzeugen herangezogen werden.

HINWEIS: Der (Die) angegebene(n) Schallemissionswert(e) kann (können) auch für eine Vorbewertung des Gefährdungsgrads verwendet werden.

⚠️ WARNUNG: Einen Gehörschutz tragen.

⚠️ WARNUNG: Die Schallemission während der tatsächlichen Benutzung des Elektrowerkzeugs kann je nach der Benutzungsweise des Werkzeugs, und speziell je nach der Art des bearbeiteten Werkstücks, von dem (den) angegebenen Wert(en) abweichen.

⚠️ WARNUNG: Identifizieren Sie Sicherheitsmaßnahmen zum Schutz des Benutzers anhand einer Schätzung des Gefährdungsgrads unter den tatsächlichen Benutzungsbedingungen (unter Berücksichtigung aller Phasen des Arbeitszyklus, wie z. B. Ausschalt- und Leerlaufzeiten des Werkzeugs zusätzlich zur Betriebszeit).

Schwingungen

Die folgende Tabelle zeigt den gemäß dem zutreffenden Standard ermittelten Vibrationsgesamtwert (Drei-Achsen-Vektorsumme).

Arbeitsmodus	Vibrationsemission	Messunsicherheit (K)	Zutreffender Standard/ Testbedingungen
Hammerbohren in Beton (a _{h, HD})	7,5 m/s ²	1,5 m/s ²	EN62841-2-6
Hammerbohren in Beton mit DX16 (a _{h, HD})	7,6 m/s ²	1,7 m/s ²	EN62841-2-6

HINWEIS: Der (Die) angegebene(n) Vibrationsgesamtwert(e) wurde(n) im Einklang mit der Standardprüfmethode gemessen und kann (können) für den Vergleich zwischen Werkzeugen herangezogen werden.

HINWEIS: Der (Die) angegebene(n) Vibrationsgesamtwert(e) kann (können) auch für eine Vorbewertung des Gefährdungsgrads verwendet werden.

⚠️ WARNUNG: Die Vibrationsemission während der tatsächlichen Benutzung des Elektrowerkzeugs kann je nach der Benutzungsweise des Werkzeugs, und speziell je nach der Art des bearbeiteten Werkstücks, von dem (den) angegebenen Emissionswert(en) abweichen.

⚠️ WARNUNG: Identifizieren Sie Sicherheitsmaßnahmen zum Schutz des Benutzers anhand einer Schätzung des Gefährdungsgrads unter den tatsächlichen Benutzungsbedingungen (unter Berücksichtigung aller Phasen des Arbeitszyklus, wie z. B. Ausschalt- und Leerlaufzeiten des Werkzeugs zusätzlich zur Betriebszeit).

Konformitätserklärungen

Nur für europäische Länder

Die Konformitätserklärungen sind in Anhang A dieser Betriebsanleitung enthalten.

SICHERHEITSWARNUNGEN

Allgemeine Sicherheitswarnungen für Elektrowerkzeuge

⚠️ WARNUNG Lesen Sie alle Sicherheitshinweise, Anweisungen, Abbildungen und Spezifikationen, die diesem Elektrowerkzeug beiliegen. Eine Missachtung der unten aufgeführten Anweisungen kann zu einem elektrischen Schlag, Brand und/oder schweren Verletzungen führen.

Bewahren Sie alle Warnungen und Anweisungen für spätere Bezugnahme auf.

Der Ausdruck „Elektrowerkzeug“ in den Warnhinweisen bezieht sich auf Ihr mit Netzstrom (mit Kabel) oder Akku (ohne Kabel) betriebenes Elektrowerkzeug.

SICHERHEITSWARNUNGEN FÜR AKKU-BOHRHAMMER

Sicherheitsanweisungen für alle Betriebsvorgänge

- Tragen Sie Gehörschützer.** Lärmeinwirkung kann Gehörschädigung verursachen.
- Benutzen Sie (einen) Zusatzgriff(e), sofern er (sie) mit dem Werkzeug geliefert wurde(n).** Verlust der Kontrolle kann Personenschäden verursachen.
- Halten Sie das Elektrowerkzeug an den isolierten Griffflächen, wenn Sie Arbeiten ausführen, bei denen die Gefahr besteht, dass das Schneidzubehör verborgene Kabel kontaktiert.** Wenn das Schneidzubehör ein Strom führendes Kabel kontaktiert, können die freiliegenden Metallteile des Elektrowerkzeugs ebenfalls Strom

führend werden, so dass der Benutzer einen elektrischen Schlag erleiden kann.

Sicherheitsanweisungen bei Verwendung von langen Bohrereinsätzen mit Bohrhämmern

1. **Starten Sie den Bohrvorgang immer mit einer niedrigen Drehzahl und bei Kontakt der Einsatzspitze mit dem Werkstück.** Bei höheren Drehzahlen besteht die Gefahr, dass sich der Einsatz verbiegt, wenn zugelassen wird, dass er ohne Kontakt mit dem Werkstück frei rotiert, was zu Personenschäden führen kann.
2. **Üben Sie Druck nur in direkter Linie mit dem Einsatz aus, und wenden Sie keinen übermäßigen Druck an.** Einsätze können sich verbiegen, was Bruch oder Verlust der Kontrolle verursachen und zu Personenschäden führen kann.

Zusätzliche Sicherheitswarnungen

1. **Tragen Sie Schutzhelm, Schutzbrille und/oder Gesichtsschutz. Eine gewöhnliche Brille oder Sonnenbrille ist KEIN Ersatz für eine Schutzbrille. Das Tragen einer Staubmaske und dick gepolsterter Handschuhe ist ebenfalls zu empfehlen.**
2. **Vergewissern Sie sich vor der Arbeit, dass der Einsatz sicher montiert ist.**
3. **Das Werkzeug erzeugt konstruktionsbedingt Vibrationen bei normalem Betrieb. Durch Lockerung von Schrauben kann es zu einem Ausfall oder Unfall kommen. Unterziehen Sie die Schrauben vor der Arbeit einer sorgfältigen Festigkeitsprüfung.**
4. **Lassen Sie das Werkzeug bei niedrigen Temperaturen oder nach längerer Nichtbenutzung eine Zeit lang im Leerlauf warm laufen. Dadurch wird die Schmierung verbessert. Betrieb im kalten Zustand erschwert die Schlagbohrarbeit.**
5. **Achten Sie stets auf sicheren Stand. Vergewissern Sie sich bei Einsatz des Werkzeugs an hochgelegenen Arbeitsplätzen, dass sich keine Personen darunter aufhalten.**
6. **Halten Sie das Werkzeug mit beiden Händen fest.**
7. **Halten Sie Ihre Hände von beweglichen Teilen fern.**
8. **Lassen Sie das Werkzeug nicht unbeaufsichtigt laufen. Benutzen Sie das Werkzeug nur mit Handhaltung.**
9. **Richten Sie das Werkzeug während des Betriebs nicht auf umstehende Personen. Der Einsatz könnte herauschnellen und schwere Verletzungen verursachen.**
10. **Vermeiden Sie eine Berührung des Einsatzes, der umliegenden Teile oder des Werkstücks unmittelbar nach der Bearbeitung, weil die Teile noch sehr heiß sind und Hautverbrennungen verursachen können.**
11. **Manche Materialien können giftige Chemikalien enthalten. Treffen Sie Vorsichtsmaßnahmen, um das Einatmen von Arbeitsstaub und Hautkontakt zu verhindern. Befolgen Sie die Sicherheitsdaten des Materiallieferanten.**
12. **Vergewissern Sie sich stets, das Werkzeug**

ausgeschaltet ist und der Akku und der Einsatz abgenommen sind, bevor Sie das Werkzeug einer anderen Person aushändigen.

13. **Vergewissern Sie sich vor der Arbeit, dass sich keine verborgenen Objekte, wie etwa eine elektrische Leitung, ein Wasserrohr oder ein Gasrohr, im Arbeitsbereich befinden.** Anderenfalls kann der Bohrereinsatz/Meißel damit in Berührung kommen und einen elektrischen Schlag, einen Leckstrom oder ein Gasleck verursachen.
14. **Lassen Sie das Werkzeug nicht unnötig im Leerlauf laufen.**

DIESE ANWEISUNGEN AUFBEWAHREN.

⚠️ WARNUNG: Lassen Sie sich NICHT durch Bequemlichkeit oder Vertrautheit mit dem Produkt (durch wiederholten Gebrauch erworben) von der strikten Einhaltung der Sicherheitsregeln für das vorliegende Produkt abhalten. **MISSBRAUCH** oder Missachtung der Sicherheitsvorschriften in dieser Anleitung können schwere Verletzungen verursachen.

Wichtige Sicherheitsanweisungen für Akku

1. **Lesen Sie vor der Benutzung des Akkus alle Anweisungen und Warnhinweise, die an (1) Ladegerät, (2) Akku und (3) Akkuwerkzeug angebracht sind.**
2. **Unterlassen Sie Zerlegen oder Manipulieren des Akkus.** Es kann sonst zu einem Brand, übermäßiger Hitzeentwicklung oder einer Explosion kommen.
3. **Falls die Betriebszeit beträchtlich kürzer geworden ist, stellen Sie den Betrieb sofort ein. Anderenfalls besteht die Gefahr von Überhitzung, möglichen Verbrennungen und sogar einer Explosion.**
4. **Falls Elektrolyt in Ihre Augen gelangt, waschen Sie sie mit sauberem Wasser aus, und begeben Sie sich unverzüglich in ärztliche Behandlung. Anderenfalls können Sie Ihre Sehkraft verlieren.**
5. **Der Akku darf nicht kurzgeschlossen werden:**
 - (1) **Die Kontakte dürfen nicht mit leitfähigem Material berührt werden.**
 - (2) **Lagern Sie den Akku nicht in einem Behälter zusammen mit anderen Metallgegenständen, wie z. B. Nägel, Münzen usw.**
 - (3) **Setzen Sie den Akku weder Wasser noch Regen aus.****Ein Kurzschluss des Akkus verursacht starken Stromfluss, der Überhitzung, mögliche Verbrennungen und einen Defekt zur Folge haben kann.**
6. **Lagern und benutzen Sie das Werkzeug und den Akku nicht an Orten, an denen die Temperatur 50 °C erreichen oder überschreiten kann.**

7. **Versuchen Sie niemals, den Akku zu verbrennen, selbst wenn er stark beschädigt oder vollkommen verbraucht ist. Der Akku kann im Feuer explodieren.**
8. **Unterlassen Sie Nageln, Schneiden, Zerquetschen, Werfen, Fallenlassen des Akkus oder Schlagen des Akkus mit einem harten Gegenstand.** Eine solche Handlung kann zu einem Brand, übermäßiger Hitzeentwicklung oder einer Explosion führen.
9. **Benutzen Sie keine beschädigten Akkus.**
10. **Die enthaltenen Lithium-Ionen-Akkus unterliegen den Anforderungen der Gefahrgut-Gesetzgebung.**
Für kommerzielle Transporte, z. B. durch Dritte oder Spediteure, müssen besondere Anforderungen zu Verpackung und Etikettierung beachtet werden.
Zur Vorbereitung des zu transportierenden Artikels ist eine Beratung durch einen Experten für Gefahrgut erforderlich. Bitte beachten Sie möglicherweise ausführlichere nationale Vorschriften. Überkleben oder verdecken Sie offene Kontakte, und verpacken Sie den Akku so, dass er sich in der Verpackung nicht umher bewegen kann.
11. **Entfernen Sie den Akku zum Entsorgen vom Werkzeug, und entsorgen Sie ihn an einem sicheren Ort. Befolgen Sie die örtlichen Vorschriften bezüglich der Entsorgung von Akkus.**
12. **Verwenden Sie die Akkus nur mit den von Makita angegebenen Produkten.** Das Einsetzen der Akkus in nicht konforme Produkte kann zu einem Brand, übermäßiger Hitzebildung, einer Explosion oder Auslaufen von Elektrolyt führen.
13. **Soll das Werkzeug längere Zeit nicht benutzt werden, muss der Akku vom Werkzeug entfernt werden.**
14. **Bei und nach dem Gebrauch kann der Akku heiß werden, was Verbrennungen oder Niedertemperaturverbrennungen verursachen kann. Beachten Sie die Handhabung von heißen Akkus.**
15. **Berühren Sie nicht den Anschlusskontakt des Werkzeugs unmittelbar nach dem Gebrauch, da er heiß genug werden kann, um Verbrennungen zu verursachen.**
16. **Achten Sie darauf, dass sich keine Späne, Staub oder Schmutz in den Anschlusskontakten, Löchern und Nuten des Akkus absetzen.** Es könnte sonst zu Erhitzung, Brandauslösung, Bersten und Funktionsstörungen des Werkzeugs oder des Akkus kommen, was zu Verbrennungen oder Personenschäden führen kann.
17. **Wenn das Werkzeug den Einsatz in der Nähe einer Hochspannungs-Stromleitung nicht unterstützt, benutzen Sie den Akku nicht in der Nähe einer Hochspannungs-Stromleitung.** Dies kann zu einer Funktionsstörung oder Betriebsstörung des Werkzeugs oder des Akkus führen.
18. **Halten Sie die Batterie von Kindern fern.**

DIESE ANWEISUNGEN

AUFBEWAHREN.

⚠VORSICHT: Verwenden Sie nur Original-Makita-Akkus. Die Verwendung von Nicht-Original-Makita-Akkus oder von Akkus, die abgeändert worden sind, kann zum Bersten des Akkus und daraus resultierenden Bränden, Personenschäden und Beschädigung führen. Außerdem wird dadurch die Makita-Garantie für das Makita-Werkzeug und -Ladegerät ungültig.

Hinweise zur Aufrechterhaltung der maximalen Akku-Nutzungsdauer

1. **Laden Sie den Akku, bevor er vollkommen erschöpft ist. Schalten Sie das Werkzeug stets aus, und laden Sie den Akku, wenn Sie ein Nachlassen der Werkzeugleistung feststellen.**
2. **Unterlassen Sie erneutes Laden eines voll aufgeladenen Akkus. Überladen führt zu einer Verkürzung der Nutzungsdauer des Akkus.**
3. **Laden Sie den Akku bei Raumtemperatur zwischen 10 – 40 °C. Lassen Sie einen heißen Akku abkühlen, bevor Sie ihn laden.**
4. **Wenn Sie den Akku nicht benutzen, nehmen Sie ihn vom Werkzeug oder Ladegerät ab.**
5. **Der Akku muss geladen werden, wenn er lange Zeit (länger als sechs Monate) nicht benutzt wird.**

FUNKTIONSBE-SCHREIBUNG

⚠VORSICHT: Vergewissern Sie sich vor der Durchführung von Einstellungen oder Funktionsprüfungen des Werkzeugs stets, dass das Werkzeug ausgeschaltet und der Akku abgenommen ist.

Anbringen und Abnehmen des Akkus

⚠VORSICHT: Schalten Sie das Werkzeug stets aus, bevor Sie den Akku anbringen oder abnehmen.

⚠VORSICHT: Halten Sie das Werkzeug und den Akku beim Anbringen oder Abnehmen des Akkus sicher fest. Wenn Sie das Werkzeug und den Akku nicht sicher festhalten, können sie Ihnen aus der Hand rutschen, was zu einer Beschädigung des Werkzeugs und des Akkus und zu Körperverletzungen führen kann.

Richten Sie zum Anbringen des Akkus dessen Führungsfeder auf die Nut im Gehäuse aus, und schieben Sie den Akku hinein. Schieben Sie ihn vollständig ein, bis er mit einem leisen Klicken einrastet. Wenn Sie die rote Anzeige sehen können, wie in der Abbildung gezeigt, ist der Akku nicht vollständig verriegelt.

Ziehen Sie den Akku zum Abnehmen vom Werkzeug ab, während Sie den Knopf an der Vorderseite des Akkus verschieben.

► **Abb.1:** 1. Rote Anzeige 2. Knopf 3. Akku

⚠ VORSICHT: Schieben Sie den Akku stets bis zum Anschlag ein, bis die rote Anzeige nicht mehr sichtbar ist. Andernfalls kann er aus dem Werkzeug herausfallen und Sie oder umstehende Personen verletzen.

⚠ VORSICHT: Unterlassen Sie Gewaltanwendung beim Anbringen des Akkus. Falls der Akku nicht reibungslos hineingleitet, ist er nicht richtig ausgerichtet.

Anzeigen der Akku-Restkapazität

Nur für Akkus mit Anzeige

Drücken Sie die Prüftaste am Akku, um die Akku-Restkapazität anzuzeigen. Die Anzeigelampen leuchten wenige Sekunden lang auf.

► **Abb.2:** 1. Anzeigelampen 2. Prüftaste

Anzeigelampen			Restkapazität
Erleuchtet	Aus	Blinkend	
			75% bis 100%
			50% bis 75%
			25% bis 50%
			0% bis 25%
			Den Akku aufladen.
			Möglicherweise liegt eine Funktionsstörung im Akku vor.

HINWEIS: Abhängig von den Benutzungsbedingungen und der Umgebungstemperatur kann die Anzeige geringfügig von der tatsächlichen Kapazität abweichen.

HINWEIS: Die erste (äußerste linke) Anzeigelampe blinkt, wenn das Akku-Schutzsystem aktiv ist.

Werkzeug/Akku-Schutzsystem

Das Werkzeug ist mit einem Werkzeug/Akku-Schutzsystem ausgestattet. Dieses System schaltet die Stromversorgung des Motors automatisch ab, um die Lebensdauer von Werkzeug und Akku zu verlängern. Das Werkzeug bleibt während des Betriebs automatisch stehen, wenn das Werkzeug oder der Akku einer der folgenden Bedingungen unterliegt:

Überlastschutz

Wird der Akku auf eine Weise benutzt, die eine ungewöhnlich hohe Stromaufnahme bewirkt, bleibt das

Werkzeug ohne jegliche Anzeige automatisch stehen. Schalten Sie in dieser Situation das Werkzeug aus, und brechen Sie die Arbeit ab, die eine Überlastung des Werkzeugs verursacht hat. Schalten Sie dann das Werkzeug wieder ein, um es neu zu starten.

Überhitzungsschutz

Wenn das Werkzeug oder der Akku überhitzt wird, bleibt das Werkzeug automatisch stehen. Lassen Sie das Werkzeug und den Akku in diesem Fall abkühlen, bevor Sie das Werkzeug wieder einschalten.

HINWEIS: Bei Überhitzung des Werkzeugs blinkt die Lampe.

Überentladungsschutz

Wenn die Akkukapazität unzureichend wird, bleibt das Werkzeug automatisch stehen. Nehmen Sie in diesem Fall den Akku vom Werkzeug ab, und laden Sie ihn auf.

Schutz gegen andere Ursachen

Das Schutzsystem ist auch für andere Ursachen ausgelegt, die eine Beschädigung des Werkzeugs bewirken könnten, und ermöglicht automatisches Anhalten des Werkzeugs. Führen Sie alle folgenden Schritte aus, um die Ursachen zu beseitigen, wenn das Werkzeug zu einem vorübergehenden Stillstand oder Betriebsstopp gekommen ist.

1. Vergewissern Sie sich, dass alle Schalter ausgeschaltet sind, und schalten Sie das Werkzeug für einen Wiederanlauf erneut ein.
2. Laden Sie den/die Akku(s) auf, oder tauschen Sie ihn/sie gegen einen aufgeladenen Akku/aufgeladene Akkus aus.
3. Lassen Sie das Werkzeug und den/die Akku(s) abkühlen.

Falls die Wiederherstellung des Schutzsystems keine Besserung bringt, wenden Sie sich an Ihre lokale Makita-Kundendienststelle.

Schalterfunktion

⚠ WARNUNG: Vergewissern Sie sich vor dem Einsetzen des Akkus in das Werkzeug stets, dass der Ein-Aus-Schalter ordnungsgemäß funktioniert und beim Loslassen in die AUS-Stellung zurückkehrt.

Drücken Sie zum Einschalten des Werkzeugs einfach den Ein-Aus-Schalter. Die Drehzahl erhöht sich durch verstärkte Druckausübung auf den Ein-Aus-Schalter. Lassen Sie den Ein-Aus-Schalter zum Anhalten los.

► **Abb.3:** 1. Ein-Aus-Schalter

Einschalten der Frontlampe

⚠ VORSICHT: Blicken Sie nicht direkt in die Lampe oder die Lichtquelle.

Betätigen Sie den Auslöseschalter, um die Lampe einzuschalten. Die Lampe bleibt erleuchtet, solange der Auslöseschalter gedrückt gehalten wird. Die Lampe erlischt ungefähr 10 Sekunden nach dem Loslassen des Ein-Aus-Schalters.

► Abb.4: 1. Lampe

HINWEIS: Wischen Sie Schmutz auf der Lampenlinse mit einem trockenen Tuch ab. Achten Sie sorgfältig darauf, dass Sie die Lampenlinse nicht verkratzen, weil sich sonst die Lichtstärke verringert.

HINWEIS: Bei Überhitzung des Werkzeugs blinkt die Lampe. Lassen Sie in diesem Fall den Auslöseschalter los, und lassen Sie dann das Werkzeug/den Akku abkühlen, bevor Sie die Arbeit fortsetzen.

HINWEIS: Die Frontlampe kann nicht verwendet werden, während das Staubabsaugsystem (Sonderzubehör) im Werkzeug installiert ist.

Funktion des Drehrichtungsumschalters

⚠ VORSICHT: Prüfen Sie stets die Drehrichtung, bevor Sie mit der Arbeit beginnen.

⚠ VORSICHT: Betätigen Sie den Drehrichtungsumschalter erst, nachdem das Werkzeug völlig zum Stillstand gekommen ist. Durch Umschalten der Drehrichtung bei noch laufendem Werkzeug kann das Werkzeug beschädigt werden.

⚠ VORSICHT: Stellen Sie den Drehrichtungsumschalthebel stets auf die Neutralstellung, wenn Sie das Werkzeug nicht benutzen.

Dieses Werkzeug besitzt einen Drehrichtungsumschalter. Drücken Sie auf die Seite A des Drehrichtungsumschalthebels für Rechtsdrehung, und auf die Seite B für Linksdrehung. In der Neutralstellung des Drehrichtungsumschalthebels ist der Ein-Aus-Schalter verriegelt.


► Abb.5: 1. Drehrichtungsumschalthebel

Wahl der Betriebsart

ANMERKUNG: Betätigen Sie den Betriebsart-Umschaltknopf nicht bei laufendem Werkzeug. Das Werkzeug kann sonst beschädigt werden.


ANMERKUNG: Um schnellen Verschleiß des Betriebsartwechselmechanismus zu vermeiden, vergewissern Sie sich, dass sich der Betriebsart-Umschaltknopf immer richtig in einer der Betriebsartpositionen befindet.

Schlagbohren

Für Bohren in Beton, Mauerwerk usw. drehen Sie den Betriebsart-Umschaltknopf auf das Symbol . Verwenden Sie einen Bohrereinsatz mit Hartmetallschneide.

► Abb.6: 1. Betriebsart-Umschaltknopf

Bohren

Für Bohren in Holz-, Metall- oder Kunststoffmaterial drehen Sie den Betriebsart-Umschaltknopf auf das Symbol . Verwenden Sie einen Spiralbohrer oder

Holzbohrer.

► Abb.7: 1. Betriebsart-Umschaltknopf

Elektronikfunktionen

Das Werkzeug ist für komfortablen Betrieb mit Elektronikfunktionen ausgestattet.

- Elektrische Bremse
Dieses Werkzeug ist mit einer elektrischen Bremse ausgestattet. Falls das Werkzeug nach dem Loslassen des Auslöseschalters ständig nicht sofort anhält, lassen Sie es von einer Makita-Kundendienststelle warten.
- Konstantdrehzahlregelung
Die Drehzahlregelung liefert eine konstante Drehzahl ungeachtet der Lastbedingungen.

MONTAGE

⚠ VORSICHT: Vergewissern Sie sich vor der Ausführung von Arbeiten am Werkzeug stets, dass das Werkzeug ausgeschaltet und der Akku abgenommen ist.

Seitengriff (Zusatzgriff)

⚠ VORSICHT: Verwenden Sie stets den Seitengriff, um sicheren Betrieb zu gewährleisten.

⚠ VORSICHT: Nachdem Sie den Seitengriff installiert oder eingestellt haben, vergewissern Sie sich, dass der Seitengriff fest gesichert ist und die Vorsprünge am Werkzeug vollständig in die Rillen des Seitengriffs eingreifen.

Befolgen Sie zum Montieren des Seitengriffs die nachstehenden Schritte.

1. Lösen Sie die Flügelschraube am Seitengriff.

► Abb.8: 1. Flügelschraube

2. Installieren Sie den Seitengriff so, dass die Rillen des Griffs in die Vorsprünge des Werkzeugs passen, während Sie die Flügelschraube drücken.

► Abb.9: 1. Flügelschraube

3. Ziehen Sie die Flügelschraube an, um den Griff zu sichern. Der Griff kann in jedem gewünschten Winkel fixiert werden.

Um den Seitengriff abzunehmen, lösen Sie die Flügelschraube am Seitengriff. Entfernen Sie den Seitengriff vom Werkzeug.

Montage und Demontage des Bohrereinsatzes

Schmierfett

Reinigen Sie das Schaftende des Einsatzes, und tragen Sie Schmierfett auf, bevor Sie den Einsatz montieren. Tragen Sie vor der Arbeit eine kleine Menge Schmierfett (etwa 0,5 - 1 g) auf das Schaftende des Einsatzes auf. Diese Fetterschmierung gewährleistet reibungslosen Betrieb und längere Lebensdauer.

► **Abb.10:** 1. Schaftende 2. Schmierfett

Führen Sie den Bohrereinsatz in das Werkzeug ein. Drehen Sie den Bohrereinsatz, und drücken Sie ihn hinein, bis er einrastet.

Vergewissern Sie sich nach dem Montieren des Bohrereinsatzes immer, dass der Bohrereinsatz sicher sitzt, indem Sie versuchen, ihn herauszuziehen.

► **Abb.11:** 1. Bohrereinsatz

Um den Bohrereinsatz zu entfernen, ziehen Sie die Futterabdeckung vollständig nach unten, und ziehen Sie den Bohrereinsatz heraus.

► **Abb.12:** 1. Bohrereinsatz 2. Futterabdeckung

Tiefenanschlag

Der Tiefenanschlag ist praktisch, um Löcher von gleicher Tiefe zu bohren.

Halten Sie den Sperrknopf gedrückt, und führen Sie dann den Tiefenanschlag in das Loch ein. Vergewissern Sie sich, dass die gezahnte Seite des Tiefenanschlags auf die Markierung gerichtet ist.

► **Abb.13:** 1. Tiefenanschlag 2. Arretierknopf 3. Markierung 4. Gezahnte Seite

Stellen Sie den Tiefenanschlag ein, indem Sie ihn bei gedrücktem Sperrknopf vor und zurück schieben. Lassen Sie den Sperrknopf nach der Einstellung los, um den Tiefenanschlag zu verriegeln.

HINWEIS: Vergewissern Sie sich beim Anbringen, dass der Tiefenanschlag nicht den Hauptteil des Werkzeugs berührt.

Staubfangteller

Sonderzubehör

Verwenden Sie bei Überkopf-Bohrarbeiten den Staubfangteller, um zu verhindern, dass Staub auf Sie und das Werkzeug fällt. Bringen Sie den Staubfangteller so am Einsatz an, wie in der Abbildung gezeigt. Der Staubfangteller kann an Einsätzen der folgenden Größen angebracht werden.

Modell	Einsatzdurchmesser
Staubfangteller 5	6 mm - 14,5 mm
Staubfangteller 9	12 mm - 16 mm

► **Abb.14:** 1. Staubfangteller

Staubfangtellersatz

Sonderzubehör

Installieren des Staubfangtellersatzes

ANMERKUNG: Benutzen Sie den Staubfangtellersatz nicht, wenn Sie in Metall oder ähnlichem Material bohren. Der Staubfangtellersatz kann sonst durch die von feinem Metallstaub o. Ä. erzeugten Wärme beschädigt werden. Unterlassen Sie das Montieren oder Demontieren des Staubfangtellersatzes, wenn der Bohrereinsatz im Werkzeug montiert ist. Sonst kann der Staubfangtellersatz beschädigt und ein Staubleck verursacht werden.

Bevor Sie den Staubfangtellersatz anbringen, entfernen Sie den Bohrereinsatz vom Werkzeug, falls einer montiert ist.

1. Lösen Sie die Flügelschraube am Seitengriff.

2. Montieren Sie den Staubfangtellersatz so, dass die Klauen des Staubfangtellers in die Schlitzte des Seitengriffs eingreifen.

► **Abb.15:** 1. Staubfangtellersatz 2. Seitengriff

3. Montieren Sie den Seitengriff so, dass der Vorsprung am Werkzeug in die Rille des Griffes passt. Ziehen Sie die Flügelschraube an, um den Seitengriff zu sichern.

► **Abb.16:** 1. Seitengriff 2. Rille 3. Vorsprung

HINWEIS: Wenn Sie ein Sauggerät an den Staubfangtellersatz anschließen, entfernen Sie die Staubkappe vor dem Anschließen des Sauggerätes.

► **Abb.17:** 1. Staubkappe

Demontieren des Bohrereinsatzes

Um den Bohrereinsatz zu entfernen, ziehen Sie die Futterabdeckung vollständig nach unten, und ziehen Sie den Bohrereinsatz heraus.

► **Abb.18:** 1. Bohrereinsatz 2. Futterabdeckung

Demontieren des Staubfangtellersatzes

Folgen Sie den nachstehenden Schritten zum Demontieren des Staubfangtellersatzes.

1. Lösen Sie die Flügelschraube am Seitengriff. Entfernen Sie den Seitengriff vom Werkzeug.

► **Abb.19:** 1. Flügelschraube

2. Halten Sie den Staubfangteller am Ansatz, und ziehen Sie ihn heraus.

HINWEIS: Falls das Demontieren des Staubfangtellersatzes schwierig ist, entfernen Sie die Klauen des Staubfangtellers nacheinander, indem Sie den Ansatz des Staubfangtellers schwenken und ziehen.

► **Abb.20:** 1. Staubfangteller

HINWEIS: Falls sich die Kappe vom Staubfangtellersatz ablöst, bringen Sie sie wieder in die ursprüngliche Position.

Um die Kappe wieder in die Ausgangsposition zu bringen, gehen Sie wie folgt vor.

1. Drehen Sie den Faltenbalg entgegen dem Uhrzeigersinn, und nehmen Sie ihn in entriegeltem Zustand aus der Befestigungseinheit des Staubfangtellersatzes heraus.

► **Abb.21:** 1. Faltenbalg 2. Befestigungseinheit

2. Setzen Sie die Kappe mit der beschrifteten Seite nach oben wieder auf.

► **Abb.22:** 1. Kappe 2. Befestigungseinheit

3. Vergewissern Sie sich, dass die Rillen um die Kappe gut auf die Lippen der oberen Öffnung der Befestigungseinheit passen.

Werkzeugaufhänger

Sonderzubehör

⚠ VORSICHT: Wenn Werkzeugaufhänger und Schraube beschädigt sind, benutzen Sie sie nicht. Überprüfen Sie das Werkzeug vor Gebrauch stets auf Beschädigung, Risse oder Verformung, und vergewissern Sie sich, dass die Schraube angezogen ist.

⚠ VORSICHT: Montieren oder demontieren Sie den Werkzeugaufhänger auf einem stabilen Tisch oder einer stabilen Oberfläche. Verwenden Sie nur die mit dem Werkzeugaufhänger gelieferte Schraube. Vergewissern Sie sich nach dem Montieren des Werkzeugaufhängers, dass der Werkzeugaufhänger sicher mit der Schraube montiert ist.

⚠ VORSICHT: Nehmen Sie nicht den Akku ab, während Sie das Werkzeug aufhängen. Das Werkzeug kann herunterfallen, wenn die Schraube nicht angezogen ist.

Der Werkzeugaufhänger ist zum Anschließen der Schnur (Haltegurt) vorgesehen.

Bevor Sie den Werkzeugaufhänger installieren, entfernen Sie die Gummikappe von dem Schraubenloch in der Montagehalterung. Führen Sie die Vierkantmutter unter die Halterung ein. Ziehen Sie den Werkzeugaufhänger mit der Schraube an.

► **Abb.23:** 1. Gummikappe 2. Montagehalterung
3. Vierkantmutter 4. Werkzeugaufhänger
5. Schraube

Sicherheitswarnungen über das Anschließen einer Schnur (Haltegurt) am Werkzeugaufhänger

⚠ Spezielle Sicherheitswarnungen für Gebrauch an hohen Orten

Lesen Sie alle Sicherheitswarnungen und Anweisungen durch. Eine Missachtung der Warnungen und Anweisungen kann zu schweren Verletzungen führen.

1. Halten Sie das Werkzeug stets angebunden, wenn Sie „an hohen Orten“ arbeiten. Die maximale Schnurlänge beträgt 2 m. Die maximal zulässige Fallhöhe für die Schnur (Haltegurt) darf 2 m nicht überschreiten.
2. Verwenden Sie nur für diesen Werkzeugtyp geeignete Schnüre, die für eine Belastung von mindestens 6,0 kg bemessen sind.
3. Verankern Sie die Werkzeugschnur nicht an irgendeinem Körperteil oder an beweglichen Komponenten. Verankern Sie die Werkzeugschnur an einer starren Struktur, die den Kräften eines herunterfallenden Werkzeugs widerstehen kann.
4. Vergewissern Sie sich vor der Benutzung, dass die Schnur an beiden Enden einwandfrei gesichert ist.
5. Überprüfen Sie Werkzeug und Schnur vor jeder Benutzung auf Beschädigung und ordnungsgemäße Funktion (einschließlich Stoff

und Nähte). Unterlassen Sie den Gebrauch bei Beschädigung oder nicht ordnungsgemäßer Funktion.

6. Wickeln Sie die Schnüre nicht um scharfe oder raue Kanten, und lassen Sie sie auch nicht mit diesen in Berührung kommen.
 7. Befestigen Sie das andere Ende der Schnur außerhalb des Arbeitsbereichs, so dass ein herunterfallendes Werkzeug sicher gehalten wird.
 8. Bringen Sie die Schnur so an, dass sich das Werkzeug vom Bediener weg bewegt, falls es herunterfällt. Heruntergefallene Werkzeuge schwingen an der Schnur, was Verletzungen oder Verlust des Gleichgewichts verursachen kann.
 9. Unterlassen Sie die Benutzung in der Nähe von beweglichen Teilen oder laufenden Maschinen. Anderenfalls besteht Gefährdung durch Zerquetschen oder Erfassen.
 10. Tragen Sie das Werkzeug nicht an der Aufsatzvorrichtung oder der Schnur.
 11. Übertragen Sie das Werkzeug nur zwischen Ihren Händen, wenn Sie einwandfreies Gleichgewicht haben.
 12. Befestigen Sie Schnüre nicht in einer Weise am Werkzeug, die ordnungsgemäßes Funktionieren von Schaltern oder der Auslösersperre (falls geliefert) verhindert.
 13. Vermeiden Sie es, in der Schnur verwickelt zu werden.
 14. Halten Sie die Schnur vom Bohrbereich des Werkzeugs fern.
 15. Verwenden Sie einen Schraubkarabiner (Multi-Action- und Screw Gate-Ausführung). Verwenden Sie keine Single-Action-Karabiner mit Federschnapper.
 16. Falls das Werkzeug herunterfällt, muss es markiert und außer Betrieb genommen werden und sollte von einem Makita-Werk oder einem autorisierten Service-Center überprüft werden.
 17. Hängen Sie das Werkzeug nicht an Ihre Taille. Das erhitzte Werkzeug und sein Zubehör können Ihre Haut berühren und zu Verbrennungen führen.
- **Abb.24:** 1. Werkzeugaufhänger 2. Schnur (Haltegurt)

STAUBABSAUGSYSTEM

Sonderzubehör

Das Staubabsaugsystem ist dafür ausgelegt, Staub bei Bohrbetrieb in Beton effektiv abzusaugen.

► **Abb.25:** 1. Staubabsaugsystem

⚠ VORSICHT: Das Staubabsaugsystem ist nur für Bohren in Beton vorgesehen. Benutzen Sie das Staubabsaugsystem nicht zum Bohren in Metall oder Holz.

⚠ VORSICHT: Wenn Sie das Werkzeug mit dem Staubabsaugsystem verwenden, bringen Sie unbedingt den Filter am Staubabsaugsystem an, um Einatmen von Staub zu verhindern.

⚠ VORSICHT: Überprüfen Sie vor der Benutzung des Staubabsaugsystems, dass der Filter nicht beschädigt ist und das Innenrohr frei von Staub und Fremdkörpern ist. Anderenfalls kann es zu Einatmen von Staub kommen.

⚠ VORSICHT: Das Staubabsaugsystem sammelt einen Großteil des erzeugten Staubs auf, aber es kann nicht den ganzen Staub aufsammlen.

ANMERKUNG: Verwenden Sie das Staubabsaugsystem nicht für Kernbohr- oder Stemmarbeiten.

ANMERKUNG: Benutzen Sie das Staubabsaugsystem nicht für Metall oder Holz. Das Staubabsaugsystem ist nur für Beton vorgesehen.

ANMERKUNG: Verwenden Sie das Staubabsaugsystem nicht zum Bohren in nassem Beton, und benutzen Sie dieses System auch nicht in nasser Umgebung. Anderenfalls kann es zu einer Funktionsstörung kommen.

Montage und Demontage

ANMERKUNG: Bevor Sie das Staubabsaugsystem installieren, reinigen Sie die Verbindungsteile des Werkzeugs und des Staubabsaugsystems. Fremdkörper an den Verbindungsteilen können Schwierigkeiten beim Installieren des Staubabsaugsystems verursachen. Falls Staub am Luftkanal verbleibt, gelangt der Staub in das Werkzeug und verursacht Behinderung des Luftstroms oder Bruchschaden des Werkzeugs.

Um das Staubabsaugsystem zu installieren, führen Sie das Werkzeug vollständig in das Staubabsaugsystem ein, bis das Werkzeug mit einem leichten Klicken einrastet.

► **Abb.26**

Um das Staubabsaugsystem abzunehmen, ziehen Sie das Werkzeug hoch, während Sie den Verriegelungsknopf drücken.

► **Abb.27:** 1. Verriegelungsknopf

Einstellen der Düsenposition des Staubabsaugsystems

⚠ VORSICHT: Richten Sie die Düse nicht auf sich selbst oder andere, wenn Sie die Düse durch Drücken des Führungseinstellknopfes freigeben.

Schieben Sie die Düsenführung hinein und heraus, während Sie den Führungseinstellknopf drücken, und

lassen Sie dann den Knopf an einer exakten Position los, an der die Spitze des Bohrereinsatzes gerade hinter der Stirnfläche der Düse sitzt.

► **Abb.28:** 1. Führung 2. Führungseinstellknopf
3. Spitze des Bohrereinsatzes
4. Stirnfläche der Düse

Einstellen der Bohrtiefen

Die Bohrtiefen können durch Ändern der Längen zwischen dem Tiefeneinstellknopf und dem Stützarm für die Düsenführung eingestellt werden. Halten Sie den Tiefeneinstellknopf gedrückt, und schieben Sie ihn in die gewünschte Position.

► **Abb.29:** 1. Tiefeneinstellknopf 2. Düsenführung
3. Stützarm für Düsenführung 4. Bohrtiefen

Ausklopfen des Filters

⚠ VORSICHT: Drehen Sie nicht das Einstellrad am Staubsammelbehälter, während der Staubsammelbehälter vom Staubabsaugsystem entfernt ist. Anderenfalls kann es zu Einatmen von Staub kommen.

⚠ VORSICHT: Schalten Sie stets das Werkzeug aus, wenn Sie das Einstellrad am Staubsammelbehälter drehen. Drehen des Einstellrads bei laufendem Werkzeug kann zum Verlust der Kontrolle über das Werkzeug führen.

Durch Ausklopfen des Filters im Staubsammelbehälter können Sie die Saugeffizienz aufrechterhalten und auch die Anzahl der Staubentleerungen verringern. Drehen Sie das Einstellrad am Staubsammelbehälter dreimal, nachdem sich jeweils 50.000 mm³ Staub angesammelt haben, oder wenn Sie das Gefühl haben, dass die Saugleistung nachgelassen hat.

HINWEIS: 50.000 mm³ Staub entsprechen dem Bohren von 10 Löchern von ø10 mm und 65 mm Tiefe.

► **Abb.30:** 1. Staubsammelbehälter 2. Einstellrad

Staubentsorgung

⚠ VORSICHT: Vergewissern Sie sich vor der Ausführung von Arbeiten am Werkzeug stets, dass das Werkzeug ausgeschaltet und der Akku abgenommen ist.

⚠ VORSICHT: Tragen Sie beim Entsorgen von Staub unbedingt eine Staubmaske.

⚠ VORSICHT: Vergewissern Sie sich, dass sich das Werkzeug bei der Beseitigung von Staub in vollständigem Stillstand befindet.

⚠ VORSICHT: Leeren Sie den Staubsammelbehälter regelmäßig, bevor er voll wird. Anderenfalls kann die Staubsammelleistung nachlassen, so dass es zu Einatmen von Staub kommt.

⚠ VORSICHT: Die Staubsammelleistung lässt nach, wenn der Filter im Staubsammelbehälter zugesetzt wird. Ersetzen Sie den Filter als Richtlinie nach etwa 200 Staubfüllungen durch einen neuen. Anderenfalls kann es zu Einatmen von Staub kommen.

1. Entfernen Sie den Staubsammelbehälter, während Sie den Hebel des Staubsammelbehälters nach unten drücken.

► **Abb.31:** 1. Hebel

2. Öffnen Sie die Abdeckung des Staubsammelbehälters.

► **Abb.32:** 1. Abdeckung

3. Entsorgen Sie den Staub, und reinigen Sie dann den Filter.

► **Abb.33**

ANMERKUNG: Klopfen Sie zum Reinigen des Filters sachte mit der Hand auf das Filtergehäuse, um Staub zu entfernen. Klopfen Sie nicht direkt auf den Filter, berühren Sie den Filter nicht mit einer Bürste oder dergleichen, und blasen Sie auch keine Druckluft auf den Filter. Dadurch kann der Filter beschädigt werden.

Austauschen des Filters des Staubsammelbehälters

1. Entfernen Sie den Staubsammelbehälter, während Sie den Hebel des Staubsammelbehälters nach unten drücken.

► **Abb.34:** 1. Hebel

2. Öffnen Sie die Filterabdeckung des Staubsammelbehälters.

► **Abb.35:** 1. Filterabdeckung

3. Entfernen Sie den Filter aus dem Filtergehäuse.

► **Abb.36:** 1. Filter 2. Filtergehäuse

4. Setzen Sie einen neuen Filter in das Filtergehäuse ein, und bringen Sie dann die Filterabdeckung an.

5. Schließen Sie die Abdeckung des Staubsammelbehälters, und bringen Sie ihn dann am Staubabsaugsystem an.

Austauschen der Dichtkappe

1. Führen Sie einen Flachklingen-Schraubendreher in eine der Rillen an den Seiten des Düsenkopfes ein. Kippen Sie den Flachklingen-Schraubendreher schräg, um den Würfelhaken der Dichtkappe zu quetschen und herauszudrücken. Ziehen Sie dann den Gummiring der Dichtkappe vom Rand der Düsenkopfföffnung ab.

► **Abb.37:** 1. Dichtkappe 2. Würfelhaken 3. Rille 4. Düsenkopf

2. Setzen Sie einen der Würfelhaken einer neuen Dichtkappe in den unteren Teil der Rille im Düsenkopf ein, wobei die vertiefte Fläche der Dichtkappe nach vorne zeigt.

► **Abb.38:** 1. Würfelhaken 2. Unterer Teil der Rille 3. Dichtkappe 4. Vertiefte Fläche

3. Setzen Sie den anderen Haken auf der gegenüberliegenden Seite ein, während Sie die Dichtkappe so positionieren, dass sie genau auf den Düsenkopf passt.

► **Abb.39:** 1. Dichtkappe 2. Würfelhaken 3. Unterer Teil der Rille 4. Düsenkopf 5. Ränder

4. Legen Sie den Gummiring der Dichtkappe vorsichtig von unten nach oben über den Rand der Düsenkopfföffnung.

► **Abb.40:** 1. Gummiring 2. Dichtkappe 3. Düsenkopf

BETRIEB

⚠ VORSICHT: Montieren Sie stets den Seitengriff (Zusatzgriff), und halten Sie das Werkzeug während der Arbeit mit beiden Händen am Seitengriff und Schaltergriff fest.

⚠ VORSICHT: Vergewissern Sie sich vor der Arbeit immer, dass das Werkstück gesichert ist.

⚠ VORSICHT: Ziehen Sie das Werkzeug selbst bei klemmendem Einsatz nicht gewaltsam heraus. Verlust der Kontrolle kann Verletzungen verursachen.

ANMERKUNG: Bevor Sie das Staubabsaugsystem mit dem Werkzeug verwenden, lesen Sie den Abschnitt über das Staubabsaugsystem.

HINWEIS: Wenn der Akku kalt ist, kann nicht die volle Leistungsfähigkeit des Werkzeugs erhalten werden. Erwärmen Sie in diesem Fall den Akku, indem Sie das Werkzeug eine Weile bei Nulllast laufen lassen, um die volle Leistungsfähigkeit des Werkzeugs zu erhalten.

► **Abb.41**

Hammerbohren

⚠ VORSICHT: Beim Durchbruch der Bohrung, bei Verstopfung der Bohrung mit Spänen und Partikeln, oder beim Auftreffen auf Betonstahl wirkt eine starke, plötzliche Drehkraft auf Werkzeug und Bohrereinsatz. **Montieren Sie stets den Seitengriff (Zusatze Griff), und halten Sie das Werkzeug während der Arbeit mit beiden Händen am Seitengriff und Schaltegriff fest.** Eine Missachtung dieser Vorsichtsmaßnahme kann den Verlust der Kontrolle über das Werkzeug und mögliche schwere Verletzungen zur Folge haben.

Stellen Sie den Betriebsart-Umschaltknopf auf die Position des Symbols .

Setzen Sie den Bohrereinsatz auf die gewünschte Bohrstelle, und drücken Sie dann den Auslöseschalter. Üben Sie die Vorschubkraft auf den Schaltegriff (Hauptgriff) aus, um genau und effizient zu arbeiten, und halten Sie den Seitengriff (Zusatze Griff) fest, um das Gleichgewicht des Werkzeugs zu halten. Halten Sie das Werkzeug in Position, und vermeiden Sie Abrutschen vom Loch.

Üben Sie keinen stärkeren Druck aus, wenn das Bohrloch mit Spänen oder Bohrmehl zugesetzt wird. Lassen Sie statt dessen das Werkzeug leer laufen, und ziehen Sie dann den Bohrereinsatz teilweise aus dem Bohrloch heraus. Durch mehrmaliges Wiederholen dieses Vorgangs wird das Bohrloch ausgeräumt, so dass der normale Bohrbetrieb fortgesetzt werden kann.

HINWEIS: Es kann zu einer Rundlaufabweichung in der Bohrereinsatzdrehung kommen, wenn das Werkzeug mit Nulllast betrieben wird. Während des Betriebs zentriert sich das Werkzeug automatisch. Dies hat keinen Einfluss auf die Bohrgenauigkeit.

Bohren in Holz oder Metall

⚠ VORSICHT: Halten Sie daher das Werkzeug mit festem Griff und lassen Sie Vorsicht walten, wenn der Bohrereinsatz im Begriff ist, aus dem Werkstück auszutreten. Beim Bohrungsdurchbruch wirkt ein hohes Rückdrehmoment auf Werkzeug und Bohrereinsatz.

⚠ VORSICHT: Ein festsitzender Bohrereinsatz lässt sich durch einfaches Umschalten der Drehrichtung wieder herausdrehen. Dabei sollten Sie aber das Werkzeug gut festhalten, damit es nicht ruckartig herausgestoßen wird.

⚠ VORSICHT: Spannen Sie Werkstücke stets in einen Schraubstock oder eine ähnliche Aufspannvorrichtung ein.

ANMERKUNG: Verwenden Sie keinesfalls die Betriebsart „Schlagbohren“, wenn das Bohrfutter am Werkzeug angebracht ist. Das Bohrfutter kann sonst beschädigt werden. Außerdem löst sich das Bohrfutter beim Umschalten der Drehrichtung.

ANMERKUNG: Übermäßige Druckausübung auf das Werkzeug bewirkt keine Beschleunigung der Bohrleistung. Im Gegenteil; übermäßiger Druck führt zu einer Beschädigung der Spitze des Bohrereinsatzes und damit zu einer Verringerung der Leistungsfähigkeit sowie zu einer Verkürzung der Lebensdauer des Werkzeugs.

Stellen Sie den Betriebsart-Umschaltknopf auf die Position des Symbols .

Bringen Sie den Futteradapter an einem schlüsselloosen Bohrfutter an, an dem eine Schraube der Größe 1/2"-20 montiert werden kann, und montieren Sie dann die Teile am Werkzeug. Nehmen Sie zur Montage auf den Abschnitt „Montage und Demontage des Bohrereinsatzes“ Bezug.

► **Abb.42:** 1. Bohrfuttereinheit 2. Futteradapter

Ausblaspipette

Sonderzubehör

Blasen Sie den Staub nach dem Bohren des Lochs mit einer Ausblaspipette aus dem Loch.

► **Abb.43**

Verwendung des Staubfangtellersatzes

Sonderzubehör

Halten Sie den Staubfangtellersatz beim Betreiben des Werkzeugs gegen die Decke.

► **Abb.44**

ANMERKUNG: Benutzen Sie den Staubfangtellersatz nicht, wenn Sie in Metall oder ähnlichem Material bohren. Der Staubfangtellersatz kann sonst durch die von feinem Metallstaub o. Ä. erzeugten Wärme beschädigt werden.

ANMERKUNG: Unterlassen Sie das Montieren oder Demontieren des Staubfangtellersatzes, wenn der Bohrereinsatz im Werkzeug montiert ist. Sonst kann der Staubfangtellersatz beschädigt und ein Staubleck verursacht werden.

WARTUNG

⚠ VORSICHT: Vergewissern Sie sich vor der Durchführung von Inspektions- oder Wartungsarbeiten stets, dass das Werkzeug ausgeschaltet und der Akku abgenommen ist.

ANMERKUNG: Verwenden Sie auf keinen Fall Benzin, Waschbenzin, Verdünner, Alkohol oder dergleichen. Solche Mittel können Verfärbung, Verformung oder Rissbildung verursachen.

Um die SICHERHEIT und ZUVERLÄSSIGKEIT dieses Produkts zu gewährleisten, sollten Reparaturen und andere Wartungs- oder Einstellarbeiten nur von Makita-Vertragswerkstätten oder Makita-Kundendienstzentren unter ausschließlicher Verwendung von Makita-Originalersatzteilen ausgeführt werden.

SONDERZUBEHÖR

⚠ VORSICHT: Die folgenden Zubehörteile oder Vorrichtungen werden für den Einsatz mit dem in dieser Anleitung beschriebenen Makita-Werkzeug empfohlen. Die Verwendung anderer Zubehörteile oder Vorrichtungen kann eine Verletzungsgefahr darstellen. Verwenden Sie Zubehörteile oder Vorrichtungen nur für ihren vorgesehenen Zweck.

Wenn Sie weitere Einzelheiten bezüglich dieser Zubehörteile benötigen, wenden Sie sich bitte an Ihre Makita-Kundendienststelle.

- Bohrereinsätze mit Hartmetallschneide (SDS-plus-Einsätze mit Hartmetallschneide)
- Futteradapter
- Schlüsselloses Bohrfutter
- Bohrerfett
- Tiefenanschlag
- Ausblaspipette
- Staubfangteller
- Staubfangtellersatz
- Staubabsaugsystem
- Werkzeugaufhänger
- Original-Makita-Akku und -Ladegerät

HINWEIS: Manche Teile in der Liste können als Standardzubehör im Werkzeugsatz enthalten sein. Sie können von Land zu Land unterschiedlich sein.

DATI TECNICI

Modello:		DHR183
Capacità di perforazione	Cemento	18 mm
	Acciaio	13 mm
	Legno	24 mm
Velocità a vuoto		0 - 1.100 min ⁻¹
Colpi al minuto		0 - 5.000 min ⁻¹
Lunghezza complessiva (con BL1860B)		288 mm
Tensione nominale		18 V C.C.
Peso netto		2,1 - 2,9 kg

Accessorio opzionale

Modello:		DX16
Prestazioni di aspirazione		0,24 m ³ /min
Corsa operativa		Fino a 105 mm
Punta per trapano idonea		Fino a 165 mm
Peso netto		0,77 kg

- A causa del nostro programma continuativo di ricerca e sviluppo, i dati tecnici sono soggetti a modifiche senza preavviso.
- I dati tecnici possono variare da nazione a nazione.
- Il peso può variare a seconda dell'accessorio o degli accessori, inclusa la cartuccia della batteria. La combinazione più leggera e quella più pesante, secondo la procedura EPTA 01/2014, sono indicate nella tabella.

Cartuccia della batteria e caricabatterie applicabili

Cartuccia della batteria	BL1815N / BL1820B / BL1830B / BL1840B / BL1850B / BL1860B
Caricabatterie	DC18RC / DC18RD / DC18RE / DC18SD / DC18SE / DC18SF / DC18SH / DC18WC

- Alcune cartucce delle batterie e alcuni caricabatterie elencati sopra potrebbero non essere disponibili a seconda della propria area geografica di residenza.

⚠ AVVERTIMENTO: Utilizzare solo le cartucce delle batterie e i caricabatterie elencati sopra. L'utilizzo di altre cartucce delle batterie e di altri caricabatterie potrebbe causare lesioni personali e/o un incendio.

Fonte di alimentazione collegata via cavo consigliata

Gruppo di alimentazione portatile	PDC01
-----------------------------------	-------

- La fonte o le fonti di alimentazione collegate via cavo elencate sopra potrebbero non essere disponibili, a seconda della propria area geografica di residenza.
- Prima di utilizzare la fonte di alimentazione collegata via cavo, leggere le istruzioni e le indicazioni delle avvertenze riportate su quest'ultima.

Uso previsto

Questo utensile è destinato alla foratura a percussione e normale di mattoni, calcestruzzo e pietra. L'utensile è anche adatto alla foratura senza impulsi di legno, metallo, ceramica e plastica.

Rumore

Livello tipico di rumore pesato A determinato in base allo standard EN62841-2-6:

Modello DHR183

Livello di pressione sonora (L_{pA}) : 93 dB (A)
 Livello di potenza sonora (L_{WA}) : 101 dB (A)
 Incertezza (K): 3 dB (A)

Modello DHR183 con DX16

Livello di pressione sonora (L_{pA}) : 93 dB (A)
 Livello di potenza sonora (L_{WA}) : 101 dB (A)
 Incertezza (K): 3 dB (A)

NOTA: Il valore o i valori dichiarati delle emissioni di rumori sono stati misurati in conformità a un metodo standard di verifica, e possono essere utilizzati per confrontare un utensile con un altro.

NOTA: Il valore o i valori dichiarati delle emissioni di rumori possono venire utilizzati anche per una valutazione preliminare dell'esposizione.

⚠AVVERTIMENTO: Indossare protezioni per le orecchie.

⚠AVVERTIMENTO: L'emissione di rumori durante l'utilizzo effettivo dell'utensile elettrico può variare rispetto al valore o ai valori dichiarati, a seconda dei modi in cui viene utilizzato l'utensile e specialmente a seconda di che tipo di pezzo venga lavorato.

⚠AVVERTIMENTO: Accertarsi di identificare misure di sicurezza per la protezione dell'operatore che siano basate su una stima dell'esposizione nelle condizioni effettive di utilizzo (tenendo conto di tutte le parti del ciclo operativo, ad esempio del numero di spegnimenti dell'utensile e di quando giri a vuoto, oltre al tempo di attivazione).

Vibrazioni

La tabella seguente mostra il valore complessivo delle vibrazioni (somma vettoriale triassiale) determinato in base allo standard applicabile.

Modalità operativa	Emissione di vibrazioni	Incertezza (K)	Standard applicabile / condizioni del test
Foratura a percussione del calcestruzzo ($a_{h, HD}$)	7,5 m/s ²	1,5 m/s ²	EN62841-2-6
Foratura a percussione del calcestruzzo con DX16 ($a_{h, HD}$)	7,6 m/s ²	1,7 m/s ²	EN62841-2-6

NOTA: Il valore o i valori complessivi delle vibrazioni dichiarati sono stati misurati in conformità a un metodo standard di verifica, e possono essere utilizzati per confrontare un utensile con un altro.

NOTA: Il valore o i valori complessivi delle vibrazioni dichiarati possono venire utilizzati anche per una valutazione preliminare dell'esposizione.

⚠AVVERTIMENTO: L'emissione delle vibrazioni durante l'utilizzo effettivo dell'utensile elettrico può variare rispetto al valore o ai valori dichiarati, a seconda dei modi in cui viene utilizzato l'utensile, specialmente a seconda di che tipo di pezzo venga lavorato.

⚠AVVERTIMENTO: Accertarsi di identificare misure di sicurezza per la protezione dell'operatore che siano basate su una stima dell'esposizione nelle condizioni effettive di utilizzo (tenendo conto di tutte le parti del ciclo operativo, ad esempio del numero di spegnimenti dell'utensile e di quando giri a vuoto, oltre al tempo di attivazione).

Dichiarazioni di conformità

Solo per i paesi europei

Le Dichiarazioni di conformità sono incluse nell'Allegato A al presente manuale d'uso.

AVVERTENZE DI SICUREZZA

Avvertenze generali relative alla sicurezza dell'utensile elettrico

⚠AVVERTIMENTO Leggere tutte le avvertenze di sicurezza, le istruzioni, le illustrazioni e i dati tecnici forniti insieme a questo utensile elettrico. La mancata osservanza di tutte le istruzioni seguenti potrebbe risultare in scosse elettriche, incendi e/o gravi lesioni personali.

Conservare tutte le avvertenze e le istruzioni come riferimento futuro.

Il termine "utensile elettrico" nelle avvertenze si riferisce sia all'utensile elettrico (cablato) nel funzionamento alimentato da rete elettrica che all'utensile elettrico (a batteria) nel funzionamento alimentato a batteria.

AVVERTENZE PER LA SICUREZZA DEL MARTELLO ROTATIVO A BATTERIA

Istruzioni di sicurezza relative a tutte le operazioni

- 1. Indossare protezioni per le orecchie.**
L'esposizione al rumore può causare la perdita dell'udito.
- 2. Utilizzare la maniglia o le maniglie ausiliarie, se in dotazione con l'utensile.** La perdita di controllo può causare lesioni personali.
- 3. Mantenere l'utensile elettrico mediante le superfici di impugnatura isolate, quando si intende eseguire un'operazione in cui l'accessorio da taglio potrebbe entrare in contatto con fili elettrici nascosti.** Qualora l'accessorio da taglio entri in contatto con un cavo sotto tensione,

potrebbe mettere sotto tensione le parti metalliche esposte dell'utensile elettrico e trasmettere una scossa elettrica all'operatore.

Istruzioni di sicurezza quando si utilizzano punte per trapano lunghe con martelli rotativi

1. **Iniziare sempre a perforare a bassa velocità e con l'estremità della punta in contatto con il pezzo in lavorazione.** Alle velocità più elevate, è probabile che la punta si pieghi, qualora la si lasci ruotare liberamente senza entrare in contatto con il pezzo in lavorazione, il che potrebbe risultare in lesioni personali.
2. **Applicare pressione solo allineandosi senza inclinazioni con la punta, e non applicare pressione eccessiva.** Le punte possono piegarsi, causando rotture o perdita di controllo e risultando in lesioni personali.

Avvertenze aggiuntive per la sicurezza

1. **Indossare un casco (elmetto di protezione), occhiali di sicurezza e/o una visiera.** I normali occhiali da vista o da sole **NON** sono occhiali di sicurezza. Inoltre, si consiglia caldamente di indossare una mascherina antipolvere e guanti dall'imbottitura spessa.
2. **Accertarsi che la punta sia fissata saldamente in sede prima dell'utilizzo.**
3. **Nell'utilizzo normale, l'utensile è progettato per produrre vibrazioni.** Le viti potrebbero allentarsi facilmente, causando un guasto o un incidente. Controllare con cura che le viti siano serrate prima dell'uso.
4. **In condizioni di bassa temperatura o quando l'utensile non è stato utilizzato per un periodo di tempo prolungato, lasciar riscaldare l'utensile per un po' di tempo facendolo funzionare a vuoto.** Questa operazione ammorbidisce il lubrificante. Senza un appropriato riscaldamento, l'operazione di percussione risulta difficile.
5. **Accertarsi sempre di appoggiare i piedi saldamente.** Quando si intende utilizzare l'utensile in ubicazioni elevate, accertarsi sempre che non sia presente alcuna persona sotto.
6. **Tenere l'utensile saldamente con entrambe le mani.**
7. **Tenere le mani lontane dalle parti mobili.**
8. **Non lasciare l'utensile mentre sta funzionando.** Far funzionare l'utensile solo mentre lo si tiene in mano.
9. **Non puntare l'utensile verso alcuna persona nelle vicinanze durante l'uso.** La punta potrebbe volare via e causare gravi lesioni personali.
10. **Non toccare la punta, le parti vicine alla punta o il pezzo in lavorazione, subito dopo l'uso;** potrebbero essere estremamente caldi e causare ustioni sulla pelle.
11. **Alcuni materiali contengono sostanze chimiche che potrebbero essere tossiche.** Fare attenzione a evitare l'inalazione della polvere e il contatto con la pelle. Attenersi ai dati relativi alla sicurezza del fornitore del materiale.
12. **Prima di consegnare l'utensile ad altre persone, accertarsi sempre che l'utensile sia**

spento e che la cartuccia della batteria e la punta siano state rimosse.

13. **Prima dell'uso, accertarsi che non siano presenti oggetti interrati quali canaline elettriche, tubi dell'acqua o tubi del gas nell'area di lavoro.** In caso contrario, la punta per trapano/scalpello potrebbe toccarli, causando scosse elettriche, dispersioni elettriche o fughe di gas.
14. **Non far funzionare l'utensile a vuoto inutilmente.**

CONSERVARE LE PRESENTI ISTRUZIONI.

⚠AVVERTIMENTO: NON lasciare che la comodità o la familiarità d'uso con il prodotto (acquisita con l'uso ripetuto) sostituiscano la stretta osservanza delle norme di sicurezza. L'USO IMPROPRIO o la mancata osservanza delle norme di sicurezza riportate nel presente manuale manuale di istruzioni potrebbero causare lesioni personali gravi.

Istruzioni di sicurezza importanti per la cartuccia della batteria

1. **Prima di utilizzare la cartuccia della batteria, leggere tutte le istruzioni e le avvertenze riportate (1) sul caricabatteria, (2) sulla batteria e (3) sul prodotto che utilizza la batteria.**
2. **Non smantellare né manomettere la cartuccia della batteria.** In caso contrario, si potrebbe causare un incendio, calore eccessivo o un'esplosione.
3. **Qualora il tempo di utilizzo si riduca eccessivamente, interrompere immediatamente l'utilizzo dell'utensile.** In caso contrario, si può incorrere nel rischio di surriscaldamento, possibili ustioni e persino un'esplosione.
4. **Qualora l'elettrolita entri in contatto con gli occhi, sciacquarli con acqua pulita e richiedere immediatamente assistenza medica.** Questa eventualità può risultare nella perdita della vista.
5. **Non cortocircuitare la cartuccia della batteria:**
 - (1) **Non toccare i terminali con alcun materiale conduttivo.**
 - (2) **Evitare di conservare la cartuccia della batteria in un contenitore insieme ad altri oggetti metallici quali chiodi, monete, e così via.**
 - (3) **Non esporre la cartuccia della batteria all'acqua o alla pioggia.****Un cortocircuito della batteria può causare un grande flusso di corrente, un surriscaldamento, possibili ustioni e persino un guasto.**
6. **Non conservare e utilizzare l'utensile e la cartuccia della batteria in ubicazioni in cui la temperatura possa raggiungere o superare i 50°C.**
7. **Non incenerire la cartuccia della batteria anche qualora sia gravemente danneggiata o completamente esaurita.** La cartuccia della batteria può esplodere se a contatto con il fuoco.

8. **Non inchiodare, tagliare, schiacciare, lanciare o far cadere la cartuccia della batteria, né farla urtare con forza contro un oggetto duro.** Questi comportamenti potrebbero risultare in un incendio, calore eccessivo o un'esplosione.
9. **Non utilizzare una batteria danneggiata.**
10. **Le batterie a ioni di litio contenute sono soggette ai requisiti del regolamento sul trasporto di merci pericolose (Dangerous Goods Legislation).**
Per trasporti commerciali, ad esempio da parte di terzi o spedizionieri, è necessario osservare dei requisiti speciali sull'imballaggio e sull'etichetta. Per la preparazione dell'articolo da spedire, è richiesta la consulenza di un esperto in materiali pericolosi. Attenersi anche alle normative nazionali, che potrebbero essere più dettagliate. Nastrare o coprire i contatti aperti e imballare la batteria in modo tale che non si possa muovere liberamente all'interno dell'imballaggio.
11. **Quando si intende smaltire la cartuccia della batteria, rimuoverla dall'utensile e smaltirla in un luogo sicuro. Attenersi alle normative locali relative allo smaltimento della batteria.**
12. **Utilizzare le batterie esclusivamente con i prodotti specificati da Makita.** L'installazione delle batterie in prodotti non compatibili potrebbe risultare in incendi, calore eccessivo, esplosioni o perdite di liquido elettrolitico.
13. **Se l'utensile non viene utilizzato per un periodo di tempo prolungato, la batteria deve essere rimossa dall'utensile.**
14. **Durante e dopo l'uso, la cartuccia della batteria potrebbe assorbire calore, che può causare ustioni o ustioni a bassa temperatura. Fare attenzione a come si maneggiano le cartucce delle batterie estremamente calde.**
15. **Non toccare i terminali dell'utensile subito dopo l'uso, in quanto potrebbero diventare estremamente caldi al punto da causare ustioni.**
16. **Evitare di far incastrare schegge, polveri o terreno nei terminali, nei fori e nelle scanalature della cartuccia della batteria.** In caso contrario, l'utensile o la cartuccia della batteria potrebbero riscaldarsi, prendere fuoco, scoppiare o guastarsi, causando ustioni o lesioni personali.
17. **A meno che l'utensile supporti l'uso in prossimità di linee elettriche ad alta tensione, non utilizzare la cartuccia della batteria in prossimità di linee elettriche ad alta tensione.** In caso contrario, si potrebbe causare un malfunzionamento o la rottura dell'utensile o della cartuccia della batteria.
18. **Tenere la batteria lontana dai bambini.**

CONSERVARE LE PRESENTI ISTRUZIONI.

⚠ATTENZIONE: Utilizzare solo batterie originali Makita. L'utilizzo di batterie Makita non originali, o di batterie che siano state alterate, potrebbe risultare nello scoppio della batteria, causando incendi, lesioni personali e danni. Inoltre, ciò potrebbe invalidare la garanzia Makita per l'utensile e il caricabatterie Makita.

Suggerimenti per preservare la durata massima della batteria

1. **Caricare la cartuccia della batteria prima che si scarichi completamente. Smettere sempre di utilizzare l'utensile e caricare la cartuccia della batteria quando si nota che la potenza dell'utensile è diminuita.**
2. **Non ricaricare mai una cartuccia della batteria completamente carica. La sovraccarica riduce la vita utile della batteria.**
3. **Caricare la cartuccia della batteria a una temperatura ambiente compresa tra 10 °C e 40 °C. Lasciar raffreddare una cartuccia della batteria prima di caricarla.**
4. **Quando non si utilizza la cartuccia della batteria, rimuoverla dall'utensile o dal caricabatterie.**
5. **Caricare la cartuccia della batteria se non la si è utilizzata per un periodo di tempo prolungato (più di sei mesi).**

DESCRIZIONE DELLE FUNZIONI

⚠ATTENZIONE: Accertarsi sempre che l'utensile sia spento e che la cartuccia della batteria sia stata rimossa prima di regolare o di controllare il funzionamento dell'utensile.

Installazione o rimozione della cartuccia della batteria

⚠ATTENZIONE: Spegnerne sempre l'utensile prima di installare o rimuovere la cartuccia della batteria.

⚠ATTENZIONE: Mantenere saldamente lo strumento e la batteria quando si intende installare o rimuovere la cartuccia della batteria. Qualora non si mantengano saldamente lo strumento e la cartuccia della batteria, questi ultimi potrebbero scivolare dalle mani, con la possibilità di causare un danneggiamento dello strumento e della cartuccia della batteria, nonché una lesione personale.

Per installare la cartuccia della batteria, allineare la linguetta sulla cartuccia della batteria con la scanalatura nell'alloggiamento e farla scivolare in sede. Inserirla completamente fino al suo blocco in sede con un leggero scatto. Se è possibile vedere l'indicatore rosso, come indicato nella figura, non è bloccata completamente.

Per rimuovere la cartuccia della batteria, farla scorrere via dall'utensile mentre si fa scorrere allo stesso tempo il pulsante sulla parte anteriore della cartuccia.

► **Fig.1:** 1. Indicatore rosso 2. Pulsante 3. Cartuccia della batteria

⚠ATTENZIONE: Installare sempre fino in fondo la cartuccia della batteria, fino a quando l'indicatore rosso non è più visibile. In caso contrario, la batteria potrebbe cadere accidentalmente dall'utensile, causando lesioni personali all'operatore o a chi gli è vicino.

⚠ATTENZIONE: Non installare forzatamente la cartuccia della batteria. Qualora la batteria non si inserisca scorrendo agevolmente, vuol dire che non viene inserita correttamente.

Indicazione della carica residua della batteria

Solo per cartucce delle batterie dotate di indicatore

Premere il pulsante di controllo sulla cartuccia della batteria per indicare la carica residua della batteria. Gli indicatori luminosi si illuminano per alcuni secondi.

► **Fig.2:** 1. Indicatori luminosi 2. Pulsante di controllo

Indicatori luminosi			Carica residua
■ Illuminato	□ Spento	▬ Lampeggiante	
■ ■ ■ ■			Dal 75% al 100%
■ ■ ■ □			Dal 50% al 75%
■ ■ □ □			Dal 25% al 50%
■ □ □ □			Dallo 0% al 25%
▬ □ □ □			Caricare la batteria.
■ ■ □ □ ↑ ↓	□ □ ■ ■		La batteria potrebbe essersi guastata.

NOTA: A seconda delle condizioni d'uso e della temperatura ambiente, l'indicazione potrebbe variare leggermente rispetto alla carica effettiva.

NOTA: Il primo indicatore luminoso (all'estremità sinistra) lampeggia quando il sistema di protezione della batteria è in funzione.

Sistema di protezione strumento/batteria

L'utensile è dotato di un sistema di protezione dell'utensile stesso e della batteria. Tale sistema interrompe automaticamente l'alimentazione al motore per prolungare la vita utile dell'utensile e della batteria. L'utensile si arresta automaticamente durante il funzionamento, qualora l'utensile o la batteria vengano a trovarsi in una

delle condizioni seguenti:

Protezione dal sovraccarico

Quando la batteria viene utilizzata in modo tale da causare un assorbimento di corrente elevato in modo anomalo, l'utensile si arresta automaticamente senza alcuna indicazione. In questa situazione, spegnere l'utensile e interrompere l'applicazione che ha fatto sovraccaricare l'utensile. Quindi, accendere l'utensile per ricominciare.

Protezione dal surriscaldamento

Quando l'utensile o la batteria sono surriscaldati, l'utensile si arresta automaticamente. In questo caso, lasciar raffreddare l'utensile e la batteria prima di riaccendere l'utensile.

NOTA: Quando l'utensile è surriscaldato, l'indicatore luminoso lampeggia.

Protezione dalla sovrascarica

Quando la carica della batteria non è sufficiente, l'utensile si arresta automaticamente. In tal caso, rimuovere la batteria dall'utensile e caricarla.

Protezione da altre cause

Il sistema di protezione è progettato anche per altre cause che potrebbero danneggiare l'utensile, e consente all'utensile di arrestarsi automaticamente. Adottare tutte le misure seguenti per rimuovere le cause, quando l'utensile è stato portato a un'interruzione temporanea o a un arresto del funzionamento.

1. Accertarsi che tutti gli interruttori siano nella posizione di spegnimento, quindi riaccendere l'utensile per ricominciare.
2. Caricare la batteria o le batterie, o sostituirla/sostituirele con una batteria o delle batterie ricaricate.
3. Lasciar raffreddare l'utensile e la batteria o le batterie.

Qualora non si riscontrino alcun miglioramento ripristinando il sistema di protezione, contattare il proprio centro di assistenza locale Makita.

Funzionamento dell'interruttore

⚠AVVERTIMENTO: Prima di inserire la cartuccia della batteria nell'utensile, controllare sempre che l'interruttore a grilletto funzioni correttamente e torni sulla posizione "OFF" quando viene rilasciato.

Per avviare l'utensile, è sufficiente premere l'interruttore a grilletto. La velocità dell'utensile viene aumentata incrementando la pressione sull'interruttore a grilletto. Rilasciare l'interruttore a grilletto per arrestare l'utensile.

► **Fig.3:** 1. Interruttore a grilletto

Accensione della lampada anteriore

⚠ATTENZIONE: Non osservare né guardare direttamente la fonte di luce.

Premere l'interruttore a grilletto per accendere la

lampada. La lampada resta accesa fintanto che l'interruttore a grilletto è premuto. La lampada si spegne circa 10 secondi dopo che si è rilasciato l'interruttore a grilletto.

► **Fig.4:** 1. Lampadina

NOTA: Per pulire la sporcizia dalla lente della lampada, utilizzare un panno asciutto. Fare attenzione a non graffiare la lente della lampada, altrimenti si potrebbe ridurre l'illuminazione.

NOTA: Quando l'utensile è surriscaldato, la lampada lampeggia. In questo caso, rilasciare l'interruttore a grilletto, quindi far raffreddare l'utensile o la batteria, prima di riprendere l'utilizzo.

NOTA: Non è possibile utilizzare la lampadina anteriore mentre sull'utensile è installato il sistema di raccolta polveri (accessorio opzionale).

Uso del commutatore di inversione della rotazione

⚠ATTENZIONE: Controllare sempre la direzione di rotazione prima dell'uso.

⚠ATTENZIONE: Utilizzare il commutatore di inversione della rotazione solo dopo l'arresto completo dell'utensile. Qualora si cambi la direzione di rotazione prima dell'arresto dell'utensile, si potrebbe danneggiare quest'ultimo.

⚠ATTENZIONE: Quando l'utensile non è in uso, impostare sempre la leva del commutatore di inversione della rotazione sulla posizione centrale.

Questo utensile è dotato di un commutatore di inversione della rotazione, per cambiare la direzione di rotazione. Premere la leva del commutatore di inversione della rotazione dal lato A per la rotazione in senso orario, o dal lato B per la rotazione in senso antiorario. Quando la leva del commutatore di inversione della rotazione si trova sulla posizione centrale, non è possibile premere l'interruttore a grilletto.


► **Fig.5:** 1. Leva del commutatore di inversione della rotazione

Selezione della modalità operativa

AVVISO: Non ruotare la manopola di modifica della modalità operativa mentre l'utensile è in funzione. In caso contrario, l'utensile viene danneggiato.


AVVISO: Per evitare una rapida usura del meccanismo di modifica della modalità, accertarsi che la manopola di modifica della modalità operativa sia sempre posizionata con precisione in una delle posizioni delle modalità operative.

Rotazione con percussione

Per forare calcestruzzo, muratura, e così via, ruotare la manopola di modifica della modalità operativa sul simbolo . Utilizzare una punta per trapano rivestita in carburo.

► **Fig.6:** 1. Manopola di modifica della modalità operativa

Solo rotazione

Per forare legno, metallo o materiali in plastica, ruotare la manopola di modifica della modalità operativa sul simbolo . Utilizzare una punta per trapano elicoidale o una punta per trapano per legno.

► **Fig.7:** 1. Manopola di modifica della modalità operativa

Funzione elettronica

L'utensile è dotato di funzioni elettroniche, per un facile utilizzo.

- Freno elettrico
Questo utensile è dotato di un freno elettrico. Qualora l'utensile non riesca ripetutamente a cessare di funzionare rapidamente dopo il rilascio dell'interruttore a grilletto, far sottoporre a riparazione l'utensile presso un centro di assistenza Makita.
- Controllo costante della velocità
La funzione di controllo della velocità fornisce una velocità di rotazione costante, indipendentemente dalle condizioni di carico.

MONTAGGIO

⚠ATTENZIONE: Accertarsi sempre che l'utensile sia spento e che la cartuccia della batteria sia stata rimossa, prima di effettuare qualsiasi intervento sull'utensile.

Impugnatura laterale (maniglia ausiliaria)

⚠ATTENZIONE: Utilizzare sempre l'impugnatura laterale per garantire un funzionamento in sicurezza.

⚠ATTENZIONE: Dopo aver installato o regolato l'impugnatura laterale, accertarsi che quest'ultima sia fissata saldamente, con le sporgenze sull'utensile innestate completamente nelle scanalature sull'impugnatura laterale.

Per installare l'impugnatura laterale, attenersi alla procedura seguente.

1. Allentare la vite ad alette sull'impugnatura laterale.

► **Fig.8:** 1. Vite ad alette

2. Installare l'impugnatura laterale in modo che le scanalature sull'impugnatura si inseriscano nelle sporgenze presenti sull'utensile mentre si tiene premuta la vite ad alette.

► **Fig.9:** 1. Vite ad alette

3. Stringere la vite ad alette per fissare l'impugnatura. È possibile fissare l'impugnatura all'angolazione desiderata.

Per rimuovere l'impugnatura laterale, allentare la vite ad alette sull'impugnatura laterale. Rimuovere l'impugnatura laterale dall'utensile.

Installazione o rimozione della punta per trapano

Grasso

Pulire l'estremità con il gambo della punta e applicare il grasso prima di installare la punta.

Ricoprire anticipatamente l'estremità con il gambo della punta con una piccola quantità di grasso (circa 0,5 - 1 g). Questa lubrificazione del mandrino assicura un azionamento fluido e ne prolunga la vita utile.

► **Fig.10:** 1. Estremità con il gambo 2. Grasso

Inserire la punta per trapano nell'utensile. Ruotare la punta per trapano e premerla verso l'interno fino a quando si innesta.

Dopo aver installato la punta per trapano, accertarsi sempre che quest'ultima sia fissata saldamente in sede provando a tirarla fuori.

► **Fig.11:** 1. Punta per trapano

Per rimuovere la punta per trapano, spingere verso il basso fino in fondo la copertura del mandrino ed estrarre la punta per trapano.

► **Fig.12:** 1. Punta per trapano 2. Copertura del mandrino

Calibro di profondità

Il calibro di profondità è comodo per praticare fori di profondità uniforme.

Premere e tenere premuto il pulsante di blocco, quindi inserire il calibro di profondità nel foro. Accertarsi che il lato dentato del calibro di profondità sia rivolto nella direzione indicata dal simbolo.

► **Fig.13:** 1. Calibro di profondità 2. Pulsante di blocco 3. Simbolo 4. Lato dentato

Regolare il calibro di profondità spostandolo avanti e indietro mentre si tiene premuto il pulsante di blocco. Dopo la regolazione, rilasciare il pulsante di blocco per bloccare il calibro di profondità.

NOTA: Accertarsi che il calibro di profondità non tocchi il corpo principale dell'utensile quando lo si monta.

Coppa raccogli polvere

Accessorio opzionale

Utilizzare la coppa raccogli polvere per evitare che la polvere cada sull'utensile e sull'operatore quando si effettuano operazioni di perforazione al di sopra della testa. Montare la coppa raccogli polvere sulla punta come indicato nella figura. Le dimensioni delle punte su cui è possibile montare la coppa raccogli polvere sono le seguenti.

Modello	Diametro della punta
Coppa raccogli polvere 5	Da 6 mm a 14,5 mm
Coppa raccogli polvere 9	Da 12 mm a 16 mm

► **Fig.14:** 1. Coppa raccogli polvere

Kit coppa raccogli polvere

Accessorio opzionale

Installazione del kit coppa raccogli polvere

AVVISO: Non utilizzare il kit coppa raccogli polvere quando si intende perforare metallo o materiali simili. In caso contrario, si potrebbe danneggiare il kit coppa raccogli polvere a causa del calore prodotto dalle piccole particelle di metallo o materiali simili. Non installare o rimuovere il kit coppa raccogli polvere quando nell'utensile è installata la punta per trapano. In caso contrario, si potrebbe danneggiare il kit coppa raccogli polvere e causare fuoriuscite di polvere.

Prima di installare il kit coppa raccogli polvere, rimuovere la punta per trapano dall'utensile, se è installata.

1. Allentare la vite ad alette sull'impugnatura laterale.
2. Installare il kit coppa raccogli polvere in modo che i denti della coppa raccogli polvere si inseriscano nelle fessure presenti sull'impugnatura laterale.

► **Fig.15:** 1. Kit coppa raccogli polvere 2. Impugnatura laterale

3. Installare l'impugnatura laterale in modo che la scanalatura sull'impugnatura si inserisca nella sporgenza presente sull'utensile. Serrare la vite ad alette per fissare l'impugnatura laterale.

► **Fig.16:** 1. Impugnatura laterale 2. Scanalatura 3. Sporgenza

NOTA: Se si intende collegare un aspirapolvere al kit coppa antipolvere, rimuovere il tappo della polvere prima del collegamento all'aspirapolvere.

► **Fig.17:** 1. Tappo della polvere

Rimozione della punta per trapano

Per rimuovere la punta per trapano, tirare giù fino in fondo la copertura del mandrino ed estrarre la punta per trapano.

► **Fig.18:** 1. Punta per trapano 2. Copertura del mandrino

Rimozione del kit coppa raccogli polvere

Per rimuovere il kit coppa raccogli polvere, attenersi alla procedura seguente.

1. Allentare la vite ad alette sull'impugnatura laterale. Rimuovere l'impugnatura laterale dall'utensile.

► **Fig.19:** 1. Vite ad alette

2. Afferrare la base della coppa raccogli polvere e tirarla verso l'esterno.

NOTA: Qualora risulti difficile rimuovere il kit coppa raccogli polvere, rimuovere i denti della coppa raccogli polvere uno alla volta, facendo oscillare e tirando la base della coppa raccogli polvere.

► **Fig.20:** 1. Coppa raccogli polvere

NOTA: Qualora il cappuccio si stacchi dal kit coppa antipolvere, riapplicarlo nella posizione originale.

Per rimettere il cappuccio nella posizione originale, attenersi alla procedura seguente.

1. Ruotare il soffietto in senso antiorario e rimuoverlo dall'unità di montaggio del kit coppa raccogli-polvere mentre il soffietto è sbloccato.

► **Fig.21:** 1. Soffietto 2. Unità di montaggio

2. Rimettere in sede il tappo con il lato con le scritte rivolto verso l'alto.

► **Fig.22:** 1. Cappuccio 2. Unità di montaggio

3. Accertarsi che le scanalature intorno al cappuccio si inseriscano bene nei bordi dell'apertura superiore dell'unità di montaggio.

Staffa dell'utensile

Accessorio opzionale

⚠ATTENZIONE: Non utilizzare una staffa dell'utensile e una vite danneggiate. Prima dell'uso, verificare sempre l'eventuale presenza di danni, spaccature o deformazioni, e accertarsi che la vite sia serrata.

⚠ATTENZIONE: Installare o rimuovere la staffa dell'utensile su un tavolo o una superficie stabile. Accertarsi di utilizzare esclusivamente la vite fornita in dotazione insieme alla staffa dell'utensile. Dopo l'installazione della staffa dell'utensile, accertarsi che quest'ultima sia fissata saldamente con la vite.

⚠ATTENZIONE: Non rimuovere la cartuccia della batteria mentre si appende l'utensile. L'utensile potrebbe cadere, qualora la vite non sia serrata.

La staffa dell'utensile è destinata al collegamento del cordino (cinghia di sicurezza).

Prima di installare la staffa dell'utensile, rimuovere il tappo di gomma dai fori per le viti nella staffa di montaggio. Inserire il dado quadrato sotto la staffa. Serrare in sede la staffa dell'utensile con la vite.

► **Fig.23:** 1. Tappo di gomma 2. Staffa di montaggio 3. Dado quadrato 4. Staffa dell'utensile 5. Vite

Avvertenze di sicurezza relative al collegamento di un cordino (cinghia di sicurezza) alla staffa dell'utensile

⚠Avvertenze di sicurezza specifiche per l'utilizzo in altezza

Leggere tutte le avvertenze di sicurezza e le istruzioni. La mancata osservanza delle avvertenze e delle istruzioni potrebbe risultare in gravi lesioni personali.

1. **Tenere sempre l'utensile legato con un cordino quando si lavora "in altezza".** La lunghezza massima del cordino è di 2 m. L'altezza di caduta massima consentita per il cordino (cinghia di sicurezza) non deve superare i 2 m.
2. **Utilizzare solo cordini appropriati per questo**

tipo di utensile e omologati per almeno 6,0 kg.

3. **Non ancorare il cordino dell'utensile ad alcunché sul proprio corpo o su componenti mobili. Ancorare il cordino dell'utensile a una struttura rigida in grado di sopportare le forze di un utensile caduto.**
 4. **Accertarsi che il cordino sia fissato correttamente a ciascuna estremità prima dell'uso.**
 5. **Ispezionare l'utensile e il cordino prima di ciascun utilizzo alla ricerca di eventuali danni e per verificarne il funzionamento corretto (incluso il tessuto e le cuciture). Non utilizzarlo qualora sia danneggiato o non funzioni correttamente.**
 6. **Non avvolgere i cordini intorno a bordi affilati o ruvidi, né consentire che entrino in contatto con bordi affilati o ruvidi.**
 7. **Fissare l'altra estremità del cordino al di fuori dell'area di lavoro, in modo che un utensile che cada venga mantenuto saldamente.**
 8. **Montare il cordino in modo che l'utensile, qualora cada, si allontani dall'operatore.** Gli utensili caduti dondolano sul cordino, il che potrebbe causare lesioni personali o perdita di equilibrio.
 9. **Non utilizzarlo in prossimità di parti mobili o macchinari in funzione.** La mancata osservanza di questa indicazione potrebbe risultare in uno schiacciamento o nel pericolo che resti impigliato.
 10. **Non trasportare l'utensile mediante il dispositivo di fissaggio o il cordino.**
 11. **Passare l'utensile da una mano all'altra solo quando si è correttamente bilanciati.**
 12. **Non fissare cordini all'utensile in un modo che impedisca il corretto funzionamento degli interruttori o del blocco del grilletto (se presente).**
 13. **Evitare di restare impigliati nel cordino.**
 14. **Tenere il cordino lontano dall'area di perforazione dell'utensile.**
 15. **Utilizzare un moschettone con ghiera (ad azionamento multiplo e con leva dotata di ghiera a vite). Non utilizzare moschettoni a scatto con clip a molla.**
 16. **Nel caso che l'utensile venga fatto cadere, deve essere etichettato e rimosso dal servizio, e dovrebbe venire sottoposto a ispezione presso una fabbrica Makita o un centro di assistenza autorizzato Makita.**
 17. **Non appendere l'utensile alla propria cintura.** L'utensile e il relativo accessorio riscaldati potrebbero toccare la pelle e causare ustioni.
- **Fig.24:** 1. Staffa dell'utensile 2. Cordino (cinghia di sicurezza)

SISTEMA DI RACCOLTA POLVERI

Accessorio opzionale

Il sistema di raccolta polveri è progettato per raccogliere efficacemente le polveri durante l'operazione di foratura del calcestruzzo.

► Fig.25: 1. Sistema di raccolta polveri

⚠ATTENZIONE: Il sistema di raccolta polveri è destinato esclusivamente alla foratura nel calcestruzzo. Non utilizzare il sistema di raccolta polveri per la foratura nel metallo o nel legno.

⚠ATTENZIONE: Quando si intende utilizzare l'utensile con il sistema di raccolta polveri, accertarsi di montare il filtro sul sistema di raccolta polveri, per evitare l'inalazione delle polveri.

⚠ATTENZIONE: Prima di utilizzare il sistema di raccolta polveri, verificare che il filtro non sia danneggiato e che il tubo interno sia privo di polveri e corpi estranei. La mancata osservanza di questa indicazione potrebbe causare l'inalazione delle polveri.

⚠ATTENZIONE: Il sistema di raccolta polveri raccoglie una percentuale notevole delle polveri generate, ma non è possibile raccogliere tutte le polveri.

AVVISO: Non utilizzare il sistema di raccolta polveri per i carotaggi o la cesellatura.

AVVISO: Non utilizzare il sistema di raccolta polveri per metallo o legno. Il sistema di raccolta polveri è destinato esclusivamente al calcestruzzo.

AVVISO: Non utilizzare il sistema di raccolta polveri per la foratura nel calcestruzzo bagnato, né utilizzare questo sistema in ambiente bagnato. La mancata osservanza di questa indicazione potrebbe causare un malfunzionamento.

Installazione o rimozione

AVVISO: Prima di installare il sistema di raccolta polveri, pulire le parti di giunzione dell'utensile e del sistema di raccolta polveri. Corpi estranei sulle parti di giunzione potrebbero rendere difficoltosa l'installazione del sistema di raccolta polveri. Qualora sul condotto dell'aria si depositino delle polveri, queste ultime penetrano nell'utensile e causano l'ostruzione del flusso dell'aria o la rottura dell'utensile.

Per installare il sistema di raccolta polveri, inserire completamente l'utensile nel sistema di raccolta polveri, fino a quando l'utensile si innesta in sede con un piccolo scatto.

► Fig.26

Per rimuovere il sistema di raccolta polveri, tirare verso l'alto l'utensile mentre si tiene premuto il pulsante di sblocco.

► Fig.27: 1. Pulsante di sblocco

Regolazione della posizione della bocchetta del sistema di raccolta polveri

⚠ATTENZIONE: Non puntare la bocchetta verso se stessi o altri quando si intende sbloccare la bocchetta premendo il pulsante di regolazione della guida.

Far scorrere verso l'interno e verso l'esterno la guida della bocchetta mentre si tiene premuto il pulsante di regolazione della guida, quindi rilasciare il pulsante in una posizione precisa in cui l'estremità della punta per trapano si trovi subito dietro la superficie anteriore della bocchetta.

► Fig.28: 1. Guida 2. Pulsante di regolazione della guida 3. Estremità della punta per trapano 4. Superficie anteriore della bocchetta

Regolazione delle profondità di foratura

È possibile regolare la profondità di foratura modificando le lunghezze tra il pulsante di regolazione della profondità e il braccio di supporto per la guida della bocchetta. Premere e tenere premuto il pulsante di regolazione della profondità e farlo scorrere sulla posizione desiderata.

► Fig.29: 1. Pulsante di regolazione della profondità 2. Guida della bocchetta 3. Braccio di supporto per la guida della bocchetta 4. Profondità di foratura

Abbattimento delle polveri presenti sul filtro

⚠ATTENZIONE: Non ruotare la manopola sul contenitore polveri mentre quest'ultimo è rimosso dal sistema di raccolta polveri. In caso contrario, si potrebbe causare l'inalazione delle polveri.

⚠ATTENZIONE: Spegnerne sempre l'utensile quando si intende ruotare la manopola sul contenitore polveri. Qualora si ruoti la manopola mentre l'utensile è in funzione, si potrebbe causare la perdita di controllo dell'utensile.

Abbattendo le polveri presenti sul filtro all'interno del contenitore polveri, è possibile preservare l'efficienza dell'aspiratore, nonché ridurre il numero di interventi di smaltimento delle polveri.

Ruotare la manopola sul contenitore polveri tre volte ogni volta che sono stati raccolti circa 50.000 mm³ di polveri o quando si nota che le prestazioni di aspirazione si sono ridotte.

NOTA: 50.000 mm³ di polveri sono equivalenti alla foratura di 10 fori di diametro pari a 10 mm e di profondità pari a 65 mm.

► Fig.30: 1. Contenitore polveri 2. Manopola

Smaltimento delle polveri

⚠ATTENZIONE: Accertarsi sempre che l'utensile sia spento e che la cartuccia della batteria sia stata rimossa, prima di effettuare qualsiasi intervento sull'utensile.

⚠ATTENZIONE: Quando si intende smaltire le polveri, accertarsi di indossare una maschera antipolvere.

⚠ATTENZIONE: Quando si intende smaltire le polveri, accertarsi che l'utensile sia completamente arrestato.

⚠ATTENZIONE: Svuotare a intervalli regolari il contenitore polveri prima che diventi pieno. La mancata osservanza di questa indicazione potrebbe ridurre le prestazioni di raccolta delle polveri e causare l'inalazione delle polveri.

⚠ATTENZIONE: Le prestazioni di raccolta delle polveri si riducono, qualora il filtro nel contenitore polveri diventi intasato. Come riferimento, sostituire il filtro con uno nuovo dopo circa 200 riempimenti di polveri. La mancata osservanza di questa indicazione potrebbe causare l'inalazione delle polveri.

1. Rimuovere il contenitore polveri tenendo premuta la leva del contenitore polveri.

► Fig.31: 1. Leva

2. Aprire lo sportellino del contenitore polveri.

► Fig.32: 1. Sportellino

3. Smaltire le polveri, quindi pulire il filtro.

► Fig.33

AVVISO: Quando si intende pulire il filtro, dare dei delicati colpetti con la mano sul contenitore del filtro per rimuovere le polveri. Non dare colpetti direttamente sul filtro né toccarlo con una spazzola o simili, e non soffiare aria compressa sul filtro. In caso contrario, si potrebbe danneggiare il filtro.

Sostituzione del filtro del contenitore polveri

1. Rimuovere il contenitore polveri tenendo premuta la leva del contenitore polveri.

► Fig.34: 1. Leva

2. Aprire il coperchio del filtro del contenitore polveri.

► Fig.35: 1. Coperchio del filtro

3. Rimuovere il filtro dal contenitore del filtro.

► Fig.36: 1. Filtro 2. Contenitore del filtro

4. Montare un nuovo filtro nel contenitore del filtro, quindi montare il coperchio del filtro.

5. Chiudere il coperchio del contenitore polveri, quindi montare il contenitore polveri nel sistema di raccolta polveri.

Sostituzione del cappuccio sigillante

1. Inserire un cacciavite a punta piatta in una delle scanalature situate sui lati della testa della bocchetta. Inclinare il cacciavite a punta piatta ad angolo per schiacciare e far fuoriuscire il gancio a cubo del cappuccio sigillante. Quindi, staccare il bordo in gomma del cappuccio sigillante dai margini dell'apertura della testa della bocchetta.

► Fig.37: 1. Cappuccio sigillante 2. Gancio a cubo 3. Scanalatura 4. Testa della bocchetta

2. Inserire uno dei ganci a cubo di un nuovo cappuccio sigillante nella parte inferiore della scanalatura nella testa della bocchetta, con la superficie incassata del cappuccio sigillante rivolta in avanti.

► Fig.38: 1. Ganci a cubo 2. Parte inferiore della scanalatura 3. Cappuccio sigillante 4. Superficie incassata

3. Inserire l'altro gancio sul lato opposto, riposizionando al tempo stesso il cappuccio sigillante per inserirlo con precisione sulla testa della bocchetta.

► Fig.39: 1. Cappuccio sigillante 2. Gancio a cubo 3. Parte inferiore della scanalatura 4. Testa della bocchetta 5. Margini

4. Disporre delicatamente il bordo in gomma del cappuccio sigillante sul margine dell'apertura della testa della bocchetta, dal basso verso l'alto.

► Fig.40: 1. Bordo in gomma 2. Cappuccio sigillante 3. Testa della bocchetta

FUNZIONAMENTO

⚠ATTENZIONE: Utilizzare sempre l'impugnatura laterale (manico ausiliario) e mantenere saldamente l'utensile utilizzando sia l'impugnatura laterale che il manico con l'interruttore durante l'uso.

⚠ATTENZIONE: Accertarsi sempre che il pezzo in lavorazione sia fissato prima dell'operazione.

⚠ATTENZIONE: Non tirare forzatamente l'utensile, anche qualora la punta resti incastrata. La perdita di controllo potrebbe causare lesioni personali.


AVVISO: Prima di utilizzare il sistema di raccolta polveri con l'utensile, leggere la sezione relativa al sistema di raccolta polveri.

NOTA: Qualora la cartuccia della batteria si trovi in condizioni di bassa temperatura, potrebbe non essere possibile ottenere le prestazioni massime dell'utensile. In questo caso, far riscaldare la cartuccia della batteria utilizzando l'utensile a vuoto per qualche momento, per raggiungere le prestazioni massime dell'utensile.

► Fig.41

Operazione di foratura a percussione

ATTENZIONE: Sull'utensile/punta per trapano viene esercitata una fortissima e improvvisa forza torcente quando si verifica la fuoriuscita dal foro, qualora il foro diventi intasato di trucioli e scorie o qualora si colpiscano i tendini per armatura incorporati nel cemento. **Utilizzare sempre l'impugnatura laterale (manico ausiliario) e mantenere saldamente l'utensile utilizzando sia l'impugnatura laterale che il manico con l'interruttore durante l'uso.** In caso contrario, si potrebbe causare la perdita di controllo dell'utensile e la possibilità di gravi lesioni personali.

Impostare la manopola di modifica della modalità operativa sul simbolo .

Posizionare la punta per trapano sul punto desiderato per il foro, quindi premere l'interruttore a grilletto. Applicare la forza di avanzamento alla maniglia con gli interruttori (maniglia principale) per la precisione e l'efficienza nel lavoro, e afferrare l'impugnatura laterale (manico ausiliario) per mantenere l'equilibrio dell'utensile.

Mantenere l'utensile in posizione ed evitare che scivoli via dal foro.

Non esercitare una pressione maggiore se il foro diventa intasato di trucioli o scorie. Far girare a vuoto l'utensile, invece, quindi rimuovere parzialmente la punta per trapano dal foro. Ripetendo tale procedura diverse volte, il foro si ripulisce e si può continuare con la foratura normale.

NOTA: Durante il funzionamento dell'utensile a vuoto, potrebbe verificarsi un'eccentricità nella rotazione della punta per trapano. L'utensile si centra automaticamente durante l'uso. Ciò non influenza negativamente la precisione della foratura.

Foratura di legno o metallo

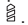
ATTENZIONE: Tenere saldamente l'utensile e fare attenzione quando la punta per trapano inizia a fuoriuscire dal pezzo. Sull'utensile/punta per trapano viene esercitata una forza estrema al momento della fuoriuscita dal foro.

ATTENZIONE: Una punta per trapano incastrata può venire rimossa semplicemente impostando il commutatore di inversione della rotazione sulla rotazione invertita, in modo da far tornare indietro l'utensile. Tuttavia, l'utensile potrebbe tornare indietro bruscamente, qualora non venga impugnato saldamente.

ATTENZIONE: Fissare sempre i pezzi in lavorazione in una morsa o un dispositivo simile per tenerli fermi.

AVVISO: Non utilizzare mai la "rotazione con percussione" quando sull'utensile è installato il mandrino per trapano. In caso contrario, il mandrino per trapano potrebbe venire danneggiato. Inoltre, il mandrino per trapano si stacca durante l'inversione della rotazione dell'utensile.

AVVISO: Se si esercita una pressione eccessiva sull'utensile, non si accelera la foratura. In realtà, tale pressione eccessiva produce solo l'effetto di danneggiare l'estremità della punta per trapano e di ridurre le prestazioni e la vita utile dell'utensile.

Impostare la manopola di modifica della modalità operativa sul simbolo .

Montare l'adattatore per mandrino su un mandrino autoserrante per trapano su cui sia possibile installare una vite di dimensione 1/2"-20, quindi installarli sull'utensile. Durante la sua installazione, fare riferimento alla sezione "Installazione o rimozione della punta per trapano".

► **Fig.42:** 1. Gruppo mandrino per trapano
2. Adattatore per mandrino

Soffietto a peretta

Accessorio opzionale

Dopo aver praticato il foro, utilizzare il soffietto a peretta per pulire la polvere dal foro.

► **Fig.43**

Uso del kit coppa antipolvere

Accessorio opzionale

Applicare il kit coppa antipolvere contro il soffitto, quando si utilizza l'utensile.

► **Fig.44**

AVVISO: Non utilizzare il kit coppa antipolvere durante la foratura nel metallo o in materiali simili. In caso contrario, si potrebbe danneggiare il kit coppa antipolvere, a causa del calore prodotto dalle polveri sottili del metallo o di materiali simili.

AVVISO: Non installare né rimuovere il kit coppa antipolvere quando nell'utensile è installata la punta per trapano. In caso contrario, si potrebbe danneggiare il kit coppa antipolvere e causare fuoriuscite di polveri.

MANUTENZIONE

ATTENZIONE: Accertarsi sempre che l'utensile sia spento e che la cartuccia della batteria sia stata rimossa prima di tentare di eseguire interventi di ispezione o manutenzione.

AVVISO: Non utilizzare mai benzina, benzene, solventi, alcol o altre sostanze simili. In caso contrario, si potrebbero causare scolorimenti, deformazioni o crepe.

Per preservare la SICUREZZA e l'AFFIDABILITÀ del prodotto, le riparazioni e qualsiasi altro intervento di

manutenzione e di regolazione devono essere eseguiti da un centro di assistenza autorizzato Makita, utilizzando sempre ricambi Makita.

ACCESSORI OPZIONALI

⚠ATTENZIONE: Questi accessori o componenti aggiuntivi sono consigliati per l'uso con l'utensile Makita specificato nel presente manuale.

L'impiego di altri accessori o componenti aggiuntivi può costituire un rischio di lesioni alle persone.

Utilizzare gli accessori o i componenti aggiuntivi solo per il loro scopo prefissato.

Per ottenere ulteriori dettagli relativamente a questi accessori, rivolgersi a un centro di assistenza Makita.

- Punta per trapano rivestite in carburo (punte SDS-plus rivestite in carburo)
- Adattatore per mandrino
- Mandrino autoserrante per trapano
- Grasso per punte
- Calibro di profondità
- Soffietto a peretta
- Coppa raccogli-polvere
- Kit coppa raccogli-polvere
- Sistema di raccolta polveri
- Staffa dell'utensile
- Batteria e caricabatterie originali Makita

NOTA: Alcuni articoli nell'elenco potrebbero essere inclusi nell'imballaggio dell'utensile come accessori standard. Tali articoli potrebbero variare da nazione a nazione.

TECHNISCHE GEGEVENS

Model:		DHR183
Boorcapaciteiten	Steen/cement	18 mm
	Staal	13 mm
	Hout	24 mm
Nullasttoerental		0 - 1.100 min ⁻¹
Slagen per minuut		0 - 5.000 min ⁻¹
Totale lengte (met BL1860B)		288 mm
Nominale spanning		18 V gelijkstroom
Nettogewicht		2,1 - 2,9 kg

Optioneel accessoire

Model:		DX16
Afzuigcapaciteit		0,24 m ³ /min
Werkslag		Max. 105 mm
Geschikte boorbit		Max. 165 mm
Nettogewicht		0,77 kg

- In verband met ononderbroken research en ontwikkeling, behouden wij ons het recht voor de bovenstaande technische gegevens zonder voorafgaande kennisgeving te wijzigen.
- De technische gegevens kunnen van land tot land verschillen.
- Het gewicht kan verschillen afhankelijk van de hulpstukken, waaronder de accu. De lichtste en zwaarste combinatie, overeenkomstig de EPTA-procedure 01/2014, worden getoond in de tabel.

Toepasselijke accu's en laders

Accu	BL1815N / BL1820B / BL1830B / BL1840B / BL1850B / BL1860B
Lader	DC18RC / DC18RD / DC18RE / DC18SD / DC18SE / DC18SF / DC18SH / DC18WC

- Sommige van de hierboven vermelde accu's en laders zijn mogelijk niet leverbaar afhankelijk van waar u woont.

⚠ WAARSCHUWING: Gebruik uitsluitend de accu's en laders die hierboven worden genoemd. Gebruik van enige andere accu of lader kan leiden tot letsel en/of brand.

Aanbevolen bekabelde voedingsbron

Draagbare voedingsseenheid	PDC01
----------------------------	-------

- De hierboven vermelde bekabelde voedingsbron(nen) is/zijn mogelijk niet leverbaar afhankelijk van waar u woont.
- Alvorens de bekabelde voedingsbron te gebruiken, leest u de instructies en waarschuwingsopchriften erop.

Bedoeld gebruik

Dit gereedschap is bedoeld voor hamerboren en boren in baksteen, beton en steen. Het is ook geschikt voor boren zonder slagwerking in hout, metaal, keramisch materiaal en kunststof.

Geluidsniveau

De typische, A-gewogen geluidsniveaus zijn gemeten volgens EN62841-2-6:

Model DHR183

Geluidsdruk niveau (L_{pA}): 93 dB (A)

Geluidsvermogeniveau (L_{WA}): 101 dB (A)
Onzekerheid (K): 3 dB (A)

Model DHR183 met DX16

Geluidsdruk niveau (L_{pA}): 93 dB (A)
Geluidsvermogeniveau (L_{WA}): 101 dB (A)
Onzekerheid (K): 3 dB (A)

OPMERKING: De opgegeven geluidsemisiewaarde(n) is/zijn gemeten volgens een standaardtestmethode en kan/kunnen worden gebruikt om dit gereedschap te vergelijken met andere gereedschappen.

OPMERKING: De opgegeven geluidsemisiewaarde(n) kan/kunnen ook worden gebruikt voor een beoordeling vooraf van de blootstelling.

⚠️ WAARSCHUWING: Draag gehoorbescherming.

⚠️ WAARSCHUWING: De geluidsemisatie tijdens het gebruik van het elektrisch gereedschap in de praktijk kan verschillen van de opgegeven waarde(n) afhankelijk van de manier waarop het gereedschap wordt gebruikt, met name van het soort werkstuk waarmee wordt gewerkt.

⚠️ WAARSCHUWING: Zorg ervoor dat veiligheidsmaatregelen worden getroffen ter bescherming van de gebruiker die zijn gebaseerd op een schatting van de blootstelling onder praktijkomstandigheden (rekening houdend met alle fasen van de bedrijfscyclus, zoals de tijdsduur gedurende welke het gereedschap is uitgeschakeld en stationair draait, naast de ingeschakelde tijdsduur).

Trilling

De volgende tabel toont de trillingstotaalwaarde (triaxiale vectorsom) zoals vastgesteld conform de toepasselijke norm:

Toepassing	Trillingsemisatie	Onzekerheid (K)	Toepasselijke norm / Testvoorwaarden
Hamerboren in beton ($a_{h, HD}$)	7,5 m/s ²	1,5 m/s ²	EN62841-2-6
Hamerboren in beton met DX16 ($a_{h, HD}$)	7,6 m/s ²	1,7 m/s ²	EN62841-2-6

OPMERKING: De totale trillingswaarde(n) is/zijn gemeten volgens een standaardtestmethode en kan/kunnen worden gebruikt om dit gereedschap te vergelijken met andere gereedschappen.

OPMERKING: De opgegeven totale trillingswaarde(n) kan/kunnen ook worden gebruikt voor een beoordeling vooraf van de blootstelling.

⚠️ WAARSCHUWING: De trillingsemisatie tijdens het gebruik van het elektrisch gereedschap in de praktijk kan verschillen van de opgegeven waarde(n) afhankelijk van de manier waarop het gereedschap wordt gebruikt, met name van het soort werkstuk waarmee wordt gewerkt.

⚠️ WAARSCHUWING: Zorg ervoor dat veiligheidsmaatregelen worden getroffen ter bescherming van de gebruiker die zijn gebaseerd op een schatting van de blootstelling onder praktijkomstandigheden (rekening houdend met alle fasen van de bedrijfscyclus, zoals de tijdsduur gedurende welke het gereedschap is uitgeschakeld en stationair draait, naast de ingeschakelde tijdsduur).

Verklaringen van conformiteit

Alleen voor Europese landen

De verklaringen van conformiteit zijn bijgevoegd in Bijlage A bij deze gebruiksaanwijzing.

VEILIGHEIDSWAARSCHUWINGEN

Algemene veiligheids waarschuwingen voor elektrisch gereedschap

⚠️ WAARSCHUWING Lees alle veiligheids waarschuwingen, instructies, afbeeldingen en technische gegevens die bij dit elektrisch gereedschap worden geleverd. Als niet alle onderstaande instructies worden opgevolgd, kan dat leiden tot een elektrische schok, brand en/of ernstig letsel.

Bewaar alle waarschuwingen en instructies om in de toekomst te kunnen raadplegen.

De term "elektrisch gereedschap" in de veiligheidsvoorschriften duidt op gereedschappen die op stroom van het lichtnet werken (met snoer) of gereedschappen met een accu (snoerloos).

VEILIGHEIDSWAARSCHUWINGEN VOOR EEN ACCUBOORHAMER

Veiligheidsinstructies voor alle werkzaamheden

1. **Draag gehoorbescherming.** Blootstelling aan het lawaai kan uw gehoor aantasten.
2. **Gebruik hulphandgreep (hulphandgrepen), indien bij het gereedschap geleverd.** Verliezen van de macht over het gereedschap kan letsel veroorzaken.
3. **Houd het elektrisch gereedschap alleen vast aan de geïsoleerde handgrepen wanneer de kans bestaat dat het accessoire in aanraking komt met verborgen bedrading.** Wanneer het accessoire in aanraking komt met onder spanning staande draden, zullen de niet-geïsoleerde metalen delen van het gereedschap onder spanning komen te staan zodat de gebruiker een elektrische schok kan krijgen.

Veiligheidsinstructies bij gebruik van lange boorbits in boorhamers

1. **Begin altijd te boren op een laag toerental en terwijl de punt van het bit contact maakt met het werkstuk.** Op een hoger toerental zal het bit waarschijnlijk verbuigen als het vrij ronddraait zonder contact met het werkstuk, waardoor persoonlijk letsel kan ontstaan.
2. **Oefen alleen druk uit in een rechte lijn met het bit en oefen geen buitensporige druk uit.** Bits kunnen verbuigen, waardoor ze kunnen breken of u de controle kunt verliezen, met persoonlijk letsel tot gevolg.

Aanvullende veiligheidsvoorschriften

1. **Draag een helm (veiligheids helm), veiligheidsbril en/of spatscherm. Een gewone bril of een zonnebril is GEEN veiligheidsbril. Het wordt tevens sterk aanbevolen een stofmasker en dik gevoerde handschoenen te dragen.**

2. Controleer of het bit stevig op zijn plaats zit voordat u het gereedschap gebruikt.
3. Bij normale bediening behoort het gereedschap te trillen. De schroeven kunnen gemakkelijker losraken, waardoor een defect of ongeval kan ontstaan. Controleer of de schroeven goed zijn aangedraaid, alvorens het gereedschap te gebruiken.
4. In koude weersomstandigheden of wanneer het gereedschap gedurende een lange tijd niet is gebruikt, laat u het gereedschap eerst opwarmen door het onbelast te laten werken. Hierdoor zal de smering worden verbeterd. Zonder degelijk opwarmen, zal de hamerwerking moeilijker zijn.
5. Zorg ook altijd dat u stevig op een solide bodem staat. Let bij het werken op hoge plaatsen op dat er zich niemand recht onder u bevindt.
6. Houd het gereedschap stevig met beide handen vast.
7. Houd uw handen uit de buurt van bewegende delen.
8. Laat het gereedschap niet draaiend achter. Schakel het gereedschap alleen in wanneer u het stevig vasthoudt.
9. Richt het gereedschap niet op iemand in de buurt terwijl het is ingeschakeld. Het bit zou eruit kunnen vliegen en iemand ernstig verwonden.
10. Raak het bit, onderdelen in de buurt van het bit en het werkstuk niet onmiddellijk na gebruik aan. Zij kunnen bijzonder heet zijn en brandwonden op uw huid veroorzaken.
11. Bepaalde materialen kunnen giftige chemicaliën bevatten. Vermijd contact met uw huid en zorg dat u geen stof inademt. Volg de veiligheidsvoorschriften van de fabrikant van het materiaal.
12. Zorg er altijd voor dat het gereedschap is uitgeschakeld en de accu en bit zijn verwijderd voordat u het gereedschap aan een andere persoon overhandigt.
13. Verzeker u er vóór aanvang van de werkzaamheden van dat er geen voorwerpen, zoals elektriciteits-, gas- en waterleidingen, begraven liggen in het werkgebied. Anders kan de boor/beitel deze raken, waardoor een elektrische schok, een lekstroom of een gaslek kan ontstaan.
14. Laat het gereedschap niet onnodig onbelast draaien.

BEWAAR DEZE VOORSCHRIFTEN.

⚠️ WAARSCHUWING: Laat u NIET misleiden door een vals gevoel van comfort en bekendheid met het gereedschap (na veelvuldig gebruik) en neem alle veiligheidsvoorschriften van het betreffende gereedschap altijd strikt in acht. **VERKEERD GEBRUIK** of het niet naleven van de veiligheidsvoorschriften in deze gebruiksaanwijzing kan leiden tot ernstig letsel.

Belangrijke veiligheidsinstructies voor een accu

1. Lees alle voorschriften en waarschuwingen op (1) de acculader, (2) de accu, en (3) het product waarvoor de accu wordt gebruikt, alvorens de accu in gebruik te nemen.
2. Haal de accu niet uit elkaar en saboteer hem niet. Dit kan leiden tot brand, buitensporige hitte of een explosie.
3. Als de gebruikstijd van een opgeladen accu aanzienlijk korter is geworden, moet u het gebruik ervan onmiddellijk stopzetten. Voortgezet gebruik kan oververhitting, brandwonden en zelfs een ontploffing veroorzaken.
4. Als elektrolyt in uw ogen is terechtgekomen, spoelt u uw ogen met schoon water en roept u onmiddellijk de hulp van een dokter in. Elektrolyt in de ogen kan blindheid veroorzaken.
5. Voorkom kortsluiting van de accu:
 - (1) Raak de accuklemmen nooit aan met een geleidend materiaal.
 - (2) Bewaar de accu niet in een bak waarin andere metalen voorwerpen zoals spijkers, munten e.d. worden bewaard.
 - (3) Stel de accu niet bloot aan water of regen. Kortsluiting van de accu kan oorzaak zijn van een grote stroomafgifte, oververhitting, brandwonden, en zelfs defecten.
6. Bewaar en gebruik het gereedschap en de accu niet op plaatsen waar de temperatuur kan oplopen tot 50 °C of hoger.
7. Werp de accu nooit in het vuur, ook niet wanneer hij zwaar beschadigd of volledig versleten is. De accu kan ontploffen in het vuur.
8. Laat de accu niet vallen, sla er geen spijker in, snijd er niet in, gooi er niet mee en stoot hem niet tegen een hard voorwerp. Dergelijke handelingen kunnen leiden tot brand, buitensporige hitte of een explosie.
9. Gebruik nooit een beschadigde accu.
10. De bijgeleverde lithium-ionbatterijen zijn onderhevig aan de vereisten in de wetgeving omtrent gevaarlijke stoffen. Voor commercieel transport en dergelijke door derden en transporteurs moeten speciale vereisten ten aanzien van verpakking en etikettering worden nageleefd. Als voorbereiding van het artikel dat wordt getransporteerd is het noodzakelijk een expert op het gebied van gevaarlijke stoffen te raadplegen. Houd u tevens aan mogelijk strengere nationale regelgeving. Blootliggende contactpunten moeten worden afgedekt met tape en de accu moet zodanig worden verpakt dat deze niet kan bewegen in de verpakking.
11. Wanneer u de accu wilt weggooien, verwijdert u de accu vanaf het gereedschap en gooit u hem op een veilige manier weg. Volg bij het weggooien van de accu de plaatselijke voorschriften.
12. Gebruik de accu's uitsluitend met de

gereedschappen die door Makita zijn aanbevolen. Als de accu's worden aangebracht in niet-compatibele gereedschappen, kan dat leiden tot brand, buitensporige warmteontwikkeling, een explosie of lekkage van elektrolyt.

- Als u het gereedschap gedurende een lange tijd niet denkt te gaan gebruiken, moet de accu vanaf het gereedschap worden verwijderd.
- Tijdens en na gebruik, kan de accu heet worden waardoor brandwonden of koude brandwonden kunnen worden veroorzaakt. Wees voorzichtig bij het hanteren van een hete accu.
- Raak de aansluitpunten van het gereedschap niet onmiddellijk na gebruik aan omdat deze heet genoeg kunnen zijn om brandwonden te veroorzaken.
- Zorg ervoor dat geen steenslag, stof of grond vast komt te zitten op/in de aansluitpunten, openingen en groeven van de accu. Hierdoor kan oververhitting, brand, een barst en een storing in het gereedschap of de accu ontstaan waardoor brandwonden of persoonlijk letsel kunnen ontstaan.
- Behalve indien gebruik van het gereedschap is toegestaan in de buurt van hoogspanningsleidingen, mag u de accu niet gebruiken in de buurt van een hoogspanningsleiding. Dit kan leiden tot een storing of een defect van het gereedschap of de accu.
- Houd de accu uit de buurt van kinderen.

BEWAAR DEZE INSTRUCTIES.

⚠ LET OP: Gebruik uitsluitend originele Makita accu's. Het gebruik van niet-originele accu's, of accu's die zijn gewijzigd, kan ertoe leiden dat de accu ontploft en brand, persoonlijk letsel en schade veroorzaakt. Ook vervalt daarmee de garantie van Makita op het gereedschap en de lader van Makita.

Tips voor een maximale levensduur van de accu

- Laad de accu op voordat hij volledig ontladen is. Stop het gebruik van het gereedschap en laad de accu op telkens wanneer u vaststelt dat het vermogen van het gereedschap is afgenomen.
- Laad een volledig opgeladen accu nooit opnieuw op. Te lang opladen verkort de levensduur van de accu.
- Laad de accu op bij een omgevingstemperatuur tussen 10 °C en 40 °C. Laad een warme accu afkoelen alvorens hem op te laden.
- Als de accu niet wordt gebruikt, verwijdert u hem vanaf het gereedschap of de lader.
- Laad de accu op als u deze gedurende een lange tijd (meer dan zes maanden) niet gaat gebruiken.

BESCHRIJVING VAN DE FUNCTIES

⚠ LET OP: Zorg altijd dat het gereedschap is uitgeschakeld en de accu ervan is verwijderd alvorens de functies op het gereedschap af te stellen of te controleren.

De accu aanbrengen en verwijderen

⚠ LET OP: Schakel het gereedschap altijd uit voordat u de accu aanbrengt of verwijdert.

⚠ LET OP: Houd het gereedschap en de accu stevig vast tijdens het aanbrengen of verwijderen van de accu. Als u het gereedschap en de accu niet stevig vasthoudt, kunnen deze uit uw handen glijpen en het gereedschap of de accu beschadigen, of kan persoonlijk letsel worden veroorzaakt.

Om de accu aan te brengen lijnt u de lip op de accu uit met de groef in de behuizing en duwt u de accu op zijn plaats. Steek de accu zo ver mogelijk in het gereedschap tot u een klinkgeluid hoort. Wanneer het rode deel zichtbaar is, zoals aangegeven in de afbeelding, is de accu niet geheel vergrendeld.

Om de accu te verwijderen verschuift u de knop aan de voorkant van de accu en schuift u tegelijkertijd de accu uit het gereedschap.

► Fig.1: 1. Rood deel 2. Knop 3. Accu

⚠ LET OP: Breng de accu altijd helemaal aan totdat het rode deel niet meer zichtbaar is. Als u dit niet doet, kan de accu per ongeluk uit het gereedschap vallen en u of anderen in uw omgeving verwonden.













⚠ LET OP: Breng de accu niet met kracht aan. Als de accu niet gemakkelijk in het gereedschap kan worden geschoven, wordt deze niet goed aangebracht.














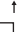

De resterende acculading controleren

Alleen voor accu's met indicatorlampjes

Druk op de testknop op de accu om de resterende acculading te zien. De indicatorlampjes branden gedurende enkele seconden.

► Fig.2: 1. Indicatorlampjes 2. Testknop

Indicatorlampjes			Resterende acculading
 Brandt	 Uit	 Knippert	
			75% tot 100%
			50% tot 75%
			25% tot 50%

Indicatorlampjes			Resterende acculading
 Brandt	 Uit	 Knippert	
			0% tot 25%
			Laad de accu op.
			Er kan een storing zijn opgetreden in de accu.
			

OPMERKING: Afhankelijk van de gebruiksomstandigheden en de omgevingstemperatuur, is het mogelijk dat de aangegeven acculading verschilt van de werkelijke acculading.

OPMERKING: Het eerste (meest linker) indicatorlampje knippert wanneer het accubeveiligingssysteem in werking is getreden.

Gereedschap-/accubeveiligingssysteem

Het gereedschap is voorzien van een gereedschap-/accubeveiligingssysteem. Dit systeem schakelt automatisch de voeding naar de motor uit om de levensduur van het gereedschap en de accu te verlengen. Het gereedschap kan tijdens het gebruik automatisch stoppen als het gereedschap of de accu aan één van de volgende omstandigheden wordt blootgesteld:

Overbelastingsbeveiliging

Als de accu wordt gebruikt op een manier die ertoe leidt dat een abnormaal hoge stroomsterkte wordt getrokken, stopt het gereedschap automatisch zonder enige aanduiding. In dat geval schakelt u het gereedschap uit en stopt u met het gebruik dat er toe leidde dat het gereedschap overbelast raakte. Schakel vervolgens het gereedschap in om weer te starten.

Oververhittingsbeveiliging

Als het gereedschap of de accu oververhit is, stopt het gereedschap automatisch. Laat in dat geval het gereedschap en de accu afkoelen voordat u het gereedschap weer inschakelt.

OPMERKING: Wanneer het gereedschap oververhit is, knippert de lamp.

Beveiliging tegen te ver ontladen

Als de acculading onvoldoende is, stopt het gereedschap automatisch. In dit geval verwijdt u de accu vanaf het gereedschap en laadt u de accu op.

Beveiliging tegen andere oorzaken

Het beveiligingssysteem is ook ontworpen voor andere oorzaken die het gereedschap kunnen beschadigen, en zorgt ervoor dat het gereedschap automatisch stopt. Voer alle volgende stappen uit om de oorzaken op te heffen, wanneer het gereedschap tijdelijk is onderbroken of tijdens het gebruik is gestopt.

1. Verzeker u ervan dat alle schakelaars in de uitstand staan en schakel vervolgens het gereedschap in om het weer te starten.
2. Laad de accu('s) op of vervang hem/ze door (een) opgeladen accu('s).
3. Laat het gereedschap en de accu('s) afkoelen.

Als geen verbetering optreedt nadat het beveiligingssysteem is gereset, neemt u contact op met uw lokale Makita-servicecentrum.

De trekkerschakelaar gebruiken

⚠WAARSCHUWING: Alvorens de accu in het gereedschap te plaatsen, moet u altijd controleren of de trekkerschakelaar goed werkt en bij het loslaten terugkeert naar de stand "OFF".

Om het gereedschap te starten, knijpt u gewoon de trekkerschakelaar in. Hoe harder u de trekkerschakelaar inknijpt, hoe sneller het gereedschap draait. Laat de trekkerschakelaar los om het gereedschap te stoppen.

► Fig.3: 1. Trekkerschakelaar

De lamp op de voorkant gebruiken

⚠LET OP: Kijk niet direct in het lamplicht of in de lichtbron.

Knijp de trekkerschakelaar in om de lamp in te schakelen. De lamp blijft branden zo lang de trekkerschakelaar wordt ingeknepen. Ongeveer 10 seconden nadat u de trekkerschakelaar hebt losgelaten, gaat de lamp uit.

► Fig.4: 1. Lamp

OPMERKING: Gebruik een droge doek om vuil van de lens van de lamp af te vegen. Wees voorzichtig dat u de lens van de lamp niet bekrast omdat dan de verlichting minder wordt.

OPMERKING: Wanneer het gereedschap oververhit is, knippert de lamp. Laat in dat geval de trekkerschakelaar los en laat het gereedschap/de accu afkoelen voordat u deze weer gebruikt.

OPMERKING: De lamp op de voorkant kan niet worden gebruikt terwijl het stofopvangsysteem (optioneel accessoire) is aangebracht op het gereedschap.

De omkeerschakelaar bedienen

⚠LET OP: Controleer altijd de draairichting alvorens het gereedschap te starten.

⚠LET OP: Verander de stand van de omkeerschakelaar alleen nadat het gereedschap volledig tot stilstand is gekomen. Als u de draairichting verandert terwijl het gereedschap nog draait, kan het gereedschap beschadigd raken.

⚠LET OP: Zet de omkeerschakelaar altijd in de neutrale stand wanneer u het gereedschap niet gebruikt.

Dit gereedschap heeft een omkeerschakelaar voor het veranderen van de draairichting. Druk de omkeerschakelaar in vanaf kant A voor de draairichting rechtsom, of vanaf kant B voor de draairichting linksom.

Wanneer de omkeerschakelaar in de neutrale stand staat, kan de trekkerschakelaar niet worden ingeknepen.


► **Fig.5:** 1. Omkeerschakelaar

De werkingsfunctie kiezen

KENNISGEVING: Draai de werkingsfunctiekeuzeknop niet terwijl het gereedschap draait. Het gereedschap zal hierdoor worden beschadigd.


KENNISGEVING: Om snelle slijtage van het werkingsfunctiekeuzemechanisme te voorkomen, zorgt u ervoor dat de werkingsfunctiekeuzeknop altijd precies in een van de werkingsfunctiestanden staat.

Hamerboren

Voor het boren in beton, metselwerk, enz., draait u de werkingsfunctiekeuzeknop naar het symbool . Gebruik een boor met een hardmetalen punt.

► **Fig.6:** 1. Werkingsfunctiekeuzeknop

Alleen boren

Voor het boren in hout, metaal of kunststofmaterialen, draait u de werkingsfunctiekeuzeknop naar het symbool . Gebruik een spiraalboor of houtboor.

► **Fig.7:** 1. Werkingsfunctiekeuzeknop

Elektronische functies

Het gereedschap is uitgerust met elektronische functies voor een eenvoudige bediening.

- Elektrische rem
Dit gereedschap is voorzien van een elektrische rem. Als het gereedschap continu niet snel stopt met werken nadat de trekkerschakelaar is losgelaten, laat u het gereedschap onderhouden door een Makita-servicecentrum.
- Constant-toerentalregeling
De toerentalregelfunctie zorgt voor een constant toerental ongeacht de belastingsomstandigheden.

MONTAGE

⚠ LET OP: Zorg altijd dat het gereedschap is uitgeschakeld en de accu ervan is verwijderd alvorens enig werk aan het gereedschap uit te voeren.

Zijhandgreep (extra handgreep)

⚠ LET OP: Gebruik altijd de zijhandgreep om veilig te kunnen werken.

⚠ LET OP: Na het aanbrengen of afstellen van de zijhandgreep, verzekert u zich ervan dat de zijhandgreep stevig is bevestigd waarbij de uitsteeksels op het gereedschap volledig aangrijpen in de groeven in de zijhandgreep.

Om de zijhandgreep aan te brengen, volgt u de onderstaande stappen.

1. Draai de vingerschroef op de zijhandgreep los.

► **Fig.8:** 1. Vingerschroef

2. Breng de zijhandgreep zodanig aan de groeven in de handgreep over de uitsteeksels op het gereedschap vallen terwijl u op de vingerschroef drukt.

► **Fig.9:** 1. Vingerschroef

3. Draai de vingerschroef vast om de handgreep vast te zetten. De handgreep kan onder de gewenste hoek worden vastgezet.

Om de zijhandgreep te verwijderen, draait u de vingerschroef op de zijhandgreep los. Verwijder de zijhandgreep vanaf het gereedschap.

De boor aanbrengen en verwijderen

Smeren

Reinig het uiteinde van de schacht van het bit en smeer het met vet voordat u het bit aanbrengt.

Smeer het uiteinde van de schacht van het bit vooraf in met een beetje vet (ong. 0,5 tot 1 gram). Met een ingevette boorkop zal het gereedschap beter werken en langer meegaan.

► **Fig.10:** 1. Uiteinde van de schacht 2. Smeren

Breng de boor aan in het gereedschap. Draai de boor en duw hem naar binnen tot hij vergrendelt.

Controleer na het aanbrengen van de boor altijd of de boor stevig in het gereedschap is bevestigd door te proberen hem eruit te trekken.

► **Fig.11:** 1. Boor

Om de boor te verwijderen, duwt u de boorkopmof helemaal omlaag en trekt u de boor eruit.

► **Fig.12:** 1. Boor 2. Boorkopmof

Dieptemaat

De dieptemaat is nuttig voor het boren van gaten van gelijke diepte.

Houd de vergrendelknop ingedrukt en steek daarna de dieptemaat in het gat. Let erop dat de getande kant van de dieptemaat naar de markeringen is gericht.

► **Fig.13:** 1. Dieptemaat 2. Vergrendelknop 3. Markering 4. Getande kant

Stel de dieptemaat af door hem naar voren en achteren te bewegen terwijl de vergrendelknop ingedrukt wordt gehouden. Laat na het afstellen de vergrendelknop los om de dieptemaat te vergrendelen.

OPMERKING: Zorg ervoor dat de dieptemaat niet tegen de behuizing van het gereedschap aan komt wanneer u hem aanbrengt.

Stofvanger

Optioneel accessoire

Gebruik de stofvanger om te voorkomen dat stof op het gereedschap en op uzelf terecht komt wanneer u boven uw hoofd boort. Bevestig de stofvanger aan het bit zoals aangegeven in de afbeelding. De diameter van de bits waaraan de stofvanger kan worden bevestigd is als volgt.

Model	Bitdiameter
Stofvanger 5	6 mm - 14,5 mm
Stofvanger 9	12 mm - 16 mm

► **Fig.14:** 1. Stofvanger

Stofvangerset

Optioneel accessoire

De stofvangerset aanbrengen

KENNISGEVING: Gebruik de stofvangerset niet bij het boren in metaal of soortgelijke materialen. De stofvangerset kan dan worden beschadigd door de hitte die wordt afgegeven door kleine metaaldeeltjes of soortgelijke deeltjes. Breng de stofvangerset niet aan en verwijder hem niet terwijl de boor nog in het gereedschap is aangebracht. De stofvangerset kan dan worden beschadigd waardoor hij stof lekt.

Alvorens de stofvangerset aan te brengen, verwijdert u de boor vanaf het gereedschap indien deze is aangebracht.

1. Draai de vingerschroef op de zijhandgreep los.
2. Breng de stofvangerset zodanig aan dat de klauwen van de stofvanger in de gleuven van de zijhandgreep vallen.

► **Fig.15:** 1. Stofvangerset 2. Zijhandgreep

3. Breng de zijhandgreep zodanig aan dat de groef in de handgreep over de uitsteeksels op het gereedschap valt. Draai de vingerschroef vast om de zijhandgreep vast te zetten.

► **Fig.16:** 1. Zijhandgreep 2. Groef 3. Uitsteeksel

OPMERKING: Als u een stofzuiger aansluit op de stofvangerset, verwijdert u de stofdop voordat u de stofzuiger aansluit.

► **Fig.17:** 1. Stofdop

Het boorbit verwijderen

Om de boor te verwijderen, trekt u de boorkopmof helemaal omlaag en trekt u de boor eruit.

► **Fig.18:** 1. Boor 2. Boorkopmof

De stofvangerset verwijderen

Om de stofvangerset te verwijderen, volgt u de onderstaande stappen.

1. Draai de vingerschroef op de zijhandgreep los. Verwijder de zijhandgreep vanaf het gereedschap.

► **Fig.19:** 1. Vingerschroef

2. Houd de voet van de stofvanger vast en trek deze eruit.

OPMERKING: Als de stofvangerset moeilijk te verwijderen is, verwijdert u de klauwen van de stofvanger één voor één door de voet van de stofvanger heen en weer te kantelen en eraan te trekken.

► **Fig.20:** 1. Stofvanger

OPMERKING: Als de dop van de stofvangerset los raakt, plaatst u deze terug op zijn oorspronkelijk plaats.

Om de dop terug te zetten op zijn oorspronkelijke plaats, volgt u de onderstaande stappen.

1. Draai de balg linksom en verwijder hem vanaf het stofvangerset-bevestigingsdeel terwijl de balg ontgrendeld is.

► **Fig.21:** 1. Balg 2. Bevestigingsdeel

2. Zet de dop terug op zijn plaats met de zijde waarop tekst staat omhoog gericht.

► **Fig.22:** 1. Dop 2. Bevestigingsdeel

3. Verzeker u de lippen van de bovenopening van het bevestigingsdeel goed vallen in de groeven rondom de dop.

Gereedschapophanghaak

Optioneel accessoire

⚠ALLET OP: Gebruik de gereedschapophanghaak en schroef niet wanneer deze beschadigd zijn. Controleer voor gebruik altijd op beschadigingen, barsten en vervormingen, en verzeker u ervan dat de schroef is vastgedraaid.

⚠ALLET OP: Breng de gereedschapophanghaak aan en verwijder deze op een stabiele tafel of ondergrond. Gebruik alleen de schroef die bij de gereedschapophanghaak werd geleverd. Nadat de gereedschapophanghaak is aangebracht, verzekert u zich ervan dat de gereedschapophanghaak stevig is vastgezet met de schroef.

⚠ALLET OP: Verwijder de accu niet terwijl het gereedschap hangt. Het gereedschap kan vallen als de schroef niet is vastgedraaid.

De gereedschapophanghaak is bedoeld om een touw (tuiem) aan te bevestigen.

Voordat u de gereedschapophanghaak aanbrengt, verwijdert u de rubber dop vanaf de boutgaten in de bevestigingsbeugel. Plaats de vierkante moer onder de beugel. Bevestig de gereedschapophanghaak met de schroef op zijn plaats.

► **Fig.23:** 1. Rubber dop 2. Bevestigingsbeugel

3. Vierkante moer

4. Gereedschapophanghaak 5. Schroef

Veiligheids waarschuwingen voor het vastmaken van een touw (tuiem) aan de gereedschapophanghaak

⚠Veiligheids waarschuwingen specifiek voor werken op hoogte

Lees alle veiligheids waarschuwingen en alle instructies. Het niet volgen van de waarschuwingen en instructies kan leiden tot ernstig letsel.

1. Houd het gereedschap altijd vastgebonden tijdens het werken 'op hoogte'. De maximale lengte van het touw is 2 m. De maximaal toegestane valhoogte van het touw (tuiem) mag niet meer zijn dan 2 m.

2. Gebruik uitsluitend met een touw dat geschikt is voor dit type gereedschap en een draagvermogen heeft van minstens 6,0 kg.
 3. Veranker het touw van het gereedschap niet aan iets op uw lichaam of aan een verplaatsbaar voorwerp. Veranker het touw van het gereedschap aan een stevige constructie die de krachten van een vallend gereedschap kan opvangen.
 4. Verzeker u er vóór gebruik van dat het touw goed is vastgemaakt aan beide uiteinden.
 5. Inspecteer het gereedschap en touw vóór elk gebruik op beschadigingen en correcte werking (inclusief het materiaal en de stiksels). Gebruik het niet wanneer het beschadigd is of niet correct werkt.
 6. Wikkel touwen niet rondom scherpe of ruwe randen en laat ze er niet mee in aanraking komen.
 7. Bevestig het andere uiteinde van het touw buiten het werkgebied zodat een vallend gereedschap stevig bevestigd blijft.
 8. Bevestig het touw zodanig dat het gereedschap tijdens het vallen zich verwijderd van de gebruiker. Een gereedschapen dat valt zal aan het touw slingeren, waardoor letsel kan worden veroorzaakt of u uw evenwicht kunt verliezen.
 9. Gebruik niet nabij bewegende onderdelen of draaiende machines. Als u zich hier niet aan houdt, kan dat leiden tot beknellingsgevaar of verstrikkingsgevaar.
 10. Draag het gereedschap niet aan de bevestigingsvoorziening of het touw.
 11. Verplaats het gereedschap uitsluitend tussen uw handen terwijl u een goed evenwicht hebt.
 12. Bevestig een touw niet aan het gereedschap op een manier waardoor schakelaars of de trekvergrendeling (indien aanwezig) niet correct kunnen werken.
 13. Voorkom dat u verstrikt raakt in het touw.
 14. Houd het touw uit de buurt van het boorge-deelte van het gereedschap.
 15. Gebruik een karabijnhaak met vergrendeling (multiactie- en schroefsluiting-type). Gebruik geen enkelvoudige karabijnhaken met veersluiting.
 16. In het geval een gereedschap valt, moet het worden gelabeld en buiten bedrijf gesteld, en moet het worden geïnspecteerd door de Makita-fabriek of een Makita-servicecentrum.
 17. Hang het gereedschap niet aan uw heup. Een warm gereedschap en accessoire kan tegen uw huid komen en een brandwond veroorzaken.
- Fig.24: 1. Gereedschapophanghaak 2. Touw (tuieren)

STOFOPVANGSYSTEEM

Optioneel accessoire

Het stofopvangsysteem is ontworpen om effectief stof op te vangen tijdens het boren in beton.

► Fig.25: 1. Stofopvangsysteem

▲LET OP: Het stofopvangsysteem is alleen bedoeld voor het boren in beton. Gebruik het stofopvangsysteem niet bij het boren in metaal of hout.

▲LET OP: Als u het gereedschap gebruikt met het stofopvangsysteem, zorgt u ervoor dat het filter is bevestigd aan het stofopvangsysteem om inademing van stof te voorkomen.

▲LET OP: Voordat u het stofopvangsysteem gebruikt, controleert u of het filter beschadigd is en er geen stof of vreemde stoffen binnenin de pijp zit. Als u dit niet doet, kan dat leiden tot inademing van stof.

▲LET OP: Het stofopvangsysteem voert het vrijgekomen stof met hoge snelheid af, maar niet al het stof kan worden afgevoerd.

KENNISGEVING: Gebruik het stofopvangsysteem niet bij kernboren of beïtelen.

KENNISGEVING: Gebruik het stofopvangsysteem niet voor metaal of hout. Het stofopvangsysteem is alleen bedoeld voor beton.

KENNISGEVING: Gebruik het stofopvangsysteem niet bij het boren in nat beton en gebruik dit systeem niet in een natte omgeving. Als u dit toch doet, kan dat leiden tot een storing.

Aanbrengen en verwijderen

KENNISGEVING: Voordat u het stofopvangsysteem aanbrengt, reinigt u de verbindingsonderdelen op het gereedschap en het stofopvangsysteem. Vreemde stoffen op de verbindingsonderdelen kunnen ertoe leiden dat het stofopvangsysteem moeilijk aan te brengen is. Als er nog stof op het luchtkanaal zit, komt het stof in het gereedschap en veroorzaakt een verstopping van de luchtstroom of een defect van het gereedschap.

Om het stofopvangsysteem aan te brengen, schuift u het gereedschap helemaal in het stofopvangsysteem tot het gereedschap met een kleine klik op zijn plaats wordt vergrendeld.

► Fig.26

Om het stofopvangsysteem te verwijderen, houdt u de ontgrendelknop ingedrukt en trekt u het gereedschap omhoog.

► Fig.27: 1. Ontgrendelknop

De stand van het mondstuk van het stofopvangsysteem afstellen

▲LET OP: Richt het mondstuk niet op uzelf of anderen wanneer u het mondstuk ontgrendelt door op de ontgrendelknop van de schuifarm te drukken.

Houd de ontgrendelknop van de schuifarm ingedrukt terwijl u de mondstukgeleider in- en uitschuift en laat de knop los in de exacte stand waarin de punt van het boorbit zich vlak achter het voorvlak van het mondstuk bevindt.

- **Fig.28:** 1. Schuifarm 2. Ontgrendelknop van de schuifarm 3. Punt van het boorbit 4. Voorvlak van het mondstuk

De boordiepte instellen

De boordiepte kan worden ingesteld door de afstand tussen de instelknop voor de boordiepte en de steunarm voor de mondstukgeleider te veranderen. Houd de instelknop voor de boordiepte ingedrukt en schuif deze naar de gewenste stand.

- **Fig.29:** 1. Instelknop voor de boordiepte 2. Mondstukgeleider 3. Steunarm voor de mondstukgeleider 4. Boordiepte

Het stof van het filter afkloppen

⚠ LET OP: Draai de knop op de stofopvangdoos niet terwijl de stofopvangdoos van het stofvangsysteem af is gehaald. Als u dit toch doet, kan dat leiden tot inademing van stof.

⚠ LET OP: Schakel het gereedschap altijd uit voordat u de knop op de stofopvangdoos draait. Als u de knop draait terwijl het gereedschap in werking is, kunt u de controle over het gereedschap verliezen.

Door het stof van het filter binnenin de stofopvangdoos af te kloppen, behoudt u de efficiëntie van de stofzuiger en verlaagt u tevens het aantal keren dat u het stof moet weggooiën.

Draai de knop op de stofopvangdoos drie keer rond na het verzamelen van 50.000 mm³ aan stof, of wanneer u de indruk krijgt dat de prestaties van de stofzuiger zijn afgenomen.

OPMERKING: 50.000 mm³ aan stof staat gelijk aan het boren van 10 gaten met een ø10 mm en een diepte van 65 mm.

- **Fig.30:** 1. Stofopvangdoos 2. Knop

Het stof weggooiën

⚠ LET OP: Zorg altijd dat het gereedschap is uitgeschakeld en de accu ervan is verwijderd alvorens enig werk aan het gereedschap uit te voeren.

⚠ LET OP: U moet een stofmasker dragen wanneer u het stof weggooit.

⚠ LET OP: Verzeker u ervan dat het gereedschap volledig stil staat wanneer u het stof weggooit.

⚠ LET OP: Maak de stofopvangdoos regelmatig leeg, voordat hij vol is. Als u dit niet doet, wordt het stof mogelijk minder goed opgevangen en kan dat leiden tot inademing van stof.

⚠ LET OP: Het stof wordt minder goed opgevangen als het filter in de stofopvangdoos verstopt is. Vervang het filter door een nieuwe nadat de stofopvangdoos ongeveer 200 keer is geleegd. Als u dit niet doet, kan dat leiden tot inademing van stof.

1. Houd de hendel van de stofopvangdoos omlaag

gedrukt en verwijder de stofopvangdoos.

- **Fig.31:** 1. Hendel

2. Open het deksel van de stofopvangdoos.

- **Fig.32:** 1. Deksel

3. Gooi het stof weg en reinig het filter.

- **Fig.33**

KENNISGEVING: Bij het reinigen van het filter tikt u voorzichtig met uw hand tegen de behuizing van het filter om het stof te verwijderen. Tik niet rechtstreeks tegen het filter, raak het filter niet aan met een borstel of iets dergelijks, en blaas geen perslucht tegen het filter. Als u dit toch doet, kan het filter worden beschadigd.

Het filter in de stofopvangdoos vervangen

1. Houd de hendel van de stofopvangdoos omlaag gedrukt en verwijder de stofopvangdoos.

- **Fig.34:** 1. Hendel

2. Open het filterdeksel van de stofopvangdoos.

- **Fig.35:** 1. Filterdeksel

3. Verwijder het filter uit het filterhuis.

- **Fig.36:** 1. Filter 2. Filterhuis

4. Breng een nieuw filter aan in het filterhuis en bevestig daarna het filterdeksel.

5. Sluit het deksel van de stofopvangdoos en bevestig deze daarna aan het stofopvangsysteem.

De afdichtdop vervangen

1. Steek een platkopschroevendraaier in één van de groeven aan de zijkant van de mondstukkop. Kantel de platkopschroevendraaier onder een hoek om de kubushaak van de afdichtdop los te wrikken en eruit te wippen. Pel de rubber rand van de afdichtdop los van de rand van de mondstukopening.

- **Fig.37:** 1. Afdichtdop 2. Kubushaak 3. Groef 4. Mondstukkop

2. Plaats één van de kubushaken van de nieuwe afdichtdop in het onderste deel van de groef in de mondstukkop met een hol oppervlak van de afdichtdop naar voren gericht.

- **Fig.38:** 1. Kubushaken 2. Onderste deel van de groef 3. Afdichtdop 4. Holle oppervlak

3. Plaats de andere haak in de tegenoverliggende kant terwijl u de stand van de afdichtdop aanpast zodat deze goed op de mondstukkop past.

- **Fig.39:** 1. Afdichtdop 2. Kubushaak 3. Onderste deel van de groef 4. Mondstukkop 5. Randen

4. Leg voorzichtig de rubber rand van de afdichtdop vanaf onder naar boven over de rand van de mondstukopening.

- **Fig.40:** 1. Rubber rand 2. Afdichtdop 3. Mondstukkop

BEDIENING

⚠ALLET OP: Gebruik altijd de zijhandgreep (hulphandgreep) en houd het gereedschap tijdens het gebruik stevig vast bij zowel de zijhandgreep als de hoofdhandgreep.

⚠ALLET OP: Zorg er altijd vóór gebruik voor dat het werkstuk stevig vast staat.

⚠ALLET OP: Trek niet met grote kracht aan het gereedschap, ook niet wanneer de bit klem zit. Als u de controle verliest, kan letsel worden veroorzaakt.

KENNISGEVING: Voordat u het stofopvangsysteem gebruikt, leest u het tekstdeel over het stofopvangsysteem.

OPMERKING: Als de temperatuur van de accu laag is, werkt het gereedschap mogelijk niet op volledig vermogen. Warm in dat geval de accu op door het gereedschap enige tijd op nullastoerental te gebruiken zodat u het volledige vermogen van het gereedschap weer kunt gebruiken.

► Fig.41

Gebruik als hamerboor

⚠ALLET OP: Op het moment dat het boorgat doorbreekt, het boorgat verstopt raakt met schilfertjes of metaaldeeltjes, of de kloppoor de bewapening in het steen raakt, wordt een plotselinge en enorme torsiekracht uitgeoefend op het gereedschap/boorbit. **Gebruik altijd de zijhandgreep (hulphandgreep) en houd het gereedschap tijdens het gebruik stevig vast bij zowel de zijhandgreep als de hoofdhandgreep.** Als u dit niet doet, kunt u de controle over het gereedschap verliezen en mogelijk ernstig letsel veroorzaken.

Draai de werksfunctiekeuzeknop naar het symbool .

Plaats de punt van de boor op de plaats waar u een gat wilt boren en knijp dan de trekkerschakelaar in.

Oefen aanvoerkraft uit op de schakelaarhandgreep (hoofdhandgreep) voor nauwkeurigheid en efficiëntie van het werk, en houd de zijhandgreep (extra handgreep) vast om het gereedschap in balans te houden. Houd het gereedschap zorgvuldig op zijn plaats en zorg dat het niet uit het boorgat raakt.

Oefen niet méér druk uit wanneer het boorgat verstopt raakt met schilfertjes of boorgruis. Laat daarentegen het gereedschap "stationair" draaien en trek de boor gedeeltelijk terug uit het boorgat. Door dit enkele malen te herhalen, kunt u het boorgat gruisvrij maken, zodat u het normale boren kunt hervatten.

OPMERKING: Terwijl het gereedschap onbelast wordt gebruikt, kan de boor excentrisch draaien. Het gereedschap centreert zichzelf automatisch tijdens het gebruik. Dit heeft geen nadelige invloed op de nauwkeurigheid van het boren.

Boren in hout of metaal

⚠ALLET OP: Houd het gereedschap stevig vast en let vooral goed op wanneer het boorbit door het werkstuk heen breekt. Op het moment dat het boorgat doorbreekt wordt een enorme wringende kracht uitgeoefend op het gereedschap/boorbit.

⚠ALLET OP: Een vastgelopen boorbit kan eenvoudig verwijderd worden door de draairichting te veranderen met de omkeerschakelaar, om zo het boorbit eruit te draaien. Houd het gereedschap daarbij wel stevig vast, want er is kans op een plotselinge terugslag.

⚠ALLET OP: Zet het werkstuk altijd vast in een bankschroef of soortgelijke klemvoorziening.

KENNISGEVING: Gebruik nooit "Hamerboren" wanneer de adapterboorkop op het gereedschap is aangebracht. De adapterboorkop kan worden beschadigd.

Bovendien zal de adapterboorkop loskomen wanneer de draairichting van het gereedschap wordt omgekeerd.

KENNISGEVING: Het boren zal niet sneller verlopen als u hard op het gereedschap drukt. In feite zal dergelijk hard drukken alleen maar leiden tot beschadiging van het boorbit, lagere prestaties van het gereedschap en een kortere levensduur van het gereedschap.

Draai de werksfunctiekeuzeknop naar het symbool .

Bevestig de boorkopadapter aan een sleutelloze boorkop waarop een schroefmaat 1/2"-20 kan worden aangebracht, en breng deze daarna aan op het gereedschap. Voor het aanbrengen ervan raadpleegt u het tekstdeel "Het boorbit aanbrengen of verwijderen".

► Fig.42: 1. Boorkopmontage 2. Boorkopadapter

Luchtblazer

Optioneel accessoire

Nadat het gat geboord is, gebruikt u de luchtblazer om het stof uit het gat te blazen.

► Fig.43

De stofvangerset gebruiken

Optioneel accessoire

Houd de stofvangerset tegen het plafond wanneer u het gereedschap bedient.

► Fig.44

KENNISGEVING: Gebruik de stofvangerset niet bij het boren in metaal of dergelijke. Door de warmte die wordt gegenereerd door kleine metalen deeltjes en dergelijke kan de stofvangerset worden beschadigd.

KENNISGEVING: U mag de stofvangerset niet aanbrengen of verwijderen terwijl het boorbit in het gereedschap is aangebracht. Hierdoor kan de stofvangerset worden beschadigd waardoor stof vrijkomt.

ONDERHOUD

⚠ LET OP: Zorg altijd dat het gereedschap is uitgeschakeld en de accu ervan is verwijderd alvorens te beginnen met onderhoud of inspectie.

KENNISGEVING: Gebruik nooit benzine, wasbenzine, thinner, alcohol en dergelijke. Hierdoor kunnen verkleuring, vervormingen en barsten worden veroorzaakt.

Om de VEILIGHEID en BETROUWBAARHEID van het gereedschap te handhaven, dienen alle reparaties, onderhoud of afstellingen te worden uitgevoerd bij een erkend Makita-servicecentrum of de Makita-fabriek, en altijd met gebruik van Makita-vervangingsonderdelen.

OPTIONELE ACCESSOIRES

⚠ LET OP: Deze accessoires of hulpstukken worden aanbevolen voor gebruik met het Makita gereedschap dat in deze gebruiksaanwijzing is beschreven. Bij gebruik van andere accessoires of hulpstukken bestaat het gevaar van persoonlijke letsel. Gebruik de accessoires of hulpstukken uitsluitend voor hun bestemde doel.

Wenst u meer bijzonderheden over deze accessoires, neem dan contact op met het plaatselijke Makita-servicecentrum.

- Boor met een hardmetalen punt (SDS-plus-bits met een hardmetalen punt)
- Boorkopadapter
- Sleutellose boorkop
- Boorvet
- Dieptemaat
- Luchtblazer
- Stofvanger
- Stofvangerset
- Stofopvangsysteem
- Gereedschapophanghaak
- Originele Makita accu's en acculaders

OPMERKING: Sommige items op de lijst kunnen zijn inbegrepen in de doos van het gereedschap als standaard toebehoren. Deze kunnen van land tot land verschillen.

ESPECIFICACIONES

Modelo:		DHR183
Capacidades de perforación	Cemento	18 mm
	Acero	13 mm
	Madera	24 mm
Velocidad sin carga		0 - 1.100 min ⁻¹
Percusiones por minuto		0 - 5.000 min ⁻¹
Longitud total (con BL1860B)		288 mm
Tensión nominal		CC 18 V
Peso neto		2,1 - 2,9 kg

Accesorio opcional

Modelo:	DX16
Rendimiento de succión	0,24 m ³ /min
Carrera de operación	Hasta 105 mm
Broca apropiada	Hasta 165 mm
Peso neto	0,77 kg

- Debido a nuestro continuado programa de investigación y desarrollo, las especificaciones aquí dadas están sujetas a cambios sin previo aviso.
- Las especificaciones pueden ser diferentes de país a país.
- El peso puede variar dependiendo del accesorio(s), incluyendo el cartucho de batería. La combinación menos pesada y la más pesada, de acuerdo con el procedimiento EPTA 01/2014, se muestran en la tabla.

Cartucho de batería y cargador aplicables

Cartucho de batería	BL1815N / BL1820B / BL1830B / BL1840B / BL1850B / BL1860B
Cargador	DC18RC / DC18RD / DC18RE / DC18SD / DC18SE / DC18SF / DC18SH / DC18WC

- Algunos de los cartuchos de batería y cargadores indicados arriba puede que no estén disponibles dependiendo de su región de residencia.

⚠ ADVERTENCIA: Utilice solamente los cartuchos de batería y cargadores listados arriba. La utilización de cualquier otro cartucho de batería y cargador puede ocasionar heridas y/o un incendio.

Fuente de alimentación conectada por cable recomendada

Unidad portátil de alimentación eléctrica	PDC01
---	-------

- La fuente o fuentes de alimentación conectadas por cable indicadas arriba puede que no estén disponibles dependiendo de su región de residencia.
- Antes de utilizar la fuente de alimentación conectada por cable, lea las instrucciones e indicaciones de precaución sobre ella.

Uso previsto

La herramienta ha sido prevista para perforar con percusión y perforar en ladrillo, hormigón y piedra. También es apropiada para perforar sin impacto en madera, metal, cerámica y plástico.

Ruido

El nivel de ruido A-ponderado típico determinado de acuerdo con la norma EN62841-2-6:

Modelo DHR183

Nivel de presión sonora (L_{pA}) : 93 dB (A)
 Nivel de potencia sonora (L_{WA}) : 101 dB (A)
 Error (K) : 3 dB (A)

Modelo DHR183 con DX16

Nivel de presión sonora (L_{pA}) : 93 dB (A)
 Nivel de potencia sonora (L_{WA}) : 101 dB (A)
 Error (K) : 3 dB (A)

NOTA: El valor (o los valores) de emisión de ruido declarado ha sido medido de acuerdo con un método de prueba estándar y se puede utilizar para comparar una herramienta con otra.

NOTA: El valor (o valores) de emisión de ruido declarado también se puede utilizar en una valoración preliminar de exposición.

⚠ADVERTENCIA: Póngase protectores para oídos.

⚠ADVERTENCIA: La emisión de ruido durante la utilización real de la herramienta eléctrica puede variar del valor (o los valores) de emisión declarado dependiendo de las formas en las que la herramienta sea utilizada, especialmente qué tipo de pieza de trabajo se procesa.

⚠ADVERTENCIA: Asegúrese de identificar medidas de seguridad para proteger al operario que estén basadas en una estimación de la exposición en las condiciones reales de utilización (teniendo en cuenta todas las partes del ciclo operativo como las veces cuando la herramienta está apagada y cuando está funcionando en vacío además del tiempo de gatillo).

Vibración

La tabla siguiente muestra el valor total de la vibración (suma de vectores triaxiales) determinado de acuerdo con el estándar aplicable.

Modo de trabajo	Emisión de vibración	Incertidumbre (K)	Estándar aplicable/ Condición del test
Perforación con percusión en hormigón ($a_{h, HD}$)	7,5 m/s ²	1,5 m/s ²	EN62841-2-6
Perforación con percusión en hormigón con DX16 ($a_{h, HD}$)	7,6 m/s ²	1,7 m/s ²	EN62841-2-6

NOTA: El valor (o los valores) total de emisión de vibración declarado ha sido medido de acuerdo con un método de prueba estándar y se puede utilizar para comparar una herramienta con otra.

NOTA: El valor (o los valores) total de emisión de vibración declarado también se puede utilizar en una valoración preliminar de exposición.

⚠ADVERTENCIA: La emisión de vibración durante la utilización real de la herramienta eléctrica puede variar del valor (o los valores) de emisión declarado dependiendo de las formas en las que la herramienta sea utilizada, especialmente qué tipo de pieza de trabajo se procesa.

⚠ADVERTENCIA: Asegúrese de identificar medidas de seguridad para proteger al operario que estén basadas en una estimación de la exposición en las condiciones reales de utilización (teniendo en cuenta todas las partes del ciclo operativo como las veces cuando la herramienta está apagada y cuando está funcionando en vacío además del tiempo de gatillo).

Declaraciones de conformidad

Para países europeos solamente

Las declaraciones de conformidad están incluidas como Anexo A de este manual de instrucciones.

ADVERTENCIAS DE SEGURIDAD

Advertencias de seguridad para herramientas eléctricas en general

⚠ADVERTENCIA Lea todas las advertencias de seguridad, instrucciones, ilustraciones y especificaciones provistas con esta herramienta eléctrica. Si no sigue todas las instrucciones indicadas abajo, podrá resultar en una descarga eléctrica, un incendio y/o heridas graves.

Guarde todas las advertencias e instrucciones para futuras referencias.

El término "herramienta eléctrica" en las advertencias se refiere a su herramienta eléctrica de funcionamiento con conexión a la red eléctrica (con cable) o herramienta eléctrica de funcionamiento a batería (sin cable).

ADVERTENCIAS DE SEGURIDAD PARA EL MARTILLO ROTATIVO INALÁMBRICO

Instrucciones de seguridad para todas las operaciones

1. **Póngase protectores de oídos.** La exposición al ruido puede ocasionar pérdida auditiva.
2. **Utilice el mango(s) auxiliar, si se suministra con la herramienta.** Una pérdida del control puede ocasionar heridas personales.
3. **Cuando realice una operación en la que el accesorio de corte pueda entrar en contacto con cableado oculto, sujete la herramienta eléctrica por las superficies de asiento**

aisladas. El contacto del accesorio de corte con un cable con corriente puede hacer que la corriente circule por las partes metálicas expuestas de la herramienta eléctrica y soltar una descarga eléctrica al operario.

Instrucciones de seguridad cuando se utilizan brocas largas con martillos rotativos

1. **Comience a perforar siempre a velocidad baja y con la punta de la broca haciendo contacto con la pieza de trabajo.** A velocidades más altas, es probable que la broca se doble si se deja girar libremente sin hacer contacto con la pieza de trabajo, resultando en heridas personales.
2. **Aplique presión solamente en línea directa con la broca y no aplique una presión excesiva.** Las brocas se pueden doblar, ocasionando su rotura o la pérdida de control, resultando en heridas personales.

Advertencias de seguridad adicionales

1. **Póngase casco protector (casco de seguridad), gafas de seguridad y/o pantalla facial.** Las gafas normales o de sol **NO** sirven para proteger los ojos. También es muy recomendable ponerse una máscara contra el polvo y guantes espesamente acolchados.
2. **Asegúrese de que la broca está sujeta en su sitio antes de iniciar la operación.**
3. **La herramienta ha sido diseñada de modo que produzca vibración durante la utilización normal.** Los tornillos se pueden aflojar fácilmente, ocasionando una rotura o un accidente. Compruebe con cuidado el apriete de los tornillos antes de iniciar la operación.
4. **En clima frío o cuando la herramienta no haya sido utilizada durante un tiempo largo, deje que la herramienta se caliente durante un rato utilizándola sin carga.** Esto diluirá la lubricación. Sin un calentamiento apropiado, la operación de percusión resultará difícil.
5. **Asegúrese siempre de apoyar los pies firmemente.** Asegúrese de que no haya nadie debajo cuando utilice la herramienta en lugares altos.
6. **Sujete la herramienta firmemente con ambas manos.**
7. **Mantenga las manos alejadas de las partes en movimiento.**
8. **No deje la herramienta en marcha.** Tenga en marcha la herramienta solamente cuando la tenga en la mano.
9. **No apunte la herramienta hacia nadie que esté en el área cuando la esté utilizando.** La broca puede salir despedida y herir a alguien gravemente.
10. **No toque la broca, las partes cerca de la broca, o la pieza de trabajo inmediatamente después de la operación;** podrán estar muy calientes y quemarle la piel.
11. **Algunos materiales contienen sustancias químicas que pueden ser tóxicas.** Tenga precaución para evitar la inhalación de polvo y el contacto con la piel. Siga los datos de seguridad del abastecedor del material.
12. **Asegúrese siempre de que la herramienta**

está apagada y que el cartucho de batería y la broca han sido retirados antes de entregar la herramienta a otra persona.

13. **Antes de la operación, asegúrese de que no hay objetos enterrados como tubos de cables eléctricos, tuberías de agua o tuberías de gas en el área de trabajo.** De lo contrario, la broca/cinzel podrá tocarlos, resultando en una descarga eléctrica, fuga eléctrica o fuga de gas.
14. **No utilice la herramienta en vacío innecesariamente.**

GUARDE ESTAS INSTRUCCIONES.

⚠ADVERTENCIA: NO deje que la comodidad o familiaridad con el producto (a base de utilizarlo repetidamente) sustituya la estricta observancia de las normas de seguridad para el producto en cuestión. El MAL USO o el no seguir las normas de seguridad establecidas en este manual de instrucciones podrá ocasionar heridas personales graves.

Instrucciones de seguridad importantes para el cartucho de batería

1. **Antes de utilizar el cartucho de batería, lea todas las instrucciones e indicaciones de precaución sobre (1) el cargador de baterías, (2) la batería, y (3) el producto con el que se utiliza la batería.**
2. **No desensamble ni manipule el cartucho de batería.** Podrá resultar en un incendio, calor excesivo, o una explosión.
3. **Si el tiempo de uso se acorta demasiado, cese la operación inmediatamente.** Podría resultar en un riesgo de recalentamiento, posibles quemaduras e incluso una explosión.
4. **Si entra electrolito en sus ojos, aclárelos con agua limpia y acuda a un médico inmediatamente.** Existe el riesgo de poder perder la vista.
5. **No cortocircuite el cartucho de batería:**
 - (1) **No toque los terminales con ningún material conductor.**
 - (2) **Evite guardar el cartucho de batería en un cajón junto con otros objetos metálicos, como clavos, monedas, etc.**
 - (3) **No exponga el cartucho de batería al agua ni a la lluvia.****Un cortocircuito en la batería puede producir una gran circulación de corriente, un recalentamiento, posibles quemaduras e incluso una rotura de la misma.**
6. **No guarde ni utilice la herramienta y el cartucho de batería en lugares donde la temperatura pueda alcanzar o exceder los 50 °C.**
7. **Nunca incinere el cartucho de batería incluso en el caso de que esté dañado seriamente o ya no sirva en absoluto.** El cartucho de batería puede explotar si se tira al fuego.
8. **No clave, corte, aplaste, lance, deje caer el**

cartucho de batería, ni golpee contra un objeto duro el cartucho de batería. Tal conducta podrá resultar en un incendio, calor excesivo, o una explosión.

9. **No utilice una batería dañada.**
10. **Las baterías de litio-ion contenidas están sujetas a los requisitos de la Legislación para Materiales Peligrosos.**

Para transportes comerciales, p.ej., por terceras personas y agentes de transportes, se deberán observar requisitos especiales para el empaquetado y etiquetado.

Para la preparación del artículo que se va a enviar, se requiere consultar con un experto en materiales peligrosos. Por favor, observe también la posibilidad de reglamentos nacionales más detallados.

Cubra con cinta aislante o enmascare los contactos expuestos y empaquete la batería de tal manera que no se pueda mover alrededor dentro del embalaje.
11. **Para desechar el cartucho de batería, retírelo de la herramienta y deséchelo en un lugar seguro. Siga los reglamentos locales referentes al desecho de la batería.**
12. **Utilice las baterías solamente con los productos especificados por Makita.** La instalación de las baterías en productos no compatibles puede resultar en un incendio, calor excesivo, explosión, o fuga de electrolito.
13. **Si la herramienta no va a ser utilizada durante un periodo de tiempo largo, la batería deberá ser retirada de la herramienta.**
14. **Durante y después de la utilización, el cartucho de batería podrá acumular calor, lo cual puede ocasionar quemaduras o quemaduras de baja temperatura. Preste atención al manejo de cartuchos de batería calientes.**
15. **No toque el terminal de la herramienta inmediatamente después de utilizar, dado que puede calentarse lo suficiente como para ocasionar quemaduras.**
16. **No permita que virutas, polvo, o tierra se adhieran dentro de los terminales, orificios, y ranuras del cartucho de batería.** Esto podría ocasionar calentamiento, que coja fuego, reviente y un mal funcionamiento de la herramienta o el cartucho de batería, resultando en quemaduras o heridas personales.
17. **A menos que la herramienta pueda utilizarse cerca de cables eléctricos de alta tensión, no utilice el cartucho de batería cerca de cables eléctricos de alta tensión.** Podrá resultar en un mal funcionamiento o rotura de la herramienta o el cartucho de batería.
18. **Mantenga la batería alejada de los niños.**

GUARDE ESTAS INSTRUCCIONES.

⚠PRECAUCIÓN: Utilice solamente baterías genuinas de Makita. La utilización de baterías no genuinas de Makita, o baterías que han sido alteradas, puede resultar en una explosión de la batería ocasionando incendios, heridas personales y daños. También anulará la garantía de Makita para la herramienta y el cargador de Makita.

Consejos para alargar al máximo la vida de servicio de la batería

1. **Cargue el cartucho de batería antes de que se descargue completamente. Detenga siempre la operación y cargue el cartucho de batería cuando note menos potencia en la herramienta.**
2. **No cargue nunca un cartucho de batería que esté completamente cargado. La sobrecarga acortará la vida de servicio de la batería.**
3. **Cargue el cartucho de batería a temperatura ambiente de 10 °C - 40 °C. Si un cartucho de batería está caliente, déjelo enfriar antes de cargarlo.**
4. **Cuando no esté utilizando el cartucho de batería, retírelo de la herramienta o del cargador.**
5. **Cargue el cartucho de batería si no lo utiliza durante un periodo de tiempo prolongado (más de seis meses).**

DESCRIPCIÓN DEL FUNCIONAMIENTO

⚠PRECAUCIÓN: Asegúrese siempre de que la herramienta está apagada y el cartucho de batería retirado antes de realizar cualquier ajuste o comprobación en la herramienta.

Instalación o extracción del cartucho de batería

⚠PRECAUCIÓN: Apague siempre la herramienta antes de instalar o retirar el cartucho de batería.

⚠PRECAUCIÓN: Sujete la herramienta y el cartucho de batería firmemente cuando instale o retire el cartucho de batería. Si no sujeta la herramienta y el cartucho de batería firmemente podrán caérsele de las manos y resultar en daños a la herramienta y al cartucho de batería y heridas personales.

Para instalar el cartucho de batería, alinee la lengüeta del cartucho de batería con la ranura del alojamiento y deslícelo al interior hasta encajarlo en su sitio. Insértelo por completo hasta que se bloquee en su sitio con un pequeño chasquido. Si puede ver el indicador rojo como se muestra en la figura, no estará bloqueado completamente.

Para retirar el cartucho de batería, deslícelo de la herramienta mientras desliza el botón de la parte frontal del cartucho.

- **Fig.1:** 1. Indicador rojo 2. Botón 3. Cartucho de batería

⚠PRECAUCIÓN: Instale siempre el cartucho de batería completamente hasta que no pueda verse el indicador rojo. En caso contrario, podrá caerse accidentalmente de la herramienta y ocasionarle heridas a usted o a alguien que esté cerca de usted.

⚠PRECAUCIÓN: No instale el cartucho de batería empleando fuerza. Si el cartucho no se desliza al interior fácilmente, será porque no está siendo insertado correctamente.

Modo de indicar la capacidad de batería restante

Solamente para cartuchos de batería con el indicador

Presione el botón de comprobación en el cartucho de batería para indicar la capacidad de batería restante. Las lámparas indicadoras se iluminan durante unos pocos segundos.

- **Fig.2:** 1. Lámparas indicadoras 2. Botón de comprobación

Lámparas indicadoras			Capacidad restante
Iluminada	Apagada	Parpadeando	
			75% a 100%
			50% a 75%
			25% a 50%
			0% a 25%
			Cargue la batería.
			Puede que la batería no esté funcionando bien.

NOTA: Dependiendo de las condiciones de utilización y de la temperatura ambiente, la indicación podrá variar ligeramente de la capacidad real.

NOTA: La primera lámpara indicadora (extremo izquierdo) parpadeará cuando el sistema de protección de la batería esté funcionando.

Sistema de protección de la herramienta / batería

La herramienta está equipada con un sistema de protección de la herramienta/batería. Este sistema corta automáticamente la alimentación al motor para alargar la vida de servicio de la herramienta y la batería. La herramienta se detendrá automáticamente durante la operación si la herramienta o la batería es puesta en una de las condiciones siguientes:

Protección contra sobrecarga

Cuando la batería sea operada de manera que le haga extraer una corriente anormalmente alta, la herramienta se detendrá automáticamente sin ninguna indicación. En esta situación, apague la herramienta y detenga la aplicación que ocasiona la sobrecarga de la herramienta. Después encienda la herramienta para volver a empezar.

Protección contra el recalentamiento

Cuando la herramienta o la batería se recalienta, la herramienta se detiene automáticamente. En este caso, deje que la herramienta y la batería se enfríen antes de encender la herramienta otra vez.

NOTA: Cuando la herramienta está recalentada, la lámpara parpadea.

Protección contra descarga excesiva

Cuando la capacidad de batería no es suficiente, la herramienta se detiene automáticamente. En este caso, retire la batería de la herramienta y cargue la batería.

Protecciones contra otras causas

También hay un sistema de protección diseñado para otras causas que pueden dañar la herramienta y permite a la herramienta detenerse automáticamente. Realice todos los pasos siguientes para despejar las causas, cuando la herramienta haya sido llevada a una pausa temporal o a una parada en la operación.

1. Asegúrese de que todos los interruptores están en la posición apagada, y después encienda la herramienta otra vez para volver a empezar.
2. Cargue la(s) batería(s) o reemplácela(s) con una batería(s) recargada(s).
3. Deje que la herramienta y la(s) batería(s) se enfríen.

Si no se nota una mejora al restablecer el sistema de protección, póngase en contacto con el centro de servicio Makita local.

Accionamiento del interruptor

⚠ADVERTENCIA: Antes de insertar el cartucho de batería en la herramienta, compruebe siempre para cerciorarse de que el gatillo interruptor se acciona debidamente y que vuelve a la posición "OFF" cuando lo suelta.

Para poner en marcha la herramienta, simplemente apriete el gatillo interruptor. La velocidad de la herramienta aumenta incrementando la presión en el gatillo interruptor. Suelte el gatillo interruptor para parar.

- **Fig.3:** 1. Gatillo interruptor

Encendido de la lámpara delantera

⚠PRECAUCIÓN: No mire a la luz ni vea la fuente de luz directamente.

Apriete el gatillo interruptor para encender la lámpara. La lámpara seguirá encendida mientras el gatillo interruptor esté siendo apretado. La lámpara se apagará 10

segundos aproximadamente después de soltar el gatillo interruptor.

► **Fig.4:** 1. Lámpara

NOTA: Utilice un paño seco para quitar la suciedad de la lente de la lámpara. Tenga cuidado de no rayar la lente de la lámpara, porque podrá disminuir la iluminación.

NOTA: Cuando la herramienta se recalienta, la lámpara parpadea. En este caso, libere el gatillo interruptor y después deje enfriar la herramienta/batería antes de utilizarla otra vez.

NOTA: La lámpara delantera no se puede utilizar mientras el sistema de recolección de polvo (accesorio opcional) está instalado en la herramienta.

Accionamiento del interruptor inversor

⚠PRECAUCIÓN: Confirme siempre la dirección de giro antes de la operación.

⚠PRECAUCIÓN: Utilice el interruptor inversor solamente después de que la herramienta se haya parado completamente. Si cambia la dirección de giro antes de que la herramienta se haya parado podrá dañarla.

⚠PRECAUCIÓN: Cuando no esté utilizando la herramienta, ponga siempre la palanca del interruptor inversor en la posición neutral.

Esta herramienta tiene un interruptor inversor para cambiar la dirección de giro. Presione hacia dentro la palanca del interruptor inversión del lado A para giro hacia la derecha o del lado B para giro hacia la izquierda.

Cuando la palanca del interruptor inversor está en la posición neutral, el gatillo interruptor no se puede apretar.


► **Fig.5:** 1. Palanca del interruptor inversor

Selección del modo de accionamiento

AVISO: No gire el pomo de cambio del modo de accionamiento cuando la herramienta esté en marcha. La herramienta se dañará.


AVISO: Para evitar un desgaste rápido del mecanismo de cambio de modo, asegúrese de que el pomo de cambio del modo de accionamiento está siempre situado en uno de los modos de accionamiento.

Giro con percusión

Para perforar en hormigón, mampostería, etc., gire el pomo de cambio del modo de accionamiento hasta el símbolo . Utilice una broca con punta de carburo.

► **Fig.6:** 1. Pomo de cambio del modo de accionamiento

Giro solamente

Para perforar en madera, metal o materiales de plástico, gire el pomo de cambio del modo de accionamiento hasta el símbolo . Utilice una broca helicoidal o broca para madera.

► **Fig.7:** 1. Pomo de cambio del modo de accionamiento

Función electrónica

La herramienta está equipada con funciones electrónicas para facilitar su funcionamiento.

- Freno eléctrico
Esta herramienta está equipada con un freno eléctrico. Si la herramienta consistentemente falla en dejar de funcionar rápidamente después de soltar el gatillo interruptor, haga que la herramienta sea servida en un centro de servicio Makita.
- Control de velocidad constante
La función de control de velocidad brinda la velocidad de rotación constante independientemente de las condiciones de carga.

MONTAJE

⚠PRECAUCIÓN: Asegúrese siempre de que la herramienta está apagada y el cartucho de batería retirado antes de realizar cualquier trabajo en la herramienta.

Empuñadura lateral (mango auxiliar)

⚠PRECAUCIÓN: Utilice siempre la empuñadura lateral para garantizar una operación segura.

⚠PRECAUCIÓN: Después de instalar o ajustar la empuñadura lateral, asegúrese de que la empuñadura lateral está sujeta firmemente con los salientes de la herramienta completamente acoplados en las ranuras de la empuñadura lateral.

Para instalar la empuñadura lateral, siga los pasos de abajo.

1. Afloje el tornillo de palometa de la empuñadura lateral.

► **Fig.8:** 1. Tornillo de palometa

2. Instale la empuñadura lateral de forma que las ranuras de la empuñadura encajen en los salientes de la herramienta mientras presiona el tornillo de palometa.

► **Fig.9:** 1. Tornillo de palometa

3. Apriete el tornillo de palometa para sujetar la empuñadura. La empuñadura se puede fijar en el ángulo deseado.

Para retirar la empuñadura lateral, afloje el tornillo de palometa de la empuñadura lateral. Retire la empuñadura lateral de la herramienta.

Instalación o desmontaje de la broca

Grasa

Limpe el extremo de la espiga de la broca y aplique grasa antes de instalar la broca.

Cubra el extremo de la espiga de la broca previamente con una pequeña cantidad de grasa (aprox. 0,5 - 1 g). Esta lubricación del mandril asegurará un accionamiento suave y una vida de servicio más larga.

► **Fig.10:** 1. Extremo de la espiga 2. Grasa

Inserte la broca en la herramienta. Gire la broca y empujela hasta que se acople.

Después de instalar la broca, asegúrese siempre de que la broca está sujeta firmemente en su sitio intentando sacarla.

► **Fig.11:** 1. Broca

Para retirar la broca, empuje la cubierta del mandril hacia abajo a tope y extraiga la broca.

► **Fig.12:** 1. Broca 2. Cubierta del mandril

Tope de profundidad

El tope de profundidad resulta útil para perforar agujeros de profundidad uniforme.

Mantenga presionado el botón de bloqueo, y después inserte el tope de profundidad en el agujero. Asegúrese de que el lado dentado del tope de profundidad esté orientado hacia la marca.

► **Fig.13:** 1. Tope de profundidad 2. Botón de bloqueo 3. Marca 4. Lado dentado

Ajuste el tope de profundidad moviéndolo hacia atrás y adelante mientras presiona el botón de bloqueo. Después del ajuste, suelte el botón de bloqueo para bloquear el tope de profundidad.

NOTA: Asegúrese de que el tope de profundidad no toca el cuerpo principal de la herramienta cuando lo coloque.

Colector de polvo

Accesorio opcional

Utilice el colector de polvo para evitar que el polvo caiga sobre la herramienta y sobre usted cuando realice operaciones de perforación en lo alto. Coloque el colector de polvo en la broca como se muestra en la figura. El tamaño de las brocas en las que se puede colocar el colector de polvo es como se indica a continuación.

Modelo	Diámetro de la broca
Colector de polvo 5	6 mm - 14,5 mm
Colector de polvo 9	12 mm - 16 mm

► **Fig.14:** 1. Colector de polvo

Juego colector de polvo

Accesorio opcional

Instalación del juego colector de polvo

AVISO: No utilice el juego colector de polvo cuando perforo en metal o similar. El juego colector de polvo se podrá dañar debido al calor producido por el polvo metálico fino o similar. No instale o retire el juego colector de polvo con una broca instalada en la herramienta. El juego colector de polvo se podrá dañar y ocasionar fuga de polvo.

Antes de instalar el juego colector de polvo, retire la broca de la herramienta si está instalada.

1. Afloje el tornillo de palometa de la empuñadura lateral.

2. Instale el juego colector de polvo de forma que las pinzas del colector de polvo encajen en las comisuras de la empuñadura lateral.

► **Fig.15:** 1. Juego colector de polvo 2. Empuñadura lateral

3. Instale la empuñadura lateral de forma que la ranura de la empuñadura encaje en el saliente de la herramienta. Apriete el tornillo de palometa para sujetar la empuñadura lateral.

► **Fig.16:** 1. Empuñadura lateral 2. Ranura 3. Saliente

NOTA: Si conecta un aspirador al juego colector de polvo, retire la tapa de polvo antes de conectar el aspirador.

► **Fig.17:** 1. Tapa de polvo

Para retirar la broca

Para retirar la broca, tire de la cubierta del mandril hacia abajo a tope y extraiga la broca.

► **Fig.18:** 1. Broca 2. Cubierta del mandril

Para retirar el juego colector de polvo

Para retirar el juego colector de polvo, siga los pasos de abajo.

1. Afloje el tornillo de palometa de la empuñadura lateral. Retire la empuñadura lateral de la herramienta.

► **Fig.19:** 1. Tornillo de palometa

2. Sujete la raíz del colector de polvo y sáquelo.

NOTA: Si resulta difícil retirar el juego colector de polvo, retire las pinzas del colector de polvo una a una oscilando y tirando de la raíz del colector de polvo.

► **Fig.20:** 1. Colector de polvo

NOTA: Si la tapa se desprende del juego colector de polvo, vuelva a ponerla en la posición original.

Para volver a poner la tapa en la posición original, siga los pasos de abajo.

1. Gire el fuelle hacia la izquierda y retirelo de la unidad de fijación del juego colector de polvo mientras

el fuelle está desbloqueado.

► **Fig.21:** 1. Fuelle 2. Unidad de fijación

2. Vuelva a poner la tapa en su sitio con su cara rotulada orientada hacia arriba.

► **Fig.22:** 1. Tapa 2. Unidad de fijación

3. Asegúrese de que las ranuras alrededor de la tapa encajan en los rebordes de la abertura superior de la unidad de fijación.

Colgador de herramienta

Accesorio opcional

⚠PRECAUCIÓN: No utilice el colgador de herramienta y tornillo dañados. Antes de la utilización compruebe siempre por si hay daños, grietas o deformaciones, y asegúrese de que el tornillo está apretado.

⚠PRECAUCIÓN: Instale o retire el colgador de herramienta sobre una mesa o superficie estable. Asegúrese de utilizar solamente el tornillo provisto con el colgador de herramienta. Después de instalar el colgador de herramienta, asegúrese de que el colgador de herramienta está instalado firmemente con el tornillo.

⚠PRECAUCIÓN: No retire el cartucho de batería mientras la herramienta está colgada. La herramienta podrá caerse si el tornillo no está apretado.

El colgador de herramienta ha sido previsto para conectar el acollador (correa de amarre).

Antes de instalar el colgador de herramienta, retire la tapa de goma del agujero para tornillo del soporte de montaje. Inserte la tuerca cuadrada debajo del soporte. Apriete el colgador de herramienta en su sitio con el tornillo.

► **Fig.23:** 1. Tapa de goma 2. Soporte de montaje 3. Tuerca cuadrada 4. Colgador de herramienta 5. Tornillo

Advertencias de seguridad sobre la conexión del acollador (correa de amarre) al colgador de herramienta

⚠Advertencias de seguridad específicas para utilización en altura

Lea todas las advertencias de seguridad e instrucciones. Si no sigue las advertencias e instrucciones podrá resultar en heridas graves.

1. Mantenga siempre atada la herramienta cuando trabaje "en altura". La longitud máxima del acollador es de 2 m. La altura de caída máxima permisible para el acollador (correa de amarre) no debe exceder los 2 m.
2. Utilice solamente con acolladores apropiados para este tipo de herramienta y con capacidad para al menos 6,0 kg.
3. No amarre el acollador de la herramienta a ninguna parte de su cuerpo ni a componentes móviles. Amarre el acollador de la herramienta a una estructura rígida que pueda soportar las fuerzas de una herramienta que

se caiga.

4. Asegúrese de que el acollador está sujetado debidamente en cada extremo antes de utilizar.
 5. Inspeccione la herramienta y el acollador antes de cada utilización por si están dañados y comprobar que funcionan correctamente (incluidos el tejido y la costura). No los utilice si están dañados o no funcionan debidamente.
 6. No enrolle los acolladores ni permita que entren en contacto con bordes cortantes o ásperos.
 7. Amarre el otro extremo del acollador fuera del área de trabajo de forma que si la herramienta se cae sea sujeta firmemente.
 8. Sujete el acollador de forma que si la herramienta se cae lo haga alejándose del operario. Las herramientas dejadas caer se balancearán en el acollador, lo que podrá ocasionar heridas o pérdida del equilibrio.
 9. No utilice cerca de partes en movimiento o maquinaria en marcha. De lo contrario, podrá resultar en un riesgo de aplastamiento o enredo.
 10. No transporte la herramienta cogiéndola por el dispositivo de sujeción o el acollador.
 11. Transfiera la herramienta entre sus manos solamente mientras se encuentre equilibrado debidamente.
 12. No sujete los acolladores a la herramienta de una manera que impidan a los interruptores o al bloqueo del gatillo (si se ha suministrado) funcionar debidamente.
 13. Evite enredarse en el acollador.
 14. Mantenga el acollador alejado del área de perforación de la herramienta.
 15. Utilice un mosquetón con cierre de seguridad (tipo acción múltiple y cierre de rosca). No utilice mosquetones con pestillo de resorte de acción simple.
 16. En el caso de que la herramienta se caiga, se deberá etiquetar y poner fuera de servicio, y deberá ser inspeccionada en una fábrica Makita o en un centro de servicio autorizado.
 17. No cuelgue la herramienta en su cintura. La herramienta y su accesorio calentados pueden tocar su piel y resultar en heridas por quemadura.
- **Fig.24:** 1. Colgador de herramienta 2. Acollador (correa de amarre)

SISTEMA DE RECOLECCIÓN DE POLVO

Accesorio opcional

El sistema de recolección de polvo ha sido diseñado para recoger el polvo de forma eficaz durante la operación de perforación en cemento.

► **Fig.25:** 1. Sistema de recolección de polvo

⚠PRECAUCIÓN: El sistema de recolección de polvo está diseñado únicamente para perforar en hormigón. No utilice el sistema de recolección de polvo para perforar en metal o en madera.

⚠PRECAUCIÓN: Cuando utilice la herramienta con el sistema de recolección de polvo, asegúrese de colocar el filtro en el sistema de recolección de polvo para evitar inhalar el polvo.

⚠PRECAUCIÓN: Antes de utilizar el sistema de recolección de polvo, compruebe que el filtro no está dañado y que el tubo interior está libre de polvo y materia extraña. En caso contrario, podrá ocasionar la inhalación de polvo.

⚠PRECAUCIÓN: El sistema de recolección de polvo recolecta el polvo generado a un ritmo considerable, pero no se recolecta todo el polvo.

AVISO: No utilice el sistema de recolección de polvo para perforar con corona o cincelar.

AVISO: No utilice el sistema de recolección de polvo para metal o madera. El sistema de recolección de polvo ha sido previsto para cemento solamente.

AVISO: No utilice el sistema de recolección de polvo para perforar en hormigón mojado y no lo utilice en un ambiente húmedo. En caso contrario, es posible que funcione mal.

Instalación o desmontaje

AVISO: Antes de instalar el sistema de recolección de polvo, limpie las partes de unión de la herramienta y del sistema de recolección de polvo. Las materias extrañas en las partes de unión pueden dificultar la instalación del sistema de recolección de polvo. Si queda cualquier resto de polvo en el conducto de aire, el polvo entrará en la herramienta y ocasionará un atasco en el flujo de aire o la rotura de la herramienta.

Para instalar el sistema de recolección de polvo, inserte la herramienta completamente en el sistema de recolección de polvo hasta que la herramienta se bloquee en su sitio con un pequeño chasquido.

► Fig.26

Para retirar el sistema de recolección de polvo, levante la herramienta mientras presiona el botón de seguridad.

► Fig.27: 1. Botón de seguridad

Ajuste de la posición de la boquilla del sistema de recolección de polvo

⚠PRECAUCIÓN: No apunte con la boquilla hacia usted u otros cuando libere la boquilla empujando el botón de ajuste de la guía.

Deslice hacia dentro y hacia afuera la guía de la boquilla mientras presiona el botón de ajuste de la guía, y después libere el botón en la posición exacta donde la punta de la broca esté situada justo por detrás de la superficie delantera de la boquilla.

► Fig.28: 1. Guía 2. Botón de ajuste de la guía

3. Punta de la broca 4. Superficie delantera de la boquilla

Ajuste de profundidades de perforación

Las profundidades de perforación se pueden ajustar cambiando las longitudes entre el botón de ajuste de profundidad y el brazo de apoyo para la guía de la boquilla. Mantenga presionado el botón de ajuste de profundidad y deslícelo hasta la posición que desee.

► Fig.29: 1. Botón de ajuste de profundidad 2. Guía de la boquilla 3. Brazo de apoyo para la guía de la boquilla 4. Profundidades de perforación

Sacudir el polvo del filtro

⚠PRECAUCIÓN: No gire el dial del recipiente para polvo mientras el recipiente para polvo está retirado del sistema de recolección de polvo. Si lo hace podrá ocasionar inhalación de polvo.

⚠PRECAUCIÓN: Apague siempre la herramienta cuando vaya a girar el dial del recipiente para polvo. Si gira el dial mientras la herramienta está en marcha podrá resultar en la pérdida del control de la herramienta.

Al sacudir el polvo del filtro de dentro del recipiente para polvo, puede mantener la eficacia de aspiración y también reducir el número de veces que hay que desecharlo el polvo.

Gire el dial del recipiente para polvo tres veces después de la recogida de cada 50.000 mm³ de polvo o cuando sienta que el rendimiento de aspiración ha disminuido.

NOTA: 50.000 mm³ de polvo equivale a perforar 10 agujeros de $\varnothing 10$ mm y 65 mm de profundidad.

► Fig.30: 1. Recipiente para polvo 2. Dial

Desechado del polvo

⚠PRECAUCIÓN: Asegúrese siempre de que la herramienta está apagada y el cartucho de batería retirado antes de realizar cualquier trabajo en la herramienta.

⚠PRECAUCIÓN: Utilice una máscara contra el polvo cuando deseche el polvo.

⚠PRECAUCIÓN: Asegúrese de que la herramienta está completamente parada cuando vaya a desechar el polvo.

⚠PRECAUCIÓN: Vacíe el recipiente para polvo con regularidad antes de que el recipiente se llene. En caso contrario, es posible que disminuya el rendimiento de la recolección de polvo y usted inhale polvo.

⚠PRECAUCIÓN: El rendimiento de la recolección de polvo disminuye si el filtro del recipiente para polvo se atasca. Reemplace el filtro por uno nuevo después de que el recipiente se haya llenado unas 200 veces. En caso contrario, es posible que inhale polvo.

1. Retire el recipiente para polvo mientras presiona la palanca del recipiente para polvo.

► **Fig.31:** 1. Palanca

2. Abra la cubierta del recipiente para polvo.

► **Fig.32:** 1. Cubierta

3. Desheche el polvo y luego limpie el filtro.

► **Fig.33**

AVISO: Cuando limpie el filtro, golpee la caja del filtro suavemente con la mano para retirar el polvo. No golpee el filtro directamente; no toque el filtro con un cepillo o similar; ni sople el filtro con aire comprimido. Si lo hace podrá dañar el filtro.

Reemplazo del filtro del recipiente para polvo

1. Retire el recipiente para polvo mientras presiona la palanca del recipiente para polvo.

► **Fig.34:** 1. Palanca

2. Abra la cubierta del filtro del recipiente para polvo.

► **Fig.35:** 1. Cubierta del filtro

3. Retire el filtro de la caja del filtro.

► **Fig.36:** 1. Filtro 2. Caja del filtro

4. Coloque un filtro nuevo en la caja del filtro, y después coloque la cubierta del filtro.

5. Cierre la cubierta del recipiente para polvo, y después coloque el recipiente para polvo en el sistema de recolección de polvo.

Reemplazo de la tapa de sellado

1. Inserte un destornillador de punta plana en una de las ranuras dispuestas en los costados de la cabeza de la boquilla. Incline el destornillador de punta plana a un ángulo para presionar y desprender el gancho en cubo de la tapa de sellado. Después desprenda el borde de goma de la tapa de sellado y retírelo del reborde de la abertura de la cabeza de la boquilla.

► **Fig.37:** 1. Tapa de sellado 2. Gancho en cubo 3. Ranura 4. Cabeza de la boquilla

2. Ponga uno de los ganchos en cubo de una tapa de sellado nueva en la parte inferior de la ranura de la cabeza de la boquilla con una superficie embutida de la tapa de sellado orientada hacia adelante.

► **Fig.38:** 1. Ganchos en cubo 2. Parte inferior de la ranura 3. Tapa de sellado 4. Superficie embutida

3. Coloque el otro gancho en el lado opuesto, mientras reposiciona la tapa de sellado de forma que encaje con precisión en la cabeza de la boquilla.

► **Fig.39:** 1. Tapa de sellado 2. Gancho en cubo 3. Parte inferior de la ranura 4. Cabeza de la boquilla 5. Rebordes

4. Coloque con cuidado el borde de goma de la tapa de sellado sobre el reborde de la abertura de la cabeza de la boquilla desde abajo hacia arriba.

► **Fig.40:** 1. Bordes de goma 2. Tapa de sellado 3. Cabeza de la boquilla

OPERACIÓN

⚠PRECAUCIÓN: Utilice siempre la empuñadura lateral (mango auxiliar) y sujete la herramienta firmemente por ambos la empuñadura lateral y el mango del interruptor durante las operaciones.

⚠PRECAUCIÓN: Asegúrese siempre de que la pieza de trabajo está sujeta firmemente antes de iniciar la operación.

⚠PRECAUCIÓN: No extraiga la herramienta a la fuerza aunque la broca se quede atascada. La pérdida de control puede ocasionar heridas.


AVISO: Antes de utilizar el sistema de recolección de polvo con la herramienta, lea la sección sobre el sistema de recolección de polvo.

NOTA: Si el cartucho de batería está en temperatura baja, la capacidad de la herramienta podrá no lograrse completamente. En este caso, caliente el cartucho de batería utilizando la herramienta sin carga durante un rato para obtener completamente la capacidad de la herramienta.

► **Fig.41**

Operación de perforación con percusión

⚠PRECAUCIÓN: En el momento de comenzar a penetrar, cuando se atasca el agujero con virutas y partículas, o cuando se topa con varillas de refuerzo incrustadas en el hormigón, se ejerce una tremenda y repentina fuerza de contorsión sobre la herramienta/broca. **Utilice siempre la empuñadura lateral (mango auxiliar) y sujete la herramienta firmemente por ambos la empuñadura lateral y el mango del interruptor durante las operaciones.** De lo contrario, podrá resultar en la pérdida del control de la herramienta y potencialmente heridas graves.

Ajuste el pomo de cambio del modo de accionamiento en el símbolo .

Coloque la broca en el lugar deseado para el agujero, después apriete el gatillo interruptor.

Aplice la fuerza de avance a la empuñadura del interruptor (empuñadura principal) para precisión y eficiencia del trabajo, y agarre la empuñadura lateral (mango auxiliar) para mantener el equilibrio de la herramienta. Mantenga la herramienta en posición y evite que se deslice y salga del agujero.

No aplique más presión cuando el agujero se atasque con virutas o partículas. En su lugar, haga funcionar la herramienta sin ejercer presión, y después saque parcialmente la broca del agujero. Repitiendo esto varias veces, se limpiará el agujero y podrá reanudarse la perforación normal.

NOTA: Es posible que se produzca excentricidad en el giro de la broca mientras la herramienta funciona sin carga. La herramienta se vuelve a centrar automáticamente durante la operación. Esto no afecta a la precisión de perforación.

Perforación en madera o metal

⚠PRECAUCIÓN: Sujete la herramienta firmemente y tenga cuidado cuando la broca comience a penetrar en la pieza de trabajo. En el momento de comenzar a penetrar se ejerce una fuerza tremenda sobre la herramienta/broca.


⚠PRECAUCIÓN: Una broca atascada podrá extraerse simplemente poniendo el interruptor inversor en giro inverso para que retroceda. Sin embargo, la herramienta podrá retroceder bruscamente si no la sujeta firmemente.

⚠PRECAUCIÓN: Sujete siempre las piezas de trabajo en un tornillo de banco o dispositivo de sujeción similar.

AVISO: No utilice nunca "giro con percusión" cuando esté instalado el mandril para taladro en la herramienta. El mandril para taladro podrá dañarse.

Además, el mandril para taladro se caerá cuando invierta el giro de la herramienta.

AVISO: Con ejercer una presión excesiva sobre la herramienta no conseguirá perforar más rápido. De hecho, esta presión excesiva sólo servirá para dañar la punta de la broca, disminuir el rendimiento de la herramienta y acortar la vida de servicio de la herramienta.

Ajuste el pomo de cambio del modo de accionamiento en el símbolo .

Coloque el adaptador de mandril en un mandril de broca sin llave en el que se pueda instalar un tornillo de tamaño 1/2"-20, y después instáelos en la herramienta. Cuando lo instale, consulte la sección "Instalación o desmontaje de la broca".

- **Fig.42:** 1. Conjunto de mandril para taladro
2. Adaptador de mandril

Soplador

Accesorio opcional

Después de perforar un orificio, utilice el soplador para limpiar el polvo del orificio.

- **Fig.43**

Utilización del juego colector de polvo

Accesorio opcional

Encaje el juego colector de polvo contra el techo cuando utilice la herramienta.

- **Fig.44**

AVISO: No utilice el juego colector de polvo para perforar en metal o un material similar. Esto podría dañar el juego colector de polvo debido al calor producido por las pequeñas partículas metálicas u otras partículas similares.

AVISO: No instale ni extraiga el juego colector de polvo si la broca está instalada en la herramienta. Esto podría dañar el juego colector de polvo y hacer que el polvo se filtre.

MANTENIMIENTO

⚠PRECAUCIÓN: Asegúrese siempre de que la herramienta está apagada y de que el cartucho de batería está retirado antes de intentar hacer una inspección o mantenimiento.

AVISO: No utilice nunca gasolina, bencina, disolvente, alcohol o similares. Podría producir descoloración, deformación o grietas.

Para mantener la SEGURIDAD y FIABILIDAD del producto, las reparaciones, y cualquier otra tarea de mantenimiento o ajuste deberán ser realizadas en centros de servicio o de fábrica autorizados por Makita, empleando siempre repuestos Makita.

ACCESORIOS OPCIONALES

⚠PRECAUCIÓN: Estos accesorios o aditamentos están recomendados para su uso con la herramienta Makita especificada en este manual. El uso de cualquier otro accesorio o aditamento puede suponer un riesgo de heridas personales. Utilice el accesorio o aditamento solamente con la finalidad indicada para el mismo.

Si necesita cualquier ayuda para más detalles en relación con estos accesorios, pregunte al centro de servicio Makita local.

- Brocas con punta de carburo (brocas con punta de carburo SDS-plus)
- Adaptador de mandril
- Mandril de broca sin llave
- Grasa para brocas
- Tope de profundidad
- Soplador
- Colector de polvo
- Juego colector de polvo
- Sistema de recolección de polvo
- Colgador de herramienta
- Batería y cargador genuinos de Makita

NOTA: Algunos elementos de la lista podrán estar incluidos en el paquete de la herramienta como accesorios estándar. Pueden variar de un país a otro.

ESPECIFICAÇÕES

Modelo:		DHR183
Capacidades de perfuração	Cimento	18 mm
	Aço	13 mm
	Madeira	24 mm
Velocidade sem carga		0 - 1.100 min ⁻¹
Impactos por minuto		0 - 5.000 min ⁻¹
Comprimento total (com BL1860B)		288 mm
Voltagem nominal		CC 18 V
Peso líquido		2,1 - 2,9 kg

Acessório opcional

Modelo:		DX16
Desempenho de sucção		0,24 m ³ /min
Curso operacional		Até 105 mm
Broca de perfuração adequada		Até 165 mm
Peso líquido		0,77 kg

- Devido a um programa contínuo de pesquisa e desenvolvimento, estas especificações estão sujeitas a alteração sem aviso prévio.
- As especificações podem variar de país para país.
- O peso poderá diferir em função do acessório(s), incluindo a bateria. A combinação mais leve e mais pesada, de acordo com o Procedimento EPTA 01/2014, é apresentada na tabela.

Bateria e carregador aplicável

Bateria	BL1815N / BL1820B / BL1830B / BL1840B / BL1850B / BL1860B
Carregador	DC18RC / DC18RD / DC18RE / DC18SD / DC18SE / DC18SF / DC18SH / DC18WC

- Algumas das baterias e carregadores listados acima poderão não estar disponíveis, dependendo da sua região de residência.

⚠️ AVISO: Utilize apenas as baterias e carregadores listados acima. A utilização de quaisquer outras baterias e carregadores pode causar ferimentos e/ou um incêndio.

Fonte de alimentação ligada por fio recomendada

Adaptador de baterias tipo mochila	PDC01
------------------------------------	-------

- A(s) fonte(s) de alimentação ligada(s) por fio listada(s) acima pode(m) não estar disponível(eis) dependendo da sua região de residência.
- Antes de utilizar a fonte de alimentação ligada por fio, leia as instruções e etiquetas de precaução na mesma.

Utilização prevista

A ferramenta serve para perfuração com martelo e perfuração em tijolo, cimento e pedra. É também adequada para perfurar sem impacto em madeira, metal, cerâmica e plástico.

Ruído

A característica do nível de ruído A determinado de acordo com a EN62841-2-6:

Modelo DHR183

Nível de pressão acústica (L_{pA}) : 93 dB (A)

Nível de potência acústica (L_{WA}) : 101 dB (A)

Variabilidade (K): 3 dB (A)

Modelo DHR183 com DX16

Nível de pressão acústica (L_{pA}) : 93 dB (A)

Nível de potência acústica (L_{WA}) : 101 dB (A)

Variabilidade (K): 3 dB (A)

NOTA: O(s) valor(es) da emissão de ruído indicado(s) foi medido de acordo com um método de teste padrão e pode ser utilizado para comparar duas ferramentas.

NOTA: O(s) valor(es) da emissão de ruído indicado(s) pode também ser utilizado na avaliação preliminar da exposição.

⚠️ AVISO: Utilize protetores auriculares.

⚠️ AVISO: A emissão de ruído durante a utilização real da ferramenta elétrica pode diferir do(s) valor(es) indicado(s), dependendo das formas como a ferramenta é utilizada, especialmente o tipo de peça de trabalho que é processada.

⚠️ AVISO: Certifique-se de identificar as medidas de segurança para proteção do operador que sejam baseadas em uma estimativa de exposição em condições reais de utilização (considerando todas as partes do ciclo de operação, tal como quando a ferramenta está desligada e quando está a funcionar em marcha lenta além do tempo de acionamento).

Vibração

A tabela seguinte mostra o valor total da vibração (soma vetorial tri-axial) determinado de acordo com o padrão aplicável:

Modo de funcionamento	Emissão de vibração	Incerteza (K)	Norma aplicável / Condição de teste
Perfuração com martelo em cimento ($a_{h, HD}$)	7,5 m/s ²	1,5 m/s ²	EN62841-2-6
Perfuração com martelo em cimento com DX16 ($a_{h, HD}$)	7,6 m/s ²	1,7 m/s ²	EN62841-2-6

NOTA: O(s) valor(es) total(ais) de vibração indicado(s) foi medido de acordo com um método de teste padrão e pode ser utilizado para comparar duas ferramentas.

NOTA: O(s) valor(es) total(ais) de vibração indicado(s) pode também ser utilizado na avaliação preliminar da exposição.

⚠️ AVISO: A emissão de vibração durante a utilização real da ferramenta elétrica pode diferir do(s) valor(es) indicado(s), dependendo das formas como a ferramenta é utilizada, especialmente o tipo de peça de trabalho que é processada.

⚠️ AVISO: Certifique-se de identificar as medidas de segurança para proteção do operador que sejam baseadas em uma estimativa de exposição em condições reais de utilização (considerando todas as partes do ciclo de operação, tal como quando a ferramenta está desligada e quando está a funcionar em marcha lenta além do tempo de acionamento).

Declarações de conformidade

Apenas para os países europeus

As Declarações de conformidade estão incluídas no Anexo A deste manual de instruções.

AVISOS DE SEGURANÇA

Avisos gerais de segurança para ferramentas elétricas

⚠️ AVISO Leia todos os avisos de segurança, instruções, ilustrações e especificações fornecidos com esta ferramenta elétrica. O incumprimento de todas as instruções abaixo enumeradas pode resultar em choque elétrico, incêndio e/ou ferimentos graves.

Guarde todos os avisos e instruções para futuras referências.

O termo "ferramenta elétrica" nos avisos refere-se às ferramentas elétricas ligadas à corrente elétrica (com cabo) ou às ferramentas elétricas operadas por meio de bateria (sem cabo).

AVISOS DE SEGURANÇA PARA MARTELETE ROTATIVO A BATERIA

Instruções de segurança para todas as operações

1. **Use protetores auditivos.** A exposição ao ruído pode causar perda auditiva.
2. **Utilize pega(s) auxiliar(es), se fornecida(s) com a ferramenta.** A perda de controlo pode causar ferimentos pessoais.
3. **Segure a ferramenta elétrica pelas superfícies de agarrar isoladas, quando executar uma operação em que o acessório de corte possa entrar em contacto com fios ocultos.** O contacto do acessório de corte com um fio sob tensão pode colocar as peças metálicas expostas da ferramenta elétrica sob tensão e pode provocar um choque elétrico no operador.

Instruções de segurança quando utilizar brocas de perfuração longas com marteletes rotativos

1. **Comece sempre a perfurar a baixa velocidade e com a ponta da broca em contacto com a peça de trabalho.** A velocidades mais elevadas, é provável que a broca se dobre se for permitida a respetiva rotação livre sem entrar em contacto com a peça de trabalho, resultando em ferimentos pessoais.
2. **Aplique pressão apenas em linha direta com a broca e não aplique pressão excessiva.** As brocas podem dobrar-se provocando quebra ou perda de controlo, resultando em ferimentos pessoais.

Avisos adicionais de segurança

1. **Use capacete (capacete de segurança), óculos de proteção e/ou viseira.** Os óculos com graduação ou óculos de sol NÃO são óculos de segurança. Recomenda-se também o uso de uma máscara antipoeira e luvas forradas grossas.
2. **Certifique-se de que a broca está fixa na posição correta antes da operação.**
3. **Nas condições normais de operação, a ferramenta destina-se a produzir vibração.** Os parafusos podem ser facilmente desapertados, causando uma avaria ou acidente. Verifique

cuidadosamente o aperto dos parafusos antes da operação.

4. No tempo frio ou no caso de a ferramenta não ter sido utilizada por um longo período, deixe a ferramenta a aquecer durante algum tempo, operando-a sem carga. Isto irá soltar a lubrificação. Sem o aquecimento apropriado, a operação de martelagem torna-se difícil.
5. Certifique-se sempre que possui uma base firme. Certifique-se de que ninguém está por baixo quando usa a ferramenta em locais elevados.
6. Segure a ferramenta firmemente com as duas mãos.
7. Mantenha as mãos afastadas das peças móveis.
8. Não deixe a ferramenta a funcionar. Opere a ferramenta apenas quando a estiver a agarrar.
9. Não aponte a ferramenta a ninguém que se encontre na área quando estiver a operá-la. A broca pode ser projetada e ferir alguém gravemente.
10. Não toque na broca, nas peças próximo da broca ou na peça de trabalho imediatamente após a operação; estas podem estar extremamente quentes e podem queimar a sua pele.
11. Alguns materiais contêm químicos que podem ser tóxicos. Tome cuidado para evitar a inalação de poeira e o contacto com a pele. Siga os dados de segurança do fornecedor do material.
12. Certifique-se sempre de que a ferramenta está desligada e que retirou a bateria e a broca antes de passar a ferramenta a outra pessoa.
13. Antes da operação, certifique-se de que não existem objetos enterrados tais como um tubo elétrico, tubo de água ou tubo de gás na área de trabalho. Caso contrário, a broca de perfurar/buril pode tocar nos mesmos, provocando um choque elétrico, uma fuga elétrica ou uma fuga de gás.
14. Não opere a ferramenta sem carga desnecessariamente.

GUARDE ESTAS INSTRUÇÕES.

⚠️ AVISO: NÃO permita que conforto ou familiaridade com o produto (adquirido com o uso repetido) substitua a aderência estrita às regras de segurança da ferramenta. **MÁ INTERPRETAÇÃO** ou não seguimento das regras de segurança estabelecidas neste manual de instruções pode causar danos pessoais sérios.

Instruções de segurança importantes para a bateria

1. Antes de utilizar a bateria, leia todas as instruções e etiquetas de precaução no (1) carregador de bateria (2) bateria e (3) produto que utiliza a bateria.
2. Não desmonte ou manipule a bateria. Pode resultar num incêndio, em calor excessivo ou numa explosão.
3. Se o tempo de funcionamento se tornar

excessivamente curto, pare o funcionamento imediatamente. Pode resultar em sobreaquecimento, possíveis queimaduras e mesmo explosão.

4. Se entrar eletrólito nos seus olhos, lave-os com água e consulte imediatamente um médico. Pode resultar em perda de visão.
5. Não coloque a bateria em curto-circuito:
 - (1) Não toque nos terminais com qualquer material condutor.
 - (2) Evite guardar a bateria juntamente com outros objetos metálicos tais como pregos, moedas, etc.
 - (3) Não exponha a bateria à água ou chuva. Um curto-circuito pode ocasionar um enorme fluxo de corrente, sobreaquecimento, possíveis queimaduras e mesmo estragar-se.
6. Não guarde nem utilize a ferramenta e a bateria em locais onde a temperatura pode atingir ou exceder 50 °C.
7. Não queime a bateria mesmo que esteja estragada ou completamente gasta. A bateria pode explodir no fogo.
8. Não pree, corte, esmague, atire, deixe cair a bateria, nem bata a bateria contra um objeto rijo. Esta conduta pode resultar num incêndio, em calor excessivo ou numa explosão.
9. Não utilize uma bateria danificada.
10. As baterias de íões de lítio contidas na ferramenta são sujeitas aos requisitos da DGL (Dangerous Goods Legislation - Legislação de bens perigosos).

Para o transporte comercial, por exemplo, por terceiros ou agentes de expedição, têm de ser observados os requisitos referentes à embalagem e etiquetagem.

Para preparação do artigo a ser expedido, é necessário consultar um perito em materiais perigosos. Tenha ainda em conta a possibilidade de existirem regulamentos nacionais mais detalhados.

Coloque fita-cola ou tape os contactos abertos e embale a bateria de tal forma que não possa mover-se dentro da embalagem.
11. Quando eliminar a bateria, remova-a da ferramenta e elimine-a num local seguro. Siga os regulamentos locais relacionados com a eliminação de baterias.
12. Utilize as baterias apenas com os produtos especificados pela Makita. Instalar as baterias em produtos não-conformes poderá resultar num incêndio, calor excessivo, explosão ou fuga de eletrólito.
13. Se a ferramenta não for utilizada durante um período de tempo prolongado, a bateria deve ser removida da ferramenta.
14. Durante e após a utilização, a bateria pode aquecer, o que pode provocar queimaduras ou queimaduras a baixa temperatura. Preste atenção ao manuseamento de baterias quentes.
15. Não toque no terminal da ferramenta imediatamente após a utilização, pois pode ficar suficientemente quente para provocar queimaduras.

- Não permita a adesão de aparas, pó ou sujidade nos terminais, nos orifícios e nas ranhuras da bateria. Poderá fazer com que a ferramenta ou a bateria aqueça, incendeie, rebente e avarie, resultando em queimaduras ou ferimentos corporais.
- A menos que a ferramenta suporte a utilização perto de linhas elétricas de alta tensão, não utilize a bateria perto de linhas elétricas de alta tensão. Pode resultar no mau funcionamento ou na avaria da ferramenta ou bateria.
- Mantenha a bateria afastada das crianças.

GUARDE ESTAS INSTRUÇÕES.

⚠️PRECAUÇÃO: Utilize apenas baterias genuínas da Makita. A utilização de baterias não genuínas da Makita ou de baterias que foram alteradas, pode resultar no rebentamento da bateria provocando incêndios, ferimentos pessoais e danos. Além disso, anulará da garantia da Makita no que se refere à ferramenta e ao carregador Makita.

Conselhos para manter a máxima vida útil da bateria

- Carregue a bateria antes que esteja completamente descarregada. Pare sempre o funcionamento da ferramenta e carregue a bateria quando notar menos poder na ferramenta.
- Nunca carregue uma bateria completamente carregada. Carregamento excessivo diminui a vida útil da bateria.
- Carregue a bateria à temperatura ambiente de 10 °C – 40 °C. Deixe que uma bateria quente arrefeça antes de a carregar.
- Quando não utilizar a bateria, remova-a da ferramenta ou do carregador.
- Carregue a bateria se não a utilizar durante um longo período de tempo (mais de seis meses).

DESCRIÇÃO FUNCIONAL

⚠️PRECAUÇÃO: Certifique-se sempre de que a ferramenta está desligada e a bateria foi retirada antes de regular ou verificar qualquer função na ferramenta.

Instalação ou remoção da bateria

⚠️PRECAUÇÃO: Desligue sempre a ferramenta antes de colocar ou retirar a bateria.

⚠️PRECAUÇÃO: Segure firmemente a ferramenta e a bateria quando instalar ou remover a bateria. Se não segurar firmemente a ferramenta e a bateria pode fazer com que escorreguem das suas mãos resultando em danos na ferramenta e na bateria e ferimentos pessoais.

Para instalar a bateria, alinhe a lingueta na bateria com a ranhura na caixa e deslize-a para a posição correta. Insira-a por completo até bloquear na posição correta com um pequeno clique. Se conseguir ver o indicador

vermelho conforme apresentado na figura, não está completamente bloqueada.

Para retirar a bateria, deslize-a para fora da ferramenta enquanto desliza o botão na frente da bateria.

► Fig.1: 1. Indicador vermelho 2. Botão 3. Bateria

⚠️PRECAUÇÃO: Instale sempre a bateria até ao fim, até deixar de ver o indicador vermelho. Caso contrário, a bateria poderá cair da ferramenta acidentalmente e provocar ferimentos em si mesmo ou em alguém próximo.










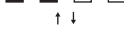
⚠️PRECAUÇÃO: Não instale a bateria à força. Se a bateria não deslizar facilmente é porque não foi colocada corretamente.

Indicação da capacidade restante da bateria

Apenas para baterias com indicador

Prima o botão de verificação na bateria para indicar a capacidade restante da bateria. As luzes indicadoras acendem durante alguns segundos.

► Fig.2: 1. Luzes indicadoras 2. Botão de verificação

Luzes indicadoras			Capacidade restante
 Aceso	 Apagado	 A piscar	
			75% a 100%
			50% a 75%
			25% a 50%
			0% a 25%
			Carregar a bateria.
			A bateria pode estar avariada.
			

NOTA: Dependendo das condições de utilização e da temperatura ambiente, a indicação pode ser ligeiramente diferente da capacidade real.

NOTA: A primeira luz indicadora (extremo esquerdo) pisca quando o sistema de proteção da bateria funciona.

Sistema de proteção da ferramenta/bateria

A ferramenta está equipada com um sistema de proteção da ferramenta/bateria. Este sistema corta automaticamente a corrente para o motor para aumentar a vida da ferramenta e da bateria. A ferramenta para automaticamente durante o funcionamento se a ferramenta ou bateria for colocada mediante uma das seguintes condições:

Proteção contra sobrecarga

Quando a bateria é operada de forma a puxar uma corrente anormalmente elevada, a ferramenta para automaticamente sem qualquer indicação. Nesse caso, desligue a ferramenta e pare a operação que provocou a sobrecarga da ferramenta. Em seguida, volte a ligar a ferramenta para a reiniciar.

Proteção contra sobreaquecimento

Quando a ferramenta ou a bateria estiver sobreaquecida, a ferramenta para automaticamente. Neste caso, deixe a ferramenta e a bateria arrefecerem antes de voltar a ligar a ferramenta.

NOTA: Quando a ferramenta estiver sobreaquecida, a lâmpada fica intermitente.

Proteção contra descarga excessiva

Quando a capacidade da bateria não é suficiente, a ferramenta para automaticamente. Neste caso, retire a bateria da ferramenta e carregue-a.

Proteções contra outras causas

O sistema de proteção foi também concebido para outras causas que possam danificar a ferramenta e permite à ferramenta parar automaticamente. Tome todas as medidas que se seguem para eliminar as causas quando a ferramenta tiver parado ou interrompido temporariamente a operação.

1. Certifique-se de que todos os interruptores estão na posição de desligado e, em seguida, ligue novamente a ferramenta para voltar a arrancar.
2. Carregue a(s) bateria(s) ou substitua-a(s) por bateria(s) recarregada(s).
3. Deixe a ferramenta e a(s) bateria(s) arrefecerem.

Se não for possível constatar qualquer melhoria através do restauro do sistema de proteção, contacte o centro de assistência Makita local.

Ação do interruptor

AVISO: Antes de colocar a bateria na ferramenta, verifique sempre se o gatilho do interruptor funciona corretamente e volta para a posição “OFF” quando libertado.

Para iniciar a ferramenta, carregue simplesmente no gatilho. A velocidade da ferramenta aumenta quando aumenta a pressão no gatilho. Liberte o gatilho para parar.

► Fig.3: 1. Gatilho

Acender a lâmpada da frente

PRECAUÇÃO: Não olhe para a luz ou para a fonte de iluminação diretamente.

Puxe o gatilho do interruptor para acender a lâmpada. A lâmpada mantém-se acesa enquanto o gatilho do interruptor estiver a ser premido. A lâmpada apaga-se aproximadamente 10 segundos após soltar o gatilho do interruptor.

► Fig.4: 1. Lâmpada

NOTA: Utilize um pano seco para limpar a sujidade da lente da lâmpada. Tenha cuidado para não riscar a lente da lâmpada ou a iluminação pode ficar enfraquecida.

NOTA: Quando a ferramenta estiver sobreaquecida, a luz pisca. Neste caso, solte o gatilho do interruptor e, em seguida, arrefeça a ferramenta/bateria antes de voltar a operar.

NOTA: A lâmpada frontal não pode ser utilizada enquanto o sistema de coleta de pó (acessório opcional) estiver instalado na ferramenta.

Ação do interruptor de inversão

PRECAUÇÃO: Verifique sempre a direção de rotação antes da operação.

PRECAUÇÃO: Só utilize o interruptor de inversão depois de a ferramenta estar completamente parada. Mudar a direção de rotação antes de a ferramenta parar pode estragar a ferramenta.

PRECAUÇÃO: Quando não estiver a utilizar a ferramenta, coloque sempre a alavanca do interruptor de inversão na posição neutra.

Esta ferramenta tem um interruptor de inversão para mudar a direção de rotação. Pressione a alavanca do interruptor de inversão no lado A para rotação para a direita ou no lado B para rotação para a esquerda. Quando a alavanca do interruptor de inversão está na posição neutra, não é possível carregar no gatilho.


► Fig.5: 1. Alavanca do interruptor de inversão

Selecionar o modo de ação

OBSERVAÇÃO: Não rode o botão de alteração do modo de ação quando a ferramenta estiver em funcionamento. A ferramenta sofrerá danos.


OBSERVAÇÃO: Para evitar o desgaste rápido no mecanismo de alteração do modo, certifique-se de que o botão de alteração do modo de ação está sempre posicionado numa das posições do modo de ação.

Rotação com martelagem

Para perfuração em cimento, alvenaria, etc. rode o botão de alteração do modo de ação para o símbolo . Utilize uma broca de perfurar com ponta de carboneto.

► Fig.6: 1. Botão de alteração do modo de ação

Apenas rotação

Para perfurar em materiais de madeira, metal ou plástico, rode o botão de alteração do modo de ação para o símbolo . Utilize uma broca de perfurar helicoidal ou broca de perfurar em madeira.

► Fig.7: 1. Botão de alteração do modo de ação

Função eletrónica

A ferramenta está equipada com as funções eletrónicas para fácil operação.

- **Travão elétrico**
Esta ferramenta está equipada com um travão elétrico. Se a ferramenta consistentemente não deixar de funcionar rapidamente após a libertação do gatilho do interruptor, solicite a reparação da ferramenta num centro de assistência da Makita.
- **Controlo constante da velocidade**
A função de controlo da velocidade assegura a velocidade constante da rotação independentemente das condições de carga.

MONTAGEM

⚠ PRECAUÇÃO: Certifique-se sempre de que a ferramenta está desligada e a bateria retirada antes de executar qualquer trabalho na ferramenta.

Pega lateral (pega auxiliar)

⚠ PRECAUÇÃO: Utilize sempre a pega lateral para garantir uma operação segura.

⚠ PRECAUÇÃO: Após instalar ou ajustar o punho lateral, certifique-se de que o punho lateral está firmemente fixado e que as saliências na ferramenta estão totalmente engatadas através das ranhuras no punho lateral.

Para instalar o punho lateral, siga os passos seguintes.

1. Solte o parafuso de orelhas no punho lateral.

► **Fig.8:** 1. Parafuso de orelhas

2. Instale o punho lateral de modo que as ranhuras no punho encaixem nas saliências na ferramenta enquanto pressiona o parafuso de orelhas.

► **Fig.9:** 1. Parafuso de orelhas

3. Aperte o parafuso de orelhas para fixar o punho. O punho pode ser fixo no ângulo pretendido.

Para remover o punho lateral, solte o parafuso de orelhas no punho lateral. Remova o punho lateral da ferramenta.

Instalar ou remover a broca de perfurar

Massa lubrificante

Limpe a extremidade da haste da broca e aplique massa lubrificante antes de instalar a broca. Aplique previamente uma pequena camada de massa lubrificante (cerca de 0,5 - 1 g) na extremidade da haste da broca. Esta lubrificação do mandril garante uma ação sem problemas e uma vida útil mais prolongada.

► **Fig.10:** 1. Extremidade da haste 2. Massa lubrificante

Insira a broca de perfurar na ferramenta. Rode a broca de perfurar e empurre-a para dentro até engatar. Após instalar a broca de perfurar, certifique-se de que a broca de perfurar está bem segura na posição correta, tentando retirá-la.

► **Fig.11:** 1. Broca de perfurar

Para remover a broca de perfurar, empurre a tampa do mandril completamente para baixo e retire a broca de perfurar.

► **Fig.12:** 1. Broca de perfurar 2. Tampa do mandril

Micrómetro de profundidade

O micrómetro de profundidade é conveniente para perfurar orifícios de profundidade uniforme. Prima e mantenha premido o botão de bloqueio e, em seguida, insira o micrómetro de profundidade no orifício. Certifique-se de que o lado dentado do micrómetro de profundidade está virado para a marca.

► **Fig.13:** 1. Micrómetro de profundidade 2. Botão de bloqueio 3. Marca 4. Lado dentado

Ajuste o micrómetro de profundidade movendo-o para a frente e para trás enquanto prime o botão de bloqueio. Depois de ajustar, solte o botão de bloqueio para bloquear o micrómetro de profundidade.

NOTA: Certifique-se de que o micrómetro de profundidade não toca no corpo principal da ferramenta quando o liga.

Reservatório de pó

Acessório opcional

Utilize o reservatório de pó para evitar que o pó caia sobre a ferramenta e sobre si quando realizar operações de perfuração acima da cabeça. Ligue o reservatório de pó à broca, conforme indicado na figura. O tamanho das brocas às quais o reservatório de pó pode ser ligado é o seguinte.

Modelo	Diâmetro da broca
Reservatório de pó 5	6 mm - 14,5 mm
Reservatório de pó 9	12 mm - 16 mm

► **Fig.14:** 1. Reservatório de pó

Conjunto do reservatório de pó

Acessório opcional

Instalar o conjunto do reservatório de pó

OBSERVAÇÃO: Não utilize o conjunto do reservatório de pó quando perfurar em metal ou similar. Poderá danificar o conjunto do reservatório de pó devido ao calor produzido por pó metálico pequeno ou similar. Não instale ou remova o conjunto do reservatório de pó com a broca de perfurar instalada na ferramenta. Poderá danificar o conjunto do reservatório de pó e causar uma fuga de pó.

Antes de instalar o conjunto do reservatório de pó, remova a broca de perfuração da ferramenta, caso esteja instalada.

1. Solte o parafuso de orelhas no punho lateral.

2. Instale o conjunto do reservatório de pó de modo que as garras do reservatório de pó encaixem nas fendas no punho lateral.

► **Fig.15:** 1. Conjunto do reservatório de pó 2. Punho lateral

3. Instale o punho lateral de modo que a ranhura no punho encaixe na saliência na ferramenta. Aperte o parafuso de orelhas para fixar o punho lateral.

► **Fig.16:** 1. Punho lateral 2. Ranhura 3. Saliência

NOTA: Se ligar um aspirador ao conjunto do reservatório de pó, remova a tampa de pó antes de ligar o aspirador.

► **Fig.17:** 1. Tampa de pó

Remover a broca de perfuração

Para remover a broca de perfurar, puxe a tampa do mandril completamente para baixo e extraia a broca de perfurar.

► **Fig.18:** 1. Broca de perfuração 2. Tampa do mandril

Remover o conjunto do reservatório de pó

Siga os passos seguintes para remover o conjunto do reservatório de pó.

1. Solte o parafuso de orelhas no punho lateral.

Remova o punho lateral da ferramenta.

► **Fig.19:** 1. Parafuso de orelhas

2. Segure na base do reservatório de pó e retire-a.

NOTA: Se for difícil remover o conjunto do reservatório de pó, remova as garras do reservatório de pó uma por uma, rodando e puxando a base do reservatório de pó.

► **Fig.20:** 1. Reservatório de pó

NOTA: Se a tampa se soltar do conjunto do reservatório de pó, volte a colocá-la na posição original.

Para voltar a colocar a tampa na posição original, siga os passos que se seguem.

1. Rode o fole para a esquerda e remova-o da unidade de fixação do conjunto do reservatório de pó enquanto o fole estiver desbloqueado.

► **Fig.21:** 1. Foles 2. Unidade de fixação

2. Volte a colocar a tampa no devido lugar com o respetivo lado com letras virado para cima.

► **Fig.22:** 1. Tampa 2. Unidade de fixação

3. Certifique-se de que as ranhuras em torno da tampa encaixam bem nas bordas da abertura superior da unidade de fixação.

Suspensor da ferramenta

Acessório opcional

⚠PRECAUÇÃO: Não utilize o suspensor da ferramenta e o parafuso danificados. Antes de usar, verifique sempre eventuais danos, fendas ou deformações e certifique-se de que o parafuso está apertado.

⚠PRECAUÇÃO: Instale ou remova o suspensor da ferramenta numa mesa ou superfície estável. Certifique-se de que utiliza apenas o parafuso fornecido com o suspensor da ferramenta. Após instalar o suspensor da ferramenta, certifique-se de que este está firmemente fixo com o parafuso.

⚠PRECAUÇÃO: Não remova a bateria enquanto pendura a ferramenta. A ferramenta pode cair se o parafuso não estiver apertado.

O suspensor da ferramenta serve para ligar o cordão (tirante).

Antes de instalar o suspensor da ferramenta, remova a tampa de borracha do orifício de parafuso no suporte de montagem. Insira a porca quadrada sob o suporte. Aperte o suspensor da ferramenta com o parafuso no devido lugar.

► **Fig.23:** 1. Tampa de borracha 2. Suporte de montagem 3. Porca quadrada 4. Suspensor da ferramenta 5. Parafuso

Avisos de segurança sobre a ligação do cordão (tirante) ao suspensor da ferramenta

⚠Avisos de segurança específicos para utilização em altura

Leia todos os avisos e instruções de segurança. A inobservância dos avisos e das instruções pode resultar em ferimentos graves.

1. **Mantenha sempre a ferramenta amarrada quando trabalhar "em altura". O comprimento máximo do cordão é de 2 m.**
A altura de queda máxima admissível para o cordão (tirante) não deve exceder 2 m.
2. **Utilize apenas com cordões apropriados para este tipo de ferramenta e com classificação nominal mínima de 6,0 kg.**
3. **Não amarre o cordão da ferramenta em nada no seu corpo ou em componentes móveis.**
Amarre o cordão da ferramenta a uma estrutura rígida capaz de suportar as forças de uma ferramenta caída.
4. **Certifique-se de que o cordão está devidamente seguro em cada extremidade antes de utilizá-lo.**
5. **Inspeccione a ferramenta e o cordão antes de cada utilização quanto a eventuais danos e ao funcionamento correto (incluindo tecido e costura).** Não o utilize se estiver danificado ou se não estiver a funcionar corretamente.
6. **Não ate os cordões em redor de bordos afiados ou ásperos, nem permita que toquem nestes.**

7. Aperte a outra extremidade do cordão fora da área de trabalho, de modo a segurar firmemente uma ferramenta caída.
 8. Prenda o cordão, de modo que a ferramenta se afaste do operador no caso de cair. As ferramentas caídas balançam no cordão, o que pode causar ferimentos ou perda de equilíbrio.
 9. Não o utilize próximo de peças móveis ou máquinas em funcionamento. Se o fizer, pode resultar em perigo de esmagamento ou emaranhamento.
 10. Não transporte a ferramenta através do dispositivo de fixação ou do cordão.
 11. Transfira a ferramenta de uma mão para a outra apenas enquanto estiver devidamente equilibrado.
 12. Não prenda cordões à ferramenta de uma forma que impeça os interruptores ou bloqueio de gatilho (se fornecido) de funcionarem corretamente.
 13. Evite ficar preso no cordão.
 14. Mantenha o cordão afastado da área de perfuração da ferramenta.
 15. Utilize um mosquetão de bloqueio (de ação múltipla e do tipo parafuso). Não utilize mosquetões de mola de ação única.
 16. No caso de a ferramenta cair, esta deve ser etiquetada e retirada de serviço e deve ser inspecionada por uma fábrica ou centro de assistência autorizado da Makita.
 17. Não pendure a ferramenta na sua cintura. A ferramenta aquecida e o respetivo acessório podem tocar na sua pele e resultar em ferimentos por queimadura.
- **Fig.24:** 1. Suspensor da ferramenta 2. Cordão (tirante)

SISTEMA DE COLETA DE PÓ

Acessório opcional

O sistema de coleta de pó destina-se a recolher pó eficazmente durante a operação de perfuração de cimento.

- **Fig.25:** 1. Sistema de coleta de pó

PRECAUÇÃO: O sistema de coleta de pó destina-se à perfuração unicamente em cimento. Não utilize o sistema de coleta de pó para perfurar em metal ou madeira.

PRECAUÇÃO: Quando utilizar a ferramenta com o sistema de coleta de pó, certifique-se de que coloca o filtro no sistema de coleta de pó para evitar a inalação de pó.

PRECAUÇÃO: Antes de utilizar o sistema de recolha de pó, verifique se o filtro não está danificado e se o tubo interno está livre de pó e matérias estranhas. O incumprimento desta instrução pode causar a inalação de pó.

PRECAUÇÃO: O sistema de coleta de pó recolhe o pó produzido a uma taxa considerável, mas nem todo o pó pode ser recolhido.

OBSERVAÇÃO: Não utilize o sistema de coleta de pó para perfurar com broca de núcleo ou burilar.

OBSERVAÇÃO: Não utilize o sistema de coleta de pó para metal ou madeira. O sistema de coleta de pó destina-se apenas a cimento.

OBSERVAÇÃO: Não utilize o sistema de coleta de pó para perfurar em cimento molhado nem utilize este sistema num ambiente húmido. Caso não o faça, pode provocar anomalias.

Instalar ou remover

OBSERVAÇÃO: Antes de instalar o sistema de coleta de pó, limpe as peças da junta da ferramenta e o sistema de coleta de pó. Os materiais estranhos nas peças da junta podem dificultar a instalação do sistema de coleta de pó. Se algum pó permanecer na entrada de ar, o pó entra na ferramenta e provoca o encravamento no fluxo de ar ou a quebra da ferramenta.

Para instalar o sistema de recolha de pó, insira a ferramenta completamente no sistema de recolha de pó até a ferramenta ficar bloqueada no devido lugar com um pequeno clique.

- **Fig.26**

Para remover o sistema de recolha de pó, puxe a ferramenta para cima enquanto pressiona o botão de desbloqueio.

- **Fig.27:** 1. Botão de desbloqueio

Ajustar a posição do bocal do sistema de coleta de pó

PRECAUÇÃO: Não aponte o bocal na sua direção ou na direção de outras pessoas quando soltar o bocal pressionando o botão de ajuste da guia.

Deslize a guia do bocal para dentro e para fora enquanto pressiona o botão de ajuste da guia e, em seguida, solte o botão numa posição exata em que a ponta da broca de perfurar assente imediatamente atrás da superfície frontal do bocal.

- **Fig.28:** 1. Guia 2. Botão de ajuste da guia 3. Ponta da broca de perfurar 4. Superfície frontal do bocal

Ajustar as profundidades de perfuração

As profundidades de perfuração podem ser ajustadas alterando os comprimentos entre o botão de ajuste da profundidade e o braço de suporte da guia do bocal. Pressione e mantenha o botão de ajuste da profundidade pressionado e deslize-o para a posição pretendida.

- **Fig.29:** 1. Botão de ajuste da profundidade 2. Guia do bocal 3. Braço de suporte da guia do bocal 4. Profundidades de perfuração

Bater no filtro para sacudir o pó

⚠PRECAUÇÃO: Não rode o indicador na caixa do pó enquanto esta é removida do sistema de coleta de pó. Se o fizer, pode causar a inalação de pó.

⚠PRECAUÇÃO: Desligue sempre a ferramenta quando rodar o indicador na caixa do pó. Rodar o indicador enquanto a ferramenta estiver a funcionar pode resultar na perda de controlo da ferramenta.

Ao bater no filtro para sacudir o pó no interior da caixa do pó, pode manter a eficiência de aspiração e também reduzir o número de vezes que elimina o pó. Rode o indicador na caixa do pó três vezes após recolher cada 50.000 mm³ de pó ou quando detetar a redução do desempenho de aspiração.

NOTA: 50.000 mm³ de pó equivale a perfurar 10 orifícios de \varnothing 10 mm e 65 mm de profundidade.

- **Fig.30:** 1. Caixa do pó 2. Indicador

Eliminação de pó

⚠PRECAUÇÃO: Certifique-se sempre de que a ferramenta está desligada e a bateria retirada antes de executar qualquer trabalho na ferramenta.

⚠PRECAUÇÃO: Certifique-se de que usa máscara antipoeira quando elimina o pó.

⚠PRECAUÇÃO: Certifique-se de que a ferramenta está completamente parada quando eliminar o pó.

⚠PRECAUÇÃO: Esvazie a caixa do pó regularmente antes de esta ficar cheia. Caso não o faça, pode diminuir o desempenho da coleta de pó e causar a inalação de pó.

⚠PRECAUÇÃO: O desempenho da coleta de pó diminui se o filtro na caixa do pó ficar obstruído. Substitua o filtro por um novo após aproximadamente 200 vezes de enchimento de pó como guia. Caso não o faça, pode causar a inalação de pó.

1. Remova a caixa do pó enquanto pressiona a alavanca da caixa do pó para baixo.

- **Fig.31:** 1. Alavanca

2. Abra a tampa da caixa do pó.

- **Fig.32:** 1. Tampa

3. Elimine o pó e, de seguida, limpe o filtro.

- **Fig.33**

OBSERVAÇÃO: Quando limpar o filtro, bata leve e suavemente na caixa do filtro com a mão para remover o pó. Não bata levemente no filtro de forma direta, não toque no filtro com uma escova ou um objeto similar nem sobre ar comprimido para o filtro. Se o fizer pode danificar o filtro.

Substituir o filtro da caixa do pó

1. Remova a caixa do pó enquanto pressiona a alavanca da caixa do pó para baixo.

- **Fig.34:** 1. Alavanca

2. Abra a tampa do filtro da caixa do pó.

- **Fig.35:** 1. Tampa do filtro

3. Remova o filtro da caixa do filtro.

- **Fig.36:** 1. Filtro 2. Caixa do filtro

4. Prenda um filtro novo à caixa do filtro e, em seguida, prenda a tampa do filtro.

5. Feche a tampa da caixa do pó e, em seguida, prenda a caixa do pó ao sistema de coleta de pó.

Substituir a tampa do vedante

1. Insira uma chave de parafusos de lâmina plana numa das ranhuras colocadas nos lados da cabeça do bocal. Incline a chave de parafusos de lâmina plana num ângulo para apertar e fazer com que o gancho do cubo da tampa do vedante saia. Em seguida, remova o bordo em borracha da tampa do vedante da borda da abertura da cabeça do bocal.

- **Fig.37:** 1. Tampa do vedante 2. Gancho do cubo 3. Ranhura 4. Cabeça do bocal

2. Coloque um dos ganchos do cubo de uma tampa do vedante nova na parte inferior da ranhura na cabeça do bocal com uma superfície com recesso da tampa do vedante virada para a frente.

- **Fig.38:** 1. Ganchos do cubo 2. Parte inferior da ranhura 3. Tampa do vedante 4. Superfície com recesso

3. Coloque o outro gancho no lado oposto, enquanto reposiciona a tampa do vedante para encaixar minuciosamente na cabeça do bocal.

- **Fig.39:** 1. Tampa do vedante 2. Gancho do cubo 3. Parte inferior da ranhura 4. Cabeça do bocal 5. Bordas

4. Coloque delicadamente o bordo em borracha da tampa do vedante sobre a borda da abertura da cabeça do bocal, de baixo para cima.

- **Fig.40:** 1. Bordo em borracha 2. Tampa do vedante 3. Cabeça do bocal

OPERAÇÃO

⚠️ PRECAUÇÃO: Utilize sempre o punho lateral (pega auxiliar) e segure firmemente a ferramenta pelos dois punhos laterais e troque a pega durante as operações.

⚠️ PRECAUÇÃO: Certifique-se sempre de que a peça de trabalho está fixa antes da operação.

⚠️ PRECAUÇÃO: Não puxe a ferramenta com força para a retirar mesmo que a broca fique presa. A perda de controlo pode provocar ferimentos.

OBSERVAÇÃO: Antes de utilizar o sistema de coleta de pó com a ferramenta, leia a secção relativa ao sistema de coleta de pó.

NOTA: Se a bateria estiver a baixa temperatura, a capacidade da ferramenta poderá não ser totalmente obtida. Neste caso, aqueça a bateria utilizando a ferramenta sem carga durante algum tempo para obter a capacidade total da ferramenta.

► Fig.41

Operação de perfuração com martelo

⚠️ PRECAUÇÃO: Uma força de torção enorme e repentina é exercida na ferramenta/broca de perfuração na altura em que o orifício avança, quando o orifício fica bloqueado com aparas ou partículas ou quando bate em vigas reforçadas no cimento. **Utilize sempre o punho lateral (pega auxiliar) e segure firmemente a ferramenta pelos dois punhos laterais e troque a pega durante as operações.** Se assim não for pode resultar em perda de controlo da ferramenta e possíveis ferimentos graves.

Defina o botão de alteração do modo de ação para o símbolo

Coloque a broca de perfurar na posição pretendida para o orifício e, em seguida, puxe o gatilho do interruptor.

Aplique a força de alimentação na pega do interruptor (pega principal) para precisão de trabalho e eficiência e segure a pega lateral (pega auxiliar) para manter o equilíbrio da ferramenta.

Mantenha a ferramenta em posição e evite que deslize para fora do orifício.

Não aplique mais pressão quando o orifício fica bloqueado com aparas ou partículas. Em vez disso, coloque a ferramenta em ponto morto e retire a broca de perfurar parcialmente do orifício. Repetindo isto várias vezes, o orifício ficará limpo e pode voltar à perfuração normal.

NOTA: A excentricidade na rotação da broca de perfurar poderá ocorrer enquanto opera a ferramenta sem carga. A ferramenta centra-se automaticamente durante a operação. Isto não afeta a precisão de perfuração.

Perfuração em madeira ou metal

⚠️ PRECAUÇÃO: Segure a ferramenta com firmeza e tenha cuidado quando a broca de perfuração começar a atravessar a peça de trabalho. No momento de atravessar o orifício, exercer-se-á uma enorme força na ferramenta/broca de perfuração.

⚠️ PRECAUÇÃO: Uma broca de perfuração presa pode ser retirada colocando-se simplesmente o interruptor de inversão para rotação inversa para fazê-la sair. No entanto, a ferramenta pode saltar para trás de repente se não a agarrar firmemente.

⚠️ PRECAUÇÃO: Fixe sempre as peças de trabalho num torno ou outro dispositivo de fixação semelhante.

OBSERVAÇÃO: Nunca utilize “rotação com martelagem” quando o mandril porta-broca estiver instalado na ferramenta. O mandril porta-brocas sofrerá danos.

Além disso, o mandril porta-brocas será extraído quando a ferramenta efetuar a rotação.

OBSERVAÇÃO: Não acelerará a perfuração se exercer demasiada pressão na ferramenta. Na realidade, esta pressão excessiva servirá apenas para danificar a ponta da broca de perfuração, diminuir o desempenho da ferramenta e encurtar o tempo de vida útil da ferramenta.

Defina o botão de alteração do modo de ação para o símbolo

Anexe o adaptador do mandril a um mandril da broca sem chave ao qual pode ser instalado um parafuso de tamanho 1/2"-20 e, de seguida, instale-os à ferramenta. Quando instalar o conjunto do mandril porta-brocas, consulte a secção "Instalar ou remover a broca de perfurar".

► Fig.42: 1. Conjunto do mandril porta-brocas
2. Adaptador do mandril

Ampola de sopragem

Acessório opcional

Após perfurar o orifício, utilize a ampola de sopragem para limpar o pó do orifício.

► Fig.43

Utilizar o conjunto do reservatório de pó

Acessório opcional

Encaixe o conjunto do reservatório de pó contra o teto quando operar a ferramenta.

► Fig.44

OBSERVAÇÃO: Não utilize o conjunto do reservatório de pó para perfurar em metal ou materiais similares. Pode danificar o conjunto do reservatório de pó devido ao calor produzido por pó metálico pequeno ou outro similar.

OBSERVAÇÃO: Não instale ou remova o conjunto do reservatório de pó com a broca de perfurar instalada na ferramenta. Pode danificar o conjunto do reservatório de pó e causar a fuga de pó.

NOTA: Alguns itens da lista podem estar incluídos na embalagem da ferramenta como acessórios padrão. Eles podem variar de país para país.

MANUTENÇÃO

⚠PRECAUÇÃO: Certifique-se sempre de que a ferramenta se encontra desligada e de que a bateria foi retirada antes de executar qualquer inspeção ou manutenção.

OBSERVAÇÃO: Nunca utilize gasolina, benzina, diluente, álcool ou produtos semelhantes. Pode ocorrer a descoloração, deformação ou rachaduras.

Para manter a SEGURANÇA e a FIABILIDADE do produto, as reparações e qualquer outra manutenção ou ajuste devem ser levados a cabo pelos centros de assistência Makita autorizados ou pelos centros de assistência de fábrica, utilizando sempre peças de substituição Makita.

ACESSÓRIOS OPCIONAIS

⚠PRECAUÇÃO: Estes acessórios ou peças são recomendados para utilização com a ferramenta Makita especificada neste manual. A utilização de outros acessórios ou peças pode ser perigosa para as pessoas. Utilize apenas acessórios ou peças para os fins indicados.

Se necessitar de informações adicionais relativas a estes acessórios, solicite-as ao seu centro de assistência Makita.

- Brocas de perfurar com ponta de carboneto (brocas de perfurar com ponta de carboneto SDS-plus)
- Adaptador do mandril
- Mandril da broca sem chave
- Massa lubrificante da broca
- Micrómetro de profundidade
- Ampola de sopragem
- Reservatório de pó
- Conjunto do reservatório de pó
- Sistema de coleta de pó
- Suspensor da ferramenta
- Bateria e carregador genuínos da Makita

SPECIFIKATIONER

Model:		DHR183
Borekapacitet	Beton	18 mm
	Stål	13 mm
	Træ	24 mm
Hastighed uden belastning		0 - 1.100 min ⁻¹
Slag pr. minut		0 - 5.000 min ⁻¹
Samlet længde (med BL1860B)		288 mm
Mærkespænding		18 V DC
Nettovægt		2,1 - 2,9 kg

Ekstraudstyr

Model:		DX16
Sugeevne		0,24 m ³ /min
Driftsslaglængde		Op til 105 mm
Passende borebit		Op til 165 mm
Nettovægt		0,77 kg

- På grund af vores kontinuerlige forsknings- og udviklingsprogrammer kan hosstående specifikationer blive ændret uden varsel.
- Specifikationer kan variere fra land til land.
- Vægten kan være anderledes afhængigt af tilbehøret, inklusive akkuen. Den letteste og tungeste kombination i henhold til EPTA-procedure 01/2014 er vist i tabellen.

Anvendelig akku og oplader

Akku	BL1815N / BL1820B / BL1830B / BL1840B / BL1850B / BL1860B
Oplader	DC18RC / DC18RD / DC18RE / DC18SD / DC18SE / DC18SF / DC18SH / DC18WC

- Nogle af de akkuer og opladere, der er angivet ovenfor, er muligvis ikke tilgængelige, afhængigt af hvilket område du bor i.

⚠ ADVARSEL: Brug kun de akkuer og opladere, der er angivet ovenfor. Brug af andre akkuer og opladere kan medføre personskaade og/eller brand.

Anbefalet ledningstilsluttet strømforsyningskilde

Bærbart strømforsyning	PDC01
------------------------	-------

- Den eller de ovenfor anførte ledningstilsluttede strømforsyningskilder er muligvis ikke tilgængelige, afhængigt af hvilket område du bor i.
- Inden du bruger den ledningstilsluttede strømforsyningskilde, skal du læse instruktionen og advarselsskiltene på dem.

Tilsigtet brug

Denne maskine er beregnet til slagboring og boring i mursten, beton og sten.

Den er også egnet til boring uden slag i træ, metal, keramik og plastik.

Støj

Det typiske A-vægtede støjniveau bestemt i overensstemmelse med EN62841-2-6:

Model DHR183

Lydtrykniveau (L_{pA}) : 93 dB (A)
 Lydeffektniveau (L_{WA}) : 101 dB (A)
 Usikkerhed (K): 3 dB (A)

Model DHR183 med DX16

Lydtrykniveau (L_{pA}) : 93 dB (A)
 Lydeffektniveau (L_{WA}) : 101 dB (A)
 Usikkerhed (K): 3 dB (A)

BEMÆRK: De(n) angivne støjemissionsværdi(er) er målt i overensstemmelse med en standardtestmetode og kan anvendes til at sammenligne en maskine med en anden.

BEMÆRK: De(n) angivne støjemissionsværdi(er) kan også anvendes i en præliminær eksponeringsvurdering.

⚠ ADVARSEL: Bær høreværn.

⚠ ADVARSEL: Støjemissionen under den faktiske anvendelse af maskinen kan være forskellig fra de(n) angivne værdi(er), afhængigt af den måde hvorpå maskinen anvendes, især den type arbejdsemne der behandles.

⚠ ADVARSEL: Sørg for at identificere de sikkerhedsforskrifter til beskyttelse af operatøren, som er baseret på en vurdering af eksponering under de faktiske brugsforhold (med hensyntagen til alle dele i brugscyklussen, f.eks. de gange, hvor maskinen er slukket, og når den kører i tomgang i tilgift til afbrydertiden).

Vibration

Følgende tabel viser vibrationens totalværdi (tre-aksial vektorsum) bestemt i overensstemmelse med den gældende standard.

Arbejdstilstand	Vibrationsemission	Usikkerhed (K)	Gældende standard/prøvningsbetegnelse
Slagboring i beton (a _h , h _B)	7,5 m/s ²	1,5 m/s ²	EN62841-2-6
Slagboring i beton med DX16 (a _h , h _B)	7,6 m/s ²	1,7 m/s ²	EN62841-2-6

BEMÆRK: De(n) angivne totalværdi(er) for vibration er målt i overensstemmelse med en standardtestmetode og kan anvendes til at sammenligne en maskine med en anden.

BEMÆRK: De(n) angivne totalværdi(er) for vibration kan også anvendes i en præliminær eksponeringsvurdering.

⚠ ADVARSEL: Vibrationsemissionen under den faktiske anvendelse af maskinen kan være forskellig fra de(n) angivne værdi(er), afhængigt af den måde hvorpå maskinen anvendes, især den type arbejdsemne der behandles.

⚠ ADVARSEL: Sørg for at identificere de sikkerhedsforskrifter til beskyttelse af operatøren, som er baseret på en vurdering af eksponering under de faktiske brugsforhold (med hensyntagen til alle dele i brugscyklussen, f.eks. de gange, hvor maskinen er slukket, og når den kører i tomgang i tilgift til afbrydertiden).

Overensstemmelseserklæringer

Kun for lande i Europa

Overensstemmelseserklæringerne er inkluderet i Bilag A i denne brugsanvisning.

SIKKERHEDSADVARSLER

Almindelige sikkerhedsregler for el-værktøj

⚠ ADVARSEL Læs alle sikkerhedsadvarsler, instruktioner, illustrationer og specifikationer, der følger med denne maskine. Hvis du ikke følger alle nedenstående instruktioner, kan det medføre elektrisk stød, brand og/eller alvorlig personskade.

Gem alle advarsler og instruktioner til fremtidig reference.

Ordet "el-værktøj" i advarslerne henviser til det netforsynede (netledning) el-værktøj eller batteriforsynede (akku) el-værktøj.

SIKKERHEDSADVARSLER FOR AKKU-BOREHAMMER

Sikkerhedsinstruktioner for alle betjeninger

- Bær høreværn.** Udsættelse for støj kan medføre høreskader.
- Brug hjælpéhåndtaget (-håndtagene), hvis sådanne følger med maskinen.** Hvis herredømmet over maskinen mistes, kan det føre til tilskadekomst.
- Hold maskinen i de isolerede gribeblader, når du udfører en handling, hvor skæretilbehøret kan komme i kontakt med skjulte ledninger.** Skæretilbehør, der kommer i kontakt med en "strømførende" ledning, kan gøre maskinens udsatte metaldele "strømførende" og kan give operatøren et elektrisk stød.

Sikkerhedsinstruktioner under brug af lange borebits med borehamre

- Begynd altid at bore ved lav hastighed og med bitspidsen i kontakt med arbejdsområdet.** Ved højere hastigheder vil bitten sandsynligvis bøje, hvis den tillades at rotere frit uden at berøre arbejdsområdet, hvilket resulterer i personskade.
- Påfør kun tryk i bittens retning og påfør ikke for stort tryk.** Bits kan bøje, hvilket forårsager brud eller tab af kontrol, hvilket resulterer i personskade.

Supplerende sikkerhedsforskrifter

- Bær hjelm (sikkerhedshjelm), sikkerhedsbriller og/eller ansigtsskjold.** Almindelige briller eller solbriller er IKKE sikkerhedsbriller. Det anbefales desuden på det kraftigste at bære støvmaske og kraftigt polstret handsker.
- Sørg for, at bitten sidder godt fast før brugen.**
- Maskinen er designet til at forårsage vibration ved normal brug.** Skruerne kan nemt løse sig og medføre et nedbrud eller en ulykke. Kontroller før brugen, at skruerne sidder stramt.
- I koldt vejr, eller hvis maskinen ikke har været anvendt i længere tid, skal du lade maskinen varme op et stykke tid ved at lade den køre**

i tomgang. Derved blødgøres smøremidlet. Uden korrekt opvarmning kan det være vanskeligt at betjene hammeren.

- Vær altid sikker på, at De har et godt fodfæste. Vær sikker på, at der ikke befinder sig nogen nedenunder, når maskinen anvendes i højden.
- Hold godt fast i maskinen med begge hænder.
- Hold hænderne på afstand fra bevægelige dele.
- Lad ikke maskinen køre i tomgang. Anvend kun maskinen håndholdt.
- Ret ikke maskinen mod personer i nærheden, mens den kører. Bitten kan flyve ud og forårsage alvorlig personskade.
- Rør ikke ved bitten eller dele i nærheden af bitten eller arbejdsområdet umiddelbart efter brugen. De kan være meget varme og kan forårsage forbrændinger af huden.
- Nogle materialer indeholder kemikalier, som kan være giftige. Vær påpasselig med at forhindre inhalering af støv og hudkontakt. Følg materiale-leverandørens sikkerhedsdata.
- Sørg altid for, at der er slukket for maskinen, og at akkuen og bitten er fjernet, før du overdrager maskinen til en anden person.
- Inden betjening skal du sørge for, at der ikke er nogen skjulte genstande som fx elektriske rør, vandrør eller gasrør i arbejdsområdet. Ellers kan borebitten/mejslen muligvis røre dem, hvilket kan resultere i et elektrisk stød, elektrisk lækage eller gaslækage.
- Anvend ikke maskinen unødvendigt i ubelastet tilstand.

GEM DENNE BRUGSANVISNING.

⚠ ADVARSEL: LAD IKKE bekvemmelighed eller kendskab til produktet (opnået gennem gentagen brug) forhindre, at sikkerhedsforskrifterne for produktet nøje overholdes. MISBRUG eller forsømmelse af at følge de i denne brugsvejledning givne sikkerhedsforskrifter kan føre til, at De kommer alvorligt til skade.

Vigtige sikkerhedsinstruktioner for akkuen

- Læs alle instruktioner og advarselmærkater på (1) akku-opladeren, (2) akkuen og (3) produktet, som anvender akku.
- Adskil eller ændr ikke akkuen. Det kan muligvis resultere i en brand, overdreven varme eller eksplosion.
- Hold straks op med anvendelsen, hvis brugstiden er blevet stærkt afkortet. Fortsat anvendelse kan resultere i risiko for overophedning, forbrændinger og endog eksplosion.
- Hvis De har fået elektrolytvæske i øjnene, skal De straks skylle den ud med rent vand og derefter øjeblikkeligt søge lægehjælp. I modsat fald kan De miste synet.
- Vær påpasselig med ikke at komme til at kortslutte akkuen:
 - Rør ikke ved terminalerne med noget

ledende materiale.

- Undgå at opbevare akkuen i en beholder sammen med andre genstande af metal, for eksempel søm, mønter og lignende.
- Udsæt ikke akkuen for vand eller regn. Kortslutning af akkuen kan forårsage en kraftig øgning af strømmen, overophedning, mulige forbrændinger og endog værktøjstop.
- Opbevar og brug ikke maskinen og akkuen på steder, hvor temperaturen muligvis kan nå eller overstige 50 °C.
- Lad være med at brænde akkuen, selv ikke i tilfælde, hvor den har lidt alvorlig skade eller er fuldstændig udtjent. Akkuen kan eksplodere, hvis man forsøger at brænde den.
- Slå ikke søm i, skær ikke i, knus, kast, tab ikke akkuen og stød ikke akkuen mod en hård genstand. Sådan adfærd kan muligvis resultere i en brand, overdreven varme eller eksplosion.
- Anvend ikke en beskadiget akku.
- De indbyggede litium-ion-batterier er underlagt lovkrav vedrørende farligt gods. Ved kommerciel transport, f.eks. af tredjeparts transportselskaber, skal særlige krav til forpakning og mærkning overholdes. Ved forberedelse af udstyret til forsendelse skal du kontakte en ekspert i farligt gods. Overhold også eventuel mere detaljeret national lovgivning. Tape eller tildæk åbne kontakter, og pak batteriet på en måde, så det ikke kan flytte sig rundt i pakningen.
- Når akkuen bortskaffes, skal du fjerne den fra maskinen og bortskaffe den på et sikkert sted. Følg de lokale love vedrørende bortskaffelsen af batterier.
- Brug kun batterierne med de produkter, som Makita specificerer. Hvis batterierne installeres i ikke-kompatible produkter, kan det medføre brand, kraftig varme, eksplosion eller udsivning af elektrolyt.
- Hvis maskinen ikke skal bruges i længere tid ad gangen, skal du fjerne batteriet fra maskinen.
- Akkuen kan muligvis under og efter brug være varm, hvilket kan forårsage forbrændinger eller lavtemperaturforbrændinger. Vær påpasselig med håndtering af varme akkuer.
- Rør ikke terminalen på maskinen straks efter brug, da den bliver varm nok til at forårsage forbrændinger.
- Sørg for, at spåner, støv eller jord ikke sætter sig fast i akkuens terminaler, huller og riller. Det kan forårsage opvarmning, antændelse, sprængning og funktionsfejl i maskinen eller akkuen, hvilket kan medføre forbrændinger eller personskade.
- Medmindre maskinen understøtter brugen i nærheden af elektriske højspændingsledninger, skal du ikke anvende akkuen i nærheden af elektriske højspændingsledninger. Det kan muligvis medføre funktionsfejl på eller nedbrud af maskinen eller akkuen.
- Opbevar batteriet utilgængeligt for børn.

GEM DENNE BRUGSANVISNING.

⚠FORSIGTIG: Brug kun originale batterier fra Makita. Brug af uoriginale Makita-batterier, eller batterier som er blevet ændret, kan muligvis medføre brud på batteriet, hvilket kan forårsage brand, personskade eller beskadigelse. Det ugyldiggør også Makita-garantien for Makita-maskinen og opladeren.

Tips til opnåelse af maksimal akku-levetid

1. Oplad akkuen, inden den er helt afladet. Stop altid værktøjet, og oplad akkuen, hvis De bemærker, at værktøjeffekten er aftagende.
2. Genoplad aldrig en fuldt opladet akku. Overopladning vil afkorte akkuens levetid.
3. Oplad akkuen ved stuetemperatur ved 10 °C - 40 °C. Lad altid en varm akku få tid til at køle af, inden den oplades.
4. Når du ikke anvender akkuen, skal du fjerne den fra maskinen eller opladeren.
5. Oplad akkuen, hvis De ikke skal bruge den i længere tid (mere end seks måneder).

FUNKTIONSBESKRIVELSE

⚠FORSIGTIG: Sørg altid for at maskinen er slukket, og at akkuen er taget ud, før der udføres justering eller kontrol af funktioner på maskinen.

Isætning eller fjernelse af akkuen

⚠FORSIGTIG: Sluk altid for værktøjet, før De monterer eller fjerner akkuen.

⚠FORSIGTIG: Hold værktøjet og akkuen fast ved montering eller fjernelse af akkuen. Hvis De ikke holder værktøjet og akkuen fast, kan de glide ud af hænderne på Dem og forårsage beskadigelse af værktøjet og akkuen eller personskade.

For at montere akkuen skal du justere tungen på akkuen med rillen i huset og skubbe den på plads. Indsæt den hele vejen, indtil den låses på plads med et lille klik. Hvis du kan se den røde indikator, som vist i figuren, er den ikke helt låst.

Akkuen fjernes ved, at De trækker den ud af værktøjet, idet De skyder knappen på forsiden af akkuen i stilling.
► Fig.1: 1. Rød indikator 2. Knap 3. Akku

⚠FORSIGTIG: Monter altid akkuen helt, indtil den røde indikator ikke længere er synlig. Hvis dette ikke gøres, kan den falde ud af værktøjet ved et uheld, hvorved De selv eller personer i nærheden kan komme til skade.

⚠FORSIGTIG: Brug ikke magt ved montering af akkuen. Hvis akkuen ikke glider på plads uden problemer, betyder det, at den ikke sættes i på korrekt vis.

Indikation af den resterende batteriladning

Kun til akkuer med indikatoren

Tryk på kontrolknappen på akkuen for at få vist den resterende batteriladning. Indikatorlampen lyser i nogle sekunder.

► Fig.2: 1. Indikatorlamper 2. Kontrolknap

Indikatorlamper			Resterende ladning
Tændt	Slukket	Blinker	
			75% til 100%
			50% til 75%
			25% til 50%
			0% til 25%
			Genoplad batteriet.
			Der er muligvis fejl i batteriet.

BEMÆRK: Afhængigt af brugsforholdene og den omgivende temperatur kan indikationen afvige en smule fra den faktiske ladning.

BEMÆRK: Den første indikatorlampe (længst mod venstre) vil blinke, når batteribeskyttelsessystemet aktiveres.

Beskyttelsessystem til værktøj/batteri

Maskinen er udstyret med et beskyttelsessystem til maskinen/batteriet. Dette system afbryder automatisk strømmen til motoren for at forlænge maskinens og batteriets levetid. Maskinen stopper automatisk under brugen, hvis maskinen eller batteriet udsættes for et af følgende forhold:

Overbelastningsbeskyttelse

Hvis batteriet bruges på en måde, der får det til at trække en unormalt høj strøm, stopper maskinen automatisk uden indikation. Sluk i så fald for maskinen, og stop den anvendelse, der medførte overbelastningen af maskinen. Tænd derefter for maskinen for at starte igen.

Beskyttelse mod overophedning

Hvis maskinen eller batteriet bliver overophedet, stopper maskinen automatisk. Lad i så fald maskinen og batteriet køle ned, før der tændes for maskinen igen.

BEMÆRK: Når maskinen er overophedet, blinker lampen.

Beskyttelse mod overafledning

Når batteriladningen er utilstrækkelig, stopper maskinen automatisk. Tag i så fald akkuen ud af maskinen, og oplad akkuen.

Beskyttelse mod andre årsager

Beskyttelsessystemet er også designet til andre årsager, der kan beskadige maskinen og gør det muligt for maskinen at stoppe automatisk. Træf alle følgende foranstaltninger for at fjerne årsagerne, når maskinen midlertidigt er blevet bragt til standsning eller stoppet i drift.

1. Sørg for, at alle kontakt(er) er i fra-positionen, og tænd derefter for maskinen igen for at genstarte den.
2. Oplad batteriet/batterierne eller udskift det/dem med genopladet/genopladede batteri/batterier.
3. Lad maskinen og batteriet/batterierne køle af.

Hvis der ikke kan findes nogen forbedring ved at gen-danne beskyttelsessystemet, skal det lokale Makita-servicecenter kontaktes.

Afbryderbetjening

ADVARSEL: Inden akkuen sættes i maskinen, bør De altid kontrollere, at afbryderknappen fungerer korrekt, og returnerer til "OFF"-positionen, når den slippes.

For at starte maskinen trykkes der blot på afbryderknappen. Maskinens hastighed øges ved at øge trykket på afbryderknappen. Slip afbryderknappen for at stoppe.

► Fig.3: 1. Afbryderknop

Tænding af lampen foran

FORSIGTIG: Kig aldrig direkte på lyskilden. Lad ikke lyset falde i Deres øjne.

Tryk afbryderknappen ind for at tænde for lampen. Lampen fortsætter med at lyse, så længe afbryderknappen trykkes ind. Lampen slukker omkring 10 sekunder efter at afbryderknappen er udløst.

► Fig.4: 1. Lampe

BEMÆRK: Brug en tør klud til at tørre snavset af lampens linse. Pas på ikke at ridse lampens linse, da dette muligvis kan dæmpe belysningen.

BEMÆRK: Når maskinen er overophedet, blinker lampen. I dette tilfælde skal du slippe afbryderknappen og derefter afkøle maskinen/batteriet, før du betjener maskinen igen.

BEMÆRK: Frontlampen kan ikke bruges, mens systemet til støvopsamling (ekstraudstyr) er monteret på maskinen.

Omløbsvælgerbetjening

FORSIGTIG: Kontrollér altid omløbsretningen, inden arbejdet påbegyndes.

FORSIGTIG: Flyt kun omløbsvælgeren, når maskinen er helt standset. Hvis omløbsretningen ændres, inden maskinen er helt stoppet, kan det beskadige maskinen.

FORSIGTIG: Sæt altid omløbsvælgeren i neutral stilling, når maskinen ikke anvendes.

Denne maskinen har en omløbsvælger til at skifte omløbsretning. Skub omløbsvælgeren ind fra A-siden for omdrejning med uret, og fra B-siden for omdrejning mod uret.

Når omløbsvælgeren er i neutral stilling, kan afbryderknappen ikke trykkes ind.


► Fig.5: 1. Omløbsvælger

Valg af funktionsmåden

BEMÆRKNING: Undlad at dreje omskifterknappen til ændring af funktionsmåde, mens maskinen kører. Maskinen vil blive beskadiget.


BEMÆRKNING: For at undgå hurtigt slid på mekanismen til funktions-skift skal du sikre dig, at omskifterknappen til ændring af funktionsmåde altid er forsvarligt placeret i en af funktionspositionerne.

Rotation med hamring

Ved boring i beton, murværk osv. skal omskifterknappen til ændring af funktionsmåde drejes til -symbolet. Brug en karbidforstærket borebit.

► Fig.6: 1. Omskifterknop til ændring af funktionsmåde

Kun rotation

Ved boring i træ, metal eller plastikmaterialer skal omskifterknappen til ændring af funktionsmåde drejes til -symbolet. Brug en snegleborsbit eller en træborsbit.

► Fig.7: 1. Omskifterknop til ændring af funktionsmåde

Elektronisk funktion

Maskinen er udstyret med elektroniske funktioner for nem betjening.

- Elektrisk bremse
Denne maskine er udstyret med en elektrisk bremse. Hvis maskinen konsekvent undlader at stoppe hurtigt, efter at afbryderknappen slippes, skal der udføres service på maskinen hos et Makita-servicecenter.
- Konstant hastighedskontrol
Funktionen til hastighedskontrol sørger for konstant rotationshastighed uanset belastningsforholdene.

SAMLING

⚠FORSIGTIG: Sørg altid for at maskinen er slukket, og at akkuen er taget ud, før der udføres noget arbejde på maskinen.

Sidehåndtag (ekstra håndtag)

⚠FORSIGTIG: Brug altid sidehåndtaget for sikker betjening.

⚠FORSIGTIG: Efter montering eller justering af sidehåndtaget skal du sikre dig, at sidehåndtaget er forsvarligt fastgjort og med fremspringene på maskinen helt i indgreb med rillerne på sidehåndtaget.

Følg nedenstående fremgangsmåde for at montere sidehåndtaget.

1. Løsn fingerskruen på sidehåndtaget.

► **Fig.8:** 1. Fingerskruen

2. Montér sidehåndtaget, så rillerne på håndtaget passer ind i fremspringene på maskinen, mens du trykker på fingerskruen.

► **Fig.9:** 1. Fingerskruen

3. Stram fingerskruen for at fastgøre håndtaget. Håndtaget kan fastgøres i den ønskede vinkel.

For at afmontere sidehåndtaget skal du løsne fingerskruen på sidehåndtaget. Afmonter sidehåndtaget fra maskinen.

Montering eller afmontering af borebitten

Fedtstof

Rengør skaftenden på bittens, og påsmør fedtstof, før bittens monteres.

Dæk skaftenden af bittens med en lille smule fedtstof (cirka 0,5 - 1 g) på forhånd. Denne smøring af patronen sikrer en jævn funktion og længere levetid.

► **Fig.10:** 1. Skaftende 2. Fedtstof

Sæt borebittens i maskinen. Drej borebittens, og tryk den ind, indtil den griber fat.

Efter montering af borebittens skal du altid sikre dig, at borebittens sidder godt fast, ved at forsøge at trække den ud.

► **Fig.11:** 1. Borebit

For at afmontere borebittens skal du skubbe patrondækslet helt ned og trække borebittens ud.

► **Fig.12:** 1. Borebit 2. Patrondækslet

Dybdemåler

Dybdemåleren er praktisk til at bore huller med den samme dybde.

Tryk på låseknappen, og hold den nede, og sæt derefter dybdemåleren ind i huller. Sørg for, at dybdemålerens side med tænder vender mod mærket.

► **Fig.13:** 1. Dybdemåler 2. Låseknop 3. Mærke 4. Side med tænder

Justér dybdemåleren ved at flytte den frem og tilbage, idet der trykkes på låseknappen. Slip låseknappen efter justeringen for at låse dybdemåleren fast.

BEMÆRK: Sørg for, at dybdemåleren ikke berører maskinens kabinet, når den monteres.

Støvsamler

Ekstraudstyr

Brug støvsamleren til at undgå, at støv falder ned over maskinen og dig selv, når du borer over hovedet på dig selv. Monter støvsamleren på bittens som vist i figuren. Størrelsen af de bits, som støvsamleren kan monteres på, er som følger.

Model	Bitdiameter
Støvsamler 5	6 mm - 14,5 mm
Støvsamler 9	12 mm - 16 mm

► **Fig.14:** 1. Støvsamler

Støvsamlersæt

Ekstraudstyr

Installation af støvsamlersættet

BEMÆRKNING: Brug ikke støvsamlersættet, når du borer i metal eller lignende. Det kan beskadige støvsamlersættet på grund af den varme, som fint metalstøv eller lignende frembringer. Undlad at montere eller fjerne støvsamlersættet, mens borebittens er monteret på maskinen. Det kan beskadige støvsamlersættet og forårsage lækage af støv.

Før du monterer støvsamlersættet, skal du afmontere borebittens fra maskinen, hvis den er monteret.

1. Løsn fingerskruen på sidehåndtaget.

2. Montér støvsamlersættet, så kløerne på støvsamlersættet passer ind i revnerne på sidehåndtaget.

► **Fig.15:** 1. Støvsamlersæt 2. Sidehåndtag

3. Montér sidehåndtaget, så rillen på håndtaget passer ind i fremspringet på maskinen. Tilspænd fingerskruen for at fastgøre sidehåndtaget.

► **Fig.16:** 1. Sidehåndtag 2. Rille 3. Fremspring

BEMÆRK: Hvis du forbinder en støvsuger til støvsamlersættet, skal du fjerne støvhætten, før du tilslutter støvsugeren.

► **Fig.17:** 1. Støvhætte

Fjernelse af borebittens

For at fjerne borebittens skal du trække patrondækslet helt ned og derefter trække borebittens ud.

► **Fig.18:** 1. Borebit 2. Patrondækslet

Fjernelse af støvsamlersættet

Benyt nedenstående fremgangsmåde for at fjerne støvsamlersættet.

1. Løsn fingerskruen på sidehåndtaget. Afmonter sidehåndtaget fra maskinen.

► **Fig.19:** 1. Fingerskruen

2. Hold fast i roden af støvopsamleren, og træk den ud.

BEMÆRK: Hvis det er svært at fjerne støvopsamlersættet, skal du fjerne støvopsamlerens kløer én for en ved at dreje og trække i roden af støvopsamleren.

► **Fig.20:** 1. Støvopsamler

BEMÆRK: Hvis hættten tages af støvopsamlersættet, skal den sættes tilbage til den oprindelige position.

Følg nedenstående trin for at sætte hættten tilbage i sin oprindelige position.

1. Drej bælgevventilen mod uret, og afmonter den fra støvopsamlersættets fastgørelsesenhed, mens bælgevventilen er låst op.

► **Fig.21:** 1. Bælgevventiler 2. Fastgørelsesenhed

2. Sæt hættten tilbage på plads med dens side mærket med bogstaver opad.

► **Fig.22:** 1. Hætte 2. Fastgørelsesenhed

3. Sørg for, at rillerne omkring hættten passer godt ind i læberne på den øverste åbning på fastgørelsesenheden.

Maskinbøjle

Ekstraudstyr

⚠FORSIGTIG: Brug ikke en beskadiget maskinbøjle og skrue. Før brugen skal du altid se efter skader, revner eller deformationer og sikre dig, at skruen er strammet.

⚠FORSIGTIG: Monter eller fjern maskinbøjlen på et stabilt bord eller en stabil overflade. Sørg for at kun at bruge den skrue, der blev leveret sammen med maskinbøjlen. Efter montering af maskinbøjlen skal du sikre dig, at maskinbøjlen er monteret forsvarligt ved hjælp af skruen.

⚠FORSIGTIG: Undlad at fjerne akkuen, når maskinen er hængt op. Maskinen kan falde ned, hvis skruen ikke er tilspændt.

Maskinbøjlen er beregnet til tilslutning af tøjresnoren (sikkerhedslinen).

Før du monterer maskinbøjlen, skal du afmontere gummi-hættten fra skruerhullet i monteringsbeslaget. Indsæt den firkantede møtrik under beslaget. Tilspænd maskinbøjlen med skruen på plads.

► **Fig.23:** 1. Gummi-hætte 2. Monteringsbeslag
3. Firkantet møtrik 4. Maskinbøjle 5. Skrue

Sikkerhedsadvarsler om tilslutning af tøjresnor (sikkerhedsline) til maskinbøjlen

⚠ Specifikke sikkerhedsadvarsler for brug på høje steder

Læs alle sikkerhedsadvarsler og instruktioner. Hvis alle advarsler og instruktioner ikke følges, kan det medføre alvorlig personskade.

1. Hold altid maskinen tøjret, når du arbejder "i højden". Den maksimale længde af tøjresnoren er 2 m.
Den maksimalt tilladte faldhøjde for

tøjresnoren (sikkerhedslinen) må ikke overstige 2 m.

2. Brug kun sammen med tøjresnore, der passer til denne maskintype og er normeret til mindst 6,0 kg.
3. Undlad at forankre maskinens tøjresnor til nogen del af din krop eller til bevægelige komponenter. Fastgør maskinens tøjresnor til en fast struktur, som kan modstå kraften af en maskine, der tabes.
4. Sørg for, at tøjresnoren er korrekt fastgjort i begge ender før brugen.
5. Inspicer maskinen og tøjresnoren før hver gang, den bruges, for beskadigelser og korrekt funktion (inklusive stof og sammenhæftning). Undlad brug, hvis den er beskadiget eller ikke fungerer korrekt.
6. Undlad at vikke tøjresnore omkring skarpe eller ru kanter eller at lade dem komme i kontakt med disse.
7. Fastgør den anden ende af tøjresnoren uden for arbejdsområdet, så en nedfaldende maskine fastholdes sikkert.
8. Fastgør tøjresnoren på en sådan måde, at maskinen vil bevæge sig væk fra operatøren, hvis den falder ned. Tabte maskiner vil svinge i tøjresnoren, hvilket kan medføre personskade eller tab af balancen.
9. Undlad brug i nærheden af dele i bevægelse eller maskiner, der kører. Hvis du ikke gør dette, kan det medføre risiko for knusning eller indvikling.
10. Undlad at bære maskinen ved at holde i monteringsenheden eller tøjresnoren.
11. Overfør kun maskinen mellem dine hænder, når du har korrekt balance.
12. Undlad at fastgøre tøjresnoren til maskinen på en måde, der forhindrer kontakter eller afbryderlåsen (hvis de medfølger) i at fungere korrekt.
13. Undgå at blive viklet ind i tøjresnoren.
14. Hold tøjresnoren væk fra maskinens boreområde.
15. Brug en låsekarabinhage (flerfunktions- og skruporttype). Brug ikke karabinhager med enkeltfunktions fjederklemmer.
16. Hvis maskinen tabes, skal den mærkes og tages ud af tjeneste og inspiceres af en Makita-fabrik eller et autoriseret servicecenter.
17. Undlad at hænge maskinen på taljen. En opvarmet maskine og dens tilbehør kan komme i kontakt med huden og forårsage forbrændinger.

► **Fig.24:** 1. Maskinbøjle 2. Tøjresnor (sikkerhedsline)

SYSTEM TIL STØVOPSAMLING

Ekstraudstyr

Systemet til støvopsamling er designet til effektiv opsamling af støv, når der bores i beton.

► **Fig.25:** 1. System til støvopsamling

⚠FORSIGTIG: Systemet til støvopsamling er kun beregnet til boring i beton. Brug ikke systemet til støvopsamling til boring i metal eller lignende.

⚠FORSIGTIG: Når maskinen bruges sammen med systemet til støvopsamling, skal du sørge for at montere filteret på systemet til støvopsamling for at undgå at indånde støv.

⚠FORSIGTIG: Før du bruger systemet til støvopsamling, skal du kontrollere, at filteret ikke er beskadiget, og at det indvendige rør er fri for støv og fremmedlegemer. Hvis dette ikke gøres, kan det medføre indånding af støv.

⚠FORSIGTIG: Systemet til støvopsamling indsamler det genererede støv med stor hastighed, men ikke alt støv kan opsamles.

BEMÆRKNING: Brug ikke systemet til støvopsamling til boring med kerne eller mejsling.

BEMÆRKNING: Brug ikke systemet til støvopsamling til metal eller træ. Systemet til støvopsamling er kun beregnet til beton.

BEMÆRKNING: Brug ikke systemet til støvopsamling til boring i våd beton, og brug ikke systemet i våde omgivelser. Undladelse af dette kan medføre fejlfunktion.

Montering eller afmontering

BEMÆRKNING: Før du monterer systemet til støvopsamling, skal du rengøre koblingsstykkerne på maskinen og systemet til støvopsamling. Fremmedlegemer på koblingsstykkerne kan gøre det vanskeligt at montere systemet til støvopsamling. Hvis der stadig er støv tilbage på luftkanalen, kommer støvet ind i maskinen og forårsager blokering af luftstrømmen, eller at maskinen går i stykker.

Før at montere systemet til støvopsamling skal du sætte maskinen hele vejen ind i systemet til støvopsamling, indtil maskinen låses på plads med et lille klik.

► Fig.26

Før at afmontere systemet til støvopsamling skal du trække maskinen op, mens du trykker på lås fra-knappen.

► Fig.27: 1. Lås fra-knap

Justering af positionen af studsens på systemet til støvopsamling

⚠FORSIGTIG: Undlad at rette studsens mod dig selv eller andre, når du frigør studsens ved at trykke på styrjusteringsknappen.

Skub studsstyret ind og ud, mens du trykker på styrjusteringsknappen, og slip derefter knappen i en nøjagtig position, hvor spidsen af borebitten sidder lige bag studsens forside.

► Fig.28: 1. Styr 2. Styrjusteringsknap 3. Spids på borebit 4. Studsens forside

Justering af boreddybder

Boreddybder kan justeres ved at ændre længderne mellem dybdejusteringsknappen og støttearmen til studsstyret. Tryk på og hold dybdejusteringsknappen nede, og skub den til den ønskede position.

► Fig.29: 1. Dybdejusteringsknap 2. Studsstyr 3. Støttearm til studsstyret 4. Boreddybder

Afbankning af støv på filteret

⚠FORSIGTIG: Drej ikke drejeknappen på støvbakken, mens støvbakken er fjernet fra systemet til støvopsamling. Gør du det, kan du komme til at inhalere støvet.

⚠FORSIGTIG: Sluk altid maskinen, mens du drejer drejeknappen på støvbakken. Hvis du drejer drejeknappen, mens maskinen kører, kan det medføre, at du mister kontrollen over maskinen.

Hvis du banker støvet af filteret i støvbakken, kan du holde støvsugerens effektivt og reducerer, hvor ofte du skal bortsuffle støvet.

Drej på drejeknappen på støvbakken tre gange efter opsamling af hver 50.000 mm³ støv, eller når du føler, at støvsugerens ydelse er forringet.

BEMÆRK: 50.000 mm³ støv svarer til at bore 10 huller på 10 mm og 65 mm dybde.

► Fig.30: 1. Støvbakke 2. Drejeknap

Bortskaffelse af støv

⚠FORSIGTIG: Sørg altid for at maskinen er slukket, og at akkuen er taget ud, før der udføres noget arbejde på maskinen.

⚠FORSIGTIG: Sørg for at bære støvmaske, når du bortskaffer støv.

⚠FORSIGTIG: Sørg for, at maskinen er helt stoppet ved bortskaffelse af støv.

⚠FORSIGTIG: Tøm støvbakken regelmæssigt, før den bliver fuld. Hvis du ikke gør dette, kan det reducere ydelsen af støvopsamlingen og medføre indånding af støv.

⚠FORSIGTIG: Ydelsen af støvopsamlingen reduceres, hvis filteret i støvbakken bliver tilstoppet. Udskift som tommelfingerregel filteret med et nyt efter cirka 200 støvtømninger. Hvis du ikke gør dette, kan det medføre indånding af støv.

1. Fjern støvbakken, idet der trykkes ned på håndtaget på støvbakken.

► Fig.31: 1. Håndtag

2. Åbn dækslet på støvbakken.

► Fig.32: 1. Dæksel

3. Bortskaf støvet, og rengør derefter filteret.

► Fig.33

BEMÆRKNING: Når filteret renses, skal du banke let med hånden på filterets hus for at fjerne støv. Bank ikke direkte på filteret. Berør filteret med en børste eller lignende eller blæs komprimeret luft på filteret. Hvis du gør dette, kan det beskadige filteret.

Udskiftning af filteret på støvbakken

1. Fjern støvbakken, idet der trykkes ned på håndtaget på støvbakken.
► **Fig.34:** 1. Håndtag
2. Åbn filterdækslet på støvbakken.
► **Fig.35:** 1. Filterdæksel
3. Fjern filteret fra filterhuset.
► **Fig.36:** 1. Filter 2. Filterhus
4. Sæt et nyt filter i filterhuset, og monter derefter filterdækslet.
5. Luk dækslet på støvbakken, og monter derefter støvbakken på systemet til støvopsamling.

Udskiftning af tætningshætten

1. Indsæt en flad skruetrækker i en af rillerne på siderne af studshovedet. Vip den flade skruetrækker i en vinkel for at klemme og skubbe lukkekrogen ud af tætningshætten. Træk derefter gummikanten på tætningshætten væk fra kanten på studshovedets åbning.
► **Fig.37:** 1. Tætningshætte 2. Lukkekrog 3. Rille 4. Studshoved
2. Sæt en af lukkekrogene på en ny tætningshætte ind i den nederste del af rillen i studshovedet med en forsænket overflade på tætningshætten vendt fremad.
► **Fig.38:** 1. Lukkekroge 2. Nederste del af rillen 3. Tætningshætte 4. Forsænket overflade
3. Anbring den anden krog i den modsatte side, mens tætningshætten flyttes, så den passer fint til studshovedet.
► **Fig.39:** 1. Tætningshætte 2. Lukkekrog 3. Nederste del af rillen 4. Studshoved 5. Kanter
4. Læg forsigtigt gummikanten på tætningshætten ned over kanten af studshovedets åbning fra bund til top.
► **Fig.40:** 1. Gummikant 2. Tætningshætte 3. Studshoved

ANVENDELSE

⚠FORSIGTIG: Brug altid sidehåndtaget (ekstra håndtag), og hold godt fast i maskinen i både sidehåndtaget og omskifterhåndtaget under brug.

⚠FORSIGTIG: Sørg altid for, at arbejdsemnet er fastgjort før anvendelsen.

⚠FORSIGTIG: Undlad at trække maskinen ud med magt, selvom bittens sætter sig fast. Tab af kontrollen kan medføre personskade.


BEMÆRKNING: Før du bruger systemet til støvopsamling med maskinen, skal du læse afsnittet om systemet til støvopsamling.

BEMÆRK: Hvis akkuen har lav temperatur, kan maskinen muligvis ikke opnå sin fulde kapacitet. Varm i så fald akkuen op ved at bruge maskinen uden belastning et stykke tid for at nå maskinens fulde kapacitet.

► **Fig.41**

Hammerboring

⚠FORSIGTIG: Maskinen/borebitten udsættes for kraftig og pludselig vridning på det tidspunkt, hvor der brydes igennem hullet, når hullet bliver tilstoppet med spåner og partikler, eller hvis forstærkningsrårene i betonen rammes. **Brug altid sidehåndtaget (ekstra håndtag), og hold godt fast i maskinen i både sidehåndtaget og omskifterhåndtaget under brug.** Hvis du ikke gør dette, kan det medføre tab af kontrol og risiko for alvorlig personskade.

Indstil omskifterknappen til ændring af funktionsmåde til -symbolet.

Placér borebitten på det ønskede sted for hullet, og træk derefter i afbryderknappen.

Påfør tilspændingskraft på kontakthåndtaget (hovedhåndtag) for at opnå arbejdsnøjagtighed og effektivitet, og hold fast i sidehåndtaget (ekstra håndtag) for at holde maskinens balance.

Hold maskinen på plads, og undgå, at den glider væk fra hullet.

Udøv ikke et større tryk, når hullet bliver tilstoppet af spåner eller partikler. Kør i stedet maskinen i tomgang, og fjern derefter borebitten delvist fra hullet. Ved at gentage dette flere gange vil hullet blive renset ud, og normal boring kan genoptages.

BEMÆRK: Der kan forekomme excentricitet i borebittens rotation, når maskinen betjenes uden belastning. Maskinen centrerer automatisk sig selv under brug. Dette har ikke betydning for præcisionen under boring.

Boring i træ eller metal


⚠FORSIGTIG: Hold godt fast i maskinen og udvis forsigtighed, når borebitten begynder at bryde igennem arbejdsstykket. Maskinen/borebitten udsættes for en kraftig påvirkning på det tidspunkt, hvor der brydes igennem hullet.

⚠FORSIGTIG: En borebit, der har sat sig fast, kan fjernes ved at man ganske enkelt sætter omløbsvælgeren til baglæns rotation for at bakke ud. Imidlertid kan maskinen pludselig bakke ud, hvis man ikke holder godt fast i den.

⚠FORSIGTIG: Fastgør altid arbejdsemner i en skruestik eller lignende udstyr til fastgørelse.

BEMÆRKNING: Brug aldrig "rotation med hammering", når borepatronen er monteret på maskinen. Borepatronen kan blive beskadiget. Borepatronen vil desuden blive frigjort, når maskinen kører baglæns.

BEMÆRKNING: Et kraftigere tryk på maskinen vil ikke gøre boringen hurtigere. Faktisk vil et kraftigere tryk kun føre til skade på spidsen af borebitten, nedsætte maskinen ydelse og afkorte maskinens levetid.

Indstil omskifterknappen til ændring af funktionsmåde til  -symbolet.

Monter patronadapteren på en nøglefri borepatron, hvor der kan monteres en skrue i størrelse 1/2"-20, og monter dem derefter på maskinen. Se "Isætning eller fjernelse af borebit" under monteringen.

► **Fig.42:** 1. Borepatronsæt 2. Patronadapter

Udblæsningskolbe

Ekstraudstyr

Når hullet er boret, skal du bruge udblæsningskolben til at fjerne støv fra hullet.

► **Fig.43**

Brug af støvopsamlersættet

Ekstraudstyr

Monter støvopsamlersættet mod loftet under betjening af maskinen.

► **Fig.44**

BEMÆRKNING: Brug ikke støvopsamlersættet, når du borer i metal eller lignende. Dette kan beskadige støvopsamlersættet på grund af den varme, som fint metalstøv eller lignende frembringer.

BEMÆRKNING: Undlad at montere eller fjerne støvopsamlersættet, mens borebitten er monteret på maskinen. Dette kan beskadige støvopsamlersættet og forårsage lækage af støv.

VEDLIGEHOLDELSE

⚠FORSIGTIG: Vær altid sikker på, at værktøjet er slukket, og at akkuen er taget ud, inden De begynder at udføre inspektion eller vedligeholdelse.

BEMÆRKNING: Anvend aldrig benzin, rensebenzin, fortynder, alkohol og lignende. Det kan medføre misfarvning, deformering eller revner.

For at opretholde produktets SIKKERHED og PÅLIDELIGHED må reparation, vedligeholdelse eller justering kun udføres af et autoriseret Makita servicecenter eller fabrikksservicecenter med anvendelse af Makita reservedele.

EKSTRAUDSTYR

⚠FORSIGTIG: Det følgende tilbehør og ekstraudstyr er anbefalet til brug med Deres Makita maskine, der er beskrevet i denne brugsanvisning. Anvendelse af andet tilbehør eller ekstraudstyr kan udgøre en risiko for personskade. Anvend kun tilbehør og ekstraudstyr til det beskrevne formål.

Hvis De behøver hjælp ved valg af tilbehør eller ønsker yderligere informationer, bedes De kontakte Deres lokale Makita servicecenter.

- Karbidforstærkede borebits (SDS-plus karbidforstærkede bits)
- Patronadapter
- Nøglefri borepatron
- Smørelse til bit
- Dybdemåler
- Udblæsningskolbe
- Støvsamler
- Støvsamlersæt
- System til støvopsamling
- Maskinbøjle
- Original Makita-akku og oplader

BEMÆRK: Nogle ting på denne liste kan være inkluderet i værktøjsspakken som standardtilbehør. Det kan være forskellige fra land til land.

ΠΡΟΔΙΑΓΡΑΦΕΣ

Μοντέλο:		DHR183
Ικανότητες διάτρησης	Τσιμέντο	18 mm
	Ατσάλι	13 mm
	Ξύλο	24 mm
Ταχύτητα χωρίς φορτίο		0 - 1.100 min ⁻¹
Κρούσεις το λεπτό		0 - 5.000 min ⁻¹
Συνολικό μήκος (με BL1860B)		288 mm
Ονομαστική τάση		D.C. 18 V
Καθαρό βάρος		2,1 - 2,9 kg

Προαιρετικό εξάρτημα

Μοντέλο:		DX16
Απόδοση αναρρόφησης		0,24 m ³ /min
Διαδρομή λειτουργίας		Μέχρι 105 mm
Κατάλληλη μύτη τρυπανιού		Μέχρι 165 mm
Καθαρό βάρος		0,77 kg

- Λόγω του συνεχιζόμενου προγράμματος έρευνας και ανάπτυξης, οι προδιαγραφές αυτές υπόκεινται σε αλλαγές χωρίς προειδοποίηση.
- Τα τεχνικά χαρακτηριστικά μπορεί να διαφέρουν από χώρα σε χώρα.
- Το βάρος μπορεί να διαφέρει ανάλογα με τα προσαρτήματα, συμπεριλαμβάνοντας την κασέτα μπαταριών. Ο ελαφρύτερος και ο βαρύτερος συνδυασμός, σύμφωνα με τη διαδικασία ΕΡΤΑ 01/2014, παρουσιάζονται στον πίνακα.

Ισχύουσα κασέτα μπαταριών και φορτιστής

Κασέτα μπαταρίας	BL1815N / BL1820B / BL1830B / BL1840B / BL1850B / BL1860B
Φορτιστής	DC18RC / DC18RD / DC18RE / DC18SD / DC18SE / DC18SF / DC18SH / DC18WC

- Ορισμένες από τις κασέτες και τους φορτιστές μπαταριών που αναγράφονται παραπάνω ίσως να μην είναι διαθέσιμοι, ανάλογα με την τοποθεσία κατοικίας σας.

⚠ ΠΡΟΕΙΔΟΠΟΙΗΣΗ: Να χρησιμοποιείτε μόνο τις κασέτες μπαταριών και τους φορτιστές που παρατίθενται ανωτέρω. Η χρήση οποιασδήποτε άλλης κασέτας μπαταριών ή φορτιστή μπορεί να προκαλέσει τραυματισμό ή/και πυρκαγιά.

Συνιστώμενη ενσύρματη πηγή τροφοδοσίας

Φορητή ηλεκτρική τροφοδότηση	PDC01
------------------------------	-------

- Οι ενσύρματες πηγές τροφοδοσίας που αναγράφονται παραπάνω μπορεί να μην είναι διαθέσιμες, ανάλογα με την περιοχή της κατοικίας σας.
- Πριν χρησιμοποιήσετε την ενσύρματη πηγή τροφοδοσίας, διαβάστε τις οδηγίες και τις ενδείξεις προφυλάξεων που αναγράφονται σε αυτή.

Προβλεπόμενη χρήση

Το εργαλείο προορίζεται για κρουστικό τρυπάνισμα και τρυπάνισμα σε τούβλα, τσιμέντο και πέτρα. Είναι επίσης κατάλληλο για διάτρηση χωρίς κρούση σε ξύλο, μέταλλο, κεραμικό και πλαστικό.

Θόρυβος

Το τυπικό Α επίπεδο καταμετρημένου θορύβου καθορίζεται σύμφωνα με το EN62841-2-6:

Μοντέλο DHR183

Στάθμη ηχητικής πίεσης (L_{pA}): 93 dB (A)
Στάθμη ηχητικής ισχύος (L_{WA}): 101 dB (A)
Αβεβαιότητα (K): 3 dB (A)

Μοντέλο DHR183 με DX16

Στάθμη ηχητικής πίεσης (L_{pA}): 93 dB (A)

Στάθμη ηχητικής ισχύος (L_{WA}): 101 dB (A)
Αβεβαιότητα (K): 3 dB (A)

ΠΑΡΑΤΗΡΗΣΗ: Η δηλωμένη τιμή(ές) εκπομπής θορύβου έχει μετρηθεί σύμφωνα με την πρότυπη μέθοδο δοκιμής και μπορεί να χρησιμοποιηθεί για τη σύγκριση ενός εργαλείου με κάποιο άλλο.

ΠΑΡΑΤΗΡΗΣΗ: Η δηλωμένη τιμή(ές) εκπομπής θορύβου μπορεί να χρησιμοποιηθεί και στην προκαταρκτική αξιολόγηση της έκθεσης.

ΠΡΟΕΙΔΟΠΟΙΗΣΗ: Να φοράτε ωτοασπίδες.

ΠΡΟΕΙΔΟΠΟΙΗΣΗ: Η εκπομπή θορύβου κατά τη χρήση του ηλεκτρικού εργαλείου σε πραγματικές συνθήκες μπορεί να διαφέρει από τη δηλωμένη τιμή(ές) ανάλογα με τους τρόπους χρήσης του εργαλείου, ιδιαίτερα το είδος του τεμαχίου εργασίας που υπόκειται επεξεργασία.

ΠΡΟΕΙΔΟΠΟΙΗΣΗ: Φροντίστε να λάβετε τα κατάλληλα μέτρα προστασίας του χειριστή βάσει ενός υπολογισμού της έκθεσης σε πραγματικές συνθήκες χρήσης (λαμβάνοντας υπόψη όλες τις συνιστώσες του κύκλου λειτουργίας όπως τους χρόνους που το εργαλείο είναι εκτός λειτουργίας και όταν βρίσκεται σε αδρανή λειτουργία πέραν του χρόνου ενεργοποίησης).

Κραδασμός

Στον πίνακα που ακολουθεί φαίνεται η ολική τιμή κραδασμών (άθροισμα τρι-αξονικού διανύσματος) που καθορίζεται σύμφωνα με το ισχύον πρότυπο.

Είδος εργασίας	Εκπομπή κραδασμών	Αβεβαιότητα (K)	Ισχύον πρότυπο / Κατάσταση δοκιμής
Κρουστική διάτρηση σε σκυρόδεμα ($a_{h, HD}$)	7,5 m/s ²	1,5 m/s ²	EN62841-2-6
Κρουστική διάτρηση σε σκυρόδεμα με DX16 ($a_{h, HD}$)	7,6 m/s ²	1,7 m/s ²	EN62841-2-6

ΠΑΡΑΤΗΡΗΣΗ: Η δηλωμένη τιμή(ές) συνολικών κραδασμών έχει μετρηθεί σύμφωνα με την πρότυπη μέθοδο δοκιμής και μπορεί να χρησιμοποιηθεί για τη σύγκριση ενός εργαλείου με κάποιο άλλο.

ΠΑΡΑΤΗΡΗΣΗ: Η δηλωμένη τιμή(ές) συνολικών κραδασμών μπορεί να χρησιμοποιηθεί και στην προκαταρκτική αξιολόγηση της έκθεσης.

ΠΡΟΕΙΔΟΠΟΙΗΣΗ: Η εκπομπή κραδασμών κατά τη χρήση του ηλεκτρικού εργαλείου σε πραγματικές συνθήκες μπορεί να διαφέρει από τη δηλωμένη τιμή(ές) εκπομπής ανάλογα με τους τρόπους χρήσης του εργαλείου, ιδιαίτερα το είδος του τεμαχίου εργασίας που υπόκειται επεξεργασία.

ΠΡΟΕΙΔΟΠΟΙΗΣΗ: Φροντίστε να λάβετε τα κατάλληλα μέτρα προστασίας του χειριστή βάσει ενός υπολογισμού της έκθεσης σε πραγματικές συνθήκες χρήσης (λαμβάνοντας υπόψη όλες τις συνιστώσες του κύκλου λειτουργίας όπως τους χρόνους που το εργαλείο είναι εκτός λειτουργίας και όταν βρίσκεται σε αδρανή λειτουργία πέραν του χρόνου ενεργοποίησης).

Δήλωση Συμμόρφωσης

Μόνο για χώρες της Ευρώπης

Οι Δηλώσεις Συμμόρφωσης περιλαμβάνονται στο Παράρτημα Α στο παρόν εγχειρίδιο οδηγιών.

ΠΡΟΕΙΔΟΠΟΙΗΣΕΙΣ ΑΣΦΑΛΕΙΑΣ

Γενικές προειδοποιήσεις ασφαλείας για το ηλεκτρικό εργαλείο

ΠΡΟΕΙΔΟΠΟΙΗΣΗ Διαβάστε όλες τις προειδοποιήσεις ασφαλείας, οδηγίες, εικονογραφημένες και προδιαγραφές που παρέχονται με αυτό το ηλεκτρικό εργαλείο. Η μη τήρηση όλων των οδηγιών που αναγράφονται κατωτέρω μπορεί να καταλήξει σε ηλεκτροπληξία, πυρκαγιά ή/και σοβαρό τραυματισμό.

Φυλάξτε όλες τις προειδοποιήσεις και τις οδηγίες για μελλοντική παραπομπή.

Στις προειδοποιήσεις, ο όρος «ηλεκτρικό εργαλείο» αναφέρεται σε ηλεκτρικό εργαλείο που τροφοδοτείται από την κύρια παροχή ηλεκτρικού ρεύματος (με ηλεκτρικό καλώδιο) ή σε ηλεκτρικό εργαλείο που τροφοδοτείται από μπαταρία (χωρίς ηλεκτρικό καλώδιο).

ΠΡΟΕΙΔΟΠΟΙΗΣΕΙΣ ΑΣΦΑΛΕΙΑΣ ΓΙΑ ΤΟ ΦΟΡΗΤΟ ΣΦΥΡΟΤΡΥΠΑΝΟ

Οδηγίες ασφαλείας για όλες τις εργασίες

- Φοράτε ωτοασπίδες.** Η έκθεση σε θόρυβο μπορεί να προκαλέσει απώλεια ακοής.
- Να χρησιμοποιείτε τις βοηθητικές λαβές, εάν παρέχονται με το εργαλείο.** Η απώλεια του ελέγχου μπορεί να προκαλέσει προσωπικό τραυματισμό.
- Να κρατάτε το ηλεκτρικό εργαλείο από τις μονωμένες επιφάνειες λαβής όταν εκτελείτε εργασίες κατά τις οποίες το εξάρτημα κοπής μπορεί να έρθει σε επαφή με κρυμμένα καλώδια.** Σε περίπτωση επαφής του εξαρτήματος

κοπής με ηλεκτροφόρο καλώδιο, μπορεί τα εκτεθειμένα μεταλλικά εξαρτήματα του ηλεκτρικού εργαλείου να καταστούν τα ίδια ηλεκτροφόρα και να προκαλέσουν ηλεκτροπληξία στο χειριστή.

Οδηγίες ασφάλειας όταν χρησιμοποιείται μακριές μύτες τρυπανιού με σφυροτρύπανα

1. **Να αρχίζετε πάντα να τρυpanίζετε σε χαμηλή ταχύτητα και με τη μύτη τρυpanιάματος σε επαφή με το τεμάχιο εργασίας.** Σε υψηλότερες ταχύτητες, η μύτη είναι πιθανό να λυγίσει αν επιτραπεί να περιστραφεί ελεύθερα χωρίς να έρχεται σε επαφή με το τεμάχιο εργασίας, έχοντας ως αποτέλεσμα προσωπικό τραυματισμό.
2. **Να ασκείτε πίεση μόνο σε ευθεία γραμμή με τη μύτη και μην ασκείτε υπερβολική πίεση.** Οι μύτες μπορούν να λυγίσουν προκαλώντας σπάσιμο ή απώλεια ελέγχου, έχοντας ως αποτέλεσμα προσωπικό τραυματισμό.

Πρόσθετες προειδοποιήσεις ασφάλειας

1. **Φοράτε σκληρό καπέλο (κράνος ασφαλείας), γυαλιά ασφαλείας και/ή προσωπίδα.** Τα κοινά γυαλιά οράσεως ή ηλιού **ΔΕΝ** είναι γυαλιά ασφαλείας. Επίσης, συνιστάται ιδιαίτέρως να φοράτε μάσκα προστασίας από τη σκόνη και γάντια με χοντρή επένδυση.
2. **Πριν από τη λειτουργία, βεβαιωθείτε ότι η μύτη έχει ασφαλίσει.**
3. **Σε κανονικές συνθήκες λειτουργίας, το εργαλείο είναι σχεδιασμένο να παράγει κραδασμούς.** Οι βίβες μπορεί να χαλαρώσουν εύκολα, προκαλώντας βλάβη ή ατύχημα. **Ελέγξτε προσεκτικά το σφίξιμο των βίδων πριν από τη λειτουργία.**
4. **Όταν κάνει κρύο ή αν δεν έχετε χρησιμοποιήσει το εργαλείο για μεγάλο χρονικό διάστημα, αφήστε το να ζεσταθεί για λίγο επιτηρόντάς του να λειτουργήσει χωρίς φορτίο. Με αυτόν τον τρόπο βελτιώνεται η λίπανση. Αν δεν ζεσταθεί σωστά, η κρουστική λειτουργία είναι δύσκολη.**
5. **Να βεβαιώνετε πάντοτε ότι στέκεστε σταθερά.** Όταν χρησιμοποιείτε το εργαλείο σε υψηλές τοποθεσίες, να βεβαιώνετε ότι δεν βρίσκεται κανένας από κάτω.
6. **Κρατήστε το εργαλείο σταθερά με τα δύο χέρια.**
7. **Διατηρείτε τα χέρια σας μακριά από κινούμενα μέρη.**
8. **Μην αφήνετε το εργαλείο σε λειτουργία. Το εργαλείο πρέπει να βρίσκεται σε λειτουργία μόνο όταν το κρατάτε.**
9. **Μην στρέψετε το εργαλείο στους παρευρισκομένους στο χώρο όταν το χρησιμοποιείτε. Η μύτη μπορεί να εκτοξευτεί και να προκαλέσει σοβαρό τραυματισμό.**
10. **Μην αγγίζετε τη μύτη, τμήματα κοντά στη μύτη ή το τεμάχιο εργασίας αμέσως μετά τη λειτουργία. Μπορεί να είναι εξαιρετικά ζεστά και να προκληθεί έγκαυμα στο δέρμα σας.**
11. **Μερικά υλικά περιέχουν χημικά που μπορεί να είναι τοξικά. Προσέχετε ώστε να αποφεύγετε την εισπνοή σκόνης και την επαφή με το δέρμα. Ακολουθείτε τα δεδομένα ασφάλειας υλικού που παρέχονται από τον προμηθευτή.**

12. **Βεβαιώνετε πάντα ότι το εργαλείο είναι απενεργοποιημένο και ότι έχετε βγάλει την κασέτα μπαταριών και τη μύτη πριν δώσετε το εργαλείο σε άλλο άτομο.**
13. **Πριν τη λειτουργία, βεβαιωθείτε ότι δεν υπάρχει κάποιος θαμμένο αντικείμενο όπως ηλεκτρικός σωλήνας, σωλήνας νερού ή σωλήνας αερίου στην περιοχή εργασίας.** Διαφορετικά, η μύτη τρυπανιού/καλέμι μπορεί να τα ακουμπήσει, έχοντας ως αποτέλεσμα ηλεκτροπληξία, ηλεκτρική διαρροή ή διαρροή αερίου.
14. **Μη θέτετε το εργαλείο σε λειτουργία χωρίς φόρτο, αν αυτό δεν είναι απαραίτητο.**

ΦΥΛΑΞΤΕ ΤΙΣ ΟΔΗΓΙΕΣ ΑΥΤΕΣ.

▲ΠΡΟΕΙΔΟΠΟΙΗΣΗ: ΜΗΝ επιτρέψετε το βαθμό άνεσης ή εξοικείωσης με το προϊόν (λόγω επανειλημμένης χρήσης) να αντικαταστήσει την αυστηρή τήρηση των κανόνων ασφαλείας του παρόντος εργαλείου. Η **ΛΑΝΘΑΣΜΕΝΗ ΧΡΗΣΗ** ή η αμέλεια να ακολουθήσετε τους κανόνες ασφαλείας που διατυπώνονται στο παρόν χειρίδιο οδηγιών μπορεί να προκαλέσει σοβαρό προσωπικό τραυματισμό.

Σημαντικές οδηγίες ασφάλειας για κασέτα μπαταριών

1. **Πριν χρησιμοποιήσετε την κασέτα μπαταριών, διαβάστε όλες τις οδηγίες και σημειώσεις προφύλαξης (1) στον φορτιστή μπαταριών, (2) στην μπαταρία και (3) στο προϊόν που χρησιμοποιεί την μπαταρία.**
2. **Μην αποσυναρμολογήσετε ή παραβιάσετε την κασέτα μπαταριών.** Μπορεί να έχει ως αποτέλεσμα πυρκαγιά, υπερθέρμανση ή έκρηξη.
3. **Εάν ο χρόνος λειτουργίας έχει γίνει υπερβολικά βραχύς, σταματήστε τη λειτουργία αμέσως. Αλλιώς, μπορεί να έχει ως αποτέλεσμα κίνδυνο υπερθέρμανσης, πιθανά εγκαύματα ή ακόμη και έκρηξη.**
4. **Εάν ηλεκτρολύτης μπει στα μάτια σας, ξεπλύνετε τα με καθαρό νερό και ζητήστε ιατρική φροντίδα αμέσως. Αλλιώς, μπορεί να έχει ως αποτέλεσμα απώλεια της όρασης σας.**
5. **Μη βραχυκυκλώνετε την κασέτα μπαταριών:**
 - (1) **Μην αγγίζετε τους πόλους με οτιδήποτε αγώγιμο υλικό.**
 - (2) **Αποφεύγετε να αποθηκεύετε την κασέτα μπαταριών μέσα σε ένα δοχείο μαζί με άλλα μεταλλικά αντικείμενα όπως καρφιά, νομίσματα, κλπ.**
 - (3) **Μην εκθέτετε την κασέτα μπαταριών στο νερό ή στη βροχή.****Ένα βραχυκύκλωμα μπαταρίας μπορεί να προκαλέσει μεγάλη ροή ρεύματος, υπερθέρμανση, πιθανά εγκαύματα ακόμη και σοβαρή βλάβη.**
6. **Μην αποθηκεύετε και μην χρησιμοποιείτε το εργαλείο και την κασέτα μπαταριών σε τοποθεσίες όπου η θερμοκρασία μπορεί να φτάσει ή να ξεπεράσει τους 50°C.**
7. **Μην καίτε την κασέτα μπαταριών ακόμη και εάν έχει σοβαρή ζημιά ή είναι εντελώς**

φθαρμένη. Η κασέτα μπαταριών μπορεί να εκραγεί στη φωτιά.

- Μην καρφώσετε, κόψετε, συνθλίψετε, πετάξετε ή ρίξετε κάτω την κασέτα μπαταριών, ούτε να χτυπήσετε ένα σκληρό αντικείμενο επάνω στην κασέτα μπαταριών. Τέτοια συμπεριφορά μπορεί να έχει ως αποτέλεσμα πυρκαγιά, υπερθέρμανση ή έκρηξη.
- Μη χρησιμοποιείτε μπαταρία που έχει υποστεί ζημία.
- Οι μπαταρίες ιόντων λιθίου που περιέχονται υπόκεινται στις απαιτήσεις της νομοθεσίας για επικίνδυνα αγαθά.
Για εμπορικές μεταφορές, για παράδειγμα από τρία μέρη, πρέπει να τηρούνται οι διαμεταφορές, οι ειδικές απαιτήσεις στη συσκευασία και η επισήμανση.
Για προετοιμασία του στοιχείου που αποστέλλεται, είναι απαραίτητο να συμβουλευτείτε έναν ειδικό για επικίνδυνα υλικά. Επίσης, τηρήστε τους πιθανούς, πιο αναλυτικούς εθνικούς κανονισμούς. Καλύψτε με αυτοκόλλητη ταινία ή κρύψτε τις ανοικτές επαφές και συσκευάστε την μπαταρία με τρόπο που να μην μπορεί να μετακινείται μέσα στη συσκευασία.
- Όταν απορρίπτετε την κασέτα μπαταριών, αφαιρέστε την από το εργαλείο και διαθέστε την σε ένα ασφαλές μέρος. Τηρήστε τους τοπικούς κανονισμούς που σχετίζονται με τη διάθεση της μπαταρίας.
- Χρησιμοποιήστε τις μπαταρίες μόνο με τα προϊόντα που καθορίζει η Makita. Αν τοποθετήσετε τις μπαταρίες σε μη συμβατά προϊόντα μπορεί να έχει ως αποτέλεσμα πυρκαγιά, υπερβολική θερμότητα, έκρηξη ή διαρροή ηλεκτρολύτη.
- Αν δεν χρησιμοποιείτε το εργαλείο για μεγάλο χρονικό διάστημα, πρέπει να βγάλετε την μπαταρία από το εργαλείο.
- Κατά τη διάρκεια και μετά τη χρήση, η κασέτα μπαταριών μπορεί να θερμανθεί, γεγονός που μπορεί να προκαλέσει εγκαύματα ή εγκαύματα από χαμηλή θερμοκρασία. Προσέχετε το χειρισμό των ζεστών κασετών μπαταριών.
- Μην αγγίζετε τον ακροδέκτη του εργαλείου αμέσως μετά τη χρήση επειδή μπορεί να έχει ζεσταθεί αρκετά για να προκαλέσει εγκαύματα.
- Μην αφήνετε θραύσματα, σκόνη ή βρομιά να κολλήσει στους ακροδέκτες, τις οπές και τις εγκοπές της κασέτας μπαταριών. Μπορεί να προκαλέσει θέρμανση, φωτιά, έκρηξη και δυσλειτουργία του εργαλείου ή της κασέτας μπαταριών, έχοντας ως αποτέλεσμα εγκαύματα ή προσωπικό τραυματισμό.
- Εκτός αν το εργαλείο υποστηρίζει τη χρήση κοντά σε ηλεκτρικές γραμμές υψηλής τάσης, μην χρησιμοποιείτε την κασέτα μπαταριών κοντά σε ηλεκτρικές γραμμές υψηλής τάσης. Μπορεί να έχει ως αποτέλεσμα δυσλειτουργία ή σπάσιμο του εργαλείου ή της κασέτας μπαταριών.
- Κρφυλάξτε την μπαταρία μακριά από παιδιά.

ΦΥΛΑΞΤΕ ΤΙΣ ΟΔΗΓΙΕΣ ΑΥΤΕΣ.

▲ΠΡΟΣΟΧΗ: Να χρησιμοποιείτε μόνο γνήσιες μπαταρίες της Makita. Η χρήση μη γνήσιων μπαταριών Makita, ή μπαταριών που έχουν τροποποιηθεί, μπορεί να έχει ως αποτέλεσμα τη ρήξη της μπαταρίας, προκαλώντας πυρκαγιά, προσωπικό τραυματισμό και βλάβη. Επίσης, θα ακρωθεί η εγγύηση της Makita για το εργαλείο και φορτιστή Makita.

Συμβουλές για τη διατήρηση της μέγιστης ζωής μπαταρίας

- Φορτίζετε την κασέτα μπαταριών πριν από την πλήρη αποφόρτισή της. Πάντοτε να σταματάτε τη λειτουργία του εργαλείου και να φορτίζετε την κασέτα μπαταριών όταν παρατηρείτε μειωμένη ισχύ εργαλείου.
- Ποτέ μην επαναφορτίζετε μια πλήρως φορτισμένη κασέτα μπαταριών. Η υπερφορτίση μειώνει την ωφέλιμη ζωή της μπαταρίας.
- Να φορτίζετε την κασέτα μπαταριών σε θερμοκρασία δωματίου, δηλαδή στους 10 °C έως 40 °C. Αφήστε μια θερμή κασέτα μπαταριών να κρυώσει πριν την φορτίσετε.
- Όταν δεν χρησιμοποιείτε την κασέτα μπαταριών, αφαιρέστε την από το εργαλείο ή τον φορτιστή.
- Να φορτίζετε την κασέτα μπαταριών εάν δεν τη χρησιμοποιείτε για μεγάλη χρονική περίοδο (περισσότερο από έξι μήνες).

ΠΕΡΙΓΡΑΦΗ ΛΕΙΤΟΥΡΓΙΑΣ

▲ΠΡΟΣΟΧΗ: Να φροντίζετε πάντα για την απενεργοποίηση του εργαλείου και την αφαίρεση της κασέτας μπαταρίας, πριν από οποιαδήποτε ρύθμιση ή έλεγχο της λειτουργίας του.

Τοποθέτηση ή αφαίρεση της κασέτας μπαταριών

▲ΠΡΟΣΟΧΗ: Να σβήνετε πάντα το εργαλείο πριν τοποθετήσετε ή αφαιρέσετε την κασέτα μπαταριών.

▲ΠΡΟΣΟΧΗ: Κρατήστε το εργαλείο και την κασέτα μπαταριών σταθερά κατά την τοποθέτηση ή αφαίρεση της κασέτας μπαταριών. Εάν δεν κρατάτε το εργαλείο και την κασέτα μπαταριών σταθερά μπορεί να γλιστρήσουν από τα χέρια σας και να προκληθεί βλάβη στο εργαλείο και την κασέτα μπαταριών και προσωπικός τραυματισμός.

Για να τοποθετήσετε την κασέτα μπαταριών, ευθυγραμμίστε τη γλώσσα στην κασέτα μπαταριών με την εγκοπή στο περίβλημα και ολισθήστε τη στη θέση της. Τοποθετήστε την μέχρι τέρμα μέχρι να ασφαλίσει στη θέση της, γεγονός που υποδεικνύεται με ένα χαρακτηριστικό ήχο. Αν μπορείτε να δείτε τον κόκκινο δείκτη όπως απεικονίζεται στην εικόνα, δεν έχει κλειδώσει τελείως.

Για να αφαιρέσετε την κασέτα μπαταριών, ολισθήστε

την από το εργαλείο ενώ σύρετε το κουμπί στο μπροστινό μέρος της κασέτας.

► **Εικ.1:** 1. Κόκκινος δείκτης 2. Κουμπί 3. Κασέτα μπαταριών

▲ ΠΡΟΣΟΧΗ: Να τοποθετείτε πάντα την κασέτα μπαταριών πλήρως μέχρι να μη βλέπετε τον κόκκινο δείκτη. Εάν δεν ασφαλιστεί, μπορεί να πέσει από το εργαλείο τυχαία, προκαλώντας σωματική βλάβη σε εσάς ή κάποιον άλλο γύρω σας.

▲ ΠΡΟΣΟΧΗ: Μην τοποθετείτε την κασέτα μπαταριών με βία. Εάν η κασέτα δεν ολισθαίνει με ευκολία, τότε δεν έχει τοποθετηθεί κατάλληλα.

Εμφάνιση υπολειπόμενης χωρητικότητας μπαταρίας

Μόνο για κασέτες μπαταρίας με την ενδεικτική λυχνία

Πίστετε το κουμπί ελέγχου στην κασέτα μπαταριών για να υποδείξετε την υπολειπόμενη χωρητικότητα μπαταρίας. Οι ενδεικτικές λυχνίες ανάβουν για λίγα δευτερόλεπτα.

► **Εικ.2:** 1. Ενδεικτικές λυχνίες 2. Κουμπί ελέγχου

Ενδεικτικές λυχνίες			Υπολειπόμενη χωρητικότητα
Αναμμένες	Σβηστές	Αναβοσβήνουν	
			75% έως 100%
			50% έως 75%
			25% έως 50%
			0% έως 25%
			Φορτίστε την μπαταρία.
			Μπορεί να προέκυψε δυσλειτουργία στην μπαταρία.

ΠΑΡΑΤΗΡΗΣΗ: Ανάλογα με τις συνθήκες χρήσης και τη θερμοκρασία περιβάλλοντος, η ένδειξη μπορεί να διαφέρει λίγο από την πραγματική χωρητικότητα.

ΠΑΡΑΤΗΡΗΣΗ: Η πρώτη (τέρμα αριστερά) ενδεικτική λυχνία θα αναβοσβήνει όταν λειτουργεί το σύστημα προστασίας μπαταρίας.

Σύστημα προστασίας εργαλείου/ μπαταρίας

Το εργαλείο είναι εξοπλισμένο με σύστημα προστασίας εργαλείου/μπαταρίας. Αυτό το σύστημα αποκόπτει αυτόματα την ισχύ προς το μοτέρ για να παραταθεί η διάρκεια λειτουργίας του εργαλείου και της μπαταρίας. Το εργαλείο σταματάει αυτόματα κατά τη διάρκεια της λειτουργίας εάν το εργαλείο ή η μπαταρία βρεθούν κάτω από τις παρακάτω συνθήκες:

Προστασία υπερφόρτωσης

Όταν η μπαταρία λειτουργεί με τρόπο ώστε να αναγκάζεται να καταναλώνει ασυνήθιστα υψηλό ρεύμα, το εργαλείο σταματάει αυτόματα χωρίς καμία ένδειξη. Σε αυτή την κατάσταση, σβήστε το εργαλείο και διακόψτε την εφαρμογή που προκαλεί την υπερφόρτωση του εργαλείου. Μετά, ενεργοποιήστε το εργαλείο για επανεκκίνηση.

Προστασία υπερθέρμανσης

Όταν το εργαλείο ή η μπαταρία υπερθερμαίνεται, το εργαλείο σταματάει αυτόματα. Σε αυτή την περίπτωση, αφήστε το εργαλείο και την μπαταρία να ψυχθούν πριν ενεργοποιήσετε ξανά το εργαλείο.

ΠΑΡΑΤΗΡΗΣΗ: Όταν το εργαλείο υπερθερμαίνεται, η λυχνία αναβοσβήνει.

Προστασία υπερβολικής αποφόρτισης

Όταν η φόρτιση μπαταρίας δεν είναι αρκετή, το εργαλείο σταματάει αυτόματα. Σε αυτή την περίπτωση, βγάλτε την μπαταρία από το εργαλείο και φορτίστε την μπαταρία.

Προστασία και από άλλες αιτίες

Το σύστημα προστασίας έχει επίσης σχεδιαστεί για άλλες αιτίες που μπορούν να προκαλέσουν ζημιά στο εργαλείο και επιτρέπει την αυτόματη διακοπή του εργαλείου. Λάβετε όλα τα ακόλουθα βήματα για να διορθώσετε τις αιτίες, όταν το εργαλείο τεθεί σε προσωρινή διακοπή ή διακοπή κατά τη διάρκεια της λειτουργίας.

- Βεβαιωθείτε ότι όλοι οι διακόπτες βρίσκονται στην ανενεργή θέση και, στη συνέχεια, ενεργοποιήστε ξανά το εργαλείο για επανεκκίνηση.
- Φορτίστε την μπαταρία ή τις μπαταρίες ή αντικαταστήστε τις με επαναφορτιζόμενες μπαταρίες.
- Αφήστε το εργαλείο και τις μπαταρίες να ψυχθούν.

Εάν δεν υπάρχει βελτίωση με την επαναφορά του συστήματος προστασίας, επικοινωνήστε με το τοπικό σας κέντρο εξυπηρέτησης της Makita.

Δράση διακοπή

▲ ΠΡΟΕΙΔΟΠΟΙΗΣΗ: Πριν βάλετε την κασέτα μπαταρίας μέσα στο εργαλείο, να ελέγχετε πάντα να δείτε αν η σκανδάλη διακοπής ενεργοποιείται κανονικά και επιστρέφει στη θέση «OFF» όταν ελευθερώνεται.

Για να ξεκινήσετε το εργαλείο, απλώς τραβήξτε τη σκανδάλη διακοπής. Η ταχύτητα του εργαλείου αυξάνει αν αυξήσετε την πίεση στη σκανδάλη διακοπής. Ελευθερώστε τη σκανδάλη διακοπής για να σταματήσει.
► **Εικ.3:** 1. Σκανδάλη διακοπής

Αναμμα της μπροστινής λάμπας

▲ ΠΡΟΣΟΧΗ: Μην κοιτάζετε κατευθείαν μέσα στο φως ή στην πηγή φωτός.

Τραβήξτε τη σκανδάλη διακοπής για να ενεργοποιήσετε τη λάμπα. Η λάμπα εξακολουθεί να είναι αναμμένη

όσο τραβάτε τη σκανδάλη διακόπτη. Η λάμπα σβήνει περίπου 10 δευτερόλεπτα αφού αφήσετε τη σκανδάλη διακόπτη.

► **Εικ.4:** 1. Λάμπα

ΠΑΡΑΤΗΡΗΣΗ: Χρησιμοποιήστε ένα στεγνό πανί για να σκουπίσετε τη σκόνη από το φακό της λάμπας. Προσέχετε να μη γρατζουνίσετε το φακό της λάμπας, επειδή μπορεί να μειωθεί η ένταση του φωτισμού.

ΠΑΡΑΤΗΡΗΣΗ: Όταν το εργαλείο έχει υπερθερμανθεί, η λάμπα αναβοσβήνει. Σε αυτή την περίπτωση, αφήστε τη σκανδάλη διακόπτη και, στη συνέχεια, αφήστε το εργαλείο/μπαταρία να κρυώσει πριν το θέσετε ξανά σε λειτουργία.

ΠΑΡΑΤΗΡΗΣΗ: Η μπροστινή λυχνία δεν μπορεί να χρησιμοποιηθεί ενώ το σύστημα συλλογής σκόνης (προαιρετικό εξάρτημα) είναι εγκατεστημένο στο εργαλείο.

Δράση διακόπτη αντιστροφής

▲ ΠΡΟΣΟΧΗ: Να ελέγχετε πάντα τη διεύθυνση περιστροφής πριν από τη λειτουργία.

▲ ΠΡΟΣΟΧΗ: Να χρησιμοποιείτε τον διακόπτη αντιστροφής μόνο αφού το εργαλείο σταματήσει εντελώς. Η αλλαγή της διεύθυνσης περιστροφής πριν σταματήσει το εργαλείο μπορεί να προκαλέσει ζημιά στο εργαλείο.

▲ ΠΡΟΣΟΧΗ: Όταν δεν χρησιμοποιείτε το εργαλείο, να βάζετε πάντα το μοχλό διακόπτη αντιστροφής στην ουδέτερη θέση.

Αυτό το εργαλείο διαθέτει έναν διακόπτη αντιστροφής για να αλλάζετε τη διεύθυνση περιστροφής. Πιέστε το μοχλό διακόπτη αντιστροφής από την πλευρά Α για δεξιάστροφη περιστροφή ή από την πλευρά Β για αριστερόστροφη περιστροφή.

Όταν ο μοχλός διακόπτη αντιστροφής είναι στην ουδέτερη θέση, η σκανδάλη διακόπτη δεν μπορεί να τραβηχθεί.

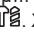
► **Εικ.5:** 1. Μοχλός διακόπτη αντιστροφής

Επιλογή τρόπου λειτουργίας δράσης

ΕΙΔΟΠΟΙΗΣΗ: Μη γυρίζετε το κουμπί αλλαγής τρόπου λειτουργίας ενώ λειτουργεί το εργαλείο. Θα υποστεί ζημιά το εργαλείο.

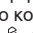
ΕΙΔΟΠΟΙΗΣΗ: Για να αποφύγετε τη γρήγορη φθορά του μηχανισμού αλλαγής τρόπου λειτουργίας, φροντίστε ώστε το κουμπί αλλαγής του τρόπου λειτουργίας να βρίσκεται πάντα σε μια από τις θέσεις του τρόπου λειτουργίας και όχι κάπου ενδιάμεσα.

Περιστροφή με κρούση

Για τη διάτρηση σε τσιμέντο, τοιχοποιία κτλ., γυρίστε το κουμπί αλλαγής του τρόπου λειτουργίας στο σύμβολο . Χρησιμοποιήστε μύτη τρυπανιού με άκρο καρβιδίου.

► **Εικ.6:** 1. Κουμπί αλλαγής τρόπου λειτουργίας

Μόνο περιστροφή

Για τη διάτρηση σε ξύλο, μέταλλο ή πλαστικά υλικά, γυρίστε το κουμπί αλλαγής τρόπου λειτουργίας στο σύμβολο . Χρησιμοποιήστε μύτη με ελικοειδείς τρυπάνι ή τρυπάνι για ξύλο.

► **Εικ.7:** 1. Κουμπί αλλαγής τρόπου λειτουργίας

Ηλεκτρονική λειτουργία

Το εργαλείο είναι εξοπλισμένο με ηλεκτρονικές λειτουργίες για εύκολη λειτουργία.

- **Ηλεκτρικό φρένο**
Το εργαλείο αυτό είναι εξοπλισμένο με ηλεκτρικό φρένο. Αν το εργαλείο αποτυγχάνει συνεχώς να διακόπτει γρήγορα τη λειτουργία αφού αφήσετε τη σκανδάλη διακόπτη, ζητήστε την επισκευή του εργαλείου από κέντρο εξυπηρέτησης της Makita.
- **Έλεγχος σταθερής ταχύτητας**
Η λειτουργία ελέγχου ταχύτητας παρέχει σταθερή ταχύτητα περιστροφής, ανεξάρτητα από τις συνθήκες φόρτου.

ΣΥΝΑΡΜΟΛΟΓΗΣΗ

▲ ΠΡΟΣΟΧΗ: Να βεβαιώνετε πάντα ότι το εργαλείο είναι σβηστό και η κασέτα μπαταρίας έχει αφαιρεθεί πριν εκτελέσετε κάποια εργασία στο εργαλείο.

Πλευρική λαβή (βοηθητική χειρολαβή)

▲ ΠΡΟΣΟΧΗ: Χρησιμοποιείτε πάντοτε την πλευρική λαβή, έτσι ώστε να διασφαλίζεται η ασφαλής λειτουργία.

▲ ΠΡΟΣΟΧΗ: Μετά την εγκατάσταση ή ρύθμιση της πλάγιας λαβής, βεβαιωθείτε ότι η πλάγια λαβή είναι καλά ασφαλισμένη με τις προεξοχές στο εργαλείο πλήρως δεσμευμένες από τις εγκοπές στην πλάγια λαβή.

Για την εγκατάσταση της πλάγιας λαβής, ακολουθήστε τα παρακάτω βήματα.

1. Χαλαρώστε την πεταλούδα στην πλάγια λαβή.
► **Εικ.8:** 1. Πεταλούδα
2. Τοποθετήστε την πλάγια λαβή με τρόπο ώστε οι εγκοπές στη λαβή να ταιριάζουν με τις προεξοχές στο εργαλείο ενώ πιέζετε την πεταλούδα.
► **Εικ.9:** 1. Πεταλούδα
3. Σφίξτε την πεταλούδα για να ασφαλίσετε τη λαβή. Η λαβή μπορεί να στερεωθεί σε μια επιθυμητή γωνία.

Για να αφαιρέσετε την πλάγια λαβή, χαλαρώστε την πεταλούδα στην πλάγια λαβή. Αφαιρέστε την πλάγια λαβή από το εργαλείο.

Τοποθέτηση ή αφαίρεση μύτης τρυπανιού

Γράσο

Καθαρίστε το άκρο στελέχους της μύτης και βάλτε γράσο πριν τοποθετήσετε τη μύτη. Επαλείψτε από πριν το άκρο στελέχους της μύτης με μια μικρή ποσότητα γράσου (περίπου 0,5 - 1 g). Η λίπανση του σφιγκτήρα εξασφαλίζει ομαλή λειτουργία και μεγαλύτερη διάρκεια ζωής.

► **Εικ.10:** 1. Άκρο στελέχους 2. Γράσο

Τοποθετήστε τη μύτη τρυπανιού στο εργαλείο. Περιστρέψτε τη μύτη τρυπανιού και ωθήστε την προς τα μέσα μέχρι να ασφαλίσει.

Μετά την τοποθέτηση της μύτης τρυπανιού, να βεβαιώνεστε πάντα ότι η μύτη τρυπανιού έχει ασφαλίσει τραβώντας την προς τα έξω.

► **Εικ.11:** 1. Μύτη τρυπανιού

Για να αφαιρέσετε τη μύτη τρυπανιού, σπρώξτε το κάλυμμα σφιγκτήρα εντελώς προς τα κάτω και μετά τραβήξτε τη μύτη τρυπανιού προς τα έξω.

► **Εικ.12:** 1. Μύτη τρυπανιού 2. Κάλυμμα σφιγκτήρα

Ρυθμιστής βάθους

Ο ρυθμιστής βάθους διευκολύνει τη διάνοιξη σπών ομοιόμορφου βάθους.

Πιέστε παρατεταμένα το κουμπί ασφάλισης και μετά εισαγάγετε το ρυθμιστή βάθους μέσα στην οπή. Βεβαιωθείτε ότι η οδοντωτή πλευρά του ρυθμιστή βάθους είναι στραμμένη προς τη σήμανση.

► **Εικ.13:** 1. Ρυθμιστής βάθους 2. Κουμπί ασφάλισης 3. Σήμανση 4. Οδοντωτή πλευρά

Ρυθμίστε το ρυθμιστή βάθους μετακινώντας τον μπροσπίσω, πιέζοντας ταυτόχρονα το κουμπί ασφάλισης.

Μετά τη ρύθμιση, αφίστε το κουμπί ασφάλισης για να ασφαλίσει ο ρυθμιστής βάθους.

ΠΑΡΑΤΗΡΗΣΗ: Βεβαιωθείτε ότι ο ρυθμιστής βάθους δεν αγγίζει το κυρίως σώμα του εργαλείου όταν το συνδέετε.

Κάλυμμα σκόνης

Προαιρετικό εξάρτημα

Χρησιμοποιήστε το κάλυμμα σκόνης για να αποτρέψετε την πτώση της σκόνης πάνω στο εργαλείο και στον εαυτό σας όταν εκτελείτε εργασίες διάτρησης σε κάποιο σημείο πάνω από το κεφάλι σας. Προσαρμόστε το κάλυμμα σκόνης στη μύτη, όπως απεικονίζεται στην εικόνα. Ακολουθεί πίνακας με τα μεγέθη των μυτών στις οποίες μπορείτε να προσαρμόσετε το κάλυμμα σκόνης.

Μοντέλο	Διάμετρος μύτης
Κάλυμμα σκόνης 5	6 mm - 14,5 mm
Κάλυμμα σκόνης 9	12 mm - 16 mm

► **Εικ.14:** 1. Κάλυμμα σκόνης

Σετ καλύμματος σκόνης

Προαιρετικό εξάρτημα

Εγκατάσταση του σετ καλύμματος σκόνης

ΕΙΔΟΠΟΙΗΣΗ: Μη χρησιμοποιείτε το σετ καλύμματος σκόνης για το τρυπάνισμα σε μέταλλο ή παρόμοιο υλικό. Μπορεί να προκαλέσει ζημιά στο σετ καλύμματος σκόνης λόγω της θερμότητας που παράγεται από τη λεπτή μεταλλική σκόνη ή παρόμοιο. Μην τοποθετείτε και μην αφαιρείτε το σετ καλύμματος σκόνης με τη μύτη τρυπανιού τοποθετημένη στο εργαλείο. Μπορεί να προκαλέσει ζημιά στο σετ καλύμματος σκόνης και να προκαλέσει διαρροή σκόνης.

Πριν τοποθετήσετε το σετ καλύμματος σκόνης, αφαιρέστε τη μύτη τρυπανιού από το εργαλείο, αν είναι τοποθετημένη.

1. Χαλαρώστε την πεταλούδα στην πλάγια λαβή.
 2. Τοποθετήστε το σετ καλύμματος σκόνης με τρόπο ώστε τα κλιπ του καλύμματος σκόνης να εφαρμόζουν στις σχισμές στην πλάγια λαβή.
- **Εικ.15:** 1. Σετ καλύμματος σκόνης 2. Πλευρική λαβή
3. Τοποθετήστε την πλάγια λαβή με τρόπο ώστε η εγκοπή στη λαβή να ταιριάζει με την προεξοχή στο εργαλείο. Σφίξτε την πεταλούδα για να ασφαλίσετε την πλάγια λαβή.

► **Εικ.16:** 1. Πλευρική λαβή 2. Εγκοπή 3. Προεξοχή

ΠΑΡΑΤΗΡΗΣΗ: Αν συνδέσετε ηλεκτρική σκούπα στο σετ καλύμματος σκόνης, αφαιρέστε το καπάκι σκόνης πριν συνδέσετε την ηλεκτρική σκούπα.

► **Εικ.17:** 1. Καπάκι σκόνης

Αφαίρεση της μύτης τρυπανιού

Για να αφαιρέσετε τη μύτη τρυπανιού, τραβήξτε το κάλυμμα σφιγκτήρα εντελώς προς τα κάτω και μετά τραβήξτε τη μύτη τρυπανιού προς τα έξω.

► **Εικ.18:** 1. Μύτη τρυπανιού 2. Κάλυμμα σφιγκτήρα

Αφαίρεση του σετ καλύμματος σκόνης

Για να αφαιρέσετε το σετ καλύμματος σκόνης, ακολουθήστε τα παρακάτω βήματα.

1. Χαλαρώστε την πεταλούδα στην πλάγια λαβή. Αφαιρέστε την πλάγια λαβή από το εργαλείο.
- **Εικ.19:** 1. Πεταλούδα
2. Κρατήστε τη βάση του καλύμματος σκόνης και τραβήξτε το προς τα έξω.

ΠΑΡΑΤΗΡΗΣΗ: Αν είναι δύσκολο να αφαιρέσετε το σετ καλύμματος σκόνης, αφαιρέστε τα κλιπ του καλύμματος σκόνης ένα-ένα αιωρώντας και τραβώντας τη βάση του καλύμματος σκόνης.

► **Εικ.20:** 1. Κάλυμμα σκόνης

ΠΑΡΑΤΗΡΗΣΗ: Εάν το καπάκι βγει από το σετ καλύμματος σκόνης, τοποθετήστε το ξανά στην αρχική του θέση.

Για να τοποθετήσετε ξανά το καπάκι στην αρχική θέση, ακολουθήστε τα παρακάτω βήματα.

1. Γυρίστε τη φουσούνα αριστερόστροφα και αφαιρέστε την από τη μονάδα προσαρτήματος του σετ καλύμματος σκόνης ενώ η φουσούνα είναι απαφασισμένη.
► **Εικ.21:** 1. Φουσούνες 2. Μονάδα προσαρτήματος

2. Τοποθετήστε το καπάκι ξανά στη θέση του με την πλευρά με τα γράμματα στραμμένη προς τα πάνω.
► **Εικ.22:** 1. Καπάκι 2. Μονάδα προσαρτήματος

3. Βεβαιωθείτε ότι οι εγκοπές γύρω από το καπάκι ταιριάζουν καλά στα άκρα του άνω ανοίγματος της μονάδας προσαρτήματος.

Κρεμάστρα εργαλείου

Προαιρετικό εξάρτημα

▲ΠΡΟΣΟΧΗ: Μη χρησιμοποιείτε την κρεμάστρα εργαλείου και τη βίδα αν έχουν υποστεί ζημιά. Πριν από τη χρήση, να ελέγχετε πάντα για ζημιές, ρωγμές ή παραμορφώσεις, και να βεβαιώνετε ότι η βίδα είναι σφιγμένη.

▲ΠΡΟΣΟΧΗ: Να τοποθετείτε ή να αφαιρείτε την κρεμάστρα εργαλείου επάνω σε ένα σταθερό τραπέζι ή επιφάνεια. Φροντίστε να χρησιμοποιήσετε μόνο τη βίδα που παρέχεται με την κρεμάστρα εργαλείου. Μετά την τοποθέτηση στην κρεμάστρα εργαλείου, βεβαιωθείτε ότι η κρεμάστρα εργαλείου έχει τοποθετηθεί καλά με τη βίδα.

▲ΠΡΟΣΟΧΗ: Μη αφαιρείτε την κασέτα μπαταριών ενώ το εργαλείο είναι κρεμασμένο. Το εργαλείο μπορεί να πέσει αν η βίδα δεν είναι σφιγμένη.

Η κρεμάστρα εργαλείου προορίζεται για σύνδεση με τον αναδέτη (ιμάντα πρόσδεσης).

Πριν εγκαταστήσετε τη κρεμάστρα εργαλείου, αφαιρέστε το λαστιχένιο καπάκι από την οπή βιδας στον βραχίονα στερέωσης. Εισαγάγετε το τετράγωνο παξιμάδι κάτω από τον βραχίονα. Σφίξτε την κρεμάστρα εργαλείου με τη βίδα στη θέση της.

► **Εικ.23:** 1. Λαστιχένιο καπάκι 2. Βραχίονας στερέωσης 3. Τετράγωνο παξιμάδι 4. Κρεμάστρα εργαλείου 5. Βίδα

Προειδοποιήσεις ασφάλειας για τη σύνδεση αναδέτη (ιμάντα πρόσδεσης) στην κρεμάστρα εργαλείου

▲Προειδοποιήσεις ασφαλείας ειδικά για χρήση από ύψος

Διαβάστε όλες τις προειδοποιήσεις για την ασφάλεια και τις οδηγίες. Η μη τήρηση των προειδοποιήσεων και οδηγιών μπορεί να έχει ως αποτέλεσμα σοβαρό τραυματισμό.

1. Να διατηρείτε πάντα το εργαλείο προσδεμένο όταν εργάζεστε από ύψος. Το μέγιστο μήκος αναδέτη είναι 2 m. Το μέγιστο επιτρεπτό ύψος πτώσης για τον αναδέτη (ιμάντα πρόσδεσης) δεν πρέπει να ξεπερνάει τα 2 m.
2. Να χρησιμοποιείτε μόνο με αναδέτες κατάλληλους για αυτόν τον τύπο εργαλείου και με

ονομαστική τιμή τουλάχιστον 6,0 kg.

3. Μηγκυρώνετε τον αναδέτη εργαλείου σε οποδήποτε υπάρχει επάνω στο σώμα σας ή σε κινητά εξαρτήματα. Ναγκυρώνετε τον αναδέτη εργαλείου σε μια ακαμπτη δομή που μπορεί να αντέχει στις δυνάμεις που ασκεί ένα εργαλείο που πέφτει.
 4. Βεβαιωθείτε ότι ο αναδέτης είναι σωστά ασφαλισμένος σε κάθε άκρο πριν από τη χρήση.
 5. Επιθεωρήστε το εργαλείο και τον αναδέτη πριν από κάθε χρήση για ζημιά και σωστή λειτουργία (συμπεριλαμβανομένου του υφάσματος και των ραφών). Μη χρησιμοποιείτε αν υπάρχει ζημιά ή δεν λειτουργεί σωστά.
 6. Μην περιτυλίγετε τους αναδέτες και μην τους αφήνετε να έρθουν σε επαφή με αιχμηρά ή σκληρά άκρα.
 7. Συνδέστε το άλλο άκρο του αναδέτη σε ένα σημείο έξω από το χώρο εργασίας ώστε το εργαλείο να συγκρατηθεί με ασφάλεια στην περίπτωση που πέσει.
 8. Προσδέστε τον αναδέτη με τρόπο ώστε το εργαλείο να απομακρυνθεί από τον χειριστή σε περίπτωση που πέσει. Τα εργαλεία που πέφτουν αιωρούνται στον αναδέτη, γεγονός που μπορεί να προκαλέσει τραυματισμό και απώλεια ισορροπίας.
 9. Μη χρησιμοποιείτε κοντά σε κινούμενα μέρη ή σε μηχανήματα που βρίσκονται σε λειτουργία. Η μη τήρηση αυτού μπορεί να έχει ως αποτέλεσμα κίνδυνο σύνθλιψης ή εμπλοκής.
 10. Μη μεταφέρετε το εργαλείο από τη διάταξη σύνδεσης ή τον αναδέτη.
 11. Να μεταφέρετε το εργαλείο μεταξύ των χεριών σας μόνο ενώ είστε καλά ισορροπημένοι.
 12. Μη συνδέετε αναδέτες στο εργαλείο με τρόπο που να εμποδίζει τη σωστή λειτουργία των διακοπών ή ασφαλειών σκανδάλης (αν παρέχονται).
 13. Αποφεύγετε την εμπλοκή με τον αναδέτη.
 14. Κρατήστε τον αναδέτη μακριά από την περιοχή τρυπανίσματος του εργαλείου.
 15. Χρησιμοποιήστε караμπίνερ ασφάλισης (τύπου πολλών δράσεων και βιδωτού κλεισίματος). Μη χρησιμοποιείτε караμπινέρ με ελατηριωτά κλιπ μίας δράσης.
 16. Στην περίπτωση που το εργαλείο πέσει, πρέπει να επισημανθεί και να μην χρησιμοποιηθεί ξανά, και να επιθεωρηθεί από εργοστάσιο ή εξουσιοδοτημένο κέντρο σέρβις της Makita.
 17. Μηγκρεμάτε το εργαλείο στη μέση σας. Το θερμαινόμενο εργαλείο και το εξάρτημά του μπορεί να αγγίξουν το δέρμα σας και να προκληθεί έγκαυμα.
- **Εικ.24:** 1. Κρεμάστρα εργαλείου 2. Αναδέτης (ιμάντας πρόσδεσης)

ΣΥΣΤΗΜΑ ΣΥΛΛΟΓΗΣ ΣΚΟΝΗΣ

Προαιρετικό εξάρτημα

Το σύστημα συλλογής σκόνης έχει σχεδιαστεί για την

αποδοτική συλλογή σκόνης κατά τη λειτουργία τρυπανίσματος σε σκυρόδεμα.

► **Εικ.25:** 1. Σύστημα συλλογής σκόνης

ΠΡΟΣΟΧΗ: Το σύστημα συλλογής σκόνης προορίζεται μόνο για τρυπάνισμα σε τσιμέντο. Μη χρησιμοποιείτε το σύστημα συλλογής σκόνης για τρυπάνισμα σε μέταλλο ή ξύλο.

ΠΡΟΣΟΧΗ: Όταν χρησιμοποιείτε το εργαλείο με το σύστημα συλλογής σκόνης, βεβαιωθείτε να συνδέσετε το φίλτρο στο σύστημα συλλογής σκόνης για να αποφύγετε την εισπνοή σκόνης.

ΠΡΟΣΟΧΗ: Πριν χρησιμοποιήσετε το σύστημα συλλογής σκόνης, ελέγξτε ότι το φίλτρο δεν παρουσιάζει ζημιά και ότι ο εσωτερικός σωλήνας είναι απαλλαγμένος από σκόνη και ξένο υλικό. Αν δεν τηρήσετε αυτή την οδηγία, μπορεί να προκληθεί εισπνοή της σκόνης.

ΠΡΟΣΟΧΗ: Το σύστημα συλλογής σκόνης συλλέγει τη σκόνη που παράγεται σε σημαντικό ποσοστό, αλλά δεν είναι δυνατό να γίνει συλλογή όλης της σκόνης.

ΕΙΔΟΠΟΙΗΣΗ: Μη χρησιμοποιείτε το σύστημα συλλογής σκόνης για πυρηνοληψία ή σμίλευμα.

ΕΙΔΟΠΟΙΗΣΗ: Μη χρησιμοποιείτε το σύστημα συλλογής σκόνης για μέταλλο ή ξύλο. Το σύστημα συλλογής σκόνης προορίζεται μόνο για σκυρόδεμα.

ΕΙΔΟΠΟΙΗΣΗ: Μη χρησιμοποιείτε το σύστημα συλλογής σκόνης για τρυπάνισμα σε υγρό τσιμέντο και μη χρησιμοποιείτε αυτό το σύστημα σε υγρό περιβάλλον. Αν δεν τηρήσετε αυτή την οδηγία, μπορεί να προκληθεί δυσλειτουργία.

Τοποθέτηση ή αφαίρεση

ΕΙΔΟΠΟΙΗΣΗ: Πριν εγκαταστήσετε το σύστημα συλλογής σκόνης, καθαρίστε τα αρθρωτά μέρη του εργαλείου και το σύστημα συλλογής σκόνης. Η ξένη ύλη στα αρθρωτά μέρη μπορεί να καταστήσει δύσκολη την εγκατάσταση του συστήματος συλλογής σκόνης. Αν παραμένει σκόνη στον αγωγό αέρα, η σκόνη εισχωρεί στο εργαλείο και προκαλεί εμπλοκή στη ροή αέρα ή σπάσιμο του εργαλείου.

Για να εγκαταστήσετε το σύστημα συλλογής σκόνης, εισαγάγετε το εργαλείο εντελώς στο σύστημα συλλογής σκόνης μέχρι το εργαλείο να ασφαλιστεί στη θέση του με ένα χαρακτηριστικό ήχο ασφάλισης.

► **Εικ.26**

Για να αφαιρέσετε το σύστημα συλλογής σκόνης, τραβήξτε πάνω το εργαλείο ενώ πατάτε το κουμπί απασφάλισης.

► **Εικ.27:** 1. Κουμπί απασφάλισης

Ρύθμιση της θέσης ακροφυσίου του συστήματος συλλογής σκόνης

ΠΡΟΣΟΧΗ: Μη στρέψετε το ακροφύσιο προς το μέρος σας ή προς άλλους όταν απελευθερώνετε το ακροφύσιο πατώντας το κουμπί ρύθμισης οδηγού.

Σύρετε τον οδηγό ακροφυσίου μέσα και έξω ενώ πατάτε το κουμπί ρύθμισης οδηγού και, στη συνέχεια, αφήστε το κουμπί σε μια ακριβή θέση όπου το άκρο της μύτες τρυπανιού ακουμπά μόλις πίσω από την μπροστινή επιφάνεια του ακροφυσίου.

► **Εικ.28:** 1. Οδηγός 2. Κουμπί ρύθμισης οδηγού 3. Άκρο της μύτες τρυπανιού 4. Μπροστινή επιφάνεια του ακροφυσίου

Ρύθμιση των βαθών τρυπανίσματος

Τα βάθη τρυπανίσματος μπορεί να ρυθμιστούν αν αλλάξετε τα μήκη μεταξύ του κουμπιού ρύθμισης βάθους και του βραχίονα στήριξης για τον οδηγό ακροφυσίου. Πατήστε παρατεταμένα το κουμπί ρύθμισης βάθους και σύρετέ το στην επιθυμητή θέση.

► **Εικ.29:** 1. Κουμπί ρύθμισης βάθους 2. Οδηγός ακροφυσίου 3. Βραχίονας στήριξης για τον οδηγό ακροφυσίου 4. Βάθη τρυπανίσματος

Κτύπημα σκόνης στο φίλτρο

ΠΡΟΣΟΧΗ: Μη γυρίσετε τον επιλογέα στη θήκη σκόνης ενώ η θήκη σκόνης έχει αφαιρεθεί από το σύστημα συλλογής σκόνης. Αν το κάνετε αυτό, μπορεί να προκληθεί εισπνοή της σκόνης.

ΠΡΟΣΟΧΗ: Να σβήνετε πάντα το εργαλείο όταν γυρίζετε τον επιλογέα στη θήκη σκόνης. Αν γυρίσετε τον επιλογέα ενώ το εργαλείο λειτουργεί, μπορεί να έχει ως αποτέλεσμα την απώλεια ελέγχου του εργαλείου.

Αν κτυπήσετε τη σκόνη στο φίλτρο μέσα στη θήκη σκόνης, μπορείτε να διατηρήσετε την αποδοτικότητα αναρρόφησης και επίσης να μειώσετε τον αριθμό των φορών που θα απορρίψετε τη σκόνη.

Γυρίστε τον επιλογέα στη θήκη σκόνης τρεις φορές μετά τη συλλογή 50.000 mm³ σκόνης ή όταν πιστεύετε ότι η απόδοση αναρρόφησης έχει μειωθεί.

ΠΑΡΑΤΗΡΗΣΗ: 50.000 mm³ σκόνης ισοδυναμεί με το τρυπάνισμα 10 σπών \varnothing 10 mm και βάθους 65 mm.

► **Εικ.30:** 1. Θήκη σκόνης 2. Επιλογέας

Απορριψη της σκόνης

▲ ΠΡΟΣΟΧΗ: Να βεβαιώνεστε πάντα ότι το εργαλείο είναι σβηστό και η κασέτα μπαταρίας έχει αφαιρεθεί πριν εκτελέσετε κάποια εργασία στο εργαλείο.

▲ ΠΡΟΣΟΧΗ: Να φροντίζετε να φοράτε μάσκα για τη σκόνη όταν απορρίπτετε τη σκόνη.

▲ ΠΡΟΣΟΧΗ: Βεβαιωθείτε ότι το εργαλείο είναι πλήρως σταματημένο όταν απορρίπτετε τη σκόνη.

▲ ΠΡΟΣΟΧΗ: Να αδειάζετε τη θήκη σκόνης τακτικά πριν γεμίσει η θήκη σκόνης. Αν δεν τηρήσετε αυτή την οδηγία, μπορεί να μειωθεί η απόδοση συλλογής σκόνης και να προσκληθεί εισπνοή της σκόνης.

▲ ΠΡΟΣΟΧΗ: Η απόδοση της συλλογής σκόνης μειώνεται αν φράξει το φίλτρο στη θήκη σκόνης. Ως οδηγό, να αντικαθιστάτε το φίλτρο με ένα καινούριο μετά από περίπου 200 φορές πλήρωσής του με σκόνη. Αν δεν τηρήσετε αυτή την οδηγία, μπορεί να προκληθεί εισπνοή της σκόνης.

1. Αφαιρέστε τη θήκη σκόνης ενώ πατάτε το μοχλό της θήκης σκόνης.
▶ **Εικ.31:** 1. Μοχλός
2. Ανοίξτε το κάλυμμα της θήκης σκόνης.
▶ **Εικ.32:** 1. Κάλυμμα
3. Απορρίψτε τη σκόνη και μετά καθαρίστε το φίλτρο.
▶ **Εικ.33**

ΕΙΔΟΠΟΙΗΣΗ: Όταν καθαρίζετε το φίλτρο, κτυπήστε τη θήκη του φίλτρου απαλά με το χέρι για να αφαιρέσετε τη σκόνη. Μην κτυπάτε απευθείας το φίλτρο. Αγγίξτε το φίλτρο με μια βούρτσα ή παρόμοιο εργαλείο. Ή φυσήξτε πεπιεσμένο αέρα στο φίλτρο. Αν το κάνετε αυτό, μπορεί να προκληθεί ζημιά στο φίλτρο.

Αντικατάσταση του φίλτρου της θήκης σκόνης

1. Αφαιρέστε τη θήκη σκόνης ενώ πατάτε το μοχλό της θήκης σκόνης.
▶ **Εικ.34:** 1. Μοχλός
2. Ανοίξτε το κάλυμμα φίλτρου της θήκης σκόνης.
▶ **Εικ.35:** 1. Κάλυμμα φίλτρου
3. Αφαιρέστε το φίλτρο από τη θήκη φίλτρου.
▶ **Εικ.36:** 1. Φίλτρο 2. Θήκη φίλτρου
4. Προσαρτήστε ένα καινούριο φίλτρο στη θήκη φίλτρου και μετά προσαρτήστε το κάλυμμα φίλτρου.
5. Κλείστε το κάλυμμα της θήκης σκόνης και μετά προσαρτήστε τη θήκη σκόνης στο σύστημα συλλογής σκόνης.

Αντικατάσταση του κατακτιού σφράγισης

1. Εισαγάγετε ένα κατασβίδι με επίπεδη κεφαλή σε μία από τις εγκοπές που είναι τοποθετημένες στα

πλαϊνά της κεφαλής ακροφυσίου. Γείρετε το κατασβίδι με επίπεδη κεφαλή υπό γωνία για να πιέσετε και να πετάξετε τον κυβικό γάντζο του κατακτιού σφράγισης έξω. Στη συνέχεια, αφαιρέστε το λαστιχένιο άκρο του κατακτιού σφράγισης από το άκρο του ανοίγματος της κεφαλής ακροφυσίου.

▶ **Εικ.37:** 1. Κατάκι σφράγισης 2. Κυβικός γάντζος 3. Εγκοπή 4. Κεφαλή ακροφυσίου

2. Τοποθετήστε έναν από τους κυβικούς γάντζους ενός καινούριου κατακτιού σφράγισης στο κάτω τμήμα της εγκοπής στην κεφαλή ακροφυσίου με την επιφάνεια με εσοχές του κατακτιού σφράγισης στραμμένη προς τα μπροστά.

▶ **Εικ.38:** 1. Κυβικοί γάντζοι 2. Κάτω μέρος της εγκοπής 3. Κατάκι σφράγισης 4. Επιφάνεια με εσοχές

3. Τοποθετήστε τον άλλο γάντζο μέσα στην αντίθετη πλευρά, ενώ επανατοποθετείτε το κατάκι σφράγισης για να προσαρμοστεί καλά στην κεφαλή ακροφυσίου.

▶ **Εικ.39:** 1. Κατάκι σφράγισης 2. Κυβικός γάντζος 3. Κάτω μέρος της εγκοπής 4. Κεφαλή ακροφυσίου 5. Άκρα

4. Ακουμπήστε απαλά το λαστιχένιο άκρο του κατακτιού σφράγισης επάνω στο άκρο του ανοίγματος της κεφαλής ακροφυσίου από τα κάτω προς τα πάνω.

▶ **Εικ.40:** 1. Λαστιχένιο άκρο 2. Κατάκι σφράγισης 3. Κεφαλή ακροφυσίου

ΛΕΙΤΟΥΡΓΙΑ

▲ ΠΡΟΣΟΧΗ: Να χρησιμοποιείτε πάντα την πλάγια λαβή (βοηθητική λαβή) και να κρατάτε σταθερά το εργαλείο από την πλάγια λαβή και τη λαβή διακόπτη κατά την εκτέλεση των εργασιών.

▲ ΠΡΟΣΟΧΗ: Πριν από τη λειτουργία, βεβαιώνεστε πάντοτε ότι το τεμάχιο εργασίας έχει ασφαλιστεί.

▲ ΠΡΟΣΟΧΗ: Μην τραβάτε το εργαλείο με δύναμη προς τα έξω, ακόμα και αν κολλήσει η μύτη. Η απώλεια ελέγχου ενδέχεται να προκαλέσει τραυματισμό.


ΕΙΔΟΠΟΙΗΣΗ: Πριν χρησιμοποιήσετε το σύστημα συλλογής σκόνης με το εργαλείο, διαβάστε την ενότητα για το σύστημα συλλογής σκόνης.

ΠΑΡΑΤΗΡΗΣΗ: Αν η κασέτα μπαταρίας βρίσκεται σε χαμηλή θερμοκρασία, η ικανότητα του εργαλείου μπορεί να μην επιτευχθεί πλήρως. Σε αυτή την περίπτωση, ζεστάνετε την κασέτα μπαταρίας χρησιμοποιώντας το εργαλείο χωρίς φορτίο για λίγη ώρα, για να επιτευχθεί πλήρως η ικανότητα του εργαλείου.

▶ **Εικ.41**

Λειτουργία κρουστικού τρυπανιού

▲ ΠΡΟΣΟΧΗ: Το εργαλείο/μύτη τρυπανιού υφίσταται ισχυρή και ξαφνική περιστροφική δύναμη τη στιγμή που διέρχεται από την οπή, όταν η οπή παρουσιάζει έμφραξη με θραύσματα και σωματίδια ή όταν συναντήσει βέργες ενίσχυσης πακτωμένες στο σκυρόδεμα. **Να χρησιμοποιείτε πάντα την πλάγια λαβή (βοηθητική λαβή) και να κρατάτε σταθερά το εργαλείο από την πλάγια λαβή και τη λαβή διακόπτη κατά την εκτέλεση των εργασιών.** Η μη συμμόρφωση μπορεί να έχει ως αποτέλεσμα την απώλεια ελέγχου του εργαλείου και την ενδεχόμενη πρόκληση σοβαρού τραυματισμού.

Ρυθμίστε το κουμπί αλλαγής του τρόπου λειτουργίας στο σύμβολο . Τοποθετήστε τη μύτη τρυπανιού στο επιθυμητό σημείο για διάνοιξη της οπής και μετά τραβήξτε τη σκανδάλη διακόπτη. Εφαρμόστε δύναμη τροφοδοσίας στη λαβή διακόπτη (κύρια λαβή) για εργασία με ακρίβεια και αποδοτικότητα και κρατήστε την πλάγια λαβή (βοηθητική χειρολαβή) για να διατηρήσετε την ισορροπία του εργαλείου. Κρατήστε το εργαλείο στη θέση του και εμποδίστε το από το να γλιστρήσει από την οπή.

Μην ασκείτε μεγαλύτερη πίεση, όταν η οπή βουλώσει με θραύσματα ή σωματίδια. Αντ' αυτού, θέστε το εργαλείο στη λειτουργία ρελαντί και μετά τραβήξτε ελαφρώς τη μύτη έξω από την οπή. Αν επαναλάβετε το ίδιο αρκετές φορές, η οπή καθαρίζεται από τα θραύσματα και μπορείτε να συνεχίσετε την εργασία διάτρησης.

ΠΑΡΑΤΗΡΗΣΗ: Όταν χρησιμοποιείτε το εργαλείο χωρίς φορτίο, μπορεί να παρουσιαστεί σφάλμα ομοκεντρότητας στην περιστροφή της μύτης. Το εργαλείο αυτοκεντράρεται αυτόματα κατά τη διάρκεια της λειτουργίας. Αυτό δεν επηρεάζει την ακρίβεια της διάτρησης.

Διάτρηση σε ξύλο ή μέταλλο

▲ ΠΡΟΣΟΧΗ: Κρατήστε σταθερά το εργαλείο και προσέχετε ιδιαίτερα τη στιγμή που η μύτη τρυπανιού διέρχεται από το άλλο άκρο της οπής. Ασκείται τεράστια δύναμη στο εργαλείο/μύτη τρυπανιού τη στιγμή που διαπερνάει η οπή.

▲ ΠΡΟΣΟΧΗ: Μπορείτε να αφαιρέσετε μια μπλοκαρισμένη μύτη τρυπανιού με απλή ρύθμιση του διακόπτη αντιστροφής στη θέση αντιστροφής περιστροφής, ώστε η μύτη να οπισθοχωρήσει. Ωστόσο, το εργαλείο μπορεί να οπισθοχωρήσει έξω από την οπή απότομα, αν δεν το κρατάτε σταθερά.

▲ ΠΡΟΣΟΧΗ: Να ασφαρίζετε πάντα τα τεμάχια εργασιών σε μέγγενη ή παρόμοια διάταξη συγκράτησης.

ΕΙΔΟΠΟΙΗΣΗ: Μη χρησιμοποιήσετε ποτέ την «περιστροφή με κρούση» όταν στο εργαλείο είναι τοποθετημένος ο σφινκτράς του τρυπανιού. Μπορεί να υποστεί ζημιά ο σφινκτράς του τρυπανιού.

Επίσης, ο σφινκτράς του τρυπανιού θα βγει κατά την αναστροφή της κίνησης του εργαλείου.

ΕΙΔΟΠΟΙΗΣΗ: Η υπερβολική πίεση στο εργαλείο δεν επιταχύνει τη διάτρηση. Στην πραγματικότητα, αυτή η υπερβολική πίεση προκαλεί ζημιά στο άκρο της μύτης τρυπανιού, μείωση της απόδοσης όπως και της διάρκειας ζωής του εργαλείου.

Ρυθμίστε το κουμπί αλλαγής του τρόπου λειτουργίας στο σύμβολο .

Συνδέστε τον προσαρμογέα σφινκτρά με σφινκτρά τρυπανιού χωρίς κλειδί στο οποίο μπορεί να τοποθετηθεί βίδα μεγέθους 1/2"-20 και μετά τοποθετήστε τους στο εργαλείο. Κατά την τοποθέτησή του, ανατρέξτε στην παράγραφο «Τοποθέτηση ή αφαίρεση μύτης τρυπανιού».

- ▶ **Εικ.42:** 1. Συγκρότημα σφινκτρά τρυπανιού
- 2. Προσαρμογέας σφινκτρά

Φυσερό

Προαιρετικό εξάρτημα

Μετά από τη διάτρηση της οπής, χρησιμοποιήστε το φυσερό για να καθαρίσετε τη σκόνη από το εσωτερικό της οπής.

- ▶ **Εικ.43**

Χρήση του σετ καλύμματος σκόνης

Προαιρετικό εξάρτημα

Τοποθετήστε το σετ καλύμματος σκόνης επάνω στην οροφή όταν χρησιμοποιείτε το εργαλείο.

- ▶ **Εικ.44**

ΕΙΔΟΠΟΙΗΣΗ: Μη χρησιμοποιείτε το σετ καλύμματος σκόνης κατά το τρυπάνισμα σε μέταλλο ή παρόμοιο. Μπορεί να προκληθεί ζημιά στο σετ καλύμματος σκόνης λόγω της θερμότητας που παράγεται από τη μικρή σκόνη μετάλλου ή παρόμοιο.

ΕΙΔΟΠΟΙΗΣΗ: Μην τοποθετείτε και μην αφαιρείτε το σετ καλύμματος σκόνης με τη μύτη τρυπανιού τοποθετημένη στο εργαλείο. Μπορεί να προκληθεί ζημιά στο σετ καλύμματος σκόνης και να προκληθεί διαρροή σκόνης.

ΣΥΝΤΗΡΗΣΗ

▲ ΠΡΟΣΟΧΗ: Πριν την εκτέλεση εργασιών επιθεώρησης ή συντήρησης, πάντοτε να βεβαιώνετε ότι η συσκευή απενεργοποιήθηκε και η κασέτα μπαταριών έχει αφαιρεθεί.

ΕΙΔΟΠΟΙΗΣΗ: Μην χρησιμοποιείτε ποτέ βενζίνη, πετρελαϊκό αιθέρα, διαλυτικό, αλκοόλη ή παρόμοιες ουσίες. Μπορεί να προκληθεί αποχρωματισμός, παραμόρφωση ή ρωγμές.

Για τη διατήρηση της ΑΣΦΑΛΕΙΑΣ και ΑΞΙΟΠΙΣΤΙΑΣ του προϊόντος, οι επισκευές και οποιαδήποτε άλλη εργασία συντήρησης ή ρύθμισης πρέπει να εκτελούνται από εξουσιοδοτημένα ή εργοστασιακά κέντρα εξυπηρέτησης της Makita, χρησιμοποιώντας πάντοτε ανταλλακτικά της Makita.

ΠΡΟΑΙΡΕΤΙΚΑ ΕΞΑΡΤΗΜΑΤΑ

⚠ ΠΡΟΣΟΧΗ: Αυτά τα εξαρτήματα ή προσαρτήματα συνιστώνται για χρήση με το εργαλείο Makita που περιγράφηκε στις οδηγίες αυτές. Η χρήση οποιωνδήποτε άλλων εξαρτημάτων ή προσαρτημάτων μπορεί να προκαλέσει κίνδυνο τραυματισμού σε άτομα. Να χρησιμοποιείτε τα εξαρτήματα ή προσαρτήματα μόνο για την χρήση που προορίζονται.

Εάν χρειάζεστε οποιαδήποτε βοήθεια για περισσότερες πληροφορίες σε σχέση με αυτά τα εξαρτήματα, απαντήστε στο τοπικό σας κέντρο εξυπηρέτησης Makita.

- Μύτες τρυπανιού με άκρο καρβιδίου (μύτες με άκρο καρβιδίου SDS-plus)
- Προσαρμογέας σφιγκτήρα
- Σφιγκτήρας τρυπανιού χωρίς κλειδί
- Γράσο μυτών
- Ρυθμιστής βάθους
- Φυσερό
- Κάλυμμα σκόνης
- Σετ καλύμματος σκόνης
- Σύστημα συλλογής σκόνης
- Κρεμάστρα εργαλείου
- Γνήσια μπαταρία και φορτιστής της Makita

ΠΑΡΑΤΗΡΗΣΗ: Μερικά στοιχεία στη λίστα μπορεί να συμπεριλαμβάνονται στη συσκευασία εργαλείου ως στάνταρ εξαρτήματα. Μπορεί να διαφέρουν ανάλογα με τη χώρα.

TEKNİK ÖZELLİKLER

Model:		DHR183
Delme kapasiteleri	Beton	18 mm
	Çelik	13 mm
	Tahta	24 mm
Yüksüz hız		0 - 1.100 min ⁻¹
Dakikadaki darbe sayısı		0 - 5.000 min ⁻¹
Toplam uzunluk (BL1860B ile)		288 mm
Anma voltajı		D.C. 18 V
Net ağırlık		2,1 - 2,9 kg

İsteğe bağlı aksesuar

Model:		DX16
Emme performans		0,24 m ³ /min
Çalışma kursu		105 mm'ye kadar
Uygun matkap ucu		165 mm'ye kadar
Net ağırlık		0,77 kg

- Sürekli yapılan araştırma ve geliştirmelerden dolayı, burada belirtilen özellikler önceden bildirilmeksizin değiştirilebilir.
- Özellikler ülkeden ülkeye değişebilir.
- Ağırlık, ekli aksesuara/aksesuarlara ve batarya kartuşuna bağlı olarak farklılık gösterebilir. EPTA-Prosedürü 01/2014'e göre en hafif ve en ağır kombinasyonlar tabloda verilmiştir.

Geçerli batarya kartuşu ve şarj aleti

Batarya kartuşu	BL1815N / BL1820B / BL1830B / BL1840B / BL1850B / BL1860B
Şarj aleti	DC18RC / DC18RD / DC18RE / DC18SD / DC18SE / DC18SF / DC18SH / DC18WC

- Yukarıda listelenen batarya kartuşlarının ve şarj aletlerinin bazıları yaşadığınız bölgeye bağlı olarak mevcut olmayabilir.

⚠UYARI: Sadece yukarıda listelenen batarya kartuşlarını ve şarj aletlerini kullanın. Başka batarya kartuşlarının ve şarj aletlerinin kullanılması yaralanma ve/veya yangına neden olabilir.

Önerilen kablo bağlantılı güç kaynağı

Taşınabilir güç ünitesi	PDC01
-------------------------	-------

- Yukarıda listelenen kablo bağlantılı güç kaynakları yaşadığınız bölgeye bağlı olarak mevcut olmayabilir.
- Kablo bağlantılı güç kaynağını kullanmadan önce, üzerindeki uyarı işaretlerini ve talimatı okuyun.

Kullanım amacı

Bu alet tuğla, beton ve taş malzemelerde darbeli delme işlemi için tasarlanmıştır. Bu alet ahşap, metal, seramik ve plastik malzemelerde darbesiz delme işlemleri için de uygundur.

Gürültü

Tipik A-ağırlıklı gürültü düzeyi (EN62841-2-6 standardına göre belirlenen):

Model DHR183

Ses basınç seviyesi (L_{PA}): 93 dB (A)

Ses gücü düzeyi (L_{WA}): 101 dB (A)

Belirsizlik (K): 3 dB (A)

Model DHR183, DX16 ile

Ses basınç seviyesi (L_{PA}): 93 dB (A)

Ses gücü düzeyi (L_{WA}): 101 dB (A)

Belirsizlik (K): 3 dB (A)

NOT: Beyan edilen gürültü emisyonu değer(ler) i bir standart test yöntemine uygun şekilde ölçülmüştür ve bir aleti bir başkasıyla karşılaştırmak için kullanılabilir.

NOT: Beyan edilen gürültü emisyonu değer(ler) i bir ön maruz kalma değerlendirmesi olarak da kullanılabilir.

⚠UYARI: Kulak koruyucuları takın.

⚠UYARI: Elektrikli aletin gerçek kullanımı sırasındaki gürültü emisyonu, aletin kullanım biçimlerine, özellikle işlenen iş parçasının türüne bağlı olarak beyan edilen değer(ler)den farklı olabilir.

⚠UYARI: Gerçek kullanım koşullarındaki tahmini maruziyeti baz alan, operatörü koruyacak güvenlik önlemlerini mutlaka belirleyin (çalışma döngüsü içerisinde aletin kapalı olduğu ve aktif durumda olmasının yanı sıra boşta çalıştığı zamanlar gibi, bütün zaman dilimleri göz önünde bulundurarak).

Titreşim

Aşağıdaki tabloda ilgili standarda uygun olarak belirlenmiş olan titreşim toplam değeri (üç eksenli vektör toplamı) gösterilmiştir.

Çalışma modu	Titreşim emisyonu	Belirsizlik (K)	Geçerli standart / Test koşulu
Darbeli beton delme ($a_{h,HD}$)	7,5 m/s ²	1,5 m/s ²	EN62841-2-6
DX16 ile darbeli beton delme ($a_{h,HD}$)	7,6 m/s ²	1,7 m/s ²	EN62841-2-6

NOT: Beyan edilen titreşim toplam değer(ler)i bir standart test yöntemine uygun şekilde ölçülmüştür ve bir aleti bir başkasıyla karşılaştırmak için kullanılabilir.

NOT: Beyan edilen titreşim toplam değer(ler)i bir ön maruz kalma değerlendirmesi olarak da kullanılabilir.

⚠UYARI: Elektrikli aletin gerçek kullanımı sırasındaki titreşim emisyonu, aletin kullanım biçimlerine, özellikle işlenen iş parçasının türüne bağlı olarak beyan edilen değer(ler)den farklı olabilir.

⚠UYARI: Gerçek kullanım koşullarındaki tahmini maruziyeti baz alan, operatörü koruyacak güvenlik önlemlerini mutlaka belirleyin (çalışma döngüsü içerisinde aletin kapalı olduğu ve aktif durumda olmasının yanı sıra boşta çalıştığı zamanlar gibi, bütün zaman dilimleri göz önünde bulundurarak).

Uygunluk Beyanları

Sadece Avrupa ülkeleri için

Uygunluk beyanları bu kullanma kılavuzuna Ek A olarak eklenmiştir.

GÜVENLİK UYARILARI

Genel elektrikli alet güvenliği uyarıları

⚠UYARI: Bu elektrikli aletle birlikte verilen tüm güvenlik uyarılarını, talimatları, resimli açıklamaları ve teknik özellikleri okuyun. Aşağıda listelenen

talimatların herhangi birine uyulmaması elektrik çarpması, yangın ve/veya ciddi yaralanma ile sonuçlanabilir.

Tüm uyarıları ve talimatları iletiride başvurmak için saklayın.

Uyarılardaki "elektrikli alet" terimi ile ya prizden çalışan (kordonlu) elektrikli aletinizi ya da kendi aküsü ile çalışan (kordonsuz) elektrikli aletinizi kasteditmektedir.

AKÜLÜ KIRICI DELİCİ İLE İLGİLİ GÜVENLİK UYARILARI

Tüm işlemler için güvenlik talimatları

- Kulak koruyucuları takın.** Gürültüye maruz kalmak işitme kaybına neden olabilir.
- Aletle birlikte sağlanmışsa yardımcı tutamağı/ tutamakları kullanın.** Kontrol kaybı yaralanmaya neden olabilir.
- Kesici aksesuarın görünmeyen kablolarına temas etme olasılığı bulunan yerlerde çalışırken elektrikli aleti yalıtımlı kavrama yüzeylerinden tutun.** Kesici aksesuarın "akımlı" bir telle temas etmesi elektrikli aletin yalıtımsız metal kısımlarını "akımlı" hale getirebilir ve kullanıcıyı elektrik çarpmasına maruz bırakabilir.

Kırcı delicilerle uzun matkap uçları kullanırken güvenlik talimatları

- Her zaman düşük devirde ve uç, iş parçasına temas edecek şekilde delmeye başlayın.** Yüksek devirlerde, iş parçasına dokunmadan serbest dönmesine izin verilirse ucun bükülmesi muhtemel olup yaralanmaya neden olabilir.
- Sadece uç ile aynı hatta baskı uygulayın ve fazla baskı uygulamayın.** Uçlar bükülerek kırılma veya kontrol kaybına neden olmak suretiyle yaralanmaya yol açabilir.

Ek güvenlik uyarıları

- Sert bir başlık (emniyet kaskı), koruyucu gözlük ve/veya yüz siperi kullanın.** Normal gözlükler veya güneş gözlükleri koruyucu gözlük DEĞİLDİR. Ayrıca bir toz maskesi ve kalın eldivenler giymeniz de önerilir.
- Çalışmaya başlamadan önce ucun yerine sağlam bir şekilde takıldığından emin olun.**
- Normal kullanımda, alet titreşim üretecek şekilde tasarlanmıştır.** Vidalar kolayca gevşeyebilir, arızaya ya da kazaya sebep olabilir. Kullanmadan önce vidaların sıkılığını kontrol edin.
- Soğuk havalarda ya da alet uzun bir süre kullanılmamışsa, yüksük olarak bir müddet çalıştırıp aletin ısınmasını sağlayın.** Bu işlem yağın çözülmesini sağlar. Uygun bir şekilde ısıtıldığında, kırma işleminde zorluk görülür.
- Her zaman yere sağlam basın.** Aleti yüksekte kullandığınızda, altında kimsenin olmadığından emin olun.
- Aleti iki elle sıkıca tutun.**
- Ellerinizi hareketli parçalardan uzak tutun.**
- Aleti çalışır durumda bırakmayın.** Aleti sadece elinizde iken çalıştırın.
- Kullanım sırasında aleti etraftaki herhangi birine doğrultmayın.** Uç yerinden fırlayıp ciddi

yaralanmalara sebep olabilir.

10. Çalışmanız bittikten hemen sonra uca, uca yakın kısımlara veya iş parçasına dokunmayın; bunlar aşırı sıcak olabilir ve yanıklara yol açabilir.
11. Bazı malzemeler zehirli olabilen kimyasallar içerirler. Toz yutmayı ve cilt temasını önlemek için tedbir alın. Malzeme sağlayıcısının güvenlik bilgilerine uyun.
12. Aleti başka bir kişiye vermeden önce mutlaka aletin kapalı olduğundan ve batarya kartuşu ile ucun çıkarıldığından emin olun.
13. Çalışma öncesinde çalışma alanında elektrik borusu, su borusu veya gaz borusu gibi gömülü nesnelere olmadığınızdan emin olun. Aksi takdirde matkap ucu/keski bunlara dokunarak elektrik çarpmasına, elektrik kaçağına veya gaz sızıntısına neden olabilir.
14. Aleti gereksiz yere yüksüz çalıştırmayın.

BU TALİMATLARI SAKLAYIN.

⚠UYARI: Ürünü kullanırken (defalarca kullanınca kazanılan) rahatlık ve tanıdıklık duygusunun ilgili ürünün güvenlik kurallarına sıkı sıkıya bağlı kalmanın yerine geçmesine İZİN VERMEYİN. YANLIŞ KULLANIM veya bu kullanma kılavuzunda belirtilen emniyet kurallarına uymama ciddi yaralanmaya neden olabilir.

Batarya kartuşu hakkında önemli güvenlik talimatları

1. Batarya kartuşunu kullanmadan önce, tüm talimatları ve (1) batarya kartuşu, (2) batarya ve (3) ürün üzerindeki tüm uyarı işaretlerini okuyun.
2. Batarya kartuşunu parçalarına ayırmayın veya kurcalamayın. Yangın, aşırı ısı veya patlamaya neden olabilir.
3. Çalışma süresi aşırı derecede kısalmışsa kullanmayı derhal bırakın. Aşırı ısınma, yanma riski hatta patlamaya neden olabilir.
4. Gözünüze elektrolit kaçar, gözlerinizi temiz suyla durulayın ve hemen tıbbi yardım alın. Görme kaybına yol açabilir.
5. Batarya kartuşuna kısa devre yaptırmayın:
 - (1) Terminallere herhangi bir iletken madde deşirdirmeyin.
 - (2) Batarya kartuşunu çiviler, madeni paralar, vb. gibi başka metal nesnelere aynı kaba koymaktan kaçının.
 - (3) Batarya kartuşunu yağmura ya da suya maruz bırakmayın.Kısa devre, büyük bir akım akışına, aşırı ısınmaya, olası yanıklara hatta bataryanın bozulmasına yol açabilir.
6. Aleti ve batarya kartuşunu sıcaklığın 50°C ya da daha yükseğe ulaştığı yerlerde saklamayın ve kullanmayın.
7. Aşırı derecede hasar görmüş ya da tamamen kullanılamaz durumda olsa bile batarya kartuşunu yakmayın. Batarya kartuşu ateşe atılırsa patlayabilir.
8. Batarya kartuşunu çivilemeyin, kesmeyin,

ezmeyin, fırlatmayın, düşürmeyin ya da batarya kartuşuna sert bir nesne ile vurmayın. Bu eylemler yangın, aşırı ısı veya patlamaya neden olabilir.

9. Hasarlı bataryayı kullanmayın.
10. Aletin içerdiği lityum-iyon bataryalar Tehlikeli Eşyalar Yönetmeliğinin gereksinimlerine tabidir. Ticari nakliye işlemleri için, örneğin üçüncü taraf, nakliye acenteleri tarafından yapılan nakliyelerde, paketlenme ve etiketleme gereksinimlerine uyulmalıdır. Nakliyesi yapılacak ürünün hazırlanması için, tehlikeli maddeler konusunda uzman bir kişiye danışın. Lütfen muhtemelen daha ayrıntılı olan ulusal yönetmeliklere de uyun. Açık kontakları bantlayın ya da maskeleyin ve bataryayı paketin içinde hareket etmeyecek şekilde pakitleyin.
11. Batarya kartuşunu bertaraf ederken aletten çıkarın ve güvenli bir yerde bertaraf edin. Bataryanın bertaraf edilmesi ile ilgili yerel düzenlemelere uyunuz.
12. Bataryaları sadece Makita tarafından belirtilen ürünlerle kullanın. Bataryaların uyumsuz ürünlere takılması; yangın, aşırı ısınma, patlama ya da elektrolit sızıntısına neden olabilir.
13. Alet uzun süre kullanılmıyacaksa batarya aletten çıkarılmalıdır.
14. Kullanma sırasında ve sonrasında batarya kartuşu ısınarak yanıklara veya düşük sıcaklık yanıklarına yol açabilir. Sıcak batarya kartuşları ile işlem yaparken dikkat edin.
15. Yanıklara neden olabilecek kadar sıcak olabileceğinden kullandıktan hemen sonra aletin terminaline dokunmayın.
16. Batarya kartuşunun terminallerine, deliklerine ve kanallarına micir, toz veya toprak girmesine izin vermeyin. Aletin veya batarya kartuşunun ısınmasına, alev almasına, patlamasına ve arızalanmasına neden olarak yanıklara veya yaralanmaya yol açabilir.
17. Alet yüksek gerilim elektrik güç hatlarında kullanımı desteklemediği sürece batarya kartuşunu yüksek gerilim elektrik güç hatlarının yakınında kullanmayın. Aletin veya batarya kartuşunun arızalanmasına veya bozulmasına neden olabilir.
18. Bataryayı çocuklardan uzak tutun.

BU TALİMATLARI MUHAFAZA EDİNİZ.

⚠DİKKAT: Sadece orijinal Makita bataryalarını kullanın. Orijinal olmayan Makita bataryaları ya da üzerine değişiklik yapılmış bataryaların kullanımı bataryanın patlamasına ve sonuç olarak yangın, kişisel yaralanma ve hasara neden olabilir. Ayrıca Makita aleti ve şarj aletinin Makita tarafından sunulan garantisi de geçersiz olur.

Maksimum batarya ömrü için ipuçları

1. Batarya kartuşunu tamamen boşalmadan önce

şarj edin. Aletin gücünün zayıflamaya başladığını fark ettiğinizde aleti durdurun ve batarya kartuşunu şarj edin.

2. Tam dolu bir batarya kartuşunu asla yeniden şarj etmeyin. Aşırı şarj etme bataryanın hizmet ömrünü kısaltır.
3. Batarya kartuşunu 10 °C - 40 °C oda sıcaklığında şarj edin. Sıcak bir batarya kartuşunu şarj etmeden önce soğumasını bekleyin.
4. Batarya kartuşunu kullanılmıyorken aletten veya şarj aletinden çıkarın.
5. Uzun bir süre (altı aydan daha fazla) kullanmadığınız durumlarda batarya kartuşunu şarj edin.

İŞLEVSEL NİTELİKLER

⚠️ DİKKAT: Alet üzerinde ayarlama veya işleyiş kontrolü yapmadan önce aletin kapalı ve batarya kartuşunun ayrılmış olduğundan daima emin olun.

Batarya kartuşunun takılması ve çıkarılması

⚠️ DİKKAT: Batarya kartuşunu takmadan ya da çıkarmadan önce aleti daima kapatın.

⚠️ DİKKAT: Batarya kartuşunu takarken veya çıkarırken aleti ve batarya kartuşunu sıkıca tutun. Aletin ve batarya kartuşunun sıkıca tutulmaması bunların düşürülmesine sebep olabilir ve alet ve batarya kartuşunun zarar görmesine ya da ciddi yaralanmasına yol açabilir.

Batarya kartuşunu takmak için, batarya kartuşu üzerindeki dili yuvanın oluşu ile hizalayın ve kartuşu yerine oturtun. Kartuş, küçük bir tık sesi ile yerine sabitlenene dek sonuna kadar itirin. Şekilde gösterildiği gibi kırmızı göstergeliyi görebiliyorsanız tam olarak kilitlenmemiş demektir.

Batarya kartuşunu çıkarmak için, kartuşun ön tarafındaki düğmeyi kaydırarak kartuşu aletten çıkarın.

► **Şek.1:** 1. Kırmızı gösterge 2. Düğme 3. Batarya kartuşu

⚠️ DİKKAT: Batarya kartuşunu daima kırmızı gösterge görünmeyecek şekilde tam olarak takın. Yerine tam oturmazsa, aletten yanlışlıkla düşebilir, sizin ya da çevrenizdeki kişilerin yaralanmasına neden olabilir.

⚠️ DİKKAT: Batarya kartuşunu zorlayarak takmayın. Kartuş kolay bir şekilde kaymıyorsa doğru yerleştirilmemiş demektir.

Kalan batarya kapasitesinin gösterilmesi

Sadece göstergeli batarya kartuşları için

Kalan batarya kapasitesini göstermesi için batarya kartuşu üzerindeki kontrol düğmesine basın. Gösterge

lambaları birkaç saniye yanar.

► **Şek.2:** 1. Gösterge lambaları 2. Kontrol düğmesi

Gösterge lambaları			Kalan kapasite
Yanıyor	Kapalı	Yanıp sönüyor	
■ ■ ■ ■			%75 ila %100
■ ■ ■ □			%50 ila %75
■ □ □ □			%25 ila %50
■ □ □ □			%0 ila %25
▬ □ □ □			Bataryayı şarj edin.
■ ■ □ □			Batarya arızalanmış olabilir.
□ □ ■ ■			

NOT: Kullanım koşullarına ve ortam sıcaklığına bağlı olarak, gösterilen değer gerçek kapasiteden biraz farklılık gösterebilir.

NOT: İlk (en soldaki) gösterge lambası, batarya koruma sistemi çalıştığından yanıp söner.

Alet/batarya koruma sistemi

Bu alet bir alet/batarya koruma sistemi ile donatılmıştır. Bu sistem motora giden gücü otomatik olarak keserek uzun alet ve batarya ömrü sağlar. Alet veya batarya için aşağıdaki durumlardan biri söz konusu olduğunda aletin işleyişi otomatik olarak durur:

Aşırı yük koruması

Batarya, anormal derecede yüksek akım çekmesine neden olacak şekilde kullanıldığında, alet hiçbir belirti vermeden otomatik olarak durur. Bu durumda, aleti kapatın ve aletin aşırı yüklenmesine neden olan uygulamayı durdurun. Daha sonra aleti yeniden başlaması için çalıştırın.

Aşırı ısınma koruması

Alet veya batarya aşırı ısındığında alet otomatik olarak durur. Bu durumda aleti yeniden açmadan önce alet ve bataryanın soğumasını bekleyin.

NOT: Alet aşırı ısındığında lamba yanıp söner.

Aşırı deşarj koruması

Batarya kapasitesi yeterli olmadığında, alet otomatik olarak durur. Bu durumda, bataryayı aletten çıkarın ve bataryayı tekrar şarj edin.

Diğer nedenlere karşı korumalar

Koruma sistemi, alete zarar verebilecek diğer nedenler için de tasarlanmıştır ve aletin otomatik olarak durmasını sağlar. Alet çalışırken geçici duraklama ve durma yaparsa nedenleri ortadan kaldırmak için aşağıdaki tüm

adımları uygulayın.

1. Tüm anahtarların kapalı konumda olduklarından emin olarak yeniden çalıştırmak için aleti açın.
2. Bataryaları şarj edin veya şarjlı bataryalarla değiştirin.
3. Aletin ve bataryaların soğumasını bekleyin.

Koruma sistemi eski haline getirilerek ilerleme kaydedilemezse yerel Makita Servis Merkezimize başvurun.

Anahtar işlemleri

⚠ UYARI: Batarya kartuşunu alete takmadan önce anahtar tetiğin doğru çalıştığından ve bırakıldığında “OFF” (kapalı) konumuna döndüğünden emin olun.

Aleti çalıştırmak için, sadece anahtar tetiği çekin. Aletin çalışma hızı anahtar tetik üstüne daha fazla baskı yapılarak artırılır. Durdurmak için anahtar tetiği serbest bırakın.

► **Şek.3:** 1. Anahtar tetik

Ön lambanın yakılması

⚠ DİKKAT: Işığa bakmayın ya da ışık kaynağını doğrudan görmeyin.

Lambayı yakmak için anahtar tetiği çekin. Anahtar tetik çekilirken lamba yanmaya devam eder. Anahtar tetik serbest bırakıldıktan yaklaşık 10 saniye sonra lamba söner.

► **Şek.4:** 1. Lamba

NOT: Lamba lensini temizlemek için kuru bir bez kullanın. Aydınlatmayı azaltacağı için lamba lensinin çizilmemesine dikkat edin.

NOT: Alet aşırı ısındığında lamba yanıp söner. Bu durumda anahtar tetiği bırakın ve ardından yeniden çalıştırmadan önce aleti/bataryayı soğutun.

NOT: Alete toz toplama sistemi (isteğe bağlı aksesuar) takılıyken ön lamba kullanılamaz.

Ters dönüş mandalı işlemi

⚠ DİKKAT: Kullanmadan önce dönüş yönünü daima kontrol edin.

⚠ DİKKAT: Ters döndürme anahtarını sadece alet tamamen durduktan sonra kullanın. Dönüş yönünün alet durmadan önce değiştirilmesi alete zarar verebilir.

⚠ DİKKAT: Aleti kullanmadığınız zaman, ters döndürme anahtarını daima nötr konumuna ayarlayın.

Bu aletin dönüş yönünü değiştirmek için bir ters döndürme anahtarı vardır. Ters döndürme anahtarına saat yönünde dönüş için A tarafından tersi yönde dönüş içinse B tarafından bastırın.

Ters döndürme anahtarı nötr konumundayken tetik anahtar çekilemez.

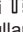
► **Şek.5:** 1. Ters dönüş mandalı anahtarı

Bir eylem modu seçme

ÖNEMLİ NOT: Alet çalışırken eylem modu değiştirme düğmesini döndürmeyin. Alet zarar görebilir.


ÖNEMLİ NOT: Mod değiştirme mekanizmasının hızlı aşınmasını önlemek için, eylem modu değiştirme düğmesinin eylem modu pozisyonlarından birine tam olarak döndürüldüğünden emin olun.

Kırmalı dönüş

Beton, taş vb. delerken, eylem modu değiştirme düğmesini  sembolüne doğru döndürün. Karbür matkap ucu kullanın.

► **Şek.6:** 1. Eylem modu değiştirme düğmesi

Sadece dönüş

Tahta, metal veya plastik malzemeleri delerken, eylem modu değiştirme düğmesini  sembolüne doğru döndürün. Spiral matkap ucu veya ahşap matkap ucu kullanın.

► **Şek.7:** 1. Eylem modu değiştirme düğmesi

Elektronik fonksiyonu

Alet kolay kullanım için elektronik fonksiyonlarla donatılmıştır.

- Elektrikli fren
Bu alet bir elektrikli fren ile donatılmıştır. Anahtar tetik bırakıldıktan sonra alet sürekli olarak çabucak çalışmayı durduruyorsa alete Makita servis merkezinde bakım yaptırın.
- Sabit hız kontrolü
Hız kontrol fonksiyonu, yük koşullarından bağımsız olarak sabit devir hızı sağlar.

MONTAJ

⚠ DİKKAT: Alet üzerinde herhangi bir iş yapmadan önce aletin kapalı ve batarya kartuşunun ayrılması olduğundan daima emin olun.

Yan kavrama kolu (yardımcı tutamak)

⚠ DİKKAT: Çalışma güvenliği için daima yan kavrama kolunu kullanın.

⚠ DİKKAT: Yan kavrama kolunu taktıktan veya ayarladıktan sonra yan kavrama kolunun, aletin üzerindeki çıkıntılar yan kavrama kolu üzerindeki girintilere tam olarak geçmiş şekilde sıkıca sabitlendiğinden emin olun.

Yan kavrama kolunu takmak için aşağıdaki adımları izleyin.

1. Yan kavrama kolu üzerindeki kelebek somunu gevşetin.

► **Şek.8:** 1. Kelebek somun

2. Kelebek somunu bastırarak, yan kavrama kolunu,

kavrama kolu üzerindeki girintilere aletin üzerindeki çıkıntılar geçecek şekilde takın.

► **Şek.9:** 1. Kelebek somun

3. Kelebek somunu sıkarak kolu sabitleyin. Kol, istenen açıda sabitlenebilir.

Yan kavrama kolunu çıkarmak için yan kavrama kolu üzerindeki kelebek somunu gevşetin. Yan kavrama kolunu aletten çıkarın.

Matkap ucunun takılması veya çıkarılması

Gres yağı

Ucu takmadan önce ucun mil ucunu temizleyin ve gres ile yağlayın.

Ucun mil ucunu önceden az miktarda gres ile yağlayın (yaklaşık 0,5 - 1 g). Mandrenin yağlanması yumuşak bir çalışma ve daha uzun servis ömrü sağlar.

► **Şek.10:** 1. Mil ucu 2. Gres yağı

Matkap ucunu alete takın. Matkap ucunu çevirip yerine oturana kadar itin.

Matkap ucunu taktıktan sonra çekmeye çalışarak matkap ucunun yerine sağlam bir şekilde oturduğundan daima emin olun.

► **Şek.11:** 1. Matkap ucu

Matkap ucunu çıkarmak için, mandren kapağını tamamen aşağı itirin ve matkap ucunu çekip çıkarın.

► **Şek.12:** 1. Matkap ucu 2. Mandren kapağı

Derinlik mastarı

Derinlik mastarı eşit derinlikte delikler delmeye yarar. Sabitleme düğmesini basılı tutarak derinlik mastarını deliğe sokun. Derinlik mastarının dışı tarafının işarete baktığından emin olun.

► **Şek.13:** 1. Derinlik mastarı 2. Kilitleme düğmesi 3. İşaret 4. Dışlı taraf

Sabitleme düğmesine basarak derinlik mastarını, ileri geri hareket ettirerek ayarlayın. Ayarladıktan sonra sabitleme düğmesini bırakarak derinlik mastarını sabitleyin.

NOT: Derinlik mastarını takarken, derinlik mastarının aletin ana gövdesine temas etmediğinden emin olun.

Toz başlığı

İsteğe bağlı aksesuarlar

Tozun yere ve üzerinize dökülmesini önlemek için başınızdan daha yukarıdaki delme işlemlerini gerçekleştirirken toz başlığını kullanın. Toz başlığını şekilde gösterildiği gibi uca takın. Toz başlığının takılabileceği uç boyutları aşağıda verilmiştir.

Model	Uç çapı
Toz başlığı 5	6 mm - 14,5 mm
Toz başlığı 9	12 mm - 16 mm

► **Şek.14:** 1. Toz başlığı

Toz başlığı seti

İsteğe bağlı aksesuarlar

Toz başlığı setinin takılması

ÖNEMLİ NOT: Metal ve benzeri malzemeleri delerken toz başlığı setini kullanmayın. Bunun yapılması, küçük metal tozları ve benzeri maddelerin neden olduğu ısı yüzünden toz başlığı setine zarar verebilir. Matkap ucu alete takılı iken toz başlığı setini takmayın veya çıkarmayın. Bunun yapılması toz başlığı setine zarar verebilir ve toz sızmasına neden olabilir.

Toz başlığı setini takmadan önce takılı olması durumunda matkap ucunu aletten çıkarın.

1. Yan kavrama kolu üzerindeki kelebek somunu gevşetin.

2. Toz başlığı setini, toz başlığının kısıkaçları yan kavrama kolundaki kesiklere oturacak şekilde takın.

► **Şek.15:** 1. Toz başlığı seti 2. Yan kavrama kolu

3. Yan kavrama kolunu, kavrama kolu üzerindeki girinti alettaki çıkıntıya oturacak şekilde takın. Kelebek vidayı sıkarak yan kavrama kolunu sabitleyin.

► **Şek.16:** 1. Yan kavrama kolu 2. Girinti 3. Çıkıntı

NOT: Toz başlığı setine bir elektrikli süpürge bağlıyorsanız, elektrikli süpürgeyi bağlamadan önce toz kapağını çıkarın.

► **Şek.17:** 1. Toz kapağı

Matkap ucunun çıkarılması

Matkap ucunu çıkarmak için, mandren kapağını tamamen aşağı çekin ve matkap ucunu çekip çıkarın.

► **Şek.18:** 1. Matkap ucu 2. Mandren kapağı

Toz başlığı setinin çıkarılması

Toz başlığı setini çıkarmak için aşağıdaki adımları izleyin.

1. Yan kavrama kolu üzerindeki kelebek somunu gevşetin. Yan kavrama kolunu aletten çıkarın.

► **Şek.19:** 1. Kelebek somun

2. Toz başlığının alt kısmını tutun ve çekerek çıkarın.

NOT: Toz başlığı setini çıkarmakta zorlanıyorsanız, toz başlığının alt kısmını döndürerek ve çekerek toz başlığının kısıkaçlarını birer birer çıkarın.

► **Şek.20:** 1. Toz başlığı

NOT: Kapak, toz başlığı setinden çıkarsa orijinal konuma geri koyun.

Kapağı orijinal konumuna geri yerleştirmek için aşağıdaki adımları izleyin.

1. Körüğü saatin aksi yönünde çevirin ve körük kilidi açikken toz başlığı seti montaj ünitesinden çıkarın.

► **Şek.21:** 1. Körük 2. Montaj ünitesi

2. Kapağı, harfli tarafı yukarı bakacak şekilde yerine geri yerleştirin.

► **Şek.22:** 1. Kapak 2. Montaj ünitesi

3. Kapağın etrafındaki yivlerin montaj ünitesinin üst açıklığının dudaklarına iyice oturduğundan emin olun.

Alet askısı

İsteğe bağlı aksesuarlar

⚠️ DİKKAT: Hasarlı alet askısı ve vidayı kullanmayın. Kullanmadan önce daima hasar, çatlak veya deformasyon olup olmadığını kontrol edin ve vidanın sıklığı olduğundan emin olun.

⚠️ DİKKAT: Alet askısını sabit bir masa veya yüzey üzerinde takın veya çıkarın. Yalnızca alet askısı ile verilen vidayı kullanın. Alet askısını taktıktan sonra alet askısının vida ile emniyetli bir şekilde takıldığından emin olun.

⚠️ DİKKAT: Aleti asarken batarya kartuşunu çıkarmayın. Vida sıkılmazsa alet düşebilir.

Alet askısı halat (bağlama kayışı) bağlamak için tasarlanmıştır.

Alet askısını takmadan önce montaj braketindeki vida deliğinden kauçuk kapağı çıkarın. Dört köşe somunu braketin altına sokun. Alet askısını vidayla yerine sıkın.

- **Şek.23:** 1. Kauçuk kapak 2. Montaj braketi 3. Dört köşe somun 4. Alet askısı 5. Vida

Halatın (bağlama kayışı) alet askısına bağlanması hakkındaki güvenlik uyarıları

⚠️ Yüksekte kullanıma özel güvenlik uyarıları
Tüm güvenlik uyarılarını ve talimatları okuyun.
Uyarıların ve talimatların izlenmemesi ciddi yaralanmaya yol açabilir.

1. “Yüksekte” çalışırken aleti her zaman bağlı tutun. Maksimum halat uzunluğu 2 m’dir. Halat (bağlama kayışı) için izin verilebilir maksimum düşme yüksekliği 2 m’yi geçmemelidir.
2. Yalnızca bu alet türüne uygun ve taşıma kapasitesi en az 6,0 kg olan halatlarla kullanın.
3. Alet halatını vücudunuzdaki hiçbir şeye veya hareketli parçalara bağlamayın. Alet halatını, düşen bir aletin kuvvetlerine dayanabilecek sabit bir yapıya bağlayın.
4. Kullanmadan önce halatın iki ucunun da uygun şekilde tutturulduğunu kontrol edin.
5. Her kullanımdan önce aleti ve halatı (örgü ve dikiş dahil) hasar ve uygun çalışma açısından kontrol edin. Hasarlı ise veya düzgün çalışmıyorsa kullanmayın.
6. Halatları keskin veya pürüzlü kenarların etrafına sarmayın veya bunlara temas etmesine izin vermeyin.
7. Halatın diğer ucunu, düşen alet güvenli bir şekilde tutulacak şekilde çalışma alanının dışına bağlayın.
8. Halatı, alet düştüğünde operatörden uzaklaşacak şekilde bağlayın. Düşen aletler halatın ucunda sallanır, bu durum yaralanmaya veya denge kaybına neden olabilir.
9. Hareketli parçaların veya çalışan makine-lerin yakınında kullanmayın. Aksi takdirde

parçalanma veya takılma tehlikesine neden olabilir.

10. Aleti bağlantı aygıtından veya halattan taşımayın.
 11. Aleti yalnızca ellerinizin arasında, dengeniz tam iken aktarın.
 12. Halatları alete, anahtarların veya tetik kilitleme düğmesinin (varsa) düzgün çalışmasını engelleyecek şekilde takmayın.
 13. Halata takılmaktan sakının.
 14. Halatı aletin delme alanından uzak tutun.
 15. Bir kilitleme karabinası (çok işlemlili ve vidalı tip) kullanın. Tek işlemlili yaylı karabineler kullanmayın.
 16. Aletin düşmesi durumunda alet etiketlenmeli ve servis dışı bırakılmalıdır; Makita fabrikası veya yetkili servis merkezi tarafından kontrol edilmelidir.
 17. Aleti belinize asmayın. Isınmış alet ve aksesuarı cildinize değebilir ve yanığa neden olabilir.
- **Şek.24:** 1. Alet askısı 2. Halat (bağlama kayışı)

TOZ TOPLAMA SİSTEMİ

İsteğe bağlı aksesuarlar

Toz toplama sistemi, beton delme işlemi sırasında tozları etkin bir şekilde toplamak için tasarlanmıştır.

- **Şek.25:** 1. Toz toplama sistemi

⚠️ DİKKAT: Toz toplama sistemi sadece beton delme işlemi için tasarlanmıştır. Toz toplama sistemini metal veya tahta delme işlemi için kullanmayın.

⚠️ DİKKAT: Aleti toz toplama sistemi ile kullanırken toz solunmayı engellemek için toz toplama sistemine mutlaka filtre takın.

⚠️ DİKKAT: Toz toplama sistemini kullanmadan önce filtrenin hasarlı olmadığını ve iç boruda toz ve yabancı madde bulunmadığını kontrol edin. Aksi takdirde toz solunmasına neden olabilir.

⚠️ DİKKAT: Toz toplama sistemi üretilen tozu makul bir oranda toplar, ancak tozun tamamı toplanamayabilir.

ÖNEMLİ NOT: Toz toplama sistemini karotla delme veya yontma işlemi için kullanmayın.

ÖNEMLİ NOT: Toz toplama sistemini metal veya ahşap için kullanmayın. Toz toplama sistemi sadece beton için tasarlanmıştır.

ÖNEMLİ NOT: Toz toplama sistemini yaş beton delme işlemi için veya ıslak ortamda kullanmayın. Aksi takdirde arızaya neden olabilir.

Takma veya çıkarma

ÖNEMLİ NOT: Toz toplama sistemini takmadan önce aletin ve toz toplama sisteminin birleşme kısımlarını temizleyin. Birleşme kısımlarındaki yabancı maddeler toz toplama sisteminin takılmasını zorlaştırabilir. Hava kanalında toz kalırsa toz aletin içine girer ve hava akışında tıkanmaya veya aletin bozulmasına yol açar.

Toz toplama sistemini takmak için aleti toz toplama sistemine, hafif bir tık sesi ile yerine kilitlemeye dek tümüyle sokun.

► **Şek.26**

Toz toplama sistemini çıkarmak için kilit açma düğmesine basarak aleti yukarı çekin.

► **Şek.27:** 1. Kilit açma düğmesi

Toz toplama sisteminin emme ünitesi konumunun ayarlanması

⚠DİKKAT: Kılavuz ayarlama düğmesine basarak emme ünitesini serbest bırakırken emme ünitesini kendinize veya başkalarına doğrultmayın.

Kılavuz ayarlama düğmesine basarken emme ünitesi kılavuzunu içeri ve dışarı kaydırın ve ardından matkap ucunun ucu emme ünitesinin ön yüzünün hemen arkasına oturduğu konumda düğmeyi bırakın.

► **Şek.28:** 1. Kılavuz 2. Kılavuz ayarlama düğmesi 3. Matkap ucunun ucu 4. Emme ünitesinin ön yüzeyi

Delme derinliklerinin ayarlanması

Delme derinlikleri, derinlik ayarlama düğmesi ile emme ünitesi kılavuzu destek kolu arasındaki uzunluklar değiştirilerek ayarlanabilir. Derinlik ayarlama düğmesine basıp basılı tutun ve istediğiniz konuma kaydırın.

► **Şek.29:** 1. Derinlik ayarlama düğmesi 2. Emme ünitesi kılavuzu 3. Emme ünitesi kılavuzu destek kolu 4. Delme derinlikleri

Filtre üzerindeki tozun vurarak çıkarılması

⚠DİKKAT: Toz kutusu toz toplama sisteminden çıkarılmışken toz kutusu üzerindeki kadranı çevirmeyin. Böyle yapılması toz solunmasına neden olabilir.

⚠DİKKAT: Toz kutusu üzerindeki kadranı çevirirken aleti daima kapatın. Alet çalışırken kadranın çevrilmesi aletin kontrolünün kaybedilmesine neden olabilir.

Toz kutusunun içindeki filtre üzerindeki tozu vurarak çıkarmak suretiyle vakum etkisini koruyabilir ve tozu boşaltma sayısını azaltabilirsiniz.

Her 50.000 mm³ toz toplandıktan sonra veya vakum performansının düştüğünü hissettiğinizde toz kutusu üzerindeki kadranı üç kez çevirin.

NOT: 50.000 mm³ toz, ø10 mm ve 65 mm derinliğinde 10 delik delmeye eşittir.

► **Şek.30:** 1. Toz kutusu 2. Kadran

Tozun atılması

⚠DİKKAT: Alet üzerinde herhangi bir iş yapmadan önce aletin kapalı ve batarya kartuşunun ayrılmış olduğundan daima emin olun.

⚠DİKKAT: Tozu atarken mutlaka toz maskesi takın.

⚠DİKKAT: Tozu atarken aletin tamamen durduğundan emin olun.

⚠DİKKAT: Toz kutusunu düzenli olarak, toz kutusu dolmadan önce boşaltın. Aksi davranış toz toplama performansını düşürebilir ve tozun solunmasına neden olabilir.

⚠DİKKAT: Toz toplama performansı, toz kutusundaki filtre tıkanırca düşer. Bir rehber olarak yaklaşık 200 toz toplama işleminin ardından filtreyi yenisi ile değiştirin. Aksi takdirde toz solunmasına neden olabilir.

1. Toz kutusunun kolunu aşağı bastırarak toz kutusunu çıkarın.

► **Şek.31:** 1. Kol

2. Toz kutusunun kapağını açın.

► **Şek.32:** 1. Kapak

3. Tozu boşaltın ve daha sonra filtreyi temizleyin.

► **Şek.33**

ÖNEMLİ NOT: Filtreyi temizlerken filtre mahfazasına elinizle hafifçe vurarak tozu giderin. Doğrudan filtreye vurmayın; filtreye fırça veya benzeri bir cisimle dokunmayın ya da filtrenin üzerine basınçlı hava üflemeyin. Aksi takdirde filtre hasar görebilir.

Toz kutusunun filtresinin değiştirilmesi

1. Toz kutusunun kolunu aşağı bastırarak toz kutusunu çıkarın.

► **Şek.34:** 1. Kol

2. Toz kutusunun filtre kapağını açın.

► **Şek.35:** 1. Filtre kapağı

3. Filtreyi filtre mahfazasından çıkarın.

► **Şek.36:** 1. Filtre 2. Filtre mahfazası

4. Filtre mahfazasına yeni bir filtre takın ve daha sonra filtre kapağını takın.

5. Toz kutusunun kapağını kapatın ve daha sonra toz kutusunu toz toplama sistemine takın.

Sızdırmazlık başlığının değiştirilmesi

1. Emme ünitesi kafasının yanlarında bulunan girintilerden birine bir düz tornavida sokun. Düz tornavidayı bir ağıyla çevirerek sızdırmazlık başlığının kúp

kancasını sıkıp çıkarın. Ardından sızdırmazlık başlığının kauçuk kenarını emme ünitesi kafası açıklığının çerçevesinden soyup çıkarın.

- **Şek.37:** 1. Sızdırmazlık başlığı 2. Küp kanca
3. Girinti 4. Emme ünitesi kafası

2. Yeni sızdırmazlık başlığının küp kancalarından birini, sızdırmazlık başlığının girintili yüzeyi ileri bakacak şekilde emme ünitesi kafasındaki girintinin alt kısmına yerleştirin.

- **Şek.38:** 1. Küp kancalar 2. Girintinin alt kısmı
3. Sızdırmazlık başlığı 4. Girintili yüzey

3. Emme ünitesi kafasına hassas bir şekilde oturtmak için sızdırmazlık başlığını yeniden konumlandırırken diğer kancayı diğer tarafa yerleştirin.

- **Şek.39:** 1. Sızdırmazlık başlığı 2. Küp kanca
3. Girintinin alt kısmı 4. Emme ünitesi kafası 5. Çerçeve

4. Sızdırmazlık başlığının kauçuk kenarını emme ünitesi kafası açıklığının çerçevesine aşağıdan yukarı doğru hafifçe döşeyin.

- **Şek.40:** 1. Kauçuk kenar 2. Sızdırmazlık başlığı
3. Emme ünitesi kafası

KULLANIM

⚠DİKKAT: Çalışırken daima yan kavrama kolunu (yardımcı tutamak) kullanın ve aleti hem yan kavrama kolundan hem de anahtar kabzasından sıkıca kavrayın.

⚠DİKKAT: Çalışmaya başlamadan önce iş parçasının sabitlenmiş olduğundan daima emin olun.

⚠DİKKAT: Uç sıkışsa bile aleti zorlayarak çekmeyin. Kontrol kaybı yaralanmaya neden olabilir.


ÖNEMLİ NOT: Toz toplama sistemini aletle kullanmadan önce toz toplama sistemi ile ilgili kısmı okuyun.

NOT: Batarya kartuşunun sıcaklığı düşük olduğunda, aletten tam verim alınamaz. Bu durumda, aletten tam verim alabilmek için aleti yüksüz olarak bir müddet çalıştırıp batarya kartuşunu ısıtın.

- **Şek.41**

Darbeli matkap işleyişi

⚠DİKKAT: Delik delme sırasında delik talaşlar ya da parçacıklarla tıkanığı ya da betona gömülü betonarme demirlerine çarpıldığı zaman, alet/matkap ucu üstüne çok büyük ve ani bir burulma kuvveti etki eder. Çalışırken daima yan kavrama kolunu (yardımcı tutamak) kullanın ve aleti hem yan kavrama kolundan hem de anahtar kabzasından sıkıca kavrayın. Bunu yapmazsanız aletin kontrolünü kaybedebilir ve ciddi şekilde yaralanmaya neden olabilirsiniz.

Eylem modu değiştirme düğmesini  sembolüne ayarlayın.
Matkap ucunu delmek istediğiniz noktaya yerleştirin ve ardından anahtar tetiği çekin.

Çalışma hassasiyeti ve verimliliği için anahtar koluna (ana tutamak) besleme kuvveti uygulayın ve aletin dengesini sağlamak için yan kavrama kolunu (yardımcı tutamak) tutun.

Aletin konumunu koruyun ve deliğin dışına kaymasını önleyin.

Delik talaş ya da parçacıklardan dolayı tıkanırse daha fazla basınç uygulamayın. Bunun yerine aleti rölantide çalıştırın ve ardından matkap ucunu kısmen delikten çıkarın. Bunu birkaç kez tekrarladığınızda delik temizlenir ve normal delme işlemine devam edilebilir.

NOT: Alet yüksüz olarak çalıştığında matkap ucunun dönüşünde merkezden sapma meydana gelebilir. Kullanım sırasında alet otomatik olarak konumu düzeltilir. Delme işleminin kesinliği etkilenmez.

Tahta veya metal delme

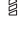
⚠DİKKAT: Matkap ucu, iş parçasını delip çıkmaya başladığında aleti sıkı tutun ve dikkat sarf edin. Deliğin açılması sırasında alet/matkap ucu üzerine çok büyük güç uygulanır.

⚠DİKKAT: Sıkışan bir matkap ucu, aleti ters yöne döndürerek kolayca çıkartılabilir. Fakat bu durumda aleti sıkıca tutmak gerekir, aksi halde alet darbe ile aniden elden çıkabilir.

⚠DİKKAT: İş parçalarını daima bir mengene ya da benzer sıkıştırma aygıtlarıyla sabitleyin.

ÖNEMLİ NOT: Matkap mandreni aletin üzerine takılı olduğunda "kırmalı dönüş" özelliğini asla kullanmayın. Matkap mandreni zarar görebilir. Ayrıca, alet ters dönerken matkap mandreni yerinden çıkar.

ÖNEMLİ NOT: Alete aşırı baskı yapıldığında delme işlemi hızlanmayacaktır. Aşırı baskı matkap ucunun yıpranmasına, alet performansının düşmesine ve aletin kullanım ömrünün kısalmasına yol açacaktır.

Eylem modu değiştirme düğmesini  sembolüne ayarlayın.

Mandren adaptörünü, 1/2"-20 vida monte edilebilen bir anahtarsız matkap mandrenine takın ve daha sonra bunlar alete takın. Takarken, "Matkap ucunun takılması veya çıkarılması" bölümüne başvurun.

- **Şek.42:** 1. Matkap mandreni tertibatı 2. Mandren adaptörü

Toz üfleme aparatı

İsteğe bağlı aksesuarlar

Deliği deldikten sonra, deliğin içindeki tozu temizlemek için toz üfleme aparatını kullanın.

- **Şek.43**

Toz başlığı setinin kullanılması

İsteğe bağlı aksesuarlar

Aleti kullanırken toz başlığı setini tavana yerleştirin.

- **Şek.44**

ÖNEMLİ NOT: Toz başlığı setini metal veya benzeri materyal üzerinde delme işlemi yaparken kullanmayın. Küçük metal tozu veya benzeri tarafından üretilen ısıdan dolayı, toz başlığı setine zarar verebilir.

ÖNEMLİ NOT: Alete matkap ucu takılı iken toz başlığı setini takmayın veya çıkarmayın. Toz başlığı setine zarar verebilir ve toz sızıntısına neden olabilir.

BAKIM

⚠DİKKAT: Muayene ya da bakım yapmadan önce aletin kapalı ve batarya kartuşunun çıkartılmış olduğundan daima emin olun.

ÖNEMLİ NOT: Benzin, tiner, alkol ve benzeri maddeleri kesinlikle kullanmayın. Renk değişimi, deformasyon veya çatlaklar oluşabilir.

Aleti EMNİYETLİ ve ÇALIŞMAYA HAZIR durumda tutmak için onarımlar, başka her türlü bakım ve ayarlamalar daima Makita yedek parçaları kullanılarak Makita yetkili servis merkezleri veya Fabrikanın Servis Merkezleri tarafından yapılmalıdır.

İSTEĞE BAĞLI AKSESUARLAR

⚠DİKKAT: Bu aksesuarlar ve ek parçalar bu el kitabında belirtilen Makita aletiniz ile kullanılmak için tavsiye edilmektedir. Herhangi başka bir aksesuar ya da ek parça kullanılması insanlar için bir yaralanma riski getirebilir. Aksesuarları ya da ek parçaları yalnızca belirtilmiş olan kullanım amaçlarına uygun olarak kullanın.

Bu aksesuarlarla ilgili daha fazla bilgiye ihtiyaç duyar-sanız bulunduğunuz yerdeki yetkili Makita servisine başvurun.

- Karbür matkap uçları (SDS-plus karbür matkap uçları)
- Mandren adaptörü
- Anahtarsız matkap mandreni
- Uç gresi
- Derinlik mastarı
- Toz üfleme aparatı
- Toz başlığı
- Toz başlığı seti
- Toz toplama sistemi
- Alet askısı
- Orijinal Makita batarya ve şarj aleti

NOT: Listedeki parçaların bazıları alet paketi içerisinde standart aksesuar olarak dahil edilmiş olabilir. Bunlar ülkeden ülkeye farklılık gösterebilir.

Makita Europe N.V.

Jan-Baptist Vinkstraat 2, 3070 Kortenberg, Belgium

Makita Corporation

3-11-8, Sumiyoshi-cho, Anjo, Aichi 446-8502 Japan

www.makita.com



885A17B995
EN, FR, DE, IT, NL,
ES, PT, DA, EL, TR
20240308