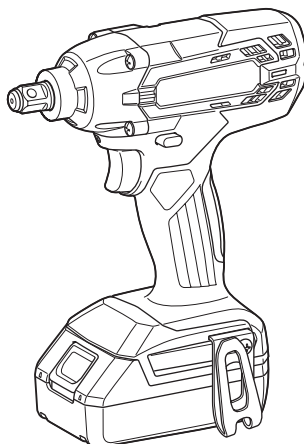




<b>EN</b>	<b>Cordless Impact Wrench</b>	<b>INSTRUCTION MANUAL</b>	<b>4</b>
<b>FR</b>	<b>Boulonneuse sans Fil</b>	<b>MANUEL D'INSTRUCTIONS</b>	<b>10</b>
<b>DE</b>	<b>Akku - Schlagschrauber</b>	<b>BETRIEBSANLEITUNG</b>	<b>17</b>
<b>IT</b>	<b>Avvitatrice ad impulso a batteria</b>	<b>ISTRUZIONI PER L'USO</b>	<b>24</b>
<b>NL</b>	<b>Accuslagmoersleutel</b>	<b>GEBRUIKSAANWIJZING</b>	<b>31</b>
<b>ES</b>	<b>Llave de Impacto Inalámbrica</b>	<b>MANUAL DE INSTRUCCIONES</b>	<b>38</b>
<b>PT</b>	<b>Chave de Impacto a Bateria</b>	<b>MANUAL DE INSTRUÇÕES</b>	<b>45</b>
<b>DA</b>	<b>Elektronisk akku slag nøgle</b>	<b>BRUGSANVISNING</b>	<b>52</b>
<b>EL</b>	<b>Κρουστικό κλειδί μπαταρίας</b>	<b>ΕΓΧΕΙΡΙΔΙΟ ΟΔΗΓΙΩΝ</b>	<b>58</b>
<b>TR</b>	<b>Akülü Darbeli Somun Sıkma</b>	<b>KULLANMA KILAVUZU</b>	<b>65</b>

## TW202D



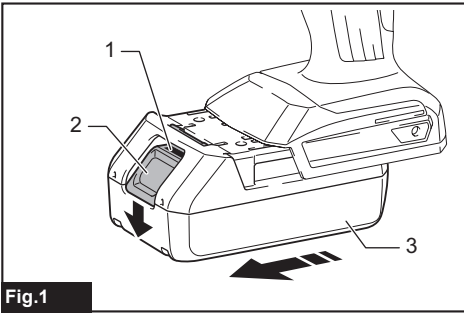


Fig.1

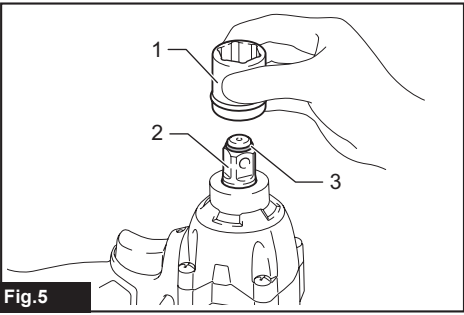


Fig.5

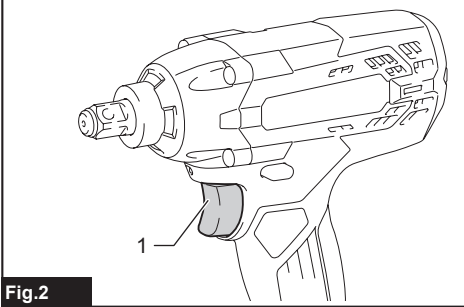


Fig.2

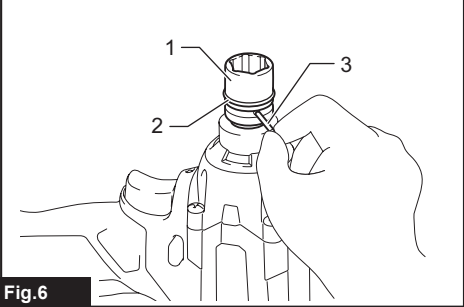


Fig.6

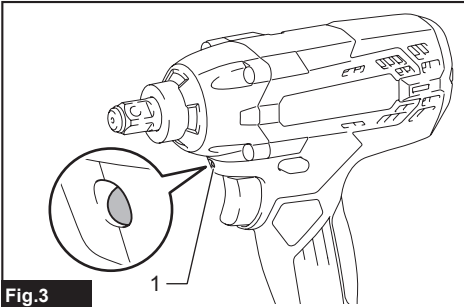


Fig.3

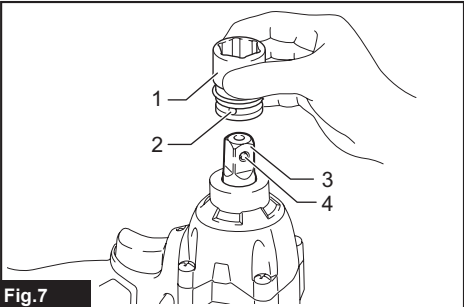


Fig.7

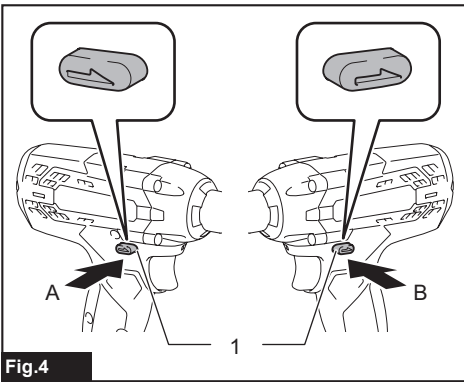


Fig.4

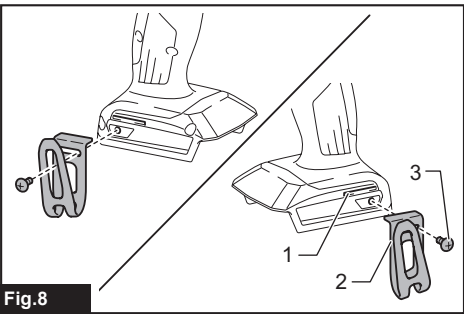


Fig.8

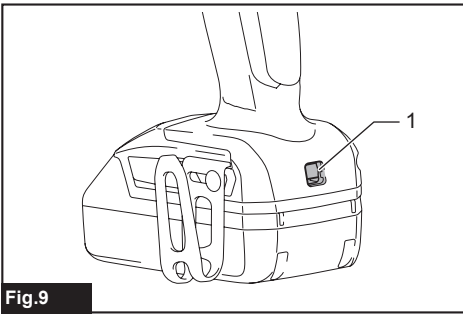


Fig.9

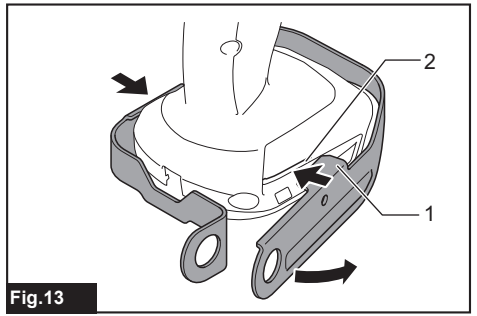


Fig.13

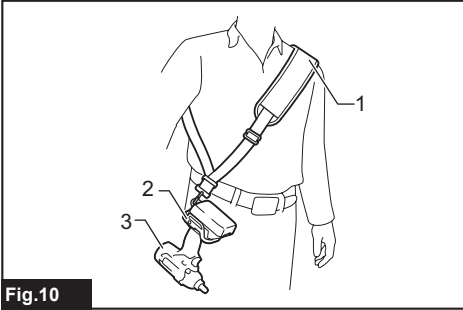


Fig.10

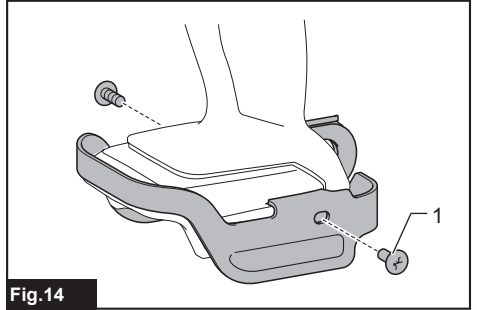


Fig.14

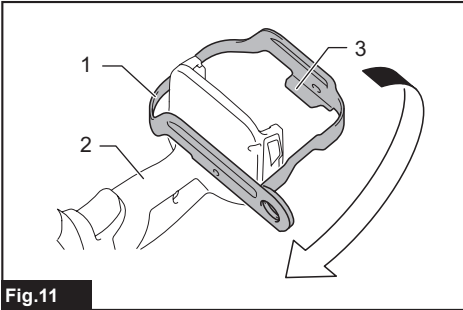


Fig.11

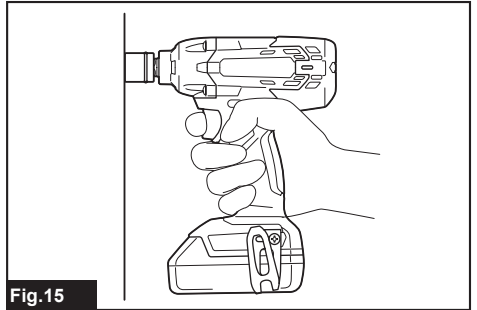


Fig.15

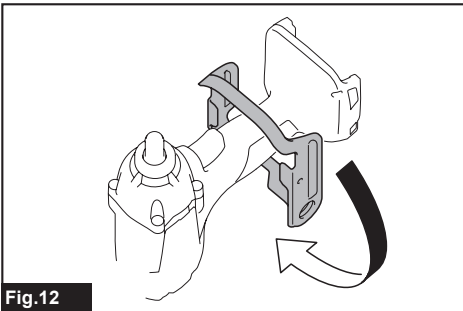


Fig.12

## SPECIFICATIONS

<b>Model:</b>		<b>TW202D</b>
Fastening capacities	Standard bolt	M8 - M16
	High tensile bolt	M8 - M12
Square drive		12.7 mm
No load speed		0 - 2,300 min <sup>-1</sup>
Impacts per minute		0 - 3,000 min <sup>-1</sup>
Overall length		176 mm
Rated voltage		D.C. 18 V
Net weight		1.5 kg

- Due to our continuing program of research and development, the specifications herein are subject to change without notice.
- Specifications may differ from country to country.
- The weight may differ depending on the attachment(s), including the battery cartridge. The lightest and heaviest combinations, according to EPTA-Procedure 01/2014, are shown in the table.

### Applicable battery cartridge and charger

Battery cartridge	BL1815G / BL1820G
Charger	DC18WA / DC18WB

- Some of the battery cartridges and chargers listed above may not be available depending on your region of residence.

**⚠WARNING:** Only use the battery cartridges and chargers listed above. Use of any other battery cartridges and chargers may cause injury and/or fire.

### Intended use

The tool is intended for fastening bolts and nuts.

### Noise

The typical A-weighted noise level determined according to EN62841-2-2:

Sound pressure level ( $L_{pA}$ ): 98 dB (A)

Sound power level ( $L_{WA}$ ): 106 dB (A)

Uncertainty (K): 3 dB (A)

**NOTE:** The declared noise emission value(s) has been measured in accordance with a standard test method and may be used for comparing one tool with another.

**NOTE:** The declared noise emission value(s) may also be used in a preliminary assessment of exposure.

**⚠WARNING:** Wear ear protection.

**⚠WARNING:** The noise emission during actual use of the power tool can differ from the declared value(s) depending on the ways in which the tool is used especially what kind of workpiece is processed.

**⚠WARNING:** Be sure to identify safety measures to protect the operator that are based on an estimation of exposure in the actual conditions of use (taking account of all parts of the operating cycle such as the times when the tool is switched off and when it is running idle in addition to the trigger time).

### Vibration

The vibration total value (tri-axial vector sum) determined according to EN62841-2-2:

Work mode: impact tightening of fasteners of the maximum capacity of the tool

Vibration emission ( $a_h$ ): 6.8 m/s<sup>2</sup>

Uncertainty (K): 1.5 m/s<sup>2</sup>

**NOTE:** The declared vibration total value(s) has been measured in accordance with a standard test method and may be used for comparing one tool with another.

**NOTE:** The declared vibration total value(s) may also be used in a preliminary assessment of exposure.

**⚠️WARNING:** The vibration emission during actual use of the power tool can differ from the declared value(s) depending on the ways in which the tool is used especially what kind of workpiece is processed.

**⚠️WARNING:** Be sure to identify safety measures to protect the operator that are based on an estimation of exposure in the actual conditions of use (taking account of all parts of the operating cycle such as the times when the tool is switched off and when it is running idle in addition to the trigger time).

## Declarations of Conformity

### For European countries only

The Declarations of conformity are included in Annex A to this instruction manual.

# SAFETY WARNINGS

## General power tool safety warnings

**⚠️WARNING:** Read all safety warnings, instructions, illustrations and specifications provided with this power tool. Failure to follow all instructions listed below may result in electric shock, fire and/or serious injury.

## Save all warnings and instructions for future reference.

The term "power tool" in the warnings refers to your mains-operated (corded) power tool or battery-operated (cordless) power tool.

## Cordless impact wrench safety warnings

1. **Hold the power tool by insulated gripping surfaces, when performing an operation where the fastener may contact hidden wiring.** Fasteners contacting a "live" wire may make exposed metal parts of the power tool "live" and could give the operator an electric shock.
2. **Wear ear protectors.**
3. **Check the impact socket carefully for wear, cracks or damage before installation.**
4. **Hold the tool firmly.**
5. **Keep hands away from rotating parts.**
6. **Do not touch the impact socket, bolt, nut or the workpiece immediately after operation.** They may be extremely hot and could burn your skin.
7. **Always be sure you have a firm footing. Be sure no one is below when using the tool in high locations.**
8. **The proper fastening torque may differ depending upon the kind or size of the bolt. Check the torque with a torque wrench.**
9. **Make sure there are no electrical cables, water pipes, gas pipes etc. that could cause a hazard if damaged by use of the tool.**

## SAVE THESE INSTRUCTIONS.

**⚠️WARNING:** DO NOT let comfort or familiarity with product (gained from repeated use) replace strict adherence to safety rules for the subject product.

**MISUSE** or failure to follow the safety rules stated in this instruction manual may cause serious personal injury.

## Important safety instructions for battery cartridge

1. **Before using battery cartridge, read all instructions and cautionary markings on (1) battery charger, (2) battery, and (3) product using battery.**
2. **Do not disassemble or tamper with the battery cartridge.** It may result in a fire, excessive heat, or explosion.
3. **If operating time has become excessively shorter, stop operating immediately.** It may result in a risk of overheating, possible burns and even an explosion.
4. **If electrolyte gets into your eyes, rinse them out with clear water and seek medical attention right away.** It may result in loss of your eyesight.
5. **Do not short the battery cartridge:**
  - (1) **Do not touch the terminals with any conductive material.**
  - (2) **Avoid storing battery cartridge in a container with other metal objects such as nails, coins, etc.**
  - (3) **Do not expose battery cartridge to water or rain.**

**A battery short can cause a large current flow, overheating, possible burns and even a breakdown.**

6. **Do not store and use the tool and battery cartridge in locations where the temperature may reach or exceed 50 °C (122 °F).**
7. **Do not incinerate the battery cartridge even if it is severely damaged or is completely worn out. The battery cartridge can explode in a fire.**
8. **Do not nail, cut, crush, throw, drop the battery cartridge, or hit against a hard object to the battery cartridge.** Such conduct may result in a fire, excessive heat, or explosion.
9. **Do not use a damaged battery.**
10. **The contained lithium-ion batteries are subject to the Dangerous Goods Legislation requirements.**

For commercial transports e.g. by third parties, forwarding agents, special requirement on packaging and labeling must be observed.

For preparation of the item being shipped, consulting an expert for hazardous material is required. Please also observe possibly more detailed national regulations.

Tape or mask off open contacts and pack up the battery in such a manner that it cannot move around in the packaging.

11. **When disposing the battery cartridge, remove it from the tool and dispose of it in a safe place. Follow your local regulations relating to disposal of battery.**
12. **Use the batteries only with the products specified by Makita.** Installing the batteries to non-compliant products may result in a fire, excessive heat, explosion, or leak of electrolyte.
13. **If the tool is not used for a long period of time, the battery must be removed from the tool.**
14. **During and after use, the battery cartridge may take on heat which can cause burns or low temperature burns. Pay attention to the handling of hot battery cartridges.**
15. **Do not touch the terminal of the tool immediately after use as it may get hot enough to cause burns.**
16. **Do not allow chips, dust, or soil stuck into the terminals, holes, and grooves of the battery cartridge.** It may cause heating, catching fire, burst and malfunction of the tool or battery cartridge, resulting in burns or personal injury.
17. **Unless the tool supports the use near high-voltage electrical power lines, do not use the battery cartridge near high-voltage electrical power lines.** It may result in a malfunction or breakdown of the tool or battery cartridge.
18. **Keep the battery away from children.**

## SAVE THESE INSTRUCTIONS.

**CAUTION:** Only use genuine Makita batteries. Use of non-genuine Makita batteries, or batteries that have been altered, may result in the battery bursting causing fires, personal injury and damage. It will also void the Makita warranty for the Makita tool and charger.

## Tips for maintaining maximum battery life

1. **Charge the battery cartridge before completely discharged. Always stop tool operation and charge the battery cartridge when you notice less tool power.**
2. **Never recharge a fully charged battery cartridge. Overcharging shortens the battery service life.**
3. **Charge the battery cartridge with room temperature at 10 °C - 40 °C (50 °F - 104 °F). Let a hot battery cartridge cool down before charging it.**
4. **When not using the battery cartridge, remove it from the tool or the charger.**
5. **Charge the battery cartridge if you do not use it for a long period (more than six months).**

## FUNCTIONAL DESCRIPTION

**CAUTION:** Always be sure that the tool is switched off and the battery cartridge is removed before adjusting or checking function on the tool.

### Installing or removing battery cartridge

**CAUTION:** Always switch off the tool before installing or removing of the battery cartridge.

**CAUTION:** Hold the tool and the battery cartridge firmly when installing or removing battery cartridge. Failure to hold the tool and the battery cartridge firmly may cause them to slip off your hands and result in damage to the tool and battery cartridge and a personal injury.

To remove the battery cartridge, slide it from the tool while sliding the button on the front of the cartridge.

► **Fig.1:** 1. Red indicator 2. Button 3. Battery cartridge

To install the battery cartridge, align the tongue on the battery cartridge with the groove in the housing and slip it into place. Insert it all the way until it locks in place with a little click. If you can see the red indicator as shown in the figure, it is not locked completely.

**CAUTION:** Always install the battery cartridge fully until the red indicator cannot be seen. If not, it may accidentally fall out of the tool, causing injury to you or someone around you.

**CAUTION:** Do not install the battery cartridge forcibly. If the cartridge does not slide in easily, it is not being inserted correctly.

### Switch action

**CAUTION:** Before installing the battery cartridge into the tool, always check to see that the switch trigger actuates properly and returns to the "OFF" position when released.

To start the tool, simply pull the switch trigger. Tool speed is increased by increasing pressure on the switch trigger. Release the switch trigger to stop.

► **Fig.2:** 1. Switch trigger

### Electric brake

This tool is equipped with an electric brake. If the tool consistently fails to quickly stop after the switch trigger is released, have the tool serviced at a Makita service center.

## Lighting up the front lamp

**⚠ CAUTION:** Do not look in the light or see the source of light directly.

Pull the switch trigger to light up the lamp. The lamp keeps on lighting while the switch trigger is being pulled. The lamp goes out approximately 10 to 20 seconds after releasing the switch trigger.

► **Fig.3:** 1. Lamp

**NOTE:** Use a dry cloth to wipe the dirt off the lens of the lamp. Be careful not to scratch the lens of lamp, or it may lower the illumination.

## Reversing switch action

**⚠ CAUTION:** Always check the direction of rotation before operation.

**⚠ CAUTION:** Use the reversing switch lever only after the tool comes to a complete stop. Changing the direction of rotation before the tool stops may damage the tool.

**⚠ CAUTION:** When not operating the tool, always set the reversing switch lever to the neutral position.

This tool has a reversing switch lever to change the direction of rotation. Depress the reversing switch lever from the A side for clockwise rotation or from the B side for counterclockwise rotation.

When the reversing switch lever is in the neutral position, the switch trigger cannot be pulled.

► **Fig.4:** 1. Reversing switch lever

## ASSEMBLY

**⚠ CAUTION:** Always be sure that the tool is switched off and the battery cartridge is removed before carrying out any work on the tool.

## Selecting correct impact socket

Always use the correct size impact socket for bolts and nuts. An incorrect size impact socket will result in inaccurate and inconsistent fastening torque and/or damage to the bolt or nut.

## Installing or removing impact socket

### Optional accessory

**⚠ CAUTION:** Make sure that the impact socket and the mounting portion are not damaged before installing the impact socket.

**⚠ CAUTION:** After inserting the impact socket, make sure that it is firmly secured. If it comes out, do not use it.

**NOTE:** The way of impact socket installation varies depending on the type of the square drive on the tool.

## Tool with the ring spring

### For impact socket without O-ring and pin

Push the impact socket onto the square drive until it locks into place.

To remove the impact socket, simply pull it off.

► **Fig.5:** 1. Impact socket 2. Square drive 3. Ring spring

### For impact socket with O-ring and pin

Move the O-ring out of the groove in the impact socket and remove the pin from the impact socket. Fit the impact socket onto the square drive so that the hole in the impact socket is aligned with the hole in the square drive.

Insert the pin through the hole in the impact socket and square drive. Then return the O-ring to the original position in the impact socket groove to retain the pin.

To remove the impact socket, follow the installation procedures in reverse.

► **Fig.6:** 1. Impact socket 2. O-ring 3. Pin

## Tool with the detent pin

Align the hole in the side of the impact socket with the detent pin on the square drive and push the impact socket onto the square drive until it locks into place. Tap it lightly if required.

To remove the impact socket, simply pull it off. If it is hard to remove, depress the detent pin while pulling the impact socket.

► **Fig.7:** 1. Impact socket 2. Hole 3. Square drive 4. Detent pin

## Installing hook

### Optional accessory

**⚠ WARNING:** Use the hanging/mounting parts for their intended purposes only, e.g., hanging the tool on a tool belt between jobs or work intervals.

**⚠ WARNING:** Be careful not to overload the hook as too much force or irregular overburden may cause damages to the tool resulting in personal injury.

**⚠ CAUTION:** When installing the hook, always secure it with the screw firmly. If not, the hook may come off from the tool and result in the personal injury.

**⚠ CAUTION:** Make sure to hang the tool securely before releasing your hold. Insufficient or unbalanced hooking may cause falling off and you may be injured.

The hook is convenient for temporarily hanging the tool. This can be installed on either side of the tool. To install the hook, insert it into a groove in the tool housing on either side and then secure it with a screw. To remove, loosen the screw and then take it out.

► **Fig.8:** 1. Groove 2. Hook 3. Screw

## Using hole

**⚠ WARNING:** Never use the hanging hole for unintended purpose, for instance, tethering the tool at high location. Bearing stress in a heavily loaded hole may cause damages to the hole, resulting in injuries to you or people around or below you.

Use the hanging hole at the bottom rear of the tool to hang the tool on a wall using a hanging cord or similar strings.

► Fig.9: 1. Hanging hole

## Installing tool hanger

### Optional accessory

**⚠ WARNING:** Use the hanging/mounting parts for their intended purposes only, e.g., hanging the tool on a tool belt between jobs or work intervals.

**⚠ CAUTION:** Do not use damaged tool hanger, screws, and shoulder strap. Always check for damages, cracks or deformations before use.

**⚠ CAUTION:** Make sure that the screws are tightened before use.

**⚠ CAUTION:** Always use the screws provided with the tool hanger only.

**⚠ CAUTION:** Do not remove the battery cartridge while hanging the tool. The tool may fall if the screws are not tightened.

**⚠ CAUTION:** Install or remove the tool hanger on a stable table or surface.

This tool hanger is convenient for temporarily hanging the tool from your belt, etc. as illustrated.

► Fig.10: 1. Shoulder strap 2. Tool hanger 3. Tool

**NOTE:** When using with a shoulder strap, always use the item No.161464-4. Do not use the item No.161464-4 with other tool hanger.

Remove the battery cartridge from the tool.

Install the tool hanger to the tool in the direction of arrow.

► Fig.11: 1. Tool hanger 2. Tool 3. Projection

► Fig.12

Insert the projections of the tool hanger into the grooves on the both sides of the tool. You can install the tool hanger in the direction of arrow only.

► Fig.13: 1. Projection 2. Groove

Tighten the provided screws firmly. To remove, loosen the screws and then take it out.

► Fig.14: 1. Screw

**⚠ CAUTION:** After installing, make sure that the tool hanger is securely installed with the screws.

**⚠ CAUTION:** If any problem develops, consult your nearest Makita service center or dealer.

## OPERATION

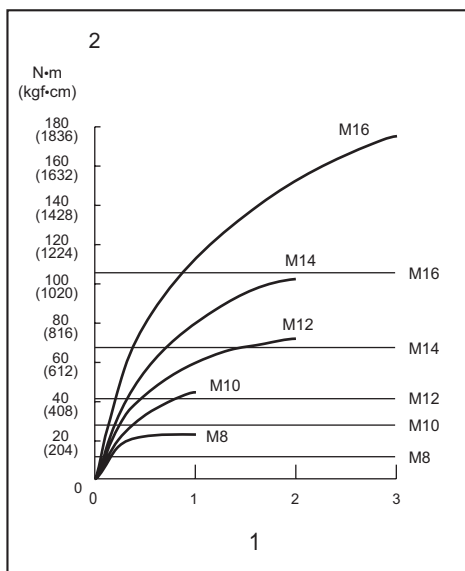
**⚠ CAUTION:** Always insert the battery cartridge all the way until it locks in place. If you can see the red indicator on the upper side of the button, it is not locked completely. Insert it fully until the red indicator cannot be seen. If not, it may accidentally fall out of the tool, causing injury to you or someone around you.

Hold the tool firmly and place the impact socket over the bolt or nut. Turn the tool on and fasten for the proper fastening time.

The proper fastening torque may differ depending upon the kind or size of the bolt, the material of the workpiece to be fastened, etc. The relation between fastening torque and fastening time is shown in the figures.

► Fig.15

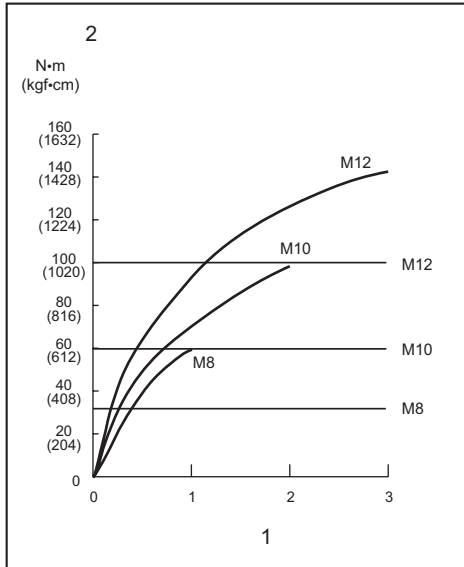
### Proper fastening torque for standard bolt



1. Fastening time (second) 2. Fastening torque



## Proper fastening torque for high tensile bolt



1. Fastening time (second) 2. Fastening torque

**NOTE:** Hold the tool pointed straight at the bolt or nut.

**NOTE:** Excessive fastening torque may damage the bolt/nut or impact socket. Before starting your job, always perform a test operation to determine the proper fastening time for your bolt or nut.

**NOTE:** If the tool is operated continuously until the battery cartridge has discharged, allow the tool to rest for 15 minutes before proceeding with a fresh battery cartridge.

The fastening torque is affected by a wide variety of factors including the following. After fastening, always check the torque with a torque wrench.

- When the battery cartridge is discharged almost completely, voltage will drop and the fastening torque will be reduced.
- Impact socket
  - Failure to use the correct size impact socket will cause a reduction in the fastening torque.
  - A worn impact socket (wear on the hex end or square end) will cause a reduction in the fastening torque.
- Bolt
  - Even though the torque coefficient and the class of bolt are the same, the proper fastening torque will differ according to the diameter of bolt.
  - Even though the diameters of bolts are the same, the proper fastening torque will differ according to the torque coefficient, the class of bolt and the bolt length.

- The use of the universal joint or the extension bar somewhat reduces the fastening force of the impact wrench. Compensate by fastening for a longer period of time.
- The manner of holding the tool or the material of driving position to be fastened will affect the torque.
- Operating the tool at low speed will cause a reduction in the fastening torque.

## MAINTENANCE

**CAUTION:** Always be sure that the tool is switched off and the battery cartridge is removed before attempting to perform inspection or maintenance.

**NOTICE:** Never use gasoline, benzine, thinner, alcohol or the like. Discoloration, deformation or cracks may result.

To maintain product SAFETY and RELIABILITY, repairs, any other maintenance or adjustment should be performed by Makita Authorized or Factory Service Centers, always using Makita replacement parts.

## OPTIONAL ACCESSORIES

**CAUTION:** These accessories or attachments are recommended for use with your Makita tool specified in this manual. The use of any other accessories or attachments might present a risk of injury to persons. Only use accessory or attachment for its stated purpose.

If you need any assistance for more details regarding these accessories, ask your local Makita Service Center.

- Impact socket
- Plastic carrying case
- Tool hanger
- Shoulder strap
- Hook
- Makita genuine battery and charger

**NOTE:** Some items in the list may be included in the tool package as standard accessories. They may differ from country to country.

## SPÉCIFICATIONS

<b>Modèle :</b>		<b>TW202D</b>
Capacités de serrage	Boulon standard	M8 - M16
	Boulon à haute résistance	M8 - M12
Carré conducteur		12,7 mm
Vitesse à vide		0 - 2 300 min <sup>-1</sup>
Impacts par minute		0 - 3 000 min <sup>-1</sup>
Longueur totale		176 mm
Tension nominale		18 V CC
Poids net		1,5 kg

- Étant donné l'évolution constante de notre programme de recherche et de développement, les spécifications contenues dans ce manuel sont sujettes à modification sans préavis.
- Les spécifications peuvent varier suivant les pays.
- Le poids peut être différent selon les accessoires, notamment la batterie. Les associations la plus légère et la plus lourde, conformément à la procédure EPTA 01/2014, sont indiquées dans le tableau.

### Batterie et chargeur applicables

Batterie	BL1815G / BL1820G
Chargeur	DC18WA / DC18WB

- Certains chargeurs et batteries répertoriés ci-dessus peuvent ne pas être disponibles selon la région où vous résidez.

**⚠ AVERTISSEMENT :** N'utilisez que les batteries et les chargeurs répertoriés ci-dessus. L'utilisation d'autres batteries et chargeurs peut provoquer des blessures et/ou un incendie.

### Utilisations

L'outil est conçu pour la fixation des boulons et des écrous.

### Bruit

Niveau de bruit pondéré A typique, déterminé selon EN62841-2-2 :

Niveau de pression sonore ( $L_{pA}$ ) : 98 dB (A)

Niveau de puissance sonore ( $L_{WA}$ ) : 106 dB (A)

Incertitude (K) : 3 dB (A)

**NOTE :** La ou les valeurs d'émission de bruit déclarées ont été mesurées conformément à la méthode de test standard et peuvent être utilisées pour comparer les outils entre eux.

**NOTE :** La ou les valeurs d'émission de bruit déclarées peuvent aussi être utilisées pour l'évaluation préliminaire de l'exposition.

**⚠ AVERTISSEMENT :** Portez un serre-tête antibruit.

**⚠ AVERTISSEMENT :** L'émission de bruit lors de l'usage réel de l'outil électrique peut être différente de la ou des valeurs déclarées, suivant la façon dont l'outil est utilisé, particulièrement selon le type de pièce usinée.

**⚠ AVERTISSEMENT :** Les mesures de sécurité à prendre pour protéger l'utilisateur doivent être basées sur une estimation de l'exposition dans des conditions réelles d'utilisation (en tenant compte de toutes les composantes du cycle d'utilisation, comme par exemple le moment de sa mise hors tension, lorsqu'il tourne à vide et le moment de son déclenchement).

### Vibrations

Valeur totale de vibrations (somme de vecteur triaxial) déterminée selon EN62841-2-2 :

Mode de travail : serrage avec impact de vis ou boulon ne dépassant pas la capacité maximale de l'outil

Émission de vibrations ( $a_h$ ) : 6,8 m/s<sup>2</sup>

Incertitude (K) : 1,5 m/s<sup>2</sup>

**NOTE :** La ou les valeurs de vibration totales déclarées ont été mesurées conformément à la méthode de test standard et peuvent être utilisées pour comparer les outils entre eux.

**NOTE :** La ou les valeurs de vibration totales déclarées peuvent aussi être utilisées pour l'évaluation préliminaire de l'exposition.

**⚠️ AVERTISSEMENT** : L'émission de vibrations lors de l'usage réel de l'outil électrique peut être différente de la ou des valeurs déclarées, suivant la façon dont l'outil est utilisé, particulièrement selon le type de pièce usinée.

**⚠️ AVERTISSEMENT** : Les mesures de sécurité à prendre pour protéger l'utilisateur doivent être basées sur une estimation de l'exposition dans des conditions réelles d'utilisation (en tenant compte de toutes les composantes du cycle d'utilisation, comme par exemple le moment de sa mise hors tension, lorsqu'il tourne à vide et le moment de son déclenchement).

## Déclarations de conformité

### *Pour les pays européens uniquement*

Les déclarations de conformité sont fournies en Annexe A à ce mode d'emploi.

## CONSIGNES DE SÉCURITÉ

### Consignes de sécurité générales pour outils électriques

**⚠️ AVERTISSEMENT** : Veuillez lire les consignes de sécurité, instructions, illustrations et spécifications qui accompagnent cet outil électrique. Le non-respect de toutes les instructions indiquées ci-dessous peut entraîner une électrocution, un incendie et/ou de graves blessures.

### Conservez toutes les mises en garde et instructions pour référence ultérieure.

Le terme « outil électrique » dans les avertissements fait référence à l'outil électrique alimenté par le secteur (avec cordon d'alimentation) ou à l'outil électrique fonctionnant sur batterie (sans cordon d'alimentation).

### Consignes de sécurité pour boulonneuse sans fil

1. **Tenez l'outil électrique par des surfaces de prise isolées lorsque vous effectuez une tâche au cours de laquelle la vis ou le boulon peut entrer en contact avec des fils cachés.** Le contact de la vis ou du boulon avec un fil sous tension peut transmettre du courant dans les pièces métalliques exposées de l'outil et électrocuter l'opérateur.
2. **Portez un casque anti-bruit.**
3. **Vérifiez que la douille à choc n'est pas usée, fissurée ou endommagée avant l'installation.**
4. **Tenez votre outil fermement.**
5. **Gardez les mains éloignées des pièces en rotation.**
6. **Ne touchez pas la douille à choc, le boulon, l'écrou ou la pièce immédiatement après le fonctionnement.** Ils pourraient être extrêmement chauds et vous brûler la peau.

7. **Ayez toujours une assise ferme sous vos pieds.** Veillez à ce que personne ne se trouve en dessous de vous quand vous utilisez l'outil en hauteur.
8. **Le couple de serrage correct peut varier en fonction du type ou de la dimension du boulon.** Vérifiez le couple à l'aide d'une clé dynamométrique.
9. **Assurez-vous qu'il n'y a pas de câbles électriques, de conduites d'eau, de conduites de gaz, etc., présentant un risque s'ils sont endommagés suite à l'utilisation de l'outil.**

## CONSERVEZ CES INSTRUCTIONS.

**⚠️ AVERTISSEMENT** : NE vous laissez PAS tromper (au fil d'une utilisation répétée) par un sentiment d'aisance et de familiarité avec le produit, en négligeant le respect rigoureux des consignes de sécurité qui accompagnent le produit en question.

La MAUVAISE UTILISATION de l'outil ou l'ignorance des consignes de sécurité indiquées dans ce mode d'emploi peut entraîner de graves blessures.

### Consignes de sécurité importantes pour la batterie

1. **Avant d'utiliser la batterie, lisez toutes les instructions et précautions relatives (1) au chargeur de batterie, (2) à la batterie, et (3) au produit utilisant la batterie.**
2. **Ne désassemblez pas et ne modifiez pas la batterie.** Cela pourrait entraîner un incendie, une chaleur excessive ou une explosion.
3. **Cessez immédiatement l'utilisation si le temps de fonctionnement devient excessivement court.** Il y a risque de surchauffe, de brûlures, voire d'explosion.
4. **Si l'électrolyte pénètre dans vos yeux, rincez-les à l'eau claire et consultez immédiatement un médecin.** Il y a risque de perte de la vue.
5. **Ne court-circuitez pas la batterie :**
  - (1) **Ne touchez les bornes avec aucun matériau conducteur.**
  - (2) **Évitez de ranger la batterie dans un conteneur avec d'autres objets métalliques, par exemple des clous, des pièces de monnaie, etc.**
  - (3) **N'exposez pas la batterie à l'eau ou à la pluie.**

Un court-circuit de la batterie peut provoquer une intensité de courant élevée, une surchauffe, parfois des brûlures et même une panne.
6. **Ne rangez ni n'utilisez l'outil et la batterie dans un endroit où la température risque d'atteindre ou de dépasser 50 °C.**
7. **Ne jetez pas la batterie au feu même si elle est sérieusement endommagée ou complètement épuisée.** La batterie peut exploser au contact du feu.

8. **Abstenez-vous de clouer, couper, écraser, jeter, laisser tomber la batterie, ou de la heurter contre un objet dur.** Cela pourrait entraîner un incendie, une chaleur excessive ou une explosion.
9. **N'utilisez pas la batterie si elle est endommagée.**
10. **Les batteries au lithium-ion contenues sont soumises aux exigences de la législation sur les marchandises dangereuses.**  
Lors du transport commercial par des tierces parties ou des transitaires par exemple, des exigences spécifiques en matière d'étiquetage et d'emballage doivent être respectées.  
Pour la préparation de l'article expédié, il est nécessaire de consulter un expert en matériau dangereux. Veuillez également respecter les réglementations nationales susceptibles d'être plus détaillées.  
Recouvrez les contacts exposés avec du ruban adhésif ou du ruban de masquage et emballez la batterie de telle sorte qu'elle ne puisse pas bouger dans l'emballage.
11. **Lors de la mise au rebut de la batterie, retirez-la de l'outil et jetez-la en lieu sûr. Suivez les réglementations locales en matière de mise au rebut des batteries.**
12. **Utilisez les batteries uniquement avec les produits spécifiés par Makita.** L'insertion de batteries dans des produits non conformes peut provoquer un incendie, une chaleur excessive, une explosion ou une fuite de l'électrolyte.
13. **Lorsque vous n'utilisez pas l'outil pendant une période prolongée, la batterie doit être retirée de l'outil.**
14. **Pendant et après l'utilisation, la batterie peut chauffer, ce qui peut entraîner des brûlures, y compris en cas de température relativement basse. Manipulez les batteries chaudes avec précaution.**
15. **Ne touchez pas la borne de l'outil immédiatement après utilisation car elle peut être assez chaude pour provoquer des brûlures.**
16. **Évitez que des copeaux, de la poussière ou du sol adhèrent aux bornes, aux trous et aux rainures de la batterie.** Cela peut provoquer un échauffement, un incendie, une explosion ou un dysfonctionnement de l'outil ou de la batterie, ce qui peut entraîner des brûlures ou des blessures.
17. **À moins que l'outil prenne en charge un tel usage, n'utilisez pas la batterie à proximité de lignes électriques haute tension.** Cela pourrait entraîner un dysfonctionnement ou casser l'outil ou la batterie.
18. **Conservez la batterie hors de portée des enfants.**

## CONSERVEZ CES INSTRUCTIONS.

**ATTENTION** : N'utilisez que des batteries Makita d'origine. L'utilisation de batteries de marque autre que Makita ou de batteries modifiées peut provoquer l'explosion des batteries, ce qui présente un risque d'incendie, de dommages matériels et corporels. Cela annulera également la garantie Makita pour l'outil et le chargeur Makita.

## Conseils pour assurer la durée de vie optimale de la batterie

1. **Chargez la batterie avant qu'elle ne soit complètement déchargée. Arrêtez toujours l'outil et rechargez la batterie quand vous remarquez que la puissance de l'outil diminue.**
2. **Ne rechargez jamais une batterie complètement chargée. La surcharge réduit la durée de service de la batterie.**
3. **Chargez la batterie à une température ambiante comprise entre 10 °C et 40 °C. Avant de charger une batterie chaude, laissez-la refroidir.**
4. **Lorsque vous n'utilisez pas la batterie, retirez-la de l'outil ou du chargeur.**
5. **Rechargez la batterie si elle est restée inutilisée pendant une période prolongée (plus de six mois).**

## DESCRIPTION DU FONCTIONNEMENT

**ATTENTION** : Assurez-vous toujours que l'outil est hors tension et que sa batterie est retirée avant de l'ajuster ou de vérifier son fonctionnement.

### Insertion ou retrait de la batterie

**ATTENTION** : Éteignez toujours l'outil avant de mettre en place ou de retirer la batterie.

**ATTENTION** : Tenez fermement l'outil et la batterie lors de la mise en place ou du retrait de la batterie. Si vous ne tenez pas fermement l'outil et la batterie, ils peuvent vous glisser des mains, et s'abîmer ou vous blesser.

Pour retirer la batterie, faites-la glisser hors de l'outil tout en faisant glisser le bouton à l'avant de la batterie.

► **Fig.1**: 1. Indicateur rouge 2. Bouton 3. Batterie

Pour mettre la batterie en place, alignez la languette de la batterie avec la rainure du compartiment puis insérez la batterie. Insérez-la entièrement jusqu'à entendre un léger déclic indiquant qu'elle est bien en place. Si vous pouvez voir l'indicateur rouge comme illustré sur la figure, c'est qu'elle n'est pas bien verrouillée.

**ATTENTION** : Insérez toujours complètement la batterie jusqu'à ce que l'indicateur rouge ne soit plus visible. Sinon, elle pourrait tomber accidentellement de l'outil, au risque de vous blesser ou de blesser quelqu'un se trouvant près de vous.

**ATTENTION** : N'insérez pas la batterie de force. Si elle ne glisse pas facilement, c'est que vous ne l'insérez pas correctement.

## Fonctionnement de la gâchette

**⚠ ATTENTION** : Avant d'insérer la batterie dans l'outil, vérifiez toujours que la gâchette fonctionne bien et revient en position d'arrêt lorsque vous la relâchez.

Il suffit d'enclencher la gâchette pour démarrer l'outil. La vitesse de l'outil augmente à mesure que l'on accroît la pression exercée sur la gâchette. Pour l'arrêter, relâchez la gâchette.

► Fig.2: 1. Gâchette

## Frein électrique

Cet outil est équipé d'un frein électrique. Si systématiquement l'outil n'arrive pas à s'arrêter rapidement après le relâchement de la gâchette, faites réparer l'outil dans un centre de service Makita.

## Allumage de la lampe avant

**⚠ ATTENTION** : Évitez de regarder directement le faisceau lumineux ou sa source.

Enclenchez la gâchette pour allumer la lampe. La lampe reste allumée tant que la gâchette est enclenchée. La lampe s'éteint au bout de 10 à 20 secondes environ après avoir relâché la gâchette.

► Fig.3: 1. Lampe

**NOTE** : Retirez la saleté sur la lentille de la lampe avec un chiffon sec. Prenez soin de ne pas érafler la lentille de la lampe sous peine de diminuer son éclairage.

## Fonctionnement de l'inverseur

**⚠ ATTENTION** : Vérifiez toujours le sens de rotation avant d'utiliser l'outil.

**⚠ ATTENTION** : N'utilisez le levier de l'inverseur qu'une fois que l'outil est complètement arrêté. Si vous changez le sens de rotation avant l'arrêt de l'outil, vous risquez de l'endommager.

**⚠ ATTENTION** : Lorsque vous n'utilisez pas l'outil, placez toujours le levier de l'inverseur en position neutre.

Cet outil est équipé d'un levier de l'inverseur permettant de modifier le sens de la rotation. Enfoncez le levier de l'inverseur du côté A pour une rotation dans le sens des aiguilles d'une montre ou du côté B pour une rotation dans le sens inverse des aiguilles d'une montre. La gâchette ne peut pas être enclenchée lorsque le levier de l'inverseur se trouve en position neutre.

► Fig.4: 1. Levier de l'inverseur

## ASSEMBLAGE

**⚠ ATTENTION** : Assurez-vous toujours que l'outil est hors tension et que sa batterie est retirée avant d'effectuer toute tâche dessus.

## Sélection de la bonne douille à choc

Utilisez toujours une douille à choc de taille correcte pour les boulons et les écrous. Une douille à choc de taille incorrecte entraînera un couple de serrage imprécis et inégal et/ou endommagera le boulon ou l'écrou.

## Pose ou dépose de la douille à choc

### Accessoire en option

**⚠ ATTENTION** : Assurez-vous que la douille à choc et la section de montage ne sont pas endommagées avant de poser la douille à choc.

**⚠ ATTENTION** : Après avoir inséré la douille à choc, assurez-vous qu'elle est fermement fixée. Si vous arrivez à la retirer, ne l'utilisez pas.

**NOTE** : La manière d'installer la douille à choc dépend du type de carré conducteur sur l'outil.

## Outil avec ressort annulaire

### Pour les douilles à choc sans joint torique et tige

Poussez la douille à choc dans le carré conducteur jusqu'à ce qu'elle se verrouille en place.

Pour retirer la douille à choc, tirez simplement dessus.

► Fig.5: 1. Douille à choc 2. Carré conducteur 3. Ressort annulaire

### Pour les douilles à choc avec joint torique et tige

Retirez le joint torique de la rainure de la douille à choc et retirez la tige de la douille à choc. Placez la douille à choc sur le carré conducteur en alignant le trou de la douille à choc avec celui du carré conducteur. Insérez la tige dans les trous alignés de la douille à choc et du carré conducteur. Puis, ramenez le joint torique à sa position d'origine dans la rainure de la douille à choc pour verrouiller la tige.

Pour retirer la douille à choc, procédez dans l'ordre inverse de l'installation.

► Fig.6: 1. Douille à choc 2. Joint torique 3. Tige

## Outil avec goupille d'arrêt

Alignez l'orifice sur le côté de la douille à choc sur la goupille d'arrêt du carré conducteur et enfoncez la douille à choc dans le carré conducteur jusqu'à ce qu'elle se verrouille en place. Tapez légèrement dessus si nécessaire.

Pour retirer la douille à choc, tirez simplement dessus. Si elle est difficile à retirer, enfoncez la goupille d'arrêt tout en tirant sur la douille à choc.

► Fig.7: 1. Douille à choc 2. Orifice 3. Carré conducteur 4. Goupille d'arrêt

## Installation du crochet

### Accessoire en option

**⚠ AVERTISSEMENT** : N'utilisez les pièces d'accrochage/de fixation qu'aux fins pour lesquelles elles ont été conçues, par exemple, accrocher l'outil sur une ceinture à outils entre les tâches ou les intervalles de travail.

**⚠ AVERTISSEMENT** : Faites attention de ne pas surcharger le crochet, car une force excessive ou une surcharge irrégulière peut endommager l'outil et entraîner des blessures.

**⚠ ATTENTION** : Lorsque vous installez le crochet, fixez-le toujours en place fermement avec la vis. Sinon, le crochet pourrait se détacher de l'outil et vous blesser.

**⚠ ATTENTION** : Assurez-vous de suspendre l'outil correctement avant de relâcher votre emprise. Un accrochage insuffisant ou déséquilibré peut provoquer une chute et vous blesser.

L'outil est équipé d'un crochet pratique qui permet de l'accrocher temporairement. Ce crochet s'installe d'un côté comme de l'autre de l'outil. Pour installer le crochet, insérez-le dans une des rainures situées de chaque côté du carter de l'outil, puis serrez-le avec une vis. Pour l'enlever, desserrez la vis et retirez-le.

► Fig.8: 1. Rainure 2. Crochet 3. Vis

## Utilisation de l'orifice

**⚠ AVERTISSEMENT** : N'utilisez jamais l'orifice de suspension à des fins non prévues, par exemple, pour attacher l'outil sur un emplacement élevé. La contrainte exercée sur un orifice lourdement chargé peut endommager l'orifice, ce qui peut vous blesser vous ou des personnes autour ou en dessous de vous.

Utilisez l'orifice de suspension situé dans la partie inférieure arrière de l'outil pour accrocher l'outil au mur à l'aide d'un cordon de suspension ou de cordes similaires.

► Fig.9: 1. Orifice de suspension

## Installation du porte-outil

### Accessoire en option

**⚠ AVERTISSEMENT** : N'utilisez les pièces d'accrochage/de fixation qu'aux fins pour lesquelles elles ont été conçues, par exemple, accrocher l'outil sur une ceinture à outils entre les tâches ou les intervalles de travail.

**⚠ ATTENTION** : N'utilisez pas un porte-outil, des vis et une bandoulière endommagés. Vérifiez toujours l'absence de dommages, de fissures ou de déformations avant l'utilisation.

**⚠ ATTENTION** : Assurez-vous que les vis sont serrées avant l'utilisation.

**⚠ ATTENTION** : Utilisez toujours uniquement les vis accompagnant le porte-outil.

**⚠ ATTENTION** : Ne retirez pas la batterie alors que l'outil est suspendu. L'outil pourrait tomber si les vis ne sont pas serrées.

**⚠ ATTENTION** : Installez ou retirez le porte-outil sur une table ou une surface stable.

Ce porte-outil se révèle pratique pour accrocher provisoirement l'outil à votre ceinture ou autre comme illustré.

► Fig.10: 1. Bandoulière 2. Porte-outil 3. Outil

**NOTE** : En cas d'utilisation avec une bandoulière, utilisez toujours l'article n° 161464-4. N'utilisez pas l'article n° 161464-4 avec un autre porte-outil.

Retirez la batterie de l'outil.

Installez le porte-outil sur l'outil dans le sens de la flèche.

► Fig.11: 1. Porte-outil 2. Outil 3. Partie saillante

► Fig.12

Insérez les parties saillantes du porte-outil dans les rainures sur les deux côtés de l'outil. Vous pouvez installer le porte-outil uniquement dans le sens de la flèche.

► Fig.13: 1. Partie saillante 2. Rainure

Serrez fermement les vis fournies. Pour l'enlever, desserrez les vis et retirez-le.

► Fig.14: 1. Vis

**⚠ ATTENTION** : Après l'installation, assurez-vous que le porte-outil est solidement installé avec les vis.

**⚠ ATTENTION** : Si un problème survient, consultez votre centre de service ou votre revendeur Makita le plus proche.

## UTILISATION

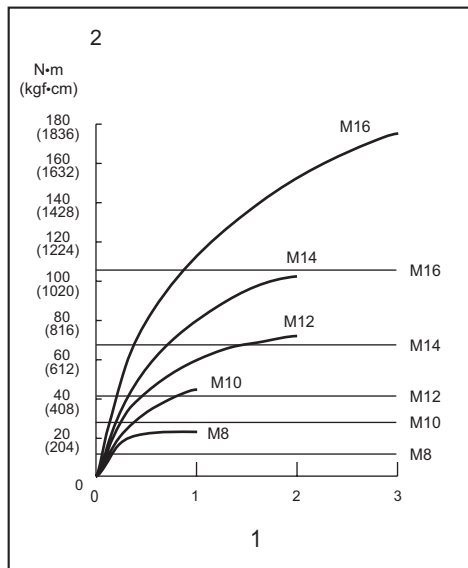
**⚠ ATTENTION** : Insérez toujours la batterie à fond jusqu'à ce qu'elle se verrouille en place. Si le voyant rouge sur le dessus du bouton est visible, cela signifie qu'elle n'est pas bien verrouillée. Insérez-la complètement jusqu'à ce que le voyant rouge ne soit plus visible. Sinon, elle pourrait tomber accidentellement de l'outil, au risque de vous blesser ou de blesser quelqu'un se trouvant près de vous.

Tenez l'outil fermement et placez la douille à choc sur le boulon ou l'écrou. Mettez l'outil en marche et serrez pendant la durée de serrage appropriée.

Le couple de serrage correct peut varier en fonction du type ou de la dimension du boulon, du matériau de la pièce à fixer, etc. Le rapport entre le couple de serrage et la durée de serrage est indiqué dans les figures.

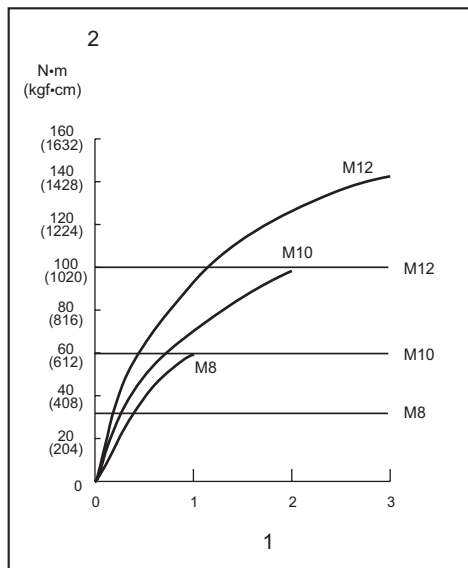
► Fig.15

## Couple de serrage correct pour boulon standard



1. Durée de serrage (en secondes) 2. Couple de serrage

## Couple de serrage correct pour boulon à haute résistance



1. Durée de serrage (en secondes) 2. Couple de serrage

**NOTE :** Tenez l'outil de sorte qu'il pointe bien droit vers le boulon ou l'écrou.

**NOTE :** Un couple de serrage excessif peut abîmer le boulon, l'écrou ou la douille à choc. Avant de commencer le travail, effectuez toujours un test pour connaître la durée de serrage adéquate pour le boulon ou l'écrou.

**NOTE :** Si l'outil fonctionne de façon continue jusqu'à ce que la batterie soit complètement déchargée, laissez-le reposer pendant 15 minutes avant de poursuivre le travail avec une batterie fraîchement rechargée.

Le couple de serrage dépend d'un certain nombre de facteurs, comme suit. Une fois le serrage terminé, vérifiez toujours le couple avec une clé dynamométrique.

- Lorsque la batterie est presque complètement déchargée, la tension tombe et le couple de serrage diminue.
- Douille à choc
  - L'utilisation d'une douille à choc de taille incorrecte entraînera une réduction du couple de serrage.
  - Une douille à choc usée (usure sur l'extrémité hexagonale ou sur l'extrémité carrée) entraînera une réduction du couple de serrage.
- Boulon
  - Même si le coefficient du couple et la catégorie du boulon sont les mêmes, le couple de serrage correct variera en fonction du diamètre de boulon.
  - Même si les diamètres des boulons sont les mêmes, le couple de serrage correct variera en fonction du coefficient de couple, de la catégorie du boulon et de la longueur du boulon.
- L'utilisation d'un joint universel ou d'une barre de rallonge réduit quelque peu la force de serrage de la boulonneuse. Compensez en serrant plus longtemps.
- Le couple de serrage est affecté par la façon dont vous tenez l'outil ou la pièce, ou par la position de vissage.
- Le fonctionnement de l'outil à vitesse réduite entraîne une diminution du couple de serrage.

## ENTRETIEN

**ATTENTION :** Assurez-vous toujours que l'outil est hors tension et que la batterie est retirée avant d'y effectuer tout travail d'inspection ou d'entretien.

**REMARQUE :** N'utilisez jamais d'essence, benzine, diluant, alcool ou autre produit similaire. Cela risquerait de provoquer la décoloration, la déformation ou la fissuration de l'outil.

Pour assurer la SÉCURITÉ et la FIABILITÉ du produit, toute réparation, tout travail d'entretien ou de réglage doivent être effectués par un centre d'entretien Makita agréé, avec des pièces de rechange Makita.

# ACCESSOIRES EN OPTION

**⚠ ATTENTION** : Ces accessoires ou pièces complémentaires sont recommandés pour l'utilisation avec l'outil Makita spécifié dans ce mode d'emploi. L'utilisation de tout autre accessoire ou pièce complémentaire peut comporter un risque de blessure. N'utilisez les accessoires ou pièces complémentaires qu'aux fins auxquelles ils ont été conçus.

Pour obtenir plus de détails sur ces accessoires, contactez votre centre d'entretien local Makita.

- Douille à choc
- Étui de transport en plastique
- Porte-outil
- Bandoulière
- Crochet
- Batterie et chargeur Makita d'origine

**NOTE** : Il se peut que certains éléments de la liste soient compris dans l'emballage de l'outil en tant qu'accessoires standard. Ils peuvent varier d'un pays à l'autre.



## TECHNISCHE DATEN

<b>Modell:</b>		<b>TW202D</b>
Anzugskapazitäten	Standardschraube	M8 - M16
	HV-Schraube	M8 - M12
Antriebsvierkant		12,7 mm
Leerlaufdrehzahl		0 - 2.300 min <sup>-1</sup>
Schlagzahl pro Minute		0 - 3.000 min <sup>-1</sup>
Gesamtlänge		176 mm
Nennspannung		18 V Gleichstrom
Nettogewicht		1,5 kg

- Wir behalten uns vor, Änderungen der technischen Daten im Zuge der Entwicklung und des technischen Fortschritts ohne vorherige Ankündigung vorzunehmen.
- Die technischen Daten können von Land zu Land unterschiedlich sein.
- Das Gewicht kann abhängig von dem Aufsatz (den Aufsätzen), einschließlich des Akkus, unterschiedlich sein. Die leichteste und die schwerste Kombination, gemäß dem EPTA-Verfahren 01/2014, sind in der Tabelle angegeben.

## Zutreffende Akkus und Ladegeräte

Akku	BL1815G / BL1820G
Ladegerät	DC18WA / DC18WB

- Einige der oben aufgelisteten Akkus und Ladegeräte sind je nach Ihrem Wohngebiet eventuell nicht erhältlich.

**⚠️ WARNUNG:** Verwenden Sie nur die oben aufgeführten Akkus und Ladegeräte. Bei Verwendung irgendwelcher anderer Akkus und Ladegeräte besteht Verletzungs- und/oder Brandgefahr.

## Vorgesehene Verwendung

Das Werkzeug ist für das Anziehen von Schrauben und Muttern vorgesehen.

## Geräusch

Typischer A-bewerteter Geräuschpegel ermittelt gemäß EN62841-2-2:

Schalldruckpegel ( $L_{pA}$ ): 98 dB (A)

Schallleistungspegel ( $L_{WA}$ ): 106 dB (A)

Messunsicherheit (K): 3 dB (A)

**HINWEIS:** Der (Die) angegebene(n) Schallemissionswert(e) wurde(n) im Einklang mit der Standardprüfmethode gemessen und kann (können) für den Vergleich zwischen Werkzeugen herangezogen werden.

**HINWEIS:** Der (Die) angegebene(n) Schallemissionswert(e) kann (können) auch für eine Vorbewertung des Gefährdungsgrads verwendet werden.

**⚠️ WARNUNG:** Einen Gehörschutz tragen.

**⚠️ WARNUNG:** Die Schallemission während der tatsächlichen Benutzung des Elektrowerkzeugs kann je nach der Benutzungsweise des Werkzeugs, und speziell je nach der Art des bearbeiteten Werkstücks, von dem (den) angegebenen Wert(en) abweichen.

**⚠️ WARNUNG:** Identifizieren Sie Sicherheitsmaßnahmen zum Schutz des Benutzers anhand einer Schätzung des Gefährdungsgrads unter den tatsächlichen Benutzungsbedingungen (unter Berücksichtigung aller Phasen des Arbeitszyklus, wie z. B. Ausschalt- und Leerlaufzeiten des Werkzeugs zusätzlich zur Betriebszeit).

## Schwingungen

Schwingungs Gesamtwert (Drei-Achsen-Vektorsumme) ermittelt gemäß EN62841-2-2:

Arbeitsmodus: Schlagschrauben von Befestigungsteilen der maximalen Kapazität des Werkzeugs

Schwingungsemission ( $a_h$ ): 6,8 m/s<sup>2</sup>

Messunsicherheit (K): 1,5 m/s<sup>2</sup>

**HINWEIS:** Der (Die) angegebene(n) Vibrationsgesamtwert(e) wurde(n) im Einklang mit der Standardprüfmethode gemessen und kann (können) für den Vergleich zwischen Werkzeugen herangezogen werden.

**HINWEIS:** Der (Die) angegebene(n) Vibrationsgesamtwert(e) kann (können) auch für eine Vorbereitung des Gefährdungsgrads verwendet werden.

**⚠️ WARNUNG:** Die Vibrationsemission während der tatsächlichen Benutzung des Elektrowerkzeugs kann je nach der Benutzungsweise des Werkzeugs, und speziell je nach der Art des bearbeiteten Werkstücks, von dem (den) angegebenen Emissionswert(en) abweichen.

**⚠️ WARNUNG:** Identifizieren Sie Sicherheitsmaßnahmen zum Schutz des Benutzers anhand einer Schätzung des Gefährdungsgrads unter den tatsächlichen Benutzungsbedingungen (unter Berücksichtigung aller Phasen des Arbeitszyklus, wie z. B. Ausschalt- und Leerlaufzeiten des Werkzeugs zusätzlich zur Betriebszeit).

## Konformitätserklärungen

### Nur für europäische Länder

Die Konformitätserklärungen sind in Anhang A dieser Betriebsanleitung enthalten.

## SICHERHEITSWARNUNGEN

### Allgemeine Sicherheitswarnungen für Elektrowerkzeuge

**⚠️ WARNUNG:** Lesen Sie alle mit diesem Elektrowerkzeug gelieferten Sicherheitswarnungen, Anweisungen, Abbildungen und technischen Daten durch. Eine Missachtung der unten aufgeführten Anweisungen kann zu einem elektrischen Schlag, Brand und/oder schweren Verletzungen führen.

### Bewahren Sie alle Warnungen und Anweisungen für spätere Bezugnahme auf.

Der Ausdruck „Elektrowerkzeug“ in den Warnhinweisen bezieht sich auf Ihr mit Netzstrom (mit Kabel) oder Akku (ohne Kabel) betriebenes Elektrowerkzeug.

## Sicherheitswarnungen für Akku-Schlagschrauber

1. Halten Sie das Elektrowerkzeug nur an den isolierten Griffflächen, wenn Sie Arbeiten ausführen, bei denen die Gefahr besteht, dass das Befestigungselement verborgene Kabel kontaktiert. Bei Kontakt mit einem Strom führenden Kabel können die freiliegenden Metallteile des Elektrowerkzeugs ebenfalls Strom führend werden, so dass der Benutzer einen elektrischen Schlag erleiden kann.
2. Tragen Sie Gehörschützer.
3. Überprüfen Sie den Schlagsteckschlüsseleinsatz vor der Montage sorgfältig auf Verschleiß, Risse oder Beschädigung.
4. Halten Sie das Werkzeug mit festem Griff.
5. Halten Sie Ihre Hände von rotierenden Teilen fern.
6. Berühren Sie den Schlagsteckschlüsseleinsatz, die Schraube, die Mutter oder das Werkstück nicht unmittelbar nach dem Arbeitsvorgang. Die Teile können sehr heiß sein und Hautverbrennungen verursachen.
7. Achten Sie stets auf sicheren Stand. Vergewissern Sie sich bei Einsatz des Werkzeugs an hochgelegenen Arbeitsplätzen, dass sich keine Personen darunter aufhalten.
8. Das korrekte Anzugsmoment kann je nach Art oder Größe der Schraube unterschiedlich sein. Überprüfen Sie das Anzugsmoment mit einem Drehmomentschlüssel.
9. Vergewissern Sie sich, dass keine Stromkabel, Wasserrohre, Gasrohre usw. vorhanden sind, die bei Beschädigung durch den Einsatz des Werkzeugs eine Gefahr darstellen können.

## DIESE ANWEISUNGEN AUFBEWAHREN.

**⚠️ WARNUNG:** Lassen Sie sich NICHT durch Bequemlichkeit oder Vertrautheit mit dem Produkt (durch wiederholten Gebrauch erworben) von der strikten Einhaltung der Sicherheitsregeln für das vorliegende Produkt abhalten.

MISSBRAUCH oder Missachtung der Sicherheitsvorschriften in dieser Anleitung können schwere Verletzungen verursachen.

## Wichtige Sicherheitsanweisungen für Akku

1. Lesen Sie vor der Benutzung des Akkus alle Anweisungen und Warnhinweise, die an (1) Ladegerät, (2) Akku und (3) Akkuwerkzeug angebracht sind.
2. Unterlassen Sie Zerlegen oder Manipulieren des Akkus. Es kann sonst zu einem Brand, übermäßiger Hitzeentwicklung oder einer Explosion kommen.

3. Falls die Betriebszeit beträchtlich kürzer geworden ist, stellen Sie den Betrieb sofort ein. Anderenfalls besteht die Gefahr von Überhitzung, möglichen Verbrennungen und sogar einer Explosion.
4. Falls Elektrolyt in Ihre Augen gelangt, waschen Sie sie mit sauberem Wasser aus, und begeben Sie sich unverzüglich in ärztliche Behandlung. Anderenfalls können Sie Ihre Sehkraft verlieren.
5. Der Akku darf nicht kurzgeschlossen werden:
  - (1) Die Kontakte dürfen nicht mit leitfähigem Material berührt werden.
  - (2) Lagern Sie den Akku nicht in einem Behälter zusammen mit anderen Metallgegenständen, wie z. B. Nägel, Münzen usw.
  - (3) Setzen Sie den Akku weder Wasser noch Regen aus.

Ein Kurzschluss des Akkus verursacht starken Stromfluss, der Überhitzung, mögliche Verbrennungen und einen Defekt zur Folge haben kann.

6. Lagern und benutzen Sie das Werkzeug und den Akku nicht an Orten, an denen die Temperatur 50 °C erreichen oder überschreiten kann.

7. Versuchen Sie niemals, den Akku zu verbrennen, selbst wenn er stark beschädigt oder vollkommen verbraucht ist. Der Akku kann im Feuer explodieren.

8. Unterlassen Sie Nageln, Schneiden, Zerquetschen, Werfen, Fallenlassen des Akkus oder Schlagen des Akkus mit einem harten Gegenstand. Eine solche Handlung kann zu einem Brand, übermäßiger Hitzeentwicklung oder einer Explosion führen.

9. Benutzen Sie keine beschädigten Akkus.

10. Die enthaltenen Lithium-Ionen-Akkus unterliegen den Anforderungen der Gefahrgut-Gesetzgebung.

Für kommerzielle Transporte, z. B. durch Dritte oder Spediteure, müssen besondere Anforderungen zu Verpackung und Etikettierung beachtet werden.

Zur Vorbereitung des zu transportierenden Artikels ist eine Beratung durch einen Experten für Gefahrgut erforderlich. Bitte beachten Sie möglicherweise ausführlichere nationale Vorschriften. Überkleben oder verdecken Sie offene Kontakte, und verpacken Sie den Akku so, dass er sich in der Verpackung nicht umher bewegen kann.

11. Entfernen Sie den Akku zum Entsorgen vom Werkzeug, und entsorgen Sie ihn an einem sicheren Ort. Befolgen Sie die örtlichen Vorschriften bezüglich der Entsorgung von Akkus.

12. Verwenden Sie die Akkus nur mit den von Makita angegebenen Produkten. Das Einsetzen der Akkus in nicht konforme Produkte kann zu einem Brand, übermäßiger Hitzebildung, einer Explosion oder Auslaufen von Elektrolyt führen.

13. Soll das Werkzeug längere Zeit nicht benutzt werden, muss der Akku vom Werkzeug entfernt werden.

14. Bei und nach dem Gebrauch des Akkus heiß werden, was Verbrennungen oder Niedertemperaturverbrennungen verursachen kann. Beachten Sie die Handhabung von heißen Akkus.

15. Berühren Sie nicht den Anschlusskontakt des Werkzeugs unmittelbar nach dem Gebrauch, da er heiß genug werden kann, um Verbrennungen zu verursachen.

16. Achten Sie darauf, dass sich keine Späne, Staub oder Schmutz in den Anschlusskontakten, Löchern und Nuten des Akkus absetzen. Es könnte sonst zu Erhitzung, Brandauslösung, Bersten und Funktionsstörungen des Werkzeugs oder des Akkus kommen, was zu Verbrennungen oder Personenschäden führen kann.

17. Wenn das Werkzeug den Einsatz in der Nähe einer Hochspannungs-Stromleitung nicht unterstützt, benutzen Sie den Akku nicht in der Nähe einer Hochspannungs-Stromleitung. Dies kann zu einer Funktionsstörung oder Betriebsstörung des Werkzeugs oder des Akkus führen.

18. Halten Sie die Batterie von Kindern fern.

## DIESE ANWEISUNGEN AUFBEWAHREN.

**⚠ VORSICHT:** Verwenden Sie nur Original-Makita-Akkus. Die Verwendung von Nicht-Original-Makita-Akkus oder von Akkus, die abgeändert worden sind, kann zum Bersten des Akkus und daraus resultierenden Bränden, Personenschäden und Beschädigung führen. Außerdem wird dadurch die Makita-Garantie für das Makita-Werkzeug und -Ladegerät ungültig.

## Hinweise zur Aufrechterhaltung der maximalen Akku-Nutzungsdauer

1. Laden Sie den Akku, bevor er vollkommen erschöpft ist. Schalten Sie das Werkzeug stets aus, und laden Sie den Akku, wenn Sie ein Nachlassen der Werkzeugleistung feststellen.
2. Unterlassen Sie erneutes Laden eines voll aufgeladenen Akkus. Überladen führt zu einer Verkürzung der Nutzungsdauer des Akkus.
3. Laden Sie den Akku bei Raumtemperatur zwischen 10 – 40 °C. Lassen Sie einen heißen Akku abkühlen, bevor Sie ihn laden.
4. Wenn Sie den Akku nicht benutzen, nehmen Sie ihn vom Werkzeug oder Ladegerät ab.
5. Der Akku muss geladen werden, wenn er lange Zeit (länger als sechs Monate) nicht benutzt wird.

## FUNKTIONSBESCHREIBUNG

**⚠ VORSICHT:** Vergewissern Sie sich vor der Durchführung von Einstellungen oder Funktionsprüfungen des Werkzeugs stets, dass das Werkzeug ausgeschaltet und der Akku abgenommen ist.

### Anbringen und Abnehmen des Akkus

**⚠ VORSICHT:** Schalten Sie das Werkzeug stets aus, bevor Sie den Akku anbringen oder abnehmen.

**⚠ VORSICHT:** Halten Sie das Werkzeug und den Akku beim Anbringen oder Abnehmen des Akkus sicher fest. Wenn Sie das Werkzeug und den Akku nicht sicher festhalten, können sie Ihnen aus der Hand rutschen, was zu einer Beschädigung des Werkzeugs und des Akkus und zu Körperverletzungen führen kann.

Ziehen Sie den Akku zum Abnehmen vom Werkzeug ab, während Sie den Knopf an der Vorderseite des Akkus verschieben.

► **Abb.1:** 1. Rote Anzeige 2. Knopf 3. Akku

Richten Sie zum Anbringen des Akkus dessen Führungsfeder auf die Nut im Gehäuse aus, und schieben Sie den Akku hinein. Schieben Sie ihn vollständig ein, bis er mit einem leisen Klicken einrastet. Wenn Sie die rote Anzeige sehen können, wie in der Abbildung gezeigt, ist der Akku nicht vollständig verriegelt.

**⚠ VORSICHT:** Schieben Sie den Akku stets bis zum Anschlag ein, bis die rote Anzeige nicht mehr sichtbar ist. Anderenfalls kann er aus dem Werkzeug herausfallen und Sie oder umstehende Personen verletzen.

**⚠ VORSICHT:** Unterlassen Sie Gewaltanwendung beim Anbringen des Akkus. Falls der Akku nicht reibungslos hineingleitet, ist er nicht richtig ausgerichtet.

### Schalterfunktion

**⚠ VORSICHT:** Vergewissern Sie sich vor dem Einsetzen des Akkus in das Werkzeug stets, dass der Ein-Aus-Schalter ordnungsgemäß funktioniert und beim Loslassen in die AUS-Stellung zurückkehrt.

Drücken Sie zum Einschalten des Werkzeugs einfach den Ein-Aus-Schalter. Die Drehzahl erhöht sich durch verstärkte Druckausübung auf den Ein-Aus-Schalter. Lassen Sie den Ein-Aus-Schalter zum Anhalten los.

► **Abb.2:** 1. Ein-Aus-Schalter

### Elektrische Bremse

Dieses Werkzeug ist mit einer elektrischen Bremse ausgestattet. Falls das Werkzeug nach dem Loslassen des Auslöseschalters ständig nicht sofort anhält, lassen Sie es von einer Makita-Kundendienststelle warten.

### Einschalten der Frontlampe

**⚠ VORSICHT:** Blicken Sie nicht direkt in die Lampe oder die Lichtquelle.

Betätigen Sie den Auslöseschalter, um die Lampe einzuschalten. Die Lampe bleibt erleuchtet, solange der Auslöseschalter gedrückt gehalten wird. Die Lampe erlischt ungefähr 10 bis 20 Sekunden nach dem Loslassen des Auslöseschalters.

► **Abb.3:** 1. Lampe

**HINWEIS:** Wischen Sie Schmutz auf der Lampenlinse mit einem trockenen Tuch ab. Achten Sie sorgfältig darauf, dass Sie die Lampenlinse nicht verkratzen, weil sich sonst die Lichtstärke verringert.

### Funktion des Drehrichtungsumschalters

**⚠ VORSICHT:** Prüfen Sie stets die Drehrichtung, bevor Sie mit der Arbeit beginnen.

**⚠ VORSICHT:** Betätigen Sie den Drehrichtungsumschalthebel erst, nachdem das Werkzeug völlig zum Stillstand gekommen ist. Durch Umschalten der Drehrichtung bei noch laufendem Werkzeug kann das Werkzeug beschädigt werden.

**⚠ VORSICHT:** Stellen Sie den Drehrichtungsumschalthebel stets auf die Neutralstellung, wenn Sie das Werkzeug nicht benutzen.

Dieses Werkzeug besitzt einen Drehrichtungsumschalthebel zum Ändern der Drehrichtung. Drücken Sie auf die Seite A des Drehrichtungsumschalthebels für Rechtsdrehung, und auf die Seite B für Linksdrehung. In der Neutralstellung des Drehrichtungsumschalthebels ist der Ein-Aus-Schalter verriegelt.

► **Abb.4:** 1. Drehrichtungsumschalthebel

## MONTAGE

**⚠ VORSICHT:** Vergewissern Sie sich vor der Ausführung von Arbeiten am Werkzeug stets, dass das Werkzeug ausgeschaltet und der Akku abgenommen ist.

### Wahl des korrekten Schlagsteckschlüsseleinsatzes

Verwenden Sie stets einen passenden Schlagsteckschlüsseleinsatz für die jeweiligen Schrauben und Muttern. Ein Schlagsteckschlüsseleinsatz der falschen Größe bewirkt ein falsches und ungleichmäßiges Anzugsmoment und/oder Beschädigung der Schraube oder Mutter.

## Anbringen und Abnehmen des Schlagsteckschlüsseleinsatzes

### Sonderzubehör

**⚠ VORSICHT:** Vergewissern Sie sich vor der Anbringung des Schlagsteckschlüsseleinsatzes, dass der Schlagsteckschlüsseleinsatz und der Montageteil nicht beschädigt sind.

**⚠ VORSICHT:** Vergewissern Sie sich nach dem Einführen des Schlagsteckschlüsseleinsatzes, dass er einwandfrei gesichert ist. Verwenden Sie ihn nicht, falls er herausrutscht.

**HINWEIS:** Die Art und Weise der Installation des Schlagsteckschlüsseleinsatzes hängt von der Art des Antriebsvierkants am Werkzeug ab.

## Werkzeug mit Ringfeder

### Für Schlagsteckschlüsseleinsatz ohne O-Ring und Stift

Schieben Sie den Schlagsteckschlüsseleinsatz auf den Antriebsvierkant, bis er einrastet.

Zum Abnehmen ziehen Sie den Schlagsteckschlüsseleinsatz einfach ab.

- **Abb.5:** 1. Schlagsteckschlüsseleinsatz  
2. Antriebsvierkant 3. Ringfeder

### Für Schlagsteckschlüsseleinsatz mit O-Ring und Stift

Den O-Ring aus der Führungsnut im Schlagsteckschlüsseleinsatz entfernen, und den Stift aus dem Schlagsteckschlüsseleinsatz herausziehen. Den Schlagsteckschlüsseleinsatz so auf den Antriebsvierkant setzen, dass die Bohrung im Schlagsteckschlüsseleinsatz auf die Bohrung im Antriebsvierkant ausgerichtet ist.

Den Stift durch die Bohrung in Schlagsteckschlüsseleinsatz und Antriebsvierkant einführen. Dann den O-Ring wieder in die Führungsnut des Schlagsteckschlüsseleinsatzes einsetzen, um den Stift zu arretieren.

Zum Demontieren des Schlagsteckschlüsseleinsatzes ist das Montageverfahren umgekehrt anzuwenden.

- **Abb.6:** 1. Schlagsteckschlüsseleinsatz 2. O-Ring  
3. Stift

## Werkzeug mit Arretierstift

Richten Sie die Bohrung in der Seitenwand des Schlagsteckschlüsseleinsatzes auf den Arretierstift des Antriebsvierkants aus, und schieben Sie den Schlagsteckschlüsseleinsatz auf den Antriebsvierkant, bis er einrastet. Nötigenfalls leicht anklöpfen.

Zum Abnehmen ziehen Sie den Schlagsteckschlüsseleinsatz einfach ab. Falls er schwer zu entfernen ist, drücken Sie den Arretierstift hinein, während Sie am Schlagsteckschlüsseleinsatz ziehen.

- **Abb.7:** 1. Schlagsteckschlüsseleinsatz 2. Bohrung  
3. Antriebsvierkant 4. Arretierstift

## Montieren des Aufhängers

### Sonderzubehör

**⚠ WARNUNG:** Verwenden Sie die Aufhänge-/Montageteile nur für den bestimmungsgemäßen Gebrauch, z. B. zum Aufhängen des Werkzeugs an einem Werkzeuggürtel zwischen Arbeitseinsätzen oder Arbeitsintervallen.

**⚠ WARNUNG:** Achten Sie darauf, den Aufhänger nicht zu überlasten, da zu viel Kraft oder unregelmäßige Überlastungen Beschädigungen am Werkzeug verursachen können, die zu Verletzungen führen können.

**⚠ VORSICHT:** Wenn Sie den Aufhänger anbringen, sichern Sie ihn immer einwandfrei mit der Schraube. Andernfalls kann sich der Aufhänger vom Werkzeug lösen und Personenschaden verursachen.

**⚠ VORSICHT:** Achten Sie darauf, dass Sie das Werkzeug sicher aufhängen, bevor Sie den Griff loslassen. Unzureichendes oder unausgewogenes Einhängen kann ein Herunterfallen verursachen, und Sie können sich verletzen.

Der Aufhänger ist praktisch, um das Werkzeug vorübergehend aufzuhängen. Der Aufhänger kann auf beiden Seiten des Werkzeugs angebracht werden. Um den Aufhänger anzubringen, führen Sie ihn in die Nut entweder auf der linken oder rechten Seite des Werkzeuggehäuses ein, und sichern Sie ihn dann mit einer Schraube. Um den Aufhänger zu entfernen, lösen Sie die Schraube, und nehmen Sie dann den Aufhänger heraus.

- **Abb.8:** 1. Führungsnut 2. Aufhänger 3. Schraube

## Verwendung der Öse

**⚠ WARNUNG:** Verwenden Sie die Aufhängeöse niemals für einen unbeabsichtigten Zweck, z. B. zum Anbinden des Werkzeugs an einer hoch gelegenen Position. Die Lagerbelastung in einer stark belasteten Öse kann Beschädigungen an der Öse verursachen, die zu Verletzungen bei Ihnen oder Personen in Ihrer Umgebung oder unterhalb von Ihnen führen können.

Verwenden Sie die Aufhängeöse an der unteren Rückseite des Werkzeugs, um das Werkzeug unter Verwendung eines Aufhängekabels oder ähnlicher Schnüre an eine Wand zu hängen.

- **Abb.9:** 1. Aufhängeöse

# Montieren des Werkzeugaufhängers

## Sonderzubehör

**⚠️ WARNUNG:** Verwenden Sie die Aufhänge-/Montageteile nur für den bestimmungsgemäßen Gebrauch, z. B. zum Aufhängen des Werkzeugs an einem Werkzeuggürtel zwischen Arbeitseinsätzen oder Arbeitsintervallen.

**⚠️ VORSICHT:** Benutzen Sie keine beschädigten Werkzeugaufhänger, Schrauben und Schulterriemen. Überprüfen Sie vor der Benutzung immer auf Beschädigungen, Risse oder Verformungen.

**⚠️ VORSICHT:** Vergewissern Sie sich vor der Benutzung, dass die Schrauben angezogen sind.

**⚠️ VORSICHT:** Benutzen Sie immer nur die mit dem Werkzeugaufhänger mitgelieferten Schrauben.

**⚠️ VORSICHT:** Nehmen Sie nicht den Akku ab, während Sie das Werkzeug aufhängen. Das Werkzeug kann herunterfallen, falls die Schrauben nicht festgezogen sind.

**⚠️ VORSICHT:** Montieren oder demontieren Sie den Werkzeugaufhänger auf einem stabilen Tisch oder einer stabilen Oberfläche.

Dieser Werkzeugaufhänger ist praktisch, um das Werkzeug provisorisch an den Gürtel usw. zu hängen, wie abgebildet.

► **Abb.10:** 1. Schulterriemen 2. Werkzeugaufhänger 3. Werkzeug

**HINWEIS:** Bei Benutzung mit einem Schulterriemen benutzen Sie bitte immer den Artikel Nr. 161464-4. Benutzen Sie den Artikel Nr. 161464-4 nicht mit einem anderen Werkzeugaufhänger.

Nehmen Sie den Akku vom Werkzeug ab.

Montieren Sie den Werkzeugaufhänger in Pfeilrichtung am Werkzeug.

► **Abb.11:** 1. Werkzeugaufhänger 2. Werkzeug 3. Vorsprung

► **Abb.12**

Führen Sie die Vorsprünge des Werkzeugaufhängers in die Nuten an den beiden Seiten des Werkzeugs ein. Sie können den Werkzeugaufhänger nur in Pfeilrichtung montieren.

► **Abb.13:** 1. Vorsprung 2. Führungsnut

Ziehen Sie die mitgelieferten Schrauben fest an. Um den Aufhänger zu entfernen, lösen Sie die Schrauben, und nehmen Sie dann den Aufhänger heraus.

► **Abb.14:** 1. Schraube

**⚠️ VORSICHT:** Vergewissern Sie sich nach der Montage, dass der Werkzeugaufhänger sicher mit den Schrauben montiert ist.

**⚠️ VORSICHT:** Falls ein Problem auftritt, wenden Sie sich an das nächste Makita Service-Center oder den nächsten Makita-Händler.

# BETRIEB

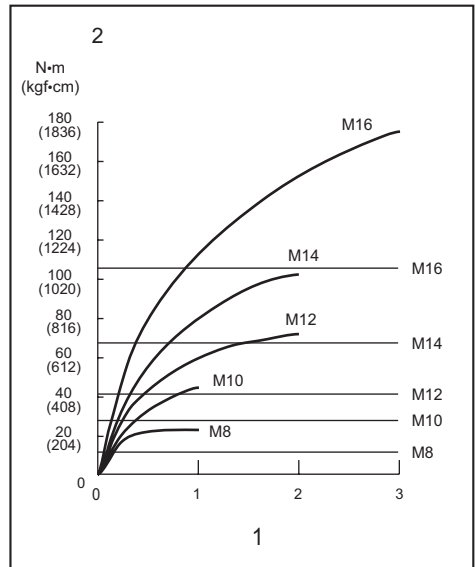
**⚠️ VORSICHT:** Führen Sie den Akku immer vollständig ein, bis er einrastet. Falls die rote Anzeige an der Oberseite des Knopfes sichtbar ist, ist der Akku nicht vollständig verriegelt. Schieben Sie ihn bis zum Anschlag ein, bis die rote Anzeige nicht mehr sichtbar ist. Anderenfalls kann er aus dem Werkzeug herausfallen und Sie oder umstehende Personen verletzen.

Halten Sie das Werkzeug mit festem Griff, und setzen Sie den Schlagsteckschlüsseinsatz auf die Schraube oder Mutter. Schalten Sie das Werkzeug ein, und ziehen Sie die Schraube oder Mutter mit der korrekten Anzugszeit an.

Das korrekte Anzugsmoment hängt u. a. von der Art oder Größe der Schrauben oder dem Material des zu verschraubenden Werkstücks ab. Der Zusammenhang zwischen Anzugsmoment und Anzugszeit ist aus den Diagrammen ersichtlich.

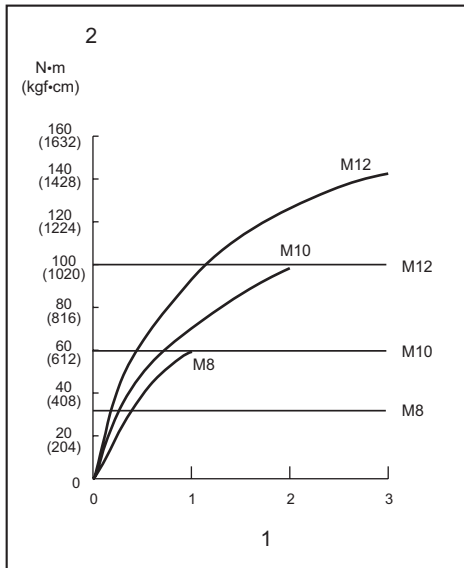
► **Abb.15**

## Korrektes Anzugsmoment für Standardschraube



1. Anzugszeit (Sekunden) 2. Anzugsmoment

## Korrektes Anzugsmoment für HV-Schraube



1. Anzugszeit (Sekunden) 2. Anzugsmoment

**HINWEIS:** Halten Sie das Werkzeug gerade auf die Schraube oder Mutter gerichtet.

**HINWEIS:** Ein zu hohes Anzugsmoment kann zu einer Beschädigung der Schraube/Mutter oder des Schlagsteckschlüsseleinsatzes führen. Führen Sie vor Arbeitsbeginn stets eine Probeverschraubung durch, um die geeignete Anzugszeit für die jeweilige Schraube oder Mutter zu ermitteln.

**HINWEIS:** Wenn das Werkzeug im Dauerbetrieb bis zur vollkommenen Entladung des Akkus benutzt wurde, lassen Sie das Werkzeug vor dem Fortsetzen des Betriebs mit einem frischen Akku 15 Minuten lang ruhen.

Das Anzugsmoment unterliegt einer Reihe von Einflüssen, einschließlich der folgenden. Überprüfen Sie das Anzugsmoment nach dem Anziehen stets mit einem Drehmomentschlüssel.

1. Wenn der Akku nahezu erschöpft ist, fällt die Spannung ab, und das Anzugsmoment verringert sich.
2. Schlagsteckschlüsseleinsatz
  - Die Verwendung eines Schlagsteckschlüsseleinsatzes der falschen Größe bewirkt eine Verringerung des Anzugsmoments.
  - Ein abgenutzter Schlagsteckschlüsseleinsatz (Verschleiß am Sechskant oder Vierkant) bewirkt eine Verringerung des Anzugsmoments.
3. Schraube
  - Selbst wenn der Drehmoment-Koeffizient und der Typ der Schraube gleich sind, ändert sich das korrekte Anzugsmoment je nach dem Durchmesser der Schraube.

- Selbst wenn Schrauben den gleichen Durchmesser haben, ist das korrekte Anzugsmoment je nach Drehmoment-Koeffizient, Typ und Länge der Schraube unterschiedlich.

4. Die Verwendung des Kreuzgelenks oder der Verlängerungsstange verringert die Anzugskraft des Schlagschraubers ein wenig. Gleichen Sie dies durch eine längere Anzugszeit aus.
5. Die Art und Weise, wie das Werkzeug gehalten wird, oder das Material der Verschraubungsposition beeinflusst das Anzugsmoment.
6. Der Betrieb des Werkzeugs mit niedriger Drehzahl hat eine Reduzierung des Anzugsmoments zur Folge.

## WARTUNG

**⚠ VORSICHT:** Vergewissern Sie sich vor der Durchführung von Inspektions- oder Wartungsarbeiten stets, dass das Werkzeug ausgeschaltet und der Akku abgenommen ist.

**ANMERKUNG:** Verwenden Sie auf keinen Fall Benzin, Waschbenzin, Verdünnern, Alkohol oder dergleichen. Solche Mittel können Verfärbung, Verformung oder Rissbildung verursachen.

Um die SICHERHEIT und ZUVERLÄSSIGKEIT dieses Produkts zu gewährleisten, sollten Reparaturen und andere Wartungs- oder Einstellarbeiten nur von Makita-Vertragswerkstätten oder Makita-Kundendienstzentren unter ausschließlicher Verwendung von Makita-Originalersatzteilen ausgeführt werden.

## SONDERZUBEHÖR

**⚠ VORSICHT:** Die folgenden Zubehörteile oder Vorrichtungen werden für den Einsatz mit dem in dieser Anleitung beschriebenen Makita-Werkzeug empfohlen. Die Verwendung anderer Zubehörteile oder Vorrichtungen kann eine Verletzungsgefahr darstellen. Verwenden Sie Zubehörteile oder Vorrichtungen nur für ihren vorgesehenen Zweck.

Wenn Sie weitere Einzelheiten bezüglich dieser Zubehörteile benötigen, wenden Sie sich bitte an Ihre Makita-Kundendienststelle.

- Schlagsteckschlüsseleinsatz
- Plastikkoffer
- Werkzeugaufhänger
- Schulterriemen
- Aufhänger
- Original-Makita-Akku und -Ladegerät

**HINWEIS:** Manche Teile in der Liste können als Standardzubehör im Werkzeugsatz enthalten sein. Sie können von Land zu Land unterschiedlich sein.

## DATI TECNICI

<b>Modello:</b>		<b>TW202D</b>
Capacità di serraggio	Bullone standard	M8 - M16
	Bullone ad alta resistenza alla trazione	M8 - M12
Trasmissione quadrata		12,7 mm
Velocità a vuoto		0 - 2.300 min <sup>-1</sup>
Impulsi al minuto		0 - 3.000 min <sup>-1</sup>
Lunghezza complessiva		176 mm
Tensione nominale		18 V C.C.
Peso netto		1,5 kg

- A causa del nostro programma continuativo di ricerca e sviluppo, i dati tecnici sono soggetti a modifiche senza preavviso.
- I dati tecnici possono variare da nazione a nazione.
- Il peso può variare a seconda dell'accessorio o degli accessori, inclusa la cartuccia della batteria. La combinazione più leggera e quella più pesante, secondo la procedura EPTA 01/2014, sono indicate nella tabella.

### Cartuccia della batteria e caricabatterie applicabili

Cartuccia della batteria	BL1815G / BL1820G
Caricabatterie	DC18WA / DC18WB

- Alcune cartucce delle batterie e alcuni caricabatterie elencati sopra potrebbero non essere disponibili a seconda della propria area geografica di residenza.

**⚠AVVERTIMENTO:** Utilizzare solo le cartucce delle batterie e i caricabatterie elencati sopra. L'utilizzo di altre cartucce delle batterie e di altri caricabatterie potrebbe causare lesioni personali e/o un incendio.

### Utilizzo previsto

Questo utensile è progettato per il serraggio di bulloni e dadi.

### Rumore

Livello tipico di rumore pesato A determinato in base allo standard EN62841-2-2:

Livello di pressione sonora ( $L_{pA}$ ) : 98 dB (A)

Livello di potenza sonora ( $L_{WA}$ ) : 106 dB (A)

Incertezza (K): 3 dB (A)

**NOTA:** Il valore o i valori dichiarati delle emissioni di rumori sono stati misurati in conformità a un metodo standard di verifica, e possono essere utilizzati per confrontare un utensile con un altro.

**NOTA:** Il valore o i valori dichiarati delle emissioni di rumori possono venire utilizzati anche per una valutazione preliminare dell'esposizione.

**⚠AVVERTIMENTO:** Indossare protezioni per le orecchie.

**⚠AVVERTIMENTO:** L'emissione di rumori durante l'utilizzo effettivo dell'utensile elettrico può variare rispetto al valore o ai valori dichiarati, a seconda dei modi in cui viene utilizzato l'utensile e specialmente a seconda di che tipo di pezzo venga lavorato.

**⚠AVVERTIMENTO:** Accertarsi di identificare misure di sicurezza per la protezione dell'operatore che siano basate su una stima dell'esposizione nelle condizioni effettive di utilizzo (tenendo conto di tutte le parti del ciclo operativo, ad esempio del numero di spegnimenti dell'utensile e di quando giri a vuoto, oltre al tempo di attivazione).

### Vibrazioni

Valore totale delle vibrazioni (somma vettoriale triassiale) determinato in base allo standard EN62841-2-2:

Modalità di lavoro: serraggio a impulsi di elementi di fissaggio della capacità massima dell'utensile

Emissione di vibrazioni ( $a_h$ ) : 6,8 m/s<sup>2</sup>

Incertezza (K): 1,5 m/s<sup>2</sup>

**NOTA:** Il valore o i valori complessivi delle vibrazioni dichiarati sono stati misurati in conformità a un metodo standard di verifica, e possono essere utilizzati per confrontare un utensile con un altro.

**NOTA:** Il valore o i valori complessivi delle vibrazioni dichiarati possono venire utilizzati anche per una valutazione preliminare dell'esposizione.



**⚠AVVERTIMENTO:** L'emissione delle vibrazioni durante l'utilizzo effettivo dell'utensile elettrico può variare rispetto al valore o ai valori dichiarati, a seconda dei modi in cui viene utilizzato l'utensile, specialmente a seconda di che tipo di pezzo venga lavorato.

**⚠AVVERTIMENTO:** Accertarsi di identificare misure di sicurezza per la protezione dell'operatore che siano basate su una stima dell'esposizione nelle condizioni effettive di utilizzo (tenendo conto di tutte le parti del ciclo operativo, ad esempio del numero di spegnimenti dell'utensile e di quando giri a vuoto, oltre al tempo di attivazione).

## Dichiarazioni di conformità

*Solo per i paesi europei*

Le Dichiarazioni di conformità sono incluse nell'Allegato A al presente manuale d'uso.

## AVVERTENZE DI SICUREZZA

### Avvertenze generali relative alla sicurezza dell'utensile elettrico

**⚠AVVERTIMENTO:** Leggere tutte le avvertenze di sicurezza, le istruzioni, le illustrazioni e i dati tecnici forniti con il presente utensile elettrico. La mancata osservanza di tutte le istruzioni elencate di seguito potrebbe risultare in scosse elettriche, incendi e/o gravi lesioni personali.

### Conservare tutte le avvertenze e le istruzioni come riferimento futuro.

Il termine "utensile elettrico" nelle avvertenze si riferisce sia all'utensile elettrico (cablato) nel funzionamento alimentato da rete elettrica che all'utensile elettrico (a batteria) nel funzionamento alimentato a batteria.

### Avvertenze per la sicurezza dell'avvitatrice ad impulso a batteria

1. **Tenere l'utensile elettrico per le sue superfici di impugnatura isolate, quando si intende eseguire un'operazione in cui un elemento di fissaggio potrebbe fare contatto con fili elettrici nascosti.** Gli elementi di fissaggio che fanno contatto con un filo elettrico sotto tensione potrebbero mettere sotto tensione le parti metalliche esposte dell'utensile elettrico, e potrebbero dare una scossa elettrica all'operatore.
2. **Indossare protezioni per le orecchie.**
3. **Prima dell'installazione, controllare con cura che la bussola a impatto non presenti segni di usura, spaccature o danni.**
4. **Tenere l'utensile ben fermo in mano.**
5. **Tenere le mani lontane dalle parti rotanti.**

6. **Non toccare la bussola a impatto, il bullone, il dado o il pezzo in lavorazione subito dopo l'uso.** La loro temperatura potrebbe essere estremamente elevata e potrebbero causare ustioni.
7. **Accertarsi sempre di appoggiare i piedi saldamente. Quando si intende utilizzare l'utensile in posizioni elevate, accertarsi sempre che non sia presente alcuna persona sotto.**
8. **La coppia di serraggio corretta potrebbe variare a seconda del tipo e delle dimensioni del bullone. Controllare la coppia con una chiave torsiometrica.**
9. **Accertarsi che non siano presenti cavi elettrici, tubi dell'acqua, tubi del gas, e così via, che potrebbero costituire un pericolo qualora venissero danneggiati dall'utilizzo dell'utensile.**

## CONSERVARE LE PRESENTI ISTRUZIONI.

**⚠AVVERTIMENTO:** NON lasciare che la comodità o la familiarità d'uso con il prodotto (acquistata con l'uso ripetuto) sostituiscano la stretta osservanza delle norme di sicurezza.

L'USO IMPROPRIO o la mancata osservanza delle norme di sicurezza riportate nel presente manuale di istruzioni potrebbero causare lesioni personali gravi.

### Istruzioni di sicurezza importanti per la cartuccia della batteria

1. **Prima di utilizzare la cartuccia della batteria, leggere tutte le istruzioni e le avvertenze riportate (1) sul caricabatteria, (2) sulla batteria e (3) sul prodotto che utilizza la batteria.**
2. **Non smantellare né manomettere la cartuccia della batteria.** In caso contrario, si potrebbe causare un incendio, calore eccessivo o un'esplosione.
3. **Qualora il tempo di utilizzo si riduca eccessivamente, interrompere immediatamente l'utilizzo dell'utensile.** In caso contrario, si può incorrere nel rischio di surriscaldamento, possibili ustioni e persino un'esplosione.
4. **Qualora l'elettrolita entri in contatto con gli occhi, sciacquarli con acqua pulita e richiedere immediatamente assistenza medica.** Questa eventualità può risultare nella perdita della vista.
5. **Non cortocircuitare la cartuccia della batteria:**
  - (1) **Non toccare i terminali con alcun materiale conduttivo.**
  - (2) **Evitare di conservare la cartuccia della batteria in un contenitore insieme ad altri oggetti metallici quali chiodi, monete, e così via.**
  - (3) **Non esporre la cartuccia della batteria all'acqua o alla pioggia.****Un cortocircuito della batteria può causare un grande flusso di corrente, un surriscaldamento, possibili ustioni e persino un guasto.**
6. **Non conservare e utilizzare l'utensile e la cartuccia della batteria in ubicazioni in cui la temperatura possa raggiungere o superare i 50°C.**
7. **Non incenerire la cartuccia della batteria anche qualora sia gravemente danneggiata o completamente esaurita. La cartuccia della batteria può esplodere se a contatto con il fuoco.**

8. **Non inchiodare, tagliare, schiacciare, lanciare o far cadere la cartuccia della batteria, né farla urtare con forza contro un oggetto duro.** Questi comportamenti potrebbero risultare in un incendio, calore eccessivo o un'esplosione.
9. **Non utilizzare una batteria danneggiata.**
10. **Le batterie a ioni di litio contenute sono soggette ai requisiti del regolamento sul trasporto di merci pericolose (Dangerous Goods Legislation).**  
Per trasporti commerciali, ad esempio da parte di terzi o spedizionieri, è necessario osservare dei requisiti speciali sull'imballaggio e sull'etichetta. Per la preparazione dell'articolo da spedire, è richiesta la consulenza di un esperto in materiali pericolosi. Attenersi anche alle normative nazionali, che potrebbero essere più dettagliate. Nastrare o coprire i contatti aperti e imballare la batteria in modo tale che non si possa muovere liberamente all'interno dell'imballaggio.
11. **Quando si intende smaltire la cartuccia della batteria, rimuoverla dall'utensile e smaltirla in un luogo sicuro. Attenersi alle normative locali relative allo smaltimento della batteria.**
12. **Utilizzare le batterie esclusivamente con i prodotti specificati da Makita.** L'installazione delle batterie in prodotti non compatibili potrebbe risultare in incendi, calore eccessivo, esplosioni o perdite di liquido elettrolitico.
13. **Se l'utensile non viene utilizzato per un periodo di tempo prolungato, la batteria deve essere rimossa dall'utensile.**
14. **Durante e dopo l'uso, la cartuccia della batteria potrebbe assorbire calore, che può causare ustioni o ustioni a bassa temperatura. Fare attenzione a come si maneggiano le cartucce delle batterie estremamente calde.**
15. **Non toccare i terminali dell'utensile subito dopo l'uso, in quanto potrebbero diventare estremamente caldi al punto da causare ustioni.**
16. **Evitare di far incastrare schegge, polveri o terreno nei terminali, nei fori e nelle scanalature della cartuccia della batteria.** In caso contrario, l'utensile o la cartuccia della batteria potrebbero riscaldarsi, prendere fuoco, scoppiare o guastarsi, causando ustioni o lesioni personali.
17. **A meno che l'utensile supporti l'uso in prossimità di linee elettriche ad alta tensione, non utilizzare la cartuccia della batteria in prossimità di linee elettriche ad alta tensione.** In caso contrario, si potrebbe causare un malfunzionamento o la rottura dell'utensile o della cartuccia della batteria.
18. **Tenere la batteria lontana dai bambini.**

## CONSERVARE LE PRESENTI ISTRUZIONI.

**ATTENZIONE:** Utilizzare solo batterie originali Makita. L'utilizzo di batterie Makita non originali, o di batterie che siano state alterate, potrebbe risultare nello scoppio della batteria, causando incendi, lesioni personali e danni. Inoltre, ciò potrebbe invalidare la garanzia Makita per l'utensile e il caricabatterie Makita.

## Suggerimenti per preservare la durata massima della batteria

1. **Caricare la cartuccia della batteria prima che si scarichi completamente. Smettere sempre di utilizzare l'utensile e caricare la cartuccia della batteria quando si nota che la potenza dell'utensile è diminuita.**
2. **Non ricaricare mai una cartuccia della batteria completamente carica. La sovraccarica riduce la vita utile della batteria.**
3. **Caricare la cartuccia della batteria a una temperatura ambiente compresa tra 10 °C e 40 °C. Lasciar raffreddare una cartuccia della batteria prima di caricarla.**
4. **Quando non si utilizza la cartuccia della batteria, rimuoverla dall'utensile o dal caricabatterie.**
5. **Caricare la cartuccia della batteria se non la si è utilizzata per un periodo di tempo prolungato (più di sei mesi).**

## DESCRIZIONE DELLE FUNZIONI

**ATTENZIONE:** Accertarsi sempre che l'utensile sia spento e che la cartuccia della batteria sia stata rimossa prima di regolare o di controllare il funzionamento dell'utensile.

## Installazione o rimozione della cartuccia della batteria

**ATTENZIONE:** Spegnerne sempre l'utensile prima di installare o rimuovere la cartuccia della batteria.

**ATTENZIONE:** Mantenere saldamente lo strumento e la batteria quando si intende installare o rimuovere la cartuccia della batteria. Qualora non si mantengano saldamente lo strumento e la cartuccia della batteria, questi ultimi potrebbero scivolare dalle mani, con la possibilità di causare un danneggiamento dello strumento e della cartuccia della batteria, nonché una lesione personale.

Per rimuovere la cartuccia della batteria, farla scorrere via dall'utensile mentre si fa scorrere allo stesso tempo il pulsante sulla parte anteriore della cartuccia.

► **Fig.1:** 1. Indicatore rosso 2. Pulsante 3. Cartuccia della batteria

Per installare la cartuccia della batteria, allineare la linguetta sulla cartuccia della batteria con la scanalatura nell'alloggiamento e farla scivolare in sede. Inserirla completamente fino al suo blocco in sede con un leggero scatto. Se è possibile vedere l'indicatore rosso, come indicato nella figura, non è bloccata completamente.

**⚠ATTENZIONE:** Installare sempre fino in fondo la cartuccia della batteria, fino a quando l'indicatore rosso non è più visibile. In caso contrario, la batteria potrebbe cadere accidentalmente dall'utensile, causando lesioni personali all'operatore o a chi gli è vicino.

**⚠ATTENZIONE:** Non installare forzatamente la cartuccia della batteria. Qualora la batteria non si inserisca scorrendo agevolmente, vuol dire che non viene inserita correttamente.

## Funzionamento dell'interruttore

**⚠ATTENZIONE:** Prima di inserire la cartuccia della batteria nell'utensile, controllare sempre che l'interruttore a grilletto funzioni correttamente e torni sulla posizione "OFF" quando viene rilasciato.

Per avviare l'utensile, è sufficiente premere l'interruttore a grilletto. La velocità dell'utensile viene aumentata incrementando la pressione sull'interruttore a grilletto. Rilasciare l'interruttore a grilletto per arrestare l'utensile.

► **Fig.2:** 1. Interruttore a grilletto

## Freno elettrico

Questo utensile è dotato di un freno elettrico. Qualora l'utensile non riesca ripetutamente ad arrestarsi rapidamente dopo il rilascio dell'interruttore a grilletto, far sottoporre a riparazione l'utensile presso un centro di assistenza Makita.

## Accensione della lampadina anteriore

**⚠ATTENZIONE:** Non osservare né guardare direttamente la fonte di luce.

Premere l'interruttore a grilletto per accendere la lampadina. La lampadina resta accesa fintanto che l'interruttore a grilletto viene tenuto premuto. La lampadina si spegne dopo un periodo di tempo approssimativo compreso tra 10 e 20 secondi dopo il rilascio dell'interruttore a grilletto.

► **Fig.3:** 1. Lampadina

**NOTA:** Per pulire la sporcizia dalla lente della lampadina, utilizzare un panno asciutto. Fare attenzione a non graffiare la lente della lampadina, altrimenti si potrebbe ridurre l'illuminazione.

## Uso del commutatore di inversione della rotazione

**⚠ATTENZIONE:** Controllare sempre la direzione di rotazione prima dell'uso.

**⚠ATTENZIONE:** Utilizzare la leva del commutatore di inversione della rotazione solo dopo l'arresto completo dell'utensile. Qualora si cambi la direzione di rotazione prima che l'utensile si sia arrestato, si potrebbe danneggiare l'utensile.

**⚠ATTENZIONE:** Quando l'utensile non è in uso, impostare sempre la leva del commutatore di inversione della rotazione sulla posizione centrale.

Questo utensile dispone di una leva del commutatore di inversione della rotazione per cambiare la direzione di rotazione. Far rientrare la leva del commutatore di inversione della rotazione premendola dal lato A per la rotazione in senso orario, o dal lato B per la rotazione in senso antiorario.

Quando la leva del commutatore di inversione della rotazione si trova sulla posizione centrale, non è possibile premere l'interruttore a grilletto.

► **Fig.4:** 1. Leva del commutatore di inversione della rotazione

## MONTAGGIO

**⚠ATTENZIONE:** Accertarsi sempre che l'utensile sia spento e che la cartuccia della batteria sia stata rimossa, prima di effettuare qualsiasi intervento sull'utensile.

## Selezione della bussola a impatto corretta

Utilizzare sempre la bussola a impatto di dimensioni corrette per i bulloni e i dadi. Una bussola a impatto di dimensioni errate produce una coppia di serraggio imprecisa e incostante e/o il danneggiamento del bullone o del dado.

## Installazione o rimozione della bussola a impatto

### Accessorio opzionale

**⚠ATTENZIONE:** Accertarsi che la bussola a impatto e la parte di montaggio non siano danneggiate prima di installare la bussola a impatto.

**⚠ATTENZIONE:** Dopo aver inserito la bussola a impatto, accertarsi che sia fissata saldamente. Qualora fuoriesca, non utilizzarla.

**NOTA:** Il metodo di installazione della bussola a impatto varia a seconda del tipo di trasmissione quadrata sull'utensile.

## Utensile dotato di molla ad anello

### Per bussole a impatto prive di guarnizione circolare e perno

Premere la bussola a impatto sulla trasmissione quadrata fino a quando si innesta in sede.

Per rimuovere la bussola a impatto, tirarla semplicemente via.

► **Fig.5:** 1. Bussola a impatto 2. Trasmissione quadrata 3. Molla ad anello

### Per bussole a impatto dotate di guarnizione circolare e perno

Spostare la guarnizione circolare fuori dalla scanalatura della bussola a impatto e rimuovere il perno dalla bussola a impatto. Inserire la bussola a impatto sulla trasmissione quadrata, in modo che il foro nella bussola a impatto sia allineato con il foro nella trasmissione quadrata. Inserire il perno attraverso il foro nella bussola a impatto e nella trasmissione quadrata. Quindi, riportare la guarnizione circolare nella sua posizione originale nella scanalatura della bussola a impatto, per bloccare il perno.

Per rimuovere la bussola a impatto, eseguire le procedure di installazione al contrario.

► **Fig.6:** 1. Bussola a impatto 2. Guarnizione circolare 3. Perno

## Utensile dotato di perno di fermo

Allineare il foro sul fianco della bussola a impatto con il perno di fermo sulla trasmissione quadrata, quindi premere la bussola a impatto sulla trasmissione quadrata fino a bloccarla in sede. Dare dei piccoli colpi, se necessario.

Per rimuovere la bussola a impatto, tirarla semplicemente via. Qualora risulti difficile rimuoverla, premere il perno di fermo mentre si tira la bussola a impatto.

► **Fig.7:** 1. Bussola a impatto 2. Foro 3. Trasmissione quadrata 4. Perno di fermo

## Installazione del gancio

### Accessorio opzionale

**AVVERTIMENTO:** Utilizzare le parti di sospensione o di montaggio esclusivamente per gli scopi a cui sono destinate, ad es. appendere l'utensile a una cintura portautensili tra un lavoro e l'altro o negli intervalli di lavoro.

**AVVERTIMENTO:** Fare attenzione a non sovraccaricare il gancio, in quanto una forza eccessiva o un sovraccarico irregolare potrebbero causare danni all'utensile, risultando in lesioni personali.

**ATTENZIONE:** Quando si intende installare il gancio, fissarlo sempre saldamente con la vite. In caso contrario, il gancio potrebbe staccarsi dall'utensile e causare lesioni personali.

**ATTENZIONE:** Accertarsi di appendere saldamente l'utensile prima di lasciare la presa. Un aggan- cio insufficiente o sbilanciato potrebbe causare una caduta, e l'utilizzatore potrebbe subire lesioni personali.

Il gancio è utile per appendere temporaneamente l'utensile. Può essere installato da entrambi i lati dell'utensile. Per installare il gancio, inserirlo in una scanalatura da uno dei lati del corpo dell'utensile, quindi fissarlo con una vite. Per rimuoverlo, allentare la vite ed estrarlo.

► **Fig.8:** 1. Scanalatura 2. Gancio 3. Vite

## Uso del foro

**AVVERTIMENTO:** Non utilizzare mai il foro di sospensione per scopi a cui non è destinato, ad esempio per legare l'utensile con una cinghia di sicurezza in ubicazioni elevate. La sollecitazione di sostegno in un foro sottoposto a un carico pesante potrebbe causare danni al foro stesso, risultando in lesioni personali all'utilizzatore o alle persone circostanti o sottostanti.

Utilizzare il foro di sospensione sulla parte posteriore inferiore dell'utensile per appendere quest'ultimo a una parete utilizzando un cordino di sospensione o cordicelle simili.

► **Fig.9:** 1. Foro di sospensione

## Installazione della staffa dell'utensile

### Accessorio opzionale

**AVVERTIMENTO:** Utilizzare le parti di sospensione o di montaggio esclusivamente per gli scopi a cui sono destinate, ad es. appendere l'utensile a una cintura portautensili tra un lavoro e l'altro o negli intervalli di lavoro.

**ATTENZIONE:** Non utilizzare una staffa dell'utensile, delle viti e una tracolla danneggiate. Prima dell'uso, verificare sempre l'eventuale presenza di danni, spaccature o deformazioni.

**ATTENZIONE:** Prima dell'uso, accertarsi che le viti siano serrate.

**ATTENZIONE:** Utilizzare sempre esclusivamente le viti fornite in dotazione insieme alla staffa dell'utensile.

**ATTENZIONE:** Non rimuovere la cartuccia della batteria mentre l'utensile è appeso. L'utensile potrebbe cadere, qualora le viti non siano serrate.

**ATTENZIONE:** Installare o rimuovere la staffa dell'utensile su un tavolo o una superficie stabili.

Questa staffa dell'utensile è comoda per appendere temporaneamente l'utensile alla cintura, e così via, come illustrato nelle figure.

► **Fig.10:** 1. Tracolla 2. Staffa dell'utensile 3. Utensile

**NOTA:** Quando si intende utilizzare una tracolla, utilizzare sempre l'articolo n. 161464-4. Non utilizzare l'articolo n. 161464-4 con un'altra staffa dell'utensile.

Rimuovere la cartuccia della batteria dall'utensile.

Installare sull'utensile la staffa dell'utensile nella direzione indicata dalla freccia.

► **Fig.11:** 1. Staffa dell'utensile 2. Utensile 3. Sporgenza

► **Fig.12**

Inserire le sporgenze della staffa dell'utensile nelle scanalature presenti su entrambi i lati dell'utensile. È possibile installare la staffa dell'utensile solo nella direzione indicata dalla freccia.

► **Fig.13:** 1. Sporgenza 2. Scanalatura

Serrare saldamente le viti fornite in dotazione. Per rimuovere la staffa, allentare le viti, quindi estrarla.

► **Fig.14:** 1. Vite

**⚠ATTENZIONE:** Dopo l'installazione, accertarsi che la staffa dell'utensile sia installata saldamente con le viti.

**⚠ATTENZIONE:** In caso di eventuali problemi, consultare il proprio centro di assistenza o rivenditore Makita più vicino.

## FUNZIONAMENTO

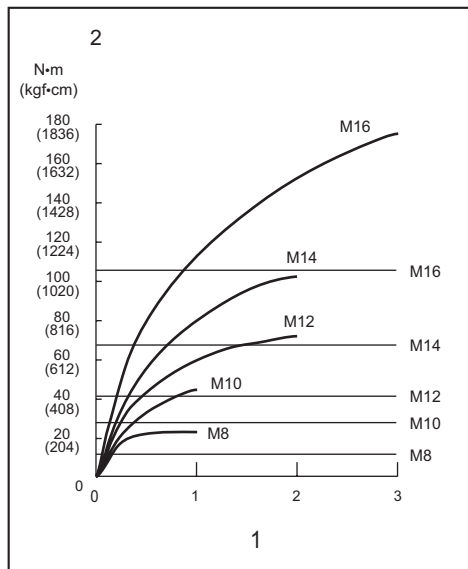
**⚠ATTENZIONE:** Inserire sempre completamente la cartuccia della batteria, fino al suo arresto in sede. Qualora si veda l'indicatore rosso sul lato superiore del pulsante, la batteria non è bloccata completamente. Inserirli completamente, fino a quando l'indicatore rosso non è più visibile. In caso contrario, la batteria potrebbe fuoriuscire e cadere accidentalmente dall'utensile, causando lesioni personali all'operatore o a chi gli è vicino.

Tenere saldamente l'utensile e posizionare la bussola a impatto sopra il bullone o il dado. Accendere l'utensile e serrare per il tempo di serraggio corretto.

La coppia di serraggio corretta può variare a seconda del tipo o delle dimensioni del bullone, del materiale del pezzo in lavorazione da fissare, e così via. Il rapporto tra la coppia e il tempo di serraggio è indicato nelle figure.

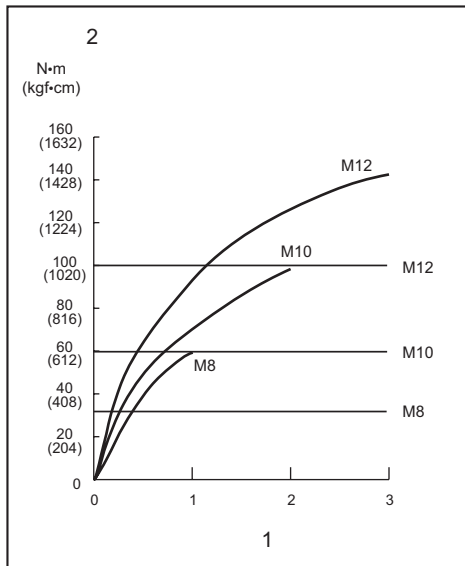
► Fig.15

### Coppia di serraggio corretta per un bullone standard



1. Tempo di serraggio (secondi) 2. Coppia di serraggio

### Coppia di serraggio corretta per un bullone ad alta resistenza alla trazione



1. Tempo di serraggio (secondi) 2. Coppia di serraggio

**NOTA:** Mantenere l'utensile diritto e puntato sul bullone o dado.

**NOTA:** Una coppia di serraggio eccessiva potrebbe danneggiare il bullone/dado o la bussola a impatto. Prima di iniziare il lavoro, effettuare sempre una prova di funzionamento per determinare il tempo di serraggio appropriato per il bullone o dado utilizzato.

**NOTA:** Se si fa funzionare continuamente l'utensile fino allo scaricamento della cartuccia della batteria, lasciarlo riposare per 15 minuti prima di continuare con una nuova cartuccia della batteria.

La coppia di serraggio è influenzata da un'ampia gamma di fattori, inclusi quelli seguenti. Dopo il serraggio, controllare sempre la coppia con una chiave torsionometrica.

- Quando la cartuccia della batteria è quasi completamente scarica, la tensione scende e la coppia di serraggio si riduce.
- Bussola a impatto
  - Il mancato utilizzo di una bussola a impatto delle dimensioni corrette causa una riduzione della coppia di serraggio.
  - Una bussola a impatto usurata (usura sull'estremità esagonale o sull'estremità quadrata) causa una riduzione della coppia di serraggio.
- Bullone
  - Anche se il coefficiente di coppia e la classe del bullone sono identici, la coppia di serraggio corretta varia a seconda del diametro del bullone.

- Anche se i diametri dei bulloni sono identici, la coppia di serraggio corretta varia a seconda del coefficiente di coppia, della classe e della lunghezza del bullone.
4. L'impiego del giunto universale o della barra di prolunga riduce in una certa misura la coppia di serraggio dell'avvitatrice a massa battente. Compensare serrando per un periodo di tempo più lungo.
  5. La coppia è influenzata da come si tiene l'utensile e dal materiale nella posizione di serraggio da fissare.
  6. Facendo funzionare l'utensile a bassa velocità si causa una riduzione della coppia di serraggio.

## MANUTENZIONE

**⚠ATTENZIONE:** Accertarsi sempre che l'utensile sia spento e che la cartuccia della batteria sia stata rimossa prima di tentare di eseguire interventi di ispezione o manutenzione.

**AVVISO:** Non utilizzare mai benzina, benzene, solventi, alcol o altre sostanze simili. In caso contrario, si potrebbero causare scolorimenti, deformazioni o crepe.

Per preservare la SICUREZZA e l'AFFIDABILITÀ del prodotto, le riparazioni e qualsiasi altro intervento di manutenzione e di regolazione devono essere eseguiti da un centro di assistenza autorizzato Makita, utilizzando sempre ricambi Makita.

## ACCESSORI OPZIONALI

**⚠ATTENZIONE:** Questi accessori o componenti aggiuntivi sono consigliati per l'uso con l'utensile Makita specificato nel presente manuale. L'impiego di altri accessori o componenti aggiuntivi può costituire un rischio di lesioni alle persone. Utilizzare gli accessori o i componenti aggiuntivi solo per il loro scopo prefissato.

Per ottenere ulteriori dettagli relativamente a questi accessori, rivolgersi a un centro di assistenza Makita.

- Bussola a impatto
- Valigetta di plastica
- Staffa dell'utensile
- Tracolla
- Gancio
- Batteria e caricabatterie originali Makita

**NOTA:** Alcuni articoli nell'elenco potrebbero essere inclusi nell'imballaggio dell'utensile come accessori standard. Tali articoli potrebbero variare da nazione a nazione.

## TECHNISCHE GEGEVENS

<b>Model:</b>		<b>TW202D</b>
Bevestigingscapaciteiten	Standaardbout	M8 - M16
	Bout met hoge trekvastheid	M8 - M12
Vierkante aandrijfkop		12,7 mm
Nullasttoerental		0 - 2.300 min <sup>-1</sup>
Slagen per minuut		0 - 3.000 min <sup>-1</sup>
Totale lengte		176 mm
Nominale spanning		18 V gelijkspanning
Nettogewicht		1,5 kg

- In verband met ononderbroken research en ontwikkeling, behouden wij ons het recht voor de bovenstaande technische gegevens zonder voorafgaande kennisgeving te wijzigen.
- De technische gegevens kunnen van land tot land verschillen.
- Het gewicht kan verschillen afhankelijk van de hulpstukken, waaronder de accu. De lichtste en zwaarste combinatie, overeenkomstig de EPTA-procedure 01/2014, worden getoond in de tabel.

### Toepasselijke accu's en laders

Accu	BL1815G / BL1820G
Lader	DC18WA / DC18WB

- Sommige van de hierboven vermelde accu's en laders zijn mogelijk niet leverbaar afhankelijk van waar u woont.

**⚠️ WAARSCHUWING:** Gebruik uitsluitend de accu's en laders die hierboven worden genoemd. Gebruik van enige andere accu of lader kan leiden tot letsel en/of brand.

### Gebruiksdoeleinden

Dit gereedschap is bedoeld voor het vastdraaien van bouten en moeren.

### Geluidsniveau

De typische, A-gewogen geluidsniveaus zijn gemeten volgens EN62841-2-2:

Geluidsdrukniveau ( $L_{pA}$ ): 98 dB (A)

Geluidsvermogeniveau ( $L_{WA}$ ): 106 dB (A)

Onzekerheid (K): 3 dB (A)

**OPMERKING:** De opgegeven geluidsemisiewaarde(n) is/zijn gemeten volgens een standaardtestmethode en kan/kunnen worden gebruikt om dit gereedschap te vergelijken met andere gereedschappen.

**OPMERKING:** De opgegeven geluidsemisiewaarde(n) kan/kunnen ook worden gebruikt voor een beoordeling vooraf van de blootstelling.

**⚠️ WAARSCHUWING:** Draag gehoorbescherming.

**⚠️ WAARSCHUWING:** De geluidsemisatie tijdens het gebruik van het elektrisch gereedschap in de praktijk kan verschillen van de opgegeven waarde(n) afhankelijk van de manier waarop het gereedschap wordt gebruikt, met name van het soort werkstuk waarmee wordt gewerkt.

**⚠️ WAARSCHUWING:** Zorg ervoor dat veiligheidsmaatregelen worden getroffen ter bescherming van de gebruiker die zijn gebaseerd op een schatting van de blootstelling onder praktijkomstandigheden (rekening houdend met alle fasen van de bedrijfscyclus, zoals de tijdsduur gedurende welke het gereedschap is uitgeschakeld en stationair draait, naast de ingeschakelde tijdsduur).

### Trilling

De totale trillingswaarde (triaxiale vectorsom) zoals vastgesteld volgens EN62841-2-2:

Gebruikstoepassing: bevestigen met behulp van slagwerking van bevestigingsmiddelen tot de maximale capaciteit van het gereedschap

Trillingsemisatie ( $a_h$ ): 6,8 m/s<sup>2</sup>

Onzekerheid (K): 1,5 m/s<sup>2</sup>

**OPMERKING:** De totale trillingswaarde(n) is/zijn gemeten volgens een standaardtestmethode en kan/kunnen worden gebruikt om dit gereedschap te vergelijken met andere gereedschappen.

**OPMERKING:** De opgegeven totale trillingswaarde(n) kan/kunnen ook worden gebruikt voor een beoordeling vooraf van de blootstelling.

**⚠️ WAARSCHUWING:** De trillingsemisatie tijdens het gebruik van het elektrisch gereedschap in de praktijk kan verschillen van de opgegeven waarde(n) afhankelijk van de manier waarop het gereedschap wordt gebruikt, met name van het soort werkstuk waarmee wordt gewerkt.

**⚠️ WAARSCHUWING:** Zorg ervoor dat veiligheidsmaatregelen worden getroffen ter bescherming van de gebruiker die zijn gebaseerd op een schatting van de blootstelling onder praktijkomstandigheden (rekening houdend met alle fasen van de bedrijfscyclus, zoals de tijdsduur gedurende welke het gereedschap is uitgeschakeld en stationair draait, naast de ingeschakelde tijdsduur).

## Verklaringen van conformiteit

### Alleen voor Europese landen

De verklaringen van conformiteit zijn bijgevoegd in Bijlage A bij deze gebruiksaanwijzing.

## VEILIGHEIDSWAARSCHUWINGEN

### Algemene veiligheidswaarschuwingen voor elektrisch gereedschap

**⚠️ WAARSCHUWING:** Lees alle veiligheidswaarschuwingen, aanwijzingen, afbeeldingen en technische gegevens behorend bij dit elektrische gereedschap aandachtig door. Als u niet alle onderstaande aanwijzingen naleeft, kan dat resulteren in brand, elektrische schokken en/of ernstig letsel.

### Bewaar alle waarschuwingen en instructies om in de toekomst te kunnen raadplegen.

De term "elektrisch gereedschap" in de veiligheidsvoorschriften duidt op gereedschappen die op stroom van het lichtnet werken (met snoer) of gereedschappen met een accu (snoerloos).

### Veiligheidswaarschuwingen voor een accuslagmoersleutel

1. Houd elektrisch gereedschap vast bij het geïsoleerde oppervlak van de handgreep wanneer u werkt op plaatsen waar het bevestigingsmateriaal in aanraking kan komen met verborgen bedrading. Wanneer bevestigingsmaterialen in aanraking komen met onder spanning staande draden, zullen de niet-geïsoleerde metalen delen van het gereedschap onder spanning komen te staan zodat de gebruiker een elektrische schok kan krijgen.

2. Draag oorbeschermers.
3. Controleer de slagkop nauwkeurig op slijtage, scheuren of beschadiging alvorens deze op het gereedschap te monteren.
4. Houd het gereedschap stevig vast.
5. Houd uw handen uit de buurt van draaiende onderdelen.
6. Raak de slagkop, de bout, de moer of het werkstuk niet onmiddellijk na gebruik aan. Zij kunnen bijzonder heet zijn en brandwonden op uw huid veroorzaken.
7. Zorg ervoor dat u stevig staat op een vast ondergrond. Bij gebruik van het gereedschap op een hoge plaats dient u ervoor te zorgen dat niemand beneden u aanwezig is.
8. Het juiste aandraaimoment kan verschillen afhankelijk van de soort en maat van de bout. Controleer het aandraaimoment met een momentsleutel.
9. Verzeker u ervan dat er geen elektriciteitskabels, waterleidingen, gasleidingen, enz. zijn die een gevaarlijke situatie zouden kunnen veroorzaken als ze worden beschadigd door het gebruik van dit gereedschap.

## BEWAAR DEZE VOORSCHRIFTEN.

**⚠️ WAARSCHUWING:** Laat u NIET misleiden door een vals gevoel van comfort en bekendheid met het gereedschap (na veelvuldig gebruik) en neem alle veiligheidsvoorschriften van het betreffende gereedschap altijd strikt in acht.

VERKEERD GEBRUIK of het niet naleven van de veiligheidsvoorschriften in deze gebruiksaanwijzing kan leiden tot ernstige verwondingen.

### Belangrijke veiligheidsinstructies voor een accu

1. Lees alle voorschriften en waarschuwingen op (1) de acculader, (2) de accu, en (3) het product waarvoor de accu wordt gebruikt, alvorens de accu in gebruik te nemen.
2. Haal de accu niet uit elkaar en saboteer hem niet. Dit kan leiden tot brand, buitensporige hitte of een explosie.
3. Als de gebruikstijd van een opgeladen accu aanzienlijk korter is geworden, moet u het gebruik ervan onmiddellijk stopzetten. Voortgezet gebruik kan oververhitting, brandwonden en zelfs een ontploffing veroorzaken.
4. Als elektrolyt in uw ogen is terechtgekomen, spoelt u uw ogen met schoon water en roept u onmiddellijk de hulp van een dokter in. Elektrolyt in de ogen kan blindheid veroorzaken.
5. Voorkom kortsluiting van de accu:
  - (1) Raak de acculemmen nooit aan met een geleidend materiaal.
  - (2) Bewaar de accu niet in een bak waarin andere metalen voorwerpen zoals spijkers, munten e.d. worden bewaard.
  - (3) Stel de accu niet bloot aan water of regen. Kortsluiting van de accu kan oorzaak zijn van een grote stroomafgifte, oververhitting, brandwonden, en zelfs defecten.



6. **Bewaar en gebruik het gereedschap en de accu niet op plaatsen waar de temperatuur kan oplopen tot 50 °C of hoger.**
7. **Werp de accu nooit in het vuur, ook niet wanneer hij zwaar beschadigd of volledig versleten is. De accu kan ontploffen in het vuur.**
8. **Laat de accu niet vallen, sla er geen spijker in, snijd er niet in, gooi er niet mee en stoot hem niet tegen een hard voorwerp.** Dergelijke handelingen kunnen leiden tot brand, buitensporige hitte of een explosie.
9. **Gebruik nooit een beschadigde accu.**
10. **De bijgeleverde lithium-ionbatterijen zijn onderhevig aan de vereisten in de wetgeving omtrent gevaarlijke stoffen.**

Voor commercieel transport en dergelijke door derden en transporteurs moeten speciale vereisten ten aanzien van verpakking en etikettering worden nageleefd.

Als voorbereiding van het artikel dat wordt getransporteerd is het noodzakelijk een expert op het gebied van gevaarlijke stoffen te raadplegen. Houd u tevens aan mogelijk strengere nationale regelgeving.

Blootliggende contactpunten moeten worden afgedekt met tape en de accu moet zodanig worden verpakt dat deze niet kan bewegen in de verpakking.

11. **Wanneer u de accu wilt weggooien, verwijdert u de accu vanaf het gereedschap en gooit u hem op een veilige manier weg. Volg bij het weggoeien van de accu de plaatselijke voorschriften.**
12. **Gebruik de accu's uitsluitend met de gereedschappen die door Makita zijn aanbevolen.** Als de accu's worden aangebracht in niet-compatibele gereedschappen, kan dat leiden tot brand, buitensporige warmteontwikkeling, een explosie of lekkage van elektrolyt.
13. **Als u het gereedschap gedurende een lange tijd niet denkt te gaan gebruiken, moet de accu vanaf het gereedschap worden verwijderd.**
14. **Tijdens en na gebruik, kan de accu heet worden waardoor brandwonden of koude brandwonden kunnen worden veroorzaakt. Wees voorzichtig bij het hanteren van een hete accu.**
15. **Raak de aansluitpunten van het gereedschap niet onmiddellijk na gebruik aan omdat deze heet genoeg kunnen zijn om brandwonden te veroorzaken.**
16. **Zorg ervoor dat geen steenslag, stof of grond vast komt te zitten op/in de aansluitpunten, openingen en groeven van de accu.** Hierdoor kan oververhitting, brand, een barst en een storing in het gereedschap of de accu ontstaan waardoor brandwonden of persoonlijk letsel kunnen ontstaan.
17. **Behalve indien gebruik van het gereedschap is toegestaan in de buurt van hoogspanningsleidingen, mag u de accu niet gebruiken in de buurt van een hoogspanningsleiding.** Dit kan leiden tot een storing of een defect van het gereedschap of de accu.
18. **Houd de accu uit de buurt van kinderen.**

## BEWAAR DEZE INSTRUCTIES.

**⚠ LET OP:** Gebruik uitsluitend originele Makita accu's. Het gebruik van niet-originele accu's, of accu's die zijn gewijzigd, kan ertoe leiden dat de accu ontploft en brand, persoonlijk letsel en schade veroorzaakt. Ook vervalt daarmee de garantie van Makita op het gereedschap en de lader van Makita.

## Tips voor een maximale levensduur van de accu

1. **Laad de accu op voordat hij volledig ontladen is. Stop het gebruik van het gereedschap en laad de accu op telkens wanneer u vaststelt dat het vermogen van het gereedschap is afgenomen.**
2. **Laad een volledig opgeladen accu nooit opnieuw op. Te lang opladen verkort de levensduur van de accu.**
3. **Laad de accu op bij een omgevingstemperatuur tussen 10 °C en 40 °C. Laat een warme accu afkoelen alvorens hem op te laden.**
4. **Als de accu niet wordt gebruikt, verwijdert u hem vanaf het gereedschap of de lader.**
5. **Laad de accu op als u deze gedurende een lange tijd (meer dan zes maanden) niet gaat gebruiken.**

## BESCHRIJVING VAN DE FUNCTIES

**⚠ LET OP:** Zorg altijd dat het gereedschap is uitgeschakeld en de accu ervan is verwijderd alvorens de functies op het gereedschap af te stellen of te controleren.

## De accu aanbrengen en verwijderen

**⚠ LET OP:** Schakel het gereedschap altijd uit voordat u de accu aanbrengt of verwijdert.

**⚠ LET OP:** Houd het gereedschap en de accu stevig vast tijdens het aanbrengen of verwijderen van de accu. Als u het gereedschap en de accu niet stevig vasthoudt, kunnen deze uit uw handen glijpen en het gereedschap of de accu beschadigen, of kan persoonlijk letsel worden veroorzaakt.

Om de accu te verwijderen verschuift u de knop aan de voorkant van de accu en schuift u tegelijkertijd de accu uit het gereedschap.

► Fig.1: 1. Rood deel 2. Knop 3. Accu

Om de accu aan te brengen lijnt u de lip op de accu uit met de groef in de behuizing en duwt u de accu op zijn plaats. Steek de accu zo ver mogelijk in het gereedschap tot u een klinkgeluid hoort. Wanneer het rode deel zichtbaar is, zoals aangegeven in de afbeelding, is de accu niet geheel vergrendeld.

**⚠ LET OP:** Breng de accu altijd helemaal aan totdat het rode deel niet meer zichtbaar is. Als u dit niet doet, kan de accu per ongeluk uit het gereedschap vallen en u of anderen in uw omgeving verwonden.

**⚠ LET OP:** Breng de accu niet met kracht aan. Als de accu niet gemakkelijk in het gereedschap kan worden geschoven, wordt deze niet goed aangebracht.

## De trekkerschakelaar gebruiken

**⚠ LET OP:** Alvorens de accu in het gereedschap te plaatsen, moet u altijd controleren of de trekkerschakelaar goed werkt en bij het loslaten terugkeert naar de stand "OFF".

Om het gereedschap te starten, knijpt u gewoon de trekkerschakelaar in. Hoe harder u de trekkerschakelaar inknijpt, hoe sneller het gereedschap draait. Laat de trekkerschakelaar los om het gereedschap te stoppen.

► **Fig.2:** 1. Trekkerschakelaar

## Elektrische rem

Dit gereedschap is voorzien van een elektrische rem. Als het gereedschap continu niet snel stilstaat nadat de trekkerschakelaar is losgelaten, laat u het gereedschap onderhouden door een Makita-servicecentrum.

## De lamp op de voorkant gebruiken

**⚠ LET OP:** Kijk niet direct in het lamplicht of in de lichtbron.

Knijp de trekkerschakelaar in om de lamp in te schakelen. De lamp blijft branden zo lang de trekkerschakelaar ingeknepen wordt gehouden. Ongeveer 10 tot 20 seconden nadat u de trekkerschakelaar hebt losgelaten, gaat de lamp uit.

► **Fig.3:** 1. Lamp

**OPMERKING:** Gebruik een droge doek om vuil van de lens van de lamp af te vegen. Wees voorzichtig dat u de lens van de lamp niet bekrast omdat dan de verlichting minder wordt.

## De omkeerschakelaar bedienen

**⚠ LET OP:** Controleer altijd de draairichting alvorens het gereedschap te starten.

**⚠ LET OP:** Verander de stand van de omkeerschakelaar alleen nadat het gereedschap volledig tot stilstand is gekomen. Als u de draairichting verandert terwijl het gereedschap nog draait, kan het gereedschap beschadigd raken.

**⚠ LET OP:** Zet de omkeerschakelaar altijd in de neutrale stand wanneer u het gereedschap niet gebruikt.

Dit gereedschap heeft een omkeerschakelaar voor het veranderen van de draairichting. Druk de omkeerschakelaar in vanaf kant A voor de draairichting rechtsom, of vanaf kant B voor de draairichting linksom.

Wanneer de omkeerschakelaar in de neutrale stand staat, kan de trekkerschakelaar niet worden ingeknepen.

► **Fig.4:** 1. Omkeerschakelaar

## MONTAGE

**⚠ LET OP:** Zorg altijd dat het gereedschap is uitgeschakeld en de accu ervan is verwijderd alvorens enig werk aan het gereedschap uit te voeren.

## Selecteren van de juiste slagdop

Gebruik altijd de juiste maat slagdop voor het vastdraaien van bouten en moeren. Het gebruik van een slagdop met een verkeerde maat zal een onnauwkeurig en onregelmatig aandraaimoment en/of beschadiging van de bout of moer tot gevolg hebben.

## Een slagdop aanbrengen of verwijderen

*Optioneel accessoire*

**⚠ LET OP:** Zorg ervoor dat de slagdop en het bevestigingsdeel niet beschadigd zijn voordat u de slagdop aanbrengt.

**⚠ LET OP:** Nadat u de slagdop hebt aangebracht, controleert u of deze stevig vast zit. Als deze eraf komt, mag u hem niet gebruiken.

**OPMERKING:** De manier waarop de slagdop wordt aangebracht verschilt afhankelijk van het type vierkante aandrijfkop van het gereedschap.

## Gereedschap met een ringveer

### Voor een slagdop zonder O-ring en pen

Duw de slagdop op de vierkante aandrijfkop tot hij op zijn plaats wordt vergrendeld.

Om de slagdop te verwijderen, trekt u deze gewoon eraf.

► **Fig.5:** 1. Slagdop 2. Vierkante aandrijfkop  
3. Ringveer

### Voor een slagdop met O-ring en pen

Verwijder de O-ring uit de groef in de slagdop en verwijder daarna de pen uit de slagdop. Plaats de slagdop op de vierkante aandrijfkop zodat het gat in de slagdop is uitgelijnd met het gat in de vierkante aandrijfkop.

Steek de pen door het gat in de slagdop en het gat in de vierkante aandrijfkop. Breng daarna de O-ring weer op zijn oorspronkelijke plaats in de groef in de slagdop aan, zodat de pen op zijn plaats wordt gehouden.

Om de slagdop te verwijderen, voert u deze procedure in omgekeerde volgorde uit.

► **Fig.6:** 1. Slagdop 2. O-ring 3. Pen

## Gereedschap met een arrêteerpen

Lijn het gat in de zijkant van de slagdop uit met de arrêteerpen op de vierkante aandrijfkop en druk de slagdop op de vierkante aandrijfkop totdat die op zijn plaats vastklikt. Indien nodig licht aantikken.

Om de slagdop te verwijderen, trekt u deze gewoon eraf. Als deze moeilijk kan worden verwijderd, drukt u de arrêteerpen in terwijl u aan de slagdop trekt.

► **Fig.7:** 1. Slagdop 2. Gat 3. Vierkante aandrijfkop  
4. Arrêteerpen

## De haak aanbrengen

### Optioneel accessoire

**⚠ WAARSCHUWING:** Gebruik de opgang-/bevestigingsmiddelen alleen waarvoor ze bedoeld zijn, d.w.z. ophangen aan een gereedschapsgordel tussen werkzaamheden of tijdens pauzes.

**⚠ WAARSCHUWING:** Wees voorzichtig dat de haak niet overbelast wordt aangezien een te hoge kracht of onregelmatige overbelasting kan leiden tot beschadiging van het gereedschap met persoonlijk letsel tot gevolg.

**⚠ LET OP:** Als u de haak aanbrengt, bevestigt u deze altijd stevig met de schroef. Als u dit niet doet, kan de haak losraken en tot persoonlijk letsel leiden.

**⚠ LET OP:** Verzeker u ervan dat het gereedschap veilig hangt voordat u het loslaat. Door onzorgvuldig of ongebalanceerd ophangen kan het gereedschap eraf vallen en persoonlijk letsel worden veroorzaakt.

De haak is handig om het gereedschap tijdelijk op te hangen. De haak kan aan iedere zijkant van het gereedschap worden bevestigd. Om de haak te bevestigen, steekt u deze in een gleuf op een zijkant en zet u hem vast met de schroef. Om de haak eraf te halen, draait u de schroef los en haalt u de haak eraf.

► Fig.8: 1. Gleuf 2. Haak 3. Schroef

## Het gat gebruiken

**⚠ WAARSCHUWING:** Gebruik het ophanggat nooit voor iets waar het niet voor bedoeld is, bijvoorbeeld om het gereedschap mee vast te binden op een hoge plaats. Stuikdruk in een zwaar belast gat kan het gat beschadigen, waardoor letsel kan ontstaan bij u of mensen rondom of onder u.

Gebruik het ophanggat achteraan de onderkant van het gereedschap om het gereedschap aan een muur te hangen met behulp van een ophangkoord of soortgelijk touw.

► Fig.9: 1. Ophanggat

## De gereedschapophanghaak aanbrengen

### Optioneel accessoire

**⚠ WAARSCHUWING:** Gebruik de opgang-/bevestigingsmiddelen alleen waarvoor ze bedoeld zijn, d.w.z. ophangen aan een gereedschapsgordel tussen werkzaamheden of tijdens pauzes.

**⚠ LET OP:** Gebruik geen beschadigde gereedschapophanghaak, schroeven of schouderriem. Controleer vóór gebruik altijd op beschadigingen, barsten en vervormingen.

**⚠ LET OP:** Verzeker u er vóór gebruik van dat de schroeven vastgedraaid zijn.

**⚠ LET OP:** Gebruik altijd alleen de schroeven die bij de gereedschapophanghaak werden geleverd.

**⚠ LET OP:** Verwijder de accu niet terwijl het gereedschap hangt. Het gereedschap kan vallen als de schroeven niet zijn vastgedraaid.

**⚠ LET OP:** Breng de gereedschapophanghaak aan en verwijder deze op een stabiele tafel of ondergrond.

Deze gereedschapophanghaak is handig om het gereedschap tijdelijk aan uw riem, enz. te hangen, zoals aangegeven in de afbeelding.

► Fig.10: 1. Schouderriem 2. Gereedschapshaak 3. Gereedschap

**OPMERKING:** Bij gebruik met een schouderriem, gebruikt u altijd itemnr. 161464-4. Gebruik itemnr. 161464-4 niet met een andere gereedschapophanghaak.

Verwijder de accu vanaf het gereedschap.

Breng de gereedschapophanghaak aan op het gereedschap in de richting van de pijl.

► Fig.11: 1. Gereedschapshaak 2. Gereedschap 3. Uitsteeksel

► Fig.12

Steek de uitsteeksel van de gereedschapophanghaak in de gleuven aan beide zijkanten van het gereedschap. U kunt de gereedschapophanghaak alleen aanbrengen in de richting van de pijl.

► Fig.13: 1. Uitsteeksel 2. Gleuf

Draai de bijgeleverde schroeven stevig vast. Om te verwijderen, draait u de schroeven los en haalt u hem eraf.

► Fig.14: 1. Schroef

**⚠ LET OP:** Nadat de gereedschapophanghaak is aangebracht, verzekert u zich ervan dat deze stevig is vastgezet met de schroeven.

**⚠ LET OP:** Als zich een probleem voordoet, neemt u contact op met het dichtstbijzijnde Makita-servicecentrum of -dealer.

# BEDIENING

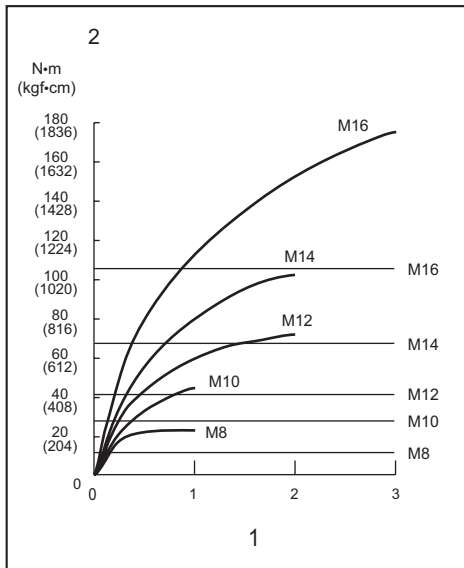
**⚠ LET OP:** Druk de accu altijd stevig aan totdat die op zijn plaats vastklikt. Wanneer het rode deel aan de bovenkant van de knop nog zichtbaar is, zit de accu er nog niet helemaal in. Schuif hem er helemaal in totdat het rode deel niet meer zichtbaar is. Als u dit nalaat, zou de accu uit het gereedschap kunnen vallen en uzelf of anderen kunnen verwonden.

Houd het gereedschap stevig vast en plaats de slagkop over de bout of moer. Schakel het gereedschap in en draai vast gedurende de juiste aandraaitijd.

Het juiste aandraaimoment kan verschillen afhankelijk van het soort en de maat van de bout, het materiaal van het te bevestigen werkstuk, enz. De verhouding tussen het aandraaimoment en de aandraaitijd is aangegeven in de grafieken.

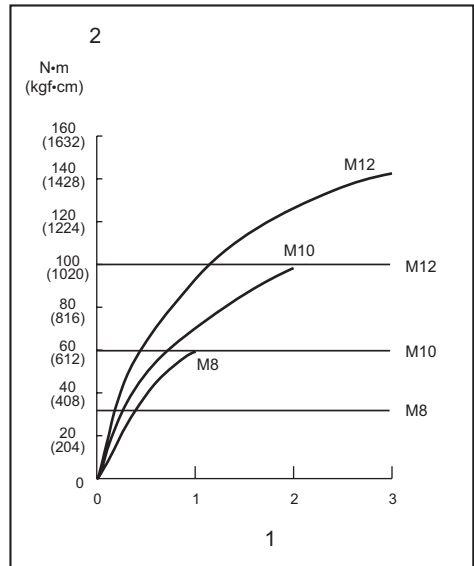
► Fig.15

## Juiste aandraaimoment voor een standaardbout



1. Aandraitijd (seconden) 2. Aandraaimoment

## Juiste aandraaimoment voor een bout met hoge trekvastheid



1. Aandraitijd (seconden) 2. Aandraaimoment

**OPMERKING:** Houd het gereedschap recht voor de bout of moer.

**OPMERKING:** Een buitensporig hoog aandraaimoment kan de bout/moer of slagkop beschadigen. Voordat u aan het werk gaat, dient u altijd even proef te draaien, om de juiste aandraaitijd voor uw bout of moer te bepalen.

**OPMERKING:** Als u het gereedschap onafgebroken hebt gebruikt totdat de accu helemaal leeg is, laat u het gereedschap eerst 15 minuten rusten voordat u doorgaat met een andere accu.

Het aandraaimoment wordt beïnvloed door een groot aantal verschillende factoren, waaronder de volgende. Controleer na het vastdraaien altijd het aandraaimoment met een momentsleutel.

1. Wanneer de accu bijna leeg is, neemt de spanning af en vermindert het aandraaimoment.
2. Slagkop
  - Het gebruik van een slagkop van een verkeerde maat zal resulteren in een lager aandraaimoment.
  - Een versleten slagkop (slijtage aan het zeskantig of vierkant uiteinde) zal resulteren in een lager aandraaimoment.
3. Bout
  - Zelfs wanneer het koppelcoëfficiënt overeenkomt met de boutklasse, hangt het juiste aandraaimoment af van de boutdiameter.
  - Zelfs wanneer de boutdiameters gelijk zijn, hangt het juiste aandraaimoment af van het koppelcoëfficiënt, de boutklasse en de boutlengte.

4. Door het gebruik van een universeelkoppeling of verlengstuk zal de aandrainkracht van de slagmoersleutel iets lager zijn. Hiervoor kunt u compenseren door wat langer aan te draaien.
5. De manier van vasthouden van het gereedschap en de positie waar de schroef in het materiaal wordt gedraaid, hebben een invloed op het aandrainmoment.
6. Bij lagere toerentallen wordt ook het aandrainmoment kleiner.

## ONDERHOUD

**⚠ LET OP:** Zorg altijd dat het gereedschap is uitgeschakeld en de accu ervan is verwijderd alvorens te beginnen met onderhoud of inspectie.

**KENNISGEVING:** Gebruik nooit benzine, wasbenzine, thinner, alcohol en dergelijke. Hierdoor kunnen verkleuring, vervormingen en barsten worden veroorzaakt.

Om de VEILIGHEID en BETROUWBAARHEID van het gereedschap te handhaven, dienen alle reparaties, onderhoud of afstellingen te worden uitgevoerd bij een erkend Makita-servicecentrum of de Makita-fabriek, en altijd met gebruik van Makita-vervangingsonderdelen.

## OPTIONELE ACCESSOIRES

**⚠ LET OP:** Deze accessoires of hulpstukken worden aanbevolen voor gebruik met het Makita gereedschap dat in deze gebruiksaanwijzing is beschreven. Bij gebruik van andere accessoires of hulpstukken bestaat het gevaar van persoonlijke letsel. Gebruik de accessoires of hulpstukken uitsluitend voor hun bestemde doel.

Wenst u meer bijzonderheden over deze accessoires, neem dan contact op met het plaatselijke Makita-servicecentrum.

- Slagdop
- Kunststof koffer
- Gereedschapshaak
- Schouderriem
- Haak
- Originele Makita accu's en acculaders

**OPMERKING:** Sommige items op de lijst kunnen zijn inbegrepen in de doos van het gereedschap als standaard toebehoren. Deze kunnen van land tot land verschillen.

## ESPECIFICACIONES

<b>Modelo:</b>		<b>TW202D</b>
Capacidades de apriete	Perno estándar	M8 - M16
	Perno de gran resistencia a la tracción	M8 - M12
Eje cuadrado		12,7 mm
Velocidad sin carga		0 - 2.300 min <sup>-1</sup>
Impactos por minuto		0 - 3.000 min <sup>-1</sup>
Longitud total		176 mm
Tensión nominal		CC 18 V
Peso neto		1,5 kg

- Debido a nuestro continuado programa de investigación y desarrollo, las especificaciones aquí dadas están sujetas a cambios sin previo aviso.
- Las especificaciones pueden ser diferentes de país a país.
- El peso puede variar dependiendo del accesorio(s), incluyendo el cartucho de batería. La combinación menos pesada y la más pesada, de acuerdo con el procedimiento EPTA 01/2014, se muestran en la tabla.

### Cartucho de batería y cargador aplicables

Cartucho de batería	BL1815G / BL1820G
Cargador	DC18WA / DC18WB

- Algunos de los cartuchos de batería y cargadores indicados arriba puede que no estén disponibles dependiendo de su región de residencia.

**⚠ADVERTENCIA:** Utilice solamente los cartuchos de batería y cargadores listados arriba. La utilización de cualquier otro cartucho de batería y cargador puede ocasionar heridas y/o un incendio.

### Uso previsto

La herramienta ha sido prevista para apretar pernos y tuercas.

### Ruido

El nivel de ruido A-ponderado típico determinado de acuerdo con la norma EN62841-2-2:

Nivel de presión sonora ( $L_{pA}$ ) : 98 dB (A)

Nivel de potencia sonora ( $L_{WA}$ ) : 106 dB (A)

Error (K) : 3 dB (A)

**NOTA:** El valor (o los valores) de emisión de ruido declarado ha sido medido de acuerdo con un método de prueba estándar y se puede utilizar para comparar una herramienta con otra.

**NOTA:** El valor (o valores) de emisión de ruido declarado también se puede utilizar en una valoración preliminar de exposición.

**⚠ADVERTENCIA:** Póngase protectores para oídos.

**⚠ADVERTENCIA:** La emisión de ruido durante la utilización real de la herramienta eléctrica puede variar del valor (o los valores) de emisión declarado dependiendo de las formas en las que la herramienta sea utilizada, especialmente qué tipo de pieza de trabajo se procesa.

**⚠ADVERTENCIA:** Asegúrese de identificar medidas de seguridad para proteger al operario que estén basadas en una estimación de la exposición en las condiciones reales de utilización (teniendo en cuenta todas las partes del ciclo operativo como las veces cuando la herramienta está apagada y cuando está funcionando en vacío además del tiempo de gatillo).

### Vibración

El valor total de la vibración (suma de vectores triaxiales) determinado de acuerdo con la norma EN62841-2-2:

Modo de trabajo: apretado por impacto de tornillos de la máxima capacidad de la herramienta

Emisión de vibración ( $a_h$ ) : 6,8 m/s<sup>2</sup>

Error (K) : 1,5 m/s<sup>2</sup>

**NOTA:** El valor (o los valores) total de emisión de vibración declarado ha sido medido de acuerdo con un método de prueba estándar y se puede utilizar para comparar una herramienta con otra.

**NOTA:** El valor (o los valores) total de emisión de vibración declarado también se puede utilizar en una valoración preliminar de exposición.

**⚠️ ADVERTENCIA:** La emisión de vibración durante la utilización real de la herramienta eléctrica puede variar del valor (o los valores) de emisión declarado dependiendo de las formas en las que la herramienta sea utilizada, especialmente qué tipo de pieza de trabajo se procesa.

**⚠️ ADVERTENCIA:** Asegúrese de identificar medidas de seguridad para proteger al operario que estén basadas en una estimación de la exposición en las condiciones reales de utilización (teniendo en cuenta todas las partes del ciclo operativo como las veces cuando la herramienta está apagada y cuando está funcionando en vacío además del tiempo de gatillo).

## Declaraciones de conformidad

### Para países europeos solamente

Las declaraciones de conformidad están incluidas como Anexo A de este manual de instrucciones.

## ADVERTENCIAS DE SEGURIDAD

### Advertencias de seguridad para herramientas eléctricas en general

**⚠️ ADVERTENCIA:** Lea todas las advertencias de seguridad, instrucciones, ilustraciones y especificaciones provistas con esta herramienta eléctrica. Si no sigue todas las instrucciones indicadas abajo podrá resultar en una descarga eléctrica, un incendio y/o heridas graves.

### Guarde todas las advertencias e instrucciones para futuras referencias.

El término "herramienta eléctrica" en las advertencias se refiere a su herramienta eléctrica de funcionamiento con conexión a la red eléctrica (con cable) o herramienta eléctrica de funcionamiento a batería (sin cable).

### Advertencias de seguridad para la llave de impacto inalámbrica

1. Sujete la herramienta eléctrica por las superficies de aislamiento aisladas cuando realice una operación en la que el tornillo pueda entrar en contacto con cableado oculto. El contacto del tornillo con un cable con corriente hará que la corriente circule por las partes metálicas expuestas de la herramienta eléctrica y podrá soltar una descarga eléctrica al operario.
2. Utilice protectores de oídos.

3. Compruebe el manguito de impacto con cuidado por si está desgastado, agrietado o dañado antes de instalarlo.
4. Sujete la herramienta firmemente.
5. Mantenga las manos alejadas de las partes giratorias.
6. No toque el manguito de impacto, el perno, la tuerca o la pieza de trabajo inmediatamente después de la operación. Podrán estar muy calientes y podrían quemarle la piel.
7. Asegúrese siempre de apoyar los pies firmemente. Asegúrese de que no haya nadie debajo cuando esté utilizando la herramienta en lugares altos.
8. El par de apriete apropiado podrá variar en función del tipo o tamaño del perno. Compruebe el par de apriete con una llave dinamométrica.
9. Asegúrese de que no hay cables eléctricos, tuberías de agua, tuberías de gas, etc., que puedan ocasionar un riesgo si se dañan al utilizar la herramienta.

## GUARDE ESTAS INSTRUCCIONES.

**⚠️ ADVERTENCIA:** NO deje que la comodidad o familiaridad con el producto (a base de utilizarlo repetidamente) sustituya la estricta observancia de las normas de seguridad para el producto en cuestión. El MAL USO o el no seguir las normas de seguridad establecidas en este manual de instrucciones podrá ocasionar graves heridas personales.

### Instrucciones de seguridad importantes para el cartucho de batería

1. Antes de utilizar el cartucho de batería, lea todas las instrucciones e indicaciones de precaución sobre (1) el cargador de baterías, (2) la batería, y (3) el producto con el que se utiliza la batería.
2. No desensamble ni manipule el cartucho de batería. Podrá resultar en un incendio, calor excesivo, o una explosión.
3. Si el tiempo de uso se acorta demasiado, cese la operación inmediatamente. Podría resultar en un riesgo de recalentamiento, posibles quemaduras e incluso una explosión.
4. Si entra electrolito en sus ojos, aclárelos con agua limpia y acuda a un médico inmediatamente. Existe el riesgo de poder perder la vista.
5. No cortocircuite el cartucho de batería:
  - (1) No toque los terminales con ningún material conductor.
  - (2) Evite guardar el cartucho de batería en un cajón junto con otros objetos metálicos, como clavos, monedas, etc.
  - (3) No exponga el cartucho de batería al agua ni a la lluvia.Un cortocircuito en la batería puede producir una gran circulación de corriente, un recalentamiento, posibles quemaduras e incluso una rotura de la misma.
6. No guarde ni utilice la herramienta y el cartucho de batería en lugares donde la temperatura pueda alcanzar o exceder los 50 °C.

7. **Nunca incinere el cartucho de batería incluso en el caso de que esté dañado seriamente o ya no sirva en absoluto. El cartucho de batería puede explotar si se tira al fuego.**
8. **No clave, corte, aplaste, lance, deje caer el cartucho de batería, ni golpee contra un objeto duro el cartucho de batería.** Tal conducta podrá resultar en un incendio, calor excesivo, o una explosión.
9. **No utilice una batería dañada.**
10. **Las baterías de litio-ion contenidas están sujetas a los requisitos de la Legislación para Materiales Peligrosos.**  
Para transportes comerciales, p.ej., por terceras personas y agentes de transportes, se deberán observar requisitos especiales para el empaquetado y etiquetado. Para la preparación del artículo que se va a enviar, se requiere consultar con un experto en materiales peligrosos. Por favor, observe también la posibilidad de reglamentos nacionales más detallados. Cubra con cinta aislante o enmascare los contactos expuestos y empaquete la batería de tal manera que no se pueda mover alrededor dentro del embalaje.
11. **Para desechar el cartucho de batería, retírelo de la herramienta y deséchelo en un lugar seguro. Siga los reglamentos locales referentes al desecho de la batería.**
12. **Utilice las baterías solamente con los productos especificados por Makita.** La instalación de las baterías en productos no compatibles puede resultar en un incendio, calor excesivo, explosión, o fuga de electrolito.
13. **Si la herramienta no va a ser utilizada durante un periodo de tiempo largo, la batería deberá ser retirada de la herramienta.**
14. **Durante y después de la utilización, el cartucho de batería podrá acumular calor, lo cual puede ocasionar quemaduras o quemaduras de baja temperatura. Preste atención al manejo de cartuchos de batería calientes.**
15. **No toque el terminal de la herramienta inmediatamente después de utilizar, dado que puede calentarse lo suficiente como para ocasionar quemaduras.**
16. **No permita que virutas, polvo, o tierra se adhieran dentro de los terminales, orificios, y ranuras del cartucho de batería.** Esto podría ocasionar calentamiento, que coja fuego, reviente y un mal funcionamiento de la herramienta o el cartucho de batería, resultando en quemaduras o heridas personales.
17. **A menos que la herramienta pueda utilizarse cerca de cables eléctricos de alta tensión, no utilice el cartucho de batería cerca de cables eléctricos de alta tensión.** Podrá resultar en un mal funcionamiento o rotura de la herramienta o el cartucho de batería.
18. **Mantenga la batería alejada de los niños.**

## GUARDE ESTAS INSTRUCCIONES.

**⚠PRECAUCIÓN:** Utilice solamente baterías genuinas de Makita. La utilización de baterías no genuinas de Makita, o baterías que han sido alteradas, puede resultar en una explosión de la batería ocasionando incendios, heridas personales y daños. También anulará la garantía de Makita para la herramienta y el cargador de Makita.

## Consejos para alargar al máximo la vida de servicio de la batería

1. **Cargue el cartucho de batería antes de que se descargue completamente. Detenga siempre la operación y cargue el cartucho de batería cuando note menos potencia en la herramienta.**
2. **No cargue nunca un cartucho de batería que esté completamente cargado. La sobrecarga acortará la vida de servicio de la batería.**
3. **Cargue el cartucho de batería a temperatura ambiente de 10 °C - 40 °C. Si un cartucho de batería está caliente, déjelo enfriar antes de cargarlo.**
4. **Cuando no esté utilizando el cartucho de batería, retírelo de la herramienta o del cargador.**
5. **Cargue el cartucho de batería si no lo utiliza durante un periodo de tiempo prolongado (más de seis meses).**

## DESCRIPCIÓN DEL FUNCIONAMIENTO

**⚠PRECAUCIÓN:** Asegúrese siempre de que la herramienta está apagada y el cartucho de batería retirado antes de realizar cualquier ajuste o comprobación en la herramienta.

## Instalación o extracción del cartucho de batería

**⚠PRECAUCIÓN:** Apague siempre la herramienta antes de instalar o retirar el cartucho de batería.

**⚠PRECAUCIÓN:** Sujete la herramienta y el cartucho de batería firmemente cuando instale o retire el cartucho de batería. Si no sujeta la herramienta y el cartucho de batería firmemente podrán caérsele de las manos y resultar en daños a la herramienta y al cartucho de batería y heridas personales.

Para retirar el cartucho de batería, deslícelo de la herramienta mientras desliza el botón de la parte frontal del cartucho.

► Fig. 1: 1. Indicador rojo 2. Botón 3. Cartucho de batería

Para instalar el cartucho de batería, alinee la lengüeta del cartucho de batería con la ranura del alojamiento y deslícelo al interior hasta encajarlo en su sitio. Insértelo por completo hasta que se bloquee en su sitio con un pequeño chasquido. Si puede ver el indicador rojo como se muestra en la figura, no estará bloqueado completamente.

**⚠PRECAUCIÓN:** Instale siempre el cartucho de batería completamente hasta que no pueda verse el indicador rojo. En caso contrario, podrá caerse accidentalmente de la herramienta y ocasionarle heridas a usted o a alguien que esté cerca de usted.

**⚠PRECAUCIÓN:** No instale el cartucho de batería empleando fuerza. Si el cartucho no se desliza al interior fácilmente, será porque no está siendo insertado correctamente.



## Accionamiento del interruptor

**⚠ PRECAUCIÓN:** Antes de insertar el cartucho de batería en la herramienta, compruebe siempre para cerciorarse de que el gatillo interruptor se acciona debidamente y que vuelve a la posición "OFF" cuando lo suelta.

Para poner en marcha la herramienta, simplemente apriete el gatillo interruptor. La velocidad de la herramienta aumenta incrementando la presión en el gatillo interruptor. Suelte el gatillo interruptor para parar.

► **Fig.2:** 1. Gatillo interruptor

## Freno eléctrico

Esta herramienta está equipada con un freno eléctrico. Si la herramienta consistentemente deja de pararse rápidamente después de soltar el gatillo interruptor, haga que la herramienta sea servida en un centro de servicio Makita.

## Encendido de la lámpara delantera

**⚠ PRECAUCIÓN:** No mire a la luz ni vea la fuente de luz directamente.

Apriete el gatillo interruptor para encender la lámpara. La lámpara seguirá encendida mientras el gatillo interruptor esté siendo apretado. La lámpara se apagará de 10 a 20 segundos aproximadamente después de soltar el gatillo interruptor.

► **Fig.3:** 1. Lámpara

**NOTA:** Utilice un paño seco para quitar la suciedad de la lente de la lámpara. Tenga cuidado de no rayar la lente de la lámpara, porque podrá disminuir la iluminación.

## Accionamiento del interruptor inversor

**⚠ PRECAUCIÓN:** Confirme siempre la dirección de giro antes de la operación.

**⚠ PRECAUCIÓN:** Utilice la palanca del interruptor inversor solamente después de que la herramienta se haya parado completamente. El cambiar la dirección de giro antes de que la herramienta se haya parado podrá dañar la herramienta.

**⚠ PRECAUCIÓN:** Cuando no esté utilizando la herramienta, ponga siempre la palanca del interruptor inversor en la posición neutral.

Esta herramienta tiene una palanca del interruptor inversor para cambiar la dirección de giro. Presione hacia dentro la palanca del interruptor inversor del lado A para giro hacia la derecha o del lado B para giro hacia la izquierda.

Cuando la palanca del interruptor inversor está en la posición neutral, el gatillo interruptor no se puede apretar.

► **Fig.4:** 1. Palanca del interruptor inversor

## MONTAJE

**⚠ PRECAUCIÓN:** Asegúrese siempre de que la herramienta está apagada y el cartucho de batería retirado antes de realizar cualquier trabajo en la herramienta.

## Selección del manguito de impacto correcto

Utilice siempre el manguito de impacto de tamaño correcto para pernos y tuercas. El utilizar un manguito de impacto de tamaño incorrecto resultará en un par de apriete impreciso e inconsistente y/o en daños al perno o a la tuerca.

## Instalación o desmontaje del manguito de impacto

### Accesorios opcionales

**⚠ PRECAUCIÓN:** Asegúrese de que el manguito de impacto y la porción de montaje no están dañados antes de instalar el manguito de impacto.

**⚠ PRECAUCIÓN:** Después de insertar el manguito de impacto, asegúrese de que está sujetado firmemente. Si se sale, no lo utilice.

**NOTA:** La forma de instalación del manguito de impacto varía dependiendo del tipo de eje cuadrado en la herramienta.

## Herramienta con el resorte en anillo

### Para manguito de impacto sin junta tórica y pasador

Empuje el manguito de impacto sobre el eje cuadrado hasta que se bloquee en su sitio.

Para extraer el manguito de impacto, sáquelo tirando de él simplemente.

► **Fig.5:** 1. Manguito de impacto 2. Eje cuadrado 3. Resorte en anillo

### Para manguito de impacto con junta tórica y pasador

Extraiga la junta tórica de la ranura del manguito de impacto y saque el pasador del manguito de impacto. Encaje el manguito de impacto en el eje cuadrado de forma que el agujero en el manguito de impacto quede alineado con el agujero en el eje cuadrado.

Inserte el pasador a través del agujero en el manguito de impacto y el eje cuadrado. Luego vuelva a colocar la junta tórica en su posición original de la ranura del manguito de impacto para retener el pasador.

Para extraer el manguito de impacto, siga el procedimiento de instalación a la inversa.

► **Fig.6:** 1. Manguito de impacto 2. Junta tórica 3. Pasador

## Herramienta con el pasador de retención

Alinee el agujero en el lado del manguito de impacto con el pasador de retención del eje cuadrado y presione el manguito de impacto sobre el eje cuadrado hasta que se bloquee en su sitio. Golpéelo ligeramente si es necesario.

Para extraer el manguito de impacto, sáquelo tirando de él simplemente. Si resulta difícil extraerlo, presione el pasador de retención mientras tira del manguito de impacto.

► **Fig.7:** 1. Manguito de impacto 2. Agujero 3. Eje cuadrado 4. Pasador de retención

## Instalación del gancho

### Accesorios opcionales

**ADVERTENCIA:** Utilice las partes para colgar/montar solo para el propósito que han sido pensadas, por ejemplo, colgar la herramienta de una correa para herramienta entre diferentes trabajos o intervalos de trabajo.

**ADVERTENCIA:** Asegúrese de no sobrecargar el gancho, porque una fuerza excesiva o sobrecarga irregular puede ocasionar daños a la herramienta resultando en heridas personales.

**PRECAUCIÓN:** Cuando instale el gancho, sujételo siempre firmemente con el tornillo. Si no, el gancho podrá caerse de la herramienta y resultar en heridas personales.

**PRECAUCIÓN:** Asegúrese de colgar la herramienta firmemente antes de soltarla de la mano. Un enganche insuficiente o desequilibrado puede ocasionar que se caiga y podría ocasionarle heridas.

El gancho resulta útil para colgar temporalmente la herramienta. Se puede instalar en cualquiera de los costados de la herramienta. Para instalar el gancho, insértelo en una ranura en cualquiera de los costados de la carcasa de la herramienta y después sujételo con un tornillo. Para retirarlo, afloje el tornillo y después sáquelo.

► **Fig.8:** 1. Ranura 2. Gancho 3. Tornillo

## Utilización del agujero

**ADVERTENCIA:** No utilice nunca el agujero para colgar para propósitos distintos de los previstos, por ejemplo, para amarrar la herramienta en un lugar alto. La presión de contacto en un agujero muy cargado puede ocasionar daños al agujero, resultando en heridas a usted o a gente alrededor o debajo de usted.

Utilice el agujero para colgar de la parte inferior trasera de la herramienta para colgar la herramienta en una pared utilizando un cordón para colgar o cordeles similares.

► **Fig.9:** 1. Agujero para colgar

## Instalación del colgador de herramienta

### Accesorios opcionales

**ADVERTENCIA:** Utilice las partes para colgar/montar solo para el propósito que han sido pensadas, por ejemplo, colgar la herramienta de una correa para herramienta entre diferentes trabajos o intervalos de trabajo.

**PRECAUCIÓN:** No utilice un colgador de herramienta, tornillos ni correa de bandolera dañados. Compruebe siempre por si hay daños, grietas o deformaciones antes de utilizar.

**PRECAUCIÓN:** Asegúrese de que los tornillos están apretados antes de utilizar.

**PRECAUCIÓN:** Utilice siempre solamente los tornillos provistos con el colgador de herramienta.

**PRECAUCIÓN:** No retire el cartucho de batería mientras la herramienta está colgada. La herramienta podrá caerse si los tornillos no están apretados.

**PRECAUCIÓN:** Instale o retire el colgador de herramienta sobre una mesa o superficie estable.

Este colgador de herramienta resulta útil para colgar temporalmente la herramienta en su cinturón, etc., como se muestra en la ilustración.

► **Fig.10:** 1. Correa de bandolera 2. Colgador de herramienta 3. Herramienta

**NOTA:** Cuando se utilice con una correa de bandolera, utilice siempre el elemento N.º 161464-4. No utilice el elemento N.º 161464-4 con otro colgador de herramienta.

Retire el cartucho de batería de la herramienta.

Instale el colgador de herramienta en la herramienta en la dirección de la flecha.

► **Fig.11:** 1. Colgador de herramienta 2. Herramienta 3. Saliente

► **Fig.12**

Inserte los salientes del colgador de herramienta en las ranuras de ambos costados de la herramienta. Puede instalar el colgador de herramienta solamente en la dirección de la flecha.

► **Fig.13:** 1. Saliente 2. Ranura

Apriete firmemente los tornillos provistos. Para quitarlo, afloje los tornillos y después sáquelo.

► **Fig.14:** 1. Tornillo

**PRECAUCIÓN:** Después de instalar el colgador de herramienta, asegúrese de que está instalado firmemente con los tornillos.

**PRECAUCIÓN:** Si surge algún problema, consulte con el centro de servicio o distribuidor Makita más cercano.

# OPERACIÓN

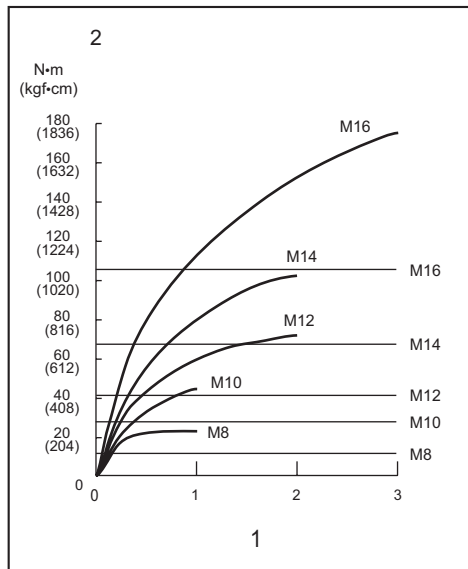
**⚠ PRECAUCIÓN:** Inserte siempre el cartucho de batería a tope hasta que se bloquee en su sitio. Si puede ver el indicador rojo en el lado superior del botón, no estará bloqueado completamente. Insértelo completamente hasta que el indicador rojo no pueda verse. En caso contrario, podrá caerse accidentalmente de la herramienta y ocasionarle heridas a usted o a alguien que esté cerca de usted.

Sujete firmemente la herramienta y ponga el manguito de impacto sobre el perno o la tuerca. Ponga en marcha la herramienta y apriete durante el tiempo de apriete apropiado.

El par de apriete apropiado podrá variar dependiendo del tipo o tamaño del perno, el material de la pieza de trabajo a apretar, etc. La relación entre el par de apriete y el tiempo de apriete se muestra en las figuras.

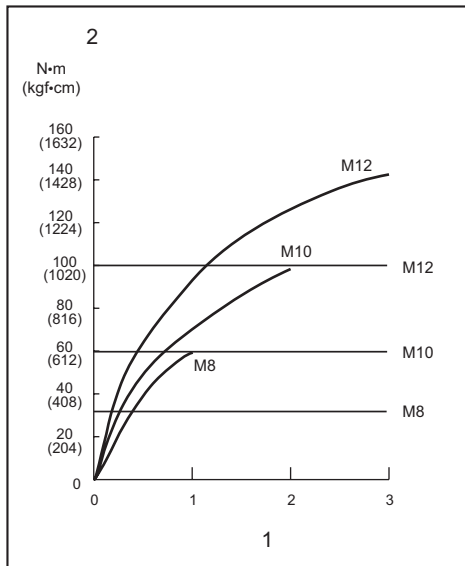
► Fig.15

## Par de apriete apropiado para perno estándar



1. Tiempo de apriete (segundo) 2. Par de apriete

## Par de apriete apropiado para perno de gran resistencia a la tracción



1. Tiempo de apriete (segundo) 2. Par de apriete

**NOTA:** Sujete la herramienta orientada en línea recta al perno o tuerca.

**NOTA:** Un par de apriete excesivo puede dañar el perno/tuerca o el manguito de impacto. Antes de comenzar la tarea, realice siempre una operación de prueba para determinar el tiempo de apriete apropiado para el perno o la tuerca que quiere apretar.

**NOTA:** Si utiliza la herramienta continuamente hasta descargar el cartucho de batería, deje descansar la herramienta durante 15 minutos antes de proceder con un cartucho de batería fresco.

El par de apriete se verá afectado por una amplia variedad de factores, incluidos los siguientes. Después de apretar, compruebe siempre el par de apriete con una llave dinamométrica.

1. Cuando el cartucho de batería esté casi completamente descargado, caerá la tensión y el par de apriete se reducirá.
2. Manguito de impacto
  - En caso de no utilizar el manguito de impacto de tamaño correcto se producirá una disminución del par de apriete.
  - Un manguito de impacto gastado (desgaste en el extremo hexagonal o extremo cuadrado) ocasionará una disminución del par de apriete.
3. Perno
  - Aunque el coeficiente del par de apriete y la clase de perno sean iguales, el par de apriete apropiado variará de acuerdo con el diámetro del perno.
  - Aunque los diámetros de los pernos sean iguales, el par de apriete apropiado variará de acuerdo con el coeficiente del par de apriete, la clase de perno y la longitud del perno.

4. La utilización de la junta universal o la barra de extensión reducirá en cierta medida la fuerza de apriete de la llave de impacto. Compense apretando durante un periodo de tiempo más largo.
5. La manera de sujetar la herramienta o el material que se va a apretar en la posición de atornillar afectarán al par de apriete.
6. La operación de la herramienta a baja velocidad ocasionará una reducción del par de apriete.

## MANTENIMIENTO

**⚠PRECAUCIÓN:** Asegúrese siempre de que la herramienta está apagada y de que el cartucho de batería está retirado antes de intentar hacer una inspección o mantenimiento.

**AVISO:** No utilice nunca gasolina, bencina, disolvente, alcohol o similares. Podría producir descoloración, deformación o grietas.

Para mantener la SEGURIDAD y FIABILIDAD del producto, las reparaciones, y cualquier otra tarea de mantenimiento o ajuste deberán ser realizadas en centros de servicio o de fábrica autorizados por Makita, empleando siempre repuestos Makita.

## ACCESORIOS OPCIONALES

**⚠PRECAUCIÓN:** Estos accesorios o aditamentos están recomendados para su uso con la herramienta Makita especificada en este manual.

El uso de cualquier otro accesorio o aditamento puede suponer un riesgo de heridas personales. Utilice el accesorio o aditamento solamente con la finalidad indicada para el mismo.

Si necesita cualquier ayuda para más detalles en relación con estos accesorios, pregunte al centro de servicio Makita local.

- Manguito de impacto
- Maletín de transporte de plástico
- Colgador de herramienta
- Correa de bandolera
- Gancho
- Batería y cargador genuinos de Makita

**NOTA:** Algunos elementos de la lista podrán estar incluidos en el paquete de la herramienta como accesorios estándar. Pueden variar de un país a otro.

## ESPECIFICAÇÕES

<b>Modelo:</b>		<b>TW202D</b>
Capacidades de aperto	Perno normal	M8 - M16
	Perno de grande elasticidade	M8 - M12
Cabeça quadrada de acionamento		12,7 mm
Velocidade sem carga		0 - 2.300 min <sup>-1</sup>
Impactos por minuto		0 - 3.000 min <sup>-1</sup>
Comprimento total		176 mm
Tensão nominal		CC 18 V
Peso líquido		1,5 kg

- Devido a um programa contínuo de pesquisa e desenvolvimento, estas especificações estão sujeitas a alteração sem aviso prévio.
- As especificações podem variar de país para país.
- O peso poderá diferir em função do acessório(s), incluindo a bateria. A combinação mais leve e mais pesada, de acordo com o Procedimento EPTA 01/2014, é apresentada na tabela.

### Bateria e carregador aplicável

Bateria	BL1815G / BL1820G
Carregador	DC18WA / DC18WB

- Algumas das baterias e carregadores listados acima poderão não estar disponíveis, dependendo da sua região de residência.

**⚠AVISO:** Utilize apenas as baterias e carregadores listados acima. A utilização de quaisquer outras baterias e carregadores pode causar ferimentos e/ou um incêndio.

### Utilização a que se destina

A ferramenta foi concebida para aperto de parafusos e porcas.

### Ruído

A característica do nível de ruído A determinado de acordo com a EN62841-2-2:

Nível de pressão acústica ( $L_{pA}$ ): 98 dB (A)

Nível de potência acústica ( $L_{WA}$ ): 106 dB (A)

Variabilidade (K): 3 dB (A)

**NOTA:** O(s) valor(es) da emissão de ruído indicado(s) foi medido de acordo com um método de teste padrão e pode ser utilizado para comparar duas ferramentas.

**NOTA:** O(s) valor(es) da emissão de ruído indicado(s) pode também ser utilizado na avaliação preliminar da exposição.

**⚠AVISO:** Utilize protetores auriculares.

**⚠AVISO:** A emissão de ruído durante a utilização real da ferramenta elétrica pode diferir do(s) valor(es) indicado(s), dependendo das formas como a ferramenta é utilizada, especialmente o tipo de peça de trabalho que é processada.

**⚠AVISO:** Certifique-se de identificar as medidas de segurança para proteção do operador que sejam baseadas em uma estimativa de exposição em condições reais de utilização (considerando todas as partes do ciclo de operação, tal como quando a ferramenta está desligada e quando está a funcionar em marcha lenta além do tempo de acionamento).

### Vibração

Valor total da vibração (soma vetorial tri-axial) determinado de acordo com a EN62841-2-2:

Modo de trabalho: aperto com impacto de parafusos de capacidade máxima da ferramenta

Emissão de vibração ( $a_h$ ): 6,8 m/s<sup>2</sup>

Variabilidade (K): 1,5 m/s<sup>2</sup>

**NOTA:** O(s) valor(es) total(ais) de vibração indicado(s) foi medido de acordo com um método de teste padrão e pode ser utilizado para comparar duas ferramentas.

**NOTA:** O(s) valor(es) total(ais) de vibração indicado(s) pode também ser utilizado na avaliação preliminar da exposição.

**⚠AVISO:** A emissão de vibração durante a utilização real da ferramenta elétrica pode diferir do(s) valor(es) indicado(s), dependendo das formas como a ferramenta é utilizada, especialmente o tipo de peça de trabalho que é processada.

**⚠AVISO:** Certifique-se de identificar as medidas de segurança para proteção do operador que sejam baseadas em uma estimativa de exposição em condições reais de utilização (considerando todas as partes do ciclo de operação, tal como quando a ferramenta está desligada e quando está a funcionar em marcha lenta além do tempo de acionamento).

## Declarações de conformidade

### *Apenas para os países europeus*

As Declarações de conformidade estão incluídas no Anexo A deste manual de instruções.

## AVISOS DE SEGURANÇA

### Avisos gerais de segurança para ferramentas elétricas

**⚠AVISO:** Leia todos os avisos de segurança, instruções, ilustrações e especificações fornecidos com esta ferramenta elétrica. O não cumprimento de todas as instruções indicadas em baixo pode resultar em choque elétrico, incêndio e/ou ferimentos graves.

## Guarde todos os avisos e instruções para futuras referências.

O termo “ferramenta elétrica” nos avisos refere-se às ferramentas elétricas ligadas à corrente elétrica (com cabo) ou às ferramentas elétricas operadas por meio de bateria (sem cabo).

### Avisos de segurança da chave de impacto a bateria

1. **Agarre na ferramenta elétrica pelas partes isoladas quando executa uma operação em que o parafuso possa entrar em contacto com fios ocultos.** O contacto dos parafusos com um fio com corrente poderá carregar as partes metálicas da ferramenta e causar choque elétrico no operador.
2. **Use protetores auditivos.**
3. **Verifique cuidadosamente o bocal de impacto quanto a desgaste, rachas ou danos antes da instalação.**
4. **Segure a ferramenta firmemente.**
5. **Mantenha as mãos afastadas das partes giratórias.**
6. **Não toque no bocal de impacto, perno, porca ou na peça de trabalho imediatamente após a operação.** Podem estar extremamente quentes e pode causar queimaduras na pele.
7. **Certifique-se sempre de que tem os pés bem assentes. Certifique-se de que não está ninguém por baixo quando utilizar a ferramenta em locais altos.**

8. **O binário de aperto adequado pode diferir, dependendo do tipo ou do tamanho do perno. Verifique o binário com uma chave de binário.**
9. **Certifique-se de que não há cabos elétricos, tubos de água, tubos de gás, etc., que possam constituir um perigo se danificados pela utilização da ferramenta.**

## GUARDE ESTAS INSTRUÇÕES.

**⚠AVISO:** NÃO permita que o conforto ou a familiaridade com o produto (adquirido com o uso repetido) substitua a adesão estrita às regras de segurança da ferramenta.

A MÁ INTERPRETAÇÃO ou o não seguimento das regras de segurança estabelecidas neste manual de instruções pode causar danos pessoais graves.

### Instruções de segurança importantes para a bateria

1. **Antes de utilizar a bateria, leia todas as instruções e etiquetas de precaução no (1) carregador de bateria (2) bateria e (3) produto que utiliza a bateria.**
2. **Não desmonte ou manipule a bateria.** Pode resultar num incêndio, em calor excessivo ou numa explosão.
3. **Se o tempo de funcionamento se tornar excessivamente curto, pare o funcionamento imediatamente. Pode resultar em sobreaquecimento, possíveis queimaduras e mesmo explosão.**
4. **Se entrar eletrólito nos seus olhos, lave-os com água e consulte imediatamente um médico. Pode resultar em perda de visão.**
5. **Não coloque a bateria em curto-circuito:**
  - (1) **Não toque nos terminais com qualquer material condutor.**
  - (2) **Evite guardar a bateria juntamente com outros objetos metálicos tais como pregos, moedas, etc.**
  - (3) **Não exponha a bateria à água ou chuva. Um curto-circuito pode ocasionar um enorme fluxo de corrente, sobreaquecimento, possíveis queimaduras e mesmo estragar-se.**
6. **Não guarde nem utilize a ferramenta e a bateria em locais onde a temperatura pode atingir ou exceder 50 °C.**
7. **Não queime a bateria mesmo que esteja estragada ou completamente gasta. A bateria pode explodir no fogo.**
8. **Não pregue, corte, esmague, atire, deixe cair a bateria, nem bata a bateria contra um objeto rijo.** Esta conduta pode resultar num incêndio, em calor excessivo ou numa explosão.
9. **Não utilize uma bateria danificada.**
10. **As baterias de íões de lítio contidas na ferramenta são sujeitas aos requisitos da DGL (Dangerous Goods Legislation - Legislação de bens perigosos).**

Para o transporte comercial, por exemplo, por terceiros ou agentes de expedição, têm de ser observados os requisitos referentes à embalagem e etiquetagem.

Para preparação do artigo a ser expedido, é necessário consultar um perito em materiais perigosos. Tenha ainda em conta a possibilidade de existirem regulamentos nacionais mais detalhados. Coloque fita-cola ou tape os contactos abertos e embale a bateria de tal forma que não possa mover-se dentro da embalagem.

11. Quando eliminar a bateria, remova-a da ferramenta e elimine-a num local seguro. Siga os regulamentos locais relacionados com a eliminação de baterias.
12. Utilize as baterias apenas com os produtos especificados pela Makita. Instalar as baterias em produtos não-conformes poderá resultar num incêndio, calor excessivo, explosão ou fuga de eletrólito.
13. Se a ferramenta não for utilizada durante um período de tempo prolongado, a bateria deve ser removida da ferramenta.
14. Durante e após a utilização, a bateria pode aquecer, o que pode provocar queimaduras ou queimaduras a baixa temperatura. Preste atenção ao manuseamento de baterias quentes.
15. Não toque no terminal da ferramenta imediatamente após a utilização, pois pode ficar suficientemente quente para provocar queimaduras.
16. Não permita a adesão de aparas, pó ou sujidade nos terminais, nos orifícios e nas ranhuras da bateria. Poderá fazer com que a ferramenta ou a bateria aqueça, incendeie, rebente e avarie, resultando em queimaduras ou ferimentos corporais.
17. A menos que a ferramenta suporte a utilização perto de linhas elétricas de alta tensão, não utilize a bateria perto de linhas elétricas de alta tensão. Pode resultar no mau funcionamento ou na avaria da ferramenta ou bateria.
18. Mantenha a bateria afastada das crianças.

## GUARDE ESTAS INSTRUÇÕES.

**⚠️ PRECAUÇÃO:** Utilize apenas baterias genuínas da Makita. A utilização de baterias não genuínas da Makita ou de baterias que foram alteradas, pode resultar no rebentamento da bateria provocando incêndios, ferimentos pessoais e danos. Além disso, anulará da garantia da Makita no que se refere à ferramenta e ao carregador Makita.

## Conselhos para manter a máxima vida útil da bateria

1. Carregue a bateria antes que esteja completamente descarregada. Pare sempre o funcionamento da ferramenta e carregue a bateria quando notar menos poder na ferramenta.
2. Nunca carregue uma bateria completamente carregada. Carregamento excessivo diminui a vida útil da bateria.
3. Carregue a bateria à temperatura ambiente de 10 °C – 40 °C. Deixe que uma bateria quente arrefeça antes de a carregar.
4. Quando não utilizar a bateria, remova-a da ferramenta ou do carregador.
5. Carregue a bateria se não a utilizar durante um longo período de tempo (mais de seis meses).

## DESCRIÇÃO FUNCIONAL

**⚠️ PRECAUÇÃO:** Certifique-se sempre de que a ferramenta está desligada e a bateria foi retirada antes de regular ou verificar qualquer função na ferramenta.

## Instalação ou remoção da bateria

**⚠️ PRECAUÇÃO:** Desligue sempre a ferramenta antes de colocar ou retirar a bateria.

**⚠️ PRECAUÇÃO:** Segure firmemente a ferramenta e a bateria quando instalar ou remover a bateria. Se não segurar firmemente a ferramenta e a bateria pode fazer com que escorreguem das suas mãos resultando em danos na ferramenta e na bateria e ferimentos pessoais.

Para retirar a bateria, deslize-a para fora da ferramenta enquanto desliza o botão na frente da bateria.

► Fig.1: 1. Indicador vermelho 2. Botão 3. Bateria

Para instalar a bateria, alinhe a lingueta na bateria com a ranhura na caixa e deslize-a para a posição correta. Insira-a por completo até bloquear na posição correta com um pequeno clique. Se conseguir ver o indicador vermelho conforme apresentado na figura, não está completamente bloqueada.

**⚠️ PRECAUÇÃO:** Instale sempre a bateria até ao fim, até deixar de ver o indicador vermelho. Caso contrário, a bateria poderá cair da ferramenta acidentalmente e provocar ferimentos em si mesmo ou em alguém próximo.

**⚠️ PRECAUÇÃO:** Não instale a bateria à força. Se a bateria não deslizar facilmente é porque não foi colocada corretamente.

## Ação do interruptor

**⚠️ PRECAUÇÃO:** Antes de colocar a bateria na ferramenta, verifique sempre se o gatilho do interruptor funciona corretamente e volta para a posição "OFF" quando libertado.

Para iniciar a ferramenta, carregue simplesmente no gatilho do interruptor. A velocidade da ferramenta aumenta quando aumenta a pressão no gatilho. Liberte o gatilho do interruptor para parar.

► Fig.2: 1. Gatilho do interruptor

## Travão elétrico

Esta ferramenta está equipada com um travão elétrico. Se a ferramenta consistentemente não parar rapidamente após a libertação do gatilho do interruptor, solicite a reparação da ferramenta num centro de assistência da Makita.

## Acender a lâmpada da frente

**⚠️ PRECAUÇÃO:** Não olhe para a luz ou para a fonte de iluminação diretamente.

Puxe o gatilho do interruptor para acender a lâmpada. A lâmpada mantém-se acesa enquanto o gatilho do interruptor estiver a ser puxado. A lâmpada apaga-se aproximadamente 10 a 20 segundos depois de soltar o gatilho do interruptor.

► **Fig.3:** 1. Lâmpada

**NOTA:** Utilize um pano seco para limpar a sujidade da lente da lâmpada. Tenha cuidado para não riscar a lente da lâmpada ou a iluminação pode ficar enfraquecida.

## Ação do interruptor de inversão

**⚠️ PRECAUÇÃO:** Verifique sempre a direção de rotação antes da operação.

**⚠️ PRECAUÇÃO:** Utilize a alavanca do interruptor de inversão apenas após a ferramenta estar completamente parada. Mudar o sentido de rotação antes de a ferramenta parar poderá danificar a ferramenta.

**⚠️ PRECAUÇÃO:** Quando não estiver a utilizar a ferramenta, coloque sempre a alavanca do interruptor de inversão na posição neutra.

Esta ferramenta possui uma alavanca do interruptor de inversão para modificar o sentido de rotação. Pressione a alavanca do interruptor de inversão no lado A para rotação para a direita ou no lado B para rotação para a esquerda.

Quando a alavanca do interruptor de inversão está na posição neutra, não é possível carregar no gatilho.

► **Fig.4:** 1. Alavanca do interruptor de inversão

## MONTAGEM

**⚠️ PRECAUÇÃO:** Certifique-se sempre de que a ferramenta está desligada e a bateria retirada antes de executar qualquer trabalho na ferramenta.

## Selecionar um bocal de impacto correto

Utilize sempre o bocal de impacto de tamanho correto para os pernos e porcas. Um bocal de impacto de tamanho incorreto pode resultar em binário de aperto incorreto ou inconsistente e/ou danificar o perno ou a porca.

## Instalar ou remover o bocal de impacto

### Acessório opcional

**⚠️ PRECAUÇÃO:** Certifique-se de que o bocal de impacto e a respetiva parte de montagem não estão danificados antes de instalar o bocal de impacto.

**⚠️ PRECAUÇÃO:** Depois de inserir o bocal de impacto, certifique-se de que está preso firmemente. Se sair, não o utilize.

**NOTA:** O modo de instalação do bocal de impacto varia em função do tipo de cabeça quadrada de acionamento na ferramenta.

## Ferramenta com a mola do anel

### Para o bocal de impacto sem o anel em O e o pino

Empurre o bocal de impacto para a cabeça quadrada de acionamento até bloquear na posição correta.

Para retirar o bocal de impacto, puxe-o simplesmente para fora.

► **Fig.5:** 1. Bocal de impacto 2. Cabeça quadrada de acionamento 3. Mola do anel

### Para o bocal de impacto com o anel em O e o pino

Mova o anel em O para fora da ranhura no bocal de impacto e retire o pino do bocal de impacto. Encaixe o bocal de impacto na cabeça quadrada de acionamento de forma que o orifício no bocal de impacto fique alinhado com o orifício na cabeça quadrada de acionamento.

Insira o pino através do orifício no bocal de impacto e na cabeça quadrada de acionamento. Depois, volte a colocar o anel em O na posição original, na ranhura do bocal de impacto, para prender o pino.

Para retirar o bocal de impacto, siga os procedimentos de instalação pela ordem inversa.

► **Fig.6:** 1. Bocal de impacto 2. Anel em O 3. Pino

## Ferramenta com o pino de retenção

Alinhe o orifício na parte lateral do bocal de impacto com o pino de retenção na cabeça quadrada de acionamento e empurre o bocal de impacto para cima da cabeça quadrada de acionamento até prender no lugar. Dê-lhe uma pancada leve se necessário.

Para retirar o bocal de impacto, puxe-o simplesmente para fora. Se for difícil de remover, pressione o pino de retenção enquanto puxa o bocal de impacto.

► **Fig.7:** 1. Bocal de impacto 2. Orifício 3. Cabeça quadrada de acionamento 4. Pino de retenção



## Instalar o gancho

### Acessório opcional

**⚠️ AVISO:** Utilize as peças de suspensão/montagem exclusivamente para as respetivas finalidades, por exemplo, pendurar a ferramenta num cinto de ferramentas entre trabalhos ou intervalos de trabalho.

**⚠️ AVISO:** Tenha cuidado para não sobrecarregar o gancho, pois a força excessiva ou sobrecarga irregular poderão causar danos na ferramenta, resultando em ferimentos corporais.

**⚠️ PRECAUÇÃO:** Quando instalar o gancho, fixe-o sempre firmemente com o parafuso. Caso contrário, o gancho sai da ferramenta, resultando em lesão física.

**⚠️ PRECAUÇÃO:** Certifique-se de que pendura a ferramenta em segurança antes de soltá-la. Enganchar de forma insuficiente ou desequilibrada poderá causar quedas e poderá ferir-se.

O gancho é conveniente para pendurar temporariamente a ferramenta. Pode ser instalado em qualquer um dos lados da ferramenta. Para instalar o gancho, coloque-o numa ranhura no corpo da ferramenta em qualquer um dos lados e prenda-o com um parafuso. Para o retirar, solte o parafuso e retire-o.

► **Fig.8:** 1. Ranhura 2. Gancho 3. Parafuso

## Utilizar o orifício

**⚠️ AVISO:** Nunca utilize o orifício para pendurar para fins não previstos como, por exemplo, amarrar a ferramenta num local elevado. Suportar a tensão num orifício fortemente carregado pode causar danos no orifício, provocando ferimentos a si ou às pessoas perto ou por baixo de si.

Utilize o orifício para pendurar na parte traseira inferior da ferramenta para pendurar a ferramenta numa parede utilizando um cabo para pendurar ou cordões semelhantes.

► **Fig.9:** 1. Orifício para pendurar

## Instalar o suspensor da ferramenta

### Acessório opcional

**⚠️ AVISO:** Utilize as peças de suspensão/montagem exclusivamente para as respetivas finalidades, por exemplo, pendurar a ferramenta num cinto de ferramentas entre trabalhos ou intervalos de trabalho.

**⚠️ PRECAUÇÃO:** Não utilize suspensores da ferramenta, parafusos e faixas para o ombro danificados. Verifique sempre quanto a danos, fissuras ou deformações antes da utilização.

**⚠️ PRECAUÇÃO:** Certifique-se de que os parafusos estão apertados antes da utilização.

**⚠️ PRECAUÇÃO:** Utilize sempre apenas os parafusos fornecidos com o suspensor da ferramenta.

**⚠️ PRECAUÇÃO:** Não remova a bateria enquanto pendura a ferramenta. A ferramenta pode cair se os parafusos não estiverem apertados.

**⚠️ PRECAUÇÃO:** Instale ou remova o suspensor da ferramenta numa mesa ou superfície estável.

Este suspensor da ferramenta é prático para pendurar temporariamente a ferramenta a partir do seu cinto, etc., conforme ilustrado.

► **Fig.10:** 1. Faixa para o ombro 2. Suspensor da ferramenta 3. Ferramenta

**NOTA:** Quando utilizar com uma faixa para o ombro, utilize sempre o item n.º 161464-4. Não utilize o item n.º 161464-4 com outro suspensor da ferramenta.

Remova a bateria da ferramenta.

Instale o suspensor da ferramenta na ferramenta no sentido da seta.

► **Fig.11:** 1. Suspensor da ferramenta 2. Ferramenta 3. Projeção

► **Fig.12**

Insira as projeções do suspensor da ferramenta nas ranhuras em ambos os lados da ferramenta. Apenas pode instalar o suspensor da ferramenta no sentido da seta.

► **Fig.13:** 1. Projeção 2. Ranhura

Aperte firmemente os parafusos fornecidos. Para remover, solte os parafusos e, em seguida, retire-o.

► **Fig.14:** 1. Parafuso

**⚠️ PRECAUÇÃO:** Após instalar, certifique-se de que o suspensor da ferramenta está firmemente instalado com os parafusos.

**⚠️ PRECAUÇÃO:** Se surgir algum problema, entre em contacto com o seu centro de assistência ou distribuidor da Makita mais próximo.

# OPERAÇÃO

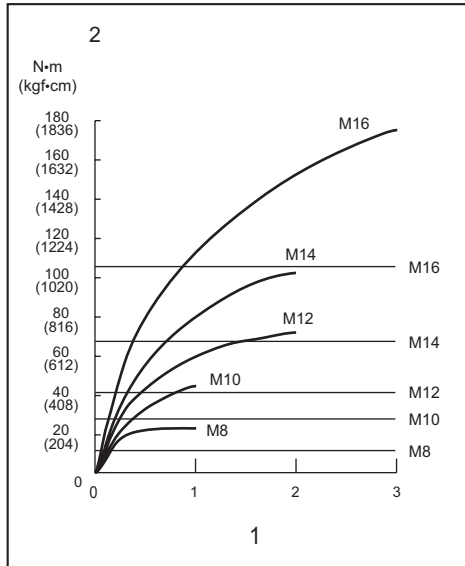
**⚠️ PRECAUÇÃO:** Insira sempre a bateria por completo até bloquear no lugar com um clique. Se conseguir ver o indicador vermelho no lado superior do botão, é porque não está bloqueada completamente. Introduza-a totalmente até o indicador vermelho não puder ser visto. Se isso não acontecer, a bateria pode cair acidentalmente da ferramenta, causando-lhe ferimentos a si ou alguém perto de si.

Agarre na ferramenta firmemente e coloque o bocal de impacto sobre o perno ou a porca. Ligue a ferramenta e aperte durante o tempo de aperto adequado.

O binário de aperto adequado pode diferir dependendo do tipo ou do tamanho do perno, o material da peça de trabalho a ser apertada, etc. A relação entre o binário de aperto e o tempo de aperto é indicada nas figuras.

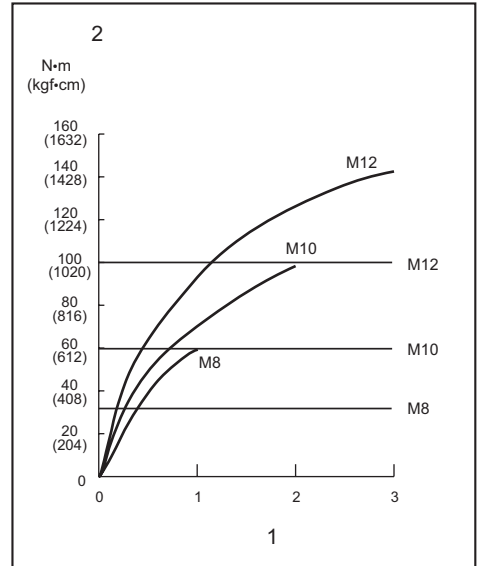
► Fig.15

## Binário de aperto adequado para um perno normal



1. Tempo de aperto (segundos) 2. Binário de aperto

## Binário de aperto adequado para pernos de grande elasticidade



1. Tempo de aperto (segundos) 2. Binário de aperto

**NOTA:** Agarre na ferramenta apontando-a a direita para o perno ou a porca.

**NOTA:** Um binário de aperto excessivo pode danificar o perno/porca ou o bocal de impacto. Antes de iniciar o trabalho, execute sempre uma operação de teste para determinar o tempo de aperto adequado para o perno ou porca.

**NOTA:** Se a ferramenta funcionar continuamente até descarregar a bateria, deixe a ferramenta descansar durante 15 minutos antes de continuar com uma bateria nova.

O binário de aperto é afetado por uma enorme variedade de fatores, incluindo o seguinte. Depois do aperto, verifique sempre o binário com uma chave de binário.

1. Quando a bateria está quase completamente descarregada, a tensão baixará e o binário de aperto será reduzido.
2. Bocal de impacto
  - A utilização de um bocal de impacto de tamanho incorreto causará uma redução no binário de aperto.
  - Um bocal de impacto gasto (desgaste na extremidade hexagonal ou na extremidade quadrada) causará uma redução no binário de aperto.
3. Perno
  - Mesmo que o coeficiente do binário e o tipo do perno sejam o mesmo, o binário de aperto adequado será diferente de acordo com o diâmetro do perno.
  - Mesmo que os diâmetros dos pernos sejam os mesmos, o binário de aperto adequado será diferente de acordo com o coeficiente do binário, o tipo e o comprimento do perno.

4. A utilização da junta universal ou da barra de extensão reduz um pouco a força de aperto da chave de impacto. Compense apertando durante um período de tempo mais longo.
5. O modo de pegar na ferramenta ou o material na posição a ser aparafusado afetará o binário.
6. Funcionar com a ferramenta a baixa velocidade causará redução do binário de aperto.

## MANUTENÇÃO

**⚠PRECAUÇÃO:** Certifique-se sempre de que a ferramenta se encontra desligada e de que a bateria foi retirada antes de executar qualquer inspeção ou manutenção.

**OBSERVAÇÃO:** Nunca utilize gasolina, benzina, diluente, álcool ou produtos semelhantes. Pode ocorrer a descoloração, deformação ou rachaduras.

Para manter a SEGURANÇA e a FIABILIDADE do produto, as reparações e qualquer outra manutenção ou ajuste devem ser levados a cabo pelos centros de assistência Makita autorizados ou pelos centros de assistência de fábrica, utilizando sempre peças de substituição Makita.

## ACESSÓRIOS OPCIONAIS

**⚠PRECAUÇÃO:** Estes acessórios ou peças são recomendados para utilização com a ferramenta Makita especificada neste manual. A utilização de outros acessórios ou peças pode ser perigosa para as pessoas. Utilize apenas acessórios ou peças para os fins indicados.

Se necessitar de informações adicionais relativas a estes acessórios, solicite-as ao seu centro de assistência Makita.

- Bocal de impacto
- Caixa de plástico para transporte
- Suspensor da ferramenta
- Faixa para o ombro
- Gancho
- Bateria e carregador genuínos da Makita

**NOTA:** Alguns itens da lista podem estar incluídos na embalagem da ferramenta como acessórios padrão. Eles podem variar de país para país.

## SPECIFIKATIONER

<b>Model:</b>		<b>TW202D</b>
Fastspændingskapacitet	Standardbolt	M8 - M16
	Højstyrkebolt	M8 - M12
Firkantet drev		12,7 mm
Hastighed uden belastning		0 - 2.300 min <sup>-1</sup>
Slag pr. minut		0 - 3.000 min <sup>-1</sup>
Længde i alt		176 mm
Nominel spænding		DC 18 V
Nettovægt		1,5 kg

- På grund af vores kontinuerlige forsknings- og udviklingsprogrammer kan hosstående specifikationer blive ændret uden varsel.
- Specifikationer kan variere fra land til land.
- Vægten kan være anderledes afhængigt af tilbehøret, inklusive akkuen. Den letteste og tungeste kombination i henhold til EPTA-procedure 01/2014 er vist i tabellen.

## Anvendelig akku og oplader

Akku	BL1815G / BL1820G
Oplader	DC18WA / DC18WB

- Nogle af de akkuer og opladere, der er angivet ovenfor, er muligvis ikke tilgængelige, afhængigt af hvilket område du bor i.

**⚠ ADVARSEL: Brug kun de akkuer og opladere, der er angivet ovenfor. Brug af andre akkuer og opladere kan medføre personskade og/eller brand.**

## Tilsigtet anvendelse

Denne maskine er beregnet til tilspænding af bolte og møtrikker.

## Støj

Det typiske A-vægtede støjniveau bestemt i overensstemmelse med EN62841-2-2:

Lydtryksniveau ( $L_{pA}$ ): 98 dB (A)

Lydeffektniveau ( $L_{WA}$ ): 106 dB (A)

Usikkerhed (K): 3 dB (A)

**BEMÆRK:** De(n) angivne støjemissionsværdi(er) er målt i overensstemmelse med en standardtestmetode og kan anvendes til at sammenligne en maskine med en anden.

**BEMÆRK:** De(n) angivne støjemissionsværdi(er) kan også anvendes i en præliminær eksponeringsvurdering.

**⚠ ADVARSEL: Bær høreværn.**

**⚠ ADVARSEL: Støjemissionen under den faktiske anvendelse af maskinen kan være forskellig fra de(n) angivne værdi(er), afhængigt af den måde hvorpå maskinen anvendes, især den type arbejdsømne der behandles.**

**⚠ ADVARSEL: Sørg for at identificere de sikkerhedsforskrifter til beskyttelse af operatøren, som er baseret på en vurdering af eksponering under de faktiske brugsforhold (med hensyntagen til alle dele i brugscyklussen, f.eks. de gange, hvor maskinen er slukket, og når den kører i tomgang i tilgift til afbrydertiden).**

## Vibration

Vibrationens totalværdi (tre-aksial vektorsum) bestemt i overensstemmelse med EN62841-2-2:

Arbejdstilstand: slagstramning af fastgøringsanordninger med maksimal kapacitet for maskinen

Vibrationsemission ( $a_h$ ): 6,8 m/s<sup>2</sup>

Usikkerhed (K): 1,5 m/s<sup>2</sup>

**BEMÆRK:** De(n) angivne totalværdi(er) for vibration er målt i overensstemmelse med en standardtestmetode og kan anvendes til at sammenligne en maskine med en anden.

**BEMÆRK:** De(n) angivne totalværdi(er) for vibration kan også anvendes i en præliminær eksponeringsvurdering.

**⚠ ADVARSEL:** Vibrationsemissionen under den faktiske anvendelse af maskinen kan være forskellig fra de(n) angivne værdi(er), afhængigt af den måde hvorpå maskinen anvendes, især den type arbejdsemne der behandles.

**⚠ ADVARSEL:** Sørg for at identificere de sikkerhedsforskrifter til beskyttelse af operatøren, som er baseret på en vurdering af eksponering under de faktiske brugsforhold (med hensyntagen til alle dele i brugs-cyklussen, f.eks. de gange, hvor maskinen er slukket, og når den kører i tomgang i tilgift til afbrydertiden).

## Overensstemmelseserklæringer

### Kun for lande i Europa

Overensstemmelseserklæringerne er inkluderet i Bilag A i denne brugsanvisning.

## SIKKERHEDSADVARSLER

### Almindelige sikkerhedsregler for el-værktøj

**⚠ ADVARSEL:** Læs alle de sikkerhedsadvarsler, instruktioner, illustrationer og specifikationer, der følger med denne maskine. Forsømmelse af at overholde alle nedenstående instruktioner kan medføre elektrisk stød, brand og/eller alvorlig personskade.

## Gem alle advarsler og instruktioner til fremtidig reference.

Ordet "el-værktøj" i advarslerne henviser til det netforsyede (netledning) el-værktøj eller batteriforsyede (akku) el-værktøj.

## Sikkerhedsadvarsler for elektronisk akku slag nøgle

1. Hold kun maskinen i de isolerede grebflader, når De udfører arbejde, hvor fastgøringsanordningen kan komme i kontakt med skjulte ledninger. Fastgørelsesanordninger, som kommer i kontakt med en strømførende ledning kan gøre uafdækkede metaldele på maskinen strømførende og give operatøren stød.
2. Brug høreværn.
3. Kontrollér omhyggeligt slagtoppen for slitage, revner eller beskadigelse før montering.
4. Hold maskinen godt fast.
5. Hold hænderne væk fra roterende dele.
6. Rør ikke ved slagtoppen, bolten, møtrikken eller arbejdsemnet umiddelbart efter brug. Disse kan være ekstremt varme og kan medføre forbrændinger.
7. Sørg for at stå på et fast underlag. Sørg for at der ikke opholder sig personer under arbejdsområdet, når De arbejder i højden.
8. Det korrekte tilspændingsmoment kan variere afhængigt af boltens type eller størrelse. Kontrollér tilspændingsmomentet med en momentnøgle.

9. Sørg for, at der ikke er nogen elledninger, vandrør, gasrør osv., der kan udgøre en fare, hvis de beskadiges ved brug af maskinen.

## GEM DENNE BRUGSANVISNING.

**⚠ ADVARSEL:** LAD IKKE bekvemmelighed eller kendskab til produktet (opnået gennem gentagen brug) forhindre, at sikkerhedsforskrifterne for produktet nøje overholdes.

MISBRUG eller forsømmelse af at følge de i denne brugsvejledning givne sikkerhedsforskrifter kan føre til, at De kommer alvorligt til skade.

## Vigtige sikkerhedsinstruktioner for akkuen

1. Læs alle instruktioner og advarselmærkater på (1) akku-opladeren, (2) akkuen og (3) produktet, som anvender akku.
2. Adskil eller ændr ikke akkuen. Det kan muligvis resultere i en brand, overdreven varme eller eksplosion.
3. Hold straks op med anvendelsen, hvis brugstiden er blevet stærkt afkortet. Fortsat anvendelse kan resultere i risiko for overophedning, forbrændinger og endog eksplosion.
4. Hvis De har fået elektrolytvæske i øjnene, skal De straks skylle den ud med rent vand og derefter øjeblikkeligt søge lægehjælp. I modsat fald kan De miste synet.
5. Vær påpasselig med ikke at komme til at kortslutte akkuen:
  - (1) Rør ikke ved terminalerne med noget ledende materiale.
  - (2) Undgå at opbevare akkuen i en beholder sammen med andre genstande af metal, for eksempel søm, mønter og lignende.
  - (3) Udsæt ikke akkuen for vand eller regn. Kortslutning af akkuen kan forårsage en kraftig øgning af strømmen, overophedning, mulige forbrændinger og endog værktøjstop.
6. Opbevar og brug ikke maskinen og akkuen på steder, hvor temperaturen muligvis kan nå eller overstige 50 °C.
7. Lad være med at brænde akkuen, selv ikke i tilfælde, hvor den har lidt alvorlig skade eller er fuldstændig udtjent. Akkuen kan eksplodere, hvis man forsøger at brænde den.
8. Slå ikke søm i, skær ikke i, knus, kast, tab ikke akkuen og stød ikke akkuen mod en hård genstand. Sådant adfærd kan muligvis resultere i en brand, overdreven varme eller eksplosion.
9. Anvend ikke en beskadiget akku.
10. De indbyggede litium-ion-batterier er underlagt lovkrav vedrørende farligt gods. Ved kommerciel transport, f.eks. af tredjeparts transportselskaber, skal særlige krav til forpakning og mærkning overholdes. Ved forberedelse af udstyret til forsendelse skal du kontakte en ekspert i farligt gods. Overhold også eventuel mere detaljeret national lovgivning. Tape eller tildæk åbne kontakter, og pak batteriet på en måde, så det ikke kan flytte sig rundt i pakningen.

- Når akkuen bortskaftes, skal du fjerne den fra maskinen og bortskaft den på et sikkert sted. Følg de lokale love vedrørende bortskaftelsen af batterier.
- Brug kun batterierne med de produkter, som Makita specificerer. Hvis batterierne installeres i ikke-kompatible produkter, kan det medføre brand, kraftig varme, eksplosion eller udsvining af elektrolyt.
- Hvis maskinen ikke skal bruges i længere tid ad gangen, skal du fjerne batteriet fra maskinen.
- Akkuen kan muligvis under og efter brug være varm, hvilket kan forårsage forbrændinger eller lavtemperaturforbrændinger. Vær påpasselig med håndtering af varme akkuer.
- Rør ikke terminalen på maskinen straks efter brug, da den bliver varm nok til at forårsage forbrændinger.
- Sørg for, at spåner, støv eller jord ikke sætter sig fast i akkuens terminaler, huller og riller. Det kan forårsage opvarmning, antændelse, sprængning og funktionsfejl i maskinen eller akkuen, hvilket kan medføre forbrændinger eller personskade.
- Medmindre maskinen understøtter brugen i nærheden af elektriske højspændingsledninger, skal du ikke anvende akkuen i nærheden af elektriske højspændingsledninger. Det kan muligvis medføre funktionsfejl på eller nedbrud af maskinen eller akkuen.
- Opbevar batteriet utilgængeligt for børn.

## GEM DENNE BRUGSANVISNING.

**⚠FORSIGTIG:** Brug kun originale batterier fra Makita. Brug af uoriginale Makita-batterier, eller batterier som er blevet ændret, kan muligvis medføre brud på batteriet, hvilket kan forårsage brand, personskade eller beskadigelse. Det ugyldiggør også Makita-garantien for Makita-maskinen og opladeren.

## Tips til opnåelse af maksimal akku-levetid

- Oplad akkuen, inden den er helt afladet. Stop altid værktøjet, og oplad akkuen, hvis De bemærker, at værktøjeffekten er aftagende.
- Genoplad aldrig en fuldt opladet akku. Overopladning vil afkorte akkuens levetid.
- Oplad akkuen ved stuetemperatur ved 10 °C - 40 °C. Lad altid en varm akku få tid til at køle af, inden den oplades.
- Når du ikke anvender akkuen, skal du fjerne den fra maskinen eller opladeren.
- Oplad akkuen, hvis De ikke skal bruge den i længere tid (mere end seks måneder).

## FUNKTIONSBESKRIVELSE

**⚠FORSIGTIG:** Sørg altid for at maskinen er slukket, og at akkuen er taget ud, før der udføres justering eller kontrol af funktioner på maskinen.

### Isætning eller fjernelse af akkuen

**⚠FORSIGTIG:** Sluk altid for værktøjet, før De monterer eller fjerner akkuen.

**⚠FORSIGTIG:** Hold værktøjet og akkuen fast ved montering eller fjernelse af akkuen. Hvis De ikke holder værktøjet og akkuen fast, kan de glide ud af hænderne på Dem og forårsage beskadigelse af værktøjet og akkuen eller personskade.

Akkuen fjernes ved, at De trækker den ud af værktøjet, idet De skyder knappen på forsiden af akkuen i stilling.

► Fig.1: 1. Rød indikator 2. Knap 3. Akku

For at montere akkuen skal du justere tungen på akkuen med rillen i huset og skubbe den på plads. Indsæt den hele vejen, indtil den låses på plads med et lille klik. Hvis du kan se den røde indikator, som vist i figuren, er den ikke helt låst.

**⚠FORSIGTIG:** Monter altid akkuen helt, indtil den røde indikator ikke længere er synlig. Hvis dette ikke gøres, kan den falde ud af værktøjet ved et uheld, hvorved De selv eller personer i nærheden kan komme til skade.

**⚠FORSIGTIG:** Brug ikke magt ved montering af akkuen. Hvis akkuen ikke glider på plads uden problemer, betyder det, at den ikke sættes i på korrekt vis.

### Afbryderbetjening

**⚠FORSIGTIG:** Inden akkuen sættes i maskinen, bør De altid kontrollere, at afbryderknappen fungerer korrekt, og returnerer til "OFF"-positionen, når den slippes.

For at starte maskinen trykkes der blot på afbryderknappen. Maskinens hastighed øges ved at øge trykket på afbryderknappen. Slip afbryderknappen for at stoppe.

► Fig.2: 1. Afbryderknap

### Elektrisk bremse

Denne maskine er udstyret med en elektrisk bremse. Hvis maskinen konsekvent undlader at stoppe hurtigt, efter at afbryderknappen slippes, skal der udføres service på maskinen hos et Makita-servicecenter.

## Tænding af lampen foran

**⚠️FORSIGTIG:** Kig aldrig direkte på lyskilden. Lad ikke lyset falde i Deres øjne.

Tryk på afbryderknappen for at tænde lampen. Lampen bliver ved med at lyse, mens der trykkes på afbryderknappen. Lampen slukker ca. 10 til 20 sekunder efter, at afbryderknappen slippes.

► **Fig.3:** 1. Lampe

**BEMÆRK:** Brug en tør klud til at tørre snavset af lampens linse. Pas på ikke at ridse lampens linse, da dette muligvis kan dæmpe belysningen.

## Omløbsvælgerbetjening

**⚠️FORSIGTIG:** Kontrollér altid omløbsretningen, inden arbejdet påbegyndes.

**⚠️FORSIGTIG:** Brug kun omløbsvælgeren, når maskinen er stoppet helt. Hvis du ændrer rotationsretningen, før maskinen stopper, kan det beskadige maskinen.

**⚠️FORSIGTIG:** Sæt altid omløbsvælgeren i neutral stilling, når maskinen ikke anvendes.

Denne maskine har en omløbsvælger til at ændre rotationsretningen. Tryk omløbsvælgeren ned fra A-siden for rotation med uret eller fra B-siden for rotation mod uret. Når omløbsvælgeren er i neutral stilling, kan afbryderknappen ikke trykkes ind.

► **Fig.4:** 1. Omløbsvælger

## SAMLING

**⚠️FORSIGTIG:** Sørg altid for at maskinen er slukket, og at akkuen er taget ud, før der udføres noget arbejde på maskinen.

## Valg af korrekt slagtop

Anvend altid den korrekte størrelse slagtop til bolte og møtrikker. En slagtop med forkert størrelse vil medføre upræcist og ujævn tilspændingsmoment og/eller beskadige boltene eller møtrikken.

## Montering eller fjernelse af slagtop

### Ekstraudstyr

**⚠️FORSIGTIG:** Sørg for, at slagtoppen og monteringsdelen ikke er beskadiget, før slagtoppen monteres.

**⚠️FORSIGTIG:** Kontroller, at slagtoppen sidder godt fast, når den er sat ind. Undlad at bruge den, hvis den går løs.

**BEMÆRK:** Metoden for montering af slagtoppen varierer afhængigt af typen det firkantede drev på maskinen.

## Maskiner med ringfjeder

### For slagtoppe uden O-ring og stift

Tryk slagtoppen ned over det firkantede drev, indtil den låses på plads.

Slagtoppen fjernes ved ganske enkelt at trække den af.

► **Fig.5:** 1. Slagtop 2. Firkantede drev 3. Ringfjeder

### For slagtoppe med O-ring og stift

Tag O-ringen ud fra rillen i slagtoppen, og fjern stiften fra slagtoppen. Sæt slagtoppen på det firkantede drev, så hullet i slagtoppen flugter med hullet i det firkantede drev.

Sæt stiften gennem hullet i slagtoppen og det firkantede drev. Anbring derefter O-ringen på dens oprindelige plads i rillen på slagtoppen for at holde stiften på plads.

Slagtoppen afmonteres ved at følge fremgangsmåden for montering i omvendt rækkefølge.

► **Fig.6:** 1. Slagtop 2. O-ring 3. Stift

## Maskiner med stoppestift

Juster hullet i siden på slagtoppen med stoppestiften på det firkantede drev, og tryk slagtoppen på det firkantede drev, så den låses på plads. Bank om nødvendigt let på den.

Slagtoppen fjernes ved ganske enkelt at trække den af. Hvis det er svært at fjerne den, trykkes stoppestiften ned, mens der trækkes i slagtoppen.

► **Fig.7:** 1. Slagtop 2. Hul 3. Firkantede drev 4. Stoppestift

## Monteringskrog

### Ekstraudstyr

**⚠️ADVARSEL:** Brug kun hængende/monteringsdele til deres tilsigtede formål, f.eks. ved at hænge maskinen på et maskinbælte mellem opgaver eller arbejdsintervaller.

**⚠️ADVARSEL:** Pas på ikke at overbelaste krogen, da for meget kraft eller uregelmæssig overbelastning kan forårsage skader på maskinen med personskade til følge.

**⚠️FORSIGTIG:** Når krogen monteres, skal den altid fastgøres forsvarligt med skruen. Hvis det ikke er tilfældet kan krogen falde af maskinen og forårsage personskade.

**⚠️FORSIGTIG:** Sørg for at hænge maskinen sikkert op, før du slipper grebet. Utilstrækkelig eller uafbalanceret hængning kan medføre, at den falder af, og du kan komme til skade.

Krogen er beregnet til midlertidig ophængning af maskinen. Den kan monteres på begge sider af maskinen. Krogen monteres ved at man sætter den ind i rillen på maskinen på en af siderne og derefter fastgør den med en skrue. Krogen tages af ved at man løsner skruen og derefter tager den af.

► **Fig.8:** 1. Rille 2. Krog 3. Skrue

## Brug af hul

**⚠ ADVARSEL:** Undlad at bruge det hængende hul til utilsigtede formål, f.eks. ved tøjrning af maskinen på et højt sted. Bærende belastning i et tungt belastet hul kan forårsage skader på hullet, hvilket kan resultere i skader på dig eller mennesker omkring dig eller under dig.

Brug det hængende hul nederst bag på maskinen til at hænge maskinen på en væg ved hjælp af en hængende snor eller lignende strenge.

► Fig.9: 1. Hængende hul

## Montering af maskinebøjle

### Ekstraudstyr

**⚠ ADVARSEL:** Brug kun hængende/montøringsdele til deres tilsigtede formål, f.eks. ved at hænge maskinen på et maskinbælte mellem opgaver eller arbejdsintervaller.

**⚠ FORSIGTIG:** Undlad at bruge den beskadigede maskinebøjle, skruer og skulderstop. Kontrollér altid, om der er skader, revner eller deformationer før brug.

**⚠ FORSIGTIG:** Sørg for, at skruerne er tilspændt før brug.

**⚠ FORSIGTIG:** Brug altid kun de skruer, der følger med maskinebøjlen.

**⚠ FORSIGTIG:** Undlad at afmontere akkuen, når maskinen er hængt op. Maskinen kan falde ned, hvis skruerne ikke er tilspændt.

**⚠ FORSIGTIG:** Monter eller afmonter maskinebøjlen på et stabilt bord eller en stabil overflade.

Denne maskinebøjle er praktisk til midlertidig ophængning af maskinen fra dit bælte osv. som vist på illustrationen.

► Fig.10: 1. Skulderstrop 2. Maskinebøjle 3. Maskine

**BEMÆRK:** Når du bruger en skulderstrop, skal du altid bruge artikel nr.161464-4. Undlad at bruge artikel nr.161464-4 sammen med en anden maskinebøjle.

Afmonter akkuen fra maskinen.

Monter maskinebøjlen på maskinen i pilens retning.

► Fig.11: 1. Maskinebøjle 2. Maskine 3. Fremspring

► Fig.12

Sæt maskinebøjls fremspring ind i rillerne på begge sider af maskinen. Du kan kun montere maskinebøjlen i pilens retning.

► Fig.13: 1. Fremspring 2. Rille

Tilspænd de medfølgende skruer forsvarligt. Løsn skruerne for at afmontere dem, og tag dem derefter ud.

► Fig.14: 1. Skruer

**⚠ FORSIGTIG:** Efter montering skal du sikre dig, at maskinebøjlen er monteret forsvarligt med skruerne.

**⚠ FORSIGTIG:** Hvis der opstår problemer, skal du kontakte det nærmeste Makita-servicecenter eller den nærmeste Makita-forhandler.

## ANVENDELSE

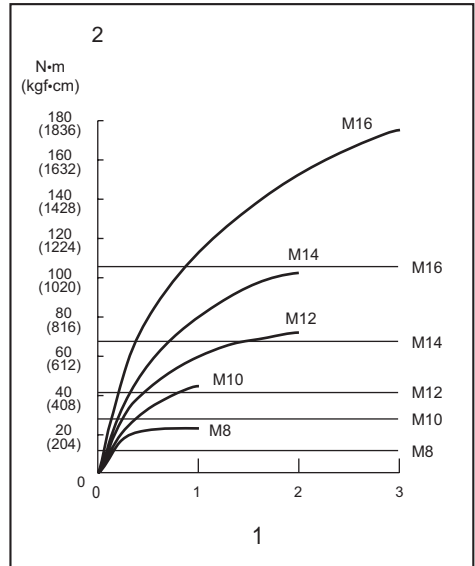
**⚠ FORSIGTIG:** Sæt altid akkuen helt ind, indtil den låses på plads. Hvis du kan se den røde indikator på den øverste side af knappen, er den ikke helt låst. Sæt den helt ind, indtil den røde indikator ikke kan ses. I modsat fald kan den ved et uheld falde ud af maskinen og medføre personskaade på dig eller personer i nærheden.

Hold godt fast på maskinen, og anbring slagtoppen over boltten eller møtrikken. Tænd for maskinen, og tilspænd til den korrekte tilspændingstid.

Det korrekte tilspændingsmoment kan variere afhængigt af boltens type eller størrelse, materialet af det arbejdsemne, der skal fastgøres, osv. Forholdet mellem tilspændingsmoment og tilspændingstid er vist i figurene.

► Fig.15

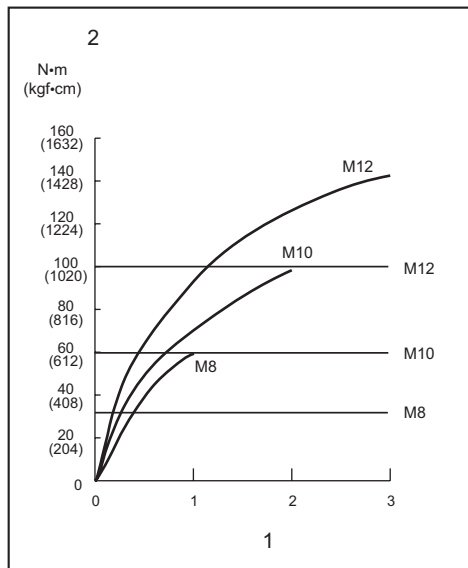
### Korrekt tilspændingsmoment for standardbolt



1. Tilspændingstid (sekunder) 2. Tilspændingsmoment



## Korrekt tilspændingsmoment for højstyrkebolt



1. Tilspændingstid (sekunder) 2. Tilspændingsmoment

**BEMÆRK:** Hold maskinen rettet direkte i retning mod bolten eller møtrikken.

**BEMÆRK:** Et ekstremt tilspændingsmoment kan beskadige bolten/møtrikken eller slagtoppen. Inden arbejdet påbegyndes, skal De altid udføre en test for at bestemme den rigtige tilspændingstid for bolten eller møtrikken.

**BEMÆRK:** Hvis maskinen anvendes uafbrudt, indtil akkuen er afladet, skal maskinen have lov til at hvile i 15 minutter, inden den anvendes igen med en frisk akku.

Drejningsmomentet påvirkes af en lang række faktorer, herunder de nedenfor nævnte. Kontrollér altid momentet med en momentnøgle efter fastspænding.

- Når akkuen er næsten helt afladet, falder spændingen og derved reduceres drejningsmomentet.
- Slagtop
  - Hvis der ikke anvendes en slagtop af korrekt størrelse, vil det medføre en reduktion af tilspændingsmomentet.
  - En udslidt slagtop (slitage af den sekskantede og firkantede ende) vil medføre en reduktion af tilspændingsmomentet.
- Bolt
  - Selvom momentkoefficienten og bolttypen er den samme, vil det korrekte drejningsmoment variere afhængigt af diameteren på bolten.
  - Selv ved samme bolt diameter kan det korrekte drejningsmoment variere afhængigt af momentkoefficienten, bolttypen og længden.

- Brug af kardanledet eller forlængerstangen reducerer i nogen grad slagtopglødens tilspændingskraft. Kompensér for dette ved at tilspænde i længere tid.
- Den måde maskinen holdes på, og materialet på det sted, hvor der fastgøres, vil påvirke drejningsmomentet.
- Når maskinen anvendes med lav hastighed, reduceres drejningsmomentet.

## VEDLIGEHOLDELSE

**⚠FORSIGTIG:** Vær altid sikker på, at værktøjet er slukket, og at akkuen er taget ud, inden De begynder at udføre inspektion eller vedligeholdelse.

**BEMÆRKNING:** Anvend aldrig benzin, rensebenzin, fortynder, alkohol og lignende. Det kan medføre misfarvning, deformation eller revner.

For at opretholde produktets SIKKERHED og PÅLIDELIGHED må reparation, vedligeholdelse eller justering kun udføres af et autoriseret Makita servicecenter eller fabrikksservicecenter med anvendelse af Makita reservedele.

## EKSTRAUDSTYR

**⚠FORSIGTIG:** Det følgende tilbehør og ekstraudstyr er anbefalet til brug med Deres Makita maskine, der er beskrevet i denne brugsanvisning. Anvendelse af andet tilbehør eller ekstraudstyr kan udgøre en risiko for personskade. Anvend kun tilbehør og ekstraudstyr til det beskrevne formål.

Hvis De behøver hjælp ved valg af tilbehør eller ønsker yderligere informationer, bedes De kontakte Deres lokale Makita servicecenter.

- Slagtop
- Plastbæretaske
- Maskinebøjle
- Skulderstro
- Krog
- Original Makita-akku og oplader

**BEMÆRK:** Nogle ting på denne liste kan være inkluderet i værktøjsspakken som standardtilbehør. Det kan være forskellige fra land til land.

## ΠΡΟΔΙΑΓΡΑΦΕΣ

Μοντέλο:		TW202D
Ικανότητες στερέωσης	Τυπικό μπουλόνι	M8 - M16
	Μπουλόνι υψηλού εφελκυσμού	M8 - M12
Τετράγωνος οδηγός		12,7 mm
Ταχύτητα χωρίς φορτίο		0 - 2.300 min <sup>-1</sup>
Κρούσεις ανά λεπτό		0 - 3.000 min <sup>-1</sup>
Ολικό μήκος		176 mm
Ονομαστική τάση		D.C. 18 V
Καθαρό βάρος		1,5 kg

- Λόγω του συνεχιζόμενου προγράμματος έρευνας και ανάπτυξης, οι προδιαγραφές αυτές υπόκεινται σε αλλαγές χωρίς προειδοποίηση.
- Τα τεχνικά χαρακτηριστικά μπορεί να διαφέρουν από χώρα σε χώρα.
- Το βάρος μπορεί να διαφέρει ανάλογα με τα προσαρτήματα, συμπεριλαμβάνοντας την κασέτα μπαταριών. Ο ελαφρύτερος και ο βαρύτερος συνδυασμός, σύμφωνα με τη διαδικασία ΕΡΤΑ 01/2014, παρουσιάζονται στον πίνακα.

### Ισχύουσα κασέτα μπαταριών και φορτιστής

Κασέτα μπαταρίας	BL1815G / BL1820G
Φορτιστής	DC18WA / DC18WB

- Ορισμένες από τις κασέτες και τους φορτιστές μπαταριών που αναγράφονται παραπάνω ίσως να μην είναι διαθέσιμοι, ανάλογα με την τοποθεσία κατοικίας σας.

**⚠ ΠΡΟΕΙΔΟΠΟΙΗΣΗ:** Να χρησιμοποιείτε μόνο τις κασέτες μπαταριών και τους φορτιστές που παρατίθενται ανωτέρω. Η χρήση οποιασδήποτε άλλης κασέτας μπαταριών ή φορτιστή μπορεί να προκαλέσει τραυματισμό ή/και πυρκαγιά.

### Προοριζόμενη χρήση

Το εργαλείο προορίζεται για στερέωμα μπουλονιών και παξιμαδιών.

### Θόρυβος

Το τυπικό Α επίπεδο καταμετρημένου θορύβου καθορίζεται σύμφωνα με το EN62841-2-2:

Στάθμη ηχητικής πίεσης ( $L_{pA}$ ): 98 dB (A)  
 Στάθμη ηχητικής ισχύος ( $L_{WA}$ ): 106 dB (A)  
 Αβεβαιότητα (K): 3 dB (A)

**ΠΑΡΑΤΗΡΗΣΗ:** Η δηλωμένη τιμή(ές) εκπομπής θορύβου έχει μετρηθεί σύμφωνα με την πρότυπη μέθοδο δοκιμής και μπορεί να χρησιμοποιηθεί για τη σύγκριση ενός εργαλείου με κάποιο άλλο.

**ΠΑΡΑΤΗΡΗΣΗ:** Η δηλωμένη τιμή(ές) εκπομπής θορύβου μπορεί να χρησιμοποιηθεί και στην προκαταρκτική αξιολόγηση της έκθεσης.

**⚠ ΠΡΟΕΙΔΟΠΟΙΗΣΗ:** Να φοράτε ωτοασπίδες.

**⚠ ΠΡΟΕΙΔΟΠΟΙΗΣΗ:** Η εκπομπή θορύβου κατά τη χρήση του ηλεκτρικού εργαλείου σε πραγματικές συνθήκες μπορεί να διαφέρει από τη δηλωμένη τιμή(ές) ανάλογα με τους τρόπους χρήσης του εργαλείου, ιδιαίτερα το είδος του τεμαχίου εργασίας που υπόκειται επεξεργασία.

**⚠ ΠΡΟΕΙΔΟΠΟΙΗΣΗ:** Φροντίστε να λάβετε τα κατάλληλα μέτρα προστασίας του χειριστή βάσει ενός υπολογισμού της έκθεσης σε πραγματικές συνθήκες χρήσης (λαμβάνοντας υπόψη όλες τις συνιστώσες του κύκλου λειτουργίας όπως τους χρόνους που το εργαλείο είναι εκτός λειτουργίας και όταν βρίσκεται σε αδρανή λειτουργία πέραν του χρόνου ενεργοποίησης).

### Κραδασμός

Η ολική τιμή δόνησης (άθροισμα τρι-αξονικού διανύσματος) καθορίζεται σύμφωνα με το EN62841-2-2:

Είδος εργασίας: σφίξιμο κρούσης των συνδέσμων  
 μέγιστης απόδοσης του εργαλείου  
 Εκπομπή δόνησης ( $a_{h1}$ ): 6,8 m/s<sup>2</sup>  
 Αβεβαιότητα (K): 1,5 m/s<sup>2</sup>

**ΠΑΡΑΤΗΡΗΣΗ:** Η δηλωμένη τιμή(ές) συνολικών κραδασμών έχει μετρηθεί σύμφωνα με την πρότυπη μέθοδο δοκιμής και μπορεί να χρησιμοποιηθεί για τη σύγκριση ενός εργαλείου με κάποιο άλλο.

**ΠΑΡΑΤΗΡΗΣΗ:** Η δηλωμένη τιμή(ές) συνολικών κραδασμών μπορεί να χρησιμοποιηθεί και στην προκαταρκτική αξιολόγηση της έκθεσης.

**▲ ΠΡΟΕΙΔΟΠΟΙΗΣΗ:** Η εκπομπή κραδασμών κατά τη χρήση του ηλεκτρικού εργαλείου σε πραγματικές συνθήκες μπορεί να διαφέρει από τη δηλωμένη τιμή(ές) εκπομπής ανάλογα με τους τρόπους χρήσης του εργαλείου, ιδιαίτερα το είδος του τεμαχίου εργασίας που υπόκειται επεξεργασία.

**▲ ΠΡΟΕΙΔΟΠΟΙΗΣΗ:** Φροντίστε να λάβετε τα κατάλληλα μέτρα προστασίας του χειριστή βάσει ενός υπολογισμού της έκθεσης σε πραγματικές συνθήκες χρήσης (λαμβάνοντας υπόψη όλες τις συνιστώσες του κύκλου λειτουργίας όπως τους χρόνους που το εργαλείο είναι εκτός λειτουργίας και όταν βρίσκεται σε αδρανή λειτουργία πέραν του χρόνου ενεργοποίησης).

## Δήλωση Συμμόρφωσης

*Μόνο για χώρες της Ευρώπης*

Οι Δήλώσεις Συμμόρφωσης περιλαμβάνονται στο Παράρτημα Α στο παρόν εγχειρίδιο οδηγιών.

## ΠΡΟΕΙΔΟΠΟΙΗΣΕΙΣ ΑΣΦΑΛΕΙΑΣ

### Γενικές προειδοποιήσεις ασφαλείας για το ηλεκτρικό εργαλείο

**▲ ΠΡΟΕΙΔΟΠΟΙΗΣΗ:** Διαβάστε όλες τις προειδοποιήσεις ασφαλείας, οδηγίες, εικονογραφίες και προδιαγραφές που παρέχονται με αυτό το ηλεκτρικό εργαλείο. Η μη τήρηση όλων των οδηγιών που αναγράφονται κατωτέρω μπορεί να καταλήξει σε ηλεκτροπληξία, πυρκαγιά ή/και σοβαρό τραυματισμό.

### Φυλάξτε όλες τις προειδοποιήσεις και τις οδηγίες για μελλοντική παραπομπή.

Στις προειδοποιήσεις, ο όρος «ηλεκτρικό εργαλείο» αναφέρεται σε ηλεκτρικό εργαλείο που τροφοδοτείται από την κύρια παροχή ηλεκτρικού ρεύματος (με ηλεκτρικό καλώδιο) ή σε ηλεκτρικό εργαλείο που τροφοδοτείται από μπαταρία (χωρίς ηλεκτρικό καλώδιο).

## Προειδοποιήσεις ασφαλείας για το κρουστικό κλειδί μπαταρίας

1. Να κρατάτε το ηλεκτρικό εργαλείο από τις λαβές με μόνωση όταν εκτελείτε εργασίες κατά τις οποίες ο σύνδεσμος μπορεί να έρθει σε επαφή με κρυμμένα καλώδια. Αν ο σύνδεσμος έρθει σε επαφή με κάποιο ηλεκτροφόρο καλώδιο, μπορεί να εκτεθειμένα μεταλλικά μέρη του ηλεκτρικού εργαλείου να γίνουν κι αυτά ηλεκτροφόρα και να προκληθεί ηλεκτροπληξία στο χειριστή.
2. Να φοράτε ωτασπίδες.
3. Ελέγχετε την κρουστική υποδοχή προσεκτικά για φθορά, ρωγμές ή ζημιές πριν την εγκατάσταση.
4. Να κρατάτε το εργαλείο σταθερά.
5. Μην πλησιάζετε τα χέρια σας σε περιστρεφόμενα μέρη.
6. Μην αγγίζετε την κρουστική υποδοχή, το μπουλόνι, το παξιμάδι ή το τεμάχιο εργασίας αμέσως μετά τη λειτουργία. Μπορεί να είναι εξαιρετικά καυτά και να προκληθεί έγκαυμα στο δέρμα σας.
7. Να βεβαιώνετε πάντα ότι στέκεστε σταθερά. Όταν χρησιμοποιείτε το εργαλείο σε υψηλές τοποθεσίες, να βεβαιώνετε ότι δεν βρίσκεται κανένας από κάτω.
8. Η κατάλληλη ροπή στερέωσης μπορεί να διαφέρει ανάλογα από το είδος ή το μέγεθος του μπουλονιού. Ελέγξτε τη ροπή με ένα ροπόκλειδο.
9. Βεβαιωθείτε ότι δεν υπάρχουν ηλεκτρικά καλώδια, σωληνώσεις νερού ή αερίου κ.λπ. οι οποίες θα μπορούσαν να προκαλέσουν κίνδυνο αν υποστούν ζημιές από τη χρήση του εργαλείου.

## ΦΥΛΑΞΤΕ ΤΙΣ ΟΔΗΓΙΕΣ ΑΥΤΕΣ.

**▲ ΠΡΟΕΙΔΟΠΟΙΗΣΗ:** ΜΗΝ επιτρέψετε στην άνεση ή στην εξοικειώσή σας με το προϊόν (που αποκτήθηκε από επανειλημμένη χρήση) να αντικαταστήσει την αυστηρή τήρηση των κανόνων ασφαλείας του παρόντος εργαλείου.

Η ΛΑΝΘΑΣΜΕΝΗ ΧΡΗΣΗ ή η αμέλεια να ακολουθήσετε τους κανόνες ασφαλείας που διατυπώνονται στο παρόν εγχειρίδιο οδηγιών μπορεί να προκαλέσει σοβαρό προσωπικό τραυματισμό.

## Σημαντικές οδηγίες ασφαλείας για κασέτα μπαταριών

1. Πριν χρησιμοποιήσετε την κασέτα μπαταριών, διαβάστε όλες τις οδηγίες και σημειώσεις προφύλαξης (1) στον φορτιστή μπαταριών, (2) στην μπαταρία και (3) στο προϊόν που χρησιμοποιεί την μπαταρία.
2. Μην αποσυναρμολογήσετε ή παραβιάσετε την κασέτα μπαταριών. Μπορεί να έχει ως αποτέλεσμα πυρκαγιά, υπερθέρμανση ή έκρηξη.
3. Εάν ο χρόνος λειτουργίας έχει γίνει υπερβολικά βραχύς, σταματήστε τη λειτουργία αμέσως. Αλλιώς, μπορεί να έχει ως αποτέλεσμα κίνδυνο υπερθέρμανσης, πιθανά εγκαύματα ή ακόμη και έκρηξη.

4. Εάν ηλεκτρολύτης μπει στα μάτια σας, ξεπλύνετέ τα με καθαρό νερό και ζητήστε ιατρική φροντίδα αμέσως. Αλλιώς, μπορεί να έχει ως αποτέλεσμα απώλεια της όρασης σας.
5. Μην βραχυκυκλώνετε την κασέτα μπαταριών:
  - (1) Μην αγγίζετε τους πόλους με οτιδήποτε αγώγιμο υλικό.
  - (2) Αποφεύγετε να αποθηκεύετε την κασέτα μπαταριών μέσα σε ένα δοχείο μαζί με άλλα μεταλλικά αντικείμενα όπως καρφιά, νομίσματα, κλπ.
  - (3) Μην εκθέτετε την κασέτα μπαταριών στο νερό ή στη βροχή.
- Ένα βραχυκύκλωμα μπαταρίας μπορεί να προκαλέσει μεγάλη ροή ρεύματος, υπερθέρμανση, πιθανά εγκαύματα ακόμη και σοβαρή βλάβη.
6. Μην αποθηκεύετε και μην χρησιμοποιείτε το εργαλείο και την κασέτα μπαταριών σε τοποθεσίες όπου η θερμοκρασία μπορεί να φτάσει ή να ξεπεράσει τους 50°C.
7. Μην καίτε την κασέτα μπαταριών ακόμη και εάν έχει σοβαρή ζημιά ή είναι εντελώς φθαρμένη. Η κασέτα μπαταριών μπορεί να εκραγεί στη φωτιά.
8. Μην καρφώσετε, κόψετε, συνθλίψετε, πετάξετε ή ρίξετε κάτω την κασέτα μπαταριών, ούτε να χτυπήσετε ένα σκληρό αντικείμενο επάνω στην κασέτα μπαταριών. Τέτοια συμπεριφορά μπορεί να έχει ως αποτέλεσμα πυρκαγιά, υπερθέρμανση ή έκρηξη.
9. Μην χρησιμοποιείτε μπαταρία που έχει υποστεί ζημιά.
10. Οι μπαταρίες ιόντων λιθίου που περιέχονται υπόκεινται στις απαιτήσεις της νομοθεσίας για επικίνδυνα αγαθά.

Για εμπορικές μεταφορές, για παράδειγμα από τρίτα μέρη, πρέπει να τηρούνται οι διαμεταφορές, οι ειδικές απαιτήσεις στη συσκευασία και η επισήμανση.

Για προετοιμασία του στοιχείου που αποστέλλεται, είναι απαραίτητο να συμβουλευτείτε έναν ειδικό για επικίνδυνα υλικά. Επίσης, τηρήστε τους πιθανούς, πιο αναλυτικούς εθνικούς κανονισμούς. Καλύψτε με αυτοκόλλητη ταινία ή κρύψτε τις ανοικτές επαφές και συσκευάστε την μπαταρία με τρόπο που να μην μπορεί να μετακινείται μέσα στη συσκευασία.

11. Όταν απορρίπτετε την κασέτα μπαταριών, αφαιρέστε την από το εργαλείο και διαθέστε την σε ένα ασφαλές μέρος. Τηρήστε τους τοπικούς κανονισμούς που σχετίζονται με τη διάθεση της μπαταρίας.
12. Χρησιμοποιήστε τις μπαταρίες μόνο με τα προϊόντα που καθορίζει η Makita. Αν τοποθετήσετε τις μπαταρίες σε μη συμβατά προϊόντα μπορεί να έχει ως αποτέλεσμα πυρκαγιά, υπερβολική θερμότητα, έκρηξη ή διαρροή ηλεκτρολύτη.
13. Αν δεν χρησιμοποιείτε το εργαλείο για μεγάλο χρονικό διάστημα, πρέπει να βγάλετε την μπαταρία από το εργαλείο.
14. Κατά τη διάρκεια και μετά τη χρήση, η κασέτα μπαταριών μπορεί να θερμανθεί, γεγονός που μπορεί να προκαλέσει εγκαύματα ή εγκαύματα από χαμηλή θερμοκρασία. Προσέχετε το χειρισμό των ζεστών κασετών μπαταριών.
15. Μην αγγίζετε τον ακροδέκτη του εργαλείου αμέσως μετά τη χρήση επειδή μπορεί να έχει ζεσταθεί αρκετά για να προκαλέσει εγκαύματα.
16. Μην αφήνετε θραύσματα, σκόνη ή βρομιά να κολλήσει στους ακροδέκτες, τις σπές και τις εγκοπές της κασέτας μπαταριών. Μπορεί να προκαλέσει θέρμανση, φωτιά, έκρηξη και δυσλειτουργία του εργαλείου ή της κασέτας μπαταριών, έχοντας ως αποτέλεσμα εγκαύματα ή προσωπικό τραυματισμό.
17. Εκτός αν το εργαλείο υποστηρίζει τη χρήση κοντά σε ηλεκτρικές γραμμές υψηλής τάσης, μην χρησιμοποιείτε την κασέτα μπαταριών κοντά σε ηλεκτρικές γραμμές υψηλής τάσης. Μπορεί να έχει ως αποτέλεσμα δυσλειτουργία ή σπάσιμο του εργαλείου ή της κασέτας μπαταριών.
18. ΚρΦυλάξτε την μπαταρία μακριά από παιδιά.

## ΦΥΛΑΞΤΕ ΤΙΣ ΟΔΗΓΙΕΣ ΑΥΤΕΣ.

**▲ΠΡΟΣΟΧΗ:** Να χρησιμοποιείτε μόνο γνήσιες μπαταρίες της Makita. Η χρήση μη γνήσιων μπαταριών Makita, ή μπαταριών που έχουν τροποποιηθεί, μπορεί να έχει ως αποτέλεσμα τη ρήξη της μπαταρίας, προκαλώντας πυρκαγιά, προσωπικό τραυματισμό και βλάβη. Επίσης, θα ακυρωθεί η εγγύηση της Makita για το εργαλείο και φορτιστή Makita.

## Συμβουλές για τη διατήρηση της μέγιστης ζωής μπαταρίας

1. Φορτίζετε την κασέτα μπαταριών πριν από την πλήρη αποφόρτισή της. Πάντοτε να σταματάτε τη λειτουργία του εργαλείου και να φορτίζετε την κασέτα μπαταριών όταν παρατηρείτε μειωμένη ισχύ εργαλείου.
2. Ποτέ μην επαναφορτίζετε μια πλήρως φορτισμένη κασέτα μπαταριών. Η υπερφόρτιση μειώνει την ωφέλιμη ζωή της μπαταρίας.
3. Να φορτίζετε την κασέτα μπαταριών σε θερμοκρασία δωματίου, δηλαδή στους 10 °C έως 40 °C. Αφήστε μια θερμή κασέτα μπαταριών να κρυώσει πριν την φορτίσετε.
4. Όταν δεν χρησιμοποιείτε την κασέτα μπαταριών, αφαιρέστε την από το εργαλείο ή τον φορτιστή.
5. Να φορτίζετε την κασέτα μπαταριών εάν δεν τη χρησιμοποιείτε για μεγάλη χρονική περίοδο (περισσότερο από έξι μήνες).

## ΠΕΡΙΓΡΑΦΗ ΛΕΙΤΟΥΡΓΙΑΣ

**⚠ ΠΡΟΣΟΧΗ:** Να φροντίζετε πάντα για την απεργοποίηση του εργαλείου και την αφαίρεση της κασέτας μπαταρίας, πριν από οποιαδήποτε ρύθμιση ή έλεγχο της λειτουργίας του.

### Τοποθέτηση ή αφαίρεση της κασέτας μπαταριών

**⚠ ΠΡΟΣΟΧΗ:** Να σβήνετε πάντα το εργαλείο πριν τοποθετήσετε ή αφαιρέσετε την κασέτα μπαταριών.

**⚠ ΠΡΟΣΟΧΗ:** Κρατήστε το εργαλείο και την κασέτα μπαταριών σταθερά κατά την τοποθέτηση ή αφαίρεση της κασέτας μπαταριών. Εάν δεν κρατάτε το εργαλείο και την κασέτα μπαταριών σταθερά μπορεί να γλιστρήσουν από τα χέρια σας και να προκληθεί βλάβη στο εργαλείο και την κασέτα μπαταριών και προσωπικός τραυματισμός.

Για να αφαιρέσετε την κασέτα μπαταριών, ολισθήστε την από το εργαλείο ενώ σύρετε το κουμπί στο μπροστινό μέρος της κασέτας.

► **Εικ.1:** 1. Κόκκινος δείκτης 2. Κουμπί 3. Κασέτα μπαταριών

Για να τοποθετήσετε την κασέτα μπαταριών, ευθυγραμμίστε τη γλώσσα στην κασέτα μπαταριών με την εγκοπή στο περίβλημα και ολισθήστε τη στη θέση της. Τοποθετήστε την μέχρι τέρμα μέχρι να ασφαλίσει στη θέση της, γεγονός που υποδεικνύεται με ένα χαρακτηριστικό ήχο. Αν μπορείτε να δείτε τον κόκκινο δείκτη όπως απεικονίζεται στην εικόνα, δεν έχει κλειδώσει τελείως.

**⚠ ΠΡΟΣΟΧΗ:** Να τοποθετείτε πάντα την κασέτα μπαταριών πλήρως μέχρι να μη βλέπετε τον κόκκινο δείκτη. Εάν δεν ασφαλιστεί, μπορεί να πέσει από το εργαλείο τυχαία, προκαλώντας σωματική βλάβη σε εσάς ή κάποιον άλλο γύρω σας.

**⚠ ΠΡΟΣΟΧΗ:** Μην τοποθετείτε την κασέτα μπαταριών με βία. Εάν η κασέτα δεν ολισθαίνει με ευκολία, τότε δεν έχει τοποθετηθεί κατάλληλα.

### Δράση διακόπτη

**⚠ ΠΡΟΣΟΧΗ:** Πριν βάλετε την κασέτα μπαταρίας μέσα στο εργαλείο, να ελέγχετε πάντα να δείτε αν η σκανδάλη διακόπτης ενεργοποιείται κανονικά και επιστρέφει στη θέση «OFF» όταν ελευθερώνεται.

Για να ξεκινήσετε το εργαλείο, απλώς τραβήξτε την σκανδάλη διακόπτη. Η ταχύτητα του εργαλείου αυξάνει αν αυξήσετε την πίεση στη σκανδάλη διακόπτη. Ελευθερώστε τη σκανδάλη διακόπτη για να σταματήσει.

► **Εικ.2:** 1. Σκανδάλη διακόπτης

### Ηλεκτρονικό φρένο

Το εργαλείο αυτό είναι εξοπλισμένο με ηλεκτρικό φρένο. Αν το εργαλείο αποτυγχάνει συνεχώς να σταματάει γρήγορα αφού αφήνετε τη σκανδάλη διακόπτη, ζητήστε την επισκευή του εργαλείου από κέντρο εξυπηρέτησης της Makita.

## Αναμμα της μπροστινής λάμπας

**⚠ ΠΡΟΣΟΧΗ:** Μην κοιτάζετε κατευθείαν μέσα στο φως ή στην πηγή φωτός.

Τραβήξτε τη σκανδάλη διακόπτη για να ανάψετε τη λάμπα. Η λάμπα εξακολουθεί να είναι αναμμένη όσο τραβάτε τη σκανδάλη διακόπτη. Η λάμπα σβήνει περίπου 10 έως 20 δευτερόλεπτα αφού αφήσετε τη σκανδάλη διακόπτη.

► **Εικ.3:** 1. Λάμπα

**ΠΑΡΑΤΗΡΗΣΗ:** Χρησιμοποιήστε ένα στεγνό πανί για να σκουπίσετε τη σκόνη από το φακό της λάμπας. Προσέχετε να μη γρατζουνίσετε το φακό της λάμπας, επειδή μπορεί να μειωθεί η ένταση του φωτισμού.

### Δράση διακόπτη αντιστροφής

**⚠ ΠΡΟΣΟΧΗ:** Να ελέγχετε πάντα τη διεύθυνση περιστροφής πριν από τη λειτουργία.

**⚠ ΠΡΟΣΟΧΗ:** Να χρησιμοποιείτε τον μοχλό διακόπτη αντιστροφής μόνο αφού το εργαλείο σταματήσει εντελώς. Η αλλαγή της διεύθυνσης περιστροφής πριν το εργαλείο σταματήσει μπορεί να προκαλέσει ζημιά στο εργαλείο.

**⚠ ΠΡΟΣΟΧΗ:** Όταν δεν χρησιμοποιείτε το εργαλείο, να βάτε πάντα το μοχλό διακόπτη αντιστροφής στην ουδέτερη θέση.

Αυτό το εργαλείο έχει ένα μοχλό διακόπτη αντιστροφής για να αλλάζει τη διεύθυνση περιστροφής. Πίεστε τον μοχλό διακόπτη αντιστροφής από την πλευρά Α για δεξιόστροφη περιστροφή ή από την πλευρά Β για αριστερόστροφη περιστροφή.

Όταν ο μοχλός διακόπτης αντιστροφής είναι στην ουδέτερη θέση, η σκανδάλη διακόπτης δεν μπορεί να τραβηχθεί.

► **Εικ.4:** 1. Μοχλός διακόπτης αντιστροφής

## ΣΥΝΑΡΜΟΛΟΓΗΣΗ

**⚠ ΠΡΟΣΟΧΗ:** Να βεβαιώνετε πάντα ότι το εργαλείο είναι σβηστό και η κασέτα μπαταρίας έχει αφαιρεθεί πριν εκτελέσετε κάποια εργασία στο εργαλείο.

### Επιλογή σωστής κρουστικής υποδοχής

Να χρησιμοποιείται πάντοτε το σωστό μέγεθος κρουστικής υποδοχής για μπουλόνια και παξιμάδια. Μια κρουστική υποδοχή λανθασμένου μεγέθους θα έχει σαν αποτέλεσμα ανακριβή και ασυνεπή ροπή στερέωσης ή/και ζημιά στο μπουλόνι ή στο παξιμάδι.

## Τοποθέτηση ή αφαίρεση κρουστικής υποδοχής

### Προαιρετικό εξάρτημα

**▲ ΠΡΟΣΟΧΗ:** Βεβαιωθείτε ότι η κρουστική υποδοχή και το τμήμα στήριξης δεν παρουσιάζουν ζημιά πριν από την εγκατάσταση της κρουστικής υποδοχής.

**▲ ΠΡΟΣΟΧΗ:** Αφού τοποθετήσετε την κρουστική υποδοχή, βεβαιωθείτε ότι είναι καλά ασφαλισμένη. Αν όμως βγει έξω, μην τη χρησιμοποιήσετε.

**ΠΑΡΑΤΗΡΗΣΗ:** Ο τρόπος της τοποθέτησης της κρουστικής υποδοχής διαφέρει ανάλογα με τον τύπο του τετράγωνου οδηγού στο εργαλείο.

## Για εργαλείο με το ελατήριο δακτυλίου

### Για κρουστική υποδοχή χωρίς στρογγυλό δακτύλιο και πείρο

Σπρώξτε την κρουστική υποδοχή μέσα στον τετράγωνο οδηγό μέχρι να ασφαλίσει στη θέση του.

Για να βγάλετε την κρουστική υποδοχή, απλώς τραβήξτε την προς τα έξω.

► **Εικ.5:** 1. Κρουστική υποδοχή 2. Τετράγωνος οδηγός 3. Ελατήριο δακτυλίου

### Για κρουστική υποδοχή με στρογγυλό δακτύλιο και πείρο

Μετακινήστε το στρογγυλό δακτύλιο έξω από την αυλάκωση στην κρουστική υποδοχή και βγάλτε τον πείρο από την κρουστική υποδοχή. Προσαρμόστε την κρουστική υποδοχή στον τετράγωνο οδηγό ώστε η οπή στην κρουστική υποδοχή να ευθυγραμμιστεί με την οπή στον τετράγωνο οδηγό.

Περάστε τον πείρο μέσα από την οπή στην κρουστική υποδοχή και στον τετράγωνο οδηγό. Μετά γυρίστε τον στρογγυλό δακτύλιο στην αρχική θέση στην αυλάκωση της κρουστικής υποδοχής για συγκράτηση του πείρου.

Για να αφαιρέσετε την κρουστική υποδοχή, ακολουθήστε τις διαδικασίες εγκατάστασης με αντίστροφη σειρά.

► **Εικ.6:** 1. Κρουστική υποδοχή 2. Στρογγυλός δακτύλιος 3. Πείρος

## Για εργαλείο με τον πείρο συγκράτησης

Ευθυγραμμίστε την οπή στο πλάι της κρουστικής υποδοχής με τον πείρο συγκράτησης στον τετράγωνο οδηγό και σπρώξτε την κρουστική υποδοχή στον τετράγωνο οδηγό μέχρι να ασφαλίσει στη θέση του. Κτυπήστε το ελαφρά αν απαιτείται.

Για να βγάλετε την κρουστική υποδοχή, απλώς τραβήξτε την προς τα έξω. Αν είναι δύσκολο να τη βγάλετε, πιέστε τον πείρο συγκράτησης ενώ τραβάτε την κρουστική υποδοχή.

► **Εικ.7:** 1. Κρουστική υποδοχή 2. Οπή 3. Τετράγωνος οδηγός 4. Πείρος συγκράτησης

## Τοποθέτηση γάντζου

### Προαιρετικό αξεσουάρ

**▲ ΠΡΟΕΙΔΟΠΟΙΗΣΗ:** Χρησιμοποιήστε τα εξαρτήματα ανάρτησης/στερέωσης μόνο για τον σκοπό που προορίζονται, π.χ. κρέμασμα του εργαλείου σε ζώνη εργαλείων μεταξύ εργασιών ή διαλειμμάτων.

**▲ ΠΡΟΕΙΔΟΠΟΙΗΣΗ:** Προσέχετε να μην υπερφορτώσετε τον γάντζο επειδή πάρα πολύ δύναμη ή ακανόνιστα υπερβολικό φόρτο μπορεί να προκαλέσει ζημιά στο εργαλείο έχοντας ως αποτέλεσμα προσωπικό τραυματισμό.

**▲ ΠΡΟΣΟΧΗ:** Όταν τοποθετείτε το γάντζο, να τον ασφαλίσετε πάντα καλά με τη βίδα. Διαφορετικά, ο γάντζος μπορεί να βγει από το εργαλείο και να έχει ως αποτέλεσμα ατομικό τραυματισμό.

**▲ ΠΡΟΣΟΧΗ:** Βεβαιωθείτε να κρεμάσετε το εργαλείο με ασφάλεια πριν το αφήσετε. Το ανεπαρκές ή ανισόρροπο κρέμασμα σε γάντζο μπορεί να προκαλέσει πτώση και μπορεί να τραυματιστείτε.

Ο γάντζος είναι βολικός για προσωρινό κρέμασμα του εργαλείου. Μπορεί να τοποθετηθεί σε οποιαδήποτε πλευρά του εργαλείου. Για να τοποθετήσετε το γάντζο, βάλετε τον σε μια αυλάκωση στο περίβλημα του εργαλείου σε οποιαδήποτε πλευρά και μετά ασφαλίστε τον με μια βίδα. Για να τον αφαιρέσετε, χαλαρώστε τη βίδα και μετά αφαιρέστε τον.

► **Εικ.8:** 1. Αυλάκωση 2. Γάντζος 3. Βίδα

## Χρήση οπής

**▲ ΠΡΟΕΙΔΟΠΟΙΗΣΗ:** Μην χρησιμοποιείτε ποτέ την οπή ανάρτησης για κάποιον σκοπό για τον οποίο δεν προορίζεται, για παράδειγμα, κρέμασμα του εργαλείου σε υψηλή τοποθεσία. Η καταπόνηση σε μια βαριά φορτωμένη οπή μπορεί να προκαλέσει ζημιές στην οπή, έχοντας ως αποτέλεσμα την πρόκληση τραυματισμών σε εσάς ή στα άτομα που βρίσκονται γύρω σας ή κάτω από εσάς.

Χρησιμοποιήστε την οπή ανάρτησης στο κάτω πίσω μέρος του εργαλείου για να κρεμάσετε το εργαλείο σε έναν τοίχο χρησιμοποιώντας ένα σκονιά ανάρτησης ή παρόμοια σκονιά.

► **Εικ.9:** 1. Οπή ανάρτησης

## Τοποθέτηση της κρεμάστρας εργαλείου

### Προαιρετικό αξεσουάρ

**▲ ΠΡΟΕΙΔΟΠΟΙΗΣΗ:** Χρησιμοποιήστε τα εξαρτήματα ανάρτησης/στερέωσης μόνο για τον σκοπό που προορίζονται, π.χ. κρέμασμα του εργαλείου σε ζώνη εργαλείων μεταξύ εργασιών ή διαλειμμάτων.

**▲ ΠΡΟΣΟΧΗ:** Μην χρησιμοποιείτε κρεμάστρα εργαλείου, βίδες και ιμάντα ώμου αν είναι κατεστραμμένα. Πριν από τη χρήση, να ελέγχετε πάντα για ζημιά, ρωγμές ή παραμορφώσεις.

**▲ ΠΡΟΣΟΧΗ:** Βεβαιωθείτε ότι οι βίδες είναι σφιγμένες πριν από τη χρήση.

**▲ ΠΡΟΣΟΧΗ:** Να χρησιμοποιείτε πάντα μόνο τις βίδες που παρέχονται με την κρεμάστρα εργαλείου.

**▲ ΠΡΟΣΟΧΗ:** Μην αφαιρείτε την κασέτα μπαταριών ενώ το εργαλείο είναι κρεμασμένο. Το εργαλείο μπορεί να πέσει αν οι βίδες δεν είναι σφιγμένες.

**▲ ΠΡΟΣΟΧΗ:** Να τοποθετείτε ή να αφαιρείτε την κρεμάστρα εργαλείου επάνω σε ένα σταθερό τραπέζι ή επιφάνεια.

Αυτή η κρεμάστρα εργαλείου είναι βολική για το προσωρινό κρέμασμα του εργαλείου από τη ζώνη σας, κτλ., όπως απεικονίζεται.

► **Εικ.10:** 1. Ιμάντας ώμου 2. Κρεμάστρα εργαλείου 3. Εργαλείο

**ΠΑΡΑΤΗΡΗΣΗ:** Όταν χρησιμοποιείται με έναν ιμάντα ώμου, να χρησιμοποιείτε πάντα το αντικείμενο αρ.161464-4. Μην χρησιμοποιείτε το αντικείμενο αρ.161464-4 με άλλη κρεμάστρα εργαλείου.

Αφαιρέστε την κασέτα μπαταριών από το εργαλείο.

Τοποθετήστε την κρεμάστρα εργαλείου ως προς το εργαλείο στην κατεύθυνση του βέλους.

► **Εικ.11:** 1. Κρεμάστρα εργαλείου 2. Εργαλείο 3. Προεξοχή

► **Εικ.12**

Εισαγάγετε τις προεξοχές της κρεμάστρας εργαλείου μέσα στις αυλακώσεις και στις δύο πλευρές του εργαλείου. Μπορείτε να τοποθετείτε την κρεμάστρα εργαλείου μόνο προς την κατεύθυνση του βέλους.

► **Εικ.13:** 1. Προεξοχή 2. Αυλάκωση

Σφίξτε καλά τις βίδες που παρέχονται. Για αφαίρεση, χαλαρώστε τις βίδες και μετά αφαιρέστε τις.

► **Εικ.14:** 1. Βίδα

**▲ ΠΡΟΣΟΧΗ:** Μετά την τοποθέτηση, βεβαιωθείτε ότι η κρεμάστρα εργαλείου έχει τοποθετηθεί καλά με τις βίδες.

**▲ ΠΡΟΣΟΧΗ:** Αν αναπτυχθεί οποιοδήποτε πρόβλημα, συμβουλευτείτε το πλησιέστερο κέντρο εξυπηρέτησης ή αντιπρόσωπο της Makita.

## ΛΕΙΤΟΥΡΓΙΑ

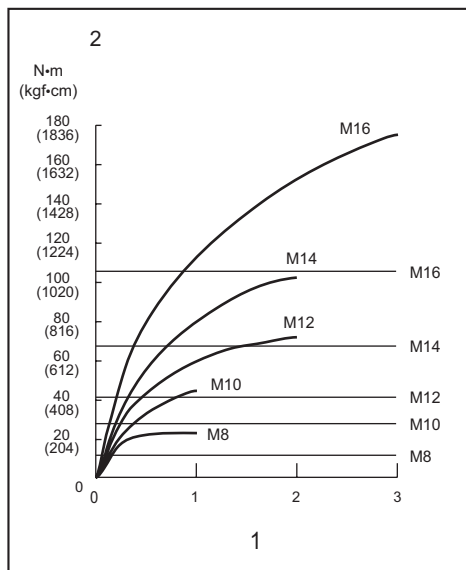
**▲ ΠΡΟΣΟΧΗ:** Πάντα να εισαγάγετε την κασέτα μπαταριών έως το τέρμα, μέχρι να ασφαλίσει στη θέση της. Αν μπορείτε να δείτε την κόκκινη ένδειξη στην επάνω πλευρά του κουμπιού, δεν έχει κλειδώσει τελείως. Εισαγάγετε την πλήρως έτσι ώστε να μην φαίνεται η κόκκινη ένδειξη. Σε αντίθετη περίπτωση, μπορεί να πέσει κατά λάθος από το εργαλείο και να τραυματίσει εσάς ή κάποιον παρευρισκόμενο.

Κρατήστε το εργαλείο σταθερά και τοποθετήστε την κρουστική υποδοχή επάνω από το μπουλόνι ή το παξιμάδι. Ανάψτε το εργαλείο και στερεώστε για τον κατάλληλο χρόνο στερέωσης.

Η σωστή ροπή στερέωσης μπορεί να διαφέρει ανάλογα με το είδος ή το μέγεθος του μπουλονιού, το υλικό του τεμαχίου εργασίας προς στερέωση, κ.τλ. Η σχέση μεταξύ ροπής στερέωσης και χρόνου στερέωσης απεικονίζεται στις εικόνες.

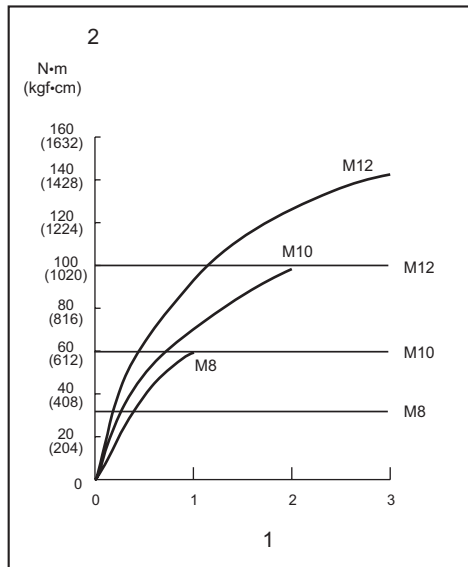
► **Εικ.15**

### Σωστή ροπή στερέωσης για τυπικό μπουλόνι



1. Χρόνος στερέωσης (δευτερόλεπτο) 2. Ροπή στερέωσης

## Σωστή ροπή στερέωσης για μπουλόνι υψηλού εφελκυσμού



1. Χρόνος στερέωσης (δευτερόλεπτο) 2. Ροπή στερέωσης

**ΠΑΡΑΤΗΡΗΣΗ:** Κρατήστε το εργαλείο στραμμένο ίσια στο μπουλόνι ή στο παξιμάδι.

**ΠΑΡΑΤΗΡΗΣΗ:** Η υπερβολική ροπή στερέωσης μπορεί να προκαλέσει ζημιά στο μπουλόνι/παξιμάδι ή στην κρουστική υποδοχή. Πριν αρχίσετε την εργασία σας, να εκτελείτε πάντα μια δοκιμαστική λειτουργία για να καθορίσετε το σωστό χρόνο στερέωσης για το μπουλόνι ή το παξιμάδι σας.

**ΠΑΡΑΤΗΡΗΣΗ:** Αν το εργαλείο λειτουργεί συνεχόμενα μέχρι η κασέτα μπαταρίας να εξαντληθεί, αφήστε το εργαλείο σβηστό για 15 λεπτά πριν συνεχίσετε με μια καινούργια κασέτα μπαταρίας.

Η ροπή στερέωσης επηρεάζεται από μια μεγάλη ποικιλία παραγόντων που περιλαμβάνουν και τα ακόλουθα. Μετά τη στερέωση, να ελέγχετε πάντα τη ροπή με ένα ροπόκλειδο.

- Όταν η κασέτα μπαταρίας έχει εκφορτιστεί σχεδόν εντελώς, η τάση θα πέσει και η ροπή στερέωσης θα μειωθεί.
- Κρουστική υποδοχή
  - Αν δεν χρησιμοποιήσετε το σωστό μέγεθος κρουστικής υποδοχής, θα προκληθεί μείωση στη ροπή στερέωσης.
  - Μια φθαρμένη κρουστική υποδοχή (φθορά στο εξαγωνικό άκρο ή στην τετράγωνη άκρη) θα προκαλέσει μείωση στη ροπή στερέωσης.
- Μπουλόνι
  - Ακόμη κι αν ο συντελεστής ροπής και η κατηγορία μπουλονιού είναι τα ίδια, η σωστή ροπή στερέωσης θα διαφέρει ανάλογα με τη διάμετρο του μπουλονιού.

- Ακόμη κι αν οι διαμέτροι των μπουλονιών είναι οι ίδιες, η σωστή ροπή στερέωσης θα διαφέρει ανάλογα με τον συντελεστή ροπής, την κατηγορία του μπουλονιού και το μήκος του μπουλονιού.
- Η χρήση της άρθρωσης γενικής χρήσης ή της ράβδου επέκτασης μειώνει κάπως τη δύναμη στερέωσης του κρουστικού κλειδιού. Αντισταθμίστε στερεώνοντας για μακρύτερη χρονική περίοδο.
  - Ο τρόπος κρατήματος του εργαλείου ή το υλικό της προς στερέωση θέσης βιδώματος θα επηρεάσει τη ροπή.
  - Η λειτουργία του εργαλείου σε χαμηλή ταχύτητα θα προκαλέσει μείωση της ροπής στερέωσης.

## ΣΥΝΤΗΡΗΣΗ

**ΠΡΟΣΟΧΗ:** Πριν την εκτέλεση εργασιών επιθεώρησης ή συντήρησης, πάντοτε να βεβαιώνεται ότι η συσκευή απενεργοποιήθηκε και η κασέτα μπαταριών έχει αφαιρεθεί.

**ΕΙΔΟΠΟΙΗΣΗ:** Μην χρησιμοποιείτε ποτέ βενζίνη, πετρελαϊκό αιθέρα, διαλυτικό, αλκοόλη ή παρόμοιες ουσίες. Μπορεί να προκληθεί αποχρωματισμός, παραμόρφωση ή ρωγμές.

Για τη διατήρηση της ΑΣΦΑΛΕΙΑΣ και ΑΞΙΟΠΙΣΤΙΑΣ του προϊόντος, οι επισκευές και οποιαδήποτε άλλη εργασία συντήρησης ή ρύθμισης πρέπει να εκτελούνται από εξουσιοδοτημένα ή εργοστασιακά κέντρα εξυπηρέτησης της Makita, χρησιμοποιώντας πάντοτε ανταλλακτικά της Makita.

## ΠΡΟΑΙΡΕΤΙΚΑ ΕΞΑΡΤΗΜΑΤΑ

**ΠΡΟΣΟΧΗ:** Αυτά τα εξαρτήματα ή προσαρτήματα συνιστώνται για χρήση με το εργαλείο Makita που περιγράφηκε στις οδηγίες αυτές. Η χρήση οποιωνδήποτε άλλων εξαρτημάτων ή προσαρτημάτων μπορεί να προκαλέσει κίνδυνο τραυματισμού σε άτομα. Να χρησιμοποιείτε τα εξαρτήματα ή προσαρτήματα μόνο για την χρήση που προορίζονται.

Εάν χρειάζεστε οποιαδήποτε βοήθεια για περισσότερες πληροφορίες σε σχέση με αυτά τα εξαρτήματα, απευθυνθείτε στο τοπικό σας κέντρο εξυπηρέτησης Makita.

- Κρουστική υποδοχή
- Πλαστική θήκη μεταφοράς
- Κρεμάστρα εργαλείου
- Ιμάντας ώμου
- Γάντζος
- Γνήσια μπαταρία και φορτιστής της Makita

**ΠΑΡΑΤΗΡΗΣΗ:** Μερικά στοιχεία στη λίστα μπορεί να συμπεριλαμβάνονται στη συσκευασία εργαλείου ως στάνταρ εξαρτήματα. Μπορεί να διαφέρουν ανάλογα με τη χώρα.



## TEKNİK ÖZELLİKLER

<b>Model:</b>		<b>TW202D</b>
Sıkma kapasiteleri	Standart civata	M8 - M16
	Yüksek germe civatası	M8 - M12
Kare uçlu geçme anahtarı		12,7 mm
Yüksüz hız		0 - 2.300 min <sup>-1</sup>
Dakikadaki darbe sayısı		0 - 3.000 min <sup>-1</sup>
Toplam uzunluk		176 mm
Nominal voltaj		D.C. 18 V
Net ağırlık		1,5 kg

- Sürekli yapılan araştırma ve geliştirmelerden dolayı, burada belirtilen özellikler önceden bildirilmeksizin değiştirilebilir.
- Özellikler ülkeden ülkeye değişebilir.
- Ağırlık, ekli aksesuara/aksesuarlara ve batarya kartuşuna bağlı olarak farklılık gösterebilir. EPTA-Prosedürü 01/2014'e göre en hafif ve en ağır kombinasyonlar tabloda verilmiştir.

### Geçerli batarya kartuşu ve şarj aleti

Batarya kartuşu	BL1815G / BL1820G
Şarj aleti	DC18WA / DC18WB

- Yukarıda listelenen batarya kartuşlarının ve şarj aletlerinin bazıları yaşadığınız bölgeye bağlı olarak mevcut olmayabilir.

**⚠UYARI:** Sadece yukarıda listelenen batarya kartuşlarını ve şarj aletlerini kullanın. Başka batarya kartuşlarının ve şarj aletlerinin kullanılması yaralanma ve/veya yangına neden olabilir.

### Kullanım amacı

Bu aletin civata ve somunları sıkma için kullanılması amaçlanmıştır.

### Gürültü

Tipik A-ağırlıklı gürültü düzeyi (EN62841-2-2 standardına göre belirlenen):

Ses basınç seviyesi ( $L_{pA}$ ): 98 dB (A)

Ses gücü düzeyi ( $L_{WA}$ ): 106 dB (A)

Belirsizlik (K): 3 dB (A)

**NOT:** Beyan edilen gürültü emisyonu değer(ler)i bir standart test yöntemine uygun şekilde ölçülmüştür ve bir aleti bir başkasıyla karşılaştırmak için kullanılabilir.

**NOT:** Beyan edilen gürültü emisyonu değer(ler)i bir ön maruz kalma değerlendirmesi olarak da kullanılabilir.

**⚠UYARI:** Kulak koruyucuları takın.

**⚠UYARI:** Elektrikli aletin gerçek kullanım sırasındaki gürültü emisyonu, aletin kullanım biçimlerine, özellikle işlenen iş parçasının türüne bağlı olarak beyan edilen değer(ler)den farklı olabilir.

**⚠UYARI:** Gerçek kullanım koşullarındaki tahmini maruziyeti baz alan, operatörü koruyacak güvenlik önlemlerini mutlaka belirleyin (çalışma döngüsü içerisinde aletin kapalı olduğu ve aktif durumda olmasının yanı sıra boşta çalıştığı zamanlar gibi, bütün zaman dilimleri göz önünde bulundurarak).

### Titreşim

Titreşim toplam değeri (üç eksenli vektör toplamı)

(EN62841-2-2 standardına göre hesaplanan):

Çalışma modu: aletin maksimum kapasitesiyle tespit malzemelerinin darbeli sıkılması

Titreşim emisyonu ( $a_{h1}$ ): 6,8 m/s<sup>2</sup>

Belirsizlik (K): 1,5 m/s<sup>2</sup>

**NOT:** Beyan edilen titreşim toplam değer(ler)i bir standart test yöntemine uygun şekilde ölçülmüştür ve bir aleti bir başkasıyla karşılaştırmak için kullanılabilir.

**NOT:** Beyan edilen titreşim toplam değer(ler)i bir ön maruz kalma değerlendirmesi olarak da kullanılabilir.

**⚠UYARI:** Elektrikli aletin gerçek kullanımı sırasındaki titreşim emisyonu, aletin kullanım biçimlerine, özellikle işlenen iş parçasının türüne bağlı olarak beyan edilen değer(ler)den farklı olabilir.

**⚠UYARI:** Gerçek kullanım koşullarındaki tahmini maruziyeti baz alan, operatörü koruyacak güvenlik önlemlerini mutlaka belirleyin (çalışma döngüsü içerisinde aletin kapalı olduğu ve aktif durumda olmasının yanı sıra boşta çalıştığı zamanlar gibi, bütün zaman dilimleri göz önünde bulundurarak).

## Uygunluk Beyanları

### Sadece Avrupa ülkeleri için

Uygunluk beyanları bu kullanma kılavuzuna Ek A olarak eklenmiştir.

## GÜVENLİK UYARILARI

### Genel elektrikli alet güvenliği uyarıları

**⚠UYARI:** Bu elektrikli aletle birlikte sunulan tüm güvenlik uyarılarını, talimatları, çizimleri ve teknik özellikleri okuyun. Aşağıda verilen talimatlara uyulmaması elektrik şoku, yangın ve/veya ciddi yaralanmalar ile sonuçlanabilir.

## Tüm uyarıları ve talimatları ile-ride başvurmak için saklayın.

Uyarılardaki "elektrikli alet" terimi ile ya prizden çalışan (kordonlu) elektrikli aletiniz ya da kendi aküsü ile çalışan (kordsuz) elektrikli aletiniz kastedilmektedir.

## Akülü darbeli somun sıkma güvenlik uyarıları

1. Sıkma aletinin görünmeyen kablolarla temas etme olasılığı bulunan yerlerde çalışırken elektrikli aletleri yalıtımlı kavrama yüzeylerinden tutun. Sıkma aletlerinin "akımlı" bir telle temas etmesi elektrikli aletin yalıtımsız metal kısımlarını "akımlı" hale getirebilir ve kullanıcıyı elektrik şokuna maruz bırakabilir.
2. Kulak koruyucularını takın.
3. Takmadan önce darbeli lokma anahtarında aşınma, çatlak ya da hasar olup olmadığını kontrol edin.
4. Makineyi iki elinizle sıkıca tutun.
5. Ellerinizi dönen parçalardan uzak tutun.
6. İşlemin hemen ardından darbeli lokma anahtarına, civataya, somuna ya da iş parçasına dokunmayın. Bunlar oldukça sıcak olabilir ve cildinizi yakabilir.
7. Her zaman yere sağlam basın. Makineyi yüksekte kullandığınızda, altında kimsenin olmadığından emin olun.
8. Uygun sıkma torku civatanın tipine ya da boyutuna göre değişebilir. Bir tork anahtarı ile torku kontrol edin.

9. Aletin kullanımından dolayı hasar görmesi halinde tehlikeye yol açabilecek elektrik kabloları, su boruları, gaz boruları, vb. olmadığından emin olun.

## BU TALİMATLARI SAKLAYIN.

**⚠UYARI:** Ürünü kullanırken (defalarca kullanınca kazanılan) rahatlık ve tanıdıklık duygusunun ilgili ürünün güvenlik kurallarına sıkı sıkıya bağlı kalmanın yerine geçmesine İZİN VERMEYİN.

**YANLIŞ KULLANIM** veya bu kullanma kılavuzunda belirtilen emniyet kurallarına uymama ciddi yaralanmaya neden olabilir.

## Batarya kartuşu hakkında önemli güvenlik talimatları

1. Batarya kartuşunu kullanmadan önce, tüm talimatları ve (1) batarya kartuşu, (2) batarya ve (3) ürün üzerindeki tüm uyarı işaretlerini okuyun.
2. Batarya kartuşunu parçalarına ayırmayın veya kuralamayın. Yangın, aşırı ısı veya patlamaya neden olabilir.
3. Çalışma süresi aşırı derecede kısalırsa kullanmayı derhal bırakın. Aşırı ısınma, yanma riski hatta patlamaya neden olabilir.
4. Gözünüze elektrolit kaçarsa, gözlerinizi temiz suyla durulayın ve hemen tıbbi yardım alın. Görme kaybına yol açabilir.
5. Batarya kartuşuna kısa devre yaptırmayın:
  - (1) Terminallere herhangi bir iletken madde değdirmeyin.
  - (2) Batarya kartuşunu çiviler, madeni paralar, vb. gibi başka metal nesnelere aynı kaba koymaktan kaçının.
  - (3) Batarya kartuşunu yağmura ya da suya maruz bırakmayın.
6. Kısa devre, büyük bir akım akışına, aşırı ısınmaya, olası yanıklara hatta bataryanın bozulmasına yol açabilir.
7. Aleti ve batarya kartuşunu sıcaklığın 50°C ya da daha yükseğe ulaştığı yerlerde saklamayın ve kullanmayın.
8. Aşırı derecede hasar görmüş ya da tamamen kullanılamaz durumda olsa bile batarya kartuşunu yakmayın. Batarya kartuşu ateşe atılsa patlayabilir.
9. Batarya kartuşunu çivilemeyin, kesmeyin, ezmeyin, fırlatmayın, düşürmeyin ya da batarya kartuşuna sert bir nesne ile vurmeyin. Bu eylemler yangın, aşırı ısı veya patlamaya neden olabilir.
10. Hasarlı bataryayı kullanmayın. Aletin içerdiği lityum-iyon bataryalar Tehlikeli Eşyalar Yönetmeliğinin gereksinimlerine tabidir. Ticari nakliye işlemleri için, örneğin üçüncü taraflar, nakliye acenteleri tarafından yapılan nakliyelerde, paketleme ve etiketleme gereksinimlerine uyulmalıdır. Nakliyesi yapılacak ürünün hazırlanması için, tehlikeli maddeler konusunda uzman bir kişiye danışın. Lütfen muhtemelen daha ayrıntılı olan ulusal yönetmeliklere de uyun. Açık kontakları bantlayın ya da maskeleyin ve bataryayı paketin içinde hareket etmeyecek şekilde paketleyin.

11. **Batarya kartuşunu bertaraf ederken aletten çıkarın ve güvenli bir yerde bertaraf edin. Bataryanın bertaraf edilmesi ile ilgili yerel düzenlemelere uyunuz.**
12. **Bataryaları sadece Makita tarafından belirtilen ürünlerle kullanın.** Bataryaların uyumsuz ürünlere takılması; yangın, aşırı ısınma, patlama ya da elektrolit sızıntısına neden olabilir.
13. **Alet uzun süre kullanılmıyacaksa batarya aletten çıkarılmalıdır.**
14. **Kullanma sırasında ve sonrasında batarya kartuşu ısınarak yanıklara veya düşük sıcaklık yanıklarına yol açabilir. Sıcak batarya kartuşları ile işlem yaparken dikkat edin.**
15. **Yanıklara neden olabilecek kadar sıcak olabileceğinden kullandıktan hemen sonra aletin terminaline dokunmayın.**
16. **Batarya kartuşunun terminallerine, deliklerine ve kanallarına mıcır, toz veya toprak girmesine izin vermeyin.** Aletin veya batarya kartuşunun ısınmasına, alev almasına, patlamasına ve arızalanmasına neden olarak yanıklara veya yaralanmaya yol açabilir.
17. **Alet yüksek gerilim elektrik güç hatları yakınında kullanımı desteklemediği sürece batarya kartuşunu yüksek gerilim elektrik güç hatlarının yakınında kullanmayın.** Aletin veya batarya kartuşunun arızalanmasına veya bozulmasına neden olabilir.
18. **Bataryayı çocuklardan uzak tutun.**

## BU TALİMATLARI MUHAFAZA EDİNİZ.

**⚠DİKKAT:** Sadece orijinal Makita bataryalarını kullanın. Orijinal olmayan Makita bataryaları ya da üzerine değişiklik yapılmış bataryaların kullanımı bataryanın patlamasına ve sonuç olarak yangın, kişisel yaralanma ve hasara neden olabilir. Ayrıca Makita aleti ve şarj aletinin Makita tarafından sunulan garantisi de geçersiz olur.

## Maksimum batarya ömrü için ipuçları

1. **Batarya kartuşunu tamamen boşalmadan önce şarj edin.** Aletin gücünün zayıflamaya başladığını fark ettiğinizde aleti durdurun ve batarya kartuşunu şarj edin.
2. **Tam dolu bir batarya kartuşunu asla yeniden şarj etmeyin.** Aşırı şarj etme bataryanın hizmet ömrünü kısaltır.
3. **Batarya kartuşunu 10 °C - 40 °C oda sıcaklığında şarj edin.** Sıcak bir batarya kartuşunu şarj etmeden önce soğumasını bekleyin.
4. **Batarya kartuşunu kullanmıyorken aletten veya şarj aletinden çıkarın.**
5. **Uzun bir süre (altı aydan daha fazla) kullanmadığınız durumlarda batarya kartuşunu şarj edin.**

## İŞLEVSEL NİTELİKLER

**⚠DİKKAT:** Alet üzerinde ayarlama veya işleyiş kontrolü yapmadan önce aletin kapalı ve batarya kartuşunun ayrılmış olduğundan daima emin olun.

## Batarya kartuşunun takılması ve çıkarılması

**⚠DİKKAT:** Batarya kartuşunu takmadan ya da çıkarmadan önce aleti daima kapatın.

**⚠DİKKAT:** Batarya kartuşunu takarken veya çıkarırken aleti ve batarya kartuşunu sıkıca tutun. Aletin ve batarya kartuşunun sıkıca tutulmaması bunların düşürülmesine sebep olabilir ve alet ve batarya kartuşunun zarar görmesine ya da ciddi yaralanmasına yol açabilir.

Batarya kartuşunu çıkarmak için, kartuşun ön tarafındaki düğmeyi kaydırarak kartuşu aletten çıkarın.

► **Şek.1:** 1. Kırmızı gösterge 2. Düğme 3. Batarya kartuşu

Batarya kartuşunu takmak için, batarya kartuşu üzerindeki dili yuvanın oluğu ile hizalayın ve kartuşu yerine oturtun. Kartuşu, küçük bir tık sesi ile yerine sabitlenene dek sonuna kadar ittirin. Şekilde gösterildiği gibi kırmızı göstergelyi görebiliyorsanız tam olarak kilitlenmemiş demektir.

**⚠DİKKAT:** Batarya kartuşunu daima kırmızı gösterge görünmeyecek şekilde tam olarak takın. Yerine tam oturmazsa, aletten yanlışlıkla düşebilir, sizin ya da çevrenizdeki kişilerin yaralanmasına neden olabilir.

**⚠DİKKAT:** Batarya kartuşunu zorlayarak takmayın. Kartuş kolay bir şekilde kaymıyorsa doğru yerleştirilmemiş demektir.

## Anahtar işlemi

**⚠DİKKAT:** Batarya kartuşunu alete takmadan önce anahtar tetiğinin doğru çalıştığından ve bırakıldığında "OFF" (kapalı) konumuna döndüğünden emin olun.

Aleti çalıştırmak için, sadece anahtar tetiği çekin. Aletin çalışma hızı anahtar tetik üstüne daha fazla baskı yapılarak artırılır. Durdurmak için anahtar tetiği serbest bırakın.

► **Şek.2:** 1. Anahtar tetik

## Elektrikli fren

Bu alet bir elektrikli fren ile donatılmıştır. Anahtar tetik bırakıldıktan sonra alet sürekli olarak çabucak durmuyorsa alete Makita servis merkezinde bakım yaptırın.

## Ön lambanın yakılması

**⚠️ DİKKAT:** Işığa bakmayın ya da ışık kaynağını doğrudan görmeyin.

Lambayı yakmak için anahtar tetiği çekin. Anahtar tetik çekilirken lamba yanmaya devam eder. Lamba, anahtar tetik serbest bırakıldıktan yaklaşık 10 ila 20 saniye sonra söner.

► **Şek.3:** 1. Lamba

**NOT:** Lamba lensini temizlemek için kuru bir bez kullanın. Aydınlatmayı azaltacağı için lamba lensinin çizilmemesine dikkat edin.

## Ters dönüş mandalı işlemi

**⚠️ DİKKAT:** Kullanmadan önce dönüş yönünü daima kontrol edin.

**⚠️ DİKKAT:** Ters dönüş mandalı anahtarını sadece alet tamamen durduktan sonra kullanın. Alet durmadan dönüş yönünü değiştirmek alete zarar verebilir.

**⚠️ DİKKAT:** Aleti kullanmadığınız zaman, ters döndürme anahtarını daima nötr konumuna ayarlayın.

Bu aletin dönme yönünü değiştirmek için ters dönüş mandalı anahtarı vardır. Ters dönüş mandalı anahtarına saat yönünde dönüş için A tarafından saatin aksi yönünde dönüş içinse B tarafından bastırın. Ters döndürme anahtarını nötr konumundayken tetik anahtar çekilemez.

► **Şek.4:** 1. Ters dönüş mandalı anahtarı

## MONTAJ

**⚠️ DİKKAT:** Alet üzerinde herhangi bir iş yapmadan önce aletin kapalı ve batarya kartuşunun ayrılmış olduğundan daima emin olun.

## Doğru darbeli lokma anahtarının seçilmesi

Civatalar ve somunlar için daima doğru büyüklükte bir darbeli lokma anahtarı kullanın. Darbeli lokma anahtarının doğru büyüklükte olmaması sıkıma torkunun yanlış ve düzensiz olmasına ve/veya civata ya da somunda hasara yol açar.

## Darbeli lokma anahtarının takılması veya çıkarılması

*İsteğe bağlı aksesuar*

**⚠️ DİKKAT:** Darbeli lokma anahtarını takmadan önce, darbeli lokma anahtarının ve montaj kısmının hasar görmediğinden emin olun.

**⚠️ DİKKAT:** Darbeli lokma anahtarını taktıktan sonra, sıkı bir şekilde sabitlendiğinden emin olun. Eğer dışarı çıkıyorsa, anahtarı kullanmayın.

**NOT:** Darbeli lokma anahtarı takma şekli, aletin üzerindeki kare uçlu geçme anahtarının türüne bağlı olarak değişir.

## Halka yaylı alet

### O-halkası ve pimsiz darbeli lokma anahtarı için

Darbeli lokma anahtarını, yerine kilitlene kadar kare uçlu geçme anahtarına bastırın.

Darbeli lokma anahtarını çıkarmak için onu çekip çıkarmanız yeterlidir.

► **Şek.5:** 1. Darbeli lokma anahtarı 2. Kare uçlu geçme anahtarı 3. Halka yay

### O-halkası ve pimli darbeli lokma anahtarı için

O-halkasını darbeli lokma anahtarındaki oluktan dışarı çıkarın ve pimi darbeli lokma anahtarından çıkarın. Darbeli lokma anahtarını, darbeli lokma anahtarındaki delik kare uçlu geçme anahtarındaki delikle hizalanacak şekilde kare uçlu geçme anahtarına takın.

Pimi, darbeli lokma anahtarındaki ve kare uçlu geçme anahtarındaki deliğe geçirin. Sonra O-halkasını pimi tutması için darbeli lokma anahtarındaki oluğa tekrar geçirin.

Darbeli lokma anahtarını çıkarmak için takma işlemlerini tersinden uygulayın.

► **Şek.6:** 1. Darbeli lokma anahtarı 2. O-halkası 3. Pim

## Maşalı pimli alet

Darbeli lokma anahtarının yan tarafındaki deliği kare uçlu geçme anahtarı üzerindeki maşalı pimle hizalayın ve darbeli lokma anahtarını kare uçlu geçme anahtarına doğru, yerine kilitlene kadar itin. Gerekirse hafifçe vurun.

Darbeli lokma anahtarını çıkarmak için onu çekip çıkarmanız yeterlidir. Çıkarmak zorsa darbeli lokma anahtarını çekerken maşalı pime bastırın.

► **Şek.7:** 1. Darbeli lokma anahtarı 2. Delik 3. Kare uçlu geçme anahtarı 4. Maşalı pim

## Kancanın takılması

*İsteğe bağlı aksesuar*

**⚠️ UYARI:** Asma/montaj parçalarını yalnızca kullanım amaçlarına uygun kullanın, örneğin işler arasında ve iş aralarında aleti bir alet kemerine asmak gibi.

**⚠️ UYARI:** Çok fazla yük veya düzensiz fazla yüklenme aletin hasar görmesine neden olarak yaralanmaya yol açabileceği için kancayı aşırı yüklememeye dikkat edin.

**⚠️ DİKKAT:** Kancayı takarken kancayı daima vida ile iyice sabitleyin. Sabitlenmezse kanca aletten çıkarılabilir ve yaralanmaya neden olabilir.

**⚠️ DİKKAT:** Tutmayı bırakmadan önce aleti güvenli bir şekilde astığınızdan emin olun. Yetersiz veya dengesiz takmak düşmeye ve yaralanmanıza neden olabilir.

Kanca aletin geçici bir süre asılmasına yarar. Bu kanca aletin her iki yanına da takılabilir. Kancayı takmak için, onu alet gövdesinin her iki yanındaki oluklardan birine geçirin ve sonra bir vida ile sabitleyin. Çıkarmak için, vidayı gevşetin ve sonra dışarı çekip alın.

► **Şek.8:** 1. Oluk 2. Kanca 3. Vida

## Delik kullanımı

**⚠UYARI:** Askı deliğini örneğin aleti yüksek yerlere bağlamak gibi amacı dışında asla kullanmayın. Aşırı derecede yüklenmiş bir delikteki dayanma gerilmesi deliğe zarar vererek sizin veya etrafınızdaki ya da altınızdaki kişilerin yaralanmasına yol açabilir.

Aletin alt arka kısmındaki askı deliğini, bir askı kordonu veya benzeri iplerle aleti duvara asmak için kullanın.

► **Şek.9:** 1. Askı deliği

## Alet askısının takılması

### İsteğe bağlı aksesuar

**⚠UYARI:** Asma/montaj parçalarını yalnızca kullanım amaçlarına uygun kullanın, örneğin işler arasında ve iş aralarında aleti bir alet kemerine asmak gibi.

**⚠DİKKAT:** Hasarlı alet askısını, vidaları ve omuz askısını kullanmayın. Kullanmadan önce hasar, çatlak veya deformasyona karşı mutlaka kontrol edin.

**⚠DİKKAT:** Kullanmadan önce vidaların sıkıldığından emin olun.

**⚠DİKKAT:** Daima, yalnızca alet askısı ile verilen vidaları kullanın.

**⚠DİKKAT:** Aleti asarken batarya kartuşunu çıkarmayın. Vidalar sıkılmazsa alet düşebilir.

**⚠DİKKAT:** Alet askısını sabit bir masa veya yüzey üzerinde takın veya çıkarın.

Bu alet askısı, aleti şekilde gösterildiği gibi kemerinize, vb. geçici olarak asmak için kullanışlıdır.

► **Şek.10:** 1. Omuz askısı 2. Alet askısı 3. Alet

**NOT:** Bir omuz askısı ile kullanırken her zaman ürün no. 161464-4'ü kullanın. Ürün no. 161464-4'ü başka alet askısı ile kullanmayın.

Aletten batarya kartuşunu çıkarın.

Alet askısını alete ok yönünde takın.

► **Şek.11:** 1. Alet askısı 2. Alet 3. Çıkıntı

► **Şek.12**

Alet askısının çıkıntılarını aletin her iki tarafındaki oluklara sokun. Alet askısını sadece ok yönünde takabilirsiniz.

► **Şek.13:** 1. Çıkıntı 2. Oluk

Verilen vidaları iyice sıkın. Sökmek için, vidaları gevşetin ve askıyı çıkarın.

► **Şek.14:** 1. Vida

**⚠DİKKAT:** Taktıktan sonra alet askısının vidaları emniyetli bir şekilde takıldığından emin olun.

**⚠DİKKAT:** Sorun olursa en yakın Makita servis merkezine veya satıcınıza başvurun.

## KULLANIM

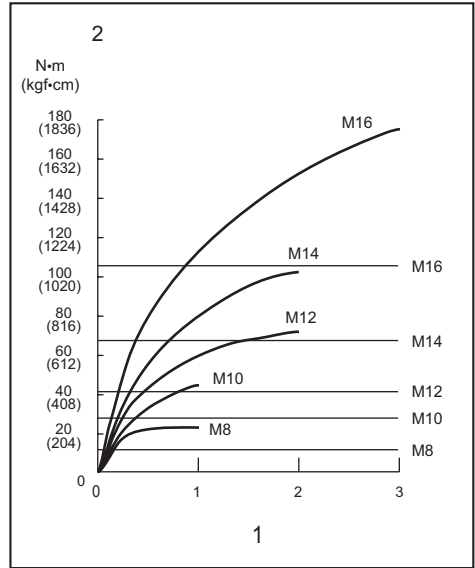
**⚠DİKKAT:** Batarya kartuşunu daima yerine tam kilitlene kadar itin. Düğmenin üst tarafındaki kırmızı göstereyi görüyorsanız, kartuş tam kilitlenmemiş demektir. Kırmızı göstere görünmeyecek şekilde tam olarak oturtun. Aksi takdirde, aletten yanlışlıkla düşebilir, sizin ya da çevrenizdeki kişilerin yaralanmasına neden olabilir.

Aleti sıkıca tutun ve darbeli lokma anahtarını civata veya somun üzerine yerleştirin. Aleti çalıştırın ve uygun sıkma süresi kadar sıkma uygulayın.

Doğru sıkma torqu; civatanın tipine ve boyutuna, sıkılacak iş parçasının malzemesine vb. etkenlere göre değişebilir. Sıkma torqu ve sıkma süresi arasındaki ilişki şekillerde gösterilmektedir.

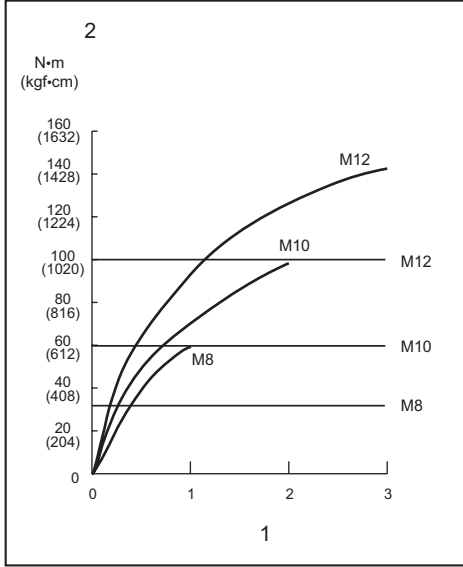
► **Şek.15**

### Standart civata için doğru sıkma torqu



1. Sıkma süresi (saniye) 2. Sıkma torqu

## Yüksek germe civatası için doğru sıkma torku



1. Sıkma süresi (saniye) 2. Sıkma torku

**NOT:** Aleti düz bir şekilde civata ya da somunun üstüne gelecek şekilde tutun.

**NOT:** Aşırı sıkma torku civataya/somuna ya da darbeli lokma anahtarına zarar verebilir. İşinize başlamadan önce, civatanız ya da somununuz için doğru sıkma süresini belirlemek için daima bir deneme çalışması yapın.

**NOT:** Alet batarya kartuşu boşalincaya kadar aralıksız çalıştırılırsa, yeni bir batarya kartuşuyla devam etmeden önce aleti 15 dakika dinlendirin.

Sıkma torku aşağıdakiler dahil çok çeşitli faktörlerden etkilendir. Sıkımdan sonra daima bir tork anahtarı ile torku kontrol edin.

1. Batarya kartuşu tam boşalmaya yakınsen voltaj düşer ve sıkma torku azalır.
2. Darbeli lokma anahtarı
  - Doğru boyutta darbeli lokma anahtarının kullanılmaması, sıkma torkunda azalmaya neden olur.
  - Aşınmış bir darbeli lokma anahtarı (altıgen uçta ya da kare uçta aşınma), sıkma torkunda azalmaya neden olur.
3. Civata
  - Tork katsayısı ve civata sınıfı aynı olsa da, uygun sıkma torku civatanın çapına göre farklılık gösterecektir.
  - Civata çapları aynı olsa da, uygun sıkma torku tork katsayısı, civata sınıfı ve civata uzunluğuna göre farklılık gösterecektir.
4. Kardan kavraması ya da uzatma çubuğu kullanılması darbeli anahtarın sıkma gücünü biraz düşürür. Bunu daha uzun süre sıkma uygulayarak dengeleyin.
5. Aletin ya da bağlanacak malzemenin vidalama pozisyonunda tutulma biçimi torku etkiler.
6. Aletin düşük hızda çalıştırılması sıkma torkunda bir azalmaya neden olur.

## BAKIM

**⚠DİKKAT:** Muayene ya da bakım yapmadan önce aletin kapalı ve batarya kartuşunun çıkarılmış olduğundan daima emin olun.

**ÖNEMLİ NOT:** Benzin, tiner, alkol ve benzeri maddeleri kesinlikle kullanmayın. Renk değişimi, deformasyon veya çatlaklar oluşabilir.

Aleti EMNİYETLİ ve ÇALIŞMAYA HAZIR durumda tutmak için onarımlar, başka her türlü bakım ve ayarlamalar daima Makita yedek parçaları kullanılarak Makita yetkili servis merkezleri veya Fabrikanın Servis Merkezleri tarafından yapılmalıdır.

## İSTEĞE BAĞLI AKSESUARLAR

**⚠DİKKAT:** Bu aksesuarlar ve ek parçalar bu el kitabında belirtilen Makita aletiniz ile kullanılmak için tavsiye edilmektedir. Herhangi başka bir aksesuar ya da ek parça kullanılması insanlar için bir yaralanma riski getirebilir. Aksesuarları ya da ek parçaları yalnızca belirtilmiş olan kullanım amaçlarına uygun olarak kullanın.

Bu aksesuarlarla ilgili daha fazla bilgiye ihtiyaç duyar-sanız bulunduğunuz yerdeki yetkili Makita servisine başvurun.

- Darbeli lokma anahtarı
- Plastik taşıma çantası
- Alet askısı
- Omuz askısı
- Kanca
- Orijinal Makita batarya ve şarj aleti

**NOT:** Listedeki parçaların bazıları alet paketi içerisinde standart aksesuar olarak dahil edilmiş olabilir. Bunlar ülkeden ülkeye farklılık gösterebilir.



# Makita Europe N.V.

Jan-Baptist Vinkstraat 2, 3070 Kortenberg, Belgium

# Makita Corporation

3-11-8, Sumiyoshi-cho, Anjo, Aichi 446-8502 Japan

[www.makita.com](http://www.makita.com)



885A12A995  
EN, FR, DE, IT, NL,  
ES, PT, DA, EL, TR  
20220823