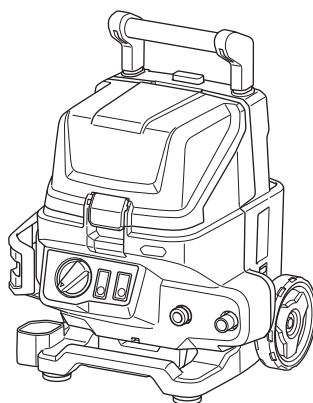




EN	Cordless High Pressure Washer	INSTRUCTION MANUAL	12
FR	Nettoyeur Haute Pression à Batterie	MANUEL D'INSTRUCTIONS	27
DE	Akku Hochdruckreiniger	BETRIEBSANLEITUNG	43
IT	Idropulitrice ad alta pressione a batteria	ISTRUZIONI PER L'USO	59
NL	Accuhogedrukreiniger	GEBRUIKSAANWIJZING	75
ES	Hidrolavadora Inalámbrica de Alta Presión	MANUAL DE INSTRUCCIONES	91
PT	Lavadora de Alta Pressão a Bateria	MANUAL DE INSTRUÇÕES	107
DA	Batteridrevet højtryksrensere	BRUGSANVISNING	123
EL	Φορητό πλυστικό μηχάνημα υψηλής πίεσης	ΕΓΧΕΙΡΙΔΙΟ ΟΔΗΓΙΩΝ	138
TR	Akülü Basınçlı Yıkama Makinası	KULLANMA KILAVUZU	155

HW001G



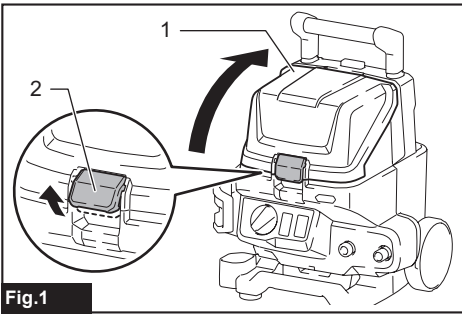


Fig.1

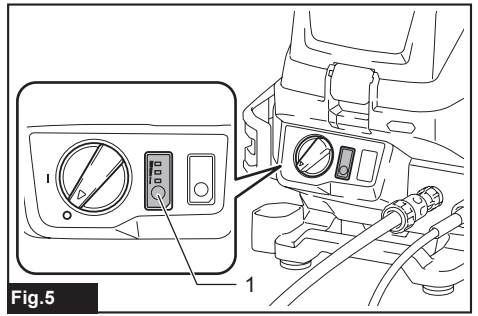


Fig.5

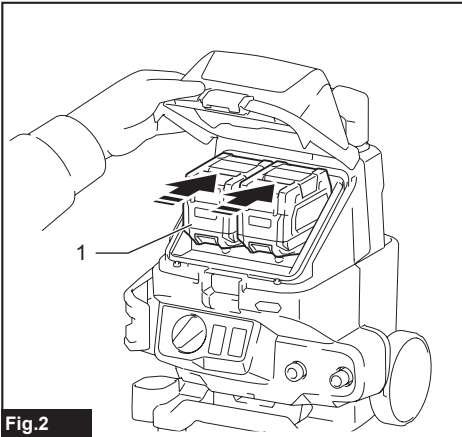


Fig.2

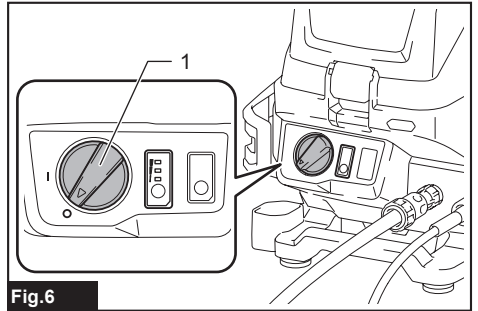


Fig.6

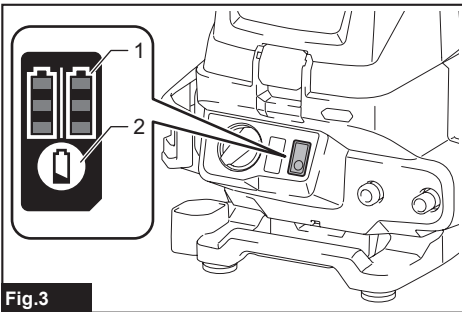


Fig.3

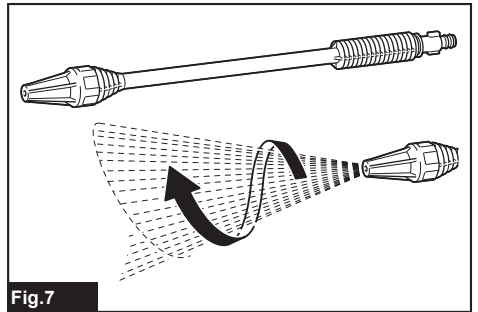


Fig.7

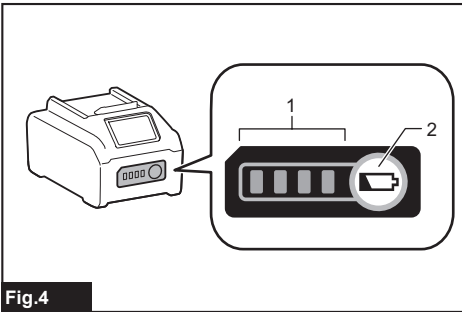


Fig.4

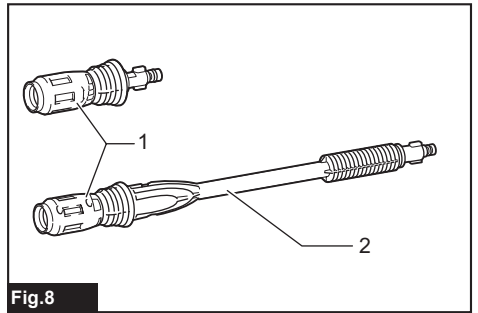


Fig.8

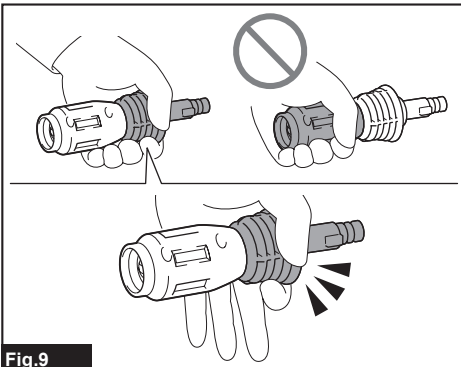


Fig.9

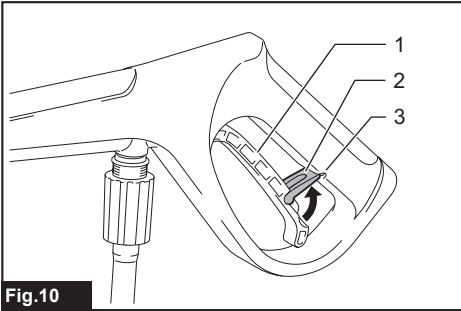


Fig.10

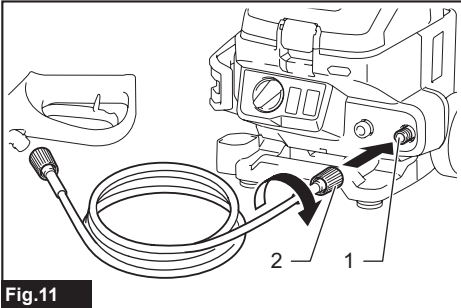


Fig.11

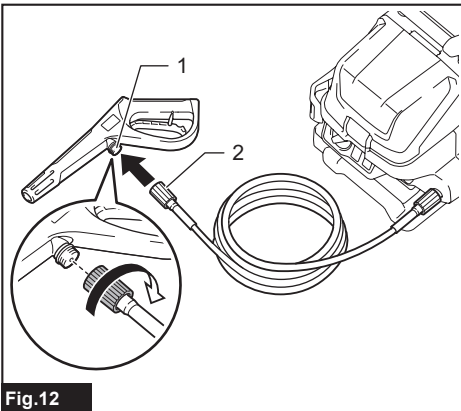


Fig.12

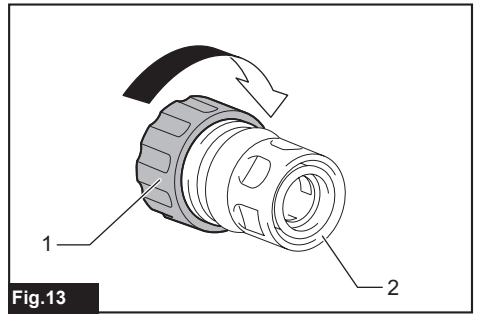


Fig.13

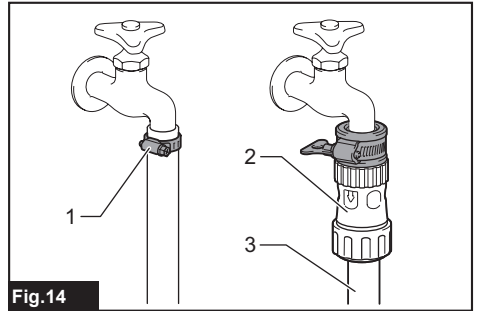


Fig.14

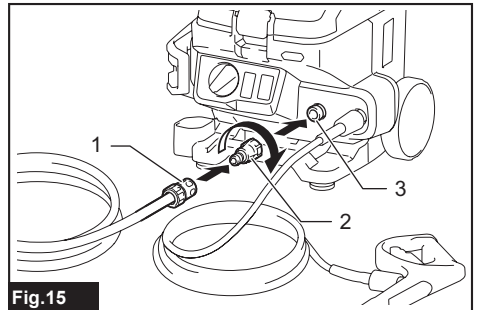


Fig.15

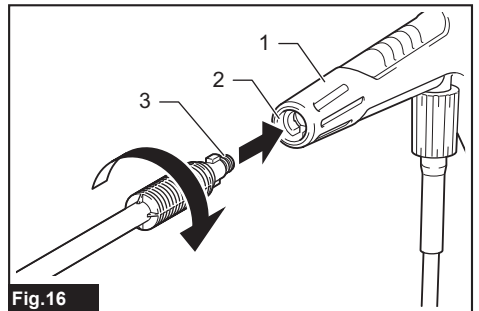


Fig.16

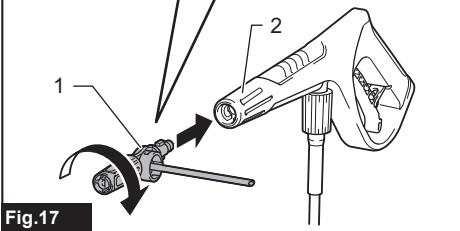
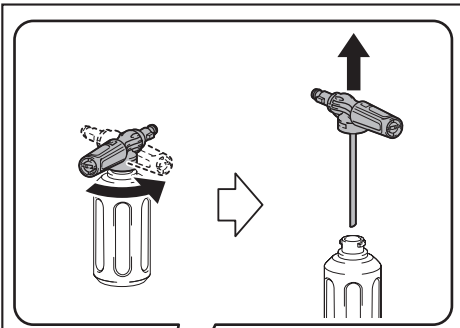


Fig.17

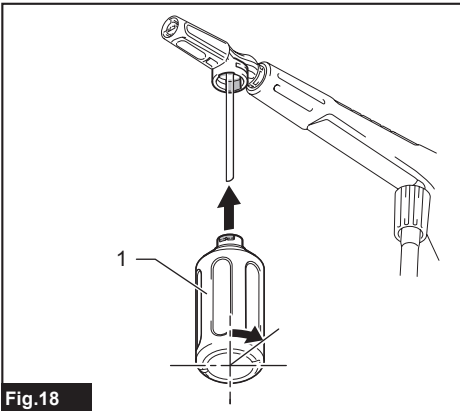


Fig.18

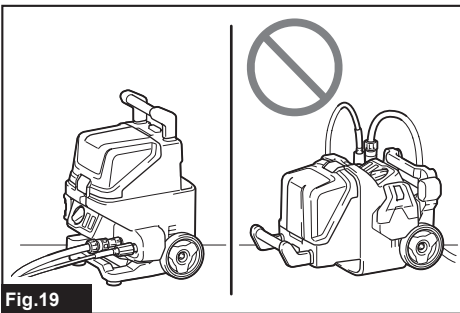


Fig.19

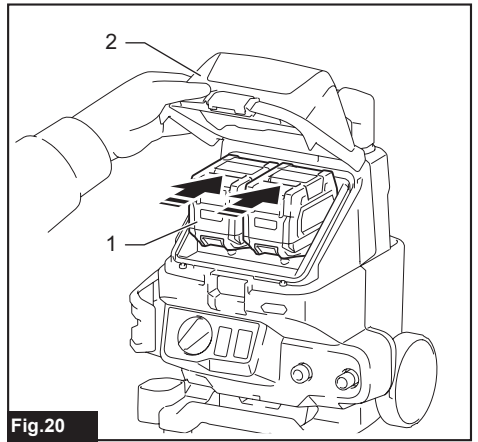


Fig.20

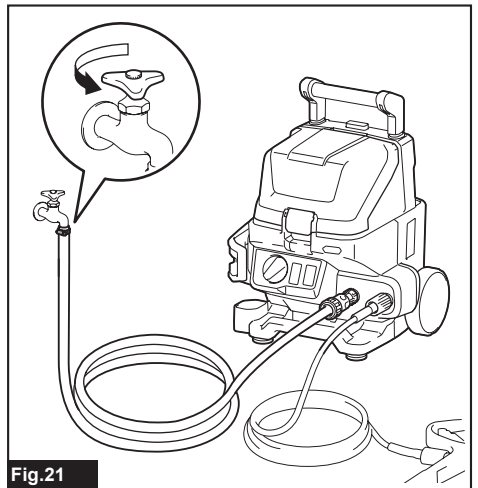


Fig.21

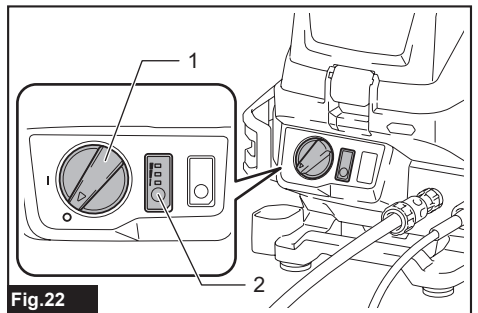


Fig.22

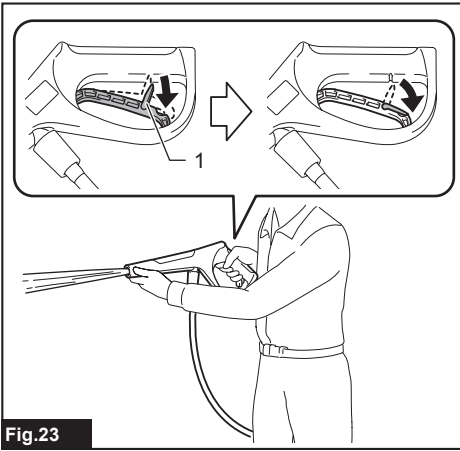


Fig.23

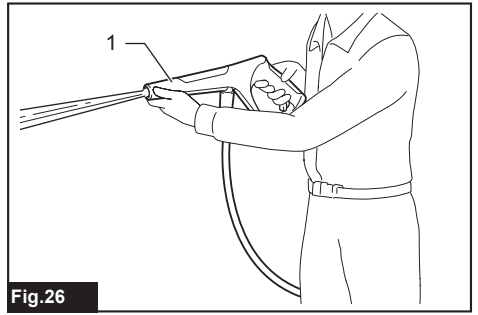


Fig.26

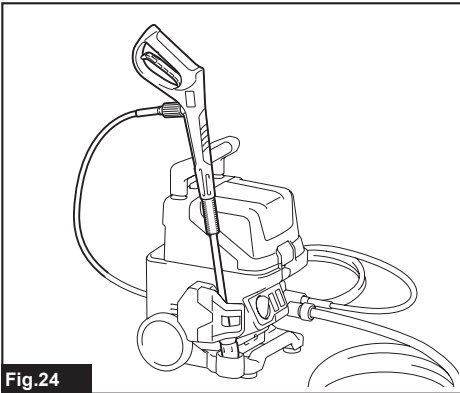


Fig.24

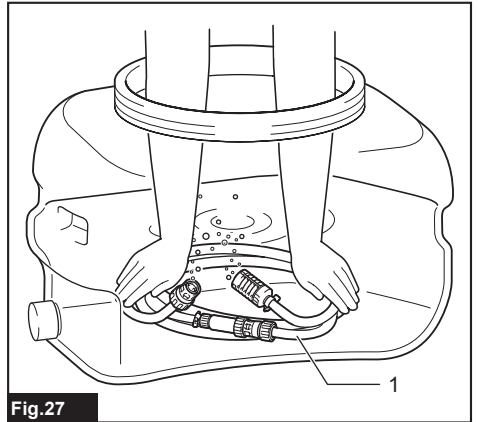


Fig.27

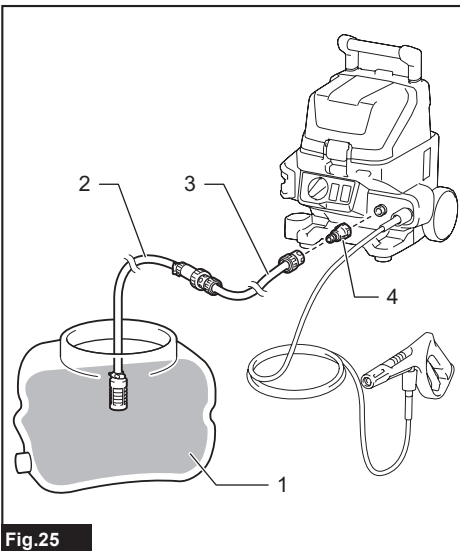


Fig.25

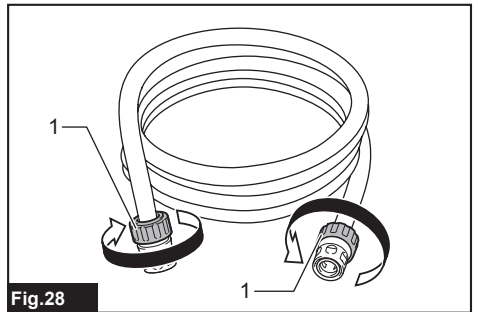


Fig.28

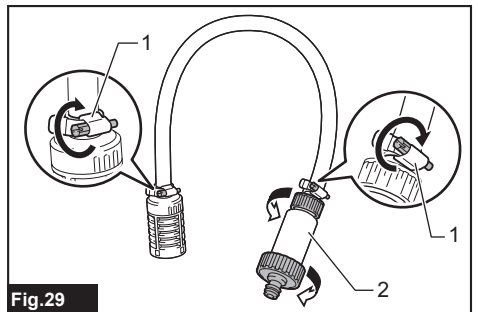


Fig.29

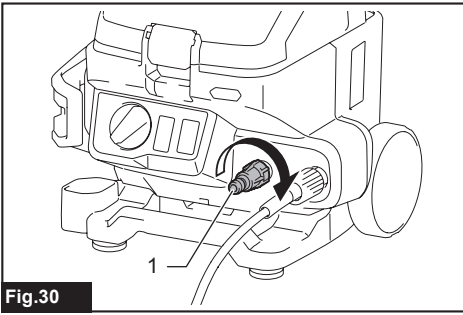


Fig.30

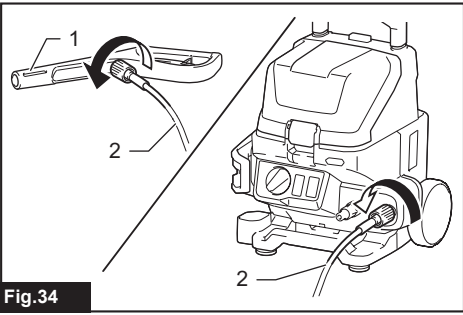


Fig.34

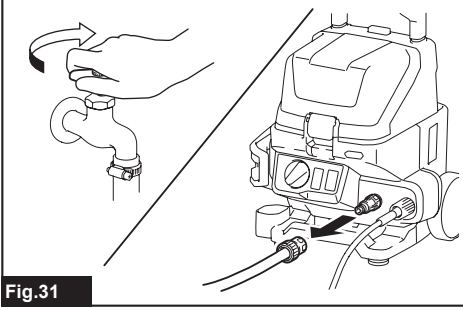


Fig.31

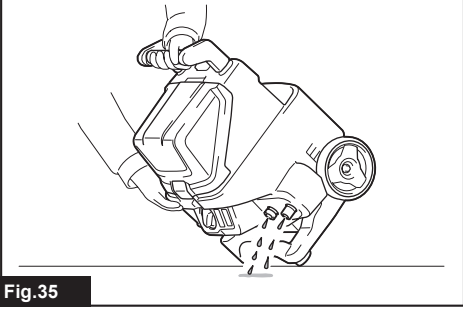


Fig.35

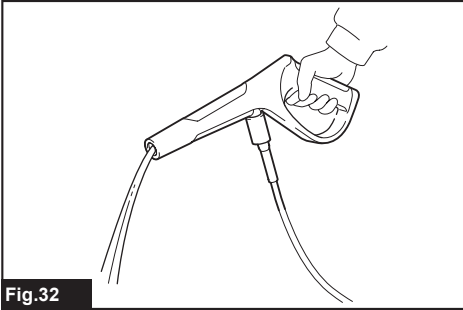


Fig.32

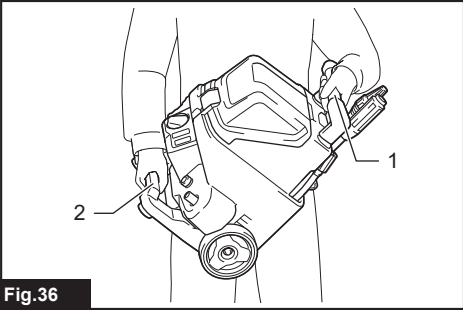


Fig.36

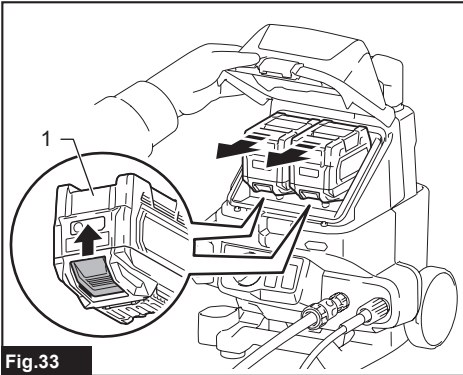


Fig.33

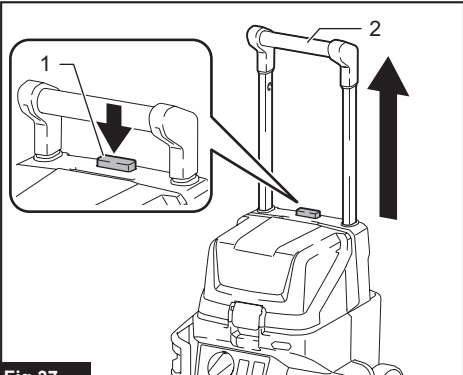


Fig.37

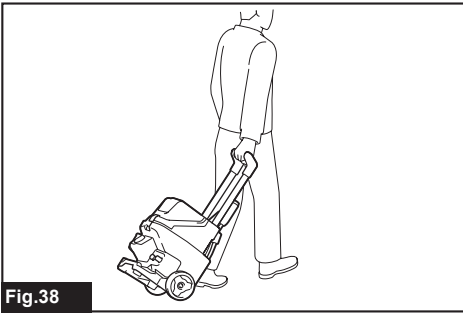


Fig.38

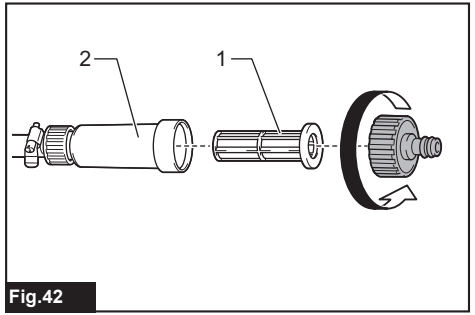


Fig.42

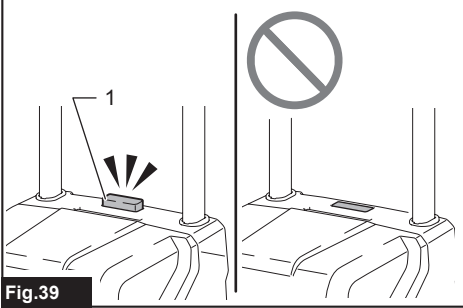


Fig.39

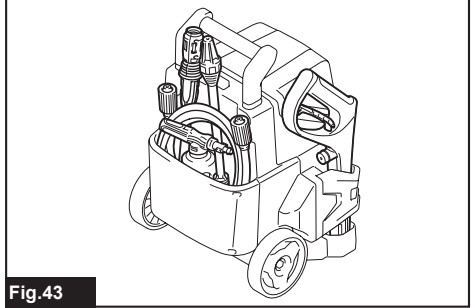


Fig.43

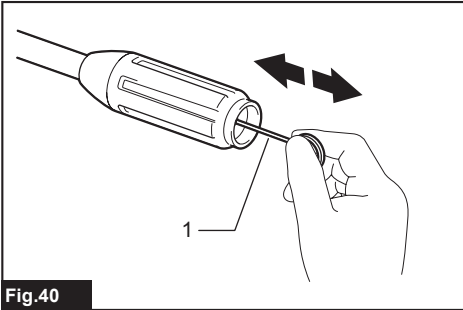


Fig.40

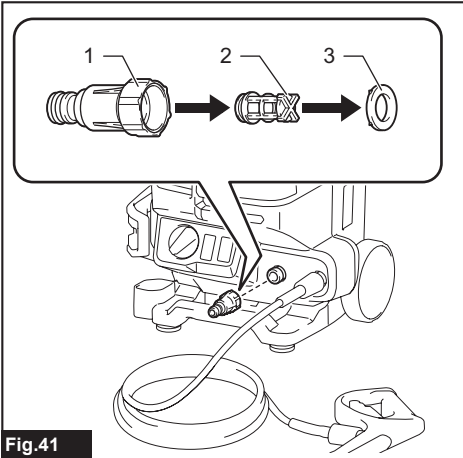


Fig.41

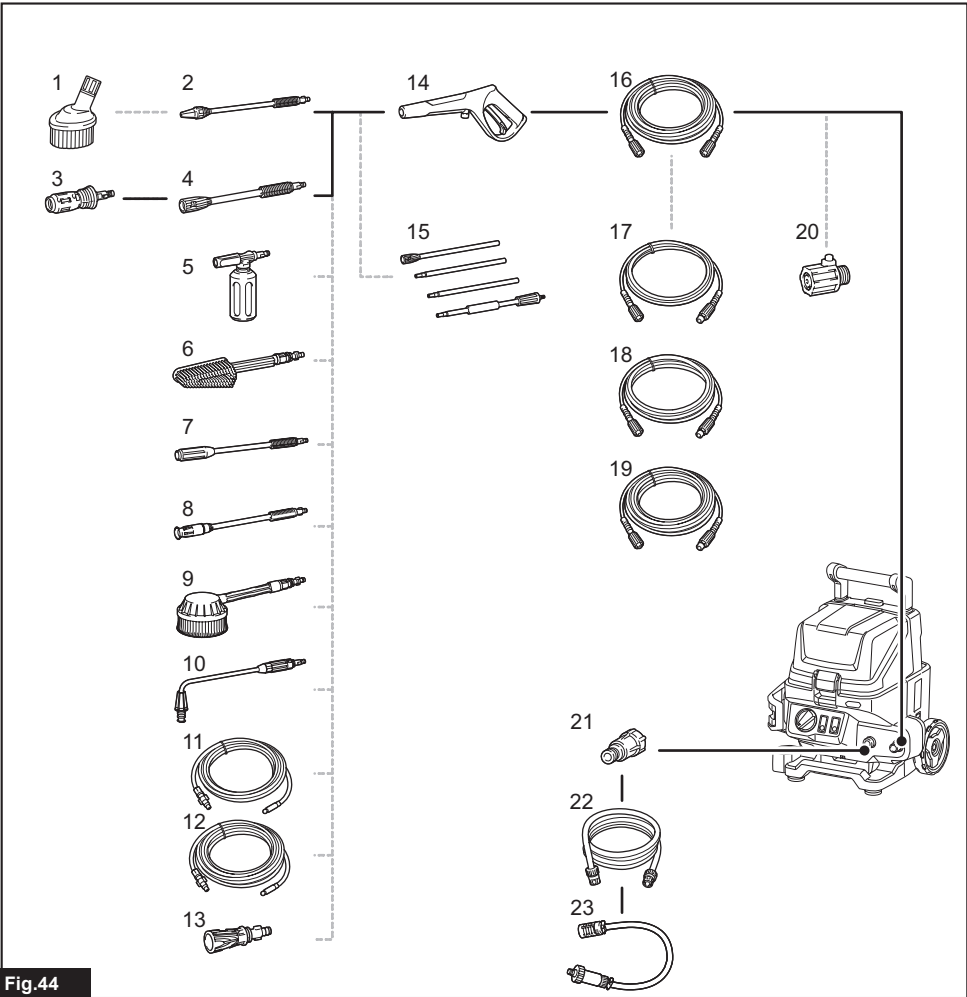


Fig.44

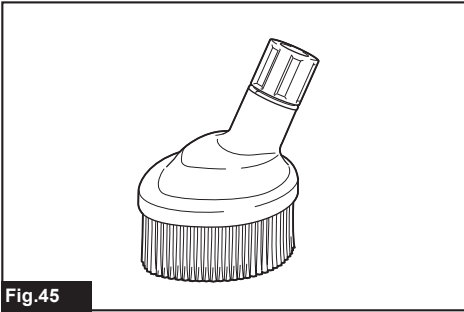
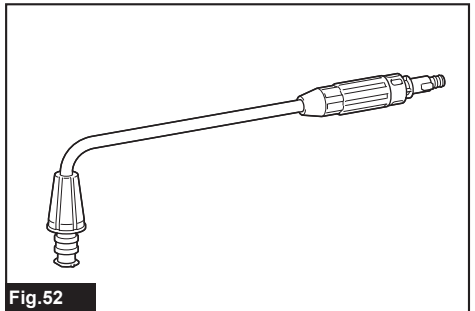
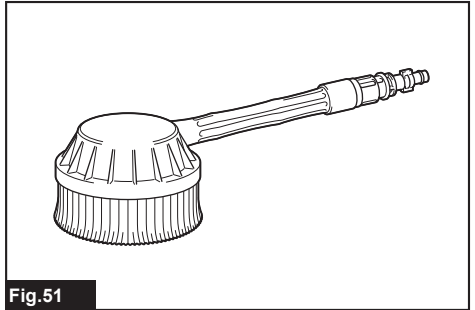
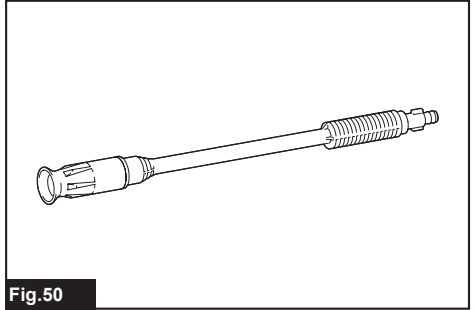
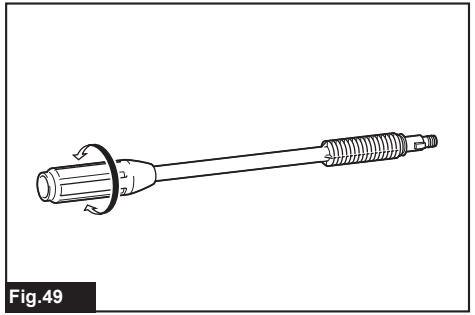
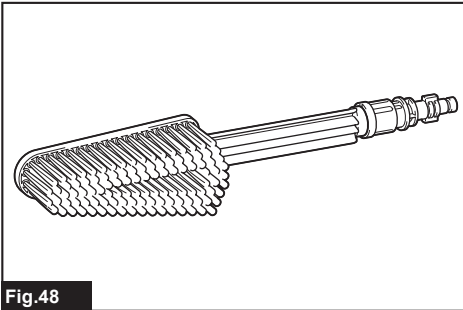
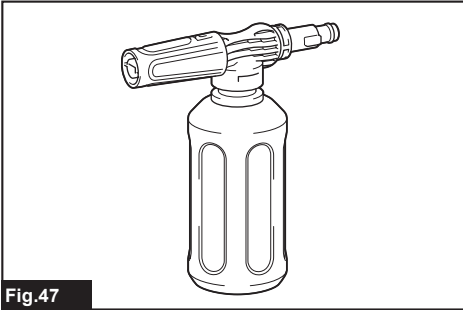
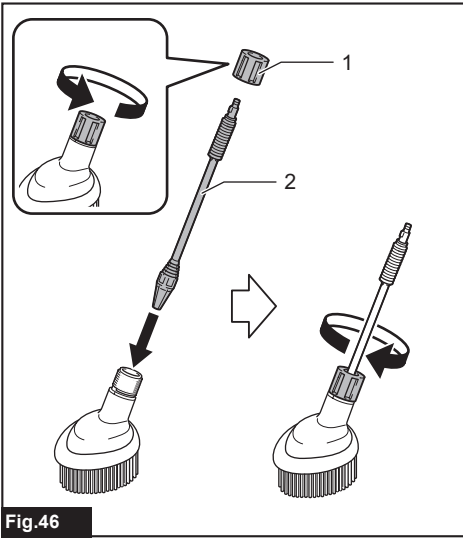
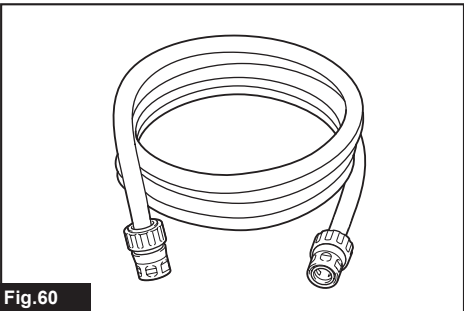
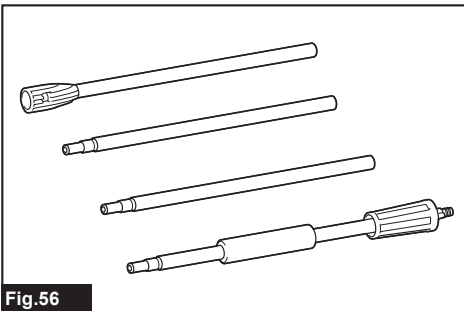
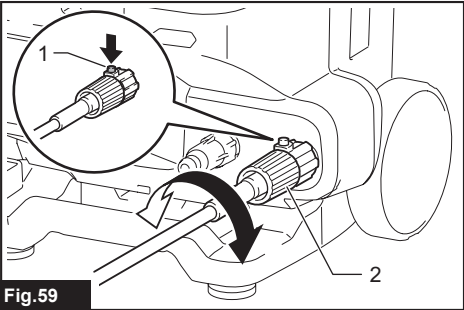
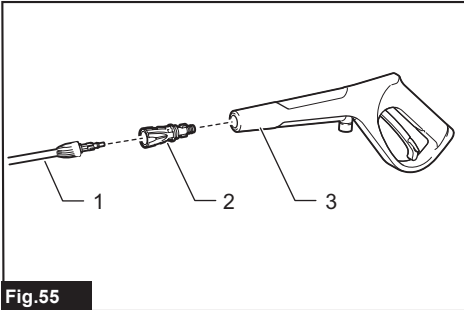
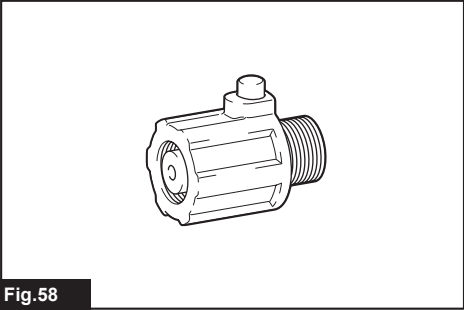
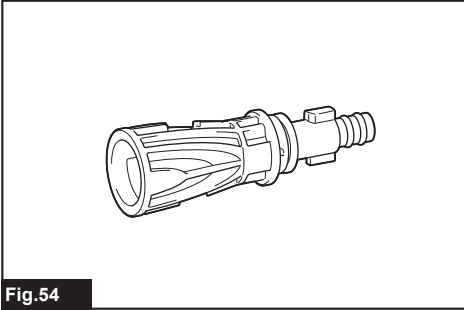
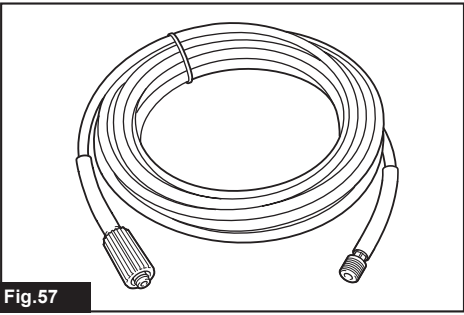
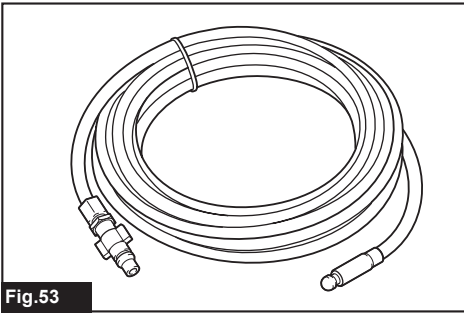


Fig.45





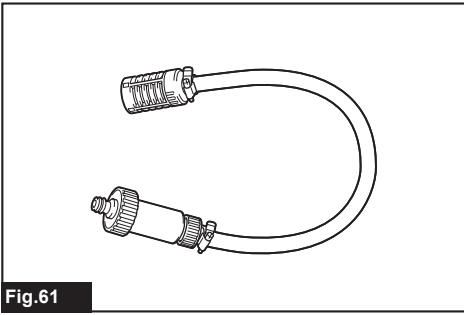


Fig.61

WARNING

- Machines shall not be used by children. Children should be supervised to ensure that they do not play with the machine.
- This machine is not intended for use by persons (including children) with reduced physical, sensory, or mental capabilities, or lack of experience and knowledge.
- This machine has been designed for use with the cleaning agent supplied or recommended by the manufacturer. The use of other cleaning agents or chemicals may adversely affect the safety of the machine.
- During use of high pressure cleaners, aerosols may be formed. Inhalation of aerosols can be hazardous to health.
- Depending on the application, shielded nozzles can be used for high pressure cleaning, which will reduce the emission of hydrous aerosols dramatically. However, not all applications allow the use of such a device. If shielded nozzles are not applicable for the protection against aerosols, a respiratory mask of class FFP 2 or equivalent may be needed, depending on the cleaning environment.
- The employer shall perform a risk assessment in order to specify the necessary protective measures regarding aerosols, depending on the surface to be cleaned and its environment. Respiratory masks of class FFP 2, an equivalent or higher are suitable for the protection against hydrous aerosols.
- High pressure jets can be dangerous if subject to misuse. The jet must not be directed at persons, live electrical equipment or the machine itself.
- Do not use the machine within range of persons unless they wear protective clothing.
- Do not direct the jet against yourself or others in order to clean clothes or foot-wear.
- Risk of explosion – Do not spray flammable liquids.
- High pressure cleaners shall not be used by children or untrained personnel.

- High pressure hoses, fittings and couplings are important for the safety of the machine. Use only hoses, fittings and couplings recommended by the manufacturer.
- To ensure machine safety, use only original spare parts from the manufacturer or approved by the manufacturer.
- Always be sure that the machine is switched off and battery cartridges are removed before carrying out any work on the tool.
- Do not use the machine if important parts of the machine are damaged, e.g. safety devices, high pressure hoses, trigger gun.
- Always remove the battery cartridges when leaving the machine unattended.
- Comply with the requirements of the local water supply company.
- For European countries:
According to EN12729 (BA), the appliance can also be connected to the mains drinking water supply if a backflow preventer valve with drain facility is installed in the supply hose.

SPECIFICATIONS

Model:		HW001G
Max. flow rate *1		7.0 L/min
Water flow rate *2	Mode 3 (High mode)	5.5 L/min
	Mode 2 (Middle mode)	4.2 L/min
	Mode 1 (Low mode)	3.0 L/min
Max. permissible pressure		11.5 MPa
Working pressure *2	Mode 3 (High mode)	8.5 MPa
	Mode 2 (Middle mode)	5.5 MPa
	Mode 1 (Low mode)	3.0 MPa
Max. feed pressure		1.0 MPa
Max. feed temperature		40 °C
Max. suction height		1.0 m
Rated voltage		D.C. 36 V - 40 V max
Dimensions (L x W x H) *3		344 mm x 383 mm x 520 mm
Net weight		10.3 - 13.4 kg
Water protection		IPX5

*1: When using the trigger gun without the nozzles.

*2: When using the vario spray nozzle and extension.

*3: When the handle is folded and without hoses.

- Due to our continuing program of research and development, the specifications herein are subject to change without notice.
- Specifications may differ from country to country.
- The weight may differ depending on the attachment(s), including the battery cartridge. The lightest and heaviest combinations, according to EPTA-Procedure 01/2014, are shown in the table.

Applicable battery cartridge and charger








Battery cartridge	BL4020 / BL4025 / BL4040 / BL4050F* / BL4080F* *: Recommended battery
Charger	DC40RA / DC40RB / DC40RC

- Some of the battery cartridges and chargers listed above may not be available depending on your region of residence.

⚠ WARNING: Only use the battery cartridges and chargers listed above. Use of any other battery cartridges and chargers may cause injury and/or fire.

Symbols

The followings show the symbols which may be used for the equipment. Be sure that you understand their meaning before use.

	Take particular care and attention.
	Read instruction manual.
	Do not connect to a potable water faucet.
	Do not direct the jet at people including yourself, animals, and live electrical equipments.
	<p>Only for EU countries Due to the presence of hazardous components in the equipment, waste electrical and electronic equipment, accumulators and batteries may have a negative impact on the environment and human health. Do not dispose of electrical and electronic appliances or batteries with household waste! In accordance with the European Directive on waste electrical and electronic equipment and on accumulators and batteries, as well as their adaptation to national law, waste electrical equipment, batteries and accumulators should be stored separately and delivered to a separate collection point for municipal waste, operating in accordance with the regulations on environmental protection. This is indicated by the symbol of the crossed-out wheeled bin placed on the equipment.</p>
	Guaranteed sound power level according to EU Outdoor Noise Directive.
	Sound power level according to Australia NSW Noise Control Regulation.

Intended use

This machine is intended for cleaning stubborn dirt by using water jet. This machine is intended for both commercial use and household use.

Noise

The typical A-weighted noise level determined according to EN60335-2-79:

Sound pressure level (L_{pA}) : 71 dB (A)

Uncertainty (K) : 3.2 dB (A)

The noise level under working may exceed 80 dB (A).

NOTE: The declared noise emission value(s) has been measured in accordance with a standard test method and may be used for comparing one tool with another.

NOTE: The declared noise emission value(s) may also be used in a preliminary assessment of exposure.

⚠ WARNING: Wear ear protection.

⚠ WARNING: The noise emission during actual use of the power tool can differ from the declared value(s) depending on the ways in which the tool is used especially what kind of workpiece is processed.

⚠ WARNING: Be sure to identify safety measures to protect the operator that are based on an estimation of exposure in the actual conditions of use (taking account of all parts of the operating cycle such as the times when the tool is switched off and when it is running idle in addition to the trigger time).

Vibration

The vibration total value (tri-axial vector sum) determined according to EN60335-2-79:

Vibration emission (a_h) : 3.2 m/s^2

Uncertainty (K) : 1.5 m/s^2

NOTE: The declared vibration total value(s) has been measured in accordance with a standard test method and may be used for comparing one tool with another.

NOTE: The declared vibration total value(s) may also be used in a preliminary assessment of exposure.

⚠ WARNING: The vibration emission during actual use of the power tool can differ from the declared value(s) depending on the ways in which the tool is used especially what kind of workpiece is processed.

⚠ WARNING: Be sure to identify safety measures to protect the operator that are based on an estimation of exposure in the actual conditions of use (taking account of all parts of the operating cycle such as the times when the tool is switched off and when it is running idle in addition to the trigger time).

Declarations of Conformity

For European countries only

The Declarations of conformity are included in Annex A to this instruction manual.

SAFETY WARNINGS

General power tool safety warnings

⚠WARNING Read all safety warnings, instructions, illustrations and specifications provided with this power tool. Failure to follow all instructions listed below may result in electric shock, fire and/or serious injury.

Save all warnings and instructions for future reference.

The term "power tool" in the warnings refers to your mains-operated (corded) power tool or battery-operated (cordless) power tool.

IMPORTANT SAFETY WARNINGS

⚠WARNING: Read all safety warnings and all instructions. Failure to follow the warnings and instructions may result in electric shock, fire and/or serious injury.

Save all warnings and instructions for future reference.

WARNING – When using this product, basic precautions should always be followed, including the following:

Work area safety

1. Keep operating area clear of all persons.
2. Do not overreach or stand on unstable supports. Keep good footing and balance at all times.
3. Always place the high pressure washer body on a level and stable surface. Avoid areas where the ejected water will run or pool.
4. Before cleaning, check the surroundings and objects to be cleaned. High pressure jets can scrape away paint or other surface treatments including toxic chemicals. Take the preventive measures if necessary.
5. Be careful not to trip over by the hose of the high pressure washer. Always be aware of the configuration of the hose during operation.
6. During use, a small amount of water will come out from the bottom of the high pressure washer. Avoid locating the high pressure washer in the areas where you don't want to wet.

Personal safety

1. To protect against the jet and objects by the jet, operators should wear appropriate clothing such as safety boots, safety gloves, safety helmets with visors, hearing protection, etc.

2. Do not use the high pressure washer within range of persons unless they wear protective clothing.
3. To reduce the risk of injury, close supervision is necessary when the product is used near children.
4. If connection is made to a potable water system, the system shall be protected against backflow.
5. Water that has flowed through backflow preventer is considered to be non-potable.

Electrical safety

1. Never touch battery cartridges with wet hands.
2. Do not use the machine if the important parts of the machine are damaged, e.g. safety devices, high pressure hoses, or the trigger gun.

Power tool use and care

1. Read all the instructions before using the product.
2. Know how to stop the high pressure washer and bleed pressures quickly. Be thoroughly familiar with the controls.
3. High pressure jets can be dangerous if misused. The jet must not be directed at people, live electrical equipment, or the machine itself.
4. This machine is not intended for use by persons (including children) with reduced physical, sensory, or mental capabilities, or lack of experience and knowledge.
5. Children should be supervised to ensure that they do not play with the appliance.
6. Do not spray flammable and/or toxic liquids. This may cause an explosion, intoxication, or damage to the machine.
7. Do not direct the jet against yourself or others in order to clean clothes or foot-wear.
8. High pressure hoses, fittings and couplings are important for the safety of the machine. Use only hoses, fittings and couplings recommended by the manufacturer.
9. Follow the instructions when changing accessories.
10. Keep handles dry, clean, and free of oil or grease.
11. Stay alert – watch what you are doing.
12. Do not operate the product when fatigued or under the influence of alcohol or drugs.
13. Do not run the high pressure washer without water for longer than one minute. It will damage the motor, resulting in malfunction.
14. Always turn off the power and shut off the water mains when leaving the high pressure washer unattended.
15. Be wary of the kickback. The trigger gun recoils when the high pressure jet is ejected from the nozzle. Hold the trigger gun firmly to prevent accidental injuries.
16. Check for damaged or worn parts before use. Also make sure that the hose is properly connected and there is no leakage during operation. Operating the machine with functional defects may cause an accident.

17. **This machine has been designed for use with the cleaning agent supplied or recommended by the manufacturer. The use of other cleaning agents or chemicals may adversely affect the safety of the machine.**
18. **Do not pull the hose to move the high pressure washer body. This will damage the hose and connecting parts and result in a short circuit or functional defects.**
19. **Do not put heavy objects on the hose or let vehicles drive over it.**
20. **Always discharge the residual pressure in the trigger gun before disconnecting the hose.**
21. **When connecting the hose to the water mains, observe the instructions of your local water-works department or company.**
22. **If the high pressure washer is dropped or hits against an hard object, be sure to check for damage and crack. Using the high pressure washer damaged may generate smoke, fire, or cause electric shock, which result in personal injury.**
23. **During use of high pressure cleaners, aerosols may be formed. Inhalation of aerosols can be hazardous to health.**
24. **Depending on the application, shielded nozzles can be used for high pressure cleaning, which will reduce the emission of hydrous aerosols dramatically. However, not all applications allow the use of such a device. If shielded nozzles are not applicable for the protection against aerosols, a respiratory mask of class FFP 2 or equivalent may be needed, depending on the cleaning environment.**
25. **The employer shall perform a risk assessment in order to specify the necessary protective measures regarding aerosols, depending on the surface to be cleaned and its environment. Respiratory masks of class FFP 2, an equivalent or higher are suitable for the protection against hydrous aerosols.**
26. **Prevent unintentional starting. Ensure the switch is in the off-position before connecting to battery pack, picking up or carrying the appliance. Carrying the appliance with your finger on the switch or energizing appliance that have the switch on invites accidents.**
27. **Disconnect the battery pack from the appliance before making any adjustments, changing accessories, or storing appliance. Such preventive safety measures reduce the risk of starting the appliance accidentally.**
28. **Do not modify or attempt to repair the appliance or the battery pack except as indicated in the instructions for use and care.**
29. **Do not apply the water jet to the same area continuously. The object may break and cause an injury.**
30. **Do not wash the machine with the water jet of this machine. The machine may break or parts of the machine may come off and cause an injury.**
31. **To avoid risk of electric shock, do not direct the water jet against the machine while the machine is turned on.**

Battery tool use and care

1. **Recharge only with the charger specified by the manufacturer.** A charger that is suitable for one type of battery pack may create a risk of fire when used with another battery pack.
2. **Use power tools only with specifically designed battery packs.** Use of any other battery packs may create a risk of injury and fire.
3. **When battery pack is not in use, keep it away from other metal objects, like paper clips, coins, keys, nails, screws or other small metal objects, that can make a connection from one terminal to another.** Shorting the battery terminals together may cause burns or a fire.
4. **Under abusive conditions, liquid may be ejected from the battery; avoid contact. If contact accidentally occurs, flush with water. If liquid contacts eyes, additionally seek medical help.** Liquid ejected from the battery may cause irritation or burns.
5. **Do not use a battery pack or tool that is damaged or modified.** Damaged or modified batteries may exhibit unpredictable behaviour resulting in fire, explosion or risk of injury.
6. **Do not expose a battery pack or tool to fire or excessive temperature.** Exposure to fire or temperature above 130 °C may cause explosion.
7. **Follow all charging instructions and do not charge the battery pack or tool outside the temperature range specified in the instructions.** Charging improperly or at temperatures outside the specified range may damage the battery and increase the risk of fire.

Service

1. **Follow the maintenance instructions specified in the manual.**
2. **To ensure machine safety, use only original spare parts from the manufacturer or approved by the manufacturer.**
3. **Have your high pressure washer serviced by a qualified repair person using only identical replacement parts. This will ensure that the safety of the high pressure washer is maintained.**
4. **In case of breakdown or malfunction of the high pressure washer, immediately switch it off and remove the battery cartridge(s). Contact your local dealer or service center.**

Additional safety warnings

1. **Comply with the requirements of the local water supply company.**
2. **Do not use the machine when there is a risk of lightning.**
3. **When you use the machine on muddy ground, wet slope, or slippery place, pay attention to your footing.**
4. **Do not replace the battery in the rain.**
5. **Do not submerge the machine into a puddle.**
6. **Do not leave the machine unattended outdoors in the rain.**
7. **When storing the machine, avoid direct sunlight and rain, and store it in a place where it does not get hot or humid.**

8. **Do not sit on the machine or use the machine as a step stool.** Doing so may cause accident or malfunction of machine.

SAVE THESE INSTRUCTIONS.

⚠WARNING: DO NOT let comfort or familiarity with product (gained from repeated use) replace strict adherence to safety rules for the subject product.

MISUSE or failure to follow the safety rules stated in this instruction manual may cause serious personal injury.

Important safety instructions for battery cartridge

1. **Before using battery cartridge, read all instructions and cautionary markings on (1) battery charger, (2) battery, and (3) product using battery.**
2. **Do not disassemble or tamper with the battery cartridge.** It may result in a fire, excessive heat, or explosion.
3. **If operating time has become excessively shorter, stop operating immediately.** It may result in a risk of overheating, possible burns and even an explosion.
4. **If electrolyte gets into your eyes, rinse them out with clear water and seek medical attention right away.** It may result in loss of your eyesight.
5. **Do not short the battery cartridge:**
 - (1) **Do not touch the terminals with any conductive material.**
 - (2) **Avoid storing battery cartridge in a container with other metal objects such as nails, coins, etc.**
 - (3) **Do not expose battery cartridge to water or rain.**

A battery short can cause a large current flow, overheating, possible burns and even a breakdown.

6. **Do not store and use the tool and battery cartridge in locations where the temperature may reach or exceed 50 °C (122 °F).**
7. **Do not incinerate the battery cartridge even if it is severely damaged or is completely worn out.** The battery cartridge can explode in a fire.
8. **Do not nail, cut, crush, throw, drop the battery cartridge, or hit against a hard object to the battery cartridge.** Such conduct may result in a fire, excessive heat, or explosion.
9. **Do not use a damaged battery.**
10. **The contained lithium-ion batteries are subject to the Dangerous Goods Legislation requirements.** For commercial transports e.g. by third parties, forwarding agents, special requirement on packaging and labeling must be observed. For preparation of the item being shipped, consulting an expert for hazardous material is required. Please also observe possibly more detailed national regulations. Tape or mask off open contacts and pack up the battery in such a manner that it cannot move around in the packaging.

11. **When disposing the battery cartridge, remove it from the tool and dispose of it in a safe place.** Follow your local regulations relating to disposal of battery.
12. **Use the batteries only with the products specified by Makita.** Installing the batteries to non-compliant products may result in a fire, excessive heat, explosion, or leak of electrolyte.
13. **If the tool is not used for a long period of time, the battery must be removed from the tool.**
14. **During and after use, the battery cartridge may take on heat which can cause burns or low temperature burns.** Pay attention to the handling of hot battery cartridges.
15. **Do not touch the terminal of the tool immediately after use as it may get hot enough to cause burns.**
16. **Do not allow chips, dust, or soil stuck into the terminals, holes, and grooves of the battery cartridge.** It may cause heating, catching fire, burst and malfunction of the tool or battery cartridge, resulting in burns or personal injury.
17. **Unless the tool supports the use near high-voltage electrical power lines, do not use the battery cartridge near high-voltage electrical power lines.** It may result in a malfunction or breakdown of the tool or battery cartridge.
18. **Keep the battery away from children.**

SAVE THESE INSTRUCTIONS.

⚠CAUTION: Only use genuine Makita batteries. Use of non-genuine Makita batteries, or batteries that have been altered, may result in the battery bursting causing fires, personal injury and damage. It will also void the Makita warranty for the Makita tool and charger.

Tips for maintaining maximum battery life

1. **Charge the battery cartridge before completely discharged.** Always stop tool operation and charge the battery cartridge when you notice less tool power.
2. **Never recharge a fully charged battery cartridge.** Overcharging shortens the battery service life.
3. **Charge the battery cartridge with room temperature at 10 °C - 40 °C (50 °F - 104 °F).** Let a hot battery cartridge cool down before charging it.
4. **When not using the battery cartridge, remove it from the tool or the charger.**
5. **Charge the battery cartridge if you do not use it for a long period (more than six months).**

FUNCTIONAL DESCRIPTION

CAUTION: Always be sure that the machine is switched off and the battery cartridges are removed before adjusting or checking function on the machine.

Installing or removing battery cartridge

CAUTION: Always switch off the machine before installing or removing of the battery cartridge.

CAUTION: Hold the machine and the battery cartridge firmly when installing or removing battery cartridge. Failure to hold the machine and the battery cartridge firmly may cause them to slip off your hands and result in damage to the machine and battery cartridge and a personal injury.

CAUTION: Make sure that you lock the battery cover before use. Otherwise, mud, dirt, or water may cause damage to the product or the battery cartridge.

CAUTION: Always install the battery cartridge fully. If not, it may accidentally fall out of the machine, causing injury to you or someone around you.

CAUTION: Do not install the battery cartridge forcibly. If the cartridge does not slide in easily, it is not being inserted correctly.

CAUTION: Hold the battery cover firmly when installing or removing the battery cartridge.

To install the battery cartridge;

1. Pull up the locking lever, and then open the battery cover.

► Fig.1: 1. Battery cover 2. Locking lever

2. Align the tongue on the battery cartridge with the slot on the machine, and then slide the cartridge until it locks in place with a little click.

► Fig.2: 1. Battery cartridge

3. Close the battery cover and push it until it is latched with the locking lever.

To remove the battery cartridge;

1. Pull up the locking lever and open the battery cover.

2. Pull out the battery cartridge from the machine while sliding the button on the front of the cartridge.

3. Close the battery cover and push it until it is latched with the locking lever.

Battery check button

You can check the remaining battery capacity by pressing the battery check button.

► Fig.3: 1. Battery indicator 2. Battery check button

Battery indicator status			Remaining battery capacity
On	Off	Blinking	
			50% to 100%
			20% to 50%
			0% to 20%
			Charge the battery

NOTE: The indicator lamp for remaining battery capacity is just for a reference. The actual battery capacity may differ depending on the usage conditions or ambient temperature.

NOTE: The lamp automatically goes off after a few seconds.

NOTE: If two battery cartridges are installed, the battery installed on the left side is used first.

NOTE: If two battery cartridges are installed, the machine automatically switches the battery when the battery in use becomes empty.

NOTE: You can check the remaining battery capacity without turning on the power switch.

Indicating the remaining battery capacity

Press the check button on the battery cartridge to indicate the remaining battery capacity. The indicator lamps light up for a few seconds.

► Fig.4: 1. Indicator lamps 2. Check button

Indicator lamps			Remaining capacity
Lighted	Off	Blinking	
			75% to 100%
			50% to 75%
			25% to 50%
			0% to 25%
			Charge the battery.
			The battery may have malfunctioned.

NOTE: Depending on the conditions of use and the ambient temperature, the indication may differ slightly from the actual capacity.

NOTE: The first (far left) indicator lamp will blink when the battery protection system works.

Machine/battery protection system

The machine is equipped with a machine/battery protection system. This system automatically cuts off power to the motor to extend machine and battery life. The machine will automatically stop during operation if the machine or battery is placed under one of the following conditions:

Overload protection

When the machine or battery is operated in a manner that causes it to draw an abnormally high current, the machine automatically stops and the speed indicator blinks in green. In this situation, turn the machine off and stop the application that caused the machine to become overloaded. Then turn the machine on to restart.

Overheat protection

When the machine is overheated, the machine stops automatically and the speed indicator lights up in red. In this case, let the machine and battery cool before turning the machine on again.

NOTE: The speed indicator blinks in red when the battery is overheated.

Overdischarge protection

When the battery capacity is not enough, the machine stops automatically and the speed indicator blinks in red. In this case, remove the battery from the machine and charge the battery or change the battery to fully charged one.

Protections against other causes

Protection system is also designed for other causes that could damage the machine and allows the machine to stop automatically. Take all the following steps to clear the causes, when the machine has been brought to a temporary halt or stop in operation.

1. Turn the machine off, and then turn it on again to restart.
2. Charge the battery(ies) or replace it/them with recharged battery(ies).
3. Let the machine and battery(ies) cool down.

If no improvement can be found by restoring protection system, then contact your local Makita Service Center.

NOTICE: If the machine stops due to a cause not described above, refer to the section for troubleshooting.

Mode switching button

The speed can be changed in three levels. To change the speed mode, press the mode switching button. When you change the speed mode, the corresponding speed indicators light up.

► **Fig.5:** 1. Mode switching button

NOTE: You cannot change the mode while the machine is turned on. Change the mode when the machine is turned off and the battery is installed to the machine.

NOTE: If the speed indicator lights up in red or blinks in red or green, refer to the instructions for machine/battery protection system.

Power switch

⚠WARNING: Always turn off the main power switch when not in use.

NOTICE: Do not turn the power switch forcibly. This may cause the switch to malfunction.

To turn on the machine, turn the power switch clockwise, and to turn off the machine, turn the power switch counterclockwise.

► **Fig.6:** 1. Power switch

NOTE: The battery indicators will light up for a few seconds just after turning the machine on.

NOTE: If you install the battery cartridge to the machine when the power switch is in the turned-on position, the speed indicator blinks in green. Turn the power switch to the turned-off position, and then install the battery cartridge to the machine.

Nozzle functions

NOTE: The standard nozzles may vary depending on the country. Refer to the section for optional accessories for other nozzles.

Cyclone jet nozzle

Country specific

NOTICE: Do not use the cyclone jet nozzle to clean fragile surfaces such as windows or car bodies.

► **Fig.7**

A spiral jet is ejected. Suitable for removing stubborn dirt.

Vario spray nozzle and extension

Country specific

CAUTION: Install only the vario spray nozzle to the extension. Do not connect the other optional extensions to the original extension.

Using any attachments other than those recommended by the manufacturer may cause a risk of damage or injury to persons.

CAUTION: When adjusting the jet pressure, do not rotate the nozzle while pulling it toward the trigger gun. The nozzle may come off from the trigger gun and cause a personal injury.

CAUTION: When rotating the tip of the nozzle to adjust the water jet, do not rotate it forcibly. Otherwise, the nozzle may break and cause an injury.

► Fig.8: 1. Vario spray nozzle 2. Extension

Jet pressure can be adjusted by rotating the nozzle.

NOTICE: When turning the nozzle, do not hold the tip of the nozzle, but hold the root of the nozzle as shown in the figure.

► Fig.9

NOTE: The vario spray nozzle can also be directly attached to the trigger gun.

Trigger operation

NOTICE: To avoid mechanical error in the pressure switch, always leave a two-second interval between trigger operations.

Pull the trigger to eject a water jet. The jet continues as long as the trigger is squeezed.

The trigger can be locked for safe handling of the trigger gun. To lock the trigger, pull out the stopper and hook it to the groove in the grip.

► Fig.10: 1. Trigger 2. Stopper 3. Groove

ASSEMBLY

WARNING: Always be sure that all the battery cartridges are removed before carrying out any work on the machine. Failure to remove all the battery cartridges may result in serious personal injury from accidental start-up.

Connecting the high-pressure hose

CAUTION: Make sure that the high-pressure hose is securely connected. A loose connection may blow the high-pressure hose off, resulting in a personal injury.

Connect the high-pressure hose to the outlet. Turn the nut on the high-pressure hose clockwise while screwing it onto the screw thread of the outlet.

► Fig.11: 1. Outlet 2. Nut

Attaching the trigger gun

CAUTION: Make sure that the high-pressure hose is securely connected. A loose connection may blow the high-pressure hose off, resulting in a personal injury.

Connect the high-pressure hose to the inlet on the trigger gun. Turn the nut on the high-pressure hose clockwise while screwing it onto the screw thread on the inlet.

► Fig.12: 1. Inlet 2. Nut

Connecting to a faucet

CAUTION: Always use a pressure-resistant water hose with the following diameters and connect to the faucet using a proper fittings. Otherwise, the water hose and/or the fitting may break and cause personal injury.

- Inner diameter of hose is 14 mm to 15 mm.
- Outer diameter of hose is 20 mm or less.
- Thickness of hose is 2.3 mm or more and less than 3.0 mm.

NOTICE: Use a pressure-resistant water hose as short as possible. The amount of intake water should be higher than the max feed volume of the pump.

NOTICE: If you connect to the mains for drinking water, use a backflow preventer valve which meets the regulations in your region.

NOTICE: When connecting to a faucet, the required water flow rate is 7.0 L/min or more. If the water flow rate is insufficient, you cannot obtain the full capability of the machine.

NOTE: The hose assembly ships with coupling sleeves attached to both ends. When connecting to a faucet without a coupling sleeve, remove the coupling sleeve at one end by turning the coupling sleeve in the direction of the arrow shown in the figure.

► Fig.13: 1. Nut of the coupling sleeve 2. Coupling sleeve

1. Connect the hose assembly to the faucet. Apply a suitable fitting such as hose band or water tap joint to secure the hose end with the faucet.

► Fig.14: 1. Hose band 2. Coupling sleeve 3. Hose assembly

NOTICE: Connect the hose assembly to the faucet securely. Otherwise, the hose assembly may come off when you open the faucet.

NOTE: The fitting depends on the shape of the faucet to which you connect. Prepare a suitable commercially-bought fitting.

2. Attach the water hose connector to the inlet, and then attach the coupling sleeve to the water hose connector.

► Fig.15: 1. Coupling sleeve 2. Water hose connector 3. Inlet

NOTICE: When attaching the water hose connector and coupling sleeve, attach them securely. Otherwise, the water hose connector or coupling sleeve may come off when you open the faucet.

Connecting/disconnecting the nozzle

CAUTION: Always lock the trigger of the trigger gun when connecting/disconnecting the nozzle.

CAUTION: When connecting the nozzle to the trigger gun, connect it securely and make sure that it does not come off.

CAUTION: When connecting or disconnecting the nozzle, do not rotate it forcibly. Otherwise, the nozzle may break or come off and cause an injury.

Insert the end of the nozzle into the slot on the trigger gun, and turn it in the direction of the arrow as shown in the figure while pressing the nozzle toward the trigger gun. To disconnect the nozzle, turn the nozzle in the reverse direction while pressing it toward the trigger gun, and then pull it out.

► Fig.16: 1. Trigger gun 2. Slot 3. End of the nozzle

Connecting the foam nozzle

Optional accessory

CAUTION: Always lock the trigger of the trigger gun when connecting/disconnecting the nozzle.

NOTICE: Use only neutral detergents. Do not use household detergents, acid detergents, alkaline detergents, bleaches, solvents, flammable material, or industrial grade solutions, which may damage the machine or your property. Prepare cleaning solution as instructed on the solution bottle, and always test it in an inconspicuous place in advance.

NOTICE: If a highly viscous detergent is used, the nozzle is likely to clog. When using the high viscosity detergent, dilute the detergent by adding water to the bottle before use.

NOTE: When using the foam nozzle, the detergent in the bottle is diluted with the water supplied by the machine and sprayed. You do not have to dilute the concentration of detergent in the bottle more than necessary. Adjust the concentration of detergent while checking the usage conditions.

NOTE: If the foam nozzle is tipped on its side, the detergent may spill.

Prepare detergent before using the foam nozzle.

1. Remove the nozzle from the tank by rotating the nozzle counterclockwise. Attach the nozzle to the trigger gun.

► Fig.17: 1. Nozzle 2. Trigger gun

2. Pour the detergent into the tank, and attach the tank to the nozzle by turning it in the direction shown in the figure.

► Fig.18: 1. Tank

OPERATION

WARNING: Do not touch the water jet or direct it toward yourself or others. The water jet is dangerous and can hurt you or others.

WARNING: When shooting the water jet, never hold the object that you are cleaning or place your hands and feet near the water jet.

CAUTION: Stay alert to the rebound of the water jet and blown objects. Do not bring the nozzle to the object closer to 30 cm.

CAUTION: Do not run the high pressure washer without water for longer than 1 minute.

CAUTION: Do not operate the high pressure washer for an extended period of time. This may cause overheating or fire. Also, long-term use may cause vibration disorder.

CAUTION: Be aware of the direction of the wind. If the detergent gets into your eyes or mouth, rinse with fresh water immediately and seek medical attention if necessary.

CAUTION: Hold the trigger gun firmly. The trigger gun recoils when you pull the trigger.

CAUTION: Always hold the trigger gun by the grip and barrel when ejecting water jet.

NOTICE: Avoid using the high pressure washer for longer than 1 hour. After using it for 1 hour, leave a same length of intermission.

NOTICE: To protect the mechanism of the high pressure washer, do not use water hotter than 40°C.

NOTICE: Be careful not to pull the trigger gun forcibly during operation. It may cause the high pressure washer to fall over.

NOTICE: When suspending the operation for a long time, switch off the high pressure washer and squeeze the trigger to discharge the remaining water fully.

If the high pressure washer is left for a long time while maintaining high pressure, it may not restart. In this situation, switch off the high pressure washer, supply water from a faucet to the inlet and squeeze the trigger with keeping the water supply for a while. And then, switch on the high pressure washer.

NOTICE: Do not use the machine in an over-turned position. Doing so may cause malfunction.

► Fig.19

Before operating the machine, remove the nozzle from the trigger gun.

1. Open the battery cover and install the battery cartridges into the high pressure washer and then lock the battery cover.

► Fig.20: 1. Battery cartridge 2. Battery cover

2. Connect one end of the high-pressure hose to the trigger gun and the other end to the high pressure washer.

3. Connect the high pressure washer and the faucet using a water hose. After that, open the faucet.

► Fig.21

NOTICE: Before turning on the machine, make sure that the faucet is fully open.

4. Select the desired mode by pressing the mode switching button, and then turn the power switch clockwise to turn on the machine.

► Fig.22: 1. Power switch 2. Mode switching button

5. To eject a water jet, unlock the stopper and squeeze the trigger. Once water is ejected stably from the trigger gun, release the trigger and turn the machine off.

► Fig.23: 1. Stopper

NOTE: Be sure to remove the nozzle from the trigger gun before performing this operation.

6. Attach the nozzle to the trigger gun for your purpose, and then turn on the machine to start the washing operation.

When you suspend the operation, you can temporarily place the trigger gun as shown in the figure.

► Fig.24

Supplying water from a tank/reservoir

CAUTION: When attaching the sleeve to the filter case of the strainer assembly, be careful not to hurt your hand by the hose band.

NOTICE: Always use Makita's hose assembly and strainer assembly.

NOTICE: Always keep 1.0 m or less in height between the inlet of the high pressure washer and the water surface. Otherwise, the high pressure washer will be unable to take the water up into the pump.

NOTICE: The water level that the machine can pump up is 100 mm or more.

NOTICE: Do not use water from rivers, ponds, or water mixed with sand or mud. Doing so may cause malfunction.

NOTE: If it takes a long time for the water to come out, clean the strainer and the filter of the strainer assembly.

You can supply water from a tank or reservoir instead of a faucet.

1. Turn off the machine, and remove the nozzle from the trigger gun.

2. Connect the hose assembly and strainer assembly to the water hose connector.

► Fig.25: 1. Tank/reservoir 2. Strainer assembly
3. Hose assembly 4. Water hose connector

3. Turn on the machine, and unlock the stopper and squeeze the trigger. Once water is ejected stably from the trigger gun, release the trigger.

► Fig.26: 1. Trigger gun

NOTE: It takes about 10 to 60 seconds for the water to come out.

NOTE: Be sure to remove the nozzle from the trigger gun before performing this operation.

4. Turn off the machine and attach the nozzle to the trigger gun for your purpose, and then turn on the machine to start the washing operation.

NOTE: When water is not ejected, detach the hose assembly and strainer assembly and soak them in water. Then reconnect them to the machine.

► Fig.27: 1. Hose assembly and strainer assembly

NOTE: If water suction does not work, it takes a long time, or the water pressure is not enough, check the following:

- Loosening of the hose assembly, strainer assembly, and water hose connector.
- Coupling sleeves of the hose assembly are firmly attached onto the water hose connector and filter case of the strainer assembly.

Tighten if they are loose.

Hose assembly

► Fig.28: 1. Coupling sleeve

Strainer assembly

► Fig.29: 1. Hose band 2. Filter case

Water hose connector

► Fig.30: 1. Water hose connector

After use

CAUTION: After operating the high pressure washer, always perform the procedure described in this manual. Residual pressure in the trigger gun or high pressure washer can cause personal injury or damage to the pump inside.

1. Turn off the machine, and remove the nozzle from the trigger gun.

2. Close the faucet and disconnect the water hose from the high pressure washer.

► Fig.31

3. Switch on the high pressure washer again.

4. Squeeze the trigger until the remaining water in the high pressure washer is discharged.

► Fig.32

NOTICE: Do not run the motor for longer than 1 minute.

5. Switch off the high pressure washer and remove the battery cartridges.

► Fig.33: 1. Battery cartridge

6. Disconnect the high-pressure hose from the trigger gun and the high pressure washer.

► Fig.34: 1. Trigger gun 2. High-pressure hose

NOTICE: To prevent the high-pressure hose from being damaged, drain the remaining water in the hose before storing.

7. Hold the machine with both hands, and drain the remaining water inside of the machine by tilting the machine as shown in the figure.

► Fig.35

MAINTENANCE & STORAGE

⚠ WARNING: Always be sure that all the battery cartridges are removed from the machine before storing or carrying the machine or attempting to perform inspection or maintenance.

NOTICE: Never use gasoline, benzine, thinner, alcohol or the like. Discoloration, deformation or cracks may result.

To maintain product SAFETY and RELIABILITY, repairs, any other maintenance or adjustment should be performed by Makita Authorized or Factory Service Centers, always using Makita replacement parts.

Carrying the machine

⚠ CAUTION: Before carrying the machine with both hands, make sure that the handle is folded completely.

When carrying the machine, hold the machine firmly with both hands by holding the handle with one hand and the bottom grip with the other hand.

► Fig.36: 1. Handle 2. Bottom grip

You can also carry the machine using the wheels of machine. Be sure to extend the handle by pressing the lock-off button before carrying the machine.

► Fig.37: 1. Lock-off button 2. Handle

► Fig.38

⚠ CAUTION: Do not apply excessive force by leaning on the extended handle. If the handle comes off, you may fall over and be injured.

NOTICE: Make sure that the handle is fully extended and the lock-off button is returned to its original position before carrying the machine.

► Fig.39: 1. Lock-off button

Cleaning the nozzle

NOTICE: Do not remove dirt or debris forcibly. This may result in personal injury or damage to the ejection hole causing deviated jet angles or poor performance.

Use the cleaner pin to remove dirt from or unclog the nozzle.

► Fig.40: 1. Cleaner pin

NOTE: To maintain the optimal performance, clean the nozzle periodically.

Cleaning the filter

Detach the water hose connector and remove dirt and debris from the inside of the filter.

► Fig.41: 1. Water hose connector 2. Filter 3. Sealing ring

When using the strainer assembly, take the filter out of the filter case and remove dirt and debris.

► Fig.42: 1. Filter 2. Filter case

NOTE: To maintain the optimal performance, clean the filter periodically.

Storage

NOTICE: Always store in an indoor location where the temperature does not go below freezing. If the high pressure washer freezes and malfunctions, contact your local service center for repairs.

NOTICE: Be sure to drain the water inside the machine completely before storing the machine. Malfunctions or damage caused by freezing due to inadequate draining are subject to be not covered by warranty.

Store the accessories in the pocket at the rear of the machine.

► Fig.43

TROUBLESHOOTING

Before asking for repairs, conduct your own inspection first. If you find a problem that is not explained in the manual, do not attempt to disassemble the machine. Instead, ask Makita Authorized Service Centers, always using Makita replacement parts for repairs.

State of abnormality	Probable cause (malfunction)	Remedy
The washer does not start.	No electricity	Install charged battery cartridges, and turn on the power switch.
	Residual pressure in the pump	Pull the trigger.
	The high pressure washer has been left for long time while maintaining high pressure.	Switch off the high pressure washer, supply water from a faucet to the inlet and squeeze the trigger with keeping the water supply for a while. And then, switch on the high pressure washer.
No water jet / weak water jet	No water supply or poor water supply	Make sure that the faucet is open. If using the hose assembly and strainer assembly, introduce water into the hose.
	Air is blocking the flow of water.	Turn off the switch and then turn it on again while squeezing the trigger.
	Poor water hose connection	Check the connection between the high pressure washer and the water faucet.
	Insufficient connection of hoses (when using the strainer assembly)	Tighten the coupling sleeve if it is loose. Insert the coupling sleeve securely.
	Clogged hose, filter, or nozzle	Unclog the hose, filter, or nozzle.
	Damaged or worn nozzle or hose	Replace the nozzle or hose.
Unstable water jet	Clogged nozzle	Unclog on the ejection hole of the nozzle using the cleaner pin.
	Poor water suction	Check the water hose starting from the faucet for any leakage or clogs. Turn on the faucet.
	The water is too hot.	Supply cooler water.
Water leakage	Poor water hose connection	Check that the hoses are securely connected.
	Damaged or worn hose	Replace the hose.

OPTIONAL ACCESSORIES

⚠ CAUTION: These accessories or attachments are recommended for use with your Makita machine specified in this manual. The use of any other accessories or attachments might present a risk of injury to persons. Only use accessory or attachment for its stated purpose.

If you need any assistance for more details regarding these accessories, ask your local Makita Service Center.

- Nozzles and hoses
- Makita genuine battery and charger

NOTE: Some items in the list may be included in the product package as standard accessories. They may differ from country to country.

Combinations of nozzles and hoses

► Fig.44

1	Splash guard	2	Cyclone jet nozzle *1	3	Vario spray nozzle *1
4	Extension *1	5	Foam nozzle	6	Wash brush
7	Vario spray lance	8	Variable nozzle	9	Rotating brush
10	Under body spray lance	11	Pipe cleaning hose (10 m)	12	Pipe cleaning hose (15 m)
13	Connecting joint	14	Trigger gun *1	15	Lance extension *2
16	High-pressure hose *1	17	Extension high-pressure hose (5 m)	18	Extension high-pressure hose (8 m)
19	Extension high-pressure hose (10 m)	20	Swivel joint	21	Water hose connector *1
22	Hose assembly *1	23	Strainer assembly *1	-	-

*1: Standard accessory

*2: Not available in combination with under body spray lance.

Splash guard

► Fig.45

Reduces splash back when cleaning corners with the cyclone jet nozzle.

► **Fig.46:** 1. Nut 2. Cyclone jet nozzle

When using the splash guard, remove the nut from the splash guard, then insert the cyclone jet nozzle into the splash guard, and then tighten the nut.

Foam nozzle

► Fig.47

Detergent can be sprayed as foam.

Wash brush

► Fig.48

A nozzle equipped with a brush. Useful for washing out dirt while scrubbing with brush.

Vario spray lance

CAUTION: When adjusting the jet pressure, do not rotate the nozzle while pulling it toward the trigger gun. The nozzle may come off from the trigger gun and cause a personal injury.

CAUTION: When rotating the tip of the nozzle to adjust the water jet, do not rotate it forcibly. Otherwise, the nozzle may break and cause an injury.

► Fig.49

Jet pressure can be adjusted by rotating the nozzle.

Variable nozzle

CAUTION: When adjusting the jet width, do not rotate the nozzle while pulling it toward the trigger gun. The nozzle may come off from the trigger gun and cause a personal injury.

CAUTION: When rotating the tip of the nozzle to adjust the water jet, do not rotate it forcibly. Otherwise, the nozzle may break and cause an injury.

► Fig.50

Jet width can be adjusted from 0° to 25° by rotating the front end of the nozzle.

Rotating brush

► Fig.51

Three brushes inside rotate slowly when ejecting the jet. Suitable for cleaning light dirt on an exterior wall, car body, bath tub, etc.

Under body spray lance

CAUTION: Do not use the under body spray lance with the lance extension.

► Fig.52

An extra long spray lance with angled nozzle. Best for cleaning hard-to-reach areas such as car under body and roof gutter.

Pipe cleaning hose (10 m/15 m)

CAUTION: Pay particular attention to the water jet when using the pipe cleaning hose. Highly intense water jet is ejected backward. Only trigger the water jet when the nozzle has been inserted into the pipe to be cleaned at least up to the red marking.

► Fig.53

For cleaning and unclogging plumbing and downpipes.

Connecting joint

► Fig.54

A joint to connect with a nozzle from other model.

Some optional nozzles require the connecting joint (optional accessory) to attach to the trigger gun. Attach the connecting joint to the trigger gun in the same way as the nozzle.

► **Fig.55:** 1. Nozzle 2. Connecting joint 3. Trigger gun

Lance extension

► Fig.56

Pipes to extend the length of the trigger gun. Three different lengths are available by changing the number of the pipes to be used.

Extension high-pressure hose (5 m/8 m/10 m)

► Fig.57

Extension hose to connect the high pressure washer body with the trigger gun.

Swivel joint

► Fig.58

Prevents the high-pressure hose from being twisted.

► Fig.59: 1. Button 2. Nut

To connect or disconnect the high-pressure hose to or from the swivel joint, turn the nut on the high-pressure hose while pressing the button on the swivel joint.

Hose assembly

► Fig.60

A hose assembly to connect a faucet to the product, or the strainer assembly to the product.

Strainer assembly

► Fig.61

A strainer assembly to supply water from a tank or reservoir. Use the hose assembly to connect to the product.

AVERTISSEMENT

- Les machines ne doivent pas être utilisées par des enfants. Les enfants doivent être sous la surveillance d'un adulte afin de s'assurer qu'ils ne jouent pas avec la machine.
- Cette machine n'est pas destinée à être utilisée par des personnes (y compris les enfants) aux facultés physiques, sensorielles ou mentales diminuées ou sans expérience ni expertise.
- Cette machine a été conçue pour être utilisée avec le produit nettoyant fourni ou recommandé par le fabricant. L'utilisation d'autres produits nettoyants ou chimiques peut nuire à la sécurité de la machine.
- Pendant l'utilisation d'un nettoyeur haute pression, des aérosols peuvent se former. L'inhalation d'aérosols peut être dangereuse pour la santé.
- Selon l'application, des buses protégées peuvent être utilisées pour le nettoyage haute pression, ce qui réduira considérablement l'émission d'aérosols hydriques. Toutefois, toutes les applications ne permettent pas d'utiliser un tel dispositif. Si des buses protégées ne peuvent pas être utilisées pour la protection contre les aérosols, un masque respiratoire de classe FFP 2 ou équivalent peut être nécessaire, selon l'environnement de nettoyage.
- L'employeur doit effectuer une évaluation des risques afin de préciser les mesures de protection nécessaires concernant les aérosols, en fonction de la surface à nettoyer et de son environnement. Les masques respiratoires de classe FFP 2, équivalent ou supérieur, sont adaptés à la protection contre les aérosols hydriques.
- Les jets haute pression peuvent être dangereux s'ils sont utilisés à mauvais escient. Le jet ne doit pas être dirigé vers des personnes, un appareil électrique sous tension ou la machine elle-même.
- N'utilisez pas la machine à portée de personnes à moins qu'elles ne portent des vêtements protecteurs.
- Ne dirigez pas le jet vers vous-même ou d'autres personnes pour nettoyer les vêtements ou les chaussures.
- Risque d'explosion - Ne pulvérisez pas de liquides inflammables.
- Un nettoyeur haute pression ne doit pas être utilisé par des enfants ou un personnel non formé.

- Les tuyaux haute pression, les raccords et les manchons sont importants pour la sécurité de la machine. N'utilisez que les tuyaux, raccords et manchons recommandés par le fabricant.
- Pour garantir la sécurité de la machine, utilisez uniquement des pièces de rechange d'origine fournies par le fabricant ou approuvées par celui-ci.
- Assurez-vous toujours que la machine est éteinte et que les batteries sont retirées avant de procéder à n'importe quelle tâche sur l'outil.
- N'utilisez pas la machine si des pièces importantes de la machine sont endommagées, à savoir les dispositifs de sécurité, les tuyaux haute pression ou le pistolet à gâchette.
- Retirez toujours les batteries de la machine lorsque vous la laissez sans surveillance.
- Respectez les exigences de la compagnie des eaux locale.
- Pour les pays européens :
Selon EN12729 (BA), l'appareil peut également être raccordé à l'arrivée d'eau potable si un disconnecteur hydraulique avec dispositif de vidange est installé sur le tuyau d'alimentation.

SPÉCIFICATIONS

Modèle :		HW001G
Débit volumétrique max. *1		7,0 L/min
Débit volumétrique d'eau *2	Mode 3 (Mode haute pression)	5,5 L/min
	Mode 2 (Mode moyenne pression)	4,2 L/min
	Mode 1 (Mode basse pression)	3,0 L/min
Pression max. admise		11,5 MPa
Pression de fonctionnement *2	Mode 3 (Mode haute pression)	8,5 MPa
	Mode 2 (Mode moyenne pression)	5,5 MPa
	Mode 1 (Mode basse pression)	3,0 MPa
Pression d'alimentation max.		1,0 MPa
Température d'alimentation max.		40 °C
Hauteur d'aspiration max.		1,0 m
Tension nominale		36 V - 40 V c.c. max.
Dimensions (L x P x H) *3		344 mm x 383 mm x 520 mm
Poids net		10,3 - 13,4 kg
Étanchéité		IPX5

*1 : Lors de l'utilisation du pistolet à gâchette sans les buses.

*2 : Lors de l'utilisation de la buse de pulvérisation à angle variable et du tuyau prolongateur.

*3 : Lorsque la poignée est repliée et sans tuyaux.

- Étant donné l'évolution constante de notre programme de recherche et de développement, les spécifications contenues dans ce manuel sont sujettes à modification sans préavis.
- Les spécifications peuvent varier suivant les pays.
- Le poids peut être différent selon les accessoires, notamment la batterie. Les associations la plus légère et la plus lourde, conformément à la procédure EPTA 01/2014, sont indiquées dans le tableau.

Batterie et chargeur applicables








Batterie	BL4020 / BL4025 / BL4040 / BL4050F* / BL4080F* *: Batterie recommandée
Chargeur	DC40RA / DC40RB / DC40RC

- Certains chargeurs et batteries répertoriés ci-dessus peuvent ne pas être disponibles selon la région où vous résidez.

⚠ AVERTISSEMENT : N'utilisez que les batteries et les chargeurs répertoriés ci-dessus. L'utilisation d'autres batteries et chargeurs peut provoquer des blessures et/ou un incendie.

Symboles

Vous trouverez ci-dessous les symboles susceptibles d'être utilisés pour l'appareil. Veuillez à comprendre leur signification avant toute utilisation.

	Veuillez être prudent et rester attentif.
	Lire le mode d'emploi.
	Ne raccordez pas la machine à un robinet d'eau potable.
	Ne dirigez pas le jet vers vous-même ou d'autres personnes, des animaux et des appareils électriques sous tension.
	Pour les pays de l'Union européenne uniquement En raison de la présence de composants dangereux dans l'équipement, les déchets d'équipements électriques et électroniques, les accumulateurs et les batteries peuvent avoir un impact négatif sur l'environnement et la santé humaine. Ne jetez pas les appareils électriques et électroniques ou les batteries avec les ordures ménagères ! Conformément à la directive européenne relative aux déchets d'équipements électriques et électroniques et aux déchets d'accumulateurs et de batteries, ainsi qu'à son adaptation à la législation nationale, les déchets d'équipements électriques, les batteries et les accumulateurs doivent être collectés séparément et déposés dans un point de collecte distinct pour déchets urbains, conformément aux réglementations en matière de protection de l'environnement. Cela est indiqué par le symbole de la poubelle à roulettes barrée sur l'équipement.
	Niveau de puissance sonore garanti selon la directive européenne sur le bruit dans l'environnement.
	Niveau de puissance sonore selon la réglementation australienne NSW sur le contrôle du bruit

Utilisations

Cette machine est conçue pour le nettoyage des saletés tenaces grâce à un jet d'eau. Cette machine est conçue à la fois pour un usage commercial et domestique.

Bruit

Niveau de bruit pondéré A typique, déterminé selon EN60335-2-79 :

Niveau de pression sonore (L_{pA}) : 71 dB (A)
Incertitude (K) : 3,2 dB (A)

Le niveau de bruit en fonctionnement peut dépasser 80 dB (A).

NOTE : La ou les valeurs d'émission de bruit déclarées ont été mesurées conformément à la méthode de test standard et peuvent être utilisées pour comparer les outils entre eux.

NOTE : La ou les valeurs d'émission de bruit déclarées peuvent aussi être utilisées pour l'évaluation préliminaire de l'exposition.

⚠ AVERTISSEMENT : Portez un serre-tête antibruit.

⚠ AVERTISSEMENT : L'émission de bruit lors de l'usage réel de l'outil électrique peut être différente de la ou des valeurs déclarées, suivant la façon dont l'outil est utilisé, particulièrement selon le type de pièce usinée.

⚠ AVERTISSEMENT : Les mesures de sécurité à prendre pour protéger l'utilisateur doivent être basées sur une estimation de l'exposition dans des conditions réelles d'utilisation (en tenant compte de toutes les composantes du cycle d'utilisation, comme par exemple le moment de sa mise hors tension, lorsqu'il tourne à vide et le moment de son déclenchement).

Vibrations

Valeur totale de vibrations (somme de vecteur triaxial) déterminée selon EN60335-2-79 :

Émission de vibrations (a_h) : 3,2 m/s²
Incertitude (K) : 1,5 m/s²

NOTE : La ou les valeurs de vibration totales déclarées ont été mesurées conformément à la méthode de test standard et peuvent être utilisées pour comparer les outils entre eux.

NOTE : La ou les valeurs de vibration totales déclarées peuvent aussi être utilisées pour l'évaluation préliminaire de l'exposition.

⚠️ AVERTISSEMENT : L'émission de vibrations lors de l'usage réel de l'outil électrique peut être différente de la ou des valeurs déclarées, suivant la façon dont l'outil est utilisé, particulièrement selon le type de pièce usinée.

⚠️ AVERTISSEMENT : Les mesures de sécurité à prendre pour protéger l'utilisateur doivent être basées sur une estimation de l'exposition dans des conditions réelles d'utilisation (en tenant compte de toutes les composantes du cycle d'utilisation, comme par exemple le moment de sa mise hors tension, lorsqu'il tourne à vide et le moment de son déclenchement).

Déclarations de conformité

Pour les pays européens uniquement

Les déclarations de conformité sont fournies en Annexe A à ce mode d'emploi.

CONSIGNES DE SÉCURITÉ

Consignes de sécurité générales pour outils électriques

⚠️ AVERTISSEMENT Veuillez lire toutes les consignes de sécurité, instructions, illustrations et spécifications qui accompagnent cet outil électrique. Le non-respect de toutes les instructions indiquées ci-dessous peut entraîner une électrocution, un incendie et/ou de graves blessures.

Conservez toutes les mises en garde et instructions pour référence ultérieure.

Le terme « outil électrique » dans les avertissements fait référence à l'outil électrique alimenté par le secteur (avec cordon d'alimentation) ou à l'outil électrique fonctionnant sur batterie (sans cordon d'alimentation).

CONSIGNES DE SÉCURITÉ IMPORTANTES

⚠️ AVERTISSEMENT : Lisez toutes les consignes de sécurité et toutes les instructions. Il y a un risque d'électrocution, d'incendie et/ou de graves blessures si les mises en garde et les instructions ne sont pas respectées.

Conservez toutes les mises en garde et instructions pour référence ultérieure.

AVERTISSEMENT - Lors de l'utilisation de ce produit, certaines précautions élémentaires doivent toujours être prises, dont les suivantes :

Sécurité de la zone de travail

1. Éloignez les personnes de la zone d'utilisation.
2. Ne vous penchez pas trop loin, ni ne vous tenez sur une base instable. Maintenez constamment une bonne assise et un bon équilibre.
3. Placez toujours le corps du nettoyeur haute pression sur une surface plane et stable. Évitez les endroits où l'eau projetée s'écoulera ou s'accumulera.
4. Avant le nettoyage, inspectez les environs et les objets à nettoyer. Les jets haute pression peuvent décoller la peinture ou les autres traitements de surface, y compris les produits chimiques toxiques. Prenez les mesures de prévention requises.
5. Prenez garde de ne pas trébucher sur le tuyau du nettoyeur haute pression. Soyez toujours attentif à la configuration du tuyau pendant l'utilisation.
6. Pendant l'utilisation, une petite quantité d'eau s'échappera du bas du nettoyeur haute pression. Évitez de placer le nettoyeur haute pression dans un endroit que vous ne souhaitez pas mouiller.

Sécurité personnelle

1. Pour se protéger du jet et des objets propulsés par le jet, l'utilisateur doit porter des vêtements appropriés comme des chaussures de sécurité, des gants de sécurité, un casque de chantier avec visière, des protège-tympans, etc.
2. N'utilisez pas le nettoyeur haute pression à portée des personnes à moins qu'elles ne portent des vêtements protecteurs.
3. Afin de réduire le risque de blessure, il est nécessaire de redoubler d'attention lors de l'utilisation du produit à proximité d'enfants.
4. En cas de connexion à un réseau d'eau potable, une protection contre les reflux est nécessaire.
5. L'eau ayant circulé à travers un disconnecteur hydraulique n'est pas considérée potable.

Sécurité électrique

1. Ne touchez jamais les batteries avec les mains mouillées.
2. N'utilisez pas la machine si des pièces importantes de la machine sont endommagées, à savoir les dispositifs de sécurité, les tuyaux haute pression ou le pistolet à gâchette.

Utilisation et entretien des outils électriques

1. Lisez toutes les instructions avant d'utiliser le produit.
2. Vous devez savoir comment rapidement arrêter le nettoyeur haute pression et abaisser la pression. Vous devez bien vous familiariser avec les commandes.
3. Les jets haute pression peuvent être dangereux s'ils sont utilisés à mauvais escient. Le jet ne doit pas être dirigé vers les personnes, un appareil électrique sous tension ou la machine elle-même.
4. Cette machine n'est pas destinée à être utilisée par des personnes (y compris les enfants) aux facultés physiques, sensorielles ou mentales diminuées ou sans expérience ni expertise.
5. Les enfants doivent être sous la surveillance d'un adulte afin de s'assurer qu'ils ne jouent pas avec l'appareil.

6. Ne pulvérisez pas de liquides inflammables et/ou toxiques. Cela pourrait provoquer une explosion, une intoxication ou des dégâts à la machine.
 7. Ne dirigez pas le jet vers vous-même ou d'autres personnes pour nettoyer les vêtements ou les chaussures.
 8. Les tuyaux haute pression, les raccords et les manchons sont importants pour la sécurité de la machine. N'utilisez que les tuyaux, raccords et manchons recommandés par le fabricant.
 9. Suivez les instructions lors du remplacement des accessoires.
 10. Gardez les poignées sèches, propres et sans trace d'huile ou de graisse.
 11. Restez vigilant - surveillez vos gestes.
 12. N'utilisez pas le produit si vous êtes fatigué ou sous l'emprise de drogues, de médicaments ou d'alcool.
 13. Ne faites pas fonctionner le nettoyeur haute pression sans eau pendant plus d'une minute. Cela endommagera le moteur, provoquant un dysfonctionnement.
 14. Éteignez toujours le nettoyeur haute pression et coupez l'arrivée d'eau lorsque vous le laissez sans surveillance.
 15. Faites attention au recul. Le pistolet à gâchette a un mouvement de recul lorsque le jet haute pression sort de la buse. Tenez fermement le pistolet à gâchette pour prévenir les blessures accidentelles.
 16. Vérifiez que les pièces ne sont pas abîmées ou usées avant utilisation. Assurez-vous également que le tuyau est correctement branché et qu'il n'y a pas de fuite pendant le fonctionnement. Utiliser la machine alors qu'elle présente des défauts de fonctionnement peut provoquer un accident.
 17. Cette machine a été conçue pour être utilisée avec le produit nettoyant fourni ou recommandé par le fabricant. L'utilisation d'autres produits nettoyants ou chimiques peut nuire à la sécurité de la machine.
 18. Ne tirez pas sur le tuyau pour déplacer le corps du nettoyeur haute pression. Cela endommagera le tuyau et les éléments d'assemblage et provoquera un court-circuit ou des défauts de fonctionnement.
 19. Ne placez pas d'objets lourds sur le tuyau, ni ne laissez de véhicules rouler dessus.
 20. Videz toujours la pression résiduelle dans le pistolet à gâchette avant de débrancher le tuyau.
 21. Lorsque vous branchez le tuyau à l'arrivée d'eau, respectez les instructions du service ou de la compagnie des eaux de votre localité.
 22. Si le nettoyeur haute pression tombe ou cogné contre un objet dur, vérifiez bien l'absence de dommages et de fissures. L'utilisation du nettoyeur haute pression endommagé peut générer de la fumée, un incendie, ou provoquer une électrocution, ce qui présente un risque de blessures.
 23. Pendant l'utilisation d'un nettoyeur haute pression, des aérosols peuvent se former. L'inhalation d'aérosols peut être dangereuse pour la santé.
 24. Selon l'application, des buses protégées peuvent être utilisées pour le nettoyage haute pression, ce qui réduira considérablement l'émission d'aérosols hydriques. Toutefois, toutes les applications ne permettent pas d'utiliser un tel dispositif. Si des buses protégées ne peuvent pas être utilisées pour la protection contre les aérosols, un masque respiratoire de classe FFP 2 ou équivalent peut être nécessaire, selon l'environnement de nettoyage.
 25. L'employeur doit effectuer une évaluation des risques afin de préciser les mesures de protection nécessaires concernant les aérosols, en fonction de la surface à nettoyer et de son environnement. Les masques respiratoires de classe FFP 2, équivalent ou supérieur, sont adaptés à la protection contre les aérosols hydriques.
 26. Évitez les démarrages intempestifs. Assurez-vous que l'interrupteur est en position d'arrêt avant de connecter la batterie, de ramasser ou de transporter l'appareil. Transporter l'appareil en ayant le doigt sur l'interrupteur ou le brancher alors que l'interrupteur est en position de marche est source d'accidents.
 27. Débranchez la batterie de l'appareil avant de procéder à des réglages, de changer d'accessoire ou de ranger l'appareil. Ces mesures de sécurité préventives réduiront les risques de démarrage accidentel de l'appareil.
 28. Ne modifiez pas, ni n'essayez de réparer l'appareil ou la batterie sauf comme indiqué dans les instructions d'utilisation et d'entretien.
 29. N'appliquez pas le jet d'eau en continu sur la même zone. L'objet pourrait se briser et provoquer des blessures.
 30. Ne lavez pas la machine avec son propre jet d'eau. La machine pourrait se briser ou des pièces de la machine pourraient se détacher et provoquer des blessures.
 31. Pour éviter un risque d'électrocution, ne dirigez pas le jet d'eau vers la machine pendant qu'elle est sous tension.
- Utilisation et entretien des outils fonctionnant sur batterie**
1. Rechargez la batterie uniquement avec le chargeur spécifié par le fabricant. Un chargeur qui est adapté à un type spécifique de batterie peut présenter un risque d'incendie s'il est utilisé avec un autre type de batterie.
 2. Utilisez un outil électrique uniquement avec la batterie spécifiquement indiquée. L'utilisation de toute autre batterie peut présenter un risque de blessure et d'incendie.
 3. Lorsque vous n'utilisez pas la batterie, tenez-la à l'écart des objets métalliques, comme des trombones, pièces de monnaie, clés, clous, vis ou autres petits objets métalliques, susceptibles de créer une connexion entre deux bornes. Court-circuiter les bornes d'une batterie entre elles peut provoquer des brûlures ou un incendie.
 4. Dans des conditions d'utilisation inadéquates, il peut y avoir une fuite de l'électrolyte de la batterie. Le cas échéant, évitez tout contact avec ce liquide. En cas de contact accidentel, rincez à l'eau. Si le liquide pénètre dans les yeux, consultez par ailleurs un médecin. Le liquide s'échappant de la batterie peut provoquer une irritation ou des brûlures.

5. **N'utilisez pas une batterie ou un outil s'ils sont endommagés ou modifiés.** Une batterie endommagée ou modifiée peut avoir un comportement imprévisible susceptible d'entraîner un incendie, une explosion ou des blessures.
6. **N'exposez pas la batterie ou l'outil au feu ou à une température excessive.** L'exposition au feu ou à une température supérieure à 130 °C peut provoquer une explosion.
7. **Respectez toutes les instructions de charge et ne chargez pas la batterie ou l'outil en dehors de la plage de température indiquée dans les instructions.** Une charge incorrecte ou à une température en dehors de la plage indiquée peut endommager la batterie et augmenter le risque d'incendie.

Dépannage

1. **Suivez les instructions d'entretien spécifiées dans le mode d'emploi.**
2. **Pour garantir la sécurité de la machine, utilisez uniquement des pièces de rechange d'origine fournies par le fabricant ou approuvées par celui-ci.**
3. **Confiez la réparation de votre nettoyeur haute pression à un réparateur qualifié qui utilise uniquement des pièces de rechange identiques.** Cela assurera le maintien de la sécurité du nettoyeur haute pression.
4. **En cas de panne ou de dysfonctionnement du nettoyeur haute pression, éteignez-le immédiatement et retirez la ou les batteries.** Contactez le revendeur ou le centre de service après-vente local.

Consignes de sécurité supplémentaires

1. **Respectez les exigences de la compagnie des eaux locale.**
2. **N'utilisez pas la machine en cas d'orage.**
3. **Lorsque vous utilisez la machine sur un sol boueux, une pente trempée ou un endroit glissant, faites attention de ne pas perdre l'équilibre.**
4. **Ne remplacez pas la batterie sous la pluie.**
5. **Ne plongez pas la machine dans une flaque.**
6. **Ne laissez pas la machine sans surveillance à l'extérieur sous la pluie.**
7. **Lorsque vous rangez la machine, évitez les endroits exposés aux rayons directs du soleil ou à la pluie, et rangez-la dans un endroit tempéré et sec.**
8. **Ne vous asseyez pas sur la machine ni ne l'utilisez comme tabouret.** Cela risquerait de provoquer un accident ou un dysfonctionnement de la machine.

CONSERVEZ CES INSTRUCTIONS.

⚠ AVERTISSEMENT : NE vous laissez PAS tromper (au fil d'une utilisation répétée) par un sentiment d'aisance et de familiarité avec le produit, en négligeant le respect rigoureux des consignes de sécurité qui accompagnent le produit en question.

La MAUVAISE UTILISATION de l'outil ou l'ignorance des consignes de sécurité indiquées dans ce mode d'emploi peut entraîner de graves blessures.

Consignes de sécurité importantes pour la batterie

1. **Avant d'utiliser la batterie, lisez toutes les instructions et précautions relatives (1) au chargeur de batterie, (2) à la batterie, et (3) au produit utilisant la batterie.**
2. **Ne désassemblez pas et ne modifiez pas la batterie.** Cela pourrait entraîner un incendie, une chaleur excessive ou une explosion.
3. **Cessez immédiatement l'utilisation si le temps de fonctionnement devient excessivement court. Il y a un risque de surchauffe, de brûlures, voire d'explosion.**
4. **Si l'électrolyte pénètre dans vos yeux, rincez-les à l'eau claire et consultez immédiatement un médecin. Il y a un risque de perte de la vue.**
5. **Ne court-circuitez pas la batterie :**
 - (1) **Ne touchez pas les bornes avec aucun matériau conducteur.**
 - (2) **Évitez de ranger la batterie dans un conteneur avec d'autres objets métalliques, par exemple des clous, des pièces de monnaie, etc.**
 - (3) **N'exposez pas la batterie à l'eau ou à la pluie.**

Un court-circuit de la batterie peut provoquer une intensité de courant élevée, une surchauffe, parfois des brûlures et même une panne.

6. **Ne rangez ni n'utilisez l'outil et la batterie dans un endroit où la température risque d'atteindre ou de dépasser 50 °C.**
7. **Ne jetez pas la batterie au feu même si elle est sérieusement endommagée ou complètement épuisée. La batterie peut exploser au contact du feu.**
8. **Abstenez-vous de clouer, couper, écraser, jeter, laisser tomber la batterie, ou de la heurter contre un objet dur.** Cela pourrait entraîner un incendie, une chaleur excessive ou une explosion.
9. **N'utilisez pas la batterie si elle est endommagée.**
10. **Les batteries au lithium-ion contenues sont soumises aux exigences de la législation sur les marchandises dangereuses.** Lors du transport commercial par des tiers parties ou des transitaires par exemple, des exigences spécifiques en matière d'étiquetage et d'emballage doivent être respectées. Pour la préparation de l'article expédié, il est nécessaire de consulter un expert en matériau dangereux. Veuillez également respecter les réglementations nationales susceptibles d'être plus détaillées. Recouvrez les contacts exposés avec du ruban adhésif ou du ruban de masquage et emballez la batterie de telle sorte qu'elle ne puisse pas bouger dans l'emballage.

11. Lors de la mise au rebut de la batterie, retirez-la de l'outil et jetez-la en lieu sûr. Suivez les réglementations locales en matière de mise au rebut des batteries.
12. Utilisez les batteries uniquement avec les produits spécifiés par Makita. L'insertion de batteries dans des produits non conformes peut provoquer un incendie, une chaleur excessive, une explosion ou une fuite de l'électrolyte.
13. Lorsque vous n'utilisez pas l'outil pendant une période prolongée, la batterie doit être retirée de l'outil.
14. Pendant et après l'utilisation, la batterie peut chauffer, ce qui peut entraîner des brûlures, y compris en cas de température relativement basse. Manipulez les batteries chaudes avec précaution.
15. Ne touchez pas la borne de l'outil immédiatement après utilisation car elle peut être assez chaude pour provoquer des brûlures.
16. Évitez que des copeaux, de la poussière ou du sol adhèrent aux bornes, aux trous et aux rainures de la batterie. Cela peut provoquer un échauffement, un incendie, une explosion ou un dysfonctionnement de l'outil ou de la batterie, ce qui peut entraîner des brûlures ou des blessures.
17. À moins que l'outil prenne en charge un tel usage, n'utilisez pas la batterie à proximité de lignes électriques haute tension. Cela pourrait entraîner un dysfonctionnement ou casser l'outil ou la batterie.
18. Conservez la batterie hors de portée des enfants.

CONSERVEZ CES INSTRUCTIONS.

ATTENTION : N'utilisez que des batteries Makita d'origine. L'utilisation de batteries de marque autre que Makita ou de batteries modifiées peut provoquer l'explosion des batteries, ce qui présente un risque d'incendie, de dommages matériels et corporels. Cela annulera également la garantie Makita pour l'outil et le chargeur Makita.

Conseils pour assurer la durée de vie optimale de la batterie

1. Chargez la batterie avant qu'elle ne soit complètement déchargée. Arrêtez toujours l'outil et rechargez la batterie quand vous remarquez que la puissance de l'outil diminue.
2. Ne rechargez jamais une batterie complètement chargée. La surcharge réduit la durée de service de la batterie.
3. Chargez la batterie à une température ambiante comprise entre 10 °C et 40 °C. Avant de charger une batterie chaude, laissez-la refroidir.
4. Lorsque vous n'utilisez pas la batterie, retirez-la de l'outil ou du chargeur.
5. Rechargez la batterie si elle est restée inutilisée pendant une période prolongée (plus de six mois).

DESCRIPTION DU FONCTIONNEMENT

ATTENTION : Assurez-vous toujours que la machine est hors tension et que les batteries sont retirées avant d'ajuster ou de vérifier son fonctionnement.

Insertion ou retrait de la batterie

ATTENTION : Éteignez toujours la machine avant de mettre en place ou de retirer la batterie.

ATTENTION : Tenez fermement la machine et la batterie lors de la mise en place ou du retrait de la batterie. Si vous ne tenez pas fermement la machine et la batterie, elles peuvent vous glisser des mains, et s'abîmer ou vous blesser.

ATTENTION : Veillez à verrouiller le couvercle de batterie avant toute utilisation. Autrement, la boue, les saletés ou l'eau risquent d'endommager le produit ou la batterie.

ATTENTION : Insérez toujours à fond la batterie. Sinon, elle pourrait tomber accidentellement de la machine, au risque de vous blesser ou de blesser quelqu'un se trouvant à proximité.

ATTENTION : Ne forcez pas pour insérer la batterie. Si elle ne glisse pas facilement, c'est que vous ne l'insérez pas correctement.

ATTENTION : Tenez fermement le couvercle de batterie lors de la mise en place ou du retrait de la batterie.

Pour mettre la batterie en place ;

1. Tirez le levier de verrouillage vers le haut, puis ouvrez le couvercle de batterie.
► Fig.1: 1. Couvercle de batterie 2. Levier de verrouillage
2. Alignez la languette de la batterie sur la fente de la machine, puis faites glisser la batterie jusqu'à ce qu'elle se verrouille en place (vous devez entendre un léger dé clic).
► Fig.2: 1. Batterie

3. Fermez le couvercle de batterie et appuyez dessus jusqu'à ce qu'il soit verrouillé par le levier de verrouillage.



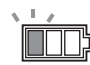

Pour retirer la batterie :

1. Tirez le levier de verrouillage vers le haut et ouvrez le couvercle de batterie.
2. Retirez la batterie de la machine en faisant glisser le bouton à l'avant de la batterie.
3. Fermez le couvercle de batterie et appuyez dessus jusqu'à ce qu'il soit verrouillé par le levier de verrouillage.

Bouton de vérification de la batterie

Vous pouvez vérifier la charge restante de la batterie en appuyant sur le bouton de vérification de la batterie.

► **Fig.3:** 1. Témoin de la batterie 2. Bouton de vérification de la batterie

Statut du témoin de la batterie			Charge restante de la batterie
Allumé	Éteint	Clignotant	
			50 % à 100 %
			20 % à 50 %
			0 % à 20 %
			Chargez la batterie

NOTE : Le voyant lumineux indiquant la charge restante de la batterie est à titre indicatif uniquement. La charge réelle de la batterie peut être différente selon les conditions d'utilisation ou la température ambiante.

NOTE : Le voyant lumineux s'éteint automatiquement au bout de quelques secondes.

NOTE : Si deux batteries sont installées, celle installée à gauche est utilisée en premier.









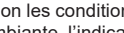
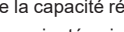
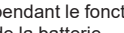



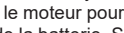
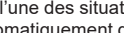

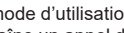
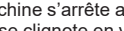

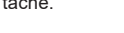
NOTE : Si deux batteries sont installées, la machine change automatiquement de batterie lorsque celle qui est utilisée est épuisée.

NOTE : Vous pouvez vérifier la charge restante de la batterie sans mettre l'interrupteur d'alimentation sur la position de marche.

Indication de la charge restante de la batterie

Appuyez sur le bouton de vérification sur la batterie pour indiquer la charge restante de la batterie. Les témoins s'allument pendant quelques secondes.

► **Fig.4:** 1. Témoins 2. Bouton de vérification

Témoins			Charge restante
Allumé	Éteint	Clignotant	
			75 % à 100 %
			50 % à 75 %
			25 % à 50 %
			0 % à 25 %
			Chargez la batterie.
			Anomalie possible de la batterie.
			

NOTE : Selon les conditions d'utilisation et la température ambiante, l'indication peut être légèrement différente de la capacité réelle.

NOTE : Le premier témoin (complètement à gauche) clignotera pendant le fonctionnement du système de protection de la batterie.

Système de protection de la machine/batterie

La machine est dotée d'un système de protection de la machine/batterie. Ce système met automatiquement hors tension le moteur pour accroître l'autonomie de la machine et de la batterie. Si la machine ou la batterie se trouve dans l'une des situations suivantes, la machine cessera automatiquement de fonctionner :

Protection contre la surcharge

Lorsque le mode d'utilisation de la machine ou de la batterie entraîne un appel de courant anormalement élevé, la machine s'arrête automatiquement et l'indicateur de vitesse clignote en vert. Dans ce cas, éteignez la machine et arrêtez la tâche ayant provoqué la surcharge de la machine. Puis rallumez la machine pour reprendre la tâche.

Protection contre la surchauffe

En cas de surchauffe de la machine, la machine s'arrête automatiquement et l'indicateur de vitesse s'allume en rouge. Dans ce cas, laissez la machine et la batterie refroidir avant de rallumer la machine.

NOTE : L'indicateur de vitesse clignote en rouge en cas de surchauffe de la batterie.

Protection contre la décharge totale de la batterie

Si la charge de la batterie est insuffisante, la machine s'arrête automatiquement et l'indicateur de vitesse clignote en rouge. Dans ce cas, retirez la batterie de la machine et chargez-la, ou bien remplacez la batterie par une batterie complètement chargée.

Protections contre d'autres causes

Le système de protection est également conçu pour d'autres causes qui pourraient endommager la machine et lui permet de s'arrêter automatiquement. Suivez toutes les étapes ci-dessous pour éliminer les causes, lorsque la machine a été arrêtée provisoirement ou a cessé de fonctionner.

1. Éteignez la machine, puis rallumez-la pour la redémarrer.
2. Chargez la ou les batteries ou remplacez-les par des batteries rechargées.
3. Laissez la machine et la ou les batteries refroidir.

En l'absence d'amélioration après avoir rétabli le système de protection, contactez votre centre de service Makita local.

REMARQUE : Si la machine s'arrête en raison d'une cause non décrite ci-dessus, reportez-vous à la section de dépannage.

Bouton de changement de mode

La vitesse peut être modifiée selon trois niveaux. Pour changer de mode de vitesse, appuyez sur le bouton de changement de mode. Lorsque vous changez de mode de vitesse, les indicateurs de vitesse correspondant s'allument.

► **Fig.5**: 1. Bouton de changement de mode

NOTE : Vous ne pouvez pas changer de mode avec la machine sous tension. Changez de mode lorsque la machine est éteinte et que la batterie est insérée dans la machine.

NOTE : Si l'indicateur de vitesse s'allume en rouge ou clignote en rouge ou en vert, consultez les instructions du système de protection de la machine/batterie.

Interrupteur d'alimentation

AVERTISSEMENT : Mettez toujours l'interrupteur principal en position d'arrêt lorsque vous n'utilisez pas l'outil.

REMARQUE : Ne forcez pas en tournant l'interrupteur d'alimentation. Cela risque de provoquer le dysfonctionnement de l'interrupteur.

Pour allumer la machine, tournez l'interrupteur d'alimentation dans le sens des aiguilles d'une montre et pour l'éteindre, tournez-le dans le sens inverse des aiguilles d'une montre.

► **Fig.6**: 1. Interrupteur d'alimentation

NOTE : Les témoins de la batterie s'allumeront pendant quelques secondes immédiatement après avoir mis la machine sous tension.

NOTE : Si vous insérez la batterie dans la machine lorsque l'interrupteur d'alimentation est sur la position de marche, l'indicateur de vitesse clignote en vert. Tournez l'interrupteur d'alimentation sur la position d'arrêt, puis insérez la batterie dans la machine.

Fonctions de la buse

NOTE : Les buses standard peuvent varier selon le pays. Consultez la section sur les accessoires en option pour connaître les autres buses.

Gicleur cyclone

Selon le pays

REMARQUE : N'utilisez pas le gicleur cyclone pour nettoyer des surfaces fragiles comme des fenêtres ou la carrosserie d'une voiture.

► **Fig.7**

Un jet en spirale est propulsé. Permet de retirer la saleté tenace.

Buse de pulvérisation à angle variable et tuyau prolongateur

Selon le pays

ATTENTION : Installez uniquement la buse de pulvérisation à angle variable sur le tuyau prolongateur. Ne raccordez pas les autres tuyaux prolongateurs en option au tuyau prolongateur original. L'utilisation d'autres pièces complémentaires que celles recommandées par le fabricant peut présenter un risque de dommages matériels ou corporels.

ATTENTION : Lorsque vous réglez la pression du jet, ne tournez pas la buse tout en la tirant vers le pistolet à gâchette. La buse risquerait de se détacher du pistolet à gâchette et de vous blesser.

ATTENTION : Lorsque vous tournez la pointe de la buse pour ajuster le jet d'eau, ne forcez pas. Autrement, la buse pourrait se briser et provoquer des blessures.

► **Fig.8**: 1. Buse de pulvérisation à angle variable
2. Tuyau prolongateur

La pression du jet peut être réglée en tournant la buse.

REMARQUE : Lorsque vous tournez la buse, ne tenez pas sa pointe, mais tenez sa base comme illustré sur la figure.

► **Fig.9**

NOTE : La buse de pulvérisation à angle variable peut également être directement fixée au pistolet à gâchette.

Fonctionnement de la gâchette

REMARQUE : Pour éviter une erreur mécanique du pressostat, laissez toujours un intervalle de deux secondes entre les fonctionnements de la gâchette.

Enclenchez la gâchette pour propulser un jet d'eau. Le jet continue tant que la gâchette est enfoncée. La gâchette peut être verrouillée pour permettre une manipulation sûre du pistolet à gâchette. Pour verrouiller la gâchette, tirez sur la butée et accrochez-la dans la rainure sur la poignée.

► Fig.10: 1. Gâchette 2. Butée 3. Rainure

ASSEMBLAGE

AVERTISSEMENT : Assurez-vous toujours que toutes les batteries sont retirées avant toute intervention sur la machine. En ne retirant pas toutes les batteries, vous risqueriez de vous blesser grièvement en cas de démarrage accidentel.

Branchement du tuyau haute pression

ATTENTION : Assurez-vous que le tuyau haute pression est solidement branché. Un branchement lâche peut projeter le tuyau haute pression et provoquer des blessures corporelles.

Raccordez le tuyau haute pression sur la sortie. Tournez l'écrou sur le tuyau haute pression dans le sens des aiguilles d'une montre tout en vissant sur le filetage de vis de la sortie.

► Fig.11: 1. Sortie 2. Écrou

Fixation du pistolet à gâchette

ATTENTION : Assurez-vous que le tuyau haute pression est solidement branché. Un branchement lâche peut projeter le tuyau haute pression et provoquer des blessures corporelles.

Branchez le tuyau haute pression sur l'entrée sur le pistolet à gâchette. Tournez l'écrou sur le tuyau haute pression dans le sens des aiguilles d'une montre tout en le vissant sur le filetage de vis de l'entrée.

► Fig.12: 1. Entrée 2. Écrou

Raccordement à un robinet

ATTENTION : Utilisez toujours un tuyau d'eau résistant à la pression des diamètres suivants et raccordez-le au robinet avec les bons raccords. Autrement, le tuyau d'eau et/ou le raccord peuvent se rompre et provoquer des blessures corporelles.

- Le diamètre interne du tuyau est de 14 mm à 15 mm.
- Le diamètre externe du tuyau est de 20 mm ou moins.
- L'épaisseur du tuyau est de 2,3 mm ou plus et moins de 3,0 mm.

REMARQUE : Utilisez un tuyau d'eau résistant à la pression aussi court que possible. La quantité d'eau aspirée doit être supérieure au débit maximum de la pompe.

REMARQUE : Si vous raccordez le tuyau à l'arrivée d'eau potable, utilisez un disconnecteur hydraulique répondant aux réglementations de votre région.

REMARQUE : Lors du raccordement à un robinet, le débit volumétrique d'eau requis est de 7,0 L/min ou plus. Si le débit volumétrique d'eau est insuffisant, vous ne pourrez pas obtenir la pleine capacité de la machine.

NOTE : L'ensemble du tuyau est livré avec les manchons de raccordement fixés aux deux extrémités. Lors du raccordement à un robinet sans manchon de raccordement, retirez le manchon de raccordement sur une extrémité en le tournant dans le sens de la flèche illustrée sur la figure.

► Fig.13: 1. Écrou du manchon de raccordement 2. Manchon de raccordement

1. Raccordez l'ensemble du tuyau au robinet. Appliquez un raccord adapté comme un collier de tuyau ou un joint de robinet d'eau pour fixer l'extrémité du tuyau au robinet.

► Fig.14: 1. Collier de tuyau 2. Manchon de raccordement 3. Ensemble du tuyau

REMARQUE : Raccordez solidement l'ensemble du tuyau au robinet. Autrement, l'ensemble du tuyau peut se détacher lorsque vous ouvrez le robinet.

NOTE : Le raccord dépend de la forme du robinet de raccordement. Préparez un raccord adapté en vente dans le commerce.

2. Fixez le raccord du tuyau d'eau à l'entrée, puis fixez le manchon de raccordement sur le raccord du tuyau d'eau.

► Fig.15: 1. Manchon de raccordement 2. Raccord du tuyau d'eau 3. Entrée

REMARQUE : Lorsque vous fixez le raccord du tuyau d'eau et le manchon de raccordement, fixez-les solidement. Autrement, le raccord du tuyau d'eau ou le manchon de raccordement peuvent se détacher lorsque vous ouvrez le robinet.

Connexion/déconnexion de la buse

⚠ ATTENTION : Verrouillez toujours la gâchette du pistolet à gâchette lorsque vous connectez ou déconnectez la buse.

⚠ ATTENTION : Lors du raccordement de la buse sur le pistolet à gâchette, raccordez-la solidement et assurez-vous qu'elle ne se détache pas.

⚠ ATTENTION : Ne forcez pas pour connecter ou déconnecter la buse. Autrement, la buse pourrait se briser ou se détacher et provoquer des blessures.

Insérez l'extrémité de la buse dans la fente sur le pistolet à gâchette et tournez-la dans le sens de la flèche comme illustré sur la figure tout en poussant la buse vers le pistolet à gâchette. Pour déconnecter la buse, tournez-la dans le sens inverse tout en l'appuyant vers le pistolet à gâchette, puis sortez-la.

► **Fig.16:** 1. Pistolet à gâchette 2. Fente 3. Extrémité de la buse

Branchement du canon à mousse

Accessoire en option

⚠ ATTENTION : Verrouillez toujours la gâchette du pistolet à gâchette lorsque vous connectez ou déconnectez la buse.

REMARQUE : Utilisez uniquement des détergents neutres. N'utilisez pas de détergents ménagers, de détergents acides, de détergents alcalins, de produits de blanchiment, de solvants, de matériaux inflammables ou de solutions industrielles, qui pourraient endommager la machine ou votre propriété. Préparez la solution de nettoyage selon les instructions sur la bouteille, et testez toujours dans un endroit discret au préalable.

REMARQUE : Si un détergent très visqueux est utilisé, la buse risque de se boucher. Lors de l'utilisation d'un détergent à haute viscosité, diluez-le en ajoutant de l'eau dans la bouteille avant utilisation.

NOTE : Lors de l'utilisation d'un canon à mousse, le détergent dans la bouteille est dilué avec l'eau fournie par la machine et pulvérisé. Vous n'avez pas besoin de diluer la concentration de détergent dans la bouteille plus que nécessaire. Ajustez la concentration de détergent tout en vérifiant les conditions d'utilisation.

NOTE : Si le canon à mousse est incliné sur le côté, le détergent peut se répandre.

Préparez un détergent avant d'utiliser le canon à mousse.

1. Retirez la buse du réservoir en la tournant dans le sens inverse des aiguilles d'une montre. Fixez la buse au pistolet à gâchette.

► **Fig.17:** 1. Buse 2. Pistolet à gâchette

2. Versez le détergent dans le réservoir et fixez le réservoir sur la buse en le tournant dans le sens indiqué sur la figure.

► **Fig.18:** 1. Réservoir

UTILISATION

⚠ AVERTISSEMENT : Ne touchez pas le jet d'eau ni ne le dirigez vers vous-même ou d'autres personnes. Le jet d'eau est dangereux et peut vous blesser ainsi que d'autres personnes.

⚠ AVERTISSEMENT : Lorsque vous lancez le jet d'eau, ne tenez jamais l'objet que vous nettoyez ni ne placez vos mains et pieds près du jet d'eau.

⚠ ATTENTION : Restez vigilant au rebond du jet d'eau et aux objets projetés. N'amenez pas la buse plus près que 30 cm de l'objet.

⚠ ATTENTION : Ne faites pas fonctionner le nettoyeur haute pression sans eau pendant plus d'une minute.

⚠ ATTENTION : Ne faites pas fonctionner le nettoyeur haute pression pendant une période prolongée. Cela présente un risque de surchauffe ou d'incendie. De plus, une utilisation prolongée peut provoquer des vibrations.

⚠ ATTENTION : Soyez attentif au sens du vent. Si le détergent pénètre dans vos yeux ou votre bouche, rincez-les immédiatement à l'eau claire et consultez un médecin si nécessaire.

⚠ ATTENTION : Tenez fermement le pistolet à gâchette. Le pistolet à gâchette a un mouvement de recul lorsque vous enfoncez la gâchette.

⚠ ATTENTION : Tenez toujours le pistolet à gâchette par la poignée et le barillet lorsque vous projetez le jet d'eau.

REMARQUE : Évitez d'utiliser le nettoyeur haute pression pendant plus d'une heure. Au bout d'une heure d'utilisation, laissez-le reposer pendant la même durée.

REMARQUE : Pour protéger le mécanisme du nettoyeur haute pression, n'utilisez pas de l'eau plus chaude que 40 °C.

REMARQUE : Prenez soin de ne pas tirer avec force sur le pistolet à gâchette pendant le fonctionnement. Le nettoyeur haute pression pourrait basculer.

REMARQUE : En cas de suspension prolongée de l'opération, éteignez le nettoyeur haute pression et appuyez sur la gâchette pour évacuer totalement l'eau restante.

Si le nettoyeur haute pression est laissé à l'arrêt pendant une longue période avec la haute pression, il risque de ne pas redémarrer. Dans ce cas, éteignez le nettoyeur haute pression, alimentez en eau son entrée à partir d'un robinet et pressez la gâchette en maintenant l'alimentation en eau pendant un certain temps. Ensuite, allumez le nettoyeur haute pression.

REMARQUE : N'utilisez pas la machine si elle est renversée. Cela pourrait provoquer un dysfonctionnement.

► **Fig.19**

Avant de faire fonctionner la machine, retirez la buse du pistolet à gâchette.

1. Ouvrez le couvercle de batterie et mettez les batteries en place dans le nettoyeur haute pression, puis verrouillez le couvercle de batterie.

► **Fig.20:** 1. Batterie 2. Couvercle de batterie

2. Raccordez une extrémité du tuyau haute pression au pistolet à gâchette et l'autre extrémité au nettoyeur haute pression.

3. Raccordez le nettoyeur haute pression et le robinet au moyen d'un tuyau d'eau. Ceci fait, ouvrez le robinet.

► **Fig.21**

REMARQUE : Avant de mettre la machine sous tension, assurez-vous que le robinet est complètement ouvert.

4. Sélectionnez le mode souhaité en appuyant sur le bouton de changement de mode, puis tournez l'interrupteur d'alimentation dans le sens des aiguilles d'une montre pour allumer la machine.

► **Fig.22:** 1. Interrupteur d'alimentation 2. Bouton de changement de mode

5. Pour projeter un jet d'eau, libérez la butée et appuyez sur la gâchette. Une fois que l'eau est propulsée de manière stable du pistolet à gâchette, relâchez la gâchette et éteignez la machine.

► **Fig.23:** 1. Butée

NOTE : Veillez à retirer la buse du pistolet à gâchette avant d'effectuer cette opération.

6. Fixez la buse sur le pistolet à gâchette selon votre utilisation, puis allumez la machine pour commencer le lavage.

Lorsque vous interrompez la tâche, vous pouvez placer provisoirement le pistolet à gâchette comme illustré sur la figure.

► **Fig.24**

Alimentation en eau depuis un réservoir/bac

ATTENTION : Lorsque vous fixez le manchon au boîtier de filtre de l'ensemble de la crépine, prenez garde de ne pas vous blesser la main avec le collier de tuyau.

REMARQUE : Utilisez toujours un ensemble du tuyau et de la crépine Makita.

REMARQUE : Maintenez toujours une hauteur de 1,0 m (39-3/8 ft) ou moins entre l'entrée du nettoyeur haute pression et la surface de l'eau. Autrement, le nettoyeur haute pression ne sera pas capable d'aspirer l'eau dans la pompe.

REMARQUE : Le niveau d'eau que la machine peut pomper est de 100 mm ou plus.

REMARQUE : N'utilisez pas l'eau de fleuves, d'étangs ou de l'eau mélangée à du sable ou de la boue. Cela pourrait provoquer un dysfonctionnement.

NOTE : Si l'eau met du temps à sortir, nettoyez la crépine et le filtre de l'ensemble de la crépine.

Vous pouvez alimenter en eau depuis un réservoir ou un bac au lieu d'un robinet.

1. Éteignez la machine et retirez la buse du pistolet à gâchette.

2. Raccordez l'ensemble du tuyau et de la crépine au raccord du tuyau d'eau.

► **Fig.25:** 1. Réservoir/bac 2. Ensemble de la crépine 3. Ensemble du tuyau 4. Raccord du tuyau d'eau

3. Allumez la machine, libérez la butée et appuyez sur la gâchette. Une fois que l'eau est propulsée de manière stable du pistolet à gâchette, relâchez la gâchette.

► **Fig.26:** 1. Pistolet à gâchette

NOTE : Il faut environ 10 à 60 secondes pour que l'eau sorte.

NOTE : Veillez à retirer la buse du pistolet à gâchette avant d'effectuer cette opération.

4. Éteignez la machine et fixez la buse sur le pistolet à gâchette selon votre utilisation, puis allumez la machine pour commencer le lavage.

NOTE : Si l'eau n'est pas éjectée, retirez l'ensemble du tuyau et de la crépine et plongez-le dans l'eau. Puis reconnectez-le à la machine.

► **Fig.27:** 1. Ensemble du tuyau et de la crépine

NOTE : Si l'aspiration de l'eau ne fonctionne pas, prend du temps ou si la pression de l'eau est insuffisante, vérifiez les points suivants :

- Desserrage de l'ensemble du tuyau, de l'ensemble de la crépine et du raccord du tuyau d'eau.
- Les manchons de raccordement de l'ensemble du tuyau sont solidement fixés au raccord du tuyau d'eau et au boîtier de filtre de l'ensemble de la crépine.

Serrez s'ils sont desserrés.

Ensemble du tuyau

► **Fig.28:** 1. Manchon de raccordement

Ensemble de la crépine

► **Fig.29:** 1. Collier de tuyau 2. Boîtier de filtre

Raccord du tuyau d'eau

► **Fig.30:** 1. Raccord du tuyau d'eau

Après l'utilisation

ATTENTION : Après avoir utilisé le nettoyeur haute pression, procédez toujours comme décrit dans ce mode d'emploi. La pression résiduelle dans le pistolet à gâchette ou le nettoyeur haute pression peut provoquer des blessures corporelles ou endommager l'intérieur de la pompe.

1. Éteignez la machine et retirez la buse du pistolet à gâchette.

2. Fermez le robinet et débranchez le tuyau d'eau du nettoyeur haute pression.

► **Fig.31**

- Rallumez le nettoyeur haute pression.
- Appuyez sur la gâchette jusqu'à ce que l'eau restant dans le nettoyeur haute pression soit évacuée.
► Fig.32

REMARQUE : Ne faites pas tourner le moteur pendant plus d'une minute.

- Mettez le nettoyeur haute pression hors tension et retirez les batteries.
► Fig.33: 1. Batterie

- Déconnectez le tuyau haute pression du pistolet à gâchette et du nettoyeur haute pression.
► Fig.34: 1. Pistolet à gâchette 2. Tuyau haute pression

REMARQUE : Pour éviter d'abîmer le tuyau haute pression, vidangez l'eau restant dans le tuyau avant le rangement.

- Tenez la machine des deux mains et vidangez l'eau restant dans la machine en l'inclinant comme illustré sur la figure.
► Fig.35

ENTRETIEN ET RANGEMENT

AVERTISSEMENT : Assurez-vous toujours que toutes les batteries sont retirées de la machine avant de la ranger, de la transporter ou d'en faire l'inspection ou l'entretien.

REMARQUE : N'utilisez jamais d'essence, benzène, diluant, alcool ou autre produit similaire. Cela risquerait de provoquer la décoloration, la déformation ou la fissuration de l'outil.

Pour assurer la SÉCURITÉ et la FIABILITÉ du produit, toute réparation, tout travail d'entretien ou de réglage doivent être effectués par un centre d'entretien Makita agréé, avec des pièces de rechange Makita.

Transport de la machine

ATTENTION : Avant de transporter la machine des deux mains, assurez-vous que la poignée est complètement repliée.

Lors du transport de la machine, tenez-la fermement des deux mains en tenant la poignée d'une main et le manche inférieur de l'autre main.
► Fig.36: 1. Poignée 2. Manche inférieur

Vous pouvez également transporter la machine en utilisant les roues de la machine. Veillez à déployer la poignée en enfonçant le bouton de sécurité avant de transporter la machine.

- Fig.37: 1. Bouton de sécurité 2. Poignée
► Fig.38

ATTENTION : N'exercez pas une force excessive en vous appuyant sur la poignée déployée. Si la poignée se détache, vous pourriez tomber et vous blesser.

REMARQUE : Assurez-vous que la poignée est complètement déployée et que le bouton de sécurité est ramené à sa position d'origine avant de transporter la machine.

- Fig.39: 1. Bouton de sécurité

Nettoyage de la buse

REMARQUE : Ne retirez pas la saleté ou les débris avec force. Vous risqueriez de vous blesser ou d'endommager l'orifice d'éjection provoquant la déviation de l'angle du jet ou une médiocre performance.

Utilisez l'épingle de nettoyage pour retirer la saleté de la buse ou la déboucher.

- Fig.40: 1. Épingle de nettoyage

NOTE : Pour maintenir une performance optimale, nettoyez régulièrement la buse.

Nettoyage du filtre

Retirez le raccord du tuyau d'eau et enlevez la saleté et les débris à l'intérieur du filtre.

- Fig.41: 1. Raccord du tuyau d'eau 2. Filtre 3. Bague d'étanchéité

Lorsque vous utilisez l'ensemble de la crépine, sortez le filtre du boîtier de filtre et enlevez la saleté et les débris.

- Fig.42: 1. Filtre 2. Boîtier de filtre

NOTE : Pour maintenir une performance optimale, nettoyez régulièrement le filtre.

Rangement

REMARQUE : Rangez-le toujours à l'intérieur dans un endroit qui ne gèle pas. Si le nettoyeur haute pression gèle et fonctionne mal, confiez sa réparation à votre centre de service après-vente local.

REMARQUE : Veillez à vidanger complètement l'eau à l'intérieur de la machine avant de la ranger. Les dysfonctionnements ou les dommages provoqués par le gel en raison d'une vidange inadéquate ne sont pas couverts par la garantie.

Rangez les accessoires dans la poche à l'arrière de la machine.

- Fig.43

GUIDE DE DÉPANNAGE

Avant de faire une demande de réparation, effectuez d'abord vous-même une inspection. Si vous rencontrez un problème non documenté dans le mode d'emploi, n'essayez pas de démonter la machine. Demandez plutôt à un centre de service après-vente Makita agréé d'effectuer la réparation au moyen de pièces de rechange Makita.

État d'anomalie	Cause probable (dysfonctionnement)	Solution
Le nettoyeur ne démarre pas.	Pas d'électricité	Installez les batteries chargées et mettez l'interrupteur d'alimentation sur la position de marche.
	Pression résiduelle dans la pompe	Enclenchez la gâchette.
	Le nettoyeur haute pression a été laissé sous haute pression pendant une période prolongée.	Éteignez le nettoyeur haute pression, alimentez en eau son entrée à partir d'un robinet et pressez la gâchette en maintenant l'alimentation en eau pendant un certain temps. Ensuite, allumez le nettoyeur haute pression.
Pas de jet d'eau/jet d'eau faible	Pas d'alimentation en eau ou faible alimentation en eau	Assurez-vous que le robinet est ouvert. Si vous utilisez l'ensemble du tuyau et de la crépine, versez de l'eau dans le tuyau.
	L'air bloque le flux d'eau.	Mettez la machine hors tension, puis sous tension tout en enfonçant la gâchette.
	Mauvais raccordement du tuyau d'eau	Vérifiez le raccordement entre le nettoyeur haute pression et le robinet d'eau.
	Raccordement défectueux des tuyaux (lors de l'utilisation de l'ensemble de la crépine)	Serrez le manchon de raccordement s'il est desserré. Insérez fermement le manchon de raccordement.
	Tuyau, filtre ou buse bouchés	Débouchez le tuyau, le filtre ou la buse.
	Buse ou tuyau endommagés ou usés	Remplacez la buse ou le tuyau.
Jet d'eau instable	Buse bouchée	Débouchez l'orifice d'éjection de la buse avec l'épingle de nettoyage.
	Faible aspiration de l'eau	Vérifiez que le tuyau d'eau ne fuit pas ou n'est pas bouché en commençant par le robinet. Ouvrez le robinet.
	L'eau est trop chaude.	Fournissez de l'eau plus froide.
Fuite d'eau	Mauvais raccordement du tuyau d'eau	Vérifiez que les tuyaux sont solidement raccordés.
	Tuyau endommagé ou usé	Remplacez le tuyau.

ACCESSOIRES EN OPTION

⚠ ATTENTION : Ces accessoires ou pièces complémentaires sont recommandés pour l'utilisation avec la machine Makita spécifiée dans ce manuel. L'utilisation de tout autre accessoire peut présenter un risque de blessure. N'utilisez un accessoire que pour son usage prévu.

Pour obtenir plus de détails sur ces accessoires, contactez votre centre d'entretien local Makita.

- Buses et tuyaux
- Batterie et chargeur de marque Makita

NOTE : Il se peut que certains éléments de la liste soient compris dans l'emballage du produit en tant qu'accessoires standard. Ils peuvent varier d'un pays à l'autre.

► Fig.44

1	Pare-éclaboussure	2	Gicleur cyclone *1	3	Buse de pulvérisation à angle variable *1
4	Tuyau prolongateur *1	5	Canon à mousse	6	Brosse de lavage
7	Lance de pulvérisation à angle variable	8	Buse à angle variable	9	Brosse rotative
10	Lance de pulvérisation pour soubassement	11	Tuyau de nettoyage des tubes (10 m)	12	Tuyau de nettoyage des tubes (15 m)
13	Joint de raccordement	14	Pistolet à gâchette *1	15	Rallonge de lance *2
16	Tuyau haute pression *1	17	Tuyau d'extension haute pression (5 m)	18	Tuyau d'extension haute pression (8 m)
19	Tuyau d'extension haute pression (10 m)	20	Joint articulé	21	Raccord du tuyau d'eau *1
22	Ensemble du tuyau *1	23	Ensemble de la crépine *1	-	-

*1 : Accessoire standard

*2 : Non disponible en association avec la lance de pulvérisation pour soubassement.

Pare-éclaboussure

► Fig.45

Réduit les éclaboussures lors du nettoyage de coins avec le gicleur cyclone.

► Fig.46: 1. Écrou 2. Gicleur cyclone

Lors de l'utilisation du pare-éclaboussure, retirez l'écrou du pare-éclaboussure, puis insérez le gicleur cyclone dans le pare-éclaboussure et serrez l'écrou.

Canon à mousse

► Fig.47

Le détergent peut être pulvérisé sous la forme de mousse.

Brosse de lavage

► Fig.48

Une buse pourvue d'une brosse. Pratique pour nettoyer la saleté tout en frottant avec la brosse.

Lance de pulvérisation à angle variable

⚠ ATTENTION : Lorsque vous réglez la pression du jet, ne tournez pas la buse tout en la tirant vers le pistolet à gâchette. La buse risquerait de se détacher du pistolet à gâchette et de vous blesser.

⚠ ATTENTION : Lorsque vous tournez la pointe de la buse pour ajuster le jet d'eau, ne forcez pas. Autrement, la buse pourrait se briser et provoquer des blessures.

► Fig.49

La pression du jet peut être réglée en tournant la buse.

Buse à angle variable

⚠ ATTENTION : Lorsque vous réglez la largeur du jet, ne tournez pas la buse tout en la tirant vers le pistolet à gâchette. La buse risquerait de se détacher du pistolet à gâchette et de vous blesser.

⚠ ATTENTION : Lorsque vous tournez la pointe de la buse pour ajuster le jet d'eau, ne forcez pas. Autrement, la buse pourrait se briser et provoquer des blessures.

► Fig.50

La largeur du jet peut être réglée de 0 à 25° en tournant l'extrémité avant de la buse.

Brosse rotative

► Fig.51

Trois brosses à l'intérieur tournent lentement lors de l'éjection du jet. Convient pour nettoyer la saleté légère sur un mur extérieur, la carrosserie d'une voiture, une baignoire, etc.

Lance de pulvérisation pour soubassement

⚠ ATTENTION : N'utilisez pas la lance de pulvérisation pour soubassement avec la rallonge de lance.

► Fig.52

Une lance de pulvérisation ultralongue avec une buse en angle. Idéal pour nettoyer les zones difficiles d'accès comme le soubassement d'une voiture et les gouttières.

Tuyau de nettoyage des tubes (10 m/15 m)

⚠ ATTENTION : Portez une attention particulière au jet d'eau lorsque vous utilisez le tuyau de nettoyage des tubes. Un jet d'eau très intense est propulsé en arrière. Déclenchez uniquement le jet d'eau lorsque la buse a été insérée dans le tube à nettoyer au moins jusqu'au repère rouge.

► Fig.53

Pour nettoyer et déboucher les tuyauteries et les descentes.

Joint de raccordement

► Fig.54

Un joint pour raccorder une buse d'un autre modèle.

Certaines buses en option nécessitent un joint de raccordement (accessoire en option) pour être fixées au pistolet à gâchette. Fixez le joint de raccordement au pistolet à gâchette dans la même manière que la buse.

► **Fig.55:** 1. Buse 2. Joint de raccordement 3. Pistolet à gâchette

Rallonge de lance

► Fig.56

Tubes pour étendre la longueur du pistolet à gâchette.

Trois longueurs différentes sont disponibles en changeant le nombre de tubes à utiliser.

Tuyau d'extension haute pression (5 m/8 m/10 m)

► Fig.57

Un tuyau d'extension pour raccorder le corps du nettoyeur haute pression au pistolet à gâchette.

Joint articulé

► Fig.58

Empêche le tuyau haute pression de s'entortiller.

► **Fig.59:** 1. Bouton 2. Écrou

Pour connecter le tuyau haute pression sur le joint articulé ou l'en déconnecter, tournez l'écrou sur le tuyau haute pression tout en enfonçant le bouton sur le joint articulé.

Ensemble du tuyau

► Fig.60

Ensemble du tuyau permettant de raccorder un robinet au produit, ou l'ensemble de la crépine au produit.

Ensemble de la crépine

► Fig.61

Ensemble de la crépine permettant d'alimenter en eau depuis un réservoir ou un bac. Utilisez l'ensemble du tuyau pour le raccordement au produit.

WARNUNG

- Maschinen dürfen nicht von Kindern benutzt werden. Kinder sollten beaufsichtigt werden, um sicherzugehen, dass sie nicht mit der Maschine spielen.
- Diese Maschine sollte nicht von Personen (einschließlich Kindern) mit reduzierten körperlichen, sensorischen oder geistigen Fähigkeiten oder mangelnder Erfahrung und Kenntnis benutzt werden.
- Diese Maschine wurde für den Einsatz mit dem Reinigungsmittel ausgelegt, das vom Hersteller geliefert oder empfohlen wird. Die Verwendung anderer Reinigungsmittel oder Chemikalien kann sich negativ auf die Sicherheit der Maschine auswirken.
- Während des Gebrauchs von Hochdruckreinigern können Aerosole gebildet werden. Das Einatmen von Aerosolen kann gesundheitsschädlich sein.
- Abhängig von der Anwendung können abgeschirmte Düsen für Hochdruckreinigung verwendet werden, wodurch die Abgabe von wasserhaltigen Aerosolen erheblich reduziert wird. Nicht alle Anwendungen gestatten jedoch den Gebrauch einer solchen Vorrichtung. Falls abgeschirmte Düsen nicht für den Schutz vor Aerosolen anwendbar sind, kann je nach der Reinigungsumgebung eine Atemmaske der Klasse FFP 2 oder eine gleichwertige notwendig sein.
- Der Arbeitgeber sollte eine Gefährdungsabschätzung durchführen, um abhängig von der zu reinigenden Oberfläche und ihrer Umgebung die notwendigen Schutzmaßnahmen hinsichtlich Aerosolen anzugeben. Atemmasken der Klasse FFP 2 bzw. einer entsprechenden oder höheren Klasse sind für den Schutz vor wasserhaltigen Aerosolen geeignet.
- Hochdruckstrahlen können bei Missbrauch gefährlich sein. Der Strahl darf nicht auf Personen, Strom führende Elektrogeräte oder die Maschine selbst gerichtet werden.
- Benutzen Sie die Maschine nicht im Bereich von Personen, wenn sie keine Schutzkleidung tragen.
- Richten Sie den Strahl nicht auf sich selbst oder andere, um Kleidungsstücke oder Schuhwerk zu reinigen.
- Explosionsgefahr - Versprühen Sie keine brennbaren Flüssigkeiten.
- Hochdruckreiniger dürfen nicht von Kindern oder ungeübtem Personal benutzt werden.

- Hochdruckschläuche, Armaturen und Kupplungen sind wichtig für die Sicherheit der Maschine. Verwenden Sie nur vom Hersteller empfohlene Schläuche, Armaturen und Kupplungen.
- Um die Sicherheit der Maschine zu gewährleisten, verwenden Sie nur vom Hersteller gelieferte oder zugelassene Original-Ersatzteile.
- Vergewissern Sie sich immer, dass die Maschine ausgeschaltet ist und die Akkus entfernt wurden, bevor Sie Arbeiten am Werkzeug ausführen.
- Benutzen Sie die Maschine nicht, wenn wichtige Teile der Maschine beschädigt sind, z. B. Sicherheitsvorrichtungen, Hochdruckschläuche oder die Schaltpistole.
- Nehmen Sie immer die Akkus ab, wenn Sie die Maschine unbeaufsichtigt lassen.
- Halten Sie die Anforderungen des örtlichen Wasserversorgers ein.
- Für europäische Länder:
Gemäß EN12729 (BA) kann das Gerät auch an die Trinkwasserversorgung angeschlossen werden, wenn in dem Zulaufschlauch ein Ventil mit Rückflussverhinderer und Ablaufvorrichtung installiert ist.

TECHNISCHE DATEN

Modell:		HW001G
Maximale Durchflussmenge *1		7,0 L/min
Wasserdurchflussmenge *2	Betriebsart 3 (Hohe Betriebsart)	5,5 L/min
	Betriebsart 2 (Mittlere Betriebsart)	4,2 L/min
	Betriebsart 1 (Niedrige Betriebsart)	3,0 L/min
Max. zulässiger Druck		11,5 MPa
Arbeitsdruck *2	Betriebsart 3 (Hohe Betriebsart)	8,5 MPa
	Betriebsart 2 (Mittlere Betriebsart)	5,5 MPa
	Betriebsart 1 (Niedrige Betriebsart)	3,0 MPa
Max. Förderdruck		1,0 MPa
Max. Fördertemperatur		40°C
Max. Saughöhe		1,0 m
Nennspannung		36 V - 40 V Gleichstrom
Abmessungen (L x B x H) *3		344 mm x 383 mm x 520 mm
Nettogewicht		10,3 - 13,4 kg
Wasserschutz		IPX5

*1: Bei Verwendung der Schaltpistole ohne die Düsen.

*2: Bei Verwendung der Vario-Sprühdüse und des Verlängerungsrohrs.

*3: Wenn der Handgriff eingezogen ist und ohne Schläuche.

- Wir behalten uns vor, Änderungen der technischen Daten im Zuge der Entwicklung und des technischen Fortschritts ohne vorherige Ankündigung vorzunehmen.
- Die technischen Daten können von Land zu Land unterschiedlich sein.
- Das Gewicht kann abhängig von dem Aufsatz (den Aufsätzen), einschließlich des Akkus, unterschiedlich sein. Die leichteste und die schwerste Kombination, gemäß dem EPTA-Verfahren 01/2014, sind in der Tabelle angegeben.

Zutreffende Akkus und Ladegeräte








Akku	BL4020 / BL4025 / BL4040 / BL4050F* / BL4080F* * : Empfohlener Akku
Ladegerät	DC40RA / DC40RB / DC40RC

• Einige der oben aufgelisteten Akkus und Ladegeräte sind je nach Ihrem Wohngebiet eventuell nicht erhältlich.

⚠️ WARNUNG: Verwenden Sie nur die oben aufgeführten Akkus und Ladegeräte. Bei Verwendung irgendwelcher anderer Akkus und Ladegeräte besteht Verletzungs- und/oder Brandgefahr.

Symbole

Nachfolgend werden Symbole beschrieben, die für das Gerät verwendet werden können. Machen Sie sich unbedingt vor der Benutzung mit ihrer Bedeutung vertraut.

	Besondere Umsicht und Aufmerksamkeit erforderlich.
	Betriebsanleitung lesen.
	Nicht an einen Trinkwasserhahn anschließen.
	Richten Sie den Strahl nicht auf Personen, einschließlich sich selbst, Tiere und Strom führende Elektrogeräte.
	Nur für EU-Länder Aufgrund des Vorhandenseins gefährlicher Komponenten in der Ausrüstung können Elektro- und Elektronik-Altgeräte, Akkumulatoren und Batterien sich negativ auf die Umwelt und die menschliche Gesundheit auswirken. Entsorgen Sie Elektro- und Elektronikgeräte oder Batterien nicht mit dem Hausmüll! In Übereinstimmung mit der Europäischen Richtlinie über Elektro- und Elektronik-Altgeräte, Akkumulatoren und Batterien, verbrauchte Akkumulatoren und Batterien sowie ihrer Anpassung an nationales Recht sollten Elektro-Altgeräte, Batterien und Akkumulatoren gemäß den Umweltschutzbestimmungen getrennt gelagert und zu einer getrennten Sammelstelle für Siedlungsabfälle geliefert werden. Dies wird durch das am Gerät angebrachte Symbol der durchgestrichenen Abfalltonne auf Rädern angezeigt.
	Garantierter Schalleistungspegel gemäß der EU-Richtlinie über Außenlärm.
	Schalleistungspegel gemäß der australischen NSW-Lärmschutzverordnung

Vorgesehene Verwendung

Diese Maschine ist zum Entfernen von hartnäckigem Schmutz durch Wasserstrahl vorgesehen. Diese Maschine ist sowohl für gewerbliche Benutzung als auch für Benutzung im Haushalt bestimmt.

Geräusch

Typischer A-bewerteter Geräuschpegel ermittelt gemäß EN60335-2-79:

Schalldruckpegel (L_{pA}): 71 dB (A)

Messunsicherheit (K): 3,2 dB (A)

Der Geräuschpegel kann während des Betriebs 80 dB (A) überschreiten.

HINWEIS: Der (Die) angegebene(n) Schallemissionswert(e) wurde(n) im Einklang mit der Standardprüfmethode gemessen und kann (können) für den Vergleich zwischen Werkzeugen herangezogen werden.

HINWEIS: Der (Die) angegebene(n) Schallemissionswert(e) kann (können) auch für eine Vorbewertung des Gefährdungsgrads verwendet werden.

⚠️ WARNUNG: Einen Gehörschutz tragen.
⚠️ WARNUNG: Die Schallemission während der tatsächlichen Benutzung des Elektrowerkzeugs kann je nach der Benutzungsweise des Werkzeugs, und speziell je nach der Art des bearbeiteten Werkstücks, von dem (den) angegebenen Wert(en) abweichen.
⚠️ WARNUNG: Identifizieren Sie Sicherheitsmaßnahmen zum Schutz des Benutzers anhand einer Schätzung des Gefährdungsgrads unter den tatsächlichen Benutzungsbedingungen (unter Berücksichtigung aller Phasen des Arbeitszyklus, wie z. B. Ausschalt- und Leerlaufzeiten des Werkzeugs zusätzlich zur Betriebszeit).

Schwingungen

Schwingungsgesamtwert (Drei-Achsen-Vektorsumme)

ermittelt gemäß EN60335-2-79:

Schwingungsemission (a_h): 3,2 m/s²

Messunsicherheit (K): 1,5 m/s²

HINWEIS: Der (Die) angegebene(n) Vibrationsgesamtwert(e) wurde(n) im Einklang mit der Standardprüfmethode gemessen und kann (können) für den Vergleich zwischen Werkzeugen herangezogen werden.

HINWEIS: Der (Die) angegebene(n) Vibrationsgesamtwert(e) kann (können) auch für eine Vorbewertung des Gefährdungsgrads verwendet werden.

⚠️ WARNUNG: Die Vibrationsemission während der tatsächlichen Benutzung des Elektrowerkzeugs kann je nach der Benutzungsweise des Werkzeugs, und speziell je nach der Art des bearbeiteten Werkstücks, von dem (den) angegebenen Emissionswert(en) abweichen.

⚠️ WARNUNG: Identifizieren Sie Sicherheitsmaßnahmen zum Schutz des Benutzers anhand einer Schätzung des Gefährdungsgrads unter den tatsächlichen Benutzungsbedingungen (unter Berücksichtigung aller Phasen des Arbeitszyklus, wie z. B. Ausschalt- und Leerlaufzeiten des Werkzeugs zusätzlich zur Betriebszeit).

Konformitätserklärungen

Nur für europäische Länder

Die Konformitätserklärungen sind in Anhang A dieser Betriebsanleitung enthalten.

SICHERHEITSWARNUNGEN

Allgemeine Sicherheitswarnungen für Elektrowerkzeuge

⚠️ WARNUNG Lesen Sie alle Sicherheitshinweise, Anweisungen, Abbildungen und Spezifikationen, die diesem Elektrowerkzeug beiliegen. Eine Missachtung der unten aufgeführten Anweisungen kann zu einem elektrischen Schlag, Brand und/oder schweren Verletzungen führen.

Bewahren Sie alle Warnungen und Anweisungen für spätere Bezugnahme auf.

Der Ausdruck „Elektrowerkzeug“ in den Warnhinweisen bezieht sich auf Ihr mit Netzstrom (mit Kabel) oder Akku (ohne Kabel) betriebenes Elektrowerkzeug.

WICHTIGE SICHERHEITSWARNUNGEN

⚠️ WARNUNG: Lesen Sie alle Sicherheitswarnungen und Anweisungen durch. Eine Missachtung der unten aufgeführten Warnungen und Anweisungen kann zu einem elektrischen Schlag, Brand und/oder schweren Verletzungen führen.

Bewahren Sie alle Warnungen und Anweisungen für spätere Bezugnahme auf.

WARNUNG - Bei der Verwendung dieses Produkts sind grundsätzliche Vorsichtsmaßnahmen, einschließlich der folgenden, stets zu beachten:

Sicherheit im Arbeitsbereich

1. Halten Sie den Arbeitsbereich völlig frei von Personen.
2. Übernehmen Sie sich nicht, und stellen Sie sich auch nicht auf instabile Stützen. Achten Sie stets auf sicheren Stand und gute Balance.
3. Stellen Sie den Hochdruckreiniger-Hauptteil immer auf eine ebene und stabile Oberfläche. Vermeiden Sie Bereiche, wo das ausgestoßene Wasser fließen oder sich ansammeln kann.
4. Überprüfen Sie vor der Reinigung die Umgebung und die zu reinigenden Gegenstände. Hochdruckstrahlen können Lack oder andere Oberflächenbehandlungen, einschließlich giftiger Chemikalien, abschaben. Treffen Sie nötigenfalls Vorbeugungsmaßnahmen.
5. Achten Sie darauf, dass Sie nicht über den Schlauch des Hochdruckreinigers stolpern. Achten Sie während der Arbeit stets auf die Konfiguration des Schlauchs.
6. Während des Gebrauchs tritt eine kleine Wassermenge an der Unterseite des Hochdruckreinigers aus. Vermeiden Sie die Aufstellung des Hochdruckreinigers in Bereichen, die Sie nicht nass machen wollen.

Persönliche Sicherheit

1. Um sich selbst vor dem Strahl und weggeschleuderten Gegenständen zu schützen, sollten Bediener geeignete Kleidung, wie Sicherheitstiefel, Schutzhandschuhe, Schutzhelm mit Visier, Gehörschutz usw. tragen.
2. Benutzen Sie den Hochdruckreiniger nicht im Bereich von Personen, wenn sie keine Schutzkleidung tragen.
3. Um die Verletzungsgefahr zu reduzieren, ist strenge Überwachung notwendig, wenn das Produkt in der Nähe von Kindern verwendet wird.
4. Wird ein Anschluss an ein Trinkwassersystem vorgenommen, muss das System vor Rückfluss geschützt werden.
5. Wasser, das durch den Rückflussverhinderer geflossen ist, wird als nicht trinkbar betrachtet.

Elektrische Sicherheit

1. Berühren Sie Akkus niemals mit nassen Händen.
2. Benutzen Sie die Maschine nicht, wenn wichtige Teile der Maschine beschädigt sind, z. B. Sicherheitsvorrichtungen, Hochdruckschläuche oder die Schalt pistole.

Gebrauch und Pflege von Elektrowerkzeugen

1. Lesen Sie alle Anweisungen vor Gebrauch des Produkts.
2. Erlernen Sie die Verfahren zum Stoppen des Hochdruckreinigers und zum schnellen Ablassen von Drücken. Machen Sie sich mit den Bedienelementen gründlich vertraut.
3. Hochdruckstrahlen können bei Missbrauch gefährlich sein. Der Strahl darf nicht auf Personen, Strom führende Elektrogeräte oder die Maschine selbst gerichtet werden.

4. Diese Maschine sollte nicht von Personen (einschließlich Kindern) mit reduzierten körperlichen, sensorischen oder geistigen Fähigkeiten oder mangelnder Erfahrung und Kenntnis benutzt werden.
5. Kinder sollten beaufsichtigt werden, um sicherzugehen, dass sie nicht mit dem Gerät spielen.
6. Versprühen Sie keine brennbaren und/oder giftigen Flüssigkeiten. Es kann sonst zu einer Explosion, Vergiftung oder Beschädigung der Maschine kommen.
7. Richten Sie den Strahl nicht auf sich selbst oder andere, um Kleidungsstücke oder Schuhwerk zu reinigen.
8. Hochdruckschläuche, Armaturen und Kupplungen sind wichtig für die Sicherheit der Maschine. Verwenden Sie nur vom Hersteller empfohlene Schläuche, Armaturen und Kupplungen.
9. Befolgen Sie die Anweisungen beim Auswechseln von Zubehör.
10. Halten Sie die Handgriffe trocken, sauber und frei von Öl oder Fett.
11. Bleiben Sie wachsam - achten Sie auf Ihre Handlungen.
12. Betreiben Sie das Produkt nicht, wenn Sie müde sind oder unter dem Einfluss von Alkohol oder Medikamenten stehen.
13. Lassen Sie den Hochdruckreiniger nicht länger als eine Minute ohne Wasser laufen. Anderenfalls wird der Motor beschädigt, was zu einer Funktionsstörung führt.
14. Schalten Sie stets die Stromversorgung aus, und stellen Sie die Wasserversorgung ab, wenn Sie den Hochdruckreiniger unbeaufsichtigt lassen.
15. Seien Sie vor Rückschlag auf der Hut. Die Schaltpistole schlägt zurück, wenn der Hochdruckstrahl aus der Düse ausgestoßen wird. Halten Sie die Schaltpistole mit festem Griff, um versehentliche Verletzungen zu verhindern.
16. Prüfen Sie vor Gebrauch nach, ob beschädigte oder verschlissene Teile vorhanden sind. Vergewissern Sie sich auch, dass der Schlauch ordnungsgemäß angeschlossen ist, und dass während des Betriebs keine Leckage auftritt. Der Betrieb der Maschine mit funktionalen Defekten kann einen Unfall verursachen.
17. Diese Maschine wurde für den Einsatz mit dem Reinigungsmittel ausgelegt, das vom Hersteller geliefert oder empfohlen wird. Die Verwendung anderer Reinigungsmittel oder Chemikalien kann sich negativ auf die Sicherheit der Maschine auswirken.
18. Ziehen Sie nicht am Schlauch, um den Hochdruckreiniger-Hauptteil zu verschieben. Dies verursacht eine Beschädigung von Schlauch und Verbindungsteilen und führt zu einem Kurzschluss oder funktionalen Defekten.
19. Stellen Sie keine schweren Gegenstände auf den Schlauch, und lassen Sie auch keine Fahrzeuge darüber fahren.
20. Lassen Sie stets den Restdruck in der Schaltpistole ab, bevor Sie den Schlauch abtrennen.
21. Beachten Sie die Anweisungen Ihres lokalen Wasserversorgungsamts oder Wasserwerks, wenn Sie den Schlauch an die Hauptwasserleitung anschließen.
22. Sollte der Hochdruckreiniger herunterfallen oder gegen ein hartes Objekt stoßen, überprüfen Sie ihn unbedingt auf Beschädigung und Risse. Wird der Hochdruckreiniger in beschädigtem Zustand benutzt, können Rauch und ein Brand erzeugt oder ein elektrischer Schlag verursacht werden, was zu Personenschäden führen kann.
23. Während des Gebrauchs von Hochdruckreinigern können Aerosole gebildet werden. Das Einatmen von Aerosolen kann gesundheitsschädlich sein.
24. Abhängig von der Anwendung können abgeschirmte Düsen für Hochdruckreinigung verwendet werden, wodurch die Abgabe von wasserhaltigen Aerosolen erheblich reduziert wird. Nicht alle Anwendungen gestatten jedoch den Gebrauch einer solchen Vorrichtung. Falls abgeschirmte Düsen nicht für den Schutz vor Aerosolen anwendbar sind, kann je nach der Reinigungsumgebung eine Atemmaske der Klasse FFP 2 oder eine gleichwertige notwendig sein.
25. Der Arbeitgeber sollte eine Gefährdungsabschätzung durchführen, um abhängig von der zu reinigenden Oberfläche und ihrer Umgebung die notwendigen Schutzmaßnahmen hinsichtlich Aerosolen anzugeben. Atemmasken der Klasse FFP 2 bzw. einer entsprechenden oder höheren Klasse sind für den Schutz vor wasserhaltigen Aerosolen geeignet.
26. Verhüten Sie unbeabsichtigtes Einschalten. Vergewissern Sie sich, dass sich der Schalter in der Aus-Stellung befindet, bevor Sie den Akku anschließen bzw. das Gerät aufheben oder tragen. Das Tragen des Gerätes mit dem Finger am Schalter oder das Anschließen bei eingeschaltetem Schalter führt zu Unfällen.
27. Trennen Sie den Akku vom Gerät, bevor Sie Einstellungen vornehmen, Zubehörteile austauschen oder das Gerät lagern. Solche vorbeugenden Sicherheitsmaßnahmen reduzieren die Gefahr eines versehentlichen Einschaltens des Gerätes.
28. Unterlassen Sie jegliche Modifizierung oder Versuche, das Gerät oder den Akku zu reparieren, außer wie in den Anweisungen für Gebrauch und Pflege angegeben.
29. Richten Sie den Wasserstrahl nicht kontinuierlich auf denselben Bereich. Das Objekt kann zerbrechen und eine Verletzung verursachen.
30. Waschen Sie die Maschine nicht mit dem Wasserstrahl dieser Maschine. Die Maschine kann beschädigt werden, oder Teile der Maschine können sich lösen und Verletzungen verursachen.

31. Um die Gefahr eines Stromschlags zu vermeiden, richten Sie den Wasserstrahl nicht gegen die Maschine, während diese eingeschaltet ist.

Gebrauch und Pflege von Akkuwerkzeugen

1. Laden Sie den Akku nur mit dem vom Hersteller vorgeschriebenen Ladegerät. Ein Ladegerät, das für einen Akkutyp geeignet ist, kann bei Verwendung mit einem anderen Akku eine Brandgefahr darstellen.
2. Benutzen Sie Elektrowerkzeuge nur mit den ausdrücklich vorgeschriebenen Akkus. Bei Verwendung irgendwelcher anderer Akkus besteht Verletzungs- und Brandgefahr.
3. Bewahren Sie den Akku bei Nichtgebrauch nicht zusammen mit Metallgegenständen, wie Büroklammern, Münzen, Schlüsseln, Nägeln, Schrauben, und anderen kleinen Metallteilen auf, welche die Kontakte kurzschließen können. Kurzschließen der Akkukontakte kann Verbrennungen oder einen Brand verursachen.
4. Bei Missbrauch kann Flüssigkeit aus dem Akku austreten. Vermeiden Sie Kontakt mit dieser Flüssigkeit. Falls Sie versehentlich mit der Flüssigkeit in Berührung kommen, spülen Sie die betroffenen Stellen mit Wasser ab. Falls die Flüssigkeit in die Augen gelangt, suchen Sie zusätzlich ärztliche Hilfe auf. Die vom Akku austretende Flüssigkeit kann Hautreizungen oder Verätzungen verursachen.
5. Verwenden Sie keinen Akku und auch kein Werkzeug, der (das) beschädigt oder modifiziert ist. Beschädigte oder modifizierte Akkus können unvorhersehbares Verhalten zeigen, das zu einem Brand, einer Explosion oder Verletzungsgefahr führen kann.
6. Setzen Sie einen Akku oder ein Werkzeug nicht Feuer oder übermäßigen Temperaturen aus. Bei Einwirkung von Feuer oder Temperaturen über 130 °C kann es zu einer Explosion kommen.
7. Befolgen Sie alle Ladeanweisungen, und laden Sie den Akku bzw. das Werkzeug nicht außerhalb des in den Anweisungen angegebenen Temperaturbereichs. Wird der Ladevorgang unsachgemäß oder bei Temperaturen außerhalb des angegebenen Bereichs durchgeführt, kann es zu einer Beschädigung des Akkus und erhöhter Brandgefahr kommen.

Wartung

1. Befolgen Sie die in der Anleitung angegebenen Wartungsanweisungen.
2. Um die Sicherheit der Maschine zu gewährleisten, verwenden Sie nur vom Hersteller gelieferte oder zugelassene Original-Ersatzteile.
3. Lassen Sie Ihren Hochdruckreiniger nur unter Verwendung identischer Ersatzteile von einem qualifizierten Wartungstechniker warten. Dadurch wird die Aufrechterhaltung der Sicherheit des Hochdruckreinigers gewährleistet.
4. Im Falle einer Betriebs- oder Funktionsstörung des Hochdruckreinigers sollten Sie ihn unverzüglich ausschalten und den (die) Akku(s) abnehmen. Wenden Sie sich an einen Händler oder ein Service-Center in Ihrer Nähe.

Zusätzliche Sicherheitswarnungen

1. Halten Sie die Anforderungen des örtlichen Wasserversorgers ein.
2. Benutzen Sie die Maschine nicht, wenn Blitzgefahr besteht.
3. Wenn Sie die Maschine auf schlammigem Boden, auf einem nassen Hang oder an einem schlüpfrigen Ort benutzen, achten Sie auf Ihren Stand.
4. Tauschen Sie den Akku nicht im Regen aus.
5. Tauchen Sie die Maschine nicht in einen Tümpel ein.
6. Lassen Sie die Maschine nicht unbeaufsichtigt im Freien bei Regen stehen.
7. Lagern Sie die Maschine nicht an einem Ort, der direktem Sonnenlicht und Regen ausgesetzt ist, sondern an einem Ort, an dem es nicht heiß oder feucht wird.
8. Setzen Sie sich nicht auf die Maschine, und verwenden Sie die Maschine nicht als Tritthocker. Anderenfalls kann es zu Unfällen oder Fehlfunktionen der Maschine kommen.

DIESE ANWEISUNGEN AUFBEWAHREN.

⚠️ WARNUNG: Lassen Sie sich NICHT durch Bequemlichkeit oder Vertrautheit mit dem Produkt (durch wiederholten Gebrauch erworben) von der strikten Einhaltung der Sicherheitsregeln für das vorliegende Produkt abhalten.

MISSBRAUCH oder Missachtung der Sicherheitsvorschriften in dieser Anleitung können schwere Verletzungen verursachen.

Wichtige Sicherheitsanweisungen für Akku

1. Lesen Sie vor der Benutzung des Akkus alle Anweisungen und Warnhinweise, die an (1) Ladegerät, (2) Akku und (3) Akkuwerkzeug angebracht sind.
2. Unterlassen Sie Zerlegen oder Manipulieren des Akkus. Es kann sonst zu einem Brand, übermäßiger Hitzeentwicklung oder einer Explosion kommen.
3. Falls die Betriebszeit beträchtlich kürzer geworden ist, stellen Sie den Betrieb sofort ein. Anderenfalls besteht die Gefahr von Überhitzung, möglichen Verbrennungen und sogar einer Explosion.
4. Falls Elektrolyt in Ihre Augen gelangt, waschen Sie sie mit sauberem Wasser aus, und begeben Sie sich unverzüglich in ärztliche Behandlung. Anderenfalls können Sie Ihre Sehkraft verlieren.
5. Der Akku darf nicht kurzgeschlossen werden:
 - (1) Die Kontakte dürfen nicht mit leitfähigem Material berührt werden.
 - (2) Lagern Sie den Akku nicht in einem Behälter zusammen mit anderen Metallgegenständen, wie z. B. Nägel, Münzen usw.
 - (3) Setzen Sie den Akku weder Wasser noch Regen aus.

- Ein Kurzschluss des Akkus verursacht starken Stromfluss, der Überhitzung, mögliche Verbrennungen und einen Defekt zur Folge haben kann.
6. **Lagern und benutzen Sie das Werkzeug und den Akku nicht an Orten, an denen die Temperatur 50 °C erreichen oder überschreiten kann.**
 7. **Versuchen Sie niemals, den Akku zu verbrennen, selbst wenn er stark beschädigt oder vollkommen verbraucht ist. Der Akku kann im Feuer explodieren.**
 8. **Unterlassen Sie Nageln, Schneiden, Zerquetschen, Werfen, Fallenlassen des Akkus oder Schlagen des Akkus mit einem harten Gegenstand.** Eine solche Handlung kann zu einem Brand, übermäßiger Hitzeentwicklung oder einer Explosion führen.
 9. **Benutzen Sie keine beschädigten Akkus.**
 10. **Die enthaltenen Lithium-Ionen-Akkus unterliegen den Anforderungen der Gefahrgut-Gesetzgebung.**
Für kommerzielle Transporte, z. B. durch Dritte oder Spediteure, müssen besondere Anforderungen zu Verpackung und Etikettierung beachtet werden.
Zur Vorbereitung des zu transportierenden Artikels ist eine Beratung durch einen Experten für Gefahrgut erforderlich. Bitte beachten Sie möglicherweise ausführlichere nationale Vorschriften. Überkleben oder verdecken Sie offene Kontakte, und verpacken Sie den Akku so, dass er sich in der Verpackung nicht umher bewegen kann.
 11. **Entfernen Sie den Akku zum Entsorgen vom Werkzeug, und entsorgen Sie ihn an einem sicheren Ort. Befolgen Sie die örtlichen Vorschriften bezüglich der Entsorgung von Akkus.**
 12. **Verwenden Sie die Akkus nur mit den von Makita angegebenen Produkten.** Das Einsetzen der Akkus in nicht konforme Produkte kann zu einem Brand, übermäßiger Hitzebildung, einer Explosion oder Auslaufen von Elektrolyt führen.
 13. **Soll das Werkzeug längere Zeit nicht benutzt werden, muss der Akku vom Werkzeug entfernt werden.**
 14. **Bei und nach dem Gebrauch kann der Akku heiß werden, was Verbrennungen oder Niedertemperaturverbrennungen verursachen kann. Beachten Sie die Handhabung von heißen Akkus.**
 15. **Berühren Sie nicht den Anschlusskontakt des Werkzeugs unmittelbar nach dem Gebrauch, da er heiß genug werden kann, um Verbrennungen zu verursachen.**
 16. **Achten Sie darauf, dass sich keine Späne, Staub oder Schmutz in den Anschlusskontakten, Löchern und Nuten des Akkus absetzen.** Es könnte sonst zu Erhitzung, Brandauslösung, Bersten und Funktionsstörungen des Werkzeugs oder des Akkus kommen, was zu Verbrennungen oder Personenschäden führen kann.
 17. **Wenn das Werkzeug den Einsatz in der Nähe einer Hochspannungs-Stromleitung nicht unterstützt, benutzen Sie den Akku nicht in der Nähe einer Hochspannungs-Stromleitung.** Dies kann zu einer Funktionsstörung oder Betriebsstörung des Werkzeugs oder des Akkus führen.
 18. **Halten Sie die Batterie von Kindern fern.**

DIESE ANWEISUNGEN AUFBEWAHREN.

⚠VORSICHT: Verwenden Sie nur **Original-Makita-Akkus**. Die Verwendung von Nicht-Original-Makita-Akkus oder von Akkus, die abgeändert worden sind, kann zum Bersten des Akkus und daraus resultierenden Bränden, Personenschäden und Beschädigung führen. Außerdem wird dadurch die Makita-Garantie für das Makita-Werkzeug und -Ladegerät ungültig.

Hinweise zur Aufrechterhaltung der maximalen Akku-Nutzungsdauer

1. **Laden Sie den Akku, bevor er vollkommen erschöpft ist. Schalten Sie das Werkzeug stets aus, und laden Sie den Akku, wenn Sie ein Nachlassen der Werkzeugleistung feststellen.**
2. **Unterlassen Sie erneutes Laden eines voll aufgeladenen Akkus. Überladen führt zu einer Verkürzung der Nutzungsdauer des Akkus.**
3. **Laden Sie den Akku bei Raumtemperatur zwischen 10 – 40 °C. Lassen Sie einen heißen Akku abkühlen, bevor Sie ihn laden.**
4. **Wenn Sie den Akku nicht benutzen, nehmen Sie ihn vom Werkzeug oder Ladegerät ab.**
5. **Der Akku muss geladen werden, wenn er lange Zeit (länger als sechs Monate) nicht benutzt wird.**

FUNKTIONSBESCHREIBUNG

⚠ VORSICHT: Vergewissern Sie sich vor der Durchführung von Einstellungen oder Funktionsprüfungen der Maschine stets, dass die Maschine ausgeschaltet ist und die Akkus abgenommen sind.

Anbringen und Abnehmen des Akkus

⚠ VORSICHT: Schalten Sie die Maschine stets aus, bevor Sie den Akku anbringen oder abnehmen.

⚠ VORSICHT: Halten Sie die Maschine und den Akku beim Anbringen oder Abnehmen des Akkus sicher fest. Wenn Sie die Maschine und den Akku nicht sicher festhalten, können sie Ihnen aus den Händen rutschen, was zu einer Beschädigung der Maschine und des Akkus und zu Personenschäden führen kann.

⚠ VORSICHT: Verriegeln Sie unbedingt die Akkuabdeckung vor Gebrauch. Anderenfalls können Schlamm, Schmutz oder Wasser eine Beschädigung des Produkts oder der Akkus verursachen.

⚠ VORSICHT: Installieren Sie den Akku immer vollständig. Anderenfalls kann er versehentlich aus der Maschine herausfallen und Sie oder umstehende Personen verletzen.

⚠ VORSICHT: Unterlassen Sie Gewaltanwendung beim Anbringen der Akkus. Falls die Akkus nicht reibungslos hineingleiten, sind sie nicht richtig ausgerichtet.

⚠ VORSICHT: Halten Sie die Akkuabdeckung fest, wenn Sie den Akku installieren oder entfernen.

Zum Einsetzen der Akkus:

1. Ziehen Sie den Verriegelungshebel hoch, und öffnen Sie dann die Akkuabdeckung.

► **Abb.1:** 1. Akkuabdeckung 2. Verriegelungshebel

2. Richten Sie die Feder am Akku auf den Schlitz an der Maschine aus, und schieben Sie dann den Akku hinein, bis er mit einem leisen Klicken einrastet.

► **Abb.2:** 1. Akku

3. Schließen Sie die Akkuabdeckung, und drücken Sie sie an, bis sie mit dem Verriegelungshebel einrastet.

Zum Entfernen des Akkus:

1. Ziehen Sie den Verriegelungshebel hoch, und öffnen Sie die Akkuabdeckung.

2. Ziehen Sie den Akku aus der Maschine heraus, während Sie den Knopf an der Vorderseite des Akkus verschieben.

3. Schließen Sie die Akkuabdeckung, und drücken Sie sie an, bis sie mit dem Verriegelungshebel einrastet.

Akku-Prüftaste

Durch Drücken der Akku-Prüftaste können Sie die verbleibende Akkukapazität überprüfen.

► **Abb.3:** 1. Akku-Anzeige 2. Akku-Prüftaste

Status der Akku-Anzeige			Akku-Restkapazität
Ein	Aus	Blinkend	
			50% bis 100%
			20% bis 50%
			0% bis 20%
			Akku aufladen

HINWEIS: Die Anzeigelampe für die Akku-Restkapazität dient lediglich als Referenz. Die tatsächliche Akkukapazität kann abhängig von den Benutzungsbedingungen oder der Umgebungstemperatur abweichen.

HINWEIS: Die Lampe erlischt automatisch nach wenigen Sekunden.

HINWEIS: Falls zwei Akkus installiert sind, wird der auf der linken Seite installierte Akku zuerst benutzt.

HINWEIS: Falls zwei Akkus installiert sind, wechselt die Maschine automatisch den Akku, wenn der benutzte leer ist.

HINWEIS: Sie können die Akku-Restkapazität überprüfen, ohne den Ein-Aus-Schalter einzuschalten.

Anzeigen der Akku-Restkapazität

Drücken Sie die Prüftaste am Akku, um die Akku-Restkapazität anzuzeigen. Die Anzeigelampen leuchten wenige Sekunden lang auf.

► **Abb.4:** 1. Anzeigelampen 2. Prüftaste

Anzeigelampen			Restkapazität
Erleuchtet	Aus	Blinkend	
			75% bis 100%
			50% bis 75%
			25% bis 50%
			0% bis 25%
			Den Akku aufladen.
			Möglicherweise liegt eine Funktionsstörung im Akku vor.

HINWEIS: Abhängig von den Benutzungsbedingungen und der Umgebungstemperatur kann die Anzeige geringfügig von der tatsächlichen Kapazität abweichen.

HINWEIS: Die erste (äußerste linke) Anzeigelampe blinkt, wenn das Akku-Schutzsystem aktiv ist.

Maschinen-/Akku-Schutzsystem

Die Maschine ist mit einem Maschinen-/Akku-Schutzsystem ausgestattet. Dieses System schaltet die Stromversorgung des Motors automatisch ab, um die Lebensdauer von Maschine und Akku zu verlängern. Die Maschine bleibt während des Betriebs automatisch stehen, wenn die Maschine oder der Akku einer der folgenden Bedingungen unterliegt:

Überlastschutz

Wird die Maschine oder der Akku auf eine Weise benutzt, die eine ungewöhnlich hohe Stromaufnahme bewirkt, bleibt die Maschine automatisch stehen, und die Geschwindigkeitsanzeige blinkt in Grün. Schalten Sie in dieser Situation die Maschine aus, und brechen Sie die Anwendung ab, die eine Überlastung der Maschine verursacht hat. Schalten Sie dann die Maschine wieder ein, um sie neu zu starten.

Überhitzungsschutz

Wenn die Maschine überhitzt wird, bleibt die Maschine automatisch stehen, und die Geschwindigkeitsanzeige leuchtet in Rot auf. Lassen Sie die Maschine und den Akku in diesem Fall abkühlen, bevor Sie die Maschine wieder einschalten.

HINWEIS: Die Geschwindigkeitsanzeige blinkt in Rot, wenn der Akku überhitzt ist.

Überentladungsschutz

Wenn die Akkukapazität nicht ausreicht, bleibt die Maschine automatisch stehen, und die Geschwindigkeitsanzeige blinkt in Rot. Entfernen Sie in diesem Fall den Akku von der Maschine, und laden Sie den Akku auf, oder tauschen Sie den Akku gegen einen voll aufgeladenen aus.

Schutz gegen andere Ursachen

Das Schutzsystem ist auch für andere Ursachen ausgelegt, die eine Beschädigung der Maschine bewirken könnten, und ermöglicht automatisches Anhalten der Maschine. Führen Sie alle folgenden Schritte aus, um die Ursachen zu beseitigen, wenn die Maschine zu einem vorübergehenden Stillstand oder Betriebsstopp gekommen ist.

1. Schalten Sie die Maschine aus und wieder ein, um sie neu zu starten.
2. Laden Sie den/die Akku(s) auf, oder tauschen Sie ihn/sie gegen einen aufgeladenen Akku/aufgeladene Akkus aus.
3. Lassen Sie die Maschine und den/die Akku(s) abkühlen.

Falls die Wiederherstellung des Schutzsystems keine Besserung bringt, wenden Sie sich an Ihre lokale Makita-Kundendienststelle.

ANMERKUNG: Falls die Maschine wegen einer oben nicht beschriebenen Ursache stehen bleibt, nehmen Sie auf den Abschnitt zur Fehlersuche Bezug.

Betriebsart-Umschalttaste

Die Geschwindigkeit kann in drei Stufen geändert werden. Um den Geschwindigkeitsmodus zu ändern, drücken Sie die Betriebsart-Umschalttaste. Wenn Sie den Geschwindigkeitsmodus ändern, leuchten die entsprechenden Geschwindigkeitsanzeigen auf.

► **Abb.5:** 1. Betriebsart-Umschalttaste

HINWEIS: Sie können die Betriebsart nicht ändern, wenn die Maschine eingeschaltet ist. Ändern Sie die Betriebsart, wenn die Maschine ausgeschaltet ist und der Akku in der Maschine installiert ist.

HINWEIS: Falls die Geschwindigkeitsanzeige in Rot aufleuchtet oder in Rot oder Grün blinkt, nehmen Sie auf die Anweisungen für das Maschinen-/Akku-Schutzsystem Bezug.

Ein-Aus-Schalter

⚠️ WARNUNG: Schalten Sie den Hauptbetriebsschalter stets aus, wenn das Werkzeug nicht benutzt wird.

ANMERKUNG: Drehen Sie den Ein-Aus-Schalter nicht gewaltsam. Dies kann eine Funktionsstörung des Schalters verursachen.

Um die Maschine einzuschalten, drehen Sie den Ein-Aus-Schalter im Uhrzeigersinn, und um die Maschine auszuschalten, drehen Sie den Ein-Aus-Schalter entgegen dem Uhrzeigersinn.

► **Abb.6:** 1. Ein-Aus-Schalter

HINWEIS: Die Akku-Anzeigen leuchten für einige Sekunden auf, nachdem Sie die Maschine eingeschaltet haben.

HINWEIS: Falls Sie den Akku in die Maschine installieren, während sich der Ein-Aus-Schalter in der Einschaltposition befindet, blinkt die Geschwindigkeitsanzeige in Grün. Drehen Sie den Ein-Aus-Schalter in die Ausschaltposition und installieren Sie dann den Akku in der Maschine.

Düsenfunktionen

HINWEIS: Die Standarddüsen können je nach Land unterschiedlich sein. Nehmen Sie für andere Düsen auf den Abschnitt über Sonderzubehör Bezug.

Zyklonstrahldüse

Länderspezifisch

ANMERKUNG: Verwenden Sie die Zyklonstrahldüse nicht zur Reinigung empfindlicher Oberflächen wie Fenster oder Karosserien.

► **Abb.7**

Ein spiralförmiger Strahl wird ausgestoßen. Eignet sich zum Entfernen von hartnäckigem Schmutz.

Vario-Sprühdüse und Verlängerungsrohr

Länderspezifisch

⚠ VORSICHT: Montieren Sie nur die Vario-Sprühdüse am Verlängerungsrohr. Schließen Sie nicht die anderen optionalen Verlängerungsrohre an das Original-Verlängerungsrohr an. Werden andere Aufsätze als die vom Hersteller empfohlenen verwendet, besteht die Gefahr von Beschädigungen oder Personenschäden.

⚠ VORSICHT: Achten Sie beim Einstellen des Strahldrucks darauf, dass Sie die Düse nicht drehen, während Sie sie zur Schaltpistole ziehen. Die Düse kann sich sonst von der Schaltpistole lösen und Personenschäden verursachen.

⚠ VORSICHT: Drehen Sie die Düsen Spitze zur Einstellung des Wasserstrahls nicht gewaltsam. Andernfalls kann die Düse brechen und Verletzungen verursachen.

► **Abb.8:** 1. Vario-Sprühdüse 2. Verlängerungsrohr
Der Strahldruck kann durch Drehen der Düse eingestellt werden.

ANMERKUNG: Halten Sie beim Drehen der Düse nicht die Düsen Spitze, sondern den Düsenfuß, wie in der Abbildung gezeigt.

► **Abb.9**

HINWEIS: Die Vario-Sprühdüse kann auch direkt an der Schaltpistole angebracht werden.

Auslöserbetätigung

ANMERKUNG: Um einen mechanischen Fehler im Druckschalter zu vermeiden, halten Sie stets ein Zwei-Sekunden-Intervall zwischen Auslöserbetätigungen ein.

Betätigen Sie den Auslöser, um einen Wasserstrahl abzugeben. Der Strahl wird abgegeben, solange der Auslöser gedrückt gehalten wird.
Zur sicheren Handhabung der Schaltpistole kann der Auslöser verriegelt werden. Um den Auslöser zu verriegeln, ziehen Sie den Stopper heraus, und hängen Sie ihn in die Nut am Griff ein.
► **Abb.10:** 1. Auslöser 2. Stopper 3. Nut

MONTAGE

⚠ WARNUNG: Vergewissern Sie sich stets, dass alle Akkus abgenommen sind, bevor Sie irgendwelche Arbeiten an der Maschine ausführen. Wird das Abnehmen aller Akkus unterlassen, kann es zu schweren Personenschäden durch versehentliches Anlaufen kommen.

Anschließen des Hochdruckschlauchs

⚠ VORSICHT: Vergewissern Sie sich, dass der Hochdruckschlauch sicher angeschlossen ist. Bei einer lockeren Verbindung kann der Hochdruckschlauch weggeschleudert werden, was zu einem Personenschaden führen kann.

Schließen Sie den Hochdruckschlauch an den Auslass an. Drehen Sie die Mutter am Hochdruckschlauch im Uhrzeigersinn, während Sie sie auf das Gewinde des Auslasses schrauben.
► **Abb.11:** 1. Auslass 2. Mutter

Anbringen der Schaltpistole

⚠ VORSICHT: Vergewissern Sie sich, dass der Hochdruckschlauch sicher angeschlossen ist. Bei einer lockeren Verbindung kann der Hochdruckschlauch weggeschleudert werden, was zu einem Personenschaden führen kann.

Schließen Sie den Hochdruckschlauch an den Einlass der Schaltpistole an. Drehen Sie die Mutter am Hochdruckschlauch im Uhrzeigersinn, während Sie sie auf das Gewinde des Einlasses schrauben.
► **Abb.12:** 1. Einlass 2. Mutter

Anschließen an einen Wasserhahn

⚠ VORSICHT: Verwenden Sie immer einen druckfesten Wasserschlauch mit den folgenden Durchmessern, und schließen Sie ihn mit geeigneten Armaturen an den Wasserhahn an. Andernfalls kann der Wasserschlauch und/oder die Armatur brechen und Personenschäden verursachen.

- Der Innendurchmesser des Schlauchs beträgt 14 mm bis 15 mm.
- Der Außendurchmesser des Schlauchs beträgt 20 mm oder weniger.
- Die Dicke des Schlauchs beträgt 2,3 mm oder mehr und weniger als 3,0 mm.

ANMERKUNG: Der druckfeste Wasserschlauch sollte so kurz wie möglich sein. Die Menge des Ansaugwassers sollte größer als das maximale Fördervolumen der Pumpe sein.

ANMERKUNG: Wenn Sie das Gerät an die Trinkwasserversorgung anschließen, verwenden Sie ein Rückflussverhinderungsventil, das die Vorschriften in Ihrer Region erfüllt.

ANMERKUNG: Bei Anschluss an einen Wasserhahn beträgt die erforderliche Wasserdurchflussmenge 7,0 L/min oder mehr. Falls die Wasserdurchflussmenge unzureichend ist, können Sie nicht die volle Leistungsfähigkeit der Maschine erreichen.

HINWEIS: Die Schlauchbaugruppe wird mit an beiden Enden angebrachten Kupplungsmuffen geliefert. Beim Anschluss an einen Wasserhahn ohne Kupplungsmuffe entfernen Sie die Kupplungsmuffe an einem Ende, indem Sie die Kupplungsmuffe in die in der Abbildung gezeigte Pfeilrichtung drehen.

► **Abb.13:** 1. Mutter der Kupplungsmuffe
2. Kupplungsmuffe

1. Schließen Sie die Schlauchbaugruppe an den Wasserhahn an. Bringen Sie eine geeignete Armatur, wie z. B. eine Schlauchschelle oder eine Wasserhahnkupplung, an, um das Schlauchende am Wasserhahn zu sichern.
► **Abb.14:** 1. Schlauchschelle 2. Kupplungsmuffe
3. Schlauchbaugruppe

ANMERKUNG: Schließen Sie die Schlauchbaugruppe sicher an den Wasserhahn an. Andernfalls kann sich die Schlauchbaugruppe beim Öffnen des Wasserhahns lösen.

HINWEIS: Die Art der Armatur hängt von der Form des Wasserhahns ab, an den Sie den Anschluss vornehmen. Bereiten Sie eine geeignete handelsübliche Armatur vor.

2. Bringen Sie den Wasserschlauchverbinder am Einlass an, und bringen Sie dann die Kupplungsmuffe am Wasserschlauchverbinder an.

- **Abb.15:** 1. Kupplungsmuffe
2. Wasserschlauchverbinder 3. Einlass

ANMERKUNG: Bringen Sie den Wasserschlauchverbinder und die Kupplungsmuffe sicher an. Anderenfalls kann sich der Wasserschlauchverbinder oder die Kupplungsmuffe beim Öffnen des Wasserhahns lösen.

Anbringen/Abnehmen der Düse

⚠ VORSICHT: Verriegeln Sie immer den Auslöser der Schalt pistole, wenn Sie die Düse anschließen/abtrennen.

⚠ VORSICHT: Schließen Sie die Düse sicher an die Schalt pistole an, und achten Sie darauf, dass sie sich nicht löst.

⚠ VORSICHT: Drehen Sie die Düse beim Anschließen oder Abnehmen nicht gewaltsam. Anderenfalls kann die Düse brechen oder sich lösen und Verletzungen verursachen.

Führen Sie das Ende der Düse in den Schlitz der Schalt pistole ein, und drehen Sie die Düse in Richtung des Pfeils, wie in der Abbildung gezeigt, während Sie die Düse in Richtung der Schalt pistole drücken. Um die Düse abzuziehen, drehen Sie die Düse in die umgekehrte Richtung, während Sie sie in Richtung der Schalt pistole drücken, und ziehen Sie sie dann heraus.

- **Abb.16:** 1. Schalt pistole 2. Schlitz 3. Ende der Düse

Anschließen der Schaumdüse

Sonderzubehör

⚠ VORSICHT: Verriegeln Sie immer den Auslöser der Schalt pistole, wenn Sie die Düse anschließen/abtrennen.

ANMERKUNG: Verwenden Sie nur neutrale Reinigungsmittel. Verwenden Sie keine Haushaltsreiniger, säurehaltigen oder alkalischen Reinigungsmittel, Bleichmittel, Lösungsmittel, entflammables Material oder Industrielösungen, die die Maschine oder Ihr Eigentum beschädigen könnten. Bereiten Sie die Reinigungslösung gemäß den Anweisungen auf der Flasche zu, und testen Sie sie vorher immer an einer unauffälligen Stelle.

ANMERKUNG: Falls ein hochviskoses Reinigungsmittel verwendet wird, besteht die Gefahr, dass die Düse verstopft. Wenn Sie ein hochviskoses Reinigungsmittel verwenden, verdünnen Sie es vor der Benutzung, indem Sie Wasser in die Flasche geben.

HINWEIS: Wenn Sie die Schaumdüse verwenden, wird das Reinigungsmittel in der Flasche mit dem von der Maschine gelieferten Wasser verdünnt und versprüht. Sie müssen die Konzentration des Reinigungsmittels in der Flasche nicht mehr als nötig verdünnen. Passen Sie die Konzentration des Reinigungsmittels an, und überprüfen Sie die Nutzungsbedingungen.

HINWEIS: Falls die Schaumdüse auf die Seite gekippt wird, kann das Reinigungsmittel verschüttet werden.

Bereiten Sie ein Reinigungsmittel vor, bevor Sie die Schaumdüse verwenden.

1. Entfernen Sie die Düse durch Drehen entgegen dem Uhrzeigersinn vom Tank. Bringen Sie die Düse an der Schalt pistole an.

- **Abb.17:** 1. Düse 2. Schalt pistole

2. Gießen Sie das Reinigungsmittel in den Tank, und bringen Sie den Tank durch Drehen in die in der Abbildung gezeigte Richtung an der Düse an.

- **Abb.18:** 1. Tank

BETRIEB

⚠ WARNUNG: Berühren Sie den Wasserstrahl nicht, und richten Sie ihn auch nicht auf sich selbst oder andere. Der Wasserstrahl ist gefährlich und kann Sie oder andere verletzen.

⚠ WARNUNG: Wenn Sie den Wasserstrahl abgeben, halten Sie den zu reinigenden Gegenstand niemals mit der Hand, und bringen Sie auch nicht Ihre Hände und Füße in die Nähe des Wasserstrahls.

⚠ VORSICHT: Seien Sie auf der Hut vor dem Rückstoß des Wasserstrahls und vor weggeschleuderten Gegenständen. Bringen Sie die Düse nicht näher als 30 cm an das Objekt heran.

⚠ VORSICHT: Lassen Sie den Hochdruckreiniger nicht länger als 1 Minute ohne Wasser laufen.

⚠ VORSICHT: Betreiben Sie den Hochdruckreiniger nicht über eine längere Zeitspanne. Dies kann zu Überhitzung oder einem Brand führen. Außerdem kann langfristige Benutzung Gefährdung durch Vibrationen mit sich bringen.

⚠ VORSICHT: Achten Sie auf die Windrichtung. Falls das Reinigungsmittel in Ihre Augen oder Ihren Mund gelangt, spülen Sie die betroffenen Stellen sofort mit Frischwasser ab, und suchen Sie nötigenfalls ärztliche Behandlung auf.

⚠ VORSICHT: Halten Sie die Schalt pistole mit festem Griff. Die Betätigung des Auslösers bewirkt einen Rückstoß an der Schalt pistole.

⚠ VORSICHT: Halten Sie die Schalt pistole beim Abgeben des Wasserstrahls immer an Griff und Pistolenlauf.

ANMERKUNG: Vermeiden Sie den Gebrauch des Hochdruckreinigers für mehr als 1 Stunde. Legen Sie nach 1-stündigem Gebrauch eine ebenso lange Pause ein.

ANMERKUNG: Um den Mechanismus des Hochdruckreinigers zu schützen, verwenden Sie kein Wasser, das heißer als 40 °C ist.

ANMERKUNG: Achten Sie darauf, dass Sie die Schaltpistole während des Betriebs nicht gewaltsam ziehen. Dies kann zum Umkippen des Hochdruckreinigers führen.

ANMERKUNG: Soll der Betrieb für längere Zeit unterbrochen werden, schalten Sie den Hochdruckreiniger aus, und betätigen Sie den Auslöser, um das restliche Wasser vollständig abzulassen.

Wird der Hochdruckreiniger längere Zeit unter hohem Druck stehen gelassen, lässt er sich möglicherweise nicht wieder starten. Schalten Sie den Hochdruckreiniger in dieser Situation aus, führen Sie Wasser von einem Wasserhahn dem Einlass zu, und betätigen Sie den Auslöser, während Sie die Wasserversorgung eine Zeitlang aufrechterhalten. Schalten Sie dann den Hochdruckreiniger ein.

ANMERKUNG: Verwenden Sie die Maschine nicht in umgekippter Stellung. Anderenfalls kann es zu Fehlfunktionen kommen.

► **Abb.19**

Entfernen Sie vor dem Betrieb der Maschine die Düse von der Schaltpistole.

1. Öffnen Sie die Akkuabdeckung, installieren Sie die Akkus in den Hochdruckreiniger, und verriegeln Sie dann die Akkuabdeckung.

► **Abb.20:** 1. Akku 2. Akkuabdeckung

2. Schließen Sie ein Ende des Hochdruckschlauchs an die Schaltpistole, und das andere Ende an den Hochdruckreiniger an.

3. Schließen Sie den Hochdruckreiniger mit einem Wasserschlauch an den Wasserhahn an. Öffnen Sie anschließend den Wasserhahn.

► **Abb.21**

ANMERKUNG: Vergewissern Sie sich vor dem Einschalten der Maschine, dass der Wasserhahn vollständig geöffnet ist.

4. Wählen Sie die gewünschte Betriebsart durch Drücken der Betriebsart-Umschalttaste, und drehen Sie dann den Ein-Aus-Schalter im Uhrzeigersinn, um die Maschine einzuschalten.

► **Abb.22:** 1. Ein-Aus-Schalter
2. Betriebsart-Umschalttaste

5. Um einen Wasserstrahl abzugeben, entriegeln Sie den Stopper, und drücken Sie den Auslöser. Sobald das Wasser stabil aus der Schaltpistole ausgestoßen wird, lassen Sie den Auslöser los und schalten die Maschine aus.

► **Abb.23:** 1. Stopper

HINWEIS: Entfernen Sie vor diesem Betrieb unbedingt die Düse von der Schaltpistole.

6. Bringen Sie die Düse an der für Ihren Zweck vorgesehenen Schaltpistole an, und schalten Sie dann die Maschine ein, um den Waschbetrieb zu starten.

Wenn Sie den Betrieb unterbrechen, können Sie die Schaltpistole vorübergehend ablegen, wie in der Abbildung gezeigt.

► **Abb.24**

Wasserversorgung von einem Tank/ Behälter

⚠ VORSICHT: Achten Sie beim Anbringen der Hülse am Filtergehäuse der Siebbaugruppe darauf, dass Sie Ihre Hand nicht an der Schlauchschelle verletzen.

ANMERKUNG: Verwenden Sie immer die Schlauchbaugruppe und Siebbaugruppe von Makita.

ANMERKUNG: Halten Sie immer eine Höhe von maximal 1,0 m (39-3/8 ft) zwischen dem Einlass des Hochdruckreinigers und dem Wasserspiegel ein. Anderenfalls ist der Hochdruckreiniger nicht in der Lage, das Wasser in die Pumpe anzusaugen.

ANMERKUNG: Der Wasserstand, den die Maschine hochpumpen kann, beträgt 100 mm oder mehr.

ANMERKUNG: Verwenden Sie kein Wasser aus Flüssen, Teichen oder mit Sand oder Schlamm vermishtes Wasser. Anderenfalls kann es zu Fehlfunktionen kommen.

HINWEIS: Falls es sehr lange dauert, bis das Wasser herauskommt, reinigen Sie das Sieb und den Filter der Siebbaugruppe.

Anstelle eines Wasserhahns können Sie Wasser auch von einem Tank oder Behälter zuführen.

1. Schalten Sie die Maschine aus, und entfernen Sie die Düse von der Schaltpistole.

2. Schließen Sie die Schlauchbaugruppe und die Siebbaugruppe an den Wasserschlauchverbinder an.

► **Abb.25:** 1. Tank/Behälter 2. Siebbaugruppe

3. Schlauchbaugruppe
4. Wasserschlauchverbinder

3. Schalten Sie die Maschine ein, entriegeln Sie den Stopper, und drücken Sie den Auslöser. Sobald das Wasser stabil aus der Schaltpistole ausgestoßen wird, lassen Sie den Auslöser los.

► **Abb.26:** 1. Schaltpistole

HINWEIS: Es dauert etwa 10 bis 60 Sekunden, bis das Wasser austritt.

HINWEIS: Entfernen Sie vor diesem Betrieb unbedingt die Düse von der Schaltpistole.

4. Schalten Sie die Maschine aus, bringen Sie die Düse an der Schaltpistole für Ihren Zweck an, und schalten Sie dann die Maschine ein, um den Waschbetrieb zu starten.

HINWEIS: Wenn kein Wasser austritt, lösen Sie die Schlauchbaugruppe und die Siebbaugruppe, und tauchen Sie sie in Wasser ein. Schließen Sie sie dann wieder an die Maschine an.

► **Abb.27:** 1. Schlauchbaugruppe und Siebbaugruppe

HINWEIS: Falls die Wasseransaugung nicht funktioniert, es lange dauert oder der Wasserdruck nicht ausreicht, überprüfen Sie Folgendes:

- Lockerung der Schlauchbaugruppe, der Siebbaugruppe und des Wasserschlauchverbinders.
- Die Kupplungsmuffen der Schlauchbaugruppe sind fest mit dem Wasserschlauchverbinder und dem Filtergehäuse der Siebbaugruppe verbunden.

Ziehen Sie die Teile an, falls sie locker sind.

Schlauchbaugruppe

► **Abb.28:** 1. Kupplungsmuffe

Siebbaugruppe

► **Abb.29:** 1. Schlauchschelle 2. Filtergehäuse

Wasserschlauchverbinder

► **Abb.30:** 1. Wasserschlauchverbinder

Nach der Benutzung

⚠ VORSICHT: Führen Sie nach dem Betrieb des Hochdruckreinigers immer das in dieser Anleitung beschriebene Verfahren durch. Restdruck in der Schaltpistole oder im Hochdruckreiniger kann Personenschäden oder Beschädigung der internen Pumpe verursachen.

1. Schalten Sie die Maschine aus, und entfernen Sie die Düse von der Schaltpistole.
2. Schließen Sie den Wasserhahn, und trennen Sie den Wasserschlauch vom Hochdruckreiniger.
► **Abb.31**
3. Schalten Sie den Hochdruckreiniger wieder ein.
4. Drücken Sie den Auslöser, bis das restliche Wasser im Hochdruckreiniger ausgestoßen wird.
► **Abb.32**

ANMERKUNG: Lassen Sie den Motor nicht länger als 1 Minute laufen.

5. Schalten Sie den Hochdruckreiniger aus, und nehmen Sie die Akkus ab.
► **Abb.33:** 1. Akku
6. Trennen Sie den Hochdruckschlauch von der Schaltpistole und dem Hochdruckreiniger.
► **Abb.34:** 1. Schaltpistole 2. Hochdruckschlauch

ANMERKUNG: Um eine Beschädigung des Hochdruckschlauchs zu verhindern, lassen Sie vor der Lagerung das restliche Wasser im Schlauch ab.

7. Halten Sie die Maschine mit beiden Händen, und lassen Sie das restliche Wasser im Inneren der Maschine ab, indem Sie die Maschine wie in der Abbildung gezeigt kippen.
► **Abb.35**

WARTUNG UND LAGERUNG

⚠ WARNUNG: Vergewissern Sie sich immer, dass alle Akkus aus der Maschine entfernt sind, bevor Sie die Maschine lagern oder transportieren oder sich anschicken, eine Inspektion oder Wartung durchzuführen.

ANMERKUNG: Verwenden Sie auf keinen Fall Benzin, Waschbenzin, Verdünnern, Alkohol oder dergleichen. Solche Mittel können Verfärbung, Verformung oder Rissbildung verursachen.

Um die SICHERHEIT und ZUVERLÄSSIGKEIT dieses Produkts zu gewährleisten, sollten Reparaturen und andere Wartungs- oder Einstellarbeiten nur von Makita-Vertragswerkstätten oder Makita-Kundendienstzentren unter ausschließlicher Verwendung von Makita-Originalersatzteilen ausgeführt werden.

Tragen der Maschine

⚠ VORSICHT: Bevor Sie die Maschine mit beiden Händen tragen, vergewissern Sie sich, dass der Handgriff vollständig eingezogen ist.

Halten Sie die Maschine beim Tragen mit beiden Händen fest, indem Sie mit einer Hand den Handgriff und mit der anderen Hand den unteren Griff halten.

► **Abb.36:** 1. Handgriff 2. Unterer Griff

Sie können die Maschine auch an den Rädern der Maschine tragen. Ziehen Sie unbedingt den Handgriff aus, indem Sie den Verriegelungsknopf drücken, bevor Sie die Maschine tragen.

► **Abb.37:** 1. Verriegelungsknopf 2. Handgriff

► **Abb.38**

⚠ VORSICHT: Wenden Sie keine übermäßige Kraft an, indem Sie sich auf den ausgezogenen Handgriff stützen. Falls sich der Handgriff löst, können Sie umfallen und sich verletzen.

ANMERKUNG: Vergewissern Sie sich, dass der Handgriff vollständig ausgezogen ist und der Verriegelungsknopf in seine Ausgangsposition zurückgestellt ist, bevor Sie die Maschine tragen.

► **Abb.39:** 1. Verriegelungsknopf

Reinigen der Düse

ANMERKUNG: Entfernen Sie Schmutz oder Unrat nicht gewaltsam. Dies kann zu Personenschäden oder Beschädigung der Austrittsöffnung führen, wodurch abgewichene Strahlwinkel oder schlechte Leistung verursacht werden können.

Verwenden Sie den Reinigungsstift, um Schmutz von der Düse zu entfernen oder Verstopfungen zu beseitigen.

► **Abb.40:** 1. Reinigungsstift

HINWEIS: Um die optimale Leistung aufrechtzuerhalten, reinigen Sie die Düse regelmäßig.

Reinigen des Filters

Lösen Sie den Wasserschlauchverbinder, und entfernen Sie Schmutz und Unrat aus dem Inneren des Filters.

- **Abb.41:** 1. Wasserschlauchverbinder 2. Filter
3. Dichtungsring

Wenn Sie die Siebbaugruppe benutzen, nehmen Sie den Filter aus dem Filtergehäuse heraus, und entfernen Sie Schmutz und Ablagerungen.

- **Abb.42:** 1. Filter 2. Filtergehäuse

HINWEIS: Um die optimale Leistung aufrechtzuerhalten, reinigen Sie den Filter regelmäßig.

Lagerung

ANMERKUNG: Lagern Sie das Gerät immer in einem Innenraum, wo die Temperatur nicht unter den Gefrierpunkt sinkt. Falls der Hochdruckreiniger einfriert und nicht richtig funktioniert, kontaktieren Sie Ihr örtliches Service-Center für Reparaturen.

ANMERKUNG: Lassen Sie unbedingt das Wasser in der Maschine vollständig ab, bevor Sie die Maschine einlagern. Fehlfunktionen oder Schäden, die aufgrund von Einfrieren durch unzureichendes Ablassen verursacht werden, fallen nicht unter die Garantie.

Bewahren Sie das Zubehör in der Tasche auf der Rückseite der Maschine auf.

- **Abb.43**

FEHLERSUCHE

Bevor Sie den Reparaturdienst anrufen, führen Sie zunächst Ihre eigene Inspektion durch. Falls Sie ein Problem finden, das nicht in der Anleitung erläutert wird, versuchen Sie nicht, die Maschine zu zerlegen. Wenden Sie sich stattdessen an autorisierte Makita-Kundendienstzentren, und achten Sie darauf, dass stets Makita-Ersatzteile für Reparaturen verwendet werden.

Zustand der Unregelmäßigkeit	Wahrscheinliche Ursache (Funktionsstörung)	Abhilfemaßnahme
Der Reiniger startet nicht.	Kein Strom	Installieren Sie geladene Akkus, und schalten Sie den Ein-Aus-Schalter ein.
	Restdruck in der Pumpe	Betätigen Sie den Auslöser.
	Der Hochdruckreiniger wurde längere Zeit unter hohem Druck stehen gelassen.	Schalten Sie den Hochdruckreiniger aus, führen Sie Wasser von einem Wasserhahn dem Einlass zu, und betätigen Sie den Auslöser, während Sie die Wasserversorgung eine Zeitlang aufrechterhalten. Schalten Sie dann den Hochdruckreiniger ein.
Kein Wasserstrahl / schwacher Wasserstrahl	Keine oder schlechte Wasserversorgung	Stellen Sie sicher, dass der Wasserhahn offen ist. Falls Sie die Schlauchbaugruppe und die Siebbaugruppe benutzen, führen Sie Wasser in den Schlauch ein.
	Luft blockiert den Wasserfluss.	Schalten Sie den Schalter aus und wieder ein, während Sie den Auslöser drücken.
	Schlechter Wasserschlauchanschluss	Überprüfen Sie die Verbindung zwischen dem Hochdruckreiniger und dem Wasserhahn.
	Unzureichender Anschluss der Schläuche (wenn die Siebbaugruppe benutzt wird)	Ziehen Sie die Kupplungsmuffe an, falls sie locker ist. Führen Sie die Kupplungsmuffe sicher ein.
	Schlauch, Filter oder Düse verstopft	Beseitigen Sie die Verstopfung von Schlauch, Filter oder Düse.
	Düse oder Schlauch beschädigt oder verschlissen	Tauschen Sie die Düse oder den Schlauch aus.
Instabiler Wasserstrahl	Düse verstopft	Beseitigen Sie die Verstopfung der Austrittsöffnung der Düse mit dem Reinigungsstift.
	Schlechte Wasseransaugung	Überprüfen Sie den Wasserschlauch vom Wasserhahn ausgehend auf etwaige Undichtigkeit oder Verstopfung. Drehen Sie den Wasserhahn auf.
	Das Wasser ist zu heiß.	Führen Sie kühleres Wasser zu.
Wasserleckage	Schlechter Wasserschlauchanschluss	Überprüfen Sie, ob die Schläuche sicher angeschlossen sind.
	Beschädigter oder verschlissener Schlauch	Tauschen Sie den Schlauch aus.

SONDERZUBEHÖR

⚠ VORSICHT: Die folgenden Zubehöreile oder Vorrichtungen werden für den Einsatz mit der in dieser Anleitung beschriebenen Makita-Maschine empfohlen. Die Verwendung anderer Zubehöreile oder Vorrichtungen kann eine Verletzungsgefahr darstellen. Verwenden Sie Zubehöreile oder Vorrichtungen nur für ihren vorgesehenen Zweck.

Wenn Sie weitere Einzelheiten bezüglich dieser Zubehöreile benötigen, wenden Sie sich bitte an Ihre Makita-Kundendienststelle.

- Düsen und Schläuche
- Original-Makita-Akku und -Ladegerät

HINWEIS: Manche Teile in der Liste können als Standardzubehör im Produktpaket enthalten sein. Sie können von Land zu Land unterschiedlich sein.

Kombinationen von Düsen und Schläuchen

► Abb.44

1	Spritzschutz	2	Zyklonstrahldüse *1	3	Vario-Sprühdüse *1
4	Verlängerungsrohr *1	5	Schaumdüse	6	Waschbürste
7	Vario-Sprühlanze	8	Variable Düse	9	Rotierende Bürste
10	Unterboden-Sprühlanze	11	Rohrreinigungsschlauch (10 m)	12	Rohrreinigungsschlauch (15 m)
13	Verbindungsstück	14	Schaltpistole *1	15	Lanzenverlängerung *2
16	Hochdruckschlauch *1	17	Hochdruck-Verlängerungsschlauch (5 m)	18	Hochdruck-Verlängerungsschlauch (8 m)
19	Hochdruck-Verlängerungsschlauch (10 m)	20	Drehkupplung	21	Wasserschlauchverbinder *1
22	Schlauchbaugruppe *1	23	Siebbaugruppe *1	-	-

*1: Standardzubehör

*2: Nicht in Kombination mit Unterboden-Sprühlanze erhältlich.

Spritzschutz

► Abb.45

Reduziert das Zurückspritzen beim Reinigen von Ecken mit der Zyklonstrahldüse.

► **Abb.46:** 1. Mutter 2. Zyklonstrahldüse

Wenn Sie den Spritzschutz verwenden, entfernen Sie die Mutter vom Spritzschutz, führen Sie dann die Zyklonstrahldüse in den Spritzschutz ein, und ziehen Sie dann die Mutter an.

Schaumdüse

► Abb.47

Reinigungsmittel kann als Schaum versprüht werden.

Waschbürste

► Abb.48

Eine mit einer Bürste ausgestattete Düse. Praktisch zum Auswaschen von Schmutz bei gleichzeitigem Scrubben mit der Bürste.

Vario-Sprühlanze

⚠ VORSICHT: Achten Sie beim Einstellen des Strahlendrucks darauf, dass Sie die Düse nicht drehen, während Sie sie zur Schaltpistole ziehen. Die Düse kann sich sonst von der Schaltpistole lösen und Personenschäden verursachen.

⚠ VORSICHT: Drehen Sie die Düsenspitze zur Einstellung des Wasserstrahls nicht gewaltsam. Anderenfalls kann die Düse brechen und Verletzungen verursachen.

► Abb.49

Der Strahlruck kann durch Drehen der Düse eingestellt werden.

Variable Düse

⚠ VORSICHT: Achten Sie beim Einstellen der Strahlbreite darauf, dass Sie die Düse nicht drehen, während Sie sie zur Schaltpistole ziehen. Die Düse kann sich sonst von der Schaltpistole lösen und Personenschäden verursachen.

⚠ VORSICHT: Drehen Sie die Düsenspitze zur Einstellung des Wasserstrahls nicht gewaltsam. Anderenfalls kann die Düse brechen und Verletzungen verursachen.

► Abb.50

Die Strahlbreite kann durch Drehen des Vorderendes der Düse von 0° bis 25° eingestellt werden.

Rotierende Bürste

► Abb.51

Drei Bürsten im Inneren drehen sich langsam, während der Strahl abgegeben wird. Geeignet zum Entfernen von leichtem Schmutz auf einer Außenwand, Autokarosserie, Badewanne usw.

Unterboden-Sprühlanze

⚠ VORSICHT: Verwenden Sie die Unterboden-Sprühlanze nicht mit der Lanzenverlängerung.

► Abb.52

Eine besonders lange Sprühlanze mit angewinkelter Düse. Optimal zum Reinigen schwer erreichbarer Stellen, wie z. B. Unterboden eines Autos und Dachrinne.

Rohrreinigungsschlauch (10 m/15 m)

⚠ VORSICHT: Schenken Sie dem Wasserstrahl besondere Aufmerksamkeit, wenn Sie den Rohrreinigungsschlauch verwenden. Ein äußerst starker Wasserstrahl wird rückwärts ausgestoßen. Lösen Sie den Wasserstrahl nur dann aus, wenn die Düse mindestens bis zur roten Markierung in das zu reinigende Rohr eingeführt worden ist.

► Abb.53

Zum Reinigen und Entstopfen von Rohrleitungen und Fallrohren.

Verbindungsstück

► Abb.54

Zum Anschließen einer Düse eines anderen Modells.

Bei einigen optionalen Düsen muss das Verbindungsstück (Sonderzubehör) an der Schaltpistole angebracht werden. Bringen Sie das Verbindungsstück auf die gleiche Weise wie die Düse an der Schaltpistole an.

- **Abb.55:** 1. Düse 2. Verbindungsstück
3. Schaltpistole

Lanzenverlängerung

► Abb.56

Rohre zum Verlängern der Länge der Schaltpistole. Drei unterschiedliche Längen sind durch Ändern der Anzahl der zu verwendenden Rohre verfügbar.

Hochdruck-Verlängerungsschlauch (5 m/8 m/10 m)

► Abb.57

Verlängerungsschlauch zum Verbinden des Hochdruckreiniger-Hauptteils mit der Schaltpistole.

Drehkupplung

► Abb.58

Verhindert Verdrehen des Hochdruckschlauchs.

- **Abb.59:** 1. Knopf 2. Mutter

Um den Hochdruckschlauch an die Drehkupplung anzuschließen oder von ihr zu trennen, drehen Sie die Mutter am Hochdruckschlauch, während Sie den Knopf an der Drehkupplung drücken.

Schlauchbaugruppe

► Abb.60

Eine Schlauchbaugruppe zum Anschließen eines Wasserhahns an das Produkt oder der Siebbaugruppe an das Produkt.

Siebbaugruppe

► Abb.61

Eine Siebbaugruppe für die Wasserzufuhr aus einem Tank oder Behälter. Benutzen Sie die Schlauchbaugruppe zum Anschließen an das Produkt.

AVVERTENZA

- Le macchine non devono essere utilizzate dai bambini. I bambini vanno tenuti sotto controllo per accertarsi che non giochino con la macchina.
- Questa macchina non è destinata all'utilizzo da parte di persone (inclusi i bambini) con capacità fisiche, sensoriali o mentali ridotte, o con carenza di esperienza e preparazione.
- Questa macchina è stata progettata per l'uso con il detergente fornito in dotazione o consigliato dal produttore. L'utilizzo di altri detergenti o altri prodotti chimici potrebbe influenzare negativamente la sicurezza della macchina.
- Durante l'uso di idropulitrici ad alta pressione, possono formarsi degli aerosol. L'inalazione di aerosol può essere nociva per la salute.
- A seconda dell'applicazione, è possibile utilizzare per la pulizia ad alta pressione degli ugelli schermati, che riducono in modo sostanziale l'emissione di aerosol idrati. Tuttavia, non tutte le applicazioni consentono l'utilizzo di dispositivi del genere. Qualora gli ugelli schermati non siano applicabili per la protezione dagli aerosol, potrebbe essere necessaria una maschera respiratoria di classe FFP 2 o equivalente, a seconda dell'ambiente di pulizia.
- Il datore di lavoro deve eseguire una valutazione dei rischi per specificare le misure protettive necessarie relative agli aerosol, a seconda della superficie da pulire e del relativo ambiente. Le maschere respiratorie di classe FFP 2, equivalenti o di classe più elevata sono idonee per la protezione da aerosol idrati.
- I getti ad alta pressione possono essere pericolosi, se soggetti a uso improprio. Il getto non deve essere rivolto verso persone, apparecchi elettrici sotto tensione o la macchina stessa.
- Non utilizzare la macchina in prossimità di altre persone, a meno che indossino indumenti protettivi.
- Non dirigere il getto contro se stessi o altri per pulire indumenti o calzature.
- Rischio di esplosioni: non spruzzare liquidi infiammabili.
- Le idropulitrici ad alta pressione non vanno utilizzate da bambini o persone non addestrate.
- Tubi flessibili ad alta pressione, raccordi e giunti sono fondamentali per la sicurezza della macchina. Utilizzare solo tubi flessibili, raccordi e giunti consigliati dal produttore.

- Per garantire la sicurezza della macchina, utilizzare solo pezzi di ricambio originali del produttore o approvati dal produttore.
- Prima di eseguire qualsiasi lavoro sull'utensile, accertarsi sempre che la macchina sia spenta e che le cartucce delle batterie siano state rimosse.
- Non utilizzare la macchina qualora parti importanti di quest'ultima siano danneggiate, ad esempio dispositivi di sicurezza, tubi flessibili ad alta pressione, pistola a grilletto.
- Rimuovere sempre le cartucce delle batterie quando si intende lasciare la macchina incustodita.
- Conformarsi ai requisiti dell'azienda locale di distribuzione dell'acqua.
- Per le nazioni europee:
In base allo standard EN12729 (BA), l'elettrodomestico può anche venire collegato alla rete pubblica di distribuzione dell'acqua potabile, qualora si installi sul tubo flessibile di alimentazione una valvola antiriflusso (disconnettore idrico) con funzione di scarico.

DATI TECNICI

Modello:		HW001G
Portata max*1		7,0 L/min
Portata acqua*2	Modalità 3 (modalità alta)	5,5 L/min
	Modalità 2 (modalità media)	4,2 L/min
	Modalità 1 (modalità bassa)	3,0 L/min
Pressione massima consentita		11,5 MPa
Pressione di esercizio*2	Modalità 3 (modalità alta)	8,5 MPa
	Modalità 2 (modalità media)	5,5 MPa
	Modalità 1 (modalità bassa)	3,0 MPa
Pressione massima di alimentazione		1,0 MPa
Temperatura massima di alimentazione		40°C
Altezza massima di aspirazione		1,0 m
Tensione nominale		36 V - 40 V CC max
Dimensioni (L x P x A)*3		344 mm x 383 mm x 520 mm
Peso netto		10,3 - 13,4 kg
Protezione contro l'accesso di liquidi		IPX5

*1: quando si utilizza la pistola a grilletto senza gli ugelli.

*2: quando si utilizzano l'ugello di spruzzatura Vario e il tubo di prolunga.

*3: quando la maniglia è ripiegata e senza tubi flessibili.

- A causa del nostro programma continuativo di ricerca e sviluppo, i dati tecnici sono soggetti a modifiche senza preavviso.
- I dati tecnici possono variare da nazione a nazione.
- Il peso può variare a seconda dell'accessorio o degli accessori, inclusa la cartuccia della batteria. La combinazione più leggera e quella più pesante, secondo la procedura EPTA 01/2014, sono indicate nella tabella.

Cartuccia della batteria e caricabatterie applicabili





Cartuccia della batteria	BL4020 / BL4025 / BL4040 / BL4050F* / BL4080F* *: Batteria consigliata
Caricabatterie	DC40RA / DC40RB / DC40RC


- Alcune cartucce delle batterie e alcuni caricabatterie elencati sopra potrebbero non essere disponibili a seconda della propria area geografica di residenza.



AVVERTIMENTO: Utilizzare solo le cartucce delle batterie e i caricabatterie elencati sopra. L'utilizzo di altre cartucce delle batterie e di altri caricabatterie potrebbe causare lesioni personali e/o un incendio.

Simboli

Le figure seguenti mostrano i simboli utilizzati per l'apparecchio. Accertarsi di comprenderne il significato prima dell'uso.

	Adottare cura e attenzione particolari.
	Leggere il manuale d'uso.
	Non collegare a un rubinetto di acqua potabile.
	Non dirigere il getto verso persone, incluso l'utilizzatore stesso, animali e apparecchi elettrici sotto tensione.

	<p>Solo per le nazioni dell'EU A causa della presenza di componenti pericolosi nelle apparecchiature, i rifiuti di apparecchiature elettriche ed elettroniche, accumulatori e batterie potrebbero produrre un impatto negativo sull'ambiente e sulla salute umana. Non smaltire elettrodomestici elettrici ed elettronici o batterie insieme ai rifiuti domestici! In conformità alla direttiva europea sui rifiuti di apparecchiature elettriche ed elettroniche (RAEE), sugli accumulatori e le batterie, nonché sui rifiuti di accumulatori e batterie, e al suo adattamento alle normative nazionali, i rifiuti di apparecchiature elettriche ed elettroniche, batterie e accumulatori vanno conservati separatamente e conferiti a un punto di raccolta separato per i rifiuti comunali, operando in conformità alle normative per la protezione dell'ambiente. Tale requisito viene indicato mediante il simbolo del bidone della spazzatura con ruote barrato apposto sull'apparecchio.</p>
--	--

	Livello di potenza sonora garantita in base alla Direttiva rumore macchine all'aperto UE.
	Livello di potenza sonora in base alla normativa sul controllo del rumore NSW australiana

Utilizzo previsto

Questa macchina è destinata alla pulizia dello sporco ostinato mediante l'uso di un getto d'acqua. Questa macchina è destinata sia all'uso commerciale che all'uso domestico.

Rumore

Livello tipico di rumore pesato A determinato in base allo standard EN60335-2-79:

Livello di pressione sonora (L_{pA}): 71 dB (A)
Incertezza (K): 3,2 dB (A)

Il livello del rumore nelle condizioni di lavoro può superare gli 80 dB (A).

NOTA: Il valore o i valori dichiarati delle emissioni di rumori sono stati misurati in conformità a un metodo standard di verifica, e possono essere utilizzati per confrontare un utensile con un altro.

NOTA: Il valore o i valori dichiarati delle emissioni di rumori possono venire utilizzati anche per una valutazione preliminare dell'esposizione.

AVVERTIMENTO: Indossare protezioni per le orecchie.

AVVERTIMENTO: L'emissione di rumori durante l'utilizzo effettivo dell'utensile elettrico può variare rispetto al valore o ai valori dichiarati, a seconda dei modi in cui viene utilizzato l'utensile e specialmente a seconda di che tipo di pezzo venga lavorato.

AVVERTIMENTO: Accertarsi di identificare misure di sicurezza per la protezione dell'operatore che siano basate su una stima dell'esposizione nelle condizioni effettive di utilizzo (tenendo conto di tutte le parti del ciclo operativo, ad esempio del numero di spegnimenti dell'utensile e di quando giri a vuoto, oltre al tempo di attivazione).

Vibrazioni

Valore totale delle vibrazioni (somma vettoriale triassiale) determinato in base allo standard EN60335-2-79: Emissione di vibrazioni (a_h): 3,2 m/s²
Incertezza (K): 1,5 m/s²

NOTA: Il valore o i valori complessivi delle vibrazioni dichiarati sono stati misurati in conformità a un metodo standard di verifica, e possono essere utilizzati per confrontare un utensile con un altro.

NOTA: Il valore o i valori complessivi delle vibrazioni dichiarati possono venire utilizzati anche per una valutazione preliminare dell'esposizione.

⚠AVVERTIMENTO: L'emissione delle vibrazioni durante l'utilizzo effettivo dell'utensile elettrico può variare rispetto al valore o ai valori dichiarati, a seconda dei modi in cui viene utilizzato l'utensile, specialmente a seconda di che tipo di pezzo venga lavorato.

⚠AVVERTIMENTO: Accertarsi di identificare misure di sicurezza per la protezione dell'operatore che siano basate su una stima dell'esposizione nelle condizioni effettive di utilizzo (tenendo conto di tutte le parti del ciclo operativo, ad esempio del numero di spegnimenti dell'utensile e di quando giri a vuoto, oltre al tempo di attivazione).

Dichiarazioni di conformità

Solo per i paesi europei

Le Dichiarazioni di conformità sono incluse nell'Allegato A al presente manuale d'uso.

AVVERTENZE DI SICUREZZA

Avvertenze generali relative alla sicurezza dell'utensile elettrico

⚠AVVERTIMENTO Leggere tutte le avvertenze di sicurezza, le istruzioni, le illustrazioni e i dati tecnici forniti insieme a questo utensile elettrico. La mancata osservanza di tutte le istruzioni seguenti potrebbe risultare in scosse elettriche, incendi e/o gravi lesioni personali.

Conservare tutte le avvertenze e le istruzioni come riferimento futuro.

Il termine "utensile elettrico" nelle avvertenze si riferisce sia all'utensile elettrico (cablato) nel funzionamento alimentato da rete elettrica che all'utensile elettrico (a batteria) nel funzionamento alimentato a batteria.

AVVERTENZE DI SICUREZZA IMPORTANTI

⚠AVVERTIMENTO: Leggere tutte le avvertenze relative alla sicurezza e tutte le istruzioni. La mancata osservanza delle avvertenze e delle istruzioni può risultare in scosse elettriche, incendi e/o gravi lesioni personali.

Conservare tutte le avvertenze e le istruzioni come riferimento futuro.

AVVERTENZA - quando si utilizza questo prodotto, è necessario attenersi sempre alle precauzioni di base, incluse le seguenti:

Sicurezza dell'area di lavoro

1. Mantenere l'area di utilizzo libera da qualsiasi persona.
2. Non sporgersi né salire su supporti instabili. Mantenere una posizione sui piedi e un equilibrio saldi in qualsiasi momento.
3. Posizionare sempre il corpo dell'idropulitrice ad alta pressione su una superficie piana e stabile. Evitare le aree in cui l'acqua espulsa possa scorrere via o creare pozze.
4. Prima della pulizia, controllare gli ambienti circostanti e gli oggetti da pulire. I getti ad alta pressione possono raschiare via la vernice o altri trattamenti delle superfici, incluse sostanze chimiche tossiche. Se necessario, adottare delle misure preventive.
5. Fare attenzione a non inciampare sul tubo flessibile dell'idropulitrice ad alta pressione. Tenere sempre presente la configurazione del tubo flessibile durante l'uso.
6. Durante l'uso, una piccola quantità d'acqua fuoriesce dal lato inferiore dell'idropulitrice ad alta pressione. Evitare di collocare l'idropulitrice ad alta pressione nelle aree che non si intende bagnare.

Sicurezza personale

1. Per proteggersi dal getto e dagli oggetti colpiti dal getto, gli operatori dovrebbero indossare indumenti appropriati, quali stivali di sicurezza, guanti di sicurezza, caschi di sicurezza con visiere, protezioni per l'udito, e così via.
2. Non utilizzare l'idropulitrice ad alta pressione in prossimità di persone, a meno che indossino indumenti protettivi.
3. Per ridurre il rischio di lesioni personali, è necessaria una supervisione ravvicinata quando il prodotto viene utilizzato in prossimità di bambini.
4. Qualora venga effettuato un collegamento a un sistema di acqua potabile, il sistema deve essere protetto dal riflusso.
5. L'acqua che è passata attraverso un rompi-vuoto è considerata non potabile.

Sicurezza elettrica

1. Non toccare mai le cartucce delle batterie con le mani bagnate.
2. Non utilizzare la macchina qualora parti importanti di quest'ultima siano danneggiate, ad esempio dispositivi di sicurezza, tubi flessibili ad alta pressione o la pistola a grilletto.

Uso e cura dell'utensile elettrico

1. Leggere tutte le istruzioni prima di utilizzare il prodotto.
2. Essere informati su come arrestare l'idropulitrice ad alta pressione e far sfiatare le pressioni rapidamente. Avere la completa familiarità con i controlli.
3. I getti ad alta pressione possono essere pericolosi, se ne viene fatto un uso improprio. Il getto non deve essere rivolto verso persone, apparecchi elettrici sotto tensione o la macchina stessa.

4. Questa macchina non è destinata all'utilizzo da parte di persone (inclusi i bambini) con capacità fisiche, sensoriali o mentali ridotte, o con carenza di esperienza e preparazione.
 5. I bambini vanno tenuti sotto controllo per accertarsi che non giochino con l'elettrodomestico.
 6. Non spruzzare liquidi infiammabili e/o tossici. In caso contrario, si potrebbe causare un'esplosione, un'intossicazione o danni alla macchina.
 7. Non dirigere il getto contro se stessi o altri per pulire indumenti o calzature.
 8. Tubi flessibili ad alta pressione, raccordi e giunti sono fondamentali per la sicurezza della macchina. Utilizzare solo tubi flessibili, raccordi e giunti consigliati dal produttore.
 9. Seguire le istruzioni quando si intende cambiare gli accessori.
 10. Mantenere le maniglie asciutte, pulite e prive di olio o grasso.
 11. Restare vigili: fare attenzione a cosa si sta facendo.
 12. Non far funzionare il prodotto quando si è stanchi o sotto l'influenza di alcool o droghe.
 13. Non far funzionare l'idropulitrice ad alta pressione senz'acqua per più di un minuto. In caso contrario, si danneggia il motore, causando un guasto.
 14. Spegnerne sempre l'apparecchio e chiudere la condotta principale dell'acqua quando si intende lasciare l'idropulitrice ad alta pressione incustodita.
 15. Fare attenzione ai contraccolpi. La pistola a grilletto rincula quando il getto ad alta pressione viene espulso dall'ugello. Mantenere saldamente la pistola a grilletto per evitare lesioni personali accidentali.
 16. Prima dell'uso, controllare l'eventuale presenza di parti danneggiate o usurate. Inoltre, accertarsi che il tubo flessibile sia collegato correttamente e che non siano presenti perdite durante l'uso. L'utilizzo della macchina con difetti funzionali potrebbe causare un incidente.
 17. Questa macchina è stata progettata per l'uso con il detergente fornito in dotazione o consigliato dal produttore. L'utilizzo di altri detersivi o altri prodotti chimici potrebbe influenzare negativamente la sicurezza della macchina.
 18. Non tirare il tubo flessibile per spostare il corpo dell'idropulitrice ad alta pressione. In caso contrario, si danneggiano il tubo flessibile e le parti di collegamento, causando un cortocircuito o difetti funzionali.
 19. Non collocare oggetti pesanti sul tubo flessibile né consentire a veicoli di passarvi sopra.
 20. Scaricare sempre la pressione residua presente nella pistola a grilletto prima di scollegare il tubo flessibile.
 21. Quando si intende collegare il tubo flessibile alla condotta principale dell'acqua, osservare le istruzioni del proprio acquedotto locale o della propria azienda.
 22. Qualora l'idropulitrice ad alta pressione venga fatta cadere o colpisca un oggetto duro, accertarsi di controllare la presenza di eventuali danni e spaccature. L'utilizzo di un'idropulitrice ad alta pressione danneggiata potrebbe generare fumo, incendi o causare scosse elettriche, che potrebbero risultare in lesioni personali.
 23. Durante l'uso di idropultrici ad alta pressione, possono formarsi degli aerosol. L'inalazione di aerosol può essere nociva per la salute.
 24. A seconda dell'applicazione, è possibile utilizzare per la pulizia ad alta pressione degli ugelli schermati, che riducono in modo sostanziale l'emissione di aerosol idrati. Tuttavia, non tutte le applicazioni consentono l'utilizzo di dispositivi del genere. Qualora gli ugelli schermati non siano applicabili per la protezione dagli aerosol, potrebbe essere necessaria una maschera respiratoria di classe FFP 2 o equivalente, a seconda dell'ambiente di pulizia.
 25. Il datore di lavoro deve eseguire una valutazione dei rischi per specificare le misure protettive necessarie relative agli aerosol, a seconda della superficie da pulire e del relativo ambiente. Le maschere respiratorie di classe FFP 2, equivalenti o di classe più elevata sono idonee per la protezione da aerosol idrati.
 26. Evitare l'avvio accidentale. Accertarsi che l'interruttore sia nella posizione di spegnimento prima di effettuare il collegamento alla batteria e di sollevare o trasportare l'elettrodomestico. Il trasporto dell'elettrodomestico con il dito appoggiato sull'interruttore o il collegamento all'alimentazione elettrica di un elettrodomestico con l'interruttore di accensione attivato favoriscono gli incidenti.
 27. Scollegare la batteria dall'elettrodomestico prima di effettuare eventuali regolazioni, cambiare gli accessori o riporre gli elettrodomestici. Tali misure di sicurezza preventive riducono il rischio di avvio accidentale dell'elettrodomestico.
 28. Non modificare né tentare di riparare l'elettrodomestico o la batteria, tranne per quanto indicato nelle istruzioni per l'uso e la manutenzione.
 29. Non applicare il getto d'acqua continuamente sulla stessa area. In caso contrario, l'oggetto potrebbero rompersi e causare lesioni personali.
 30. Non lavare la macchina con il getto d'acqua proveniente dalla macchina stessa. La macchina potrebbe rompersi, oppure delle parti della macchina potrebbero staccarsi e causare lesioni personali.
 31. Per evitare il rischio di scosse elettriche, non indirizzare il getto d'acqua contro la macchina mentre quest'ultima è accesa.
- Uso e manutenzione degli strumenti a batterie**
1. Ricaricare solo con il caricabatterie specificato dal produttore. Un caricabatterie appropriato per un tipo di batteria potrebbe creare un rischio di incendio, se utilizzato con un'altra batteria.
 2. Utilizzare gli utensili elettrici solo con le batterie specificamente designate. L'uso di qualsiasi altra batteria potrebbe creare un rischio di lesioni personali e incendi.

3. **Quando la batteria non è in uso, tenerla lontana da altri oggetti metallici, quali graffette, monete, chiavi, chiodi, viti o altri piccoli oggetti metallici, che potrebbero fare contatto tra terminali diversi.** Il cortocircuito dei terminali della batteria può causare ustioni o incendi.
4. **In condizioni di uso improprio, la batteria potrebbe emettere un liquido: evitare il contatto con tale liquido. Qualora si verifichi un contatto accidentale con il liquido, lavare abbondantemente con acqua. Qualora il liquido entri in contatto con gli occhi, richiedere anche assistenza medica.** Il liquido espulso dalla batteria può causare irritazioni o ustioni.
5. **Non utilizzare una batteria o un utensile che siano danneggiati o che siano stati modificati.** Batterie danneggiate o modificate potrebbero mostrare un comportamento imprevedibile che può risultare in incendi, esplosioni o nel rischio di lesioni personali.
6. **Non esporre una batteria o un utensile al fuoco o a temperature eccessive.** L'esposizione al fuoco o a temperature superiori ai 130 °C potrebbe causare un'esplosione.
7. **Attenersi a tutte le istruzioni relative alla carica e non caricare la batteria o l'utensile al di fuori della gamma di temperature specificata nelle istruzioni.** Una carica inappropriata o a temperature al di fuori della gamma specificata potrebbe danneggiare la batteria e incrementare il rischio di incendio.

Assistenza

1. **Attenersi alle istruzioni di manutenzione specificate nel manuale.**
2. **Per garantire la sicurezza della macchina, utilizzare solo pezzi di ricambio originali del produttore o approvati dal produttore.**
3. **Gli interventi di manutenzione sull'idropulitrice ad alta pressione devono essere effettuati da un tecnico qualificato utilizzando solo parti di ricambio identiche. Ciò assicura che la sicurezza dell'idropulitrice ad alta pressione venga preservata.**
4. **In caso di guasto o malfunzionamento dell'idropulitrice ad alta pressione, spegnerla immediatamente e rimuovere la cartuccia della batteria o le cartucce delle batterie. Contattare il proprio rivenditore o centro di assistenza locale.**

Avvertenze aggiuntive per la sicurezza

1. **Conformarsi ai requisiti dell'azienda locale di distribuzione dell'acqua.**
2. **Non utilizzare la macchina quando sussiste il rischio di fulmini.**
3. **Quando si utilizza la macchina su suolo fangoso, pendii bagnati o ubicazioni scivolose, fare attenzione al proprio appoggio sui piedi.**
4. **Non sostituire la batteria sotto la pioggia.**
5. **Non immergere la macchina in una pozzanghera.**
6. **Non lasciare la macchina incustodita all'aperto sotto la pioggia.**
7. **Quando si intende riporre la macchina, evitare la luce solare diretta e la pioggia, e riporla in un'ubicazione in cui non sia soggetta a temperature estremamente elevate o umidità.**

8. **Non sedersi sulla macchina né utilizzarla come uno sgabello con gradini.** In caso contrario, si potrebbe causare un incidente o il malfunzionamento della macchina.

CONSERVARE LE PRESENTI ISTRUZIONI.

⚠AVVERTIMENTO: NON lasciare che la comodità o la familiarità d'uso con il prodotto (acquisita con l'uso ripetuto) sostituiscano la stretta osservanza delle norme di sicurezza.

L'USO IMPROPRIO o la mancata osservanza delle norme di sicurezza riportate nel presente manuale di istruzioni potrebbero causare lesioni personali gravi.

Istruzioni di sicurezza importanti per la cartuccia della batteria

1. **Prima di utilizzare la cartuccia della batteria, leggere tutte le istruzioni e le avvertenze riportate (1) sul caricabatteria, (2) sulla batteria e (3) sul prodotto che utilizza la batteria.**
2. **Non smantellare né manomettere la cartuccia della batteria.** In caso contrario, si potrebbe causare un incendio, calore eccessivo o un'esplosione.
3. **Qualora il tempo di utilizzo si riduca eccessivamente, interrompere immediatamente l'utilizzo dell'utensile. In caso contrario, si può incorrere nel rischio di surriscaldamento, possibili ustioni e persino un'esplosione.**
4. **Qualora l'elettrolita entri in contatto con gli occhi, sciacquarli con acqua pulita e richiedere immediatamente assistenza medica. Questa eventualità può risultare nella perdita della vista.**
5. **Non cortocircuitare la cartuccia della batteria:**
 - (1) **Non toccare i terminali con alcun materiale conduttivo.**
 - (2) **Evitare di conservare la cartuccia della batteria in un contenitore insieme ad altri oggetti metallici quali chiodi, monete, e così via.**
 - (3) **Non esporre la cartuccia della batteria all'acqua o alla pioggia.**

Un cortocircuito della batteria può causare un grande flusso di corrente, un surriscaldamento, possibili ustioni e persino un guasto.
6. **Non conservare e utilizzare l'utensile e la cartuccia della batteria in ubicazioni in cui la temperatura possa raggiungere o superare i 50 °C.**
7. **Non incenerire la cartuccia della batteria anche qualora sia gravemente danneggiata o completamente esaurita. La cartuccia della batteria può esplodere se a contatto con il fuoco.**
8. **Non inchiodare, tagliare, schiacciare, lanciare o far cadere la cartuccia della batteria, né farla urtare con forza contro un oggetto duro. Questi comportamenti potrebbero risultare in un incendio, calore eccessivo o un'esplosione.**

9. **Non utilizzare una batteria danneggiata.**
10. **Le batterie a ioni di litio contenute sono soggette ai requisiti del regolamento sul trasporto di merci pericolose (Dangerous Goods Legislation).**
Per trasporti commerciali, ad esempio da parte di terzi o spedizionieri, è necessario osservare dei requisiti speciali sull'imballaggio e sull'etichetta. Per la preparazione dell'articolo da spedire, è richiesta la consulenza di un esperto in materiali pericolosi. Attenersi anche alle normative nazionali, che potrebbero essere più dettagliate. Nastrare o coprire i contatti aperti e imballare la batteria in modo tale che non si possa muovere liberamente all'interno dell'imballaggio.
11. **Quando si intende smaltire la cartuccia della batteria, rimuoverla dall'utensile e smaltirla in un luogo sicuro. Attenersi alle normative locali relative allo smaltimento della batteria.**
12. **Utilizzare le batterie esclusivamente con i prodotti specificati da Makita.** L'installazione delle batterie in prodotti non compatibili potrebbe risultare in incendi, calore eccessivo, esplosioni o perdite di liquido elettrolitico.
13. **Se l'utensile non viene utilizzato per un periodo di tempo prolungato, la batteria deve essere rimossa dall'utensile.**
14. **Durante e dopo l'uso, la cartuccia della batteria potrebbe assorbire calore, che può causare ustioni o ustioni a bassa temperatura. Fare attenzione a come si maneggiano le cartucce delle batterie estremamente calde.**
15. **Non toccare i terminali dell'utensile subito dopo l'uso, in quanto potrebbero diventare estremamente caldi al punto da causare ustioni.**
16. **Evitare di far incastrare schegge, polveri o terreno nei terminali, nei fori e nelle scanalature della cartuccia della batteria.** In caso contrario, l'utensile o la cartuccia della batteria potrebbero riscaldarsi, prendere fuoco, scoppiare o guastarsi, causando ustioni o lesioni personali.
17. **A meno che l'utensile supporti l'uso in prossimità di linee elettriche ad alta tensione, non utilizzare la cartuccia della batteria in prossimità di linee elettriche ad alta tensione.** In caso contrario, si potrebbe causare un malfunzionamento o la rottura dell'utensile o della cartuccia della batteria.
18. **Tenere la batteria lontana dai bambini.**

CONSERVARE LE PRESENTI ISTRUZIONI.

⚠ATTENZIONE: Utilizzare solo batterie originali Makita. L'utilizzo di batterie Makita non originali, o di batterie che siano state alterate, potrebbe risultare nello scoppio della batteria, causando incendi, lesioni personali e danni. Inoltre, ciò potrebbe invalidare la garanzia Makita per l'utensile e il caricabatterie Makita.

Suggerimenti per preservare la durata massima della batteria

1. **Caricare la cartuccia della batteria prima che si scarichi completamente. Smettere sempre di utilizzare l'utensile e caricare la cartuccia della batteria quando si nota che la potenza dell'utensile è diminuita.**
2. **Non ricaricare mai una cartuccia della batteria completamente carica. La sovraccarica riduce la vita utile della batteria.**
3. **Caricare la cartuccia della batteria a una temperatura ambiente compresa tra 10 °C e 40 °C. Lasciar raffreddare una cartuccia della batteria prima di caricarla.**
4. **Quando non si utilizza la cartuccia della batteria, rimuoverla dall'utensile o dal caricabatterie.**
5. **Caricare la cartuccia della batteria se non la si è utilizzata per un periodo di tempo prolungato (più di sei mesi).**

DESCRIZIONE DELLE FUNZIONI

⚠ATTENZIONE: Prima di regolare o di controllare il funzionamento della macchina, accertarsi sempre che la macchina sia spenta e che le cartucce delle batterie siano state rimosse.

Installazione o rimozione della cartuccia della batteria

⚠ATTENZIONE: Spegnerne sempre la macchina prima di installare o rimuovere la cartuccia della batteria.

⚠ATTENZIONE: Mantenere saldamente la macchina e la cartuccia della batteria, quando si intende installare o rimuovere quest'ultima. Qualora non si mantengano saldamente la macchina e la cartuccia della batteria, queste ultime potrebbero scivolare dalle mani, con la possibilità di causare un danneggiamento della macchina e della cartuccia della batteria, nonché lesioni personali.

⚠ATTENZIONE: Prima dell'uso, accertarsi di aver bloccato il coperchio batterie. In caso contrario, fango, sporco o acqua potrebbero danneggiare il prodotto o la cartuccia della batteria.

⚠ATTENZIONE: Installare sempre a fondo la cartuccia della batteria. In caso contrario, potrebbe cadere accidentalmente fuori dalla macchina, causando lesioni personali all'operatore o alle persone circostanti.

⚠ATTENZIONE: Non installare forzatamente la cartuccia della batteria. Qualora la batteria non si inserisca scorrendo agevolmente, vuol dire che non viene inserita correttamente.

⚠ATTENZIONE: Mantenere saldamente il coperchio batterie, quando si intende installare o rimuovere la cartuccia della batteria.

Per installare la cartuccia della batteria:

1. Tirare verso l'alto la leva di blocco, quindi aprire il coperchio batterie.

► **Fig.1:** 1. Coperchio batterie 2. Leva di blocco

2. Allineare la linguetta sulla cartuccia della batteria con l'alloggiamento sulla macchina, quindi far scorrere la cartuccia fino a quando si innesta in sede con un piccolo scatto.

► **Fig.2:** 1. Cartuccia della batteria

3. Chiudere il coperchio batterie e premerlo fino a quando viene agganciato dalla leva di blocco.

Per rimuovere la cartuccia della batteria:

1. Tirare verso l'alto la leva di blocco, quindi aprire il coperchio batterie.








2. Estrarre la cartuccia della batteria dalla macchina, facendo scorrere allo stesso tempo il pulsante sulla parte anteriore della cartuccia.

3. Chiudere il coperchio batterie e premerlo fino a quando viene agganciato dalla leva di blocco.

Pulsante di controllo delle batterie

È possibile controllare la carica residua delle batterie premendo il pulsante di controllo delle batterie.

► **Fig.3:** 1. Indicatore della batteria 2. Pulsante di controllo delle batterie

Stato dell'indicatore della batteria			Carica residua della batteria
 Acceso	 Spento	 Lampeggiante	
			Dal 50% al 100%
			Dal 20% al 50%
			Dallo 0% al 20%
			Caricare la batteria

NOTA: L'indicatore luminoso della carica residua della batteria rappresenta solo un'indicazione di massima. La carica effettiva della batteria può variare a seconda delle condizioni di utilizzo o della temperatura ambiente.

NOTA: L'indicatore luminoso si spegne automaticamente dopo qualche secondo.

NOTA: Se sono installate due cartucce delle batterie, viene utilizzata prima la batteria installata sul lato sinistro.


















NOTA: Se sono installate due cartucce delle batterie, la macchina commuta automaticamente la batteria, quando quella in uso diventa scarica.

NOTA: È possibile controllare la carica residua delle batterie senza attivare l'interruttore di accensione.

Indicazione della carica residua della batteria

Premere il pulsante di controllo sulla cartuccia della batteria per indicare la carica residua della batteria. Gli indicatori luminosi si illuminano per alcuni secondi.

► **Fig.4:** 1. Indicatori luminosi 2. Pulsante di controllo

Indicatori luminosi			Carica residua
 Illuminato	 Spento	 Lampeggiante	
			Dal 75% al 100%
			Dal 50% al 75%
			Dal 25% al 50%
			Dallo 0% al 25%
			Caricare la batteria.
			La batteria potrebbe essersi guastata.
			

NOTA: A seconda delle condizioni d'uso e della temperatura ambiente, l'indicazione potrebbe variare leggermente rispetto alla carica effettiva.

NOTA: Il primo indicatore luminoso (all'estremità sinistra) lampeggia quando il sistema di protezione della batteria è in funzione.

Sistema di protezione della macchina e della batteria

La macchina è dotata di un sistema di protezione della macchina e della batteria. Questo sistema interrompe automaticamente l'alimentazione al motore per prolungare la vita utile della macchina e della batteria. La macchina si arresta automaticamente durante il funzionamento, qualora la macchina o la batteria vengano a trovarsi in una delle condizioni seguenti:

Protezione dal sovraccarico

Quando la macchina o la batteria vengono utilizzate in un modo che causi un assorbimento di corrente elevato in modo anomalo, la macchina si arresta automaticamente e l'indicatore di velocità lampeggia in verde. In questa circostanza, spegnere la macchina e interrompere l'applicazione che ha causato il sovraccarico della macchina. Quindi, accendere la macchina per ricominciare.

Protezione dal surriscaldamento

Quando la macchina è surriscaldata si arresta automaticamente, e l'indicatore di velocità si illumina in rosso. In tal caso, lasciar raffreddare la macchina e la batteria, prima di riaccendere la macchina.

NOTA: L'indicatore di velocità lampeggia in rosso quando la batteria è surriscaldata.

Protezione dalla sovrascarica

Quando la carica della batteria non è sufficiente, la macchina si arresta automaticamente, e l'indicatore di velocità lampeggia in rosso. In questo caso, rimuovere la batteria dalla macchina e caricare la batteria o sostituirla con una completamente carica.

Protezione da altre cause

Il sistema di protezione è progettato anche per altre cause che potrebbero danneggiare la macchina, e consente alla macchina di arrestarsi automaticamente. Adottare tutte le misure seguenti per rimuovere le cause, quando la macchina è stata portata a un'interruzione temporanea o a un arresto del funzionamento.

1. Spegnerla macchina, quindi riaccenderla per ricominciare.
2. Caricare la batteria o le batterie, o sostituirla/sostituirla con una batteria o delle batterie ricaricate.
3. Lasciar raffreddare la macchina e la batteria o le batterie.

Qualora non si riscontri alcun miglioramento ripristinando il sistema di protezione, contattare il proprio centro di assistenza locale Makita.

AVVISO: Qualora la macchina si arresti a causa di un motivo non descritto sopra, fare riferimento alla sezione relativa alla risoluzione dei problemi.

Pulsante di commutazione della modalità

È possibile modificare la velocità su tre livelli. Per cambiare la modalità di velocità, premere il pulsante di commutazione della modalità. Quando si cambia la modalità di velocità, gli indicatori di velocità corrispondenti si illuminano.

► **Fig.5:** 1. Pulsante di commutazione della modalità

NOTA: Non è possibile cambiare la modalità mentre la macchina è accesa. Cambiare la modalità quando la macchina è spenta e la batteria è installata nella macchina.

NOTA: Qualora l'indicatore di velocità si illumini in rosso o lampeggi in rosso o in verde, consultare le istruzioni del sistema di protezione della macchina o delle batterie.

Interruttore di accensione

AVVERTIMENTO: Disattivare sempre l'interruttore di accensione principale quando l'utensile non è in uso.

AVVISO: Non ruotare forzatamente l'interruttore di accensione. Questo potrebbe causare il malfunzionamento dell'interruttore.

Per accendere la macchina, ruotare l'interruttore di accensione in senso orario, e per spegnere la macchina ruotare l'interruttore di accensione in senso antiorario.

► **Fig.6:** 1. Interruttore di accensione

NOTA: Gli indicatori delle batterie si illuminano per qualche secondo subito dopo aver acceso la macchina.

NOTA: Se si installa la cartuccia della batteria nella macchina quando l'interruttore di accensione è nella posizione di accensione, l'indicatore di velocità lampeggia in verde. Ruotare l'interruttore di accensione sulla posizione di spegnimento, quindi installare la cartuccia della batteria nella macchina.

Funzioni dell'ugello

NOTA: Gli ugelli forniti di serie possono variare a seconda della nazione. Per informazioni su altri ugelli, fare riferimento alla sezione relativa agli accessori opzionali.

Ugello a getto ciclonico

Specifica in base alla nazione

AVVISO: Non utilizzare l'ugello a getto ciclonico per pulire superfici fragili, quali finestre o carrozzerie di automobili.

► **Fig.7**

Viene espulso un getto a spirale. Idoneo per la rimozione dello sporco ostinato.

Ugello di spruzzatura Vario e tubo di prolunga

Specifica in base alla nazione

ATTENZIONE: Installare esclusivamente l'ugello di spruzzatura Vario sul tubo di prolunga. Non collegare gli altri tubi di prolunga opzionali al tubo di prolunga originale. L'utilizzo di qualsiasi componente aggiuntivo diverso da quelli consigliati dal produttore potrebbe causare il rischio di danni o lesioni alle persone.

ATTENZIONE: Quando si intende regolare la pressione del getto, non ruotare l'ugello mentre lo si tira verso la pistola a grilletto. L'ugello potrebbe staccarsi dalla pistola a grilletto e causare lesioni personali.

ATTENZIONE: Quando si ruota la punta dell'ugello per regolare il getto d'acqua, non ruotarla con forza. In caso contrario, l'ugello potrebbe rompersi e causare lesioni personali.

► **Fig.8:** 1. Ugello di spruzzatura Vario 2. Tubo di prolunga

È possibile regolare la pressione del getto ruotando l'ugello.

AVVISO: Quando si intende ruotare l'ugello, non afferrare la punta di quest'ultimo, ma afferrare la base dell'ugello, come indicato nella figura.

► **Fig.9**

NOTA: È anche possibile montare l'ugello di spruzzatura Vario direttamente sulla pistola a grilletto.

Utilizzo del grilletto

AVVISO: Per evitare un errore meccanico nell'interruttore a pressione, lasciare passare sempre un intervallo di due secondi tra le operazioni effettuate con il grilletto.

Premere il grilletto per espellere un getto d'acqua. Il getto prosegue fintanto che il grilletto viene tenuto premuto.

È possibile bloccare il grilletto per un utilizzo sicuro della pistola a grilletto. Per bloccare il grilletto, estrarre il fermo e agganciarlo alla scanalatura presente sull'impugnatura.

► **Fig.10:** 1. Grilletto 2. Fermo 3. Scanalatura

MONTAGGIO

AVVERTIMENTO: Prima di effettuare qualsiasi intervento sulla macchina, accertarsi sempre che tutte le cartucce delle batterie siano state rimosse. La mancata rimozione di tutte le cartucce delle batterie potrebbe risultare in gravi lesioni personali dovute all'avvio accidentale.

Collegamento del tubo flessibile ad alta pressione

ATTENZIONE: Accertarsi che il tubo flessibile ad alta pressione sia collegato in modo saldo. Un raccordo allentato potrebbe far staccare con violenza il tubo flessibile ad alta pressione, causando lesioni personali.

Collegare il tubo flessibile ad alta pressione all'uscita. Ruotare il dado sul tubo flessibile ad alta pressione in senso orario, mentre lo si avvita sulla filettatura dell'uscita.

► **Fig.11:** 1. Uscita 2. Dado

Montaggio della pistola a grilletto

ATTENZIONE: Accertarsi che il tubo flessibile ad alta pressione sia collegato in modo saldo. Un raccordo allentato potrebbe far staccare con violenza il tubo flessibile ad alta pressione, causando lesioni personali.

Collegare il tubo flessibile ad alta pressione all'entrata sulla pistola a grilletto. Ruotare il dado sul tubo flessibile ad alta pressione in senso orario, mentre lo si avvita sulla filettatura dell'entrata.

► **Fig.12:** 1. Entrata 2. Dado

Collegamento a un rubinetto

ATTENZIONE: Utilizzare sempre un tubo flessibile dell'acqua resistente alla pressione con i diametri seguenti, e collegarlo al rubinetto utilizzando raccordi adatti. In caso contrario, il tubo flessibile dell'acqua e/o il raccordo potrebbero rompersi e causare lesioni personali.

- Il diametro interno del tubo flessibile è compreso tra 14 mm e 15 mm.
- Il diametro esterno del tubo flessibile è pari o inferiore a 20 mm.
- Lo spessore del tubo flessibile è pari o superiore a 2,3 mm, e inferiore a 3,0 mm.

AVVISO: Utilizzare un tubo flessibile dell'acqua resistente alla pressione che sia il più corto possibile. La quantità di acqua in entrata dovrebbe essere superiore al volume massimo di alimentazione della pompa.

AVVISO: Qualora si effettui il collegamento alla conduttura dell'acqua potabile, utilizzare una valvola rompivuoto che soddisfi le normative della propria area geografica.

AVVISO: Quando si intende effettuare il collegamento a un rubinetto, la portata dell'acqua richiesta deve essere pari o superiore a 7,0 L/min. Qualora la portata dell'acqua sia insufficiente, non è possibile ottenere la capacità completa della macchina.

NOTA: Il gruppo tubo flessibile viene consegnato con giunti di raccordo montati ad entrambe le estremità. Quando si intende effettuare il collegamento a un rubinetto senza un giunto di raccordo, rimuovere il giunto di raccordo a un'estremità ruotandolo nella direzione indicata dalla freccia nella figura.

► **Fig.13:** 1. Dado del giunto di raccordo 2. Giunto di raccordo

1. Collegare il gruppo tubo flessibile al rubinetto. Applicare un raccordo idoneo, ad esempio una fascetta stringitubo o un raccordo per rubinetto dell'acqua, per fissare l'estremità del tubo flessibile al rubinetto.

► **Fig.14:** 1. Fascetta stringitubo 2. Giunto di raccordo 3. Gruppo tubo flessibile

AVVISO: Collegare saldamente il gruppo tubo flessibile al rubinetto. In caso contrario, il gruppo tubo flessibile potrebbe staccarsi quando si apre il rubinetto.

NOTA: Il raccordo dipende dalla forma del rubinetto a cui si intende effettuare il collegamento. Preparare un raccordo idoneo disponibile in commercio.

2. Montare il raccordo per il tubo flessibile dell'acqua sull'entrata, quindi montare il giunto di raccordo sul raccordo per il tubo flessibile dell'acqua.

► **Fig.15:** 1. Giunto di raccordo 2. Raccordo per il tubo flessibile dell'acqua 3. Entrata

AVVISO: Quando si intende montare il raccordo per il tubo flessibile dell'acqua e il giunto di raccordo, montarli saldamente. In caso contrario, il raccordo per il tubo flessibile dell'acqua o il giunto di raccordo potrebbero staccarsi, quando si apre il rubinetto.

Collegamento/scollegamento dell'ugello

⚠ATTENZIONE: Quando si intende collegare o scollegare l'ugello, bloccare sempre il grilletto della pistola a grilletto.

⚠ATTENZIONE: Quando si collega l'ugello alla pistola a grilletto, collegarlo saldamente e accertarsi che non si stacchi.

⚠ATTENZIONE: Quando si intende collegare o scollegare l'ugello, non ruotarlo con forza. In caso contrario, l'ugello potrebbe rompersi o staccarsi e causare lesioni personali.

Inserire l'estremità dell'ugello nell'alloggiamento sulla pistola a grilletto, quindi ruotarlo nella direzione della freccia, come indicato nella figura, mentre si tiene premuto l'ugello verso la pistola a grilletto. Per scollegare l'ugello, ruotarlo nella direzione inversa mentre lo si tiene premuto verso la pistola a grilletto, quindi tirarlo fuori.

► **Fig.16:** 1. Pistola a grilletto 2. Alloggiamento
3. Estremità dell'ugello

Collegamento dell'ugello schiumogeno

Accessorio opzionale

⚠ATTENZIONE: Quando si intende collegare o scollegare l'ugello, bloccare sempre il grilletto della pistola a grilletto.

AVVISO: Utilizzare esclusivamente detergenti neutri. Non utilizzare detergenti domestici, detergenti acidi, detergenti alcalini, candeggine, solventi, materiale infiammabile o soluzioni di tipo industriale, che potrebbero danneggiare la macchina o le proprietà dell'operatore. Preparare la soluzione di pulizia come indicato sulla bottiglia della soluzione, e provarla sempre anticipatamente in un luogo poco visibile.

AVVISO: Se si utilizza un detergente molto viscoso, è probabile che l'ugello si otturi. Quando si intende utilizzare un detergente ad alta viscosità, diluirlo aggiungendo acqua nella bottiglia prima dell'uso.

NOTA: Quando si utilizza l'ugello schiumogeno, il detergente nella bottiglia viene diluito con l'acqua fornita dalla macchina e spruzzato. Non diluire la concentrazione di detergente nella bottiglia più del necessario. Regolare la concentrazione di detergente mentre si controllano le condizioni d'uso.

NOTA: Qualora l'ugello schiumogeno venga rovesciato sul fianco, il detergente potrebbe fuoriuscire.

Preparare un detergente prima di utilizzare l'ugello schiumogeno.

1. Rimuovere l'ugello dal serbatoio ruotando l'ugello in senso antiorario. Applicare l'ugello alla pistola a grilletto.

► **Fig.17:** 1. Ugello 2. Pistola a grilletto

2. Versare il detergente nel serbatoio, quindi montare il serbatoio sull'ugello ruotandolo nella direzione indicata nella figura.

► **Fig.18:** 1. Serbatoio

FUNZIONAMENTO

⚠AVVERTIMENTO: Non toccare il getto d'acqua e non dirigerlo verso se stessi o altri. Il getto d'acqua è pericoloso e può ferire l'utilizzatore o altri.

⚠AVVERTIMENTO: Quando si spara il getto d'acqua, non tenere mai in mano l'oggetto che si intende pulire, né posizionare le mani e i piedi in prossimità del getto d'acqua.

⚠ATTENZIONE: Fare attenzione al rimbalzo del getto d'acqua e agli oggetti colpiti. Non avvicinare l'ugello a una distanza inferiore a 30 cm dall'oggetto.

⚠ATTENZIONE: Non far funzionare l'idropulitrice ad alta pressione senz'acqua per più di 1 minuto.

⚠ATTENZIONE: Non utilizzare l'idropulitrice ad alta pressione per periodi di tempo prolungati. In caso contrario, si potrebbe causare un surriscaldamento o un incendio. Inoltre, l'utilizzo a lungo termine potrebbe causare malesseri dovuti alle vibrazioni.

⚠ATTENZIONE: Fare attenzione alla direzione del vento. Qualora il detergente penetri negli occhi o in bocca, sciacquare immediatamente con acqua dolce e richiedere assistenza medica, se necessario.

⚠ATTENZIONE: Mantenere saldamente la pistola a grilletto. La pistola a grilletto rincula quando si preme il grilletto.

⚠ATTENZIONE: Mantenere sempre la pistola a grilletto per l'impugnatura e per la canna, durante l'espulsione del getto d'acqua.

AVVISO: Evitare l'uso dell'idropulitrice ad alta pressione per più di 1 ora. Dopo un utilizzo di 1 ora, fare una pausa della stessa durata.

AVVISO: Per proteggere il meccanismo dell'idropulitrice ad alta pressione, non utilizzare acqua a temperature superiori a 40°C.

AVVISO: Fare attenzione a non tirare con forza la pistola a grilletto durante l'uso. Questo potrebbe far rovesciare l'idropulitrice ad alta pressione.

AVVISO: Quando si intende sospendere l'utilizzo per un periodo di tempo prolungato, spegnere l'idropulitrice ad alta pressione e schiacciare il grilletto per scaricare completamente l'acqua restante.

Qualora l'idropulitrice ad alta pressione venga lasciata inutilizzata per un periodo di tempo prolungato mentre mantiene una pressione elevata, potrebbe non riavviarsi. In questa circostanza, spegnere l'idropulitrice ad alta pressione, alimentare acqua da un rubinetto nell'entrata e schiacciare il grilletto mentre si mantiene l'alimentazione dell'acqua per un po' di tempo. Quindi, accendere l'idropulitrice ad alta pressione.

AVVISO: Non utilizzare la macchina in posizione capovolta. In caso contrario, si potrebbe causare un malfunzionamento.

► **Fig.19**

Prima di utilizzare la macchina, rimuovere l'ugello dalla pistola a grilletto.

1. Aprire lo sportellino delle batterie e installare le cartucce delle batterie nell'idropulitrice ad alta pressione, quindi bloccare lo sportellino delle batterie.

► **Fig.20:** 1. Cartuccia della batteria 2. Coperchio batterie

2. Collegare un'estremità del tubo flessibile ad alta pressione alla pistola a grilletto, e l'altra estremità all'idropulitrice ad alta pressione.

3. Collegare l'idropulitrice ad alta pressione al rubinetto utilizzando un tubo flessibile dell'acqua. Dopodiché, aprire il rubinetto.

► **Fig.21**

AVVISO: Prima di accendere la macchina, accertarsi che il rubinetto sia completamente aperto.

4. Selezionare la modalità desiderata premendo il pulsante di commutazione della modalità, quindi ruotare l'interruttore di accensione in senso orario per accendere la macchina.

► **Fig.22:** 1. Interruttore di accensione 2. Pulsante di commutazione della modalità

5. Per emettere un getto d'acqua, sbloccare il fermo e premere il grilletto. Una volta che l'acqua viene espulsa in modo stabile dalla pistola a grilletto, rilasciare il grilletto e spegnere la macchina.

► **Fig.23:** 1. Fermo

NOTA: Accertarsi di rimuovere l'ugello dalla pistola a grilletto, prima di eseguire questa operazione.

6. Montare sulla pistola a grilletto l'ugello per lo scopo desiderato, quindi accendere la macchina per iniziare l'operazione di lavaggio.

Quando si sospende l'operazione, è possibile posizionare temporaneamente la pistola a grilletto come indicato nella figura.

► **Fig.24**

Alimentazione dell'acqua da un serbatoio o da una cisterna

ATTENZIONE: Quando si monta il manicotto sul contenitore del filtro del gruppo succhieruola, fare attenzione a non farsi male alla mano con la fascetta stringitubo.

AVVISO: Utilizzare sempre il gruppo tubo flessibile e il gruppo succhieruola Makita.

AVVISO: Mantenere sempre un'altezza di 1,0 m (39-3/8 ft) o meno tra l'entrata dell'idropulitrice ad alta pressione e la superficie dell'acqua. In caso contrario, l'idropulitrice ad alta pressione non sarà in grado di immettere l'acqua nella pompa.

AVVISO: Il livello d'acqua che la macchina è in grado di pompare è pari o superiore a 100 mm.

AVVISO: Non utilizzare acqua proveniente da fiumi, laghi o acqua miscelata con sabbia o fango. In caso contrario, si potrebbe causare un malfunzionamento.

NOTA: Qualora la fuoriuscita dell'acqua richieda molto tempo, pulire la succhieruola e il filtro del gruppo succhieruola.

È possibile alimentare l'acqua da un serbatoio o una cisterna, anziché da un rubinetto.

1. Spegnerne la macchina e rimuovere l'ugello dalla pistola a grilletto.

2. Collegare il gruppo tubo flessibile e il gruppo succhieruola al raccordo per il tubo flessibile dell'acqua.

► **Fig.25:** 1. Serbatoio/cisterna 2. Gruppo succhieruola 3. Gruppo tubo flessibile 4. Raccordo per il tubo flessibile dell'acqua

3. Accendere la macchina, quindi sbloccare il fermo e premere il grilletto. Una volta che l'acqua viene espulsa in modo stabile dalla pistola a grilletto, rilasciare il grilletto.

► **Fig.26:** 1. Pistola a grilletto

NOTA: Occorrono da 10 a 60 secondi circa, prima che l'acqua venga emessa.

NOTA: Accertarsi di rimuovere l'ugello dalla pistola a grilletto, prima di eseguire questa operazione.

4. Spegnerne la macchina e montare sulla pistola a grilletto l'ugello per lo scopo desiderato, quindi accendere la macchina per iniziare l'operazione di lavaggio.

NOTA: Quando l'acqua non viene espulsa, smontare il gruppo tubo flessibile e il gruppo succhieruola e immergerli in acqua. Quindi, ricollegarli alla macchina.

► **Fig.27:** 1. Gruppo tubo flessibile e gruppo succhieruola

NOTA: Qualora l'aspirazione dell'acqua non funzioni, richieda un tempo eccessivo, oppure la pressione dell'acqua non sia sufficiente, controllare quanto segue:

- Allentamento del gruppo tubo flessibile, del gruppo succhieruola e del raccordo per il tubo flessibile dell'acqua.
- Verificare che i giunti di raccordo del gruppo tubo flessibile siano saldamente montati sul raccordo per il tubo flessibile dell'acqua e sul contenitore del filtro del gruppo succhieruola.

Qualora siano allentati, serrarli.

Gruppo tubo flessibile

► **Fig.28:** 1. Giunto di raccordo

Gruppo succhieruola

► **Fig.29:** 1. Fascetta stringitubo 2. Contenitore del filtro

Raccordo per il tubo flessibile dell'acqua

► **Fig.30:** 1. Raccordo per il tubo flessibile dell'acqua

Dopo l'uso

⚠ATTENZIONE: Dopo aver utilizzato l'idropulitrice ad alta pressione, eseguire sempre la procedura descritta nel presente manuale. La pressione residua nella pistola a grilletto o nell'idropulitrice ad alta pressione può causare lesioni personali o danni alla pompa interna.

1. Spegnerla macchina e rimuovere l'ugello dalla pistola a grilletto.
2. Chiudere il rubinetto e scollegare il tubo flessibile dell'acqua dall'idropulitrice ad alta pressione.
► Fig.31
3. Riaccendere l'idropulitrice ad alta pressione.
4. Premere il grilletto fino a far scaricare l'acqua residua nell'idropulitrice ad alta pressione.
► Fig.32

AVVISO: Non far girare il motore per più di 1 minuto.

5. Spegnerla idropulitrice ad alta pressione e rimuovere le cartucce delle batterie.
► Fig.33: 1. Cartuccia della batteria
6. Scollegare il tubo flessibile ad alta pressione dalla pistola a grilletto e dall'idropulitrice ad alta pressione.
► Fig.34: 1. Pistola a grilletto 2. Tubo flessibile ad alta pressione

AVVISO: Per evitare che il tubo flessibile ad alta pressione si danneggi, scaricare l'acqua residua presente nel tubo flessibile, prima di riportarlo.

7. Afferrare la macchina con entrambe le mani, quindi scaricare l'acqua residua presente all'interno della macchina, inclinando quest'ultima come indicato nella figura.
► Fig.35

MANUTENZIONE E CONSERVAZIONE

⚠AVVERTIMENTO: Accertarsi sempre di aver rimosso tutte le cartucce delle batterie dalla macchina, prima di riporre o trasportare quest'ultima, oppure prima di tentare di eseguire un intervento di ispezione o di manutenzione.

AVVISO: Non utilizzare mai benzina, benzene, solventi, alcol o altre sostanze simili. In caso contrario, si potrebbero causare scolorimenti, deformazioni o crepe.

Per preservare la SICUREZZA e l'AFFIDABILITÀ del prodotto, le riparazioni e qualsiasi altro intervento di manutenzione e di regolazione devono essere eseguiti da un centro di assistenza autorizzato Makita, utilizzando sempre ricambi Makita.

Trasporto della macchina

⚠ATTENZIONE: Prima di trasportare la macchina con entrambe le mani, accertarsi che la maniglia sia completamente ripiegata.

Quando si intende trasportare la macchina, afferrarla saldamente con entrambe le mani, afferrando la maniglia con una mano e l'impugnatura inferiore con l'altra mano.

► Fig.36: 1. Maniglia 2. Impugnatura inferiore

È anche possibile trasportare la macchina utilizzando le sue rotelle. Accertarsi di allungare la maniglia premendo il pulsante di sblocco, prima di trasportare la macchina.

► Fig.37: 1. Pulsante di sblocco 2. Maniglia
► Fig.38

⚠ATTENZIONE: Non applicare forza eccessiva appoggiandosi sulla maniglia allungata. Qualora la maniglia si stacchi, l'operatore potrebbe cadere e subire lesioni personali.

AVVISO: Prima di trasportare la macchina, accertarsi che la maniglia sia completamente allungata e che il pulsante di sblocco sia tornato alla posizione originale.

► Fig.39: 1. Pulsante di sblocco

Pulizia dell'ugello

AVVISO: Non rimuovere con la forza sporco o detriti. In caso contrario, si potrebbero causare lesioni personali o danni al foro di espulsione, causando angolazioni deviate del getto o prestazioni scadenti.

Utilizzare lo spillo di pulizia per rimuovere lo sporco dall'ugello o disostruirlo.

► Fig.40: 1. Spillo di pulizia

NOTA: Per mantenere prestazioni ottimali, pulire a intervalli regolari l'ugello.

Pulizia del filtro

Scollegare il raccordo per il tubo flessibile dell'acqua e rimuovere lo sporco e i detriti dall'interno del filtro.

► Fig.41: 1. Raccordo per il tubo flessibile dell'acqua
2. Filtro 3. Anello di guarnizione

Quando si utilizza il gruppo succhieruola, estrarre il filtro dal contenitore del filtro e rimuovere sporco e detriti.

► Fig.42: 1. Filtro 2. Contenitore del filtro

NOTA: Per mantenere prestazioni ottimali, pulire a intervalli regolari il filtro.

Conservazione

AVVISO: Conservare sempre in un'ubicazione al chiuso in cui la temperatura non scenda al di sotto di quella di congelamento. Qualora l'idropulitrice ad alta pressione si congeli e si guasti, contattare il proprio centro di assistenza locale per chiedere la riparazione.

AVVISO: Prima di conservare la macchina, accertarsi di scaricare completamente l'acqua presente all'interno della macchina. I malfunzionamenti o i danni causati dal congelamento dovuto a uno scaricamento inadeguato sono soggetti a non essere coperti dalla garanzia.

Riporre gli accessori nella tasca sul retro della macchina.

► Fig.43

RISOLUZIONE DEI PROBLEMI

Prima di richiedere riparazioni, eseguire un'ispezione personalmente. Qualora si rilevi un problema che non sia illustrato nel manuale, non tentare di smontare la macchina. Rivolgersi, invece, a un centro di assistenza autorizzato Makita, utilizzando sempre pezzi di ricambio Makita per le riparazioni.

Stato di anomalia	Causa probabile (guasto)	Azione correttiva
L'idropulitrice non si avvia.	Elettricità assente	Installare cartucce delle batterie caricate, quindi attivare l'interruttore di accensione.
	Pressione residua nella pompa	Premere il grilletto.
	L'idropulitrice ad alta pressione è stata lasciata inutilizzata per un periodo di tempo prolungato mentre manteneva una pressione elevata.	Spegnere l'idropulitrice ad alta pressione, alimentare acqua da un rubinetto nell'entrata e schiacciare il grilletto mentre si mantiene l'alimentazione dell'acqua per un po' di tempo. Quindi, accendere l'idropulitrice ad alta pressione.
Getto d'acqua assente o debole	Alimentazione dell'acqua assente o scadente	Accertarsi che il rubinetto sia aperto. Se si utilizzano il gruppo tubo flessibile e il gruppo succhieruola, introdurre dell'acqua nel tubo flessibile.
	L'aria sta ostacolando il flusso dell'acqua.	Disattivare l'interruttore, quindi riattivarlo mentre si tiene premuto il grilletto.
	Collegamento scadente del tubo flessibile dell'acqua	Controllare il collegamento tra l'idropulitrice ad alta pressione e il rubinetto dell'acqua.
	Collegamento insufficiente dei tubi flessibili (quando si utilizza il gruppo succhieruola)	Serrare il giunto di raccordo, qualora sia allentato. Inserire saldamente il giunto di raccordo.
	Tubo flessibile, filtro o ugello ostruiti	Disostruire il tubo flessibile, il filtro o l'ugello.
Getto d'acqua instabile	Ugello ostruito	Disostruire il foro di espulsione dell'ugello utilizzando lo spillo di pulizia.
	Aspirazione dell'acqua insufficiente	Controllare il tubo flessibile dell'acqua a partire dal rubinetto alla ricerca di eventuali perdite od ostruzioni. Aprire il rubinetto.
	L'acqua è troppo calda.	Alimentare acqua più fredda.
Perdita d'acqua	Collegamento scadente del tubo flessibile dell'acqua	Verificare che i tubi flessibili siano collegati saldamente.
	Tubo flessibile danneggiato o usurato	Sostituire il tubo flessibile.

ACCESSORI OPZIONALI

⚠ATTENZIONE: Questi accessori o componenti aggiuntivi sono consigliati per l'uso con il prodotto Makita specificato nel presente manuale. L'impiego di altri accessori o componenti aggiuntivi di qualsiasi tipo potrebbe costituire un rischio di lesioni alle persone. Utilizzare un accessorio o un componente aggiuntivo solo per lo scopo a cui è destinato.

Per ottenere ulteriori dettagli relativamente a questi accessori, rivolgersi a un centro di assistenza Makita.

- Ugelli e tubi flessibili
- Batteria e caricabatterie originali Makita

NOTA: Alcuni articoli nell'elenco potrebbero essere inclusi in dotazione nella confezione dell'utensile come accessori di serie. Tali articoli potrebbero variare da nazione a nazione.

Combinazioni di ugelli e tubi flessibili

► Fig.44

1	Paraspruzzi	2	Ugello a getto ciclonico*1	3	Ugello di spruzzatura Vario*1
4	Tubo di prolunga*1	5	Ugello schiumogeno	6	Spazzola di lavaggio
7	Lancia a spruzzo Vario	8	Ugello variabile	9	Spazzola rotante
10	Lancia a spruzzo per sottoscocche	11	Tubo flessibile per la pulizia dei tubi (10 m)	12	Tubo flessibile per la pulizia dei tubi (15 m)
13	Giunto di collegamento	14	Pistola a grilletto*1	15	Prolunga per lancia*2
16	Tubo flessibile ad alta pressione*1	17	Prolunga per tubo flessibile ad alta pressione (5 m)	18	Prolunga per tubo flessibile ad alta pressione (8 m)
19	Prolunga per tubo flessibile ad alta pressione (10 m)	20	Giunto girevole	21	Raccordo per il tubo flessibile dell'acqua*1
22	Gruppo tubo flessibile*1	23	Gruppo succhieruola*1	-	-

*1: accessorio di serie

*2: non disponibile in combinazione con la lancia a spruzzo per sottoscocche.

Paraspruzzi

► Fig.45

Riduce gli spruzzi di rimbalzo durante la pulizia degli angoli con l'ugello a getto ciclonico.

► Fig.46: 1. Dado 2. Ugello a getto ciclonico

Quando si intende utilizzare il paraspruzzi, rimuovere il dado dal paraspruzzi, quindi inserire l'ugello a getto ciclonico nel paraspruzzi, e infine serrare il dado.

Ugello schiumogeno

► Fig.47

È possibile spruzzare del detergente sotto forma di schiuma.

Spazzola di lavaggio

► Fig.48

Ugello dotato di spazzola. Utile per lavare via lo sporco mentre si scrosta con la spazzola.

Lancia a spruzzo Vario

⚠ATTENZIONE: Quando si intende regolare la pressione del getto, non ruotare l'ugello mentre lo si tira verso la pistola a grilletto. L'ugello potrebbe staccarsi dalla pistola a grilletto e causare lesioni personali.

⚠ATTENZIONE: Quando si ruota la punta dell'ugello per regolare il getto d'acqua, non ruotarla con forza. In caso contrario, l'ugello potrebbe rompersi e causare lesioni personali.

► Fig.49

È possibile regolare la pressione del getto ruotando l'ugello.

Ugello variabile

⚠ATTENZIONE: Quando si intende regolare la larghezza del getto, non ruotare l'ugello mentre lo si tira verso la pistola a grilletto. L'ugello potrebbe staccarsi dalla pistola a grilletto e causare lesioni personali.

⚠ATTENZIONE: Quando si ruota la punta dell'ugello per regolare il getto d'acqua, non ruotarla con forza. In caso contrario, l'ugello potrebbe rompersi e causare lesioni personali.

► Fig.50

È possibile regolare la larghezza del getto da 0° a 25° ruotando l'estremità anteriore dell'ugello.

Spazzola rotante

► Fig.51

Tre spazzole interne ruotano lentamente durante l'espulsione del getto. Adatto per la pulizia di sporco leggero su pareti esterne, carrozzerie di auto, vasche da bagno e così via.

Lancia a spruzzo per sottoscocche

⚠ATTENZIONE: Non utilizzare la lancia a spruzzo per sottoscocche insieme alla prolunga per lancia.

► Fig.52

Lancia a spruzzo molto lunga con ugello angolato. Ottimale per pulire zone difficilmente raggiungibili, ad esempio sottoscocche di auto e grondaie di tetti.

Tubo flessibile per la pulizia dei tubi (10 m/15 m)

⚠ATTENZIONE: Fare particolarmente attenzione al getto d'acqua quando si utilizza il tubo flessibile per la pulizia dei tubi. Viene espulso un getto d'acqua estremamente forte all'indietro. Attivare il getto d'acqua esclusivamente quando l'ugello è stato inserito almeno fino al segno rosso nel tubo da pulire.

► Fig.53

Per pulire e disostruire condutture e pluviali.

Giunto di collegamento

► Fig.54

Un giunto a cui collegare un ugello di un altro modello.

Alcuni ugelli opzionali richiedono il giunto di collegamento (accessorio opzionale) per montare la pistola a grilletto. Applicare il giunto di collegamento sulla pistola a grilletto in modo analogo all'ugello.

► Fig.55: 1. Ugello 2. Giunto di collegamento
3. Pistola a grilletto

Prolunga per lancia

► Fig.56

Tubi per aumentare la lunghezza della pistola a grilletto. Sono disponibili tre lunghezze diverse, cambiando il numero di tubi utilizzati.

Prolunga per tubo flessibile ad alta pressione (5 m/8 m/10 m)

► Fig.57

Tubo flessibile di prolunga per collegare il corpo dell'idropulitrice ad alta pressione alla pistola a grilletto.

Giunto girevole

► Fig.58

Evita che il tubo flessibile ad alta pressione si attorcigli.

► Fig.59: 1. Pulsante 2. Dado

Per collegare il tubo flessibile ad alta pressione al giunto girevole, o per scollegarlo da quest'ultimo, ruotare il dado presente sul tubo flessibile ad alta pressione mentre si tiene premuto il pulsante sul giunto girevole.

Gruppo tubo flessibile

► Fig.60

Un gruppo tubo flessibile per collegare un rubinetto o il gruppo succhieruola al prodotto.

Gruppo succhieruola

► Fig.61

Un gruppo succhieruola per alimentare acqua da un serbatoio o una cisterna. Utilizzare il gruppo tubo flessibile per il collegamento al prodotto.

WAARSCHUWING

- Het apparaat mag niet door kinderen worden gebruikt. Kinderen moeten onder toezicht staan om ervoor te zorgen dat ze niet met het apparaat spelen.
- Dit apparaat is niet geschikt voor gebruik door personen (waaronder kinderen) met een verminderd lichamelijk, zintuiglijk of geestelijk vermogen, of gebrek aan kennis en ervaring.
- Dit apparaat is ontworpen voor gebruik met het reinigingsmiddel dat is bijgeleverd of wordt aanbevolen door de fabrikant. Het gebruik van andere reinigingsmiddelen of chemicaliën kan de veiligheid van het apparaat nadelig beïnvloeden.
- Tijdens gebruik van hogedrukreinigers kunnen aerosolen worden gevormd. Het inhaleren van aerosolen kan gevaarlijk zijn voor de gezondheid.
- Afhankelijk van de toepassing kunnen afgeschermdde spuitmonden worden gebruikt voor reinigen met hoge druk, waarmee de uitstoot van waterhoudende aerosolen dramatisch wordt verlaagd. Echter, niet alle toepassingen maken het gebruik van een dergelijk apparaat mogelijk. In het geval afgeschermdde spuitmonden niet toegepast kunnen worden als bescherming tegen aerosolen, kan een ademhalingsmasker van klasse FFP 2 of gelijkwaardig noodzakelijk zijn, afhankelijk van de omgeving waarin wordt gereinigd.
- De werkgever moet een risicobeoordeling uitvoeren om de noodzakelijke beschermingsmaatregelen tegen aerosolen vast te stellen, afhankelijk van het te reinigen oppervlak en de omgeving daarvan. Een ademhalingsmasker van klasse FFP 2, of minimaal gelijkwaardig alternatief, is geschikt als bescherming tegen waterhoudende aerosolen.
- Een hogedrukstraal kan gevaarlijk zijn indien deze verkeerd wordt gebruikt. De straal mag niet worden gericht op personen, stroomvoerende elektrische apparaten en dit apparaat zelf.
- Gebruik het apparaat niet binnen bereik van personen, behalve indien zij beschermende kleding dragen.
- Richt de straal niet op uzelf of anderen om kleding of schoeisel te reinigen.
- Explosiegevaar - Spuit geen brandbare vloeistoffen.
- Hogedrukreinigers mogen niet worden gebruikt door kinderen of niet-opgeleide personen.

- Hogedrukslangen, aansluitingen en koppelingen zijn belangrijk voor de veiligheid van het apparaat. Gebruik uitsluitend slangen, aansluitingen en koppelingen die worden aanbevolen door de fabrikant.
- Om de veiligheid van het apparaat te waarborgen, gebruikt u uitsluitend reserveonderdelen van de fabrikant of goedgekeurd door de fabrikant.
- Controleer altijd of het apparaat is uitgeschakeld en de accu's zijn verwijderd alvorens enige werkzaamheden aan het apparaat uit te voeren.
- Gebruik het apparaat niet wanneer belangrijke onderdelen van het apparaat beschadigd zijn, bijvoorbeeld een veiligheidsinrichting, hogedrukslang, spuitpistool.
- Verwijder altijd de accu's wanneer u het apparaat onbeheerd achterlaat.
- Voldoe aan de vereisten van het lokale waterleidingbedrijf.
- Voor Europese landen:
Conform EN12729 (BA) mag het apparaat tevens worden aangesloten op het hoofddrinkwaterleidingnet in het geval een terugstroomkeerklap met aftapinrichting is gemonteerd in de aanvoerslang.

TECHNISCHE GEGEVENS

Model:		HW001G
Maximumstroomsnelheid*1		7,0 l/min
Waterstroomsnelheid*2	Functie 3 (hoge snelheid)	5,5 l/min
	Functie 2 (gemiddelde snelheid)	4,2 l/min
	Functie 1 (lage snelheid)	3,0 l/min
Max. toegestane druk		11,5 MPa
Bedrijfsdruk*2	Functie 3 (hoge snelheid)	8,5 MPa
	Functie 2 (gemiddelde snelheid)	5,5 MPa
	Functie 1 (lage snelheid)	3,0 MPa
Max. aanvoerdruk		1,0 MPa
Max. aanvoertemperatuur		40°C
Max. aanzuighoogte		1,0 m
Nominale spanning		Max. 36 V - 40 V gelijkspanning
Afmetingen (l x b x h)*3		344 mm x 383 mm x 520 mm
Nettogewicht		10,3 - 13,4 kg
Beschermingsklasse		IPX5

*1: Bij gebruik van het spuitpistool zonder de spuitmond.

*2: Bij gebruik van de vario-spuitmond en de verlengpijp.

*3: Wanneer de handgreep is ingeklapt en zonder slangen.

- In verband met ononderbroken research en ontwikkeling, behouden wij ons het recht voor de bovenstaande technische gegevens zonder voorafgaande kennisgeving te wijzigen.
- De technische gegevens kunnen van land tot land verschillen.
- Het gewicht kan verschillen afhankelijk van de hulpstukken, waaronder de accu. De lichtste en zwaarste combinatie, overeenkomstig de EPTA-procedure 01/2014, worden getoond in de tabel.

Toepasselijke accu's en laders


Accu	BL4020 / BL4025 / BL4040 / BL4050F* / BL4080F* * : Aanbevolen accu
Lader	DC40RA / DC40RB / DC40RC


- Sommige van de hierboven vermelde accu's en laders zijn mogelijk niet leverbaar afhankelijk van waar u woont.

⚠ WAARSCHUWING: Gebruik uitsluitend de accu's en laders die hierboven worden genoemd. Gebruik van enige andere accu of lader kan leiden tot letsel en/of brand.


Symbolen

Hieronder staan de symbolen die voor het gereedschap kunnen worden gebruikt. Zorg ervoor dat u de betekenis ervan kent voordat u het gereedschap gaat gebruiken.

 Wees vooral voorzichtig en let goed op.


 Lees de gebruiksaanwijzing.

 Sluit niet aan op een drinkwaterkraan.

 Richt de straal niet op personen, inclusief uzelf, dieren en stroomvoerende elektrische apparaten.

 Ni-MH
Li-ion

Alleen voor EU-landen
Als gevolg van de aanwezigheid van schadelijke componenten in het apparaat, kunnen oude elektrische en elektronische apparaten, accu's en batterijen negatieve gevolgen hebben voor het milieu en de gezondheid van mensen.
Gooi elektrische en elektronische apparaten en accu's niet met het huisvuil weg!
In overeenstemming met de Europese richtlijn inzake oude elektrische en elektronische apparaten en inzake accu's en batterijen en oude accu's en batterijen, alsmede de toepassing daarvan binnen de nationale wetgeving, dienen oude elektrische apparaten, accu's en batterijen gescheiden te worden opgeslagen en te worden ingeleverd bij een apart inzamelingspunt voor huishoudelijk afval dat de milieubeschermingsvoorschriften in acht neemt.
Dit wordt op het apparaat aangegeven door het symbool van een doorgekruste afvalcontainer.

 Gegarandeerd geluidsvermogensniveau conform EU-richtlijn inzake geluidsemisatie buitenhuis.

 Geluidsvermogensniveau conform de Regelgeving Geluidsregeling van NSW, Australië

Gebruiksdoeleinden

Dit apparaat is bedoeld voor het verwijderen van hardnekkig vuil met behulp van een waterstraal. Dit apparaat is bedoeld voor zowel bedrijfsmatig gebruik als huishoudelijk gebruik.

Geluidsniveau

De typische, A-gewogen geluidsniveaus zijn gemeten volgens EN60335-2-79:

Geluidsdrukniveau (L_{pA}): 71 dB (A)

Onzekerheid (K): 3,2 dB (A)

Het geluidsniveau kan tijdens gebruik hoger worden dan 80 dB (A).

OPMERKING: De opgegeven geluidsemisiewaarde(n) is/zijn gemeten volgens een standaardtestmethode en kan/kunnen worden gebruikt om dit gereedschap te vergelijken met andere gereedschappen.

OPMERKING: De opgegeven geluidsemisiewaarde(n) kan/kunnen ook worden gebruikt voor een beoordeling vooraf van de blootstelling.

⚠ WAARSCHUWING: Draag gehoorbescherming.

⚠ WAARSCHUWING: De geluidsemisatie tijdens het gebruik van het elektrisch gereedschap in de praktijk kan verschillen van de opgegeven waarde(n) afhankelijk van de manier waarop het gereedschap wordt gebruikt, met name van het soort werkstuk waarmee wordt gewerkt.

⚠ WAARSCHUWING: Zorg ervoor dat veiligheidsmaatregelen worden getroffen ter bescherming van de gebruiker die zijn gebaseerd op een schatting van de blootstelling onder praktijkomstandigheden (rekening houdend met alle fasen van de bedrijfscyclus, zoals de tijdsduur gedurende welke het gereedschap is uitgeschakeld en stationair draait, naast de ingeschakelde tijdsduur).

Trilling

De totale trillingswaarde (triaxiale vectorsom) zoals vastgesteld volgens EN60335-2-79:

Trillingsemissie (a_{h1}): 3,2 m/s²

Onzekerheid (K): 1,5 m/s²

OPMERKING: De totale trillingswaarde(n) is/zijn gemeten volgens een standaardtestmethode en kan/kunnen worden gebruikt om dit gereedschap te vergelijken met andere gereedschappen.

OPMERKING: De opgegeven totale trillingswaarde(n) kan/kunnen ook worden gebruikt voor een beoordeling vooraf van de blootstelling.

⚠️WAARSCHUWING: De trillingsemissie tijdens het gebruik van het elektrisch gereedschap in de praktijk kan verschillen van de opgegeven waarde(n) afhankelijk van de manier waarop het gereedschap wordt gebruikt, met name van het soort werkstuk waarmee wordt gewerkt.

⚠️WAARSCHUWING: Zorg ervoor dat veiligheidsmaatregelen worden getroffen ter bescherming van de gebruiker die zijn gebaseerd op een schatting van de blootstelling onder praktijkomstandigheden (rekening houdend met alle fasen van de bedrijfscyclus, zoals de tijdsduur gedurende welke het gereedschap is uitgeschakeld en stationair draait, naast de ingeschakelde tijdsduur).

Verklaringen van conformiteit

Alleen voor Europese landen

De verklaringen van conformiteit zijn bijgevoegd in Bijlage A bij deze gebruiksaanwijzing.

VEILIGHEIDSWAARSCHUWINGEN

Algemene veiligheidswaarschuwingen voor elektrisch gereedschap

⚠️WAARSCHUWING Lees alle veiligheidswaarschuwingen, instructies, afbeeldingen en technische gegevens die bij dit elektrisch gereedschap worden geleverd. Als niet alle onderstaande instructies worden opgevolgd, kan dat leiden tot een elektrische schok, brand en/of ernstig letsel.

Bewaar alle waarschuwingen en instructies om in de toekomst te kunnen raadplegen.

De term "elektrisch gereedschap" in de veiligheidsvoorschriften duidt op gereedschappen die op stroom van het lichtnet werken (met snoer) of gereedschappen met een accu (snoerloos).

BELANGRIJKE VEILIGHEIDSWAARSCHUWINGEN

⚠️WAARSCHUWING: Lees alle veiligheidswaarschuwingen en alle instructies. Het niet volgen van de waarschuwingen en instructies kan leiden tot elektrische schokken, brand en/of ernstig letsel.

Bewaar alle waarschuwingen en instructies om in de toekomst te kunnen raadplegen.

WAARSCHUWING - Bij het gebruik van dit apparaat, moeten basisvoorzorgsmaatregelen altijd worden genomen, waaronder de volgende:

Veiligheid op de werkplek

1. Houd iedereen weg uit het werkgebied.
2. Reik niet te ver en sta niet op een onstabiele ondergrond. Zorg altijd voor een goede stand en lichaamsbalans.
3. Plaats de hogedrukreiniger altijd op een horizontale en stabiele ondergrond. Vermijd daarbij plaatsen waar het spuitwater wegloopt of zich verzamelt.
4. Alvorens te reinigen, controleert u de omgeving en voorwerpen die moeten worden gereinigd. De hogedrukstraal kan een verflaag of andere oppervlaktebehandeling verwijderen, waaronder giftige chemicaliën. Tref zo nodig preventieve maatregelen.
5. Wees voorzichtig dat u niet over de slang van de hogedrukreiniger struikelt. Houd tijdens gebruik altijd in de gaten waar de slang ligt.
6. Tijdens gebruik komt er een kleine hoeveelheid water uit de onderkant van de hogedrukreiniger. Zet de hogedrukreiniger niet neer op een plaats waarvan u niet wilt dat deze nat wordt.

Persoonlijke veiligheid

1. Als bescherming tegen de straal en weggespotten voorwerpen moeten gebruikers geschikte beschermingsmiddelen gebruiken, zoals beschermende kleding, veiligheidsschoenen, veiligheidshandschoenen, een veiligheidshelm met vizier, gehoorbescherming, enz.
2. Gebruik de hogedrukreiniger niet binnen bereik van personen, behalve indien zij beschermende kleding dragen.
3. Om de kans op letsel te verkleinen, dient streng toezicht te worden gehouden wanneer het apparaat in de buurt van kinderen wordt gebruikt.
4. Als wordt aangesloten op het drinkwaterleidingnet, dient dit beveiligd te zijn tegen terugstromen.
5. Water dat via de terugstroomkeerlep eruit stroomt, wordt geacht niet drinkbaar te zijn.

Elektrische veiligheid

1. Raak de accu's nooit met natte handen aan.
2. Gebruik het apparaat niet wanneer belangrijke onderdelen van het apparaat beschadigd zijn, bijvoorbeeld een veiligheidsinrichting, hogedrukstraal of het spuitpistool.

Gebruik en verzorging van het elektrisch gereedschap

1. Lees alle instructies voordat u het apparaat gebruikt.
2. Weet hoe u de hogedrukreiniger moet stoppen en snel de druk kunt afdrukken. Zorg dat u grondig vertrouwd bent met de bedieningsorganen.
3. Een hogedrukstraal kan gevaarlijk zijn indien deze verkeerd wordt gebruikt. De straal mag niet worden gericht op personen, stroomvoerende elektrische apparaten en dit apparaat zelf.
4. Dit apparaat is niet geschikt voor gebruik door personen (waaronder kinderen) met een verminderd lichamelijk, zintuiglijk of geestelijk vermogen, of gebrek aan kennis en ervaring.

5. Kinderen dienen onder toezicht te staan om ervoor te zorgen dat zij niet met het apparaat spelen.
 6. Spuit geen brandbare en/of giftige vloeistoffen. Dit kan leiden tot een explosie, vergiftiging of schade aan het apparaat.
 7. Richt de straal niet op uzelf of anderen om kleding of schoeisel te reinigen.
 8. De hogedrukslang, aansluitingen en koppelingen zijn belangrijk voor de veiligheid van het apparaat. Gebruik uitsluitend slangen, aansluitingen en koppelingen die worden aanbevolen door de fabrikant.
 9. Volg de instructies wanneer u accessoires verwisselt.
 10. Houd de handgrepen droog, schoon en vrij van olie en vet.
 11. Blijf opletten - Kijk waar u mee bezig bent.
 12. Gebruik het gereedschap niet wanneer u vermoeid bent of onder invloed van alcohol of drugs.
 13. Schakel de hogedrukreiniger niet in zonder aanvoer van water gedurende langer dan één minuut. Hierdoor zal de motor beschadigd worden waardoor een storing optreedt.
 14. Schakel het apparaat altijd uit en sluit de wateraanvoer wanneer u de hogedrukreiniger onbeheerd achterlaat.
 15. Wees bedacht op de terugslag. Het spuitpistool slaat terug wanneer de hogedrukstraal uit de spuitmond komt. Houd het spuitpistool stevig vast om onverwacht letsel te voorkomen.
 16. Controleer op beschadigde of versleten onderdelen vóór gebruik. Verzeker u er tevens van dat de slang correct is aangesloten en tijdens gebruik niet lekt. Het gebruik van een gebrekkig werkend apparaat, kan leiden tot ongevallen.
 17. Dit apparaat is ontworpen voor gebruik met het reinigingsmiddel dat is bijgeleverd of wordt aanbevolen door de fabrikant. Het gebruik van andere reinigingsmiddelen of chemicaliën kan de veiligheid van het apparaat nadelig beïnvloeden.
 18. Trek niet aan de slang om de hogedrukreiniger te verplaatsen. Hierdoor zal de slang en aangesloten onderdelen worden beschadigd, en zal kortsluiting of een defect ontstaan.
 19. Plaats geen zware voorwerpen op de slang en laat er geen voertuigen over rijden.
 20. Laat altijd de restdruk in het spuitpistool af voordat u de slang loskoppelt.
 21. Wanneer u de slang aansluit op het waterleidingnet, houdt u zich aan de instructies van het waterleidingbedrijf.
 22. Als de hogedrukreiniger valt of tegen een hard voorwerp wordt gestoten, moet u hem controleren op beschadigingen en barsten. Het gebruik van een beschadigde hogedrukreiniger kan leiden tot rookontwikkeling, brand of een elektrische schok, waardoor persoonlijk letsel kan ontstaan.
 23. Tijdens gebruik van hogedrukreinigers kunnen aerosolen worden gevormd. Het inhaleren van aerosolen kan gevaarlijk zijn voor de gezondheid.
 24. Afhankelijk van de toepassing kunnen afgeschermde spuitmonden worden gebruikt voor reinigen met hoge druk, waarmee de uitstoot van waterhoudende aerosolen dramatisch wordt verlaagd. Echter, niet alle toepassingen maken het gebruik van een dergelijk apparaat mogelijk. In het geval afgeschermde spuitmonden niet toegepast kunnen worden als bescherming tegen aerosolen, kan een ademhalingsmasker van klasse FFP 2 of gelijkwaardig noodzakelijk zijn, afhankelijk van de omgeving waarin wordt gereinigd.
 25. De werkgever moet een risicobeoordeling uitvoeren om de noodzakelijke beschermingsmaatregelen tegen aerosolen vast te stellen, afhankelijk van het te reinigen oppervlak en de omgeving daarvan. Een ademhalingsmasker van klasse FFP 2, of minimaal gelijkwaardig alternatief, is geschikt als bescherming tegen waterhoudende aerosolen.
 26. Voorkom onbedoeld starten. Controleer of de schakelaar in de uit-stand staat alvorens de accu aan te brengen, het apparaat op te pakken of te dragen. Door het apparaat te dragen met uw vinger op de schakelaar, of door het apparaat op een voeding aan te sluiten terwijl de schakelaar aan staat, neemt de kans op ongevallen sterk toe.
 27. Haal de accu uit het apparaat voordat u afstellingen maakt, hulpstukken vervangt, of het apparaat opbergt. Dergelijke preventieve veiligheidsmaatregelen verkleinen de kans dat het apparaat per ongeluk wordt ingeschakeld.
 28. Probeer niet het apparaat of de accu te wijzigen of te repareren, behalve zoals aangegeven in de instructies voor gebruik en verzorging.
 29. Richt de waterstraal niet continu op dezelfde plek. Het voorwerp kan afbreken en letsel veroorzaken.
 30. Was het apparaat niet met behulp van de waterstraal van dit apparaat. Het apparaat kan kapot gaan of onderdelen van het apparaat kunnen losraken en letsel veroorzaken.
 31. Om het risico van een elektrische schok te vermijden, mag u de waterstraal niet op een apparaat richten terwijl dat apparaat is ingeschakeld.
- Gebruik en verzorging van gereedschap dat op een accu werkt**
1. Laad alleen op met de acculader aanbevolen door de fabrikant. Een acculader die geschikt is voor een bepaald type accu, kan brandgevaar opleveren indien gebruikt met een ander type accu.
 2. Gebruik elektrisch gereedschap uitsluitend met de daarvoor bestemde accu. Gebruik van andere accu's kan gevaar voor letsel of brandgevaar opleveren.
 3. Als de accu niet wordt gebruikt, houdt u deze uit de buurt van metalen voorwerpen, zoals paperclips, muntgeld, sleutels, spijkers, schroeven en andere kleine metalen voorwerpen die een kortsluiting kunnen veroorzaken tussen de accupolen. Kortsluiting tussen de accupolen kan leiden tot brandwonden of brand.

4. **Onder zware gebruiksomstandigheden kan vloeistof uit de accu komen. Voorkom aanraking!** Als u er per ongeluk mee in aanraking komt, spoelt u het er met water af. Als de vloeistof in uw ogen komt, raadpleegt u tevens een arts. Vloeistof uit de accu kan irritatie en brandwonden veroorzaken.
5. **Gebruik geen accu of gereedschap dat beschadigd of gewijzigd is.** Beschadigde of gewijzigde accu's kunnen onvoorspelbaar gedrag vertonen dat kan leiden tot brand, explosie of gevaar van letsel.
6. **Stel een accu of gereedschap niet bloot aan vuur of buitensporige temperaturen.** Blootstelling aan vuur of temperaturen hoger dan 130 °C kunnen een explosie veroorzaken.
7. **Volg alle oplaad instructies en laad de accu of het gereedschap niet op buiten het temperatuurbereik opgegeven in de instructies.** Verkeerd opladen of bij een temperatuur buiten het opgegeven bereik kan de accu beschadigen en de kans op brand vergroten.

Onderhoud en reparatie

1. **Volg de onderhoudsinstructies die in deze gebruiksaanwijzing worden gegeven.**
2. **Om de veiligheid van het apparaat te waarborgen, gebruikt u uitsluitend reserveonderdelen van de fabrikant of goedgekeurd door de fabrikant.**
3. **Laat uw hogedrukreiniger repareren door een vakbekwame reparateur met gebruikmaking van uitsluitend identieke vervangingsonderdelen. Zo bent u ervan verzekerd dat de veiligheid van de hogedrukreiniger behouden blijft.**
4. **In geval van een defect of storing van de hogedrukreiniger, schakelt u deze onmiddellijk uit en verwijdert u de accu('s). Neem contact op met u uw plaatselijke dealer of servicecentrum.**

Aanvullende veiligheidsvoorschriften

1. **Voldoe aan de vereisten van het lokale waterleidingbedrijf.**
2. **Gebruik het apparaat niet wanneer de kans op bliksem bestaat.**
3. **Als u het gereedschap op een modderige ondergrond, natte helling of gladde plaats gebruikt, let u erop dat u stevig staat.**
4. **Vervang de accu niet in de regen.**
5. **Dompel het gereedschap niet onder in een waterplas.**
6. **Laat het gereedschap niet onbeheerd buiten in de regen staan.**
7. **Wanneer u de machine opbergt, vermijdt u direct zonlicht en regen, en bergt u het op een plaats op die niet heet of vochtig wordt.**
8. **Ga niet op het apparaat zitten en gebruik het apparaat niet als een opstapje.** Als u dit doet, kan een ongeval worden veroorzaakt of een storing optreden in het apparaat.

BEWAAR DEZE VOORSCHRIFTEN.

⚠WAARSCHUWING: Laat u NIET misleiden door een vals gevoel van comfort en bekendheid met het gereedschap (na veelvuldig gebruik) en neem alle veiligheidsvoorschriften van het betreffende gereedschap altijd strikt in acht.

VERKEERD GEBRUIK of het niet naleven van de veiligheidsvoorschriften in deze gebruiksaanwijzing kan leiden tot ernstige verwondingen.

Belangrijke veiligheidsinstructies voor een accu

1. **Lees alle voorschriften en waarschuwingen op (1) de acculader, (2) de accu, en (3) het product waarvoor de accu wordt gebruikt, alvorens de accu in gebruik te nemen.**
2. **Haal de accu niet uit elkaar en saboteer hem niet.** Dit kan leiden tot brand, buitensporige hitte of een explosie.
3. **Als de gebruikstijd van een opgeladen accu aanzienlijk korter is geworden, moet u het gebruik ervan onmiddellijk stopzetten.** Voortgezet gebruik kan oververhitting, brandwonden en zelfs een ontploffing veroorzaken.
4. **Als elektrolyt in uw ogen is terechtgekomen, spoelt u uw ogen met schoon water en roept u onmiddellijk de hulp van een dokter in. Elektrolyt in de ogen kan blindheid veroorzaken.**
5. **Voorkom kortsluiting van de accu:**
 - (1) **Raak de accuklemmen nooit aan met een geleidend materiaal.**
 - (2) **Bewaar de accu niet in een bak waarin andere metalen voorwerpen zoals spijkers, munten e.d. worden bewaard.**
 - (3) **Stel de accu niet bloot aan water of regen.** Kortsluiting van de accu kan oorzaak zijn van een grote stroomafgifte, oververhitting, brandwonden, en zelfs defecten.
6. **Bewaar en gebruik het gereedschap en de accu niet op plaatsen waar de temperatuur kan oplopen tot 50 °C of hoger.**
7. **Werp de accu nooit in het vuur, ook niet wanneer hij zwaar beschadigd of volledig versleten is. De accu kan ontploffen in het vuur.**
8. **Laat de accu niet vallen, sla er geen spijker in, snij er niet in, gooi er niet mee en stoot hem niet tegen een hard voorwerp.** Dergelijke handelingen kunnen leiden tot brand, buitensporige hitte of een explosie.
9. **Gebruik nooit een beschadigde accu.**
10. **De bijgeleverde lithium-ionbatterijen zijn onderhevig aan de vereisten in de wetgeving omtrent gevaarlijke stoffen.** Voor commercieel transport en dergelijke door derden en transporteurs moeten speciale vereisten ten aanzien van verpakking en etikettering worden nageleefd. Als voorbereiding van het artikel dat wordt getransporteerd is het noodzakelijk een expert op het gebied van gevaarlijke stoffen te raadplegen. Houd u tevens aan mogelijk strengere nationale regelgeving. Blootliggende contactpunten moeten worden afgedekt met tape en de accu moet zodanig worden verpakt dat deze niet kan bewegen in de verpakking.

11. Wanneer u de accu wilt weggooiden, verwijdert u de accu vanaf het gereedschap en gooit u hem op een veilige manier weg. Volg bij het weggooiden van de accu de plaatselijke voorschriften.
12. Gebruik de accu's uitsluitend met de gereedschappen die door Makita zijn aanbevolen. Als de accu's worden aangebracht in niet-compatibele gereedschappen, kan dat leiden tot brand, buitensporige warmteontwikkeling, een explosie of lekkage van elektrolyt.
13. Als u het gereedschap gedurende een lange tijd niet denkt te gaan gebruiken, moet de accu vanaf het gereedschap worden verwijderd.
14. Tijdens en na gebruik, kan de accu heet worden waardoor brandwonden of koude brandwonden kunnen worden veroorzaakt. Wees voorzichtig bij het hanteren van een hete accu.
15. Raak de aansluitpunten van het gereedschap niet onmiddellijk na gebruik aan omdat deze heet genoeg kunnen zijn om brandwonden te veroorzaken.
16. Zorg ervoor dat geen steenslag, stof of grond vast komt te zitten op/in de aansluitpunten, openingen en groeven van de accu. Hierdoor kan oververhitting, brand, een barst en een storing in het gereedschap of de accu ontstaan waardoor brandwonden of persoonlijk letsel kunnen ontstaan.
17. Behalve indien gebruik van het gereedschap is toegestaan in de buurt van hoogspanningsleidingen, mag u de accu niet gebruiken in de buurt van een hoogspanningsleiding. Dit kan leiden tot een storing of een defect van het gereedschap of de accu.
18. Houd de accu uit de buurt van kinderen.

BEWAAR DEZE INSTRUCTIES.

⚠ LET OP: Gebruik uitsluitend originele Makita accu's. Het gebruik van niet-originele accu's, of accu's die zijn gewijzigd, kan ertoe leiden dat de accu ontploft en brand, persoonlijk letsel en schade veroorzaakt. Ook vervalt daarmee de garantie van Makita op het gereedschap en de lader van Makita.

Tips voor een maximale levensduur van de accu

1. Laad de accu op voordat hij volledig ontladen is. Stop het gebruik van het gereedschap en laad de accu op telkens wanneer u vaststelt dat het vermogen van het gereedschap is afgenomen.
2. Laad een volledig opgeladen accu nooit opnieuw op. Te lang opladen verkort de levensduur van de accu.
3. Laad de accu op bij een omgevingstemperatuur tussen 10 °C en 40 °C. Laat een warme accu afkoelen alvorens hem op te laden.
4. Als de accu niet wordt gebruikt, verwijdert u hem vanaf het gereedschap of de lader.
5. Laad de accu op als u deze gedurende een lange tijd (meer dan zes maanden) niet gaat gebruiken.

BESCHRIJVING VAN DE FUNCTIES

⚠ LET OP: Verzekert u er altijd van dat het apparaat is uitgeschakeld en de accu's zijn verwijderd alvorens de functies op het gereedschap af te stellen of te controleren.

De accu aanbrengen en verwijderen

⚠ LET OP: Schakel het gereedschap altijd uit voordat u de accu aanbrengt of verwijdert.

⚠ LET OP: Houd het apparaat en de accu stevig vast tijdens het aanbrengen of verwijderen van de accu. Als u het apparaat en de accu niet stevig vasthoudt, kunnen deze uit uw handen glijpen waardoor het apparaat of de accu kan worden beschadigd of persoonlijk letsel kan worden veroorzaakt.

⚠ LET OP: Zorg dat u voor gebruik het accudeksel stevig afsluit. Anders zou er modder, vuil en water in kunnen komen en het gereedschap of de accu kunnen beschadigen.

⚠ LET OP: Breng de accu altijd volledig aan. Als u dit niet doet, kan de accu per ongeluk uit het apparaat vallen en letsel veroorzaken bij u of anderen in uw omgeving.

⚠ LET OP: Druk de accu er niet met kracht in. Als de accu er niet soepel in schuift, houdt u die waarschijnlijk in de verkeerde stand.

⚠ LET OP: Houd het accudeksel stevig vast tijdens het aanbrengen of verwijderen van de accu.

De accu aanbrengen:

1. Trek de vergrendelhendel omhoog en open daarna het accudeksel.
▶ Fig.1: 1. Accudeksel 2. Vergrendelhendel
2. Lijn de lip op de accu uit met de gleuf in het apparaat en schuif daarna de accu erin tot deze met een klikgeluid op zijn plaats wordt vergrendeld.
▶ Fig.2: 1. Accu
3. Sluit het accudeksel en duw erop totdat hij wordt vergrendeld met de borghendel.








De accu verwijderen:

1. Trek de vergrendelhendel omhoog en open het accudeksel.
2. Trek de accu uit het apparaat terwijl u de knop aan de voorkant van de accu verschuift.
3. Sluit het accudeksel en duw erop totdat hij wordt vergrendeld met de borghendel.

Accucontroleknop

U kunt de resterende acculading controleren door op de accucontroleknop te drukken.

► Fig.3: 1. Accu-indicatorlampje 2. Accucontroleknop

Toestand van accu-indicator			Resterende acculading
Aan	Uit	Knippert	
			50% tot 100%
			
			20% tot 50%
			0% tot 20%
			Laad de accu op.

OPMERKING: De indicatorlampjes voor de resterende acculading dienen slechts ter referentie. De daadwerkelijke acculading kan verschillen afhankelijk van de gebruiksomstandigheden en omgevingstemperatuur.

OPMERKING: De indicatorlampjes gaan automatisch na enkele seconden uit.

OPMERKING: Als twee accu's zijn aangebracht, wordt eerst de linker accu gebruikt.






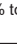

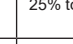

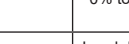


OPMERKING: Als twee accu's zijn aangebracht, schakelt de machine automatisch over op de andere accu wanneer de eerste accu leeg raakt.








OPMERKING: U kunt de resterende acculading controleren zonder de aan-uitschakelaar te bedienen.

De resterende acculading controleren

Druk op de testknop op de accu om de resterende acculading te zien. De indicatorlampjes branden gedurende enkele seconden.

► Fig.4: 1. Indicatorlampjes 2. Testknop

Indicatorlampjes			Resterende acculading
Brandt	Uit	Knippert	
			
			75% tot 100%
			50% tot 75%
			25% tot 50%
			0% tot 25%
			Laad de accu op.

Indicatorlampjes			Resterende acculading
Brandt	Uit	Knippert	
			
			Er kan een storing zijn opgetreden in de accu.
			

OPMERKING: Afhankelijk van de gebruiksomstandigheden en de omgevingstemperatuur, is het mogelijk dat de aangegeven acculading verschilt van de werkelijke acculading.

OPMERKING: Het eerste (meest linker) indicatorlampje knippert wanneer het accubeveiligingssysteem in werking is getreden.

Beveiligingssysteem voor gereedschap/accu

Het gereedschap is uitgerust met een beveiligingssysteem voor gereedschap/accu. Dit systeem schakelt automatisch de voeding naar de motor uit om de levensduur van het gereedschap en de accu te verlengen. Het gereedschap kan tijdens het gebruik automatisch stoppen als het gereedschap of de accu aan één van de volgende omstandigheden wordt blootgesteld:

Overbelastingsbeveiliging

Als het apparaat of de accu wordt gebrookt op een manier waardoor een abnormaal hoge stroom wordt getrokken, stopt het apparaat automatisch en knippert het snelheidsfunctielampje groen. Wanneer dat gebeurt, schakelt u het apparaat uit en stopt u de toepassing die ertoe leidde dat het apparaat overbelast raakte. Schakel vervolgens het apparaat in om het weer te starten.

Oververhittingsbeveiliging

Wanneer het apparaat oververhit is, stopt het apparaat automatisch en gaat het snelheidsfunctielampje rood branden. In dat geval laat u het apparaat en de accu afkoelen, voordat u het apparaat opnieuw inschakelt.

OPMERKING: Het snelheidsfunctielampje knippert rood wanneer de accu oververhit is.

Beveiliging tegen te ver ontladen

Als de acculading onvoldoende is, stopt het apparaat automatisch en knippert het snelheidsfunctielampje rood. Verwijder in dat geval de accu vanaf het apparaat en laad de accu op of vervang de accu door een volledig opgeladen accu.

Beveiliging tegen andere oorzaken

Het beveiligingssysteem is ook ontworpen voor andere oorzaken die de machine kunnen beschadigen, en zorgt ervoor dat de machine automatisch stopt. Voer alle volgende stappen uit om de oorzaken op te heffen, wanneer de machine tijdelijk is onderbroken of tijdens het gebruik is gestopt.

1. Schakel de machine uit en schakel hem daarna weer in om hem opnieuw te starten.
2. Laad de accu('s) op of vervang hem/ze door (een) opgeladen accu('s).
3. Laat de machine en accu('s) afkoelen.

Als geen verbetering optreedt nadat het beveiligingssysteem is gereset, neemt u contact op met uw lokale Makita-servicecentrum.

KENNISGEVING: Als het gereedschap stopt als gevolg van een oorzaak die niet hierboven wordt beschreven, raadpleegt u het hoofdstuk **Problemen oplossen**.

Functieschakelknop

De snelheidsfunctie kan worden ingesteld op drie snelheden. Om de snelheidsfunctie te veranderen, drukt u op de functieschakelknop. Wanneer u de snelheidsfunctie verandert, gaat het bijbehorende snelheidsfunctielampje branden.

► **Fig.5:** 1. Functieschakelknop

OPMERKING: U kunt de functie niet veranderen terwijl het apparaat is ingeschakeld. Verander de functie wanneer het apparaat is uitgeschakeld en de accu is aangebracht.

OPMERKING: Als het snelheidsfunctielampje rood brandt, of rood of groen knippert, raadpleegt u de instructies voor het apparaat-/accubeveiligingssysteem.

Aan-uitschakelaar

WAARSCHUWING: Zet altijd de hoofdschakelaar uit indien niet in gebruik.

KENNISGEVING: Draai de aan-uitschakelaar niet met grote kracht. Hierdoor kan de schakelaar defect raken.

Om het apparaat in te schakelen, draait u de aan-uitschakelaar rechtsom, en om het apparaat uit te schakelen, draait u de aan-uitschakelaar linksom.

► **Fig.6:** 1. Aan-uitschakelaar

OPMERKING: Direct nadat het apparaat is ingeschakeld, gaan de accu-indicators enkele seconden branden.

OPMERKING: Als u de accu aanbrengt op het apparaat terwijl de aan-uitschakelaar in de aan-stand staat, knippert het snelheidsfunctielampje groen. Draai de aan-uitschakelaar naar de uit-stand en breng daarna de accu aan op het apparaat.

Spuitlansfuncties

OPMERKING: De standaard spuitmonden kunnen verschillen afhankelijk van het land. Raadpleeg de paragraaf over optionele accessoires voor andere spuitmonden.

Cycloonspuitlans

Afhankelijk van het land

KENNISGEVING: Gebruik de cycloonspuitlans niet op kwetsbare oppervlakken zoals ruiten en de carrosserie van voertuigen.

► **Fig.7**

Een roterende straal wordt gespoten. Geschikt voor het verwijderen van hardnekkig vuil.

Vario-spuitmond en de verlengpijp

Afhankelijk van het land

LET OP: Breng alleen de vario-spuitmond aan op de verlengpijp. Breng niet de andere optionele verlengstukken aan op de originele verlengpijp. Als u andere hulpstukken gebruikt dan die worden aanbevolen door de fabrikant, bestaat het risico van persoonlijk letsel of materiële schade.

LET OP: Wanneer u de druk van de straal verandert door de kop van de spuitlans te draaien, mag u de spuitlans niet tegelijkertijd in de richting van het spuitpistool trekken. Hierdoor kan de spuitlans los raken van het spuitpistool en persoonlijk letsel veroorzaken.

LET OP: Wanneer u het voorste deel van de spuitmond draait om de waterstraal af te stellen, mag u hem niet met grote kracht draaien. Anders kan de spuitmond kapot gaan en letsel veroorzaken.

► **Fig.8:** 1. Vario-spuitmond 2. Verlengpijp

De druk van de straal kan worden veranderd door de kop van de spuitlans te draaien.

KENNISGEVING: Wanneer u de spuitmond draait, houdt u niet het voorste deel van de spuitmond vast maar houdt u het achterste deel van de spuitmond vast, zoals aangegeven in de afbeelding.

► **Fig.9**

OPMERKING: De vario-spuitmond kan ook rechtstreeks worden bevestigd op het spuitpistool.

Bediening van de trekker

KENNISGEVING: Om een mechanische fout in de drukschakelaar te voorkomen, houdt u altijd een pauze van twee seconden alvorens de trekker opnieuw in te knijpen.

Knijp de trekker in om een waterstraal te spuiten. De straal wordt continu gespoten zo lang de trekker ingeknepen wordt gehouden.

De trekker kan worden vergrendeld voor veilig hanteren van het spuitpistool. Om de trekker te vergrendelen, trekt u de stopper eruit en haakt u deze in de groef van het handvat.

► **Fig.10:** 1. Trekker 2. Stopper 3. Groef

MONTAGE

⚠WAARSCHUWING: Verzeker u er altijd van dat alle accu's zijn verwijderd voordat u enige werkzaamheden aan de machine gaat uitvoeren.

Als u niet alle accu's verwijdert, kan dat leiden tot ernstig persoonlijk letsel als gevolg van onbedoeld starten.

De hogedrukslang aansluiten

⚠LET OP: Verzeker u ervan dat de hogedrukslang stevig aangesloten is. Bij een losse aansluiting kan de hogedrukslang eraf geperst worden waardoor persoonlijk letsel kan ontstaan.

Sluit de hogedrukslang aan op de uitlaat. Draai de moer van de hogedrukslang rechtson om hem op de schroefdraad van de uitlaat te draaien.

► Fig.11: 1. Uitlaat 2. Moer

Het spuitpistool bevestigen

⚠LET OP: Verzeker u ervan dat de hogedrukslang stevig aangesloten is. Bij een losse aansluiting kan de hogedrukslang eraf geperst worden waardoor persoonlijk letsel kan ontstaan.

Sluit de hogedrukslang aan op de inlaat van het spuitpistool. Draai de moer van de hogedrukslang rechtson om hem op de schroefdraad van de inlaat te draaien.

► Fig.12: 1. Inlaat 2. Moer

Aansluiten op een kraan

⚠LET OP: Gebruik altijd een drukbestendige waterslang met een van de volgende diameters en sluit deze met behulp van geschikte bevestigingen aan op de kraan. Als u dit niet doet, kan de waterslang en/of de bevestigingen kapot gaan en tot persoonlijk letsel leiden.

- Binnendiameter van de slang is 14 mm tot en met 15 mm.
- Buitendiameter van de slang is 20 mm of minder.
- Wanddikte van de slang is 2,3 mm of meer, maar minder dan 3,0 mm.

KENNISGEVING: Gebruik een zo kort mogelijke drukbestendige waterslang. De stroomsnelheid van het aanvoerwater moet hoger zijn dan de maximale aanvoersnelheid van de pomp.

KENNISGEVING: Als u aansluit op het drinkwaterleidingnet, gebruikt u een terugstroomklep die voldoet aan de regelgeving in uw land.

KENNISGEVING: Bij aansluiten op een kraan is de benodigde waterstroomsnelheid 7,0 l/min of meer. Als de waterstroomsnelheid onvoldoende is, kunt u niet de volledige capaciteiten van het apparaat benutten.

OPMERKING: De toevoerslang wordt geleverd met koppelstukken bevestigd aan beide uiteinden. Bij aansluiten op een kraan zonder koppelstuk, verwijderd u het koppelstuk aan één uiteinde door het koppelstuk in de richting van de pijl te draaien, zoals aangegeven in de afbeelding.

► Fig.13: 1. Moer van het koppelstuk 2. Koppelstuk

1. Sluit de toevoerslang aan op de kraan. Gebruik een geschikte bevestiging, zoals een slangklem of kraanaansluiting, om het uiteinde van de slang te bevestigen aan de kraan.

► Fig.14: 1. Slangklem 2. Koppelstuk 3. Toevoerslang

KENNISGEVING: Sluit de toevoerslang stevig aan op de kraan. Anders kan de toevoerslang losraken wanneer u de kraan opendraait.

OPMERKING: De bevestigingsmethode is afhankelijk van de vorm van de kraan waaraan de slang wordt bevestigd. Bereid een geschikte, in de winkel verkrijgbare, bevestiging voor.

2. Bevestig de waterslangaansluiting op de inlaat en sluit vervolgens het koppelstuk aan op de waterslangaansluiting.

► Fig.15: 1. Koppelstuk 2. Waterslangaansluiting 3. Inlaat

KENNISGEVING: Bevestig de waterslangaansluiting en het koppelstuk stevig. Anders kunnen de waterslangaansluiting en het koppelstuk losraken wanneer u de kraan opendraait.

De spuitlans aanbrengen/verwijderen

⚠LET OP: Vergrendel altijd de trekker van het spuitpistool wanneer u de spuitlans aanbrengt/verwijdert.

⚠LET OP: Bevestig de spuitmond stevig aan het spuitpistool en verzekert u ervan dat deze niet eraf komt.

⚠LET OP: Als u de spuitmond bevestigt of eraf haalt, mag u hem niet met grote kracht draaien. Anders kan de spuitmond kapot gaan of eraf komen en letsel veroorzaken.

Steek het uiteinde van de spuitmond in de opening van het spuitpistool, druk de spuitmond in de richting van het spuitpistool en draai hem in de richting van de pijl aangegeven in de afbeelding. Om de spuitmond eraf te halen, drukt u hem in de richting van het spuitpistool en draait u hem in de tegenovergestelde richting om hem er vervolgens uit te trekken.

► Fig.16: 1. Spuitpistool 2. Opening 3. Uiteinde van spuitlans

De schuimsproeier aanbrengen

Optioneel accessoire

▲LET OP: Vergrendel altijd de trekker van het spuitpistool wanneer u de spuitlans aanbrengt/verwijdert.

KENNISGEVING: Gebruik uitsluitend neutrale reinigingsmiddelen. Gebruik geen huishoudreinigingsmiddelen, zure reinigingsmiddelen, alkalische reinigingsmiddelen, bleekmiddelen, oplosmiddelen, brandbare materialen of industriële oplossingen omdat deze het apparaat of uw eigendommen kunnen beschadigen. Bereid de reinigungsoplossing voor zoals beschreven op de reinigungsmiddelfles en test dit altijd eerst op een onopvallende plaats.

KENNISGEVING: Als een uiterst viskeus reinigungsmiddel wordt gebruikt, zal de spuitmond waarschijnlijk verstopt raken. Bij gebruik van een reinigungsmiddel met een hoge viscositeit, verdunt u het reinigungsmiddel door vóór gebruik water toe te voegen aan de fles.

OPMERKING: Bij gebruik van de schuimsproeier, wordt het reinigungsmiddel in de fles verdund met het water dat wordt aangevoerd door het apparaat voordat het wordt gespreid. U hoeft het geconcentreerde reinigungsmiddel in de fles niet meer dan nodig is te verdunnen. Pas de concentratie van het reinigungsmiddel aan overeenkomstig de gebruiksomstandigheden.

OPMERKING: Als de schuimsproeier op zijn zij wordt gehouden, kan het reinigungsmiddel eruit lopen.

Bereid het reinigungsmiddel voor voordat u de schuimsproeier gebruikt.

1. Verwijder de schuimsproeier vanaf de tank door de schuimsproeier linksom te draaien. Bevestig de schuimsproeier aan het spuitpistool.
► **Fig.17:** 1. Schuimsproeier 2. Spuitpistool
2. Giet het reinigungsmiddel in de tank en bevestig de tank aan de spuitlans door deze in de richting te draaien zoals aangegeven in de afbeelding.
► **Fig.18:** 1. Tank

BEDIENING

▲WAARSCHUWING: Raak de hogedrukstraal niet aan en richt deze niet op uzelf of anderen. De hogedrukstraal is gevaarlijk en kan u of anderen pijn doen.

▲WAARSCHUWING: Houd nooit het voorwerp dat u wilt reinigen vast in uw handen terwijl u de hogedrukstraal erop richt, en houd uw handen en voeten uit de buurt van de hogedrukstraal.

▲LET OP: Wees bedacht op de terugslag van de hogedrukstraal en op weggespoten voorwerpen. Houd de spuitmond niet dicht bij het voorwerp dan 30 cm.

▲LET OP: Schakel de hogedrukreiniger niet in zonder aanvoer van water gedurende langer dan 1 minuut.

▲LET OP: Gebruik de hogedrukreiniger niet gedurende een lange tijd achter elkaar. Hierdoor kan oververhitting of brand ontstaan. Bovendien kan langdurig gebruik leiden tot letsel door trillingen.

▲LET OP: Let op de windrichting. Als het reinigungsmiddel in uw ogen of mond terecht komt, spoelt u deze onmiddellijk uit met schoon water en raadpleegt u zo nodig een arts.

▲LET OP: Houd het spuitpistool stevig vast. Het spuitpistool krijgt een terugslag zodra u de trekker inknijpt.

▲LET OP: Houd tijdens het spuiten van de hogedrukstraal het spuitpistool altijd vast aan de handgreep en aan de loop.

KENNISGEVING: Vermijd gebruik van de hogedrukreiniger gedurende langer dan 1 uur. Na gebruik gedurende 1 uur, wacht u dezelfde tijdsduur voordat u het apparaat weer gebruikt.

KENNISGEVING: Om het mechanisme van de hogedrukreiniger te beschermen, mag u geen water warmer dan 40 °C gebruiken.

KENNISGEVING: Wees voorzichtig dat u tijdens gebruik niet met kracht aan het spuitpistool trekt. Hierdoor kan de hogedrukreiniger omvallen.

KENNISGEVING: Wanneer het gebruik gedurende een lange tijd wordt onderbroken, schakelt u de hogedrukreiniger uit en knijpt u de trekker in om het resterende water volledig eruit te laten stromen.

Als de hogedrukreiniger langdurig op hoge druk wordt gebruikt, kan hij mogelijk niet opnieuw worden gestart. Als dat het geval is, schakelt u de hogedrukreiniger uit, voert u water aan vanuit een kraan in de inlaat en knijpt u de trekker in terwijl u enige tijd water blijft aanvoeren. Schakel daarna de hogedrukreiniger in.

KENNISGEVING: Gebruik het apparaat niet wanneer het op zijn zijkant ligt. Als u dit toch doet, kan een storing worden veroorzaakt.

► Fig.19

Voordat u het apparaat bedient, verwijdert u de spuitmond vanaf het spuitpistool.

1. Open het accudeksel en breng de accu's aan in de hogedrukreiniger en vergrendel daarna het accudeksel.
► **Fig.20:** 1. Accu 2. Accudeksel

2. Sluit één uiteinde van de hogedrukslang aan op het spuitpistool en het andere uiteinde op de hogedrukreiniger.

3. Sluit de hogedrukreiniger met behulp van een waterslang aan op de kraan. Open daarna de kraan.
► **Fig.21**

KENNISGEVING: Voordat u het apparaat inschakelt, verzekert u zich ervan dat de kraan volledig open staat.

4. Selecteer de gewenste functie door op de functieschakelknop te drukken en daarna de aan-uitschakelaar rechtsom te draaien om het apparaat in te schakelen.

► **Fig.22:** 1. Aan-uitschakelaar 2. Functieschakelknop

5. Om een hogedrukstraal te spuiten, ontgrendelt u de stopper en knijpt u de trekker in. Nadat een continue stroom water uit het spuitpistool komt, laat u de trekker los en schakelt u het apparaat uit.

► **Fig.23:** 1. Stopper

OPMERKING: Denk eraan de spuitmond vanaf het spuitpistool te verwijderen voordat u deze handeling uitvoert.

6. Bevestig de gewenste spuitmond aan het spuitpistool en schakel daarna het apparaat in om te beginnen met spuiten.

Wanneer u het werk onderbreekt, kunt u het spuitpistool tijdelijk opbergen zoals aangegeven in de afbeelding.

► **Fig.24**

Water aanvoeren vanuit een tank of reservoir

⚠ LET OP: Let erop dat bij het bevestigen van de ring aan het filterhuis van de aanzuigslang u uw hand niet bezeerd aan de slangkleem.

KENNISGEVING: Gebruik altijd de toevoerslang en aanzuigslang van Makita.

KENNISGEVING: Zorg ervoor dat de inlaat van de hogedrukreiniger 1,0 m (39-3/8 ft) of minder lager staat dan het wateroppervlak in de tank of het reservoir. Anders zal de hogedrukreiniger niet in staat zijn het water aan te zuigen naar de pomp.

KENNISGEVING: De waterhoogte die het apparaat kan oppompen is 100 mm of meer.

KENNISGEVING: Zuig geen water aan uit rivieren of vijvers, of water gemengd met zand of modder. Als u dit toch doet, kan een storing worden veroorzaakt.

OPMERKING: Als het lang duurt voordat het water eruit komt, reinigt u de zeef en het filter van de aanzuigslang.

U kunt water aanvoeren vanuit een tank of reservoir in plaats van vanuit een kraan.

1. Schakel het apparaat uit en verwijder de spuitmond vanaf het spuitpistool.
2. Sluit de toevoerslang met aanzuigslang aan op de waterslangaansluiting.
► **Fig.25:** 1. Tank/reservoir 2. Aanzuigslang
3. Toevoerslang 4. Waterslangaansluiting

3. Schakel het apparaat in, ontgrendel de stopper en knijp de trekker in. Nadat een continue stroom water uit het spuitpistool komt, laat u de trekker los.

► **Fig.26:** 1. Spuitpistool

OPMERKING: Het duurt ongeveer 10 tot 60 seconden voordat het water eruit komt.

OPMERKING: Denk eraan de spuitmond vanaf het spuitpistool te verwijderen voordat u deze handeling uitvoert.

4. Schakel het apparaat uit en bevestig de gewenste spuitmond aan het spuitpistool, en schakel daarna het apparaat in om te beginnen met spuiten.

OPMERKING: Als er geen water uitspuit, haalt u de toevoerslang en aanzuigslang eraf en dompelt u deze enige tijd onder in water. Bevestig ze daarna weer aan het apparaat.

► **Fig.27:** 1. Toevoerslang en aanzuigslang

OPMERKING: Als het water niet wordt aangezogen, dit lang duurt of de waterdruk onvoldoende is, controleert u het volgende:

- Controleer of de toevoerslang, aanzuigslang of waterslangaansluiting los zitten.
- Controleer of de koppelstukken van de toevoerslang stevig zijn bevestigd aan de waterslangaansluiting en het filterhuis van de aanzuigslang.

Zet ze vast als ze los zitten.

Toevoerslang

► **Fig.28:** 1. Koppelstuk

Aanzuigslang

► **Fig.29:** 1. Slangkleem 2. Filterhuis

Waterslangaansluiting

► **Fig.30:** 1. Waterslangaansluiting

Na gebruik

⚠ LET OP: Voer na gebruik van de hogedrukreiniger altijd de procedure uit die in deze gebruiksaanwijzing wordt beschreven. Restdruk in het spuitpistool of de hogedrukreiniger kan leiden tot persoonlijk letsel of beschadiging van de pomp.

1. Schakel het apparaat uit en verwijder de spuitmond vanaf het spuitpistool.
2. Draai de kraan dicht en koppel de aanvoerwaterslang los van de hogedrukreiniger.
► **Fig.31**
3. Schakel de hogedrukreiniger weer in.
4. Knijp de trekker in tot het achtergebleven water in de hogedrukreiniger eruit is gespoten.
► **Fig.32**

KENNISGEVING: Laat de motor niet langer dan 1 minuut draaien.

5. Schakel de hogedrukreiniger uit en verwijder de accu's.
► **Fig.33:** 1. Accu
6. Koppel de hogedrukslang los van het spuitpistool en de hogedrukreiniger.
► **Fig.34:** 1. Spuitpistool 2. Hogedrukslang

KENNISGEVING: Om te voorkomen dat de hogedrukslang beschadigd raakt, laat u het achtergebleven water uit de slang lopen voordat u deze opbergt.

7. Houd het apparaat met beide handen vast en laat het resterende water binnenin het apparaat eruit lopen door het apparaat te kantelen zoals aangegeven op de afbeelding.

► Fig.35

ONDERHOUD EN OPSLAG

⚠ WAARSCHUWING: Verzeker u er altijd van dat de accu's uit de machine zijn verwijderd voordat u de machine opbergt of draagt, of voordat u inspectie of onderhoud gaat verrichten.

KENNISGEVING: Gebruik nooit benzine, wasbenzine, thinner, alcohol en dergelijke. Hierdoor kunnen verkleuring, vervormingen en barsten worden veroorzaakt.

Om de VEILIGHEID en BETROUWBAARHEID van het gereedschap te handhaven, dienen alle reparaties, onderhoud of afstellingen te worden uitgevoerd bij een erkend Makita-servicecentrum of de Makita-fabriek, en altijd met gebruik van Makita-ervangingsonderdelen.

Het apparaat dragen

⚠ LET OP: Voordat u het apparaat met beide handen draagt, verzekert u zich ervan dat de handgreep volledig is ingeklapt.

Als u het apparaat draagt, houdt u het apparaat stevig met beide handen vast door de handgreep met één hand vast te houden en de ondergreep met de andere hand.

► Fig.36: 1. Handgreep 2. Ondergreep

U kunt het apparaat ook weggrollen met behulp van de wielen van het apparaat. Verzeker u ervan de handgreep uit te trekken door de ontgrendelknop in te drukken voordat u het apparaat weggrolt.

► Fig.37: 1. Ontgrendelknop 2. Handgreep

► Fig.38

⚠ LET OP: Oefen geen buitensporige kracht uit door op de uitgetrokken handgreep te leunen. Als de handgreep losraakt, kunt u vallen en letsel oplopen.

KENNISGEVING: Verzeker u ervan dat de handgreep helemaal is uitgetrokken en de ontgrendelknop is teruggekeerd in zijn oorspronkelijke stand doordat u het apparaat weggrolt.

► Fig.39: 1. Ontgrendelknop

De spuitlans reinigen

KENNISGEVING: Verwijder vuil of afval niet met grote kracht. Hierdoor kan persoonlijk letsel ontstaan of de spuitmond worden beschadigd waardoor de hogedrukstraal onder een afwijkende hoek wordt gespoten of de prestaties verslechteren.

Gebruik de reinigingsprikker om vuil te verwijderen of een verstopping op te heffen in de spuitmond van de spuitlans.

► Fig.40: 1. Reinigingsprikker

OPMERKING: Om optimale prestaties te behouden, reinigt u de spuitlans regelmatig.

Het filter reinigen

Koppel de waterslangaan sluiting los en verwijder vuil en afval vanuit de binnenkant van het filter.

► Fig.41: 1. Waterslangaan sluiting 2. Filter
3. Afdichtingsring

Bij gebruik van de aanzuigslang haalt u het filter uit het filterhuis en verwijdert u vuil en afval.

► Fig.42: 1. Filter 2. Filterhuis

OPMERKING: Om optimale prestaties te behouden, reinigt u het filter regelmatig.

Opslag

KENNISGEVING: Bewaar het apparaat altijd binnenshuis waar de temperatuur niet onder het nulpunt komt. Als de hogedrukreiniger bevroest en een storing vertoont, neemt u contact op met uw plaatselijke servicecentrum voor reparatie.

KENNISGEVING: Verzeker u ervan het water binnenin het apparaat volledig af te tappen voordat u het apparaat opbergt. Storingen of schade veroorzaakt door bevrozing als gevolg van onvolgende aftappen, vallen niet onder de garantie.

Bewaar de accessoires in de opbergruimte op de achterkant van het apparaat.

► Fig.43

PROBLEMEN OPLOSSEN

Alvorens u verzoekt om reparatie, kunt u zelf als volgt het probleem opsporen en oplossen. Als u een probleem ondervindt dat niet in deze gebruiksaanwijzing wordt beschreven, mag u niet proberen het apparaat uit elkaar te halen. Laat reparaties over aan een erkend Makita-servicecentrum, uitsluitend met gebruik van originele Makita-ervangingsonderdelen.

Probleemomschrijving	Waarschijnlijke oorzaak (storing)	Oplossing
Hogedrukreiniger start niet.	Geen elektriciteit	Breng opgeladen accu's aan en draai de aan-uitschakelaar naar de aan-stand.
	Restdruk aanwezig in de pomp	Knijp de trekker in.
	De hogedrukreiniger werd langdurig op hoge druk gebruikt.	Schakel de hogedrukreiniger uit, voer water aan vanuit een kraan in de inlaat en knijp de trekker in terwijl u enige tijd water blijft aanvoeren. Schakel daarna de hogedrukreiniger in.
Geen/zwakke waterstraal	Geen wateraanvoer of slechte wateraanvoer	Zorg ervoor dat de kraan open staat. Bij gebruik van de toevoerslang en aanzuigslang, vult u deze met water.
	Lucht blokkeert de stroming van water.	Zet de schakelaar in de uit-stand en zet hem daarna weer in de aan-stand terwijl u de trekker ingeknepen houdt.
	Slechte waterslangaansluiting	Controleer de aansluiting tussen de hogedrukreiniger en de waterkraan.
	Onvoldoende goede aansluiting van de slangen (bij gebruik van de aanzuigslang)	Zet het koppelstuk vast als dit los zit. Sluit het koppelstuk stevig aan.
	Verstopt(e) slang, filter of spuitmond	Ontstop de slang, het filter of de spuitmond.
Instabiele hogedrukstraal	Beschadigde of versleten spuitmond of slang	Vervang de spuitmond of slang.
	Verstopte spuitmond	Ontstop de spuitmond van de spuitlans met behulp van de reinigingsprikker.
	Slechte aanzuiging van water	Controleer de waterslang, beginnende bij de kraan, op lekkage of verstoppingen. Draai de kraan open.
Waterlekkage	Water is te heet.	Voer kouder water aan.
	Slechte waterslangaansluiting	Controleer of de slangen stevig zijn bevestigd.
	Beschadigde of versleten slang	Vervang de slang.

OPTIONELE ACCESSOIRES

⚠ LET OP: Deze accessoires of hulpstukken worden aanbevolen voor gebruik met het Makita-apparaat dat in deze gebruiksaanwijzing wordt beschreven. Het gebruik van andere accessoires of hulpstukken kan gevaar voor persoonlijke verwonding opleveren. Gebruik accessoires of hulpstukken uitsluitend voor de aangegeven doeleinden.

Went u meer bijzonderheden over deze accessoires, neem dan contact op met het plaatselijke Makita-servicecentrum.

- Spuitmonden en slangen
- Originele Makita-accu en -acculader

OPMERKING: Sommige items op de lijst kunnen zijn inbegrepen in de doos van het product als standaard toebehoren. Deze kunnen van land tot land verschillen.

Combinaties van spuitmond en slangen

► Fig.44

1	Spatbescherming	2	Cycloonspuitlans*1	3	Vario-spuitmond*1
4	Verlengpijp*1	5	Schuimsproeier	6	Wasborstel
7	Vario-spuitlans	8	Variabele spuitmond	9	Roterende borstel
10	Spuitlans voor een voertuigbodempl	11	Pijpreinigingsset (10 m)	12	Pijpreinigingsset (15 m)
13	Koppelingadapter	14	Spuitpistool*1	15	Verlengstuk voor de spuitlans*2
16	Hogedrukslang*1	17	Hogedrukverlengslang (5 m)	18	Hogedrukverlengslang (8 m)
19	Hogedrukverlengslang (10 m)	20	Draaikoppeling	21	Waterslangaanluiting*1
22	Toevoerslang*1	23	Aanzuigslang*1	-	-

*1: Standaardaccessoire

*2: Niet beschikbaar in combinatie met de spuitlans voor een voertuigbodempl.

Spatbescherming

► Fig.45

Vermindert het opspatten bij het reinigen van hoeken met de cycloonspuitlans.

► Fig.46: 1. Moer 2. Cycloonspuitlans

Bij gebruik van de spatbescherming verwijdt u eerst de moer vanaf de spatbescherming, steekt u vervolgens de cycloonspuitlans in de spatbescherming en draait u ten slotte de moer weer aan.

Schuimsproeier

► Fig.47

Reinigingsmiddel kan als een schuim worden gespoten.

Wasborstel

► Fig.48

Een lans uitgerust met een borstel. Dit is handig bij het gelijktijdig schrobben met de borstel en het afspoelen van vuil.

Vario-spuitlans

▲LET OP: Wanneer u de druk van de straal verandert door de kop van de spuitlans te draaien, mag u de spuitlans niet tegelijkertijd in de richting van het spuitpistool trekken. Hierdoor kan de spuitlans los raken van het spuitpistool en persoonlijk letsel veroorzaken.

▲LET OP: Wanneer u het voorste deel van de spuitmond draait om de waterstraal af te stellen, mag u hem niet met grote kracht draaien. Anders kan de spuitmond kapot gaan en letsel veroorzaken.

► Fig.49

De druk van de straal kan worden veranderd door de kop van de spuitlans te draaien.

Variabele spuitmond

▲LET OP: Draai, bij het afstellen van de breedte van de hogedrukstraal, niet de hele spuitlans terwijl u hem tegelijkertijd in de richting van het spuitpistool trekt. Hierdoor kan de spuitlans los raken van het spuitpistool en persoonlijk letsel veroorzaken.

▲LET OP: Wanneer u het voorste deel van de spuitmond draait om de waterstraal af te stellen, mag u hem niet met grote kracht draaien. Anders kan de spuitmond kapot gaan en letsel veroorzaken.

► Fig.50

De breedte van de hogedrukstraal kan worden afgesteld tussen 0° en 25° door de kop van de spuitlans te draaien.

Roterende borstel

► Fig.51

Tijdens het spuiten van de hogedrukstraal roteren de drie borstels langzaam binnenin. Geschikt voor het reinigen van licht vuil op een buitenmuur, carrosserie van een voertuig, badkuip, enz.

Spuitlans voor een voertuigbodempl

▲LET OP: Gebruik de spuitlans voor een voertuigbodempl niet tezamen met het verlengstuk voor de spuitlans.

► Fig.52

Een extra lange spuitlans met een haakse spuitmond. Handig bij het reinigen van moeilijk bereikbare plaatsen, zoals een voertuigbodempl of dakgoot.

Pijpreinigingsset (10 m/15 m)

▲LET OP: Let met name goed op de hogedrukstraal bij gebruik van de pijpreinigingsset. De waterstraal wordt met zeer hoge druk achterwaarts gespoten. Start de waterstraal pas nadat de spuitlans tot aan minstens de rode markering in de te reinigen pijp is gestoken.

► Fig.53

Voor het reinigen en ontstoppen van afvoerpijpen en standpijpen.

Koppelingadapter

► Fig.54

Een adapter die nodig is om een spuitlans van een ander model te kunnen gebruiken.

Voor sommige optionele spuitlansen is een koppelingadapter (optioneel accessoire) nodig voor bevestiging aan het spuitpistool. Bevestig de koppelingadapter op dezelfde manier aan het spuitpistool als de spuitlans.

► **Fig.55:** 1. Spuitlans 2. Koppelingadapter
3. Spuitpistool

Verlengstuk voor de spuitlans

► Fig.56

Pijpstukken voor het verlengen van het spuitpistool. Drie verschillende lengten zijn mogelijk door het aantal gebruikte pijpstukken te variëren.

Hogedrukverlengslang (5 m/8 m/10 m)

► Fig.57

Verlengslang voor het aansluiten van het spuitpistool op de hogedrukreiniger.

Draaikoppeling

► Fig.58

Voorkomt dat de hogedrukslang ineem gedraaid raakt.

► **Fig.59:** 1. Knop 2. Moer

Om de hogedrukslang aan de draaikoppeling te bevestigen of eraf te halen, houdt u de knop van de draaikoppeling ingedrukt terwijl u de moer van de hogedrukslang draait.

Toevoerslang

► Fig.60

Een toevoerslang om het apparaat aan te sluiten op een kraan of op de aanzuigslang.

Aanzuigslang

► Fig.61

Een aanzuigslang om water aan te voeren vanuit een tank of reservoir. Gebruik de toevoerslang om met apparaat aan te sluiten.

ADVERTENCIA

- Las máquinas no deberán ser utilizadas por niños. Los niños deberán ser supervisados para asegurarse de que no juegan con la máquina.
- Esta máquina no ha sido prevista para ser utilizada por personas (incluidos niños) con capacidades físicas, sensoriales o mentales reducidas, o sin experiencia y conocimiento.
- Esta máquina ha sido diseñada para ser utilizada con el agente de limpieza suministrado o recomendado por el fabricante. La utilización de otros agentes de limpieza o productos químicos podrá afectar adversamente a la seguridad de la máquina.
- Durante la utilización de limpiadores de alta presión, es posible que se formen aerosoles. La inhalación de aerosoles puede ser peligrosa para su salud.
- Dependiendo de la aplicación, se podrán utilizar boquillas apantalladas para limpieza a alta presión, las cuales reducirán considerablemente la emisión de aerosoles aguosos. Sin embargo, no todas las aplicaciones permiten la utilización de tal dispositivo. Si las boquillas apantalladas no son aplicables para la protección contra aerosoles, puede que sea necesario utilizar una máscara respiratoria de clase FFP 2 o equivalente, dependiendo del entorno de la limpieza.
- El empresario deberá realizar una valoración de riesgos con el objeto de especificar las medidas de protección necesarias referentes a los aerosoles, dependiendo de la superficie que se va a limpiar y su entorno. Las máscaras respiratorias de clase FFP 2, y equivalentes o superiores son apropiadas para la protección contra los aerosoles aguosos.
- Los chorros de alta presión pueden ser peligrosos si son sometidos a un mal uso. El chorro no deberá ser dirigido hacia personas, equipos eléctricos conectados a la corriente o hacia la propia máquina.
- No utilice la máquina dentro del alcance de personas a menos que estas lleven puestas ropas de protección.
- No dirija el chorro contra usted mismo u otras personas con objeto de limpiar las ropas o el calzado.
- Riesgo de explosión - No rocíe líquidos inflamables.
- Los limpiadores de alta presión no deberán ser utilizados por niños o personal no cualificado.

- Las mangueras de alta presión, los aditamentos y acopladores son importantes para la seguridad de la máquina. Utilice solamente mangueras, aditamentos y acopladores recomendados por el fabricante.
- Para garantizar la seguridad de la máquina, utilice solamente piezas de repuesto originales del fabricante u homologadas por el fabricante.
- Asegúrese siempre de que la máquina está apagada y que los cartuchos de batería han sido retirados antes de realizar cualquier trabajo en la herramienta.
- No utilice la máquina si partes importantes de la máquina están dañadas, por ejemplo, dispositivos de seguridad, mangueras de alta presión, pistola de gatillo.
- Retire siempre los cartuchos de batería cuando deje la máquina sin atender.
- Cumpla con los requisitos de la compañía de suministro de agua local.
- Para países europeos:
De acuerdo con la normativa EN12729 (BA), el aparato también se puede conectar a la red de distribución de agua potable si a la manguera de suministro se conecta una válvula bloqueadora de reflujo con facilidad de drenaje.

ESPECIFICACIONES

Modelo:		HW001G
Caudal máx. *1		7,0 L/min
Caudal de agua *2	Modo 3 (Modo alto)	5,5 L/min
	Modo 2 (Modo medio)	4,2 L/min
	Modo 1 (Modo bajo)	3,0 L/min
Presión máxima permisible		11,5 MPa
Presión de trabajo *2	Modo 3 (Modo alto)	8,5 MPa
	Modo 2 (Modo medio)	5,5 MPa
	Modo 1 (Modo bajo)	3,0 MPa
Presión de alimentación máxima		1,0 MPa
Temperatura de alimentación máxima		40°C
Altura de succión máxima		1,0 m
Tensión nominal		CC 36 V - 40 V máx.
Dimensiones (La x An x Al) *3		344 mm x 383 mm x 520 mm
Peso neto		10,3 - 13,4 kg
Protección del agua		IPX5

*1: Cuando se está utilizando la pistola de gatillo sin las boquillas.

*2: Cuando se está utilizando la boquilla de pulverización regulable y el tubo de extensión.

*3: Cuando el mango está plegado y sin mangueras.

- Debido a nuestro continuado programa de investigación y desarrollo, las especificaciones aquí dadas están sujetas a cambios sin previo aviso.
- Las especificaciones pueden ser diferentes de país a país.
- El peso puede variar dependiendo del accesorio(s), incluyendo el cartucho de batería. La combinación menos pesada y la más pesada, de acuerdo con el procedimiento EPTA 01/2014, se muestran en la tabla.

Cartucho de batería y cargador aplicables





Cartucho de batería	BL4020 / BL4025 / BL4040 / BL4050F* / BL4080F* * : Batería recomendada
Cargador	DC40RA / DC40RB / DC40RC


- Algunos de los cartuchos de batería y cargadores indicados arriba puede que no estén disponibles dependiendo de su región de residencia.



⚠ ADVERTENCIA: Utilice solamente los cartuchos de batería y cargadores indicados arriba. La utilización de cualquier otro cartucho de batería y cargador puede ocasionar heridas y/o un incendio.

Símbolos

A continuación se muestran los símbolos que pueden ser utilizados para el equipo. Asegúrese de que entienda su significado antes de utilizar.

	Preste cuidado y atención especiales.
	Lea el manual de instrucciones.
	No conecte a un grifo de agua potable.
	No dirija el chorro hacia personas, incluyendo a usted, animales, y equipos eléctricos conectados a la corriente.

	Sólo para países de la Unión Europea Debido a la presencia de componentes peligrosos en el equipo, el equipo eléctrico y electrónico, los acumuladores y las baterías desechados pueden tener un impacto negativo para el medioambiente y la salud humana. ¡No tire los aparatos eléctricos y electrónicos ni las baterías junto con los residuos domésticos! De conformidad con las Directivas Europeas sobre residuos de aparatos eléctricos y electrónicos y sobre acumuladores y baterías y residuos de acumuladores y baterías, así como la adaptación de las mismas a la ley nacional, el equipo eléctrico, las baterías y los acumuladores desechados deberán ser almacenados por separado y trasladados a un punto distinto de recogida de desechos municipales, que cumpla con los reglamentos sobre protección medioambiental. Esto se indica mediante el símbolo de cubo de basura tachado colocado en el equipo.
--	--

	Nivel de potencia del sonido garantizado de acuerdo con la Directiva UE sobre ruido ambiental.
	Nivel de potencia del sonido de acuerdo con el reglamento para el control de ruido en NSW, Australia

Uso previsto

Esta máquina ha sido prevista para limpiar suciedad resistente utilizando un chorro de agua. Esta máquina ha sido prevista para uso comercial y para uso doméstico.

Ruido

El nivel de ruido A-ponderado típico determinado de acuerdo con la norma EN60335-2-79:

Nivel de presión sonora (L_{pA}) : 71 dB (A)

Error (K) : 3,2 dB (A)

El nivel de ruido en situación de trabajo puede exceder 80 dB (A).

NOTA: El valor (o los valores) de emisión de ruido declarado ha sido medido de acuerdo con un método de prueba estándar y se puede utilizar para comparar una herramienta con otra.

NOTA: El valor (o valores) de emisión de ruido declarado también se puede utilizar en una valoración preliminar de exposición.

⚠ ADVERTENCIA: Póngase protectores para oídos.

⚠ ADVERTENCIA: La emisión de ruido durante la utilización real de la herramienta eléctrica puede variar del valor (o los valores) de emisión declarado dependiendo de las formas en las que la herramienta sea utilizada, especialmente qué tipo de pieza de trabajo se procesa.

⚠ ADVERTENCIA: Asegúrese de identificar medidas de seguridad para proteger al operario que estén basadas en una estimación de la exposición en las condiciones reales de utilización (teniendo en cuenta todas las partes del ciclo operativo como las veces cuando la herramienta está apagada y cuando está funcionando en vacío además del tiempo de gatillo).

Vibración

El valor total de la vibración (suma de vectores triaxiales) determinado de acuerdo con la norma EN60335-2-79:

Emisión de vibración (a_{hv}) : 3,2 m/s²

Error (K) : 1,5 m/s²

NOTA: El valor (o los valores) total de emisión de vibración declarado ha sido medido de acuerdo con un método de prueba estándar y se puede utilizar para comparar una herramienta con otra.

NOTA: El valor (o los valores) total de emisión de vibración declarado también se puede utilizar en una valoración preliminar de exposición.

⚠ADVERTENCIA: La emisión de vibración durante la utilización real de la herramienta eléctrica puede variar del valor (o los valores) de emisión declarado dependiendo de las formas en las que la herramienta sea utilizada, especialmente qué tipo de pieza de trabajo se procesa.

⚠ADVERTENCIA: Asegúrese de identificar medidas de seguridad para proteger al operario que estén basadas en una estimación de la exposición en las condiciones reales de utilización (teniendo en cuenta todas las partes del ciclo operativo como las veces cuando la herramienta está apagada y cuando está funcionando en vacío además del tiempo de gatillo).

Declaraciones de conformidad

Para países europeos solamente

Las declaraciones de conformidad están incluidas como Anexo A de este manual de instrucciones.

ADVERTENCIAS DE SEGURIDAD

Advertencias de seguridad para herramientas eléctricas en general

⚠ADVERTENCIA Lea todas las advertencias de seguridad, instrucciones, ilustraciones y especificaciones provistas con esta herramienta eléctrica. Si no sigue todas las instrucciones indicadas abajo, podrá resultar en una descarga eléctrica, un incendio y/o heridas graves.

Guarde todas las advertencias e instrucciones para futuras referencias.

El término "herramienta eléctrica" en las advertencias se refiere a su herramienta eléctrica de funcionamiento con conexión a la red eléctrica (con cable) o herramienta eléctrica de funcionamiento a batería (sin cable).

ADVERTENCIAS DE SEGURIDAD IMPORTANTES

⚠ADVERTENCIA: Lea todas las advertencias de seguridad y todas las instrucciones. Si no sigue las advertencias e instrucciones podrá resultar en una descarga eléctrica, un incendio y/o heridas graves.

Guarde todas las advertencias e instrucciones para futuras referencias.

ADVERTENCIA - Cuando utilice este producto, deberá observar siempre unas precauciones básicas, incluyendo lo siguiente:

Seguridad en el área de trabajo

1. Mantenga el área de operación despejada de todas las personas.
2. No trabaje donde no alcance o se ponga sobre soportes inestables. Mantenga los pies sobre suelo firme y el equilibrio en todo momento.
3. Ponga siempre el cuerpo de la hidrolavadora de alta presión sobre una superficie nivelada y estable. Evite las áreas donde el agua eyectada fluya o se empoce.
4. Antes de limpiar, compruebe los alrededores y los objetos que va a limpiar. Los chorros a alta presión pueden levantar la pintura u otros tratamientos de la superficie incluidos productos químicos tóxicos. Tome medidas preventivas si es necesario.
5. Tenga cuidado de no tropezar con la manguera de la hidrolavadora de alta presión. Sea siempre consciente de la configuración de la manguera durante la operación.
6. Durante la utilización, una pequeña cantidad de agua saldrá por la parte inferior de la hidrolavadora de alta presión. Evite colocar la hidrolavadora de alta presión en las áreas donde no quiera mojar.

Seguridad personal

1. Para protegerse contra el chorro y objetos lanzados por el chorro, los operarios deberán ponerse ropa apropiada tal como botas de seguridad, guantes de seguridad, cascos de seguridad con visor, protección para los oídos, etc.
2. No utilice la hidrolavadora de alta presión dentro del alcance de personas a menos que estas lleven puestas ropas de protección.
3. Para reducir el riesgo de heridas, será necesaria una supervisión estrecha cuando el producto sea utilizado cerca de niños.
4. Si la conexión se hace a un sistema de agua potable, el sistema deberá ser protegido contra el reflujo.
5. El agua que ha fluido a través del bloqueador de reflujo está considerada como no potable.

Seguridad eléctrica

1. No toque nunca los cartuchos de batería con las manos mojadas.
2. No utilice la máquina si las partes importantes de la máquina están dañadas, por ejemplo, dispositivos de seguridad, mangueras de alta presión, o la pistola de gatillo.

Utilización y cuidado de la herramienta eléctrica

1. Lea todas las instrucciones antes de utilizar el producto.
2. Sepa cómo detener la hidrolavadora de alta presión y purgar las presiones rápidamente. Familiarícese completamente con los controles.
3. Los chorros de alta presión pueden ser peligrosos si se usan mal. El chorro no deberá ser dirigido hacia gente, equipos eléctricos conectados a la corriente, o hacia la propia máquina.
4. Esta máquina no ha sido prevista para ser utilizada por personas (incluidos niños) con capacidades físicas, sensoriales o mentales reducidas, o sin experiencia y conocimiento.

5. Los niños pequeños deberán ser supervisados para asegurarse de que no juegan con el aparato.
 6. No rocíe líquidos inflamables y/o tóxicos. Esto podrá ocasionar una explosión, intoxicación, o daño a la máquina.
 7. No dirija el chorro contra usted mismo u otras personas con objeto de limpiar las ropas o el calzado.
 8. Las mangueras de alta presión, los aditamentos y acopladores son importantes para la seguridad de la máquina. Utilice solamente mangueras, aditamentos y acopladores recomendados por el fabricante.
 9. Siga las instrucciones cuando cambie accesorios.
 10. Mantenga los mangos secos, limpios, y libres de aceite o grasa.
 11. Esté alerta - observe lo que está haciendo.
 12. No opere el producto cuando esté fatigado o bajo la influencia de alcohol o drogas.
 13. No haga funcionar la hidrolavadora de alta presión sin agua durante más de un minuto. Ello dañará el motor, resultando en un mal funcionamiento.
 14. Desconecte siempre la alimentación y cierre la red de distribución de agua cuando deje la hidrolavadora de alta presión desatendida.
 15. Sea consciente del retroceso brusco. La pistola de gatillo recula cuando el chorro de alta presión es eyectado por la boquilla. Sujete la pistola de gatillo firmemente para evitar heridas accidentales.
 16. Compruebe por si hay partes dañadas o desgastadas antes de la utilización. Asegúrese también de que la manguera está conectada debidamente y que no hay fugas durante la operación. La operación de la máquina con defectos de funcionamiento puede ocasionar un accidente.
 17. Esta máquina ha sido diseñada para ser utilizada con el agente de limpieza suministrado o recomendado por el fabricante. La utilización de otros agentes de limpieza o productos químicos podrá afectar adversamente a la seguridad de la máquina.
 18. No tire de la manguera para mover el cuerpo de la hidrolavadora de alta presión. Esto dañará la manguera y las partes de conexión y resultará en un cortocircuito o defectos de funcionamiento.
 19. No ponga objetos pesados encima de la manguera o deje que vehículos pasen sobre ella.
 20. Descargue siempre la presión residual en la pistola de gatillo antes de desconectar la manguera.
 21. Cuando conecte la manguera a la red de distribución de agua, observe las instrucciones del departamento o compañía de abastecimiento de agua local.
 22. Si la hidrolavadora de alta presión se cae o golpea contra un objeto duro, asegúrese de comprobar por si hay daños y grietas. La utilización de la hidrolavadora de alta presión dañada puede generar humo, un incendio, u ocasionar una descarga eléctrica, lo cual puede resultar en heridas personales.
 23. Durante la utilización de limpiadores de alta presión, es posible que se formen aerosoles. La inhalación de aerosoles puede ser peligrosa para su salud.
 24. Dependiendo de la aplicación, se podrán utilizar boquillas apantalladas para limpieza a alta presión, las cuales reducirán considerablemente la emisión de aerosoles aguosos. Sin embargo, no todas las aplicaciones permiten la utilización de tal dispositivo. Si las boquillas apantalladas no son aplicables para la protección contra aerosoles, puede que sea necesario utilizar una máscara respiratoria de clase FFP 2 o equivalente, dependiendo del entorno de la limpieza.
 25. El empresario deberá realizar una valoración de riesgos con el objeto de especificar las medidas de protección necesarias referentes a los aerosoles, dependiendo de la superficie que se va a limpiar y su entorno. Las máscaras respiratorias de clase FFP 2, y equivalentes o superiores son apropiadas para la protección contra los aerosoles aguosos.
 26. Evite los arranques involuntarios. Asegúrese de que el interruptor está en la posición desactivada antes de conectar a la batería, y recoger o transportar el aparato. Transportar el aparato con el dedo en el interruptor o suministrar energía al aparato teniendo el interruptor activado es una invitación a accidentes.
 27. Desconecte la batería del aparato antes de hacer cualquier ajuste, cambiar accesorios o almacenar el aparato. Tales medidas preventivas de seguridad reducirán el riesgo de que el aparato pueda ser puesto en marcha accidentalmente.
 28. No modifique o intente reparar el aparato o la batería excepto como se indica en las instrucciones para la utilización y cuidado.
 29. No aplique el chorro de agua al mismo sitio continuamente. El objeto se podrá romper y ocasionar heridas.
 30. No lave la máquina con el chorro de agua de esta máquina. La máquina se podría romper o partes de la máquina se podrían desprender y ocasionar heridas.
 31. Para evitar el riesgo de una descarga eléctrica, no dirija el chorro de agua contra la máquina mientras la máquina está encendida.
- Utilización y cuidado de la herramienta a batería**
1. Cargue la batería solamente con el cargador especificado por el fabricante. Un cargador que es apropiado para un tipo de batería puede crear un riesgo de incendio cuando se utiliza con otra batería.
 2. Utilice las herramientas eléctricas solamente con las baterías designadas específicamente para ellas. La utilización de cualquier otra batería puede crear un riesgo de heridas o incendio.
 3. Cuando la batería no esté siendo utilizada, guárdela alejada de otros objetos metálicos, como sujetapapeles, monedas, llaves, clavos, tornillos u otros objetos metálicos pequeños, que puedan hacer conexión entre un terminal y el otro. Si se cortocircuitan entre sí los terminales de la batería podrán producirse quemaduras o un incendio.

4. En condiciones abusivas, es posible que salga expulsado líquido de la batería; evite el contacto con él. Si se produce un contacto accidental, enjuague con agua. Si el líquido entra en los ojos, además de enjuagarlos, solicite asistencia médica. El líquido expulsado de la batería puede ocasionar irritación y quemaduras.
5. No utilice una batería o herramienta que esté dañada o modificada. Las baterías dañadas o modificadas pueden comportarse de forma impredecible resultando en un incendio, explosión o riesgo de heridas.
6. No exponga una batería o herramienta al fuego o a temperatura excesiva. La exposición al fuego o a una temperatura superior a los 130 °C puede ocasionar una explosión.
7. Siga todas las instrucciones de carga y no cargue la batería o la herramienta fuera del rango de temperatura especificado en las instrucciones. Cargar incorrectamente o a temperaturas fuera del rango especificado puede dañar la batería y aumentar el riesgo de incendio.

Servicio

1. Siga las instrucciones de mantenimiento especificadas en el manual.
2. Para garantizar la seguridad de la máquina, utilice solamente piezas de repuesto originales del fabricante u homologadas por el fabricante.
3. Haga que la hidrolavadora de alta presión sea servida por un reparador técnico cualificado utilizando solamente piezas de repuesto idénticas. Esto garantizará que se mantendrá la seguridad de la hidrolavadora de alta presión.
4. En caso de rotura o mal funcionamiento de la hidrolavadora de alta presión, apáguela inmediatamente y retire el cartucho (o los cartuchos) de batería. Póngase en contacto con el distribuidor o centro de servicio local.

Advertencias de seguridad adicionales

1. Cumpla con los requisitos de la compañía de suministro de agua local.
2. No utilice la máquina cuando exista el riesgo de relámpagos.
3. Cuando utilice la máquina en suelo enlodado, pendiente mojada, o lugar resbaladizo, preste atención a donde pisa.
4. No reemplace la batería en la lluvia.
5. No sumerja la máquina en un charco.
6. No deje la máquina sin atender en exteriores en la lluvia.
7. Cuando almacene la máquina, evite la luz solar directa y la lluvia, y almacénela en un lugar donde no se caliente o humedezca.
8. No se sienta sobre la máquina ni utilice la máquina como taburete. Si lo hace podrá ocasionar un accidente o un mal funcionamiento de la máquina.

GUARDE ESTAS INSTRUCCIONES.

⚠️ ADVERTENCIA: NO deje que la comodidad o familiaridad con el producto (a base de utilizarlo repetidamente) sustituya la estricta observancia de las normas de seguridad para el producto en cuestión.

EL MAL USO o el no seguir las normas de seguridad establecidas en este manual de instrucciones podrá ocasionar graves heridas personales.

Instrucciones de seguridad importantes para el cartucho de batería

1. Antes de utilizar el cartucho de batería, lea todas las instrucciones e indicaciones de precaución sobre (1) el cargador de baterías, (2) la batería, y (3) el producto con el que se utiliza la batería.
2. No desensamble ni manipule el cartucho de batería. Podrá resultar en un incendio, calor excesivo, o una explosión.
3. Si el tiempo de uso se acorta demasiado, cese la operación inmediatamente. Podría resultar en un riesgo de recalentamiento, posibles quemaduras e incluso una explosión.
4. Si entra electrólito en sus ojos, aclárelos con agua limpia y acuda a un médico inmediatamente. Existe el riesgo de poder perder la vista.
5. No cortocircuite el cartucho de batería:
 - (1) No toque los terminales con ningún material conductor.
 - (2) Evite guardar el cartucho de batería en un cajón junto con otros objetos metálicos, como clavos, monedas, etc.
 - (3) No exponga el cartucho de batería al agua ni a la lluvia.

Un cortocircuito en la batería puede producir una gran circulación de corriente, un recalentamiento, posibles quemaduras e incluso una rotura de la misma.

6. No guarde ni utilice la herramienta y el cartucho de batería en lugares donde la temperatura pueda alcanzar o exceder los 50 °C.
7. Nunca incinere el cartucho de batería incluso en el caso de que esté dañado seriamente o ya no sirva en absoluto. El cartucho de batería puede explotar si se tira al fuego.
8. No clave, corte, aplaste, lance, deje caer el cartucho de batería, ni golpee contra un objeto duro el cartucho de batería. Tal conducta podrá resultar en un incendio, calor excesivo, o una explosión.
9. No utilice una batería dañada.
10. Las baterías de litio-ion contenidas están sujetas a los requisitos de la Legislación para Materiales Peligrosos.

Para transportes comerciales, p.ej., por terceras personas y agentes de transportes, se deberán observar requisitos especiales para el empaquetado y etiquetado.

Para la preparación del artículo que se va a enviar, se requiere consultar con un experto en materiales peligrosos. Por favor, observe también la posibilidad de reglamentos nacionales más detallados.

Cubra con cinta aislante o enmascare los contactos expuestos y empaquete la batería de tal manera que no se pueda mover alrededor dentro del embalaje.
11. Para desechar el cartucho de batería, retírelo de la herramienta y deséchelo en un lugar seguro. Siga los reglamentos locales referentes al desecho de la batería.

12. **Utilice las baterías solamente con los productos especificados por Makita.** La instalación de las baterías en productos no compatibles puede resultar en un incendio, calor excesivo, explosión, o fuga de electrolito.
13. **Si la herramienta no va a ser utilizada durante un periodo de tiempo largo, la batería deberá ser retirada de la herramienta.**
14. **Durante y después de la utilización, el cartucho de batería podrá acumular calor, lo cual puede ocasionar quemaduras o quemaduras de baja temperatura. Preste atención al manejo de cartuchos de batería calientes.**
15. **No toque el terminal de la herramienta inmediatamente después de utilizar, dado que puede calentarse lo suficiente como para ocasionar quemaduras.**
16. **No permita que virutas, polvo, o tierra se adhieran dentro de los terminales, orificios, y ranuras del cartucho de batería.** Esto podría ocasionar calentamiento, que coja fuego, reviente y un mal funcionamiento de la herramienta o el cartucho de batería, resultando en quemaduras o heridas personales.
17. **A menos que la herramienta pueda utilizarse cerca de cables eléctricos de alta tensión, no utilice el cartucho de batería cerca de cables eléctricos de alta tensión.** Podrá resultar en un mal funcionamiento o rotura de la herramienta o el cartucho de batería.
18. **Mantenga la batería alejada de los niños.**

GUARDE ESTAS INSTRUCCIONES.

⚠PRECAUCIÓN: Utilice solamente baterías genuinas de Makita. La utilización de baterías no genuinas de Makita, o baterías que han sido alteradas, puede resultar en una explosión de la batería ocasionando incendios, heridas personales y daños. También anulará la garantía de Makita para la herramienta y el cargador de Makita.

Consejos para alargar al máximo la vida de servicio de la batería

1. **Cargue el cartucho de batería antes de que se descargue completamente. Detenga siempre la operación y cargue el cartucho de batería cuando note menos potencia en la herramienta.**
2. **No cargue nunca un cartucho de batería que esté completamente cargado. La sobrecarga acortará la vida de servicio de la batería.**
3. **Cargue el cartucho de batería a temperatura ambiente de 10 °C - 40 °C. Si un cartucho de batería está caliente, déjelo enfriar antes de cargarlo.**
4. **Cuando no esté utilizando el cartucho de batería, retírelo de la herramienta o del cargador.**
5. **Cargue el cartucho de batería si no lo utiliza durante un periodo de tiempo prolongado (más de seis meses).**

DESCRIPCIÓN DEL FUNCIONAMIENTO

⚠PRECAUCIÓN: Asegúrese siempre de que la máquina está apagada y que los cartuchos de batería han sido retirados antes de ajustar o comprobar una función en la máquina.

Instalación o extracción del cartucho de batería

⚠PRECAUCIÓN: Apague siempre la máquina antes de instalar o retirar el cartucho de batería.

⚠PRECAUCIÓN: Sujete la máquina y el cartucho de batería firmemente cuando instale o extraiga el cartucho de batería. Si no sujeta la máquina y el cartucho de batería firmemente podrá ocasionar que se deslicen de sus manos y resultar en daños a la máquina y el cartucho de batería y heridas personales.

⚠PRECAUCIÓN: Asegúrese de que ha bloqueado la tapa de la batería antes de la utilización. De lo contrario, el barro, la suciedad o el agua podrán ocasionar daños a la herramienta o al cartucho de batería.

⚠PRECAUCIÓN: Instale siempre el cartucho de batería completamente. En caso contrario, podrá caerse accidentalmente de la máquina y ocasionarle heridas a usted o a alguien alrededor de usted.

⚠PRECAUCIÓN: No instale el cartucho de batería empleando fuerza. Si el cartucho no se desliza al interior fácilmente, será porque no está siendo insertado correctamente.

⚠PRECAUCIÓN: Sujete la tapa de la batería firmemente cuando instale o retire el cartucho de batería.

Para instalar el cartucho de batería;

1. Alce la palanca de bloqueo, y después abra la tapa de la batería.
► Fig.1: 1. Tapa de la batería 2. Palanca de bloqueo
2. Alinee la lengüeta del cartucho de batería con la ranura de la máquina y después deslice el cartucho hasta que se bloquee en su sitio con un pequeño chasquido.
► Fig.2: 1. Cartucho de batería
3. Cierre la tapa de la batería y presiónela hasta que se quede trincada con la palanca de bloqueo.

Para retirar el cartucho de batería;

1. Alce la palanca de bloqueo y abra la tapa de la batería.
2. Saque el cartucho de batería de la máquina mientras desliza el botón de la parte frontal del cartucho.
3. Cierre la tapa de la batería y presiónela hasta que se quede trincada con la palanca de bloqueo.

Botón de comprobación de la batería

Puede comprobar la capacidad de batería restante presionando el botón de comprobación de la batería.

► **Fig.3:** 1. Indicador de batería 2. Botón de comprobación de la batería

Estado del indicador de batería			Capacidad de batería restante
Encendido	Apagado	Parpadeando	
			50% a 100%
			20% a 50%
			0% a 20%
			Cargue la batería

NOTA: La lámpara de indicación para la capacidad de batería restante es solamente para tener una referencia. La capacidad de batería real puede variar dependiendo de las condiciones de utilización o la temperatura ambiente.

NOTA: La lámpara se apagará automáticamente tras unos pocos segundos.

NOTA: Si hay instalados dos cartuchos de batería, la batería instalada en el lado izquierdo se usa primero.

NOTA: Si hay instalados dos cartuchos de batería, la máquina cambiará automáticamente a la otra batería cuando la batería que se esté usando se vacíe.

NOTA: Puede comprobar la capacidad de batería restante sin activar el interruptor de alimentación.

Modo de indicar la capacidad de batería restante

Presione el botón de comprobación en el cartucho de batería para indicar la capacidad de batería restante. Las lámparas indicadoras se iluminan durante unos pocos segundos.

► **Fig.4:** 1. Lámparas indicadoras 2. Botón de comprobación

Lámparas indicadoras			Capacidad restante
Iluminada	Apagada	Parpadeando	
			75% a 100%
			50% a 75%
			25% a 50%
			0% a 25%
			Cargue la batería.
			Puede que la batería no esté funcionando bien.

NOTA: Dependiendo de las condiciones de utilización y de la temperatura ambiente, la indicación podrá variar ligeramente de la capacidad real.

NOTA: La primera lámpara indicadora (extremo izquierdo) parpadeará cuando el sistema de protección de la batería esté funcionando.

Sistema de protección de la máquina/batería

La máquina está equipada con un sistema de protección de la máquina/batería. Este sistema corta automáticamente la alimentación al motor para alargar la vida útil de la máquina y la batería. La máquina se detendrá automáticamente durante la operación si la máquina o la batería es puesta en una de las condiciones siguientes:

Protección contra sobrecarga

Cuando la máquina o la batería sea utilizada de una manera que dé lugar a que tenga que absorber una corriente anormalmente alta, la máquina se detendrá automáticamente y indicador de velocidad parpadeará en verde. En esta situación, apague la máquina y detenga la tarea que ocasiona la sobrecarga de la máquina. Después encienda la máquina para volver a empezar.

Protección contra el recalentamiento

Cuando la máquina se recalienta, la máquina se detiene automáticamente y el indicador de velocidad se ilumina en rojo. En este caso, deje que la máquina y la batería se enfríen antes de encender la máquina otra vez.

NOTA: El indicador de velocidad parpadear en rojo cuando la batería está recalentada.

Protección contra descarga excesiva

Cuando la capacidad de batería no sea suficiente, la máquina se detendrá automáticamente y el indicador de velocidad parpadeará en rojo. En este caso, retire la batería de la máquina y cargue la batería o cambie la batería con una completamente cargada.

Protecciones contra otras causas

También hay un sistema de protección diseñado para otras causas que pueden dañar la máquina y permite a la máquina detenerse automáticamente. Realice todos los pasos siguientes para despejar las causas, cuando la máquina haya sido llevada a una pausa temporal o a una parada en la operación.

1. Apague la máquina, y después enciéndala otra vez para volver a empezar.
2. Cargue la(s) batería(s) o reemplácela(s) con una batería(s) recargada(s).
3. Deje que la máquina y la(s) batería(s) se enfríen.

Si no se nota una mejora al restablecer el sistema de protección, póngase en contacto con el centro de servicio Makita local.

AVISO: Si la máquina se detiene debido a una causa no descrita arriba, consulte la sección para solución de problemas.

Botón de cambio de modo

La velocidad se puede cambiar en tres niveles. Para cambiar el modo de velocidad, presione el botón de cambio de modo. Cuando cambie el modo de velocidad, los indicadores de velocidad correspondientes se iluminarán.

► **Fig. 5:** 1. Botón de cambio de modo

NOTA: No se puede cambiar el modo mientras la máquina está encendida. Cambie el modo cuando la máquina esté apagada y la batería esté instalada en la máquina.

NOTA: Si el indicador de velocidad se ilumina en rojo o parpadea en rojo o verde, consulte las instrucciones para el sistema de protección de la máquina/batería.

Interruptor de alimentación

⚠ ADVERTENCIA: Desactive siempre el interruptor de alimentación principal cuando la herramienta no esté siendo utilizada.

AVISO: No gire el interruptor de alimentación con fuerza. Esto podrá ocasionar un mal funcionamiento del interruptor.

Para encender la máquina, gire el interruptor de alimentación hacia la derecha, y para apagar la máquina, gire el interruptor de alimentación hacia la izquierda.

► **Fig. 6:** 1. Interruptor de alimentación

NOTA: Los indicadores de batería se iluminarán durante unos pocos segundos justo después de encender la máquina.

NOTA: Si instala el cartucho de batería en la máquina cuando el interruptor de alimentación está en la posición activada, el indicador de velocidad parpadeará en verde. Gire el interruptor de alimentación a la posición desactivada, y después instale el cartucho de batería en la máquina.

Funciones de la boquilla

NOTA: Las boquillas estándar pueden variar dependiendo del país. Consulte la sección de accesorios opcionales para ver otras boquillas.

Boquilla de chorro ciclónico

Específico para cada país

AVISO: No utilice la boquilla de chorro ciclónico para limpiar superficies frágiles tales como ventanas o carrocerías de automóvil.

► **Fig. 7**

Se eyecta un chorro en espiral. Apropiado para retirar suciedad resistente.

Boquilla de pulverización regulable y tubo de extensión

Específico para cada país

⚠ PRECAUCIÓN: Instale la boquilla de pulverización regulable solamente en el tubo de extensión. No conecte los otros tubos de extensión opcionales en el tubo de extensión original. La utilización de cualquier otro accesorio distinto de los recomendados por el fabricante podrá ocasionar un riesgo de daño o heridas a personas.

⚠ PRECAUCIÓN: Cuando ajuste la presión del chorro, no gire la boquilla mientras tira de ella hacia la pistola de gatillo. La boquilla podrá salirse de la pistola de gatillo y ocasionar heridas personales.

⚠ PRECAUCIÓN: Cuando gire la punta de la boquilla para ajustar el chorro de agua, no la gire a la fuerza. De lo contrario, la boquilla se podrá romper y ocasionar heridas.

► **Fig. 8:** 1. Boquilla de pulverización regulable
2. Tubo de extensión

La presión del chorro se puede ajustar girando la boquilla.

AVISO: Cuando gire la boquilla, no agarre la punta de la boquilla, sino que agarre la base de la boquilla como se muestra en la figura.

► **Fig. 9**

NOTA: La boquilla de pulverización regulable también se puede colocar directamente en la pistola de gatillo.

Operación del gatillo

AVISO: Para evitar un error mecánico en el cambio de presión, deje siempre un intervalo de dos segundos entre las operaciones del gatillo.

Apriete el gatillo para eyectar un chorro de agua. El chorro continuará siempre y cuando se tenga apretado el gatillo.

El gatillo se puede bloquear para un manejo seguro de la pistola de gatillo. Para bloquear el gatillo, extraiga el retenedor y engánchelo en la acanaladura de la empuñadura.

► **Fig. 10:** 1. Gatillo 2. Retenedor 3. Acanaladura

MONTAJE

⚠ADVERTENCIA: Asegúrese siempre de que todos los cartuchos de batería han sido retirados antes de realizar cualquier trabajo en la máquina.

Si no retira todos los cartuchos de batería, podrá resultar en graves heridas personales a causa de un arranque accidental.

Conexión de la manguera de alta presión

⚠PRECAUCIÓN: Asegúrese de que la manguera de alta presión está conectada firmemente. Una conexión floja puede hacer que se suelte la manguera de alta presión, resultando en heridas personales.

Conecte la manguera de alta presión a la salida. Gire la tuerca de la manguera de alta presión hacia la derecha mientras la enrosca en la rosca de la salida.

► Fig.11: 1. Salida 2. Tuerca

Colocación de la pistola de gatillo

⚠PRECAUCIÓN: Asegúrese de que la manguera de alta presión está conectada firmemente. Una conexión floja puede hacer que se suelte la manguera de alta presión, resultando en heridas personales.

Conecte la manguera de alta presión a la entrada de la pistola de gatillo. Gire la tuerca en la manguera de alta presión hacia la derecha mientras la enrosca en la rosca de la entrada.

► Fig.12: 1. Entrada 2. Tuerca

Conexión a un grifo

⚠PRECAUCIÓN: Utilice siempre una manguera de agua resistente a la presión con los diámetros siguientes y conéctela al grifo utilizando un aditamento apropiado. De lo contrario, la manguera de agua y/o el aditamento podrán romperse y ocasionar heridas personales.

- El diámetro interior de la manguera es de 14 mm a 15 mm.
- El diámetro exterior de la manguera es de 20 mm o menos.
- El grosor de la manguera es de 2,3 mm o más y menos de 3,0 mm.

AVISO: Utilice una manguera de agua resistente a la presión lo más corta posible. La cantidad de agua de entrada deberá ser mayor que el volumen de alimentación máximo de la bomba.

AVISO: Si conecta a la red de distribución de agua potable, utilice una válvula bloqueadora de reflujo que cumpla con los reglamentos de su región.

AVISO: Cuando conecte a un grifo, el caudal de agua requerido es de 7,0 L/min o más. Si el caudal de agua es insuficiente, no podrá obtener la capacidad completa de la máquina.

NOTA: El juego de manguera se envía con manguitos de acoplamiento colocados en ambos extremos. Cuando conecte a un grifo sin el manguito de acoplamiento, retire el manguito de acoplamiento de un extremo girando el manguito de acoplamiento en la dirección de la flecha mostrada en la figura.

► Fig.13: 1. Tuerca del manguito de acoplamiento
2. Manguito de acoplamiento

1. Conecte el juego de manguera al grifo. Coloque un aditamento apropiado tal como una abrazadera para manguera o acoplador de toma de agua para sujetar el extremo de la manguera en el grifo.

► Fig.14: 1. Abrazadera para manguera 2. Manguito de acoplamiento 3. Juego de manguera

AVISO: Conecte el juego de manguera al grifo firmemente. De lo contrario, el juego de manguera podrá desprenderse cuando abra el grifo.

NOTA: El aditamento dependerá de la forma del grifo al que conecte. Prepare un aditamento apropiado de venta en el comercio.

2. Coloque el conector de la manguera de agua a la entrada, y después coloque el manguito de acoplamiento al conector de la manguera de agua.

► Fig.15: 1. Manguito de acoplamiento 2. Conector de la manguera de agua 3. Entrada

AVISO: Cuando coloque el conector de la manguera de agua y el manguito de acoplamiento, colóquelos firmemente. De lo contrario, el conector de la manguera de agua o el manguito de acoplamiento podrán desprenderse cuando abra el grifo.

Conexión/desconexión de la boquilla

⚠PRECAUCIÓN: Bloquee siempre el gatillo de la pistola de gatillo cuando conecte/desconecte la boquilla.

⚠PRECAUCIÓN: Cuando conecte la boquilla a la pistola de gatillo, conéctela firmemente y asegúrese de que no se desprenda.

⚠PRECAUCIÓN: Cuando conecte o desconecte la boquilla, no la gire a la fuerza. De lo contrario, la boquilla se podrá romper o desprender y ocasionar heridas.

Inserte el extremo de la boquilla en la ranura de la pistola de gatillo, y gírela en la dirección de la flecha como se muestra en la figura mientras presiona la boquilla hacia la pistola de gatillo. Para desconectar la boquilla, gire la boquilla en la dirección inversa mientras la presiona hacia la pistola de gatillo, y después extráigala.

► Fig.16: 1. Pistola de gatillo 2. Ranura 3. Extremo de la boquilla

Conexión de la boquilla de espuma

Accesorios opcionales

⚠PRECAUCIÓN: Bloquee siempre el gatillo de la pistola de gatillo cuando conecte/desconecte la boquilla.

AVISO: Utilice solamente detergentes neutros. No utilice detergentes domésticos, detergentes ácidos, detergentes alcalinos, lejías, disolventes, material inflamable, ni soluciones de grado industrial, que podrán dañar la máquina o su propiedad. Prepare soluciones de limpieza como se indica en la botella de la solución, y haga siempre una prueba con antelación en un lugar discreto.

AVISO: Si se utiliza un detergente muy viscoso, es probable que la boquilla se atasque. Cuando utilice un detergente muy viscoso, diluya el detergente añadiendo agua a la botella antes de utilizarlo.

NOTA: Cuando se utilice la boquilla de espuma, el detergente en la botella se diluye con el agua suministrada por la máquina y se pulveriza. No tiene que diluir la concentración de detergente en la botella más de lo necesario. Ajuste la concentración de detergente mientras comprueba las condiciones de utilización.

NOTA: Si la boquilla de espuma está inclinada en su costado, el detergente podrá derramarse.

Prepare un detergente antes de utilizar la boquilla de espuma.

1. Retire la boquilla del tanque girándola hacia la izquierda. Coloque la boquilla en la pistola de gatillo.
► **Fig.17:** 1. Boquilla 2. Pistola de gatillo
2. Vierta el detergente en el tanque, y coloque el tanque en la boquilla girándolo en la dirección mostrada en la figura.
► **Fig.18:** 1. Tanque

OPERACIÓN

⚠ADVERTENCIA: No toque el chorro de agua o lo dirija hacia usted u otras personas. El chorro de agua es peligroso y puede herirle a usted u otras personas.

⚠ADVERTENCIA: Cuando dispare el chorro de agua, no sujete nunca el objeto que está limpiando o coloque las manos y piernas cerca del chorro de agua.

⚠PRECAUCIÓN: Esté alerta al rebote del chorro de agua y objetos que salen volando. No acerque la boquilla al objeto más de 30 cm.

⚠PRECAUCIÓN: No haga funcionar la hidrolavadora de alta presión sin agua durante más de 1 minuto.

⚠PRECAUCIÓN: No opere la hidrolavadora de alta presión durante largos periodos de tiempo. Esto puede ocasionar recalentamiento o un incendio. Además, la utilización durante largo tiempo puede ocasionar trastornos de vibración.

⚠PRECAUCIÓN: Sea consciente de la dirección del aire. Si el detergente entra en sus ojos o la boca, aclare con agua corriente inmediatamente y solicite atención médica si es necesario.

⚠PRECAUCIÓN: Sujete la pistola de gatillo firmemente. La pistola de gatillo recula cuando usted aprieta el gatillo.

⚠PRECAUCIÓN: Sujete siempre la pistola de gatillo por la empuñadura y el barril cuando eyecte el chorro de agua.

AVISO: Evite utilizar la hidrolavadora de alta presión durante más de 1 hora. Después de utilizar durante 1 hora, deje una intermisión del mismo tiempo.

AVISO: Para proteger el mecanismo de la hidrolavadora de alta presión, no utilice agua más caliente de 40°C.

AVISO: Tenga cuidado de no tirar de la pistola de gatillo con fuerza durante la operación. Esto podrá ocasionar que la hidrolavadora de alta presión se vuelque.

AVISO: Cuando suspenda la operación durante un largo tiempo, apague la hidrolavadora de alta presión y apriete el gatillo para vaciar completamente el agua restante.

Si la hidrolavadora de alta presión es dejada durante largo tiempo mientras se mantiene la alta presión, es posible que no se pueda volver a poner en marcha. En esta situación, apague la hidrolavadora de alta presión, suministre agua de un grifo a la entrada y apriete el gatillo manteniendo el suministro de agua durante un rato. Y después, encienda la hidrolavadora de alta presión.

AVISO: No utilice la máquina en posición volcada. Si lo hace podrá ocasionar un mal funcionamiento.

► **Fig.19**

Antes de utilizar la máquina, retire la boquilla de la pistola de gatillo.

1. Abra la cubierta de la batería e instale los cartuchos de batería en la hidrolavadora de alta presión y después bloquee la cubierta de la batería.

► **Fig.20:** 1. Cartucho de batería 2. Tapa de la batería

2. Conecte un extremo de la manguera de alta presión a la pistola de gatillo y el otro extremo a la hidrolavadora de alta presión.

3. Conecte la hidrolavadora de alta presión al grifo utilizando una manguera de agua. Después de eso, abra el grifo.

► Fig.21

AVISO: Antes de encender la máquina, asegúrese de que el grifo está completamente abierto.

4. Seleccione el modo deseado presionando el botón de cambio de modo, y después gire el interruptor de alimentación hacia la derecha para encender la máquina.

► Fig.22: 1. Interruptor de alimentación 2. Botón de cambio de modo

5. Para eyectar un chorro de agua, desbloquee el retenedor y apriete el gatillo. Una vez que la pistola de gatillo eyecte el agua de forma estable, libere el gatillo y apague la máquina.

► Fig.23: 1. Retenedor

NOTA: Asegúrese de retirar la boquilla de la pistola de gatillo antes de realizar esta operación.

6. Coloque en la pistola de gatillo la boquilla para su propósito, y después encienda la máquina para comenzar la operación de lavado.

Cuando suspenda la operación, puede colocar temporalmente la pistola de gatillo como se muestra en la figura.

► Fig.24

Suministro de agua desde un tanque/depósito

PRECAUCIÓN: Cuando coloque el manguito en la caja del filtro del juego de colador, tenga cuidado de no herirse la mano con la abrazadera para manguera.

AVISO: Utilice siempre un juego de manguera y juego de colador de Makita.

AVISO: Mantenga siempre 1,0 m (39-3/8 ft) o menos de altura entre la entrada de la hidrolavadora de alta presión y la superficie del agua. De lo contrario, la hidrolavadora de alta presión no podrá subir el agua al interior de la bomba.

AVISO: El nivel de agua que la máquina puede bombear es de 100 mm o más.

AVISO: No utilice agua de ríos, estanques, ni agua mezclada con arena o barro. Si lo hace podrá ocasionar un mal funcionamiento.

NOTA: Si el agua tarda mucho tiempo en salir, limpie el colador y el filtro del juego de colador.

Puede suministrar agua desde un tanque o depósito en lugar de un grifo.

1. Apague la máquina, y retire la boquilla de la pistola de gatillo.

2. Conecte el juego de manguera y el juego de colador al conector de la manguera de agua.

► Fig.25: 1. Tanque/depósito 2. Juego de colador 3. Juego de manguera 4. Conector de la manguera de agua

3. Encienda la máquina, y desbloquee el retenedor y apriete el gatillo. Una vez que la pistola de gatillo eyecte el agua de forma estable, libere el gatillo.

► Fig.26: 1. Pistola de gatillo

NOTA: El agua tardará aproximadamente 10 a 60 segundos en salir.

NOTA: Asegúrese de retirar la boquilla de la pistola de gatillo antes de realizar esta operación.

4. Apague la máquina y coloque en la pistola de gatillo la boquilla para su propósito, y después encienda la máquina para comenzar la operación de lavado.

NOTA: Cuando no se eyecte agua, retire el juego de manguera y el juego de colador y remójelos en agua. Después vuelva a conectarlos en la máquina.

► Fig.27: 1. Juego de manguera y juego de colador

NOTA: Si la succión de agua no funciona, si lleva mucho tiempo o si la presión de agua es insuficiente, compruebe lo siguiente:

- Que no se ha aflojado el juego de manguera, el juego de colador ni el conector de la manguera de agua.
- Que los manguitos de acoplamiento del juego de manguera están colocados firmemente en el conector de la manguera de agua y en la caja del filtro del juego de colador.

Apriételes si están flojos.

Juego de manguera

► Fig.28: 1. Manguito de acoplamiento

Juego de colador

► Fig.29: 1. Abrazadera para manguera 2. Caja del filtro

Conector de la manguera de agua

► Fig.30: 1. Conector de la manguera de agua

Después de la utilización

PRECAUCIÓN: Después de utilizar la hidrolavadora de alta presión, realice siempre el procedimiento descrito en este manual. La presión residual en la pistola de gatillo o hidrolavadora de alta presión puede ocasionar heridas personales o dañar la bomba interior.

1. Apague la máquina, y retire la boquilla de la pistola de gatillo.

2. Cierre el grifo y desconecte la manguera de agua de la hidrolavadora de alta presión.

► Fig.31

3. Encienda la hidrolavadora de alta presión otra vez.

4. Apriete el gatillo hasta que el agua restante en la hidrolavadora de alta presión se haya descargado.

► Fig.32

AVISO: No haga funcionar el motor durante más de 1 minuto.

5. Apague la hidrolavadora de alta presión y retire los cartuchos de batería.

► Fig.33: 1. Cartucho de batería

6. Desconecte la manguera de alta presión de la pistola de gatillo y de la hidrolavadora de alta presión.

► **Fig.34:** 1. Pistola de gatillo 2. Manguera de alta presión

AVISO: Para evitar que la manguera de alta presión se dañe, drene el agua restante de la manguera antes de almacenar.

7. Sujete la máquina con ambas manos, y drene el agua restante del interior de la máquina inclinando la máquina como se muestra en la figura.

► **Fig.35**

MANTENIMIENTO Y ALMACENAMIENTO

⚠ADVERTENCIA: Asegúrese siempre de que todos los cartuchos de batería han sido retirados de la máquina antes de almacenar o transportar la máquina o intentar realizar la inspección o el mantenimiento.

AVISO: No utilice nunca gasolina, bencina, disolvente, alcohol o similares. Podría producir descoloración, deformación o grietas.

Para mantener la SEGURIDAD y FIABILIDAD del producto, las reparaciones, y cualquier otra tarea de mantenimiento o ajuste deberán ser realizadas en centros de servicio o de fábrica autorizados por Makita, empleando siempre repuestos Makita.

Transporte de la máquina

⚠PRECAUCIÓN: Antes de transportar la máquina con ambas manos, asegúrese de que el mango está plegado completamente.

Cuando transporte la máquina, sujétela firmemente con ambas manos agarrando el mango con una mano y el asa inferior con la otra mano.

► **Fig.36:** 1. Mango 2. Asa inferior

También puede transportar la máquina utilizando las ruedas de la máquina. Asegúrese de extender el mango presionando el botón de desbloqueo antes de transportar la máquina.

► **Fig.37:** 1. Botón de desbloqueo 2. Mango

► **Fig.38**

⚠PRECAUCIÓN: No aplique fuerza excesiva recostándose en el mango extendido. Si el mango se sale, usted se podrá caer y herirse.

AVISO: Asegúrese de que el mango está completamente extendido y que el botón de desbloqueo ha sido devuelto a su posición original antes de transportar la máquina.

► **Fig.39:** 1. Botón de desbloqueo

Limpieza de la boquilla

AVISO: No retire la suciedad o los residuos a la fuerza. Esto podrá resultar en heridas personales o daños al agujero de eyección ocasionando ángulos de chorro desviados o mal rendimiento.

Utilice una varilla de limpieza para retirar la suciedad o desatascar la boquilla.

► **Fig.40:** 1. Varilla de limpieza

NOTA: Para mantener el rendimiento óptimo, limpie la boquilla con regularidad.

Limpieza del filtro

Desprenda el conector de la manguera de agua y retire la suciedad y los residuos del interior del filtro.

► **Fig.41:** 1. Conector de la manguera de agua
2. Filtro 3. Anillo obturador

Cuando utilice el juego de colador, extraiga el filtro de la caja del filtro y retire la suciedad y los residuos.

► **Fig.42:** 1. Filtro 2. Caja del filtro

NOTA: Para mantener el rendimiento óptimo, limpie el filtro periódicamente.

Almacenamiento

AVISO: Almacene siempre en un lugar en interiores donde la temperatura no llegue a bajo cero. Si la hidrolavadora de alta presión se congela y no funciona bien, póngase en contacto con el centro de servicio local para hacer reparaciones.

AVISO: Asegúrese de drenar completamente el agua del interior de la máquina antes de almacenar la máquina. Los funcionamientos defectuosos o daños causados por la congelación debido a un drenaje inadecuado están sujetos a no ser cubiertos por la garantía.

Almacene los accesorios en el bolsillo de la parte trasera de la máquina.

► **Fig.43**

SOLUCIÓN DE PROBLEMAS

Antes de solicitar reparaciones, realice su propia inspección en primer lugar. Si encuentra un problema que no está explicado en el manual, no intente desmontar la máquina. En su lugar, pregunte en los centros de servicio autorizados Makita, utilizando siempre piezas de recambio Makita para las reparaciones.

Estado de anomalía	Causa probable (mal funcionamiento)	Remedio
La hidrolavadora no se pone en marcha.	No hay electricidad	Instale cartuchos de batería cargados, y active el interruptor de alimentación.
	Presión residual en la bomba	Apriete el gatillo.
	La hidrolavadora de alta presión ha sido dejada durante un largo tiempo mientras se mantenía la alta presión.	Apague la hidrolavadora de alta presión, suministre agua de un grifo a la entrada y apriete el gatillo manteniendo el suministro de agua durante un rato. Y después, encienda la hidrolavadora de alta presión.
No hay chorro de agua / chorro de agua débil	No se suministra agua o el agua se suministra mal	Asegúrese de que el grifo está abierto. Si está utilizando el juego de manguera y el juego de colador, introduzca agua en la manguera.
	Hay aire bloqueando el flujo de agua.	Desactive el interruptor y después actíVELO otra vez mientras aprieta el gatillo.
	Mala conexión de la manguera de agua	Compruebe la conexión entre la hidrolavadora de alta presión y el grifo de agua.
	Conexión deficiente de las mangueras (cuando se usa el juego de colador)	Apriete el manguito de acoplamiento si está flojo. Inserte el manguito de acoplamiento firmemente.
	Manguera, filtro, o boquilla atascado	Desatasque la manguera, el filtro, o la boquilla.
	Boquilla o manguera dañada o desgastada	Reemplace la boquilla o la manguera.
Chorro de agua inestable	Boquilla atascada	Desatasque el agujero de eyección de la boquilla utilizando una varilla de limpieza.
	Mala succión de agua	Compruebe la manguera de agua comenzando por el grifo para ver si hay alguna fuga o atasco. Abra el grifo.
	El agua está muy caliente.	Suministre agua más fría.
Fuga de agua	Mala conexión de la manguera de agua	Compruebe que las mangueras están conectadas firmemente.
	Manguera dañada o desgastada	Reemplace la manguera.

ACCESORIOS OPCIONALES

⚠ PRECAUCIÓN: Estos accesorios o acoplamientos están recomendados para utilizar con su máquina Makita especificada en este manual. La utilización de cualquier otro accesorio o acoplamiento puede presentar un riesgo de heridas a personas. Utilice los accesorios o acoplamientos solamente para su fin establecido.

Si necesita cualquier ayuda para más detalles en relación con estos accesorios, pregunte al centro de servicio Makita local.

- Boquillas y mangueras
- Batería y cargador genuinos de Makita

NOTA: Algunos elementos de la lista podrán estar incluidos en el paquete del producto como accesorios estándar. Pueden variar de un país a otro.

Combinaciones de boquillas y mangueras

► Fig.44

1	Protector contra salpicaduras	2	Boquilla de chorro ciclónico *1	3	Boquilla de pulverización regulable *1
4	Tubo de extensión *1	5	Boquilla de espuma	6	Cepillo de lavar
7	Lanza de pulverización regulable	8	Boquilla variable	9	Cepillo giratorio
10	Lanza de pulverización para bajos de chasis	11	Manguera de limpieza de tubos (10 m)	12	Manguera de limpieza de tubos (15 m)
13	Acoplador de conexión	14	Pistola de gatillo *1	15	Extensión de lanza *2
16	Manguera de alta presión *1	17	Manguera de alta presión de extensión (5 m)	18	Manguera de alta presión de extensión (8 m)
19	Manguera de alta presión de extensión (10 m)	20	Articulación de rótula	21	Conector de la manguera de agua *1
22	Juego de manguera *1	23	Juego de colador *1	-	-

*1: Accesorio estándar

*2: No disponible en combinación con la lanza de pulverización para bajos de chasis.

Protector contra salpicaduras

► Fig.45

Reduce el retroceso de salpicaduras cuando se limpian esquinas con la boquilla de chorro ciclónico.

► Fig.46: 1. Tuerca 2. Boquilla de chorro ciclónico

Cuando utilice el protector contra salpicaduras, retire la tuerca del protector contra salpicaduras, después inserte la boquilla de chorro ciclónico en el protector contra salpicaduras, y después apriete la tuerca.

Boquilla de espuma

► Fig.47

El detergente se puede rociar como espuma.

Cepillo de lavar

► Fig.48

Una boquilla equipada con cepillo. Útil para retirar la suciedad a la vez que se restriega con cepillo.

Lanza de pulverización regulable

⚠PRECAUCIÓN: Cuando ajuste la presión del chorro, no gire la boquilla mientras tira de ella hacia la pistola de gatillo. La boquilla podrá salirse de la pistola de gatillo y ocasionar heridas personales.

⚠PRECAUCIÓN: Cuando gire la punta de la boquilla para ajustar el chorro de agua, no la gire a la fuerza. De lo contrario, la boquilla se podrá romper y ocasionar heridas.

► Fig.49

La presión del chorro se puede ajustar girando la boquilla.

Boquilla variable

⚠PRECAUCIÓN: Cuando ajuste la anchura del chorro, no gire la boquilla mientras tira de ella hacia la pistola de gatillo. La boquilla podrá salirse de la pistola de gatillo y ocasionar heridas personales.

⚠PRECAUCIÓN: Cuando gire la punta de la boquilla para ajustar el chorro de agua, no la gire a la fuerza. De lo contrario, la boquilla se podrá romper y ocasionar heridas.

► Fig.50

La anchura del chorro se puede ajustar desde 0° a 25° girando el extremo delantero de la boquilla.

Cepillo giratorio

► Fig.51

Tres cepillos dentro giran despacio cuando se eyecta el chorro. Útil para limpiar suciedad ligera en una pared exterior, carrocería de automóvil, bañera, etc.

Lanza de pulverización para bajos de chasis

⚠PRECAUCIÓN: No utilice la lanza de pulverización para bajos de chasis con la extensión de lanza.

► Fig.52

Una lanza de pulverización extra larga con boquilla en ángulo. Óptima para limpiar áreas difícil de alcanzar tales como los bajos de chasis de automóvil y canales de tejado.

Manguera de limpieza de tubos (10 m/15 m)

⚠ PRECAUCIÓN: Preste atención especial al chorro de agua cuando utilice la manguera de limpieza de tubos. Se eyecta hacia atrás un chorro de agua muy intenso. Abra el chorro de agua solamente cuando la boquilla haya sido insertada en el tubo que se va a limpiar al menos hasta la marca roja.

► Fig.53

Para limpiar y desatascar tuberías y bajantes pluviales.

Acoplador de conexión

► Fig.54

Un acoplador para conectar una boquilla de otro modelo.

Algunas boquillas opcionales requieren el acoplador de conexión (accesorio opcional) para colocarlas en la pistola de gatillo. Coloque el acoplador de conexión a la pistola de gatillo de la misma forma que la boquilla.

► Fig.55: 1. Boquilla 2. Acoplador de conexión
3. Pistola de gatillo

Extensión de lanza

► Fig.56

Tubos para extender la longitud de la pistola de gatillo. Hay disponibles tres longitudes diferentes cambiando el número de tubos que se van a utilizar.

Manguera de alta presión de extensión (5 m/8 m/10 m)

► Fig.57

Manguera de extensión para conectar el cuerpo de la hidrolavadora de alta presión a la pistola de gatillo.

Articulación de rótula

► Fig.58

Evita que la manguera de alta presión se retuerza.

► Fig.59: 1. Botón 2. Tuerca

Para conectar la manguera de alta presión a la articulación de rótula o desconectarla, gire la tuerca de la manguera de alta presión mientras presiona el botón de la articulación de rótula.

Juego de manguera

► Fig.60

Un juego de manguera para conectar un grifo al producto, o el juego de colador al producto.

Juego de colador

► Fig.61

Un juego de colador para suministrar agua de un tanque o depósito. Utilice el juego de manguera para conectar al producto.

AVISO

- As máquinas não devem ser utilizadas por crianças. As crianças devem ser supervisionadas de modo a assegurar que não brincom com a máquina.
- Esta máquina não se destina a ser utilizada por pessoas (incluindo crianças) com capacidades físicas, sensoriais ou mentais reduzidas ou falta de experiência e conhecimentos.
- Esta máquina foi concebida para ser utilizada com o produto de limpeza fornecido ou recomendado pelo fabricante. A utilização de outros produtos de limpeza ou produtos químicos poderá ter efeitos adversos na segurança da máquina.
- Podem formar-se aerossóis durante a utilização de máquinas de lavar a alta pressão. A inalação de aerossóis pode ser perigosa para a saúde.
- Dependendo da aplicação, podem ser utilizados bocais blindados para a limpeza de alta pressão, o que irá reduzir drasticamente a emissão de aerossóis hidratados. Contudo, nem todas as aplicações permitem a utilização de um tal dispositivo. Se os bocais blindados não forem aplicáveis para a proteção contra aerossóis, pode ser necessária uma máscara respiratória da classe FFP 2 ou equivalente, dependendo do ambiente de limpeza.
- O empregador deve realizar uma avaliação de risco para especificar as medidas de proteção necessárias relativas a aerossóis, dependendo da superfície a limpar e do respetivo ambiente. As máscaras respiratórias de classe FFP 2, de classe equivalente ou superior são adequadas para a proteção contra aerossóis hidratados.
- Os jatos de alta pressão podem ser perigosos se forem sujeitos a utilização incorreta. O jato não deve ser direcionado para pessoas, equipamento elétrico sob tensão ou para a própria máquina.
- Não utilize a máquina dentro do alcance de pessoas, exceto se estas estiverem a usar equipamento de proteção pessoal.
- Não direcione o jato contra si próprio ou contra outros para lavar roupas ou calçado.
- Risco de explosão - não pulverize líquidos inflamáveis.
- As máquinas de lavar a alta pressão não devem ser utilizadas por crianças ou pessoal sem formação.

- As mangueiras de alta pressão, os acessórios e os acoplamentos são importantes para a segurança da máquina. Utilize apenas mangueiras, acessórios e acoplamentos recomendados pelo fabricante.
- Para garantir a segurança da máquina, utilize apenas peças sobreselentes originais do fabricante ou aprovadas pelo fabricante.
- Certifique-se sempre de que a máquina está desligada e que as baterias foram removidas antes de efetuar quaisquer trabalhos na ferramenta.
- Não utilize a máquina se peças importantes da máquina estiverem danificadas, por exemplo, dispositivos de segurança, mangueiras de alta pressão, pistola de gatilho.
- Remova sempre as baterias quando deixar a máquina sem supervisão.
- Cumpra os requisitos da empresa de fornecimento de água local.
- Para países europeus:
De acordo com a EN12729 (BA), o aparelho também pode ser ligado à rede de abastecimento de água potável se uma válvula anti-retorno com escoamento estiver instalada na mangueira de fornecimento.

ESPECIFICAÇÕES

Modelo:		HW001G
Caudal máx. *1		7,0 l/min
Caudal de água *2	Modo 3 (Modo alto)	5,5 l/min
	Modo 2 (Modo do meio)	4,2 l/min
	Modo 1 (Modo baixo)	3,0 l/min
Pressão máx. admissível		11,5 MPa
Pressão de funcionamento *2	Modo 3 (Modo alto)	8,5 MPa
	Modo 2 (Modo do meio)	5,5 MPa
	Modo 1 (Modo baixo)	3,0 MPa
Pressão máx. de alimentação		1,0 MPa
Temperatura máx. de alimentação		40°C
Altura máx. de sucção		1,0 m
Tensão nominal		C.C. 36 V - 40 V máx.
Dimensões (C x L x A) *3		344 mm x 383 mm x 520 mm
Peso líquido		10,3 - 13,4 kg
Proteção da água		IPX5

*1: Quando utilizar a pistola de gatilho sem os bocais.

*2: Quando utilizar o bocal de pulverização Vario e o tubo de extensão.

*3: Quando a pega estiver dobrada e sem mangueiras.

- Devido a um programa contínuo de pesquisa e desenvolvimento, estas especificações estão sujeitas a alteração sem aviso prévio.
- As especificações podem variar de país para país.
- O peso poderá diferir em função do acessório(s), incluindo a bateria. A combinação mais leve e mais pesada, de acordo com o Procedimento EPTA 01/2014, é apresentada na tabela.

Bateria e carregador aplicável





Bateria	BL4020 / BL4025 / BL4040 / BL4050F* / BL4080F* *: Bateria recomendada
Carregador	DC40RA / DC40RB / DC40RC


- Algumas das baterias e carregadores listados acima poderão não estar disponíveis, dependendo da sua região de residência.



⚠AVISO: Utilize apenas as baterias e carregadores listados acima. A utilização de quaisquer outras baterias e carregadores pode causar ferimentos e/ou um incêndio.

Símbolos

A seguir são apresentados os símbolos que podem ser utilizados para o equipamento. Certifique-se de que compreende o seu significado antes da utilização.

	Tenha especial cuidado e atenção.
	Leia o manual de instruções.
	Não ligue a uma torneira de água potável.
	Não direcione o jato para pessoas, incluindo você mesmo, animais e equipamentos elétricos sob tensão.

	Apenas para países da UE Devido à presença de componentes perigosos no equipamento, os resíduos de equipamentos elétricos e eletrónicos, acumuladores e baterias podem ter um impacto negativo no meio ambiente e na saúde humana. Não elimine aparelhos elétricos e eletrónicos ou baterias juntamente com resíduos domésticos! De acordo com a Diretiva europeia relativa aos resíduos de equipamentos elétricos e eletrónicos, acumuladores e baterias, bem como a respetiva adaptação à legislação nacional, os resíduos de equipamentos elétricos e eletrónicos, acumuladores e baterias devem ser armazenados separadamente e entregues num ponto de recolha separado para resíduos municipais, que opere de acordo com os regulamentos de proteção ambiental. Tal é indicado pelo símbolo de conteúdo de lixo com rodas barrado com uma cruz colocado no equipamento.
--	--

	Nível de potência sonora garantido de acordo com a Diretiva de ruído ambiente da UE.
	Nível de potência sonora de acordo com o Regulamento de controlo do ruído de NSW da Austrália

Utilização a que se destina

Esta máquina destina-se à limpeza de sujidade persistente através da utilização de jatos de água. Esta máquina foi concebida para utilização comercial e utilização doméstica.

Ruído

A característica do nível de ruído A determinado de acordo com a EN60335-2-79:

Nível de pressão acústica (L_{pA}): 71 dB (A)
Variabilidade (K): 3,2 dB (A)

O nível de ruído durante o funcionamento pode exceder 80 dB (A).

NOTA: O(s) valor(es) da emissão de ruído indicado(s) foi medido de acordo com um método de teste padrão e pode ser utilizado para comparar duas ferramentas.

NOTA: O(s) valor(es) da emissão de ruído indicado(s) pode também ser utilizado na avaliação preliminar da exposição.

⚠AVISO: Utilize protetores auriculares.

⚠AVISO: A emissão de ruído durante a utilização real da ferramenta elétrica pode diferir do(s) valor(es) indicado(s), dependendo das formas como a ferramenta é utilizada, especialmente o tipo de peça de trabalho que é processada.

⚠AVISO: Certifique-se de identificar as medidas de segurança para proteção do operador que sejam baseadas em uma estimativa de exposição em condições reais de utilização (considerando todas as partes do ciclo de operação, tal como quando a ferramenta está desligada e quando está a funcionar em marcha lenta além do tempo de acionamento).

Vibração

Valor total da vibração (soma vetorial tri-axial) determinado de acordo com a EN60335-2-79:

Emissão de vibração (a_h): 3,2 m/s²
Variabilidade (K): 1,5 m/s²

NOTA: O(s) valor(es) total(ais) de vibração indicado(s) foi medido de acordo com um método de teste padrão e pode ser utilizado para comparar duas ferramentas.

NOTA: O(s) valor(es) total(ais) de vibração indicado(s) pode também ser utilizado na avaliação preliminar da exposição.

⚠️ AVISO: A emissão de vibração durante a utilização real da ferramenta elétrica pode diferir do(s) valor(es) indicado(s), dependendo das formas como a ferramenta é utilizada, especialmente o tipo de peça de trabalho que é processada.

⚠️ AVISO: Certifique-se de identificar as medidas de segurança para proteção do operador que sejam baseadas em uma estimativa de exposição em condições reais de utilização (considerando todas as partes do ciclo de operação, tal como quando a ferramenta está desligada e quando está a funcionar em marcha lenta além do tempo de acionamento).

Declarações de conformidade

Apenas para os países europeus

As Declarações de conformidade estão incluídas no Anexo A deste manual de instruções.

AVISOS DE SEGURANÇA

Avisos gerais de segurança para ferramentas elétricas

⚠️ AVISO Leia todos os avisos de segurança, instruções, ilustrações e especificações fornecidos com esta ferramenta elétrica. O incumprimento de todas as instruções abaixo enumeradas pode resultar em choque elétrico, incêndio e/ou ferimentos graves.

Guarde todos os avisos e instruções para futuras referências.

O termo "ferramenta elétrica" nos avisos refere-se às ferramentas elétricas ligadas à corrente elétrica (com cabo) ou às ferramentas elétricas operadas por meio de bateria (sem cabo).

AVISOS DE SEGURANÇA IMPORTANTES

⚠️ AVISO: Leia todos os avisos de segurança e todas as instruções. O não cumprimento de todos os avisos e instruções pode originar choque elétrico, incêndio e/ou ferimentos graves.

Guarde todos os avisos e instruções para futuras referências.

AVISO - Quando utilizar este produto, deve seguir sempre as precauções básicas, incluindo as seguintes: Segurança da área de trabalho

1. Mantenha a área operacional sem pessoas.
2. Não tente esticar-se nem permaneça sobre suportes instáveis. Mantenha sempre um bom posicionamento e equilíbrio.
3. Coloque sempre o corpo da lavadora de alta pressão sobre uma superfície nivelada e estável. Evite áreas nas quais a água ejetada escorra ou acumule.

4. Antes de limpar, verifique os arredores e os objetos a limpar. Os jatos de alta pressão podem raspar tinta ou outros tratamentos de superfície, incluindo produtos químicos tóxicos. Adote as medidas preventivas, se necessário.
5. Tenha cuidado para não tropeçar na mangueira da lavadora de alta pressão. Tenha sempre atenção à configuração da mangueira durante a operação.
6. Durante a utilização, uma pequena quantidade de água sairá do fundo da lavadora de alta pressão. Evite colocar a lavadora de alta pressão nas áreas que não pretende molhar.

Segurança pessoal

1. Para se protegerem contra o jato e os objetos soprados pelo jato, os operadores devem usar vestuário apropriado, tal como botas de segurança, luvas de proteção, capacetes de proteção com viseiras, proteção auditiva, etc.
2. Não utilize a lavadora de alta pressão dentro do alcance de pessoas, exceto se estas estiverem a usar equipamento de proteção pessoal.
3. Para reduzir o risco de lesão, é necessária uma supervisão rigorosa quando o produto estiver a ser utilizado próximo de crianças.
4. Se a ligação for estabelecida a um sistema de água potável, o sistema deve estar protegido contra retorno.
5. A água que fluiu através da válvula anti-retorno é considerada imprópria para consumo.

Segurança elétrica

1. Nunca toque nas baterias com as mãos molhadas.
2. Não utilize a máquina se peças importantes da máquina estiverem danificadas, por exemplo, dispositivos de segurança, mangueiras de alta pressão ou pistola de gatilho.

Utilização e conservação da ferramenta elétrica

1. Leia todas as instruções antes de utilizar o produto.
2. Saiba como parar a lavadora de alta pressão e purgar rapidamente as pressões. Familiarize-se completamente com os controlos.
3. Os jatos de alta pressão podem ser perigosos se forem utilizados incorretamente. O jato não deve ser direcionado para pessoas, equipamento elétrico sob tensão ou para a própria máquina.
4. Esta máquina não se destina a ser utilizada por pessoas (incluindo crianças) com capacidades físicas, sensoriais ou mentais reduzidas ou falta de experiência e conhecimentos.
5. As crianças devem ser supervisionadas de modo a assegurar que não brincam com o aparelho.
6. Não pulverize líquidos inflamáveis e/ou tóxicos. Isto poderá causar uma explosão, intoxicação ou danos na máquina.
7. Não direcione o jato contra si próprio ou contra outros para lavar roupas ou calçado.
8. As mangueiras de alta pressão, os acessórios e os acoplamentos são importantes para a segurança da máquina. Utilize apenas mangueiras, acessórios e acoplamentos recomendados pelo fabricante.

9. **Siga as instruções quando substituir acessórios.**
 10. **Mantenha as pegas secas, limpas e sem óleo ou gordura.**
 11. **Mantenha-se alerta - esteja atento ao trabalho.**
 12. **Não opere o produto quando estiver cansado ou sob a influência de álcool ou medicamentos.**
 13. **Não opere a lavadora de alta pressão sem água durante mais de um minuto. Isso causará danos no motor, resultando em anomalia.**
 14. **Desligue sempre a alimentação elétrica e desligue o abastecimento de água quando deixar a lavadora de alta pressão sem supervisão.**
 15. **Tenha cuidado com o retorno. A pistola de gatilho recua quando o jato de alta pressão é ejetado do bocal. Segure firmemente a pistola de gatilho para evitar lesões acidentais.**
 16. **Verifique se existem peças danificadas ou gastas antes de utilizar o aparelho. Além disso, certifique-se de que a mangueira está ligada corretamente e que não ocorrem fugas durante a operação. Operar a máquina com defeitos funcionais poderá causar um acidente.**
 17. **Esta máquina foi concebida para ser utilizada com o produto de limpeza fornecido ou recomendado pelo fabricante. A utilização de outros produtos de limpeza ou produtos químicos poderá ter efeitos adversos na segurança da máquina.**
 18. **Não puxe a mangueira para mover o corpo da lavadora de alta pressão. Tal danificará a mangueira e as peças de ligação, resultando num curto-circuito ou em defeitos funcionais.**
 19. **Não coloque objetos pesados na mangueira nem permita que veículos passem sobre esta.**
 20. **Alivie sempre a pressão residual na pistola de gatilho antes de desligar a mangueira.**
 21. **Quando ligar a mangueira à rede de abastecimento de água, cumpra as instruções do departamento ou empresa de abastecimento de água local.**
 22. **Se a lavadora de alta pressão cair ou bater contra um objeto rijo, certifique-se de que verifica se existem danos e fendas. A utilização da lavadora de alta pressão danificada pode gerar fumo ou incêndio ou causar choque elétrico, o que provoca ferimentos pessoais.**
 23. **Podem formar-se aerossóis durante a utilização de máquinas de lavar a alta pressão. A inalação de aerossóis pode ser perigosa para a saúde.**
 24. **Dependendo da aplicação, podem ser utilizados bocais blindados para a limpeza de alta pressão, o que irá reduzir drasticamente a emissão de aerossóis hidratados. Contudo, nem todas as aplicações permitem a utilização de um tal dispositivo. Se os bocais blindados não forem aplicáveis para a proteção contra aerossóis, pode ser necessária uma máscara respiratória da classe FFP 2 ou equivalente, dependendo do ambiente de limpeza.**
 25. **O empregador deve realizar uma avaliação de risco para especificar as medidas de proteção necessárias relativas a aerossóis, dependendo da superfície a limpar e do respetivo ambiente. As máscaras respiratórias de classe FFP 2, de classe equivalente ou superior são adequadas para a proteção contra aerossóis hidratados.**
 26. **Previna o arranque não intencional. Assegure que o interruptor está na posição de desligado antes de ligar à bateria, pegar no aparelho ou transportá-lo. Transportar o aparelho com o dedo no interruptor ou dar energia a um aparelho que tenha o interruptor ligado pode dar origem a acidentes.**
 27. **Desligue a bateria do aparelho antes de realizar quaisquer ajustes, mudar os acessórios ou guardar o aparelho. Estas medidas preventivas de segurança reduzem o risco de pôr o aparelho a funcionar acidentalmente.**
 28. **Não modifique ou tente reparar o aparelho ou a bateria, exceto conforme indicado nas instruções de utilização e conservação.**
 29. **Não aplique continuamente o jato de água na mesma área. O objeto pode partir-se e provocar ferimentos.**
 30. **Não lave a máquina com o jato de água desta máquina. A máquina pode partir-se ou partes da máquina podem soltar-se e provocar ferimentos.**
 31. **Para evitar o risco de choque elétrico, não aponte o jato de água contra a máquina enquanto a máquina estiver ligada.**
- Utilização e cuidados com a ferramenta a bateria**
1. **Recarregue apenas com o carregador especificado pelo fabricante. Um carregador adequado para um tipo de bateria pode criar um risco de incêndio quando utilizado com outra bateria.**
 2. **Utilize as ferramentas elétricas apenas com as baterias especificamente designadas. A utilização de uma bateria diferente pode criar um risco de ferimentos e de incêndio.**
 3. **Quando a bateria não está a ser utilizada, mantenha-a afastada de outros objetos metálicos, como cliques, moedas, chaves, pregos, parafusos ou outros objetos metálicos pequenos que possam fazer a ligação entre os dois terminais. Colocar os terminais da bateria em curto-circuito um com o outro pode provocar queimaduras ou um incêndio.**
 4. **Em condições abusivas, o líquido pode ser ejetado da bateria; evite o contacto com o mesmo. Se ocorrer um contacto accidental, lave com água. Se o líquido entrar em contacto com os olhos, procure também assistência médica. O líquido ejetado da bateria pode provocar irritações ou queimaduras.**
 5. **Não utilize um conjunto de baterias ou uma ferramenta que se encontrem danificados ou modificados. As baterias danificadas ou modificadas poderão exibir um comportamento imprevisível, resultando em incêndio, explosão ou risco de lesão.**
 6. **Não exponha um conjunto de baterias ou uma ferramenta a incêndio ou temperatura excessiva. A exposição a incêndio ou a uma temperatura superior a 130 °C poderá causar uma explosão.**

7. **Siga todas as instruções de carregamento e não carregue o conjunto de baterias ou ferramenta fora da amplitude de temperaturas especificada nas instruções.** O carregamento impróprio ou a temperaturas fora da amplitude especificada poderá danificar a bateria e aumentar o risco de incêndio.

Assistência

1. **Siga as instruções de manutenção especificadas no manual.**
2. **Para garantir a segurança da máquina, utilize apenas peças sobresselentes originais do fabricante ou aprovadas pelo fabricante.**
3. **Solicite assistência por um técnico de reparação qualificado para a sua lavadora de alta pressão utilizando apenas peças de substituição idênticas.** Isso irá assegurar que a segurança da lavadora de alta pressão é mantida.
4. **No caso de avaria ou anomalia da lavadora de alta pressão, desligue-a imediatamente e remova a(s) bateria(s).** Contacte o seu distribuidor local ou centro de assistência.

Avisos adicionais de segurança

1. **Cumpra os requisitos da empresa de fornecimento de água local.**
2. **Não utilize a máquina quando existe o risco de relâmpagos.**
3. **Quando utilizar a máquina em terreno lamacento, declives húmidos ou local escorregadio, preste atenção ao seu posicionamento.**
4. **Não substitua a bateria à chuva.**
5. **Não submerja a máquina numa poça.**
6. **Não deixe a máquina sem supervisão no exterior à chuva.**
7. **Quando guardar a máquina, evite a luz solar direta e a chuva e guarde-a num local onde não fique quente ou húmido.**
8. **Não se sente sobre a máquina nem utilize a máquina como degrau.** Se o fizer, pode causar um acidente ou uma avaria da máquina.

GUARDE ESTAS INSTRUÇÕES.

AVISO: NÃO permita que o conforto ou a familiaridade com o produto (adquirido com o uso repetido) substitua a adesão estrita às regras de segurança da ferramenta.

A MÁ INTERPRETAÇÃO ou o não seguimento das regras de segurança estabelecidas neste manual de instruções pode causar danos pessoais graves.

Instruções de segurança importantes para a bateria

1. **Antes de utilizar a bateria, leia todas as instruções e etiquetas de precaução no (1) carregador de bateria (2) bateria e (3) produto que utiliza a bateria.**
2. **Não desmonte ou manipule a bateria.** Pode resultar num incêndio, em calor excessivo ou numa explosão.

3. **Se o tempo de funcionamento se tornar excessivamente curto, pare o funcionamento imediatamente.** Pode resultar em sobreaquecimento, possíveis queimaduras e mesmo explosão.
4. **Se entrar eletrólito nos seus olhos, lave-os com água e consulte imediatamente um médico.** Pode resultar em perda de visão.
5. **Não coloque a bateria em curto-circuito:**
 - (1) **Não toque nos terminais com qualquer material condutor.**
 - (2) **Evite guardar a bateria juntamente com outros objetos metálicos tais como pregos, moedas, etc.**
 - (3) **Não exponha a bateria à água ou chuva.** Um curto-circuito pode ocasionar um enorme fluxo de corrente, sobreaquecimento, possíveis queimaduras e mesmo estragar-se.
6. **Não guarde nem utilize a ferramenta e a bateria em locais onde a temperatura pode atingir ou exceder 50 °C.**
7. **Não queime a bateria mesmo que esteja estragada ou completamente gasta.** A bateria pode explodir no fogo.
8. **Não pregue, corte, esmague, atire, deixe cair a bateria, nem bata a bateria contra um objeto rijo.** Esta conduta pode resultar num incêndio, em calor excessivo ou numa explosão.
9. **Não utilize uma bateria danificada.**
10. **As baterias de íons de lítio contidas na ferramenta são sujeitas aos requisitos da DGL (Dangerous Goods Legislation - Legislação de bens perigosos).**

Para o transporte comercial, por exemplo, por terceiros ou agentes de expedição, têm de ser observados os requisitos referentes à embalagem e etiquetagem.

Para preparação do artigo a ser expedido, é necessário consultar um perito em materiais perigosos. Tenha ainda em conta a possibilidade de existirem regulamentos nacionais mais detalhados.

Coloque fita-cola ou tape os contactos abertos e embale a bateria de tal forma que não possa mover-se dentro da embalagem.
11. **Quando eliminar a bateria, remova-a da ferramenta e elimine-a num local seguro.** Siga os regulamentos locais relacionados com a eliminação de baterias.
12. **Utilize as baterias apenas com os produtos especificados pela Makita.** Instalar as baterias em produtos não-conformes poderá resultar num incêndio, calor excessivo, explosão ou fuga de eletrólito.
13. **Se a ferramenta não for utilizada durante um período de tempo prolongado, a bateria deve ser removida da ferramenta.**
14. **Durante e após a utilização, a bateria pode aquecer, o que pode provocar queimaduras ou queimaduras a baixa temperatura.** Preste atenção ao manuseamento de baterias quentes.

15. Não toque no terminal da ferramenta imediatamente após a utilização, pois pode ficar suficientemente quente para provocar queimaduras.
16. Não permita a adesão de aparas, pó ou sujidade nos terminais, nos orifícios e nas ranhuras da bateria. Poderá fazer com que a ferramenta ou a bateria aqueça, incendeie, rebente e avarie, resultando em queimaduras ou ferimentos corporais.
17. A menos que a ferramenta suporte a utilização perto de linhas elétricas de alta tensão, não utilize a bateria perto de linhas elétricas de alta tensão. Pode resultar no mau funcionamento ou na avaria da ferramenta ou bateria.
18. Mantenha a bateria afastada das crianças.

GUARDE ESTAS INSTRUÇÕES.

⚠PRECAUÇÃO: Utilize apenas baterias genuínas da Makita. A utilização de baterias não genuínas da Makita ou de baterias que foram alteradas, pode resultar no rebentamento da bateria provocando incêndios, ferimentos pessoais e danos. Além disso, anulará da garantia da Makita no que se refere à ferramenta e ao carregador Makita.

Conselhos para manter a máxima vida útil da bateria

1. Carregue a bateria antes que esteja completamente descarregada. Pare sempre o funcionamento da ferramenta e carregue a bateria quando notar menos poder na ferramenta.
2. Nunca carregue uma bateria completamente carregada. Carregamento excessivo diminui a vida útil da bateria.
3. Carregue a bateria à temperatura ambiente de 10 °C – 40 °C. Deixe que uma bateria quente arrefeça antes de a carregar.
4. Quando não utilizar a bateria, remova-a da ferramenta ou do carregador.
5. Carregue a bateria se não a utilizar durante um longo período de tempo (mais de seis meses).

DESCRIÇÃO FUNCIONAL

⚠PRECAUÇÃO: Certifique-se sempre de que a máquina está desligada e que as baterias foram removidas antes de ajustar ou verificar qualquer função na máquina.

Instalação ou remoção da bateria

⚠PRECAUÇÃO: Desligue sempre a máquina antes de instalar ou retirar a bateria.

⚠PRECAUÇÃO: Segure firmemente a máquina e a bateria quando instalar ou remover a bateria. Se não segurar firmemente a máquina e a bateria pode fazer com que escorreguem das suas mãos resultando em danos na máquina e na bateria e ferimentos pessoais.

⚠PRECAUÇÃO: Certifique-se de que tranca a tampa da bateria antes de utilizar a ferramenta. Caso contrário a lama, sujidade ou água podem provocar danos no produto ou na bateria.

⚠PRECAUÇÃO: Instale sempre a bateria até ao fim. Caso contrário, pode cair acidentalmente da máquina, causando ferimentos a si ou a alguém próximo de si.

⚠PRECAUÇÃO: Não instale a bateria forçando-a. Se a bateria não entrar com facilidade, é porque não está a inseri-la corretamente.

⚠PRECAUÇÃO: Segure firmemente a tampa da bateria quando instalar ou remover a bateria.

Para instalar a bateria:

1. Puxe a alavanca de bloqueio para cima e, em seguida, abra a tampa da bateria.
► Fig.1: 1. Tampa da bateria 2. Alavanca de bloqueio
2. Alinhe a lingueta na bateria com a ranhura na máquina e, em seguida, deslize a bateria até bloquear no lugar com um pequeno clique.
► Fig.2: 1. Bateria
3. Feche a tampa da bateria e empurre-a até travar com a alavanca de bloqueio.

Para remover a bateria:

1. Puxe a alavanca de bloqueio para cima e abra a tampa da bateria.
2. Retire a bateria da máquina enquanto desliza o botão na frente da bateria.
3. Feche a tampa da bateria e empurre-a até travar com a alavanca de bloqueio.

Botão de verificação da bateria

Pode verificar a capacidade da bateria restante ao pressionar o botão de verificação da bateria.

► **Fig.3:** 1. Indicador da bateria 2. Botão de verificação da bateria

Estado dos indicadores da bateria			Capacidade restante da bateria
Aceso	Apagado	A piscar	
			50% a 100%
			20% a 50%
			0% a 20%
			Carregar a bateria

NOTA: A luz indicadora para a restante capacidade da bateria serve apenas de referência. A capacidade efetiva da bateria pode diferir em função das condições de utilização ou da temperatura ambiente.

NOTA: A luz apaga automaticamente após alguns segundos.

NOTA: Se estiverem instaladas duas baterias, a bateria instalada no lado esquerdo é utilizada primeiro.

NOTA: Se estiverem instaladas duas baterias, a máquina troca automaticamente a bateria quando a bateria em utilização ficar vazia.

NOTA: Pode verificar a capacidade restante da bateria sem ligar o interruptor de alimentação.

Indicação da capacidade restante da bateria

Prima o botão de verificação na bateria para indicar a capacidade restante da bateria. As luzes indicadoras acendem durante alguns segundos.

► **Fig.4:** 1. Luzes indicadoras 2. Botão de verificação

Luzes indicadoras			Capacidade restante
Aceso	Apagado	A piscar	
			75% a 100%
			50% a 75%
			25% a 50%
			0% a 25%
			Carregar a bateria.

Luzes indicadoras			Capacidade restante
Aceso	Apagado	A piscar	
			A bateria pode estar avariada.

NOTA: Dependendo das condições de utilização e da temperatura ambiente, a indicação pode ser ligeiramente diferente da capacidade real.

NOTA: A primeira luz indicadora (extremo esquerdo) pisca quando o sistema de proteção da bateria funciona.

Sistema de proteção da máquina/bateria

A máquina está equipada com um sistema de proteção da máquina/bateria. Este sistema desliga automaticamente a alimentação do motor para prolongar a vida útil da máquina e da bateria. A máquina para automaticamente durante o funcionamento se a máquina ou a bateria for colocada numa das seguintes condições:

Proteção contra sobrecarga

Quando a máquina ou a bateria é utilizada de uma forma que causa a absorção de uma corrente anormalmente alta, a máquina para automaticamente e o indicador de velocidade pisca a verde. Nesta situação, desligue a máquina e pare a aplicação que causou a sobrecarga da máquina. Em seguida, ligue a máquina para reiniciar.

Proteção contra sobreaquecimento

Quando a máquina estiver sobreaquecida, a máquina para automaticamente e o indicador de velocidade acende a vermelho. Neste caso, deixe a máquina e a bateria arrefecerem antes de ligar novamente a máquina.

NOTA: O indicador de velocidade pisca a vermelho quando a bateria estiver sobreaquecida.

Proteção contra descarga excessiva

Quando a capacidade da bateria não for suficiente, a máquina para automaticamente e o indicador de velocidade pisca a vermelho. Neste caso, remova a bateria da máquina e carregue a bateria ou substitua a bateria por uma bateria totalmente carregada.

Proteções contra outras causas

O sistema de proteção foi também concebido para outras causas que possam danificar a máquina e permite à máquina parar automaticamente. Tome todas as medidas que se seguem para eliminar as causas quando a máquina tiver parado ou interrompido temporariamente a operação.

1. Desligue a máquina e, em seguida, volte a ligá-la para reiniciar.
2. Carregue a(s) bateria(s) ou substitua-a(s) por bateria(s) recarregada(s).
3. Deixe a máquina e a(s) bateria(s) arrefecerem.

Se não for possível constatar qualquer melhoria através do restauro do sistema de proteção, contacte o centro de assistência Makita local.

OBSERVAÇÃO: Se a máquina parar devido a uma causa não descrita acima, consulte a secção de resolução de problemas.

Botão de mudança de modo

A velocidade pode ser alterada em três níveis. Para alterar o modo de velocidade, pressione o botão de mudança de modo. Quando altera o modo de velocidade, os indicadores de velocidade correspondentes acendem.

► **Fig.5:** 1. Botão de mudança de modo

NOTA: Não pode alterar o modo enquanto a máquina estiver ligada. Altere o modo quando a máquina estiver desligada e a bateria estiver instalada na máquina.

NOTA: Se o indicador de velocidade acender a vermelho ou piscar a vermelho ou a verde, consulte as instruções relativas ao sistema de proteção da máquina/bateria.

Interruptor de alimentação

AVISO: Desligue sempre o interruptor de alimentação principal quando não estiver a ser utilizado.

OBSERVAÇÃO: Não rode o interruptor de alimentação à força. Isso pode causar a anomalia do interruptor.

Para ligar a máquina, rode o interruptor de alimentação para a direita, e para desligar a máquina, rode o interruptor de alimentação para a esquerda.

► **Fig.6:** 1. Interruptor de alimentação

NOTA: Os indicadores da bateria irão acender-se durante alguns segundos imediatamente após ligar a máquina.

NOTA: Se instalar a bateria na máquina quando o interruptor de alimentação está na posição Ligado, o indicador de velocidade pisca a verde. Rode o interruptor de alimentação para a posição Desligado e, em seguida, instale a bateria na máquina.

Funções do bocal

NOTA: Os bocais padrão podem variar em função do país. Consulte a secção sobre acessórios opcionais para obter informações sobre outros bocais.

Bocal de jato de ciclone

Específico para o país

OBSERVAÇÃO: Não utilize o bocal de jato de ciclone para limpar superfícies frágeis como janelas ou carroçarias.

► **Fig.7**

É ejetado um jato em espiral. Adequado para remover sujidade persistente.

Bocal de pulverização Vario e tubo de extensão

Específico para o país

PRECAUÇÃO: Instale apenas o bocal de pulverização Vario no tubo de extensão. Não ligue os outros tubos de extensão opcionais ao tubo de extensão original. A utilização de quaisquer acessórios diferentes dos recomendados pelo fabricante pode causar um risco de danos ou ferimentos em pessoas.

PRECAUÇÃO: Quando ajustar a pressão do jato, não rode o bocal enquanto o puxa em direção à pistola de gatilho. O bocal pode sair da pistola de gatilho e causar uma lesão física.

PRECAUÇÃO: Quando rodar a ponta do bocal para ajustar o jato de água, não a rode com força. Caso contrário, o bocal pode partir-se e provocar ferimentos.

► **Fig.8:** 1. Bocal de pulverização Vario 2. Tubo de extensão

A pressão do jato pode ser ajustada ao rodar o bocal.

OBSERVAÇÃO: Quando rodar o bocal, não segure a ponta do bocal, mas segure a base do bocal conforme apresentado na figura.

► **Fig.9**

NOTA: O bocal de pulverização Vario também pode ser diretamente preso na pistola de gatilho.

Operação do gatilho

OBSERVAÇÃO: Para evitar erro mecânico no interruptor de pressão, deixe sempre um intervalo de dois segundos entre as operações do gatilho.

Puxe o gatilho para ejetar um jato de água. O jato continua enquanto o gatilho é apertado.

O gatilho pode ser bloqueado para manuseamento seguro da pistola de gatilho. Para bloquear o gatilho, remova o batente e enganche-o na ranhura no punho.

► **Fig.10:** 1. Gatilho 2. Batente 3. Ranhura

MONTAGEM

⚠️ AVISO: Certifique-se sempre de que todas as baterias foram retiradas antes de efetuar qualquer trabalho na máquina. A não remoção de todas as baterias pode resultar em ferimentos pessoais graves devido a um arranque acidental.

Ligar a mangueira de alta pressão

⚠️ PRECAUÇÃO: Certifique-se de que a mangueira de alta pressão está firmemente ligada. Uma ligação solta poderá causar a ejeção da mangueira de alta pressão, resultando em lesão física.

Ligue a mangueira de alta pressão à saída. Rode a porca na mangueira de alta pressão para a direita, aparafusando-a na rosca de aparafusar da saída.

► Fig.11: 1. Saída 2. Porca

Acoplar a pistola de gatilho

⚠️ PRECAUÇÃO: Certifique-se de que a mangueira de alta pressão está firmemente ligada. Uma ligação solta poderá causar a ejeção da mangueira de alta pressão, resultando em lesão física.

Ligue a mangueira de alta pressão à entrada na pistola de gatilho. Rode a porca na mangueira de alta pressão para a direita, aparafusando-a na rosca de aparafusar na entrada.

► Fig.12: 1. Entrada 2. Porca

Ligar à torneira

⚠️ PRECAUÇÃO: Utilize sempre uma mangueira de água resistente à pressão com os seguintes diâmetros e ligue à torneira utilizando acessórios apropriados. Caso contrário, a mangueira de água e/ou o acessório podem partir-se e provocar ferimentos pessoais.

- O diâmetro interior da mangueira é de 14 mm a 15 mm.
- O diâmetro exterior da mangueira é de 20 mm ou menos.
- A espessura da mangueira é de 2,3 mm ou mais e é inferior a 3,0 mm.

OBSERVAÇÃO: Utilize uma mangueira de água resistente à pressão o mais curta possível. A quantidade de água de entrada deve ser superior ao volume máx. de alimentação da bomba.

OBSERVAÇÃO: Se ligar à rede de abastecimento para água potável, utilize uma válvula anti-retorno que cumpra os normas na sua região.

OBSERVAÇÃO: Quando ligar a uma torneira, o caudal de água requerido é de 7,0 l/min ou mais. Se o caudal de água for insuficiente, não pode obter a capacidade total da máquina.

NOTA: O conjunto da mangueira é enviado com buchas de acoplamento presas em ambas as extremidades. Quando ligar a uma torneira sem uma bucha de acoplamento, remova a bucha de acoplamento numa extremidade rodando a bucha de acoplamento no sentido da seta apresentado na figura.

► Fig.13: 1. Porca da bucha de acoplamento
2. Bucha de acoplamento

1. Ligue o conjunto da mangueira à torneira. Aplique um acessório adequado, tal como uma tira de mangueira ou uma junta da torneira de água, para fixar a extremidade da mangueira na torneira.

► Fig.14: 1. Tira de mangueira 2. Bucha de acoplamento 3. Conjunto da mangueira

OBSERVAÇÃO: Ligue firmemente o conjunto da mangueira à torneira. Caso contrário, o conjunto da mangueira pode soltar-se quando abrir a torneira.

NOTA: O acessório depende da forma da torneira à qual estabelece ligação. Prepare um acessório comercializado adequado.

2. Prenda o conector da mangueira de água na entrada e, em seguida, prenda a bucha de acoplamento no conector da mangueira de água.

► Fig.15: 1. Bucha de acoplamento 2. Conector da mangueira de água 3. Entrada

OBSERVAÇÃO: Quando prender o conector da mangueira de água e a bucha de acoplamento, prenda-os firmemente. Caso contrário, o conector da mangueira de água ou a bucha de acoplamento pode soltar-se quando abrir a torneira.

Ligar/desligar o bocal

⚠️ PRECAUÇÃO: Bloqueie sempre o gatilho da pistola de gatilho quando ligar/desligar o bocal.

⚠️ PRECAUÇÃO: Quando ligar o bocal à pistola de gatilho, ligue-o firmemente e certifique-se de que não se solta.

⚠️ PRECAUÇÃO: Quando ligar ou desligar o bocal, não o rode com força. Caso contrário, o bocal pode partir-se ou soltar-se e provocar ferimentos.

Insira a extremidade do bocal na ranhura na pistola de gatilho e rode-a no sentido da seta conforme apresentado na figura enquanto pressiona o bocal em direção à pistola de gatilho. Para desligar o bocal, rode o bocal no sentido inverso enquanto o pressiona em direção à pistola de gatilho e, em seguida, retire-o.

► Fig.16: 1. Pistola de gatilho 2. Ranhura
3. Extremidade do bocal

Ligar o bocal de espuma

Acessório opcional

⚠️ PRECAUÇÃO: Bloqueie sempre o gatilho da pistola de gatilho quando ligar/desligar o bocal.

OBSERVAÇÃO: Utilize apenas detergentes neutros. Não utilize detergentes domésticos, detergentes ácidos, detergentes alcalinos, lixívia, solventes, materiais inflamáveis ou soluções de nível industrial que possam danificar a máquina ou a sua propriedade. Prepare a solução de limpeza conforme instruído no frasco da solução e teste-a sempre antecipadamente num lugar pouco visível.

OBSERVAÇÃO: Se for utilizado um detergente altamente viscoso, é provável que o bocal fique entupido. Quando utilizar o detergente de alta viscosidade, dilua o detergente adicionando água ao frasco antes da utilização.

NOTA: Quando utilizar o bocal de espuma, o detergente no frasco é diluído com a água fornecida pela máquina e pulverizado. Não tem de diluir a concentração de detergente no frasco mais do que o necessário. Ajuste a concentração de detergente enquanto verifica as condições de utilização.

NOTA: Se o bocal de espuma for inclinado na lateral, o detergente pode derramar.

Prepare um detergente antes de utilizar o bocal de espuma.

1. Remova o bocal do tanque rodando o bocal para a esquerda. Acople o bocal à pistola de gatilho.

► Fig.17: 1. Bocal 2. Pistola de gatilho

2. Verta o detergente para dentro do tanque e prenda o tanque no bocal rodando-o no sentido apresentado na figura.

► Fig.18: 1. Tanque

OPERAÇÃO

⚠️ AVISO: Não toque no jato de água nem direcione o jato para si ou para outras pessoas. O jato de água é perigoso e pode magoá-lo a si ou a outros.

⚠️ AVISO: Quando disparar o jato de água, nunca segure o objeto que estiver a limpar nem coloque as mãos e os pés próximo do jato de água.

⚠️ PRECAUÇÃO: Mantenha-se alerta ao ressalto do jato de água e a objetos soprados. Não aproxime o bocal do objeto a uma distância inferior a 30 cm.

⚠️ PRECAUÇÃO: Não opere a lavadora de alta pressão sem água durante mais de um minuto.

⚠️ PRECAUÇÃO: Não opere a lavadora de alta pressão por um período prolongado. Isso poderá causar sobreaquecimento ou incêndio. Além disso, a utilização a longo prazo poderá causar transtorno de vibração.

⚠️ PRECAUÇÃO: Tenha cuidado com a direção do vento. Se o detergente entrar para os seus olhos ou boca, lave imediatamente com água limpa e procure cuidados médicos, se necessário.

⚠️ PRECAUÇÃO: Segure firmemente a pistola de gatilho. A pistola de gatilho recua quando puxa o gatilho.

⚠️ PRECAUÇÃO: Segure sempre a pistola de gatilho pelo punho e pelo cano quando ejetar um jato de água.

OBSERVAÇÃO: Evite utilizar a lavadora de alta pressão durante mais de 1 hora. Após 1 hora de utilização, aguarde o mesmo período de tempo até reutilizar a máquina.

OBSERVAÇÃO: Para proteger o mecanismo da lavadora de alta pressão, não utilize água com temperatura superior a 40°C.

OBSERVAÇÃO: Tenha cuidado para não puxar a pistola de gatilho à força durante a operação. Poderá causar o tombamento da lavadora de alta pressão.

OBSERVAÇÃO: Quando suspender o funcionamento por um período prolongado, desligue a lavadora de alta pressão e aperte o gatilho para descarregar totalmente a água residual.

Se deixar a lavadora de alta pressão por um período prolongado enquanto mantém a alta pressão, esta pode não reiniciar. Nesta situação, desligue a lavadora de alta pressão, forneça água de uma torneira à entrada e aperte o gatilho, mantendo o fornecimento de água por algum tempo. Em seguida, ligue a lavadora de alta pressão.

OBSERVAÇÃO: Não utilize a máquina numa posição virada. Se o fizer, pode causar avarias.

► Fig.19

Antes de operar a máquina, remova o bocal da pistola de gatilho.

1. Abra a tampa das baterias e instale as baterias na lavadora de alta pressão e, em seguida, bloqueie a tampa das baterias.

► Fig.20: 1. Bateria 2. Tampa da bateria

2. Ligue uma extremidade da mangueira de alta pressão à pistola de gatilho e a outra extremidade à lavadora de alta pressão.

3. Ligue a lavadora de alta pressão e a torneira com uma mangueira de água. Em seguida, abra a torneira.

► Fig.21

OBSERVAÇÃO: Antes de ligar a máquina, certifique-se de que a torneira está totalmente aberta.

4. Selecione o modo pretendido pressionando o botão de mudança de modo e, em seguida, rode o interruptor de alimentação para a direita para ligar a máquina.

► **Fig.22:** 1. Interruptor de alimentação 2. Botão de mudança de modo

5. Para ejetar um jato de água, desbloqueie o batente e aperte o gatilho. Após a água ser ejetada de forma estável da pistola de gatilho, solte o gatilho e desligue a máquina.

► **Fig.23:** 1. Batente

NOTA: Certifique-se de que remove o bocal da pistola de gatilho antes de efetuar esta operação.

6. Prenda o bocal na pistola de gatilho para a sua finalidade e, em seguida, ligue a máquina para iniciar a operação de lavagem.

Quando suspender a operação, pode colocar a pistola de gatilho temporariamente conforme ilustrado na figura.

► **Fig.24**

Abastecer água de um tanque/ reservatório

PRECAUÇÃO: Quando prender a manga na caixa do filtro do conjunto do filtro, tenha cuidado para não magoar a mão com a tira de mangueira.

OBSERVAÇÃO: Utilize sempre o conjunto da mangueira e o conjunto do filtro da Makita.

OBSERVAÇÃO: Mantenha sempre um intervalo de 1,0 m (39-3/8 ft) ou inferior em altura entre a entrada da lavadora de alta pressão e a superfície da água. Caso contrário, a lavadora de alta pressão não conseguirá absorver a água para a bomba.

OBSERVAÇÃO: O nível de água que a máquina consegue bombear é de 100 mm ou mais.

OBSERVAÇÃO: Não utilize água de rios e de lagos ou água misturada com areia ou lama. Se o fizer, pode causar avarias.

NOTA: Se demorar muito tempo para a água sair, limpe o filtro e o filtro do conjunto do filtro.

Pode abastecer água a partir de um tanque ou reservatório em vez de uma torneira.

1. Desligue a máquina e remova o bocal da pistola de gatilho.

2. Ligue o conjunto da mangueira e o conjunto do filtro ao conector da mangueira de água.

► **Fig.25:** 1. Tanque/reservatório 2. Conjunto do filtro 3. Conjunto da mangueira 4. Conector da mangueira de água

3. Ligue a máquina, e desbloqueie o batente e aperte o gatilho. Após a água ser ejetada de forma estável da pistola de gatilho, solte o gatilho.

► **Fig.26:** 1. Pistola de gatilho

NOTA: Demora cerca de 10 a 60 segundos até que a água saia.

NOTA: Certifique-se de que remove o bocal da pistola de gatilho antes de efetuar esta operação.

4. Desligue a máquina e prenda o bocal na pistola de gatilho para a sua finalidade e, em seguida, ligue a máquina para iniciar a operação de lavagem.

NOTA: Quando não for ejetada água, desprenda o conjunto da mangueira e o conjunto do filtro e embeba-os em água. Em seguida, volte a ligá-los à máquina.

► **Fig.27:** 1. Conjunto da mangueira e conjunto do filtro

NOTA: Se a sucção de água não funcionar, demorar muito tempo, ou se a pressão da água não for suficiente, verifique os seguintes aspetos:

- Afrouxamento do conjunto da mangueira, do conjunto do filtro e do conector da mangueira de água.
- Se as buchas de acoplamento do conjunto da mangueira estão firmemente presas no conector da mangueira de água e na caixa do filtro do conjunto do filtro.

Aperte se estiverem frouxos.

Conjunto da mangueira

► **Fig.28:** 1. Bucha de acoplamento

Conjunto do filtro

► **Fig.29:** 1. Tira de mangueira 2. Caixa do filtro

Conector da mangueira de água

► **Fig.30:** 1. Conector da mangueira de água

Após a utilização

PRECAUÇÃO: Após operar a lavadora de alta pressão, realize sempre o procedimento descrito neste manual. A pressão residual na pistola de gatilho ou na lavadora de alta pressão pode causar lesão física ou danos no interior da bomba.

1. Desligue a máquina e remova o bocal da pistola de gatilho.

2. Feche a torneira e desligue a mangueira de água da lavadora de alta pressão.

► **Fig.31**

3. Ligue novamente a lavadora de alta pressão.

4. Aperte o gatilho até a água residual na lavadora de alta pressão ser descarregada.

► **Fig.32**

OBSERVAÇÃO: Não opere o motor durante mais de 1 minuto.

5. Desligue a lavadora de alta pressão e remova as baterias.

► **Fig.33:** 1. Bateria

6. Desligue a mangueira de alta pressão da pistola de gatilho e da lavadora de alta pressão.

► **Fig.34:** 1. Pistola de gatilho 2. Mangueira de alta pressão

OBSERVAÇÃO: Para impedir que a mangueira de alta pressão sofra danos, drene a restante água na mangueira antes de guardá-la.

7. Segure a máquina com as duas mãos e drene a restante água no interior da máquina inclinando a máquina conforme apresentado na figura.

► **Fig.35**

MANUTENÇÃO E ARMAZENAMENTO

AVISO: Certifique-se sempre de que todas as baterias estão retiradas da máquina antes de a armazenar ou transportar ou tentar efetuar uma inspeção ou manutenção.

OBSERVAÇÃO: Nunca utilize gasolina, benzina, diluente, álcool ou produtos semelhantes. Pode ocorrer a descoloração, deformação ou rachaduras.

Para manter a SEGURANÇA e a FIABILIDADE do produto, as reparações e qualquer outra manutenção ou ajuste devem ser levados a cabo pelos centros de assistência Makita autorizados ou pelos centros de assistência de fábrica, utilizando sempre peças de substituição Makita.

Transportar a máquina

PRECAUÇÃO: Antes de transportar a máquina com as duas mãos, certifique-se de que a pega está completamente dobrada.

Quando transportar a máquina, segure a máquina firmemente com as duas mãos segurando a pega com uma mão e o punho inferior com a outra mão.

► **Fig.36:** 1. Pega 2. Punho inferior

Também pode transportar a máquina utilizando as rodas da máquina. Certifique-se de que estende a pega pressionando o botão de desbloqueio antes de transportar a máquina.

► **Fig.37:** 1. Botão de desbloqueio 2. Pega

► **Fig.38**

PRECAUÇÃO: Não aplique uma força excessiva apoiando-se na pega estendida. Se a pega se soltar, pode cair e ficar ferido.

OBSERVAÇÃO: Certifique-se de que a pega está totalmente estendida e que o botão de desbloqueio foi retornado à sua posição original antes de transportar a máquina.

► **Fig.39:** 1. Botão de desbloqueio

Limpar o bocal

OBSERVAÇÃO: Não remova sujidade ou resíduos à força. Isso poderá resultar em lesão física ou danos no orifício de ejeção, causando ângulos de jato divergentes ou fraco desempenho.

Utilize o pino de limpeza para remover sujidade do bocal ou desentupi-lo.

► **Fig.40:** 1. Pino de limpeza

NOTA: Para manter o desempenho ideal, limpe o bocal periodicamente.

Limpar o filtro

Desacople o conector da mangueira de água e remova sujidade e resíduos do interior do filtro.

► **Fig.41:** 1. Conector da mangueira de água 2. Filtro 3. Anel vedante

Quando utilizar o conjunto do filtro, remova o filtro da caixa do filtro e remova sujidade e resíduos.

► **Fig.42:** 1. Filtro 2. Caixa do filtro

NOTA: Para manter um desempenho otimizado, limpe o filtro periodicamente.

Armazenamento

OBSERVAÇÃO: Guarde sempre num local interior onde a temperatura não atinja valores negativos. Se a lavadora de alta pressão congelar e avariar, contacte o centro de assistência da sua localidade para solicitar reparações.

OBSERVAÇÃO: Certifique-se de que drene completamente a água no interior da máquina antes de armazenar a máquina. As avarias ou os danos causados pelo congelamento devido à drenagem inadequada estão sujeitos a não estarem cobertos pela garantia.

Armazene os acessórios no bolso na parte traseira da máquina.

► **Fig.43**

RESOLUÇÃO DE PROBLEMAS

Antes de pedir uma reparação, realize primeiro a sua própria inspeção. Se encontrar um problema que não esteja explicado no manual, não tente desmontar a máquina. Em vez disso, peça as reparações nos centros de assistência técnica autorizados da Makita, usando sempre peças de substituição da Makita.

Estado da anomalia	Causa provável (avaria)	Correção
A lavadora não arranca.	Sem eletricidade	Instale as baterias carregadas e ligue o interruptor de alimentação.
	Pressão residual na bomba	Puxe o gatilho.
	A lavadora de alta pressão foi deixada por um período prolongado enquanto manteve a pressão alta.	Desligue a lavadora de alta pressão, forneça água de uma torneira à entrada e aperte o gatilho, mantendo o fornecimento de água por algum tempo. Em seguida, ligue a lavadora de alta pressão.
Sem jato de água / jato de água fraco	Sem abastecimento de água ou fraco abastecimento de água	Certifique-se de que a torneira está aberta. Se estiver a utilizar o conjunto da mangueira e o conjunto do filtro, introduza água na mangueira.
	O ar está a bloquear o fluxo de água.	Desligue o interruptor e ligue-o novamente de seguida enquanto aperta o gatilho.
	Fraca ligação da mangueira de água	Verifique a ligação entre a lavadora de alta pressão e a torneira de água.
	Ligação insuficiente das mangueiras (quando utilizar o conjunto do filtro)	Aperte a bucha de acoplamento se estiver frouxa. Insira a bucha de acoplamento firmemente.
	Mangueira, filtro ou bocal entupidos	Desentupa a mangueira, o filtro ou o bocal.
Jato de água instável	Bocal ou mangueira danificados ou gastos	Substitua o bocal ou a mangueira.
	Bocal entupido	Desentupa o orifício de ejeção do bocal utilizando o pino de limpeza.
	Fraca sucção de água	Verifique se existem fugas ou entupimentos da mangueira de água, começando pela torneira. Ligue a torneira.
Fuga de água	A água está demasiado quente.	Abasteça água mais fria.
	Fraca ligação da mangueira de água	Verifique se as mangueiras estão firmemente ligadas.
	Mangueira danificada ou gasta	Substitua a mangueira.

ACESSÓRIOS OPCIONAIS

⚠️ PRECAUÇÃO: Estes acessórios ou acoplamentos são recomendados para utilização com a sua máquina Makita especificada no presente manual. A utilização de quaisquer outros acessórios ou acoplamentos pode representar risco de lesão física. Utilize apenas acessórios ou acoplamentos para os respetivos fins previstos.

Se necessitar de informações adicionais relativas a estes acessórios, solicite-as ao seu centro de assistência Makita.

- Bocais e mangueiras
- Bateria e carregador genuínos da Makita

NOTA: Alguns itens na lista poderão estar incluídos na embalagem do produto como acessórios padrão. Podem diferir de país para país.

Combinações de bocais e mangueiras

► Fig.44

1	Proteção contra salpicos	2	Bocal de jato de ciclone *1	3	Bocal de pulverização Vario *1
4	Tubo de extensão *1	5	Bocal de espuma	6	Escova de lavar
7	Lança de pulverização Vario	8	Bocal variável	9	Escova rotativa
10	Lança de pulverização da estrutura inferior	11	Mangueira de limpeza de tubos (10 m)	12	Mangueira de limpeza de tubos (15 m)
13	Junta de ligação	14	Pistola de gatilho *1	15	Extensão da lança *2
16	Mangueira de alta pressão *1	17	Mangueira de alta pressão de extensão (5 m)	18	Mangueira de alta pressão de extensão (8 m)
19	Mangueira de alta pressão de extensão (10 m)	20	Junta articulada	21	Conector da mangueira de água *1
22	Conjunto da mangueira *1	23	Conjunto do filtro *1	-	-

*1: Acessório padrão

*2: Não disponível em combinação com a lança de pulverização da estrutura inferior.

Proteção contra salpicos

► Fig.45

Reduz o ressalto de salpicos quando estiver a limpar cantos com o bocal de jato de ciclone.

► Fig.46: 1. Porca 2. Bocal de jato de ciclone

Quando utilizar a proteção contra salpicos, remova a porca da proteção contra salpicos, depois insira o bocal de jato de ciclone na proteção contra salpicos e, em seguida, aperte a porca.

Bocal de espuma

► Fig.47

O detergente pode ser pulverizado como espuma.

Escova de lavar

► Fig.48

Um bocal equipado com uma escova. Útil para lavar sujidade enquanto esfrega com a escova.

Lança de pulverização Vario

⚠PRECAUÇÃO: Quando ajustar a pressão do jato, não rode o bocal enquanto o puxa em direção à pistola de gatilho. O bocal pode sair da pistola de gatilho e causar uma lesão física.

⚠PRECAUÇÃO: Quando rodar a ponta do bocal para ajustar o jato de água, não a rode com força. Caso contrário, o bocal pode partir-se e provocar ferimentos.

► Fig.49

A pressão do jato pode ser ajustada ao rodar o bocal.

Bocal variável

⚠PRECAUÇÃO: Quando ajustar a largura do jato, não rode o bocal enquanto o puxa em direção à pistola de gatilho. O bocal pode sair da pistola de gatilho e causar uma lesão física.

⚠PRECAUÇÃO: Quando rodar a ponta do bocal para ajustar o jato de água, não a rode com força. Caso contrário, o bocal pode partir-se e provocar ferimentos.

► Fig.50

A largura do jato pode ser ajustada de 0° a 25° ao rodar a extremidade dianteira do bocal.

Escova rotativa

► Fig.51

Três escovas no interior rodam lentamente ao ejetar o jato. Adequada para limpar sujidade ligeira numa parede exterior, carroçaria, banheira, etc.

Lança de pulverização da estrutura inferior

⚠PRECAUÇÃO: Não utilize a lança de pulverização da estrutura inferior com a extensão da lança.

► Fig.52

Uma lança de pulverização extra longa com bocal em ângulo. A melhor solução para limpar áreas de difícil acesso, tais como a estrutura inferior de um carro e a caleira.

Mangueira de limpeza de tubos (10 m/15 m)

⚠PRECAUÇÃO: Preste particular atenção ao jato de água quando utilizar a mangueira de limpeza de tubos. É ejetado um jato de água de elevada intensidade para trás. Dispare apenas o jato de água quando o bocal tiver sido inserido no tubo a limpar, pelo menos, até à marca vermelha.

► Fig.53

Para limpar e desentupir canalizações e condutas.

Junta de ligação

► Fig.54

Uma junta para ligar a um bocal de outro modelo.

Alguns bocais opcionais necessitam da junta de ligação (acessório opcional) para ligar à pistola de gatilho.

Acople a junta de ligação à pistola de gatilho da mesma forma que o bocal.

► **Fig.55:** 1. Bocal 2. Junta de ligação 3. Pistola de gatilho

Extensão da lança

► Fig.56

Tubos para estender o comprimento da pistola de gatilho. Três comprimentos diferentes estão disponíveis ao alterar o número de tubos a utilizar.

Mangueira de alta pressão de extensão (5 m/8 m/10 m)

► Fig.57

Mangueira de extensão para ligar o corpo da lavadora de alta pressão à pistola de gatilho.

Junta articulada

► Fig.58

Evita que a mangueira de alta pressão seja torcida.

► **Fig.59:** 1. Botão 2. Porca

Para ligar ou desligar a mangueira de alta pressão à ou da junta articulada, rode a porca na mangueira de alta pressão enquanto pressiona o botão na junta articulada.

Conjunto da mangueira

► Fig.60

Um conjunto da mangueira para ligar uma torneira ao produto, ou o conjunto do filtro ao produto.

Conjunto do filtro

► Fig.61

Um conjunto do filtro para fornecer água a partir de um tanque ou reservatório. Utilize o conjunto da mangueira para ligar ao produto.

ADVARSEL

- Maskiner må ikke anvendes af børn. Børn skal overvåges for at sikre, at de ikke leger med maskinen.
- Denne maskine er ikke beregnet til brug af personer (herunder børn) med reducerede fysiske, sensoriske eller mentale færdigheder eller manglende nødvendig erfaring og viden.
- Denne maskine er designet til brug sammen med det rengøringsmiddel, som producenten leverer eller anbefaler. Brug af andre rengøringsmidler eller kemikalier kan negativt påvirke maskinens sikkerhed.
- Der kan dannes aerosoler under brug af højtryksrensere. Inhalering af aerosoler kan være farligt for helbredet.
- Afhængigt af applikationen kan der anvendes afskærmede dyser til højtryksrensning, hvilket vil reducere udledningen af vandige aerosoler drastisk. Men ikke alle applikationer tillader brug af en sådan enhed. Hvis der ikke kan anvendes afskærmede dyser som beskyttelse mod aerosoler, kan det være nødvendigt at anvende en klasse FFP 2- eller ækvivalent respirationsmaske afhængigt af rengøringsmiljøet.
- Arbejdsgiveren skal foretage en risikovurdering for at kunne specificere de nødvendige beskyttelsesforanstaltninger angående aerosoler afhængigt af den overflade, som skal rengøres, og dens omgivelser. Respirationsmasker af FFP 2-klassen, en tilsvarende eller højere, er egnede til beskyttelse mod vandige aerosoler.
- Højtryksstråler kan være farlige, hvis de misbruges. Strålen må ikke rettes mod personer, strømførende elektrisk udstyr eller selve maskinen.
- Brug ikke maskinen inden for rækkevidde af personer, medmindre de bærer beskyttelsestøj.
- Ret ikke strålen mod dig selv eller andre for at rengøre tøj eller fodtøj.
- Risiko for eksplosion - sprøjt ikke med brændbare væsker.
- Højtryksrensere må ikke anvendes af børn eller uøvede personer.

- Højtryksslanger, fittings og sammenkoblinger er vigtige for maskinens sikkerhed. Brug kun slanger, fittings og sammenkoblinger, som producenten anbefaler.
- For at garantere maskinens sikkerhed må du kun bruge originale reservedele fra producenten, eller som er godkendt af producenten.
- Sørg altid for, at der er slukket for maskinen, og at akkuerne er fjernet, før der foretages nogen form for arbejde på maskinen.
- Brug ikke maskinen, hvis vigtige dele af maskinen er beskadigede, for eksempel sikkerhedsanordninger, højtryksslanger, udløsergreb.
- Fjern altid akkuerne når du lader maskinen være uden opsyn.
- Overhold det lokale vandværks krav.
- For lande i Europa:
I henhold til EN12729 (BA) må apparatet også sluttes til hoveddrikkevandsforsyningen, hvis der monteres en ventil til tilbageløbssikring med afløbsfunktion i forsyningsslangen.

SPECIFIKATIONER

Model:		HW001G
Maks. gennemstrømningshastighed *1		7,0 l/min
Vandgennemstrømningshastighed *2	Tilstand 3 (Høj tilstand)	5,5 l/min
	Tilstand 2 (Medium tilstand)	4,2 l/min
	Tilstand 1 (Lav tilstand)	3,0 l/min
Maks. tilladt tryk		11,5 MPa
Arbejdstryk *2	Tilstand 3 (Høj tilstand)	8,5 MPa
	Tilstand 2 (Medium tilstand)	5,5 MPa
	Tilstand 1 (Lav tilstand)	3,0 MPa
Maks. tilførselstryk		1,0 MPa
Maks. tilførselstemperatur		40°C
Maks. sugehøjde		1,0 m
Mærkespænding		D.C. 36 V - 40 V maks.
Mål (L x B x H) *3		344 mm x 383 mm x 520 mm
Nettovægt		10,3 - 13,4 kg
Vandbeskyttelse		IPX5

*1: Når udløsergrebet anvendes uden dyserne.

*2: Når vario-sprøjtedyse og forlængerrøret anvendes.

*3: Når håndtaget er foldet og uden slanger.

- På grund af vores kontinuerlige forsknings- og udviklingsprogrammer kan hosstående specifikationer blive ændret uden varsel.
- Specifikationer kan variere fra land til land.
- Vægten kan være anderledes afhængigt af tilbehøret, inklusive akkuen. Den letteste og tungeste kombination i henhold til EPTA-procedure 01/2014 er vist i tabellen.

Anvendelig akku og oplader

Akku	BL4020 / BL4025 / BL4040 / BL4050F* / BL4080F* *: Anbefalet batteri
Oplader	DC40RA / DC40RB / DC40RC

- Nogle af de akkuer og opladere, der er angivet ovenfor, er muligvis ikke tilgængelige, afhængigt af hvilket område du bor i.

⚠ ADVARSEL: Brug kun de akkuer og opladere, der er angivet ovenfor. Brug af andre akkuer og opladere kan medføre personskade og/eller brand.

Symboler

Følgende viser de symboler, der muligvis anvendes til udstyret. Sørg for, at du forstår deres betydning før brugen.

	Udvis særlig forsigtighed og opmærksomhed.
	Læs betjeningsvejledningen.
	Tilslut ikke til en drikkevandhane.
	Ret ikke strålen mod personer, herunder dig selv, dyr og strømførende elektrisk udstyr.
	Ni-MH Li-Ion Kun for lande inden for EU På grund af tilstedeværelsen af farlige komponenter i udstyret kan affald af elektrisk og elektronisk udstyr, akkumulatører og batterier have en negativ indvirkning på miljøet og folkesundheden. Bortskaf ikke elektriske og elektroniske apparater eller batterier sammen med husholdningsaffald! I overensstemmelse med EF-direktiv om affaldshåndtering af elektrisk og elektronisk udstyr og om akkumulatører og batterier og affaldsakkumulatører og -batterier, og i overensstemmelse med national lovgivning, skal brugt elektrisk udstyr, batterier og akkumulatører opbevares separat og leveres til et separat indsamlingssted for kommunalt affald, der er etableret i henhold til bestemmelserne om miljøbeskyttelse. Dette er angivet ved symbolet på den krydsede skraldespand, der er placeret på udstyret.
	Garanteret lydeffektniveau i henhold til EU-direktivet om maskiner til udendørs brug.
	Lydeffektniveau i henhold til Australiens NSW forordning om støjemission

Tilsluttet anvendelse

Denne maskine er beregnet til at fjerne fastgroet snæs ved hjælp af en vandstråle. Denne maskine er beregnet til både kommercielt brug og husholdningsbrug.

Støj

Det typiske A-vægtede støjniveau bestemt i overensstemmelse med EN60335-2-79:
Lydtryksniveau (L_{pA}): 71 dB (A)
Usikkerhed (K): 3,2 dB (A)

Støjniveauet under arbejdet kan overskride 80 dB (A).

BEMÆRK: De(n) angivne støjemissionsværdi(er) er målt i overensstemmelse med en standardtestmetode og kan anvendes til at sammenligne en maskine med en anden.

BEMÆRK: De(n) angivne støjemissionsværdi(er) kan også anvendes i en præliminær eksponeringsvurdering.

⚠ ADVARSEL: Bær høreværn.

⚠ ADVARSEL: Støjemissionen under den faktiske anvendelse af maskinen kan være forskellig fra de(n) angivne værdi(er), afhængigt af den måde hvorpå maskinen anvendes, især den type arbejdsområde der behandles.

⚠ ADVARSEL: Sørg for at identificere de sikkerhedsforskrifter til beskyttelse af operatøren, som er baseret på en vurdering af eksponering under de faktiske brugsforhold (med hensyntagen til alle dele i brugscyklussen, f.eks. de gange, hvor maskinen er slukket, og når den kører i tomgang i tilgift til afbrydertiden).

Vibration

Vibrationens totalværdi (tre-aksial vektorsum) bestemt i overensstemmelse med EN60335-2-79:
Vibrationsemission (a_{h1}): 3,2 m/s²
Usikkerhed (K): 1,5 m/s²

BEMÆRK: De(n) angivne totalværdi(er) for vibration er målt i overensstemmelse med en standardtestmetode og kan anvendes til at sammenligne en maskine med en anden.

BEMÆRK: De(n) angivne totalværdi(er) for vibration kan også anvendes i en præliminær eksponeringsvurdering.

⚠ ADVARSEL: Vibrationsemissionen under den faktiske anvendelse af maskinen kan være forskellig fra de(n) angivne værdi(er), afhængigt af den måde hvorpå maskinen anvendes, især den type arbejdsområde der behandles.

⚠ ADVARSEL: Sørg for at identificere de sikkerhedsforskrifter til beskyttelse af operatøren, som er baseret på en vurdering af eksponering under de faktiske brugsforhold (med hensyntagen til alle dele i brugscyklussen, f.eks. de gange, hvor maskinen er slukket, og når den kører i tomgang i tilgift til afbrydertiden).

Overensstemmelseserklæringer

Kun for lande i Europa

Overensstemmelseserklæringerne er inkluderet i Bilag A i denne brugsanvisning.

SIKKERHEDSADVARSLER

Almindelige sikkerhedsregler for el-værktøj

⚠ ADVARSEL Læs alle sikkerhedsadvarsler, instruktioner, illustrationer og specifikationer, der følger med denne maskine. Hvis du ikke følger alle nedenstående instruktioner, kan det medføre elektrisk stød, brand og/eller alvorlig personskade.

Gem alle advarsler og instruktioner til fremtidig reference.

Ordet "el-værktøj" i advarslerne henviser til det netforsyede (netledning) el-værktøj eller batteriforsyede (akku) el-værktøj.

VIGTIGE SIKKERHEDSADVARSLER

⚠ ADVARSEL: Læs alle sikkerhedsadvarsler og alle sikkerhedsinstruktioner. Hvis nedenstående advarsler og instruktioner ikke overholdes, kan det medføre elektrisk stød, brand og/eller alvorlig personskade.

Gem alle advarsler og instruktioner til fremtidig reference.

ADVARSEL - Ved brug af dette produkt skal de grundlæggende forholdsregler altid følges, herunder følgende:

Sikkerhed i arbejdsområdet

1. Hold alle personer ude af anvendelsesområdet.
2. Undlad at strække dig for langt eller at stå på ustabile støtter. Opbehold til enhver tid godt fodfæste og balance.
3. Stil altid højtryksrensersens kabinet på en jævn og stabil overflade. Undgå steder, hvor det udstødte vand løber eller samles.
4. Kontroller omgivelserne og de genstande, der skal rengøres, før rensningen. Højtryksstråler kan skrabe maling eller andre overfladebehandlingsmidler, herunder giftige kemikalier, væk. Træf om nødvendigt forebyggende forholdsregler.
5. Vær forsigtig med ikke at falde over højtryksrensersens slange. Vær altid opmærksom på slangekonfigurationen under brug.
6. Under brug løber der en smule vand ud fra under bunden af højtryksrensersens. Undgå at placere højtryksrensersens på steder, som ikke må blive våde.

Personlig sikkerhed

1. For at beskytte mod strålen og genstande, der blæses af strålen, skal operatøren bære passende tøj som f.eks. sikkerhedsstøvler, sikkerhedshandsker, sikkerhedshjelm med visir, hørevern osv.

2. Brug ikke højtryksrensersens inden for rækkevidde af personer, medmindre de bærer beskyttelsestøj.
3. For at reducere risikoen for personskade kræves der nøje overvågning, når produktet anvendes i nærheden af børn.
4. Hvis der oprettes tilslutning til en drikkevandsforsyning, skal systemet sikres mod tilbageløb.
5. Vand, der er løbet ud af tilbageløbssikringen, må ikke drikkes.

Elektrisk sikkerhed

1. Rør aldrig akkuerne med våde hænder.
2. Brug ikke maskinen, hvis vigtige dele af maskinen er beskadigede, for eksempel sikkerhedsanordninger, højtryksslanger eller udløsergrebet.

Brug og vedligeholdelse af maskinen

1. Læs alle instruktioner, før du bruger produktet.
2. Vær klar over, hvordan du stopper højtryksrensersens og hurtigt aflader trykket. Vær helt bekendt med kontrollerne.
3. Højtryksstråler kan være farlige, hvis de misbruges. Strålen må ikke rettes mod personer, strømførende elektrisk udstyr eller selve maskinen.
4. Denne maskine er ikke beregnet til brug af personer (herunder børn) med reducerede fysiske, sensoriske eller mentale færdigheder eller manglende nødvendig erfaring og viden.
5. Børn skal overvåges for at sikre, at de ikke leger med apparatet.
6. Sprøjt ikke brændbare og/eller giftige væsker. Dette kan medføre eksplosion, forgiftning eller beskadigelse af maskinen.
7. Ret ikke strålen mod dig selv eller andre for at rengøre tøj eller fodtøj.
8. Højtryksslanger, fittings og sammenkoblinger er vigtige for maskinens sikkerhed. Brug kun slanger, fittings og sammenkoblinger, som producenten anbefaler.
9. Følg instruktionerne ved udskiftning af tilbehør.
10. Hold håndtag tørre, rene og fri for olie og fedt.
11. Vær opmærksom - hold øje med det, du foretager dig.
12. Anvend ikke produktet, hvis du er træt eller påvirket af alkohol eller narkotika.
13. Lad ikke højtryksrensersens køre uden vand i mere end ét minut. Dette vil beskadige motoren og medføre fejlfunktion.
14. Sluk altid for strømmen, og afbryd vandforsyningen, når du lader højtryksrensersens ligge uovervåget.
15. Vær opmærksom på tilbageslag. Udløsergrebet slår tilbage, når højtryksstrålen udsendes fra dysen. Hold godt fast i udløsergrebet for at undgå personskader ved uheld.
16. Kontroller for beskadigede eller slidte dele før brugen. Kontroller også, at slangen er tilkoblet korrekt, og at der ikke er lækage under brugen. Brug af maskinen med funktionsdefekter kan medføre en ulykke.

17. Denne maskine er designet til brug sammen med det rengøringsmiddel, som producenten leverer eller anbefaler. Brug af andre rengøringsmidler eller kemikalier kan negativt påvirke maskinens sikkerhed.
18. Undlad at trække i slangen for at flytte højtryksrensersens kabinet. Dette vil beskadige slangen og tilkoblingsdelene og medføre kortslutning eller funktionsfejl.
19. Undlad at stille tunge genstande oven på slangen eller at lade køretøjer køre over den.
20. Udløs altid resttrykket i udløsergrebet, før du frakobler slangen.
21. Når slangen kobles til vandforsyningen, skal du overholde det lokale vandforsynings-selskabs eller vandværks instruktioner.
22. Hvis højtryksrenseren tabes, eller støder mod en hård genstand, skal du sørge for at kontrollere for skader og revner. Brug af en beskadiget højtryksrenser kan muligvis udvikle røg, brand eller forårsage elektrisk stød, hvilket kan resultere i personskade.
23. Der kan dannes aerosoler under brug af højtryksrensere. Inhalering af aerosoler kan være farligt for helbredet.
24. Afhængigt af applikationen kan der anvendes afskærmede dyser til højtryksrensning, hvilket vil reducere udledningen af vandige aerosoler drastisk. Men ikke alle applikationer tillader brug af en sådan enhed. Hvis der ikke kan anvendes afskærmede dyser som beskyttelse mod aerosoler, kan det være nødvendigt at anvende en klasse FFP 2- eller ækvivalent respirationsmaske afhængigt af rengøringsmiljøet.
25. Arbejdsgiveren skal foretage en risikovurdering for at kunne specificere de nødvendige beskyttelsesforanstaltninger angående aerosoler afhængigt af den overflade, som skal rengøres, og dens omgivelser. Respirationsmasker af FFP 2-klassen, en tilsvarende eller højere, er egnede til beskyttelse mod vandige aerosoler.
26. Forebyg utilsigtet start. Sørg for, at afbryderen er slået fra, før du tilslutter til en akku, løfter eller bærer apparatet. Hvis du bærer apparatet med fingeren på afbryderen, eller hvis du sætter strøm til apparatet, mens afbryderen er slået til, kan det medføre uheld.
27. Afbryd akkuen fra apparatet, før du foretager nogen ændringer, skifter tilbehør eller gemmer apparatet af vejen. Sådanne forebyggende sikkerhedsforanstaltninger mindsker risikoen for, at apparatet starter ved et uheld.
28. Du skal ikke ændre eller forsøge på at reparere apparatet eller akkuen, undtagen som angivet i instruktionerne for brug og vedligeholdelse.
29. Anvend ikke vandstrålen på det samme område kontinuerligt. Genstanden kan gå i stykker og forårsage en personskade.
30. Vask ikke maskinen med vandstrålen fra denne maskine. Maskinen kan muligvis gå i stykker eller dele af maskinen kan falde af og forårsage en personskade.
31. For at undgå risikoen for elektrisk stød skal du ikke rette vandstrålen mod maskinen, mens maskinen er tændt.

Brug og vedligeholdelse af batteriet

1. **Oplad kun med den oplader, som producenten angiver** En oplader, der passer til én type batteri, kan forårsage brand, hvis den anvendes med et andet batteri.
2. **Brug kun el-værktøjer sammen med de tilhørende batteripakker.** Brug af andre batteripakker kan forårsage personskade og brand.
3. **Når batteripakker ikke anvendes, skal de holdes borte fra andre metalgenstande som papirclips, mønter, nøgler, søm, skruer og andre små metalgenstande, der kan skabe forbindelse mellem terminalerne.** Hvis batteriets terminaler kortsluttes, kan det forårsage brand.
4. **I tilfælde af misbrug kan der sprøjte væske ud fra batteriet. Undgå kontakt. Skyl med vand, hvis De kommer i kontakt med væsken. Søg læge, hvis De får væske i øjet.** Væsken, der sprøjtes ud fra batteriet, kan medføre irritation eller forbrændinger.
5. **Undlad at bruge en akku eller maskine, der er beskadiget eller ændret.** Beskadigede eller ændrede batterier kan fungere uforudsigeligt og medføre brand, eksplosion eller risiko for personskade.
6. **Undlad at udsætte en akku eller maskine for brand eller høje temperaturer.** Udsættelse for brand eller temperaturer på over 130 °C kan medføre eksplosion.
7. **Følg alle instruktioner vedrørende opladning, og undlad at oplade akkuen eller maskinen uden for det temperaturinterval, der er angivet i instruktionerne.** Opladning, der udføres forkert eller ved temperaturer uden for det angivne temperaturinterval, kan beskadige batteriet og medføre øget risiko for brand.

Service

1. **Følg de vedligeholdelsesinstruktioner, der er angivet i denne brugsanvisning.**
2. **For at garantere maskinens sikkerhed må du kun bruge originale reservedele fra producenten, eller som er godkendt af producenten.**
3. **Få udført service på højtryksrenseren hos en kvalificeret mekaniker, og brug kun identiske udskiftningsdele.** Dette sikrer, at højtryksrenserens sikkerhed opretholdes.
4. **Hvis der opstår nedbrud eller fejlfunktion i højtryksrenseren, skal du med det samme slukke for den og fjerne akkuen/akkuerne.** Kontakt din lokale forhandler eller dit lokale servicecenter.

Supplerende sikkerhedsforskrifter

1. **Overhold det lokale vandværks krav.**
2. **Brug ikke maskinen, hvis der er risiko for lynnedslag.**
3. **Vær opmærksom på Deres fodfæste, hvis De bruger maskinen på mudret jord, en våd skrånning eller et glat sted.**
4. **Undlad at udskifte batteriet i regnvejr.**
5. **Undlad at nedsænke maskinen i en vandpyt.**
6. **Lad ikke maskinen ligge uovervåget udendørs i regnvejr.**
7. **Undgå direkte sollys og regn ved opbevaring af maskinen, og opbevar den på et sted, hvor det ikke bliver varmt eller fugtigt.**

8. Sid ikke på maskinen og anvend ikke maskinen som en trinstol. Gøres dette, kan det muligvis forårsage ulykke eller funktionsfejl på maskinen.

GEM DENNE BRUGSANVISNING.

⚠ ADVARSEL: LAD IKKE bekvemmelighed eller kendskab til produktet (opnået gennem gentagen brug) forhindre, at sikkerhedsforskrifterne for produktet nøje overholdes.

MISBRUG eller forsømmelse af at følge de i denne brugsvejledning givne sikkerhedsforskrifter kan føre til, at De kommer alvorligt til skade.

Vigtige sikkerhedsinstruktioner for akkuen

1. Læs alle instruktioner og advarselmærkater på (1) akku-opladeren, (2) akkuen og (3) produktet, som anvender akkuen.
2. Adskil eller ændr ikke akkuen. Det kan muligvis resultere i en brand, overdreven varme eller eksplosion.
3. Hold straks op med anvendelsen, hvis brugstiden er blevet stærkt afkortet. Forsat anvendelse kan resultere i risiko for overophedning, forbrændinger og endog eksplosion.
4. Hvis De har fået elektrolytvæske i øjnene, skal De straks skylle den ud med rent vand og derefter øjeblikkeligt søge lægehjælp. I modsat fald kan De miste synet.
5. Vær påpasselig med ikke at komme til at kortslutte akkuen:
 - (1) Rør ikke ved terminalerne med noget ledende materiale.
 - (2) Undgå at opbevare akkuen i en beholder sammen med andre genstande af metal, for eksempel søm, mønter og lignende.
 - (3) Udsæt ikke akkuen for vand eller regn. Kortslutning af akkuen kan forårsage en kraftig øgning af strømmen, overophedning, mulige forbrændinger og endog værktøjstop.
6. Opbevar og brug ikke maskinen og akkuen på steder, hvor temperaturen muligvis kan nå eller overstige 50 °C.
7. Lad være med at brænde akkuen, selv ikke i tilfælde, hvor den har lidt alvorlig skade eller er fuldstændig udtjent. Akkuen kan eksplodere, hvis man forsøger at brænde den.
8. Slå ikke søm i, skær ikke i, knus, kast, tab ikke akkuen og stød ikke akkuen mod en hård genstand. Sådant adfærd kan muligvis resultere i en brand, overdreven varme eller eksplosion.
9. Anvend ikke en beskadiget akku.
10. De indbyggede litium-ion-batterier er underlagt lovkrav vedrørende farligt gods.

Ved kommerciel transport, f.eks. af tredjeparts transportselskaber, skal særlige krav til forpakning og mærkning overholdes.

Ved forberedelse af udstyret til forsendelse skal du kontakte en ekspert i farligt gods. Overhold også eventuel mere detaljeret national lovgivning.

Tape eller tildæk åbne kontakter, og pak batteriet på en måde, så det ikke kan flytte sig rundt i pakningen.

11. Når akkuen bortscaffes, skal du fjerne den fra maskinen og bortscaffe den på et sikkert sted. Følg de lokale love vedrørende bortscaffelsen af batterier.
12. Brug kun batterierne med de produkter, som Makita specificerer. Hvis batterierne installeres i ikke-kompatible produkter, kan det medføre brand, kraftig varme, eksplosion eller udsivning af elektrolyt.
13. Hvis maskinen ikke skal bruges i længere tid ad gangen, skal du fjerne batteriet fra maskinen.
14. Akkuen kan muligvis under og efter brug være varm, hvilket kan forårsage forbrændinger eller lavtemperaturforbrændinger. Vær påpasselig med håndtering af varme akkuer.
15. Rør ikke terminalen på maskinen straks efter brug, da den bliver varm nok til at forårsage forbrændinger.
16. Sørg for, at spåner, støv eller jord ikke sætter sig fast i akkuens terminaler, huller og riller. Det kan forårsage opvarmning, antændelse, sprængning og funktionsfejl i maskinen eller akkuen, hvilket kan medføre forbrændinger eller personskade.
17. Medmindre maskinen understøtter brugen i nærheden af elektriske højspændingsledninger, skal du ikke anvende akkuen i nærheden af elektriske højspændingsledninger. Det kan muligvis medføre funktionsfejl på eller nedbrud af maskinen eller akkuen.
18. Opbevar batteriet utilgængeligt for børn.

GEM DENNE BRUGSANVISNING.

⚠ FORSIGTIG: Brug kun originale batterier fra Makita. Brug af uoriginale Makita-batterier, eller batterier som er blevet ændret, kan muligvis medføre brud på batteriet, hvilket kan forårsage brand, personskade eller beskadigelse. Det ugyldiggør også Makita-garantien for Makita-maskinen og opladeren.

Tips til opnåelse af maksimal akku-levetid

1. Oplad akkuen, inden den er helt afladet. Stop altid værktøjet, og oplad akkuen, hvis De bemærker, at værktøjeffekten er aftagende.
2. Genoplad aldrig en fuldt opladet akku. Overopladning vil afkorte akkuens levetid.
3. Oplad akkuen ved stuetemperatur ved 10 °C - 40 °C. Lad altid en varm akku få tid til at køle af, inden den oplades.
4. Når du ikke anvender akkuen, skal du fjerne den fra maskinen eller opladeren.
5. Oplad akkuen, hvis De ikke skal bruge den i længere tid (mere end seks måneder).

FUNKTIONSBESKRIVELSE

⚠️FORSIGTIG: Sørg altid for, at maskinen er slukket, og akkerne er afmonteret, før du justerer eller kontrollerer funktionen på maskinen.

Isætning eller fjernelse af akkuen

⚠️FORSIGTIG: Sluk altid for maskinen, før du monterer eller fjerner akkuen.

⚠️FORSIGTIG: Hold maskinen og akkuen fast, når du monterer eller fjerner akkuen. Hvis du ikke holder maskinen og akkuen fast, kan de glide ud af dine hænder og resultere i skader på maskinen, akkuen og en personskade.

⚠️FORSIGTIG: Sørg for, at akku-dækslet er låst inden brugen. Ellers kan mudder, snavs eller vand øve skade på produktet eller akkuen.

⚠️FORSIGTIG: Montér altid akkuen helt. Hvis ikke, kan den falde ud af maskinen ved et uheld og forårsage personskade på dig eller nogen omkring dig.

⚠️FORSIGTIG: Installér ikke akkuen med magt. Hvis akkuen ikke glider nemt ind, betyder det, at den ikke sættes korrekt ind.

⚠️FORSIGTIG: Hold godt fast i akku-dækslet, når du monterer eller afmonterer akkuen.

Installation af akkuen:

1. Træk låsearmen op, og åbn derefter akku-dækslet.

► Fig.1: 1. Akku-dæksel 2. Låsearm

2. Justér tungen på akkuen med åbningen på maskinen, og skub derefter akkuen, indtil den låses på plads med et lille klik.

► Fig.2: 1. Akku

3. Luk akku-dækslet, og tryk på det, indtil det går i indgreb med låsearmen.

Sådan fjerner du akkuen;

1. Træk låsearmen op, og åbn akku-dækslet.








2. Træk akkuen ud fra maskinen, mens der skubbes på knappen på forsiden af akkuen.

3. Luk akku-dækslet, og tryk på det, indtil det går i indgreb med låsearmen.

Batterikontrolknop

Du kan kontrollere den resterende batteriladning ved at trykke på batterikontrolknappen.

► Fig.3: 1. Batteriindikator 2. Batterikontrolknop

Status på batteriindikator			Resterende batteriladning
Tændt	Slukket	Blinker	
			50% til 100%
			
			20% til 50%
			0% til 20%
			Genoplad batteriet

BEMÆRK: Indikatorlampen for resterende batteriladning er kun til reference. Den faktiske batteriladning kan variere afhængigt af anvendelsesforholdene eller den omgivende temperatur.

BEMÆRK: Lampen slukkes automatisk efter et par sekunder.

BEMÆRK: Hvis der er monteret to akkuer, bruges det batteri, der er monteret i venstre side, først.











BEMÆRK: Hvis der monteret to akkuer, skifter maskinen automatisk batteriet, når det anvendte batteri bliver tomt.

BEMÆRK: Du kan kontrollere den resterende batteriladning uden af tænde for afbryderknappen.

Indikation af den resterende batteriladning

Tryk på kontrolknappen på akkuen for at få vist den resterende batteriladning. Indikatorlampen lyser i nogle sekunder.

► Fig.4: 1. Indikatorlamper 2. Kontrolknop

Indikatorlamper			Resterende ladning
Tændt	Slukket	Blinker	
			75% til 100%
			50% til 75%
			25% til 50%
			0% til 25%
			Genoplad batteriet.
			Genoplad batteriet.
			Der er muligvis fejl i batteriet.
			Der er muligvis fejl i batteriet.

BEMÆRK: Afhængigt af brugsforholdene og den omgivende temperatur kan indikationen afvige en smule fra den faktiske ladning.

BEMÆRK: Den første indikatorlampe (længst mod venstre) vil blinke, når batteribeskyttelsessystemet aktiveres.

Beskyttelsessystem til maskinen/batteriet

Maskinen er udstyret med et beskyttelsessystem til maskinen/batteriet. Dette system afbryder automatisk strømmen til motoren for at forlænge maskinens og batteriets levetid. Maskinen stopper automatisk under anvendelse, hvis maskinen eller batteriet udsættes for et af følgende forhold:

Overbelastningsbeskyttelse

Når maskinen eller batteriet bruges på en måde, der får den/det til at forbruge en unormal mængde strøm, stopper maskinen automatisk, og hastighedsindikatoren blinker grønt. Sluk i så fald for maskinen, og stop den anvendelse, der medførte, at maskinen blev overbelastet. Tænd derefter for maskinen for at starte den igen.

Beskyttelse mod overophedning

Når maskinen er overophedet, stopper maskinen automatisk, og hastighedsindikatoren lyser rødt. Lad i så fald maskinen og batteriet køle af, inden du igen tænder for maskinen.

BEMÆRK: Hastighedsindikatoren blinker rødt, når batteriet er overophedet.

Beskyttelse mod overafledning

Hvis batteriladningen er for lav, stopper maskinen automatisk, og hastighedsindikatoren blinker rødt. Fjern i så fald batteriet fra maskinen, og lad batteriet op, eller udskift batteriet med ét, der er fuldt opladet.

Beskyttelse mod andre årsager

Beskyttelsessystemet er også designet til andre årsager, der kan beskadige maskinen og gør det muligt for maskinen at stoppe automatisk. Benyt følgende fremgangsmåde for at fjerne årsagerne, når maskinen er blevet midlertidigt stoppet eller stoppet under betjening.

1. Sluk for maskinen, og tænd den igen for at genstarte.
2. Oplad batteriet/batterierne, eller udskift det/dem med genopladet/genopladede batteri/batterier.
3. Lad maskinen og batteriet/batterierne køle af.

Hvis der ikke kan findes nogen forbedring ved at gen-danne beskyttelsessystemet, skal det lokale Makita-servicecenter kontaktes.

BEMÆRKNING: Hvis maskinen stopper på grund af en årsag, der ikke er beskrevet ovenfor, skal du se afsnittet om fejlfinding.

Knap til tilstandsvalg

Hastigheden kan ændres i tre trin. For at ændre hastighedstilstanden skal du trykke på knappen til tilstandsvalg. Når du ændrer hastighedstilstanden, lyser de modsvarende hastighedsindikatorer.

► **Fig.5:** 1. Knap til tilstandsvalg

BEMÆRK: Du kan ikke ændre tilstanden, mens maskinen er tændt. Ændr tilstanden, når maskinen er slukket, og batteriet er monteret i maskinen.

BEMÆRK: Hvis hastighedsindikatoren lyser rødt, eller den blinker rødt eller grønt, skal du se instruktionerne til maskin-/batteribeskyttelsessystemet.

Afbryderknap

ADVARSEL: Sluk altid for hovedafbryderen, når maskinen ikke bruges.

BEMÆRKNING: Drej ikke afbryderknappen med magt. Dette kan medføre fejlfunktion i knappen.

For at tænde for maskinen skal du dreje afbryderknappen med uret, og for at slukke for maskinen skal du dreje afbryderknappen med uret.

► **Fig.6:** 1. Afbryderknap

BEMÆRK: Batteriindikatorerne vil lyse i nogle få sekunder, lige efter maskinen er blevet tændt.

BEMÆRK: Hvis du monterer akkuen i maskinen, når afbryderknappen er i slået til-positionen, blinker hastighedsindikatoren grønt. Drej afbryderknappen hen på slået fra-positionen, og installer derefter akkuen til maskinen.

Dysefunktioner

BEMÆRK: Standarddyserne varierer muligvis afhængigt af landet. Se afsnittet angående ekstraudstyr vedrørende andre dyser.

Cyklonstråledyse

Landespecifik

BEMÆRKNING: Brug ikke cyklonstråledysen til at rengøre skrøbelige flader som vinduer eller bilkarosserier.

► **Fig.7**

Der udsendes en spiralformet stråle. Eget til at fjerne fastgroet snavs.

Vario-sprøjtedyse og forlængerrør

Landespecifik

⚠FORSIGTIG: Installer kun vario-sprøjtedyse på forlængerrøret. Tilslut ikke de andre ekstra forlængerrør til det originale forlængerrør. Brug af andet tilbehør end det, der er anbefalet af producenten, kan medføre risiko for skade eller personskade.

⚠FORSIGTIG: Når du justerer strålens tryk, må du ikke dreje dysen, mens du trækker den mod udløsergrebet. Dysen kan falde af udløsergrebet og forårsage personskade.

⚠FORSIGTIG: Når du roterer spidsen af dysen for at justere vandstrålen, skal du ikke rotere den med magt. Ellers kan dysen gå i stykker og forårsage en personskade.

► **Fig. 8:** 1. Vario-sprøjtedyse 2. Forlængerrør

Strålens tryk kan justeres ved at dreje dysen.

BEMÆRKNING: Når du drejer dysen, skal du ikke holde i spidsen af dysen, men holde i bunden af dysen som vist i figuren.

► **Fig. 9**

BEMÆRK: Vario-sprøjtedyse kan også monteres direkte på udløsergrebet.

Udløserbetjening

BEMÆRKNING: For at undgå mekanisk fejl i trykkontakten skal du lade to sekunder gå mellem betjening af udløseren.

Tryk på udløseren for at udsende en vandstråle. Strålen fortsætter, så længe der trykkes på udløseren. Udløseren kan låses med henblik på sikker håndtering af udløsergrebet. Du låser udløseren ved at trække stopperen ud og låse den i rillen på grebet.

► **Fig. 10:** 1. Udløser 2. Stopper 3. Rille

SAMLING

⚠ADVARSEL: Sørg altid for, at alle akkuerne er afmonteret, før du udfører noget arbejde på maskinen. Hvis du ikke afmonterer alle akkuerne, kan det medføre alvorlig personskade som følge af utilsigtet start.

Tilslutning af højtryksslangen

⚠FORSIGTIG: Sørg for, at højtryksslangen er fast tilkoblet. En løs forbindelse kan blæse højtryksslangen af, hvilket kan medføre personskade.

Tilslut højtryksslangen til indløbet. Drej møtrikken på højtryksslangen i retningen med uret, mens du skruer den på skruegevindet på indløbet.

► **Fig. 11:** 1. Udløb 2. Møtrik

Montering af udløsergrebet

⚠FORSIGTIG: Sørg for, at højtryksslangen er fast tilkoblet. En løs forbindelse kan blæse højtryksslangen af, hvilket kan medføre personskade.

Tilslut højtryksslangen til indløbet på udløsergrebet. Drej møtrikken på højtryksslangen i retningen med uret, mens du skruer den på skruegevindet på indløbet.

► **Fig. 12:** 1. Indløb 2. Møtrik

Tilslutning til en vandhane

⚠FORSIGTIG: Brug altid en trykmodstandsdygtig vandslange med følgende diametre, og kobl den til vandhane ved hjælp af korrekte fittings. Ellers kan vandslangen og/eller fittingen gå i stykker og medføre personskade.

- Indvendig diameter af slange er 14 mm til 15 mm.
- Udvendig diameter af slange er 20 mm eller mindre.
- Tykkelse af slange er 2,3 mm eller mere og mindre end 3,0 mm.

BEMÆRKNING: Brug en trykmodstandsdygtig vandslange, der er så kort som muligt. Mængden af indsugt vand skal være større end pumpens maksimale tilførselsvolumen.

BEMÆRKNING: Hvis du tilkobler til drikkevandsforsyningen, skal du benytte en ventil til tilbageløbssikring, der overholder lovgivningen i dit område.

BEMÆRKNING: Når der tilsluttes til en vandhane, er den nødvendige vandgennemstrømningshastighed 7,0 l/min eller mere. Hvis vandgennemstrømningshastigheden er utilstrækkelig, kan du ikke opnå fuld kapacitet af maskinen.

BEMÆRK: Slangemonteringen afsendes med koblingsmuffer monteret til begge ender. Når der tilsluttes til en vandhane uden en koblingsmuffe, skal du fjerne koblingsmuffen i den ene ende ved at dreje koblingsmuffen i retningen af pilen, som er vist i figuren.

► **Fig. 13:** 1. Møtrik på koblingsmuffen
2. Koblingsmuffe

1. Tilslut slangemonteringen til vandhane. Anvend en passende fitting som f.eks. et slangebånd eller en vandhanesamling til at fastgøre slangeenden på vandhane.

► **Fig. 14:** 1. Slangebånd 2. Koblingsmuffe
3. Slangemontering

BEMÆRKNING: Tilslut slangemonteringen ordentligt til vandhane. Ellers kan slangemonteringen muligvis falde af, når du åbner for vandhane.

BEMÆRK: Fittingen afhænger af formen på den vandhane, du tilkobler til. Forbered en passende kommercielt tilgængelig fitting.

2. Monter tilkoblingen på vandslangen til indløbet, og monter derefter koblingsmuffen til tilkoblingen på vandslangen.

► **Fig. 15:** 1. Koblingsmuffe 2. Tilkobling på vandslange 3. Indløb

BEMÆRKNING: Når du monterer tilkoblingen på vandslangen og koblingsmuffen, skal du montere dem ordentligt. Ellers kan tilkoblingen på vandslangen eller koblingsmuffen muligvis falde af, når du åbner for vandhanen.

Montering/afmontering af dysen

⚠FORSIGTIG: Lås altid udløseren på udløsergrebet, når du monterer/afmonterer dysen.

⚠FORSIGTIG: Når du tilslutter dysen til udløsergrebet, skal du tilslutte den ordentligt og sikre dig, at den ikke falder af.

⚠FORSIGTIG: Når du tilslutter eller frakobler dysen, må du ikke rotere den med magt. Ellers kan dysen gå i stykker eller falde af og forårsage en personskade.

Sæt enden af dysen ind i åbningen på udløsergrebet, og drej den i pilens retning som vist i figuren, mens du trykker dysen mod udløsergrebet. For at frakoble dysen skal du dreje dysen i den modsatte retning, mens du trykker den mod udløsergrebet, og derefter trække den ud.

► **Fig.16:** 1. Udløsergreb 2. Åbning 3. Enden af dysen

Montering af skumdysen

Ekstraudstyr

⚠FORSIGTIG: Lås altid udløseren på udløsergrebet, når du monterer/afmonterer dysen.

BEMÆRKNING: Brug kun neutrale rengøringsmidler. Brug ikke husholdningsrengøringsmidler, sure rengøringsmidler, basiske rengøringsmidler, blegemidler, opløsningsmidler, brandbart materiale eller opløsninger af industriel kvalitet, hvilket kan beskadige maskine eller din ejendom. Klargør rengøringsopløsning som instrueret på opløsningsflasken, og test den altid på et ikke iøjnefaldende sted på forhånd.

BEMÆRKNING: Hvis der anvendes et rengøringsmiddel med høj viskositet, har dysen tendens til at tilstoppe. Når rengøringsmidlet med høj viskositet anvendes, skal du fortynde rengøringsmidlet ved at tilføje vand til flasken inden brug.

BEMÆRK: Når du anvender skumdysen, fortyndes rengøringsmidlet i flasken med vandet tilført af maskinen, og sprøjtes. Du behøver ikke at fortynde koncentrationen af rengøringsmidlet i flasken mere end nødvendigt. Juster koncentrationen af rengøringsmidlet, mens du kontrollerer anvendelsesforholdene.

BEMÆRK: Hvis skumdysen lægges på dens side, kan rengøringsmidlet muligvis løbe ud.

Forbered et rengøringsmiddel, før du bruger skumdysen.

1. Fjern dysen fra beholderen ved at dreje dysen i retningen mod uret. Monter dysen på udløsergrebet.

► **Fig.17:** 1. Dyse 2. Udløsergreb

2. Hæld rengøringsmidlet ind i beholderen, og monter beholderen til dysen ved at dreje den i retningen vist på figuren.

► **Fig.18:** 1. Beholder

ANVENDELSE

⚠ADVARSEL: Undlad at berøre vandstrålen eller at rette den mod dig selv eller andre. Vandstrålen er farlig og kan skade dig selv eller andre.

⚠ADVARSEL: Når vandstrålen udsendes, må du aldrig holde den genstand, du renser, eller placere dine hænder eller fødder i nærheden af vandstrålen.

⚠FORSIGTIG: Vær opmærksom på tilbageslaget af vandstrålen og blæste genstande. Placer ikke dysen tættere på genstanden end 30 cm.

⚠FORSIGTIG: Lad ikke højtryksrenseren køre uden vand i mere end 1 minut.

⚠FORSIGTIG: Brug ikke højtryksrenseren i længere tid ad gangen. Dette kan medføre overophedning eller brand. Længerevarende brug kan også medføre vibrationsfejl.

⚠FORSIGTIG: Vær opmærksom på vindens retning. Hvis du får rengøringsmiddel i øjnene eller munden, skal du med det samme skylle med rent vand og om nødvendigt søge læge.

⚠FORSIGTIG: Hold godt fast i udløsergrebet. Udløsergrebet slår tilbage, når du trykker på udløseren.

⚠FORSIGTIG: Hold altid udløsergrebet i grebet og cylinderen når der udsendes vandstråle.

BEMÆRKNING: Undlad at bruge højtryksrenseren i mere end 1 time. Efter 1 times brug skal du holde en lige så lang pause.

BEMÆRKNING: For at beskytte højtryksrensens mekanisme må du ikke bruge vand, der er varmere end 40°C.

BEMÆRKNING: Pas på ikke at trække i udløsergrebet med magt under brugen. Dette kan få højtryksrenseren til at vælte.

BEMÆRKNING: Når betjeningen udsættes i længere tid, skal du slukke for højtryksrenseren og trykke på afbryderen for fuldstændig at udlede det resterende vand.

Hvis højtryksrenseren efterlades i længere tid, mens der bevares et højt tryk, vil den muligvis ikke starte igen. I denne situation skal du slukke for højtryksrenseren, tilføje vand fra en vandhane til indløbet og trykke på afbryderen, mens vandtilførslen beholdes i et stykke tid. Tænd derefter for højtryksrenseren.

BEMÆRKNING: Brug ikke maskinen i en væltet position. Hvis du gør dette, kan det medføre funktionsfejl.

► **Fig.19**

Inden betjening af maskinen, skal du fjerne dysen fra udløsergrebet.

1. Åbn batteridækslet og installer akkuerne i højtryksrenseren og lås derefter batteridækslet.

► **Fig.20:** 1. Akku 2. Akku-dæksel

2. Tilslut den ene ende af højtryksslangen til udløsergrebet og den anden ende til højtryksrenseren.

3. Tilslut højtryksrenseren og vandhanen vha. en vandslange. Luk derefter op for vandhanen.

► Fig.21

BEMÆRKNING: Inden du tænder for maskinen, skal du sørge for, at vandhanen er åbnet fuldstændig.

4. Vælg den ønskede tilstand ved at trykke på knapen til tilstandsvalg, og drej derefter afbryderknappen med uret for at tænde for maskinen.

► Fig.22: 1. Afbryderknap 2. Knap til tilstandsvalg

5. For at udsende en vandstråle skal du låse stopperen op og trykke på udløseren. Når først der konstant sprøjtes vand ud af udløsergrebet, skal du slippe udløseren og slukke for maskinen.

► Fig.23: 1. Stopper

BEMÆRK: Sørg for at fjerne dysen fra udløsergrebet, inden du udfører denne betjening.

6. Monter dysen til udløsergrebet til dit formål, og tænd derefter for maskinen for at starte vaskearbejdet.

Når du holder pause i brugen, kan du midlertidigt placere udløsergrebet som vist på figuren.

► Fig.24

Tilførsel af vand fra en beholder eller et reservoir

⚠FORSIGTIG: Når du monterer muffen til filterhuset i simoneringen, skal du passe på ikke at skade hånden på slangebåndet.

BEMÆRKNING: Brug altid Makitas slangemontering og simontering.

BEMÆRKNING: Hold altid en højde på 1,0 m (39-3/8 ft) eller derunder mellem indløbet på højtryksrenseren og vandoverfladen. Ellers kan højtryksrenseren ikke suge vandet op i pumpen.

BEMÆRKNING: Det vandniveau, som maskinen kan pumpe op, er 100 mm eller mere.

BEMÆRKNING: Brug ikke vand fra floder, damme eller vand blandet med sand eller mudder. Hvis du gør dette, kan det medføre funktionsfejl.

BEMÆRK: Hvis det tager lang tid for vandet at komme ud, skal du rense sien og filteret i simoneringen.

Du kan tilføre vand fra en beholder eller et reservoir i stedet for en vandhane.

1. Sluk for maskinen, og fjern dysen fra udløsergrebet.

2. Tilslut slangemonteringen og simoneringen til tilkoblingen på vandslangen.

► Fig.25: 1. Beholder/reservoir 2. Simontering
3. Slangemontering 4. Tilkobling på vandslange

3. Tænd for maskinen, og lås stopperen op og tryk på udløseren. Når først der konstant sprøjtes vand ud af udløsergrebet, skal du slippe udløseren.

► Fig.26: 1. Udløsergreb

BEMÆRK: Det tager ca. 10 til 60 sekunder for vandet at komme ud.

BEMÆRK: Sørg for at fjerne dysen fra udløsergrebet, inden du udfører denne betjening.

4. Sluk for maskinen og monter dysen til udløsergrebet til dit formål, og tænd derefter for maskinen for at starte vaskearbejdet.

BEMÆRK: Når der ikke sprøjtes vand ud, skal du afmontere slangemonteringen og simoneringen, og lægge dem i blød i vand. Genmonter dem derefter til maskinen.

► Fig.27: 1. Slangemontering og simontering

BEMÆRK: Hvis vandsugning ikke fungerer, det tager lang tid, eller vandtrykket ikke er tilstrækkeligt, skal du kontrollere følgende:

- Løsning af slangemonteringen, simoneringen og tilkoblingen på vandslangen.
- Slangemonteringskoblingsmuffer er fast monteret på tilkoblingen på vandslangen og filterhuset på simoneringen.

Tilspænd, hvis de er løse.

Slangemontering

► Fig.28: 1. Koblingsmuffe

Simontering

► Fig.29: 1. Slangebånd 2. Filterhus

Tilkobling på vandslange

► Fig.30: 1. Tilkobling på vandslange

Efter anvendelse

⚠FORSIGTIG: Følg altid den procedure, der er beskrevet i denne manual, efter brugen af højtryksrenseren. Resttryk i udløsergrebet eller højtryksrenseren kan medføre personskade eller indvendigt skade på pumpen.

1. Sluk for maskinen, og fjern dysen fra udløsergrebet.

2. Luk for vandhanen, og tag vandslangen ud af højtryksrenseren.

► Fig.31

3. Tænd for højtryksrenseren igen.

4. Tryk på udløseren, indtil det resterende vand i højtryksrenseren er udtømt.

► Fig.32

BEMÆRKNING: Lad ikke motoren køre i mere end 1 minut.

5. Sluk for højtryksrenseren og fjern akkuerne.

► Fig.33: 1. Akku

6. Frakobl højtryksslangen fra udløsergrebet og højtryksrenseren.

► Fig.34: 1. Udløsergreb 2. Højtryksslange

BEMÆRKNING: For at undgå beskadigelse af højtryksslangen skal du tømme det resterende vand i slangen ud før opbevaring.

7. Hold maskinen med begge hænder, og tøm det resterende vand inde i maskinen ud ved at vippe maskinen, som vist på figuren.

► Fig.35

VEDLIGEHOJDELSE og OPBEVARING

ADVARSEL: Sørg altid for, at alle akkuer er afmonteret fra maskinen, før du opbevarer eller bærer maskinen eller forsøger at udføre inspektion eller vedligeholdelse.

BEMÆRKNING: Anvend aldrig benzin, rensebenzin, fortynder, alkohol og lignende. Det kan medføre misfarvning, deformation eller revner.

For at opretholde produktets SIKKERHED og PÅLIDELIGHED må reparation, vedligeholdelse eller justering kun udføres af et autoriseret Makita servicecenter eller fabrikksservicecenter med anvendelse af Makita reservedele.

Bæring af maskinen

FORSIGTIG: Inden du bærer maskinen med begge hænder, skal du sikre dig, at håndtaget er helt foldet.

Når du bærer maskinen, skal du holde maskinen godt fast med begge hænder ved at holde håndtaget med én hånd og det nederste greb med den anden hånd.

► Fig.36: 1. Håndtag 2. Nederst greb

Du kan også bære maskinen vha. hjulene på maskinen. Sørg for, at du forlænger håndtaget ved at trykke på lås fra-knappen, inden du bærer maskinen.

► Fig.37: 1. Lås fra-knap 2. Håndtag

► Fig.38

FORSIGTIG: Anvend ikke for meget kraft ved at læne dig op ad det forlængede håndtag. Hvis håndtaget falder af, kan du falde og komme til skade.

BEMÆRKNING: Sikr dig, at håndtaget er forlænget fuldstændigt og lås fra-knappen er returneret til dens originale position, inden du bærer maskinen.

► Fig.39: 1. Lås fra-knap

Rengøring af dysen

BEMÆRKNING: Fjern ikke snavs eller rester med magt. Dette kan medføre personskaade eller beskaadigelse af udgangshullet og medføre skæve strålevinkler eller dårlig ydeevne.

Anvend en rensespind til at fjerne snavs eller blokeringer fra dysen.

► Fig.40: 1. Rensespind

BEMÆRK: For at opretholde den optimale ydeevne skal du rengøre dysen med jævne mellemrum.

Rengøring af filteret

Afmonter tilkoblingen på vandslangen, og fjern snavs og rester fra filterets inderside.

► Fig.41: 1. Tilkobling på vandslange 2. Filter 3. Tætningssring

Ved brug af simonteringen skal du tage filteret ud af filterhuset og fjerne snavs og rester.

► Fig.42: 1. Filter 2. Filterhus

BEMÆRK: Rengør filteret regelmæssigt for at opretholde optimal ydeevne.

Opbevaring

BEMÆRKNING: Opbevar altid på en indendørs placering, hvor temperaturen ikke kommer under frysepunktet. Kontakt det lokale servicecenter for reparation, hvis højtryksrensere fryser og går i stykker.

BEMÆRKNING: Sørg for, at udtømme vandet inde i maskinen fuldstændigt, inden du opbevarer maskinen. Funktionsfejl eller skade forårsaget af tilfrysning pga. utilstrækkelig udtømning er ikke dækket af garantien.

Opbevar tilbehør i lommen bag på maskinen.

► Fig.43

FEJLFINDING

Udfør selv en inspektion, inden De anmoder om reparation. Hvis du opdager et problem, som ikke er forklaret i brugsanvisningen, må du ikke forsøge at skille maskinen ad. Rådfør Dem i stedet med et autoriseret Makita Servicecenter, og brug altid originale Makita udskiftningsdele til reparationer.

Unormal tilstand	Sandsynlig årsag (fej)l	Afhjælpning
Renseren starter ikke.	Ingen elektricitet	Isæt opladede akkuer og tænd på afbryderknappen.
	Resttryk i pumpen	Tryk på udløseren.
	Højtryksrenseren har været efterladt i længere tid med højt tryk bevaret.	Sluk for højtryksrenseren, tilfør vand fra en vandhane til indløbet og tryk på afbryderen, mens vandtilførslen beholdes i et stykke tid. Tænd derefter for højtryksrenseren.
Ingen vandstråle / svag vandstråle	Ingen vandforsyning eller dårlig vandforsyning	Kontroller, at vandhanen er åben. Hvis slangemonteringen og simonteringen bruges, skal du lukke vand ind i slangen.
	Luft blokerer for vandgennemstrømningen.	Sluk på afbryderen, og tænd derefter for den igen, mens du trykker på udløseren.
	Dårlig tilkobling af vandslange	Kontroller tilkoblingen mellem højtryksrenseren og vandhanen.
	Utilstrækkelig tilslutning af slanger (ved brug af simonteringen)	Tilspænd koblingsmuffen hvis den er løs. Sæt koblingsmuffen ordentligt ind.
	Tilstoppet slange, filter eller dyse	Fjern blokeringen af slangen, filteret eller dysen.
Ustabil vandstråle	Beskadiget eller slidt dyse eller slange	Udskift dysen eller slangen.
	Tilstoppet dyse	Fjern blokeringen i udgangshullet på dysen ved hjælp af rensespinden.
	Dårlig vandsugning	Kontroller vandslangen begyndende ved vandhanen for eventuel lækage eller tilstopning. Tænd for vandhanen.
Vandlækage	Vandet er for varmt.	Tilfør koldere vand.
	Dårlig tilkobling af vandslange	Kontroller, at slangerne er tilsluttet ordentligt.
	Beskadiget eller slidt slange	Udskift slangen.

EKSTRAUDSTYR

⚠FORSIGTIG: Dette tilbehør og ekstraudstyr er anbefalet til brug med din Makita-maskine, der er beskrevet i denne brugsanvisning. Brug af andet ekstraudstyr eller tilbehør kan medføre risiko for personskade. Brug kun ekstraudstyr eller tilbehør til det formål, det er beregnet til.

Hvis De behøver hjælp ved valg af tilbehør eller ønsker yderligere informationer, bedes De kontakte Deres lokale Makita servicecenter.

- Dyser og slanger
- Original Makita akku og oplader

BEMÆRK: Nogle ting på denne liste kan være inkluderet i produktpakken som standardtilbehør. De kan være forskellige fra land til land.

Kombinationer af dyser og slanger

► Fig.44

1	Stænskærm	2	Cyklonstråledyse *1	3	Vario-sprøjtedyse *1
4	Forlængerrør *1	5	Skumdyse	6	Vaskebørste
7	Vario-sprøjtelanse	8	Variabel dyse	9	Roterende børste
10	Sprøjtelanse til underkarosseri	11	Rørrensningsslange (10 m)	12	Rørrensningsslange (15 m)
13	Monteringsamling	14	Udløsergreb *1	15	Lanseforlænger *2
16	Højtrykslange *1	17	Højtryksforlængerslange (5 m)	18	Højtryksforlængerslange (8 m)
19	Højtryksforlængerslange (10 m)	20	Svingsamling	21	Tilkobling på vandslange *1
22	Slangemontering *1	23	Simontering *1	-	-

*1: Standard ekstraudstyr

*2: Ikke til rådighed i kombination med sprøjtelanse til underkarosseri.

Stænskærm

► Fig.45

Reducerer tilbageslæng ved rengøring af hjørner med cyklonstråledysen.

► **Fig.46:** 1. Møtrik 2. Cyklonstråledyse

Når du anvender stænskærmen, skal du fjerne møtrikken fra stænskærmen, derefter sætte cyklonstråledysen ind i stænskærmen, og derefter stramme møtrikken.

Skumdyse

► Fig.47

Rengøringsmiddel kan sprøjtes som skum.

Vaskebørste

► Fig.48

En dyse, der er udstyret med en børste. Nyttig til at vaske snavs væk, mens der skrubbes med børsten.

Vario-sprøjtelanse

▲FORSIGTIG: Når du justerer strålens tryk, må du ikke dreje dysen, mens du trækker den mod udløsergrebet. Dysen kan falde af udløsergrebet og forårsage personskade.

▲FORSIGTIG: Når du roterer spidsen af dysen for at justere vandstrålen, skal du ikke rotere den med magt. Ellers kan dysen gå i stykker og forårsage en personskade.

► Fig.49

Strålens tryk kan justeres ved at dreje dysen.

Variabel dyse

▲FORSIGTIG: Når du justerer strålens bredde, må du ikke dreje dysen, mens du trækker den mod udløsergrebet. Dysen kan falde af udløsergrebet og forårsage personskade.

▲FORSIGTIG: Når du roterer spidsen af dysen for at justere vandstrålen, skal du ikke rotere den med magt. Ellers kan dysen gå i stykker og forårsage en personskade.

► Fig.50

Strålens bredde kan justeres fra 0° til 25° ved at dreje dysens forende.

Roterende børste

► Fig.51

Tre børster inden i roterer langsomt, mens strålen sprøjtes ud. Egnede til at fjerne let snavs på en udvendig væg, en bil, et badekar osv.

Sprøjtelanse til underkarosseri

▲FORSIGTIG: Undlad at bruge sprøjtelansen til underkarosseri sammen med lanseforlængeren.

► Fig.52

En ekstra lang sprøjtelanse med vinkelformet dyse. Bedst til at rengøre steder, der er svære at komme til, for eksempel underkarosseriet på en bil og tagrender.

Rørrensningsslange (10 m/15 m)

▲FORSIGTIG: Vær særlig opmærksom på vandstrålen, når du bruger rørrensningsslangen. Den meget kraftige vandstråle sprøjtes bagud. Udløs kun vandstrålen, når dysen er indsat i røret, for at blive rengjort mindst op til den røde markering.

► Fig.53

Til rengøring og fjernelse af blokeringer i vandrør og nedløbsrør.

Monteringsamling

► Fig.54

En samling til at tilkoble en dyse fra en anden model.

Nogle dyser, der fås som tilbehør, skal have monteringsamlingen (ekstraudstyr) for at kunne monteres på udløsergrebet. Monter monteringsamlingen på udløsergrebet på samme måde som dysen.

► **Fig.55:** 1. Dyse 2. Monteringsamling
3. Udløsergreb

Lanseforlænger

► Fig.56

Rør til at forlænge udløsergrebet. Røret kan indstilles til tre forskellige længder ved at ændre det antal rør, der benyttes.

Højtryksforlængerslange (5 m/8 m/10 m)

► Fig.57

Forlængerslange til at koble højtryksrensereens kabinet til udløsergrebet.

Svingsamling

► Fig.58

Forhindrer, at højtryksslagen bliver snoet.

► Fig.59: 1. Knap 2. Møtrik

For at tilslutte eller frakoble højtryksslagen til eller fra svingsamlingen, skal du dreje møtrikken på højtryksslagen, mens du trykker på knappen på svingsamlingen.

Slangemontering

► Fig.60

En slangemontering til at tilslutte en vandhane til produktet, eller simonteringen til produktet.

Simontering

► Fig.61

En simontering til at forsyne vand fra en beholder eller et reservoir. Brug slangemonteringen til at tilslutte til produktet.

ΠΡΟΕΙΔΟΠΟΙΗΣΗ

- Τα μηχανήματα δεν πρέπει να χρησιμοποιούνται από παιδιά. Τα παιδιά θα πρέπει να επιτηρούνται για να εξασφαλιστεί ότι δεν παίζουν με το μηχάνημα.
- Το μηχάνημα αυτό δεν προορίζεται για χρήση από άτομα (συμπεριλαμβανομένων των παιδιών) με μειωμένες σωματικές, αισθητήριες ή διανοητικές ικανότητες, ή από άτομα που δεν έχουν πείρα και γνώσεις.
- Αυτό το μηχάνημα έχει σχεδιαστεί για χρήση με το καθαριστικό μέσο που παρέχεται ή που συστήνει ο κατασκευαστής. Η χρήση άλλων καθαριστικών μέσων ή χημικών μπορεί να επηρεάσει αρνητικά την ασφάλεια του μηχανήματος.
- Κατά τη χρήση καθαριστικών υψηλής πίεσης, μπορεί να σχηματιστούν αερολύματα. Η εισπνοή των αερολυμάτων μπορεί να είναι επικίνδυνη για την υγεία σας.
- Ανάλογα με την εφαρμογή, μπορεί να χρησιμοποιηθούν θωρακισμένα ακροφύσια για καθαρισμό με υψηλή πίεση, τα οποία θα μειώσουν σημαντικά την έκλυση υδάτινων αερολυμάτων. Ωστόσο, δεν επιτρέπουν όλες η εφαρμογές τη χρήση μιας τέτοιας συσκευής. Αν δεν υπάρχουν θωρακισμένα ακροφύσια για την προστασία από αερολύματα, μπορεί να χρειαστεί αναπνευστική μάσκα τάξης FFP 2 ή ισοδύναμη, ανάλογα με το περιβάλλον καθαρισμού.
- Ο εργοδότης θα πρέπει να διεξάγει αξιολόγηση κινδύνων για να καθορίσει τα απαραίτητα προστατευτικά μέτρα όσον αφορά τα αερολύματα, ανάλογα με την επιφάνεια που θα καθαριστεί και το περιβάλλον της. Αναπνευστικές μάσκες κατηγορίας FFP 2, ισοδύναμες ή ανώτερες, είναι κατάλληλες για την προστασία από ένυδρα αερολύματα.
- Οι δέσμες υψηλής πίεσης μπορεί να είναι επικίνδυνες αν χρησιμοποιούνται λανθασμένα. Η δέσμη δεν πρέπει να κατευθύνεται σε άτομα, σε ηλεκτροφόρο ηλεκτρικό εξοπλισμό ή στο ίδιο το μηχάνημα.
- Μη χρησιμοποιείτε το μηχάνημα κοντά σε ανθρώπους, εκτός αν αυτοί φορούν προστατευτικό ρουχισμό.
- Μην κατευθύνετε τη δέσμη επάνω σας ή προς άλλους, για να καθαρίσετε ρούχα ή υποδήματα.
- Κίνδυνος έκρηξης - Μην ψεκάζετε εύφλεκτα υγρά.
- Τα καθαριστικά μηχανήματα υψηλής πίεσης δεν πρέπει να χρησιμοποιούνται από παιδιά ή ανεκπαίδευτο προσωπικό.

- Οι εύκαμπτοι σωλήνες υψηλής πίεσης, οι συνδέσεις και οι συζεύξεις είναι σημαντικοί για την ασφάλεια του μηχανήματος. Να χρησιμοποιείτε μόνο εύκαμπτους σωλήνες, συνδέσεις και συζευκτικές που συνιστά ο κατασκευαστής.
- Για να διατηρήσετε την ασφάλεια του μηχανήματος, να χρησιμοποιείτε μόνο γνήσια ανταλλακτικά από τον κατασκευαστή ή ανταλλακτικά που έχει εγκρίνει ο κατασκευαστής.
- Να βεβαιώνετε πάντα ότι έχετε σβήσει το μηχάνημα και έχετε βγάλει τις κασέτες μπαταριών πριν εκτελέσετε οποιαδήποτε εργασία στο εργαλείο.
- Μη χρησιμοποιείτε το μηχάνημα αν τα σημαντικά μέρη του μηχανήματος παρουσιάζουν ζημιά, π.χ. συσκευές ασφάλειας, εύκαμπτοι σωλήνες υψηλής πίεσης, πιστόλι με σκανδάλη.
- Να αφαιρείτε πάντα τις κασέτες μπαταριών όταν αφήνετε το μηχάνημα ανεπιτήρητο.
- Συμμορφωθείτε με τις απαιτήσεις της τοπικής εταιρίας παροχής νερού.
- Για ευρωπαϊκές χώρες:
Σύμφωνα με το πρότυπο EN12729 (BA), η συσκευή μπορεί επίσης να συνδεθεί με την κεντρική παροχή πόσιμου νερού εάν τοποθετηθεί βαλβίδα αποφυγής αντίστροφης ροής με δυνατότητα αποστράγγισης στον εύκαμπτο σωλήνα παροχής.

ΠΡΟΔΙΑΓΡΑΦΕΣ

Μοντέλο:		HW001G
Μέγ. παροχή *1		7,0 L/min
Παροχή νερού *2	Τρόπος λειτουργίας 3 (Τρόπος υψηλής λειτουργίας)	5,5 L/min
	Τρόπος λειτουργίας 2 (Τρόπος μεσαίας λειτουργίας)	4,2 L/min
	Τρόπος λειτουργίας 1 (Τρόπος χαμηλής λειτουργίας)	3,0 L/min
Μέγ. επιτρεπτή πίεση		11,5 MPa
Πίεση εργασίας *2	Τρόπος λειτουργίας 3 (Τρόπος υψηλής λειτουργίας)	8,5 MPa
	Τρόπος λειτουργίας 2 (Τρόπος μεσαίας λειτουργίας)	5,5 MPa
	Τρόπος λειτουργίας 1 (Τρόπος χαμηλής λειτουργίας)	3,0 MPa
Μέγ. πίεση τροφοδοσίας		1,0 MPa
Μέγ. θερμοκρασία τροφοδοσίας		40°C
Μέγ. ύψος αναρρόφησης		1,0 m
Ονομαστική τάση		D.C. 36 V - 40 V μέγ.
Διαστάσεις (Μ x Π x Υ) *3		344 mm x 383 mm x 520 mm
Καθαρό βάρος		10,3 - 13,4 kg
Προστασία νερού		IPX5

- *1: Όταν χρησιμοποιείται το πιστόλι με σκανδάλη χωρίς τα ακροφύσια.
- *2: Όταν χρησιμοποιείται το ακροφύσιο μεταβλητού ψεκασμού και η επέκταση.
- *3: Όταν η χειρολαβή είναι διπλωμένη και χωρίς εύκαμπτους σωλήνες.
 - Λόγω του συνεχιζόμενου προγράμματος έρευνας και ανάπτυξης, οι προδιαγραφές αυτές υπόκεινται σε αλλαγές χωρίς προειδοποίηση.
 - Τα τεχνικά χαρακτηριστικά μπορεί να διαφέρουν από χώρα σε χώρα.
 - Το βάρος μπορεί να διαφέρει ανάλογα με τα προσαρτήματα, συμπεριλαμβανοντας την κασέτα μπαταριών. Ο ελαφρύτερος και ο βαρύτερος συνδυασμός, σύμφωνα με τη διαδικασία ΕΡΤΑ 01/2014, παρουσιάζονται στον πίνακα.

Ισχύουσα κασέτα μπαταριών και φορτιστής






Κασέτα μπαταρίας	BL4020 / BL4025 / BL4040 / BL4050F* / BL4080F* * : Συνιστώμενη μπαταρία
Φορτιστής	DC40RA / DC40RB / DC40RC



- Ορισμένες από τις κασέτες και τους φορτιστές μπαταριών που αναγράφονται παραπάνω ίσως να μην είναι διαθέσιμοι, ανάλογα με την τοποθεσία κατοικίας σας.

⚠ ΠΡΟΕΙΔΟΠΟΙΗΣΗ: Να χρησιμοποιείτε μόνο τις κασέτες μπαταριών και τους φορτιστές που παρατίθενται ανωτέρω. Η χρήση οποιασδήποτε άλλης κασέτας μπαταριών ή φορτιστή μπορεί να προκαλέσει τραυματισμό ή/και πυρκαγιά.

Σύμβολα

Παρακάτω παρουσιάζονται τα σύμβολα που μπορούν να χρησιμοποιηθούν για τον εξοπλισμό. Βεβαιωθείτε ότι κατανοείτε τη σημασία τους πριν από τη χρήση.

-  Απαιτούνται ιδιαίτερη φροντίδα και προσοχή.
-  Διαβάστε το εγχειρίδιο οδηγιών.
-  Μη συνδέετε σε βρύση πόσιμου νερού.
-  Μην κατευθύνετε τη δέσμη προς άτομα, συμπεριλαμβανομένου και του εαυτού σας, ζώων και ηλεκτροφόρου ηλεκτρικού εξοπλισμού.
-  Μόνο για τις χώρες της ΕΕ
Λόγω της παρουσίας των επικίνδυνων συστατικών μερών στον εξοπλισμό, ο απόβλητος ηλεκτρικός και ηλεκτρονικός εξοπλισμός, οι συσσωρευτές και οι μπαταρίες μπορεί να έχουν αρνητική επίδραση στο περιβάλλον και την ανθρώπινη υγεία. Μην απορρίπτετε τις ηλεκτρικές και ηλεκτρονικές συσκευές ή μπαταρίες μαζί με τα οικιακά απορρίμματα!
Σύμφωνα με την Ευρωπαϊκή Οδηγία για τον απόβλητο ηλεκτρικό και ηλεκτρονικό εξοπλισμό και για τους συσσωρευτές και μπαταρίες και τους απόβλητους συσσωρευτές και μπαταρίες, καθώς και την προσαρμογή τους στην εθνική νομοθεσία, ο απόβλητος ηλεκτρικός εξοπλισμός, οι μπαταρίες και οι συσσωρευτές θα πρέπει να αποθηκεύονται ξεχωριστά και να παραδίδονται σε ξεχωριστό σημείο συλλογής για δημοτικά απόβλητα, το οποίο λειτουργεί σύμφωνα με τους κανονισμούς για την προστασία του περιβάλλοντος. Αυτό υποδεικνύεται από το σύμβολο του διαγραμμένου τροχοφόρου κάδου που βρίσκεται αναρτημένο επάνω στον εξοπλισμό.

-  Στάθμη ηχητικής ισχύος σύμφωνα με τον Κανονισμό ελέγχου θορύβου της Νέας Νότιας Ουαλίας της Αυστραλίας
-  Εγγυημένη στάθμη ηχητικής ισχύος σύμφωνα με την Οδηγία της ΕΕ για την εκπομπή θορύβου σε εξωτερικούς χώρους.

Προοριζόμενη χρήση

Το μηχάνημα αυτό προορίζεται για τον καθαρισμό επίμονης βρομιάς με τη χρήση δέσμης νερού. Το μηχάνημα προορίζεται τόσο για εμπορική χρήση όσο και για οικιακή χρήση.

Θόρυβος

Το τυπικό Α επίπεδο καταμετρημένου θορύβου καθορίζεται σύμφωνα με το EN60335-2-79: Στάθμη ηχητικής πίεσης (L_{pA}): 71 dB (A) Αβεβαιότητα (K): 3,2 dB (A)

Η ένταση θορύβου υπό συνθήκες εργασίας μπορεί να υπερβεί τα 80 dB (A).

ΠΑΡΑΤΗΡΗΣΗ: Η δηλωμένη τιμή(ές) εκπομπής θορύβου έχει μετρηθεί σύμφωνα με την πρότυπη μέθοδο δοκιμής και μπορεί να χρησιμοποιηθεί για τη σύγκριση ενός εργαλείου με κάποιο άλλο.

ΠΑΡΑΤΗΡΗΣΗ: Η δηλωμένη τιμή(ές) εκπομπής θορύβου μπορεί να χρησιμοποιηθεί και στην προκαταρκτική αξιολόγηση της έκθεσης.

⚠ ΠΡΟΕΙΔΟΠΟΙΗΣΗ: Να φοράτε ωτοασπίδες.

⚠ ΠΡΟΕΙΔΟΠΟΙΗΣΗ: Η εκπομπή θορύβου κατά τη χρήση του ηλεκτρικού εργαλείου σε πραγματικές συνθήκες μπορεί να διαφέρει από τη δηλωμένη τιμή(ές) ανάλογα με τους τρόπους χρήσης του εργαλείου, ιδιαίτερα το είδος του σταθιαίου εργαλείου που υπόκειται επεξεργασία.

⚠ ΠΡΟΕΙΔΟΠΟΙΗΣΗ: Φροντίστε να λάβετε τα κατάλληλα μέτρα προστασίας του χειριστή βάσει ενός υπολογισμού της έκθεσης σε πραγματικές συνθήκες χρήσης (λαμβάνοντας υπόψη όλες τις συνιστώσες του κύκλου λειτουργίας όπως τους χρόνους που το εργαλείο είναι εκτός λειτουργίας και όταν βρίσκεται σε αδρανή λειτουργία πέραν του χρόνου ενεργοποίησης).

Κραδασμός

Η ολική τιμή δόνησης (άθροισμα τρι-αξονικού διανύσματος) καθορίζεται σύμφωνα με το EN60335-2-79:
Εκπομπή δόνησης (a_{h1}): 3,2 m/s²
Αβεβαιότητα (K): 1,5 m/s²

ΠΑΡΑΤΗΡΗΣΗ: Η δηλωμένη τιμή(ές) συνολικών κραδασμών έχει μετρηθεί σύμφωνα με την πρότυπη μέθοδο δοκιμής και μπορεί να χρησιμοποιηθεί για τη σύγκριση ενός εργαλείου με κάποιο άλλο.

ΠΑΡΑΤΗΡΗΣΗ: Η δηλωμένη τιμή(ές) συνολικών κραδασμών μπορεί να χρησιμοποιηθεί και στην προκαταρκτική αξιολόγηση της έκθεσης.

⚠️ ΠΡΟΕΙΔΟΠΟΙΗΣΗ: Η εκπομπή κραδασμών κατά τη χρήση του ηλεκτρικού εργαλείου σε πραγματικές συνθήκες μπορεί να διαφέρει από τη δηλωμένη τιμή(ές) εκπομπής ανάλογα με τους τρόπους χρήσης του εργαλείου, ιδιαίτερα το είδος του τεμαχίου εργασίας που υπόκειται επεξεργασία.

⚠️ ΠΡΟΕΙΔΟΠΟΙΗΣΗ: Φροντίστε να λάβετε τα κατάλληλα μέτρα προστασίας του χειριστή βάσει ενός υπολογισμού της έκθεσης σε πραγματικές συνθήκες χρήσης (Λαμβάνοντας υπόψη όλες τις συνιστώσες του κύκλου λειτουργίας όπως τους χρόνους που το εργαλείο είναι εκτός λειτουργίας και όταν βρίσκεται σε αδρανή λειτουργία πέραν του χρόνου ενεργοποίησης).

Δήλωση Συμμόρφωσης

Μόνο για χώρες της Ευρώπης

Οι Δήλωσης Συμμόρφωσης περιλαμβάνονται στο Παράρτημα Α στο παρόν εγχειρίδιο οδηγιών.

ΠΡΟΕΙΔΟΠΟΙΗΣΕΙΣ ΑΣΦΑΛΕΙΑΣ

Γενικές προειδοποιήσεις ασφαλείας για το ηλεκτρικό εργαλείο

⚠️ ΠΡΟΕΙΔΟΠΟΙΗΣΗ Διαβάστε όλες τις προειδοποιήσεις ασφαλείας, οδηγίες, εικονογραφήσεις και προδιαγραφές που παρέχονται με αυτό το ηλεκτρικό εργαλείο. Η μη τήρηση όλων των οδηγιών που αναγράφονται κατωτέρω μπορεί να καταλήξει σε ηλεκτροπληξία, πυρκαγιά ή/και σοβαρό τραυματισμό.

Φυλάξτε όλες τις προειδοποιήσεις και τις οδηγίες για μελλοντική παραπομπή.

Στις προειδοποιήσεις, ο όρος «ηλεκτρικό εργαλείο» αναφέρεται σε ηλεκτρικό εργαλείο που τροφοδοτείται από την κύρια παροχή ηλεκτρικού ρεύματος (με ηλεκτρικό καλώδιο) ή σε ηλεκτρικό εργαλείο που τροφοδοτείται από μπαταρία (χωρίς ηλεκτρικό καλώδιο).

ΣΗΜΑΝΤΙΚΕΣ ΠΡΟΕΙΔΟΠΟΙΗΣΕΙΣ ΑΣΦΑΛΕΙΑΣ

⚠️ ΠΡΟΕΙΔΟΠΟΙΗΣΗ: Διαβάστε όλες τις προειδοποιήσεις για την ασφάλεια και όλες τις οδηγίες. Η μη τήρηση των προειδοποιήσεων και οδηγιών μπορεί να καταλήξει σε ηλεκτροπληξία, πυρκαγιά ή/και σοβαρό τραυματισμό.

Φυλάξτε όλες τις προειδοποιήσεις και τις οδηγίες για μελλοντική παραπομπή.

ΠΡΟΕΙΔΟΠΟΙΗΣΗ - Όταν χρησιμοποιείτε αυτό το προϊόν, πρέπει πάντα να τηρείτε τις βασικές προφυλάξεις, περιλαμβάνοντας τις εξής:
Ασφάλεια στο χώρο εργασίας

1. Να κρατάτε όλα τα άτομα μακριά από την περιοχή εργασίας.
2. Μην τεντώνετε υπερβολικά και μην στέκεστε επάνω σε ασταθή στηρίγματα. Να κρατάτε πάντα καλό πάτημα και την ισορροπία σας.
3. Να τοποθετείτε πάντα το κυρίως τμήμα του πλυστικού μηχανήματος υψηλής πίεσης σε επίπεδη και σταθερή επιφάνεια. Να αποφεύγετε τις περιοχές όπου το εκτοξευμένο νερό θα τρέξει ή θα λιμνάζει.
4. Πριν τον καθαρισμό, ελέγξτε τον περιβάλλοντα χώρο και τα αντικείμενα προς καθαρισμό. Οι δέσμες υψηλής πίεσης μπορούν να αποξέσουν βαφές ή άλλες επιφανειακές επεξεργασίες, συμπεριλαμβánοντας τοξικά χημικά. Λάβετε προληπτικά μέτρα, αν απαιτείται.
5. Προσέχετε να μη σκοντάψετε στον εύκαμπτο σωλήνα του πλυστικού μηχανήματος υψηλής πίεσης. Να γνωρίζετε πάντα τη διαμόρφωση του εύκαμπτου σωλήνα κατά τη λειτουργία.
6. Κατά τη χρήση, θα βγει μια μικρή ποσότητα νερού από το κάτω μέρος του πλυστικού μηχανήματος υψηλής πίεσης. Μην τοποθετείτε το πλυστικό μηχανήμα υψηλής πίεσης σε περιοχές που δεν θέλετε να βραχούν.

Προσωπική ασφάλεια

1. Για προστασία από τη δέσμη και τα αντικείμενα που εκτοξεύονται από τη δέσμη, οι χειριστές θα πρέπει να φορούν κατάλληλο ρουχισμό, όπως μπότες ασφαλείας, γάντια ασφαλείας, κράνη ασφαλείας με προσωπίδα, προστασία ακοής, κτλ.
2. Μη χρησιμοποιείτε το πλυστικό μηχανήμα υψηλής πίεσης κοντά σε ανθρώπους, εκτός αν αυτοί φορούν προστατευτικό ρουχισμό.
3. Για να μειώσετε τον κίνδυνο τραυματισμού, απαιτείται στενή επιτήρηση όταν το προϊόν χρησιμοποιείται κοντά σε παιδιά.
4. Αν γίνει σύνδεση με σύστημα πόσιμου νερού, το σύστημα πρέπει να προστατεύεται από την αντίστροφη ροή.
5. Το νερό που έχει περάσει από το μηχανισμό αποτροπής αντίστροφης ροής θεωρείται μη πόσιμο.

Ηλεκτρική ασφάλεια

1. Μην αγγίζετε ποτέ τις κασέτες μπαταριών με βρεγμένα χέρια.
2. Μη χρησιμοποιείτε το μηχάνημα αν τα σημαντικά μέρη του μηχανήματος παρουσιάζουν ζημιά, π.χ. συσκευές ασφάλειας, εύκαμπτοι σωλήνες υψηλής πίεσης ή το πιστόλι με σκανδάλη.

Χρήση και φροντίδα ηλεκτρικού εργαλείου

1. Διαβάστε όλες τις οδηγίες πριν χρησιμοποιήσετε το προϊόν.
2. Να γνωρίζετε πώς να διακόπτετε το πλυστικό μηχάνημα υψηλής πίεσης και να εκτονώνετε την πίεση γρήγορα. Να είστε εκτενώς εξοικειωμένοι με τα χειριστήρια.
3. Οι δέσμες υψηλής πίεσης μπορεί να είναι επικίνδυνες αν χρησιμοποιούνται λανθασμένα. Η δέσμη δεν πρέπει να κατευθύνεται σε άτομα, σε ηλεκτροφόρο ηλεκτρικό εξοπλισμό ή στο ίδιο το μηχάνημα.
4. Το μηχάνημα αυτό δεν προορίζεται για χρήση από άτομα (συμπεριλαμβανομένων των παιδιών) με μειωμένες σωματικές, αισθητήριες ή διανοητικές ικανότητες, ή από άτομα που δεν έχουν πείρα και γνώσεις.
5. Τα παιδιά θα πρέπει να επιτηρούνται για να εξασφαλιστεί ότι δεν παίζουν με τη συσκευή.
6. Μην ψεκάζετε εύφλεκτα ή/και τοξικά υγρά. Αυτό μπορεί να προκαλέσει έκρηξη, δηλητηρίαση ή ζημιά στο μηχάνημα.
7. Μην κατευθύνετε τη δέσμη επάνω σας ή προς άλλους, για να καθαρίσετε ρούχα ή υποδήματα.
8. Οι εύκαμπτοι σωλήνες υψηλής πίεσης, οι συνδέσεις και οι συζεύξεις είναι σημαντικοί για την ασφάλεια του μηχανήματος. Να χρησιμοποιείτε μόνο εύκαμπτους σωλήνες, συνδέσεις και συζευκτήρες που συνιστά ο κατασκευαστής.
9. Ακολουθήστε τις οδηγίες όταν αλλάζετε εξαρτήματα.
10. Να φροντίζετε ώστε οι χειρολαβές να διατηρούνται στεγνές, καθαρές και χωρίς λάδι ή γράσο.
11. Να είστε σε ετοιμότητα - προσέχετε τι κάνετε.
12. Μη χρησιμοποιείτε το προϊόν όταν είσαστε κουρασμένοι ή υπό την επήρεια αλκοόλ ή ναρκωτικών ουσιών.
13. Μη λειτουργείτε το πλυστικό μηχάνημα υψηλής πίεσης χωρίς νερό για περισσότερο από ένα λεπτό. Θα προκληθεί ζημιά στο μοτέρ, έχοντας ως αποτέλεσμα τη δυσλειτουργία.
14. Να απενεργοποιείτε πάντα την ηλεκτρική ισχύ και να κλείνετε την κεντρική παροχή νερού όταν αφήνετε το πλυστικό μηχάνημα υψηλής πίεσης ανεπιτήρητο.
15. Να προσέχετε για τυχόν κλότσημα. Το πιστόλι με σκανδάλη αναπηδά όταν εκτοξεύεται δέσμη υψηλής πίεσης από το ακροφύσιο. Κρατήστε σταθερά το πιστόλι με σκανδάλη για να αποφευχθούν οι τραυματισμοί κατά λάθος.
16. Ελέγξτε για κατεστραμένα ή φθαρμένα μέρη πριν από τη χρήση. Επίσης, βεβαιωθείτε ότι ο εύκαμπτος σωλήνας είναι σωστά συνδεδεμένος και δεν υπάρχει διαρροή κατά τη λειτουργία. Η λειτουργία του μηχανήματος με λειτουργικά ελαττώματα μπορεί να προκαλέσει ατύχημα.

17. Αυτό το μηχάνημα έχει σχεδιαστεί για χρήση με το καθαριστικό μέσο που παρέχεται ή που συστήνει ο κατασκευαστής. Η χρήση άλλων καθαριστικών μέσων ή χημικών μπορεί να επηρεάσει αρνητικά την ασφάλεια του μηχανήματος.
18. Μην τραβάτε τον εύκαμπτο σωλήνα για να μεταφέρετε το κυρίως τμήμα του πλυστικού μηχανήματος υψηλής πίεσης. Αυτό θα προκαλέσει ζημιά στον εύκαμπτο σωλήνα και τα συνδεδεκά μέρη και θα έχει ως αποτέλεσμα το βραχυκύκλωμα ή τα λειτουργικά ελαττώματα.
19. Μην τοποθετείτε βαριά αντικείμενα επάνω στον εύκαμπτο σωλήνα και μην αφήνετε τα οχήματα να οδηγούν επάνω από αυτόν.
20. Να εκτονώνετε πάντα την παραμένουσα πίεση στο πιστόλι με σκανδάλη πριν αποσυνδέσετε τον εύκαμπτο σωλήνα.
21. Όταν συνδέετε τον εύκαμπτο σωλήνα στην κεντρική παροχή νερού, να τηρείτε τις οδηγίες της τοπικής σας αρχής ή επιχείρησης ύδρευσης.
22. Αν το πλυστικό μηχάνημα υψηλής πίεσης πέσει κάτω ή χτυπήσει επάνω σε ένα σκληρό αντικείμενο, βεβαιωθείτε να ελέγξετε για ζημιά και ραγίσματα. Αν χρησιμοποιήσετε το πλυστικό μηχάνημα υψηλής πίεσης όταν έχει υποστεί ζημιά, μπορεί να παραχθεί καπνός, πυρκαγιά ή να προκληθεί ηλεκτροπληξία, γεγονός που έχει ως αποτέλεσμα προσωπικό τραυματισμό.
23. Κατά τη χρήση καθαριστικών υψηλής πίεσης, μπορεί να σχηματιστούν αερολύματα. Η εισπνοή των αερολυμάτων μπορεί να είναι επικίνδυνη για την υγεία σας.
24. Ανάλογα με την εφαρμογή, μπορεί να χρησιμοποιηθούν θωρακισμένα ακροφύσια για καθαρισμό με υψηλή πίεση, τα οποία θα μειώσουν σημαντικά την έκλυση υδάτινων αερολυμάτων. Ωστόσο, δεν επιτρέπουν όλες η εφαρμογές τη χρήση μιας τέτοιας συσκευής. Αν δεν υπάρχουν θωρακισμένα ακροφύσια για την προστασία από αερολύματα, μπορεί να χρειαστεί αναπνευστική μάσκα τάξης FFP 2 ή ισοδύναμη, ανάλογα με το περιβάλλον καθαρισμού.
25. Ο εργοδότης θα πρέπει να διεξάγει αξιολόγηση κινδύνων για να καθορίσει τα απαραίτητα προστατευτικά μέτρα όσον αφορά τα αερολύματα, ανάλογα με την επιφάνεια που θα καθαριστεί και το περιβάλλον της. Αναπνευστικές μάσκες κατηγορίας FFP 2, ισοδύναμες ή ανώτερες, είναι κατάλληλες για την προστασία από ένυδρα αερολύματα.
26. Να αποφεύγετε την αθέλητη ενεργοποίηση του εργαλείου. Βεβαιωθείτε ότι ο διακόπτης βρίσκεται στην ανεργή θέση πριν συνδέσετε την κασέτα μπαταριών ή σηκώσετε ή μεταφέρετε τη συσκευή. Αν μεταφέρετε τη συσκευή με το δάχτυλό σας στο διακόπτη ή αν ενεργοποιήσετε τη συσκευή όταν ο διακόπτης είναι στην ενεργή θέση, μπορεί να προκληθούν ατυχήματα.
27. Να αποσυνδέετε την κασέτα μπαταριών από τη συσκευή πριν κάνετε οποιεσδήποτε ρυθμίσεις ή αλλαγές εξαρτημάτων και πριν αποθηκεύετε τη συσκευή. Τέτοια προληπτικά μέτρα ασφάλειας μειώνουν τον κίνδυνο τυχαίας ενεργοποίησης της συσκευής.

28. Μην τροποποιήσετε και μην επιχειρήσετε να επισκευάσετε τη συσκευή ή την κασέτα μπαταριών, εκτός αν υποδεικνύεται στις οδηγίες χρήσης και φροντίδας.
29. Μην εφαρμόζετε τη δέσμη νερού στην ίδια περιοχή συνεχώς. Το αντικείμενο μπορεί να σπάσει και να προκληθεί τραυματισμός.
30. Μην πλένετε το μηχάνημα με τη δέσμη νερού του ίδιου του μηχανήματος. Το μηχάνημα μπορεί να σπάσει ή μέρη του μηχανήματος μπορούν να πεταχτούν και να προκληθεί τραυματισμός.
31. Για να αποφευχθεί ο κίνδυνος ηλεκτροπληξίας, μην κατευθύνετε τη δέσμη νερού επάνω στο μηχάνημα ενώ το μηχάνημα είναι ενεργοποιημένο.

Χρήση και φροντίδα μπαταριών

1. Να επαναφορτίζετε τις μπαταρίες μόνο με το φορτιστή που καθορίζεται από τον κατασκευαστή. Ένας φορτιστής που είναι κατάλληλος για μια συγκεκριμένη μπαταρία μπορεί να δημιουργήσει κίνδυνο πυρκαγιάς όταν χρησιμοποιείται με μια άλλη μπαταρία.
2. Να χρησιμοποιείτε ηλεκτρικά εργαλεία μόνο με ειδικά καθορισμένες μπαταρίες. Η χρήση κάθε άλλης μπαταρίας μπορεί να δημιουργήσει κίνδυνο τραυματισμού ή πυρκαγιάς.
3. Όταν δεν χρησιμοποιείται η κασέτα μπαταριών, διατηρήστε τη μακριά από άλλα μεταλλικά αντικείμενα, όπως συνδετήρες, κέρματα, κλειδιά, καρφιά, βίδες ή άλλα μικρά μεταλλικά αντικείμενα, με τα οποία μπορεί να δημιουργηθεί σύνδεση από τον έναν ακροδέκτη στον άλλον. Το βραχυκύκλωμα των ακροδεκτών της μπαταρίας μπορεί να προκαλέσει εγκαύματα ή πυρκαγιά.
4. Υπό συνθήκες κατάχρησης, μπορεί να εξαχθεί υγρό από την μπαταρία. Να αποφεύγετε την επαφή. Εάν συμβεί επαφή κατά λάθος, εκπλύνετε με νερό. Εάν το υγρό έρθει σε επαφή με τα μάτια, αναζητήστε και ιατρική βοήθεια. Το υγρό που εξάγεται από την μπαταρία μπορεί να προκαλέσει ερεθισμό ή εγκαύματα.
5. Μην χρησιμοποιείτε μια κασέτα μπαταριών ή εργαλείο που έχει καταστραφεί ή τροποποιηθεί. Οι κατεστραμμένες ή τροποποιημένες μπαταρίες μπορεί να παρουσιάσουν απρόβλεπτη συμπεριφορά που έχει ως αποτέλεσμα πυρκαγιά, έκρηξη ή κίνδυνο τραυματισμού.
6. Μην εκθέτετε την κασέτα μπαταριών ή το εργαλείο σε πυρκαγιά ή υπερβολικά υψηλή θερμοκρασία. Η έκθεση στην πυρκαγιά ή στη θερμοκρασία άνω των 130 °C μπορεί να προκαλέσει έκρηξη.
7. Ακολουθήστε όλες τις οδηγίες φόρτισης και μην φορτίσετε την κασέτα μπαταριών ή το εργαλείο εκτός του θερμοκρασιακού εύρους που καθορίζεται στις οδηγίες. Η λανθασμένη φόρτιση ή η φόρτιση σε θερμοκρασίες εκτός του καθορισμένου εύρους μπορεί να προκαλέσει ζημιά στην μπαταρία και να αυξήσει τον κίνδυνο πυρκαγιάς.

Σέρβις

1. Να τηρείτε τις οδηγίες συντήρησης που καθορίζονται στο εγχειρίδιο.
2. Για να διατηρήσετε την ασφάλεια του μηχανήματος, να χρησιμοποιείτε μόνο γνήσια ανταλλακτικά από τον κατασκευαστή ή ανταλλακτικά που έχει εγκρίνει ο κατασκευαστής.
3. Να φροντίζετε ώστε το σέρβις του πλυστικού μηχανήματος υψηλής πίεσης που διαθέτετε να γίνεται από αρμόδιο επαγγελματία χρησιμοποιώντας μόνο γνήσια ανταλλακτικά. Έτσι θα είστε σίγουροι για τη διατήρηση της ασφάλειας του πλυστικού μηχανήματος υψηλής πίεσης.
4. Στην περίπτωση βλάβης ή δυσλειτουργίας του πλυστικού μηχανήματος υψηλής πίεσης, απενεργοποιήστε το αμέσως και βγάλτε την(ις) κασέτα(ες) μπαταριών. Επικοινωνήστε με τον τοπικό σας αντιπρόσωπο ή κέντρο εξυπηρέτησης.

Πρόσθετες προειδοποιήσεις ασφάλειας

1. Συμμορφωθείτε με τις απαιτήσεις της τοπικής εταιρίας παροχής νερού.
2. Μην χρησιμοποιείτε το μηχάνημα όταν υπάρχει κίνδυνος για κεραυνούς.
3. Όταν χρησιμοποιείτε το μηχάνημα σε λασπώδη έδαφος, βρεγμένες κλίσεις ή ολισθηρό μέρος, να προσέχετε το πάτημά σας.
4. Μην αλλάζετε την μπαταρία στη βροχή.
5. Μην βυθίζετε το μηχάνημα σε λακούβα.
6. Μην αφήνετε το μηχάνημα χωρίς επίτηρηση σε εξωτερικούς χώρους στη βροχή.
7. Όταν αποθηκεύετε το μηχάνημα, να αποφεύγετε την άμεση ηλιοβολή και τη βροχή, και να το αποθηκεύσετε σε ένα μέρος όπου δεν υπάρχει πολύ ζεστή και υγρασία.
8. Μην κάθετε επάνω στο μηχάνημα και μην χρησιμοποιείτε το μηχάνημα ως σκαμπό. Αν το κάνετε αυτό, μπορεί να προκληθεί ατύχημα ή δυσλειτουργία του μηχανήματος.

ΦΥΛΑΞΤΕ ΤΙΣ ΟΔΗΓΙΕΣ ΑΥΤΕΣ.

▲ΠΡΟΕΙΔΟΠΟΙΗΣΗ: ΜΗΝ επιτρέψετε στην άνεση ή στην εξοικειωσή σας με το προϊόν (που αποκτήθηκε από επανειλημμένη χρήση) να αντικαταστήσει την αυστηρή τήρηση των κανόνων ασφαλείας του παρόντος εργαλείου.

Η ΛΑΝΘΑΣΜΕΝΗ ΧΡΗΣΗ ή η αμέλεια να ακολουθήσετε τους κανόνες ασφαλείας που διατυπώνονται στο παρόν εγχειρίδιο οδηγιών μπορεί να προκαλέσει σοβαρό προσωπικό τραυματισμό.

Σημαντικές οδηγίες ασφάλειας για κασέτα μπαταριών

1. Πριν χρησιμοποιήσετε την κασέτα μπαταριών, διαβάστε όλες τις οδηγίες και σημειώσεις προφύλαξης (1) στον φορτιστή μπαταριών, (2) στην μπαταρία και (3) στο προϊόν που χρησιμοποιεί την μπαταρία.
2. Μην αποσυναρμολογήσετε ή παραβιάσετε την κασέτα μπαταριών. Μπορεί να έχει ως αποτέλεσμα πυρκαγιά, υπερθέρμανση ή έκρηξη.

3. Εάν ο χρόνος λειτουργίας έχει γίνει υπερβολικά βραχύς, σταματήστε τη λειτουργία αμέσως. Αλλιώς, μπορεί να έχει ως αποτέλεσμα κίνδυνο υπερθέρμανσης, πιθανά εγκαύματα ή ακόμη και έκρηξη.
4. Εάν ηλεκτρολύτης μπει στα μάτια σας, ξεπλύνοντά τα με καθαρό νερό και ζητήστε ιατρική φροντίδα αμέσως. Αλλιώς, μπορεί να έχει ως αποτέλεσμα απώλεια της όρασης σας.
5. **Μη βραχυκυκλώνετε την κασέτα μπαταριών:**
 - (1) Μην αγγίζετε τους πόλους με οτιδήποτε αγωγίμο υλικό.
 - (2) Αποφεύγετε να αποθηκεύετε την κασέτα μπαταριών μέσα σε ένα δοχείο μαζί με άλλα μεταλλικά αντικείμενα όπως καρφιά, νομίσματα, κλπ.
 - (3) Μην εκθέτετε την κασέτα μπαταριών στο νερό ή στη βροχή.
Ένα βροχουκλώμα μπαταρίας μπορεί να προκαλέσει μεγάλη ροή ρεύματος, υπερθέρμανση, πιθανά εγκαύματα ακόμη και σοβαρή βλάβη.
6. Μην αποθηκεύετε και μην χρησιμοποιείτε το εργαλείο και την κασέτα μπαταριών σε τοποθεσίες όπου η θερμοκρασία μπορεί να φτάσει ή να ξεπεράσει τους 50 °C.
7. Μην καίτε την κασέτα μπαταριών ακόμη και εάν έχει σοβαρή ζημιά ή είναι εντελώς φθαρμένη. Η κασέτα μπαταριών μπορεί να εκραγεί στη φωτιά.
8. Μην καρφώσετε, κόψετε, συνθλίψετε, πετάξετε ή ρίξετε κάτω την κασέτα μπαταριών, ούτε να χτυπήσετε ένα σκληρό αντικείμενο επάνω στην κασέτα μπαταριών. Τέτοια συμπεριφορά μπορεί να έχει ως αποτέλεσμα πυρκαγιά, υπερθέρμανση ή έκρηξη.
9. Μην χρησιμοποιείτε μπαταρία που έχει υποστεί ζημιά.
10. Οι μπαταρίες ιόντων λιθίου που περιέχονται υποκείνται στις απαιτήσεις της νομοθεσίας για επικίνδυνα αγαθά.
Για εμπορικές μεταφορές, για παράδειγμα από τρίτα μέρη, πρέπει να τηρούνται οι διαμεταφορείς, οι ειδικές απαιτήσεις στη συσκευασία και η επισήμανση.
Για προετοιμασία του στοιχείου που αποστέλλεται, είναι απαραίτητο να συμβουλευτείτε έναν ειδικό για επικίνδυνα υλικά. Επίσης, τηρήστε τους πιθανούς, πιο αναλυτικούς εθνικούς κανονισμούς.
Καλύψτε με αυτοκόλλητη ταινία ή κρύψτε τις ανοικτές επαφές και συσκευάστε την μπαταρία με τρόπο που να μην μπορεί να μετακινείται μέσα στη συσκευασία.
11. Όταν απορρίπτετε την κασέτα μπαταριών, αφαιρέστε την από το εργαλείο και διαθέστε την σε ένα ασφαλές μέρος. Τηρήστε τους τοπικούς κανονισμούς που σχετίζονται με τη διάθεση της μπαταρίας.
12. Χρησιμοποιήστε τις μπαταρίες μόνο με τα προϊόντα που καθορίζει η Makita. Αν τοποθετήσετε τις μπαταρίες σε μη συμβατά προϊόντα μπορεί να έχει ως αποτέλεσμα πυρκαγιά, υπερβολική θερμότητα, έκρηξη ή διαρροή ηλεκτρολύτη.
13. Αν δεν χρησιμοποιείτε το εργαλείο για μεγάλο χρονικό διάστημα, πρέπει να βγάλετε την μπαταρία από το εργαλείο.
14. Κατά τη διάρκεια και μετά τη χρήση, η κασέτα μπαταριών μπορεί να θερμανθεί, γεγονός που μπορεί να προκαλέσει εγκαύματα ή εγκαύματα από χαμηλή θερμοκρασία. Προσέχετε το χειρισμό των ζεστών κασετών μπαταριών.
15. Μην αγγίζετε τον ακροδέκτη του εργαλείου αμέσως μετά τη χρήση επειδή μπορεί να έχει ζεσταθεί αρκετά για να προκαλέσει εγκαύματα.
16. Μην αφήνετε θραύσματα, σκόνη ή βρομιά να κολλήσει στους ακροδέκτες, τις οπές και τις εγκοπές της κασέτας μπαταριών. Μπορεί να προκαλέσει θέρμανση, φωτιά, έκρηξη και δυσλειτουργία του εργαλείου ή της κασέτας μπαταριών, έχοντας ως αποτέλεσμα εγκαύματα ή προσωπικό τραυματισμό.
17. Εκτός αν το εργαλείο υποστηρίζει τη χρήση κοντά σε ηλεκτρικές γραμμές υψηλής τάσης, μην χρησιμοποιείτε την κασέτα μπαταριών κοντά σε ηλεκτρικές γραμμές υψηλής τάσης. Μπορεί να έχει ως αποτέλεσμα δυσλειτουργία ή στάσιμο του εργαλείου ή της κασέτας μπαταριών.
18. Κραφλάξτε την μπαταρία μακριά από παιδιά.

ΦΥΛΑΞΤΕ ΤΙΣ ΟΔΗΓΙΕΣ ΑΥΤΕΣ.

▲ΠΡΟΣΟΧΗ: Να χρησιμοποιείτε μόνο γνήσιες μπαταρίες της Makita. Η χρήση μη γνήσιων μπαταριών Makita, ή μπαταριών που έχουν τροποποιηθεί, μπορεί να έχει ως αποτέλεσμα τη ρήξη της μπαταρίας, προκαλώντας πυρκαγιά, προσωπικό τραυματισμό και βλάβη. Επίσης, θα ακυρωθεί η εγγύηση της Makita για το εργαλείο και φορτιστή Makita.

Συμβουλές για τη διατήρηση της μέγιστης ζωής μπαταρίας

1. Φορτίζετε την κασέτα μπαταριών πριν από την πλήρη αποφόρτισή της. Πάντοτε να σταματάτε τη λειτουργία του εργαλείου και να φορτίζετε την κασέτα μπαταριών όταν παρατηρείτε μειωμένη ισχύ εργαλείου.
2. Ποτέ μην επαναφορτίζετε μια πλήρως φορτισμένη κασέτα μπαταριών. Η υπερφόρτιση μειώνει την ωφέλιμη ζωή της μπαταρίας.
3. Να φορτίζετε την κασέτα μπαταριών σε θερμοκρασία δωματίου, δηλαδή στους 10 °C έως 40 °C. Αφήστε μια θερμή κασέτα μπαταριών να κρυώσει πριν την φορτίσετε.
4. Όταν δεν χρησιμοποιείτε την κασέτα μπαταριών, αφαιρέστε την από το εργαλείο ή τον φορτιστή.
5. Να φορτίζετε την κασέτα μπαταριών εάν δεν τη χρησιμοποιείτε για μεγάλη χρονική περίοδο (περισσότερο από έξι μήνες).

ΠΕΡΙΓΡΑΦΗ ΛΕΙΤΟΥΡΓΙΑΣ

▲ ΠΡΟΣΟΧΗ: Να φροντίζετε πάντα για την απενεργοποίηση του μηχανήματος και την αφαίρεση των κασέτας μπαταριών, πριν από οποιαδήποτε ρύθμιση ή έλεγχο της λειτουργίας του μηχανήματος.

Τοποθέτηση ή αφαίρεση της κασέτας μπαταριών

▲ ΠΡΟΣΟΧΗ: Να σβήνετε πάντα το μηχάνημα πριν τοποθετήσετε ή αφαιρέσετε την κασέτα μπαταριών.

▲ ΠΡΟΣΟΧΗ: Κρατήστε το μηχάνημα και την κασέτα μπαταριών σταθερά κατά την τοποθέτηση ή την αφαίρεση της κασέτας μπαταριών. Αν δεν κρατάτε σταθερά το μηχάνημα και την κασέτα μπαταριών, μπορεί να γλιστρήσουν από τα χέρια σας και να προκληθεί ζημιά στο μηχάνημα και την κασέτα μπαταριών και τραυματισμός.

▲ ΠΡΟΣΟΧΗ: Βεβαιωθείτε να ασφαλίσετε το κάλυμμα μπαταριών πριν από τη χρήση. Διαφορετικά, η λάσπη, η λάσπη, η σκόνη ή το νερό μπορεί να προκαλέσουν ζημιά στο προϊόν ή στην κασέτα μπαταριών.

▲ ΠΡΟΣΟΧΗ: Να τοποθετείτε πάντα πλήρως την κασέτα μπαταριών. Σε αντίθετη περίπτωση, μπορεί να πέσει κατά λάθος από το μηχάνημα και να τραυματίσει εσάς ή κάποιον παρευρισκόμενο.

▲ ΠΡΟΣΟΧΗ: Μην τοποθετείτε την κασέτα μπαταριών με βία. Αν η κασέτα δεν εισέρχεται με ευκολία, δεν είναι τοποθετημένη σωστά.

▲ ΠΡΟΣΟΧΗ: Κρατήστε το κάλυμμα μπαταριών σταθερά κατά την τοποθέτηση ή αφαίρεση της κασέτας μπαταριών.

Για να τοποθετήσετε την κασέτα μπαταριών:

1. Τραβήξτε το μοχλό ασφάλισης προς τα πάνω και μετά ανοίξτε το κάλυμμα μπαταριών.
► **Εικ.1:** 1. Κάλυμμα μπαταριών 2. Μοχλός ασφάλισης

2. Ευθυγραμμίστε τη γλωττίδα της κασέτας μπαταριών με τη σχισμή στο μηχάνημα, και μετά σύρετε την κασέτα μέχρι να ασφαλίσει στη θέση της με ένα χαρακτηριστικό ήχο.
► **Εικ.2:** 1. Κασέτα μπαταριών

3. Κλείστε το κάλυμμα μπαταριών και ωθήστε το μέχρι να ασφαλίσει με το μοχλό ασφάλισης.

Για να αφαιρέσετε την κασέτα μπαταριών:

1. Τραβήξτε το μοχλό ασφάλισης προς τα πάνω και ανοίξτε το κάλυμμα μπαταριών.





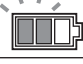
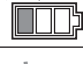

2. Τραβήξτε έξω την κασέτα μπαταριών από το μηχάνημα ενώ σύρετε το κουμπί στο μπροστινό μέρος της κασέτας.

3. Κλείστε το κάλυμμα μπαταριών και ωθήστε το μέχρι να ασφαλίσει με το μοχλό ασφάλισης.

Κουμπί ελέγχου μπαταρίας

Μπορείτε να ελέγχετε την υπολειπόμενη χωρητικότητα μπαταρίας εάν πατήσετε το κουμπί ελέγχου μπαταρίας.

► **Εικ.3:** 1. Ένδειξη μπαταρίας 2. Κουμπί ελέγχου μπαταρίας

Κατάσταση ένδειξης μπαταρίας			Υπολειπόμενη χωρητικότητα μπαταρίας
 Αναμμένες	 Σβηστές	 Αναβοσβήνον	
			50% έως 100%
			20% έως 50%
			0% έως 20%
			Φορτίστε τη μπαταρία

ΠΑΡΑΤΗΡΗΣΗ: Η ενδεικτική λυχνία για την υπολειπόμενη χωρητικότητα μπαταρίας προορίζεται μόνο για αναφορά. Η πραγματική χωρητικότητα μπαταρίας μπορεί να διαφέρει ανάλογα με τις συνθήκες χρήσης ή τη θερμοκρασία περιβάλλοντος.

ΠΑΡΑΤΗΡΗΣΗ: Η λυχνία σβήνει αυτόματα μετά από λίγα δευτερόλεπτα.

ΠΑΡΑΤΗΡΗΣΗ: Εάν είναι τοποθετημένες δύο κασέτες μπαταριών, η μπαταρία που είναι τοποθετημένη στην αριστερή πλευρά θα χρησιμοποιηθεί πρώτα.

ΠΑΡΑΤΗΡΗΣΗ: Εάν είναι τοποθετημένες δύο κασέτες μπαταριών, το μηχάνημα αλλάζει αυτόματα μπαταρία όταν η μπαταρία που χρησιμοποιείται αδειάζει.

ΠΑΡΑΤΗΡΗΣΗ: Μπορείτε να ελέγχετε την εναπομείνουσα χωρητικότητα μπαταρίας χωρίς να ενεργοποιήσετε τον διακόπτη λειτουργίας.

Εμφάνιση υπολειπόμενης χωρητικότητας μπαταρίας

Πιέστε το κουμπί ελέγχου στην κασέτα μπαταριών για να υποδείξετε την υπολειπόμενη χωρητικότητα μπαταρίας. Οι ενδεικτικές λυχνίες ανάβουν για λίγα δευτερόλεπτα.

► **Εικ.4:** 1. Ενδεικτικές λυχνίες 2. Κουμπί ελέγχου

Ενδεικτικές λυχνίες			Υπολειπόμενη χωρητικότητα
Αναμμένες	Σβηστές	Αναβοσβήνουν	
■ ■ ■ ■			75% έως 100%
■ ■ ■ □			50% έως 75%
■ ■ □ □			25% έως 50%
■ □ □ □			0% έως 25%
▣ □ □ □			Φορτίστε την μπαταρία.
■ ■ □ □			Μπορεί να προέκυψε δυσλειτουργία στην μπαταρία.
□ □ ■ ■	↑ ↓		

ΠΑΡΑΤΗΡΗΣΗ: Ανάλογα με τις συνθήκες χρήσης και τη θερμοκρασία περιβάλλοντος, η ένδειξη μπορεί να διαφέρει λίγο από την πραγματική χωρητικότητα.

ΠΑΡΑΤΗΡΗΣΗ: Η πρώτη (τέρμα αριστερά) ενδεικτική λυχνία θα αναβοσβήνει όταν λειτουργεί το σύστημα προστασίας μπαταρίας.

Σύστημα προστασίας μηχανήματος/ μπαταρίας

Το μηχάνημα είναι εξοπλισμένο με ένα σύστημα προστασίας μηχανήματος/μπαταρίας. Αυτό το σύστημα αποκόπτει αυτόματα την ισχύ προς το μοτέρ για να παραταθεί η διάρκεια ζωής του μηχανήματος και της μπαταρίας. Το μηχάνημα σταματάει αυτόματα κατά τη διάρκεια της λειτουργίας αν το μηχάνημα ή η μπαταρία βρεθούν κάτω από τις παρακάτω συνθήκες:

Προστασία υπερφόρτωσης

Όταν το μηχάνημα ή η μπαταρία λειτουργεί με τρόπο που προκαλεί την κατανάλωση ασυνήθιστα υψηλού ηλεκτρικού ρεύματος, το μηχάνημα σταματάει αυτόματα και η ένδειξη ταχύτητας αναβοσβήνει με πράσινο χρώμα. Σε αυτή την κατάσταση, απενεργοποιήστε το μηχάνημα και διακόψτε την εφαρμογή που προκαλεί την υπερφόρτωση του μηχανήματος. Μετά, ενεργοποιήστε το μηχάνημα για επανεκκίνηση.

Προστασία υπερθέρμανσης

Όταν το μηχάνημα υπερθερμανθεί, το μηχάνημα σταματάει αυτόματα και η ένδειξη ταχύτητας ανάβει με κόκκινο χρώμα. Σε αυτή την περίπτωση, αφήστε το μηχάνημα και την μπαταρία να κρυώσουν πριν ενεργοποιήσετε ξανά το μηχάνημα.

ΠΑΡΑΤΗΡΗΣΗ: Η ένδειξη ταχύτητας αναβοσβήνει με κόκκινο χρώμα όταν η μπαταρία υπερθερμανθεί.

Προστασία υπερβολικής αποφόρτισης

Όταν η χωρητικότητα μπαταρίας δεν είναι αρκετή, το μηχάνημα σταματάει αυτόματα και η ένδειξη ταχύτητας αναβοσβήνει με κόκκινο χρώμα. Σε αυτή την περίπτωση, βγάλτε την μπαταρία από το μηχάνημα και φορτίστε την μπαταρία ή αλλάξτε την μπαταρία με μια πλήρως φορτισμένη.

Προστασία και από άλλες αιτίες

Το σύστημα προστασίας έχει επίσης σχεδιαστεί για άλλες αιτίες που μπορούν να προκαλέσουν ζημιά στο μηχάνημα και επιτρέπει την αυτόματη διακοπή του μηχανήματος. Λάβετε όλα τα ακόλουθα βήματα για να διορθώσετε τις αιτίες, όταν το μηχάνημα τεθεί σε προσωρινή διακοπή ή διακοπή κατά τη διάρκεια της λειτουργίας.

1. Απενεργοποιήστε το μηχάνημα και, στη συνέχεια, ενεργοποιήστε το ξανά για να επανεκκινήση.
2. Φορτίστε την μπαταρία ή τις μπαταρίες ή αντικαταστήστε τις με επαναφορτιζόμενες μπαταρίες.
3. Αφήστε το μηχάνημα και τις μπαταρίες να ψυχθούν.

Εάν δεν υπάρχει βελτίωση με την επαναφορά του συστήματος προστασίας, επικοινωνήστε με το τοπικό σας κέντρο εξυπηρέτησης της Makita.

ΕΙΔΟΠΟΙΗΣΗ: Αν το μηχάνημα σταματήσει λόγω μιας αιτίας που δεν περιγράφεται ανωτέρω, ανατρέξτε στην ενότητα για την επίλυση προβλημάτων.

Κουμπί αλλαγής τρόπου λειτουργίας

Μπορείτε να αλλάξετε την ταχύτητα σε τρία επίπεδα. Για να αλλάξετε τον τρόπο λειτουργίας ταχύτητας, πατήστε το κουμπί αλλαγής τρόπου λειτουργίας. Όταν αλλάξετε τον τρόπο λειτουργίας ταχύτητας, οι αντίστοιχες ενδείξεις ταχύτητας ανάβουν.

► **Εικ.5:** 1. Κουμπί αλλαγής τρόπου λειτουργίας

ΠΑΡΑΤΗΡΗΣΗ: Δεν μπορείτε να αλλάξετε τον τρόπο λειτουργίας ενώ το μηχάνημα είναι ενεργοποιημένο. Αλλάξτε τον τρόπο λειτουργίας όταν το μηχάνημα είναι απενεργοποιημένο και η μπαταρία είναι τοποθετημένη στο μηχάνημα.

ΠΑΡΑΤΗΡΗΣΗ: Αν η ένδειξη ταχύτητας ανάψει με κόκκινο χρώμα ή αναβοσβήνει με κόκκινο ή πράσινο χρώμα, ανατρέξτε στις οδηγίες για το σύστημα προστασίας μηχανήματος/μπαταρίας.

Διακόπτης λειτουργίας

▲ ΠΡΟΕΙΔΟΠΟΙΗΣΗ: Να απενεργοποιείτε πάντα το διακόπτη κύριας λειτουργίας όταν δεν χρησιμοποιείτε το εργαλείο.

ΕΙΔΟΠΟΙΗΣΗ: Μην περιστρέψετε το διακόπτη λειτουργίας με βία. Αυτό μπορεί να προκαλέσει τη δυσλειτουργία του διακόπτη.

Για να ενεργοποιήσετε το μηχανήμα, περιστρέψτε τον διακόπτη λειτουργίας δεξιόστροφα και, για να απενεργοποιήσετε το μηχανήμα, περιστρέψτε τον διακόπτη λειτουργίας αριστερόστροφα.

► **Εικ.6:** 1. Διακόπτης λειτουργίας

ΠΑΡΑΤΗΡΗΣΗ: Οι ενδείξεις μπαταριών θα ανάψουν για λίγα δευτερόλεπτα μόλις μετά την ενεργοποίηση του μηχανήματος.

ΠΑΡΑΤΗΡΗΣΗ: Αν τοποθετήσετε την κασέτα μπαταριών στο μηχανήμα όταν ο διακόπτης λειτουργίας βρίσκεται στην ενεργή θέση, η ένδειξη ταχύτητας αναβοσβήνει με πράσινο χρώμα. Περιστρέψτε τον διακόπτη λειτουργίας στην ανενεργή θέση και μετά τοποθετήστε την κασέτα μπαταριών στο μηχανήμα.

Λειτουργίες ακροφυσίου

ΠΑΡΑΤΗΡΗΣΗ: Τα στάνταρ ακροφύσια μπορεί να ποικίλλουν ανάλογα με τη χώρα. Ανατρέξτε στην παράγραφο για τα προαιρετικά εξαρτήματα για άλλα ακροφύσια.

Ακροφύσιο δέσμης κυκλώνα

Ειδικό της χώρας

ΕΙΔΟΠΟΙΗΣΗ: Μη χρησιμοποιείτε το ακροφύσιο δέσμης κυκλώνα για να καθαρίσετε εύθραυστες επιφάνειες όπως παράθυρα ή αμαξώματα αυτοκινήτων.

► **Εικ.7**

Εκτοξεύεται μια σπειροειδής δέσμη. Κατάλληλο για την απομάκρυνση της επίμονης βρομιάς.

Ακροφύσιο μεταβλητού ψεκασμού και επέκταση

Ειδικό της χώρας

▲ ΠΡΟΣΟΧΗ: Να εγκαθιστάτε μόνο το ακροφύσιο μεταβλητού ψεκασμού στην επέκταση. Μην συνδέετε τις άλλες προαιρετικές επεκτάσεις στην πρωτότυπη επέκταση. Αν χρησιμοποιήσετε άλλα εξαρτήματα εκτός από αυτά που συνιστά ο κατασκευαστής, μπορεί να προκληθεί κίνδυνος για ζημιά ή τραυματισμό σε άτομα.

▲ ΠΡΟΣΟΧΗ: Όταν ρυθμίζετε την πίεση δέσμης, μην περιστρέψετε το ακροφύσιο ενώ το τραβάτε προς το πιστόλι με σκανδάλη. Το ακροφύσιο μπορεί να βγει από το πιστόλι με σκανδάλη και να προκαλέσει προσωπικό τραυματισμό.

▲ ΠΡΟΣΟΧΗ: Όταν περιστρέψετε τη μύτη του ακροφυσίου για να ρυθμίσετε τη δέσμη νερού, μην την περιστρέψετε με δύναμη. Διαφορετικά, το ακροφύσιο μπορεί να σπάσει και να προκληθεί τραυματισμός.

► **Εικ.8:** 1. Ακροφύσιο μεταβλητού ψεκασμού
2. Επέκταση

Η πίεση δέσμης μπορεί να ρυθμιστεί αν περιστρέψετε το ακροφύσιο.

ΕΙΔΟΠΟΙΗΣΗ: Όταν περιστρέψετε το ακροφύσιο, μην κρατάτε τη μύτη του ακροφυσίου αλλά να κρατάτε τη βάση του ακροφυσίου όπως απεικονίζεται στην εικόνα.

► **Εικ.9**

ΠΑΡΑΤΗΡΗΣΗ: Το ακροφύσιο μεταβλητού ψεκασμού μπορεί επίσης να προσαρτηθεί απευθείας στο πιστόλι με σκανδάλη.

Λειτουργία σκανδάλης

ΕΙΔΟΠΟΙΗΣΗ: Για να αποφευχθεί η μηχανική βλάβη στο διακόπτη πίεσης, να αφήνετε πάντα ένα μεσοδιάστημα δύο δευτερολέπτων μεταξύ των λειτουργιών της σκανδάλης.

Τραβήξτε τη σκανδάλη για να εκτοξεύσετε μια δέσμη νερού. Η δέσμη νερού συνεχίζεται όσο πατάτε τη σκανδάλη. Η σκανδάλη μπορεί να ασφαλιστεί για τον ασφαλή χειρισμό του πιστολιού με σκανδάλη. Για να ασφαλίσετε τη σκανδάλη, τραβήξτε τον αναστολέα προς τα έξω και αγκισρώστε το στην αυλάκωση στη λαβή.

► **Εικ.10:** 1. Σκανδάλη 2. Αναστολέας 3. Αυλάκωση

ΣΥΝΑΡΜΟΛΟΓΗΣΗ

▲ ΠΡΟΕΙΔΟΠΟΙΗΣΗ: Να βεβαιώνετε πάντα ότι έχετε βγάλει όλες τις κασέτες μπαταριών πριν πραγματοποιείτε οποιαδήποτε εργασία στο μηχανήμα. Αν δεν βγάλετε όλες τις κασέτες μπαταριών, μπορεί να έχει ως αποτέλεσμα σοβαρό προσωπικό τραυματισμό από τυχαία εκκίνηση.

Σύνδεση του εύκαμπτου σωλήνα υψηλής πίεσης

▲ ΠΡΟΣΟΧΗ: Βεβαιωθείτε ότι ο εύκαμπτος σωλήνας υψηλής πίεσης είναι συνδεδεμένος με ασφάλεια. Μια χαλαρή σύνδεση μπορεί να εκτινάξει τον εύκαμπτο σωλήνα υψηλής πίεσης, έχοντας ως αποτέλεσμα προσωπικό τραυματισμό.

Συνδέστε τον εύκαμπτο σωλήνα υψηλής πίεσης στην έξοδο. Περιστρέψτε δεξιόστροφα το παξιμάδι στον εύκαμπτο σωλήνα υψηλής πίεσης ενώ το βιδώνετε στο σπείρωμα βίδας της εξόδου.

► **Εικ.11:** 1. Έξοδος 2. Παξιμάδι

Σύνδεση του πιστολιού με σκανδάλη

▲ ΠΡΟΣΟΧΗ: Βεβαιωθείτε ότι ο εύκαμπτος σωλήνας υψηλής πίεσης είναι συνδεδεμένος με ασφάλεια. Μια χαλαρή σύνδεση μπορεί να εκτινάξει τον εύκαμπτο σωλήνα υψηλής πίεσης, έχοντας ως αποτέλεσμα προσωπικό τραυματισμό.

Συνδέστε τον εύκαμπτο σωλήνα υψηλής πίεσης στην είσοδο στο πιστόλι με σκανδάλη. Περιστρέψτε δεξιόστροφα το παξιμάδι στον εύκαμπτο σωλήνα υψηλής πίεσης ενώ το βιδώνετε στο σπείρωμα βίδας στην είσοδο.

► **Εικ.12:** 1. Είσοδος 2. Παξιμάδι

Σύνδεση σε βρύση

▲ ΠΡΟΣΟΧΗ: Να χρησιμοποιείτε πάντα έναν ανθεκτικό στην πίεση, εύκαμπτο σωλήνα νερού με τις ακόλουθες διαμέτρους και να συνδέετε στη βρύση χρησιμοποιώντας κατάλληλες συνδέσεις. Διαφορετικά, ο εύκαμπτος σωλήνας νερού ή/και η σύνδεση μπορεί να σπάσει και να προκληθεί ατομικός τραυματισμός.

- Η εσωτερική διάμετρος του εύκαμπτου σωλήνα είναι 14 mm έως 15 mm.
- Η εξωτερική διάμετρος του εύκαμπτου σωλήνα είναι 20 mm ή λιγότερο.
- Το πάχος του εύκαμπτου σωλήνα είναι 2,3 mm ή περισσότερο και μικρότερο από 3,0 mm.

ΕΙΔΟΠΟΙΗΣΗ: Χρησιμοποιήστε όσο το δυνατό πιο κοντό ανθεκτικό στην πίεση, εύκαμπτο σωλήνα νερού. Η ποσότητα του νερού εισόδου θα πρέπει να είναι υψηλότερη από τον μέγιστο όγκο τροφοδοσίας της αντλίας.

ΕΙΔΟΠΟΙΗΣΗ: Αν συνδέσετε την κεντρική παροχή για πόσιμο νερό, χρησιμοποιήστε μια βαλβίδα αποτροπής αντίστροφης ροής που ικανοποιεί τους κανονισμούς της περιοχής σας.

ΕΙΔΟΠΟΙΗΣΗ: Όταν συνδέετε σε βρύση, η απαιτούμενη παροχή νερού είναι 7,0 L/min ή περισσότερο. Αν η παροχή νερού δεν είναι επαρκής, δεν μπορείτε να αποκτήσετε τις πλήρεις δυνατότητες του μηχανήματος.

ΠΑΡΑΤΗΡΗΣΗ: Η διάταξη εύκαμπτου σωλήνα αποστέλλεται με χιτώνια συνδέσμου και στα δύο άκρα. Όταν συνδέετε σε βρύση χωρίς χιτώνιο συνδέσμου, αφαιρέστε το χιτώνιο συνδέσμου στο ένα άκρο περιστρέφοντας το χιτώνιο συνδέσμου προς την κατεύθυνση του βέλους που απεικονίζεται στην εικόνα.

- **Εικ.13:** 1. Παξιμάδι του χιτωνίου συνδέσμου
2. Χιτώνιο συνδέσμου

1. Συνδέστε τη διάταξη εύκαμπτου σωλήνα στη βρύση. Εφαρμόστε μια κατάλληλη σύνδεση, όπως σφικτήρα εύκαμπτου σωλήνα ή ένωση κάνουλας νερού για να ασφαλίσετε το άκρο του εύκαμπτου σωλήνα με τη βρύση.

- **Εικ.14:** 1. Σφικτήρας εύκαμπτου σωλήνα 2. Χιτώνιο συνδέσμου 3. Διάταξη εύκαμπτου σωλήνα

ΕΙΔΟΠΟΙΗΣΗ: Συνδέστε με ασφάλεια τη διάταξη εύκαμπτου σωλήνα στη βρύση. Διαφορετικά, η διάταξη εύκαμπτου σωλήνα μπορεί να βγει όταν ανοίξετε τη βρύση.

ΠΑΡΑΤΗΡΗΣΗ: Η σύνδεση εξαρτάται από το σχήμα της βρύσης στην οποία γίνεται η σύνδεση. Προετοιμάστε μια σύνδεση που προμηθευτήκατε στο εμπόριο.

2. Συνδέστε τον συνδετήρα εύκαμπτου σωλήνα νερού στην είσοδο και μετά εισαγάγετε το χιτώνιο συνδέσμου στον συνδετήρα εύκαμπτου σωλήνα νερού.

- **Εικ.15:** 1. Χιτώνιο συνδέσμου 2. Συνδετήρας εύκαμπτου σωλήνα νερού 3. Είσοδος

ΕΙΔΟΠΟΙΗΣΗ: Όταν συνδέετε τον συνδετήρα εύκαμπτου σωλήνα νερού και το χιτώνιο συνδέσμου, προσαρτήστε τα με ασφάλεια. Διαφορετικά, ο συνδετήρας εύκαμπτου σωλήνα νερού ή το χιτώνιο συνδέσμου μπορεί να βγει όταν ανοίξετε τη βρύση.

Σύνδεση/αποσύνδεση του ακροφυσίου

▲ ΠΡΟΣΟΧΗ: Να κλειδώνετε πάντα τη σκανδάλη του πιστολιού με σκανδάλη όταν συνδέετε/αποσυνδέετε το ακροφύσιο.

▲ ΠΡΟΣΟΧΗ: Όταν συνδέετε το ακροφύσιο στο πιστόλι με σκανδάλη, συνδέστε το με ασφάλεια και βεβαιωθείτε ότι δεν βγαίνει.

▲ ΠΡΟΣΟΧΗ: Όταν συνδέετε ή αποσυνδέετε το ακροφύσιο, μην το περιστρέψετε με δύναμη. Διαφορετικά, το ακροφύσιο μπορεί να σπάσει ή να βγει και να προκληθεί τραυματισμός.

Εισαγάγετε το άκρο του ακροφυσίου στη σχισμή στο πιστόλι με σκανδάλη και στρέψτε το προς την κατεύθυνση του βέλους όπως απεικονίζεται στην εικόνα ενώ πιέζετε το ακροφύσιο προς το πιστόλι με σκανδάλη. Για αποσύνδεση του ακροφυσίου, περιστρέψτε το ακροφύσιο προς την αντίθετη κατεύθυνση ενώ το πιέζετε προς το πιστόλι με σκανδάλη και μετά τραβήξτε το προς τα έξω.

- **Εικ.16:** 1. Πιστόλι με σκανδάλη 2. Σχισμή 3. Άκρο ακροφυσίου

Σύνδεση του ακροφυσίου αφρού

Προαιρετικό εξάρτημα

▲ ΠΡΟΣΟΧΗ: Να κλειδώνετε πάντα τη σκανδάλη του πιστολιού με σκανδάλη όταν συνδέετε/αποσυνδέετε το ακροφύσιο.

ΕΙΔΟΠΟΙΗΣΗ: Να χρησιμοποιείτε μόνο ουδέτερα απορρυπαντικά. Μην χρησιμοποιείτε οικιακά καθαριστικά, όξινα καθαριστικά, αλκαλικά καθαριστικά, χλωρίνες, διαλύτες, εύλεκτο υλικό ή διαλύματα βιομηχανικού τύπου, τα οποία μπορούν να καταστρέψουν το μηχανήμα ή την ιδιοκτησία σας. Προετοιμάστε ένα διάλυμα καθαρισμού σύμφωνα με τις οδηγίες στο μπουκάλι διαλύματος και πάντα να το δοκιμάσετε προκαταβολικά σε ένα αφανή σημείο.

ΕΙΔΟΠΟΙΗΣΗ: Αν χρησιμοποιηθεί καθαριστικό με υψηλό ιξώδες, είναι πιθανό το ακροφύσιο να φράξει. Όταν χρησιμοποιείτε καθαριστικό με υψηλό ιξώδες, αραιώστε το καθαριστικό προσθέτοντας νερό στο μπουκάλι πριν από τη χρήση.

ΠΑΡΑΤΗΡΗΣΗ: Όταν χρησιμοποιείτε το ακροφύσιο αφρού, το καθαριστικό στο μπουκάλι αραιώνεται από το νερό που παρέχεται από το μηχανήμα και μετά ψεκάζεται. Δεν πρέπει να αραιώσετε τη συγκέντρωση του καθαριστικού στο μπουκάλι περισσότερο από ό,τι είναι απαραίτητο. Προσαρμόστε τη συγκέντρωση του καθαριστικού ενώ ελέγχετε τις συνθήκες χρήσης.

ΠΑΡΑΤΗΡΗΣΗ: Αν το ακροφύσιο αφρού γείρει στο πλάι, μπορεί να χυθεί το καθαριστικό.

Προετοιμάστε απορρυπαντικό πριν χρησιμοποιήσετε το ακροφύσιο αφρού.

1. Αφαιρέστε το ακροφύσιο από το δοχείο περιστρέφοντας το ακροφύσιο αριστερόστροφα. Συνδέστε το ακροφύσιο στο πιστόλι με σκανδάλη.

- **Εικ.17:** 1. Ακροφύσιο 2. Πιστόλι με σκανδάλη

2. Ρίξτε το καθαριστικό στο δοχείο και προσαρτήστε το δοχείο στο ακροφύσιο περιστρέφοντάς το προς την κατεύθυνση που απεικονίζεται στην εικόνα.

- **Εικ.18:** 1. Δοχείο

ΛΕΙΤΟΥΡΓΙΑ

▲ ΠΡΟΕΙΔΟΠΟΙΗΣΗ: Μην αγγίζετε τη δέσμη νερού και μην την κατευθύνετε προς το μέρος σας ή προς άλλους. Η δέσμη νερού είναι επικίνδυνη και μπορεί να βλάψει εσάς ή άλλους.

▲ ΠΡΟΕΙΔΟΠΟΙΗΣΗ: Όταν εκτοξεύετε τη δέσμη νερού, μην κρατάτε ποτέ το αντικείμενο που καθαρίζετε και μην τοποθετείτε τα χέρια και τα πόδια σας κοντά στη δέσμη νερού.

▲ ΠΡΟΣΟΧΗ: Να προσέχετε την αναπήδηση της δέσμης νερού και τα εμψυημένα αντικείμενα. Μην φέρνετε το ακροφύσιο σε απόσταση μικρότερη από 30 cm από το αντικείμενο.

▲ ΠΡΟΣΟΧΗ: Μην λειτουργείτε το πλυστικό μηχάνημα υψηλής πίεσης χωρίς νερό για περισσότερο από 1 λεπτό.

▲ ΠΡΟΣΟΧΗ: Μην λειτουργείτε το πλυστικό μηχάνημα υψηλής πίεσης για μεγάλη χρονική περίοδο. Μπορεί να προκληθεί υπερθέρμανση ή πυρκαγιά. Επίσης, η μακροχρόνια χρήση μπορεί να προκαλέσει κραδασμούς.

▲ ΠΡΟΣΟΧΗ: Προσέξτε την κατεύθυνση του ανέμου. Αν το απορρυπαντικό μπει στα μάτια ή στο στόμα σας, ξεπλύντε αμέσως με φρέσκο νερό και, αν απαιτείται, ζητήστε αμέσως ιατρική φροντίδα.

▲ ΠΡΟΣΟΧΗ: Κρατήστε σταθερά το πιστόλι με σκανδάλη. Το πιστόλι με σκανδάλη αναπηδά όταν τραβάτε τη σκανδάλη.

▲ ΠΡΟΣΟΧΗ: Να κρατάτε πάντα το πιστόλι με σκανδάλη από τη λαβή και κάννη όταν εκκινάζετε δέσμη νερού.

ΕΙΔΟΠΟΙΗΣΗ: Αποφύγετε να χρησιμοποιείτε το πλυστικό μηχάνημα υψηλής πίεσης για περισσότερο από 1 ώρα. Αφού χρησιμοποιήσετε για 1 ώρα, κάντε διάλειμμα για τον ίδιο χρόνο.

ΕΙΔΟΠΟΙΗΣΗ: Για να προστατέψετε το μηχανισμό του πλυστικού μηχανήματος υψηλής πίεσης, μη χρησιμοποιείτε νερό με θερμοκρασία άνω των 40°C.

ΕΙΔΟΠΟΙΗΣΗ: Προσέχετε να μην τραβάτε με βία το πιστόλι με σκανδάλη κατά τη λειτουργία. Μπορεί να προκληθεί η πτώση του πλυστικού μηχανήματος υψηλής πίεσης.

ΕΙΔΟΠΟΙΗΣΗ: Όταν διακόπτετε τη λειτουργία για πολλή ώρα, απενεργοποιήστε το πλυστικό μηχάνημα υψηλής πίεσης και πατήστε τη σκανδάλη για να εκκενώσετε πλήρως το υπόλοιπο νερό.

Αν το πλυστικό μηχάνημα υψηλής πίεσης παραμείνει για πολύ ώρα σε υψηλή πίεση, μπορεί να μην ξεκινήσει ξανά. Σε αυτή την κατάσταση, απενεργοποιήστε το πλυστικό μηχάνημα υψηλής πίεσης, παράσχετε νερό από βρύση στην είσοδο και πατήστε τη σκανδάλη ενώ διατηρείτε την παροχή νερού για λίγο. Μετά, ενεργοποιήστε το πλυστικό μηχάνημα υψηλής πίεσης.

ΕΙΔΟΠΟΙΗΣΗ: Μην χρησιμοποιείτε το μηχάνημα σε αναποδογυρισμένη θέση. Αν το κάνετε αυτό, μπορεί να προκληθεί δυσλειτουργία.

► **Εικ.19**

Πριν θέσετε το μηχάνημα σε λειτουργία, αφαιρέστε το ακροφύσιο από το πιστόλι με σκανδάλη.

1. Ανοίξετε το κάλυμμα μπαταριών και τοποθετήστε τις κασέτες μπαταριών στο πλυστικό μηχάνημα υψηλής πίεσης και, στη συνέχεια, ασφαλίστε το κάλυμμα μπαταριών.

► **Εικ.20:** 1. Κασέτα μπαταριών 2. Κάλυμμα μπαταριών

2. Συνδέστε το ένα άκρο του εύκαμπτου σωλήνα υψηλής πίεσης με το πιστόλι με σκανδάλη και το άλλο άκρο με το πλυστικό μηχάνημα υψηλής πίεσης.

3. Συνδέστε το πλυστικό μηχάνημα υψηλής πίεσης με τη βρύση χρησιμοποιώντας έναν εύκαμπο σωλήνα. Μετά, ανοίξετε τη βρύση.

► **Εικ.21**

ΕΙΔΟΠΟΙΗΣΗ: Πριν ενεργοποιήσετε το μηχάνημα, βεβαιωθείτε ότι η βρύση είναι πλήρως ανοικτή.

4. Επιλέξτε τον επιθυμητό τρόπο λειτουργίας πατώντας το κουμπί αλλαγής τρόπου λειτουργίας και, στη συνέχεια, περιστρέψτε τον διακόπτη λειτουργίας δεξιόστροφα για να ενεργοποιήσετε το μηχάνημα.

► **Εικ.22:** 1. Διακόπτης λειτουργίας 2. Κουμπί αλλαγής τρόπου λειτουργίας

5. Για να εκτοξεύσετε δέσμη νερού, απασφαλίστε τον αναστολέα και πατήστε τη σκανδάλη. Μόλις εξέρχεται σταθερά νερό από το πιστόλι με σκανδάλη, αφήστε τη σκανδάλη και απενεργοποιήστε το μηχάνημα.

► **Εικ.23:** 1. Αναστολέας

ΠΑΡΑΤΗΡΗΣΗ: Βεβαιωθείτε να αφαιρέσετε το ακροφύσιο από το πιστόλι με σκανδάλη πριν εκτελέσετε αυτή την εργασία.

6. Προσαρτήστε το ακροφύσιο στο πιστόλι με σκανδάλη για τον σκοπό σας και, στη συνέχεια, ενεργοποιήστε το μηχάνημα για να ξεκινήσετε την εργασία πλύσης.

Όταν αναστέλλεται η λειτουργία, μπορείτε να τοποθετήσετε προσωρινά το πιστόλι με σκανδάλη όπως απεικονίζεται στην εικόνα.

► **Εικ.24**

Παροχή νερού από δοχείο/ ρεζερβουάρ

ΠΡΟΣΟΧΗ: Όταν συνδέετε το χιτώνιο στη θήκη φίλτρου της διάταξης διηθητήρα, προσέχετε να μην χτυπήσετε το χέρι σας με τον σφινγκτήρα εύκαμπτου σωλήνα.

ΕΙΔΟΠΟΙΗΣΗ: Να χρησιμοποιείτε πάντα τη διάταξη εύκαμπτου σωλήνα και τη διάταξη διηθητήρα της Makita.

ΕΙΔΟΠΟΙΗΣΗ: Να διατηρείτε πάντα ύψος 1,0 m (39-3/8 πόδια) ή λιγότερο μεταξύ της εισόδου στο πλυστικό μηχανήμα υψηλής πίεσης και της επιφάνειας νερού. Διαφορετικά, το πλυστικό μηχανήμα υψηλής πίεσης δεν θα μπορεί να μεταφέρει το νερό στην αντλία.

ΕΙΔΟΠΟΙΗΣΗ: Η στάθμη νερού που μπορεί να αντλήσει το μηχανήμα είναι 100 mm ή περισσότερο.

ΕΙΔΟΠΟΙΗΣΗ: Μην χρησιμοποιείτε νερό από ποτάμια, λίμνες ή νερό αναμειγμένο με άμμο ή λάσπη. Αν το κάνετε αυτό, μπορεί να προκληθεί δυσλειτουργία.

ΠΑΡΑΤΗΡΗΣΗ: Αν χρειαστεί αρκετός χρόνος για να εξέλθει το νερό, καθαρίστε τον διηθητήρα και το φίλτρο της διάταξης διηθητήρα.

Μπορείτε να παράσχετε νερό από δοχείο ή ρεζερβουάρ, αντί για βρύση.

1. Απενεργοποιήστε το μηχανήμα και αφαιρέστε το ακροφύσιο από το πιστόλι με σκανδάλη.
2. Συνδέστε τη διάταξη εύκαμπτου σωλήνα και τη διάταξη διηθητήρα στον συνδετήρα εύκαμπτου σωλήνα νερού.
► **Εικ.25:** 1. Δοχείο/ρεζερβουάρ 2. Διάταξη διηθητήρα 3. Διάταξη εύκαμπτου σωλήνα 4. Συνδετήρας εύκαμπτου σωλήνα νερού

3. Ενεργοποιήστε το μηχανήμα και απασφαλίστε τον αναστολέα και πατήστε τη σκανδάλη. Μόλις εξέρχεται σταθερά νερό από το πιστόλι με σκανδάλη, αφήστε τη σκανδάλη.

► **Εικ.26:** 1. Πιστόλι με σκανδάλη

ΠΑΡΑΤΗΡΗΣΗ: Χρειάζονται περίπου 10 έως 60 δευτερόλεπτα για να εξέλθει το νερό.

ΠΑΡΑΤΗΡΗΣΗ: Βεβαιωθείτε να αφαιρέσετε το ακροφύσιο από το πιστόλι με σκανδάλη πριν εκτελέσετε αυτή την εργασία.

4. Απενεργοποιήστε το μηχανήμα και προσαρτήστε το ακροφύσιο στο πιστόλι με σκανδάλη για τον σκοπό σας και, στη συνέχεια, ενεργοποιήστε το μηχανήμα για να ξεκινήσετε την εργασία πλύσης.

ΠΑΡΑΤΗΡΗΣΗ: Όταν δεν εξάγεται νερό, αποσυνδέστε τη διάταξη εύκαμπτου σωλήνα και τη διάταξη διηθητήρα και εμποτίστε τις σε νερό. Μετά, συνδέστε τις ξανά με το μηχανήμα.

- **Εικ.27:** 1. Διάταξη εύκαμπτου σωλήνα και διάταξη διηθητήρα

ΠΑΡΑΤΗΡΗΣΗ: Αν δεν λειτουργεί η αναρρόφηση νερού, αν χρειάζεται πολύ ώρα ή αν η πίεση νερό δεν επαρκεί, ελέγξτε τα ακόλουθα:

- Χαλάρωση της διάταξης εύκαμπτου σωλήνα, της διάταξης διηθητήρα και του συνδετήρα εύκαμπτου σωλήνα νερού.
- Τα χιτώνια συνδέσμου της διάταξης εύκαμπτου σωλήνα είναι προσαρτημένα καλά στον συνδετήρα εύκαμπτου σωλήνα νερού και στη θήκη φίλτρου της διάταξης διηθητήρα.

Σφίξτε αν είναι χαλαρά.

Διάταξη εύκαμπτου σωλήνα

- **Εικ.28:** 1. Χιτώνιο συνδέσμου

Διάταξη διηθητήρα

- **Εικ.29:** 1. Σφινγκτήρας εύκαμπτου σωλήνα 2. Θήκη φίλτρου

Συνδετήρας εύκαμπτου σωλήνα νερού

- **Εικ.30:** 1. Συνδετήρας εύκαμπτου σωλήνα νερού

Μετά τη χρήση

ΠΡΟΣΟΧΗ: Μετά τη λειτουργία του πλυστικού μηχανήματος υψηλής πίεσης, να εκτελείτε πάντα τη διαδικασία που περιγράφεται στο παρόν εγχειρίδιο. Η παραμένουσα πίεση στο πιστόλι με σκανδάλη ή στο πλυστικό μηχανήμα υψηλής πίεσης μπορεί να προκαλέσει προσωπικό τραυματισμό ή ζημιά στην εσωτερική αντλία.

1. Απενεργοποιήστε το μηχανήμα και αφαιρέστε το ακροφύσιο από το πιστόλι με σκανδάλη.
2. Κλείστε τη βρύση και αποσυνδέστε τον εύκαμπτο σωλήνα νερού από το πλυστικό μηχανήμα υψηλής πίεσης.
► **Εικ.31**
3. Ανάψτε ξανά το πλυστικό μηχανήμα υψηλής πίεσης.
4. Τραβάτε τη σκανδάλη μέχρι να εξέλθει το εναπομείνον νερό στο πλυστικό μηχανήμα υψηλής πίεσης.
► **Εικ.32**

ΕΙΔΟΠΟΙΗΣΗ: Μη θέτετε το μοτέρ σε λειτουργία για περισσότερο από 1 λεπτό.

5. Σβήστε το πλυστικό μηχανήμα υψηλής πίεσης και βγάλτε τις κασέτες μπαταριών.
► **Εικ.33:** 1. Κασέτα μπαταριών
6. Αποσυνδέστε τον εύκαμπτο σωλήνα υψηλής πίεσης από το πιστόλι με σκανδάλη και το πλυστικό μηχανήμα υψηλής πίεσης.
► **Εικ.34:** 1. Πιστόλι με σκανδάλη 2. Εύκαμπτος σωλήνας υψηλής πίεσης

ΕΙΔΟΠΟΙΗΣΗ: Για να αποφευχθεί η πρόκληση ζημιάς στον εύκαμπτο σωλήνα υψηλής πίεσης, αποστραγγίστε το εναπομείνον νερό στον εύκαμπτο σωλήνα πριν την αποθήκευση.

7. Κρατήστε το μηχανήμα με τα δύο χέρια και αποστραγγίστε το εναπομείνον νερό από το εσωτερικό του μηχανήματος γέροντας το μηχανήμα όπως απεικονίζεται στην εικόνα.

► **Εικ.35**

ΣΥΝΤΗΡΗΣΗ ΚΑΙ ΑΠΟΘΗΚΕΥΣΗ

▲ ΠΡΟΕΙΔΟΠΟΙΗΣΗ: Να βεβαιώνεστε πάντα ότι έχετε βγάλει όλες τις κασέτες μπαταριών από το μηχάνημα πριν από την αποθήκευση ή τη μεταφορά του μηχανήματος καθώς και πριν επιχειρήσετε να εκτελέσετε εργασίες επιθεώρησης ή συντήρησης.

ΕΙΔΟΠΟΙΗΣΗ: Μην χρησιμοποιείτε ποτέ βενζίνη, πετρελαϊκό αιθέρα, διαλυτικό, αλκοόλη ή παρόμοιες ουσίες. Μπορεί να προκληθεί αποχρωματισμός, παραμόρφωση ή ρωγμές.

Για τη διατήρηση της ΑΣΦΑΛΕΙΑΣ και ΑΞΙΟΠΙΣΤΙΑΣ του προϊόντος, οι επισκευές και οποιαδήποτε άλλη εργασία συντήρησης ή ρύθμισης πρέπει να εκτελούνται από εξουσιοδοτημένα ή εργοστασιακά κέντρα εξυπηρέτησης της Makita, χρησιμοποιώντας πάντοτε ανταλλακτικά της Makita.

Μεταφορά του μηχανήματος

▲ ΠΡΟΣΟΧΗ: Πριν μεταφέρετε το μηχάνημα με τα δύο χέρια, βεβαιωθείτε ότι η χειρολαβή είναι πλήρως διπλωμένη.

Όταν μεταφέρετε το μηχάνημα, κρατήστε το μηχάνημα σταθερά με τα δύο χέρια κρατώντας τη χειρολαβή με το ένα χέρι και την κάτω λαβή με το άλλο χέρι.

► **Εικ.36:** 1. Χειρολαβή 2. Κάτω λαβή

Επίσης, μπορείτε να μεταφέρετε το μηχάνημα χρησιμοποιώντας τους τροχούς του μηχανήματος. Βεβαιωθείτε να επεκτείνετε τη χειρολαβή πατώντας το κουμπί απασφάλισης πριν μεταφέρετε το μηχάνημα.

► **Εικ.37:** 1. Κουμπί απασφάλισης 2. Χειρολαβή

► **Εικ.38**

▲ ΠΡΟΣΟΧΗ: Μην ασκείτε υπερβολική δύναμη γέρνοντας επάνω στην επεκταμένη χειρολαβή. Αν η χειρολαβή βγει, μπορεί να πέσετε και να τραυματιστείτε.

ΕΙΔΟΠΟΙΗΣΗ: Βεβαιωθείτε ότι η χειρολαβή είναι πλήρως επεκταμένη και το κουμπί απασφάλισης έχει επιστρέψει στην αρχική θέση του πριν μεταφέρετε το μηχάνημα.

► **Εικ.39:** 1. Κουμπί απασφάλισης

Καθαρισμός ακροφυσίου

ΕΙΔΟΠΟΙΗΣΗ: Μην αφαιρείτε τη βρομιά ή τα υπολείμματα με βία. Αυτό μπορεί να έχει ως αποτέλεσμα τον προσωπικό τραυματισμό ή τη ζημιά στην οπή εξαγωγής, προκαλώντας παρεκκλινόμενες γωνίες δέσμης ή ανεπαρκή απόδοση.

Χρησιμοποιήστε τον πείρο καθαριστικού για να αφαιρέσετε τη βρομιά ή να ξεφράξετε το ακροφύσιο.

► **Εικ.40:** 1. Πείρος καθαριστικού

ΠΑΡΑΤΗΡΗΣΗ: Για να διατηρείτε τη βέλτιστη απόδοση, να καθαρίζετε το ακροφύσιο περιοδικά.

Καθαρισμός φίλτρου

Αποδεμεύστε τον συνδετήρα εύκαμπτου σωλήνα νερού και αφαιρέστε τη βρομιά και υπολείμματα από το εσωτερικό του φίλτρου.

► **Εικ.41:** 1. Συνδετήρας εύκαμπτου σωλήνα νερού 2. Φίλτρο 3. Σφραγιστικός δακτύλιος

Όταν χρησιμοποιείτε τη διάταξη διηθητήρα, βγάλτε το φίλτρο από τη θήκη φίλτρου και αφαιρέστε τη βρομιά και υπολείμματα.

► **Εικ.42:** 1. Φίλτρο 2. Θήκη φίλτρου

ΠΑΡΑΤΗΡΗΣΗ: Για να διατηρείτε τη βέλτιστη απόδοση, να καθαρίζετε το φίλτρο περιοδικά.

Αποθήκευση

ΕΙΔΟΠΟΙΗΣΗ: Η αποθήκευση πρέπει πάντα να γίνεται σε εσωτερική τοποθεσία όπου η θερμοκρασία δεν πέφτει υπό του μηδενός. Αν το πλυστικό μηχάνημα υψηλής πίεσης παγώσει και παρουσιάσει δυσλειτουργία, επικοινωνήστε με το τοπικό σας κέντρο εξυπηρέτησης για επισκευές.

ΕΙΔΟΠΟΙΗΣΗ: Βεβαιωθείτε να αποστραγγίσετε εντελώς το νερό στο εσωτερικό του μηχανήματος πριν αποθηκεύσετε το μηχάνημα. Οι δυσλειτουργίες ή ζημιές που προκαλούνται από το πάγωμα λόγω ανεπαρκούς αποστράγγισης δεν καλύπτονται από την εγγύηση.

Αποθηκεύστε τα εξαρτήματα στη θήκη στο πίσω μέρος του μηχανήματος.

► **Εικ.43**

ΑΝΤΙΜΕΤΩΠΙΣΗ ΠΡΟΒΛΗΜΑΤΩΝ

Πριν ζητήσετε επισκευές, εκτελέστε αρχικά τη δική σας επιθεώρηση. Αν εντοπίσετε πρόβλημα που δεν επεξηγείται στο εγχειρίδιο, μην επιχειρήσετε να αποσυναρμολογήσετε το μηχάνημα. Αντ' αυτού, ζητήστε βοήθεια από εξουσιοδοτημένα κέντρα εξυπηρέτησης της Makita και πάντοτε να χρησιμοποιείτε γνήσια ανταλλακτικά της Makita.

Κατάσταση προβλήματος	Πιθανή αιτία (δυσλειτουργία)	Αποκατάσταση
Το πλυστικό μηχάνημα δεν ξεκινά.	Δεν υπάρχει ηλεκτρισμός	Τοποθετήστε φορτισμένες κασέτες μπαταριών και ενεργοποιήστε τον διακόπτη λειτουργίας.
	Υπάρχει παραμείνουσα πίεση στην αντλία	Τραβήξτε τη σκανδάλη.
	Το πλυστικό μηχάνημα υψηλής πίεσης παρέμεινε για πολλή ώρα σε υψηλή πίεση.	Απενεργοποιήστε το πλυστικό μηχάνημα υψηλής πίεσης, παράσχετε νερό από βρύση στην είσοδο και πατήστε τη σκανδάλη ενώ διατηρείτε την παροχή νερού για λίγο. Μετά, ενεργοποιήστε το πλυστικό μηχάνημα υψηλής πίεσης.
Δεν υπάρχει δέσμη νερού / η δέσμη νερού είναι ασθενής	Δεν υπάρχει παροχή νερού ή η παροχή νερού είναι ανεπαρκής	Βεβαιωθείτε ότι η βρύση είναι ανοικτή. Αν χρησιμοποιείτε τη διάταξη εύκαμπτου σωλήνα και τη διάταξη διηθητήρα, εισαγάγετε νερό στον εύκαμπο σωλήνα.
	Αέρας φράσσει τη ροή νερού.	Απενεργοποιήστε το διακόπτη και μετά ενεργοποιήστε τον ξανά, ενώ τραβάτε τη σκανδάλη.
	Ανεπαρκής σύνδεση εύκαμπτου σωλήνα νερού	Ελέγξτε τη σύνδεση μεταξύ του πλυστικού μηχανήματος υψηλής πίεσης και της βρύσης νερού.
	Ανεπαρκής σύνδεση των εύκαμπτων σωλήνων (όταν χρησιμοποιείτε τη διάταξη διηθητήρα)	Σφίξτε το χιτώνιο συνδέσμου αν είναι χαλαρό. Εισαγάγετε το χιτώνιο συνδέσμου με ασφάλεια.
	Φραγμένος εύκαμπος σωλήνας, φίλτρο ή ακροφύσιο	Ξεφράξτε τον εύκαμπο σωλήνα, φίλτρο ή ακροφύσιο.
	Κατεστραμμένο ή φθαρμένο ακροφύσιο ή εύκαμπος σωλήνας	Αντικαταστήστε το ακροφύσιο ή τον εύκαμπο σωλήνα.
Ασταθής δέσμη νερού	Φραγμένο ακροφύσιο	Ξεφράξτε την οπή εξαγωγής του ακροφυσίου χρησιμοποιώντας τον πείρο καθαριστικού.
	Ανεπαρκής αναρρόφηση νερού	Ελέγξτε τον εύκαμπο σωλήνα νερού που ξεκινάει από τη βρύση για τυχόν διαρροές ή φραξίματα. Ανοίξτε τη βρύση.
	Το νερό είναι πολύ ζεστό.	Παράσχετε πιο κρύο νερό.
Διαρροή νερού	Ανεπαρκής σύνδεση εύκαμπτου σωλήνα νερού	Ελέγξτε ότι οι εύκαμποι σωλήνες είναι συνδεδεμένοι με ασφάλεια.
	Κατεστραμμένος ή φθαρμένος εύκαμπος σωλήνας	Αντικαταστήστε τον εύκαμπο σωλήνα.

ΠΡΟΑΙΡΕΤΙΚΑ ΕΞΑΡΤΗΜΑΤΑ

⚠ ΠΡΟΣΟΧΗ: Αυτά τα εξαρτήματα ή προσαρτήματα συνιστώνται για χρήση με το μηχάνημά σας Makita που καθορίζεται στο παρόν εγχειρίδιο. Η χρήση άλλων εξαρτημάτων ή προσαρτημάτων μπορεί να παρουσιάζει κίνδυνο για τραυματισμό ατόμων. Χρησιμοποιήστε εξαρτήματα ή προσαρτήματα μόνο για τον καθορισμένο σκοπό.

Εάν χρειάζεστε οποιαδήποτε βοήθεια για περισσότερες πληροφορίες σε σχέση με αυτά τα εξαρτήματα, αποτανθείτε στο τοπικό σας κέντρο εξυπηρέτησης Makita.

- Ακροφύσια και εύκαμποι σωλήνες
- Γνήσια μπαταρία και φορτιστής της Makita

ΠΑΡΑΤΗΡΗΣΗ: Μερικά στοιχεία της λίστας μπορεί να συμπεριλαμβάνονται στη συσκευασία προϊόντος ως στάνταρ εξαρτήματα. Μπορεί να διαφέρουν ανάλογα με τη χώρα.

► Εικ.44

1	Αντισταλαγματικό προστατευτικό	2	Ακροφύσιο δέσμης κυκλώνα *1	3	Ακροφύσιο μεταβλητού ψεκασμού *1
4	Επέκταση *1	5	Ακροφύσιο αφρού	6	Βούρτσα πλύσης
7	Λόγχη μεταβλητού ψεκασμού	8	Μεταβλητό ακροφύσιο	9	Περιστρεφόμενη βούρτσα
10	Λόγχη ψεκασμού για το κάτω μέρος του αμαξώματος	11	Εύκαμπτος σωλήνας καθαρισμού σωλήνων (10 m)	12	Εύκαμπτος σωλήνας καθαρισμού σωλήνων (15 m)
13	Συνδετική ένωση	14	Πιστόλι με σκανδάλη *1	15	Επέκταση λόγχης *2
16	Εύκαμπτος σωλήνας υψηλής πίεσης *1	17	Επέκταση εύκαμπτου σωλήνα υψηλής πίεσης (5 m)	18	Επέκταση εύκαμπτου σωλήνα υψηλής πίεσης (8 m)
19	Επέκταση εύκαμπτου σωλήνα υψηλής πίεσης (10 m)	20	Περιστρεφόμενη ένωση	21	Συνδετήρας εύκαμπτου σωλήνα νερού *1
22	Διάταξη εύκαμπτου σωλήνα *1	23	Διάταξη διηθητήρα *1	-	-

*1: Τυπικό εξάρτημα

*2: Δεν διατίθεται σε συνδυασμό με τη λόγχη ψεκασμού για το κάτω μέρος του αμαξώματος.

Αντισταλαγματικό προστατευτικό

► Εικ.45

Μειώνει την οπίσθια εκτόξευση κατά τον καθαρισμό γωνιών με το ακροφύσιο δέσμης κυκλώνα.

► Εικ.46: 1. Παξιμάδι 2. Ακροφύσιο δέσμης κυκλώνα

Όταν χρησιμοποιείτε το αντισταλαγματικό προστατευτικό, αφαιρέστε το παξιμάδι από το αντισταλαγματικό προστατευτικό και, στη συνέχεια, εισαγάγετε το ακροφύσιο δέσμης κυκλώνα στο αντισταλαγματικό προστατευτικό και μετά σφίξτε το παξιμάδι.

Ακροφύσιο αφρού

► Εικ.47

Το απορρυπαντικό μπορεί να ψεκαστεί ως αφρός.

Βούρτσα πλύσης

► Εικ.48

Ακροφύσιο εξοπλισμένο με βούρτσα. Χρήσιμη για το πλύσιμο βρομιάς ενώ τρίβετε με τη βούρτσα.

Λόγχη μεταβλητού ψεκασμού

▲ΠΡΟΣΟΧΗ: Όταν ρυθμίζετε την πίεση δέσμης, μην περιστρέψετε το ακροφύσιο ενώ το τραβάτε προς το πιστόλι με σκανδάλη. Το ακροφύσιο μπορεί να βγει από το πιστόλι με σκανδάλη και να προκαλέσει προσωπικό τραυματισμό.

▲ΠΡΟΣΟΧΗ: Όταν περιστρέψετε τη μύτη του ακροφυσίου για να ρυθμίσετε τη δέσμη νερού, μην την περιστρέψετε με δύναμη. Διαφορετικά, το ακροφύσιο μπορεί να σπάσει και να προκληθεί τραυματισμός.

► Εικ.49

Η πίεση δέσμης μπορεί να ρυθμιστεί αν περιστρέψετε το ακροφύσιο.

Μεταβλητό ακροφύσιο

▲ΠΡΟΣΟΧΗ: Όταν ρυθμίζετε το πλάτος δέσμης, μην περιστρέψετε το ακροφύσιο ενώ το τραβάτε προς το πιστόλι με σκανδάλη. Το ακροφύσιο μπορεί να βγει από το πιστόλι με σκανδάλη και να προκαλέσει προσωπικό τραυματισμό.

▲ΠΡΟΣΟΧΗ: Όταν περιστρέψετε τη μύτη του ακροφυσίου για να ρυθμίσετε τη δέσμη νερού, μην την περιστρέψετε με δύναμη. Διαφορετικά, το ακροφύσιο μπορεί να σπάσει και να προκληθεί τραυματισμός.

► Εικ.50

Το πλάτος δέσμης μπορεί να ρυθμιστεί από 0° έως 25° αν περιστρέψετε το μπροστινό άκρο του ακροφυσίου.

Περιστρεφόμενη βούρτσα

► Εικ.51

Τρεις βούρτσες στο εσωτερικό περιστρέφονται αργά κατά την εκτόξευση της δέσμης. Κατάλληλο για τον καθαρισμό ελαφριάς βρομιάς σε εξωτερικό τοίχο, αμάξωμα αυτοκινήτου, μπανιέρα, κτλ.

Λόγχη ψεκασμού για το κάτω μέρος του αμαξώματος

▲ΠΡΟΣΟΧΗ: Μη χρησιμοποιείτε τη λόγχη ψεκασμού για το κάτω μέρος του αμαξώματος μαζί με την επέκταση λόγχης.

► Εικ.52

Μια πολύ μακριά λόγχη ψεκασμού με επικλινές ακροφύσιο. Ιδανικό για το καθάρισμα δυσπρόσιτων περιοχών όπως το κάτω μέρος ενός αυτοκινήτου και των υδρορροών οροφής.

Εύκαμπτος σωλήνας καθαρισμού σωλήνων (10 m/15 m)

▲ ΠΡΟΣΟΧΗ: Να προσέχετε ιδιαίτερα τη δέσμη νερού όταν χρησιμοποιείτε τον εύκαμπτο σωλήνα καθαρισμού σωλήνων. Εκτοξεύεται προς τα πίσω μια εξαιρετικά δυνατή δέσμη νερού. Να τραβάτε τη σκανδάλη της δέσμης νερού όταν το ακροφύσιο έχει εισαχθεί στον σωλήνα προς καθαρισμό μέχρι τουλάχιστον την κόκκινη ένδειξη.

► Εικ.53

Για τον καθαρισμό και την απόφραξη υδραυλικών και σωλήνων καθόδου.

Συνδετική ένωση

► Εικ.54

Μια ένωση για τη σύνδεση με ακροφύσιο από άλλο μοντέλο.

Μερικά προαιρετικά ακροφύσια απαιτούν τη συνδετική ένωση (προαιρετικό εξάρτημα) για να συνδεθούν με το πιστόλι με σκανδάλη. Συνδέστε τη συνδετική ένωση με το πιστόλι με σκανδάλη με τον ίδιο τρόπο όπως το ακροφύσιο.

► **Εικ.55:** 1. Ακροφύσιο 2. Συνδετική ένωση 3. Πιστόλι με σκανδάλη

Επέκταση λόγχης

► Εικ.56

Σωλήνες για την επέκταση του μήκους του πιστολιού με σκανδάλη. Διατίθενται τρία διαφορετικά μήκη αν αλλάξετε τον αριθμό των σωλήνων που πρόκειται να χρησιμοποιηθούν.

Επέκταση εύκαμπτου σωλήνα υψηλής πίεσης (5 m/8 m/10 m)

► Εικ.57

Επέκταση εύκαμπτου σωλήνα για τη σύνδεση του κυρίως τμήματος του πλυστικού μηχανήματος υψηλής πίεσης με το πιστόλι με σκανδάλη.

Περιστρεφόμενη ένωση

► Εικ.58

Εμποδίζει τη συστροφή του εύκαμπτου σωλήνα υψηλής πίεσης.

► **Εικ.59:** 1. Κουμπί 2. Παξιμάδι

Για σύνδεση ή αποσύνδεση του εύκαμπτου σωλήνα υψηλής πίεσης με την περιστρεφόμενη ένωση, περιστρέψτε το παξιμάδι στον εύκαμπτο σωλήνα υψηλής πίεσης ενώ πατάτε το κουμπί στην περιστρεφόμενη ένωση.

Διάταξη εύκαμπτου σωλήνα

► Εικ.60

Διάταξη εύκαμπτου σωλήνα για τη σύνδεση μιας βρύσης με το προϊόν, ή της διάταξης διηθητήρα με το προϊόν.

Διάταξη διηθητήρα

► Εικ.61

Διάταξη διηθητήρα για την παροχή νερού από δοχείο ή ρεζερβουάρ. Χρησιμοποιήστε τη διάταξη εύκαμπτου σωλήνα για τη σύνδεση με το προϊόν.

UYARI

- Makinalar çocuklar tarafından kullanılmamalıdır. Makina ile oynamadıklarından emin olmak için çocuklar kontrol altında bulundurulmalıdır.
- Bu makina, çocuklar da dahil olmak üzere fiziksel, duyuşsal veya zihinsel engelli ya da tecrübe ve bilgisi olmayan kişiler tarafından kullanılmak üzere tasarlanmamıştır.
- Bu makina, birlikte verilen veya üretici tarafından önerilen temizlik maddesi ile kullanım için tasarlanmıştır. Diğer temizlik maddelerinin veya kimyasalların kullanılması makinanın güvenliğini olumsuz yönde etkileyebilir.
- Basınçlı yıkama makinalarının kullanımı sırasında aerosoller oluşabilir. Aerosollerin solunması sağlığa zararlı olabilir.
- Uygulamaya bağılı olarak, basınçlı temizlik için sulu aerosollerin emisyonunu önemli ölçüde düşürecek korumalı nozullar kullanılabilir. Bununla birlikte bazı uygulamalar bu tür aygıtların kullanımına izin vermez. Aerosollere karşı koruma için korumalı nozullar uygulanabilir değilse temizleme ortamına bağılı olarak FFP 2 sınıfı veya eşdeğeri bir solunum maskesi gerekebilir.
- Temizlenecek yüzeye ve ortamına bağılı olarak, aerosoller ile ilgili gerekli koruyucu önlemleri belirlemek amacıyla işveren bir risk değerlendirmesi yapmalıdır. Sulu aerosollere karşı koruma sağlamak için FFP 2 sınıfı, eşdeğeri veya üstü solunum maskeleri uygundur.
- Basınçlı jetler, yanlış kullanılmaları durumunda tehlikeli olabilir. Jet insanlara, akım çeken elektrikli cihazlara veya makinanın kendisine doğrultulmamalıdır.
- Makinayı, koruyucu giysi giymiyorlarsa insanlara erişebilecek mesafede kullanmayın.
- Giysi veya ayakkabıları temizlemek için jeti kendinize veya diğer insanlara doğrultmayın.
- Patlama tehlikesi - Yanıcı sıvılar püskürtmeyin.
- Basınçlı temizleme makinaları çocuklar veya eğitimşiz kişiler tarafından kullanılmamalıdır.

- Yüksek basınç hortumları, bağlantı parçaları ve rakorlar makinanın güvenliği için önemlidir. Yalnızca üretici tarafından önerilen hortumları, bağlantı parçalarını ve rakorları kullanın.
- Makina güvenliğini sağlamak için sadece üreticinin orijinal yedek parçalarını veya üretici onaylı yedek parçaları kullanın.
- Alet üzerinde herhangi bir işlem yapmadan önce makinenin kapalı ve batarya kartuşlarının çıkartılmış olduğundan daima emin olun.
- Makinanın örneğin güvenlik aygıtları, yüksek basınç hortumları, tetikli tabanca gibi önemli parçaları hasarlıysa makineyi kullanmayın.
- Makineyi gözetimsiz bırakırken her zaman batarya kartuşlarını çıkarın.
- Yerel su tedarik şirketinin gereksinimlerine uyun.
- Avrupa ülkeleri için:
EN12729'a göre (Tip BA), tedarik hortumuna drenaj özellikli bir geri akış önleme valfi takılırsa, alet içme suyu şebekesine de bağlanabilir.

TEKNİK ÖZELLİKLER

Model:		HW001G
Maks. debi *1		7,0 L/min
Su debisi *2	Mod 3 (Yüksek mod)	5,5 L/min
	Mod 2 (Orta mod)	4,2 L/min
	Mod 1 (Düşük mod)	3,0 L/min
İzin verilebilir maks. basınç		11,5 MPa
Çalışma basıncı *2	Mod 3 (Yüksek mod)	8,5 MPa
	Mod 2 (Orta mod)	5,5 MPa
	Mod 1 (Düşük mod)	3,0 MPa
Maks. besleme basıncı		1,0 MPa
Maks. besleme sıcaklığı		40°C
Maks. emme yüksekliği		1,0 m
Anma gerilimi		D.C. 36 V - 40 V maks.
Boyutlar (U x G x Y) *3		344 mm x 383 mm x 520 mm
Net ağırlık		10,3 - 13,4 kg
Su koruması		IPX5

*1: Nozullar olmadan tetikli tabancayı kullanırken.

*2: Değişken püskürtme nozulu ve uzatma borusunu kullanırken.

*3: Kol katlı durumda ve hortumlar olmadan.

- Sürekli yapılan araştırma ve geliştirmelerden dolayı, burada belirtilen özellikler önceden bildirilmeksizin değiştirilebilir.
- Özellikler ülkeden ülkeye değişebilir.
- Ağırlık, ekli aksesuar/aksesuarlara ve batarya kartuşuna bağlı olarak farklılık gösterebilir. EPTA-Prosedürü 01/2014'e göre en hafif ve en ağır kombinasyonlar tabloda verilmiştir.

Geçerli batarya kartuşu ve şarj aleti





Batarya kartuşu	BL4020 / BL4025 / BL4040 / BL4050F* / BL4080F* * : Önerilen batarya
Şarj aleti	DC40RA / DC40RB / DC40RC


- Yukarıda listelenen batarya kartuşlarının ve şarj aletlerinin bazıları yaşadığınız bölgeye bağlı olarak mevcut olmayabilir.



UYARI: Sadece yukarıda listelenen batarya kartuşlarını ve şarj aletlerini kullanın. Başka batarya kartuşlarının ve şarj aletlerinin kullanılması yaralanma ve/veya yangına neden olabilir.

Semboller

Ekipmanı için kullanılacak semboller aşağıda gösterilmiştir. Kullanmadan önce anlamlarını anladığınızdan emin olun.

	Çok özenli ve dikkatli kullanın.
	El kitabını okuyun.
	İçilir su musluğuna bağlamayın.
	Jeti kendiniz dahil insanlara, hayvanlara ve akım çeken elektrikli cihazlara doğrultmayın.

	Sadece AB ülkeleri için Ekipmanda tehlikeli bileşenler bulunduğundan dolayı atık elektrikli ve elektronik ekipmanlar, aküler ve bataryalar çevre ve insan sağlığı üzerinde olumsuz etkiye yol açabilir. Elektrikli ve elektronik cihazları veya bataryaları evsel atıklarla birlikte atmayın! Atık elektrikli ve elektronik ekipmanlar ile akümülatörler ve bataryalar hakkındaki Avrupa Direktifi ve söz konusu direktifin ulusal yasalara uyarlanması gereğince atık elektrikli ekipmanlar, bataryalar ve akümülatörler ayrı olarak depolanmalı ve çevre koruma hakkındaki mevzuata uygun olarak faaliyet gösteren ayrı bir kentsel atık toplama noktasına teslim edilmelidir. Bu husus, ekipmanın üzerine yerleştirilmiş üzerinde çarpı işareti bulunan tekerlekli çöp kovası simgesi ile belirtilmiştir.
--	--

	AB Dış Mekan Gürültü Direktifi uyarınca garanti edilen ses gücü seviyesi.
	Avustralya NSW Gürültü Kontrol Mevzuatı uyarınca ses gücü seviyesi

Kullanım amacı

Bu makine, inatçı kirleri su jeti kullanarak temizlemek için tasarlanmıştır. Bu makine, her ticari kullanım hem de evde kullanım için tasarlanmıştır.

Gürültü

Tipik A-ağırlıklı gürültü düzeyi (EN60335-2-79 standardına göre belirlenen):

Ses basınç seviyesi (L_{pA}): 71 dB (A)

Belirsizlik (K): 3,2 dB (A)

İşlem sırasında gürültü seviyesi 80 dB (A)'yi geçebilir.

NOT: Beyan edilen gürültü emisyonu değer(ler)i bir standart test yöntemine uygun şekilde ölçülmüştür ve bir aleti bir başkasıyla karşılaştırmak için kullanılabilir.

NOT: Beyan edilen gürültü emisyonu değer(ler)i bir ön maruz kalma değerlendirmesi olarak da kullanılabilir.

UYARI: Kulak koruyucuları takın.

UYARI: Elektrikli aletin gerçek kullanımı sırasındaki gürültü emisyonu, aletin kullanım biçimlerine, özellikle işlenen iş parçasının türüne bağlı olarak beyan edilen değer(ler)den farklı olabilir.

UYARI: Gerçek kullanım koşullarındaki tahmini maruziyeti baz alan, operatörü koruyacak güvenlik önlemlerini mutlaka belirleyin (çalışma döngüsü içerisinde aletin kapalı olduğu ve aktif durumda olmasının yanı sıra boşta çalıştığı zamanlar gibi, bütün zaman dilimleri göz önünde bulundurarak).

Titreşim

Titreşim toplam değeri (üç eksenli vektör toplamı)

(EN60335-2-79 standardına göre hesaplanan):

Titreşim emisyonu (a_{h1}): 3,2 m/s²

Belirsizlik (K) : 1,5 m/s²

NOT: Beyan edilen titreşim toplam değer(ler)i bir standart test yöntemine uygun şekilde ölçülmüştür ve bir aleti bir başkasıyla karşılaştırmak için kullanılabilir.

NOT: Beyan edilen titreşim toplam değer(ler)i bir ön maruz kalma değerlendirmesi olarak da kullanılabilir.

UYARI: Elektrikli aletin gerçek kullanımı sırasındaki titreşim emisyonu, aletin kullanım biçimlerine, özellikle işlenen iş parçasının türüne bağlı olarak beyan edilen değer(ler)den farklı olabilir.

UYARI: Gerçek kullanım koşullarındaki tahmini maruziyeti baz alan, operatörü koruyacak güvenlik önlemlerini mutlaka belirleyin (çalışma döngüsü içerisinde aletin kapalı olduğu ve aktif durumda olmasının yanı sıra boşta çalıştığı zamanlar gibi, bütün zaman dilimleri göz önünde bulundurarak).

Uygunluk Beyanları

Sadece Avrupa ülkeleri için

Uygunluk beyanları bu kullanma kılavuzuna Ek A olarak eklenmiştir.

GÜVENLİK UYARILARI

Genel elektrikli alet güvenliği uyarıları

⚠UYARI Bu elektrikli aletle birlikte verilen tüm güvenlik uyarılarını, talimatları, resimli açıklamaları ve teknik özellikleri okuyun. Aşağıda listelenen talimatların herhangi birine uyulmaması elektrik çarpması, yangın ve/veya ciddi yaralanma ile sonuçlanabilir.

Tüm uyarıları ve talimatları ile-ride başvurmak için saklayın.

Uyarılardaki "elektrikli alet" terimi ile ya prizden çalışan (kordonlu) elektrikli aletiniz ya da kendi aküsü ile çalışan (kordsuz) elektrikli aletiniz kastedilmektedir.

ÖNEMLİ GÜVENLİK UYARILARI

⚠UYARI: Tüm güvenlik uyarılarını ve tüm talimatları okuyun. Uyarılara ve talimatlara uyulmaması elektrik şoku, yangın ve/veya ciddi yaralanmalar ile sonuçlanabilir.

Tüm uyarıları ve talimatları ile-ride başvurmak için saklayın.

UYARI - Bu ürünü kullanırken aşağıdakiler de dahil olmak üzere temel önlemler mutlaka takip edilmelidir: Çalışma alanı güvenliği

1. Tüm insanları çalışma alanından uzak tutun.
2. Dengesiz desteklerin üzerinden uzanmayın veya bunların üzerinde durmayın. Daima sağlam ve dengeli basın.
3. Basınçlı yıkama makinasının gövdesini daima düz ve sabit bir yüzeyin üzerine koyun. Püskürtülen suyun akacağı veya birikeceği alanlardan kaçınin.
4. Temizleme öncesinde etrafı ve temizlenecek nesnelere kontrol edin. Basınçlı jetler zehirli kimyasallar da dahil olmak üzere boya veya diğer yüzey kaplamalarını kazıyarak çıkarabilir. Gereirse önleyici tedbirler alın.
5. Basınçlı yıkama makinasının hortumuna takılarak düşmemeye dikkat edin. Çalışma sırasında hortumun yerleşiminin daima farkında olun.
6. Kullanım sırasında basınçlı yıkama makinasının alt kısmından az miktarda su çıkar. Basınçlı yıkama makinasını ıslanmasını istemediğiniz yerlere yerleştirmekten kaçınin.

Kişisel güvenlik

1. Jete ve jetin fırlattığı nesnelere karşı korunmak için operatörler güvenlik ayakkabısı, güvenlik eldiveni, vizörlü güvenlik kaskı, kulak tıkacı, vb. uygun giysi giymeli ve koruyucu ekipman takmalıdır.

2. Basınçlı yıkama makinasını, koruyucu giysi giymiyorlarsa insanlara erişebilecek mesafede kullanmayın.
3. Yaralanma riskini azaltmak için ürün çocukların yanında kullanılırken yakın nezaret gereklidir.
4. İçilir su sistemine bağlantı yapılırsa sistem, geri akışa karşı korunmalıdır.
5. Geri akış engelleyicisi üzerinden akan su, güvenli olmayan su olarak değerlendirilir.

Elektrik güvenliği

1. Batarya kartuşlarına asla ıslak elle ellemeyin.
2. Makinanın örneğin güvenlik aygıtları, yüksek basınç hortumları veya tetikli tabanca gibi önemli parçaları hasarlıysa makinaryı kullanmayın.

Elektrikli aletlerin kullanımı ve bakımı

1. Ürünü kullanmadan önce tüm talimatları okuyun.
2. Basınçlı yıkama makinasını ve basınç kaçaklarını hızlı bir şekilde nasıl durduracağınızı bilin. Kumandaları ayrıntılarıyla tanıyın.
3. Basınçlı jetler, yanlış kullanımları durumunda tehlikeli olabilir. Jet insanlara, akım çeken elektrikli cihazlara veya makinanın kendisine doğrultulmamalıdır.
4. Bu makina, çocuklar da dahil olmak üzere fiziksel, duyuşsal veya zihinsel engelli ya da tecrübe ve bilgisi olmayan kişiler tarafından kullanılmak üzere tasarlanmamıştır.
5. Cihazla oynamadıklarından emin olmak için çocuklar kontrol altında bulundurulmalıdır.
6. Yanıcı ve/veya zehirli sıvıları püskürtmeyin. Patlamaya, zehirlenmeye veya makinanın hasar görmesine neden olabilir.
7. Giysi veya ayakkabıları temizlemek için jeti kendinize veya diğer insanlara doğrultmayın.
8. Yüksek basınç hortumları, bağlantı parçaları ve rakorlar makinanın güvenliği için önemlidir. Yalnızca üretici tarafından önerilen hortumları, bağlantı parçalarını ve rakorları kullanın.
9. Aksesuarları değiştirirken talimatları izleyin.
10. Makinanın tutamaklarını kuru, temiz ve yağ veya gresten temiz tutun.
11. Dikkatli olun - ne yaptığınıza dikkat edin.
12. Yorgunken veya alkol ya da ilaçların etkisi altındayken ürünü kullanmayın.
13. Basınçlı yıkama makinasını susuz bir dakikadan daha uzun çalıştırmayın. Motora hasar vererek arızayla sonuçlanabilir.
14. Basınçlı yıkama makinasını gözetimsiz bırakırken daima elektriği ve su şebekesini kapatın.
15. Geri tepmeye karşı uyanık olun. Basınçlı jet nozuldan püskürtülürken tetikli tabanca geri teper. Kazara yaralanmaları engellemek için tetikli tabancayı sıkıca tutun.
16. Kullanmadan önce hasarlı veya eskimiş parça olup olmadığını kontrol edin. Ayrıca hortumun düzgün bir şekilde bağlandığından ve çalışma sırasında kaçak olmadığından emin olun. Makinanın fonksiyonel kusurlarla çalıştırılması kazaya neden olabilir.

17. Bu makina, birlikte verilen veya üretici tarafından önerilen temizlik maddesi ile kullanım için tasarlanmıştır. Diğer temizlik maddelerinin veya kimyasalların kullanılması makinanın güvenliğini olumsuz yönde etkileyebilir.
 18. Basınçlı yıkama makinasının gövdesini taşımak için hortumu çekmeyin. Bu işlem hortuma ve bağlantı parçalarına hasar verir ve kısa devreye veya fonksiyonel kusurlara neden olur.
 19. Hortumun üzerine ağır nesnelere koymayın veya araçların üzerinden geçmesine izin vermeyin.
 20. Hortumu asırmadan önce tetikli tabancadaki artık basıncı mutlaka boşaltın.
 21. Hortumu su şebekesine bağlarken yerel su idaresinin veya firmasının talimatlarına uyun.
 22. Basınçlı yıkama makinası düşürülür veya sert bir nesneye çarpılırsa mutlaka hasar ve çatlama karşı kontrol edin. Basınçlı yıkama makinasının hasarlı kullanılması yaralanmaya yol açacak duman, alev üretebilir veya elektrik çarpmasına neden olabilir.
 23. Basınçlı yıkama makinalarının kullanımı sırasında aerosoller oluşabilir. Aerosollerin solunması sağlığa zararlı olabilir.
 24. Uygulamaya bağlı olarak, basınçlı temizlik için sulu aerosollerin emisyonunu önemli ölçüde düşürecek korumalı nozullar kullanılabilir. Bununla birlikte bazı uygulamalar bu tür aygıtların kullanımına izin vermez. Aerosollere karşı koruma için korumalı nozullar uygulanabilir değilse temizleme ortamına bağlı olarak FFP 2 sınıfı veya eşdeğeri bir solunum maskesi gerekebilir.
 25. Temizlenecek yüzeye ve ortamına bağlı olarak, aerosoller ile ilgili gerekli koruyucu önlemleri belirlemek amacıyla işveren bir risk değerlendirme yapmalıdır. Sulu aerosollere karşı koruma sağlamak için FFP 2 sınıfı, eşdeğeri veya üstü solunum maskeleri uygundur.
 26. İstem dışı çalışmayı önleyin. Batarya kutusuna takmadan, cihazı elinize almadan veya taşımadan önce düğmenin kapalı konumda olduğundan emin olun. Cihazı parmağınız düğmenin üzerindeyken taşıma ya da düğme açık konumdayken cihaza güç verme kazalara davetiye çıkarır.
 27. Herhangi bir ayarlama yapmadan, aksesuar değiştirmeden ya da cihazı saklamadan önce batarya kutusunu cihazdan ayırın. Bu önleyici güvenlik önlemleri cihazı kazayla çalıştırma riskini azaltır.
 28. Cihazı veya batarya kutusunu, kullanım ve bakım talimatlarında belirtilenler dışında modifiye etmeyin ya da onarmaya çalışmayın.
 29. Su jetini aynı alana sürekli uygulamayın. Nesne kırılabilir ve yaralanmaya neden olabilir.
 30. Makineyi bu makinenin su jetiyle yıkamayın. Makine kırılabilir veya makinenin parçaları çıkabilir ve yaralanmaya neden olabilir.
 31. Elektrik çarpma riskini engellemek için su jetini, makine açtıkten makineye doğrultmayın.
- Bataryalı aletin kullanımını ve bakımını**
1. Sadece üretici tarafından belirtilen şarj aleti ile şarj edin. Bir batarya kutusu için uygun olan şarj cihazı başka bir batarya kutusu ile kullanıldığında yangın riski oluşturabilir.
 2. Elektrikli aletleri sadece özel olarak belirtilen bataryaya kutuları ile kullanın. Başka bataryaya kutularının kullanımı yaralanma ve yangın riski oluşturabilir.
 3. Bataryaya kutusu kullanılmadığında; iki terminal arasında bağlantı kurulmasına sebep olabilecek ataç, bozuk para, anahtar, çivi, vida gibi metal nesnelere ya da küçük metal objelerden uzak tutun. Batarya terminallerine kısa devreye yaptırmak yanıklara ya da yangına yol açabilir.
 4. Kötü koşullarda bataryadan sıvı sızabilir; bu sıvıyı temas etmeyin. Eğer istemeden bir temas olursa suyla yıkayın. Sıvı göze temas ederse, suyla yıkadıktan sonra tıbbi yardım alın. Bataryadan çıkan sıvı tahrişe ya da yanıklara neden olabilir.
 5. Bataryaya kutusu ya da alet hasar görmüşse ya da üzerinde değişiklik yapılmışsa bataryaya kutusunu kullanmayın. Hasar görmüş ya da üzerinde değişiklik yapılmış bataryaya kutuları yangın, patlamaya ya da yaralanma riski ile sonuçlanan beklenmedik davranışlar sergileyebilir.
 6. Bataryaya kutusunu veya aleti ateşe ya da aşırı sıcaklıklara maruz bırakmayın. Ateşe ya da 130 °C'nin üzerinde sıcaklıklara maruz bırakmak patlamaya neden olabilir.
 7. Tüm şarj talimatlarına uyun ve bataryaya kutusunu ya da aleti yönergelerde belirtilen sıcaklık aralığının dışındaki sıcaklıklarda şarj etmeyin. Uygun olmayan bir şekilde ya da belirtilen sıcaklık aralığının dışında şarj etmek bataryaya zarar verebilir ve yangın riskini artırabilir.

Servis

1. Kılavuzda belirtilen bakım talimatlarını izleyin.
2. Makina güvenliğini sağlamak için sadece üreticinin orijinal yedek parçalarını veya üretici onaylı yedek parçaları kullanın.
3. Basınçlı yıkama makinasınızı, sadece orijinal yedek parçaları kullanarak kullanarak kalifiye onarım personeline tamir ettirin. Bu, basınçlı yıkama makinasının güvenliğinin korunmasını sağlar.
4. Basınçlı yıkama makinasının bozulması veya arızalanması durumunda derhal makineyi kapatın ve batarya kartuşunu(kartuşlarını) çıkarın. Yerel bayi veya servise başvurun.

Ek güvenlik uyarıları

1. Yerel su tedarik şirketinin gereksinimlerine uyun.
2. Yıldırım riski varken makineyi kullanmayın.
3. Makineyi çamurlu zeminde, ıslak yamaçlarda veya kaygan yerlerde kullanırken dengeye dikkat edin.
4. Bataryayı yağmurla değiştirmeyin.
5. Makineyi su birikintisine sokmayın.
6. Makineyi dışarıda yağmur altında gözetimsiz bırakmayın.
7. Makineyi depolarken doğrudan güneş ışığı ve yağmurdan sakının, ısınmayacak veya nemlenmeyecek bir yerde depolayın.
8. Makinenin üzerine oturmayın veya makineyi tabure merdiven gibi kullanmayın. Aksi takdirde kazaya veya makinenin arızalanmasına neden olabilir.

BU TALİMATLARI SAKLAYIN.

⚠UYARI: Ürünü kullanırken (defalarca kullanınca kazanılan) rahatlık ve tanıdıklık duygusunu ilgili ürünün güvenlik kurallarına sıkı sıkıya bağlı kalmanın yerine geçmesine İZİN VERMEYİN.

YANLIŞ KULLANIM veya bu kullanma kılavuzunda belirtilen emniyet kurallarına uymama ciddi yaralanmaya neden olabilir.

Batarya kartuşu hakkında önemli güvenlik talimatları

1. Batarya kartuşunu kullanmadan önce, tüm talimatları ve (1) batarya kartuşu, (2) batarya ve (3) ürün üzerindeki tüm uyarı işaretlerini okuyun.
2. Batarya kartuşunu parçalarına ayırmayın veya kurcalamayın. Yangın, aşırı ısı veya patlamaya neden olabilir.
3. Çalışma süresi aşırı derecede kısalmışsa kullanmayı derhal bırakın. Aşırı ısınma, yanma riski hatta patlamaya neden olabilir.
4. Gözünüze elektrolit kaçarsa, gözlerinizi temiz suyla durulayın ve hemen tıbbi yardım alın. Görme kaybına yol açabilir.
5. Batarya kartuşuna kısa devre yaptırmayın:
 - (1) Terminaller herhangi bir iletken madde değiştirmeyin.
 - (2) Batarya kartuşunu çiviler, madeni paralar, vb. gibi başka metal nesnelere aynı kaba koymaktan kaçınınız.
 - (3) Batarya kartuşunu yağmura ya da suya maruz bırakmayın.Kısa devre, büyük bir akım akışına, aşırı ısınmaya, olası yanıklara hatta bataryanın bozulmasına yol açabilir.
6. Aleti ve batarya kartuşunu sıcaklığın 50 °C ya da daha yükseğe ulaştığı yerlerde saklamayın ve kullanmayın.
7. Aşırı derecede hasar görmüş ya da tamamen kullanılamaz durumda olsa bile batarya kartuşunu yakmayın. Batarya kartuşu ateşe atılırsa patlayabilir.
8. Batarya kartuşunu çivilemeyin, kesmeyin, ezmeyin, fırlatmayın, düşürmeyin ya da batarya kartuşuna sert bir nesne ile vurmayın. Bu eylemler yangın, aşırı ısı veya patlamaya neden olabilir.
9. Hasarlı bataryayı kullanmayın.
10. Aletin içerdiği lityum-iyon bataryalar Tehlikeli Eşyalar Yönetmeliğinin gereksinimlerine tabidir.

Ticari nakliye işlemleri için, örneğin üçüncü taraflar, nakliye acenteleri tarafından yapılan nakliyelerde, paketleme ve etiketleme gereksinimlerine uyulmalıdır.

Nakliyesi yapılacak ürünün hazırlanması için, tehlikeli maddeler konusunda uzman bir kişiye danışın. Lütfen muhtemelen daha ayrıntılı olan ulusal yönetmeliklere de uyun.

Açık kontakları bantlayın ya da maskeleyin ve bataryayı paketin içinde hareket etmeyecek şekilde paketleyin.

11. Batarya kartuşunu bertaraf ederken aletten çıkarın ve güvenli bir yerde bertaraf edin. Bataryanın bertaraf edilmesi ile ilgili yerel düzenlemelere uyunuz.
12. Bataryaları sadece Makita tarafından belirtilen ürünlerle kullanın. Bataryaların uyumsuz ürünlere takılması; yangın, aşırı ısınma, patlama ya da elektrolit sızıntısına neden olabilir.
13. Alet uzun süre kullanılmıyacaksa batarya aletten çıkarılmalıdır.
14. Kullanma sırasında ve sonrasında batarya kartuşu ısınarak yanıklara veya düşük sıcaklık yanıklarına yol açabilir. Sıcak batarya kartuşları ile işlem yaparken dikkat edin.
15. Yanıklara neden olabilecek kadar sıcak olabileceğinden kullandıktan hemen sonra aletin terminaline dokunmayın.
16. Batarya kartuşunun terminallerine, deliklerine ve kanallarına mıcır, toz veya toprak girmesine izin vermeyin. Aletin veya batarya kartuşunun ısınmasına, alev almasına, patlamasına ve arızalanmasına neden olarak yanıklara veya yaralanmaya yol açabilir.
17. Alet yüksek gerilim elektrik güç hatlarında kullanımı desteklemediği sürece batarya kartuşunu yüksek gerilim elektrik güç hatlarının yakınında kullanmayın. Aletin veya batarya kartuşunun arızalanmasına veya bozulmasına neden olabilir.
18. Bataryayı çocuklardan uzak tutun.

BU TALİMATLARI MUHAFAZA EDİNİZ.

⚠DİKKAT: Sadece orijinal Makita bataryalarını kullanın. Orijinal olmayan Makita bataryaları ya da üzerine değişiklik yapılmış bataryaların kullanımı bataryanın patlamasına ve sonuç olarak yangın, kişisel yaralanma ve hasara neden olabilir. Ayrıca Makita aleti ve şarj aletinin Makita tarafından sunulan garantisi de geçersiz olur.

Maksimum batarya ömrü için ipuçları

1. Batarya kartuşunu tamamen boşalmadan önce şarj edin. Aletin gücünün zayıflamaya başladığını fark ettiğinizde aleti durdurun ve batarya kartuşunu şarj edin.
2. Tam dolu bir batarya kartuşunu asla yeniden şarj etmeyin. Aşırı şarj etme bataryanın hizmet ömrünü kısaltır.
3. Batarya kartuşunu 10 °C - 40 °C oda sıcaklığında şarj edin. Sıcak bir batarya kartuşunu şarj etmeden önce soğumasını bekleyin.
4. Batarya kartuşunu kullanmıyorken aletten veya şarj aletinden çıkarın.
5. Uzun bir süre (altı aydan daha fazla) kullanmadığınız durumlarda batarya kartuşunu şarj edin.

İŞLEVSEL NİTELİKLER

⚠ DİKKAT: Makine üzerinde ayarlama ya da işleyiş kontrolü yapmadan önce makinenin kapalı ve batarya kartuşlarının çıkarılmış olduğundan daima emin olun.

Batarya kartuşunun takılması ve çıkarılması

⚠ DİKKAT: Batarya kartuşunu takıp çıkarmadan önce makineyi mutlaka kapatın.

⚠ DİKKAT: Batarya kartuşunu takarken veya çıkarırken makine ve batarya kartuşunu sıkıca tutun. Makinenin ve batarya kartuşunun sıkıca tutulmaması bunların düşürülmesine sebep olabilir; makine ve batarya kartuşunun zarar görmesine ya da ciddi yaralanmalara yol açabilir.

⚠ DİKKAT: Kullanmadan önce batarya kapağını kilitlediğinizden emin olunuz. Aksi takdirde; çamur, kir veya su ürüne ya da batarya kartuşuna zarar verebilir.

⚠ DİKKAT: Batarya kartuşunu daima tam olarak takın. Aksi takdirde, makineden kayıp düşebilir ve sizin veya çevredeki kişilerin yaralanmasına neden olabilir.

⚠ DİKKAT: Batarya kartuşunu zorlayarak takmaya çalışmayın. Kartuş kolayca kaymıyorsa doğru yerleştirilmemiş demektir.

⚠ DİKKAT: Batarya kartuşunu takarken veya çıkarırken batarya kapağını sıkıca tutun.

Batarya kartuşunu takmak için;

1. Kilitleme kolunu yukarı çekin ve ardından batarya kapağını açın.
► **Şek.1:** 1. Batarya kapağı 2. Kilitleme kolu
2. Batarya kartuşunun üzerindeki dili makinenin üzerindeki yuvayla hizalayın ve ardından kartuşu hafif bir tık sesi duyulup yerine kilitlene kadar kaydırın.
► **Şek.2:** 1. Batarya kartuşu
3. Batarya kapağını kapatın ve kilitleme kolu ile iterek kilitlene kadar itin.





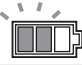
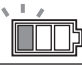

Batarya kartuşunu çıkarmak için;

1. Kilitleme kolunu yukarı çekin ve batarya kapağını açın.
2. Kartuşun ön tarafındaki düğmeyi kaydırarak batarya kartuşunu makineden çekip çıkarın.
3. Batarya kapağını kapatın ve kilitleme kolu ile iterek kilitlene kadar itin.

Batarya kontrol düğmesi

Batarya kontrol düğmesine basarak kalan batarya kapasitesini kontrol edebilirsiniz.

► **Şek.3:** 1. Batarya göstergesi 2. Batarya kontrol düğmesi

Batarya göstergesi durumu			Kalan pil kapasitesi
 Açık	 Kapalı	 Yanıp sönüyor	
			%50 ila %100
			%20 ila %50
			%0 ila %20
			Bataryayı şarj edin

NOT: Kalan batarya kapasitesi gösterge lambası yalnızca referans amaçlıdır. Gerçek batarya kapasitesi, kullanım koşullarına veya ortam sıcaklığına bağlı olarak değişebilir.

NOT: Lamba birkaç saniye sonra otomatik olarak söner.

NOT: İki batarya kartuşu takılıysa önce sol tarafa takılı olan batarya kullanılır.










NOT: İki batarya kartuşu takılıysa kullanımda olan batarya boşaldığında makine otomatik olarak batarya değiştirir.

NOT: Güç düğmesini açmadan kalan batarya kapasitesini kontrol edebilirsiniz.

Kalan batarya kapasitesinin gösterilmesi

Kalan batarya kapasitesini göstermesi için batarya kartuşu üzerindeki kontrol düğmesine basın. Göstergelambaları birkaç saniye yanar.

► **Şek.4:** 1. Göstergelambaları 2. Kontrol düğmesi

Göstergelambaları			Kalan kapasite
 Yanıyor	 Kapalı	 Yanıp sönüyor	
			%75 ila %100
			%50 ila %75
			%25 ila %50
			%0 ila %25
			Bataryayı şarj edin.
			Batarya arızalanmış olabilir.

NOT: Kullanım koşullarına ve ortam sıcaklığına bağlı olarak, gösterilen değer gerçek kapasiteden biraz farklılık gösterebilir.

NOT: İlk (en soldaki) gösterge lambası, batarya koruma sistemi çalıştığında yanıp söner.

Makine/batarya koruma sistemi

Makine bir makine/batarya koruma sistemi ile donatılmıştır. Bu sistem makine ve batarya ömrünü uzatmak için motorun gücünü otomatik olarak keser. Makine veya batarya için aşağıdaki durumlardan biri söz konusu olduğunda makinenin işleyişi otomatik olarak durur:

Aşırı yük koruması

Makine veya batarya, anormal derecede yüksek akım çekmesine neden olacak şekilde kullanıldığında, makine otomatik olarak durur ve hız göstergesi yeşil yanıp söner. Bu durumda makineyi kapatın ve makinenin aşırı yüklenmesine neden olan uygulamayı kesin. Ardından makineyi açarak yeniden çalıştırın.

Aşırı ısınma koruması

Makine aşırı ısındığında makine otomatik olarak durur ve hız göstergesi kırmızı yanar. Bu durumda, yeniden çalıştırmadan önce makine ve bataryanın soğumasını bekleyin.

NOT: Batarya aşırı ısındığında hız göstergesi kırmızı yanıp söner.

Aşırı deşarj koruması

Batarya kapasitesi yeterli değilse makine otomatik olarak durur ve hız göstergesi kırmızı yanıp söner. Bu durumda, bataryayı makineden çıkarın ve bataryayı şarj edin veya bataryayı tam şarjlı olanla değiştirin.

Diğer nedenlere karşı korumalar

Koruma sistemi, makineye zarar verebilecek diğer nedenler için de tasarlanmıştır ve makinenin otomatik olarak durmasını sağlar. Makine çalışırken geçici duraklama veya durma yaparsa nedenleri ortadan kaldırmak için aşağıdaki tüm adımları uygulayın.

1. Makineyi kapatın ve ardından tekrar açarak yeniden çalıştırın.
2. Bataryaları şarj edin veya şarjlı bataryalarla değiştirin.
3. Makinenin ve bataryaların soğumasını bekleyin.

Koruma sistemi eski haline getirilerek ilerleme kaydedilemezse yerel Makita Servis Merkezimize başvurun.

ÖNEMLİ NOT: Makine yukarıda açıklanmayan bir nedenle durursa sorun giderme kısmına bakın.

Mod değiştirme düğmesi

Hız üç seviyede değiştirilebilir. Hız modunu değiştirmek için mod değiştirme düğmesine basın. Hız modunu değiştirdiğinizde ilgili hız göstergesi yanar.

► **Şek.5:** 1. Mod değiştirme düğmesi

NOT: Makine açıkken modu değiştiremezsiniz. Modu, makine kapalıyken ve batarya makineye takılıyken değiştirin.

NOT: Hız göstergesi kırmızı yanar veya kırmızı ya da yeşil yanıp sönerse makine/batarya koruma sistemi için talimatlara bakın.

Güç düğmesi

UYARI: Kullanımda değilken ana güç anahtarını daima kapatın.

ÖNEMLİ NOT: Güç düğmesini zorlayarak çevirmeyin. Düğmenin arızalanmasına neden olabilir.

Makineyi açmak için güç düğmesini saat yönünde çevirin; makineyi kapatmak için güç düğmesini saatin aksi yönünde çevirin.

► **Şek.6:** 1. Güç düğmesi

NOT: Makineyi açtıktan hemen sonra batarya göstergeleri birkaç saniye yanar.

NOT: Batarya kartuşunu makineye, güç düğmesi açık konumda iken takarsanız hız göstergesi yeşil yanıp söner. Güç düğmesini kapalı konuma çevirin, ardından batarya kartuşunu makineye takın.

Nozul fonksiyonları

NOT: Standart nozullar ülkeye göre değişebilir. Diğer nozullar için isteğe bağlı aksesuarlar kısmına bakın.

Siklon jet nozulu

Ülkeye özgü

ÖNEMLİ NOT: Siklon jet nozulunu camlar veya araç kaportaları gibi kırılabilir yüzeyleri temizlemek için kullanmayın.

► **Şek.7**

Spiral jet püskürtülür. İnatçı kirleri temizlemek için uygundur.

Değişken püskürtme nozulu ve uzatma borusu

Ülkeye özgü

DİKKAT: Uzatma borusuna sadece değişken püskürtme nozulunu takın. Orijinal uzatma borusuna diğer isteğe bağlı uzatma borularını takmayın. Üretici tarafından önerilenin dışında başka ek parçaların kullanılması hasar veya yaralanma riskine neden olabilir.

DİKKAT: Jet basıncını ayarlarken nozulu tetikli tabancaya doğru çekerken döndürmeyin. Nozul tetikli tabancadan çıkabilir ve yaralanmaya neden olabilir.

DİKKAT: Su jetini ayarlamak için nozulun ucunu çevirirken zorlayarak çevirmeyin. Aksi takdirde nozul kırılabilir ve yaralanmaya neden olabilir.

► **Şek.8:** 1. Değişken püskürtme nozulu 2. Uzatma borusu
Jet basıncı nozul döndürülerek ayarlanabilir.

ÖNEMLİ NOT: Nozulu çevirirken nozulun ucundan tutmayın, bunun yerine şekilde gösterildiği gibi nozulun dibini tutun.

► **Şek.9**

NOT: Değişken püskürtme nozulu doğrudan tetikli tabancaya da takılabilir.

Tetik işlemi

ÖNEMLİ NOT: Basınç anahtarında mekanik hatayı engellemek için tetik işlemleri arasında her zaman iki saniye aralık bırakın.

Su jeti püskürtmek için tetiği çekin. Tetik basılı olduğu sürece jet devam eder. Tetikli tabancayı güvenli kullanmak için tetik kilitlenebilir. Tetiği kilitlemek için durdurucuyu çekip çıkararak kabza üzerindeki kanala geçirin.

► **Şek.10:** 1. Tetik 2. Durdurucu 3. Kanal

MONTAJ

⚠UYARI: Makine üzerinde herhangi bir işlem yapmadan önce tüm batarya kartuşlarını çıkardığınızdan mutlaka emin olun. Tüm batarya kartuşlarının çıkarılmaması istemsiz olarak aletin başlatılması sonucu ciddi yaralanmalara neden olabilir.

Yüksek basınç hortumunun bağlanması

⚠DİKKAT: Yüksek basınç hortumunun sağlam bir şekilde bağlandığından emin olun. Gevşek bağlantı yüksek basınç hortumunu fırlatarak yaralanmaya neden olabilir.

Yüksek basınç hortumunu çıkışa bağlayın. Yüksek basınç hortumunun üzerindeki somunu saat yönünde çevirerek çıkışın vida dişine vidalayın.

► **Şek.11:** 1. Çıkış 2. Somun

Tetikli tabancanın takılması

⚠DİKKAT: Yüksek basınç hortumunun sağlam bir şekilde bağlandığından emin olun. Gevşek bağlantı yüksek basınç hortumunu fırlatarak yaralanmaya neden olabilir.

Yüksek basınç hortumunu tetikli tabanca üzerindeki girişe bağlayın. Yüksek basınç hortumunun üzerindeki somunu saat yönünde çevirerek giriş üzerindeki vida dişine vidalayın.

► **Şek.12:** 1. Giriş 2. Somun

Musluğa bağlama

⚠DİKKAT: Daima şu çaplara sahip basınca dayanıklı su hortumu kullanın ve uygun bağlantı parçaları ile musluğa bağlayın. Aksi takdirde su hortumu ve/veya bağlantı parçası koparak yaralanmaya neden olabilir.

- Hortumun iç çapı 14 mm ila 15 mm.
- Hortumun dış çapı 20 mm veya daha az.
- Hortumun kalınlığı 2,3 mm veya üstü ve 3,0 mm'den az.

ÖNEMLİ NOT: Mümkün olduğu kadar kısa bir basınca dayanıklı su hortumu kullanın. Emme suyu miktarı pompanın maks. besleme hacminden yüksek olmalıdır.

ÖNEMLİ NOT: İçme suyu şebekesine bağlayacaksanız bölgenizdeki mevzuatı karşılayan bir geri akış engelleme vanası kullanın.

ÖNEMLİ NOT: Musluğa bağlarken gereken su debisi 7,0 L/min veya üstüdür. Su debisi yetersizse makineyi tam performansla kullanamazsınız.

NOT: Hortum takımı, her iki uca bağlantı manşonları takılı olarak gönderilir. Bağlantı manşonu olmadan bir musluğa bağlarken bir uçtaki bağlantı manşonunu şekilde gösterilen ok yönünde çevirerek bağlantı manşonunu çıkarın.

► **Şek.13:** 1. Bağlantı manşonu somunu 2. Bağlantı manşonu

1. Hortum takımını musluğa bağlayın. Hortumun ucunu musluğa sabitlemek için hortum kelepçesi veya musluk rakoru gibi uygun bir bağlantı parçası kullanın.

► **Şek.14:** 1. Hortum kelepçesi 2. Bağlantı manşonu 3. Hortum takımı

ÖNEMLİ NOT: Hortum takımını musluğa sıkıca bağlayın. Aksi takdirde musluğu açtığınızda hortum takımı çıkabilir.

NOT: Bağlantı parçası, bağlayacağınız musluğun şeklinde bağlıdır. Piyasadan alınan uygun bir bağlantı parçası hazırlayın.

2. Su hortumu rakorunu girişe takın, ardından bağlantı manşonunu su hortumu rakoruna takın.

► **Şek.15:** 1. Bağlantı manşonu 2. Su hortumu rakoru 3. Giriş

ÖNEMLİ NOT: Su hortumu rakoru ve bağlantı manşonunu takarken bunları sıkıca takın. Aksi takdirde musluğu açtığınızda su hortumu rakoru veya bağlantı manşonu çıkabilir.

Nozulun takılması/çıkartılması

⚠DİKKAT: Nozulu takarken/çıkartırken tetikli tabancanın tetiğini daima kilitleyin.

⚠DİKKAT: Nozulu tetikli tabancaya bağlarken sıkıca bağlayın ve çıkmadığından emin olun.

⚠DİKKAT: Nozulu bağlarken veya ayırırken zorlayarak çevirmeyin. Aksi takdirde nozul kırılabilir veya çıkabilir ve yaralanmaya neden olabilir.

Nozulun ucunu tetikli tabanca üzerindeki yuvaya sokun ve nozulu tetikli tabancaya doğru bastırarak şekilde gösterildiği gibi ok yönünde çevirin. Nozulu ayırmak için nozulu, tetikli tabancaya doğru bastırarak ters yönde çevirin, ardından çekerek çıkarın.

► **Şek.16:** 1. Tetikli tabanca 2. Yuva 3. Nozulun ucu

Köpük nozulunun takılması

İsteğe bağlı aksesuar

⚠DİKKAT: Nozulu takarken/çıkarırken tetikli tabancanın tetiğini daima kilitleyin.

ÖNEMLİ NOT: Sadece nötr deterjan kullanın. Makine veya eşyalarınıza zarar verebilecek ev tipi deterjan, asitli deterjan, alkali deterjan, ağartıcı, solüsyon, yanıcı madde veya endüstriyel sınıf solüsyonlar kullanmayın. Temizleme solüsyonunu, solüsyon şişesinde verilen talimatlara göre hazırlayın ve mutlaka önceden göze çarpmayan bir noktada test edin.

ÖNEMLİ NOT: Yüksek kıvamlı bir deterjan kullanılırsa nozul tıkanabilir. Yüksek kıvamlı deterjan kullanırken kullanmadan önce şişeye su ekleyerek deterjanı seyreltin.

NOT: Köpük nozulunu kullanırken şişedeki deterjan, makine tarafından sağlanan su ile seyreltilir ve püskürtülür. Şişedeki deterjan konsantrasyonunu gerekenden daha fazla seyreltmeniz gerekmez. Kullanım koşullarını kontrol ederek deterjan konsantrasyonunu ayarlayın.

NOT: Köpük nozulu yan yatırılırsa deterjan dökülebilir.

Köpük nozulunu kullanmadan önce bir deterjan hazırlayın.

1. Nozulu saatin aksi yönüne döndürerek kaptan çıkarın. Nozulu tetikli tabancaya takın.

► **Şek.17:** 1. Nozul 2. Tetikli tabanca

2. Deterjanı kaba boşaltın ve şekilde gösterilen yönde çevirerek kabı nozula takın.

► **Şek.18:** 1. Kap

KULLANIM

⚠UYARI: Su jetine dokunmayın veya kendinize ya da başkalarına doğru doğrultmayın. Su jeti tehlikelidir ve size veya başkalarına zarar verebilir.

⚠UYARI: Su jetini kullanırken asla temizlediğiniz nesneyi tutmayın veya ellerinizi ve ayaklarınızı su jetinin yanına koymayın.

⚠DİKKAT: Su jetinin geri sekmesine ve fırlayan nesnelere karşı dikkatli olun. Nozulu nesneye 30 cm'den daha fazla yaklaştırmayın.

⚠DİKKAT: Basınçlı yıkama makinasını susuz 1 dakikadan daha uzun çalıştırmayın.

⚠DİKKAT: Basınçlı yıkama makinasını uzun süre çalıştırmayın. Aşırı ısınmaya veya yangına neden olabilir. Ayrıca uzun süreli kullanım titreşim hastalığına neden olabilir.

⚠DİKKAT: Rüzgarın yönüne dikkat edin. Deterjan gözünüze veya ağızınıza kaçarsa derhal temiz su ile yıkayın ve gerekirse doktora başvurun.

⚠DİKKAT: Tetikli tabancayı sıkıca tutun. Tetiğe bastığınızda tetikli tabanca geri teper.

⚠DİKKAT: Su jeti püskürtürken tetikli tabancayı daima kabzasından ve namlusundan tutun.

ÖNEMLİ NOT: Basınçlı yıkama makinasını 1 saatten daha uzun kullanmaktan kaçının. 1 saat kullandıktan sonra aynı süreyle mola verin.

ÖNEMLİ NOT: Basınçlı yıkama makinasının mekanizmasını korumak için 40°C'den daha sıcak su kullanmayın.

ÖNEMLİ NOT: Kullanım sırasında tetikli tabancayı kuvvetli bir biçimde çekmemeye dikkat edin. Basınçlı yıkama makinasının devrilmesine neden olabilir.

ÖNEMLİ NOT: Çalışmaya uzun süre ara verirken basınçlı yıkama makinasını kapatın ve kalan suyu tamamen boşaltmak için tetiğe basın.

Basınçlı yıkama makinası, yüksek basınç korunacak şekilde uzun süre bırakılırsa yeniden başlamayabilir. Bu durumda basınçlı yıkama makinasını kapatın, girişe bir musluktan su besleyin ve su beslemesini bir süre muhafaza ederek tetiğe basın. Ardından basınçlı yıkama makinasını açın.

ÖNEMLİ NOT: Makineyi devrilmiş konumda kullanmayın. Aksi takdirde arızaya neden olabilir.

► Şek.19

Makineyi çalıştırmadan önce nozulu tetikli tabancadan çıkarın.

1. Batarya kapağını açın ve batarya kartuşlarını basınçlı yıkama makinasına takın, ardından batarya kapağını kilitleyin.

► **Şek.20:** 1. Batarya kartuşu 2. Batarya kapağı

2. Yüksek basınç hortumunun bir ucunu tetikli tabancaya ve diğer ucunu basınçlı yıkama makinasına bağlayın.

3. Basınçlı yıkama makinasını bir su hortumu ile musluğa bağlayın. Ondandır sonra musluğu açın.

► **Şek.21**

ÖNEMLİ NOT: Makineyi açmadan önce musluğun sonuna kadar açık olduğundan emin olun.

4. Mod değiştirme düğmesine basarak istediğiniz modu seçin, ardından güç düğmesini saat yönünde çevirerek makineyi açın.

► **Şek.22:** 1. Güç düğmesi 2. Mod değiştirme düğmesi

5. Su jeti püskürtmek için durdurucuyu açın ve tetiğe basın. Su, tetikli tabancadan sabit bir şekilde püskürtülmeye başladığında tetiği bırakın ve makineyi kapatın.

► **Şek.23:** 1. Durdurucu

NOT: Bu işlemi yapmadan önce nozulu tetikli tabancadan mutlaka çıkarın.

6. Amacınız için nozulu tetikli tabancaya takın, ardından makineyi açarak yıkama işlemine başlayın.

Çalışmaya ara verdiğinizde tetikli tabancayı şekilde gösterildiği gibi geçici olarak yerleştirebilirsiniz.

► **Şek.24**

Tank/su deposundan su sağlanması

⚠DİKKAT: Manşonu süzgeç takımının filtre mahfazasına takarken elinizin hortum kelepçesi ile incinmemesine dikkat edin.

ÖNEMLİ NOT: Her zaman Makita hortum takımını ve süzgeç takımını kullanın.

ÖNEMLİ NOT: Basınçlı yıkama makinasının girişi ile su yüzeyi arasındaki yüksekliği daima en fazla 1,0 m (39-3/8 ft) olacak şekilde tutun. Aksi takdirde basınçlı yıkama makinası suyu pompaya çekemeyecektir.

ÖNEMLİ NOT: Makinenin pompalayabileceği su seviyesi 100 mm veya daha fazladır.

ÖNEMLİ NOT: Nehir suyu, göl suyu veya kum ya da çamurla karışmış su kullanmayın. Aksi takdirde arızaya neden olabilir.

NOT: Suyun çıkması uzun sürerse süzgeç takımının süzgeç ve filtresini temizleyin.

Musluk yerine tank veya su deposundan su sağlayabilirsiniz.

1. Makineyi kapatın ve nozulu tetikli tabancadan çıkarın.

2. Hortum takımını ve süzgeç takımını su hortumu rakoruna bağlayın.

► **Şek.25:** 1. Tank/su deposu 2. Süzgeç takımı 3. Hortum takımı 4. Su hortumu rakoru

3. Makineyi açın, durdurucunun kilidini açın ve tetiğe basın. Su, tetikli tabancadan sabit bir şekilde püskürtülmeye başladığında tetiği bırakın.

► **Şek.26:** 1. Tetikli tabanca

NOT: Suyun çıkması yaklaşık 10 ila 60 saniye sürer.

NOT: Bu işlemi yapmadan önce nozulu tetikli tabancadan mutlaka çıkarın.

4. Makineyi kapatın ve amacınız için nozulu tetikli tabancaya takın, ardından makineyi açarak yıkama işlemine başlayın.

NOT: Su püskürtülmüyorken hortum takımı ile süzgeç takımını ayırın ve bunları suya sokun. Ardından bunları makineye yeniden bağlayın.

► **Şek.27:** 1. Hortum takımını ve süzgeç takımı

NOT: Su emişi çalışmıyorsa, uzun zaman alıyorsa veya su basıncı yeterli değilse şunları kontrol edin:

- Hortum takımı, süzgeç takımı ve su hortumu rakoru gevşemiş mi.
- Hortum takımının bağlantı manşonları su hortumu rakoruna ve süzgeç takımının filtre mahfazasına sıkıca takılmış mı.

Gevşek iseler sıkın.

Hortum takımı

► **Şek.28:** 1. Bağlantı manşonu

Süzgeç takımı

► **Şek.29:** 1. Hortum kelepçesi 2. Filtre mahfazası

Su hortumu rakoru

► **Şek.30:** 1. Su hortumu rakoru

Kullanım sonrası

⚠DİKKAT: Basınçlı yıkama makinasını kullandıktan sonra bu kılavuzda anlatılan prosedürü mutlaka uygulayın. Tetikli tabanca veya basınçlı yıkama makinasındaki artık basınç yaranlamaya veya içerideki pompanın hasar görmesine neden olabilir.

1. Makineyi kapatın ve nozulu tetikli tabancadan çıkarın.
2. Musluğu kapatın ve su hortumunu basınçlı yıkama makinasından ayırın.
► **Şek.31**
3. Basınçlı yıkama makinasını tekrar açın.
4. Basınçlı yıkama makinasında kalan su boşalana dek tetiğe basın.
► **Şek.32**

ÖNEMLİ NOT: Motoru 1 dakikadan daha uzun çalıştırmayın.

5. Basınçlı yıkama makinasını kapatın ve batarya kartuşlarını çıkarın.
► **Şek.33:** 1. Batarya kartuşu
6. Yüksek basınç hortumunu tetikli tabancadan ve basınçlı yıkama makinasından ayırın.
► **Şek.34:** 1. Tetikli tabanca 2. Yüksek basınç hortumu

ÖNEMLİ NOT: Yüksek basınç hortumunun zarar görmesini engellemek için depolamadan önce hortumda kalan suyu boşaltın.

7. Makineyi her iki elinizle tutun ve makineyi şekilde gösterildiği gibi yatırarak makinenin içinde kalan suyu boşaltın.
► **Şek.35**

BAKIM ve SAKLAMA

⚠UYARI: Makineyi saklamadan veya taşımadan ya da kontrol veya bakım yapmadan önce tüm batarya kartuşlarının makineden çıkarıldığından daima emin olun.

ÖNEMLİ NOT: Benzin, tiner, alkol ve benzeri maddeleri kesinlikle kullanmayın. Renk değişimi, deformasyon veya çatlaklar oluşabilir.

Aleti EMNİYETLİ ve ÇALIŞMAYA HAZIR durumda tutmak için onarımlar, başka her türlü bakım ve ayarlamalar daima Makita yedek parçaları kullanılarak Makita yetkili servis merkezleri veya Fabrikasının Servis Merkezleri tarafından yapılmalıdır.

Makinenin taşınması

⚠DİKKAT: Makineyi her iki elinizle taşımadan önce kolun tamamen katlandığından emin olun.

Makineyi taşırken bir elinizle kolu ve diğer elinizle alt tutamağı tutarak makineyi iki elinizle sıkıca tutun.

► **Şek.36:** 1. Kol 2. Alt tutamak

Makineyi, makinenin tekerleklerini kullanarak da taşıya-
bilirsiniz. Makineyi taşımadan önce kilit açma düğme-
sine basarak kolu uzattığınızdan emin olun.

► **Şek.37:** 1. Kilit açma düğmesi 2. Kol

► **Şek.38**

⚠ DİKKAT: Uzatılmış kola dayanarak aşırı güç
uygulamayın. Kol çıkarsa düşebilir ve yaralanabilirsiniz.

ÖNEMLİ NOT: Makineyi taşımadan önce kolun
sonuna kadar uzatıldığından ve kilit açma düğmesinin
orijinal konumuna döndürüldüğünden emin olun.

► **Şek.39:** 1. Kilit açma düğmesi

Nozulun temizlenmesi

ÖNEMLİ NOT: Kir veya pisliği zorla gidermeyin.
Yaralanmaya veya sapsız jet açılı ya da düşük
performansa yol açacak şekilde püskürtme deliğinin
hasar görmesine neden olabilir.

Nozuldan kiri gidermek veya tıkanıklığı açmak için
temizleme iğnesini kullanın.

► **Şek.40:** 1. Temizleme iğnesi

NOT: En uygun performansı korumak için nozulu
düzenli olarak temizleyin.

Filtrenin temizlenmesi

Su hortumu rakorunu çıkarın ve filtrenin içindeki kir ve
pisliği temizleyin.

► **Şek.41:** 1. Su hortumu rakoru 2. Filtre 3. Conta

Süzgeç takımını kullanırken filtreyi filtre mahfazasından
çıkarak kir ve pisliği temizleyin.

► **Şek.42:** 1. Filtre 2. Filtre mahfazası

NOT: En uygun performansı korumak için filtreyi
düzenli olarak temizleyin.

Depolama

ÖNEMLİ NOT: Daima sıcaklığın donma noktasi-
nın altına düşmediği kapalı bir mekanda depola-
yın. Basınçlı yıkama makinası donar ve arızalanırsa
onarım için yerel servisimize başvurun.

ÖNEMLİ NOT: Makineyi depolamadan önce
makinenin içindeki suyu mutlaka tümüyle boşal-
tın. Yetersiz boşaltmada nedeniyle donma sonucu
oluşan arızalar veya hasar, garanti kapsamına
girmez.

Aksesuarları, makinenin arka kısmındaki cepte
saklayın.

► **Şek.43**

SORUN GİDERME

Onarım için servise gitmeden önce kontrolleri yapın. Kılavuzda açıklanmayan bir problemle karşılaşırsanız makineyi
parçalarına ayırmaya çalışmayın. Bunun yerine, Makita Yetkili Servis Merkezlerine başvurun ve daima orijinal Makita
yedek parçaları kullanın.

Anormal durum	Olası nedeni (arıza)	Çözümü
Yıkama makinası çalışmıyor.	Elektrik yok	Şarjlı batarya kartuşlarını takın ve güç düğmesini açın.
	Pompada artık basınç	Tetiğe basın.
	Basınçlı yıkama makinası, yüksek basınç korunacak şekilde uzun süre bırakılmış.	Basınçlı yıkama makinasını kapatın, girişe bir musluktan su besleyin ve su beslemesini bir süre muhafaza ederek tetiğe basın. Ardından basınçlı yıkama makinasını açın.
Su jeti yok / zayıf su jeti	Su beslenmiyor veya zayıf su beslemesi	Musluğun açık olduğundan emin olun. Hortum takımını ve süzgeç takımını kullanıyorsanız hortuma su verin.
	Hava su akışını engelliyor.	Düğmeyi kapalı konuma alın ve tetiğe basarak tekrar açık konuma alın.
	Kötü su hortumu bağlantısı	Basınçlı yıkama makinası ile su musluğunun arasındaki bağlantıyı kontrol edin.
	Hortumlarda yetersiz bağlantı (süzgeç takımını kullanırken)	Gevşemişse bağlantı manşonunu sıkın. Bağlantı manşonunu sıkıca takın.
	Tıkalı hortum, filtre veya nozul	Hortum, filtre veya nozulun tıkanıklığını giderin.
İstikrarsız su jeti	Hasarlı veya aşınmış nozul ya da hortum	Nozulu veya hortumu değiştirin.
	Tıkalı nozul	Temizleme iğnesini kullanarak nozulun püskürtme deliğini açın.
	Zayıf su emmesi	Musluktan başlayarak su hortumunu kaçak veya tıkanıklıklara karşı kontrol edin. Musluğu açın.
Su çok sıcak.	Su çok sıcak.	Daha soğuk su sağlayın.
	Kötü su hortumu bağlantısı	Hortumların sıkıca bağlandıklarını kontrol edin.
	Hasarlı veya aşınmış hortum	Hortumu değiştirin.

İSTEĞE BAĞLI AKSESUARLAR

⚠DİKKAT: Bu aksesuarlar ve ek parçalar bu el kitabında belirtilen Makita makinanız ile kullanılmak için tavsiye edilmektedir. Herhangi başka bir aksesuar ya da ek parça kullanılması insanlar için bir yaralanma riski getirebilir. Aksesuarları ya da ek parçaları yalnızca belirtilmiş olan kullanım amaçlarına uygun olarak kullanın.

Bu aksesuarlarla ilgili daha fazla bilgiye ihtiyaç duyarsanız bulunduğunuz yerdeki yetkili Makita servisine başvurun.

- Nozul ve hortumlar
- Orijinal Makita batarya ve şarj aleti

NOT: Listedeki bazı kalemler ürünün ambalajında standart aksesuar olarak yer alabilir. Bunlar ülkeden ülkeye farklılık gösterebilir.

Nozul ve hortum kombinasyonları

► Şek.44

1	Sıçrama siperi	2	Siklon jet nozulu *1	3	Değişken püskürtme nozulu *1
4	Uzatma borusu *1	5	Köpük nozulu	6	Yıkama fırçası
7	Değişken püskürtme borusu	8	Değişken nozul	9	Döner fırça
10	Gövde altı püskürtme borusu	11	Boru temizleme hortumu (10 m)	12	Boru temizleme hortumu (15 m)
13	Bağlantı raketu	14	Tetikli tabanca *1	15	Boru uzatması *2
16	Yüksek basınç hortumu *1	17	Yüksek basınç uzatma hortumu (5 m)	18	Yüksek basınç uzatma hortumu (8 m)
19	Yüksek basınç uzatma hortumu (10 m)	20	Döner mafsal	21	Su hortumu raketu *1
22	Hortum takımı *1	23	Süzgeç takımı *1	-	-

*1: Standart aksesuar

*2: Gövde altı püskürtme borusu ile birlikte kullanılamaz.

Sıçrama siperi

► Şek.45

Siklon jet nozulu ile köşeleri temizlerken geri sıçramaları azaltır.

► Şek.46: 1. Somun 2. Siklon jet nozulu

Sıçrama siperini kullanırken sıçrama siperinden somunu çıkarın, ardından siklon jet nozulunu sıçrama siperine takın ve daha sonra somunu sıkın.

Köpük nozulu

► Şek.47

Deterjan, köpük şeklinde püskürtülebilir.

Yıkama fırçası

► Şek.48

Fırça ile donatılmış bir nozul. Kiri fırça ile fırçalayarak gidermek için kullanışlıdır.

Değişken püskürtme borusu

⚠DİKKAT: Jet basıncını ayarlarken nozulu tetikli tabancaya doğru çekerken döndürmeyin. Nozul tetikli tabancadan çıkabilir ve yaralanmaya neden olabilir.

⚠DİKKAT: Su jetini ayarlamak için nozulun ucunu çevirirken zorlayarak çevirmeyin. Aksi takdirde nozul kırılabilir ve yaralanmaya neden olabilir.

► Şek.49

Jet basıncı nozul döndürülerek ayarlanabilir.

Değişken nozul

⚠DİKKAT: Jet genişliğini ayarlarken nozulu tetikli tabancaya doğru çekerken döndürmeyin. Nozul tetikli tabancadan çıkabilir ve yaralanmaya neden olabilir.

⚠DİKKAT: Su jetini ayarlamak için nozulun ucunu çevirirken zorlayarak çevirmeyin. Aksi takdirde nozul kırılabilir ve yaralanmaya neden olabilir.

► Şek.50

Nozulun ön ucu döndürülerek jet genişliği 0° ile 25° arasında ayarlanabilir.

Döner fırça

► Şek.51

Jeti püskürtürken içindeki üç fırça yavaşça döner. Dış duvar, araç kaportası, banyo küveti, vb. üzerindeki hafif kirleri temizlemek için uygundur.

Gövde altı püskürtme borusu

⚠DİKKAT: Gövde altı püskürtme borusunu boru uzatması ile kullanmayın.

► Şek.52

Köşeli nozula sahip ekstra uzun püskürtme borusu. Aracın gövde altını ve yağmur oluğu gibi erişmesi zor yerleri temizlemek için idealdir.

Boru temizleme hortumu (10 m/15 m)

⚠ DİKKAT: Boru temizleme hortumunu kullanırken su jetine dikkat edin. Oldukça yoğun su jeti geriye doğru püskürtülür. Su jetini yalnızca nozul, temizlenecek boruya en az kırmızı işarete kadar sokulduğunda açın.

► Şek.53

Sihhi tesisat ve iniş borularını temizlemek ve açmak için.

Bağlantı rakoru

► Şek.54

Başka bir modele ait nozulu bağlamak için rakor.

Bazı opsiyonel nozullar, tetikli tabancaya bağlamak için bağlantı rakoru (isteğe bağlı aksesuar) gerektirirler. Bağlantı rakorunu tetikli tabancaya, nozulla aynı şekilde takın.

► Şek.55: 1. Nozul 2. Bağlantı rakoru 3. Tetikli tabanca

Boru uzatması

► Şek.56

Tetikli tabancanın uzunluğunu artırmak için borular. Kullanılacak boruların adedini değiştirerek üç farklı uzunluk elde edilebilir.

Yüksek basınç uzatma hortumu (5 m/8 m/10 m)

► Şek.57

Basınçlı yıkama makinası gövdesini tetikli tabancaya bağlamak için uzatma hortumu.

Döner mafsalsal

► Şek.58

Yüksek basınç hortumunun burkulmasını engeller.

► Şek.59: 1. Düğme 2. Somun

Yüksek basınç hortumunu döner mafsala bağlamak veya döner mafsaldan ayırmak için döner mafsalsal üzerindeki düğmeye bastırarak yüksek basınç hortumu üzerindeki somunu çevirir.

Hortum takımı

► Şek.60

Ürüne bir musluk veya ürüne süzgeç takımını bağlamak için bir hortum takımı.

Süzgeç takımı

► Şek.61

Bir tank veya su deposundan su beslemek için süzgeç takımı. Ürüne bağlamak için hortum takımını kullanın.

Makita Europe N.V.

Jan-Baptist Vinkstraat 2, 3070 Kortenberg, Belgium

Makita Corporation

3-11-8, Sumiyoshi-cho, Anjo, Aichi 446-8502 Japan

www.makita.com



885A39A995
EN, FR, DE, IT, NL,
ES, PT, DA, EL, TR
20230612